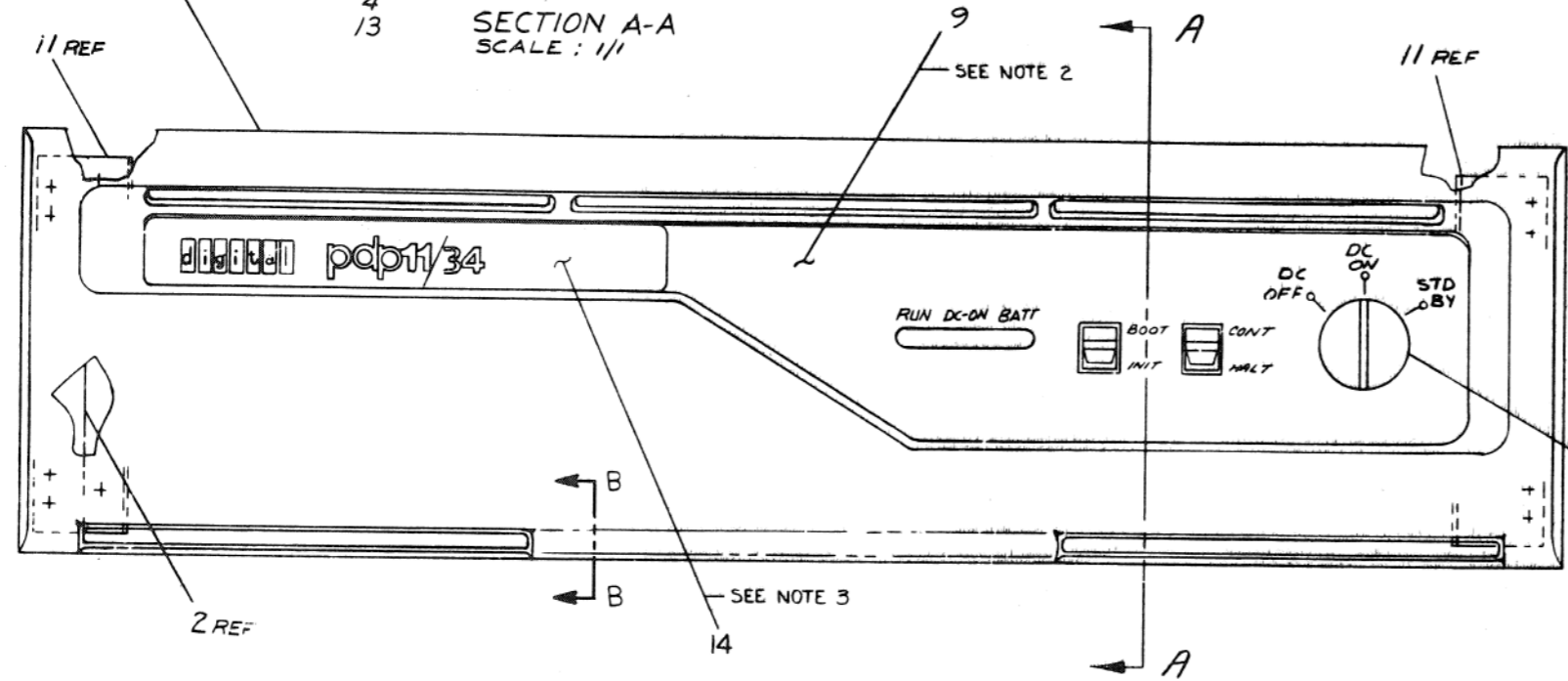
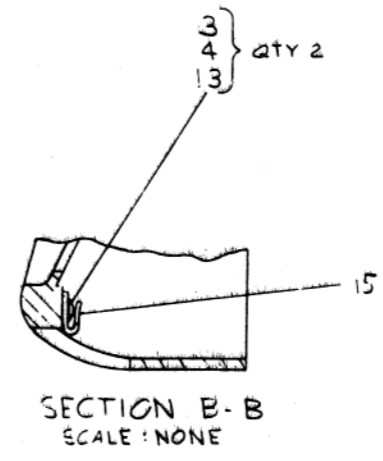
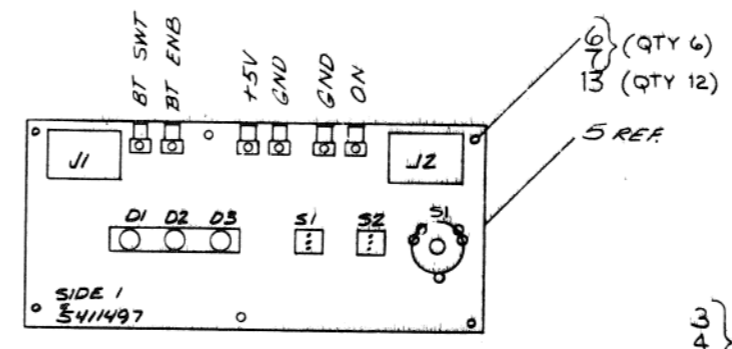
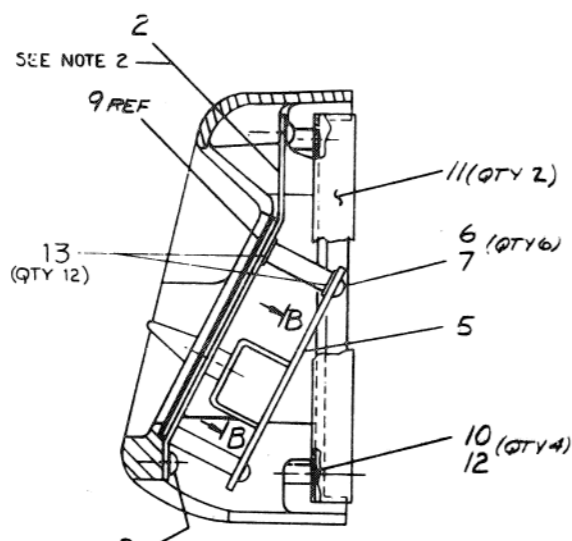


1. DRAWING AND SPECIFICATIONS HEREIN ARE THE PROPERTY OF DIGITAL EQUIPMENT CORPORATION AND SHALL NOT BE REPRODUCED OR COPIED OR USED IN WHOLE OR IN PART AS THE BASIS FOR THE MANUFACTURE OR SALE OF ANY EQUIPMENT WITHOUT WRITTEN PERMISSION FROM DIGITAL EQUIPMENT CORPORATION.

- NOTES**
- PART NO. 7413657-1-0 MAY BE USED IF 7415599 IS NOT AVAILABLE.
 - PRIOR TO ASSY OF CONTROL PANEL TO SUPPORT PANEL, CLEAN ITEM 2 THOROUGHLY. AFTER CLEANING, APPLY AN EVEN COAT "3M" BRAND AEROSOL ADHESIVE #77N TO ITEM #2 ONLY TO AVOID ATTACKING THE SILK SCREENING POSITION ITEM #9 IN PLACE AND BOND, APPLYING PRESSURE FOR A PERIOD OF 15-30 SECONDS.
 - OVERLAY DECAL TO BE SHIPPED LOOSE PIECE WITH THE UNIT AND ADDED AS SHOWN IF REQUIRED AT FA & T.
 - ITEM #16 NOT SHOWN.



ITEM NO.	DESCRIPTION	DWG. PART NO.	ITEM NO.
(SEE NOTE 2)	ADHESIVE, SPRAY	9008907	17
(SEE NOTE 4)	BEZEL, COVER PROTECTIVE	D-MD-7415656-00	16
1	BRACE, SUPPORT PNL	7419008	15
1	OVERLAY, DECAL 11/34	A-PS-3613359-01	14
19	WASHER, FLAT .375x.187x.036	9006660	13
4	SPACER, HEX 1/4x.38 LG	900680E	12
2	BEZEL, FILTER SUPPORT	CMD-7413652-0-0	11
4	SCR, PNL FL HD #8-32x.62	9006040-2	10
1	PANEL, CONTROL CONSOLE	D-147435020-0	9
1	KNOB, ROTARY SWITCH	1212570	8
6	SCR PNL HD PAN #8-32x.38	9006022-1	7
6	SPACER #6-32x.87	9006861	6
1	CIRCUIT ETCH BD KYII-LA	D-05-5411497-0-1	5
7	SCR FILL HD PAN #8-32x.31	9009799-00	4
7	WASHER, SPRING LOCK #8	9006690	3
1	SUPPORT, PANEL	D-MD-7413501-0-0	2
1	BEZEL 11/04	E-MD-7415599-0-0	1

REV	DESCRIPTION	DATE	BY	CHK'D
1	REVISED TO ADD PART 11	11/04	P. PORRECA	
2	REVISED TO ADD PART 12	11/04	P. PORRECA	
3	REVISED TO ADD PART 13	11/04	P. PORRECA	
4	REVISED TO ADD PART 14	11/04	P. PORRECA	
5	REVISED TO ADD PART 15	11/04	P. PORRECA	
6	REVISED TO ADD PART 16	11/04	P. PORRECA	
7	REVISED TO ADD PART 17	11/04	P. PORRECA	

NOTE 1

QUANTITY & VARIATION	DESCRIPTION	DWG. PART NO.	ITEM NO.
1	BEZEL 11/04	E-MD-7415599-0-0	1

UNLESS OTHERWISE SPECIFIED DIMENSIONS ARE IN INCHES

ANGLES	CLASS OF ACCURACY	NOMINAL DIMENSION	RANGE	TOLERANCE
10°-30°	0	0	1.2	±.010
	1	1.2	4.0	±.015
	2	4.0	16.0	±.020
	3	16.0	64.0	±.030
	4	64.0	256.0	±.040
	5	256.0	1024.0	±.050

THIRD ANGLE PROJECTION

REMOVE BURRS AND BREAK SHARP CORNERS

DO NOT SCALE DWG

MATERIAL: SEE PARTS LIST

FINISH: //

DRG: [Signature] 11/04

CHK'D: [Signature] 11/04

ENG: [Signature] 11/04

PROJ. ENG: [Signature] 11/04

PROD. [Signature] 11/04

FIRST USED ON: 11/04

TITLE: CONSOLE, OPER, ASSEMBLY

SIZE: D

CODE: UA

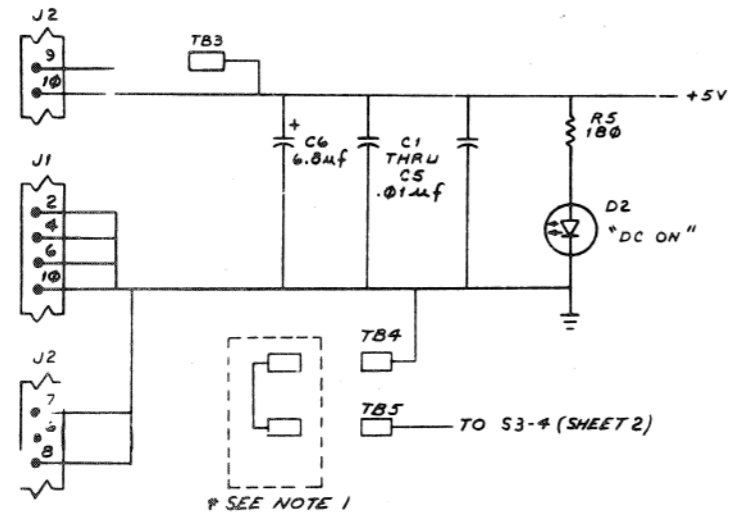
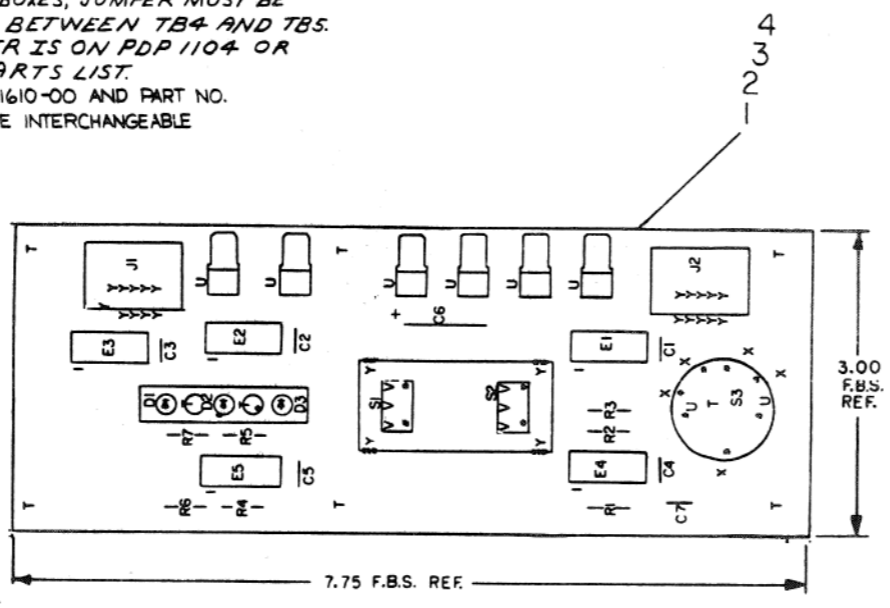
NUMBER: KYII-LA-0

REV: E

SHEET 1 OF 1

THE DESIGN AND SPECIFICATIONS HEREIN ARE THE PROPERTY OF DIGITAL EQUIPMENT CORPORATION AND SHALL NOT BE REPRODUCED OR COPIED IN WHOLE OR IN PART IN ANY MANNER FOR THE DISSEMINATION OR SALE OF THIS INFORMATION WITHOUT PERMISSION.
COPYRIGHT © 1975 DIGITAL EQUIPMENT CORPORATION

NOTES:
 1. IN BA11-L BOXES, JUMPER MUST BE INSTALLED BETWEEN TB4 AND TB5. THE JUMPER IS ON PDP 1104 OR PDP 1134 PARTS LIST.
 2. PART NO. 1001610-00 AND PART NO. 1001610-01 ARE INTERCHANGEABLE



IC TYPE	QTY	REF. DESIGNATION	DESCRIPTION	PART NO.	ITEM NO.
I. C. DEC 8640	1	E3	I. C. DEC 8640	1911429	17

DEC FORM NO. 500 1283

REF.	QTY	REF. DESIGNATION	DESCRIPTION	PART NO.	ITEM NO.
REF			X-Y COORDINATE HOLE LOCATION	M-CO-5011497-0-1	1
REF			ASSY/DRILLING HOLE LAYOUT	D-AM-5011497-0-5	2
REF			MODULE ECO HISTORY	B-MM-5011497-0-6	3
1			ETCHED CIRCUIT BOARD	5011496	4
5		C1 THRU C5	CAPACITOR, .01µf, 100V	1001610-01	5
1		C6	CAPACITOR, 6.0µf, 35V, 10%	1005306	6
1		C7	CAPACITOR, 1000PF, 100V	1000042	7
3		D1, D2, D3	DIODE, LIGHT EMITTING	1110864	8
1		S2	SWITCH, TOGGLE	1210840	9
1		S1	SWITCH, MOMENTARY	1210841	10
1		S3	SWITCH, ROTARY	1212560	11
1			HOLDER, TRIPLE L.E.D.	1210940-02	12
2		J1, J2	CONNECTOR, 10 PIN	1209041-05	13
2		R4, R6	RESISTOR, 1K, 1/4W, 5%	1300365	14
3		R1, R5, R7	RESISTOR, 180Ω, 1/4W, 5%	1301322	15
1		E5	I. C. DEC 7474	1305547	16
1		E3	I. C. DEC 8640	1911429	17
2		E1, E2	I. C. DEC 8881	1909705	18
1		E4	I. C. DEC 7402	1909004	19
6			TERMINAL, QUICK DISCONNECT	9007112	20
6			EYELET	9009000	21
2			SCREW, SELF-TAPING, #4-40 X .31 LG	9009236	22
1			PLATE, SWITCH MTO.	7413505-0-0	23
2		(S1), (S2)	KNOB	1210786	24
					25
					26
2		R2, R3	RESISTOR 330, 1/4W, 5%	1300295	27
2			WIRE, BUS	9007560-03	28
2			PLATING, TYPICAL	9007560-03	29

QTY	REF. DESIGNATION	DESCRIPTION	PART NO.	ITEM NO.

REV.	DATE	BY	CHK
1	4-23-75	J. VINCIGUERRA	
2	5-15-75	D. BARRY	

FIRST USED ON OPTION MODEL: 11/04

ETCH BOARD REV. =

SEMICONDUCTOR CONVERSION CHART

DEC NO. EIA NO. DEC NO. EIA NO. 1

SCALE: 1 OF 2

DRG. DATE: 4-23-75
 CHG. DATE: 5-15-75
 ENG. DATE: 5-15-75
 PROJ. ENGR. DATE: 5-15-75
 PROD. DATE: 5-15-75

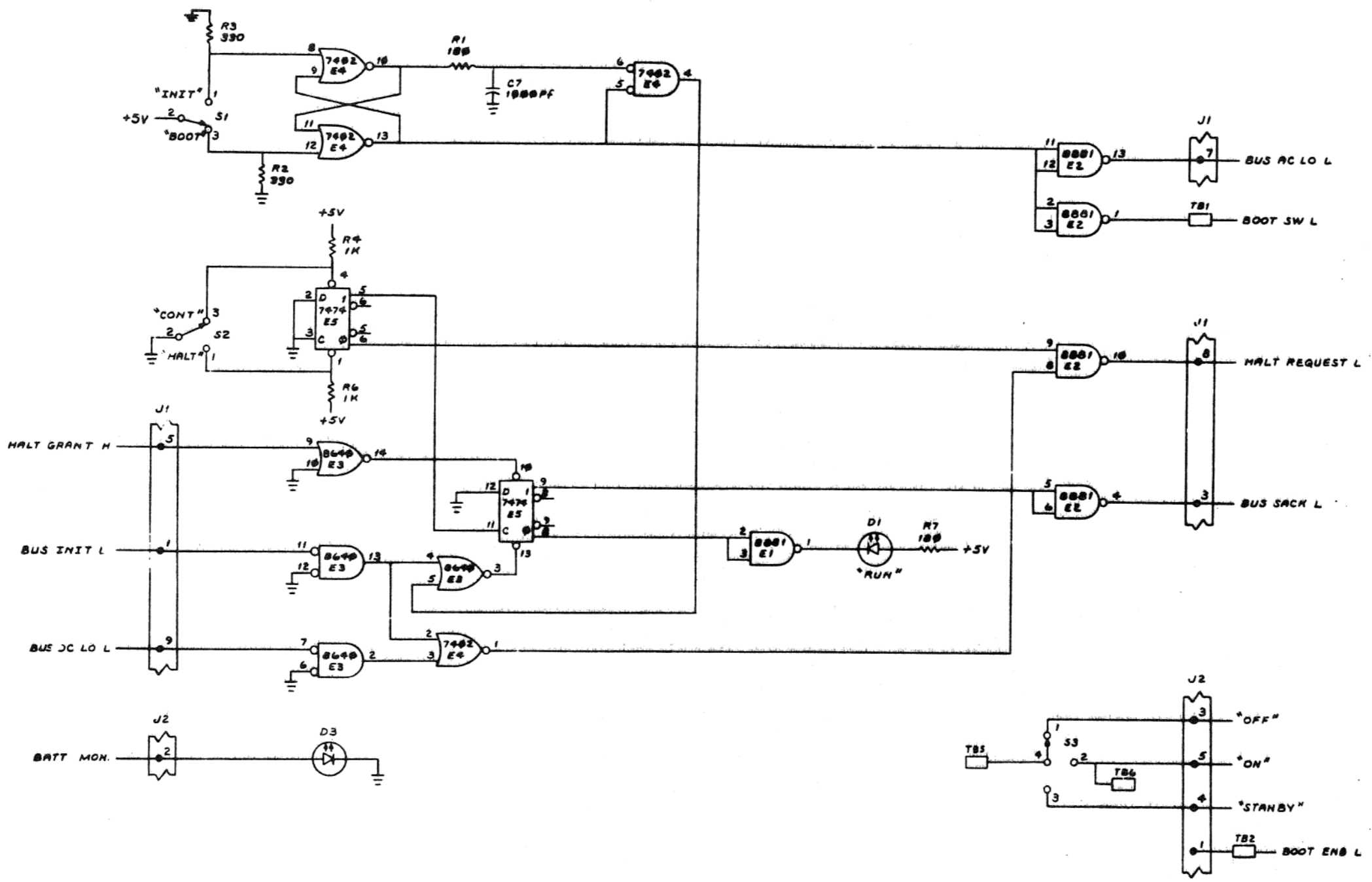
NEXT HIGHER ASSY:

TITLE: KY11-LA

REV. CODE: DCS 5411497-0-1

SHEET 1 OF 2

THIS DRAWING AND INFORMATION HEREON ARE THE PROPERTY OF THE UNITED STATES GOVERNMENT AND ARE LOANED TO YOU BY THE CONTRACTOR ON TITLE OR RIGHT TO USE FOR THE PERFORMANCE OF THIS CONTRACT. IT IS NOT TO BE REPRODUCED OR TRANSMITTED IN ANY FORM OR BY ANY MEANS, ELECTRONIC OR MECHANICAL, INCLUDING PHOTOCOPYING, RECORDING, OR BY ANY INFORMATION STORAGE AND RETRIEVAL SYSTEM.



REV.	DATE	BY

DRAWING DIRECTORY

"THIS DRAWING AND SPECIFICATIONS, HEREIN, ARE THE PROPERTY OF DIGITAL EQUIPMENT CORPORATION AND SHALL NOT BE REPRODUCED OR COPIED OR USED IN WHOLE OR IN PART AS THE BASIS FOR THE MANUFACTURE OR SALE OF ITEMS WITHOUT WRITTEN PERMISSION. COPYRIGHT © 1975 . DIGITAL EQUIPMENT CORPORATION"

~~CUSTOMER PRINT SET INDEX~~

~~THIS IS PRINT SET~~

SEQUENCE

SEQUENCE

NOTE:
FOR FIELD MAINTENANCE
PRINT SET REFER TO
B-TC-KY11-LA-1

UNIT VARIATIONS		PRINT SET
VAR	TITLE	
KY11-LA	OPER TURNKEY CONSOLE	<div style="text-align: center; border: 1px solid black; width: 100px; height: 100px; margin: 0 auto;"> X </div>

REVISIONS	
DATE	CHG. NO.
5-76	KY11-LA-1 A
1-77	KY11-LA-2 B
5-77	KY11-LA-3 C
12-77	KY11-LA-4 D

USED ON OPTION/MODEL		DRM.	DATE	TITLE
11/84-AA	11/84-BD	G. MARINI	9/16/75	
11/84-AB	11/84-DC	CHK'D.	DATE	
11/84-AC	11/84-DD	D. HEALY	9/30/75	
11/84-AD	11/84-EC	PROJ ENG.	DATE	
11/84-BA	11/84-ED	<i>R. Barry</i>	10-22-75	SIZE CODE NUMBER REV B DD KY11-LA D
11/84-BB		PROD.	DATE	
11/84-BC		<i>R.K. Patton</i>	10/22/75	DIST
SHEET 1 OF 2				

12821-2100-01-VT-0010-02

