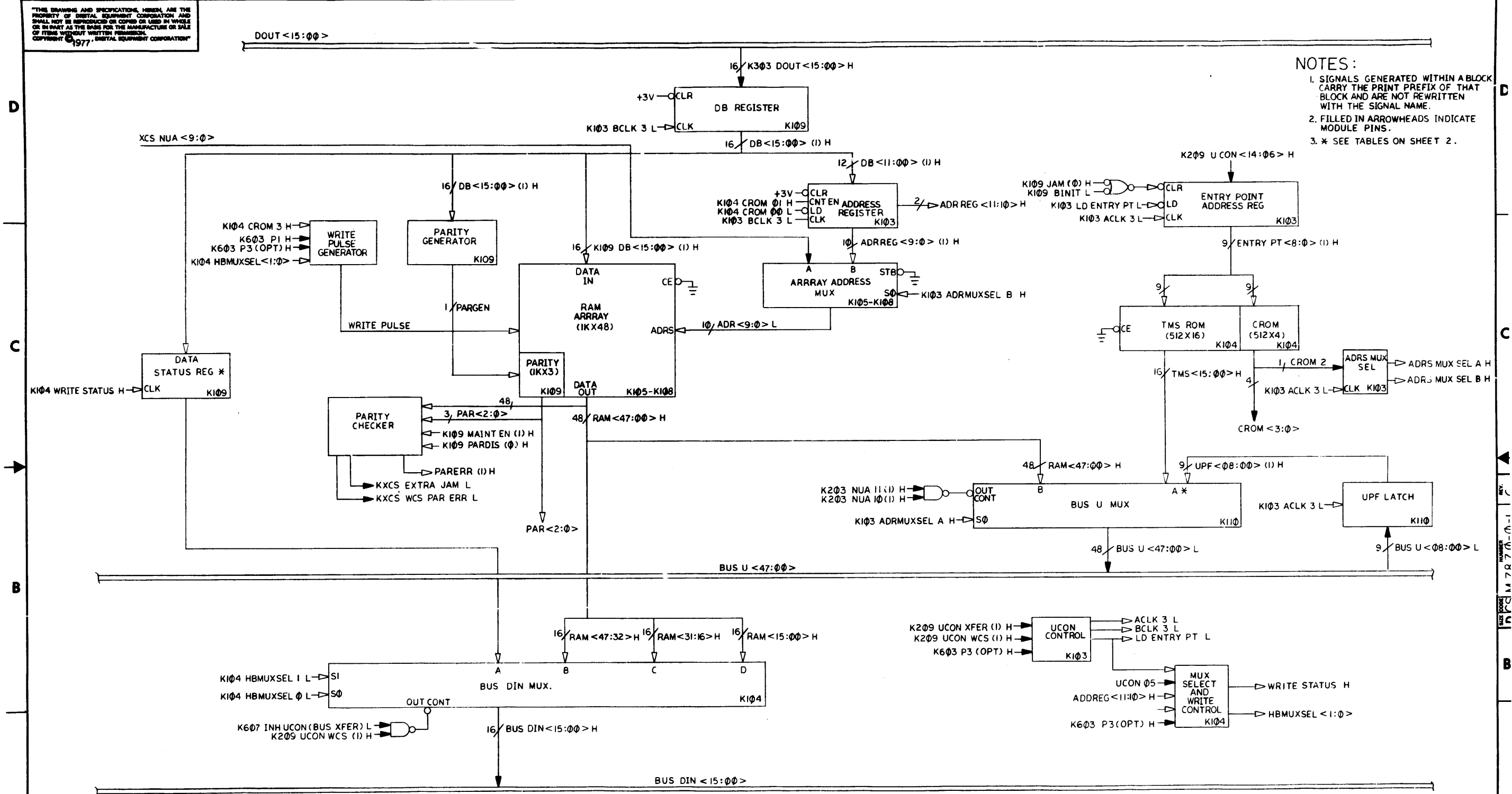


"THE DRAWING AND SPECIFICATIONS HEREIN ARE THE PROPERTY OF DIGITAL EQUIPMENT CORPORATION AND SHALL NOT BE REPRODUCED OR COPIED OR USED IN WHOLE OR IN PART AS THE BASIS FOR THE MANUFACTURE OR SALE OF ITEMS WITHOUT WRITTEN PERMISSION. COPYRIGHT © 1977, DIGITAL EQUIPMENT CORPORATION"

- NOTES:
1. SIGNALS GENERATED WITHIN A BLOCK CARRY THE PRINT PREFIX OF THAT BLOCK AND ARE NOT REWRITTEN WITH THE SIGNAL NAME.
 2. FILLED IN ARROWHEADS INDICATE MODULE PINS.
 3. * SEE TABLES ON SHEET 2.



(BLOCK DIAGRAM) (K101)

DRN. Png. 1-31-77	FIRST USED ON	
CHK'D Somer 8-31-77	TITLE	WRITABLE CONTROL STORE
ENGR. Somer 8-31-77	SIZE	D
PROJ. ENG. Somer 8-31-77	CODE	CS M7870-0-1
PROD. H. Somer 8-31-77	NUMBER	1
NEXT HIGHER ASSY.	REV.	
SCALE	SHEET	1 OF 10

REV.	
CHG.	
REV.	
CHG.	

THIS DRAWING AND SPECIFICATIONS HEREIN ARE THE PROPERTY OF SPERRY GYROSCOPE CORPORATION AND SHALL NOT BE REPRODUCED OR USED IN WHOLE OR IN PART AS THE BASIS FOR THE MANUFACTURE OR SALE OF PRODUCTS WITHOUT WRITTEN PERMISSION.
 COPYRIGHT © 1977 SPERRY GYROSCOPE CORPORATION

10-0767W SCD 2

WCS STATUS REGISTER	
BIT	FUNCTION
15	PARITY ERROR
14	WCS ID CODE
13	<1:0>
12	NOT USED
11	NOT USED
10	NOT USED
09	MAINT. ENABLE
08	NOT USED
07	PARITY GENERATED
06	WRITE ENABLE
05	WRITE BRING PARITY
04	PARITY DISABLE
03	PARITY 2
02	PARITY 1
01	PARITY 0
00	NOT USED

BUS DIN MUX				
BIT	PORT A	PORT B	PORT C	PORT D
15	STATUS 15	RAM 47	RAM 31	RAM 15
14	STATUS 14	RAM 46	RAM 30	RAM 14
13	STATUS 13	RAM 45	RAM 29	RAM 13
12	STATUS 12	RAM 44	RAM 28	RAM 12
11	STATUS 11	RAM 43	RAM 27	RAM 11
10	STATUS 10	RAM 42	RAM 26	RAM 10
09	STATUS 09	RAM 41	RAM 25	RAM 09
08	STATUS 08	RAM 40	RAM 24	RAM 08
07	STATUS 07	RAM 39	RAM 23	RAM 07
06	STATUS 06	RAM 38	RAM 22	RAM 06
05	STATUS 05	RAM 37	RAM 21	RAM 05
04	STATUS 04	RAM 36	RAM 20	RAM 04
03	STATUS 03	RAM 35	RAM 19	RAM 03
02	STATUS 02	RAM 34	RAM 18	RAM 02
01	STATUS 01	RAM 33	RAM 17	RAM 01
00	STATUS 00	RAM 32	RAM 16	RAM 00

BUS U MUX					
BIT	PORT A	PORT B	BIT	PORT A	PORT B
47	1	RAM 47	23	TMS ROM 06	RAM 23
46	TMS ROM 00	RAM 46	22	TMS ROM 07	RAM 22
45	1	RAM 45	21	TMS ROM 08	RAM 21
44	TMS ROM 00	RAM 44	20	TMS ROM 09	RAM 20
43	TMS ROM 01	RAM 43	19	TMS ROM 10	RAM 19
42	TMS ROM 02	RAM 42	18	TMS ROM 11	RAM 18
41	1	RAM 41	17	TMS ROM 12	RAM 17
40	TMS ROM 03	RAM 40	16	TMS ROM 13	RAM 16
39	1	RAM 39	15	TMS ROM 14	RAM 15
38	TMS ROM 04	RAM 38	14	0	RAM 14
37	0	RAM 37	13	1	RAM 13
36	TMS ROM 05	RAM 36	12	0	RAM 12
35	TMS ROM 06	RAM 35	11	0	RAM 11
34	TMS ROM 07	RAM 34	10	0	RAM 10
33	TMS ROM 08	RAM 33	09	0	RAM 09
32	0	RAM 32	08	UPF 00(1) H	RAM 08
31	0	RAM 31	07	UPF 07(1) H	RAM 07
30	0	RAM 30	06	UPF 06(1) H	RAM 06
29	0	RAM 29	05	UPF 05(1) H	RAM 05
28	TMS ROM 09	RAM 28	04	UPF 04(1) H	RAM 04
27	0	RAM 27	03	UPF 03(1) H	RAM 03
26	0	RAM 26	02	UPF 02(1) H	RAM 02
25	0	RAM 25	01	UPF 01(1) H	RAM 01
24	0	RAM 24	00	UPF 00(1) H	RAM 00

CROM	
BIT	FUNCTION
3	WRITE PULSE EN
2	ADRS MUX SEL ENTRY PT CNT EN
1	ADRS REG CNT EN
0	ADRS REG LOAD EN

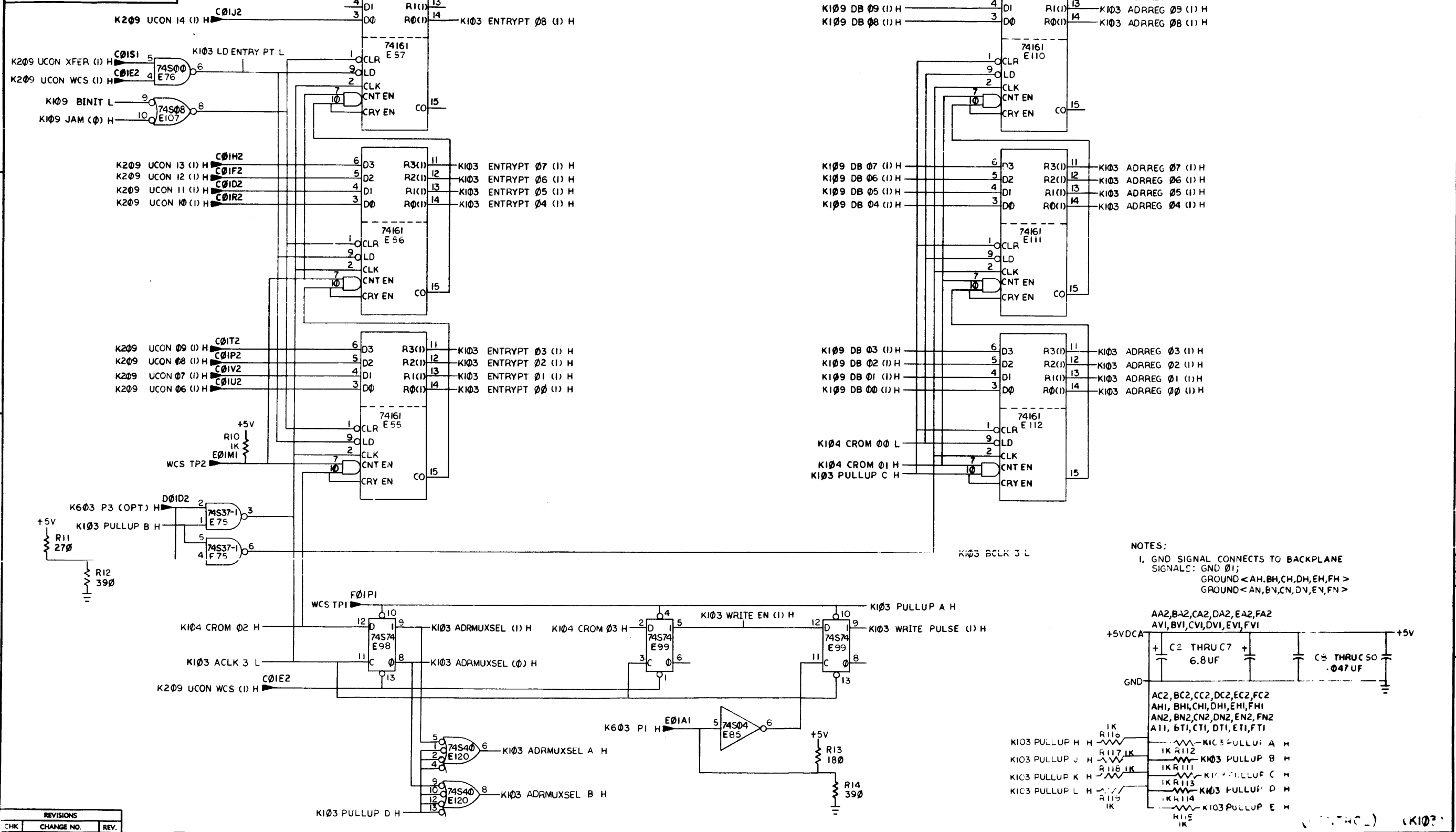
REVISIONS		
CHK	CHANGE NO.	REV.

(TABLES) (K102)

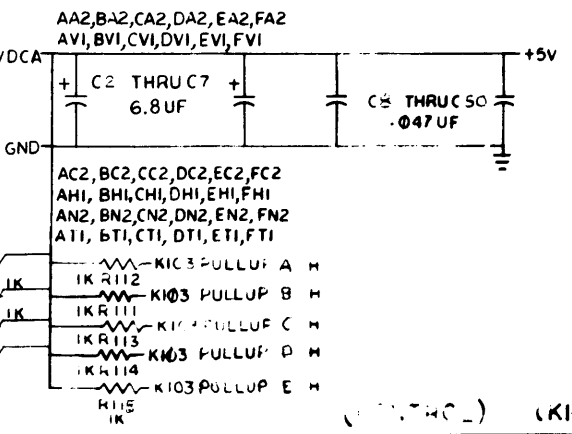
TITLE	SIZE CODE	NUMBER	REV.
WRITABLE CONTROL STORE	D CS	M7870-0-1	C
SCALE	SHEET	OF	DIST.
	2	10	

REV. C
M7870-0-1
D CS M7870-0-1

"THIS DRAWING AND SPECIFICATIONS, HEREIN, ARE THE PROPERTY OF SPITAL EQUIPMENT CORPORATION AND SHALL NOT BE REPRODUCED OR COPIED OR USED IN WHOLE OR IN PART AS THE BASIS FOR THE MANUFACTURE OR SALE OF ITEMS WITHOUT WRITTEN PERMISSION. COPYRIGHT © 1976 SPITAL EQUIPMENT CORPORATION"

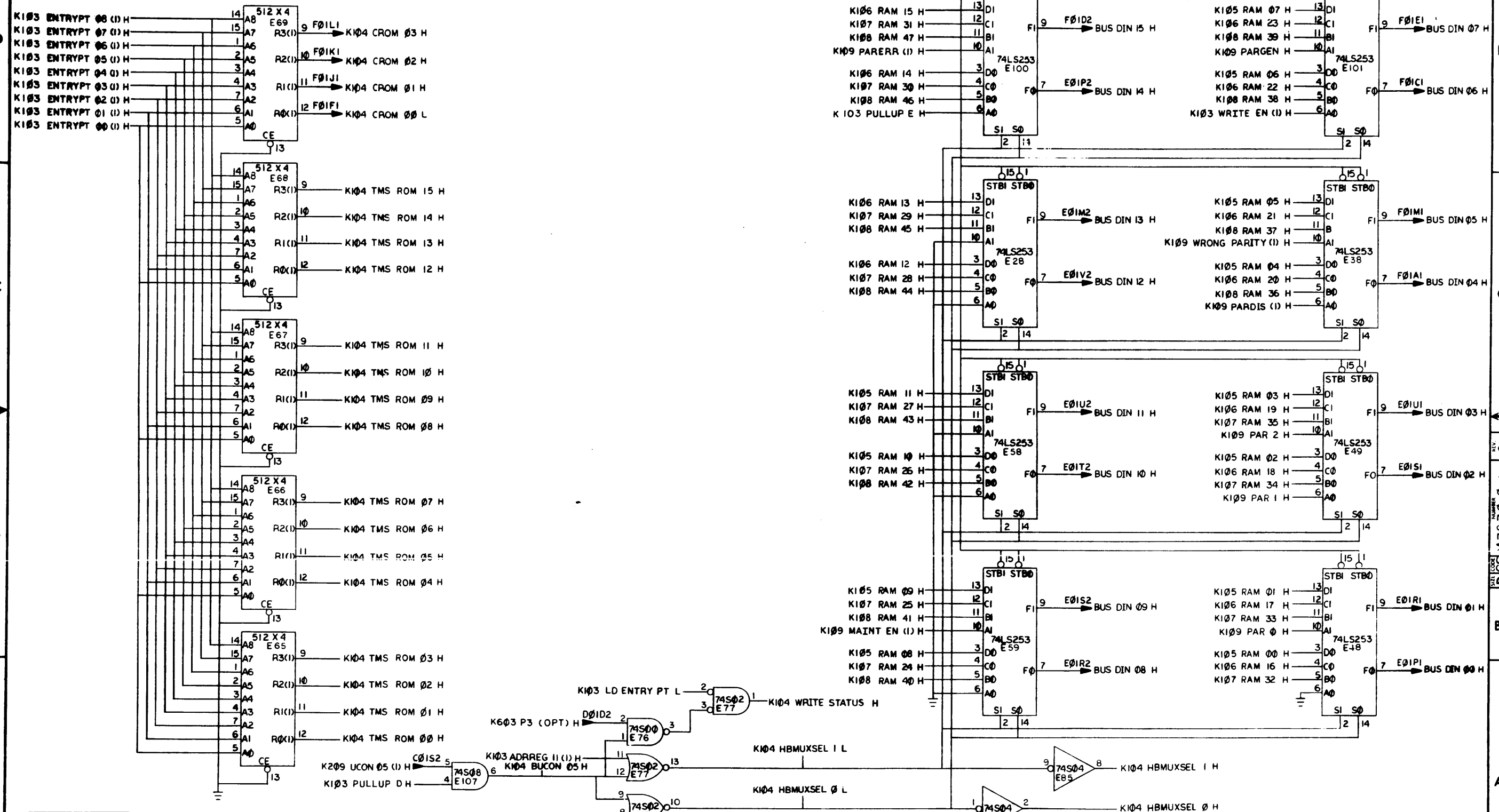


NOTES:
 1. GND SIGNAL CONNECTS TO BACKPLANE SIGNALS: GND 01;
 GROUND < AH, BH, CH, DH, EH, FH >
 GROUND < AN, BN, CN, DV, EV, FN >



REVISIONS		
CHK	CHANGE NO.	REV.

THESE DRAWINGS AND SPECIFICATIONS, HEREIN, ARE THE PROPERTY OF DIGITAL EQUIPMENT CORPORATION AND SHALL NOT BE REPRODUCED OR COPIED IN WHOLE OR IN PART OR BE LOANED, REPRODUCED OR COPIED IN WHOLE OR IN PART FOR THE MANUFACTURE OR SALE OF ANY EQUIPMENT WITHOUT PERMISSION OF DIGITAL EQUIPMENT CORPORATION. © 1977 DIGITAL EQUIPMENT CORPORATION

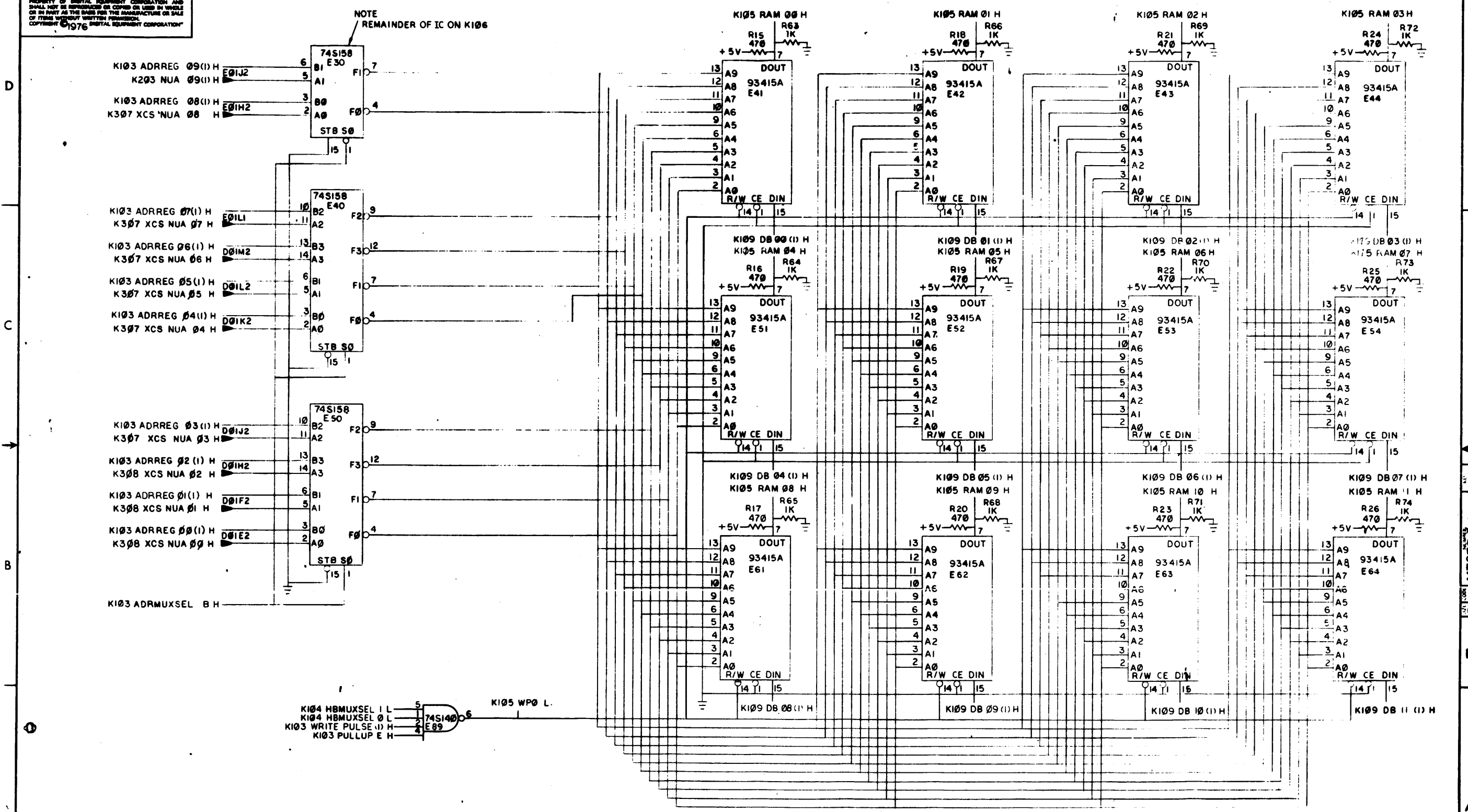


REVISIONS		
CHK	CHANGE NO.	REV.

TITLE	SIZE CODE	NUMBER	REV.
WRITABLE CONTROL STORE	DCS	M7870-0-1	C
SCALE	SHEET	DIST.	
	4 OF 10		

THIS DRAWING AND SPECIFICATIONS HEREIN ARE THE PROPERTY OF DIGITAL EQUIPMENT CORPORATION AND SHALL NOT BE REPRODUCED OR COPIED OR USED IN WHOLE OR IN PART AS THE BASIS FOR THE MANUFACTURE OR SALE OF ITEMS WITHOUT WRITTEN PERMISSION. COPYRIGHT © 1976 DIGITAL EQUIPMENT CORPORATION

NOTE
REMAINDER OF IC ON K106



REVISIONS		
CHK	CHANGE NO.	REV.

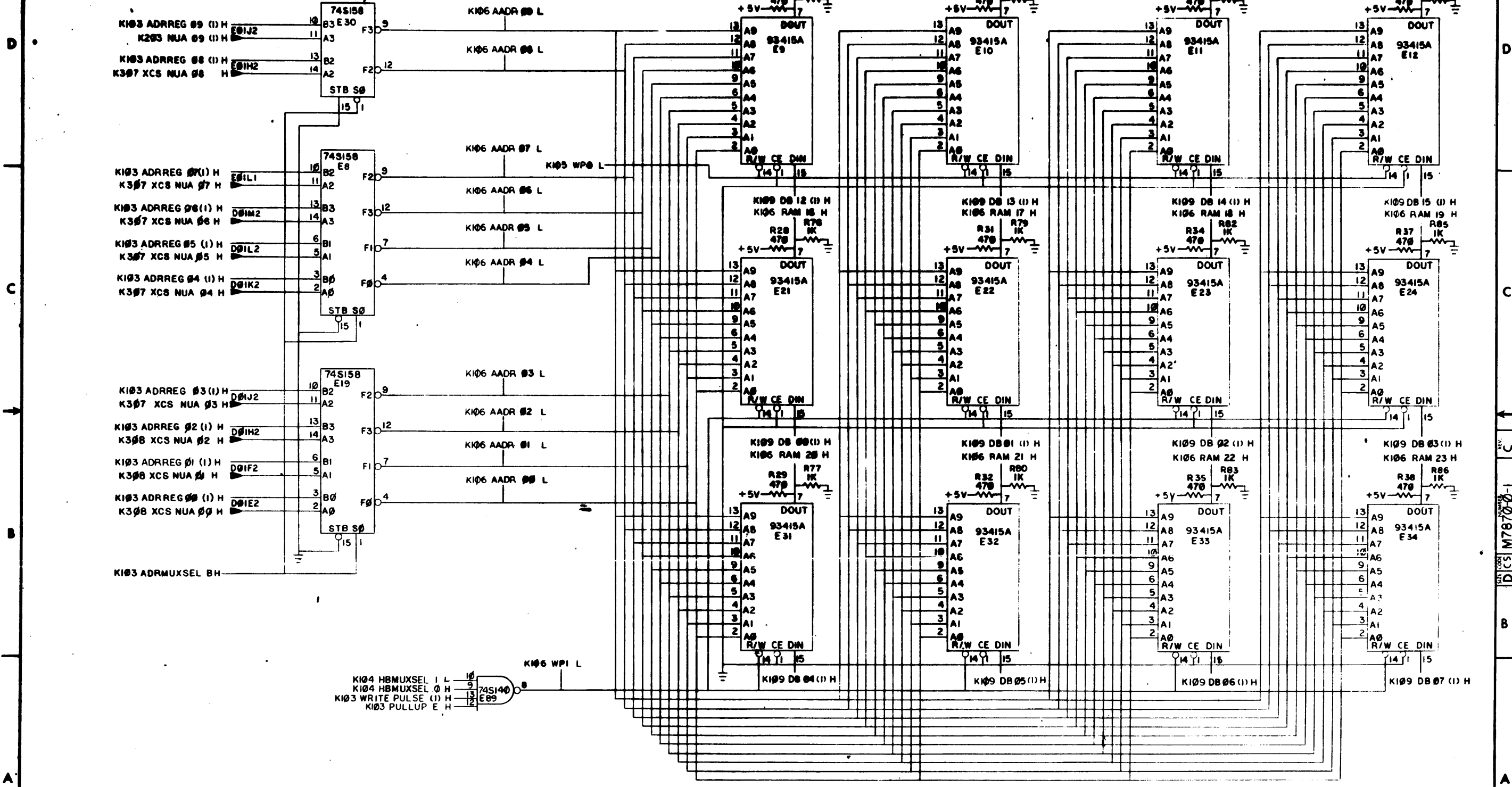
(DATA ARRAY <11:00>)		(K105)	
TITLE	SCALE	SHEET	REV.
WRITABLE CONTRCL STORE	---	5 OF 10	C
SIZE CODE	DCS	NUMBER	M7870-0-1
DIST.			

REVISIONS

7 6 5 4 3 2 1

1-0-0/0/0 2

NOTE
REMAINDER OF IC ON K105



CHK	CHANGE NO.	REV.

(DATA ARRAY <23:12>)

(K106)

TITLE: WRITABLE CONTROL STORE

SIZE CODE: DCS

NUMBER: M7870-0-1

SCALE: SHEET 6 OF 10

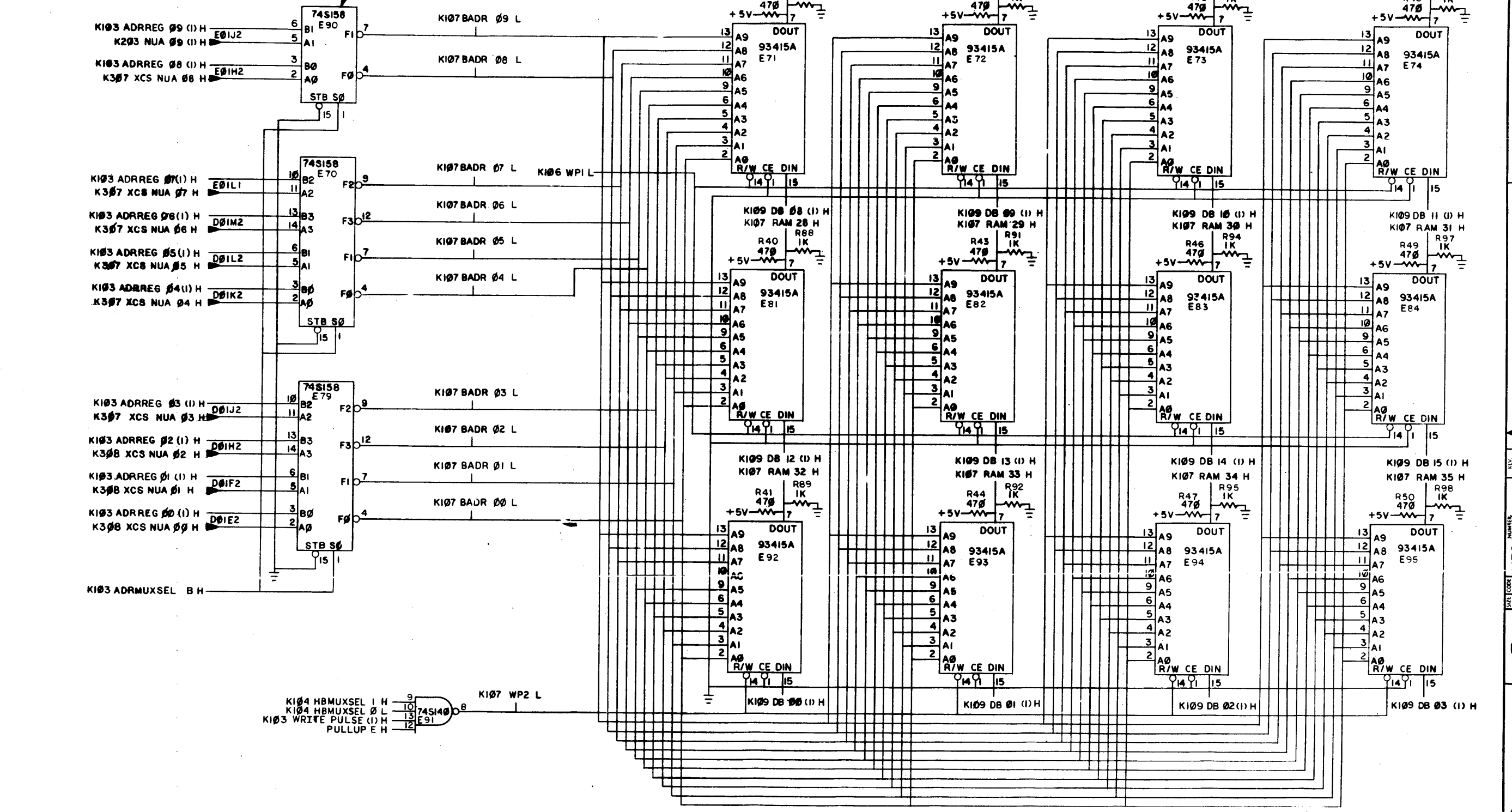
DIST. REV. C

REV. C DCS M7870-0-1

8 7 6 5 4 3 2 1

THE DRAWING AND SPECIFICATIONS HEREIN ARE THE PROPERTY OF DIGITAL EQUIPMENT CORPORATION AND SHALL NOT BE REPRODUCED OR COPIED IN WHOLE OR IN PART AS THE BASIS FOR THE MANUFACTURE OR SALE OF EQUIPMENT WITHOUT WRITTEN PERMISSION OF DIGITAL EQUIPMENT CORPORATION.

NOTE:
REMAINDER OF IC ON K108



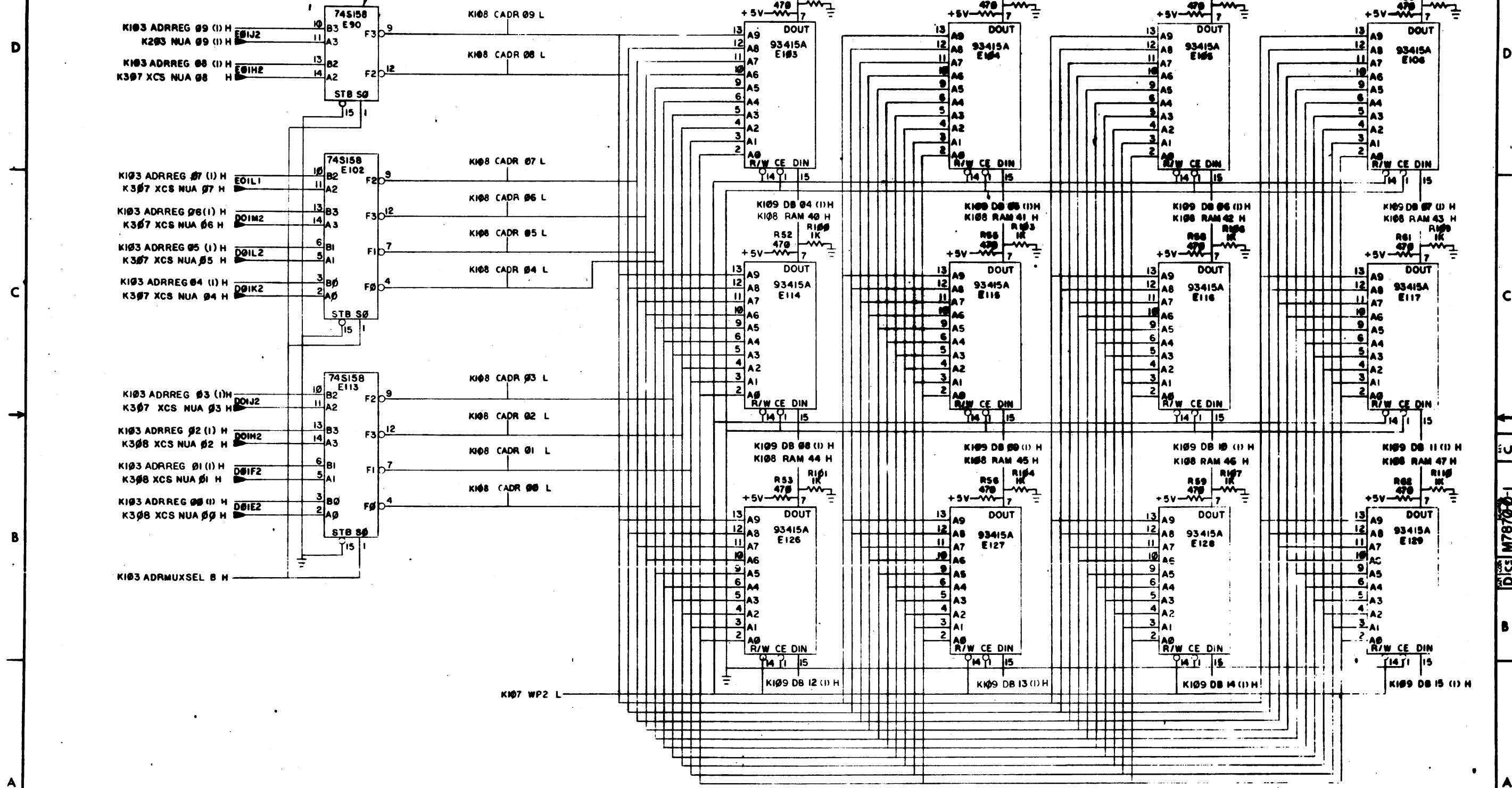
REVISIONS		
CHK	CHANGE NO.	REV.

(DATA ARRAY <35:24>)		(K107)	
TITLE	SIZE CODE	NUMBER	REV.
WRITABLE CONTROL STORE	D CS	M7870-0-1	C
SCALE	SHEET	DIST.	
	7 OF 10		

REV. C
D CS M7870-0-1

THIS DRAWING AND INFORMATION HEREIN ARE THE PROPERTY OF THE COMPANY AND ARE TO BE KEPT IN CONFIDENCE. NO PART OF THIS DRAWING IS TO BE REPRODUCED OR TRANSMITTED IN ANY FORM OR BY ANY MEANS, ELECTRONIC OR MECHANICAL, INCLUDING PHOTOCOPYING, RECORDING, OR BY ANY INFORMATION STORAGE AND RETRIEVAL SYSTEM.

NOTE
REMAINDER OF IC ON K107

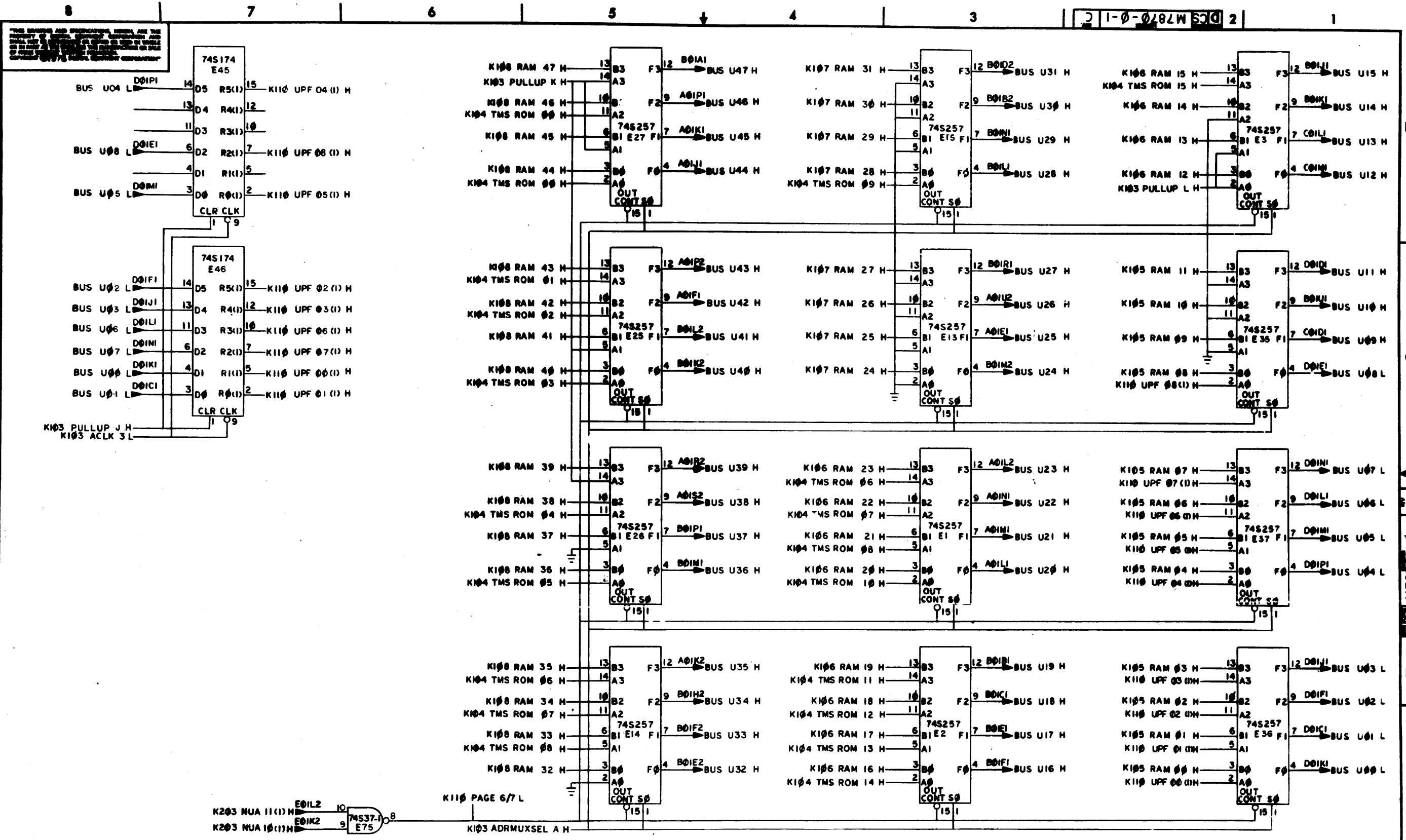


REVISIONS		
CHK	CHANGE NO.	REV.

(DATA ARRAY <47: 36 >) (K108)

TITLE: WRITABLE CONTROL STORE
 NUMBER: DCS M7870-0-1
 SCALE: 1:1
 SHEET: 8 OF 10
 REV: C

DCS M7870-0-1



REVISIONS			TITLE		PART CODE		NUMBER		REV.
CHK	CHANGE NO.	REV.	WRITABLE CONTROL STORE		DCS M7870-0-1				
			SCALE		SHEET	IOFIO	DNF.		

DIGITAL EQUIPMENT CORPORATION PARTS LIST

MADE BY DATE	R. LAW 8 JUN 77	CHECKED <u>FRANK SMART</u> DATE <u>8-29-77</u>	SECTION
ENG <u>M. Carnofield</u> DATE <u>9/28/77</u>	PROD <u>M. Schuch</u> DATE <u>9/28/77</u>	ISSUED SECTION	

QUANTITY / VARIATION											
ITEM NO.	DRAWING NO.	PART NO.	DESCRIPTION	QTY	UNIT	VAR 1	VAR 2	VAR 3	VAR 4	VAR 5	VAR 6
M7870-0-0											

NOTES:

REF DESIGNATION

ITEM NO.	DRAWING NO.	PART NO.	DESCRIPTION	QTY	UNIT	VAR 1	VAR 2	VAR 3	VAR 4	VAR 5	VAR 6	REF DESIGNATION
1	D-MD-5011679-0-0	5011679	ETCH BOARD	1								
2		1005784	CAPACITOR, .01mf, 100V, 10%	1								C1
3		1005306	CAPACITOR, 6.8mf, 35V, 10%	6								C2-C7
4		1012784	CAPACITOR, .047mf, 50V	43								C8-C50
5		1300316	RESISTOR 470 OHM, 1/4W, 5%	51								R4, R6, R8, R15-R62
6		1300365	RESISTOR 1K, OHM, 1/4W, 5%	61								R5, R7, R9, R10, R63-R119
7		1301322	RESISTOR 180 OHM, 1/4W, 5%	2								R2, R13
8		1301972	RESISTOR 270 OHM, 1/4W, 5%	1								R11
9		1300309	RESISTOR 390 OHM, 1/4W, 5%	3								R3, R12, R14
10		1302394	RESISTOR 30K .1/4W, 5%	1								R1
11		1910532	I.C. DEC 74S00	1								E76
12		1912388	I.C. DEC 74S02	1								E77
13		1910534	I.C. DEC 74S04	2								E47, E85
14		1912389	I.C. DEC 74S09	1								E107
15		1910535	I.C. DEC 74S05	1								E118
16		1912746-01	I.C. DEC 74S37-1	1								E75
17		1910541	I.C. DEC 74S40	1								E120
18		1911712	I.C. DEC 74S51	3								E17, E18, E119
19		1910542	I.C. DEC 74S64	1								E123
20		1910544	I.C. DEC 74S74	5								E96-E99, E121

E.C.O. NO. "THIS DRAWING AND SPECIFICATIONS, HEREIN, ARE THE PROPERTY OF DIGITAL EQUIPMENT CORPORATION AND SHALL NOT BE REPRODUCED OR COPIED OR USED IN WHOLE OR IN PART AS THE BASIS FOR THE MANUFACTURE OR SALE OF ITEMS WITHOUT WRITTEN PERMISSION. COPYRIGHT © 1977 DIGITAL EQUIPMENT CORPORATION"	TITLE WRITABLE CONTROL STORE	ASSY NO. D-UA-M7870-0-0 SHEET 1 OF 3	SIZE B	CODE PL	NUMBER M7870-0-0	REV. C
---	---------------------------------	--	------------------	-------------------	---------------------	-----------

DIGITAL EQUIPMENT CORPORATION PARTS LIST

MADE BY DATE	R. LAW 8 JUN 77	CHECKED FRANK SMART DATE	SECTION
ENG DATE	M. Carafello 9/28/77	PROD M. Schuch DATE	ISSUED SECTION

QUANTITY / VARIATION

NOTES:

ITEM NO.	DRAWING NO.	PART NO.	DESCRIPTION	M7870-0-0	QUANTITY	VARIATION	REF DESIGNATION
21		1910546	I.C. DEC 74S140	2			E89, E91
22		1910549	I.C. DEC 74S158	10			E8, E19, E30, E40, E50, E70, E79, E90, E102, F113
23		1910650	I.C. DEC 74161	6			E55, E56, E57, E110, E111, E112
24		1910550	I.C. DEC 74S174	5			E45, E46, E86, E87, E88
25		1912646	I.C. DEC 74LS253	8			E28, E38, E48, E49, E58, E59, E100, E101
26		1911641	I.C. DEC 74S257	12			E1, E2, E3, E13, E14, E15, E25, E26, E27, E35, E36, E37
27							
28		1912459-01	I.C. DEC 93415A	51			E9-E12, E20-E24, E31-E34, E41-E44, E51-E54, E61-E64, E71-E74, E80-E84, E92-E95, E103-E106, E114-E117, E125-E129
29							
30							
31							
32							
33		23280A9	I.C. DEC 512x4 TRI STATE ROM/PROM 1				E65
34		23281A9	I.C. DEC 512x4 TRI STATE ROM/PROM 1				E66
35		23282A9	I.C. DEC 512x4 TRI STATE ROM/PROM 1				E67
36		23283A9	I.C. DEC 512x4 TRI STATE ROM/PROM 1				E68
37		23284A9	I.C. DEC 512x4 TRI STATE ROM/PROM 1				E69
38		1911573	I.C. DEC 74S280	8			E4, E5, E6, E16, E29, E39, E108, E109
39		1910951	I.C. DEC 9602	1			E124
40		1910536	I.C. DEC 74S10	1			E122

E.C.O. NO.

"THIS DRAWING AND SPECIFICATIONS, HEREIN, ARE THE PROPERTY OF DIGITAL EQUIPMENT CORPORATION AND SHALL NOT BE REPRODUCED OR COPIED OR USED IN WHOLE OR IN PART AS THE BASIS FOR THE MANUFACTURE OR SALE OF ITEMS WITHOUT WRITTEN PERMISSION. COPYRIGHT © 1977 DIGITAL EQUIPMENT CORPORATION"	TITLE WRITABLE CONTROL STORE	ASSY NO. D-UA-M7870-0-0	SIZE B	CODE PL	NUMBER M7870-0-0	REV. C
		SHEET 2 OF 3	INSERTION PARTS LIST DATA BASE REV C			

DIGITAL EQUIPMENT CORPORATION PARTS LIST

NOTES:

QUANTITY / VARIATION

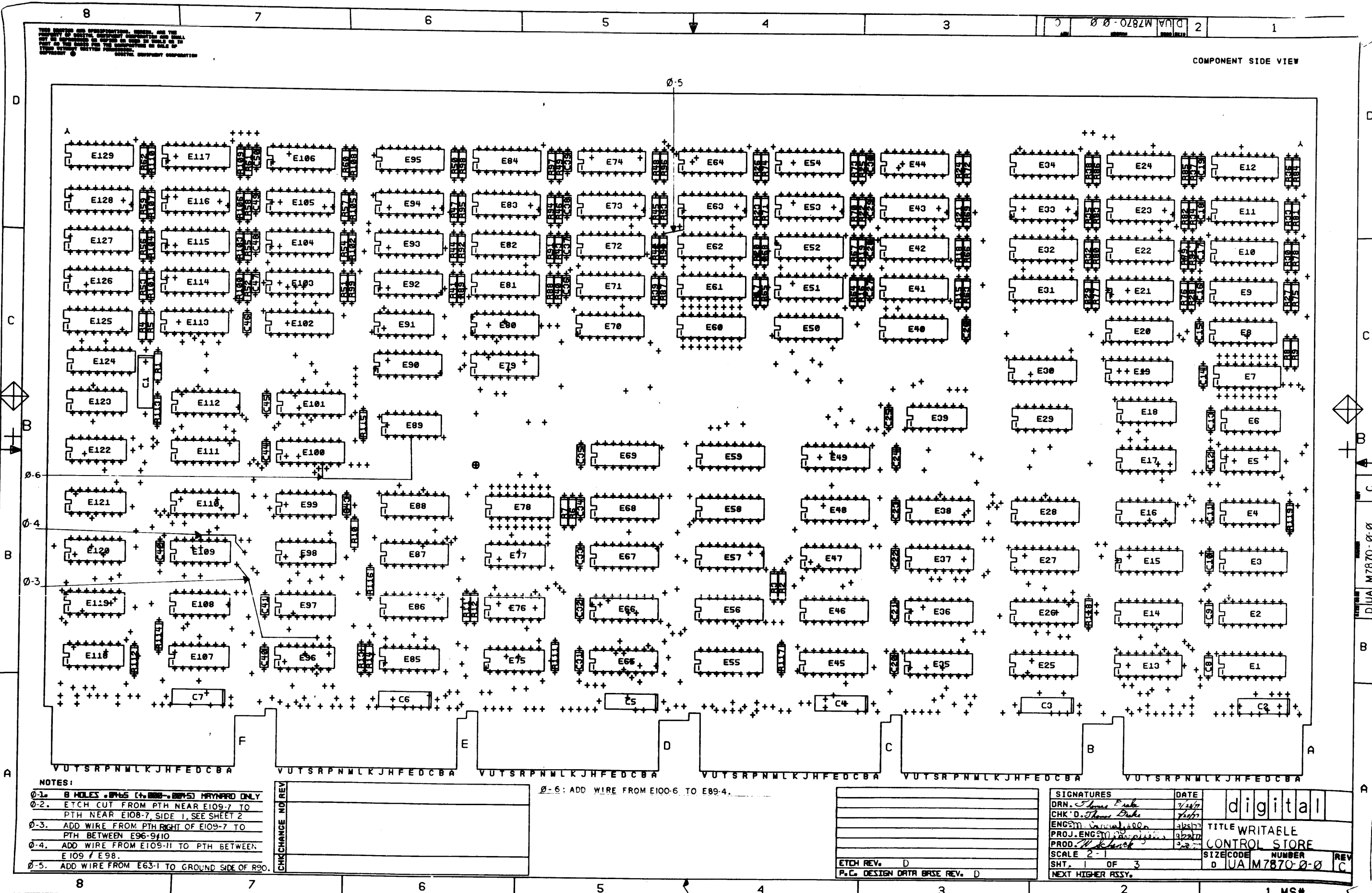
MADE BY	R. LAW	CHECKED	FRANK SMART	SECTION
DATE	8 JUN 77	DATE	8-29-77	
ENG	M. Carrafello	PROD	M. Schuch	ISSUED SECTION
DATE	9/28/77	DATE	9/28/77	

ITEM NO.	DRAWING NO.	PART NO.	DESCRIPTION	M7870-0-0	QUANTITY	VARIATION	REF DESIGNATION
41		1212385-02	SOCKET 16 PIN	5			E65-E69
42		1210711-02	HANDLE ASSY	1			
43		9000024 01	EYELETS	12			
44			IC SPARES	3			E7, E60, E78
45		9105740-55	WIRE, JUMPER	A/R			
46							
47							
48							
49							
50							
51							
52							
53							
54							
55							
56							
57							
58							
59							
60							
61							

E.C.O. NO.

"THIS DRAWING AND SPECIFICATIONS, HEREIN, ARE THE PROPERTY OF DIGITAL EQUIPMENT CORPORATION AND SHALL NOT BE REPRODUCED OR COPIED OR USED IN WHOLE OR IN PART AS THE BASIS FOR THE MANUFACTURE OR SALE OF ITEMS WITHOUT WRITTEN PERMISSION. COPYRIGHT © 1977 DIGITAL EQUIPMENT CORPORATION"	TITLE WRITABLE CONTROL STORE	ASSY NO. D-UA-M7870-0-0	SIZE B	CODE PL	NUMBER M7870-0-0	REV. C
		SHEET 3 OF 3	INSERTION PARTS LIST DATA BASE REV C			

THIS DRAWING AND SPECIFICATIONS, GENERAL AND THE
 PARTICULARS, SHALL BE THE PROPERTY OF THE
 COMPANY AND SHALL BE KEPT IN CONFIDENCE AND NOT TO BE
 REPRODUCED OR COPIED IN ANY MANNER WITHOUT THE
 WRITTEN PERMISSION OF THE COMPANY.



- NOTES:
- Ø-1. 8 HOLES Ø.045 (+.005-.005) MINIMUM ONLY
 - Ø-2. ETCH CUT FROM PTH NEAR E109-7 TO PTH NEAR E108-7, SIDE 1, SEE SHEET 2
 - Ø-3. ADD WIRE FROM PTH RIGHT OF E109-7 TO PTH BETWEEN E96-9/10
 - Ø-4. ADD WIRE FROM E109-11 TO PTH BETWEEN E109 / E98.
 - Ø-5. ADD WIRE FROM E63-1 TO GROUND SIDE OF R90.

Ø-6: ADD WIRE FROM E100-6 TO E89-4.

CHANGE NO	REV

ETCH REV. D
P.C. DESIGN DATA BASE REV. D

SIGNATURES	DATE	TITLE
DRN. <i>James F. ...</i>	7/24/72	digital
CHK'D. <i>D. Thomas ...</i>	7/26/72	CONTROL STORE
ENGR. <i>...</i>	8/28/72	CONTROL STORE
PROJ. ENGR. <i>...</i>	9/28/72	CONTROL STORE
PROD. <i>...</i>	10/2/72	CONTROL STORE

SCALE 2-1	SIZE CODE	NUMBER	REV C
SHT. 1 OF 3	d UAM7870-Ø-Ø		
NEXT HIGHER ASSY.			

8

7

6

5

4

3

1

REV. 001 0-0-02201 2

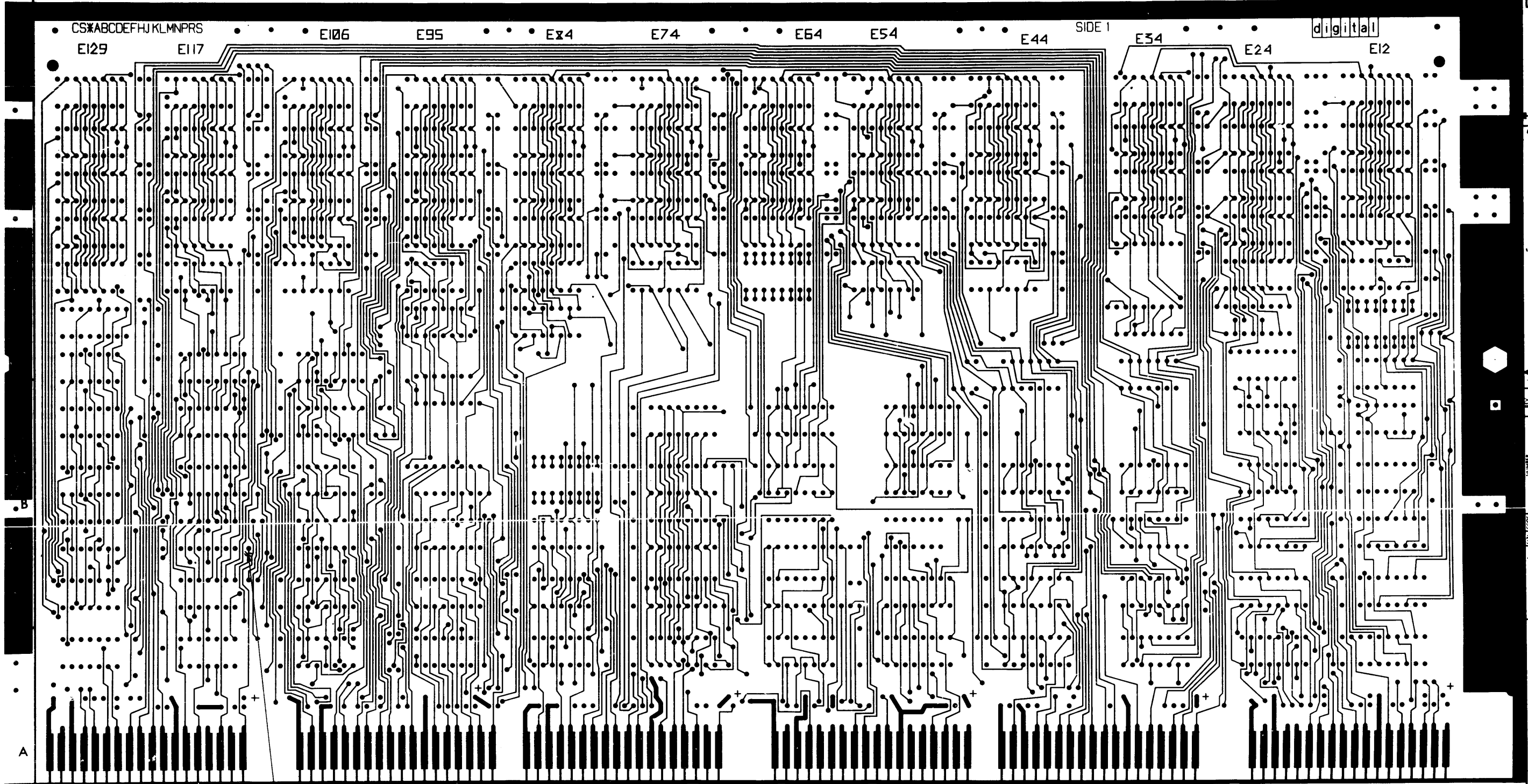
"THIS DRAWING AND SPECIFICATIONS, HEREIN, ARE THE PROPERTY OF DIGITAL EQUIPMENT CORPORATION AND SHALL NOT BE REPRODUCED OR COPIED OR USED IN WHOLE OR IN PART AS THE BASIS FOR THE MANUFACTURE OR SALE OF ITEMS WITHOUT WRITTEN PERMISSION. COPYRIGHT © DIGITAL EQUIPMENT CORPORATION"

LI

M7870 5011679D

LAYER 1

CS*ABCDEFGHIJKLMNPRS E106 E95 E84 E74 E64 E54 E44 SIDE 1 E34 E24 E12 digital



REVISIONS		
CHK	CHANGE NO.	REV.
		0-2

TITLE	SIZE CODE	NUMBER	REV.
WHITABLE CONTROL STORE	DUA	M7870-0-0	C
SCALE 2-1	SHEET 2 OF 3	DIST.	

8

7

6

5

4

3

2

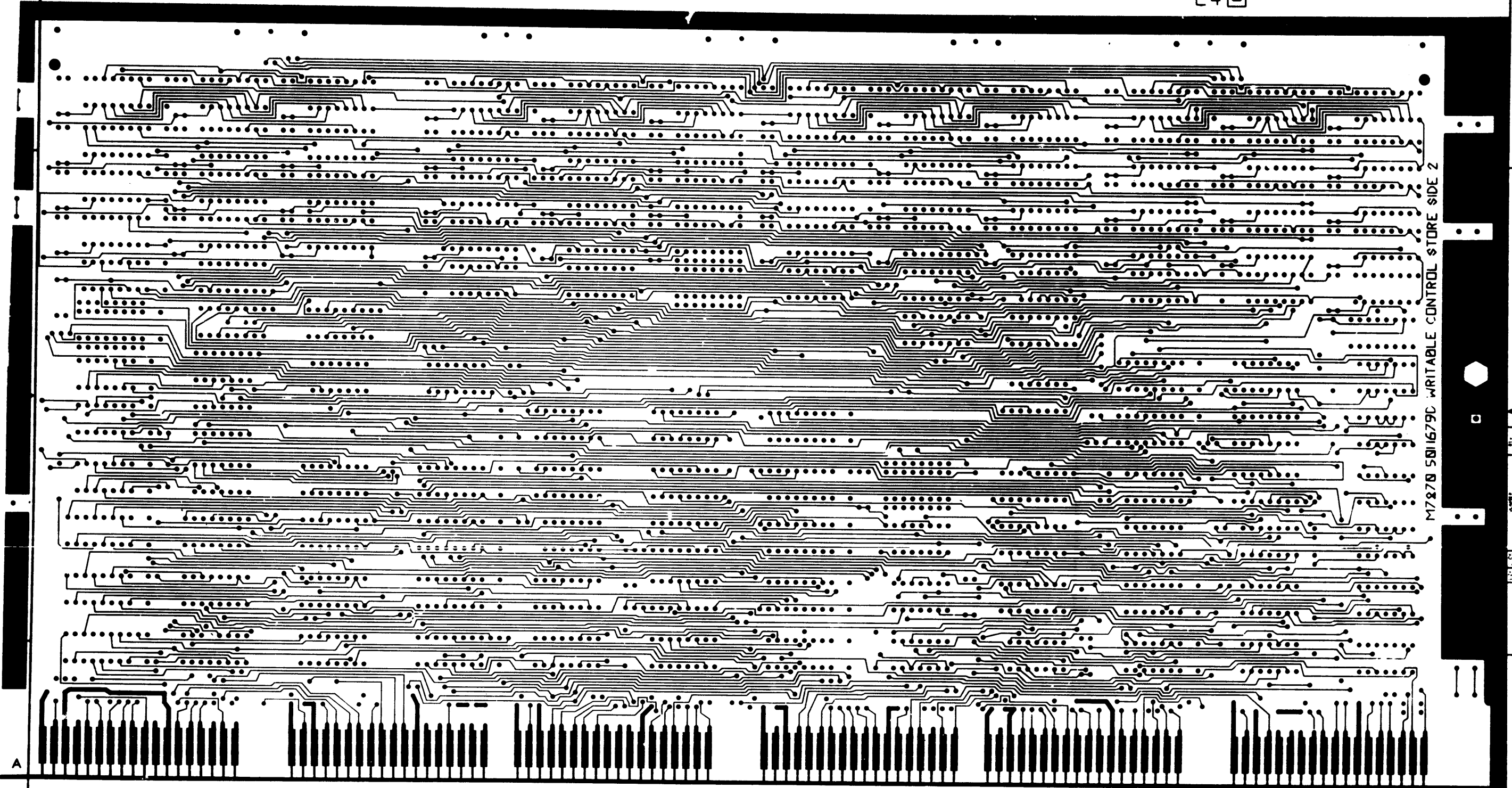
1

THE DRAWINGS AND SPECIFICATIONS HEREON ARE THE PROPERTY OF DIGITAL EQUIPMENT CORPORATION AND SHALL NOT BE REPRODUCED OR COPIED OR USED IN WHOLE OR IN PART FOR THE MANUFACTURE OR SALE OF ITEMS WITHOUT WRITTEN PERMISSION. DIGITAL EQUIPMENT CORPORATION. COPYRIGHT ©

H R3YAJ

L4

M7870 501679C WRITABLE CONTROL STORE SIDE 2



REVISIONS		
CHK	CHANGE NO.	REV.

TITLE	SIZE CODE	NUMBER	REV.
WRITABLE CONTROL STORE	D UA	M7870-0-0	C
SCALE 2-1	SHEET 3 OF 3	DIST.	

DRAWING NO.	NO. OF SHTS.	PART NO.	DESCRIPTION	REVISIONS																			
		M7870-Ø	MODULE (WCS)	C	C																		
		5Ø11679	ETCHED BOARD	D	D																		
D-CS-M7870-Ø-1	10		CIRCUIT SCHEMATICS	C	C																		
B-PL-M7870-Ø-Ø	3		PARTS LIST	C	C																		
B-MH-M7870-Ø-Ø	1		MODULE HISTORY	-	A																		
D-UA-M7870-Ø-Ø	3		UNIT ASSEMBLY	C	C																		
D-MD-5Ø11679Ø-Ø	5		DRILL & ETCH DRAWING	C	C																		
A-SPM7870-Ø-7	2		M7870 TEST PROCEDURE	-	-																		
M7870-Ø-L			P.C. DESIGN DATA BASE	D	REF																		
DEMINS LISTING			MODULE TEST TECHNIQUE	REF																			

NOTES:

1. THE MODULE REVISION REFLECTS CHANGES IN THE HARDWARE AND IS SEPARATE FROM THE CIRCUIT SCHEMATIC REVISION WHICH REFLECTS BOTH HARDWARE AND DOCUMENT CHANGES.
2. THIS DRAWING DIRECTORY DOCUMENTS THE RELATIONSHIP BETWEEN REVISIONS. THE CS REV UPON THE ETCHED BOARD IS NOT TO BE USED.

REVISIONS		DATE	CHG NO.	REV.
	ORIG.	3-78	00001	D

"THIS DRAWING AND SPECIFICATIONS, HEREIN, ARE THE PROPERTY OF DIGITAL EQUIPMENT CORPORATION AND SHALL NOT BE REPRODUCED OR COPIED OR USED IN WHOLE OR IN PART AS THE BASIS FOR THE MANUFACTURE OR SALE OF ITEMS WITHOUT WRITTEN PERMISSION.

COPYRIGHT © 1977 DIGITAL EQUIPMENT CORPORATION



USED ON OPTION/MODEL

DRN	<i>[Signature]</i>	9-2-77
CHK	<i>[Signature]</i>	9-2-77
ENG.	<i>M. Cannafello</i>	9/28/77
PROD.	<i>M. Schuch</i>	9/28/77

TITLE WRITABLE CONTROL STORE

SIZE	CODE	NUMBER	REV.
B	DD	M7870-Ø	D
SHEET		1 OF 1	

**DIGITAL EQUIPMENT CORPORATION
MAYNARD, MASSACHUSETTS
PARTS LIST**

QUANTITY VARIATION

MADE BY P. BOUDREAU		CHECKED P. BOUDREAU	SECTION																	
DATE 23 SEPT 77		DATE 23 SEPT 77	1																	
ENG <i>M. Conafielles</i>		PROD <i>M. Schenck</i>	ISSUED SECT.																	
DATE 9/28/77		DATE 10/07/77	1																	
ITEM NO.	DWG NO./PART NO.	DESCRIPTION		KU116-AE	KU116-AT	KU116-AZ														
1	MP00500	WCS PRINT SET		1	1	0														
2	EK-M7870-HR	MAINTENANCE MANUAL		1	1	0														
3	MAINDEC-11-DQKUA-D	WCS DIAGNOSTIC LISTING		1	1	0														
4	QR444-YE	SOFTWARE TOOLS (RK05)		1	0	0														
5	QR444-YT	SOFTWARE TOOLS (RK06)		0	1	0														
6	QR444-GZ	SOFTWARE TOOLS (MANUALS ONLY)		0	0	1														
TITLE			ASSY NO.	SIZE	CL DE	NUMBER		REV	ECO NO.											
KU116-AA SHIPPING LIST			NONE	A	PL	KU116-AA-2		A	KU116-AA-00001											
SHEET 1 OF 1			DIST																	

