

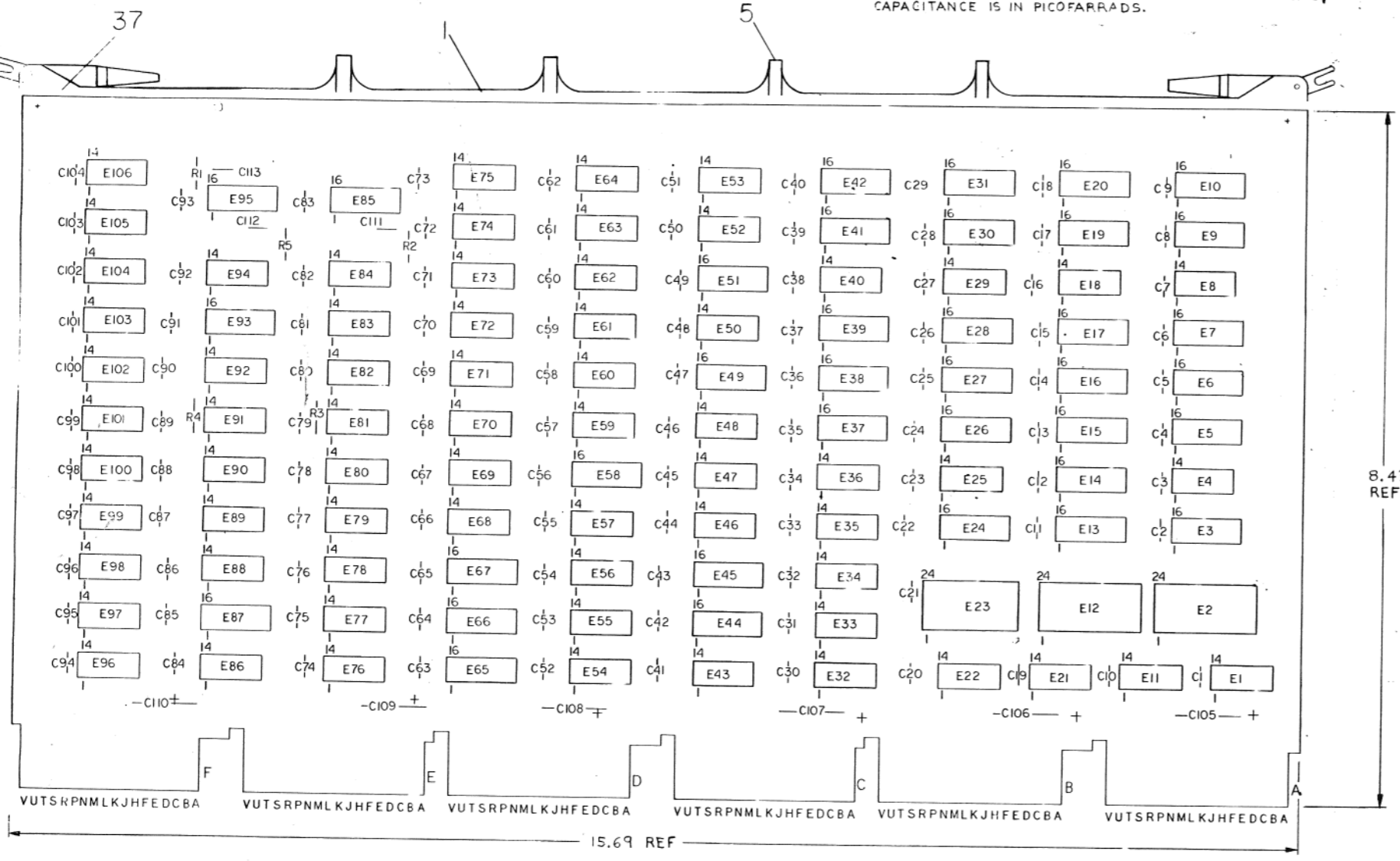


CUSTOMER PRINT SET					CUSTOMER PRINT SET								
MFG. SET	FIND NO.	DRAWING NO.	REV	NO OF SHT	DESCRIPTION	OPTION NO.	MFG. SET	FIND NO.	DRAWING NO.	REV	NO OF SHT	DESCRIPTION	OPTION NO.
* M7236-0		D-CS-M7236-0-1	C	13	M7236 CIRCUIT SCHEMATIC								
		K-CO-M7236-0-4			DATA BASE TAPE								
		K-PR-M7236-0-4PR			PRATT & WHITNEY PROGRAM								
		K-PR-M7236-0-4X			EXCELON DRILLING PROGRAM								
		K-PR-M7236-0-4I			INSERTION PROGRAM								
		K-PR-M7236-0-4D			DATA BASE DIGITIZING PROGRAM								
		K-PR-M7236-0-4QP			DATA BASE QUICK POINT PROGRAM								
		E-AH-M7236-0-5	B		ASSY/DRILLING HOLE LAYOUT								
		B-MH-M7236-0-6	D		MODULE HISTORY								
		K-CO-M7236-0-16			GEMS DATA BASE TAPE								
		K-PR-M7236-0-16G			DATA BASE GERNERATION PROGRAM								
		K-PR-M7236-0-16AN			PRATT & WHITNEY DRILL PROGRM								
		K-PR-M7236-0-16K			EXCELON DRILLING PROGRAM								
		K-PR-M7236-0-16I			INSERTION TAPE								
		K-PR-M7236-0-16GP			GERBER PLOTTER PROGRAM								
		K-PR-CONKDB-0-17C			PROGRAM TO CONVERT BREADBOARD INFORMATION TO DEC STANDARD ROM FORMAT (NEED READ MAC) (REF)								
		K-RD-23-B14A2			ROM TAPE FILE FOR 23-B14A2								
		K-PR-MAPKDA10-17M			PROG TO COMBINE DEC STANDARD FORMAT INFORMATION WITH KD11-A INFORMATION TO MAP THE MICROPROGRAM (REF)								
TITLE							SIZE CODE		NUMBER		REV		
MEMORY MANAGEMENT							B DD		M7236-0		C		
SHEET 2 OF 2													

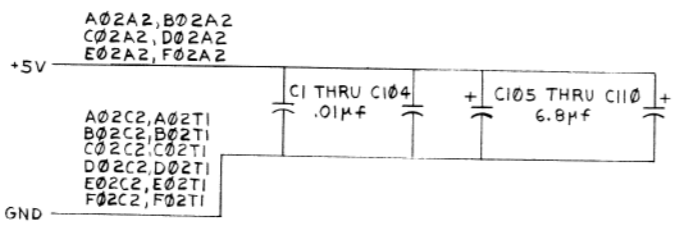
*Handwritten mark*

**NOTES:**

1. PIN NOTATION: THIS PRINT IS A STANDARD JEDEC MODULE PLACEMENT. THE PIN NUMBER AND REFERENCE ALONE IS OBTAINED BY SELECTING THE NUMBER OF THE PIN AFTER THE FIRST LETTER.
2. ALL SIGNALS THAT HAVE A MODULE PIN ARE SO NOTED. OUTPUT SIGNALS WITH MODULE PINS ARE SUBJECT TO THE RIGHT SIDE OF THE PRINT.
3. PREFIX FOR SIGNAL PREFIX NOTATION (KT-B FOR EXAMPLE) IDENTIFIED THE SIGNAL SOURCE (PRINT AND MODULE). THE FIRST NUMBER AFTER THE K INDICATES THE MODULE PRINT SET, WHILE THE SECOND INDICATES THE SHEET WITHIN THE SET. SIGNALS WITH A 'BUS' PREFIX REPRESENT A 'WIRED OR' SITUATION, AND MULTIPLE SOURCES FOR THE SIGNAL CAN EXIST.
4. UNLESS OTHERWISE NOTED: RESISTANCE IS IN OHMS; CAPACITANCE IS IN PICOFARRADS.



QTY	REF DESIGNATION	DESCRIPTION	PART NO.	ITEM NO.
12		EYELET	9006732	37
1	E65	I.C. DEC 23B39A2	23B39A2	36
2	E42, E44	I.C. DEC 74157	1910655	35
7	E3, E9, E10, E14, E20, E24, E31	I.C. DEC 3101	1910653	34
5	E7, E17, E28, E39, E49	I.C. DEC 74174	1910652	33
4	E45, E51, E67, E87	I.C. DEC 74175	1910651	32
3	E83, E90, E92	I.C. DEC 8885	1910649	31
1	E73	I.C. DEC 8875	1910647	30
2	E85, E95	I.C. DEC 74123	1910436	29
2	E19, E30	I.C. DEC 7485	1910224	28
6	E8, E18, E29, E34, E40, E89	I.C. DEC 7408	1910155	27
1	E53	I.C. DEC 7437	1910091	26
3	E2, E12, E23	I.C. DEC 74181	1909982	25
10	E5, E6, E15, E16, E26, E27, E37, E38, E58, E93	I.C. DEC 74153	1909937	24
2	E98, E100	I.C. DEC 7405	1909930	23
4	E48, E96, E97, E99	I.C. DEC 74H01-1	1909849	22
6	E61, E77, E80, E81, E82, E102	I.C. DEC 8815	1909713	21
9	E1, E11, E21, E22, E32, E35, E36, E47, E91	I.C. DEC 8881	1909705	20
7	E4, E25, E43, E54, E63, E78, E105	I.C. DEC 7404	1909686	19
2	E101, E106	I.C. DEC 74H11	1909267	18
2	E60, E86	I.C. DEC 74H55	1909063	17
1	E69	I.C. DEC 74H52	1909061	16
1	E104	I.C. DEC 74H21	1909058	15
2	E55, E74	I.C. DEC 7450	1905580	14
1	E33	I.C. DEC 7430	1905578	13
1	E68	I.C. DEC 7420	1905577	12
4	E62, E76, E79, E88	I.C. DEC 7410	1905576	11
4	E46, E50, E72, E75	I.C. DEC 7400	1905575	10
10	E52, E56, E57, E59, E64, E70, E71, E84, E94, E103	I.C. DEC 7474	1905547	9
3	E13, E41, E66	I.C. RES NETWORK	1311003-02	8
5	R1, R2, R3, R4, R5	RES 10K 1/4W ±5%	1300479	7
1		HANDLE MODULE	1210711-02	5
104	C1 THRU C104	CAP .01µf 100V ±20% DISC	1001610	4
6	C105 THRU C110	CAP 6.8µf 35V ±20% STANT	100067	3
3	C111, C112, C113	CAP 33Pf 100V ±5% DM	100009	2
1		ETCHED CIRCUIT BOARD	5010026	1



IC TYPE	GND	+5V
1311003-02	8	16
DEC 7485	8	16
DEC 74181	12	24
DEC 74175	8	16
DEC 74174	8	16
DEC 74157	8	16
DEC 74153	8	16
DEC 7423	8	16
DEC 7405	8	16

GND AND 5V ARE USUALLY PIN 7 AND 14 RESPECTIVELY. EXCEPTIONS ARE STATED ABOVE.

**IC PIN LOCATIONS**

FIRST USED ON OPTION MODEL: PDP 11

REV	CHANGE NO.	DATE	BY
1	1	5-4-73	ED ANTON
2	2	4-25-73	E.A.
3	3	1/17/73	E.A.
4	4	1/30/73	E.A.
5	5	2/20/73	E.A.
6	6	11/14/72	E.A.
7	7	11/14/72	E.A.
8	8	11/14/72	E.A.
9	9	11/14/72	E.A.
10	10	11/14/72	E.A.

**PARTS LIST**

ETCH BOARD REV C

DRG: [Signature] DATE: 9-5-72  
 CHK'D: [Signature] DATE: 7/24/72  
 ENG: [Signature] DATE: 7/24/72  
 PROJ. ENG: [Signature] DATE: 7/24/72  
 PROD: [Signature] DATE: 9-25-72

digital EQUIPMENT CORPORATION  
 HAYWARD, MASSACHUSETTS

TITLE: MEMORY MANAGEMENT

SIZE CODE: DCS NUMBER: M7236-01 REV: C

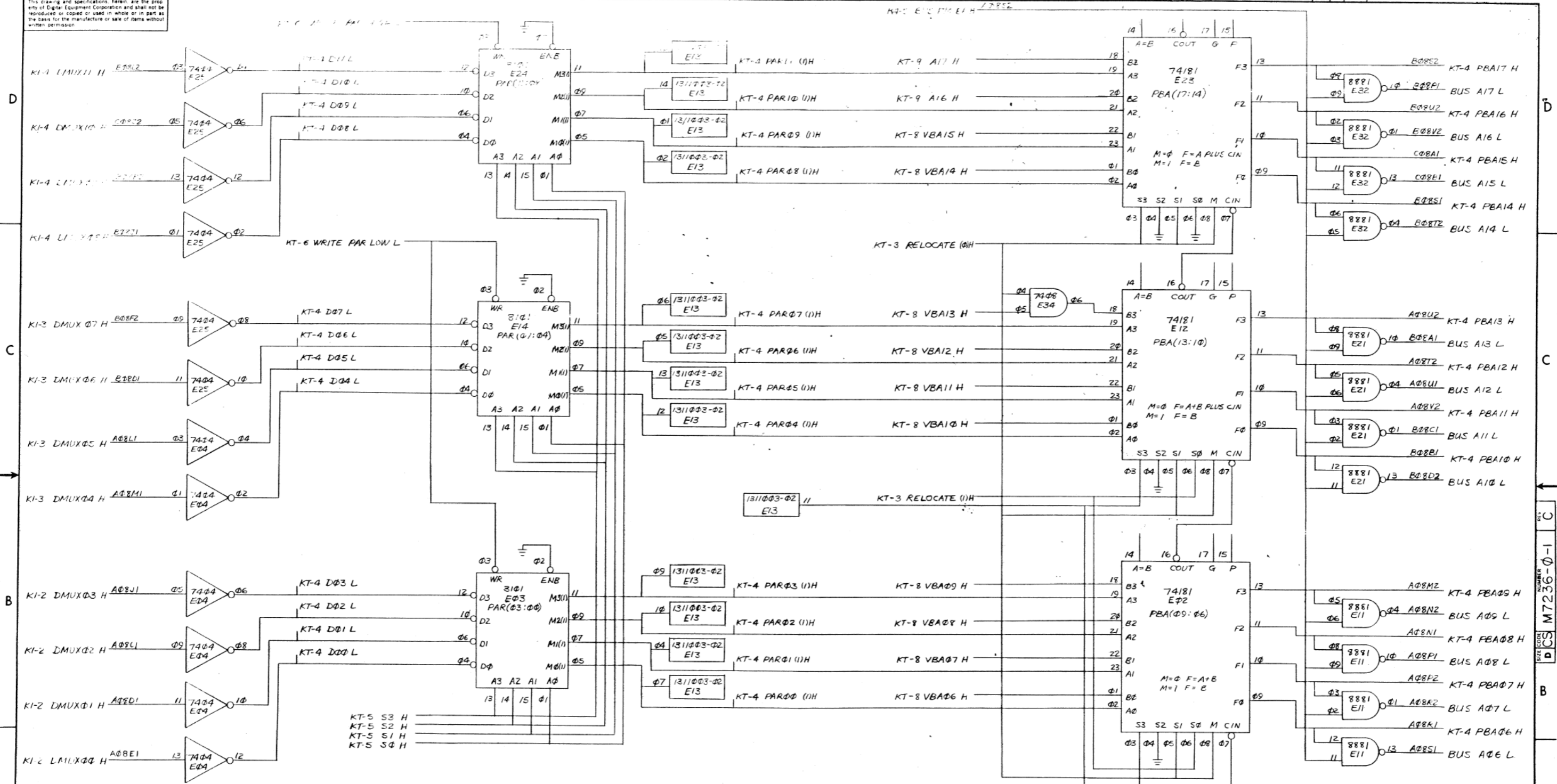
SCALE: NONE SHEET 1 OF 15

SEMICONDUCTOR CONVERSION CHART





This drawing and specifications herein are the property of Digital Equipment Corporation and shall not be reproduced or copied or used in whole or in part as the basis for the manufacture or sale of items without written permission.



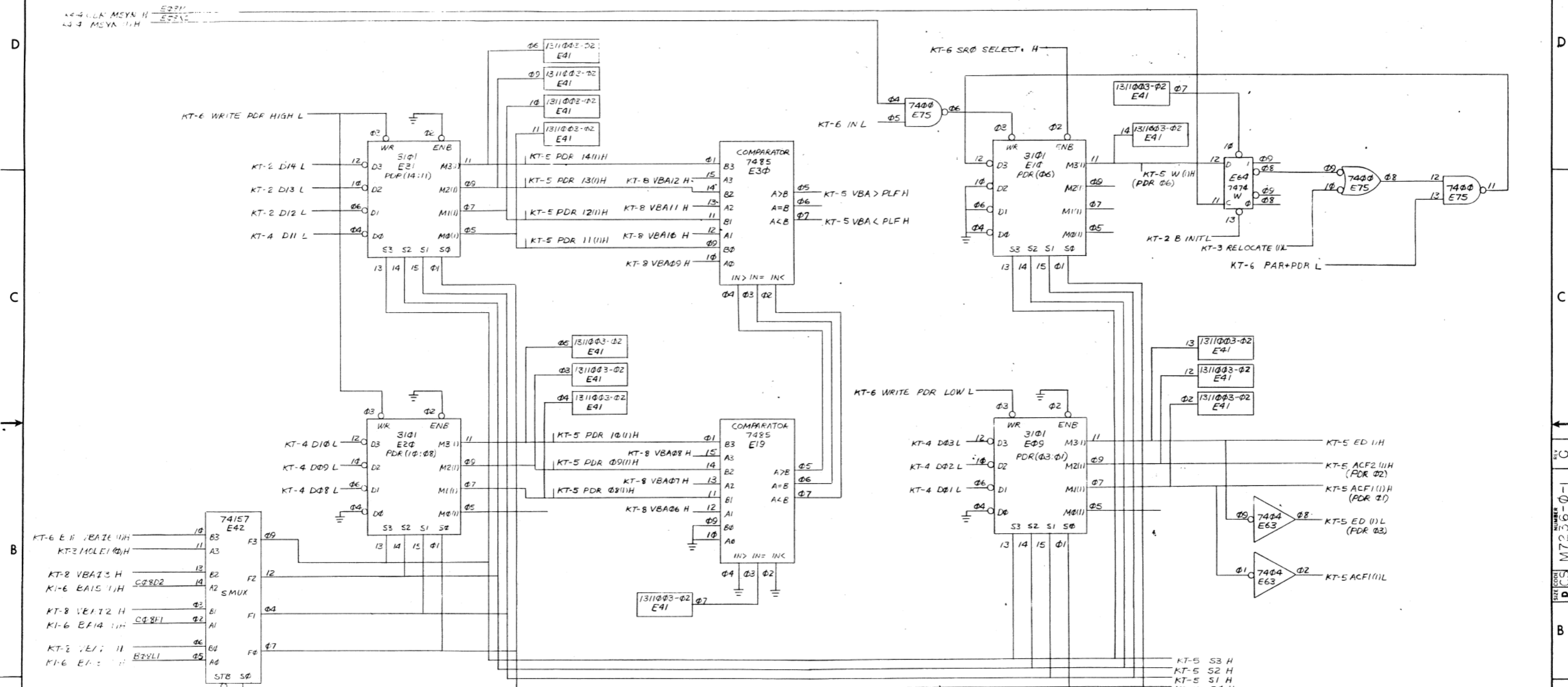
REV	DESCRIPTION

BRUNING 40-522-15840

FIRST USED ON OPTION/MODEL	QTY.	DESCRIPTION	PART NO.	ITEM NO.
PDP 11				
UNLESS OTHERWISE SPECIFIED DIMENSION IN INCHES TOLERANCES		DRN <i>E.L. And...</i> DATE 4/72	PARTS LIST	
DECIMALS	ANGLES	CHKD <i>[Signature]</i> DATE 5/72	<b>digital</b> EQUIPMENT CORPORATION MAYNARD, MASSACHUSETTS TITLE MEM. MANAGE. (PAGE ADDRESS REG) AND PHYSICAL BUS A KT-4	
XXX = .005	± 30	ENG <i>[Signature]</i> DATE 7/24/72		
XX = .02		FBOJ ENG <i>[Signature]</i> DATE 7/24/72	SIZE CODE NUMBER REV	
X = .1		PROD <i>[Signature]</i> DATE 7/27/72	D CS M7236-0-1 C	
REMOVE BURRS AND BREAK SHARP CORNERS SURFACE QUALITY			SCALE NCNE SHEET 9 OF 15 DIST.	
MATERIAL	NEXT HIGHER ASSY.			
FINISH				

DATE CODE NUMBER M7236-0-1 REV. C

This drawing and specifications herein are the property of Digital Equipment Corporation and shall not be reproduced or copied in whole or in part as the basis for the manufacture or sale of items without written permission.



DEVICE TRUTH TABLE:

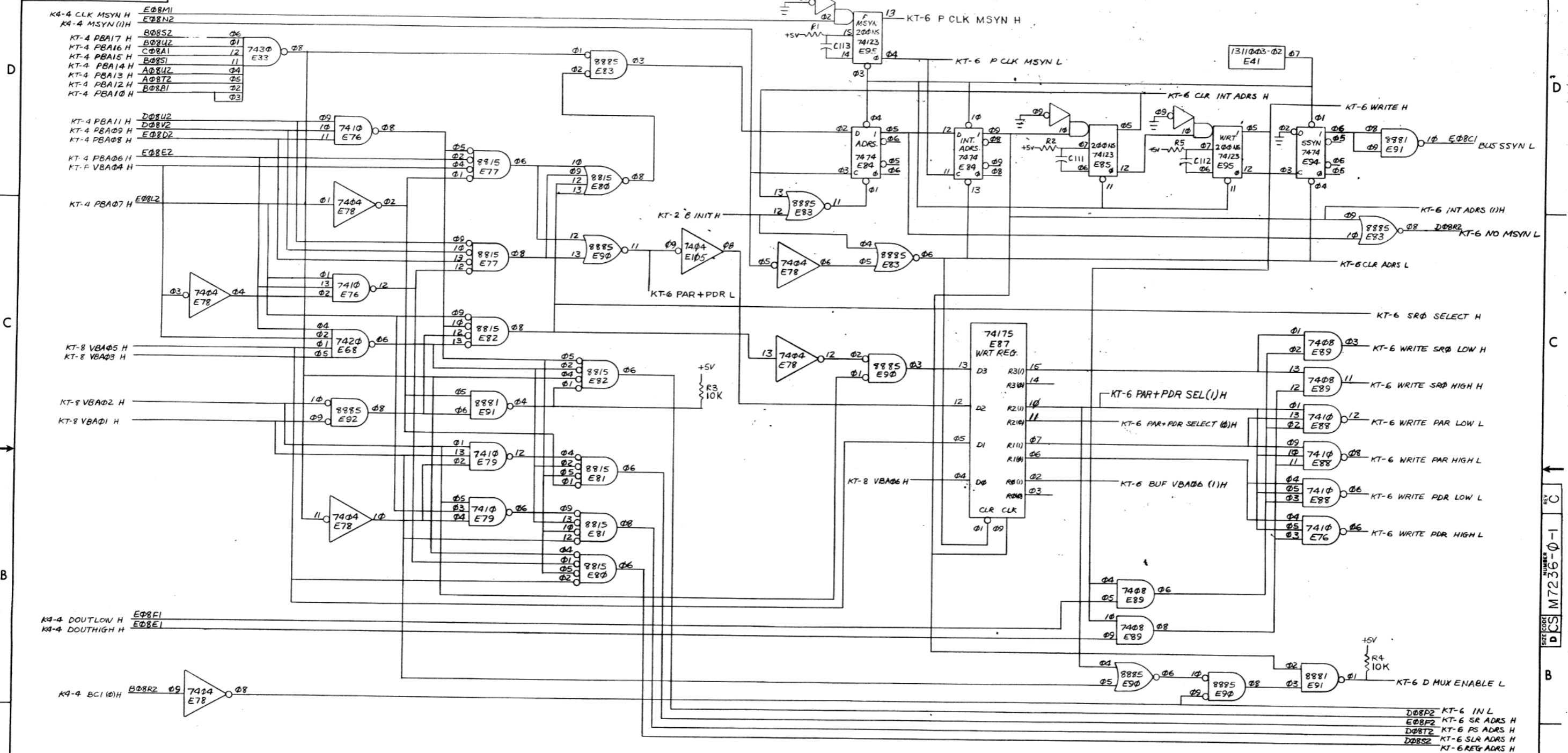
74157		
STB	S0	FN
H	-	L
L	L	FAN
L	H	FBN

WHERE N = 0, 1, 2, 3

REV	CHG	NO

FIRST USED ON OPTION/MODEL	QTY.	DESCRIPTION	PART NO.	ITEM NO.
PDP 11		PARTS LIST		
UNLESS OTHERWISE SPECIFIED DIMENSION IN INCHES TOLERANCES	DRN. Ed Austin	DATE 4/72	<b>digital</b> CORPORATION <small>MAYNARD MASSACHUSETTS</small>	
DECIMALS ANGLES	CHKD. [Signature]	DATE 5/72		
XXX - 005 XX - 02 X - 1	ENG. [Signature]	DATE 9/22/72	TITLE <b>MEM. MANAGE.</b> (PAGE DESCRIPTOR) WORD	
REMOVE BURRS AND BREAK SHARP CORNERS SURFACE QUALITY	PROD. [Signature]	DATE 7/28/72		
MATERIAL	NEXT HIGHER ASSY.	SCALE NONE	SIZE CODE	NUMBER
FINISH		SHEET 5 OF 18	D CS	M7236-0-1
			DIST	REV. C

This drawing and specifications, herein, are the property of Digital Equipment Corporation and shall not be reproduced or copied or used in whole or in part as the basis for the manufacture or sale of items without written permission.

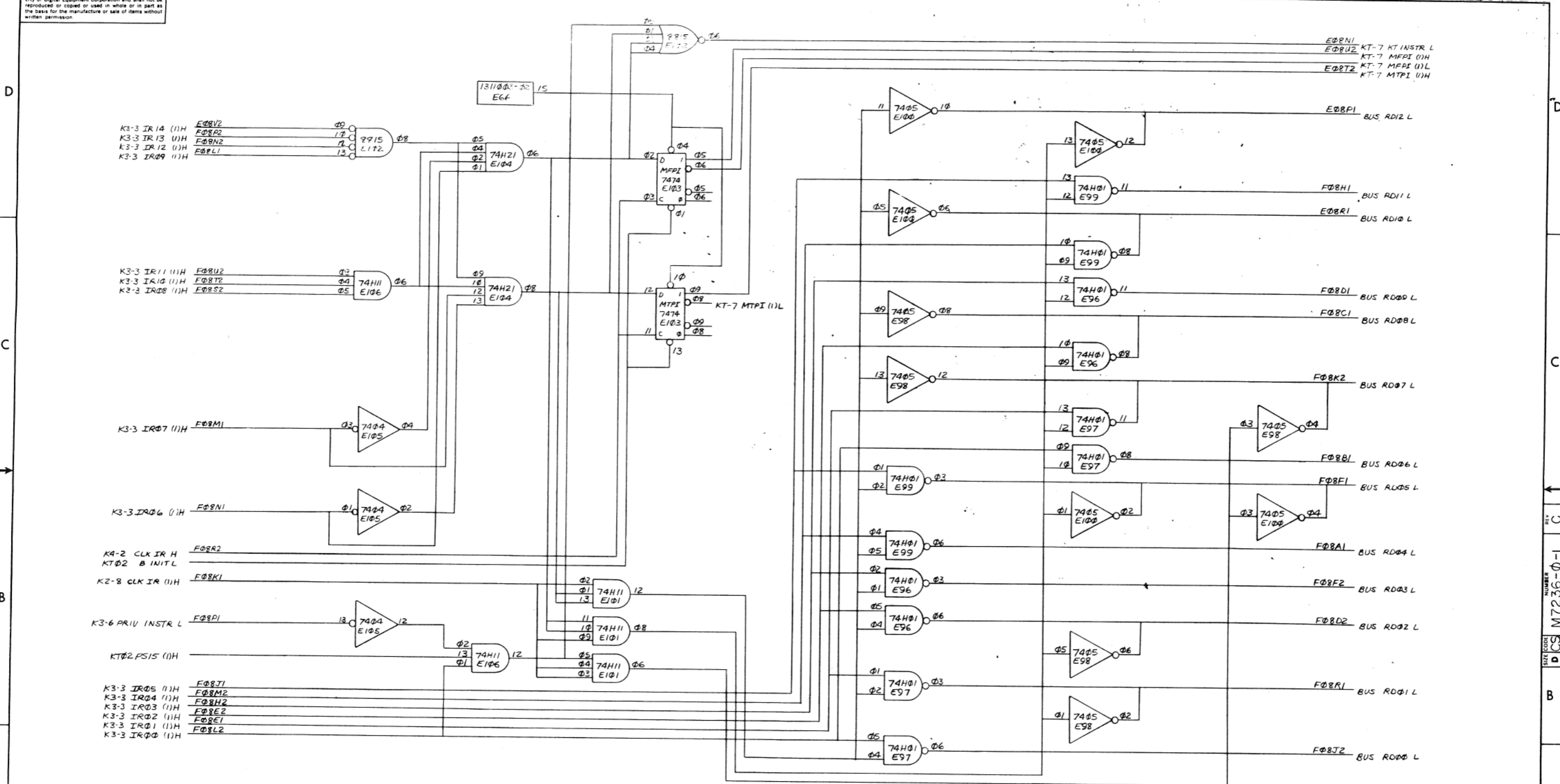


REV	CHG	NO	DATE

FIRST USED ON OPTION/MODEL	QTY.	DESCRIPTION	PART NO.	ITEM NO.
PDP 11				
PARTS LIST				
UNLESS OTHERWISE SPECIFIED DIMENSION IN INCHES. TOLERANCES	DRN <i>E. J. Anton</i>	DATE 9-27-72	 <b>MEM. MANAGE. (INTERNAL ADDRESS) DECODE</b>	
DECIMALS .XXX - .005	CHK'D <i>E. J. Anton</i>	DATE 7-28-72		
ANGLES ±0° 30'	ENG. <i>E. J. Anton</i>	DATE 9/27/72		
REMOVE BURRS AND BREAK SHARP CORNERS SURFACE QUALITY	PROJ. ENG. <i>E. J. Anton</i>	DATE 9-27-72		
MATERIAL	NEXT HIGHER ASSY.	SIZE CODE	NUMBER	REV.
FINISH	SCALE NONE	D	CS M7236-0-1	C
	SHEET 6 OF 13	DIST.		



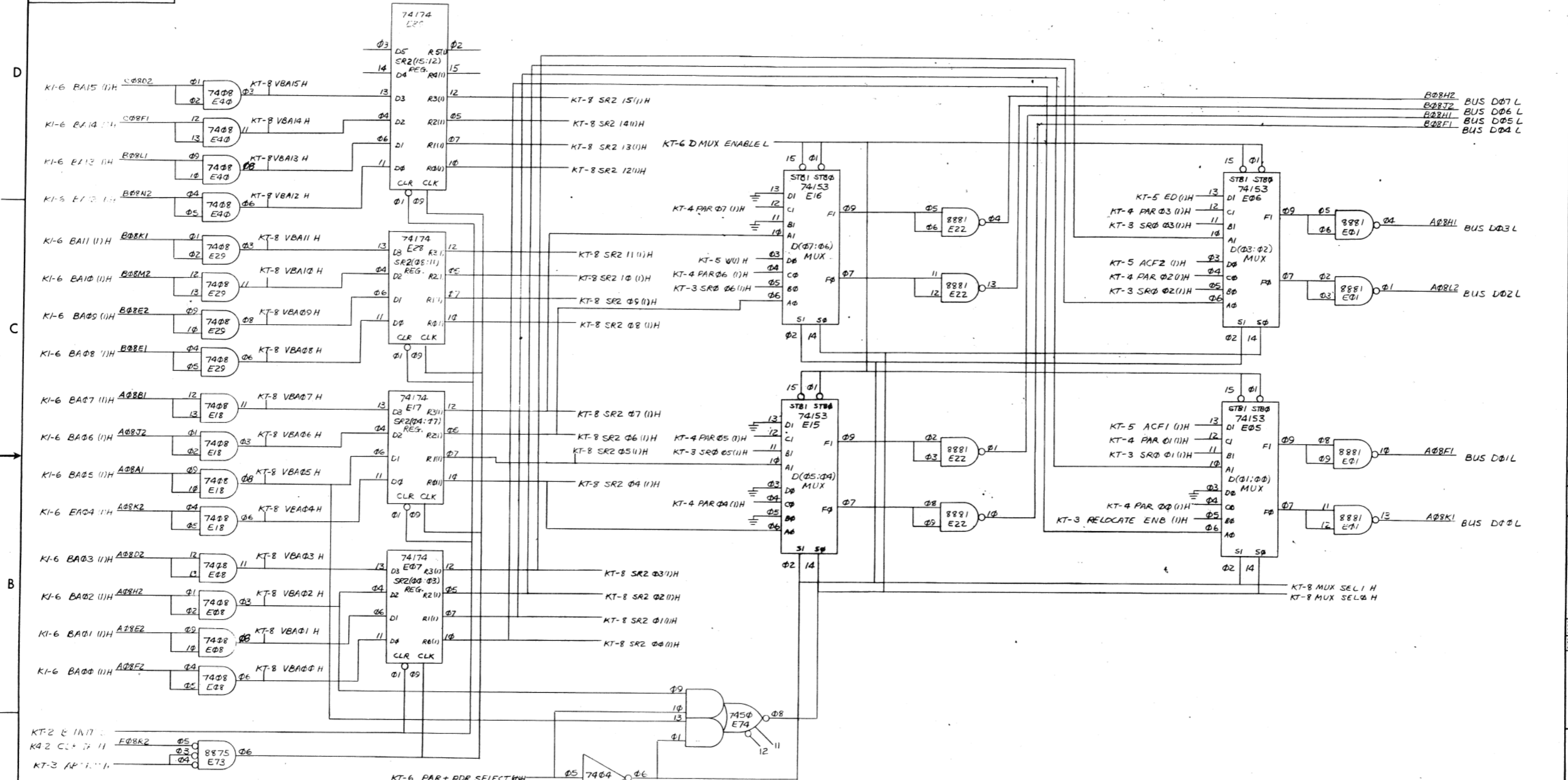
This drawing and specifications, herein, are the property of Digital Equipment Corporation and shall not be reproduced or copied or used in whole or in part as the basis for the manufacture or sale of items without written permission.



REV	
CHK	
CHG	
NO	
REV	
NO	

FIRST USED ON OPTION/MODEL PDP 11	QTY.	DESCRIPTION	PART NO.	ITEM NO.
PARTS LIST				
UNLESS OTHERWISE SPECIFIED DIMENSION IN INCHES TOLERANCES	DRN Ed. Dutton 4/72	DATE 4/72	digital EQUIPMENT CORPORATION MAYNARD, MASSACHUSETTS	
DECIMALS .XXX = .005 .XX = .02 .X = .1	CHK'D S. Dutton 9/27/72	DATE 9/27/72	TITLE MEM. MANAGE. (KT INSTRUCTION) DECODE	
ANGLES ±0° 30'	ENG S. Dutton 9/28/72	DATE 9/28/72	KT-7	
REMOVE BURRS AND BREAK SHARP CORNERS SURFACE QUALITY	PROD'G S. Dutton 9/28/72	DATE 9/28/72	REV. C	
MATERIAL	NEXT HIGHER ASSY.	SIZE CODE	NUMBER	REV.
FINISH	SCALE NONE	DCS	M7236-0-1	C
	SHEET 7 OF 13	DIST.		

This drawing and specifications herein are the property of Digital Equipment Corporation and shall not be reproduced or copied or used in whole or in part as the basis for the manufacture or sale of items without written permission.



DEVICE TRUTH TABLE:  
74153

STBN	SI	S0	FN
H	-	-	L
L	L	L	FAN
L	L	H	FBN
L	H	L	FCN
L	H	H	FDN

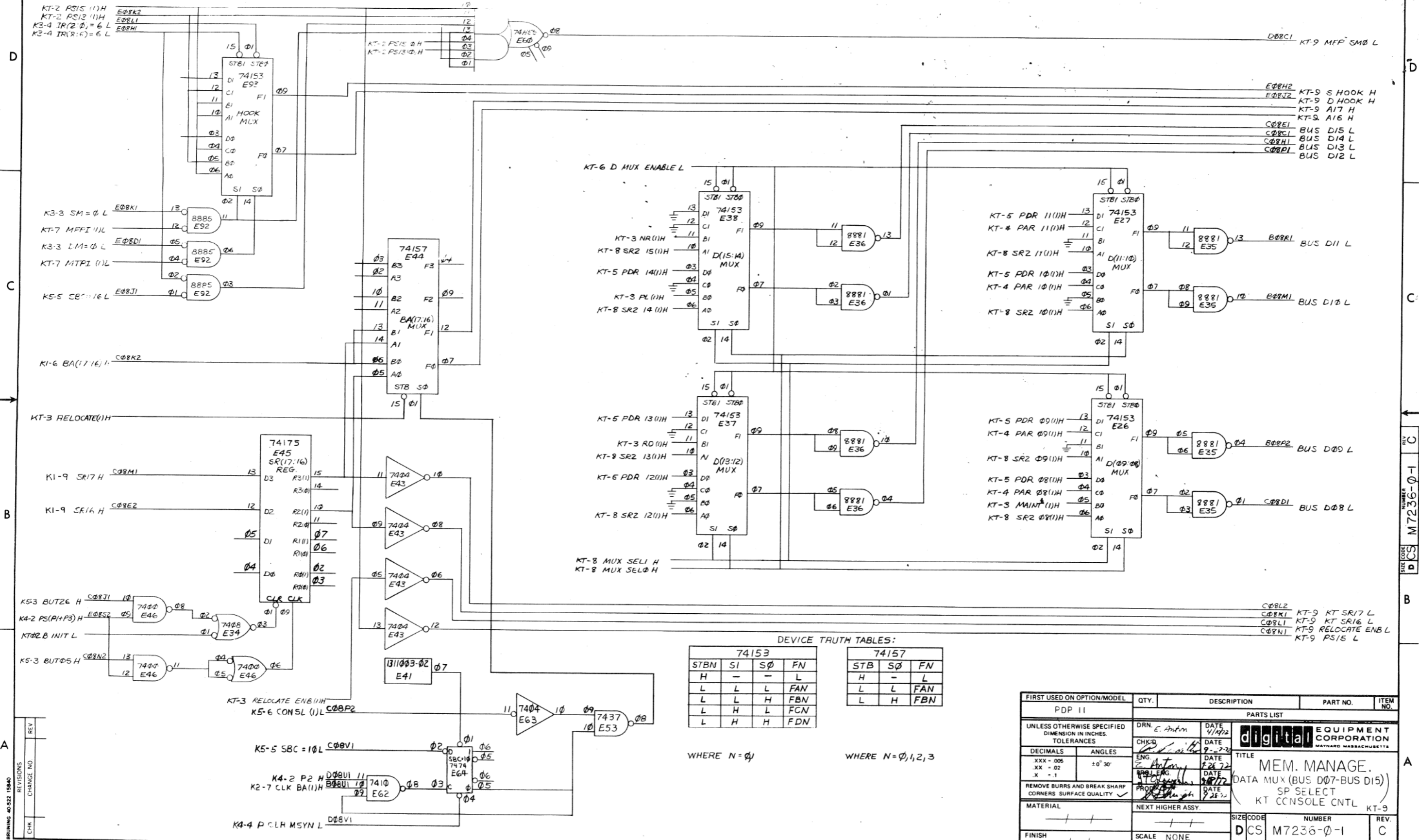
WHERE N = 0, 1

REVISIONS

REV	CHANGE NO

FIRST USED ON OPTION/MODEL	QTY.	DESCRIPTION	PART NO.	ITEM NO.
PDP 11				
PARTS LIST				
UNLESS OTHERWISE SPECIFIED DIMENSION IN INCHES TOLERANCES	DRN E. J. Aron	DATE 4/72	digital EQUIPMENT CORPORATION MAYNARD, MASSACHUSETTS	
DECIMALS ANGLES	CHK'D [Signature]	DATE 9-27-72	TITLE MEM. MANAGE. VIRTUAL ADRS REG (SR2) AND LATA MUX (BUS D07-BUS D00)	
XXX = .005 XX = .02 X = .1	ENG E. Aron	DATE 1/28/72	REV. KT-3	
REMOVE BURRS AND BREAK SHARP CORNERS SURFACE QUALITY	PROJ. ENG. [Signature]	DATE 9/27/72	SIZE CODE D	
MATERIAL	NEXT HIGHER ASSY.	SCALE NONE	NUMBER M7236-0-1	REV. C
FINISH		SHEET E OF 13	DIST.	

This drawing and specifications herein are the property of Digital Equipment Corporation and shall not be reproduced or copied or used in whole or in part as the basis for the manufacture or sale of items without written permission.



DEVICE TRUTH TABLES:

74153			
STBN	SI	SØ	FN
H	-	-	L
L	L	L	FAN
L	L	H	FBN
L	H	L	FCN
L	H	H	FDN

74157		
STB	SØ	FN
H	-	L
L	L	FAN
L	H	FBN

WHERE N = 0, 1, 2, 3

FIRST USED ON OPTION/MODEL	QTY.	DESCRIPTION	PART NO.	ITEM NO.
PDP 11				
PARTS LIST				
UNLESS OTHERWISE SPECIFIED DIMENSION IN INCHES TOLERANCES	DRN E. Anton	DATE 4/19/72	digital EQUIPMENT CORPORATION MAYNARD MASSACHUSETTS	
DECIMALS	CHK'D R. Anton	DATE 9-2-72	TITLE MEM. MANAGE.	
ANGLES	ENG E. Anton	DATE 8-26-72	DATA MUX (BUS D07-BUS D15)	
XXX = .005 XX = .02 X = .1	PROJ. ENG R. Anton	DATE 9-26-72	SP SELECT KT CONSOLE CNTL	
REMOVE BURRS AND BREAK SHARP CORNERS SURFACE QUALITY	PROJ. MGR R. Anton	DATE 9-26-72	KT-9	
MATERIAL	NEXT HIGHER ASSY.	SIZE CODE	NUMBER	REV.
FINISH	SCALE NONE	D	M7236-0-1	C
	SHEET 9 OF 13	DIST.		

BRUNING 40-522 15840  
 DEC FORM NO. DRD 102-B

SIZE CODE NUMBER  
 PCS M7236-0-1

DET PART NUMBER: 23-B39A2  
 QUANTITY ORDERED: 1000  
 DATE OF ORDER: 11-AUG-72

HOM PATTERN SPEC

PAGE 1 OF 8

This drawing and specifications, herein, are the property of Digital Equipment Corporation and shall not be reproduced or copied or used in any part as the basis for the manufacture or sale of items without written permission.

DECIMAL LOC	TOTAL LOC	BINARY DATA	UCIAL DATA
1	2	1111	17
1	2	1111	17
2	2	1111	17
3	2	1111	17
4	2	1111	17
5	2	1111	17
6	2	1111	17
7	2	1111	13
8	2	1111	17
9	2	1111	17
10	2	1111	17
11	2	1111	17
12	2	1111	17
13	2	1111	17
14	2	1111	17
15	2	1111	17
16	2	1111	17
17	2	1111	17
18	2	1111	17
19	2	1111	17
20	2	1111	17
21	2	1111	17
22	2	1111	17
23	2	1111	17
24	2	1111	17
25	2	1111	17
26	2	1111	17
27	2	1111	17
28	2	1111	17
29	2	1111	17
30	2	1111	17
31	2	1111	17
32	2	1111	17
33	2	1111	17
34	2	1111	17
35	2	1111	17

REVISIONS		
CHK	CHANGE NO.	REV


ECO No. M7236-00003 Sheet 15 of 18

PAGE 2 OF 8

HOM PATTERN SPEC

DET PART NUMBER: 23-B39A2  
 QUANTITY ORDERED: 1000  
 DATE OF ORDER: 11-AUG-72

DECIMAL LOC	TOTAL LOC	BINARY DATA	UCIAL DATA
36	2	1111	17
37	2	1111	17
38	2	1111	17
39	2	1111	17
40	2	1111	17
41	2	1111	17
42	2	1111	17
43	2	1111	17
44	2	1111	17
45	2	1111	17
46	2	1111	17
47	2	1111	17
48	2	1111	17
49	2	1111	17
50	2	1111	17
51	2	1111	17
52	2	1111	17
53	2	1111	17
54	2	1111	17
55	2	1111	17
56	2	1111	17
57	2	1111	17
58	2	1111	17
59	2	1111	17
60	2	1111	17
61	2	1111	17
62	2	1111	17
63	2	1111	17
64	2	1111	17
65	2	1111	17
66	2	1111	17
67	2	1111	17
68	2	1111	17
69	2	1111	17
70	2	1111	17
71	2	1111	17

 <b>digital</b> EQUIPMENT CORPORATION MAYNARD, MASSACHUSETTS	
TITLE MEMORY MANAGEMENT	
DRN. <i>S. Anderson</i>	DATE 9-28-72
CHK'D. <i>S. Anderson</i>	DATE 9-28-72
ENG. <i>S. Anderson</i>	DATE 9-28-72
PROJ. ENG. <i>S. Anderson</i>	DATE 9-28-72
PROJ. <i>S. Anderson</i>	DATE 9-28-72
SHEET 10 OF 13	DIST.
SIZE CODE CCS	NUMBER M7236-1-1
REV. C	

10/2/72

DEC PART NUMB: 23-899A2  
 ORIGINATOR: ED ANTONI  
 DATE OF ORIGIN: 11-AUG-72

DECIMAL LOC	OCTAL LOC	BINARY DATA	OCTAL DATA
72	119	1111	17
73	111	1111	17
74	112	1111	17
75	113	1011	13
76	114	1111	17
77	115	1001	11
78	116	1111	17
79	117	1111	17
80	120	1111	17
81	121	1111	17
82	122	1111	17
83	123	1111	17
84	124	1111	17
85	125	1111	17
86	126	1111	17
87	127	1111	17
88	130	1111	17
89	131	1111	17
90	132	1111	17
91	133	1111	17
92	134	1111	17
93	135	1111	17
94	136	1111	17
95	137	1111	17
96	140	1101	15
97	141	1011	03
98	142	1011	03
99	143	1111	17
100	144	1011	03
101	145	1111	17
102	146	1111	17
103	147	1111	17
124	150	1111	17
125	151	1111	17
126	152	1111	17
127	153	1111	17

REVISIONS	
CHK	CHANGE NO.

ECO No. M7236-00003 Sheet 16 of 18

DEC PART NUMB: 23-899A2  
 ORIGINATOR: ED ANTONI  
 DATE OF ORIGIN: 11-AUG-72

DECIMAL LOC	OCTAL LOC	BINARY DATA	OCTAL DATA
128	154	1111	17
129	155	1111	17
130	156	1111	17
131	157	1111	17
132	160	1111	17
133	161	1110	16
134	162	1110	16
135	163	1111	17
136	164	1110	16
137	165	1111	17
138	166	1111	17
139	167	1111	17
120	170	1111	17
121	171	1111	17
122	172	1111	17
123	173	1111	17
124	174	1111	17
125	175	1111	17
126	176	1111	17
127	177	1111	17
128	200	1110	06
129	201	0110	06
130	202	1111	17
131	203	1111	17
132	204	0111	07
133	205	1110	16
134	206	1111	17
135	207	1111	17
136	210	1111	17
137	211	1111	17
138	212	1111	17
139	213	1111	17
140	214	1111	17
141	215	1011	13
142	216	1111	17
143	217	1111	17

digital EQUIPMENT CORPORATION MAYNARD MASSACHUSETTS		TITLE	
MEMORY MANAGEMENT		SIZE CODE	REV.
C CS		NUMBER	C
M7236-0-1		DIST.	
DRM	DATE	9-26-72	
CHK'D	DATE	9-28-72	
ENG	DATE	9-28-72	
PROG. ENG.	DATE	9-28-72	
PROG. TEST	DATE	9-28-72	
SHEET 11 OF 13			

DEC PART NUMR: 23-B39A2  
 ORIGINATOR: ED ANTON  
 DATE OF ORIGIN: 11-AUG-72

This drawing and specifications, herein, are the property of Digital Equipment Corporation and shall not be reproduced or copied or used in whole or in part without the written permission of Digital Equipment Corporation.

DECIMAL LOC	ACTUAL LOC	BINARY DATA	ACTUAL DATA
144	223	1110	16
145	221	1110	16
146	222	1111	17
147	223	1111	17
148	224	1110	16
149	225	1110	16
150	226	1111	17
151	227	1111	17
152	228	1111	17
153	211	1111	17
154	242	1111	17
155	243	1111	17
156	244	1110	16
157	245	1111	17
158	246	1110	16
159	247	1111	17
160	248	1111	17
161	249	1111	17
162	242	1111	17
163	243	1111	17
164	244	1111	17
165	245	1111	17
166	246	1111	17
167	247	1111	17
168	250	1111	17
169	251	1111	17
170	252	1111	17
171	253	1111	17
172	24	1111	17
173	245	1111	17
174	246	1111	17
175	247	1111	17
176	248	1111	17
177	241	1111	17
178	242	1110	16
179	243	1111	17

REVISIONS	
CHK	CHANGE NO.

ECO No. M7236-0003 Sheet 12 of 18

DEC PART NUMR: 23-B39A2  
 ORIGINATOR: ED ANTON  
 DATE OF ORIGIN: 11-AUG-72

DECIMAL LOC	ACTUAL LOC	BINARY DATA	ACTUAL DATA
182	244	1111	17
181	245	1110	16
182	246	1111	17
183	247	1111	17
184	272	1111	17
185	271	1111	17
186	272	1111	17
187	273	1111	17
188	274	1111	17
189	275	1110	16
190	276	1110	16
191	277	1111	17
192	300	1111	17
193	301	1111	17
194	302	1111	17
195	303	1111	17
196	304	1111	17
197	305	1111	17
198	306	1111	17
199	307	1111	17
200	310	1111	17
201	311	1111	17
202	312	1111	17
203	313	1111	17
204	314	1111	17
205	315	1111	17
206	316	1111	17
207	317	1111	17
208	320	1111	17
209	321	1111	17
210	322	1111	17
211	323	1111	17
212	324	1111	17
213	325	1111	17
214	326	1111	17
215	327	1111	13

digital EQUIPMENT CORPORATION MAYNARD, MASSACHUSETTS	
TITLE MEMORY MANAGEMENT	
DATE 9-28-72	DATE 9-28-72
CHKD BY Ed Anton	DATE 9-28-72
ENG Ed Anton	DATE 9-28-72
PROJ ENG Ed Anton	DATE 9-28-72
PROJ MGR Ed Anton	DATE 9-28-72
SIZE CODE C CS	NUMBER M7236-0-1
SHEET 12 OF 13	DIST.
REV. C	REV. C

James

DEC PART NUM: 23-839A2  
 ORIGINATOR: ED AMYON  
 DATE OF ORIGIN: 11-AUG-72

DECIMAL LOC	DECIMAL LOC	BINARY DATA	UCTAL DATA
216	332	1011	13
217	331	1011	13
218	332	1011	13
219	333	1111	17
220	334	1111	17
221	335	1111	17
222	336	1111	17
223	337	1111	17
224	340	1111	17
225	341	1111	17
226	342	1111	17
227	343	1111	17
228	344	1111	17
229	345	1111	17
230	346	1111	17
231	347	1111	17
232	352	1111	17
233	351	1111	17
234	352	1111	17
235	353	1111	17
236	354	1111	17
237	355	1111	17
238	356	1111	17
239	357	1111	17
240	360	1111	17
241	361	1111	17
242	362	1111	17
243	363	1111	17
244	364	1111	17
245	365	1110	16
246	366	1110	16
247	367	1111	17
248	370	1111	17
249	371	1111	17
250	372	1111	17
251	373	1111	17

REVISIONS		
CHK	CHANGE NO.	REV.

DEC PART NUM: 23-839A2  
 ORIGINATOR: ED AMYON  
 DATE OF ORIGIN: 11-AUG-72

DECIMAL LOC	DECIMAL LOC	BINARY DATA	UCTAL DATA
252	374	1110	16
253	375	1111	17
254	376	1111	17
255	377	1111	17

ECO No. M7236-00003 Sheet 18 of 18

DRN: <i>E. Danton</i>		DATE: 9-26-72
CHK'D: <i>E. Danton</i>		DATE: 9-26-72
ENG: <i>A. J. ...</i>		DATE: 9-26-72
REQ'NG: <i>...</i>		DATE: 9/28/72
PROJ: <i>...</i>		DATE: 9-26-72
SHEET 13 OF 13		

digital EQUIPMENT CORPORATION MAYNARD, MASSACHUSETTS	
TITLE: MEMORY MANAGEMENT	
SIZE CODE: CCS	NUMBER: M7236-0-1
DIST.	REV. C

END