

This drawing and specifications, herein, are the property of Digital Equipment Corporation and shall not be reproduced or copied or used in whole or in part as the basis for the manufacture or sale of items without written permission.

W130 PARTS REFERENCE

ITEM NO	DRAWING REFERENCE	DESCRIPTION	PART NUMBER	QUANTITY
1	R1,R3,R5,R7,R9,R11,R13,R15,R17,R19,R21,R23,R25,R27,R29,R31,R33,R35,R37,R39,R41,R43,R45,R47,R49,R51,R53,R55	15K 1/4W 5%	RES. 1300486	28
2	R2,R4,R6,R8,R10,R12,R14,R16,R18,R20,R22,R24,R26,R28,R30,R32,R34,R36,R38,R40,R42,R44,R46,R48,R50,R52,R54,R56	470 1/4W 5%	RES. 1300516	28
3	Q1-Q56	DEC 3009B TRANSISTOR	523100	56
4	PI	HPC7 BLOCK CONNECTOR	209123	

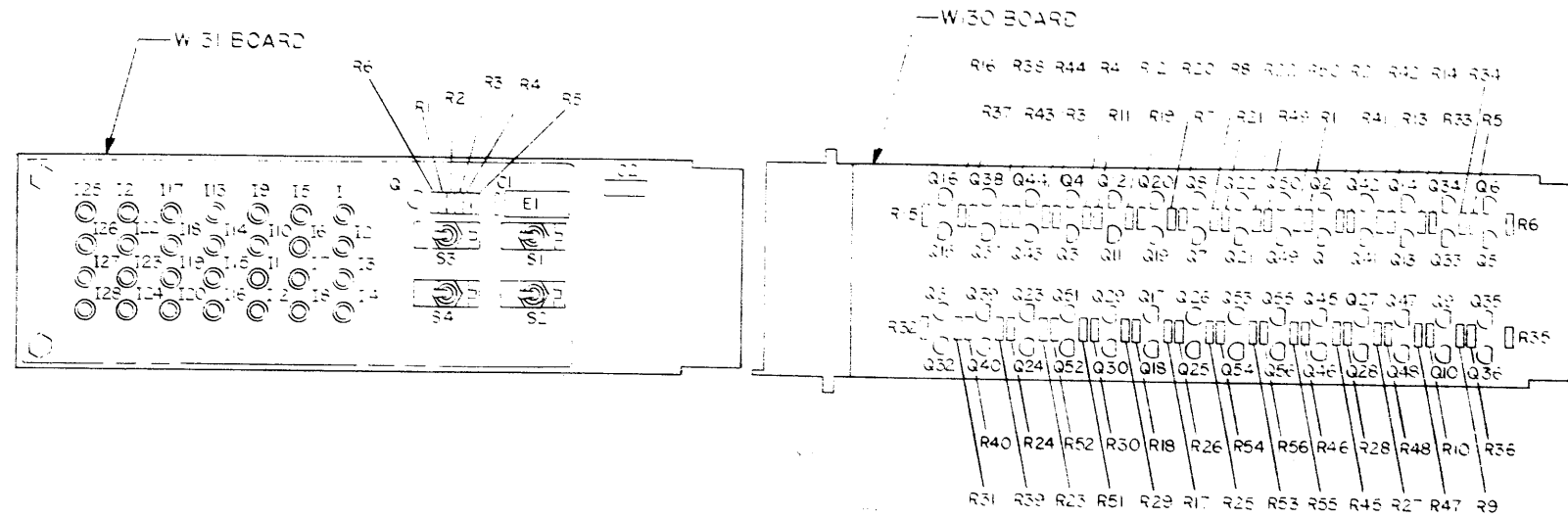
W131 PARTS REFERENCE

ITEM NO	DRAWING REFERENCE	DESCRIPTION	PART NUMBER	QUANTITY
1	E1	DEC 400N	1300575	1
2	C1	.01 MFD 50V 20% DIC CAP	13001612	1
3	C2	.05 MFD 35V 20% ST CAP	1300067	1
4	R1,R2,R3,R4,R5	3K 1/4W 5%	RES. 1300432	5
5	R6	330 1/4W 5%	RES. 1300295	1
6	Q1	DEC 3009B TRANSISTOR	523100	1
7	I1-I28	LAMP HUDSON, BLUE #2309G	1209219	28
8	S1-S4	SWITCH, TOGGLE, SPST, 6A1T-12	1201168	4

NOTES:

- THE KM11 IS A TWO MODULE (W130, W131) OPTION TO THE KA11 TO AID MAINTENANCE. THIS PREWIRED OPTION IS INSTALLED BY INSERTING THE W130 MODULE INTO LOCATION S02 AND INSERTING THE W131 MODULE INTO THE W130. NOTE THAT THE SWITCHES AND LIGHTS FACE TOWARD AND EXTEND BELOW THE CONSOLE. THE BOTTOM COVER MUST BE REMOVED WITH THE CHASSIS EXTERNAL TO THE CABINET.
- LABELS FOR THE INTERNAL MACHINE STATES LAMPS ARE NOTED ON THE W131 ETCH BOARD. SWITCHES PROVIDE A MANUAL CLOCK AND BUS RESPONSE AND ARE ACTIVE WHEN THE TOGGLE IS TOWARD THE NAME. NORMAL MACHINE OPERATION REQUIRES THAT ALL SWITCHES BE IN THE OFF POSITION.
- "M CLK ENABLE" AND "M CLK" PROVIDE A MANUAL CLOCK FOR THE KA11. "M CLK ENABLE" IS ACTIVATED WHILE THE PROCESSOR IS HALTED. EACH TOGGLE OF "M CLK" THEN STEPS THE PROCESSOR THROUGH THE SMALLEST PROCESSOR CLOCK INTERVALS, THE R W STATES, THE NEXT HIGHEST CLOCK INTERVAL (S CLK) IS PROVIDED BY FOUR TOGGLES (2 COMPLETE SWITCH CYCLES) AND INDICATED BY THE R W2 LAMP. R W2 IS THE LAST (OR REST) R W STATE IN A "S CLK" INTERVAL. NORMAL OPERATION IS RESUMED WHEN "M CLK" AND THEN "M CLK ENABLE" ARE RETURNED TO OFF.
- "NO TIME OUT" AND "SSYN" PROVIDE A MANUAL BUS RESPONSE TO THE PROCESSOR. IT IS USED WHEN OTHER DEVICES ARE NOT AVAILABLE. "NO TIME OUT" IS ACTIVATED WHILE THE PROCESSOR IS HALTED, TO ELIMINATE AN ERROR TRAP ON MANUAL "SSYN" AT THE APPROPRIATE TIMES IN A BUS TRANSFER "SSYN" IS ACTIVATED AND DEACTIVATED.

COMPONENT PLACEMENT



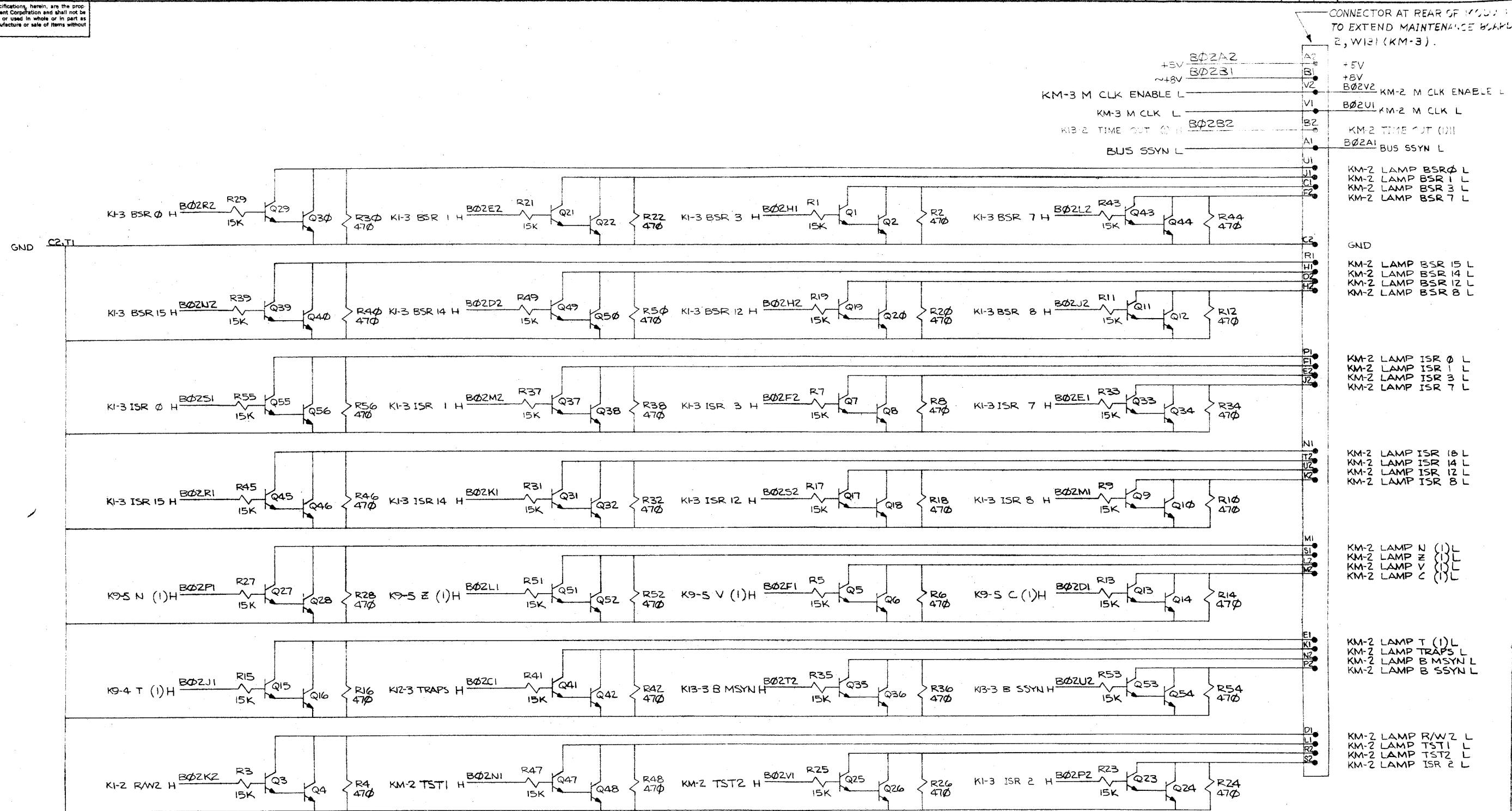
UNIT NOMENCLATURE
MODULE PROCESSOR

REV	DATE	BY	CHKD
1			

QTY.	DESCRIPTION	PART NO.	ITEM NO.
PARTS LIST			
FIRST USED ON OPTION / MODEL D0411		DO NOT SCALE DRAWING UNLESS OTHERWISE SPECIFIED DIMENSION IN INCHES TOLERANCES DECIMALS FRACTIONS ANGLES = .005 ± 1/64 = 0°30' FINAL SURFACE QUALITY REMOVE BURRS AND BREAK SHARP CORNERS	
DRN DATE	CHK'D DATE	digital EQUIPMENT CORPORATION MAYNARD, MASSACHUSETTS	
ENG. DATE	PROJ. ENG. DATE	TITLE MAINTENANCE BOARD (1 of 2)	
PROD. DATE	NEXT HIGHER ASSY A-ML-KM11-0	SIZE CODE D BS KM11-0-ME	NUMBER REV.
MATERIAL +	FINISH +	SCALE 1/1	SHEET 1 OF 3

REV. NO. MB
D BS KM11-0-ME

This drawing and specifications, herein, are the property of Digital Equipment Corporation and shall not be reproduced or copied or used in whole or in part as the basis for the manufacture or sale of items without written permission.



REVISIONS	REV
CHANGE NO.	
CHK	

DEC FORM NO. 102A

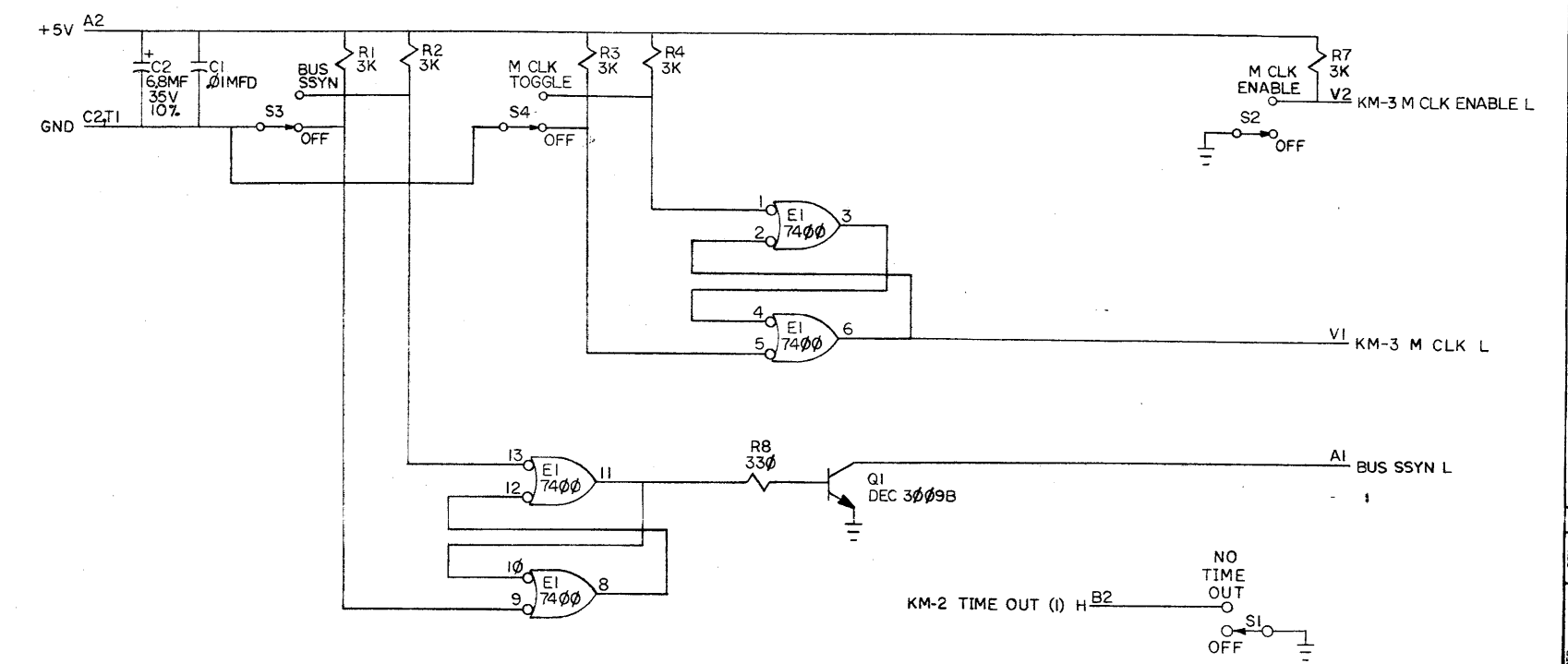
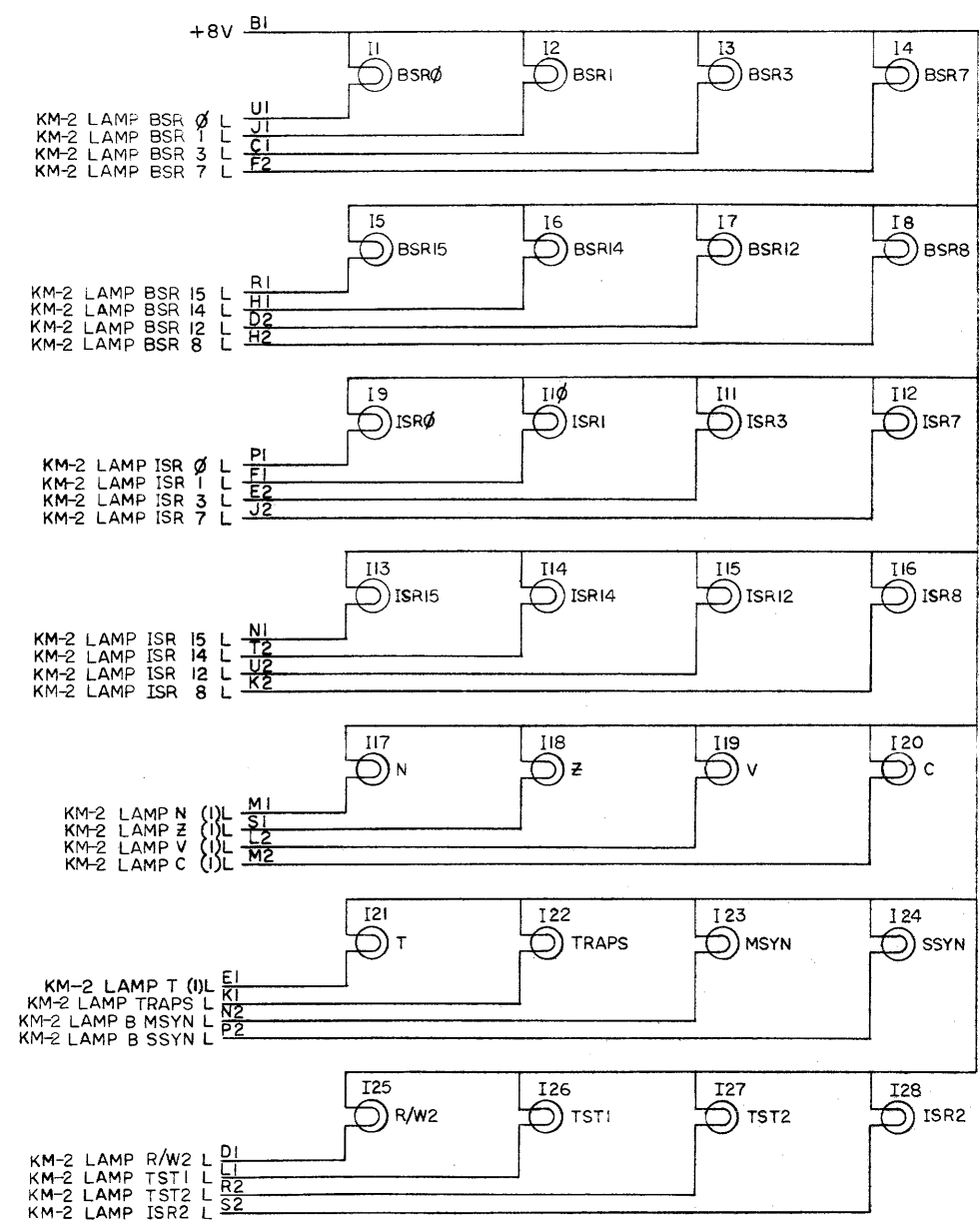
FIRST USED ON OPTION/MODEL	QTY.	DESCRIPTION	PART NO.	ITEM NO.
PDP 11				
UNLESS OTHERWISE SPECIFIED				
DRN: <i>V. Phillips</i>	DATE: 12-18-69	PARTS LIST		
CHK'D: <i>[Signature]</i>	DATE: 4/25/73	digital EQUIPMENT CORPORATION MAYNARD, MASSACHUSETTS		
ENG: <i>[Signature]</i>	DATE: 3-6-73	TITLE		
PROJ. ENG. <i>[Signature]</i>	DATE: 3/29/73	MAINTENANCE BOARD (1)		
PROD. <i>[Signature]</i>	DATE: 5/5/73	W130 KM-2		
MATERIAL	NEXT HIGHER ASSY	A-ML-KM11-0		
FINISH	SCALE NONE	SIZE CODE D BS KMI1-0-MB		
SHEET 2 OF 3		DIST.		

NUMBER KMI1-0-MB

SIZE CODE D BS

A

This drawing and specifications, herein, are the property of Digital Equipment Corporation and shall not be reproduced or copied or used in whole or in part as the basis for the manufacture or sale of items without written permission.



REV.	CHANGE NO.	REVISIONS

FIRST USED ON OPTION/MODEL	QTY.	DESCRIPTION	PART NO.	ITEM NO.
PDP 11				
UNLESS OTHERWISE SPECIFIED				
DRN	J. Budis	DATE	12/17/69	
CHKD		DATE	4/25/70	
ENG		DATE	3-6-70	
PROJ. ENG.		DATE	3-6-70	
PROD.	Thaelmalk	DATE	5/5/70	
MATERIAL				
NEXT HIGHER ASSEMBLY				
A-M-L-KM11-0				
SCALE NONE				
SHEET 3 OF 3				
TITLE		PARTS LIST		
MAINTENANCE BOARD(2)		digital EQUIPMENT CORPORATION		
WI31		NUMBER		
DBS KM11-0-MB		REV		
DIST.				