

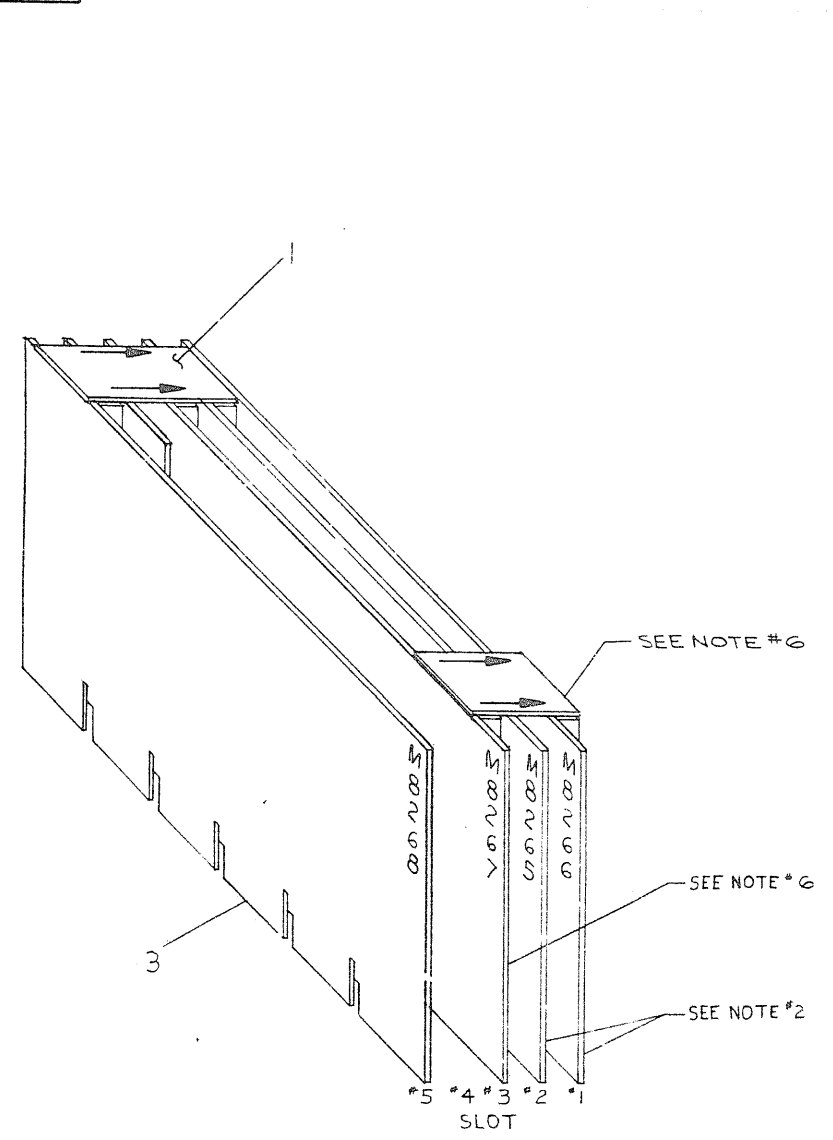




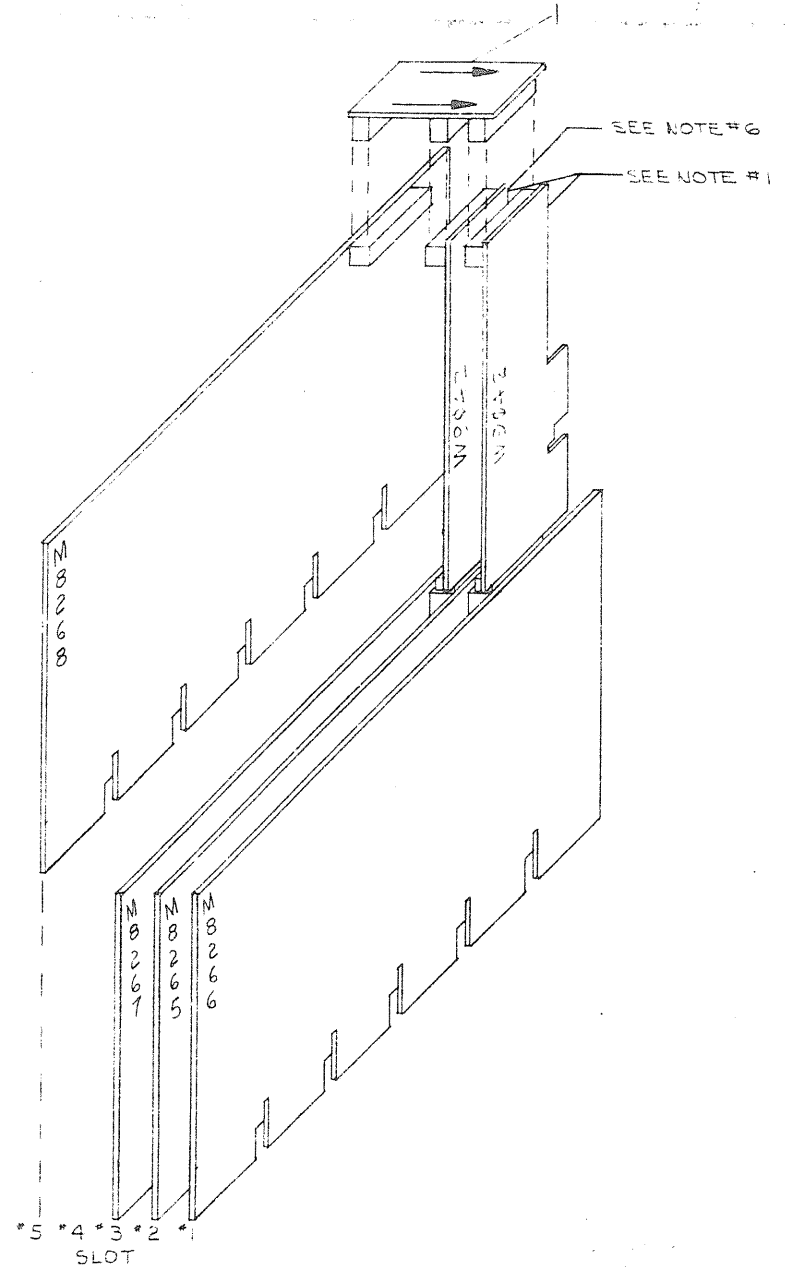
THIS DRAWING AND SPECIFICATIONS HEREIN ARE THE PROPERTY OF DIGITAL EQUIPMENT CORPORATION AND SHALL NOT BE REPRODUCED OR COPIED OR USED IN WHOLE OR IN PART AS THE BASIS FOR THE MANUFACTURE OR SALE OF ITEMS WITHOUT WRITTEN PERMISSION.  
 COPYRIGHT © DIGITAL EQUIPMENT CORPORATION

NOTES:

1. THE W9042 EXTENDER BD. ASSY. IS STORED IN THE BACKPLANE AND IS USED FOR SOME MAINTENANCE OPERATIONS.
2. MODULES M8265 AND M8266 ARE PART OF KD11-EA AND ARE SHOWN FOR REF. ONLY.
3. ALL CONFIGURATIONS SHOWN ARE USED IN THE BA11-K (10 1/2 INCH BOX) OR BA11-L (5 1/4 BOX).
4. CONFIGURATION C SHOWS SLOT 3 UTILIZATION FOR EITHER KK11-A OR FP11-A WHEN ONLY ONE IS PRESENT.
5. CONFIGURATIONS B & D SHOW TYPICAL MAINTENANCE SET UP.
6. M8267, 5412416 AND W9042 ARE PART OF FP11-A AND ARE SHOWN FOR REF. ONLY.



CONFIGURATION "A"  
SEE NOTE #3



CONFIGURATION "B"  
SEE NOTE #5

1	PLASTIC BAG, 9"X12"	99-05129-25	5
1	RESISTER 1K, 1/4W, 1%	13-03114-00	4
1	CACHE MEMORY (KK11-A)	D-UA-M8268-0-0	3
1	BOARD, INTERCONN 40 PIN	D-UA-H8821-0-0	2
1	TRICONN BOARD	D-UA-H8822-0-0	1

THIRD ANGLE PROJECTION		DRN: <i>R. Smith</i>	25 JAN 78	FIRST USED ON: 11-34A	<b>digital</b>
REMOVE BURRS AND BREAK SHARP CORNERS	DO NOT SCALE DWG	CHK'D: <i>[Signature]</i>	ENG: <i>[Signature]</i>	PROD. ENG: <i>[Signature]</i>	PROD. <i>[Signature]</i>
MATERIAL: SEE PARTS LIST	SCALE: NDNE	TITLE: CACHE MEMORY OPTION		SIZE: D	CODE: UA
FINISH: <i>[Symbol]</i>	SHEET 1 OF 2	NEXT HIGHER ASSY.		NUMBER: KK11-A-0	REV: C

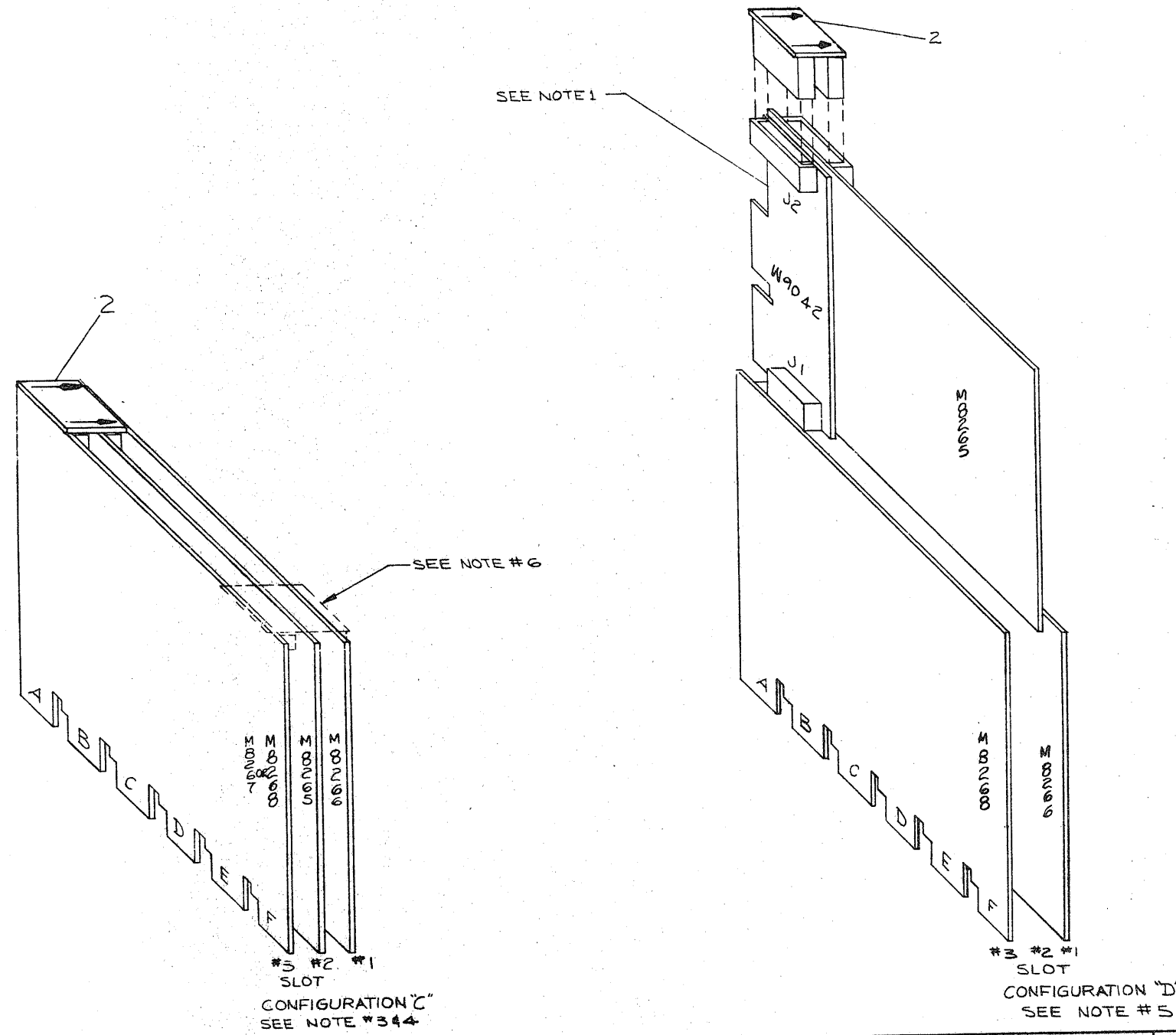
REVISIONS	REL.
CHANGE NO.	
CHK	

DCC FORM 36  
000 100-C

TW 1

"THIS DRAWING AND SPECIFICATIONS HEREIN ARE THE PROPERTY OF DIGITAL EQUIPMENT CORPORATION AND SHALL NOT BE REPRODUCED OR COPIED OR USED IN WHOLE OR IN PART AS THE BASIS FOR THE MANUFACTURE OR SALE OF ITEMS WITHOUT WRITTEN PERMISSION. COPYRIGHT © 1972 DIGITAL EQUIPMENT CORPORATION"

2 DUA KK11-A-0



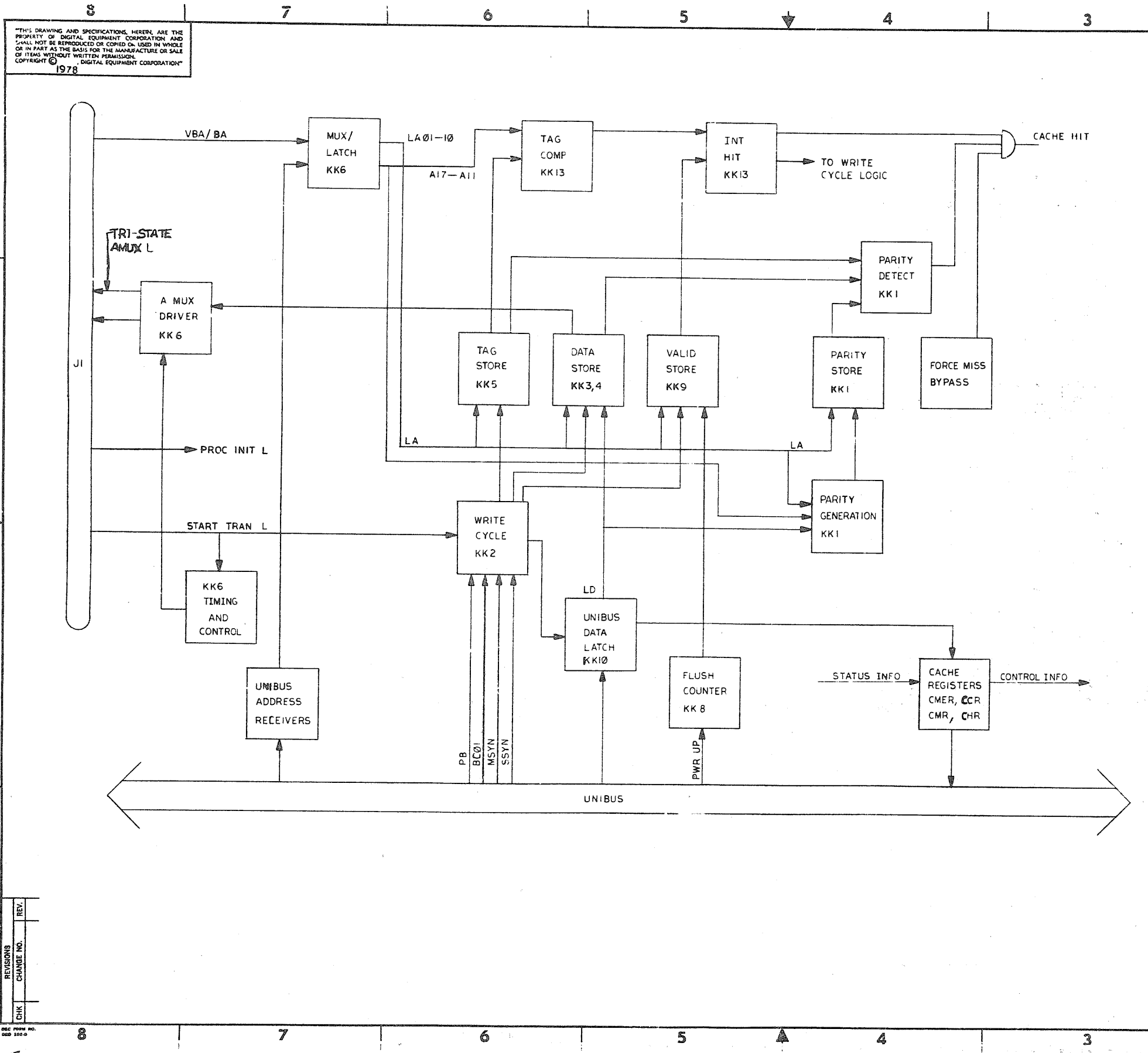
REVISIONS		
CHK	CHANGE NO.	REV.

TITLE	CACHE MEMORY OPTION	SIZE CODE	DUA	NUMBER	KK11-A-0	REV.	C
SCALE	NONE	SHEET	2	OF	2	DIST.	TW

800 137

6

THIS DRAWING AND SPECIFICATIONS HEREIN ARE THE PROPERTY OF DIGITAL EQUIPMENT CORPORATION AND SHALL NOT BE REPRODUCED OR COPIED OR USED IN WHOLE OR IN PART AS THE BASIS FOR THE MANUFACTURE OR SALE OF ITEMS WITHOUT WRITTEN PERMISSION. DIGITAL EQUIPMENT CORPORATION © 1978



CACHE RESPONSE MATRIX

	DMA		CPU	
	MISS	HIT	HIT	MISS
READ	NOTHING	NOTHING	CACHE READ	WRITE DATA WRITE TAG WRITE VALID
READ BYPASS	NOTHING	INVALIDATE	INVALIDATE	NOTHING
WRITE BYPASS	NOTHING	INVALIDATE	INVALIDATE	NOTHING
WRITE	NOTHING	INVALIDATE	WRITE DATA WRITE VALID	NOTHING

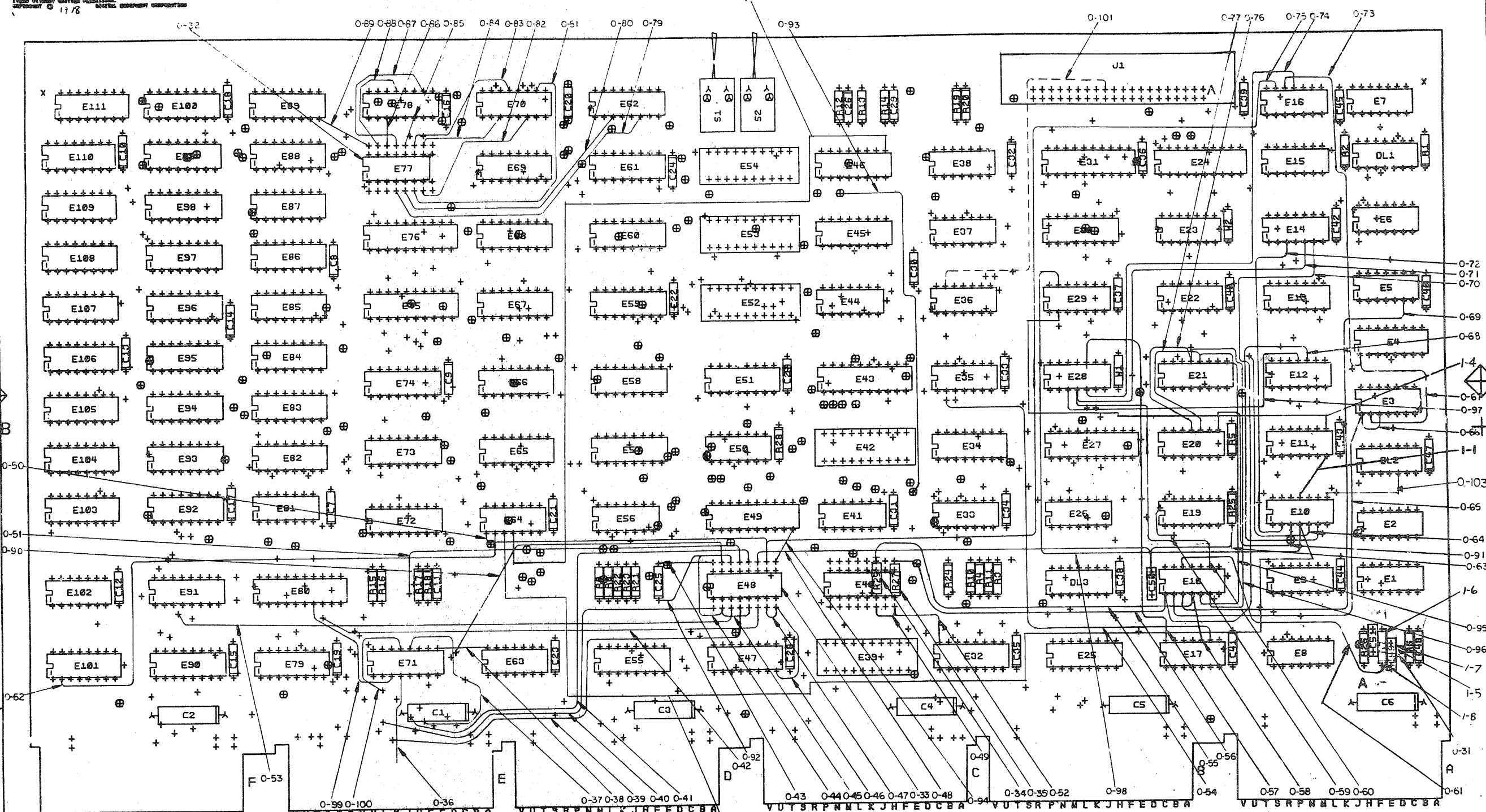
REV.	
CHANGE NO.	
REVISIONS	
CHK	

DRN. <i>Jociah</i>	23-10-78	FIRST USED ON	KK11-A	<b>digital</b>
CHK'D <i>Jociah</i>	2-8-78	TITLE	CACHE MEMORY OPTION	
ENG. <i>Jociah</i>				
PROJ. ENG. <i>Jociah</i>				
PROD. <i>Jociah</i>				
NEXT HIGHER ASSY.				
D-UA-KK11-A-0	SIZE CODE	NUMBER	REV.	
SCALE NONE	D BD	KK11-A-1	C	
SHEET	OF	DIST.		

REV. 1  
 NUMBER 1  
 SHEET 1 OF 1  
 DATE 2-8-78  
 BY *Jociah*

THIS DRAWING IS UNCLASSIFIED, EXCEPT FOR THE  
 PORTION OF THE CIRCUIT COMPONENTS AND WIRE  
 WHICH IS CLASSIFIED AS CONFIDENTIAL OR SECRET  
 IN ACCORDANCE WITH THE COMSEC REGULATIONS  
 WHICH APPLY TO THE INFORMATION CONTAINED  
 HEREIN. DATE 11/78 BY [illegible]

COMPONENT SIDE VIEW



NOTES:

CHECKCHANGE NO	REV
M268-TWO	D
M BLANK	

CHECKCHANGE NO	REV
M268-TWO	D
M BLANK	

ETD: REV.	D	SIGNATURES	DATE	digital
P.C. DESIGN DATA BASE REV.	D		3-6-78	
		DRN.	3-13-78	TITLE
		CHK'D.	3-13-78	11/34 CACHE
		ENG.	7-1-77	SIZE CODE
		PROJ. ENG.	7-1-77	NUMBER
		PROD.	7-4-77	0 UA M8268-00
		SCALE	2/1	REV
		SHT.	1 OF 8	D
		NEXT NUMBER ASSY. B DD M8268-0		

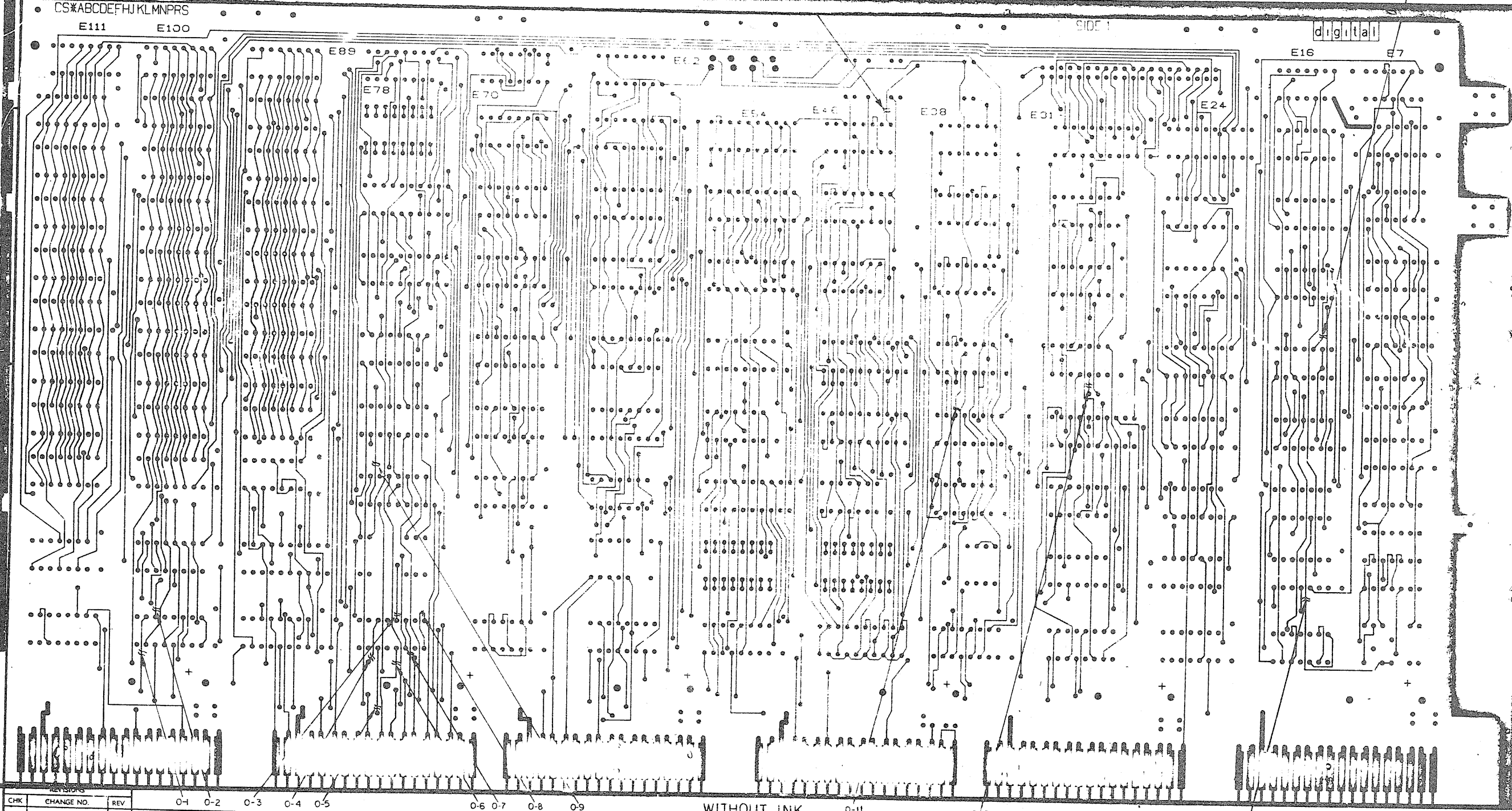


THIS DRAWING AND SPECIFICATIONS HEREIN ARE THE PROPERTY OF DIGITAL EQUIPMENT CORPORATION AND SHALL NOT BE REPRODUCED OR COPIED OR USED IN WHOLE OR IN PART AS THE BASIS FOR THE MANUFACTURE OR SALE OF ANY ITEMS WITHOUT WRITTEN PERMISSION. COPYRIGHT © DIGITAL EQUIPMENT CORPORATION

DJA M8268-0-0 2

M8268 SC:2524D

LAYER 1



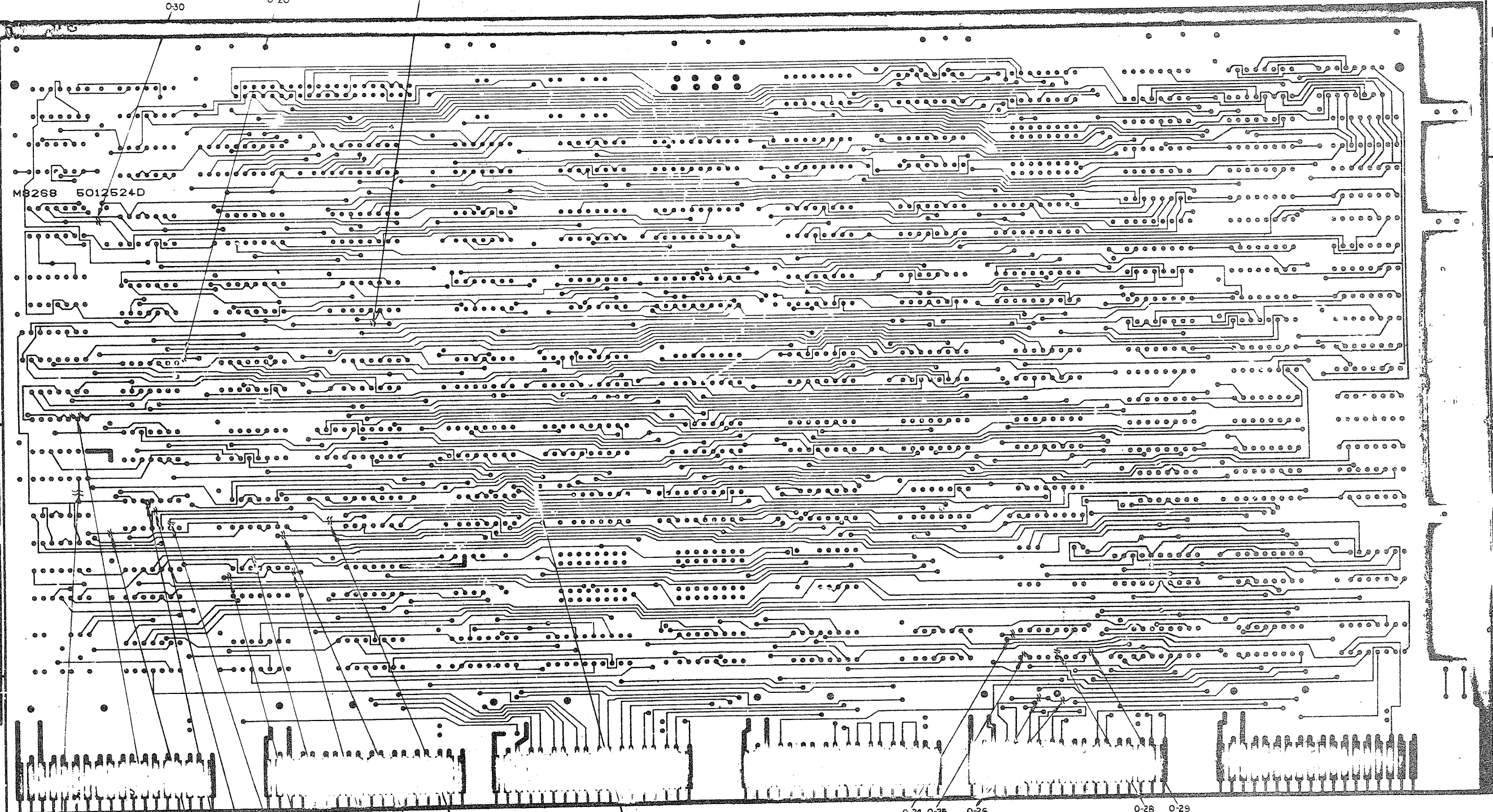
CHK	CHANGE NO.	REV	0-1	0-2	0-3	0-4	0-5	0-6	0-7	0-8	0-9	WITHOUT INK	0-11	0-10	0-12

TITLE 11/34 CACHE		SIZE COD. DJA	NUMBER M8268-0-0	REV. D
SCALE 2-1	SHEET 2 OF 8	DIST.	TW	1

THE DRAWING AND SPECIFICATIONS HEREIN ARE THE PROPERTY OF DIGITAL EQUIPMENT CORPORATION AND SHALL NOT BE REPRODUCED OR COPIED OR USED IN WHOLE OR IN PART AS A BASIS FOR THE MANUFACTURE OR SALE OF ITEMS WITHOUT WRITTEN PERMISSION. COPYRIGHT © DIGITAL EQUIPMENT CORPORATION

HA 834AJ

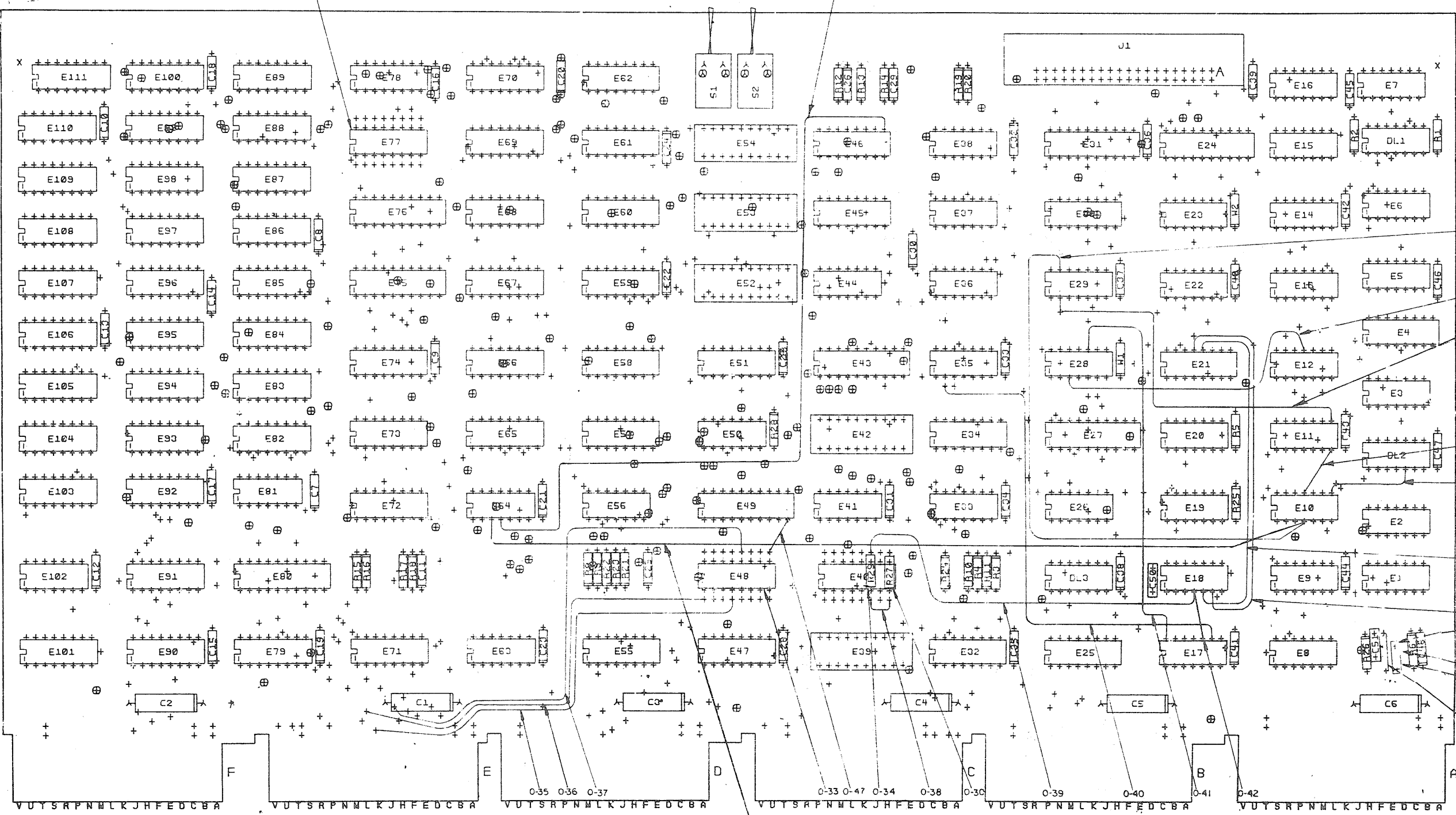
D 0-0-8928A 2



0-102		0-27	0-22	1-10	0-16	0-17	0-18	0-19	0-18	0-21	0-15	0-23	0-24	0-25	0-26	0-28	0-29	
WITHOUT INK																		
REVISIONS		TITLE		SIZE/CODE		NUMBER		REV.										
CHK	CHANGE NO.	REV	11/34 CACHE		D UA		M8268-0-0		D									
		SCALE 2-1		SHEET 3 OF 8		TWT												

8 7 6 5 4 3 2 1

10



NOTES:

---



---



---



---

CHK	CHANGE NO.	REV.

WITH INK

ETCH REV.	D
P.C. DESIGN DATA BRSE REV.	D

SIGNATURES		DATE	digital
DRN.		11/34	
CHK'D.	R. DAY		
ENG.			
PROJ. ENG.			
PROD.			
SCALE	1/2" = 1"	SIZE	COLE NUMBER
SHT.	4 OF 8	D	UA M8268-00
NEXT HIGHER ASSY: B-DJ M8268-00			

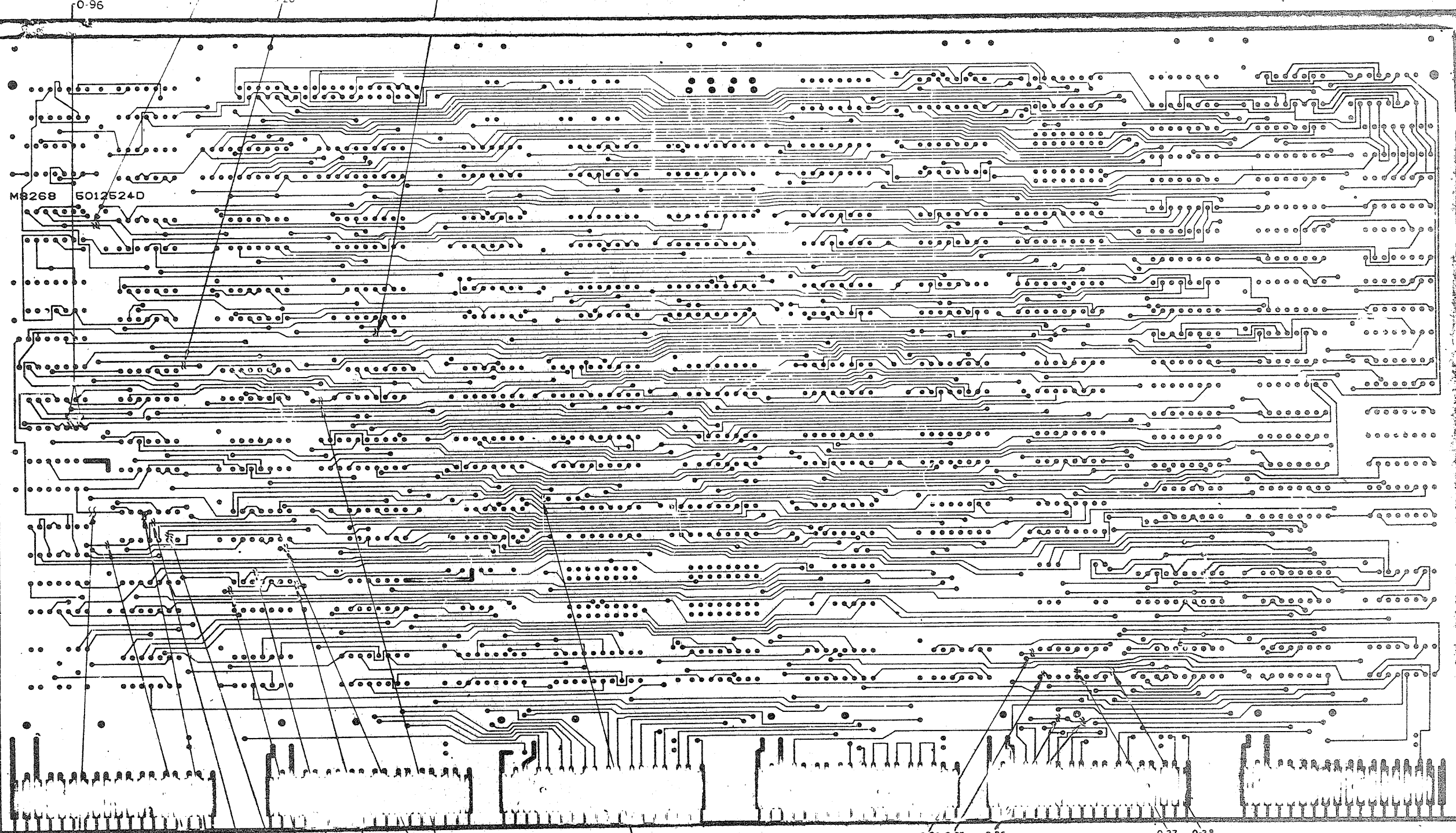




THIS DRAWING AND SPECIFICATIONS ARE THE PROPERTY OF DIGITAL EQUIPMENT CORPORATION AND SHALL BE KEPT IN CONFIDENCE. IT IS TO BE USED ONLY FOR THE MANUFACTURE OR SALE OF ITEMS WITHOUT WRITTEN PERMISSION. DIGITAL EQUIPMENT CORPORATION  
CORP-26-17

0-83287 2

834AJ



M8268 5012524D

0-102 0-29 0-16 0-17 0-18 0-19 0-18 0-21 0-22 0-23 WITH INK 0-24 0-25 0-26 0-27 0-28

REVISIONS		
CHK	CHANGE NO	REV

TITLE	11/34 CACHE	SIZE CODE	D UA	NUMBER	M8268-0-0	REV.	D
SCALE	2-1	SHEET	7 OF 8	U.S.			

8 7 6 5 4 3 2 1 TW 1 14



LINE	ITEM	DOCUMENT NUMBER	PART NUMBER	DESCRIPTION	QTY	REFERENCE DESIGNATOR
1	1	D-ND-5012524-0-0	5012524-00	M8268	1	
2	2		1000076-00	39 MFD 10V 10% 150D S.TA	6	C1-C6
3	3		1012784-00	447 MFD 50V -20+R0 CER	42	C7-C48
4	4		1012121-00	220.0 MMF 100V 1%200PPM DM15S	1	C51
5	5		1000024-00	470.0 MMF 100V 5%200PPM DM15S	1	C50
6	6		1213506-01	HEADER 40POS RT ANGLE W/3 SI	1	J1
7	7		1210711-09	/ORSOLETE	1	
8	8		1210209-00	SW, TOG 1P, 01A SUBMINI	2	S1, S2
9	9		1300271-00	220 1/4W 5% CC	6	R1, R2, R5, R6, R10, R11
10	10		1300202-00	47 1/4W 5% CC	1	R26
11	11		1300365-00	1 K 1/4W 5% CC	15	R8, R9, R12-R20, R24, R27, R28, R29
12	12		1311422-00	17R 1/4W 1% RN55D-F 100PPM	3	R3, R21, R22
13	13		1305125-00	383 1/4W 1% RN55D-F 100PPM	2	R4, R23
14	14		1300250-00	150 1/4W 5% CC	1	R25
15	16		1612463-00	DELAY= 150NS, 10TAPS	3	DL1, DL2, DL3
16	17		1910532-00	74S00 NAND GATE-QUAD 2IN8	2	E15, E37
17	18		1912799-00	LS00 NAND-GATE-QUAD 2IN, P	5	E2, E7, E19, E22, E33
18	19		1912801-00	LS02 NOR-GATE-QUAD 2IN	2	E14, E35
19	20		1912388-00	74S02 NOR GATE-QUAD 2IN, PO	1	E10
20	21		1910534-00	74S04 INVERTER GATE-HEX 1I	2	E11, E64
21	22		1912803-00	LSC4 INVERTER GATE-HEX 1I	3	E6, E12, E26
22	23		1910536-00	74S10 NAND GATE-TRIPLE 3IN	2	E8, E20
23	24		1912807-00	LS10 NAND GATE-TRIPLE 3IN	1	E28
24	25		1912808-00	LS11 AND GATE-TRIPLE 3IN	1	E29
25	26		1912815-00	LS30 NAND GATE-SINGLE 8IN	1	E81
26	27		1913340-00	74S32 OR GATE-QUAD 2IN	1	E16
27	28		1912813-00	LS27 NOR GATE-TRIPLE 3IN	1	E3
28	29		1912824-00	LS74 FF-D DUAL, EDGE TRIGG	4	E1, E9, E36, E41
29	30		1910544-00	74S74 FF-D DUAL, EDGE TRIGG	2	E5, E13
30	31		1912089-00	74S85 CMPRTR-4BIT MAGNITUD	2	E45, E74

REVISION HISTORY			SECTION 1 OF 1	RESP. ENG.: ROGER DAY	DATE: 20-MAR-78	DIGITAL			
ENG	ECO NUMBER	REV	SECTION, VARIATION INDEX	MADE BY: MIKE FUNARO	DATE: 20-MAR-78	TITLE PARTS LIST			
---	INIT	C				11/34 CACHE			
RD	TW001	D	1.00						
			2.	CHECKED: ROGER DAY	DATE: 20-MAR-78				
			3.						
			4.						
			5.	DSN. ENG.: ROGER DAY	DATE: 20-MAR-78				
			6.						
			7.						
			8.	PROD.: BOB KING	DATE: 20-MAR-78	K	PL	M8268-0-DBP	D
			9.						
			10.						
			11.	ASSEMBLY NUMBER: D-UA-M8268-0-0		PART NUMBER: M826800		EDIT # 20	
			12.						

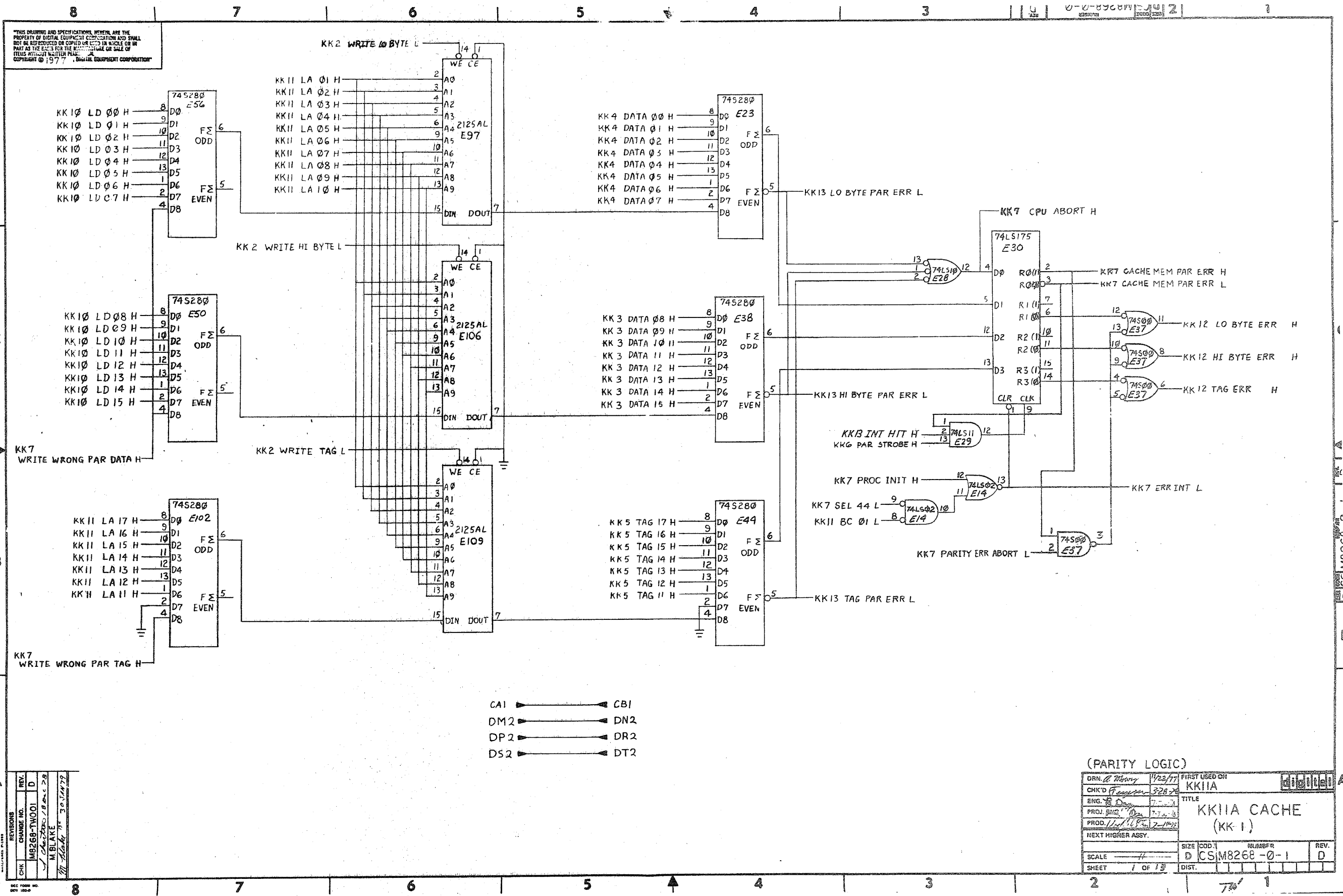
"THIS DRAWING AND SPECIFICATIONS HERFIN, ARE THE PROPERTY OF DIGITAL EQUIPMENT CORPORATION AND SHALL NOT BE REPRODUCED OR COPIED OR USED IN WHOLE OR IN PART AS THE BASIS FOR THE MANUFACTURE OR SALE OF ITEMS WITHOUT WRITTEN PERMISSION. COPYRIGHT 1979, DIGITAL EQUIPMENT CORPORATION"



LINE	ITEM	DOCUMENT NUMBER	PART NUMBER	DESCRIPTION	QTY	REFERENCE DESIGNATOR
31	32		1911983-00	74S133 NAND GATE-POSITIVE 1	1	E21
32	33		1912839-00	LS133 NAND GATE-POS	1	E91
33	34		1910548-00	74S157 MUX 1 OF 2 (QUAD)	9	E58-E60,E62,E66-E68,E70,E78
34	35		1912847-00	LS157 MUX 1 OF 2(QUAD)	1	E4
35	36		1912842-00	LS138 DECODER-THREE INPUT,	1	E73
36	37		1912697-00	LS174 FF-D HEX W/CLEAR	1	E46
37	38		1912853-00	LS175 FF-D QUAD	2	E30,E34
38	39		1912854-00	LS193 COUNTER, SYNCHR, 4BIT,	3	E51,E57,E65
39	40		1915193-00	LS244 DRIVER, LINE, OCTAL, T	5	E39,E42,E52-E54
40	41		1911573-00	74S280 PARITY GEN/CHKR, 9BIT	6	E23,E38,E44,E56,E50,E102
41	42		1913670-00	74S373 LATCH 8BIT TRASP TR	5	E24,E31,E75,E76,E80
42	43		1913671-00	74S374 FF-D OCTAL TRISTATE	3	E27,E49,E43
43	44		1911469-00	DEC 8640 RECEIVER, BUS, QUAD, U	1	E17
44	45		1911579-00	8641 TRANSCEIVER, BUS, QUA	6	E25,E32,E47,E55,E71,E48
45	46		1911116-00	DEC 8837 RECEIVER, BUS, HEX, UN	3	E72,E79,E90
46	47		1909705-00	DEC 8881 NAND GATE-QUAD 2IN 0	2	E18,E63
47	48	SEE NOTE 1	1914438-00	DC 013 UNIBUS INTERRUPT-BIP	1	E101
48	49		2115020-00	1K MOS RAM 25NS S	28	E61,E69,E82-E89,E92-E100,E103-E111
49	50		9000024-01	EYELET, ROLLED FLANGE, .121 OD X	11	
50	51		9009185-00	JUMPER, WIRE, INSULATED, BLACK B	2	W1,W2
51	54		1300005-01	P NETWORK 13-1K RESISTORS 5% DIP	1	E77

52 NOTE: #1 P/N 1912083-00 IS AN ALTERNATE PART FOR ITEM #48

D	I	G	I	T	A	L	TITLE	SECTION	1	OF	1	SIZE	CODE	DOCUMENT NUMBER	REV
							11/34 CACHE							M8268-0-DBP	D



REVISIONS

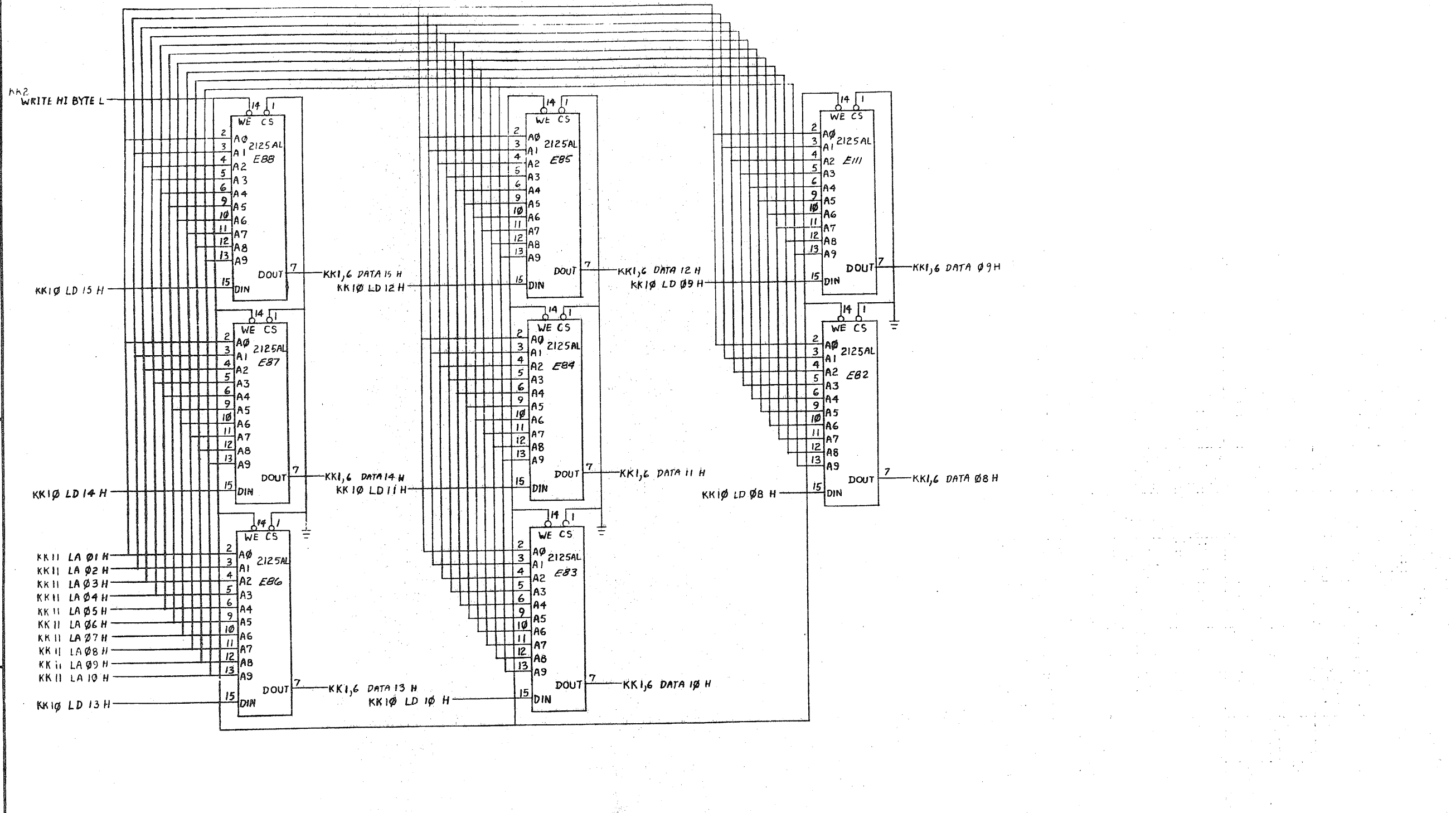
REV.	CHG.	BY	DATE
1	MB268-2001	M. BLAKE	30/1/77

(PARITY LOGIC)

DRN. <i>B. Barry</i>	1/22/77	FIRST USED ON	KK11A
CHK'D <i>Franklin</i>	3/28/77	TITLE	KK11A CACHE (KK-1)
ENG. <i>B. Barry</i>	7-2-77	SIZE	11
PROJ. <i>B. Barry</i>	7-2-77	CODE	D
PROD. <i>B. Barry</i>	7-2-77	NUMBR	CSM8268-0-1
NEXT HIGHER ASSY.		DIST.	
SCALE		REV.	D
SHEET	1 OF 15		



THIS DRAWING AND SPECIFICATIONS HEREIN ARE THE PROPERTY OF DIGITAL EQUIPMENT CORPORATION AND SHALL NOT BE REPRODUCED OR COPIED IN ANY MANNER OR IN ANY MANNER AS THE BASIS FOR THE REPRODUCTION OR SALE OF ITEMS WITHOUT WRITTEN PERMISSION OF DIGITAL EQUIPMENT CORPORATION © 1977



REVISIONS		
CHK	CHANGE NO.	REV.

(DATA MEMORY ARRAY)		TITLE	SIZE/CODE	NUMBER	REV.
		KK11A CACHE (KK 3)	D/CS	M8268-0-1	D
SCALE	SHEET	OF	DIST.		



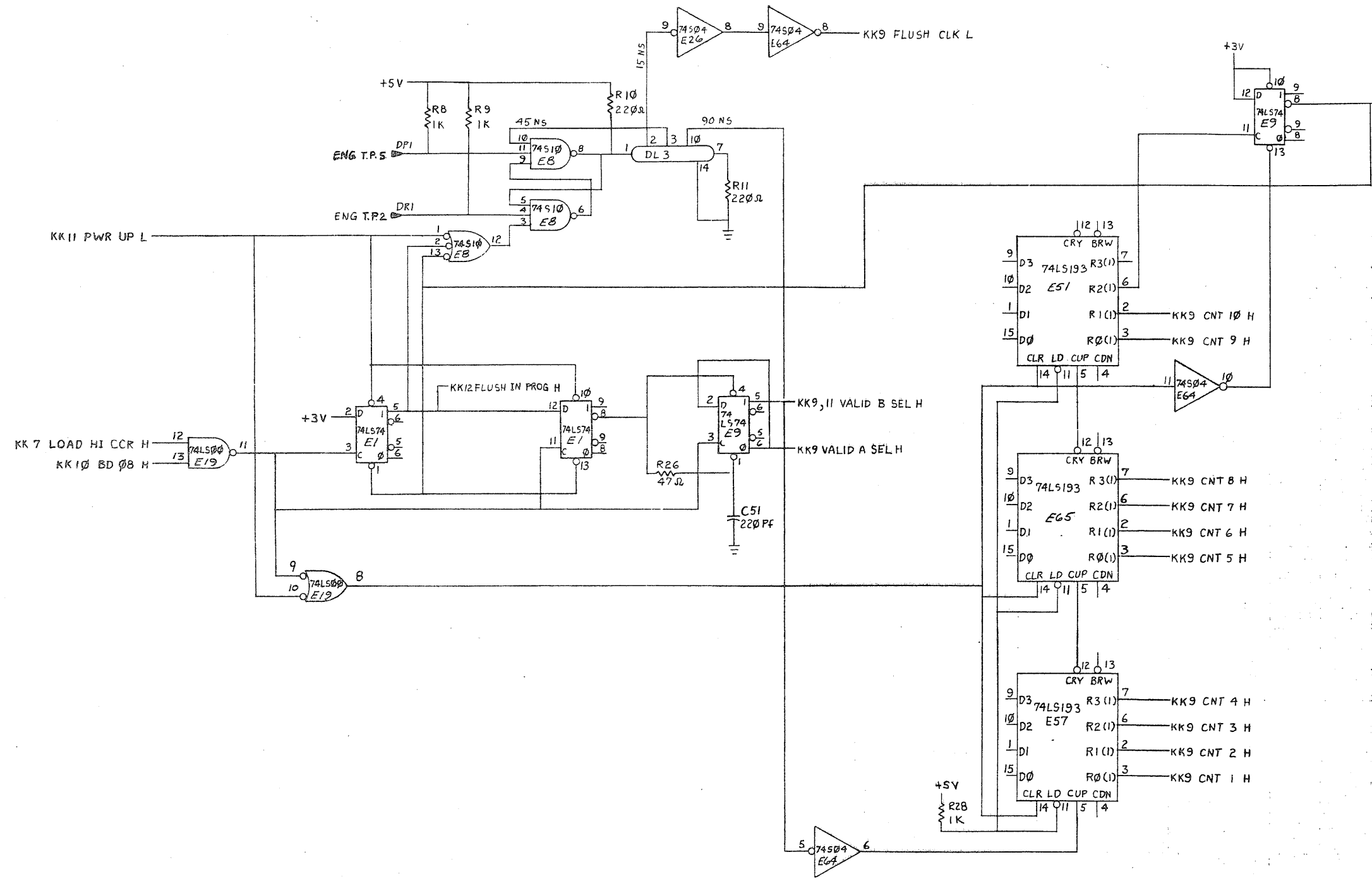








"THIS DRAWING AND SPECIFICATIONS, HEREIN, ARE THE PROPERTY OF DIGITAL EQUIPMENT CORPORATION AND SHALL NOT BE REPRODUCED OR COPIED OR USED IN WHOLE OR IN PART AS THE BASIS FOR THE MANUFACTURE OR SALE OF ITEMS WITHOUT WRITTEN PERMISSION. COPYRIGHT © 1977 DIGITAL EQUIPMENT CORPORATION"

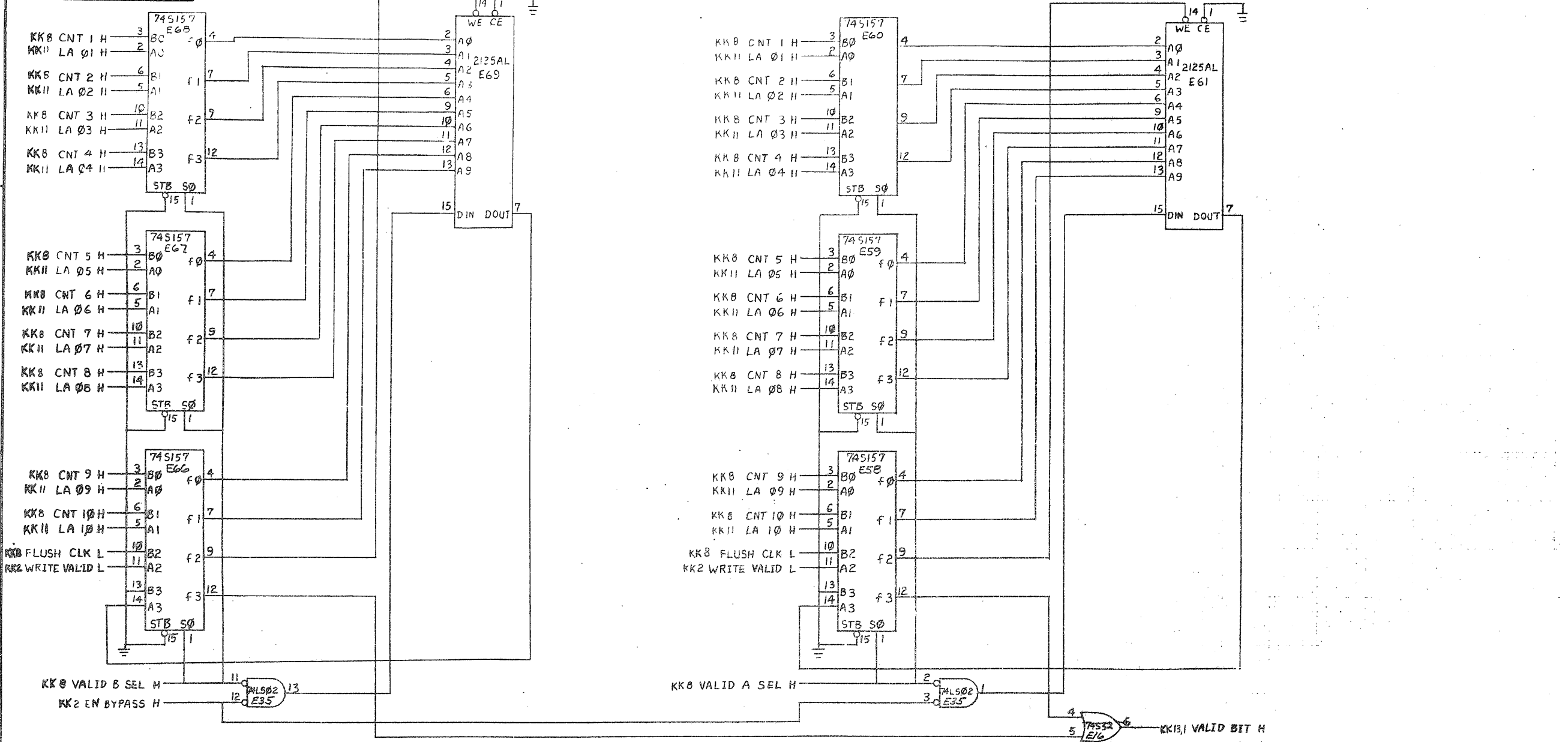


REVISIONS		
CHK	CHANGE NO.	REV.

(FLUSH COUNTER)

TITLE	SIZE CODE	NUMBER	REV.
KK II A CACHE (KK 8)	D CS	M8268-0-1	1
SCALE	SHEET	DIST.	
	8 OF 13		

THIS DRAWING AND SPECIFICATIONS HEREON ARE THE PROPERTY OF DIGITAL EQUIPMENT CORPORATION AND SHALL NOT BE REPRODUCED OR COPIED OR USED IN WHOLE OR IN PART AS THE BASIS FOR THE MANUFACTURE OR SALE OF ITEMS WITHOUT WRITTEN PERMISSION OF DIGITAL EQUIPMENT CORPORATION  
 COPYRIGHT © 1977 DIGITAL EQUIPMENT CORPORATION

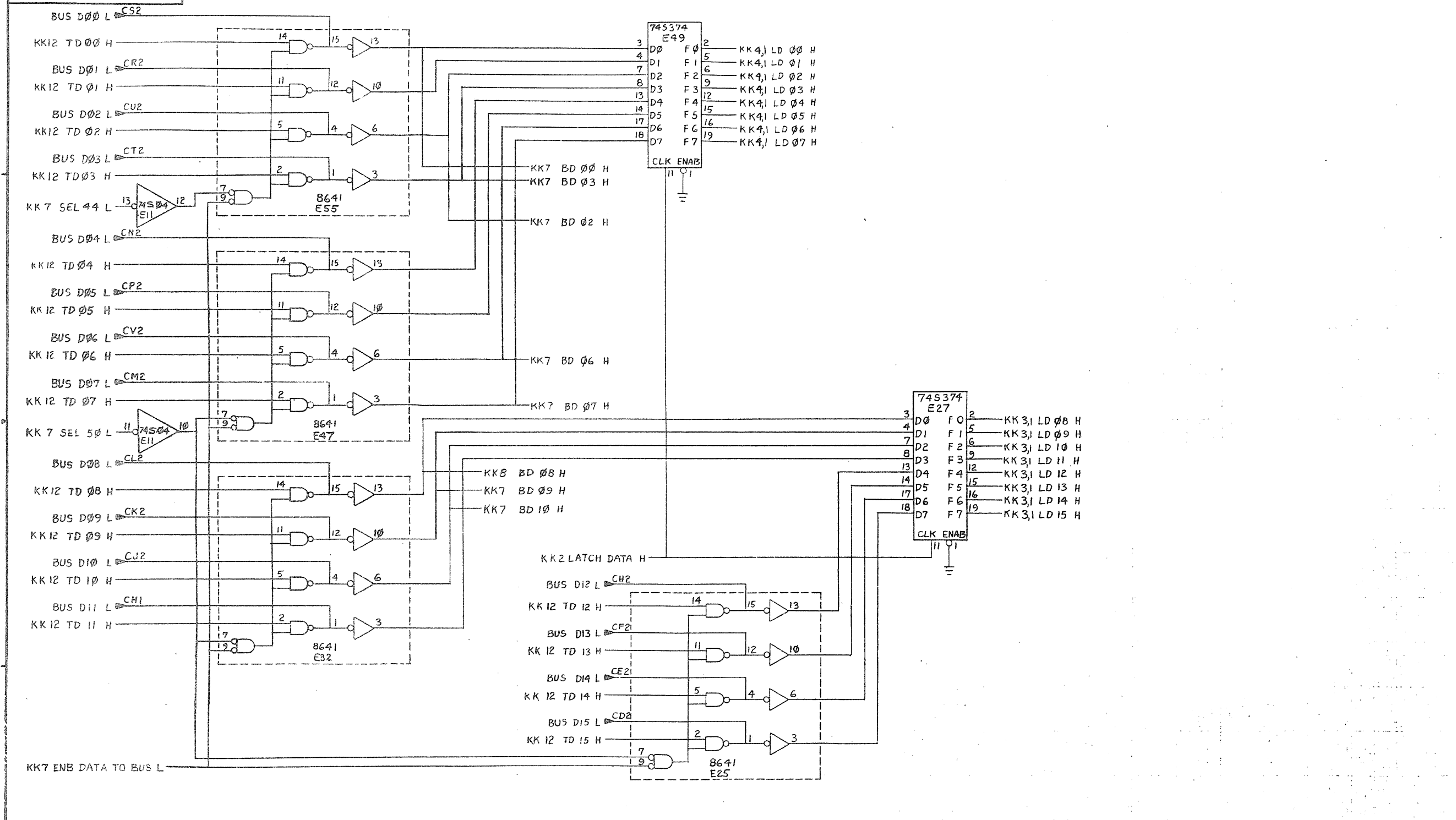


REVISIONS		
CHK	CHANGE NO.	REV.

(VALID BIT STORE)

TITLE	DCS M8258-0-1	REV.	1
SCALE	1/1	DATE	9 OF 13

THIS DRAWING AND SPECIFICATIONS HEREIN ARE THE PROPERTY OF DIGITAL EQUIPMENT CORPORATION AND SHALL NOT BE REPRODUCED OR COPIED OR USED IN WHOLE OR IN PART AS THE BASIS FOR THE MANUFACTURE OR SALE OF ITEMS WITHOUT WRITTEN PERMISSION. COPYRIGHT © 1977 DIGITAL EQUIPMENT CORPORATION

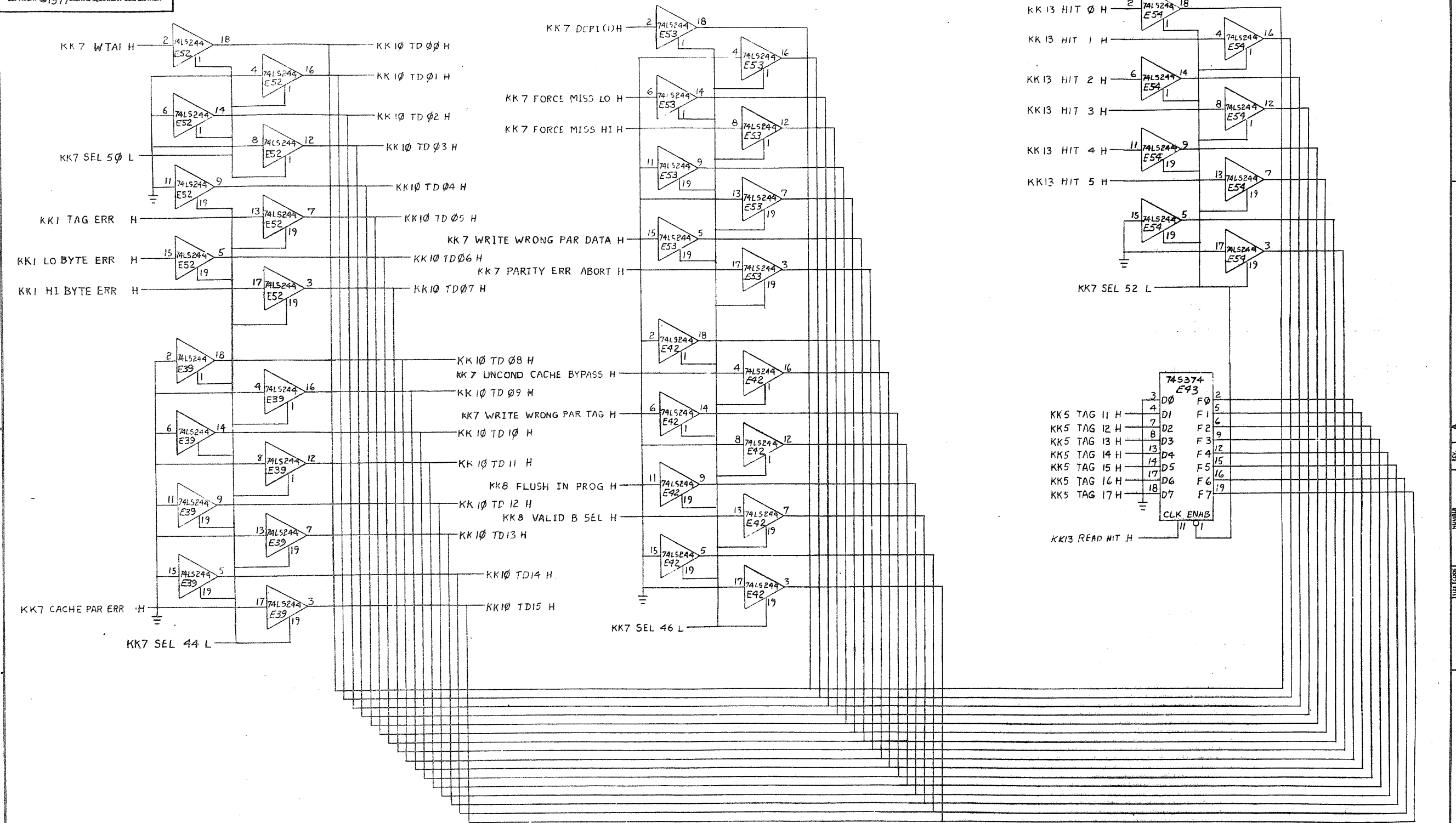


REVISIONS		
CHK	CHANGE NO.	REV.

TITLE		SIZE	NUMBER	REV.
KK11A CACHE (KK10)		DCS	M8268-0-1	0
SCALE	SHEET	DIST.		
11	10 OF 13			



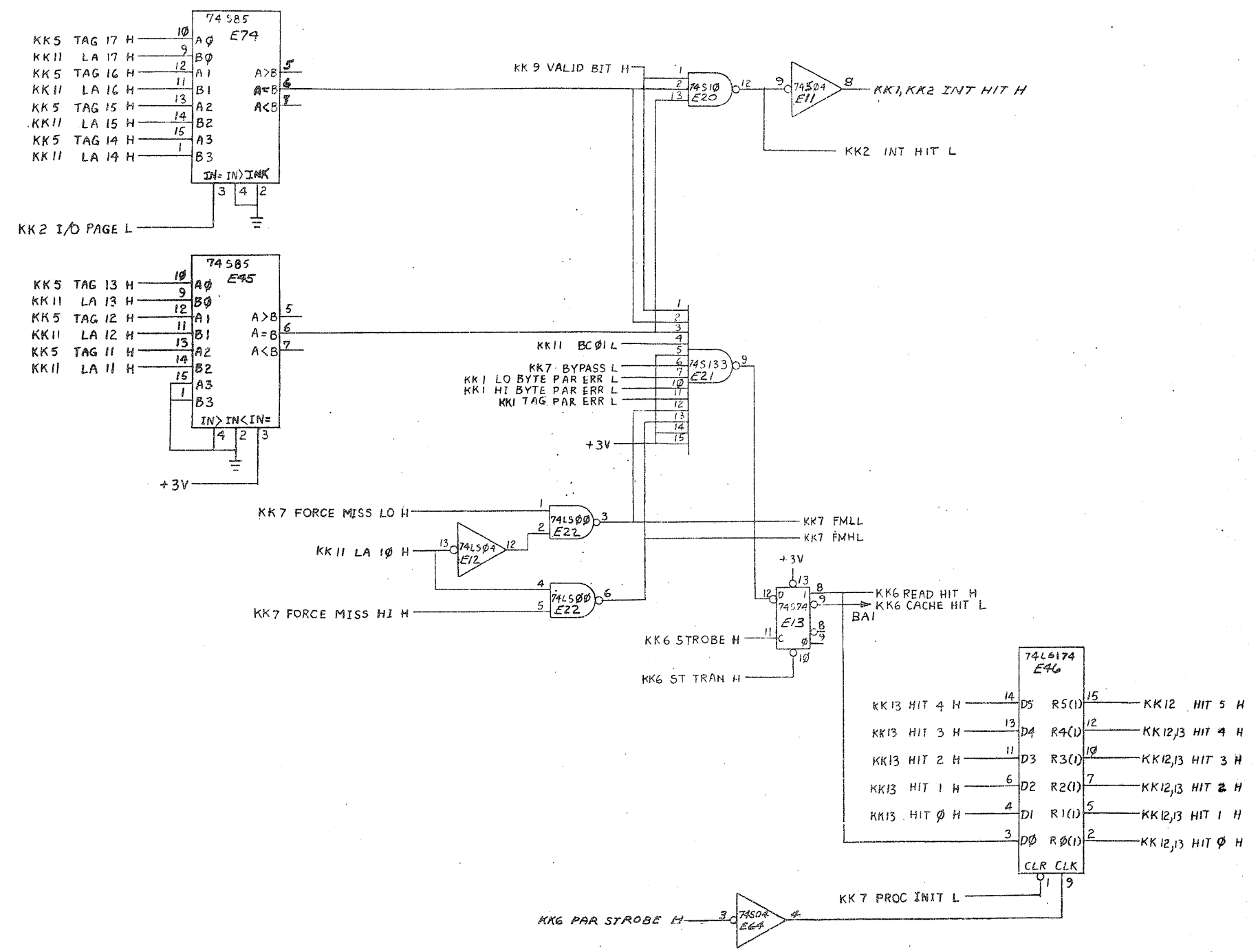
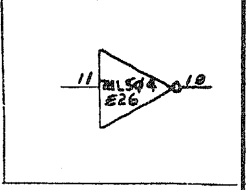
THIS DRAWING AND SPECIFICATIONS, HEREIN, ARE THE PROPERTY OF DIGITAL EQUIPMENT CORPORATION AND SHALL NOT BE REPRODUCED OR COPIED OR USED IN WHOLE OR IN PART AS THE BASIS FOR THE MANUFACTURE OR SALE OF ITEMS WITHOUT WRITTEN PERMISSION. COPYRIGHT © 1977 DIGITAL EQUIPMENT CORPORATION



REVISIONS		
CHK	CHANGE NO.	REV.

(UNIBUS REGISTERS)		SIZE CODE	NUMBER	REV.
TITLE KK11A CACHE (KK12)		D/CS	M8268-0-1	D
SCALE	SHEET	12 OF 13		DIST.

THIS DRAWING AND SPECIFICATIONS HEREIN ARE THE PROPERTY OF DIGITAL EQUIPMENT CORPORATION AND SHALL NOT BE REPRODUCED OR COPIED OR USED IN WHOLE OR IN PART AS THE BASIS FOR THE MANUFACTURE OR SALE OF ITEMS WITHOUT WRITTEN PERMISSION. COPYRIGHT © 1977 DIGITAL EQUIPMENT CORPORATION



REVISIONS		
CHK	CHANGE NO.	REV.

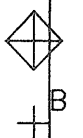
(HIT LOGIC & SPARE GATES)

TITLE	KK11 A CACHE (KK13)	SIZE CODE	DCS	ORDER	268-0-1	REV.	1
SCALE	11	SHEET	13 OF 13	DIST.			

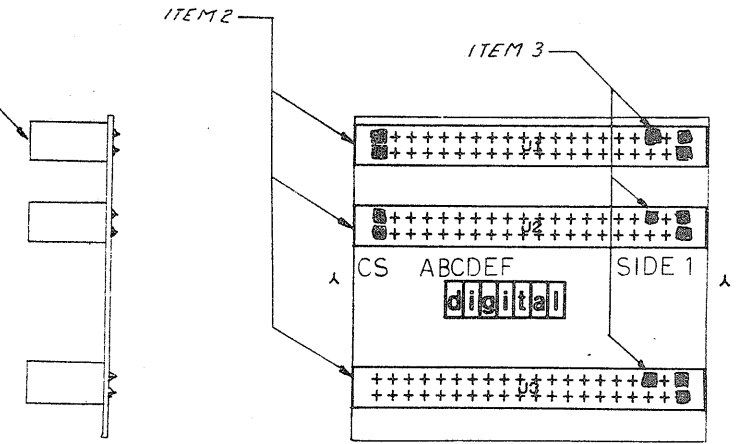
THIS DRAWING AND SPECIFICATIONS, HEREIN, ARE THE PROPERTY OF DIGITAL EQUIPMENT CORPORATION AND SHALL NOT BE REPRODUCED OR COPIED IN WHOLE OR IN PART FOR THE PURPOSES OF THE CONSTRUCTION OR SALE OF THIS OR OTHER EQUIPMENT HEREIN.  
 COPYRIGHT © 1978 DIGITAL EQUIPMENT CORPORATION

2 | DUA H8822-0 | 1

COMPONENT SIDE VIEW



SEE NOTE 1  
& NOTE 2



NOTES:

- 1. INSTALL DEC# 12 13508-03 (KEY) P/L
- ITEM 3 REFER DEC# 12 13508-01 (CONN) P/L ITEM 2 ARE INSTALLED
- 2. CONNECTORS HAVE KEY INSTALLED FROM FACTORY, IN ALL 4 CORNERS.

CHANGE NO	REV	DATE	BY	CHKD
5412684	-1	B		
		2007 78		
			E. CROCKER	

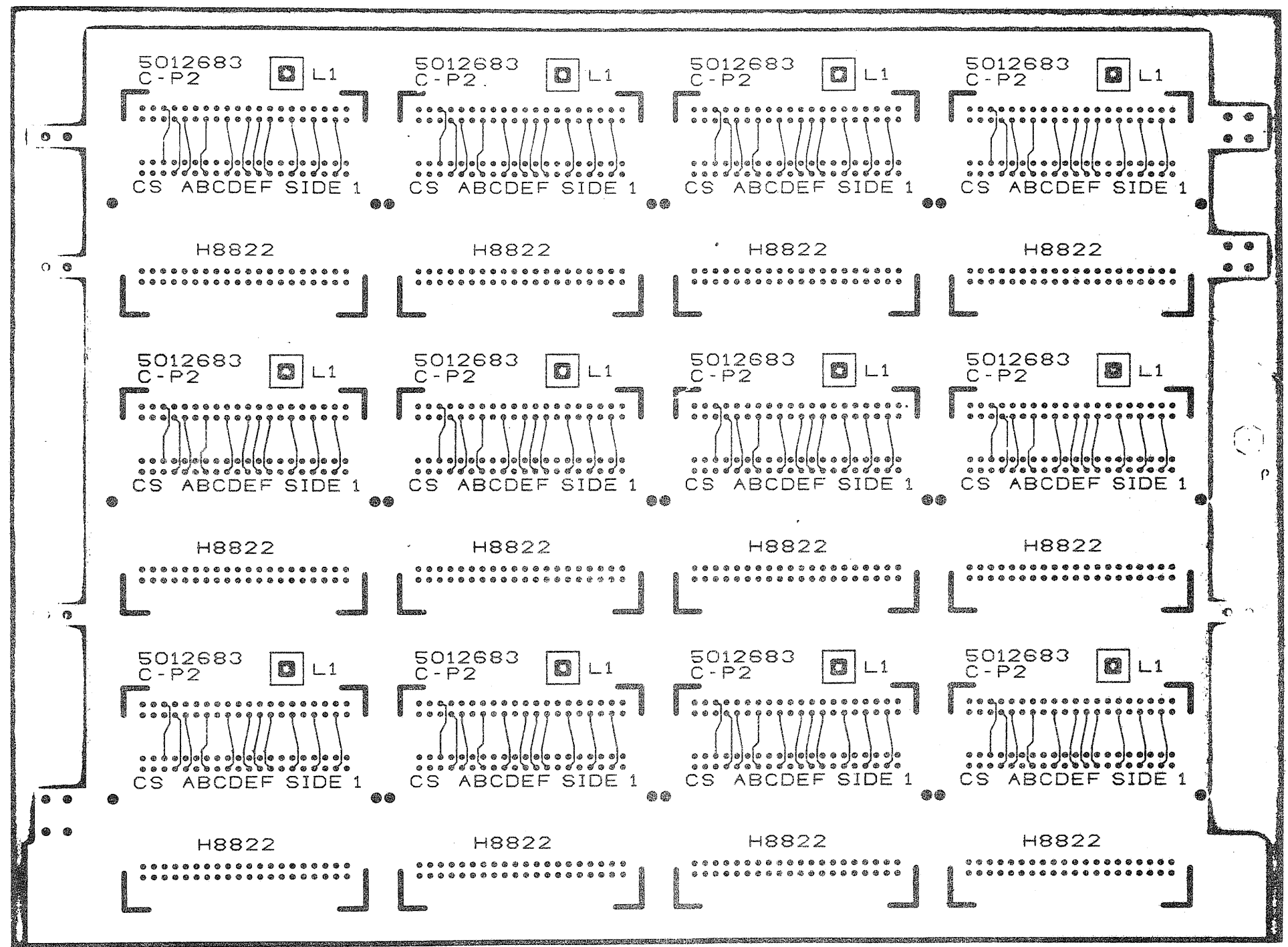
ETCH REV.	C-P2
P.E. DESIGN DATA BASE REV.	C

SIGNATURES	DATE
DRN. D. POWERS	7-22-78
CHK'D. <i>[Signature]</i>	8-22-78
ENG. <i>[Signature]</i>	9-22-78
PROJ. ENG. <i>[Signature]</i>	7-22-78
PROD. <i>[Signature]</i>	7-22-78

digital	
TITLE TRICONN BOARD	
SCALE 2-1	SIZE CODE
SHT. 1 OF 3	NUMBER
NEXT HIGHER ASSY. B-DD-H8822-0	d UAI H8822-0-0
	REV B

THIS DRAWING AND THE EQUIPMENT HEREON ARE THE PROPERTY OF DIGITAL EQUIPMENT CORPORATION AND SHALL NOT BE REPRODUCED, LOANED, OR USED IN WHOLE OR IN PART AS THE BASIS FOR THE MANUFACTURE OR SALE OF ITEMS WITHOUT THE EXPRESS WRITTEN PERMISSION OF DIGITAL EQUIPMENT CORPORATION.

LAYER 1



REVISIONS		
CHK	CHANGE NO.	REV.

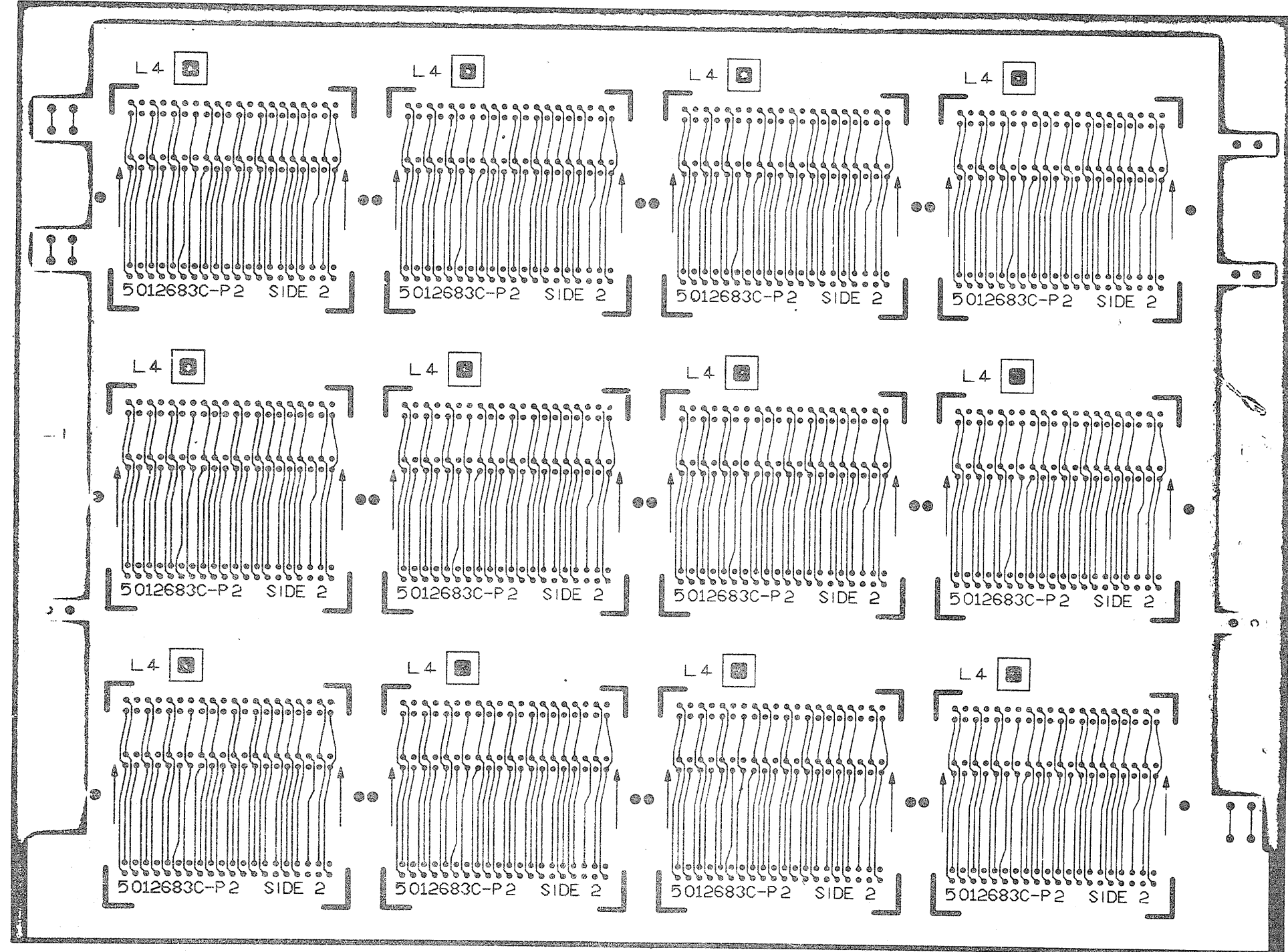
TITLE	SIZE CODE	NUMBER	REV.
TRICONN BOARD	DIAH8822-0-0	B	
SCALE 2-	SHEET 2 OF 3	TW	



"THIS DRAWING AND SPECIFICATIONS HEREIN ARE THE PROPERTY OF DIGITAL EQUIPMENT CORPORATION AND SHALL NOT BE REPRODUCED OR COPIED OR USED IN WHOLE OR IN PART AS THE BASIS FOR THE MANUFACTURE OR SALE OF ITEMS WITHOUT WRITTEN PERMISSION.  
 COPYRIGHT © 1978 DIGITAL EQUIPMENT CORPORATION"

DJA H8822-0-0 2

TRICONN BOARD



REVISIONS		
CHK	CHANGE NO	REV

TITLE	TRICONN BOARD	SIZE CODE	DJA	NUMBER	H8822-0-0	REV	B
SCALE	2-	SHEET	3	OF	3		

33

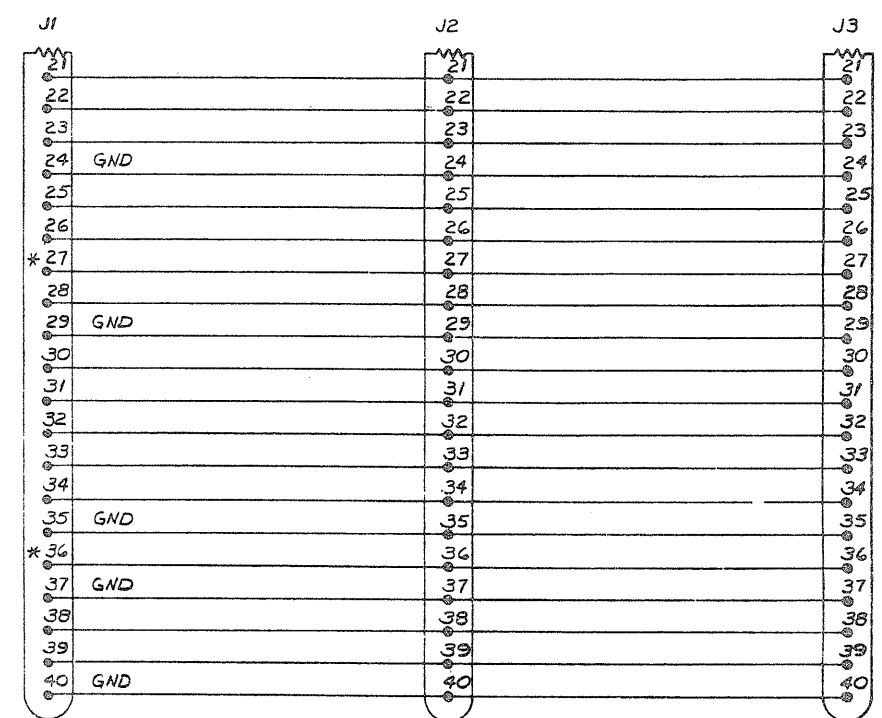
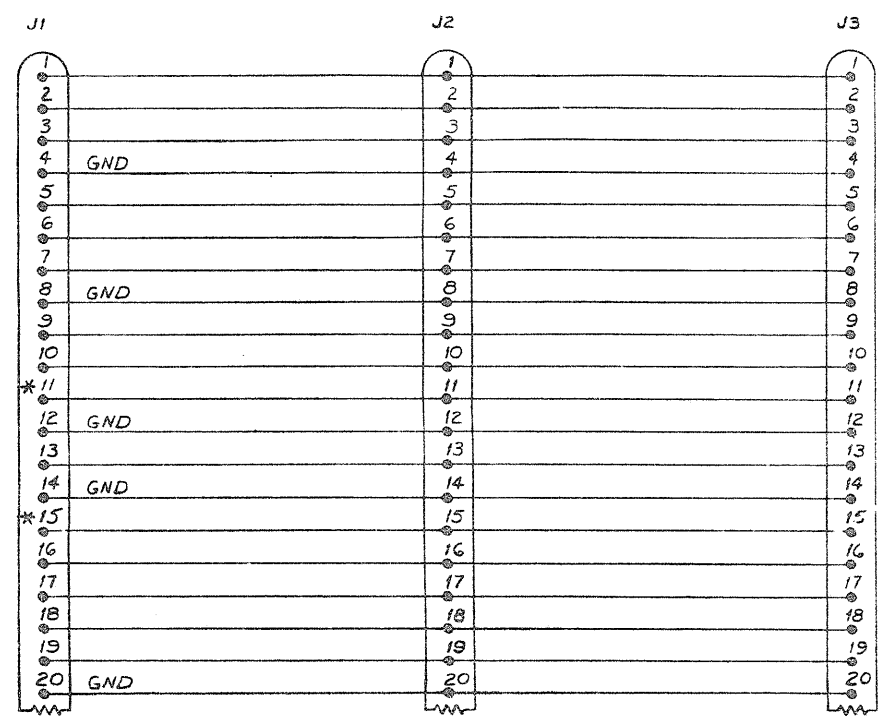
TW

LINE ITEM	DOCUMENT NUMBER	PART NUMBER	DESCRIPTION	QTY PER VARIATION 00	REFERENCE DESIGNATOR
1	1	D-MD-5012683-0-0	5012683-00 TRICONN BD	1	
2	2		1213508-01 CONN .100 44POS STRAIGHT	3	J1,J2,J3
3	3		1213508-03 CONN KEYING PLUG	3	

REVISION HISTORY		BASIC PART NO: H8822		DRN: DENNIS SIREEN		DATE: 27-DEC-77		D I G I T A I L	
ENG	ECO NUMBER	REV	SECTION A OF A	CHK'D:	FRED GERRY	DATE:	27-DEC-77	TITLE	PARTS LIST
---	INITIAL	A	SECTION.VARIATION INDEX	CHK'D:	FRED GERRY	DATE:	27-DEC-77	TITLE	PARTS LIST
---	00001	B	[A] 00					TRICONN BOARD	
			[B]	DES.ENG:	JOE MERCURI	DATE:	24-FEB-78		
			[C]						
			[D]						
			[E]						DOCUMENT NUMBER
			[F]	RESP.ENG.:	JOE MERCURI	DATE:	24-FEB-78		
			[G]					SIZE	CODE
			[H]					NUMBER	REV
			[I]						
			[J]						
			[K]	MFG.ENG.:	BOB KING	DATE:	24-FEB-78	K	PL
			[L]					H8822-0-DBP	B
			[M]	ASSEMBLY NUMBER:				FILE NAME:	EDIT #
			[N]	D-UA-H8822-0-0				H8822.PLS	1

"THIS DRAWING AND SPECIFICATIONS HEREIN, ARE THE PROPERTY OF DIGITAL EQUIPMENT CORPORATION AND SHALL NOT BE REPRODUCED OR COPIED OR USED IN WHOLE OR IN PART AS THE BASIS FOR THE MANUFACTURE OR SALE OF ITEMS WITHOUT WRITTEN PERMISSION. COPYRIGHT (C) 1979. DIGITAL EQUIPMENT CORPORATION"

TW 34



NOTES:  
1. \* DESIGNATES CONDUCTORS LOCATED ON LAYER 2.

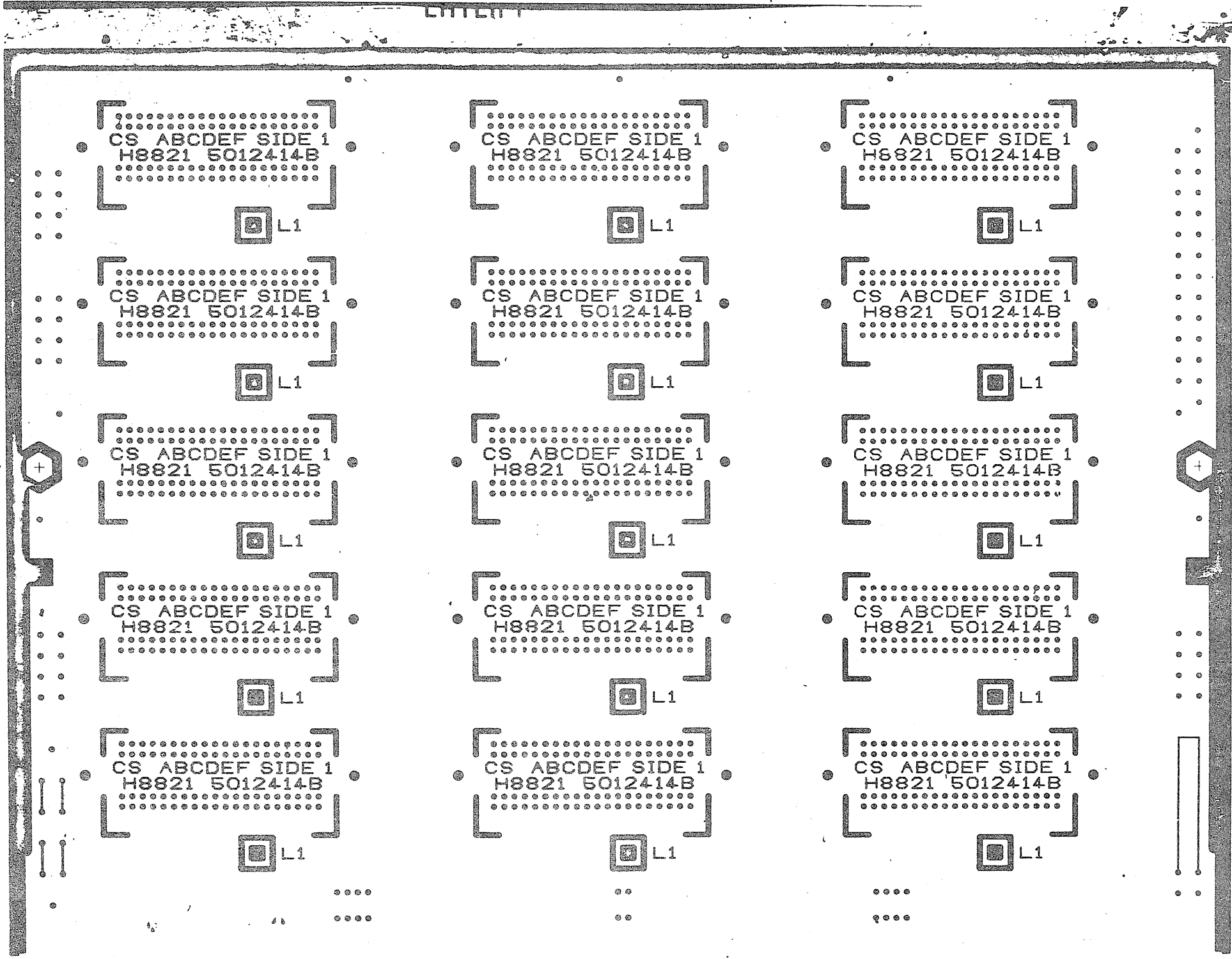
REV.	B
CHANGE NO.	5412684-1W001
CHK.	E. CROCKER
DATE	10/21/78

FIRST USED ON OPTION/MODEL	QTY.	DESCRIPTION	PART NO.	ITEM NO.
PARTS LIST				
DIMENSIONAL TOLERANCE		DATE	<b>digital</b>	
DIMENSIONS ARE MILLIMETERS UNLESS OTHERWISE SPECIFIED		12/13/76		
MILLIMETERS	INCHES	ANGLES	TITLE <b>TRICONN BOARD</b>	
XXX ±0.10 XX ±0.5 X ±2	JXX ±0.005 JXC ±0.02 X ±.1	40° 30'		
THIRD ANGLE PROJECTION	REMOVE BURRS AND BREAK SHARP CORNERS SURFACE QUALITY	DATE	SIZE CODE <b>DCS</b> NUMBER <b>H8822-0-1</b> REV. <b>B</b>	
		2/24/78		
		SCALE	SHEET 1 OF 1	



THIS DRAWING AND SPECIFICATIONS HEREIN ARE THE PROPERTY OF DIGITAL EQUIPMENT CORPORATION AND SHALL NOT BE REPRODUCED OR COPIED OR USED IN WHOLE OR IN PART AS THE BASIS FOR THE MANUFACTURE OR SALE OF ITEMS WITHOUT WRITTEN PERMISSION. COPYRIGHT © 1976 DIGITAL EQUIPMENT CORPORATION

∇ DUA 1002 1.01 2



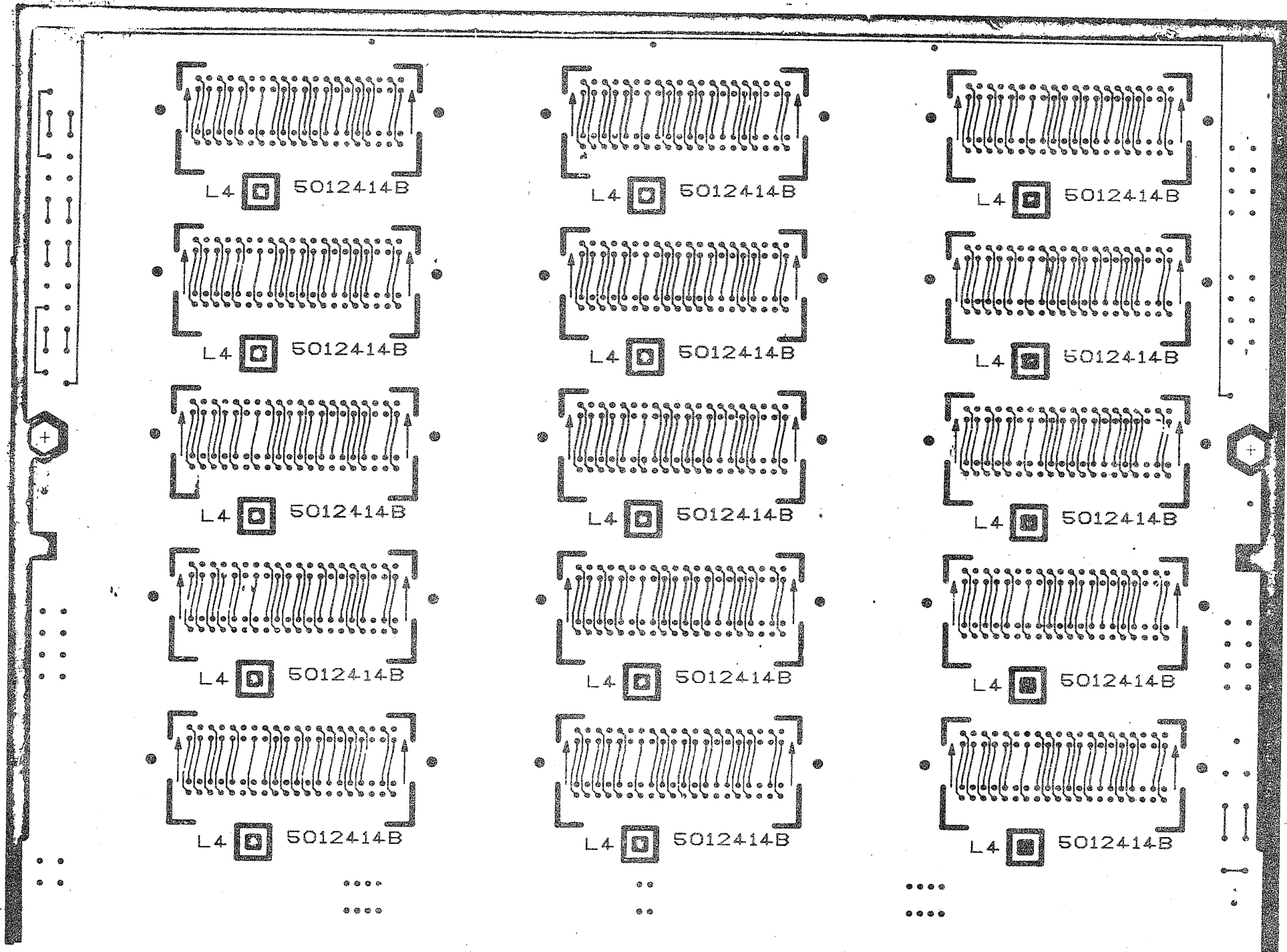
REVISIONS		
CHK	CHANGE NO.	REV.

TITLE	SIZE CODE	NUM SET	REV.
40 PIN INTERCONNECT BOARD	DUA	H8821-∅-∅	A
SCALE 2/1	SHEET 2 OF 3	DIST.	

8 7 6 5 4 3 2 1

THIS DRAWING AND SPECIFICATIONS HEREIN ARE THE PROPERTY OF D. J. A. EQUIPMENT CORPORATION AND SHALL NOT BE REPRODUCED OR USED IN WHOLE OR IN PART AS THE BASIS FOR THE MANUFACTURE OR SALE OF ITEMS WITHOUT THE WRITTEN PERMISSION OF D. J. A. EQUIPMENT CORPORATION. COPYRIGHT © 1976

2 DUA H8821-0-0 1



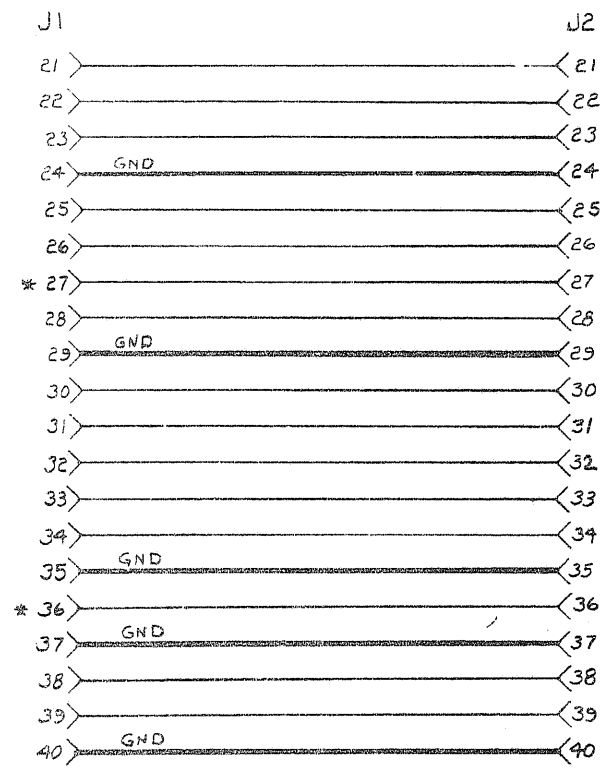
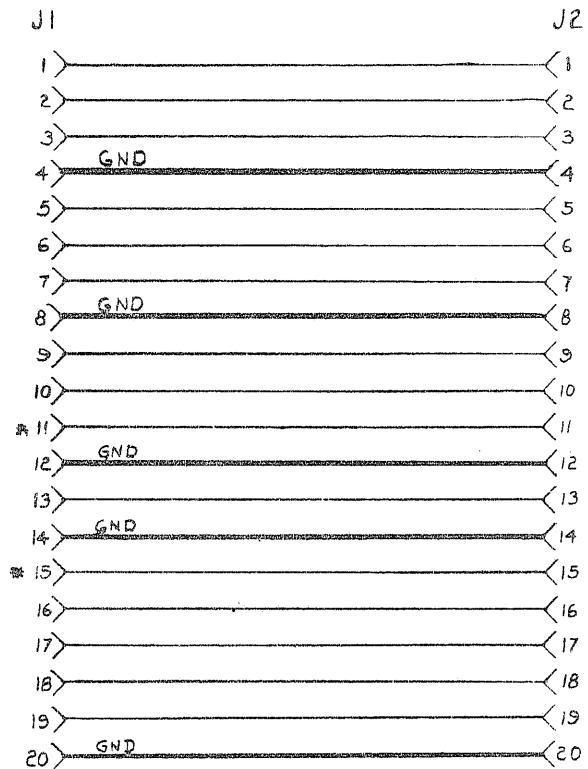
REVISIONS		
CHK	CHANGE NO	REV

TITLE	SIZE CODE	NUMBER	REV.
40 PIN INTERCONNECT BOARD	DUA	H8821-0-0	A
SCALE 2/1	SHEET 3 OF 3	DIST.	

8 7 6 5 4 3 2 1




"THIS DRAWING AND SPECIFICATIONS, HEREIN, ARE THE PROPERTY OF DIGITAL EQUIPMENT CORPORATION AND SHALL NOT BE REPRODUCED OR COPIED OR USED IN WHOLE OR IN PART AS THE BASIS FOR THE MANUFACTURE OR SALE OF ITEMS WITHOUT WRITTEN PERMISSION. COPYRIGHT © 1976, DIGITAL EQUIPMENT CORPORATION"



NOTES:

1. \* DESIGNATES CONDUCTORS TO BE LOCATED ON LAYER 2
2. GND WILL BE ON LAYER 3 & REMAINING ETCH ON LAYER 4
3. LAYER 1 (SIDE 1) WILL BE FREE OF ALL CIRCUITRY

REVISIONS	REV.
CHANGE NO.	
CHK	

FIRST USED ON OPTION/MODEL	QTY.	DESCRIPTION	PART NO.	ITEM NO.
PARTS LIST				
UNLESS OTHERWISE SPECIFIED DIMENSION IN INCHES	DRN. F. MULLIGAN	DATE 8/3/76	 digital EQUIPMENT CORPORATION MAYNARD, MASS. U.S.A.	
TOLERANCES	CHK'D. <i>[Signature]</i>	DATE 8/10/76		
DECIMALS	ENG. R. Barry	DATE 8 DEC 76		
ANGLES	PROJ. ENG. R. Barry	DATE 8/22/76		
.xxx = .005 .xx = .02 .x = .1	REMOVE BURRS AND BREAK SHARP CORNERS SURFACE QUALITY ✓	DATE 8/26/76	TITLE 40 PIN INTERCONNECT BOARD	
MATERIAL	NEXT HIGHER ASSY.	SIZE CODE	NUMBER	REV.
FINISH	SCALE NA	C CS	H8821-0-1	A
SHEET 1 OF 1		DIST		

B | C | D  
 REV. 4  
 NUMBER H8821-0-1





