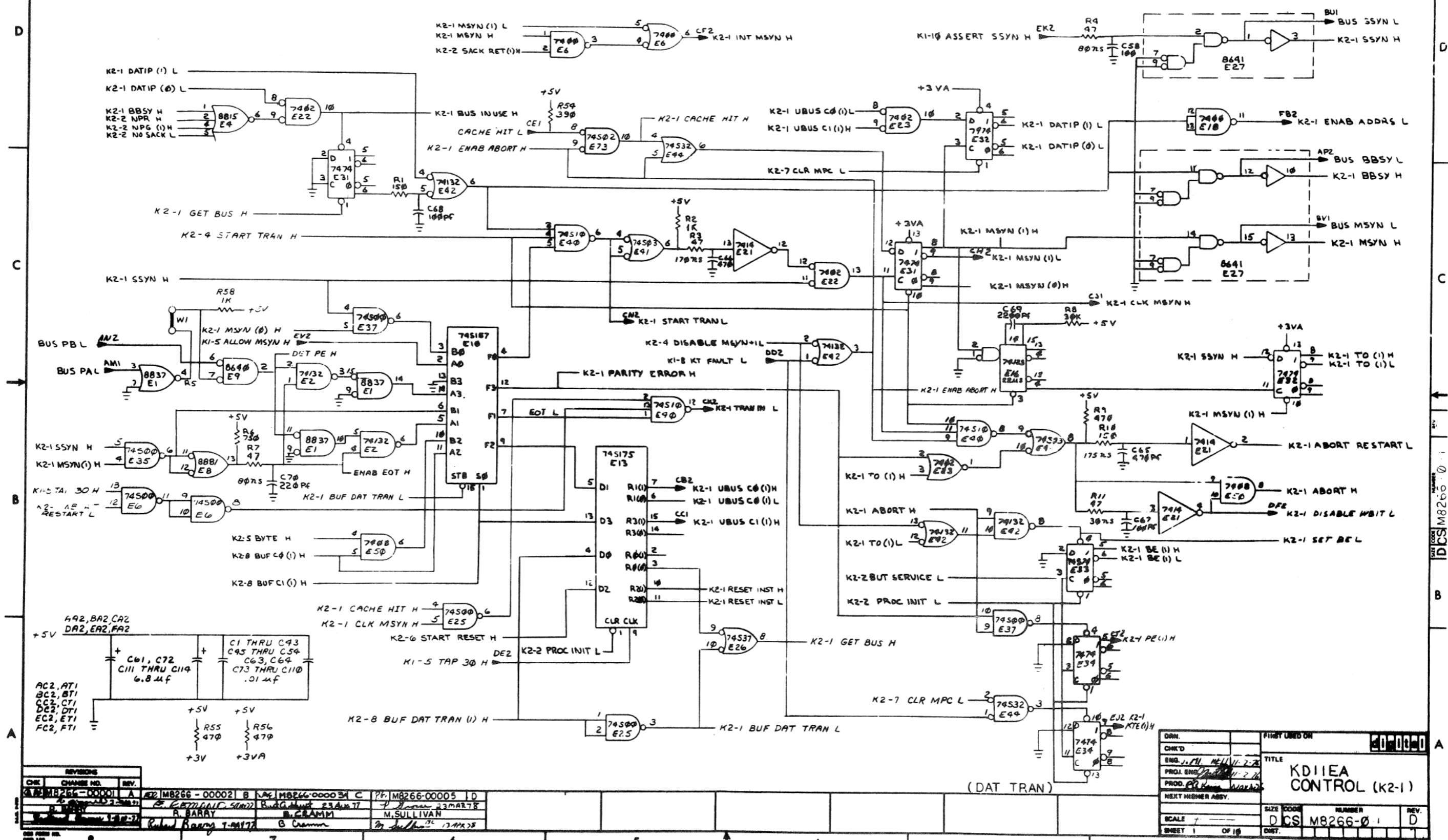


THIS DRAWING AND SPECIFICATIONS HEREIN ARE THE PROPERTY OF DIGITAL EQUIPMENT CORPORATION AND SHALL NOT BE REPRODUCED OR COPIED OR USED IN WHOLE OR IN PART AS THE BASIS FOR THE MANUFACTURE OR SALE OF ITEMS WITHOUT WRITTEN PERMISSION. COPYRIGHT © 1975 DIGITAL EQUIPMENT CORPORATION.

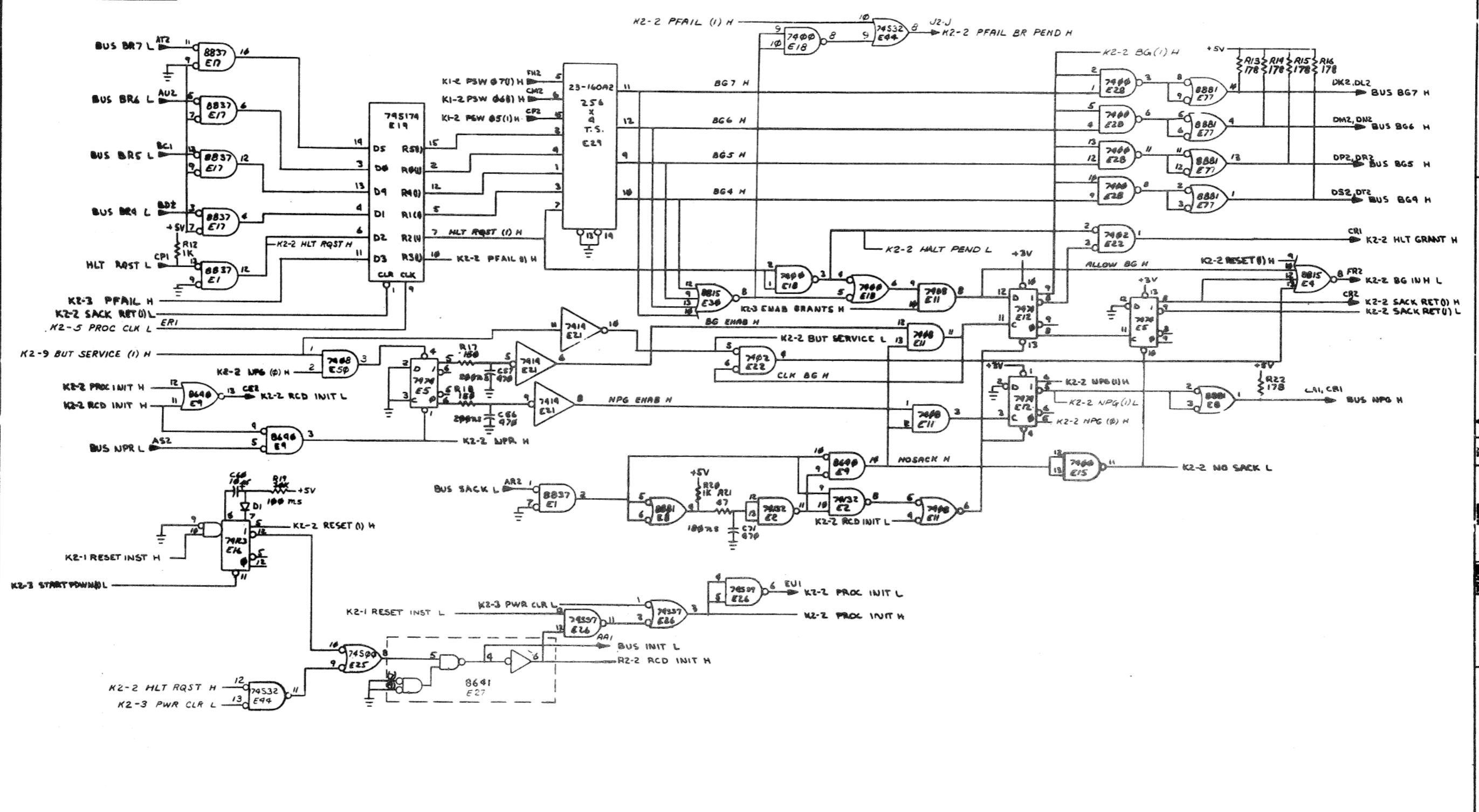
0-992RW SCD 2



REV.	CHG. NO.	REV.	DATE	BY	CHKD.	DATE	BY
1	00001	A					
2	00002	B					
3	00003	C					
4	00004	D					
5	00005	E					
6	00006	F					
7	00007	G					
8	00008	H					
9	00009	I					
10	00010	J					

DRN.		FINISHED ON	
CHK'D		TITLE	KD11EA CONTROL (K2-1)
ENGR.	J. M. MULLIN	DATE	11/2/75
PROJ. ENGR.	J. M. MULLIN	DATE	11/2/75
PROD. ENGR.	J. M. MULLIN	DATE	11/2/75
NEXT HIGHER ASSY.		SIZE	D
SCALE	1	CODE	CS
SHEET	1	OF	10
		NUMBER	MB266-01
		REV.	D

THIS DRAWING AND SPECIFICATIONS HEREIN ARE THE PROPERTY OF SPERRY GYROSCOPE CORPORATION AND SHALL BE KEPT IN CONFIDENTIALITY OR USED IN WHOLE OR IN PART AS A BASIS FOR THE MANUFACTURE OR SALE OF THIS TYPE OF EQUIPMENT. SPERRY GYROSCOPE CORPORATION © 1975

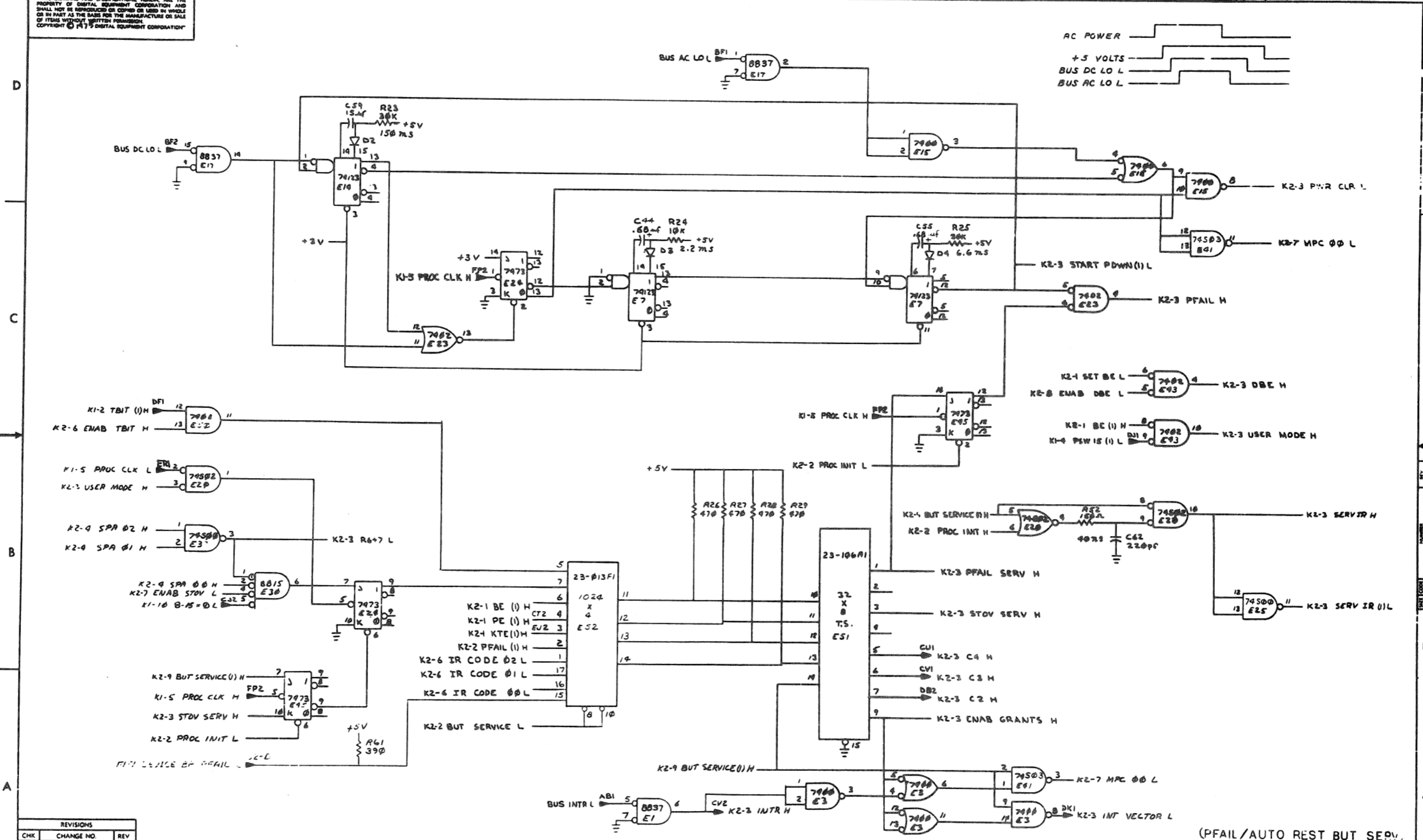
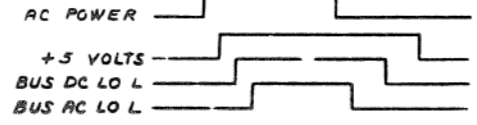


REVISIONS		
CHK	CHANGE NO.	REV.

(PRIORITY ARB)		TITLE	SIZE CODE	NUMBER	REV.
		K2-2 CONTROL (K2-2)	D CS	M8266-0-1	D
SCALE	SHEET	2 OF 10		DIST.	

D CS M8266-0-1

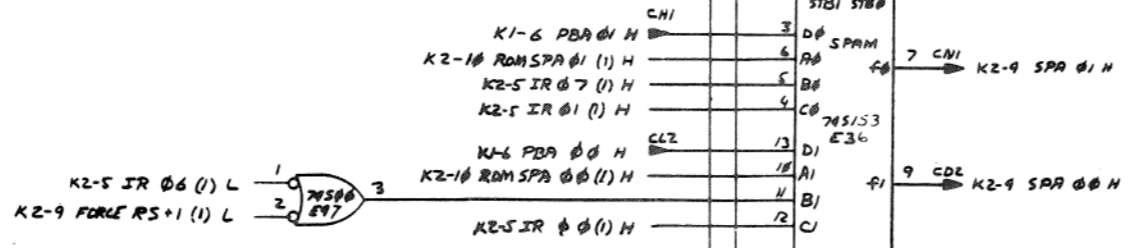
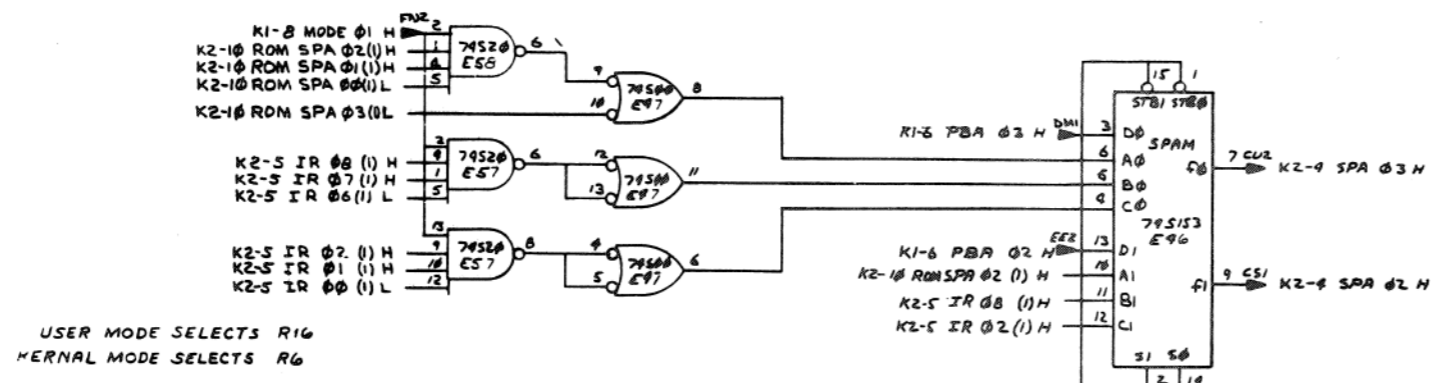
THIS DRAWING AND SPECIFICATIONS HEREIN ARE THE PROPERTY OF DIGITAL EQUIPMENT CORPORATION AND SHALL NOT BE REPRODUCED OR COPIED OR USED IN WHOLE OR IN PART AS THE BASIS FOR THE MANUFACTURE OR SALE OF ITEMS WITHOUT WRITTEN PERMISSION. COPYRIGHT © 1975 DIGITAL EQUIPMENT CORPORATION.



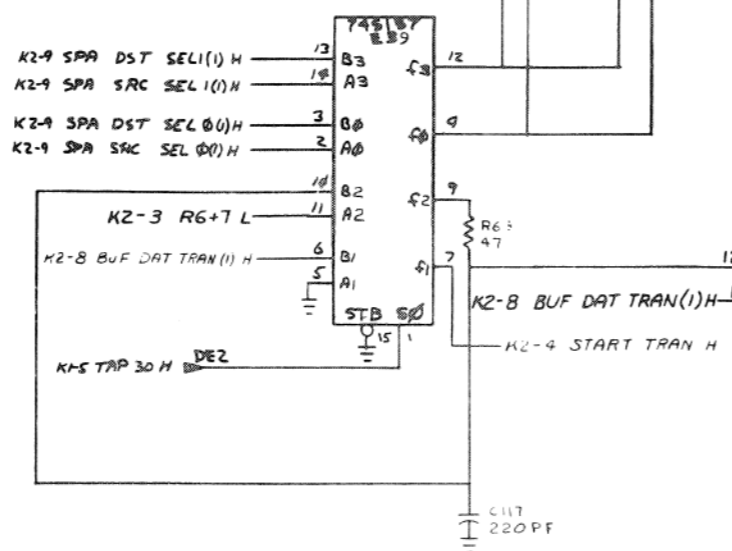
REVISIONS		
CHK	CHANGE NO.	REV

TITLE KDIIEA CONTROL (K2-3)		SIZE/CODE DCS	NUMBER M8266-0-1	REV.
SCALE 	SHEET 3 OF 10	DIST. 		

"THIS DRAWING AND SPECIFICATIONS HEREIN ARE THE PROPERTY OF DIGITAL EQUIPMENT CORPORATION AND SHALL NOT BE REPRODUCED OR COPIED OR USED IN WHOLE OR IN PART AS THE BASIS FOR THE MANUFACTURE OR SALE OF ITEMS WITHOUT WRITTEN PERMISSION. COPYRIGHT © 1975 DIGITAL EQUIPMENT CORPORATION"



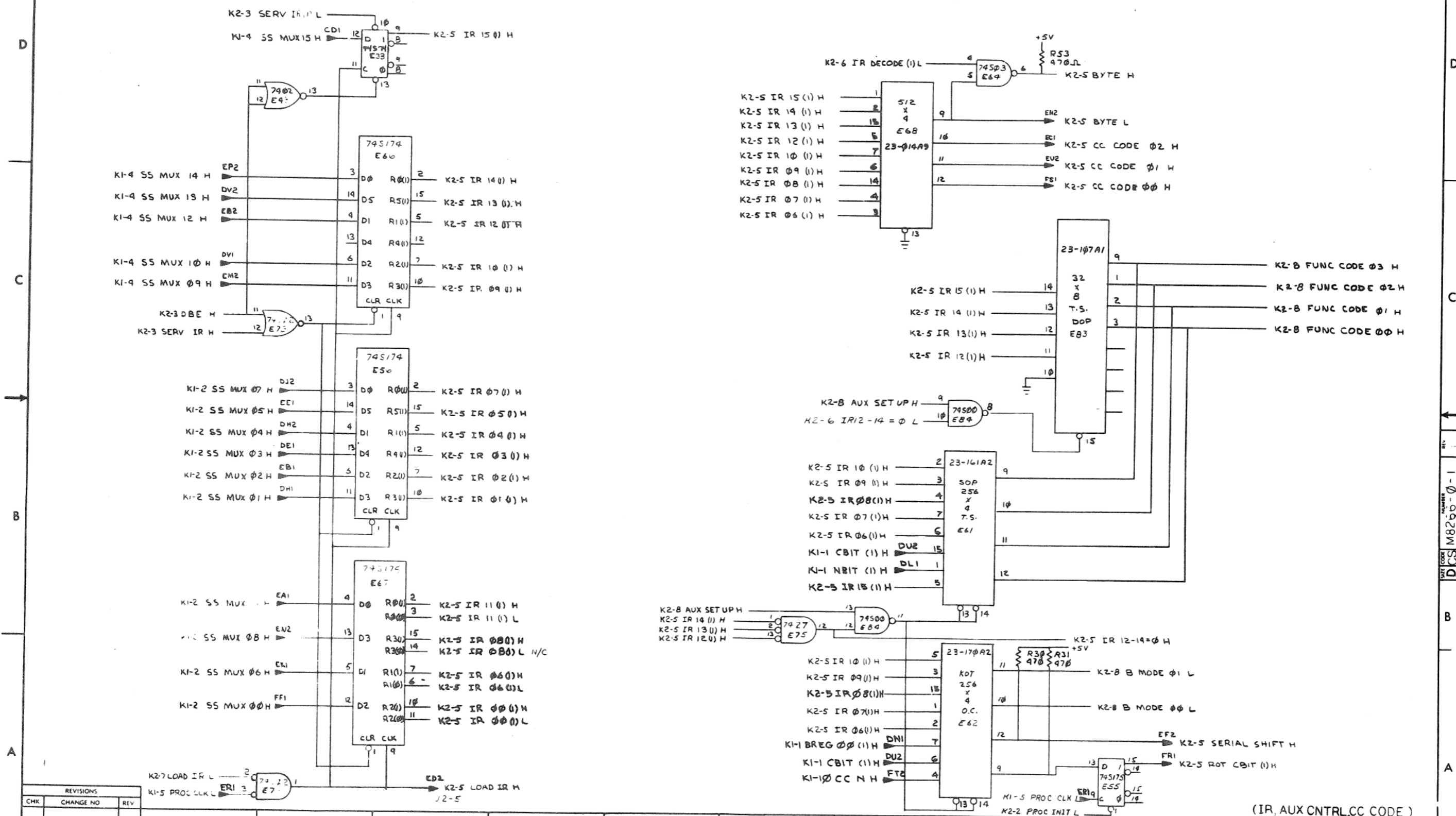
SI	S0	F
L	L	ROM
L	H	RS
H	L	RD
H	H	BA



REVISIONS		
CHK	CHANGE NO.	REV

TITLE		SIZE CODE	NUMBER	REV.
KDIFA CONTROL (K2-4)		D CS	M8266-0-1	
SCALE	SHEET	DIST.		
	4 OF 10			

"THIS DRAWING AND SPECIFICATIONS HEREIN ARE THE PROPERTY OF DIGITAL EQUIPMENT CORPORATION AND SHALL NOT BE REPRODUCED OR COPIED OR USED IN WHOLE OR IN PART AS THE BASIS FOR THE MANUFACTURE OR SALE OF ITEMS WITHOUT WRITTEN PERMISSION. COPYRIGHT © 1975 DIGITAL EQUIPMENT CORPORATION"



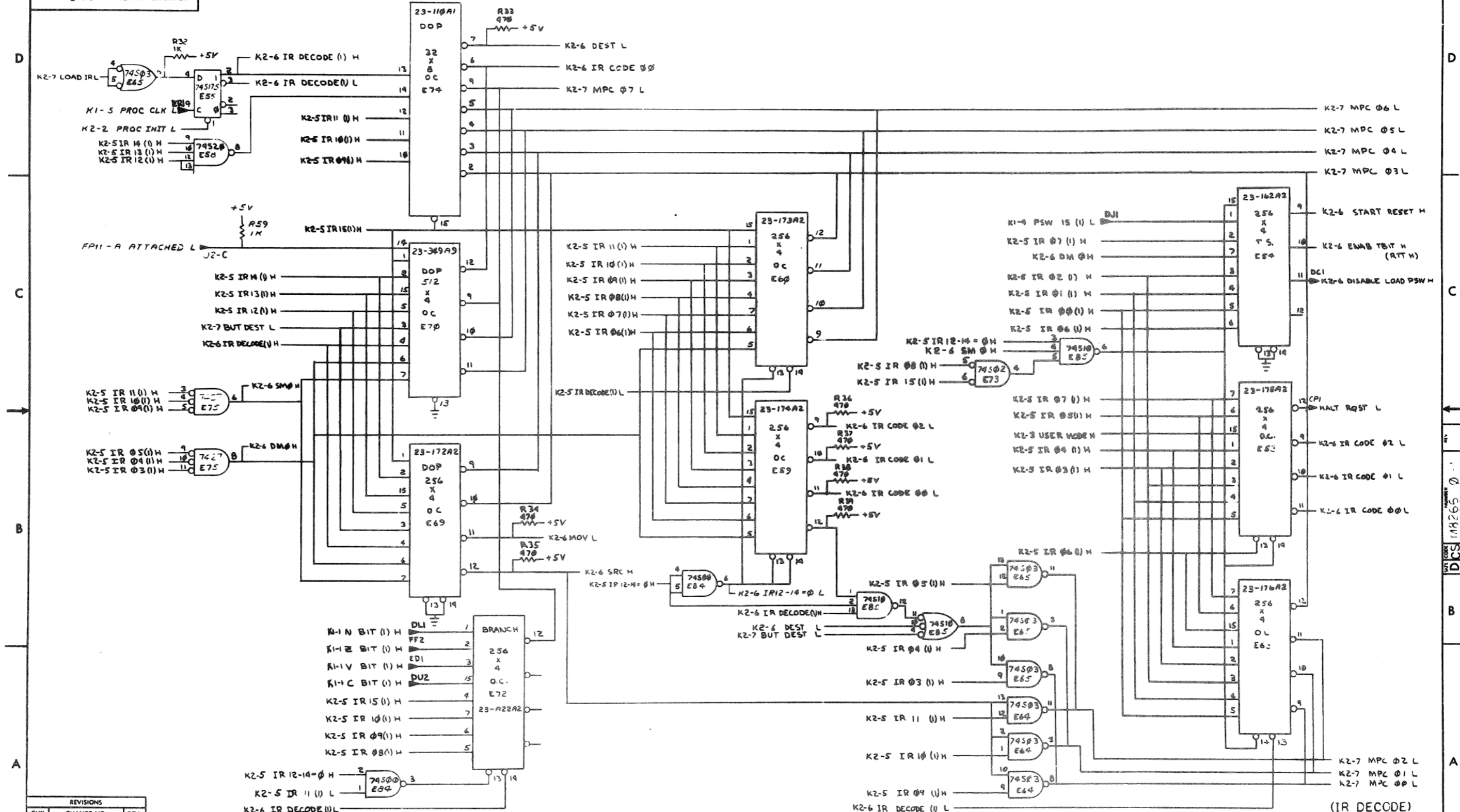
REV	CHANGE NO	REV

DEC FORM NO. DIB 130		8		7		6		5		4		3		2		1	
TITLE: KDIIEA CONTROL (K2-5)														SIZE CODE: DCS	NUMBER: M8266-0-1	REV:	
SCALE:														SHEET 5 OF 10		DIST.	

57

REV. CODE: DCS M8266-0-1

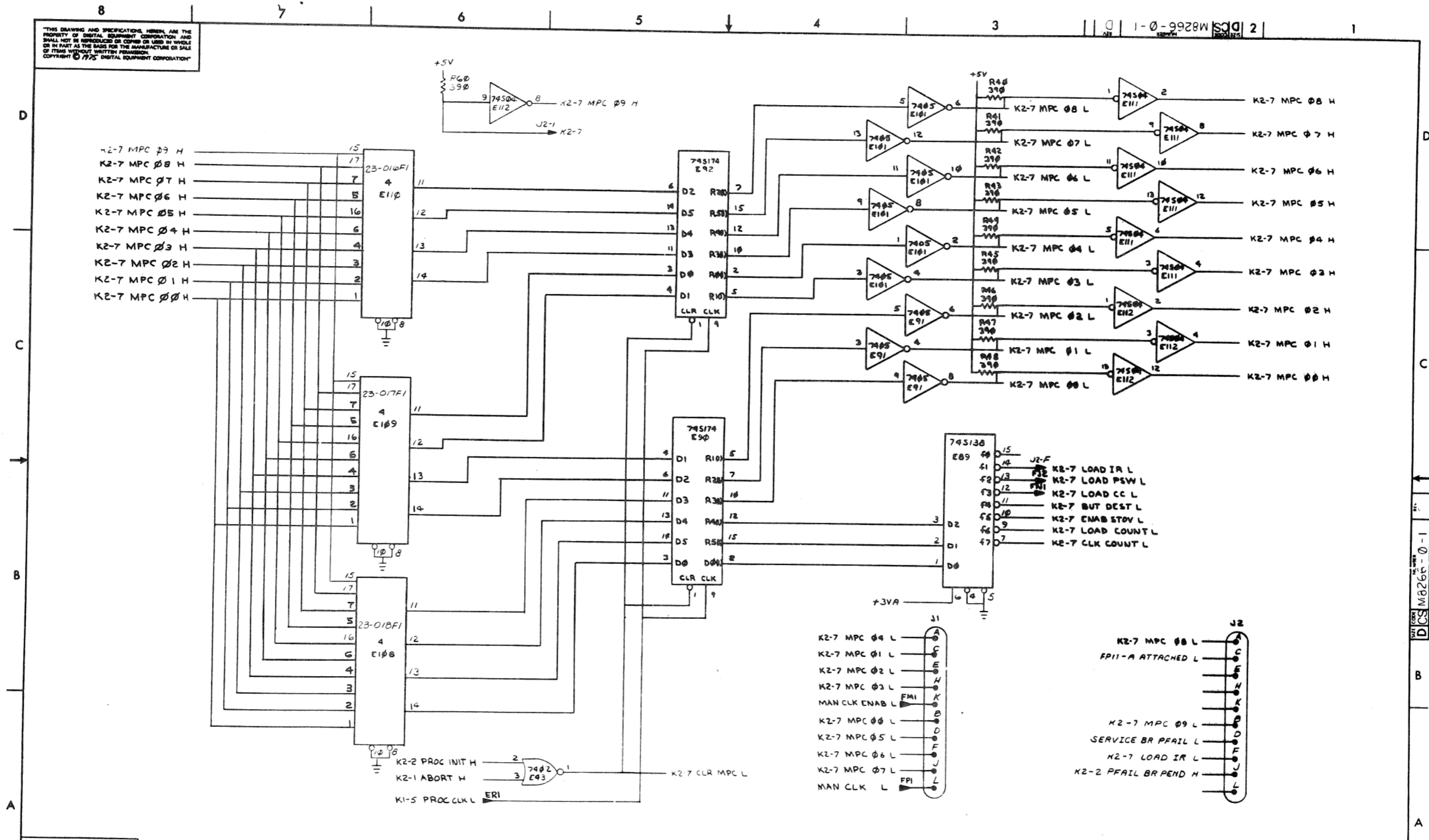
"THIS DRAWING AND SPECIFICATIONS HEREON ARE THE PROPERTY OF DIGITAL EQUIPMENT CORPORATION AND SHALL NOT BE REPRODUCED OR COPIED OR USED IN WHOLE OR IN PART AS THE BASIS FOR THE MANUFACTURE OR SALE OF ITEMS WITHOUT WRITTEN PERMISSION. COPYRIGHT © 1975 DIGITAL EQUIPMENT CORPORATION"



REVISIONS		
CHK	CHANGE NO	REV

TITLE	K2-6 IR DECODE (I) L	SIZE CODE	DCS	NUMBER	M8266-0-1	REV.	
SCALE		SHEET	6 OF 10	DIST.			

THIS DRAWING AND SPECIFICATIONS HEREIN ARE THE PROPERTY OF DIGITAL EQUIPMENT CORPORATION AND SHALL NOT BE REPRODUCED OR COPIED OR USED IN WHOLE OR IN PART AS THE BASIS FOR THE MANUFACTURE OR SALE OF ITEMS WITHOUT WRITTEN PERMISSION. COPYRIGHT © 1975 DIGITAL EQUIPMENT CORPORATION.



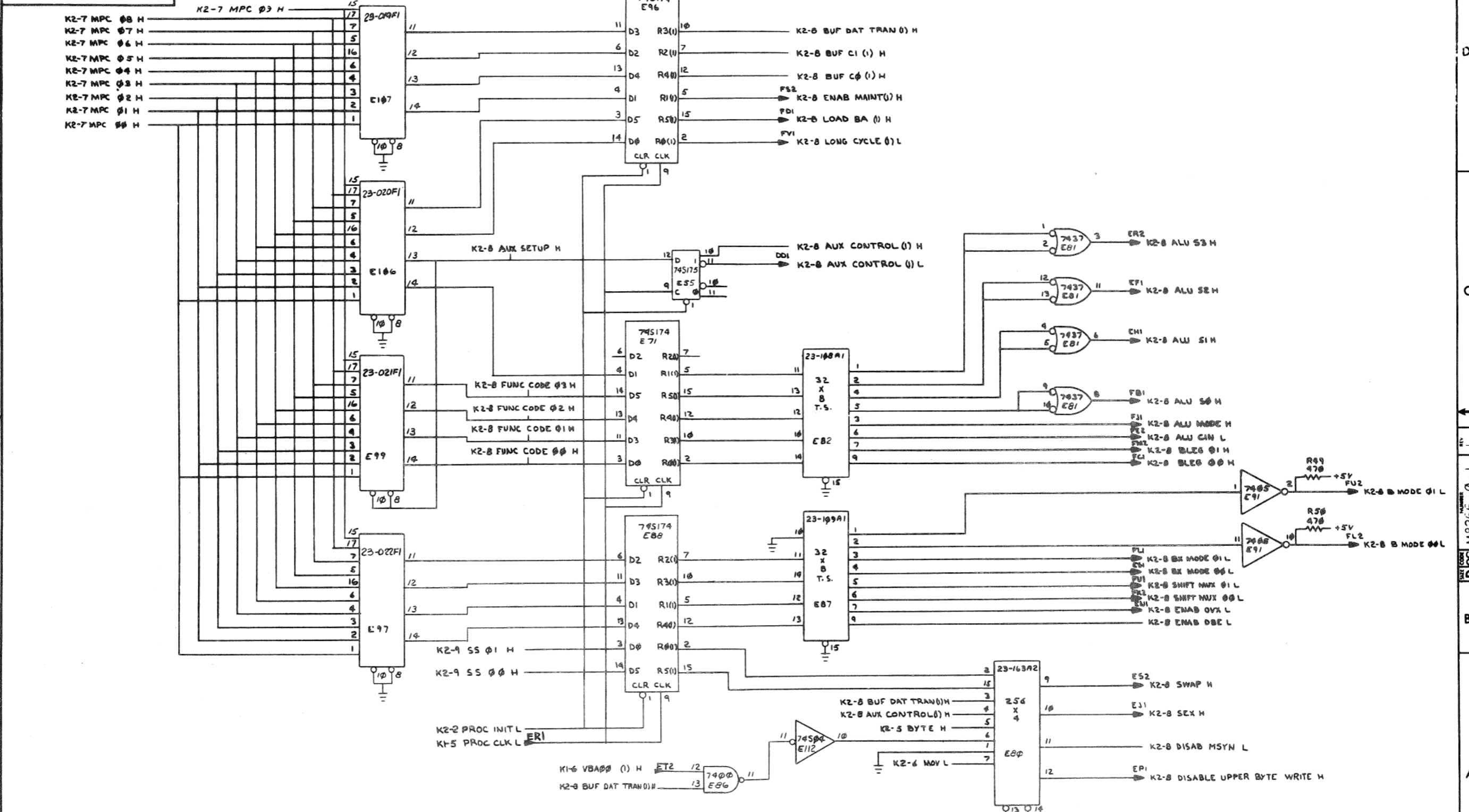
- K2-7 MPC 04 L
- K2-7 MPC 01 L
- K2-7 MPC 02 L
- K2-7 MPC 03 L
- MAN CLK ENAB L
- K2-7 MPC 00 L
- K2-7 MPC 05 L
- K2-7 MPC 06 L
- K2-7 MPC 07 L
- MAN CLK L

- K2-7 MPC 08 L
- FPI1-A ATTACHED L
- K2-7 MPC 09 L
- SERVICE BR PFAIL L
- K2-7 LOAD IR L
- K2-2 PFAIL BR PEND H

REVISIONS		
CHK	CHANGE NO	REV

TITLE KDIII A CONTROL (K2-7)		SIZE CODE D CS		NUMBER M8266-0-1		REV.
SCALE	SHEET 7 OF 10	DIST.				

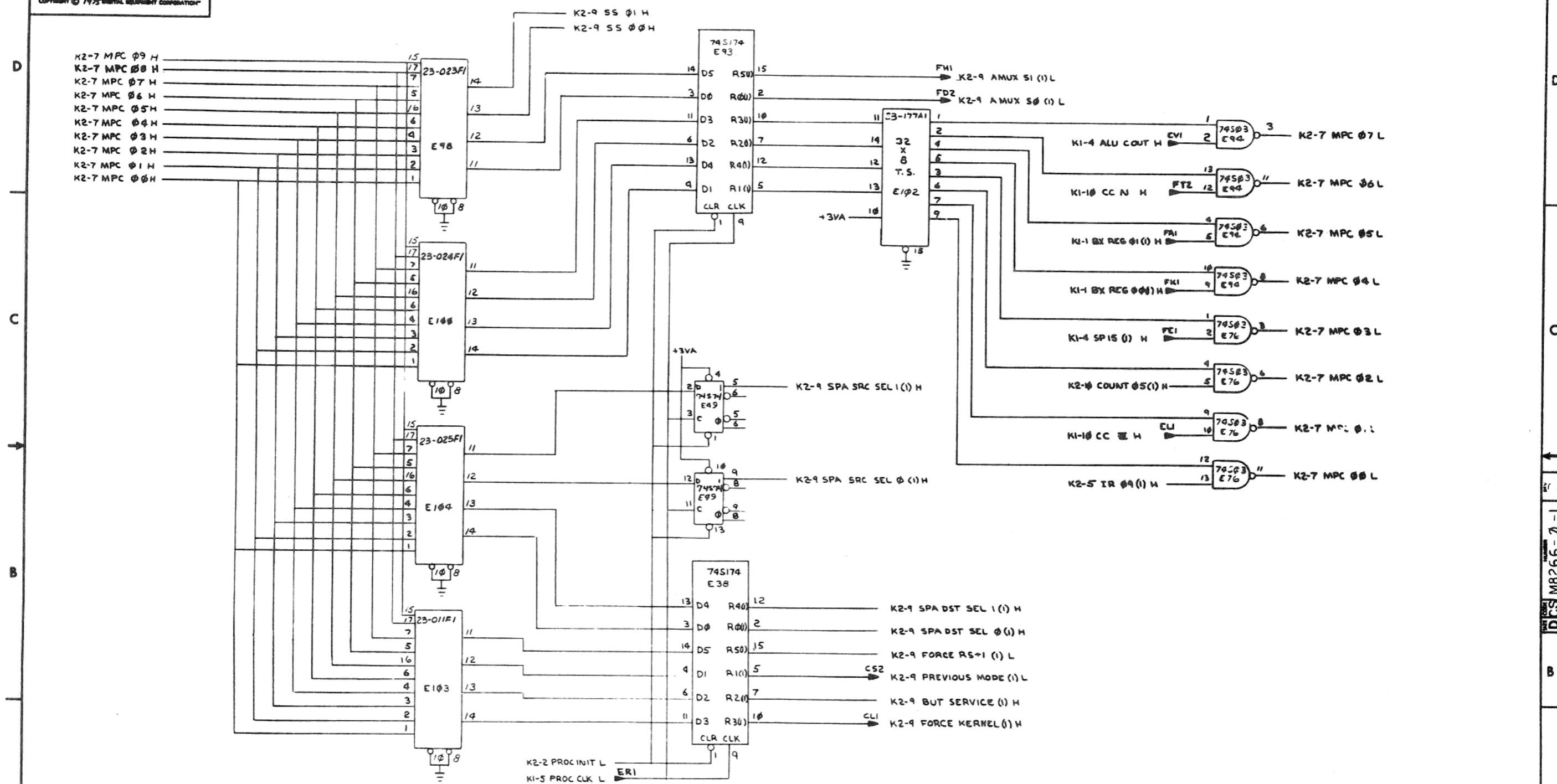
THE DRAWING AND SPECIFICATIONS HEREIN ARE THE PROPERTY OF DIGITAL EQUIPMENT CORPORATION AND SHALL NOT BE REPRODUCED OR COPIED OR USED IN WHOLE OR IN PART AS THE BASIS FOR THE MANUFACTURE OR SALE OF PRODUCTS WITHOUT WRITTEN PERMISSION. COPYRIGHT © 1974 DIGITAL EQUIPMENT CORPORATION



REVISIONS		
CHK	CHANGE NO.	REV.

TITLE		NUMBER		REV.
KDII-A CONTROL (K2-8)		M8266-0-1		1
SCALE	SHEET	OF	TOTAL	
	8	10		

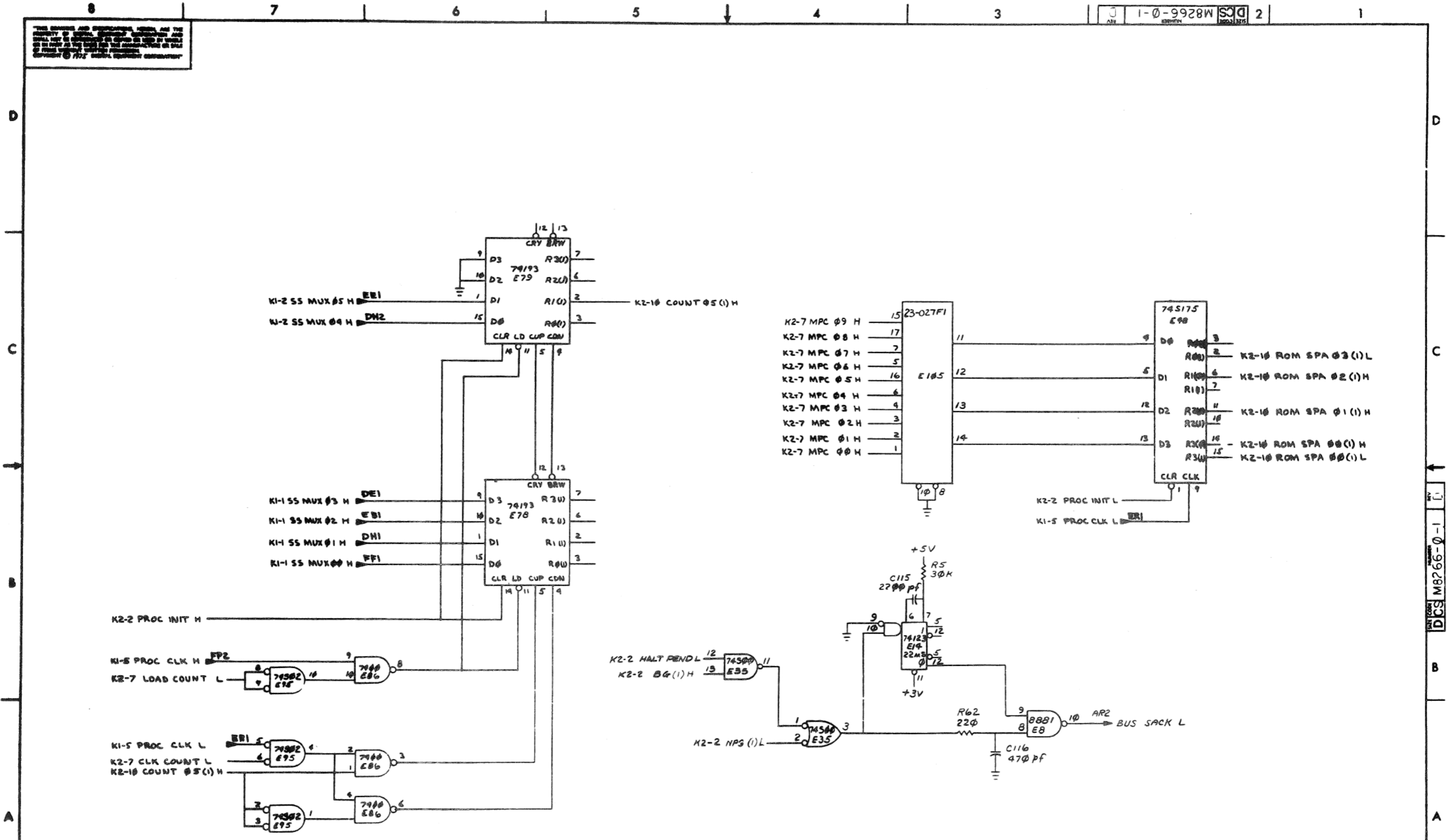
"THE DRAWING AND SPECIFICATIONS HEREIN ARE THE PROPERTY OF WESTERN EQUIPMENT CORPORATION AND SHALL NOT BE REPRODUCED OR COPIED OR USED IN WHOLE OR IN PART AS THE BASIS FOR THE MANUFACTURE OR SALE OF ITEMS WITHOUT WRITTEN PERMISSION. COPYRIGHT © 1975 WESTERN EQUIPMENT CORPORATION"



REVISIONS		
CHK	CHANGE NO.	REV.

TITLE		SIZE CODE	NUMBER	REV.
KDIIEA CONTROL (K2-9)		DCS	M8266-0-1	1
SCALE	SHEET	9 OF 10	DIST.	

THIS SCHEMATIC AND INFORMATION HEREON ARE THE PROPERTY OF SCD. NO PART OF THIS SCHEMATIC AND INFORMATION IS TO BE REPRODUCED OR TRANSMITTED IN ANY FORM OR BY ANY MEANS, ELECTRONIC OR MECHANICAL, INCLUDING PHOTOCOPYING, RECORDING, OR BY ANY INFORMATION STORAGE AND RETRIEVAL SYSTEM, WITHOUT THE WRITTEN PERMISSION OF SCD.



REVISIONS		
CHK	CHANGE NO.	REV.

TITLE		NUMBER		REV.
KDI-FA CONTROL (K2-10)		D CS M8266-0-1		1
SCALE	SHEET 10 OF 10	DIST.		

DCS M8266-0-1