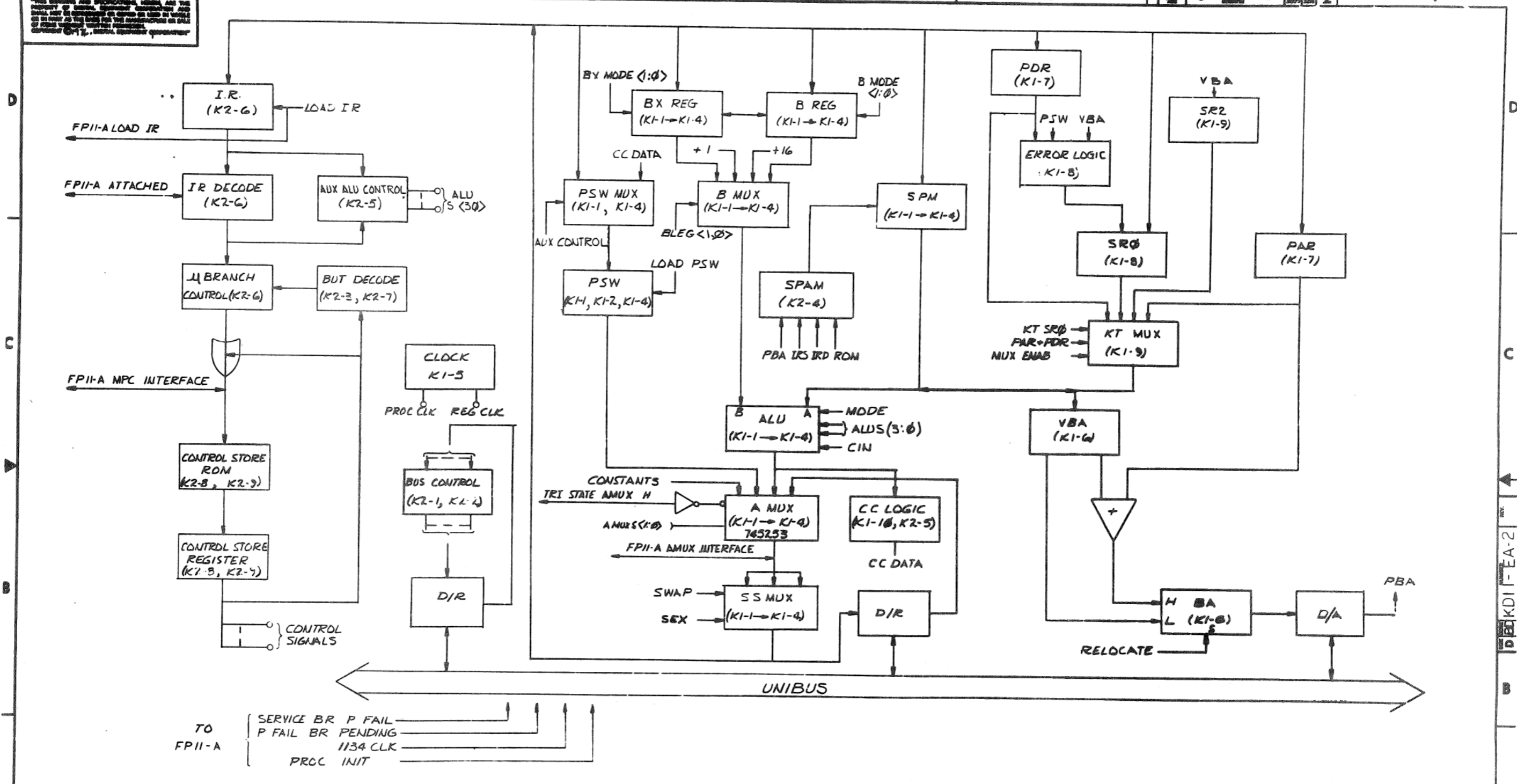


THIS DIAGRAM AND SPECIFICATIONS HEREAFTER ARE THE PROPERTY OF GENERAL ELECTRIC COMPANY AND SHALL NOT BE REPRODUCED OR USED IN WHOLE OR IN PART AS THE BASIS FOR THE MANUFACTURE OR SALE OF EQUIPMENT WITHOUT WRITTEN PERMISSION OF GENERAL ELECTRIC COMPANY.

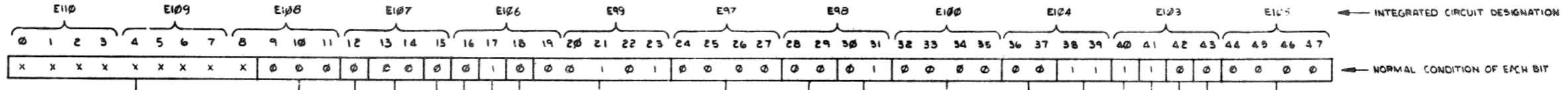


DRW. <i>[Signature]</i>	DATE 10/27/74	FIRST USED ON	<i>[Stamp]</i>
CHK'D <i>[Signature]</i>	DATE 11/1/74	TITLE	BLOCKDIAGRAM
ENG. <i>[Signature]</i>	DATE 11/1/74		KD11-EA
PRD. <i>[Signature]</i>	DATE 11/1/74		
NEXT HIGHER ASSY.			
B-DD-KD11-EA	SIZE CODE	NUMBER	REV.
SCALE	D	BDKD11-EA-2	
SHEET 1 OF 1	DATE		

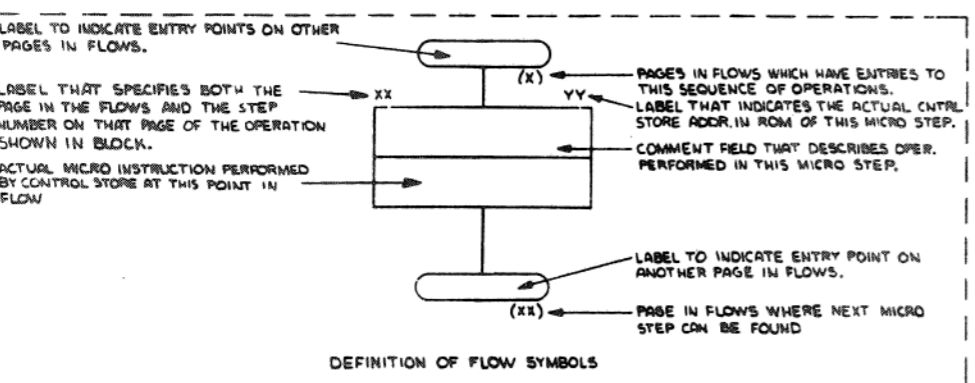
THIS DRAWING AND SPECIFICATIONS HEREIN ARE THE PROPERTY OF DIGITAL EQUIPMENT CORPORATION AND SHALL NOT BE REPRODUCED OR COPIED OR USED IN WHOLE OR IN PART AS THE BASIS FOR THE MANUFACTURE OR SALE OF ITEMS WITHOUT WRITTEN PERMISSION. COPYRIGHT © 1975 DIGITAL EQUIPMENT CORPORATION

FDK11-EA-1 2

KD11-E CONTROL WORD



NOTE:
THIS SET OF FLOW DIAGRAMS ONLY DOCUMENTS MICROWORD LOCATIONS FROM 0000 TO 051 (DECIMAL). MICROWORD LOCATIONS FROM 0512 TO 1023 (DECIMAL) ARE DOCUMENTED AS PART OF THE FPII-A FLOW DIAGRAMS (SEE D-FD-FPII-A-1)



MISC. CONTROL

OPERATION	MISC.
NOP	0 0 0 0
LOAD IR	0 0 0 0
LOAD PSM	0 0 0 0
LOAD CC	0 0 0 0
BUT DEST	0 0 0 0
ENAB STOV	0 0 0 0
LOAD CNT	0 0 0 0
COUNT	0 0 0 0

BUS CONTROL

OPERATION	CNTRL
DATI	0 0 1 0
DATP	0 0 1 0
DATO	0 0 1 0
DATOB	0 0 1 0

ALU/BLES CONTROL

ALU FUNCTION	19	20	21	22	23
ZERO	0	0	0	0	0
ABAR	0	0	0	0	0
A+1	0	0	0	0	0
A-1	0	0	0	0	0
A-B	0	0	0	0	0
A	0	0	0	0	0
B	0	0	0	0	0
ONE BAR	0	0	0	0	0
A+B	0	0	0	0	0
A-B	0	0	0	0	0
ABAR-B	0	0	0	0	0
AVB	0	0	0	0	0
A+B	0	0	0	0	0
A-B	0	0	0	0	0
A-B+1	0	0	0	0	0
A+2	0	0	0	0	0
A-2	0	0	0	0	0
A+A	0	0	0	0	0
BX	0	0	0	0	0
BBAR	0	0	0	0	0
BX BAR	0	0	0	0	0
A+A+1	0	0	0	0	0

B, BX, OVX, DBE CONTROL

OPERATION	24	25	26	27
HOLD	0	0	0	0
LOAD B	0	0	0	0
LOAD BX	0	0	0	0
SL(BX-0), LDB	0	0	0	0
SL(BX-1), LDB	0	0	0	0
SL(B-0)	0	0	0	0
SL(B-0), LDBX	0	0	0	0
SL(B-BX15)	0	0	0	0
SL(BX-0)	0	0	0	0
SL(BX-1)	0	0	0	0
SL(BX-OVX)	0	0	0	0
SL(BX-COUT)	0	0	0	0
SL(B-BX-0)	0	0	0	0
SR(B15-B-BX)	0	0	0	0
ENAB DBE	0	0	0	0

AMUX CONTROL

SELECT	AMUX
PSW	0 0
ALU	0 0
VECT	0 0
UBUS	0 0

SS MUX CONTROL

SELECT	SS
STRT	0 0
SEX	0 0
SWAB	0 0
ETRAL	0 0

BRANCH COND. BITS

BRANCH COND.	30	31	32	33	34	35
NOP	0	0	0	0	0	0
N BIT	0	0	0	0	0	0
Z BIT	0	0	0	0	0	0
COS	0	0	0	0	0	0
TR4	0	0	0	0	0	0
Bx00	0	0	0	0	0	0
Bx01	0	0	0	0	0	0
COUT	0	0	0	0	0	0
SP15	0	0	0	0	0	0
NBIT + Z BIT	0	0	0	0	0	0
Bx00 + SP15	0	0	0	0	0	0
Bx01 + Bx00	0	0	0	0	0	0
COS + Bx01 + Bx00	0	0	0	0	0	0
NBIT + COS	0	0	0	0	0	0
Bx00 + COS	0	0	0	0	0	0
ALL	0	0	0	0	0	0

SPA SRC SEL

FIELD SEL.	36	37
ROM	0	0
RS	0	0
RD	0	0
RBA	0	0

SPA DST SEL

FIELD SEL.	38	39
ROM	0	0
RS	0	0
RD	0	0
RBA	0	0

ROM SPA LINES

REG. SELECTED	44	45	46	47
RS	0	0	0	0
RD (SP)	0	0	0	0
R7 (PC)	0	0	0	0
R10	0	0	0	0
R11	0	0	0	0
R12	0	0	0	0
R13	0	0	0	0
R14	0	0	0	0
R15	0	0	0	0
R16	0	0	0	0
R17	0	0	0	0

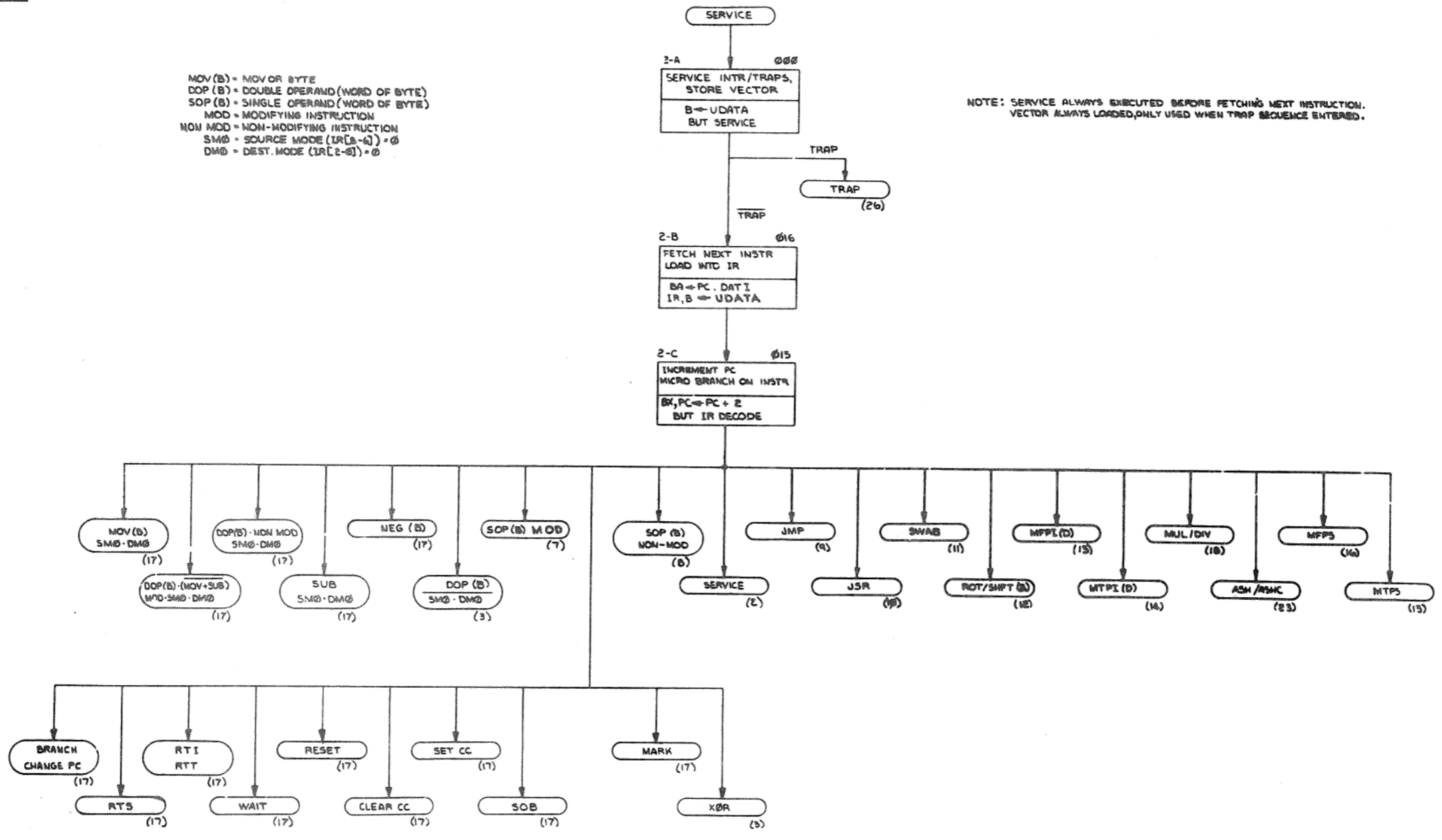
A "1" IN THE TABLES SHOWN INDICATES A LOGIC "1" ROM OUTPUT BETWEEN +2.4 VOLTS AND +5.0 VOLTS.
A "0" IN THE TABLES SHOWN INDICATES A LOGIC "0" ROM OUTPUT BETWEEN 0.0 VOLTS AND +0.4 VOLTS.
NOTE THAT ALL LEVELS SHOWN REPRESENT ACTUAL CONTROL STORE ROM OUTPUTS.

FIRST USED ON OPTION/MODEL	QTY.	DESCRIPTION	PART NO.	REV. NO.
1134 A				
DIMENSIONAL TOLERANCE				
DIMENSIONS ARE MILLIMETERS UNLESS OTHERWISE SPECIFIED				
MILLIMETERS	INCHES	ANGLES	TITLE	
X,XX ±0.10	.XXX ±0.006	±0° 30'	KD11-EA	
X,X ±0.05	.XX ±0.02		FLOW DIAGRAMS	
X ±0.2	.X ±0.1		REV.	
THIRD ANGLE PROJECTION	REMOVE BURRS AND BREAK SHARP CORNERS SURFACE QUALITY	NEXT HIGHER ASSY.	SIZE CODE	NUMBER
			B-DD-KD11-EA	D FDK11-EA-1
			SCALE	SHEET 1 OF 26

"THIS DRAWING AND SPECIFICATIONS HEREIN ARE THE PROPERTY OF SPERRY INSTRUMENT CORPORATION AND SHALL NOT BE REPRODUCED OR COPIED OR USED IN WHOLE OR IN PART AS THE BASIS FOR THE MANUFACTURE OR SALE OF ITEMS WITHOUT WRITTEN PERMISSION.
 COPYRIGHT © 1975 SPERRY INSTRUMENT CORPORATION"

MOV(B) = MOV OR BYTE
 DOP(B) = DOUBLE OPERAND (WORD OF BYTE)
 SOP(B) = SINGLE OPERAND (WORD OF BYTE)
 MOD = MODIFYING INSTRUCTION
 NON MOD = NON-MODIFYING INSTRUCTION
 SM@ = SOURCE MODE (IR[8-6]) = @
 DM@ = DEST. MODE (IR[2-0]) = @

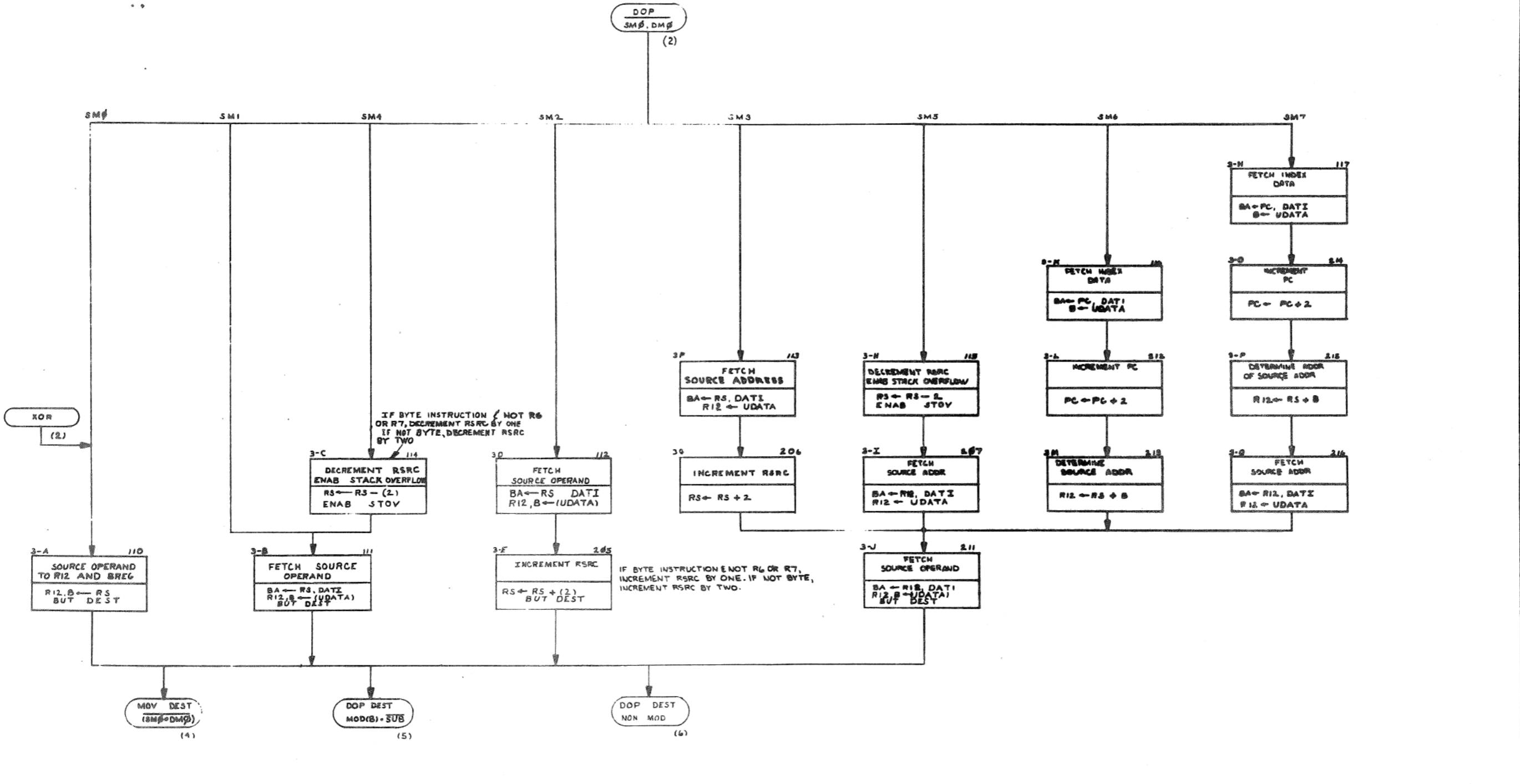
NOTE: SERVICE ALWAYS EXECUTED BEFORE FETCHING NEXT INSTRUCTION. VECTOR ALWAYS LOADED, ONLY USED WHEN TRAP SEQUENCE ENTERED.



REVISIONS		
CHK	CHANGE NO.	REV.

TITLE	KDI-EA FLOW DIAGRAMS	SIZE CODE	D	NUMBER	FDKDI-EA-1	REV.	
SCALE	1:1	SHEET	2	OF	26	DIST.	

"THE DRAWINGS AND SPECIFICATIONS HEREIN ARE THE PROPERTY OF DIGITAL EQUIPMENT CORPORATION AND SHALL NOT BE REPRODUCED OR COPIED IN WHOLE OR IN PART AS THE BASIS FOR THE MANUFACTURE OR SALE OF THESE WITHOUT WRITTEN PERMISSION COPYRIGHT © 1977 DIGITAL EQUIPMENT CORPORATION"



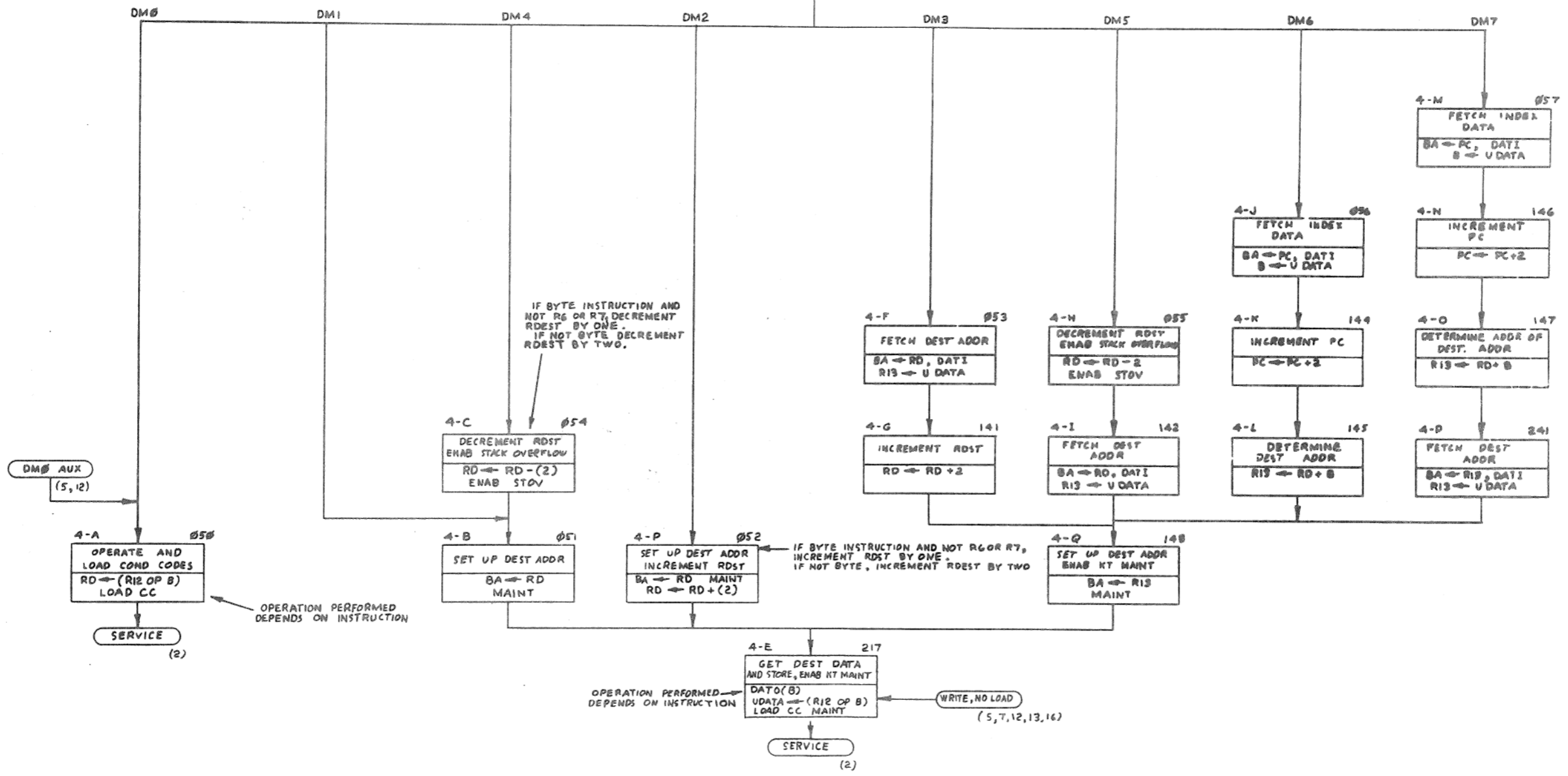
REVISIONS		
CHK	CHANGE NO.	REV.

TITLE	DIHEA FLOW DIAGRAMS	SIZE	CODE	NUMBER	REV.
SCALE	1/1	SHEET	3	OF 26	DIST.

THIS DRAWING AND SPECIFICATIONS HEREIN ARE THE PROPERTY OF DIGITAL EQUIPMENT CORPORATION AND SHALL NOT BE REPRODUCED OR COPIED OR USED IN WHOLE OR IN PART AS THE BASIS FOR THE MANUFACTURE OR SALE OF ITEMS WITHOUT WRITTEN PERMISSION. COPYRIGHT © 1972 DIGITAL EQUIPMENT CORPORATION

1-V-F-KDI1-EA-1
138900

MOV · DEST
(SM#-DM#)
(2)

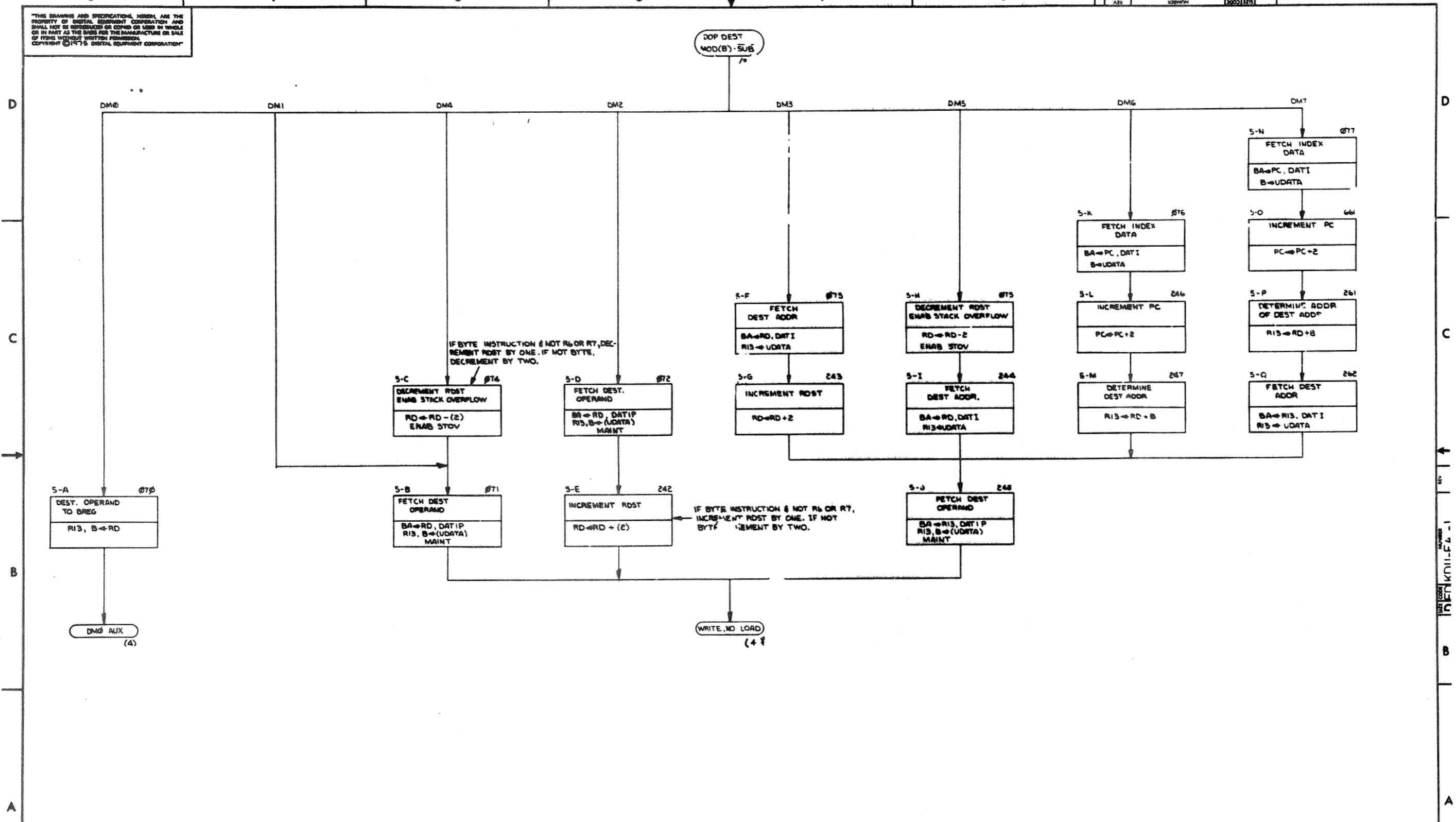


REVISIONS		
CHK	CHANGE NO.	REV

TITLE	KDI HEAFLOW DIAGRAMS	SITE CODE	D FDKDI1-EA-1	NUMBER		REV.	
SCALE		SHEET	4	OF	26	DATE	

"THIS DRAWING AND SPECIFICATIONS HEREIN ARE THE PROPERTY OF DIGITAL EQUIPMENT CORPORATION AND SHALL NOT BE REPRODUCED OR COPIED OR USED IN WHOLE OR IN PART AS THE BASIS FOR THE MANUFACTURE OR SALE OF ITEMS WITHOUT WRITTEN PERMISSION. COPYRIGHT © 1975 DIGITAL EQUIPMENT CORPORATION"

DOP DEST
MOD(B) - SUB



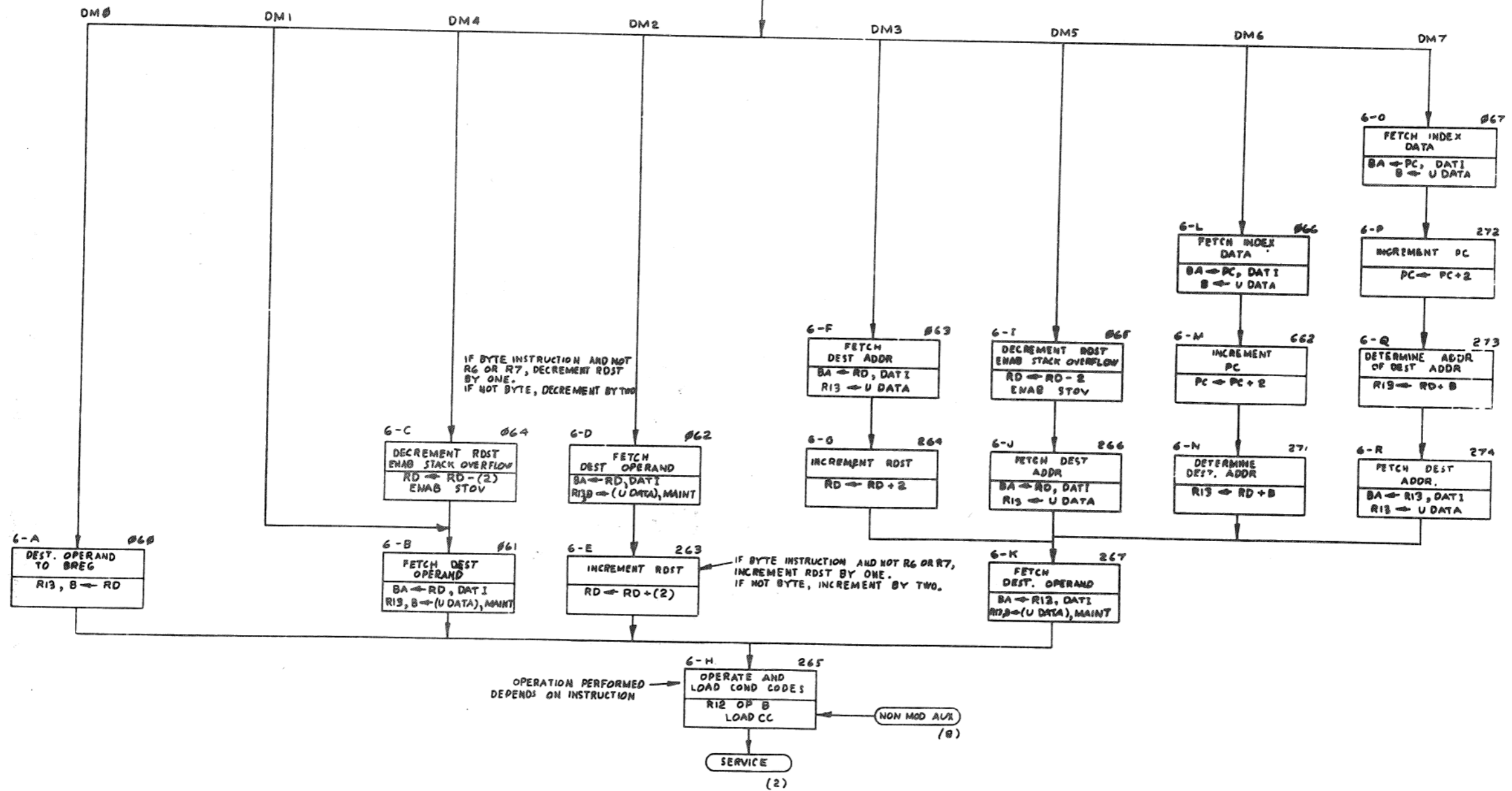
REVISIONS		
CHK	CHANGE NO.	REV.

TITLE: KDII-EA FLOW DIAGRAMS
 SIZE CODE: D FD
 NUMBER: KDII-EA-1
 SHEET: 5 OF 26
 SCALE: / /

THIS DRAWING AND SPECIFICATIONS HEREIN ARE THE PROPERTY OF DIGITAL EQUIPMENT CORPORATION AND SHALL NOT BE REPRODUCED OR COPIED OR USED IN WHOLE OR IN PART AS THE BASIS FOR THE MANUFACTURE OR SALE OF ITEMS WITHOUT WRITTEN PERMISSION. COPYRIGHT © 1970 DIGITAL EQUIPMENT CORPORATION.

1-43-110KD 2

DOP DEST NON MOD (3)

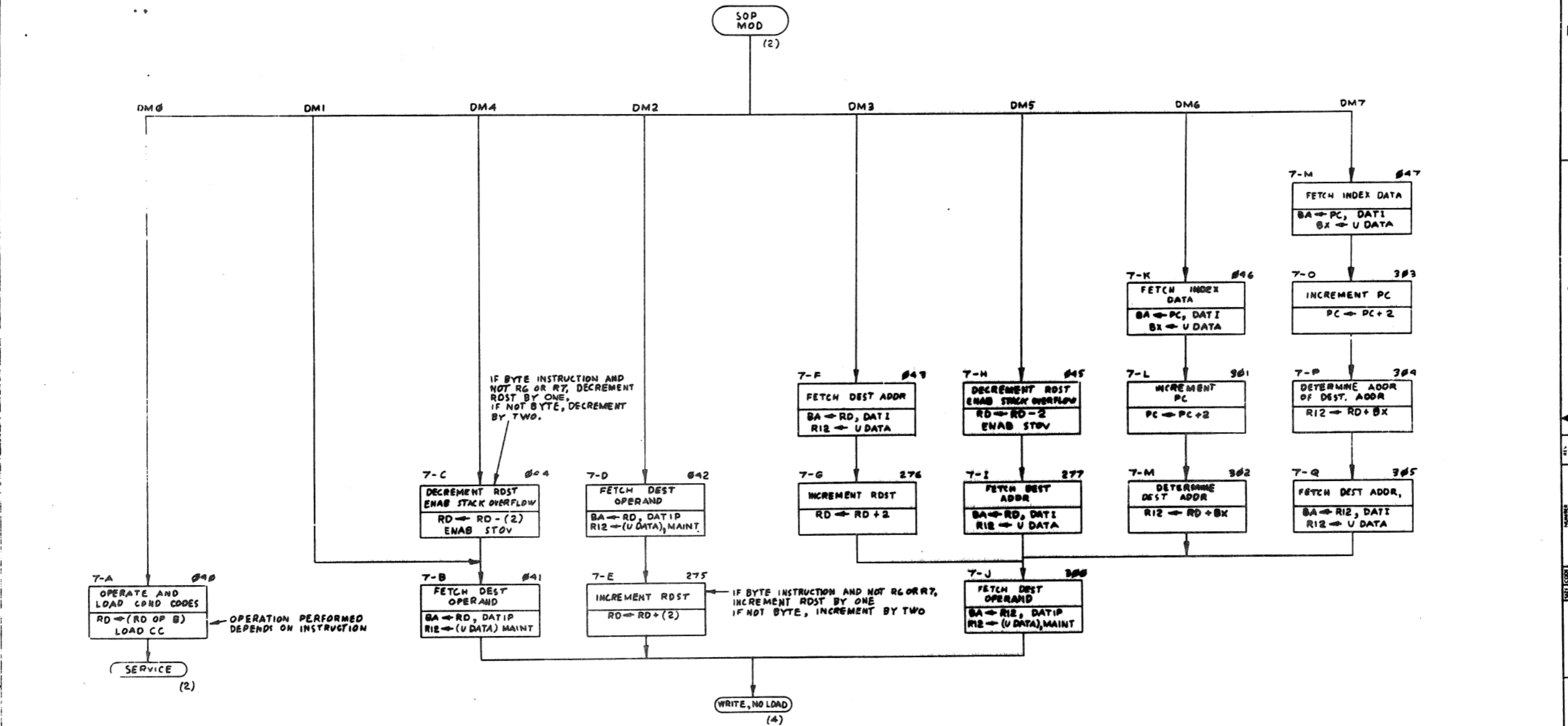


CHK	CHANGE NO	REV

23

"THIS DRAWING AND SPECIFICATIONS HEREIN ARE THE PROPERTY OF DIGITAL EQUIPMENT CORPORATION AND SHALL NOT BE REPRODUCED OR COPIED OR USED IN WHOLE OR IN PART AS THE BASIS FOR THE MANUFACTURE OR SALE OF ITEMS WITHOUT WRITTEN PERMISSION. COPYRIGHT © 1977 DIGITAL EQUIPMENT CORPORATION"

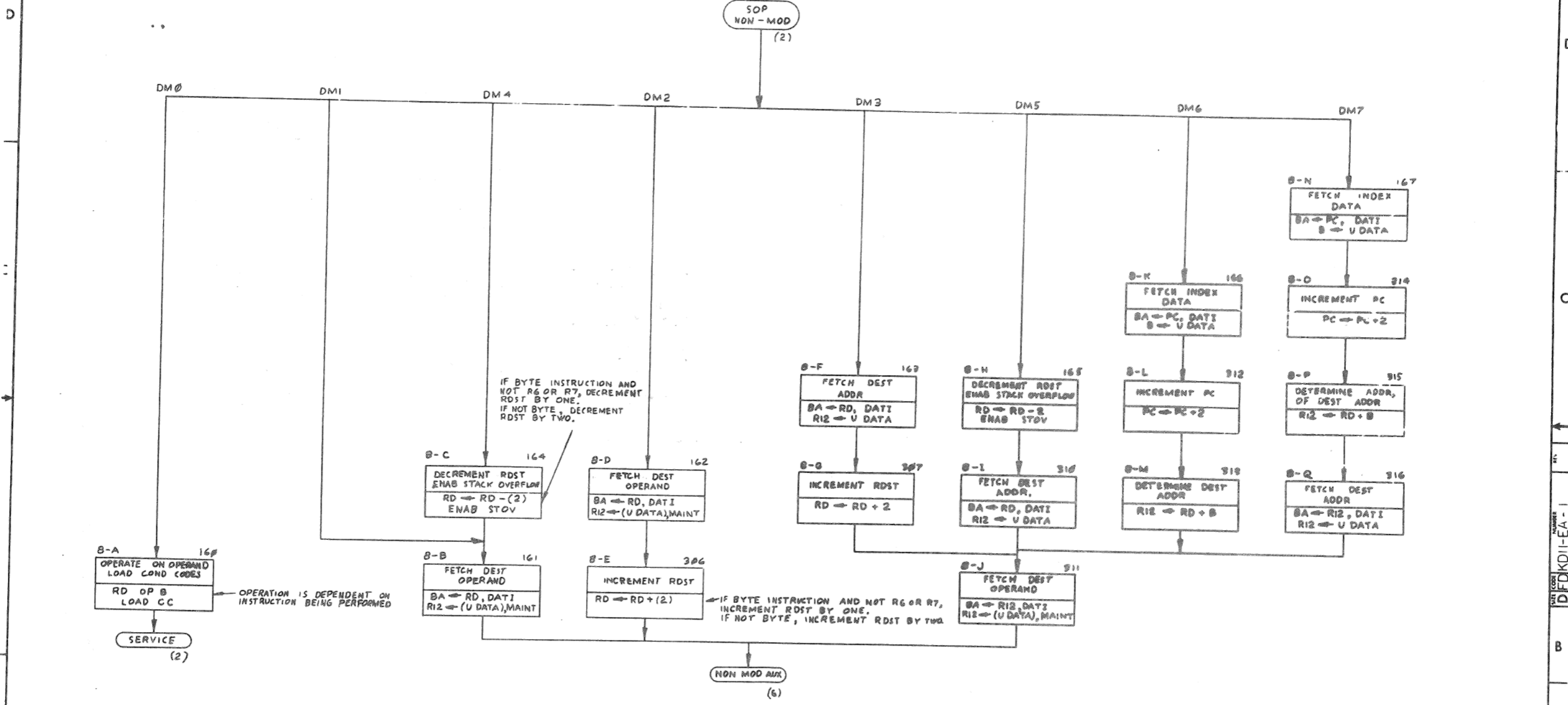
1-KDII-EA-1 2



REVISIONS		
CHK	CHANGE NO	REV

TITLE	SIZE CODE	NUMBER	REV.
KDII-EA FLOW DIAGRAMS	D	KDII-EA-1	
SCALE	SHEET	DIST.	
	7 OF 26		

THIS DRAWING AND SPECIFICATIONS, HEREIN, ARE THE PROPERTY OF DIGITAL EQUIPMENT CORPORATION AND SHALL NOT BE REPRODUCED OR COPIED IN WHOLE OR IN PART AS THE BASIS FOR THE MANUFACTURE OR SALE OF ITEMS WITHOUT WRITTEN PERMISSION. COPYRIGHT © 1970 DIGITAL EQUIPMENT CORPORATION.



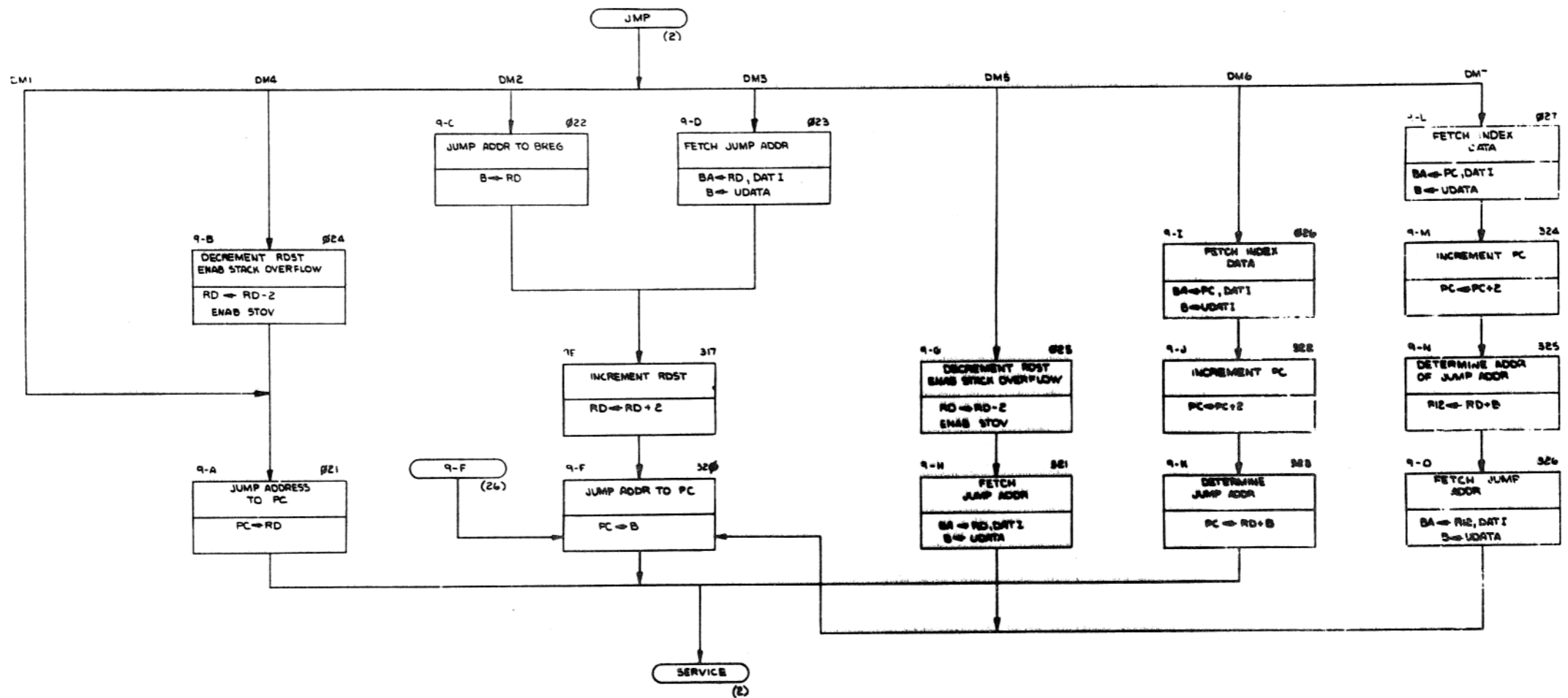
REVISIONS		
CHK	CHANGE NO	REV

DEC FORM NO. 590 130

TITLE
KDI-EA-FLOW DI
SCALE
SHEET

KDI-EA-1

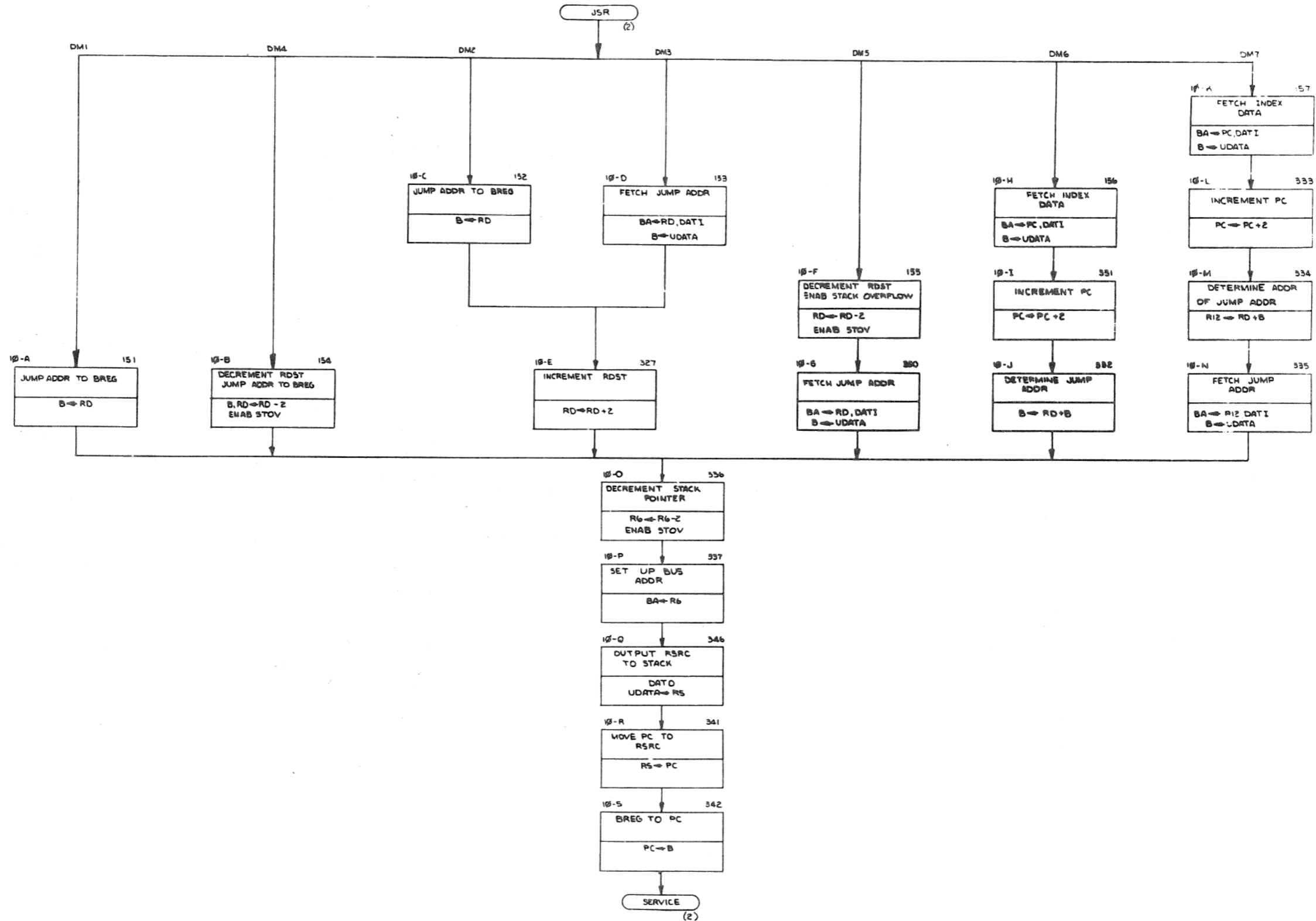
"THIS DRAWING AND SPECIFICATIONS HEREIN ARE THE PROPERTY OF DIGITAL EQUIPMENT CORPORATION AND SHALL NOT BE REPRODUCED OR COPIED OR USED IN WHOLE OR IN PART AS THE BASIS FOR THE MANUFACTURE OR SALE OF ITEMS WITHOUT WRITTEN PERMISSION. COPYRIGHT © 1975 DIGITAL EQUIPMENT CORPORATION"



REVISIONS		
NO	CHANGE NO	REV

TITLE: KDII-EA FLOW DIAGRAMS
 SIZE CODE: D/FD KDII-EA - 1
 SHEET: 9 OF 26
 NUMBER: 26

"THIS DRAWING AND SPECIFICATIONS HEREIN ARE THE PROPERTY OF DIGITAL EQUIPMENT CORPORATION AND SHALL NOT BE REPRODUCED OR COPIED OR USED IN WHOLE OR IN PART AS THE BASIS FOR THE MANUFACTURE OR SALE OF ITEMS WITHOUT WRITTEN PERMISSION. COPYRIGHT © 1975 DIGITAL EQUIPMENT CORPORATION"

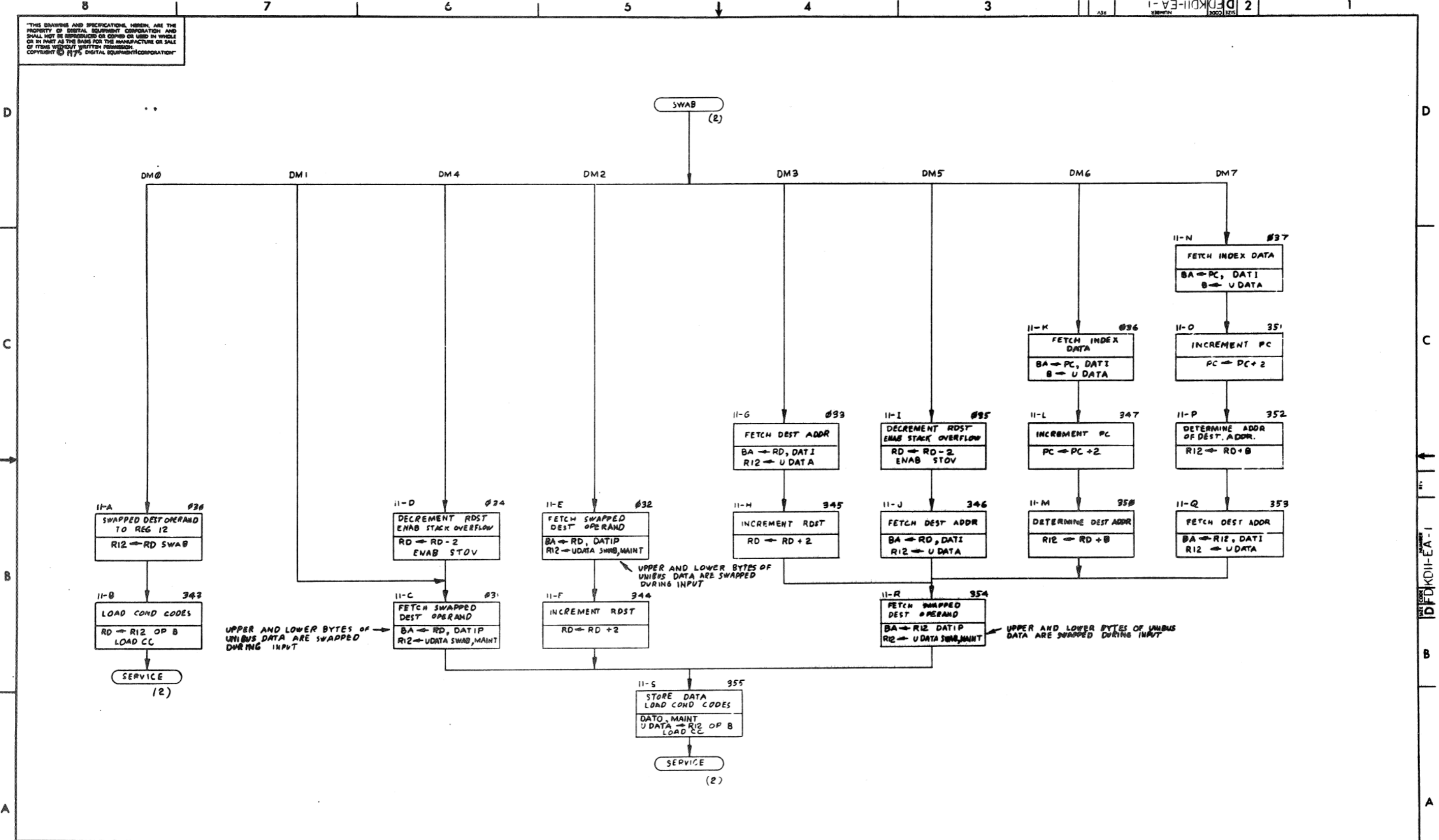


REVISIONS		
CHK	CHANGE NO	REV

TITLE: KDIIEA FLOW DIAGRAMS
 SCALE: 1/1
 SHEET 10 OF 26
 SIZE CODE: D
 NUMBER: FDIKDIIEA-1
 REV: 1

"THIS DRAWING AND SPECIFICATIONS HEREIN ARE THE PROPERTY OF DIGITAL EQUIPMENT CORPORATION AND SHALL NOT BE REPRODUCED OR COPIED OR USED IN WHOLE OR IN PART AS THE BASIS FOR THE MANUFACTURE OR SALE OF ITEMS WITHOUT WRITTEN PERMISSION. COPYRIGHT © 1975 DIGITAL EQUIPMENT CORPORATION"

2 | DFKDII-EA-1

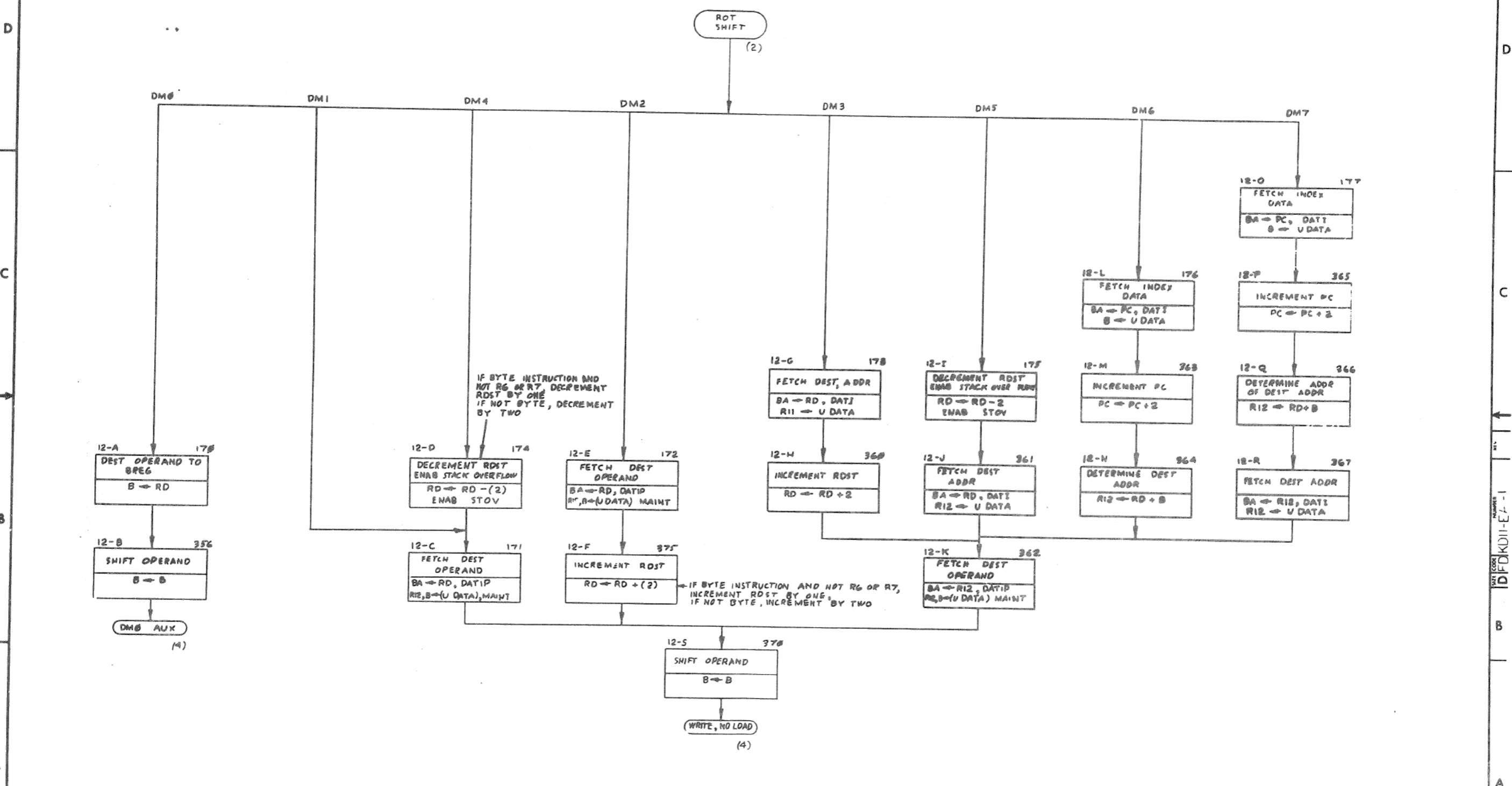


REVISIONS		
CHK	CHANGE NO	REV

TITLE: KDI-EA FLOW DIAGRAMS
 SIZE CODE: DFD
 NUMBER: KDI-EA-1
 SCALE: + +
 SHEET: 11 OF 26
 DIST.:

THIS DRAWING AND SPECIFICATIONS HEREIN ARE THE PROPERTY OF DIGITAL EQUIPMENT CORPORATION AND SHALL NOT BE REPRODUCED OR COPIED OR USED IN WHOLE OR IN PART AS THE BASIS FOR THE MANUFACTURE OR SALE OF ITEMS WITHOUT WRITTEN PERMISSION. COPYRIGHT © 1977 DIGITAL EQUIPMENT CORPORATION.

1-73-KDII-EA-1

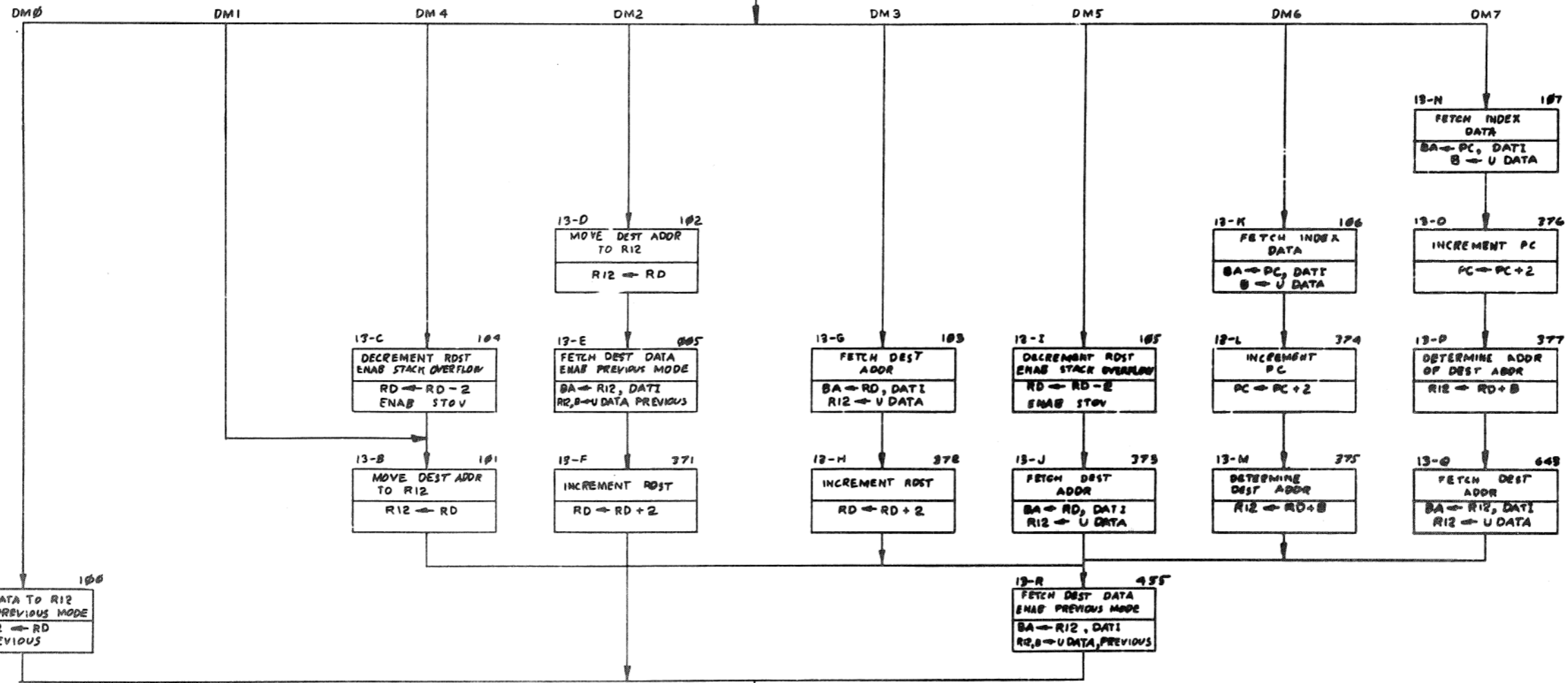


REVISIONS		
CHK	CHANGE NO	REV

29

"THE DRAWING AND SPECIFICATIONS HEREIN ARE THE PROPERTY OF DIGITAL EQUIPMENT CORPORATION AND SHALL NOT BE REPRODUCED OR COPIED OR USED IN WHOLE OR IN PART AS THE BASIS FOR THE MANUFACTURE OR SALE OF ITEMS WITHOUT WRITTEN PERMISSION. COPYRIGHT © 1977 DIGITAL EQUIPMENT CORPORATION"

MFPI (D)
(2)



NOTE: PREVIOUS INDICATES THAT THE PREVIOUS (PSW < 13-12) MEMORY MANAGEMENT MODE IS FORCED.

REVISIONS		
CHK	CHANGE NO.	REV.

TITLE	SIZE CODE	NUMBER	REV.
KDII-EA FLOW DIAGRAMS	D FD	KDII-EA-i	
SCALE	SHEET	OF	TOTAL
	13	26	