

This drawing and specifications herein are the property of Digital Equipment Corporation and shall not be reproduced or applied or used in whole or in part as the basis for the manufacture or sale of items without written permission.

PARTS REFERENCE

ITEM NO	DRAWING REFERENCE	DESCRIPTION	PART NUMBER	QUANTITY
1	E1	DEC 8881	I.C. 1909705	1
2	E2, E8	DEC 7402N	I.C. 1909004	2
3	E3, E4, E5	DEC 9601	I.C. 1909487	3
4	E6	DEC 7400N	I.C. 1905575	1
5	E7	DEC 7420N	I.C. 1905577	1
6	E9	DEC 7400N	I.C. 1909004	1
7	E10	DEC 74H53N	I.C. 1909062	1
8	E11	DEC 8815A	I.C. 1909713	1
9	E12	DEC 7410N	I.C. 1905576	1
10	E13	DEC 7474N	I.C. 1905547	1
11	C1-C11	.01 MFD 100V 20%	CAP 1001610	11
12	C13	6.8 MFD 35V 20%	CAP 1000067	1
13	C14	2200 MMF 250V 20%	CAP 1000055	1
14	C15	3.9 MFD 10V 10%	CAP 1000064	1
15	C16	1.2 MFD 35V 10%	CAP 1001776	1
16	C17	.47 MFD 35V 10%	CAP 1005965	1
17	C18	330 MMF 100V 5%	CAP 1000023	1
18	C19	680 MMF 100V 5%	CAP 1000026	1
19	R1, R3, R13	220 1/4W 5%	RES 1300271	3
20	R2, R4, R7, R14, R15	470 1/4W 5%	RES 1300316	5
21	R5	10 K 1/4W 5%	RES 1300479	1
22	R6	22K 1/4W 5%	RES 1301508	1
23	R8, R11, R12	1K 1/4W 5%	RES 1300365	3
24	R10	2.2K 1/4W 5%	RES 1300417	1
25	DI-D6	D564 DIODE	1120114	6
26	Q1	DEC 3009B TRANSISTOR	1503100	1
27	R9	20K 1/4W 5%	RES 1302391	1

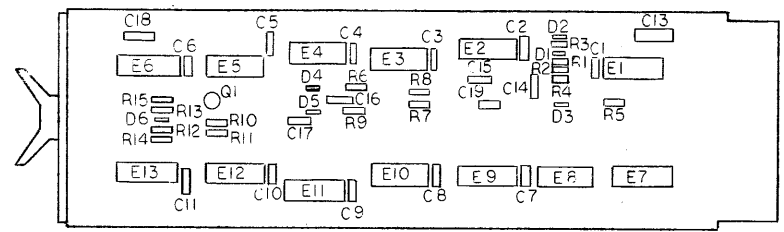
NOTES:

- PIN NOTATION THROUGHOUT IS ORDERED UPON MODULE PLACEMENT IN THE K111 PROCESSOR. MODULE REFERENCE ALONE IS OBTAINED BY DELETING THE NUMBER (SLOT LOCATION) AFTER THE FIRST LETTER, AND CONVERTING THE FIRST LETTER ACCORDING TO THE PIN NOMENCLATURE CHART AT RIGHT.
- ALL SIGNALS THAT HAVE MODULE PINS ARE SO NOTED; MULTIPLE NOTATIONS OF THE SAME SIGNALS WITHIN A MODULE HAVE THE PIN NOTED ON EACH. AN INPUT SIGNAL IS NOTED ONLY ONCE PER SHEET UNLESS SEPERATE PINS ARE USED; MULTIPLE INPUTS ARE CONNECTED. MODULE OUTPUT SIGNALS ARE BROUGHT TO THE EXTREME RIGHT OF EACH SHEET.
- PROCESSOR SIGNAL SOURCE NOTATION (K10-2, FOR EXAMPLE) IDENTIFIES THE SIGNAL SOURCE (PRINT AND MODULE). THE FIRST NUMBER AFTER THE K INDICATES THE MODULE PRINT SET, WHILE THE SECOND INDICATES THE SHEET WITHIN THE SET. IF ON A PRINT, THE FIRST NUMBER OF THE K PREFIXES COINCIDE FOR A SIGNAL NAME AND THE PRINT (SEE TITLE BLOCK), THE SIGNAL IS GENERATED ON THE MODULE. A DIFFERENCE IN THE FIRST NUMBER OF THE K PREFIXES INDICATES A SIGNAL GENERATED OFF THE MODULE. SIGNALS WITH A "BUS" PREFIX REPRESENT A "WIRED OR" SITUATION, AND MULTIPLE SOURCES FOR THE SIGNAL CAN EXIST.
- DETAILS ON COMPONENTS ARE NOTED IN THE PARTS REFERENCE. PLACEMENT IS NOTED IN THE COMPONENT PLACEMENT DIAGRAM.
- GND AND +5V ARE USUALLY PIN 7 AND PIN 14, RESPECTIVELY. EXCEPTIONS ARE:

IC TYPE	GND	+5V
DEC 7481	PIN 10	PIN 4
DEC 7482	PIN 11	PIN 4
8251	PIN 8	PIN 16
DEC 8271	PIN 8	PIN 16
DEC 380	PIN 1	PIN 8
DEC 384	PIN 1	PIN 8

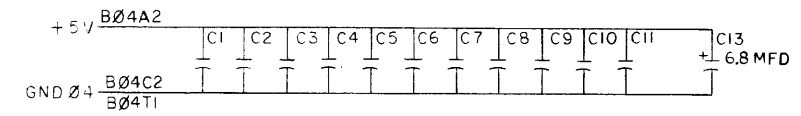
6. UNLESS OTHERWISE NOTED: RESISTANCE IS IN OHMS; CAPACITANCE IS IN PICO FARADS. CAPACITORS WITHOUT ANY NOTED VALUES ARE .01 MFD.

COMPONENT PLACEMENT



PIN NOMENCLATURE

MODULE	PROCESSOR
A	B



REVISIONS

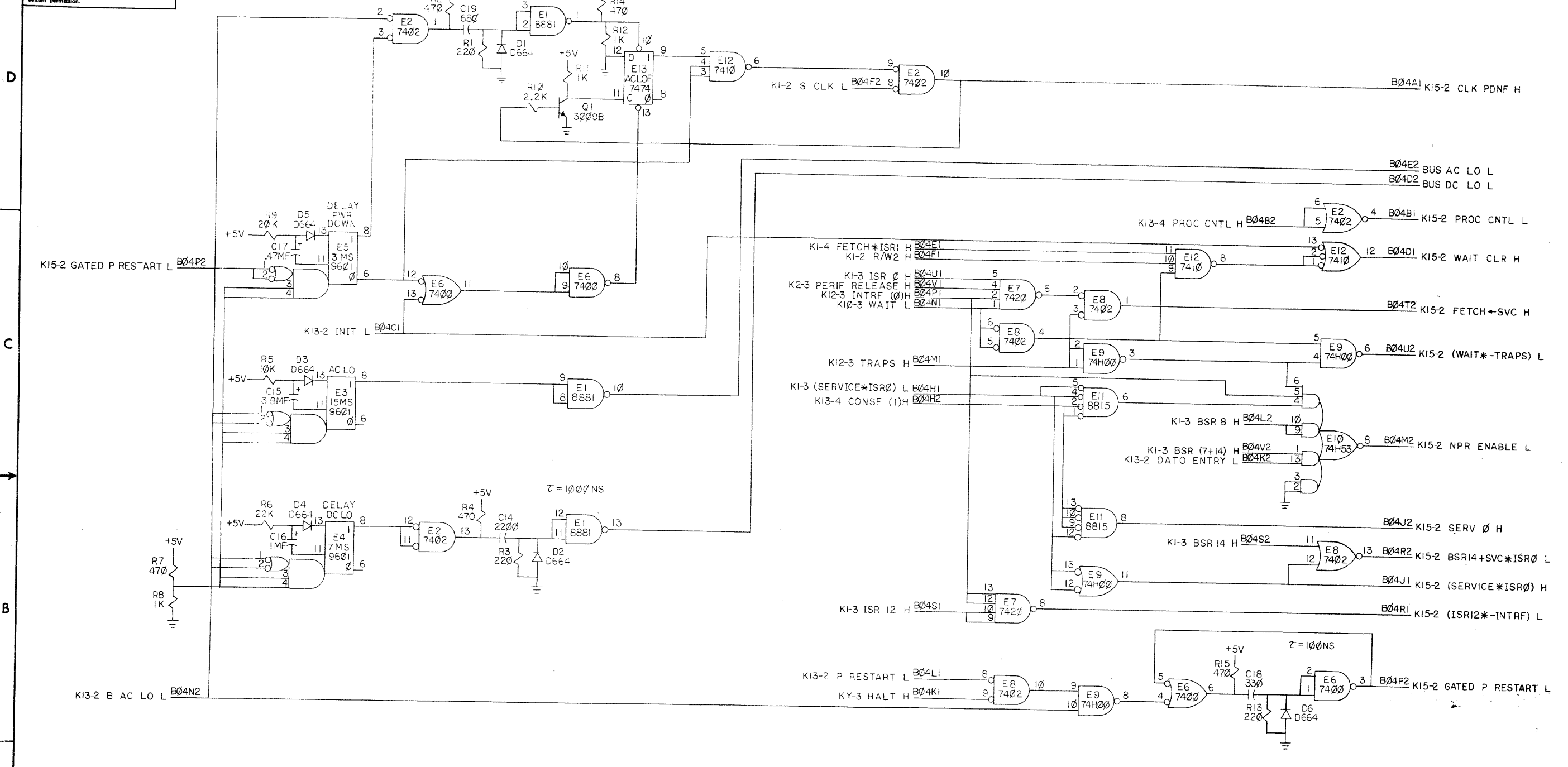
CHK	CHANGE NO	REV	B
	MB25-00002		
	J.F. O'LOUGHLIN		
	5/13/70		
	J.F. O'LOUGHLIN		
	7-1-70		

FIRST USED ON OPTION/MODEL	QTY.	DESCRIPTION	PART NO.	ITEM NO.
PDP11				
PARTS LIST				
UNLESS OTHERWISE SPECIFIED	DRN	DATE	digital EQUIPMENT CORPORATION	
UNLESS OTHERWISE SPECIFIED	CHK'D	DATE	MAYNARD, MASSACHUSETTS	
UNLESS OTHERWISE SPECIFIED	ENG	DATE	TITLE	
DIMENSION IN INCHES	ENG	DATE	POWER FAIL & CNTL	
TOLERANCES	ENG	DATE	M825	
DECIMALS FRACTIONS ANGLES	ENG	DATE	KI5-1	
= .005 ± 1/64 ± 0°30'	PROJ ENGR	DATE	SIZE CODE	
FINAL SURFACE QUALITY	PROJ ENGR	DATE	D CS M825-0-1	
REMOVE BURRS AND BREAK SHARP CORNERS	PROJ ENGR	DATE	NUMBER	
	PROJ ENGR	DATE	REV	
MATERIAL			B	
NEXT HIGHER ASSY			SCALE	
A-ML-K111-0			SHEET	
			OF 2	
FINISH			ETCH REV A B C	
			DIST.	

REV B
M825-0-1
CS
D

1 Pink

This drawing and specifications, herein, are the property of Digital Equipment Corporation and shall not be reproduced or copied or used in whole or in part as the basis for the manufacture or sale of items without written permission.



REV.	
CHANGE NO.	
CHK	

FIRST USED ON OPTION/ MODEL	QTY.	DESCRIPTION	PART NO.	ITEM NO.
PDP 11				
UNLESS OTHERWISE SPECIFIED	DRN	DATE	PARTS LIST	
UNLESS OTHERWISE SPECIFIED	CHK'D	DATE	digital EQUIPMENT CORPORATION	
DIMENSION IN INCHES	ENG	DATE	MAYNARD, MASSACHUSETTS	
DECIMALS FRACTIONS ANGLES	PRJ. ENG.	DATE	TITLE	
± .005 ± .001 ± 1.54 ± 0.130	PRD.	DATE	PWR FAIL & CNTL	
FINAL SURFACE QUALITY	NO. 2		M825 KI5-2	
REMOVE BURRS AND BREAK SHARP CORNERS			NEXT HIGHER ASSY.	
MATERIAL			A-ML: KAI1-0	
FINISH			SCALE NONE	
			SIZE CODE NUMBER REV.	
			DICS M825-0-1 B	
			SHEET 2 OF 2	
			DIST.	

1 Pine