

This drawing and its components, forms, are the property of Digital Equipment Corporation and shall not be reproduced or used in whole or in part in any form for any purpose other than that for which it was prepared without the written permission of Digital Equipment Corporation.

PARTS REFERENCE

ITEM NO	DRAWING REFERENCE	DESCRIPTION	PART NUMBER	QUANTITY
1	E1, E6, E21	DEC 8881 IC	1909705	3
2	E2, E7	DEC 74H00N IC	1909056	2
3	E3, E9, E18	DEC 7402N IC	1909004	3
4	E4, E8	DEC 74H20N IC	1905635	2
5	E5	DEC 74H10N IC	1909057	1
6	E10	DEC 7450N IC	1905580	1
7	E11, E17, E22, E25	DEC 380 IC	1909485	4
8	E12, E13, E14, E19	DEC 74H74N IC	1909667	4
9	E16	DEC 74H50N IC	1909060	1
10	E23	DEC 7410N IC	1905576	1
11	E24	DEC 7400N IC	1905575	1
12	C1-C24	.01 MFD, 100V, 20% CAP	1001610	24
13	C25, C26	6.8 MFD, 35V, 20% CAP	1000067	2
14	E20	DEC 7474N IC	1905547	1

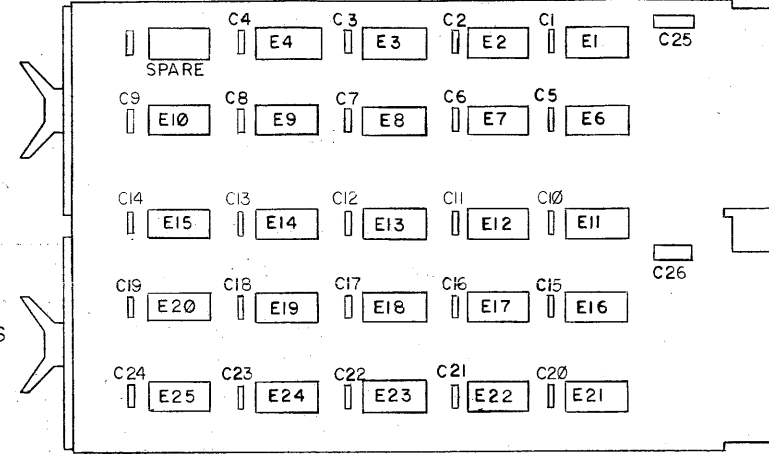
NOTES:

- PIN NOTATION THROUGHOUT IS ORDERED UPON MODULE PLACEMENT IN THE K111 PROCESSOR. MODULE REFERENCE ALONE IS OBTAINED BY DELETING THE NUMBER (SLOT LOCATION) AFTER THE FIRST LETTER, AND CONVERTING THE FIRST LETTER ACCORDING TO THE PIN NOMENCLATURE CHART AT RIGHT.
- ALL SIGNALS THAT HAVE MODULE PINS ARE SO NOTED; MULTIPLE NOTATIONS OF THE SAME SIGNALS WITHIN A MODULE HAVE THE PIN NOTED ON EACH. AN INPUT SIGNAL IS NOTED ONLY ONCE PER SHEET UNLESS SEPARATE PINS ARE USED; MULTIPLE INPUTS ARE CONNECTED. MODULE OUTPUT SIGNALS ARE BROUGHT TO THE EXTREME RIGHT OF EACH SHEET.
- PROCESSOR SIGNAL SOURCE NOTATION (K10-2, FOR EXAMPLE) IDENTIFIES THE SIGNAL SOURCE (PRINT AND MODULE). THE FIRST NUMBER AFTER THE K INDICATES THE MODULE PRINT SET, WHILE THE SECOND INDICATES THE SHEET WITHIN THE SET. IF ON A PRINT, THE FIRST NUMBER OF THE K PREFIXES COINCIDE FOR A SIGNAL NAME AND THE PRINT (SEE TITLE BLOCK), THE SIGNAL IS GENERATED ON THE MODULE. A DIFFERENCE IN THE FIRST NUMBER OF THE K PREFIXES INDICATES A SIGNAL GENERATED OFF THE MODULE. SIGNALS WITH A "BUS" PREFIX REPRESENT A "WIRED OR" SITUATION, AND MULTIPLE SOURCES FOR THE SIGNAL CAN EXIST.
- DETAILS ON COMPONENTS ARE NOTED IN THE PARTS REFERENCE. PLACEMENT IS NOTED IN THE COMPONENT PLACEMENT DIAGRAM.
- GND AND +5V ARE USUALLY PIN 7 AND PIN 14, RESPECTIVELY. EXCEPTIONS ARE:

IC TYPE	GND	+5V
DEC 7481	PIN 10	PIN 4
DEC 7482	PIN 11	PIN 4
8251	PIN 8	PIN 16
DEC 8271	PIN 8	PIN 16
DEC 380	PIN 1	PIN 8
DEC 384	PIN 1	PIN 8

6 UNLESS OTHERWISE NOTED: RESISTANCE IS IN OHMS; CAPACITANCE IS IN PICOFARADS. CAPACITORS WITHOUT ANY NOTED VALUES ARE .01 MFD.

COMPONENT PLACEMENT



PIN NOMENCLATURE

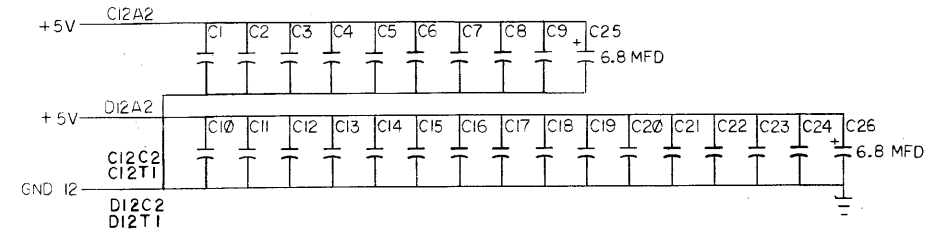
MODULE PROCESSOR

A

C

B

D



FIRST USED ON OPTION/MODEL PDP 11	QTY.	DESCRIPTION	PART NO.	ITEM NO.
PARTS LIST				
UNLESS OTHERWISE SPECIFIED DIMENSION IN INCHES TOLERANCES DECIMALS FRACTIONS ANG. LS ± .005 ± .004 ± .30 FINAL SURFACE QUALITY REMOVE BURRS AND BREAK SHARP CORNERS	DRN DATE 3/10/70	CHKD DATE 3/6/70	ENG DATE 3-6-70	PROD. DATE DATE 3-6-70
MATERIAL //	NEXT HIGHER ASSY A-ML-K11-0	TITLE M824 K3-1		
FINISH //	SCALE SHEET 1 OF 3	SIZE CODE NUMBER REV. DCS M824-0-1 C		

REVISIONS

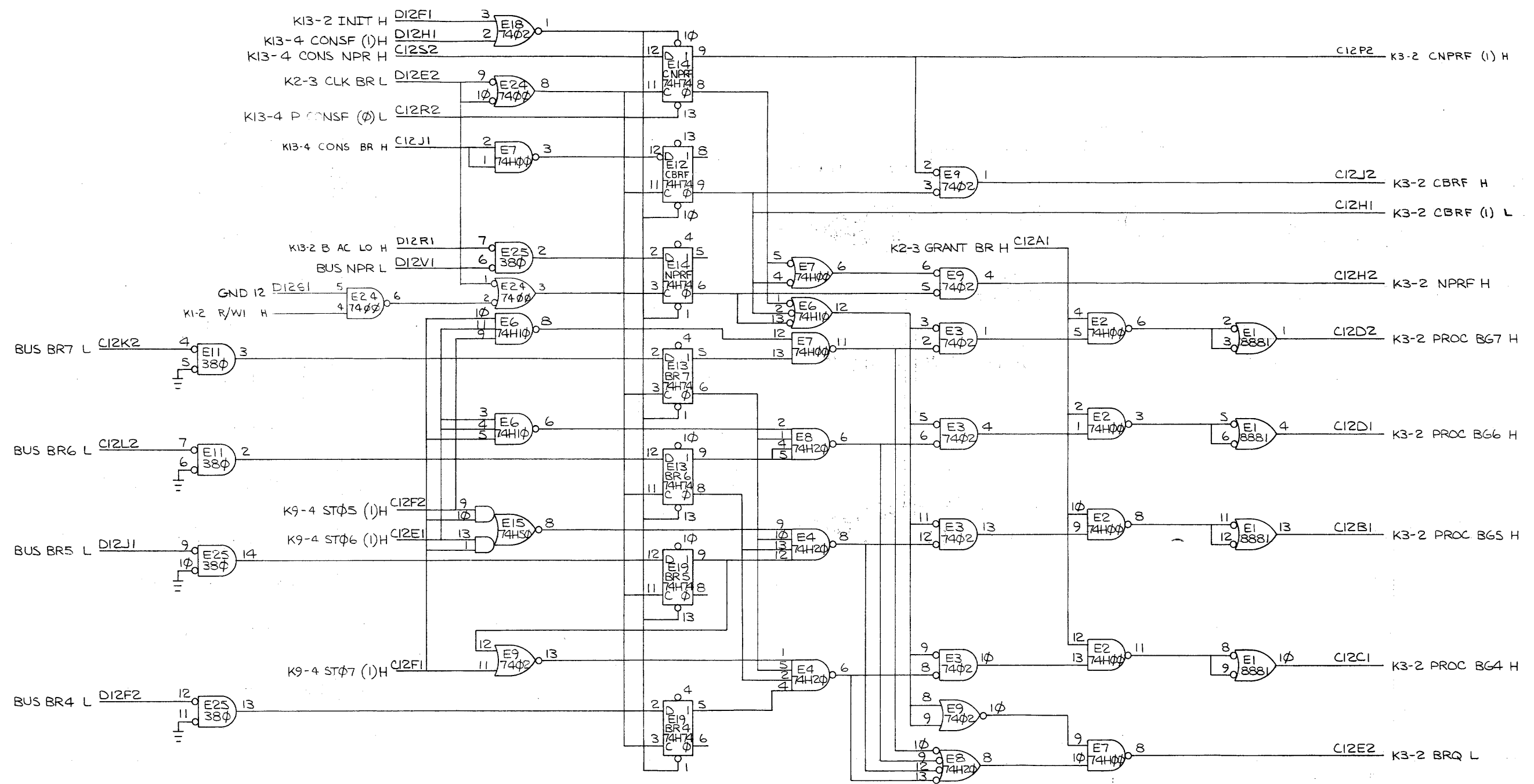
REV	CHANGE NO	REV
B	00001	B
C	00002	C

DATE: 4-2-70
BY: J. O'LOUGHLIN
DATE: 6-1-70
BY: J. O'LOUGHLIN

REV C
NUMBER M824-0-1
SIZE CODE DCS

1 Pink Blue

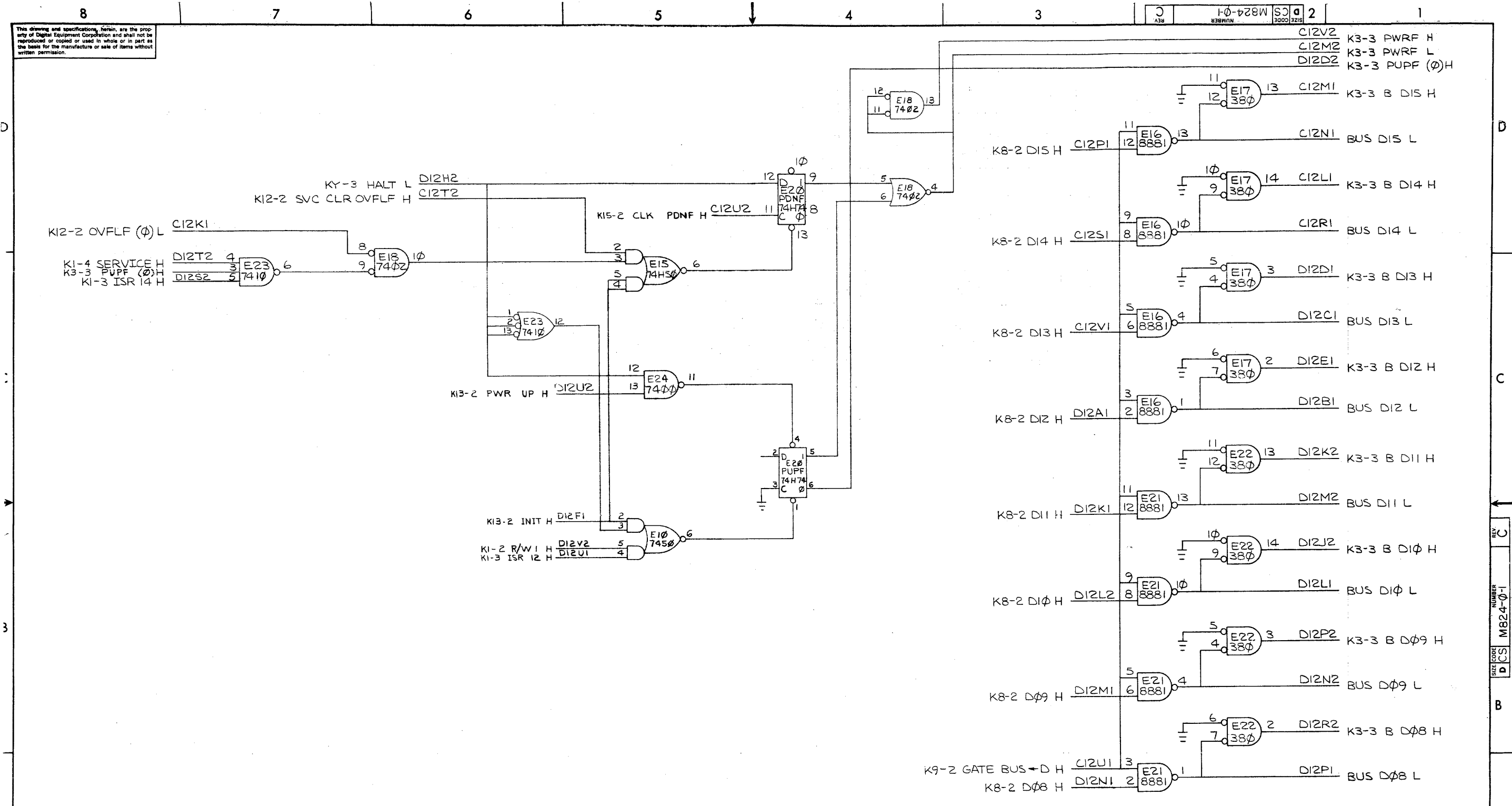
This drawing and specifications herein, are the property of Digital Equipment Corporation and shall not be reproduced or copied or used in whole or in part as the basis for the manufacture or sale of items without written permission.



REV	
CHANGE NO.	
CHK	

FIRST USED ON OPTION MODEL	QTY.	DESCRIPTION	PART NO.	ITEM NO.
PDP11				
PARTS LIST				
UNLESS OTHERWISE SPECIFIED	DRN	DATE	digital EQUIPMENT CORPORATION MAYNARD, MASSACHUSETTS	
UNLESS OTHERWISE SPECIFIED	CHK'D	DATE	TITLE	
DIMENSION IN INCHES			PRIORITY	
TOLERANCES	ENG	DATE	M824 K3-2	
DECIMALS FRACTIONS ANGLES			SIZE CODE NUMBER REV.	
± .005 ± 1/64 ± 0°30'			DCS M824-0-1 C	
FINAL SURFACE QUALITY	PROJ. ENG	DATE	SCALE NONE	
REMOVE BURRS AND BREAK SHARP CORNERS	PROD.	DATE	SHEET 2 OF 3	
MATERIAL	NEXT HIGHER ASS'Y		DIST.	
FINISH	A-ML-KA11-0			

This drawing and specifications herein, are the property of Digital Equipment Corporation and shall not be reproduced or copied or used in whole or in part as the basis for the manufacture or sale of items without written permission.



REV	
CHANGE NO.	
CHK	

FIRST USED ON OPTION/MODEL PDP11	QTY.	DESCRIPTION	PART NO.	ITEM NO.
PARTS LIST				
UNLESS OTHERWISE SPECIFIED DRN A. Ramo DATE 12-9-69				
UNLESS OTHERWISE SPECIFIED CHK'D R. P. H. DATE 3/18/70				
TOLERANCES DECIMALS FRACTIONS ANGLES = .005 = 1/64 = 0°30'				
FINAL SURFACE QUALITY REMOVE BURRS AND BREAK SHARP CORNERS				
MATERIAL + + +	NEXT HIGHER ASSY A-ML-KA11-0	TITLE digital EQUIPMENT CORPORATION MAYNARD, MASSACHUSETTS		
FINISH + + +	SCALE NONE	M824 K3-3 SIZE CODE NUMBER REV D CS M824-0-1 C		
	SHEET 3 OF 3	DIST.		

1 Perik Blue