

This drawing and specifications herein are the property of Digital Equipment Corporation and shall not be reproduced or copied or used in whole or in part as the basis for the manufacture or sale of items without written permission.

PARTS REFERENCE

ITEM NO	DRAWING REFERENCE	DESCRIPTION	PART NUMBER	QUANTITY
1	E1, E9, E18	DEC 74H53N	IC 1909062	3
2	E2, E5, E19, E21, E25, E27, E31, E36, E39, E45, E47	DEC 7402N	IC 1909004	11
3	E3, E28, E34, E40, E42	DEC 8815A	IC 1909713	5
4	E4, E10, E11, E16, E22, E24, E26, E37, E44, E49	DEC 7400N	IC 1905575	10
5	E6, E32	DEC 7400N	IC 1905577	2
6	E7, E17	DEC 74H60N	IC 1909064	2
7	E8, E29	DEC 7450N	IC 1905560	2
8	E12, E13, E14, E30, E35	DEC 7460N	IC 1905581	5
9	E15	DEC 7453N	IC 1905582	1
10	E33, E48	DEC 7410N	IC 1905576	2
11	E36	DEC 7474N	IC 1905547	1
12	E41	DEC 380	IC 1909485	1
13	E43	DEC 9601	IC 1909487	1
14	E46	DEC 8861	IC 1909705	1
15	C1-C39, C41, C43, C45-C47, C49-C51, C56	.01 MFD, 100V, 20%	CAP 1001610	48
16	C40	1000 MME, 100V, 5%	CAP 1002344	1
17	C42	68 MME, 100V, 5%	CAP 1000014	1
18	C44, C48	330 MME, 100V, 5%	CAP 1000023	2
19	C52-C55	6.8 MFD, 35V, 20%	CAP 1000057	4
20	R1, R6	47, 1/4W, 5%	RES 1300202	2
21	R2	5.6 K, 1/4W, 5%	RES 1301674	1
22	R3, R7	470, 1/4W, 5%	RES 1300316	2
23	R4	220, 1/4W, 5%	RES 1300271	1
24	R5	1000, 1/4W, 5%	RES 1300365	1
25	D1	D664 DIODE	1100114	1

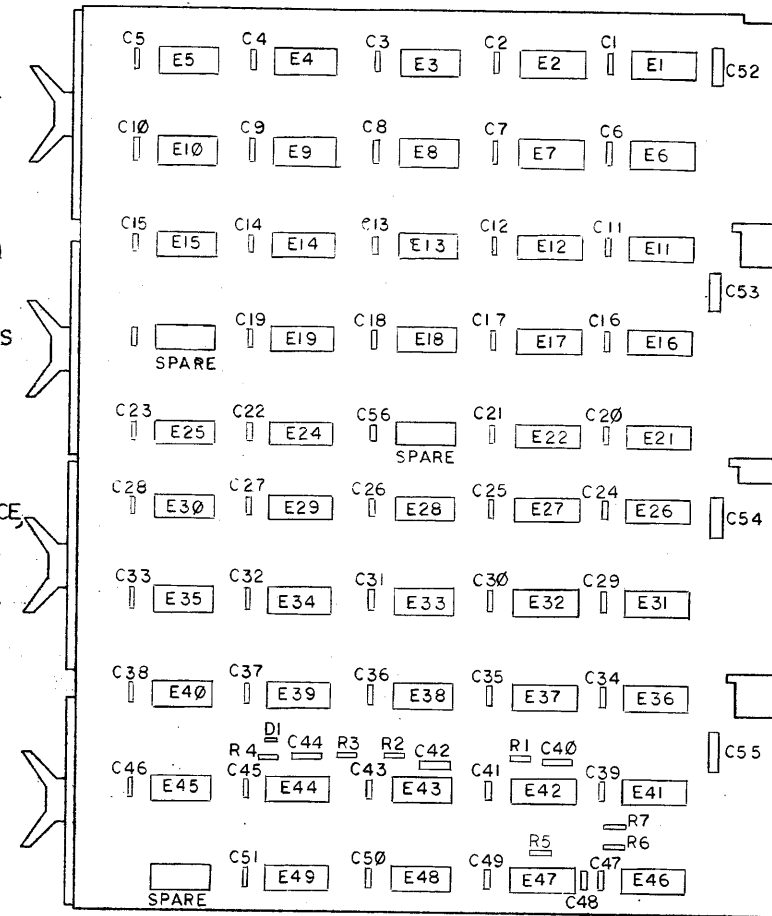
NOTES:

- PIN NOTATION THROUGHOUT IS ORDERED UPON MODULE PLACEMENT IN THE KAI1 PROCESSOR. MODULE REFERENCE ALONE IS OBTAINED BY DELETING THE NUMBER (SLOT LOCATION) AFTER THE FIRST LETTER, AND CONVERTING THE FIRST LETTER ACCORDING TO THE PIN NOMENCLATURE CHART AT RIGHT.
- ALL SIGNALS THAT HAVE MODULE PINS ARE SO NOTED; MULTIPLE NOTATIONS OF THE SAME SIGNALS WITHIN A MODULE HAVE THE PIN NOTED ON EACH. AN INPUT SIGNAL IS NOTED ONLY ONCE PER SHEET UNLESS SEPERATE PINS ARE USED; MULTIPLE INPUTS ARE CONNECTED. MODULE OUTPUT SIGNALS ARE BROUGHT TO THE EXTREME RIGHT OF EACH SHEET.
- PROCESSOR SIGNAL SOURCE NOTATION (K10-2, FOR EXAMPLE) IDENTIFIES THE SIGNAL SOURCE (PRINT AND MODULE). THE FIRST NUMBER AFTER THE K INDICATES THE MODULE PRINT SET, WHILE THE SECOND INDICATES THE SHEET WITHIN THE SET. IF ON A PRINT, THE FIRST NUMBER OF THE K PREFIXES COINCIDE FOR A SIGNAL NAME AND THE PRINT (SEE TITLE BLOCK), THE SIGNAL IS GENERATED ON THE MODULE. A DIFFERENCE IN THE FIRST NUMBER OF THE K PREFIXES INDICATES A SIGNAL GENERATED OFF THE MODULE. SIGNALS WITH A "BUS" PREFIX REPRESENT A "WIRED OR" SITUATION, AND MULTIPLE SOURCES FOR THE SIGNAL CAN EXIST.
- DETAILS ON COMPONENTS ARE NOTED IN THE PARTS REFERENCE. PLACEMENT IS NOTED IN THE COMPONENT PLACEMENT DIAGRAM.
- GND AND +5V ARE USUALLY PIN 7 AND PIN 14, RESPECTIVELY. EXCEPTIONS ARE:

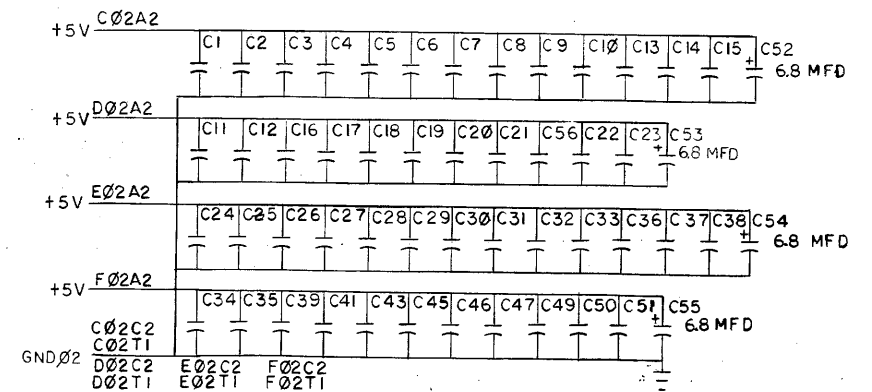
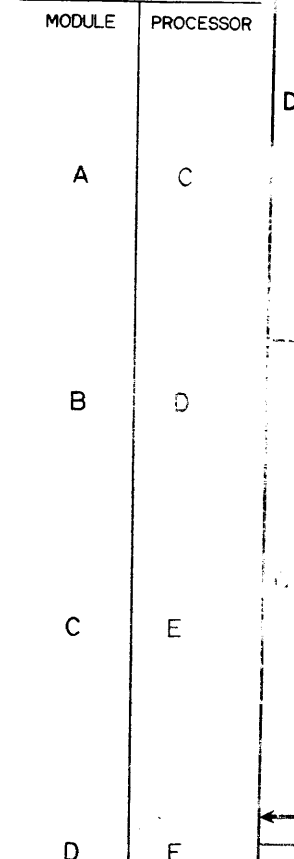
IC TYPE	GND	+5V
DEC 7481	PIN 10	PIN 4
DEC 7482	PIN 11	PIN 4
8251	PIN 8	PIN 16
DEC 8271	PIN 8	PIN 16
DEC 380	PIN 1	PIN 8
DEC 384	PIN 1	PIN 8

6. UNLESS OTHERWISE NOTED: RESISTANCE IS IN OHMS; CAPACITANCE IS IN PICOFARADS. CAPACITORS WITHOUT ANY NOTED VALUES ARE .01 MFD.

COMPONENT PLACEMENT



PIN NOMENCLATURE

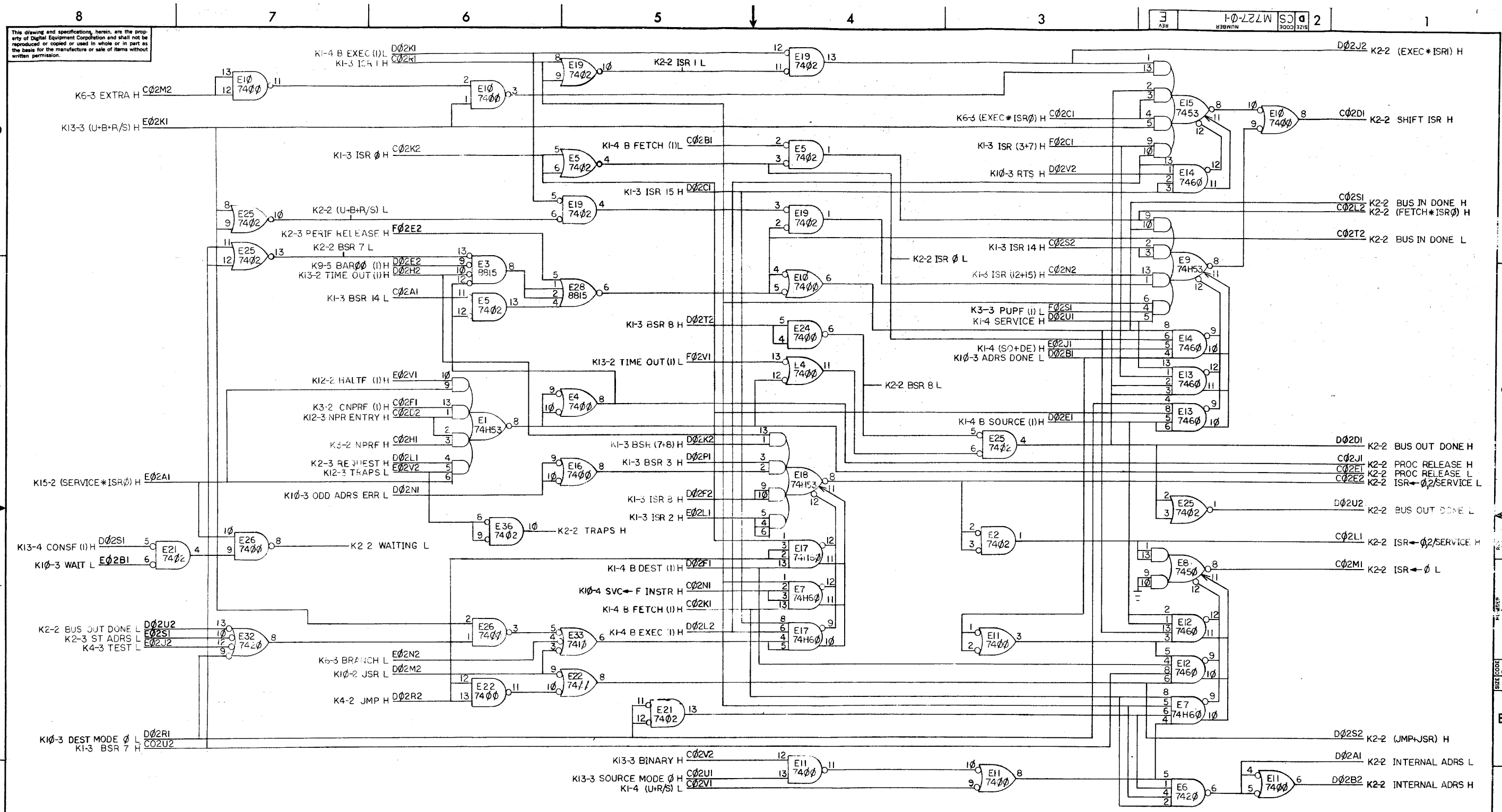


REVISIONS

REV	DATE	BY	DESCRIPTION
B	1-8-70	J. O'LOUGHLIN	...
C	1-22-70	J. O'LOUGHLIN	...
D	5-22-70	J. O'LOUGHLIN	...
E	6-12-70	J. O'LOUGHLIN	...
F	7-23-70	J. O'LOUGHLIN	...
G	7-24-70	J. O'LOUGHLIN	...

FIRST USED ON OPTION MODEL PDP 11	QTY.	DESCRIPTION	PART NO.	ITEM NO.
UNLESS OTHERWISE SPECIFIED		DATE	PARTS LIST	
UNLESS OTHERWISE SPECIFIED DIMENSION IN INCHES		DATE	digital EQUIPMENT CORPORATION	
TOLERANCES		DATE	TITLE	
DECIMALS	FRACTIONS	ANGLES	STATE CNTL	
± .005	± 1/64	± 0°30'	M727 K2-1	
FINAL SURFACE QUALITY REMOVE BURRS AND BREAK SHARP CORNERS		DATE	SIZE CODE	
MATERIAL		DATE	DCS M727-0-1	
FINISH		DATE	NUMBER	
NEXT HIGHER ASSY		DATE	REV. E	
SCALE		DATE	SHEET	
SHEET		DATE	OF 3	

This drawing and specifications, herein, are the property of Digital Equipment Corporation and shall not be reproduced or copied or used in whole or in part as the basis for the manufacture or sale of items without written permission.



REV	NO.
CHG	NO.

DEC FORM NO. DRD 102A

FIRST USED ON OPTION/MODEL	QTY.	DESCRIPTION	PART NO.	REV. NO.
PDPII				
UNLESS OTHERWISE SPECIFIED	DRN	DATE	PARTS LIST	
UNLESS OTHERWISE SPECIFIED	CHKD	DATE	digital EQUIPMENT CORPORATION	
DIMENSION IN INCHES	ENR	DATE	MAYNARD, MASSACHUSETTS	
TOLERANCES	PRG	DATE	TITLE	
DECIMALS FRACTIONS ANGLES	PRD.	DATE	STATE CNTL	
= .005 = 1/64 = 0°30'				
FINAL SURFACE QUALITY				
REMOVE BURRS AND BREAK SHARP CORNERS				
MATERIAL	NEXT HIGHER ASSEMBLY	M727	K2-2	
+ +	A-ML-KAII-0	SIZE CODE	NUMBER	REV
FINISH	SCALE NONE	DCS	M727-0-1	E3
+ +	SHEET 2 OF 3	DIST.		

DCS M727-0-1
 B
 C
 D

