

PARTS REFERENCE

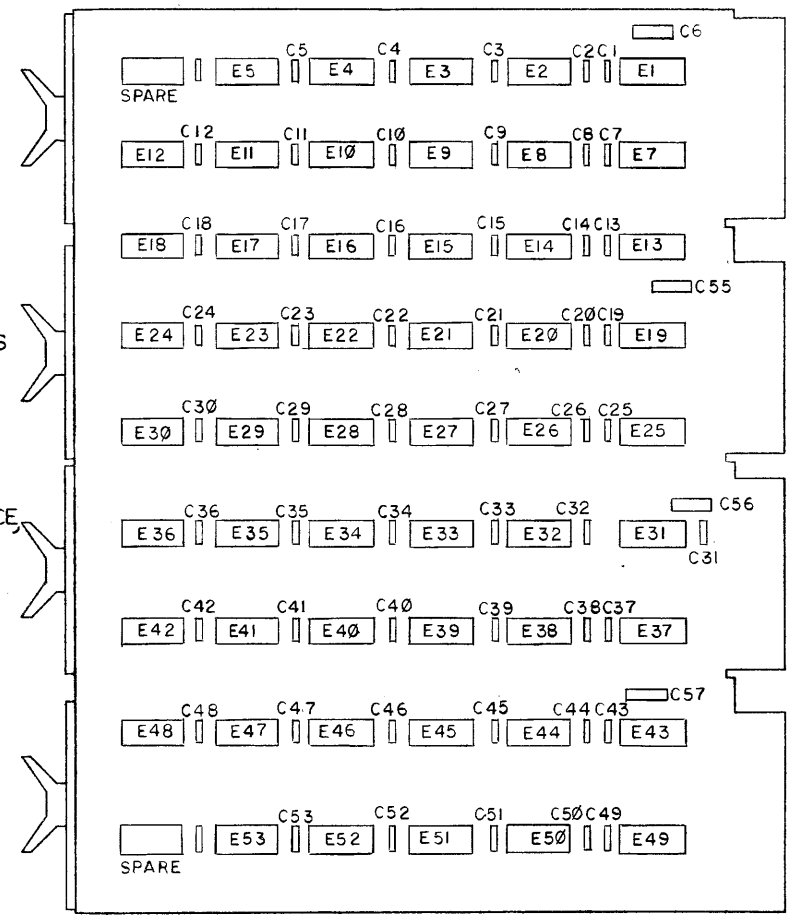
ITEM NO.	DRAWING REFERENCE	DESCRIPTION	PART NUMBER	QUANTITY
1	E1, E7, E13, E19, E25, E31, E37, E43, E49	DEC 8881	IC 1909705	9
2	E2, E8, E9, E14, E15, E20, E21, E26, E27	DEC 7474N	IC 1905547	21
3	E3, E17, E22, E29	DEC 8815A	IC 1909713	4
4	E4, E24	DEC 7410N	IC 1905576	2
5	E5, E16, E53	DEC 7400N	IC 1905575	3
6	E10, E28	DEC 7430N	IC 1905578	2
7	E11, E23	DEC 7420N	IC 1905577	2
8	E12, E46, E47	DEC 7450N	IC 1905580	3
9	E18, E42, E48	DEC 7440N	IC 1905579	3
10	E32, E50	DEC 380	IC 909485	2
11	E40	DEC 7402N	IC 1909004	1
12	C1, C5, C7, C53	.01 MFD 100V 20%	CAP 1001610	52
13	C55, C57, C6	.68 MFD 35V 20%	CAP 1000067	4

NOTES:

- PIN NOTATION THROUGHOUT IS ORDERED UPON MODULE PLACEMENT IN THE KAI1 PROCESSOR. MODULE REFERENCE ALONE IS OBTAINED BY DELETING THE NUMBER (SLOT LOCATION) AFTER THE FIRST LETTER, AND CONVERTING THE FIRST LETTER ACCORDING TO THE PIN NOMENCLATURE CHART AT RIGHT.
- ALL SIGNALS THAT HAVE MODULE PINS ARE SO NOTED; MULTIPLE NOTATIONS OF THE SAME SIGNALS WITHIN A MODULE HAVE THE PIN NOTED ON EACH. AN INPUT SIGNAL IS NOTED ONLY ONCE PER SHEET UNLESS SEPERATE PINS ARE USED; MULTIPLE INPUTS ARE CONNECTED. MODULE OUTPUT SIGNALS ARE BROUGHT TO THE EXTREME RIGHT OF EACH SHEET.
- PROCESSOR SIGNAL SOURCE NOTATION (K10-2, FOR EXAMPLE) IDENTIFIES THE SIGNAL SOURCE (PRINT AND MODULE). THE FIRST NUMBER AFTER THE K INDICATES THE MODULE PRINT SET, WHILE THE SECOND INDICATES THE SHEET WITHIN THE SET. IF ON A PRINT, THE FIRST NUMBER OF THE K PREFIXES COINCIDE FOR A SIGNAL NAME AND THE PRINT (SEE TITLE BLOCK), THE SIGNAL IS GENERATED ON THE MODULE. A DIFFERENCE IN THE FIRST NUMBER OF THE K PREFIXES INDICATES A SIGNAL GENERATED OFF THE MODULE. SIGNALS WITH A "BUS" PREFIX REPRESENT A "WIRED OR" SITUATION, AND MULTIPLE SOURCES FOR THE SIGNAL CAN EXIST.
- DETAILS ON COMPONENTS ARE NOTED IN THE PARTS REFERENCE. PLACEMENT IS NOTED IN THE COMPONENT PLACEMENT DIAGRAM.
- GND AND +5V ARE USUALLY PIN 7 AND PIN 14, RESPECTIVELY. EXCEPTIONS ARE:

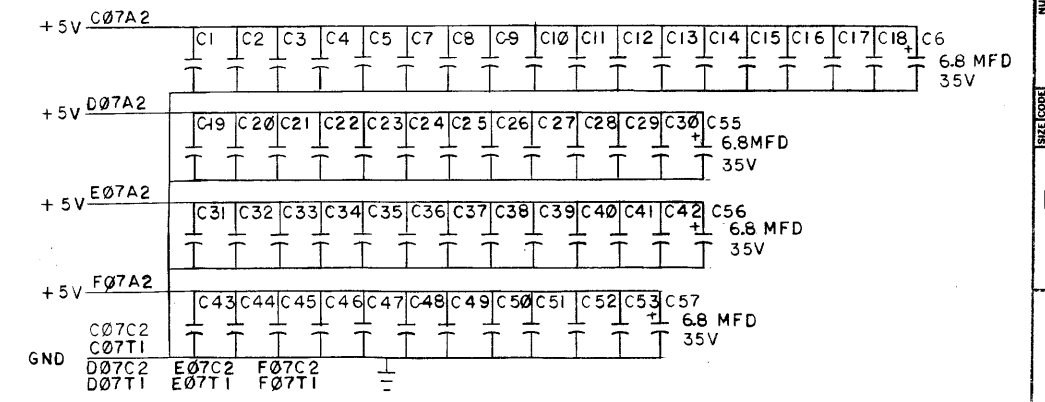
IC TYPE	GND	+5V
DEC 7481	PIN 10	PIN 4
DEC 7482	PIN 11	PIN 4
8251	PIN 8	PIN 16
DEC 8271	PIN 8	PIN 16
DEC 380	PIN 1	PIN 8
DEC 384	PIN 1	PIN 8
- UNLESS OTHERWISE NOTED: RESISTANCE IS IN OHMS; CAPACITANCE IS IN PICOFARADS-CAPACITORS WITHOUT ANY NOTED VALUES ARE .01 MFD.

COMPONENT PLACEMENT



PIN NOMENCLATURE

MODULE	PROCESSOR
A	C
B	D
C	E
D	F



REVISIONS
 CHANGE NO. REV. DATE BY
 1 0001 B 5/21/70 J. G. GARDNER
 2 0002 A 5-28-70

FIRST USED ON OPTION/MODEL PDP 11	QTY.	DESCRIPTION	PART NO.	ITEM NO.
UNLESS OTHERWISE SPECIFIED		DATE 4/28/70	PARTS LIST	
UNLESS OTHERWISE SPECIFIED		DATE 3/6/70	digital EQUIPMENT CORPORATION	
DIMENSION IN INCHES		DATE 3-6-70	TITLE	
TOLERANCES		DATE 3-6-70	BUS INTERFACE & IR	
DECIMALS FRACTIONS ANGLES		DATE 3-6-70	M725 K9-1	
± .008 ± 1/64 ± 0°30'		DATE	NUMBER	
FINAL SURFACE QUALITY		DATE	D/CS M725-0-1	
REMOVE BURRS AND BREAK SHARP CORNERS		DATE	REV. B	
MATERIAL	NEXT HIGHER ASSY	SCALE		
FINISH	A-ML-KAI-0	SHEET OF 5		

SHEET NUMBER M725-0-1

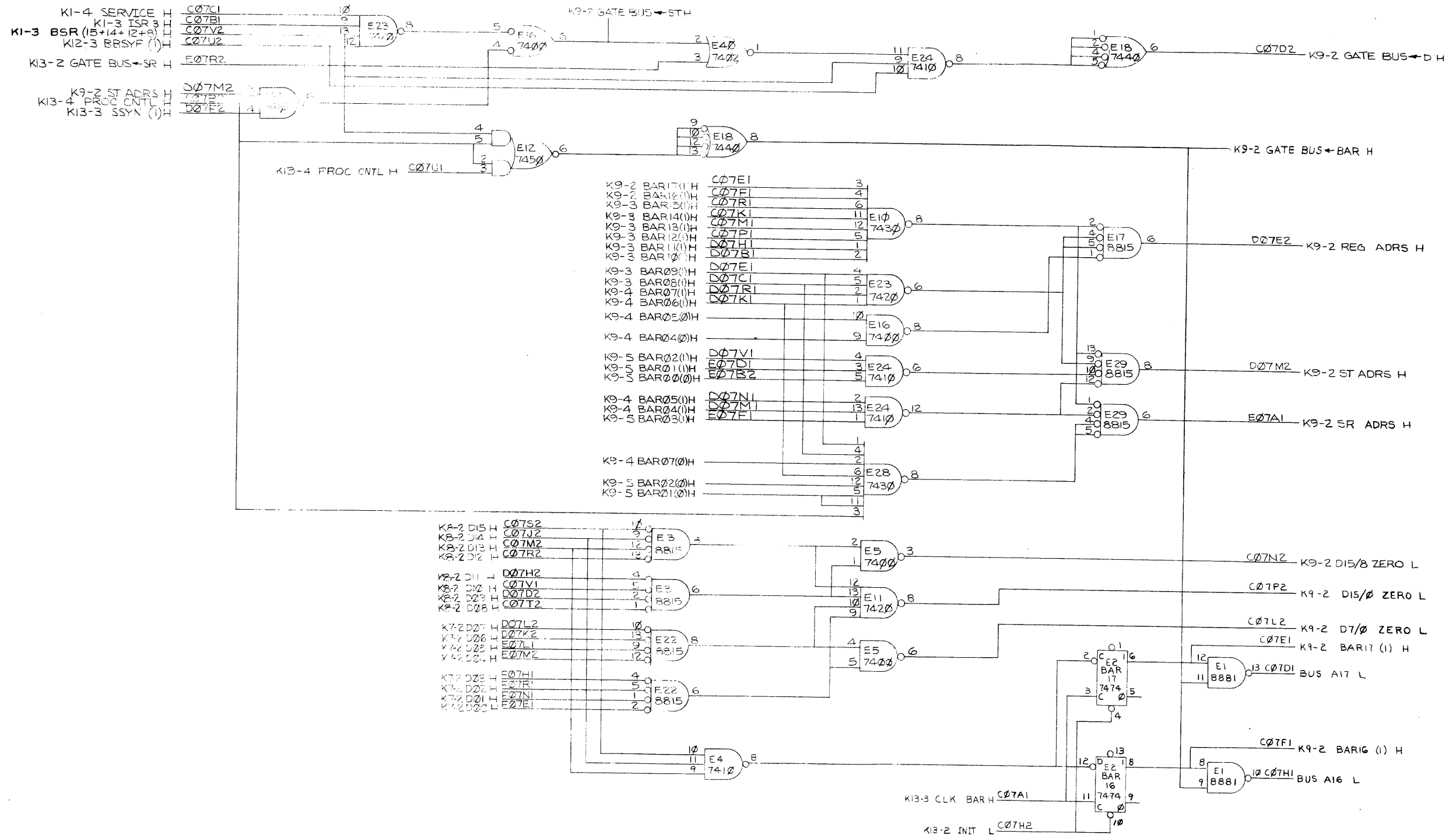
REV. B

A

DIST. 1 Pink Blue

This drawing and specifications, herein, are the property of Digital Equipment Corporation and shall not be reproduced or copied in whole or in part as the basis for the manufacture or sale of items without written permission.

DATE 11/10/65
 NUMBER M725-0-1
 SHEET 2 OF 5



REV.	
CHANGE NO.	
CHK	

FIRST USED ON OPTION/MODEL PDPII	QTY.	DESCRIPTION	PART NO.	ITEM NO.
UNLESS OTHERWISE SPECIFIED	DRN <i>K. D. ...</i>	DATE <i>11/10/65</i>	PARTS LIST	
UNLESS OTHERWISE SPECIFIED	CHK'D <i>A. ...</i>	DATE <i>3/18/70</i>	digital EQUIPMENT CORPORATION MAYNARD, MASSACHUSETTS	
TOLERANCES	ENG. <i>J. ...</i>	DATE <i>3-5-70</i>	TITLE BUS INTERFACE & IR	
DECIMALS FRACTIONS ANGLES = .005 = 1/64 = 0°30'	PROJ. ENG. <i>J. ...</i>	DATE <i>3-5-70</i>	M725 K9-2	
FINAL SURFACE QUALITY REMOVE BURRS AND BREAK SHARP CORNERS	PROD. <i>J. ...</i>	DATE	SIZE CODE NUMBER DCS M725-0-1	
MATERIAL + / + / +	NEXT HIGHER ASSY A-ML-KA11-0	SHEET 2 OF 5		
FINISH + / + / +	SCALE NONE	DIST.		

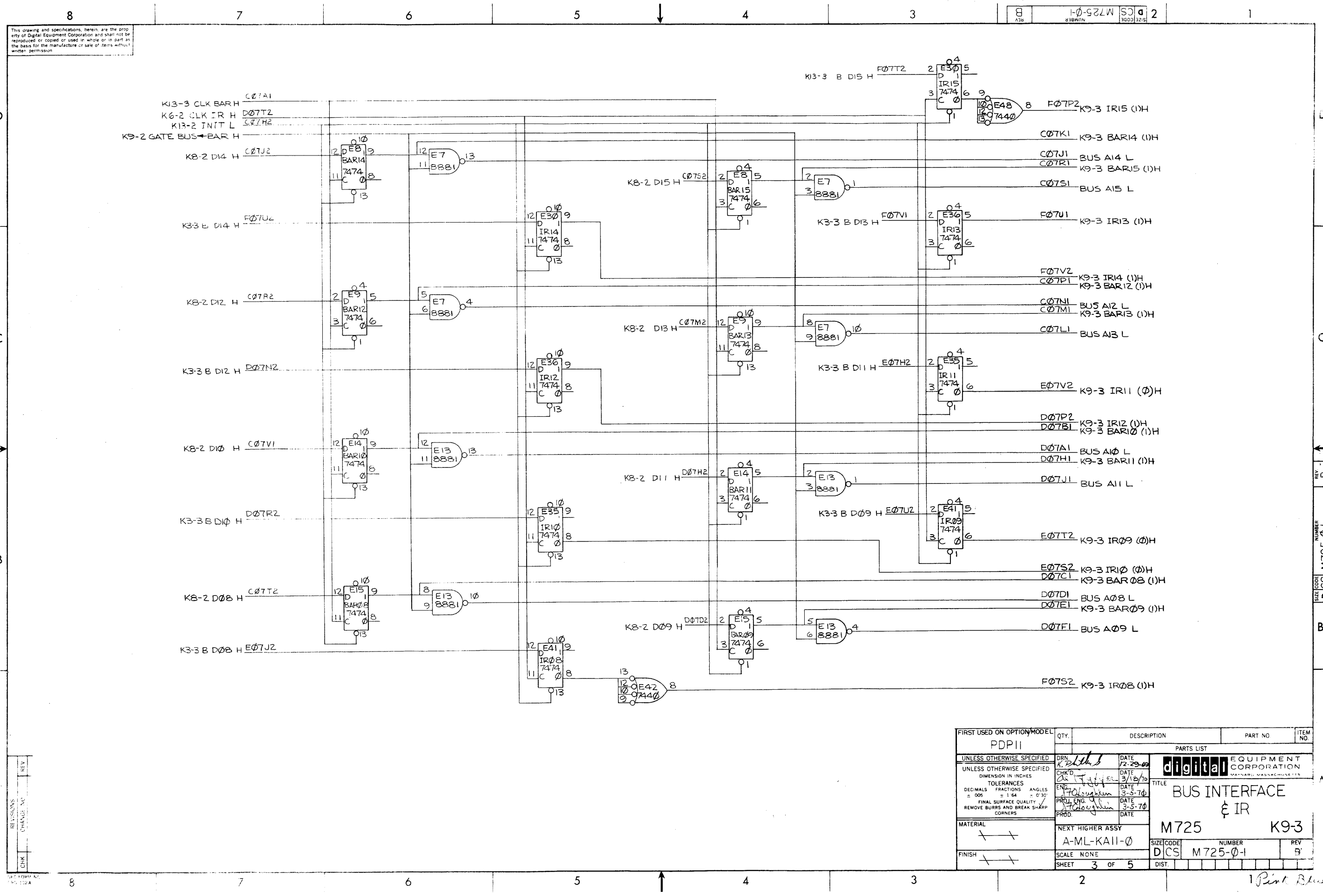
SIZE CODE NUMBER
 DCS M725-0-1

B

A

1 Bill Blue

This drawing and specifications herein are the property of Digital Equipment Corporation and shall not be reproduced or copied or used in whole or in part as the basis for the manufacture or sale of items without written permission.

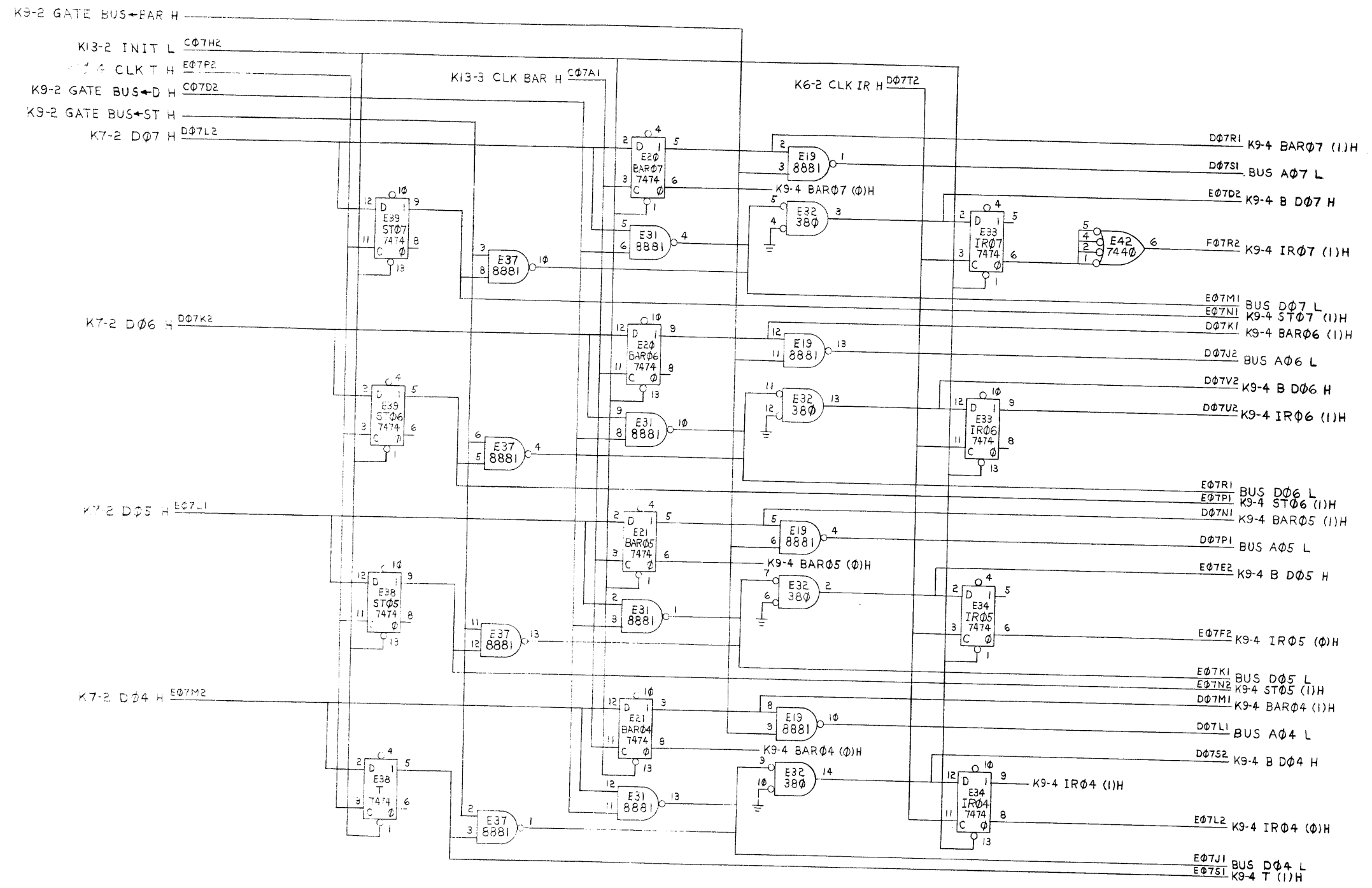


REVISIONS	DATE	BY
CHK	CHANG	NC

FIRST USED ON OPTION MODEL	QTY.	DESCRIPTION	PART NO.	ITEM NO.
PDP11				
PARTS LIST				
UNLESS OTHERWISE SPECIFIED	DRN. <i>K. J. [Signature]</i>	DATE <i>7-29-70</i>	digital EQUIPMENT CORPORATION MAYNARD, MASSACHUSETTS	
UNLESS OTHERWISE SPECIFIED	CHK'D. <i>[Signature]</i>	DATE <i>3/12/70</i>	TITLE BUS INTERFACE IR	
DIMENSION IN INCHES	ENG. <i>[Signature]</i>	DATE <i>3-5-70</i>	M725 K9-3	
TOLERANCES	PROL. ENG. <i>[Signature]</i>	DATE <i>3-5-70</i>	SIZE CODE NUMBER REV D CS M725-0-1 B	
DECIMALS FRACTIONS ANGLES	PROD. <i>[Signature]</i>	DATE	SHEET 3 OF 5	
= .005 = 1/64 = 0°30'			DIST.	
FINAL SURFACE QUALITY			1 Print Blue	
REMOVE BURRS AND BREAK SHARP CORNERS				
MATERIAL	NEXT HIGHER ASSY			
FINISH	A-ML-KA11-0			
	SCALE NONE			

This drawing and specifications, herein, are the property of Digital Equipment Corporation and shall not be reproduced or copied or used in whole or in part as the basis for the manufacture or sale of items without written permission.

REV B
 SIZE CODE DCS
 NUMBER M725-0-1
 1



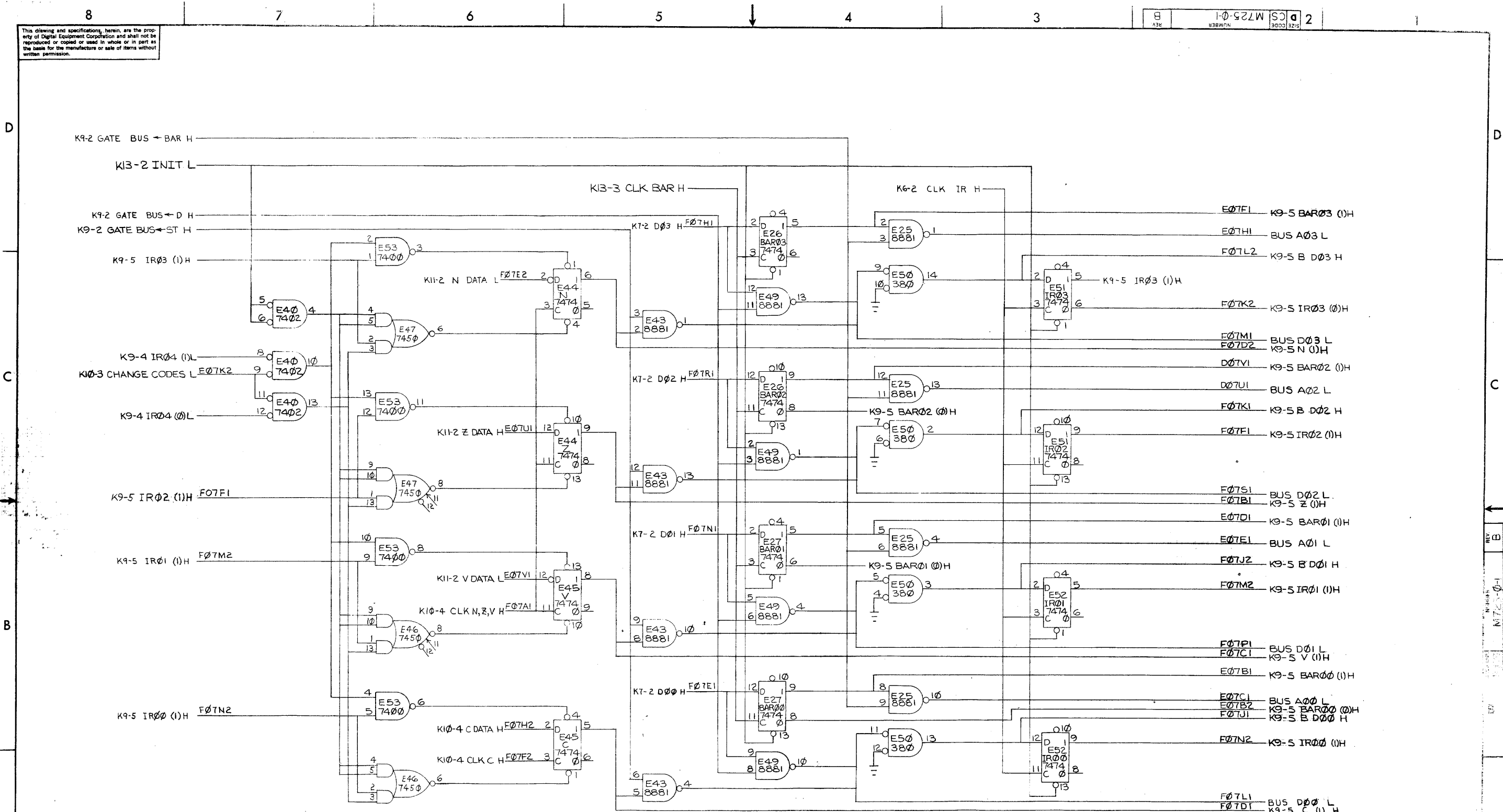
REV
 CHANGE NO.
 CHK

DEC FORM NO. DRD 102A

FIRST USED ON OPTION/MODEL	QTY.	DESCRIPTION	PART NO.	ITEM NO.
PDP 11				
PARTS LIST				
UNLESS OTHERWISE SPECIFIED		DRN. <i>J. G. Sullivan</i>	DATE 2-27-70	digital EQUIPMENT CORPORATION MAYNARD, MASSACHUSETTS BUS INTERFACE & IR M725 K9-4
DIMENSION IN INCHES		CHK'D <i>A. Miller</i>	DATE 3/18/70	
TOLERANCES		ENG. <i>J. G. Sullivan</i>	DATE 3-6-70	
DECIMALS FRACTIONS ANGLES		PRG. ENG. <i>J. G. Sullivan</i>	DATE 3-6-70	
± .005 ± 1/64 ± 0°30'		PROD. <i>J. G. Sullivan</i>	DATE 3-6-70	
FINAL SURFACE QUALITY / REMOVE BURRS AND BREAK SHARP CORNERS				
MATERIAL	NEXT HIGHER ASSY			
FINISH	A-ML-KAII-0			
SCALE NONE		SIZE CODE NUMBER		REV.
SHEET 4 OF 5		DCS M725-0-1		B

1 Park B. line

This drawing and specifications herein are the property of Digital Equipment Corporation and shall not be reproduced or copied in whole or in part as the basis for the manufacture or sale of items without written permission.



REVISIONS	REV.
CHANGE NO.	
CHK	

FIRST USED ON OPTION/MODEL PDP 11	QTY.	DESCRIPTION	PART NO.	REV. NO.
UNLESS OTHERWISE SPECIFIED	DRN. <i>H. Phillips</i>	DATE <i>12-5-69</i>	PARTS LIST	
UNLESS OTHERWISE SPECIFIED	DATE <i>3/18/70</i>	DATE <i>3-6-70</i>	digital EQUIPMENT CORPORATION MAYNARD, MASSACHUSETTS	
TOLERANCES	ENG. <i>H. Phillips</i>	DATE <i>3-6-70</i>	TITLE	
DECIMALS FRACTIONS ANGLES	PROJ. ENG. <i>H. Phillips</i>	DATE <i>3-6-70</i>	BUS INTERFACE & IR	
= .005 ± 1/64 = 0°00'	PROD. <i>H. Phillips</i>	DATE	M725-01 K9-5	
FINAL SURFACE QUALITY			NEXT HIGHER ASSY	
REMOVE BURRS AND BREAK SHARP CORNERS			A-ML-K11-0	
MATERIAL			SCALE NONE	SIZE CODE D/CS
			SHEET 5 OF 5	NUMBER M725-01
FINISH				REV. B1

Pinck Blau