

This drawing and specifications herein, are the property of Digital Equipment Corporation and shall not be reproduced or copied or used in whole or in part as the basis for the manufacture or sale of items without written permission.

PARTS REFERENCE

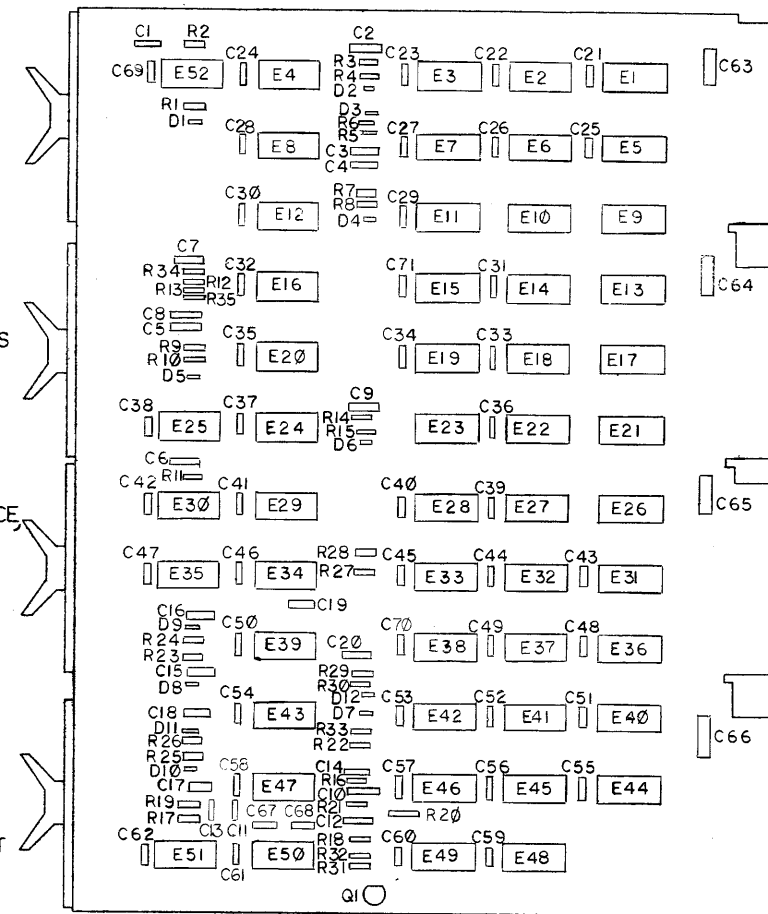
ITEM NO.	DRAWING REFERENCE	DESCRIPTION	PART NUMBER	QUANTITY
1	E1,E3,E5,E7,E9,E13,E15,E20,E23,E26,E27,E37,E39,E42	DEC 7400N	I.C. 1905575	14
2	E2,E38,E52	DEC 7410N	I.C. 1905576	3
3	E4,E33	DEC 380	I.C. 1909485	2
4	E6,E41	DEC 7420N	I.C. 1905577	2
5	E8,E45	DEC 8815A	I.C. 1309713	2
6	E10,E11,E14,E21,E24,E28	DEC 7402N	I.C. 1909004	6
7	E12,E18,E22,E29,E40,E46,E48	DEC 7474N	I.C. 1905547	7
8	E16,E44,E49	DEC 8881	I.C. 1909705	3
9	E17,E19,E32	DEC 7450N	I.C. 1905580	3
10	E25,E34,E35,E43,E47,E50,E51	DEC 9601	I.C. 1909487	7
11	E30	DEC 74H40N	I.C. 1905586	1
12	E31	DEC 7420N	I.C. 1905579	1
13	E36	DEC 7453N	I.C. 1905582	1
14	C1-C4,C7,C9,C14,C20	330 MMF, 100V, 5%	CAP. 1000023	8
15	C5,C11,C13,C67	1000 MMF, 100V, 5%	CAP. 1000042	4
16	C6	120 MMF, 100V, 5%	CAP. 1000018	1
17	C8,C10,C12,C68	470 MMF, 100V, 5%	CAP. 1000024	4
18	C15,C16,C19	1.0 MFD, 35V, 10%	CAP. 1001775	3
19	C17	2.2 MFD, 20V, 10%	CAP. 1002627	1
20	C21-C62,C69,C70,C71	.01 MFD, 100V, 20%	CAP. 1001610	45
21	C63-C66,C18	6.8 MFD, 35V	CAP. 1000067	5
22	R1,R4,R6,R8,R10,R15,R30,R33	220, 1/4W, 5%	RES. 1300271	8
23	R2,R3,R5,R7,R9,R14,R22,R29	470, 1/4W, 5%	RES. 1300316	8
24	R11	5600, 1/4W, 5%	RES. 1301874	1
25	R12,R13,R16,R18,R32	1000, 1/4W, 5%	RES. 1300365	5
26	R17,R19,R25,R26	30K, 1/4W, 5%	RES. 1302394	4
27	R20,R21,R34,R35	47, 1/4W, 5%	RES. 1300202	4
28	R23,R24,R27	15K, 1/4W, 5%	RES. 1300496	3
29	R28	10K, 1/4W, 5%	RES. 1300479	1
30	R31	3.9K, 1/4W, 5%	RES. 1300444	1
31	D1-D12	D664 DIODE	1100114	12
32	Q1	DEC 3009B TRANSISTOR	1503100	1

NOTES:

- PIN NOTATION THROUGHOUT IS ORDERED UPON MODULE PLACEMENT IN THE KAI1 PROCESSOR. MODULE REFERENCE ALONE IS OBTAINED BY DELETING THE NUMBER (SLOT LOCATION) AFTER THE FIRST LETTER, AND CONVERTING THE FIRST LETTER ACCORDING TO THE PIN NOMENCLATURE CHART AT RIGHT.
- ALL SIGNALS THAT HAVE MODULE PINS ARE SO NOTED; MULTIPLE NOTATIONS OF THE SAME SIGNALS WITHIN A MODULE HAVE THE PIN NOTED ON EACH. AN INPUT SIGNAL IS NOTED ONLY ONCE PER SHEET UNLESS SEPERATE PINS ARE USED; MULTIPLE INPUTS ARE CONNECTED. MODULE OUTPUT SIGNALS ARE BROUGHT TO THE EXTREME RIGHT OF EACH SHEET.
- PROCESSOR SIGNAL SOURCE NOTATION (K10-2, FOR EXAMPLE) IDENTIFIES THE SIGNAL SOURCE (PRINT AND MODULE). THE FIRST NUMBER AFTER THE K INDICATES THE MODULE PRINT SET, WHILE THE SECOND INDICATES THE SHEET WITHIN THE SET. IF ON A PRINT, THE FIRST NUMBER OF THE K PREFIXES COINCIDE FOR A SIGNAL NAME AND THE PRINT (SEE TITLE BLOCK), THE SIGNAL IS GENERATED ON THE MODULE. A DIFFERENCE IN THE FIRST NUMBER OF THE K PREFIXES INDICATES A SIGNAL GENERATED OFF THE MODULE. SIGNALS WITH A "BUS" PREFIX REPRESENT A "WIRED OR" SITUATION, AND MULTIPLE SOURCES FOR THE SIGNAL CAN EXIST.
- DETAILS ON COMPONENTS ARE NOTED IN THE PARTS REFERENCE PLACEMENT IS NOTED IN THE COMPONENT PLACEMENT DIAGRAM.
- GND AND +5V ARE USUALLY PIN 7 AND PIN 14, RESPECTIVELY. EXCEPTIONS ARE:

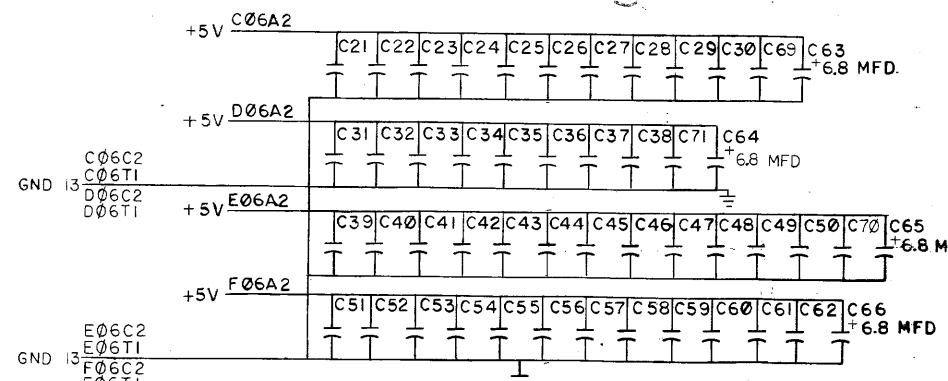
IC TYPE	GND	+5V
DEC 7481	PIN 10	PIN 4
DEC 7482	PIN 11	PIN 4
DEC 8251	PIN 8	PIN 16
DEC 8271	PIN 8	PIN 16
DEC 380	PIN 1	PIN 8
DEC 384	PIN 1	PIN 8
- UNLESS OTHERWISE NOTED: RESISTANCE IS IN OHMS; CAPACITANCE IS IN PICO FARADS. CAPACITORS WITHOUT ANY NOTED VALUES ARE .01 MFD.

COMPONENT PLACEMENT



PIN NOMENCLATURE

MODULE	PROCESSOR
A	C
B	D
C	E
D	F



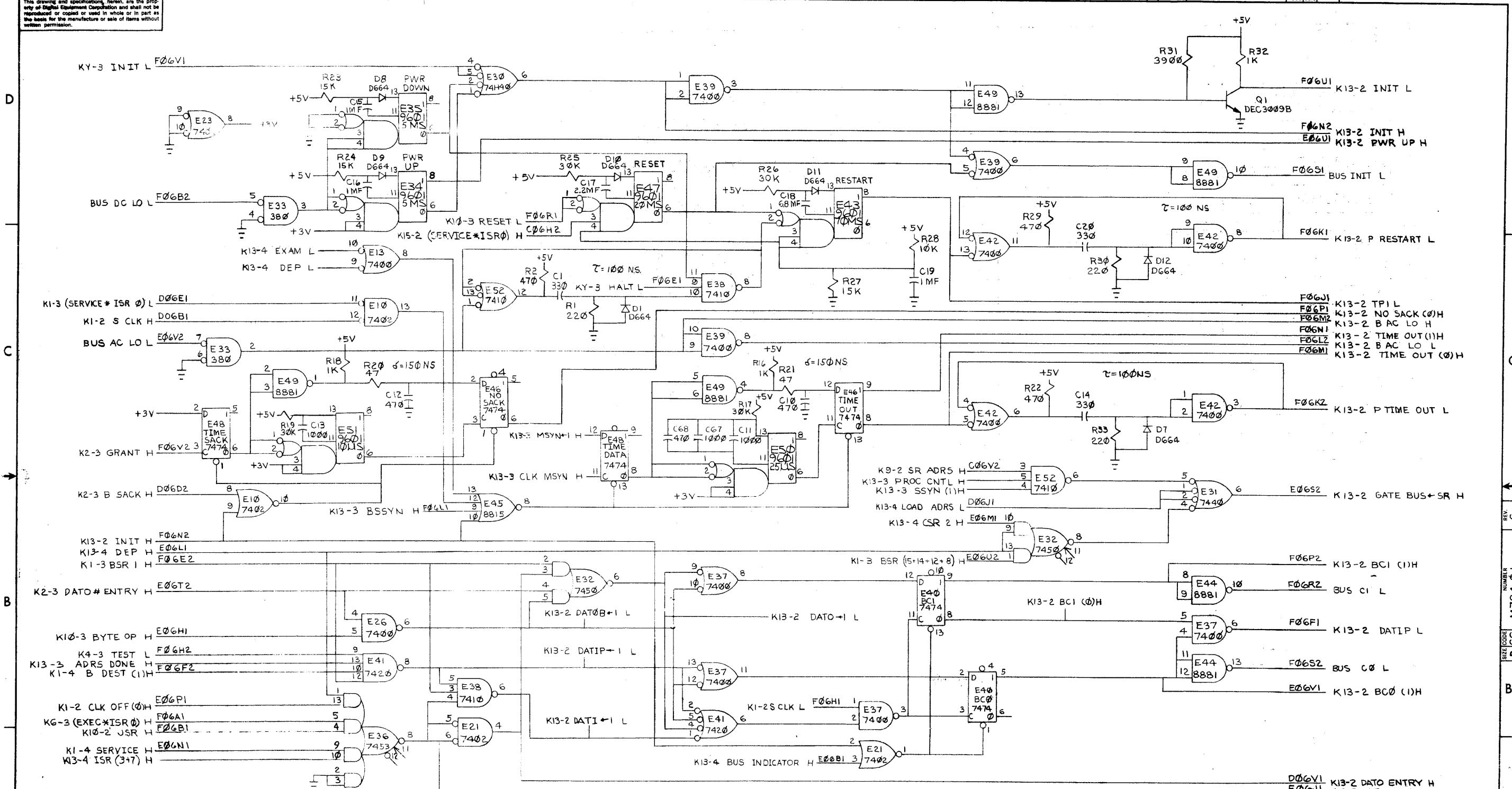
REVISIONS

CHK	CHANGE NO	REV	DATE
	M724-00001	B	7-21-70
			4/23/70
			5/23/70

U. O'LOUGHLIN
J. O'LOUGHLIN

FIRST USED ON OPTION/MODEL PDP 11	QTY.	DESCRIPTION	PART NO.	ITEM NO.
UNLESS OTHERWISE SPECIFIED				
DRN	DATE 3/28/70	digital EQUIPMENT CORPORATION MAYNARD, MASSACHUSETTS		
CHK'D	DATE 3-2-70	TITLE BUS & CONSOLE CNTL.		
ENG.	DATE 3-6-70	MATERIAL		
PROJ. ENG.	DATE 3-6-70	NEXT HIGHER ASSY A-ML-KAI1-0		
FRD.	DATE	FINISH		
SCALE		SHEET 1 OF 4		ETCH REV B C

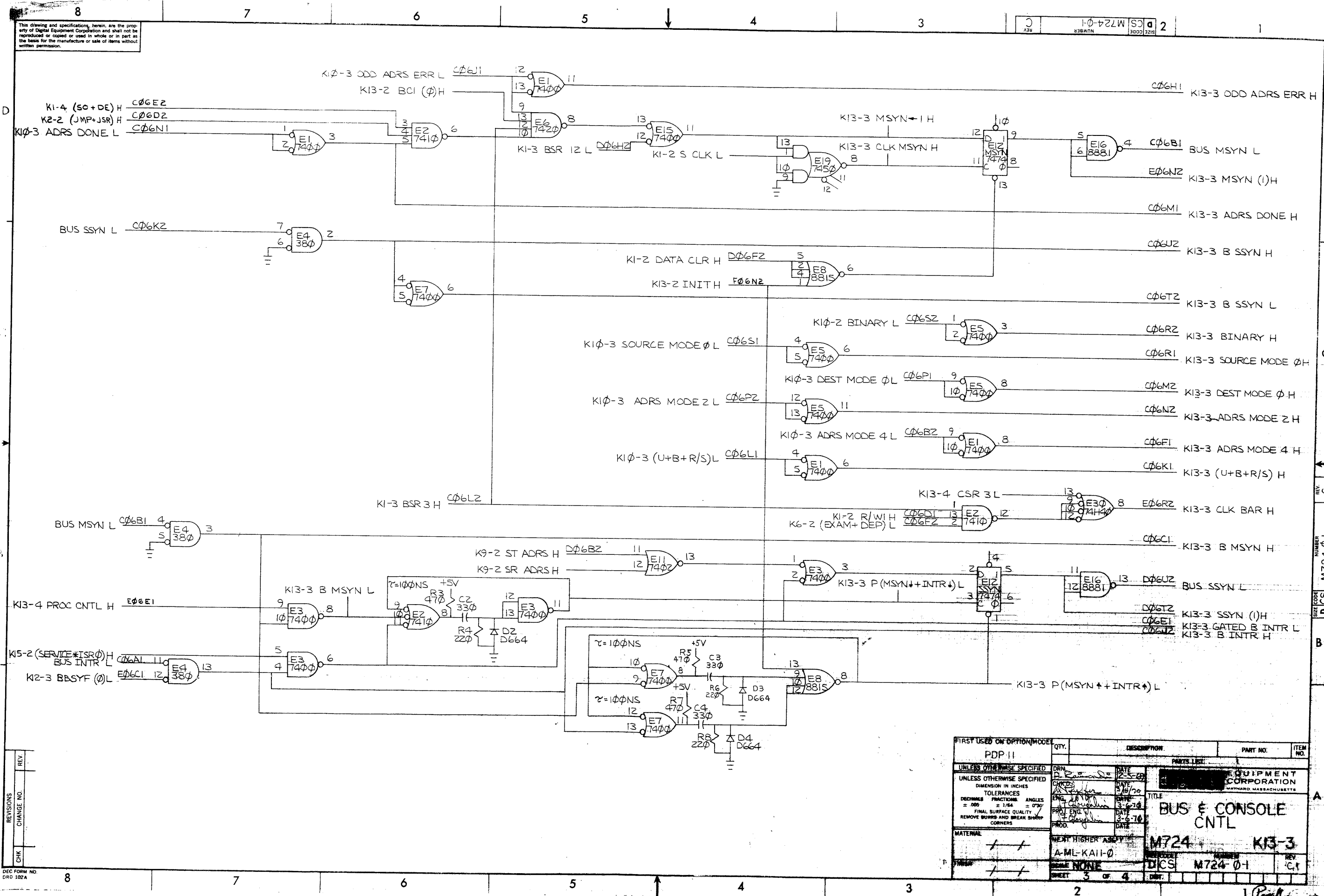
This drawing and specifications, herein, are the property of Digital Equipment Corporation and shall not be reproduced or copied or used in whole or in part as the basis for the manufacture or sale of items without written permission.



REV.	CHANGE NO.

FIRST USED ON OPTION/MODEL PDP 11		QTY.	DESCRIPTION	PART NO.	ITEM NO.
UNLESS OTHERWISE SPECIFIED					
DRAWN BY: <i>[Signature]</i>		DATE: 12-5-69	PARTS LIST		
CHECKED BY: <i>[Signature]</i>		DATE: 3/18/70	digital EQUIPMENT CORPORATION MAYNARD, MASSACHUSETTS		
TOLERANCES		DATE: 3-6-70			
DIMENSION IN INCHES		DATE: 3-6-70	BUS & CONSOLE CNTL		
DECIMALS FRACTIONS ANGLES		DATE: 3-6-70			
± .005 ± 1/64 ± 0°30'		DATE: 3-6-70	MATERIAL		
FINAL SURFACE QUALITY		DATE: 3-6-70	//		
REMOVE BURRS AND BREAK SHARP CORNERS		DATE: 3-6-70	FINISH		
		DATE:	//		
NEXT HIGHER ASSY		M724		K13-2	
A-ML-KA11-0		SIZE CODE	NUMBER	REV	
SCALE NONE		DIC	M724-01	C	
SHEET 2 OF 4		DIST.			

This drawing and specifications, herein, are the property of Digital Equipment Corporation and shall not be reproduced or copied or used in whole or in part as the basis for the manufacture or sale of items without written permission.

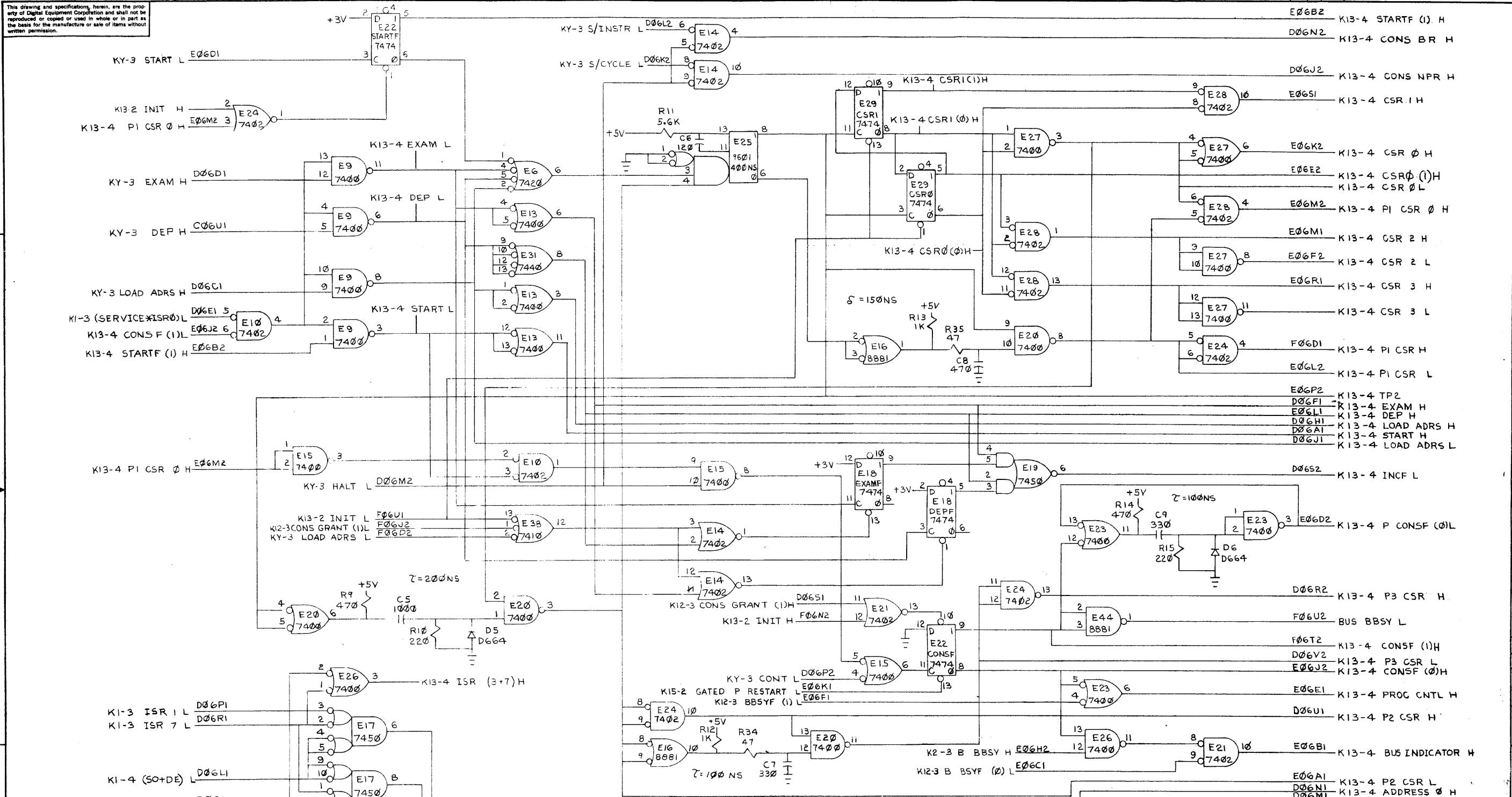


REV	
CHANGE NO.	
CHK	

DEC FORM NO. 102A

FIRST USED OR OPTION MODE		QTY.	DESCRIPTION	PART NO.	ITEM NO.
PDP 11					
UNLESS OTHERWISE SPECIFIED		PARTS LIST			
UNLESS OTHERWISE SPECIFIED		EQUIPMENT CORPORATION MAYNARD, MASSACHUSETTS			
DIMENSION IN INCHES		TITLE			
TOLERANCES		BUS & CONSOLE CNTL			
DECIMALS FRACTIONS ANGLES		M724 K13-3			
± .005 ± 1/64 ± 0°30'		MATERIAL			
FINAL SURFACE QUALITY		NEXT HIGHER ASSY			
REMOVE BURRS AND BREAK SHARP CORNERS		A-ML-KA11-0			
MATERIAL		INCLUDE			
/ /		DICS M724-01			
/ /		SHEET 3 OF 4			

This drawing and specifications, herein, are the property of Digital Equipment Corporation and shall not be reproduced or copied or used in whole or in part as the basis for the manufacture or sale of items without written permission.



DESCRIPTION	PART NO.
E06B2	K13-4 STARTF (I) H
D06N2	K13-4 CONS BR H
D06J2	K13-4 CONS NPR H
E06S1	K13-4 CSR 1 H
E06K2	K13-4 CSR 0 H
E06E2	K13-4 CSR 0 (I) H
E06M2	K13-4 PI CSR 0 H
E06M1	K13-4 CSR 2 H
E06F2	K13-4 CSR 2 L
E06R1	K13-4 CSR 3 H
E06L2	K13-4 PI CSR L
E06P2	K13-4 TP2
D06F1	K13-4 EXAM H
E06L1	K13-4 DEP H
D06H1	K13-4 LOAD ADRS H
D06A1	K13-4 START H
D06J1	K13-4 LOAD ADRS L
D06S2	K13-4 INCF L
E06D2	K13-4 P CONSF (0) L
D06R2	K13-4 P3 CSR H
F06U2	BUS BBSY L
F06T2	K13-4 CONSF (I) H
D06V2	K13-4 P3 CSR L
E06J2	K13-4 CONSF (0) H
E06E1	K13-4 PROC CNTL H
D06U1	K13-4 P2 CSR H
E06B1	K13-4 BUS INDICATOR H
E06A1	K13-4 P2 CSR L
D06N1	K13-4 ADDRESS 0 H
D06M1	K13-4 ADDRESS 1 H

REV.	CHG.	NO.

FIRST USED ON OPTION/MODEL	QTY.	DESCRIPTION	PART NO.	ITEM NO.
PDP11				
UNLESS OTHERWISE SPECIFIED	DRN.	DATE	PARTS LIST	
UNLESS OTHERWISE SPECIFIED	CHKD.	DATE	digital EQUIPMENT CORPORATION	
DIMENSION IN INCHES			MAYNARD, MASSACHUSETTS	
TOLERANCES			TITLE	
DECIMALS FRACTIONS ANGLES			BUS & CONSOLE CNTL	
± .005 ± 1/64 ± 0°30'			M724 K13-4	
FINAL SURFACE QUALITY			NEXT HIGHER ASSY	
REMOVE BURRS AND BREAK SHARP CORNERS			A-M-L-KA11-0	
MATERIAL			SCALE NONE	
			SHEET 4 OF 4	
FINISH			DIST.	