

This drawing and specifications herein are the property of Digital Equipment Corporation and shall not be reproduced or copied or used in whole or in part as the basis for the manufacture or sale of items without written permission.

PARTS REFERENCE

| ITEM NO | DRAWING REFERENCE | DESCRIPTION | PART NUMBER | QUANTITY |
|---------|--|----------------------|--------------|----------|
| 1 | E1, E2, E8, E9, E19, E20, E27, E28 | DEC 7402N | I.C. 1905004 | 5 |
| 2 | E3, E4, E5, E6, E12, E13, E14, E15, E23, E24, E25, E26, E29, E30, E31, E32 | 7481N | I.C. 1905714 | 16 |
| 3 | E7, E11, E18, E22 | DEC 74103N | I.C. 1900062 | 4 |
| 4 | E10, E21 | DEC 8851 | I.C. 1029725 | 2 |
| 5 | E16 | DEC 741011 | I.C. 1900255 | 1 |
| 6 | E17 | DEC 7440N | I.C. 1905579 | 1 |
| 7 | Q1, Q2, Q3, Q4, Q5, Q6, Q7, Q8 | DEC 3009B TRANSISTOR | 1503100 | 8 |
| 8 | R1, R4, R7, R10, R13, R16, R19, R22 | 330, 1/4W 5% | RES. 1300295 | 7 |
| 9 | R3, R6, R9, R12, R15, R18, R21, R24 | 1.5 K, 1/4W 5% | RES. 1300391 | 5 |
| 10 | R25-R40 | 1 K, 1/4W 5% | RES. 1300365 | 16 |
| 11 | R41-R56 | 3 K, 1/4W 5% | RES. 1300432 | 16 |
| 12 | C1-C40 | .01 MFD, 100V, 20% | CAP. 1001E10 | 40 |
| 13 | C41, C42 | 6.8 MFD, 35V, 20% | CAP. 1200067 | 2 |
| 14 | R2, R5, R8, R11, R14, R17, R20, R23 | 100, 1/4W 5% | RES. 1300229 | 8 |

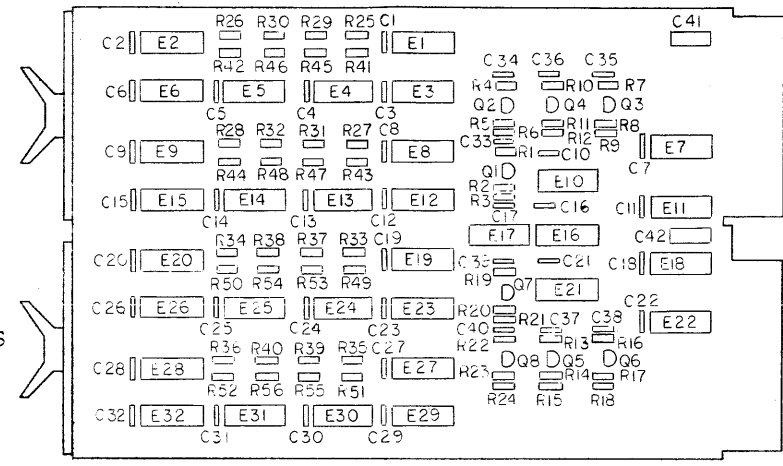
NOTES:

- PIN NOTATION THROUGHOUT IS ORDERED UPON MODULE PLACEMENT IN THE KAI1 PROCESSOR. MODULE REFERENCE ALONE IS OBTAINED BY DELETING THE NUMBER (SLOT LOCATION) AFTER THE FIRST LETTER, AND CONVERTING THE FIRST LETTER ACCORDING TO THE PIN NOMENCLATURE CHART AT RIGHT.
- ALL SIGNALS THAT HAVE MODULE PINS ARE SO NOTED; MULTIPLE NOTATIONS OF THE SAME SIGNALS WITHIN A MODULE HAVE THE PIN NOTED ON EACH. AN INPUT SIGNAL IS NOTED ONLY ONCE PER SHEET UNLESS SEPERATE PINS ARE USED; MULTIPLE INPUTS ARE CONNECTED. MODULE OUTPUT SIGNALS ARE BROUGHT TO THE EXTREME RIGHT OF EACH SHEET.
- PROCESSOR SIGNAL SOURCE NOTATION (K10-2, FOR EXAMPLE) IDENTIFIES THE SIGNAL SOURCE (PRINT AND MODULE). THE FIRST NUMBER AFTER THE K INDICATES THE MODULE PRINT SET, WHILE THE SECOND INDICATES THE SHEET WITHIN THE SET. IF ON A PRINT, THE FIRST NUMBER OF THE K PREFIXES COINCIDE FOR A SIGNAL NAME AND THE PRINT (SEE TITLE BLOCK), THE SIGNAL IS GENERATED ON THE MODULE. A DIFFERENCE IN THE FIRST NUMBER OF THE K PREFIXES INDICATES A SIGNAL GENERATED OFF THE MODULE. SIGNALS WITH A "BUS" PREFIX REPRESENT A "WIRED OR" SITUATION, AND MULTIPLE SOURCES FOR THE SIGNAL CAN EXIST.
- DETAILS ON COMPONENTS ARE NOTED IN THE PARTS REFERENCE, PLACEMENT IS NOTED IN THE COMPONENT PLACEMENT DIAGRAM.
- GND AND +5V ARE USUALLY PIN 7 AND PIN 14, RESPECTIVELY. EXCEPTIONS ARE:

| IC TYPE | GND | +5V |
|----------|--------|--------|
| 7481 | PIN 10 | PIN 4 |
| DEC 7482 | PIN 11 | PIN 4 |
| 8251 | PIN 8 | PIN 16 |
| DEC 8271 | PIN 8 | PIN 16 |
| DEC 380 | PIN 1 | PIN 8 |
| DEC 384 | PIN 1 | PIN 8 |

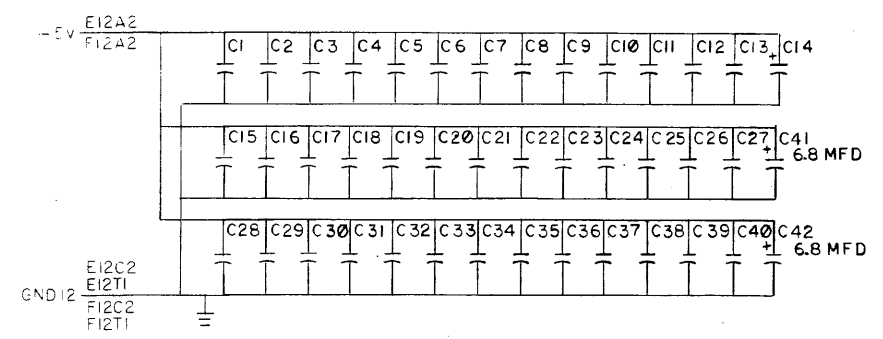
6. UNLESS OTHERWISE NOTED RESISTANCE IS IN OHMS, CAPACITANCE IS IN PICO FARADS. CAPACITORS WITHOUT ANY NOTED VALUES ARE .01 MFD.

COMPONENT PLACEMENT



PIN NOMENCLATURE

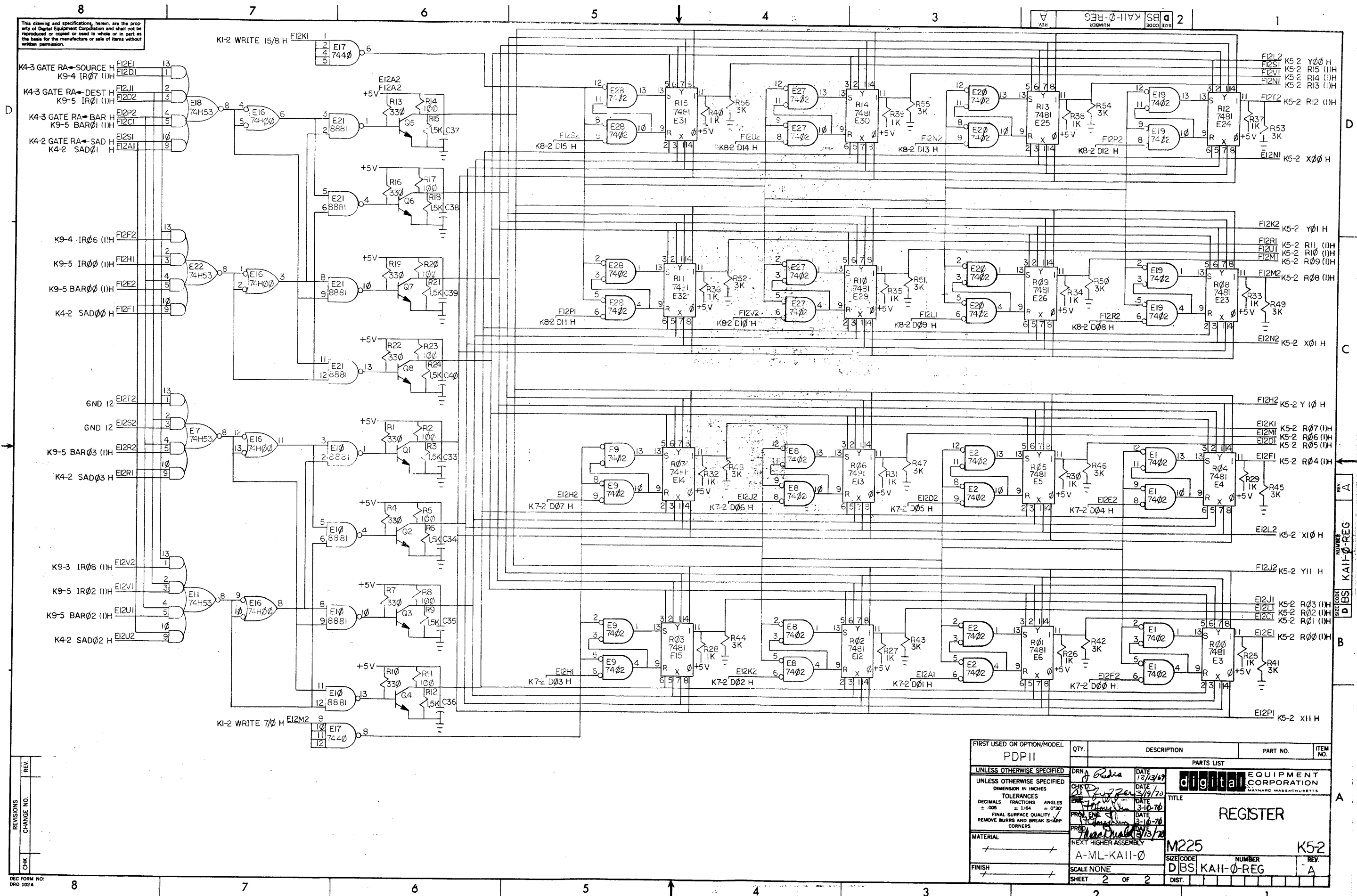
| MODULE | PROCESSOR |
|--------|-----------|
| A | E |
| B | F |



| REV | DATE | BY | CHK'D |
|-----|--------|----------------|-------|
| 1 | 3-2-70 | W. J. LOUGHLIN | |
| 2 | 3-6-70 | W. J. LOUGHLIN | |
| 3 | 3-6-70 | W. J. LOUGHLIN | |
| 4 | 3-6-70 | W. J. LOUGHLIN | |

| | | | | | | | |
|--------------------------------------|------|--------|--------|---|-------------|----------|----------|
| FIRST USED | USED | OPTION | MODEL | QTY. | DESCRIPTION | PART NO. | ITEM NO. |
| | | | PDP 11 | | | | |
| UNLESS OTHERWISE SPECIFIED | | | | PARTS LIST | | | |
| DIMENSION IN INCHES | | | | digital EQUIPMENT CORPORATION MAYNARD, MASSACHUSETTS | | | |
| TOLERANCES | | | | TITLE | | | |
| DECIMALS FRACTIONS ANGLES | | | | REGISTER | | | |
| ± .005 ± 1/64 ± 0°30' | | | | M225 K5-1 | | | |
| FINAL SURFACE QUALITY | | | | SIZE CODE NUMBER REV. | | | |
| REMOVE BURRS AND BREAK SHARP CORNERS | | | | D BS KAI1-Ø-REG A | | | |
| MATERIAL | | | | SCALE | | | |
| NEXT HIGHER ASSY | | | | SHEET 1 OF 2 | | | |
| FINISH | | | | DIST. | | | |

This drawing and specifications, herein, are the property of Digital Equipment Corporation and shall not be reproduced or copied in whole or in part as the basis for the manufacture or sale of items without written permission.



| FIRST USED ON OPTION/MODEL | QTY. | DESCRIPTION | PART NO. | ITEM NO. |
|---------------------------------------|------|-------------|----------|----------|
| PDPII | | | | |
| PARTS LIST | | | | |
| UNLESS OTHERWISE SPECIFIED | | | | |
| DRN. <i>[Signature]</i> DATE 12/13/69 | | | | |
| CHKD. <i>[Signature]</i> DATE 3/19/70 | | | | |
| DATE 3-10-70 | | | | |
| DATE 3-10-70 | | | | |
| DATE 3-10-70 | | | | |
| DATE 3-13-70 | | | | |
| TITLE | | | | |
| REGISTER | | | | |
| MATERIAL | | | | |
| NEXT HIGHER ASSEMBLY | | | | |
| A-ML-KAII-0 | | | | |
| FINISH | | | | |
| SCALE NONE | | | | |
| SHEET 2 OF 2 | | | | |
| SIZE CODE | | | | |
| D/BS KAII-0-REG | | | | |
| NUMBER | | | | |
| K5-2 | | | | |
| REV. | | | | |
| A | | | | |

| REV. | CHANGE NO. |
|------|------------|
| 10 | |
| 11 | |
| 12 | |

DEC FORM NO. DRD 102A