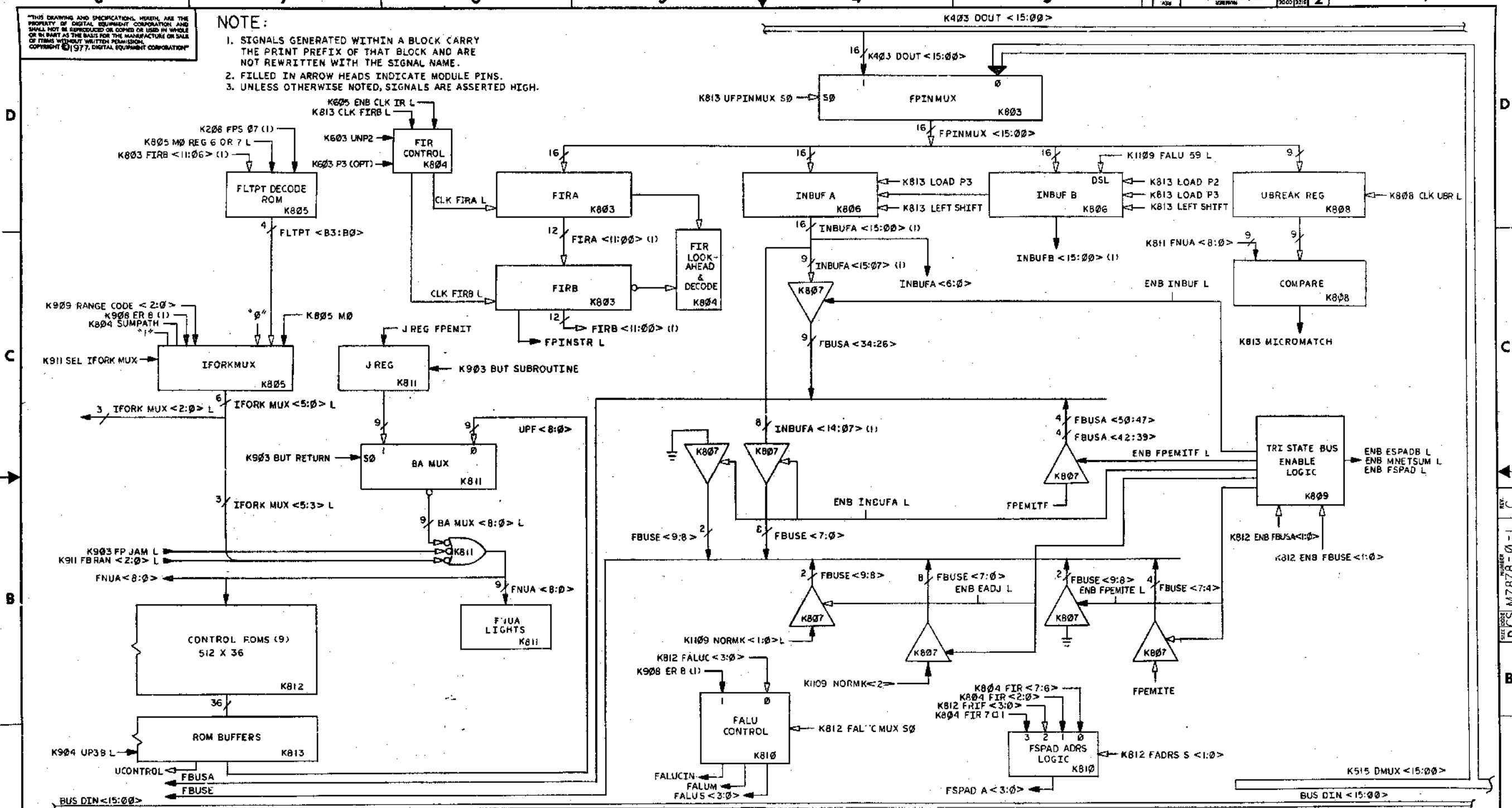


THIS DRAWING AND SPECIFICATIONS, HEREIN, ARE THE PROPERTY OF DIGITAL EQUIPMENT CORPORATION AND SHALL NOT BE REPRODUCED OR COPIED IN WHOLE OR IN PART AS THE BASIS FOR THE MANUFACTURE OR SALE OF ITEMS WITHOUT WRITTEN PERMISSION. COPYRIGHT © 1977, DIGITAL EQUIPMENT CORPORATION.

- NOTE:**
1. SIGNALS GENERATED WITHIN A BLOCK CARRY THE PRINT PREFIX OF THAT BLOCK AND ARE NOT REWRITTEN WITH THE SIGNAL NAME.
 2. FILLED IN ARROW HEADS INDICATE MODULE PINS.
 3. UNLESS OTHERWISE NOTED, SIGNALS ARE ASSERTED HIGH.



(BLOCK DIAGRAM) (K801)

REVISIONS

REV	DATE	DESCRIPTION
1	1-12-77	DRM
2	4-28-77	CHK OFF Smt
3	4-28-77	ENG. D.C. J...
4	4-28-77	PROJ. ENG. B.C. J...
5	4-28-77	PRODX. J.M. C...

DRM	1-12-77	FIRST USED ON	digital
CHK OFF Smt	4-28-77	TITLE	FLTPT FNUA
ENG. D.C. J...	4-28-77	SIZE	D CS M7878-0-1
PROJ. ENG. B.C. J...	4-28-77	NUMBER	1
PRODX. J.M. C...	4-28-77	REV	C
NEXT HIGHER ASSY.			
SCALE			
SHEET	1 OF 13		

THIS DRAWING AND SPECIFICATIONS HEREIN ARE THE PROPERTY OF DIGITAL EQUIPMENT CORPORATION AND SHALL NOT BE REPRODUCED OR COPIED OR USED IN WHOLE OR IN PART AS THE BASIS FOR THE MANUFACTURE OR SALE OF ITEMS WITHOUT WRITTEN PERMISSION. COPYRIGHT © 1977 DIGITAL EQUIPMENT CORPORATION

EXPONENT ADJUST		LOGIC											
NORM		FBUSE										# SHIFTS	
2	1	0	9	8	7	6	5	4	3	2	1		0
0	0	0	-	-	-	-	-	-	-	-	-	-	-
0	0	1	-	-	-	-	-	-	-	-	-	-	-
0	1	0	0	0	0	0	0	0	0	0	0	0	1
0	1	1	0	0	0	0	0	0	0	0	0	0	0
1	0	0	1	1	1	1	1	1	1	1	1	1	1
1	0	1	1	1	1	1	1	1	1	1	1	1	0
1	1	0	1	1	1	1	1	1	1	1	1	0	1
1	1	1	1	1	1	1	1	1	1	1	0	0	0

FLTPT INSTRUCTION DECODE														
FIRB XX(1)H			'NOT'	FPS07(1)H			FLTPT B			INSTRUCTION				
11	10	09	08	07	06	6 OR 7	5	4	3	2	1	0	MS = 1	MS = 0
0	0	0	0	0	0	-	-	-	0	0	0	0	SET CLASS 2 ②	SET CLASS 1 ①
0	0	0	1	-	-	1	-	-	0	0	0	1	CTANZ	CTANZ ③
0	0	1	-	-	-	1	0	-	0	0	1	0	MULFZ	MULFZ ④
0	0	1	-	-	-	1	1	-	0	0	1	1	MULDZ	MULDZ ④
0	0	-	0	-	-	1	-	-	0	1	0	0	-	ASUBNZ ⑤
0	0	-	0	-	-	0	-	-	0	1	0	0	ILLACC ⑥	-
0	1	0	1	-	-	1	-	-	0	1	0	1	LDF/DZ	LDF/DZ
0	0	0	0	~(0 B)	-	-	-	-	0	1	1	0	STSTZ	STSTZ
0	1	1	1	-	-	1	-	-	0	1	1	1	CMPF/DZ	CMPF/DZ
1	0	0	0	-	-	1	-	-	1	0	0	0	STF/DZ	STF/DZ
1	0	0	1	-	-	1	-	-	1	0	0	1	DIVF/DZ	DIVF/DZ
1	0	1	0	-	-	-	-	-	1	0	1	0	STEXFZ	STEXFZ
1	0	1	1	-	-	-	-	-	1	0	1	1	STCTZ	STCTNZ
1	1	0	0	-	-	1	-	-	1	1	0	0	STCFZ	STCFNZ
1	1	0	1	-	-	-	-	-	1	1	0	1	LDFPZ	LDFPNZ
1	1	1	0	-	-	-	-	-	1	1	1	0	LDFTZ	LDFTNZ
1	1	1	1	-	-	1	-	-	1	1	1	1	LDFPZ	LDFPNZ

- ① SET CLASS 1
FIRB <10:03> = 1
COMMON ENTRY POINT FOR: 1. SET D 0 0 1
2. SET L 0 1 0
3. ILLEGAL ---
- ② SET CLASS 2
FIRB <10:03> = 0
COMMON ENTRY POINT FOR: 1. CFC 0 0 0
2. SET F 0 0 1
3. SET I 0 1 0
4. LDR 0 1 1
5. MNS 1 0 0
6. MPP 1 0 1
7. ILLEGAL 1 1 0
8. MAS 1 1 1
- ③ CTAN
FIRB <11:00> = 1
COMMON ENTRY POINT FOR: 1. CLRX 0 0
2. TSTX 0 1
3. ABSX 1 0
4. NEGX 1 1
- ④ MULF/D
COMMON ENTRY POINT SHARED BY MUL AND MOD. SECONDARY DECODING FOR MOD IS PERFORMED BY BUT (FIRB <0> = 1)
- ⑤ ASUBNZ
COMMON ENTRY POINT SHARED BY ADD/D AND SUBF/D (NON DEST MS)
- ⑥ ILLEGAL REFERENCE TO ACCUMULATOR 6 OR 7. RESTRICTED TO THOSE INSTRUCTIONS LISTED ON THE CHART ABOVE WHICH REQUIRE 'NOT' MS REG 6 OR 7 = 1 (i.e. 'NOT' ILL ACC) FOR DECODING UNDER NORMAL CONDITIONS.

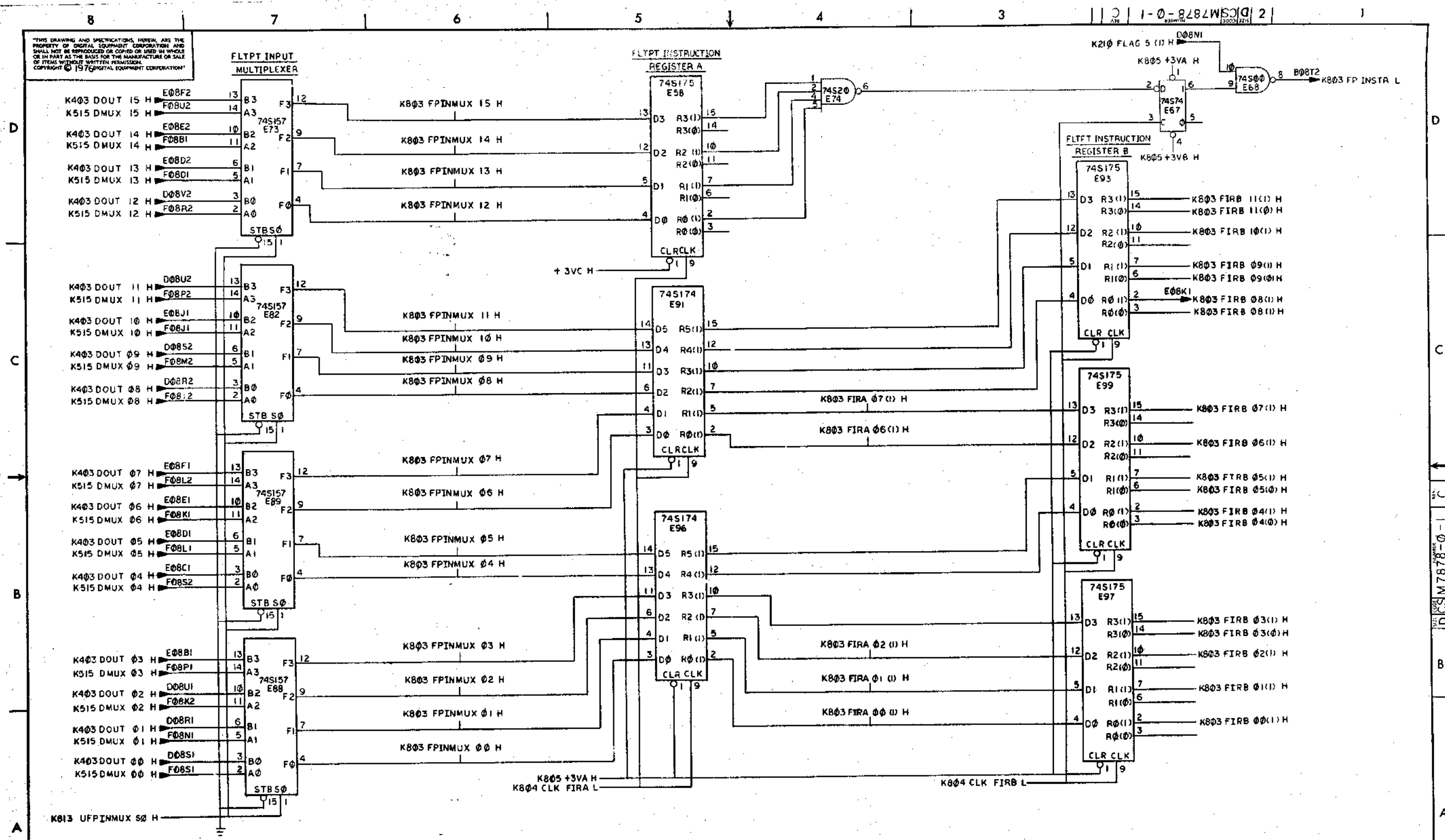
1 = HIGH
0 = LOW

(TABLES) (K802)

REVISIONS		
CHK	CHANGE NO.	REV.

DCS M7878-0-1

THIS DRAWING AND SPECIFICATIONS HEREIN ARE THE PROPERTY OF DIGITAL EQUIPMENT CORPORATION AND SHALL NOT BE REPRODUCED OR COPIED OR USED IN WHOLE OR IN PART AS THE BASIS FOR THE MANUFACTURE OR SALE OF ITEMS WITHOUT WRITTEN PERMISSION. COPYRIGHT © 1976 DIGITAL EQUIPMENT CORPORATION

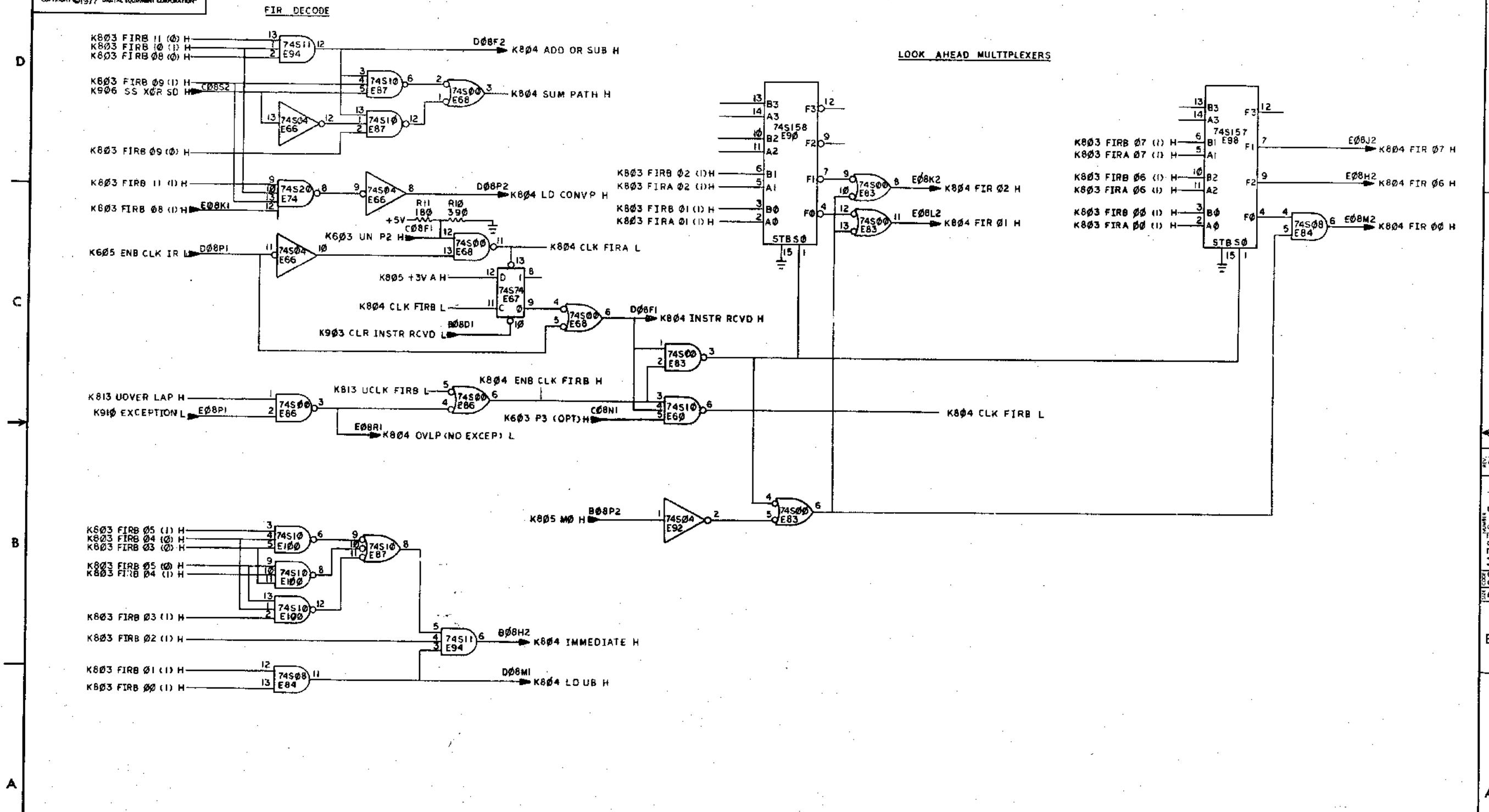


REVISIONS		
CHK	CHANGE NO.	REV.

(FPINMUX, FIRA, FIRB)		(K803)	
TITLE	SIZE CODE	NUMBER	REV.
FLT PT FNUA	DCS	M7878-0-1	C
SCALE	SHEET	DIST.	
+	3 OF 13		

DCS M7878-0-1 C

THIS DRAWING AND SPECIFICATIONS, HEREIN, ARE THE PROPERTY OF DIGITAL EQUIPMENT CORPORATION AND SHALL NOT BE REPRODUCED OR COPIED OR USED IN WHOLE OR IN PART AS THE BASIS FOR THE MANUFACTURE OR SALE OF ITEMS WITHOUT WRITTEN PERMISSION. COPYRIGHT © 1977 DIGITAL EQUIPMENT CORPORATION



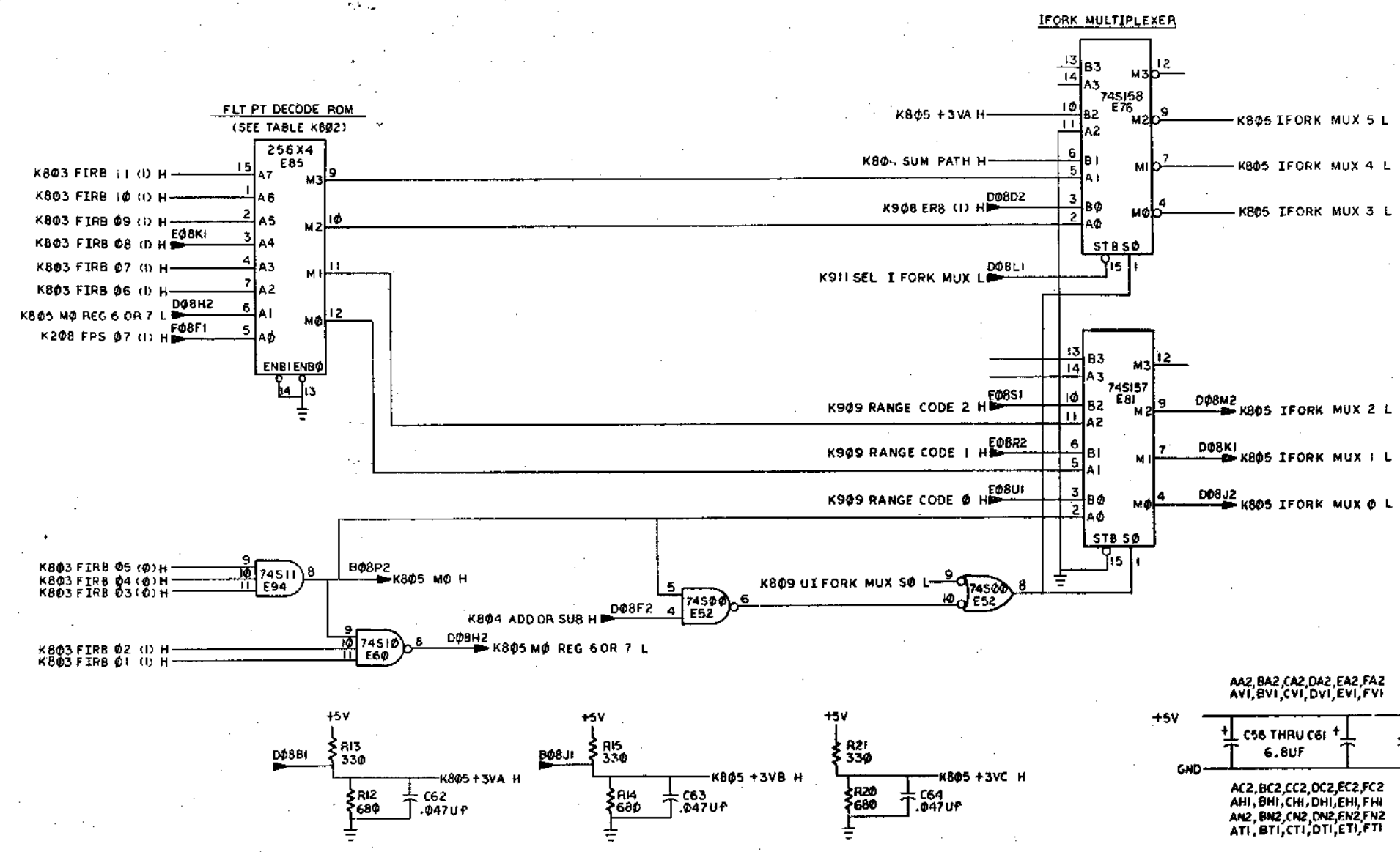
REVISIONS		
CHK	CHANGE NO.	REV.

(FIR DECODE, LOOK AHEAD) (K804)

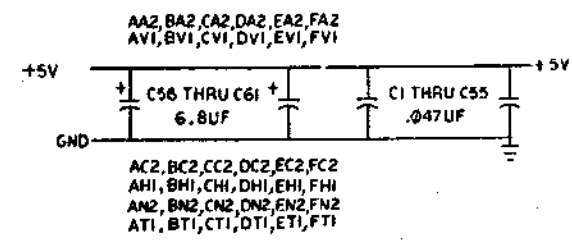
TITLE	SIZE CODE	NUMBER	REV.
FLT PT FNUA	DICS	M7878-0-1	C
SCALE	SHEET	OF	DIST.
	4	13	

DICS M7878-0-1

THIS DRAWING AND SPECIFICATIONS HEREIN ARE THE PROPERTY OF DIGITAL EQUIPMENT CORPORATION AND SHALL NOT BE REPRODUCED OR COPIED OR USED IN WHOLE OR IN PART AS THE BASIS FOR THE MANUFACTURE OR SALE OF ITEMS WITHOUT WRITTEN PERMISSION. COPYRIGHT © 1976 DIGITAL EQUIPMENT CORPORATION



NOTE: REGISTERS CAN BE CLEARED BY MOMENTARILY GROUNDING THE APPROPRIATE +3V FINGER.

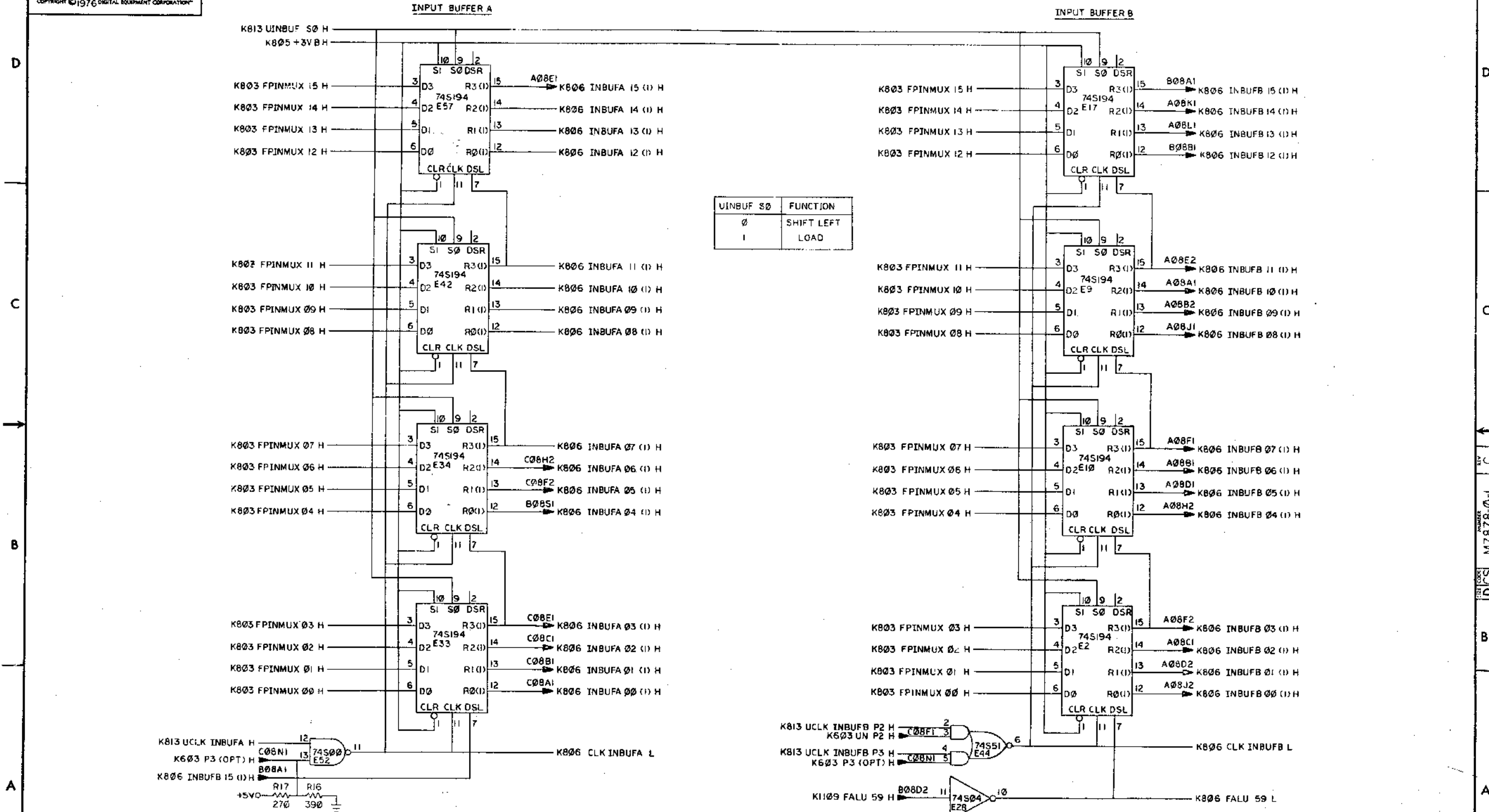


REVISIONS		
CHK	CHANGE NO.	REV.

(IFORK MUX <5:0>)		(K805)	
TITLE FLT PT. FNUA		SIZE/DWG DCS	NUMBER M7878-0-1
SCALE	SHEET 5 OF 13	DIST.	REV. C

DCS M7878-0-1 C

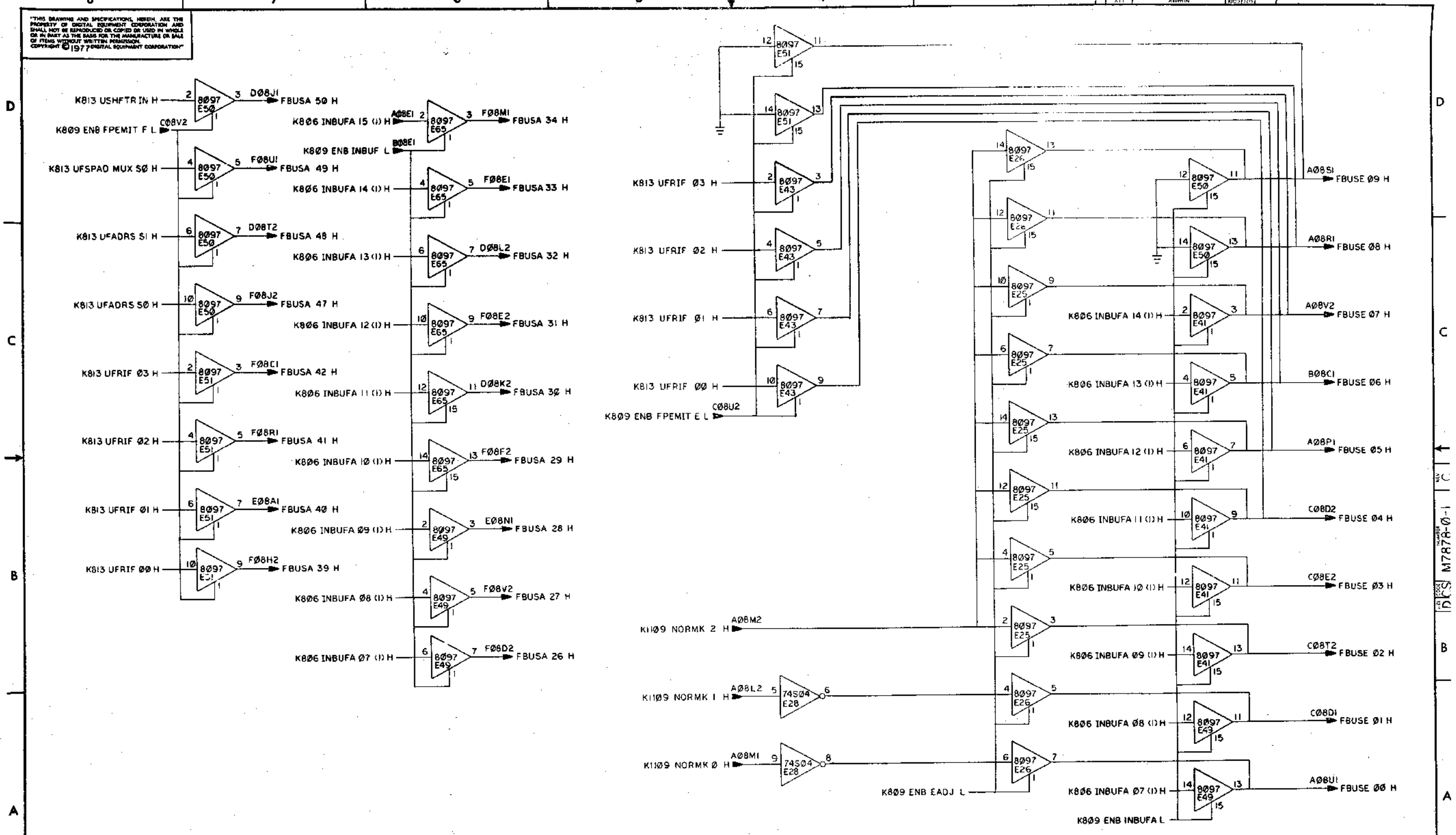
"THIS DRAWING AND SPECIFICATIONS, HEREIN, ARE THE PROPERTY OF DIGITAL EQUIPMENT CORPORATION, AND SHALL NOT BE REPRODUCED OR COPIED OR USED IN WHOLE OR IN PART AS THE BASIS FOR THE MANUFACTURE OR SALE OF ITEMS WITHOUT WRITTEN PERMISSION. COPYRIGHT © 1976 DIGITAL EQUIPMENT CORPORATION"



REVISIONS		
CHK	CHANGE NO.	REV.

THIS DRAWING AND SPECIFICATIONS HEREIN ARE THE PROPERTY OF DIGITAL EQUIPMENT CORPORATION AND SHALL NOT BE REPRODUCED OR COPIED OR USED IN WHOLE OR IN PART AS THE BASIS FOR THE MANUFACTURE OR SALE OF ITEMS WITHOUT WRITTEN PERMISSION. COPYRIGHT © 1977 DIGITAL EQUIPMENT CORPORATION.

1-0-8282W SCQ 2

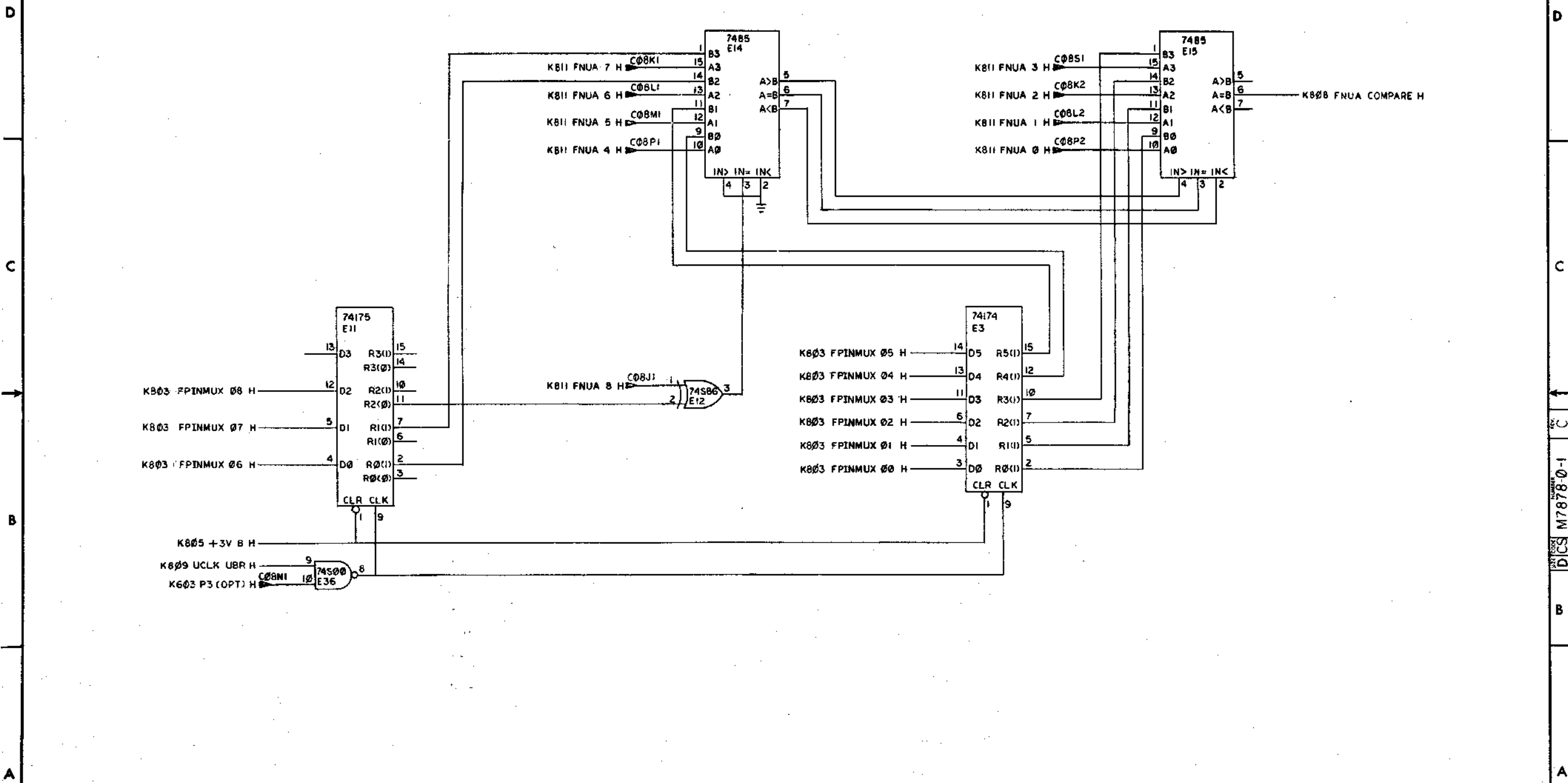


(FBUSA & E TRISTATE DRIVERS) (K807)

REVISIONS		
CHK	CHANGE NO.	REV.

TITLE	SIZE/CODE	NUMBER	REV.
FLT PT FNUA	DCS	M7878-0-1	C
SCALE	SHEET	DIST.	
	7 OF 13		

THIS DRAWING AND SPECIFICATIONS HEREOF ARE THE PROPERTY OF DIGITAL EQUIPMENT CORPORATION AND SHALL NOT BE REPRODUCED OR COPIED OR USED IN WHOLE OR IN PART AS THE BASIS FOR THE MANUFACTURE OR SALE OF ITEMS WITHOUT WRITTEN PERMISSION. COPYRIGHT © 1976 DIGITAL EQUIPMENT CORPORATION



REVISIONS		
CHK	CHANGE NO.	REV.

(MICROBREAK REGISTER) (K808)

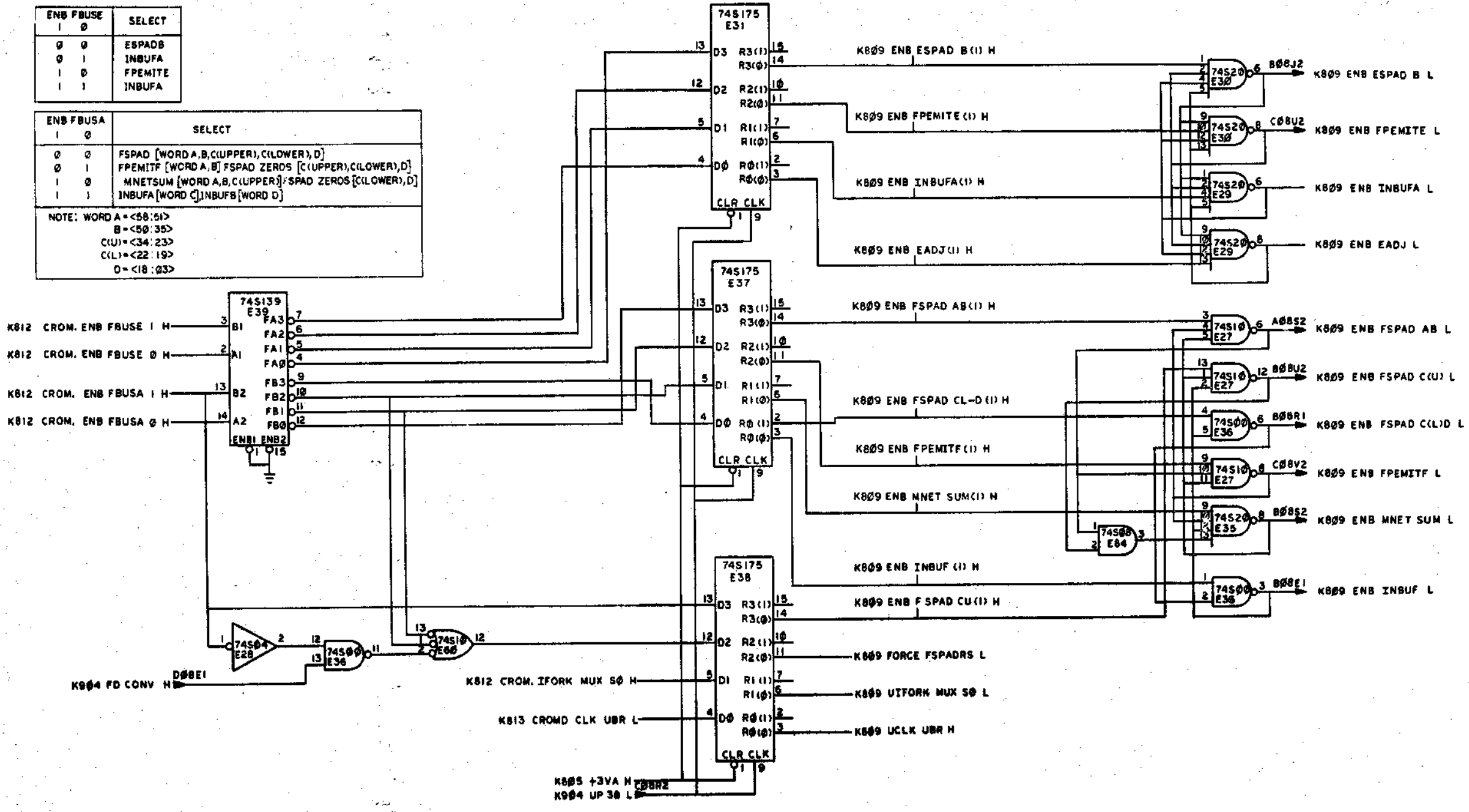
TITLE	SIZE CODE	NUMBER	REV.
FLT PT FNUA	DCS	M7878-0-1	C
SCALE	SHEET	DIST.	
	8 OF 13		

THIS DRAWING AND SPECIFICATIONS, HEREIN ARE THE PROPERTY OF DIGITAL EQUIPMENT CORPORATION AND SHALL BE KEPT IN CONFIDENCE OR CLASSIFIED AS SECRET OR IN ABBREVIATED FORM AS AUTHORIZED BY THE MANUFACTURING OR SALE OF THIS DRAWING AND SPECIFICATIONS. COPYRIGHT © 1978 DIGITAL EQUIPMENT CORPORATION

ENB FBUSE	SELECT
0 0	ESPADB
0 1	INBUFA
1 0	FPEMITE
1 1	INBUFA

ENB FBUSA	SELECT
0 0	FSPAD [WORD A,B,C(UPPER),C(LOWER),D]
0 1	FPEMITF [WORD A,B] FSPAD ZEROS [C(UPPER),C(LOWER),D]
1 0	MNETSUM [WORD A,B,C(UPPER)] FSPAD ZEROS [C(LOWER),D]
1 1	INBUFA [WORD C] INBUFB [WORD D]

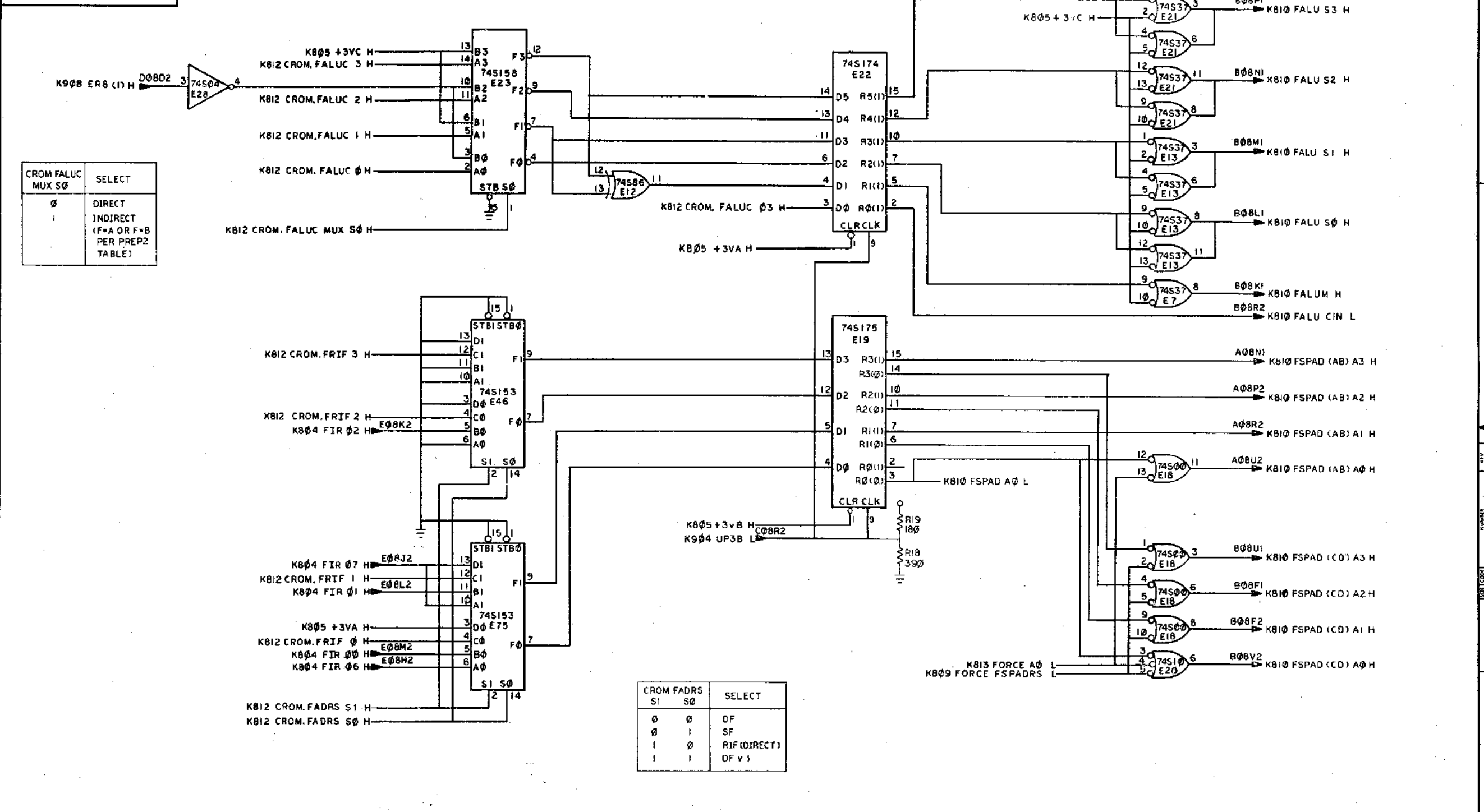
NOTE: WORD A = <58:51>
 B = <50:35>
 C(U) = <34:23>
 C(L) = <22:19>
 D = <18:03>



(TRISTATE BUS CONTROL) (K809)

REV.	NO.	DATE	BY	CHK	CHANGE NO.	REV.	TITLE	DESIGN NO.	NUMBER	REV.
							FLT PT FNUA	DCS M7878-0-1	C	

THIS DRAWING AND SPECIFICATIONS HEREIN ARE THE PROPERTY OF DIGITAL EQUIPMENT CORPORATION AND SHALL NOT BE REPRODUCED OR COPIED OR USED IN WHOLE OR IN PART AS THE BASIS FOR THE MANUFACTURE OR SALE OF ITEMS WITHOUT WRITTEN PERMISSION. COPYRIGHT © 1975 DIGITAL EQUIPMENT CORPORATION



CROM FALUC MUX S0	SELECT
0	DIRECT
1	INDIRECT (F=A OR F=B PER PREP2 TABLE)

CROM FADRS S1	S0	SELECT
0	0	DF
0	1	SF
1	0	RIF (DIRECT)
1	1	DF V1

REVISIONS		
CHK	CHANGE NO.	REV.

(FALU CONTROL & FSPAD ADDRESS) (K810)

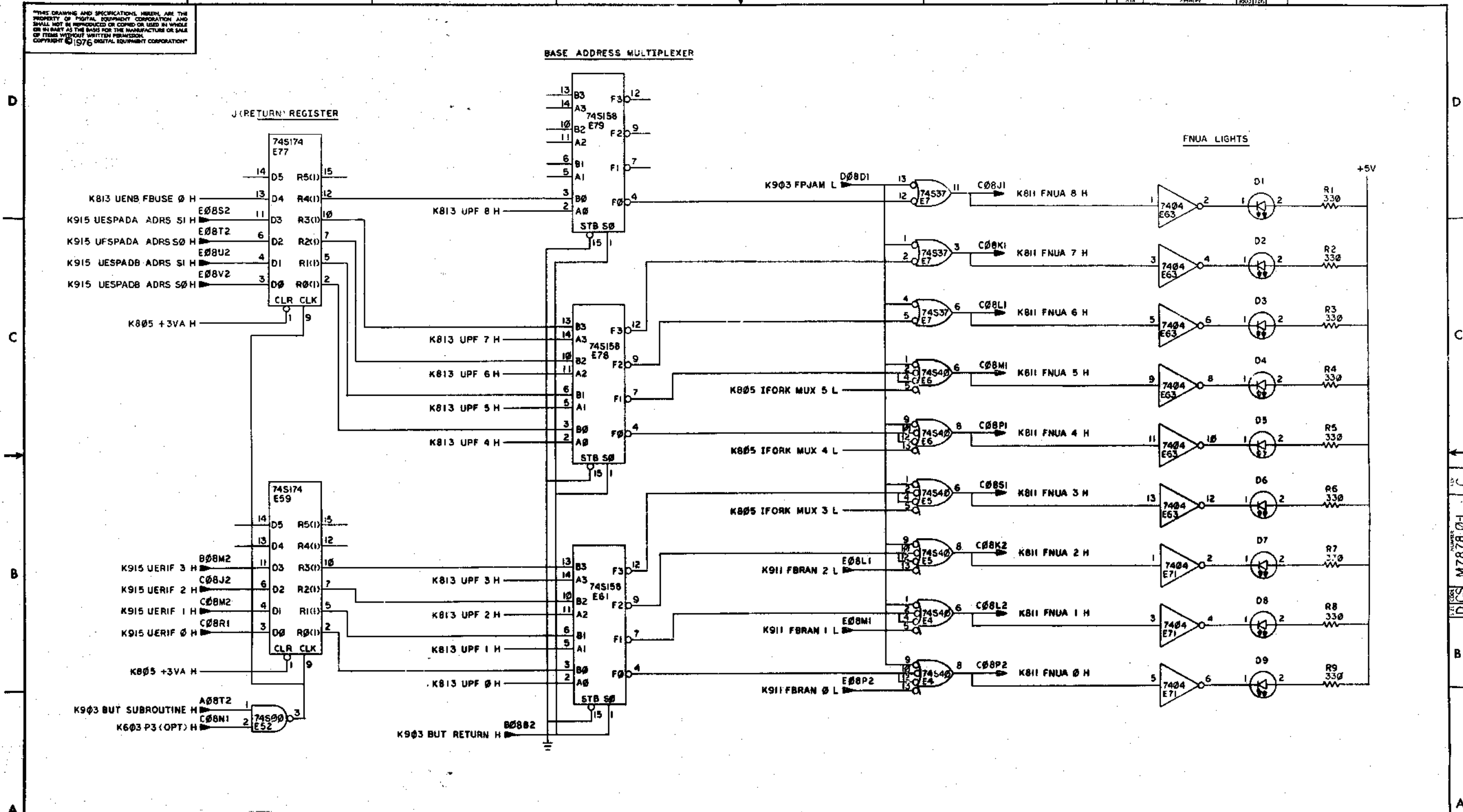
TITLE	SIZE/COOR	NUMBER	REV.
FLT PT FNUA	DCS	M7878-0-1	C
SCALE	SHEET	NO OF 13	DIST.

THIS DRAWING AND SPECIFICATIONS HEREIN ARE THE PROPERTY OF DIGITAL EQUIPMENT CORPORATION AND SHALL NOT BE REPRODUCED OR COPIED OR USED IN WHOLE OR IN PART AS THE BASIS FOR THE MANUFACTURE OR SALE OF ITEMS WITHOUT WRITTEN PERMISSION. COPYRIGHT © 1976 DIGITAL EQUIPMENT CORPORATION

BASE ADDRESS MULTIPLEXER

J (RETURN) REGISTER

FNUA LIGHTS



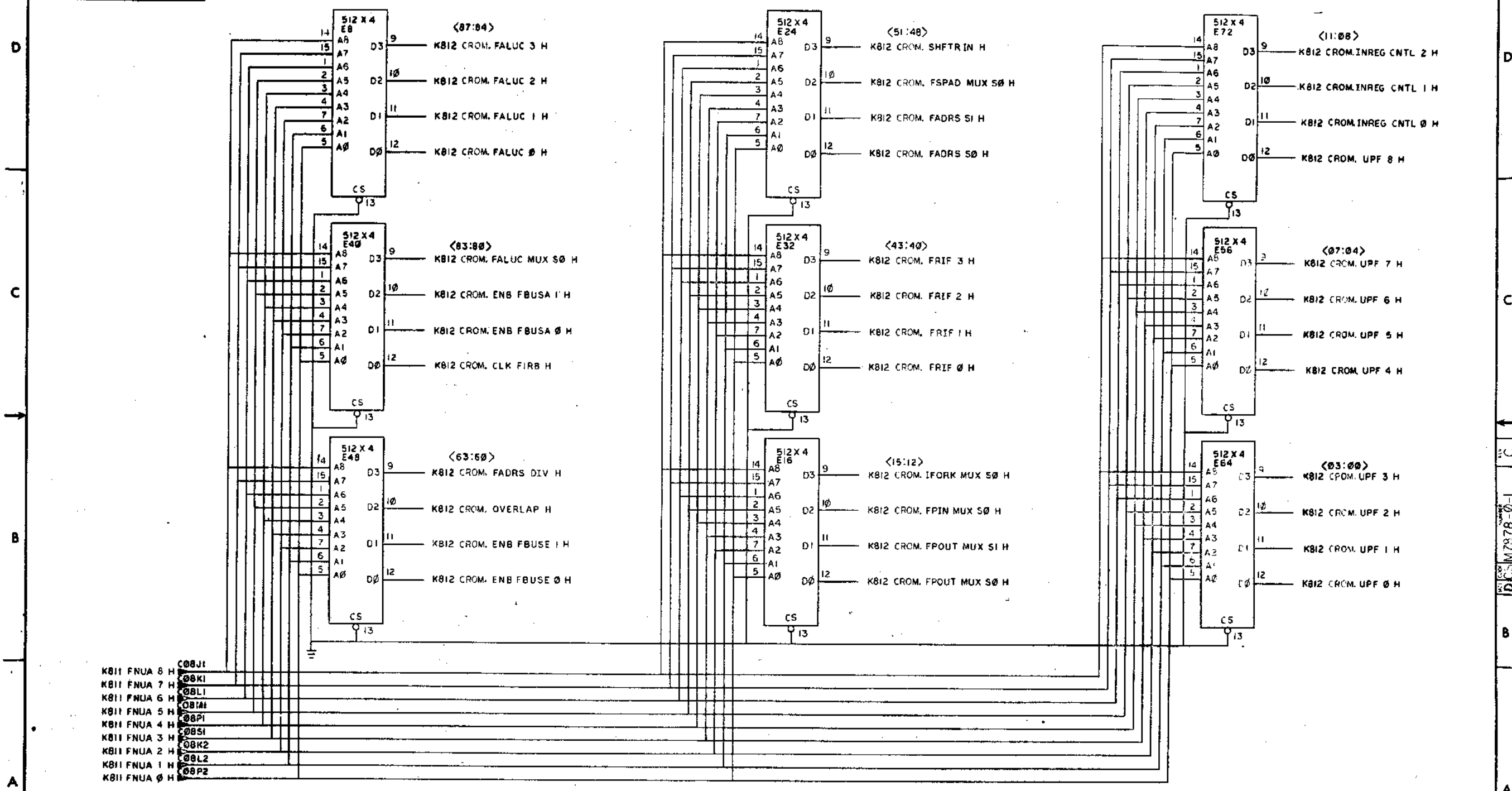
(FLTPT NEXT MICRO ADDRESS) (KB11)

REVISIONS		
CHK	CHANGE NO.	REV.

TITLE	FLT PT FNUA	SIZE CODE	D CS	NUMBER	M7878-01	REV.	C
SCALE		SHEET	11	OF	13	DIST.	

12

THIS DRAWING AND SPECIFICATIONS HEREIN ARE THE PROPERTY OF DIGITAL EQUIPMENT CORPORATION AND SHALL NOT BE REPRODUCED OR COPIED OR USED IN WHOLE OR IN PART AS THE BASIS FOR THE MANUFACTURE OR SALE OF ITEMS WITHOUT WRITTEN PERMISSION OF DIGITAL EQUIPMENT CORPORATION.



- K811 FNUA 8 H @08J1
- K811 FNUA 7 H @08K1
- K811 FNUA 6 H @08L1
- K811 FNUA 6 H @08M1
- K811 FNUA 5 H @08P1
- K811 FNUA 4 H @08S1
- K811 FNUA 3 H @08K2
- K811 FNUA 2 H @08L2
- K811 FNUA 1 H @08P2
- K811 FNUA 0 H @08Q2

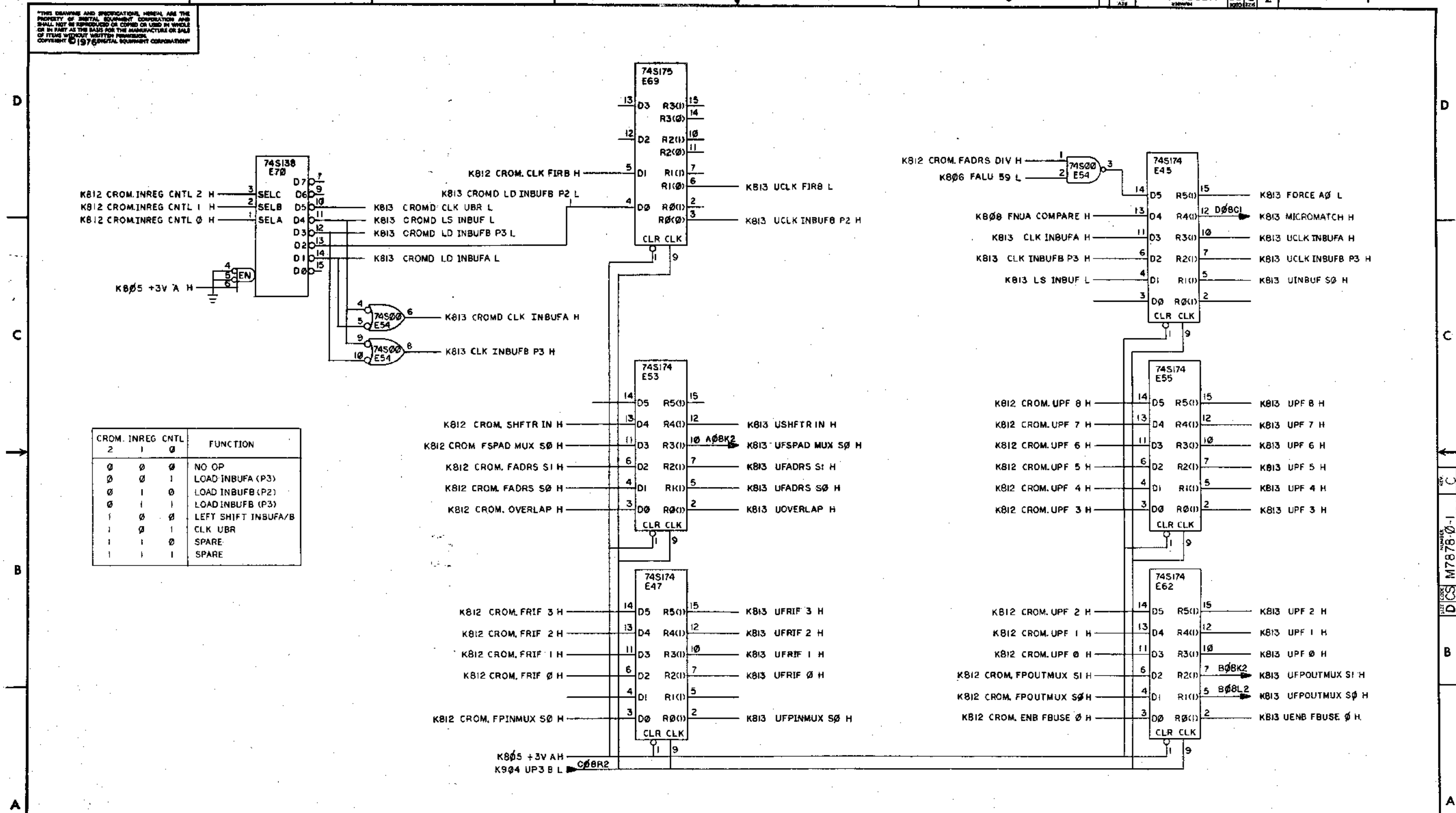
REVISIONS		
CHK	CHANGE NO.	REV.

(CONTROL ROMS) (K812)

TITLE	SCALE	SHEET	NUMBER	REV.
FLT PT FNUA	1/1	12 OF 13	DCS M7878-0-1	C

THIS DRAWING AND SPECIFICATIONS HEREIN ARE THE PROPERTY OF DIGITAL EQUIPMENT CORPORATION AND SHALL NOT BE REPRODUCED OR COPIED OR USED IN WHOLE OR IN PART AS THE BASIS FOR THE MANUFACTURE OR SALE OF ITEMS WITHOUT WRITTEN PERMISSION. COPYRIGHT © 1976 DIGITAL EQUIPMENT CORPORATION

CS M7878-0-1



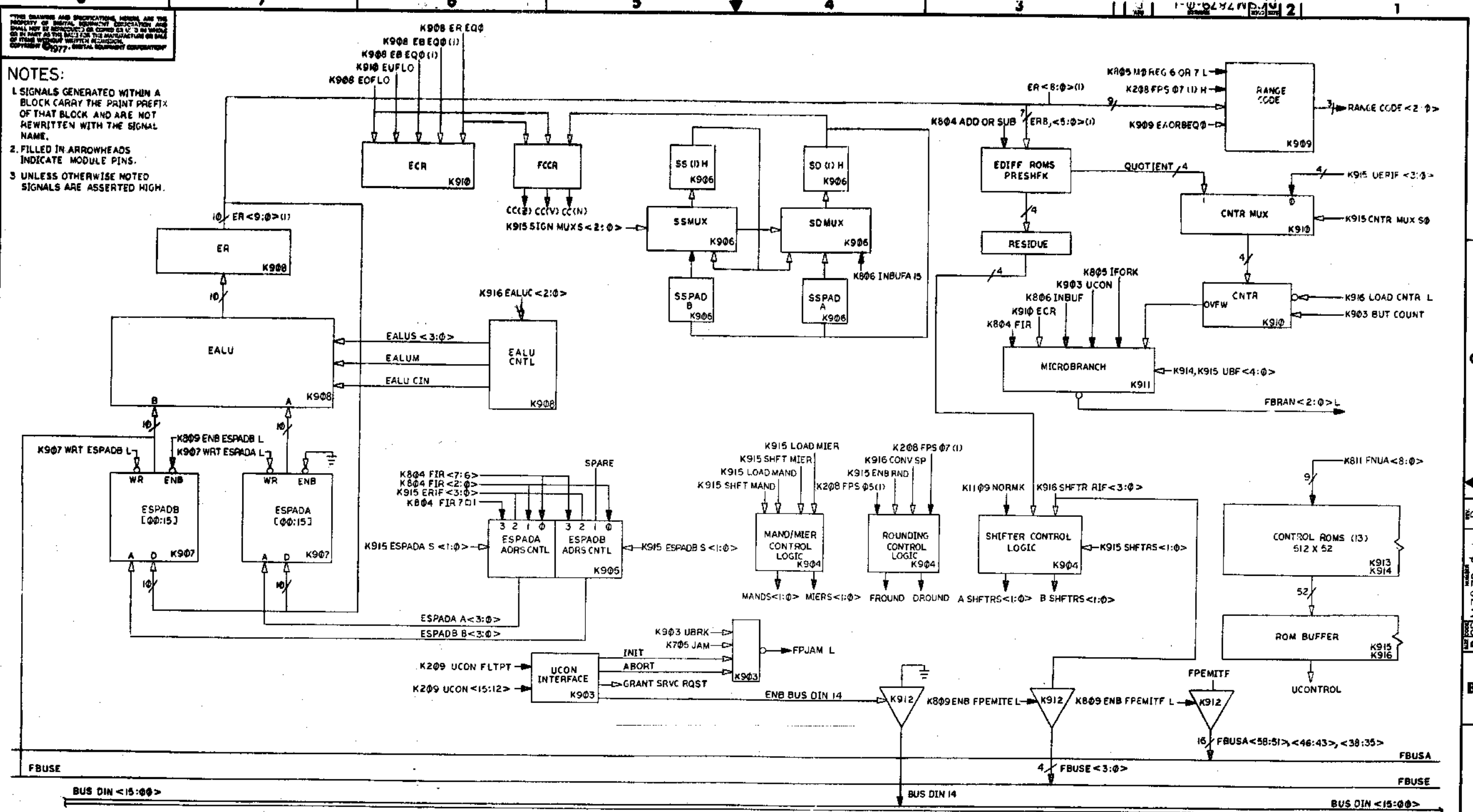
(CONTROL ROM BUFFERS) (K813)

REVISIONS		
CHK	CHANGE NO.	REV.

TITLE	FLT PT FNUA	SIZE CODE	D CS	NUMBER	M7878-0-1	REV.	C
SCALE		SHEET	13 OF 13	DIST.			

THIS DRAWING AND SPECIFICATIONS HEREON ARE THE PROPERTY OF DIGITAL EQUIPMENT CORPORATION AND SHALL NOT BE REPRODUCED OR COPIED IN ANY MANNER OR IN ANY MEDIUM WITHOUT THE WRITTEN PERMISSION OF DIGITAL EQUIPMENT CORPORATION.

- NOTES:**
1. SIGNALS GENERATED WITHIN A BLOCK CARRY THE PRINT PREFIX OF THAT BLOCK AND ARE NOT REWRITTEN WITH THE SIGNAL NAME.
 2. FILLED IN ARROWHEADS INDICATE MODULE PINS.
 3. UNLESS OTHERWISE NOTED SIGNALS ARE ASSERTED HIGH.



REV.	DATE	BY	CHKD.
1	1/13/77	DC	DC
2	4/24/77	DC	DC
3	4/28/77	DC	DC
4	4/28/77	DC	DC
5	4/28/77	DC	DC

(BLOCK DIAGRAM) (K901)

DRN. NO.	1/13-77	FIRST USED ON	digital
CHKD. NO.	1/13-77	TITLE	FLTPT EXP
ENGR. NO.	4/24/77	SIZE CODE	D
PROJ. ENGR. NO.	4/28/77	NUMBER	M7879-0-1
PROJ. MGR. NO.	4/28/77	REV.	D
NEXT HIGHER ASSY.		SCALE	1 OF 16
		SHEET	1 OF 16

D CS M7879-0-1

THIS DRAWING AND SPECIFICATIONS HEREIN ARE THE PROPERTY OF DIGITAL EQUIPMENT CORPORATION AND SHALL NOT BE REPRODUCED OR COPIED OR USED IN WHOLE OR IN PART AS THE BASIS FOR THE MANUFACTURE OR SALE OF ITEMS WITHOUT WRITTEN PERMISSION. COPYRIGHT © DIGITAL EQUIPMENT CORPORATION

EXPONENT ALU CONTROL								
EALUC		FUNCTION	EALU					
Z	1		S3	S2	S1	S0	M	CIN
0	0	0	-	-	-	-	-	-
0	0	1	1	0	0	1	0	1
0	1	0	0	1	1	0	0	0
0	1	1	-	-	-	-	-	-
1	0	0	1	1	1	1	1	1
1	0	1	-	-	-	-	-	-
1	1	0	1	1	1	0	1	-
1	1	1	1	0	1	0	1	-

SIGN CONTROL				
SIGNUMX			FUNCTION	
S2	S1	S0		
0	0	0	SD ← SD	SS ← SS
0	0	1	SD ← NOT SD	SS ← SS
0	1	0	SD ← SS	SS ← SS
0	1	1	SD ← NOT SS	SS ← SS
1	0	0	SD ← SS AND SD	SS ← SS
1	0	1	SU ← INBUFA 15	SS ← SS
1	1	0	SD ← 0	SS ← SS
1	1	1	SD ← SSPADA	SS ← SSPADA

UCON INTERFACE	
UCON FLPT (1) H AND	FUNCTION
UCON 12(1)H	GRANT SERVICE REQUEST (IN RESPONSE TO FLPT SERVICE L)
UCON 13(1)H	FLPT ABORT
UCON 14(1)H AND NOT INH UCON (BUS X FER)H	1 → BUS DIN 14
UCON 15(1)H	FLPT INH 1
NOT INH UCON (BUS X FER)H	END FRONTALK

RANGE CODE ROM						
ER <:0> B	D3	D2	D1	FPS07		RANGE CODE 2 1 0
				0 (SINGLE)	1 (DOUBLE)	
0	1	1	1	0	EQ	0 0 1
1	1	1	0	1	GT ₁	0 1 0
2-13	1	1	0	0	GT ₂	0 1 1
14-30	1	0	1	0	GT ₃	1 0 1
31-70	0	0	1	1	MGT	1 0 0 → 1
71-317	1	0	1	1	MGT	1 0 0
400-707	1	0	1	1	MGT	1 0 0
710-747	0	0	1	1	MGT	1 0 0 → 1
750-764	1	0	1	0	GT ₃	1 0 1
765-776	1	1	0	0	GT ₂	0 1 1
777	1	1	0	1	GT ₁	0 1 0
EA0FDE00	1	1	1	1		0 0 0
WB REG 6 OR 7	-	-	-	-		1 1 1

DIFF QUOTIENT & RESIDUE ROM					
A <:0> B	QUOT			RES <:0> B	
	3	2	1		0
0-12	1	1	1	1	5-17
13-25	1	1	1	0	5-17
26-40	1	1	0	1	5-17
41-53	1	1	0	0	5-17
54-66	1	0	1	1	5-17
67-77	1	0	1	0	5-15
100	1	0	1	0	0
104-111	1	0	1	0	15-5
112-124	1	0	1	1	17-5
125-137	1	1	0	0	17-5
140-152	1	1	0	1	17-5
153-165	1	1	1	0	17-5
166-177	1	1	1	1	17-6
200-213	0	0	0	0	4-17
214-226	1	1	1	1	5-17
227-241	1	1	1	0	5-17
242-254	1	1	0	1	5-17
255-267	1	1	0	0	5-17
270-277	1	0	1	1	5-14
300	1	0	1	1	0
301-310	1	0	1	1	14-5
311-323	1	1	0	0	17-5
324-336	1	1	0	1	17-5
337-351	1	1	1	0	17-5
352-364	1	1	1	1	17-5
365-377	0	0	0	0	17-5

U BRANCH (OUT MUX) TABLE				
UBF FIELD	BITS <:5:3>	BIT 2	BIT 1	BIT 0
OUT 00			K905 M 0 H	K903 GRANT SVPC RQST H
OUT 01			K910 ECR.EAEQ0(1)H	K910 ECR.EDEQ0(1)H
OUT 02		K906 INDFD2(1)H	K906 INDFB0(1)H	K906 INDFB0D(1)H
OUT 03		K903 FIR0 09(1)H	K904 FIR07 H	K904 FIR 08 H
OUT 04			K908 ER 8(1) H	K910 ECR.EREQ0(1) H
OUT 05	K905 IFORKMUX <:5:3>	K905 IFORKMUX 2 H	K905 IFORKMUX 1 H	K905 IFORKMUX 0 H
OUT 06		K1109 AR 59 (1) H	K910 ECR.EOUFLB H	K904 INSTR RCVD H
OUT 07		K904 FIR 02 H	K904 FIR 01 H	K904 FIR 00 H
OUT 10			K905 NEG ZERO H	K208 FPS 07 (1) H
OUT 11				
OUT 12				K904 LDCWVP H
OUT 13			K906 INDFD 03(1)H	K904 LDUB H
OUT 14			K208 FPS 06 (1) H	K910 ECR.EAORDEQ 0 H
OUT 15			K904 IMMEDIATE H	K905 SD (1) H
OUT 16				
OUT 17		K906 INDFD 02 (1)H		K906 INDFD 01 (1)H
OUT 20		K903 FP INSTR L		K911 INSTR RCVD L
OUT 21				K1109 AR 59 (1) H
OUT 22				K910 CNTR=1111 H
OUT 23		K908 ER0(1) H		K1109 NORMKOVFLW L
OUT 24				K207 FLPTGO (1) H
OUT 25		K910 ECR.EOFLD(1)H		K910 ECR.EUFLO(1) H
OUT 26		K903 INITFLAG(1) H		K903 UBRKFLAG (1) H
OUT 27				K208 FPS07 (1) H

GT₁ = 1 BIT SHIFT (TYPE 1 - GREATER THAN)
 GT₂ = 1 STEP SHIFT (2-11)₁₀ (TYPE 2 - GREATER THAN)
 GT₃ = MULTI STEP SHIFT (TYPE 3 - GREATER THAN)
 MGT = EXCEEDS REGISTER LENGTH (MUCH GREATER THAN)

ACTIVE BUT ROM						
UBF				DECIMAL	ACTIVE BUT	
4	3	2	1			0
1	0	0	1	0	22	COMPT
1	0	1	1	0	26	CLEAR JAW
1	1	0	0	1	31	SET DIS FOC
1	1	0	1	0	32	CLEAR ER 00
1	1	1	0	0	34	SUBROUTINE
1	1	1	0	1	35	RETURN

1 = HIGH
 0 = LOW

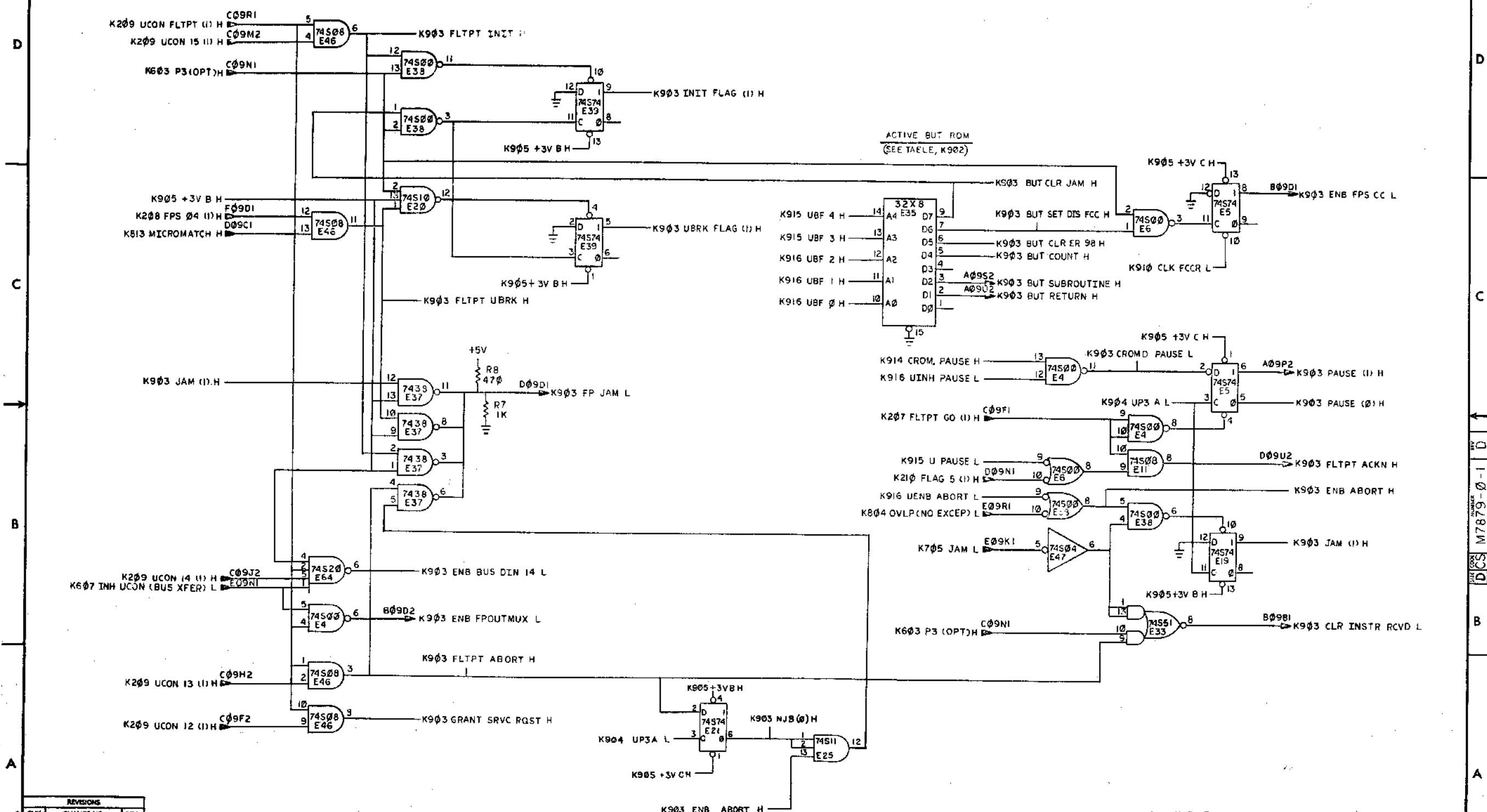
BLANK LOCATIONS = 0
 BUT 30 IS NULL (MUX DISABLED)
 BUTS 11 & 18 ARE UNUSED

BITS 33, 36, & 37 ARE UNUSED

REVISIONS		
CHK	CHANGE NO.	REV.

(TABLES) (K902)

TITLE	SIZE CODE	NUMBER	REV.
FLPT EXP	D	CSM78790-1	D
SCALE	SHEET 2	OF 16	DIST.

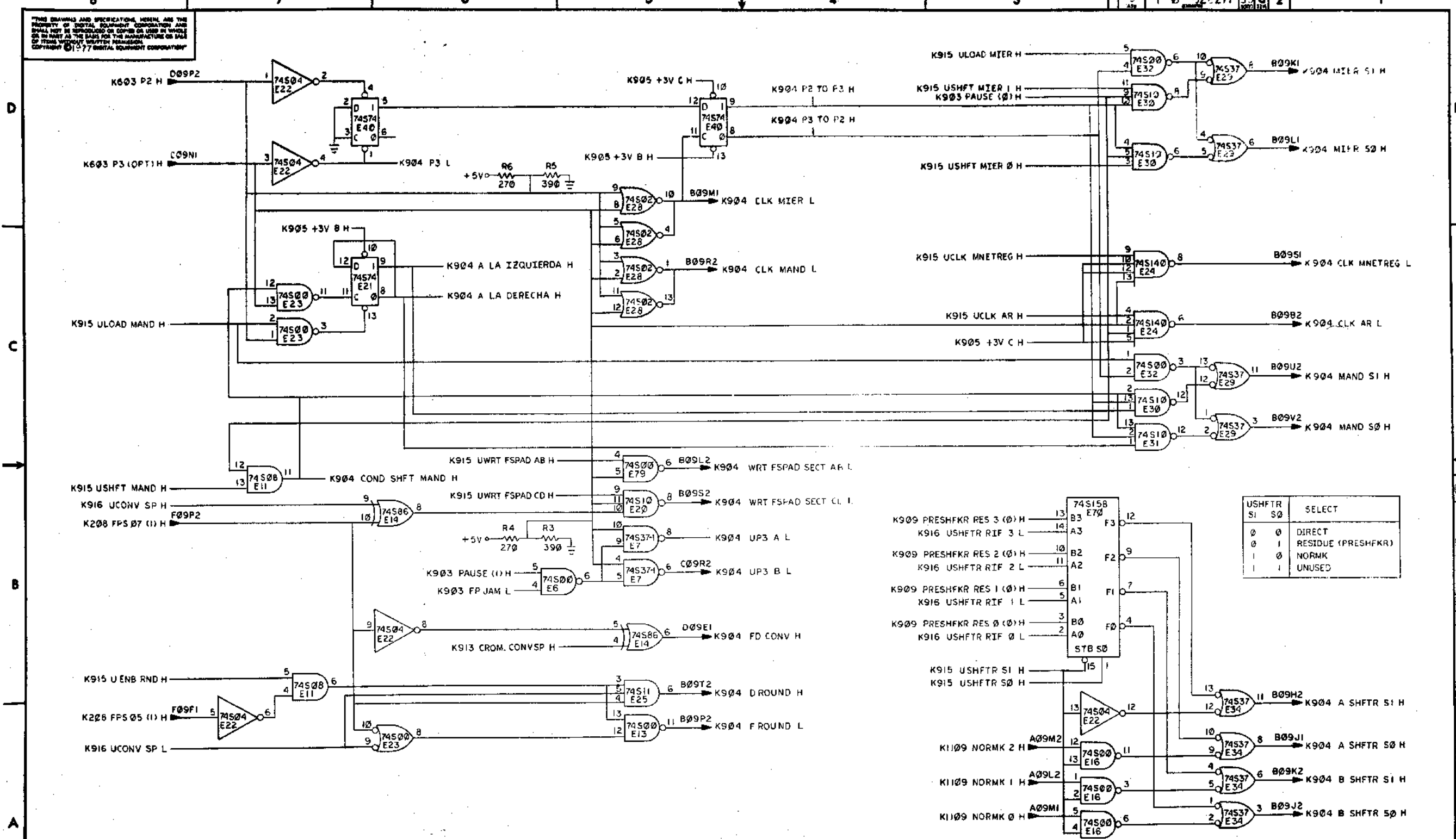


REVISIONS		
CHK	CHANGE NO.	REV.

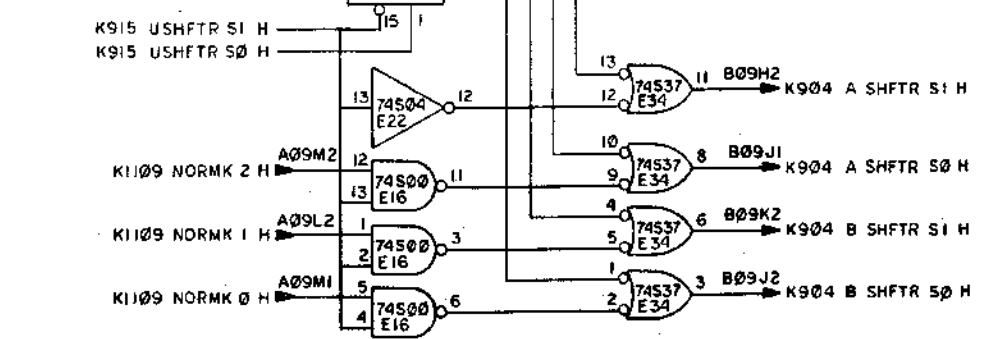
(BASE MACHINE INTERFACE) (K903)		TITLE	SIZE CODE	NUMBER	REV.
		FLTPT EXP	D CS	M7879-0-1	D
SCALE	SHEET	3 OF 16		DIST.	

REV. D
M7879-0-1
D CS

THIS DRAWING AND SPECIFICATIONS HEREIN ARE THE PROPERTY OF DIGITAL EQUIPMENT CORPORATION AND SHALL NOT BE REPRODUCED OR COPIED OR USED IN WHOLE OR IN PART AS THE BASIS FOR THE MANUFACTURE OR SALE OF ITEMS WITHOUT WRITTEN PERMISSION. COPYRIGHT © 1977 DIGITAL EQUIPMENT CORPORATION.

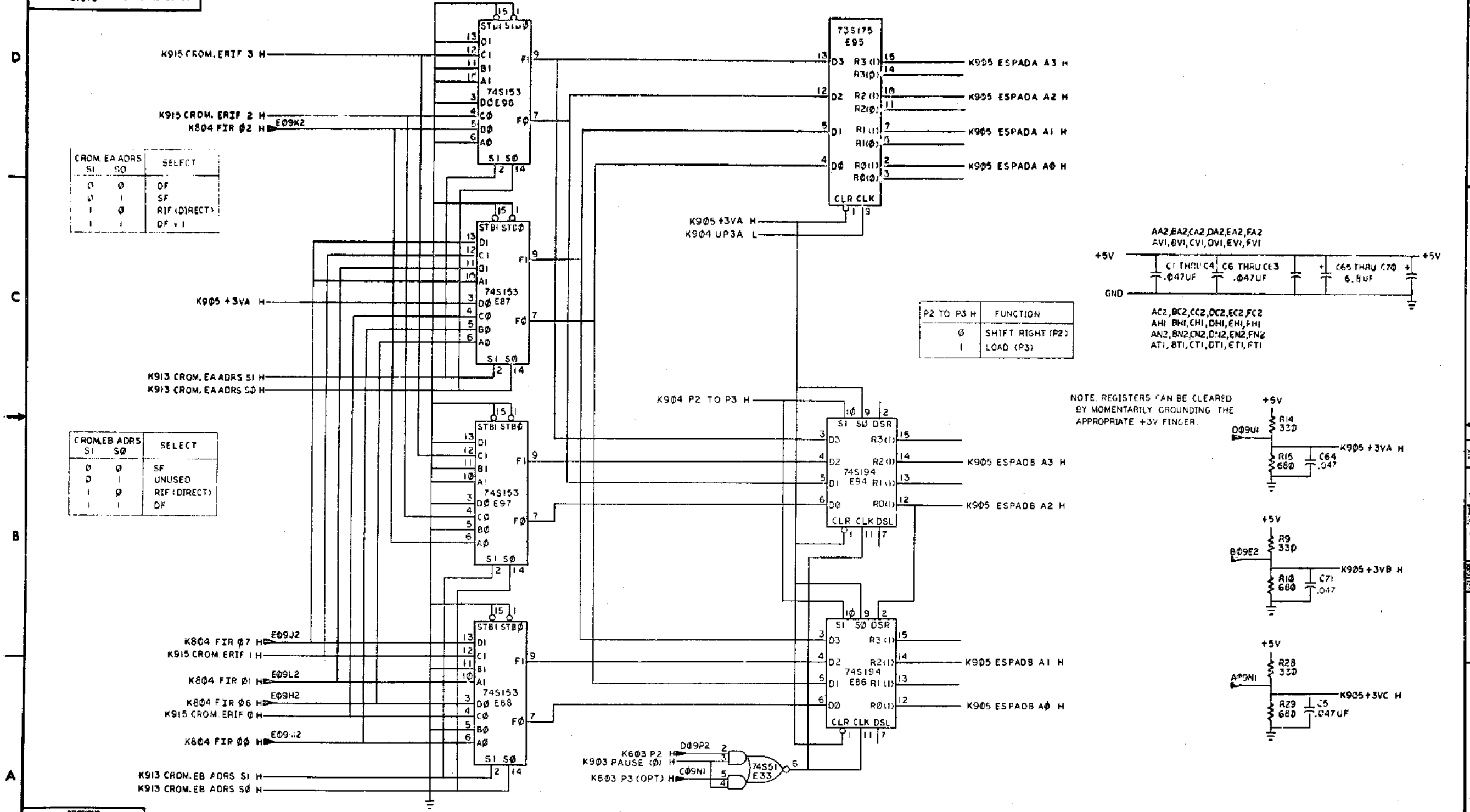


USHFTR S1	S0	SELECT
0	0	DIRECT
0	1	RESIDUE (PRESHFKR)
1	0	NORMK
1	1	UNUSED



REVISIONS			TITLE		NUMBER		REV.	
CHK	CHANGE NO.	REV.	FLTPT EXP		D CS M7879-0-1		D	

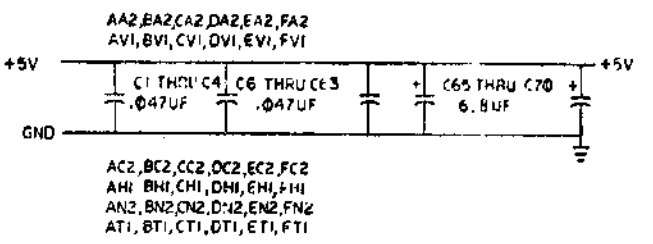
THIS DRAWING AND SPECIFICATIONS HEREAFTER ARE THE PROPERTY OF DIGITAL EQUIPMENT CORPORATION AND SHALL NOT BE REPRODUCED OR TRANSMITTED IN ANY FORM OR BY ANY MEANS, ELECTRONIC OR MECHANICAL, INCLUDING PHOTOCOPYING, RECORDING, OR BY ANY INFORMATION STORAGE AND RETRIEVAL SYSTEM, WITHOUT PERMISSION IN WRITING FROM DIGITAL EQUIPMENT CORPORATION.



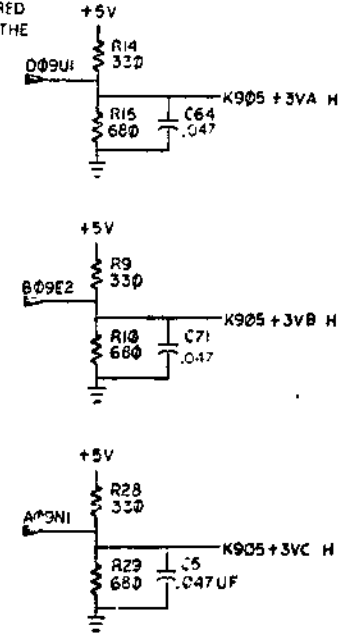
CROM. EA ADRS S1	S0	SELECT
0	0	DF
0	1	SF
1	0	RIF (DIRECT)
1	1	DF v1

CROME B ADRS S1	S0	SELECT
0	0	SF
0	1	UNUSED
1	0	RIF (DIRECT)
1	1	DF

P2 TO P3 H	FUNCTION
0	SHIFT RIGHT (P2)
1	LOAD (P3)



NOTE: REGISTERS CAN BE CLEARED BY MOMENTARILY GROUNDING THE APPROPRIATE +3V FINGER.

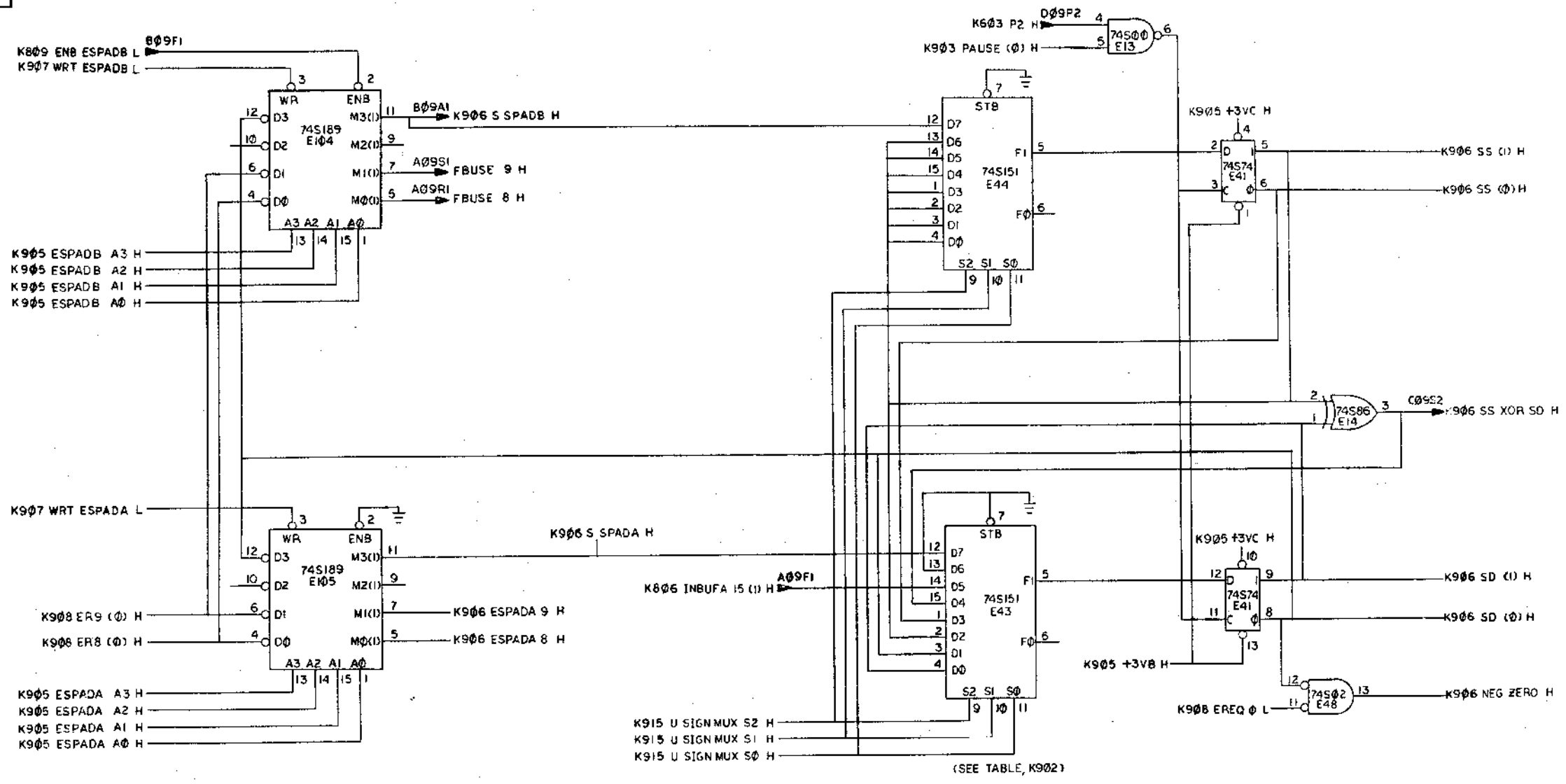


REVISIONS		
CHK	CHANGE NO.	REV.

(EXPONENT SCRATCH PAD ADDRESS REGISTERS) (K905)

TITLE	SCALE	SHEET	SOPHS	DIST.	NUMBER	REV.
FLTPT EXP					DCS M7879-0-1	D

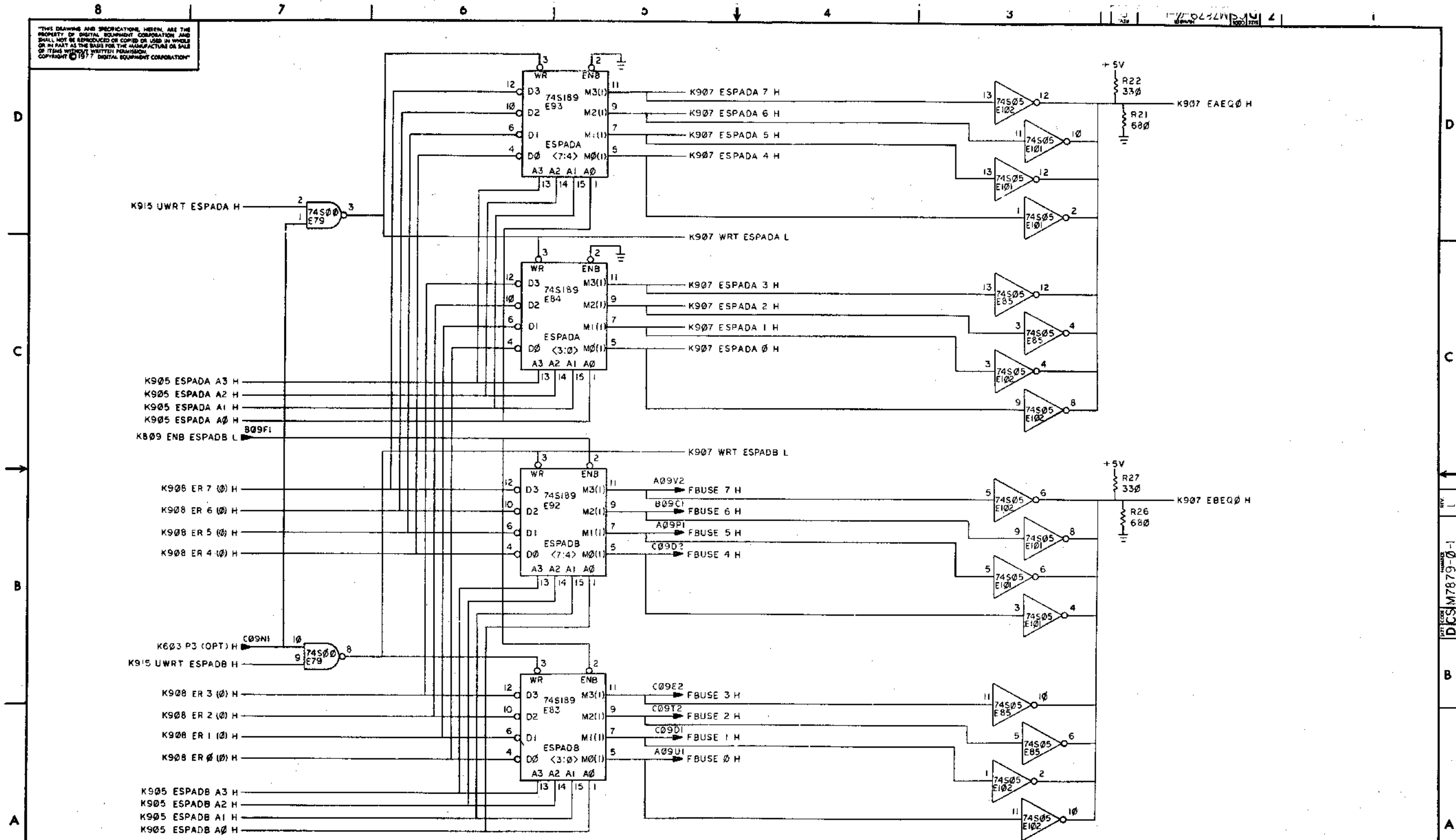
THIS DRAWING AND SPECIFICATIONS HEREIN ARE THE PROPERTY OF DIGITAL EQUIPMENT CORPORATION AND SHALL NOT BE REPRODUCED OR COPIED OR USED IN WHOLE OR IN PART AS THE BASIS FOR THE MANUFACTURE OR SALE OF ANY EQUIPMENT WITHOUT WRITTEN PERMISSION OF DIGITAL EQUIPMENT CORPORATION © 1977



REVISIONS		
CHK	CHANGE NO.	REV.

(SIGN LOGIC)		(K906)	
TITLE	FLTPT EXP	SIZE CODE	DCS
NUMBER	M7879-0-1	REV.	D
SHEET	6	OF	16

THIS DRAWING AND SPECIFICATIONS HEREIN ARE THE PROPERTY OF DIGITAL EQUIPMENT CORPORATION AND SHALL NOT BE REPRODUCED OR COPIED OR USED IN WHOLE OR IN PART AS THE BASIS FOR THE MANUFACTURE OR SALE OF ITEMS WITHOUT WRITTEN PERMISSION. COPYRIGHT © 1977 DIGITAL EQUIPMENT CORPORATION

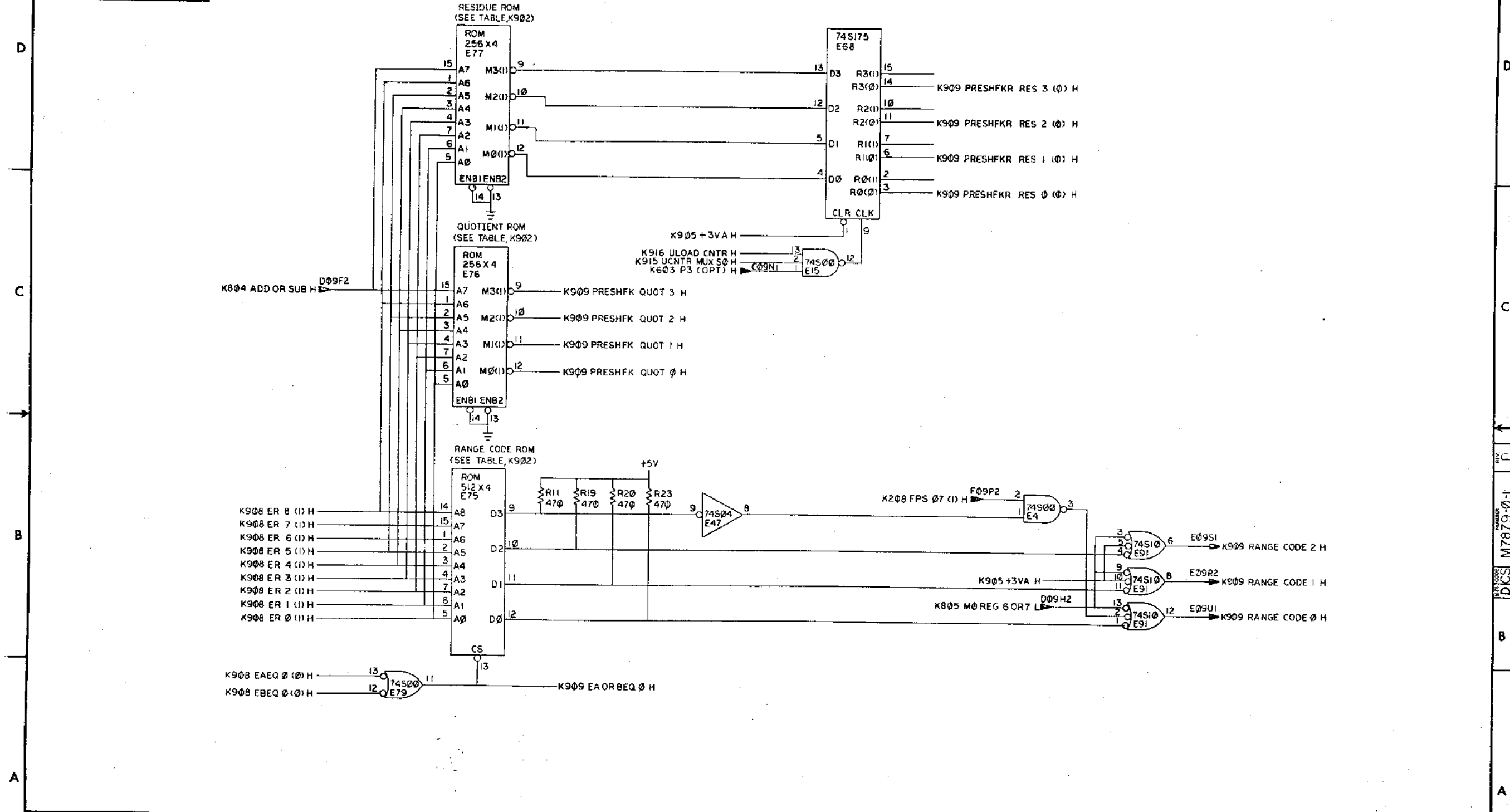


REVISIONS		
CHK	CHANGE NO.	REV.

(EXPONENT SCRATCH PAD)		(K907)	
TITLE	FLTP EXP	SIZE CODE	D CSM7879-0-1
SCALE		SHEET	7 OF 16
		DIST.	

REV. I
D CSM7879-0-1

THIS DRAWING AND SPECIFICATIONS HEREIN ARE THE PROPERTY OF DIGITAL EQUIPMENT CORPORATION AND SHALL NOT BE REPRODUCED OR COPIED OR USED IN WHOLE OR IN PART AS THE BASIS FOR THE MANUFACTURE OR SALE OF ITEMS WITHOUT WRITTEN PERMISSION. COPYRIGHT © 1977 DIGITAL EQUIPMENT CORPORATION

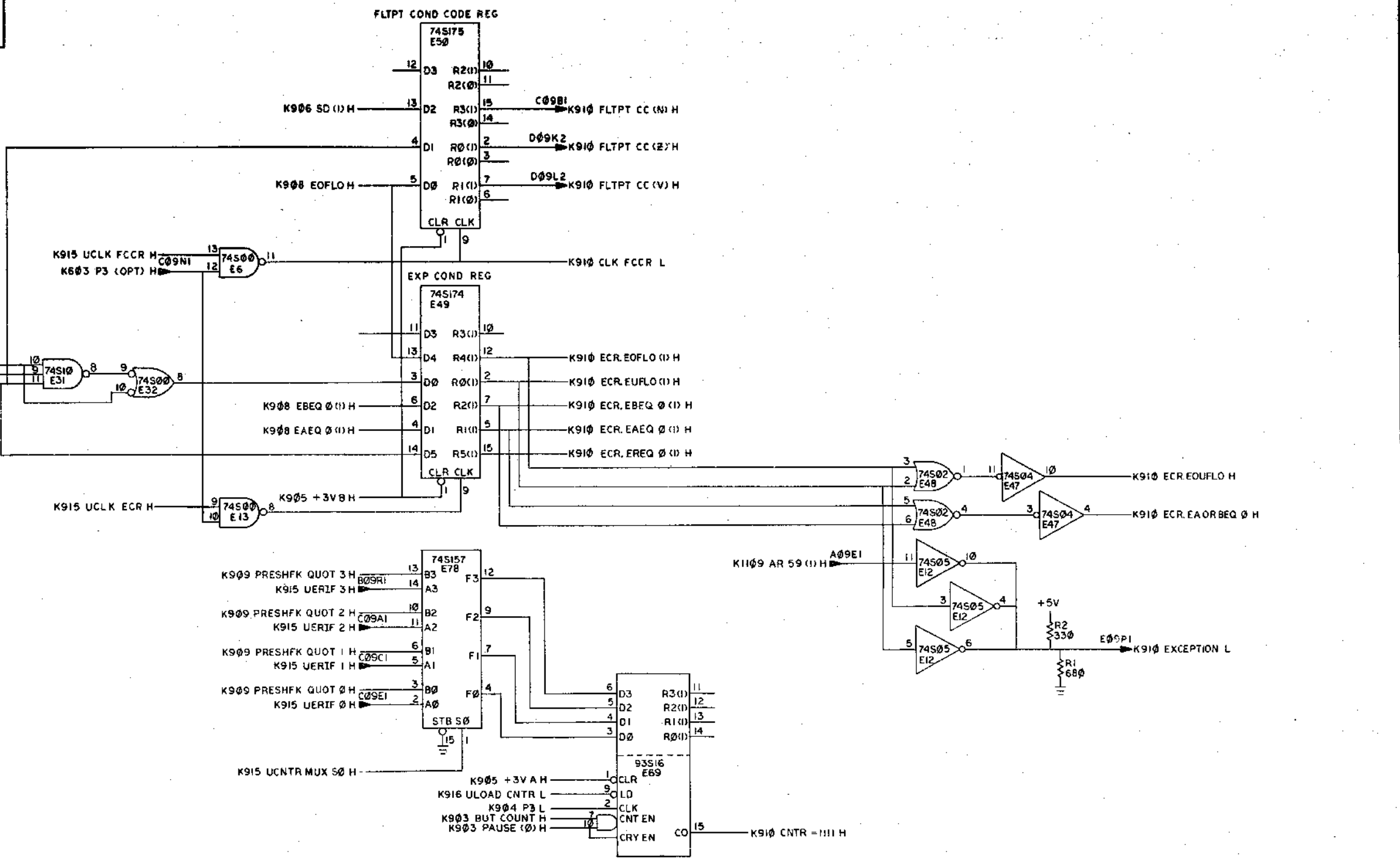


REVISIONS		
CHK	CHANGE NO.	REV.

(PRESHIFT COUNT REG & RANGE CODE) (K909)

TITLE	SIZE CODE	NUMBER	REV.
FLTPT EXP	D CS	M7879-0-1	0
SCALE	SHEET	9 OF 16	DIST.

"THIS DRAWING AND SPECIFICATIONS HEREIN ARE THE PROPERTY OF DIGITAL EQUIPMENT CORPORATION AND SHALL NOT BE REPRODUCED OR COPIED OR USED IN WHOLE OR IN PART AS THE BASIS FOR THE MANUFACTURE OR SALE OF ITEMS WITHOUT WRITTEN PERMISSION. COPYRIGHT © 1977 DIGITAL EQUIPMENT CORPORATION"

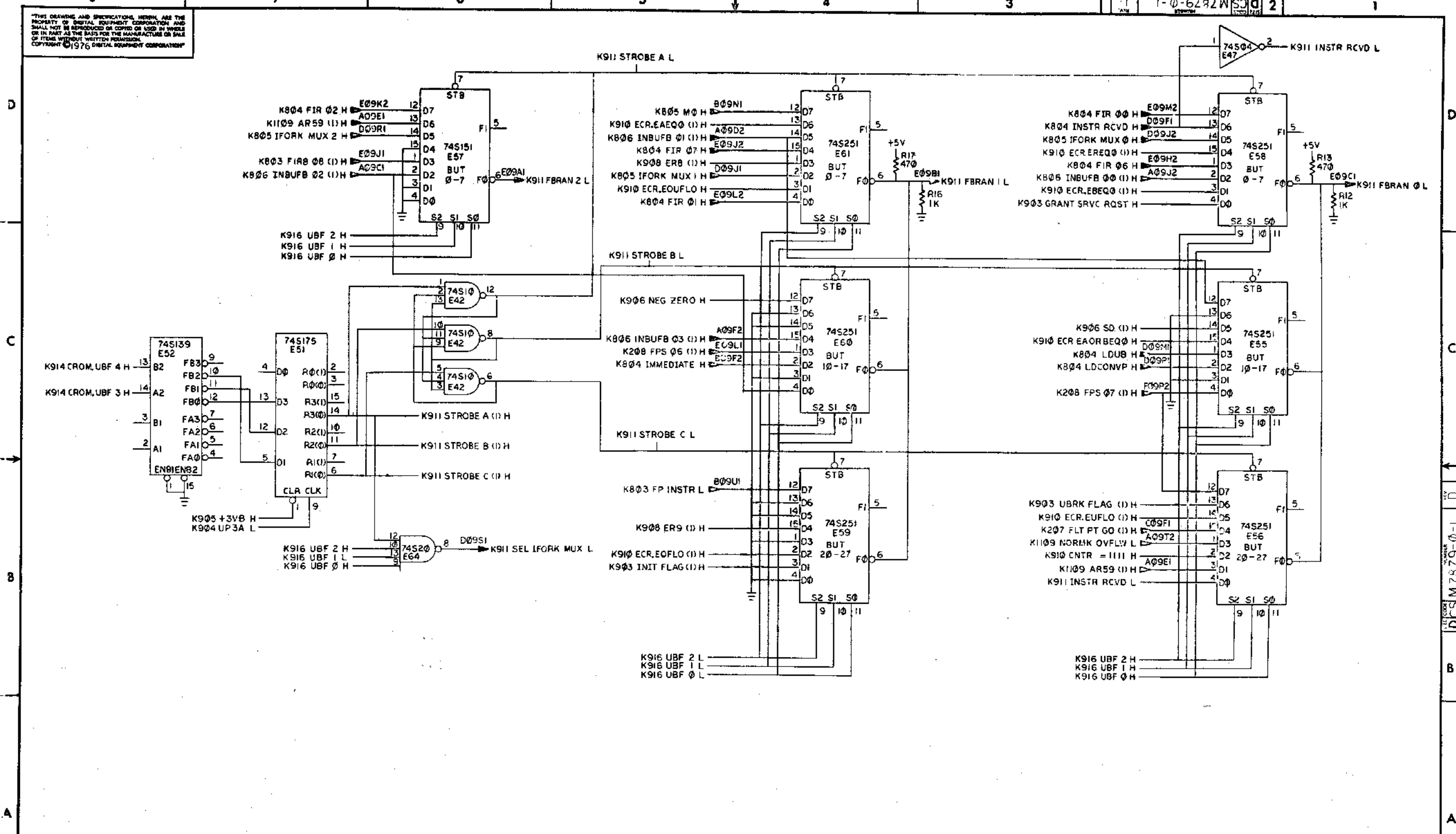


REVISIONS		
CHK	CHANGE NO.	REV.

(FCCR, ECR & CNTR)		(K910)	
TITLE	SIZE CODE	NUMBER	REV.
FLTPT EXP	DCS	M7879-0-1	D
SCALE	SHEET 10 OF 16	DIST.	

24

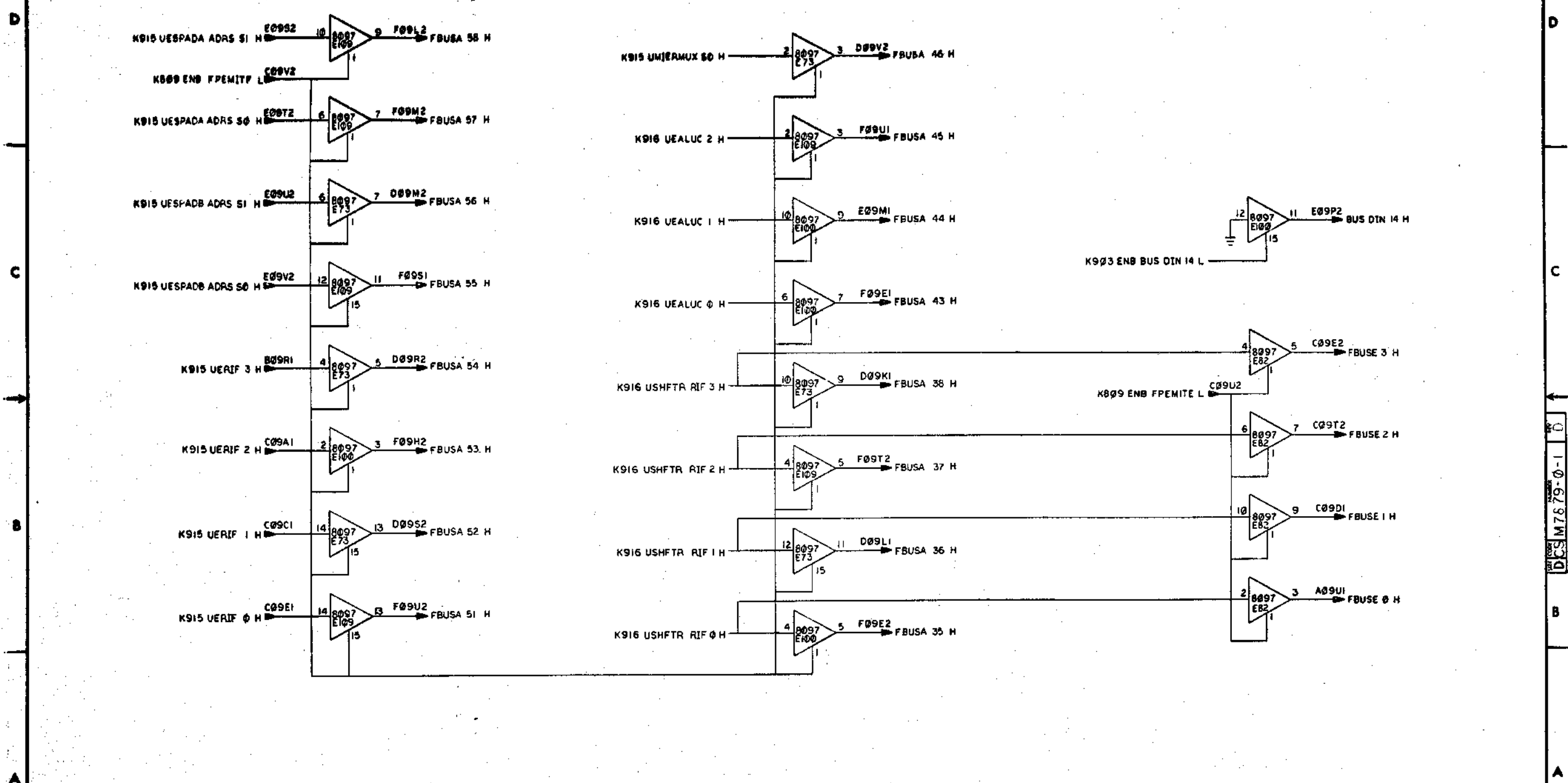
THIS DRAWING AND SPECIFICATIONS HEREIN ARE THE PROPERTY OF DIGITAL EQUIPMENT CORPORATION AND SHALL NOT BE REPRODUCED OR COPIED OR USED IN WHOLE OR IN PART AS THE BASIS FOR THE MANUFACTURE OR SALE OF ITEMS WITHOUT WRITTEN PERMISSION. COPYRIGHT © 1976 DIGITAL EQUIPMENT CORPORATION



REVISIONS		
CHK	CHANGE NO.	REV.

(MICROBRANCH <2:0>)		(K911)	
TITLE	FLTPT EXP	SIZE CODE	NUMBER
SCALE	SHEET 11 OF 16	DCS	M7879-0-1
DIST.		REV.	D

THIS DRAWING AND SPECIFICATIONS HEREBY ARE THE PROPERTY OF THE UNITED STATES GOVERNMENT AND ARE TO BE REPRODUCED IN WHOLE OR IN PART BY ANY PERSON OR ORGANIZATION AT ANY TIME BY ANY MEANS WITHOUT PERMISSION OF THE UNITED STATES GOVERNMENT.



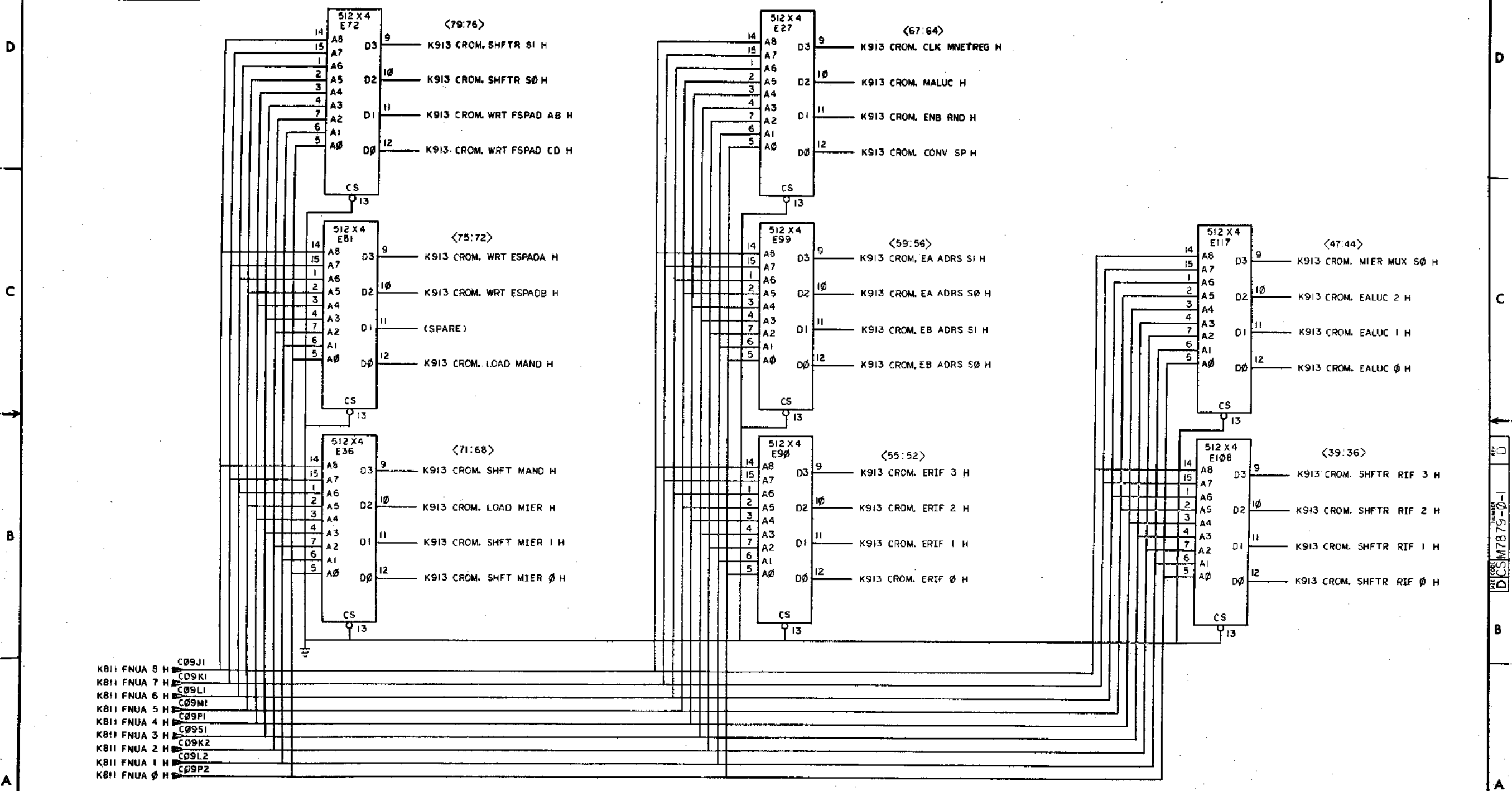
(FPemite & F TRISTATE DRIVERS) (K912)

REVISIONS		
CHK	CHANGE NO.	REV.

TITLE	FLTPT EXP	NO. COPIES	DCS	NUMBER	M7879-0-1	REV.	D
SCALE	←	EXCISE	12 OF 16	DUPLICATE			

THIS DRAWING AND SPECIFICATIONS, HEREIN, ARE THE PROPERTY OF DIGITAL EQUIPMENT CORPORATION AND SHALL NOT BE REPRODUCED OR COPIED IN WHOLE OR IN PART AS THE BASIS FOR THE MANUFACTURE OR SALE OF ITEMS WITHOUT WRITTEN PERMISSION. COPYRIGHT © 1977 DIGITAL EQUIPMENT CORPORATION

1-0-6282W SCD 2

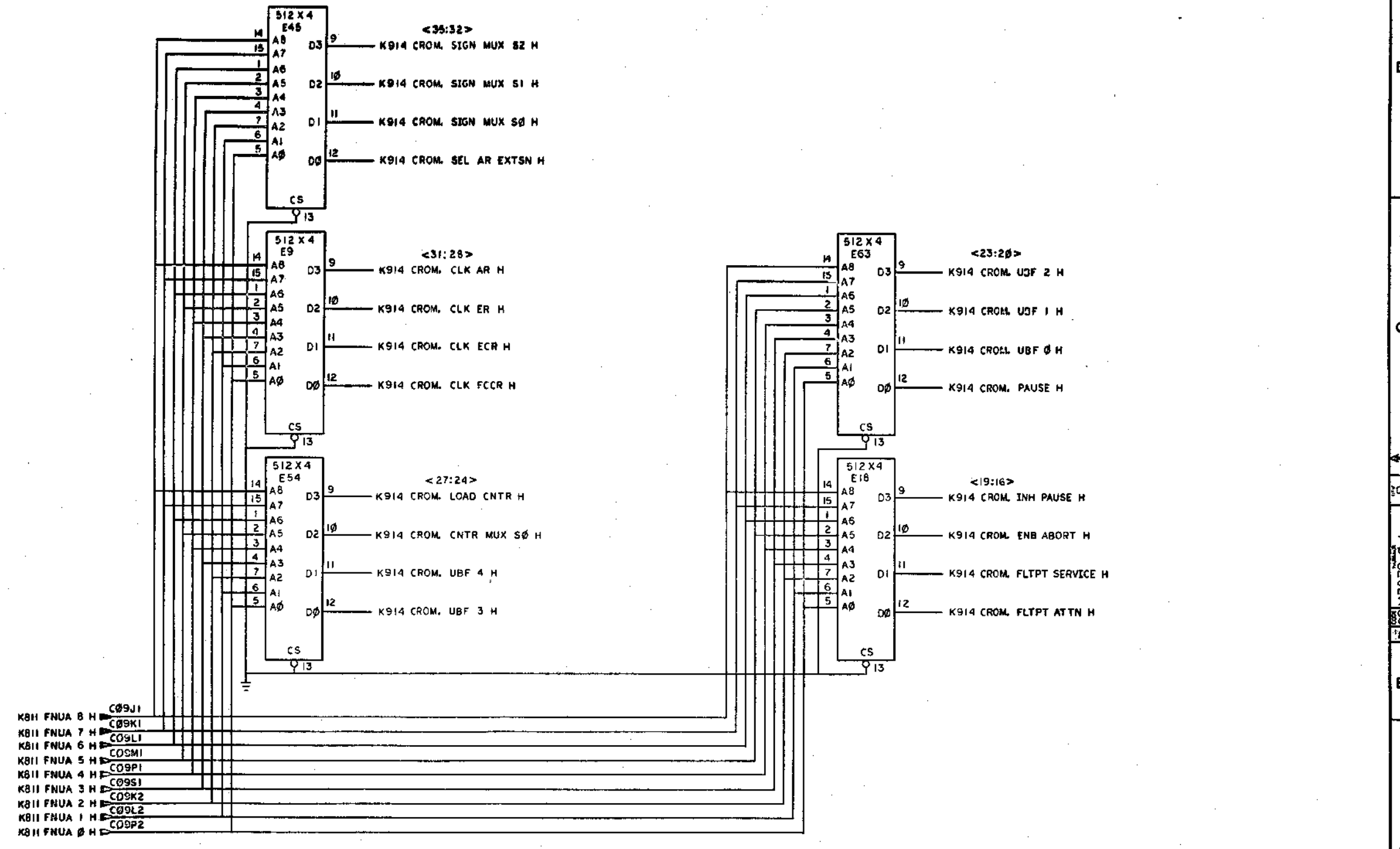


- K811 FNUA 8 H C09J1
- K811 FNUA 7 H C09K1
- K811 FNUA 6 H C09L1
- K811 FNUA 5 H C09M1
- K811 FNUA 4 H C09P1
- K811 FNUA 3 H C09S1
- K811 FNUA 2 H C09K2
- K811 FNUA 1 H C09L2
- K811 FNUA 0 H C09P2

REVISIONS		
CHK	CHANGE NO.	REV.

(CONTROL ROMS I)		(K913)	
TITLE FLTPT EXP		SIZE CODE D CSM7879-0-1	NUMBER REV. D
SCALE	SHEET 13 OF 16	DIST.	

THE SCHEMATIC AND SPECIFICATIONS HEREIN ARE THE PROPERTY OF DIGITAL EQUIPMENT CORPORATION AND SHALL NOT BE REPRODUCED OR COPIED IN ANY MANNER OR IN ANY MEDIUM AS THE BASIS FOR THE MANUFACTURE OR SALE OF ITEMS WITHOUT WRITTEN PERMISSION OF DIGITAL EQUIPMENT CORPORATION



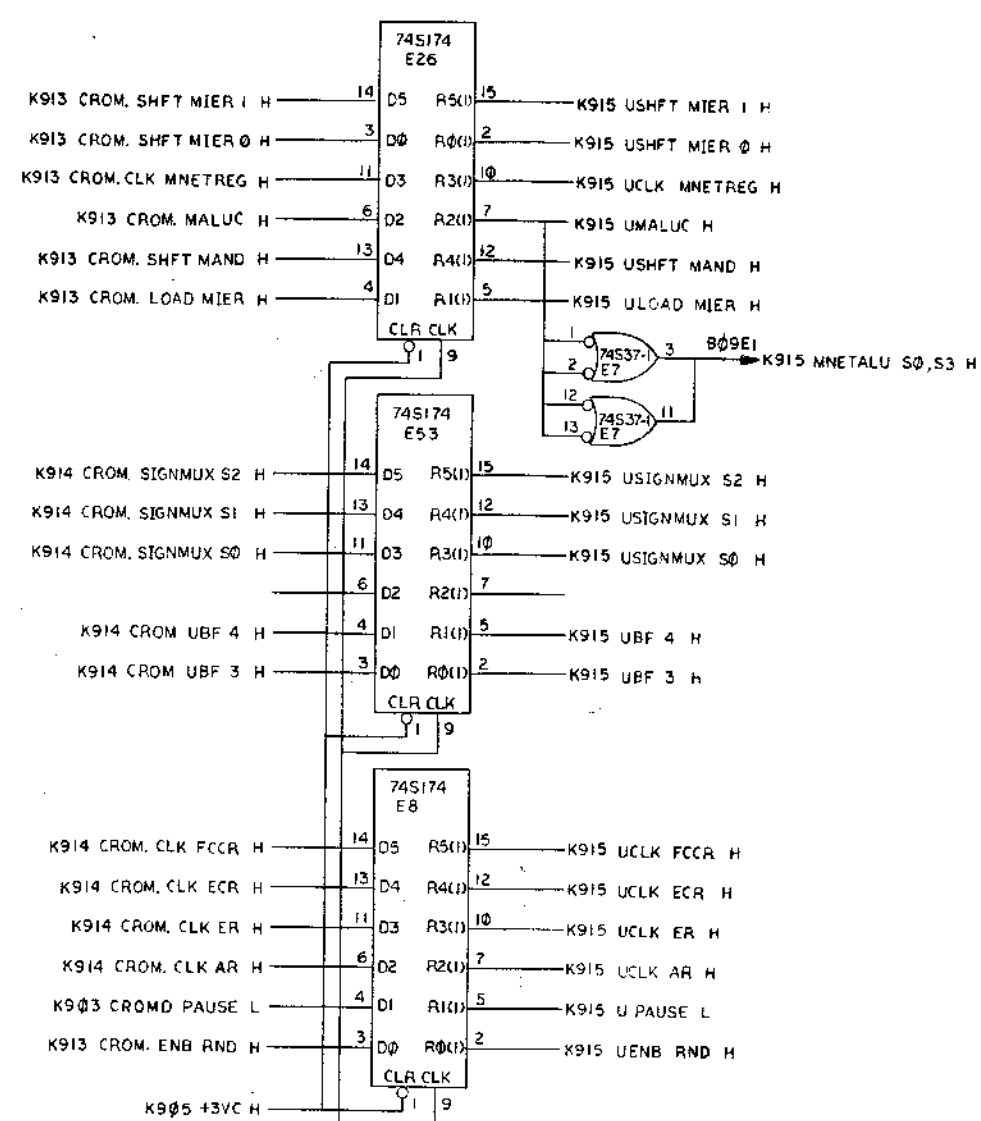
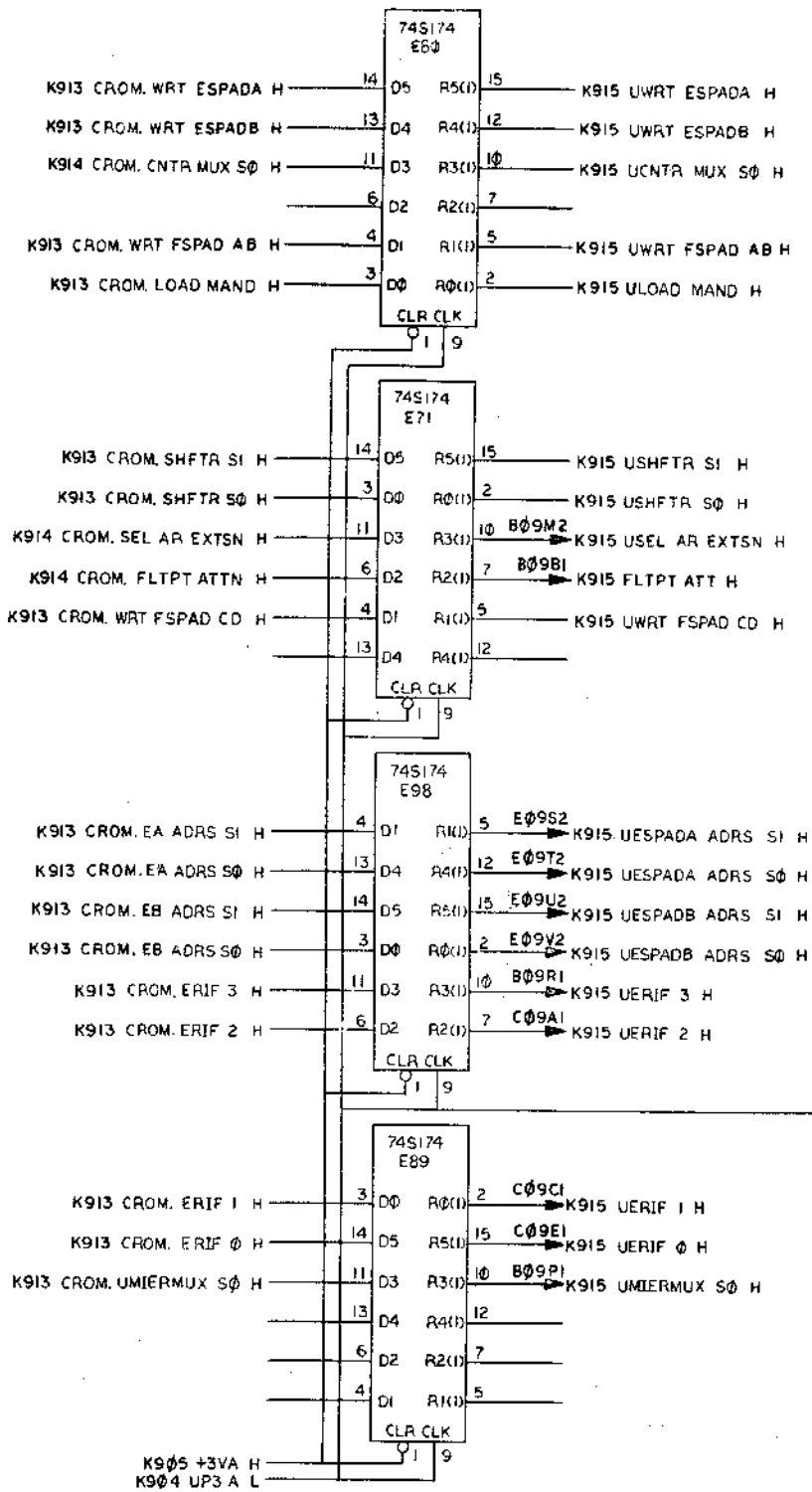
(CONTROL ROMS II) (K914)

REVISIONS		
CHK	CHANGE NO.	REV.

TITLE FLTPT EXP	NUMBER DCSM7879-0-1	REV. D
SCALE	SHEET 14 OF 16	DATE

"THIS DRAWING AND SPECIFICATIONS HEREIN ARE THE PROPERTY OF DIGITAL EQUIPMENT CORPORATION AND SHALL NOT BE REPRODUCED OR COPIED OR USED IN WHOLE OR IN PART AS THE BASIS FOR THE MANUFACTURE OR SALE OF ITEMS WITHOUT WRITTEN PERMISSION. COPYRIGHT © 1977 DIGITAL EQUIPMENT CORPORATION"

D
C
B
A

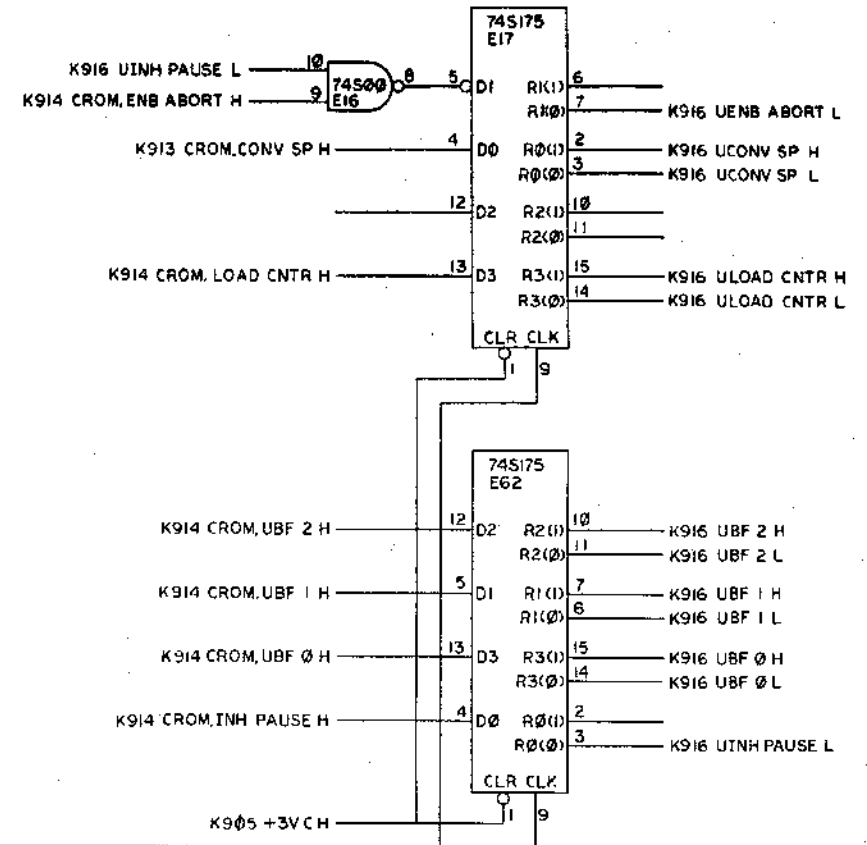
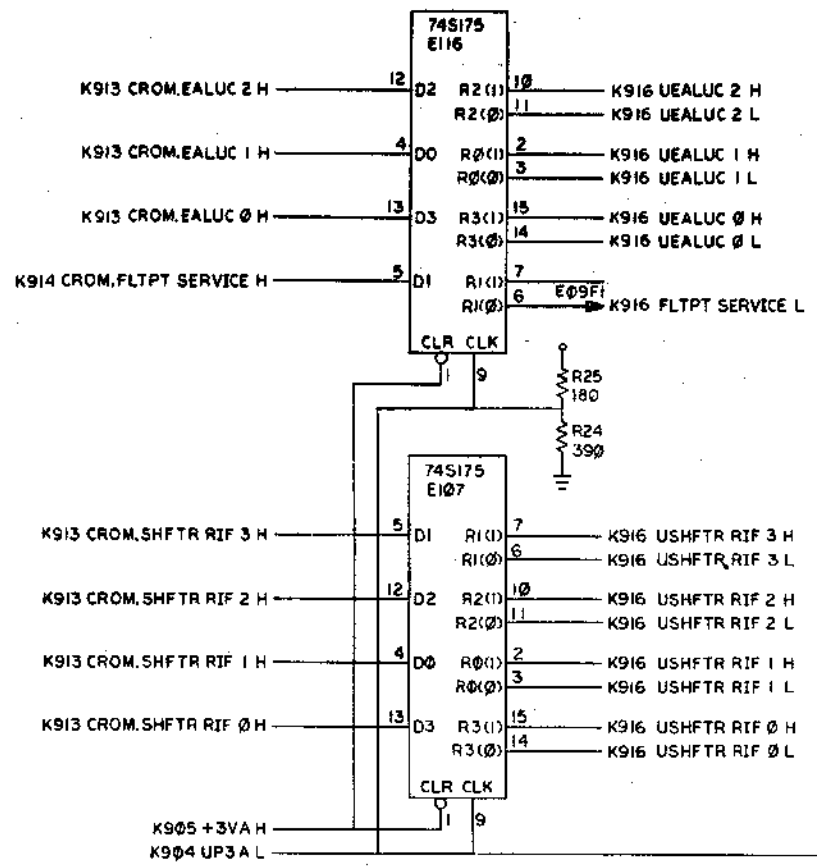


REV. D
DCS M7879-0-1

REVISIONS		
CHK	CHANGE NO.	REV.

(ROM BUFFERS I)		(K915)	
TITLE	SIZE CODE	NUMBER	REV.
FLTPT EXP	DCS	M7879-0-1	D
SCALE	SHEET 15 OF 16	DIST.	

THIS DRAWING AND SPECIFICATIONS, HEREIN, ARE THE PROPERTY OF DIGITAL EQUIPMENT CORPORATION AND SHALL NOT BE REPRODUCED OR COPIED OR USED IN WHOLE OR IN PART AS THE BASIS FOR THE MANUFACTURE OR SALE OF ITEMS WITHOUT WRITTEN PERMISSION.
 COPYRIGHT © 1977 DIGITAL EQUIPMENT CORPORATION



REVISIONS		
CHK	CHANGE NO.	REV.

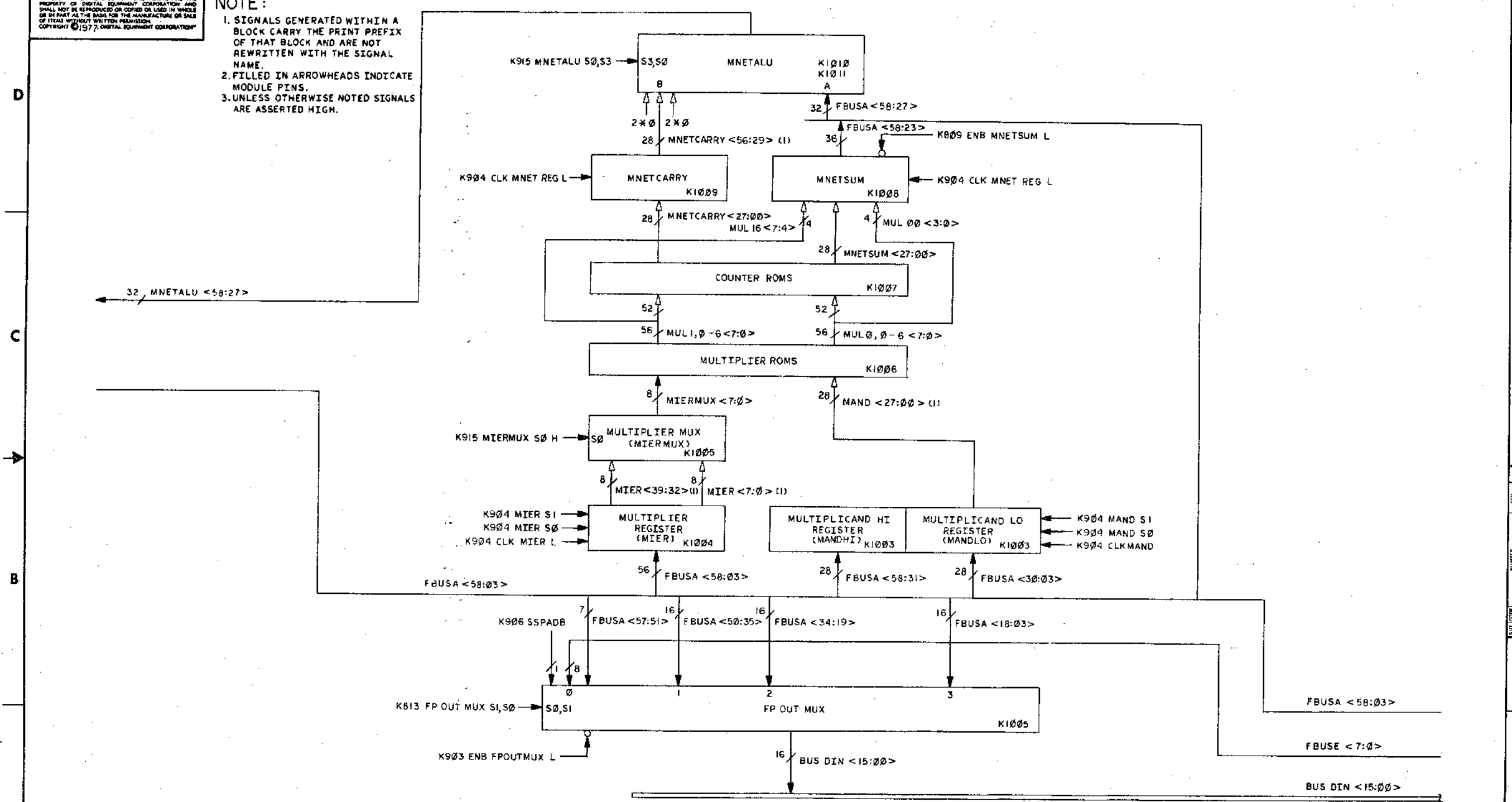
TITLE		SIZE CODE		NUMBER		REV.	
FLTPT EXP		DCS		M7879-0-1		D	
SCALE		SHEET		16 OF 16		DIST.	

(ROM BUFFERS II) (K916)

DCS M7879-0-1 D

THIS DRAWING AND SPECIFICATIONS HEREIN ARE THE PROPERTY OF DIGITAL EQUIPMENT CORPORATION AND SHALL NOT BE REPRODUCED OR COPIED OR USED IN WHOLE OR IN PART AS THE BASIS FOR THE MANUFACTURE OR SALE OF ITEMS WITHOUT WRITTEN PERMISSION. COPYRIGHT © 1977, DIGITAL EQUIPMENT CORPORATION.

NOTE:
 1. SIGNALS GENERATED WITHIN A BLOCK CARRY THE PRINT PREFIX OF THAT BLOCK AND ARE NOT REWRITTEN WITH THE SIGNAL NAME.
 2. FILLED IN ARROWHEADS INDICATE MODULE PINS.
 3. UNLESS OTHERWISE NOTED SIGNALS ARE ASSERTED HIGH.



REV.	
CHANGE NO.	
CHK	

(BLOCK DIAGRAM)		(KI001)
DRN. <i>J.P. Smith</i>	1-13-77	FIRST USED ON
CHK'D. <i>J.P. Smith</i>	4-28-77	
ENG. <i>J.C. Smith</i>	4/28/77	TITLE
PROJ. ENG. <i>J.C. Smith</i>	4/28/77	FLTPT MULNET
PROD. <i>K.T. Smith</i>	4-28-77	
NEXT HIGHER ASSY.		
SCALE	SIZE	CODE
	D	CS
SHEET 1 OF 11	NUMBER	REV.
	M7880-0-1	A

"THIS DRAWING AND SPECIFICATIONS HEREIN ARE THE PROPERTY OF DIGITAL EQUIPMENT CORPORATION AND SHALL NOT BE REPRODUCED OR COPIED OR USED IN WHOLE OR IN PART AS THE BASIS FOR THE MANUFACTURE OR SALE OF ITEMS WITHOUT WRITTEN PERMISSION. COPYRIGHT © 1977 DIGITAL EQUIPMENT CORPORATION"

MULTIPLIER ROM															
A				B				AB							
3	2	1	0	3	2	1	0	7	6	5	4	3	2	1	0
0	0	0	0	0	0	0	0	0	0	0	0	0	0	0	0
0	0	0	0	1	1	1	1	0	0	0	0	0	0	0	0
0	0	0	0	0	0	0	0	0	0	0	0	0	0	0	0
1	1	1	1	0	0	0	0	0	0	0	0	0	0	0	0
0	0	0	1	0	0	0	1	0	0	0	0	0	0	0	1
1	1	1	1	1	1	1	1	1	1	1	0	0	0	0	1

NOTE: TO OBTAIN THE PRODUCT AB <7:0> FOR ANY NON ZERO MULTIPLIER A <3:0> AND NON ZERO MULTIPLICAND B <3:0>, SIMPLY CALCULATE THE PRODUCT OF THE TWO 4 BIT BINARY NUMBERS.

EXAMPLE: A = 1011, B = 1101
 B <3:0> = 1101
 X A <3:0> = 1011

 1101
 1101
 0000
 1101

 AB <7:0> = 10001111

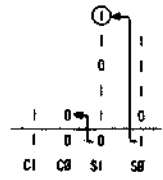
MULTIPLIER NETWORK ALU					
MAGIC	FUNCTION	INITIALS			
		S3	S2	S1	S0 N CIN
0	A PLUS B	1	0	0	1 0 1
1	A	0	0	0	0 0 1

COUNTER ROM			
B3	A3	B2	A2
B1	A1	B0	A0
C1	C0	S1	S0

THIS DEVICE ACCEPTS TWO COLUMNS OF UP TO 4 BITS EACH AND PRODUCES A SUM AND CARRY.

TO DETERMINE THE OUTPUT FOR ANY GIVEN INPUT A <3:0>, B <3:0>, ADD THE A AND B COLUMNS TO PRODUCE A 2 BIT SUM S <1:0> AND CARRY C <1:0>.

EXAMPLE: A <3:0> = 1110, B <3:0> = 1011

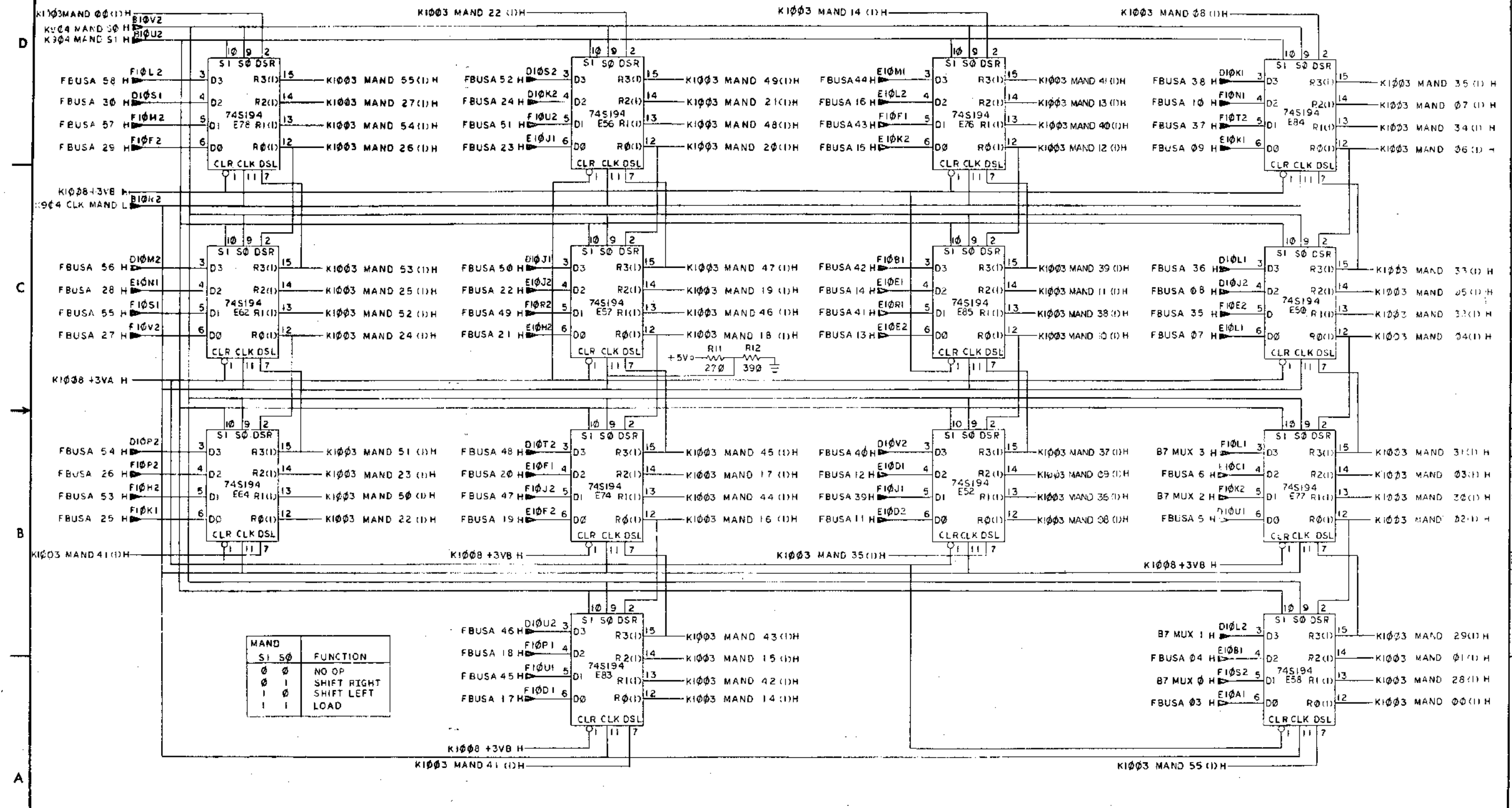


1 = HIGH
 0 = LOW

REVISIONS		
CHK	CHANGE NO.	REV.

32

"THIS DRAWING AND SPECIFICATIONS HEREIN ARE THE PROPERTY OF DIGITAL EQUIPMENT CORPORATION AND SHALL NOT BE REPRODUCED OR COPIED OR USED IN WHOLE OR IN PART AS THE BASIS FOR THE MANUFACTURE OR SALE OF ITEMS WITHOUT WRITTEN PERMISSION. COPYRIGHT © 1975 DIGITAL EQUIPMENT CORPORATION"



MAND	S1	S0	FUNCTION
0	0	0	NO OP
0	0	1	SHIFT RIGHT
0	1	0	SHIFT LEFT
1	1	1	LOAD

REVISIONS		
CHK	CHANGE NO.	REV.

(MULTIPLICAND REGISTER < 55:00 >) (K1003)

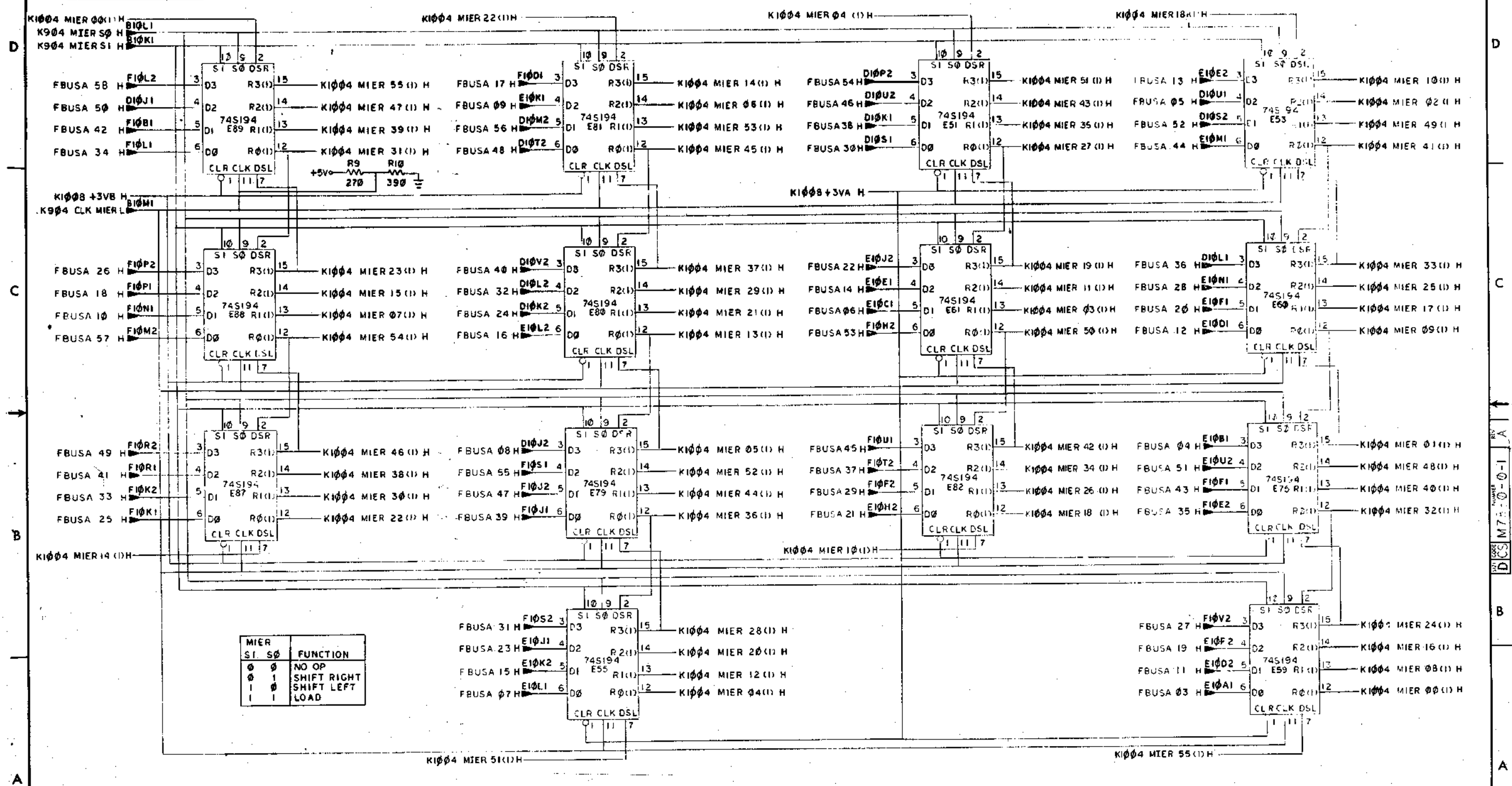
TITLE: FLT PT MULNET

SIZE CODE: DCS M7880-0-1

NUMBER: 4

SCALE: SHEET 3 OF 11

THIS DRAWING AND SPECIFICATIONS HEREIN ARE THE PROPERTY OF DIGITAL EQUIPMENT CORPORATION AND SHALL NOT BE REPRODUCED OR COPIED OR USED IN WHOLE OR IN PART AS THE BASIS FOR THE MANUFACTURE OR SALE OF ITEMS WITHOUT WRITTEN PERMISSION. COPYRIGHT © 1970 DIGITAL EQUIPMENT CORPORATION.



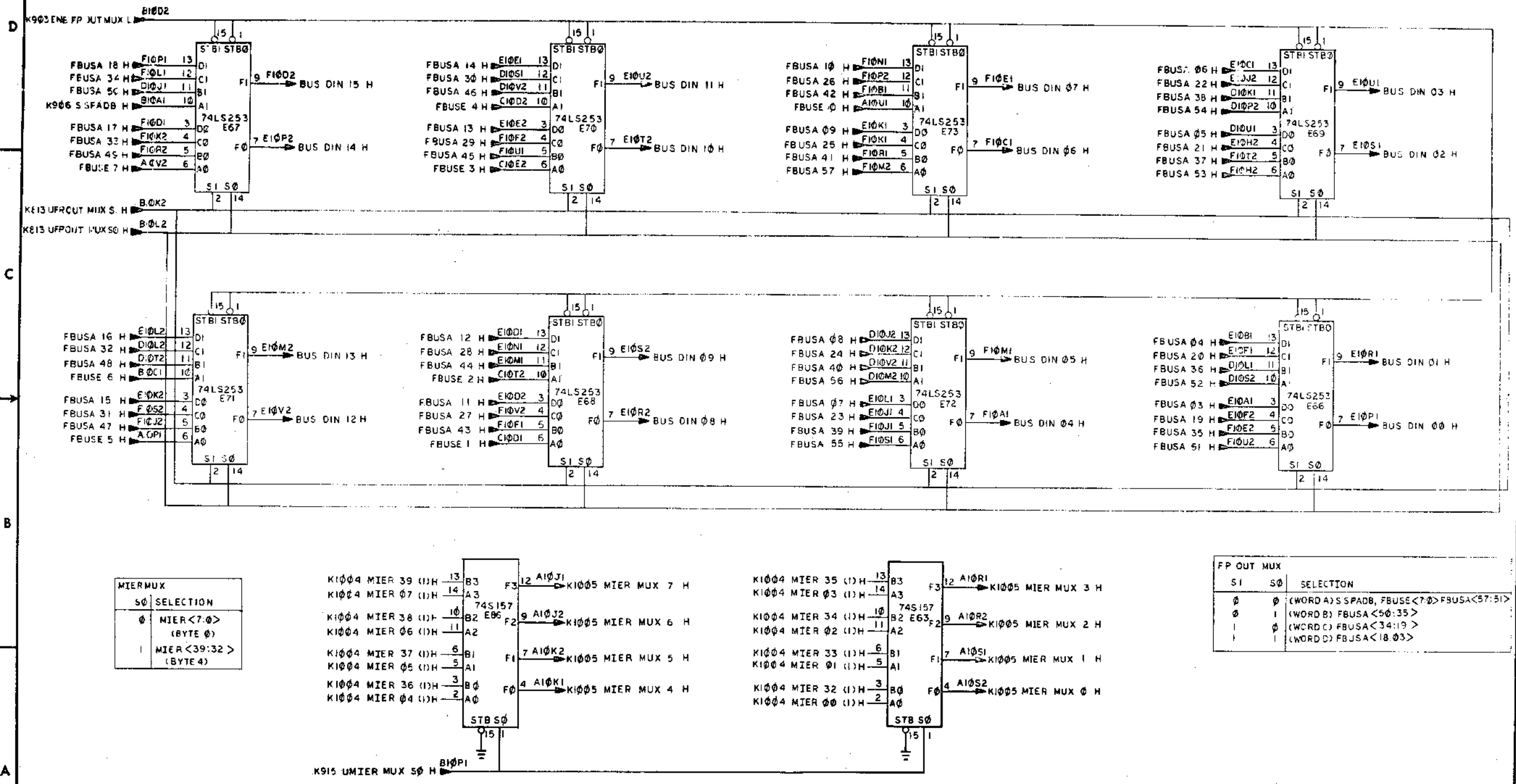
MIER	SI	S0	FUNCTION
0 0	0	0	NO OP
0 1	0	1	SHIFT RIGHT
1 0	1	0	SHIFT LEFT
1 1	1	1	LOAD

REVISIONS		
CHK	CHANGE NO.	REV.

(MULTIPLIER REGISTER <55:00>) (K1004)
 TITLE: FLT PT MULNET
 SIZE CODE: DCS M7880-0-1
 NUMBER: 4
 REV: A
 SHEET 4 OF 11

34

THIS DRAWING AND SPECIFICATIONS HEREIN ARE THE PROPERTY OF DIGITAL EQUIPMENT CORPORATION AND SHALL NOT BE REPRODUCED OR COPIED OR USED IN WHOLE OR IN PART AS THE BASIS FOR THE MANUFACTURE OR SALE OF ITEMS WITHOUT WRITTEN PERMISSION. COPYRIGHT © 1976 DIGITAL EQUIPMENT CORPORATION



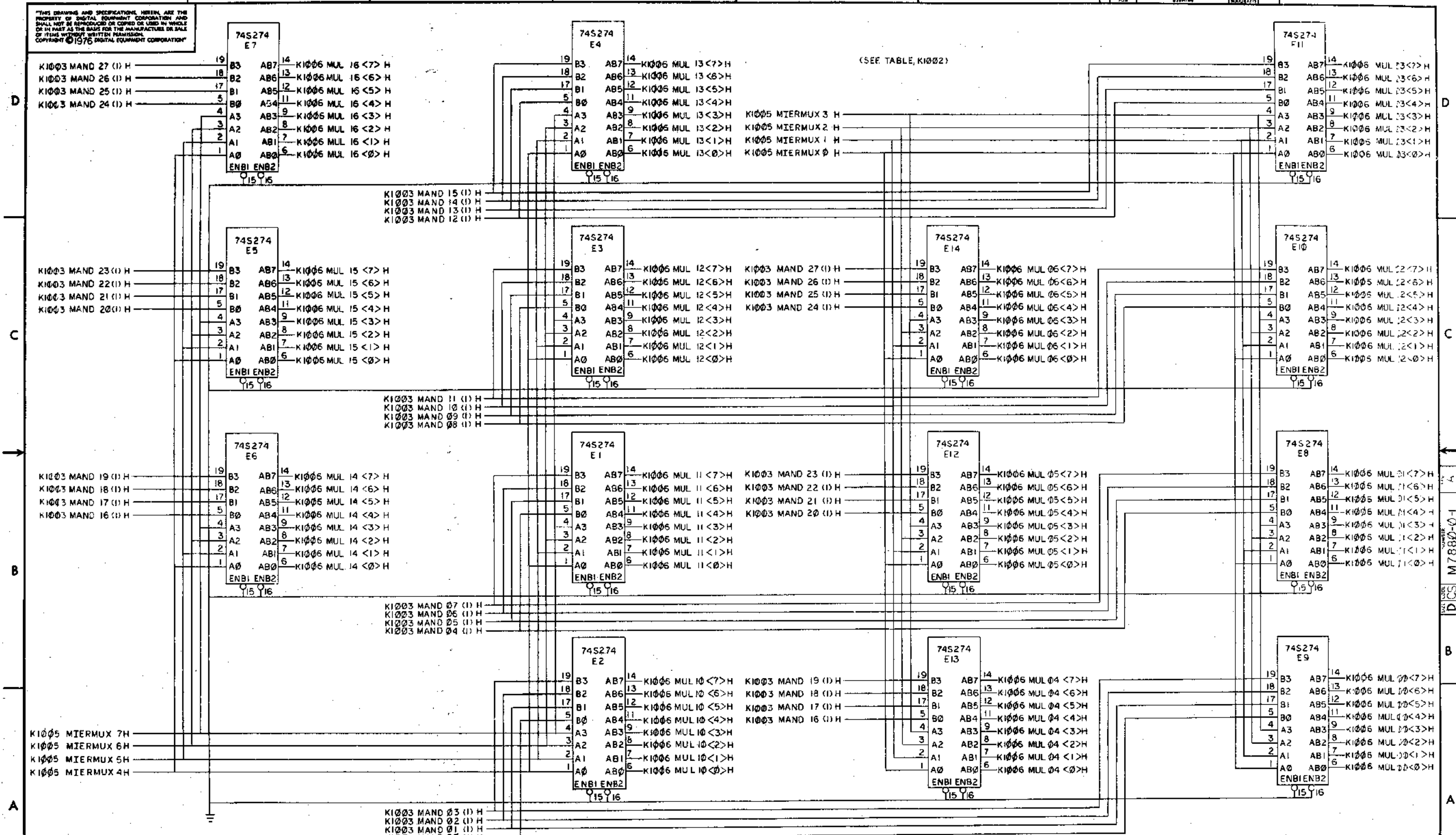
MIERMUX	
S0	SELECTION
0	MIER < 7:0 > (BYTE 0)
1	MIER < 39:32 > (BYTE 4)

FP OUT MUX		
S1	S0	SELECTION
0	0	(WORD A) SPADB, FBUSE < 7:0 > FBUSA < 57:51 >
0	1	(WORD B) FBUSA < 50:35 >
1	0	(WORD C) FBUSA < 34:19 >
1	1	(WORD D) FBUSA < 18:03 >

REVISIONS		
CHK	CHANGE NO.	REV.

"THIS DRAWING AND SPECIFICATIONS HEREIN ARE THE PROPERTY OF DIGITAL EQUIPMENT CORPORATION AND SHALL NOT BE REPRODUCED OR COPIED OR USED IN WHOLE OR IN PART AS THE BASIS FOR THE MANUFACTURE OR SALE OF ITEMS WITHOUT WRITTEN PERMISSION. COPYRIGHT © 1976 DIGITAL EQUIPMENT CORPORATION"

1-0-0882W SCD 2



REVISIONS		
CHK	CHANGE NO.	REV.

(MULTIPLIER ROMS) (KI006)

TITLE: FLTPT MULNET

SIZE CODE: DCS

NUMBER: M7880-0-1

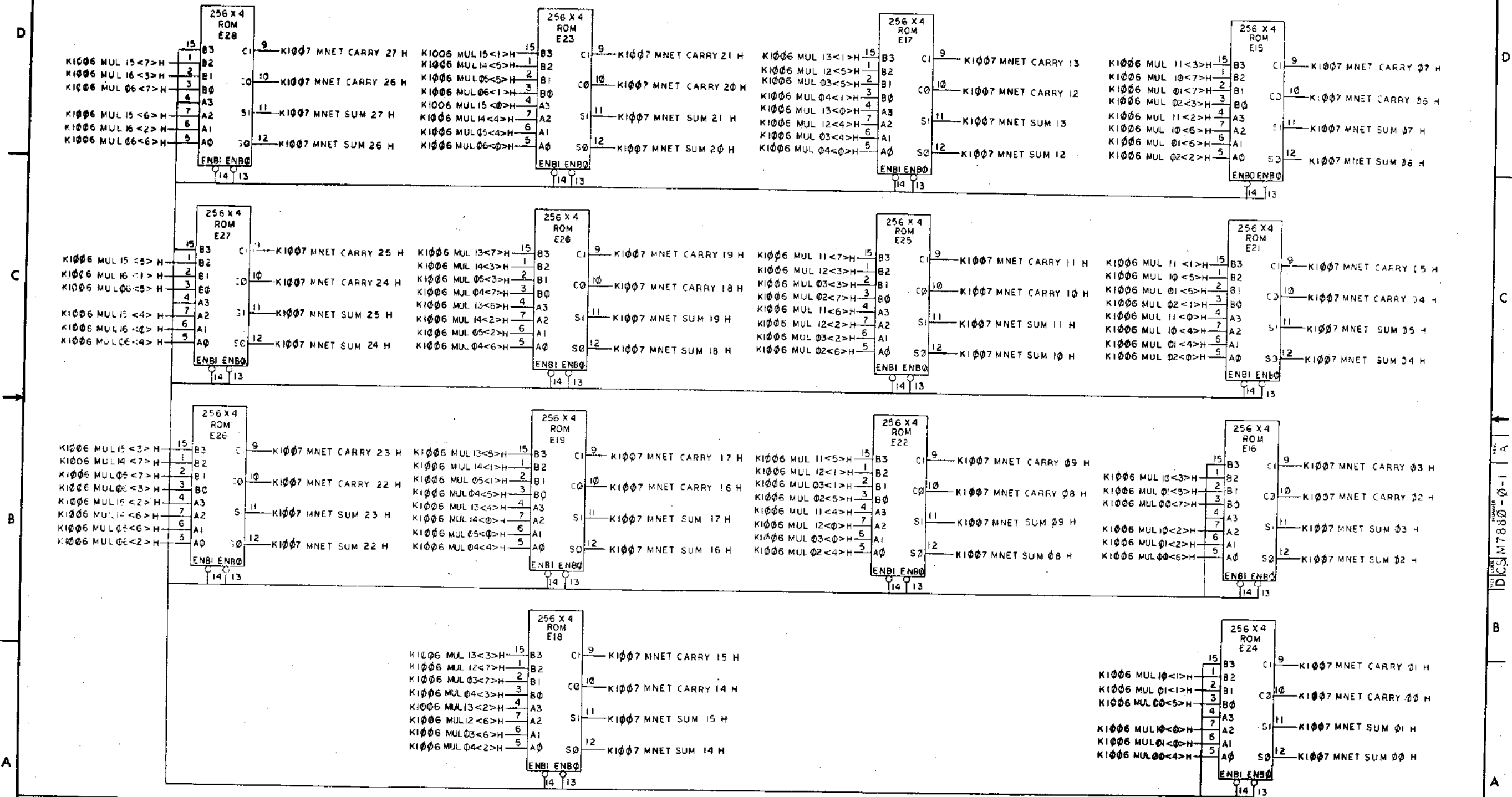
REV. A

SCALE: SHEET 6 OF 11

THIS DRAWING AND SPECIFICATIONS, HEREIN ARE THE PROPERTY OF DIGITAL EQUIPMENT CORPORATION AND SHALL NOT BE REPRODUCED OR COPIED OR USED IN WHOLE OR IN PART AS THE BASIS FOR THE MANUFACTURE OR SALE OF ITEMS WITHOUT WRITTEN PERMISSION. COPYRIGHT © 1970 DIGITAL EQUIPMENT CORPORATION.

1-0-0882M7880 2

(SEE TABLE, K1002)



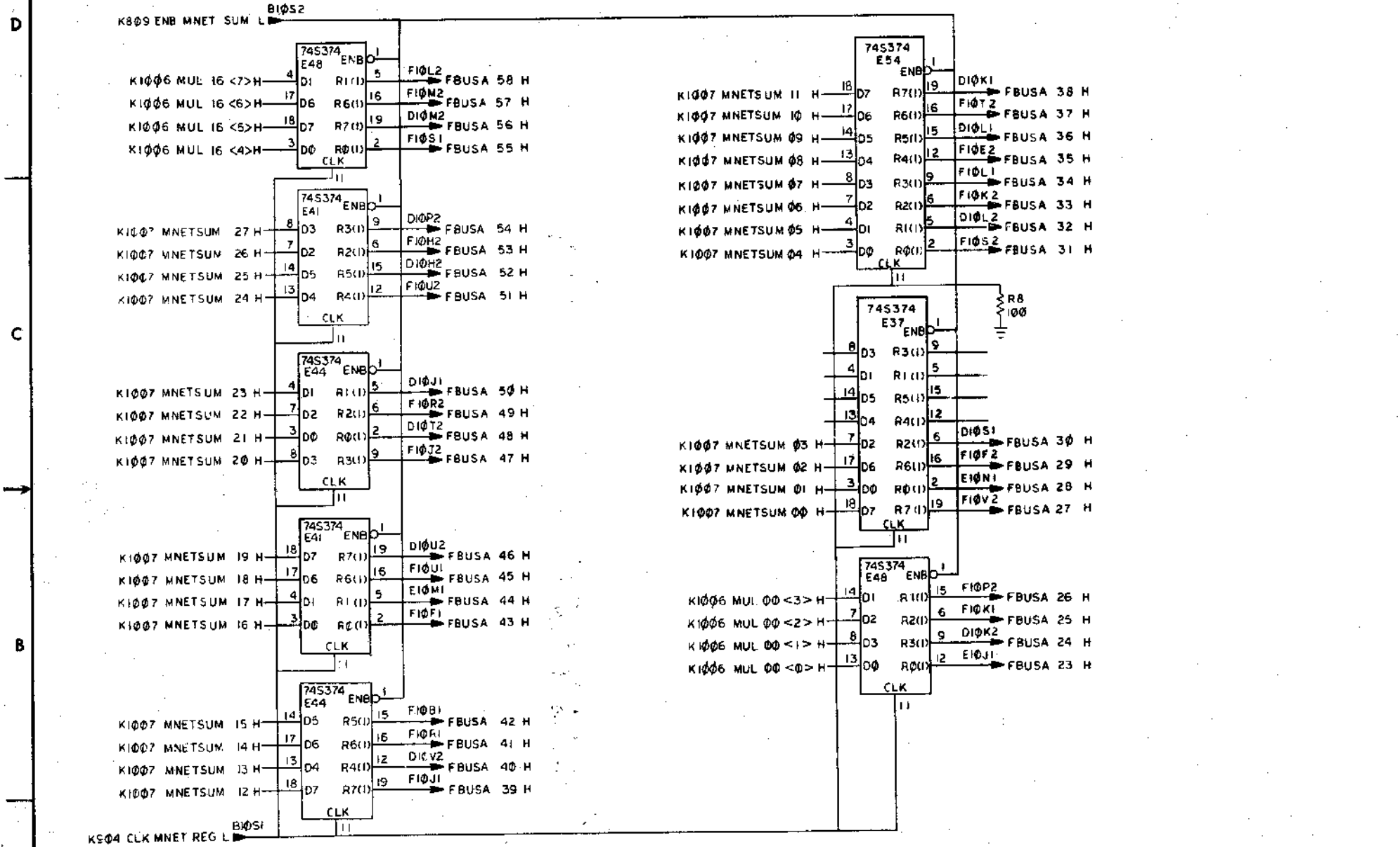
REVISIONS		
CHK	CHANGE NO.	REV.

(COUNTER ROMS <27:00>) (K1007)

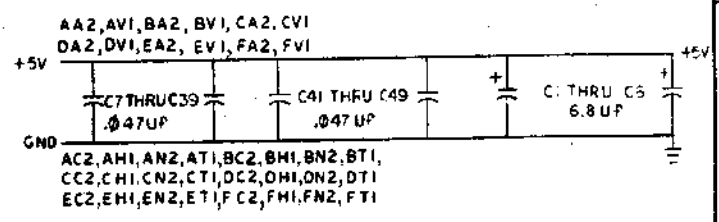
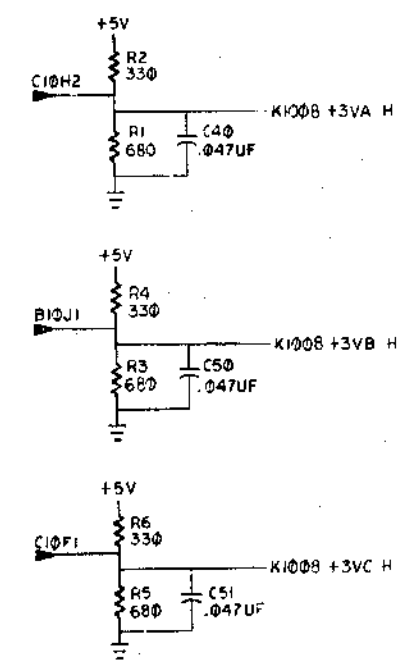
TITLE	SIZE CODE	NUMBER	REV.
FLT PT MULNET	D	CSM7880-0-1	A
SCALE	SHEET 7 OF 11	DIST.	

DCS M7880-0-1 A

"THIS DRAWING AND SPECIFICATIONS, HEREIN, ARE THE PROPERTY OF DIGITAL EQUIPMENT CORPORATION AND SHALL NOT BE REPRODUCED OR COPIED OR USED IN WHOLE OR IN PART AS THE BASIS FOR THE MANUFACTURE OR SALE OF ITEMS WITHOUT WRITTEN PERMISSION. COPYRIGHT © 1976 DIGITAL EQUIPMENT CORPORATION"

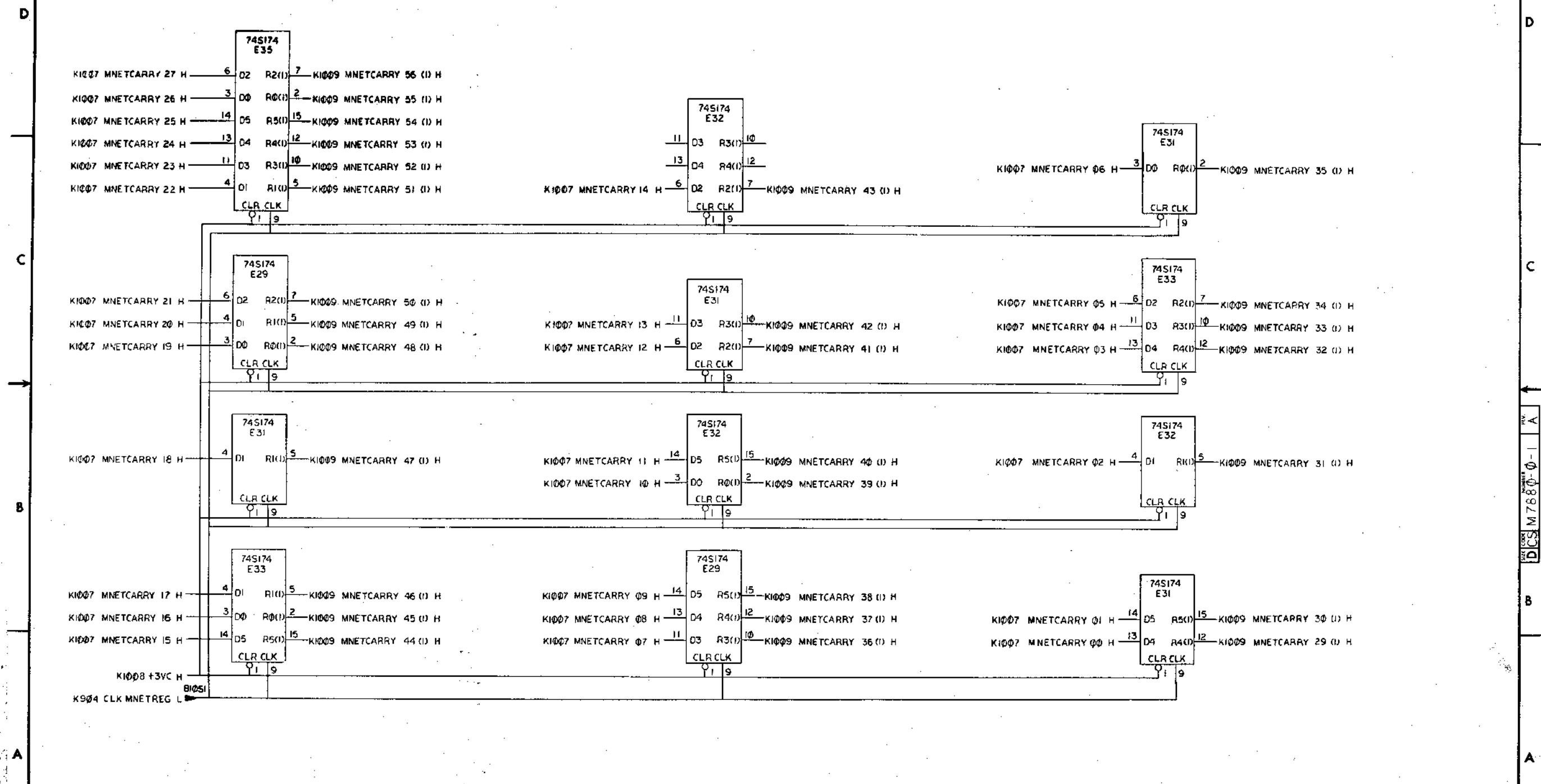


NOTE: REGISTERS CAN BE CLEARED BY MOMENTARILY GROUNDING THE APPROPRIATE +3V FINGER.



CHK	CHANGE NO.	REV.

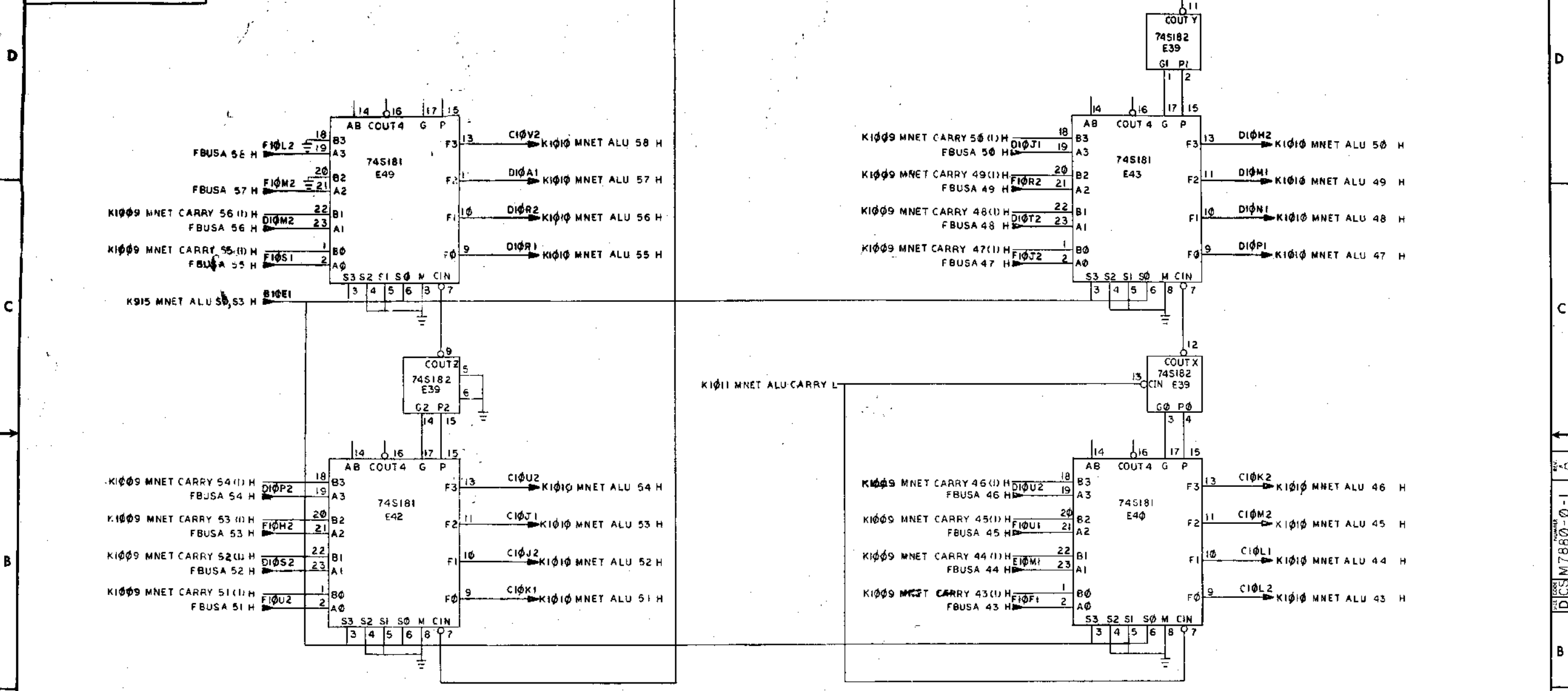
(MNET SUM REGISTER <58:23>)		(K1008)	
TITLE	SIZE CODE	NUMBER	REV.
FLT PT MULNET	DCS	M7880-0-1	A
SCALE	SHEET 8	OF 11	DIST.



REVISIONS		
CHK	CHANGE NO.	REV.

(MNETCARRY REGISTER <56:29>)		(K1009)	
TITLE	SIZE CODE	NUMBER	REV.
FLT PT MULNET	DCS	M7880-0-1	A
SCALE	SHEET 9 OF 11	DIST.	

THIS DRAWING AND SPECIFICATIONS THEREON ARE THE PROPERTY OF DIGITAL EQUIPMENT CORPORATION AND SHALL NOT BE REPRODUCED OR COPIED OR USED IN WHOLE OR IN PART AS THE BASIS FOR THE MANUFACTURE OR SALE OF OTHER EQUIPMENT WITHOUT PERMISSION. COPYRIGHT © 1976, DIGITAL EQUIPMENT CORPORATION



(SEE TABLE, K1002)

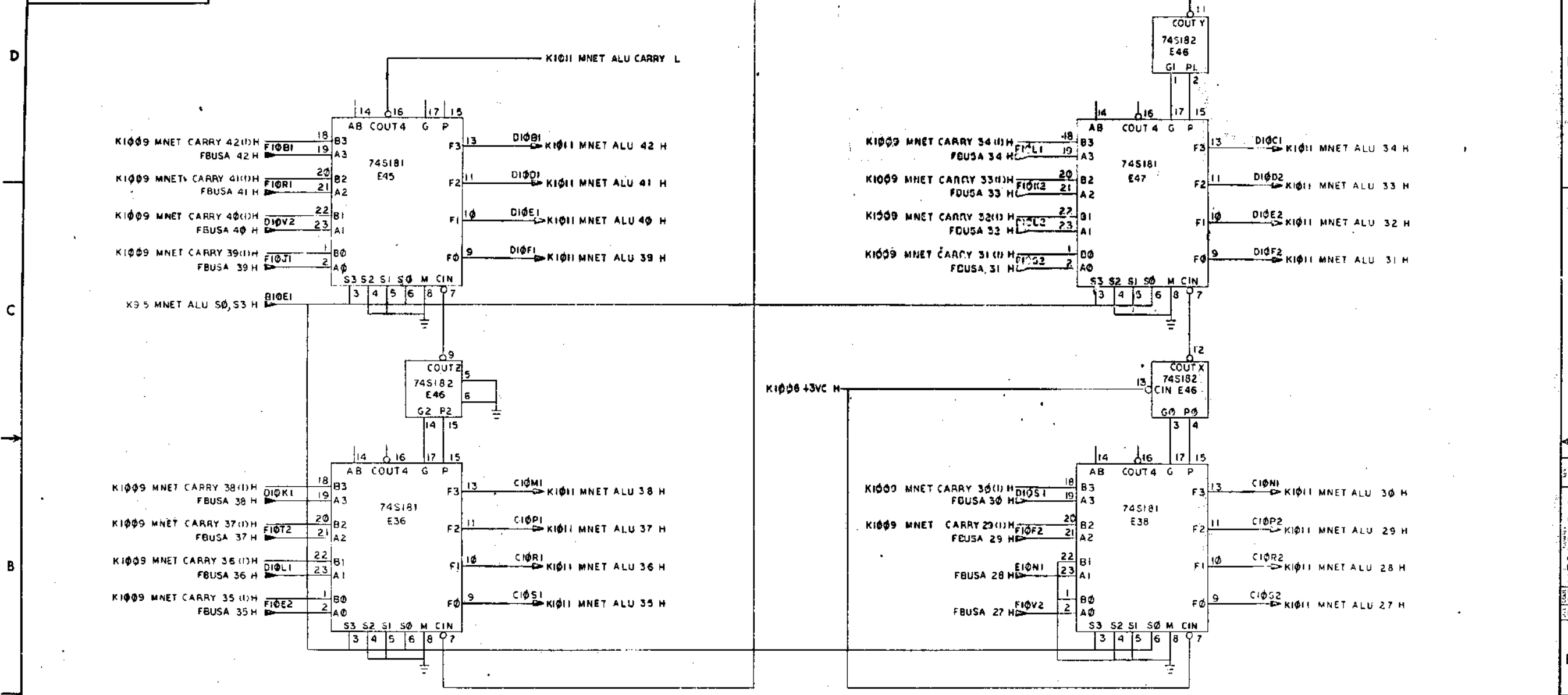
(MULNET ALU <58:43> (K1000)

REVISIONS		
CHK	CHANGE NO.	REV.

TITLE	FLT PT MULNET	SIZE CODE	D CS M7880-0-1	NUMBER	13 OF 11	REV.	A
SCALE		DIST.					

D CS M7880-0-1

THIS DRAWING AND SPECIFICATIONS HEREIN ARE THE PROPERTY OF DIGITAL EQUIPMENT CORPORATION AND SHALL NOT BE REPRODUCED OR COPIED OR USED IN WHOLE OR IN PART AS THE BASIS FOR THE MANUFACTURE OR SALE OF ITEMS WITHOUT WRITTEN PERMISSION. COPYRIGHT © 1976 DIGITAL EQUIPMENT CORPORATION



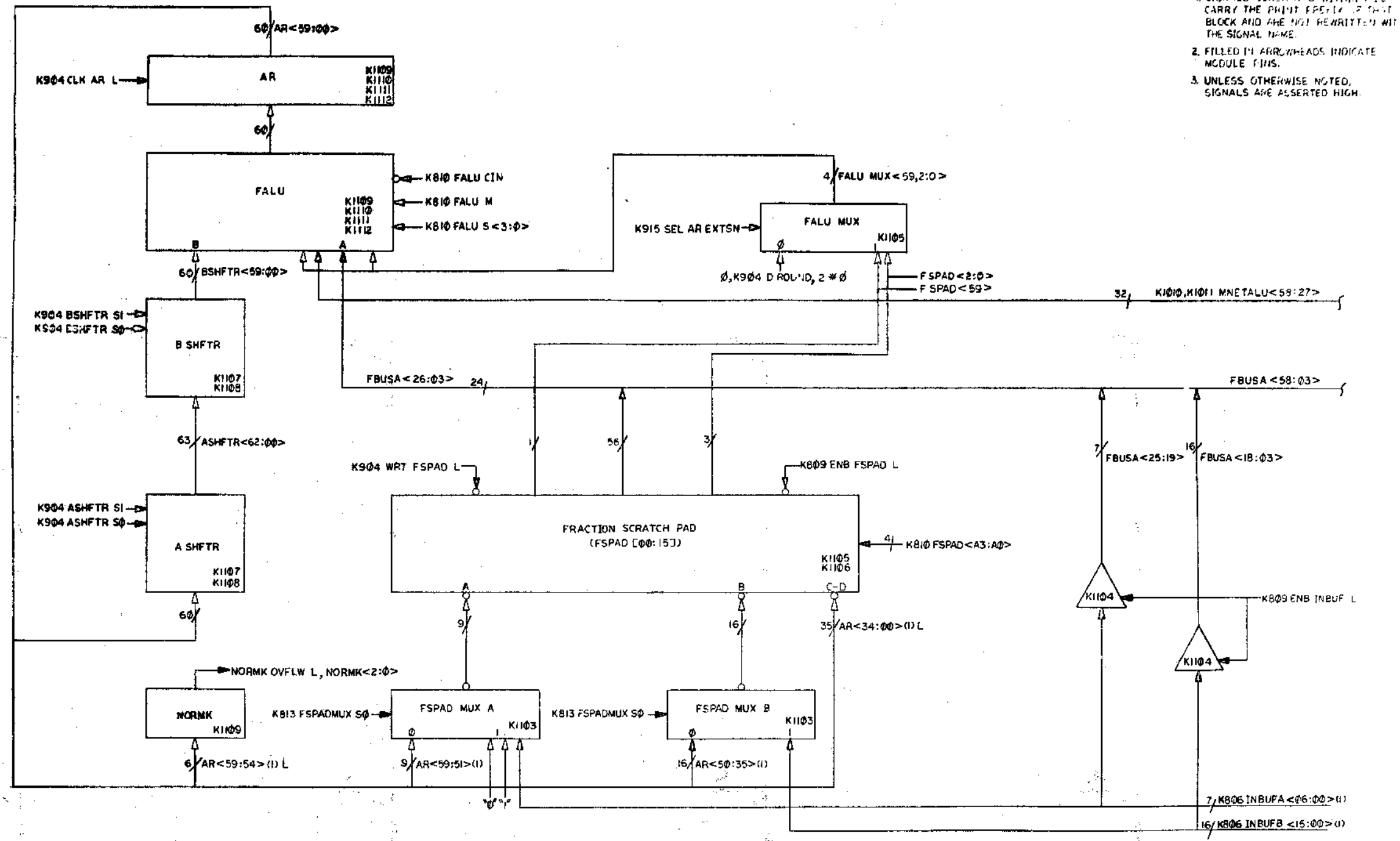
(SEE TABLE, K1002)

REVISIONS		
CHK	CHANGE NO.	REV.

(MULNET ALU<42:27>)		(K1011)	
TITLE	FLT PT MULNET	SIZE CODE	D CS M7880-0-1
SCALE	←	SHEET 11	OF 11
REV.	A	DIST.	

THIS DRAWING AND SPECIFICATIONS HEREBY ARE THE PROPERTY OF DIGITAL EQUIPMENT CORPORATION. IT SHALL NOT BE REPRODUCED OR COPIED IN ANY MANNER OR IN ANY MEDIUM WITHOUT THE WRITTEN PERMISSION OF THIS COMPANY.

- NOTES:
1. SIGNALS GENERATED WITHIN A BLOCK CARRY THE PREFIX OF THAT BLOCK AND ARE NOT REWRITTEN WITH THE SIGNAL NAME.
 2. FILLED IN ARROWHEADS INDICATE MODULE FINIS.
 3. UNLESS OTHERWISE NOTED, SIGNALS ARE ASSERTED HIGH.



REV.	DATE	BY	CHKD.
1	11/78	D. LIVES	
2	1/79		
3			
4			
5			
6			
7			
8			

DRM. Rev. 1-10-77	FIRST USED ON	41-10-77
ENR. 6-1-77	TITLE	FLTP: FALU
PROJ. ENR. 3-1-77	SIZE	D
PRCD. K. 3-1-77	NUMBER	M7881-0-1
NEXT HIGHER ASSY.	REV.	
SCALE	DIST.	
SHEET 1 OF 12		

THIS DRAWING AND SPECIFICATIONS HEREON ARE THE PROPERTY OF DIGITAL EQUIPMENT CORPORATION AND SHALL NOT BE REPRODUCED OR COPIED IN WHOLE OR IN PART AS THE BASIS FOR THE MANUFACTURE OR SALE OF ANY EQUIPMENT WITHOUT WRITTEN AUTHORIZATION OF DIGITAL EQUIPMENT CORPORATION.

SHIFTER CONTROL		
A SHIFTER	B SHIFTER	NUMBER OF SHIFTS
S1 S0	S1 S0	
0 0	0 0	RIGHT 11
0 0	0 1	RIGHT 10
0 0	1 0	RIGHT 9
0 0	1 1	RIGHT 8
0 1	0 0	RIGHT 7
0 1	0 1	RIGHT 6
0 1	1 0	RIGHT 5
0 1	1 1	RIGHT 4
1 0	0 0	RIGHT 3
1 0	0 1	RIGHT 2
1 0	1 0	RIGHT 1
1 0	1 1	ZERO
1 1	0 0	LEFT 1
1 1	0 1	LEFT 2
1 1	1 0	LEFT 3
1 1	1 1	LEFT 4

FUNCTION ALU CONTROL										
FALUC				FUNCTION	FALU					
S	Z	I	F		S3	S2	S1	S0	N	CIN
0	0	0	0	NOT A	0	0	0	0	1	X
0	0	0	1	-	-	-	-	-	-	-
0	0	1	0	-	-	-	-	-	-	-
0	0	1	1	ZERO	0	0	1	1	0	0
0	1	0	0	-	-	-	-	-	-	-
0	1	0	1	NOT B	0	1	0	1	1	X
0	1	1	0	A MINUS B	0	1	1	0	0	0
0	1	1	1	-	-	-	-	-	-	-
1	0	0	0	-	-	-	-	-	-	-
1	0	0	1	A PLUS B	1	0	0	1	0	1
1	0	1	0	B	1	0	1	0	1	X
1	0	1	1	A AND B	1	0	1	1	1	X
1	1	0	0	-	-	-	-	-	-	-
1	1	0	1	-	-	-	-	-	-	-
1	1	1	0	A OR B	1	1	1	0	1	X
1	1	1	1	A	1	1	1	1	1	X

NORMALIZATION LOGIC										
AR				NORM		# SHIFTS				
S9	S8	S7	S6	S5	S4		2	1	F	
0	0	0	0	0	0	1	1	1	0	GREATER THAN 4
0	0	0	0	0	1	1	1	1	1	LEFT 4
0	0	0	0	1	-	1	1	0	1	LEFT 3
0	0	0	1	-	-	1	0	1	1	LEFT 2
0	0	1	-	-	-	1	0	0	1	LEFT 1
0	1	-	-	-	-	0	1	1	1	LEFT 0
1	-	-	-	-	-	0	1	0	1	RIGHT 1

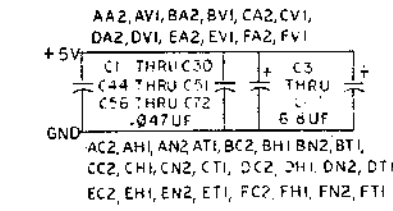
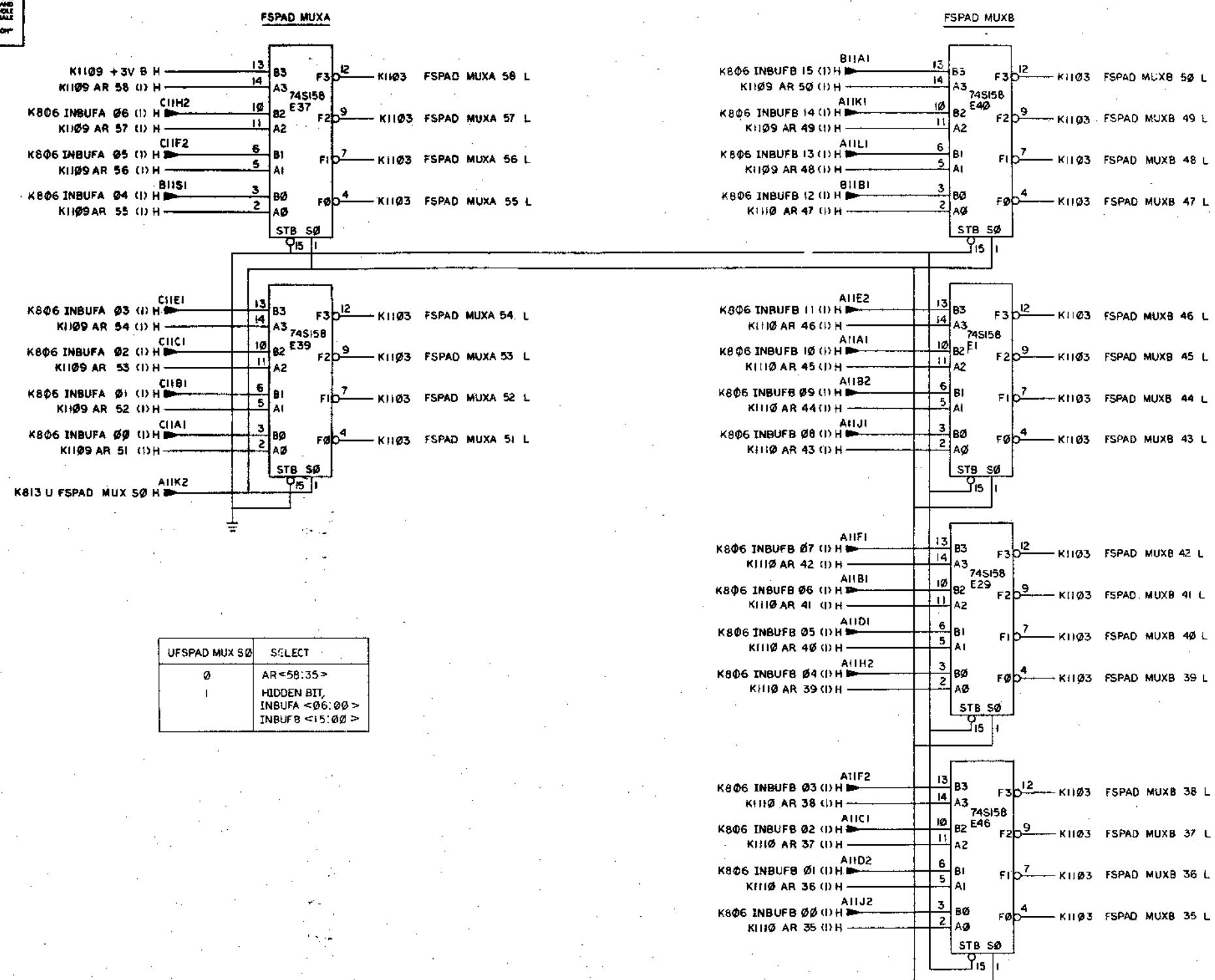
1 = HIGH
0 = LOW

REVISIONS		
CHK	CHANGE NO.	REV.

(TABLES) (K1102)

THIS DRAWING AND SPECIFICATIONS HEREIN ARE THE PROPERTY OF DIGITAL EQUIPMENT CORPORATION AND SHALL NOT BE REPRODUCED OR COPIED OR USED IN WHOLE OR IN PART AS THE BASIS FOR THE MANUFACTURE OR SALE OF ITEMS WITHOUT WRITTEN PERMISSION. COPYRIGHT © 1976 DIGITAL EQUIPMENT CORPORATION

101882W 2



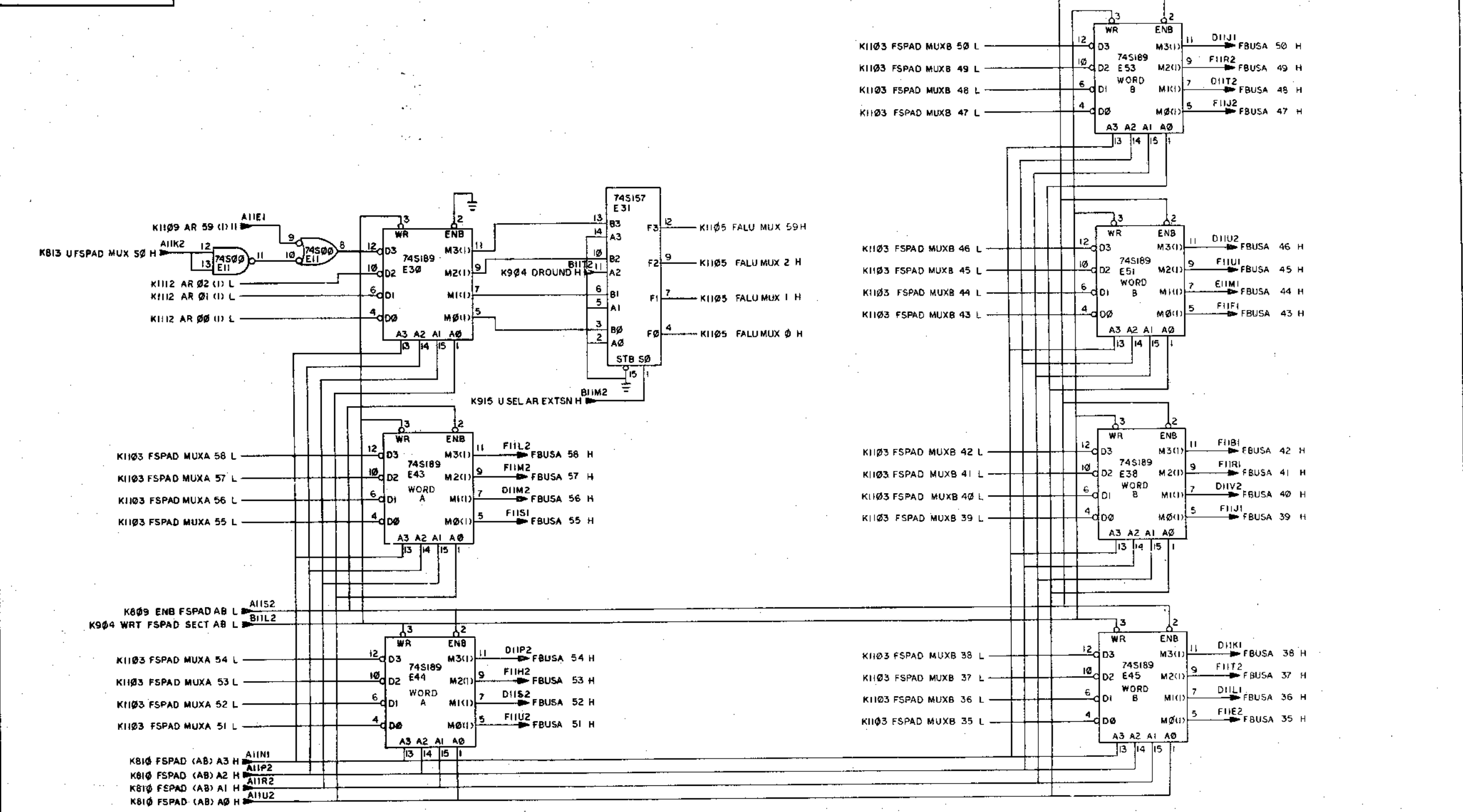
(FSPAD INPUT MUX) (K1103)

REVISIONS		
CHK	CHANGE NO.	REV.

TITLE	SIZE/CODE	NUMBER	REV.
FLT PT FALU	D CS	M7881-0-1	..
SCALE	SHEET	OF	
	3	12	

44

THIS DRAWING AND SPECIFICATIONS HEREIN ARE THE PROPERTY OF DIGITAL EQUIPMENT CORPORATION AND SHALL NOT BE REPRODUCED OR COPIED OR USED IN WHOLE OR IN PART AS THE BASIS FOR THE MANUFACTURE OR SALE OF ITEMS WITHOUT WRITTEN PERMISSION. COPYRIGHT © 1976 DIGITAL EQUIPMENT CORPORATION.

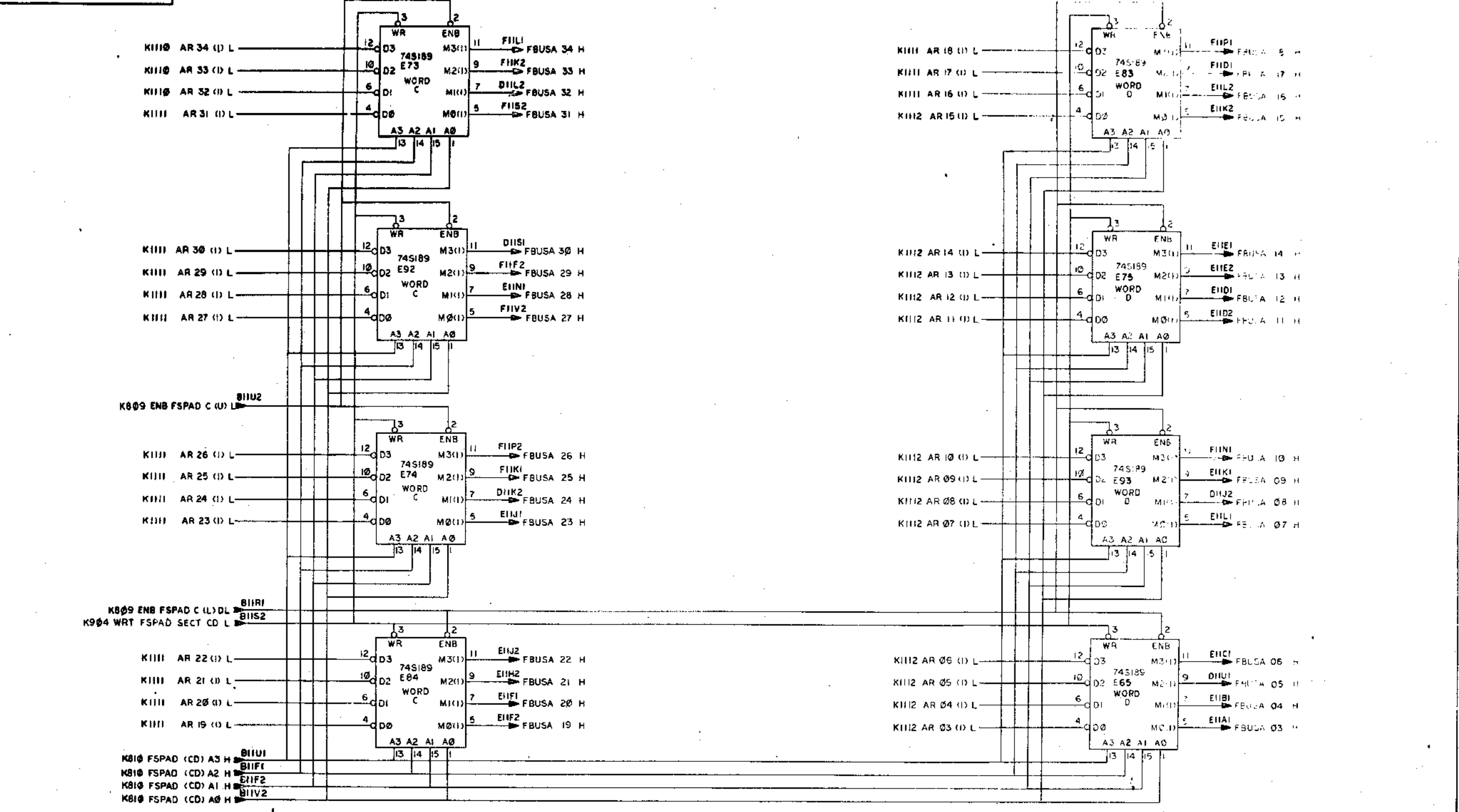


REVISIONS		
CHK	CHANGE NO.	REV.

(FRACTION SCRATCH PAD <59:35>)		(K1105)
TITLE	SIZE	NUMBER
FLT PT FALU	DCS	M7881-3-1
SCALE	SHEET	DIST.
	5 OF 12	

46

THIS DRAWING AND SPECIFICATIONS HEREAFTER ARE THE PROPERTY OF DIGITAL EQUIPMENT CORPORATION AND SHALL NOT BE REPRODUCED OR COPIED OR IN WHOLE OR IN PART AS THE BASIS FOR THE MANUFACTURE OR SALE OF ITEMS WITHOUT WRITTEN PERMISSION. COPYRIGHT © 1976 DIGITAL EQUIPMENT CORPORATION

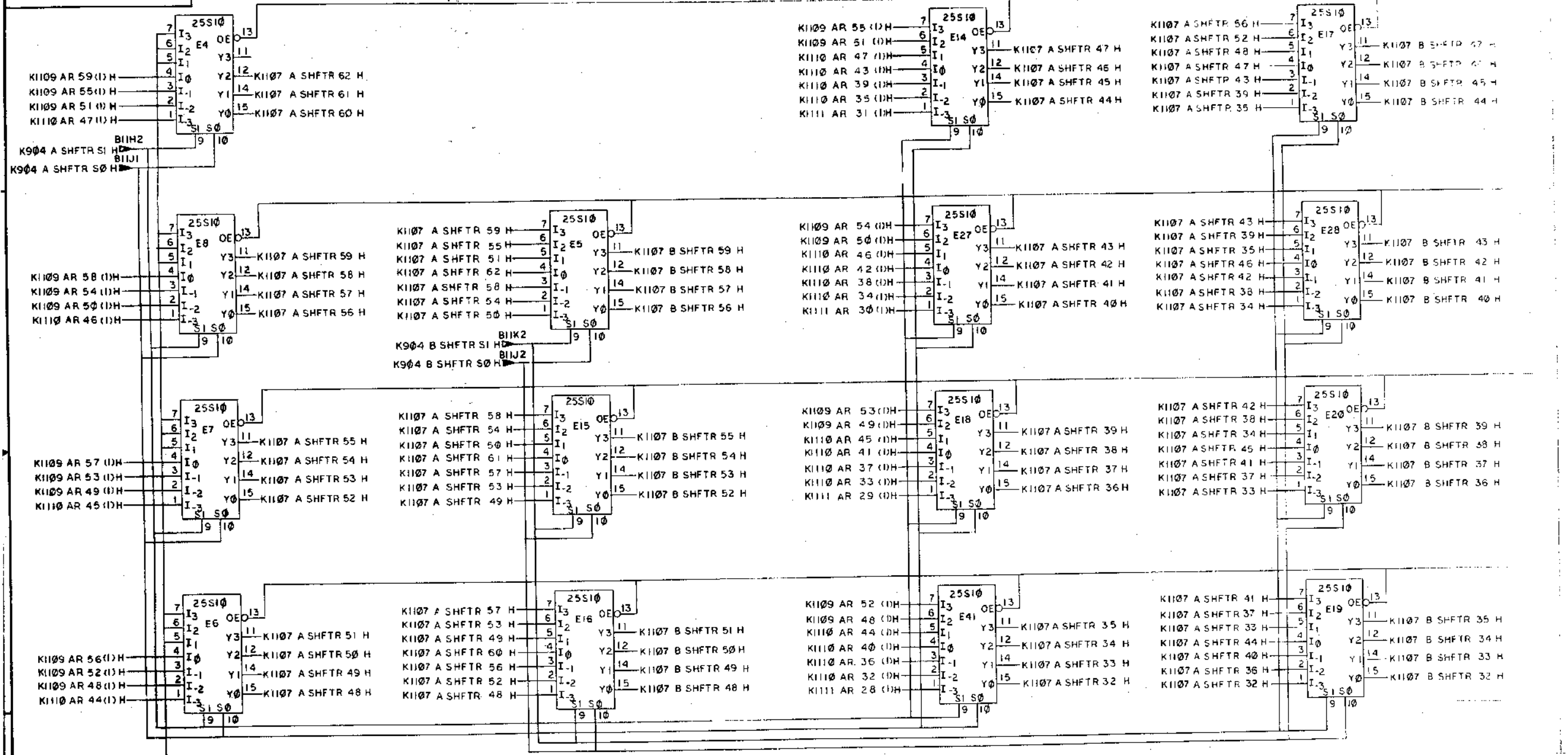


REVISIONS		
CHK	CHANGE NO.	REV.

(FRACTION SCRATCH PAD <34:03>) (K1106)

TITLE	FLT PT FALU	SIZE CODE	DCS	NUMBER	M7881-01	REV.	C
SCALE	---	SHEET	6 OF 12	DIST			

THIS DRAWING AND SPECIFICATIONS HEREIN ARE THE PROPERTY OF DIGITAL EQUIPMENT CORPORATION AND SHALL NOT BE REPRODUCED OR COPIED OR USED IN WHOLE OR IN PART AS THE BASIS FOR THE MANUFACTURE OR SALE OF ITEMS WITHOUT WRITTEN PERMISSION. COPYRIGHT © 1970 DIGITAL EQUIPMENT CORPORATION



(SEE TABLES, K1102)

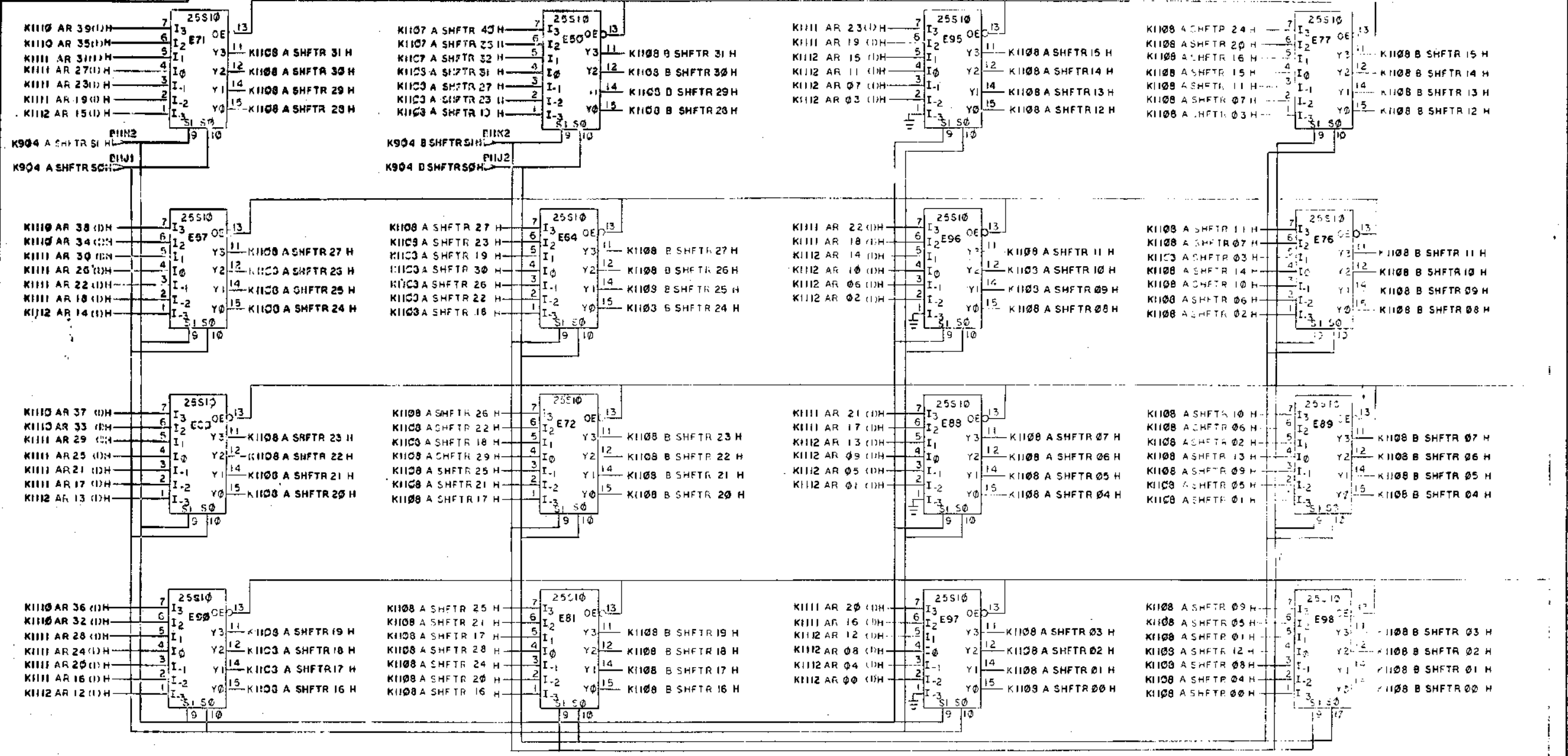
(SHIFTER (59:32)) (K1107)

REVISIONS		
CHK	CHANGE NO.	REV.

TITLE	SIZE CODE	NUMBER	REV.
FLT PT FALU	DCS	M7881-C-1	
SCALE	SHEET	7 OF 12	DIST.

48

THIS DRAWING AND SPECIFICATIONS HEREIN ARE THE PROPERTY OF DIGITAL EQUIPMENT CORPORATION AND SHALL NOT BE REPRODUCED OR TRANSMITTED IN ANY FORM OR BY ANY MEANS, ELECTRONIC OR MECHANICAL, INCLUDING PHOTOCOPYING, RECORDING, OR BY ANY INFORMATION STORAGE AND RETRIEVAL SYSTEM, WITHOUT THE WRITTEN PERMISSION OF DIGITAL EQUIPMENT CORPORATION.



(SEE TABLES, K1102)

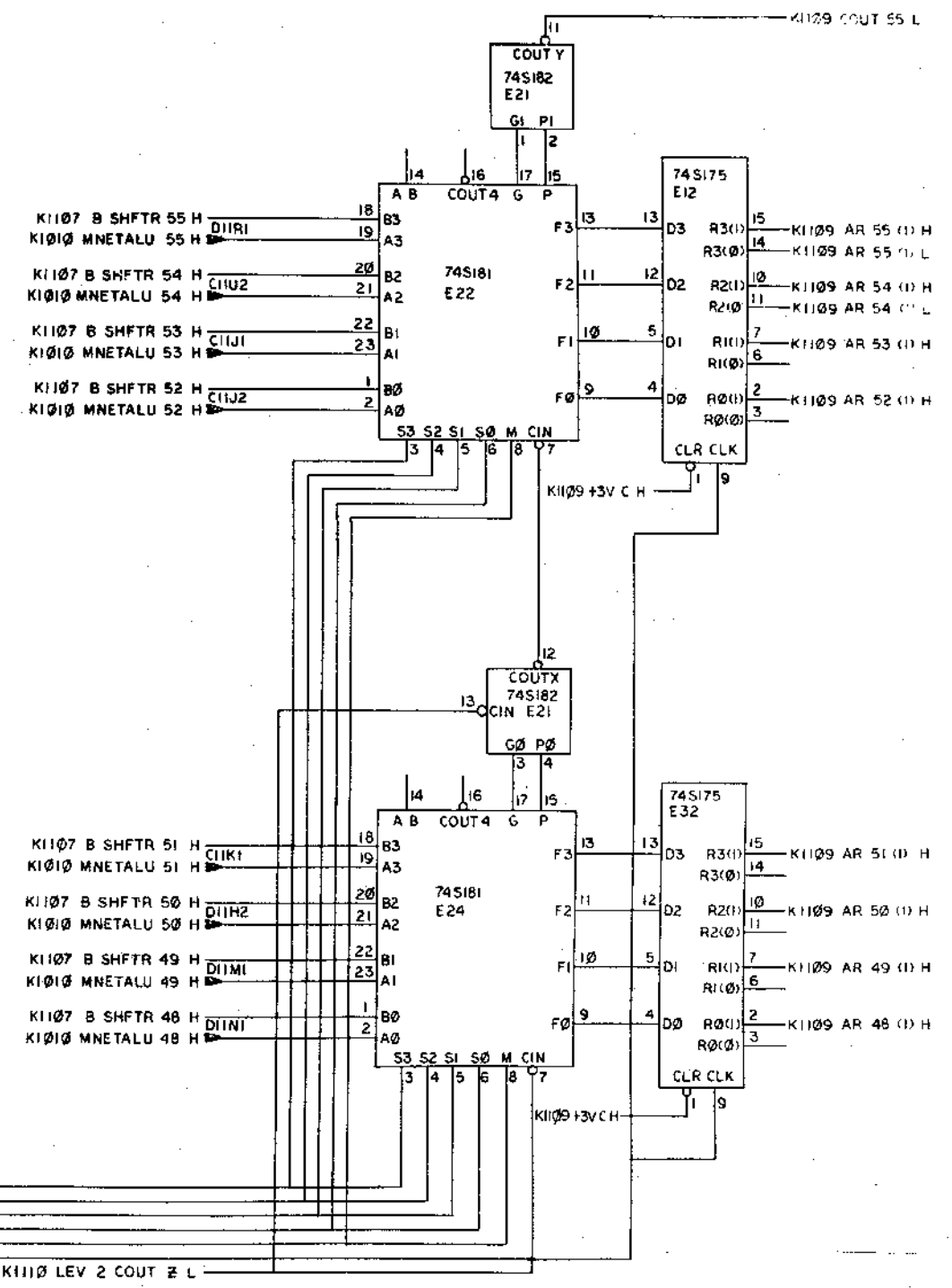
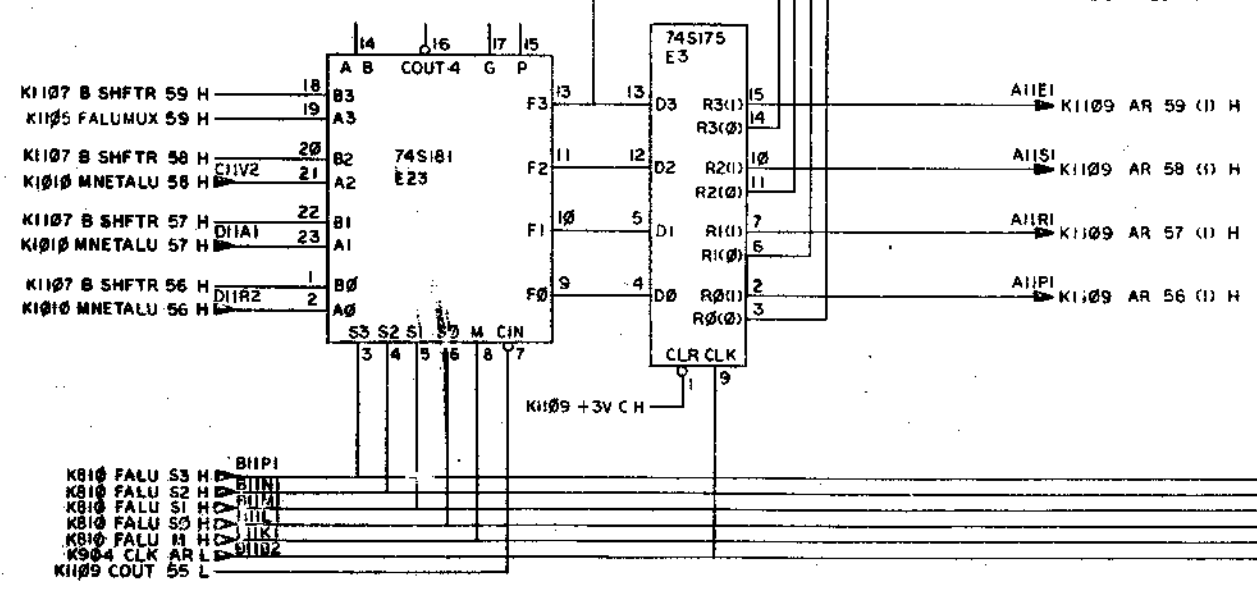
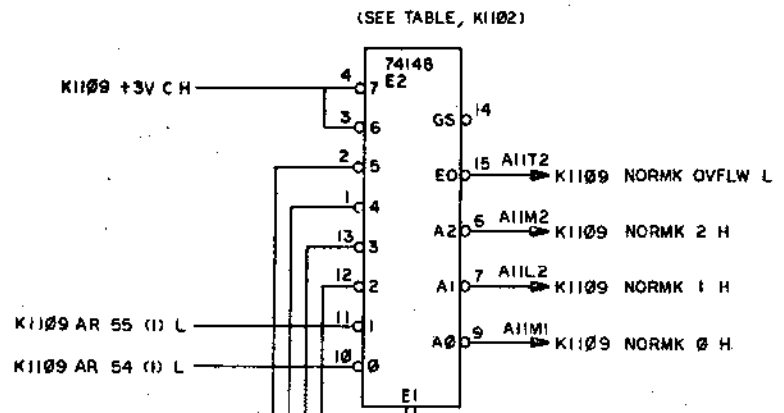
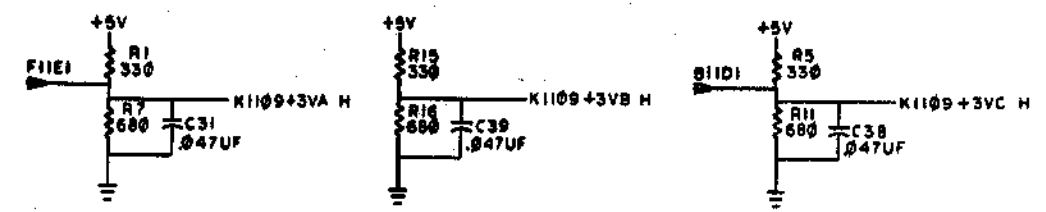
REVISIONS		
CHK	CHANGE NO.	REV.

(SHIFTER <3100>) (K1108)

TITLE	FLT PT FALU	SIZE/CODE	DICS	NUMBER	M7881-0-1	REV.	C
SCALE		SHEET	8	OF 12			

THESE DRAWINGS AND SPECIFICATIONS ARE THE PROPERTY OF DIGITAL EQUIPMENT CORPORATION AND SHALL NOT BE REPRODUCED OR USED IN ANY MANNER WITHOUT THE WRITTEN PERMISSION OF DIGITAL EQUIPMENT CORPORATION.

NOTE: REGISTERS CAN BE CLEARED BY MOMENTARILY GROUNDING THE APPROPRIATE +3V FINGERS

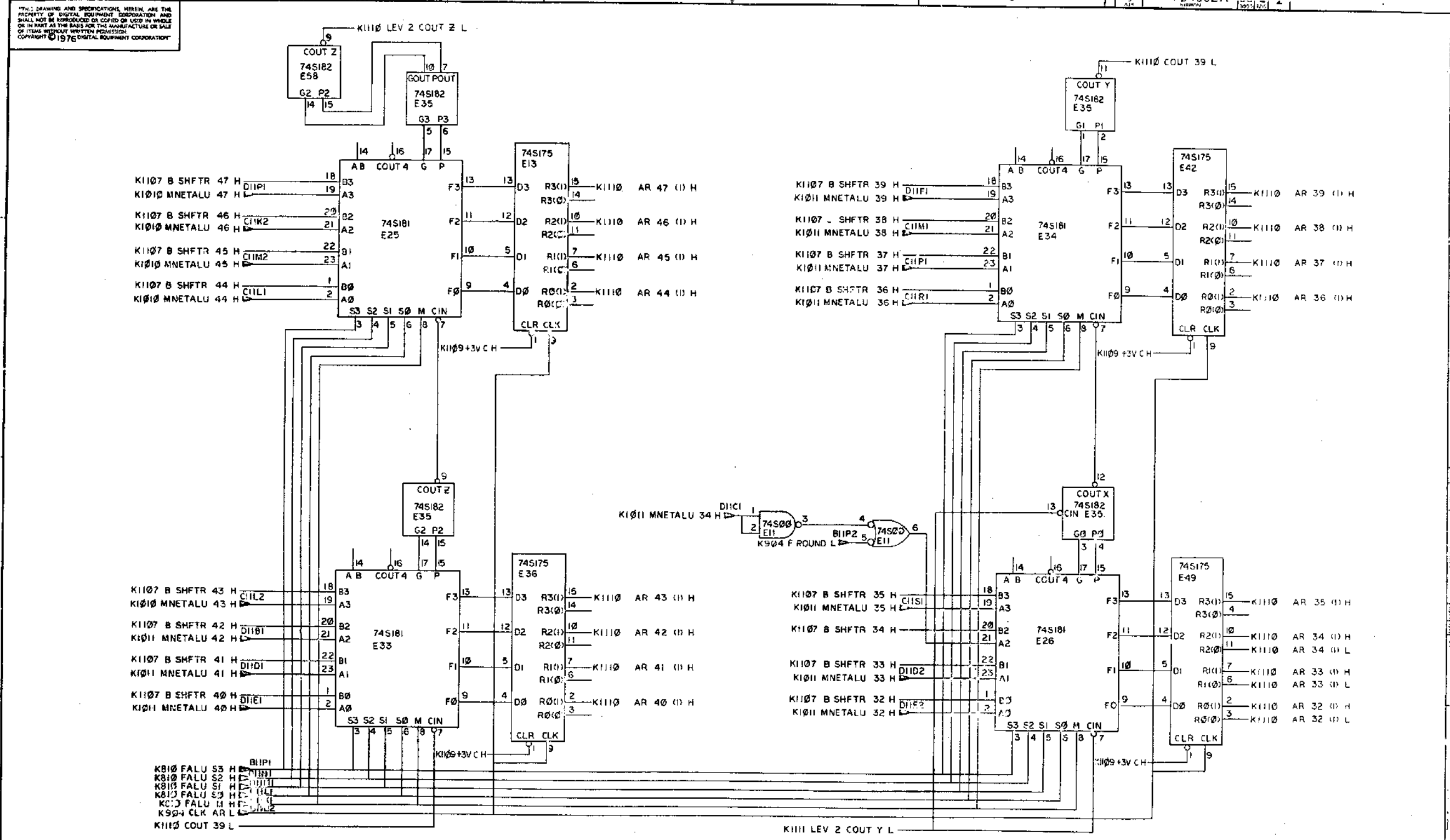


REVISIONS		
CHK	CHANGE NO.	REV.

TITLE	SIZE CODE	NUMBLA	REV.
FLT PT FALU	DCS	M7881-0-1	C
SCALE	SHEET 9 OF 12	DIST	

50

THIS DRAWING AND SPECIFICATIONS HEREIN ARE THE PROPERTY OF DIGITAL EQUIPMENT CORPORATION AND SHALL NOT BE REPRODUCED OR COPIED IN WHOLE OR IN PART AS THE BASIS FOR THE MANUFACTURE OR SALE OF ITEMS WITHOUT WRITTEN PERMISSION. COPYRIGHT © 1975 DIGITAL EQUIPMENT CORPORATION

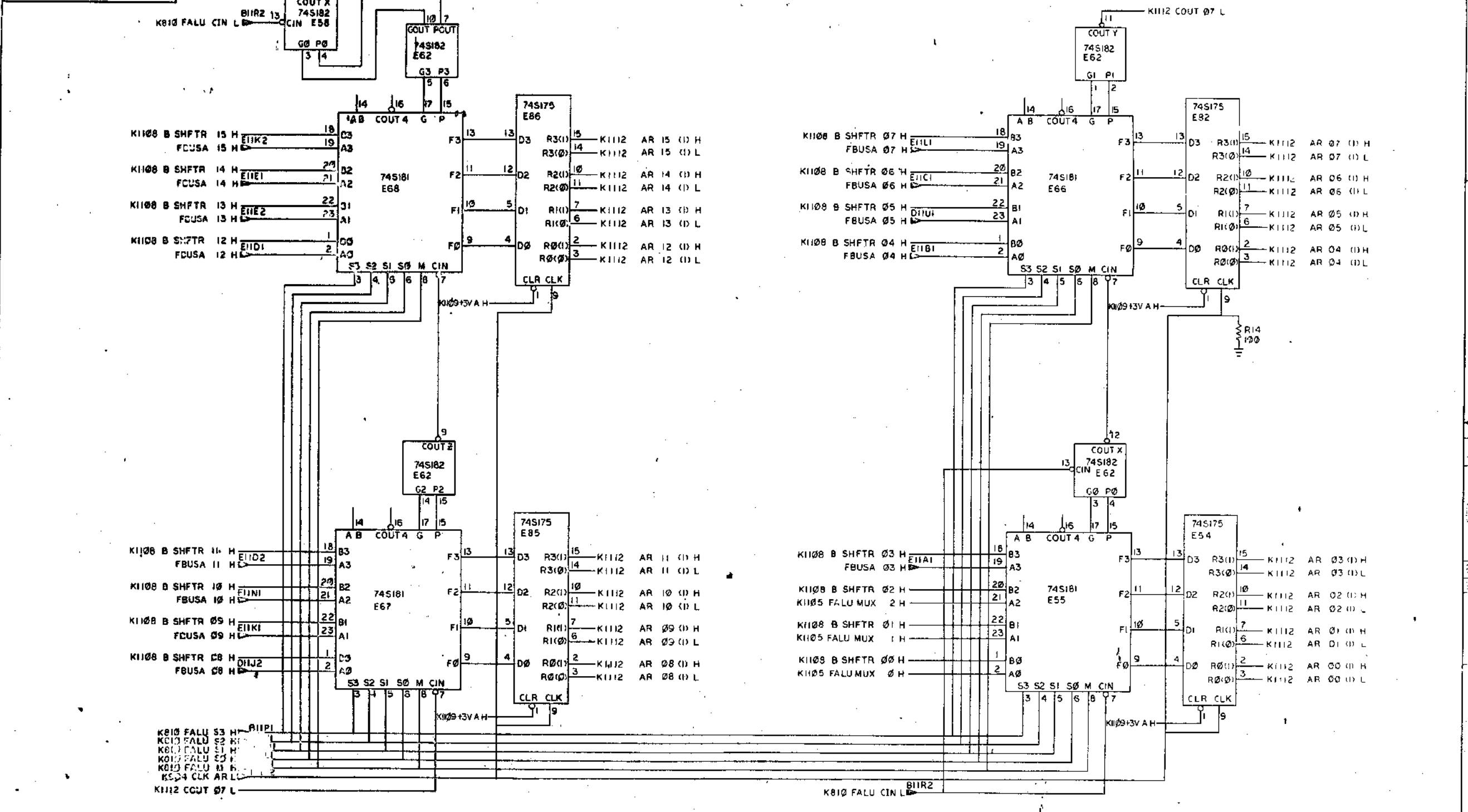


REVISIONS		
CHK	CHANGE NO.	REV.

(FALU, AR <47:32>) (K1110)

TITLE FLT PT FALU		SIZE CODE D CS	NUMBER M7984-01	REV. C
SCALE	SHEET 10 OF 12	DIST.		

THIS DRAWING AND SPECIFICATIONS HEREIN ARE THE PROPERTY OF DIGITAL EQUIPMENT CORPORATION AND SHALL NOT BE REPRODUCED OR TRANSMITTED IN ANY FORM OR BY ANY MEANS, ELECTRONIC OR MECHANICAL, INCLUDING PHOTOCOPYING, RECORDING, OR BY ANY INFORMATION STORAGE AND RETRIEVAL SYSTEM, WITHOUT PERMISSION IN WRITING FROM DIGITAL EQUIPMENT CORPORATION. COPYRIGHT © 1976 DIGITAL EQUIPMENT CORPORATION

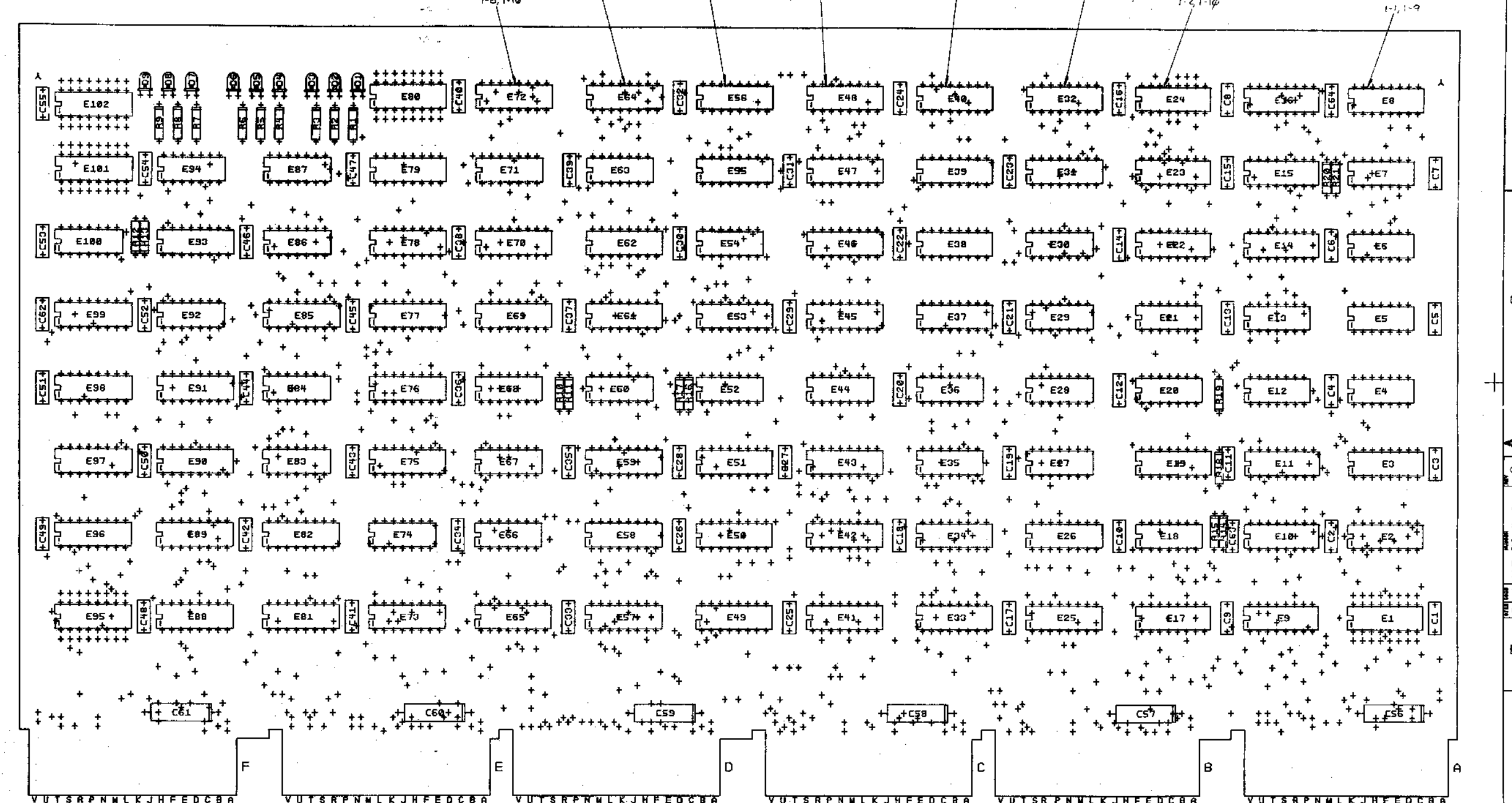


REVISIONS		
CHK	CHANGE NO.	REV.

(FALU, AR <15:00>) (K1112)

THIS DRAWING AND ASSOCIATED DRAWINGS ARE THE PROPERTY OF DIGITAL EQUIPMENT CORPORATION. NO PART OF THIS DRAWING IS TO BE REPRODUCED OR TRANSMITTED IN ANY FORM OR BY ANY MEANS, ELECTRONIC OR MECHANICAL, INCLUDING PHOTOCOPYING, RECORDING, OR BY ANY INFORMATION STORAGE AND RETRIEVAL SYSTEM, WITHOUT PERMISSION IN WRITING BY DIGITAL EQUIPMENT CORPORATION.

COMPONENT SIDE VIEW



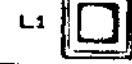
NOTES:

CHK	CHANGE NO.	REV	DATE	BY

ETCH REV.	B
P.C. DESIGN DATA BASE REV.	B

SIGNATURES		DATE	digital
DAN. B. REYNOLDS		2-25-77	
CHK. D. J. SPENCER		3-25-77	TITLE FNUA
ENG. G. J. C. JONES		4-1-77	
PROJ. ENG. DAN. C. JONES		4-1-77	
PROD. K. J. JONES		2-25-77	
SCALE	2-1	SIZE CODE	NUMBER
SHT.	OF 4	D UA	M7873-0-0
NEXT HIGHER ASSY.			REV C

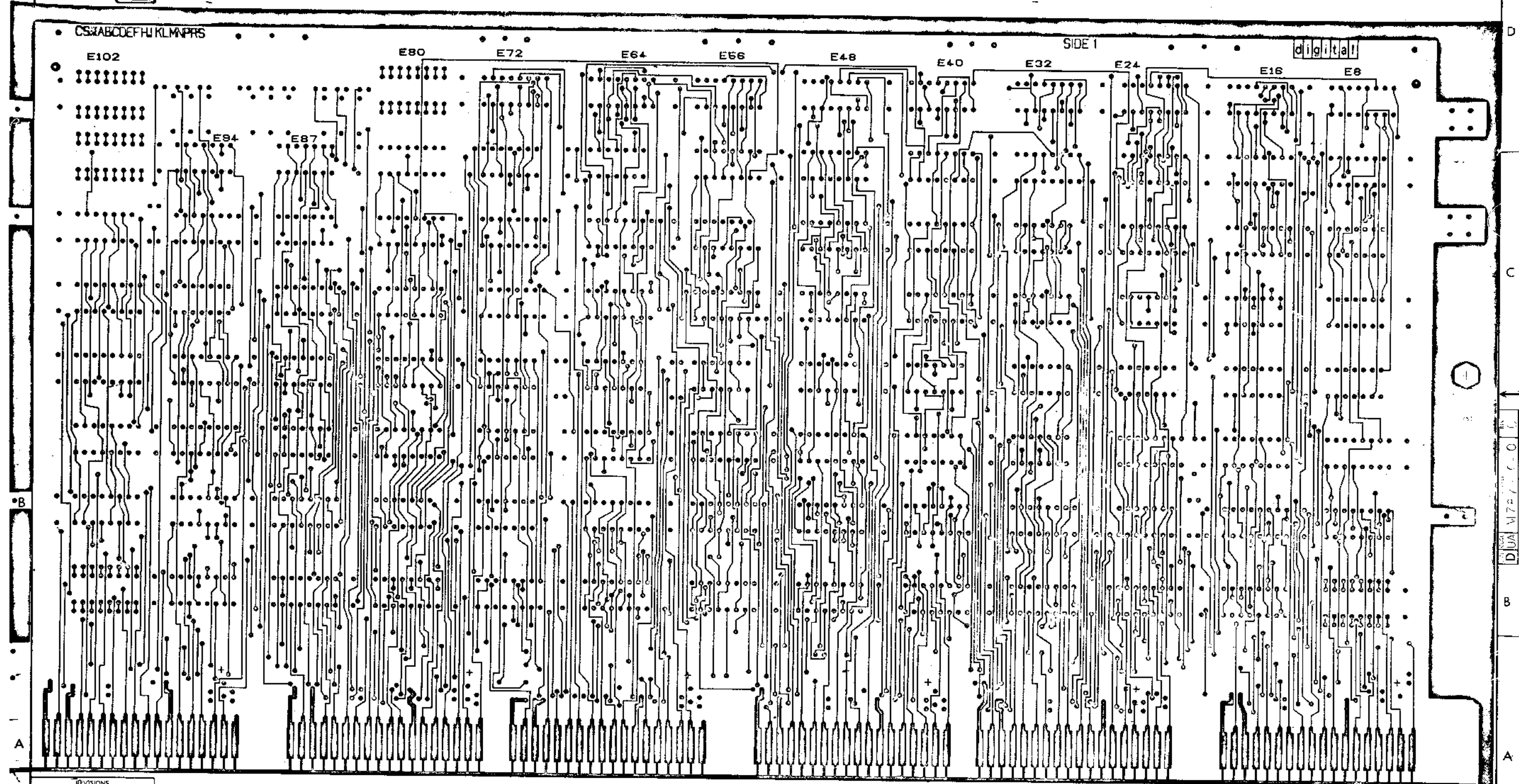
THIS DRAWING AND SPECIFICATIONS HEREIN ARE THE PROPERTY OF DIGITAL EQUIPMENT CORPORATION AND SHALL NOT BE REPRODUCED OR COPIED OR USED IN WHOLE OR IN PART AS THE BASIS FOR THE MANUFACTURE OR SALE OF ITEMS WITHOUT WRITTEN PERMISSION.
 COPYRIGHT © 1977 DIGITAL EQUIPMENT CORPORATION



60126308 M7878

LAYER 1

2 DUA M7878-C-0



REVISIONS		
CHK	CHANGE NO.	REV

TITLE	FNUA	SIZE CODE	DUA	NUMBER	M7878-C-0	REV.	C
SCALE	2/1	SHEET	2	OF	4	DIST	

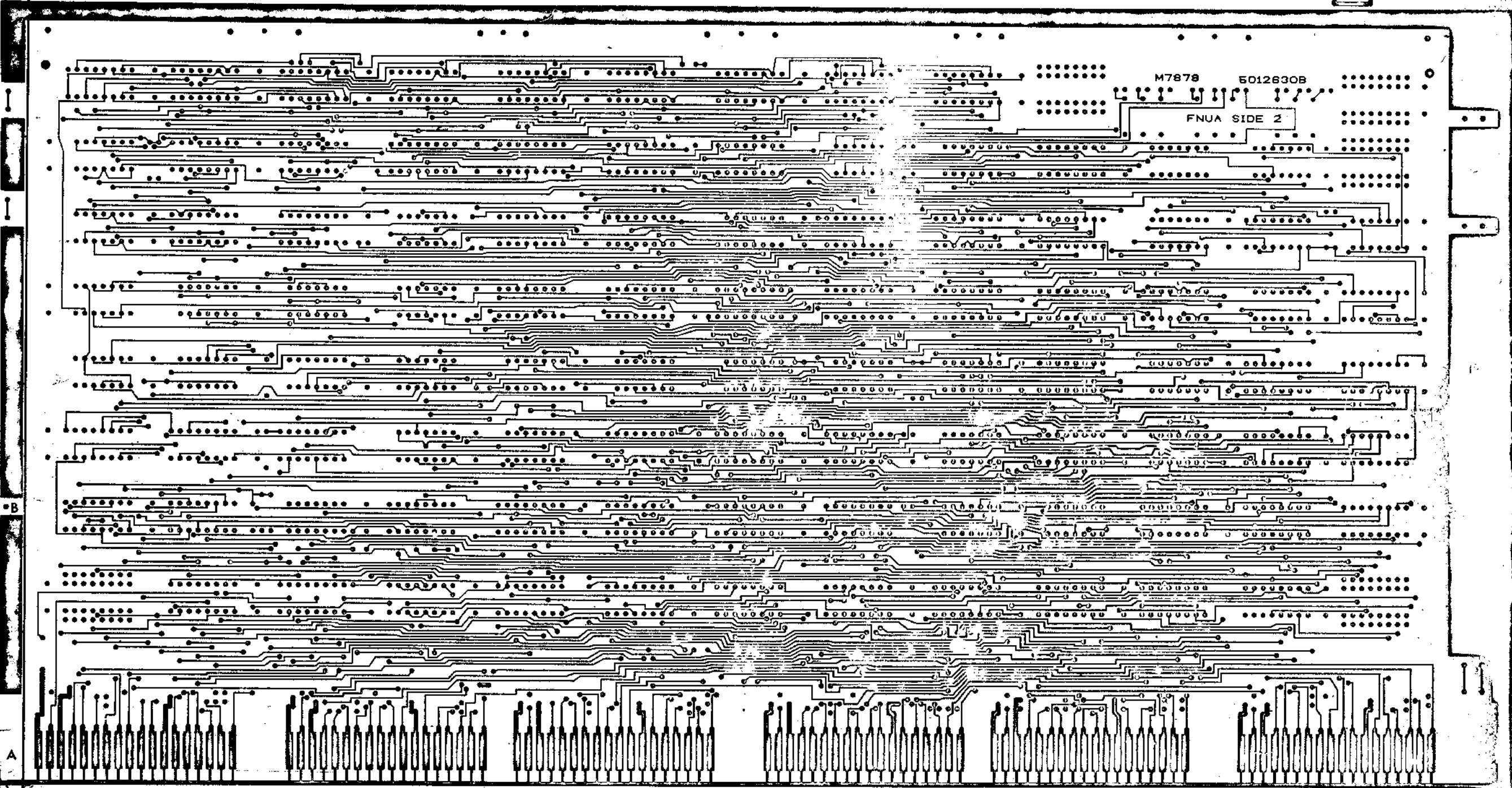
DUA M7878-C-0

THIS DRAWING AND SPECIFICATIONS HEREIN ARE THE PROPERTY OF DIGITAL EQUIPMENT CORPORATION AND SHALL NOT BE REPRODUCED OR COPIED OR USED IN WHOLE OR IN PART AS THE BASIS FOR THE MANUFACTURE OR SALE OF ITEMS WITHOUT WRITTEN PERMISSION. COPYRIGHT © 1977 DIGITAL EQUIPMENT CORPORATION

834AJ

0-0-8282 2

L4



DUA M7878-0-0 C

REVISIONS		
CHK	CHANGE NO.	REV.

TITLE	FNUA	SIZE CODE	DUA	NUMBER	M7878-0-0	REV.	C
SCALE	2/1	SHEET	2	OF	4	DIST.	

56

THIS DRAWING AND SPECIFICATIONS HEREIN ARE THE PROPERTY OF DIGITAL EQUIPMENT CORPORATION AND SHALL NOT BE REPRODUCED OR COPIED OR USED IN WHOLE OR IN PART AS THE BASIS FOR THE MANUFACTURE OR SALE OF ITEMS WITHOUT WRITTEN PERMISSION OF DIGITAL EQUIPMENT CORPORATION
 COPYRIGHT © 1977 DIGITAL EQUIPMENT CORPORATION

0-0-22274
 M7878-0-C

REWORK INSTRUCTIONS:

ECO #1

COMPONENT DELETES SIDE 1:

- I-1 E08 (PIN 23546 A9-02)
- I-2 E24 (PIN 23548 A9-02)
- I-3 E32 (PIN 23549 A9-02)
- I-4 E40 (PIN 23550 A9-02)
- I-5 E48 (PIN 23551 A9-02)
- I-6 E56 (PIN 23552 A9-02)
- I-7 E64 (PIN 23553 A9-02)
- I-8 E72 (PIN 23554 A9-02)

COMPONENT ADDS SIDE 1:

- I-9 E08 (PIN 23646 A9-00)
- I-10 E24 (PIN 23647 A9-00)
- I-11 E32 (PIN 23648 A9-00)
- I-12 E40 (PIN 23649 A9-00)
- I-13 E48 (PIN 23650 A9-00)
- I-14 E56 (PIN 23651 A9-00)
- I-15 E64 (PIN 23652 A9-00)
- I-16 E72 (PIN 23653 A9-00)

REVISIONS		
CHK	CHANGE NO.	REV.

TITLE	FNUA	SIZE CODE	D UA	NUMBER	M 7878-0-C	REV.	C
SCALE		SHEET	4 OF 11	DIST.			

M7878-0-C
 DUA

DIGITAL EQUIPMENT CORPORATION PARTS LIST

QUANTITY / VARIATION

NOTES:

M7878-1
ETCH REV B
C0 REV A

MADE BY DATE	L. REYNOLDS 29 NOV 76	CHECKED DATE	G. GIDDINGS 21 DEC 76
ENG DATE	David C. Jones 4-28-77	PROD DATE	K. McDonald 4-28-77

SECTION

ISSUED SECTION

M7878-0-C																			
-----------	--	--	--	--	--	--	--	--	--	--	--	--	--	--	--	--	--	--	--

ITEM NO.	DRAWING NO.	PART NO.	DESCRIPTION
1	D-MD-5012630-0-0	5012630	ETCH BOARD
6		1005306	CAPACITOR, 6.8 uf, 35V, 10%
58		1012784	CAPACITOR, .047 uf, 50V
9		1110864	DIODE, LED
6		1910548-0-0	I.C. DEC 74S157
2		1909686-0-0	I.C. DEC 7404
9		1910957-0-0	I.C. DEC 74S175
10		1910550-0-0	I.C. DEC 74S174
3		1910534-0-0	I.C. DEC 74S04
6		1910549-0-0	I.C. DEC 74S158
7		1910532-0-0	I.C. DEC 74S00
8		1911527-0-0	I.C. DEC 8097
1		1912389	I.C. DEC 74S08
5		1910536	I.C. DEC 74S10
1		1910544	I.C. DEC 74S74
4		1910539	I.C. DEC 74S20
1		1910537	I.C. DEC 74S11
1		23365A2-00	I.C. DEC 256 x 4 FP DECODE ROM
3		1912746	I.C. DEC 74S37
3		1910541	I.C. DEC 74S40

REF DESIGNATION

C56 thru C61
C1 thru C55, C62, C63 C64
D1 thru D9

E73, E82, E89, E88, E98, E81
E63, E71
E58, E93 E99, E97, E38, E31 E37 E19, E69
E91 E77, E59, E22, E47 E45, E53, E55, E62, E90
E92, E66, E28
E90, E76 E79 E78, E61, E23
E83, E68, E52, E36 E18, E54 E86
E26, E65, E49, E41, E43, E50 E51, E25
E84
E27, E20, E100, E87, E60
E67
E30, E29, E35, E74
E94
E85
E13, E21, E7
E4, E5, E6

<p>E.C.O. NO. M7878-1 M7878-2</p>	<p>TITLE FNUA</p>	<p>ASSY NO. D-UA-M7878-0-0</p>	<p>SIZE B</p>	<p>CODE PL</p>	<p>NUMBER M7878-0-0</p>	<p>REV. C</p>
<p>"THIS DRAWING AND SPECIFICATIONS, HEREIN, ARE THE PROPERTY OF DIGITAL EQUIPMENT CORPORATION AND SHALL NOT BE REPRODUCED OR COPIED OR USED IN WHOLE OR IN PART AS THE BASIS FOR THE MANUFACTURE OR SALE OF ITEMS WITHOUT WRITTEN PERMISSION. COPYRIGHT © 1977 DIGITAL EQUIPMENT CORPORATION"</p>		<p>SHEET 1 OF 3</p>	<p>INSERTION PARTS LIST DATA BASE REV</p>			

DIGITAL EQUIPMENT CORPORATION PARTS LIST

QUANTITY / VARIATION

NOTES:

MS 104872
ETCH REV B
CS REV A

MADE BY L. REYNOLDS DATE 11-29-76	CHECKED G. GIDDINGS DATE 12-21-76	SECTION
ENG David C. Jones DATE 4-28-77	PROD R. St. Vincent DATE 4-28-77	ISSUED SECTION

M7878 C C

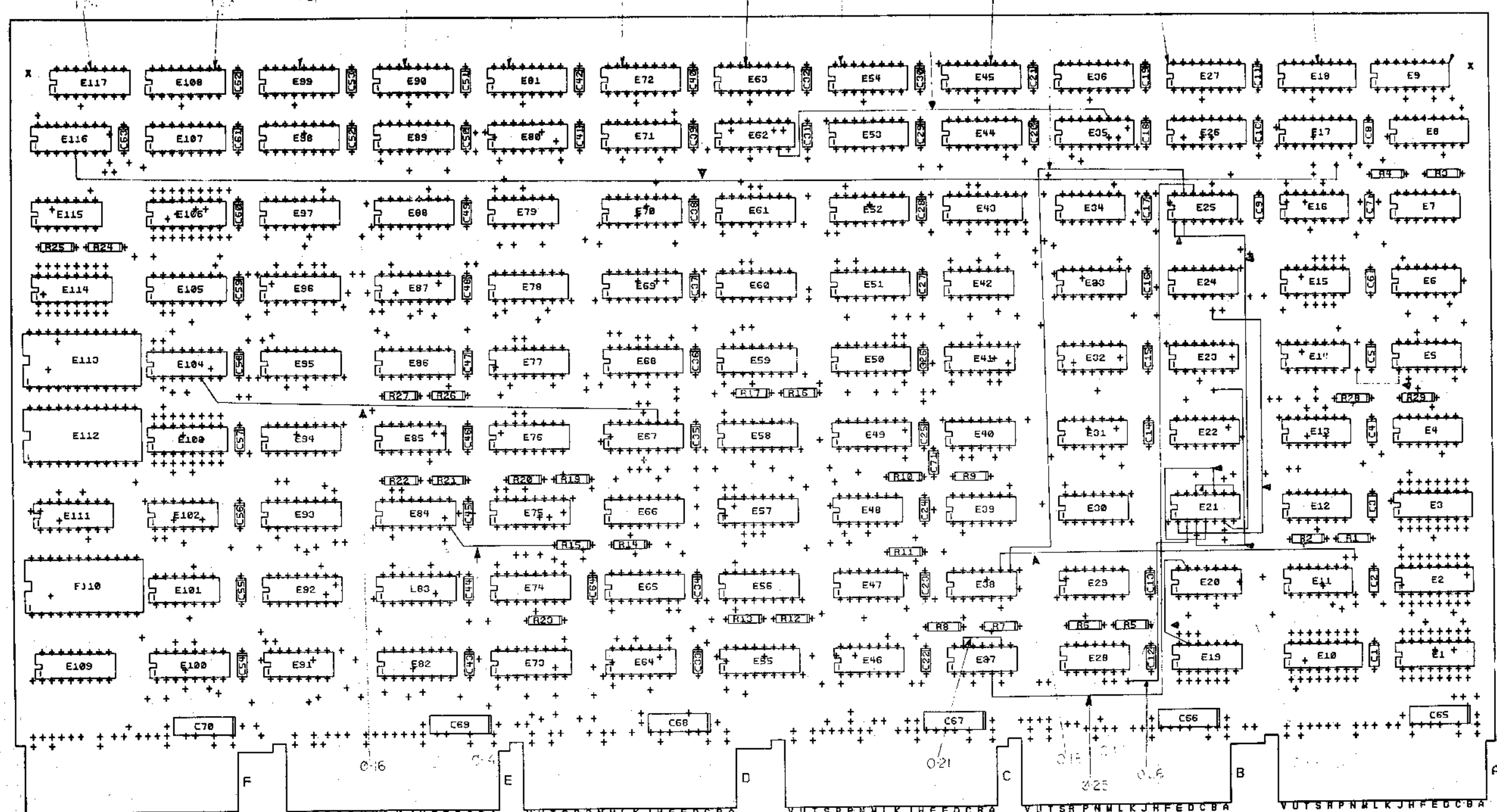
ITEM NO.	DRAWING NO.	PART NO.	DESCRIPTION	QUANTITY	VARIATION	REF DESIGNATION
21		1910552	I.C. DEC 74S194	8		E57, E42, E34, E33, E17, E9, E10, E2
22		1911712	I.C. DEC 74S51	1		E44
23		1911676	I.C. DEC 74S139	1		E39
24		1910547-0-0	I.C. DEC 74S153	2		E46, E75
25		1912096	I.C. DEC 74S86	1		E12
26		1910224-0-0	I.C. DEC 7485	2		E14, E15
27		1911675	I.C. DEC 74S138	1		E70
28			I.C. DEC SPARES	5		E1, E80, E95, E101, E102
29		1910652	I.C. DEC 74174	1		E3
30		1210711-2	HEX HANDLE ASSY	1		
31		9000024-01	EYELETS	12		
32		1910651	I.C. DEC 74175	1		E11
33		1300309	RESISTOR, 390, 1/4W, 5%	3		R10, R16, R18
34		1300295	RESISTOR, 330, 1/4W, 5%	12		R13, R15, R21, R1 THRU R9
35		1301424	RESISTOR, 680, 1/4W, 5%	3		R12, R14, R20
36		1212385-02	SOCKET	10		E8, E16, E24, E32, E40, E48, E56, E64, E72, E85
37		1301322	RESISTOR, 180, 1/4W, 5%	2		R11, R19
38		1301972	RESISTOR, 270, 1/4W, 5%	1		R17

E.C.O. NO. _____

"THIS DRAWING AND SPECIFICATIONS, HEREIN, ARE THE PROPERTY OF DIGITAL EQUIPMENT CORPORATION AND SHALL NOT BE REPRODUCED OR COPIED OR USED IN WHOLE OR IN PART AS THE BASIS FOR THE MANUFACTURE OR SALE OF ITEMS WITHOUT WRITTEN PERMISSION. COPYRIGHT © 1977 DIGITAL EQUIPMENT CORPORATION"	TITLE FNUA	ASSY NO. D-UA-M7878-0 0	SIZE B	CODE PL	NUMBER M7878-0-0	REV. C
		SHEET 2 OF 3	INSERTION PARTS LIST DATA BASE REV			

8 7 6 5 4 3 2 1

COMPONENT SIDE VIEW



NOTES:

CHANGE NO	REV	DATE	BY	CHK'D	APP'D
1	A	11/27/77	J. D. IVE		
2	B	12/1/77	J. D. IVE		
3	C	12/1/77	J. D. IVE		
4	D	12/1/77	J. D. IVE		
5	E	12/1/77	J. D. IVE		
6	F	12/1/77	J. D. IVE		

ETCH REV.	B
P.C. DESIGN DATA BASE REV.	B

SIGNATURES	DATE
DRN.	
CHK'D.	
ENG.	
PROJ. ENG.	
SCALE	2/1
SHT.	1 OF 4
NEXT HIGHER ASSY.	B-00-M7879-0

digital	
TITLE	
EXPONENT	
SIZE	CODE
NUMBER	REV
UA M7879-0-0	

1 MS# 104772

62

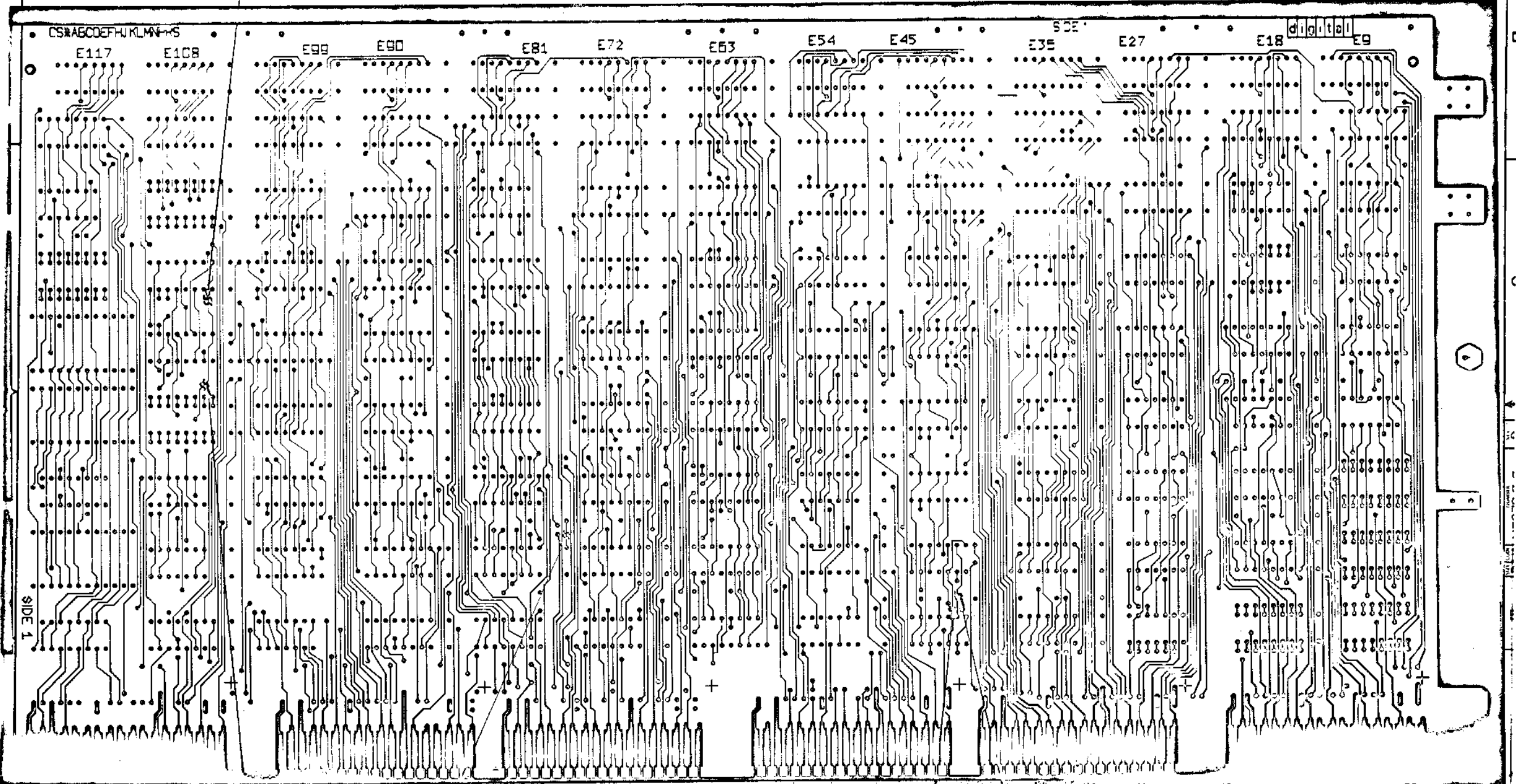
8 7 6 5 4 3 2 1

REVISIONS
 CHR. CHANGE NO. REV.

M7879 5012459B

LAYER 1

L1



REVISIONS		
CHR.	CHANGE NO.	REV.

0-6

0-2

0-22

0-12

8	7	6	5	4	3	2	1	
TITLE EXPONENT						SIZE CODE D UA	NUMBER M7879-0-0	REV. D
SCALE 2-1		SHEET 2 OF 4		DIST.				

63

8

7

6

5

4

3

0 1 2

1

THIS DRAWING AND SPECIFICATIONS HEREIN ARE THE PROPERTY OF DIGITAL EQUIPMENT CORPORATION AND SHALL NOT BE REPRODUCED OR LOANED OR USED IN WHOLE OR IN PART AS THE BASIS FOR THE MANUFACTURE OR SALE OF ITEMS WITHOUT WRITTEN PERMISSION. COPYRIGHT © 1977 DIGITAL EQUIPMENT CORPORATION

L4

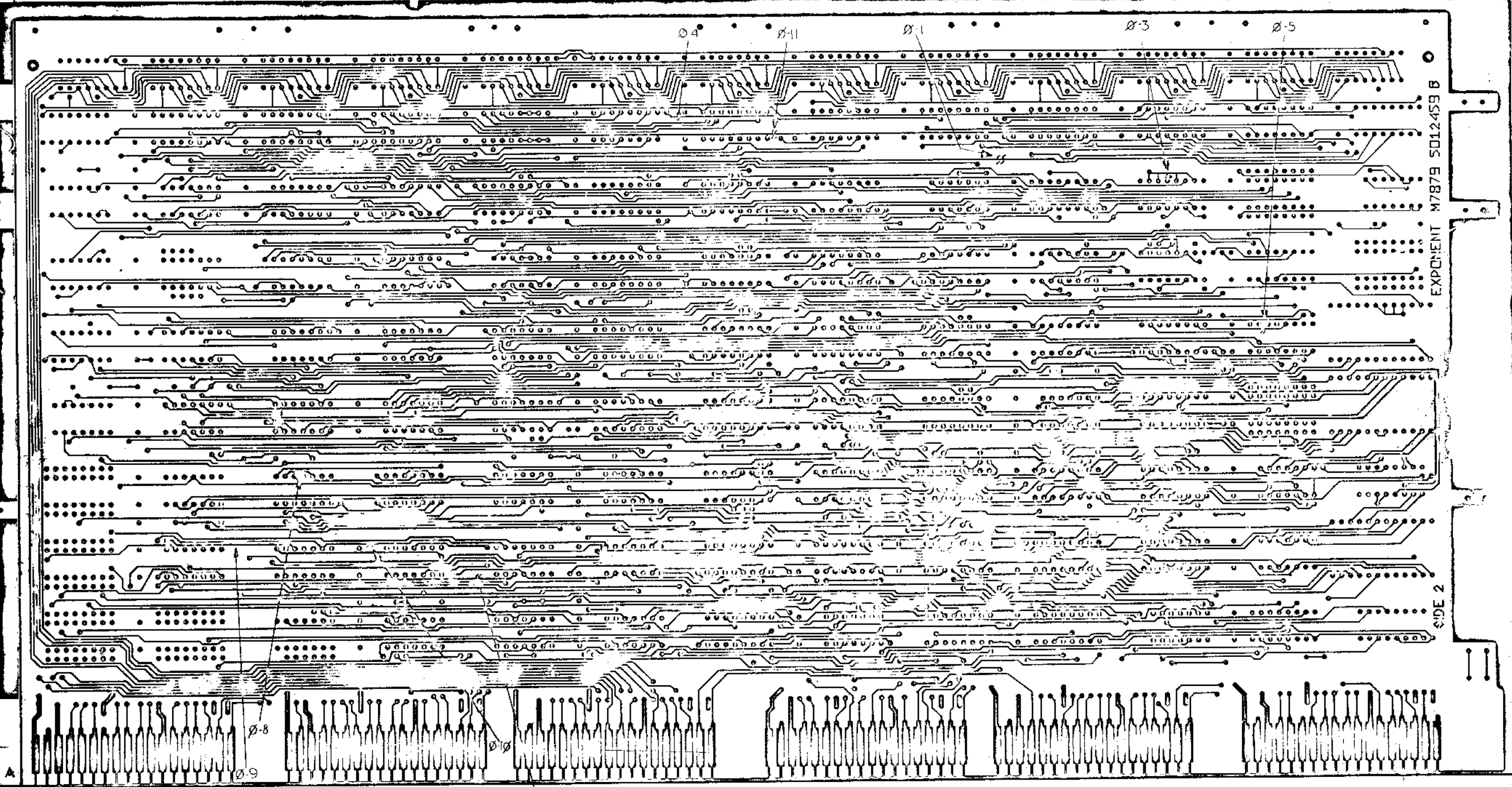
LAZER

MS104772

Ø4 Ø11 Ø1 Ø3 Ø5

EXPONENT M7879 5012459 B

SIDE 2



REVISIONS		
CHK	CHANGE NO	REV

TITLE	EXPONENT	SIZE/COOR	D UA M7879-0-0	NUMBER	D	REV.	D
SCALE	2/1	SHEET	3 OF 4	DIST.			

64

7

6

5

4

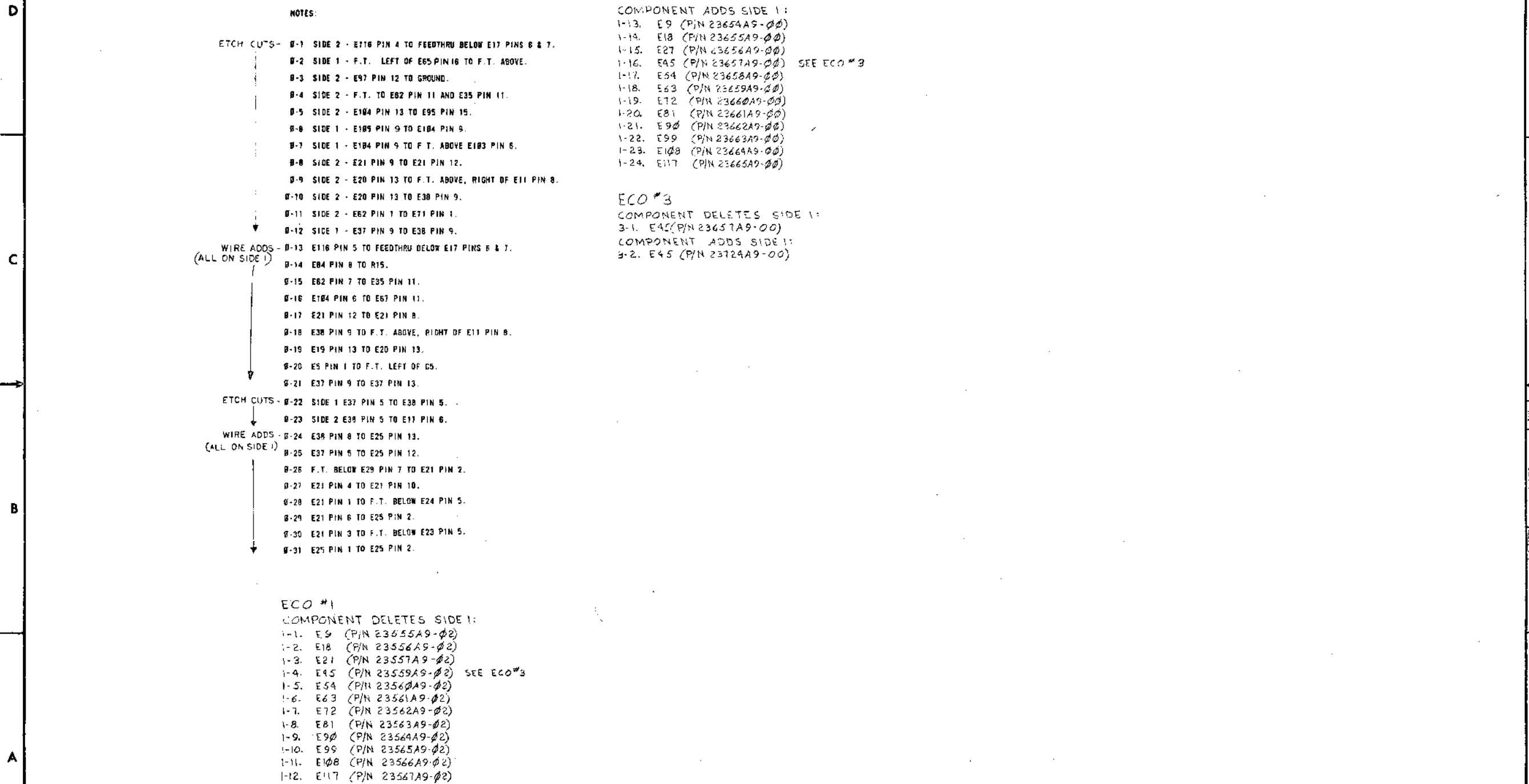
3

2

1

THIS DRAWING AND SPECIFICATIONS HEREIN ARE THE PROPERTY OF DIGITAL EQUIPMENT CORPORATION AND SHALL NOT BE REPRODUCED OR COPIED OR USED IN WHOLE OR IN PART AS THE BASIS FOR THE MANUFACTURE OR SALE OF ITEMS WITHOUT WRITTEN PERMISSION. COPYRIGHT © DIGITAL EQUIPMENT CORPORATION

8 7 6 5 4 3 2 1



REVISIONS		
CHK	CHANGE NO.	REV.

TITLE	EXONENT	SIZE CODE	D LA	NUMBER	W 579-0-C	REV.	D
SCALE	SHEET	4	OF	4	DIST.		

8 7 6 5 4 3 2 1 65

DIGITAL EQUIPMENT CORPORATION PARTS LIST

QUANTITY / VARIATION

NOTES:
MS 04772
ETCH REV B
CC REV 7

MADE BY DATE	CHECKED DATE	SECTION
David C. Ives 4-28-77	John S. Ives 4-28-77	
ENG DATE	PROD DATE	ISSUED SECTION
David C. Ives 4-28-77	K. R. MacDonald 4-28-77	

ITEM NO.	DRAWING NO.	PART NO.	DESCRIPTION	M7879-0-0	QUANTITY	VARIATION	REF DESIGNATION
1	D-MD-5012459B C.C.	5012459B	ETCH BOARD	1			
2		1005306	CAPACITOR, 6.8 uf, 35V, 10%	6			C65 thru C70
3		1012784	CAPACITOR, .047 uf	65			C1 thru C64, C71
4		1300295	RESISTOR, 330, 1/4W, 5%	6			R22, R27, R2, R9, R14 R28
5		1300365	RESISTOR, 1K, 1/4W, 5%	3			R7, R12, R16
6		1301424	RESISTOR, 680, 1/4W, 5%	6			R21, R26, R1 R10, R15, R29
7		1910532	I.C. DEC 74S00	8			E4, E6, E13, E16, E23, E32, E38, E79
8		1910536	I.C. DEC 74S10	6			E15, E20, E30, E31 E42, E91
9		1912746	I.C. DEC 74S37	3			E29, E34, E115
10		1912389	I.C. DEC 74S08	2			E11, E46
11		1910534	I.C. DEC 74S04	2			E22, E47
12		1911712	I.C. DEC 74S51	1			E33
13		1910544	I.C. DEC 74S74	6			E5 E19, E21, E39, E40, E41
14		23179A1-00	I.C. DEC ACT BUT ROM 32 x 8	1			E35
15		1913294	I.C. DEC 93S16	1			E69
16		1910549	I.C. DEC 74S158	1			E70
17		1910537	I.C. DEC 74S11	1			E25
18		1912096	I.C. DEC 74S86	1			E14
19		1910546	I.C. DEC 74S140	1			E24
20		1912388	I.C. DEC 74S02	2			E28, E48
21		1910547	I.C. DEC 74S153	4			E87, F88, E96, E97

ECO. NO.
00001
00002
00003

<p>"THIS DRAWING AND SPECIFICATIONS, HEREIN, ARE THE PROPERTY OF DIGITAL EQUIPMENT CORPORATION AND SHALL NOT BE REPRODUCED OR COPIED OR USED IN WHOLE OR IN PART AS THE BASIS FOR THE MANUFACTURE OR SALE OF ITEMS WITHOUT WRITTEN PERMISSION. COPYRIGHT ©1977 DIGITAL EQUIPMENT CORPORATION"</p>	<p>TITLE EXPONENT</p>	<p>ASSY NO. D-UA-M7879-0-0</p>	<p>SIZE B</p>	<p>CODE PL</p>	<p>NUMBER M7879 0-0</p>	<p>REV. D</p>
		SHEET 1 OF 4	INSERTION PARTS LIST DATA BASE REV			

DIGITAL EQUIPMENT CORPORATION PARTS LIST

QUANTITY / VARIATION

NOTES: MS 104775
ETCH PER 8
CS 1-27

MADE BY *Frank J. Smith* CHECKED *Frank J. Smith* SECTION
DATE *3-21-77* DATE *3-21-77*
ENG *David C. Jones* PROD *K. St. Moe Curdell* ISSUED SECTION
DATE *4-28-77* DATE *4-28-77*

ITEM NO.	DRAWING NO.	PART NO.	DESCRIPTION
41		1300316	RESISTOR, 470, 1/4W, 5%
42		23367A2-00	I.C. DEC RES ROM 256 x 4
43		1912746-01	I.C. DEC 74S37-1
44		1212385-02	SOCKETS
45			I.C. SPARES
46		23426A9-00	I.C. DEC RANGE ROM 512 x 4
47		1210711-2	HANDLE ASSY (HEX)
48		9000024-01	EYELET, HANDLE

M787-0-0															
----------	--	--	--	--	--	--	--	--	--	--	--	--	--	--	--

REF DESIGNATION

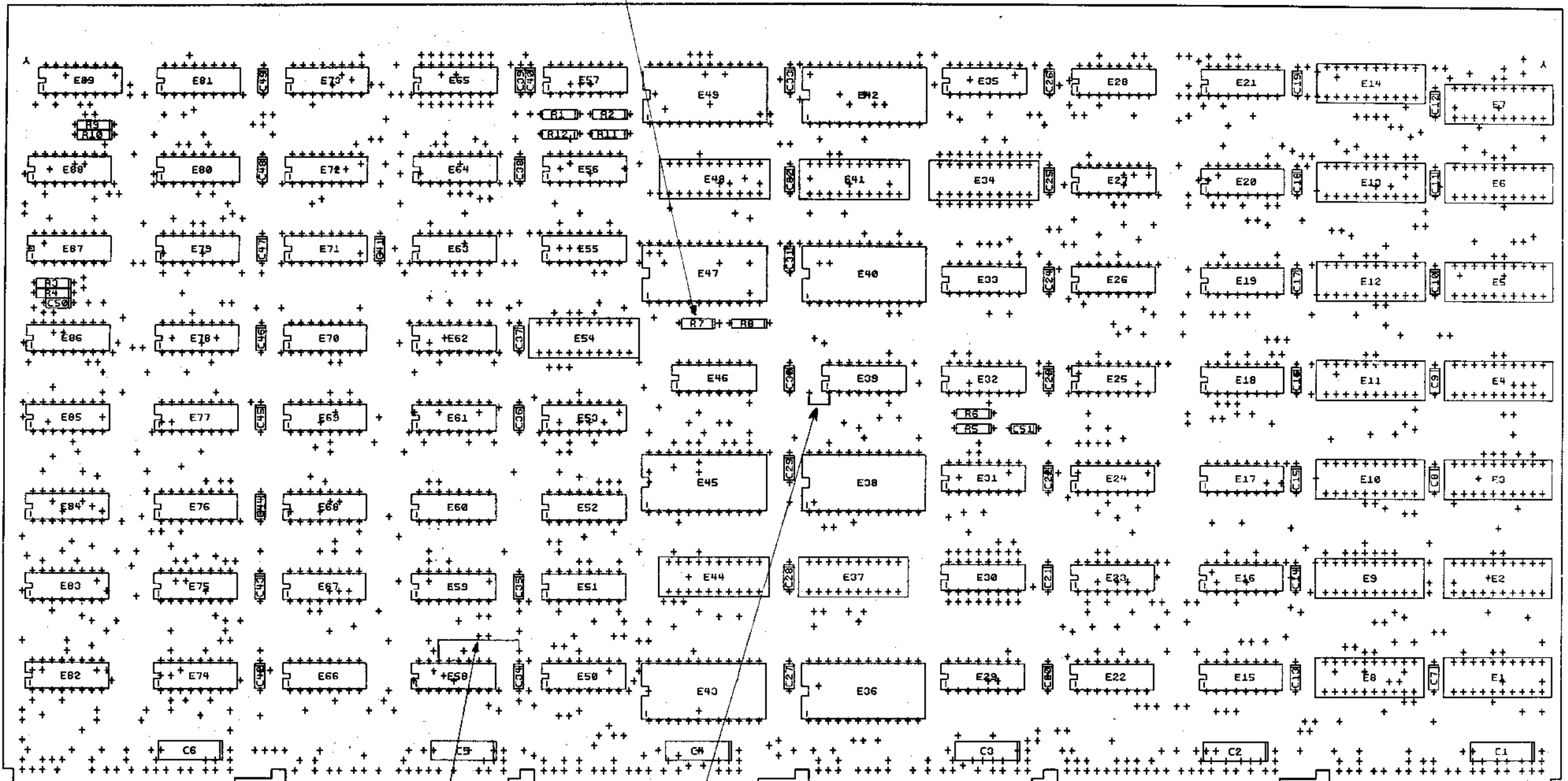
R8, R11, R13 R17, R19, R20, R23
E77
E7
E9, E18, E27, E36, E45, E54, E63, E72, E81, E90, E99, E108, E117, E75, E76, E77, E35
E1, E2, E3 E10, E103, E106, E114
E75

E.C.O. NO.	"THIS DRAWING AND SPECIFICATIONS, HEREIN, ARE THE PROPERTY OF DIGITAL EQUIPMENT CORPORATION AND SHALL NOT BE REPRODUCED OR COPIED OR USED IN WHOLE OR IN PART AS THE BASIS FOR THE MANUFACTURE OR SALE OF ITEMS WITHOUT WRITTEN PERMISSION. COPYRIGHT ©1977 DIGITAL EQUIPMENT CORPORATION"		TITLE EXPONENT	ASSY NO. D-UA-M7079-0-0	SIZE B	CODE PL	NUMBER M7879-0-0	REV. D
				SHEET 3 OF 4	INSERTION PARTS LIST DATA CASE REV			

THIS DRAWING AND SPECIFICATIONS, HEREBY, ARE THE PROPERTY OF DIGITAL EQUIPMENT CORPORATION AND SHALL NOT BE REPRODUCED OR COPIED IN WHOLE OR IN PART WITHOUT THE WRITTEN PERMISSION OF DIGITAL EQUIPMENT CORPORATION.

1 2 3 4 5 6 7 8
 A B C D
 0-0-0880W ANI 2 1
 M7880-0-0

COMPONENT SIDE VIEW



NOTES:
 0-1 ADD JUMPER FROM E58-14 TO FEEDTHRU ABOVE C34
 0-2 ADD JUMPER FROM E39-1 TO FEEDTHRU LEFT OF E39-1
 0-3 NOT TO BE INSERTED

CHANGE NO	REV

ETCH REV. B
P.C. DESIGN DATA BASE REV. B

SIGNATURES		DATE	TITLE
DRN. <i>[Signature]</i>		4-1-77	
CHK'D. <i>[Signature]</i>		3/23/77	
ENG. <i>[Signature]</i>		4-1-77	
PROJ. ENG. <i>[Signature]</i>		4-1-77	
PROD. <i>[Signature]</i>		4-2-77	
SCALE 2/1			SIZE CODE
SHT. 1 OF 3			NUMBER
NEXT HIGHER ASSY. B-00-M7880-0			M7880-0-0

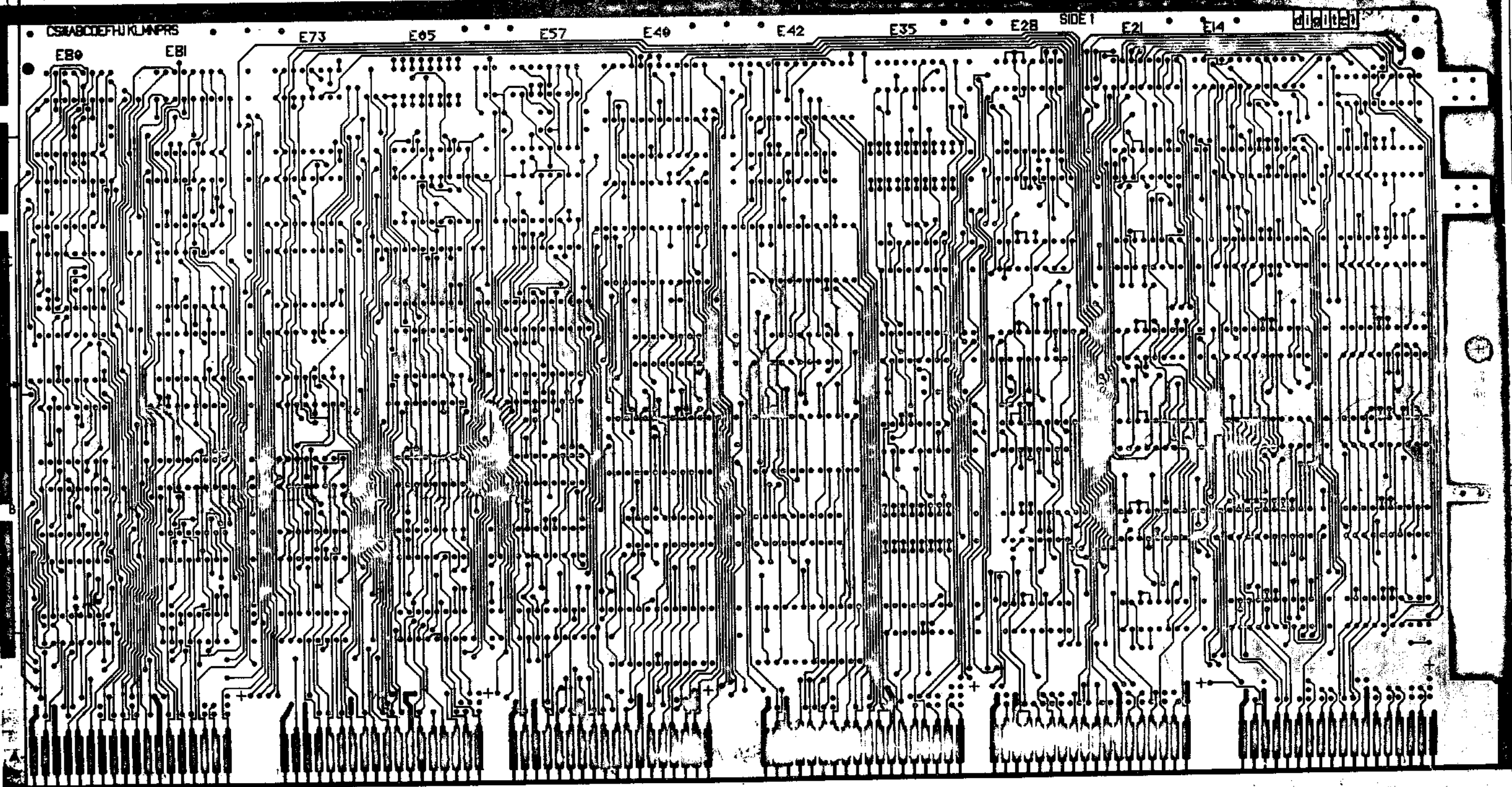
71

THIS DRAWING AND SPECIFICATIONS HEREIN ARE THE PROPERTY OF DIGITAL EQUIPMENT CORPORATION AND SHALL NOT BE REPRODUCED OR COPIED OR USED IN WHOLE OR IN PART AS THE BASIS FOR THE MANUFACTURE OR SALE OF ITEMS WITHOUT WRITTEN PERMISSION. COPYRIGHT © 1977 DIGITAL EQUIPMENT CORPORATION

LAYER 1

L1

50124075 M7880



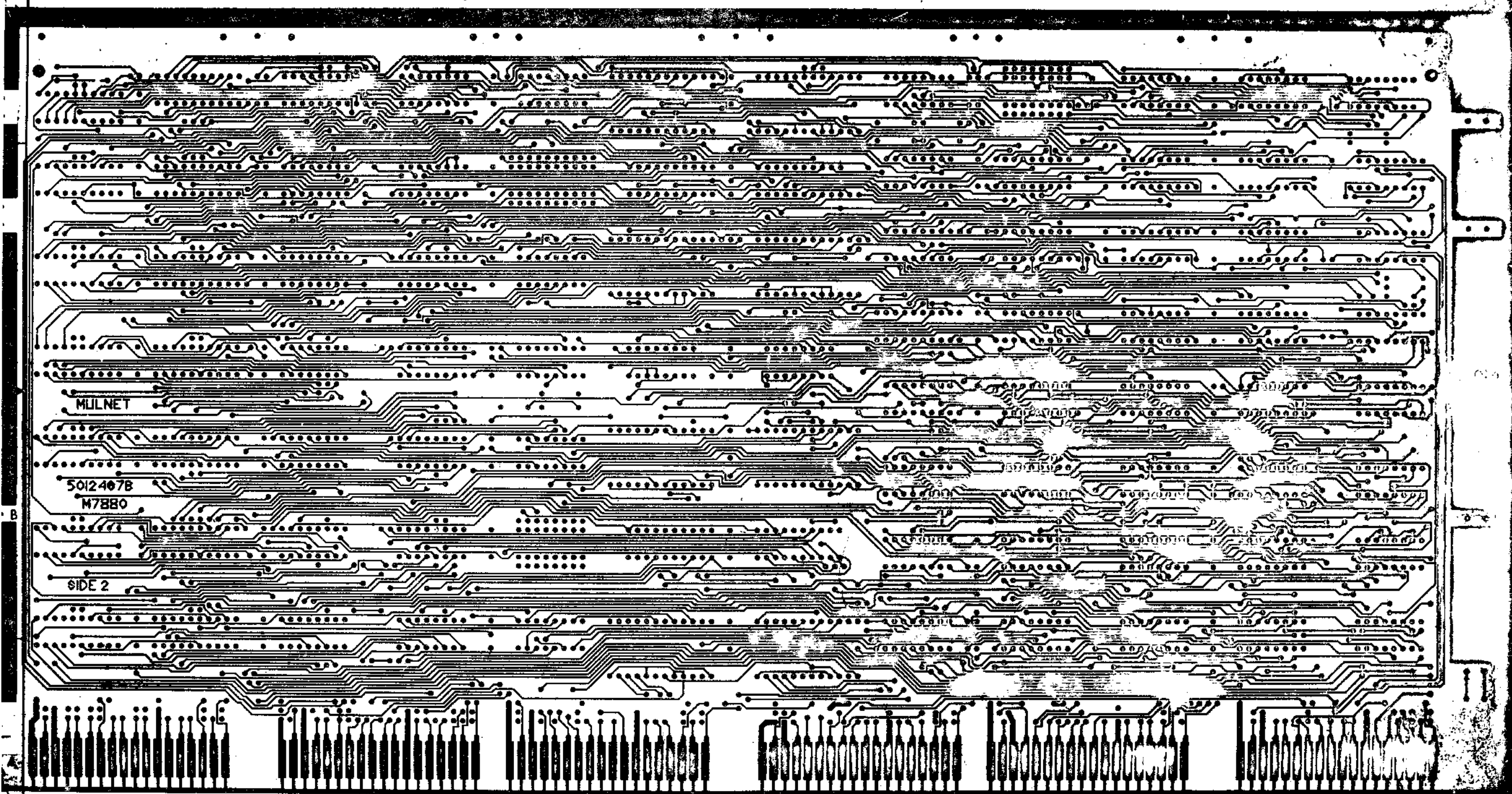
REVISIONS			TITLE	SIZE CODE	NUMBER	REV.
CHK	CHANGE NO	REV	MULNET	DUA	M7880-0-0	A
			SCALE 2/1	SHEET 2 OF 3	DIST.	

THIS DRAWING AND SPECIFICATIONS HEREAFTER ARE THE PROPERTY OF DIGITAL EQUIPMENT CORPORATION AND SHALL NOT BE REPRODUCED OR COPIED OR USED IN WHOLE OR IN PART AS THE BASIS FOR THE MANUFACTURE OR SALE OF ITEMS WITHOUT WRITTEN PERMISSION. COPYRIGHT ©1977 DIGITAL EQUIPMENT CORPORATION

L4

LAYER

0-0-0882M7880 2



MULNET

5012407B
M7880

SIDE 2

REVISIONS		
CHK	CHANGE NO.	REV.

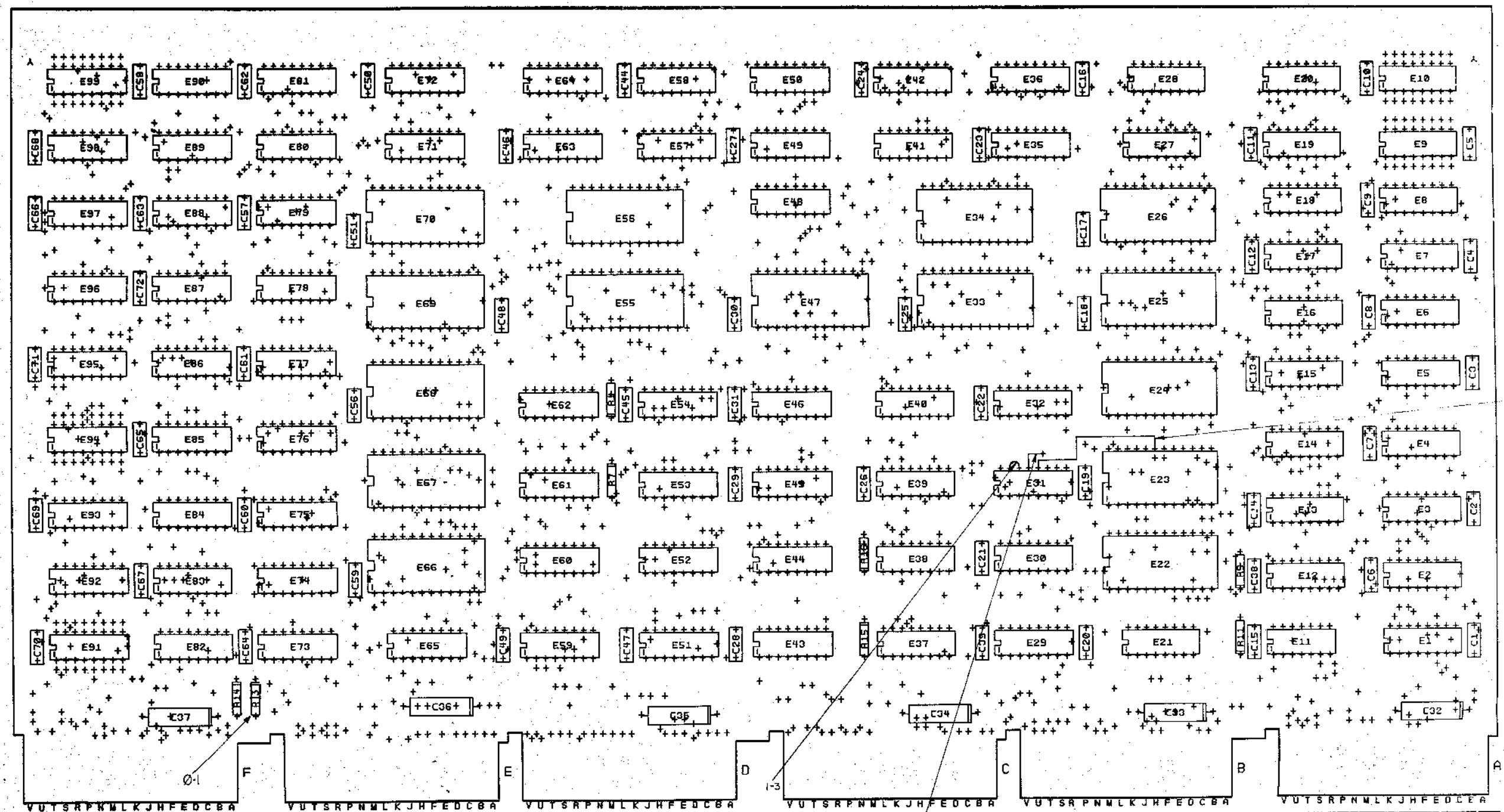
TITLE	MULNET	SIZE/CDG	D UA	NUMBER	M7880-0-0	REV.	A
SCALE	2/1	SHEET	3	OF	3	DIST.	

8 7 6 5 4 3 2 1 73

8 7 6 5 4 3 2 1

ALL DIMENSIONS ARE IN INCHES UNLESS OTHERWISE SPECIFIED.
 DIMENSIONS TO CENTER UNLESS OTHERWISE SPECIFIED.
 DIMENSIONS TO FACE UNLESS OTHERWISE SPECIFIED.

COMPONENT SIDE VIEW



NOTES:
 0-1 NOT TO BE INSERTED.

CHANGE NO	REV	DATE	BY	CHK
1	1	1/28/81	P. JONES	JAN 27
			D. LIVES	

ETCH REV. C
P.C. DESIGN DATA BASE REV. C

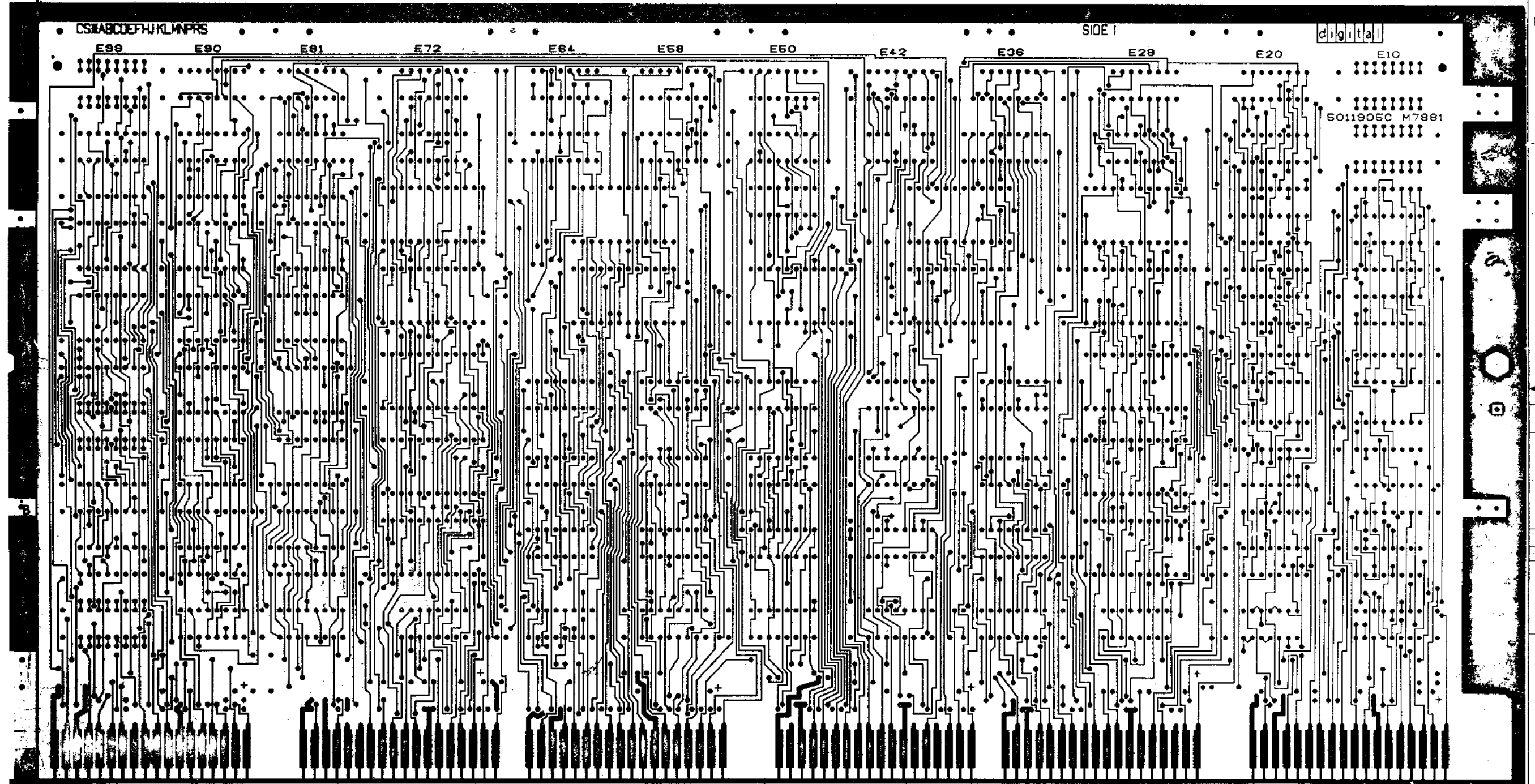
SIGNATURES	DATE
DRN. R. BARILORE	2-4-76
CHK'D	
ENG. D. J. C.	
PROD. ENG. J. S. C.	
SCALE 2-1	
SHT. 1 OF 4	
NEXT HIGHER ASSY. 8-00 M7891 C	

digital
TITLE PLATING POINT FALU
SIZE CODE NUMBER
D UA M7891 C

8 7 6 5 4 3 2 1 MS# 892

THIS DRAWING AND SPECIFICATIONS HEREIN ARE THE PROPERTY OF DIGITAL EQUIPMENT CORPORATION AND SHALL NOT BE REPRODUCED OR COPIED OR USED IN WHOLE OR IN PART AS THE BASIS FOR THE MANUFACTURE OR SALE OF ITEMS WITHOUT WRITTEN PERMISSION. COPYRIGHT © 1977 DIGITAL EQUIPMENT CORPORATION.

LAYER 1



REVISIONS		
CHK	CHANGE NO	REV.

TITLE	SIZE/DATE	NUMBER	REV.
FLT PT FALU	D UA	M788-0-0	C
SCALE 2/1	SHEET 2 OF 4	UNIT	

THIS DRAWING AND SPECIFICATIONS HEREIN ARE THE PROPERTY OF DIGITAL EQUIPMENT CORPORATION AND SHALL NOT BE REPRODUCED OR COPIED OR USED IN WHOLE OR IN PART AS THE BASIS FOR THE MANUFACTURE OR SALE OF ITEMS WITHOUT WRITTEN PERMISSION. COPYRIGHT © 1977 DIGITAL EQUIPMENT CORPORATION.

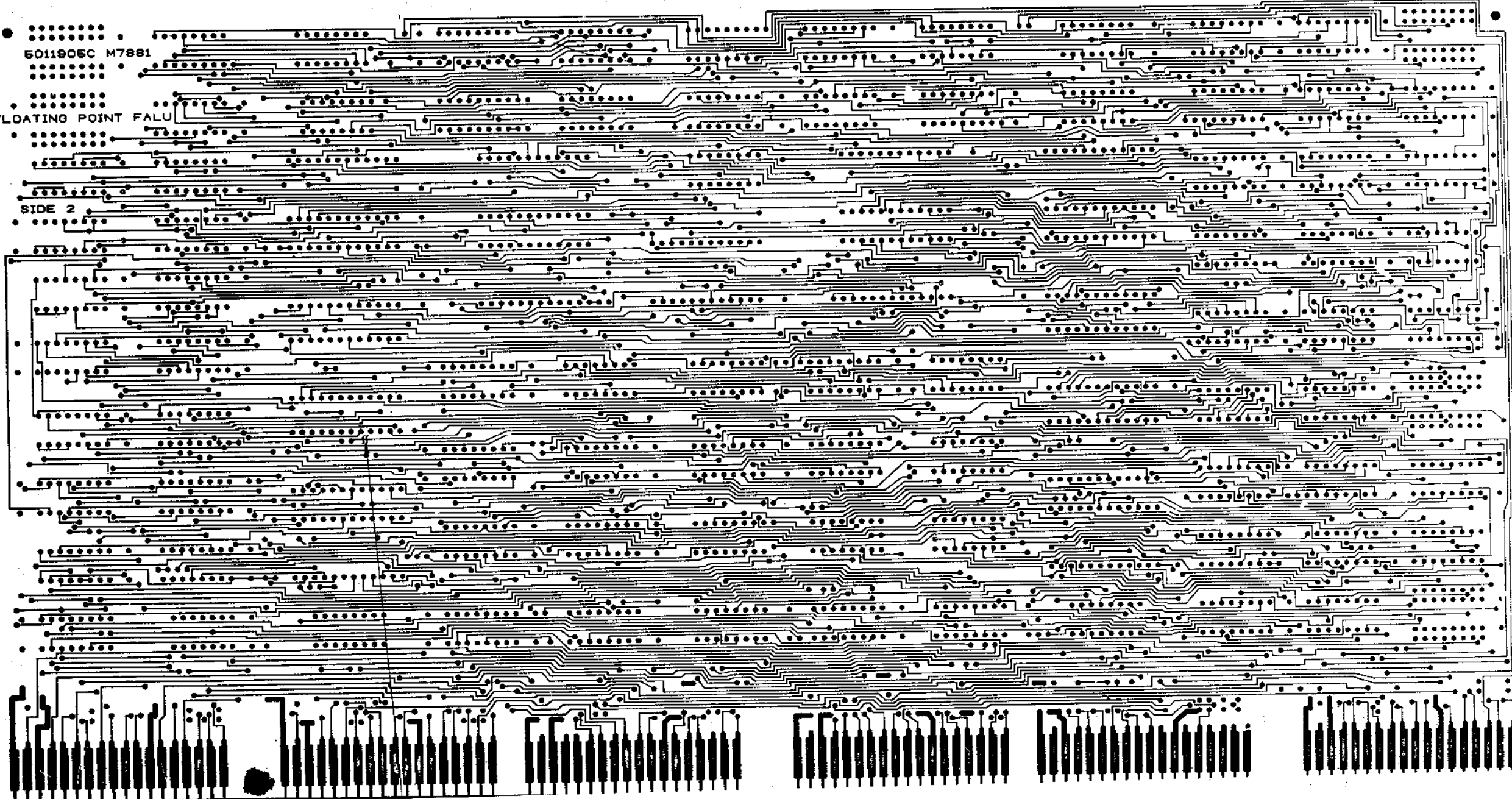
LAYER

L4

5011905C M7881

FLOATING POINT FALU

SIDE 2



REVISIONS		
CHK	CHANGE NO	REV

TITLE	SCALE	SHEET	SIZE	NO. OF SHEETS	REV.
FLT PT FALU	2/1	3 OF 4	D 11A	M7881-0-0	C

78

THIS DRAWING AND SPECIFICATIONS HEREIN ARE THE PROPERTY OF DIGITAL EQUIPMENT CORPORATION AND SHALL NOT BE REPRODUCED OR COPIED OR USED IN WHOLE OR IN PART AS THE BASIS FOR THE MANUFACTURE OR SALE OF ITEMS WITHOUT WRITTEN PERMISSION. COPYRIGHT © 1977, DIGITAL EQUIPMENT CORPORATION.

REWORK INSTRUCTIONS

ECO #1

ETCH CUTS SIDE 2:

1-1. BETWEEN F/T ABOVE E31-11 AND 12 AND F/T BELOW E23-19

WIRE ADDS SIDE 1:

1-2. BETWEEN F/T ABOVE E31-11 AND 12 AND E31-13

1-3. BETWEEN E31-14 AND E31-15

1-4. BETWEEN E31-12 AND E23-19

REVISIONS		
CHK.	CHANGE NO.	REV.

TITLE	SIZE CODE	NUMB'R	REV.
FLT PT FALU	DUA	M/081-0-0	C
SCALE	SHEET	OF	DIST.
---	2	4	

79

DIGITAL EQUIPMENT CORPORATION PARTS LIST

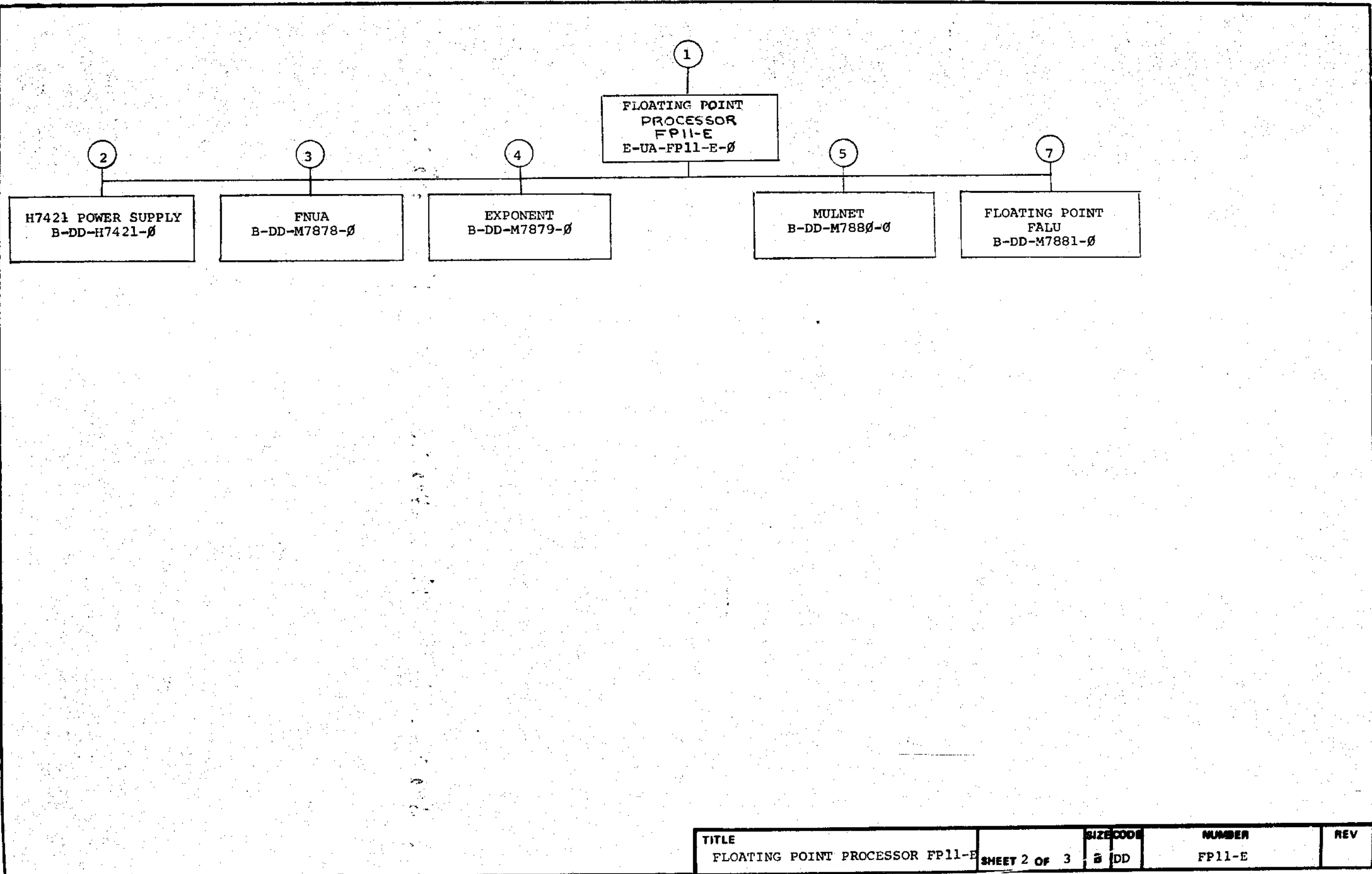
MADE BY DATE	R. BARILONE 30 NOV 76	CHECKED <i>Frank F. Smart</i> DATE 4-19-77	SECTION
ENG DATE	<i>David C. Jones</i> 4-28-77	PROD <i>K. G. MacOmold</i> DATE 4-28-77	ISSUED SECTION

QUANTITY / VARIATION

NOTES:
MS EC892
ETCH
CO PL / F

ITEM NO.	DRAWING NO.	PART NO.	DESCRIPTION	M7881-0-0	12	A/R	REF DESIGNATION
19		9000024-01	EYELET, HANDLE				
20		9105740-55	WIRE, 30 AWG, GREEN				

E.C.O. NO. "THIS DRAWING AND SPECIFICATIONS, HEREIN, ARE THE PROPERTY OF DIGITAL EQUIPMENT CORPORATION AND SHALL NOT BE REPRODUCED OR COPIED OR USED IN WHOLE OR IN PART AS THE BASIS FOR THE MANUFACTURE OR SALE OF ITEMS WITHOUT WRITTEN PERMISSION. COPYRIGHT © 1977 DIGITAL EQUIPMENT CORPORATION"	TITLE FLOATING POINT FALU	ASSY NO. D-UA-M7881-0-0 SHEET 2 OF 2	SIZE B	CODE PL	NUMBER M7881-0-0	REV. C
---	------------------------------	--	------------------	-------------------	---------------------	------------------



TITLE	SHEET 2 OF 3	SIZE CODE	NUMBER	REV
FLOATING POINT PROCESSOR FP11-E		Ø DD	FP11-E	

84

FIND NO.	DRAWING NO.	DESCRIPTION	TYPE	FIND NO.	DRAWING NO.	DESCRIPTION	TYPE
1	MP00429	FIELD MAINTENANCE PRINT SET ORDER NO.	-				
	B-TC-FP11-E-1	FIELD MAINTENANCE PRINT SET ORDER NO. (TC)	-				
	E-UA-FP11-E-0	FLOATING POINT PROCESSOR FP11-E	E/M				
	D-IA-7013423-0-0	HARNESS POWER FP11-E	E/M				
	A-PL-FP11-E-3	SHIPPING LIST	M				
	K-FD-FP11-E-2	FP11-E MICROCODE	E				
2	B-DD-H7421-0	H7421 POWER SUPPLY	E/M				
3	B-DD-M7878-0	FNUA	E/M				
4	B-DD-M7879-0	EXPONENT	E/M				
5	B-DD-M7880-0	MULNER	E/M				
6	B-DD-M7881-0	FLOATING POINT PALJ	E/M				

TYPE: E ELECTRICAL
M MECHANICAL
E M ELECTRO MECHANICAL



TITLE
FLOATING POINT PROCESSOR FP11-E

SHEET 3 OF 3

SIZE CODE
B DD

NUMBER
FP11-E

REV

