







**DIGITAL EQUIPMENT CORPORATION  
PARTS LIST**

**QUANTITY / VARIATION**

**NOTES:**

MADE BY <i>R. Koppenal</i>	CHECKED <i>R. Wall</i>	SECTION
DATE <i>3-1-76</i>	DATE <i>3-2-76</i>	
ENG <i>R. Wall</i>	PROD <i>R. Wall</i>	ISSUED SECTION
DATE <i>3-2-76</i>	DATE <i>3-2-76</i>	

ITEM NO.	DRAWING NO.	PART NO.	DESCRIPTION	QTY	UNIT	REF DESIGNATION
1.		5011820	ETCH BOARD	1		
2.		1000025	CAP, 560PF, 100V, 5%	2		C92, C53
3.		1000018	CAP, 120PF, 100V, 5%	2		C99, C96
4.		1000024	CAP, 470PF, 100V, 5%	25		C93, C100-122, C131,
5.		1000042	CAP, 1000PF, 100V, 5%	1		C98
6.		1001610-00	CAP, 01UF, 50V	91		C1-C52, C54-C91, C130
7.		1000010	CAP, 39PF, 100V, 5%	1		C97
8.		1005306	CAP, 6.8UF, 35V, 10%	6		C123-C126, C128, C129
9.		1000021	CAP, 220PF, 100V, 5%	1		C95
10.		1000023	CAP, 330PF, 100V, 5%	1		C94
11.		1105796	DIODE, IN4004	2		D1, D5
12.		1109943	DIODE, IN4733A	2		D2, D6
13.		1103340	DIODE, IN4736A	2		D3, D7
14.		1101938	DIODE, IN4370A	2		D4, D8
15.		1905547	IC, 7474	1		E96
16.		1909705	IC, 8881	1		E72
17.		1910091	IC, 7437	2		E24, E68
18.		1910322	IC, 1488L	4		E7 - E10
19.		1910323	IC, 1489L	6		E1 - E6
20.		1910454	IC, 9318	1		E82
21.		1910459-01	IC, 1602 (UART)	8		E44 - E51

E.C.O. NO.  
0001  
0002  
0003

THIS DRAWING AND SPECIFICATIONS HEREIN ARE THE PROPERTY OF DIGITAL EQUIPMENT CORPORATION AND SHALL NOT BE REPRODUCED OR COPIED OR USED IN WHOLE OR IN PART AS THE BASIS FOR THE MANUFACTURE OR SALE OF ITEMS WITHOUT WRITTEN PERMISSION. COPYRIGHT © 1976 DIGITAL EQUIPMENT CORPORATION.	TITLE	ASSY NO.	SIZE	CODE	NUMBER	REV.
	8 LINE EIA ASYNCHRONOUS PUX	D-UA-M7819-0-0	B	PL	M7819-0-0	E





DIGITAL EQUIPMENT CORPORATION

PARTS LIST

QUANTITY/VARIATION

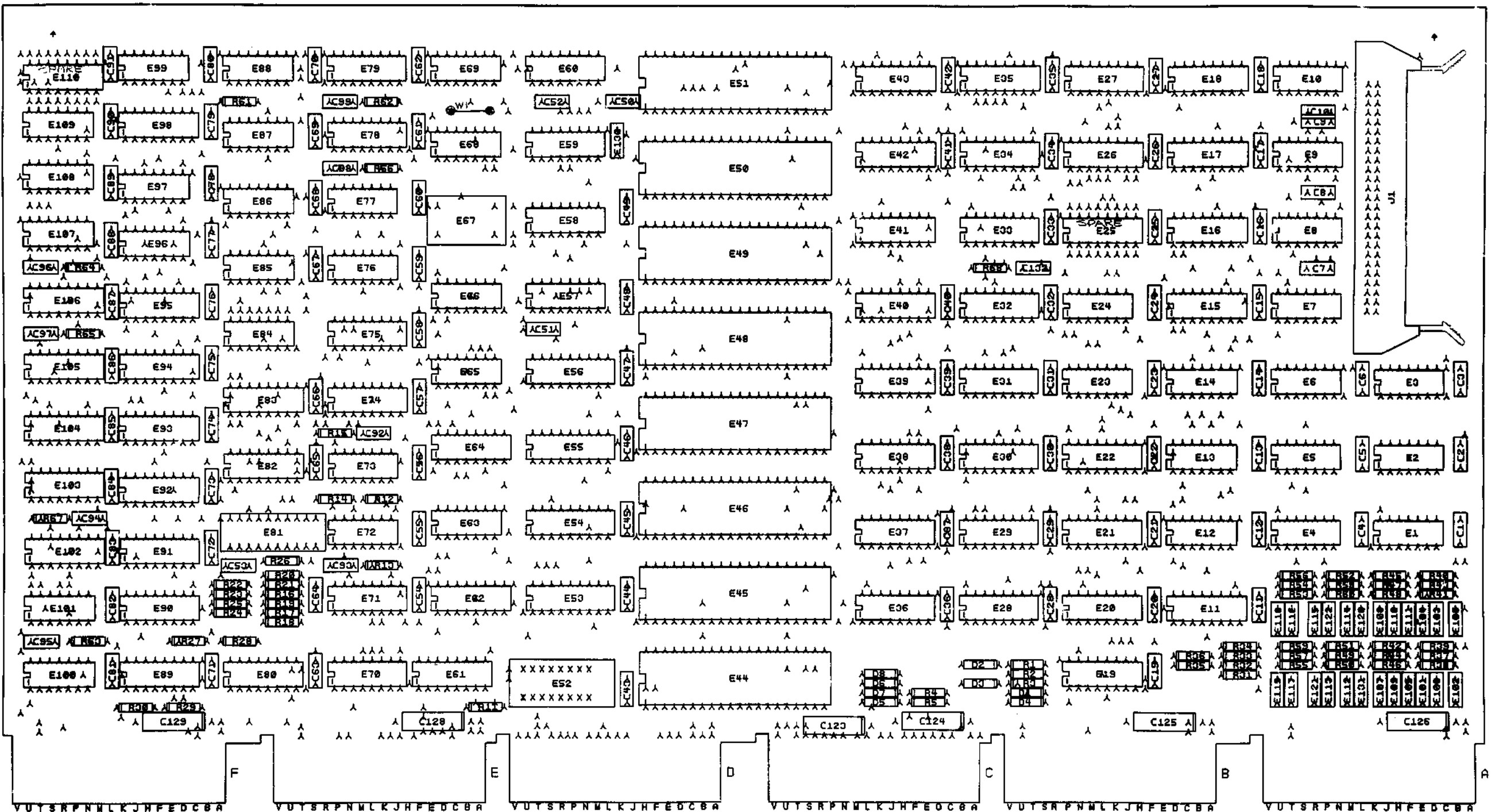
NOTES:

MADE BY <i>R. Koppenal</i>	CHECKED <i>[Signature]</i>	SECTION
DATE <i>3-1-76</i>	DATE <i>3-2-76</i>	
ENG <i>[Signature]</i>	PROD <i>R. Wall</i>	ISSUED SECTION
DATE <i>3-2-76</i>	DATE <i>3-2-76</i>	

ITEM NO.	DRAWING NO.	PART NO.	DESCRIPTION	QUANTITY/VARIATION										REF DESIGNATION	
62		5408778	PRIORITY 5 INSERT	1											PLUG INTO E52
63		9006735	SPLIT LUG	2											
64		9006732	EYELETS	12											
65		9009185	JUMPER, INSULATED	1											W1
66		1811660-02	OSCILLATOR, 5.068 MHE	1											E67

E.C.O. NO.	THIS DRAWING AND SPECIFICATIONS, HEREIN, ARE THE PROPERTY OF DIGITAL EQUIPMENT CORPORATION AND SHALL NOT BE REPRODUCED OR COPIED OR USED IN WHOLE OR IN PART AS THE BASIS FOR THE MANUFACTURE OR SALE OF ITEMS WITHOUT WRITTEN PERMISSION. COPYRIGHT © 1976 . DIGITAL EQUIPMENT CORPORATION	TITLE	ASSY NO.	SIZE	CODE	NUMBER	REV.
		8 LINE EIA ASYNCHRONOUS MUX	D-UA-M7819-0-0	B	PL	M7819-0-0	E
		SHEET 4 OF 4		INSERTION PARTS LIST DATA BASE REV			

COMPONENT SIDE VIEW



NOTES:  
 1. B HOLES .075 (+.002-.005) MINIMUM ONLY

CHK	CHANGE NO	REV	DATE	BY	REASON

HOLE DATA										
SYMBOL	+	-	X	+	2	M	A	0	φ	*
FIN HOLE SIZE	.068	.038	.059	.128						
PLATED	✓	✓	✓	✓						
NON PLATED										
QTY.	20122	16	2							
○-OFF GRD HLE										
DRILL SIZE										
.005 GRID UNLESS INDICATED										

BOARD FABRICATION INFORMATION	
PANEL SIZE	HLX 8.50 X 17.00
PANEL DATA DWG.	E-MD-7606098-0-0
PANEL MAT'L FL-GR	.052-L 1/1
DEC PS	- 1400000
BTY. OF LAYERS	4
PTH. X PRINT AND ETCH	
SOLDER MASK Y SIDE	Z Y BOTH SIDES
GOLD CONTACTS Y BOTTOM	Y TOP

SIGNATURES		DATE
DRN. RA. LUYASSEUR		2/28/72
CHK'D. W. S. S.		2/28/72
ENG. S. S.		2/28/72
PROJ. ENG. R. S.		2/28/72
PROD.		

digital		TITLE LINE EIA	
		ASYN MUX	
SCALE	1 OF 5	SIZE CODE	NUMBER
SHT.		D	VA M7819-0-0 F
NEXT HIGHER ASSY. B-DD-M7819-0		ETCH REV E-P2	



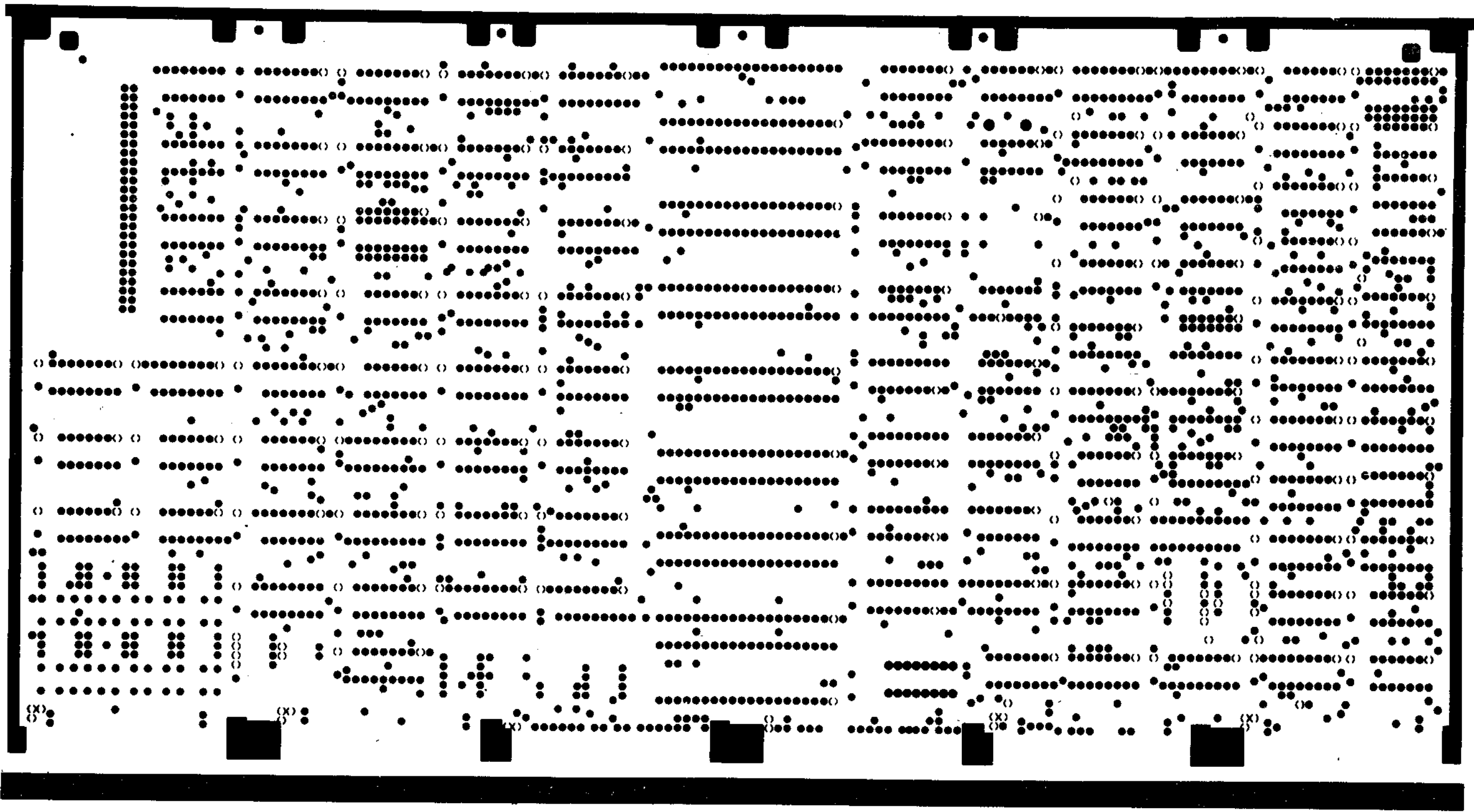




THIS DRAWING AND SPECIFICATIONS HEREON ARE THE PROPERTY OF DIGITAL EQUIPMENT CORPORATION AND SHALL BE KEPT IN CONFIDENTIALITY AND NOT REPRODUCED OR IN ANY MANNER DISCLOSED TO ANY OTHER PARTY WITHOUT THE WRITTEN CONSENT OF DIGITAL EQUIPMENT CORPORATION.

9 11 16 1

M7819 5011820E-P2

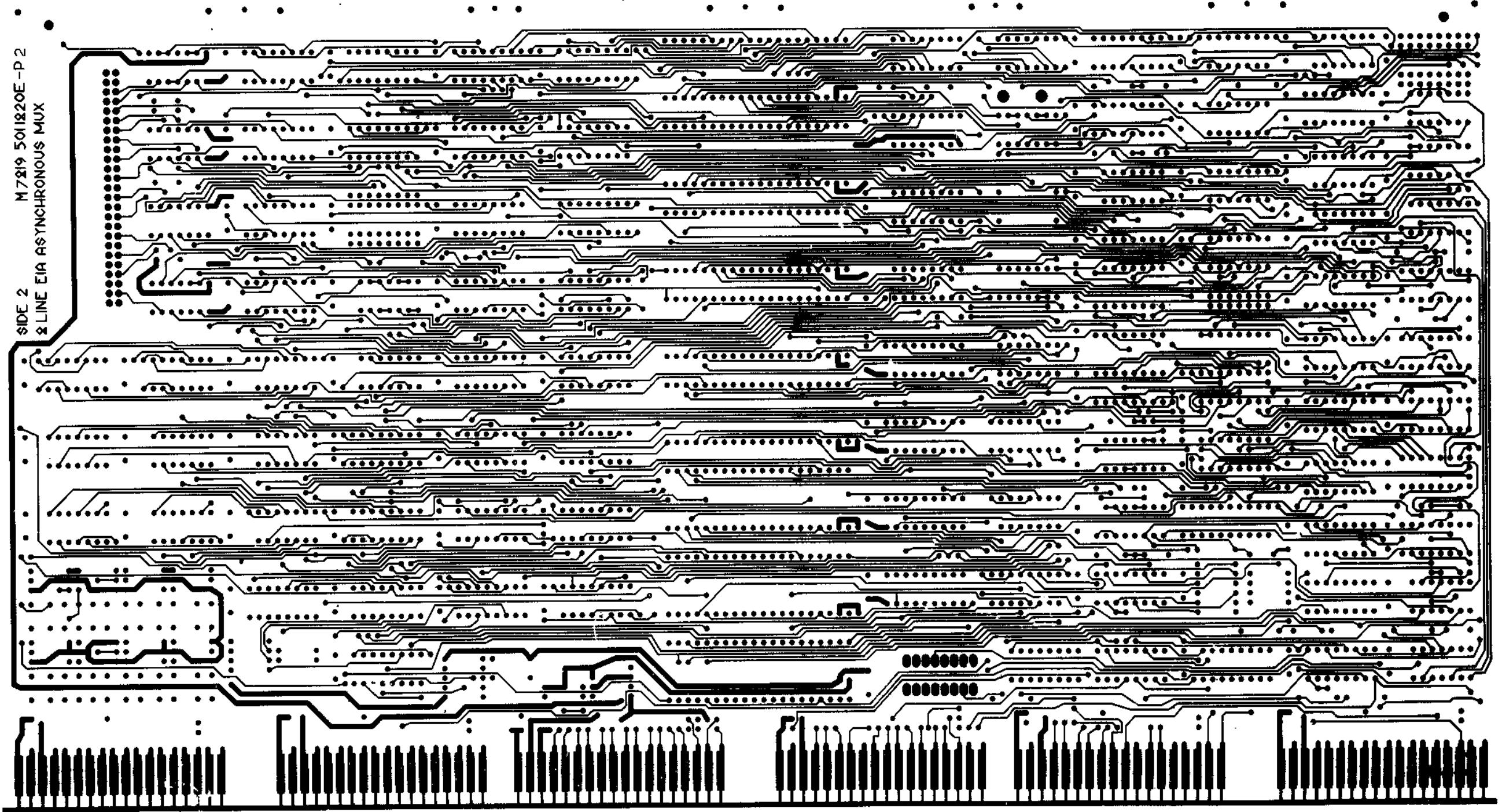


HYDRO  
 Chk: [ ]

TITLE	SIZE/CODE	NUMBER	REV.
8 LINE EIA ASYN MUX	D VA	M7819-0-0	F
SCALE	SHEET 4 OF 5		DIST

"THIS DRAWING AND SPECIFICATIONS HEREIN ARE THE PROPERTY OF DIGITAL EQUIPMENT CORPORATION AND SHALL NOT BE REPRODUCED OR COPIED OR USED IN WHOLE OR IN PART AS THE BASIS FOR THE MANUFACTURE OR SALE OF ITEMS WITHOUT WRITTEN PERMISSION. COPYRIGHT © 1977 DIGITAL EQUIPMENT CORPORATION"

SIDE 2  
M7819 501120E-P2  
8 LINE EIA ASYNCHRONOUS MUX



REVISIONS		
CHK	CHANGE NO	REV

TITLE	SIZE CODE	NUMBER	REV.
8 LINE EIA ASYN MUX	D UA	M7819-0-0	F
SCALE	SHEET 5 OF 5	DIST.	



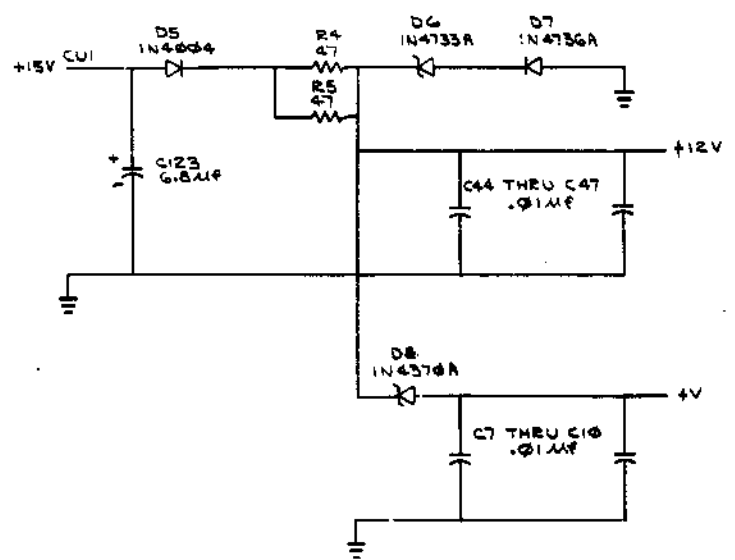
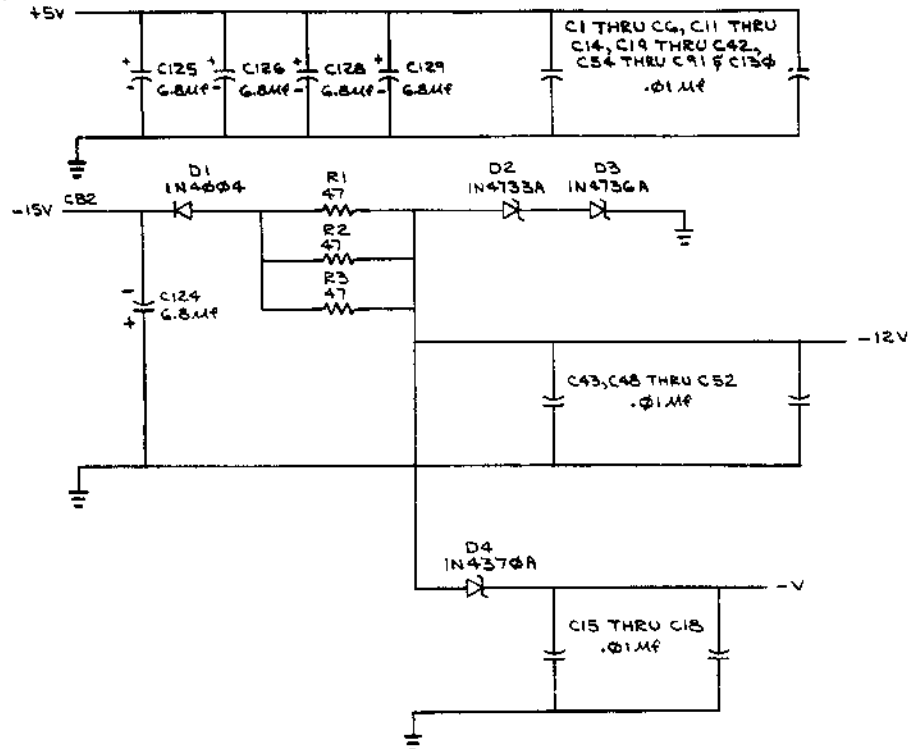
NO OPERATIONAL, DESIGN, OR TEST DATA IS TO BE USED IN THE CONSTRUCTION OF THIS PRODUCT OR THE CONSTRUCTION OF THE FACILITIES FOR THE PRODUCTION OF THIS PRODUCT.

POWER & GROUND TABLE						
IC TYPE	GND	+5V	+12V	-12V	V+	V-
UART (16#2)	PIN 5	PIN 1	---	PIN 2	---	---
DEC 5016	PIN 11	PIN 2	PIN 9	---	---	---
DEC 3341	PIN 8	PIN 16	---	PIN 1	---	---
DEC 1455	PIN 7	---	---	---	PIN 14	PIN 1
14 PIN IC'S	PIN 7	PIN 14	---	---	---	---
16 PIN IC'S	PIN 8	PIN 16	---	---	---	---
DEC 74LS90	PIN 10	PIN 5	---	---	---	---

NOTES:

1. THE 'B' AND 'D' INPUTS SHOWN ON THE 8136 LOGIC SYMBOL HAS THE FOLLOWING MEANING:  
B=UNIBUS RECEIVER INPUT.  
D=NORMAL TTL LOGIC INPUT.
2. THE 8136 CONTAINS SIX VOLTAGE COMPARATORS WITH A COMMON OUTPUT. EACH COMPARATOR MUST HAVE ITS 'B' AND 'D' INPUTS THE SAME, AT THE SAME TIME, FOR A TRUE (HIGH) OUTPUT.
3. WHEN A SWITCH IS CLOSED (ON) THE COMPARATOR RECOGNIZES THE RESPECTIVE UNIBUS ADDRESS BIT WHEN IT IS A LOGIC ONE (LOW). WHEN A SWITCH IS OPEN (OFF) THE COMPARATOR RECOGNIZES THE RESPECTIVE UNIBUS ADDRESS BIT WHEN IT IS A LOGIC ZERO (HIGH).
4. PRIORITY 5 IS STANDARD FOR THIS MODULE; THEREFORE E52 SHOWS THE REQUEST AND GRANT PATHS FOR PRIORITY 5.
5. WHEN A SWITCH OPEN (OFF), THE RESPECTIVE VECTOR IS @ 'ONE'; WHEN A SWITCH IS CLOSED (ON), THE RESPECTIVE VECTOR BIT IS @ 'ZERO'.

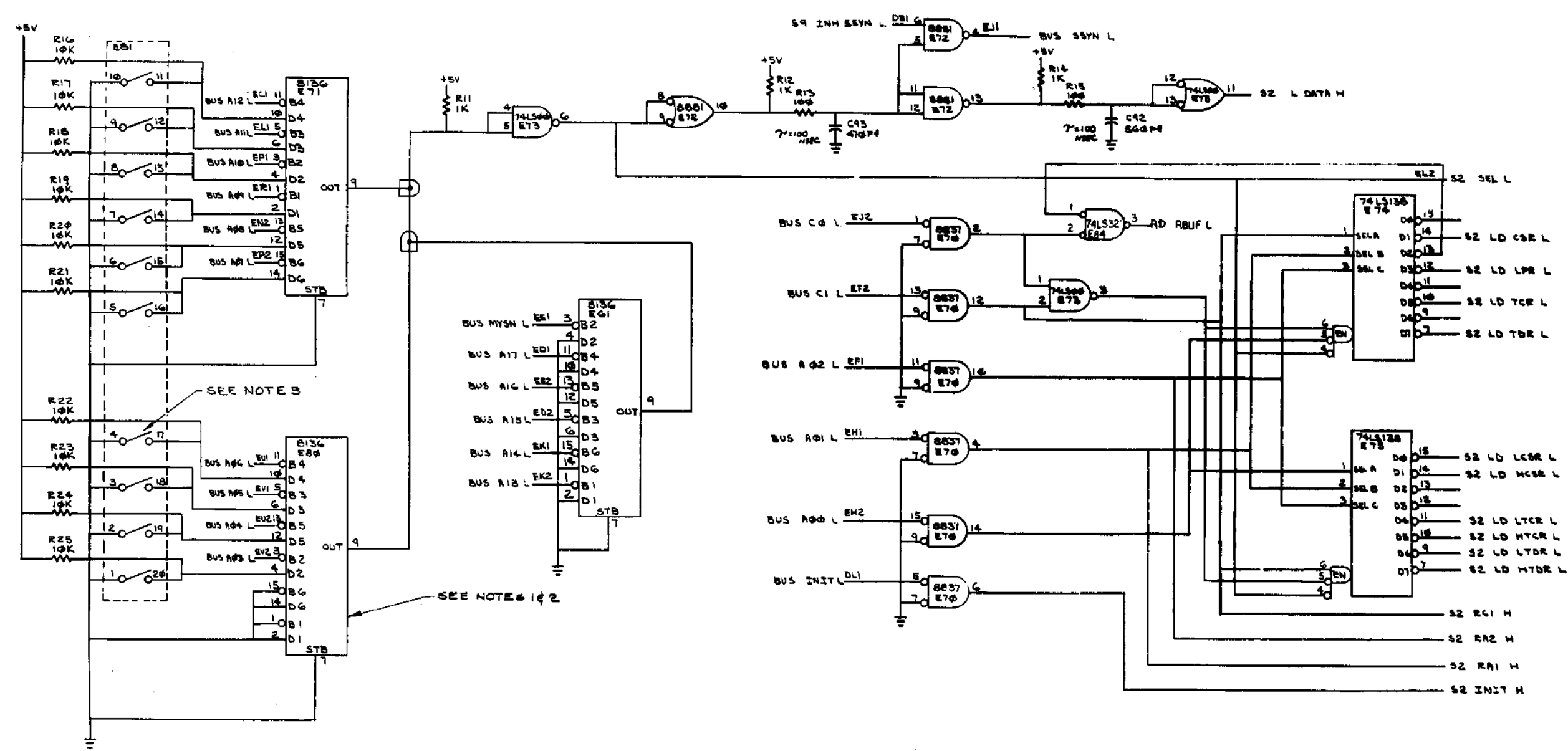
AA2, BA2, DA2, EA2, FA2



REV	DATE	BY	CHKD
1	6-4-76	PLA CORMIER	
2		R. CORNIE	
3		J. ROBERTS	
4			
5			
6			
7			

(POWER AND GROUND)			
DRN: <i>A. Blum</i>	DATE: 6-11-76	FIRST USED ON: M7819	REV: 02-00
CHK: <i>W. Blum</i>	DATE: 3-2-76	TITLE: 8 LINE EIA ASYNCHRONOUS MUX	REV: F
ENG: <i>W. Blum</i>	DATE: 3-2-76	SIZE: D	CODE: CS
PROL: <i>W. Blum</i>	DATE: 3-2-76	NUMBER: M7819-0-1	REV: F
PROD. BY: <i>W. Blum</i>	DATE: 3-2-76	SHEET: 1	OF 15
NEXT HIGHER ASSY.		DIA.	

THE DESIGN AND SPECIFICATIONS HEREIN ARE THE PROPERTY OF DIGITAL EQUIPMENT CORPORATION AND SHALL NOT BE REPRODUCED OR COPIED OR USED IN WHOLE OR IN PART AS THE BASIS FOR THE MANUFACTURE OR SALE OF ITEMS UNLESS BY WRITTEN PERMISSION. COPYRIGHT © 1974 DIGITAL EQUIPMENT CORPORATION



SEE NOTE 3

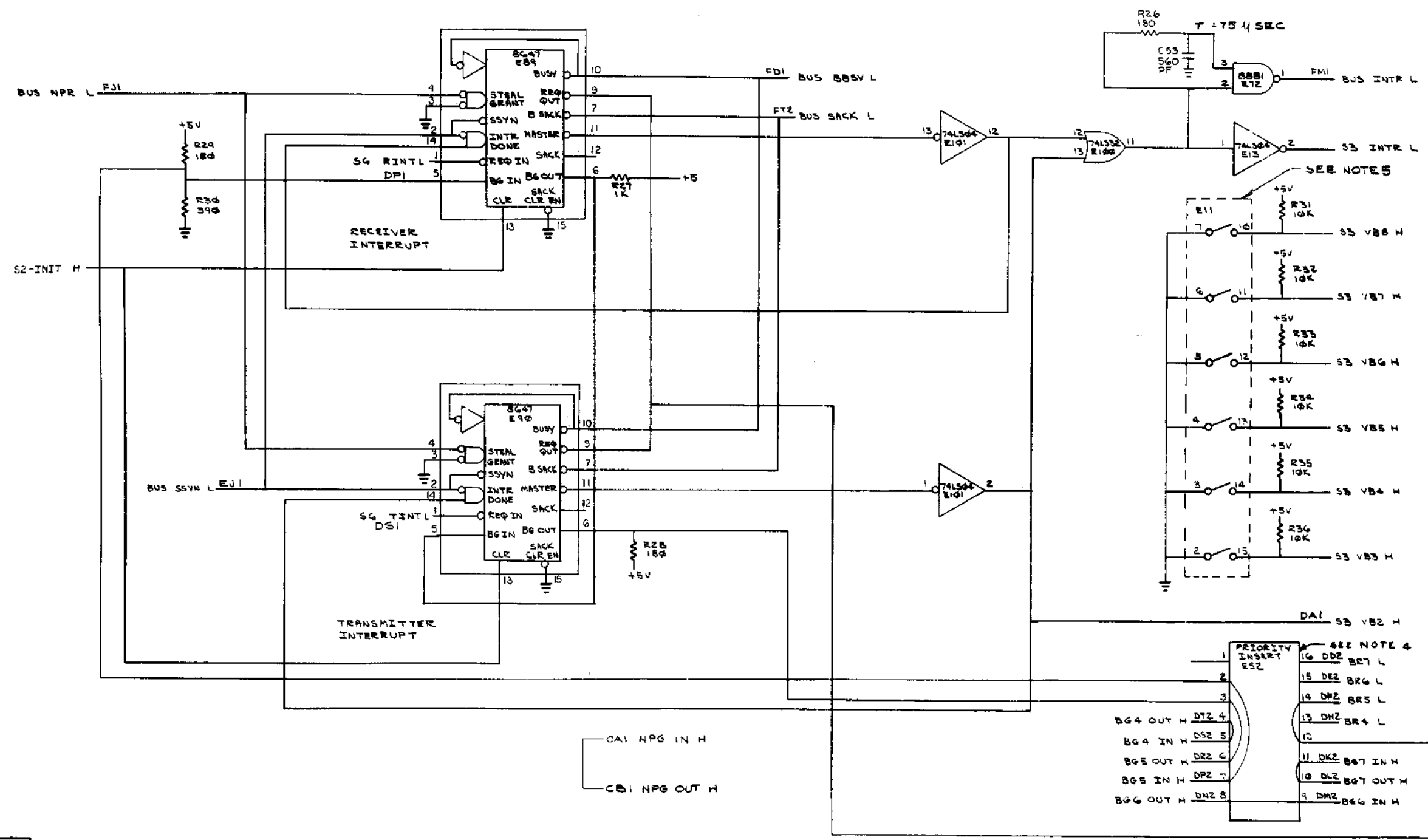
SEE NOTE 1 & 2

(ADDRESS SELECT)

REVISIONS		
CHK	CHANGE NO.	REV.

TITLE	8 LINE EIA ASYNCHRONOUS MUX	SIZE	0008	NUMBER	M7819-0-1	REV.	F
SCALE	1/1	SHEET	2	OF	15	DIST.	

THIS DRAWING AND SPECIFICATIONS HEREON ARE THE PROPERTY OF DIGITAL EQUIPMENT CORPORATION AND SHALL NOT BE REPRODUCED OR TRANSMITTED IN ANY FORM OR BY ANY MEANS, ELECTRONIC OR MECHANICAL, INCLUDING PHOTOCOPYING, RECORDING, OR BY ANY INFORMATION STORAGE AND RETRIEVAL SYSTEM, WITHOUT WRITTEN PERMISSION FROM DIGITAL EQUIPMENT CORPORATION.



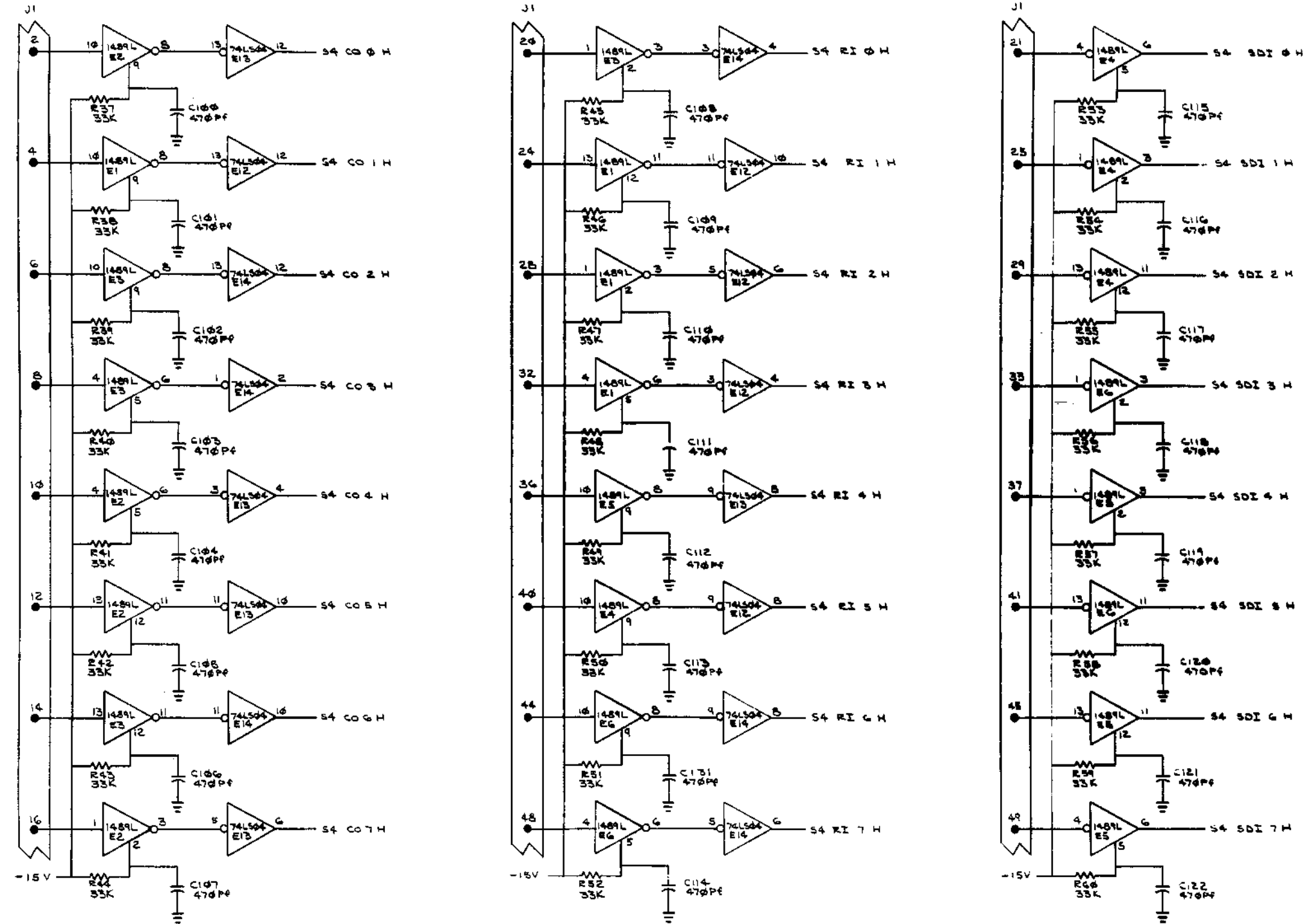
(INTERRUPT CONTROL)

REVISIONS		
CHK	CHANGE NO.	REV.

TITLE	E LINE EIA ASYNCHRONOUS MUX	SIZE CODE	DCS	NUMBER	M7819-0-1	REV.	F
SCALE		SHEET	3 OF 15	DIST.			



THIS DRAWING AND SPECIFICATIONS HEREAFTER ARE THE PROPERTY OF DIGITAL EQUIPMENT CORPORATION AND SHALL NOT BE REPRODUCED OR USED IN WHOLE OR IN PART AS THE BASIS FOR THE MANUFACTURE OR SALE OF ITEMS WITHOUT WRITTEN PERMISSION. COPYRIGHT © 1971, DIGITAL EQUIPMENT CORPORATION

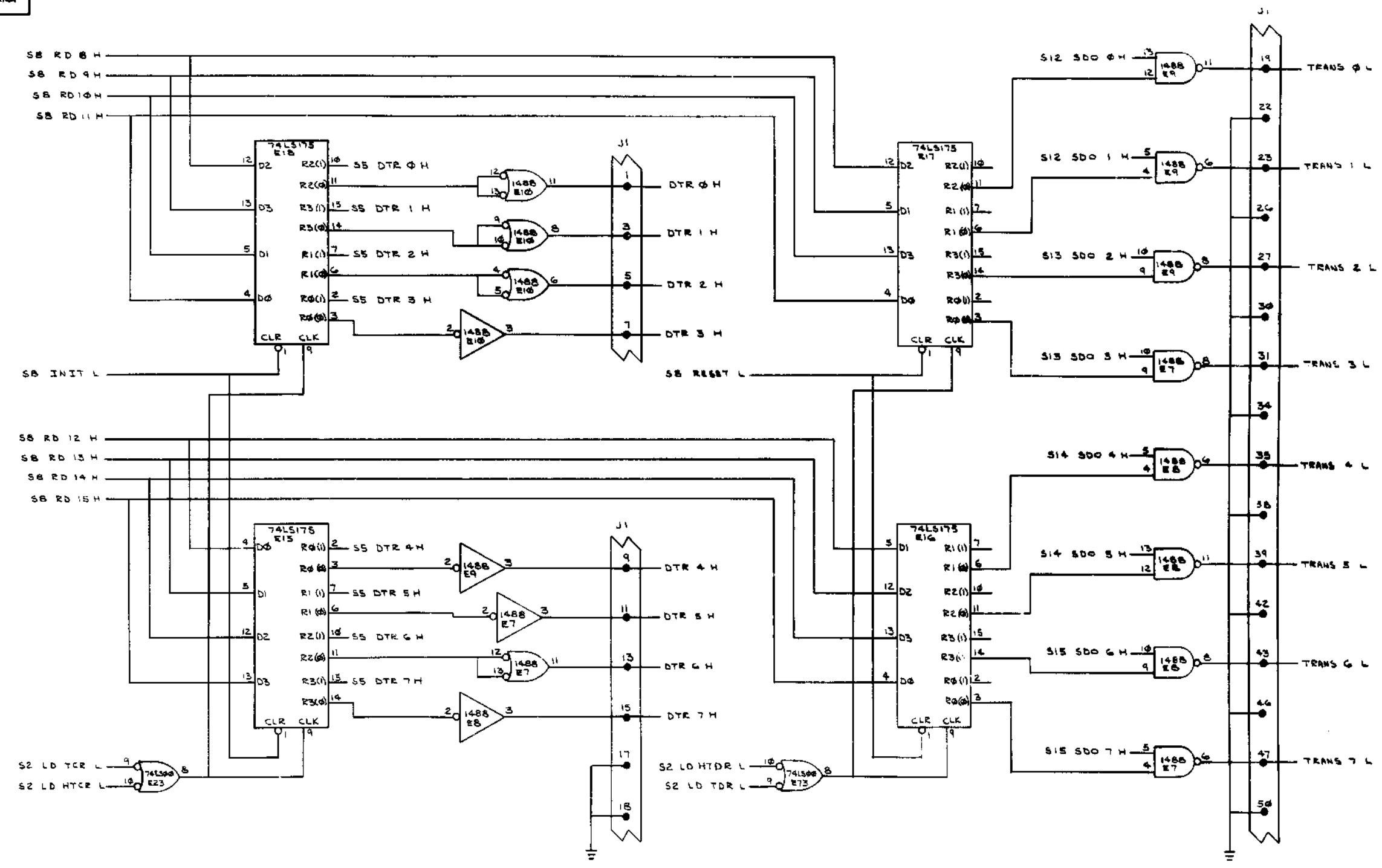


REVISIONS		
CHK	CHANGE NO	REV.

TITLE		SIZE CODE	NUMBER	REV.
8 LINE EIA ASYNCHRONOUS MUX		D CS	M7819-0-1	F
SCALE	SHEET	OF	DIBT.	
	4	15		

(EIA RECEIVERS)

THIS DRAWING AND SPECIFICATIONS HEREON ARE THE PROPERTY OF DIGITAL EQUIPMENT CORPORATION AND SHALL NOT BE REPRODUCED OR COPIED IN WHOLE OR IN PART AS THE BASIS FOR THE MANUFACTURE OR SALE OF ITEMS WITHOUT WRITTEN PERMISSION. Copyright © 1974, DIGITAL EQUIPMENT CORPORATION

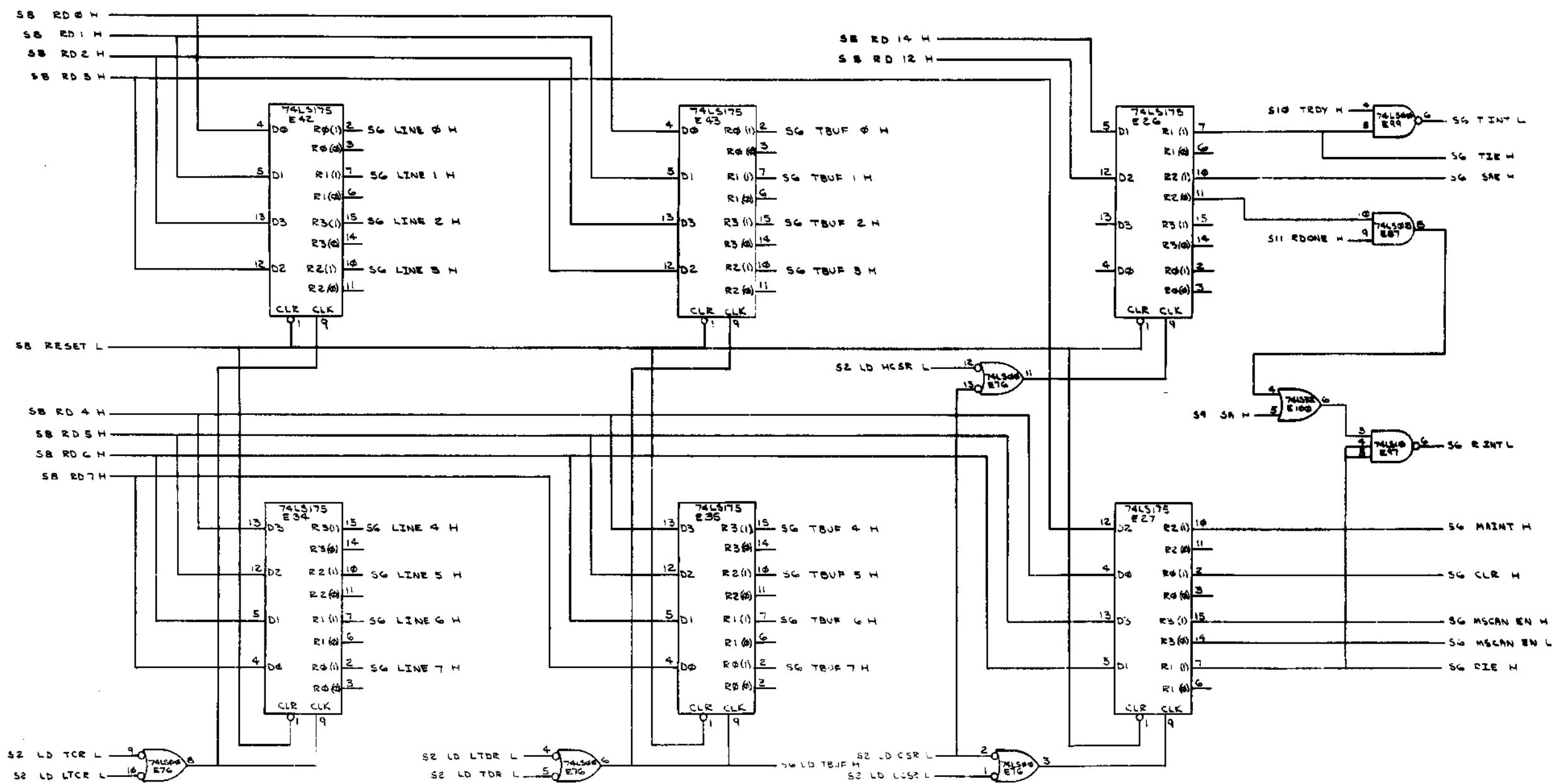


REVISIONS		
CHK	CHANGE NO.	REV.

(DTR & BRK & EIA TRANSMITTER)

TITLE	8 LINE EIA ASYNCHRONOUS MUX	SIZE/DOOR	D CS	NUMBER	M7819-0-1	REV.	F
SCALE	1/1	SHEET	5	OF 15	DIST.		

THIS DRAWING AND SPECIFICATIONS HEREON ARE THE PROPERTY OF DIGITAL EQUIPMENT CORPORATION AND SHALL NOT BE REPRODUCED OR COPIED OR USED IN WHOLE OR IN PART AS THE BASIS FOR THE MANUFACTURE OR SALE OF THIS WITHOUT WRITTEN PERMISSION. COPYRIGHT © 1971, DIGITAL EQUIPMENT CORPORATION

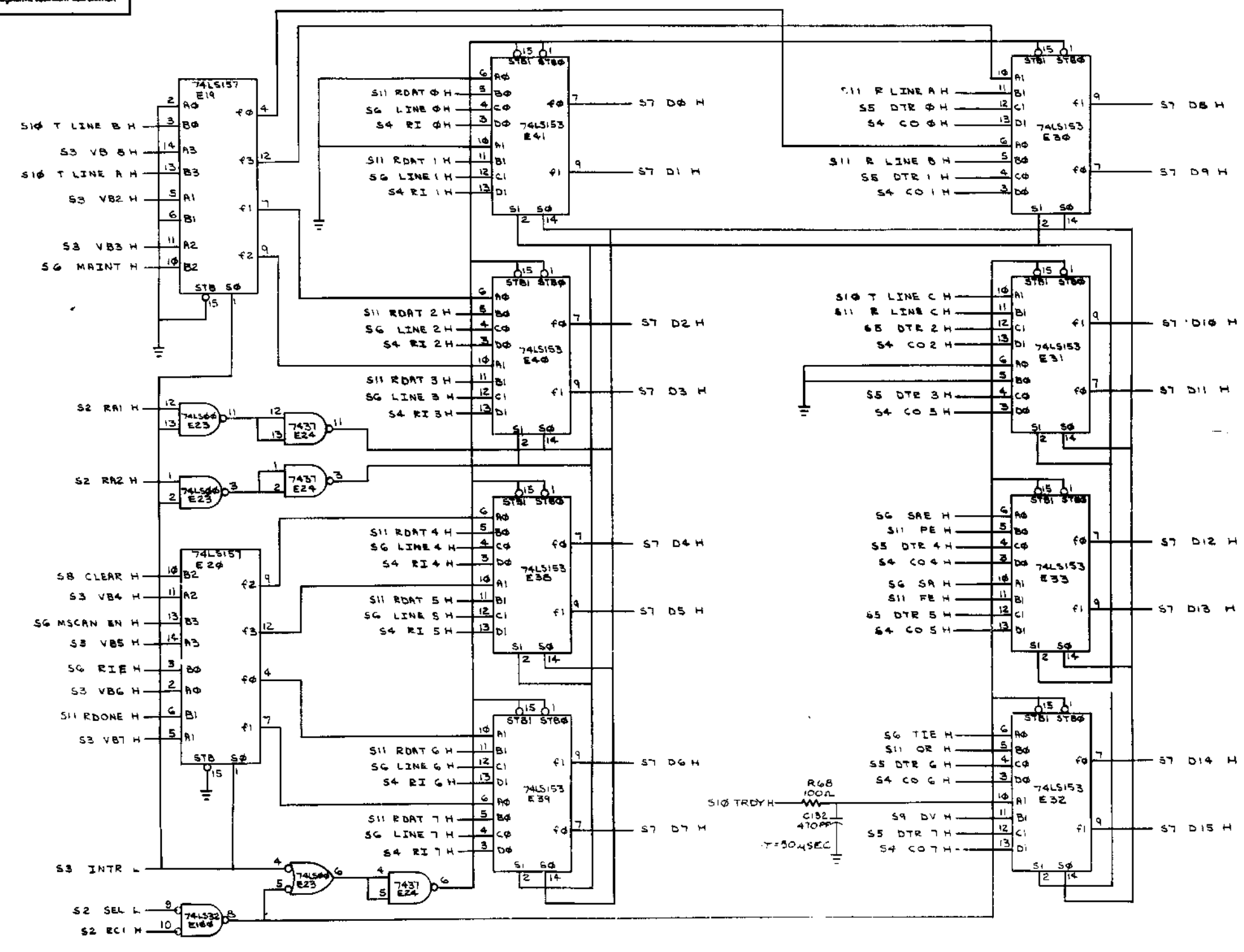


REVISIONS		
CHK	CHANGE NO.	REV.

(REGISTERS)

TITLE	8 LINE EIA ASYNCHRONOUS MUX	SIZE CODE	DCS	NUMBER	M7819-0-1	REV.	5
SCALE	7/7	SHEET	6	OF	15	DIST.	

"THE DRAWING AND SPECIFICATIONS HEREIN ARE THE PROPERTY OF DIGITAL EQUIPMENT CORPORATION AND SHALL NOT BE REPRODUCED OR COPIED OR USED IN WHOLE OR IN PART AS THE BASIS FOR THE MANUFACTURE OR SALE OF ITEMS WITHOUT WRITTEN PERMISSION. COPYRIGHT © 1970, DIGITAL EQUIPMENT CORPORATION"

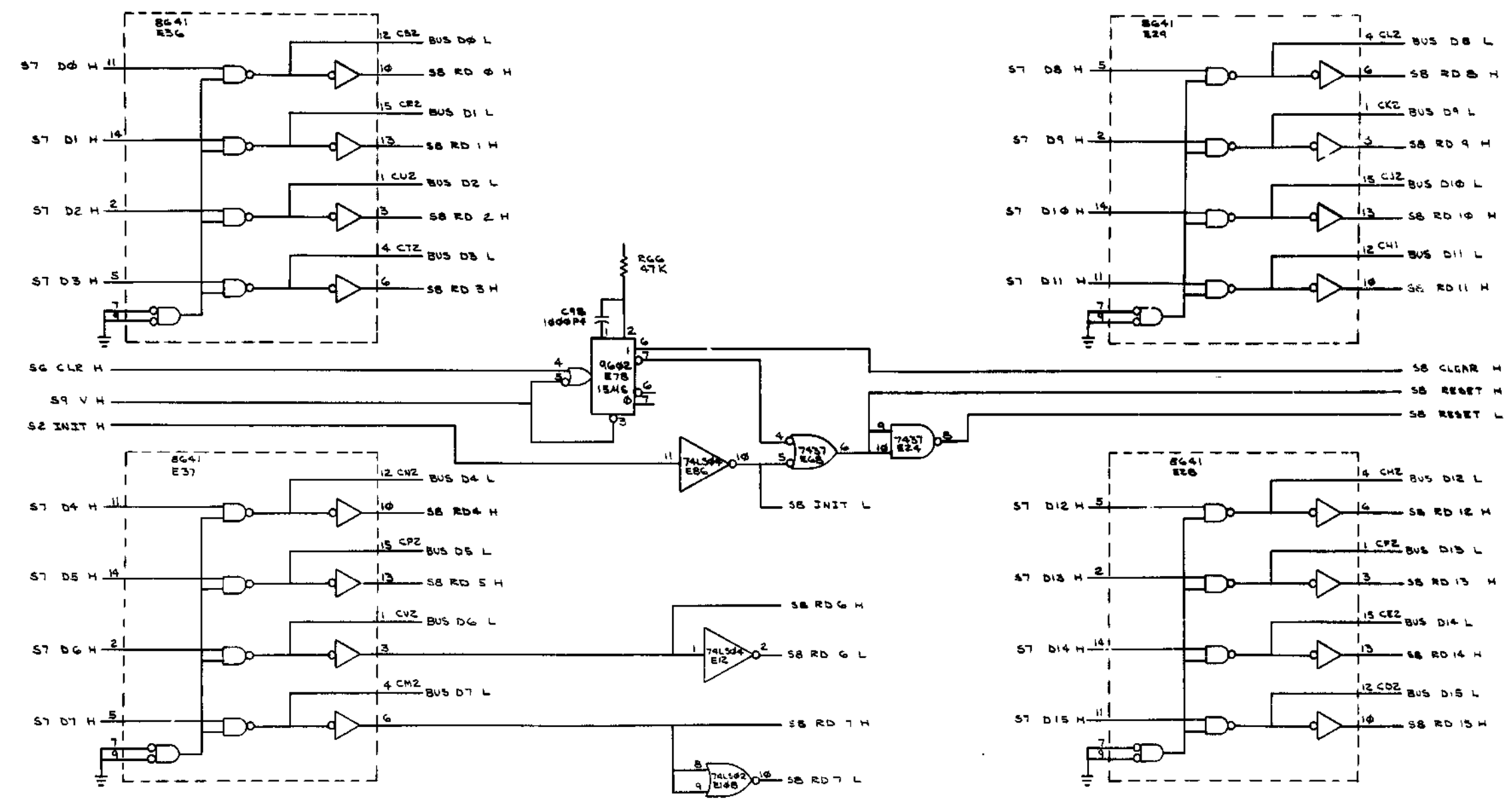


(OUTPUT DATA MULTIPLEXER)

REVISIONS		
CHK	CHANGE NO.	REV.

TITLE	8 LINE EIA ASYNCHRONOUS MUX	SIZE/CODE	D CS	NUMBER	M7819-0-1	REV.	F
SCALE		SHEET	7	OF	15	DIST.	

THIS DRAWING AND SPECIFICATIONS HEREBY ARE THE PROPERTY OF DIGITAL EQUIPMENT CORPORATION AND SHALL NOT BE REPRODUCED OR COPIED IN WHOLE OR IN PART AS THE BASIS FOR THE MANUFACTURE OR SALE OF THIS EQUIPMENT WITHOUT PERMISSION. COPYRIGHT © 1976, DIGITAL EQUIPMENT CORPORATION

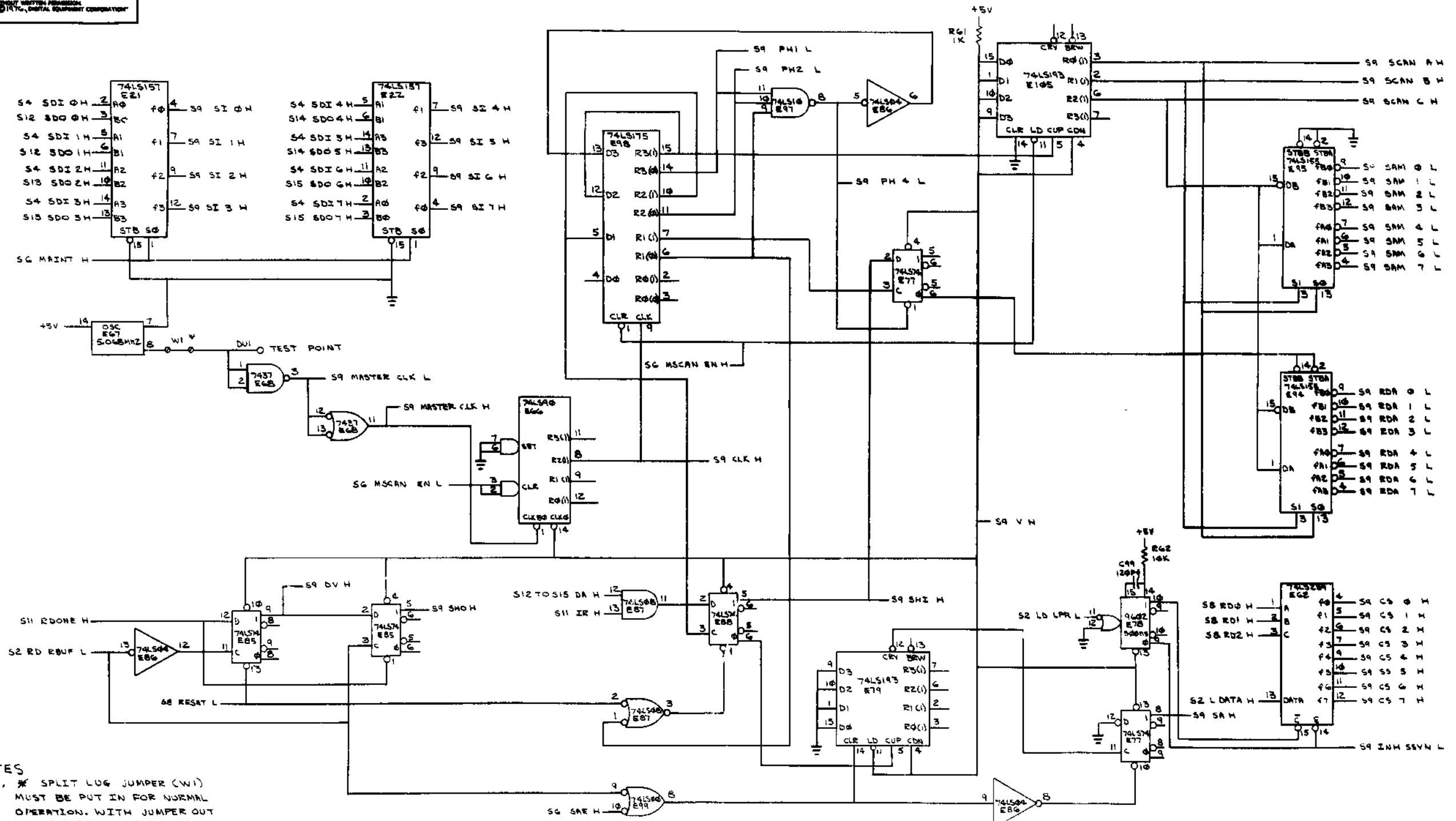


REVISIONS		
CHK	CHANGE NO.	REV.

(UNIBUS TRANSCEIVERS AND RESET)

TITLE	8 LINE EIA ASYNCHRONOUS MUX	SIZE CODE	D CS	NUMBER	M7819-0-1	REV.	F
SCALE		SHEET	8	OF	15	DIST.	

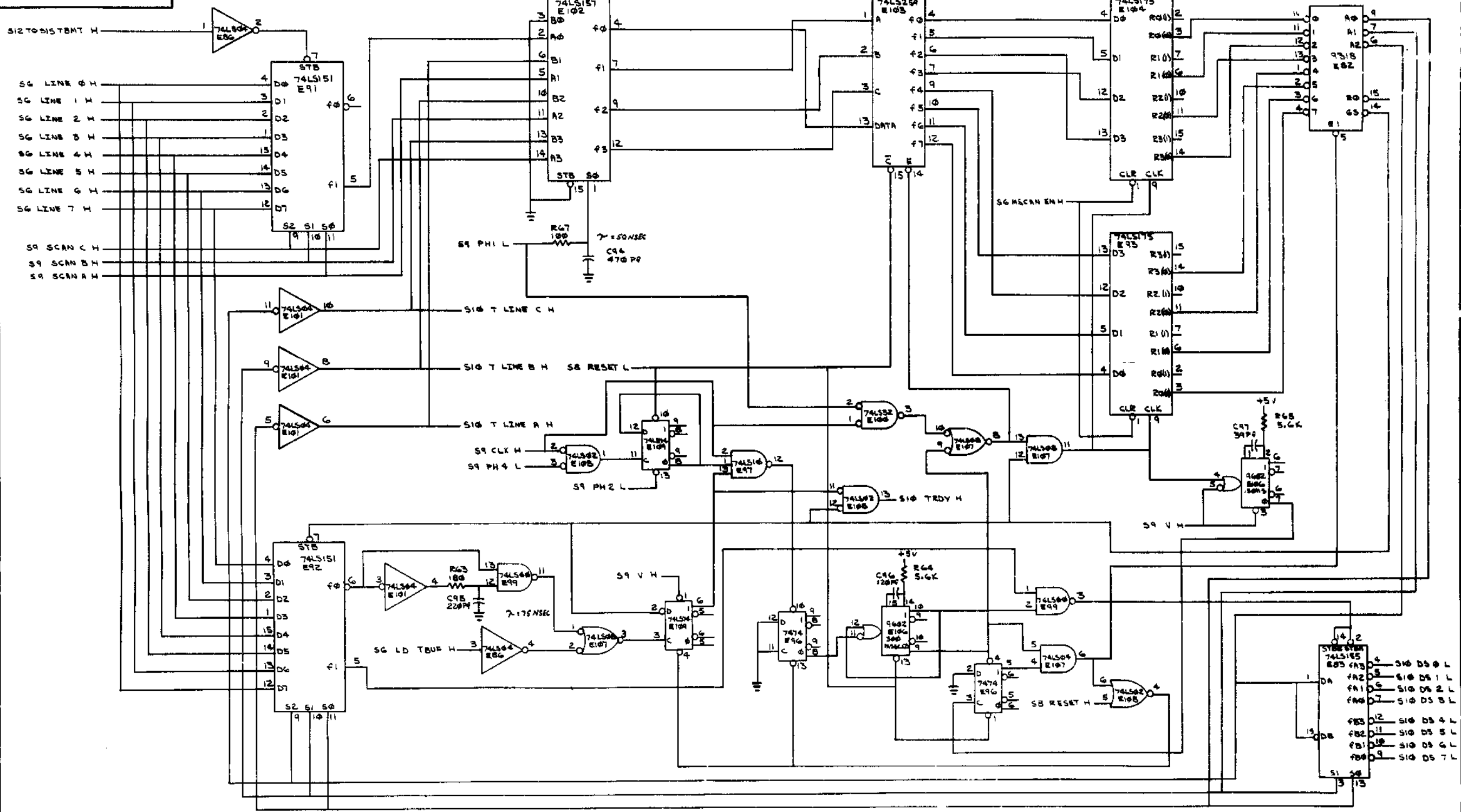
THIS DRAWING AND SPECIFICATIONS HEREIN ARE THE PROPERTY OF DIGITAL EQUIPMENT CORPORATION AND SHALL NOT BE REPRODUCED OR COPIED OR USED IN WHOLE OR IN PART AS THE BASIS FOR THE MANUFACTURE OR SALE OF ITEMS WITHOUT WRITTEN PERMISSION. Copyright © 1970, DIGITAL EQUIPMENT CORPORATION



NOTES  
 1. \* SPLIT LOG JUMPER (W1) MUST BE PUT IN FOR NORMAL OPERATION. WITH JUMPER OUT THE 5.068MHZ OSC IS DISCONNECTED AND AN EXT TEST POINT SIGNAL CAN DRIVE THE SCANNER. THIS POINT IS FOR IN-HOUSE USE ONLY.

REVISIONS			TITLE			NUMBER			REV.		
CHK	CHANGE NO.	REV.	8 LINE EIA ASYNCHRONOUS MUX			DCS M7819-0-1			F		

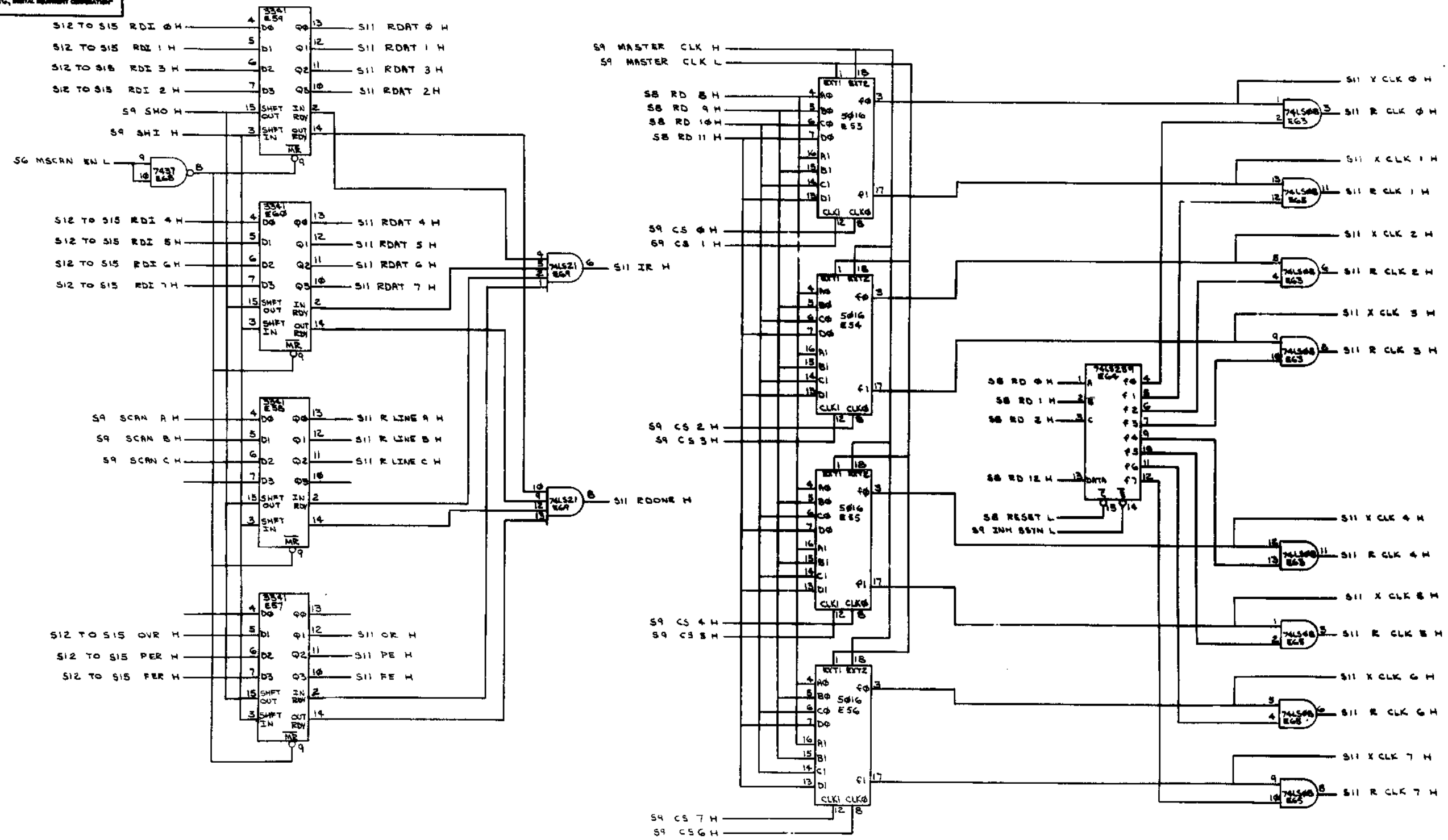
"THE DRAWING AND SPECIFICATIONS HEREIN ARE THE PROPERTY OF DIGITAL EQUIPMENT CORPORATION AND SHALL NOT BE REPRODUCED OR COPIED IN WHOLE OR IN PART AS THE BASIS FOR THE MANUFACTURE OR SALE OF ITEMS WITHOUT WRITTEN PERMISSION. COPYRIGHT © 1970, DIGITAL EQUIPMENT CORPORATION"



REVISIONS		
CHK	CHANGE NO.	REV.

(TRANSMITTER CONTROL)		TITLE	SIZE/DOOR	NUMBER	REV.
		8 LINE EIA ASYNCHRONOUS MUX	DCS	M7819-0-1	F
		SCALE	SHEET 10 OF 15	D.ST.	

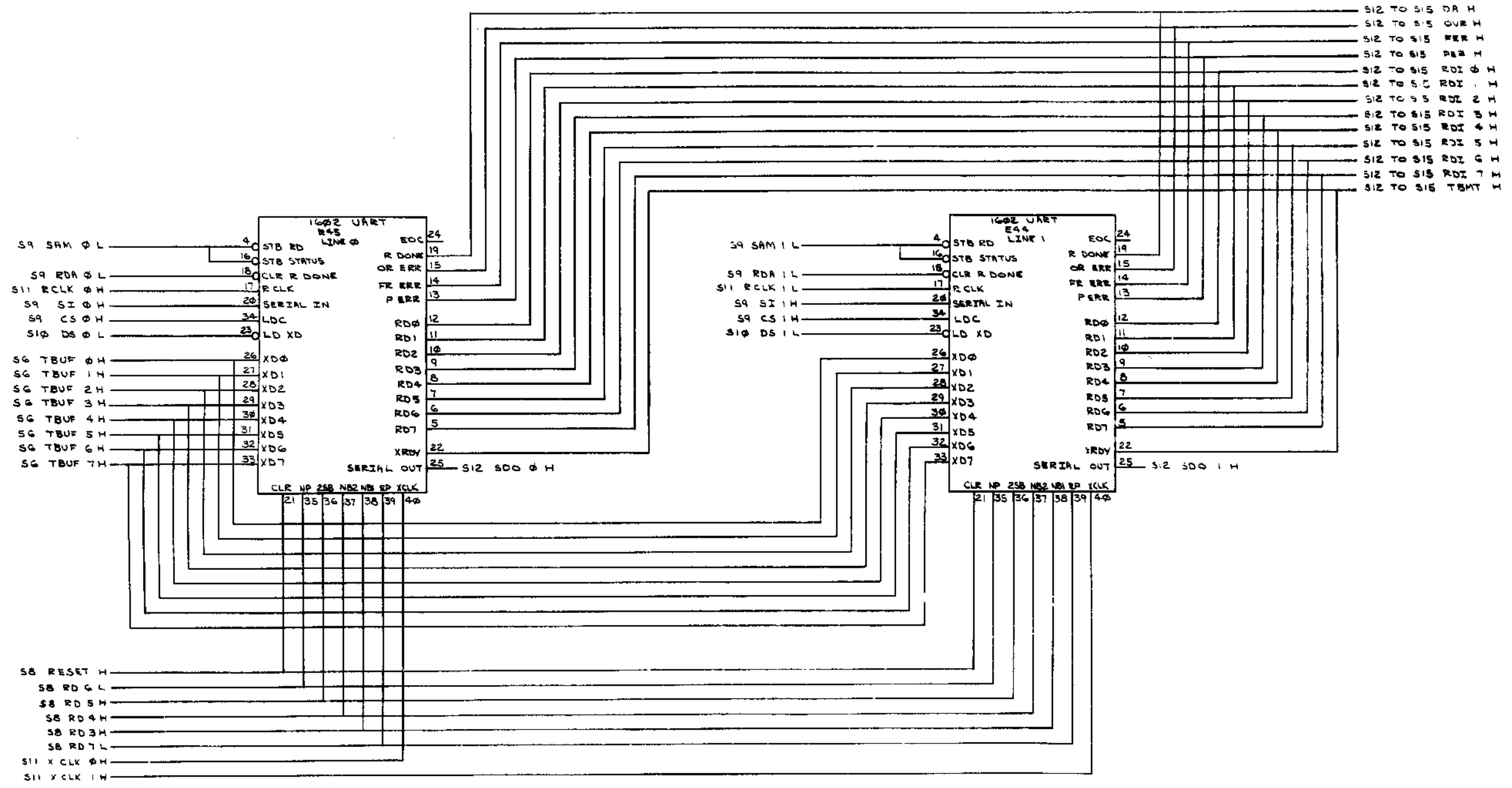
"THE DRAWING AND SPECIFICATIONS HEREON ARE THE PROPERTY OF DIGITAL EQUIPMENT CORPORATION AND SHALL NOT BE REPRODUCED OR COPIED IN WHOLE OR IN PART AS THE BASIS FOR THE MANUFACTURE OR SALE OF ITEMS WITHOUT WRITTEN PERMISSION OF DIGITAL EQUIPMENT CORPORATION"



REVISIONS		
CHK	CHANGE NO.	REV.



"THIS DRAWING AND SPECIFICATIONS HEREIN ARE THE PROPERTY OF DIGITAL EQUIPMENT CORPORATION AND SHALL NOT BE REPRODUCED OR COPIED OR USED IN WHOLE OR IN PART AS THE BASIS FOR THE MANUFACTURE OR SALE OF ITEMS WITHOUT WRITTEN PERMISSION. COPYRIGHT © 1974, DIGITAL EQUIPMENT CORPORATION"

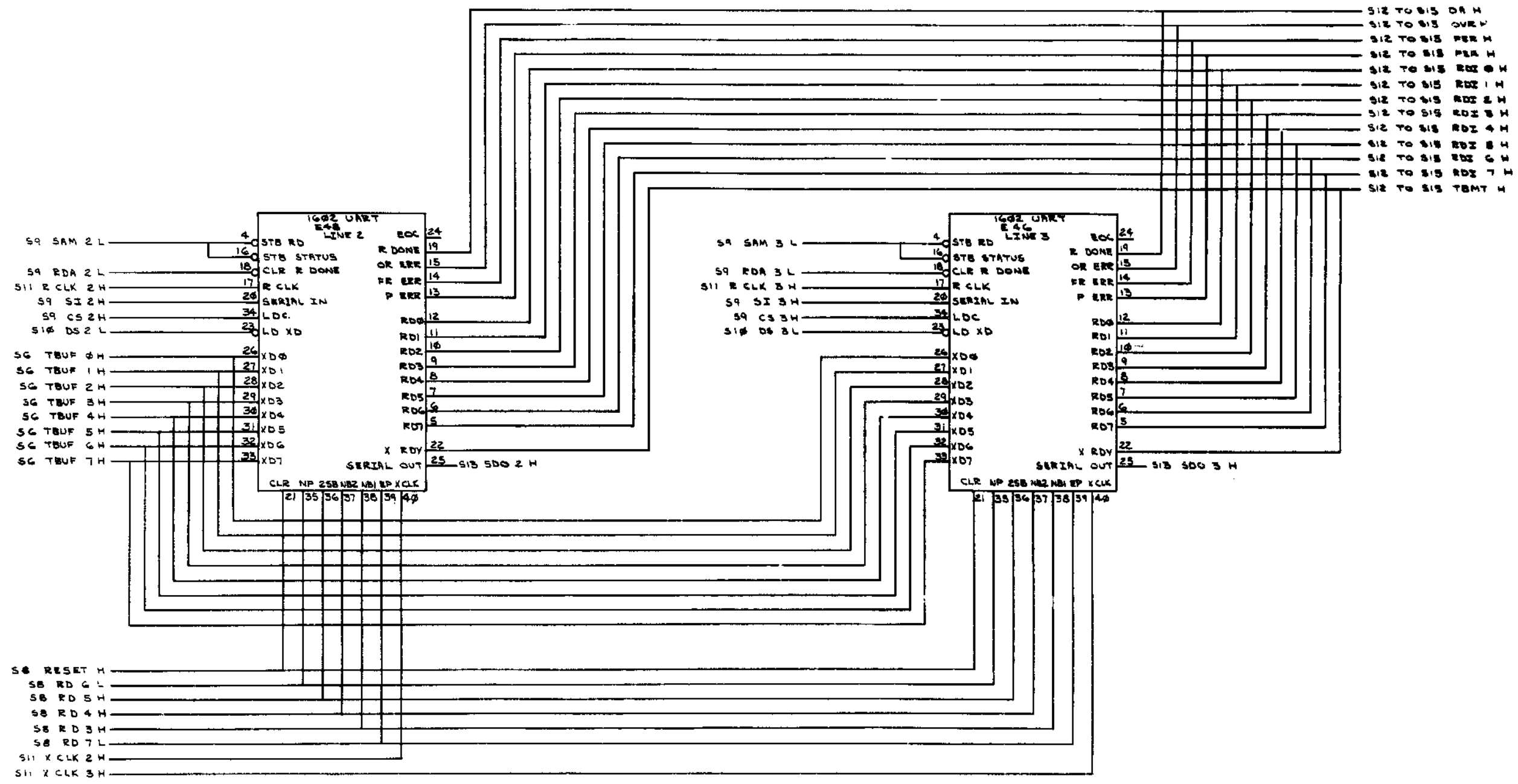


S12 TO S15 DA H  
 S12 TO S15 OVR H  
 S12 TO S15 PER I  
 S12 TO S15 PER I  
 S12 TO S15 RDI 0 I  
 S12 TO S15 RDI 1 I  
 S12 TO S15 RDI 2 I  
 S12 TO S15 RDI 3 I  
 S12 TO S15 RDI 4 I  
 S12 TO S15 RDI 5 I  
 S12 TO S15 RDI 6 I  
 S12 TO S15 RDI 7 I  
 S12 TO S15 TDMT I

REVISIONS		
CHK	CHANGE NO.	REV.

(TRANSCEIVER LINES 0 & 1)		TITLE	SIZE CODE	NUMBER	REV.
3 LINE EIA ASYNCHRONOUS MUX		(S12)	D CS	M7819-0-1	F
SCALE	SHEET	OF	DIST.		
	12	15			

"THE DRAWING AND SPECIFICATIONS HEREON ARE THE PROPERTY OF SERIAL DESIGNER CORPORATION AND SHALL NOT BE REPRODUCED OR COPIED OR USED IN WHOLE OR IN PART AS THE BASIS FOR THE MANUFACTURE OR SALE OF ITEMS WITHOUT WRITTEN PERMISSION. COPYRIGHT © 1974, SERIAL DESIGNER CORPORATION"



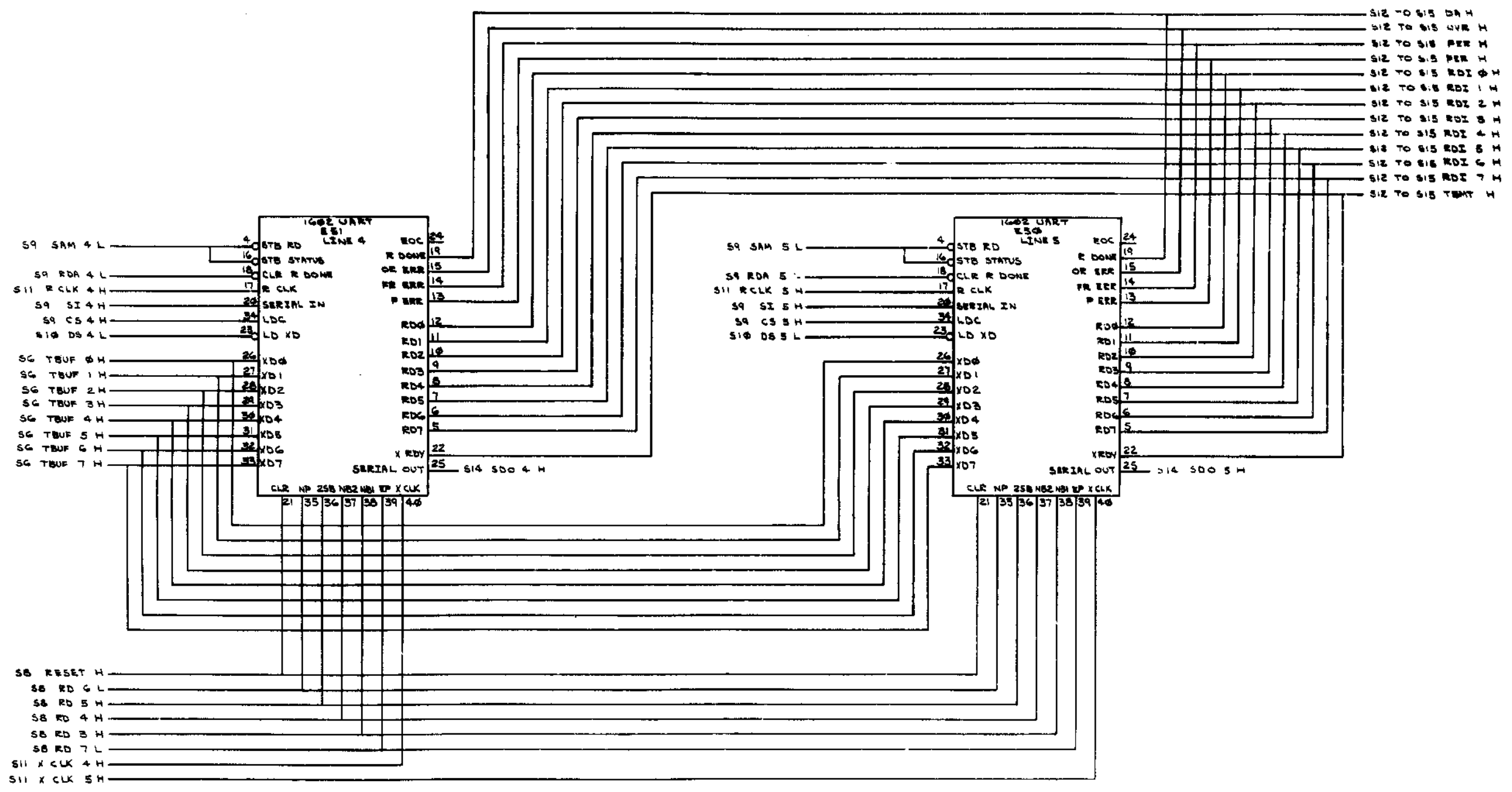
S12 TO S15 DR H  
 S12 TO S15 OVR V  
 S12 TO S15 PER H  
 S12 TO S15 PER H  
 S12 TO S15 RDZ 0 H  
 S12 TO S15 RDZ 1 H  
 S12 TO S15 RDZ 2 H  
 S12 TO S15 RDZ 3 H  
 S12 TO S15 RDZ 4 H  
 S12 TO S15 RDZ 5 H  
 S12 TO S15 RDZ 6 H  
 S12 TO S15 RDZ 7 H  
 S12 TO S15 TBMT H

REVISIONS		
CHK	CHANGE NO.	REV.

(TRANSCIVER LINES 2 & 3)

TITLE	SIZE/OD	NUMBER	REV.
8 LINE EIA ASYNCHRONOUS MUX	(S13) DCS	M7819-0-1	F
SCALE 7-7	SHEET 13 OF 15	DIST.	

THIS DRAWING AND OPERATIONAL MANUAL ARE THE PROPERTY OF THE UNITED STATES GOVERNMENT. IT IS TO BE REPRODUCED AND TRANSMITTED IN ANY FORM OR BY ANY MEANS, ELECTRONIC OR MECHANICAL, INCLUDING PHOTOCOPYING, RECORDING, OR BY ANY INFORMATION STORAGE AND RETRIEVAL SYSTEM, WITHOUT PERMISSION IN WRITING FROM THE NATIONAL BUREAU OF STANDARDS.

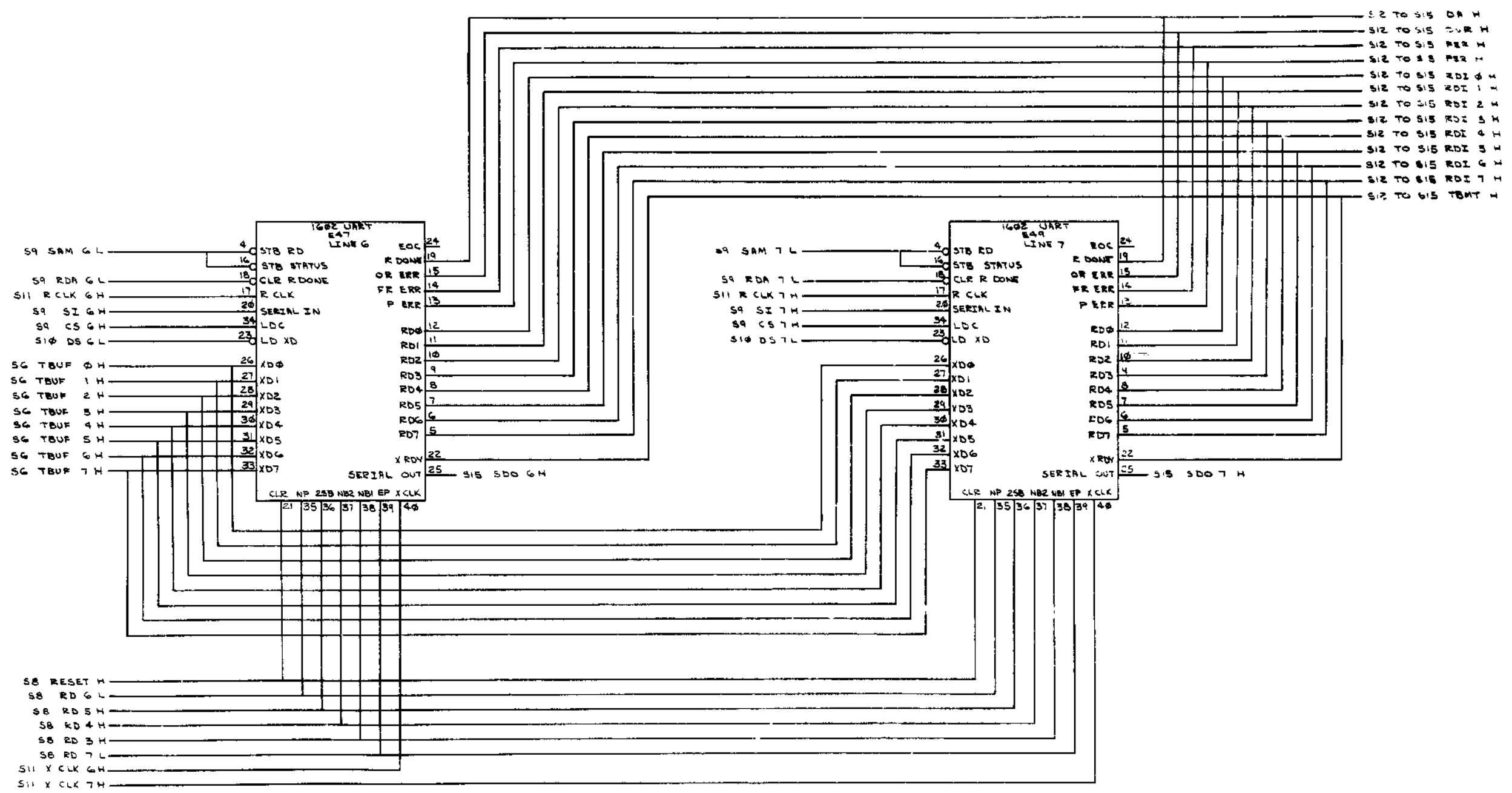


REVISIONS		
CHK	CHANGE NO.	REV.

TRANSCIVER LINES 4 & 5

TITLE	8 LINE EIA ASYNCHRONOUS MUX	SIZE CODE	(S14)	NUMBER	DCS M7819-0-1	REV.	F
SCALE		SHEET	4	OF	15	DIST.	

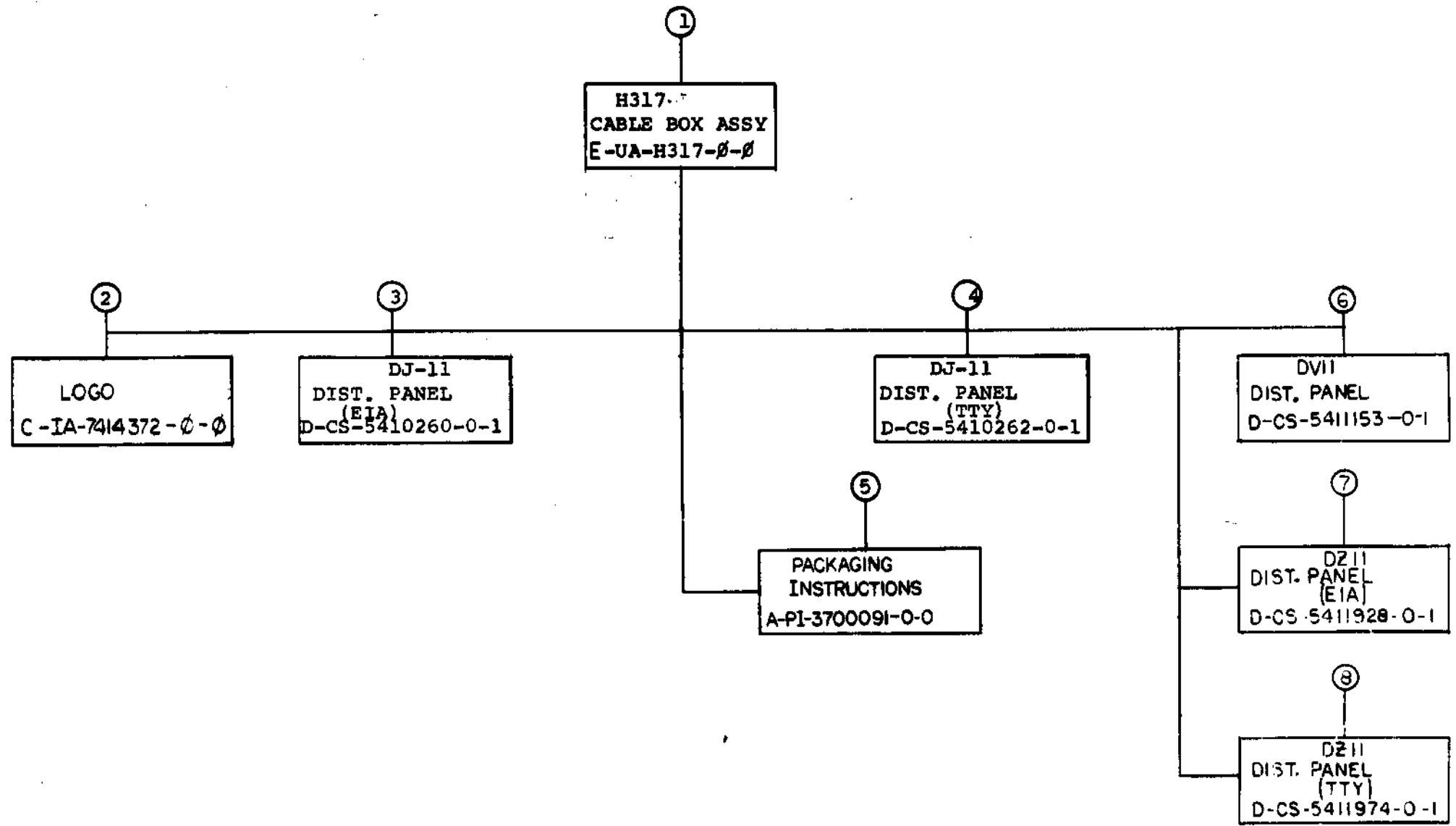
THIS DRAWING AND SPECIFICATIONS HEREIN ARE THE PROPERTY OF DIGITAL EQUIPMENT CORPORATION AND SHALL NOT BE REPRODUCED OR COPIED OR USED IN WHOLE OR IN PART AS THE BASIS FOR THE MANUFACTURE OR SALE OF PRODUCTS WITHOUT WRITTEN PERMISSION. COPYRIGHT © 1976, DIGITAL EQUIPMENT CORPORATION.



REVISIONS		
CHK	CHANGE NO.	REV.

TRANSCEIVER LINES 6 & 7  
 TITLE: 8 LINE EIA ASYNCHRONOUS MUX (S15)  
 SIZE CODE: D CS  
 NUMBER: M7819-0-1  
 REV: F  
 SCALE: / / SHEET 15 OF 15



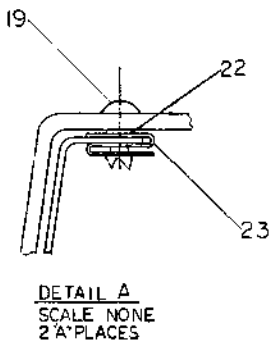
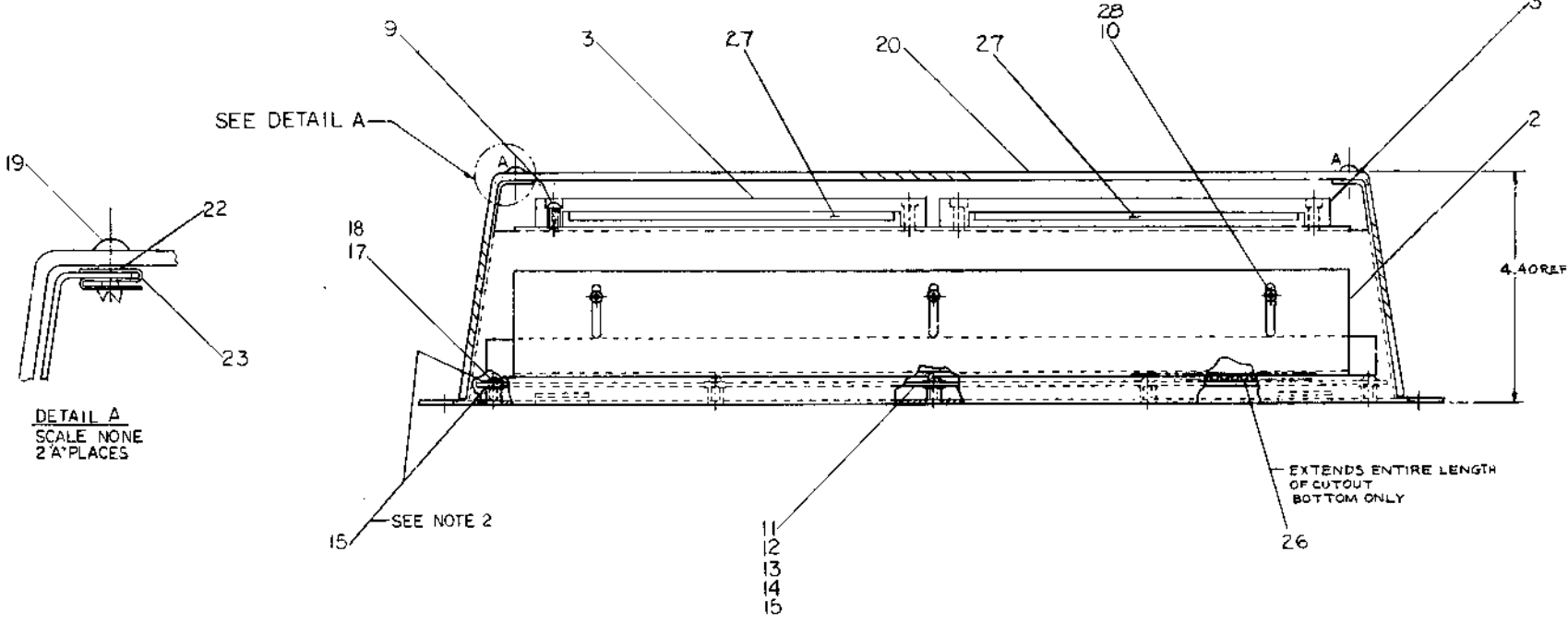
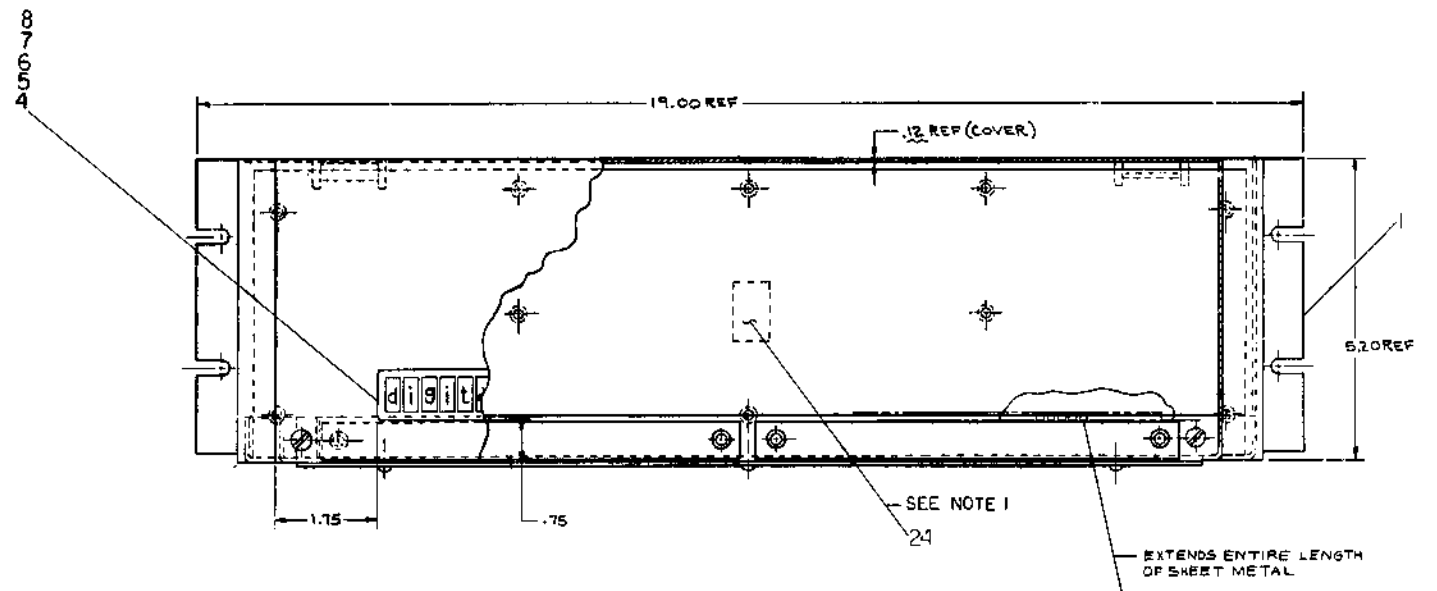


TITLE	H317 CABLE BOX ASSY,	SHEET 2 OF 3	SIZE CODE	B DD	NUMBER	H317-Ø	REV	D
-------	-------------------------	--------------	-----------	------	--------	--------	-----	---



THIS DRAWING IS UNCLASSIFIED DATE 05-18-2011 BY 60322 UCBAW/STP/STP

- NOTES**
- IF ITEM \*11 IS USED THE DECAL (ITEM \*24) IS TO BE APPLIED TO THE INSIDE SURFACE OF COVER ITEM \*20
  - PRIOR TO MTG. DIST. PANEL, ADHERE NYLON WASHER (ITEM \*21) TO STANDOFFS ON MTG. PANEL (ITEM \*1) USING ECO BOND ADHESIVE (ITEM \*16) AND ALLOW TO DRY.
  - USE ASSY TOOL \*9606416 TO POSITION LOGO ITEM \*4 THRU \*10 ON COVER (ITEM \*20)
  - ON H317-A USE UPPER HOLES, ON H317-E USE MIDDLE HOLES.



QTY	ITEM NO.	DESCRIPTION	UNLSS OTHERWISE SPECIFIED DIMENSIONS ARE IN INCHES	ITEM NO.	
3	3	3	LOCK WASHER INT #6	9001643-1	27
2	2	2	FOAM ADHESIVE 12 X 5 X 6.0	9009087-1	27
1	1	1	GRUMMET ALLIGATOR	9007035	25
1	1	1	PACKING INSTRUCTIONS	A-PC-3763091-00	21
1	1	1	DECAL	A-DC-7410681-00	24
2	2	2	FASTENER STUD, 1/8 TURN	9008446-0-0	27
2	2	2	DETAINER, SPLIT RING	9008200	27
10	20	20	WASHER, NYLON #8	9006708	11
1	1	1	COVER, CABLE BOX PLASTC	D-PS-121-632-0-0	20
2	2	2	RECEPTACLE CLIPDR	4008196	9
10	10	10	LOCK WASHER INT #8	9004034	18
8	10	10	SCR PHL HD. 8-32 X.25L6.	9004035-1	17
1	1	1	ECO BOND ADHESIVE	9004156	16
1	1	1	DIST. PANEL	D-C-541193-0-1	15
1	1	1	DIST. PANEL (777)	D-C-5411974-0-1	14
1	1	1	DIST. PANEL (E1A)	D-C-5411928-0-1	13
1	1	1	DIST. PANEL (E1A)	D-C-5410260-0-1	12
1	1	1	DIST. PANEL (F5Y)	D-C-5410262-0-1	11
3	3	3	SCR PHL PAN HD. 6-32 X.25L6.	9006020-1	10
4	4	4	SCR PHL PAN HD. 6-32 X.25L6.	9006025-1	9
1	1	1	LOGO H317-F	C-1A-7414372-6-C	8
1	1	1	LOGO H317-E	C-1A-7414372-5-C	7
1	1	1	LOGO H317-C	C-1A-7414372-2-C	6
1	1	1	LOGO H317-B	C-1A-7414372-1-C	5
1	1	1	LOGO H317-A	C-1A-7414372-0-C	4
2	2	2	BAR, CABLE HOLE DOWN	D-PS-1213318-0-0	3
1	1	1	BAR, SLIDE	D-MD-7416248-0-0	2
1	1	1	H317 MOUNTING PLATE	E-1A-7416243-0-0	1

**REVISIONS**

NO.	DATE	DESCRIPTION
1	000000	REVISED DRAWING
2	000000	REVISED DRAWING
3	000000	REVISED DRAWING

**APPROVALS**

DESIGNED BY: [Signature]

CHECKED BY: [Signature]

ENGINEER: [Signature]

DATE: 000000

**DESCRIPTION**

H317 CABLE BOX ASSY

**MATERIAL**

B-DG-H317-00

**SCALE**

1/2"

**SHEET**

1 OF 1



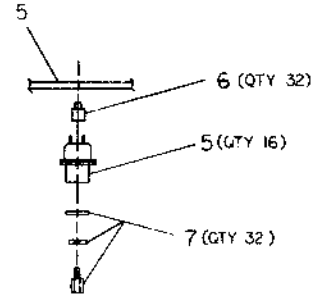


DIGITAL EQUIPMENT CORPORATION				QUANTITY / VARIATION										NOTES:		
PARTS LIST																
MADE BY R. A. CORMIER		CHECKED R. A. CORMIER														
DATE 2-12-76		DATE 3-24-76														
ENG Robert A. Cormier		PROD R. Wall														
DATE 3-26-76		DATE 3-26-76														
ITEM NO.	DRAWING NO.	PART NO.	DESCRIPTION											REF DESIGNATION		
1	E-MD-5011927-0-0	5011927	ETCHED CIRCUIT BOARD	1												
2		1209941-03	LATCH, LEFT FOR RT. ANG. HEADER	2												
3		1209941-04	LATCH, RIGHT FOR RT. ANG. HEADER	2												
4		1209941-07	CONN. 5ØP. RT. ANG. HEADER	2											J18, J20	
5		1205886-01	CONN. D-SUB MIN W/PC TERM	16											J1-J16	
6		9009113-10	STANDOFF P.C. BOARD 4-4Ø X .187	32												
7		9008451	SCREWLOCK D2Ø418-2 4-4Ø X .312	32												
8		9009185	JUMPER, WIRE INSULATED	80											W1-W8Ø	

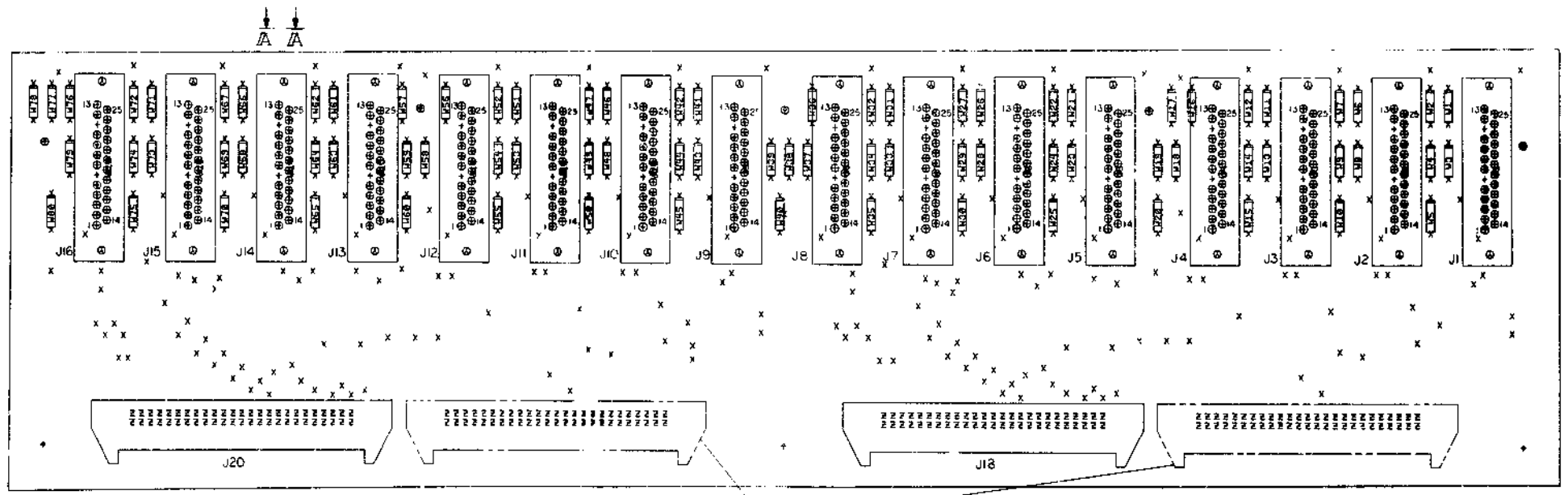
E.C.O. NO.

THIS DRAWING AND SPECIFICATIONS, HEREIN, ARE THE PROPERTY OF DIGITAL EQUIPMENT CORPORATION AND SHALL NOT BE REPRODUCED OR COPIED OR USED IN WHOLE OR IN PART AS THE BASIS FOR THE MANUFACTURE OR SALE OF ITEMS WITHOUT WRITTEN PERMISSION. COPYRIGHT © 1976 DIGITAL EQUIPMENT CORPORATION			TITLE DZ11 EIA DISTRIBUTION PANEL			ASSY NO. E-UA-5411928-0-0		SIZE CODE B PL		NUMBER 5411928-0-0		REV. B	
						SHEET 1 OF 1		INSERTION PARTS LIST DATA BASE REV					

1. ALL DIMENSIONS ARE IN INCHES UNLESS OTHERWISE SPECIFIED.  
 2. ALL DIMENSIONS ARE TO CENTER UNLESS OTHERWISE SPECIFIED.  
 3. ALL DIMENSIONS ARE TO CENTER UNLESS OTHERWISE SPECIFIED.  
 4. ALL DIMENSIONS ARE TO CENTER UNLESS OTHERWISE SPECIFIED.  
 5. ALL DIMENSIONS ARE TO CENTER UNLESS OTHERWISE SPECIFIED.



VIEW A-A  
 (.6 PLACES)



- NOTES:
- BOARD MUST BE DRILLED ON TRUE DRILL MACHINE
  - .188 HOLE'S ARE CRITICAL
  - CONN. BLOCKS IN PHANTOM ARE OPTIONAL

REVISION	DATE	BY	CHK'D

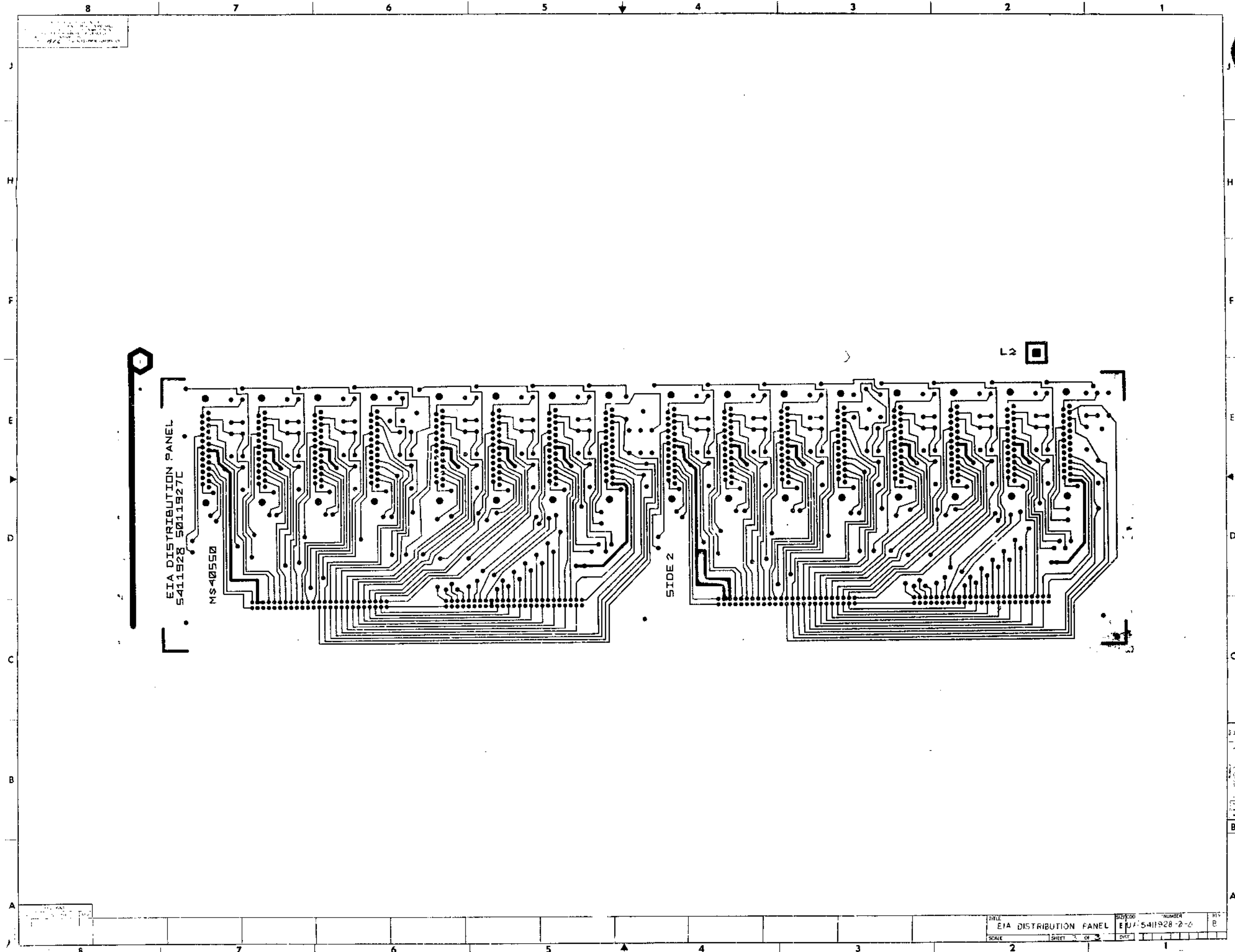
SEE NOTE #3

ETCH REV.	DATE	BY	CHK'D

SIGNATURES	DATE	TITLE
DRN. <i>[Signature]</i>		digital
CHK'D. <i>[Signature]</i>		
ENG. <i>[Signature]</i>		
PROJ. ENG. <i>[Signature]</i>		
SCALE 2/1		
INT. 1 DP 3		
NEXT NUMBER ASSY. E-DO-11923-0-0		

1541826-0-01 B





EIA DISTRIBUTION PANEL  
5411928 5011927C

MS40550

SIDE 2

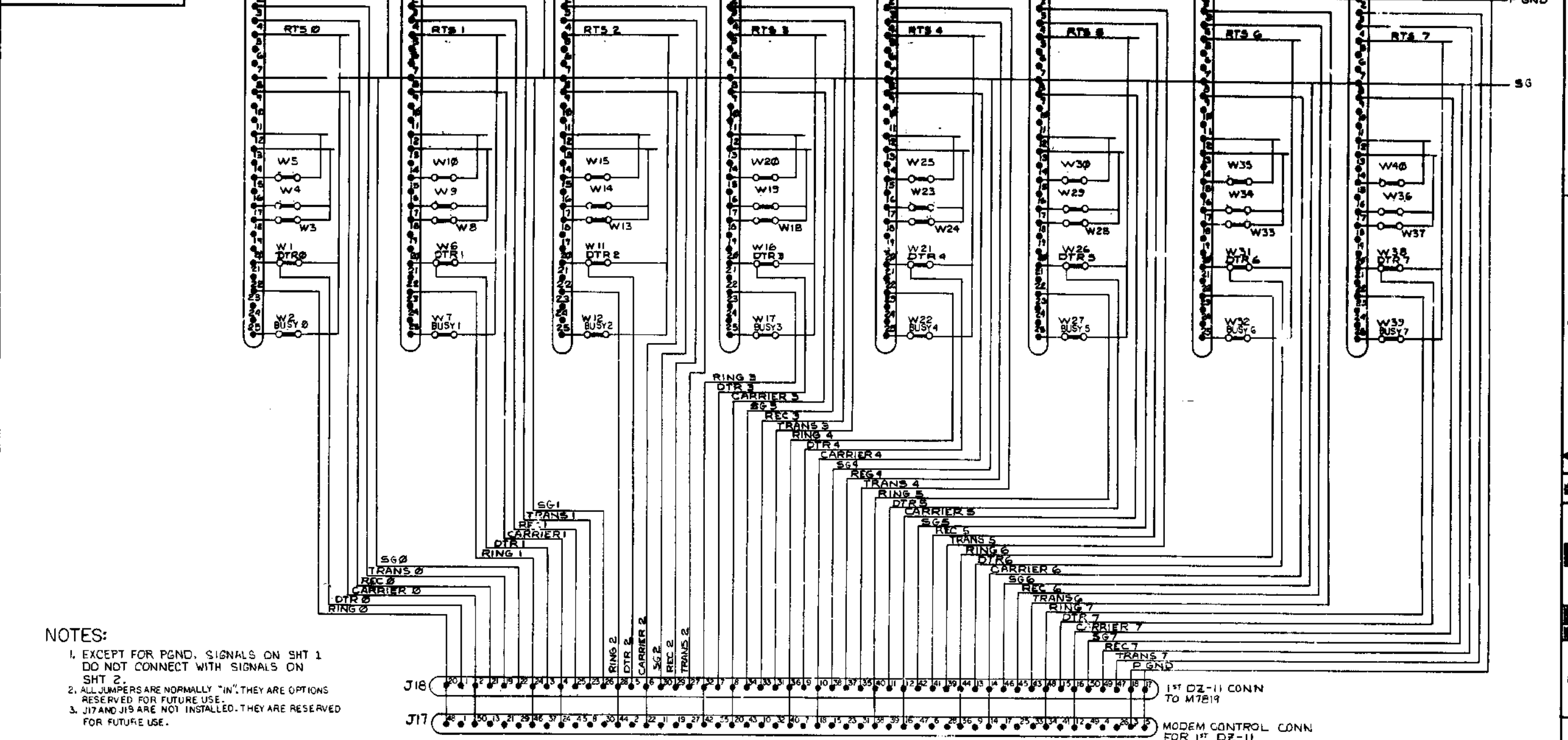
L2

REV. 10/78  
EIA DISTRIBUTION PANEL  
5411928 5011927C

TITLE	SIZE	NUMBER	REV.
EIA DISTRIBUTION PANEL	A	5411928-2-0	B
SCALE	SHEET	OF	DWT
	3	3	

EIA DISTRIBUTION PANEL  
5411928 5011927C

THIS DRAWING AND SPECIFICATION HEREIN ARE THE PROPERTY OF DIGITAL EQUIPMENT CORPORATION AND SHALL NOT BE REPRODUCED OR COPIED OR USED IN WHOLE OR IN PART AS THE BASIS FOR THE MANUFACTURE OR SALE OF ITEMS WITHOUT WRITTEN PERMISSION. COPYRIGHT © 1974, DIGITAL EQUIPMENT CORPORATION.



**NOTES:**

1. EXCEPT FOR PGND, SIGNALS ON SHT 1 DO NOT CONNECT WITH SIGNALS ON SHT 2.
2. ALL JUMPERS ARE NORMALLY "IN". THEY ARE OPTIONS RESERVED FOR FUTURE USE.
3. J17 AND J18 ARE NOT INSTALLED. THEY ARE RESERVED FOR FUTURE USE.

1<sup>ST</sup> DZ-11 CONN TO M7B19  
 MODERN CONTROL CONN FOR 1<sup>ST</sup> DZ-11 (SEE NOTE #3)

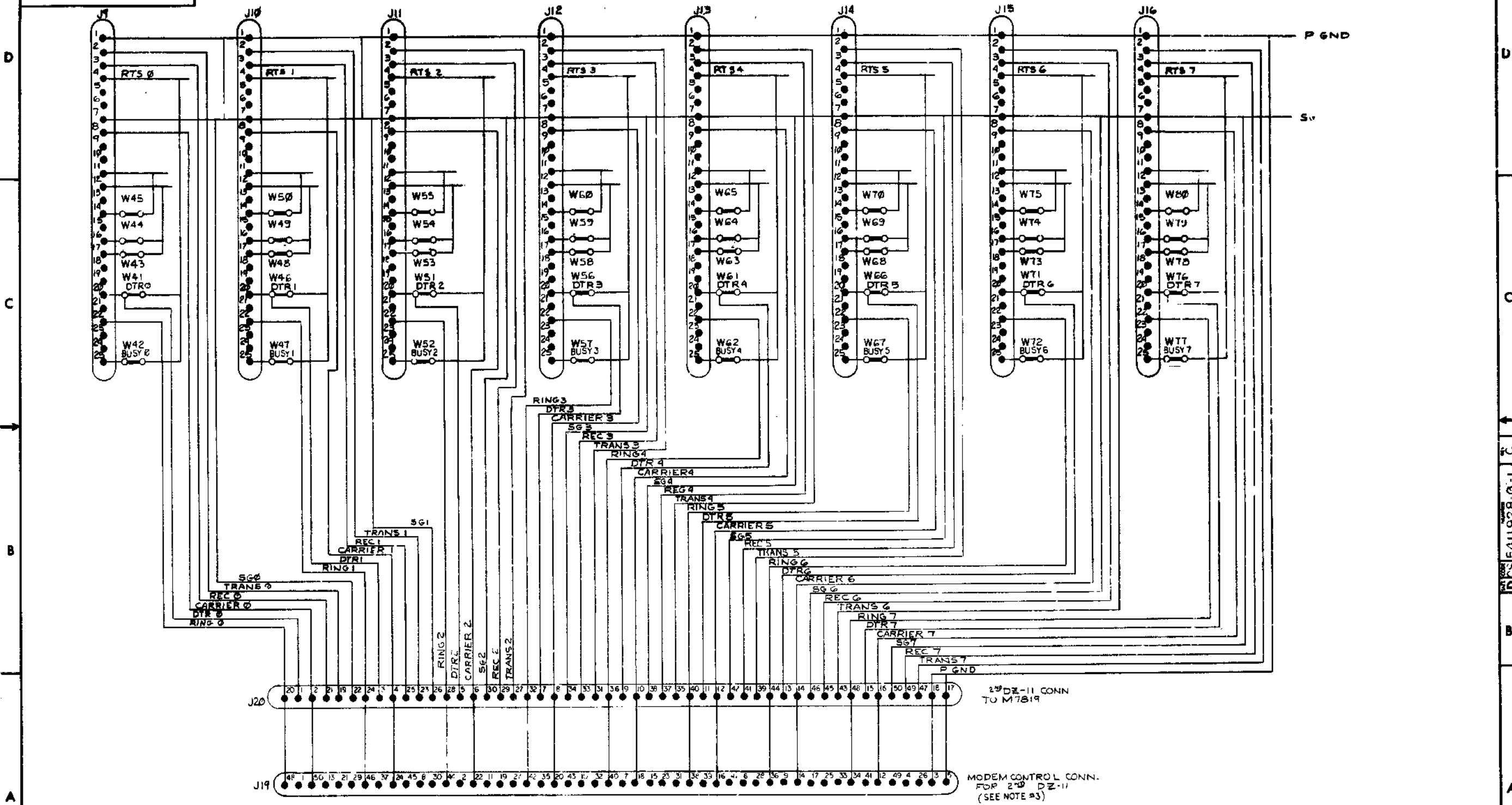
REV.	DATE	BY
1	11/24/74	W. J. ...
2	1/24/75	...
3	...	...

DRN	CHKD	ENG	PROG	PROD. P.	REV.	DATE	BY
...	...	...	...	...	...	...	...
FIRST USED ON				H317E			
TITLE				DZ11 EIA DIST PANEL			
NEXT HIGHER ASSY.		E-AH-5411928-0-3		SIZE CODE		NUMBER	
SCALE		D CS 5411928-0-1		REV.		C	
SHEET		1 OF 2		DWT.			

THIS DRAWING AND SPECIFICATIONS HEREAFTER ARE THE PROPERTY OF DIGITAL EQUIPMENT CORPORATION AND SHALL NOT BE REPRODUCED OR COPIED OR USED IN WHOLE OR IN PART AS THE BASIS FOR THE MANUFACTURE OR SALE OF ITEMS WITHOUT WRITTEN PERMISSION. COPYRIGHT © 1973 DIGITAL EQUIPMENT CORPORATION

1<sup>ST</sup> DZ-II CONNECTIONS

1-0-828119-002

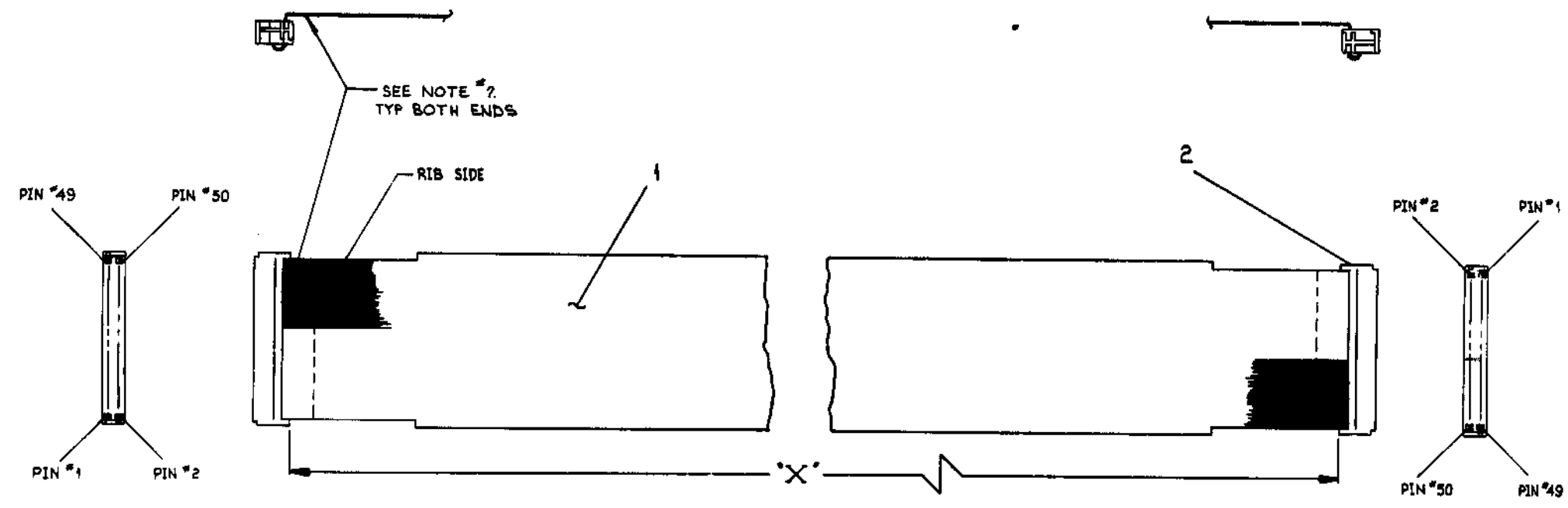


REVISIONS		
CHK	CHANGE NO.	REV.

TITLE	DZII EIA DIST PANEL	SIZE CODE	DCS	NUMBER	5411928-0-1	REV.	C
SCALE		SHEET	2	OF	2	DIST.	

LEGEND	
NUMBER	DIM. 'X' VAR.
BC05W-02	2 FT. ± 1 IN.
BC05W-04	4 FT. ± 1 IN.
BC05W-15	15 FT. ± 3 IN.
BC05W-08	8 FT. ± 2 IN.

NOTE  
 1. THIS CABLE IS POINT TO POINT, PIN #1 TO PIN #50 AND PIN #2 TO PIN #49 ETC., ETC..  
 2. STRIP BACK SHIELDING APPROX 1" INCH



THIS DRAWING AND INFORMATION HEREON ARE THE PROPERTY OF DIGITAL EQUIPMENT CORPORATION AND ARE NOT TO BE REPRODUCED OR TRANSMITTED IN ANY FORM OR BY ANY MEANS, ELECTRONIC OR MECHANICAL, INCLUDING PHOTOCOPYING, RECORDING, OR BY ANY INFORMATION STORAGE AND RETRIEVAL SYSTEM, WITHOUT PERMISSION IN WRITING FROM DIGITAL EQUIPMENT CORPORATION.

REV.	CHANGE NO.	BY	DATE
A	0001	J. C. YR	5-18-74
B	0002	J. C. YR	5-17-74
C	MIR003	J. C. YR	5-17-74

FIRST USED ON OPTION/MODEL		QTY.	DESCRIPTION	PART NO.	ITEM NO.
KC341-B		2	CABLE CONN., 50 COND. FLUTE	1211664	2
		1	CABLE, 50 COND FLATSHIELD	700004-01	1

DIMENSIONAL TOLERANCE		PARTS LIST	
DIMENSIONS ARE IN MILLIMETERS UNLESS OTHERWISE SPECIFIED		DRN. DATE	5-18-74
MILLIMETERS		CHK'D. DATE	5-17-74
30° ± 0.04	30° ± 0.04	ENG. DATE	5-17-74
XX ± 0.02	XX ± 0.02	PROJ. ENGR. DATE	5-17-74
± 0.2	± 0.2	PROJ. DATE	5-17-74
THIRD ANGLE PROJECTION	REMOVE BURRS AND BREAK SHARP CORNERS SURFACE QUALITY	NEXT HQ/WR ASSY.	
MATERIAL SEE PARTS LIST	FINISH	SCALE NONE	
		SHEET 1 OF 1	

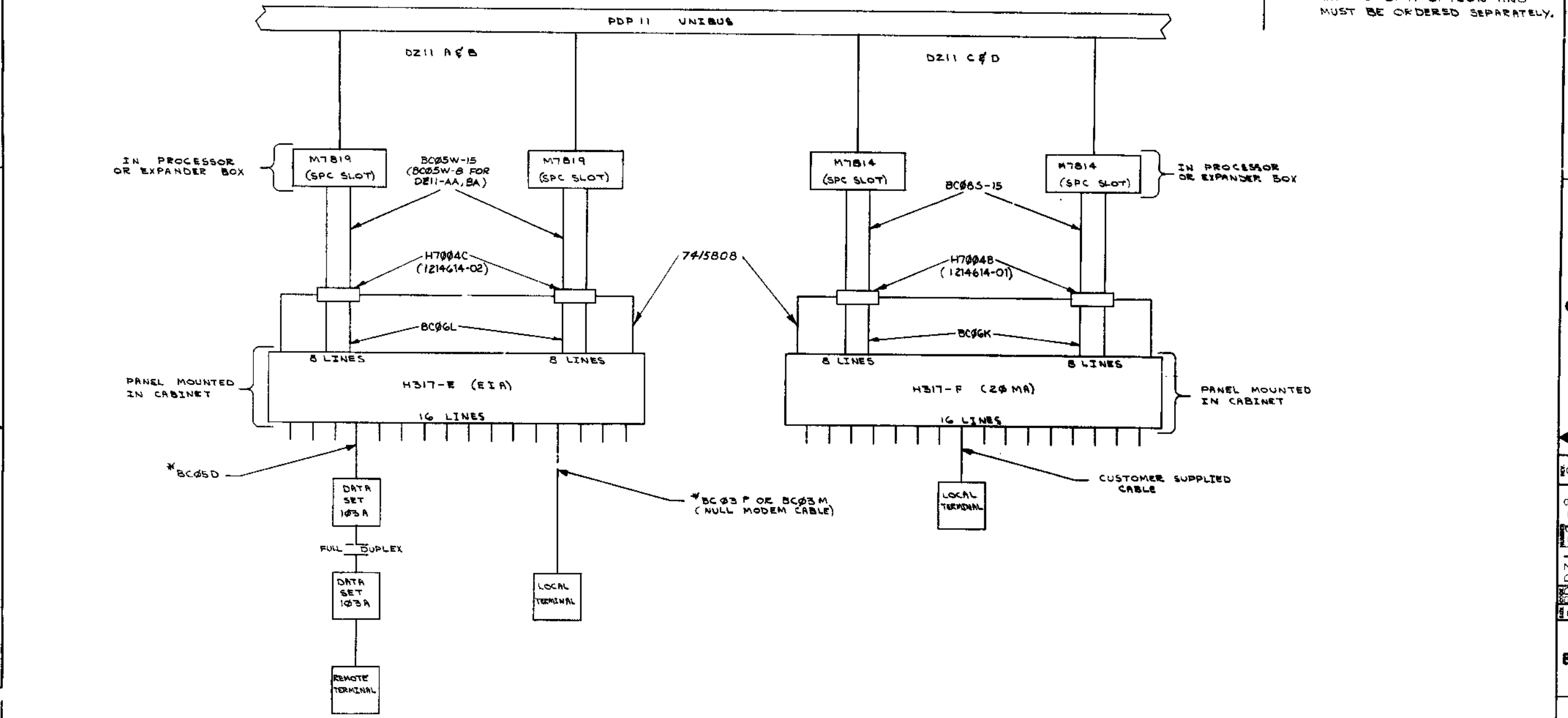
  

TITLE		NUMBER	REV.
50 CONDUCTOR SIGNAL CABLE (BC05W)		BC05W-0-0	C
DIA		MR	1



THIS DRAWING AND SPECIFICATIONS HEREIN ARE THE PROPERTY OF DIGITAL EQUIPMENT CORPORATION AND SHALL NOT BE REPRODUCED OR COPIED OR USED IN WHOLE OR IN PART AS THE BASIS FOR THE MANUFACTURE OR SALE OF ITEMS WITHOUT WRITTEN PERMISSION. COPYRIGHT © 1976, DIGITAL EQUIPMENT CORPORATION.

NOTES:  
 1. \* THE BC05D, BC03M & BC03F CABLES ARE NOT INCLUDED IN THE DZ11 OPTION AND MUST BE ORDERED SEPARATELY.



REV.	REV.	REV.	REV.
1	2	3	4
CHG	CHG	CHG	CHG
DZ11-00003	DZ11-00003	DZ11-00003	DZ11-00003
22 August 77	22 August 77	22 August 77	22 August 77
R. CORNIER	R. CORNIER	R. CORNIER	R. CORNIER
DZ11-MKB005	DZ11-MKB005	DZ11-MKB005	DZ11-MKB005
DZ11-MKB005	DZ11-MKB005	DZ11-MKB005	DZ11-MKB005
DZ11-MKB005	DZ11-MKB005	DZ11-MKB005	DZ11-MKB005
DZ11-MKB005	DZ11-MKB005	DZ11-MKB005	DZ11-MKB005

DRN	3-176	FIRST USED ON	DZ11
CHK'D	5-19-76	TITLE	SYSTEM CONNECT DIAGRAM
ENGR	5-19-76	SIZE	D BD
PROL ENG	5-19-76	NUMBER	DZ11-0-8
PROD	5-19-76	REV.	C
NEXT HIGHER ASSY.			
D-UA-DZ11-0-0			
SCALE			
SHEET	OF	DIST.	

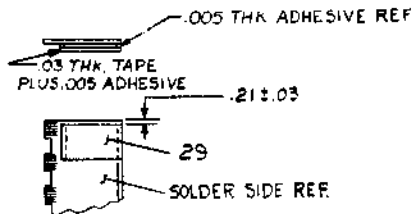
D  
C  
B  
A

THIS DRAWING AND SPECIFICATIONS, HEREIN, ARE THE PROPERTY OF DIGITAL EQUIPMENT CORPORATION AND SHALL NOT BE REPRODUCED OR COPIED OR USED IN WHOLE OR IN PART AS THE BASIS FOR THE MANUFACTURE OR SALE OF ITEMS WITHOUT WRITTEN PERMISSION. COPYRIGHT © 1976, DIGITAL EQUIPMENT CORPORATION.

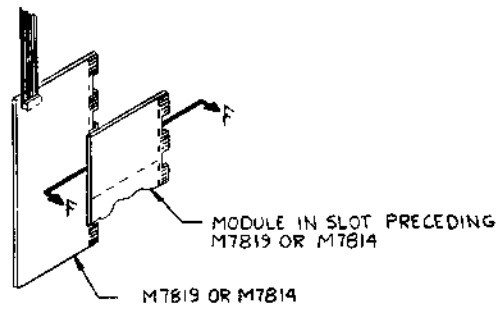
0-0-11207 d 2

NOTES:

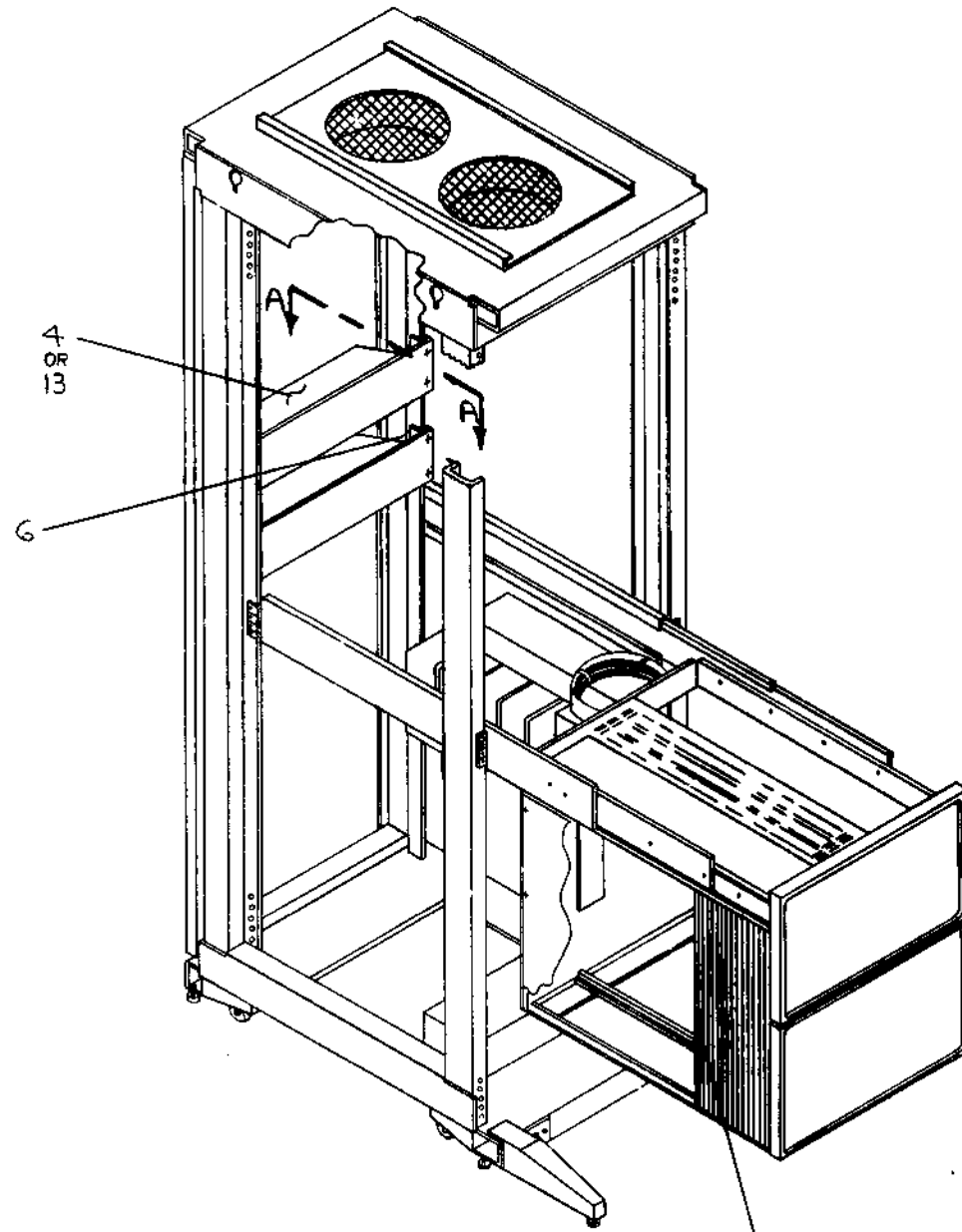
1. ~~DO NOT REMOVE THIS UNIT FROM THE RACK.~~
2. TEST CONNECTORS ITEMS 2 & 5 (NOT SHOWN) ARE USED FOR TESTING DZ11 A, B & E. ALSO NOT SHOWN IS A TEST CONNECTOR (ITEM 15) USED FOR TESTING THE DZ11-C, D & F.
3. AT SYSTEM CONFIGURATION LEVEL, ASSEMBLE ITEM #29 TO MODULE PRECEDING (ITEMS) 13 OR 14. ORIENTATE AS SHOWN. MAKE CERTAIN SURFACES THAT ITEM 29 ADHERE TO ARE FREE FROM GREASE OR OTHER FOREIGN MATTER.



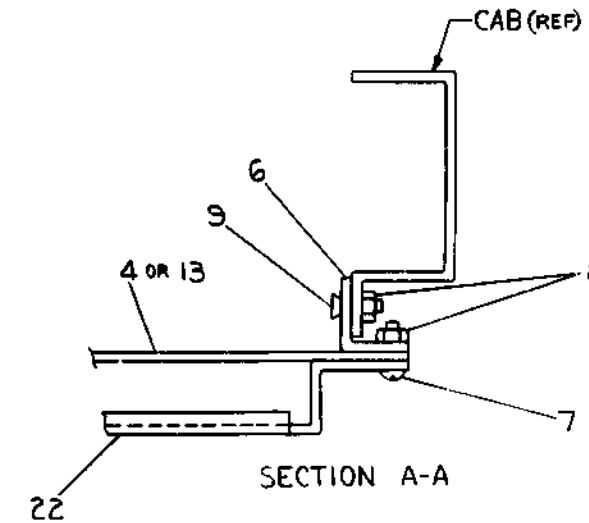
SECTION F-F  
SEE NOTE 3



VIEW E-E



1 OR 14  
SEE VIEW E-E



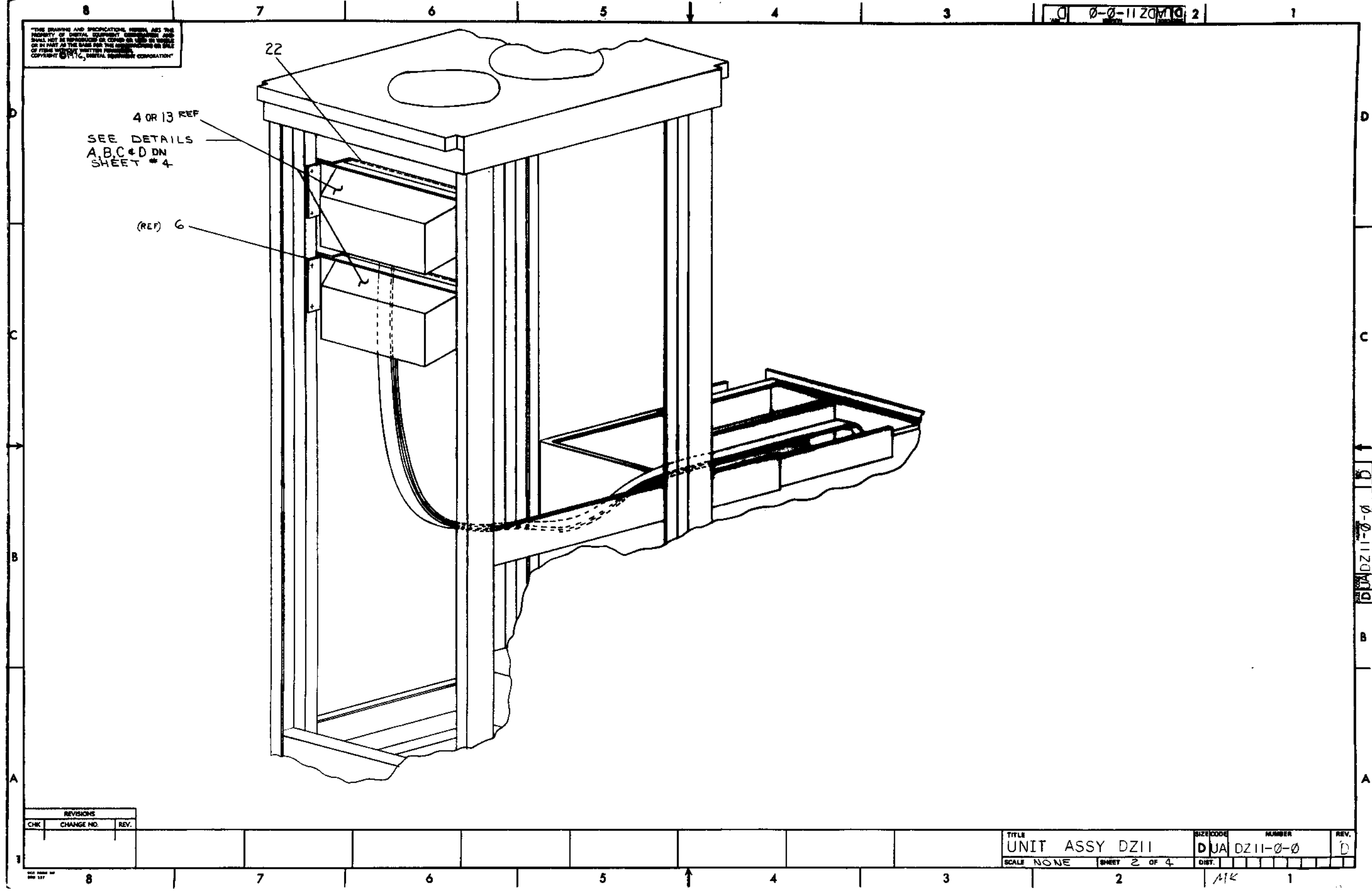
FOR PARTS LIST SEE A-PL-DZ11-0-0

REV.	CHG. NO.	DATE	BY	CHKD.	DESCRIPTION
1	00001	4 Jan 77	R.A. CORMIER		
2	00002	3 Feb 77	R.A. CORMIER		
3	00003	18 Mar 77	R.A. CORMIER		
4	00004	22 Mar 77	R. CORMIER		
5	00005	24 Mar 77	P. PORRELA		

THIRD ANGLE PROJECTION		DESCRIPTION		DWG. PART NO.		ITEM NO.	
UNLESS OTHERWISE SPECIFIED DIMENSIONS ARE IN INCHES		CLASS OF ACCURACY		SURFACE QUALITY		MICROINCHES	
REMOVE SURFS AND BREAK SHARP CORNERS		DO NOT SCALE DWG		NEXT HIGHER ASSY.		MATERIAL SEE PARTS LIST	
FINISH		SCALE		SHEET		OF 4	
DRN. R. B. 5-9-76		CHKD. P. C. 5-9-76		ENG. J. S. 5-9-76		PROD. J. S. 5-9-76	
FIRST USED ON		DZ11		TITLE		UNIT ASSY	
SIZE		CODE		NUMBER		REV	
B-00-DZ11-0		NONE		D		DZ11-0-0	
DST.		DST.		DST.		DST.	

THE DRAWING AND SPECIFICATIONS HEREBY ARE THE PROPERTY OF METAL EQUIPMENT CORPORATION AND SHALL NOT BE REPRODUCED OR COPIED OR USED IN WHOLE OR IN PART AS THE BASIS FOR THE MANUFACTURE OR SALE OF ITEMS WITHOUT THE WRITTEN PERMISSION OF METAL EQUIPMENT CORPORATION.

0-0-11 ZOM 2



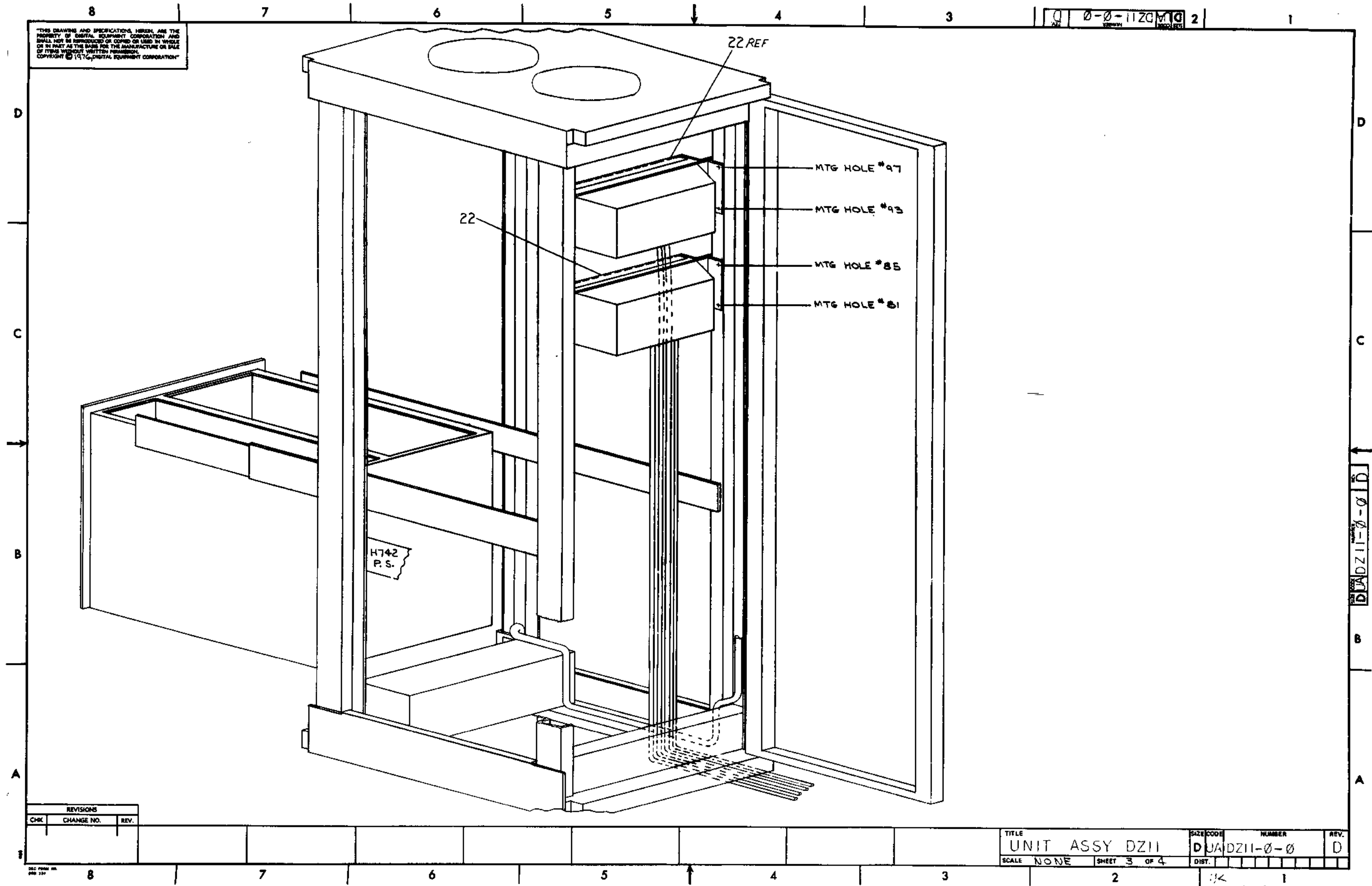
REVISIONS		
CHK	CHANGE NO.	REV.

TITLE	UNIT ASSY DZ11	SIZE CODE	D JA	NUMBER	DZ11-0-0	REV.	D
SCALE	NONE	SHEET	2 OF 4	DIST.			

AK

Q 0-0-11ZC M 2

THIS DRAWING AND SPECIFICATIONS HEREIN ARE THE PROPERTY OF DIGITAL EQUIPMENT CORPORATION AND SHALL NOT BE REPRODUCED OR COPIED OR USED IN WHOLE OR IN PART AS THE BASIS FOR THE MANUFACTURE OR SALE OF ITEMS WITHOUT WRITTEN PERMISSION. COPYRIGHT © 1970, DIGITAL EQUIPMENT CORPORATION



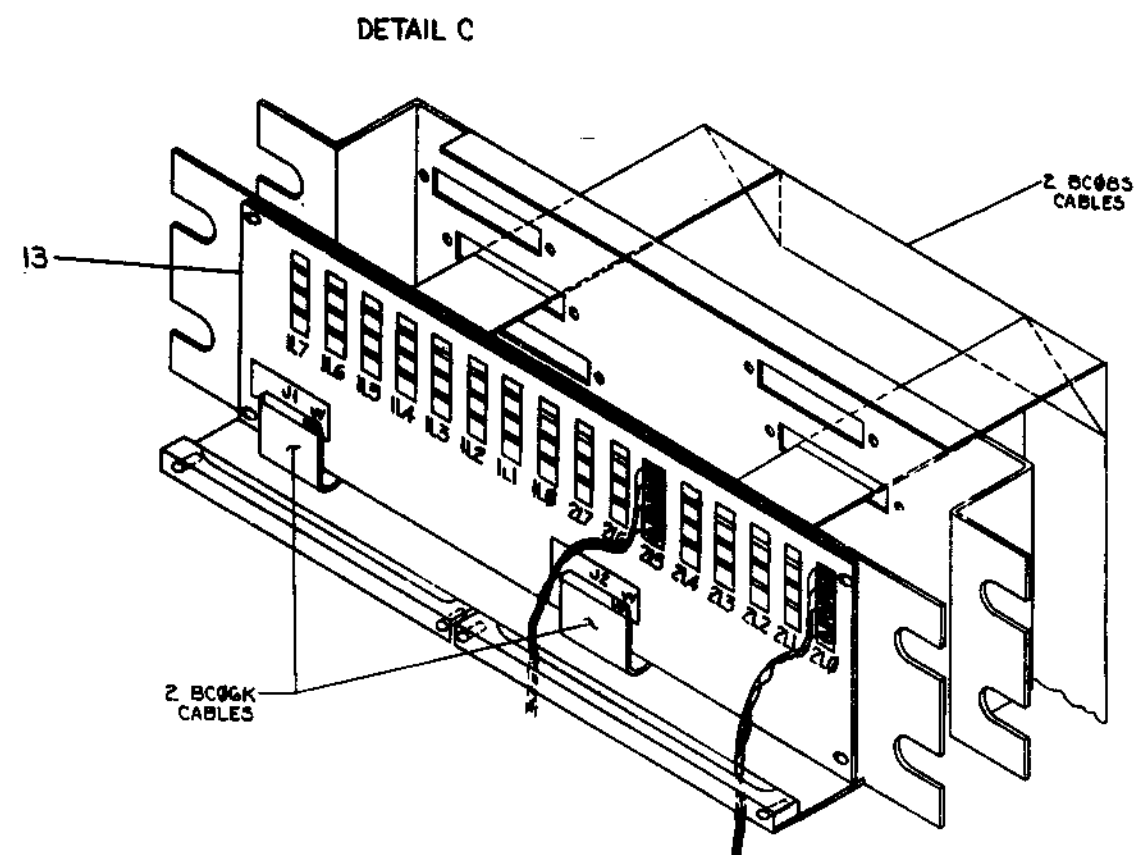
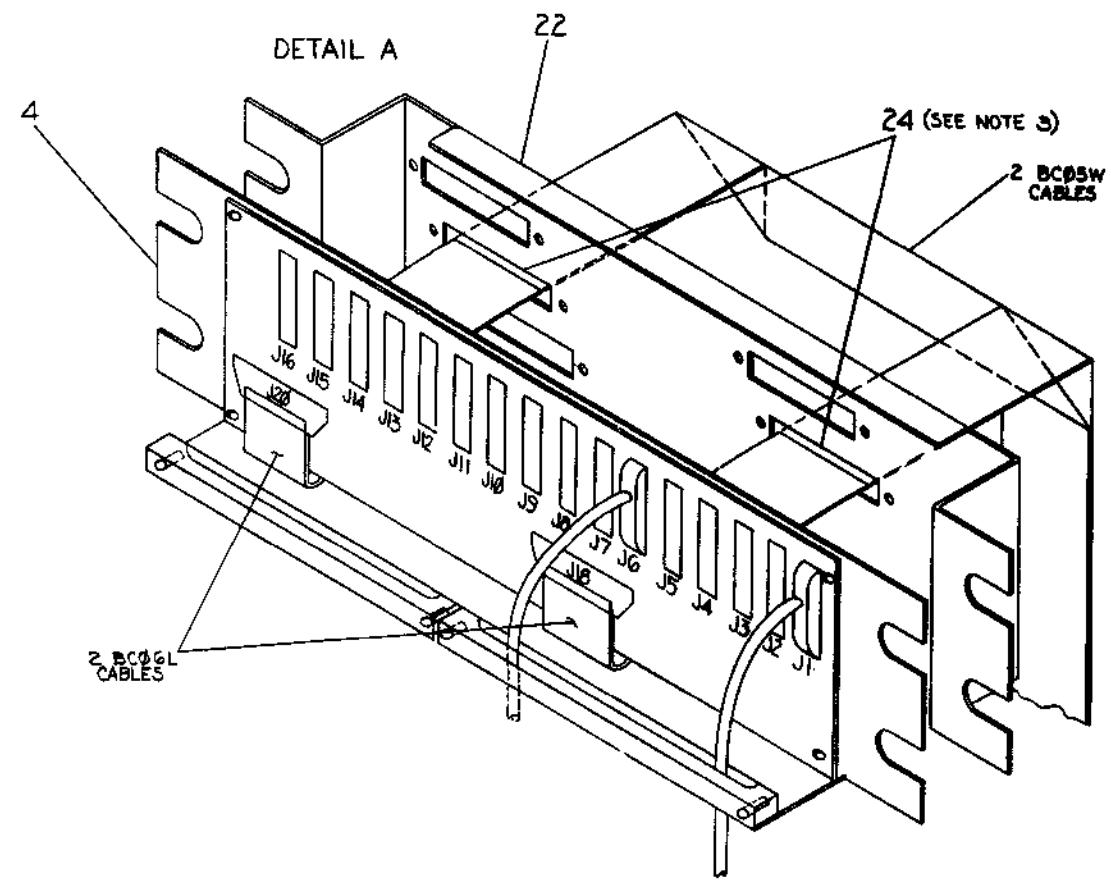
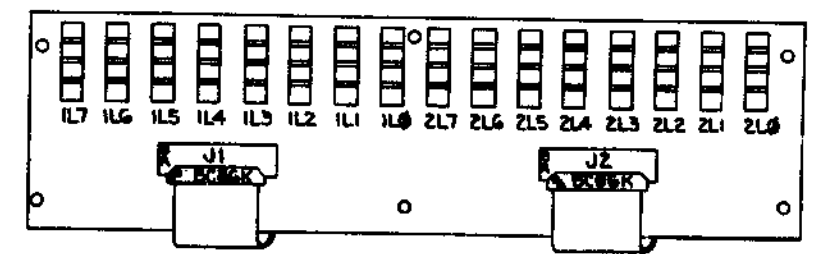
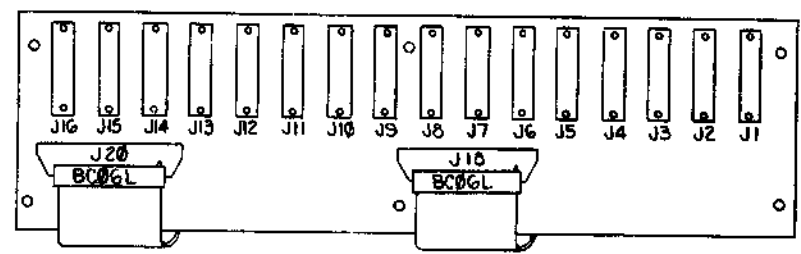
REVISIONS		
CHK	CHANGE NO.	REV.

TITLE	UNIT ASSY DZII	SIZE CODE	DUA DZII-0-0	NUMBER	D	REV.	D
SCALE	NONE	SHEET	3 OF 4	DIST.			

DEC FORM 88  
200 100

THIS DRAWING AND SPECIFICATIONS HEREON ARE THE PROPERTY OF DIGITAL EQUIPMENT CORPORATION AND SHALL NOT BE REPRODUCED OR COPIED OR USED IN WHOLE OR IN PART AS THE BASIS FOR THE MANUFACTURE OR SALE OF ITEMS WITHOUT WRITTEN PERMISSION. COPYRIGHT © DIGITAL EQUIPMENT CORPORATION

NOTE:  
MOUNT FILTERS (ITEM 23 OR 24) TO THE OUTSIDE OF MOUNTING BRACKET (ITEM 22) WITH SCREWS AND LOCK WASHERS (ITEM 27 AND 28)



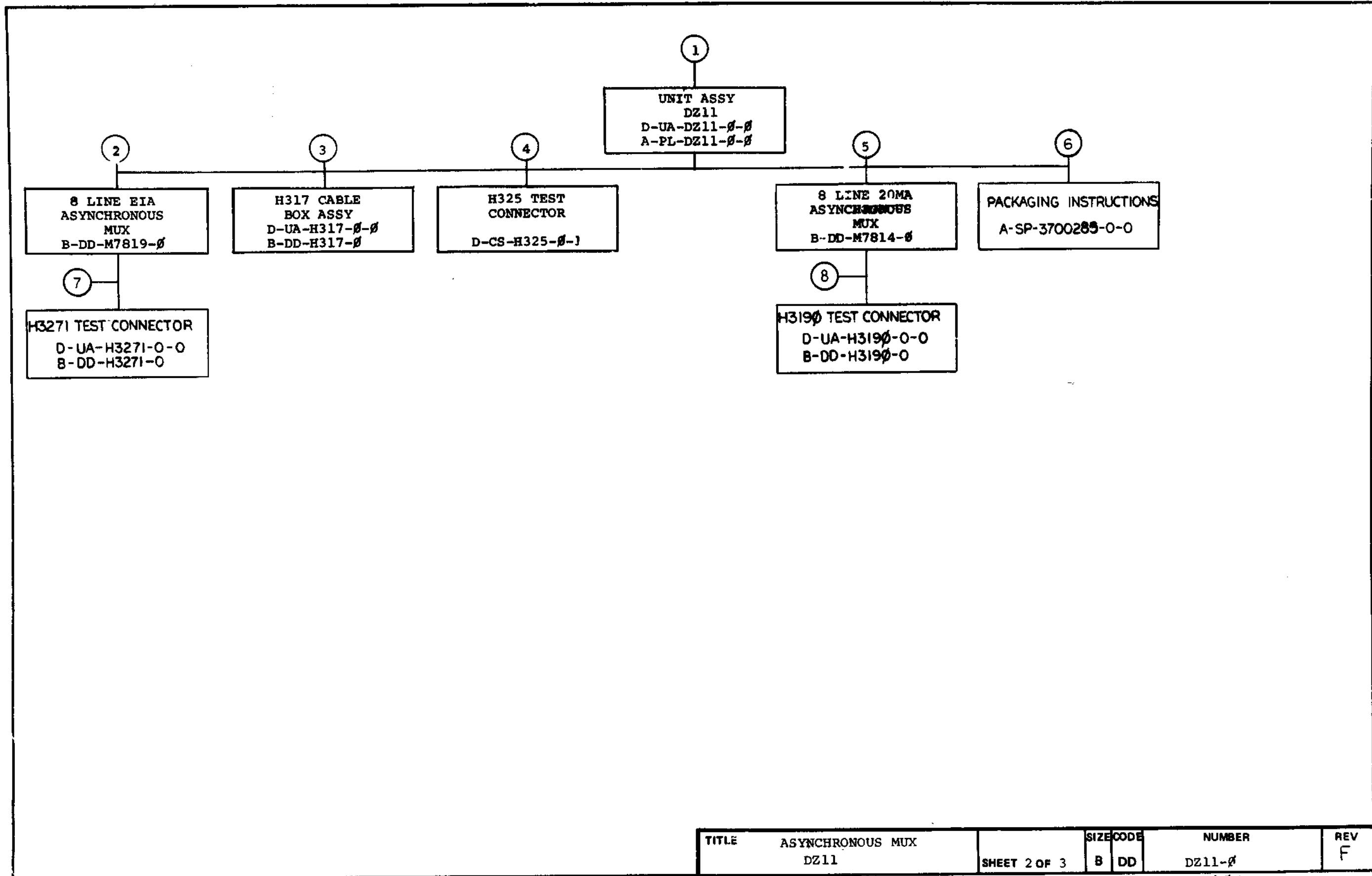
REVISIONS		
CHK	CHANGE NO.	REV.

TITLE	UNIT ASSY. DZ11	SIZE/COOR	NUMBER	REV.
SCALE	NONE	D UA	DZ11-0-0	D
SHEET	4	OF	4	DIST.

AK







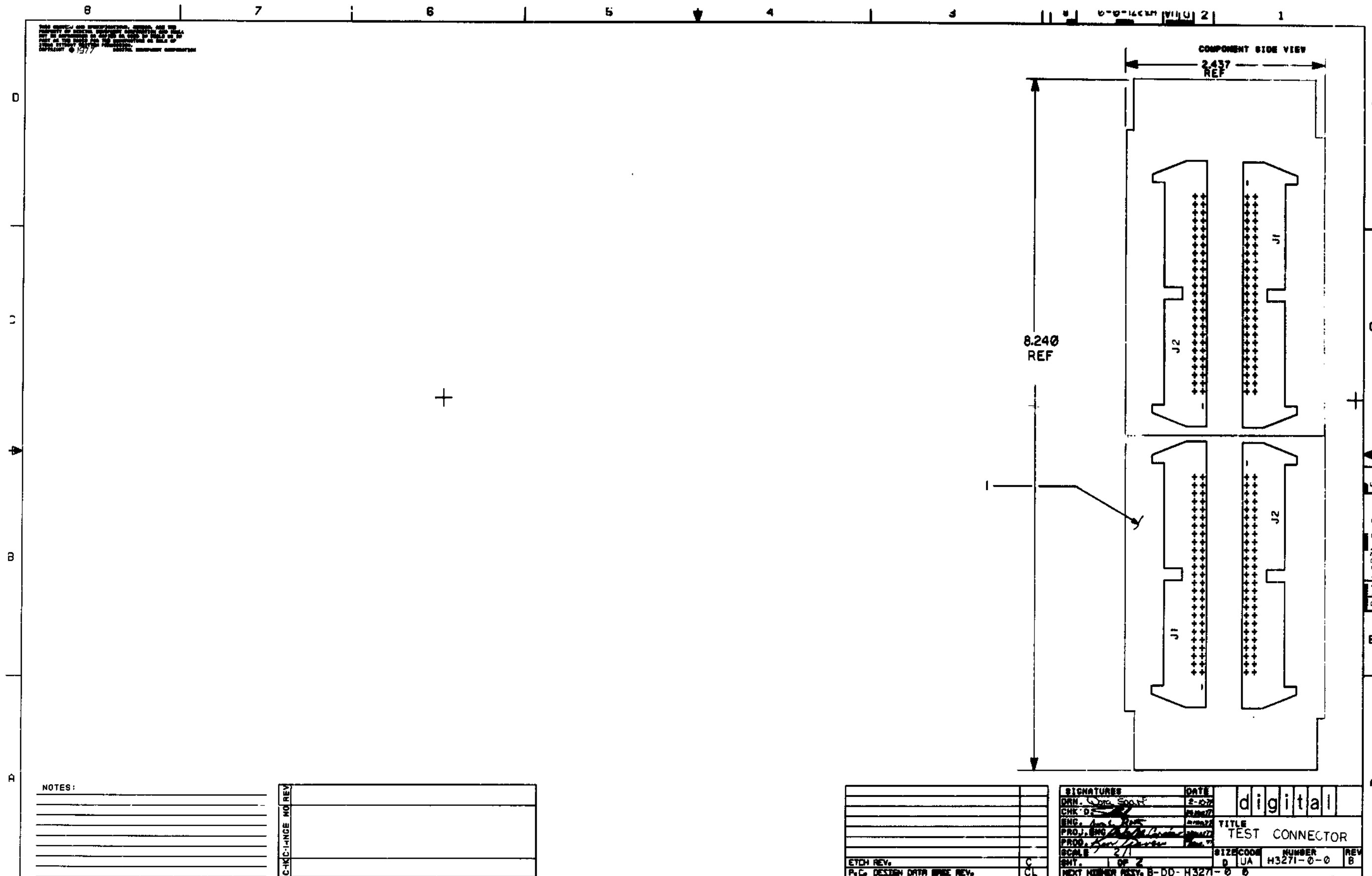
TITLE	ASYNCHRONOUS MUX DZ11	SHEET 2 OF 3	SIZE CODE B DD	NUMBER DZ11-0	REV F
-------	--------------------------	--------------	-------------------	------------------	----------

MA





THIS DRAWING AND INFORMATION CONTAINED HEREIN ARE THE PROPERTY OF DIGITAL CORPORATION. IT IS TO BE USED ONLY FOR THE PROJECT AND FOR THE PURPOSES AS SET FORTH IN THE ORDER AND THE AGREEMENT IN WRITING. © 1977 DIGITAL CORPORATION



NOTES:

---



---



---



---



---

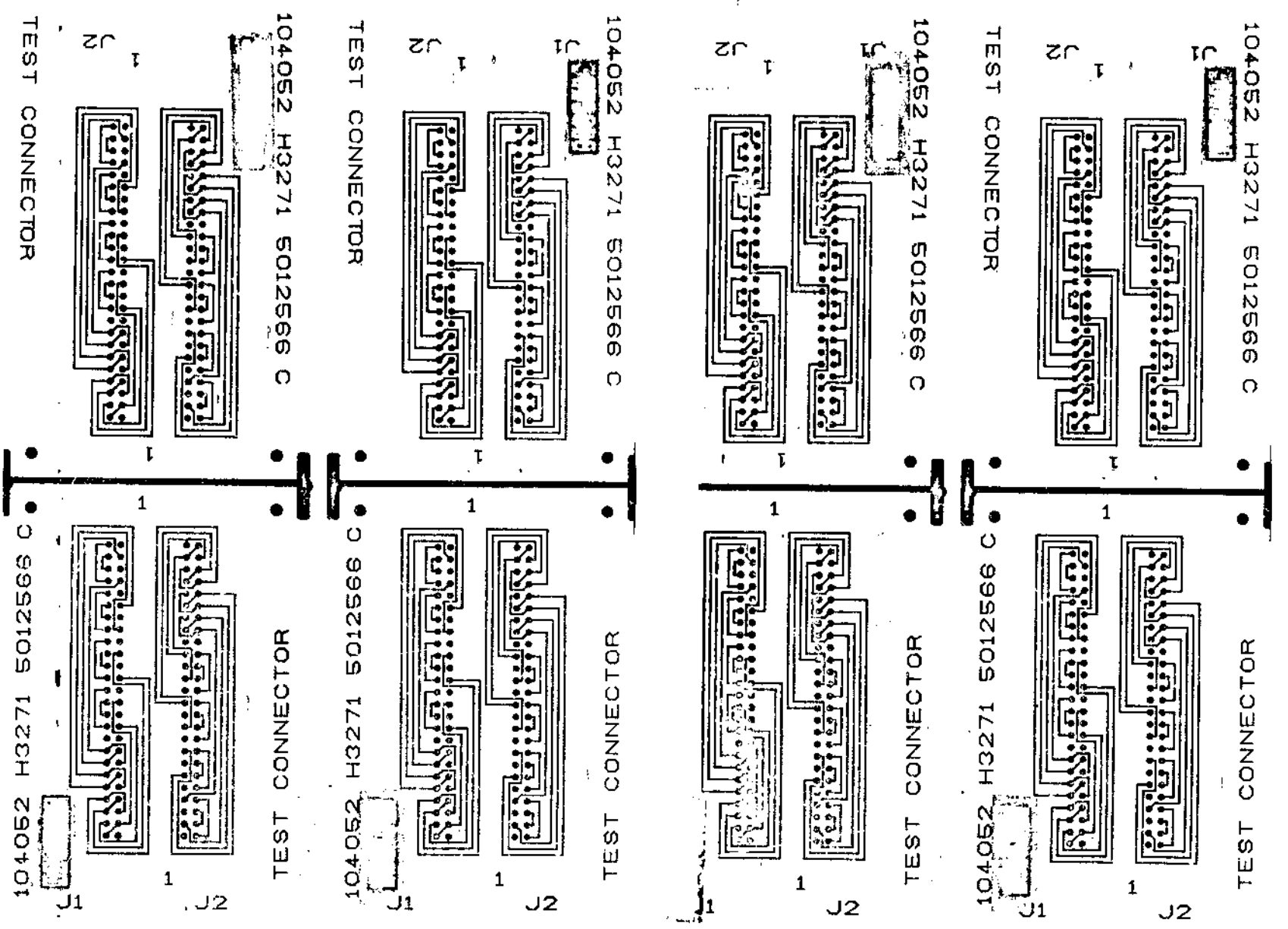
C-CHANGE NO. REV.	

ETCH REV.	C
P.C. DESIGN DATA SHEET REV.	CL

SIGNATURES		DATE	digital
DRN. <i>Doc Scott</i>		2-6-77	
CHK. <i>D</i>		2-6-77	TITLE TEST CONNECTOR
ENG. <i>Doc Scott</i>		2-6-77	
PROJ. ENG. <i>Doc Scott</i>		2-6-77	
PROD. <i>Doc Scott</i>		2-6-77	
SCALE 2/1	SIZE COOR	NUMBER	REV
SHT. 1 OF 2	0 UA	H3271-0-0	B
NEXT NUMBER ASSY. B-DD-H3271-0-0			

8 7 6 5 4 3 2 1

ALL DIMENSIONS ARE IN MILLIMETERS UNLESS OTHERWISE SPECIFIED.



VIEWED FROM SIDE 2

REVISIONS		
CHK	CHANGE NO.	REV

DEC FORM NO 500 2-72

8

7

6

5

4

3

2

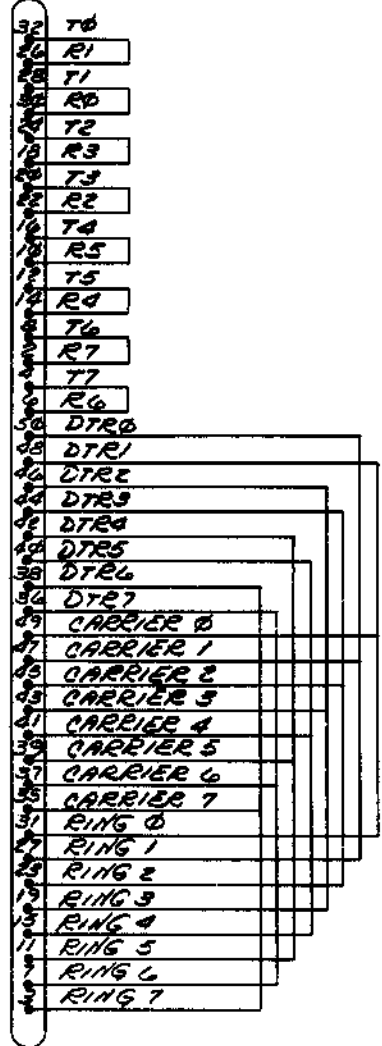
1

TITLE	TEST CONNECTOR	DESIGN NUMBER	DWA H3271 -0-0 B	REV	B
SCALE	1:1	SHEET	2 OF 2	DIST	

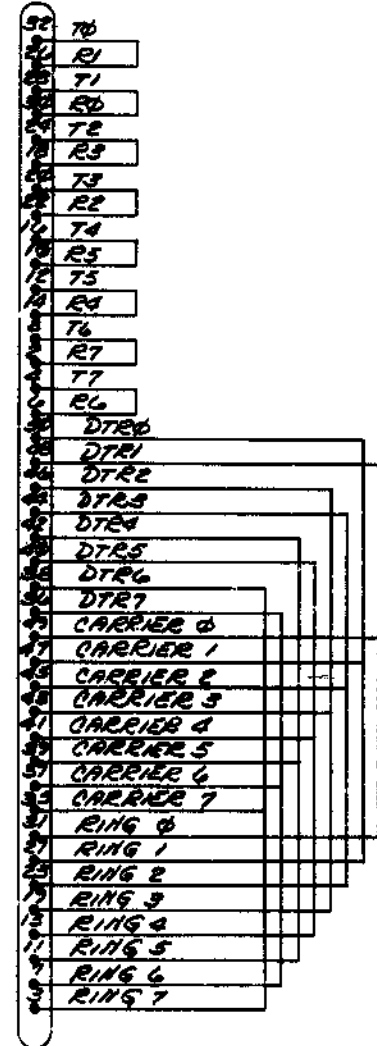
THIS DRAWING AND SPECIFICATIONS HEREON ARE THE PROPERTY OF DIGITAL EQUIPMENT CORPORATION AND SHALL NOT BE REPRODUCED OR COPIED IN WHOLE OR IN PART AS THE BASIS FOR THE MANUFACTURE OR SALE OF ITEMS WITHOUT WRITTEN PERMISSION. COPYRIGHT © 1977, DIGITAL EQUIPMENT CORPORATION.

17-071202-01 2

J1



J2



DRN: <i>[Signature]</i>	FIRST USED ON: DZ11
CHK: <i>[Signature]</i>	TITLE: TEST CONNECTOR
ENG: <i>[Signature]</i>	SIZE CODE: D
PROJ: <i>[Signature]</i>	NUMBER: H3271-0-1
NEXT HIGHER ASSY: D-UA-H3271-0-0	REV: 3
SCALE: 1 OF 1	DIST.:

D CS H3271-0-1

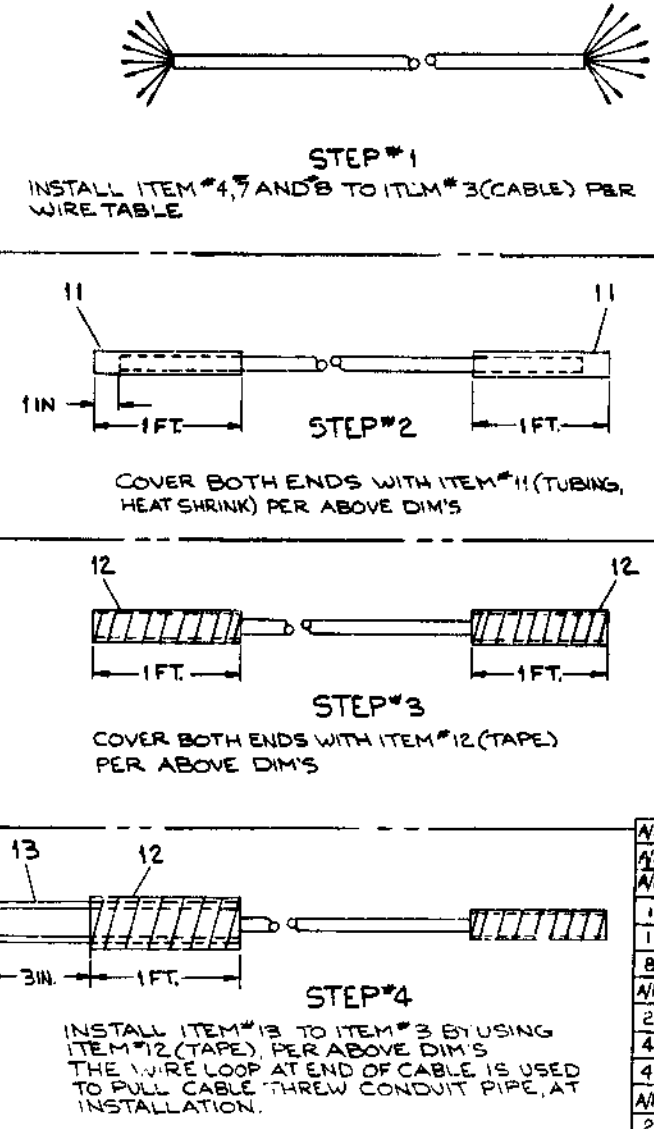
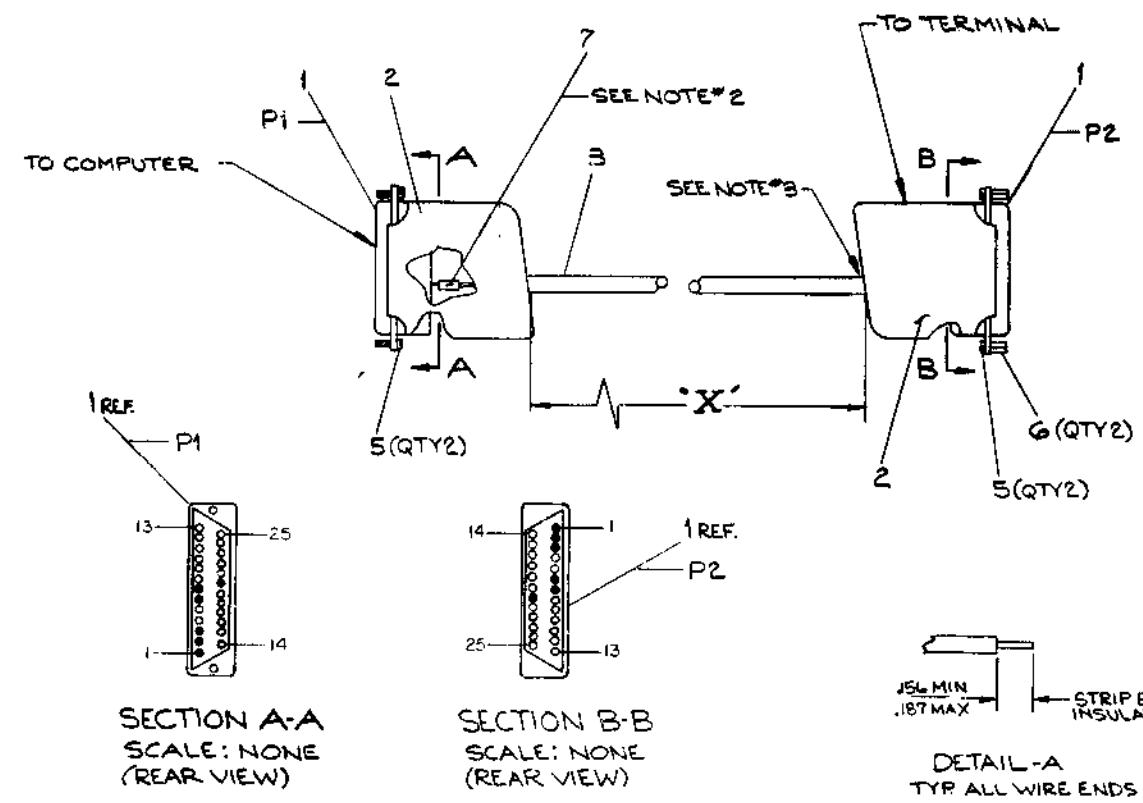


THIS DRAWING AND SPECIFICATIONS HEREBY ARE THE PROPERTY OF DIGITAL EQUIPMENT CORPORATION AND SHALL NOT BE REPRODUCED OR COPIED OR USED IN WHOLE OR IN PART AS THE BASIS FOR THE MANUFACTURE OR SALE OF ITEMS WITHOUT WRITTEN PERMISSION.  
COPYRIGHT © 1975 DIGITAL EQUIPMENT CORPORATION

WIRE TABLE							
ITEM NO.	AWG	COLOR	CONNECTION	WITH	CONNECTION	WITH	REMARKS
3	22	BLK	P1-7 NOTE #4	4	P2-7 NOTE #4	4	
3		RED	P1-2	8	P2-3	8	
3		SHIELD	P1-1 NOTE #2 & 4	4 & 7	P2-1 NOTE #2	4 & 7	
3		BLK	P1-7 NOTE #4	4	P2-7 NOTE #4	4	
3		WHT	P1-3	8	P2-2	8	
3		SHIELD	P1-1 NOTE #2 & 4	4 & 7	P2-1 NOTE #2	4 & 7	
3		BLK	P1-6	8	P2-20	8	
3		GRN	P1-20	8	P2-6	8	
3	22	SHIELD	SEE NOTE #3	-	SEE NOTE #3	-	

LEGEND		
NUMBER	VARIATION	REMARKS
BC03M-01	DIM'S 2	
BC03M-01	1 FT.	PREASSEMBLED
BC03M-25	25 FT.	PREASSEMBLED
BC03M-100	100 FT.	PREASSEMBLED
BC03M-BS	250 FT.	PARTIALLY ASSEMBLED
BC03M-E5	500 FT.	PARTIALLY ASSEMBLED
BC03M-L5	1000 FT.	PARTIALLY ASSEMBLED
BC03M-H5	750 FT.	PARTIALLY ASSEMBLED

- NOTES:
- VARIATIONS AND LENGTHS SHOWN IN LEGEND ARE STANDARD AND ARE SPECIFIED BY NUMERIC DESIGNATION IN FOOT INCREMENTS, THE TOLERANCE ON DIMENSION 'X' WILL BE ± 2% OF THE FOOT INCREMENT.
  - DRAIN WIRES TO BE ENCLOSED WITH ITEM #7 (TUBING) FROM END OF CABLE JACKET TO POINT WHERE THEY ENTER CONTACT.
  - CUTBACK DRAIN WIRE TO OUTER INSULATION ON BOTH ENDS.
  - THERE ARE TWO WIRES INSTALLED IN EACH #18-20 GA CONTACT (ITEM #4).
  - USE INSERTION/EXTRACTION TOOL (ITEM #9) TO CONSTRUCT CABLE. THIS PIECE IS DISCARDED AFTER USE.
  - 1 FOOT, 25 FOOT AND 100 FOOT CABLES ARE PREASSEMBLED, ALL OTHERS ARE PARTIALLY ASSEMBLED.
  - STEPS 1 THRU 4 ARE FOR CABLE LENGTHS OVER 100 FT.
- REFERENCE INFORMATION  
USE CRIMP TOOL TYPE M22520/1-01 WITH THIS LOCATOR
- CABLES OVER 100 FT ARE TO BE STOCKED IN KIT FORM AS FOLLOWS  
PUT ITEMS 1, 2, 5, 6, 9 AND 10 (ONE) COPY OF THIS PRINT INTO PLASTIC BAG (ITEM #10) FOLD OVER CABLE (ITEM #3) AND STAPLE TOGETHER.
- 8 REMOVE ITEM 6 FOR CONNECTION TO UNITS WITHOUT CABLES I.E. VT05, VT100, ETC.



QTY	DESCRIPTION	DWG PART NO	ITEM NO.
13	WIRE #14 AWG(25 IN LG)	9107370-00	13
12	TAPE (ROLL)	9009507	12
11	TUBING (HEAT SHR NK)	9107252-00	11
10	BAG, PLASTIC	9905129-21	10
9	TOOL, INSERT/EXTRACT	4700024	9
8	SOCKET #22	1712583-0	8
7	TUBING #18 GA (NAT)	9107278-11	7
6	SPACER #4-40 X 25 LG	9008496	6
5	SCR. RETAINER (MALE)	9009722	5
4	SOCKET #18-20	1212583-1	4
3	CABLE	9107723	3
2	HOOD	1010493-50	2
1	PLUG	1211354	1

REV.	DATE	BY	CHKD	DESCRIPTION
A	10-22-74	B. SAMPSON		REVISED TO ADD DIM'S FOR CABLE LENGTHS
B	11-15-74	B. SAMPSON		REVISED TO ADD DIM'S FOR CABLE LENGTHS
C	12-10-74	B. SAMPSON		REVISED TO ADD DIM'S FOR CABLE LENGTHS
D	01-15-75	B. SAMPSON		REVISED TO ADD DIM'S FOR CABLE LENGTHS

UNLESS OTHERWISE SPECIFIED DIMENSIONS ARE IN INCHES

CLASS OF ACCURACY	NOMINAL DIMENSION RANGE INCHES					
	0 TO .25	.25 TO .40	.40 TO .63	.63 TO 1.00	1.00 TO 2.00	2.00 TO 4.00
ANGLES	± .02	± .02	± .02	± .02	± .02	± .02
SURFACE QUALITY	12	10	10	10	10	10
MICROINCHES	± .004	± .008	± .012	± .018	± .024	± .030
	PREFERRED	± .012	± .018	± .025	± .030	± .030

THIRD ANGLE PROJECTION

REMOVE BURRS AND BREAK SHARP CORNERS  
DO NOT SCALE DWG

MATERIAL: SEE PARTS LIST  
FINISH: --

DRN: [Signature] 10-15-75  
CHKD: [Signature] 10-15-75  
PROJ: [Signature] 10-15-75  
PROJ: [Signature] 10-15-75

FIRST USED ON: [Signature] 10-15-75

TITLE: CORD, EXTENSION NULL MODEM

SIZE: D  
CODE: JA  
NUMBER: BC03M-0-0  
REV: D

CHEST: 1 OF 1

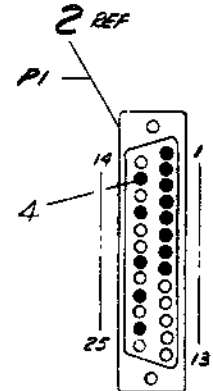
THIS DRAWING AND SPECIFICATIONS HEREIN ARE THE PROPERTY OF DIGITAL EQUIPMENT CORPORATION AND SHALL NOT BE REPRODUCED OR COPIED OR USED IN WHOLE OR IN PART AS THE BASIS FOR THE MANUFACTURE OR SALE OF ITEMS WITHOUT WRITTEN PERMISSION. COPYRIGHT © 1975, DIGITAL EQUIPMENT CORPORATION.

WIRED TABLE						
ITEM NO	AWG	COLOR	FROM		TO	
			CONNECTION	WITH	CONNECTION	WITH
1	#22	BLK	P1-1	#4	P2-1	#4
1	#22	RED	P1-2	#4	P2-3	#4
1	#22	GRN	P1-3	#4	P2-2	#4
5	#26	GRN	P1-4	#4	P1-5	#4
1	#22	BLU	P1-4	#4	P2-8	#4
1	#22	YEL	P1-7	#4	P2-7	#4
1	#22	VIO	P1-8	#4		
5	#26	GRN	P2-5	#4	P2-9	#4
1	#22	GRY	P1-20	#4	P2-6	#4
5	#26	GRN	P2-22	#4		
1	#22	GRN		#4	P2-20	#4
5	#26	GRN	P1-6	#4	P1-22	#4
1	#22	BRN	P1-15	#4	P2-17	#4
5	#26	GRN		#4	P1-24	#4
1	#22	WHT	P1-17	#4		
5	#26	GRN	P2-24	#4	P2-15	#4

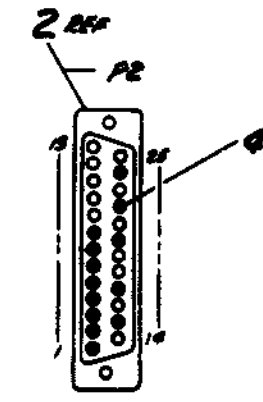
NUMBER	VARIATION	
	DIM "X"	DIM "Y" REF
BC03P-2	2 FT ± 1/4 IN	2 FT 1 IN ± 1/4 IN
BC03P-25	25 FT ± 3/4 IN	25 FT 1 IN ± 3/4 IN
BC03P-50	50 FT ± 1 1/4 IN	50 FT 1 IN ± 1 1/4 IN
BC03P-100	100 FT ± 2 1/2 IN	100 FT 1 IN ± 2 1/2 IN

**NOTES:**

- DO NOT USE LONG BC03P CABLES BETWEEN SYNCHRONOUS DEVICES BECAUSE THE UNSHIELDED TIMING LEADS (PIN 17 AND 19) CAN CAUSE CROSSTALK. THE BC03P-2 IS BEST FOR THIS TYPE OF APPLICATION.
- CABLE (100 FT) TO GO INSIDE HOOD (100 FT) AT MOST .50 AND WIRES SHOULD BE APPROXIMATELY 1.38 IN IN LENGTH, SO THEY DON'T BUNCH INSIDE HOOD.

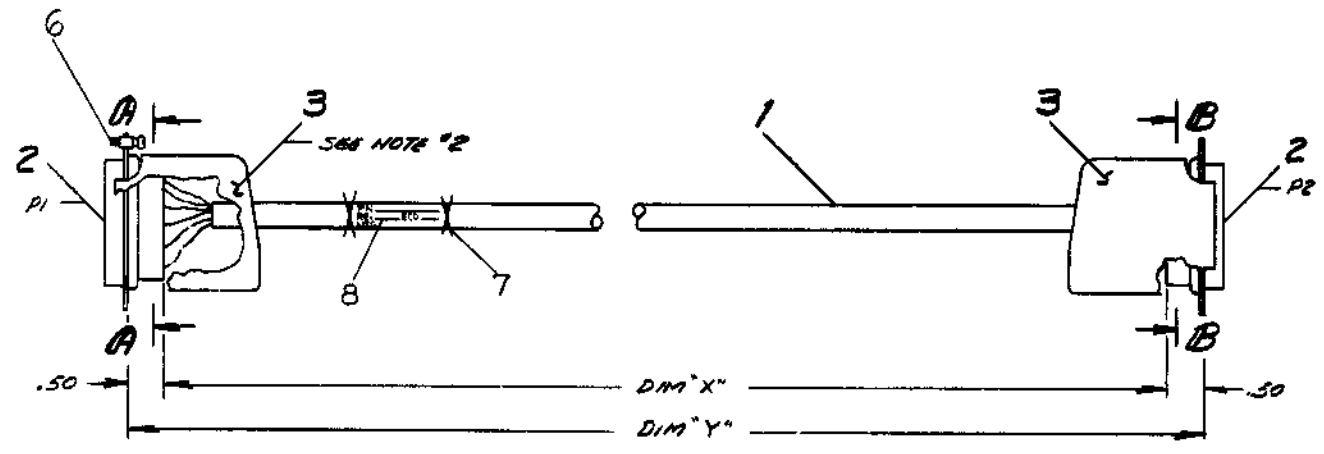


VIEW A-A  
WITH HOOD REMOVED  
SCALE: NONE



VIEW B-B  
WITH HOOD REMOVED  
SCALE: NONE

\* SEE NOTE 1



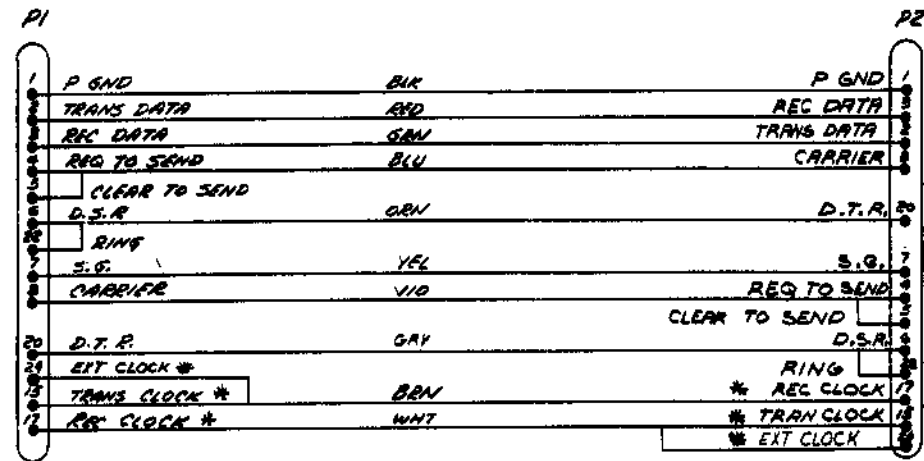
DESCRIPTION	DWG. PART NO.	ITEM NO.
1 LABEL, CABLE	3005532	5
2 TIE WRAP (SMALL)	3007131	7
4 SCREW, CAPTIVE ASSY.	9009722	6
AW WIRE #26 AWG (GRN)	9107636-55	3
EG SOCKET, CRIMP	1210493-41	4
2 HOOD P-STRAP RELEAF	1212993-50	3
2 SADDLE NUTS	1210493-32	2
1/4 CABLE, (NO CONDUCTOR)	9107625	1

UNLESS OTHERWISE SPECIFIED DIMENSIONS ARE IN INCHES	
ANGLE M 30°	CLASS OF ACCURACY (CHECK ONE)
SURFACE QUALITY IN	FINISH (CHECK ONE)

THIRD ANGLE PROJECTION	REMOVE BURRS AND BREAK SHARP CORNERS	DO NOT SCALE DWG	MATERIAL SEE PARTS LIST	FINISH	QUANTITY & VARIATION	DESCRIPTION	DWG. PART NO.	ITEM NO.
FIRST USED ON						D211		
TITLE						NULL MODEM CABLE ASSY.		
SCALE						1/1		
SHEET						1 OF 2		
SIZE						D IA		
NUMBER						BC03P-0-0		
REV.						B		

REV.	DATE	BY	CHKD
1			
2			
3			
4			

"THIS DRAWING AND SPECIFICATIONS HEREIN ARE THE PROPERTY OF DIGITAL EQUIPMENT CORPORATION AND SHALL NOT BE REPRODUCED OR COPIED OR USED IN WHOLE OR IN PART AS THE BASIS FOR THE MANUFACTURE OR SALE OF ITEMS WITHOUT WRITTEN PERMISSION. COPYRIGHT © 1975, DIGITAL EQUIPMENT CORPORATION."



\* SEE NOTE \*1

REVISIONS		
CHK	CHANGE NO	REV

TITLE	SIZE CODE	NUMBER	REV.
NULL MODEM CABLE ASSY	DIA	BC03P-0-0	B
SCALE	SHEET	DIST.	
NONE	2 OF 2		

DEC 1975

8

7

6

5

4

3

2

1

D  
C  
B  
A



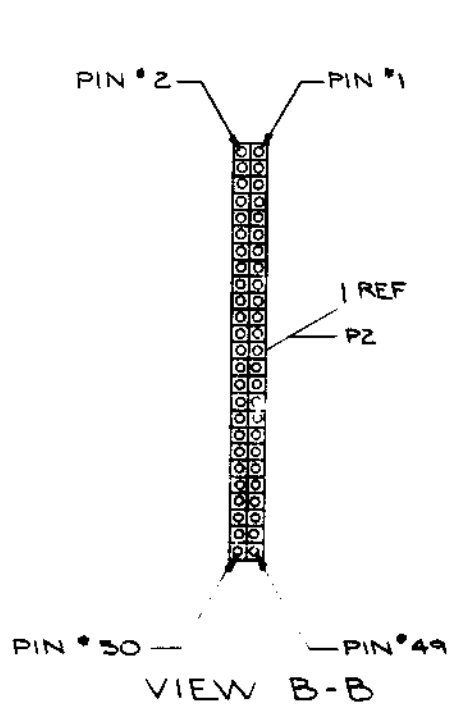
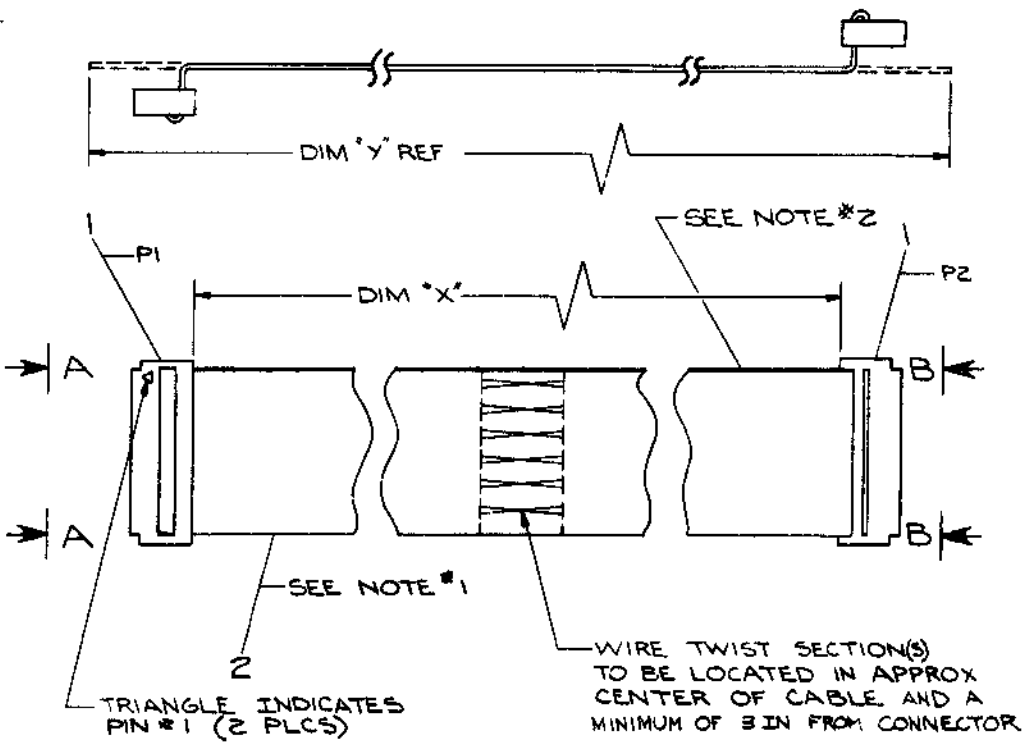
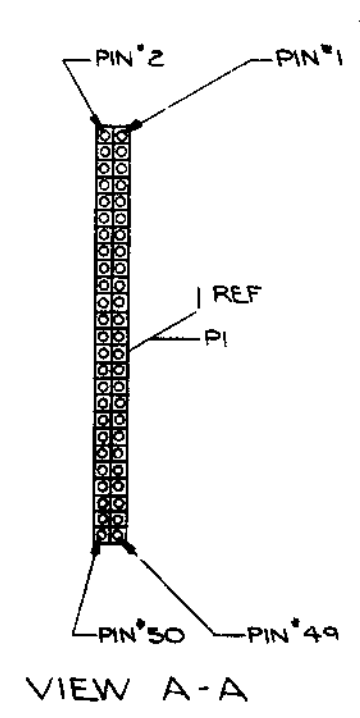
THIS DRAWING AND SPECIFICATIONS, HEREIN AND THE PROPERTY OF BUSHNELL TELEVISION CORPORATION AND SHALL NOT BE REPRODUCED OR COPIED IN WHOLE OR IN PART AS THE BASIS FOR THE CONSTRUCTION OR SALE OF ITEMS WITHOUT WRITTEN PERMISSION OF BUSHNELL TELEVISION CORPORATION © 1977

ITEM NO	DESCRIPTION	FROM		TO	
		AWG	COLOR	CONN	WITH
2	#30			P1-1	P2-2
				P1-2	P2-1
				P1-3	P2-4
				P1-4	P2-3
				P1-5	P2-6
				P1-6	P2-5
				P1-7	P2-8
				P1-8	P2-7
				P1-9	P2-10
				P1-10	P2-9
				P1-11	P2-12
				P1-12	P2-11
				P1-13	P2-14
				P1-14	P2-13
				P1-15	P2-16
				P1-16	P2-15
				P1-17	P2-18
				P1-18	P2-17
				P1-19	P2-20
				P1-20	P2-19
				P1-21	P2-22
				P1-22	P2-21
				P1-23	P2-24
				P1-24	P2-23
				P1-25	P2-26

ITEM NO	DESCRIPTION	FROM		TO	
		AWG	COLOR	CONN	WITH
2	#30			P1-26	P2-25
				P1-27	P2-28
				P1-28	P2-27
				P1-29	P2-30
				P1-30	P2-29
				P1-31	P2-32
				P1-32	P2-31
				P1-33	P2-34
				P1-34	P2-33
				P1-35	P2-36
				P1-36	P2-35
				P1-37	P2-38
				P1-38	P2-37
				P1-39	P2-40
				P1-40	P2-39
				P1-41	P2-42
				P1-42	P2-41
				P1-43	P2-44
				P1-44	P2-43
				P1-45	P2-46
				P1-46	P2-45
				P1-47	P2-48
				P1-48	P2-47
				P1-49	P2-50
				P1-50	P2-49

NUMBER	DIM 'X' VARIATION	DIM 'Y' (PRECUT) REF
BC06L-0J	8 IN ± .5 IN	9 IN ± .5 IN
BC06L-1K	1 FT 9 IN ± 1 IN	1 FT 10 IN ± 1 IN
BC06L-7K	7 FT 9 IN ± 2 IN	7 FT 10 IN ± 2 IN
BC06L-4B	4 FT 2 IN ± 2 IN	4 FT 3 IN ± 2 IN

- NOTES:
- 'CABLE' (ITEM #2) CONTAINS A TWIST SECTION EVERY 21 INCHES. THERE MUST BE AN ODD NUMBER OF TWIST SECTIONS IN EVERY BC06L LENGTH VARIATION.
  - IF RED STRIPING APPEARS ON 'CABLE' (ITEM #2) IT IS TO BE POSITIONED AS SHOWN



REV. 1	DATE 10/10/77	BY [Signature]
REV. 2	DATE 10/10/77	BY [Signature]
REV. 3	DATE 10/10/77	BY [Signature]

QTY	DESCRIPTION	DWG/PART NO.	ITEM NO.
1	CABLE, RIBBON 50 COND	1700081-01	2
2	CONN 50 PIN SKT	1211664-00	1

UNLESS OTHERWISE SPECIFIED DIMENSIONS ARE IN INCHES

SURFACE QUALITY	FINISH	TOLERANCES					
		FR	FL	FR	FL	FR	FL
IN	IN	0.1	0.2	0.1	0.2	0.1	0.2

THIRD ANGLE PROJECTION

REMOVE BURRS AND SHARP CORNERS

DO NOT SCALE DWG

MATERIAL: SEE PARTS LIST

FINISH: [Symbol]

FIRST USED ON: H7004-C

TITLE: MIRROR IMAGE CABLE

SIZE: D UA BC06L - 0 - 0

NUMBER: [Symbol]

REV. A

SHEET [Symbol] OF [Symbol]

