

**DX11-B**  
**engineering drawings**

The material herein is for information purposes only and is subject to change without notice. Digital Equipment Corporation assumes no responsibility for any errors which may appear herein.

These drawings and specifications herein are the property of Digital Equipment Corporation and shall not be reproduced or copied or used in whole or in part as the basis for the manufacture or sale of items without written permission.  
Copyright © 1975, Digital Equipment Corporation

CUSTOMER PRINT SET INDEX

THIS IS PRINT SET

Print Set Type SEQUENCE  
Drawing Directory

- DX11-B Unit Assy.  
Module Utilization  
Module Utilization  
Flow Diag. (Phase Ind. Seq.)  
DXDS DX Device Status  
DXCS Control Unit Status  
DXBA DX Bus Address  
DXBC DX BYTE Counter  
OUSR  
DXND NPR Data Reg.  
DXCB DX Control Bits  
DE10/=CONO  
DXMI Control In/Bus In  
DXNDX Tumble Table Index  
DXAR Cont. Unit Address Reg.  
DXCR Cont. Unit Control Reg.  
Unibus Interface  
NPR and Int. Control  
Data Bus MUX  
Clock. Phase & Time State Gen.  
DNOB-CONC BUFF/BUSO BUFF.  
Indicator Conn.  
General Controls  
Sig & Gates  
Parity & Addr Compare  
IBM Interface  
Unibus Connectors  
Select Bypass & Power FATL  
Wire List  
Wire Tester Revision Status  
Power Supply  
Power Supply CS  
Power Control  
Power Control CS  
Power Control CS  
Regulator Board CS  
Parts List  
Engineering Spec.  
Accessory List  
(By-Pass) 360 Power Select  
360 Cable Receiver  
360 Cable Driver

- B-DD-DX11-B  
(Sht. 1 only)  
D-UA-DX11-B-0  
D-MU-DX11-B-01  
A-PL-DX11-B-01  
D-FD-DX11-B-04  
D-BS-DX11-B-05  
D-BS-DX11-B-06  
D-BS-DX11-B-07  
D-BS-DX11-B-08  
D-BS-DX11-B-09  
D-BS-DX11-B-10  
D-BS-DX11-B-11  
D-BS-DX11-B-12  
D-BS-DX11-B-13  
D-BS-DX11-B-14  
D-BS-DX11-B-15  
D-BS-DX11-B-16  
D-BS-DX11-B-17  
D-BS-DX11-B-18  
D-BS-DX11-B-19  
D-BS-DX11-B-20  
D-BS-DX11-B-21  
D-IC-DX11-B-22  
D-BS-DX11-B-24  
D-BS-DX11-B-25  
D-BS-DX11-B-26  
D-BS-DX11-B-27  
D-IC-DX11-B-28  
D-BS-DX11-B-29  
K-WL-DX11-B-30  
A-WT-DX11-B-0  
D-UA-H740-0  
D-CS-5409728-0  
E-UA-861-0-0  
D-CS-861-B-1  
D-CS-861-C-1  
D-CS-5410206-0-1  
A-PL-DX11-B-01  
K-FS-DX11-B-31  
A-AL-DX11-B-35  
D-CS-G890-01  
C-CS-M597-0-1  
C-CS-M697-0-1

- Unibus Addr Selector  
6 QUAD NOR Gate  
3-Input NAND Gate  
6-4 Input NAND Gate  
Unibus NPR Control  
Unibus Interrupt Control  
3-8 Input NAND Gate  
4 Line to 16 Line Decoder  
Six Flips Flops  
Synchronous 4-Bit Up/Down Counter  
High Speed Power Inverter Selector  
Parity Circuit  
Gating Module  
5 "D" Flip Flops  
Resistor Terminator  
Circuit Schematic 716  
EPO PN L ASSY  
Misc Controls & EPO Schematic  
IBM 360 Cable ASSY  
IBM 360 Cable Assy

- B-CS-M105-01  
B-CS-M116-0-1  
B-CS-M135-0-1  
B-CS-M137-0-1  
B-CS-M796-0-1  
B-CS-M7821-0-1  
B-CS-M139-0-1  
B-CS-M155-0-1  
B-CS-M216-0-1  
  
B-CS-M238-0-1  
B-CS-M611-0-1  
B-CS-M1713-0-1  
B-CS-M162-0-1  
C-CS-M169-0-1  
B-CS-M205-0-1  
C-CS-M984-0-1  
C-CS-716-0-1  
E-AD-7008792-0-0  
D-CS-7008792-0-1  
D-IA-7008919-0-0  
D-IA-7008920-0-0

PRINT SET TYPE 2  
NONE

Mfg Print Set  
(No Order Required, See Mfg. Set Requirement.)

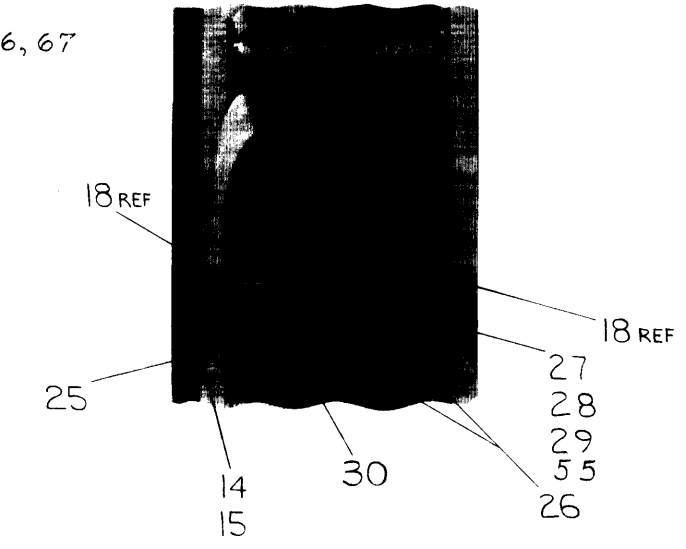
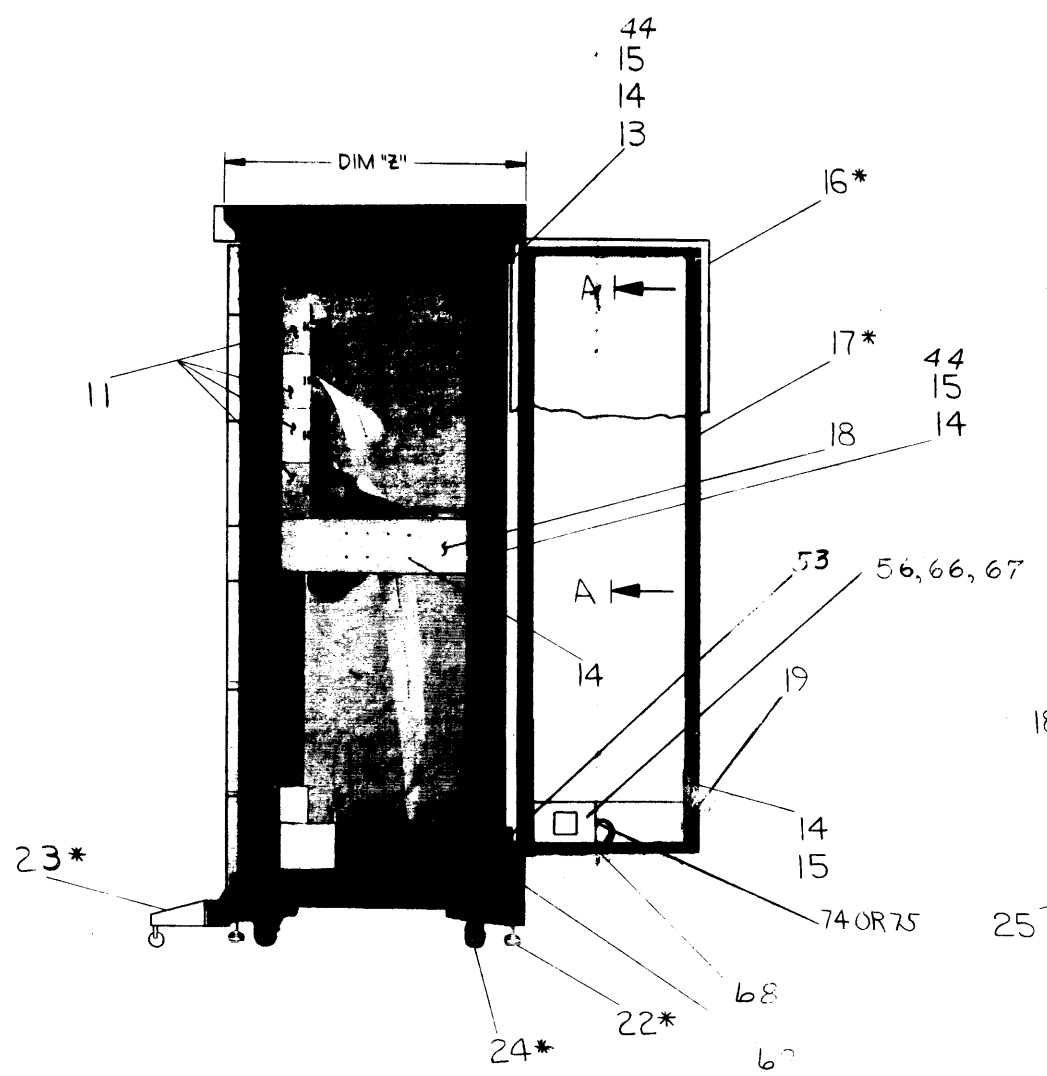
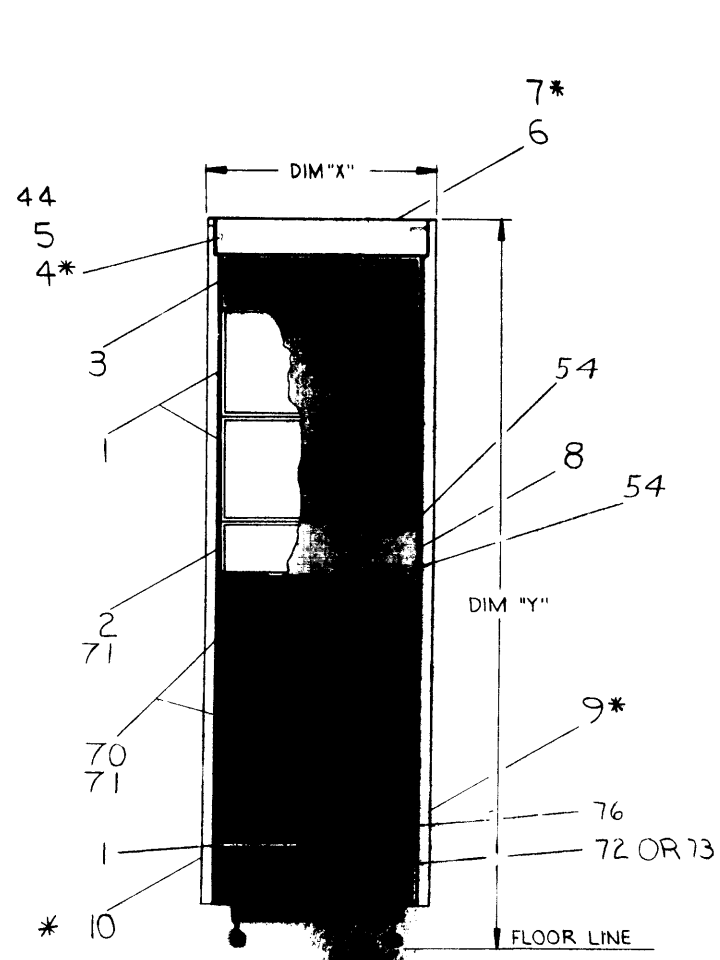
UNIT VARIATIONS		PRINT SET		
VAR	TITLE	1	2	
DX11-BA	DX11-B H950 CAB 115V 60 HZ	x		
DX11-BB	DX11-B H950 CAB 230V 50 HZ	x		
DX11-BC	DX11-B H957 CAB 115V 60 HZ	x		
DX11-BD	DX11-B H957 CAB 230V 50 HZ	x		
DX11-BE	DX11-B H950 CAB 115V 60 HZ		x	
DX11-BF	DX11-B H950 CAB 230V 50 HZ		x	
DX11-BG	DX11-B H957 CAB 115V 60 HZ		x	
DX11-BH	DX11-B H957 CAB 230V 50 HZ		x	

REVISIONS	REV	N	P	USED ON OPTION/MODEL	DRN.	DATE	TITLE					REV	
	CHG. NO.	DX11B-17	DX11B-18		PDP 11	Sid Roberts		6/7/72	DX11-B UNIT ASSY				
	DATE	9-74	10-74			CHK'D.		DATE					
					J. Cahill	6/8/72		SIZE		CODE	NUMBER		
						PROJ ENG.		DATE	B	DD	DX11-B	P	
						PROD.		DATE					
					P. Tazio	6/13/72							
					FIELD SERV.	DATE							
					I. Jarvi	6/13/72							
				SHEET 1 OF 8									

This drawing and specifications herein are the property of Digital Equipment Corporation and shall not be reproduced or copied or used in whole or in part as the basis for the manufacture or sale of items without written permission.

LEGEND			
VARIATION	DIM "X"	DIM "Y"	DIM "Z"
DXII-BA	21.69	71.44	28.19
DXII-BB	21.69	49.65	28.19
DXII-BC	21.69	49.65	28.19
DXII-BD	21.69	49.65	28.19

NOTES:  
1. \* INDICATES ITEM NO. TO BE USED WITH UNIT OPTIONS DXII-BC & DXII-BD



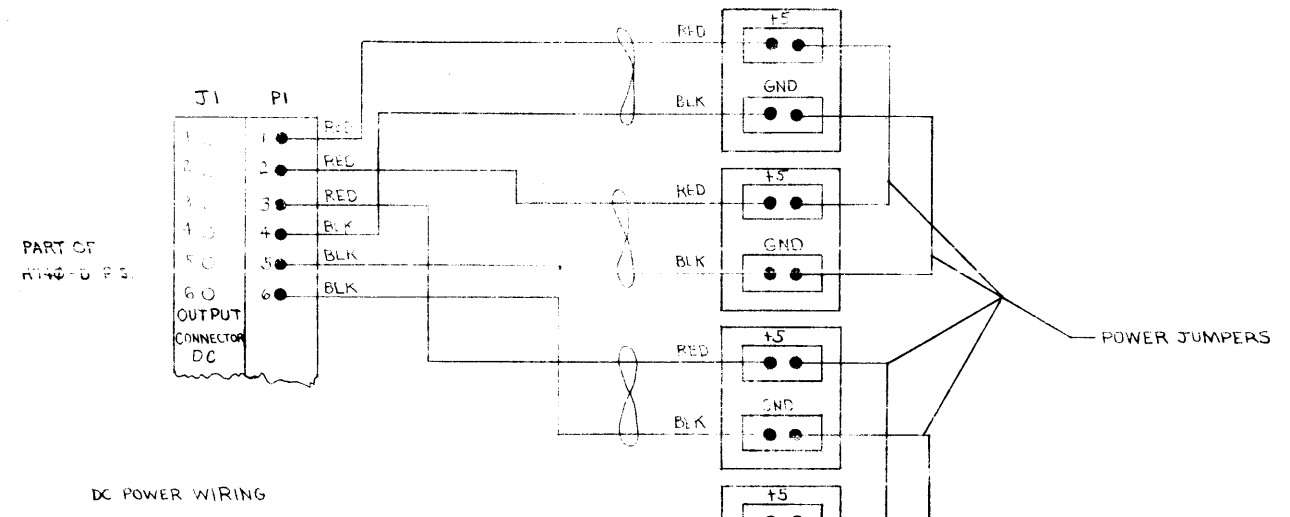
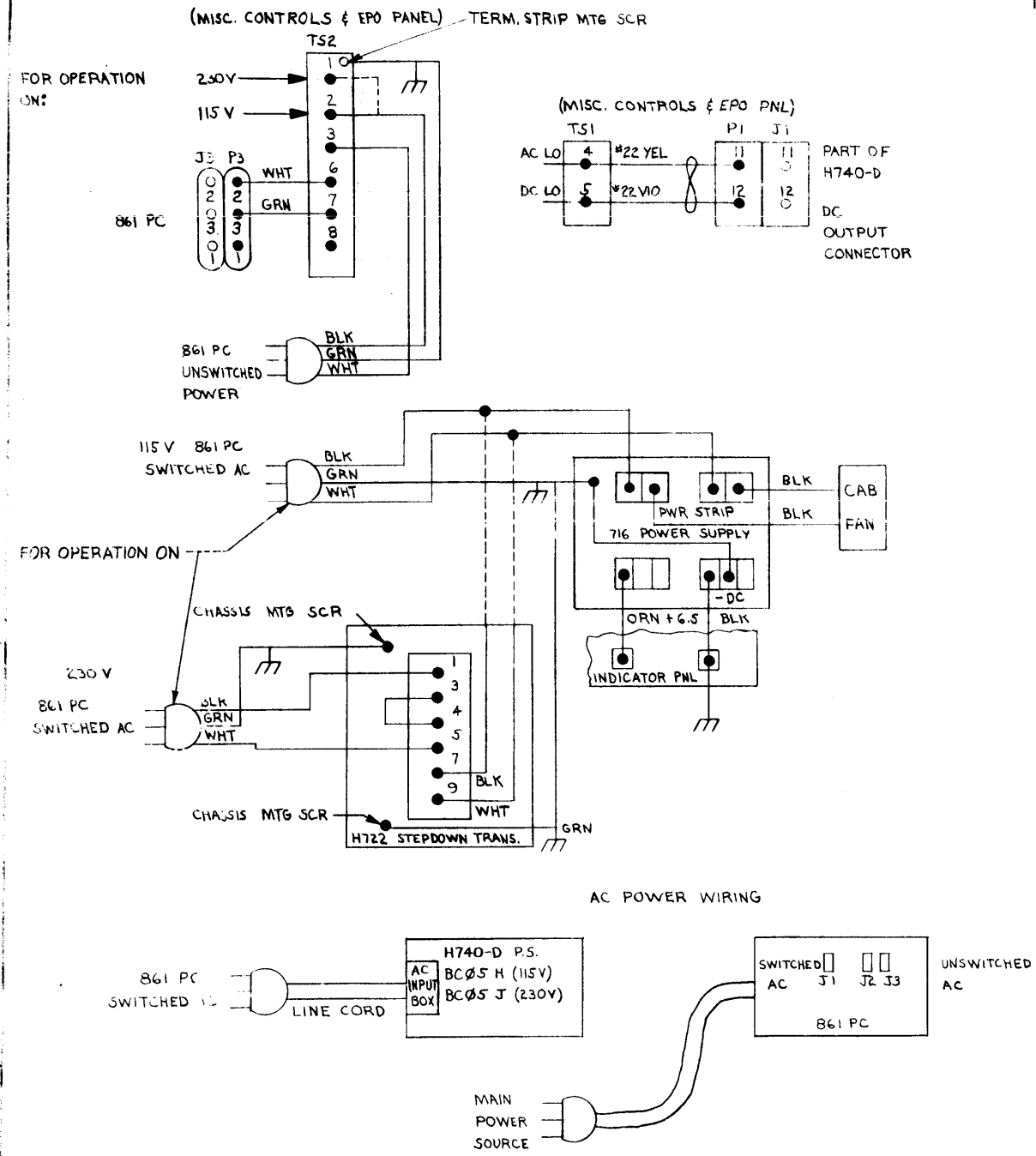
VIEW A-A

REV	CHANGE NO.	DATE	BY	CHKD
A	1	1-22-72	DIETER	
B	2	8-8-73	V. BASTIANI	
C	3	4/1/74	R. DIETER	
D	4	10-2-74	R. DIETER	

FIRST USED ON OPTION/MODEL	QTY.	DESCRIPTION	PART NO.	ITEM NO.
DXII-B		PARTS LIST		
UNLESS OTHERWISE SPECIFIED DIMENSION IN INCHES TOLERANCES		DRN <i>S. abate</i>	DATE 5/3/72	
DECIMALS	ANGLES	CHKD <i>Paul Del</i>	DATE 5/29/72	
XXX - .005	± 0° 30'	ENG. <i>Paul Del</i>	DATE 5/31/72	
XX - .02		PROJ. ENG.	DATE	
X - .1		PPROD. <i>Paul Del</i>	DATE 6/8/72	TITLE UNIT ASSY (DXII-B)
REMOVE BURRS AND BREAK SHARP CORNERS. SURFACE QUALITY		NEXT HIGHER ASSY.		
MATERIAL	—//—	B-DD-DXII-B	SIZE CODE DUA	NUMBER DXII-B-Ø
FINISH	—//—	SCALE NONE		REV. D
		SHEET 1 OF 2	DIST. 15	

THIS DRAWING AND SPECIFICATIONS ARE THE PROPERTY OF DIGITAL EQUIPMENT CORPORATION. IT IS TO BE USED ONLY FOR THE PROJECT AND QUANTITY SPECIFIED THEREIN. IT IS NOT TO BE REPRODUCED OR TRANSMITTED IN ANY FORM OR BY ANY MEANS, ELECTRONIC OR MECHANICAL, INCLUDING PHOTOCOPYING, RECORDING, OR BY ANY INFORMATION STORAGE AND RETRIEVAL SYSTEM, WITHOUT PERMISSION IN WRITING FROM DIGITAL EQUIPMENT CORPORATION.

NOTE:  
1. UNLESS OTHERWISE SPECIFIED, ALL AC AND DC WIRING TO BE #14 AWG.



FIRST USED ON OPTION MODEL	QTY.	DESCRIPTION	FART NO.	ITEM NO.
DX11-B				
PARTS LIST				
UNLESS OTHERWISE SPECIFIED DIMENSION IN INCHES	DRN. S. ROBERTS	DATE 5-15-72	<b>digital</b> EQUIPMENT CORPORATION MAYNARD, MASSACHUSETTS	
TOLERANCES	CHK'D. J. CAHILL	DATE 5-17-72		
DECIMALS	ENG. K. DIETERK	DATE 5-3-72		
ANGLES	PROJ. ENG. K. DIETERK	DATE 5-17-72		
REMOVE BURRS AND BREAK SHARP CORNERS SURFACE QUALITY 1	PROD. C. FA. 10	DATE 5-17-72	TITLE UNIT ASSY DX11-B	
MATERIAL	NEXT HIGHER ASSY.		SIZE/CODE D/UA	NUMBER DX11-B-2
FINISH	SCALE SHEET 2 OF 2		DIST.	REV. D





This drawing and specifications, herein, are the property of Digital Equipment Corporation and shall not be reproduced or copied or used in whole or in part as the basis for the manufacture or sale of items without written permission.  
1912

USAGE	1	2	3	4	5	6	7	8	9	10	11	12	13	14	15	16	17	18	19	20	21	22																		
CUD	CMDCHN	SETPH4	SETPH3	FUNEQ3	SIGB OR NDCRSR	SIG5B	BANDSO	DXRE SET	SIC17	LOAD DXBA	TEST1	SETPH4	SIG11	SRVI	CUFEN	EN FCTN	GO	UEXCEP	FCTN1	UCHECK	FCTN2	DEVENC	XBA16	CHEND	XBA17	STKSTA	CHEND	INCH	STAGD	DOWN	ATTEN	CPYSY	ONLNR	SRV	CMD	BSYEN	ADRP	SUP		
CHEND	CMDCHN	SETPH4	CUI6	FUNEQ2	INBA 08	BISR						SETPH2	STKSTA																											
ESEND	CMDCHN	SETPH3	S17FN1	FUNEQ3	BISR	CUSRNZ					TEST1	COUNT BA	PARER	ENABLE																										
CUDEND	CMDREJ	SETPH3	CUI5	SETPH1	COUNT BA						DATOK	SIG6B																												
	INFDCS	CUI6			BISR	TEST1		FASTX	ONOFFT	LOCKO	ISS	SRNDH																												
											SETPH3	SRNDL																												

USAGE	23	24	25	26	27	28	29	30	31	32	33	34	35	36	37	38	39	40	41	42	43	44																			
PARER	UCHKS	REQIN	SST	BAIN 12	BAIN 13	BAIN 14	BAIN 15	DXBA 15	DXBA 07	INIT	ACLG																														
SERLST		REQIN	SST	BAIN 12	BAIN 13	BAIN 14	BAIN 15	DXBA 15	DXBA 07	SIG7	DXREJ																														
SYRST	BSYS	REQIN	SST	BAIN 12	BAIN 13	BAIN 14	BAIN 15	DXBA 13	DXBA 05	SIG8	CLK N4																														
INFDCS	CHIS	SYRST	SELECT	BAIN 08	BAIN 09	BAIN 10	BAIN 11	THRU XBA 11	DXBA 01	ENABLE																															
CHENDS	CUD	FNABLE	ERRSTA	BAIN 04	BAIN 05	BAIN 06	BAIN 07	DXBA 10	DXBA 01	SYNC1																															
	CUD			BAIN 04	BAIN 05	BAIN 06	BAIN 07	DXBA 08	DXBA 08	SYNC2																															

USAGE	23	24	25	26	27	28	29	30	31	32	33	34	35	36	37	38	39	40	41	42	43	44																		
ENDEN	SELO	CUI6M	HLDD	PARSTP	OPLO			DBUS 08	DBUS 08																															
SERLST	REQI	IRS	SELI	PARER	OPLI	INTERRUPT CONTROL		BUS D14	BUS D14																															
	PHI	PH2	LOCKO					BUS D13	BUS D13																															
								BUS D12	BUS D12																															
								BUS D11	BUS D11																															
								BUS D10	BUS D10																															
								BUS D09	BUS D09																															
								BUS D08	BUS D08																															
								BUS D07	BUS D07																															
								BUS D06	BUS D06																															
								BUS D05	BUS D05																															
								BUS D04	BUS D04																															
								BUS D03	BUS D03																															
								BUS D02	BUS D02																															
								BUS D01	BUS D01																															
								BUS D00	BUS D00																															
								BUS D09	BUS D09																															

REVISIONS	CHANGE NO.	REV.
CHK		

FIRST USED ON OPTION / MODEL PLP-11	DO NOT SCALE DRAWING	DRN	DATE	 <b>digital EQUIPMENT CORPORATION</b> NAYATNAG, MASSACHUSETTS
UNLESS OTHERWISE SPECIFIED DIMENSION IN INCHES	TOLERANCES	CHK'D	DATE	
DECIMALS ± .005	FRACTIONS ± 1/64	DATE	DATE	
ANGLES ± 0'30"	FINAL SURFACE QUALITY	PROJ. ENG.	DATE	<b>MODULE UTILIZATION</b> SIZE CODE: D MU NUMBER: DX11-B-01
REMOVE BURRS AND BREAK SHARP CORNERS	MATERIAL	PROD. DATE	DATE	
SCALE: NONE		SHEET: 2 OF 4		



This drawing and specifications, herein, are the property of Digital Equipment Corporation and shall not be reproduced or copied or used in whole or in part as the basis for the manufacture or sale of items without written permission.  
1972

	1	2	3	4	5	6	7	8	9	10	11	12	13	14	15	16	17	18	19	20	21	22
D	USAGE 1 2 1 2 1 2 1 2 1 2 1 2 1 2 1 2 1 2 1 2 1 2 1																					
H									BUS IN 5	BUS IN 1									TSTOPL OUT	RACRI	RSRVI	RBUSI P
									BUS IN 4	BUS IN 0	BUS IN P								TSTSUP OUT	RBUSI 07	RBUSI 03	RBUSI 01
									BUS IN 7	BUS IN 3	REQ IN								TSTSEL OUT	RSTAI	RBUSI	ROPLI
									BUS IN 6	BUS IN 2	OPL IN								TSTHLD OUT	RBUSI 06	RBUSI 04	RBUSI 00
	USAGE 1 2 1 2 1 2 1 2 1 2 1 2 1 2 1 2 1 2 1 2 1 2 1																					
J							IBM INTERFACE	IBM INTERFACE	M597	M597	M697	IBM INTERFACE	M597	IBM INTERFACE	IBM INTERFACE	IBM INTERFACE	IBM INTERFACE		M697	M697	M697	
									BUS0 03	CMDO	BUS0 07	SUPD	STA IN	PARD	CLKO				TSTADR OUT	TSTBUS OUT 0	TSTBUS OUT 4	TSTBUS OUT 8
									BUS0 01		JUS0 05	ADR IN			HLDO				TSTBUS OUT	TSTBUS OUT 3	TSTBUS OUT 7	TSTBUS OUT 1
									SRV0	BUS0 06	ADRO	SEL IN	OPLO						TSTSRV OUT	TSTBUS OUT 2	TSTBUS OUT 6	TSTBUS OUT 5
									BUS0 02	UUS0 02	BUS0 04	SRV IN	SELO						TSTCND OUT	TSTBUS OUT 1	TSTBUS OUT 5	TSTBUS OUT 4
	USAGE 1 2 1 2 1 2 1 2 1 2 1 2 1 2 1 2 1 2 1 2 1 2 1																					
H																						
B																						
	USAGE 1 2 1 2 1 2 1 2 1 2 1 2 1 2 1 2 1 2 1 2 1 2 1																					
C																						

REV.	
CHG	
CHK	

FIRST USED ON OPTION/MODEL PDP-11	DO NOT SCALE DRAWING UNLESS OTHERWISE SPECIFIED DIMENSION IN INCHES TOLERANCES DECIMALS FRACTIONS ANGLES = .005 = 1/64 = 0°30' FINAL SURFACE QUALITY REMOVE BURRS AND BREAK SHARP CORNERS	DRN: <i>William</i> DATE: 2-23-72 CHKD: <i>Bill</i> DATE: 3-1-72 ENG: <i>Bill</i> DATE: 5-1-72 PROJ ENG: <i>Bill</i> DATE: 5-1-72 PROD: <i>Bill</i> DATE: 5-1-72	DATE: 2-23-72 DATE: 3-1-72 DATE: 5-1-72 DATE: 5-1-72	digital EQUIPMENT CORPORATION NORFOLK, MASSACHUSETTS
		MATERIAL: <i>+</i>	NEXT HIGHER ASSY: PDP-11-B	TITLE: MODULE UTILIZATION
		FINISH: <i>+</i>	SCALE: <i>+</i>	SIZE CODE: D MU 11-B-01
		SHEET: 4 OF 4		NUMBER: 1 REV: J

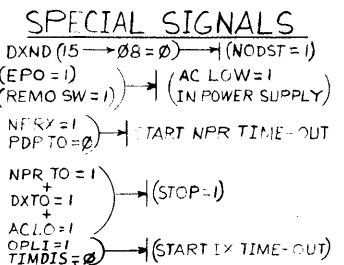
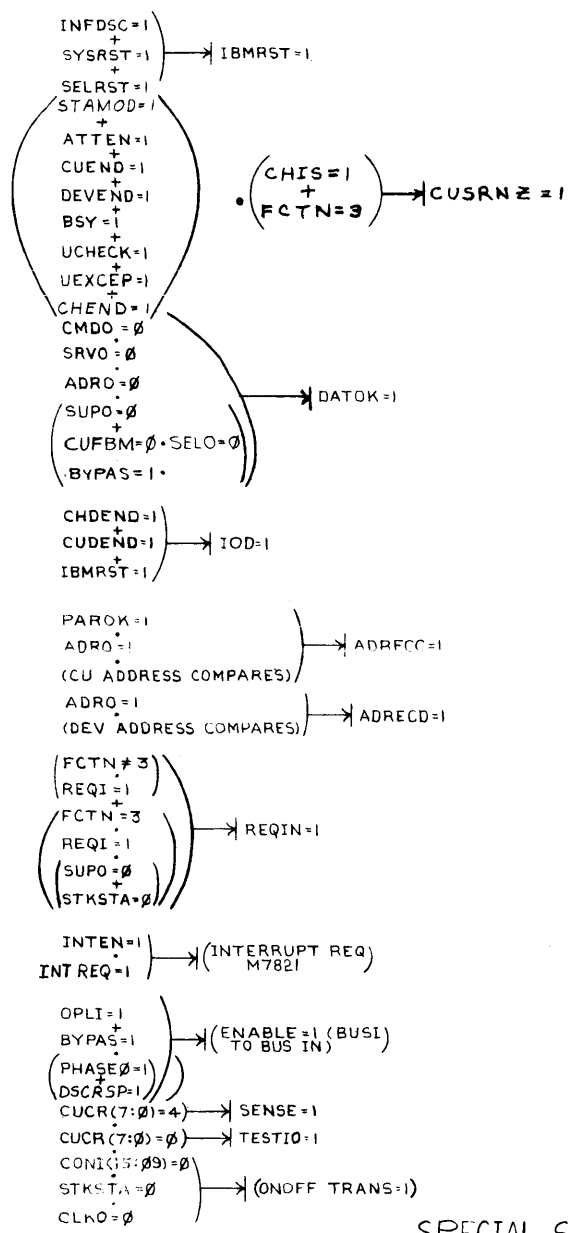
SIZE CODE NUMBER  
D MU 11-B-01

DIGITAL EQUIPMENT CORPORATION MAYNARD, MASSACHUSETTS <b>PARTS LIST</b>					QUANTITY / VARIATION															
MADE BY A. FRATICELLI		CHECKED <i>[Signature]</i>		SECTION																
DATE 1/5/72		DATE 3/3/72		1																
ENG <i>[Signature]</i>		PROD <i>[Signature]</i>		ISSUED SECT.																
DATE 6-1-72		DATE 6-1-72		1																
ITEM NO.	DWG NO. / PART NO.	DESCRIPTION																		
	G890	360 POWER FAIL & SELECT BY-PASS				1														
	M105	ADDRESS SELECTOR MODULE				1														
	M111	INVERTER				6														
	M112	NOR GATE				14														
	M113	TEN 2-INPUT NAND GATES				11														
	M115	EIGHT 3-INPUT NAND GATES				4														
	M116	6 QUAD NOR GATE				6														
	M117	SIX 4-INPUT NAND GATES				5														
	M119	THREE 8-INPUT NAND GATES				3														
	M121	AND/NOR GATE				7														
	M133	INPUT NAND GATES				7														
	M135	3-INPUT NAND GATE				3														
	M137	6-4 INPUT NAND GATE				2														
	M139	3-8 INPUT NAND GATE				2														
	M155	4 TO 16 LINE DECODER				3														
	M162	PARITY CIRCUIT				2														
	M169	GATING MODULE				12														
	M205	5 "D" FLIP FLOPS				18														
	M216	SIX FLIP FLOP				8														
	M238	SYNCHRONOUS 4-BIT UP/DOWN COUNTER				6														
	M405	CRYSTAL CLOCK				1														
	M597	CABLE RECEIVER				6														
TITLE MODULE UTILIZATION				ASSY NO. D-MU-DX11-B-01		SIZE CODE A PL		NUMBER DX11-B-01				REV. J		ECO NO. DX11B-0016A						
				SHEET 1 OF 2		DIST.														

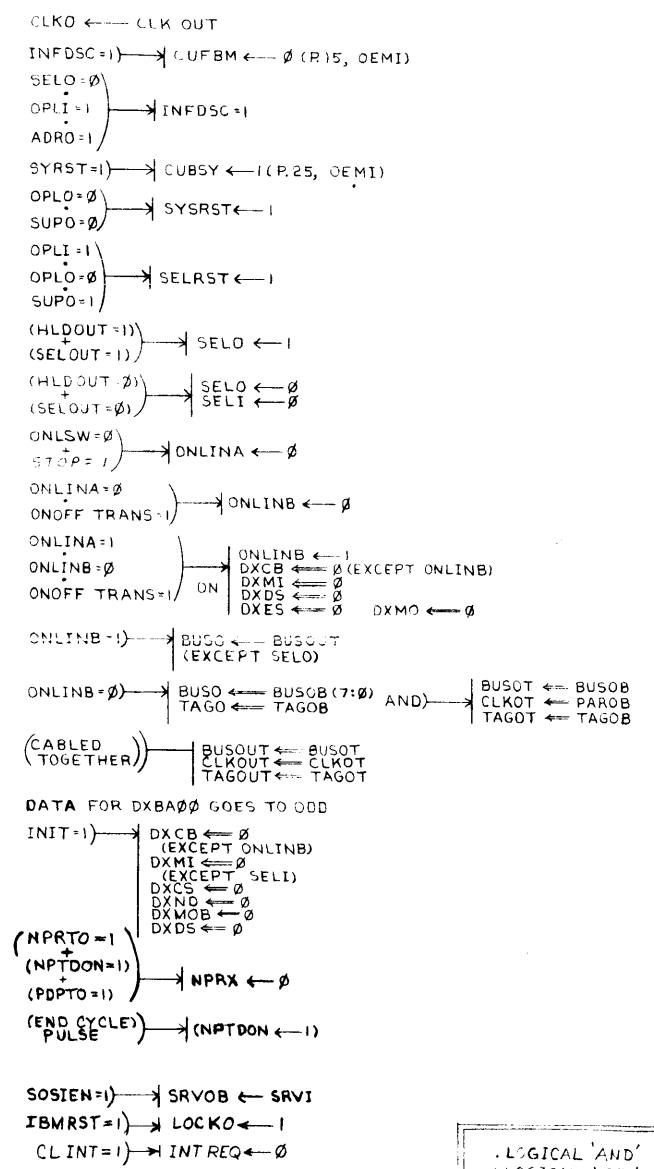
DIGITAL EQUIPMENT CORPORATION MAYNARD, MASSACHUSETTS <b>PARTS LIST</b>					QUANTITY / VARIATION															
MADE BY A. FRATICELLI		CHECKED <i>[Signature]</i>		SECTION																
DATE 1/5/72		DATE 3/3/72		1																
ENG <i>[Signature]</i>		PROD <i>[Signature]</i>		ISSUED SECT.																
DATE 6-1-72		DATE 6-1-72		1																
ITEM NO.	DWG NO. / PART NO.	DESCRIPTION																		
	M606	PULSE GENERATOR				3														
	M611	HIGH SPEED POWER INVERTER				4														
	M697	CABLE DRIVER				8														
	M7821	INTERRUPT CONTROL MODULE				1														
	M783	UNIBUS TRANSMITTER MODULE				4														
	M784	UNIBUS RECEIVER MODULE				2														
	M796	UNIBUS MATER CONTROL				1														
	M798	UNIBUS DRIVER				1														
	M1103	2 INPUT AND GATES				5														
	M1713	16 LINE TO 1 LINE DATA SELECTOR				16														
	G736	JUMPER MODULE				1														
	M302	1 SHOT DELAY				1														
	M306	INTEGRATING 1 SHOT				2														
	M908YB	TERMINATOR				1														
	M930	BUSS TERMINATOR				1														
	M984	RESISTOR TERMINATOR				3														
	M984YA	RESISTOR TERM.				1														
	54008776	PRIORITY PLUG				1														
TITLE MODULE UTILIZATION				ASSY NO. D-MU-DX11-B-01		SIZE CODE A PL		NUMBER DX11-B-01				REV. J		ECO NO.						
				SHEET 2 OF 2		DIST.														

This drawing and specifications, herein, are the property of Digital Equipment Corporation and shall not be reproduced or copied or used in whole or in part as the basis for the manufacture or sale of items without written permission.  
1972

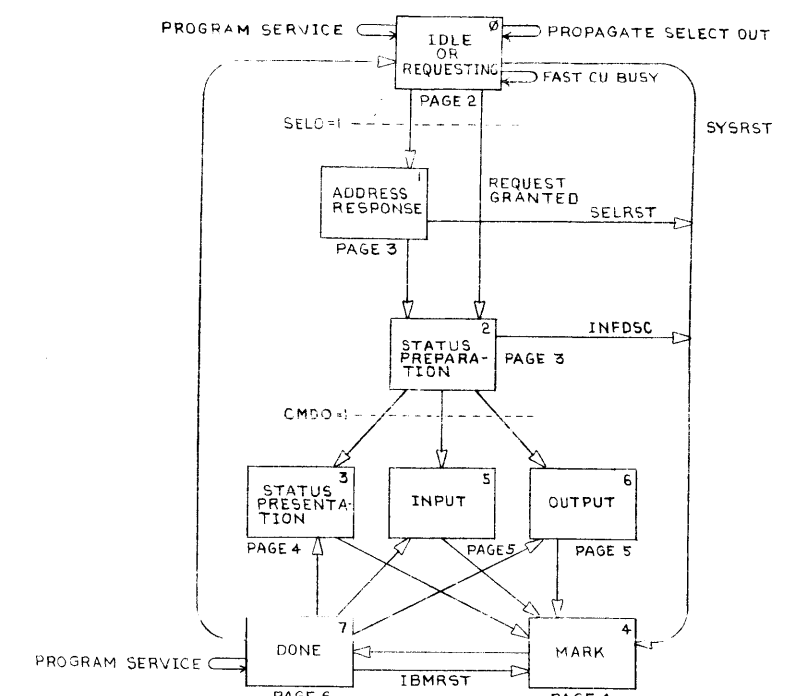
### SPECIAL SIGNALS



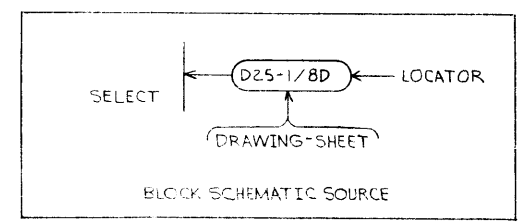
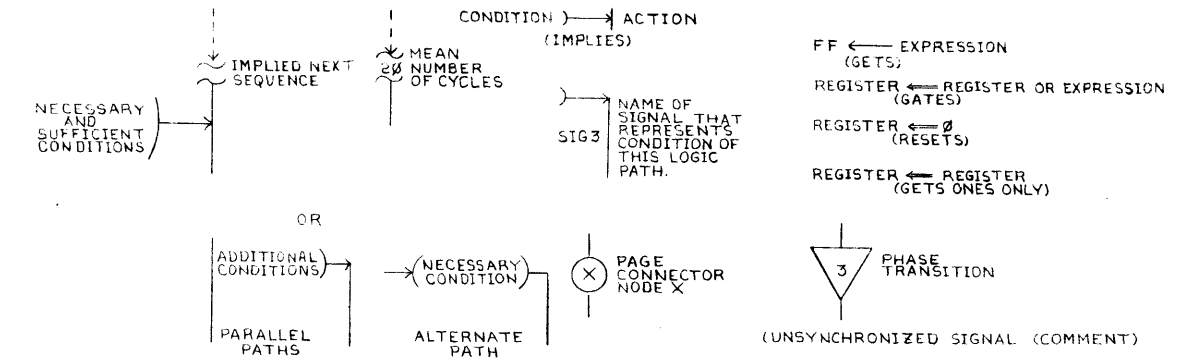
### SYNCHRONIZATION OPERATION



### MAJOR PHASE DIAGRAM IN INDEX



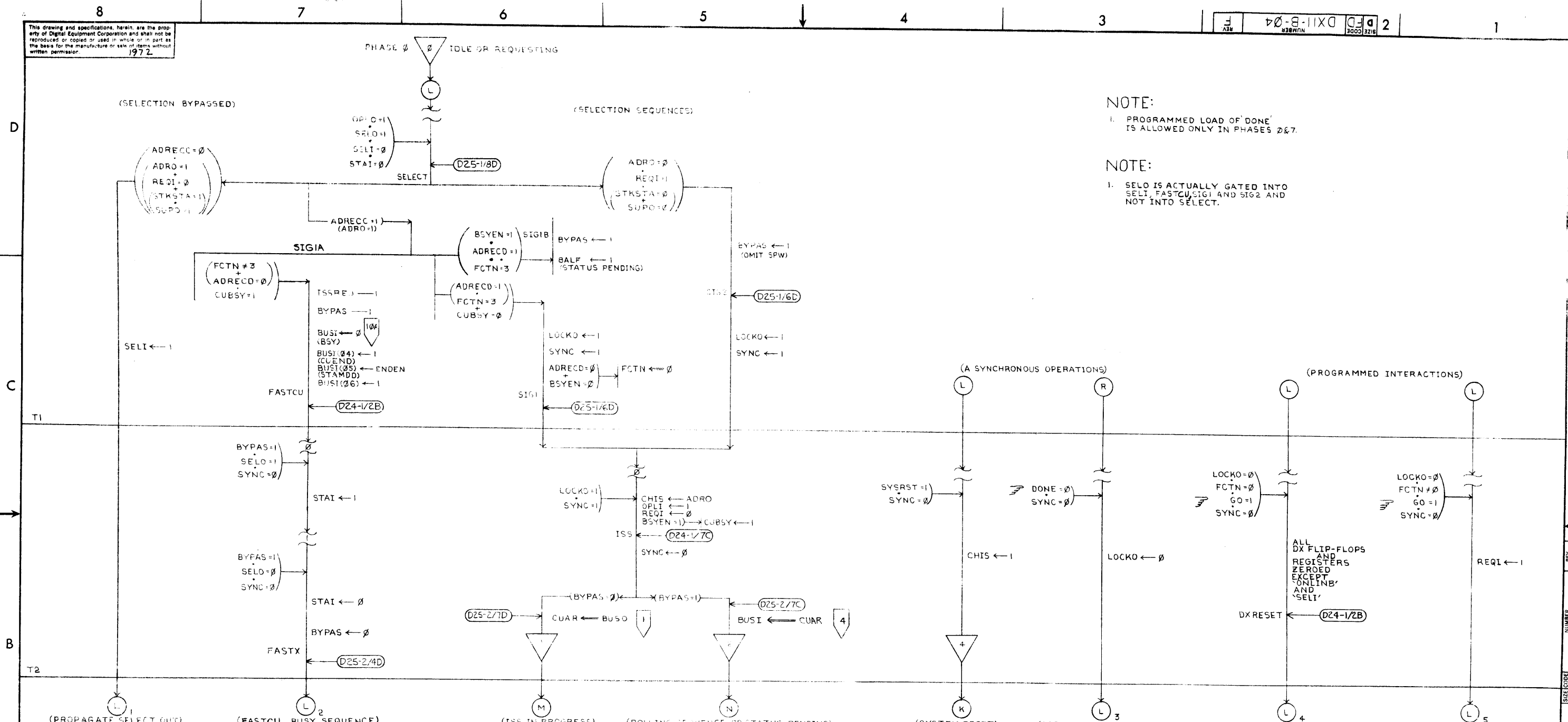
### FLOW DIAGRAM LEGEND



REV	CHANGE NO	DIETER	DATE
1	00005	DIETER	12-11-72
2	00006	DIETER	12-11-72
3	00007	DIETER	12-11-72
4	00008	DIETER	12-11-72
5	00009	DIETER	12-11-72
6	00010	DIETER	12-11-72
7	00011	DIETER	12-11-72
8	00012	DIETER	12-11-72

FIRST USED ON OPTION/MODEL	QTY.	DESCRIPTION	PART NO.	ITEM NO.
PDP-11				
UNLESS OTHERWISE SPECIFIED DIMENSION IN INCHES. TOLERANCES				
DECIMALS	ANGLES	PARTS LIST		
.XXX = .005	± 0° 30'	DRN	DATE	digital EQUIPMENT CORPORATION MAYNARD, MASSACHUSETTS
.XX = .02		DATE	DATE	
X = .1		DATE	DATE	
		DATE	DATE	
REMOVE BURRS AND BREAK SHARP CORNERS SURFACE QUALITY				
MATERIAL		NEXT HIGHER ASSY.		TITLE
		R-DD-DXII-B		FLOW DIAGRAM (PHASE INDEPENDENT SEQUENCE)
FINISH		SCALE	NONE	SIZE CODE
		D FD		NUMBER
SHEET		OF		DXII-B-04
		DIST.		REV
				F

This drawing and specifications, herein, are the property of Digital Equipment Corporation and shall not be reproduced or copied or used in whole or in part as the basis for the manufacture or sale of items without written permission.  
1972



NOTE:  
1. PROGRAMMED LOAD OF 'DONE' IS ALLOWED ONLY IN PHASES 0 & 7.

NOTE:  
1. SELD IS ACTUALLY GATED INTO SELT, FASTCU, SIG1 AND SIG2 AND NOT INTO SELECT.

NOTE:  
1. EITHER L1 OR L2, BUT NOT BOTH, CAN OCCUR AS EITHER L3 OR ONE OF L4 OR L5.

NOTE:  
1. THE SIGNAL DXRESET IS ALSO CREATED IN PHASE 7.

NOTE:  
1. M OR N CAN NOT OCCUR AS ANY OF L1, L2, L3, L4, L5, OCCUR.

LEGEND

GATE NUMBER

PROGRAM INTERVENTION

-CYCLIC- REPEATS ITSELF

GATE SIGNAL NUMBER MNEMONIC

1 - ARSO (CUAR GETS BUSO)

4 - BIAR (BUS IN GETS CUAR)

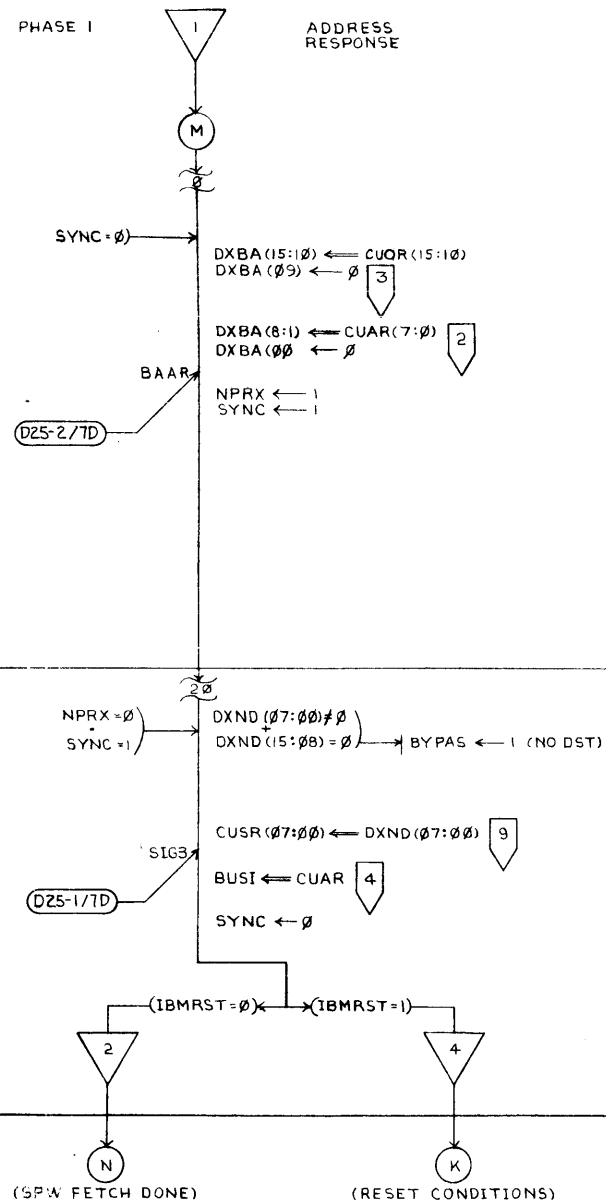
10A CLBI (CLEAR BUS IN)

REV	CHANGE NO.

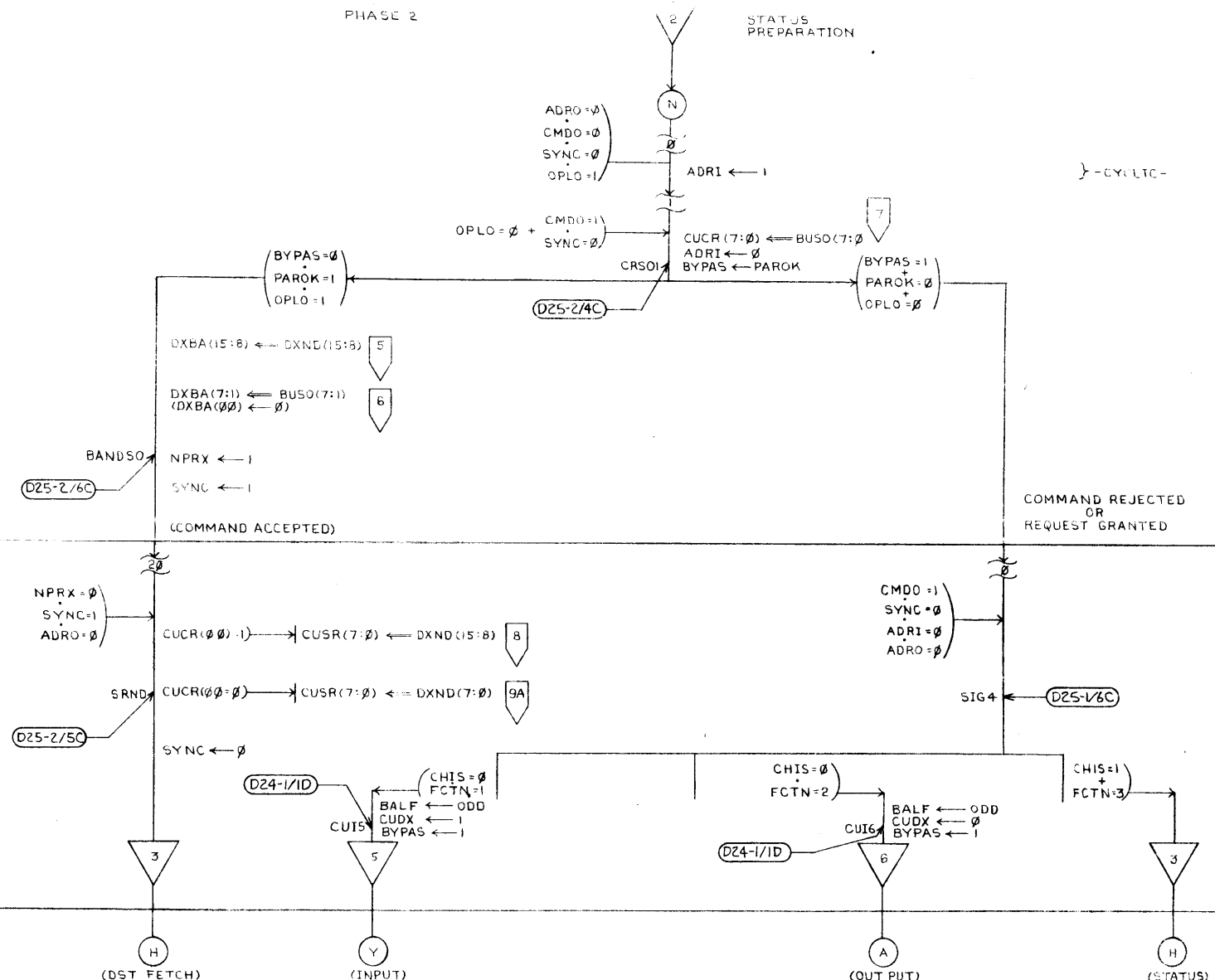
FIRST USED ON OPTION/MODEL	QTY.	DESCRIPTION	PART NO.	ITEM NO.
PDP-11				
UNLESS OTHERWISE SPECIFIED DIMENSION IN INCHES. TOLERANCES				
DECIMALS	ANGLES	PARTS LIST		
.XXX = .005	±0° 30'	DRN. <i>A. J. ...</i>	DATE 12/1/71	<b>digital</b> EQUIPMENT CORPORATION MAYNARD, MASSACHUSETTS TITLE FLOW DIAGRAM (PHASE 0 IDLE OR REQUESTING)
.XX = .02		CHKD. <i>...</i>	DATE 5/1/72	
X = .1		ENG. <i>...</i>	DATE 5-2-72	
REMOVE BURRS AND BREAK SHARP CORNERS SURFACE QUALITY		PROJ. <i>...</i>	DATE 5-2-72	
		PROOF. <i>...</i>	DATE 6-1-72	
MATERIAL	NEXT HIGHER ASSY.	B-DD-DX11-B	SIZE CODE DFD	NUMBER DX11-B-04
FINISH	SCALE NONE	SHEET 2 OF 9	DIST	REV. F

This drawing and specifications, herein, are the property of Digital Equipment Corporation and shall not be reproduced or copied or used in whole or in part as the basis for the manufacture or sale of items without written permission. 1972

PHASE 1 ADDRESS RESPONSE



PHASE 2 STATUS PREPARATION



NOTE:  
1. CUIS AND CUI6 USED IN PHASE 7.

- 2 - BAAR
- 3 - BAOR
- 4 - BIAR
- 5 - BANDSO
- 6 - BANDSO
- 7 - CRSOI (C.F. 16)
- 8 - SRNDH
- 9 - SIG 3
- 9A - SRNDL

FIRST USED ON OPTION/MODEL	QTY.	DESCRIPTION	PART NO.	ITEM NO.
PDP-11				
PARTS LIST				
DRN. <i>A. P. ...</i>	DATE <i>12/10/71</i>	 <b>digital EQUIPMENT CORPORATION</b> <small>MAYNARD, MASSACHUSETTS</small>		
CHKD. <i>...</i>	DATE <i>5/1/72</i>			
ENG. <i>...</i>	DATE <i>5-2-72</i>			
PROJ. ENG. <i>...</i>	DATE <i>5-2-72</i>			
PROD. <i>...</i>	DATE <i>6-5-72</i>	TITLE		
REMOVE BURRS AND BREAK SHARP CORNERS SURFACE QUALITY ✓		FLOW DIAGRAM (PHASE 1   PHASE 2 ADDRESS STATUS RESPONSE) PREPARATION		
MATERIAL	NEXT HIGHER ASSY.	SIZE CODE	NUMBER	REV.
	B-DD-DX11-B	D	FD	DX11-B-04
FINISH	SCALE	NONE		
	SHEET	3	OF	9

REV.	CHANGE NO.

DEC FORM NO. DRD 100-A

SIZE CODE: DFD  
 NUMBER: DX11-B-04  
 REV: F

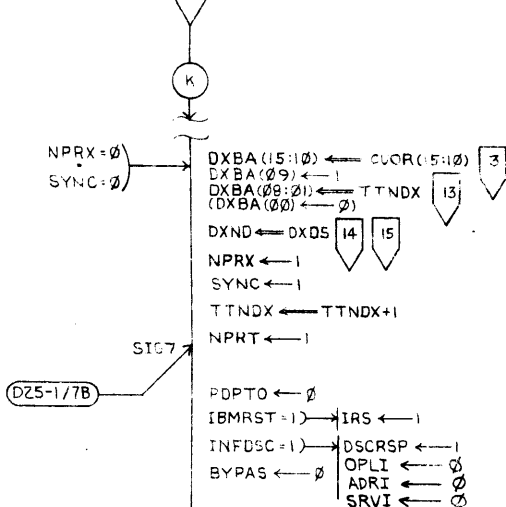


This drawing and specifications, herein, are the property of Digital Equipment Corporation and shall not be reproduced or copied or used in whole or in part as the basis for the manufacture or sale of items without written permission.  
1972

SIZE CODE D FD  
NUMBER B-04  
REV F

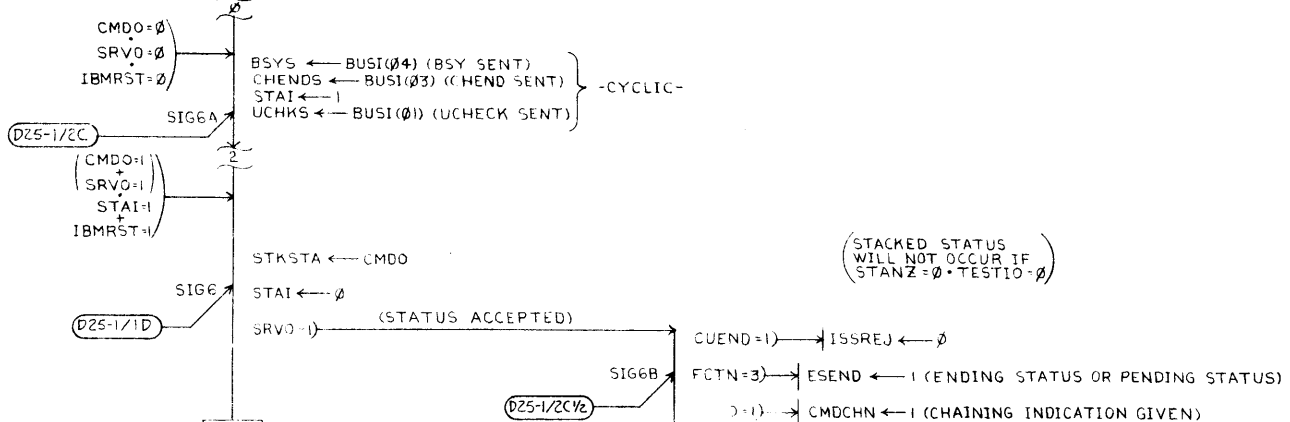
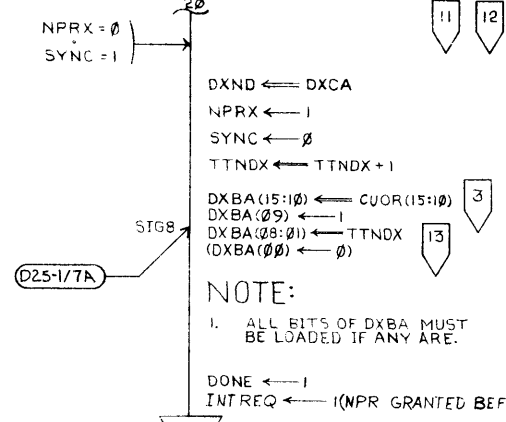
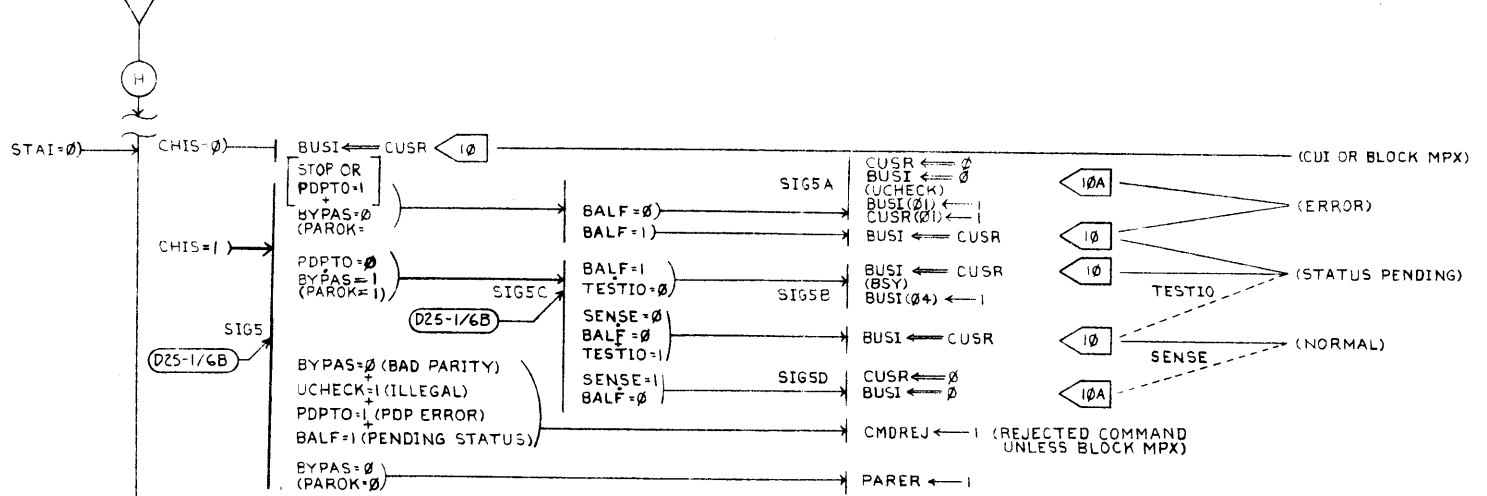
PHASE 4

MARK



PHASE 3

STATUS PRESENTATION



(DATA STORED IN TUMBLE TABLE)

(STATUS BYTE PRESENTED TO IBM)

- 3-BAOR
- 7-BIGR
- 11-SIG8
- 12-SIG9
- 13-BANX
- 14-SIG7
- 15-SIG7
- 2A-CLB1

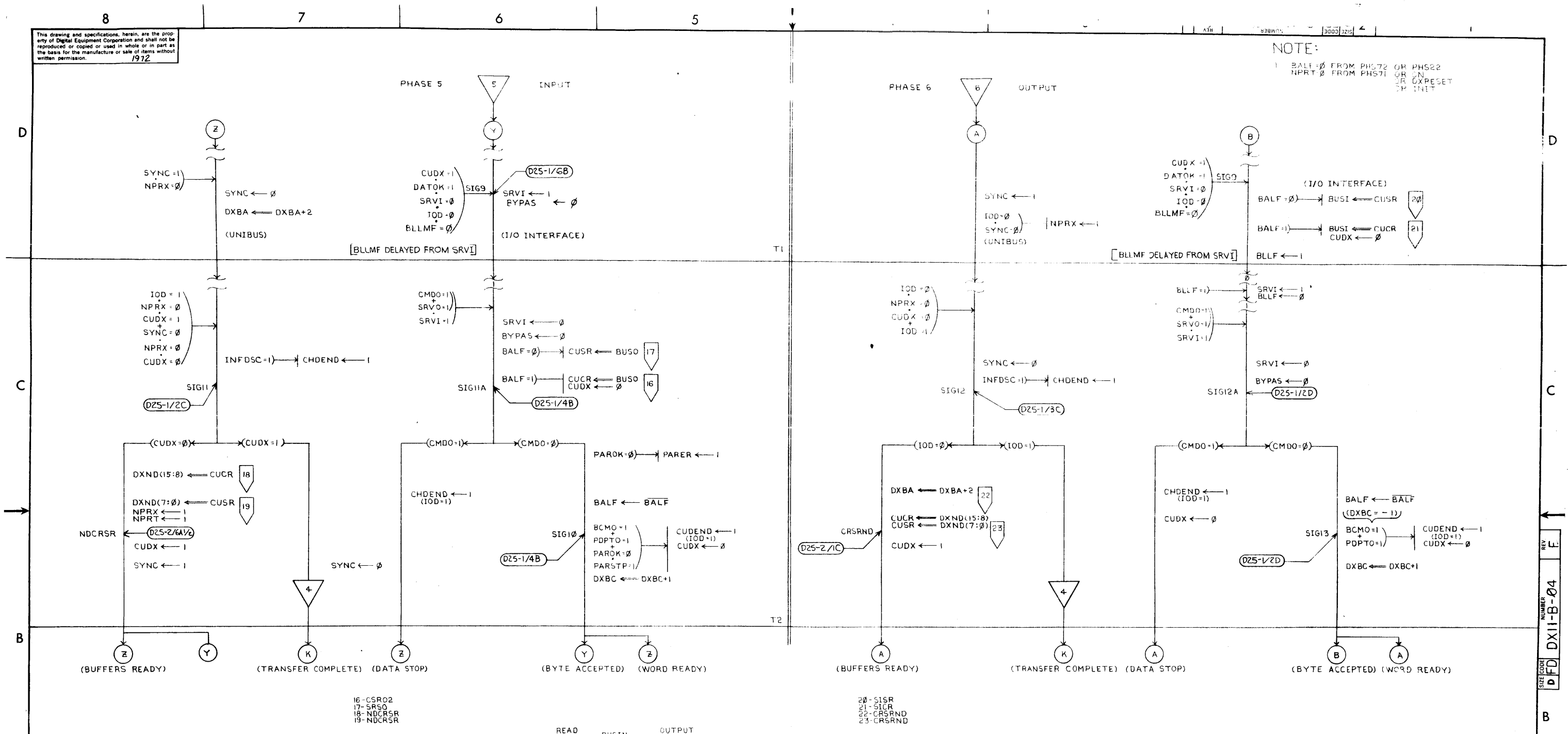
REV	CHANGE NO

FIRST USED ON OPTION/MODEL	QTY.	DESCRIPTION	PART NO.	ITEM NO.
PDP-11		PARTS LIST		
UNLESS OTHERWISE SPECIFIED DIMENSION IN INCHES TOLERANCES	DRN: <i>A. Battelle</i>	DATE: <i>1-10-72</i>	digital EQUIPMENT CORPORATION MAYNARD, MASSACHUSETTS	
DECIMALS	CHK: <i>W. Hill</i>	DATE: <i>5/17/72</i>	TITLE: FLOW DIAGRAM	
ANGLES	ENG: <i>H. D. D. D.</i>	DATE: <i>5-31-72</i>	(PHASE 4 MARK) (PHASE 3 STATUS PRESENTATION)	
.XXX = .005	PROJ. ENG: <i>H. D. D. D.</i>	DATE: <i>5-31-72</i>	MATERIAL: NEXT HIGHER ASSY.	
.XX = .02	PROD: <i>H. D. D. D.</i>	DATE: <i>6-8-72</i>	FINISH: <i> </i>	
.X = .1			SCALE: NONE	
REMOVE BURRS AND BREAK SHARP CORNERS SURFACE QUALITY			SHEET 4 OF 9	
			DIST. <i> </i>	

REV F  
NUMBER B-04  
SIZE CODE D FD

This drawing and specifications, herein, are the property of Digital Equipment Corporation and shall not be reproduced or copied or used in whole or in part as the basis for the manufacture or sale of items without written permission.  
1972

NOTE:  
1. BALF = 0 FROM PHS72 OR PHS22  
NPRX = 0 FROM PHS71 OR CN  
OR DXRESET  
OR INIT



NOTE:  
1. INITIALIZATION REQUIRED  
PHASE 5: CUDX=1  
PHASE 6: CUDX=0



NOTE:  
1. SIG9 IS PHASE INDEPENDENT

NOTE:  
1. NPR WILL ALWAYS FETCH ONE WORD BEYOND END THEREFORE DO NOT GO TO END OF CORE.

REV	CHANGE NO.

DEC FORM NO. DRD 100-A

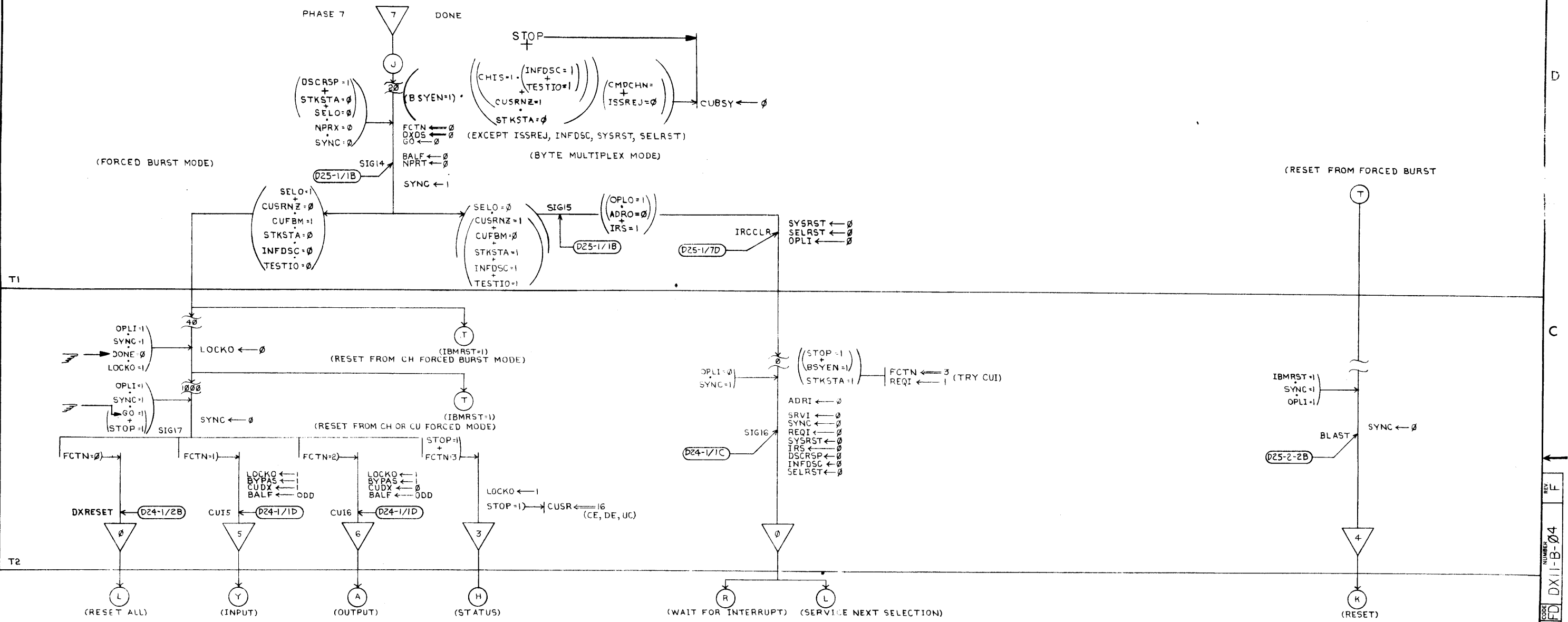
FIRST USED ON OPTION/MODEL	QTY.	DESCRIPTION	PART NO.	ITEM NO.																				
PDP-11																								
PARTS LIST																								
UNLESS OTHERWISE SPECIFIED DIMENSION IN INCHES. TOLERANCES		DRN. DATE 12/23/71	 <b>digital</b> CORPORATION MAYNARD, MASSACHUSETTS																					
DECIMALS	ANGLES	CHK'D. DATE 5/17/72																						
.XXX - .005	± 0° 30'	ENG. DATE 5/27/72																						
.XX - .02		PROJ. ENGR. DATE 5/27/72																						
.X - .1		PROJ. DATE 6-1-72																						
REMOVE BURRS AND BREAK SHARP CORNERS SURFACE QUALITY		<table border="1"> <tr> <th>MATERIAL</th> <th>NEXT HIGHER ASSY.</th> <th>SIZE CODE</th> <th>NUMBER</th> <th>REV.</th> </tr> <tr> <td>+</td> <td>B-DD-DX11-B</td> <td>DFD</td> <td>DX11-B-04</td> <td>F</td> </tr> <tr> <th>FINISH</th> <td></td> <td>SCALE</td> <td>NONE</td> <td></td> </tr> <tr> <td></td> <td></td> <td>SHEET</td> <td>5 OF 9</td> <td></td> </tr> </table>			MATERIAL	NEXT HIGHER ASSY.	SIZE CODE	NUMBER	REV.	+	B-DD-DX11-B	DFD	DX11-B-04	F	FINISH		SCALE	NONE				SHEET	5 OF 9	
MATERIAL	NEXT HIGHER ASSY.	SIZE CODE	NUMBER	REV.																				
+	B-DD-DX11-B	DFD	DX11-B-04	F																				
FINISH		SCALE	NONE																					
		SHEET	5 OF 9																					

REV. E  
NUMBER  
DX11-B-04  
DATE CODE  
DFD

A

This drawing and specifications, herein, are the property of Digital Equipment Corporation and shall not be reproduced or copied or used in whole or in part as the basis for the manufacture or sale of items without written permission.  
1972

SIZE CODE D FD  
NUMBER B-DD-DXII-B-04  
REV F



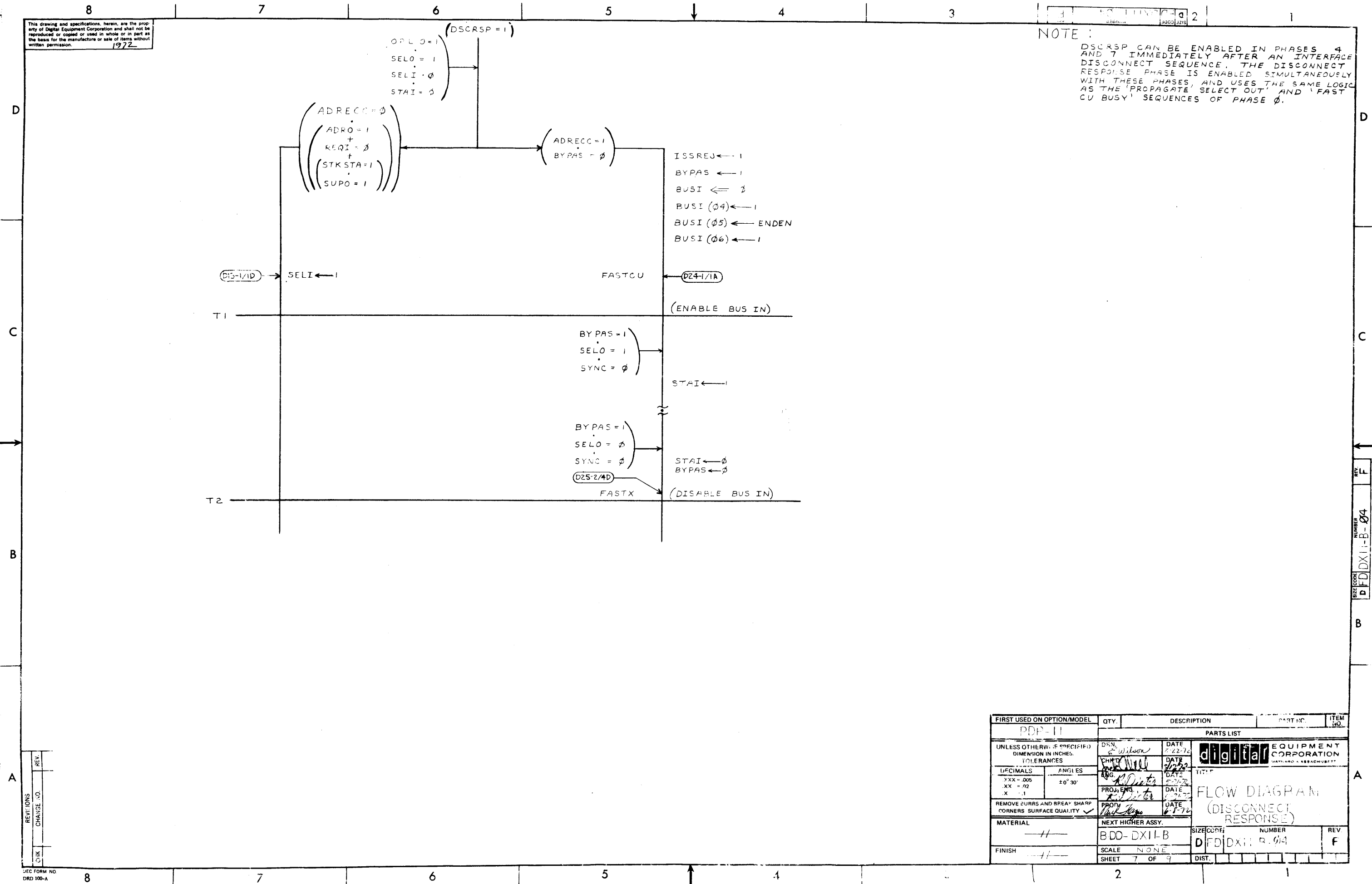
- NOTE:**  
1. CUI5 AND CUI6 ARE ALSO CREATED IN PHASE 2.
- NOTE:**  
1. DXRESET IS ALSO CREATED IN PHASE 0.
- NOTE:**  
1. IT IS ASSUMED THAT SELO=0 IF IBMRST=1 UPON GETTING TO PHASE 7.
- NOTE:**  
1. SELO ← 0 BY CHIS (CHEND ONLY)  
(CMDCHN=0)  
STANZ=1  
CHIS=0  
TESTIO=1  
STKSTA=1  
(FLOW DIAGRAM \*5, GEM1)
- NOTE:**  
1. IN BLOCK MUX MODE CHAINING OCCURS AFTER CHEND ONLY IF LAST STATUS WAS CHAINED AND ESSEN=1 WHEN DEVDND ONLY SENT AND CUCR ≠ 0, THEN DO THE COMMAND.

REV	NO.
CHK	

FIRST USED ON OPTION/MODEL	QTY.	DESCRIPTION	PART NO.	ITEM NO.
PDP-11				
PARTS LIST				
UNLESS OTHERWISE SPECIFIED DIMENSION IN INCHES. TOLERANCES:	DRN. <i>[Signature]</i>	DATE <i>12/2/72</i>	<b>digital</b> EQUIPMENT CORPORATION MAYFORD, MASSACHUSETTS	
DECIMALS .XXX = .005 .XX = .02 .X = .1	CHK. <i>[Signature]</i>	DATE <i>1/17/73</i>		
ANGLES ±0° 30'	ENG. <i>[Signature]</i>	DATE <i>5-3-72</i>	TITLE <b>FLOW DIAGRAM</b> (PHASE 7 DONE)	
REMOVE BURRS AND BREAK SHARP CORNERS SURFACE QUALITY ✓	PROJ. ENG. <i>[Signature]</i>	DATE <i>5-21-72</i>		
MATERIAL	NEXT HIGHER ASSY.	DATE <i>6-1-72</i>		
FINISH	B-DD-DXII-B	DATE	SIZE CODE D FD	NUMBER DXII-B-04
	SCALE NONE			REV. F
	SHEET 6 OF 9			

This drawing and specifications, herein, are the property of Digital Equipment Corporation and shall not be reproduced or copied or used in whole or in part as the basis for the manufacture or sale of items without written permission.  
1972

NOTE: DSCRSP CAN BE ENABLED IN PHASES 4 AND 7 IMMEDIATELY AFTER AN INTERFACE DISCONNECT SEQUENCE. THE DISCONNECT RESPONSE PHASE IS ENABLED SIMULTANEOUSLY WITH THESE PHASES AND USES THE SAME LOGIC AS THE 'PROPAGATE SELECT OUT' AND 'FAST CU BUSY' SEQUENCES OF PHASE 0.



FIRST USED ON OPTION/MODEL	QTY.	DESCRIPTION	PART NO.	ITEM NO.
PDP-11		PARTS LIST		
UNLESS OTHERWISE SPECIFIED DIMENSION IN INCHES. TOLERANCES	DRN. <i>Wilson</i> DATE 2-22-72	DATE 2-22-72	digital CORPORATION	
DECIMALS	CHKD. <i>Wilson</i> DATE 2-22-72	DATE 2-22-72	TITLE	
ANGLES	ENG. <i>R. Diets</i> DATE 5-24-72	DATE 5-24-72	FLOW DIAGRAM	
XXX = .005	PROJ. ENG. <i>R. Diets</i> DATE 5-24-72	DATE 5-24-72	(DISCONNECT RESPONSE)	
.XX = .02	PROJ. <i>R. Diets</i> DATE 6-1-72	DATE 6-1-72	MATERIAL	
.X = .1	REMOVE BURRS AND BREAK SHARP CORNERS SURFACE QUALITY		NEXT HIGHER ASSY.	
			BDD-DX11-B	SIZE CODE: NUMBER REV
			SCALE NONE	D F D DX11-B-04 F
			SHEET 7 OF 9	DIST.

REV.	CHANGE NO.	DATE
1		

SEC FORM NO. DRD 100-A

This drawing and specifications, when taken together with the accompanying drawings, shall not be construed as a contract or as a warranty of performance or as a basis for the manufacture of parts without written permission.  
 1972

8  
 7  
 6  
 5  
 4  
 3  
 2  
 1

REVISED	
CHANGE NO.	REV.

BIT NOS: 15 14 13 12 11 10 9 8 7 6 5 4 3 2 1 0

WORD MNEMONICS:

BASE ADDRESS RESET

### DXDS-DEVICE STATUS

PARER	NXM	SERLST	SYSRST	INFOSC	UCHKS	CHENDS	BSYS	CHIS	ESEND	CHDEND	CUDEND	ISSREJ	CMDCRN	TKSTYB	MDREJ
ERRORS		IBM RESET			STATUS FLAGS			CHI END	CUI END			SPECIAL CONDITIONS			

RO-READ ONLY  
CO-CLEAR ONLY  
SO-SET ONLY

ALL FLIP-FLOPS ARE RESET BY DXRESET

### DXCA-COMMAND AND ADDRESS

CUCR-COMMAND REGISTER							CUAR-ADDRESS REGISTER								
7	6	5	4	3	2	1	0	7	6	5	4	3	2	1	0
TEST I/O IF 0-ZERO SENSE IF X-FOUR															
(SECOND DATA BYTE)															

BIT MNEMONICS OR NUMBER APPEARS ON FIRST LINE.

### NOTES:

- WHEN USING THE MAINTENANCE CLOCK ONLY DXMO IS WRITABLE.
- DXBA 00 IS ALWAYS ZERO WHEN PRESENTED TO THE UNIBUS (OR READ BY PROGRAM). DATA SENT TO DXBA 00 IS SAVED IN ODD TO INITIALIZE HALF. CUOR IS WRITABLE ONLY WHEN OFFLINE.

### DXCS-CONTROL UNIT STATUS

PARSTP	CUBFM	MENDEN	BSYEN	ONLINA	CUBSY	DONE	INTEN	STKSTA	XBA	FCTN	GO		
ENABLE STOP ON BAD PARITY DATA			CU ENABLE BURST CUEND MODE		STATUS CONDITIONS		FAST CU BUSY SEQ	END OF SET QUENCE	ENABLE INT	STATUS STACKED	EXTENDED DATA ADDRESS BITS	0-RESET 1-INPUT 2-OUTPUT 3-STATUS	BEGIN FUNCTION

### DXOS-OFFSET AND STATUS

CUOR-OFFSET OF SPW							CUSR-STATUS REGISTER								
7	6	5	4	3	2	1	0	ATTEN	STAMOD	CUEND	BSY	CHEND	DEVEND	UCHECK	UEXCP
(SEE NOTE 3)							UNUSED								
							(FIRST DATA BYTE)								

### DXBA-BUS ADDRESS FOR NPR

15	14	13	12	11	10	9	8	7	6	5	4	3	2	1	0
CUOR(15-12)								CUAR(7-0)							
OFFSET OF DST FOR THIS DEVICE								CUCR(7-1)							
CUCR(15-10)								TTNDX(7-0)							
CUOR(15-10)								TTNDX(7-0)+2							
								DATA ADDRESS							

### DXBC-BYTE COUNT

15	14	13	12	11	10	9	8	7	6	5	4	3	2	1	0
PDP SET TO -1 TO STOP I/O															

### DXMO-MAINTENANCE OUT (DOUBLE LEVEL FLOPS)

CONO-CONTROL LINES OUT							BUSO-IBM BUS OUT								
OPL0	HLD0	SELO	SUPO	ADRO	CMDO	SRVO	PAR0	7	6	5	4	3	2	1	0
SELECTION CONTROL LINES				TAG LINES			(FROM CABLES TO CLKO WHEN CABLED)	ACTUAL BUS OUT SIGNALS OR BUSOB							

### DXMI-MAINTENANCE IN

CONI CONTROL LINES IN							BUSI-IBM BUS IN								
OPL1	SEL1	REQ1	ADRI	STAI	SRVI	CLKO	PAR1	7	6	5	4	3	2	1	0
SELECTION CONTROL LINES				TAG LINES			(FROM CABLES OK TO GO ON LINE)	ACTUAL BUSI (OFFLINE) OR BUSI VIA CABLES (ONLINE)							

### DXCB-CONTROL BITS

LOCKO	PH2	PH1	PH0	TSSF	FASTCU	SYN0	CUDX	I0D	BYPAS	NPRX	NPR1	HALF	ONLINE	ADRECC	ADRECD
WRITE LOCK OUT ON DX REGS I-RO O-R/W	PHASE CONTROL FLOPS			TIME STATE	PHASE STATE SYNC FLOP	CU DATA CONTROL I-GO O-DONE	I/O DONE	NPR CONTROLS			PENDING STATUS BYTE ALTERATOR FLOP	ON LINE TO IBM	DEVICE RECOGNITION (NOT FF) (NOT FF)		

### DXND-NPR DATA

15	14	13	12	11	10	9	8	7	6	5	4	3	2	1	0
SPW → OFFSET OF DST FOR THIS DEVICE								TO ATTEN STAMOD CUEND BSY CHEND DEVEND UCHECK UEXCP							
DST → ODD STATUS BYTE								DXDS							
TTT → SECOND DATA BYTE								DXCA							
TTT → SECOND DATA BYTE								DXCA							
N I/O → SECOND DATA BYTE								DXCA							

### DXES-EXTRA SIGNALS

TTNDX TUMBLE TABLE INDEX							MISC-MISCELLANEOUS									
7	6	5	4	3	2	1	0	INT REQ	ODD BUS ADDRESS	NPR TO TIMEOUT ERROR	DXTO PROGRAM ERROR	TIME DIS	DISABLE TIME-OUT	FAST DATA TEST	EN-ABLE CLOCK	MCLKP

### DXMOB-MAINTENANCE OUT BUFFERED

CONOB							BUSOB						
THESE FLOPS ARE LOADED BY WRITE ADDR 15, 14							THESE FLOPS ARE READ BY READ ADDR 27, 26						
THESE FLOPS ARE READ BY READ ADDR 15, 14 IF OFFLINE							THESE FLOPS ARE READ BY READ ADDR 15, 14 IF ONLINE CABLED						
WRITE 27, 26 DOES NOTHING													

**PDP-11**

FIRST USED ON OPTION/MODEL		QTY	DESCRIPTION	PART NO.	ITEM NO.
UNLESS OTHERWISE SPECIFIED DIMENSIONS ARE IN INCHES TOLERANCES					
DECIMALS	ANGLES	DATE			
XXX - .005	±0.30°	DATE	DATE		
XX - .02	X = .1	DATE	DATE		
REMOVE BURRS AND BREAK SHARP CORNERS SURFACE QUALITY					
NEXT HIGHER ASSY					
FINISH					
SCALE NONE					
SHEET 6 OF 9					
SIZE CODE		NUMBER	REV	DATE	
D.F.D.		DXII-B-04	F		

WRITE PROTECTED BY 'LOCKO' EXCEPT FOR DONE INTEN

LOADED BY SERVICE ROUTINE

FOR DATA TRANSFERS ONLY

USED BY SIMULATOR PROGRAM ONLY

RESET BY INITI EXCEPT FOR SELL

USED FOR DIAGNOSTIC AND EMERGENCY ONLY

This drawing and specifications, herein, are the property of Digital Equipment Corporation and shall not be reproduced or copied or used in whole or in part as the basis for the manufacture or sale of items without written permission.  
1972

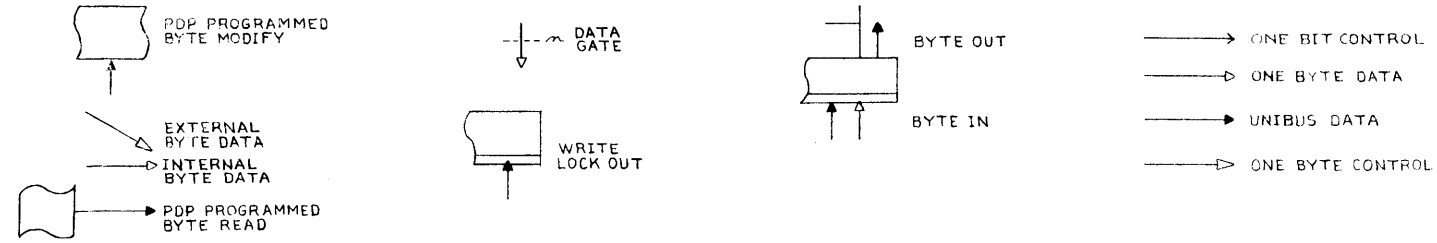
IBM CONTROL

IBM CONTROL

CENTRAL CONTROL

PDP CONTROL

LEGEND

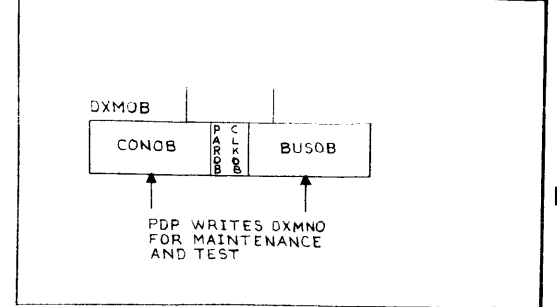


REV	NO.
CHG	NO.
CHK	NO.

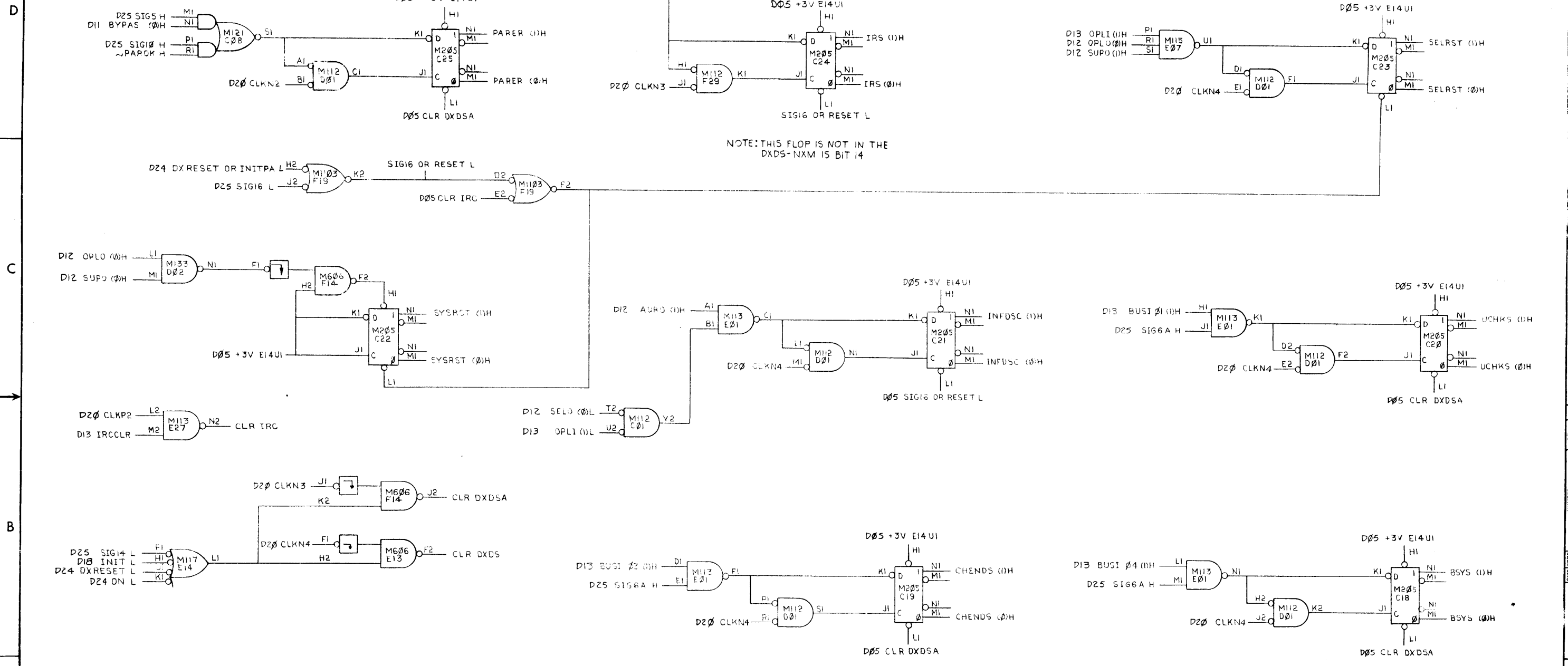
FIRST USED ON OPTION/MODEL PDP-11	QTY.	DESCRIPTION	PART NO.	ITEM NO.
PARTS LIST				
UNLESS OTHERWISE SPECIFIED DIMENSION IN INCHES. TOLERANCES	DRN <i>A. J. ...</i>	DATE 12/2/71	digital EQUIPMENT CORPORATION MAYNARD, MASSACHUSETTS	
DECIMALS .XXX - .005 XX - .02 X - .1	CHK'D <i>A. J. ...</i>	DATE 5/7/72	TITLE FLOW DIAGRAM (DATA PATHS)	
ANGLES ±0° 30'	ENG <i>A. J. ...</i>	DATE 5-3-72	SIZE CODE DFD	
REMOVE BURRS AND BREAK SHARP CORNERS SURFACE QUALITY ✓	PROJ. ENG. <i>A. J. ...</i>	DATE 5-7-72	NUMBER DX11-B-04	
MATERIAL	PROD. <i>A. J. ...</i>	DATE 6-5-72	REV. F	
FINISH	NEXT HIGHER ASSY. B-DD-DX11-B	SCALE NONE	SHEET 9 OF 9	

ALSO DIRECT READ DXMOB VIA DXMOB

GATE	SIGNAL	RESTRICTED
1 -	ARSO	
2 -	BAAR	
3 -	BAOR	X
4 -	BIAR	X
5 -	BANDSO	
6 -	BANDSO	
7 -	CRSO1	
8 -	SRNDH	X
9A -	SRNDL	X
9 -	SIG5	
10 -	SISR	X
11 -	SIG8	
12 -	SIG8	
13 -	BANX	
14 -	SIG7	
15 -	SIG7	
16 -	CRSO2	X
17 -	SRSO	
18 -	NDCRSR	X
19 -	NDCRSR	
20 -	SISR	X
21 -	SICR	
22 -	CRSRND	
23 -	CRSRND	



This drawing and specifications, herein, are the property of Digital Equipment Corporation and shall not be reproduced or used in whole or in part as the basis for the manufacture or sale of items without written permission.



REV	CHG	NO	BY	DATE
A				

REVISIONS  
 CHANGE NO  
 DX11B-00010  
 R. DIETER  
 F. DIETER

FIRST USED ON OPTION/MODEL	QTY.	DESCRIPTION	PART NO.	ITEM NO.
PDP-11				
UNLESS OTHERWISE SPECIFIED DIMENSION IN INCHES. TOLERANCES				
DECIMALS	ANGLES	DATE		
.XXX - .005	±0° 30'	DRN	11/2/71	
.XX - .02		CHK'D	5/17/72	
.X - .1		ENG	5-2-72	
REMOVE BURRS AND BREAK SHARP CORNERS SURFACE QUALITY		PROJ. ENG.	5-8-72	
		PROD.	6-8-72	
MATERIAL NEXT HIGHER ASSY.				
		B-DD-DX11-B	SIZE CODE	NUMBER
			D BS	DX11-B-05
FINISH SCALE NONE				
		SHEET 1 OF 2	DIST.	

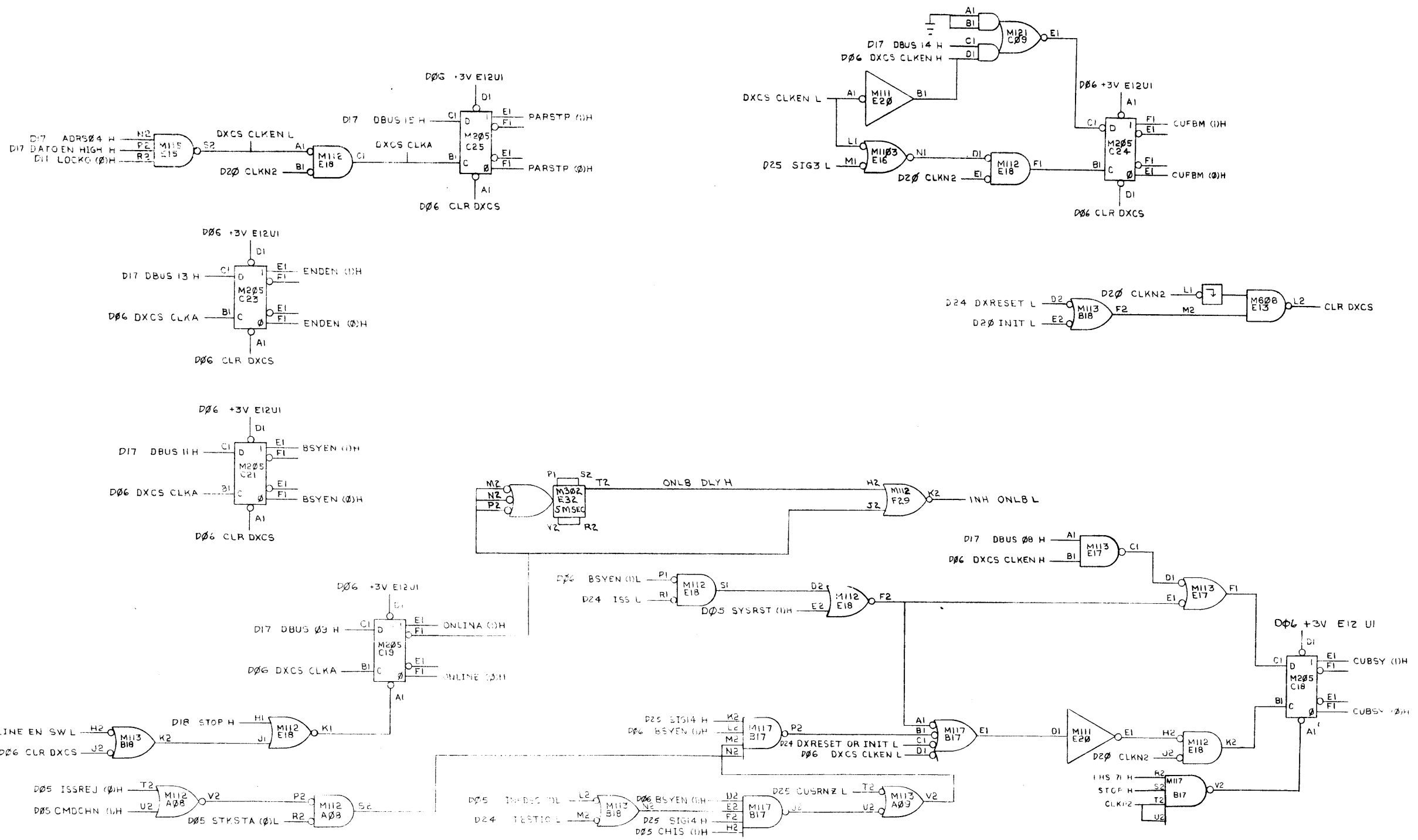
TITLE  
 DXDS  
 DX DEVICE STATUS

REV B  
 NUMBER DX11-B-05  
 SIZE CODE D BS





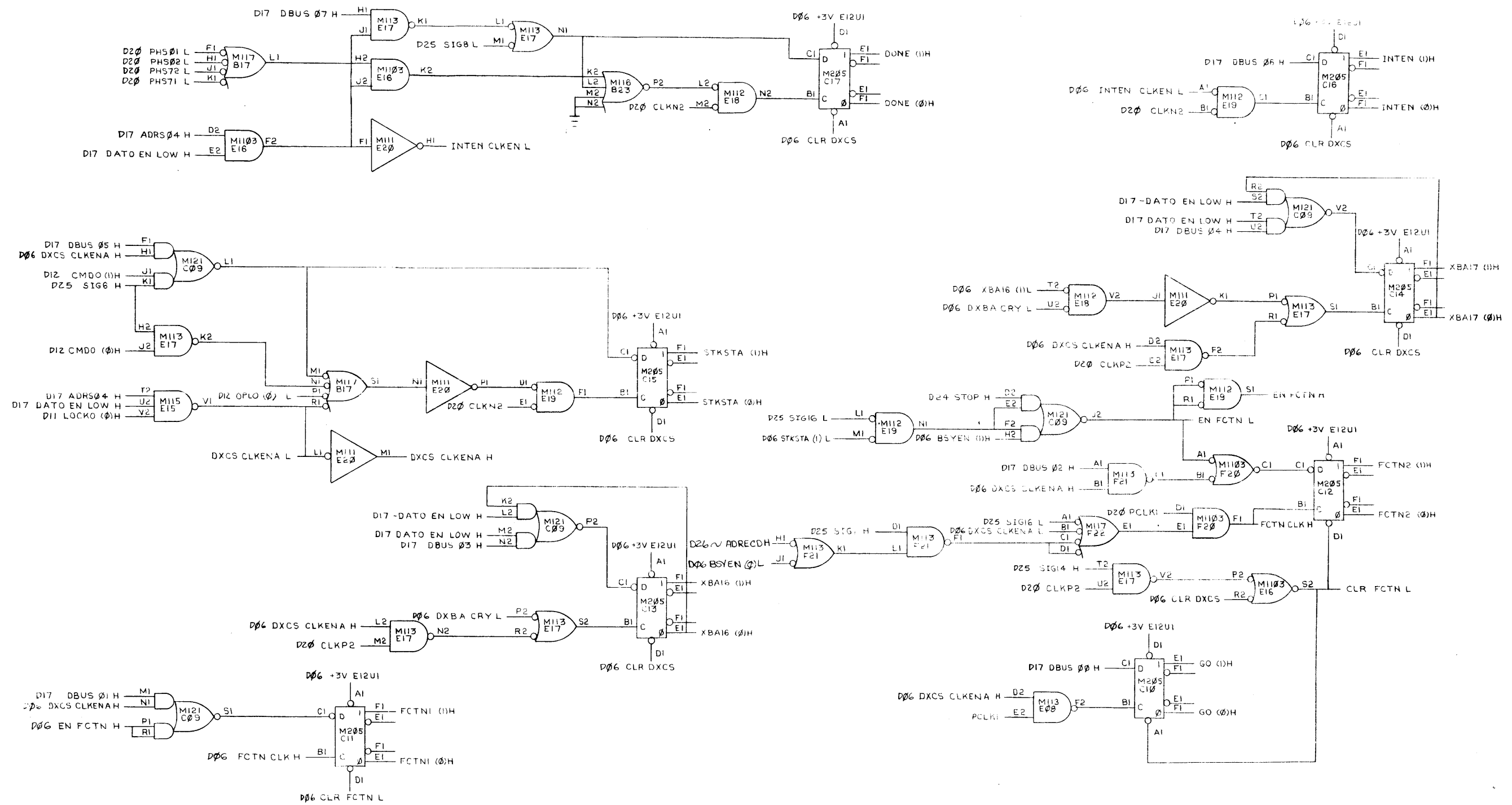
This drawing and specifications, herein, are the property of Digital Equipment Corporation and shall not be reproduced or copied in whole or in part as the basis for the manufacture or sale of items without written permission.



REV	CHANGE NO	BY	DATE
1	1	R. DIETER	7-9-74
2	1	R. DIETER	7-9-74
3	1	R. DIETER	7-9-74
4	1	R. DIETER	7-9-74
5	1	R. DIETER	7-9-74
6	1	R. DIETER	7-9-74
7	1	R. DIETER	7-9-74
8	1	R. DIETER	7-9-74

FIRST USED ON OPTION/MODEL	QTY.	DESCRIPTION	PART NO.	ITEM NO.
PDP-11				
PARTS LIST				
UNLESS OTHERWISE SPECIFIED DIMENSION IN INCHES TOLERANCES	DRN. <i>A. Bratich</i>	DATE 1/15/71	 <b>DIGITAL EQUIPMENT CORPORATION</b> MAYFORD MASSACHUSETTS	
DECIMALS .XXX - .005	CHK'D <i>[Signature]</i>	DATE 5/1/72		
ANGLES ±0° 30'	ENG. <i>[Signature]</i>	DATE 5-3-72		
REMOVE BURRS AND BREAK SHARP CORNERS SURFACE QUALITY	PROJ. ENG. <i>[Signature]</i>	DATE 6-8-72		
MATERIAL	NEXT HIGHER ASSY.	SCALE NONE	SIZE CODE	NUMBER
FINISH	B-DD-DX11-B	SHEET 1 OF 2	D BS	DX11-B-06
		DIST.		REV. E

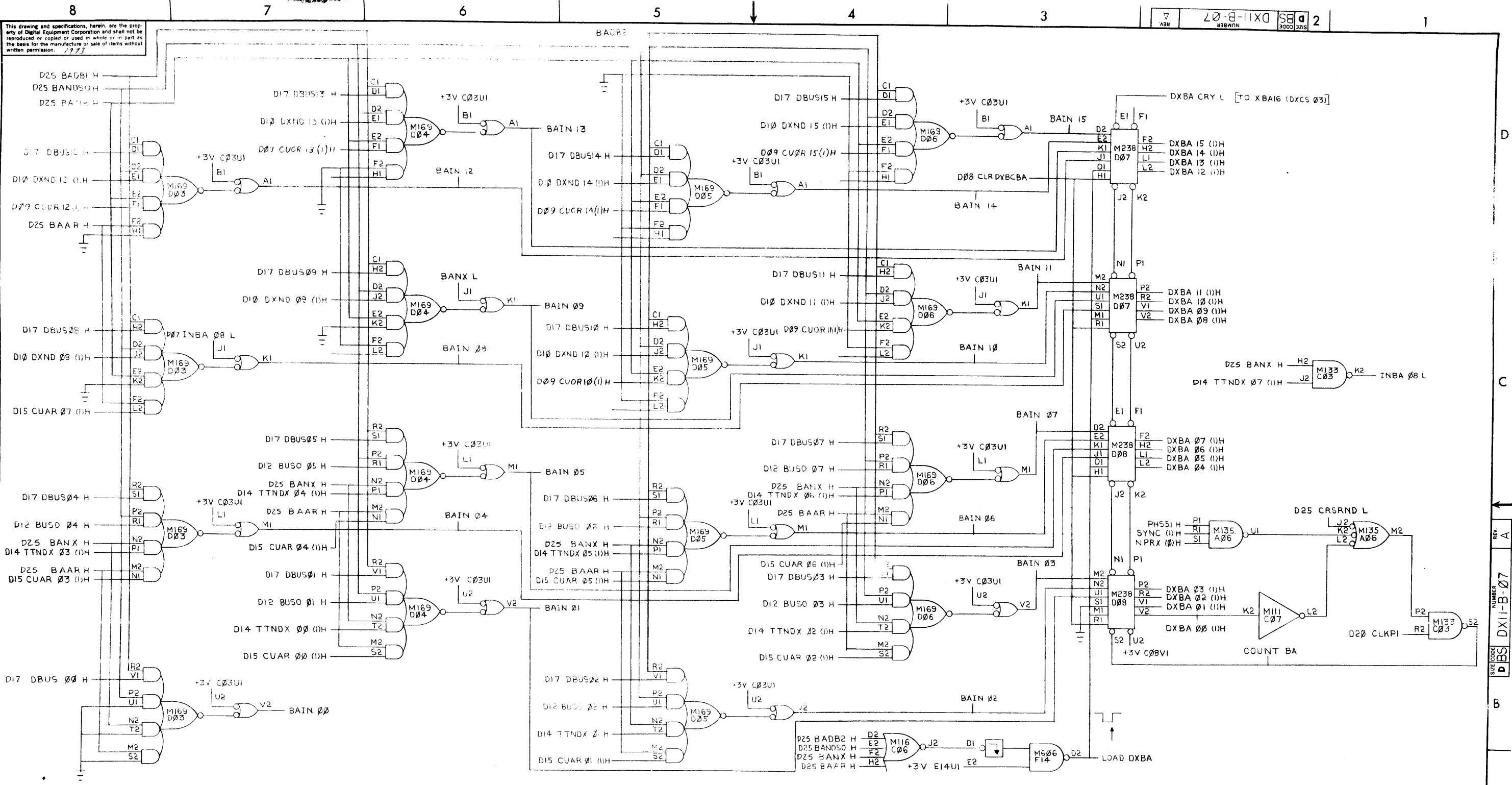
This drawing and specifications, herein, are the property of Digital Equipment Corporation and shall not be reproduced or copied or used in whole or in part as the basis for the manufacture or sale of items without written permission.



REV	
CHANGE NO.	
CHK	

DEC FORM NO. DRD 100-A

FIRST USED ON OPTION/MODEL	QTY.	DESCRIPTION	PART NO.	ITEM NO.
PDP-11				
PARTS LIST				
UNLESS OTHERWISE SPECIFIED DIMENSION IN INCHES TOLERANCES	DRN <i>[Signature]</i>	DATE 11/19/71	<b>digital</b> EQUIPMENT CORPORATION <small>MAYNARD, MASSACHUSETTS</small>	
DECIMALS	CHK'D <i>[Signature]</i>	DATE 5/17/72		
ANGLES	ENG <i>[Signature]</i>	DATE 5/21/72		
.XXX = .005 .XX = .02 .X = .1	PROJ. ENG. <i>[Signature]</i>	DATE 5/21/72		
REMOVE BURRS AND BREAK SHARP CORNERS SURFACE QUALITY	PROD. <i>[Signature]</i>	DATE 7/2/72	<b>DXCS CONTROL UNIT STATUS</b>	
MATERIAL	NEXT HIGHER ASSY.			
FINISH				
	B-DD-DX11-B	SIZE CODE D BS	NUMBER DX11-B-06	REV E
	SCALE NONE	DIST.		
	SHEET OF 2			

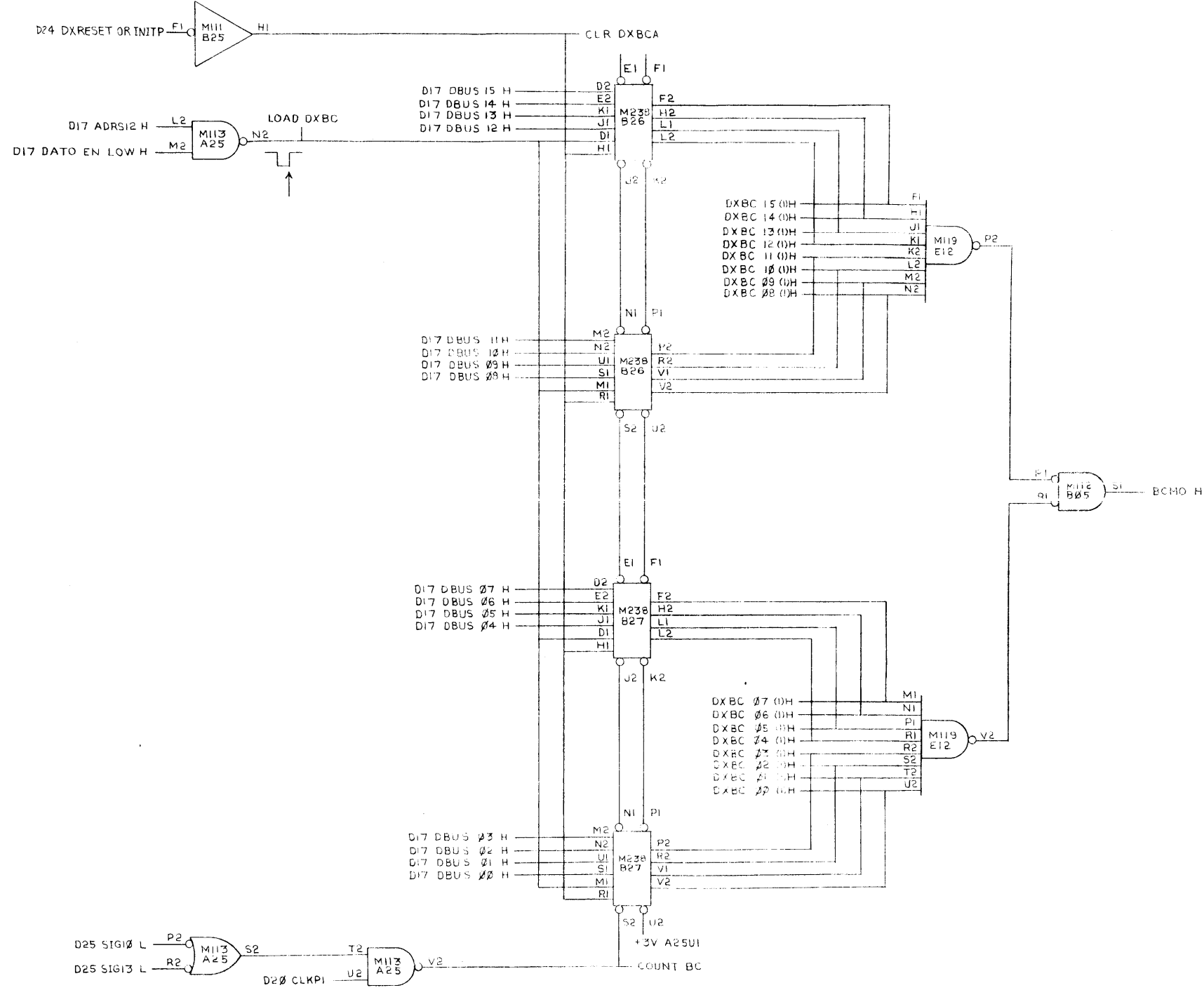


REV.	CHANGE NO.	DATE	BY	CHK'D
A	0010	6-7-72	R. DIETER	
		6-14-72		

FIRST USED ON OPTION/MODEL	QTY.	DESCRIPTION	PART NO.	ITEM NO.
PDP-11		PARTS LIST		
UNLESS OTHERWISE SPECIFIED DIMENSION IN INCHES. TOLERANCES		DRN CHK'D ENG. PROJ. ENG. PROD.	DATE DATE DATE DATE DATE	<b>digital</b> EQUIPMENT CORPORATION MAYNARD, MASSACHUSETTS
DECIMALS	ANGLES	TITLE <b>DXBA</b> (DX BUS ADDRESS)		
MATERIAL		NEXT HIGHER ASSY.		SIZE CODE <b>D BS</b>
FINISH		SCALE NONE		
		SHEET OF		NUMBER <b>DXII-B-07</b> REV. <b>A</b>

This drawing and specifications herein are the property of Digital Equipment Corporation and shall not be reproduced or copied or used in whole or in part as the basis for the manufacture or sale of items without written permission.

NOTE:  
 THE DATA BYTE OUT  
 IS THE DATA BYTE IN

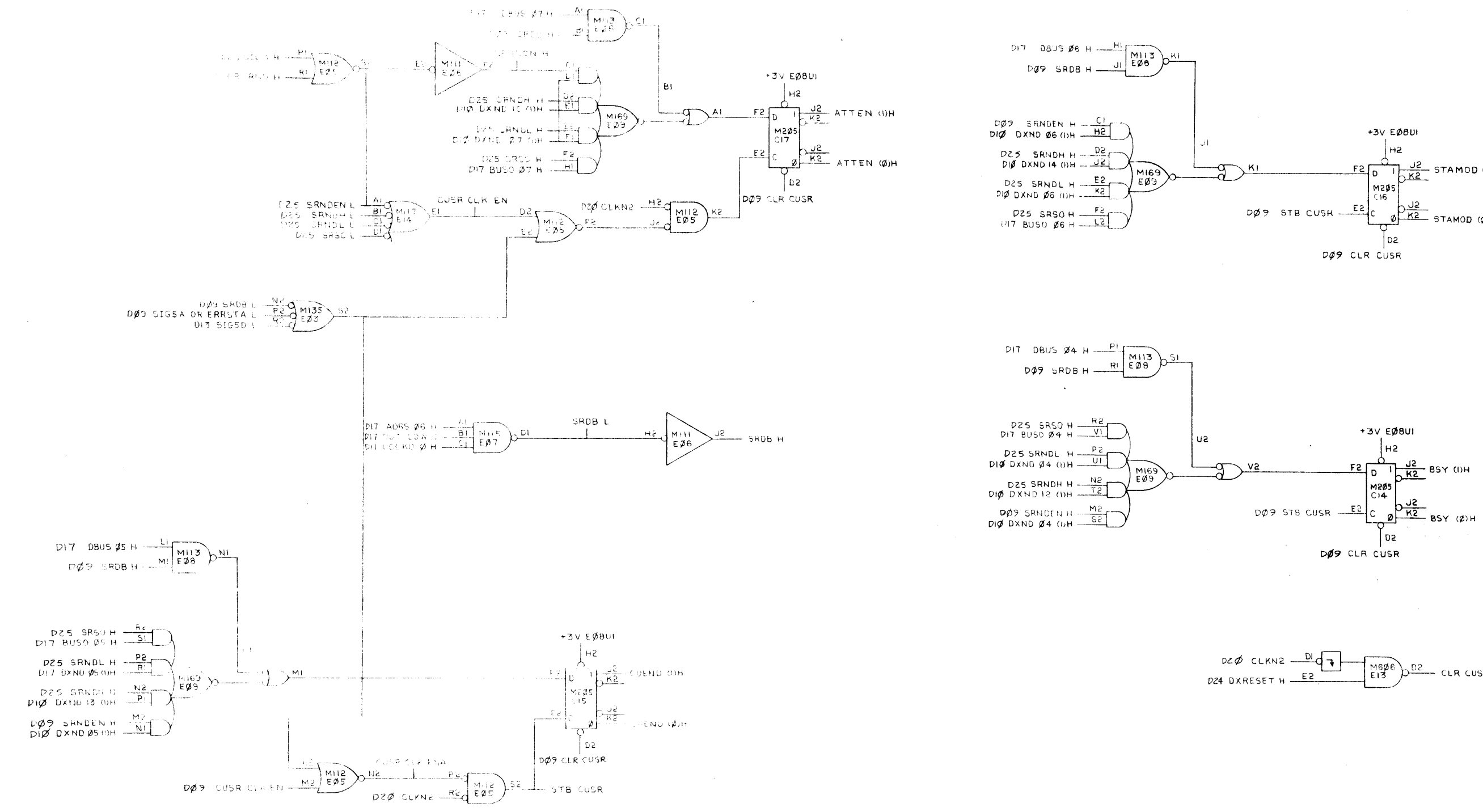


FIRST USED ON OPTION/MODEL	QTY.	DESCRIPTION	PART NO.	ITEM NO.
PDP-11		PARTS LIST		
UNLESS OTHERWISE SPECIFIED DIMENSION IN INCHES. TOLERANCES		 DIGITAL EQUIPMENT CORPORATION MAYNARD, MASSACHUSETTS		
DECIMALS	ANGLES	TITLE		
.XXX - .005	±0° 30'	DXBC DX BYTE COUNTER		
.XX - .02		NEXT HIGHER ASSY.		
.X - .1		A-ML-DXII-B		
REMOVE BURRS AND BREAK SHARP CORNERS SURFACE QUALITY ✓		SCALE	NONE	
MATERIAL		SHEET	OF	
FINISH		DIST.		
		SIZE CODE	NUMBER	REV.
		D BS	DXII-B-08	

REV.	CHG.	NO.	BY	DATE

This drawing and specifications, herein, are the property of Digital Equipment Corporation and shall not be reproduced or copied or used in whole or in part as the basis for the manufacture or sale of items without written permission.

30-B-11X0 2



REV	
CHANGE NO.	
CHK	

DEC FORM NO DRD 100-A

FIRST USED ON OPTION/MODEL PDP-11	QTY.	DESCRIPTION	PART NO.	ITEM NO.
PARTS LIST				
UNLESS OTHERWISE SPECIFIED DIMENSION IN INCHES	DRN DATE	DATE	digital EQUIPMENT CORPORATION MAYNARD, MASSACHUSETTS	
DECIMALS .XXX = .005 XX = .02 X = .1	CHK'D DATE	DATE	TITLE CUSR	
ANGLES +0°30'	ENG DATE	DATE	MATERIAL	
REMOVE BURRS AND BREAK SHARP CORNERS SURFACE QUALITY	PROJ. ENG. DATE	DATE	NEXT HIGHER ASSY.	
	PROD. DATE	DATE	A-ML-DX11-B	
			SIZE CODE D BS	NUMBER DX11-B-09
			SCALE NONE	REV
			SHEET 1 OF 2	DIST.

REV. NUMBER  
D BS DX11-B-09

This drawing and specifications herein are the property of Digital Equipment Corporation and shall not be reproduced or copied or used in whole or in part as the basis for the manufacture or sale of items without written permission.

8

7

6

5

4

3

2

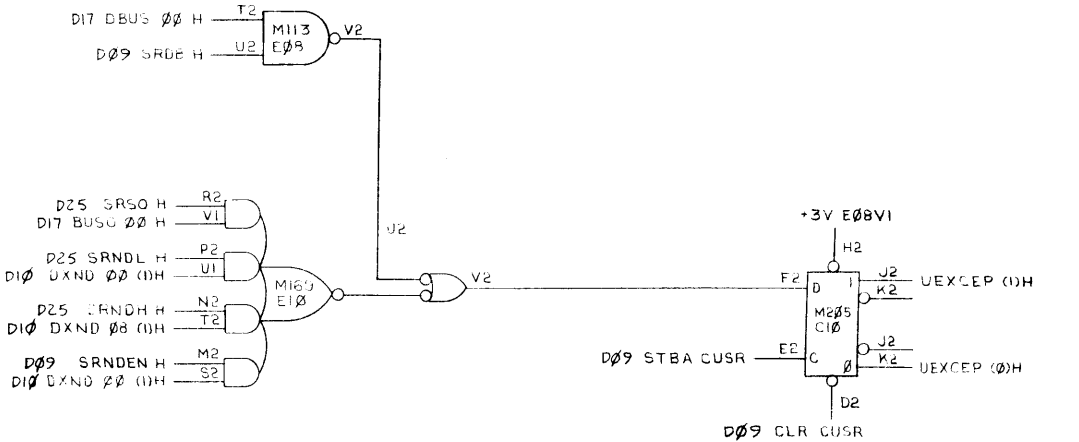
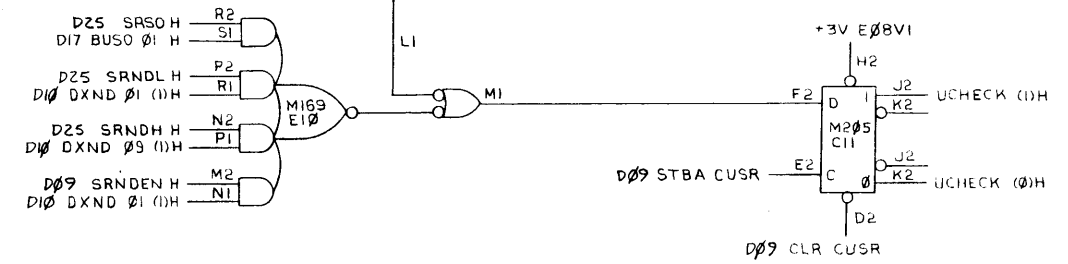
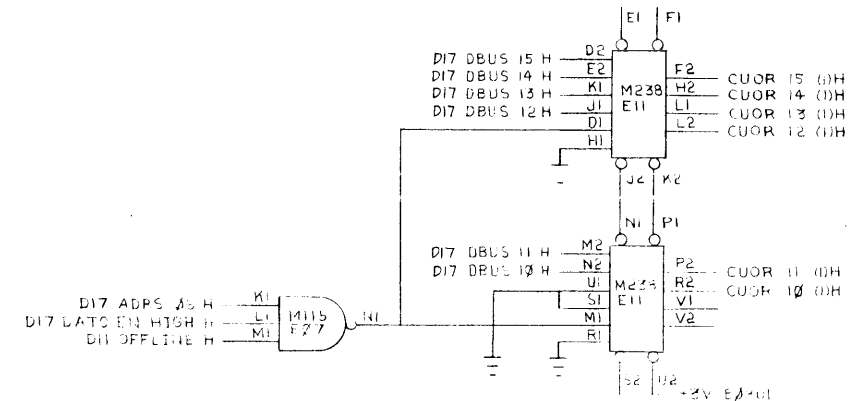
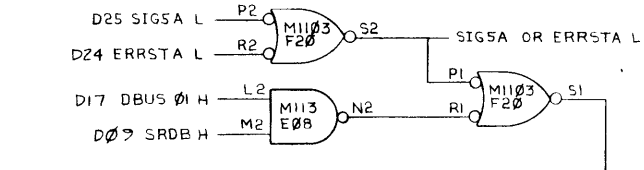
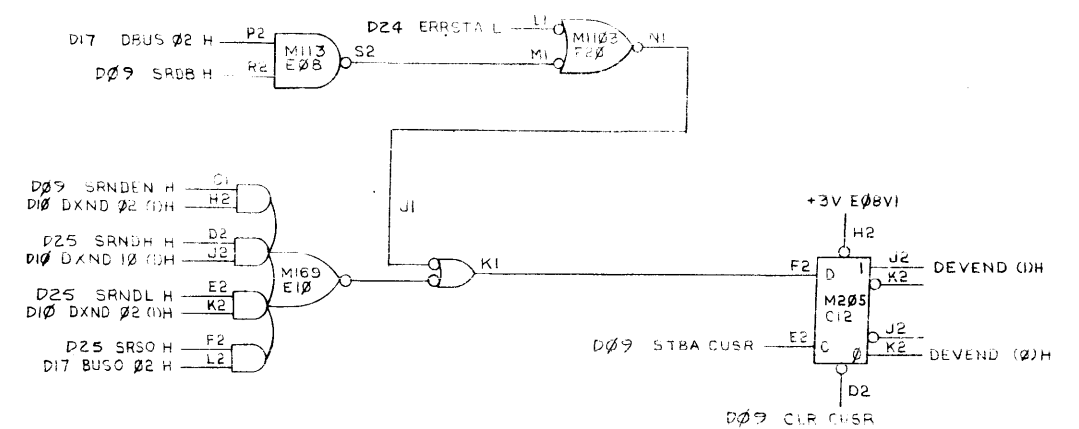
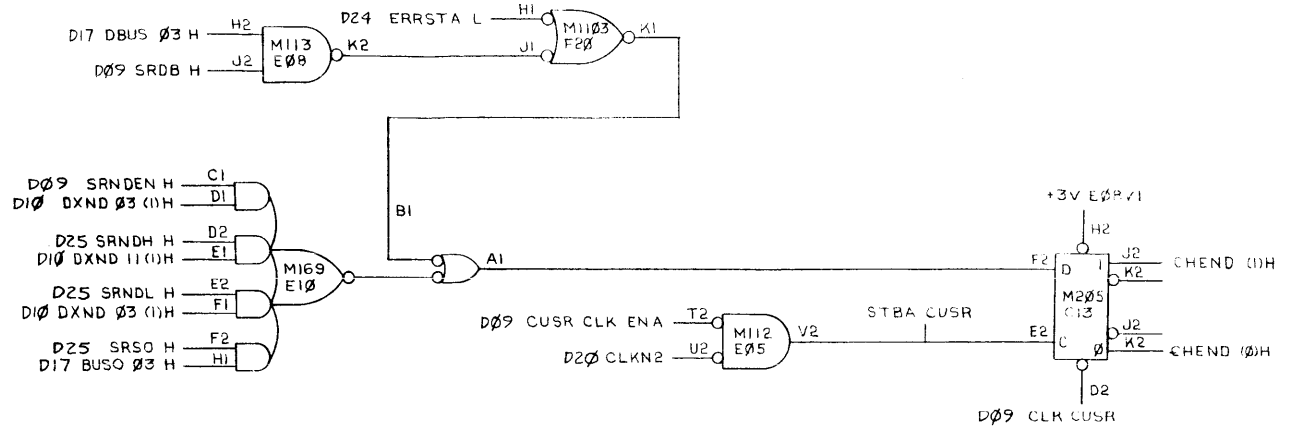
1

D

C

B

A



REV. NUMBER  
DBS DX11-B-09

REV	CHANGE NO

DEC FORM NO. DRD 100-A

8

7

6

5

4

3

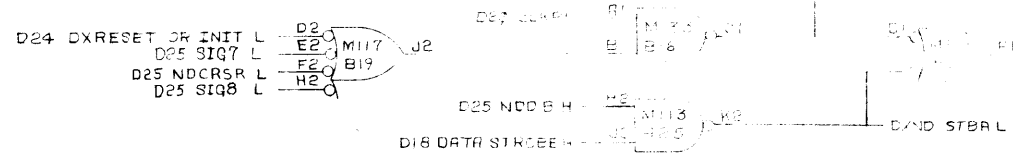
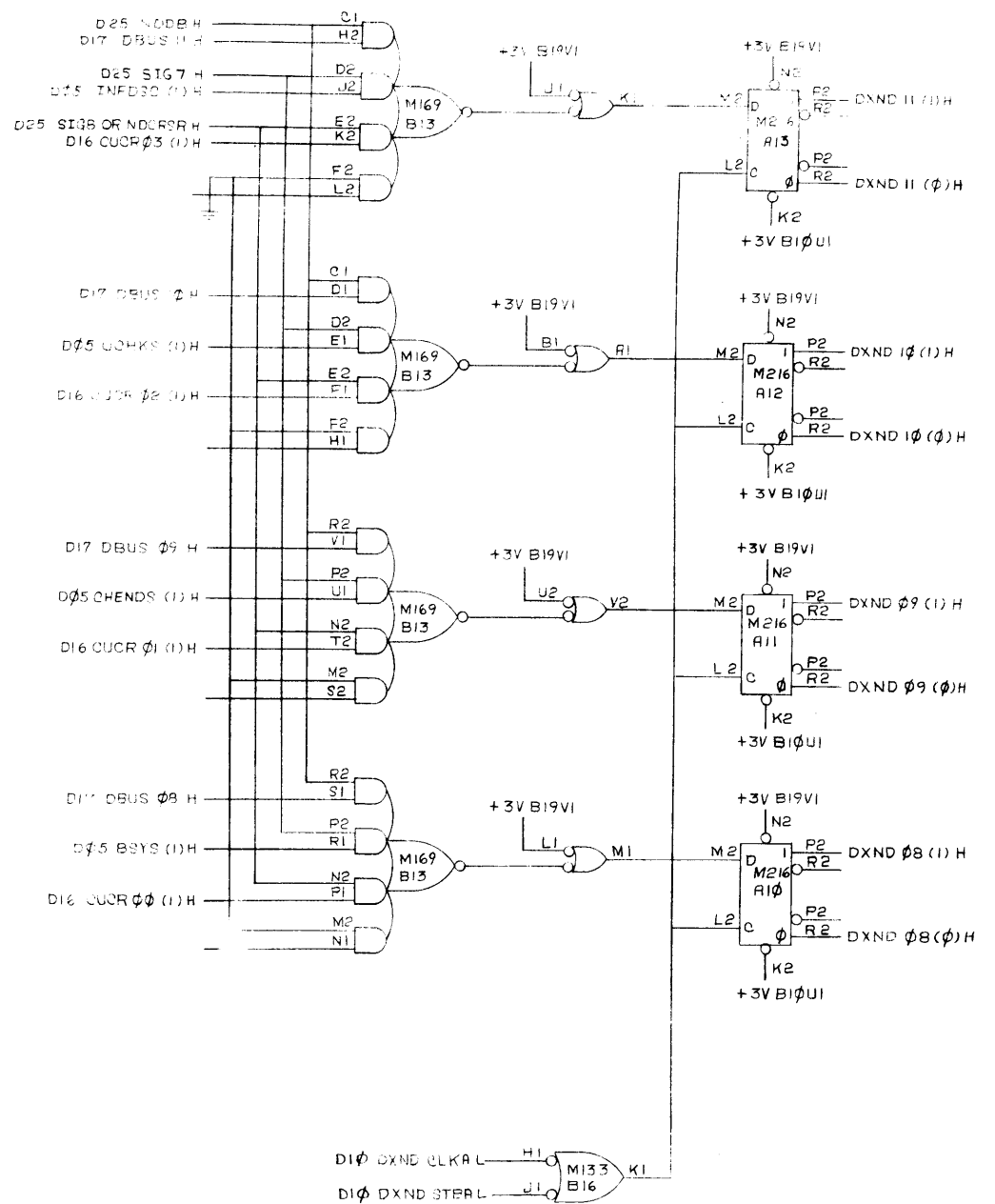
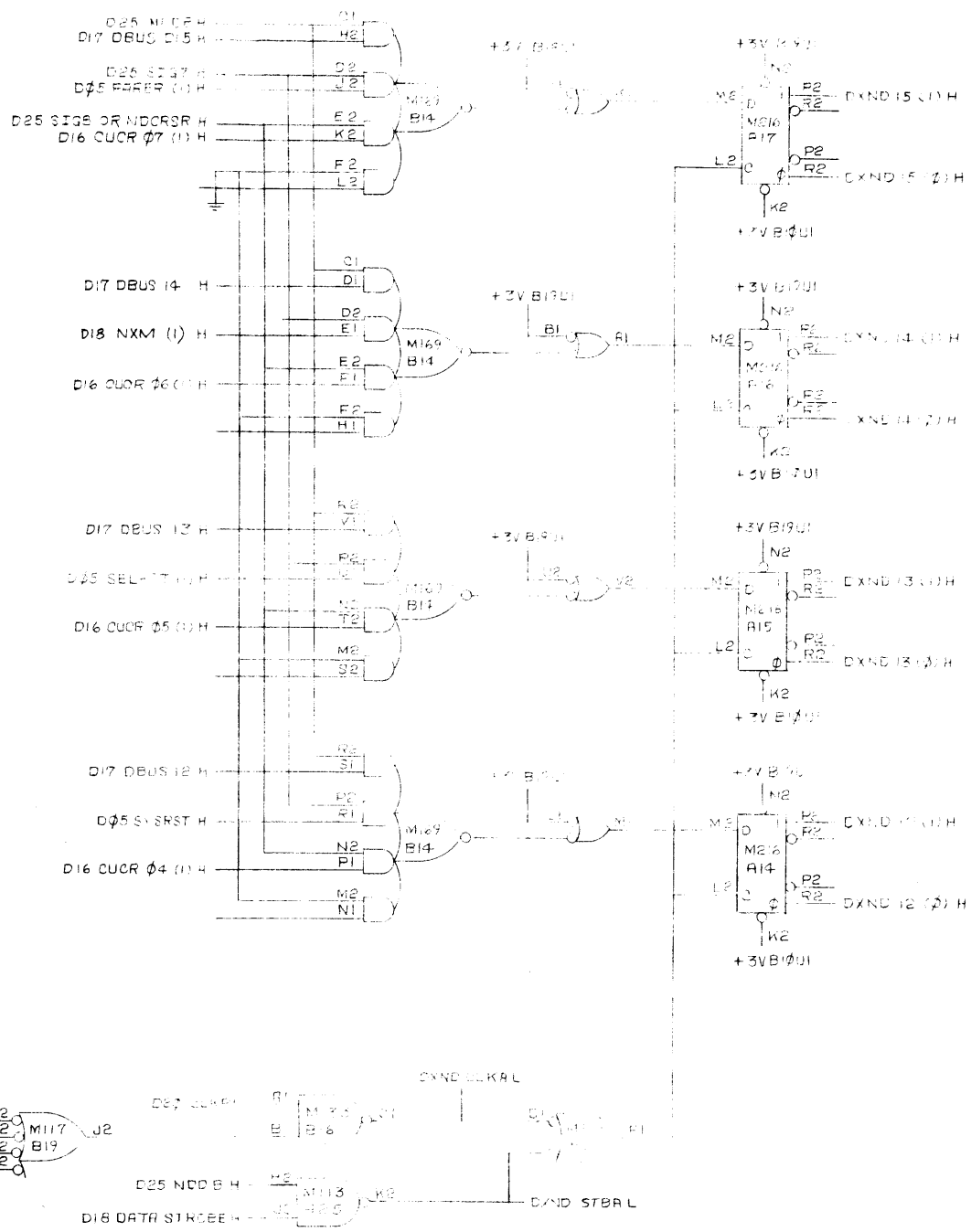
2

1

FIRST USED ON OPTION/MODEL	QTY	DESCRIPTION	PART NO.	ITEM NO.
PDP-11				
PARTS LIST				
UNLESS OTHERWISE SPECIFIED DIMENSION IN INCHES TOLERANCES	DRN. DATE CHK'D DATE BKG. DATE PROJ. ENG. DATE PROD. DATE	DATE DATE DATE DATE DATE DATE		
DECIMALS: .005 XX = .02 X = .1	ANGLES: ±0° 30'	TITLE: CUSR		
REMOVE BURRS AND BREAK SHARP CORNERS. SURFACE QUALITY				
MATERIAL	NEXT HIGHER ASSY.	SIZE CODE	NUMBER	REV.
	A-ML-DX11-B	DBS	DX11-B-09	
FINISH	SCALE: NONE	SHEET	OF	

This drawing and specifications, herein, are the property of Digital Equipment Corporation and shall not be reproduced or copied in whole or in part as the basis for the manufacture of parts without written permission.

REV 10-11-71  
 NUMBER 111X11  
 SIZE CODE D

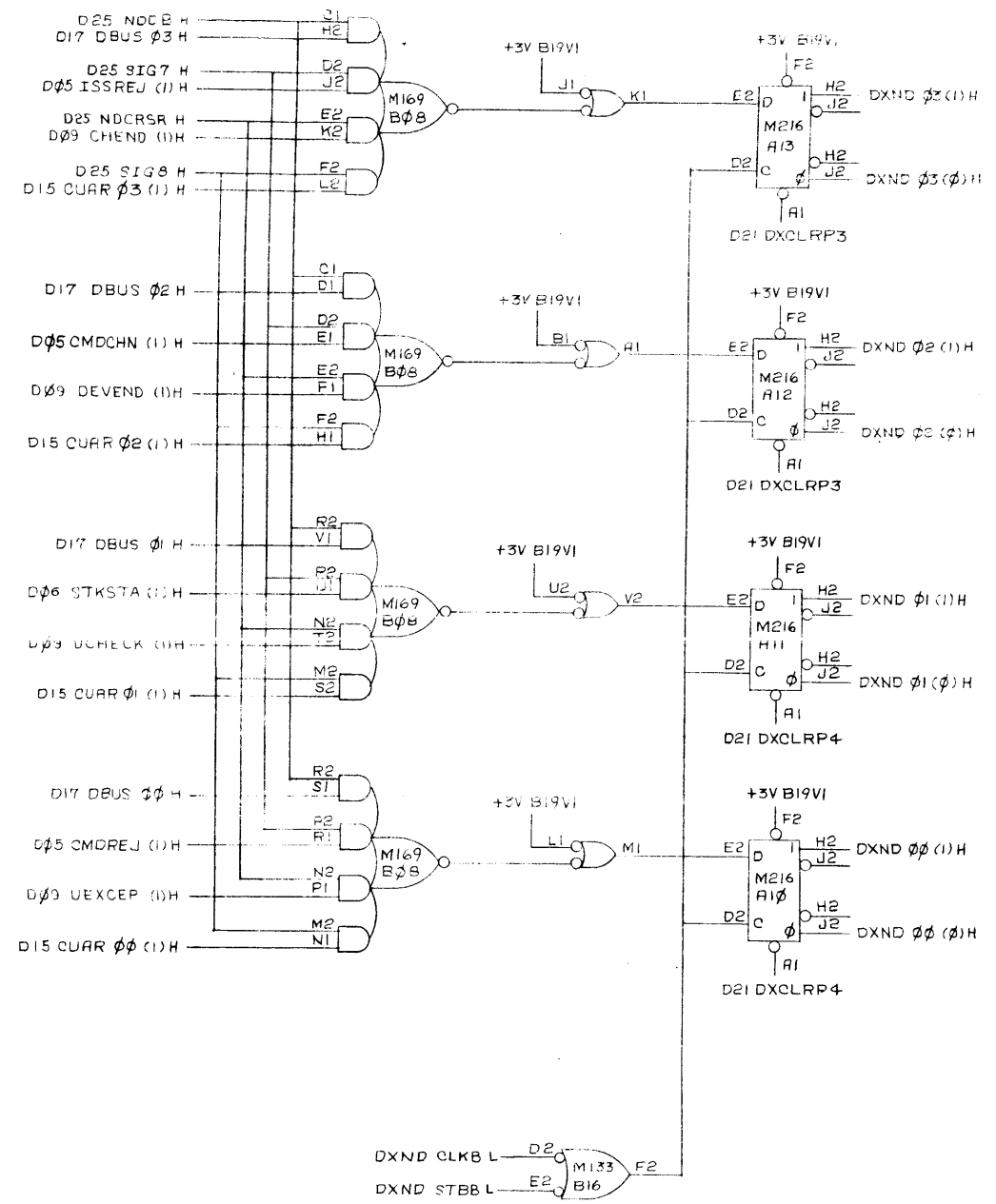
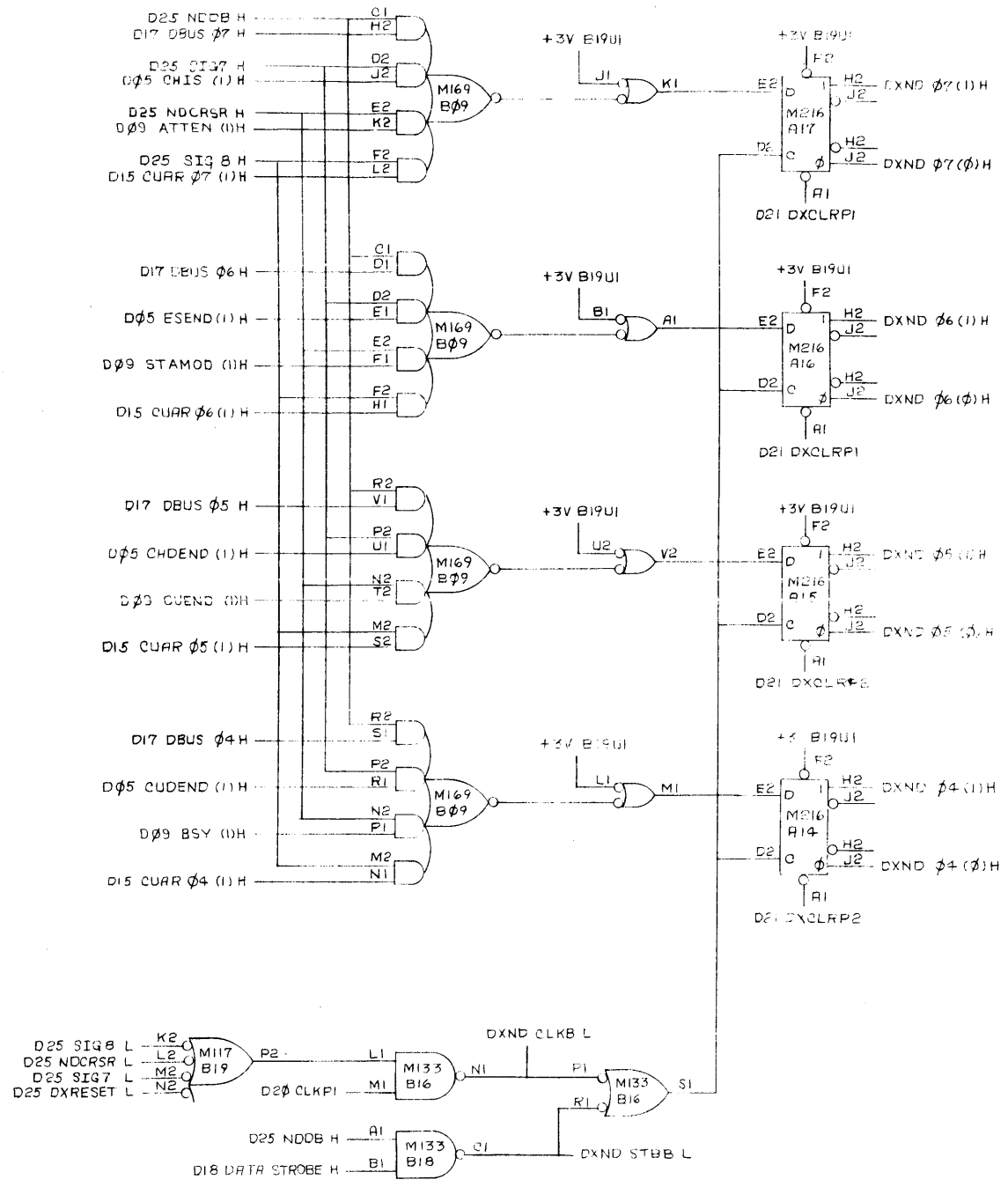


REV	CHANGE NO.	CHK
A	DX11B-0010	R. DIETER

DEC FORM NO. DRD 100-A

FIRST USED ON OPTION/MODEL	QTY.	DESCRIPTION	PART NO.	ITEM NO.
PDP 11		PARTS LIST		
UNLESS OTHERWISE SPECIFIED DIMENSION IN INCHES. TOLERANCES	DRN DATE 11-22-71	DATE 11-22-71	digital EQUIPMENT CORPORATION MAYNARD, MASSACHUSETTS	
DECIMALS .xxx = .005 xx = .02 x = .1	ANGLES ±0° 30'	DATE 5-21-72	TITLE DXND NPR DATA REG	
REMOVE BURRS AND BREAK SHARP CORNERS SURFACE QUALITY	PROJ. ENG. DATE 5-21-72	DATE 6-5-72	MATERIAL NEXT HIGHER ASSY.	
FINISH	SCALE NONE	SHEET 1 OF 2	SIZE CODE D	NUMBER BS-DX11-B-10
			REV. A	

This drawing and specifications, herein, are the property of Digital Equipment Corporation and shall not be reproduced or copied or used in whole or in part as the basis for the manufacture or sale of items without written permission. 1773

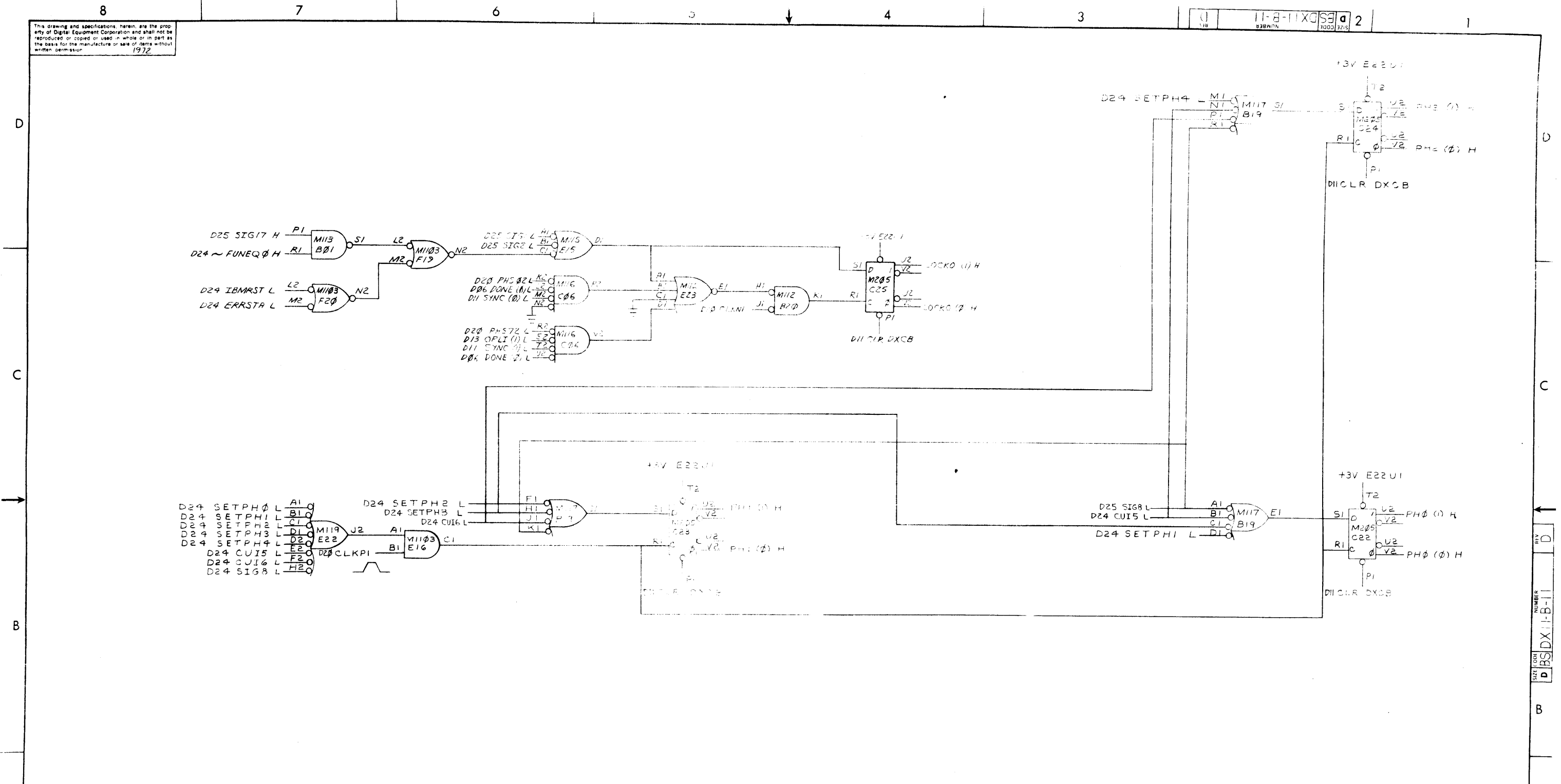


REV.	
CHANGE NO.	
CHK	

FIRST USED ON OPTION/MODEL	QTY.	DESCRIPTION	PART NO.	ITEM NO.
PDP 11				
PARTS LIST				
UNLESS OTHERWISE SPECIFIED DIMENSION IN INCHES. TOLERANCES	DRN	DATE	digital EQUIPMENT CORPORATION	
DECIMALS	CHK'D	DATE	MAYNARD MASSACHUSETTS	
ANGLES	ENG.	DATE	TITLE	
.xxx - .005	PROJ. ENG.	DATE	DXND	
.xx - .02	PROD.	DATE	NPR DATA REG	
.x - .1				
REMOVE BURRS AND BREAK SHARP CORNERS SURFACE QUALITY				
MATERIAL	NEXT HIGHER ASSY.	SIZE CODE	NUMBER	REV.
FINISH	B-00-DX11-B	D/ES	DX11-B-10	A
	SCALE NONE			
	SHEET 2 OF 2	DIST.		



This drawing and specifications, herein, are the property of Digital Equipment Corporation and shall not be reproduced or copied or used in whole or in part as the basis for the manufacture or sale of items without written permission 1972



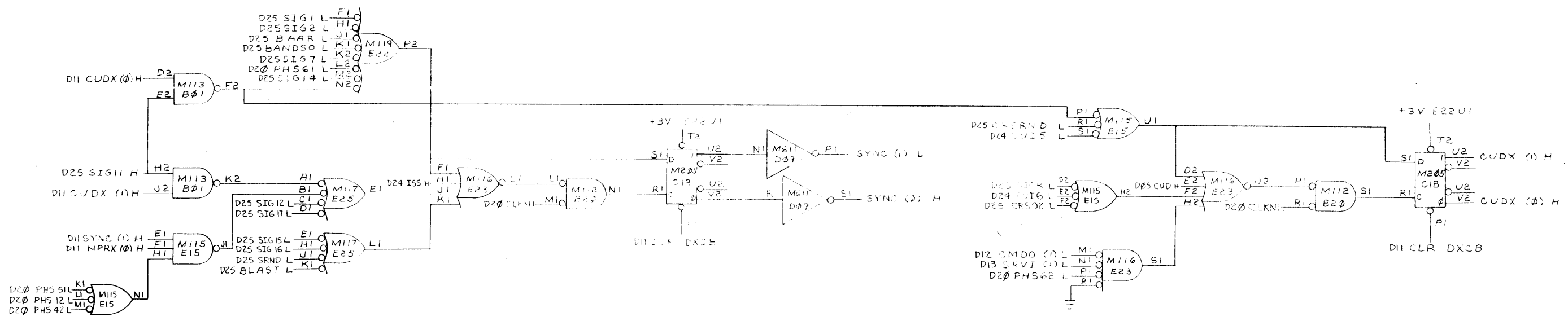
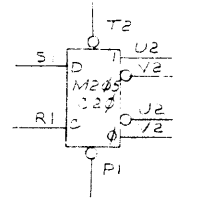
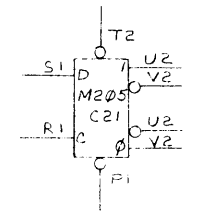
REV	CHANGE NO	DATE	BY
A			
B			
C			
D			

FIRST USED ON OPTION/MODEL	QTY.	DESCRIPTION	PART NO.	ITEM NO.
PDF-11				
PARTS LIST				
UNLESS OTHERWISE SPECIFIED DIMENSION IN INCHES TOLERANCES	DRN	DATE	digital EQUIPMENT CORPORATION	
DECIMALS	CHKD	DATE	MAYNARD, MASSACHUSETTS	
ANGLES	ENG	DATE	TITLE	
XXX = 005	PRQJ. EMG	DATE	DXCB	
XX = 02	PROD.	DATE	EX CONTROL BITS	
X = 1	REMOVE BURRS AND BREAK SHARP CORNERS SURFACE QUALITY	DATE		
MATERIAL	NEXT HIGHER ASSY.		SIZE CODE	NUMBER
FINISH			D BS/DXII-B-11	D
			SCALE NONE	REV. D
			SHEET 1 OF 4	

This drawing and specifications, herein, are the property of Digital Equipment Corporation and shall not be reproduced or copied or used in whole or in part as the basis for the manufacture or sale of items without written permission 1972

(NOTE: MNCLN ON D20)

(NOTE: MNCLN ON D20)



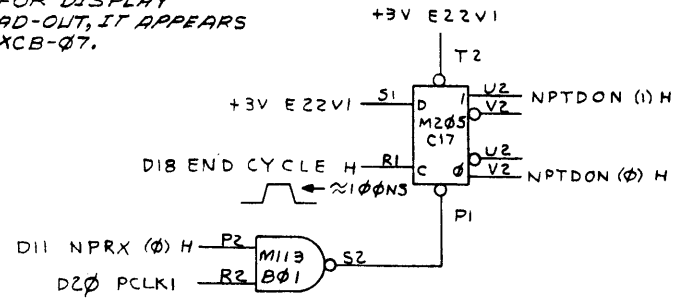
BRUNING 40 522 15840

REV	CHANGE NO

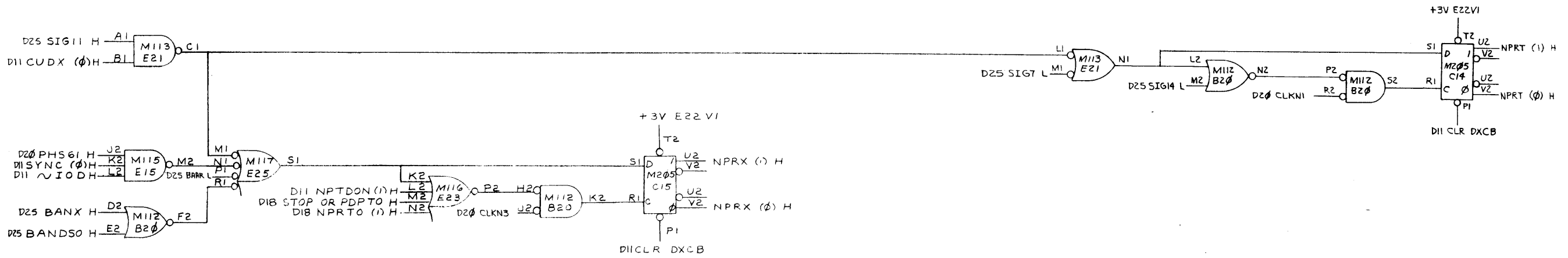
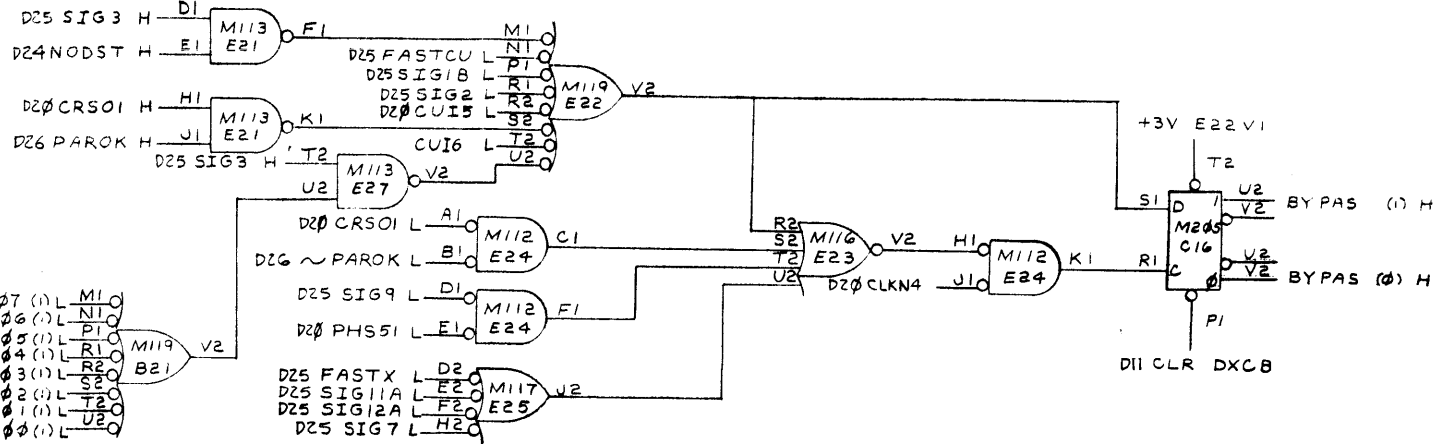
FIRST USED ON OPTION/MODEL	QTY.	DESCRIPTION	PART NO.	ITEM NO.
PDP-11				
PARTS LIST				
UNLESS OTHERWISE SPECIFIED DIMENSION IN INCHES. TOLERANCES		 digital EQUIPMENT CORPORATION MAYNARD, MASSACHUSETTS		
DECIMALS	ANGLES			
XXX - .005	±0°30'			
.XX - .02				
X - .1		TITLE DXCB DX CONTROL BITS		
REMOVE BURRS AND BREAK SHARP CORNERS SURFACE QUALITY	✓	PROD. DATE		
MATERIAL		NEXT HIGHER ASSY.		
FINISH		R-DD-DXII-E	SIZE CODE	NUMBER
		SHEET 2 OF 4	D B S D X I I - B - I I	REV. D

This drawing and specifications herein are the property of Digital Equipment Corporation and shall not be reproduced or copied or used in whole or in part as the basis for the manufacture or sale of items without written permission.  
1972

NOTE: SIGNAL IOD IS CREATED ON D24, FOR DISPLAY AND READ-OUT, IT APPEARS TO BE DXCB-07.



- D10 DXND 07 (1) L M10
- D10 DXND 06 (2) L N10
- D10 DXND 05 (3) L P10
- D10 DXND 04 (4) L R10
- D10 DXND 03 (5) L S10
- D10 DXND 02 (6) L T10
- D10 DXND 01 (7) L U10
- D10 DXND 00 (8) L V10



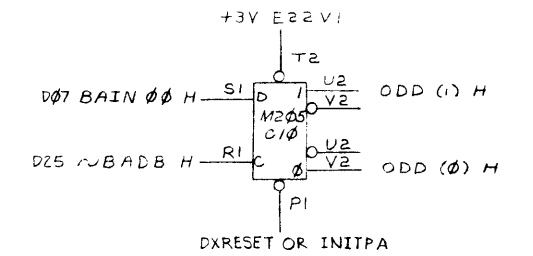
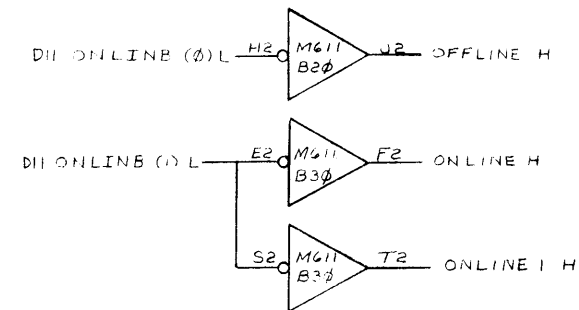
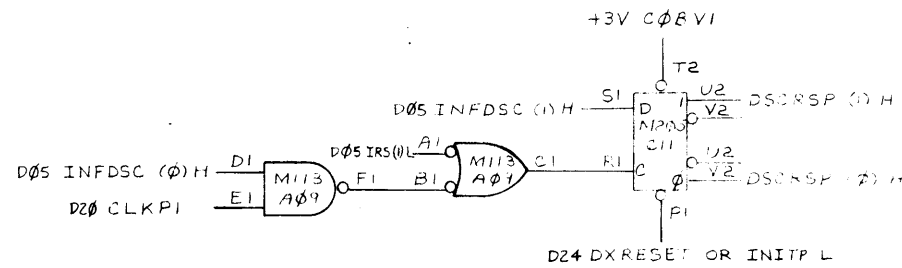
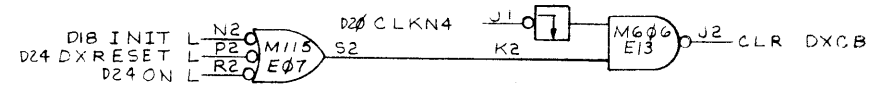
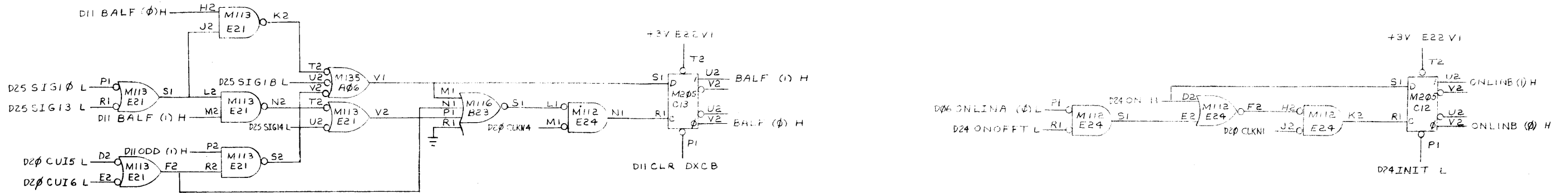
FIRST USED ON OPTION/MODEL	QTY.	DESCRIPTION	PART NO.	ITEM NO.
PDP-11		PARTS LIST		
UNLESS OTHERWISE SPECIFIED DIMENSION IN INCHES. TOLERANCES	DRN <i>Wilson</i>	DATE 2-28-72		
DECIMALS	CHK'D <i>Wilson</i>	DATE 5-17-72		
ANGLES	ENG <i>Wilson</i>	DATE 5-2-72	TITLE DXCB DX CONTROL BITS	
.XXX = .005 .XX = .02 .X = .1	PROJ. ENG. <i>Wilson</i>	DATE 5-31-72		
REMOVE BURRS AND BREAK SHARP CORNERS SURFACE QUALITY	PROD. <i>Wilson</i>	DATE 6-5-72	MATERIAL NEXT HIGHER ASSY. B-DD-DX11-B	
FINISH		SCALE NONE	SIZE CODE D	NUMBER BSDX11-B-11
		SHEET 3 OF 4	DIST.	REV. D

REV	CHANGE NO	REVISIONS

DEC FORM NO DRD 102-B

REV D  
NUMBER  
BSDX11-B-11  
SIZE CODE

This drawing and specifications herein are the property of Digital Equipment Corporation and shall not be reproduced or copied or used in whole or in part as the basis for the manufacture or sale of items without written permission. 1972



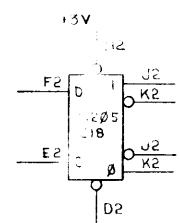
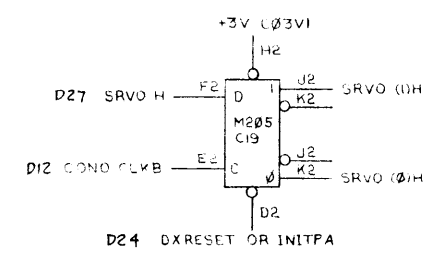
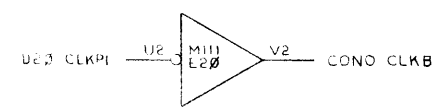
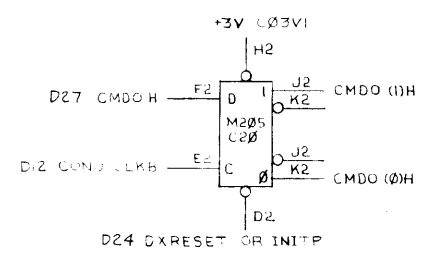
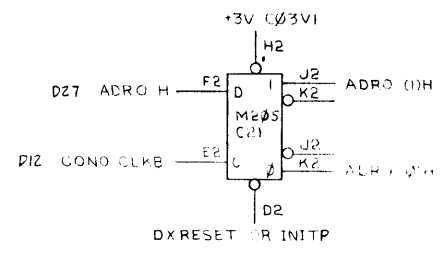
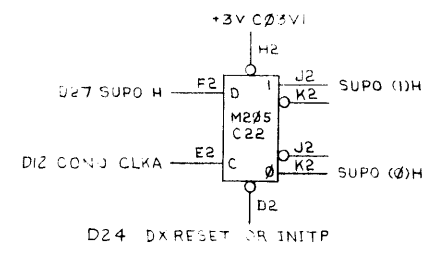
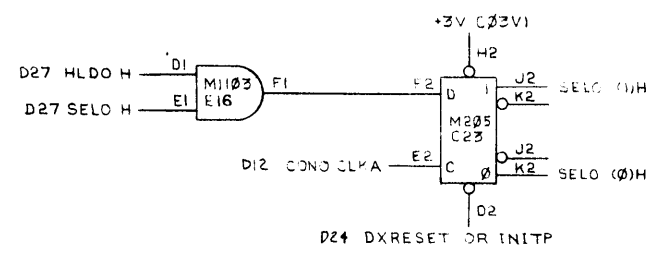
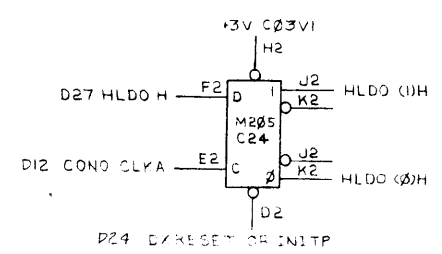
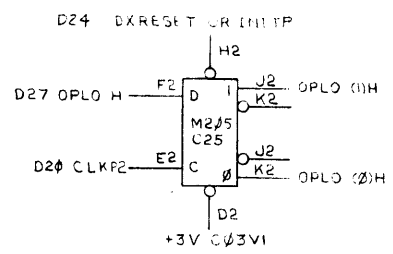
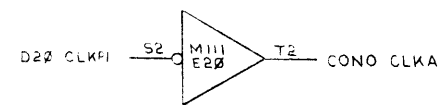
DRAWING 40-522 15840	REV	
	CHANGE NO	
	CHK	
	DEC FORM NO	DRD 102-B

FIRST USED ON OPTION/MODEL	QTY.	DESCRIPTION	PART NO.	ITEM NO.
PDP-11		PARTS LIST		
UNLESS OTHERWISE SPECIFIED DIMENSION IN INCHES. TOLERANCES	DRN <i>E. Wilson</i>	DATE 2-28-72	<b>digital</b> EQUIPMENT CORPORATION MAYNARD, MASSACHUSETTS	
DECIMALS	CHK'D <i>McCall</i>	DATE 3/1/72		
ANGLES	ENG <i>McCall</i>	DATE 3/1/72	TITLE DXCB	
XXX - .005 XX - .02 X - .1	PROJ. ENG. <i>McCall</i>	DATE 5-21-72	DX CONTROL BITS	
REMOVE BURRS AND BREAK SHARP CORNERS SURFACE QUALITY	PRD. <i>McCall</i>	DATE 6-5-72		
MATERIAL	NEXT HIGHER ASSY.	SIZE CODE	NUMBER	REV
FINISH	B-00-DX11-B	D	ES-DX11-B-11	D
	SCALE NONE	SHEET 4 OF 4	DIST.	

REV D  
NUMBER  
D ES-DX11-B-11

This drawing and specifications, herein, are the property of Digital Equipment Corporation and shall not be reproduced or copied or used in whole or in part as the basis for the manufacture or sale of items without written permission. 1/9/73

REV B 21-B-11X0 8BS a 2



REV	CHANGE NO	CHK	DATE
A	DX11B-00010		6-7-72
B	DX11B-00016		6-14-73
	DX11B-00016		7-3-74
	DX11B-00016		7-15-74

REVISIONS

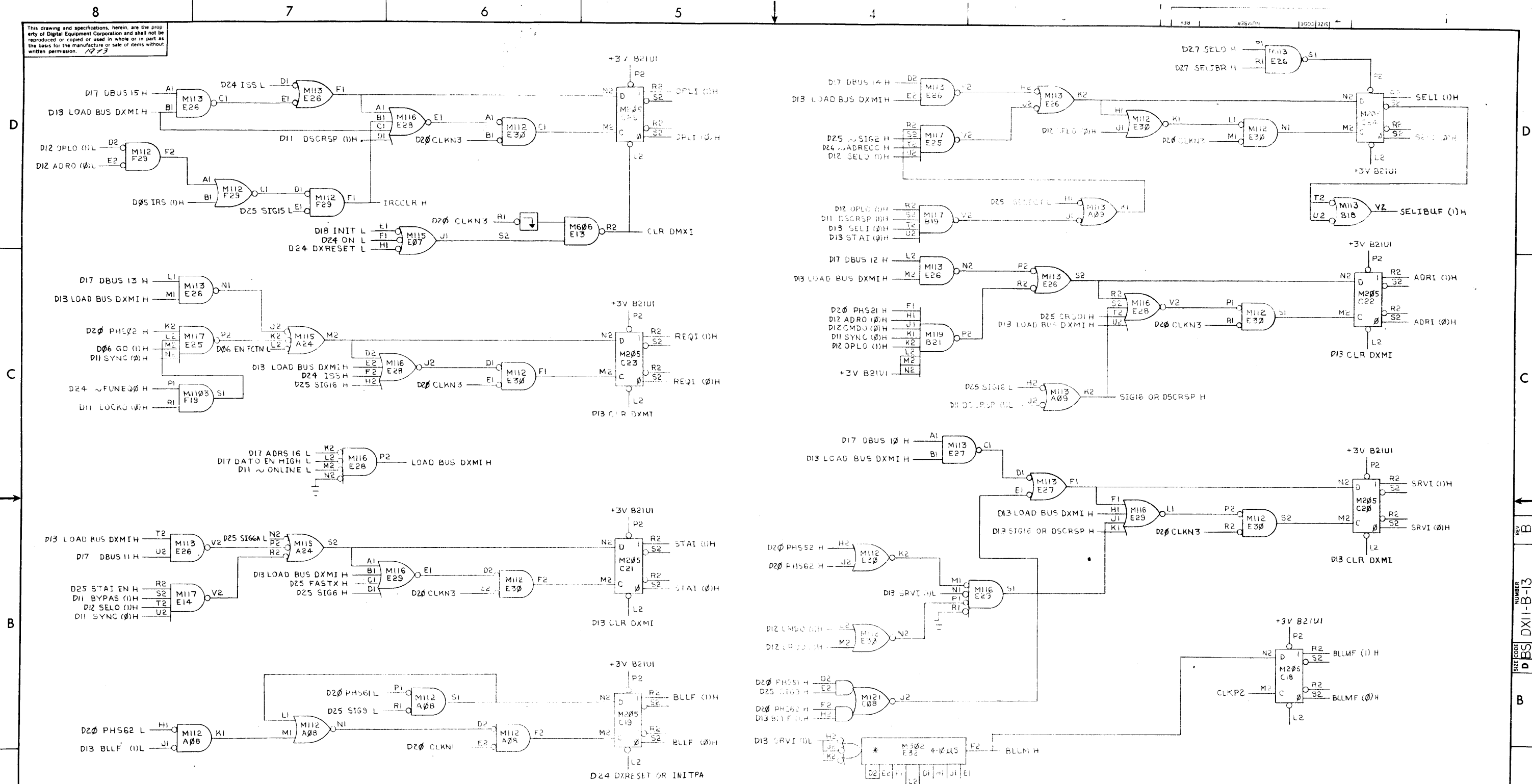
R. DIETER

R. DIETER

FIRST USED ON OPTION/MODEL	QTY.	DESCRIPTION	PART NO.	ITEM NO.
PDP-11				
PARTS LIST				
UNLESS OTHERWISE SPECIFIED DIMENSION IN INCHES. TOLERANCES	DRN <i>A. Fratelli</i>	DATE 11/5/71	 <b>digital</b> EQUIPMENT CORPORATION <small>MAYNARD MASSACHUSETTS</small>	
DECIMALS	CHK'D <i>[Signature]</i>	DATE 5-31-72		
ANGLES	PROJ. ENG. <i>[Signature]</i>	DATE 5-31-72		
XXX - .005 XX - .02 X - .1	PROD. <i>[Signature]</i>	DATE 6-5-72		
REMOVE BURRS AND BREAK SHARP CORNERS SURFACE QUALITY			TITLE DXMO/- CONO	
MATERIAL	NEXT HIGHER ASSY.	SCALE	SIZE CODE	NUMBER
	B-00-DX11-B	NONE	D BS	DX11-B-12
FINISH	SHEET 1 OF 1	DIST.		

REV B  
NUMBER  
DX11-B-12  
SIZE CODE  
D BS

This drawing and specifications, herein, are the property of Digital Equipment Corporation and shall not be reproduced or copied or used in whole or in part as the basis for the manufacture or sale of items without written permission. 1973



\* CW ROTATION DECREASES DELAY

REV	DATE	BY	CHK
1	11/17/71	W. J. ...	...
2	5/17/72	...	...
3	5/31/72	...	...
4	5/31/72	...	...
5	5/31/72	...	...

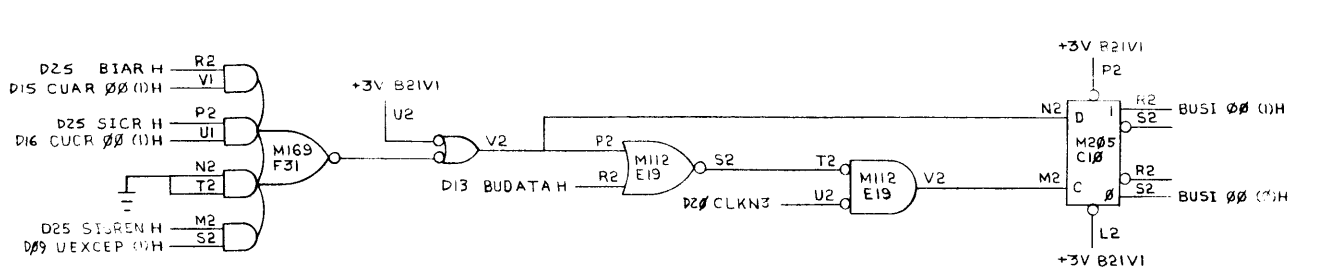
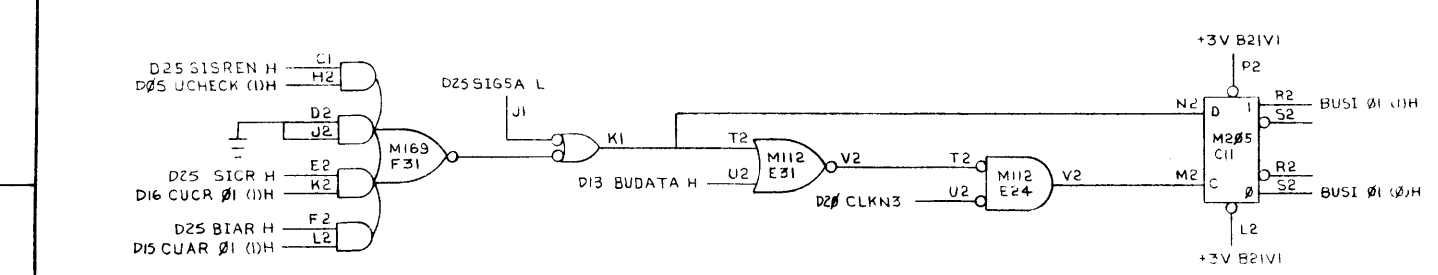
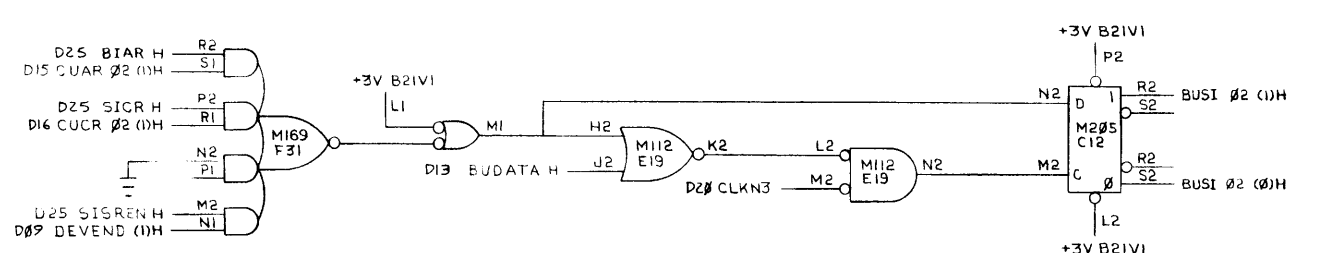
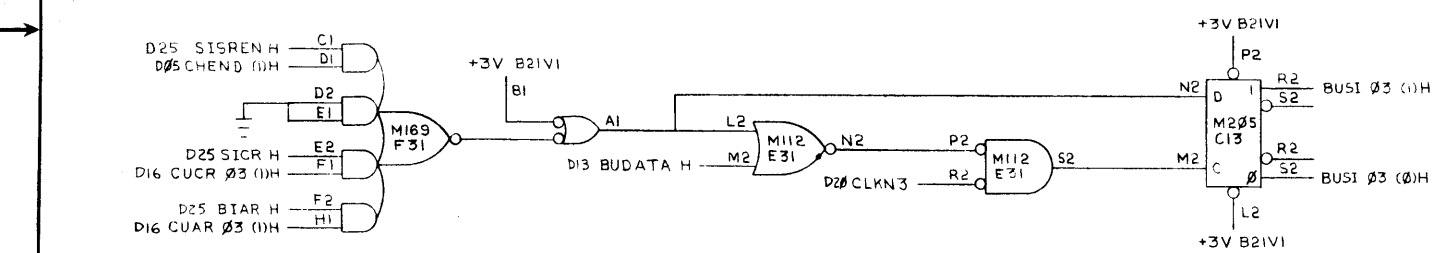
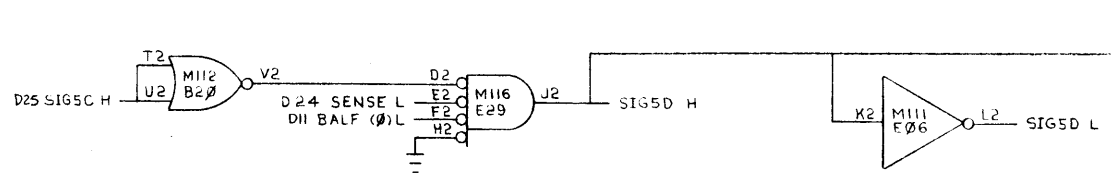
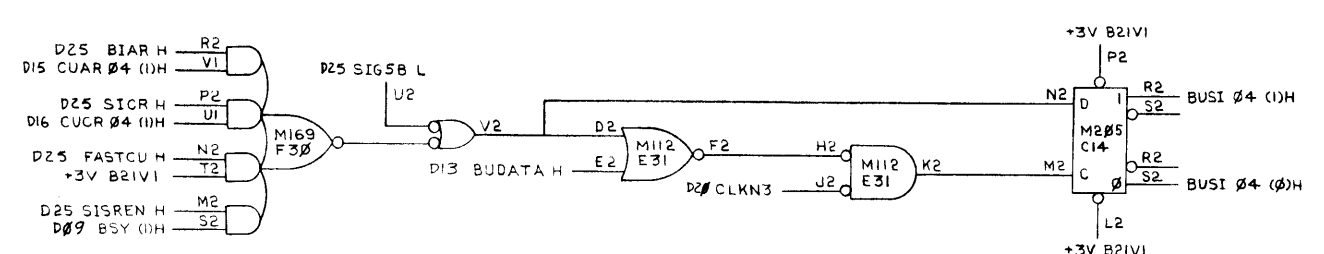
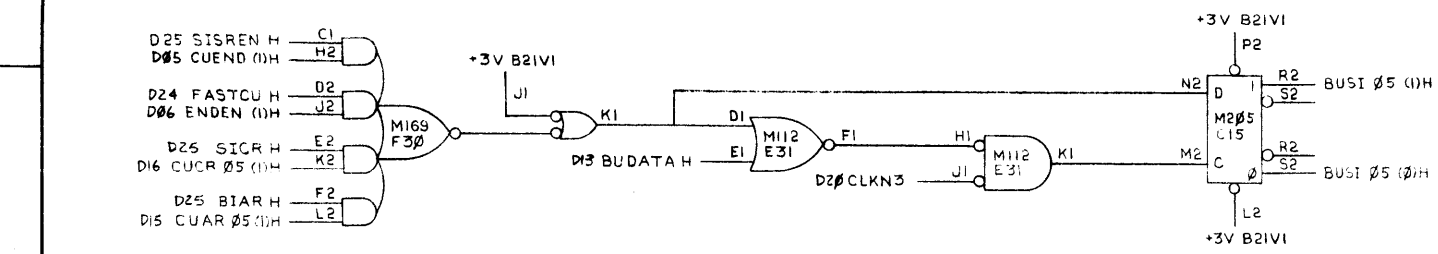
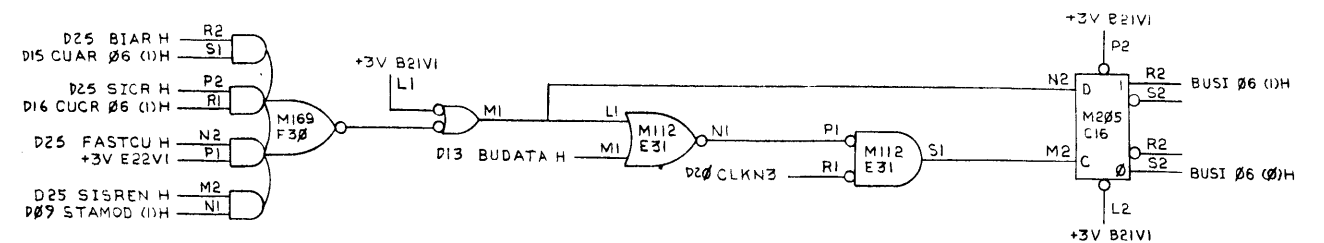
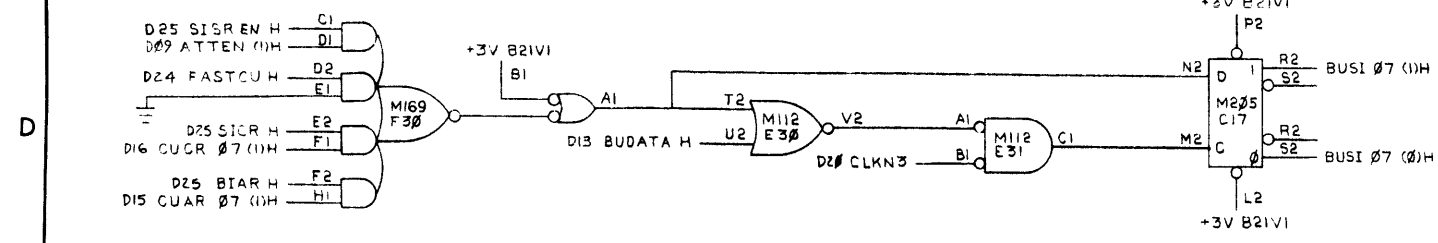
DEC FORM NO. DRD 100-A

FIRST USED ON OPTION/MODEL	QTY.	DESCRIPTION	PART NO.	ITEM NO.
PDP-11				
PARTS LIST				
UNLESS OTHERWISE SPECIFIED DIMENSION IN INCHES. TOLERANCES	DRN. <i>[Signature]</i>	DATE 11/17/71	 DIGITAL EQUIPMENT CORPORATION MAYNARD, MASSACHUSETTS	
DECIMALS	CHK'D. <i>[Signature]</i>	DATE 5/17/72		
ANGLES	ENG. <i>[Signature]</i>	DATE 5/31/72		
.XXX = .005	PROJ. <i>[Signature]</i>	DATE 5/31/72		
.XX = .02	PROD. <i>[Signature]</i>	DATE 5/31/72		
X = .1	REMOVE BURRS AND BREAK SHARP CORNERS SURFACE QUALITY			
MATERIAL	NEXT HIGHER ASSY.		SIZE CODE	NUMBER
FINISH	B-DD-DXII-B		D BS	DXII-B-13
SCALE NONE		SHEET 1 OF 2		REV. B

DXMI CONTROL IN/BUS IN

This drawing and specifications, herein, are the property of Digital Equipment Corporation and shall not be reproduced or copied or used in whole or in part as the basis for the manufacture or sale of items without written permission.

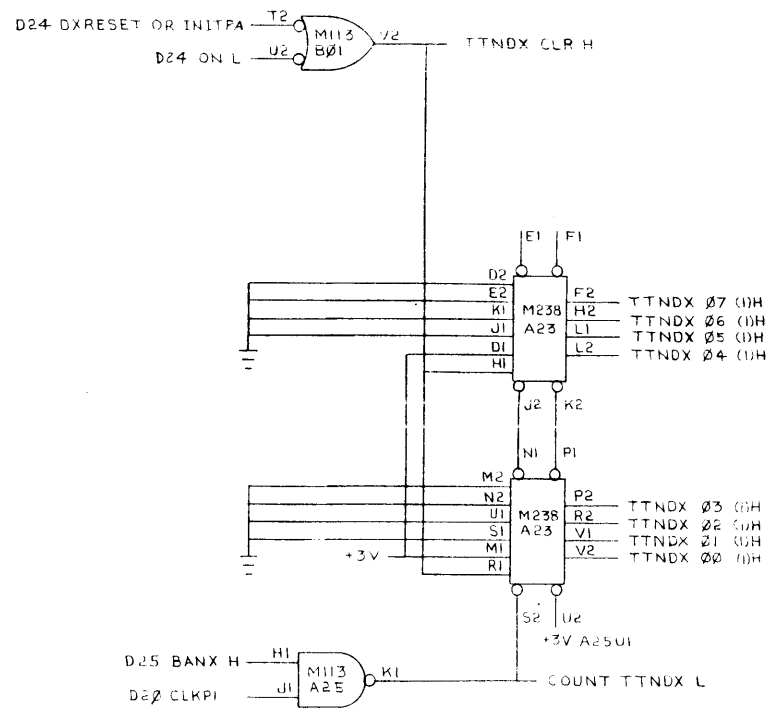
8 7 6 5 4 3 2 1  
 11-8-11X0  
 13003215



REVISIONS	REV.
CHANGE NO.	
CHK	

FIRST USED ON OPTION/MODEL	QTY.	DESCRIPTION	PART NO.	ITEM NO.
PDP-11				
PARTS LIST				
UNLESS OTHERWISE SPECIFIED DIMENSION IN INCHES TOLERANCES	DRN. <i>W. J. G. 11/2/71</i>	DATE <i>11/2/71</i>	 <b>digital EQUIPMENT CORPORATION</b> <small>MAYNARD, MASSACHUSETTS</small>	
DECIMALS	CHK'D <i>W. J. G. 11/2/71</i>	DATE <i>11/2/71</i>		
ANGLES	ENG. <i>W. J. G. 11/2/71</i>	DATE <i>11/2/71</i>		
XXX - .005 XX - .02 X - .1	PROJ. ENG. <i>W. J. G. 11/2/71</i>	DATE <i>11/2/71</i>		
REMOVE BURRS AND BREAK SHARP CORNERS SURFACE QUALITY	PROD. <i>W. J. G. 11/2/71</i>	DATE <i>11/2/71</i>	TITLE <b>DXMI CONTROL IN/ BUS IN</b>	
MATERIAL	NEXT HIGHER ASSY.		SIZE CODE <b>D BS</b>	NUMBER <b>DXII-B-13</b>
FINISH	SCALE NONE			REV. <b>B</b>
	SHEET 2 OF 2		DIST.	

This drawing and specifications, herein, are the property of Digital Equipment Corporation and shall not be reproduced or copied or used in whole or in part as the basis for the manufacture or sale of items without written permission. 1973



REV	DATE	BY
A	11/2/73	R. DIETEN
B	5-21-72	R. DIETEN
C	5-21-72	R. DIETEN
D	6-5-71	R. DIETEN

DEC FORM NO DRD 100-A

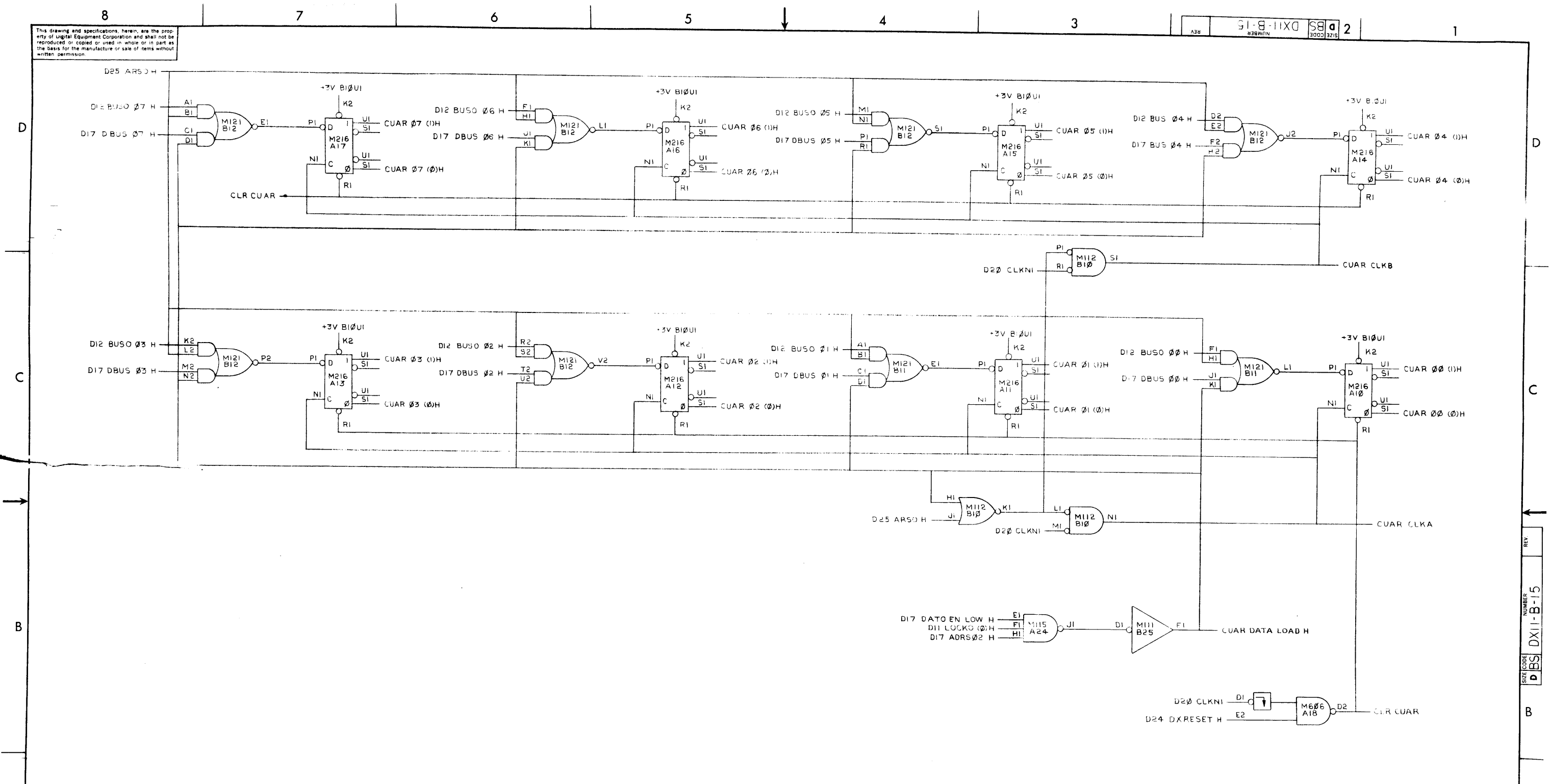
FIRST USED ON OPTION/MODEL PDP-11	QTY.	DESCRIPTION	PART NO.	ITEM NO.
PARTS LIST				
UNLESS OTHERWISE SPECIFIED DIMENSION IN INCHES: TOLERANCES	DRN <i>A. Strickland</i>	DATE 11/2/73	digital EQUIPMENT CORPORATION MAYNARD, MASSACHUSETTS	
DECIMALS .XXX = .005 .XX = .02 X = .1	CHK'D <i>[Signature]</i>	DATE 5-21-72	TITLE TTNDX TUMBLE TABLE INDEX	
ANGLES ±0° 30'	ENG <i>[Signature]</i>	DATE 5-21-72	MATERIAL +-----+	
REMOVE BURRS AND BREAK SHARP CORNERS SURFACE QUALITY ✓	PROJ. ENG. <i>[Signature]</i>	DATE 5-21-72	NEXT HIGHER ASSY. E-00-DX11-B	
FINISH +-----+	PROD. <i>[Signature]</i>	DATE 6-5-71	SIZE CODE D BS	NUMBER DX11-B-14
SCALE NONE	SHEET 1 OF 1	DIST.	REV. A	

REV A  
NUMBER DX11-B-14  
SIZE CODE D BS



This drawing and specifications herein are the property of Digital Equipment Corporation and shall not be reproduced or copied or used in whole or in part as the basis for the manufacture or sale of items without written permission.

REV. 2  
 SIZE CODE DBS  
 NUMBER DX11-B-15

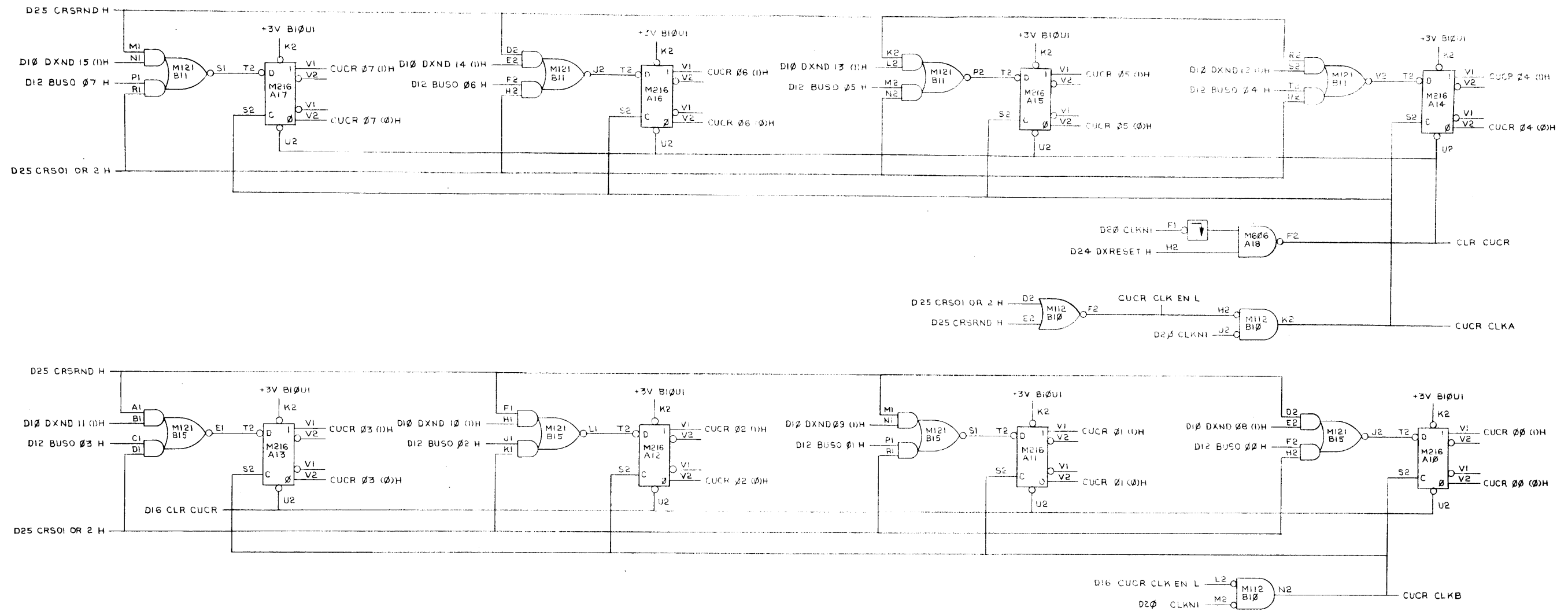


REV.	NO.
CHK	

DEC FORM NO. DRD 100-A

FIRST USED ON OPTION/MODEL PDP-11	QTY.	DESCRIPTION	PART NO.	ITEM NO.
PARTS LIST				
UNLESS OTHERWISE SPECIFIED DIMENSION IN INCHES TOLERANCES	DRN. <i>A. Battelli</i>	DATE 11/21/71	digital EQUIPMENT CORPORATION MAYNARD, MASSACHUSETTS	
DECIMALS	CHK'D <i>[Signature]</i>	DATE 5/17/72	TITLE CUAR CONT. UNIT ADDRESS REG.	
ANGLES	ENG. <i>[Signature]</i>	DATE 5-22-72	MATERIAL NEXT HIGHER ASSY. A-ML-DX11-B	
XXX = .005 XX = .02 X = .1	PROJ. ENG. <i>[Signature]</i>	DATE 5-22-72	FINISH SCALE NONE	
REMOVE BURRS AND BREAK SHARP CORNERS SURFACE QUALITY	PROD. <i>[Signature]</i>	DATE 6-5-72	SIZE CODE DBS DX11-B-15	
			SHEET OF DIST.	

This drawing and specifications, herein, are the property of Digital Equipment Corporation and shall not be reproduced or copied or used in whole or in part as the basis for the manufacture or sale of items without written permission.



CHK	REV
CHANGE NO.	
REVISIONS	

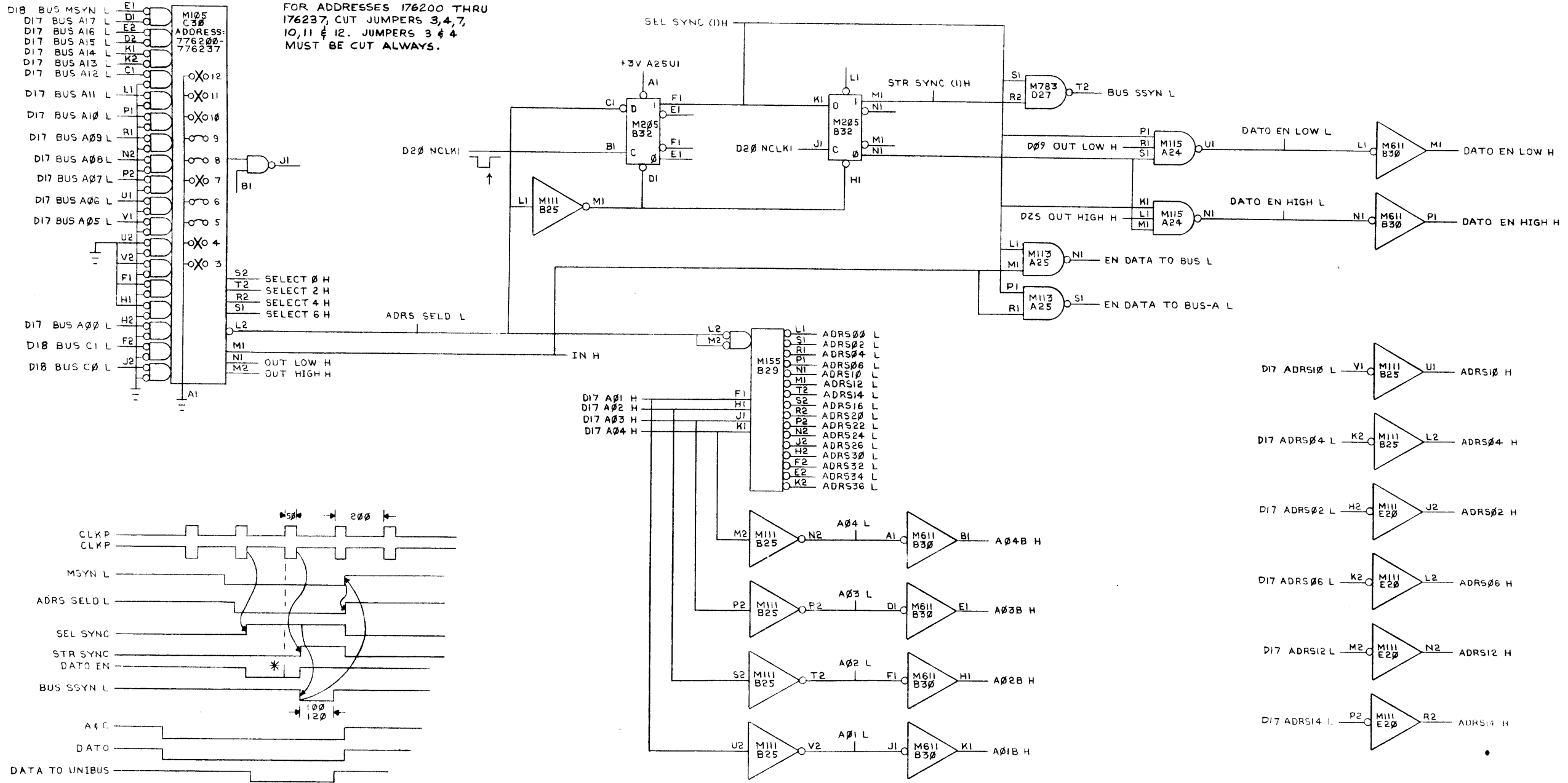
DEC FORM NO. DRD 100-A

FIRST USED ON OPTION/MODEL	QTY.	DESCRIPTION	PART NO.	ITEM NO.
PDP-11		PARTS LIST		
UNLESS OTHERWISE SPECIFIED DIMENSION IN INCHES. TOLERANCES	DRN. DATE 4/29/72	 <b>digital</b> EQUIPMENT CORPORATION MAYNARD, MASSACHUSETTS		
DECIMALS	CHK'D DATE 5/17/72			
ANGLES	ENG. DATE 5-23-72			
XXX = .005 XX = .02 X = .1	±0° 30'			
REMOVE BURRS AND BREAK SHARP CORNERS SURFACE QUALITY	PROD. DATE 6/27/72	TITLE CUCR CONT. UNIT CONTROL REG.		
MATERIAL	NEXT HIGHER ASSY.	SIZE CODE	NUMBER	REV.
FINISH	A-ML-DX11-B	D BS	DX11-B-16	
	SCALE NONE			
	SHEET 1 OF 1	DIST.		

REV. NUMBER  
DX11-B-16  
D BS

This drawing and specifications, herein, are the property of Digital Equipment Corporation and shall not be reproduced or copied or used in whole or in part as the basis for the manufacture or sale of items without written permission.  
1972

NOTE:  
FOR ADDRESSES 176200 THRU 176237, CUT JUMPERS 3, 4, 7, 10, 11 & 12. JUMPERS 3 & 4 MUST BE CUT ALWAYS.

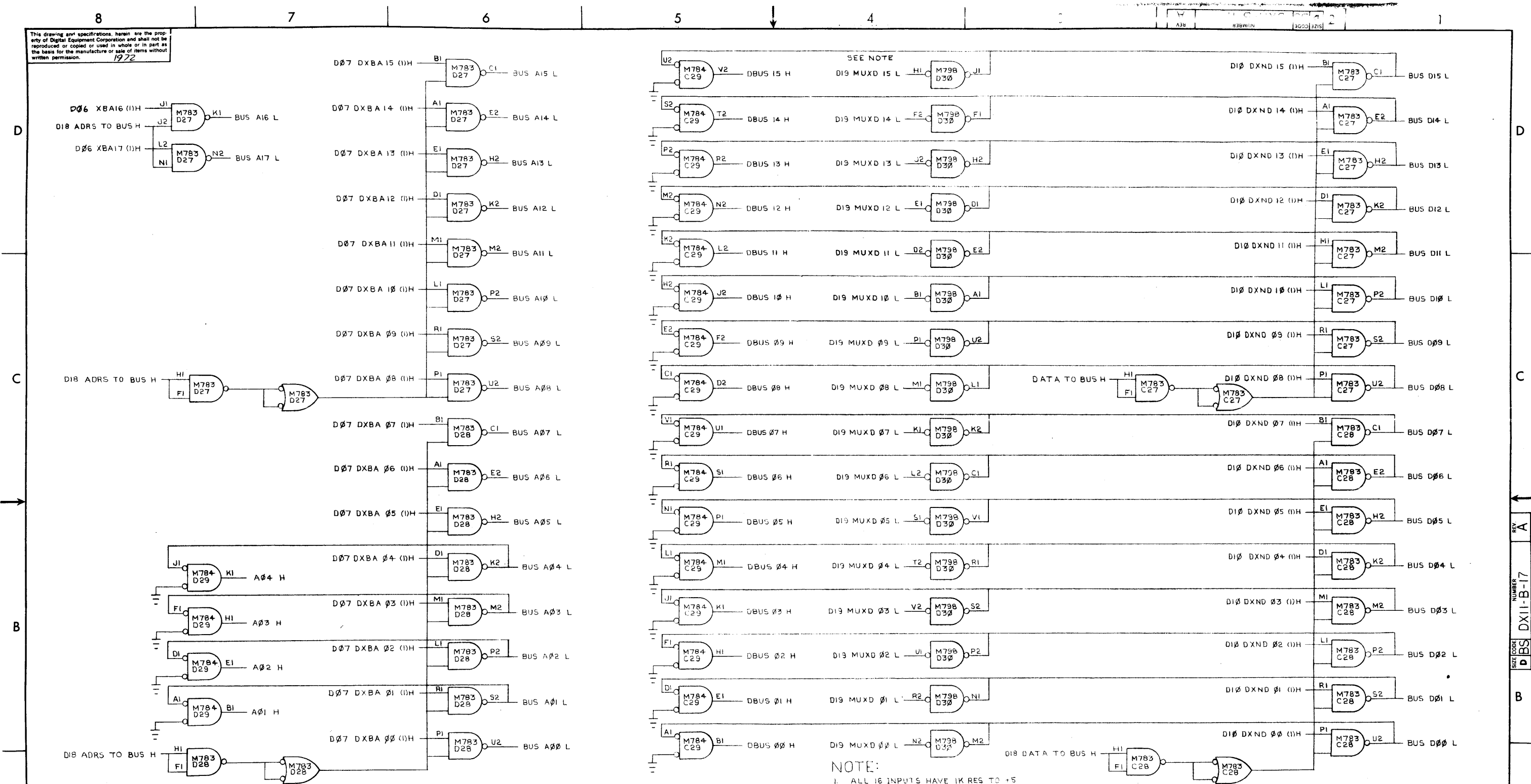


\* INTERNAL CLOCK PRODUCES DATA STROBE.

REV. A	12/17/72	DIETER
CHANGE NO. 0008		
CHK		

FIRST USED ON OPTION/MODEL PDP-11	QTY.	DESCRIPTION	PART NO.	ITEM NO.
PARTS LIST				
UNLESS OTHERWISE SPECIFIED DIMENSION IN INCHES TOLERANCES	DRN. <i>W. H. H. H.</i>	DATE 12/1/71	digital EQUIPMENT CORPORATION MAYNARD, MASSACHUSETTS	
DECIMALS .XXX - .005	ENG. <i>W. H. H. H.</i>	DATE 5-21-72	TITLE UNIBUS INTERFACE	
ANGLES ±0° 30'	PROJ. ENG. <i>W. H. H. H.</i>	DATE 5-21-72	NUMBER A-ML-DX11-B	
REMOVE BURRS AND BREAK SHARP CORNERS SURFACE QUALITY	PROD. <i>W. H. H. H.</i>	DATE 6-5-72	REV. A	
MATERIAL	NEXT HIGHER ASSY.	SCALE NONE	SIZE CODE D BS	NUMBER DX11-B-17
FINISH		SHEET 1 OF 2	DIST.	

This drawing and specifications herein are the property of Digital Equipment Corporation and shall not be reproduced or copied or used in whole or in part as the basis for the manufacture or sale of items without written permission.  
1972



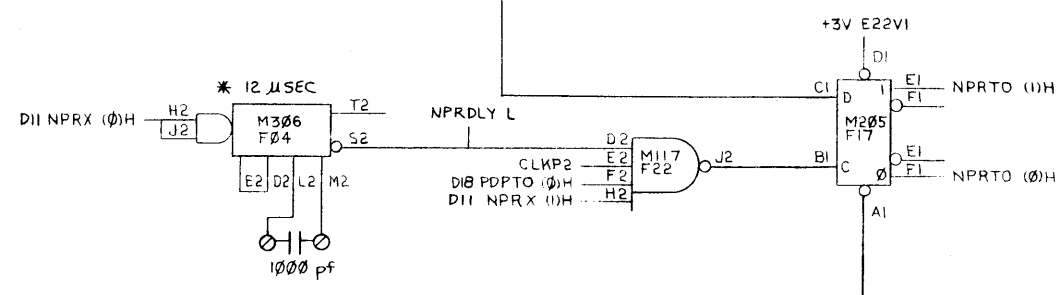
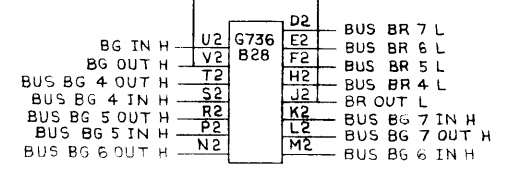
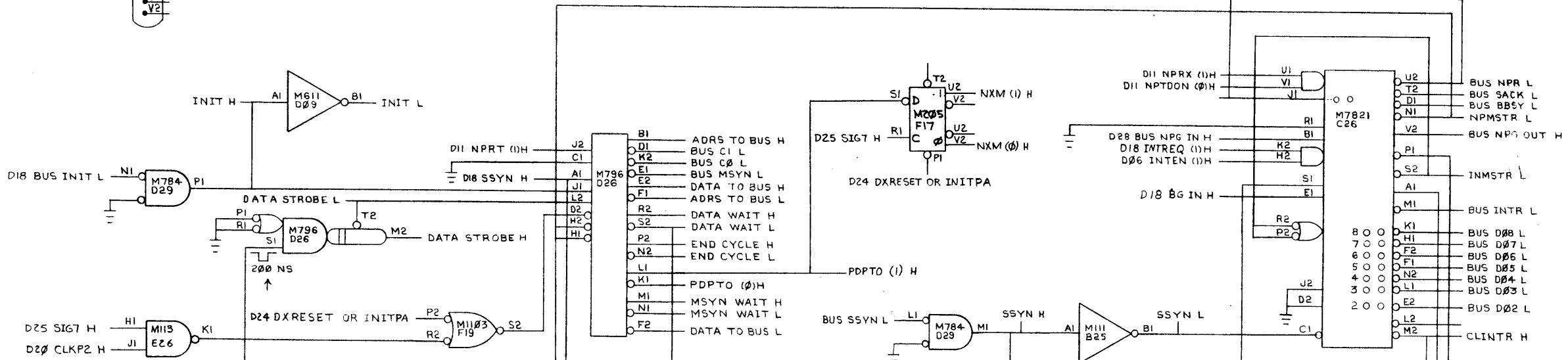
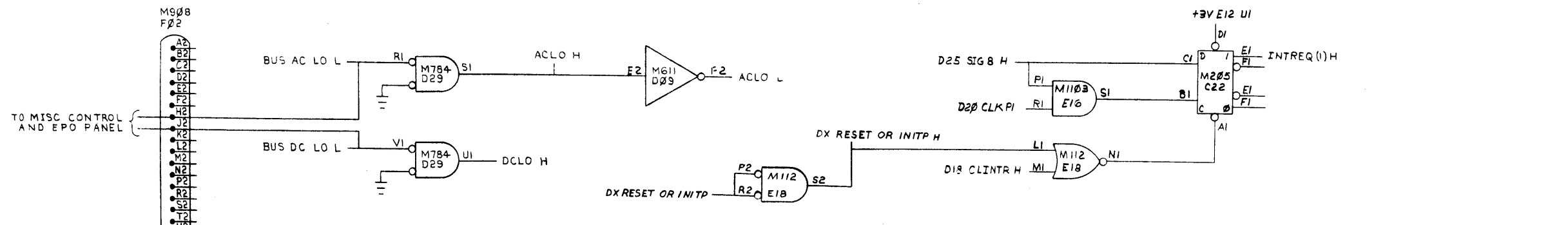
NOTE:  
1. ALL 16 INPUTS HAVE 1K RES TO +5

FIRST USED ON OPTION/MODEL	QTY.	DESCRIPTION	PART NO.	ITEM NO.
PDP-11		PARTS LIST		
UNLESS OTHERWISE SPECIFIED DIMENSION IN INCHES TOLERANCES	DRN. <i>A. J. ...</i>	DATE <i>11/3/71</i>	 <b>DIGITAL EQUIPMENT CORPORATION</b> <small>MAYNARD, MASSACHUSETTS</small>	
DECIMALS	CHK'D <i>[Signature]</i>	DATE <i>5/27/72</i>		
ANGLES	ENG. <i>[Signature]</i>	DATE <i>5/27/72</i>		
.XXX = .006 .XX = .02 .X = .1	PROJ. ENG. <i>[Signature]</i>	DATE <i>5/27/72</i>		
REMOVE BURRS AND BREAK SHARP CORNERS SURFACE QUALITY	PROD. <i>[Signature]</i>	DATE <i>6/5/71</i>	TITLE <b>UNIBUS INTERFACE</b>	
MATERIAL	NEXT HIGHER ASSY.		SIZE CODE	NUMBER
FINISH	A-ML-DXII-B		D BS	DXII-B-17
	SCALE NONE			REV A
	SHEET 2 OF 2			

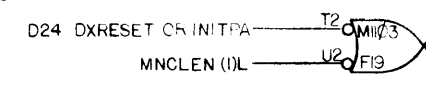
REVISIONS	REV.
CHK	CHANGE NO.

SIZE CODE NUMBER  
D BS DXII-B-17

This drawing and specifications, herein, are the property of Digital Equipment Corporation and shall not be reproduced or copied or used in whole or in part as the basis for the manufacture or sale of items without written permission. 1/77



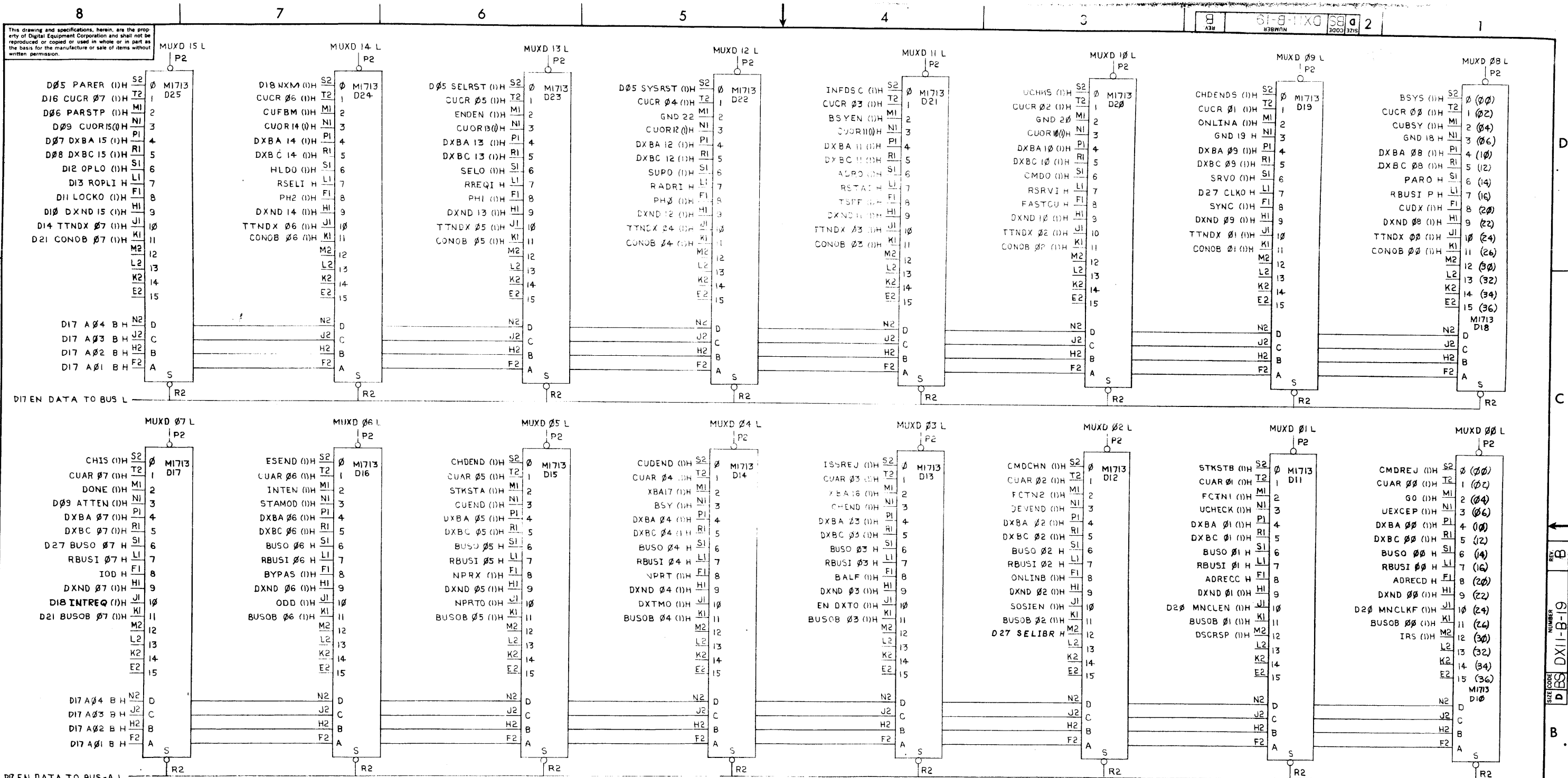
\* CW ROTATION OF POT INCREASES TIME



CHK	REV	CHANGE NO.	BY	DATE	DESCRIPTION
1	1		DIETER	11/18/73	INITIAL
2	2		DIETER	1/2/74	
3	3		DIETER	6-7-74	
4	4		DIETER	10-9-74	
5	5		DIETER	11-4-74	
6	6		DIETER	1-2-74	
7	7		DIETER	1-18-74	
8	8		DIETER	2-2-74	

FIRST USED ON OPTION/MODEL PDP-11	QTY.	DESCRIPTION	PART NO.	ITEM NO.
PARTS LIST				
UNLESS OTHERWISE SPECIFIED DIMENSION IN INCHES. TOLERANCES	DRN.	DATE	digital EQUIPMENT CORPORATION MAYNARD, MASSACHUSETTS	
DECIMALS	CHKD.	DATE	TITLE NPR AND INT. CONTROL	
ANGLES ±0°30'	ENG.	DATE	REV. F	
REMOVE BURRS AND BREAK SHARP CORNERS SURFACE QUALITY	PROJ. ENG.	DATE	SIZE CODE D BS NUMBER DXII-B-18	
MATERIAL	PROD.	DATE	SCALE NONE	
FINISH	NEXT HIGHER ASSY.		SHEET 1 OF 1	
DIST. 1				

This drawing and specifications, herein, are the property of Digital Equipment Corporation and shall not be reproduced or copied or used in whole or in part as the basis for the manufacture or sale of items without written permission.



REVISED	BY	DATE
CHANGED	BY	DATE
BY	DATE	
BY	DATE	
BY	DATE	

FIRST USED ON OPTION/MODEL	QTY.	DESCRIPTION	PART NO.	ITEM NO.
PDP-11				
PARTS LIST				
UNLESS OTHERWISE SPECIFIED DIMENSION IN INCHES. TOLERANCES		DRN <i>A. Mottilli</i>	DATE <i>4/1/72</i>	 <b>digital</b> EQUIPMENT CORPORATION <small>WATYARD, MASSACHUSETTS</small>
DECIMALS	ANGLES	CHKD <i>A. Mottilli</i>	DATE <i>5-27-72</i>	
.XXX = .005	±0° 30'	PROJ. ENG. <i>A. Mottilli</i>	DATE <i>5-27-72</i>	
.XX = .02		PROD. <i>Paul Jones</i>	DATE <i>6-7-72</i>	
REMOVE BURRS AND BREAK SHARP CORNERS SURFACE QUALITY		TITLE <b>DATA BUS MUX.</b>		
MATERIAL	NEXT HIGHER ASSY.	SIZE CODE		
FINISH	SCALE NONE	NUMBER		
	SHEET 1 OF 1	DIST.		

This drawing and specifications, herein, are the property of Digital Equipment Corporation and shall not be reproduced or copied or used in whole or in part as the basis for the manufacture or sale of items without written permission.

D

C

B

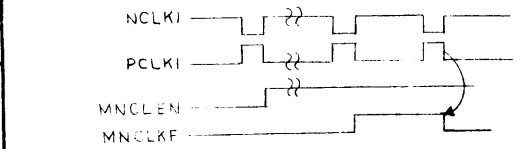
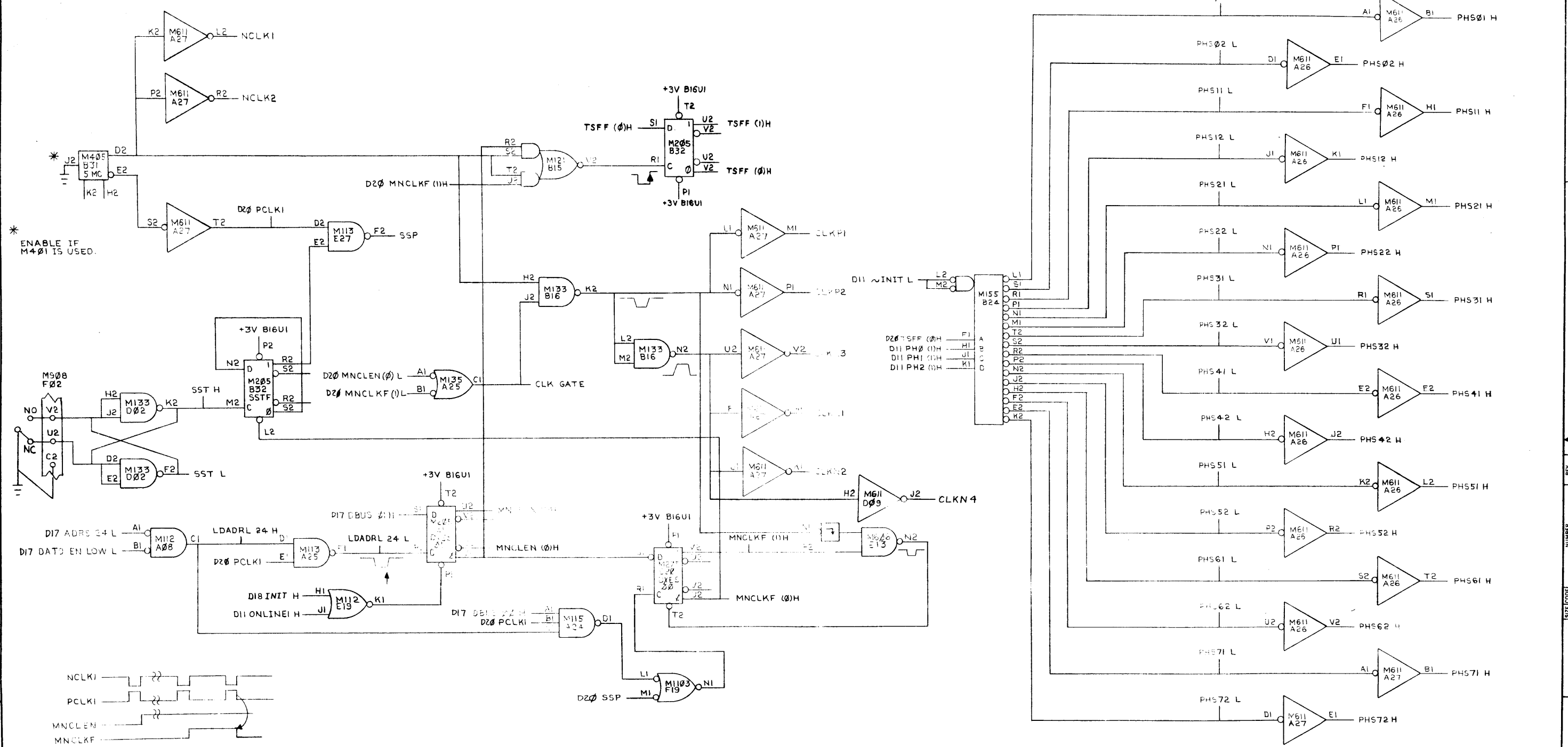
A

D

C

B

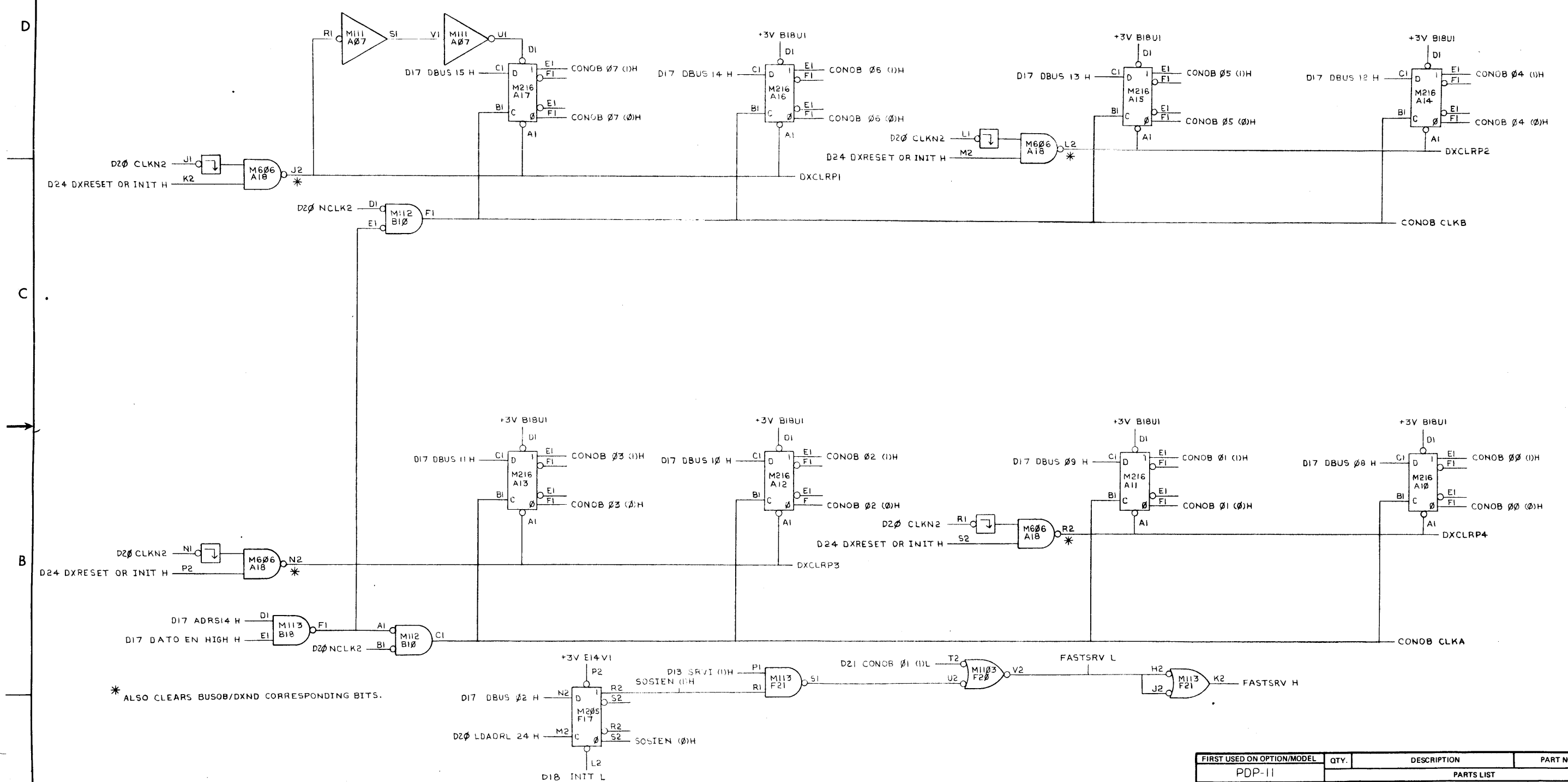
A



REV.	CHANGE NO.	DATE	BY	CHKD.
A	00006	9-8-72	R. DIETER	
B	00014	9-11-72	R. DIETER	
C	00016	1-3-74	R. DIETER	

FIRST USED ON OPTION/MODEL	QTY.	DESCRIPTION	PART NO.	ITEM NO.
PDP-11		PARTS LIST		
UNLESS OTHERWISE SPECIFIED DIMENSION IN INCHES. TOLERANCES		DRN	DATE	<b>digital EQUIPMENT CORPORATION</b> MAYNARD MASSACHUSETTS TITLE <b>CLOCK, PHASE &amp; TIME STATE GEN.</b>
DECIMALS	ANGLES	CHKD.	DATE	
.XXX - .005	±0° 30'	ENG.	DATE	
.XX - .02		PROJ. ENG.	DATE	
X - .1		PRG.	DATE	
REMOVE BURRS AND BREAK SHARP CORNERS SURFACE QUALITY		NEXT HIGHER ASSY.		
MATERIAL		A-ML-DX11-B	SIZE CODE	NUMBER
FINISH		SCALE NONE	D B S	D X I I - B - 2 0
SHEET 1	OF 1	DIST.		REV. C

This drawing and specifications herein, are the property of Digital Equipment Corporation and shall not be reproduced or copied or used in whole or in part as the basis for the manufacture or sale of items without written permission.



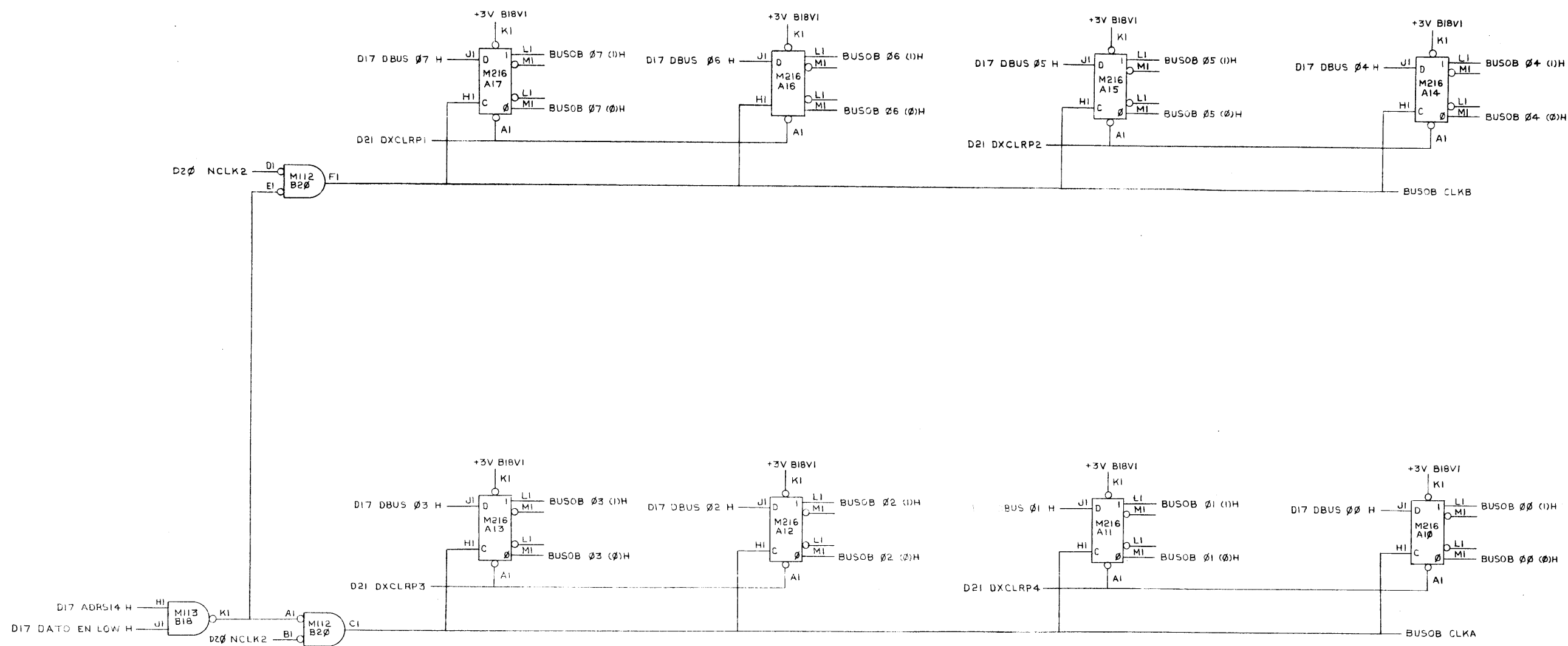
REVISIONS	NO.	REV.
CHANGE NO.		
CHK		

FIRST USED ON OPTION/MODEL	QTY.	DESCRIPTION	PART NO.	ITEM NO.
PDP-11		PARTS LIST		
UNLESS OTHERWISE SPECIFIED DIMENSION IN INCHES. TOLERANCES	DRN. <i>[Signature]</i> DATE 12/1/71	CHK'D. <i>[Signature]</i> DATE 5/1/72	digital EQUIPMENT CORPORATION MAYNARD, MASSACHUSETTS	
DECIMALS .005	ANGLES ±0°30'	ENG. <i>[Signature]</i> DATE 5-1-72	TITLE DXMOB- CONO BUFF/ BUSO BUFF.	
REMOVE BURRS AND BREAK SHARP CORNERS SURFACE QUALITY	PROJ. ENG. <i>[Signature]</i> DATE 5-1-72	PRD. <i>[Signature]</i> DATE 6-5-72	MATERIAL NEXT HIGHER ASSY.	
FINISH	SCALE NONE	SHEET 1 OF 2	SIZE CODE D BS	NUMBER DX11-B-21
			DIST.	REV.



This drawing and specifications, herein, are the property of Digital Equipment Corporation and shall not be reproduced or copied or used in whole or in part as the basis for the manufacture or sale of items without written permission.

REV. 2  
NUMBER  
12-B-11X  
D B S  
SIZE CODE  
0001215

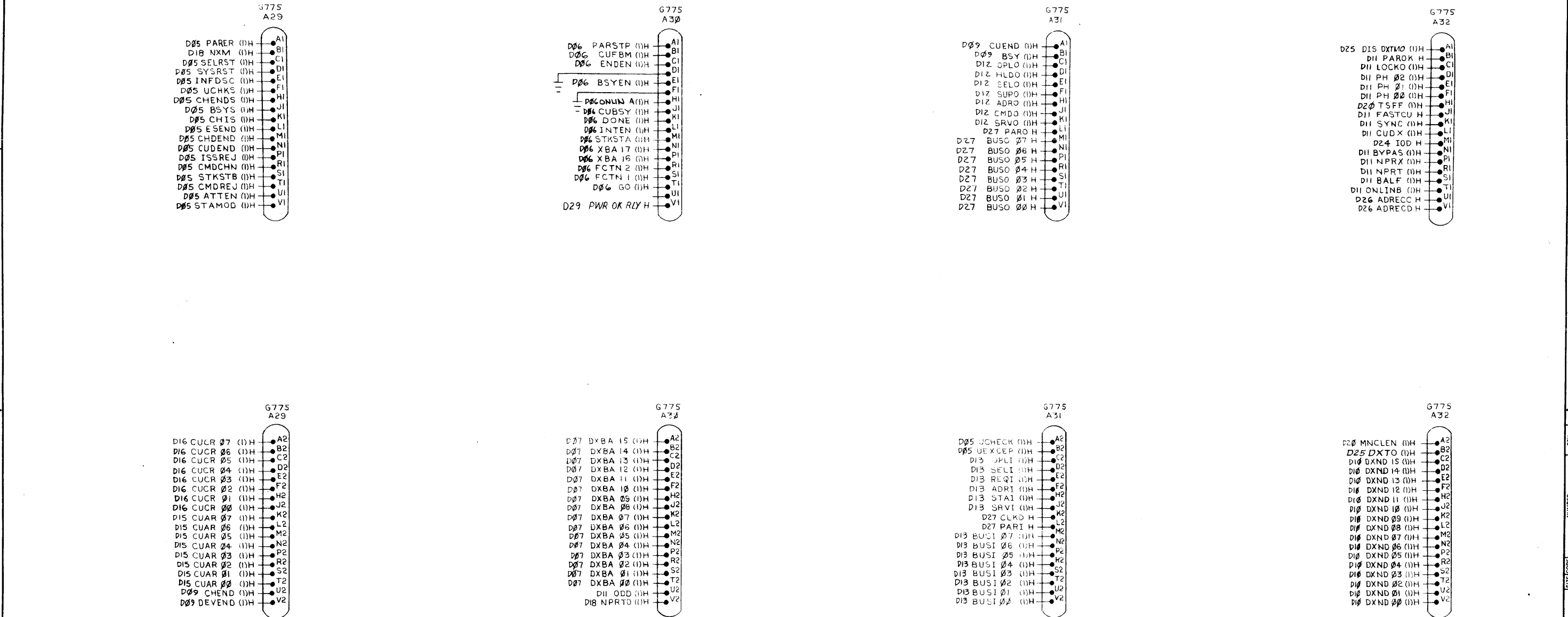


REV.	
CHANGE NO.	
CHK	

DEC FORM NO  
DRD 100-A

FIRST USED ON OPTION/MODEL PDP-11	QTY.	DESCRIPTION	PART NO.	ITEM NO.
PARTS LIST				
UNLESS OTHERWISE SPECIFIED DIMENSION IN INCHES. TOLERANCES	DRN. <i>[Signature]</i>	DATE 12/2/71	digital EQUIPMENT CORPORATION MAYNARD MASSACHUSETTS	
DECIMALS	CHKD. <i>[Signature]</i>	DATE 5/31/72	TITLE DXMOB CONO BUFF./ BUSO BUFF.	
ANGLES	ENG. <i>[Signature]</i>	DATE 5/31/72		
XXX = .005	PROJ. ENG. <i>[Signature]</i>	DATE 5/31/72		
XX = .02	PRD. <i>[Signature]</i>	DATE 6-7-72		
X = .1	REMOVE BURRS AND BREAK SHARP CORNERS. SURFACE QUALITY			
MATERIAL	NEXT HIGHER ASSY.		SIZE CODE D B S	NUMBER DX11-B-21
FINISH		SCALE NONE		REV.
		SHEET 2 OF 2	DIST.	

This drawing and specifications, herein, are the property of Digital Equipment Corporation and shall not be reproduced or copied or used in whole or in part as the basis for the manufacture or sale of items without written permission.  
1972



REV.	CHANGE NO.	DATE	BY
A	1	1-22-72	R. DIETER
B	1	12-14-72	R. DIETER
C	1	1-14-73	R. DIETER

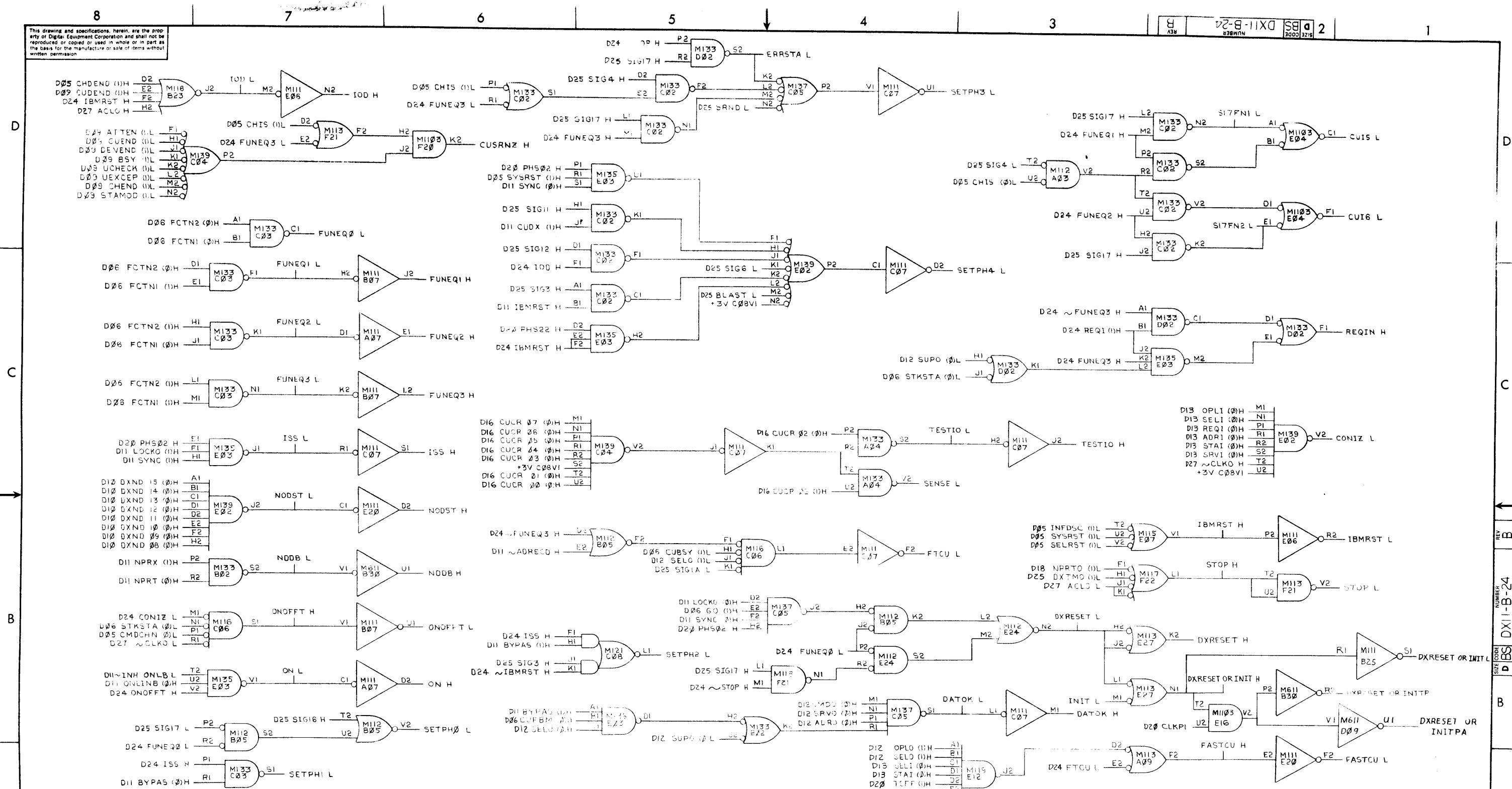
DEC FORM NO. DRD 100-A

FIRST USED ON OPTION/MODEL	QTY.	DESCRIPTION	PART NO.	ITEM NO.
PDP-11		PARTS LIST		
UNLESS OTHERWISE SPECIFIED DIMENSION IN INCHES. TOLERANCES		DRN. DATE	digital EQUIPMENT CORPORATION MAYNARD, MASSACHUSETTS	
DECIMALS	ANGLES	CHKD. DATE	TITLE	
XXX = .005	± 0° 30'	ENG. DATE	INDICATOR CONN.	
XX = .02		PROJ. ENG. DATE		
X = .1		PROD. DATE		
REMOVE BURRS AND BREAK SHARP CORNERS. SURFACE QUALITY				
MATERIAL	NEXT HIGHER ASSY.		SIZE CODE	NUMBER
	B-DD-DX11-B		D IC	DX11-B-22
FINISH	SCALE	NONE		REV. C
	SHEET	OF	DIST.	

REV. C  
NUMBER  
DX11-B-22

This drawing and specifications, herein, are the property of Digital Equipment Corporation and shall not be reproduced or copied or used in whole or in part as the basis for the manufacture or sale of items without written permission.

REV B  
 NUMBER  
 DX11-B-24  
 SIZE CODE  
 DBS

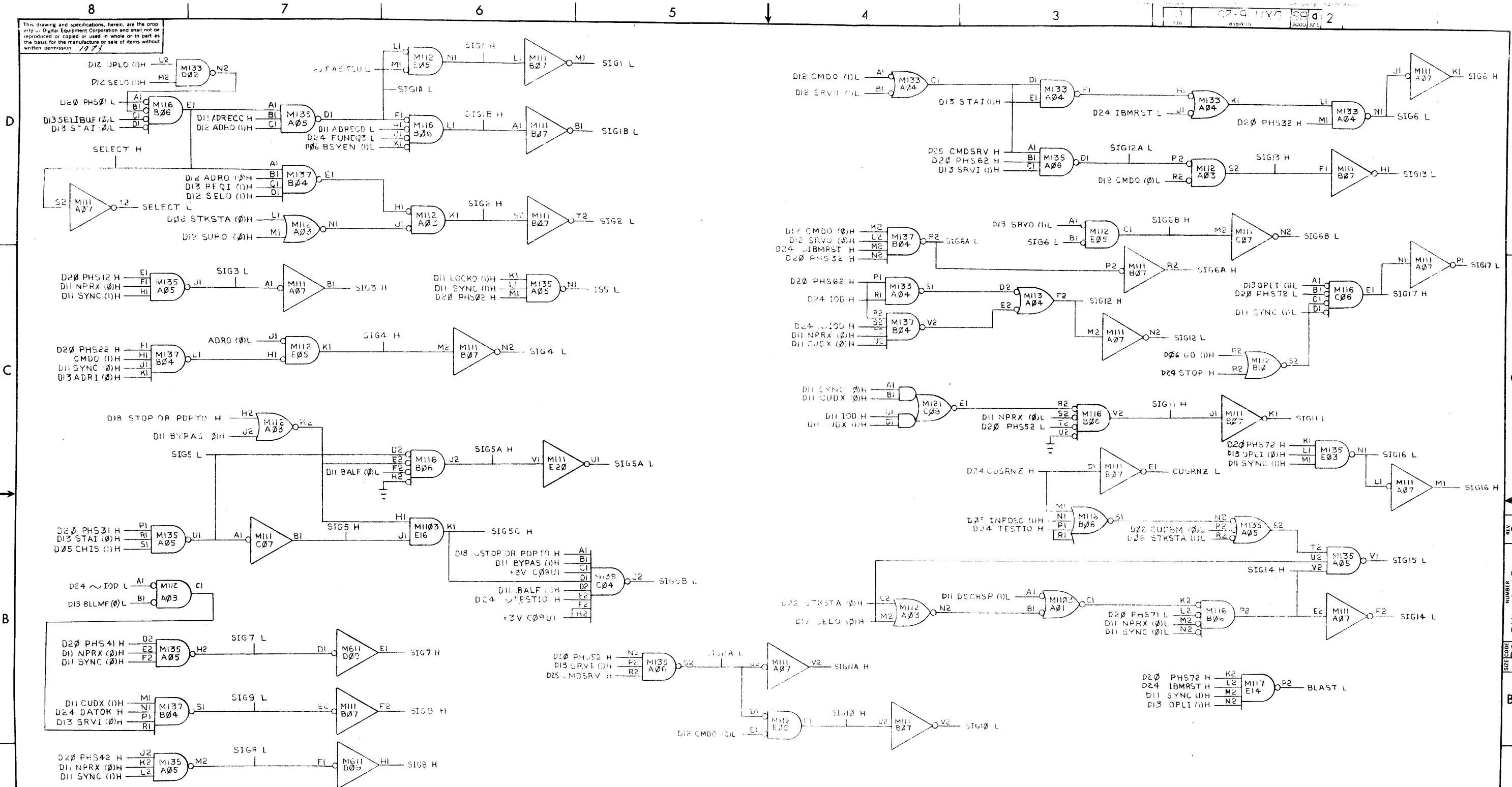


REV	CHANGE NO.	REV
A	0010	10/1/77
B	0015	10/1/77
C	0020	10/1/77
D	0025	10/1/77

CHK: R. DIETER  
 DATE: 10/1/77

FIRST USED ON OPTION/MODEL	QTY.	DESCRIPTION	PART NO.	ITEM NO.
PDP-11				
UNLESS OTHERWISE SPECIFIED DIMENSION IN INCHES. TOLERANCES				
DECIMALS	ANGLES	TITLE		
.XX = .02	±0°30'	GENERAL CONTROLS		
REMOVE BURRS AND BREAK SHARP CORNERS SURFACE QUALITY				
MATERIAL NEXT HIGHER ASSY.				
FINISH		SCALE NONE		REV. B
SHEET 1 OF 1		DIST. DBS		NUMBER DX11-B-24

This drawing and specifications herein are the property of Digital Equipment Corporation and shall not be reproduced or copied in whole or in part as the basis for the manufacture or sale of items without written permission.

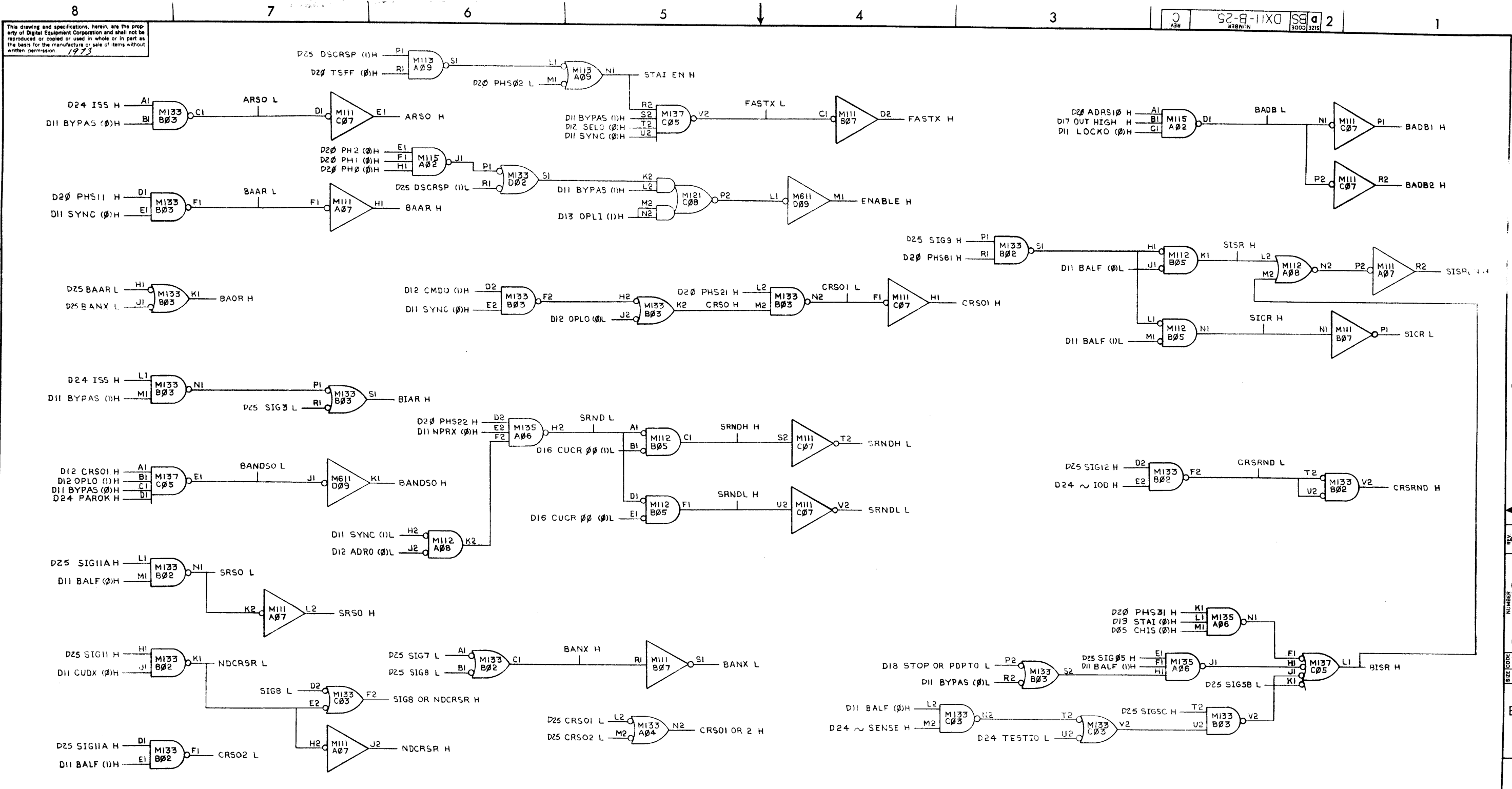


REV	CHG	NO	BY	DATE
A				
B				
C				

DIETER  
R. DIETER  
H. DIETER

FIRST USED ON OPTION/MODEL	QTY.	DESCRIPTION	PART NO.	ITEM NO.
PDP-11				
UNLESS OTHERWISE SPECIFIED DIMENSION IN INCHES TOLERANCES				
DECIMALS	ANGLES	TITLE		
XXX - .005	±0°30'	SIG & GATES		
XX - .02		REMOVE BURRS AND BREAK SHARP CORNERS SURFACE QUALITY		
X - .1		MATERIAL		
		NEXT HIGHER ASSY.		
		FINISH		
MATERIAL		NEXT HIGHER ASSY.		REV. C
+-----+		B-00-DX11-B		
FINISH		SCALE NONE		
SHEET 1 OF 3		DIST.		

REV. C  
NUMBER  
DX11-B-25  
SIZE CODE  
DBS



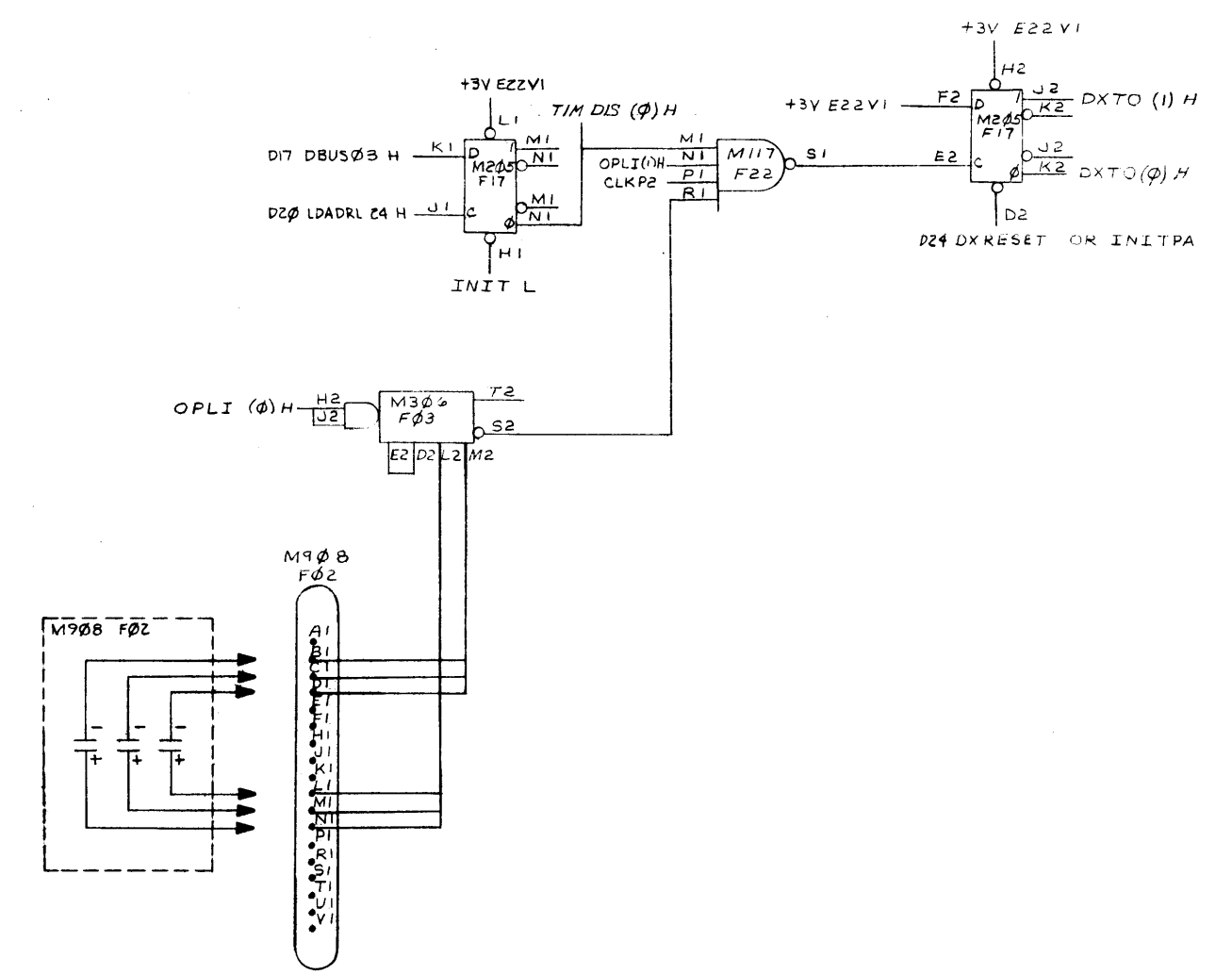
REV.	CHG.	NO.

DEC FORM NO. DRD 100-A

FIRST USED ON OPTION/MODEL	QTY.	DESCRIPTION	PART NO.	ITEM NO.
PDP-11				
PARTS LIST				
UNLESS OTHERWISE SPECIFIED DIMENSION IN INCHES. TOLERANCES	DRN. <i>u. Santopoli</i>	DATE <i>1/28/72</i>	<b>digital</b> EQUIPMENT CORPORATION MAYNARD MASSACHUSETTS	
	CHKD. <i>u. Santopoli</i>	DATE <i>1/28/72</i>		
DECIMALS	ANGLES	±0° 30'	TITLE <b>SIG &amp; GATES</b>	
.xxx = .005 .xx = .02 .x = .1				
REMOVE BURRS AND BREAK SHARP CORNERS SURFACE QUALITY	PROJ. ENGR. <i>K. L. Vito</i>	DATE <i>5-31-72</i>	MATERIAL NEXT HIGHER ASSY. B-DD-DXII-B	
	PROD. <i>u. Santopoli</i>	DATE <i>6-5-72</i>		
FINISH	SCALE NONE	SHEET 2 OF 3	SIZE CODE	NUMBER
			D BS	DXII-B-25
				REV. C

REV. C  
NUMBER  
D BS DXII-B-25

This drawing and specifications, herein, are the property of Digital Equipment Corporation and shall not be reproduced or copied or used in whole or in part as the basis for the manufacture or sale of items without written permission. 1977



NOTE:  
EXTERNAL CAPACITORS  
MOUNTED ON MODULE F02  
ALL ARE 180 UF 6V TANT.

REV	
CHANGE NO	
CHK	

DEC FORM NO  
DND 102-B

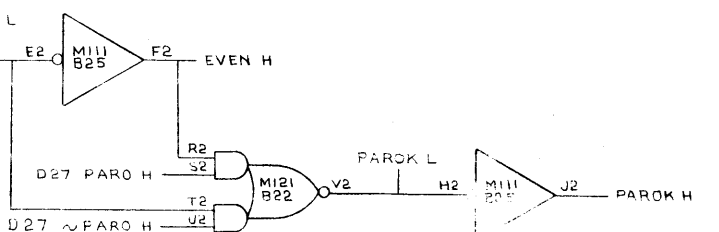
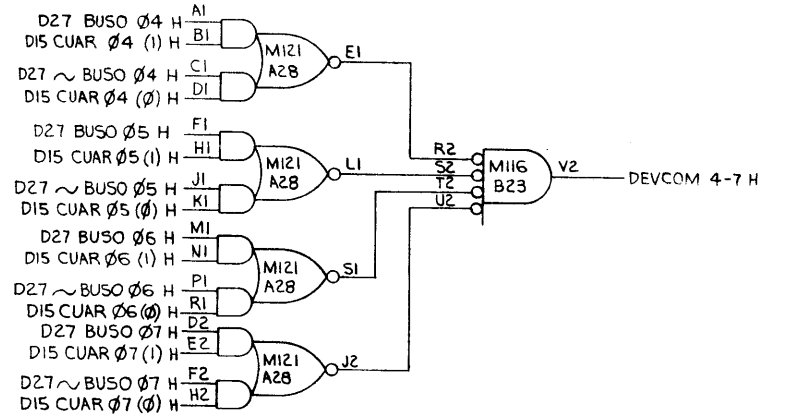
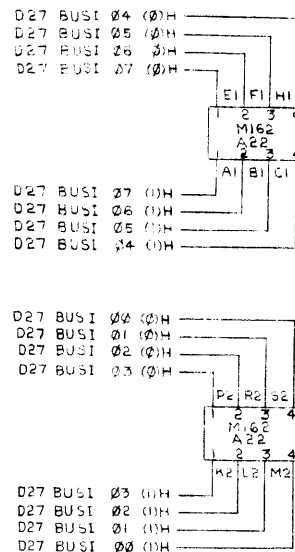
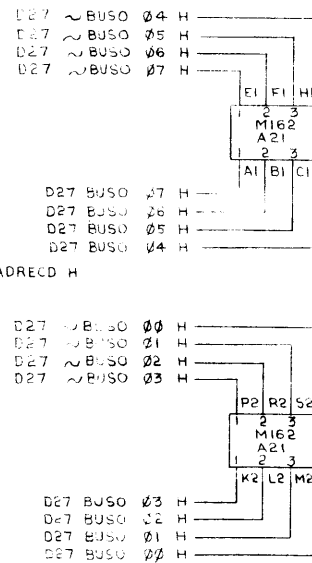
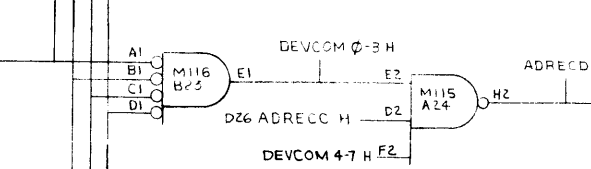
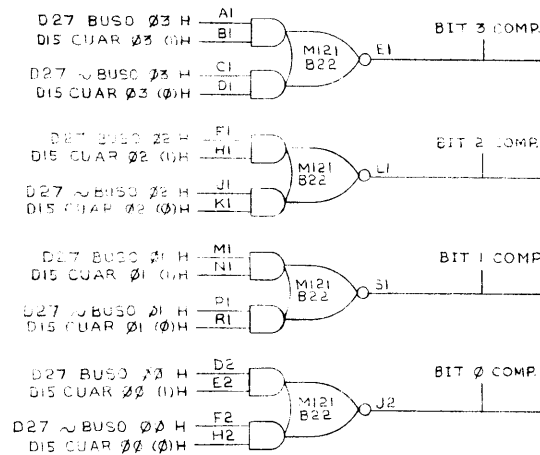
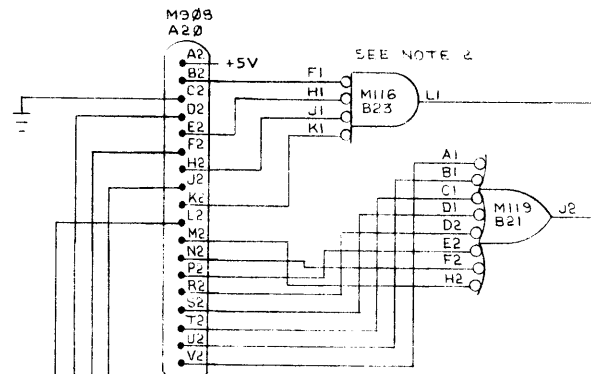
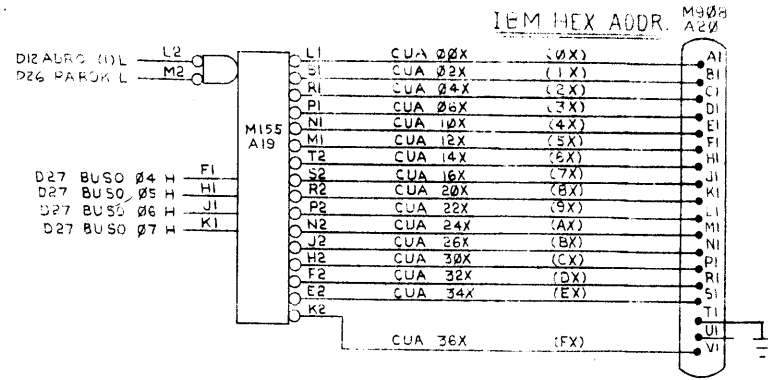
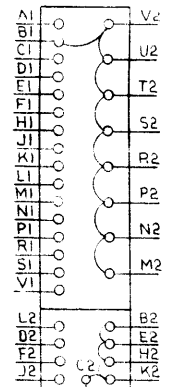
FIRST USED ON OPTION/MODEL	QTY.	DESCRIPTION	PART NO.	ITEM NO.
PDP-11		PARTS LIST		
UNLESS OTHERWISE SPECIFIED DIMENSION IN INCHES. TOLERANCES	DRN <i>E. Wilson</i>	DATE 2-22-72	digital EQUIPMENT CORPORATION MAYNARD MASSACHUSETTS	
DECIMALS .XXX - .005 .XX - .02 .X - .1	ANGLS ±0° 30'	ENG. <i>R. Winters</i>	DATE 5-31-72	TITLE SIG & GATES
REMOVE BURRS AND BREAK SHARP CORNERS SURFACE QUALITY	PROJ. ENG. <i>R. Winters</i>	DATE 5-28-72		
MATERIAL	PROD. <i>Paul Logan</i>	DATE 6-8-72		
FINISH	NEXT HIGHER ASSY.			
	B-DD-DX11-B	SIZE CODE D	NUMBER DX11-B-25	REV. C
	SCALE NONE			
	SHEET 3 OF 3			

This drawing and specifications, herein, are the property of Digital Equipment Corporation and shall not be reproduced or copied or used in whole or in part as the basis for the manufacture or sale of items without written permission.

NOTES:

- INSTALL JUMPERS AS REQUIRED FOR CU ADDRESS SPECIFIED AT EACH INSTALLATION. JUMPER UNUSED INPUTS TO LAST USED INPUT.
- TIE UNUSED INPUTS (B2, E2, H2, K2) TO GND.

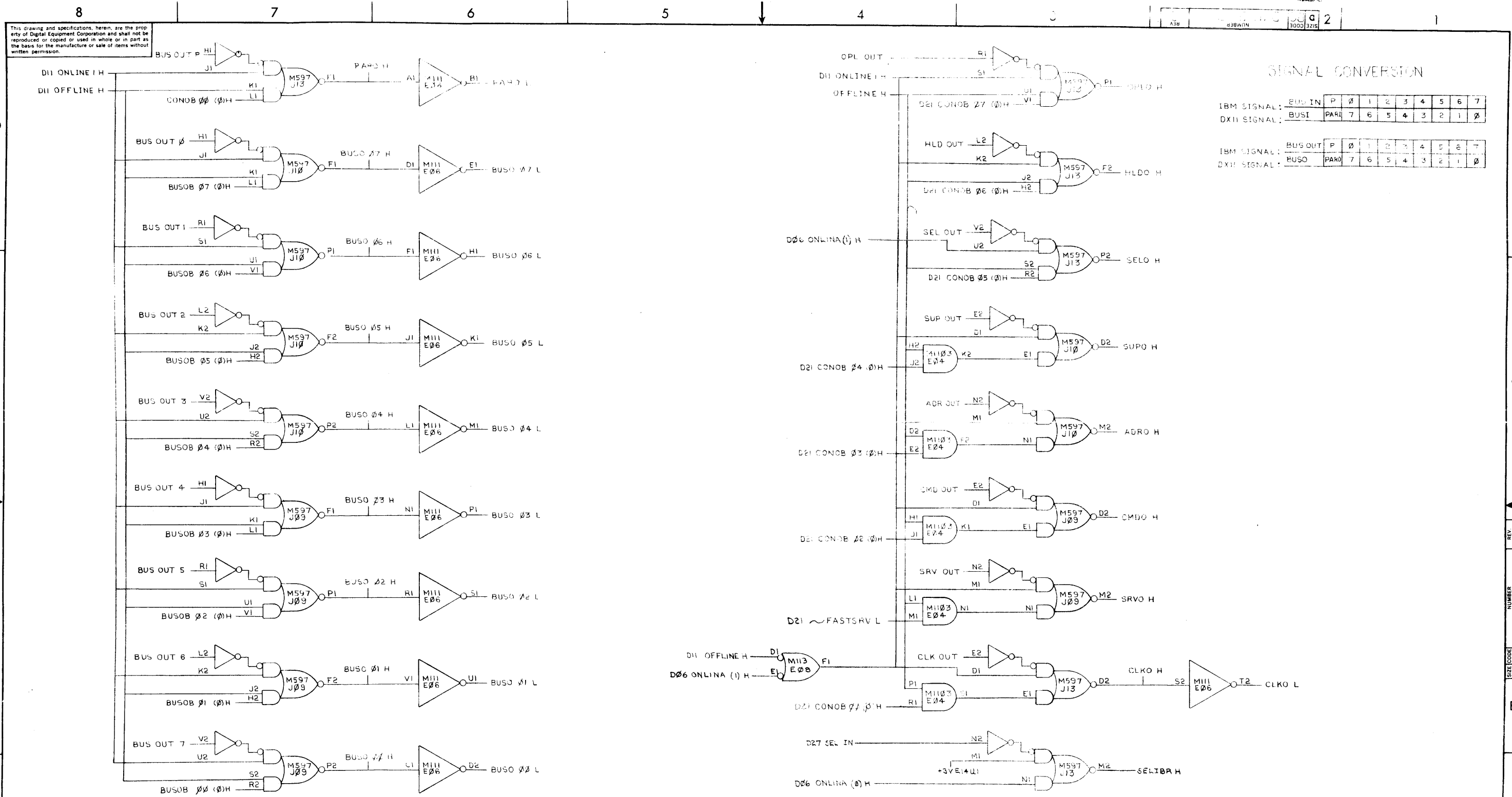
SEE NOTE 1  
SAMPLE JUMPERS SHOWN FOR IBM ADDR. (1X)



REV	CHG	NO	DATE	BY
1		1	11/18/73	DIETER

FIRST USED ON OPTION/MODEL PDP-11	QTY.	DESCRIPTION	PART NO.	ITEM NO.
PARTS LIST				
UNLESS OTHERWISE SPECIFIED DIMENSION IN INCHES. TOLERANCES	DRN. DATE 11/18/73	DATE 11/18/73	digital EQUIPMENT CORPORATION MAYFORD MASSACHUSETTS	
DECIMALS .XXX = .005 .XX = .02 .X = .1	ANGLES ±0° 30'	DATE 5-20-72	TITLE PARITY & ADDR. COMPARE	
REMOVE BURRS AND BREAK SHARP CORNERS SURFACE QUALITY	PROJ. ENG. DATE 5-20-72	DATE 6-7-72	MATERIAL NEXT HIGHER ASSY. B-DD-DX11-B	
FINISH	SCALE NONE	SHEET 1 OF 1	SIZE CODE D BS	NUMBER DX11-B-26
			REV. A	

This drawing and specifications herein are the property of Digital Equipment Corporation and shall not be reproduced or copied or used in whole or in part as the basis for the manufacture or sale of items without written permission.



SIGNAL CONVERSION

IBM SIGNAL:	BUS IN	P	0	1	2	3	4	5	6	7
DXII SIGNAL:	BUSI	PARI	7	6	5	4	3	2	1	0

IBM SIGNAL:	BUS OUT	P	0	1	2	3	4	5	6	7
DXII SIGNAL:	BUSO	PARO	7	6	5	4	3	2	1	0

REVISIONS

CHK	CHANGE NO.	REV.
1	DXIIB-3005	A
2	DXIIB-0005	B

DIE TEK  
3 in. x 4 in. x 1/4 in.  
R. DIETER

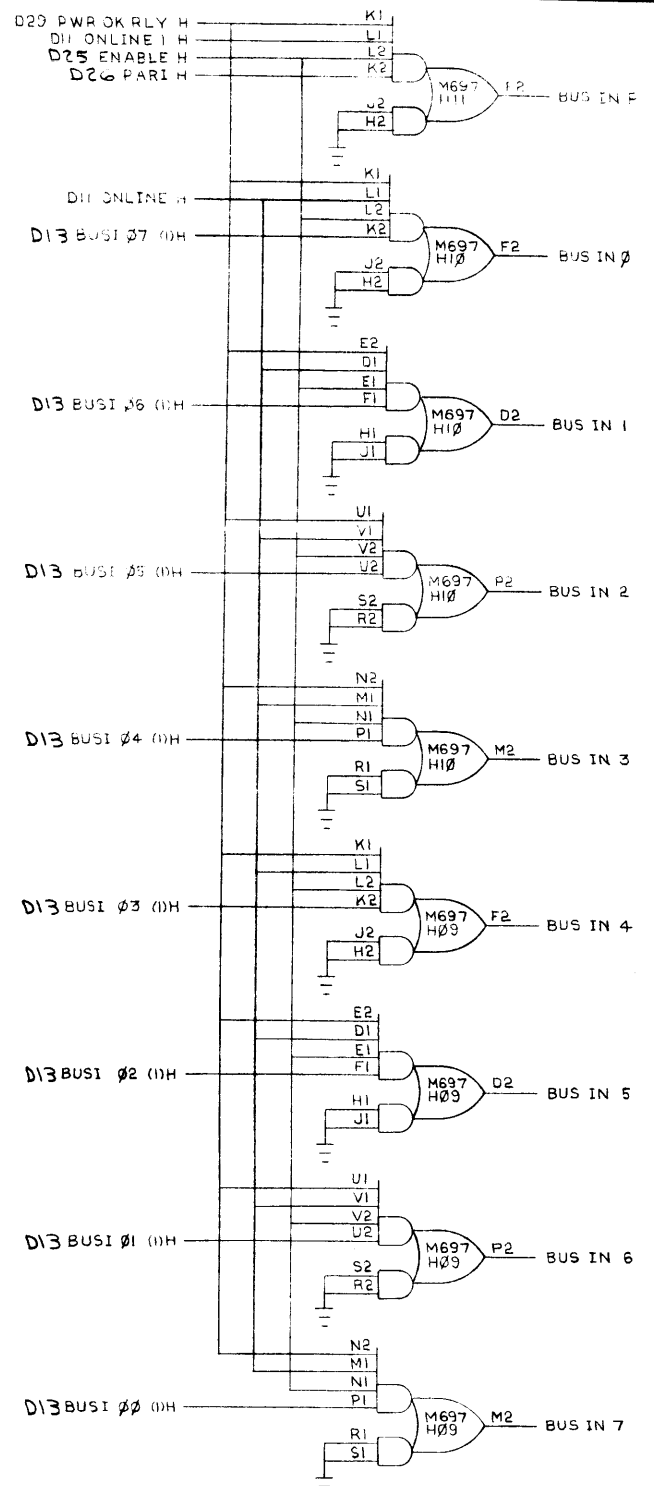
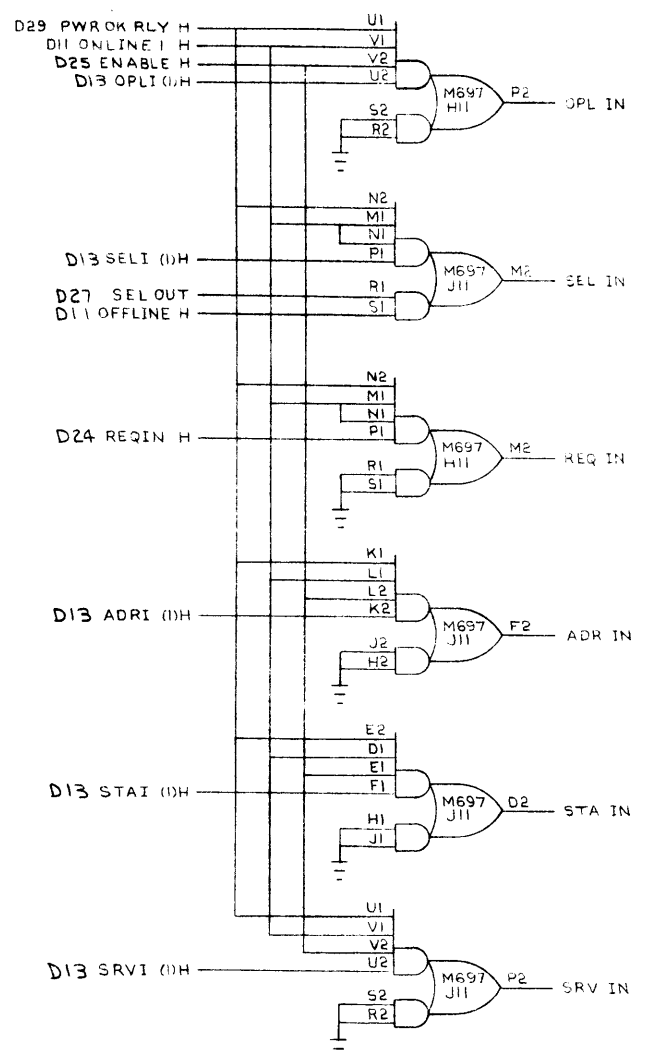
DEC FORM NO. DRD 100-A

FIRST USED ON OPTION/MODEL PDP-11	QTY.	DESCRIPTION	PART NO.	ITEM NO.
PARTS LIST				
UNLESS OTHERWISE SPECIFIED DIMENSION IN INCHES. TOLERANCES	DRN. <i>[Signature]</i>	DATE <i>[Date]</i>	digital EQUIPMENT CORPORATION MAYNARD, MASSACHUSETTS	
DECIMALS .xxx = .005 .xx = .02 .x = .1	ANGLES +0° 30'	ENG. <i>[Signature]</i>	DATE <i>[Date]</i>	TITLE IBM INTERFACE
REMOVE BURRS AND BREAK SHARP CORNERS SURFACE QUALITY	PROJ. ENG. <i>[Signature]</i>	DATE <i>[Date]</i>	PROD. <i>[Signature]</i>	DATE <i>[Date]</i>
MATERIAL	NEXT HIGHER ASSY.		SIZE CODE	NUMBER
FINISH	B-11-DXII-B		D BS	DXII-B-27
	SCALE	NONE		REV B
	SHEET	1 OF 6	DIST.	



This drawing and specifications, herein, are the property of Digital Equipment Corporation and shall not be reproduced or copied or used in whole or in part as the basis for the manufacture or sale of items without written permission.

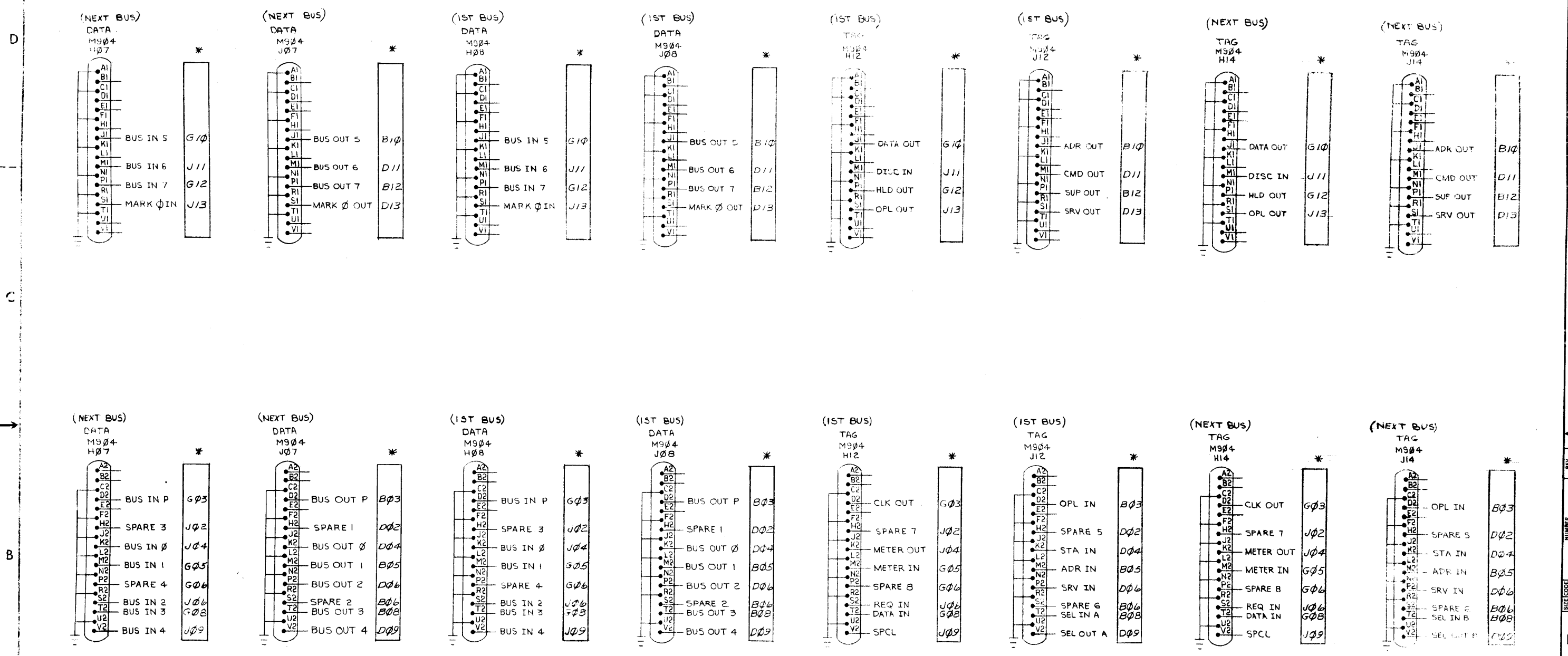
REV 2  
 NUMBER  
 D BS DX11-B-27



REV	
CHANGE NO	
CHK	

FIRST USED ON OPTION/MODEL PDP-11	QTY.	DESCRIPTION	PART NO.	ITEM NO.
PARTS LIST				
UNLESS OTHERWISE SPECIFIED DIMENSION IN INCHES. TOLERANCES	DRN. <i>A. Hattick</i>	DATE 12/3/71	digital EQUIPMENT CORPORATION MAYNARD, MASSACHUSETTS	
DECIMALS .XXX = .005 .XX = .02 .X = .1	CHK'D <i>[Signature]</i>	DATE 6-1-72	TITLE IBM INTERFACE	
ANGLES ±0° 30'	ENG. <i>[Signature]</i>	DATE 6-1-72	MATERIAL NEXT HIGHER ASSY.	
REMOVE BURRS AND BREAK SHARP CORNERS SURFACE QUALITY ✓	PROJ. ENG. <i>[Signature]</i>	DATE 6-1-72	FINISH SCALE NONE	
	PROD. <i>[Signature]</i>	DATE 6-8-72	SHEET 2 OF 6	
			SIZE CODE D BS	NUMBER DX11-B-27
				REV. B

This drawing and specifications, herein, are the property of Digital Equipment Corporation and shall not be reproduced or copied or used in whole or in part as the basis for the manufacture or sale of items without written permission.



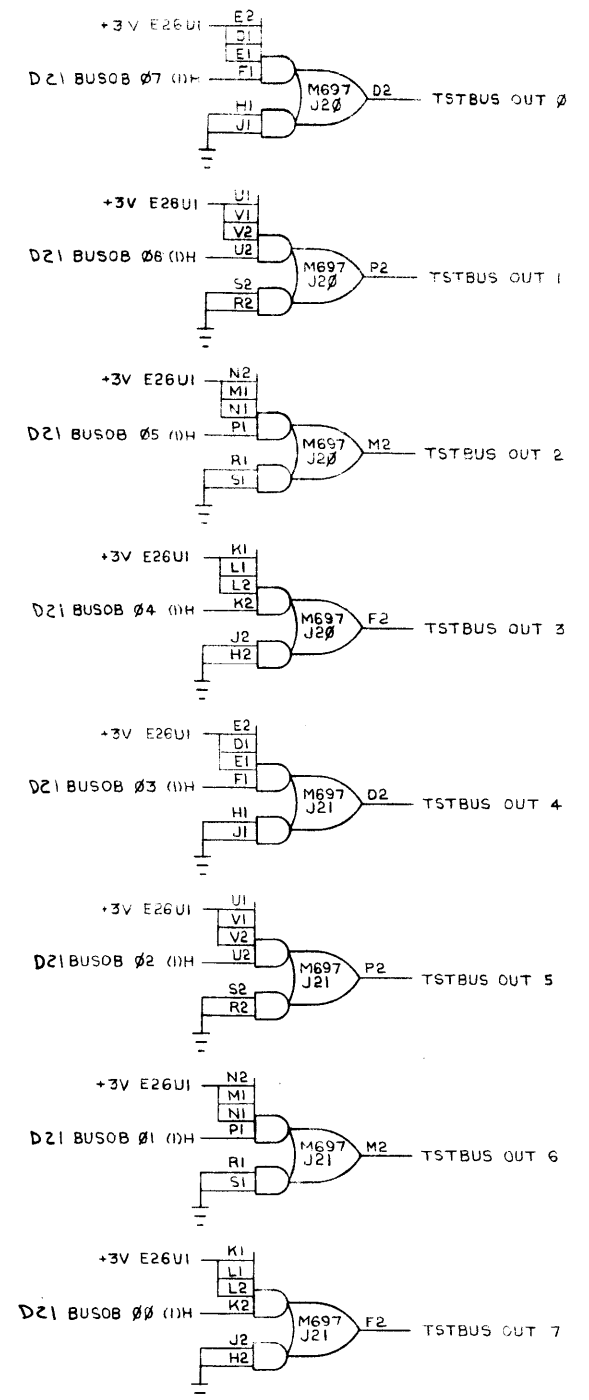
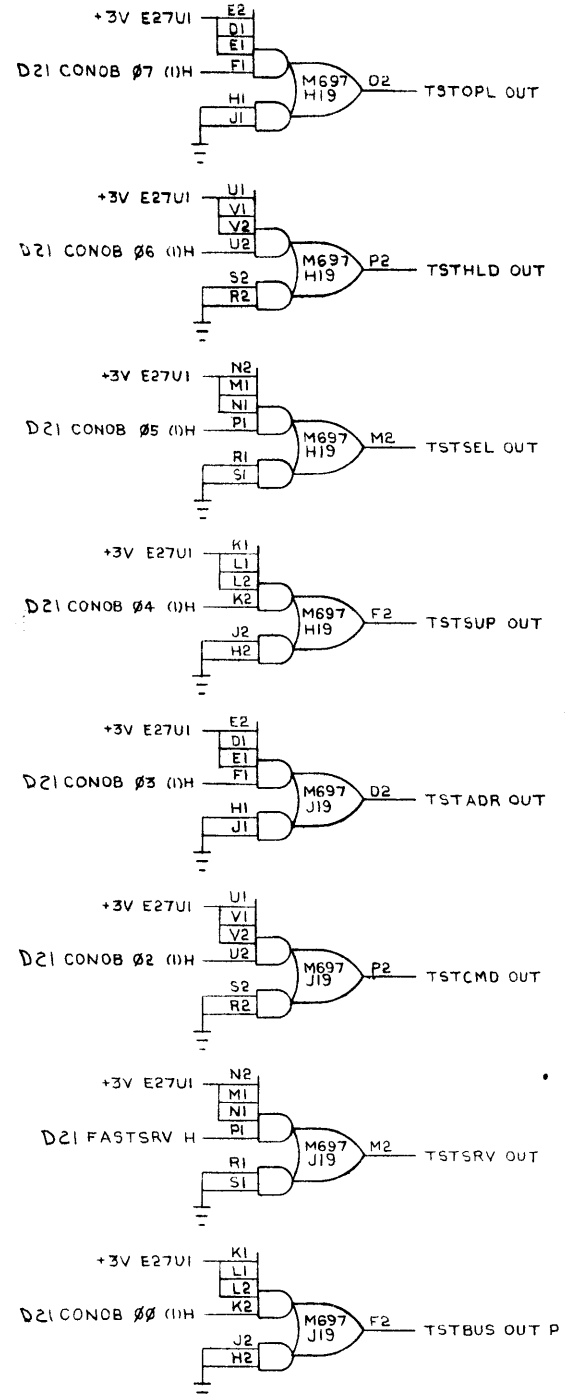
\* IBM CONN. PIN NO

REV	
CHANGE NO.	
CHK	

FIRST USED ON OPTION/MODEL PDP-11	QTY.	DESCRIPTION	PART NO.	ITEM NO.
PARTS LIST				
UNLESS OTHERWISE SPECIFIED DIMENSION IN INCHES. TOLERANCES	DRN. <i>A. Fratelli</i>	DATE 1/14/72	digital EQUIPMENT CORPORATION MAYFIELD, MASSACHUSETTS	
DECIMALS	CHK'D <i>[Signature]</i>	DATE 6-1-72	TITLE IBM INTERFACE	
ANGLES	NG. <i>[Signature]</i>	DATE 6-1-72		
.XXX = .005	PROJ. ENG. <i>[Signature]</i>	DATE 6-1-72		
.XX = .02	PROD. <i>[Signature]</i>	DATE 6-1-72		
.X = .1				
REMOVE BURRS AND BREAK SHARP CORNERS SURFACE QUALITY				
MATERIAL	NEXT HIGHER ASSY.	SIZE CODE	NUMBER	REV.
	B-DD-DX11-B	D BS	DX11-B-27	B
FINISH	SCALE NONE	SHEET	3 OF 6	DIST.

This drawing and specifications, herein, are the property of Digital Equipment Corporation and shall not be reproduced or copied or used in whole or in part as the basis for the manufacture or sale of items without written permission.

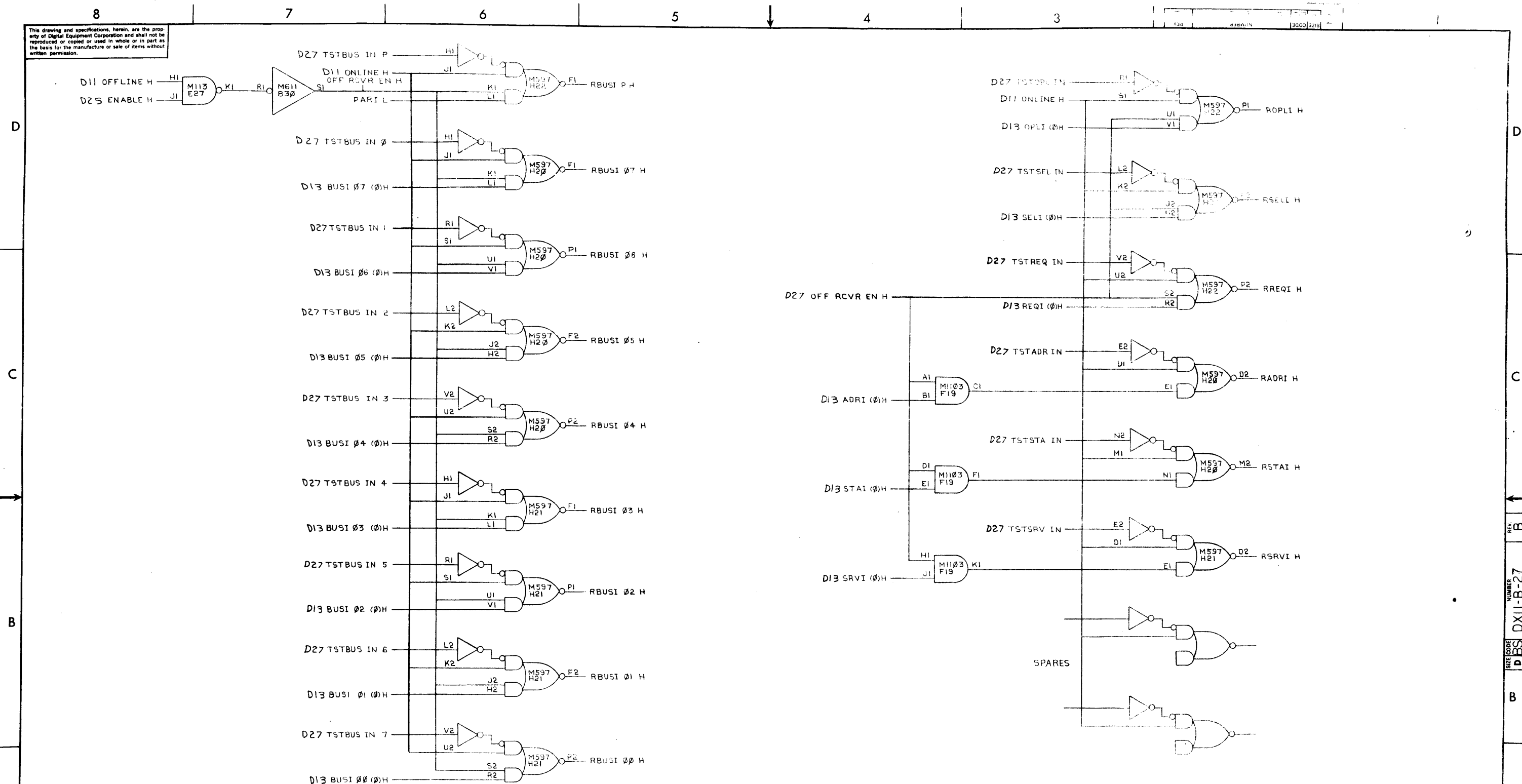
REV B  
NUMBER 2  
SIZE CODE DBS  
DX11-B-27



REV.	
CHANGE NO.	
CHK	

FIRST USED ON OPTION/MODEL PDP-11	QTY.	DESCRIPTION	PART NO.	ITEM NO.
PARTS LIST				
UNLESS OTHERWISE SPECIFIED DIMENSION IN INCHES. TOLERANCES	DRN <i>A. J. Smith</i>	DATE 10/4/71	digital EQUIPMENT CORPORATION MAYNARD MASSACHUSETTS	
DECIMALS	CHG'D <i>[Signature]</i>	DATE 3/17/72	TITLE IBM INTERFACE	
ANGLES	ENG <i>[Signature]</i>	DATE 6-1-72		
.XXX = .005	PROJ. ENG. <i>[Signature]</i>	DATE 6-1-72		
.XX = .02	PROD. <i>[Signature]</i>	DATE 6-1-72		
.X = .1	REMOVE BURRS AND BREAK SHARP CORNERS SURFACE QUALITY			
MATERIAL	NEXT HIGHER ASSY.		SIZE CODE DBS	NUMBER DX11-B-27
FINISH	SCALE NONE			REV. B
	SHEET 4 OF 6		DIST.	

This drawing and specifications, herein, are the property of Digital Equipment Corporation and shall not be reproduced or copied or used in whole or in part as the basis for the manufacture or sale of items without written permission.

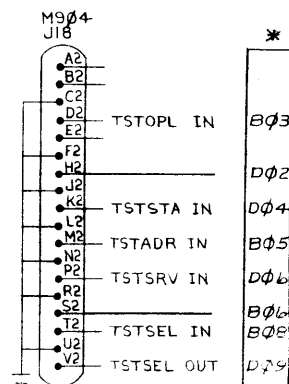
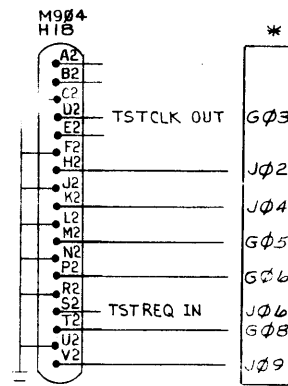
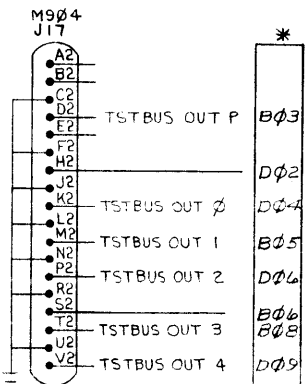
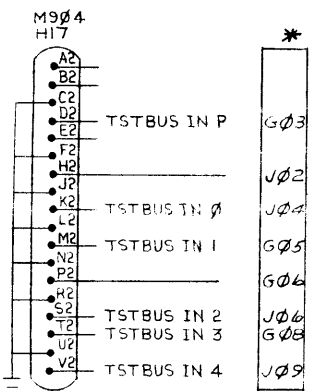
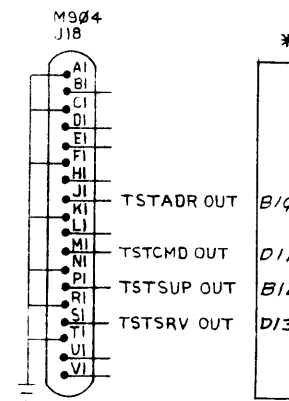
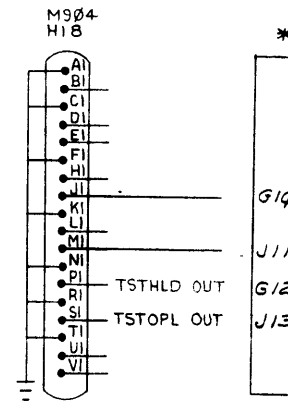
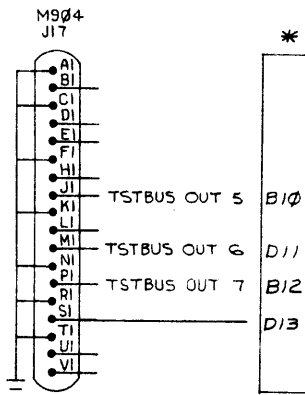
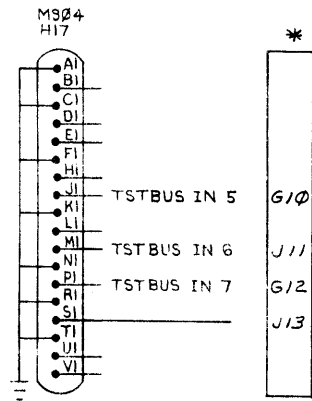


REV.	CHG.	NO.

FIRST USED ON OPTION/MODEL	QTY.	DESCRIPTION	PART NO.	ITEM NO.
PDP-11		PARTS LIST		
UNLESS OTHERWISE SPECIFIED DIMENSION IN INCHES TOLERANCES	DRN. <i>A. Spatiello</i>	DATE 12/3/71	digital EQUIPMENT CORPORATION MAYNARD, MASSACHUSETTS	
DECIMALS .XXX = .005	CHK'D <i>[Signature]</i>	DATE 9/1/70	TITLE	
ANGLES ±0° 30'	ENG. <i>[Signature]</i>	DATE 6/1/72	IBM	
REMOVE BURRS AND BREAK SHARP CORNERS SURFACE QUALITY	PROJ. ENG. <i>[Signature]</i>	DATE 6/1/72	INTERFACE	
MATERIAL	PROD. <i>[Signature]</i>	DATE 6/5/72	NUMBER	
FINISH	NEXT HIGHER ASSY.		B-00-DX11-B	REV. B
	SCALE NONE		SIZE CODE D BS	
	CHEET 5 OF 6		DX11-B-27	

REV. B  
ITEM NO.  
DX11-B-27  
SIZE CODE  
D BS

This drawing and specifications, herein, are the property of Digital Equipment Corporation and shall not be reproduced or copied or used in whole or in part as the basis for the manufacture or sale of items without written permission.



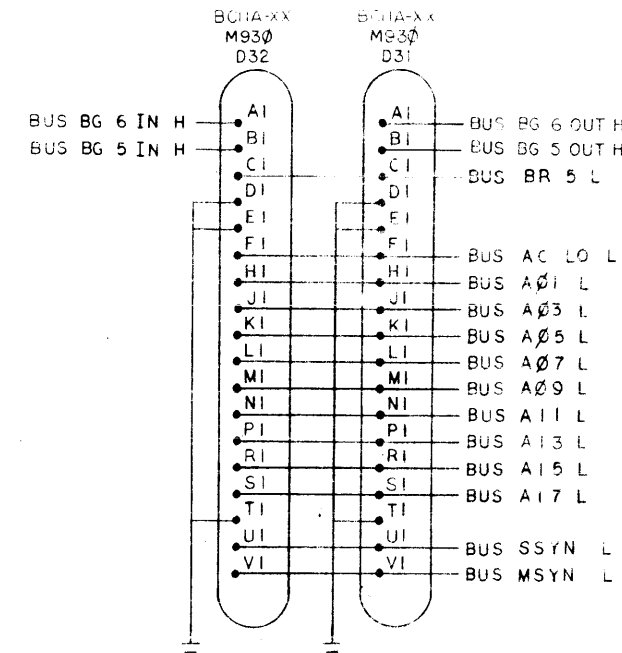
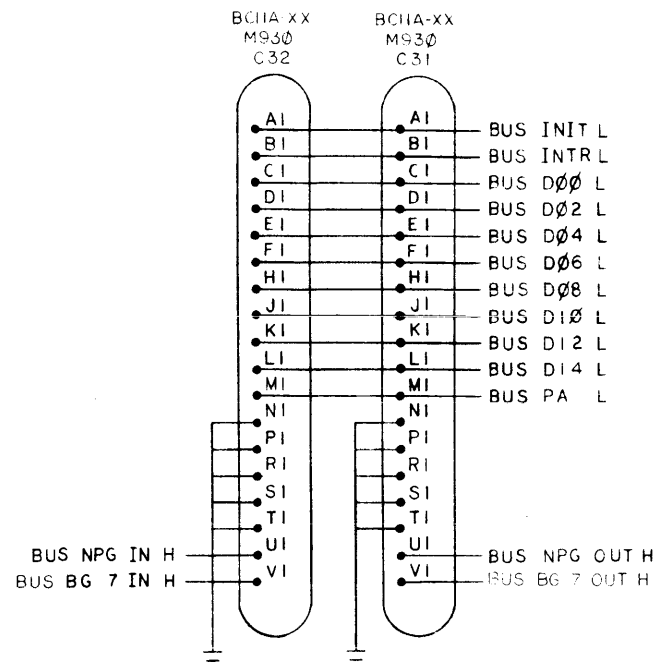
NOTE: TO USE TEST BUS  
 1. MOVE H07 TO H17; J07 TO J17; H14 TO H18; J14 TO J18  
 2. PUT TERMINATORS (M904) IN H07, J07, H14  
 PUT TERMINATOR (M904-7A) IN J14  
 3. REMOVE EITHER THE LIGHT OR DARK PLUGS FROM THEIR MOUNT AND INSERT THEM INTO THEIR CORRESPONDING MATE  
 4. FOR NORMAL ON-LINE OPERATION, REVERSE THE ABOVE PROCEDURE AND STORE THE TERMINATORS IN SLOTS J29-J32

\* IBM CONN. PIN NO.

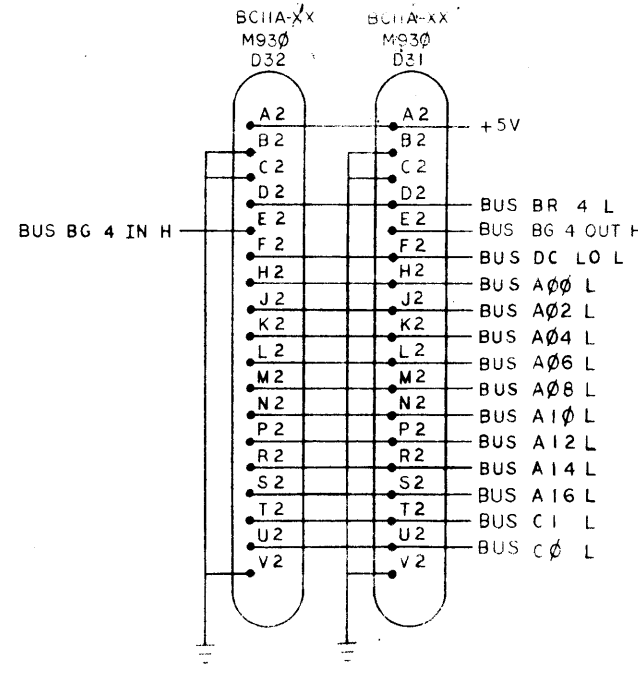
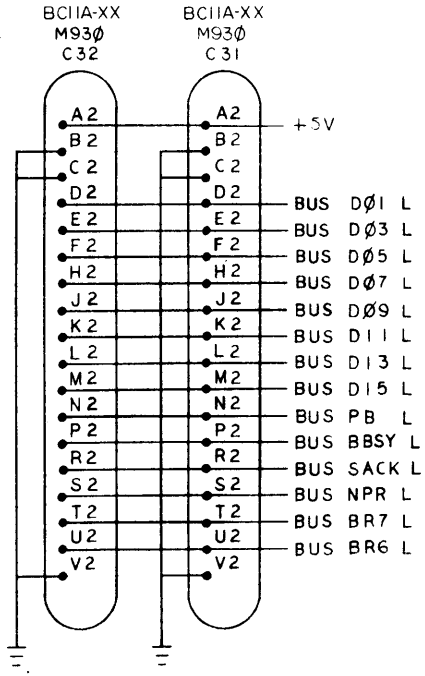
REV.	
CHANGE NO.	
CHK	

FIRST USED ON OPTION/MODEL	QTY.	DESCRIPTION	PART NO.	ITEM NO.
PDP-11				
PARTS LIST				
UNLESS OTHERWISE SPECIFIED DIMENSION IN INCHES. TOLERANCES	DRN. DATE 11/72	DATE 11/72	digital EQUIPMENT CORPORATION MAYNARD MASSACHUSETTS	
DECIMALS ANGLES	CHKD. DATE 5/10/72	DATE 5/10/72	TITLE	
XXX = .005 XX = .02 X = .1	±0° 30'	ENG. DATE 6-1-72	IBM INTERFACE	
REMOVE BURRS AND BREAK SHARP CORNERS SURFACE QUALITY	PROJ. ENG. DATE 6-1-72	DATE 6-1-72		
MATERIAL	PROD. DATE 6-5-72	DATE 6-5-72		
NEXT HIGHER ASSY.	B-DD-DX11-B	SIZE CODE NUMBER	REV.	
FINISH	SCALE NONE	D BS DX11-B-27	B	
SHEET 6 OF 6	DIST.			

This drawing and specifications, herein, are the property of Digital Equipment Corporation and shall not be reproduced or copied or used in whole or in part as the basis for the manufacture or sale of items without written permission.



NOTES:  
THE UNIBUS CONNECTOR IS A DOUBLE HEIGHT MODEL.



REVISIONS	REV
CHK	CHANGE NO

FIRST USED ON OPTION/MODEL PDP-11	QTY.	DESCRIPTION	PART NO	ITEM NO
PARTS LIST				
UNLESS OTHERWISE SPECIFIED	DRN.	DATE	digital EQUIPMENT CORPORATION MAYNARD, MASSACHUSETTS	
UNLESS OTHERWISE SPECIFIED	CHK'D	DATE	TITLE UNIBUS CONNECTORS	
DIMENSION IN INCHES	ENG	DATE		
TOLERANCES	PROJ. ENG	DATE		
DECIMALS FRACTIONS ANGLES	PROD.	DATE		
± .005 ± 1/64 ± 0°30'	FINAL SURFACE QUALITY		NEXT HIGHER ASSY A-ML-DX11-B	
REMOVE BURRS AND BREAK SHARP CORNERS	MATERIAL		SCALE NONE	
	FINISH		SHEET OF	
SIZE CODE		NUMBER		REV.
D I C D X 1 1 - B - 2 8		D I C D X 1 1 - B - 2 8		

REV. NUMBER D I C D X 1 1 - B - 2 8

This drawing and specifications, herein, are the property of Digital Equipment Corporation and shall not be reproduced or copied or used in whole or in part as the basis for the manufacture or sale of items without written permission.

REV. A  
 NUMBER 62-B-111-B-29  
 SIZE CODE D BS  
 3000 2215

D

C

B

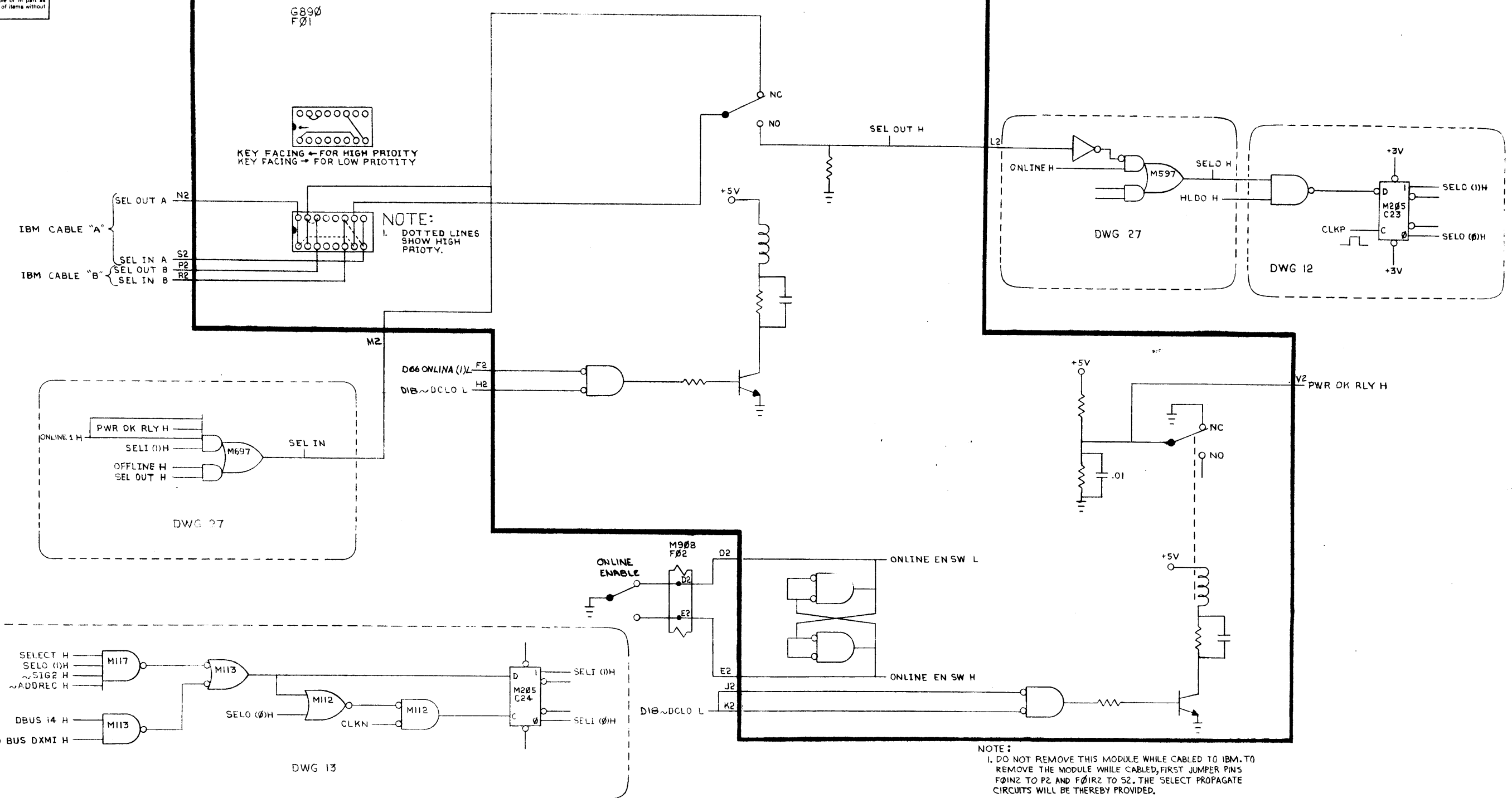
A

D

C

B

A



NOTE:  
 1. DOTTED LINES  
 SHOW HIGH  
 PRIORITY.

NOTE:  
 1. DO NOT REMOVE THIS MODULE WHILE CABLED TO IBM. TO  
 REMOVE THE MODULE WHILE CABLED, FIRST JUMPER PINS  
 F01N2 TO P2 AND F01R2 TO S2. THE SELECT PROPAGATE  
 CIRCUITS WILL BE THEREBY PROVIDED.

REVISIONS	CHANGE NO.	REV.
CHK	DXIB-00015	A
BY	R. DIETER	4/1/72

DEC FORM NO. DRD 100-A

FIRST USED ON OPTION/MODEL PDP-11	QTY.	DESCRIPTION	PART NO.	ITEM NO.
PARTS LIST				
UNLESS OTHERWISE SPECIFIED DIMENSION IN INCHES. TOLERANCES	DRN. DATE 12/15/71	digital EQUIPMENT CORPORATION MAYNARD MASSACHUSETTS		
DECIMALS .XXX - .005	CHMD. DATE 5/1/72	TITLE SELECT BYPASS & POWER FAIL		
ANGLES ±0° 30'	ENG. DATE 6-1-72	SIZE CODE NUMBER D BS DXII-B-29		
REMOVE BURRS AND BREAK SHARP CORNERS SURFACE QUALITY	PROJ. ENG. DATE 6-1-72	REV A		
MATERIAL	PROD. DATE 6-1-72	SCALE NONE		
NEXT HIGHER ASSY.		SHEET OF DIST.		
FINISH				

This drawing and specifications, herein, are the property of Digital Equipment Corporation and shall not be reproduced or copied or used in whole or in part as the basis for the manufacture or sale of items without written permission. 1973

REVISONS		CHANGE NO.	REV.	FIRST USED ON OPTION MODEL		QTY.	DESCRIPTION	PART NO.	ITEM NO.
CHK	BY			DXII-B					
		DXII-B-00001	A						
		<i>A. T. Dune</i> 5-11-72							
		DIETER							
		<i>R. Dieter</i> 5-12-72							
		DXII-B-00003	B						
		<i>A. T. Dune</i> 5-22-72							
		DIETER							
		<i>R. Dieter</i> 5-25-72							
		DXIIB-00006	C						
		<i>M. Gaurin</i> 9-8-72							
		R. DIETER							
		<i>R. Dieter</i> 9-11-72							
		DXII B-00009	D						
		<i>S. Roberts</i> 11/18/73							
		DIETER							
		<i>R. Dieter</i> 2-6-73							
		DXIIB-00010	E						
		<i>B. Bladgett</i> 6-7-73							
		R. DIETER							
		<i>R. Dieter</i> 6-14-73							
		DXIIB-00012	F						
		<i>E. Allain</i> 10-5-73							
		DIETER							
		<i>R. Dieter</i> 10-9-73							
		DXIIB-00014	H						
		<i>A. Nowles</i> 1-29-74							
		R. DIETER							
		<i>R. Dieter</i> 2-7-74							
		DXIIB-00015	J						
		<i>S. Markowitz</i> 4-2-74							
		R. DIETER							
		<i>R. Dieter</i> 4-11-74							
		DXIIB-00016	K						
		<i>E. Nowles</i> 7-3-74							
		R. DIETER							
		<i>R. Dieter</i> 7/18/74							
				DRN. A. FRATICELLI		SR. DATE 1/5/72	<b>digital</b> EQUIPMENT CORPORATION MAYNARD, MASSACHUSETTS TITLE <b>WIRE LIST</b> <b>(IBM INTERFACE SYSTEM)</b>		
				CHK'D. <i>[Signature]</i>		DATE 6-10-72			
				ENG. <i>[Signature]</i>		DATE 4-7-72			
				PROJ. ENG. <i>[Signature]</i>		DATE 4-7-72			
				PROD. <i>[Signature]</i>		DATE 4-11-72			
				NEXT HIGHER ASSEMBLY					
				D-AD-1003719-0-0					
				SCALE NONE					
				SHEET 1 OF 1					
				SIZE CODE K WL		NUMBER DXII-B-30		REV. K	
				DIST.					

B

B

A



DX118.K  
RUN NAME

HND288.V22(22) 11/06/73  
A/P PIN ORDER BAY -  
NAME PIN ORDER

Q DRAW RV PG Y X Z REMARKS

11-JUL-74

0123

PAGE 1  
RUN  
NUMBER

A/P	PIN	ORDER	BAY -	Q	DRAW	RV	PG	Y	X	Z	REMARKS	11-JUL-74	0123	PAGE 1
NAME	PIN	ORDER	ORDER									LENGTH	EXCEPTIONS	RUN
														NUMBER
+3V	A25U1	A23D1	1-01 *		D14					2				
+3V	A25U1	A23M1	1-02 *		D14					1				1
+3V	A25U1	A23U2	1-03 *		D14					2				1
+3V	A25U1	A25U1	1-04 *		D08					1				1
+3V	A25U1	B27U2	1-05 *		D08					2				1
+3V	A25U1	B32A1	1-06 *		D17					1				1
+3V	A25U1		1											1
												20-6/8		1
+3V	B10U1	A17K2	1-01 *		D15					2				2
+3V	B10U1	A16K2	1-02 *		D15					1				2
+3V	B10U1	A15K2	1-03 *		D15					2				2
+3V	B10U1	A14K2	1-04 *		D15					1				2
+3V	B10U1	A13K2	1-05 *		D15					2				2
+3V	B10U1	A12K2	1-06 *		D15					1				2
+3V	B10U1	A11K2	1-07 *		D15					2				2
+3V	B10U1	A10K2	1-08 *		D15					1				2
+3V	B10U1	B10U1	1-09 *		D15					1				2
+3V	B10U1		1											2
												25-4/8		2
+3V	B16U1	B16U1	1-01 *		D20					2				3
+3V	B16U1	C20P1	1-02 *		D20					1				3
+3V	B16U1	C21T2	1-03 *		D20					2				3
+3V	B16U1	B32T2	1-04 *		D20					1				3
+3V	B16U1	B32P2	1-05 *		D20					2				3
+3V	B16U1	B32P1	1-06 *		D20					1				3
+3V	B16U1		1											3
												23-0/8		3
+3V	B18U1	A10D1	1-01 *		D21					1				4
+3V	B18U1	A11D1	1-02 *		D21					2				4
+3V	B18U1	A12D1	1-03 *		D21					1				4
+3V	B18U1	A13D1	1-04 *		D21					2				4
+3V	B18U1	A14D1	1-05 *		D21					1				4
+3V	B18U1	A15D1	1-06 *		D21					2				4
+3V	B18U1	A16D1	1-07 *		D21					1				4
+3V	B18U1	B18U1	1-08 *		D21					1				4
+3V	B18U1		1											4
												23-4/8		4
+3V	B18V1	A10K1	1-01 *		D21					2				5
+3V	B18V1	A11K1	1-02 *		D21					1				5
+3V	B18V1	A12K1	1-03 *		D21					2				5
+3V	B18V1	A13K1	1-04 *		D21					1				5
+3V	B18V1	A14K1	1-05 *		D21					2				5
+3V	B18V1	A15K1	1-06 *		D21					1				5
+3V	B18V1	A16K1	1-07 *		D21					2				5
+3V	B18V1	A17K1	1-08 *		D21					1				5
+3V	B18V1	B18V1	1-09 *		D21					1				5
+3V	B18V1		1											5
												25-6/8		5



DX11B.K  
RUN NAME

HND288,V22(22) 11/06/73  
A/P PIN ORDER BAY -  
NAME PIN ORDER

Q DRAW RV PG Y X Z REMARKS

11-JUL-74  
LENGTH

0123  
EXCEPTIONS

PAGE 4  
RUN  
NUMBER

+3V C03U1  
+3V C03U1  
+3V C03U1  
+3V C03U1  
+3V C03U1  
+3V C03U1  
+3V C03U1  
+3V C03U1  
+3V C03U1  
+3V C03U1  
+3V C03U1  
+3V C03U1  
+3V C03U1  
+3V C03U1  
+3V C03U1  
+3V C03U1  
+3V C03U1

C03U1  
D03B1  
D04B1  
D05B1  
D06B1  
D06J1  
D06L1  
D05L1  
D05J1  
D04L1  
D03L1  
D03U2  
D04U2  
D05U2  
D06U2  
1

1-01 \*  
1-02 \*  
1-03 \*  
1-04 \*  
1-05 \*  
1-06 \*  
1-07 \*  
1-08 \*  
1-09 \*  
1-10 \*  
1-11 \*  
1-12 \*  
1-13 \*  
1-14 \*  
1-15 \*  
1

D07  
D07  
D07  
D07  
D07  
D07  
D07  
D07  
D07  
D07  
D07  
D07  
D07  
D07  
D07  
D07  
D07

2  
1  
2  
1  
2  
1  
2  
1  
2  
1  
2  
1  
2  
1  
2  
1  
1

39-4/8

+3V C03V1  
+3V C03V1  
+3V C03V1  
+3V C03V1  
+3V C03V1  
+3V C03V1  
+3V C03V1  
+3V C03V1  
+3V C03V1  
+3V C03V1

C03V1  
C19H2  
C20H2  
C21H2  
C22H2  
C23H2  
C24H2  
C25D2  
1

1-01 \*  
1-02 \*  
1-03 \*  
1-04 \*  
1-05 \*  
1-06 \*  
1-07 \*  
1-08 \*  
1

D12  
D12  
D12  
D12  
D12  
D12  
D12  
D12

1  
2  
1  
2  
1  
2  
2  
1

28-0/8

+3V C08U1  
+3V C08U1  
+3V C08U1  
+3V C08U1

C04C1  
C04F2  
C04H2  
C08U1  
1

1-01 \*  
1-02 \*  
1-03 \*  
1-04 \*  
1

DXX  
D25  
D25  
D25

2  
1  
2  
2

10-2/8

+3V C08V1  
+3V C08V1  
+3V C08V1  
+3V C08V1  
+3V C08V1  
+3V C08V1  
+3V C08V1  
+3V C08V1  
+3V C08V1  
+3V C08V1

C13H1  
C11T2  
C04S2  
C08V1  
D08U2  
E02U2  
E02N2  
1

1-01 \*  
1-02 \*  
1-03 \*  
1-04 \*  
1-05 \*  
1-06 \*  
1-07 \*  
1

D05  
D11  
D24  
D24  
D07  
D24  
D24

1  
2  
1  
2  
1  
2  
2

28-6/8

digital EQUIPMENT CORPORATION

DX11B.K  
RUN NAME

HND288,V22(22) 11/06/73  
A/P PIN ORDER BAY -  
NAME PIN ORDER

Q DRAW RV PG Y X Z REMARKS

11-JUL-74  
LENGTH

0123  
EXCEPTIONS

PAGE 5  
RUN  
NUMBER

+3V E08U1  
+3V E08U1  
+3V E08U1  
+3V E08U1  
+3V E08U1  
+3V E08U1  
+3V E08U1  
+3V E08U1

C17H2  
C16H2  
C15H2  
C14H2  
E11S2  
E11U2  
E08U1  
1

1-01 \*  
1-02 \*  
1-03 \*  
1-04 \*  
1-05 \*  
1-06 \*  
1-07 \*  
1

D09  
D09  
D09  
D09  
D09  
D09  
D09

1  
2  
1  
2  
1  
2  
2

24-0/8

+3V E08V1  
+3V E08V1  
+3V E08V1  
+3V E08V1  
+3V E08V1  
+3V E08V1

C13H2  
C12H2  
C11H2  
C10H2  
E08V1  
1

1-01 \*  
1-02 \*  
1-03 \*  
1-04 \*  
1-05 \*  
1

D09  
D09  
D09  
D09  
D09

2  
1  
2  
1

17-6/8

+3V E12U1  
+3V E12U1  
+3V E12U1  
+3V E12U1  
+3V E12U1  
+3V E12U1  
+3V E12U1  
+3V E12U1  
+3V E12U1  
+3V E12U1  
+3V E12U1  
+3V E12U1  
+3V E12U1  
+3V E12U1  
+3V E12U1  
+3V E12U1  
+3V E12U1  
+3V E12U1

C25D1  
C24A1  
C23D1  
C22D1  
C19D1  
C18D1  
C17D1  
C16D1  
C15A1  
C14A1  
C13A1  
C12A1  
C11A1  
C10D1  
E12U1  
1

1-01 \*  
1-02 \*  
1-03 \*  
1-04 \*  
1-05 \*  
1-06 \*  
1-07 \*  
1-08 \*  
1-09 \*  
1-10 \*  
1-11 \*  
1-12 \*  
1-13 \*  
1-14 \*  
1-15 \*  
1

D06  
D06  
D06  
D06  
D06  
D06  
D06  
D06  
D06  
D06  
D06  
D06  
D06  
D06  
D06  
D06  
D06

1  
2  
1  
2  
2  
1  
2  
1  
2  
2  
1  
2  
1  
2  
2

47-6/8

+3V E14U1  
+3V E14U1  
+3V E14U1  
+3V E14U1  
+3V E14U1  
+3V E14U1  
+3V E14U1  
+3V E14U1  
+3V E14U1  
+3V E14U1  
+3V E14U1  
+3V E14U1  
+3V E14U1  
+3V E14U1  
+3V E14U1  
+3V E14U1  
+3V E14U1  
+3V E14U1  
+3V E14U1

C25H1  
C24H1  
C23H1  
C22J1  
C22H1  
C21H1  
C20H1  
C19H1  
C18H1  
E14U1  
F14E2  
F14H2  
J13M1  
J13M1  
1

1-01 \*  
1-02 \*  
1-03 \*  
1-04 \*  
1-05 \*  
1-06 \*  
1-07 \*  
1-08 \*  
1-09 \*  
1-10 \*  
1-11 \*  
1-12 \*  
1-13 \*  
1

D05  
D05  
D05  
D05  
D05  
D05  
D05  
D05  
D05  
D05  
D07  
D05

1  
2  
1  
2  
1  
2  
1  
2  
2  
1  
2  
2

46-6/8

digital EQUIPMENT CORPORATION



TVL

DX11B,K  
RUN NAME

DX11B,K RUN NAME		HND288,V22(22) 11/06/73				Q	DRAW	RV	PG	Y	X	Z	REMARKS	11-JUL-74 LENGTH	0123 EXCEPTIONS	PAGE 8 RUN NUMBER
A/P	PIN NAME	ORDER PIN	BAY - ORDER													
A01			1-01 *													
A01	H B25U2		1-02 *	D17							2				23	
A01	H B29F1		1-03 *	D17							1				23	
A01	H D29B1		1	D17											23	
													11-6/8		23	
A01	L B25V2		1-01 *	S D17							1				24	
A01	L B30J1		1-02 *	D17										SOURCE TERM HERE?	24	
A01	L		1										5-2/8		24	
A01B	H B30K1		1-01 *	D17							1				25	
A01B	H D25F2		1-02 *	D19											25	
A01B	H		1										8-2/8		25	
A01C1	A01C1		1-01 *	S D25							1				26	
A01C1	B06K2		1-02 *	D25										SOURCE TERM HERE?	26	
A01C1			1										7-0/8		26	
A02	H B25S2		1-01 *	D17							2				27	
A02	H B29H1		1-02 *	D17							1				27	
A02	H D29E1		1-03 *	D17											27	
A02	H		1										11-6/8		27	
A02	L B25T2		1-01 *	D17							1				28	
A02	L B30F1		1-02 *	D17											28	
A02	L		1										5-2/8		28	
A02B	H B30H1		1-01 *	D17							1				29	
A02B	H D25H2		1-02 *	D19											29	
A02B	H		1										8-4/8		29	
A02J1	A02J1		1-01 *	S D25							1				30	
A02J1	D02P1		1-02 *	D25										SOURCE TERM HERE?	30	
A02J1			1										11-0/8		30	
A02N1	A02N1		1-01 *	S D05							1				31	
A02N1	C13J1		1-02 *	D05										SOURCE TERM HERE?	31	
A02N1			1										9-6/8		31	
A03	H B25P2		1-01 *	D17							2				32	
A03	H B29J1		1-02 *	D17							1				32	
A03	H D29H1		1-03 *	D17											32	
A03	H		1										12-0/8		32	
A03	L B25R2		1-01 *	D17							1				33	
A03	L B30D1		1-02 *	D17											33	
A03	L		1										5-2/8		33	

digital EQUIPMENT CORPORATION

DX11B,K  
RUN NAME

DX11B,K RUN NAME		HND288,V22(22) 11/06/73				Q	DRAW	RV	PG	Y	X	Z	REMARKS	11-JUL-74 LENGTH	0123 EXCEPTIONS	PAGE 9 RUN NUMBER
A/P	PIN NAME	ORDER PIN	BAY - ORDER													
A03B	H B30E1		1-01 *	D17												
A03B	H D25J2		1-02 *	D19							1				34	
A03B	H		1										9-0/8		34	
A03C1	A03C1		1-01 *	S D25							1				35	
A03C1	B04R1		1-02 *	D25										SOURCE TERM HERE?	35	
A03C1			1										6-6/8		35	
A03K2	A03K2		1-01 *	S D25							2				36	
A03K2	B06E2		1-02 *	D25							1			SOURCE	36	
A03K2	E16H1		1-03 *	D25										TERM HERE?	36	
A03K2			1										17-4/8		36	
A03N1	A03J1		1-01 *	D25							1				37	
A03N1	A03N1		1-02 *	D25											37	
A03N1			1										2-6/8		37	
A03N2	A01B1		1-01 *	D25							1				38	
A03N2	A03N2		1-02 *	S D25										TERM HERE?	38	
A03N2			1										4-2/8	SOURCE	38	
A03V2	A03V2		1-01 *	D24							2				39	
A03V2	C02R2		1-02 *	D24							1				39	
A03V2	C02T2		1-03 *	D24											39	
A03V2			1										9-6/8		39	
A04	H B25M2		1-01 *	D17							2				40	
A04	H B29K1		1-02 *	D17							1				40	
A04	H D29K1		1-03 *	D17											40	
A04	H		1										11-6/8		40	
A04	L B25N2		1-01 *	D17							1				41	
A04	L B30A1		1-02 *	D17											41	
A04	L		1										5-0/8		41	
A04B	H B30B1		1-01 *	D17							1				42	
A04B	H D25N2		1-02 *	D19											42	
A04B	H		1										9-6/8		42	
A04F1	A04F1		1-01 *	D25							1				43	
A04F1	A04H1		1-02 *	D25											43	
A04F1			1										2-4/8		43	
A04K1	A04K1		1-01 *	D25							1				44	
A04K1	A04L1		1-02 *	D25											44	
A04K1			1										2-4/8		44	

digital EQUIPMENT CORPORATION

FD22

Dx11B,K  
RUN NAME

HND288,V22(22) 11/06/73												11-JUL-74	0123	PAGE 10
A/P	PIN	ORDER	BAY -	Q	DRAW	RV	PG	Y	X	Z	REMARKS	LENGTH	EXCEPTIONS	RUN NUMBER
	NAME	PIN	ORDER											
A04S1	A04D2		1-01 *											45
A04S1	A04S1		1-02 *							1				45
A04S1			1									4-0/8		45
A05S2	A05S2		1-01 *											46
A05S2	A05T2		1-02 *							1				46
A05S2			1									2-4/8		46
A06J1	A06J1		1-01 *											47
A06J1	C05H1		1-02 *							1				47
A06J1			1									7-6/8		47
A06M2	A06M2		1-01 *											48
A06M2	C03P2		1-02 *							1				48
A06M2			1									8-4/8		48
A06N1	A06N1		1-01 *											49
A06N1	C05F1		1-02 *							1				49
A06N1			1									7-0/8		49
A06U1	A06K2		1-01 *											50
A06U1	A06U1		1-02 *	S						1			TERM HERE?	50
A06U1			1									3-4/8	SOURCE	50
A06V1	A06V1		1-01 *											51
A06V1	C13S1		1-02 *							2				51
A06V1	B23M1		1-03 *							1				51
A06V1			1									17-2/8		51
A07S1	A07S1		1-01 *	S										52
A07S1	A07V1		1-02 *							1			SOURCE	52
A07S1			1									2-6/8	TERM HERE?	52
A07U1	A07U1		1-01 *	S										53
A07U1	A17D1		1-02 *							1			SOURCE	53
A07U1			1									8-2/8	TERM HERE?	53
A08F2	A08F2		1-01 *	S										54
A08F2	C19M2		1-02 *							1			SOURCE	54
A08F2			1									10-4/8	TERM HERE?	54
A08K1	A08K1		1-01 *	S										55
A08K1	A08M1		1-02 *							1			SOURCE	55
A08K1			1									2-4/8	TERM HERE?	55

digital EQUIPMENT CORPORATION

Dx11B,K  
RUN NAME

HND288,V22(22) 11/06/73												11-JUL-74	0123	PAGE 11
A/P	PIN	ORDER	BAY -	Q	DRAW	RV	PG	Y	X	Z	REMARKS	LENGTH	EXCEPTIONS	RUN NUMBER
	NAME	PIN	ORDER											
A08K2	A06F2		1-01 *											56
A08K2	A08K2		1-02 *	S						1			TERM HERE?	56
A08K2			1									3-4/8	SOURCE	56
A08L1	A08D2		1-01 *											57
A08L1	A08N1		1-02 *	S						1			TERM HERE?	57
A08L1			1									3-4/8	SOURCE	57
A08P2	A07P2		1-01 *											58
A08P2	A08N2		1-02 *	S						1			TERM HERE?	58
A08P2			1									3-0/8	SOURCE	58
A08S1	A08S1		1-01 *	S										59
A08S1	A08L1		1-02 *							2			SOURCE	59
A08S1	C19N2		1-03 *							1			TERM HERE?	59
A08S1			1									13-4/8		59
A08S2	A08S2		1-01 *											60
A08S2	B17N2		1-02 *							1				60
A08S2			1									8-0/8		60
A08V2	A08P2		1-01 *											61
A08V2	A08V2		1-02 *							1				61
A08V2			1									3-0/8		61
A09C1	A09C1		1-01 *	S										62
A09C1	C11R1		1-02 *							1			SOURCE	62
A09C1			1									9-4/8	TERM HERE?	62
A09F1	A09B1		1-01 *											63
A09F1	A09F1		1-02 *	S						1			TERM HERE?	63
A09F1			1									2-5/8	SOURCE	63
A09K1	A09K1		1-01 *	S										64
A09K1	E25R2		1-02 *							1			SOURCE	64
A09K1			1									17-0/8	TERM HERE?	64
A09S1	A09L1		1-01 *											65
A09S1	A09S1		1-02 *	S						1			TERM HERE?	65
A09S1			1									3-0/8	SOURCE	65
A09V2	A09V2		1-01 *	S										66
A09V2	B17M2		1-02 *							1			SOURCE	66
A09V2			1									7-0/8	TERM HERE?	66

digital EQUIPMENT CORPORATION

DX11B,K RUN NAME		HND288.V22(22) 11/06/73				Q	DRAW	RV	PG	Y	X	Z	REMARKS	11-JUL-74 LENGTH	0123 EXCEPTIONS	PAGE 12 RUN NUMBER
A/P	PIN NAME	ORDER PIN	BAY - ORDER													
	A20B2	A20B2	1-01 *		D26						1				67	
	A20B2	B23F1	1-02 *		D26										67	
	A20B2		1										6-2/8		67	
	A20E2	A20E2	1-01 *		D26						1				68	
	A20E2	B23H1	1-02 *		D26										68	
	A20E2		1										6-0/8		68	
	A20H2	A20H2	1-01 *		D26						1				69	
	A20H2	B23J1	1-02 *		D26										69	
	A20H2		1										5-6/8		69	
	A20K2	A20K2	1-01 *		D26						1				70	
	A20K2	B23K1	1-02 *		D26										70	
	A20K2		1										5-6/8		70	
	A20M2	A20M2	1-01 *		D26						1				71	
	A20M2	B21H2	1-02 *		D26										71	
	A20M2		1										4-6/8		71	
	A20N2	A20N2	1-01 *		D26						1				72	
	A20N2	B21F2	1-02 *		D26										72	
	A20N2		1										4-4/8		72	
	A20P2	A20P2	1-01 *		D26						1				73	
	A20P2	B21E2	1-02 *		D26										73	
	A20P2		1										4-2/8		73	
	A20R2	A20R2	1-01 *		D26						1				74	
	A20R2	B21D2	1-02 *		D26										74	
	A20R2		1										4-0/8		74	
	A20S2	A20S2	1-01 *		D26						1				75	
	A20S2	B21D1	1-02 *		D26										75	
	A20S2		1										4-0/8		75	
	A20T2	A20T2	1-01 *		D26						1				76	
	A20T2	B21C1	1-02 *		D26										76	
	A20T2		1										3-4/8		76	
	A20U2	A20U2	1-01 *		D26						1				77	
	A20U2	B21B1	1-02 *		D26										77	
	A20U2		1										3-4/8		77	
	A20V2	A20V2	1-01 *		D26						1				78	
	A20V2	B21A1	1-02 *		D26										78	
	A20V2		1										3-0/8		78	

DX11B,K RUN NAME		HND288.V22(22) 11/06/73				Q	DRAW	RV	PG	Y	X	Z	REMARKS	11-JUL-74 LENGTH	0123 EXCEPTIONS	PAGE 13 RUN NUMBER
A/P	PIN NAME	ORDER PIN	BAY - ORDER													
	A21K1	A21K1	1-01 *		D26						1				79	
	A21K1	B22M2	1-02 *		D26										79	
	A21K1		1										5-6/8		79	
	A21L1	A21L1	1-01 *		D26						1				80	
	A21L1	B22K2	1-02 *		D26										80	
	A21L1		1										5-2/8		80	
	A21U2	A21U2	1-01 *		D26						1				81	
	A21U2	B22V2	1-02 *		D26										81	
	A21U2		1										4-6/8		81	
	A21V2	A21V2	1-01 *		D26						1				82	
	A21V2	B22L2	1-02 *		D26										82	
	A21V2		1										4-2/8		82	
	A22K1	A22K1	1-01 *		D26						1				83	
	A22K1	B15M2	1-02 *		D26										83	
	A22K1		1										6-6/8		83	
	A22L1	A22L1	1-01 *		D26						1				84	
	A22L1	B15K2	1-02 *		D26										84	
	A22L1		1										6-6/8		84	
	A22U2	A22U2	1-01 *		D26						1				85	
	A22U2	B15N2	1-02 *		D26										85	
	A22U2		1										6-6/8		85	
	A22V2	A22V2	1-01 *		D26						1				86	
	A22V2	B15L2	1-02 *		D26										86	
	A22V2		1										6-4/8		86	
	A23N1	A23J2	1-01 *		D14						1				87	
	A23N1	A23N1	1-02 *		D14										87	
	A23N1		1										3-0/8		87	
	A23P1	A23K2	1-01 *		D14						1				88	
	A23P1	A23P1	1-02 *		D14										88	
	A23P1		1										3-0/8		88	
	A24D1	A24D1	1-01 *		D20						1				89	
	A24D1	F19L1	1-02 *		D20										89	
	A24D1		1										17-4/8		89	
	A24J1	A24J1	1-01 *		D15						1				90	
	A24J1	B25D1	1-02 *		D15										90	
	A24J1		1										4-6/8		90	





DX118,K  
RUN NAME

HND288,V22(22) 11/06/73  
A/P PIN ORDER BAY -  
NAME PIN ORDER

Q DRAW PV PG Y X Z REMARKS

11-JUL-74 0123 PAGE 16  
LENGTH EXCEPTIONS RUN  
NUMBER

ADRO(0)  
ADRO(0)  
ADRO(0)  
ADRO(0)  
ADRO(0)  
ADRO(0)  
ADRO(0)

H C21K2  
H B21H1  
H A19L2  
H B04B1  
H C05P1  
H E01H2

1-01 \* S D12  
1-02 \* D13  
1-03 \* D26  
1-04 \* D25  
1-05 \* D24  
1-06 \* D05  
1

1  
2  
1  
2  
1

35-0/8

SOURCE

109  
109  
109  
109  
109  
109  
109

TERM HERE?

ADRO(1)  
ADRO(1)  
ADRO(1)  
ADRO(1)  
ADRO(1)  
ADRO(1)  
ADRO(1)  
ADRO(1)  
ADRO(1)  
ADRO(1)

H C21J2  
H D21S1  
H F29E2  
H A31H1  
H A08J2  
H A08C1  
H E05J1  
H E01P1  
H E01A1

1-01 \* S D12  
1-02 \* D19  
1-03 \* DXX  
1-04 \* D22  
1-05 \* D25  
1-06 \* D25  
1-07 \* D25  
1-08 \* D05  
1-09 \* D05  
1

2  
1  
2  
1  
2  
1  
2  
1

70-2/8

SOURCE

110  
110  
110  
110  
110  
110  
110  
110  
110  
110

TERM HERE?

ADRS SELO  
ADRS SELO  
ADRS SELO  
ADRS SELO  
ADRS SELO

L B32C1  
L B29L2  
L B29M2  
L B25L1  
L C30L2

1-01 \* D17  
1-02 \* D17  
1-03 \* D17  
1-04 \* D17  
1-05 \* D17  
1

2  
1  
2  
1

17-0/8

SOURCE

111  
111  
111  
111  
111  
111  
112  
112  
112  
112  
112  
112  
112  
112  
112  
112  
112

TERM HERE?

ADRS02  
ADRS02  
ADRS02

H A24H1  
H E20J2

1-01 \* D15  
1-02 \* S D17  
1

1

13-6/8

SOURCE

113  
113  
113

TERM HERE?

ADRS02  
ADRS02  
ADRS02

L B29S1  
L E20H2

1-01 \* S D17  
1-02 \* D17  
1

1

11-0/8

SOURCE

114  
114  
114

TERM HERE?

DX118,K  
RUN NAME

HND288,V22(22) 11/06/73  
A/P PIN ORDER BAY -  
NAME PIN ORDER

Q DRAW HV PG Y X Z REMARKS

11-JUL-74 0123 PAGE 17  
LENGTH EXCEPTIONS RUN  
NUMBER

ADRS04  
ADRS04  
ADRS04  
ADRS04  
ADRS04

H B25L2  
H E16D2  
H E15N2  
H E15T2

1-01 \* S D17  
1-02 \* D06  
1-03 \* D06  
1-04 \* D06  
1

1  
2  
1

17-4/8

SOURCE

115  
115  
115  
115  
115

TERM HERE?

ADRS04  
ADRS04  
ADRS04

L B25K2  
L B29R1

1-01 \* D17  
1-02 \* S D17  
1

1

4-4/8

TERM HERE?

116  
116  
116

SOURCE

ADRS06  
ADRS06  
ADRS06  
ADRS06

H E07A1  
H E07K1  
H E20L2

1-01 \* D09  
1-02 \* DXX  
1-03 \* S D17  
1

2  
1

12-4/8

TERM HERE?

117  
117  
117

SOURCE

ADRS06  
ADRS06  
ADRS06

L B29P1  
L E20K2

1-01 \* D17  
1-02 \* S D17  
1

1

11-4/8

TERM HERE?

118  
118  
118

SOURCE

ADRS10  
ADRS10  
ADRS10

H A02A1  
H B25U1

1-01 \* D25  
1-02 \* S D17  
1

1

15-6/8

TERM HERE?

119  
119  
119

SOURCE

ADRS10  
ADRS10  
ADRS10

L B25V1  
L B29N1

1-01 \* D17  
1-02 \* S D17  
1

1

4-6/8

TERM HERE?

120  
120  
120

SOURCE

ADRS12  
ADRS12  
ADRS12

H A25L2  
H E20N2

1-01 \* D08  
1-02 \* S D17  
1

1

14-2/8

TERM HERE?

121  
121  
121

SOURCE

ADRS12  
ADRS12  
ADRS12

L B29M1  
L E20M2

1-01 \* S D17  
1-02 \* D17  
1

1

12-0/8

SOURCE

122  
122  
122

TERM HERE?

ADRS14  
ADRS14  
ADRS14  
ADRS14

H B18D1  
H B18H1  
H E20P2

1-01 \* D21  
1-02 \* D21  
1-03 \* S D17  
1

1  
2

14-2/8

TERM HERE?

123  
123  
123  
123

SOURCE

ADRS14  
ADRS14  
ADRS14

L B29T2  
L E20P2

1-01 \* S D17  
1-02 \* D17  
1

1

11-6/8

SOURCE

124  
124  
124

TERM HERE?

ADRS16  
ADRS16  
ADRS16

L B29S2  
L E28K2

1-01 \* D17  
1-02 \* D13  
1

1

9-4/8

125  
125  
125

digital EQUIPMENT CORPORATION

digital EQUIPMENT CORPORATION

DX11B,K  
RUN NAME

HND288,V22(22) 11/06/73		11-JUL-74		0123		PAGE 18					
A/P	PIN NAME	ORDER PIN	BAY - ORDER	Q	DRAW RV PG Y	X	Z	REMARKS	11-JUL-74 LENGTH	0123 EXCEPTIONS	PAGE 18 RUN NUMBER
L	A08A1		1-01 *		D20						
L	B29N2		1-02 *	S	D17		1			TERM HERE?	126
			1						15-0/8	SOURCE	126
											126
H	B12S2		1-01 *		D15		2			TERM HERE?	127
H	B12N1		1-02 *		D15		1				127
H	B12L2		1-03 *		D15		2				127
H	B12H1		1-04 *		D15		1				127
H	B12E2		1-05 *		D15		2				127
H	B12B1		1-06 *		D15		1				127
H	B11B1		1-07 *		D15		2				127
H	B11H1		1-08 *		D15		1				127
H	B10J1		1-09 *		D15		2				127
H	C07E1		1-10 *	S	D25					SOURCE	127
			1						27-6/8		127
L	B03C1		1-01 *	S	D25		1			SOURCE	128
L	C07D1		1-02 *		D25					TERM HERE?	128
			1						6-0/8		128
H	C04F1		1-01 *		D24		1			TERM HERE?	129
H	C17K2		1-02 *	S	D09					SOURCE	129
			1						9-2/8		129
H	C17J2		1-01 *	S	D09		2			SOURCE	130
H	D17N1		1-02 *		D19		1				130
H	B09K2		1-03 *		D10		2				130
H	A29U1		1-04 *		D22		1				130
H	F30D1		1-05 *		D13					TERM HERE?	130
			1						42-2/8		130
	B01C1	B01C1	1-01 *		D05		1				131
	B01C1	E04U2	1-02 *		D05						131
			1						12-4/8		131
	B01F1	B01F1	1-01 *		D05		2				132
	B01F1	C01L1	1-02 *		D05		1				132
	B01F1	C16K1	1-03 *		D05						132
			1						15-0/8		132
	B01F2	B01F2	1-01 *	S	D11		1			SOURCE	133
	B01F2	E15P1	1-02 *		D11		2				133
	B01F2	E22N2	1-03 *		D11					TERM HERE?	133
			1						20-0/8		133

DX11B,K  
RUN NAME

HND288,V22(22) 11/06/73		11-JUL-74		0123		PAGE 19					
A/P	PIN NAME	ORDER PIN	BAY - ORDER	Q	DRAW RV PG Y	X	Z	REMARKS	11-JUL-74 LENGTH	0123 EXCEPTIONS	PAGE 19 RUN NUMBER
	B01K1	B01K1	1-01 *		D05		2				134
	B01K1	C01P2	1-02 *		D05		1				134
	B01K1	C10K1	1-03 *		D05						134
			1						12-2/8		134
	B01K2	B01K2	1-01 *		D11		1				135
	B01K2	E25A1	1-02 *		D11						135
			1						17-0/8		135
	B01N1	H01N1	1-01 *		D05		1				136
	B01N1	C13L1	1-02 *		D05						136
			1						9-2/8		136
	B01S1	B01S1	1-01 *		D11		1				137
	B01S1	F19L2	1-02 *		D11						137
			1						16-2/8		137
	B01S2	B01S2	1-01 *		D11		1				138
	B01S2	C17P1	1-02 *		D11						138
			1						11-0/8		138
	B02K2	B02K2	1-01 *	S	D24		1			SOURCE	139
	B02K2	C05R1	1-02 *		D24					TERM HERE?	139
			1						6-0/8		139
	B02S1	B02S1	1-01 *		D25		2				140
	B02S1	B05L1	1-02 *		D25		1				140
	B02S1	B05H1	1-03 *		D25						140
			1						7-0/8		140
	B03F2	B03F2	1-01 *		D25		1				141
	B03F2	B03H2	1-02 *		D25						141
			1						2-4/8		141
	B03N1	B03N1	1-01 *		D25		1				142
	B03N1	B03P1	1-02 *		D25						142
			1						2-4/8		142
	B03S2	A06H1	1-01 *		D25		1				143
	B03S2	B03S2	1-02 *		D25						143
			1						6-6/8		143
	B03V2	B03V2	1-01 *		D25		1				144
	B03V2	C05J1	1-02 *		D25						144
			1						4-0/8		144

TJUL

DX11R,K  
RUN NAME

HND288,V22(22) 11/06/73  
A/P PIN ORDER BAY =  
NAME PIN ORDER

Q DRAW RV PG Y X Z REMARKS

11-JUL-74 0123 PAGE 20  
LENGTH EXCEPTIONS RUN  
NUMBER

B04E1  
B04E1  
B04E1

A03H1  
B04E1

1-01 \*  
1-02 \*  
1

D25  
D25

1

3-0/8

145  
145  
145

B04L1  
B04L1  
B04L1

B04L1  
E05H1

1-01 \*  
1-02 \*  
1

D25  
D25

1

10-0/8

146  
146  
146

B04V2  
B04V2  
B04V2

A04E2  
B04V2

1-01 \*  
1-02 \*  
1

D25  
D25

1

6-6/8

147  
147  
147

B05F2  
B05F2  
B05F2

B05F2  
C06F1

1-01 \*  
1-02 \*  
1

D24  
D24

1

5-0/8

148  
148  
148

B05K2  
B05K2  
B05K2

B05K2  
E24L2

1-01 \*  
1-02 \*  
1

D24  
D24

1

15-2/8

149  
149  
149

B05S2  
B05S2  
B05S2

B05S2  
B05U2

1-01 \*  
1-02 \*  
1

D24  
D24

1

2-4/8

150  
150  
150

B06S1  
B06S1  
B06S1

A05N2  
B06S1

1-01 \*  
1-02 \*  
1

DXX  
DXX

1

5-4/8

TERM HERE?  
SOURCE

151  
151  
151

B08A1  
B08A1  
B08A1

A12E2  
B08A1

1-01 \*  
1-02 \*  
1

D10  
D10

1

5-4/8

152  
152  
152

B08K1  
B08K1  
B08K1

A13E2  
B08K1

1-01 \*  
1-02 \*  
1

D10  
D10

1

6-6/8

153  
153  
153

B08M1  
B08M1  
B08M1

A10E2  
B08M1

1-01 \*  
1-02 \*  
1

D10  
D10

1

6-4/8

154  
154  
154

B08V2  
B08V2  
B08V2

A11E2  
B08V2

1-01 \*  
1-02 \*  
1

D10  
D10

1

7-2/8

155  
155  
155

B09A1  
B09A1  
B09A1

A16E2  
B09A1

1-01 \*  
1-02 \*  
1

D10  
D10

1

7-0/8

156  
156  
156

DX11R,K  
RUN NAME

HND288,V22(22) 11/06/73  
A/P PIN ORDER BAY =  
NAME PIN ORDER

Q DRAW RV PG Y X Z REMARKS

11-JUL-74 0123 PAGE 21  
LENGTH EXCEPTIONS RUN  
NUMBER

B09K1  
B09K1  
B09K1

A17E2  
B09K1

1-01 \*  
1-02 \*  
1

D10  
D10

1

8-0/8

157  
157  
157

B09M1  
B09M1  
B09M1

A14E2  
B09M1

1-01 \*  
1-02 \*  
1

D10  
D10

1

7-0/8

158  
158  
158

B09V2  
B09V2  
B09V2

A15E2  
B09V2

1-01 \*  
1-02 \*  
1

D10  
D10

1

8-0/8

159  
159  
159

B10K1  
B10K1  
B10K1  
B10K1

B10K1  
B10L1  
B10P1

1-01 \*  
1-02 \*  
1-03 \*  
1

D15  
D15  
D15

1  
2

5-2/8

160  
160  
160  
160

B10S2  
B10S2  
B10S2

B10S2  
C06C1

1-01 \*  
1-02 \*  
1

DXX  
DXX

1

5-0/8

SOURCE  
TERM HERE?

161  
161  
161

B11E1  
B11E1  
B11E1

A11P1  
B11E1

1-01 \*  
1-02 \*  
1

D15  
D15

1

4-0/8

162  
162  
162

B11J2  
B11J2  
B11J2

A16T2  
B11J2

1-01 \*  
1-02 \*  
1

D16  
D16

1

5-4/8

163  
163  
163

B11L1  
B11L1  
B11L1

A10P1  
B11L1

1-01 \*  
1-02 \*  
1

D15  
D15

1

5-0/8

164  
164  
164

B11P2  
B11P2  
B11P2

A15T2  
B11P2

1-01 \*  
1-02 \*  
1

D16  
D16

1

5-6/8

165  
165  
165

B11S1  
B11S1  
B11S1

A17T2  
B11S1

1-01 \*  
1-02 \*  
1

D16  
D16

1

6-6/8

166  
166  
166

B11V2  
B11V2  
B11V2

A14T2  
B11V2

1-01 \*  
1-02 \*  
1

D16  
D16

1

6-0/8

167  
167  
167

digital EQUIPMENT CORPORATION

digital EQUIPMENT CORPORATION



TJCC

DX11B.K  
RUN NAME

HND288.V22(22) 11/06/73  
A/P PIN ORDER BAY -  
NAME PIN ORDER

Q DRAW RV PG Y X Z

REMARKS

11-JUL-74  
LENGTH

0123  
EXCEPTIONS

PAGE 24  
RUN  
NUMBER

B16K1  
B16K1  
B16K1  
B16K1  
B16K1  
B16K1

A10L2  
A11L2  
A12L2  
A13L2  
B16K1  
1

1=01 \*  
1=02 \*  
1=03 \*  
1=04 \*  
1=05 \*  
1

D10  
D10  
D10  
D10  
D10

2  
1  
2  
1

13=6/8

189  
189  
189  
189  
189

B16K2  
B16K2  
B16K2  
B16K2  
B16K2  
B16K2  
B16K2

A27L1  
A27N1  
B16K2  
B16L2  
B16M2  
E13N1  
1

1=01 \*  
1=02 \*  
1=03 \*  
1=04 \*  
1=05 \*  
1=06 \*  
1

D20  
D20  
D20  
D20  
D20  
D20

1  
2  
1  
2  
1

27=2/8

189  
190  
190  
190  
190  
190  
190

B16N2  
B16N2  
B16N2  
B16N2  
B16N2  
B16N2

A27F1  
A27J1  
A27U2  
B16N2  
D09H2  
1

1=01 \*  
1=02 \*  
1=03 \*  
1=04 \*  
1=05 \*  
1

D20  
D20  
D20  
D20  
D20

1  
2  
1  
2

23=2/8

191  
191  
191  
191  
191  
191

B16S1  
B16S1  
B16S1  
B16S1  
B16S1  
B16S1

A17D2  
A16D2  
A15D2  
A14D2  
B16S1  
1

1=01 \*  
1=02 \*  
1=03 \*  
1=04 \*  
1=05 \*  
1

D10  
D10  
D10  
D10  
D10

2  
1  
2  
1

15=0/8

192  
192  
192  
192  
192

B17E1  
B17E1  
B17E1

B17E1  
E20D1  
1

1=01 \*  
1=02 \*  
1

D06  
D06

1

10=6/8

193  
193

B17J2  
B17J2  
B17J2

A09U2  
B17J2  
1

1=01 \*  
1=02 \*  
1

D06  
D06

1

7=2/8

TERM HERE?  
SOURCE

194  
194  
194

B17L1  
B17L1  
B17L1

B17L1  
E16H2  
1

1=01 \*  
1=02 \*  
1

D06  
D06

1

10=0/8

195  
195  
195

B17P2  
B17P2  
B17P2

B17B1  
B17P2  
1

1=01 \*  
1=02 \*  
1

D06  
D06

1

3=6/8

TERM HERE?  
SOURCE

196  
196  
196

Digital EQUIPMENT CORPORATION

DX11B.K  
RUN NAME

HND288.V22(22) 11/06/73  
A/P PIN ORDER BAY -  
NAME PIN ORDER

Q DRAW RV PG Y X Z

REMARKS

11-JUL-74  
LENGTH

0123  
EXCEPTIONS

PAGE 25  
RUN  
NUMBER

B17S1  
B17S1  
B17S1

B17S1  
E20N1  
1

1=01 \*  
1=02 \*  
1

D06  
D06

1

10=4/8

197  
197  
197

B17V2  
B17V2  
B17V2

C18A1  
B17V2  
1

1=01 \*  
1=02 \*  
1

D06  
D06

1

2=6/8

TERM HERE?  
SOURCE

198  
198  
198

B18F1  
B18F1  
B18F1  
B18F1

B10A1  
B10E1  
B18F1  
1

1=01 \*  
1=02 \*  
1=03 \*  
1

D21  
D21  
D21

2  
1

9=2/8

199  
199  
199  
199

B18F2  
B18F2  
B18F2

B18F2  
E13M2  
1

1=01 \*  
1=02 \*  
1

D06  
D06

1

11=6/8

200  
200  
200

B18K1  
B18K1  
B18K1  
B18K1

B18K1  
B20E1  
B20A1  
1

1=01 \*  
1=02 \*  
1=03 \*  
1

D21  
D21  
D21

1  
2

6=2/8

201  
201  
201  
201

B18K2  
B18K2  
B18K2

B18K2  
E18J1  
1

1=01 \*  
1=02 \*  
1

D06  
D06

1

10=0/8

202  
202  
202

B18N2  
B18N2  
B18N2

B17E2  
B18N2  
1

1=01 \*  
1=02 \*  
1

DXX  
D06

1

3=4/8

203  
203

B19E1  
B19E1  
B19E1

B19E1  
C22S1  
1

1=01 \*  
1=02 \*  
1

D11  
D11

1

6=6/8

204  
204  
204

B19J2  
B19J2  
B19J2

B16B1  
B19J2  
1

1=01 \*  
1=02 \*  
1

D10  
D10

1

4=4/8

205  
205  
205

B19L1  
B19L1  
B19L1

B19L1  
C23S1  
1

1=01 \*  
1=02 \*  
1

D11  
D11

1

6=2/8

206  
206  
206

B19P2  
B19P2  
B19P2

B16L1  
B19P2  
1

1=01 \*  
1=02 \*  
1

D10  
D10

1

4=2/8

207  
207  
207

Digital EQUIPMENT CORPORATION

DX118,K  
RUN NAME

HND288,V22(22) 11/06/73										11-JUL-74	0123	PAGE 26		
A/P	PIN	ORDER	BAY -	Q	DRAW	RV	PG	Y	X	Z	REMARKS	LENGTH	EXCEPTIONS	RUN NUMBER
	NAME	PIN	ORDER											
B19S1	B19S1		1-01 *		D11									208
B19S1	C24S1		1-02 *		D11							6-0/8		208
B19S1			1											208
B19V2	A09J1		1-01 *		D13									209
B19V2	B19V2		1-02 *	S	D13								TERM HERE?	209
B19V2			1									9-2/8	SOURCE	209
B20F2	B20F2		1-01 *		D11									210
B20F2	E25R1		1-02 *		D11									210
B20F2			1									12-0/8		210
B20K1	B20K1		1-01 *		D11									211
B20K1	C25R1		1-02 *		D11									211
B20K1			1									6-4/8		211
B20K2	B20K2		1-01 *		D11									212
B20K2	C15R1		1-02 *		D11									212
B20K2			1									6-4/8		212
B20N1	B20N1		1-01 *		D11									213
B20N1	C19R1		1-02 *		D11									213
B20N1			1									5-2/8		213
B20N2	B20N2		1-01 *		D11									214
B20N2	B20P2		1-02 *		D11									214
B20N2			1									2-4/8		214
B20S1	B20S1		1-01 *		D11									215
B20S1	C18R1		1-02 *		D11									215
B20S1			1									5-0/8		215
B20S2	B20S2		1-01 *		D11									216
B20S2	C14R1		1-02 *		D11									216
B20S2			1									6-4/8		216
B20V2	B20V2		1-01 *		D13									217
B20V2	E29D2		1-02 *		D13									217
B20V2			1									10-2/8		217
B21J2	B18L1		1-01 *		D26									218
B21J2	B21J2		1-02 *		D26									218
B21J2			1									4-2/8		218
B21P2	B21P2		1-01 *		D13									219
B21P2	E26R2		1-02 *		D13									219
B21P2			1									11-2/8		219

DX118,K  
RUN NAME

HND288,V22(22) 11/06/73										11-JUL-74	0123	PAGE 27		
A/P	PIN	ORDER	BAY -	Q	DRAW	RV	PG	Y	X	Z	REMARKS	LENGTH	EXCEPTIONS	RUN NUMBER
	NAME	PIN	ORDER											
B21V2	B21V2		1-01 *		D11									220
B21V2	E27U2		1-02 *		D11									220
B21V2			1									11-2/8		220
B23L1	B18M1		1-01 *		D26									221
B23L1	B23L1		1-02 *		D26									221
B23L1			1									5-0/8		221
B23P2	B23P2		1-01 *		D08									222
B23P2	E18L2		1-02 *		D08									222
B23P2			1									10-6/8		222
B23S1	B23S1		1-01 *		D11									223
B23S1	E24L1		1-02 *		D11									223
B23S1			1									9-8/8		223
B25M1	B25M1		1-01 *		D17									224
B25M1	B32H1		1-02 *		D17									224
B25M1	B32D1		1-03 *		D17									224
B25M1			1									8-6/8		224
B26N1	B26J2		1-01 *		D08									225
B26N1	B26N1		1-02 *		D08									225
B26N1			1									3-0/8		225
B26P1	B26K2		1-01 *		D08									226
B26P1	B26P1		1-02 *		D08									226
B26P1			1									3-0/8		226
B27E1	B26S2		1-01 *		D08									227
B27E1	B27E1		1-02 *		D08									227
B27E1			1									3-6/8		227
B27F1	B26U2		1-01 *		D08									228
B27F1	B27F1		1-02 *		D08									228
B27F1			1									4-0/8		228
B27N1	B27J2		1-01 *		D08									229
B27N1	B27N1		1-02 *		D08									229
B27N1			1									3-0/8		229
B27P1	B27K2		1-01 *		D08									230
B27P1	B27P1		1-02 *		D08									230
B27P1			1									3-0/8		230

TU TU

DX118,K  
RUN NAME

HND288,V22(22) 11/06/73  
A/P PIN ORDER BAY - Q DRAW RV PG Y X Z

11-JUL-74 0123 PAGE 28  
LENGTH EXCEPTIONS RUN  
NUMBER

A/P	PIN	ORDER	BAY -	Q	DRAW	RV	PG	Y	X	Z	REMARKS	11-JUL-74	0123	PAGE 28
	NAME	PIN	ORDER									LENGTH	EXCEPTIONS	RUN
														NUMBER
B31D2	B1552		1-01 *		D20					1				231
B31D2	B15T2		1-02 *		D20					2				231
B31D2	B16H2		1-03 *		D20					1				231
B31D2	A27P2		1-04 *		D20					2				231
B31D2	A27K2		1-05 *		D20					1				231
B31D2	B31D2		1-06 *		D20					1				231
B31D2			1									23-2/8		231
B31E2	A27S2		1-01 *		D20					1				232
B31E2	B31E2		1-02 *	S	D20								TERM HERE?	232
B31E2			1									5-0/8	SOURCE	232
B32N1	A24M1		1-01 *		D17					2				233
B32N1	A24S1		1-02 *		D17					1				233
B32N1	B32N1		1-03 *		D17					1				233
B32N1			1									10-2/8		233
BAAR	A07H1	H	1-01 *	S	D25					1				234
BAAR	C06H2	H	1-02 *		D07					2			SOURCE	234
BAAR	D06M2	H	1-03 *		D07					1				234
BAAR	D05M2	H	1-04 *		D07					1				234
BAAR	D04M2	H	1-05 *		D07					1				234
BAAR	D03M2	H	1-06 *		D07					2				234
BAAR	D03F2	H	1-07 *		D07					2			TERM HERE?	234
BAAR			1									24-4/8		234
BAAR	B03F1	L	1-01 *	S	D25					1				235
BAAR	B03H1	L	1-02 *		D25					2			SOURCE	235
BAAR	A07F1	L	1-03 *		D25					1				235
BAAR	E22J1	L	1-04 *		D11					2				235
BAAR	E25P1	L	1-05 *		D11					2			TERM HERE?	235
BAAR			1									29-0/8		235
BADB	A02D1	L	1-01 *	S	D25					2				236
BADB	C07N1	L	1-02 *		D25					1			SOURCE	236
BADB	C07P2	L	1-03 *		D25					2				236
BADB	C10R1	L	1-04 *		D11					2			TERM HERE?	236
BADB			1									16-0/8		236
BADB1	C07P1	H	1-01 *	S	D25					1				237
BADB1	D04C1	H	1-02 *		D07					2			SOURCE	237
BADB1	D03C1	H	1-03 *		D07					1				237
BADB1	D03R2	H	1-04 *		D07					1				237
BADB1	D04R2	H	1-05 *		D07					2			TERM HERE?	237
BADB1			1									14-0/8		237

DX118,K  
RUN NAME

HND288,V22(22) 11/06/73  
A/P PIN ORDER BAY - Q DRAW RV PG Y X Z

11-JUL-74 0123 PAGE 29  
LENGTH EXCEPTIONS RUN  
NUMBER

A/P	PIN	ORDER	BAY -	Q	DRAW	RV	PG	Y	X	Z	REMARKS	11-JUL-74	0123	PAGE 29
	NAME	PIN	ORDER									LENGTH	EXCEPTIONS	RUN
														NUMBER
BADB2	C07R2	H	1-01 *	S	D25					2				238
BADB2	C06D2	H	1-02 *		D07					1			SOURCE	238
BADB2	D06C1	H	1-03 *		D07					2				238
BADB2	D05C1	H	1-04 *		D07					1				238
BADB2	D05R2	H	1-05 *		D07					2				238
BADB2	D06R2	H	1-06 *		D07					2			TERM HERE?	238
BADB2			1									18-4/8		238
BAIN 00	C10S1	H	1-01 *		D11					1				239
BAIN 00	D03V2	H	1-02 *	S	D07								TERM HERE?	239
BAIN 00			1									6-6/8	SOURCE	239
BAIN 01	D04V2	H	1-01 *	S	D07					1				240
BAIN 01	D08U1	H	1-02 *		D07								TERM HERE?	240
BAIN 01			1									4-0/8		240
BAIN 02	D05V2	H	1-01 *	S	D07					1				241
BAIN 02	D08N2	H	1-02 *		D07								SOURCE	241
BAIN 02			1									4-2/8	TERM HERE?	241
BAIN 03	D06V2	H	1-01 *	S	D07					1				242
BAIN 03	D08M2	H	1-02 *		D07								SOURCE	242
BAIN 03			1									3-4/8	TERM HERE?	242
BAIN 04	D03M1	H	1-01 *	S	D07					1				243
BAIN 04	D08J1	H	1-02 *		D07								TERM HERE?	243
BAIN 04			1									5-2/8		243
BAIN 05	D04M1	H	1-01 *	S	D07					1				244
BAIN 05	D08K1	H	1-02 *		D07								SOURCE	244
BAIN 05			1									4-4/8	TERM HERE?	244
BAIN 06	D05M1	H	1-01 *	S	D07					1				245
BAIN 06	D08E2	H	1-02 *		D07								SOURCE	245
BAIN 06			1									4-4/8	TERM HERE?	245
BAIN 07	D06M1	H	1-01 *	S	D07					1				246
BAIN 07	D08D2	H	1-02 *		D07								SOURCE	246
BAIN 07			1									4-0/8	TERM HERE?	246
BAIN 08	D03K1	H	1-01 *	S	D07					1				247
BAIN 08	D07S1	H	1-02 *		D07								SOURCE	247
BAIN 08			1									4-6/8	TERM HERE?	247
BAIN 09	D04K1	H	1-01 *	S	D07					1				248
BAIN 09	D07U1	H	1-02 *		D07								SOURCE	248
BAIN 09			1									4-2/8	TERM HERE?	248







DX11B,K  
RUN NAME

HND288,V22(22) 11/06/73  
A/P PIN ORDER BAY -  
NAME PIN ORDER

Q DRAW RV PG Y X Z REMARKS

11-JUL-74 0:23 PAGE 34  
LENGTH EXCEPTIONS RUN  
NUMBER

BSYS(1)  
BSYS(1)  
BSYS(1)  
BSYS(1)  
BSYS(1)

H A29J1 1-01 \* D22  
H B13R1 1-02 \* D10  
H D18S2 1-03 \* D19  
H C18N1 1-04 \* S D05  
1

2  
1  
2

TERM HERE? 281  
281  
281  
SOURCE 281  
281

BUDATA  
BUDATA  
BUDATA  
BUDATA  
BUDATA  
BUDATA  
BUDATA  
BUDATA  
BUDATA  
BUDATA

H E19R2 1-01 \* D13  
H E19J2 1-02 \* D13  
H E31E1 1-03 \* D13  
H E31E2 1-04 \* D13  
H E31M1 1-05 \* D13  
H E31M2 1-06 \* D13  
H E31U2 1-07 \* D13  
H E30U2 1-08 \* D13  
H E27S1 1-09 \* S D13  
1

1  
2  
1  
1  
2  
1  
2  
1  
2

26-0/8  
TERM HERE? 282  
282  
282  
282  
282  
282  
282  
282  
SOURCE 282  
282

BUS A00  
BUS A00  
BUS A00  
BUS A00

L C30H2 1-01 \* D17  
L D32H2 1-02 \* D28  
L D31H2 1-03 \* D28  
L D28U2 1-04 \* D17  
1

1  
2  
1

29-4/8  
283  
283  
283  
283

BUS A01  
BUS A01  
BUS A01  
BUS A01

L D28S2 1-01 \* D17  
L D29A1 1-02 \* D17  
L D31H1 1-03 \* D28  
L D32H1 1-04 \* D28  
1

2  
1  
2

12-6/8  
284  
284  
284  
284

BUS A02  
BUS A02  
BUS A02  
BUS A02

L D28P2 1-01 \* D17  
L D29D1 1-02 \* D17  
L D31J2 1-03 \* D28  
L D32J2 1-04 \* D28  
1

2  
1  
2

10-6/8  
285  
285  
285  
285

BUS A03  
BUS A03  
BUS A03  
BUS A03

L D28M2 1-01 \* D17  
L D29F1 1-02 \* D17  
L D31J1 1-03 \* D28  
L D32J1 1-04 \* D28  
1

2  
1  
2

10-2/8  
286  
286  
286  
286

BUS A04  
BUS A04  
BUS A04  
BUS A04

L D28K2 1-01 \* D17  
L D29J1 1-02 \* D17  
L D31K2 1-03 \* D28  
L D32K2 1-04 \* D28  
1

1  
2  
1

9-4/8  
287  
287  
287  
287

DX11B,K  
RUN NAME

HND288,V22(22) 11/06/73  
A/P PIN ORDER BAY -  
NAME PIN ORDER

Q DRAW RV PG Y X Z REMARKS

11-JUL-74 0:23 PAGE 35  
LENGTH EXCEPTIONS RUN  
NUMBER

BUS A05  
BUS A05  
BUS A05  
BUS A05  
BUS A05

L C30V1 1-01 \* D17  
L D28H2 1-02 \* D17  
L D31K1 1-03 \* D28  
L D32K1 1-04 \* D28  
1

2  
1  
2

10-4/8  
288  
288  
288  
288

BUS A06  
BUS A06  
BUS A06  
BUS A06

L C30U1 1-01 \* D17  
L D28E2 1-02 \* D17  
L D31L2 1-03 \* D28  
L D32L2 1-04 \* D28  
1

2  
1  
2

11-0/8  
289  
289  
289  
289

BUS A07  
BUS A07  
BUS A07  
BUS A07

L C30P2 1-01 \* D17  
L D28C1 1-02 \* D17  
L D31L1 1-03 \* D28  
L D32L1 1-04 \* D28  
1

2  
1  
2

11-4/8  
290  
290  
290  
290

BUS A08  
BUS A08  
BUS A08  
BUS A08

L C30N2 1-01 \* D17  
L D31M2 1-02 \* D28  
L D32M2 1-03 \* D28  
L D27U2 1-04 \* D17  
1

1  
2  
1

13-2/8  
291  
291  
291  
291

BUS A09  
BUS A09  
BUS A09  
BUS A09

L C30R1 1-01 \* D17  
L D31M1 1-02 \* D28  
L D32M1 1-03 \* D28  
L D27S2 1-04 \* D17  
1

1  
2  
1

12-4/8  
292  
292  
292  
292

BUS A10  
BUS A10  
BUS A10  
BUS A10

L C30P1 1-01 \* D17  
L D31N2 1-02 \* D28  
L D32N2 1-03 \* D28  
L D27P2 1-04 \* D17  
1

1  
2  
1

13-0/8  
293  
293  
293  
293

BUS A11  
BUS A11  
BUS A11  
BUS A11

L C30L1 1-01 \* D17  
L D31N1 1-02 \* D28  
L D32N1 1-03 \* D28  
L D27M2 1-04 \* D17  
1

1  
2  
1

13-0/8  
294  
294  
294  
294

BUS A12  
BUS A12  
BUS A12  
BUS A12

L C30C1 1-01 \* D17  
L D27K2 1-02 \* D17  
L D31P2 1-03 \* D28  
L D32P2 1-04 \* D28  
1

1  
2  
1

13-6/8  
295  
295  
295  
295

TU TU

DX11B.K  
RUN NAME

HND288,V22(22) 11/06/73  
A/P PIN ORDER BAY -  
NAME PIN ORDER

Q DRAW RV PG Y X Z REMARKS

11-JUL-74  
LENGTH

0123  
EXCEPTIONS

PAGE 36  
RUN  
NUMBER

BUS A13  
BUS A13  
BUS A13  
BUS A13  
BUS A13

L C3CK2 1-01 \* D17  
L D31P1 1-02 \* D28  
L D32P1 1-03 \* D28  
L D27H2 1-04 \* D17  
1

1  
2  
1

13-4/8

296  
296  
296  
296

BUS A14  
BUS A14  
BUS A14  
BUS A14  
BUS A14

L C30K1 1-01 \* D17  
L D27E2 1-02 \* D17  
L D31R2 1-03 \* D28  
L D32R2 1-04 \* D28  
1

2  
1  
2

13-0/8

297  
297  
297  
297

BUS A15  
BUS A15  
BUS A15  
BUS A15  
BUS A15

L C30D2 1-01 \* D17  
L D27C1 1-02 \* D17  
L D31R1 1-03 \* D28  
L D32R1 1-04 \* D28  
1

2  
1  
2

13-4/8

298  
298  
298  
298

BUS A16  
BUS A16  
BUS A16  
BUS A16  
BUS A16

L C30E2 1-01 \* D17  
L D31S2 1-02 \* D28  
L D32S2 1-03 \* D28  
L D27K1 1-04 \* D17  
1

1  
2  
1

14-6/8

299  
299  
299  
299

BUS A17  
BUS A17  
BUS A17  
BUS A17  
BUS A17

L C30D1 1-01 \* D17  
L D31S1 1-02 \* D28  
L D32S1 1-03 \* D28  
L D27N2 1-04 \* D17  
1

1  
2  
1

14-2/8

300  
300  
300  
300

BUS AC LO  
BUS AC LO  
BUS AC LO  
BUS AC LO  
BUS AC LO

L D32F1 1-01 \* D28  
L D31F1 1-02 \* D28  
L D29R1 1-03 \* D18  
L F02H2 1-04 \* DXX  
1

1  
2  
1

24-0/8

301  
301  
301  
301

BUS BBSY  
BUS BBSY  
BUS BBSY  
BUS BBSY

L C26D1 1-01 \* S D18  
L C31P2 1-02 \* D28  
L C32P2 1-03 \* D28  
1

1  
2

8-2/8

SOURCE  
TERM HERE?

302  
302  
302

BUS BG 4 IN  
BUS BG 4 IN  
BUS BG 4 IN

H B28S2 1-01 \* D18  
H D32E2 1-02 \* D28  
1

1

7-2/8

303  
303  
303

DX11R.K  
RUN NAME

HND288,V22(22) 11/06/73  
A/P PIN ORDER BAY -  
NAME PIN ORDER

Q DRAW RV PG Y X Z REMARKS

11-JUL-74  
LENGTH

0123  
EXCEPTIONS

PAGE 37  
RUN  
NUMBER

BUS BG 4 OUT  
BUS BG 4 OUT  
BUS BG 4 OUT

H B28T2 1-01 \* D18  
H D31E2 1-02 \* D28  
1

1

6-6/8

304  
304  
304

BUS BG 5 IN  
BUS BG 5 IN  
BUS BG 5 IN

H B28P2 1-01 \* D18  
H D32B1 1-02 \* D28  
1

1

7-0/8

305  
305  
305

BUS BG 5 OUT  
BUS BG 5 OUT  
BUS BG 5 OUT

H B28R2 1-01 \* D18  
H D31B1 1-02 \* D28  
1

1

6-6/8

306  
306  
306

BUS BG 6 IN  
BUS BG 6 IN  
BUS BG 6 IN

H B28M2 1-01 \* D18  
H D32A1 1-02 \* D28  
1

1

7-0/8

307  
307  
307

BUS BG 6 OUT  
BUS BG 6 OUT  
BUS BG 6 OUT

H B28N2 1-01 \* D18  
H D31A1 1-02 \* D28  
1

1

6-6/8

308  
308  
308

BUS BG 7 IN  
BUS BG 7 IN  
BUS BG 7 IN

H B28K2 1-01 \* D18  
H C32V1 1-02 \* D28  
1

1

6-6/8

309  
309  
309

BUS BG 7 OUT  
BUS BG 7 OUT  
BUS BG 7 OUT

H B28L2 1-01 \* D18  
H C31V1 1-02 \* D28  
1

1

6-4/8

310  
310  
310

BUS BR 4  
BUS BR 4  
BUS BR 4  
BUS BR 4

L B28H2 1-01 \* D18  
L D31O2 1-02 \* D28  
L D32D2 1-03 \* D28  
1

1  
2

10-6/8

311  
311  
311  
311

BUS BR 5  
BUS BR 5  
BUS BR 5  
BUS BR 5

L B28F2 1-01 \* D18  
L D31C1 1-02 \* D28  
L D32C1 1-03 \* D28  
1

1  
2

10-4/8

312  
312  
312  
312

BUS BR 6  
BUS BR 6  
BUS BR 6  
BUS BR 6

L B28E2 1-01 \* D18  
L C31U2 1-02 \* D28  
L C32U2 1-03 \* D28  
1

1  
2

9-6/8

313  
313  
313  
313

BUS BR 7  
BUS BR 7  
BUS BR 7  
BUS BR 7

L B28D2 1-01 \* D18  
L C31T2 1-02 \* D28  
L C32T2 1-03 \* D28  
1

1  
2

7-6/8

314  
314  
314  
314

digital EQUIPMENT CORPORATION

digital EQUIPMENT CORPORATION

DX11B.K  
RUN NAME

HND288.V22(22) 11/06/73  
A/P PIN ORDER BAY - Q DRAW RV PG Y X Z  
NAME PIN ORDER

11-JUL-74 0123 PAGE 38  
LENGTH EXCEPTIONS RUN  
NUMBER

A/P	PIN NAME	ORDER PIN	BAY - ORDER	Q	DRAW	RV	PG	Y	X	Z	REMARKS	11-JUL-74 LENGTH	0123 EXCEPTIONS	PAGE 38 RUN NUMBER
L	C30J2		1-01 *		D17					1				
L	D31U2		1-02 *		D28					2			TERM HERE?	315
L	D32U2		1-03 *		D28					1				315
L	D26K2		1-04 *	S	D18					1			SOURCE	315
			1									15-0/8		315
L	D26D1		1-01 *	S	D18					2			SOURCE	316
L	C30F2		1-02 *		D17					1				316
L	D31T2		1-03 *		D28					2			TERM HERE?	316
L	D32T2		1-04 *		D28					1				316
			1									15-0/8		316
L	C32C1		1-01 *		D28					2				317
L	C31C1		1-02 *		D28					1				317
L	C29A1		1-03 *		D17					2				317
L	C28U2		1-04 *		D17					1				317
L	D30M2		1-05 *		D17					1				317
			1									15-4/8		317
L	C32D2		1-01 *		D28					2				318
L	C31D2		1-02 *		D28					1				318
L	C29D1		1-03 *		D17					2				318
L	C28S2		1-04 *		D17					1				318
L	D30N1		1-05 *		D17					1				318
			1									15-2/8		318
L	C26E2		1-01 *	S	D18					1			SOURCE	319
L	C29F1		1-02 *		D17					2				319
L	C32D1		1-03 *		D17					1				319
L	C31D1		1-04 *		D17					2				319
L	C28P2		1-05 *		D17					1			TERM HERE?	319
L	D30P2		1-06 *		D17					1				319
			1									20-2/8		319
L	C26L1		1-01 *	S	D18					2			SOURCE	320
L	C28M2		1-02 *		D17					1				320
L	C29J1		1-03 *		D17					2				320
L	C31E2		1-04 *		D28					1				320
L	C32E2		1-05 *		D28					2			TERM HERE?	320
L	D30S2		1-06 *		D17					1				320
			1									19-6/8		320

DX11B.K  
RUN NAME

HND288.V22(22) 11/06/73  
A/P PIN ORDER BAY - Q DRAW RV PG Y X Z  
NAME PIN ORDER

11-JUL-74 0123 PAGE 39  
LENGTH EXCEPTIONS RUN  
NUMBER

A/P	PIN NAME	ORDER PIN	BAY - ORDER	Q	DRAW	RV	PG	Y	X	Z	REMARKS	11-JUL-74 LENGTH	0123 EXCEPTIONS	PAGE 39 RUN NUMBER
L	C26N2		1-01 *	S	D18					2			SOURCE	321
L	C28K2		1-02 *		D17					1				321
L	C29L1		1-03 *		D17					2				321
L	C31E1		1-04 *		D28					1				321
L	C32E1		1-05 *		D28					2				321
L	D30R1		1-06 *		D17					1			TERM HERE?	321
			1									19-0/8		321
L	C26F1		1-01 *	S	D18					1			SOURCE	322
L	C28H2		1-02 *		D17					2				322
L	C29N1		1-03 *		D17					1				322
L	C31F2		1-04 *		D28					2				322
L	C32F2		1-05 *		D28					1				322
L	D30V1		1-06 *		D17					1			TERM HERE?	322
			1									20-6/8		322
L	D30C1		1-01 *		D17					2			TERM HERE?	323
L	C29R1		1-02 *		D17					1				323
L	C31F1		1-03 *		D28					2				323
L	C32F1		1-04 *		D28					1				323
L	C28E2		1-05 *		D17					2			SOURCE	323
L	C26F2		1-06 *	S	D18					1				323
			1									18-0/8		323
L	C26H1		1-01 *	S	D18					2			SOURCE	324
L	C28C1		1-02 *		D17					1				324
L	C31H2		1-03 *		D28					2				324
L	C32H2		1-04 *		D28					1				324
L	C29V1		1-05 *		D17					2				324
L	D30K2		1-06 *		D17					1			TERM HERE?	324
			1									19-2/8		324
L	C26K1		1-01 *	S	D18					1			SOURCE	325
L	C27U2		1-02 *		D17					2				325
L	C29C1		1-03 *		D17					1				325
L	C32H1		1-04 *		D28					2				325
L	C31H1		1-05 *		D28					1				325
L	D30L1		1-06 *		D17					1			TERM HERE?	325
			1									20-6/8		325
L	C32J2		1-01 *		D28					2				326
L	C31J2		1-02 *		D28					1				326
L	C29E2		1-03 *		D17					2				326
L	C27S2		1-04 *		D17					1				326
L	D30U2		1-05 *		D17					1				326
			1									16-4/8		326

TJUL

DX118,K RUN NAME	A/P	PIN NAME	ORDER PIN	BAY = ORDER	Q	DRAW	RV	PG	Y	X	Z	REMARKS	11-JUL-74 LENGTH	0123 EXCEPTIONS	PAGE 40 RUN NUMBER
BUS D10	L	C32J1		1-01 *			D28				2				
BUS D10	L	C31J1		1-02 *			D28				1				327
BUS D10	L	C29H2		1-03 *			D17				2				327
BUS D10	L	C27P2		1-04 *			D17				1				327
BUS D10	L	D30A1		1-05 *			D17				1				327
BUS D10				1									14-0/8		327
BUS D11	L	C32K2		1-01 *			D28				2				328
BUS D11	L	C31K2		1-02 *			D28				1				328
BUS D11	L	C29K2		1-03 *			D17				2				328
BUS D11	L	C27M2		1-04 *			D17				1				328
BUS D11	L	D30E2		1-05 *			D17				1				328
BUS D11				1									14-4/8		328
BUS D12	L	C27K2		1-01 *			D17				2				329
BUS D12	L	C29M2		1-02 *			D17				1				329
BUS D12	L	C31K1		1-03 *			D28				2				329
BUS D12	L	C32K1		1-04 *			D28				1				329
BUS D12	L	D30D1		1-05 *			D17				1				329
BUS D12				1									14-2/8		329
BUS D13	L	C27H2		1-01 *			D17				2				330
BUS D13	L	C29P2		1-02 *			D17				1				330
BUS D13	L	C31L2		1-03 *			D28				2				330
BUS D13	L	C32L2		1-04 *			D28				1				330
BUS D13	L	D30H2		1-05 *			D17				1				330
BUS D13				1									15-4/8		330
BUS D14	L	C27E2		1-01 *			D17				2				331
BUS D14	L	C29S2		1-02 *			D17				1				331
BUS D14	L	C31L1		1-03 *			D28				2				331
BUS D14	L	C32L1		1-04 *			D28				1				331
BUS D14	L	D30F1		1-05 *			D17				1				331
BUS D14				1									15-2/8		331
BUS D15	L	C27C1		1-01 *			D17				1				332
BUS D15	L	C32M2		1-02 *			D28				2				332
BUS D15	L	C31M2		1-03 *			D28				1				332
BUS D15	L	C29U2		1-04 *			D17				2				332
BUS D15	L	D30J1		1-05 *			D17				1				332
BUS D15				1									16-2/8		332
BUS DC LO	L	D32F2		1-01 *			D28				1				333
BUS DC LO	L	D31F2		1-02 *			D28				2				333
BUS DC LO	L	D29V1		1-03 *			D18				1				333
BUS DC LO	L	F02J2		1-04 *			DXX				1				333
BUS DC LO				1									24-4/8		333

DX118,K RUN NAME	A/P	PIN NAME	ORDER PIN	BAY = ORDER	Q	DRAW	RV	PG	Y	X	Z	REMARKS	11-JUL-74 LENGTH	0123 EXCEPTIONS	PAGE 41 RUN NUMBER
BUS IN 0		H07K2		1-01 *			DXX				2				334
BUS IN 0		H08K2		1-02 *			DXX				1				334
BUS IN 0		H10F2		1-03 *			DXX				1				334
BUS IN 0				1									6-4/8		334
BUS IN 1		H07M2		1-01 *			DXX				2				335
BUS IN 1		H08M2		1-02 *			DXX				1				335
BUS IN 1		H10D2		1-03 *			DXX				1				335
BUS IN 1				1									6-4/8		335
BUS IN 2		H07S2		1-01 *			DXX				2				336
BUS IN 2		H08S2		1-02 *			DXX				1				336
BUS IN 2		H10P2		1-03 *			DXX				1				336
BUS IN 2				1									6-2/8		336
BUS IN 3		H07T2		1-01 *			DXX				2				337
BUS IN 3		H08T2		1-02 *			DXX				1				337
BUS IN 3		H10M2		1-03 *			DXX				1				337
BUS IN 3				1									6-2/8		337
BUS IN 4		H07V2		1-01 *			DXX				2				338
BUS IN 4		H08V2		1-02 *			DXX				1				338
BUS IN 4		H09F2		1-03 *			DXX				1				338
BUS IN 4				1									6-6/8		338
BUS IN 5		H07J1		1-01 *			DXX				2				339
BUS IN 5		H08J1		1-02 *			DXX				1				339
BUS IN 5		H09D2		1-03 *			DXX				1				339
BUS IN 5				1									6-0/8		339
BUS IN 6		H07M1		1-01 *			DXX				2				340
BUS IN 6		H08M1		1-02 *			DXX				1				340
BUS IN 6		H09P2		1-03 *			DXX				1				340
BUS IN 6				1									6-0/8		340
BUS IN 7		H07P1		1-01 *			DXX				2				341
BUS IN 7		H08P1		1-02 *			DXX				1				341
BUS IN 7		H09M2		1-03 *			DXX				1				341
BUS IN 7				1									6-0/8		341
BUS IN P		H07D2		1-01 *			DXX				2				342
BUS IN P		H08D2		1-02 *			DXX				1				342
BUS IN P		H11F2		1-03 *			DXX				1				342
BUS IN P				1									6-6/8		342

DX11B,K  
RUN NAME

HND288,V22(22) 11/06/73  
A/P PIN ORDER BAY -  
NAME PIN ORDER

Q DRAW RV PG Y X Z REMARKS

11-JUL-74 0123 PAGE 42  
LENGTH EXCEPTIONS RUN  
NUMBER

BUS INIT  
BUS INIT  
BUS INIT  
BUS INIT

L C32A1 1-01 \*  
L C31A1 1-02 \*  
L D29N1 1-03 \*  
1

D28  
D28  
D18

9-4/8

BUS INTR  
BUS INTR  
BUS INTR  
BUS INTR

L C26M1 1-01 \*  
L C31B1 1-02 \*  
L C32B1 1-03 \*  
1

8 D18  
D28  
D28

SOURCE 344  
TERM HERE? 344  
8-2/8 344

BUS MSYN  
BUS MSYN  
BUS MSYN  
BUS MSYN  
BUS MSYN

L D26E1 1-01 \*  
L C30E1 1-02 \*  
L D31V1 1-03 \*  
L D32V1 1-04 \*  
1

8 D18  
D17  
D28  
D28

SOURCE 345  
TERM HERE? 345  
15-6/8 345

BUS NPG IN  
BUS NPG IN  
BUS NPG IN

H C26B1 1-01 \*  
H C32U1 1-02 \*  
1

D18  
D28

6-0/8  
346  
346

BUS NPG OUT  
BUS NPG OUT  
BUS NPG OUT

H C26V2 1-01 \*  
H C31U1 1-02 \*  
1

8 D18  
D28

4-4/8  
SOURCE 347  
TERM HERE? 347

BUS NPR  
BUS NPR  
BUS NPR  
BUS NPR  
BUS NPR

L C26U2 1-01 \*  
L C26J1 1-02 \*  
L C31S2 1-03 \*  
L C32S2 1-04 \*  
1

8 D18  
D18  
D28  
D28

11-4/8  
TERM HERE? 348  
348  
348  
348

BUS OUT 0  
BUS OUT 0  
BUS OUT 0  
BUS OUT 0

J07K2 1-01 \*  
J08K2 1-02 \*  
J10H1 1-03 \*  
1

D27  
D27  
D27

6-0/8  
349  
349

BUS OUT 1  
BUS OUT 1  
BUS OUT 1  
BUS OUT 1

J07M2 1-01 \*  
J08M2 1-02 \*  
J10R1 1-03 \*  
1

D27  
D27  
D27

6-2/8  
350  
350  
350

BUS OUT 2  
BUS OUT 2  
BUS OUT 2  
BUS OUT 2

J07P2 1-01 \*  
J08P2 1-02 \*  
J10L2 1-03 \*  
1

D27  
D27  
D27

6-4/8  
351  
351  
351

DX11B,K  
RUN NAME

HND288,V22(22) 11/06/73  
A/P PIN ORDER BAY -  
NAME PIN ORDER

Q DRAW RV PG Y X Z REMARKS

11-JUL-74 0123 PAGE 43  
LENGTH EXCEPTIONS RUN  
NUMBER

BUS OUT 3  
BUS OUT 3  
BUS OUT 3  
BUS OUT 3

J07T2 1-01 \*  
J08T2 1-02 \*  
J10V2 1-03 \*  
1

D27  
D27  
D27

6-2/8  
352  
352  
352

BUS OUT 4  
BUS OUT 4  
BUS OUT 4  
BUS OUT 4

J07V2 1-01 \*  
J08V2 1-02 \*  
J09H1 1-03 \*  
1

D27  
D27  
D27

6-4/8  
353  
353  
353

BUS OUT 5  
BUS OUT 5  
BUS OUT 5  
BUS OUT 5

J07J1 1-01 \*  
J08J1 1-02 \*  
J09R1 1-03 \*  
1

D27  
D27  
D27

6-0/8  
354  
354  
354

BUS OUT 6  
BUS OUT 6  
BUS OUT 6  
BUS OUT 6

J07M1 1-01 \*  
J08M1 1-02 \*  
J09L2 1-03 \*  
1

D27  
D27  
D27

6-0/8  
355  
355  
355

BUS OUT 7  
BUS OUT 7  
BUS OUT 7  
BUS OUT 7

J07P1 1-01 \*  
J08P1 1-02 \*  
J09V2 1-03 \*  
1

DXX  
DXX  
DXX

6-2/8  
356  
356  
356

BUS OUT P  
BUS OUT P  
BUS OUT P  
BUS OUT P

J07D2 1-01 \*  
J08D2 1-02 \*  
J13H1 1-03 \*  
1

DXX  
DXX  
DXX

7-4/8  
357  
357  
357

BUS PA  
BUS PA  
BUS PA

L C31M1 1-01 \*  
L C32M1 1-02 \*  
1

D28  
D28

2-6/8  
358  
358

BUS PB  
BUS PB  
BUS PB

L C31N2 1-01 \*  
L C32N2 1-02 \*  
1

D28  
D28

2-6/8  
359  
359

BUS SACK  
BUS SACK  
BUS SACK  
BUS SACK

L C26T2 1-01 \*  
L C31R2 1-02 \*  
L C32R2 1-03 \*  
1

8 D18  
D28  
D28

SOURCE 360  
TERM HERE? 360  
7-6/8 360

digital EQUIPMENT CORPORATION

digital EQUIPMENT CORPORATION

DX11B,K  
RUN NAME

HND288.V22(22) 11/06/73  
A/P PIN ORDER BAY - Q DRAW RV PG Y X Z REMARKS

11-JUL-74 0123 PAGE 44  
LENGTH EXCEPTIONS RUN NUMBER

BUS SSYN  
BUS SSYN  
BUS SSYN  
BUS SSYN  
BUS SSYN

L D27T2 1-01 \* D17  
L D29L1 1-02 \* D18  
L D31U1 1-03 \* D28  
L D32U1 1-04 \* D28  
1

9-6/8

BUSI 00(0)  
BUSI 00(0)  
BUSI 00(0)  
BUSI 00(0)

H C10S2 1-01 \* S D13  
H A22T2 1-02 \* D26  
H H21R2 1-03 \* DXX  
1

SOURCE 362  
TERM HERE? 362  
28-4/8 362

BUSI 00(1)  
BUSI 00(1)  
BUSI 00(1)  
BUSI 00(1)  
BUSI 00(1)

H C10R2 1-01 \* S D13  
H A22N2 1-02 \* D26  
H A31V2 1-03 \* D22  
H H09P1 1-04 \* DXX  
1

SOURCE 363  
TERM HERE? 363  
40-2/8 363

BUSI 01(0)  
BUSI 01(0)  
BUSI 01(0)  
BUSI 01(0)

H C11S2 1-01 \* S D13  
H A22S2 1-02 \* D26  
H H21H2 1-03 \* DXX  
1

SOURCE 364  
TERM HERE? 364  
27-2/8 364

BUSI 01(1)  
BUSI 01(1)  
BUSI 01(1)  
BUSI 01(1)  
BUSI 01(1)  
BUSI 01(1)

H A31U2 1-01 \* D22  
H A22M2 1-02 \* D26  
H E01H1 1-03 \* D05  
H H09U2 1-04 \* DXX  
H C11R2 1-05 \* S D13  
1

TERM HERE? 365  
SOURCE 365  
49-0/8 365

BUSI 02(0)  
BUSI 02(0)  
BUSI 02(0)  
BUSI 02(0)

H C12S2 1-01 \* S D13  
H A22R2 1-02 \* D26  
H H21V1 1-03 \* DXX  
1

SOURCE 366  
TERM HERE? 366  
28-6/8 366

BUSI 02(1)  
BUSI 02(1)  
BUSI 02(1)  
BUSI 02(1)  
BUSI 02(1)

H C12R2 1-01 \* S D13  
H A22L2 1-02 \* D26  
H A31T2 1-03 \* D22  
H H09F1 1-04 \* DXX  
1

SOURCE 367  
TERM HERE? 367  
39-0/8 367

BUSI 03(0)  
BUSI 03(0)  
BUSI 03(0)  
BUSI 03(0)

H C13S2 1-01 \* S D13  
H A22P2 1-02 \* D26  
H H21L1 1-03 \* DXX  
1

SOURCE 368  
TERM HERE? 368  
27-6/8 368

DX11B,K  
RUN NAME

HND288.V22(22) 11/06/73  
A/P PIN ORDER BAY - Q DRAW RV PG Y X Z REMARKS

11-JUL-74 0123 PAGE 45  
LENGTH EXCEPTIONS RUN NUMBER

BUSI 03(1)  
BUSI 03(1)  
BUSI 03(1)  
BUSI 03(1)  
BUSI 03(1)  
BUSI 03(1)

H A31B2 1-01 \* D22  
H A22K2 1-02 \* D26  
H E01D1 1-03 \* D05  
H H09K2 1-04 \* DXX  
H C13R2 1-05 \* S D13  
1

TERM HERE? 369  
SOURCE 369  
47-4/8 369

BUSI 04(0)  
BUSI 04(0)  
BUSI 04(0)  
BUSI 04(0)

H C14S2 1-01 \* S D13  
H A22J1 1-02 \* D26  
H H20R2 1-03 \* DXX  
1

SOURCE 370  
TERM HERE? 370  
29-2/8 370

BUSI 04(1)  
BUSI 04(1)  
BUSI 04(1)  
BUSI 04(1)  
BUSI 04(1)  
BUSI 04(1)

H A31R2 1-01 \* D22  
H A22D1 1-02 \* D26  
H E01L1 1-03 \* D05  
H H10P1 1-04 \* DXX  
H C14R2 1-05 \* S D13  
1

TERM HERE? 371  
SOURCE 371  
49-2/8 371

BUSI 05(0)  
BUSI 05(0)  
BUSI 05(0)  
BUSI 05(0)

H C15S2 1-01 \* S D13  
H A22H1 1-02 \* D26  
H H20H2 1-03 \* DXX  
1

SOURCE 372  
TERM HERE? 372  
28-4/8 372

BUSI 05(1)  
BUSI 05(1)  
BUSI 05(1)  
BUSI 05(1)  
BUSI 05(1)

H C15R2 1-01 \* S D13  
H A31P2 1-02 \* D22  
H A22C1 1-03 \* D26  
H H10U2 1-04 \* DXX  
1

SOURCE 373  
TERM HERE? 373  
42-4/8 373

BUSI 06(0)  
BUSI 06(0)  
BUSI 06(0)  
BUSI 06(0)

H C16S2 1-01 \* S D13  
H A22F1 1-02 \* D26  
H H20V1 1-03 \* DXX  
1

SOURCE 374  
TERM HERE? 374  
30-0/8 374

BUSI 06(1)  
BUSI 06(1)  
BUSI 06(1)  
BUSI 06(1)  
BUSI 06(1)

H C16R2 1-01 \* S D13  
H A31N2 1-02 \* D22  
H A22S1 1-03 \* D26  
H H10F1 1-04 \* DXX  
1

SOURCE 375  
TERM HERE? 375  
41-0/8 375

BUSI 07(0)  
BUSI 07(0)  
BUSI 07(0)  
BUSI 07(0)

H C17S2 1-01 \* S D13  
H A22E1 1-02 \* D26  
H H20L1 1-03 \* DXX  
1

SOURCE 376  
TERM HERE? 376  
28-6/8 376

digital EQUIPMENT CORPORATION

digital EQUIPMENT CORPORATION





DX11B,K  
RUN NAME

HND288,V22(22) 11/06/73  
A/P PIN ORDER BAY =  
NAME PIN ORDER

11-JUL-74 0123 PAGE 48  
LENGTH EXCEPTIONS RUN  
NUMBER

A/P	PIN NAME	ORDER PIN	BAY ORDER	Q	DRAW	RV	PG	Y	X	Z	REMARKS	11-JUL-74 LENGTH	0123 EXCEPTIONS	PAGE 48 RUN NUMBER
BUSO 04	L	A28C1	1-01 *							2				
BUSO 04	L	A21J1	1-02 *			D26				1			TERM HERE?	387
BUSO 04	L	E06M1	1-03 *	S		D27				1			SOURCE	387
BUSO 04			1									22-4/8		387
BUSO 05	H	A31P1	A28F1 1-01 *			D22				2				388
BUSO 05	H	A28F1	1-02 *							1				388
BUSO 05	H	A21C1	1-03 *			D26				2				388
BUSO 05	H	A19H1	1-04 *			D26				1				388
BUSO 05	H	B12M1	1-05 *			D15				2				388
BUSO 05	H	B11M2	1-06 *			D16				1				388
BUSO 05	H	D15S1	1-07 *			D19				2				388
BUSO 05	H	D04R1	1-08 *			D07				1				388
BUSO 05	H	E06J1	1-09 *			D27				2				388
BUSO 05	H	E09S1	1-10 *			D09				1				388
BUSO 05	H	J10F2	1-11 *			DXX				1				388
BUSO 05			1									58-0/8		388
BUSO 05	L	A28J1	1-01 *							2			TERM HERE?	389
BUSO 05	L	A21M1	1-02 *			D26				1			SOURCE	389
BUSO 05	L	E06K1	1-03 *	S		D27				1				389
BUSO 05			1									22-2/8		389
BUSO 06	H	A31N1	A28M1 1-01 *			D22				2				390
BUSO 06	H	A28M1	1-02 *							1				390
BUSO 06	H	A21B1	1-03 *			D26				2				390
BUSO 06	H	A19J1	1-04 *			D26				1				390
BUSO 06	H	B12F1	1-05 *			D15				2				390
BUSO 06	H	B11F2	1-06 *			D16				1				390
BUSO 06	H	D16S1	1-07 *			D19				2				390
BUSO 06	H	D05R1	1-08 *			D07				1				390
BUSO 06	H	E06F1	1-09 *			D27				2				390
BUSO 06	H	E09L2	1-10 *			D09				1				390
BUSO 06	H	J10P1	1-11 *			DXX				1				390
BUSO 06			1									60-0/8		390
BUSO 06	L	A28P1	1-01 *							2			TERM HERE?	391
BUSO 06	L	A21F1	1-02 *			D26				1			SOURCE	391
BUSO 06	L	E06H1	1-03 *	S		D27				1				391
BUSO 06			1									22-2/8		391

DX11B,K  
RUN NAME

HND288,V22(22) 11/06/73  
A/P PIN ORDER BAY =  
NAME PIN ORDER

11-JUL-74 0123 PAGE 49  
LENGTH EXCEPTIONS RUN  
NUMBER

A/P	PIN NAME	ORDER PIN	BAY ORDER	Q	DRAW	RV	PG	Y	X	Z	REMARKS	11-JUL-74 LENGTH	0123 EXCEPTIONS	PAGE 49 RUN NUMBER
BUSO 07	H	A28D2	1-01 *							2				
BUSO 07	H	A31M1	1-02 *			D22				1				392
BUSO 07	H	A21A1	1-03 *			D26				2				392
BUSO 07	H	A19K1	1-04 *			D26				1				392
BUSO 07	H	B12A1	1-05 *			D15				2				392
BUSO 07	H	B11P1	1-06 *			D16				1				392
BUSO 07	H	D17S1	1-07 *			D19				2				392
BUSO 07	H	D06R1	1-08 *			D07				1				392
BUSO 07	H	E06D1	1-09 *			D27				2				392
BUSO 07	H	E09H1	1-10 *			D09				1				392
BUSO 07	H	J10F1	1-11 *			DXX				1				392
BUSO 07			1									60-6/8		392
BUSO 07	L	A28F2	1-01 *							2			TERM HERE?	393
BUSO 07	L	A21E1	1-02 *			D26				1			SOURCE	393
BUSO 07	L	E06E1	1-03 *	S		D27				1				393
BUSO 07			1									22-2/8		393
BUSOB 00(0)	H	A10M1	1-01 *	S		D21				1			SOURCE	394
BUSOB 00(0)	H	J09R2	1-02 *			DXX							TERM HERE?	394
BUSOB 00(0)			1									21-2/8		394
BUSOB 00(1)	H	A10L1	1-01 *			D21				2				395
BUSOB 00(1)	H	D10K1	1-02 *			D19				1				395
BUSOB 00(1)	H	J21K2	1-03 *			DXX								395
BUSOB 00(1)			1									25-4/8		395
BUSOB 01(0)	H	A11M1	1-01 *	S		D21				1			SOURCE	396
BUSOB 01(0)	H	J09H2	1-02 *			DXX							TERM HERE?	396
BUSOB 01(0)			1									20-6/8		396
BUSOB 01(1)	H	A11L1	1-01 *			D21				2				397
BUSOB 01(1)	H	D11K1	1-02 *			D19				1				397
BUSOB 01(1)	H	J21P1	1-03 *			DXX								397
BUSOB 01(1)			1									25-6/8		397
BUSOB 02(0)	H	A12M1	1-01 *	S		D21				1			SOURCE	398
BUSOB 02(0)	H	J09V1	1-02 *			DXX							TERM HERE?	398
BUSOB 02(0)			1									22-2/8		398
BUSOB 02(1)	H	A12L1	1-01 *	S		D21				2			SOURCE	399
BUSOB 02(1)	H	D12K1	1-02 *			D19				1				399
BUSOB 02(1)	H	J21U2	1-03 *			DXX							TERM HERE?	399
BUSOB 02(1)			1									26-0/8		399

DX118.K  
RUN NAME

HND288,V22(22) 11/06/73

A/P	PIN NAME	ORDER PIN	BAY - ORDER	Q	DRAW	RV	PG	Y	X	Z	REMARKS	11-JUL-74 LENGTH	0123 EXCEPTIONS	PAGE 50 RUN NUMBER
H	A13M1		1-01 *	S	D21									
H	J09L1		1-02 *		DXX					1			SOURCE TERM HERE?	400
			1									21-4/8		400
H	A13L1		1-01 *		D21					2				401
H	D13K1		1-02 *		D19					1				401
H	J21F1		1-03 *		DXX									401
			1									24-4/8		401
H	A14M1		1-01 *	S	D21					1				402
H	J10R2		1-02 *		DXX								SOURCE TERM HERE?	402
			1									22-0/8		402
H	A14L1		1-01 *		D21					2				403
H	D14K1		1-02 *		D19					1				403
H	J20K2		1-03 *		DXX									403
			1									24-4/8		403
H	A15M1		1-01 *	S	D21					1				404
H	J10H2		1-02 *		DXX								SOURCE TERM HERE?	404
			1									21-2/8		404
H	A15L1		1-01 *	S	D21					2				405
H	D15K1		1-02 *		D19					1			SOURCE	405
H	J20P1		1-03 *		DXX								TERM HERE?	405
			1									24-6/8		405
H	A16M1		1-01 *	S	D21					1				406
H	J10V1		1-02 *		DXX								SOURCE TERM HERE?	406
			1									23-0/8		406
H	A16L1		1-01 *		D21					2				407
H	D16K1		1-02 *		D19					1				407
H	J20U2		1-03 *		DXX									407
			1									25-0/8		407
H	A17M1		1-01 *	S	D21					1				408
H	J10L1		1-02 *		DXX								SOURCE TERM HERE?	408
			1									22-2/8		408
H	A17L1		1-01 *		D21					2				409
H	D17K1		1-02 *		D19					1				409
H	J20F1		1-03 *		DXX									409
			1									23-4/8		409

DX118.K  
RUN NAME

HND288,V22(22) 11/06/73

A/P	PIN NAME	ORDER PIN	BAY - ORDER	Q	DRAW	RV	PG	Y	X	Z	REMARKS	11-JUL-74 LENGTH	0123 EXCEPTIONS	PAGE 51 RUN NUMBER
	A10H1		1-01 *		D21					2				410
	A11H1		1-02 *		D21					1				410
	A12H1		1-03 *		D21					2				410
	A13H1		1-04 *		D21					1				410
	B20C1		1-05 *		D21									410
			1									15-0/8		410
	A14H1		1-01 *		D21					2				411
	A15H1		1-02 *		D21					1				411
	A16H1		1-03 *		D21					2				411
	A17H1		1-04 *		D21					1				411
	B20F1		1-05 *		D21									411
			1									14-0/8		411
H	A03J2		1-01 *		D25					1				412
H	B03B1		1-02 *		D25					2			TERM HERE?	412
H	C05C1		1-03 *		D25					1				412
H	C03R1		1-04 *		D24					2				412
H	C08N1		1-05 *		D05					1				412
H	E12H2		1-06 *		DXX					2				412
H	C16V2		1-07 *	S	D11								SOURCE	412
			1									34-0/8		412
H	A32N1		1-01 *		D22					2				413
H	D16F1		1-02 *		D19					1			TERM HERE?	413
H	E14E2		1-03 *		D05					2				413
H	E14S2		1-04 *		D13					1				413
H	E03A1		1-05 *		D24					2				413
H	B03M1		1-06 *		D25					1				413
H	B03R2		1-07 *		D25					2				413
H	C04B1		1-08 *		D25					1				413
H	C05S2		1-09 *		D25					2				413
H	C08H1		1-10 *		D24					1				413
H	C08L2		1-11 *		D25					2				413
H	C16U2		1-12 *	S	D11								SOURCE	413
			1									63-6/8		413
	C01C1		1-01 *		D05					1				414
	C01D1		1-02 *		D05					2				414
	E04R2		1-03 *		D05									414
			1									12-0/8		414
	C01F1		1-01 *		D05					1				415
	D01U2		1-02 *		D05									415
			1									6-4/8		415

DX11B,K  
RUN NAME

HND288,V22(22) 11/06/73  
A/P PIN ORDER BAY -  
NAME PIN ORDER

Q DRAW RV PG Y X Z REMARKS

11-JUL-74 0123 PAGE 52  
LENGTH EXCEPTIONS RUN  
NUMBER

C01F2  
C01F2  
C01F2  
C01F2

C01F2  
C01H2  
C12K1

1-01 \*  
1-02 \*  
1-03 \*  
1

D05  
D05  
D05

1  
2

10-2/8

416  
416  
416  
416

C01K1  
C01K1  
C01K1

C01K1  
C15J1

1-01 \*  
1-02 \*  
1

D05  
D05

1

9-4/8

417  
417  
417

C01K2  
C01K2  
C01K2

C01K2  
C01L2

1-01 \*  
1-02 \*  
1

D05  
D05

1

2-4/8

418  
418  
418

C01N1  
C01N1  
C01N1

C01N1  
C16J1

1-01 \*  
1-02 \*  
1

D05  
D05

1

10-0/8

419  
419  
419

C01N2  
C01N2  
C01N2

C01N2  
C12J1

1-01 \*  
1-02 \*  
1

D05  
D05

1

7-6/8

420  
420  
420

C01S1  
C01S1  
C01S1

C01S1  
C14J1

1-01 \*  
1-02 \*  
1

D05  
D05

1

9-2/8

421  
421  
421

C01S2  
C01S2  
C01S2

C01S2  
C10J1

1-01 \*  
1-02 \*  
1

D05  
D05

1

7-0/8

422  
422  
422

C01V2  
C01V2  
C01V2

C01V2  
E01B1

1-01 \* S  
1-02 \*  
1

D05  
D05

1

5-6/8

SOURCE  
TERM HERE?

423  
423  
423

C02C1  
C02C1  
C02C1

C02C1  
E02K2

1-01 \*  
1-02 \*  
1

D24  
D24

1

6-4/8

424  
424  
424

C02F1  
C02F1  
C02F1

C02F1  
E02J1

1-01 \*  
1-02 \*  
1

D24  
D24

1

7-6/8

425  
425  
425

C02F2  
C02F2  
C02F2

C02F2  
C05L2

1-01 \*  
1-02 \*  
1

D24  
D24

1

4-0/8

426  
426  
426

DX11B,K  
RUN NAME

HND288,V22(22) 11/06/73  
A/P PIN ORDER BAY -  
NAME PIN ORDER

Q DRAW RV PG Y X Z REMARKS

11-JUL-74 0123 PAGE 53  
LENGTH EXCEPTIONS RUN  
NUMBER

C02K1  
C02K1  
C02K1

C02K1  
E02H1

1-01 \*  
1-02 \*  
1

D24  
D24

1

7-2/8

427  
427  
427

C02N1  
C02N1  
C02N1

C02N1  
C05M2

1-01 \*  
1-02 \*  
1

D24  
D24

1

4-0/8

428  
428  
428

C02S1  
C02S1  
C02S1

C02E2  
C02S1

1-01 \*  
1-02 \* S  
1

D24  
D24

1

3-6/8

TERM HERE?  
SOURCE

429  
429  
429

C02S2  
C02S2  
C02S2

C02S2  
E04B1

1-01 \*  
1-02 \*  
1

D24  
D24

1

6-2/8

430  
430  
430

C02V2  
C02V2  
C02V2

C02V2  
E04D1

1-01 \*  
1-02 \*  
1

D24  
D24

1

6-2/8

431  
431  
431

C03N2  
C03N2  
C03N2

C03N2  
C03T2

1-01 \* S  
1-02 \*  
1

DXX  
DXX

1

2-6/8

SOURCE  
TERM HERE?

432  
432  
432

C03V2  
C03V2  
C03V2

B03U2  
C03V2

1-01 \*  
1-02 \*  
1

D25  
D25

1

5-0/8

433  
433  
433

C04P2  
C04P2  
C04P2

C04P2  
F20J2

1-01 \* S  
1-02 \*  
1

DXX  
DXX

1

13-4/8

SOURCE  
TERM HERE?

434  
434  
434

C04V2  
C04V2  
C04V2

C04V2  
C07J1

1-01 \*  
1-02 \*  
1

D24  
D24

1

4-2/8

435  
435  
435

C05J2  
C05J2  
C05J2

B05H2  
C05J2

1-01 \*  
1-02 \*  
1

D24  
D24

1

5-0/8

436  
436  
436

C05P2  
C05P2  
C05P2

C05P2  
C07V1

1-01 \*  
1-02 \*  
1

D24  
D24

1

3-4/8

437  
437  
437

C06J2  
C06J2  
C06J2

C06J2  
F14D1

1-01 \* S  
1-02 \*  
1

D07  
D07

1

SOURCE  
TERM HERE?

438  
438  
438





DX11B.K  
RUN NAME

HND288, V22(22) 11/06/73		11-JUL-74		0123		PAGE 58					
A/P	PIN NAME	ORDER PIN	BAY - ORDER	Q	DRAW RV PG Y	X	Z	REMARKS	LENGTH	EXCEPTIONS	RUN NUMBER
	CLKN3	A27V2	1-01 *	8	D20		2				
	CLKN3	B20J2	1-02 *		D11		1			SOURCE	467
	CLKN3	E31B1	1-03 *		D13		2				467
	CLKN3	E30B1	1-04 *		D13		1				467
	CLKN3	E30E1	1-05 *		D13		2				467
	CLKN3	E30E2	1-06 *		D13		1				467
	CLKN3	E31J1	1-07 *		D13		2				467
	CLKN3	E31J2	1-08 *		D13		1				467
	CLKN3	E31R2	1-09 *		D13		2				467
	CLKN3	E31R1	1-10 *		D13		1				467
	CLKN3	E30R2	1-11 *		D13		2				467
	CLKN3	E30M1	1-12 *		D13		1				467
	CLKN3	E30R1	1-13 *		D13		2				467
	CLKN3	F29J1	1-14 *		D05		1				467
	CLKN3	E24U2	1-15 *		D13		2				467
	CLKN3	E19U2	1-16 *		D13		1				467
	CLKN3	E19M2	1-17 *		D13		2				467
	CLKN3	F14J1	1-18 *		D05		1				467
	CLKN3	E13R1	1-19 *		D13		1				467
			1							TERM HERE?	467
	CLKN4	D09J2	1-01 *	2			2		73-4/8		468
	CLKN4	C01M2	1-02 *		D05		1				468
	CLKN4	C01M1	1-03 *		D05		2				468
	CLKN4	C01R2	1-04 *		D05		1				468
	CLKN4	C01R1	1-05 *		D05		2				468
	CLKN4	D01E2	1-06 *		D05		1				468
	CLKN4	D01E1	1-07 *		D05		2				468
	CLKN4	D01J2	1-08 *		D05		1				468
	CLKN4	D01M2	1-09 *		D05		2				468
	CLKN4	D01M1	1-10 *		D05		1				468
	CLKN4	D01R1	1-11 *		D05		2				468
	CLKN4	E13F1	1-12 *		D05		1				468
	CLKN4	E13J1	1-13 *		D11		2				468
	CLKN4	E24J1	1-14 *		D11		1				468
	CLKN4	E24J2	1-15 *		D11		2				468
	CLKN4	E24M1	1-16 *		D11		1				468
			1								468
	CLKO	A31K2	1-01 *		D22		1		57-6/8		469
	CLKO	D19L1	1-02 *		D19		2				469
	CLKO	C06R1	1-03 *		D24		1				469
	CLKO	E06B2	1-04 *		D27		2				469
	CLKO	J13D2	1-05 *		DXX		1				469
			1								469
									41-0/8		469

DX11B.K  
RUN NAME

HND288, V22(22) 11/06/73		11-JUL-74		0123		PAGE 59					
A/P	PIN NAME	ORDER PIN	BAY - ORDER	Q	DRAW RV PG Y	X	Z	REMARKS	LENGTH	EXCEPTIONS	RUN NUMBER
	CLKO	E02T2	1-01 *		D24		1				470
	CLKO	E06T2	1-02 *	8	D27		1			TERM HERE?	470
			1							SOURCE	470
	CLKP1	A27M1	1-01 *	8	D20		2		4-2/8		470
	CLKP1	A25J1	1-02 *		D14		1			SOURCE	471
	CLKP1	A25U2	1-03 *		D08		2				471
	CLKP1	B16A1	1-04 *		D10		1				471
	CLKP1	B16M1	1-05 *		D10		2				471
	CLKP1	A09E1	1-06 *		D11		1				471
	CLKP1	B01M1	1-07 *		D05		2				471
	CLKP1	C03R2	1-08 *		D07		1				471
	CLKP1	C08U2	1-09 *		D05		2				471
	CLKP1	E16B1	1-10 *		D11		1				471
	CLKP1	E16R1	1-11 *		D18		2				471
	CLKP1	E16U2	1-12 *		D24		1				471
	CLKP1	E20S2	1-13 *				2				471
	CLKP1	E20U2	1-14 *				1				471
			1							TERM HERE?	471
	CLKP2	A27P1	1-01 *	2	D20		2		65-0/8		472
	CLKP2	B17T2	1-02 *		D06		1				472
	CLKP2	B17U2	1-03 *		D06		2				472
	CLKP2	C18M2	1-04 *				1				472
	CLKP2	E27L2	1-05 *		D05		2				472
	CLKP2	F22E2	1-06 *		D18		1				472
	CLKP2	F22P1	1-07 *		D25		2				472
	CLKP2	E17U2	1-08 *		D06		1				472
	CLKP2	E17M2	1-09 *		D06		2				472
	CLKP2	E17E2	1-10 *		D06		1				472
	CLKP2	E26J1	1-11 *		D18		2				472
	CLKP2	C25E2	1-12 *				1				472
			1								472
	CLR CUAR	A10R1	1-01 *		D15		2		60-6/8		473
	CLR CUAR	A11R1	1-02 *		D15		1				473
	CLR CUAR	A12R1	1-03 *		D15		2				473
	CLR CUAR	A13R1	1-04 *		D15		1				473
	CLR CUAR	A14R1	1-05 *		D15		2				473
	CLR CUAR	A15R1	1-06 *		D15		1				473
	CLR CUAR	A16R1	1-07 *		D15		2				473
	CLR CUAR	A17R1	1-08 *		D15		1				473
	CLR CUAR	A18D2	1-09 *		D15		1				473
			1								473
									23-2/8		473

DX11B,K  
RUN NAME

HND288,V22(22) 11/06/73  
A/P PIN ORDER BAY -  
NAME PIN ORDER

Q DRAW RV PG Y X Z REMARKS

11-JUL-74 0123 PAGE 60  
LENGTH EXCEPTIONS RUN  
NUMBER

CLR CUCR  
CLR CUCR  
CLR CUCR  
CLR CUCR  
CLR CUCR  
CLR CUCR  
CLR CUCR  
CLR CUCR  
CLR CUCR  
CLR CUCR

A10U2 1-01 \*  
A11U2 1-02 \*  
A12U2 1-03 \*  
A13U2 1-04 \*  
A14U2 1-05 \*  
A15U2 1-06 \*  
A16U2 1-07 \*  
A17U2 1-08 \*  
A18F2 1-09 \*  
1

D16  
D16  
D16  
D16  
D16  
D16  
D16  
D16  
D16  
D16

2  
1  
2  
1  
2  
1  
2  
1

474  
474  
474  
474  
474  
474  
474  
474  
474  
474

CLR CUSR  
CLR CUSR  
CLR CUSR  
CLR CUSR  
CLR CUSR  
CLR CUSR  
CLR CUSR  
CLR CUSR  
CLR CUSR  
CLR CUSR

C17D2 1-01 \*  
C16D2 1-02 \*  
C15D2 1-03 \*  
C14D2 1-04 \*  
C13D2 1-05 \*  
C12D2 1-06 \*  
C11D2 1-07 \*  
C10D2 1-08 \*  
E13D2 1-09 \*  
1

D09  
D09  
D09  
D09  
D09  
D09  
D09  
D09  
D09

2  
1  
2  
2  
1  
2  
1  
2  
1

23-2/8

TERM HERE?  
475  
475  
475  
475  
475  
475  
475  
475  
475

CLR DXBC BA  
CLR DXBC BA  
CLR DXBC BA  
CLR DXBC BA  
CLR DXBC BA  
CLR DXBC BA  
CLR DXBC BA  
CLR DXBC BA  
CLR DXBC BA  
CLR DXBC BA

H B25H1 1-01 \*  
H B26H1 1-02 \*  
H B27H1 1-03 \*  
H B27R1 1-04 \*  
H B26R1 1-05 \*  
H D07H1 1-06 \*  
H D07R1 1-07 \*  
H D08H1 1-08 \*  
H D08R1 1-09 \*  
1

D08  
D08  
D08  
D08  
D08  
D07  
D07  
D07  
D07

1  
2  
1  
2  
1  
2  
2  
1  
2

27-4/8

SOURCE  
475  
476  
476  
476  
476  
476  
476  
476  
476  
476

CLR DXCB  
CLR DXCB  
CLR DXCB  
CLR DXCB  
CLR DXCB  
CLR DXCB  
CLR DXCB  
CLR DXCB  
CLR DXCB  
CLR DXCB  
CLR DXCB  
CLR DXCB  
CLR DXCB

C25P1 1-01 \*  
C24P1 1-02 \*  
C23P1 1-03 \*  
C22P1 1-04 \*  
C19P1 1-05 \*  
C18P1 1-06 \*  
C16P1 1-07 \*  
C15P1 1-08 \*  
C14P1 1-09 \*  
C13P1 1-10 \*  
E13J2 1-11 \*  
1

D11  
D11  
D11  
D11  
D11  
D11  
D11  
D11  
D11  
D11  
D11

2  
1  
2  
2  
1  
2  
1  
2  
1  
2  
1

35-2/8

TERM HERE?  
477  
477  
477  
477  
477  
477  
477  
477  
477  
477  
477  
477  
477

33-4/8 SOURCE

DX11B,K  
RUN NAME

HND288,V22(22) 11/06/73  
A/P PIN ORDER BAY -  
NAME PIN ORDER

Q DRAW RV PG Y X Z REMARKS

11-JUL-74 0123 PAGE 61  
LENGTH EXCEPTIONS RUN  
NUMBER

CLR DXCS  
CLR DXCS  
CLR DXCS  
CLR DXCS  
CLR DXCS  
CLR DXCS  
CLR DXCS  
CLR DXCS  
CLR DXCS  
CLR DXCS  
CLR DXCS  
CLR DXCS  
CLR DXCS  
CLR DXCS

C25A1 1-01 \*  
C24D1 1-02 \*  
C23A1 1-03 \*  
C21A1 1-04 \*  
B18J2 1-05 \*  
C14D1 1-06 \*  
C13D1 1-07 \*  
C15D1 1-08 \*  
C16A1 1-09 \*  
C17A1 1-10 \*  
E16R2 1-11 \*  
E13L2 1-12 \*  
1

D06  
D06  
D06  
D06  
D06  
D06  
D06  
D06  
D06  
D06  
D06  
D06

2  
1  
2  
1  
2  
2  
1  
2  
1  
1  
2

44-4/8

SOURCE

CLR DXDS  
CLR DXDS  
CLR DXDS  
CLR DXDS  
CLR DXDS  
CLR DXDS  
CLR DXDS  
CLR DXDS  
CLR DXDS  
CLR DXDS

C10L1 1-01 \*  
C11H1 1-02 \*  
C12H1 1-03 \*  
C17H1 1-04 \*  
C16L1 1-05 \*  
C18L1 1-06 \*  
C14L1 1-07 \*  
E13F2 1-08 \*  
1

D05  
D05  
D05  
D05  
D05  
D05  
D05  
D05

2  
1  
2  
1  
2  
1  
2

26-2/8

SOURCE

CLR DXDSA  
CLR DXDSA  
CLR DXDSA  
CLR DXDSA  
CLR DXDSA

C25L1 1-01 \*  
C20L1 1-02 \*  
C19L1 1-03 \*  
C18L1 1-04 \*  
F14J2 1-05 \*  
1

D05  
D05  
D05  
D05  
D05

2  
1  
2  
1

21-0/8

CLR DXMI  
CLR DXMI  
CLR DXMI  
CLR DXMI  
CLR DXMI  
CLR DXMI  
CLR DXMI

C20L2 1-01 \*  
C21L2 1-02 \*  
C22L2 1-03 \*  
C23L2 1-04 \*  
C25L2 1-05 \*  
E13R2 1-06 \*  
1

D13  
D13  
D13  
D13  
D13  
D13

1  
2  
1  
2  
1

22-2/8

SOURCE

CLR FCTN  
CLR FCTN  
CLR FCTN  
CLR FCTN

L C10A1 1-01 \*  
L C11D1 1-02 \*  
L C12D1 1-03 \*  
L E16S2 1-04 \*  
1

D06  
D06  
D06  
D06

1  
2  
1

16-0/8

SOURCE

EQUIPMENT CORPORATION

EQUIPMENT CORPORATION

DX11B,K  
RUN NAME

HND288,V22(22) 11/06/73  
A/P PIN ORDER BAY -  
NAME PIN ORDER

11-JUL-74 0123 PAGE 62  
LENGTH EXCEPTIONS RUN  
NUMBER

CLR IRC  
CLR IRC  
CLR IRC

E27N2 1-01 \* S D05  
F19E2 1-02 \* D05  
1

SOURCE 483  
TERM HERE? 483

CMD OUT  
CMD OUT  
CMD OUT  
CMD OUT

J09E2 1-01 \* DXX  
J12M1 1-02 \* DXX  
J14M1 1-03 \* DXX  
1

7-2/8 484  
484  
484  
7-2/8 484

CMDCHN(1)  
CMDCHN(1)  
CMDCHN(1)  
CMDCHN(1)  
CMDCHN(1)  
CMDCHN(1)  
CMDCHN(1)

H A29R1 1-01 \* D22  
H A08U2 1-02 \* DXX  
H B08E1 1-03 \* D10  
H C06P1 1-04 \* D24  
H D1282 1-05 \* D19  
H C12M1 1-06 \* S D05  
1

TERM HERE? 485  
485  
485  
485  
485  
485  
SOURCE 485  
35-4/8 485

CMDO  
CMDO  
CMDO

H C20F2 1-01 \* D12  
H J09D2 1-02 \* DXX  
1

486  
486  
17-6/8 486

CMDO(0)  
CMDO(0)  
CMDO(0)  
CMDO(0)  
CMDO(0)  
CMDO(0)  
CMDO(0)  
CMDO(0)

H A04A1 1-01 \* D25  
H B04K2 1-02 \* D25  
H C05M1 1-03 \* D24  
H E17J2 1-04 \* D06  
H E23M1 1-05 \* D11  
H B21J1 1-06 \* D13  
H C20K2 1-07 \* S D12  
1

TERM HERE? 487  
487  
487  
487  
487  
487  
487  
SOURCE 487  
43-4/8 487

CMDO(1)  
CMDO(1)  
CMDO(1)  
CMDO(1)  
CMDO(1)  
CMDO(1)  
CMDO(1)  
CMDO(1)  
CMDO(1)  
CMDO(1)  
CMDO(1)  
CMDO(1)  
CMDO(1)

H A03R2 1-01 \* D25  
H B03D2 1-02 \* D25  
H B04H1 1-03 \* D25  
H C09J1 1-04 \* D06  
H E07K2 1-05 \* D05  
H E05E1 1-06 \* D13  
H D20S1 1-07 \* D19  
H E30L2 1-08 \* D13  
H A31J1 1-09 \* D22  
H C20J2 1-10 \* S D12  
1

TERM HERE? 488  
488  
488  
488  
488  
488  
488  
488  
488  
488  
488  
488  
SOURCE 488  
66-2/8 488

CMDREJ(1)  
CMDREJ(1)  
CMDREJ(1)  
CMDREJ(1)  
CMDREJ(1)

H A29T1 1-01 \* D22  
H B08R1 1-02 \* D10  
H D1082 1-03 \* D19  
H C10N1 1-04 \* S D05  
1

TERM HERE? 489  
489  
489  
489  
SOURCE 489  
27-6/8 489

DX11B,K  
RUN NAME

HND288,V22(22) 11/06/73  
A/P PIN ORDER BAY -  
NAME PIN ORDER

11-JUL-74 0123 PAGE 63  
LENGTH EXCEPTIONS RUN  
NUMBER

CMDSRV  
CMDSRV  
CMDSRV  
CMDSRV  
CMDSRV

H A04C1 1-01 \* S D25  
H A04D1 1-02 \* D25  
H A06A1 1-03 \* D25  
H A06R2 1-04 \* D25  
1

SOURCE 490  
490  
490  
TERM HERE? 490  
10-2/8 490

CONIZ  
CONIZ  
CONIZ

L C06M1 1-01 \* D24  
L E02V2 1-02 \* S D24  
1

TERM HERE? 491  
SOURCE 491  
9-2/8 491

CONO CLKA  
CONO CLKA  
CONO CLKA  
CONO CLKA  
CONO CLKA

C24E2 1-01 \* D12  
C23E2 1-02 \* D12  
C22E2 1-03 \* D12  
E20T2 1-04 \* S D12  
1

TERM HERE? 492  
492  
492  
SOURCE 492  
14-6/8 492

CONO CLKB  
CONO CLKB  
CONO CLKB  
CONO CLKB  
CONO CLKB

C19E2 1-01 \* D12  
C20E2 1-02 \* D12  
C21E2 1-03 \* D12  
E20V2 1-04 \* S D12  
1

TERM HERE? 493  
493  
493  
SOURCE 493  
15-0/8 493

CONOB 00(0)  
CONOB 00(0)  
CONOB 00(0)  
CONOB 00(0)

H A10F1 1-01 \* S D21  
H E04R1 1-02 \* D27  
H J13L1 1-03 \* D27  
1

SOURCE 494  
494  
494  
TERM HERE? 494  
26-6/8 494

CONOB 00(1)  
CONOB 00(1)  
CONOB 00(1)  
CONOB 00(1)

H A10E1 1-01 \* S D21  
H D18K1 1-02 \* D19  
H J19K2 1-03 \* D27  
1

SOURCE 495  
495  
495  
TERM HERE? 495  
25-6/8 495

CONOB 01(0)  
CONOB 01(0)  
CONOB 01(0)

H A11F1 1-01 \* S D21  
H F20T2 1-02 \* D27  
1

SOURCE 496  
TERM HERE? 496  
18-6/8 496

CONOB 01(1)  
CONOB 01(1)  
CONOB 01(1)

H A11E1 1-01 \* S D21  
H D19K1 1-02 \* D19  
1

SOURCE 497  
TERM HERE? 497  
12-4/8 497

CONOB 02(0)  
CONOB 02(0)  
CONOB 02(0)

H A12F1 1-01 \* S D21  
H E04J1 1-02 \* D27  
1

SOURCE 498  
TERM HERE? 498  
14-6/8 498

DIGITAL EQUIPMENT CORPORATION

DIGITAL EQUIPMENT CORPORATION



DX118,K  
RUN NAME

HND288,V22(22) 11/06/73  
A/P PIN ORDER BAY -  
NAME PIN ORDER

CONOB 02(1)  
CONOB 02(1)  
CONOB 02(1)  
CONOB 02(1)  
  
CONOB 03(0)  
CONOB 03(0)  
CONOB 03(0)  
  
CONOB 03(1)  
CONOB 03(1)  
CONOB 03(1)  
CONOB 03(1)  
  
CONOB 04(0)  
CONOB 04(0)  
CONOB 04(0)  
  
CONOB 04(1)  
CONOB 04(1)  
CONOB 04(1)  
CONOB 04(1)  
  
CONOB 05(0)  
CONOB 05(0)  
CONOB 05(0)  
  
CONOB 05(1)  
CONOB 05(1)  
CONOB 05(1)  
CONOB 05(1)  
  
CONOB 06(0)  
CONOB 06(0)  
CONOB 06(0)  
  
CONOB 06(1)  
CONOB 06(1)  
CONOB 06(1)  
CONOB 06(1)  
  
CONOB 07(0)  
CONOB 07(0)  
CONOB 07(0)

A/P	PIN NAME	ORDER PIN	BAY - ORDER	Q	DRAW	RV	PG	Y	X	Z	REMARKS
H	A12E1		1-01 *	S	D21					1	
H	D20K1		1-02 *		D19					2	
H	J19U2		1-03 *		D27						
			1								
H	A13F1		1-01 *	S	D21					1	
H	E04E2		1-02 *		D27						
			1								
H	A13E1		1-01 *	S	D21					1	
H	D21K1		1-02 *		D19					2	
H	J19F1		1-03 *		D27						
			1								
H	A14F1		1-01 *	S	D21					1	
H	E04J2		1-02 *		D27						
			1								
H	A14E1		1-01 *	S	D21					1	
H	D22K1		1-02 *		D19					2	
H	H19K2		1-03 *		DXX						
			1								
H	A15F1		1-01 *	S	D21					1	
H	J13R2		1-02 *		DXX						
			1								
H	A15E1		1-01 *	S	D21					1	
H	D23K1		1-02 *		D19					2	
H	H19P1		1-03 *		DXX						
			1								
H	A16F1		1-01 *	S	D21					1	
H	J13H2		1-02 *		DXX						
			1								
H	A16E1		1-01 *	S	D21					1	
H	D24K1		1-02 *		D19					2	
H	H19U2		1-03 *		D27						
			1								
H	A17F1		1-01 *	S	D21					1	
H	J13V1		1-02 *		DXX						
			1								

11-JUL-74	0123	PAGE 64
LENGTH	EXCEPTIONS	RUN NUMBER
	SOURCE	499
	TERM HERE?	499
26-4/8		499
	SOURCE	500
	TERM HERE?	500
14-4/8		500
	SOURCE	501
	TERM HERE?	501
25-2/8		501
	SOURCE	502
	TERM HERE?	502
15-0/8		502
	SOURCE	503
	TERM HERE?	503
23-2/8		503
	SOURCE	504
	TERM HERE?	504
22-2/8		504
	SOURCE	505
	TERM HERE?	505
24-0/8		505
	SOURCE	506
	TERM HERE?	506
21-4/8		506
	SOURCE	507
	TERM HERE?	507
24-4/8		507
	SOURCE	508
	TERM HERE?	508
23-2/8		508

DX118,K  
RUN NAME

HND288,V22(22) 11/06/73  
A/P PIN ORDER BAY -  
NAME PIN ORDER

CONOB 07(1)  
CONOB 07(1)  
CONOB 07(1)  
CONOB 07(1)  
  
CONOB CLKA  
CONOB CLKA  
CONOB CLKA  
CONOB CLKA  
CONOB CLKA  
CONOB CLKA  
  
CONOB CLKB  
CONOB CLKB  
CONOB CLKB  
CONOB CLKB  
CONOB CLKB  
CONOB CLKB  
  
COUNT BA  
COUNT BA  
COUNT BA  
  
COUNT BC  
COUNT BC  
COUNT BC  
  
COUNT TTNDX  
COUNT TTNDX  
COUNT TTNDX  
  
CRSO  
CRSO  
CRSO  
  
CRSO1  
CRSO1  
CRSO1  
CRSO1  
CRSO1  
  
CRSO1  
CRSO1  
CRSO1  
CRSO1  
CRSO1

A/P	PIN NAME	ORDER PIN	BAY - ORDER	Q	DRAW	RV	PG	Y	X	Z	REMARKS
H	A17E1		1-01 *	S	D21					1	
H	D25K1		1-02 *		D19					2	
H	H19F1		1-03 *		DXX						
			1								
	A13B1		1-01 *		D21					2	
	A12B1		1-02 *		D21					1	
	A11B1		1-03 *		D21					2	
	A10B1		1-04 *		D21					1	
	B10C1		1-05 *	S	D21						
			1								
	A14B1		1-01 *		D21					2	
	A15B1		1-02 *		D21					1	
	A16B1		1-03 *		D21					2	
	A17B1		1-04 *		D21					1	
	B10F1		1-05 *	S	D21						
			1								
L	C0382		1-01 *	S	D07					1	
L	D0882		1-02 *		D07						
			1								
L	A25V2		1-01 *		D08					1	
L	B2782		1-02 *		D08						
			1								
	A2382		1-01 *		D14					1	
	A25K1		1-02 *		D14						
			1								
H	B03K2		1-01 *	S	D25					1	
H	B03M2		1-02 *		D25						
			1								
H	C07H1		1-01 *	S	D25					2	
H	C05A1		1-02 *		D25					1	
H	E21H1		1-03 *		D11					2	
H	E28T2		1-04 *		D13						
			1								
L	B03		1-01 *	S	D25					1	
L	C07F1		1-02 *		D25					2	
L	A04L2		1-03 *		D25					1	
L	E24A1		1-04 *		D11						
			1								

11-JUL-74	0123	PAGE 65
LENGTH	EXCEPTIONS	RUN NUMBER
	SOURCE	509
	TERM HERE?	509
23-4/8		509
	TERM HERE?	510
		510
		510
	SOURCE	510
13-4/8		510
	TERM HERE?	511
		511
		511
	SOURCE	511
15-4/8		511
	TERM HERE?	512
6-2/8		512
		513
		513
5-0/8		513
		514
		514
3-4/8		514
	SOURCE	515
	TERM HERE?	515
2-4/8		515
	SOURCE	516
		516
		516
	TERM HERE?	516
23-2/8		516
	SOURCE	517
		517
		517
	TERM HERE?	517
28-4/8		517

Dx11B.K  
RUN NAME

HND288,V22(22) 11/06/73  
A/P PIN ORDER BAY -  
NAME PIN ORDER

Q DRAW RV PG Y X Z REMARKS

11-JUL-74  
LENGTH

0123  
EXCEPTIONS

PAGE 66  
RUN  
NUMBER

CRS01 OR 2  
CRS01 OR 2  
CRS01 OR 2  
CRS01 OR 2  
CRS01 OR 2  
CRS01 OR 2  
CRS01 OR 2  
CRS01 OR 2  
CRS01 OR 2  
CRS01 OR 2  
CRS01 OR 2  
CRS01 OR 2

H A04N2 1-01 \* S D25 2  
H B10D2 1-02 \* D16 1  
H B11H2 1-03 \* D16 2  
H B11N2 1-04 \* D16 1  
H B11R1 1-05 \* D16 2  
H B11U2 1-06 \* D16 1  
H B15R1 1-07 \* D16 2  
H B15K1 1-08 \* D16 1  
H B15H2 1-09 \* D16 2  
H B15O1 1-10 \* D16 1  
1

30-4/8

TERM HERE?

518  
518  
518  
518  
518  
518  
518  
518  
518  
518  
518  
518  
518

CRS02  
CRS02  
CRS02  
CRS02

L B02F1 1-01 \* S D25 2  
L A04M2 1-02 \* D25 1  
L E15P2 1-03 \* D11 1  
1

19-4/8

TERM HERE?

519  
519  
519  
519

CRSRND  
CRSRND  
CRSRND  
CRSRND  
CRSRND  
CRSRND  
CRSRND  
CRSRND  
CRSRND  
CRSRND  
CRSRND  
CRSRND  
CRSRND  
CRSRND  
CRSRND

H B02V2 1-01 \* S D25 2  
H B11R2 1-02 \* D16 1  
H B11M1 1-03 \* D16 2  
H B11K2 1-04 \* D16 1  
H B15M1 1-05 \* D16 2  
H B15F1 1-06 \* D16 1  
H B15D2 1-07 \* D16 2  
H B15A1 1-08 \* D16 1  
H B11O2 1-09 \* D16 2  
H B10E2 1-10 \* D16 1  
H E05R1 1-11 \* D09 1  
1

45-2/8

TERM HERE?

520  
520  
520  
520  
520  
520  
520  
520  
520  
520  
520  
520  
520  
520  
520

CRSRND  
CRSRND  
CRSRND  
CRSRND  
CRSRND  
CRSRND

L B02F2 1-01 \* S D25 1  
L A06J2 1-02 \* D07 2  
L B02T2 1-03 \* D25 1  
L B02U2 1-04 \* D25 2  
L E15R1 1-05 \* D11 1  
1

27-6/8

TERM HERE?

521  
521  
521  
521  
521  
521

CUA 00X  
CUA 00X  
CUA 00X

A19L1 1-01 \* D26 1  
A20A1 1-02 \* D26 1  
1

3-6/8

TERM HERE?

522  
522  
522

CUA 02X  
CUA 02X  
CUA 02X

A19S1 1-01 \* D26 1  
A20B1 1-02 \* D26 1  
1

4-2/8

TERM HERE?

523  
523  
523

Dx11B.K  
RUN NAME

HND288,V22(22) 11/06/73  
A/P PIN ORDER BAY -  
NAME PIN ORDER

Q DRAW RV PG Y X Z REMARKS

11-JUL-74  
LENGTH

0123  
EXCEPTIONS

PAGE 67  
RUN  
NUMBER

CUA 04X  
CUA 04X  
CUA 04X

A19R1 1-01 \* D26 1  
A20C1 1-02 \* D26 1  
1

4-0/8

TERM HERE?

524  
524  
524

CUA 06X  
CUA 06X  
CUA 06X

A19P1 1-01 \* D26 1  
A20D1 1-02 \* D26 1  
1

3-6/8

TERM HERE?

525  
525  
525

CUA 10X  
CUA 10X  
CUA 10X

A19M1 1-01 \* D26 1  
A20E1 1-02 \* D26 1  
1

3-4/8

TERM HERE?

526  
526  
526

CUA 12X  
CUA 12X  
CUA 12X

A19M1 1-01 \* D26 1  
A20F1 1-02 \* D26 1  
1

3-2/8

TERM HERE?

527  
527  
527

CUA 14X  
CUA 14X  
CUA 14X

A19T2 1-01 \* D26 1  
A20H1 1-02 \* D26 1  
1

3-4/8

TERM HERE?

528  
528  
528

CUA 16X  
CUA 16X  
CUA 16X

A19S2 1-01 \* D26 1  
A20J1 1-02 \* D26 1  
1

3-4/8

TERM HERE?

529  
529  
529

CUA 20X  
CUA 20X  
CUA 20X

A19R2 1-01 \* D26 1  
A20K1 1-02 \* D26 1  
1

3-0/8

TERM HERE?

530  
530  
530

CUA 22X  
CUA 22X  
CUA 22X

A19P2 1-01 \* D26 1  
A20L1 1-02 \* D26 1  
1

3-0/8

TERM HERE?

531  
531  
531

CUA 24X  
CUA 24X  
CUA 24X

A19N2 1-01 \* D26 1  
A20M1 1-02 \* D26 1  
1

2-4/8

TERM HERE?

532  
532  
532

CUA 26X  
CUA 26X  
CUA 26X

A19J2 1-01 \* D26 1  
A20N1 1-02 \* D26 1  
1

3-0/8

TERM HERE?

533  
533  
533

CUA 30X  
CUA 30X  
CUA 30X

A19H2 1-01 \* D26 1  
A20P1 1-02 \* D26 1  
1

3-2/8

TERM HERE?

534  
534  
534

CUA 32X  
CUA 32X  
CUA 32X

A19F2 1-01 \* D26 1  
A20Q1 1-02 \* D26 1  
1

3-4/8

TERM HERE?

535  
535  
535

DX11B,K  
RUN NAME

HND288,V22(22) 11/06/73  
A/P PIN ORDER BAY -  
NAME PIN ORDER

Q DRAW RV PG Y X Z REMARKS

11-JUL-74  
LENGTH

0123  
EXCEPTIONS

PAGE 68  
RUN  
NUMBER

CUA 34X  
CUA 34X  
CUA 34X

A19E2 1=01 \*  
A2081 1=02 \*  
1

D26  
D26  
1

3-6/8

536  
536  
536

CUA 36X  
CUA 36X  
CUA 36X

A19K2 1=01 \*  
A20V1 1=02 \*  
1

D26  
D26  
1

3-6/8

537  
537  
537

CUAR 00(0)  
CUAR 00(0)  
CUAR 00(0)

H A10S1 1=01 \*  
H B22H2 1=02 \*  
1

D15  
D26  
1

9-2/8

538  
538  
538

CUAR 00(1)  
CUAR 00(1)  
CUAR 00(1)  
CUAR 00(1)  
CUAR 00(1)  
CUAR 00(1)  
CUAR 00(1)  
CUAR 00(1)  
CUAR 00(1)

H D04S2 1=01 \*  
H D10T2 1=02 \*  
H B08N1 1=03 \*  
H A10U1 1=04 \*  
H B22E2 1=05 \*  
H A29T2 1=06 \*  
H F31V1 1=07 \*  
1

D07  
D19  
D10  
D15  
D26  
D22  
D13  
2  
1  
2  
1  
2  
1  
1

51-0/8

539  
539  
539  
539  
539  
539  
539  
539  
539

CUAR 01(0)  
CUAR 01(0)  
CUAR 01(0)

H A11S1 1=01 \*  
H B22R1 1=02 \*  
1

D15  
D26  
1

9-0/8

540  
540  
540

CUAR 01(1)  
CUAR 01(1)  
CUAR 01(1)  
CUAR 01(1)  
CUAR 01(1)  
CUAR 01(1)  
CUAR 01(1)  
CUAR 01(1)  
CUAR 01(1)

H D11T2 1=01 \*  
H D05S2 1=02 \*  
H B08S2 1=03 \*  
H A11U1 1=04 \*  
H B22N1 1=05 \*  
H A29S2 1=06 \*  
H F31L2 1=07 \*  
1

D19  
D07  
D10  
D15  
D26  
D22  
D13  
2  
1  
2  
1  
2  
1  
1

50-6/8

541  
541  
541  
541  
541  
541  
541  
541  
541

CUAR 02(0)  
CUAR 02(0)  
CUAR 02(0)

H A12S1 1=01 \*  
H B22K1 1=02 \*  
1

D15  
D26  
1

8-2/8

542  
542  
542

CUAR 02(1)  
CUAR 02(1)  
CUAR 02(1)  
CUAR 02(1)  
CUAR 02(1)  
CUAR 02(1)  
CUAR 02(1)  
CUAR 02(1)  
CUAR 02(1)

H D12T2 1=01 \*  
H D06S2 1=02 \*  
H B08H1 1=03 \*  
H A12U1 1=04 \*  
H B22H1 1=05 \*  
H A29R2 1=06 \*  
H F31S1 1=07 \*  
1

D19  
D07  
D10  
D15  
D26  
D22  
D13  
2  
1  
2  
1  
2  
1  
1

50-4/8

543  
543  
543  
543  
543  
543  
543  
543  
543

DX11B,K  
RUN NAME

HND288,V22(22) 11/06/73  
A/P PIN ORDER BAY -  
NAME PIN ORDER

Q DRAW RV PG Y X Z REMARKS

11-JUL-74  
LENGTH

0123  
EXCEPTIONS

PAGE 69  
RUN  
NUMBER

CUAR 03(0)  
CUAR 03(0)  
CUAR 03(0)

H A13S1 1=01 \*  
H B22D1 1=02 \*  
1

D15  
D26  
1

7-4/8

544  
544  
544

CUAR 03(1)  
CUAR 03(1)  
CUAR 03(1)  
CUAR 03(1)  
CUAR 03(1)  
CUAR 03(1)  
CUAR 03(1)  
CUAR 03(1)  
CUAR 03(1)

H A29P2 1=01 \*  
H B22B1 1=02 \*  
H A13U1 1=03 \*  
H B08L2 1=04 \*  
H D03N1 1=05 \*  
H D13T2 1=06 \*  
H F31H1 1=07 \*  
1

D22  
D26  
D15  
D10  
D07  
D19  
D13  
2  
1  
2  
1  
2  
1  
1

48-4/8

545  
545  
545  
545  
545  
545  
545  
545  
545

CUAR 04(0)  
CUAR 04(0)  
CUAR 04(0)

H A28D1 1=01 \*  
H A14S1 1=02 \*  
1

D15  
D26  
1

10-0/8

546  
546  
546

CUAR 04(1)  
CUAR 04(1)  
CUAR 04(1)  
CUAR 04(1)  
CUAR 04(1)  
CUAR 04(1)  
CUAR 04(1)  
CUAR 04(1)  
CUAR 04(1)

H A28B1 1=01 \*  
H A29M2 1=02 \*  
H A14U1 1=03 \*  
H B09N1 1=04 \*  
H D04N1 1=05 \*  
H D14T2 1=06 \*  
H F30V1 1=07 \*  
1

D22  
D15  
D10  
D07  
D19  
D13  
2  
1  
2  
1  
2  
1  
1

49-2/8

547  
547  
547  
547  
547  
547  
547  
547  
547

CUAR 05(0)  
CUAR 05(0)  
CUAR 05(0)

H A15S1 1=01 \*  
H A28K1 1=02 \*  
1

D15  
D26  
1

9-2/8

548  
548  
548

CUAR 05(1)  
CUAR 05(1)  
CUAR 05(1)  
CUAR 05(1)  
CUAR 05(1)  
CUAR 05(1)  
CUAR 05(1)  
CUAR 05(1)  
CUAR 05(1)

H A28H1 1=01 \*  
H A29M2 1=02 \*  
H A15U1 1=03 \*  
H B09S2 1=04 \*  
H D05N1 1=05 \*  
H D15T2 1=06 \*  
H F30L2 1=07 \*  
1

D22  
D15  
D10  
D07  
D19  
D13  
2  
1  
2  
1  
2  
1  
1

47-2/8

549  
549  
549  
549  
549  
549  
549  
549  
549

CUAR 06(0)  
CUAR 06(0)  
CUAR 06(0)

H A16S1 1=01 \*  
H A28P1 1=02 \*  
1

D15  
D26  
1

8-4/8

550  
550  
550

digital  
EQUIPMENT  
CORPORATION



DX11B,K  
RUN NAME

HND288,V22(22) 11/06/73  
A/P PIN ORDER BAY -  
NAME PIN ORDER

11-JUL-74 0123 PAGE 72  
LENGTH EXCEPTIONS RUN  
NUMBER

A/P	PIN NAME	ORDER PIN	BAY - ORDER	Q	DRAW	RV	PG	Y	X	Z	REMARKS	11-JUL-74 LENGTH	0123 EXCEPTIONS	PAGE 72 RUN NUMBER
H	A13V2		1-01 *		D16					1				565
H	C04R2		1-02 *		D24					1				565
			1									9-0/8		565
H	A29E2		1-01 *		D22					1				566
H	A13V1		1-02 *		D16					2				566
H	B13K2		1-03 *		D10					1				566
H	D21T2		1-04 *		D19					2				566
H	F31F1		1-05 *		D13					1				566
			1									34-2/8		566
H	A14V2		1-01 *	S	D16					1			SOURCE	567
H	C04R1		1-02 *		D24					1			TERM HERE?	567
			1									9-4/8		567
H	A29D2		1-01 *		D22					1				568
H	A14V1		1-02 *		D16					2				568
H	B14P1		1-03 *		D10					1				568
H	D22T2		1-04 *		D19					2				568
H	F30U1		1-05 *		D13					1				568
			1									34-2/8		568
H	A15V2		1-01 *	S	D16					1			SOURCE	569
H	C04P1		1-02 *		D24					1			TERM HERE?	569
			1									10-2/8		569
H	A29C2		1-01 *		D22					1				570
H	A15V1		1-02 *		D16					2				570
H	B14T2		1-03 *		D10					1				570
H	D23T2		1-04 *		D19					2				570
H	F30K2		1-05 *		D13					1				570
			1									33-0/8		570
H	A16V2		1-01 *	S	D16					1			SOURCE	571
H	C04N1		1-02 *		D24					1			TERM HERE?	571
			1									10-4/8		571
H	A29B2		1-01 *		D22					1				572
H	A16V1		1-02 *		D16					2				572
H	B14F1		1-03 *		D10					1				572
H	D24T2		1-04 *		D19					2				572
H	F30R1		1-05 *		D13					1				572
			1									33-4/8		572
H	A17V2		1-01 *	S	D16					1			SOURCE	573
H	C04M1		1-02 *		D24					1			TERM HERE?	573
			1									11-0/8		573

DX11B,K  
RUN NAME

HND288,V22(22) 11/06/73  
A/P PIN ORDER BAY -  
NAME PIN ORDER

11-JUL-74 0123 PAGE 73  
LENGTH EXCEPTIONS RUN  
NUMBER

A/P	PIN NAME	ORDER PIN	BAY - ORDER	Q	DRAW	RV	PG	Y	X	Z	REMARKS	11-JUL-74 LENGTH	0123 EXCEPTIONS	PAGE 73 RUN NUMBER
H	A29A2		1-01 *		D22					1				574
H	A17V1		1-02 *		D16					2				574
H	B14K2		1-03 *		D10					1				574
H	D25T2		1-04 *		D19					2				574
H	F30F1		1-05 *		D13					1				574
			1									32-0/8		574
L	B10F2		1-01 *		D16					1				575
L	B10H2		1-02 *		D16					2				575
L	B10L2		1-03 *		D16					1				575
			1									5-2/8		575
	A17S2		1-01 *		D16					2				576
	A16S2		1-02 *		D16					1				576
	A15S2		1-03 *		D16					2				576
	A14S2		1-04 *		D16					1				576
	B10K2		1-05 *		D16					1				576
			1									13-4/8		576
	A13S2		1-01 *		D16					2				577
	A12S2		1-02 *		D16					1				577
	A11S2		1-03 *		D16					2				577
	A10S2		1-04 *		D16					1				577
	B10N2		1-05 *		D16					1				577
			1									13-0/8		577
H	E20S1		1-01 *	S	D05					1			SOURCE	578
H	E23E2		1-02 *		D11					1			TERM HERE?	578
			1									4-6/8		578
L	D01V2		1-01 *	S	D05					2			SOURCE	579
L	C01P1		1-02 *		D05					1				579
L	C14K1		1-03 *		D05					2				579
L	E20R1		1-04 *		D05					1			TERM HERE?	579
			1									24-4/8		579
H	A29N1		1-01 *		D22					2			TERM HERE?	580
H	B23E2		1-02 *		D24					1				580
H	B09R1		1-03 *		D10					2				580
H	D14S2		1-04 *		D19					1				580
H	C14N1		1-05 *	S	D05					1			SOURCE	580
			1									30-2/8		580



FJUU

DX11B,K  
RUN NAME

HND288,V22(22) 11/06/73  
A/P PIN ORDER BAY - Q DRAW HV PG Y X Z  
NAME PIN ORDER

11-JUL-74 0123 PAGE 76  
LENGTH EXCEPTIONS RUN  
NUMBER

CUSR CLK ENA  
CUSR CLK ENA  
CUSR CLK ENA  
CUSR CLK ENA

E05N2  
E05P2  
E05T2

1-01 \*  
1-02 \*  
1-03 \*  
1

S D09  
D09  
D09

1  
2

REMARKS

SOURCE  
TERM HERE?

596  
596  
596  
596

CUSRNZ  
CUSRNZ  
CUSRNZ

H  
H

B07D1  
F20K2

1-01 \*  
1-02 \*  
1

DXX  
DXX

1

CUSRNZ  
CUSRNZ  
CUSRNZ  
CUSRNZ

L  
L  
L

A09T2  
B07E1  
B06M1

1-01 \*  
1-02 \*  
1-03 \*  
1

DXX  
DXX  
DXX

1  
2

D01C1  
D01C1  
D01C1

C25J1  
D01C1

1-01 \*  
1-02 \*  
1

D05  
D05

1

D01F1  
D01F1  
D01F1

C23J1  
D01F1

1-01 \*  
1-02 \*  
1

D05  
D05

1

D01F2  
D01F2  
D01F2

C20J1  
D01F2

1-01 \*  
1-02 \*  
1

D05  
D05

1

D01K2  
D01K2  
D01K2

C18J1  
D01K2

1-01 \*  
1-02 \*  
1

D05  
D05

1

D01N1  
D01N1  
D01N1

C21J1  
D01N1

1-01 \*  
1-02 \*  
1

D05  
D05

1

D01N2  
D01N2  
D01N2

C17J1  
D01N2

1-01 \*  
1-02 \*  
1

D05  
D05

1

D01S1  
D01S1  
D01S1

C19J1  
D01S1

1-01 \*  
1-02 \*  
1

D05  
D05

1

D01S2  
D01S2  
D01S2

D01S2  
D01T2

1-01 \*  
1-02 \*  
1

D05  
D05

1

digital EQUIPMENT CORPORATION

DX11B,K  
RUN NAME

HND288,V22(22) 11/06/73  
A/P PIN ORDER BAY - Q DRAW RV PG Y X Z  
NAME PIN ORDER

11-JUL-74 0123 PAGE 77  
LENGTH EXCEPTIONS RUN  
NUMBER

D02C1  
D02C1  
D02C1

D02C1  
D02D1

1-01 \*  
1-02 \*  
1

D24  
D24

1

D02K1  
D02K1  
D02K1

D02K1  
E03L2

1-01 \*  
1-02 \*  
1

D24  
D24

1

D02N1  
D02N1  
D02N1

D02N1  
F14F1

1-01 \*  
1-02 \*  
1

D05  
D05

1

D02N2  
D02N2  
D02N2

B06B1  
D02N2

1-01 \*  
1-02 \*  
1

D25  
D25

1

D02S1  
D02S1  
D02S1

C08K2  
D02S1

1-01 \*  
1-02 \*  
1

D25  
D25

1

D07N1  
D07N1  
D07N1

D07J2  
D07N1

1-01 \*  
1-02 \*  
1

D07  
D07

1

D07P1  
D07P1  
D07P1

D07K2  
D07P1

1-01 \*  
1-02 \*  
1

D07  
D07

1

D08E1  
D08E1  
D08E1

D07S2  
D08E1

1-01 \*  
1-02 \*  
1

D07  
D07

1

D08F1  
D08F1  
D08F1

D07U2  
D08F1

1-01 \*  
1-02 \*  
1

D07  
D07

1

D08N1  
D08N1  
D08N1

D08J2  
D08N1

1-01 \*  
1-02 \*  
1

D07  
D07

1

D08P1  
D08P1  
D08P1

D08K2  
D08P1

1-01 \*  
1-02 \*  
1

D07  
D07

1

DATA IN  
DATA IN  
DATA IN

H12T2  
H14T2

1-01 \*  
1-02 \*  
1

DXX  
DXX

1

digital EQUIPMENT CORPORATION

3-2/8

618  
618  
618

7000  
 EQUIPMENT CORPORATION  
 Digital

DX11B,K  
 RUN NAME

HND288,V22(22) 11/06/73

A/P	PIN NAME	ORDER PIN	BAY - ORDER	Q	DRAW RV	PG Y	X	Z	REMARKS	11-JUL-74 LENGTH	0123 EXCEPTIONS	PAGE 78 RUN NUMBER
												619
												619
										3=2/8		619
	H	B18H1	1=01 *		D10			2			TERM HERE?	620
	H	A25J2	1=02 *		D10			1			SOURCE	620
	H	D26M2	1=03 *	S	D18			1		18=0/8		620
			1									620
	L	D26L2	1=01 *		D18						TERM HERE?	621
	L	D26T2	1=02 *	S	D18			1			SOURCE	621
			1							3=0/8		621
	H	C28F1	1=01 *		D17			1			TERM HERE?	622
	H	C28H1	1=02 *		D17			2				622
	H	C27F1	1=03 *		D17			1				622
	H	C27H1	1=04 *		D17			2				622
	H	D26E2	1=05 *	S	D18			1			SOURCE	622
			1							12=6/8		622
	L	D26S1	1=01 *		D18			1			TERM HERE?	623
	L	D26S2	1=02 *	S	D18			1			SOURCE	623
			1							2=4/8		623
	H	B30P1	1=01 *		D17			2				624
	H	B18E1	1=02 *		D21			1				624
	H	E15P2	1=03 *		D06			2				624
	H	E07L1	1=04 *		DXX			1		27=2/8		624
			1									624
	L	A24N1	1=01 *		D17			2				625
	L	B30N1	1=02 *		D17			1				625
	L	E28L2	1=03 *		D13			1				625
			1							16=6/8		625
	H	B30M1	1=01 *	S	D17			2			SOURCE	626
	H	A25M2	1=02 *		D08			1				626
	H	A24E1	1=03 *		D15			2				626
	H	B18J1	1=04 *		D21			1				626
	H	C09M2	1=05 *		D06			2				626
	H	C09T2	1=06 *		D06			1				626
	H	E16E2	1=07 *		D06			2				626
	H	E15U2	1=08 *		D06			1			TERM HERE?	626
			1							39=0/8		626

DX11B,K  
 RUN NAME

HND288,V22(22) 11/06/73

A/P	PIN NAME	ORDER PIN	BAY - ORDER	Q	DRAW HV	PG Y	X	Z	REMARKS	11-JUL-74 LENGTH	0123 EXCEPTIONS	PAGE 79 RUN NUMBER
	L	B30L1	1=01 *		D17			2				627
	L	A24U1	1=02 *		D17			1				627
	L	A08B1	1=03 *		D20			2				627
	L	C09L2	1=04 *		D06			1				627
	L	C09S2	1=05 *		D06			1				627
			1							29=2/8		627
	H	B04N1	1=01 *		D25			1			TERM HERE?	628
	H	C07M1	1=02 *	S	D24			1			SOURCE	628
			1							5=2/8		628
	L	C05S1	1=01 *	S	D24			1			SOURCE	629
	L	C07L1	1=02 *		D24			1			TERM HERE?	629
			1							3=6/8		629
	H	C29B1	1=01 *		D17			1				630
	H	B27S1	1=02 *		D08			2				630
	H	A24A1	1=03 *		D20			1				630
	H	A10J1	1=04 *		D21			2				630
	H	B11J1	1=05 *		D15			1				630
	H	B08S1	1=06 *		D10			2				630
	H	C10C1	1=07 *		D06			1				630
	H	D03V1	1=08 *		D07			2				630
	H	E08T2	1=09 *		D09			1		48=4/8		630
			1									630
	H	C29E1	1=01 *		D17			1				631
	H	B27U1	1=02 *		D08			2				631
	H	C21S1	1=03 *		D20			1				631
	H	A11J1	1=04 *		D21			2				631
	H	B11C1	1=05 *		D15			1				631
	H	B08V1	1=06 *		D10			2				631
	H	C09M1	1=07 *		D06			1				631
	H	E08L2	1=08 *		D09			2				631
	H	D04V1	1=09 *		D07			1		46=6/8		631
			1									631
	H	C29H1	1=01 *		D17			1				632
	H	B27N2	1=02 *		D08			2				632
	H	B12T2	1=03 *		D15			1				632
	H	A12J1	1=04 *		D21			2				632
	H	B08D1	1=05 *		D10			1				632
	H	D05V1	1=06 *		D07			2				632
	H	E08P2	1=07 *		D09			1				632
	H	F17N2	1=08 *		DXX			1				632
	H	F21A1	1=09 *		D06			2				632
			1							53=6/8		632



DX11B,K  
RUN NAME

HND288,V22(22) 11/06/73  
A/P PIN ORDER BAY -  
NAME PIN ORDER

Q DRAW RV PG Y X Z REMARKS

11-JUL-74  
LENGTH

0123  
EXCEPTIONS

PAGE 80  
RUN  
NUMBER

DBUS 03  
DBUS 03  
DBUS 03  
DBUS 03  
DBUS 03  
DBUS 03  
DBUS 03  
DBUS 03  
DBUS 03  
DBUS 03

H C29K1 1-01 \*  
H B27M2 1-02 \*  
H B12M2 1-03 \*  
H A13J1 1-04 \*  
H B08H2 1-05 \*  
H C09N2 1-06 \*  
H D06V1 1-07 \*  
H E08H2 1-08 \*  
H F17K1 1-09 \*  
1

D17  
D08  
D15  
D21  
D10  
D06  
D07  
D09  
DXX

2  
1  
2  
1  
2  
1  
2  
1

50-4/8

633  
633  
633  
633  
633  
633  
633  
633  
633  
633

DBUS 04  
DBUS 04  
DBUS 04  
DBUS 04  
DBUS 04  
DBUS 04  
DBUS 04  
DBUS 04  
DBUS 04

H C29M1 1-01 \*  
H B27J1 1-02 \*  
H A14J1 1-03 \*  
H B12F2 1-04 \*  
H B09S1 1-05 \*  
H C09U2 1-06 \*  
H D03S1 1-07 \*  
H E08P1 1-08 \*  
1

D17  
D08  
D21  
D15  
D10  
D06  
D07  
D09

2  
1  
2  
1  
2  
1  
2  
1

43-2/8

634  
634  
634  
634  
634  
634  
634  
634  
634

DBUS 05  
DBUS 05  
DBUS 05  
DBUS 05  
DBUS 05  
DBUS 05  
DBUS 05  
DBUS 05  
DBUS 05

H C29P1 1-01 \*  
H B27K1 1-02 \*  
H A15J1 1-03 \*  
H B12P1 1-04 \*  
H B09V1 1-05 \*  
H C09P1 1-06 \*  
H E08L1 1-07 \*  
H D04S1 1-08 \*  
1

D17  
D08  
D21  
D15  
D10  
D06  
D07  
D09

2  
1  
2  
1  
2  
1  
2  
1

42-4/8

635  
635  
635  
635  
635  
635  
635  
635  
635

DBUS 06  
DBUS 06  
DBUS 06  
DBUS 06  
DBUS 06  
DBUS 06  
DBUS 06  
DBUS 06  
DBUS 06  
DBUS 06

H C29S1 1-01 \*  
H B27E2 1-02 \*  
H A16J1 1-03 \*  
H C16C1 1-04 \*  
H B12J1 1-05 \*  
H B09D1 1-06 \*  
H E08H1 1-07 \*  
H D05S1 1-08 \*  
1

D17  
D08  
D21  
D06  
D15  
D10  
D09  
D07

2  
1  
2  
1  
2  
1  
2  
1

46-6/8

636  
636  
636  
636  
636  
636  
636  
636  
636  
636

DX11B,K  
RUN NAME

HND288,V22(22) 11/06/73  
A/P PIN ORDER BAY -  
NAME PIN ORDER

Q DRAW RV PG Y X Z REMARKS

11-JUL-74  
LENGTH

0123  
EXCEPTIONS

PAGE 81  
RUN  
NUMBER

DBUS 07  
DBUS 07  
DBUS 07  
DBUS 07  
DBUS 07  
DBUS 07  
DBUS 07  
DBUS 07  
DBUS 07

H C29U1 1-01 \*  
H B27D2 1-02 \*  
H A17J1 1-03 \*  
H B12C1 1-04 \*  
H B09H2 1-05 \*  
H D06S1 1-06 \*  
H E08A1 1-07 \*  
H E17H1 1-08 \*  
1

D17  
D08  
D21  
D15  
D10  
D07  
D09  
D06

1  
2  
1  
2  
1  
2  
1  
1

45-2/8

637  
637  
637  
637  
637  
637  
637  
637  
637

DBUS 08  
DBUS 08  
DBUS 08  
DBUS 08  
DBUS 08  
DBUS 08

H A10C1 1-01 \*  
H B13S1 1-02 \*  
H D03H2 1-03 \*  
H E17A1 1-04 \*  
H B26S1 1-05 \*  
H C29D2 1-06 \*  
1

D21  
D10  
D07  
D06  
D08  
D17

2  
1  
2  
1  
2  
2

41-0/8

638  
638  
638  
638  
638  
638

DBUS 09  
DBUS 09  
DBUS 09  
DBUS 09  
DBUS 09  
DBUS 09

H C29F2 1-01 \*  
H B26U1 1-02 \*  
H C19C1 1-03 \*  
H A11C1 1-04 \*  
H B13V1 1-05 \*  
H D04H2 1-06 \*  
1

D17  
D08  
D06  
D21  
D10  
D07

1  
2  
1  
2  
1  
1

36-0/8

639  
639  
639  
639  
639  
639

DBUS 10  
DBUS 10  
DBUS 10  
DBUS 10  
DBUS 10  
DBUS 10  
DBUS 10

H A12C1 1-01 \*  
H B13D1 1-02 \*  
H B26N2 1-03 \*  
H C29J2 1-04 \*  
H E27A1 1-05 \*  
H E11N2 1-06 \*  
H D05H2 1-07 \*  
1

D21  
D10  
D08  
D17  
D13  
DXX  
D07

2  
1  
2  
1  
2  
1  
1

44-4/8

640  
640  
640  
640  
640  
640  
640

DBUS 11  
DBUS 11  
DBUS 11  
DBUS 11  
DBUS 11  
DBUS 11  
DBUS 11  
DBUS 11

H A13C1 1-01 \*  
H B13H2 1-02 \*  
H C21C1 1-03 \*  
H B26M2 1-04 \*  
H C29L2 1-05 \*  
H E26U2 1-06 \*  
H E11M2 1-07 \*  
H D06H2 1-08 \*  
1

D21  
D10  
D06  
D08  
D17  
D13  
DXX  
D07

2  
1  
2  
1  
2  
1  
2  
1

50-0/8

641  
641  
641  
641  
641  
641  
641  
641

DX11R,K  
RUN NAME

HND288.V22(22) 11/06/73  
A/P PIN ORDER BAY -  
NAME PIN ORDER Q DRAW RV PG Y X Z REMARKS

11-JUL-74 0123 PAGE 82  
LENGTH EXCEPTIONS RUN  
NUMBER

DBUS 12  
DBUS 12  
DBUS 12  
DBUS 12  
DBUS 12  
DBUS 12  
DBUS 12  
DBUS 12

H A14C1 1-01 \* D21 2  
H B14S1 1-02 \* D10 1  
H B26J1 1-03 \* D08 2  
H C29N2 1-04 \* D17 1  
H E26L2 1-05 \* D13 2  
H E11J1 1-06 \* DXX 1  
H D03D1 1-07 \* D07 1  
1

47-0/8

DBUS 13  
DBUS 13  
DBUS 13  
DBUS 13  
DBUS 13  
DBUS 13  
DBUS 13  
DBUS 13  
DBUS 13

H A15C1 1-01 \* D21 2  
H B14V1 1-02 \* D10 1  
H C23C1 1-03 \* D06 2  
H B26K1 1-04 \* D08 1  
H C29R2 1-05 \* D17 2  
H E26L1 1-06 \* D13 1  
H E11K1 1-07 \* DXX 2  
H D04D1 1-08 \* D07 2  
1

50-0/8

DBUS 14  
DBUS 14  
DBUS 14  
DBUS 14  
DBUS 14  
DBUS 14  
DBUS 14  
DBUS 14  
DBUS 14

H A16C1 1-01 \* D21 1  
H B14D1 1-02 \* D10 2  
H C09C1 1-03 \* D06 1  
H D05D1 1-04 \* D07 2  
H E11E2 1-05 \* DXX 1  
H E26D2 1-06 \* D13 2  
H C29T2 1-07 \* D17 1  
H B26E2 1-08 \* D08 1  
1

47-6/8

DBUS 15  
DBUS 15  
DBUS 15  
DBUS 15  
DBUS 15  
DBUS 15  
DBUS 15  
DBUS 15  
DBUS 15  
DBUS 15

H A17C1 1-01 \* D21 2  
H B14H2 1-02 \* D10 1  
H B26D2 1-03 \* D08 2  
H C25C1 1-04 \* D06 1  
H C29V2 1-05 \* D17 2  
H E26A1 1-06 \* D13 1  
H E11D2 1-07 \* DXX 2  
H D06D1 1-08 \* D07 2  
1

47-6/8

DCLO  
DCLO  
DCLO  
DCLO  
DCLO

H D29U1 1-01 \* S D18 2  
H F01H2 1-02 \* D29 1  
H F01J2 1-03 \* D29 2  
H F01K2 1-04 \* D29 2  
1

47-6/8

SOURCE

TERM HERE?

22-6/8

DX11R,K  
RUN NAME

HND288.V22(22) 11/06/73  
A/P PIN ORDER BAY -  
NAME PIN ORDER Q DRAW RV PG Y X Z REMARKS

11-JUL-74 0123 PAGE 83  
LENGTH EXCEPTIONS RUN  
NUMBER

DEVCOM 0-3  
DEVCOM 0-3  
DEVCOM 0-3

H A24E2 1-01 \* 1  
H B23E1 1-02 \* 1  
1

5-4/8

DEVCOM 4-7  
DEVCOM 4-7  
DEVCOM 4-7

H B23V2 1-01 \* 1  
H A24F2 1-02 \* 1  
1

6-6/8

DEVEND(0)  
DEVEND(0)  
DEVEND(0)

H C04J1 1-01 \* D24 1  
H C12K2 1-02 \* S D09 1  
1

6-4/8

TERM HERE?

SOURCE

DEVEND(1)  
DEVEND(1)  
DEVEND(1)  
DEVEND(1)  
DEVEND(1)  
DEVEND(1)

H C12J2 1-01 \* S D09 2  
H D12N1 1-02 \* D19 1  
H B08F1 1-03 \* D10 2  
H A29V2 1-04 \* D22 1  
H F31N1 1-05 \* D13 1  
1

44-0/8

TERM HERE?

DIS DXTO(0)  
DIS DXTO(0)  
DIS DXTO(0)

H F17N1 1-01 \* S DXX 1  
H F22M1 1-02 \* DXX 1  
1

4-6/8

SOURCE

TERM HERE?

DIS DXTO(1)  
DIS DXTO(1)  
DIS DXTO(1)  
DIS DXTO(1)

H A32A1 1-01 \* DXX 1  
H D13J1 1-02 \* DXX 2  
H F17M1 1-03 \* DXX 1  
1

24-2/8

DISC IN  
DISC IN  
DISC IN

H12M1 1-01 \* D27 1  
H14M1 1-02 \* D27 1  
1

3-2/8

DONE(1)  
DONE(1)  
DONE(1)  
DONE(1)  
DONE(1)  
DONE(1)

H D17M1 1-01 \* D19 1  
H C06U2 1-02 \* D11 2  
H C06L2 1-03 \* D11 1  
H C17E1 A30K1 1-04 \* S D06 2  
H A30K1 1-05 \* D22 1  
1

30-2/8

TERM HERE?

SOURCE

TERM HERE?

DSCRSP(0)  
DSCRSP(0)  
DSCRSP(0)  
DSCRSP(0)  
DSCRSP(0)

H A09J2 1-01 \* D13 2  
H A01A1 1-02 \* D25 1  
H D02R1 1-03 \* D25 2  
H C11V2 1-04 \* S D11 1  
1

27-2/8

TERM HERE?

SOURCE

TERM HERE?

SOURCE

TERM HERE?

SOURCE

TERM HERE?

SOURCE

TJJD

DX11B,K  
RUN NAME

HND288,V22(22) 11/06/73

11-JUL-74 0123 PAGE 84  
LENGTH EXCEPTIONS RUN  
NUMBER

A/P	PIN NAME	ORDER PIN	BAY - ORDER	Q	DRAW	RV	PG	Y	X	Z	REMARKS	11-JUL-74 LENGTH	0123 EXCEPTIONS	PAGE 84 RUN NUMBER
H	A09P1		1-01 *							2				
H	B19S2		1-02 *							1			TERM HERE?	656
H	E28D1		1-03 *							2				656
H	E12E2		1-04 *							1				656
H	D11M2		1-05 *							2				656
H	C11U2		1-06 *	S						1			SOURCE	656
			1									38-0/8		656
H	A30T2		1-01 *							2			TERM HERE?	657
H	D28P1		1-02 *							1				657
H	D10P1		1-03 *							2				657
H	C07K2		1-04 *							1				657
H	D08V2		1-05 *	S						1			SOURCE	657
			1									34-4/8		657
H	A30S2		1-01 *							2			TERM HERE?	658
H	D28R1		1-02 *							1				658
H	D11P1		1-03 *							2				658
H	D08V1		1-04 *	S						1			SOURCE	658
			1									25-6/8		658
H	A30R2		1-01 *							2			TERM HERE?	659
H	D28L1		1-02 *							1				659
H	D12P1		1-03 *							2				659
H	D08R2		1-04 *	S						1			SOURCE	659
			1									25-2/8		659
H	A30P2		1-01 *							2			TERM HERE?	660
H	D28M1		1-02 *							1				660
H	D13P1		1-03 *							2				660
H	D08P2		1-04 *	S						1			SOURCE	660
			1									25-2/8		660
H	A30N2		1-01 *							2			TERM HERE?	661
H	D28D1		1-02 *							1				661
H	D14P1		1-03 *							2				661
H	D08L2		1-04 *	S						1			SOURCE	661
			1									25-2/8		661
H	A30M2		1-01 *							2			TERM HERE?	662
H	D28E1		1-02 *							1				662
H	D15P1		1-03 *							2				662
H	D08L1		1-04 *	S						1			SOURCE	662
			1									25-4/8		662

DX11B,K  
RUN NAME

HND288,V22(22) 11/06/73

11-JUL-74 0123 PAGE 85  
LENGTH EXCEPTIONS RUN  
NUMBER

A/P	PIN NAME	ORDER PIN	BAY - ORDER	Q	DRAW	RV	PG	Y	X	Z	REMARKS	11-JUL-74 LENGTH	0123 EXCEPTIONS	PAGE 85 RUN NUMBER
H	A30L2		1-01 *							2				
H	D28A1		1-02 *							1			TERM HERE?	663
H	D16P1		1-03 *							2				663
H	D08M2		1-04 *	S						1			SOURCE	663
			1									25-2/8		663
H	A30K2		1-01 *							2			TERM HERE?	664
H	D28B1		1-02 *							1				664
H	D17P1		1-03 *							2				664
H	D08F2		1-04 *	S						1			SOURCE	664
			1									25-2/8		664
H	A30J2		1-01 *							1			TERM HERE?	665
H	D27P1		1-02 *							2				665
H	D18P1		1-03 *							1				665
H	D07V2		1-04 *	S						1			SOURCE	665
			1									26-2/8		665
H	A30H2		1-01 *							1			TERM HERE?	666
H	D27R1		1-02 *							2				666
H	D19P1		1-03 *							1				666
H	D07V1		1-04 *	S						1			SOURCE	666
			1									27-0/8		666
H	A30F2		1-01 *							1			TERM HERE?	667
H	D27L1		1-02 *							2				667
H	D20P1		1-03 *							1				667
H	D07R2		1-04 *	S						1			SOURCE	667
			1									26-2/8		667
H	A30E2		1-01 *							1			TERM HERE?	668
H	D27M1		1-02 *							2				668
H	D21P1		1-03 *							1				668
H	D07P2		1-04 *	S						1			SOURCE	668
			1									26-2/8		668
H	A30D2		1-01 *							1			TERM HERE?	669
H	D27D1		1-02 *							2				669
H	D22P1		1-03 *							1				669
H	D07L2		1-04 *	S						1			SOURCE	669
			1									26-2/8		669
H	A30C2		1-01 *							1			TERM HERE?	670
H	D27E1		1-02 *							2				670
H	D23P1		1-03 *							1				670
H	D07L1		1-04 *	S						1			SOURCE	670
			1									26-4/8		670

Digit Data EQUIPMENT CORPORATION

F000

DX11B,K  
RUN NAME

HND288,V22(22) 11/06/73  
A/P PIN ORDER BAY - Q DRAW RV PG Y X Z REMARKS

11-JUL-74 0123 PAGE 86  
LENGTH EXCEPTIONS RUN  
NUMBER

DXBA 14(1)  
DXBA 14(1)  
DXBA 14(1)  
DXBA 14(1)  
DXBA 14(1)

H A30B2 1=01 \* D22  
H D27A1 1=02 \* D17  
H D24P1 1=03 \* D19  
H D07H2 1=04 \* S D22  
1

TERM HERE? 671  
671  
671  
SOURCE 671  
671  
26=4/8

DXBA 15(1)  
DXBA 15(1)  
DXBA 15(1)  
DXBA 15(1)  
DXBA 15(1)

H A30A2 1=01 \* D22  
H D27B1 1=02 \* D17  
H D25P1 1=03 \* D19  
H D07F2 1=04 \* S D22  
1

TERM HERE? 672  
672  
672  
SOURCE 672  
672  
26=6/8

DXBA CRY  
DXBA CRY  
DXBA CRY  
DXBA CRY

L D07E1 1=01 \* D06  
L E17P2 1=02 \* D06  
L E18J2 1=03 \* D06  
1

673  
673  
673  
673  
12=0/8

DXBC 00(1)  
DXBC 00(1)  
DXBC 00(1)  
DXBC 00(1)

H B27V2 1=01 \* D08  
H E12U2 1=02 \* D08  
H D10R1 1=03 \* D19  
1

674  
674  
674  
674  
19=0/8

DXBC 01(1)  
DXBC 01(1)  
DXBC 01(1)  
DXBC 01(1)

H B27V1 1=01 \* D08  
H E12T2 1=02 \* D08  
H D11R1 1=03 \* D19  
1

675  
675  
675  
675  
18=4/8

DXBC 02(1)  
DXBC 02(1)  
DXBC 02(1)  
DXBC 02(1)

H B27R2 1=01 \* D08  
H E12S2 1=02 \* D08  
H D12H1 1=03 \* D19  
1

676  
676  
676  
676  
18=4/8

DXBC 03(1)  
DXBC 03(1)  
DXBC 03(1)  
DXBC 03(1)

H B27P2 1=01 \* D08  
H E12R2 1=02 \* D08  
H D13R1 1=03 \* D19  
1

677  
677  
677  
677  
18=2/8

DXBC 04(1)  
DXBC 04(1)  
DXBC 04(1)  
DXBC 04(1)

H B27L2 1=01 \* D08  
H D14R1 1=02 \* D19  
H E12R1 1=03 \* D08  
1

678  
678  
678  
678  
16=6/8

DXBC 05(1)  
DXBC 05(1)  
DXBC 05(1)  
DXBC 05(1)

H B27L1 1=01 \* D08  
H D15R1 1=02 \* D19  
H E12P1 1=03 \* D08  
1

679  
679  
679  
679  
16=2/8

digital EQUIPMENT CORPORATION

DX11B,K  
RUN NAME

HND288,V22(22) 11/06/73  
A/P PIN ORDER BAY - Q DRAW RV PG Y X Z REMARKS

11-JUL-74 0123 PAGE 87  
LENGTH EXCEPTIONS RUN  
NUMBER

DXBC 06(1)  
DXBC 06(1)  
DXBC 06(1)  
DXBC 06(1)

H B27H2 1=01 \* D08  
H D16R1 1=02 \* D19  
H E12N1 1=03 \* D08  
1

680  
680  
680  
680  
16=2/8

DXBC 07(1)  
DXBC 07(1)  
DXBC 07(1)  
DXBC 07(1)

H B27F2 1=01 \* D08  
H D17R1 1=02 \* D19  
H E12M1 1=03 \* D08  
1

681  
681  
681  
681  
16=6/8

DXBC 08(1)  
DXBC 08(1)  
DXBC 08(1)  
DXBC 08(1)

H B26V2 1=01 \* D08  
H D18R1 1=02 \* D19  
H E12N2 1=03 \* D08  
1

682  
682  
682  
682  
15=0/8

DXBC 09(1)  
DXBC 09(1)  
DXBC 09(1)  
DXBC 09(1)

H B26V1 1=01 \* D08  
H D19R1 1=02 \* D19  
H E12M2 1=03 \* D08  
1

683  
683  
683  
683  
15=2/8

DXBC 10(1)  
DXBC 10(1)  
DXBC 10(1)  
DXBC 10(1)

H B26R2 1=01 \* D08  
H D20R1 1=02 \* D19  
H E12L2 1=03 \* D08  
1

684  
684  
684  
684  
16=0/8

DXBC 11(1)  
DXBC 11(1)  
DXBC 11(1)  
DXBC 11(1)

H B26P2 1=01 \* D08  
H D21R1 1=02 \* D19  
H E12K2 1=03 \* D08  
1

685  
685  
685  
685  
16=2/8

DXBC 12(1)  
DXBC 12(1)  
DXBC 12(1)  
DXBC 12(1)

H B26L2 1=01 \* D08  
H D22R1 1=02 \* D19  
H E12K1 1=03 \* D08  
1

686  
686  
686  
686  
17=2/8

DXBC 13(1)  
DXBC 13(1)  
DXBC 13(1)  
DXBC 13(1)

H B26L1 1=01 \* D08  
H D23R1 1=02 \* D19  
H E12J1 1=03 \* D08  
1

687  
687  
687  
687  
17=2/8

DXBC 14(1)  
DXBC 14(1)  
DXBC 14(1)  
DXBC 14(1)

H B26H2 1=01 \* D08  
H D24R1 1=02 \* D19  
H E12H1 1=03 \* D08  
1

688  
688  
688  
688  
18=2/8

digital EQUIPMENT CORPORATION

DX11B,K  
RUN NAME

HND288,V22(22) 11/06/73  
A/P PIN ORDER BAY - Q DRAW RV PG Y X Z

11-JUL-74 0123 PAGE 88  
LENGTH EXCEPTIONS RUN NUMBER

DXBC 15(1)  
DXBC 15(1)  
DXBC 15(1)  
DXBC 15(1)

H B26F2 1-01 \* D08 2  
H D25R1 1-02 \* D19 1  
H E12F1 1-03 \* D08  
1

18-4/8

689  
689  
689  
689

DXCLRP1  
DXCLRP1  
DXCLRP1  
DXCLRP1  
DXCLRP1

A07R1 1-01 \* D21 1  
A16A1 1-02 \* D21 2  
A17A1 1-03 \* D21 1  
A18J2 1-04 \* D21  
1

13-6/8

690  
690  
690  
690  
690

DXCLRP2  
DXCLRP2  
DXCLRP2  
DXCLRP2

A14A1 1-01 \* D21 2  
A15A1 1-02 \* D21 1  
A18L2 1-03 \* D21  
1

7-4/8

691  
691  
691  
691

DXCLRP3  
DXCLRP3  
DXCLRP3  
DXCLRP3

A12A1 1-01 \* D21 2  
A13A1 1-02 \* D21 1  
A18N2 1-03 \* D21  
1

8-4/8

692  
692  
692  
692

DXCLRP4  
DXCLRP4  
DXCLRP4  
DXCLRP4

A10A1 1-01 \* D21 2  
A11A1 1-02 \* D21 1  
A18R2 1-03 \* D21  
1

9-6/8

693  
693  
693  
693

DXCS CLKA  
DXCS CLKA  
DXCS CLKA  
DXCS CLKA  
DXCS CLKA  
DXCS CLKA

C25B1 1-01 \* D06 2  
C23M1 1-02 \* D06 1  
C21B1 1-03 \* D06 2  
C19B1 1-04 \* D06 1  
E18C1 1-05 \* S D06  
1

TERM HERE?

17-6/8

SOURCE

694  
694  
694  
694  
694  
694

DXCS CLKEN  
DXCS CLKEN  
DXCS CLKEN  
DXCS CLKEN

H C09D1 1-01 \* D06 1  
H E17B1 1-02 \* D06 2  
H E20B1 1-03 \* S D06  
1

TERM HERE?

12-6/8

SOURCE

695  
695  
695  
695

DXCS CLKEN  
DXCS CLKEN  
DXCS CLKEN  
DXCS CLKEN  
DXCS CLKEN  
DXCS CLKEN

L B17D1 1-01 \* D06 1  
L E20A1 1-02 \* D06 2  
L E18A1 1-03 \* D06 1  
L E16L1 1-04 \* D06 2  
L E15S2 1-05 \* S D06  
1

TERM HERE?

20-4/8

SOURCE

696  
696  
696  
696  
696  
696

DX11B,K  
RUN NAME

HND288,V22(22) 11/06/73  
A/P PIN ORDER BAY - Q DRAW RV PG Y X Z

11-JUL-74 0123 PAGE 89  
LENGTH EXCEPTIONS RUN NUMBER

DXCS CLKENA  
DXCS CLKENA  
DXCS CLKENA  
DXCS CLKENA  
DXCS CLKENA  
DXCS CLKENA  
DXCS CLKENA  
DXCS CLKENA

H C09H1 1-01 \* D06 2  
H C09M1 E08D2 1-02 \* D06 1  
H E08D2 1-03 \* D06 2  
H E17D2 1-04 \* D06 1  
H E17L2 1-05 \* D06 2  
H F21B1 1-06 \* DXX 1  
H E20M1 1-07 \* S D06  
1

28-4/8

SOURCE

697  
697  
697  
697  
697  
697  
697  
697

DXCS CLKENA  
DXCS CLKENA  
DXCS CLKENA  
DXCS CLKENA

L B17R1 1-01 \* 1 D06 1  
L E20L1 1-02 \* D06 2  
L F22B1 1-03 \* DXX 1  
L E15V1 1-04 \* S D06  
1

TERM HERE?

21-0/8

SOURCE

698  
698  
698  
698

DXND 00(0)  
DXND 00(0)  
DXND 00(0)

H A10J2 1-01 \* S D10 1  
H B21U2 1-02 \* D11  
1

TERM HERE?

9-2/8

SOURCE

699  
699  
699

DXND 00(1)  
DXND 00(1)  
DXND 00(1)  
DXND 00(1)  
DXND 00(1)  
DXND 00(1)  
DXND 00(1)

H C28P1 1-01 \* D17 1  
H A32V2 1-02 \* D22 2  
H A10H2 1-03 \* D10 1  
H D10H1 1-04 \* D19 2  
H E10U1 1-05 \* D09 1  
H E10S2 1-06 \* D09  
1

41-2/8

700  
700  
700  
700  
700  
700  
700

DXND 01(0)  
DXND 01(0)  
DXND 01(0)

H A11J2 1-01 \* S D10 1  
H B21T2 1-02 \* D11  
1

TERM HERE?

9-0/8

SOURCE

701  
701  
701

DXND 01(1)  
DXND 01(1)  
DXND 01(1)  
DXND 01(1)  
DXND 01(1)  
DXND 01(1)  
DXND 01(1)

H C28R1 1-01 \* D17 1  
H A32U2 1-02 \* D22 2  
H A11H2 1-03 \* D10 1  
H D11H1 1-04 \* D19 2  
H E10N1 1-05 \* D09 1  
H E10R1 1-06 \* D09  
1

40-4/8

702  
702  
702  
702  
702  
702  
702

DXND 02(0)  
DXND 02(0)  
DXND 02(0)

H A12J2 1-01 \* S D10 1  
H B21S2 1-02 \* D11  
1

TERM HERE?

8-2/8

SOURCE

703  
703  
703

7002

digital EQUIPMENT CORPORATION

digital EQUIPMENT CORPORATION

DX11B,K		HND288,V22(22) 11/06/73												11-JUL-74	0123	PAGE 90
RUN NAME		A/P	PIN NAME	ORDER PIN	BAY = ORDER	Q	DRAW	RV	PG	Y	X	Z	REMARKS	LENGTH	EXCEPTIONS	RUN NUMBER
DXND 02(1)	H	C28L1			1-01 *		D17					1				704
DXND 02(1)	H	A32T2			1-02 *		D22					2				704
DXND 02(1)	H	A12H2			1-03 *		D10					1				704
DXND 02(1)	H	D12H1			1-04 *		D19					2				704
DXND 02(1)	H	E10H2			1-05 *		D09					1				704
DXND 02(1)	H	E10K2			1-06 *		D09					1				704
DXND 02(1)					1									39-0/8		704
DXND 03(0)	H	A13J2			1-01 *	S	D10					1				705
DXND 03(0)	H	B21R2			1-02 *		D11							SOURCE TERM HERE?		705
DXND 03(0)					1									7-6/8		705
DXND 03(1)	H	C28M1			1-01 *		D17					1				706
DXND 03(1)	H	A32S2			1-02 *		D22					2				706
DXND 03(1)	H	A13H2			1-03 *		D10					1				706
DXND 03(1)	H	D13H1			1-04 *		D19					2				706
DXND 03(1)	H	E10D1			1-05 *		D09					1				706
DXND 03(1)	H	E10F1			1-06 *		D09					1				706
DXND 03(1)					1									38-2/8		706
DXND 04(0)	H	A14J2			1-01 *	S	D10					1				707
DXND 04(0)	H	B21R1			1-02 *		D11							SOURCE TERM HERE?		707
DXND 04(0)					1									7-2/8		707
DXND 04(1)	H	C28D1			1-01 *		D17					1				708
DXND 04(1)	H	A32R2			1-02 *		D22					2				708
DXND 04(1)	H	A14H2			1-03 *		D10					1				708
DXND 04(1)	H	D14H1			1-04 *		D19					2				708
DXND 04(1)	H	E09S2			1-05 *		D09					1				708
DXND 04(1)	H	E09U1			1-06 *		D09					1				708
DXND 04(1)					1									39-0/8		708
DXND 05(0)	H	A15J2			1-01 *	S	D10					1				709
DXND 05(0)	H	B21P1			1-02 *		D11							SOURCE TERM HERE?		709
DXND 05(0)					1									6-6/8		709
DXND 05(1)	H	C28E1			1-01 *		D17					1				710
DXND 05(1)	H	A32P2			1-02 *		D22					2				710
DXND 05(1)	H	A15H2			1-03 *		D10					1				710
DXND 05(1)	H	D15H1			1-04 *		D19					2				710
DXND 05(1)	H	E09N1			1-05 *		D09					1				710
DXND 05(1)	H	E09R1			1-06 *		D09					1				710
DXND 05(1)					1									38-4/8		710
DXND 06(0)	H	A16J2			1-01 *	S	D10					1				711
DXND 06(0)	H	B21N1			1-02 *		D11							SOURCE TERM HERE?		711
DXND 06(0)					1									6-4/8		711

DX11B,K		HND288,V22(22) 11/06/73												11-JUL-74	0123	PAGE 91
RUN NAME		A/P	PIN NAME	ORDER PIN	BAY = ORDER	Q	DRAW	RV	PG	Y	X	Z	REMARKS	LENGTH	EXCEPTIONS	RUN NUMBER
DXND 06(1)	H	C28A1			1-01 *		D17					1				712
DXND 06(1)	H	A32N2			1-02 *		D22					2				712
DXND 06(1)	H	A16H2			1-03 *		D10					1				712
DXND 06(1)	H	D16H1			1-04 *		D19					2				712
DXND 06(1)	H	E09K2			1-05 *		D09					1				712
DXND 06(1)	H	E09H2			1-06 *		D09					1				712
DXND 06(1)					1									37-6/8		712
DXND 07(0)	H	A17J2			1-01 *	S	D10					1				713
DXND 07(0)	H	B21M1			1-02 *		D11							SOURCE TERM HERE?		713
DXND 07(0)					1									6-2/8		713
DXND 07(1)	H	A32M2			1-01 *		D22					1				714
DXND 07(1)	H	C28B1			1-02 *		D17					2				714
DXND 07(1)	H	A17H2			1-03 *		D10					1				714
DXND 07(1)	H	D17H1			1-04 *		D19					2				714
DXND 07(1)	H	E09D1			1-05 *		D09					1				714
DXND 07(1)	H	E09F1			1-06 *		D09					1				714
DXND 07(1)					1									37-4/8		714
DXND 08(0)	H	A10R2			1-01 *	S	D10					1				715
DXND 08(0)	H	E02H2			1-02 *		D24							SOURCE TERM HERE?		715
DXND 08(0)					1									13-6/8		715
DXND 08(1)	H	A10P2			1-01 *		D10					2				716
DXND 08(1)	H	B15E2			1-02 *		D16					1				716
DXND 08(1)	H	D03J2			1-03 *		D07					2				716
DXND 08(1)	H	E10T2			1-04 *		D09					1				716
DXND 08(1)	H	D18H1			1-05 *		D19					2				716
DXND 08(1)	H	C27P1			1-06 *		D17					1				716
DXND 08(1)	H	A32L2			1-07 *		D22					1				716
DXND 08(1)					1									47-6/8		716
DXND 09(0)	H	A11R2			1-01 *	S	D10					1				717
DXND 09(0)	H	E02F2			1-02 *		D24							SOURCE TERM HERE?		717
DXND 09(0)					1									13-6/8		717
DXND 09(1)	H	A11P2			1-01 *		D10					2				718
DXND 09(1)	H	B15N1			1-02 *		D16					1				718
DXND 09(1)	H	D04J2			1-03 *		D07					2				718
DXND 09(1)	H	E10P1			1-04 *		D09					1				718
DXND 09(1)	H	D19H1			1-05 *		D19					2				718
DXND 09(1)	H	C27R1			1-06 *		D17					1				718
DXND 09(1)	H	A32K2			1-07 *		D22					1				718
DXND 09(1)					1									46-4/8		718

DX11B,K  
RUN NAME

HND288.V22(22) 11/06/73  
A/P PIN ORDER BAY = Q DRAW RV PG Y X Z REMARKS  
NAME PIN ORDER

11-JUL-74 0123 PAGE 92  
LENGTH EXCEPTIONS RUN  
NUMBER

DXND 10(0)  
DXND 10(0)  
DXND 10(0)

H A12R2 1-01 \* S D10  
H E02E2 1-02 \* D24  
1

13=6/8 SOURCE  
TERM HERE? 719  
719

DXND 10(1)  
DXND 10(1)  
DXND 10(1)  
DXND 10(1)  
DXND 10(1)  
DXND 10(1)  
DXND 10(1)  
DXND 10(1)

H A12P2 1-01 \* D10  
H B15H1 1-02 \* D16  
H D05J2 1-03 \* D07  
H E10J2 1-04 \* D09  
H D20H1 1-05 \* D19  
H C27L1 1-06 \* D17  
H A32J2 1-07 \* D22  
1

720  
720  
720  
720  
720  
720  
720  
720  
720  
720  
720

DXND 11(0)  
DXND 11(0)  
DXND 11(0)

H A13R2 1-01 \* S D10  
H E02D2 1-02 \* D24  
1

44=6/8 SOURCE  
TERM HERE? 721  
721  
721

DXND 11(1)  
DXND 11(1)  
DXND 11(1)  
DXND 11(1)  
DXND 11(1)  
DXND 11(1)  
DXND 11(1)  
DXND 11(1)  
DXND 11(1)

H B15B1 1-01 \* D16  
H A13P2 1-02 \* D10  
H A32H2 1-03 \* D22  
H C27M1 1-04 \* D17  
H D21H1 1-05 \* D19  
H D06J2 1-06 \* D07  
H E10E1 1-07 \* D09  
1

722  
722  
722  
722  
722  
722  
722  
722  
722  
722  
722  
722

DXND 12(0)  
DXND 12(0)  
DXND 12(0)

H A14R2 1-01 \* S D10  
H E02D1 1-02 \* D24  
1

46=4/8 SOURCE  
TERM HERE? 723  
723  
723

DXND 12(1)  
DXND 12(1)  
DXND 12(1)  
DXND 12(1)  
DXND 12(1)  
DXND 12(1)  
DXND 12(1)  
DXND 12(1)  
DXND 12(1)

H A14P2 1-01 \* D10  
H B11S2 1-02 \* D16  
H D03E1 1-03 \* D07  
H E09T2 1-04 \* D09  
H D22H1 1-05 \* D19  
H C27D1 1-06 \* D17  
H A32F2 1-07 \* D22  
1

14=2/8 724  
724  
724  
724  
724  
724  
724  
724  
724  
724  
724  
724

DXND 13(0)  
DXND 13(0)  
DXND 13(0)

H A15R2 1-01 \* S D10  
H E02C1 1-02 \* D24  
1

47=0/8 SOURCE  
TERM HERE? 725  
725  
725

DX11B,K  
RUN NAME

HND288.V22(22) 11/06/73  
A/P PIN ORDER BAY = Q DRAW RV PG Y X Z REMARKS  
NAME PIN ORDER

11-JUL-74 0123 PAGE 93  
LENGTH EXCEPTIONS RUN  
NUMBER

DXND 13(1)  
DXND 13(1)  
DXND 13(1)  
DXND 13(1)  
DXND 13(1)  
DXND 13(1)  
DXND 13(1)  
DXND 13(1)

H D23H1 1-01 \* D19  
H C27E1 1-02 \* D17  
H A32E2 1-03 \* D22  
H A15P2 1-04 \* D10  
H B11L2 1-05 \* D16  
H D04E1 1-06 \* D07  
H E09P1 1-07 \* D09  
1

726  
726  
726  
726  
726  
726  
726  
726  
726  
726  
726  
726

DXND 14(0)  
DXND 14(0)  
DXND 14(0)

H A16R2 1-01 \* S D10  
H E02B1 1-02 \* D24  
1

47=2/8 SOURCE  
TERM HERE? 727  
727  
727

DXND 14(1)  
DXND 14(1)  
DXND 14(1)  
DXND 14(1)  
DXND 14(1)  
DXND 14(1)  
DXND 14(1)  
DXND 14(1)

H D24H1 1-01 \* D19  
H C27A1 1-02 \* D17  
H A32D2 1-03 \* D22  
H A16P2 1-04 \* D10  
H B11E2 1-05 \* D16  
H D05E1 1-06 \* D07  
H E09J2 1-07 \* D09  
1

14=4/8 728  
728  
728  
728  
728  
728  
728  
728  
728  
728  
728  
728

DXND 15(0)  
DXND 15(0)  
DXND 15(0)

H A17R2 1-01 \* S D10  
H E02A1 1-02 \* D24  
1

46=6/8 SOURCE  
TERM HERE? 729  
729  
729

DXND 15(1)  
DXND 15(1)  
DXND 15(1)  
DXND 15(1)  
DXND 15(1)  
DXND 15(1)  
DXND 15(1)  
DXND 15(1)

H D25H1 1-01 \* D19  
H C27B1 1-02 \* D17  
H A32C2 1-03 \* D22  
H A17P2 1-04 \* D10  
H B11N1 1-05 \* D16  
H D06E1 1-06 \* D07  
H E09E1 1-07 \* D09  
1

14=4/8 730  
730  
730  
730  
730  
730  
730  
730  
730  
730  
730  
730

DXND CLK A  
DXND CLK A  
DXND CLK A  
DXND CLK A

L B16C1 1-01 \* D10  
L B16D1 1-02 \* D10  
L B16H1 1-03 \* D10  
1

45=0/8 731  
731  
731  
731

DXND CLK B  
DXND CLK B  
DXND CLK B  
DXND CLK B

L B16D2 1-01 \* D10  
L B16N1 1-02 \* D10  
L B16P1 1-03 \* D10  
1

5=2/8 732  
732  
732  
732  
732  
732

6=0/8 732

7000

DIGITAL CORPORATION

DX11R,K												HND288,V22(22) 11/06/73			11-JUL-74		0123	PAGE 94	
RUN NAME		A/P	PIN	ORDER	BAY -	Q	DRAW	RV	PG	Y	X	Z	REMARKS	LENGTH	EXCEPTIONS	RUN	NUMBER		
DXND STB A		L	A25K2		1=01 *		D10												
DXND STB A		L	B16E1		1=02 *		D10					2					733		
DXND STB A		L	B16J1		1=03 *		D10					1					733		
DXND STB A					1												733		
														10=6/8			733		
DXND STB B		L	B16R1		1=01 *		D10					1			TERM HERE?		734		
DXND STB B		L	B16E2		1=02 *		D10					2					734		
DXND STB B		L	B18C1		1=03 *	S	D10								SOURCE		734		
DXND STB B					1									6=6/8			734		
DXRESET		H	A18E2		1=01 *		D15					1					735		
DXRESET		H	A18H2		1=02 *		D16					2					735		
DXRESET		H	E13E2	E27K2	1=03 *		D09					1					735		
DXRESET		H	E27K2		1=04 *		D24					2					735		
DXRESET		H	E29U2		1=05 *		D13					2					735		
DXRESET					1									29=4/6			735		
DXRESET		L	B19N2		1=01 *		D10					1			TERM HERE?		736		
DXRESET		L	B18D2		1=02 *		D06					2					736		
DXRESET		L	E07H1		1=03 *		D13					1					736		
DXRESET		L	E07P2		1=04 *		D11					2					736		
DXRESET		L	E14J1	E27H2	1=05 *		D05					1					736		
DXRESET		L	E27H2	E27J2	1=06 *		D24					2					736		
DXRESET		L	E27J2		1=07 *		D24					1					736		
DXRESET		L	E27L1		1=08 *		D24					2					736		
DXRESET		L	E24N2		1=09 *	S	D24										736		
DXRESET					1									43=6/8	SOURCE		736		
DXRESET OR INIT		H	B25R1		1=01 *							2			TERM HERE?		737		
DXRESET OR INIT		H	CONT2		1=02 *		D05					1					737		
DXRESET OR INIT		H	A1882		1=03 *		D21					2					737		
DXRESET OR INIT		H	A18P2		1=04 *		D21					1					737		
DXRESET OR INIT		H	A18M2		1=05 *		D21					2					737		
DXRESET OR INIT		H	A18K2		1=06 *		D21					1					737		
DXRESET OR INIT		H	E27N1		1=07 *	S	D24					2					737		
DXRESET OR INIT		H	E16T2		1=08 *										SOURCE		737		
DXRESET OR INIT					1									51=6/8	TERM HERE?		737		
DXRESET OR INIT		L	B25S1	B19D2	1=01 *		D24					1					738		
DXRESET OR INIT		L	H19D2	B17C1	1=02 *		D10					2					738		
DXRESET OR INIT		L	H17C1		1=03 *		D06										738		
DXRESET OR INIT					1									9=2/8			738		
DXRESET OR INIT P		H	E18S2		1=01 *	1						1					739		
DXRESET OR INIT P		H	E18L1		1=02 *												739		
DXRESET OR INIT P					1									3=0/8			739		

DX11R,K												HND288,V22(22) 11/06/73			11-JUL-74		0123	PAGE 95	
RUN NAME		A/P	PIN	ORDER	BAY -	Q	DRAW	RV	PG	Y	X	Z	REMARKS	LENGTH	EXCEPTIONS	RUN	NUMBER		
DXRESET OR INIT P		L	B25F1		1=01 *							1							
DXRESET OR INIT P		L	B30R2		1=02 *							2					740		
DXRESET OR INIT P		L	C25H2		1=03 *							1					740		
DXRESET OR INIT P		L	C24D2		1=04 *							2					740		
DXRESET OR INIT P		L	C23D2		1=05 *							1					740		
DXRESET OR INIT P		L	C22D2		1=06 *							2					740		
DXRESET OR INIT P		L	C21D2		1=07 *							1					740		
DXRESET OR INIT P		L	C20D2	E18P2	1=08 *							2					740		
DXRESET OR INIT P		L	E18P2	E18R2	1=09 *							1					740		
DXRESET OR INIT P		L	E18R2		1=10 *												740		
DXRESET OR INIT P					1									37=0/8			740		
DXRESET OR INIT PA		L	C19L2		1=01 *	2	D13					2			TERM HERE?		741		
DXRESET OR INIT PA		L	C19D2		1=02 *		D12					1					741		
DXRESET OR INIT PA		L	B01T2	F19T2	1=03 *		D14					2					741		
DXRESET OR INIT PA		L	F19T2		1=04 *							1					741		
DXRESET OR INIT PA		L	F17D2		1=05 *		D25					2					741		
DXRESET OR INIT PA		L	F19H2		1=06 *		D05					1					741		
DXRESET OR INIT PA		L	F19P2		1=07 *		D18					2					741		
DXRESET OR INIT PA		L	F17P1		1=08 *		D18					1					741		
DXRESET OR INIT PA		L	C10P1	D09U1	1=09 *		D11					2					741		
DXRESET OR INIT PA		L	D09U1		1=10 *	S	D24										741		
DXRESET OR INIT PA					1									63=0/8	SOURCE		741		
DXIMO(0)		H	F17K2		1=01 *		D25					1					742		
DXIMO(0)		H	F22H1		1=02 *		D24										742		
DXIMO(0)					1									4=6/8			742		
DXIMO(1)		H	A32B2		1=01 *		D22					1					743		
DXIMO(1)		H	D14J1		1=02 *		D19					2					743		
DXIMO(1)		H	F17J2		1=03 *		D25										743		
DXIMO(1)					1									23=4/8			743		
E01C1			C21K1		1=01 *		D05					1					744		
E01C1			D01L1		1=02 *		D05					2					744		
E01C1			E01C1		1=03 *		D05										744		
E01C1					1									17=4/8			744		
E01F1			C19K1		1=01 *		D05					1					745		
E01F1			D01P1		1=02 *		D05					2					745		
E01F1			E01F1		1=03 *		D05										745		
E01F1					1									16=6/8			745		
E01F2			C17K1		1=01 *		D05					1					746		
E01F2			E01F2		1=02 *		D05										746		
E01F2					1									12=0/8			746		

DIGITAL CORPORATION



7000

DX11B,K RUN NAME		HND288,V22(22) 11/06/73				Q	DRAW	RV	PG	Y	X	Z	REMARKS	11-JUL-74 LENGTH	0123 EXCEPTIONS	PAGE 96 RUN NUMBER
A/P	PIN NAME	ORDER PIN	BAY - ORDER													
E01K1	C20K1		1-01 *		D05						1					
E01K1	D01D2		1-02 *		D05						2			TERM HERE?	747	
E01K1	E01K1		1-03 *	S	D05									SOURCE	747	
E01K1			1										18-2/8		747	
E01K2	E01K2		1-01 *		D05						1				748	
E01K2	E14P1		1-02 *		D05										748	
E01K2			1										8-6/8		748	
E01N1	C18K1		1-01 *		D05						1				749	
E01N1	D01H2		1-02 *		D05						2				749	
E01N1	E01N1		1-03 *		D05										749	
E01N1			1										17-2/8		749	
E01N2	E01N2		1-01 *		D05						1				750	
E01N2	E04P2		1-02 *		D05										750	
E01N2			1										3-6/8		750	
E01S1	E01D2		1-01 *		D05						2				751	
E01S1	E01S1		1-02 *		D05						1				751	
E01S1	E14M1		1-03 *		D05										751	
E01S1			1										13-0/8		751	
E01S2	E01S2		1-01 *		D05						1				752	
E01S2	E07J2		1-02 *		D05										752	
E01S2			1										5-6/8		752	
E01V2	B01B1		1-01 *		D05						1				753	
E01V2	E01V2		1-02 *		D05										753	
E01V2			1										12-2/8		753	
E02P2	C07C1		1-01 *		D24						1				754	
E02P2	E02P2		1-02 *		D24										754	
E02P2			1										9-6/8		754	
E03D1	B02H2		1-01 *		D24						1				755	
E03D1	E03D1		1-02 *		D24										755	
E03D1			1										10-0/8		755	
E03H2	E02L2		1-01 *		D24						1				756	
E03H2	E03H2		1-02 *		D24										756	
E03H2			1										3-0/8		756	
E03M2	D02E1		1-01 *		D24						1				757	
E03M2	E03M2		1-02 *		D24										757	
E03M2			1										6-0/8		757	

DX11B,K RUN NAME		HND288,V22(22) 11/06/73				Q	DRAW	RV	PG	Y	X	Z	REMARKS	11-JUL-74 LENGTH	0123 EXCEPTIONS	PAGE 97 RUN NUMBER
A/P	PIN NAME	ORDER PIN	BAY - ORDER													
E03S2	E03S2		1-01 *	S	DXX						1					
E03S2	E05L2		1-02 *		DXX						2			SOURCE	758	
E03S2	E05E2		1-03 *		DXX									TERM HERE?	758	
E03S2			1										6-6/8		758	
E03U1	E02F1		1-01 *		D24						1				759	
E03U1	E03U1		1-02 *		D24										759	
E03U1			1										4-0/8		759	
E04F2	E04F2		1-01 *		D27						1				760	
E04F2	J10N1		1-02 *		DXX										760	
E04F2			1										12-2/8		760	
E04K1	E04K1		1-01 *		D27						1				761	
E04K1	J09E1		1-02 *		DXX										761	
E04K1			1										11-0/8		761	
E04K2	E04K2		1-01 *		D27						1				762	
E04K2	J10E1		1-02 *		DXX										762	
E04K2			1										11-0/8		762	
E04N1	E04N1		1-01 *		D27						1				763	
E04N1	J09N1		1-02 *		DXX										763	
E04N1			1										11-4/8		763	
E04S1	E04S1		1-01 *		D27						1				764	
E04S1	J13E1		1-02 *		DXX										764	
E04S1			1										11-0/8		764	
E04S2	D01P2		1-01 *		D05						1				765	
E04S2	E04S2		1-02 *		D05										765	
E04S2			1										5-6/8		765	
E04V2	C15K1		1-01 *		D05						2				766	
E04V2	C01H1		1-02 *		D05						1				766	
E04V2	E04V2		1-03 *		D05										766	
E04V2			1										19-2/8		766	
E05F2	E05F2		1-01 *		D09						1				767	
E05F2	E05J2		1-02 *		D09										767	
E05F2			1										2-4/8		767	
E05K2	C17E2		1-01 *		D09						1				768	
E05K2	E05K2		1-02 *		D09										768	
E05K2			1										10-6/8		768	

digital EQUIPMENT CORPORATION





FU 14

Dx11B,K  
RUN NAME

HND288,V22(22) 11/06/73  
A/P PIN ORDER BAY -  
NAME PIN ORDER

REMARKS

11-JUL-74  
LENGTH

0123  
EXCEPTIONS

PAGE 102  
RUN  
NUMBER

E16K2	B23K2	1-01 *	D06								1					813
E16K2	E16K2	1-02 *	D06													813
E16K2		1													11-4/8	813
E16N1	E16N1	1-01 *	D06													814
E16N1	E18D1	1-02 *	D06													814
E16N1		1													3-6/8	814
E16S1	E16S1	1-01 *	D18													815
E16S1	C22B1	1-02 *	D18													815
E16S1		1													10-4/8	815
E16V2	D09V1	1-01 *	D24			2										816
E16V2	E16V2	1-02 *	D24													816
E16V2	B30P2	1-03 *	D24													816
E16V2		1													20-6/8	816
E17C1	E17C1	1-01 *	D06													817
E17C1	E17D1	1-02 *	D06													817
E17C1		1													2-4/8	817
E17F1	C18C1	1-01 *	D06													818
E17F1	E17F1	1-02 *	D06													818
E17F1		1													8-2/8	818
E17F2	E17F2	1-01 *	D06													819
E17F2	E17R1	1-02 *	D06													819
E17F2		1													3-4/8	819
E17K1	E17K1	1-01 *	D06													820
E17K1	E17L1	1-02 *	D06													820
E17K1		1													2-4/8	820
E17K2	B17N1	1-01 *	D06													821
E17K2	E17K2	1-02 *	D06													821
E17K2		1													9-6/8	821
E17N1	B23L2	1-01 *	D06													822
E17N1	C17C1	1-02 *	D06													822
E17N1	E17N1	1-03 *	D06													822
E17N1		1													15-2/8	822
E17N2	E17N2	1-01 *	D06													823
E17N2	E17R2	1-02 *	D06													823
E17N2		1													2-4/8	823

Dx11B,K  
RUN NAME

HND288,V22(22) 11/06/73  
A/P PIN ORDER BAY -  
NAME PIN ORDER

REMARKS

11-JUL-74  
LENGTH

0123  
EXCEPTIONS

PAGE 103  
RUN  
NUMBER

E17S1	C1481	1-01 *	D06													824
E17S1	E17S1	1-02 *	D06													824
E17S1		1													9-6/8	824
E17S2	C1381	1-01 *	D06													825
E17S2	E17S2	1-02 *	D06													825
E17S2		1													10-2/8	825
E17V2	E16P2	1-01 *	D06													826
E17V2	E17V2	1-02 *	D06													826
E17V2		1													3-2/8	826
E18F1	C24B1	1-01 *	D06													827
E18F1	E18F1	1-02 *	D06													827
E18F1		1													9-2/8	827
E18F2	B17A1	1-01 *	D06													828
E18F2	E17E1	1-02 *	D06													828
E18F2	E18F2	1-03 *	D06													828
E18F2		1													13-6/8	828
E18K1	C19A1	1-01 *	D06													829
E18K1	E18K1	1-02 *	D06													829
E18K1		1													8-6/8	829
E18K2	C1881	1-01 *	D06													830
E18K2	E18K2	1-02 *	D06													830
E18K2		1													8-4/8	830
E18N1	E18N1	1-01 *	D18													831
E18N1	C22A1	1-02 *	D18													831
E18N1		1													9-6/8	831
E18N2	C17B1	1-01 *	D06													832
E18N2	E18N2	1-02 *	D06													832
E18N2		1													9-2/8	832
E18S1	E18D2	1-01 *	D06													833
E18S1	E18S1	1-02 *	D06													833
E18S1		1													4-0/8	833
E18V2	E18V2	1-01 *	D06													834
E18V2	E20J1	1-02 *	D06													834
E18V2		1													4-0/8	834

FU13

DX118,K  
RUN NAME

HND288,V22(22) 11/06/73  
A/P PIN ORDER BAY -  
NAME PIN ORDER

Q DRAW RV PG Y X Z REMARKS

11-JUL-74 0123 PAGE 104  
LENGTH EXCEPTIONS RUN  
NUMBER

E19C1  
E19C1  
E19C1

C16B1  
E19C1  
1-01 \*  
1-02 \*  
1

D06  
D06  
1

8-2/8

0123

EXCEPTIONS  
835  
835  
835

E19F1  
E19F1  
E19F1

C15B1  
E19F1  
1-01 \*  
1-02 \*  
1

D06  
D06  
1

9-0/8

TERM HERE?  
SOURCE

836  
836  
836

E19K1  
E19K1  
E19K1

C21P1  
E19K1  
1-01 \*  
1-02 \*  
1

D20  
D20  
S

7-4/8

837  
837  
837

E19K2  
E19K2  
E19K2

E19K2  
E19L2  
1-01 \*  
1-02 \*  
1

D13  
D13  
1

2-4/8

838  
838  
838

E19N1  
E19N1  
E19N1  
E19N1

C09E2  
C09F2  
E19N1  
E19N1  
1-01 \*  
1-02 \*  
1-03 \*  
1

DXX  
DXX  
DXX  
1  
2

12-6/8

839  
839  
839  
839

E19N2  
E19N2  
E19N2

C12M2  
E19N2  
1-01 \*  
1-02 \*  
1

D13  
D13  
1

9-2/8

840  
840  
840

E19S2  
E19S2  
E19S2

E19S2  
E19T2  
1-01 \*  
1-02 \*  
1

D13  
D13  
1

2-4/8

841  
841  
841

E19V2  
E19V2  
E19V2

C10M2  
E19V2  
1-01 \*  
1-02 \*  
1

D13  
D13  
1

10-4/8

842  
842  
842

E20E1  
E20E1  
E20E1

E18H2  
E20E1  
1-01 \*  
1-02 \*  
1

D06  
D06  
1

3-2/8

843  
843  
843

E20K1  
E20K1  
E20K1

E17P1  
E20K1  
1-01 \*  
1-02 \*  
1

D06  
D06  
1

4-0/8

844  
844  
844

E20P1  
E20P1  
E20P1

E19D1  
E20P1  
1-01 \*  
1-02 \*  
1

D06  
D06  
1

3-6/8

845  
845  
845

DX118,K  
RUN NAME

HND288,V22(22) 11/06/73  
A/P PIN ORDER BAY -  
NAME PIN ORDER

Q DRAW RV PG Y X Z REMARKS

11-JUL-74 0123 PAGE 105  
LENGTH EXCEPTIONS RUN  
NUMBER

E21C1  
E21C1  
E21C1  
E21C1

E21C1  
F21L1  
E25M1  
1-01 \*  
1-02 \*  
1-03 \*  
1

D11  
D11  
D11  
2  
1

7-4/8

0123

EXCEPTIONS  
846  
846  
846  
846

E21F1  
E21F1  
E21F1

E21F1  
E22M1  
1-01 \*  
1-02 \*  
1

D11  
D11  
1

3-2/8

847  
847  
847

E21F2  
E21F2  
E21F2  
E21F2

B23N1  
E21F2  
E21R2  
1-01 \*  
1-02 \*  
1-03 \*  
1

D11  
D11  
D11  
1  
2

13-0/8

848  
848  
848  
848

E21K1  
E21K1  
E21K1

E21K1  
E22S2  
1-01 \*  
1-02 \*  
1

D11  
D11  
1

3-4/8

849  
849  
849

E21K2  
E21K2  
E21K2

A06T2  
E21K2  
1-01 \*  
1-02 \*  
1

D11  
D11  
1

15-0/8

850  
850  
850

E21N1  
E21N1  
E21N1  
E21N1

B20L2  
C14S1  
E21N1  
E21N1  
1-01 \*  
1-02 \*  
1-03 \*  
1

D11  
D11  
D11  
2  
1

15-6/8

851  
851  
851  
851

E21N2  
E21N2  
E21N2

E21N2  
E21T2  
1-01 \*  
1-02 \*  
1

D11  
D11  
1

2-6/8

852  
852  
852

E21S1  
E21S1  
E21S1  
E21S1

E21J2  
E21L2  
E21S1  
1-01 \*  
1-02 \*  
1-03 \*  
1

D11  
D11  
D11  
1  
2

5-6/8

853  
853  
853  
853

E21S2  
E21S2  
E21S2

A06V2  
E21S2  
1-01 \*  
1-02 \*  
1

D11  
D11  
1

15-4/8

854  
854  
854

E21V2  
E21V2  
E21V2

B23P1  
E21V2  
1-01 \*  
1-02 \*  
1

D11  
D11  
1

11-0/8

855  
855  
855

E22J2  
E22J2  
E22J2

E16A1  
E22J2  
1-01 \*  
1-02 \*  
1

D11  
D11  
1

6-0/8

856  
856  
856

digital EQUIPMENT CORPORATION

digital EQUIPMENT CORPORATION

FU 10

DX11R.K  
RUN NAME

HND288.V22(22) 11/06/73  
A/P PIN ORDER BAY -  
NAME PIN ORDER

Q DRA\* RV PG Y X Z REMARKS

11-JUL-74 0123 PAGE 106  
LENGTH EXCEPTIONS RUN  
NUMBER

E22P2  
E22P2  
E22P2  
E22P2

C19S1  
E23F1  
E22P2

1-01 \*  
1-02 \*  
1-03 \*  
1

D11  
D11  
D11

1  
2

REMARKS

11-0/8

0123  
EXCEPTIONS

PAGE 106  
RUN  
NUMBER

857  
857  
857  
857

E22V2  
E22V2  
E22V2  
E22V2

C16S1  
E23R2  
E22V2

1-01 \*  
1-02 \*  
1-03 \*  
1

D11  
D11  
D11

1  
2

12-0/8

858  
858  
858  
858

E23E1  
E23E1  
E23E1

B20H1  
E23E1

1-01 \*  
1-02 \*  
1

D11  
D11

1

10-4/8

859  
859  
859

E23J2  
E23J2  
E23J2

B20P1  
E23J2

1-01 \*  
1-02 \*  
1

D11  
D11

1

10-2/8

860  
860  
860

E23L1  
E23L1  
E23L1

B20L1  
E23L1

1-01 \*  
1-02 \*  
1

D11  
D11

1

10-6/8

861  
861  
861

E23P2  
E23P2  
E23P2

B20H2  
E23P2

1-01 \*  
1-02 \*  
1

D11  
D11

1

11-4/8

862  
862  
862

E23S1  
E23S1  
E23S1

E23H2  
E23S1

1-01 \*  
1-02 \*  
1

D11  
D11

1

3-4/8

863  
863  
863

E23V2  
E23V2  
E23V2

E23V2  
E24H1

1-01 \*  
1-02 \*  
1

D11  
D11

1

3-6/8

864  
864  
864

E24C1  
E24C1  
E24C1

E23S2  
E24C1

1-01 \*  
1-02 \*  
1

D11  
D11

1

4-0/8

865  
865  
865

E24F1  
E24F1  
E24F1

E23T2  
E24F1

1-01 \*  
1-02 \*  
1

D11  
D11

1

3-6/8

866  
866  
866

E24F2  
E24F2  
E24F2

E24F2  
E24H2

1-01 \*  
1-02 \*  
1

D11  
D11

1

2-4/8

867  
867  
867

DX11R.K  
RUN NAME

HND288.V22(22) 11/06/73  
A/P PIN ORDER BAY -  
NAME PIN ORDER

Q DRA\* RV PG Y X Z REMARKS

11-JUL-74 0123 PAGE 107  
LENGTH EXCEPTIONS RUN  
NUMBER

E24K1  
E24K1  
E24K1

C16R1  
E24K1

1-01 \*  
1-02 \*  
1

D11  
D11

1

8-4/8

868  
868  
868

E24K2  
E24K2  
E24K2

C12R1  
E24K2

1-01 \*  
1-02 \*  
1

D11  
D11

1

10-4/8

869  
869  
869

E24N1  
E24N1  
E24N1

C13R1  
E24N1

1-01 \*  
1-02 \*  
1

D11  
D11

1

10-0/8

870  
870  
870

E24S1  
E24S1  
E24S1

E24E2  
E24S1

1-01 \*  
1-02 \*  
1

D11  
D11

1

3-6/8

871  
871  
871

E24S2  
E24S2  
E24S2

E24H2  
E24S2

1-01 \*  
1-02 \*  
1

D24  
D24

1

2-6/8

872  
872  
872

E24V2  
E24V2  
E24V2

C11M2  
E24V2

1-01 \*  
1-02 \*  
1

D13  
D13

1

11-4/8

873  
873  
873

E25E1  
E25E1  
E25E1

E23J1  
E25E1

1-01 \*  
1-02 \*  
1

D11  
D11

1

3-4/8

874  
874  
874

E25J2  
E25J2  
E25J2

E23U2  
E25J2

1-01 \*  
1-02 \*  
1

D11  
D11

1

4-0/8

875  
875  
875

E25L1  
E25L1  
E25L1

E23K1  
E25L1

1-01 \*  
1-02 \*  
1

D11  
D11

1

3-4/8

876  
876  
876

E25P2  
E25P2  
E25P2

A24K2  
E25P2

1-01 \*  
1-02 \*  
1

D13  
D13

1

13-4/8

877  
877  
877

E25S1  
E25S1  
E25S1  
E25S1

C15S1  
E23K2  
E25S1

1-01 \*  
1-02 \*  
1-03 \*  
1

D11  
D11  
D11

1  
2

12-2/8

878  
878  
878  
878

DX118,K

RUN NAME

HND288,V22(22) 11/06/73  
A/P PIN ORDER BAY - Q DRAW RV PG Y X Z

11-JUL-74

0123

PAGE 108

NAME PIN ORDER

LENGTH

EXCEPTIONS

RUN NUMBER

E25V2  
E25V2  
E25V2

E25V2  
E26J2

1-01 \*  
1-02 \*  
1

D13  
D13

1

REMARKS

3-6/8

879  
879  
879

E26C1  
E26C1  
E26C1

E26C1  
E26E1

1-01 \*  
1-02 \*  
1

D13  
D13

1

2-4/8

880  
880  
880

E26F1  
E26F1  
E26F1  
E26F1

C25N2  
E26F1  
E28A1

1-01 \*  
1-02 \*  
1-03 \*  
1

D13  
D13  
D13

1  
2

10-4/8

881  
881  
881  
881

E26F2  
E26F2  
E26F2

E26F2  
E26H2

1-01 \*  
1-02 \*  
1

D13  
D13

1

2-4/8

882  
882  
882

E26K1  
E26K1  
E26K1

E26K1  
F19R2

1-01 \*  
1-02 \*  
1

D18  
D18

1

7-0/8

883  
883  
883

E26K2  
E26K2  
E26K2  
E26K2

C24N2  
E26K2  
E30H1

1-01 \*  
1-02 \*  
1-03 \*  
1

D13  
D13  
D13

1  
2

11-6/8

884  
884  
884  
884

E26N1  
E26N1  
E26N1

A24J2  
E26N1

1-01 \*  
1-02 \*  
1

D13  
D13

1

13-6/8

885  
885  
885

E26N2  
E26N2  
E26N2

E26N2  
E26P2

1-01 \*  
1-02 \*  
1

D13  
D13

1

2-4/8

886  
886  
886

E26S1  
E26S1  
E26S1

E26S1  
C24P2

1-01 \*  
1-02 \*  
1

D13  
D13

1

8-2/8

887  
887  
887

E26S2  
E26S2  
E26S2  
E26S2

C22N2  
E26S2  
E28P2

1-01 \*  
1-02 \*  
1-03 \*  
1

D13  
D13  
D13

1  
2

12-2/8

888  
888  
888  
888

E26V2  
E26V2  
E26V2

A24P2  
E26V2

1-01 \*  
1-02 \*  
1

D13  
D13

1

14-0/8

889  
889  
889

DX118,K  
RUN NAME

HND288,V22(22) 11/06/73  
A/P PIN ORDER BAY - Q DRAW RV PG Y X Z

11-JUL-74

0123

PAGE 109

NAME PIN ORDER

LENGTH

EXCEPTIONS

RUN NUMBER

E27C1  
E27C1  
E27C1

E27C1  
E27D1

1-01 \*  
1-02 \*  
1

D13  
D13

1

2-4/8

890  
890  
890

E27F1  
E27F1  
E27F1  
E27F1

C20N2  
E29F1  
E27F1

1-01 \*  
1-02 \*  
1-03 \*  
1

D13  
D13  
D13

1  
2

12-0/8

891  
891  
891  
891

E27K1  
E27K1  
E27K1

H30R1  
E27K1

1-01 \*  
1-02 \*  
1

D27  
D27

1

10-2/8

892  
892  
892

E27S2  
E27S2  
E27S2  
E27S2

C24K1  
E27S2  
F29H1

1-01 \*  
1-02 \*  
1-03 \*  
1

D05  
D05  
D05

1  
2

13-4/8

893  
893  
893  
893

E27V2  
E27V2  
E27V2

E22U2  
E27V2

1-01 \*  
1-02 \*  
1

D11  
D11

1

5-0/8

TERM HERE?  
SOURCE

894  
894  
894

E28E1  
E28E1  
E28E1

E28E1  
E30A1

1-01 \*  
1-02 \*  
1

D13  
D13

1

3-4/8

895  
895  
895

E28J2  
E28J2  
E28J2

E28J2  
E30D1

1-01 \*  
1-02 \*  
1

D13  
D13

1

3-2/8

896  
896  
896

E28V2  
E28V2  
E28V2

E28V2  
E30P1

1-01 \*  
1-02 \*  
1

D13  
D13

1

3-2/8

897  
897  
897

E29E1  
E29E1  
E29E1

E29E1  
E30D2

1-01 \*  
1-02 \*  
1

D13  
D13

1

3-2/8

898  
898  
898

E29L1  
E29L1  
E29L1

E29L1  
E30P2

1-01 \*  
1-02 \*  
1

D13  
D13

1

3-2/8

899  
899  
899

E29P2  
E29P2  
E29P2

E27P1  
E29P2

1-01 \*  
1-02 \*  
1

D13  
D13

1

3-4/8

TERM HERE?  
SOURCE

900  
900  
900





TUL7

DIGITAL EQUIPMENT CORPORATION

DX118,K  
RUN NAME

A/P	PIN NAME	ORDER PIN	BAY - ORDER	Q	DRAW	KV	PG	Y	X	Z	REMARKS
	E32P1		1-01 *	1						1	
	E32P1	E32S2	1-02 *								
	E32P1		1								
	E32R2		1-01 *	1						1	
	E32R2	E32V2	1-02 *								
	E32R2		1								
	E32T2		1-01 *	1						1	
	E32T2	F29H2	1-02 *								
	E32T2		1								
	EN DATA TO BUS	L A25N1	1-01 *			D17				1	
	EN DATA TO BUS	L D25R2	1-02 *			D19					
	EN DATA TO BUS		1								
	EN DATA TO BUS=A	L A25S1	1-01 *			D17				1	
	EN DATA TO BUS=A	L D17R2	1-02 *			D19					
	EN DATA TO BUS=A		1								
	EN FCTN	H C09P1	1-01 *			DXX				1	
	EN FCTN	H C09R1	1-02 *			DXX				2	
	EN FCTN	H E19S1	1-03 *			DXX					
	EN FCTN		1								
	EN FCTN	L A24L2	1-01 *			DXX				1	
	EN FCTN	L C09J2	1-02 *			DXX				2	
	EN FCTN	L E19P1	1-03 *			DXX				1	
	EN FCTN	L E19R1	1-04 *			DXX				2	
	EN FCTN	L F20A1	1-05 *			DXX					
	EN FCTN		1								

11-JUL-74 LENGTH	0123 EXCEPTIONS	PAGE 112 RUN NUMBER
2=6/8		925
		925
		925
2=6/8		926
		926
		926
2=6/8		927
		927
		927
4=6/8		928
		928
		928
10=6/8		928
		928
		928
11=6/8		929
		929
		929
12=2/8		930
		930
		930
		930
		930
28=4/8		931
		931
		931
		931
		931
		931
		931

DX118,K  
RUN NAME

A/P	PIN NAME	ORDER PIN	BAY - ORDER	Q	DRAW	KV	PG	Y	X	Z	REMARKS
	ENABLE	H E27J1	1-01 *			DXX				2	
	ENABLE	H D09M1	1-02 *			DXX				1	
	ENABLE	H H09E1	1-03 *			DXX				2	
	ENABLE	H H10E1	1-04 *			DXX				1	
	ENABLE	H H11L2	1-05 *			DXX				2	
	ENABLE	H H10L2	1-06 *			DXX				1	
	ENABLE	H H10N1	1-07 *			DXX				2	
	ENABLE	H H09L2	1-08 *			DXX				1	
	ENABLE	H H09N1	1-09 *			DXX				2	
	ENABLE	H H09V2	1-10 *			DXX				1	
	ENABLE	H H10V2	1-11 *			DXX				2	
	ENABLE	H H11V2	1-12 *			DXX				1	
	ENABLE	H J11E1	1-13 *			D27				2	
	ENABLE	H J11L2	1-14 *			D27				1	
	ENABLE	H J11V2	1-15 *			D27					
	ENABLE		1								
	END CYCLE	H C17R1	1-01 *			D11				1	
	END CYCLE	H D26P2	1-02 *	S		D18					
	END CYCLE		1								
	ENDEN(1)	H A30C1	1-01 *			D22				1	
	ENDEN(1)	H F30J2	1-02 *			D13				2	
	ENDEN(1)	H D23M1	1-03 *			D19				1	
	ENDEN(1)	H C23E1	1-04 *	S		D06					
	ENDEN(1)		1								
	ERRSTA	L D02S2	1-01 *	S		DXX				2	
	ERRSTA	L C05K2	1-02 *			DXX				1	
	ERRSTA	L F20H1	1-03 *			DXX				2	
	ERRSTA	L F20L1	1-04 *			DXX				1	
	ERRSTA	L F20M2	1-05 *			DXX				2	
	ERRSTA	L F20R2	1-06 *			DXX					
	ERRSTA		1								
	ESEND(1)	H A29L1	1-01 *			D22				2	
	ESEND(1)	H B09E1	1-02 *			D10				1	
	ESEND(1)	H D16S2	1-03 *			D19				2	
	ESEND(1)	H C16N1	1-04 *	S		D05					
	ESEND(1)		1								
	EVEN	H B22R2	1-01 *			D26				1	
	EVEN	H B25P2	1-02 *			D26					
	EVEN		1								

11-JUL-74 LENGTH	0123 EXCEPTIONS	PAGE 113 RUN NUMBER
58=0/8		932
		932
		932
		932
		932
		932
		932
		932
		932
		932
		932
		932
		932
		932
		932
8=0/8	TERM HERE? SOURCE	933
		933
		933
		933
		933
		933
		933
		933
31=0/8	SOURCE	934
		934
		934
		934
		934
		934
		934
		934
27=6/8	TERM HERE?	935
		935
		935
		935
		935
		935
		935
		935
		935
		935
		935
		935
		935
29=4/8	TERM HERE?	936
		936
		936
		936
		936
		936
		936
		936
		936
		936
4=2/8		937
		937
		937

7020

DX11B,K  
RUN NAME

HND288,V22(22) 11/06/73  
A/P PIN ORDER BAY - Q DRAW RV PG Y X Z  
NAME PIN ORDER

11-JUL-74 0123 PAGE 114  
LENGTH EXCEPTIONS RUN  
NUMBER

EVEN  
EVEN  
EVEN  
EVEN

L B22P2 1-01 \* D26  
L B22T2 1-02 \* D26  
L B25E2 1-03 \* D26  
1

7-0/8 938  
938  
938  
938

F03D2  
F03D2  
F03D2

F03D2 1-01 \* S DXX  
F03E2 1-02 \* DXX  
1

SOURCE 939  
TERM HERE? 939  
2-4/8 939

F03L2  
F03L2  
F03L2  
F03L2  
F03L2

F02N1 1-01 \* DXX  
F02M1 1-02 \* DXX  
F02L1 1-03 \* DXX  
F03L2 1-04 \* S DXX  
1

TERM HERE? 940  
940  
940  
940  
940

F03M2  
F03M2  
F03M2  
F03M2  
F03M2

F02B1 1-01 \* DXX  
F02C1 1-02 \* DXX  
F02D1 1-03 \* DXX  
F03M2 1-04 \* S DXX  
1

8-0/8 941  
TERM HERE? 941  
941  
941  
941

F03S2  
F03S2  
F03S2

F03S2 1-01 \* S DXX  
F22R1 1-02 \* DXX  
1

8-4/8 942  
SOURCE 942  
TERM HERE? 942

F04E2  
F04E2  
F04E2

F04D2 1-01 \* DXX  
F04E2 1-02 \* S DXX  
1

11-6/8 943  
TERM HERE? 943  
SOURCE 943  
2-4/8 943

F14F2  
F14F2  
F14F2

C22H1 1-01 \* D05  
F14F2 1-02 \* S D05  
1

TERM HERE? 944  
SOURCE 944  
11-6/8 944

F19C1  
F19C1  
F19C1

F19C1 1-01 \* S DXX  
H20E1 1-02 \* DXX  
1

SOURCE 945  
TERM HERE? 945  
5-2/8 945

F19F1  
F19F1  
F19F1

F19F1 1-01 \* S DXX  
H20N1 1-02 \* DXX  
1

SOURCE 946  
TERM HERE? 946  
5-6/8 946

F19F2  
F19F2  
F19F2  
F19F2

C23L1 1-01 \* D05  
C22L1 1-02 \* D05  
F19F2 1-03 \* S D05  
1

TERM HERE? 947  
947  
SOURCE 947  
13-2/8 947

DX11B,K  
RUN NAME

HND288,V22(22) 11/06/73  
A/P PIN ORDER BAY - Q DRAW RV PG Y X Z  
NAME PIN ORDER

11-JUL-74 0123 PAGE 115  
LENGTH EXCEPTIONS RUN  
NUMBER

F19K1  
F19K1  
F19K1

F19K1 1-01 \* S DXX  
H21E1 1-02 \* DXX  
1

4-6/8 948  
SOURCE 948  
TERM HERE? 948

F19N1  
F19N1  
F19N1

C20R1 1-01 \* D20  
F19N1 1-02 \* S D20  
1

10-2/8 949  
TERM HERE? 949  
SOURCE 949

F19N2  
F19N2  
F19N2

E15C1 1-01 \* D11  
F19N2 1-02 \* S D11  
1

7-2/8 950  
TERM HERE? 950  
SOURCE 950

F19S1  
F19S1  
F19S1

E25L2 1-01 \* D13  
F19S1 1-02 \* S D13  
1

7-2/8 951  
TERM HERE? 951  
SOURCE 951

F19S2  
F19S2  
F19S2

D26D2 1-01 \* D18  
F19S2 1-02 \* S D18  
1

10-4/8 952  
TERM HERE? 952  
SOURCE 952

F19V2  
F19V2  
F19V2

F19V2 F17A1 1-01 \*  
F17A1 1-02 \*  
1

5-0/8 953  
953  
953

F20C1  
F20C1  
F20C1

C12C1 1-01 \* DXX  
F20C1 1-02 \* S DXX  
1

12-0/8 954  
TERM HERE? 954  
SOURCE 954

F20K1  
F20K1  
F20K1

E10B1 1-01 \* DXX  
F20K1 1-02 \* S DXX  
1

8-6/8 955  
TERM HERE? 955  
SOURCE 955

F20N1  
F20N1  
F20N1

E10J1 1-01 \* D09  
F20N1 1-02 \* S D09  
1

8-6/8 956  
TERM HERE? 956  
SOURCE 956

F20N2  
F20N2  
F20N2

F19M2 1-01 \* DXX  
F20N2 1-02 \* S DXX  
1

3-0/8 957  
TERM HERE? 957  
SOURCE 957

F20S1  
F20S1  
F20S1

E10L1 1-01 \* DXX  
F20S1 1-02 \* S DXX  
1

8-6/8 958  
TERM HERE? 958  
SOURCE 958

F21C1  
F21C1  
F21C1

F20B1 1-01 \* DXX  
F21C1 1-02 \* S DXX  
1

2-6/8 959  
TERM HERE? 959  
SOURCE 959

DUPLICATE CORPORATION

TUZU

DX118,K		HND288,V22(22)		11/06/73							11-JUL-74		0123		PAGE 116	
RUN NAME		A/P	PIN	ORDER	BAY -	Q	DRAW	RV	PG	Y	X	Z	REMARKS	LENGTH	EXCEPTIONS	RUN
			NAME	PIN	ORDER											NUMBER
F21F1			F21F1		1-01 *	S	D06					2				960
F21F1			F22C1		1-02 *		D06					1			SOURCE	960
F21F1			F22D1		1-03 *		D06					1			TERM HERE?	960
F21F1					1									5-4/8		960
F21F2			F20H2		1-01 *		D24					1				961
F21F2			F21F2		1-02 *	S	D24								TERM HERE?	961
F21F2					1									3-0/8	SOURCE	961
F21K1			F21E1		1-01 *		DXX					1				962
F21K1			F21K1		1-02 *	S	DXX								TERM HERE?	962
F21K1					1									2-6/8	SOURCE	962
F21N1			E24R2		1-01 *		D24					1				963
F21N1			F21N1		1-02 *	S	D24								TERM HERE?	963
F21N1					1									5-4/8	SOURCE	963
F21S1			F20U2		1-01 *		D21					1				964
F21S1			F21S1		1-02 *	S	D21								TERM HERE?	964
F21S1					1									2-6/8	SOURCE	964
F22E1			F20E1		1-01 *		DXX					1				965
F22E1			F22E1		1-02 *	S	DXX								TERM HERE?	965
F22E1					1									3-2/8	SOURCE	965
F22J2			F22J2	F17B1	1-01 *	S	DXX					1				966
F22J2			F17B1		1-02 *										TERM HERE?	966
F22J2					1									5-4/8	SOURCE	966
F22S1			F17E2		1-01 *		DXX					1				967
F22S1			F22S1		1-02 *	S	DXX								TERM HERE?	967
F22S1					1									5-2/8	SOURCE	967
F29C1			F29C1		1-01 *	S	DXX					1				968
F29C1			F29D1		1-02 *		DXX								TERM HERE?	968
F29C1					1									2-4/8	SOURCE	968
F29F2			F29A1		1-01 *		D13					1				969
F29F2			F29F2		1-02 *	S	D13								TERM HERE?	969
F29F2					1									3-2/8	SOURCE	969
F29K1			C24J1		1-01 *		D05					1				970
F29K1			F29K1		1-02 *	S	D05								TERM HERE?	970
F29K1					1									11-4/8	SOURCE	970

DX118,K		HND288,V22(22)		11/06/73							11-JUL-74		0123		PAGE 117	
RUN NAME		A/P	PIN	ORDER	BAY -	Q	DRAW	RV	PG	Y	X	Z	REMARKS	LENGTH	EXCEPTIONS	RUN
			NAME	PIN	ORDER											NUMBER
F30A1			C17N2		1-01 *		D13					1				971
F30A1			F30A1		1-02 *		D13					2				971
F30A1			E30T2		1-03 *		D13									971
F30A1					1									15-0/8		971
F30K1			C15N2		1-01 *		D13					1				972
F30K1			F30K1		1-02 *		D13					2				972
F30K1			E31D1		1-03 *		D13									972
F30K1					1									19-0/8		972
F30M1			C16N2		1-01 *		D13					1				973
F30M1			F30M1		1-02 *		D13					2				973
F30M1			E31L1		1-03 *		D13									973
F30M1					1									18-4/8		973
F30V2			C14N2		1-01 *		D13					1				974
F30V2			F30V2		1-02 *		D13					2				974
F30V2			E31D2		1-03 *		D13									974
F30V2					1									21-4/8		974
F31A1			C13N2		1-01 *		D13					1				975
F31A1			F31A1		1-02 *		D13					2				975
F31A1			E31L2		1-03 *		D13									975
F31A1					1									18-0/8		975
F31K1			C11N2		1-01 *		D13					1				976
F31K1			F31K1		1-02 *		D13					2				976
F31K1			E31T2		1-03 *		D13									976
F31K1					1									19-6/8		976
F31M1			C12N2		1-01 *		D13					2				977
F31M1			E19H2		1-02 *		D13					1				977
F31M1			F31M1		1-03 *		D13									977
F31M1					1									18-0/8		977
F31V2			C10N2		1-01 *		D13					2				978
F31V2			E19P2		1-02 *		D13					1				978
F31V2			F31V2		1-03 *		D13									978
F31V2					1									19-4/8		978

T000

DX11B,K  
RUN NAME

HND288,V22(22) 11/06/73  
A/P PIN ORDER BAY - Q DRAW RV PG Y X Z REMARKS

11-JUL-74 0123 PAGE 118  
LENGTH EXCEPTIONS RUN NUMBER

FASTCU  
FASTCU  
FASTCU  
FASTCU  
FASTCU  
FASTCU  
FASTCU  
FASTCU  
FASTCU  
FASTCU

H A09F2 1-01 \* S D24 2  
H B01L1 1-02 \* D05 1  
H F05M1 1-03 \* D25 2  
H E20E2 1-04 \* D24 1  
H D20F1 1-05 \* D19 2  
H F30D2 1-06 \* D13 1  
H F30W2 1-07 \* D13 2  
H E29T2 1-08 \* D13 1  
H A32J1 1-09 \* D22 1

SOURCE 979  
979  
979  
979  
979  
979  
979  
979  
979  
979  
TERM HERE? 979  
66-4/8 979

FASTCU  
FASTCU  
FASTCU

L E20F2 1-01 \* D24 1  
L E22N1 1-02 \* D11 1

980  
980  
980

FASTSRV  
FASTSRV  
FASTSRV

H F21K2 1-01 \* S D21 1  
H J19P1 1-02 \* D27 1

3-4/8 981  
SOURCE 981  
TERM HERE? 981  
8-6/8 981

FASTSRV  
FASTSRV  
FASTSRV  
FASTSRV  
FASTSRV

L E04M1 1-01 \* D24 2  
L F21H2 1-02 \* D21 1  
L F21J2 1-03 \* D21 2  
L F20V2 1-04 \* D21 1

982  
982  
982  
982  
982  
18-2/8 982

FASTX  
FASTX  
FASTX

H B07D2 1-01 \* S D25 1  
H E29C1 1-02 \* D13 1

SOURCE 983  
TERM HERE? 983  
16-2/8 983

FASTX  
FASTX  
FASTX  
FASTX

L B07C1 1-01 \* D25 2  
L C05V2 1-02 \* D25 1  
L E2502 1-03 \* D11 1

984  
984  
984  
984  
20-6/8 984

FCIN CLK  
FCIN CLK  
FCIN CLK  
FCIN CLK

H C11B1 1-01 \* D06 2  
H C12B1 1-02 \* D06 1  
H F20F1 1-03 \* DXX 1

985  
985  
985  
985  
15-2/8 985

FCIN1(0)  
FCIN1(0)  
FCIN1(0)  
FCIN1(0)

H C03B1 1-01 \* D24 2  
H C03J1 1-02 \* D24 1  
H C11E1 1-03 \* S D06 1

TERM HERE? 986  
986  
986  
986  
SOURCE 986  
9-4/8 986

digital EQUIPMENT CORPORATION

digital EQUIPMENT CORPORATION

DX11B,K  
RUN NAME

HND288,V22(22) 11/06/73  
A/P PIN ORDER BAY - Q DRAW RV PG Y X Z REMARKS

11-JUL-74 0123 PAGE 119  
LENGTH EXCEPTIONS RUN NUMBER

FCIN1(1)  
FCIN1(1)  
FCIN1(1)  
FCIN1(1)  
FCIN1(1)  
FCIN1(1)

H A30S1 1-01 \* D22 1  
H D11M1 1-02 \* D19 2  
H C03E1 1-03 \* D24 1  
H C03M1 1-04 \* D24 2  
H C11F1 1-05 \* S D06 1

TERM HERE? 987  
987  
987  
987  
987  
987  
SOURCE 987  
32-4/8 987

FCIN2(0)  
FCIN2(0)  
FCIN2(0)  
FCIN2(0)

H C03A1 1-01 \* D24 1  
H C03D1 1-02 \* D24 2  
H C12E1 1-03 \* S D06 1

TERM HERE? 988  
988  
988  
988  
SOURCE 988  
9-4/8 988

FCIN2(1)  
FCIN2(1)  
FCIN2(1)  
FCIN2(1)  
FCIN2(1)  
FCIN2(1)

H A30R1 1-01 \* D22 1  
H D12M1 1-02 \* D19 2  
H C03L1 1-03 \* D24 1  
H C03H1 1-04 \* D24 2  
H C12F1 1-05 \* S D06 1

TERM HERE? 989  
989  
989  
989  
989  
989  
SOURCE 989  
32-4/8 989

FICU  
FICU  
FICU

L A09E2 1-01 \* D24 1  
L C07F2 1-02 \* S D24 1

TERM HERE? 990  
SOURCE 990  
990  
8-0/8 990

FUNEQ0  
FUNEQ0  
FUNEQ0  
FUNEQ0  
FUNEQ0  
FUNEQ0  
FUNEQ0

L C03C1 1-01 \* S D24 2  
L B01R1 1-02 \* D11 1  
L B05R2 1-03 \* D24 2  
L B05J2 1-04 \* D24 1  
L E24P2 1-05 \* D24 1  
L F19P1 1-06 \* D13 2

SOURCE 991  
991  
991  
991  
991  
991  
991  
TERM HERE? 991  
32-6/8 991

FUNEQ1  
FUNEQ1  
FUNEQ1  
FUNEQ1

H B07J2 1-01 \* S D24 2  
H C02M2 1-02 \* D24 1  
H C02P2 1-03 \* D24 1

SOURCE 992  
992  
992  
992  
TERM HERE? 992  
8-6/8 992

FUNEQ1  
FUNEQ1  
FUNEQ1

L B07H2 1-01 \* D24 1  
L C03F1 1-02 \* S D24 1

TERM HERE? 993  
SOURCE 993  
993  
5-6/8 993

FUNEQ2  
FUNEQ2  
FUNEQ2  
FUNEQ2

H A07E1 1-01 \* S D24 1  
H C02H2 1-02 \* D24 2  
H C02U2 1-03 \* D24 1

SOURCE 994  
994  
994  
994  
TERM HERE? 994  
12-2/8 994

DX118.K  
RUN NAME

A/P	PIN NAME	ORDER PIN	BAY - ORDER	Q	DRAW	RV	PG	Y	X	Z	REMARKS	11-JUL-74 LENGTH	0123 EXCEPTIONS	PAGE 120 RUN NUMBER
L	A07D1		1-01 *		D24					1				
L	C03K1		1-02 *	S	D24								TERM HERE?	995
			1										SOURCE	995
												9-2/8		995
H	B07L2		1-01 *	S	D24					1				
H	B01E1		1-02 *		D05					2			SOURCE	996
H	C02M1		1-03 *		D24					1				996
H	E03K2		1-04 *		D24								TERM HERE?	996
			1									19-4/8		996
L	C03N1		1-01 *	S	D24					2				
L	D02A1		1-02 *		D24					1			SOURCE	997
L	C02R1		1-03 *		D24					2				997
L	B07K2		1-04 *		D24					2				997
L	B05D2		1-05 *		D24					1				997
L	B06J1		1-06 *		D25					2				997
L	F21E2		1-07 *		DXX					1				997
			1										TERM HERE?	997
												36-2/8		997
	F10C2		1-01 *		D27					2				
	F10T1		1-02 *		D27					1				998
	H10C2		1-03 *		D27					2				998
	H10H1		1-04 *		D27					1				998
	H10J1		1-05 *		D27					2				998
	H10H2		1-06 *		D27					2				998
	H10J2		1-07 *		D27					1				998
	H10R2		1-08 *		D27					1				998
	H10S2		1-09 *		D27					2				998
	H10T1		1-10 *		D27					1				998
	H10S1		1-11 *		D27					2				998
	H10R1		1-12 *		D27					2				998
			1											998
														998
														998

30-6/8

998

DX118.K  
RUN NAME

A/P	PIN NAME	ORDER PIN	BAY - ORDER	Q	DRAW	RV	PG	Y	X	Z	REMARKS	11-JUL-74 LENGTH	0123 EXCEPTIONS	PAGE 121 RUN NUMBER
	E11H1		1-01 *		DXX					2				
	E11R1		1-02 *		DXX					1				999
	E11S1		1-03 *		DXX					2				999
	E11U1		1-04 *		DXX					1				999
	H11C2		1-05 *		D27					2				999
	H11H2		1-06 *		D27					1				999
	H11J2		1-07 *		D27					2				999
	H11R2		1-08 *		D27					1				999
	H11S2		1-09 *		D27					2				999
	H11R1		1-10 *		D27					1				999
	H11S1		1-11 *		D27					2				999
	H11T1		1-12 *		D27					1				999
	J11C2		1-13 *		DXX					2				999
	J11H1		1-14 *		DXX					1				999
	J11J1		1-15 *		DXX					2				999
	J11H2		1-16 *		DXX					1				999
	J11J2		1-17 *		DXX					2				999
	J11R2		1-18 *		DXX					1				999
	J11S2		1-19 *		DXX					2				999
	J11T1		1-20 *		DXX					1				999
			1											999
														999
	A12C2		1-01 *		D05					1				1000
	A12T1		1-02 *		D05					2				1000
	B12C2		1-03 *		D05					1				1000
	B12T1		1-04 *		D05					2				1000
	C12C2		1-05 *		D05					1				1000
	C12T1		1-06 *		D05					2				1000
	D12C2		1-07 *		D27					1				1000
	D12T1		1-08 *		D27					2				1000
	E12C2		1-09 *		D05					1				1000
	E12T1		1-10 *		D05					2				1000
	F12C2		1-11 *		DXX					1				1000
	F12T1		1-12 *		DXX					2				1000
	H12A1		1-13 *		DXX					1				1000
	H12C2		1-14 *		DXX					2				1000
	H12C1		1-15 *		DXX					1				1000
	H12F1		1-16 *		DXX					2				1000
	H12K1		1-17 *		DXX					1				1000
	H12F2		1-18 *		DXX					2				1000
	H12J2		1-19 *		DXX					1				1000
	H12L2		1-20 *		DXX					2				1000
	H12N1		1-21 *		DXX					1				1000
	H12R1		1-22 *		DXX					2				1000
	H12N2		1-23 *		DXX					1				1000
	H12R2		1-24 *		DXX					2				1000
	H12T1		1-25 *		DXX					1				1000
	H12U2		1-26 *		DXX					2				1000
	J12A1		1-27 *		DXX					1				1000
	J12C2		1-28 *		DXX					2				1000
	J12C1		1-29 *		DXX					1				1000
	J12F1		1-30 *		DXX					2				1000
	J12F2		1-31 *		DXX					1				1000
	J12J2		1-32 *		DXX					2				1000
	J12L2		1-33 *		DXX					1				1000
	J12N2		1-34 *		DXX					2				1000

54-4/8

1000

DIGITAL EQUIPMENT CORPORATION

DIGITAL EQUIPMENT CORPORATION

TOU	DESCRIPTION	QTY	UNIT	PRICE	TOTAL
GND 12	J12R2	1-35 *	DXX	1	1000
GND 12	J12T1	1-36 *	DXX	2	1000
GND 12	J12U2	1-37 *	DXX	1	1000
GND 12	J12R1	1-38 *	DXX	2	1000
GND 12	J12N1	1-39 *	DXX	1	1000
GND 12	J12K1	1-40 *	DXX	1	1000
		1			1000
					115-4/8
GND 13	B13C2	1-01 *	D10	1	1001
GND 13	B13F2	1-02 *	D10	2	1001
GND 13	B13M2	1-03 *	D10	1	1001
GND 13	B13T1	1-04 *	D10	2	1001
GND 13	C13K1	1-05 *	D05	1	1001
GND 13	D13C2	1-06 *	D19	1	1001
GND 13	D13T1	1-07 *	D27	2	1001
		1			1001
					21-2/8
GND 14	B14C2	1-01 *	D10	1	1002
GND 14	B14F2	1-02 *	D10	2	1002
GND 14	B14M2	1-03 *	D10	1	1002
GND 14	B14T1	1-04 *	D10	2	1002
GND 14	D14C2	1-05 *	D19	1	1002
GND 14	D14T1	1-06 *	D19	2	1002
GND 14	H14A1	1-07 *	DXX	1	1002
GND 14	H14C2	1-08 *	DXX	2	1002
GND 14	H14C1	1-09 *	DXX	1	1002
GND 14	H14F1	1-10 *	DXX	2	1002
GND 14	H14K1	1-11 *	DXX	1	1002
GND 14	H14F2	1-12 *	DXX	2	1002
GND 14	H14J2	1-13 *	DXX	1	1002
GND 14	H14L2	1-14 *	DXX	2	1002
GND 14	H14N1	1-15 *	DXX	1	1002
GND 14	H14R1	1-16 *	DXX	2	1002
GND 14	H14N2	1-17 *	DXX	1	1002
GND 14	H14R2	1-18 *	DXX	2	1002
GND 14	H14T1	1-19 *	DXX	1	1002
GND 14	H14U2	1-20 *	DXX	2	1002
GND 14	J14A1	1-21 *	DXX	1	1002
GND 14	J14C2	1-22 *	DXX	2	1002
GND 14	J14C1	1-23 *	DXX	1	1002
GND 14	J14F1	1-24 *	DXX	2	1002
GND 14	J14F2	1-25 *	DXX	1	1002
GND 14	J14J2	1-26 *	DXX	2	1002
GND 14	J14L2	1-27 *	DXX	1	1002
GND 14	J14N2	1-28 *	DXX	2	1002
GND 14	J14R2	1-29 *	DXX	1	1002
GND 14	J14T1	1-30 *	DXX	2	1002
GND 14	J14U2	1-31 *	DXX	1	1002
GND 14	J14R1	1-32 *	DXX	2	1002
GND 14	J14N1	1-33 *	DXX	1	1002
GND 14	J14K1	1-34 *	DXX	1	1002
		1			1002
					98-4/8

Dx11R,K  
RUN NAME

HND288,V22(22) 11/06/73  
A/P PIN ORDER DAY -  
NAME PIN ORDER

Q DRA RV PG Y X Z REMARKS

11-JUL-74 0123 PAGE 123  
LENGTH EXCEPTIONS RUN  
NUMBER

GND 16	A16C2	1-01 *	D05	1	
GND 16	A16T1	1-02 *	D05	2	1003
GND 16	B16C2	1-03 *	D05	1	1003
GND 16	B16T1	1-04 *	D05	2	1003
GND 16	C16C2	1-05 *	D05	1	1003
GND 16	C16T1	1-06 *	D05	2	1003
GND 16	D16C2	1-07 *	D05	1	1003
GND 16	D16T1	1-08 *	D19	2	1003
GND 16	E16C2	1-09 *	D05	1	1003
GND 16	E16T1	1-10 *	D05	2	1003
GND 16	F16C2	1-11 *	D05	1	1003
GND 16	F16T1	1-12 *	D05	2	1003
GND 16	H16C2	1-13 *	D05	1	1003
GND 16	H16T1	1-14 *	D05	2	1003
GND 16	J16C2	1-15 *	D05	1	1003
GND 16	J16T1	1-16 *	D05	1	1003
		1			1003
					55-6/8
GND 17	D17T1	1-01 *	D19	2	1004
GND 17	H17A1	1-02 *	D27	1	1004
GND 17	H17C2	1-03 *	D27	2	1004
GND 17	H17C1	1-04 *	D27	1	1004
GND 17	H17F1	1-05 *	D27	2	1004
GND 17	H17K1	1-06 *	D27	1	1004
GND 17	H17F2	1-07 *	D27	2	1004
GND 17	H17J2	1-08 *	D27	1	1004
GND 17	H17L2	1-09 *	D27	2	1004
GND 17	H17N1	1-10 *	D27	1	1004
GND 17	H17R1	1-11 *	D27	2	1004
GND 17	H17N2	1-12 *	D27	1	1004
GND 17	H17R2	1-13 *	D27	2	1004
GND 17	H17T1	1-14 *	D27	1	1004
GND 17	H17U2	1-15 *	D27	2	1004
GND 17	J17A1	1-16 *	D27	1	1004
GND 17	J17C2	1-17 *	D27	2	1004
GND 17	J17C1	1-18 *	D27	1	1004
GND 17	J17F1	1-19 *	D27	2	1004
GND 17	J17F2	1-20 *	D27	1	1004
GND 17	J17J2	1-21 *	D27	2	1004
GND 17	J17L2	1-22 *	D27	1	1004
GND 17	J17N2	1-23 *	D27	2	1004
GND 17	J17R2	1-24 *	D27	1	1004
GND 17	J17T1	1-25 *	D27	2	1004
GND 17	J17U2	1-26 *	D27	1	1004
GND 17	J17R1	1-27 *	D27	2	1004
GND 17	J17N1	1-28 *	D27	1	1004
GND 17	J17K1	1-29 *	D27	1	1004
		1			1004
					79-6/8

DX11R,K  
RUN NAME

HND288,V22(22) 11/06/73  
A/P PIN ORDER BAY -  
NAME PIN ORDER

Q DRAW RV PG Y X Z REMARKS

11-JUL-74 0123 PAGE 124  
LENGTH EXCEPTIONS RUN  
NUMBER

GND 18	D18N1	1-01 *	D19						1			
GND 18	D18T1	1-02 *	D19						2			1005
GND 18	H18A1	1-03 *	D27						1			1005
GND 18	H18C2	1-04 *	D27						2			1005
GND 18	H18C1	1-05 *	D27						1			1005
GND 18	H18F1	1-06 *	D27						2			1005
GND 18	H18K1	1-07 *	D27						1			1005
GND 18	H18F2	1-08 *	D27						2			1005
GND 18	H18J2	1-09 *	D27						1			1005
GND 18	H18L2	1-10 *	D27						2			1005
GND 18	H18N1	1-11 *	D27						1			1005
GND 18	H18R1	1-12 *	D27						2			1005
GND 18	H18N2	1-13 *	D27						1			1005
GND 18	H18R2	1-14 *	D27						2			1005
GND 18	H18T1	1-15 *	D27						1			1005
GND 18	H18U2	1-16 *	D27						2			1005
GND 18	J18A1	1-17 *	D27						1			1005
GND 18	J18C2	1-18 *	D27						2			1005
GND 18	J18C1	1-19 *	D27						1			1005
GND 18	J18F1	1-20 *	D27						2			1005
GND 18	J18F2	1-21 *	D27						1			1005
GND 18	J18J2	1-22 *	D27						2			1005
GND 18	J18L2	1-23 *	D27						1			1005
GND 18	J18N2	1-24 *	D27						2			1005
GND 18	J18R2	1-25 *	D27						1			1005
GND 18	J18T1	1-26 *	D27						2			1005
GND 18	J18U2	1-27 *	D27						1			1005
GND 18	J18R1	1-28 *	D27						2			1005
GND 18	J18N1	1-29 *	D27						1			1005
GND 18	J18K1	1-30 *	D27									1005
GND 18									1			1005

82-4/8

1005

DX11R,K  
RUN NAME

HND288,V22(22) 11/06/73  
A/P PIN ORDER BAY -  
NAME PIN ORDER

Q DRAW RV PG Y X Z REMARKS

11-JUL-74 0123 PAGE 125  
LENGTH EXCEPTIONS RUN  
NUMBER

GND 19	D19N1	1-01 *	D19							1		
GND 19	D19T1	1-02 *	D19						2			1006
GND 19	F19T1	1-03 *	D27						1			1006
GND 19	H19C2	1-04 *	D27						2			1006
GND 19	H19H1	1-05 *	D27						1			1006
GND 19	H19J1	1-06 *	D27						2			1006
GND 19	H19H2	1-07 *	D27						1			1006
GND 19	H19J2	1-08 *	D27						2			1006
GND 19	H19R2	1-09 *	D27						1			1006
GND 19	H19S2	1-10 *	D27						2			1006
GND 19	H19R1	1-11 *	D27						1			1006
GND 19	H19S1	1-12 *	D27						2			1006
GND 19	H19T1	1-13 *	D27						1			1006
GND 19	J19C2	1-14 *	D27						2			1006
GND 19	J19H1	1-15 *	D27						1			1006
GND 19	J19J1	1-16 *	D27						2			1006
GND 19	J19H2	1-17 *	D27						1			1006
GND 19	J19J2	1-18 *	D27						2			1006
GND 19	J19R2	1-19 *	D27						1			1006
GND 19	J19S2	1-20 *	D27						2			1006
GND 19	J19T1	1-21 *	D27						1			1006
GND 19	J19S1	1-22 *	D27						2			1006
GND 19	J19R1	1-23 *	D27									1006
GND 19									1			1006
GND 20	A20C2	1-01 *	D05							1		1007
GND 20	A20T1	1-02 *	D05						2			1007
GND 20	B20C2	1-03 *	D05						1			1007
GND 20	B20T1	1-04 *	D05						2			1007
GND 20	C20C2	1-05 *	D05						1			1007
GND 20	C20T1	1-06 *	D05						2			1007
GND 20	D20C2	1-07 *	D05						1			1007
GND 20	D20H1	1-08 *	D27						2			1007
GND 20	D20T1	1-09 *	D05						1			1007
GND 20	E20C2	1-10 *	D05						2			1007
GND 20	E20T1	1-11 *	D05						1			1007
GND 20	F20C2	1-12 *	D05						2			1007
GND 20	F20T1	1-13 *	D05						1			1007
GND 20	H20C2	1-14 *	D27						2			1007
GND 20	H20T1	1-15 *	D27						1			1007
GND 20	J20C2	1-16 *	D27						2			1007
GND 20	J20H1	1-17 *	D27						1			1007
GND 20	J20J1	1-18 *	D27						2			1007
GND 20	J20H2	1-19 *	D27						1			1007
GND 20	J20J2	1-20 *	D27						2			1007
GND 20	J20R2	1-21 *	D27						1			1007
GND 20	J20S2	1-22 *	D27						2			1007
GND 20	J20T1	1-23 *	D27						1			1007
GND 20	J20S1	1-24 *	D27						2			1007
GND 20	J20R1	1-25 *	D27									1007

64-0/8

D 20

1

77-6/8

1007





DX11B,K  
RUN NAME

HND288,V22(22) 11/06/73  
A/P PIN ORDER BAY -  
NAME PIN ORDER

11-JUL-74 0123 PAGE 128  
LENGTH EXCEPTIONS RUN  
NUMBER

A/P	PIN	ORDER	BAY -	Q	DRW	RV	PG	Y	X	Z	REMARKS	11-JUL-74	0123	PAGE
NAME	PIN	ORDER	ORDER									LENGTH	EXCEPTIONS	RUN
														NUMBER
GND 28	A28C2	1-01 *	D05							1				
GND 28	A28T1	1-02 *	D05							2				1013
GND 28	B28C2	1-03 *	D05							1				1013
GND 28	H28T1	1-04 *	D05							2				1013
GND 28	C28C2	1-05 *	D05							1				1013
GND 28	C28T1	1-06 *	D05							2				1013
GND 28	D28C2	1-07 *	D05							1				1013
GND 28	D28T1	1-08 *	D05							2				1013
GND 28	E28C2	1-09 *	D13							1				1013
GND 28	E28N2	1-10 *	D13							2				1013
GND 28	E28T1	1-11 *	D13							1				1013
GND 28	F28C2	1-12 *	D13							2				1013
GND 28	F28T1	1-13 *	D13							1				1013
GND 28	H28C2	1-14 *	D13							2				1013
GND 28	H28T1	1-15 *	D13							1				1013
GND 28	J28C2	1-16 *	D13							2				1013
GND 28	J28T1	1-17 *	D13							1				1013
GND 28		1										58=2/8		1013
GND 29	E29C2	1-01 *	D13							1				1014
GND 29	E29H2	1-02 *	D13							2				1014
GND 29	E29R1	1-03 *	D13							1				1014
GND 29	E29T1	1-04 *	D13							1				1014
GND 29		1										8=4/8		1014
GND 3	D03C2	1-01 *	D07							2				1015
GND 3	D03H1	1-02 *	D07							1				1015
GND 3	D03K2	1-03 *	D07							2				1015
GND 3	D03T2	1-04 *	D07							1				1015
GND 3	D03S2	1-05 *	D07							2				1015
GND 3	D03T1	1-06 *	D07							1				1015
GND 3	D03U1	1-07 *	D07							1				1015
GND 3		1										16=4/8		1015
GND 30	B30T1	1-01 *	D17							2				1016
GND 30	C30A1	1-02 *	D17							1				1016
GND 30	C30C2	1-03 *	D17							2				1016
GND 30	C30F1	1-04 *	D17							1				1016
GND 30	C30H1	1-05 *	D17							2				1016
GND 30	C30T1	1-06 *	D17							1				1016
GND 30	C30U2	1-07 *	D17							2				1016
GND 30	C30V2	1-08 *	D17							1				1016
GND 30	F30C2	1-09 *	D13							2				1016
GND 30	F30E1	1-10 *	D13							1				1016
GND 30		1										30=6/8		1016

DX11B,K  
RUN NAME

HND288,V22(22) 11/06/73  
A/P PIN ORDER BAY -  
NAME PIN ORDER

11-JUL-74 0123 PAGE 129  
LENGTH EXCEPTIONS RUN  
NUMBER

A/P	PIN	ORDER	BAY -	Q	DRW	RV	PG	Y	X	Z	REMARKS	11-JUL-74	0123	PAGE
NAME	PIN	ORDER	ORDER									LENGTH	EXCEPTIONS	RUN
														NUMBER
GND 31	B31J2	1-01 *	D20							2				1017
GND 31	C31B2	1-02 *	D28							1				1017
GND 31	C31C2	1-03 *	D28							2				1017
GND 31	C31A1	1-04 *	D28							1				1017
GND 31	C31P1	1-05 *	D28							2				1017
GND 31	C31R1	1-06 *	D28							1				1017
GND 31	C31S1	1-07 *	D28							2				1017
GND 31	C31T1	1-08 *	D28							1				1017
GND 31	C31V2	1-09 *	D28							2				1017
GND 31	D31B2	1-10 *	D28							1				1017
GND 31	D31C2	1-11 *	D28							2				1017
GND 31	D31D1	1-12 *	D28							1				1017
GND 31	D31E1	1-13 *	D28							2				1017
GND 31	D31T1	1-14 *	D28							1				1017
GND 31	D31V2	1-15 *	D28							2				1017
GND 31	F31O2	1-16 *	D13							1				1017
GND 31	F31C2	1-17 *	D13							2				1017
GND 31	F31E1	1-18 *	D13							1				1017
GND 31	F31J2	1-19 *	D13							2				1017
GND 31	F31N2	1-20 *	D13							1				1017
GND 31	F31P1	1-21 *	D13							2				1017
GND 31	F31T2	1-22 *	D13							1				1017
GND 31	F31T1	1-23 *	D13							1				1017
GND 31		1										64=6/8		1017
GND 32	A30D1	1-01 *	D22							1				1018
GND 32	A30F1	1-02 *	D22							2				1018
GND 32	B32C2	1-03 *	D05							1				1018
GND 32	B32T1	1-04 *	D05							2				1018
GND 32	C32B2	1-05 *	D28							1				1018
GND 32	C32C2	1-06 *	D05							2				1018
GND 32	C32N1	1-07 *	D28							1				1018
GND 32	C32P1	1-08 *	D28							2				1018
GND 32	C32R1	1-09 *	D28							1				1018
GND 32	C32S1	1-10 *	D28							2				1018
GND 32	C32T1	1-11 *	D05							1				1018
GND 32	C32V2	1-12 *	D28							2				1018
GND 32	D32B2	1-13 *	D28							1				1018
GND 32	D32C2	1-14 *	D28							2				1018
GND 32	D32D1	1-15 *	D28							1				1018
GND 32	D32E1	1-16 *	D28							2				1018
GND 32	D32T1	1-17 *	D28							1				1018
GND 32	D32V2	1-18 *	D28							2				1018
GND 32	E32C2	1-19 *	D05							1				1018
GND 32	E32T1	1-20 *	D05							2				1018
GND 32	F32C2	1-21 *	D05							1				1018
GND 32	F32T1	1-22 *	D05							2				1018
GND 32	H32C2	1-23 *	D05							1				1018
GND 32	H32T1	1-24 *	D05							2				1018
GND 32	J32C2	1-25 *	D05							1				1018
GND 32	J32T1	1-26 *	D05							1				1018
GND 32		1										80=0/8		1018

DX11R,K  
RUN NAME

HND288,V22(22) 11/06/73  
A/P PIN ORDER BAY -  
NAME PIN ORDER

Q DRA\* RV PG Y X Z REMARKS

11-JUL-74  
LENGTH

0123  
EXCEPTIONS

PAGE 130  
RUN  
NUMBER

GND 4	A04C2	1-01 *	D05				2				
GND 4	A04T1	1-02 *	D05				1				1019
GND 4	B04C2	1-03 *	D05				2				1019
GND 4	B04T1	1-04 *	D05				1				1019
GND 4	C04C2	1-05 *	D05				2				1019
GND 4	C04T1	1-06 *	D05				1				1019
GND 4	D04C2	1-07 *	D07				2				1019
GND 4	D04F2	1-08 *	D07				1				1019
GND 4	D04K2	1-09 *	D07				2				1019
GND 4	D04T1	1-10 *	D05				1				1019
GND 4	E04C2	1-11 *	D27				2				1019
GND 4	E04T1	1-12 *	D27				1				1019
GND 4	F04C2	1-13 *	D05				2				1019
GND 4	F04T1	1-14 *	D05				1				1019
GND 4	H04C2	1-15 *	D05				2				1019
GND 4	H04T1	1-16 *	D05				1				1019
GND 4	J04C2	1-17 *	D05				2				1019
GND 4	J04T1	1-18 *	D05				1				1019
		1									1019
GND 5	D05C2	1-01 *	D07				1			60=4/8	1019
GND 5	D05F2	1-02 *	D07				2				1020
GND 5	F05C2	1-03 *	D27				1				1020
		1									1020
GND 6	B06C2	1-01 *	D25				1			10=0/8	1020
GND 6	B06H2	1-02 *	D25				2				1021
GND 6	R06T1	1-03 *	D25				1				1021
GND 6	R06J2	1-04 *	D25				2				1021
GND 6	C06N2	1-05 *	D11				1				1021
GND 6	C06T1	1-06 *	D11				2				1021
GND 6	D06C2	1-07 *	D27				1				1021
GND 6	D06F2	1-08 *	D07				1				1021
		1									1021
										22=2/8	1021

DX11R,K  
RUN NAME

HND288,V22(22) 11/06/73  
A/P PIN ORDER BAY -  
NAME PIN ORDER

Q DRAW RV PG Y X Z REMARKS

11-JUL-74  
LENGTH

0123  
EXCEPTIONS

PAGE 131  
RUN  
NUMBER

GND 7	H07A1	1-01 *	DXX				1					
GND 7	H07C2	1-02 *	DXX				2				1022	
GND 7	H07C1	1-03 *	DXX				1				1022	
GND 7	H07F1	1-04 *	DXX				2				1022	
GND 7	H07K1	1-05 *	DXX				1				1022	
GND 7	H07F2	1-06 *	DXX				2				1022	
GND 7	H07J2	1-07 *	DXX				1				1022	
GND 7	H07L2	1-08 *	DXX				2				1022	
GND 7	H07N1	1-09 *	DXX				1				1022	
GND 7	H07R1	1-10 *	DXX				2				1022	
GND 7	H07N2	1-11 *	DXX				1				1022	
GND 7	H07R2	1-12 *	DXX				2				1022	
GND 7	H07T1	1-13 *	DXX				1				1022	
GND 7	H07U2	1-14 *	DXX				2				1022	
GND 7	J07A1	1-15 *	DXX				1				1022	
GND 7	J07C2	1-16 *	DXX				2				1022	
GND 7	J07C1	1-17 *	DXX				1				1022	
GND 7	J07F1	1-18 *	DXX				2				1022	
GND 7	J07F2	1-19 *	DXX				1				1022	
GND 7	J07J2	1-20 *	DXX				2				1022	
GND 7	J07L2	1-21 *	DXX				1				1022	
GND 7	J07N2	1-22 *	DXX				2				1022	
GND 7	J07R2	1-23 *	DXX				1				1022	
GND 7	J07T1	1-24 *	DXX				2				1022	
GND 7	J07U2	1-25 *	DXX				1				1022	
GND 7	J07R1	1-26 *	DXX				2				1022	
GND 7	J07N1	1-27 *	DXX				1				1022	
GND 7	J07K1	1-28 *	DXX				1				1022	
		1									1022	
											71=4/8	1022

DX118.K  
RUN NAME

HND288.V22(22) 11/06/73  
A/P PIN ORDER BAY -  
NAME PIN ORDER

11-JUL-74 0123 PAGE 132  
LENGTH EXCEPTIONS RUN  
NUMBER

A/P	PIN	ORDER	BAY - PIN ORDER	Q	DRAW	RV	PG	Y	X	Z	REMARKS	LENGTH	EXCEPTIONS	RUN NUMBER
GND R			A08C2	1-01 *	D05					2				1023
GND R			A08T1	1-02 *	D05					1				1023
GND H			B08C2	1-03 *	D05					2				1023
GND H			H08T1	1-04 *	D05					1				1023
GND H			C08C2	1-05 *	D05					2				1023
GND H			C08T1	1-06 *	D05					1				1023
GND H			D08C2	1-07 *	D07					2				1023
GND H			D08S1	1-08 *	D07					1				1023
GND H			D08T1	1-09 *	D05					2				1023
GND H			E08C2	1-10 *	D05					1				1023
GND H			E08T1	1-11 *	D05					2				1023
GND H			F08C2	1-12 *	D05					1				1023
GND H			F08T1	1-13 *	D05					2				1023
GND H			H08A1	1-14 *	DXX					1				1023
GND H			H08C2	1-15 *	DXX					2				1023
GND H			H08C1	1-16 *	DXX					1				1023
GND H			H08F1	1-17 *	DXX					2				1023
GND H			H08K1	1-18 *	DXX					1				1023
GND H			H08F2	1-19 *	DXX					2				1023
GND H			H08J2	1-20 *	DXX					1				1023
GND H			H08L2	1-21 *	DXX					2				1023
GND H			H08N1	1-22 *	DXX					1				1023
GND H			H08R1	1-23 *	DXX					2				1023
GND H			H08Y2	1-24 *	DXX					1				1023
GND H			H08R2	1-25 *	DXX					2				1023
GND H			H08T1	1-26 *	DXX					1				1023
GND H			H08U2	1-27 *	DXX					2				1023
GND H			J08A1	1-28 *	DXX					1				1023
GND H			J08C2	1-29 *	DXX					2				1023
GND H			J08C1	1-30 *	DXX					1				1023
GND H			J08F1	1-31 *	DXX					2				1023
GND H			J08F2	1-32 *	DXX					1				1023
GND H			J08J2	1-33 *	DXX					2				1023
GND H			J08L2	1-34 *	DXX					1				1023
GND H			J08N2	1-35 *	DXX					2				1023
GND H			J08R2	1-36 *	DXX					1				1023
GND H			J08T1	1-37 *	DXX					2				1023
GND H			J08U2	1-38 *	DXX					1				1023
GND H			J08R1	1-39 *	DXX					2				1023
GND H			J08N1	1-40 *	DXX					1				1023
GND H			J08K1	1-41 *	DXX					2				1023
				1										1023

118=0/8

DX118.K  
RUN NAME

HND288.V22(22) 11/06/73  
A/P PIN ORDER BAY -  
NAME PIN ORDER

11-JUL-74 0123 PAGE 133  
LENGTH EXCEPTIONS RUN  
NUMBER

A/P	PIN	ORDER	BAY - PIN ORDER	J	DRAW	RV	PG	Y	X	Z	REMARKS	LENGTH	EXCEPTIONS	RUN NUMBER
GND 9			C09A1	1-01 *	D06					1				1024
GND 9			C09B1	1-02 *	D06					2				1024
GND 9			F09T1	1-03 *	D27					1				1024
GND 9			H09C2	1-04 *	D27					2				1024
GND 9			H09H1	1-05 *	D27					1				1024
GND 9			H09J1	1-06 *	D27					2				1024
GND 9			H09H2	1-07 *	D27					1				1024
GND 9			H09J2	1-08 *	D27					2				1024
GND 9			H09R2	1-09 *	D27					1				1024
GND 9			H09S2	1-10 *	D27					2				1024
GND 9			H09T1	1-11 *	D27					1				1024
GND 9			H09S1	1-12 *	D27					2				1024
GND 9			H09R1	1-13 *	D27					1				1024
				1										1024
												41=2/8		1024
GJ(1)	H		A30I1	1-01 *	D22					1			TERM HERE?	1025
GJ(1)	H		E25M2	1-02 *	D13					2				1025
GJ(1)	H		D10M1	1-03 *	D19					1				1025
GJ(1)	H		B10P2	1-04 *	DXX					2				1025
GJ(1)	H		C05E2	1-05 *	D24					1				1025
GJ(1)	H		C10E1	1-06 *	D06					S			SOURCE	1025
				1										1025
												42=0/8		1025
HLD OUT			H12P1	1-01 *	DXX					2				1026
HLD OUT			H14P1	1-02 *	DXX					1				1026
HLD OUT			J13L2	1-03 *	DXX									1026
HLD OUT				1										1026
												8=0/8		1026
HLD0	H		C24F2	1-01 *	D12					2				1027
HLD0	H		E16D1	1-02 *	D12					1				1027
HLD0	H		J13F2	1-03 *	DXX									1027
HLD0				1										1027
												20=4/8		1027
HLD0(1)	H		A31D1	1-01 *	D22					1			TERM HERE?	1028
HLD0(1)	H		D24S1	1-02 *	D19					2				1028
HLD0(1)	H		C24J2	1-03 *	D12					S			SOURCE	1028
HLD0(1)				1										1028
												19=4/8		1028
IBMRST	H		B23F2	1-01 *	D24					1			TERM HERE?	1029
IBMRST	H		E27P2	1-02 *	D05					2				1029
IBMRST	H		E14L2	1-03 *	D25					1				1029
IBMRST	H		C02B1	1-04 *	D24					2				1029
IBMRST	H		E03E2	1-05 *	DXX					1				1029
IBMRST	H		E03F2	1-06 *	DXX					2				1029
IBMRST	H		E06P2	1-07 *	D24					1				1029
IBMRST	H		E07V1	1-08 *	D24					S			SOURCE	1029
IBMRST				1										1029

50=0/8



FURU

DX11B,K  
RUN NAME

HND288.V22(22) 11/06/73

A/P	PIN NAME	ORDER PIN	BAY - ORDER	Q	DRAW	RV	PG	Y	X	Z	REMARKS
H	E28H1		1-01 *	S	D13					2	
H	E27H2		1-02 *		D05					1	
H	F29F1		1-03 *	S	D13						
			1								
H	A09A1		1-01 *		D11					1	
H	C24M1		1-02 *	S	D05						
			1								
H	C24N1		1-01 *	S	D05					2	
H	F29H1		1-02 *		D13					1	
H	D10M2		1-03 *		DXX						
			1								
H	C07S1		1-01 *	S	D24					1	
H	C08F1		1-02 *		D24					2	
H	H03A1		1-03 *		D25					1	
H	H03L1		1-04 *		D25					2	
H	C03P1		1-05 *		D24					1	
H	E01J2		1-06 *		D05					2	
H	E01R1		1-07 *		D05					1	
H	E23H1		1-08 *		D11					2	
H	E24F2		1-09 *		D13						
			1								
L	E03J1		1-01 *	S	D24					1	
L	A05N1		1-02 *		D25					2	
L	C07R1		1-03 *		D24					1	
L	F18R1		1-04 *		D06					2	
L	E26D1		1-05 *		D13						
			1								
H	A08T2		1-01 *		DXX					1	
H	C13N1		1-02 *	S	D05						
			1								
H	A29P1		1-01 *		D22					2	
H	H08J2		1-02 *		D10					1	
H	D13S2		1-03 *		D19					2	
H	C13M1		1-04 *	S	D05						
			1								

11-JUL-74	0123	PAGE 136
LENGTH	EXCEPTIONS	RUN NUMBER
	TERM HERE?	1044
	SOURCE	1044
8-4/8		1044
	TERM HERE?	1045
	SOURCE	1045
12-4/8		1045
	SOURCE	1046
	TERM HERE?	1046
23-6/8		1046
	SOURCE	1047
		1047
		1047
		1047
		1047
		1047
		1047
		1047
	TERM HERE?	1047
48-2/8		1047
	SOURCE	1048
		1048
		1048
		1048
	TERM HERE?	1048
38-0/8		1048
	TERM HERE?	1049
	SOURCE	1049
8-0/8		1049
	TERM HERE?	1050
		1050
		1050
	SOURCE	1050
28-6/8		1050

DX11B,K  
RUN NAME

HND288.V22(22) 11/06/73

A/P	PIN NAME	ORDER PIN	BAY - ORDER	Q	DRAW	RV	PG	Y	X	Z	REMARKS
H	A08C1		1-01 *	S	D20					1	
H	A24C1		1-02 *		D20					2	
H	A25D1		1-03 *		D20					1	
H	F17J1		1-04 *		D14					2	
H	F17M2		1-05 *		D20						
			1								
L	A25F1		1-01 *	S	D20					1	
L	C21R1		1-02 *		D20						
			1								
H	E28P2		1-01 *	S	D13					2	
H	E28U2		1-02 *		D13					1	
H	E26T2		1-03 *		D13					2	
H	E26M1		1-04 *		D13					1	
H	E26M2		1-05 *		D13					2	
H	E26H1		1-06 *		D13					1	
H	E26E2		1-07 *		D13					2	
H	E27B1		1-08 *		D13					1	
H	E28C1		1-09 *		D13					2	
H	E28E2		1-10 *		D13					1	
H	E29H1		1-11 *		D13					2	
H	E29B1		1-12 *		D13						
			1								
	D07D1		1-01 *		D07					2	
	D08D1		1-02 *		D07					1	
	D08M1		1-03 *		D07					2	
	D07M1		1-04 *		D07					1	
	F14D2		1-05 *		D07						
			1								
L	A25N2		1-01 *		D08					1	
L	B26D1		1-02 *		D08					2	
L	B27D1		1-03 *		D08					1	
L	B27M1		1-04 *		D08					2	
L	B26M1		1-05 *		D08						
			1								

11-JUL-74	0123	PAGE 137
LENGTH	EXCEPTIONS	RUN NUMBER
	SOURCE	1051
		1051
		1051
		1051
	TERM HERE?	1051
33-6/8		1051
	SOURCE	1052
	TERM HERE?	1052
9-4/8		1052
	SOURCE	1053
		1053
		1053
		1053
		1053
		1053
		1053
		1053
		1053
		1053
		1053
		1053
	TERM HERE?	1053
32-2/8		1053
		1054
		1054
		1054
		1054
		1054
17-0/8		1054
		1055
		1055
		1055
		1055
		1055
		1055
13-0/8		1055

Digital Equipment Corporation

Digital Equipment Corporation

DX11B,K  
RUN NAME

HND288.V22(22) 11/06/73  
A/P PIN ORDER BAY - Q DRAW RV PG Y X Z REMARKS  
NAME PIN ORDER

11-JUL-74 0123 PAGE 138  
LENGTH EXCEPTIONS RUN  
NUMBER

LOCKO(0)	H	C25V2	1-01 *	S	D11				2				
LOCKO(0)	H	A24F1	1-02 *		D15				1		SOURCE	1056	
LOCKO(0)	H	A02C1	1-03 *		D25				2			1056	
LOCKO(0)	H	C05D2	1-04 *		D24				1			1056	
LOCKO(0)	H	E07C1	1-05 *		D09				2			1056	
LOCKO(0)	H	E15R2	1-06 *		D06				1			1056	
LOCKO(0)	H	E15V2	1-07 *		D06				2			1056	
LOCKO(0)	H	F19R1	1-08 *		D13				1		TERM HERE?	1056	
			1								54=6/8	1056	
LOCKO(1)	H	C25U2	1-01 *	S	D11				2		SOURCE	1057	
LOCKO(1)	H	D25F1	1-02 *		D19				1			1057	
LOCKO(1)	H	A32C1	1-03 *		D22				2			1057	
LOCKO(1)	H	A05K1	1-04 *		D25				1		TERM HERE?	1057	
LOCKO(1)	H	E03F1	1-05 *		D24				1			1057	
			1								45=0/8	1057	
MARK IN 1		H07S1	1-01 *		DXX				1			1058	
MARK IN 1		H08S1	1-02 *		DXX				1			1058	
MARK IN 1			1								2=6/8	1058	
MARK OUT 0		J07S1	1-01 *		DXX				1			1059	
MARK OUT 0		J08S1	1-02 *		DXX				1			1059	
MARK OUT 0			1								4=6/8	1059	
METER IN		H12M2	1-01 *		DXX				1			1060	
METER IN		H14M2	1-02 *		DXX				1			1060	
METER IN			1								3=2/8	1060	
METER OUT		H12K2	1-01 *		DXX				1			1061	
METER OUT		H14K2	1-02 *		DXX				1			1061	
METER OUT			1								3=2/8	1061	
MNCLN(0)	H	F19U2	1-01 *						1		TERM HERE?	1062	
MNCLN(0)	H	C21V2	1-02 *	S	D20				2		SOURCE	1062	
MNCLN(0)	H	B15R2	1-03 *		D20				1			1062	
MNCLN(0)	H	C20S1	1-04 *		D20				1		TERM HERE?	1062	
			1								23=2/8	1062	
MNCLN(1)	H	A32A2	1-01 *		D22				2		TERM HERE?	1063	
MNCLN(1)	H	A25A1	1-02 *		D20				1			1063	
MNCLN(1)	H	D11J1	1-03 *		D19				2			1063	
MNCLN(1)	H	C21U2	1-04 *	S	D20				1		SOURCE	1063	
			1								26=2/8	1063	

DX11B,K  
RUN NAME

HND288.V22(22) 11/06/73  
A/P PIN ORDER BAY - Q DRAW RV PG Y X Z REMARKS  
NAME PIN ORDER

11-JUL-74 0123 PAGE 139  
LENGTH EXCEPTIONS RUN  
NUMBER

MNCLKF(0)	H	A25B1	1-01 *		D20				2		TERM HERE?	1064
MNCLKF(0)	H	B32L2	1-02 *		D20				1			1064
MNCLKF(0)	H	C20U2	1-03 *	S	D20				1		SOURCE	1064
			1								17=6/8	1064
MNCLKF(1)	H	C20V2	1-01 *	S	D20				2		SOURCE	1065
MNCLKF(1)	H	B15U2	1-02 *		D20				1			1065
MNCLKF(1)	H	D10J1	1-03 *		D19				2			1065
MNCLKF(1)	H	E13P2	1-04 *		D20				1		TERM HERE?	1065
			1								19=6/8	1065
MUXD 00	L	D10P2	1-01 *		D19				1			1066
MUXD 00	L	D30N2	1-02 *		D17				1			1066
MUXD 00			1								12=4/8	1066
MUXD 01	L	D11P2	1-01 *		D19				1			1067
MUXD 01	L	D30R2	1-02 *		D17				1			1067
MUXD 01			1								12=0/8	1067
MUXD 02	L	D12P2	1-01 *		D19				1			1068
MUXD 02	L	D30U1	1-02 *		D17				1			1068
MUXD 02			1								11=2/8	1068
MUXD 03	L	D13P2	1-01 *		D19				1			1069
MUXD 03	L	D30V2	1-02 *		D17				1			1069
MUXD 03			1								11=2/8	1069
MUXD 04	L	D14P2	1-01 *		D19				1			1070
MUXD 04	L	D30T2	1-02 *		D17				1			1070
MUXD 04			1								10=6/8	1070
MUXD 05	L	D15P2	1-01 *		D19				1			1071
MUXD 05	L	D30S1	1-02 *		D17				1			1071
MUXD 05			1								9=6/8	1071
MUXD 06	L	D16P2	1-01 *		D19				1			1072
MUXD 06	L	D30L2	1-02 *		D17				1			1072
MUXD 06			1								9=6/8	1072
MUXD 07	L	D17P2	1-01 *		D19				1			1073
MUXD 07	L	D30K1	1-02 *		D17				1			1073
MUXD 07			1								8=6/8	1073
MUXD 08	L	D18P2	1-01 *		D19				1			1074
MUXD 08	L	D30M1	1-02 *		D17				1			1074
MUXD 08			1								8=2/8	1074

DX11B,K  
RUN NAME

HND288,V22(22) 11/06/73  
A/P PIN ORDER BAY - Q DRAW HV PG Y X Z REMARKS

11-JUL-74 0123 PAGE 140  
LENGTH EXCEPTIONS RUN  
NUMBER

DX11B,K RUN NAME	A/P	PIN NAME	ORDER PIN	BAY - ORDER	Q	DRAW	HV	PG	Y	X	Z	REMARKS	11-JUL-74 LENGTH	0123 EXCEPTIONS	PAGE 140 RUN NUMBER
MUXD 09	L	D19P2		1-01 *		D19					1				1075
MUXD 09	L	D30P1		1-02 *		D17									1075
MUXD 09				1									7-4/8		1075
MUXD 10	L	D20P2		1-01 *		D19					1				1076
MUXD 10	L	D30B1		1-02 *		D17									1076
MUXD 10				1									7-6/8		1076
MUXD 11	L	D21P2		1-01 *		D19					1				1077
MUXD 11	L	D30D2		1-02 *		D17									1077
MUXD 11				1									7-4/8		1077
MUXD 12	L	D22P2		1-01 *		D19					1				1078
MUXD 12	L	D30E1		1-02 *		D17									1078
MUXD 12				1									6-4/8		1078
MUXD 13	L	D23P2		1-01 *		D19					1				1079
MUXD 13	L	D30J2		1-02 *		D17									1079
MUXD 13				1									6-2/8		1079
MUXD 14	L	D24P2		1-01 *		D19					1				1080
MUXD 14	L	D30F2		1-02 *		D17									1080
MUXD 14				1									5-6/8		1080
MUXD 15	L	D25P2		1-01 *		D19					1				1081
MUXD 15	L	D30H1		1-02 *		D17									1081
MUXD 15				1									5-0/8		1081
NCLK1		A27L2		1-01 *	S	D20					1				1082
NCLK1		B32B1		1-02 *		D17					2		SOURCE		1082
NCLK1		B32J1		1-03 *		D17								TERM HERE?	1082
NCLK1				1									8-2/8		1082
NCLK2		A27R2		1-01 *	S	D20					2				1083
NCLK2		B20B1		1-02 *		D21					1		SOURCE		1083
NCLK2		B20D1		1-03 *		D21					2				1083
NCLK2		B10D1		1-04 *		D21					1				1083
NCLK2		B10B1		1-05 *		D21								TERM HERE?	1083
NCLK2				1									19-0/8		1083
NDCRSR	H	A07J2		1-01 *	S	D25					1				1084
NDCRSR	H	B08E2		1-02 *		D10					2		SOURCE		1084
NDCRSR	H	B09E2		1-03 *		D10					1				1084
NDCRSR	H	B09N2		1-04 *		D10					2				1084
NDCRSR	H	B08N2		1-05 *		D10								TERM HERE?	1084
NDCRSR				1									13-6/8		1084

DX11B,K  
RUN NAME

HND288,V22(22) 11/06/73  
A/P PIN ORDER BAY - Q DRAW HV PG Y X Z REMARKS

11-JUL-74 0123 PAGE 141  
LENGTH EXCEPTIONS RUN  
NUMBER

DX11B,K RUN NAME	A/P	PIN NAME	ORDER PIN	BAY - ORDER	Q	DRAW	HV	PG	Y	X	Z	REMARKS	11-JUL-74 LENGTH	0123 EXCEPTIONS	PAGE 141 RUN NUMBER
NDCRSR	L	B02K1		1-01 *	S	D25					1				1085
NDCRSR	L	C03E2		1-02 *		D25					2		SOURCE		1085
NDCRSR	L	A07H2		1-03 *		D25					1				1085
NDCRSR	L	B19F2		1-04 *		D10					2				1085
NDCRSR	L	B19L2		1-05 *		D10								TERM HERE?	1085
NDCRSR				1									25-2/8		1085
NDDB	H	B08C1		1-01 *		D10					2				1086
NDDB	H	B09C1		1-02 *		D10					1			TERM HERE?	1086
NDDB	H	B08R2		1-03 *		D10					2				1086
NDDB	H	B09R2		1-04 *		D10					1				1086
NDDB	H	B13R2		1-05 *		D10					2				1086
NDDB	H	B14R2		1-06 *		D10					1				1086
NDDB	H	B13C1		1-07 *		D10					2				1086
NDDB	H	B14C1		1-08 *		D10					1				1086
NDDB	H	B18A1		1-09 *		D10					2				1086
NDDB	H	A25H2		1-10 *		D10					1				1086
NDDB	H	B30U1		1-11 *	S	D24								SOURCE	1086
NDDB				1									41-6/8		1086
NDDB	L	B02S2		1-01 *	S	D24					1				1087
NDDB	L	B30V1		1-02 *		D24								TERM HERE?	1087
NDDB				1									16-4/8		1087
NDDST	H	E20D2		1-01 *	S	D24					1				1088
NDDST	H	E21E1		1-02 *		D11								TERM HERE?	1088
NDDST				1									2-4/8		1088
NDDST	L	E02J2		1-01 *	S	D24					1				1089
NDDST	L	E20C1		1-02 *		D24								TERM HERE?	1089
NDDST				1									11-2/8		1089
NPMSTR	L	C26N1		1-01 *	S	D18					2				1090
NPMSTR	L	D26H2		1-02 *		D18					1		SOURCE		1090
NPMSTR	L	D26H1	F17C1	1-03 *		D18					2				1090
NPMSTR	L	F17C1		1-04 *		D18								TERM HERE?	1090
NPMSTR				1									16-0/8		1090
NPRDLY	L	F04S2		1-01 *		DXX					1				1091
NPRDLY	L	F22D2		1-02 *		DXX									1091
NPRDLY				1									12-0/8		1091
NPRT(O)	H	B02R2		1-01 *		D24					1				1092
NPRT(O)	H	C14V2		1-02 *	S	D11								TERM HERE?	1092
NPRT(O)				1									9-4/8		1092

DX11A.K  
RUN NAME

HND288.V22(22) 11/06/73											11-JUL-74	0123	PAGE 142	
A/P	PIN	ORDER	BAY -	Q	DRAW	RV	PG	Y	X	Z	REMARKS	LENGTH	EXCEPTIONS	RUN
	NAME	PIN	ORDER											NUMBER
NPRT(1)	H	A32R1	1-01 *			D22				1				
NPRT(1)	H	D26J2	1-02 *			D18				2			TERM HERE?	1093
NPRT(1)	H	D14F1	1-03 *			D19				1				1093
NPRT(1)	H	C14U2	1-04 *	S		D11				1			SOURCE	1093
			1									23-2/8		1093
NPRT(0)	H	F17F1	1-01 *	S		D18				1			SOURCE	1094
NPRT(0)	H	F22F1	1-02 *			D24							TERM HERE?	1094
			1									4-6/8		1094
NPRT(1)	H	A30V2	1-01 *			D22				1			TERM HERE?	1095
NPRT(1)	H	E23N2	1-02 *			D11				2				1095
NPRT(1)	H	F17E1	1-03 *			D24				1				1095
NPRT(1)	H	D15J1	1-04 *	S		D18				1			SOURCE	1095
			1									27-4/8		1095
NPRX(0)	H	A06E2	1-01 *			D25				2			TERM HERE?	1096
NPRX(0)	H	A05E2	1-02 *			D25				1				1096
NPRX(0)	H	A05F1	1-03 *			D25				2				1096
NPRX(0)	H	A05K2	1-04 *			D25				1				1096
NPRX(0)	H	A06S1	1-05 *			D07				2				1096
NPRX(0)	H	B01P2	1-06 *			D11				1				1096
NPRX(0)	H	B04T2	1-07 *			D25				2				1096
NPRX(0)	H	F04J2	1-08 *			DXX				1				1096
NPRX(0)	H	F04H2	1-09 *			DXX				2				1096
NPRX(0)	H	E15F1	1-10 *			D11				1				1096
NPRX(0)	H	C15V2	1-11 *	S		D11				1			SOURCE	1096
			1									50-6/8		1096
NPRX(1)	H	A32P1	1-01 *			D22				1			TERM HERE?	1097
NPRX(1)	H	C26U1	1-02 *			D18				2				1097
NPRX(1)	H	F22H2	1-03 *			DXX				1				1097
NPRX(1)	H	D15F1	1-04 *			D19				2				1097
NPRX(1)	H	B06S2	1-05 *			D25				1				1097
NPRX(1)	H	B02P2	1-06 *			D24				2				1097
NPRX(1)	H	B06M2	1-07 *			D25				1				1097
NPRX(1)	H	C15U2	1-08 *	S		D11				1			SOURCE	1097
			1									54-0/8		1097
NPID(0)	H	C17V2	1-01 *	S		D11				1			SOURCE	1098
NPID(0)	H	C26V1	1-02 *			D18							TERM HERE?	1098
			1									6-4/8		1098
NPID(1)	H	C17U2	1-01 *	S		D11				1			SOURCE	1099
NPID(1)	H	E23L2	1-02 *			D11							TERM HERE?	1099
			1									8-0/8		1099

DX11A.K  
RUN NAME

HND288.V22(22) 11/06/73											11-JUL-74	0123	PAGE 143	
A/P	PIN	ORDER	BAY -	Q	DRAW	RV	PG	Y	X	Z	REMARKS	LENGTH	EXCEPTIONS	RUN
	NAME	PIN	ORDER											NUMBER
NXM(1)	H	F17U2	1-01 *			D18				1				1100
NXM(1)	H	A29B1	1-02 *			D22				2				1100
NXM(1)	H	D24S2	1-03 *			D19				1				1100
NXM(1)	H	B14E1	1-04 *			D10				1				1100
			1									44-0/8		1100
ODD(1)	H	A30U2	1-01 *			D22				1			TERM HERE?	1101
ODD(1)	H	D16J1	1-02 *			DXX				2				1101
ODD(1)	H	E21P2	1-03 *			D11				1				1101
ODD(1)	H	C10U2	1-04 *	S		D11				1			SOURCE	1101
			1									28-4/8		1101
OFFLINE	H	H30J2	1-01 *			DXX				2				1102
OFFLINE	H	E27H1	1-02 *			DXX				1				1102
OFFLINE	H	E07M1	1-03 *			DXX				2				1102
OFFLINE	H	E04D2	1-04 *			DXX				1				1102
OFFLINE	H	E04H2	1-05 *			DXX				2				1102
OFFLINE	H	E04H1	1-06 *			DXX				1				1102
OFFLINE	H	E04L1	1-07 *			DXX				2				1102
OFFLINE	H	E04P1	1-08 *			DXX				1				1102
OFFLINE	H	E08D1	1-09 *			DXX				2				1102
OFFLINE	H	J13K1	1-10 *			DXX				1				1102
OFFLINE	H	J13J2	1-11 *			DXX				2				1102
OFFLINE	H	J13S2	1-12 *			DXX				1				1102
OFFLINE	H	J13U1	1-13 *			DXX				2				1102
OFFLINE	H	J11S1	1-14 *			D27				1				1102
OFFLINE	H	J10S2	1-15 *			DXX				2				1102
OFFLINE	H	J10U1	1-16 *			DXX				1				1102
OFFLINE	H	J09S2	1-17 *			DXX				2				1102
OFFLINE	H	J09U1	1-18 *			DXX				1				1102
OFFLINE	H	J09K1	1-19 *			DXX				2				1102
OFFLINE	H	J09J2	1-20 *			DXX				1				1102
OFFLINE	H	J10K1	1-21 *			DXX				2				1102
OFFLINE	H	J10J2	1-22 *			DXX				1				1102
			1									89-0/8		1102





DX11B,K  
RUN NAME

HND288,V22(22) 11/06/73

11-JUL-74 0123 PAGE 146  
LENGTH EXCEPTIONS RUN  
NUMBER

A/P	PIN	ORDER	BAY -	Q	DRAW	HV	PG	Y	X	Z	REMARKS	11-JUL-74	0123	PAGE
	NAME	PIN	ORDER									LENGTH	EXCEPTIONS	146
ONLINE EN SW	H	B18M2												
ONLINE EN SW	H	F01E2			D06					1				1111
ONLINE EN SW	H	F02E2			D29					2				1111
ONLINE EN SW					D29									1111
												19-0/8		1111
ONLINE EN SW	L	F01D2			D29									1112
ONLINE EN SW	L	F02D2			D29					1				1112
ONLINE EN SW														1112
												2-6/8		1112
ONLINE1	H	H30T2			DXX					2				1113
ONLINE1	H	E19J1			DXX					1				1113
ONLINE1	H	H11L1			DXX					2				1113
ONLINE1	H	H11M1			DXX					1				1113
ONLINE1	H	H11N1			DXX					2				1113
ONLINE1	H	H11V1			DXX					1				1113
ONLINE1	H	J09D1			DXX					2				1113
ONLINE1	H	J10D1			DXX					1				1113
ONLINE1	H	J11D1			DXX					2				1113
ONLINE1	H	J11L1			DXX					1				1113
ONLINE1	H	J11M1			DXX					2				1113
ONLINE1	H	J11N1			DXX					1				1113
ONLINE1	H	J10K2			DXX					2				1113
ONLINE1	H	J10J1			DXX					1				1113
ONLINE1	H	J10M1			DXX					2				1113
ONLINE1	H	J09K2			DXX					1				1113
ONLINE1	H	J09J1			DXX					2				1113
ONLINE1	H	J09M1			DXX					1				1113
ONLINE1	H	J09S1			DXX					2				1113
ONLINE1	H	J09U2			DXX					1				1113
ONLINE1	H	J10S1			DXX					2				1113
ONLINE1	H	J10U2			DXX					1				1113
ONLINE1	H	J11V1			DXX					2				1113
ONLINE1	H	J13S1			DXX					1				1113
ONLINE1	H	J13K2			DXX					2				1113
ONLINE1	H	J13J1			DXX					1				1113
												85-4/8		1113
ONOFFT	H	C06S1			D24					2				1114
ONOFFT	H	B07V1			D24					1			SOURCE	1114
ONOFFT	H	F03V2			D24								TERM HERE?	1114
ONOFFT												15-4/8		1114
ONOFFT	L	B07U1			D24								SOURCE	1115
ONOFFT	L	E24R1			D11					1			TERM HERE?	1115
												14-0/8		1115

DX11B,K  
RUN NAME

HND288,V22(22) 11/06/73

11-JUL-74 0123 PAGE 147  
LENGTH EXCEPTIONS RUN  
NUMBER

A/P	PIN	ORDER	BAY -	Q	DRAW	HV	PG	Y	X	Z	REMARKS	11-JUL-74	0123	PAGE
	NAME	PIN	ORDER									LENGTH	EXCEPTIONS	147
OPL IN		H11P2			DXX					1				1116
OPL IN		J12D2			DXX					2				1116
OPL IN		J14D2			DXX									1116
OPL IN												7-4/8		1116
OPL OUT		H12S1			DXX					2				1117
OPL OUT		H14S1			DXX					1				1117
OPL OUT		J13R1			DXX									1117
OPLI(0)												8-4/8		1117
OPLI(0)	H	C25S2			D13					1				1118
OPLI(0)	H	C06S2			D11					2			SOURCE	1118
OPLI(0)	H	C06A1			D25					1				1118
OPLI(0)	H	C01U2			D05					2				1118
OPLI(0)	H	E02M1			D24					1				1118
OPLI(0)	H	E03L1			D25					2				1118
OPLI(0)	H	F03H2			DXX					1				1118
OPLI(0)	H	F03J2			DXX					2				1118
OPLI(0)	H	H22V1			DXX								TERM HERE?	1118
OPLI(0)												52-0/8		1118
OPLI(1)	H	C25R2			D13					1				1119
OPLI(1)	H	A31C2			D22					2			SOURCE	1119
OPLI(1)	H	C08N2			D25					1				1119
OPLI(1)	H	C08M2			D25					2				1119
OPLI(1)	H	E07P1			D05					1				1119
OPLI(1)	H	E14N2			D25					2				1119
OPLI(1)	H	F22N1			DXX					1				1119
OPLI(1)	H	H11U2			DXX								TERM HERE?	1119
OPLI(1)												60-0/8		1119
OPL0	H	C25F2			D12									1120
OPL0	H	J13P1			DXX					1				1120
OPL0														1120
OPL0(0)	H	C25K2			D12					2				1121
OPL0(0)	H	F29D2			D13					1			SOURCE	1121
OPL0(0)	H	E07R1			D12					2				1121
OPL0(0)	H	D02L1			D05								TERM HERE?	1121
OPL0(0)												31-4/8		1121

DX11B,K  
RUN NAME

HND288.V22(22) 11/06/73

11-JUL-74 0123 PAGE 148  
LENGTH EXCEPTIONS RUN  
NUMBER

A/P	PIN NAME	ORDER PIN	BAY - ORDER	Q	DRAW	HV	PG	Y	X	Z	REMARKS	11-JUL-74 LENGTH	0123 EXCEPTIONS	PAGE 148 RUN NUMBER
OPL0(1)	H	A31C1	1-01 *			D22				2				
OPL0(1)	H	B21K2	1-02 *			D13				1			TERM HERE?	1122
OPL0(1)	H	B19R2	1-03 *			D13				2				1122
OPL0(1)	H	B17P1	1-04 *			D06				1				1122
OPL0(1)	H	B03J2	1-05 *			D25				2				1122
OPL0(1)	H	C05B1	1-06 *			D25				1				1122
OPL0(1)	H	D02L2	1-07 *			D25				1				1122
OPL0(1)	H	E12A1	1-08 *			D24				2				1122
OPL0(1)	H	D25S1	1-09 *			D19				1				1122
OPL0(1)	H	C25J2	1-10 *	S		D12				2			SOURCE	1122
OPL0(1)			1									59-2/8		1122
OUT HIGH	H	A02B1	1-01 *			D25								
OUT HIGH	H	A24L1	1-02 *			D17				1				1123
OUT HIGH	H	C30M2	1-03 *			D17				2				1123
OUT HIGH			1									22-6/8		1123
OUT LOW	H	C30N1	1-01 *			D17				2				1124
OUT LOW	H	A24R1	1-02 *			D17				1				1124
OUT LOW	H	E07B1	1-03 *			D09								1124
OUT LOW			1									23-4/8		1124
PARER(1)	H	A29A1	1-01 *			D22				2				
PARER(1)	H	B14J2	1-02 *			D10				1			TERM HERE?	1125
PARER(1)	H	D25S2	1-03 *			D19				2				1125
PARER(1)	H	C25N1	1-04 *	S		D05							SOURCE	1125
PARER(1)			1									27-2/8		1125
PARI	H	A31L2	1-01 *			D22				2				
PARI	H	B2502	1-02 *			D26				1				1126
PARI	H	H11K2	1-03 *			DXA								1126
PARI			1									25-2/8		1126
PARI	L	H15P2	1-01 *			D26				2				
PARI	L	H25C1	1-02 *			D26				1				1127
PARI	L	H22L1	1-03 *			DXA								1127
PARI			1									24-4/8		1127
PARO	H	A31L1	1-01 *			D22				2				
PARO	H	B22S2	1-02 *			D26				1				1128
PARO	H	D18S1	1-03 *			D19				2				1128
PARO	H	E06A1	1-04 *			D27								1128
PARO	H	J13F1	1-05 *			DXX				1				1128
PARO			1									38-0/8		1128

DX11A,K  
RUN NAME

HND288.V22(22) 11/06/73

11-JUL-74 0123 PAGE 149  
LENGTH EXCEPTIONS RUN  
NUMBER

A/P	PIN NAME	ORDER PIN	BAY - ORDER	Q	DRAW	HV	PG	Y	X	Z	REMARKS	11-JUL-74 LENGTH	0123 EXCEPTIONS	PAGE 149 RUN NUMBER
PARO	L	H22U2	1-01 *			D26				1				
PARO	L	E06B1	1-02 *	S		D27							TERM HERE?	1129
PARO			1									13-0/8	SOURCE	1129
PAROK	H	A32B1	1-01 *			DXX				2				
PAROK	H	B25J2	1-02 *			D26				1				1130
PAROK	H	E24B1	1-03 *			D11				2				1130
PAROK	H	E21J1	1-04 *			D11				1				1130
PAROK	H	C05D1	1-05 *			D25								1130
PAROK			1									34-0/8		1130
PAROK	L	B22V2	1-01 *			D26				1				
PAROK	L	B25H2	1-02 *			D26				2				1131
PAROK	L	A19M2	1-03 *			D26				1				1131
PAROK	L	C08R1	1-04 *			D05				2				1131
PAROK	L	E01L2	1-05 *			D05								1131
PAROK			1									29-2/8		1131
PARSTP(1)	H	C25E1	1-01 *	S		D06				2				
PARSTP(1)	H	A30A1	1-02 *			D22				1			SOURCE	1132
PARSTP(1)	H	D25M1	1-03 *			D19				2				1132
PARSTP(1)	H	E01M2	1-04 *			D05							TERM HERE?	1132
PARSTP(1)			1									37-2/8		1132
PCLK1		A27T2	1-01 *	S		D20				2				
PCLK1		A24B1	1-02 *			D20				1			SOURCE	1133
PCLK1		A25E1	1-03 *			D20				2				1133
PCLK1		E27D2	1-04 *			D20				1				1133
PCLK1		F20D1	1-05 *			D20				2				1133
PCLK1		E08E2	1-06 *							1				1133
PCLK1		H01R2	1-07 *			D11							TERM HERE?	1133
PCLK1			1									48-0/8		1133
PDPTO(0)	H	D26K1	F21P2	1-01 *	S					1			SOURCE	1134
PDPTO(0)	H	F21P2	F22F2	1-02 *						2				1134
PDPTO(0)	H	F22F2		1-03 *									TERM HERE?	1134
PDPTO(0)			1									12-4/8		1134
PDPTO(1)	H	D26L1	F17S1	1-01 *	S	D18				1			SOURCE	1135
PDPTO(1)	H	F17S1		1-02 *		D18							TERM HERE?	1135
PDPTO(1)			1									10-2/8		1135
PHO(0)	H	A02H1		1-01 *		D25							TERM HERE?	1136
PHO(0)	H	C22V2		1-02 *	S	D11				1			SOURCE	1136
PHO(0)			1									15-4/8		1136

DX11B,K  
RUN NAME

HND288.V22(22) 11/06/73  
A/P PIN ORDER BAY - Q DRAW RV PG Y X Z REMARKS

11-JUL-74 0123 PAGE 150  
LENGTH EXCEPTIONS RUN  
NUMBER

A/P	PIN NAME	ORDER PIN	BAY - ORDER	Q	DRAW	RV	PG	Y	X	Z	REMARKS	11-JUL-74 LENGTH	0123 EXCEPTIONS	PAGE 150 RUN NUMBER
PH0(1)	H	A32F1		1-01 *		D22				2				
PH0(1)	H	B24H1		1-02 *		D11				1			TERM HERE?	1137
PH0(1)	H	D22F1		1-03 *		D19				2				1137
PH0(1)	H	C22U2		1-04 *	S	D11				1			SOURCE	1137
PH0(1)				1								19-2/8		1137
PH1(0)	H	A02F1		1-01 *		D25				1				
PH1(0)	H	C23V2		1-02 *	S	D11				1			TERM HERE?	1138
PH1(0)				1								16-0/8	SOURCE	1138
PH1(1)	H	A32E1		1-01 *		D22				2				
PH1(1)	H	B24J1		1-02 *		D11				1			TERM HERE?	1139
PH1(1)	H	D23F1		1-03 *		D19				2				1139
PH1(1)	H	C23U2		1-04 *	S	D11				1			SOURCE	1139
PH1(1)				1								18-6/8		1139
PH2(0)	H	A02E1		1-01 *		D25				1				
PH2(0)	H	C24V2		1-02 *	S	D11				1			TERM HERE?	1140
PH2(0)				1								16-4/8	SOURCE	1140
PH2(1)	H	A32D1		1-01 *		D22				1				
PH2(1)	H	B24K1		1-02 *		D11				2			TERM HERE?	1141
PH2(1)	H	D24F1		1-03 *		D19				1				1141
PH2(1)	H	C24U2		1-04 *	S	D11				1			SOURCE	1141
PH2(1)				1								19-0/8		1141
PHS01	L	B06A1		1-01 *		D25				2				
PHS01	L	H17F1		1-02 *		D06				1			TERM HERE?	1142
PHS01	L	A26A1		1-03 *		D20				2				1142
PHS01	L	H24L1		1-04 *	S	D20				1			SOURCE	1142
PHS01				1								23-0/8		1142
PHS02	H	A05M1		1-01 *		D25				2				
PHS02	H	C05H2		1-02 *		D24				1			TERM HERE?	1143
PHS02	H	E03E1		1-03 *		D24				2				1143
PHS02	H	E03P1		1-04 *		D24				1				1143
PHS02	H	E07D2		1-05 *		D05				2				1143
PHS02	H	E25K2		1-06 *		D13				1				1143
PHS02	H	A26E1		1-07 *	S	D20				1			SOURCE	1143
PHS02				1								48-6/8		1143
PHS02	L	B24S1		1-01 *	S	D20				2				
PHS02	L	A26D1		1-02 *		D20				1			SOURCE	1144
PHS02	L	H17H1		1-03 *		D06				2				1144
PHS02	L	A09M1		1-04 *		DXX				1				1144
PHS02	L	C06K2		1-05 *		D11				1			TERM HERE?	1144
PHS02				1								30-4/8		1144

DX11B,K  
RUN NAME

HND288.V22(22) 11/06/73  
A/P PIN ORDER BAY - Q DRAW RV PG Y X Z REMARKS

11-JUL-74 0123 PAGE 151  
LENGTH EXCEPTIONS RUN  
NUMBER

A/P	PIN NAME	ORDER PIN	BAY - ORDER	Q	DRAW	RV	PG	Y	X	Z	REMARKS	11-JUL-74 LENGTH	0123 EXCEPTIONS	PAGE 151 RUN NUMBER
PHS11	H	A26H1		1-01 *	S	D20				1				
PHS11	H	B03D1		1-02 *		D25				1			SOURCE	1145
PHS11				1								14-6/8	TERM HERE?	1145
PHS11	L	A26F1		1-01 *		D20				1				1145
PHS11	L	B24R1		1-02 *	S	D20				1			TERM HERE?	1146
PHS11				1								6-4/8	SOURCE	1146
PHS12	H	A05E1		1-01 *		D25				1				
PHS12	H	A26K1		1-02 *	S	D20				1			TERM HERE?	1147
PHS12				1								13-0/8	SOURCE	1147
PHS12	L	B24P1		1-01 *	S	D20				2				
PHS12	L	A26J1		1-02 *		D20				1			SOURCE	1148
PHS12	L	E15L1		1-03 *		D11				1			TERM HERE?	1148
PHS12				1								21-6/8		1148
PHS21	H	A26M1		1-01 *	S	D20				2				
PHS21	H	B21F1		1-02 *		D13				1			SOURCE	1149
PHS21	H	B03L2		1-03 *		D25				1			TERM HERE?	1149
PHS21				1								17-0/8		1149
PHS21	L	A26L1		1-01 *		D20				1				
PHS21	L	B24N1		1-02 *	S	D20				1			TERM HERE?	1150
PHS21				1								5-6/8	SOURCE	1150
PHS22	H	A26P1		1-01 *	S	D20				1				
PHS22	H	A06D2		1-02 *		D25				2			SOURCE	1151
PHS22	H	B04F1		1-03 *		D25				1				1151
PHS22	H	E03D2		1-04 *		D24				1			TERM HERE?	1151
PHS22				1								28-4/8		1151
PHS22	L	A26N1		1-01 *		D20				1				
PHS22	L	B24M1		1-02 *	S	D20				1			TERM HERE?	1152
PHS22				1								5-4/8	SOURCE	1152
PHS31	H	A05P1		1-01 *		D25				2				
PHS31	H	A06K1		1-02 *		D25				1			TERM HERE?	1153
PHS31	H	A26S1		1-03 *	S	D20				1			SOURCE	1153
PHS31				1								15-0/8		1153
PHS31	L	A26R1		1-01 *		D20				1				
PHS31	L	B24T2		1-02 *	S	D20				1			TERM HERE?	1154
PHS31				1								5-6/8	SOURCE	1154

DX11B,K  
RUN NAME

HND288.V22(22) 11/06/73  
A/P PIN ORDER BAY - Q DRAW HV PG Y X Z REMARKS

11-JUL-74 0123 PAGE 152  
LENGTH EXCEPTIONS RUN NUMBER

PHS	A/P	PIN NAME	ORDER PIN	BAY - ORDER	Q	DRAW	HV	PG	Y	X	Z	REMARKS	11-JUL-74 LENGTH	0123 EXCEPTIONS	PAGE 152 RUN NUMBER
PHS32	H	A26U1		1-01 *	S	D20					1				1155
PHS32	H	A04M1		1-02 *		D25					2			SOURCE	1155
PHS32	H	R04N2		1-03 *		D25					1			TERM HERE?	1155
PHS32				1									19-2/8		1155
PHS32	L	A26V1		1-01 *	S	D20					1				1156
PHS32	L	R24S2		1-02 *	S	D20					1			SOURCE	1156
PHS32				1									5-0/8		1156
PHS41	H	A05D2		1-01 *		D25					1				1157
PHS41	H	A26F2		1-02 *	S	D20					1			TERM HERE?	1157
PHS41				1									13-0/8	SOURCE	1157
PHS41	L	A26E2		1-01 *		D20					1				1158
PHS41	L	R24R2		1-02 *	S	D20					1			SOURCE	1158
PHS41				1									6-4/8		1158
PHS42	H	A05J2		1-01 *		D25					1				1159
PHS42	H	A26J2		1-02 *	S	D20					1			TERM HERE?	1159
PHS42				1									12-6/8	SOURCE	1159
PHS42	L	B24P2		1-01 *	S	D20					2				1160
PHS42	L	A26H2		1-02 *		D20					1			SOURCE	1160
PHS42	L	E15M1		1-03 *		D11					1			TERM HERE?	1160
PHS42				1									22-0/8		1160
PHS51	H	A26L2		1-01 *	S	D20					1				1161
PHS51	H	A06P1		1-02 *		D07					2			SOURCE	1161
PHS51	H	C08D2		1-03 *		D13					1			TERM HERE?	1161
PHS51				1									20-0/8		1161
PHS51	L	B24N2		1-01 *	S	D20					2				1162
PHS51	L	A26K2		1-02 *		D20					1			SOURCE	1162
PHS51	L	E24E1		1-03 *		D11					2			TERM HERE?	1162
PHS51	L	E15K1		1-04 *		D11					1				1162
PHS51				1									25-6/8		1162
PHS52	H	A26H2		1-01 *	S	D20					2				1163
PHS52	H	A06N2		1-02 *		DXX					1			SOURCE	1163
PHS52	H	E30H2		1-03 *		D13					1			TERM HERE?	1163
PHS52				1									30-6/8		1163
PHS52	L	B24J2		1-01 *	S	D20					2				1164
PHS52	L	A26P2		1-02 *		D20					1			SOURCE	1164
PHS52	L	R06T2		1-03 *		D25					2				1164
PHS52	L	E01P2		1-04 *		D05					1			TERM HERE?	1164
PHS52				1									29-0/8		1164

DX11B,K  
RUN NAME

HND288.V22(22) 11/06/73  
A/P PIN ORDER BAY - Q DRAW HV PG Y X Z REMARKS

11-JUL-74 0123 PAGE 153  
LENGTH EXCEPTIONS RUN NUMBER

PHS	A/P	PIN NAME	ORDER PIN	BAY - ORDER	Q	DRAW	HV	PG	Y	X	Z	REMARKS	11-JUL-74 LENGTH	0123 EXCEPTIONS	PAGE 153 RUN NUMBER
PHS61	H	A26T2		1-01 *	S	D20					1				1165
PHS61	H	R02R1		1-02 *		D25					2			SOURCE	1165
PHS61	H	E15J2		1-03 *		D11					1			TERM HERE?	1165
PHS61				1									28-0/8		1165
PHS61	L	R24H2		1-01 *	S	D20					1				1166
PHS61	L	A26S2		1-02 *		D20					2			SOURCE	1166
PHS61	L	A08P1		1-03 *		D13					1				1166
PHS61	L	E22L2		1-04 *		D11					1			TERM HERE?	1166
PHS61				1									31-6/8		1166
PHS62	H	A06B1		1-01 *		D25					2				1167
PHS62	H	A04P1		1-02 *		D25					1			TERM HERE?	1167
PHS62	H	R04R2		1-03 *		D25					2				1167
PHS62	H	C08F2		1-04 *		D13					1				1167
PHS62	H	E30J2		1-05 *		D13					2				1167
PHS62	H	A26V2		1-06 *	S	D20					1			SOURCE	1167
PHS62				1									43-0/8		1167
PHS62	L	B24F2		1-01 *	S	D20					2				1168
PHS62	L	A26U2		1-02 *		D20					1			SOURCE	1168
PHS62	L	A08H1		1-03 *		D13					2				1168
PHS62	L	E01R2		1-04 *		D05					1				1168
PHS62	L	E23P1		1-05 *		D11					1			TERM HERE?	1168
PHS62				1									44-2/8		1168
PHS71	H	B17R2		1-01 *	1	D06					1				1169
PHS71	H	A27B1		1-02 *	S	D20					1			TERM HERE?	1169
PHS71				1									9-0/8	SOURCE	1169
PHS71	L	R06L2		1-01 *		D25					2				1170
PHS71	L	B17K1		1-02 *		D06					1			TERM HERE?	1170
PHS71	L	A27A1		1-03 *		D20					2				1170
PHS71	L	R24E2		1-04 *	S	D20					1			SOURCE	1170
PHS71				1									22-6/8		1170
PHS72	H	A27E1		1-01 *	S	D20					1				1171
PHS72	H	E14K2		1-02 *		D25					2			SOURCE	1171
PHS72	H	E03K1		1-03 *		D25					1			TERM HERE?	1171
PHS72				1									24-0/8		1171
PHS72	L	B24K2		1-01 *	S	D20					2				1172
PHS72	L	A27D1		1-02 *		D20					1			SOURCE	1172
PHS72	L	B17J1		1-03 *		D06					2				1172
PHS72	L	C06B1		1-04 *		D25					1				1172
PHS72	L	C06R2		1-05 *		D11					1			TERM HERE?	1172
PHS72				1									27-4/8		1172

DX11R,K  
RUN NAME

HND288.V22(22) 11/06/73  
A/P PIN ORDER BAY -  
NAME PIN ORDER

Q DRAW RV PG Y X Z REMARKS

11-JUL-74 0123  
LENGTH EXCEPTIONS

PAGE 154  
RUN  
NUMBER

PWR OK RLY	H	F01V2		1=01 *		DXX													
PWR OK RLY	H	H09E2		1=02 *		D27					2								
PWR OK RLY	H	H10E2		1=03 *		D27					1								1173
PWR OK RLY	H	H10K1		1=04 *		D27					2								1173
PWR OK RLY	H	H09N2		1=05 *		D27					1								1173
PWR OK RLY	H	H09K1		1=06 *		D27					2								1173
PWR OK RLY	H	H09U1		1=07 *		D27					1								1173
PWR OK RLY	H	H10U1		1=08 *		D27					2								1173
PWR OK RLY	H	H10N2		1=09 *		D27					1								1173
PWR OK RLY	H	H11K1		1=10 *		DXX					2								1173
PWR OK RLY	H	H11N2		1=11 *		D27					1								1173
PWR OK RLY	H	H11U1		1=12 *		D27					2								1173
PWR OK RLY	H	J11E2		1=13 *		D27					1								1173
PWR OK RLY	H	J11K1		1=14 *		D27					2								1173
PWR OK RLY	H	J11N2		1=15 *		D27					1								1173
PWR OK RLY	H	J11U1	A30V1	1=16 *		D27					2								1173
PWR OK RLY	H	A30V1		1=17 *							1								1173
				1															1173
																			1173
RADRI	H	D22L1		1=01 *		D19											74=0/8		1173
RADRI	H	H20D2		1=02 *		DXX					1								1174
RADRI				1															1174
RBUSI 00	H	D10L1		1=01 *		D19											9=6/8		1174
RBUSI 00	H	H21P2		1=02 *		DXX					1								1175
RBUSI 00				1															1175
RBUSI 01	H	D11L1		1=01 *		D19											12=6/8		1175
RBUSI 01	H	H21F2		1=02 *		DXX					1								1175
RBUSI 01				1															1175
RBUSI 02	H	D12L1		1=01 *		D19											11=6/8		1176
RBUSI 02	H	H21P1		1=02 *		DXX					1								1176
RBUSI 02				1															1176
RBUSI 03	H	D13L1		1=01 *		D19											12=2/8		1177
RBUSI 03	H	H21F1		1=02 *		DXX					1								1177
RBUSI 03				1															1177
RBUSI 04	H	D14L1		1=01 *		D19											11=2/8		1178
RBUSI 04	H	H20P2		1=02 *		DXX					1								1178
RBUSI 04				1															1178
RBUSI 05	H	D15L1		1=01 *		D19											11=6/8		1179
RBUSI 05	H	H20F2		1=02 *		DXX					1								1179
RBUSI 05				1															1179
																			1180
																	10=6/8		1180
																			1180

DX11R,K  
RUN NAME

HND288.V22(22) 11/06/73  
A/P PIN ORDER BAY -  
NAME PIN ORDER

Q DRAW RV PG Y X Z REMARKS

11-JUL-74 0123  
LENGTH EXCEPTIONS

PAGE 155  
RUN  
NUMBER

RBUSI 06	H	D16L1		1=01 *		D19													
RBUSI 06	H	H20P1		1=02 *		DXX					1								1181
RBUSI 06				1															1181
RBUSI 07	H	D17L1		1=01 *		D19											11=2/8		1181
RBUSI 07	H	H20F1		1=02 *		DXX					1								1182
RBUSI 07				1															1182
RBUSI P	H	D18L1		1=01 *		D19											10=2/8		1182
RBUSI P	H	H22F1		1=02 *		DXX					1								1183
RBUSI P				1															1183
REQ IN																	10=4/8		1183
REQ IN		H11M2		1=01 *		DXX					2								1184
REQ IN		H12S2		1=02 *		DXX					1								1184
REQ IN		H14S2		1=03 *		DXX													1184
REQ IN				1															1184
REQI(0)	H	C23S2		1=01 *	S	D13					2						6=2/8		1184
REQI(0)	H	H22R2		1=02 *		DXX													1185
REQI(0)	H	E02P1		1=03 *		D24					1								1185
REQI(0)				1															1185
REQI(1)	H	C23R2		1=01 *	S	D13					2						28=0/8		1185
REQI(1)	H	A31E2		1=02 *		D22					1								1186
REQI(1)	H	B04C1		1=03 *		D25					2								1186
REQI(1)	H	D02B1		1=04 *		D24					1								1186
REQI(1)	H	E03J2		1=05 *		D24													1186
REQI(1)				1															1186
REQIN	H	D02F1		1=01 *	S	D24											41=2/8		1186
REQIN	H	H11P1		1=02 *		DXX					1								1187
REQIN				1															1187
ROPLI	H	D25L1		1=01 *		D19											12=6/8		1188
ROPLI	H	H22P1		1=02 *		DXX					1								1188
ROPLI				1															1188
RREQI	H	D23L1		1=01 *		D19											11=2/8		1189
RREQI	H	H22P2		1=02 *		DXX					1								1189
RREQI				1															1189
RSELI	H	D24L1		1=01 *		D19											10=6/8		1190
RSELI	H	H22F2		1=02 *		DXX					1								1190
RSELI				1															1190
																			1190
																	10=0/8		1190



DX11R,K  
RUN NAME

HND288.V22(22) 11/06/73  
A/P PIN ORDER DAY - Q DRA RV PG Y X Z REMARKS

11-JUL-74 0123 PAGE 15H  
LENGTH EXCEPTIONS RUN NUMBER

SELO(0)	H	A03M2		1-01 *	D25						1					
SELO(0)	H	A05U2		1-02 *	D25						2			TERM HERE?		1209
SELO(0)	H	C06J1		1-03 *	D24						1					1209
SELO(0)	H	C05T2		1-04 *	D25						2					1209
SELO(0)	H	E03C1		1-05 *	D24						1					1209
SELO(0)	H	E30J1		1-06 *	D13						2					1209
SELO(0)	H	C23K2		1-07 *	D12	S					1			SOURCE		1209
				1									45-6/8			1209
SELO(1)	H	A31E1		1-01 *	D22						1					
SELO(1)	H	R04D1		1-02 *	D25						2			TERM HERE?		1210
SELO(1)	H	C01T2		1-03 *	D05						1					1210
SELO(1)	H	D02M2		1-04 *	D25						2					1210
SELO(1)	H	E12B1		1-05 *	D24						1					1210
SELO(1)	H	E14T2		1-06 *	D13						2					1210
SELO(1)	H	E25U2		1-07 *	D13						1					1210
SELO(1)	H	D23S1		1-08 *	D19						2					1210
SELO(1)	H	C23J2		1-09 *	D12	S					1			SOURCE		1210
				1									60-6/8			1210
SELRST(0)	H	A02M1		1-01 *	D05						1					
SELRST(0)	H	E07V2		1-02 *	D24						2			TERM HERE?		1211
SELRST(0)	H	C23M1		1-03 *	D05	S					1			SOURCE		1211
				1									27-4/8			1211
SELRST(1)	H	A29C1		1-01 *	D22						1					
SELRST(1)	H	B14U1		1-02 *	D10						2			TERM HERE?		1212
SELRST(1)	H	D23S2		1-03 *	D19						1					1212
SELRST(1)	H	C23V1		1-04 *	D05	S					1			SOURCE		1212
				1									26-4/8			1212
SENSE	L	A04V2		1-01 *	D24	S					2			SOURCE		1213
SENSE	L	C03M2		1-02 *	D25						1					1213
SENSE	L	E29E2		1-03 *	D13									TERM HERE?		1213
				1									24-2/8			1213
SETPHO	L	B05V2		1-01 *	D24	S					1			SOURCE		1214
SETPHO	L	E22A1		1-02 *	D11									TERM HERE?		1214
				1									12-6/8			1214
SETPH1	L	C03S1		1-01 *	D24	S					1			SOURCE		1215
SETPH1	L	B19D1		1-02 *	D11						2					1215
SETPH1	L	E22B1		1-03 *	D11									TERM HERE?		1215
				1									22-4/8			1215

DX11R,K  
RUN NAME

HND288.V22(22) 11/06/73  
A/P PIN ORDER DAY - Q DRA RV PG Y X Z REMARKS

11-JUL-74 0123 PAGE 15H  
LENGTH EXCEPTIONS RUN NUMBER

SETPH2	L	C08L1		1-01 *	D24	S					2					
SETPH2	L	B19E1		1-02 *	D11						1			SOURCE		1216
SETPH2	L	E22C1		1-03 *	D11									TERM HERE?		1216
				1									19-2/8			1216
SETPH3	L	C07U1		1-01 *	D24	S					1			SOURCE		1217
SETPH3	L	B19C1		1-02 *	D11						2					1217
SETPH3	L	B19H1		1-03 *	D11						1					1217
SETPH3	L	E22D1		1-04 *	D11									TERM HERE?		1217
				1									23-4/8			1217
SETPH4	L	C07D2		1-01 *	D24	S					2			SOURCE		1218
SETPH4	L	B19M1		1-02 *	D11						1					1218
SETPH4	L	E22D2		1-03 *	D11									TERM HERE?		1218
				1									18-6/8			1218
SICR	H	B05N1		1-01 *	D25	S					2			SOURCE		1219
SICR	H	B07N1		1-02 *	D25						1					1219
SICR	H	F30P2		1-03 *	D13						2					1219
SICR	H	F31P2		1-04 *	D13						1					1219
SICR	H	F31E2		1-05 *	D13						2					1219
SICR	H	F30E2		1-06 *	D13						1					1219
SICR	H	E29S2		1-07 *	D13									TERM HERE?		1219
				1									34-4/8			1219
SICR	L	B07P1		1-01 *	D25	S					1			SOURCE		1220
SICR	L	E15D2		1-02 *	D11									TERM HERE?		1220
				1									10-6/8			1220
SIG1	H	E05N1		1-01 *	D25	S					2			SOURCE		1221
SIG1	H	B07L1		1-02 *	D25						1					1221
SIG1	H	F21D1		1-03 *	DXX									TERM HERE?		1221
				1									25-6/8			1221
SIG1	L	B07M1		1-01 *	D25	S					1			SOURCE		1222
SIG1	L	E15A1		1-02 *	D11						2					1222
SIG1	L	E22F1		1-03 *	D11									TERM HERE?		1222
				1									16-6/8			1222
SIG10	H	B07U2		1-01 *	D25						2			TERM HERE?		1223
SIG10	H	C08P1		1-02 *	D05						1					1223
SIG10	H	E05F1		1-03 *	D25	S								SOURCE		1223
				1									11-6/8			1223



Dx11H,K  
RUN NAME

HND288.V22(22) 11/06/73

11-JUL-74 0823 PAGE 100  
LENGTH EXCEPTIONS RUN  
NUMBER

A/P	PIN NAME	ORDER PIN	BAY - ORDER	Q	DRAM	RV	PG	Y	X	Z	REMARKS	11-JUL-74 LENGTH	0823 EXCEPTIONS	PAGE 100 RUN NUMBER
SIG10	L	A25P2	1-01 *			D08				2				
SIG10	L	E21P1	1-02 *			D11				1			TERM HERE?	1224
SIG10	L	D01R2	1-03 *			D05				2				1224
SIG10	L	B07V2	1-04 *	S		D25							SOURCE	1224
SIG10			1									35-0/8		1224
SIG11	H	B06V2	1-01 *	S		D25				2			SOURCE	1225
SIG11	H	C02H1	1-02 *			D24				1				1225
SIG11	H	B01H2	1-03 *			D11				2				1225
SIG11	H	B01E2	1-04 *			D11				1				1225
SIG11	H	B02H1	1-05 *			D25				2				1225
SIG11	H	B07J1	1-06 *			D25				1				1225
SIG11	H	E21A1	1-07 *			D11				1			TERM HERE?	1225
SIG11			1									32-4/8		1225
SIG11	L	B07K1	1-01 *	S		D25				1			SOURCE	1226
SIG11	L	E01T2	1-02 *			D05							TERM HERE?	1226
SIG11			1									12-0/8		1226
SIG11A	H	A07V2	1-01 *	S		D25				1			SOURCE	1227
SIG11A	H	B02D1	1-02 *			D25				2				1227
SIG11A	H	H02L1	1-03 *			D25							TERM HERE?	1227
SIG11A			1									8-4/8		1227
SIG11A	L	A06S2	1-01 *	S		D25				2			SOURCE	1228
SIG11A	L	A07U2	1-02 *			D25				1				1228
SIG11A	L	E05D1	1-03 *			D25				2				1228
SIG11A	L	E25E2	1-04 *			D11							TERM HERE?	1228
SIG11A			1									27-2/8		1228
SIG12	H	A04F2	1-01 *			D25				2				1229
SIG12	H	A07M2	1-02 *			D25				1				1229
SIG12	H	B02D2	1-03 *			D25				2				1229
SIG12	H	C02D1	1-04 *			D24								1229
SIG12			1									14-4/8		1229
SIG12	L	A07N2	1-01 *	S		D25				1			SOURCE	1230
SIG12	L	E25C1	1-02 *			D11				2				1230
SIG12	L	E01U2	1-03 *			D05							TERM HERE?	1230
SIG12			1									30-0/8		1230
SIG12A	L	A06D1	1-01 *	S		D25				2			SOURCE	1231
SIG12A	L	A03P2	1-02 *			D25				1				1231
SIG12A	L	E25F2	1-03 *			D11							TERM HERE?	1231
SIG12A			1									21-6/8		1231

Dx11H,K  
RUN NAME

HND288.V22(22) 11/06/73

11-JUL-74 0823 PAGE 101  
LENGTH EXCEPTIONS RUN  
NUMBER

A/P	PIN NAME	ORDER PIN	BAY - ORDER	Q	DRAM	RV	PG	Y	X	Z	REMARKS	11-JUL-74 LENGTH	0823 EXCEPTIONS	PAGE 101 RUN NUMBER
SIG13	H	A03S2	1-01 *			D25				1				1232
SIG13	H	B07F1	1-02 *			D25								1232
SIG13			1									5-0/8		1232
SIG13	L	A25P2	1-01 *			D08				2			TERM HERE?	1233
SIG13	L	E21R1	1-02 *			D11				1				1233
SIG13	L	C01E1	1-03 *			D05				2				1233
SIG13	L	B07H1	1-04 *	S		D25							SOURCE	1233
SIG13			1									35-2/8		1233
SIG14	H	B06P2	1-01 *	S		D25				2			SOURCE	1234
SIG14	H	A05V2	1-02 *			D25				1				1234
SIG14	H	A07E2	1-03 *			D25				2				1234
SIG14	H	B17F2	1-04 *			D06				1				1234
SIG14	H	B17K2	1-05 *			D06				2				1234
SIG14	H	B20M2	1-06 *			D11				1				1234
SIG14	H	E17T2	1-07 *			D06							TERM HERE?	1234
SIG14			1									35-6/8		1234
SIG14	L	A07F2	1-01 *	S		D25				1			SOURCE	1235
SIG14	L	E14F1	1-02 *			D05				2				1235
SIG14	L	E22M2	1-03 *			D11				1				1235
SIG14	L	E21U2	1-04 *			D11							TERM HERE?	1235
SIG14			1									24-2/8		1235
SIG15	L	A05V1	1-01 *	S		D25				1			SOURCE	1236
SIG15	L	E25F1	1-02 *			D11				2				1236
SIG15	L	F29E1	1-03 *			D13							TERM HERE?	1236
SIG15			1									21-6/8		1236
SIG16	H	A07M1	1-01 *	S		D25				2			SOURCE	1237
SIG16	H	B05T2	1-02 *			D24				1				1237
SIG16	H	E28H2	1-03 *			DXX							TERM HERE?	1237
SIG16			1									22-4/8		1237
SIG16	L	A09H2	1-01 *			D13				2			TERM HERE?	1238
SIG16	L	A07L1	1-02 *			D25				1				1238
SIG16	L	E25H1	1-03 *			D11				2				1238
SIG16	L	F22A1	1-04 *			DXX				1				1238
SIG16	L	F19J2	1-05 *			D05				2				1238
SIG16	L	E19L1	1-06 *			DXX								1238
SIG16	L	E03N1	1-07 *	S		D25				1			SOURCE	1238
SIG16			1									44-2/8		1238

DX118.K		HND288.V22(22) 11/06/73											11-JUL-74	0123	PAGE 162	
RUN NAME		A/P	PIN	ORDER	BAY -	Q	DRAW	NV	PG	Y	X	Z	REMARKS	LENGTH	EXCEPTIONS	RUN NUMBER
			NAME	PIN	ORDER											
SIG16	OR DSCRSP	H	A09K2		1-01 *	S		D13				1				
SIG16	OR DSCRSP	H	E29K1		1-02 *			D13				2	SOURCE			1239
SIG16	OR DSCRSP	H	E28S2		1-03 *			D13					TERM HERE?			1239
SIG16	OR DSCRSP				1									20-2/8		1239
SIG16	OR RESET	L	C24L1		1-01 *			D05				2				
SIG16	OR RESET	L	C21L1		1-02 *			D05				1	TERM HERE?			1240
SIG16	OR RESET	L	F19D2		1-03 *			D05				2				1240
SIG16	OR RESET	L	F19K2		1-04 *	S		D05					SOURCE			1240
SIG16	OR RESET				1									16-6/8		1240
SIG17		H	C06E1		1-01 *	S		D25				1				
SIG17		H	A07N1		1-02 *			D25				2	SOURCE			1241
SIG17		H	B01P1		1-03 *			D11				1				1241
SIG17		H	C02L1		1-04 *			D24				2				1241
SIG17		H	C02J2		1-05 *			D24				1				1241
SIG17		H	C02L2		1-06 *			D24				2				1241
SIG17		H	D02R2		1-07 *			DXX				1				1241
SIG17		H	F21L1		1-08 *			D24					TERM HERE?			1241
SIG17					1									42-6/8		1241
SIG17		L	A07P1		1-01 *	S		D25				2				
SIG17		L	H05P2		1-02 *			D24				1	SOURCE			1242
SIG17		L	E14N1		1-03 *			D05				2				1242
SIG17		L	E25D1		1-04 *			D11					TERM HERE?			1242
SIG17					1									25-4/8		1242
SIG1A		L	A05D1		1-01 *			D25				1				
SIG1A		L	B06F1		1-02 *			D25				2				1243
SIG1A		L	C06K1		1-03 *			D24				1				1243
SIG1A		L	E05L1		1-04 *			D25								1243
SIG1A					1									18-6/8		1243
SIG1A		H	B06L1		1-01 *	S		D25				1				
SIG1A		H	R07A1		1-02 *			D25					SOURCE			1244
SIG1A					1								TERM HERE?			1244
SIG1A					1									3-6/8		1244
SIG1B		L	B07B1		1-01 *	S		D25				2	SOURCE			1245
SIG1B		L	A06U2		1-02 *			D11				1				1245
SIG1B		L	F22P1		1-03 *			D11					TERM HERE?			1245
SIG1B					1									19-0/8		1245
SIG2		H	A03K1		1-01 *	S		D25				1				
SIG2		H	B07S2		1-02 *			D11					SOURCE			1246
SIG2					1								TERM HERE?			1246
SIG2					1									6-6/8		1246

DX118.K		HND288.V22(22) 11/06/73											11-JUL-74	0123	PAGE 163	
RUN NAME		A/P	PIN	ORDER	BAY -	Q	DRAW	NV	PG	Y	X	Z	REMARKS	LENGTH	EXCEPTIONS	RUN NUMBER
			NAME	PIN	ORDER											
SIG2		L	R07T2		1-01 *	S		D25				1				
SIG2		L	E15M1		1-02 *			D11				2	SOURCE			1247
SIG2		L	E22N1		1-03 *			D11				1				1247
SIG2		L	E22R1		1-04 *			D11				2				1247
SIG2		L	E25S2		1-05 *			D13					TERM HERE?			1247
SIG2					1									23-2/8		1247
SIG3		H	A07B1		1-01 *	S		D25				2				
SIG3		H	C08J1		1-02 *			D24				1	SOURCE			1248
SIG3		H	C02A1		1-03 *			D24				2				1248
SIG3		H	E05P1		1-04 *			D09				1				1248
SIG3		H	E21O1		1-05 *			D11				2				1248
SIG3		H	E27T2		1-06 *			D11					TERM HERE?			1248
SIG3					1									41-2/8		1248
SIG3		L	A05J1		1-01 *	S		D25				1				
SIG3		L	A07A1		1-02 *			D25				2	SOURCE			1249
SIG3		L	R03R1		1-03 *			D25				1				1249
SIG3		L	E16M1		1-04 *			D06					TERM HERE?			1249
SIG3					1									23-4/8		1249
SIG4		H	B07M2		1-01 *			D25				2				
SIG4		H	C02D2		1-02 *			D24				1	TERM HERE?			1250
SIG4		H	E05K1		1-03 *	S		D25					SOURCE			1250
SIG4					1									14-2/8		1250
SIG4		L	A03T2		1-01 *			D24				1				
SIG4		L	B07N2		1-02 *	S		D25					TERM HERE?			1251
SIG4					1								SOURCE			1251
SIG4					1									5-4/8		1251
SIG5		H	C07B1		1-01 *	S		D25				2				
SIG5		H	A06E1		1-02 *			D25				1	SOURCE			1252
SIG5		H	B01J1		1-03 *			D05				2				1252
SIG5		H	C08M1		1-04 *			D05				1				1252
SIG5		H	E16J1		1-05 *			D25					TERM HERE?			1252
SIG5					1									30-0/8		1252
SIG5		L	A05U1		1-01 *			D25				2				
SIG5		L	B06D2		1-02 *			D25				1				1253
SIG5		L	C07A1		1-03 *			D25								1253
SIG5					1									8-2/8		1253
SIG5A		H	B06J2		1-01 *	S		D25				1				
SIG5A		H	E20V1		1-02 *			D25				2	SOURCE			1254
SIG5A		H	E29L2		1-03 *			D13					TERM HERE?			1254
SIG5A					1									21-6/8		1254

DIGITAL EQUIPMENT CORPORATION

DX11A,K  
RUN NAME

HND288.V22(22) 11/06/73

11-JUL-74 0023 PAGE 146  
LENGTH EXCEPTIONS RUN NUMBER

A/P	PIN NAME	ORDER PIN	BAY - ORDER	Q	DRAW	RV	PG	Y	X	Z	REMARKS	11-JUL-74 LENGTH	0023 EXCEPTIONS	PAGE 146 RUN NUMBER
SIG5A	L	E20U1	1-01 *	S	D25					2				1255
SIG5A	L	F20P2	1-02 *		DXX					1			SOURCE	1255
SIG5A	L	F31J1	1-03 *		D13								TERM HERE?	1255
SIG5A			1									12-6/8		1255
SIG5A OR ERRSTA	L	E03P2	1-01 *		D09					2			TERM HERE?	1256
SIG5A OR ERRSTA	L	F20P1	1-02 *		D09					1			TERM HERE?	1256
SIG5A OR ERRSTA	L	F20S2	1-03 *	S	D09								SOURCE	1256
SIG5A OR ERRSTA			1									14-4/8		1256
SIG5B	L	C04J2	1-01 *		D25					2				1257
SIG5B	L	C05K1	1-02 *		D25					1				1257
SIG5B	L	F30U2	1-03 *		D13									1257
SIG5B			1									21-2/8		1257
SIG5C	H	R20T2	1-01 *		DXX					1			TERM HERE?	1258
SIG5C	H	R20U2	1-02 *		D13					2				1258
SIG5C	H	R03T2	1-03 *		D25					1				1258
SIG5C	H	C04D1	1-04 *		D25					2				1258
SIG5C	H	E16K1	1-05 *	S	D25								SOURCE	1258
SIG5C			1									27-4/8		1258
SIG5D	H	E06K2	1-01 *		DXX					2				1259
SIG5D	H	E29M2	1-02 *		DXX					1				1259
SIG5D	H	E29J2	1-03 *		DXX									1259
SIG5D			1									16-6/8		1259
SIG5D	L	E03M2	1-01 *		DXX					1				1260
SIG5D	L	E06L2	1-02 *		DXX									1260
SIG5D			1									4-0/8		1260
SIG6	H	A07K1	1-01 *	S	D25					2			SOURCE	1261
SIG6	H	C09K1	1-02 *		D06					1				1261
SIG6	H	E17M2	1-03 *		D06					2				1261
SIG6	H	E29J1	1-04 *		D13								TERM HERE?	1261
SIG6			1									25-6/8		1261
SIG6	L	A04N1	1-01 *	S	D25					2			SOURCE	1262
SIG6	L	A07J1	1-02 *		D25					1				1262
SIG6	L	E05H1	1-03 *		D25					2				1262
SIG6	L	E02K1	1-04 *		D24								TERM HERE?	1262
SIG6			1									20-6/8		1262

DX11A,K  
RUN NAME

HND288.V22(22) 11/06/73

11-JUL-74 0023 PAGE 145  
LENGTH EXCEPTIONS RUN NUMBER

A/P	PIN NAME	ORDER PIN	BAY - ORDER	Q	DRAW	RV	PG	Y	X	Z	REMARKS	11-JUL-74 LENGTH	0023 EXCEPTIONS	PAGE 145 RUN NUMBER
SIG6A	H	R07R2	1-01 *	S	D25					2				1263
SIG6A	H	E01E1	1-02 *		D05					1			SOURCE	1263
SIG6A	H	E01J1	1-03 *		D05					2				1263
SIG6A	H	E01M1	1-04 *		D05								TERM HERE?	1263
SIG6A			1									16-0/8		1263
SIG6A	L	A24N2	1-01 *		D13					1			TERM HERE?	1264
SIG6A	L	R07P2	1-02 *		D25					2				1264
SIG6A	L	R04P2	1-03 *	S	D25								SOURCE	1264
SIG6A			1									16-0/8		1264
SIG6B	H	R01D1	1-01 *		D05					1			TERM HERE?	1265
SIG6B	H	C07M2	1-02 *		D25					2				1265
SIG6B	H	C08R2	1-03 *		D05					1				1265
SIG6B	H	E05C1	1-04 *	S	D25								SOURCE	1265
SIG6B			1									17-2/8		1265
SIG6B	L	C01D2	1-01 *		D05					1			TERM HERE?	1266
SIG6B	L	C07N2	1-02 *	S	D25								SOURCE	1266
SIG6B			1									5-6/8		1266
SIG7	H	D09E1	1-01 *	S	D25					2			SOURCE	1267
SIG7	H	R08P2	1-02 *		D10					1				1267
SIG7	H	R08D2	1-03 *		D10					2				1267
SIG7	H	R09D2	1-04 *		D10					1				1267
SIG7	H	R09P2	1-05 *		D10					2				1267
SIG7	H	R13P2	1-06 *		D10					1				1267
SIG7	H	R14P2	1-07 *		D10					2				1267
SIG7	H	R13D2	1-08 *		D10					1				1267
SIG7	H	R14D2	1-09 *		D10					2				1267
SIG7	H	E27R2	E26H1	1-10 *	D05					1				1267
SIG7	H	E28H1	F17R1	1-11 *	D18					2				1267
SIG7	H	F17R1		1-12 *	D18								TERM HERE?	1267
SIG7			1									55-6/8		1267
SIG7	L	A05H2	1-01 *	S	D25					1			SOURCE	1268
SIG7	L	R02A1	1-02 *		D25					2				1268
SIG7	L	D09D1	1-03 *		D25					1				1268
SIG7	L	R19E2	1-04 *		D10					2				1268
SIG7	L	R19M2	1-05 *		D10					1				1268
SIG7	L	E21M1	1-06 *		D11					2				1268
SIG7	L	E22K2	1-07 *		D11					1				1268
SIG7	L	E25H2	1-08 *		D11								TERM HERE?	1268
SIG7			1									44-6/8		1268

DX11R,K  
RUN NAME

HND2HB,V22(22) 11/06/73  
A/P PIN ORDER BAY \* Q DRAW KV PG Y X Z  
NAME PIN ORDER

11-JUL-74  
LENGTH

0123  
EXCEPTIONS

PAGE 166  
RUN  
NUMBER

SIG8	H	B08F2	1-01 *	2	D10			2					
SIG8	H	B09F2	1-02 *		D10			1		TERM HERE?	1269		
SIG8	H	B09M2	1-03 *		D10			2			1269		
SIG8	H	B08M2	1-04 *		D10			1			1269		
SIG8	H	D09H1	E16P1 1-05 *	S	D25			2		SOURCE	1269		
SIG8	H	E16P1	C22C1 1-06 *		D18			1			1269		
SIG8	H	C22C1	1-07 *		D18					TERM HERE?	1269		
SIG8			1							33-0/8	1269		
SIG8	L	A05M2	1-01 *	S	D25			2			1270		
SIG8	L	B02H1	1-02 *		D25			1		SOURCE	1270		
SIG8	L	C03D2	1-03 *		D25			2			1270		
SIG8	L	D09F1	1-04 *		D25			1			1270		
SIG8	L	E17M1	1-05 *		D06			2			1270		
SIG8	L	E22H2	1-06 *		D11			1			1270		
SIG8	L	B19R1	1-07 *		D11			2			1270		
SIG8	L	B19K2	1-08 *		D10			1			1270		
SIG8	L	B19K1	1-09 *		D11			2			1270		
SIG8	L	B19H2	1-10 *		D10			1			1270		
SIG8	L	B19A1	1-11 *		D11					TERM HERE?	1270		
SIG8			1							51-0/8	1270		
SIG8 OR NDCRSR	H	B13E2	1-01 *		D10			2			1271		
SIG8 OR NDCRSR	H	B14E2	1-02 *		D10			1		TERM HERE?	1271		
SIG8 OR NDCRSR	H	B14N2	1-03 *		D10			2			1271		
SIG8 OR NDCRSR	H	B13N2	1-04 *		D10			1			1271		
SIG8 OR NDCRSR	H	C03F2	1-05 *	S	D25					SOURCE	1271		
SIG8 OR NDCRSR			1							16-0/8	1271		
SIG9	H	B02P1	1-01 *		D25			1			1272		
SIG9	H	B07F2	1-02 *		D25			2			1272		
SIG9	H	C08E2	1-03 *		D13						1272		
SIG9			1							10-4/8	1272		
SIG9	L	B04S1	1-01 *		D25			1			1273		
SIG9	L	B07E2	1-02 *		D25			2			1273		
SIG9	L	A08R1	1-03 *		D13			1			1273		
SIG9	L	E24D1	1-04 *		D11						1273		
SIG9			1							24-0/8	1273		
SISR	H	A08L2	1-01 *		D25			1			1274		
SISR	H	B05K1	1-02 *	S	D25					TERM HERE?	1274		
SISR			1							SOURCE	1274		
										5-6/8	1274		

DX11R,K  
RUN NAME

HND2HB,V22(22) 11/06/73  
A/P PIN ORDER BAY \* Q DRAW KV PG Y X Z  
NAME PIN ORDER

11-JUL-74  
LENGTH

0123  
EXCEPTIONS

PAGE 167  
RUN  
NUMBER

SISR	H	A07R2	1-01 *	S	D25			1				
SISR	H	E29N2	1-02 *		D13			2		SOURCE	1275	
SISR	H	F30C1	1-03 *		D13			1			1275	
SISR	H	F31C1	1-04 *		D13			2			1275	
SISR	H	F31W2	1-05 *		D13			1			1275	
SISR	H	F30L2	1-06 *		D13						1275	
SISR			1							30-4/8	1275	
SOSIEN(1)	H	D12J1	1-01 *		D19			1			1276	
SOSIEN(1)	H	F21R1	1-02 *		D21			2		TERM HERE?	1276	
SOSIEN(1)	H	F17R2	1-03 *	S	D21					SOURCE	1276	
SOSIEN(1)			1							14-2/8	1276	
SPARE 1		J07H2	1-01 *		D27			1			1277	
SPARE 1		J08H2	1-02 *		D27						1277	
SPARE 1			1							2-6/8	1277	
SPARE 2		J07S2	1-01 *		D27			1			1278	
SPARE 2		J08S2	1-02 *		D27						1278	
SPARE 2			1							2-6/8	1278	
SPARE 3		H07H2	1-01 *		D27			1			1279	
SPARE 3		H08H2	1-02 *		D27						1279	
SPARE 3			1							2-6/8	1279	
SPARE 4		H07P2	1-01 *		D27			1			1280	
SPARE 4		H08P2	1-02 *		D27						1280	
SPARE 4			1							2-6/8	1280	
SPARE 5		J12H2	1-01 *		D27			1			1281	
SPARE 5		J14H2	1-02 *		D27						1281	
SPARE 5			1							3-2/8	1281	
SPARE 6		J12S2	1-01 *		D27			1			1282	
SPARE 6		J14S2	1-02 *		D27						1282	
SPARE 6			1							3-2/8	1282	
SPARE 7		H12H2	1-01 *		D27			1			1283	
SPARE 7		H14H2	1-02 *		D27						1283	
SPARE 7			1							3-2/8	1283	
SPARE 8		H12P2	1-01 *		D27			1			1284	
SPARE 8		H14P2	1-02 *		D27						1284	
SPARE 8			1							3-2/8	1284	

7030

DX11A.K RUN NAME	A/P	HND288.V22(22) 11/06/73 PIN NAME	ORDER PIN	HAY - ORDER	Q	DRAW	RV	PG	Y	X	Z	REMARKS	11-JUL-74 LENGTH	0823 EXCEPTIONS	PAGE 168 RUN NUMBER
SPCL		H12V2		1-01 *		DXX					1				1285
SPCL		H14V2		1-02 *		DXX									1285
SPCL				1									3-2/8		1285
SRDB	H	E06J2		1-01 *	S	D09					1			SOURCE	1286
SRDB	H	E08M1		1-02 *		D09					2				1286
SRDB	H	E08R2		1-03 *		D09					1				1286
SRDB	H	E08U2		1-04 *		D09					2				1286
SRDB	H	E08R1		1-05 *		D09					1				1286
SRDB	H	E08M2		1-06 *		D09					2				1286
SRDB	H	E08J2		1-07 *		D09					1				1286
SRDB	H	E08J1		1-08 *		D09					2				1286
SRDB	H	E08B1		1-09 *		D09					1			TERM HERE?	1286
SRDB				1									22-6/8		1286
SRDB	L	E03N2		1-01 *		DXX					2			TERM HERE?	1287
SRDB	L	E06H2		1-02 *		D09					1				1287
SRDB	L	E07D1		1-03 *	S	D09								SOURCE	1287
SRDB				1									7-0/8		1287
SRND	L	A06H2		1-01 *	S	D25					2			SOURCE	1288
SRND	L	B05A1		1-02 *		D25					1				1288
SRND	L	B05D1		1-03 *		D25					2				1288
SRND	L	C05N2		1-04 *		D24					1				1288
SRND	L	E25J1		1-05 *		D11								TERM HERE?	1288
SRND				1									27-4/8		1288
SRNDEN	H	E06F2		1-01 *	S	D09					1			SOURCE	1289
SRNDEN	H	E09C1		1-02 *		D09					2				1289
SRNDEN	H	E10C1		1-03 *		D09					1				1289
SRNDEN	H	E10M2		1-04 *		D09					2				1289
SRNDEN	H	E09M2		1-05 *		D09								TERM HERE?	1289
SRNDEN				1									12-6/8		1289
SRNDEN	L	E05S1		1-01 *	S	D09					2			SOURCE	1290
SRNDEN	L	E06E2		1-02 *		D09					1				1290
SRNDEN	L	E14A1		1-03 *		D09								TERM HERE?	1290
SRNDEN				1									10-2/8		1290
SRNDH	H	B05C1		1-01 *	S	D25					1			SOURCE	1291
SRNDH	H	C07S2		1-02 *		D09					2				1291
SRNDH	H	E09D2		1-03 *		D09					1				1291
SRNDH	H	E10D2		1-04 *		D09					2				1291
SRNDH	H	E10N2		1-05 *		D09					1				1291
SRNDH	H	E09N2		1-06 *		D09								TERM HERE?	1291
SRNDH				1									22-4/8		1291

DX11A.K RUN NAME	A/P	HND288.V22(22) 11/06/73 PIN NAME	ORDER PIN	HAY - ORDER	Q	DRAW	RV	PG	Y	X	Z	REMARKS	11-JUL-74 LENGTH	0823 EXCEPTIONS	PAGE 169 RUN NUMBER
SRNDH	L	C07T2		1-01 *	S	D25					1			SOURCE	1292
SRNDH	L	E14B1		1-02 *		D09								TERM HERE?	1292
SRNDH				1									7-2/8		1292
SRNDL	H	B05F1		1-01 *	S	D25					2			SOURCE	1293
SRNDL	H	C07U2		1-02 *		D25					1				1293
SRNDL	H	E09E2		1-03 *		D09					2				1293
SRNDL	H	E10E2		1-04 *		D09					1				1293
SRNDL	H	E10P2		1-05 *		D09					2				1293
SRNDL	H	E09P2		1-06 *		D09								TERM HERE?	1293
SRNDL				1									22-0/8		1293
SRNDL	L	C07V2		1-01 *	S	D25					1			SOURCE	1294
SRNDL	L	E14C1		1-02 *		D09								TERM HERE?	1294
SRNDL				1									7-0/8		1294
SRSO	H	A07L2		1-01 *	S	D25					1			SOURCE	1295
SRSO	H	E09F2		1-02 *		D09					2				1295
SRSO	H	E10F2		1-03 *		D09					1				1295
SRSO	H	E10R2		1-04 *		D09					2				1295
SRSO	H	E09R2		1-05 *		D09								TERM HERE?	1295
SRSO				1									21-4/8		1295
SRSO	L	B02M1		1-01 *	S	D25					2			SOURCE	1296
SRSO	L	A07K2		1-02 *		D25					1				1296
SRSO	L	E14D1		1-03 *		D09								TERM HERE?	1296
SRSO				1									20-2/8		1296
SRV IN		C11P2		1-01 *		DXX					2				1297
SRV IN		C12P2		1-02 *		DXX					1				1297
SRV IN		C14P2		1-03 *		DXX									1297
SRV IN				1									6-0/8		1297
SRV OUT		C09N2		1-01 *		DXX					1				1298
SRV OUT		C12S1		1-02 *		DXX					2				1298
SRV OUT		C14S1		1-03 *		DXX									1298
SRV OUT				1									7-0/8		1298

Digital Equipment Corporation

DX118.K  
RUN NAME

HND288.V22(23) 11/06/73

11-JUL-74 PAGE 170  
LENGTH EXCEPTIONS RUN NUMBER

A/P	PIN	ORDER	DAY	Q	DRAB	HV	PG	Y	X	Z	REMARKS	11-JUL-74	0123	PAGE
	NAME	PIN	ORDER									LENGTH	EXCEPTIONS	RUN
														NUMBER
SRVI(0)	H	H0001	1-01 *			D23				2				
SRVI(0)	H	E0202	1-02 *			D24				1			TERM HERE?	1299
SRVI(0)	H	F1001	1-03 *			D27				2				1299
SRVI(0)	H	E2001	1-04 *			D11				1				1299
SRVI(0)		E3202	1-05 *			DXX				2				1299
SRVI(0)		E3002	1-06 *			DXX				1				1299
SRVI(0)		E3002	1-07 *			DXX				2				1299
SRVI(0)		E2001	1-08 *			D13				1				1299
SRVI(0)		C2002	1-09 *	S		D13				1			SOURCE	1299
			1									53-2/8		1299
SRVI(1)	H	C2002	1-01 *	S		D13				2			SOURCE	1300
SRVI(1)	H	A31J2	1-02 *			D22				1				1300
SRVI(1)	H	A06C1	1-03 *			D25				2				1300
SRVI(1)	H	A06P2	1-04 *			D25				1				1300
SRVI(1)	H	E07L2	1-05 *			D05				2				1300
SRVI(1)	H	F21P1	1-06 *			DXX				1				1300
SRVI(1)	H	J1102	1-07 *			D27				1			TERM HERE?	1300
			1									63-0/8		1300
SRVO	H	C19F2	1-01 *			D12				1				1301
SRVO	H	J09M2	1-02 *			DXX				1				1301
			1									18-2/8		1301
SRVO(0)	H	A0481	1-01 *			D25				2			TERM HERE?	1302
SRVO(0)	H	H04L2	1-02 *			D25				1				1302
SRVO(0)	H	E05A1	1-03 *			D25				2				1302
SRVO(0)	H	C05N1	1-04 *			D24				1				1302
SRVO(0)	H	C19K2	1-05 *	S		D12				1			SOURCE	1302
			1									51-2/8		1302
SRVO(1)	H	A31K1	1-01 *			D22				2			TERM HERE?	1303
SRVO(1)	H	E30M2	1-02 *			D13				1				1303
SRVO(1)	H	D19S1	1-03 *			D19				2				1303
SRVO(1)	H	C19J2	1-04 *	S		D12				1			SOURCE	1303
			1									28-4/8		1303
SSP		C27F2	1-01 *			D20				1				1304
SSP		F19M1	1-02 *			D20				1				1304
			1									8-2/8		1304
SSI	H	B32M2	1-01 *			D20				2			TERM HERE?	1305
SSI	H	D02D2	1-02 *			D20				1				1305
SSI	H	D02E2	1-03 *			D20				2				1305
SSI	H	D02K2	1-04 *			D20				1				1305
SSI	H	F02U2	1-05 *	S		D20				1			SOURCE	1305
			1									32-6/8		1305

DX118.K  
RUN NAME

HND288.V22(22) 11/06/73

11-JUL-74 PAGE 171  
LENGTH EXCEPTIONS RUN NUMBER

A/P	PIN	ORDER	DAY	Q	DRAB	HV	PG	Y	X	Z	REMARKS	11-JUL-74	0123	PAGE
	NAME	PIN	ORDER									LENGTH	EXCEPTIONS	RUN
														NUMBER
SSI	L	D02F2	1-01 *			D20				2			TERM HERE?	1306
SSI	L	D02H2	1-02 *			D20				1				1306
SSI	L	D02J2	1-03 *			D20				2				1306
SSI	L	F02V2	1-04 *	S		D20				1			SOURCE	1306
			1									13-6/8		1306
SSIF(0)	H	B32N2	1-01 *			D20				1			TERM HERE?	1307
SSIF(0)	H	B32S2	1-02 *	S		D20				1			SOURCE	1307
			1									2-6/8		1307
SSIF(1)	H	B32R2	1-01 *	S		D20				1			SOURCE	1308
SSIF(1)	H	E27E2	1-02 *			DXX				1			TERM HERE?	1308
			1									10-0/8		1308
SSYN	H	B25A1	1-01 *			D18				1			TERM HERE?	1309
SSYN	H	D26A1	1-02 *			D18				2				1309
SSYN	H	D29M1	1-03 *	S		D18				1			SOURCE	1309
			1									13-2/8		1309
SSYN	L	B25B1	1-01 *	S		D18				1			SOURCE	1310
SSYN	L	C26C1	1-02 *			D18				1			TERM HERE?	1310
			1									5-2/8		1310
STAI IN		J11D2	1-01 *			DXX				2				1311
STAI IN		J12K2	1-02 *			DXX				1				1311
STAI IN		J14K2	1-03 *			DXX				1				1311
			1									6-4/8		1311
STAI EN	H	A09N1	1-01 *	S		D25				2			SOURCE	1312
STAI EN	H	C05R2	1-02 *			D25				1				1312
STAI EN	H	E14R2	1-03 *			D13				1			TERM HERE?	1312
			1									18-0/8		1312
STAI(0)	H	A06L1	1-01 *			D25				2			TERM HERE?	1313
STAI(0)	H	A05R1	1-02 *			D25				1				1313
STAI(0)	H	E02R2	1-03 *			D24				2				1313
STAI(0)	H	E12D1	1-04 *			D24				1				1313
STAI(0)	H	F19E1	1-05 *			D27				2				1313
STAI(0)	H	B19U2	1-06 *			D13				1				1313
STAI(0)	H	C21S2	1-07 *	S		D13				1			SOURCE	1313
			1									47-6/8		1313

DX11R,K  
RUN NAME

HND288,V22(22) 11/06/73

11-JUL-74 0123 PAGE 172  
LENGTH EXCEPTIONS RUN  
NUMBER

A/P	PIN NAME	ORDER PIN	BAY - ORDER	Q	DRAW	RV	PG	Y	X	Z	REMARKS	11-JUL-74 LENGTH	0123 EXCEPTIONS	PAGE 172 RUN NUMBER
H	C21R2		1-01 *	S	D13					2				
H	A31H2		1-02 *		D22					1			SOURCE	1314
H	A04E1		1-03 *		D25					2				1314
H	B06D1		1-04 *		D25					1				1314
H	J11F1		1-05 *		DXX					1				1314
			1									51-0/8	TERM HERE?	1314
H	C04N2		1-01 *		DXX					1				1315
H	C16K2		1-02 *		DXX					1				1315
			1									8-4/8		1315
H	C16J2		1-01 *	S	D09					2				1316
H	D16N1		1-02 *		D19					1			SOURCE	1316
H	B09F1		1-03 *		D10					2				1316
H	A29V1		1-04 *		D22					2				1316
H	F30N1		1-05 *		D13					1				1316
			1									43-4/8	TERM HERE?	1316
	C14E2		1-01 *		D09					1				1317
	C15E2		1-02 *		D09					2			TERM HERE?	1317
	C16E2		1-03 *		D09					1				1317
	E05S2		1-04 *	S	D09					1				1317
			1									10-0/8	SOURCE	1317
	C13E2		1-01 *		D09					2				1318
	C12E2		1-02 *		D09					1			TERM HERE?	1318
	C11E2		1-03 *		D09					2				1318
	C10E2		1-04 *		D09					1				1318
	E05V2		1-05 *	S	D09					1				1318
			1									10-4/8	SOURCE	1318
H	C15E1		1-01 *	S	D06					1				1319
H	A05R2		1-02 *		D25					2			SOURCE	1319
H	A03L2		1-03 *		D25					1				1319
H	A03L1		1-04 *		D25					1				1319
H	E19M1		1-05 *		DXX					2				1319
			1									31-0/8	TERM HERE?	1319
H	A30M1		1-01 *	2	D22					2				1320
H	A08R2	B08U1	1-02 *		DXX					1			TERM HERE?	1320
H	B08U1		1-03 *							2				1320
H	C11J1		1-04 *		D05					1				1320
H	C06N1		1-05 *		D24					2				1320
H	D02J1		1-06 *		D24					2				1320
H	D15M1		1-07 *		D19					1				1320
H	C15F1		1-08 *	S	D06					2				1320
			1									40-0/8	SOURCE	1320

DX11R,K  
RUN NAME

HND288,V22(22) 11/06/73

11-JUL-74 0123 PAGE 173  
LENGTH EXCEPTIONS RUN  
NUMBER

A/P	PIN NAME	ORDER PIN	BAY - ORDER	Q	DRAW	RV	PG	Y	X	Z	REMARKS	11-JUL-74 LENGTH	0123 EXCEPTIONS	PAGE 173 RUN NUMBER
H	A29S1		1-01 *		DXX					1				
H	D11S2		1-02 *		D19					2			TERM HERE?	1321
H	C11M1		1-03 *	S	D05					1				1321
			1									20-2/8	SOURCE	1321
H	B17S2		1-01 *	2						2				1322
H	B10R2		1-02 *		DXX					1			TERM HERE?	1322
H	C09D2		1-03 *		D06					2				1322
H	D02P2		1-04 *		DXX					1				1322
H	E18H1		1-05 *		D06					2				1322
H	F21U2		1-06 *		D24					1				1322
H	F21T2		1-07 *		D24					2				1322
H	F22L1		1-08 *	S	D24					1				1322
			1									40-0/8	SOURCE	1322
L	F21M1		1-01 *		D24					1				1323
L	F21R2		1-02 *		D18					2				1323
L	F21V2		1-03 *		D24					1				1323
			1									5-0/8		1323
H	C01B1		1-01 *		DXX					1				1324
H	A03H2		1-02 *		D25					2				1324
H	E23M2		1-03 *		D11					1				1324
H	F21L2		1-04 *		DXX					2				1324
H	F21M2		1-05 *		DXX					1				1324
H	F21S2		1-06 *		DXX					1				1324
			1									35-4/8		1324
L	B03P2		1-01 *		D25					2				1325
L	C04A1		1-02 *		D25					1				1325
L	E14H2		1-03 *		D05					2				1325
L	F21N2		1-04 *		DXX					1				1325
			1									21-4/8		1325
H	B32M1		1-01 *		D17					1				1326
H	D27R2		1-02 *		D17					1				1326
			1									9-0/8		1326
	J10E2		1-01 *		DXX					1				1327
	J12P1		1-02 *		DXX					2				1327
	J14P1		1-03 *		DXX					1				1327
			1									7-0/8		1327
H	C22F2		1-01 *		D12					1				1328
H	J10D2		1-02 *		DXX					1				1328
			1									17-0/8		1328

DX11R,K  
RUN NAME

HND288,V22(22) 11/06/73  
A/P PIN ORDER BAY - Q DRA RV PG Y X Z REMARKS

11-JUL-74 0123 PAGE 174  
LENGTH EXCEPTIONS RUN NUMBER

Run Name	A/P	PIN NAME	ORDER PIN	BAY - ORDER	Q	DRA	RV	PG	Y	X	Z	REMARKS	Length	Exceptions	Run Number
SUPO(0)	H	A03M1		1-01 *			D25				2				
SUPO(0)	H	C01E2		1-02 *			D05				1			TERM HERE?	1329
SUPO(0)	H	C01J2		1-03 *			D05				2				1329
SUPO(0)	H	D02M1		1-04 *			D05				1				1329
SUPO(0)	H	C22K2		1-05 *	S		D12							SOURCE	1329
SUPO(0)				1									29-2/8		1329
SUPO(1)	H	A31F1		1-01 *			D22				1				
SUPO(1)	H	B02J2		1-02 *			D24				2			TERM HERE?	1330
SUPO(1)	H	D02H1		1-03 *			D24				1				1330
SUPO(1)	H	E07S1		1-04 *			D05				2				1330
SUPO(1)	H	D22S1		1-05 *			D19				1				1330
SUPO(1)	H	C22J2		1-06 *	S		D12							SOURCE	1330
SUPO(1)				1									49-6/8		1330
SYNC(0)	H	B21K1		1-01 *			D13				2				1331
SYNC(0)	H	A08H2		1-02 *			D25				1				1331
SYNC(0)	H	A05F2		1-03 *			D25				2				1331
SYNC(0)	H	B03E1		1-04 *			D25				1				1331
SYNC(0)	H	B03E2		1-05 *			D25				2				1331
SYNC(0)	H	B04J1		1-06 *			D25				1				1331
SYNC(0)	H	C08A1		1-07 *			D25				2				1331
SYNC(0)	H	C06D1		1-08 *			DXA				1				1331
SYNC(0)	H	C05F2		1-09 *			D24				2				1331
SYNC(0)	H	C05U2		1-10 *			D25				1				1331
SYNC(0)	H	C06T2		1-11 *			D11				2				1331
SYNC(0)	H	D09P1		1-12 *			OXX				1				1331
SYNC(0)	H	F03S1		1-13 *			D24				2				1331
SYNC(0)	H	E14U2		1-14 *			D13				1				1331
SYNC(0)	H	E15K2		1-15 *			D11				2				1331
SYNC(0)	H	E25N2		1-16 *			D13								1331
SYNC(0)				1									73-6/8		1331

DX11R,K  
RUN NAME

HND288,V22(22) 11/06/73  
A/P PIN ORDER BAY - Q DRA RV PG Y X Z REMARKS

11-JUL-74 0123 PAGE 175  
LENGTH EXCEPTIONS RUN NUMBER

Run Name	A/P	PIN NAME	ORDER PIN	BAY - ORDER	Q	DRA	RV	PG	Y	X	Z	REMARKS	Length	Exceptions	Run Number
SYNC(1)	H	A05H1		1-01 *			D25				1				
SYNC(1)	H	A05L1		1-02 *			D25				2				1332
SYNC(1)	H	A05L2		1-03 *			D25				1				1332
SYNC(1)	H	A06R1		1-04 *			U07				2				1332
SYNC(1)	H	B06N2		1-05 *			D25				1				1332
SYNC(1)	H	C06M2		1-06 *			D11				2				1332
SYNC(1)	H	D09S1		1-07 *			OXX				1				1332
SYNC(1)	H	E07F2		1-08 *			D05				2				1332
SYNC(1)	H	E03H1		1-09 *			D24				1				1332
SYNC(1)	H	E03M1		1-10 *			D25				2				1332
SYNC(1)	H	E14M2		1-11 *			D25				1				1332
SYNC(1)	H	E15E1		1-12 *			D11				2				1332
SYNC(1)	H	D19F1		1-13 *			D19				1				1332
SYNC(1)	H	A32K1		1-14 *			D22								1332
SYNC(1)				1									65-4/8		1332
SYSRST(0)	H	A02L1		1-01 *			D05				1				
SYSRST(0)	H	E07U2		1-02 *			D24				2			TERM HERE?	1333
SYSRST(0)	H	C22M1		1-03 *	S		D05							SOURCE	1333
SYSRST(0)				1									26-6/8		1333
SYSRST(1)	H	A29D1		1-01 *			D22				2				
SYSRST(1)	H	B14R1		1-02 *			D10				1			TERM HERE?	1334
SYSRST(1)	H	E03R1		1-03 *			D24				2				1334
SYSRST(1)	H	E07E2		1-04 *			D05				1				1334
SYSRST(1)	H	E18E2		1-05 *			D06				2				1334
SYSRST(1)	H	D22S2		1-06 *			D19				1				1334
SYSRST(1)	H	C22N1		1-07 *	S		D05							SOURCE	1334
SYSRST(1)				1									47-2/8		1334
TESTIO	H	B06P1		1-01 *			DXA				1				1335
TESTIO	H	B06R1		1-02 *			DXA				2				1335
TESTIO	H	C07J2		1-03 *			DXA								1335
TESTIO				1									7-0/8		1335
TESTIO	L	A04S2		1-01 *	S		D24				2				
TESTIO	L	C04E2		1-02 *			D25				1			SOURCE	1336
TESTIO	L	C03U2		1-03 *			D25				2				1336
TESTIO	L	C07H2		1-04 *			D24				1				1336
TESTIO	L	B18M2		1-05 *			D06							TERM HERE?	1336
TESTIO				1									24-0/8		1336
TSFF(0)	H	A09R1		1-01 *			DXA				1				
TSFF(0)	H	B24F1		1-02 *			D20				2			TERM HERE?	1337
TSFF(0)	H	B32S1		1-03 *			D20				1				1337
TSFF(0)	H	B32V2		1-04 *	S		D20							SOURCE	1337
TSFF(0)				1									20-2/8		1337





DX118,K  
RUN NAME

HND288,V22(22) 11/06/73			
A/P	PIN	ORDER	RAY
NAME	PIN	ORDER	ORDER
	H18P1		1-01 *
	H19P2		1-02 *
			1
	H22R1		1-01 *
	J18D2		1-02 *
			1
	H18S1		1-01 *
	H19D2		1-02 *
			1
	H18S2		1-01 *
	H22V2		1-02 *
			1
	H22L2		1-01 *
	J18T2		1-02 *
			1
	H19M2		1-01 *
	J18V2		1-02 *
			1
	H21E2		1-01 *
	J18P2		1-02 *
			1
	J18S1		1-01 *
	J19M2		1-02 *
			1
	H20N2		1-01 *
	J18K2		1-02 *
			1
	H19F2		1-01 *
	J18P1		1-02 *
			1
	A23V2		1-01 *
	D18J1		1-02 *
	D04T2		1-03 *
			1

11-JUL-74	0123	PAGE 178
LENGTH	EXCEPTIONS	RUN NUMBER
		1360
3=0/b		1360
		1361
4=6/b		1361
		1362
4=0/b		1362
		1363
4=6/b		1363
		1364
6=6/b		1364
		1365
6=2/b		1365
		1366
6=6/b		1366
		1367
3=2/b		1367
		1368
5=2/b		1368
		1369
6=2/b		1369
		1370
19=6/b		1370
		1370

DX118,K  
RUN NAME

HND288,V22(22) 11/06/73			
A/P	PIN	ORDER	RAY
NAME	PIN	ORDER	ORDER
	A23V1		1-01 *
	D19J1		1-02 *
	D05T2		1-03 *
			1
	A23K2		1-01 *
	D20J1		1-02 *
	D06T2		1-03 *
			1
	A23P2		1-01 *
	D21J1		1-02 *
	D03P1		1-03 *
			1
	A23L2		1-01 *
	D22J1		1-02 *
	D04P1		1-03 *
			1
	A23L1		1-01 *
	D23J1		1-02 *
	D05P1		1-03 *
			1
	A23H2		1-01 *
	D24J1		1-02 *
	D06P1		1-03 *
			1
	A23F2		1-01 *
	D25J1		1-02 *
	C03J2		1-03 *
			1
	A23H1		1-01 *
	A23R1		1-02 *
	B01V2		1-03 *
			1
	C11K2		1-01 *
	C04K2		1-02 *
	E14F2		1-03 *
			1

11-JUL-74	0123	PAGE 179
LENGTH	EXCEPTIONS	RUN NUMBER
		1371
19=4/b	SOURCE	1371
	TERM HERE?	1371
		1371
		1372
19=6/b		1372
		1372
		1373
		1373
22=0/b		1373
		1374
22=2/b		1374
		1375
21=6/b		1375
		1375
		1376
		1376
22=4/b		1376
		1377
25=2/b		1377
	TERM HERE?	1378
17=6/b	SOURCE	1378
		1378
	SOURCE	1379
	TERM HERE?	1379
15=2/b		1379

DR11R,K  
RUN NAME

HND288,V22(22) 11/06/73  
R/P PIN ORDER HAY - Q DRA\* RV PG Y X Z  
NAME PIN ORDER

11-JUL-74 0223 PAGE 180  
LENGTH EXCEPTIONS RUN  
NUMBER

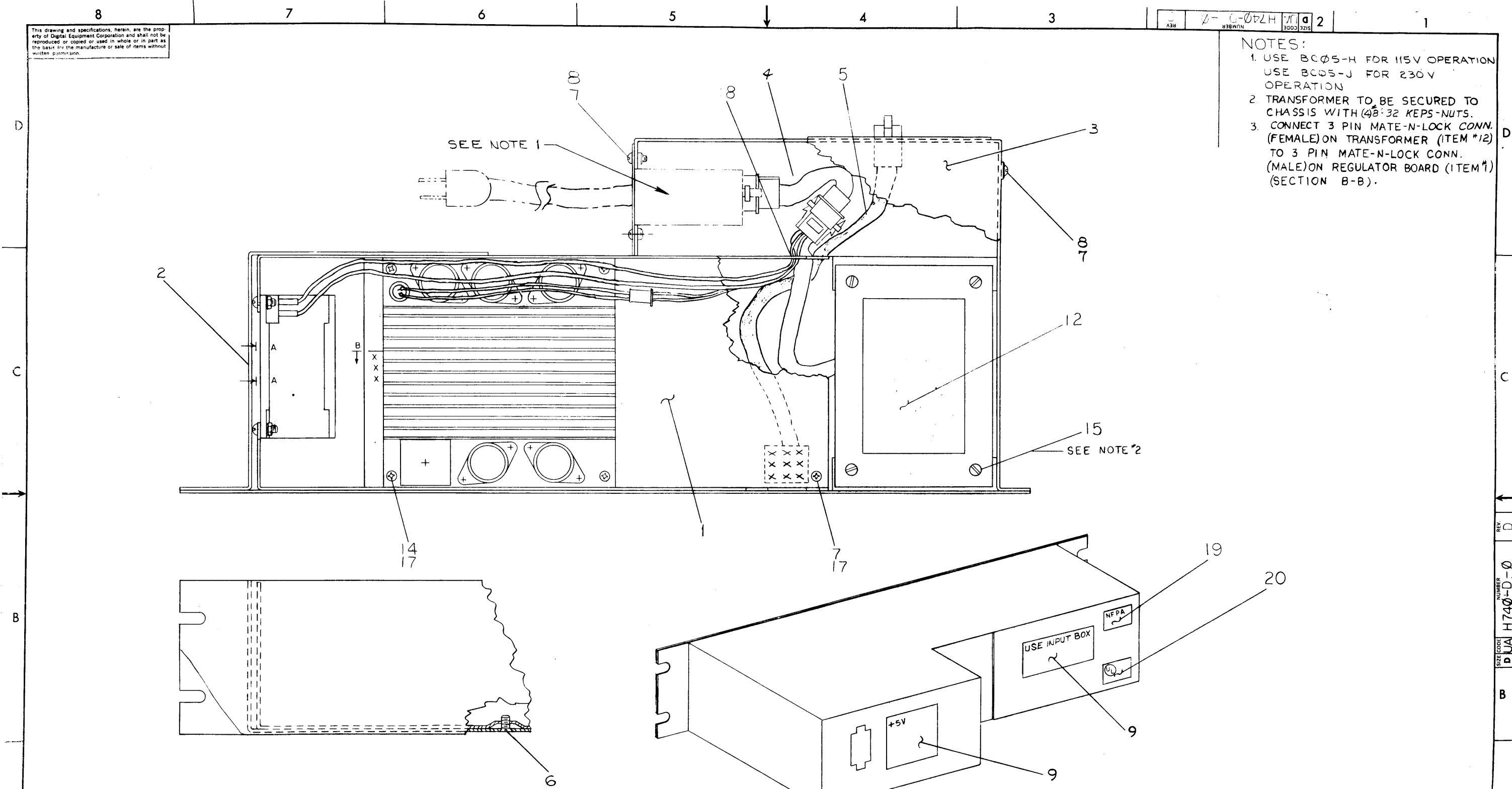
R/P	PIN	ORDER	HAY -	Q	DRA*	RV	PG	Y	X	Z	REMARKS	11-JUL-74	0223	PAGE 180
NAME	PIN	ORDER	ORDER									LENGTH	EXCEPTIONS	RUN
														NUMBER
UCHECK(1)	H	C11J2	1=01 *	S	D09					2			SOURCE	1380
UCHECK(1)	H	B08T2	1=02 *		D10					1				1380
UCHECK(1)	H	D11N1	1=03 *		D19					2				1380
UCHECK(1)	H	A31A2	1=04 *		D22					1				1380
UCHECK(1)	H	F31H2	1=05 *		D13								TERM HERE?	1380
UCHECK(1)			1									45=0/8		1380
UCHKS(1)	H	A29F1	1=01 *		D22					2			TERM HERE?	1381
UCHKS(1)	H	M13E1	1=02 *		D10					1				1381
UCHKS(1)	H	D20S2	1=03 *		D19					2				1381
UCHKS(1)	H	C20N1	1=04 *	S	D05								SOURCE	1381
UCHKS(1)			1									27=4/8		1381
UEXCEP(0)	H	C04L2	1=01 *		D24					1			TERM HERE?	1382
UEXCEP(0)	H	C10K2	1=02 *	S	D09								SOURCE	1382
UEXCEP(0)			1									5=2/8		1382
UEXCEP(1)	H	C10J2	1=01 *	S	D09					2			SOURCE	1383
UEXCEP(1)	H	R08P1	1=02 *		D10					1				1383
UEXCEP(1)	H	D10N1	1=03 *		D19					2				1383
UEXCEP(1)	H	A31B2	1=04 *		D22					1				1383
UEXCEP(1)	H	F31S2	1=05 *		D13								TERM HERE?	1383
UEXCEP(1)			1									47=0/8		1383
XBA16(0)	H	C13E1	1=01 *	S	D06					2			SOURCE	1384
XBA16(0)	H	C09K2	1=02 *		D06					1				1384
XBA16(0)	H	E18T2	1=03 *		D06								TERM HERE?	1384
XBA16(0)			1									14=6/8		1384
XBA16(1)	H	A30P1	1=01 *		D22					2			TERM HERE?	1385
XBA16(1)	H	D27J1	1=02 *		D17					1				1385
XBA16(1)	H	D13M1	1=03 *		D19					2				1385
XBA16(1)	H	C13F1	1=04 *	S	D06								SOURCE	1385
XBA16(1)			1									25=6/8		1385
XBA17(0)	H	C09H2	1=01 *		D06					1			TERM HERE?	1386
XBA17(0)	H	C14E1	1=02 *	S	D06								SOURCE	1386
XBA17(0)			1									5=0/8		1386
XBA17(1)	H	A30V1	1=01 *		D22					2			TERM HERE?	1387
XBA17(1)	H	D27L2	1=02 *		D17					1				1387
XBA17(1)	H	D14M1	1=03 *		D19					2				1387
XBA17(1)	H	C14F1	1=04 *	S	D06								SOURCE	1387
XBA17(1)			1									25=6/8		1387

DIGITAL EQUIPMENT CORPORATION MAYNARD, MASSACHUSETTS				QUANTITY / VARIATION																
PARTS LIST																				
MADE BY T. QUILLIN		CHECKED <i>[Signature]</i>		SECTION																
DATE 2-14-72		DATE 2-29-72		1																
ENG David De Moranville		PROD R. J. Moranville		ISSUED SECT.																
DATE 2-29-72		DATE 2-29-72		1																
ITEM NO.	DWG NO. / PART NO.	DESCRIPTION																		
1	E-IA-5409728-0-0	REGULATOR BOARD		1																
2	E-IA-5309975-0-0	CHASSIS H740 D		1																
3	D-MD-5309976-0-0	COVER H740 D		1																
4	D-IA-7008810-0-0	HARNESS A.C.		1																
5	D-IA-7008811-0-0	HARNESS D.C.		1																
6	9006037-2	SCR. PHL FLT HD #8-32X 3/8 LG		4																
7	9006020-1	SCR. PHL. PAN HD. #6-32X 1/4 LG		5																
8	9006633	INT TOOTH L'WASH #6		5																
9	A-DC-5309998-0-0	DECAL (H740-D)		1																
10	E-IA-5309816-0-0	CHASSIS		1																
11	1210719	FAN, BOXER PEWEE		1																
12	D-IA-7008726-0-0	TRANSFORMER MMC 4150-1		1																
13	9006022-1	SCR, PHL PAN HD #6-32x3/8 LG		4																
14	9006023-1	SCR, PHL PAN HD #6-32x 7/16 LG		4																
15	9006563	NUT KEPS #8-32		4																
16	9006560	NUT KEPS #6-32		4																
17	9007649	WASHER EXT TOOTH #6		6																
18	9007035	GROMMET CATEPILLAR		A/R																
19	A-DC-5309413-0-0	NFPA TYPE II		1																
20	A-DC-5309414-0-0	U.I. LOGO		1																
21	A-PI-3700117-0-0	PACKAGING INSTRUCTIONS		1																
TITLE		ASSY NO.		SIZE	CODE	NUMBER				REV	ECO NO.									
POWER SUPPLY (H740D)				A	PL	H740-D-0				D	H740D-00010									
		SHEET 1 OF 1		DIST																

This drawing and specifications herein are the property of Digital Equipment Corporation and shall not be reproduced or copied in whole or in part as the basis for the manufacture or sale of items without written permission.

REV. 2  
 NUMBER 30003215  
 CODE 1111  
 H740-D-0

- NOTES:
1. USE BC05-H FOR 115V OPERATION  
 USE BC05-J FOR 230V OPERATION
  2. TRANSFORMER TO BE SECURED TO CHASSIS WITH (4) #32 KEPS-NUTS.
  3. CONNECT 3 PIN MATE-N-LOCK CONN. (FEMALE) ON TRANSFORMER (ITEM #12) TO 3 PIN MATE-N-LOCK CONN. (MALE) ON REGULATOR BOARD (ITEM #1) (SECTION B-B).



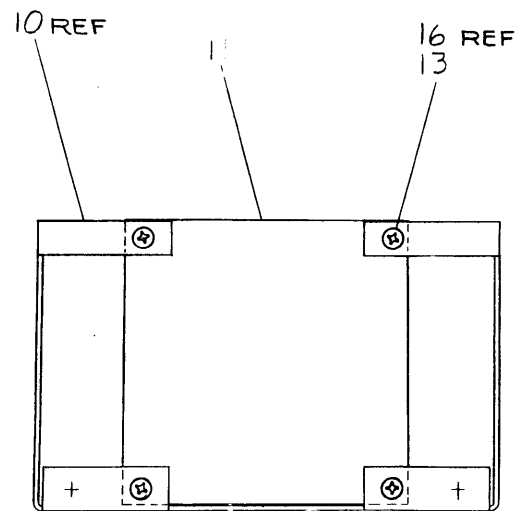
REV. NO.	CHANGE NO.	REV.
A	H740D-00004	A
B	H740D-00005	B
C	H740D-00008	C
D	H740D-00010	D

FIRST USED ON OPTION/MODEL	QTY.	DESCRIPTION	PART NO.	ITEM NO.
11/07				
PARTS LIST				
UNLESS OTHERWISE SPECIFIED DIMENSION IN INCHES. TOLERANCES		DRN <i>T. Quilly</i>	DATE 2-19-72	 <b>digital</b> EQUIPMENT CORPORATION MAYNARD MASSACHUSETTS
DECIMALS	ANGLES	CHK'D <i>R. Burton</i>	DATE 2-24-72	
.XXX = .005	±0° 30'	ENG. <i>R. Burton</i>	DATE 2-29-72	
.XX = .02		PROJ. ENG. <i>R. Burton</i>	DATE 2-29-72	
.X = .1		PROOF <i>R. Burton</i>	DATE 2-29-72	
REMOVE BURRS AND BREAK SHARP CORNERS SURFACE QUALITY ✓		NEXT HIGHER ASSY.		
MATERIAL		DUA-11/07-0-0		SIZE CODE
FINISH		DUA H740-D-0		NUMBER
SHEET 1 OF 2		DIST.		REV. D

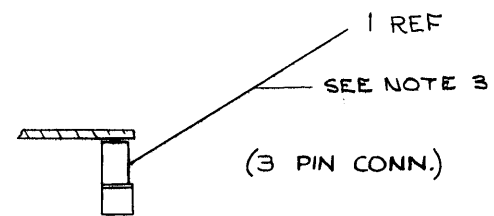
POWER SUPPLY  
(H740-D)

REV. D  
 NUMBER H740-D-0  
 SIZE CODE DUA

This drawing and specifications, herein, are the property of Digital Equipment Corporation and shall not be reproduced or copied or used in whole or in part as the basis for the manufacture or sale of items without written permission.



VIEW A-A



SECTION B-B  
SEE NOTE #3

REV	
CHANGE NO.	
CHK	

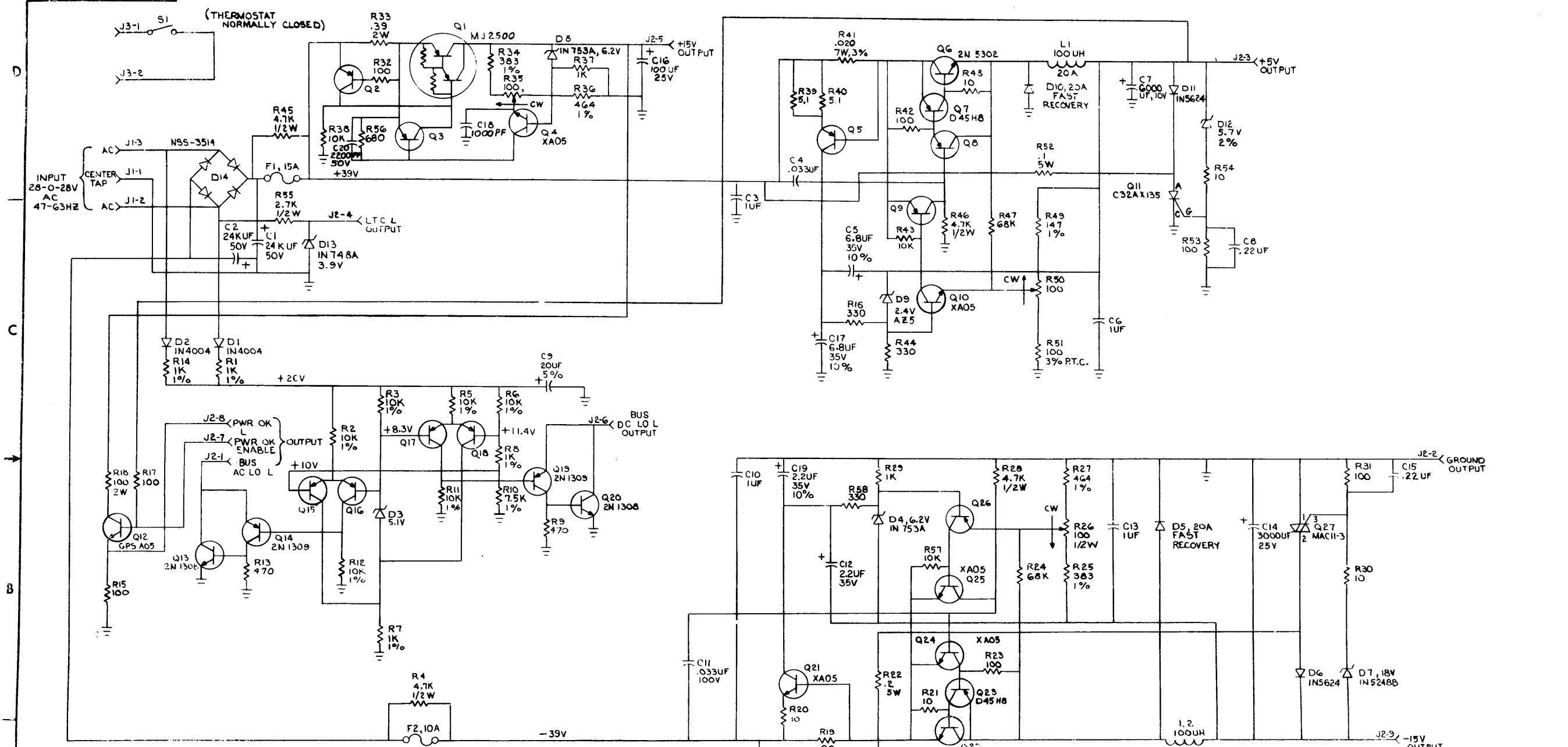
DEC FORM NO. DRD 100-A

FIRST USED ON OPTION/MODEL	QTY.	DESCRIPTION	PART NO.	ITEM NO.
PARTS LIST				
UNLESS OTHERWISE SPECIFIED DIMENSION IN INCHES. TOLERANCES	DRN <i>M. J. McCall</i>	DATE 11/22/71	 <b>digital</b> EQUIPMENT CORPORATION <small>MAYNARD, MASSACHUSETTS</small>	
DECIMALS	CHKD <i>R. J. ...</i>	DATE 2-1-72		
ANGLES	ENG. <i>David D. ...</i>	DATE 1-4-72		
.XXX = .006 .XX = .02 .X = .1	PROJ. ENG. <i>Ronald ...</i>	DATE 1-27-72		
REMOVE BURRS AND BREAK SHARP CORNERS SURFACE QUALITY	PROD. <i>K.K. ...</i>	DATE 1/2/72	TITLE <b>POWER SUPPLY</b> (H740-D)	
MATERIAL	NEXT HIGHER ASSY.		SIZE CODE	NUMBER
FINISH	SCALE		DUA	H740-D-0
	SHEET 2 OF 2		CIST.	REV. B

REV. D  
NUMBER  
DUA H740-D-0  
REV. B

Unless otherwise indicated, all components shall conform to the specifications of the manufacturer and shall not be substituted or replaced by any other component without the approval of the manufacturer or the manufacturer's representative.

5409728-0-1



UNLESS OTHERWISE INDICATED:  
 1% RESISTORS ARE 1/8W  
 VOLTAGES ARE TAKEN AT NO LOAD WITH 115 VAC LINE  
 VOLTAGES ARE ±10% TAKEN BY A ±10% METER  
 TRANSISTORS = XA05

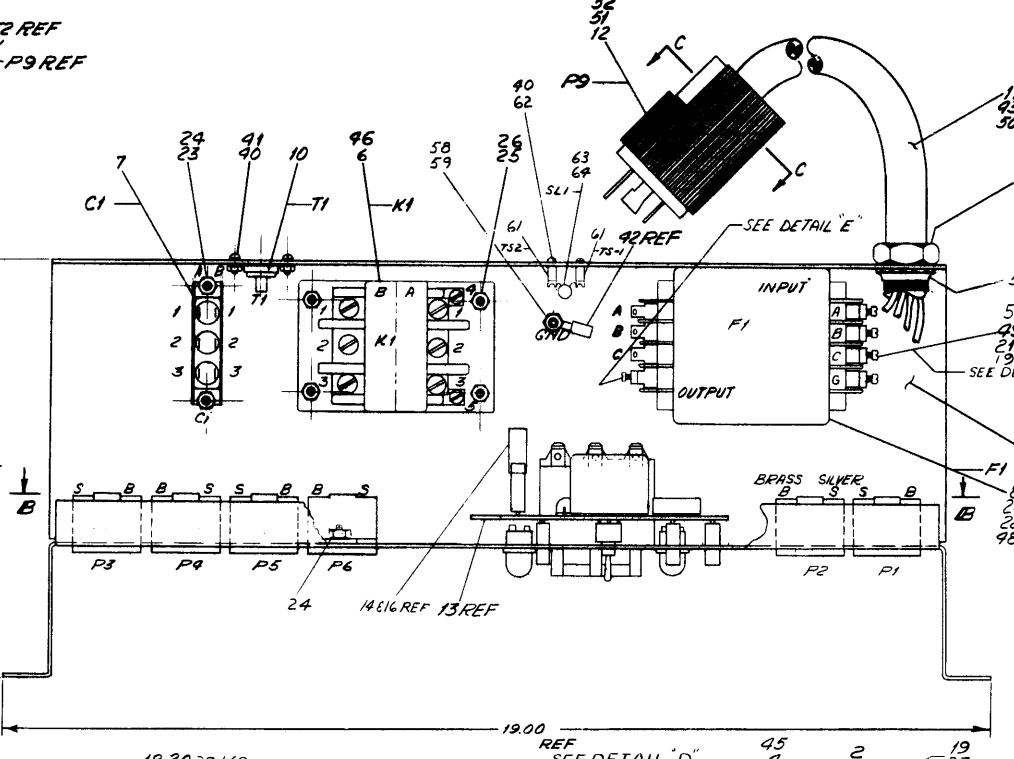
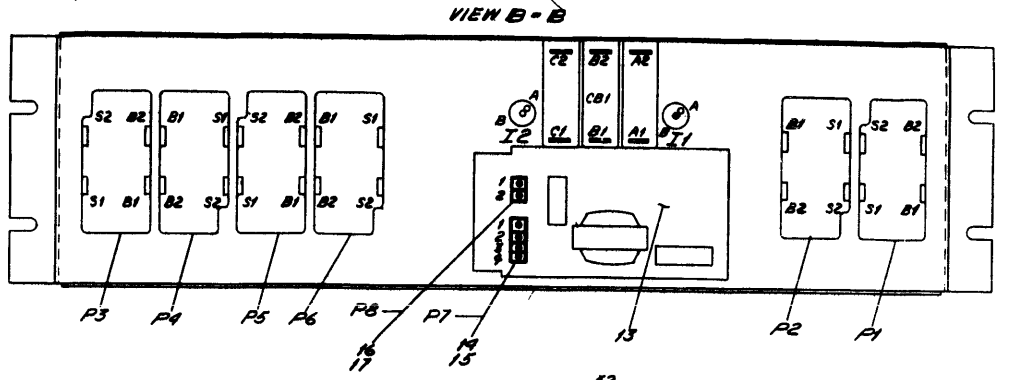
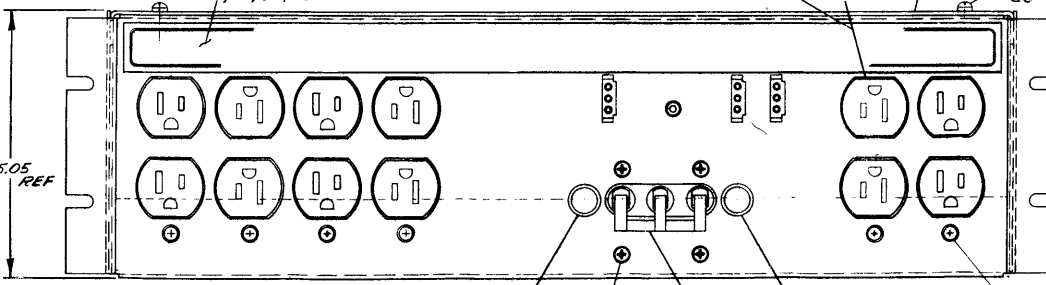
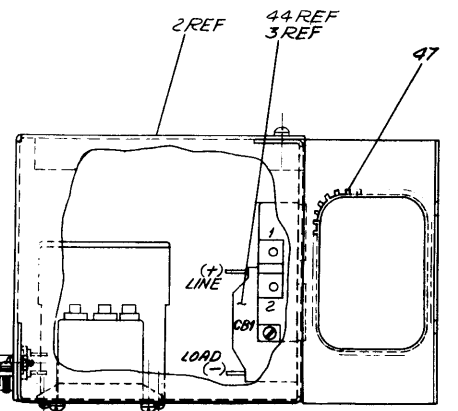
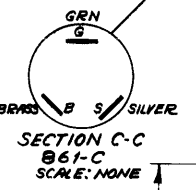
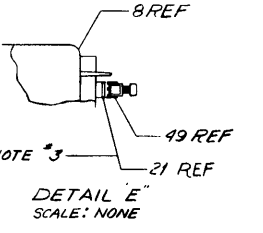
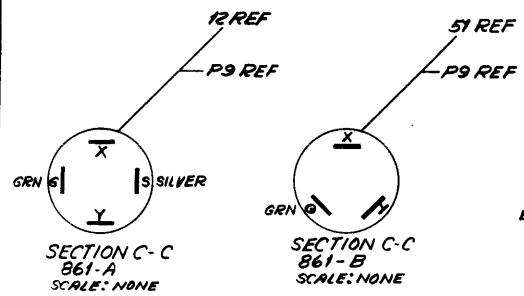
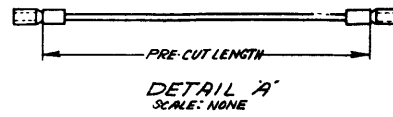
REV	DATE	BY	CHKD	DESCRIPTION
1	1-21-71	AMANCY MOORE		REGULATOR BOARD FOR H740
2	12-24-71			
3	12-24-71			
4	12-24-71			
5	12-24-71			
6	12-24-71			
7	12-24-71			
8	12-24-71			

QTY	REF DESIGNATION	DESCRIPTION	PART NO	ITEM NO.										
PARTS LIST														
ETCH BOARD REV E														
<table border="1"> <tr> <td>DRN. DATE</td> <td>12-20-71</td> </tr> <tr> <td>CHKD. DATE</td> <td>1-21-71</td> </tr> <tr> <td>ESG. DATE</td> <td>12-24-71</td> </tr> <tr> <td>PROJ. ENG. DATE</td> <td>12-24-71</td> </tr> <tr> <td>PROD. DATE</td> <td>12/24/71</td> </tr> </table>					DRN. DATE	12-20-71	CHKD. DATE	1-21-71	ESG. DATE	12-24-71	PROJ. ENG. DATE	12-24-71	PROD. DATE	12/24/71
DRN. DATE	12-20-71													
CHKD. DATE	1-21-71													
ESG. DATE	12-24-71													
PROJ. ENG. DATE	12-24-71													
PROD. DATE	12/24/71													
TITLE: REGULATOR BOARD FOR H740														
<table border="1"> <tr> <td>SIZE CODE</td> <td>DCS</td> <td>NUMBER</td> <td>5409728-0-1</td> <td>REV</td> <td>U</td> </tr> </table>					SIZE CODE	DCS	NUMBER	5409728-0-1	REV	U				
SIZE CODE	DCS	NUMBER	5409728-0-1	REV	U									

DEC NO.	EIA NO.	DEC NO.	EIA NO.

SCALE	SHEET	OF	DIST.

DWG. NO.	VARIATION	DATE	BY	CHKD.
B61-A	120			
B61-B	240			
B61-C	120			



- NOTES:
- FOR WIRE TABLES, SEE SHEET \*2.
  - LOCKWASHER (ITEM \*58) MUST BE PLACED UNDER SOLDERLESS CONN (ITEM \*42)
  - LOCKWASHER (ITEM \*19) MUST BE PLACED BETWEEN FILTER (ITEM \*2) AND TERM CLAMP (ITEM \*49).

QTY	SYMBOL	DESCRIPTION	PART NO.	REV.
1		NAME PLATE 861-F	AS3612382-08	68
1		FUSE CORD	1700006-9	67
1		CIRCUIT BREAKER	121196-01	66
1		CONN SOLDERLESS	900792-0	65
1		SURGE LIMITER	131196-02	64
1		SURGE LIMITER	121196-01	63
2		INT TOOTH LOCK WASH #4	9006632	62
2		STAND-OFF INSUL #4-40	9006420	61
4		WASHER #2 HANG I.P.C. GRN	917380-33	60
1		NUT KEP #10-32	9006353	59
1		INT TOOTH LOCK WASH	9006635	58
4		CLAMP TERMINAL	121223-01	57
1		LOCKNUT	9009309	56
18		CONN SOLDERLESS (BLU)	9008883	55
1		WIRE #18 AWG I.P.C. (WHT)	9107380-99	54
1		STRAIN RELIEF (BLU)	121196-00	53
1		WIRE PUG 125V 30A	121196	52
1		WIRE PUG 250V 20A	121196	51
1		POWER CORD 15 FT. 14/3	1700025	50
1		CLAMP TERMINAL	121223-00	49
1		FILTER 3 POLE 4 WIRE	121199	48
1		SCREW PH PAN #4-40	9007035	47
1		CONTACTOR, 230V	121197-1	46
1		RECEPTACLE, 15A 125VAC	121204	45
1		CIRCUIT BREAKER 20-30	121196	44
1		POWER CORD 15 FT. 14/3	1700027	43
1		CONN SOLDERLESS	9007926-01	42
2		NUT KEP #4-40	9006537	41
4		SCREEN PH PAN #4-40 X 1/2	9008301-1	40
1		NAME PLATE, 861-L	121361218-02	39
4		CONN, WASHLESS DUAL 3000VAC	9007985	38
26		CONN, SOLDERLESS (BLU)	9007919	37
7		CONN, SOLDERLESS (RED)	9007917	36
1		WIRE #18 AWG I.P.C. (GRN)	9107360-33	35
1		WIRE #18 AWG I.P.C. (WHT)	9107360-11	34
1		WIRE #18 AWG I.P.C. (BLU)	9107360-00	33
1		WIRE #18 AWG I.P.C. (WHT)	9107360-99	32
1		WIRE #18 AWG I.P.C. (RED)	9107360-22	31
1		WIRE #18 AWG I.P.C. (GRN)	9107370-55	30
1		WIRE #18 AWG I.P.C. (BLK)	9107370-00	29
1		WIRE #18 AWG I.P.C. (WHT)	9107370-99	28
1		WIRE #18 AWG I.P.C. (RED)	9107370-22	27
4		NUT KEP #8-32	9006563	26
4		SCREEN PH PAN #8-32 X 1/2	9006037-1	25
14		NUT KEP #6-32	9006560	24
18		SCREEN PH PAN #6-32 X 1/2	9006021-1	23
2		LOCKWASHER #6 EXT TOOTH	9007649	22
4		LOCKWASHER #8 INT TOOTH	9006634	21
1		NAME PLATE 861-B	121361218-00	20
8		LOCKWASHER #6 INT TOOTH	9006633	19
1		NAME PLATE 861-A	121361216-04	18
2		PIN MALE	1208378-01	17
1		MATING 2 PIN MALE	1210822-2	16
3		PIN FEMALE	1208379-01	15
1		MATING 3 PIN FEMALE	1210821-9	14
1		PC BOARD ASBY	02354020-01	13
1		WIRE PUG 125/250V 20A	121196	12
1		POWER CORD 15 FT. 14/3	1700026	11
1		THERMOSTAT	121198	10
1		STRAIN RELIEF (GRN)	121196-01	9
1		FILTER 3 POLE 4 WIRE	121197	8
1		CAPACITOR	1000077	7
1		CONTACTOR 115V	121197-0	6
2		LOAD POWER 115V	1205303	5
4		RECEPTACLE 15A 125VAC	1205351	4
1		CIRCUIT BREAKER, 20 AMP	121192	3
1		COVER 861 PC	0-ND-1105490-2	2
1		CHASSIS 861 PC	0-ND-1105490-1	1

861 PC

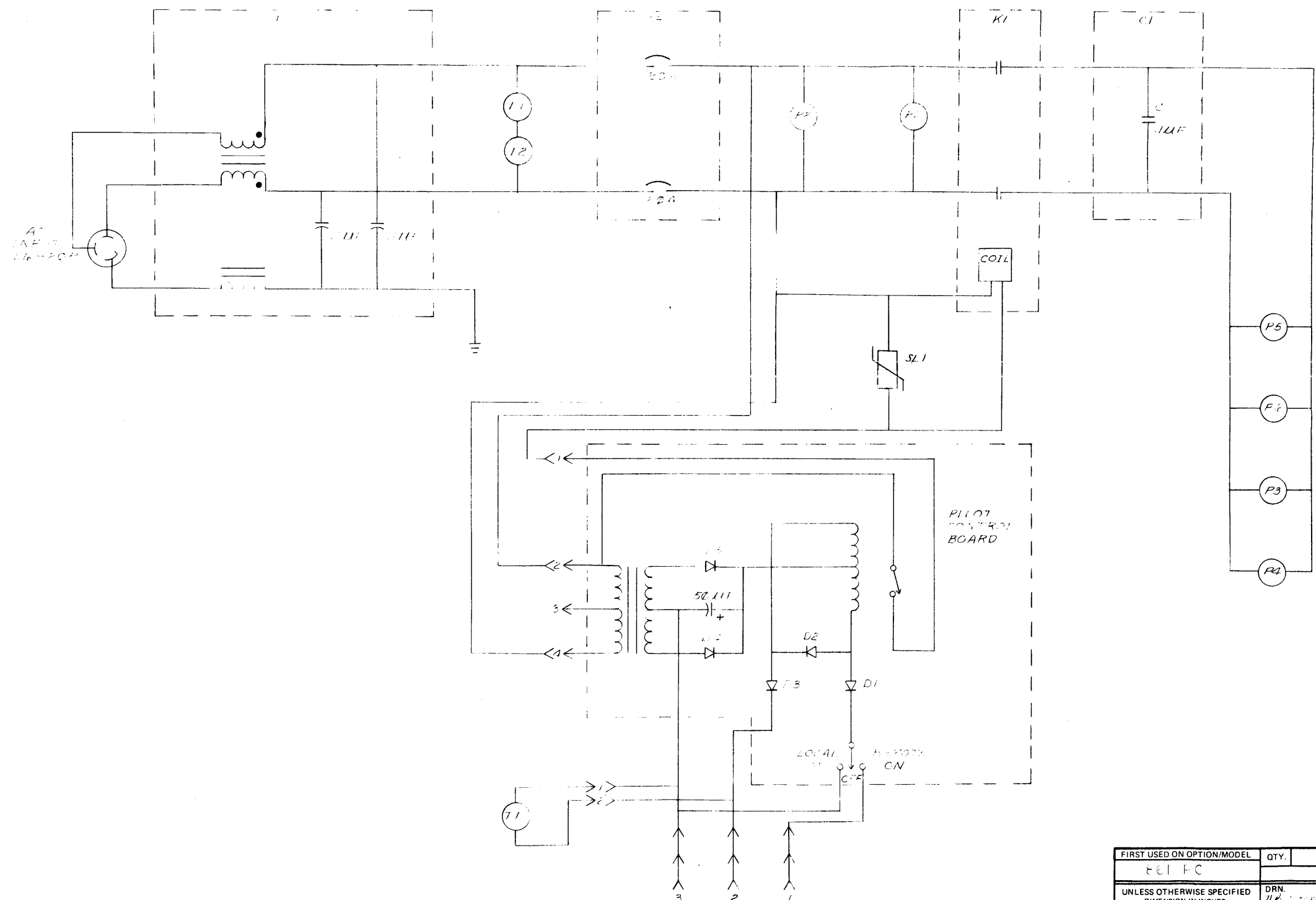
UNLESS OTHERWISE SPECIFIED DIMENSIONS IN INCHES TOLERANCES DECIMALS ANGLES 1st 3rd 4th 5th 6th 7th 8th 9th 10th 11th 12th 13th 14th 15th 16th 17th 18th 19th 20th 21st 22nd 23rd 24th 25th 26th 27th 28th 29th 30th 31st 32nd 33rd 34th 35th 36th 37th 38th 39th 40th 41st 42nd 43rd 44th 45th 46th 47th 48th 49th 50th 51st 52nd 53rd 54th 55th 56th 57th 58th 59th 60th 61st 62nd 63rd 64th 65th 66th 67th 68th 69th 70th 71st 72nd 73rd 74th 75th 76th 77th 78th 79th 80th 81st 82nd 83rd 84th 85th 86th 87th 88th 89th 90th 91st 92nd 93rd 94th 95th 96th 97th 98th 99th 100th 101st 102nd 103rd 104th 105th 106th 107th 108th 109th 110th 111th 112th 113th 114th 115th 116th 117th 118th 119th 120th 121st 122nd 123rd 124th 125th 126th 127th 128th 129th 130th 131st 132nd 133rd 134th 135th 136th 137th 138th 139th 140th 141st 142nd 143rd 144th 145th 146th 147th 148th 149th 150th 151st 152nd 153rd 154th 155th 156th 157th 158th 159th 160th 161st 162nd 163rd 164th 165th 166th 167th 168th 169th 170th 171st 172nd 173rd 174th 175th 176th 177th 178th 179th 180th 181st 182nd 183rd 184th 185th 186th 187th 188th 189th 190th 191st 192nd 193rd 194th 195th 196th 197th 198th 199th 200th 201st 202nd 203rd 204th 205th 206th 207th 208th 209th 210th 211st 212nd 213th 214th 215th 216th 217th 218th 219th 220th 221st 222nd 223rd 224th 225th 226th 227th 228th 229th 230th 231st 232nd 233rd 234th 235th 236th 237th 238th 239th 240th 241st 242nd 243rd 244th 245th 246th 247th 248th 249th 250th 251st 252nd 253rd 254th 255th 256th 257th 258th 259th 260th 261st 262nd 263rd 264th 265th 266th 267th 268th 269th 270th 271st 272nd 273rd 274th 275th 276th 277th 278th 279th 280th 281st 282nd 283rd 284th 285th 286th 287th 288th 289th 290th 291st 292nd 293rd 294th 295th 296th 297th 298th 299th 300th 301st 302nd 303rd 304th 305th 306th 307th 308th 309th 310th 311st 312nd 313th 314th 315th 316th 317th 318th 319th 320th 321st 322nd 323rd 324th 325th 326th 327th 328th 329th 330th 331st 332nd 333rd 334th 335th 336th 337th 338th 339th 340th 341st 342nd 343rd 344th 345th 346th 347th 348th 349th 350th 351st 352nd 353rd 354th 355th 356th 357th 358th 359th 360th 361st 362nd 363rd 364th 365th 366th 367th 368th 369th 370th 371st 372nd 373rd 374th 375th 376th 377th 378th 379th 380th 381st 382nd 383rd 384th 385th 386th 387th 388th 389th 390th 391st 392nd 393rd 394th 395th 396th 397th 398th 399th 400th 401st 402nd 403rd 404th 405th 406th 407th 408th 409th 410th 411st 412nd 413th 414th 415th 416th 417th 418th 419th 420th 421st 422nd 423rd 424th 425th 426th 427th 428th 429th 430th 431st 432nd 433rd 434th 435th 436th 437th 438th 439th 440th 441st 442nd 443rd 444th 445th 446th 447th 448th 449th 450th 451st 452nd 453rd 454th 455th 456th 457th 458th 459th 460th 461st 462nd 463rd 464th 465th 466th 467th 468th 469th 470th 471st 472nd 473rd 474th 475th 476th 477th 478th 479th 480th 481st 482nd 483rd 484th 485th 486th 487th 488th 489th 490th 491st 492nd 493rd 494th 495th 496th 497th 498th 499th 500th 501st 502nd 503rd 504th 505th 506th 507th 508th 509th 510th 511st 512nd 513th 514th 515th 516th 517th 518th 519th 520th 521st 522nd 523rd 524th 525th 526th 527th 528th 529th 530th 531st 532nd 533rd 534th 535th 536th 537th 538th 539th 540th 541st 542nd 543rd 544th 545th 546th 547th 548th 549th 550th 551st 552nd 553rd 554th 555th 556th 557th 558th 559th 560th 561st 562nd 563rd 564th 565th 566th 567th 568th 569th 570th 571st 572nd 573rd 574th 575th 576th 577th 578th 579th 580th 581st 582nd 583rd 584th 585th 586th 587th 588th 589th 590th 591st 592nd 593rd 594th 595th 596th 597th 598th 599th 600th 601st 602nd 603rd 604th 605th 606th 607th 608th 609th 610th 611st 612nd 613th 614th 615th 616th 617th 618th 619th 620th 621st 622nd 623rd 624th 625th 626th 627th 628th 629th 630th 631st 632nd 633rd 634th 635th 636th 637th 638th 639th 640th 641st 642nd 643rd 644th 645th 646th 647th 648th 649th 650th 651st 652nd 653rd 654th 655th 656th 657th 658th 659th 660th 661st 662nd 663rd 664th 665th 666th 667th 668th 669th 670th 671st 672nd 673rd 674th 675th 676th 677th 678th 679th 680th 681st 682nd 683rd 684th 685th 686th 687th 688th 689th 690th 691st 692nd 693rd 694th 695th 696th 697th 698th 699th 700th 701st 702nd 703rd 704th 705th 706th 707th 708th 709th 710th 711st 712nd 713th 714th 715th 716th 717th 718th 719th 720th 721st 722nd 723rd 724th 725th 726th 727th 728th 729th 730th 731st 732nd 733rd 734th 735th 736th 737th 738th 739th 740th 741st 742nd 743rd 744th 745th 746th 747th 748th 749th 750th 751st 752nd 753rd 754th 755th 756th 757th 758th 759th 760th 761st 762nd 763rd 764th 765th 766th 767th 768th 769th 770th 771st 772nd 773rd 774th 775th 776th 777th 778th 779th 780th 781st 782nd 783rd 784th 785th 786th 787th 788th 789th 790th 791st 792nd 793rd 794th 795th 796th 797th 798th 799th 800th 801st 802nd 803rd 804th 805th 806th 807th 808th 809th 810th 811st 812nd 813th 814th 815th 816th 817th 818th 819th 820th 821st 822nd 823rd 824th 825th 826th 827th 828th 829th 830th 831st 832nd 833rd 834th 835th 836th 837th 838th 839th 840th 841st 842nd 843rd 844th 845th 846th 847th 848th 849th 850th 851st 852nd 853rd 854th 855th 856th 857th 858th 859th 860th 861st 862nd 863rd 864th 865th 866th 867th 868th 869th 870th 871st 872nd 873rd 874th 875th 876th 877th 878th 879th 880th 881st 882nd 883rd 884th 885th 886th 887th 888th 889th 890th 891st 892nd 893rd 894th 895th 896th 897th 898th 899th 900th 901st 902nd 903rd 904th 905th 906th 907th 908th 909th 910th 911st 912nd 913th 914th 915th 916th 917th 918th 919th 920th 921st 922nd 923rd 924th 925th 926th 927th 928th 929th 930th 931st 932nd 933rd 934th 935th 936th 937th 938th 939th 940th 941st 942nd 943rd 944th 945th 946th 947th 948th 949th 950th 951st 952nd 953rd 954th 955th 956th 957th 958th 959th 960th 961st 962nd 963rd 964th 965th 966th 967th 968th 969th 970th 971st 972nd 973rd 974th 975th 976th 977th 978th 979th 980th 981st 982nd 983rd 984th 985th 986th 987th 988th 989th 990th 991st 992nd 993rd 994th 995th 996th 997th 998th 999th 1000th

DATE: 10/10/68  
 DRAWN BY: [Signature]  
 CHECKED BY: [Signature]  
 TITLE: POWER CONTROL, 861  
 PART NO.: 861-0-0  
 REV.: 0  
 SHEET: 1 OF 2





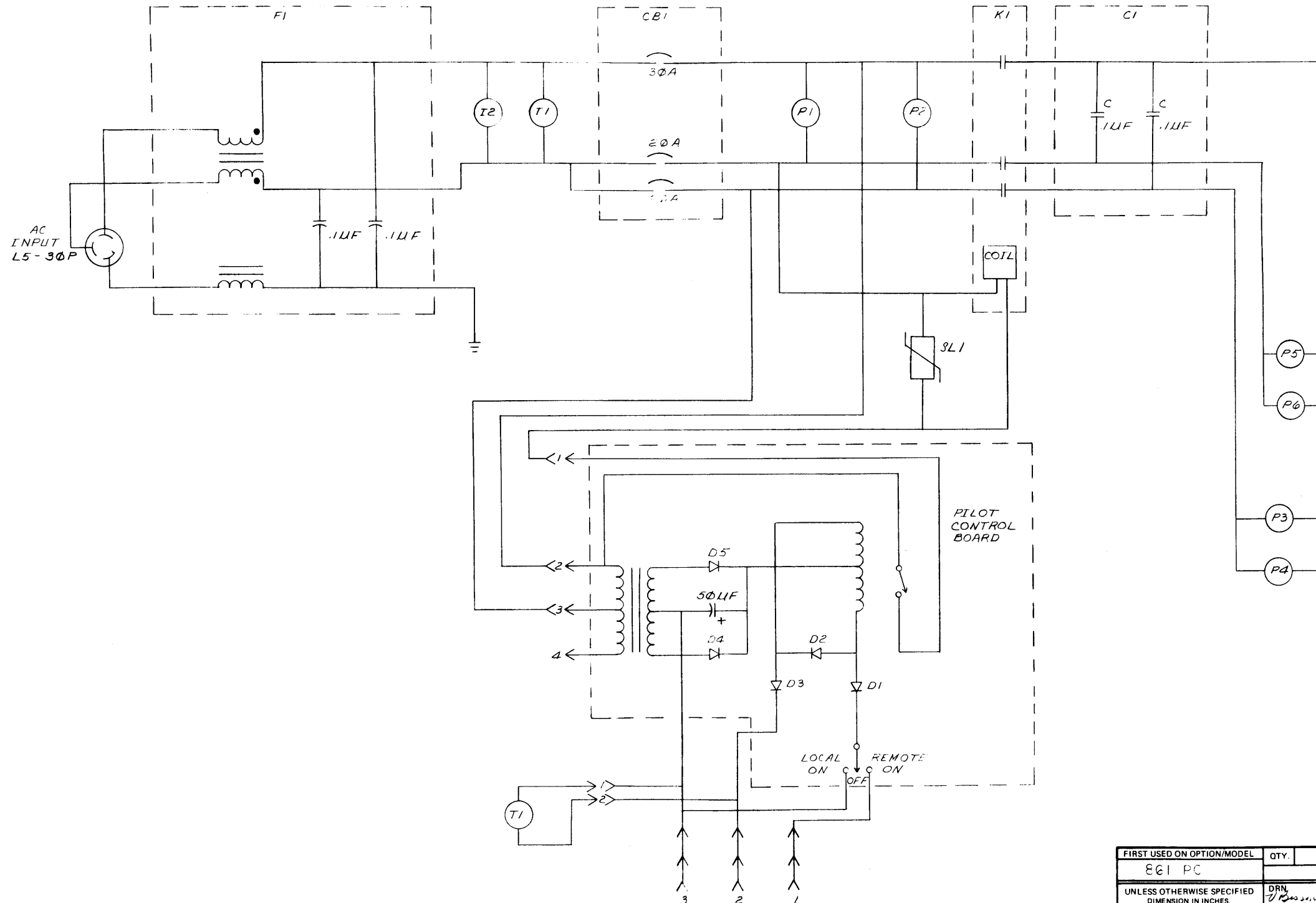
This drawing and specifications herein are the property of Digital Equipment Corporation and shall not be reproduced or copied or used in whole or in part as the basis for the manufacture or sale of items without written permission.



BRUNING 40-107 15968	REVISIONS	NO.	REV.
CHK	CHANGE NO.	REV.	
83	861-00006	A	
D. Chastain 12/10/74			
LOVA			
L. P. White 12/10/74			

FIRST USED ON OPTION/MODEL	QTY.	DESCRIPTION	PART NO.	ITEM NO.
FCI FC				
PARTS LIST				
UNLESS OTHERWISE SPECIFIED DIMENSION IN INCHES. TOLERANCES		DRN. <i>U.B.</i>	DATE 9-1-72	<b>digital</b> EQUIPMENT CORPORATION MAYNARD MASSACHUSETTS
DECIMALS	ANGLES	CHK'D. <i>K. S. High</i>	DATE 11-6-72	
XXX = .005	± 0° 30'	ENG. <i>R. B. G.</i>	DATE 10-6-72	
XX = .02		PROJ. ENG. <i>K. S. High</i>	DATE 10/6/72	
REMOVE BURRS AND BREAK SHARP CORNERS. SURFACE QUALITY		PRD. <i>L. P. White</i>	DATE	TITLE CIRCUIT SCHEMATIC (FCI-BFC)
MATERIAL	NEXT HIGHER ASSY.	SIZE CODE	NUMBER	REV.
FINISH	SCALE	D	861-B-1	A
SHEET		OF	DIST.	

This drawing and specifications, herein, are the property of Digital Equipment Corporation and shall not be reproduced or copied or used in whole or in part as a basis for the manufacture or sale of items without written permission.



BRUNING 40-107, 15988	REVISEMENTS	REV	A
CHK	CHANGE NO	REV	A
KH	861-00006		
	L. L. Landon 12-10-72		
	LOYA		

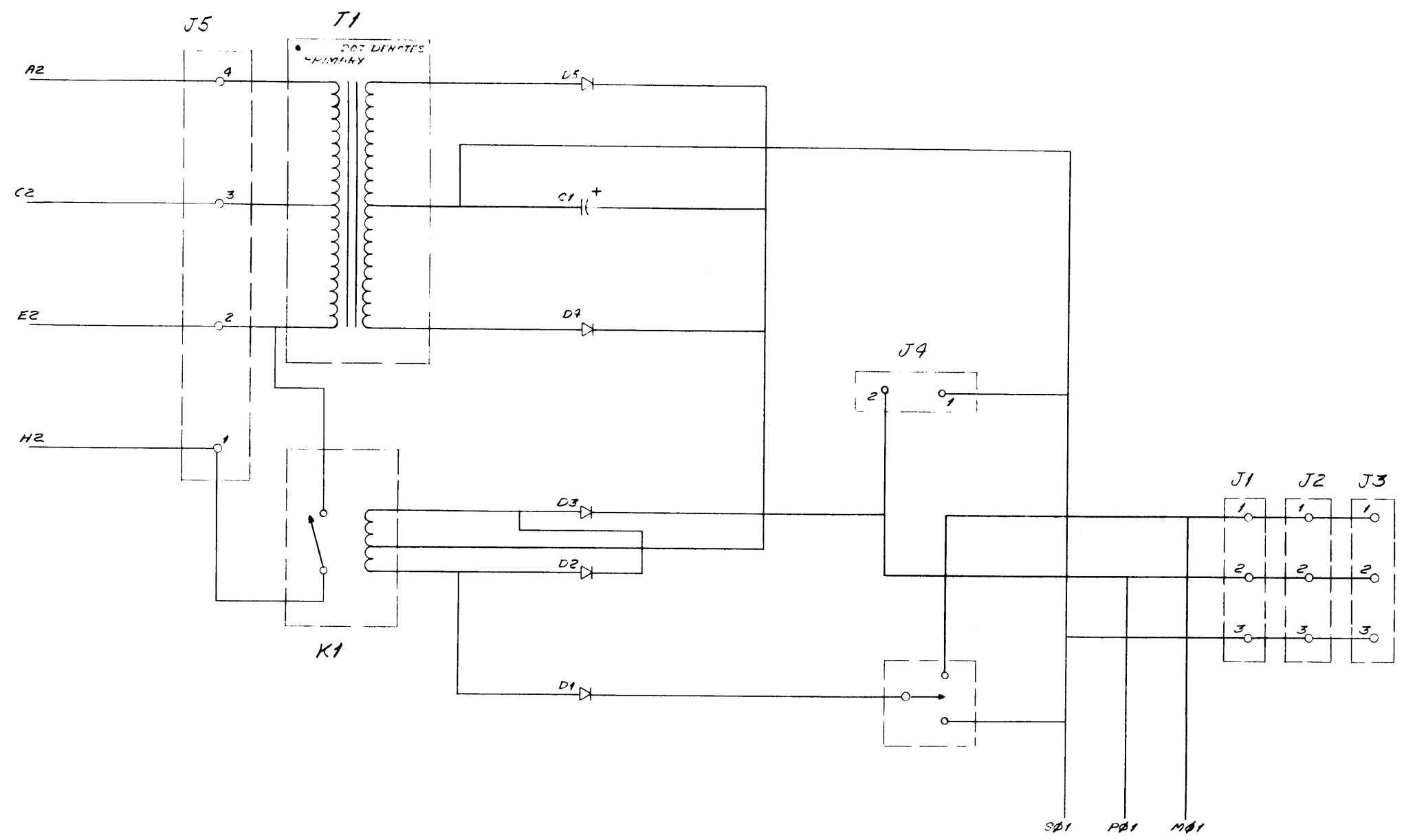
FIRST USED ON OPTION/MODEL 861 PC	QTY.	DESCRIPTION	PART NO.	ITEM NO.
PARTS LIST				
UNLESS OTHERWISE SPECIFIED DIMENSION IN INCHES	DRN D. B. S. 12-10-72	DATE 9-12-72	digital EQUIPMENT CORPORATION MAYNARD MASSACHUSETTS	
TOLERANCES	CHKD J. B. S. 12-10-72	DATE 10-6-72	TITLE CIRCUIT SCHEMATIC 861-PC P.C.	
DECIMALS	ENG K. B. S. 12-10-72	DATE 10-6-72		
ANGLES	PROV. ENG. K. B. S. 12-10-72	DATE 10-6-72		
.XXX = .005	PROD. K. B. S. 12-10-72	DATE 10-6-72		
.XX = .02				
.X = .1				
REMOVE BURRS AND BREAK SHARP CORNERS SURFACE QUALITY				
MATERIAL	NEXT HIGHER ASSY.	SIZE CODE	NUMBER	REV.
	B-L-1-1	D S	861-C-1	A
FINISH	SCALE	SHEET	OF	DIST.
		1	1	

REV. A  
NUMBER  
PCS 861-C-1



The drawing and specifications herein are the property of Digital Equipment Corporation and shall not be reproduced or copied or used in whole or in part as the basis for the manufacture or sale of items without written permission.

REV. B  
 NUMBER 5410206-0-1  
 SIZE CODE D



REV. B  
 CHANGE NO.  
 REVISIONS

FIRST USED ON OPTION/MODEL	QTY.	DESCRIPTION	PART NO.	ITEM NO.
861 P.C.				
PARTS LIST				
UNLESS OTHERWISE SPECIFIED DIMENSION IN INCHES TOLERANCES	DRN. <i>Delimit</i>	DATE 8-25-72	 digital EQUIPMENT CORPORATION MAYNARD MASSACHUSETTS TITLE PILOT CONTROL	
DECIMALS	CHK'D. <i>Delimit</i>	DATE 7-17-72		
ANGLES	ENG. <i>Delimit</i>	DATE 9-19-72		
XXX = .005 XX = .02 X = .1	PROJ. ENG. <i>Delimit</i>	DATE 9-19-72		
REMOVE BURRS AND BREAK SHARP CORNERS. SURFACE QUALITY	PRD. <i>Delimit</i>	DATE 9-19-72		
MATERIAL	NEXT HIGHER ASSY.		SIZE CODE	NUMBER
FINISH			D	CS 5410206-0-1
		SCALE NONE		REV. B
		SHEET 2 OF 2	DIST.	

DIGITAL EQUIPMENT CORPORATION  
MAYNARD, MASSACHUSETTS

**PARTS LIST**

QUANTITY / VARIATION

MADE BY SID ROBERTS	CHECKED J. CAHILL	SECTION
DATE 4/10/72	DATE 5/23/72	1
ENG <i>[Signature]</i>	PROD <i>[Signature]</i>	ISSUED SECT.
DATE 5/1/72	DATE 6-8-72	1

ITEM NO.	DWG NO. / PART NO.	DESCRIPTION	QUANTITY / VARIATION										
			DX11-BA (115V)	DX11-BB (230V)	DX11-BC (115V)	DX11-BD (230V)	DX11-BE (115V)	DX11-BF (230V)	DX11-BG (115V)	DX11-BH (230V)			
1	E-UA-H950-Q-0	COVER PANEL 10 1/2 (H950-Q)	3	3	3	3	3	3	3				
2	D-UA-H950-PB-0	COVER PANEL 5 1/4 (H950-P)	1	1	1	1	1	1	1				
3	D-AD-7006331-27	INDICATOR PANEL ASSY	1	1	1	1	1	1	1				
4	D-AD-7008942-1	PNL, LOGO (H957)	-	-	1	1	-	-	1	1			
5	D-IA-7407936-1	PNL, LOGO (H950)	1	1	-	-	1	1	-	-			
6	C-PL-7006501-1-0	BASIC CABINET ASSY (19")	1	1	-	-	1	1	-	-			
7	E-UA-H957-A-0	19 INCH FRAME ASSY (H957-A)	-	-	1	1	-	-	1	1			
8	E-UA-7008792-0-0	EPO PANEL ASSY	1	1	1	1	1	1	1	1			
9	D-UA-H957-FA	END PANEL (H957)	-	-	1	1	-	-	1	1			
10	D-UA-H957-FB	END PANEL (H957)	-	-	1	1	-	-	1	1			
11	D-AD-7008962-0-0	LOGIC ASSY	1	1	1	1	1	1	1	1			
12	D-UA-H957-H-0	FAN ASSY (H957)	-	-	1	1	-	-	1	1			
13	D-UA-716-0-0	716 POWER SUPPLY	1	1	1	1	1	1	1	1			
14	9006070-1	SCR, PHL PAN HD #10-32 x 5/16 LG.	24	24	24	24	24	24	24	24			
15	9006586	NUT, TINNEMAN #10-32	24	24	24	24	24	24	24	24			
16	D-UA-H957-B-0	H957-B FULL LENGTH DOOR	-	-	1	1	-	-	1	1			
17	D-UA-H957-D-0	H957-D MTG PANEL DOOR	-	-	1	1	-	-	1	1			
18	D-MD-7408232-0-0	BRACKET, SIDE	2	2	2	2	2	2	2	2			
19	D-UA-H740-D	H740-D POWER SUPPLY	1	1	1	1	1	1	1	1			
20	<del>D-UA-H720-F-0</del>	<del>H720-F POWER SUPPLY</del>	-	-	-	-	-	-	-	-			
21	<del>D-IA-7408392-0-0</del>	<del>CHASSIS POWER SUPPLY</del>	-	-	-	-	-	-	-	-			
22	A-PL-H952-F-0	H952-F LEVELER SET (PL)	-	-	1	1	-	-	1	1			

TITLE	UNIT ASSY DX11-B	ASSY NO.	D-UA-DX11-B-0	SIZE	CODE	NUMBER	DX11-B-0	REV.	ECO NO.
		SHEET	1 OF 4	DIST.	A PL			D	DX11B-00017

DIGITAL EQUIPMENT CORPORATION  
MAYNARD, MASSACHUSETTS

**PARTS LIST**

QUANTITY / VARIATION

MADE BY SID ROBERTS	CHECKED J. CAHILL	SECTION
DATE 4/10/72	DATE 5/23/72	1
ENG <i>[Signature]</i>	PROD <i>[Signature]</i>	ISSUED SECT.
DATE 5/1/72	DATE 5/23/72	1

ITEM NO.	DWG NO. / PART NO.	DESCRIPTION	QUANTITY / VARIATION										
			DX11-BA (115V)	DX11-BB (230V)	DX11-BC (115V)	DX11-BD (230V)	DX11-BE (115V)	DX11-BF (230V)	DX11-BG (115V)	DX11-BH (230V)			
23	A-PL-H952-B-0	H952-B STABILIZER FT.	-	-	1	1	-	-	1	1			
24	A-PL-H952-E-0	H952-E CASTER SET (PL)	-	-	1	1	-	-	1	1			
25	D-IA-7008919-0-0	IBM 360 CABLE ASSY	2	2	2	2	2	2	2	2			
26	D-IA-7008920-0-0	IBM 360 CABLE ASSY	2	2	2	2	2	2	2	2			
27	B-MD-7407530-0-0	PLATE, HOLDING	4	4	4	4	4	4	4	4			
28	9006024-3	SCR, PHL HD TRUSS 6-32 X 1/2 LG.	16	16	16	16	16	16	16	16			
29	9008185	NUT #6 -32 KEP.	12	12	12	12	12	12	12	12			
30	D-IA-7409592-0-0	PNL, PLUG	1	1	1	1	1	1	1	1			
31	9107440-29	WIRE #14 TWP RED/WHT	A/RA	RA/RA	RA/RA	RA/RA	RA/RA	RA/RA	RA/RA	RA/RA			
32	9107440-09	WIRE #14 TWP BLK/WHT	A/RA	RA/RA	RA/RA	RA/RA	RA/RA	RA/RA	RA/RA	RA/RA			
33	9107440-02	WIRE #14 TWP BLK/RED	A/RA	RA/RA	RA/RA	RA/RA	RA/RA	RA/RA	RA/RA	RA/RA			
34	9107370-00	WIRE #14 KYNAR BLK	A/RA	RA/RA	RA/RA	RA/RA	RA/RA	RA/RA	RA/RA	RA/RA			
35	9167370-22	WIRE #14 KYNAR RED	A/RA	RA/RA	RA/RA	RA/RA	RA/RA	RA/RA	RA/RA	RA/RA			
36	9107370-33	WIRE #14 KYNAR ORN	A/RA	RA/RA	RA/RA	RA/RA	RA/RA	RA/RA	RA/RA	RA/RA			
37	9107370-55	WIRE #14 KYNAR GRN.	A/RA	RA/RA	RA/RA	RA/RA	RA/RA	RA/RA	RA/RA	RA/RA			
38	9107370-99	WIRE #14 KYNAR WHT	A/RA	RA/RA	RA/RA	RA/RA	RA/RA	RA/RA	RA/RA	RA/RA			
39	9107350-44	WIRE #22 KYNAR YEL	A/RA	RA/RA	RA/RA	RA/RA	RA/RA	RA/RA	RA/RA	RA/RA			
40	9107350-77	WIRE #22 KYNAR VIO	A/RA	RA/RA	RA/RA	RA/RA	RA/RA	RA/RA	RA/RA	RA/RA			
41	D-MU-DX11-B-01	MODULE UTILIZATION	REF	REF	REF	REF	REF	REF	REF	REF			
42	9009003	JUMPER JONES 541-J	4	4	4	4	4	4	4	4			
43	A-AL-DX11-B-31	ACCESSORY LIST	REF	REF	REF	REF	REF	REF	REF	REF			

TITLE	UNIT ASSY DX11-B	ASSY NO.	D-UA-DX11-B-0	SIZE	CODE	NUMBER	DX11-B-0	REV.	ECO NO.
		SHEET	2 OF 4	DIST.	A PL			D	

DIGITAL EQUIPMENT CORPORATION MAYNARD, MASSACHUSETTS				QUANTITY / VARIATION											
PARTS LIST				DX11-BA(115V)	DX11-BB(230V)	DX11-BC(115V)	DX11-BD(230V)	DX11-BE(115V)	DX11-BF(230V)	DX11-BG(115V)	DX11-BH(230V)				
MADE BY SID ROBERTS		CHECKED J. CAHILL		SECTION											
DATE 4/10/72		DATE 5/23/72		1											
ENG R. DIETER		PROD PAUL FRAZER		ISSUED SECT.											
DATE 5/31/72		DATE 6/8/72		1											
ITEM NO.	DWG NO. / PART NO.	DESCRIPTION													
44	9007651	WASHER EXT TOOTH #10		24	24	24	24	24	24	24	24				
45	9007880	TIE WRAP 5 1/4 X 1/8W		A	RA	RA	RA	RA	RA	RA	RA				
46	9007033	TIE WRAP 6 1/2 X 3/16W		A	RA	RA	RA	RA	RA	RA	RA				
47	9008442	CABLE CLAMP		8	8	8	8	8	8	8	8				
48	9107240	TUBING SPRIAL WRAP 1/2 DIA		A	RA	RA	RA	RA	RA	RA	RA				
49	9007927	SOLDERLESS CONN #6 (BLU)		20	20	20	20	20	20	20	20				
50	9007919	SOLDERLESS CONN (BLU)		30	30	30	30	30	30	30	30				
51	9007929	SOLDERLESS CONN #6 (RED)		8	8	8	8	8	8	8	8				
52	9007917	SOLDERLESS CONN (RED)		4	4	4	4	4	4	4	4				
53	9007772-3	CLAMP DAKOTA 3/8		2	2	2	2	2	2	2	2				
54	9007621	GROMMET-CATER PILLAR		A	RA	RA	RA	RA	RA	RA	RA				
55	9006634	WASH INT TOOTH #6		12	12	12	12	12	12	12	12				
56	9006073-1	SCR PHL HD PAN #10-32 3/8 LG		2	2	2	2	2	2	2	2				
57	9006070-1	SCR PHL HD PAN #8 3/2 X 3/8 LG		2	2	2	2	2	2	2	2				
58		SCR PHL HD TRUSS #6-32 X 7/8		8	8	8	8	8	8	8	8				
59	9006029-3	SCR PHL HD TRUSS #6-32 X 1 1/4		4	4	4	4	4	4	4	4				
60	9006251	SPACER #6-32 X 1/2 LG		4	4	4	4	4	4	4	4				
61	9007036	GROMMET-CATER PILLAR		A	RA	RA	RA	RA	RA	RA	RA				
62	9006917	TERMINAL STRIP #12-541 CINCH JONES		1	1	1	1	1	1	1	1				
63	B-MD-100156-12	PROTECTION, COVER (541 TERMSTRIP)		1	1	1	1	1	1	1	1				
64	1209403	FAN BOXER		1	1	1	1	1	1	1	1				
65	C-MD-7404881-0-0	FAN SCREEN		2	2	2	2	2	2	2	2				
TITLE UNIT ASSY DX11-B				ASSY NO. D-UA-DX11-B-Ø		SIZE CODE A PL		NUMBER DX11-B-Ø				REV. D		ECO NO.	
				SHEET 3 OF 4		DIST.									


DEC FORM DEC 16 (325) 1031-N870  
DRA 110

DIGITAL EQUIPMENT CORPORATION MAYNARD, MASSACHUSETTS				QUANTITY / VARIATION											
PARTS LIST				DX11-BA(115V)	DX11-BB(230V)	DX11-BC(115V)	DX11-BD(230V)	DX11-BE(115V)	DX11-BF(230V)	DX11-BG(115V)	DX11-BH(230V)				
MADE BY Sid Roberts		CHECKED J. Cahill		SECTION											
DATE 4/10/72		DATE 5/23/72		1											
ENG R. Dieter		PROD P. FRAZER		ISSUED SECT.											
DATE 5/31/72		DATE 6/8/72		1											
ITEM NO.	DWG NO. / PART NO.	DESCRIPTION													
66	1209351-15	PIN HOUSING, MALE MATE-N-LOCK		1	1	1	1	1	1	1	1				
67	1209378	PIN, (MALE) MATE-N-LOCK		8	8	8	8	8	8	8	8				
68	9006990	GND STRAP 5"		1	1	1	1	1	1	1	1				
69	1205724	GND STRAP 11"		1	1	1	1	1	1	1	1				
70	E-UA-H950-QB-0	COVER PANEL 10-1/2		2	2		2	2							
71	C-PS-1211386-0-0	THICK LATCH MOLD		12	10	4	2	12	10	4	2				
72	E-UA-861-0-0	861-C POWER CONTROL		1	-	1	-	1	-	1	-				
73	E-UA-861-0-0	861-B POWER CONTROL		-	1	-	1	-	1	-	1				
74	BC05 H	115V AC INPUT BOX LINE CORD		1	-	1	-	1	-	1	-				
75	BC05 J	230V AC INPUT BOX LINE CORD		-	1	-	1	-	1	-	1				
76	D-UA-H722-Ø-Ø	H722 STEP DOWN TRANS.		-	1	-	1	-	1	-	1				
77	90-08853	230 VOLT PLUG		-	2	-	2	-	2	-	2				
78	9107673-6	6' LINE CORD		1	1	1	1	1	1	1	1				
79	9107673-9	9' LINE CORD		1	1	1	1	1	1	1	1				
80	7008288-8	PWR CONTROL CABLE		1	1	1	1	1	1	1	1				
81	9007867	CABLE TIE MOUNT		A	RA	RA	RA	RA	RA	RA	RA				
TITLE UNIT ASSY DX11-B				ASSY NO. D-UA-DX11-B-Ø		SIZE CODE A PL		NUMBER DX11-B-Ø				REV. D		ECO NO. 1	
				SHEET 4 OF 4		DIST.									

DEC FORM DEC 16 (325) 1031-N870  
DRA 110

This drawing and specifications, herein, are the property of Digital Equipment Corporation and shall not be reproduced or copied or used in whole or in part as the basis for the manufacture or sale of items without written permission.

SIZE CODE NUMBER REV.

FIRST USED ON OPTION MODEL	QTY.	DESCRIPTION	PART NO.	ITEM NO.
DXII-B				
PARTS LIST				
DRN <i>S. Roberts</i>	DATE <i>5-24-72</i>	 <p><b>digital</b> EQUIPMENT CORPORATION MAYNARD, MASSACHUSETTS</p> <p>TITLE <b>FUNCTIONAL SPECIFICATIONS (DXII-B)</b></p>		
CHK'D. <i>[Signature]</i>	DATE <i>5-24-72</i>			
ENG. <i>[Signature]</i>	DATE <i>5-31-72</i>			
PROJ. ENG. <i>[Signature]</i>	DATE <i>5-31-72</i>			
PROD. <i>[Signature]</i>	DATE <i>6-8-72</i>			
NEXT HIGHER ASSEMBLY				
B-DD-DXII-B		SIZE CODE	NUMBER	REV.
SCALE <i>1/1</i>		KFS	DXII-B-31	
SHEET	OF	DIST.		
	1			

REVISIONS	REV.
	CHANGE NO.
CHK	



**DIGITAL EQUIPMENT CORPORATION**  
MAYNARD, MASSACHUSETTS

**ACCESSORY LIST**

**LEGEND**

D DOCUMENT  
DN DOCUMENT CHANGE NOTICE  
PA PAPER TAPE ASCII  
PB PAPER TAPE BINARY  
PM PAPER TAPE READ-IN-MODE

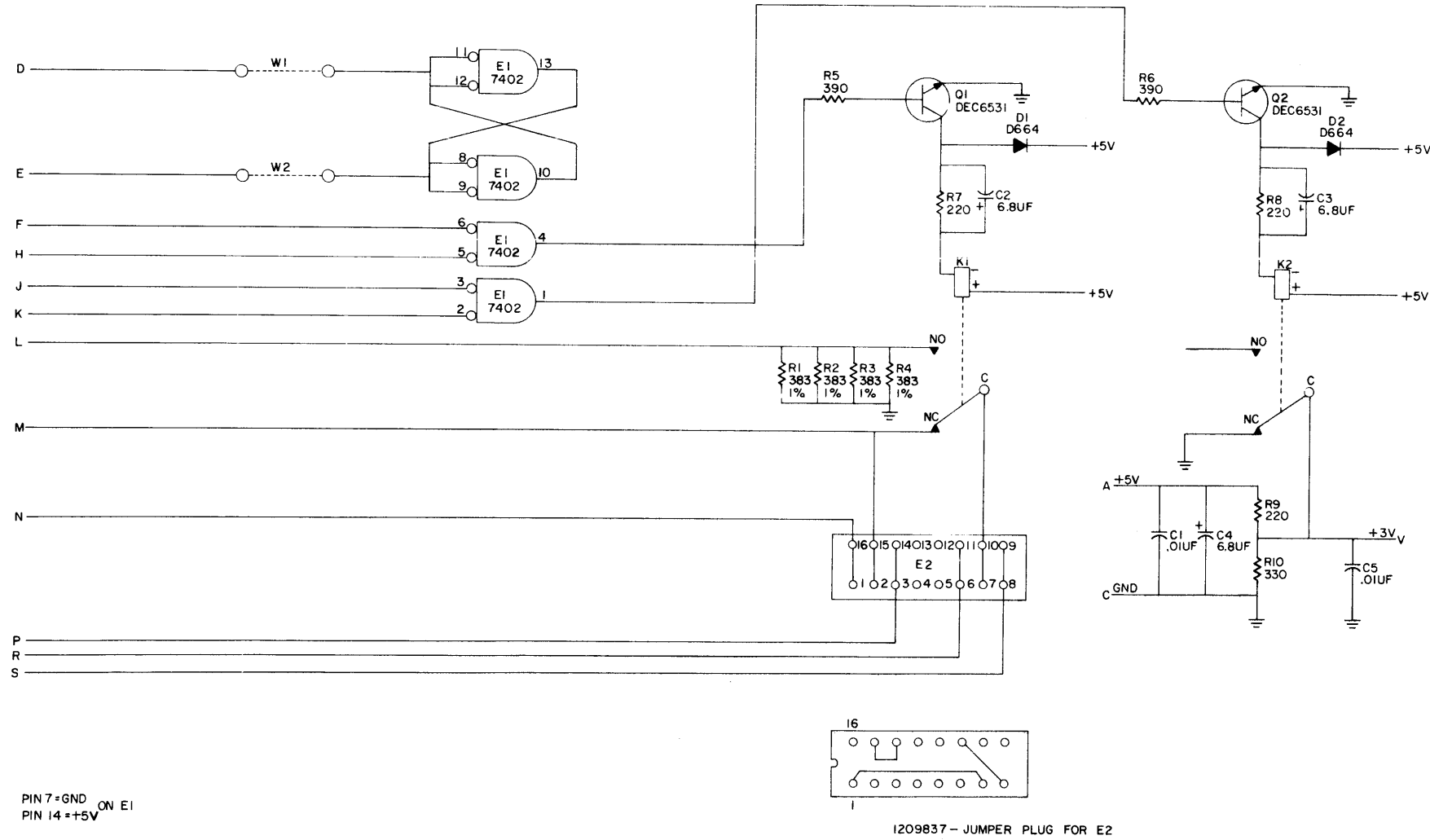
**QUANTITY / VARIATION**

MADE BY R. Dieter DATE 5-31-72	CHECKED [Signature] DATE 5-31-72	SECTION
ENG R. Dieter DATE 5-31-72	PROD [Signature] DATE	ISSUED SECT.

ITEM NO.	DWG NO. / PART NO.	DESCRIPTION	DX11-B, BB, BC, BD		DX11-BE, BF, BG, BH		KIT CHECK	BY DATE		INSTALLATION CHECK	
1	B-DD-DX11B-0	DX11-B Print Set	-								
2	LIBKIT-11-DX11-B-A-K	Software Kit	-								
3	70-08288-8	Power Control Cable 8 ft.	-	-							
4	BC11-A-XX	Unibus Cable	-	-							
5	DEC-11-HDXBA-A-D	DX11-B Maintenance Manual	-								
	NOTE: XX -----	Length depends on system configuration, unless otherwise specified will be 10 ft.									

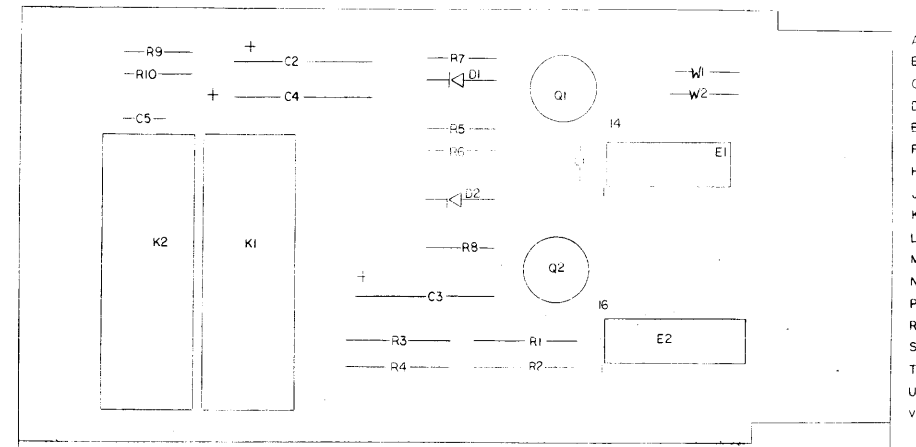
TITLE ACCESSORY LIST DX11-B	ASSY. NO. DX11-B	SIZE CODE A AL	NUMBER DX11-B- 35	REV. A	ECO NO. LX11B-00035
	SHEET 1 OF 1	DIST.			

THIS SCHEMATIC IS FURNISHED ONLY FOR TEST AND MAINTENANCE PURPOSES. THE CIRCUITS ARE PROPRIETARY IN NATURE AND SHOULD BE TREATED ACCORDINGLY. COPYRIGHT 1972 BY DIGITAL EQUIPMENT CORPORATION.



PIN 7=GND ON E1  
PIN 14 = +5V

1209837 - JUMPER PLUG FOR E2



A/R	QTY.	REP. DESIGNATION	DESCRIPTION	DEC PART NO.	NO.
			#24 or #26 AWG (FOR PLUG)		20
			TAPE TRANSPARENT VINYL	9008269	19
1			HANDLE, FLIP CHIP - GREEN	9008337-01	18
2			EYELET #034-7	9006732	17
1	E1		I.C. DEC 7402	1909004	16
2	Q1, Q2		TRANSISTOR DEC 6531	1509338	15
4	R1, R2, R3, R4		RESISTOR 383 1/8W 1%	1305125	14
2	R5, R6		RESISTOR 390 1/4W 5%	1300309	13
1	R10		RESISTOR 330 1/4W 5%	1300295	12
3	R9, R7, R8		RESISTOR 220 1/4W 5%	1300271	11
1	E2		16 PIN I.C. SOCKET	1209838	10
1			PLUG 16 PRONG	1209837	9
2	K1, K2		RELAY HG P.C. MOUNT FORM D CONTACTS	1210874	8
2	D1, D2		DIODE D664	1100114	7
2	C1, C5		CAP. .01UF 100V 20% DISC	1001610	6
3	C2, C3, C4		CAP. 6.8UF 35V 20% S.TANT	1000067	5
1			ETCHED CIRCUIT BOARD	5009933	4
			MODULE S.O HISTORY	B-MH-0890-0-6	3
			ASSY/DRILLING HOLE LAYOUT	D-AH-0890-0-5	2
			X-Y COORDINATE HOLE LOCATION	K-CO-0890-0-4	1
			DESCRIPTION	DEC PART NO.	NO.

REVISIONS	DATE	BY	CHK'D	DATE	BY
1	1-27-72	Walle			
2	1-31-72	Walle			
3	2-1-72	Walle			

TRANSISTOR & DIODE CONVERSION CHART			
DEC	EIA	DEC	EIA
DEC6531	MPS6531		
D664	1N3606		

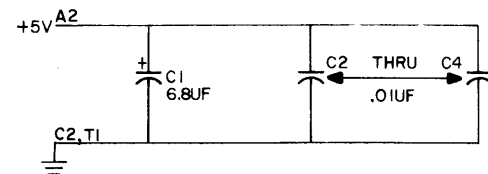
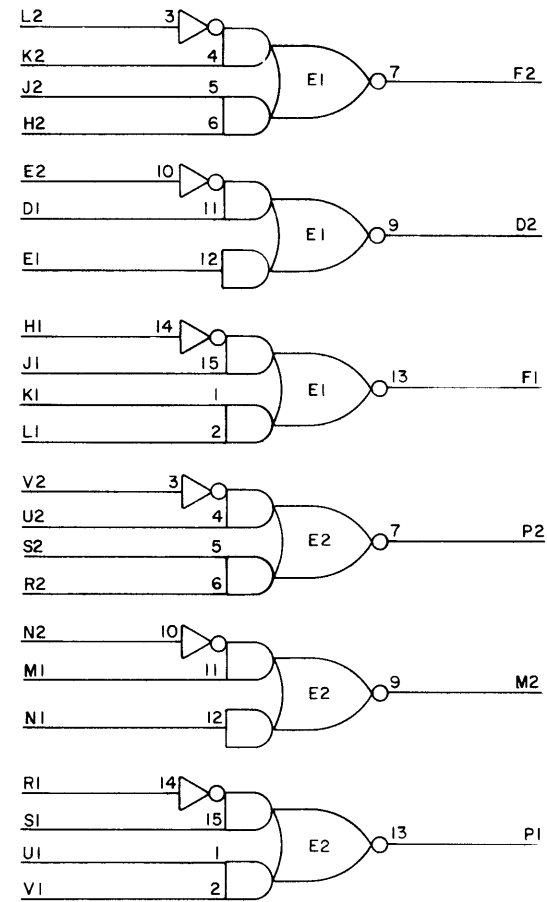
DRN: B. Walle DATE: 1-27-72  
 CHN'D: Walle DATE: 1-31-72  
 ENG: Walle DATE: 2-1-72  
 PROD: Walle DATE: 2-1-72

**digital**  
 EQUIPMENT CORPORATION  
 NORTH ANDOVER, MASSACHUSETTS

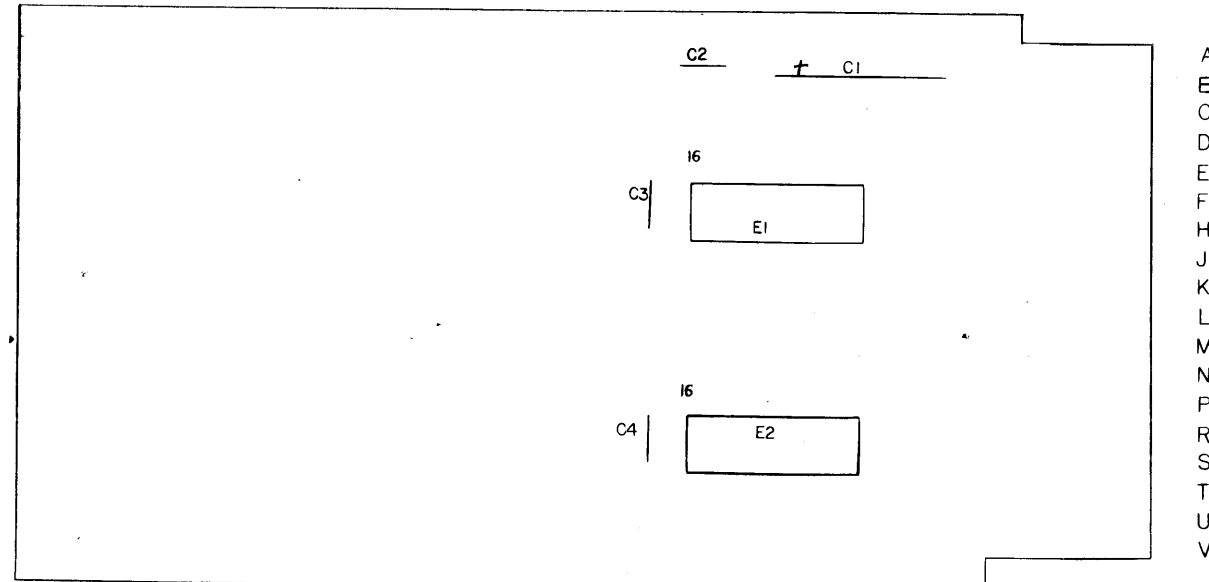
TITLE: 360 POWER FAIL AND SELECT BY-PASS  
 SIZE: D CS NUMBER: G890-0-1 REV: B  
 PRINTED CIRCUIT REV: B

REV. B  
NUMBER: G890-0-1  
D CS

THIS SCHEMATIC IS FURNISHED ONLY FOR TEST AND MAINTENANCE PURPOSES. THE CIRCUITS ARE PROPRIETARY IN NATURE AND SHOULD BE TREATED ACCORDINGLY. COPYRIGHT 1971 BY DIGITAL EQUIPMENT CORPORATION



PIN 16 = +5V  
PIN 8 = GND



QTY.	REF. DESIGNATION	DESCRIPTION	DEC PART NO.	ITEM NO.
	P1	FEED THRU EYELET	9006731	10
	P2	EYELET	9006732	9
	1	HANDLE, FLIP CHIP - MAGENTA	9008337-06	8
	2	E1, E2	1.C. 8T14 SIG.	7
	3	C2 - C4	CAP. .01UF 100V 20% DISC	6
	1	C1	CAP. 6.8UF 35V 20% S.TANT	5
	1	ETCHED CIRCUIT BOARD	5008912	4
		MODULE ECO HISTORY	B-MH-M597-0-6	3
		ASSY/DRILLING HOLE LAYOUT	D-AH-M597-0-5	2
		X-Y COORDINATE HOLE LOCATION	K-DC-M597-0-4	1

REV	CHG NO	CHK	DATE

DRN	DATE
B. J. Hail	7/15/71
CHK'D	DATE
NANCY MOORE	7/16/71
ENG.	DATE
PROD.	DATE

TRANSISTOR & DIODE CONVERSION CHART

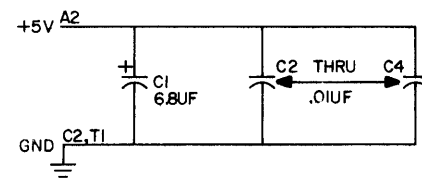
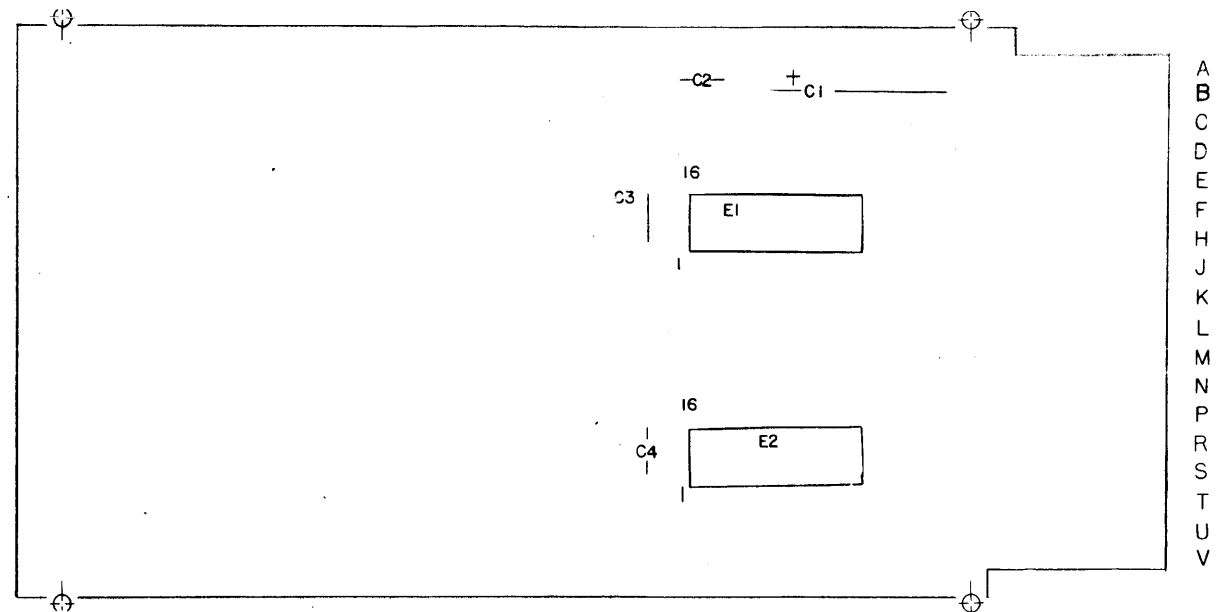
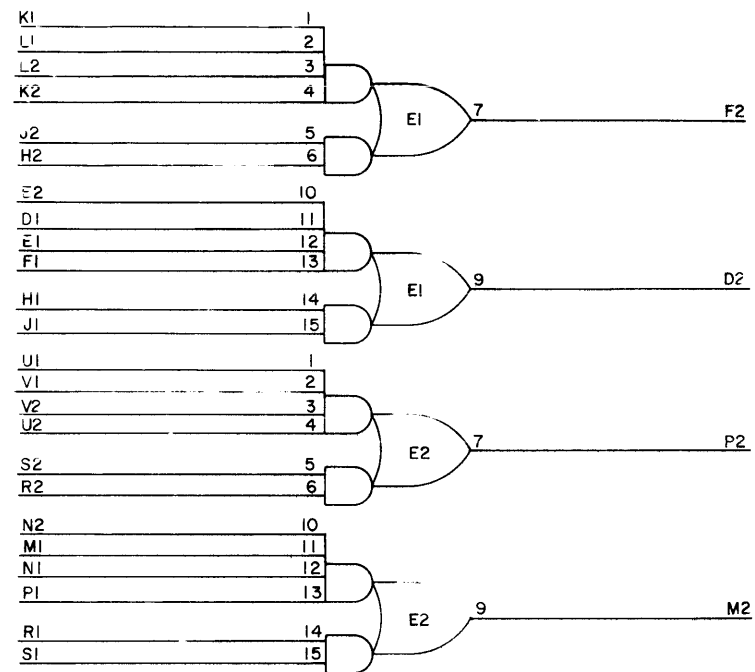
DEC	EIA	DEC	EIA

**digital**  
EQUIPMENT CORPORATION  
MAYNARD, MASSACHUSETTS

TITLE  
360 CABLE RECEIVER

SIZE	CODE	NUMBER	REV.
C	CS	M597-0-1	

THIS SCHEMATIC IS FURNISHED ONLY FOR TEST AND MAINTENANCE PURPOSES. THE CIRCUITS ARE PROPRIETARY IN NATURE AND SHOULD BE TREATED ACCORDINGLY. COPYRIGHT 1971 BY DIGITAL EQUIPMENT CORPORATION



PIN 8 = GND ON E1, E2  
PIN 16 = +5V ON E1, E2

QTY	REF. DESIGNATION	DESCRIPTION	PART NO.	ITEM NO.
	21	FEED THRU EYELET	9006731	10
	1	HANDLE FLIP CHIP-MAGENTA	9008337-C6	9
	2	EYELET #GSL-7	9006732	8
	2	E1, E2	IC 8T13	7
	3	C2, C3, C4	CAP .01UF 100V 20% DISC	6
	1	C1	CAP 6.8 UF 35V 20% STANT	5
	1	ETCHED CIRCUIT BOARD	5C08912	4
		MODULE ECO HISTORY	B-MH-M697-0-6	3
		ASSY/DRILLING HOLE LAYOUT	D-AH M697-0-5	2
		X-Y COORDINATE HOLE LOCATION	K-CO-M697-0-4	1

REVISIONS  
CHK CHG NO. REV.

DRN. *E. J. Nails* DATE 7/19/71  
CHK'D *MANLY MOORE* DATE 7-23-71  
ENG. *K. J. ...* DATE 7-27-71  
PROD. DATE

TRANSISTOR & DIODE CONVERSION CHART

DEC	EIA	DEC	EIA

**digital** EQUIPMENT CORPORATION  
MAYNARD, MASSACHUSETTS

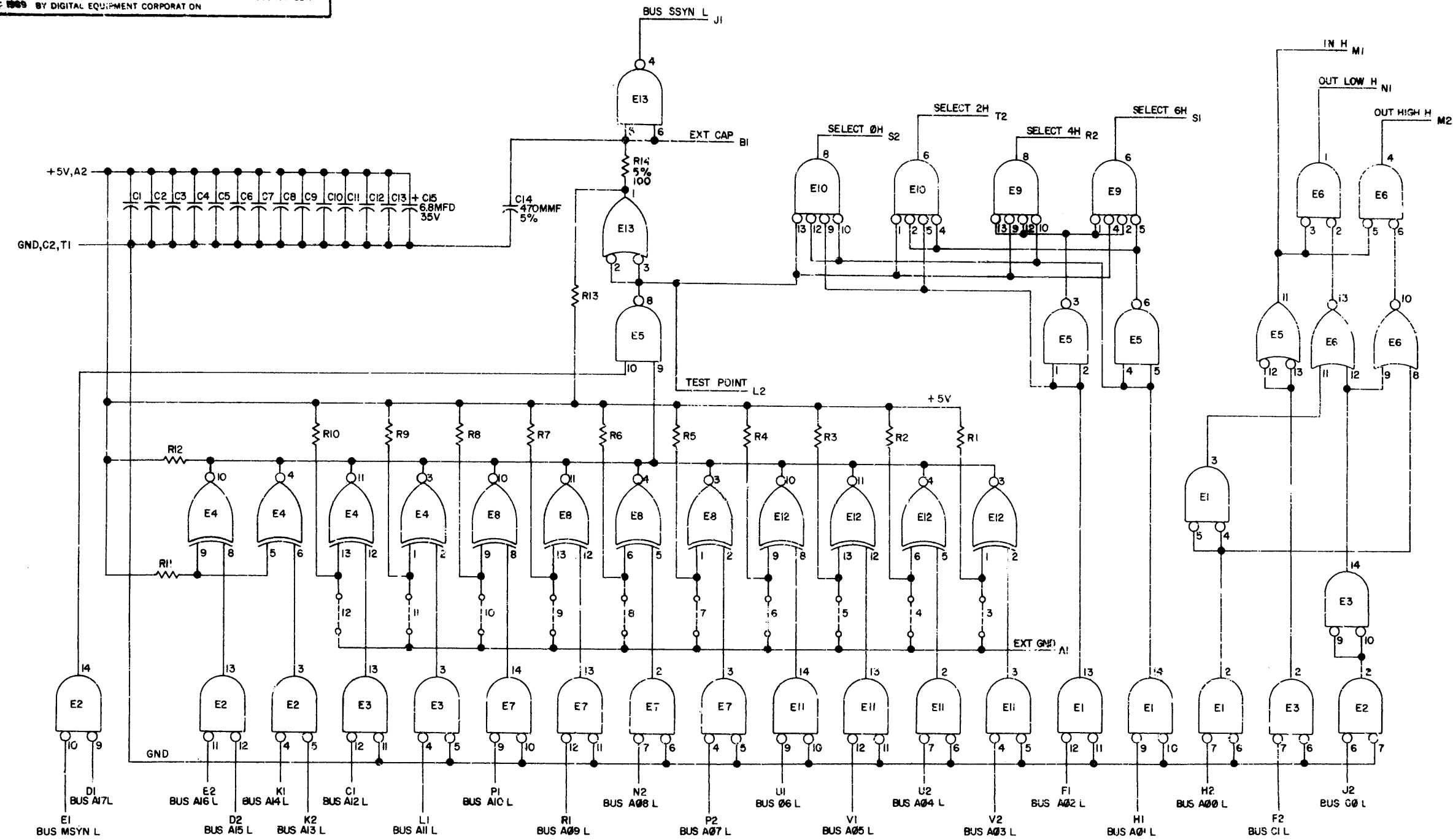
TITLE: 360 CABLE DRIVER

SIZE: C CODE: CS NUMBER: M697-0-1 REV.:

PRINTED CIRCUIT REV. [ ]

REV. C  
NUMBER M697-0-1  
SIZE CODE CS

THIS SCHEMATIC IS FURNISHED ONLY FOR TEST AND MAINTENANCE PURPOSES. THE CIRCUITS ARE PROPRIETARY IN NATURE AND SHOULD BE TREATED ACCORDINGLY. COPYRIGHT 1969 BY DIGITAL EQUIPMENT CORPORATION



UNLESS OTHERWISE INDICATED:  
 O---O INDICATES JUMPERS  
 RESISTORS ARE 1K, 1/4W, 5%  
 CAPACITORS ARE .01MFD, 50V, 20%  
 E1, E2, E3, E7, E11 ARE DEC330  
 E4, E5, E12 ARE DEC242  
 E9, E10 ARE DEC8815  
 E13 IS DEC7400  
 E6 IS DEC7402  
 E13 IS DEC8881  
 PIN 1 ON E1, E2, E3, E7, E11 = GND  
 PIN 8 ON E1, E2, E3, E7, E11 = +5V  
 PIN 7 ON E4, E5, E6, E8, E9, E10, E12, E13 = GND  
 PIN 14 ON E4, E5, E6, E8, E9, E10, E12, E13 = +5V

REVISIONS	DATE	BY
1		
2		
3		
4		

DRN	DATE	DEC	EIA	DEC	EIA
<i>B. Riley</i>	11-26-69				
<i>J. Williams</i>	1-9-70				
<i>P. J. Denny</i>	3-20-70				
<i>David</i>	1/17/70				

EQUIPMENT CORPORATION MAYNARD, MASSACHUSETTS		TITLE ADDRESS SELECTOR MI05	SIZE C	CODE CS	NUMBER MI05-0-1	REV. B
---	--	--------------------------------	-----------	------------	--------------------	-----------

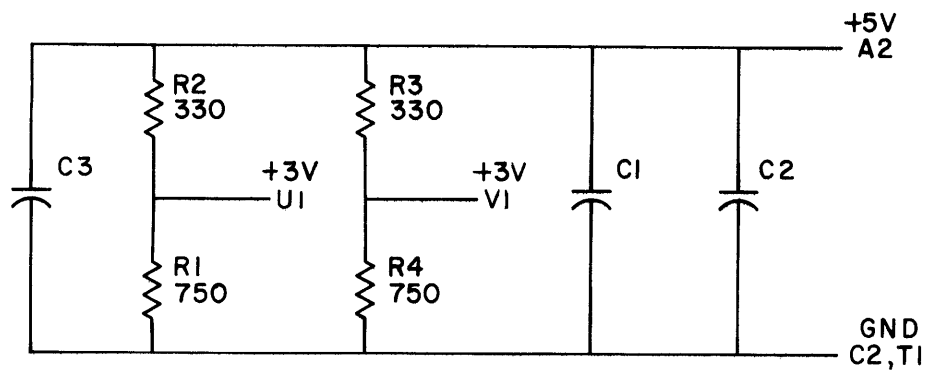
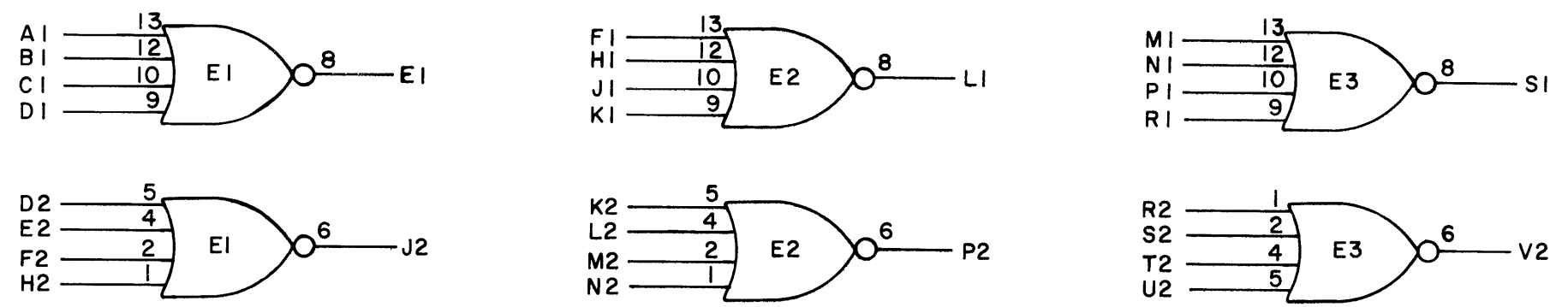
DEC FORM NO. DMC 162

MS 449-PC

DIST. 325 434 435 5 5 JNK

REV. B  
 NUMBER MI05-0-1  
 SIZE CODE C CS

THIS SCHEMATIC IS FURNISHED ONLY FOR TEST AND MAINTENANCE PURPOSES. THE CIRCUITS ARE PROPRIETARY IN NATURE AND SHOULD BE TREATED ACCORDINGLY. COPYRIGHT 1970 BY DIGITAL EQUIPMENT CORPORATION



UNLESS OTHERWISE INDICATED:  
 RESISTORS ARE 1/4W, 5%  
 CAPACITORS ARE .01UF, 100V, 20%  
 IC'S ARE DEC8815  
 PIN 7 = GND ON EACH IC  
 PIN 14 = +5V

REVISIONS	CHK	CHG NO.	REV.
		00001	A
b.i. halle 9-20-72			
D. BAKER			
H. Baker 10-2-72			

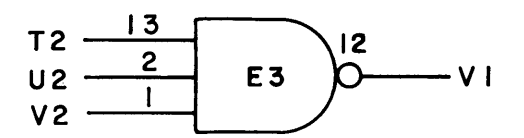
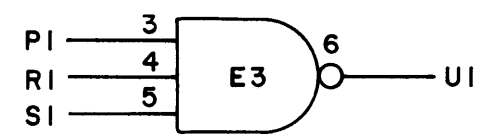
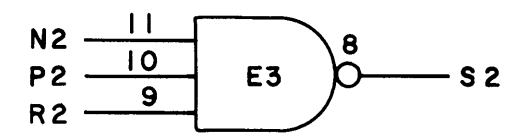
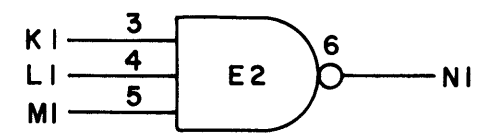
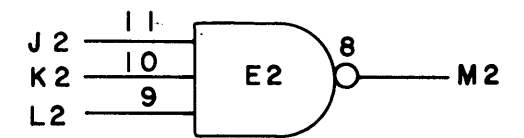
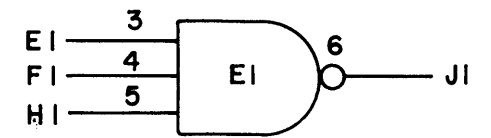
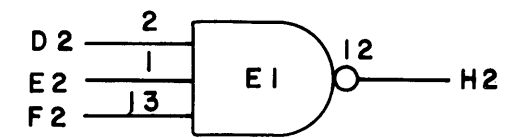
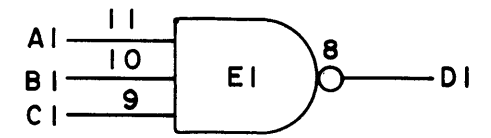
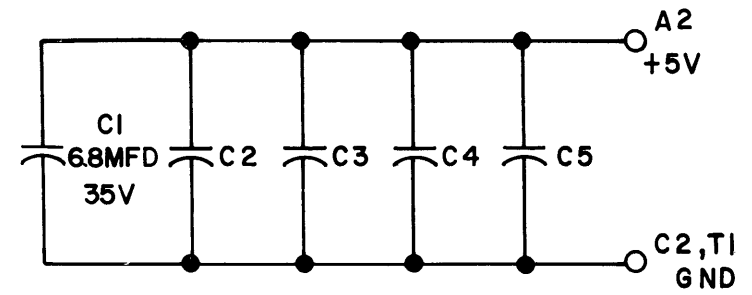
DRN.	S Cooper	DATE	12-7-70
CHK'D	<i>[Signature]</i>	DATE	12-7-70
ENG	<i>[Signature]</i>	DATE	3-1-71
PROD.		DATE	

TRANSISTOR & DIODE CONVERSION CHART			
DEC	EIA	DEC	EIA

**digital**  
 EQUIPMENT CORPORATION  
 MAYNARD, MASSACHUSETTS

TITLE			
6-QUAD NORGATE MI16			
SIZE	CODE	NUMBER	REV.
B	CS	MI16-0-1	A
PRINTED CIRCUIT REV.			A

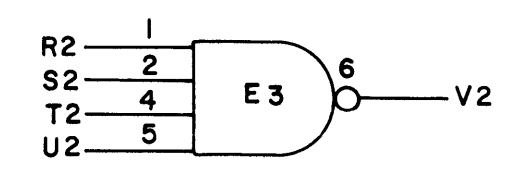
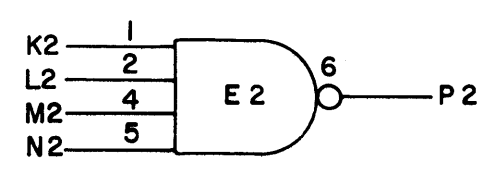
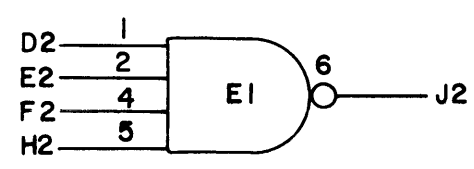
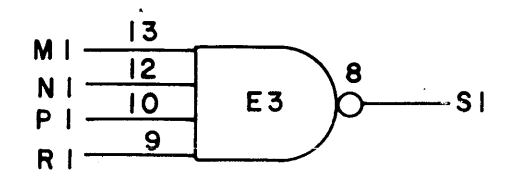
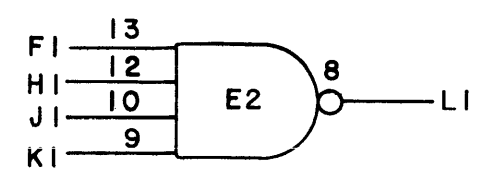
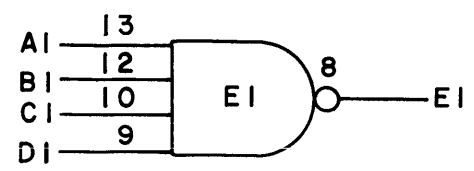
THIS SCHEMATIC IS FURNISHED ONLY FOR TEST AND MAINTENANCE PURPOSES. THE CIRCUITS ARE PROPRIETARY IN NATURE AND SHOULD BE TREATED ACCORDINGLY. COPYRIGHT 1969 BY DIGITAL EQUIPMENT CORPORATION



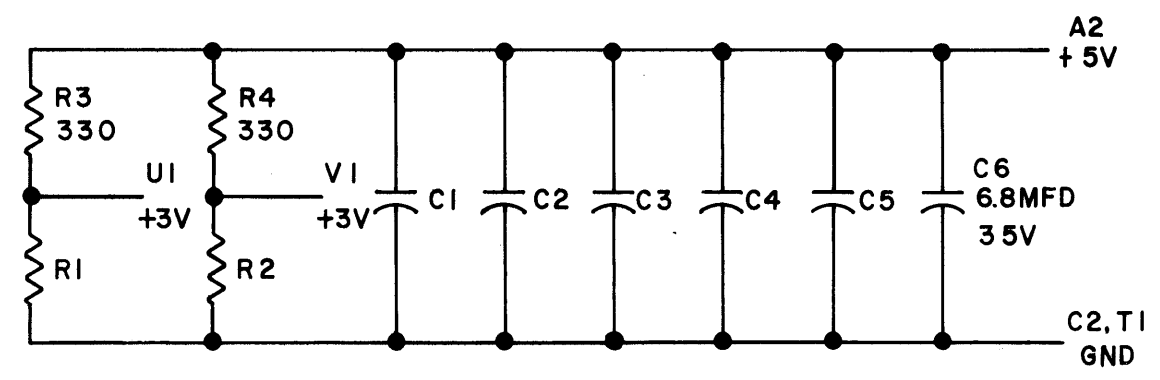
UNLESS OTHERWISE INDICATED:  
 IC'S ARE DEC74H10  
 PIN 7 ON EACH IC = GND  
 PIN 14 ON EACH IC = +5V  
 CAPACITORS ARE .01 MFD 50V

REVISIONS CHK CHG NO. REV. 00001 B	DRN. <i>DeO</i> DATE 3-3-69	TRANSISTOR & DIODE CONVERSION CHART				<b>digital</b> EQUIPMENT CORPORATION MAYNARD, MASSACHUSETTS	TITLE 3 INPUT NAND GATE M135			
	CHK'D <i>DeO</i> DATE 3-3-69	DEC	EIA	DEC	EIA		SIZE B	CODE CS	NUMBER M135-0-1	REV. B
	ENG <i>DeO</i> DATE 2-7-69						PRINTED CIRCUIT REV. A			
	PROD. DATE									

THIS SCHEMATIC IS FURNISHED ONLY FOR TEST AND MAINTENANCE PURPOSES. THE CIRCUITS ARE PROPRIETARY IN NATURE AND SHOULD BE TREATED ACCORDINGLY. COPYRIGHT 1969 BY DIGITAL EQUIPMENT CORPORATION



UNLESS OTHERWISE INDICATED:  
 IC'S ARE DEC 74 H20N  
 PIN 7 ON EACH IC = GND  
 PIN 14 ON EACH IC = +5V  
 CAPACITORS ARE .01 MFD  
 RESISTORS ARE 750; 1/4W 5%



REVISIONS	CHK	CHG NO.	REV.

DRN. <i>A. G. Goring</i>	DATE 3-3-69
CHK'D <i>R. Sullivan</i>	DATE 5/19/69
ENGR. <i>D. J. Amato</i>	DATE 1/19/69
PROD.	DATE

TRANSISTOR & DIODE CONVERSION CHART			
DEC	EIA	DEC	EIA

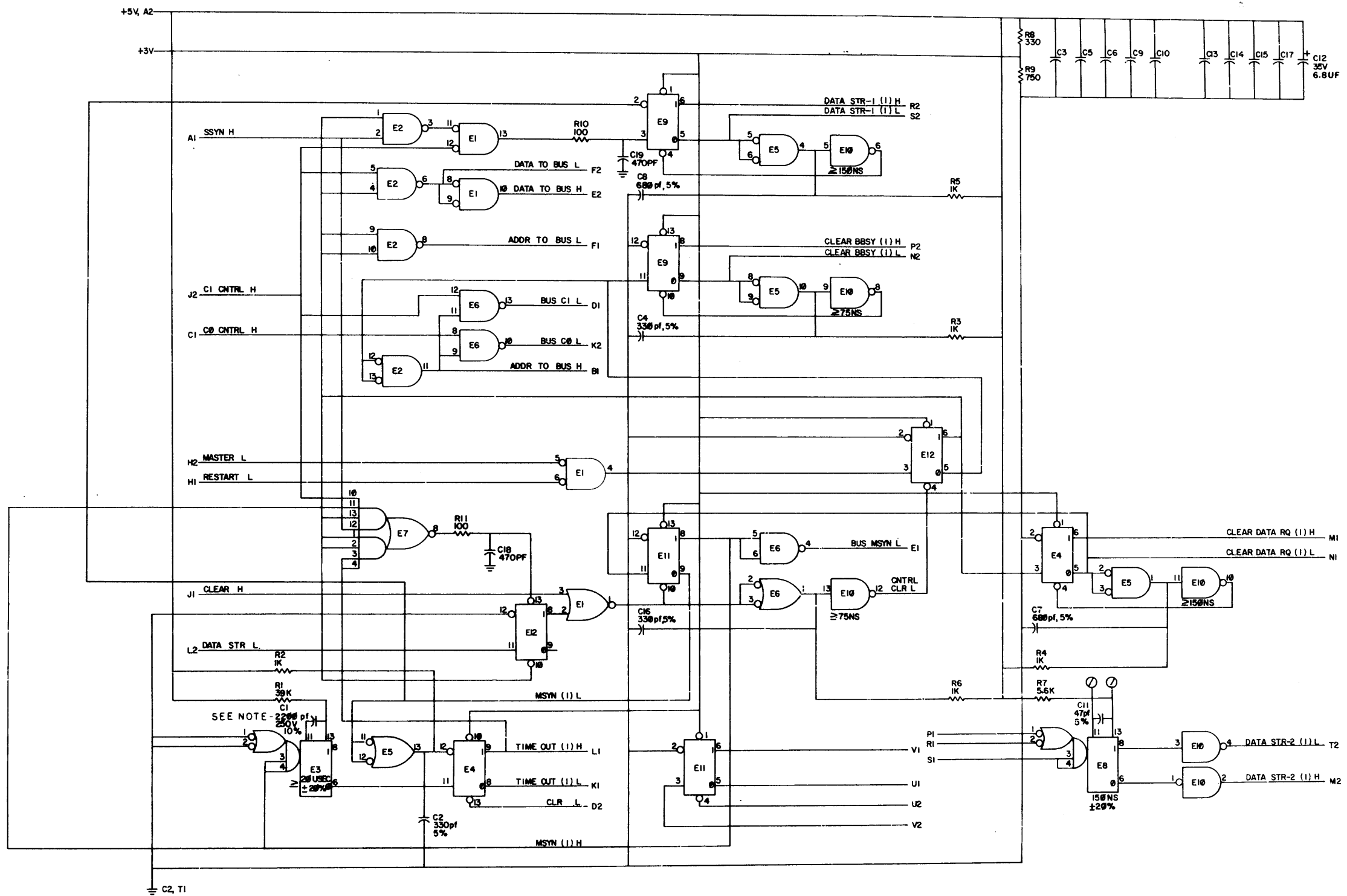
**digital**  
 EQUIPMENT CORPORATION  
 MAYNARD, MASSACHUSETTS

TITLE 6-4 INPUT NAND GATE M137			
SIZE B	CODE CS	NUMBER M137-0-1	REV.
PRINTED CIRCUIT REV.			A



THIS SCHEMATIC IS FURNISHED ONLY FOR TEST AND MAINTENANCE PURPOSES. THE CIRCUITS ARE PROPRIETARY IN NATURE AND SHOULD BE TREATED ACCORDINGLY. COPYRIGHT 1970 BY DIGITAL EQUIPMENT CORPORATION.

1-0-962W S3 d  
#3887M 3000 1/15



NOTE: C1 IS CHANGED TO 5000PF +20% (1001765) FOR A DELAY OF 37US MINIMUM WHEN USED WITH A DL10.

UNLESS OTHERWISE INDICATED:  
RESISTORS ARE 1/4W, 5%  
CAPACITORS ARE .01uf, 100V, 20%  
E1 IS DEC7402  
E2 IS DEC7400  
E3, E8 ARE DEC9601  
E4, E9, E11, E12 ARE DEC7474  
E5 IS DEC7401  
E6 IS DEC8881  
E7 IS DEC74H55  
E10 IS DE7404  
⊗ = SPLIT LUGS

REV. 10  
M796-0-1

REVISED	DATE	BY	REASON

TRANSISTOR & DIODE CONVERSION CHART			
DEC	EIA	DEC	EIA

TITLE		UNIBUS MASTER CONTROL M796	
SIZE	CODE	NUMBER	REV
D	CS	M796-0-1	D
EQUIPMENT CORPORATION		PRINTED CIRCUIT REV. C	

4 P116

This drawing and specifications herein are the property of Digital Equipment Corporation and shall not be reproduced or copied or used in whole or in part as the basis for the manufacture or sale of items without written permission.

\* SEE ALLOWABLE SUBSTITUTION LIST AND NOTE 6

PARTS REFERENCE

ITEM NO	DRAWING REFERENCE	DESCRIPTION	PART NUMBER	QUANTITY
1	E12, E18	I.C. DEC 7474	1905547	2
2	E4, E7, E17	I.C. DEC 7400	1905575	4
3	E6, E13, E14	I.C. DEC 7402	1909004	2
4	E1, E11	I.C. DEC 8640	1911459	2
5	E5	I.C. DEC 74H74	1909667	1
6	E2, E8, E9, E15, E16	I.C. DEC 8981	1909705	5
7	E3	I.C. DEC 7404	1909931	1
8	F10	I.C. DEC 7408	1910155	1
9	C19, C20	CAP. 330PF, 100V, 5% DM	1000023	2
10	C18	CAP. 6.8MFD, 35V, 20% TANT	1000067	1
11	C1 THRU C17	CAP. 0.1MFD, 100V, 20% DISC	1001610	17
12	R7, R8	RES. 47K, 1/4W, 5%	1300202	2
13	R1, R2	RES. 390K, 1/4W, 5%	1300309	2
14	R4, R10	RES. 180K, 1/4W, 5%	1301322	2
15	R3, R5, R6, R9	RES. 1K, 1/4W, 5%	1300365	4

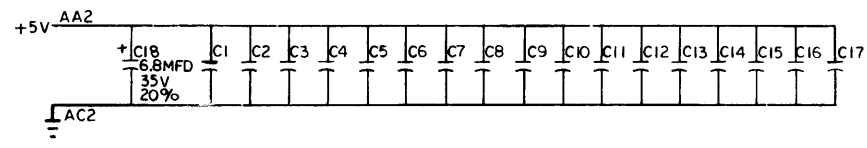
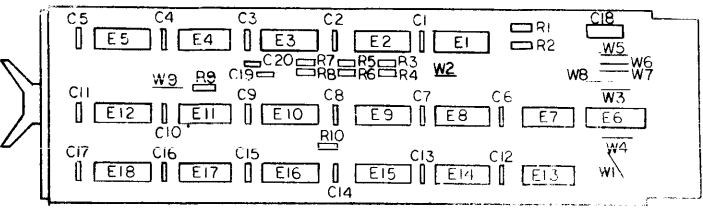
NOTES:

- VECTOR BIT JUMPERS MUST BE CUT FOR A "ZERO" AND MUST BE INSERTED FOR A "ONE".
- NPR JUMPER (W9) MUST BE CUT FOR SOME PDP-11 PROCESSORS; IF THE RIGHT HALF REQUEST CIRCUIT IS USED FOR NPR'S; OR IF PIN J1 IS NOT WIRED ON THE M7821 SLOT.
- DETAILS ON COMPONENTS ARE NOTED IN THE PARTS REFERENCE, PLACEMENT IS NOTED IN THE COMPONENT PLACEMENT DIAGRAM.
- GND AND +5V ARE USUALLY PIN 7 AND PIN 14, RESPECTIVELY EXCEPTIONS ARE:

I.C. TYPE	GND	+5V
DEC 8640	PIN 1	PIN 8

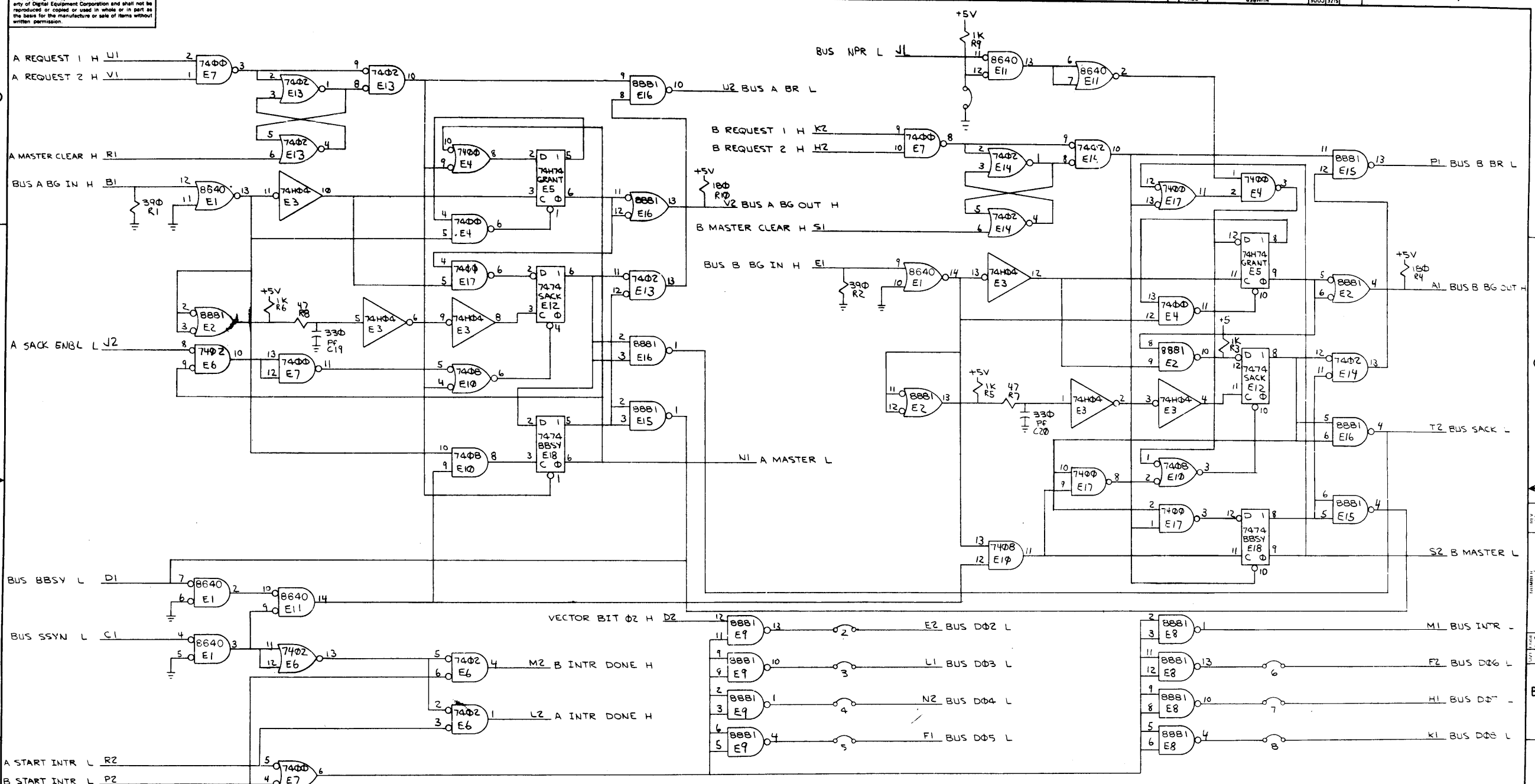
- UNLESS OTHERWISE NOTED RESISTANCE IS IN OHMS, CAPACITANCE IS IN PICO FARADS. CAPACITORS WITHOUT ANY NOTED VALUES ARE .01MFD.
- DEC 8640'S WERE PHASED IN AS 380 REPLACEMENTS. ANY 380 FAILURES SHOULD BE REPLACED BY 8640'S.

COMPONENT PLACEMENT



REV	DATE	BY	CHK
A	11-23-74	L. CONDON	S. ROYTHMAN
B	1-13-75	L. CONDON	S. ROYTHMAN
C	7-24-77	L. CONDON	S. ROYTHMAN
D	7-27-77	L. CONDON	S. ROYTHMAN

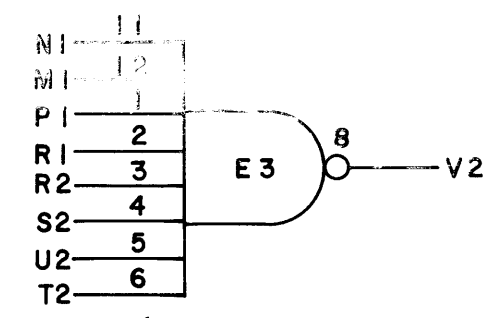
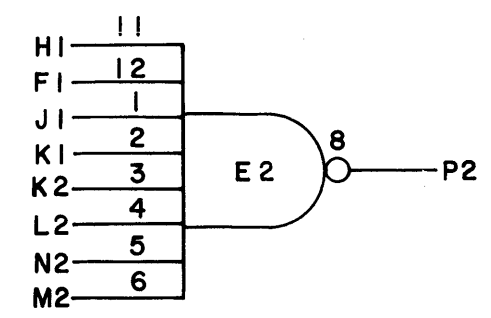
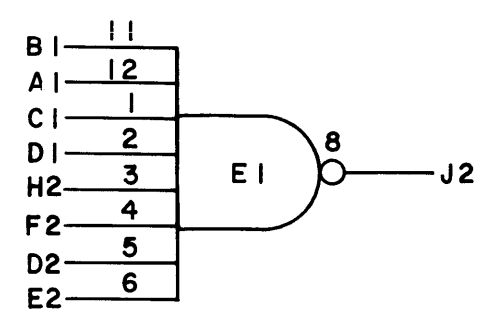
FIRST USED ON OPT/MOD 11/20	QTY.	DESCRIPTION	PART NO.	ITEM NO.
PARTS LIST				
UNLESS OTHERWISE SPECIFIED	DRN. <i>M. Martin</i>	DATE <i>7/27/77</i>	DIGITAL EQUIPMENT CORPORATION MAYNARD MASSACHUSETTS	
UNLESS OTHERWISE SPECIFIED	CHK'D. <i>R. Cook</i>	DATE <i>7-29-77</i>	TITLE INTERRUPT CONTROL M7821	
DIMENSION IN INCHES	ENG. <i>M. Martin</i>	DATE <i>7-27-77</i>	MATERIAL	
TOLERANCES	PROJ. ENGR. <i>M. Martin</i>	DATE <i>7-27-77</i>	FINISH	
DECIMALS FRACTIONS ANGLES	PROD. <i>M. Martin</i>	DATE	SCALE	
± .008 ± 1/64 ± 0°30'	NEXT HIGHER ASSY		SHEET 1 OF 2	
FINAL SURFACE QUALITY			DWT.	
REMOVE BURRS AND BREAK SHARP CORNERS			DCS M7821-0-1	
			REV D	



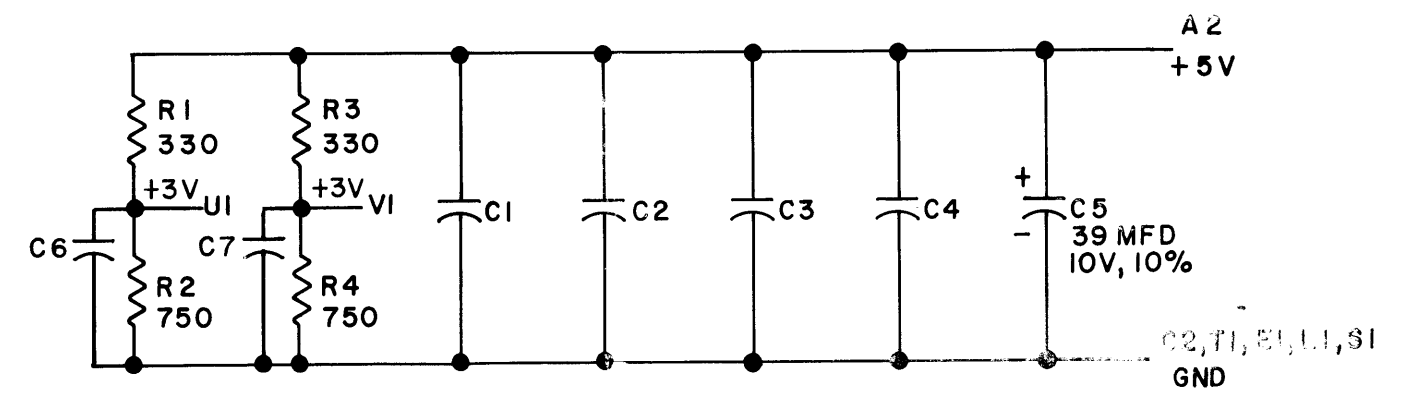
This drawing and specifications, herein, are the property of Digital Equipment Corporation and shall not be reproduced or copied or used in whole or in part as the basis for the manufacture or sale of items without written permission.

QTY	REF DESIGNATION	DESCRIPTION	PART NO.	ITEM NO.
PARTS LIST				
ETCH BOARD REV B				
DRN.	DATE	 digital EQUIPMENT CORPORATION 1000 MASSACHUSETTS AVENUE CAMBRIDGE, MASSACHUSETTS 02142		
CHK'D.	DATE			
ENGR.	DATE			
PROJ. ENG.	DATE			
PROD. ENG.	DATE			
NEXT HIGHER ASSY		TITLE: INTERLOCK CONTROL		
DEC. NO.	EIA NO.	DEC. NO.	EIA NO.	REV. NO.
SEMICONDUCTOR CONVERSION CHART				SCALE: SHEET 2 OF 2

THIS SCHEMATIC IS FURNISHED ONLY FOR TEST AND MAINTENANCE PURPOSES. THE CIRCUITS ARE PROPRIETARY IN NATURE AND SHOULD BE TREATED ACCORDINGLY. COPYRIGHT 1969 BY DIGITAL EQUIPMENT CORPORATION



UNLESS OTHERWISE INDICATED:  
 IC'S ARE DEC1074H30  
 PIN 7 ON EACH IC = GND  
 PIN 14 ON EACH IC = +5V  
 CAPACITORS ARE .01 MFD, 100V, 20%  
 RESISTORS ARE 1/4W, 5%



REVISIONS	CHK	CHG NO.	REV.
	PP	00001	B
		00002	C
		00003	D

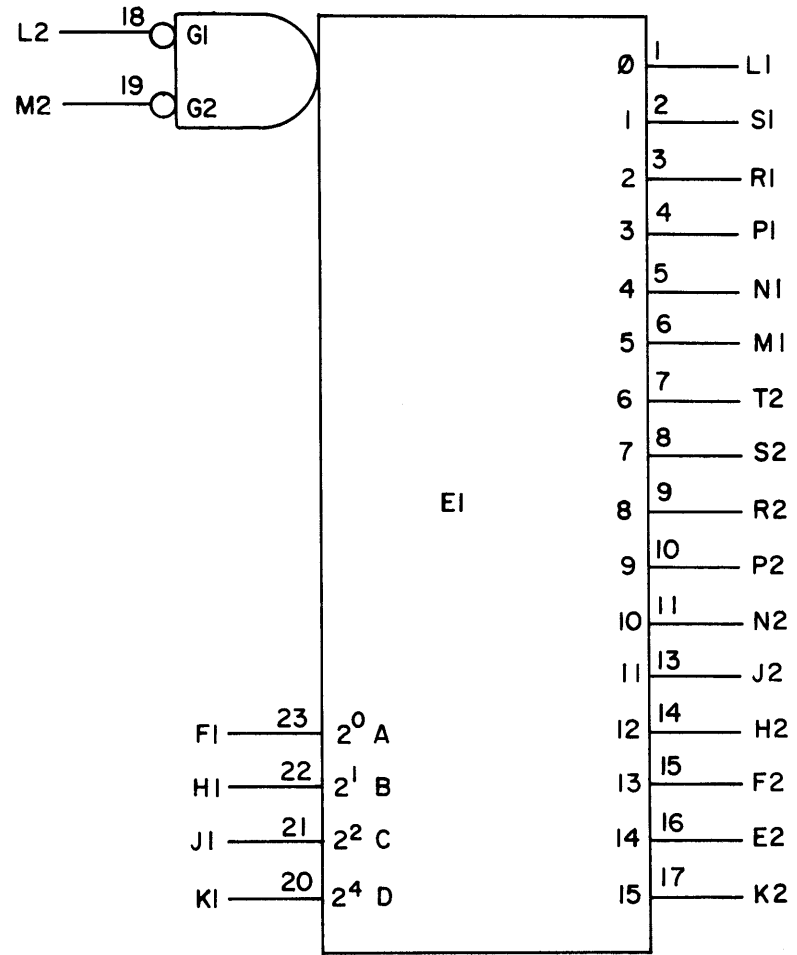
DRN. <i>R. Williams</i>	DATE 3-4-69
CHK'D <i>A. Young</i>	DATE 3-6-69
ENG <i>DEO Connor</i>	DATE 4-7-69
PROD.	DATE

TRANSISTOR & DIODE CONVERSION CHART			
DEC	EIA	DEC	EIA

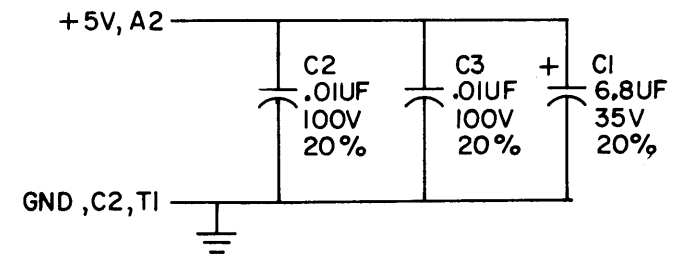
**digital**  
 EQUIPMENT CORPORATION  
 MAYNARD, MASSACHUSETTS

TITLE 3-8 INPUT NAND GATE M139			
SIZE B	CODE CS	NUMBER M139-0-1	REV. D.
PRINTED CIRCUIT REV.			B

THIS SCHEMATIC IS FURNISHED ONLY FOR TEST AND MAINTENANCE PURPOSES. THE CIRCUITS ARE PROPRIETARY IN NATURE AND SHOULD BE TREATED ACCORDINGLY. COPYRIGHT 1970 BY DIGITAL EQUIPMENT CORPORATION

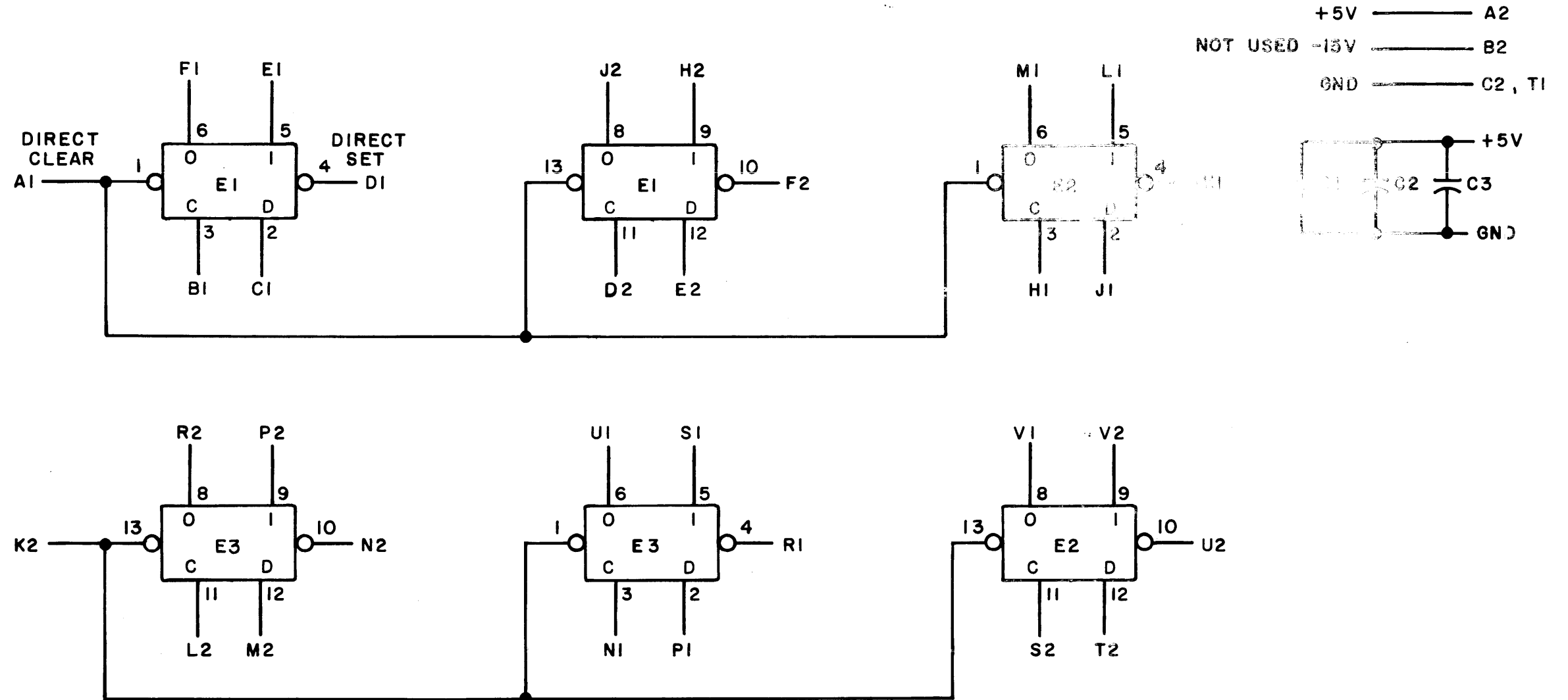


UNLESS OTHERWISE INDICATED:  
 E1 IS DEC74154  
 PIN 12 = GND  
 PIN 24 = +5V



REVISIONS CHK CHG NO. REV.	DRN. <i>NANCY MOORE</i> DATE <i>8/21/70</i>	TRANSISTOR & DIODE CONVERSION CHART		 <b>digital</b> EQUIPMENT CORPORATION MAYNARD, MASSACHUSETTS	TITLE 4-LINE-TO 16 LINE DECODER M155					
	CHK'D <i>[Signature]</i> DATE <i>10/24/70</i>	DEC	EIA		DEC	EIA	SIZE B	CODE CS	NUMBER M155-0-1	REV.
	ENG. <i>[Signature]</i> DATE <i>12/15/70</i>									
	PROD. DATE									
PRINTED CIRCUIT REV. A				DIG 324,434,435 3 5 Pink						

THIS SCHEMATIC IS FURNISHED ONLY FOR TEST AND MAINTENANCE PURPOSES. THE CIRCUITS ARE PROPRIETARY IN NATURE AND SHOULD BE TREATED ACCORDINGLY. COPYRIGHT 1967 BY DIGITAL EQUIPMENT CORPORATION



NOTES:  
PIN 7 ON EACH IC = GND  
PIN 14 ON EACH IC = +5V

E1 THRU E3	INTEGRATED CKT. DEC7474N	1905547
C1 THRU C3	CAP. .01MFD 100V 20% DISC	1001610
	PARTS LIST	A-PL-M216-0-0
REFERENCE DESIGNATION	DESCRIPTION	PART NO.

PARTS LIST

REVISIONS	CHK	CHG NO.	REV.
		6806	A
		00001	B

DRN.	<i>M. Waller</i>	DATE	4-15-67
CHK'D	<i>[Signature]</i>	DATE	4/26/67
ENG.	<i>[Signature]</i>	DATE	4/28/67
PROD.		DATE	

TRANSISTOR & DIODE CONVERSION CHART			
DEC	EIA	DEC	EIA

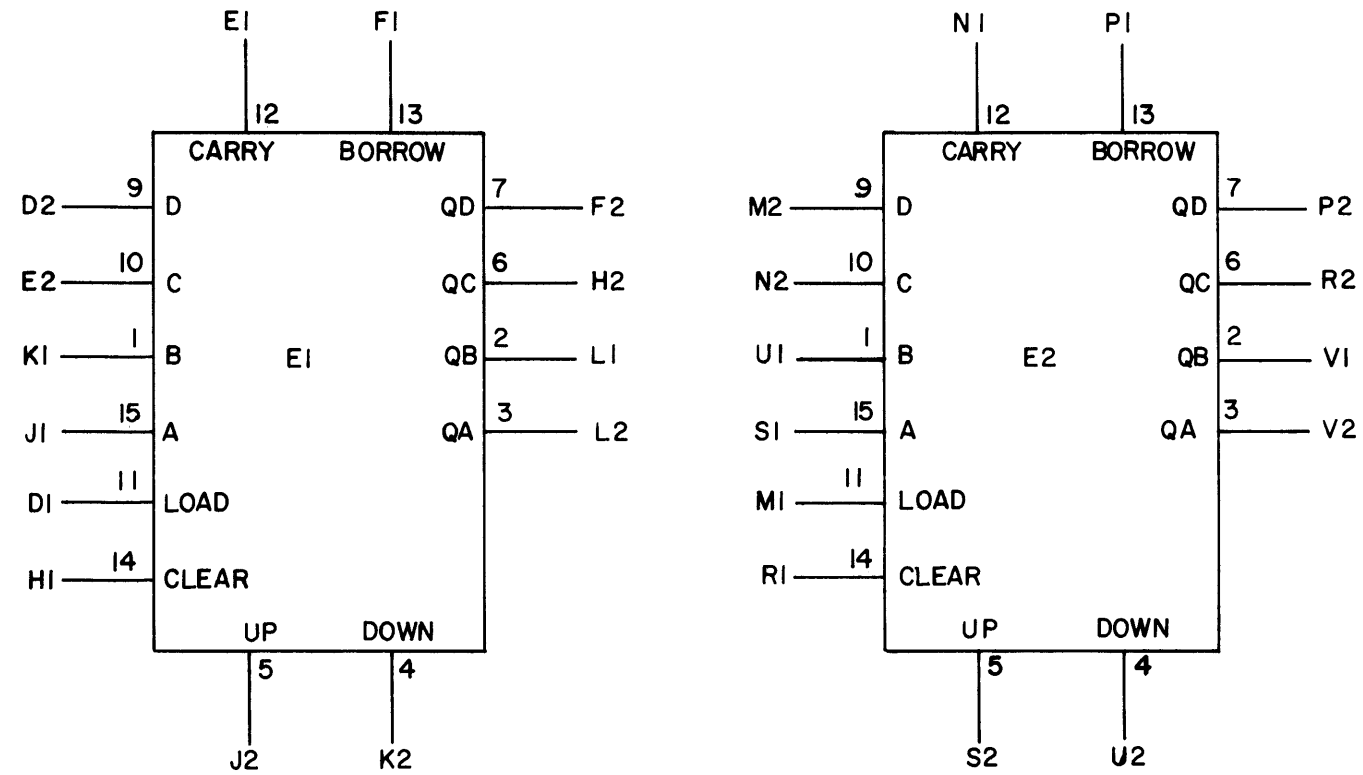
**digital**  
EQUIPMENT CORPORATION  
MAYNARD, MASSACHUSETTS

TITLE			
SIX FLIP-FLOPS M216			
SIZE	CODE	NUMBER	REV.
B	CS	M216-0-1	B
PRINTED CIRCUIT REV.			
C			

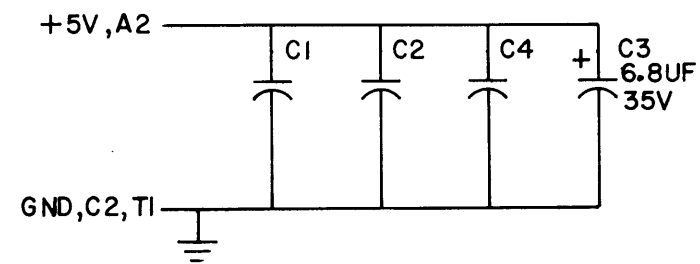
DIST. 324 434 435 1 5

PINK

THIS SCHEMATIC IS FURNISHED ONLY FOR TEST AND MAINTENANCE PURPOSES. THE CIRCUITS ARE PROPRIETARY IN NATURE AND SHOULD BE TREATED ACCORDINGLY. COPYRIGHT 1970 BY DIGITAL EQUIPMENT CORPORATION

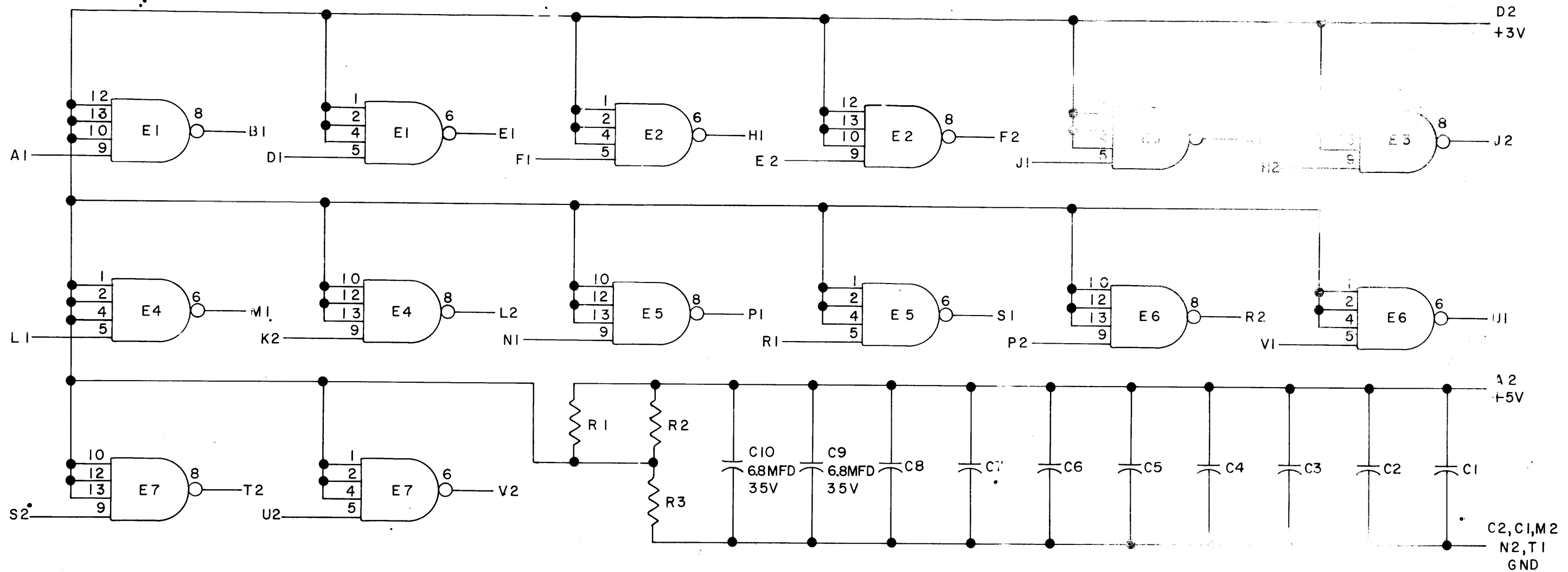


UNLESS OTHERWISE INDICATED:  
 E1, E2 ARE DEC74193  
 PIN 8 = GND ON E1, E2  
 PIN 16 = +5V  
 CAPACITORS ARE .01UF, 100V, 20%



REVISIONS CHK CHG NO. REV. 00001 C	DRN. NANCY MOORE	DATE 8/21/70	TRANSISTOR & DIODE CONVERSION CHART				 <b>digital</b> EQUIPMENT CORPORATION MAYNARD, MASSACHUSETTS	TITLE 2-SYNCHRONOUS 4 BIT UP/DOWN CONVERTERS M238			
	CHK'D Crawley	DATE 10/15/70	DEC	EIA	DEC	EIA		SIZE B	CODE CS	NUMBER M238-0-1	REV C
	ENG. S. Seiler	DATE 10/23/70						PRINTED CIRCUIT REV. D			
	PROD.	DATE						DIST. 324,434,435 2 4 PINK			

THIS SCHEMATIC IS FURNISHED ONLY FOR TEST AND MAINTENANCE PURPOSES. THE CIRCUITS ARE PROPRIETARY IN NATURE AND SHOULD BE TREATED ACCORDINGLY. COPYRIGHT 1969 BY DIGITAL EQUIPMENT CORPORATION



UNLESS OTHERWISE INDICATED  
 PIN 7 ON EACH IC = GND  
 PIN 14 ON EACH IC = +5V  
 IC'S ARE DEC74H40  
 CAPACITORS ARE .01MFD 100V  
 RESISTORS ARE 220 1/4W 10%

REVISIONS CHK CHG NO. REV. B 00001	DRN. <i>Butler</i> DATE 5-7-69	TRANSISTOR & DIODE CONVERSION CHART				 <b>digital</b> EQUIPMENT CORPORATION MAYNARD, MASSACHUSETTS	TITLE HIGH SPEED POWER INVERTER M611			
	CHK'D <i>A. Ganga</i> DATE 5-8-69	DEC	EIA	DEC	EIA		SIZE B	CODE CS	NUMBER M611-0-1	REV. B
	ENG. <i>R. E. ...</i> DATE 6-16-69									
	PROD. DATE									
PRINTED CIRCUIT REV. A										

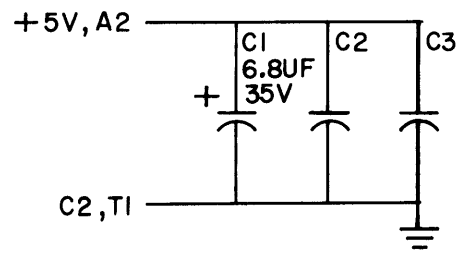
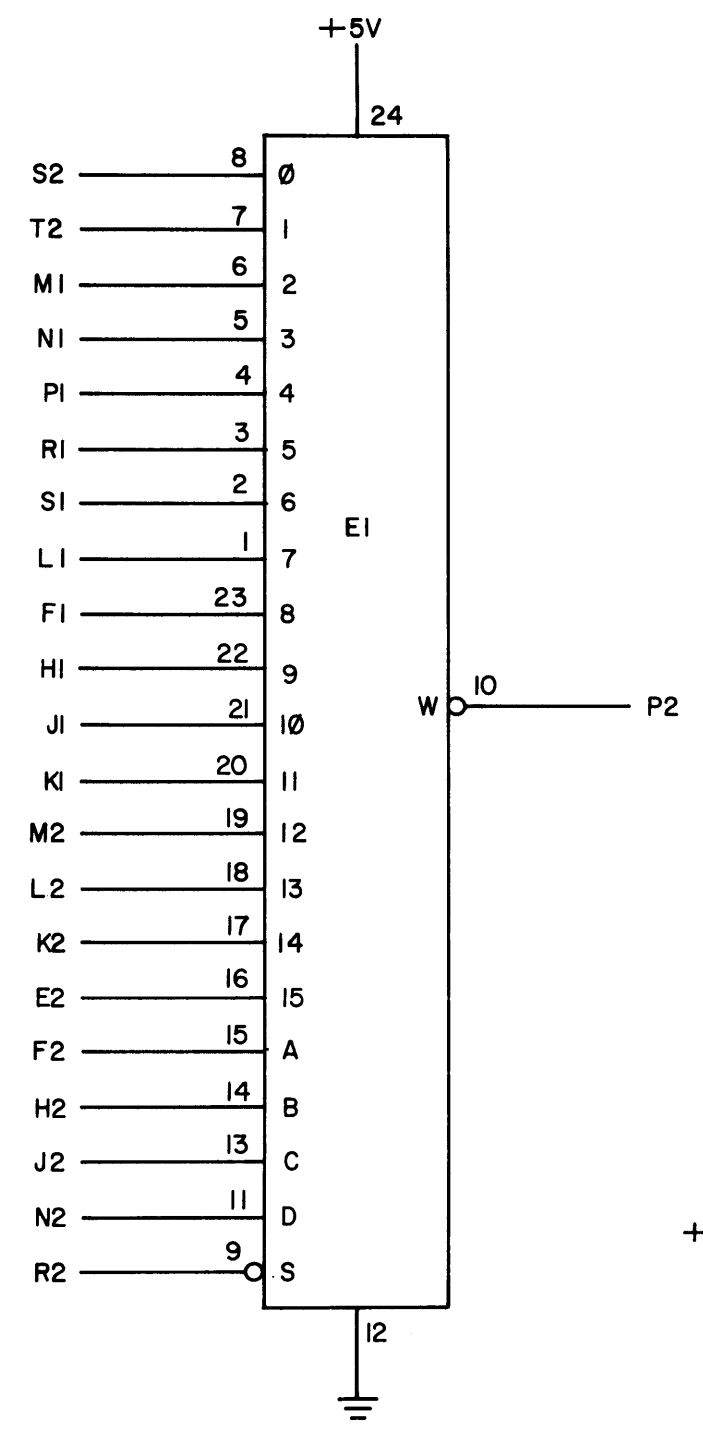


Pink Disk



THIS SCHEMATIC IS FURNISHED ONLY FOR TEST AND MAINTENANCE PURPOSES. THE CIRCUITS ARE PROPRIETARY IN NATURE AND SHOULD BE TREATED ACCORDINGLY. COPYRIGHT 1970 BY DIGITAL EQUIPMENT CORPORATION

REV. NUMBER M1713-0-1 SIZE CODE B CS



UNLESS OTHERWISE INDICATED:  
CAPACITORS ARE .01UF, 100V, 20%  
IC IS A DEC74150

REVISIONS	CHK	CHG NO.	REV.

DRN.	<i>B. Wyatt</i>	DATE	<i>10-28-70</i>
CHK'D	<i>M. Waller</i>	DATE	<i>11-2-70</i>
ENG.	<i>Tom Holmes</i>	DATE	<i>11/23/70</i>
PROD.		DATE	

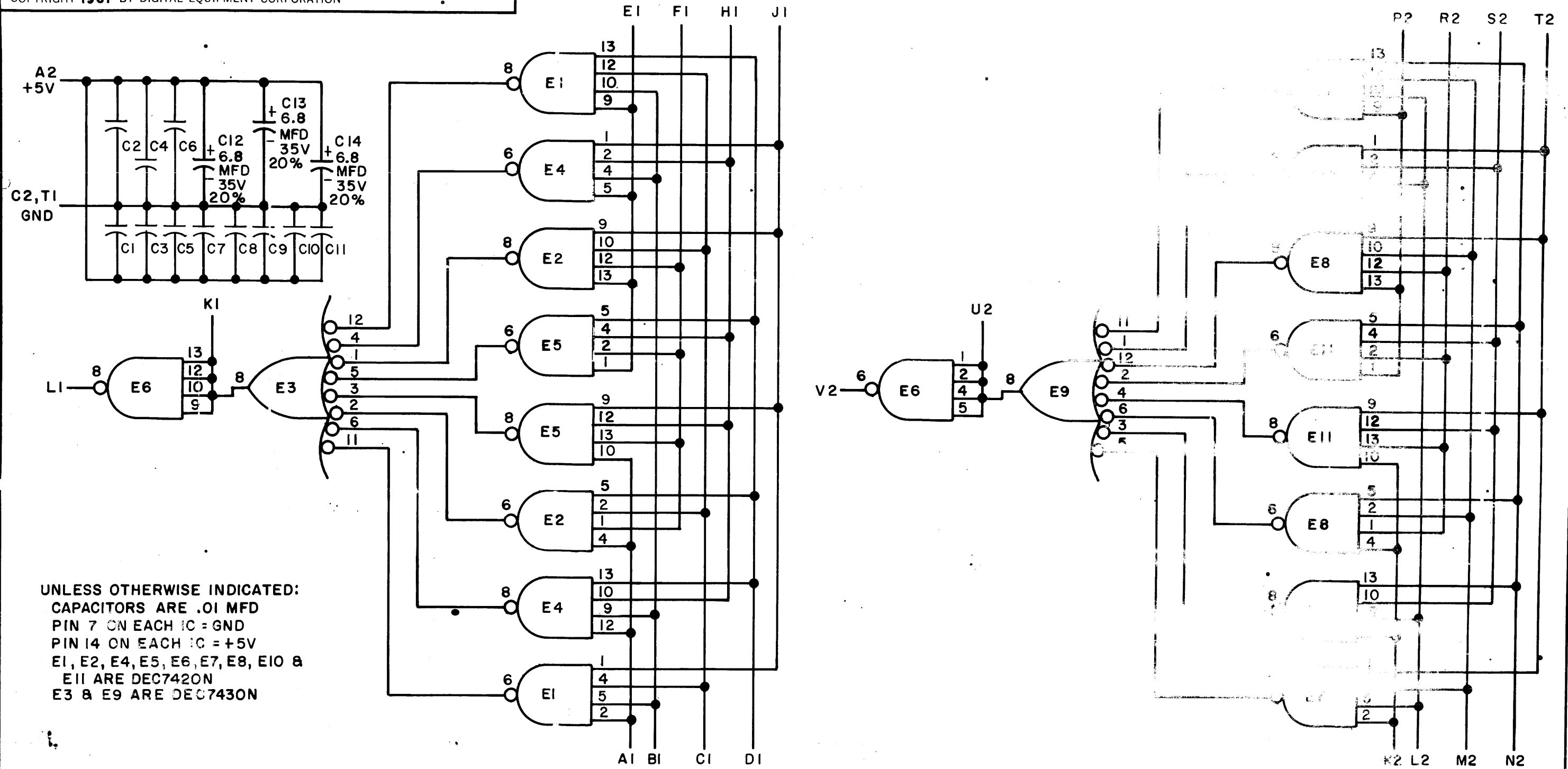
TRANSISTOR & DIODE CONVERSION CHART			
DEC	EIA	DEC	EIA

**digital**  
EQUIPMENT CORPORATION  
MAYNARD, MASSACHUSETTS

TITLE				16 LINE TO 1 LINE DATA SELECTOR M1713			
SIZE	CODE	NUMBER		REV.			
B	CS	M1713-0-1					
PRINTED CIRCUIT REV.				A			

*DISC - 44344363 5 1-K*

THIS SCHEMATIC IS FURNISHED ONLY FOR TEST AND MAINTENANCE PURPOSES. THE CIRCUITS ARE PROPRIETARY IN NATURE AND SHOULD BE TREATED ACCORDINGLY. COPYRIGHT 1967 BY DIGITAL EQUIPMENT CORPORATION

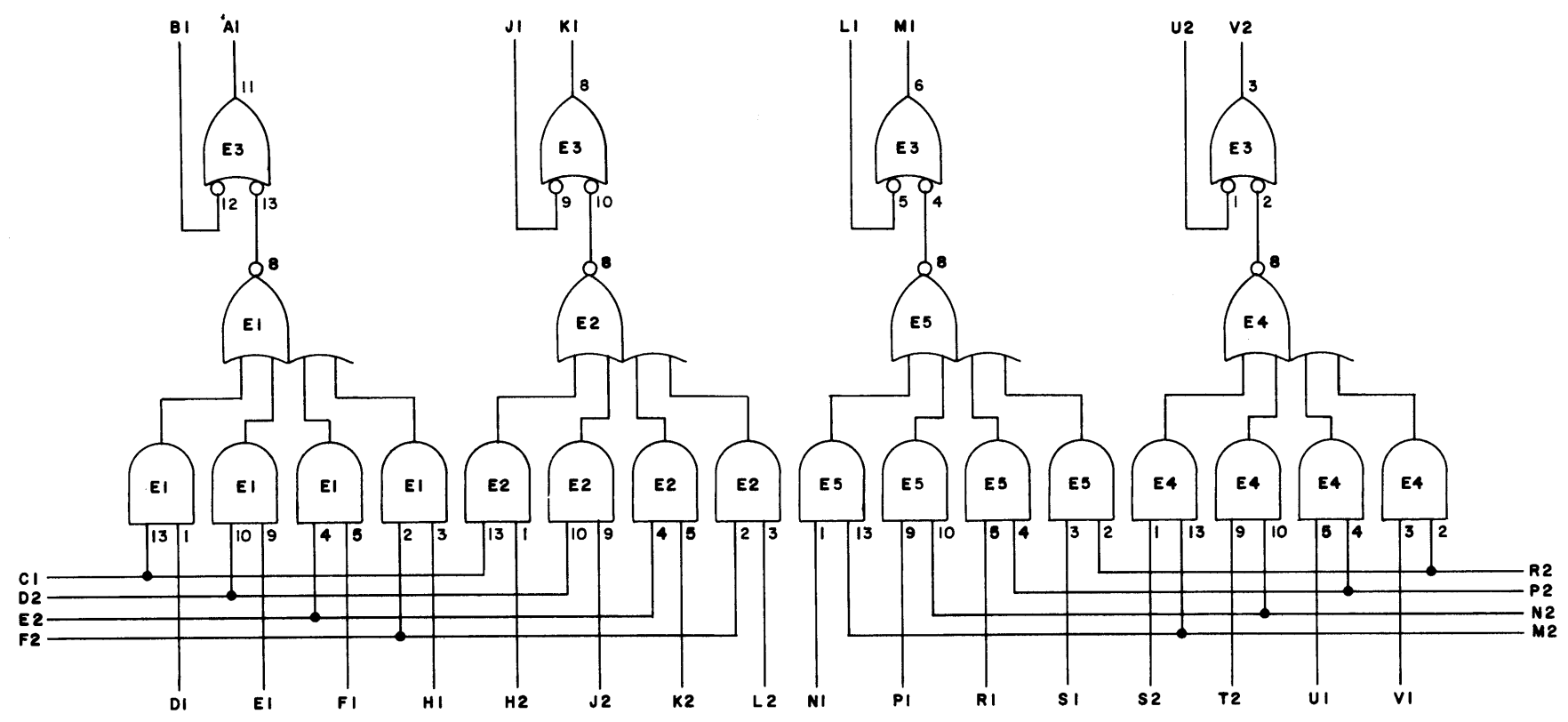


UNLESS OTHERWISE INDICATED:  
 CAPACITORS ARE .01 MFD  
 PIN 7 ON EACH IC = GND  
 PIN 14 ON EACH IC = +5V  
 E1, E2, E4, E5, E6, E7, E8, E10 &  
 E11 ARE DEC7420N  
 E3 & E9 ARE DEC7430N

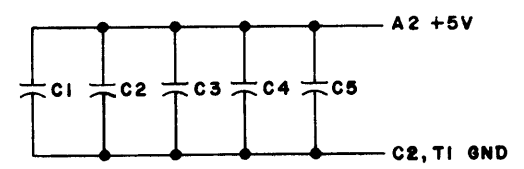
PARTS LIST IS A-PL-MI62-0-0

REVISIONS	CHK	CHG NO.	REV.	A	DRN.	DATE	TRANSISTOR & DIODE CONVERSION CHART				<b>digital</b> EQUIPMENT CORPORATION MAYNARD, MASSACHUSETTS	PARTY CIRCUIT MI62			
	1001				CHK'D	DATE	DEC	EIA	DEC	EIA		SIZE	CODE	NUMBER	REV.
	0000				ENG.	DATE						B	00	MI62-0-1	A
					PROD.	DATE									

THIS SCHEMATIC IS FURNISHED ONLY FOR TEST AND MAINTENANCE PURPOSES. THE CIRCUITS ARE PROPRIETARY IN NATURE AND SHOULD BE TREATED ACCORDINGLY. COPYRIGHT 1967 BY DIGITAL EQUIPMENT CORPORATION



NOTES:  
PIN 7 ON EACH IC = GND  
PIN 14 ON EACH IC = +5V



E3	INTEGRATED CKT. DEC7400N	1905575
E1, E2, E4, E5	INTEGRATED CKT. DEC7453N	1905582
C1 THRU C5	CAP. .01MFD 100V 20% DISC	1001610
	PARTS LIST	A-PL-M169-0-0
REFERENCE DESIGNATION	DESCRIPTION	PART NO.

REV. NO.	CHK	CHG NO.	REV.
00001	C		

DRN.	DATE
<i>M. Waller</i>	11-9-67
CHK'D	DATE
ENG.	DATE
PROD.	DATE

TRANSISTOR & DIODE CONVERSION CHART			
DEC	EIA	DEC	EIA

<b>digital</b>		EQUIPMENT CORPORATION		MAYNARD, MASSACHUSETTS	
TITLE: GATING MODULE M169					
SIZE	CODE	NUMBER	REV.		
C	CS	M169-0-1	C		
PRINTED CIRCUIT REV. B					

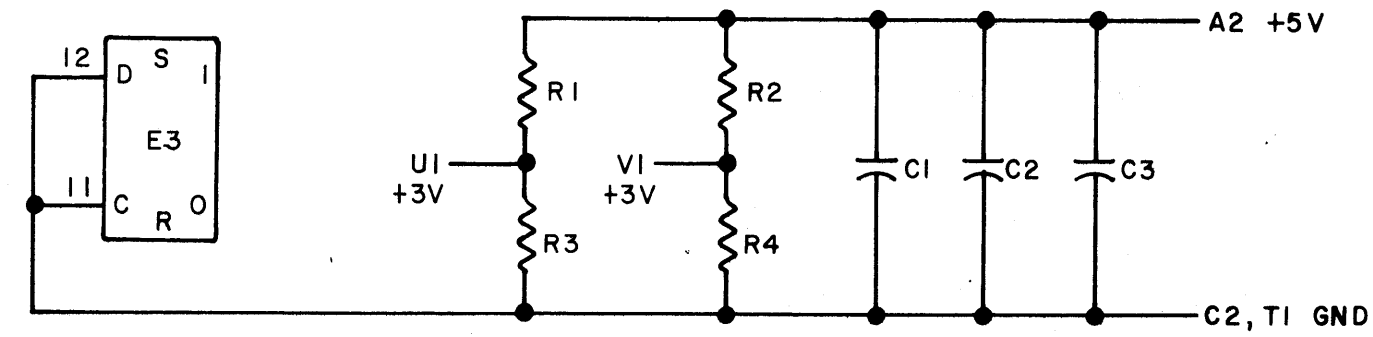
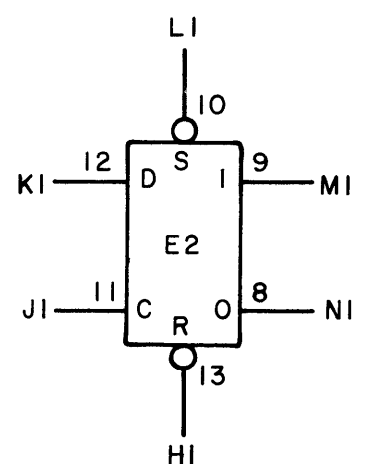
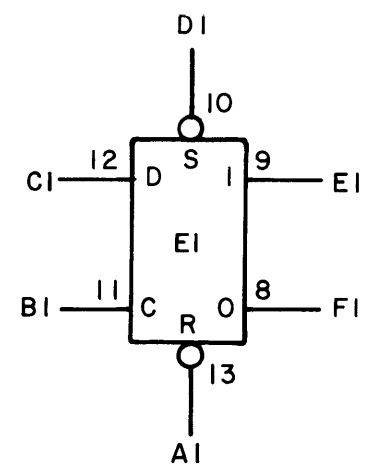
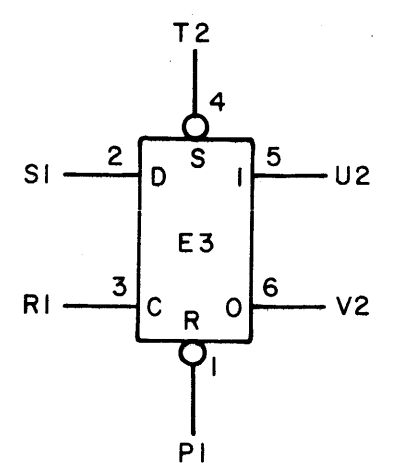
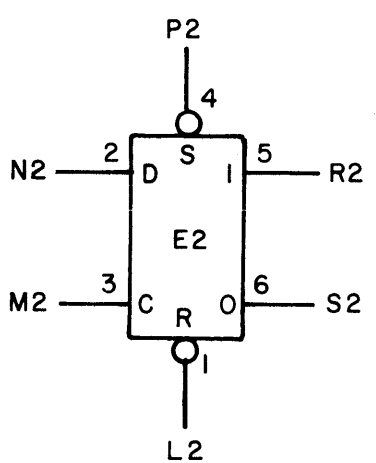
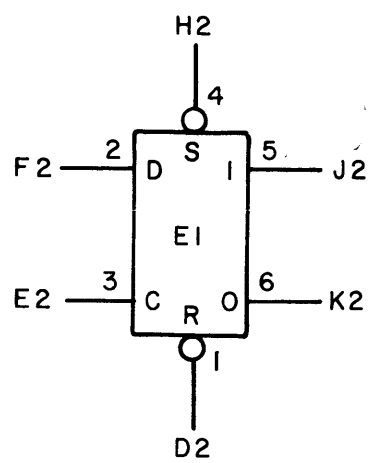
DEC FORM NO. 100

DIST. 324 434 435 *PINK*

REV. C  
NUMBER M169-0-1  
SIZE CODE C CS

THIS SCHEMATIC IS FURNISHED ONLY FOR TEST AND MAINTENANCE PURPOSES. THE CIRCUITS ARE PROPRIETARY IN NATURE AND SHOULD BE TREATED ACCORDINGLY. COPYRIGHT 1969 BY DIGITAL EQUIPMENT CORPORATION

REV B NUMBER SIZE CODE



NOTES:  
PIN 7 ON EACH IC = GND  
PIN 14 ON EACH IC = +5V

E1, E2, E3	INTEGRATED CKT. DEC7474N	1905547
R3, R4	RES. 750 1/4W 5% CC	1301401
R1, R2	RES. 330 1/4W 5% CC	1300295
C1, C2, C3	CAP. .01MFD 100V 20% DISC	1001610
PARTS LIST		A-PL-M205-O-0
REFERENCE DESIGNATION	DESCRIPTION	PART NO.

REVISIONS	CHK	CHG NO.	REV.
		00001	B

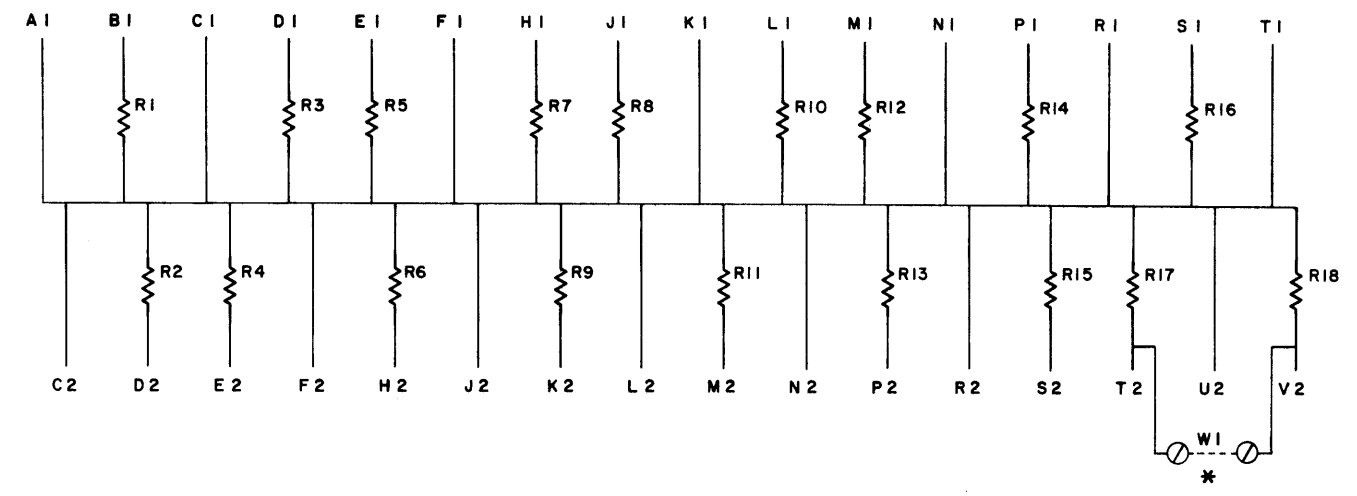
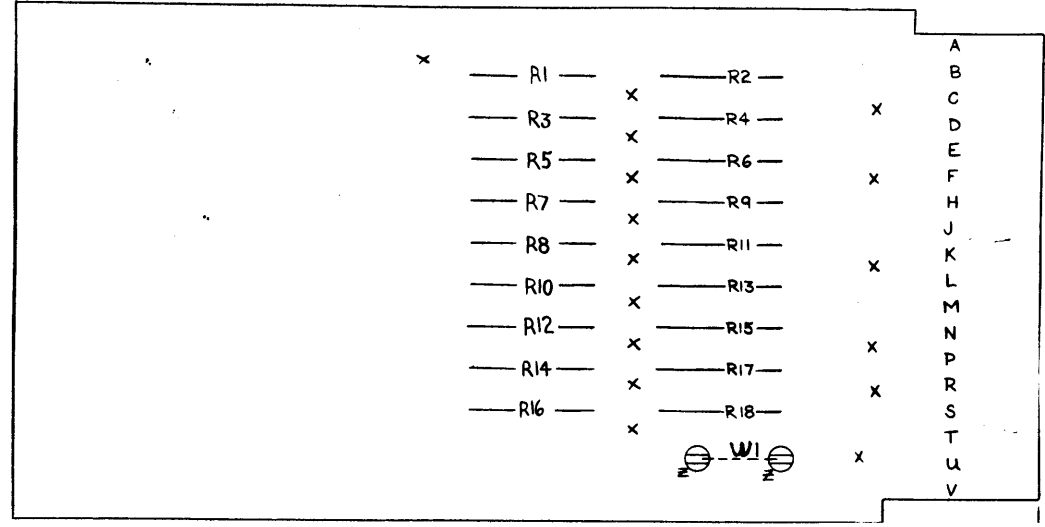
DRN.	DATE
<i>M. Valler</i>	2-17-69
CHK'D	DATE
<i>R. Schreiner</i>	3/15/69
ENG.	DATE
<i>F.C. Ammann</i>	4/17/69
PROD.	DATE

TRANSISTOR & DIODE CONVERSION CHART			
DEC	EIA	DEC	EIA

**digital**  
EQUIPMENT CORPORATION  
MAYNARD, MASSACHUSETTS

TITLE			
5 "D" FLIP FLOPS M205			
SIZE	CODE	NUMBER	REV.
B	CS	M205-0-1	B
PRINTED CIRCUIT REV.			A

THIS SCHEMATIC IS FURNISHED ONLY FOR TEST AND MAINTENANCE PURPOSES. THE CIRCUITS ARE PROPRIETARY IN NATURE AND SHOULD BE TREATED ACCORDINGLY. COPYRIGHT 1972 BY DIGITAL EQUIPMENT CORPORATION



UNLESS OTHERWISE INDICATED:  
RESISTORS ARE 51Ω

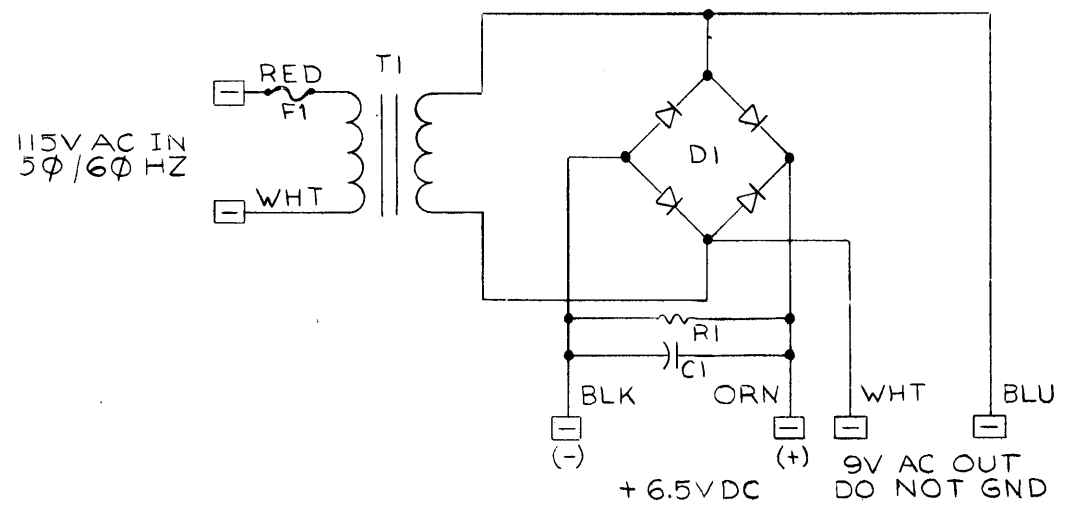
\* FOR YA VERSION DELETE  
R17 AND INSERT JUMPER  
ON SPLIT LUGS

QTY.	QTY.	REF. DESIGNATION	DESCRIPTION	DEC PART NO.	TYPE NO.
16	16		EYELET	9006731	9
1	1		HANDLE, FLIP CHIP - MAGENTA	9008337-06	8
2			SPLIT LUG	900673	7
2	2		EYELET, HANDLE	9006732	6
17	18	R1 thru R18	RES. 51 $\frac{1}{2}$ W 5%	1302378	5
1	1		ETCHED CIRCUIT BOARD	5009951	4
			MODULE ECO HISTORY	B-MH-M984-0-6	3
			ASSY/DRILLING HOLE LAYOUT	D-AH-M984-0-5	2
			X-Y COORDINATE HOLE LOCATION	K-CO-M984-0-4	1
			PARTS LIST		

REVISIONS CHK CHG NO. REV.	DATE	DATE	TRANSISTOR & DIODE CONVERSION CHART		TITLE	
	3/13/72	DATE	DEC	EIA	RESISTOR TERMINATOR	
	3/9/72	DATE	DEC	EIA	<b>digital</b> EQUIPMENT CORPORATION MAYNARD, MASSACHUSETTS	SIZE
	3/10/72	DATE				CODE
PROD.	DATE				NUMBER	REV.
					C CS M984-0-1	A

REV. 1  
NUMBER M984-0-1  
SIZE CODE C CS

THIS SCHEMATIC IS FURNISHED ONLY FOR TEST AND MAINTENANCE PURPOSES. THE CIRCUITS ARE PROPRIETARY IN NATURE AND SHOULD BE TREATED ACCORDINGLY. COPYRIGHT BY DIGITAL EQUIPMENT CORPORATION



F1	1/2 AMP S.B. FUSE	9007209
R1	5ohm 25W RES	1300165
C1	18000MFD 10V DC CAP	1009437
	PARTS LIST	D-UA-716-0-0
T1	XMFR*F64-U TRIAD	1609588
DI	DIODE PACK DM-2	1105397
REF DESIGNATION	DESCRIPTION	PART NO.

PARTS LIST

REV.	CHG NO.	REVISIONS
1	716-00001	A
2	716-00002	B
3	716-00003	C

DRN.	DATE
RAIMONDI	6-18-69
CHK'D	DATE
HEALY	6-25-69
ENG.	DATE
VONADA	7-21-69
PROD.	DATE
ANTONUCCIO	7-25-69

TRANSISTOR & DIODE CONVERSION CHART			
DEC	EIA	DEC	EIA

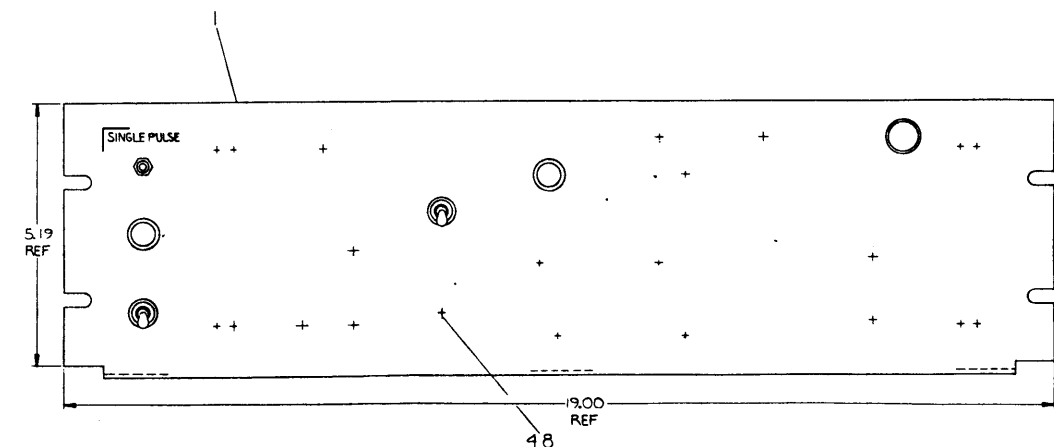
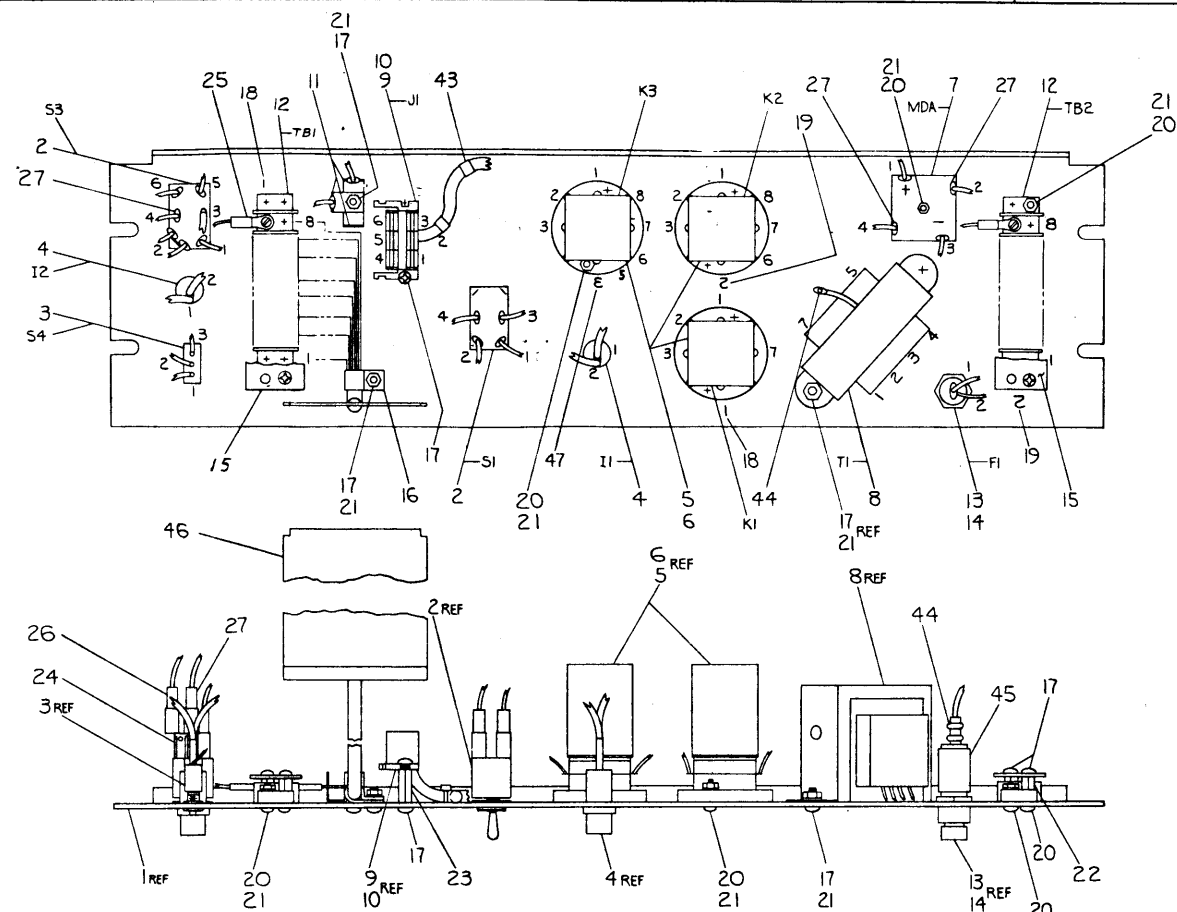
**digital**  
EQUIPMENT CORPORATION  
MAYNARD, MASSACHUSETTS

TITLE			CIRCUIT SCHEMATIC		
			716		
SIZE	CODE	NUMBER	REV.		
C	CS	716-0-1	C		
PRINTED CIRCUIT REV.					

REV. C  
NUMBER 716-0-1  
SIZE CODE C CS

*PINK*

WIRE TABLE						
ITEM NO.	AWG	COLOR	CONNECTION FROM	WITH	CONNECTION TO	WITH
8	—	RED	T1-1	SELF	TB2-2	25
	—	WHT/BLK	T1-4			
	—	WHT/RED	T1-3		FI-2	SOLD
	—	BLK	T1-2		TB2-1	25
	—	GRN	T1-5		MDA-2	27
8	—	GRN	T1-7	SELF	MDA-4	27
42	18	WHT/RED	TB2-3	25	FI-1	SOLD
35	22	VIO	TB2-7	25	K3-8	
36	—	GRY	TB2-8	25	K3-6	
29	—	BRN	MDA-1	26	K2-8	
28	—	BLK	MDA-3	26	K2-7	SOLD
34	—	BLU	K1-1	SOLD	J1-6	10
30	—	RED	K1-2		J1-2	10
34	—	BLU	K1-3		K2-2	SOLD
28	—	BLK	K1-7		K2-7	SOLD
33	—	GRN	K2-1		J1-5	10
34	—	BLU	K2-2		K3-2	SOLD
33	—	GRN	K2-2		K2-3	SOLD
28	—	BLK	K2-7		K3-7	SOLD
29	—	BRN	K2-8		J1-1	10
29	—	BRN	K2-8		S3-6	26
32	—	YEL	K3-1		S1-3	26
32	—	YEL	K3-1		J1-4	10
34	—	BLU	K3-2		S1-4	26
31	—	ORN	K3-3		S1-1	26
31	—	ORN	K3-3		J1-3	10
28	22	BLK	K3-7	SOLD	GND	26
4	—	RED	I1-1	SELF	K2-6	SOLD
	—	BLK	I1-2	SELF	K3-7	
37	22	WHT/RED	TBI-2	25	S4-3	
38	—	WHT/ORN	TBI-3		S4-2	
39	—	WHT/BLU	TBI-6		S4-1	SOLD
	—				S3-3	26
40	—	WHT/VIO	TBI-7		S3-5	
41	—	WHT/GRY	TBI-8	25	S3-1	
28	22	BLK	S3-2	26	GND	26
4	—	RED	I2-1	SELF	S3-4	27
	—	BLK	I2-2	SELF	S3-2	27
29	22	BRN	S1-2	26	MDA-1	26
33	22	GRN	TB2-6	25	K3-5	SOLD



QTY	DESCRIPTION	PART NO	ITEM NO.
1	PUSH PENNY	9007060	48
1	DECAL (NUMBER)	8-DC-5308943-B-0	41
1	CABLE, EPO PANEL	8-1A-7008834-0-0	46
A/R	TUBING, SHRINK, BLK	910725	45
A/R	TUBING, SHRINK, RED	9107251	44
A/R	WRAP, TIE	9007031	43
A/R	WIRE, #18 AWG STRD TRACER, WHT/RED	9107410-92	42
A/R	WIRE, #22 AWG STRD TRACER, WHT/GRY	9107400-98	41
A/R	WIRE, #22 AWG STRD TRACER, WHT/VIO	9107400-97	40
A/R	WIRE, #22 AWG STRD TRACER, WHT/BLU	9107400-96	39
A/R	WIRE, #22 AWG STRD TRACER, WHT/ORN	9107400-95	38
A/R	WIRE, #22 AWG STRD TRACER, WHT/RED	9107400-92	37
A/R	WIRE, #22 AWG #7 STRD VIO	9107350-17	35
A/R	WIRE, #22 AWG #7 STRD GRN	9107350-66	54
A/R	WIRE, #22 AWG #7 STRD BLU	9107350-55	33
A/R	WIRE, #22 AWG #7 STRD YEL	9107350-44	32
A/R	WIRE, #22 AWG #7 STRD ORN	9107350-35	31
A/R	WIRE, #22 AWG #7 STRD RED	9107350-22	30
A/R	WIRE, #22 AWG #7 STRD BRN	9107350-11	29
A/R	WIRE, #22 AWG #7 STRD BLK	9107350-00	28
4	TERMINAL, SOLDERLESS	9007919	27
14	TERMINAL, SOLDERLESS	9007917	26
11	TERMINAL, SOLDERLESS	9007929	25
1	CONNECTOR, ANKLESS	9007193	24
2	SPACER, HEX W/6-32X.62	9006857	23
4	SPACER, HEX W/6-32X.50	9006851	22
17	NUT, KEP W/6-32	9006185	21
17	SCREW, W/6-32X.56 PHL PAN HD	9007793-1	20
2	DECAL (NUMBER)	8-DC-5308943-C-6	19
2	DECAL (NUMBER)	8-DC-5308943-C-4	18
12	SCREW, W/6-32X.31 PHL PAN HD	9006521-1	17
1	CLAMP, CABLE (NYLON)	9007081	16
2	COVER, TERM. STRIP	7408462-8	15
1	FUSE, 1/4 AMP	9008889	14
1	HOLDER, FUSE	9007242	13
2	STRIP, TERMINAL	9006908	12
3	TAB, GROUND	9007596	11
6	PIN, FASTIN-FASTON	1210944-4	10
1	CONNECTOR, FASTIN-FASTON	1210944-1	9
1	TRANSFORMER, POWER	W60915	8
1	RECTIFIER, BRIDGE	1110168	7
3	SOCKET, OCTAL	1210120	6
3	RELAY, 12V	1203431	5
2	LIGHT, PILOT	1205299	4
1	SWITCH, PUSHBUTTON	1203457	3
2	SWITCH, TOGGLE	1204816	2
1	PANEL, MISC CONTROLS & EPO	8-WD-799578-0-0	1

FIRST USED ON OPTION/MODEL: DX11-B

UNLESS OTHERWISE SPECIFIED DIMENSION IN INCHES TOLERANCES: DECIMALS .0005 ANGLES 16° 30'

REMOVE BURRS AND BREAK SHARP CORNERS SURFACE QUALITY

MATERIAL: —

FINISH: —

DATE: 7/27/74

CHK'D: [Signature]

DATE: [Date]

ENG: [Signature]

DATE: [Date]

PROJ ENG: [Signature]

DATE: [Date]

PROD: [Signature]

DATE: [Date]

REVISIONS: [Table with columns for REV, DATE, DESCRIPTION]

PREPARED BY: [Signature]

DATE: [Date]

SCALE: 1"=1"

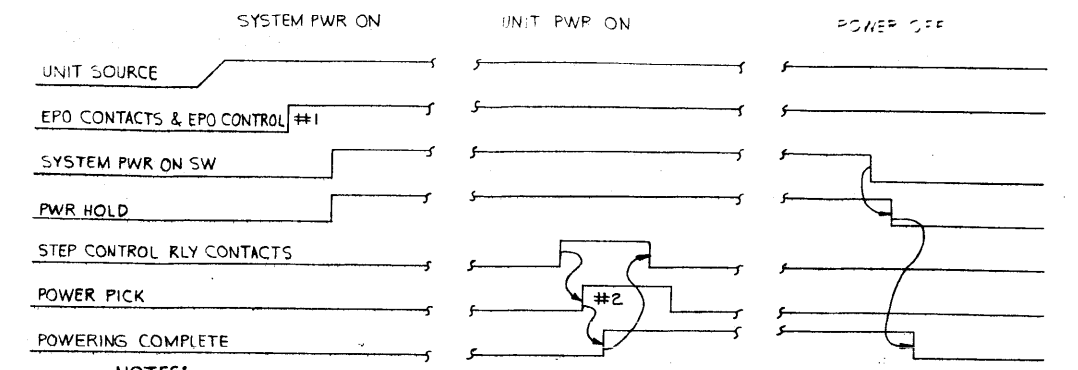
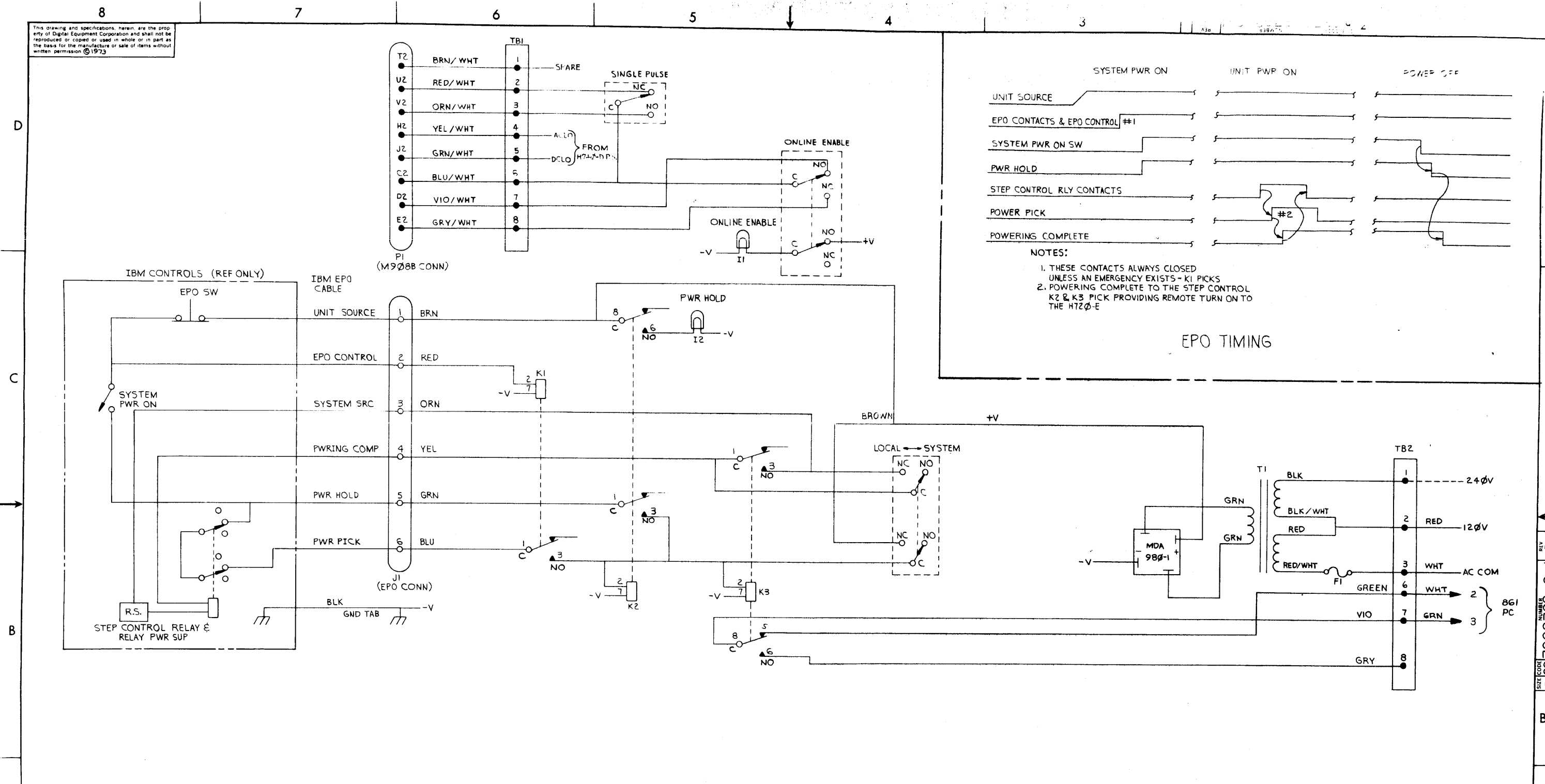
SHEET: 1 OF 1

PARTS LIST: EPO PANEL ASSY

NUMBER: 7008792-0-0

REV: C

This drawing and specifications herein are the property of Digital Equipment Corporation and shall not be reproduced or copied or used in whole or in part as the basis for the manufacture or sale of items without written permission © 1973



NOTES:  
 1. THESE CONTACTS ALWAYS CLOSED UNLESS AN EMERGENCY EXISTS - K1 PICKS  
 2. POWERING COMPLETE TO THE STEP CONTROL K2 & K3 PICK PROVIDING REMOTE TURN ON TO THE H720-E

EPO TIMING

BRUNING 40-522 15840

REV	CHANGE NO	DATE	BY	CHK
1	1	5-23-72	S. Roberts	
2	2	5-23-72	R. Dieter	

FIRST USED ON OPTION/MODEL	QTY.	DESCRIPTION	PART NO.	ITEM NO.
DX11-B				
PARTS LIST				
UNLESS OTHERWISE SPECIFIED DIMENSION IN INCHES. TOLERANCES		DRN S. Roberts	DATE 3/21/72	 digital EQUIPMENT CORPORATION MAYNARD MASSACHUSETTS
DECIMALS	ANGLES	CHK'D J. Dieter	DATE 5/17/72	
.XXX = .005	± 0° 30'	ENG J. Dieter	DATE 5-23-72	
.XX = .02		PROJ. ENG. R. Dieter	DATE 5-23-72	
REMOVE BURRS AND BREAK SHARP CORNERS SURFACE QUALITY		PRD Phil Lane	DATE 6/1/72	TITLE
MATERIAL		NEXT HIGHER ASSY.		MISC CONTROLS & EPO
FINISH		SCALE NONE		SIZE CODE
		SHEET 1 OF 1		DCS
		DIST.		NUMBER
				7008792-0-1
				REV.
				B



This drawing and specifications herein are the property of Digital Equipment Corporation and shall not be reproduced or copied or used in whole or in part as the basis for the manufacture or sale of parts without written permission.

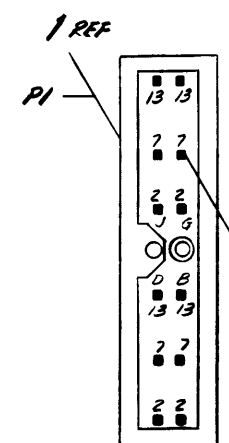
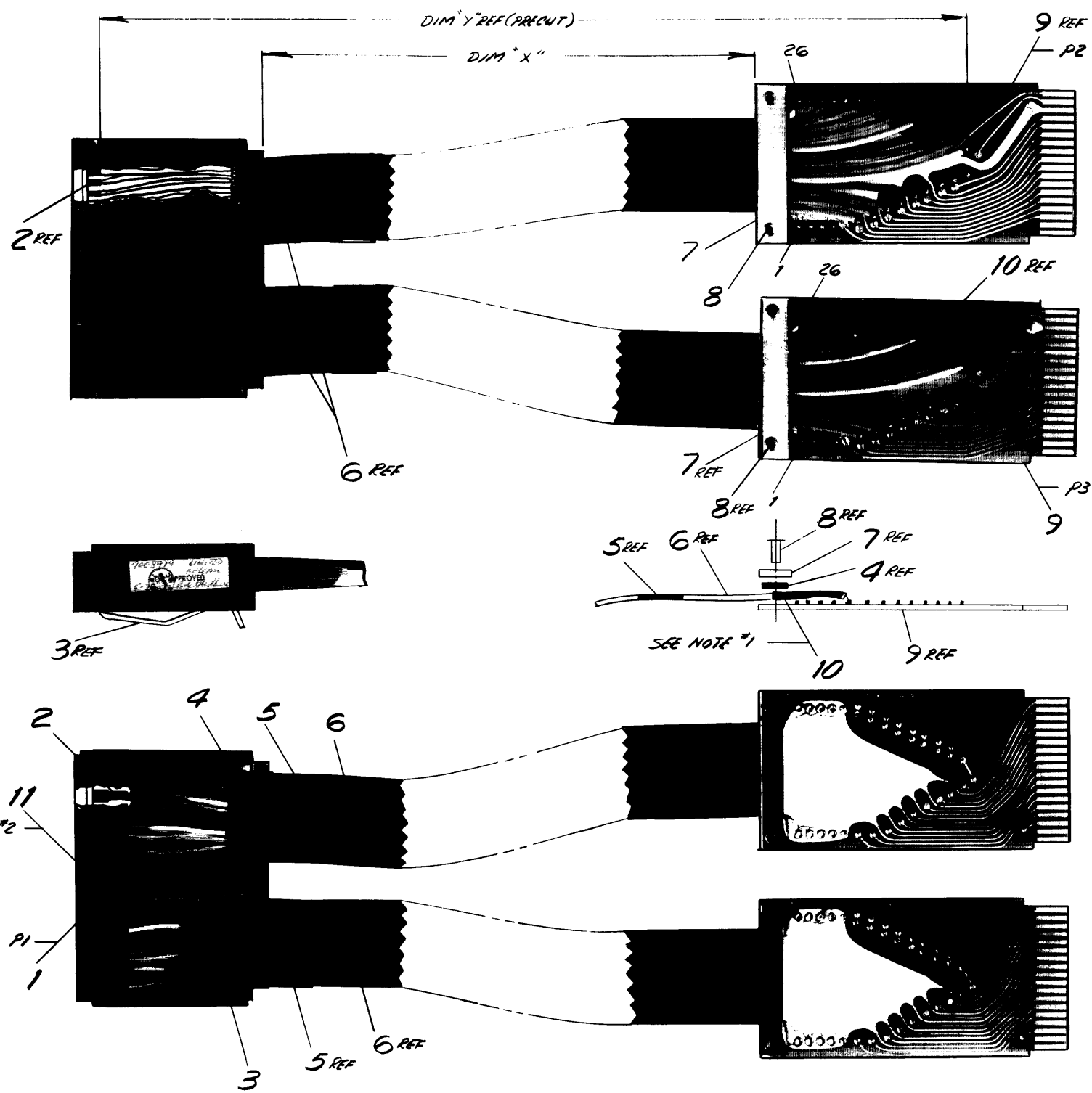
**NOTES:**

1. ALL COLORED WIRES TO BE COVERED WITH ITEM #10 (CLEAR TUBING) PRIOR TO SOLDERING TO ITEM #9, P2 & P3 ONLY.
2. ALL GROUND WIRES ON P1 TO BE COVERED WITH ITEM #11 (CLEAR TUBING) PRIOR TO CRIMPING TO ITEM #2 P1 ONLY.
3. FOR PRODUCTION TESTING SEE DRAWING 8-SP-7008777-0-3

LEGEND		
NUMBER	VARIATION	
	DIM "X"	DIM "Y" REF
7008919-02	2' - 0"	2' - 6"

QTY.	DESCRIPTION	PART NO.	ITEM NO.
9/R	TUBING CLEAR TEFLON #18	9107278-11	11
9/R	TUBING CLEAR TEFLON #14	9107302-11	10
2	CARD CONNECTOR	M9898	9
4	EYELLET 65-9-9 SIMPSON	9006796	8
2	CLAMP CABLE #940	1202704	7
9/R	CABLE, COAX	1700001-00	6
9/R	RASTIC ELECTRA SCOTCH #33		5
9/R	TAPE #4032 3M CO.	9007834	4
1	JACK SCREW & COVER KIT	1211092	3
48	PIN BISEXUAL	1211093	2
1	CONN HOUSING (BLACK)	1211091-1	1

FIRST USED ON OPTION/MODEL <b>DX11-B</b>		PARTS LIST	
UNLESS OTHERWISE SPECIFIED DIMENSION IN INCHES TOLERANCES	DATE 8-24-72	digital EQUIPMENT CORPORATION MAYNARD MASSACHUSETTS	
DECIMALS: .005 ANGLES: ±0°30'	DATE 7-27-72	TITLE <b>IBM 360 CABLE ASSY</b>	
REMOVE BURRS AND BREAK SHARP CORNERS SURFACE QUALITY ✓	DATE 7-6-72	SIZE CODE <b>DIA</b>	
MATERIAL	DATE 7-1-72	NUMBER <b>7008919-0-0</b>	
FINISH	DATE	REV.	
NEXT HIGHER ASSY. <b>D-4A-DX11-B-D</b>		DIST. 1 OF 2	



REVISIONS	REV
CHANGE NO.	
CHK	

PIA 7008919-0-0

This drawing and specifications, hereinafter referred to as "Drawing," are the property of Digital Equipment Corporation and shall not be reproduced or copied in whole or in part without the written permission of Digital Equipment Corporation.

### WIRE TABLE

ITEM NO	DESCRIPTION	COLOR	FROM		TO		WITH
			CONNECTION	WITH	CONNECTION	WITH	
3	COAX	GND	P1-B2	2,11	P2-26		SOLDER
		RED	P1-B3	2	P2-22		
		BLU	P1-D2	2	P2-20		
		GND	P1-D3	2,11	P2-26		
		GRN	P1-D4	2,11	P2-19		
		GND	P1-D5	2,11	P2-25		
		GND	P1-B4	2,11	P2-25		
		WHT	P1-B5	2	P2-18		
		RED	P1-D6	2	P2-17		
		GND	P1-D7	2,11	P2-24		
		GRN	P1-B6	2,11	P2-16		
		GND	P1-B7	2,11	P2-24		
		BLU	P1-B8	2	P2-15		
		GND	P1-B9	2,11	P2-23		
		GND	P1-D8	2,11	P2-23		
		WHT	P1-D9	2	P2-14		
		BLK	P1-B10	2	P2-9		
		GND	P1-B11	2,11	P2-4		
		GND	P1-D10	2,11	P2-3		
		RED	P1-D11	2	P2-7		
		BLU	P1-B12	2	P2-6		
		GND	P1-B13	2,11	P2-2		
		GND	P1-D12	2,11	P2-1		
		GRN	P1-D13	2,11	P2-5		
		GND	P1-G2	2,11	P3-26		
		RED	P1-G3	2	P3-22		
		BLU	P1-J2	2	P3-20		
		GND	P1-J3	2,11	P3-26		
		GRN	P1-J4	2,11	P3-19		
		GND	P1-J5	2,11	P2-25		
		GND	P1-G4	2,11	P3-25		
		WHT	P1-G5	2	P3-18		
		RED	P1-G6	2	P3-17		
		GND	P1-G7	2,11	P3-24		
		GRN	P1-J6	2,11	P3-16		
		GND	P1-J7	2,11	P3-24		
		BLU	P1-G8	2	P3-15		
		GND	P1-G9	2,11	P3-23		
		GND	P1-J8	2,11	P3-23		
WHT	P1-J9	2	P3-14				
		BLK	P1-G10	2	P3-9		
		GND	P1-G11	2,11	P3-4		
		GND	P1-J10	2,11	P3-3		
		RED	P1-J11	2	P3-7		
		BLU	P1-G12	2	P3-6		
3	COAX	GND	P1-G13	2,11	P3-2		SOLDER
		GRN	P1-J13	2,11	P3-5		

SIZE CODE NUMBER REV  
D IA7008919-0-0 2

D

C

B

A

D

C

B

A

REV	
CHANGE NO.	
REVISIONS	

DEC FORM NO URD 100

FIRST USED ON OPTION/MODEL  
DX11-B

DO NOT SCALE DRAWING  
UNLESS OTHERWISE SPECIFIED  
DIMENSION IN INCHES  
TOLERANCES  
DECIMALS ± .005  
FRACTIONS ± 1/64  
ANGLES ± 0°30'  
FINAL SURFACE QUALITY  
REMOVE BURRS AND BREAK SHARP CORNERS

MATERIAL  
FINISH

DATE 12-21-72  
DATE 7-6-72  
DATE 7-6-72  
DATE 9-1-72  
NEXT HIGHER ASSY  
D-4A-DX11-B-0

PARTS LIST  
digital EQUIPMENT CORPORATION  
MAYNARD, MASSACHUSETTS  
TITLE  
IBM 360 CABLE ASSY  
SIZE CODE NUMBER REV  
DIA7008919-0-0  
SCALE SHEET 2 OF 2  
DIST. -

8

7

6

5

4

3

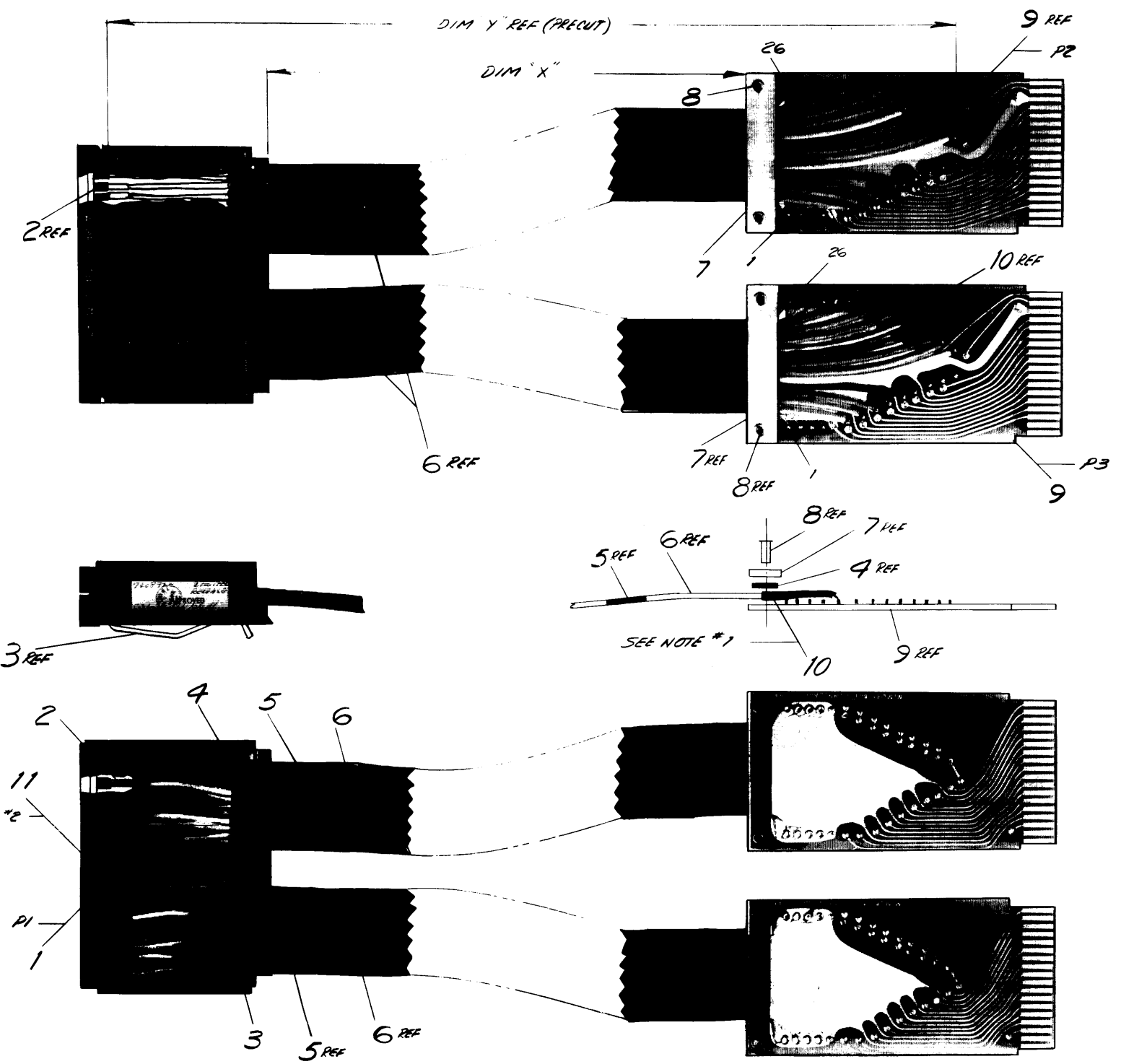
2

1

REV NUMBER  
D IA7008919-0-0

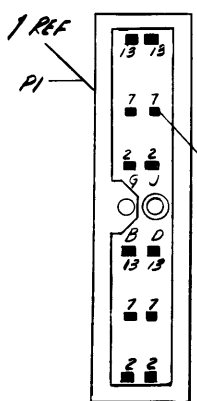
**NOTES:**

1. ALL COLORED WIRES TO BE COVERED WITH ITEM #10 (CLEAR TUBING), PRIOR TO SOLDERING TO ITEM #9, P2 & P3 ONLY.
2. ALL GROUND WIRES ON P1, TO BE COVERED WITH ITEM #11 (CLEAR TUBING) PRIOR TO CRIMPING TO ITEM #2 P1 ONLY.
3. FOR PRODUCTION TESTING SEE DRAWING B-SP-700877-0-3



**LEGEND**

NUMBER	VARIATION	
	DIM "X"	DIM "Y" REF
7008920-02	2'-0"	2'-6"



QTY	DESCRIPTION	PART NO	ITEM NO
4/R	TUBING CLEAR TEFLON #18	9107278-11	11
4/R	TUBING CLEAR TEFLON #19	9107302-11	10
2	CARD CONNECTOR	19994B	9
4	EYELET 6S-9-9 STIMARON	3006796	8
2	CLAMP CABLE #940	1202704	7
4/R	CABLE, COAX	1700001-00	6
4/R	PLASTIC ELEC TAPE SCOTCH #53		5
4/R	TAPE #4032 3M CO.	9007839	4
1	JACK SCREW & COVER KIT	1211092	3
48	PIN BISHOPAL	1211093	2
1	CONN HOUSING (BROWN)	1211091-2	1

FIRST USED ON OPTION/MODEL		DATE		PARTS LIST	
DX11-B		9-1-72		digital EQUIPMENT CORPORATION WATLING, MASSACHUSETTS	
UNLESS OTHERWISE SPECIFIED DIMENSION IN INCHES TOLERANCES		DATE		TITLE	
DECIMALS	ANGLES	9/1/72		IBM 360 CABLE ASSY	
xxx .005	+0'30	DATE		SIZE CODE	
xx .02		DATE		NUMBER	
x .1		DATE		REV	
REMOVE BURRS AND BREAK SHARP CORNERS SURFACE QUALITY		DATE		D IA 7008920-0-0	
MATERIAL		NEXT HIGHER ASSY		SCALE NONE	
FINISH		D-VA-DX11-B-0		SHEET 1 OF 2	
		DIST		1	

REV	CHANGE NO

D IA 7008920-0-0

This drawing and specifications herein are the property of Digital Equipment Corporation and shall not be reproduced or transmitted in any form or by any means, electronic, mechanical, photocopying, recording, or by any information storage and retrieval system, without the prior written permission of Digital Equipment Corporation.

### WIRE TABLE

WIRE NO	DESCRIPTION	AWG	COLOR	FROM		TO	
				CONNECTION	WITH	CONNECTION	WITH
3	COAX		GND	P1-B2	2, 11	P2-26	SOLDER
			RED	P1-B3	2	P2-22	
			BLU	P1-D2	2	P2-20	
			GND	P1-D3	2, 11	P2-26	
			GRN	P1-D4	2, 11	P2-19	
			GND	P1-D5	2, 11	P2-25	
			GND	P1-B4	2, 11	P2-23	
			WHT	P1-B5	2	P2-18	
			RED	P1-D6	2	P2-17	
			GND	P1-D7	2, 11	P2-29	
			GRN	P1-B6	2, 11	P2-16	
			GND	P1-B7	2, 11	P2-24	
			BLU	P1-B8	2	P2-15	
			GND	P1-B9	2, 11	P2-23	
			GND	P1-D8	2, 11	P2-23	
			WHT	P1-D9	2	P2-14	
			BLK	P1-B10	2	P2-9	
			GND	P1-B11	2, 11	P2-4	
			GND	P1-D10	2, 11	P2-3	
			RED	P1-D11	2	P2-7	
			BLU	P1-B12	2	P2-6	
			GND	P1-B13	2, 11	P2-2	
			GND	P1-D12	2, 11	P2-1	
			GRN	P1-D13	2, 11	P2-5	
			GND	P1-52	2, 11	P3-26	
			RED	P1-53	2	P3-22	
			BLU	P1-J2	2	P3-20	
			GND	P1-J3	2, 11	P3-26	
			GRN	P1-J4	2, 11	P3-19	
			GND	P1-J5	2, 11	P2-25	
			GND	P1-54	2, 11	P3-25	
			WHT	P1-55	2	P3-18	
			RED	P1-56	2	P3-17	
GND	P1-57	2, 11	P3-24				
GRN	P1-J6	2, 11	P3-16				
GND	P1-J7	2, 11	P3-24				
BLU	P1-58	2	P3-15				
GND	P1-59	2, 11	P3-23				
GND	P1-J8	2, 11	P3-23				
WHT	P1-J9	2	P3-14				
BLK	P1-510	2	P3-9				
GND	P1-511	2, 11	P3-4				
GND	P1-J10	2, 11	P3-3				
RED	P1-J11	2	P3-7				
BLU	P1-512	2	P3-6				
GND	P1-513	2, 11	P3-2				
GND	P1-J12	2, 11	P3-1				
3	COAX		GRN	P1-J13	2, 11	P3-5	SOLDER

REVISIONS	NO.	REV.
CHK	CHANGE NO.	

FIRST USED ON OPTION/MODEL  
DX11-B

DO NOT SCALE DRAWING  
UNLESS OTHERWISE SPECIFIED  
DIMENSION IN INCHES  
TOLERANCES  
DECIMALS ± .005  
FRACTIONS ± 1/64  
ANGLES ± 0°30'  
FINAL SURFACE QUALITY  
REMOVE BURRS AND BREAK SHARP CORNERS

QTY.	DESCRIPTION	PART NO.	ITEM NO.
PARTS LIST			
digital EQUIPMENT CORPORATION MAYNARD, MASSACHUSETTS		TITLE	
		IBM 360 CABLE ASSY	
NEXT HIGHER ASSY		SIZE CODE	NUMBER
D-0A-DX11-B-0		DIA	7008920-0-0
SCALE NONE		DIST.	
SHEET 1 OF 1			