

DRAWING DIRECTORY

CUSTOMER PRINT SET INDEX

THIS IS PRINT SET

SEQUENCE
PRINT SET #1
DRAWING DIRECTORY B-DD-DL11-β
ASYNCHRONOUS LINE INTERFACE C-UA-DL11-β-β
ASYNCHRONOUS LINE INTERFACE (PL) A-PL-DL11-β-β
ASYNCHRONOUS LINE INTERFACE E-CS-M7800-YA-1
CABLE ASSEMBLY (KL8/E) D-1A-7008360-0-0
SOFTWARE LIST A-SL-DL11-β-4
ACCESSORY LIST A-AL-DL11-β-5

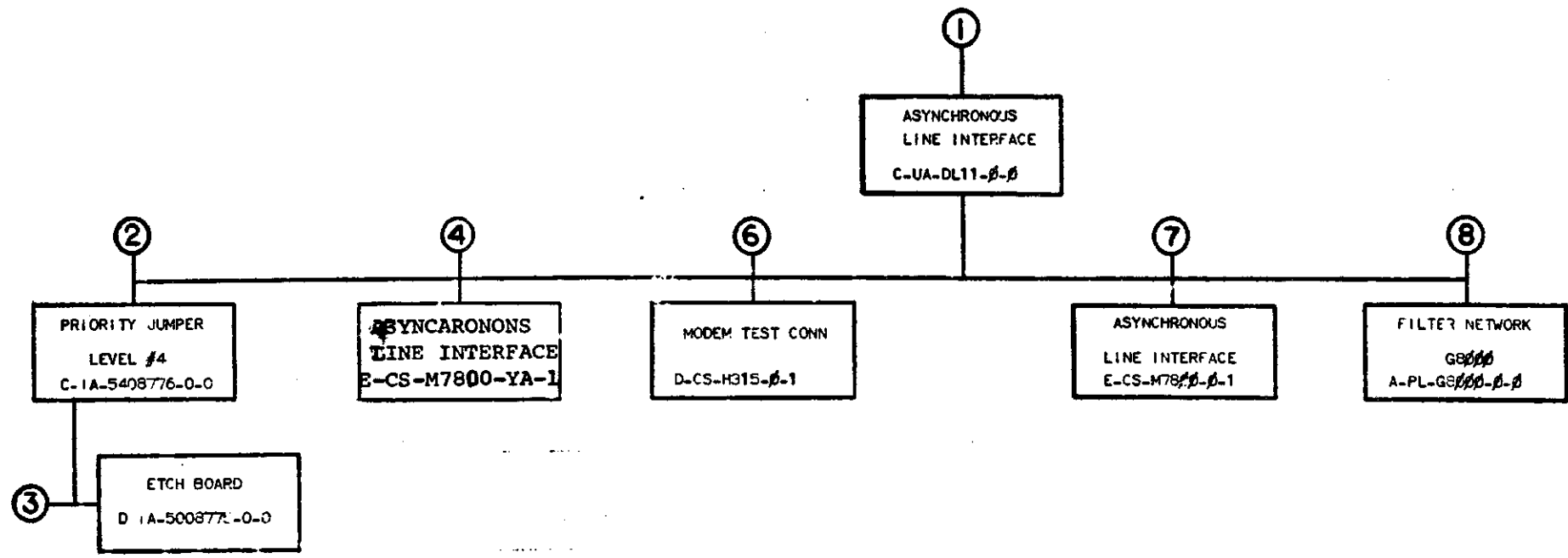
SEQUENCE
PRINT SET #3
DRAWING DIRECTORY B-DD-DL11-0
ASYNCHRONOUS LINE INTERFACE C-UA-DL11-0-0
ASYNCHRONOUS LINE INTERFACE (PL) A-PL-DL11-0-0
ASYNCHRONOUS LINE INTERFACE E-CS-M7800-0-1
CABLE, MODEM BC05C D-UA-BC05C-0-0
CABLE ASSEMBLY (KL8/E) D-1A-7008360-0-0
MODEM TEST CONN. D-CS-H315-0-1

SEQUENCE
PRINT SET #2
DRAWING DIRECTORY B-DD-DL11-β
ASYNCHRONOUS LINE INTERFACE C-UA-DL11-β-β
ASYNCHRONOUS LINE INTERFACE (PL) A-PL-DL11-β-β
ASYNCHRONOUS LINE INTERFACE E-CS-M7800-β-1
CABLE, MODEM BC05C D-UA-BC05C-β-β
FILTER NETWORK B-CS-GS00-β-1
MODEM TEST CONN D-CS-H315-β-1
SOFTWARE LIST A-SL-DL11-β-4
ACCESSORY LIST A-AL-DL11-β-5

VARIATION	TITLE	PRINT SET TYPE			
		DL11-1	DL11-2		
DL11-A	ASYNCHRONOUS LINE INTERFACE, CURRENT LOOP	1	0		
DL11-B	ASYNCHRONOUS LINE INTERFACE, EIA	0	1		
DL11-C	ASYNCHRONOUS LINE INTERFACE, CURRENT LOOP	1	0		
DL11-D	ASYNCHRONOUS LINE INTERFACE, EIA	0	1		
DL11-E	ASYNCHRONOUS LINE INTERFACE, DATA SET	0	1		

REVISIONS		DATE	CHG. NO.	REV
		8/11	DL11-00001	A

USED ON OPTION/MODEL	DRN.	DATE	TITLE	SIZE CODE	NUMBER	REV
	CHKD.	DATE				
	PROLENG.	DATE				
	PROD.	DATE				
	FIELD SERV.	DATE				
	SHEET	OF				



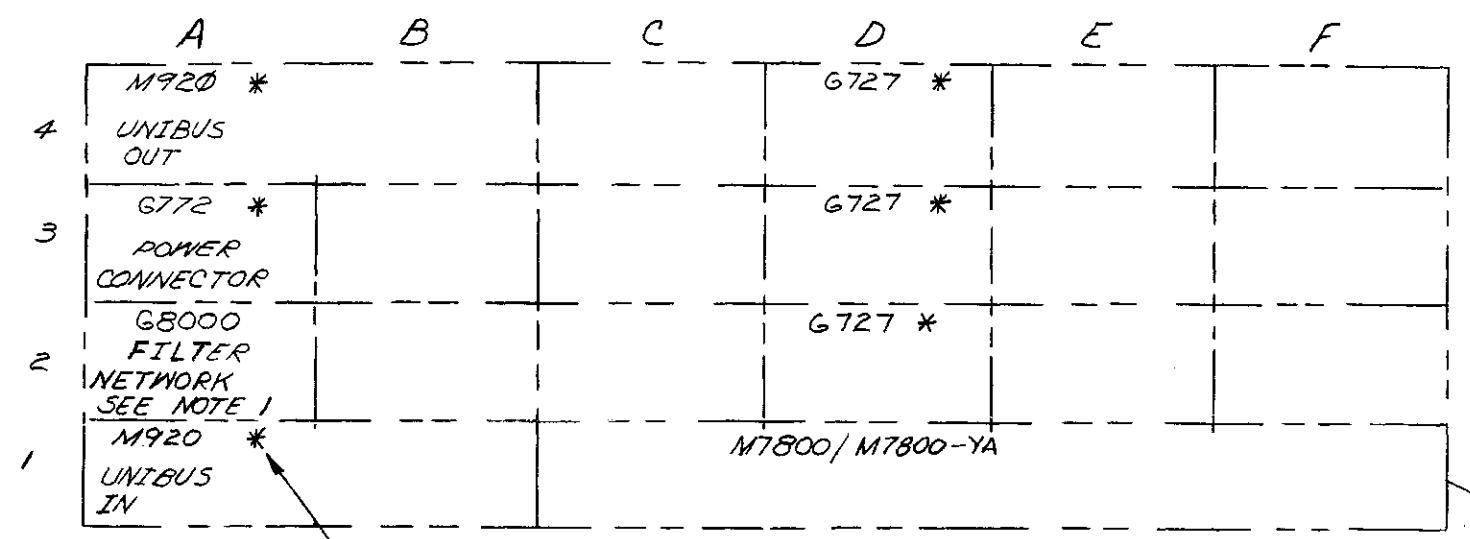
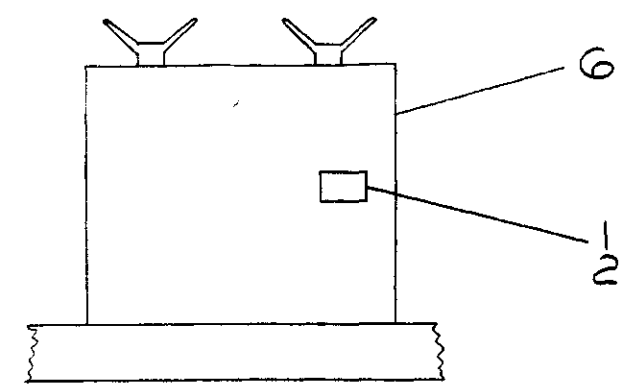
TITLE	ASYNCHRONOUS LINE INTERFACE	SHEET 2 OF 3	SIZE CODE B DD	NUMBER DLH - 0	REV C
-------	--------------------------------	--------------	-------------------	-------------------	----------

CUSTOMER PRINT SET										MECHANICAL									
DL11-1	DL11-2	DL11-3	DEPT	FIND NO.	DRAWING NO.	REV	DESCRIPTION	OPTION NO.	DL11-1	DL11-2	DL11-3	DEPT	FIND NO.	DRAWING NO.	REV	DESCRIPTION	OPTION NO.		
X	X	X		1.	C-UA-DL11-0-0	B	1	ASYNCHRONOUS LINE INTERFACE						1.	C-UA-DL11-0-0	B	1	ASYNCHRONOUS LINE INTERFACE	
X	X	X			A-PL-DL11-0-0	B	1	ASYNCHRONOUS LINE INTERFACE (PL)						A-PL-DL11-0-0	B	1	ASYNCHRONOUS LINE INTERFACE (PL)		
	X	X			D-UA-BC05C-0-0	#	1	CABEE, MODEM, BC05C						D-UA-BC05C-0-0		1	CABLE, MODEM BC05C		
X		X			D-1A-7008360-0-0	#	1	CABLE, ASSEMBLY (KLB/E)						D-1A-7008360-0-0		1	CABLE ASSEMBLY (KLB/E)		
					A-SP-DL11-0-1	*	11	ENGINEERING SPECIFICATION											
					A-SP-DL11-0-2	*	8	INSTALLATION PROCEDURE											
					A-SP-DL11-0-3	A	7	TEST PROCEDURE											
X	X				A-SL-DL11-0-4	*	1	SOFTWARE LIST											
X	X				A-AL-DL11-0-5	A	1	ACCESSORY LIST											
				2.	C-1A-5408776-0-0		1	PRIORITY JUMPER LEVEL #4						2.	C-1A-5408776-0-0		1	PRIORITY JUMPER LEVEL #4	
					B-CS-5408776-0-1		1	CIRCUIT SCHEMATIC						K-CO-5408776-0-4		1	X-Y COORDINATE HOLE LOC		
					K-CO-5408776-0-4		1	X-Y COORDINATE HOLE LOC						B-MH-5408776-0-6		1	ASSY/DRILLING HOLE LAYOUT		
					B-MH-5408776-0-6		1	MODULE ECO HISTORY											
				3.	C-AH-5408776-0-5		1	ASSY/DRILLING HOLE LAYOUT						3.	D-1A-5008775-0-0		1	ETCH BOARD	
														C-AH-5408776-0-5		1	ASSY/DRILLING HOLE LAYOUT		
X				4	E-CS-M7800-YA-1	#	6	ASYNCHRONOUS LINE INTERFACE											
					K-CO-M7800-YA-4		1	X-Y COORDINATE HOLE LOCATION											
					D-AH-M7800-YA-5		1	ASSY DRILLING HOLE LAYOUT											
					B-MH-M7800-YA-6		1	MODULE ECO HISTORY											
				6.	D-CS-H315-0-1	#	1	MODEM TEST CONN						6.	D-CS-H315-0-1		1	MODEM TEST CONN	
X	X				K-CO-H315-0-4		1	X-Y COORDINATE HOLE LOC						K-CO-H315-0-4		1	X-Y COORDINATE HOLE LOC		
					D-AH-H315-0-5		1	ASSY DRILLING HOLE LAYOUT						C-AH-H315-0-5		1	ASSY/DRILLING HOLE LAYOUT		
					B-MH-H315-0-6		1	MODULE ECO HISTORY						B-MH-H315-0-6		1	MODULE ECO HISTORY		
X	X	X		7.	E-CS-M7800-0-1	#	7	ASYNCHRONOUS LINE INTERFACE						7.	E-CS-M7800-0-1		7	ASYNCHRONOUS LINE INTERFACE	
					K-CO-M7800-0-4		1	X-Y COORDINATE HOLE LOC						K-CO-M7800-0-4		1	X-Y COORDINATE HOLE LOC		
					D-AH-M7800-0-5		1	ASSY/DRILLING HOLE LAYOUT						D-AH-M7800-0-5		1	ASSY/DRILLING HOLE LAYOUT		
					B-MH-M7800-0-6		1	MODULE ECO HISTORY						B-MH-M7800-0-6		1	MODULE ECO HISTORY		
				8.	A-PL-G5000-0-0		1	FILTER NETWORK						8.	A-PL-G5000-0-0		1	FILTER NETWORK	
X					B-CS-G5000-0-1	#	1	CIRCUIT SCHEMATIC						K-CO-G5000-0-4		1	X-Y COORDINATE HOLE LOC		
					K-CO-G5000-0-4		1	X-Y COORDINATE HOLE LOC						C-AH-G5000-0-5		1	ASSY/DRILLING HOLE LAYOUT		
					C-AH-G5000-0-5		1	ASSY/DRILLING HOLE LAYOUT						B-MH-G5000-0-6		1	MODULE ECO HISTORY		
					B-MH-G5000-0-6		1	MODULE ECO HISTORY											

This drawing and specifications, herein, are the property of Digital Equipment Corporation and shall not be reproduced or copied or used in whole or in part as the basis for the manufacture or sale of items without written permission.
1972

NOTES:

- G 8000 IS REQUIRED ONLY IN PDP 11 SYSTEMS WHERE +15V IS NOT AVAILABLE. THE INSTALLATION REQUIRES 2 WIRES TO BE ADDED.
A03V2-A02U2
A02N2-CXXUI
WHERE (XX) IS THE SLOT NUMBER CONTAINING THE DLII.
- ITEMS INDICATED WITH ASTERICK (*) ARE SHOWN FOR REFERENCE ONLY AND ARE NOT PART OF THIS UNIT.

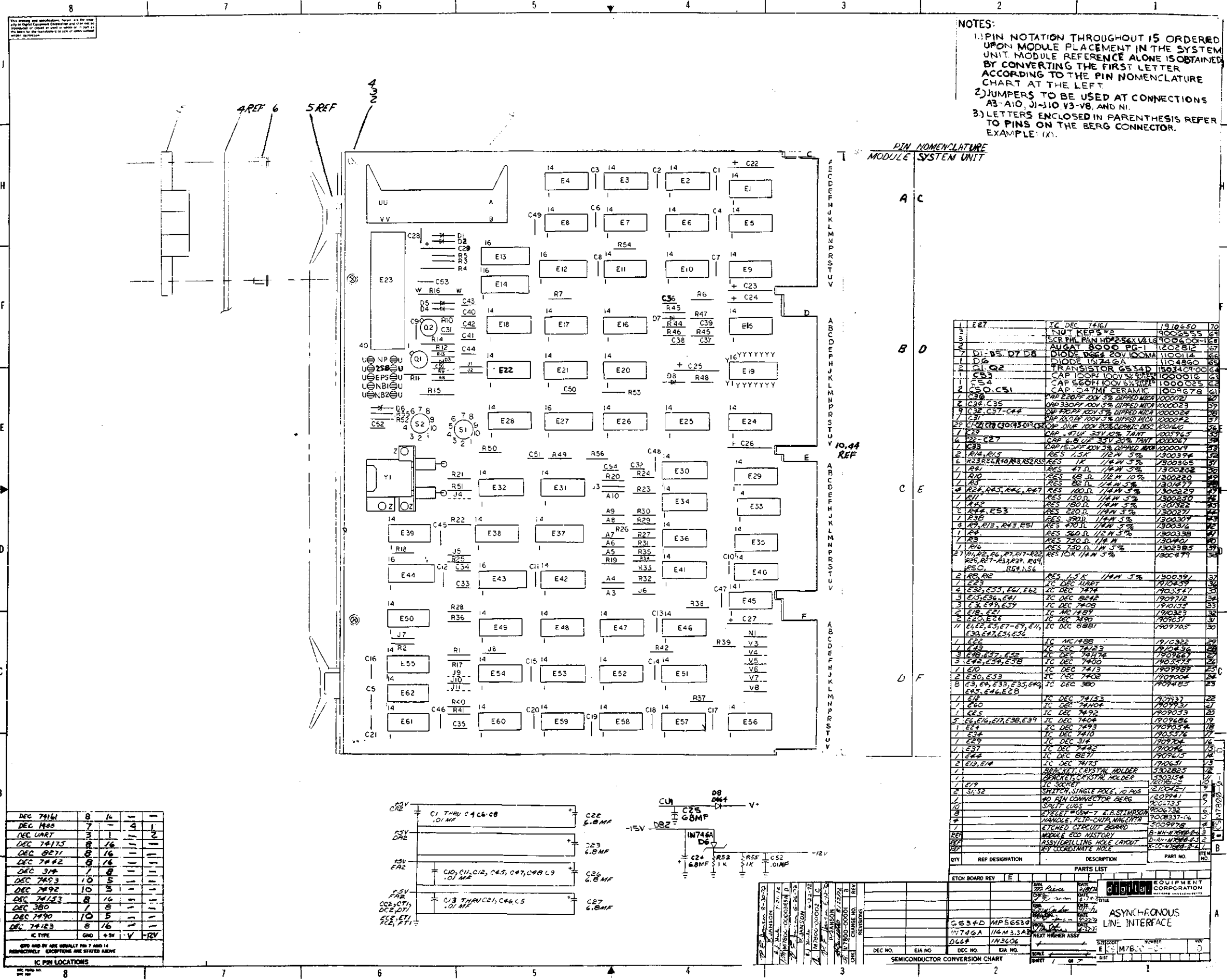


SEE NOTE 2

REVISIONS		REV.
CHK	CHANGE NO.	
P.M.	DLII-00001	A
	M-Janson 2-18-72	
	F. JANSON	
	P.E. Janson 2-17-72	B
	DLII-00002	
	P.R. Janson 11-22-72	
	JANSON	
	P.E. Janson 12-5-72	

FIRST USED ON OPTION/MODEL	QTY.	DESCRIPTION	PART NO.	ITEM NO.
PDP-11		PARTS LIST		
UNLESS OTHERWISE SPECIFIED DIMENSION IN INCHES. TOLERANCES		DRN. M. Rice	DATE 2/18/72	digital EQUIPMENT CORPORATION MAYNARD MASSACHUSETTS ASYNCHRONOUS LINE INTERFACE
DECIMALS ANGLES		CHK'D. J. F. Janson	DATE 4-29-72	
.XXX = .005	± 0° 30'	ENG. P.E. Janson	DATE 5-11-72	
.XX = .02		PROJ. ENG. P.E. Janson	DATE 5-11-72	
.X = .1		PROD. J. F. Janson	DATE 5-15-72	
REMOVE BURRS AND BREAK SHARP CORNERS SURFACE QUALITY	✓	NEXT HIGHER ASSY.		
MATERIAL		B-DD-DLII-Ø	SIZE CODE CUA	NUMBER DLII-Ø-Ø
FINISH		SCALE NONE	DIST. G	REV. B
		SHEET OF		

DIGITAL EQUIPMENT CORPORATION MAYNARD, MASSACHUSETTS PARTS LIST					QUANTITY/VARIATION																
MADE BY M. PIERCE		CHECKED J. FERGUSON		SECTION	DL11-A	DL11-B	DL11-C	DL11-D	DL11-E												
DATE 4/27/72		DATE 4/27/72		1																	
ENG P. E. Janson		PROD J. McLaughlin		ISSUED SECT.																	
DATE 5/11/72		DATE 5/15/72		1																	
ITEM NO.	DWG NO. / PART NO.	DESCRIPTION																			
1	C-IA-5408776-0-0	PRIORITY JUMPER LEVEL #4			1	1	1	1	1												
2	C-IA-5408778-0-0	PRIORITY JUMPER LEVEL #5			-	-	-	-	-												
3	D-UA-BC05C-25	CABLE, MODEM BC05C			-	1	-	1	1												
4	D-IA-7008360-0-0	CABLE ASSEMBLY (KL8E)			1	-	1	-	-												
5	D-CS-H315-0-1	MODEM TEST CONNECTOR			-	-	-	-	A/R	See Note 2											
6	E-CS-M7800-0-1	ASYNCHRONOUS LINE INTERFACE			-	1	-	1	1												
7	A-PL-G8000-0-0	FILTER NETWORK			-	A/R	-	A/R	A/R	See Note 1											
8		CRYSTAL			A/R	A/R	A/R	A/R	A/R	See Note 3											
9	E-CS-M7800-YA-1	ASYNCHRONOUS LINE INTERFACE			1	-	1	-	-												
	NOTES:	1. G8000 IS REQUIRED ONLY IN PDP 11 SYSTEMS WHERE +15V IS NOT AVAILABLE. ONE PER DD11-A.																			
		2. ONE H315 PER PDP11 SYSTEM																			
		3. CRYSTAL FREQUENCY DEFINED BY CUSTOMER SPECIFIED BAUD RATE																			
TITLE				ASSY NO.				SIZE CODE		NUMBER				REV.		ECO NO.					
ASYNCHRONOUS LINE INTERFACE				C-UA-DL11-0-0				A PL		DL11-0-0				B		DL11-00002					
				SHEET 1 OF 1				DIST. C													

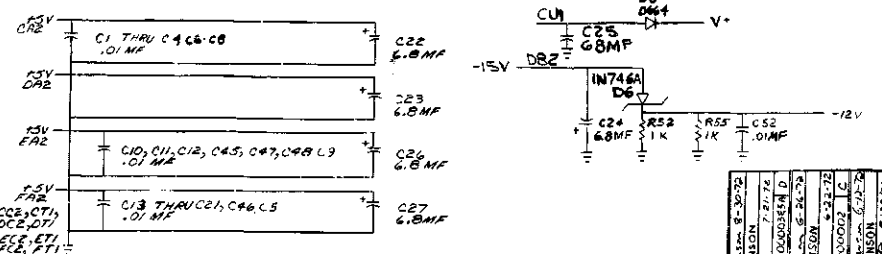


NOTES:
1) PIN NOTATION THROUGHOUT IS ORDERED UPON MODULE PLACEMENT IN THE SYSTEM UNIT MODULE REFERENCE ALONE IS OBTAINED BY CONVERTING THE FIRST LETTER ACCORDING TO THE PIN NOMENCLATURE CHART AT THE LEFT.
2) JUMPERS TO BE USED AT CONNECTIONS A3-A10, J1-J10, V3-V8, AND N1.
3) LETTERS ENCLOSED IN PARENTHESIS REFER TO PINS ON THE BERG CONNECTOR.
EXAMPLE: (X1).

PIN NOMENCLATURE
MODULE SYSTEM UNIT

Parts list table with columns: QTY, REF DESIGNATION, DESCRIPTION, PART NO., and HD. Lists components such as resistors, capacitors, diodes, and ICs with their respective part numbers and quantities.

Table titled 'C PIN LOCATIONS' showing a grid of pin locations for various components. The grid has columns for component types and rows for pin numbers 1 through 16.

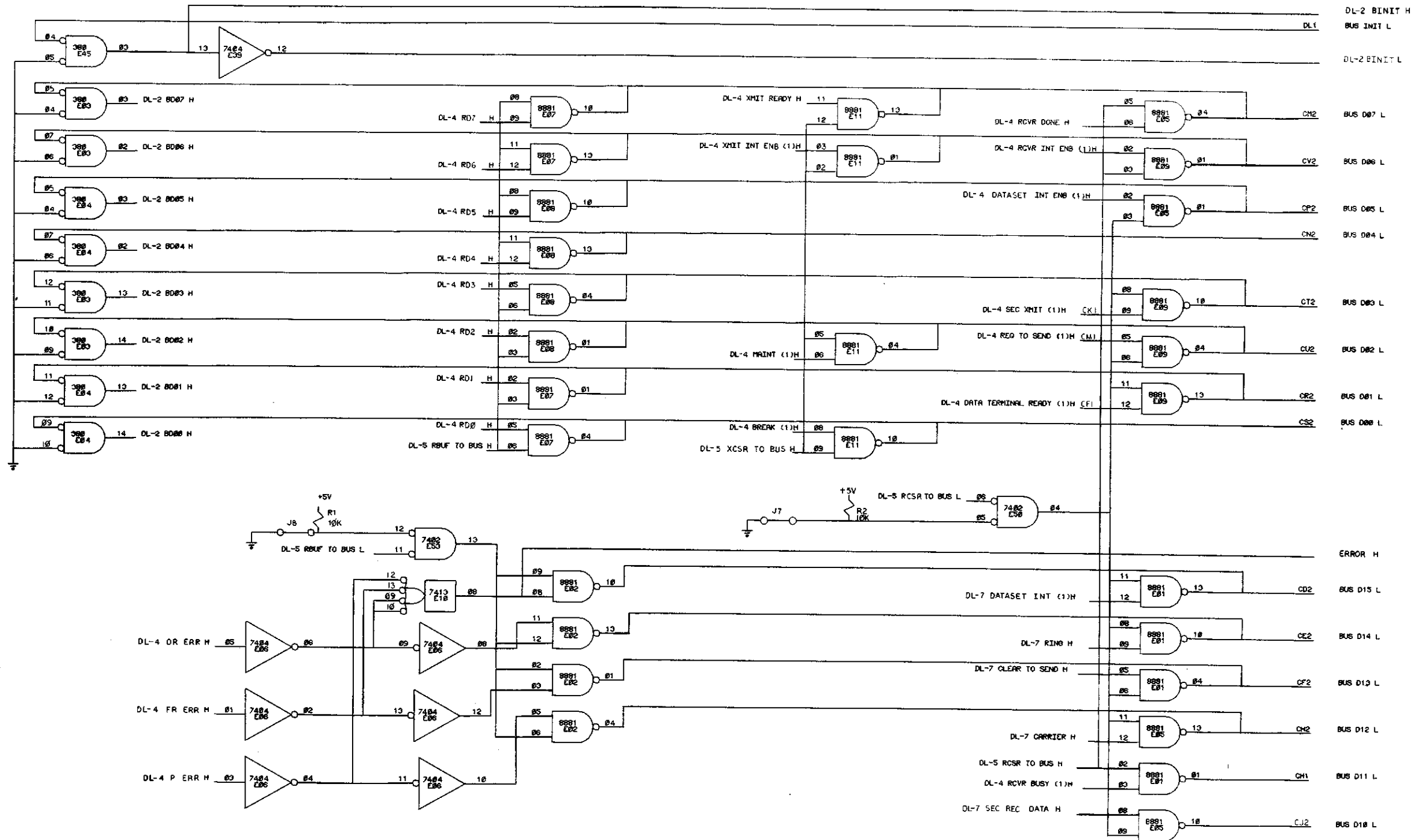


Revision table with columns: REV, DESCRIPTION, DATE. Shows the history of design changes to the document.

SEMICONDUCTOR CONVERSION CHART with columns: DEC. NO., EIA NO., DEC. NO., EIA NO. Lists the mapping between different component numbering systems.

Administrative form with fields for DATE, REVISION, and other project information. Includes a signature line and a title 'ASYNCHRONOUS LINE INTERFACE'.

This drawing and specifications herein are the property of Digital Equipment Corporation and shall not be reproduced or copied in whole or in part in any form for the manufacture or use of items without written permission.



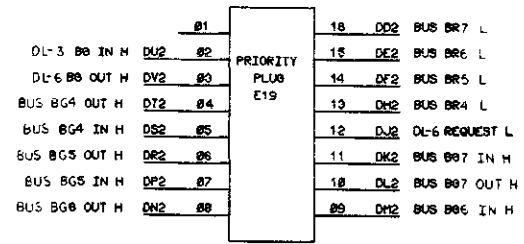
FIRST USED ON OPTION/MODEL	QTY.	DESCRIPTION	PART NO.	ITEM NO.	
DL11					
PARTS LIST					
UNLESS OTHERWISE SPECIFIED DIMENSION IN INCHES TOLERANCES	DRN B. P. D.	DATE 3-20-72	digital EQUIPMENT CORPORATION <small>MAYNARD MASSACHUSETTS</small>		
DECIMALS	CHKD J. Engstrom	DATE 3-25-72			
ANGLES	ENR W. J. Gordon	DATE 4-27-72	TITLE ASYNCHRONOUS TAPE INTERFACE (BUS RECEIVERS & DRIVERS) DL-2		
REMOVE BURRS AND BREAK SHARP CORNERS SURFACE QUALITY	PROG J. M. ...	DATE 4-27-72			
MATERIAL	NEXT HIGHER ASSY.	SCALE	SIZE CODE	NUMBER	REV.
FINISH		SHEET 2 OF 7	D CS	M7800-0-1	D

REVISIONS		
CHK.	CHANGE NO.	REV.

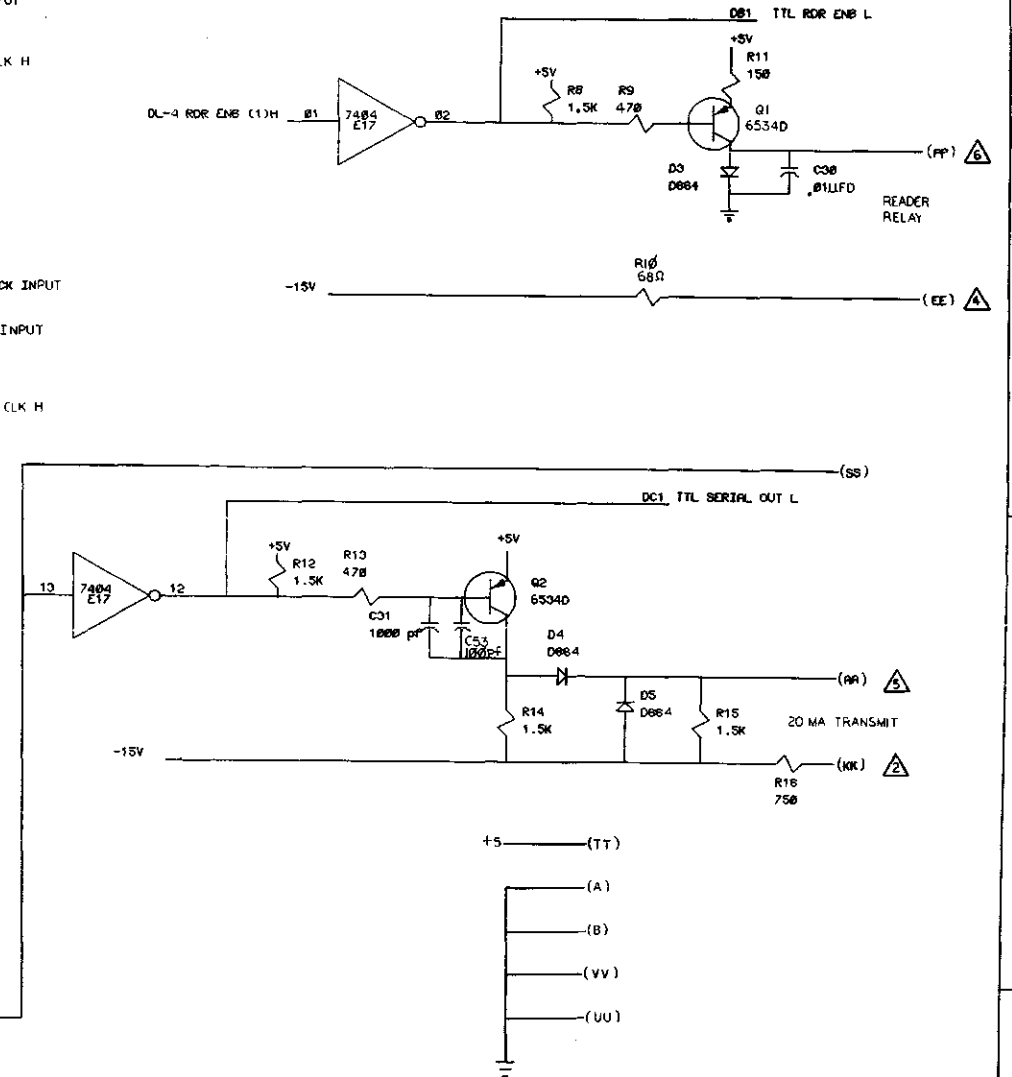
pink

This drawing and specifications, herein, are the property of Digital Equipment Corporation and shall not be reproduced or used in whole or in part as the basis for the manufacture of any of them without written permission.

Y1	844.8 KHZ	103296 MHZ	1.152 MHZ	4.608MHZ
	BAUD USEC	BAUD USEC	BAUD USEC	BAUD USEC
1	36.7	1700	448	1342
2	55	1135	673	928
3	110	567	134.5	464
4	220	284	269	232
5	440	142	538	116
6	880	71	1076	58
7	1320	47.4	1614	35.7
8	1760	35.5	2152	29
9	BERG CLOCK INPUT-COMMON TO RCVR AND XMIT			
10	EXTERNAL CLOCK INPUT-RCVR; DSI; XMIT ORI			



DR1 EXT XMIT INPUT
DL-3 XMIT CLK H
DL-3 RCVR CLK H
DSI EXT RCVR INPUT
BERG CLOCK INPUT (CC)

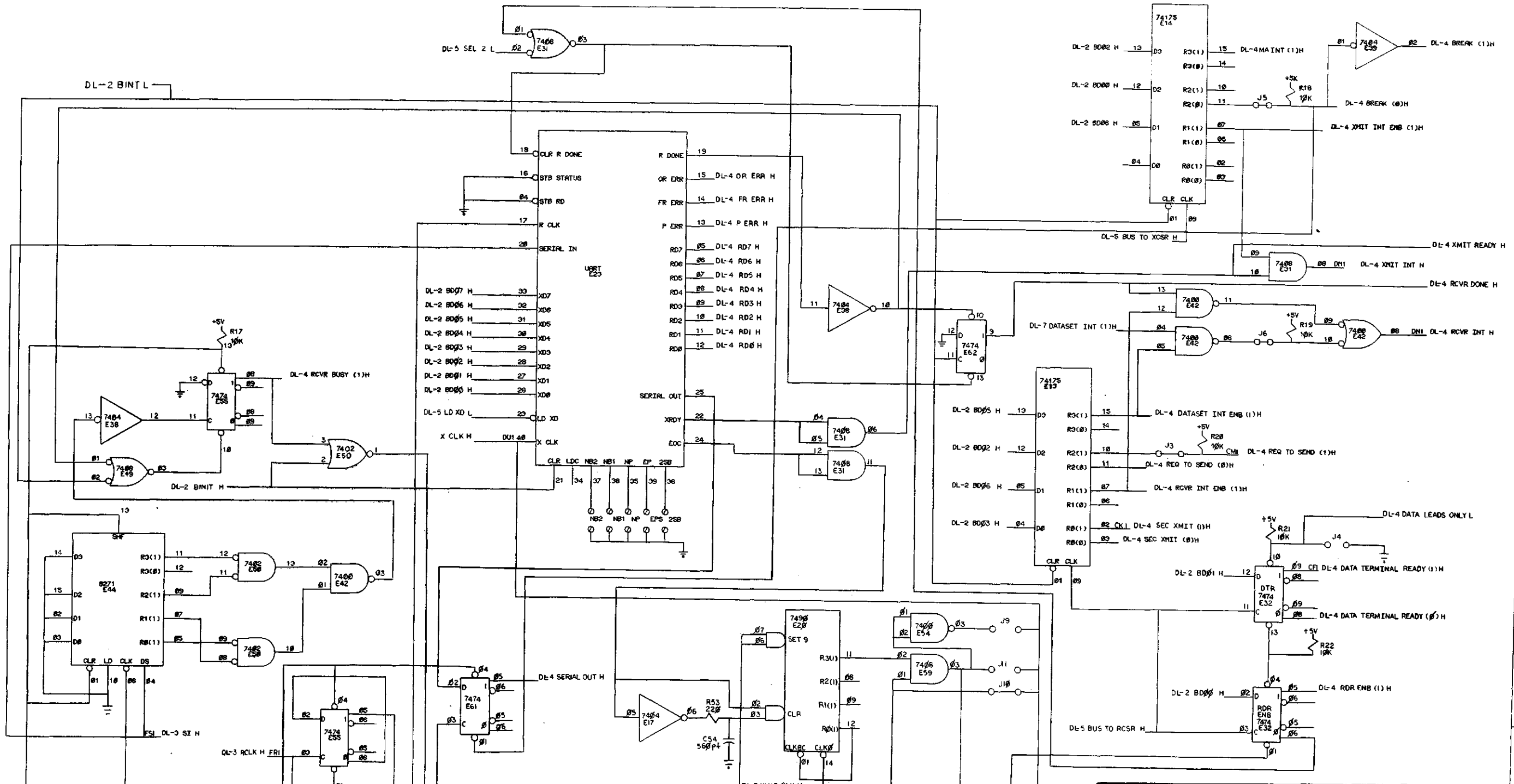


REVISIONS		
CHK.	CHANGE NO.	REV.

NOTES:
1. LETTERS ENCLOSED IN PARENTHESIS REFER TO PINS ON THE BERG CONNECTOR. EXAMPLE: (X)
2. NUMBERS WITHIN TRIANGLES REFER TO PINS ON THE FEMALE MATE-N-LOCK CONNECTOR WHEN USING THE 7008360 CABLE. THIS CABLE ALSO CONNECTS BERG PINS H TO E.

FIRST USED ON OPTION/MODEL	QTY.	DESCRIPTION	PART NO.	ITEM NO.
DL11 PARTS LIST				
UNLESS OTHERWISE SPECIFIED DIMENSION IN INCHES	DRN B Points	DATE 5-20-72	digital EQUIPMENT CORPORATION	
TOLERANCES	CHK'D	DATE 6-5-72	TITLE ASYNCHRONOUS LINE INTERFACE	
DECIMALS	ENG	DATE 4/27/72	CLOCK & CURRENT LOOPS DL-3	
ANGLES	PROB	DATE 4-27-72	SIZE CODE NUMBER REV.	
.XXX - .006	PROB	DATE 4-27-72	D CS M7800-0-1 D	
.XX - .02	PROB	DATE 4-27-72	SCALE	
.X - .1	PROB	DATE 4-27-72	SHEET 3 OF 7	
REMOVE BURRS AND BREAK SHARP CORNERS SURFACE QUALITY	PROB	DATE 4-27-72	DIST.	
MATERIAL	PROB	DATE 4-27-72		
FINISH	PROB	DATE 4-27-72		

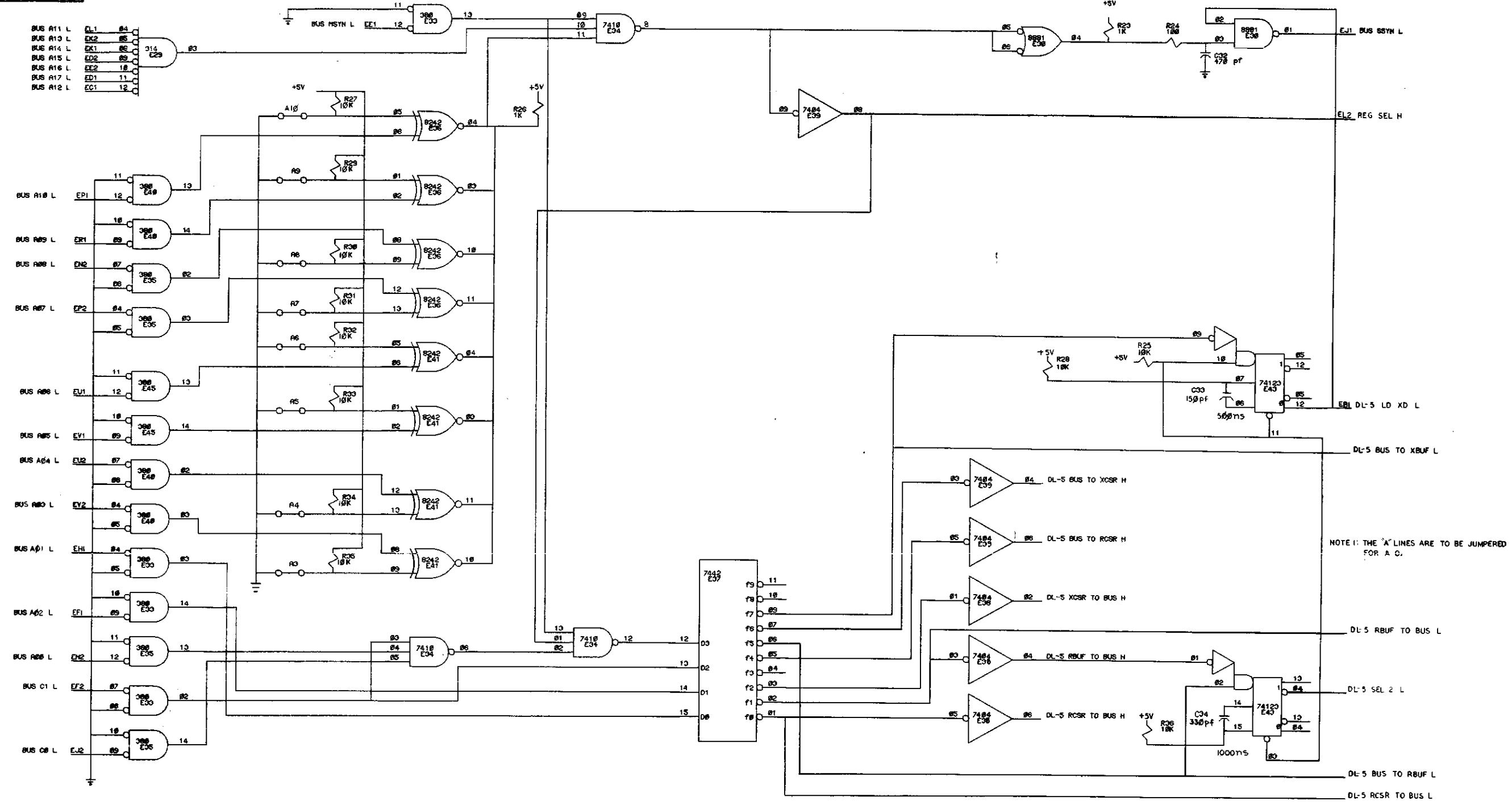
This drawing and specifications, herein, are the property of Digital Equipment Corporation and shall not be reproduced or copied or used in whole or in part as the basis for the manufacture of any item without written permission.



FIRST USED ON OPTION/MODEL	QTY.	DESCRIPTION	PART NO.	ITEM NO.
DL-4				
UNLESS OTHERWISE SPECIFIED DIMENSION IN INCHES TOLERANCES				
DECIMALS ANGLES				
.XXX - .008 .XX - .01 .X - .1				
REMOVE BURRS AND BREAK SHARP CORNERS SURFACE QUALITY				
MATERIAL				
FINISH				
PARTS LIST				
DATE 3-26-72				
DATE 4-11-72				
DATE 7-27-72				
DATE 8-27-72				
DATE 10-17-72				
TITLE ASYNCHRONOUS LINE INTERFACE (UART & STATUS) DL-4				
MATERIAL		SCALE	SIZE CODE	NUMBER
FINISH		SHEET 4 OF 7	DCS	M7800-0-1

REVISIONS		
CHK.	CHANGE NO.	REV.

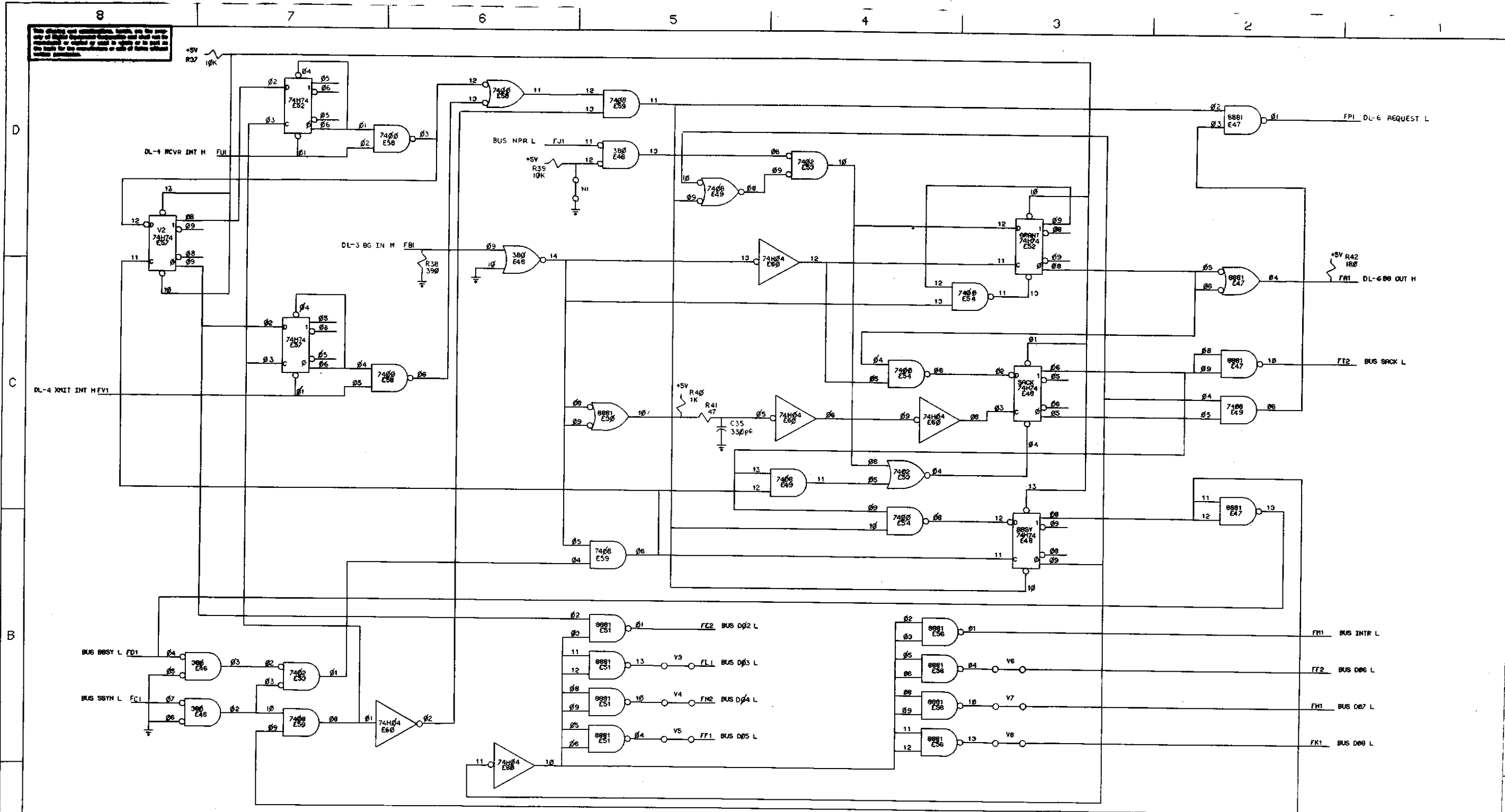
This drawing and specifications herein are the property of Digital Equipment Corporation and shall not be reproduced or copied or used in whole or in part as the basis for the manufacture or sale of items without written permission.



REVISIONS		
CHK.	CHANGE NO.	REV.

FIRST USED ON OPTION/MODEL	QTY.	DESCRIPTION	PART NO.	ITEM NO.
DL11				
UNLESS OTHERWISE SPECIFIED DIMENSION IN INCHES. TOLERANCES				
DECIMALS	ANGLES	PARTS LIST		
.XXX - .005	±0° 30'	TITLE ASYNCHRONOUS LINE INTERFACE (ADDRESS SELECTION) DL-5		
.XX - .02		D E C S M 7800-0-1		
.X - .1		SHEET 5 OF 7		
REMOVE BURRS AND BREAK SHARP CORNERS SURFACE QUALITY				
MATERIAL				
FINISH				

This drawing and specifications herein are the property of Digital Equipment Corporation and shall not be reproduced or copied in whole or in part in any form or by any means without the written permission of Digital Equipment Corporation.

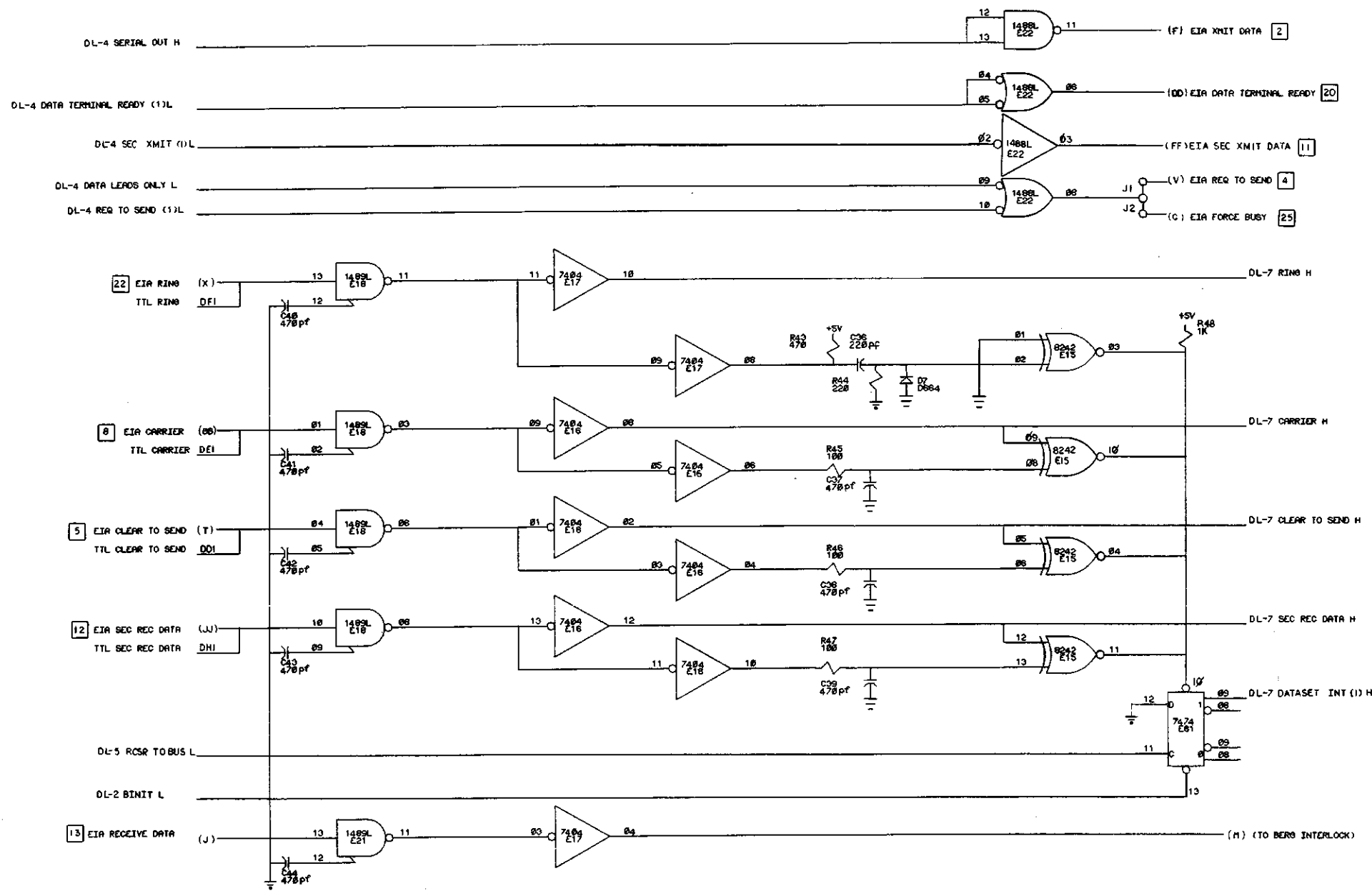


NOTE: THE V¹ LINES ARE TO BE JUMPED FOR A I.

REVISIONS		
CHK.	CHNG NO.	REV.

FIRST USED ON OPTION/MODEL	QTY.	DESCRIPTION	PART NO.	ITEM NO.
DL11				
UNLESS OTHERWISE SPECIFIED DIMENSION IN INCHES. TOLERANCES				
DECIMALS	ANGLES	PARTS LIST		
.XX = .005	±0° 30'	DIGITAL EQUIPMENT CORPORATION MAYNARD MASSACHUSETTS		
.XX = .02		TITLE ASYNCHRONOUS LINE INTERFACE		
X = 1		DATE 4/6/72		
REMOVE BURRS AND BREAK SHARP CORNERS SURFACE QUALITY				
MATERIAL				
FINISH				
SCALE				
SHEET OF				
SIZE CODE NUMBER REV.				
DCS M7800-0-1 D				

This drawing and specifications, herein, are the property of Digital Equipment Corporation and shall not be reproduced or copied in whole or in part, or the basis for the manufacture or sale of items without written permission.



NOTES:

- LETTERS ENCLOSED-EXAMPLE (M) REFER TO PINS ON THE BERG CONNECTOR.
- NUMBERS WITHIN BOXES REFER TO PINS ON THE MALE CINCH CONNECTOR WHEN USING THE BC05-C CABLE. THIS CABLE ALSO CONNECTS BERG PINS M TO E.

REVISIONS		
CHK.	CHANGE NO.	REV.

FIRST USED ON OPTION/MODEL	QTY.	DESCRIPTION	PART NO.	ITEM NO.										
DLII		PARTS LIST												
UNLESS OTHERWISE SPECIFIED DIMENSION IN INCHES. TOLERANCES	DRN. <i>B.P. 2/72</i>	DATE 5-22-72	digital EQUIPMENT CORPORATION <small>MATHEW, MASSACHUSETTS</small> TITLE ASYNCHRONOUS LINE INTERFACE (EIA DRIVERS & RECEIVERS) DL-7											
DECIMALS	CHKD. <i>B.P. 2/72</i>	DATE 8-5-72												
ANGLES	ENG. <i>R.A. 4/72</i>	DATE 12-7-72												
.XXX = .005 .XX = .02 .X = .1	PROVING <i>R.A. 4/72</i>	DATE 8-22-72												
REMOVE BURRS AND BREAK SHARP CORNERS SURFACE QUALITY	PROD. <i>Matteson</i>	DATE 4-22-72	<table border="1"> <tr> <td>MATERIAL</td> <td>NEXT HIGHER ASSY.</td> <td>SIZE CODE</td> <td>NUMBER</td> <td>REV</td> </tr> <tr> <td>FINISH</td> <td></td> <td>D CSI</td> <td>M7800-0-1</td> <td>D</td> </tr> </table>		MATERIAL	NEXT HIGHER ASSY.	SIZE CODE	NUMBER	REV	FINISH		D CSI	M7800-0-1	D
MATERIAL	NEXT HIGHER ASSY.	SIZE CODE	NUMBER	REV										
FINISH		D CSI	M7800-0-1	D										
SHEET 7 OF 7		DIST.												

WIRE TABLE

ITEM NO.	DESCRIPTION			FROM		TO	
	AWG	COLOR	CONNECTION	WITH	CONNECTION	WITH	
1	22	BLU/WHT	PI-1		J1-VV		
		WHT/BLU	PI-2		J1-F		
		ORN/WHT	PI-3		J1-J		
		WHT/ORN	PI-4		J1-Y		
		GRN/WHT	PI-5		J1-T		
		WHT/GRN	PI-6		J1-Z		
		BRN/WHT	PI-7		J1-UU		
		WHT/BRN	PI-8		J1-BB		
		SLA/WHT	PI-9		J1-Y		
		WHT/SLA	PI-10		J1-W		
		BLU/RED	PI-11		J1-FF		
		RED/BLU	PI-12		J1-JJ		
		ORN/RED	PI-13		J1-D		
		SLA/RED	PI-14		J1-LL		
1	22	SLA/GRN	PI-15		J1-N		

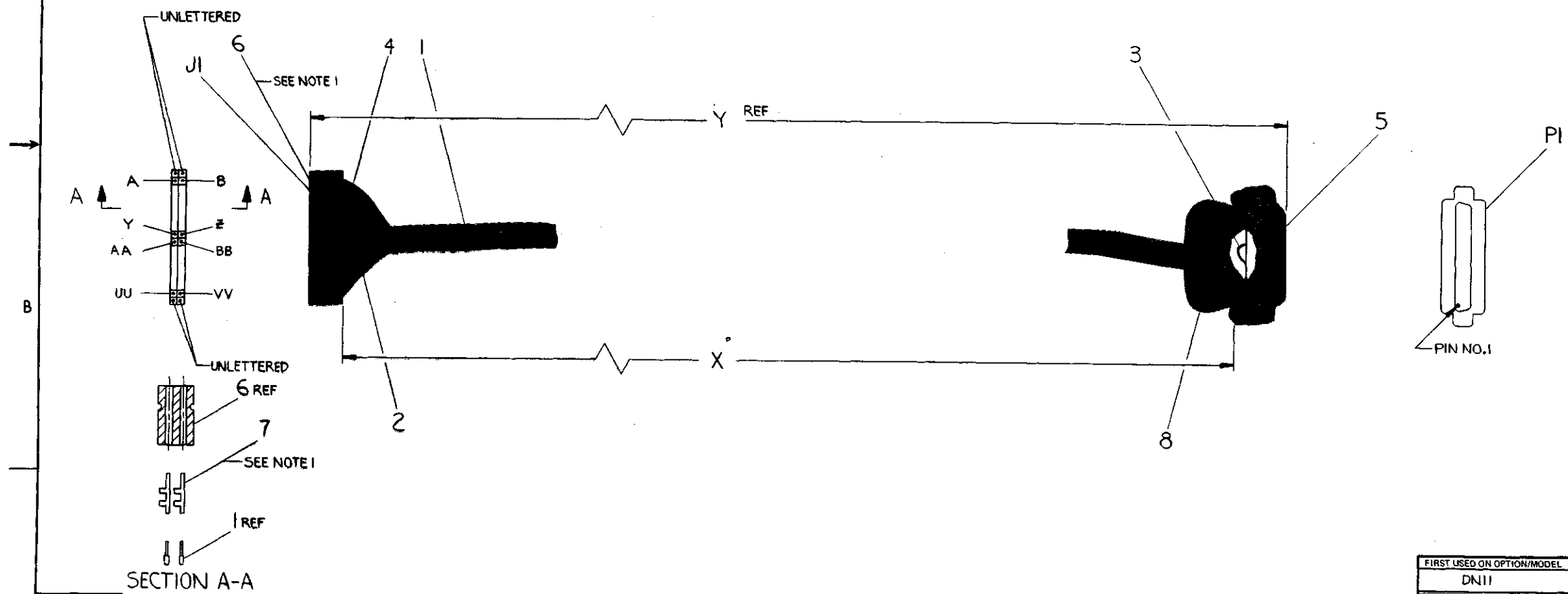
ITEM NO.	DESCRIPTION			FROM		TO	
	AWG	COLOR	CONNECTION	WITH	CONNECTION	WITH	
1	22	RED/BRN	PI-16		J1-NN		
		SLA	PI-17		J1-R		
		RED/SLA	PI-18		J1-U		
		BLU/BLK	PI-19		J1-P		
		BLK/BLU	PI-20		J1-DD		
		ORN/BLK	PI-21		J1-MM		
		BLK/ORN	PI-22		J1-X		
		GRN/BLK	PI-23		J1-RR		
		BRN/RED	PI-24		J1-L		
		RED/ORN	PI-25		J1-C		
1	22	BLK	PI-1	4	J1-A		
3	26	BLK	PI-1	4	J1-B		
2	26	RED	PI-1		J1-7		
			J1-E		J1-M		

LEGEND

NUMBER	VARIATION	
	DIM X	DIM Y (PRE CUT)
BC05C-25	25'±3"	25'1.8"
BC05C-50	50'±2%	50'1.8"

NOTES:

- MANUFACTURING SHOULD USE MACHINE CRIMPER TOOL FOR CRIMPING PINS (ITEM #7) MUST BE HT68 FROM BERG ELECT
- ONLY DEC PART #1210090-0-0 MAY BE USED AS J1.



QTY.	DESCRIPTION	PART NO.	ITEM NO.
1	HOOD, *DB51226-1 CINCH	1205885	8
29	SOCKET, *HT-68	1210089-5	7
1	HOUSING, *20383 BERG	1210090-0-0	6
1	PLUG, *DB-25P CINCH	1205886	5
A/R	TUBING, *22 AWG TEF BLK	9107256-00	4
A/R	WIRE, *26 AWG STRD TEF BLK	9107636-00	3
A/R	WIRE, *26 AWG STRD TEF RED	9107636-22	2
A/R	CABLE, 25 CONDUCTOR	9107736	1

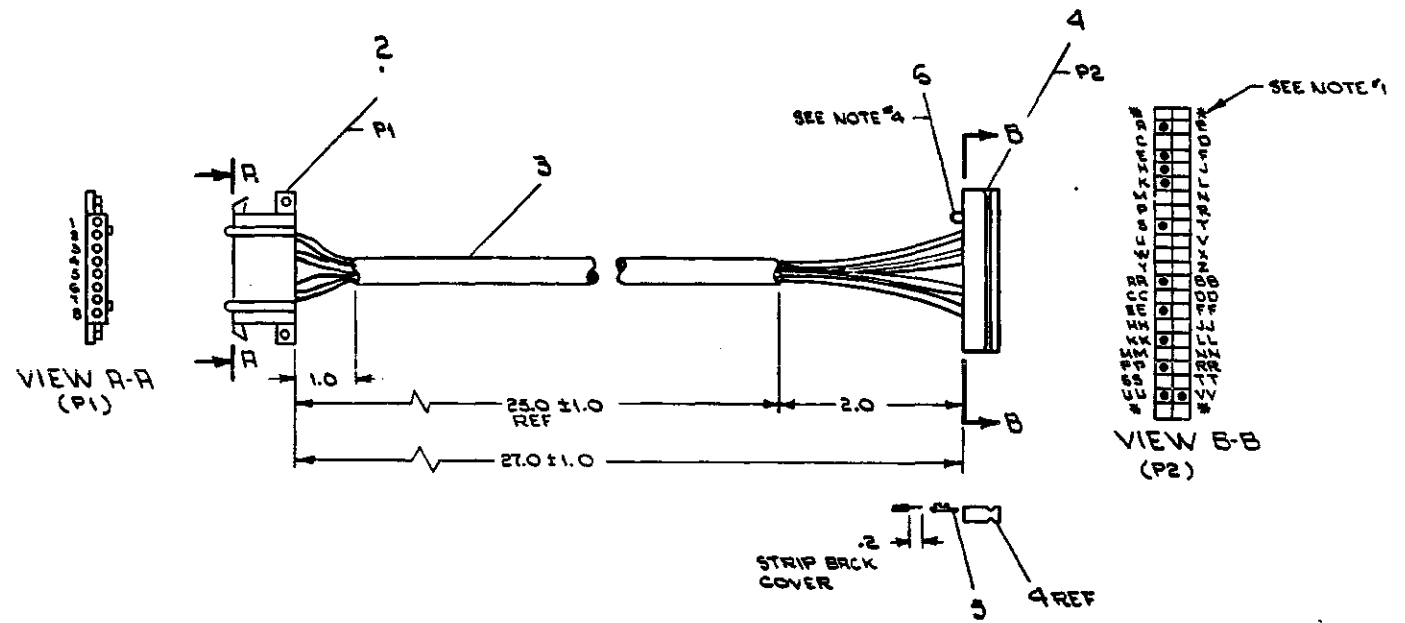
FIRST USED ON OPTION/MODEL DN11		PARTS LIST	
UNLESS OTHERWISE SPECIFIED DIMENSION IN INCHES. TOLERANCES	DRN. S Roberts DATE 11/3/71	 EQUIPMENT CORPORATION MAYNARD, MASSACHUSETTS	
DECIMALS ANGLES	CHK. C. Clark DATE 11/5/71		
REMOVE BURRS AND BREAK SHARP CORNERS SURFACE QUALITY	ENG. J. Smith DATE 11/5/71	TITLE <h2 style="text-align: center;">CABLE, MODEM BC05C</h2>	
MATERIAL	PROB. A. Smith DATE 11/5/71		
FINISH	PROD. R. Smith DATE 11/5/71	SIZE CODE DUA	NUMBER BC05C-0-0
	NEXT HIGHER ASSY.	SCALE NONE	REV. A
		SHEET 1 OF 1	

REV. NO.	REV.
1	A
2	B
3	C
4	D
5	E
6	F
7	G
8	H

This drawing and associated parts are the property of Digital Equipment Corporation and shall not be reproduced or copied in any form or by any means without the prior written permission of Digital Equipment Corporation.

WIRE TABLE						
ITEM NO.	DESCRIPTION	PATR. NO.	FROM CONNECTION WITH	TO CONNECTION WITH		
5	22 BLK	1	P1-2	2	P2-KK	5
5	RED		P1-3	2	P2-S	
3,7	SHIELD		SEE NOTE #2	-	P2-R(NOTE#3)	
3	BLK	2	P1-4	2	P2-EE	
5	WHT		P1-5	2	P2-RR	
3,7	SHIELD		SEE NOTE #2	-	P2-UU(NOTE#3)	
3	BLK	3	P1-6	2	P2-PP	
3	GRN		P1-7	2	P2-K	
3,7	SHIELD		SEE NOTE #2	-	P2-VV(NOTE#3)	
6	22 BLK	-	P2-E	5	P2-H	5

- NOTES:**
- * ASTERISKS INDICATE CAVITIES NOT USED OR DESIGNATED BY LETTERS.
 - DRAIN WIRES TO BE CUT BACK TO OUTER INSULATION ON P1 END OF CABLE ONLY. SHIELDS TO BE CUT BACK TO OUTER INSULATION ON BOTH ENDS OF CABLES.
 - DRAIN WIRES ON P2 END OF CABLE TO BE EACH ENCLOSED WITH ITEM #7 (TUBING) FROM END OF CABLE JACKET TO POINT WHERE THEY ENTER P2 CONNECTOR.
 - ITEM #6 (WIRE) TO BE APPROXIMATELY ONE(1) INCH LONG.



QTY	DESCRIPTION	PART NO	ITEM NO
1	PIPE TUB. #8 STEF. THINWALL WRT	910278-11	7
1	WIRE #22 AWG STRD TEF BLK	910350-00	6
1	SOCKET BERG #47706	1210089-0	5
1	HOUSING BERG #20383	1210090-0	4
1	CABLE BELDEN #BTT-3PR SHLD	9107723-0	3
6	CONTACT MATE-N-LOCK (FEMALE)	1209379	2
1	CONN. MATE-N-LOCK (FEMALE)	1209340-00	1

REV	DATE	DESCRIPTION
1		
2		
3		
4		
5		
6		
7		
8		

FIRST USED ON OPTION/MODEL: PDP-8E

DO NOT SCALE DRAWING UNLESS OTHERWISE SPECIFIED

TOLERANCES: DIMENSIONS IN INCHES: .005 ANGLES: ± 0.30° FINISH SURFACE QUALITY: REMOVE BURRS AND BREAK SHARP CORNERS

MATERIAL: SEE PARTS LIST

FINISH: NONE

DATE: 10/27/71

SCALE: NONE

SHEET: 1 OF 1

PARTS LIST

EQUIPMENT CORPORATION

CABLE ASSEMBLY (KL8E)

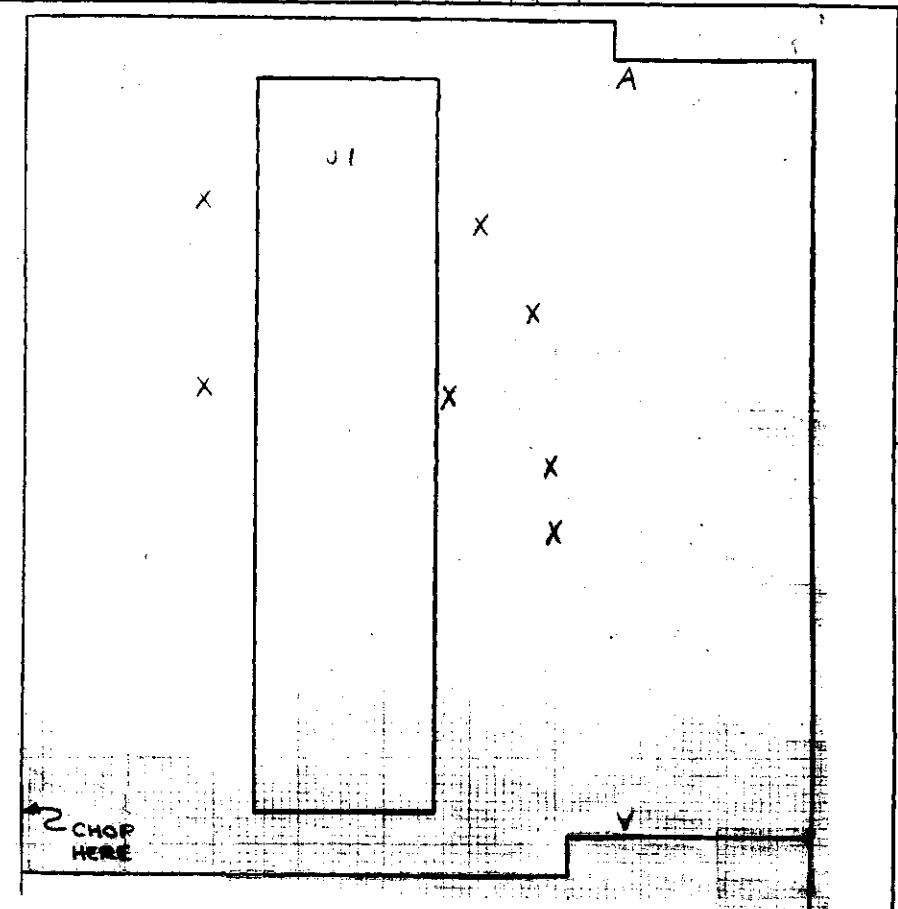
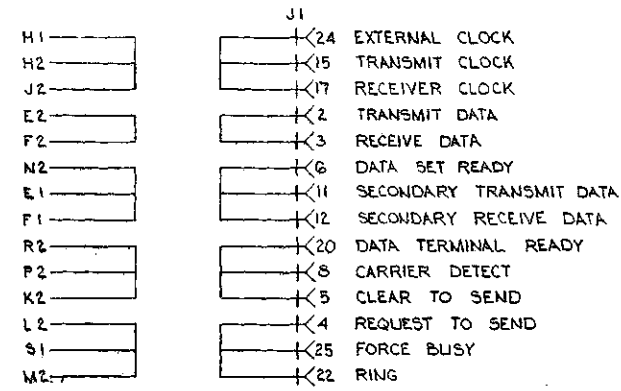
SIZE CODE: A-ML-KLB-E-0

NUMBER: DIA 7008360-0-0

REV: A

This drawing and specifications herein are the property of Digital Equipment Corporation and shall not be reproduced or copied or used in whole or in part as the basis for the manufacture or sale of items without written permission.

1-0-915H DCS 2



QTY	REF. DESIGNATION	DESCRIPTION	DEC. PART NO.	ITEM NO.
7		RYELET PRED THRU	9006731	4
1	J1	CONN. CINCH DB-255-3	1210247	5
1		ETCHED CIRCUIT BOARD	5040020	4
		MODULE BCO HISTORY	B-98-H315-0-4	3
		ASSY/DRILLING HOLE LAYOUT	C-98-H315-0-5	2
		X-Y COORDINATE HOLE LOCATION	K-90-H315-0-4	1

QTY	REF DESIGNATION	DESCRIPTION	PART NO.	ITEM NO.
PARTS LIST				
	ETCH BOARD REV	A		

CHK	CHANGE NO.	REV	DATE	digital EQUIPMENT CORPORATION WATNARD, MASSACHUSETTS MODEM TEST CONNECTOR
	REVISION		DATE	
			DATE	
			DATE	
DEC. NO.	EIA NO.	DEC. NO.	EIA NO.	SCALE
SEMICONDUCTOR CONVERSION CHART				SCALE SHEET 1 OF 1
				SIZE CODE DCS
				NUMBER H315-0-1
				REV. 2

SIZE CODE DCS
 NUMBER H315-0-1
 REV