

1st Printing January 1972

Copyright © 1972 by Digital Equipment Corporation

The material in this manual is for informational purposes and is subject to change without notice.

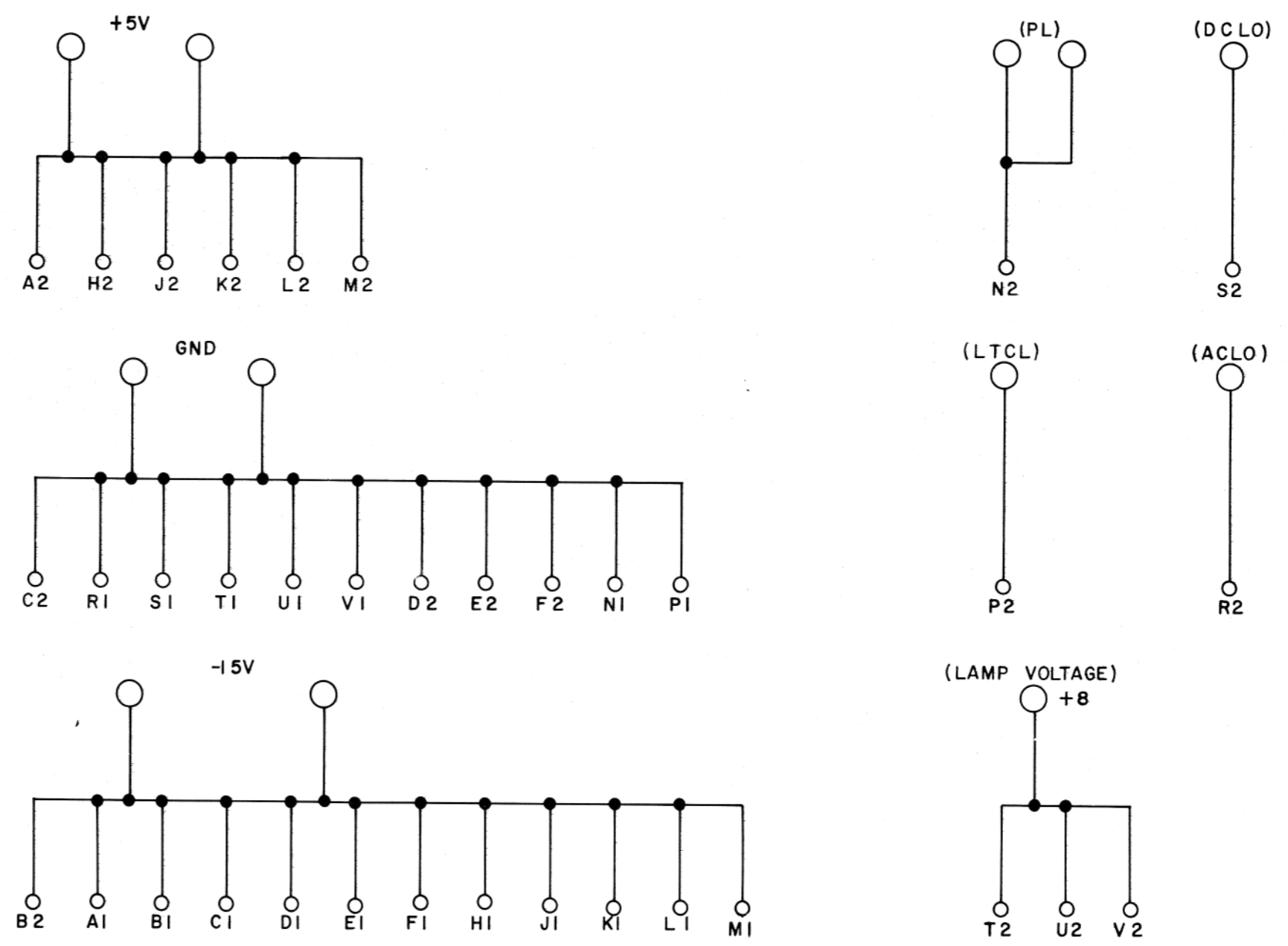
The following are trademarks of Digital Equipment Corporation, Maynard, Massachusetts:

DEC	PDP
FLIP CHIP	FOCAL
DIGITAL	COMPUTER LAB
UNIBUS	

Table of Contents

Drawing Number	Title
D-UA-AA11-D-0	Digital to Analog Control Assy.
D-IC-AA11-D02	Option Cables
D-BS-AA11-D-03	D-A Converters
D-BS-AA11-D-04	Interface
D-IC-AA11-D-05	AA11-D Bus & Power Connections
K-WL-AA11-D-WL	Wire List
D-BS-AA11-E-3	Color Control
D-MU-AA11-0-MU	Module Utilization
D-CS-A614-0-1	12 Bit Polar D/A Connector
B-CS-G772	Digital Power Connector
D-UA-H704-C-0	H704-C Power Supply
C-CS-M105	Address Selector
D-CS-M782	Interrupt Control Module
B-CS-M784	Unibus Receiver
D-CS-M799-0-01	Display Control
C-CS-M920	Internal Bus Connector
D-CS-M7990-0-1	LAB-11 Color Control
D-IA-7007116-0-0	Cable, Power Supply
D-IA-7007122-0-0	Cable Control VR12
D-IA-7007138-0-0	Cable Assy. VT01-A
D-IA-7007139-0-0	Cable Scope RM503
D-IA-7008550-0-0	Display Cable (AA11-E)

THIS SCHEMATIC IS FURNISHED ONLY FOR TEST AND MAINTENANCE PURPOSES. THE CIRCUITS ARE PROPRIETARY IN NATURE AND SHOULD BE TREATED ACCORDINGLY. COPYRIGHT 1969 BY DIGITAL EQUIPMENT CORPORATION

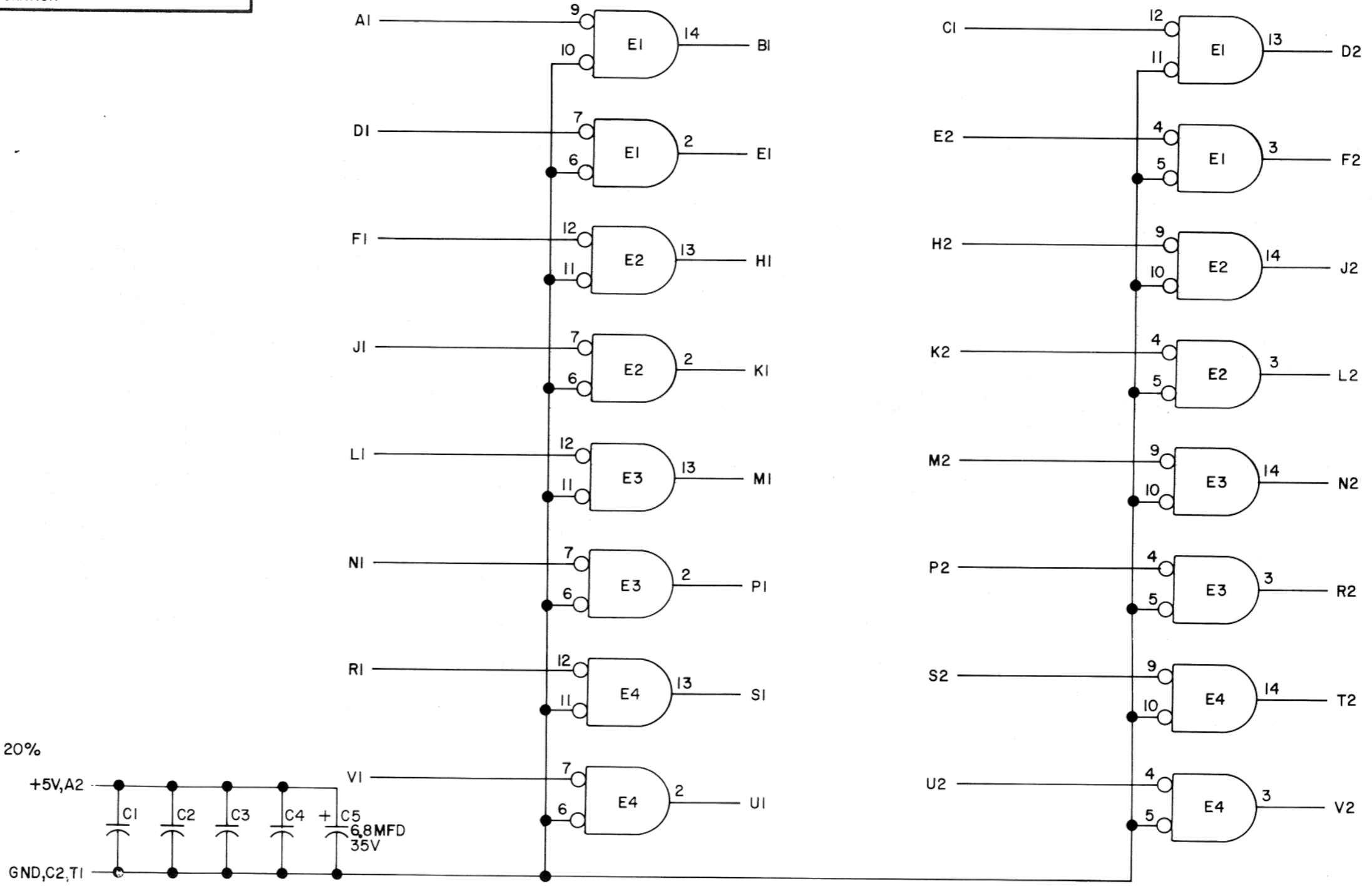


NOTE:
○ DESIGNATES EYELETS

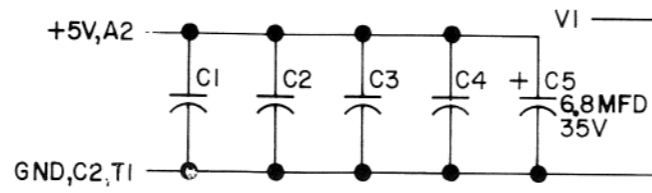
REVISIONS CHG NO. REV.	DRN. <i>G. Johnson</i> DATE 10-16-68 CHK'D <i>P. J. Galt</i> DATE 21-01-69 ENG. <i>C. B. Skov</i> DATE 1-23-70 PROD. DATE	TRANSISTOR & DIODE CONVERSION CHART				digital EQUIPMENT CORPORATION MAYNARD, MASSACHUSETTS	TITLE POWER CONNECTOR G772			
		DEC	EIA	DEC	EIA		SIZE	CODE	NUMBER	REV.
							B	CS	G772-0-1	
							PRINTED CIRCUIT REV. A			

THIS SCHEMATIC IS FURNISHED ONLY FOR TEST AND MAINTENANCE PURPOSES. THE CIRCUITS ARE PROPRIETARY IN NATURE AND SHOULD BE TREATED ACCORDINGLY. COPYRIGHT 1969 BY DIGITAL EQUIPMENT CORPORATION

REV B
NUMBER M784-0-1
SIZE CODE B CS



UNLESS OTHERWISE INDICATED:
CAPACITORS ARE .01MFD, 100V, 20%
IC'S ARE DEC380
PIN 1 ON EACH IC=GND
PIN 8 ON EACH IC=+5V



REV	CHG NO	CHK
A	00001	
B	00002	

DRN	<i>C. Wilcox</i>	DATE	11-18-69
CHK'D	<i>S. Mitrowski</i>	DATE	1-1-70
ENG	<i>D. E. Jones</i>	DATE	3/11/70
PROD.		DATE	

TRANSISTOR & DIODE CONVERSION CHART			
DEC	EIA	DEC	EIA

digital
EQUIPMENT CORPORATION
MAYNARD, MASSACHUSETTS

TITLE UNIBUS RECEIVERS M784			
SIZE B	CODE CS	NUMBER M784-0-1	REV. B
PRINTED CIRCUIT REV. A B C			

DEC FORM NO. DRB 102

MS 641-P4

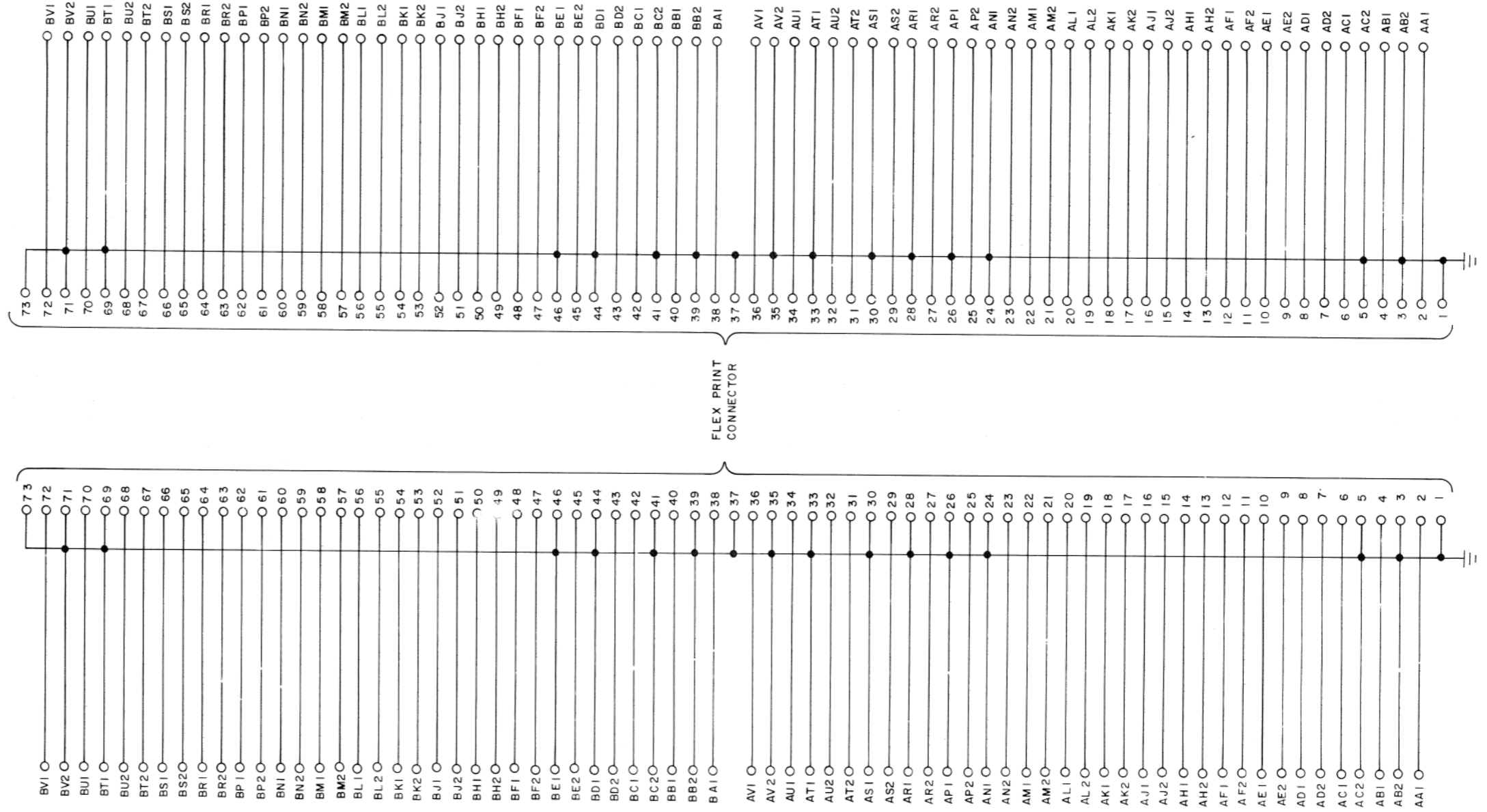
↑

5

DIST. 324.434.43.3

Pent

THIS SCHEMATIC IS FURNISHED ONLY FOR TEST AND MAINTENANCE PURPOSES. THE CIRCUITS ARE PROPRIETARY IN NATURE AND SHOULD BE TREATED ACCORDINGLY. COPYRIGHT 1969 BY DIGITAL EQUIPMENT CORPORATION



REVISIONS	
CHK	CHG NO REV
00001	A
00002	B

DRN	<i>P. Salmons</i>	DATE	11-6-69
CHK'D		DATE	
ENG	<i>C. R. Blum</i>	DATE	7-7-78
PROD.		DATE	3/26/80

TRANSISTOR & DIODE CONVERSION CHART			
DEC		EIA	

digital
EQUIPMENT CORPORATION
MAYNARD, MASSACHUSETTS

TITLE				INTERNAL BUS CONNECTOR			
				M920			
SIZE	CODE	NUMBER				REV	
C	CS	M920-0-1				B	
PRINTED CIRCUIT REV.							

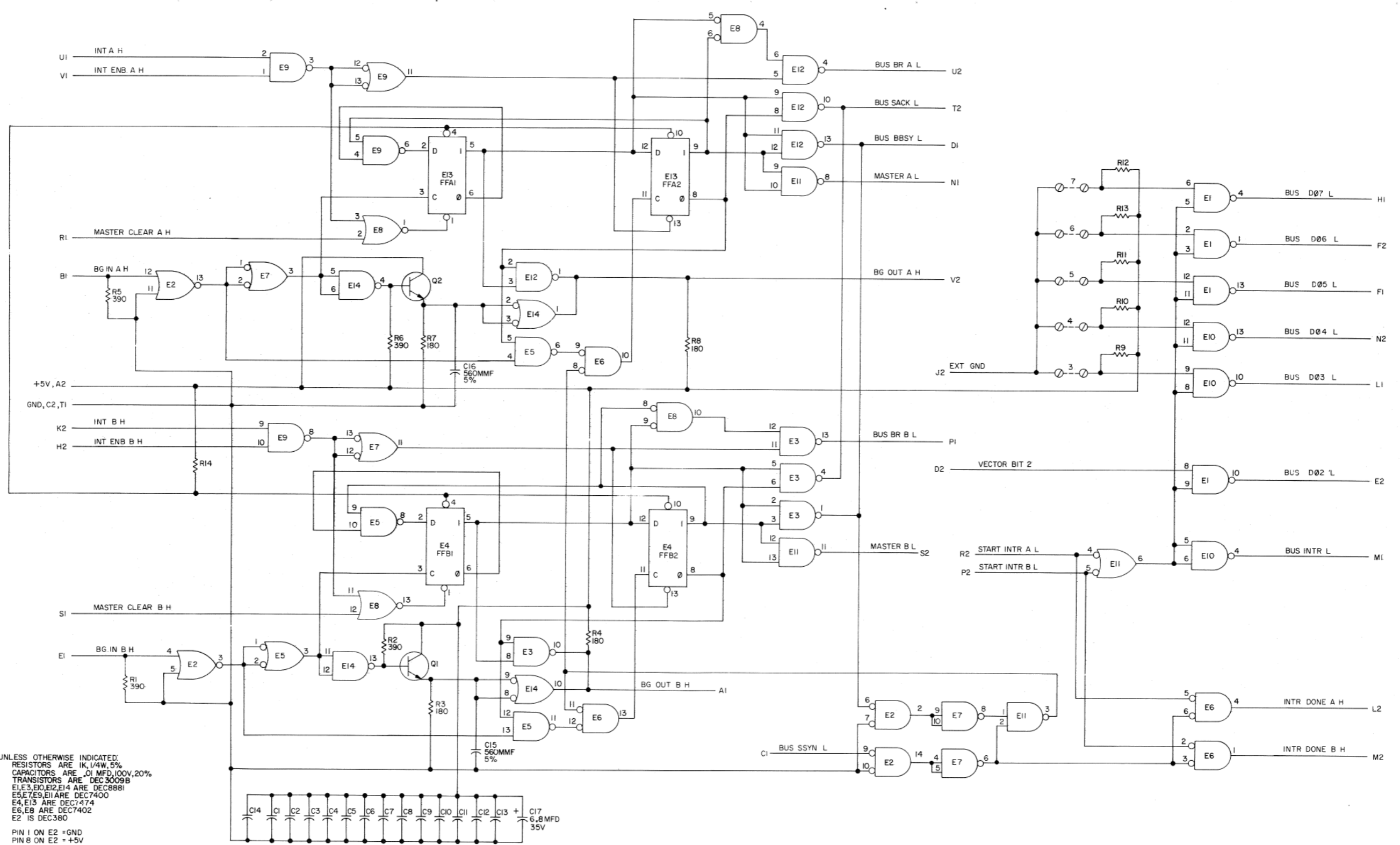
DEC FORM NO. DRC 102

5 DIST. 3-4,424,425 3 PINK 25

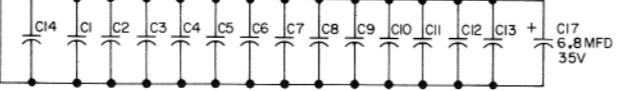
SIZE CODE NUMBER REV.
C CS M920-0-1 B

THIS SCHEMATIC IS FURNISHED ONLY FOR TEST AND MAINTENANCE PURPOSES. THE CIRCUITS ARE PROPRIETARY IN NATURE AND SHOULD BE TREATED ACCORDINGLY. COPYRIGHT 1970 BY DIGITAL EQUIPMENT CORPORATION

Q 1-0-282M CS D
A3K 3003 LUS



UNLESS OTHERWISE INDICATED:
RESISTORS ARE 1K, 1/4W, 5%
CAPACITORS ARE .01 MFD, 100V, 20%
TRANSISTORS ARE DEC 3009B
E1, E3, E10, E12, E14 ARE DEC 8881
E5, E7, E9, E11 ARE DEC 7400
E4, E13 ARE DEC 7474
E6, E8 ARE DEC 7402
E2 IS DEC 380
PIN 1 ON E2 = GND
PIN 8 ON E2 = +5V
PIN 7 ON E1, E3 - E14 = GND
PIN 14 ON E1, E3 - E14 = +5V
⊗ = SPLIT LUGS
--- = JUMPERS



REV	DATE	BY	CHKD
1	11-5-70	ALLAN RITCEY	
2	12-30-70		
3	1-10-71		
4	1-10-71		

DATE	BY	CHKD
11-5-70	ALLAN RITCEY	
12-30-70		
1-10-71		
1-10-71		

TRANSISTOR & DIODE CONVERSION CHART			
DATE	EIA	DEC	EIA
DEC 30 1970	2N3009B		

digital		EQUIPMENT CORPORATION		MATHARD, MASSACHUSETTS		PRINTED CIRCUIT REV	
TITLE				INTERERRUPT CONTROL M782			
SIZE	CODE	NUMBER	REV				
D	CS	M782-0-1	D				

DEC FORM NO. 118

1145-1-7

11-5-70 324,434,435 5 PWA

REV D
NUMBER M782-0-1
D CS

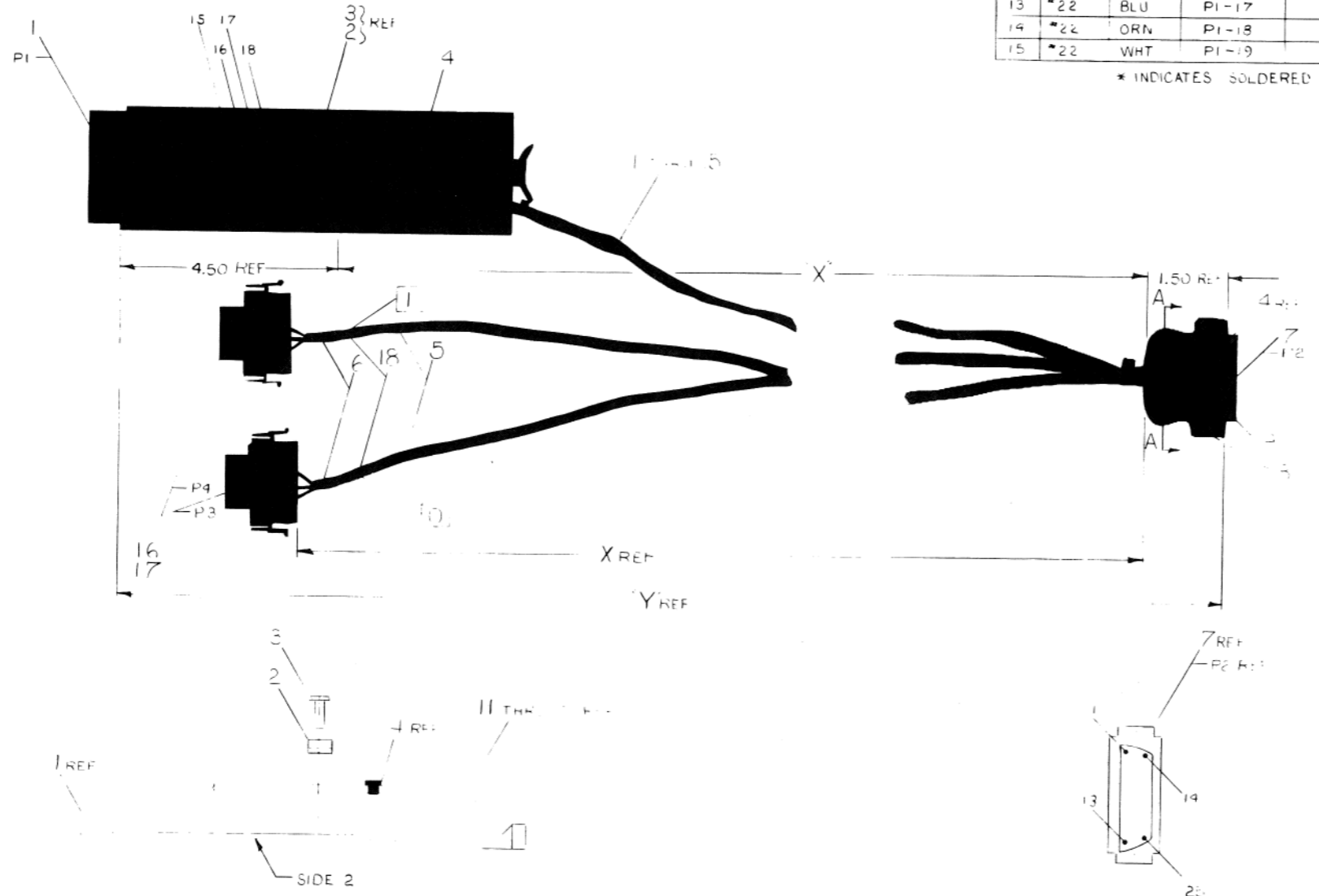
This drawing and specifications, herein, are the property of Digital Equipment Corporation and shall not be reproduced or copied or used in whole or in part as the basis for the manufacture or sale of items without written permission.

8 C-C-8212002 2

NUMBER	VARIATION	
	DIM "X"	DIM "Y" REF
7007138-12	12 FT ± 3.0	2 FT ± 0.3

ITEM NO	DESCRIPTION	FROM		TO			
		AWG	COLOR	CONNECTION	WITH	CONNECTION	WITH
5	*20 CLR			P4-5	*	P2-15	*9 £ *
5	*20 BLK			P4-9	*	P2-16	
5	*20 SHIELD			P4-6	*10 £ *	P2-3	
5	*20 SHIELD			P3-6	*10 £ *	P2-14	
5	*20 BLK			P3-4	*	P2-2	
5	*20 CLR			P3-5	*	P2-1	
11	*22 BLK			P1-1	*	P2-19	
12	*22 TWP GRN			P1-15	*	P2-17	
				P1-16	*	P2-4	
13	*22 BLU			P1-17	*	P2-18	
14	*22 ORN			P1-18	*	P2-7	
15	*22 WHT			P1-19	*	P2-6	*9 £ *

* INDICATES SOLDERED CONNECTION



QTY.	DESCRIPTION	PART NO.	ITEM NO.
7/R	MARKERS, BRADY		18
6	PINS: MALE	1209378-01	17
2	PLUG MATE-N-LOCK	1209340-01	16
4/R	*22 AWG STRD TEF INS WHT	9107350-99	15
4/R	*22 AWG STRD TEF INS ORN	9107350-33	14
4/R	*22 AWG STRD TEF INS BLU	9107350-66	13
4/R	*22 AWG STRD TEF INS TWP BLK/GRN	9107420-05	12
4/R	*22 AWG STRD TEF INS BLK	9107350-00	11
4/R	*20 TEFLON THIN WALL TUBING	9107267-05	10
4/R	HEAT SHRINK TUB WHT 1/8 DIA	9107255	9
1	PLUG CINCH HOOD #DB51226-1	1205885	8
1	PLUG CINCH DB-25P	1205886	7
2	HEAT SHRINKABLE TUB 3/16 ODX 3/16 LG	9107305	6
4/R	CABLE BELDEN #8762	9107701	5
4/R	TIE WRAP SST 1.5M PANDUIT	9007880	4
2	EYELET A94 STIMPSON	9006741	3
1	CABLE CLAMP #943	5308301-2	2
1	CONNECTOR BOARD WITH HANDLE	G 767-D	1

REV	CHANGE NO.	BY	DATE
1	AA11A-00002	R	
2			
3			
4			
5			
6			
7			
8			

FIRST USED ON OPTION/MODEL AA11-A	DO NOT SCALE DRAWING UNLESS OTHERWISE SPECIFIED DIMENSION IN INCHES TOLERANCES DECIMALS FRACTIONS ANGLES ± .005 ± 1/64 ± 0°30' FINAL SURFACE QUALITY REMOVE BURRS AND BREAK SHARP CORNERS	DRN: K. REICH-UD CHK'D: J. LEVIN ENG: R. ARNE PROJ. ENG: R. ARNE PROD: K. REICH	DATE: 02-26-70 DATE: 03-28-70 DATE: 03-30-70 DATE: 03-30-70 DATE: 03-27-70	digital EQUIPMENT CORPORATION MAYNARD, MASSACHUSETTS
MATERIAL: //			NEXT HIGHER ASSY: A-PL-AA11-A-0	TITLE: CABLE ASSY (VTOI-A)
FINISH: //			SCALE: NONE	
SHEET: 1 OF 1		SIZE CODE: DIA 7007138-0-0		REV. B

This drawing and specifications herein are the property of Digital Equipment Corporation and shall not be reproduced or copied or used in whole or in part as the basis for the manufacture or sale of items without written permission.

8

7

6

5

4

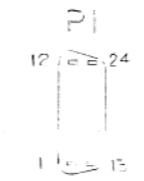
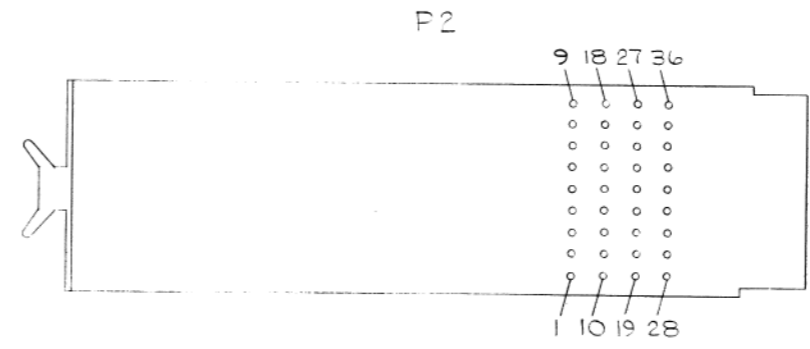
3

1

WIRE TABLE

ITEM NO	AWG	COLOR	CONNECTION		CONNECTION		SIGNAL
			FROM	WITH	TO	WITH	
5	22	FE	P1-13	* A, 1C	P2-1	* A	Z AXIS
		BLK	P1-14		P2-11		Z AXIS GND
		DRN	P1-15		P2-2		Z AXIS SHIELD
		WHT	P1-4		P2-6		Z INT
		BLK	P1-5		P2-16		Z INT GND
		DRN	P1-6		P2-15		Z INT SHIELD
		GRN	P1-1		P2-21		CHAN GND
		BLK	P1-2		P2-30		CHAN SELECT
		DRN	P1-3		P2-20		CHAN SHIELD
		RED	P1-16		P2-32		COLRED L
		BLK	P1-17		P2-8		COLRED GND
		DRN	P1-18		P2-31		COLRED SHLD
		WHT	P1-19		P2-35		LIGHT PEN H
		BLK	P1-24		P2-13		RECORDED PEN H
		DRN	P1-21		P2-17		LIGHT PEN SHLD
		GRN	P1-22		P2-14		SPEAKER -
		BLK	P1-23		P2-4		SPEAKER +
5		DRN	P1-20		P2-22	* A	LIGHT PEN GND
5		RED	P1-8		P3-4	4	X DEF CRT
		BLK	P1-7		P3-5		X DEF GND
		GRN	P1-9		P3-6		X DEF SHIELD
		RED	P1-11		P4-4		Y DEF CRT
		BLK	P1-10		P4-5		Y DEF GND
6	22	GRN	P1-2	* A, 1C	P4-6	4	Y DEF SHIELD

* LETTER DESIGNATION 'A' INDICATES WIRE IS TO BE SOLDERED PER TABLE ABOVE (WIRE TABLE)



FIRST USED ON OPTION/MODEL	QTY.	DESCRIPTION	PART NO.	ITEM NO.
LAB II				
PARTS LIST				
UNLESS OTHERWISE SPECIFIED DIMENSION IN INCHES TOLERANCES	DRN	DATE	digital EQUIPMENT CORPORATION MAYNARD MASSACHUSETTS	
DECIMALS	CHK'D.	DATE	TITLE	
ANGLES	ENG.	DATE	DISPLAY CABLE ASSY	
XXX - .005	PROJ. ENG.	DATE	SIZE CODE	
XX - .02	PROD.	DATE	NUMBER	
X - .1	REMOVE BURRS AND BREAK SHARP CORNERS SURFACE QUALITY		D IA 7008550-0-0	
	MATERIAL	NEXT HIGHER ASSY	REV	
	FINISH	SCALE	A	
		SHEET 2 OF 2	DIST	

REVISIONS	REV
CHANGE NO.	
CHK	

8

7

6

5

4

3

2

1

NUMBER 7008550-0-0

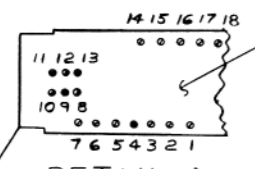
REV A

LEGEND		
NUMBER	VARIATION	
	DIM X	DIM Y
7007122-12	12 FT ± 3 IN	12 FT ± 6 IN

WIRE TABLE						
ITEM NO.	DESCRIPTION	FROM		TO		
		CONNECTION	WITH	CONNECTION	WITH	
7	#20 CLR	P1-14	*	P2-13	*	
8	BLK	P1-15	*	P2-14	3#*	
9	SHIELD	P1-14	GRN TUB 1/2"*		NOTE #1	
10	SHIELD	P3-6	GRN TUB 1/2"*	P2-12	GRN TUB 1/2"*	
11	BLK	P3-4	*	P2-11	3#*	
12	CLR	P3-5	*	P2-10	*	
13	SHIELD	P4-6	GRN TUB 1/2"*	P2-9	GRN TUB 1/2"*	
14	BLK	P4-4	*	P2-8	*	
14	#20 CLR	P4-5	*	P2-7	3#*	
14	22 WHT	P1-13	*	P2-4	*	
14	22 BLK	P1-1	*	P2-5,6	*	

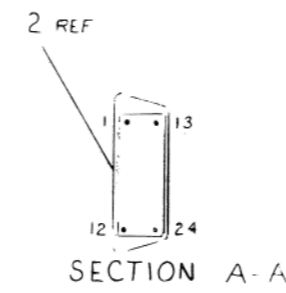
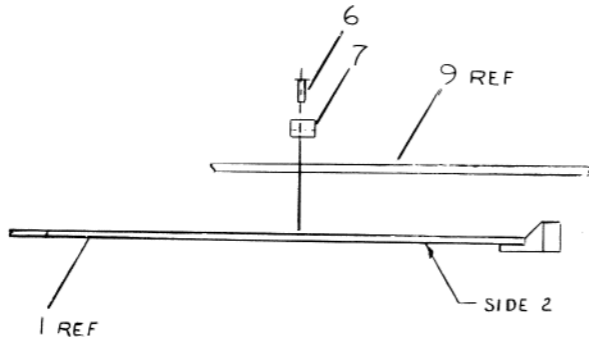
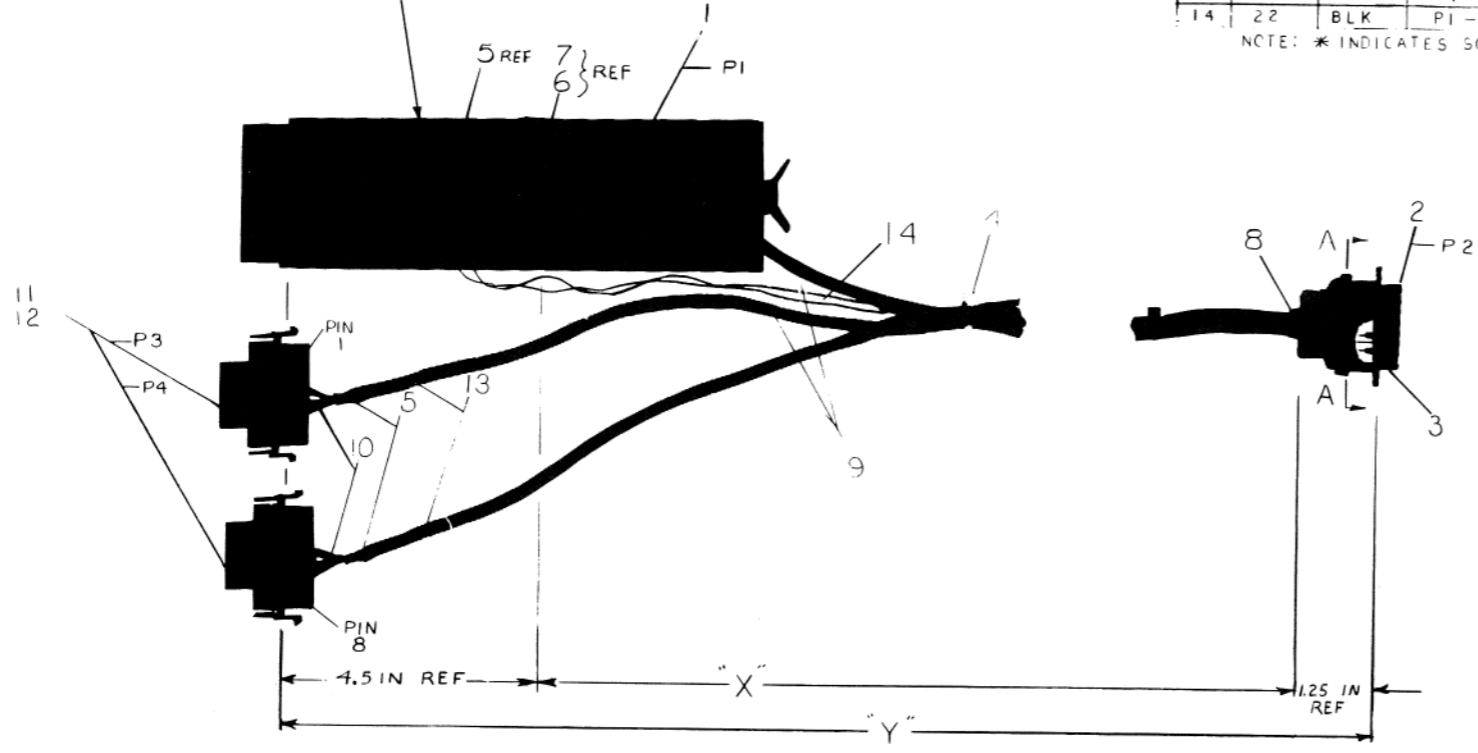
NOTES
1. CUT BACK AT CABLE SHIELDING

NOTE: * INDICATES SOLDERED CONNECTIONS



DETAIL A

SEE DETAIL "A" FOR SPLIT LUG DESIGNATIONS



QTY.	DESCRIPTION	PART NO.	REF.
A/R	#22 BLK & WHT TWP	9107420-09	14
A/R	MARKERS, BRADY #1 1/8 Ø		13
6	PINS	1209378-01	12
2	PLUG MATE-N-LOCK	1209340-01	11
A/R	#22 TEFLON THIN WALL TUBING	9107256-05	10
A/R	CABLE BELDEN #8762	9007701	9
A/R	TAPE #4032 1/2 WIDE	9007834	8
1	CABLE CLAMP #943	5308301-2	7
2	EYELET #44 STIMPSON	9006741	6
3	HEAT SHRINKABLE TUB. 3/16 OD X 1/16 LG	9107305-02	5
A/R	TIE WRAP SST 1.5 M PANDUIT	9007880	4
A/R	HEAT SHRINKABLE TUB. 1/8 OD	9107255-09	3
1	CONN PLUG 24 PIN CINCH	1203466	2
1	CONNECTOR BOARD WITH HANDLE	G 767	1

REV. 1	DATE	BY	DESCRIPTION
1		MAIIC-00001	A
2		REVISED & REDRAWN	
3		4-23-71	
4		R. GAGNE	
5		4-26-71	
6		MAIIC-00002	B
7		6-24-71	
8		GAGNE	
9		7-8-71	

FIRST USED ON OPTION/MODEL
AA11-C

UNLESS OTHERWISE SPECIFIED	ANGLES
TOLERANCES	± 0.005
FINISH	SEE DRAWING
MATERIAL	SEE DRAWING
FINISH	SEE DRAWING

REV. 1	DATE	BY	DESCRIPTION
1		RORICHALE	9-19-70
2		DEHEALY	10-2-70
3		R. GAGNE	11-2-70
4		R. GAGNE	11-2-70
5		A. HIRSCH	11-2-70
6			
7			
8			
9			

EQUIPMENT CORPORATION
CABLE, CONTROL
VR12