

**PDP-11/70
maintenance and
installation manual**

Copyright © 1975, 1977, 1979 by Digital Equipment Corporation

The material in this manual is for informational purposes and is subject to change without notice.

Digital Equipment Corporation assumes no responsibility for any errors which may appear in this manual.

Printed in U.S.A.

This document was set on DIGITAL's DECset-8000 computerized typesetting system.

The following are trademarks of Digital Equipment Corporation, Maynard, Massachusetts:

DEC	DECtape	PDP
DECCOMM	DECUS	RSTS
DECsystem-10	DIGITAL	TYPESET-8
DECSYSTEM-20	MASSBUS	TYPESET-11
		UNIBUS

CONTENTS

		Page
CHAPTER 1	GENERAL DESCRIPTION	
1.1	BASIC SYSTEM DESCRIPTION	1-1
1.2	RELATED DOCUMENTATION	1-15
1.3	REFERENCE DRAWINGS	1-15
1.3.1	DIGITAL Drawing Numbers	1-15
1.3.2	Drawing Conventions	1-15
1.3.3	Reference Drawings	1-17
CHAPTER 2	SPECIFICATIONS	
2.1	PROCESSOR AND MEMORY	2-1
2.1.1	Electrical	2-1
2.1.1.1	Power Requirements	2-1
2.1.1.2	Power and Heat Dissipation	2-1
2.1.2	Mechanical Characteristics	2-2
2.1.3	Environmental Specifications	2-2
2.2	RH70 PERIPHERAL DEVICES	2-2
2.2.1	TU16 Magtape Drive	2-2
2.2.2	RP04 Disk Pack Drive	2-3
2.2.3	RS03 and RS04 Disk Drives	2-3
2.3	UNIBUS INTERFACE	2-3
CHAPTER 3	SYSTEM INSTALLATION	
3.1	GENERAL	3-1
3.2	SITE PREPARATION	3-1
3.2.1	Physical Dimensions	3-1
3.2.2	Fire and Safety Precautions	3-2
3.2.3	Environmental Requirements	3-3
3.2.3.1	Humidity and Temperature	3-3
3.2.3.2	Air-Conditioning	3-3
3.2.3.3	Acoustical Damping	3-3
3.2.3.4	Lighting	3-3
3.2.3.5	Special Mounting Conditions	3-3
3.2.3.6	Static Electricity	3-3
3.2.4	Electrical Requirements	3-3
3.2.5	Related Documents	3-4
3.3	INSTALLATION	3-5
3.3.1	Chapter 2 of the PDP-11 Family Field Installation and Acceptance Procedure	3-5
3.3.2	Chapter 3 of the PDP-11 Family Field Installation and Acceptance Procedure	3-10
3.3.3	Chapter 4 of the PDP-11 Family Field Installation and Acceptance Procedure	3-10
3.3.3.1	Grounding	3-10
3.3.3.2	AC Power Supply Checks	3-10

CONTENTS (Cont)

		Page
3.3.3.3	Equipment Power Checks	3-11
3.3.3.4	System Cabinet Checks	3-12
3.3.3.5	Preliminary System Check	3-15
3.4	SYSTEM CHECKOUT	3-15
3.4.1	Console Functions	3-15
3.4.2	Bootstrap Modules	3-15
3.4.2.1	Starting Procedure, M9301-YC	3-21
3.4.2.2	Errors, M9301-YC	3-23
3.4.2.3	Execution Time	3-24
3.4.2.4	M9301-YC Switches	3-24
3.4.2.5	Starting Procedure, M9301-YH	3-25
3.4.2.6	Errors, M9301-YH	3-27
3.4.2.7	Starting Procedure, M9312	3-28
3.4.2.8	Errors - M9312	3-31
3.4.2.9	M9312 Boot ROM Identification	3-32
3.4.3	Diagnostics	3-33
3.4.4	DEC/X11 System Exerciser	3-33
3.4.5	System Software Exerciser (Under Development)	3-33
3.4.6	Summary and Final Acceptance	3-33
3.5	MJ11 MEMORY EXPANSION	3-34
3.5.1	Memory Configuration	3-35
3.5.2	Main Memory Bus Cabling	3-40
3.5.3	Voltage Checks	3-40
3.5.4	Memory Expansion in the PDP-11/70	3-40
3.5.5	Checkout	3-40
3.6	MK11 MEMORY EXPANSION	3-40
3.6.1	Memory Expansion Cabinet	3-54
3.6.2	MK11 Memory Configuration	3-55
3.6.3	Voltage Checks	3-60
3.6.4	PDP-11/70 System Size Register	3-60
3.6.5	Checkout	3-60
3.7	NON-MEMORY ADD-ON INSTALLATION	3-60
3.7.1	Mechanical Installation	3-60
3.7.2	System Configuration (Massbus)	3-61
3.7.3	System Configuration (Unibus)	3-61
CHAPTER 4	POWER SYSTEM	
4.1	SCOPE	4-1
4.2	OVERALL SYSTEM DESCRIPTION	4-1
4.2.1	Processor Cabinet	4-3
4.2.2	Memory Cabinet	4-6
4.3	PRIMARY AC POWER, 861 POWER CONTROL	4-9
4.3.1	Power Control Specifications	4-9
4.3.2	Power and Power Control Connections	4-12
4.3.3	Primary AC Power Connections	4-14
4.3.4	Remote Power Control Connections	4-15

CONTENTS (Cont)

		Page
4.3.5	Power Controls 861-D and 861-E	4-15
4.3.6	Type 861-D Circuit Description	4-18
4.3.7	Type 861-E Circuit Description	4-19
4.3.8	Pilot Control Board Circuit Description	4-19
4.3.9	AC Power Distribution	4-21
4.4	DC POWER, H7420, MJ11 and MK11 POWER SUPPLIES	4-21
4.4.1	DC Power Distribution	4-21
4.4.2	Power Distribution Cable Harnesses	4-23
4.4.3	MJ11 Backplane Power Distribution	4-23
4.4.4	Processor Cabinet DC Power Supply (H7420)	4-33
4.4.5	H7420 Power Supply Specifications	4-40
4.4.6	Memory Cabinet DC Power Supply (MJ11)	4-44
4.4.6.1	5411086-YA Power Line Monitor	4-51
4.4.6.2	H744 and H754 Regulators	4-59
4.4.7	MK11 DC Power Supply	4-62
4.4.7.1	MK11 Power Supply Cables	4-62
4.4.7.2	Power Supply Major Assemblies	4-66
4.4.7.3	Power Distribution	4-67
4.5	MAINTENANCE	4-72
4.5.1	861-D,-E Power Control	4-72
4.5.1.1	No Output (Circuit Breaker Tripped)	4-72
4.5.1.2	No Output (Circuit Breaker Not Tripped)	4-72
4.5.1.3	No Control	4-72
4.5.2	Memory Power Supply	4-74
4.5.2.1	Preventive Maintenance	4-74
4.5.2.2	Memory Power Supply Corrective Maintenance	4-77
4.5.2.3	Memory Power Supply Fault Isolation	4-83
4.5.2.4	Memory Power Supply Subassembly Removal Procedure	4-91
4.5.2.5	Regulator Installation Procedure	4-100
4.5.3	H7420 Power Supply	4-100
4.5.3.1	Preventive Maintenance	4-100
4.5.3.2	H7420 Corrective Maintenance	4-104
4.5.3.3	H7420 Power Supply Fault Isolation	4-104
4.5.3.4	H7420 Power Supply Subassembly Removal Procedure	4-106
4.5.3.5	H7420 Power Supply Subassembly Installation Procedure	4-107
 CHAPTER 5 MAINTENANCE		
5.1	SYSTEM TROUBLESHOOTING	5-4
5.1.1	Dead Machine	5-4
5.1.2	System Repair	5-4
5.1.3	Toggle-in-Routines	5-6
5.2	COLD START TROUBLESHOOTING	5-15
5.2.1	AC and DC Power	5-17
5.2.2	Cabling	5-17
5.2.2.1	MK11 Cabling	5-17

CONTENTS (Cont)

		Page
5.2.2.2	MJ11 Cabling	5-18
5.2.2.3	Massbus Cabling	5-18
5.2.2.4	PDP-11/70 Unibus Cabling	5-20
5.2.2.5	Console Cabling	5-20
5.2.3	Console Operations	5-20
5.3	TROUBLESHOOTING AIDS	5-21
5.3.1	PDP-11/70 Unibus Registers and Addresses	5-21
5.3.1.1	CPU Registers	5-24
5.3.1.2	Memory Management Registers	5-27
5.3.1.3	Unibus Map Registers 17 770 336 – 17 770 200	5-33
5.3.1.4	Cache Registers	5-33
5.3.2	Indicators, Switches, Jumpers and Test Points	5-41
5.3.2.1	SACK Timeout Indicator (UBCD)	5-41
5.3.2.2	Start Vector (M8130-DAPE)	5-42
5.3.2.3	System Size Register (M8140-SCCN)	5-42
5.3.2.4	Massbus Controller Indicators and Jumpers	5-42
5.3.2.4.1	Indicators	5-42
5.3.2.4.2	Jumper Configurations	5-45
5.3.2.5	Main Memory MK11 Maintenance Aids	5-46
5.3.2.6	Main Memory (MJ11) Maintenance Aids	5-49
5.3.2.7	Unibus Map Response Switches (M8141-MAPF)	5-52
5.3.2.8	AC LO and DC LO Indicator	5-52
5.3.2.9	Sync Points	5-54
5.3.3	How to Use Maintenance Cards	5-54
5.3.3.1	Clock Selection	5-58
5.3.3.2	Maintenance Mode Control	5-59
5.3.3.3	Using the Maintenance Card with KB11-B, C	5-60
5.4	PDP-11/70 DIAGNOSTICS	5-62
5.4.1	PDP-11/70 XXDP	5-62
5.4.2	PDP-11/70 Stand Alone CPU Diagnostics	5-63
5.4.2.1	DEKBA and DEKBB (CPU Diagnostics parts 1 and 2)	5-63
5.4.2.2	DEKBC and DEKBD (Cache Diagnostics parts 1 and 2)	5-64
5.4.2.3	DEKBE (Memory Management Diagnostic)	5-65
5.4.2.4	DEKBF (Unibus Map Diagnostic)	5-65
5.4.2.5	DEKBG (Power-Fail Test)	5-66
5.4.2.6	DEQKC (11/70 Instruction Exerciser)	5-66
5.4.2.7	DEMJA (PDP-11/70 Memory Test)	5-66
5.4.2.8	CEMCAA (PDP-11/70 Memory Diagnostic)	5-66
5.4.3	RWP04 Diagnostics	5-66
5.4.4	RWS03 or RWS04 Diagnostics	5-67
5.4.5	TU16 Diagnostics	5-67
5.4.6	PDP-11/70 DEC/X11	5-67
5.4.7	PDP-11/70 Subsystem Diagnostic	5-67
5.4.8	DZKWA (Line Clock Test)	5-68
5.4.9	DZKLA (TTY or DECwriter Test)	5-68
5.4.10	Maintenance Program Generator (MPG)	5-68

CONTENTS (Cont)

		Page
5.4.11	M9301-YC and DEKBH	5-69
5.4.12	M9301-YH and 60 BOOT	5-70
5.4.13	M9312 and DIAROM	5-70

APPENDIX A	MODULE AND CONSOLE ASSEMBLY, REMOVAL, AND REPLACEMENT	
APPENDIX B	REMOVAL AND REPLACEMENT OF ICs	
APPENDIX C	EQUIPMENT CONFIGURATION AND REVISION STATUS LABELS AND SHIPPING FORMS	
APPENDIX D	IC DESCRIPTIONS	
APPENDIX E	PREVENTIVE MAINTENANCE SCHEDULE	
APPENDIX F	SUMMARY OF EQUIPMENT SPECIFICATIONS	
APPENDIX G	WIRE TROUGH SYSTEM	
APPENDIX H	PDP-11/70 BLOCK DIAGRAM ADDRESS AND DATA PATHS	

FIGURES

Figure No.	Titles	Page
1-1	Location of Major Components and Assemblies	1-2
1-2	Block Diagram of PDP-11/70	1-13
1-3	MJ11 Memory Options	1-14
1-4	Drawing Nomenclature	1-16
1-5	PDP-11/70 Drawing Convention Examples	1-16
3-1	View of Inside Top of MJ11 Cabinet as Shipped	3-6
3-2	Front View of MJ11 Cabinet as Shipped	3-7
3-3	Rear View of Processor Cabinet as Shipped	3-8
3-4	Rear View of MJ11 Cabinet as Shipped	3-9
3-5	NEMA L21-30R Receptacle	3-10
3-6	AC Phase Rotation	3-11
3-7	PDP-11/70 Circuit Breaker Location	3-12
3-8	861 Power Control Outlets	3-13
3-9	System Checkout	3-16
3-10	Location of M9301-YC in Peripheral Page	3-20
3-11	M9301-YC Etch Revisions	3-24
3-12	Use of S1-1 through S1-10 on M9301-YC.	3-25
3-13	M9312 Bootstrap/Terminator Module	3-29
3-14	Memory Frame Packaging	3-34
3-15	Memory Frame and Cable Retractor Mounting	3-36
3-16	Phasing of Memory Frames	3-37
3-17	Module Utilization Labels	3-38
3-18	Procedure for Configuring M8147 (or M8148) Switches	3-39
3-19	Typical MJ11 Cable Routing	3-41

FIGURES (Cont)

Figure No.	Title	Page
3-20	MJ11 Main Memory Bus Cable Routine	3-42
3-21	System Size Register Switches	3-43
3-22	Address and Data Buffer Plus Locator	3-46
3-23	MK11 Memory Cabinet Configuration	3-47
3-24	Box Controller and Battery Backup Power Cables	3-49
3-25	Battery Backup Power Cable Routing, First Memory Cabinet	3-50
3-26	Box Controller and Battery Backup Cable Routing	3-51
3-27	Main Memory Bus and Box Controller Cables	3-52
3-28	Main Memory Bus Cable Routing, First Memory Cabinet	3-53
3-29	Main Memory Bus Cable Routing, Second Memory Cabinet	3-56
3-30	Memory Box Decal	3-57
3-31	Control Panel Decal	3-58
3-32	PDP-11/70 Configuration	3-63
3-33	Flowchart	3-64
4-1	PDP-11/70 Power System, Physical Location	4-1
4-2	Typical PDP-11/70 Power System	4-2
4-3	Processor Cabinet Power Connections	4-5
4-4	MJ11 Memory Cabinet Power Connections	4-7
4-5	MK11 Memory Cabinet Power Connections	4-8
4-6	861 Power Controller Simplified Block Diagram	4-9
4-7	Processor Cabinet Power and Remote Control Connections	4-12
4-8	PDP-11/70 Power (Phase) Assignments	4-13
4-9	861-D Power Control Connector Outline	4-14
4-10	Example of Remote Power Control	4-16
4-11	861-D/E Power Control Panels	4-17
4-12	861-D Simplified Circuit Schematic	4-18
4-13	861-E Simplified Circuit Schematic	4-20
4-14	AC Power Connections (Processor Cabinet)	4-22
4-15	Power Distribution Cable Harness (Processor Cabinet) 7011051	4-23
4-16	Power Distribution Cable Harnesses (Memory Cabinet)	4-24
4-17	Processor Cabinet (Processor Mounting Box Extended)	4-25
4-18	Processor Mounting Box	4-26
4-19	Memory Cabinet Power Supply (Bottom View)	4-27
4-20	KB11-B,C Processor Backplane Slot and Row Assignments (Pin Side View)	4-28
4-21	Processor Backplane Connectors and Pins	4-29
4-22	Memory Backplane Connectors and Pins	4-34
4-23	Memory Backplane Cross Section	4-35
4-24	H7420 Power Supply	4-36
4-25	H7420 Power Supply with Regulators	4-37
4-26	H7420 Power Supply (PC Mounting Board Bracket with Top Cover Removed)	4-38
4-27	H7420 Power Supply, Front View	4-39
4-28	Terminal Block TB1	4-41
4-29	MJ11 Memory Frame Physical Layout	4-44
4-30	MJ11 Power Supply Functional Block Diagram	4-48
4-31	115 Vac Power Configuration	4-49
4-32	230 Vac Power Configuration	4-50

FIGURES (Cont)

Figure No.	Title	Page
4-33	Power Control Board Simplified Diagram	4-50
4-34	5411086 Block Diagram	4-52
4-35	Voltage Regulator E1, Simplified Diagram	4-54
4-36	5411086 Regulator Waveforms	4-55
4-37	5411086 Power Up and Power Down	4-56
4-38	AC LO and DC LO Circuit	4-58
4-39	H744 Regulator Waveforms	4-61
4-40	MK11 Power Supply Major Assemblies	4-63
4-41	MK11 Power Supply External Cabling	4-64
4-42	MK11 Power Supply Internal Cabling	4-65
4-43	Battery Backup Regulator Block Diagram	4-68
4-44	MK11 Power Distribution and Control	4-69
4-45	MK11 Backplane Power Connections	4-70
4-46	861-D Power Control Component Identification	4-73
4-47	Model 861-E Power Control Component Identification	4-74
4-48	Troubleshooting Flow Diagram – 861-D	4-75
4-49	Troubleshooting Flow Diagram – 861-E	4-76
4-50	MJ11 Voltage Test Points	4-78
4-51	Regulator Adjustments	4-81
4-52	MK11 Power Supply in Maintenance Position	4-84
4-53	Power Supply Access (Main Memory Bus Cables Not Shown)	4-85
4-54	Memory Frame Power Supply Fault Isolation Flowchart	4-86
4-55	H744 Regulator Fuse Location	4-89
4-56	H744, H754 Bench Check	4-90
4-57	Typical Voltage Regulator Output Waveforms	4-91
4-58	Regulator Removal	4-93
4-59	Power Supply in Maintenance Position	4-94
4-60	Memory Frame Power Supply	4-96
4-61	Fan Removal	4-97
4-62	Transformer Assembly Removal	4-98
4-63	H7420 Decals	4-102
4-64	H744 Regulator Voltage Adjustment	4-103
4-65	H7420 Power Supply Component Identification	4-105
4-66	H7420 Regulator Removal	4-109
4-67	5411086 Removal (H7420)	4-111
5-1	Guidelines for PDP-11/70 Troubleshooting	5-5
5-2	Troubleshooting Dead Machine	5-16
5-3	CPU Cable Holding Clamp	5-17
5-4	MJ11 Frame Cabling	5-19
5-5	M8136 Sack Timeout LED	5-41
5-6	M8153 (BCT) Module	5-44
5-7	MDP Module – M8150	5-46
5-8	MK11 Control and Status Register	5-47
5-9	MK11 Memory Frame Error Indicators	5-49
5-10	Box Controller	5-50
5-11	M8148 (MCT) Module	5-51
5-12	5411086 AC LO and DC LO Indicators	5-54
5-13	Maintenance Cards: for FP11-B (Top) and for KB11-B, C (Bottom)	5-56
5-14	Maintenance Card Overlay	5-57

TABLES

Table No.	Title	Page
1-1	Minimum PDP-11/70 Configuration	1-3
1-2	Processor Backplane Option	1-7
1-3	MJ11 Memory Options	1-9
1-4	MK11 Memory Options	1-11
1-5	Processor Cabinet Options	1-12
1-6	Related Documentation	1-15
1-7	Reference Drawings	1-17
3-1	H7420 Voltage Measurements	3-13
3-2	Regulator Test Points (MJ11)	3-14
3-3	Regulator Voltage Measurements (MK11)	3-14
3-4	Power Fail Jumpers	3-54
3-5	CSR Address Selection	3-54
4-1	Processor Power Supply Voltage Regulators	4-4
4-2	Power Controller Specifications	4-10
4-3	861-D Input Power Connector	4-14
4-4	Power Control Operation	4-15
4-5	Processor Cabinet Voltage/Signal Connections	4-30
4-6	MJ11 Memory Cabinet Voltage/Signal Connections	4-32
4-7	H7420 Versions	4-35
4-8	H7420 Power Supply Specifications	4-42
4-9	MJ11 Memory Frame Physical Characteristics	4-45
4-10	Power Supply Physical Characteristics	4-45
4-11	MJ11-AA, AC, FA, BC Memory Frame Input Power Electrical Specifications	4-46
4-12	MJ11-AB, AD, BB, BD Memory Frame Input Power Electrical Specifications	4-47
4-13	5411086 Specifications (+15V)	4-53
4-14	AC LO and DC LO Circuit Specifications	4-56
4-15	AC LO and DC LO Driver Outputs	4-59
4-16	Output Power Characteristics	4-60
4-17	Regulator Test Points (MJ11)	4-79
4-18	Regulator Voltage Measurements (MK11)	4-79
4-19	Regulator Specifications	4-80
4-20	H744, H754 Voltage Regulator Troubleshooting Chart	4-87
4-21	H7420 Voltage Measurements	4-101
5-1	Maintenance Equipment Required	5-3
5-2	PAR/PDR Unibus Addresses	5-31
5-3	Access to Unibus Map Registers	5-34
5-4	Unibus Map Limit Jumpers (MAPF)	5-53

CHAPTER 1

GENERAL DESCRIPTION

This chapter contains configuration information and lists of Technical Manuals and Engineering Drawings related to the PDP-11/70.

1.1 BASIC SYSTEM DESCRIPTION

The basic PDP-11/70 system components are located in a double cabinet (Figure 1-1). The cabinet on the left contains the KB11-B processor, the options for which the processor backplane is prewired, and certain optional peripheral devices which may be installed above the processor mounting box (Table 1-4). The cabinet on the right may contain only memory; a second memory cabinet may be installed to its right. The TU16 Magtape Drives are installed to the right of the memory cabinets. All other optional cabinets are installed to the left of the processor cabinet.

Table 1-1 lists the items supplied with the minimum PDP-11/70 configuration.

Table 1-2 lists the options that may be installed into prewired slots in the processor backplane.

Table 1-3 lists the available MJ11 memory options.

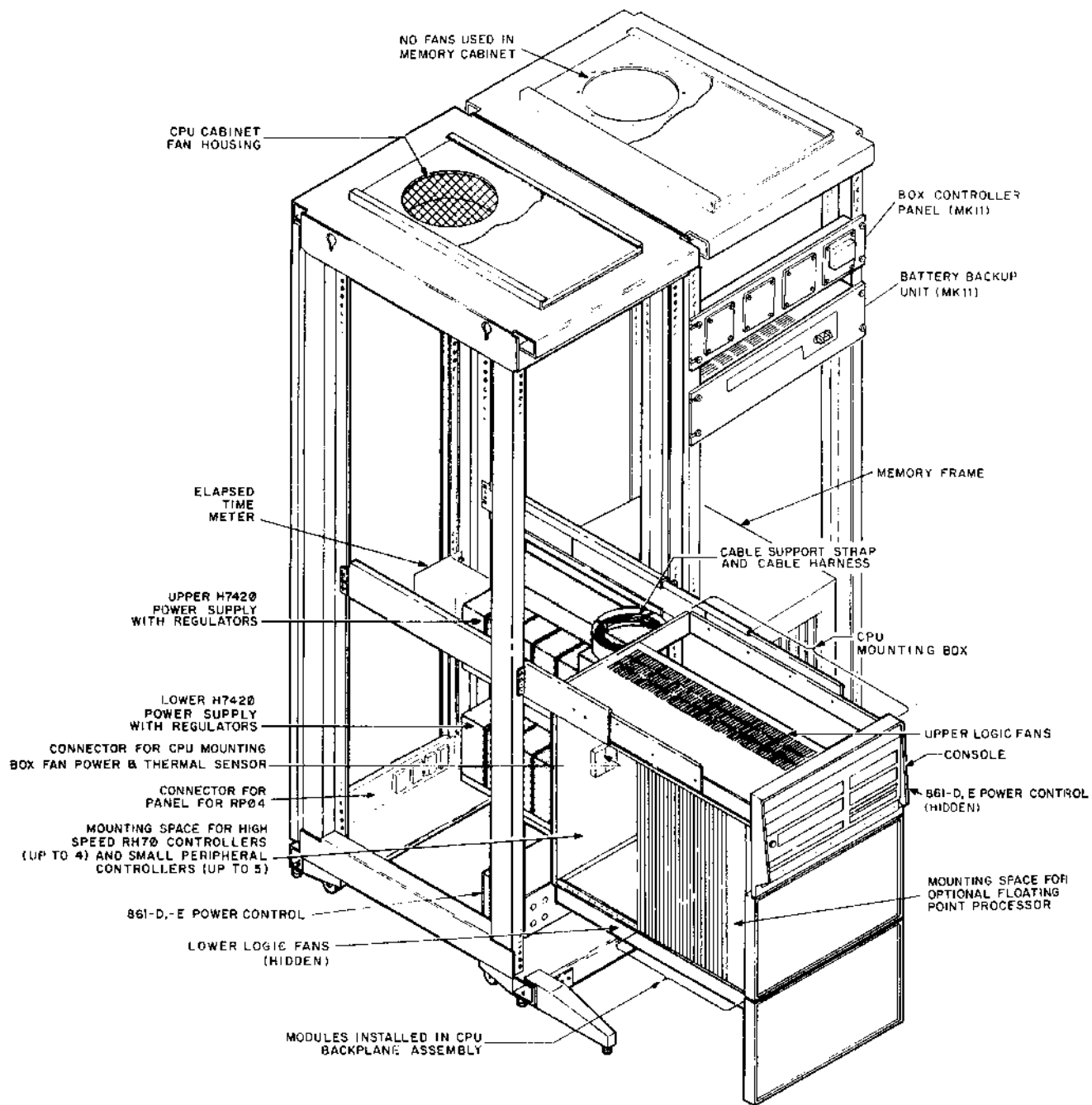
Table 1-4 lists the available MK11 memory options.

Table 1-5 lists the options that may be installed in the upper half of the processor cabinet.

A PDP-11/70 block diagram is shown in Figure 1-2. The PDP-11/70 system is compatible with the standard Unibus interface, with the exception of memory, which is on its own dedicated bus. Any other Unibus device may be used with the PDP-11/70. These devices are listed in Appendix F to this Manual.

An H960-C expansion cabinet option is available with the PDP-11/70 system. It is not included as part of the basic system, but may be ordered as required to house additional Unibus peripheral devices. No memory may be connected to the Unibus except through special arrangement with CSS (Computer Special Systems). The basic components that may be included in each expansion cabinet option are summarized in Appendix F. Chapter 4 provides instructions for interconnecting the H960-C remote power control to the CPU (Central Processor Unit) Cabinet Assembly.

The H960-C cabinet includes an 861-D or E power control and may be used to mount up to four BA11-K mounting boxes, each of which can house up to five system units. The BA11-K mounting box is described in the *BA11-K Mounting Box Manual*, EK-BA11K-MM-002.



VA-1486

Figure 1-1 Location of Major Components and Assemblies

Table 1-1 Minimum PDP-11/70 Configuration

Item	Description
Cabinet Assembly	Refer to Figure 1-1. Consists of one processor cabinet and one memory cabinet.
Processor Cabinet	
CPU Mounting Box	<p>Refer to Figure 1-1. Houses KB11-B/C processor, DL11-A and KW11-L or DL11-W, and M9301-YC/YH or M9312. The M9302 Unibus terminator is located at the end of the Unibus. If no Unibus devices are used outside of the CPU mounting box, the M9302 is inserted in slot 44, rows A and B.</p> <p>The CPU mounting box is also prewired for four optional RH70 controllers, a floating point processor and four additional small peripheral controllers (SPC).</p>
KB11-C Processor	<p>Basic 16-bit processor modules installed in wired CPU backplane (part number 7011051, Rev. D or higher). Accepts FP11-C Floating Point Processor option.</p>
Consists of the following:	
M8130 DAP Module	Data Paths (slot 6)
M8131 GRA Module	General Registers and ALU control (slot 7)
M8132 IRC Module (CS REV. B or higher)	IR decode and Condition Codes (slot 8)
M8133 RAC Module	ROM and ROM Control (slot 9)
M8134 PDR Module	Processor Data and Unibus Registers (slot 10)
M8135 TMC Module	Trap and Miscellaneous Control (slot 11)
M8136 UBC Module	Unibus and Console Control (slot 12)
M8137 SAP Module	System Address Paths (slot 14)
M8138-YA SSR Module	System Status Registers (slot 15)
M8139 TIG Module	Timing Generator (slot 13)
M8140 SCC Module	System Descriptor/Console Cables (slot 16)
M8141 MAP Module	Unibus Map (slot 22)
M8142 CCB Module	Cache Control (slot 17)
M8143 ADM Module	Address Memory (slot 18)
M8144 DTM Module	Data Memory (slot 20)
M8145 CDP Module	Cache Data Paths (slot 21)
5411294 KNL Module	Console

Table 1-1 Minimum PDP-11/70 Configurations (Cont)

Item	Description
Processor Cabinet (Cont)	
KB11-B Processor	Basic 16-bit processor modules installed in wired CPU backplane (part number 7011051, any Rev.). Accepts FP11-B Floating Point Processor option.
Consists of the following:	
M8130 DAP Module	Data Paths (slot 6)
M8131 GRA Module	General Registers and ALU Control (slot 7)
M8132 IRC Module	IR Decode and Condition Codes (slot 8)
M8133 RAC Module	ROM and ROM Control (slot 9)
M8134 PDR Module	Processor Data and Unibus Registers (slot 10)
M8135 TMC Module	Trap and Miscellaneous Control (slot 11)
M8136 UBC Module	Unibus and Console Control (slot 12)
M8137 SAP Module	System Address Paths (slot 14)
M8138 SSR Module	System Status Registers (slot 15)
M8139 TIG Module	Timing Generator (slot 13)
M8140 SCC Module	System Descriptor/Console Cables (slot 16)
M8141 MAP Module	Unibus Map (slot 22)
M8142 CCB Module	Cache Control (slot 17)
M8143 ADM Module	Address Memory (slot 18)
M8144 DTM Module	Data Memory (slot 20)
M8145 CDP Module	Cache Data Paths (slot 21)
5411294 KNL Module	Console
DL11-A/W Asynchronous Serial Line Interface	LA36 Interface to Unibus. Described in related Manual (slot 40, rows C-F)
KW11-L Line Time Clock	Provides a signal for each cycle of the Tower line. Described in related Manual (slot 1, row D).
M9301-YC/YH, M9312	Unibus terminator and PDP-11/70 bootstrap loader and diagnostic (slot 1, rows E-F).
M9302	Unibus terminator (slot 44, rows A-B). See CPU Mounting Box.
H7420 Power Supplies	Refer to Figure 1-1. Two H7420s contain the dc power regulators for the CPU mounting box.
H744 +5 Regulators	Seven H744 +5 Vdc regulators supply dc power. Three H744s are mounted in the upper H7420 and four in the lower H7420. An additional H744 is required (slot A in upper H7420) if floating point processor is installed.
5411086 Modules	Each H7420 contains one 5411086 module which monitors the ac input voltage in addition to its function as a 15 Vdc regulator. The upper H7420 supplies +15 Vdc, the lower, -15 Vdc.

Table 1-1 Minimum PDP-11/70 Configurations (Cont)

Item	Description
Processor Cabinet (Cont)	
861-D (115 V) or 861-E (230 V) Power Control	Refer to Figure 1-1. Controls ac power input.
Memory Cabinet (MJ11)	
Memory Frame	Consists of a slide-mounted drawer, an MJ11 etched backplane, two H744 +5 Vdc regulators, two H754 +20, -5 Vdc regulators, one ac input box (which contains a 5411086 power line monitor), and one MJ11 memory controller.
The Memory Controller consists of the following:	Each controller can handle up to a total of four 16K word module pairs (256KB) or 32K word module pairs (512KB).
M8147/M8148 MCT Module*	Memory Control and Timing (slot 13)
M8149 MXR Module	Memory Transceiver Card (slot 14)
16K Word Modules (MJ11-A) 32K Word Modules (MJ11-B) } 18 bit words	The system requires a minimum of 32K words (64KB) of MJ11-AA or 64K words (128KB) of MJ11-B memory and a memory controller to run the diagnostics. Refer to Figure 3-16 for placement of modules.
MJ11-A memory module pairs (64KB per pair) consist of two of the following:	
G114 SIN Module	Sense/Inhibit Module (slots 1, 4, 21, 24)
H217C STK Module	Stack Module (slots 2, 5, 22, 25)
G235 DRV Module	Drive Module (slots 3, 6, 23, 26)
MJ11-B memory module pairs (128KB per pair) consist of two of the following:	
G116 SIN Module	Sense/Inhibit Module (slots 1, 4, 21, 24)
H224C STK Module	Stack Module (slots 2, 5, 22, 25)
G236 DRV Module	Drive Module (slots 3, 6, 23, 26)
861-D (115 V) or 861-E (230 V) Power Control	Controls ac power input. See related manual.

*M8147 can be used in MJ11-A or MJ11-B; M8148 can only be used in MJ11-A.

Table 1-1 Minimum PDP-11/70 Configurations (Cont)

Item	Description
Memory Cabinet (MK11)	
<p>Memory Frame</p> <p>Interface and Control Modules</p> <p> M8158</p> <p> M8159</p> <p> M8160</p> <p> M8161</p> <p>Memory Modules</p> <p> MS11-KE</p>	<p>Consists of a slide-mounted drawer, an MK11 etched backplane, one H7441 +5 Vdc regulator, three 7014251 ± 12 Vdc, +5 Vdc regulators, an ac input box, and interface and control modules.</p> <p>Address Interface Module</p> <p>Data Buffer Module</p> <p>Control A Module (2)</p> <p>Control B Module (2)</p> <p>32K words MOS Array Module (4K MOS RAM chips).</p>
<p>Box Controller</p>	<p>Operator and maintenance control switches and indicators.</p>
<p>Battery Backup Units</p>	<p>Three H755 battery chargers and battery packs.</p>
<p>861-D (115 V) or 861-E (230 V) Power Control</p>	<p>Controls ac power input; see related manual.</p>
Item not in Cabinets	
<p>LA36 DECWRITER II</p>	<p>Serial I/O terminal. Described in related manual.</p>

Table 1-2 Processor Backplane Options

Option	Description
FP11-C Floating-Point Processor	
<p>Consists of the following:</p> <p>M8128 FRM Module M8129 FXP Module M8126 FRH Module M8127 FRL Module H744 +5 V Module</p>	<p>Used with KB11-C Processor. Described in related manual.</p> <p>Logic modules mount in CPU backplane in slots indicated.</p> <p>FP ROM and ROM control (slot 4) FP exponent and data path (slot 5) Fraction data path – high order (slot 2) Fraction data path – low order (slot 3) Mounts in space provided on upper H7420 Power Supply (slot A).</p>
FP11-B Floating-Point Processor	
<p>Consists of the following:</p> <p>M8112 FRM Module M8113 FXP Module M8114 FRH Module M8115 FRL Module H744 +5 V Module</p>	<p>Used with KB11-B Processor. Described in related manual.</p> <p>Logic modules mount in CPU backplane in slots indicated.</p> <p>FP ROM and ROM control (slot 4). FP exponent and data path (slot 5). Fraction data path – high order (slot 2). Fraction data path – low order (slot 3). Mounts in space provided on upper H7420 Power Supply (slot A).</p>
High-Speed I/O Controllers (RH70)	
<p>Each controller consists of the following:</p> <p>M5904 MBS Module M8150 MDP Module M8151 CST Module</p>	<p>Up to four RH70 Massbus controllers can be installed in prewired slots in the CPU backplane.</p> <p>Controller A in slots 24–27 Controller B in slots 28–31 Controller C in slots 32–35 Controller D in slots 36–39</p> <p>Massbus transceivers (3 required) (slots 25–27, 29–31, 33–35 or 37–39, rows A and B). Data buffer and parity (slots 24, 28, 32 or 36, rows A–F). Control and status (slots 25, 29, 33 or 37, rows C–F).</p>

Table 1-2 Processor Backplane Options (Cont)

Option	Description
High-Speed I/O Controllers (RH70) (Cont)	
<p>M8152 AWR Module</p> <p>M8153 BCT Module</p> <p>Available Massbus options:</p> <p>TWU16</p> <p>RWP04</p> <p>RWS03</p> <p>RWS04</p> <p>DWR70</p>	<p>Word count and address (slots 26, 30, 34 or 38, rows C-F).</p> <p>Unibus and register logic (slots 27, 31, 35 or 39, rows C-F).</p> <p>Each RH70 can control up to eight devices which must be of the same type.</p> <p>One RH70 Controller, up to eight TM02 formatters, each of which can control up to eight TU16 Magtape Drives.</p> <p>One RH70 Controller, up to eight RP04 Disk Drives.</p> <p>One RH70 Controller, up to eight RS03 Disk Drives.</p> <p>One RH70 Controller, up to eight RS04 Disk Drives.</p> <p>General Purpose Massbus Interface.</p>
Small Peripheral Controllers (SPC)	
	<p>Slots 41 through 43 (rows A through F) and slot 44 (rows C-F) are prewired for SPC. Refer to Appendix F and to the PDP-11 Peripheral Handbook.</p>

Table 1-3 MJ11 Memory Options (see Figure 1-3)

Item	Description
MJ11-AE	64K byte (32K 16-bit word) memory module used to increase the amount of memory in a memory frame.
Consists of two of each of the following: G114 SIN Module	Sense/Inhibit Module (slots 4 and 21, 7 and 18 or 10 and 15).
H217C STK Module	Stack Module (slots 5 and 22, 8 and 19, or 11 and 16).
G235 DRV Module	Drive Module (slots 6 and 23, 9 and 20, or 12 and 17).
MJ11-AA (115 V), -AB (230 V)	Memory expansion frame. Must be mounted in an MJ11 memory cabinet.
Consists of the following: Memory Frame	Slide mounted drawer, MJ11 etched backplane, two H744 +5 Vdc regulators, two H754 +20, -5 Vdc regulators, ac input box and MJ11 Memory Controller.
The memory controller consists of the following: M8148 MCT Module M8149 MXR Module	Memory Control and Timing (slot 13) Memory Transceiver Card (slot 14)
One 64K byte (32K 16-bit word) memory module	Same as MJ11-AE.
MJ11-AG (115 V), -AH (230 V)	Memory expansion frame. Must be mounted in MJ11 memory cabinet.
	Same as MJ11-AA(AB) described above, but contains four 64K byte memory modules (256K baud).
MJ11-AC (115 V), -AD (230 V)	MJ11 memory expansion cabinet.
Consists of the following:	
Wired Cabinet	Includes 861-D (115 V) or -E (230 V) power control.
One 256K byte (128K 16-bit word) Memory Frame	Same as MJ11-AG (AH).

Table 1-3 MJ11 Memory Options (Cont)

Item	Description
MJ11-BE	128K byte (64K 16-bit word) memory module used to increase the amount of memory in a memory frame.
Consists of two of each of the following:	
G116 SIN Module	Sense/Inhibit Module (slots 4 and 21, 7 and 18 or 10 and 15).
H224C STK Module	Stack module (slots 5 and 22, 8 and 19 or 11 and 16).
G236 DRV Module	Drive module (slots 6 and 23, 9 and 20, or 12 and 17).
MJ11-BA (115 V), -BB (230 V)	Memory expansion frame. Must be mounted in an MJ11 memory cabinet.
Consists of the following:	
Memory Frame	Slide mounted drawer, MJ11 etched backplane, two H744 +5 Vdc regulators, two H754 +20, -5 Vdc regulators, ac input box and MJ11 memory controller.
The memory controller consists of the following:	
M8147 MCT Module	Memory Control and Timing (slot 13)
M8149 MXR Module	Memory Transceiver Card (slot 14).
Two 64K byte (32K 16-bit word) memory module	Same as MJ11-BE.
MJ11-BG (115 V), -BH (230 V)	Memory expansion frame. Must be mounted in MJ11 memory cabinet.
	Same as MJ11-BA (BB), but contains four 128K byte memory modules (512K baud).
MJ11-BC (115 V), -BD (230 V)	MJ11 memory expansion cabinet.
Consists of the following:	
Wired Cabinet	Includes 861-D (115 V) or -E (230 V) Power Control.
One 512K byte (256K 16-bit word) memory frame	Same as MJ11-BG (BH).

NOTE: Maximum system memory size of eight full frames in two memory cabinets is: MJ11-A: 2048K byte (1024K 16-bit words); MJ11-B: 4056K byte (2048K 16-bit words).

Table 1-4 MK11 Memory Options

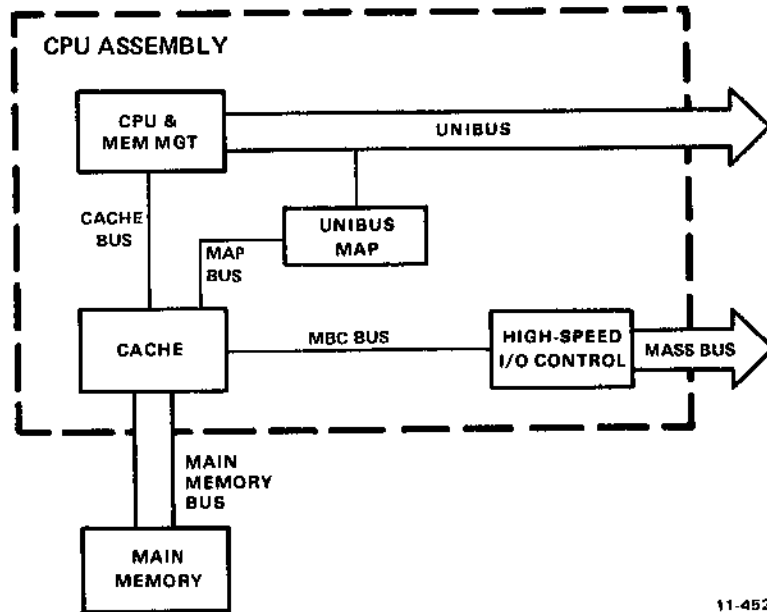
Item	Description
MK11-BA (115 V), -BB (230 V)	Memory expansion frame, box controller, and three battery backup units. Must be mounted in a memory cabinet.
Consists of the following:	
Memory Frame	Slide mounted draw, MK11 etched backplane, one H7441 +5 Vdc regulator, three 7014251 ± 12 V, +5 Vdc regulators, ac input box, and interface and control modules.
Interface and Control Modules	
M8158	Address Interface Module
M8159	Data Buffer Module
M8160	Control A Module (2)
M8161	Control B Module (2)
64K words MOS memory	Two MS11-KE Memory Array Modules
Box Controller	
Battery Backup Units (3)	
MK11-BC (115 V), -BD (230 V)	Memory expansion cabinet.
Consists of the following:	
Wired Cabinet	Includes 861-D, -E Power Control.
Memory Frame, Box Controller, 3 Battery Backup Units, and 64K words MOS memory	Same as MK11-BA or MK11-BB.
MK11-BE	64K word expansion. Consists of two MS11-KE Array Modules to be added to an existing memory frame.
MK11-BF	256K word expansion. Consists of eight MS11-KE Array Modules to be added to an existing memory frame.
MK11-BG (115 V), -BH (230 V)	Memory expansion frame, box controller, and three battery backup units. Must be mounted in a memory cabinet. Same as MK11-BA or MK11-BB except with 512K words MOS memory.

Table 1-4 MK11 Memory Options (Cont)

Item	Description
MK11-BY (115 V), -BZ (230 V)	Memory expansion frame without cables. Same as MK11-BA or MK11-BB except without cables, box controller, or battery backup units.
MS11-KE	32K word MOS memory array module (M7984EB, EC, ED, EE, etc.). Array consists of 156 4K bit MOS RAM chips.
MS11-KD	32K word MOS memory array module (M7984DB, DC, etc.). Array consists of 39 16K bit MOS RAM chips.
MS11-KC	128K word MOS memory array module (M7984CB, CC, CD, etc.). Array consists of 156 16K bit MOS RAM chips.

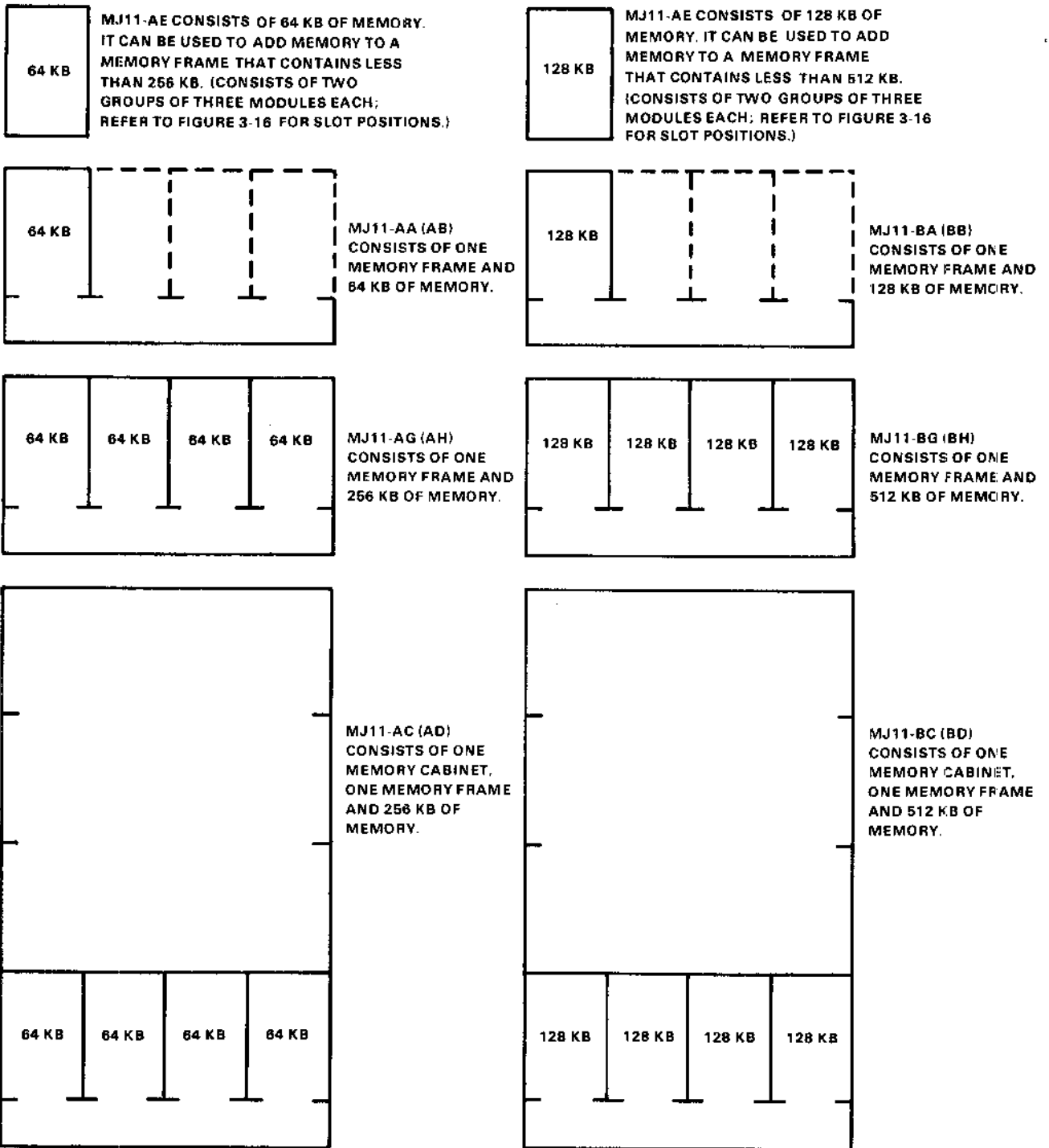
Table 1-5 Processor Cabinet Options

Option	Description
The 10-1/2 inch slot immediately above the CPU mounting box may contain only one of the following options:	
PC11	High Speed Paper Tape Reader-Punch
PR11	High Speed Paper Tape Reader
TU60	Dual Cassette Drive
LPS11	Lab Peripheral System
VR14	Point Plot Display
The 10-1/2 inch slot above the slot just described may contain only one of the following options:	
LPS11	Lab Peripheral System
TS03	Magtape Drive
RX01	Disk Drive (Floppy disk)
TU60	Dual Cassette Drive. One or two TU60s may be installed in this 10-1/2 inch slot.



11-4520

Figure 1-2 Block Diagram of PDP-11/70



NOTES:

1. A memory frame consists of one MJ11 drawer including a power supply, an etched backplane, a controller and from one to four 64 KB or 128 KB memory sets.
2. The minimum PDP-11/70 system includes one memory frame and 128 KB of memory.
3. See Table 1-3.

11-4521

Figure 1-3 MJ11 Memory Options

1.2 RELATED DOCUMENTATION

Table 1-6 lists the reference manuals for the minimum PDP-11/70 configuration and for the processor backplane options particular to the PDP-11/70.

Small Peripheral Controller (SPC) manuals other than the DL11, as well as manuals related to other peripheral options, are supplied with the equipment.

Table 1-6 Related Documentation

Title	Document Number
PDP-11/70 Manuals*	
KB11-B Processor Manual (PDP-11/70) MJ11 Memory System Maintenance Manual MK11 MOS Memory System Technical Manual FP11-C Floating-Point Processor Maintenance Manual** FP11-B Floating-Point Processor Maintenance Manual** LA36 DECwriter Maintenance Manual DL11 Asynchronous Line Interface Manual KW11-L Line Time Clock Manual 861A-F Power Controller Maintenance Manual RWS04/RWS05 Fixed Head Disk Subsystem Maintenance Manual** RWP04 Moving Head Disk Subsystem Maintenance Manual** TWU16 Magnetic Tape Subsystem Maintenance Manual** M9312 Bootstrap/Terminator Module Technical Reference Manual M9301 Bootstrap/Terminator Module Maintenance and Operator's Manual	EK-KB11B-TM-001 EK-MJ11-MM-002 EK-MK11-TM-001 EK-FP11C-MM-PRE EK-FP11-MM-003 EK-LA36-MM-001 DEC-11-HDLAA-B-D EK-KW11L-TM-002 EK-861AB-MM-002 EK-RWS04-MM-001 EK-RWP04-MM-001 EK-TWU16-MM-001 EK-M9312-TM-001 EK-M9301-TM-001
Reference Handbooks	
PDP-11/70 Processor Handbook PDP-11 Peripherals and Interfacing Handbook	

*A set of engineering drawings is provided with each of the components and options in the PDP-11 system.

**Optional

1.3 REFERENCE DRAWINGS

An Engineering Print Set, which includes all electrical schematics and mechanical assembly drawings related to a system, is supplied with each PDP-11/70.

1.3.1 DIGITAL Drawing Numbers

Figure 1-4 shows the numbering system used for DIGITAL drawings.

1.3.2 Drawing Conventions

Figure 1-5 illustrates some of the drawing conventions used on the PDP-11/70 circuit schematics.

In this figure, part A defines the meaning of each part of a typical signal mnemonic.

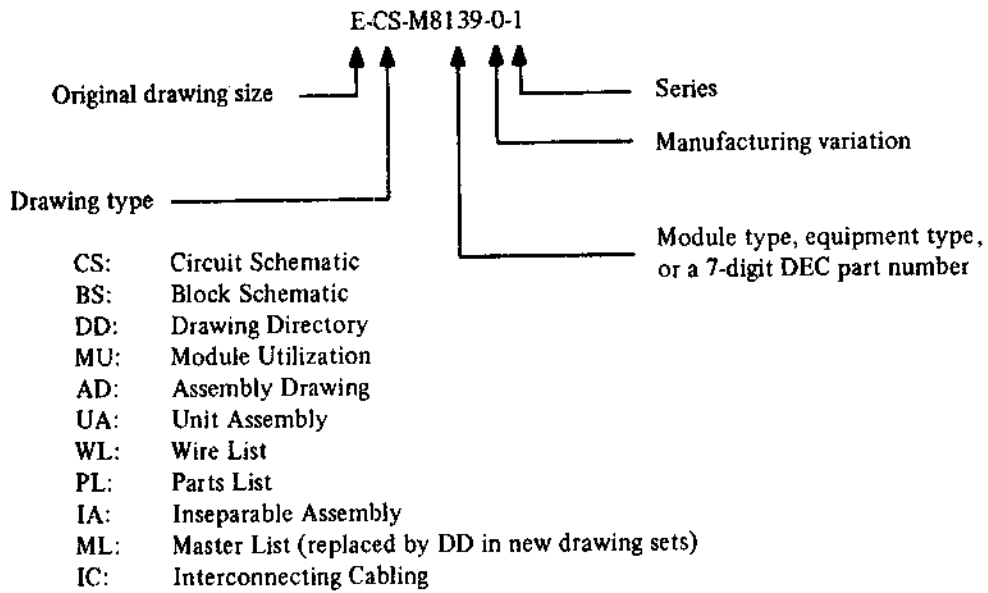


Figure 1-4 Drawing Nomenclature

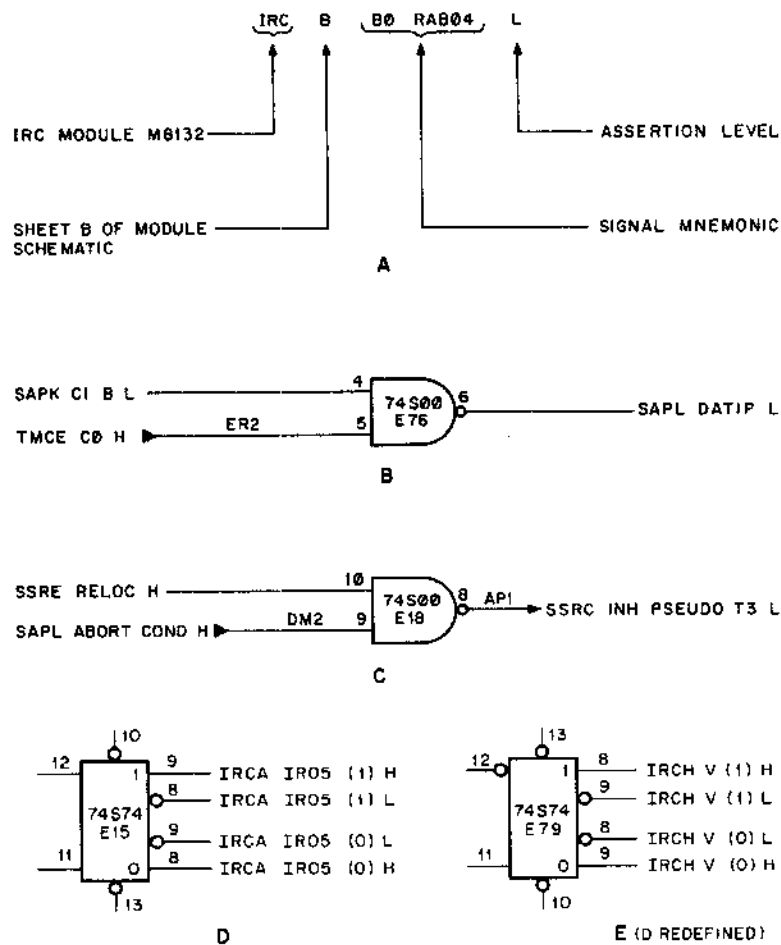


Figure 1-5 PDP-11/70 Drawing Convention Examples

Part B provides the following information:

1. SAPL DATIP L originates on the SAP (M8137) module and is shown on sheet L of the drawing. It is asserted when low (0 V); it is used only on SAP.
2. SAPK C1 B L also originates on the M8137 module, but is shown on sheet K of the schematic.
3. TMCE C0 H originates on the TMC (M8135) module, where it is shown on sheet E. It is input to the M8137 module at pin R2, row E (ER2).
4. The SAPL DATIP L NAND gate uses pins 4, 5, and 6 of the 74S00 IC at position E76 on the M8137 module.

Part C shows a function similar to that in part B. In this case, however, the output (SSRC INH PSEUDO T3 L) is brought out to pin P1, row A, of the module edge connector for use by another module.

Parts D and E show the flip-flop conventions. Note in D that IRCA IR05 (1) H is the same pin as IRCA IR05 (0) L, and that IRCA IR05 (1) L is the same pin as IRCA IR05 (0) H. The same type of flip-flop has been redefined in part E - the D input is inverted; the 1 and 0 outputs are interchanged as are the set and reset inputs.

1.3.3 Reference Drawings

Table 1-7 lists the schematic drawings for the minimum PDP-11/70 configuration and for the processor backplane options particular to the PDP-11/70.

Table 1-7 Reference Drawings

Title	Drawing Number
PDP-11/70 System Drawings	
Drawing Directory PDP-11/70	B-DD-11/70-0
Drawing Directory KB11-B	B-DD-KB11-B
Drawing Directory H7420	B-DD-H7420-0
Drawing Directory KW11-L	B-DD-KW11-L
Drawing Directory DL11-A	B-DD-DL11-A
Drawing Directory LA36	B-DD-LA36-0
Drawing Directory MJ11	B-DD-MJ11-0
Master Parts List KM11	A-ML-KM11-0
Terminator Bootstrap	D-CS-M9301-YC-1
Bus Terminator	D-CS-M9302-0-1
Terminator H873	D-CS-H873-0-1
Unit Assembly PDP-11/70	E-UA-11/70-0-0
Unit Assembly PDP-11/70 (PL)	A-PL-11/70-0-0
Power System Configuration	D-IC-11/70-0-2
Harness Power	J-IA-7011051-0-0
Wire List Power Harness	D-IC-7011051-0-1
I/O Cable BC06R	D-UA-BC06R-0-0
Accessory List PDP-11/70	A-AL-11/70-0-3
System Expansion PDP-11/70	E-AR-11/70-0-1

Table 1-7 Reference Drawings (Cont)

Title	Drawing Number
KB11-B, C Processor	
Drawing Directory KB11-B 16-Bit Processor Flow Diagrams Block Diagram Block Diagram Unibus Cable and Grant Chain Data Paths Gen Reg and ALU. Controls IR Decode (KB11-C requires CS Rev. B or higher) Console Board Proc. Data and Unibus Control ROM and ROM Control* ROM and ROM Control** Timing Generator Traps and Misc. Control Unibus and Console Control Timing Diagram Flow Diagram Address Memory Board Cache Control Board Cache Data Paths Block Diagram Data Memory Board Memory Mgmt Block Diagram Memory Mgmt Registers Cache Address Timing Int. Reg. Cycle Timing Memory Mgmt Trap Timing System Address Paths System Descriptor and Console Cables** System Descriptor and Console Cables* System Status Registers Unibus Map (M8141) B.D. Unibus Map Processor Backplane Awt Rev Status	B-DD-KB11-B A-PL-KB11-B-0 D-FD-KB11-B-1 D-BD-KB11-B-2 D-BD-KB11-B-3 D-IC-KB11-B-7 D-CS-M8130-0-1 D-CS-M8131-0-1 D-CS-M8132-0-1 D-CS-5411294-0-1 C-CS-M8134-0-1 D-CS-M8123-0-1 D-CS-M8133-0-1 D-CS-M8139-0-1 D-CS-M8135-0-1 D-CS-M8136-0-1 D-TD-M8136-0-7 D-FD-M8136-0-8 D-CS-M8143-0-1 D-CS-M8142-0-1 D-CS-M8145-0-1 B-BD-M8145-0-7 D-CS-M8144-0-1 D-BD-KB11-B-8 D-BD-KB11-B-4 D-TD-KB11-B-10 D-TD-KB11-B-9 B-BD-KB11-B-5 D-CS-M8137-0-1 D-CS-M8138-YA-0-1 D-CS-M8140-0-1 D-CS-M8138-0-1 B-BD-KB11-B-6 D-CS-M8141-0-1 E-AD-7010329-0-0 A-WT-7010329-0
H7420 Power Supply	
Drawing Directory Wiring Diagram Power Line Monitor H7420 Power Supply H7420 Power Supply (P.L.)	B-DD-H7420-0 D-CS-H7420-0-1 D-CS-5411086-0-1 E-UA-H7420-0-0 A-PL-H7420-0-0

*KB11-C Processor

**KB11-B Processor

Table 1-7 Reference Drawings (Cont)

Title	Drawing Number
KW11-L Line Frequency Clock	
Timing Diagram Line Frequency Clock Line Clock Line Frequency Clock Software List	D-TD-KW11-L-02 D-BS-KW11-L-01 D-CS-M787-0-1 A-PL-KW11-L-0 A-SL-KW11-L-28
DL11-A Asynchronous Line Interface	
Drawing Directory Asynchronous Line Interface Asynchronous Line Interface (PL) Asynchronous Line Interface Cable Assembly (KL8/E) Software List Accessory List Installation Procedure	B-DD-DL11-0 C-UA-DL11-0-0 A-PL-DL11-0-0 E-CS-M7800-YA-11 D-IA-7008360-0-0 A-SL-DL11-0-4 A-AL-DL11-0-5 A-S-DL11-0-2
LA36 DECwriter	
LA36 Option Arrangement LA36 Power Schematic Logic Board (LA36) LA36 Power Board	D-AR-LA36-0-1 D-CS-LA36-0-5 D-CS-M7722-0-1 D-CS-5410805-0-1
MJ11 Memory System	
Drawing Directory MJ11-A Unit Assembly MJ11-A Power Supply (MJ11) Parts List MJ11-A Block Diagram (MJ11) (M8148) Timing Diagram Read/Write Memory Control and Timing Module Memory Transceiver Card 16K Sense Inhibit Board 16K × 18 Bit Stack 16K Memory Drive Board Circuit Schematic Memory Circuit Schematic (MEM-EL-FAB) Circuit Schematic (MEM-EL-FAB) Power Harness Wire Harness ac/dc Low Power Control 861-D Power Control 861-E Exp. Data Cable Assembly Exp. Cable Assembly (Inter Bay)	B-DD-MJ11-A E-UA-MJ11-A-0 B-DD-7010694-0 A-PL-MJ11-A B-BD-MJ11-A-BD D-TD-MJ11-A-TD D-CS-M8148-0-1 D-CS-M8149-0-1 D-CS-G114-0-1 D-CS-H217-C-1 D-CS-G235-0-1 D-CS-5411553-0-1 D-CS-5411581-0-1 D-CS-5411583-0-1 D-IA-7010580-0-0 D-IA-7010581-0-0 B-DD-861-D B-DD-861-E D-AD-7010824-0-0 D-AD-7010826-0-0

Table 1-7 Reference Drawings (Cont)

Title	Drawing Number
MJ11 Memory System (Cont)	
Cable Detail Packaging Instruction (Customer Ship) Packaging Instruction (Interplant) Memory Control and Timing Module 32K Sense Inhibit Board 32K × 18 Bit Stack 32K Memory Drive Board	D-IA-7010974-0-0 A-SP-3700195-0-0 A-SP-3700194-0-0 D-CS-M8147-0-1 D-CS-G116-0-1 D-CS-H224-0-1 D-CS-G236-0-1
MK11 Memory System	
Drawing Directory MK11 Unit Assembly MK11 Parts List MK11 11/70 System Expansion (MK11) Backplane MK11 Memory MK11 Block Diagram MK11 Timing Diagrams Power Control 861 Power Supply H765 Battery Backup Regulator Power Supply Regulator MK11 Address Interface MK11 Data Buffer MK11 Control A MK11 Control B MK11 Box Controller M775 Battery Backup Unit H7441 +5 V Regulator MS11-K MOS Storage Array	B-DD-MK11-B E-UA-MK11-B-O A-PL-MK11-B-O E-AR-11/70-0-5 E-AD-7014226-0 D-BD-MK11-0-3 D-TD-MK11-0-4 B-DD-861-D B-DD-H765-0 B-DD-7014251-0 D-CS-5411086-0-1 D-CS-M8158-0-1 D-UA-M8158-0-0 B-PL-M8158-0-0 D-CS-M8159-0-1 D-UA-M8159-0-0 B-PL-M8159-0-0 D-CS-M8160-0-1 D-UA-M8160-0-0 B-PL-M8160-0-0 D-CS-M8161-0-1 D-UA-M8161-0-0 B-PL-M8161-0-0 D-CS-5413018-0-1 B-UA-5413018-0-0 B-PL-5413018-0-0 MP00014 MP00271 MP00325

Table 1-7 Reference Drawings (Cont)

Title	Drawing Number
FP11-C Floating Point Processor (Optional)	
Drawing Directory Flow Diagrams M8126 FRH Module Schematic M8127 FRL Module Schematic M8128 FRM Module Schematic M8129 FXP Module Schematic	B-DD-FP11-C-0 D-FD-FP11-C- D-CS-M8126-0-1 D-CS-M8127-0-1 D-CS-M8128-0-1 D-CS-M8129-0-1
FP11-B Floating Point Processor (Optional)	
Drawing Directory M8112 FRM Module Schematic M8113 FXP Module Schematic M8114 FRH Module Schematic M8115 FRL Module Schematic FP Data Paths (Flows)	B-DD-FP11-B-0 E-CS-M8112-0-1 E-CS-M8113-0-1 E-CS-M8114-0-1 E-CS-M8115-0-1 D-FD-FP11-B-
RH70 Controllers (Optional)	
Drawing Directory RH70 Massbus Controller Massbus Data Path Control and Status Addr. and Word Count Regs. Unibus Control Massbus Transceiver Unibus Cable and Grant Chain RH70 Data Buffer Timing Diag. Write Massbus Timing Diag. Massbus Timing Diag. Write Command Flow Diag. Write Check Command Flow Diag. Read Command Flow Diag. Controller Transceiver Massbus Terminator	B-DD-RH70-0 D-UA-RH70-0-0 D-CS-M8150-0-1 D-CS-M8151-0-1 D-CS-M8152-0-1 D-CS-M8153-0-1 D-BS-RH70-0-1 D-IC-KB11-B-7 D-TD-RH70-0-5 D-TD-RH70-0-6 D-TD-RH70-0-7 D-FD-RH70-0-2 D-FD-RH70-0-3 D-FD-RH70-0-4 D-CS-M5904-0-1 D-CS-H870-0-1

CHAPTER 2

SPECIFICATIONS

This chapter lists the power, mechanical, and environmental specifications of the basic components of the PDP-11/70 system, as well as those of the Massbus devices.

2.1 PROCESSOR AND MEMORY

2.1.1 Electrical

2.1.1.1 Power Requirements – The basic 120 V PDP-11/70 requires 90–132 Vac (phase to neutral), 47 to 63 Hz, 3-phase wye at 30 A/phase for each cabinet.

The basic 240 V PDP-11/70 requires 180–264 Vac (phase to neutral), 312–457 Vac (phase to phase), 47 to 63 Hz, 3-phase wye at 15 A/phase for each cabinet.

2.1.1.2 Power and Heat Dissipation – A PDP-11/70 with FP11, four high-speed I/O Controllers, five small peripheral controllers, and 128K baud of memory consumes approximately 3000 W and dissipates approximately 10,000 Btu/hr. Refer to Paragraph 4.3.2.

The same PDP-11/70 with a full interleaved MJ11 memory cabinet (1024K baud) consumes approximately 5000 W and dissipates approximately 18,000 Btu/hr.

An additional 1024K bytes of MJ11 memory would add approximately 2800 W and 8200 Btu/hr to these figures.

Each fully populated MK11 memory consumes approximately 500 W of power and dissipates approximately 1700 Btu/hr.

Power Surge

Processor cabinet (phases 1 and 2), 200 A/phase, 10 ms max.

Each MJ11 frame adds 160 A/phase/10 ms max.

NOTE

The preceding figures can be considered worst case, although actual current demand is a function of activity and of variations in individual components.

The FP11-B and -C require 200 W max and dissipate 500 Btu/hr.

Each RH70 controller consumes 200 W and dissipates 700 Btu/hr.

Power requirements for small peripheral controllers are listed in Appendix F.

Detailed specifications for the 861-D, E Power Control are listed in Chapter 4 of this manual.

2.1.2 Mechanical Characteristics

The overall dimensions of the cabinets supplied with the PDP-11/70 are:

Height	181.3 cm (71-7/16 in)
Width	108 cm (43-3/8 in)
Depth	76 cm (30 in)
	With cabinet feet: 99 cm (39 in)
Weight without shipping pallets	CPU cabinet: 227 kg (500 lb)
	Memory cabinet with 64K bytes: 163 kg (360 lb)
	Memory frame with 64K bytes: 57 kg (125 lb)
Shipping pallets	Single cabinet: 17 kg (38 lb)
	Double cabinet: 29 kg (65 lb)

2.1.3 Environmental Specifications

Operating Environment Range

Temperature	10° C to 40° C (50° to 104° F)
Relative Humidity	10% to 90% with max wet bulb 28° C (82° F) and minimum dew point 2° C (36° F)
Altitude	To 2.4 km (8000 ft)

Non-Operating Environment Range

Temperature	-40° C to 66° C (-40° F to 151° F)
Relative Humidity	To 95%
Altitude	To 9.1 km (30,000 ft)

Recommended Operating Environment

Temperature	18.5°-23.8° C (65°-75° F)
Relative Humidity	40-60%

Peripheral media may restrict the ranges just described. Refer to Paragraph 2.2 and to Appendix F.

2.2 RH70 PERIPHERAL DEVICES

2.2.1 TU16 Magtape Drive

Electrical

Voltage and current (single phase)

94-126 V, 60 Hz \pm 2%, 8 A (9 A with TM02)
207-253 V, 50 Hz \pm 2%, 4 A (4.5 A with TM02)
Surge Current (max): 85 A at 94-126 V

Power Consumption and Heat Dissipation

1000 W, 3400 Btu/hr (1100 W, 3700 Btu/hr with TM02)

Mechanical

Weight	228 kg (500 lb) with cabinet
Size	181.3 cm h \times 54 cm w \times 76 cm d (72-7/16 in h \times 21-11/16 in w \times 30 in d)

Environmental

Operating Temperature	15° C to 35° C (60° F to 95° F)
Relative Humidity	20 to 80% (no condensation)

(Magnetic tape operation is more reliable if the temperature is limited to 18° C to 24° C (65° F to 75° F) and the relative humidity 40% to 60%.)

2.2.2 RP04 Disk Pack Drive

Electrical

Voltage and Current

60 Hz \pm 1%

3-phase wye at 208 Vac \pm 10%

Starting Current: 30 A/phase, 10 ms max

Running Current: 8.2 A/phase at 208 Vac

50 Hz \pm 1%

3-phase wye at 380/408/420 Vac \pm 10%

Starting Current: 16 A/phase, 10 ms max

Running Current: 4.3 A/phase at 408 Vac

Power Consumption

2100 W

Heat Dissipation

7000 Btu/hr

Power Factor

0.7

Mechanical

Weight

270 kg (600 lb)

Size

102 cm h \times 79 cm w \times 81 cm d

(40 in h \times 31 in w \times 32 in d)

Environmental

Operating Temperature

15° C to 32° C (60° F to 90° F)

Relative Humidity

20% to 80%, maximum wet bulb 25° C
and minimum dew point 2° C

2.2.3 RS03 and RS04 Disk Drives

Electrical

Voltage and Current (single phase)

90-132 V, 60 \pm 1 Hz or 50 \pm 1 Hz, 6 A

180-264 V, 60 \pm 1 Hz or 50 \pm 1 Hz, 3 A

Surge Current

13 A at 90-132 V

6 A at 180-264 V

Power Consumption

700 W

Heat Dissipation

2400 Btu/hr

Mechanical (Drive Only)

Weight

RS04: 54.4 kg (120 lb)

RS03: 50 kg (110 lb)

Size

400 mm h \times 482.6 mm w \times 665 mm d

(15-3/4 in h \times 19 in w \times 26-1/4 in d)

With Cabinet

Weight

159 kg (350 lb)

Size

181.3 cm h \times 54 cm w \times 76 cm d

(71-7/16 in h \times 21-11/16 in w \times 30 in d)

Environmental

Operating Temperature

10° C to 22° C (50° F to 104° F)

Relative Humidity

10% to 90%

Max wet bulb: 22° C (82° F)

Min dew point: 2° C (36° F)

2.3 UNIBUS INTERFACE

Specifications for the Unibus devices available to the PDP-11/70 are listed in Appendix F.

CHAPTER 3

SYSTEM INSTALLATION

3.1 GENERAL

This chapter contains installation information and recommendations to ensure a successful PDP-11/70 installation. Installation of new options in an existing PDP-11/70 system is also described in this chapter.

Customer assistance is provided during site planning, preparation, and installation; the final layout plan should be approved by both the customer and DIGITAL prior to delivery of the equipment.

Planning considerations should include:

- Shipping and access routines, e.g., door, hall, passageway, elevator restrictions, etc.
- Floor plan layout for equipment
- Electrical and environmental considerations
- Fire and safety precautions
- Storage facilities for accessories and supplies.

Site preparation is dictated by the customer's requirements and can range from providing the required source power to complete construction or remodeling of the selected installation site. Therefore, it is recommended that any and all requirements and restrictions be considered and effected prior to shipment and installation of the equipment.

3.2 SITE PREPARATION

Adequate site planning and preparation simplifies the installation process. DIGITAL Sales and Field Service Engineers are available for consultation and planning with customer representatives regarding objectives, course of action, and progress of the installation. The information in this paragraph is provided primarily to permit review of the site planning; use the site configuration worksheet to perform the initial site planning.

For more detailed information, refer to the *XXX Site Preparation and Planning Guide* (where "XXX" stands for a Product Line, e.g., TELCO, IPG, DECCOM).

3.2.1 Physical Dimensions

The overall dimensions and total weight of a particular system – the dimensions, weight of any optional cabinets, cable lengths, and the number of free-standing peripherals – should be known prior to shipment.

The route the equipment is to travel from the customer receiving area to the installation site should be studied; measurements of doors, passageways, etc., should be taken to facilitate delivery of the equipment. All measurements and floor plans should be submitted to the DIGITAL Sales Engineer and Field Service to ensure that the equipment is packed to suit the installation site facilities. Any restrictions (such as bends or obstructions in hallways, etc.) should be reported to DIGITAL.

If an elevator is to be used to transfer the PDP-11/70 and its related equipments to the installation site, DIGITAL should be notified of the size and gross weight limitations of the elevator so that the equipment can be shipped accordingly.

The site space requirements are determined by the specific system configuration to be installed and, when applicable, provisions should be made for future expansion. To determine the exact area required for a specific configuration, a machine-room floor plan layout is helpful. When applicable, space should be provided in the machine room for storing tape reels, printer forms, card files, etc. The integration of the work area with the storage area should be considered in relation to the work flow requirements between areas.

In large installations where test equipment is maintained, DIGITAL recommends that the test equipment storage area be within or adjacent to the machine room.

Operational requirements determine the specific location of the various options and free-standing peripherals of the system. Dimensions, weights, and cable lengths of free-standing peripheral equipment must be known prior to installation – preferably during site preparation and planning. The computer peripherals must not be located at distances where connecting cables exceed maximum limits. The following points should be considered when planning the system layout:

1. Ease of visual observation of input/output devices by operating personnel
2. Adequate work area for installing tapes, access to console, etc.
3. Space availability for contemplated future expansion
4. Proximity of the cabinets and peripherals to any humidity-controlling or air-conditioning equipment
5. Adequate access to equipment (e.g., rear door, etc.) for service personnel.

The final layout will be reviewed by the DIGITAL Sales Engineer, Field Service, and in-house engineering personnel to ensure that cable limitations have not been exceeded and that proper clearances have been maintained.

3.2.2 Fire and Safety Precautions

The following fire and safety precautions are presented to aid the customer in maintaining an installation that affords adequate operational safeguards for personnel and system components.

1. If an overhead sprinkler system is used, a dry pipe system is recommended. Upon detection of a fire, this system removes source power to the room and then opens a master valve to fill the room's overhead sprinklers.
2. If the fire detection system is the type that shuts the power to the installation off, a battery-operated emergency light source should be provided.
3. If an automatic carbon dioxide fire protection system is used, an alarm should sound prior to release of the CO₂ to warn personnel in the installation area.

4. If power connections are made beneath the floor of a raised floor installation, waterproof electrical receptacles and connections should be used.
5. An adequate earth ground connection should be provided to protect operating personnel.

3.2.3 Environmental Requirements

An ideal computer room environment has an air distribution system that provides cool, well-filtered, humidified air. The room air pressure should be kept higher than that of adjacent areas to prevent dust infiltration.

3.2.3.1 Humidity and Temperature – The PDP-11/70 specifications, as well as those of the peripheral devices that may be associated with it, are listed in Chapter 2 and in Appendix F.

3.2.3.2 Air-Conditioning – When used, computer room air-conditioning equipment should conform to the requirements of the “Standard for the Installation of Air-Conditioning and Ventilating Systems (non-residential)”, N.F.P.A. No. 90A, as well as the requirements of the Standard for Electronic Computer Systems, N.F.P.A. No. 75.

3.2.3.3 Acoustical Damping – Some peripheral devices (such as line printers and magnetic tape transports) are quite noisy. In installations that use a group of high noise level devices, an acoustically damped ceiling will reduce the noise.

3.2.3.4 Lighting – If CRT peripheral devices (e.g., VT05, VT50) are part of the system, the illumination surrounding these peripherals should be reduced to enable the operator to observe the display conveniently.

3.2.3.5 Special Mounting Conditions – If the system will be subjected to rolling, pitching, or vibration of the mounting surface (e.g., aboard ship), the cabinetry should be securely anchored to the installation floor by mounting bolts. Such installations require modifications to the cabinet: arrangements for modifications of this type should be made through DIGITAL’s Computer Special Systems Group.

3.2.3.6 Static Electricity – Static electricity can be an annoyance to operating personnel and may affect the operational characteristics of the PDP-11/70 and related peripheral equipments. If carpeting is installed on the computer floor, it should be of a type designed to minimize the effects of static electricity. Flooring consisting of metal panels, or flooring with metal edges should be adequately grounded.

3.2.4 Electrical Requirements

The PDP-11/70 operates from a nominal 3-phase 115 V, 50/60 Hz or 3-phase 230 V, 50/60 Hz, ac power source. The primary ac operational voltages should be maintained within the tolerances defined in Chapters 2 and 4.

For certain options that use synchronous motors, line voltage tolerance should be maintained within ± 15 percent of the nominal values, and the 50/60 Hz line frequency should not vary more than ± 2 Hz.

Primary power to the system should be provided on a line separate from lighting, air-conditioning, etc., so that computer operation will not be affected by voltage transients. The wiring should conform to the following general guidelines:

1. All electrical wiring must conform with the National Electric Code (NEC).
2. The ground terminal on the receptacle is normally a green screw; the neutral terminals are white or silver; and the “hot” terminals are brass-colored.

3. Under the NEC (in the U.S. only), the color coding for the neutral wire is either white or gray, and the ground wire is solid green, green with one or more yellow stripes, or bare. There are no specified colors for the "hot" wires.

The PDP-11/70 cabinet grounding point should be connected to the building power transformer ground or the building ground point. Direct any questions regarding power requirements and installation wiring to the local DIGITAL Sales Engineer and/or Field Service.

Chapter 4 contains a detailed description of the Power System and includes a list of connectors and plugs used.

3.2.5 Related Documents

The following documents contain information that may be of value during site preparation and planning operations:

1. Plant Engineering Handbook, by William Staniar (McGraw Hill)
2. National Electrical Code (NFPA 70)*
3. Protection of Electronic Computer/Data Processing Equipment (NFPA 75)*
4. Installation of Air-Conditioning and Ventilation Systems (non-residential) (NFPA 90A)*
5. Recommended Good Practice for the Maintenance and Use of Portable Fire Extinguishers (NFPA 10A)*
6. Installation of Portable Fire Extinguishers (NFPA 10)*
7. Lightning Protection Code (NFPA 78)*
8. ASHRAE Handbook, (American Society of Heating, Refrigeration, and Air-Conditioning Engineers)
9. Computer Talk, Vol. 1, No. 1, 3M Company
10. Computer Decisions, Vol. 2, No. 10
11. ANSI Standard X3.11 (1969)
12. ISO Recommendation R1681 (1970)
13. U.L. Handbook No. 478, Underwriters Laboratories, Inc.
14. NBFU No 70, National Board of Fire Underwriters
15. EIA Standard RS-232C, Electronics Industries Association
16. Digital Supplies Catalog, Digital Equipment Corporation
17. IEEE Standard 142-1972.

*NFPA Standards and publications are available from the National Fire Protection Association, 60 Battery-march Street, Boston, Massachusetts 02110.

3.3 INSTALLATION

The installation procedure for a PDP-11/70 is essentially the same as that for all other PDP-11s. This installation procedure is described in the PDP-11 Family Field Installation and Acceptance Procedure, EK-FS003-IN, which should be followed and initiated as shown as the various steps are performed.

This paragraph summarizes the PDP-11 Family Field Installation and Acceptance Procedure; procedures and details that pertain especially to the PDP-11/70 are inserted.

The PDP-11 Family Field Installation and Acceptance Procedure should be used in conjunction with the Installation Checklist, a computer printout in three parts:

1. Stand alone diagnostics to be run
2. DEC/X11
3. System Software Exerciser (under development)

3.3.1 Chapter 2 of the PDP-11 Family Field Installation and Acceptance Procedure

WARNING

Do not unskid the equipment until the procedures outlined in this paragraph (3.3.1) have been completed.

Do not plug in the ac power until told to do so in Paragraph 3.3.3.3.

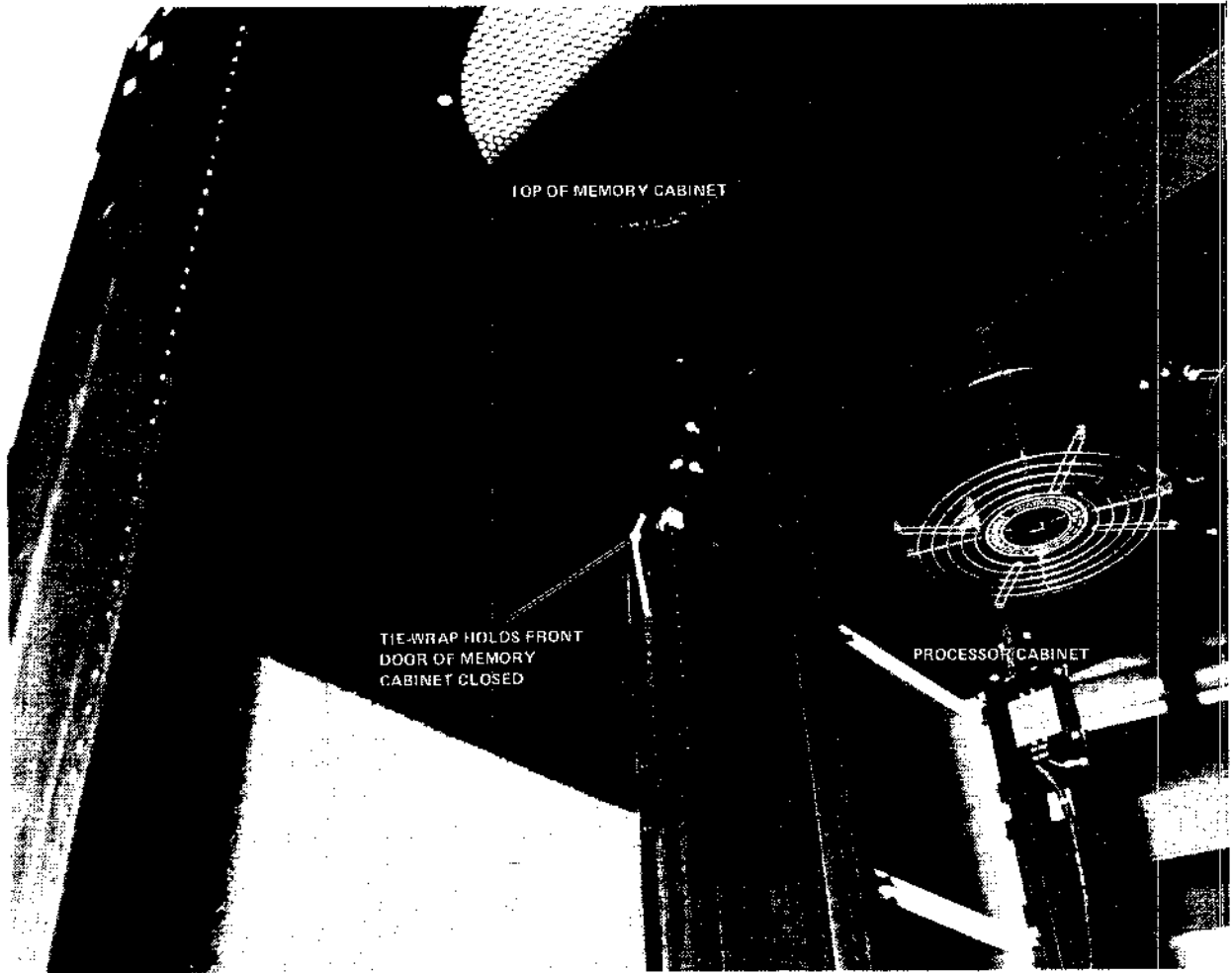
Check the shipment for damage and inventory as described in EK-FS003-IN.

Figures 3-1 through 3-4 show the shipping retainers used in the PDP-11/70 processor and memory cabinets:

1. Figure 3-1 shows the tie wrap that secures the front door of the memory cabinet.
2. Figure 3-2 is a front view of the memory cabinet and shows the shipping bracket that secures each memory frame during shipment.
3. Figure 3-3 shows the rear of the processor cabinet and the shipping bracket that must be removed before pulling out the CPU drawer.

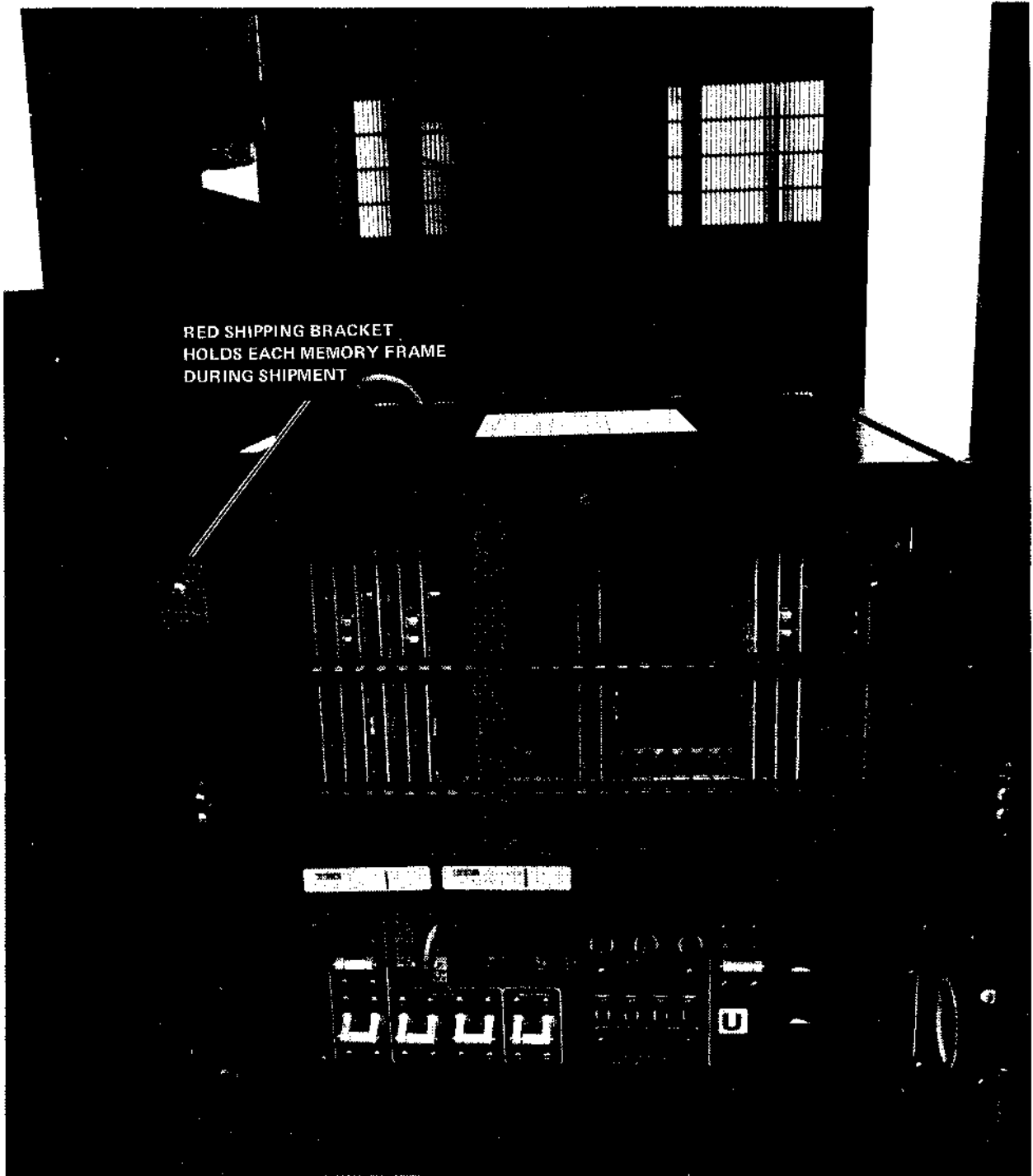
The tie wrap mentioned in step 1 and the two brackets shown in Figures 3-2 and 3-3 are the only items that are added to the basic PDP-11/70 for shipping. Figure 3-4 shows the lower portion of the memory cabinet as it is shipped.

Document any damage and call it to the attention of the customer. If the damage is extensive, report it to the Branch Service Manager or Supervisor immediately. DIGITAL is not responsible for shipping damage on systems that are F.O.B. from the manufacturing facility.



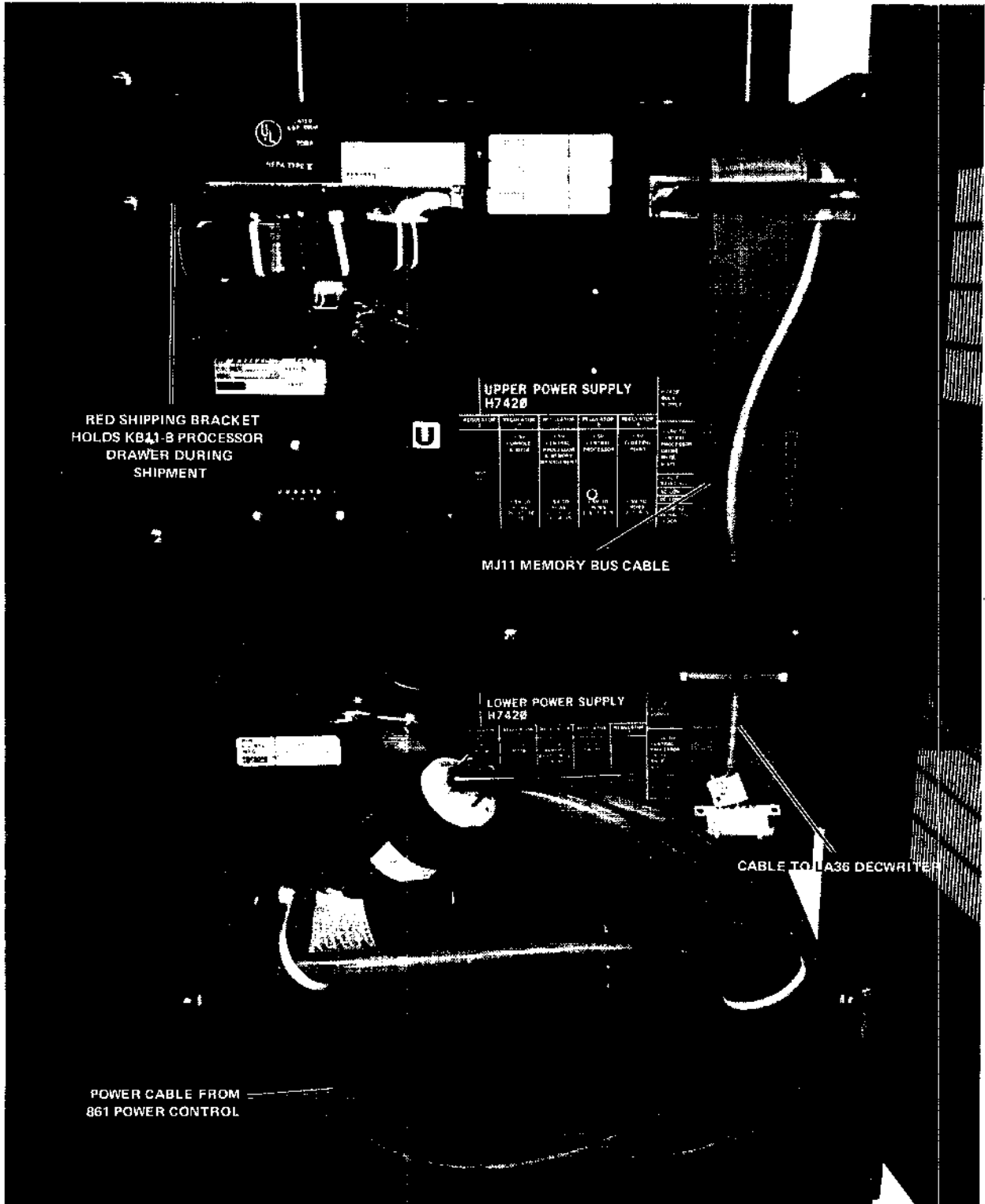
7554-BBW-0165

Figure 3-1 View of Inside Top of Memory Cabinet as Shipped



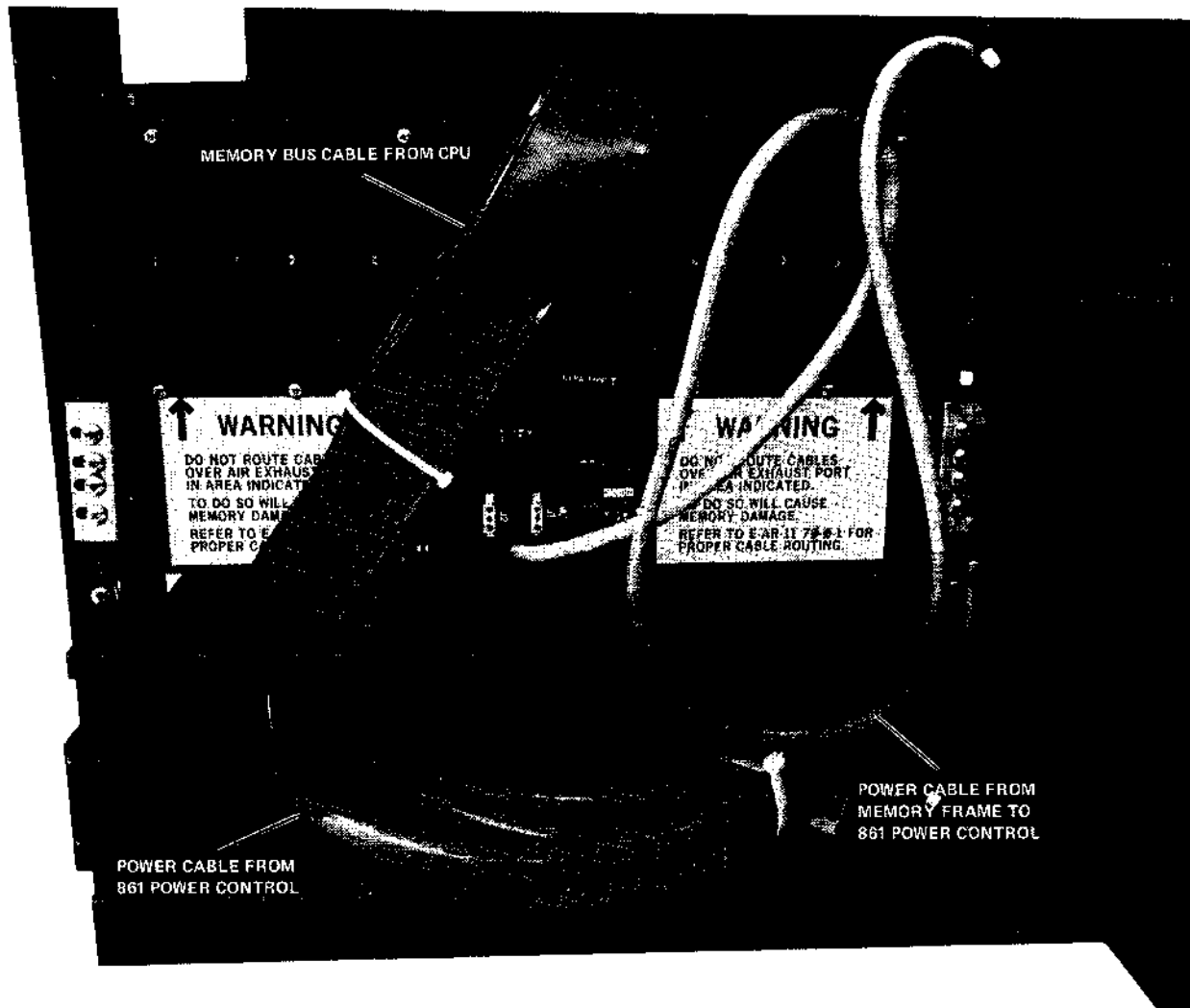
7554 1BW-A-0163

Figure 3-2 Front View of Memory Cabinet as Shipped



7554-11

Figure 3-3 Rear View of Processor Cabinet as Shipped



7884-G-BW-A0164

Figure 3-4 Rear View of Memory Cabinet as Shipped

3.3.2 Chapter 3 of the PDP-11 Family Field Installation and Acceptance Procedure

Move the equipment to the installation site and remove the cabinets from the skids. Insert filler strips and bolt the cabinets together.

Lower the leveling feet so the cabinets are not resting on the roll-around casters. Ensure that all leveling feet are planted firmly on the floor and the system is kept level.

WARNING

System cabinets with heavy drawers fully extended are unstable when feet are not lowered.

Memory frames (drawers) must not be pulled out until the memory cabinet(s) are bolted to another cabinet.

Connect all ground straps; ensure that all ground connections are metal to metal, i.e., scrape off all paint at ground connection points. Lay out the I/O cables, but do not connect at this time. Check the physical layout with the configuration sheet.

3.3.3 Chapter 4 of the PDP-11 Family Field Installation and Acceptance Procedure

3.3.3.1 Grounding – Connect the system to the independent earth ground provided by the customer.

3.3.3.2 AC Power Supply Checks – Check the customer's ac power for proper voltage and phasing. Check that the power receptacles are wired correctly, and that ac ground is connected to all ground pins in all power receptacles for this system.

WARNING

It is very important that safety ground be maintained throughout the system to minimize the possibility of injury to personnel and damage to equipment.

Check the Customer's ac power as follows:

1. Refer to Figure 3-5, which shows the ac power receptacle required for the PDP-11/70. Measure the voltage between each of the three phases and neutral at the receptacle. The voltage should be between the limits defined in Chapter 2.
2. Approximately the same voltage should be read between each phase and the earth ground terminal.

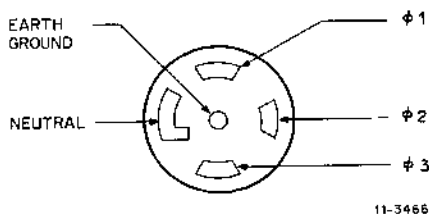


Figure 3-5 NEMA L21-30R Receptacle

In order to balance the three phases in the PDP-11/70, the phase rotation must be identical in all connectors used for the processor and memory cabinets (Figure 3-6).

1. Check the voltage between Phase 1 on one connector and the corresponding Phase 1 on another connector. Voltage reading should be 0 V.
2. Repeat step 1 for Phases 2 and 3.
3. If the voltage reading is not 0 V, one of the connectors is miswired. The customer must have the wiring corrected before plugging in the PDP-11/70.

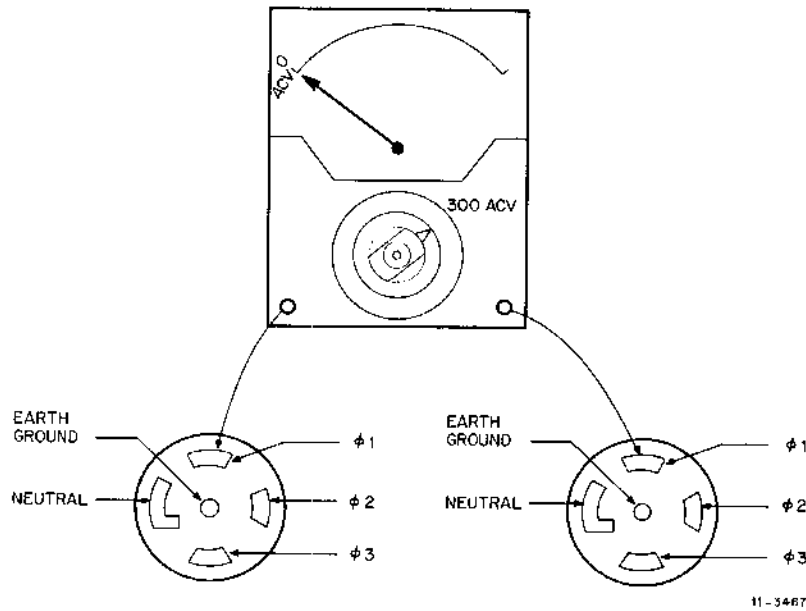


Figure 3-6 AC Phase Rotation

3.3.3.3 Equipment Power Checks

NOTE

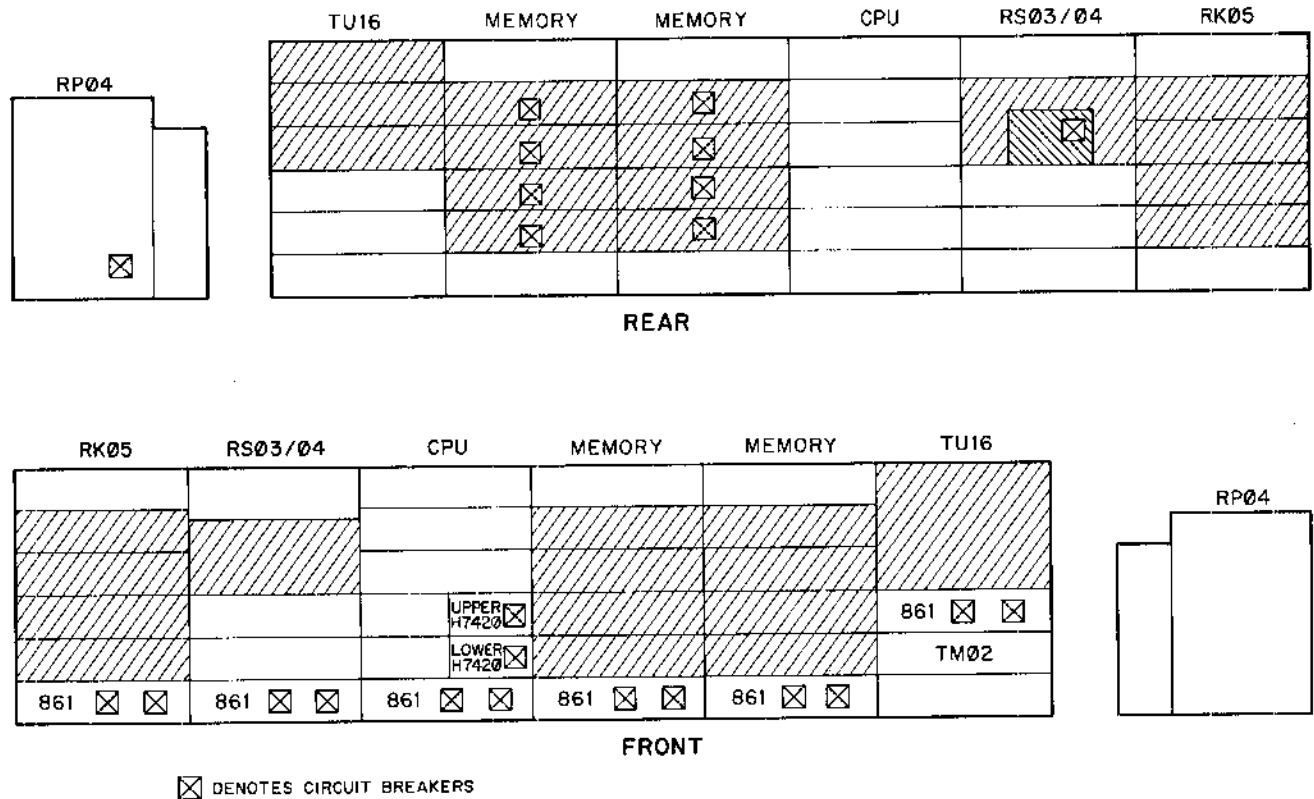
The PDP-11/70 power system is described in Chapter 4 of this Manual.

Check all ac, dc, and signal cables.

Visually inspect all modules for any hardware that may be lodged between them. Vibrate all the modules to help dislodge any loose hardware or solder splashes.

Disconnect all Unibus cables that interconnect the system cabinets.

TURN OFF all the circuit breakers on all 861 power controls. Ensure that all fixed head disk motors are switched off at the unit (i.e., RS03, RS04) (Figure 3-7).



11 - 3333

Figure 3-7 PDP-11/70 Circuit Breaker Location

Plug all the system 861 ac line cords into the customer receptacles. Put the LOCAL/REMOTE switch on all 861s to the LOCAL position.

NOTE

861-E power controls are shipped without a power cord.

3.3.3.4 System Cabinet Checks – Starting with the CPU cabinet, do the following for each cabinet in the system:

1. Turn ON the main ac circuit breaker on the 861 power control. Also turn on the console key in the case of the CPU cabinet.
2. Check for correct ac voltage output from all the 861 ac outlets: the meter reading between points P and N on Figure 3-8 should be 95 to 132 Vac on a 120 V system, and 180–264 Vac on a 240 Vac system; the reading between terminals P and G should be the same as those between P and N.
3. Check all fans.
4. Check all dc voltage levels and ripple with the proper test equipment and adjust to specification. Table 3-1 lists the voltage test points for the CPU and Table 3-2 lists those for the MJ11. Table 3-3 lists the voltage test points for the MK11. Test points for peripheral equipment are listed in their respective manuals.

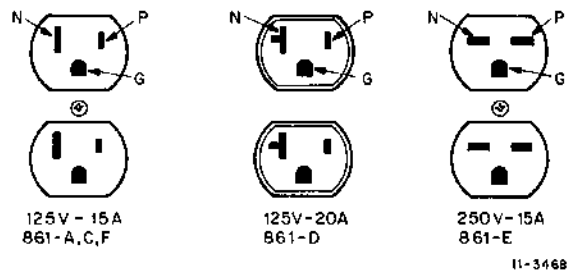


Figure 3-8 861 Power Control Outlets

Table 3-1 H7420 Voltage Measurements*

Output	Slots Supplied	Measure at CPU Backplane pin	Voltage	Max Ripple Peak-to-Peak V
H744 +5 V Regulator A	2-5	F02A2	+5 V	0.2 Vdc
H744 +5 V Regulator B	1, 6-9	F09A2	+5 V	0.2 Vdc
H744 +5 V Regulator C	10-15	F15A2	+5 V	0.2 Vdc
H744 +5 V Regulator D	36-44	F44A2	+5 V	0.2 Vdc
H744 +5 V Regulator H	20-22	F22A2	+5 V	0.2 Vdc
H744 +5 V Regulator J	16-18	F18A2	+5 V	0.2 Vdc
H744 +5 V Regulator K	24-28	F28A2	+15 V	0.2 Vdc
H744 +5 V Regulator L	29-35	F35A2	+5 V	0.2 Vdc
Upper H7420 5411086	1	B01B1	+8 V 61.2 Vdc	0.24 Vdc
Upper H7420 5411086	40-44	E13A1	+15 V 61.5 Vdc	0.45 Vdc
Lower H7420 5411086	2, 17, 25-27, 29-31, 33-35, 37-44	E13B2	-15 V \pm 1.5 Vdc	0.45 Vdc

*Use a digital voltmeter, Data Technology Model 31, or Weston-Slumberger Model 4443, or equivalent.

Table 3-2 Regulator Test Points (MJ11)

M8149 Test Point*	Regulator	Voltage	Regulator Pins	Backplane Connector Pins
TP1	744 No. 4	+5 Vdc	J16-2,5	J21-5,6,7,8
TP2	744 No. 2	+5 Vdc	J14-2,5	J18-1,2,3,4
TP3	754 No. 3	+20 Vdc	J15-5	J21-3,4
TP4	754 No. 1	+20 Vdc	J13-5	J18-5,6
TP5	754 No. 3	-5 Vdc	J15-3	J21-1,2
TP6	754 No. 1	-5 Vdc	J13-3	J18-7,8
TP7		TP Ground		

*These test points are located approximately 1.5 inches from the edge of the M8149 that faces the front of the cabinet. TP1 is the top test point. Refer to Figure 4-43.

Table 3-3 Regulator Voltage Measurements (MK11)

Regulator	Voltage	Regulator Pins	Backplane Connector Pins	Backplane Slots Supplied
H7441	+5 Vdc	J14-1, 2, 5	J18-1, 2 J21-7	10-17
7014251 'A'	+5 Vdc +12 Vdc -12 Vdc	J13-4 J13-1 J13-6	J18-4 J18-5 J18-7	6-13 6-13 6-13
7014251 'B'	+5 Vdc +12 Vdc -12 Vdc	J15-4 J15-1 J15-6	J21-5 J21-4 J21-2	15-21 15-21 15-21
7014251 'C'	+5 Vdc +12 Vdc -12 Vdc	J16-4 J16-1 J16-6	J21-6 J21-3 J21-1	2-5, 22-25 2-5, 22-25 2-5, 22-25

5. Turn all ac power breakers to the OFF position.
6. Set all LOCAL/REMOTE switches to the REMOTE position, and verify that the remote sensing cables are installed.
7. Check all free-standing peripherals.
8. Install all the Unibus, Massbus, and peripheral cables. Install Unibus terminator at the end of the Unibus.
9. Put the ac breakers on the power control(s) and supplies to the ON position.

3.3.3.5 Preliminary System Check – Load all disk and magtape units with Scratch packs and tapes.

Since the PDP-11/70 bootstrap module (M9301-YC) contains a diagnostic, all the preliminary CPU checks listed in Chapter 4 of the PDP-11 Family Field Installation and Acceptance Procedure need not be performed.

Turn on the CPU key and ensure that the power comes up. Check ac/dc low on the Unibus for proper levels (>4.0 Vdc).

Figure 4-37, ACLO and DCLO CIRCUITS, shows all points where ACLO and DCLO may be checked.

3.4 SYSTEM CHECKOUT (Chapter 5 of PDP-11 Family Field Installation and Acceptance Procedure)

The system checkout is intended to prove the integrity of the PDP-11/70.

It consists of the following operations (refer to Figure 3-9):

1. Checking the console functions
2. Booting the XXDP diagnostic monitor via the M9301-YC
3. Running the CPU and applicable peripheral diagnostics, and
4. Running the system software exerciser, if available.

When these have been run successfully and the customer has accepted the system, the installation is complete.

If the system fails, refer to Chapter 5 (Maintenance) for troubleshooting procedures. No failures are permitted during the CPU, cache, main memory, memory management, Unibus map or (optional) floating point processor diagnostics. The error criteria for peripheral equipment are specified in the PDP-11 Family Field Installation and Acceptance Procedure.

Refer to Figure 3-9, which is a detailed installation checkout procedure. The several steps in this flowchart are explained in the paragraphs that follow.

3.4.1 Console Functions

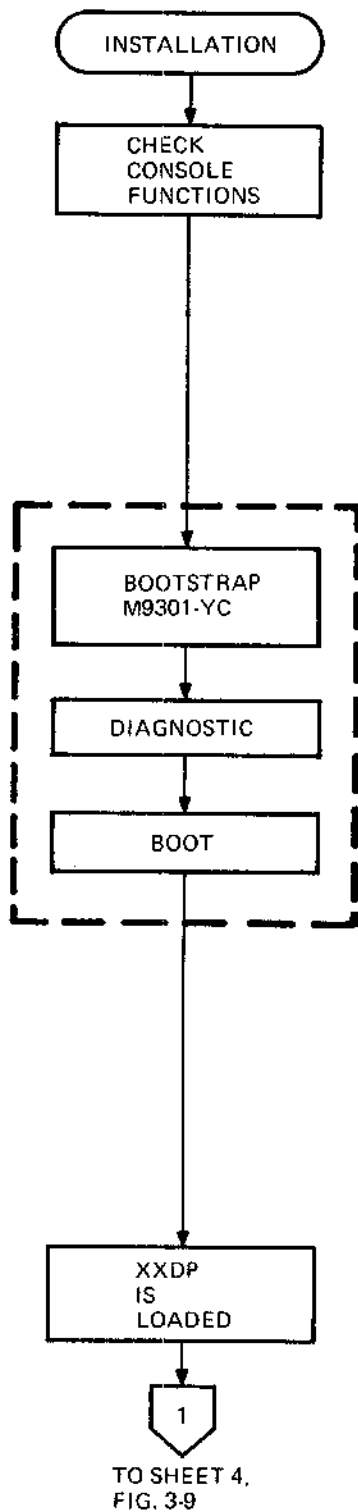
Refer to Section III, Chapter 1 of the KB11-B Processor Manual or to the *PD-11/70 Processor Handbook* for a detailed description of the console and its operation.

3.4.2 Bootstrap Modules

The M9301-YC, -YH, and M9312 modules contain ROM programs located on the peripheral page, as shown on the memory map in Figure 3-10; note that the programs take up part of the user addresses (17 765 000 – 17 765 776) and all the bootstrap addresses (17 773 000 – 17 773 776). Paragraph 5.4.11 lists the programs and a brief explanation of their operation.

The ROM programs check the CPU first, then main memory, and the cache. Then it boots the XXDP monitor from the device selected. Note that early versions of XXDP load only from drive unit number zero.

Figure 3-9 summarizes instructions for using the M9301 and M9312. If the low order byte of the Switch register contains 0, a default device and drive are selected by switches on the M9301.



LOAD ADDRESS
 DEPOSIT & DEPOSIT/STEP }
 EXAMINE & EXAMINE/STEP }
 { FROM GENERAL REGISTERS (ADDRESSES 17 777 700 - 17)
 { FROM MEMORY (ANY OTHER EXISTING ADDRESS)

START
 CONTINUE

LOAD ADDRESS 17 765 000

LOAD DEVICE CODE (OCTAL) INTO SWITCH REGISTER <06:03>
 (ALL DEVICES HAVE XXDP AVAILABLE AT THIS TIME)

- | | | |
|-----|------------------|-----------------------------------|
| 1) | TM11/TU10 | MAGNETIC TAPE, TM11 |
| 2) | TC11/TU56 | DECtape, TC11-G |
| 3) | RK11/RK05 | DECpack DIS CARTRIDGE, RK11-D |
| 4) | RP11/RP03 | DISK PACK, RP11-C |
| 5) | RK611/RK06 DISK* | |
| 6) | RH70/TU16 | MAGNETIC TAPE SYSTEM, TWU16 |
| 7) | RH70/RP04 | DISK PACK, RWP04 |
| 10) | RH70/RS34 | FIXED HEAD DISK, RWS04 (OR RSW03) |
| 11) | RX11/RX01 | DISKETTE |

(*NOT AVAILABLE ON EARLY VERSIONS OF M9301-YC)

LOAD DRIVE NUMBER 000 INTO SWITCH REGISTER

<02:00> DRIVE 0 IS REQUIRED, SINCE XXDP
 AT PRESENT LOADS ITS MONITOR FROM DRIVE 0.

LOAD THE PHYSICAL MEMORY BLOCK DESIRED (OCTAL) INTO
 SWITCH REGISTER <15:12>.

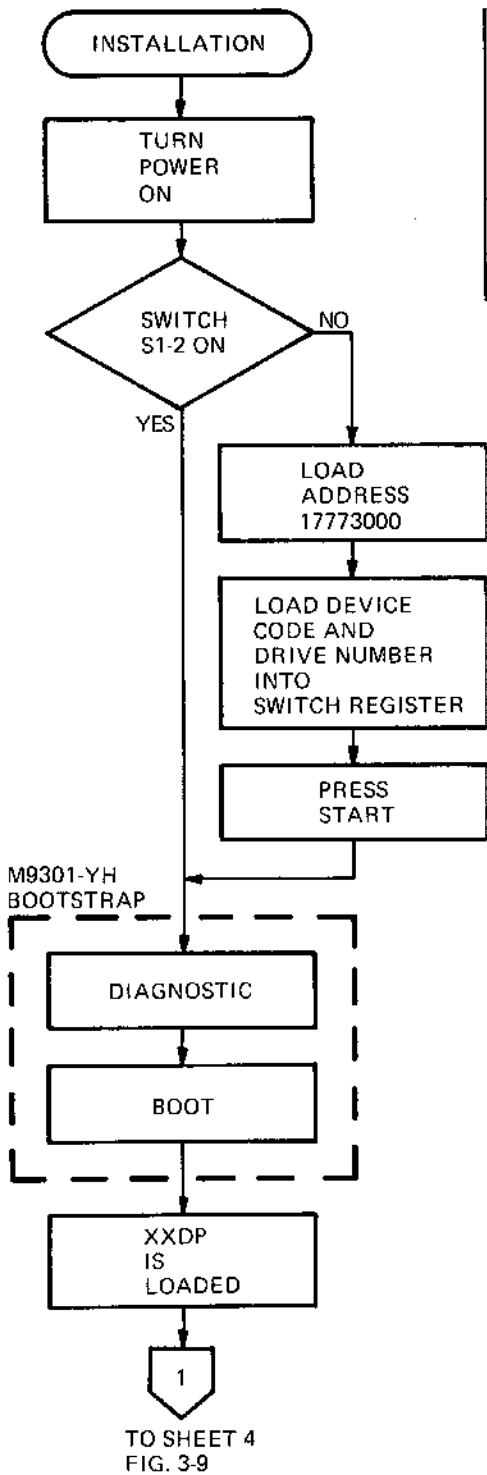
- | | | |
|-----|-----------------|-------------------------|
| 0) | PHYSICAL MEMORY | 00 000 000 - 00 077 776 |
| 1) | PHYSICAL MEMORY | 00 100 000 - 00 177 776 |
| 2) | PHYSICAL MEMORY | 00 200 000 - 00 277 776 |
| 3) | PHYSICAL MEMORY | 00 300 000 - 00 377 776 |
| 4) | PHYSICAL MEMORY | 00 400 000 - 00 477 776 |
| 5) | PHYSICAL MEMORY | 00 500 000 - 00 577 776 |
| 6) | PHYSICAL MEMORY | 00 600 000 - 00 677 776 |
| 7) | PHYSICAL MEMORY | 00 700 000 - 00 777 776 |
| 10) | PHYSICAL MEMORY | 01 000 000 - 01 077 776 |
| 11) | PHYSICAL MEMORY | 01 100 000 - 01 177 776 |
| 12) | PHYSICAL MEMORY | 01 200 000 - 01 277 776 |
| 13) | PHYSICAL MEMORY | 01 300 000 - 01 377 776 |
| 14) | PHYSICAL MEMORY | 01 400 000 - 01 477 776 |
| 15) | PHYSICAL MEMORY | 01 500 000 - 01 577 776 |
| 16) | PHYSICAL MEMORY | 01 600 000 - 01 677 776 |
| 17) | PHYSICAL MEMORY | 01 700 000 - 01 777 776 |
| ... | | |
| 40) | PHYSICAL MEMORY | 17 700 000 - 17 777 776 |

...

START

MESSAGE TYPED ON LA36. REFER TO "XXDP USER
 MANUAL," MAINDEC-11-DZQXA FOR DETAILED
 EXPLANATION.

Figure 3-9 System Checkout (Sheet 1 of 4)



SELECT FUNCTIONS VIA MICROSWITCHES (S1)

- S1-10 OFF
- S1-9 DIAGNOSTIC ON/OFF SWITCH
- S1-8 OFF, DEVICE CODE FROM SWITCHES
ON, DEVICE CODE FROM CONSOLE
- S1-7:4 DEVICE CODE
- S1-3 OFF, RUN MEMORY-MODIFYING TESTS
ON, NO MEMORY-MODIFYING TESTS
- S1-2 POWER UP REBOOT ENABLE
- S1-1 LOW ROM ENABLE

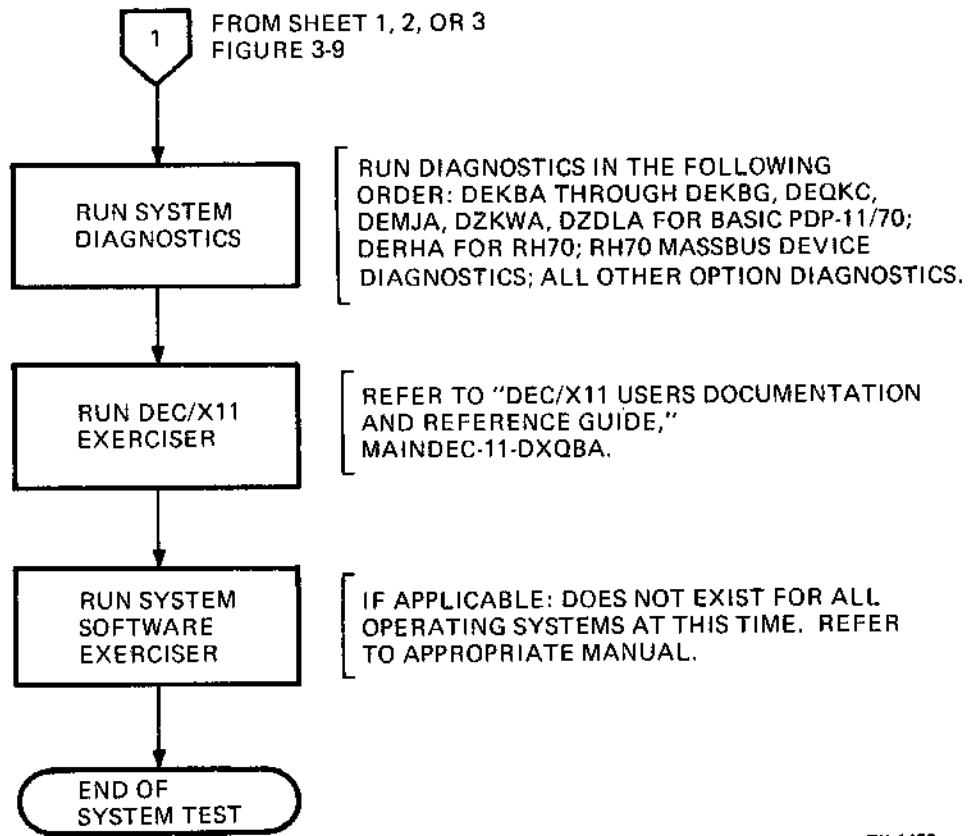
DEVICE CODES SW REG<06:03>

0	READ MICROSWITCHES
1	TM11/TU10 MAGNETIC TAPE
2	TC11/TU56 DECTAPE
3	RK11/RK05 DISK
4	RP11/RP03 DISK
5	RK611/RK06 DISK
6	RH11-RH70/TU16 MAGNETIC TAPE
7	RH11-RH70/RP04 DISK
10	RH11-RH70/RS04 FIXED HEAD DISK
11	RX11/RX01 FLOPPY DISK
12	PC11 PAPER TAPE READER

DRIVE NUMBER SW REG<02:00>

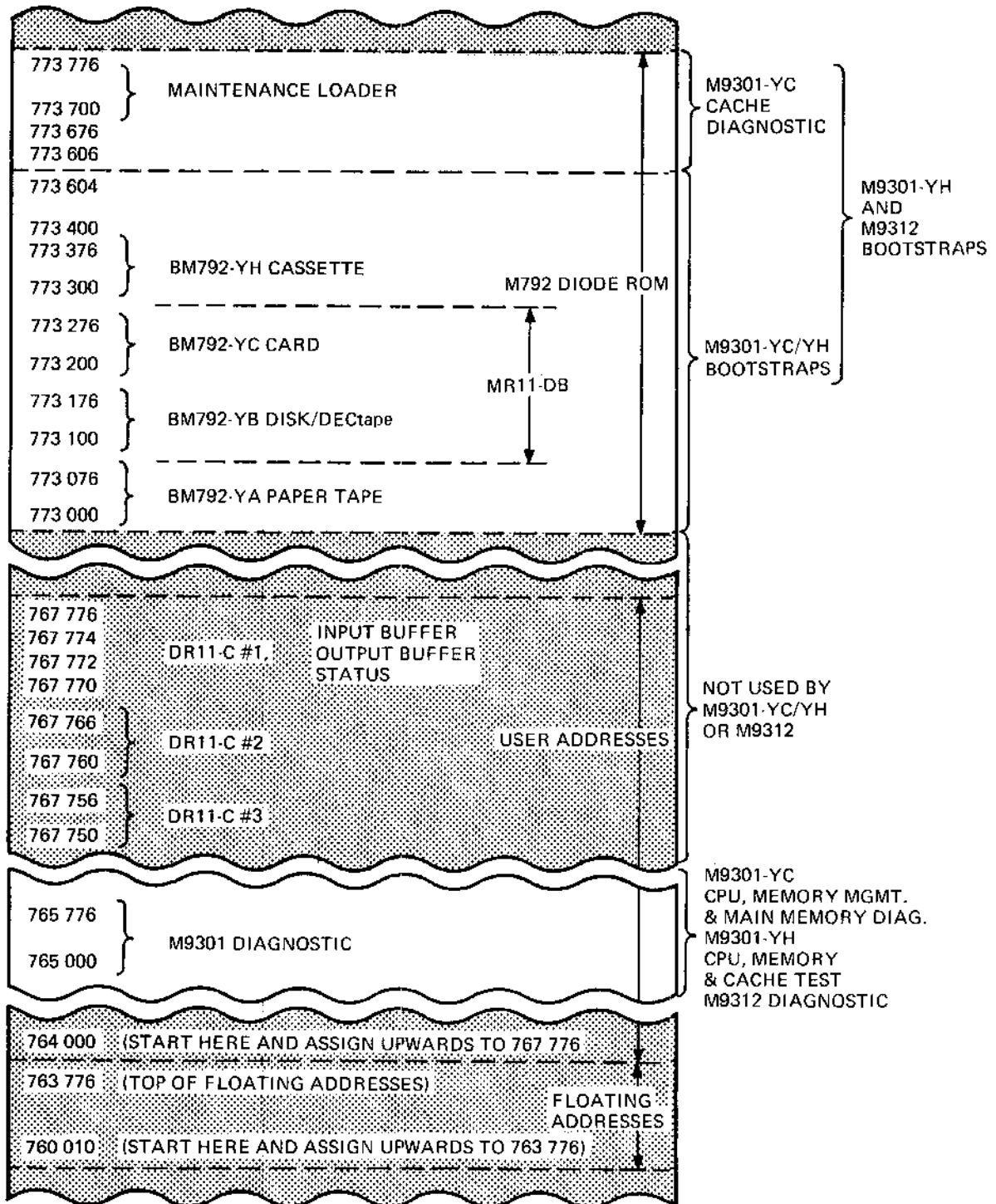
MESSAGE TYPED ON LA36 REFER TO "XXDP USER MANUAL" MAINDEC-11-DZQXA FOR DETAILED EXPLANATION.

Figure 3-9 System Checkout (Sheet 2 of 4)



TK-1470

Figure 3-9 System Checkout (Sheet 4 of 4)



TK-1466

Figure 3-10 Location of M9301-YC, YH and M9312 in Peripheral Page
(Refer to PDP-11 Peripherals Handbook)

The diagnostic portion of the programs test the basic CPU, including the branches, the registers, all addressing modes, and most of the instructions in the PDP-11 repertoire. Then it sets the stack pointer to Kernel D-space PAR 7, checks and turns on, if requested, memory management and the Unibus map, and checks memory from virtual address 1000 to 157776. After main memory has been verified, with the cache off, the cache memory is tested to verify that hits occur properly. Then main memory is scanned again to ensure that the cache is working properly throughout the 28K of memory to be used in the boot operation.

If one of the cache memory tests fails, the operator can attempt to boot the system anyway by pressing CONTINUE. This causes the program to force MISSES in both groups of the cache before going to the bootstrap section of the program.

The bootstrap portion of the programs look at the lower byte of the Switch register to determine which device will attempt the boot for load-address start sequences. (Note that XXDP loads only from drive 0). With the M9301, switches (02:00) select the drive number (0-7 octal), and switches (06:03) select the device code (1-11 octal). If the lower byte of the Switch register is zero, the program reads the set of switches on the M9301 to determine the device and drive number. These switches can be set to select a default boot device. With the M9312, switch register switches (11:0) select the starting address of one of the ROM Boot Programs installed on the module. Each device has its own boot ROM, the address in the switch register selects one of the four ROMs on the module

Automatic boot on power-up is available with both the M9301-YH and the M9312. When enabled, the module will boot the device selected by switches on the module when the processor power is turned on.

If the bootstrap operation fails as a result of a hardware error in the peripheral device, the program will perform a RESET instruction and jump back to the test that sets up and turns on memory management and tests memory. Then the program attempts to boot again.

3.4.2.1 Starting Procedure, M9301-YC

Switch Settings – The lower byte of the Switch register should be set to have the drive number (0-7 octal) in switches (02:00), and the device code (1-11) in switches (06:03). Drive 0 is required for XXDP, since the XXDP monitor uses drive 0.

The upper byte of the Switch register (15:12) should be set to (0-17 octal) to have the bank number of the 32K block of memory which will be used for the bootstrap operation.

The device codes are as follows:

- 1 TM11/TU10 Magnetic Tape, TM11
- 2 TC11/TU56 DEctape, TC11-G
- 3 RK11/RK05 DECpack Disk Cartridge, RK11-D
- 4 RP11/RP03 Disk Pack, RP11-C
- 5 RK611/RK06 Disk Pack
- 6 RH70/TU16 Magnetic Tape System, TWU16
- 7 RH70/RP04 Disk Pack, RWP04
- 10 RH70/RS04 Fixed Head Disk, RWS04 (or RWS03)
- 11 RX11/RX01 Diskette (Floppy Disk)

The memory blocks are as follows:

0 Physical Memory 00 000 000 - 00 077 776
1 Physical Memory 00 100 000 - 00 177 776
2 Physical Memory 00 200 000 - 00 277 776
3 Physical Memory 00 300 000 - 00 377 776
4 Physical Memory 00 400 000 - 00 477 776
5 Physical Memory 00 500 000 - 00 577 776
6 Physical Memory 00 600 000 - 00 677 776
7 Physical Memory 00 700 000 - 00 777 776
10 Physical Memory 01 000 000 - 01 077 776
11 Physical Memory 01 100 000 - 01 177 776
12 Physical Memory 01 200 000 - 01 277 776
13 Physical Memory 01 300 000 - 01 377 776
14 Physical Memory 01 400 000 - 01 477 776
15 Physical Memory 01 500 000 - 01 577 776
16 Physical Memory 01 600 000 - 01 677 776
17 Physical Memory 01 700 000 - 01 777 776
.
.
.
40 Physical Memory 17 700 000 - 17 777 776

Starting Addresses, M9301-YC - The normal starting address for DEKBH is 17 765 000.

If the diagnostic portion of this program fails and the operator wants to attempt to boot anyway, he must follow these steps:

1. Set up memory management if booting into other than the lower 28K of memory.
2. If device is on Massbus, set stack pointer to a valid address and load that address with the memory bank number the operator would put into switches (15:12).

If device is on Unibus, set up Unibus Map registers 0 through 6 to map to same memory as memory management.

3. Deposit address 173000 into the PC.
4. Set the device code and drive number in the lower byte of the Switch register.
5. Press CONTINUE.

Examples:

- a. RP04: Set stack pointer to 40000
Load 000000 into address 40000
Load 173000 into the PC (17 777 707)
Set 000070 into switches (RP04 Drive 0)
Press CONTINUE
- b. RK05: Load 173000 into the PC (17 777 707)
Set 000030 into switches (RK05 Drive 0)
Press CONTINUE

Operator Action – If the diagnostic portion of the ROM fails, record the PC of the HALT instruction and refer to the listing (or to Chapter 5) to find out which portion of the machine failed.

3.4.2.2 Errors, M9301-YC – List of error halts indexed by the address displayed.

Address Displayed	Test Number and Subsystem Under Test
17765004	Test 1 Branch Test
17765020	Test 2 Branch Test
17765036	Test 3 Branch Test
17765052	Test 4 Branch Test
17765066	Test 5 Branch Test
17765076	Test 6 Branch Test
17765134	Test 7 Register Data Path Test
17765146	Test 10 Branch Test
17765166	Test 11 CPU Instruction Test
17765204	Test 12 CPU Instruction Test
17765214	Test 13 CPU Instruction Test
17765222	Test 14 "COM" Instruction Test
17765236	Test 14 CPU Instruction Test
17765260	Test 15 CPU Instruction Test
17765270	Test 16 Branch Test
17765312	Test 16 CPU Instruction Test
17765346	Test 17 CPU Instruction Test
17765360	Test 20 CPU Instruction Test
17765374	Test 20 CPU Instruction Test
17765450	Test 21 Kernel PAR Test
17765474	Test 22 Kernel PDR Test
17765510	Test 23 JSR Test
17765520	Test 23 JSR Test
17765530	Test 23 RTS Test
17765542	Test 23 RTI Test
17765550	Test 23 JMP Test
17765760	Test 25 Main Memory Data Compare Error
17766000	Test 25 Main Memory Parity Error (No recovery possible from this error)
17773644	Test 26 Cache Memory Data Compare Error
17773654	Test 26 Cache Memory No Hit Pressing CONTINUE here will cause boot attempt forcing misses
17773736	Test 27 Cache Memory Data Compare Error
17773746	Test 27 Cache Memory No Hit Pressing CONTINUE here will cause boot attempt forcing misses
17773764	Test 25 or 26 Cache Memory Parity Error Pressing CONTINUE here will cause boot attempt forcing misses

Error Recovery – Most of the preceding error halts are *hard* failures, which means that there is no recovery from them. The two main memory halts are not recoverable; attempt to boot into another 32K bank of memory if it appears to be a main memory failure.

If the processor halts in one of the two cache tests, the error is recoverable. By pressing CONTINUE, the program will either attempt to finish the test (if at either 17 773 644 or 17 773 736), or force MISSES in both groups of the cache and attempt to boot the system monitor with the cache fully disabled (if at either 17 773 654, 17 773 746, or 17 773 764).

3.4.2.3 Execution Time – The run time for this program is approximately three seconds.

3.4.2.4 M9301-YC Switches – Refer to schematic D-CS-M9301-0-1, revisions E and F.

Two different revisions of the M9301 are in the field: E and F. They are easily recognized by the number of Fastab connectors on the modules: Rev. E has two Fastabs while Rev. F has three (Figure 3-11).

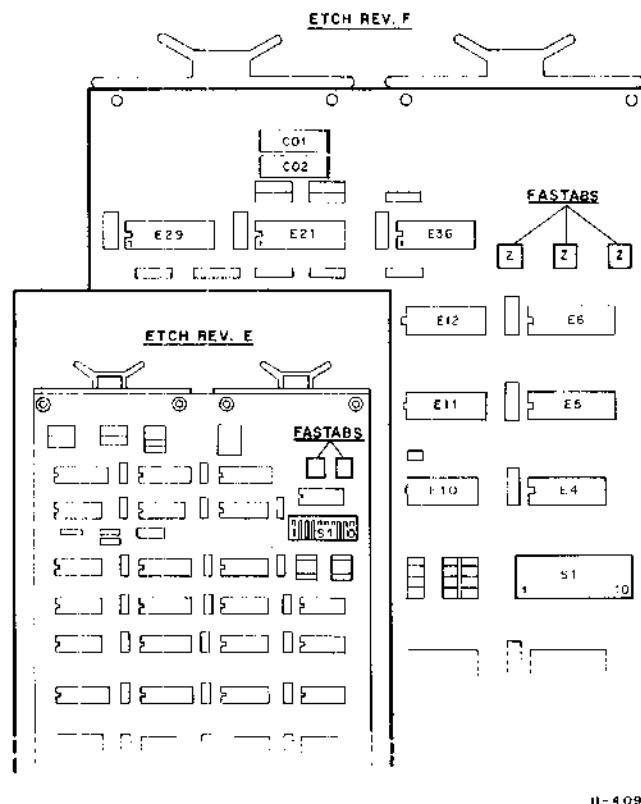


Figure 3-11 M9301-YC Etch Revisions

There is a 10-pole DIP switch, S1, on both versions of the M9301.

1. S1-1 must be always ON in the PDP-11/70. It allows reading locations 17 765 000 – 17 765 776.
2. S1-2 must be ON, for remote booting on power up. M9301 remote booting is available by installing M9301 ECO 5, M8138 ECO 5, M8136 ECO 4, M8130 ECOs 1-3, and >010329 ECO 8.

3. S1-3 through S1-10 determine the device and drive that are to be used if Switch register bits (07:00) are all 0s. Figure 3-12 shows the correspondence between S1-3 through S1-10 on both revisions of the M9301-YC. The switches must be OFF to generate a 1: refer to sheet 4 of the schematic and to Paragraph 5.4.12, Default Device and Drive.

NOTE

As of this writing, XXDP only loads to physical address 0 from drive 0. XXDP will be modified in the near future to load into any of the sixteen blocks of memory that can be specified by Switch register bits 15:12 (refer to Figure 3-9).

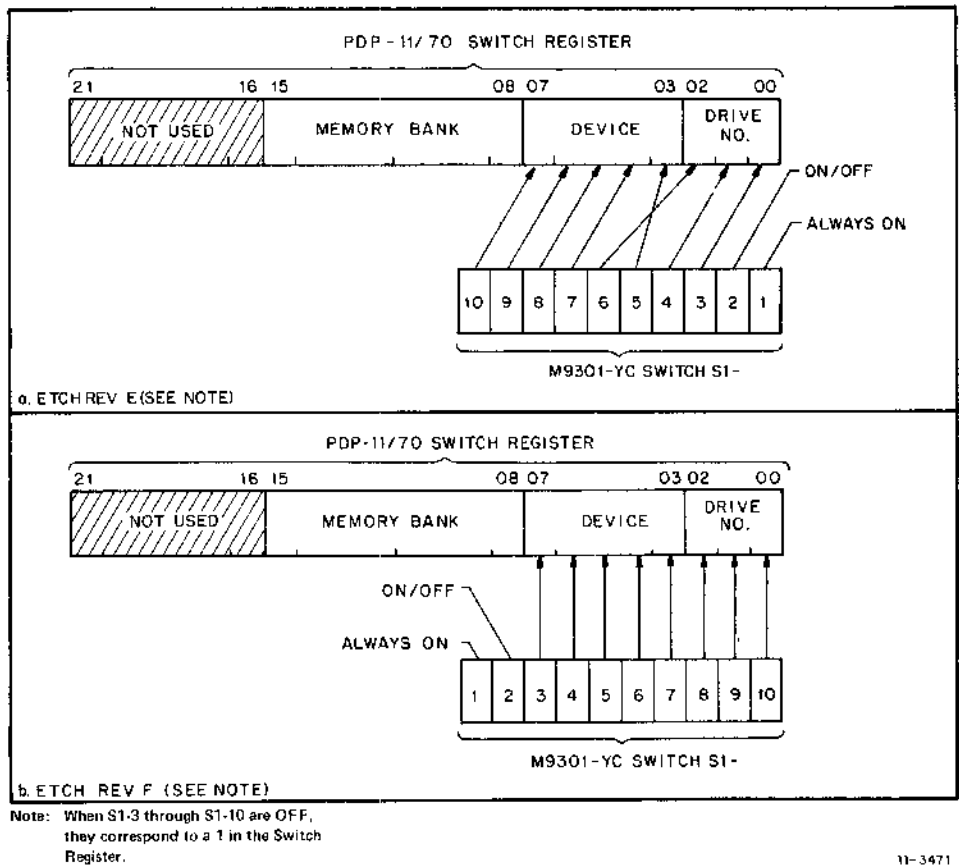


Figure 3-12 Use of S1-1 through S1-10 on M9301-YC

3.4.2.5 Starting Procedure M9301-YH – The operation of the M9301-YH is similar to that of the M9301-YC. The M9301-YH provides the additional feature of booting automatically on power-up, or by a load-address start sequence.

M9301-YH Microswitch settings – Prior to installation, set the microswitches on the M9301 (S1) to select the desired functions and default device. The default device set by the switches will be booted during a power-up boot or a load-address start sequence if no device is specified by the console switch register. Note that jumpers W1–W5 on the M9301 must be inserted for PDP-11/70's and also that for the automatic power-up boot, ECO 5 must be installed (with jumper W-6 in).

Configure the microswitches as indicated below:

- S1-1 Low ROM enable; normally ON, enables diagnostics
- S1-2 Power-up boot enable; boots on power-up when ON
- S1-3 Memory modifying test disable; when OFF, all diagnostic tests run, when ON, disables tests 21–24
- S1-4:7 Default device code (S1-4 is the MSB)
- S1-8 Device code source; OFF, device code read from microswitches
ON, device code read from console switch register
- S1-9 Diagnostic ON/OFF disables all diagnostics
- S1-10 OFF for all PDP-11/70's

The device codes (S1-4:7) are as follows:

- | | | |
|----|----------------|-------------------|
| 1 | TM11/TU10 | Magnetic Tape |
| 2 | TC11/TU56 | DECTape |
| 3 | RK11/RK05 | Disk |
| 4 | RP11/RP03 | Disk |
| 5 | RK611/RK06 | Disk |
| 6 | RH11-RH70/TU16 | Magnetic Tape |
| 7 | RH11-RH70/RP04 | Disk |
| 10 | RH11-RH70/RS04 | Fixed Head Disk |
| 11 | RX11/RX01 | Floppy Disk |
| 12 | PC11 | Paper Tape Reader |

The default device is always drive unit number zero.

Power-Up Boot – With microswitch S1-2 in the ON position an automatic boot on power-up will occur from the default device specified in the microswitches or optionally from the device specified by the console switch register. If switch S1-8 is OFF, the M9301 will always boot the default device specified by the microswitches. If switch S1-8 is ON, the device may be selected by loading a device code into the switch register prior to power-up. The M9301-YH will boot the default device with S1-8 ON if no device is specified by the switch register; that is, if the switch register low byte is equal to zero.

With switch S1-8 OFF, select the device with the switch register as follows:

SW REG(6:3)

Device Code

0	Use the device specified in microswitches (S1-7:S1-4)	
1	TM11/TU10	Magnetic Tape
2	TC11/TU56	DECtape
3	RK11/RK05	Disk
4	RK11/RP03	Disk
5	RK611/RK06	Disk
6	RH11/RH70/TU16	Magnetic Tape
7	RH11/RH70/RP04	Disk
10	RH11/RH70/RS04	Fixed Head Disk
11	RX11/RX01	Floppy Disk
12	PC11	Paper Tape Reader

SW REG (2:0) Drive Unit Number

Load Address Start Sequence – This mode allows the user to boot from any device and any unit number available for load address starts. Microswitch S1-2 must be OFF and microswitch S1-8 must be ON.

The boot procedure is as follows:

1. Turn power ON.
2. Load address 17773000.
3. Load switch register (6:3) with device code and (2:0) with drive number.
4. Start.

3.4.2.6 Errors, M9301-YH – The following is a list of error halt addresses and the corresponding test.

Address Displayed	Test Number and Subsystem Under Test
17765004	Test 1, Branch Test
17765020	Test 2, CLR and Conditional Branch Test
17765036	Test 3, DEC and Conditional Branch Test
17765052	Test 4, ROR and Conditional Branch Test
17765066	Test 5, Conditional Branch Test
17765076	Test 6, Conditional Branch Test
17765126	Test 7, Register Data Path Test
17765136	Test 10, Conditional Branch Test
17765154	Test 11, CPU Instruction Test
17765172	Test 12, CPU Instruction Test
17765202	Test 13, CPU Instruction Test
17765210	Test 14, CPU Instruction Test
17765224	Test 14, CPU Instruction Test
17765246	Test 15, CPU Instruction Test
17765256	Test 16, Branch Test
17765300	Test 16, CPU Instruction Test
17765334	Test 17, CPU Instruction Test
17765352	Test 20, CPU Instruction Test

17765376	Test 21, JSR Test
17765406	Test 21, JSR Test
17765416	Test 21, RTS Test
17765430	Test 21, RTI Test
17765436	Test 21, JMP Test
17765520	Test 22, Main Memory Data Compare Error
17765540	Test 22, Main Memory Data Compare Error, no recovery possible from this error
17765604	Test 23, Cache Memory Data Compare Error
17765614	Test 23, Cache Memory No Hit (pressing continue here will cause boot attempt, forcing cache misses)
17765720	Test 24, Cache Memory Data Compare Error
17765732	Test 24, Cache Memory No Hit (pressing continue here will cause boot attempt, forcing misses in the cache)
17765752	Test 22, 23, or 24, Cache Memory or Main Memory Parity Error. (Examine memory error register 777744 to find out more.) If cache parity error, pressing continue here will cause boot attempt forcing misses in cache:

Most of the errors listed are hard failures, and there may be no recovery from them.

If the processor halts in one of the two cache tests, error recovery is possible. When continue is pressed, the program will either attempt to finish the test (1776504 or 17765720) or force misses in both groups of the cache and attempt to boot with the cache fully disabled (1776514, 17765732, or 17765752).

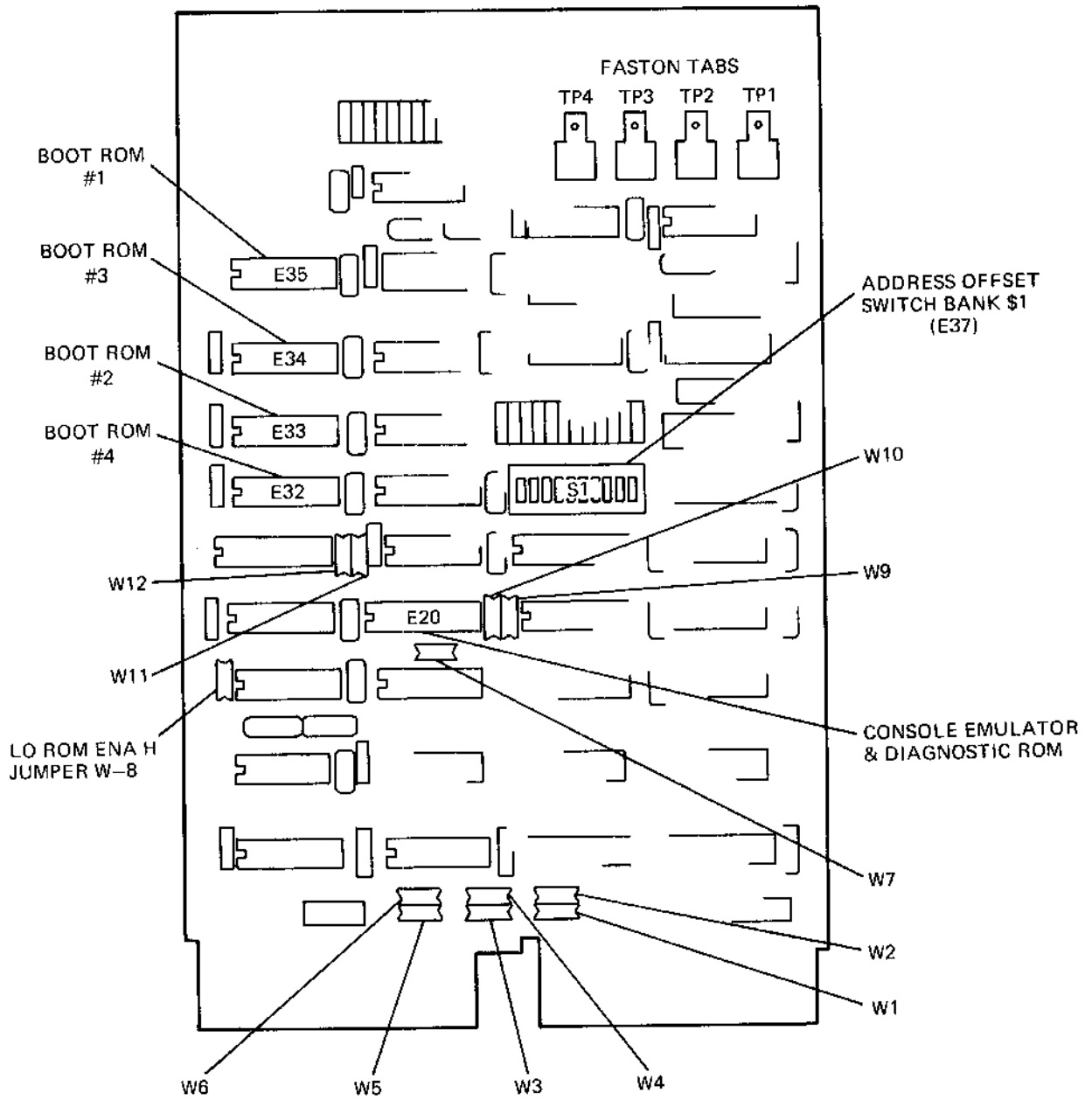
If the program fails in an uncontrolled manner, it might be due to an unexpected trap to location 4 or 10. If this is suspected, then load the following.

Location	Contents
4	6
6	0
10	10
12	0

The preceding steps will cause all traps to vectors 4 and 10 to halt the processor at addresses 6 and 12, respectively (with addresses 10 and 14 in the display); the operator can examine the CPU error register at 1777766 to get more error information. Bits in CPU error register are defined as follows:

- Bit 02 = Red Zone Stack Limit
- Bit 03 = Yellow Zone Stack Limit
- Bit 04 = Unibus Timeout
- Bit 05 = Nonexistent Memory
- Bit 06 = Odd Address Error
- Bit 07 = Illegal Halt

3.4.2.7 Starting Procedure M9312 – The M9312 bootstrap module executes its diagnostic and boot routines initiated either automatically on power-up or by a load address start procedure. The bootstrap programs are stored in ROMs that plug into sockets on the M9312. Each device is booted only by its own ROM; up to four ROMs can be installed on the M9312. Devices for power-up booting are selected by specifying a starting address of one of the ROM boot routines. These functions are selected with microswitches (S1) on the module prior to installation. The location of S1 is shown in Figure 3-13.



TK-1469

Figure 3-13 M9312 Bootstrap/Terminator Module

Power-Up Boot – The module performs a power-up boot when switch S1-2 is in the ON position. The device used will depend on the ROMs installed and the starting address selected by switches S1-3:9. Set the switches as follows:

S1-1	OFF
S1-2	ON for power-up boot
S1-3:9	Offset address of ROM program
S1-10	ON for diagnostics

The following lists the available ROMs by part number, the device or devices they boot, and the address to set in microswitches to select the device for booting.

Part Number	Device	S1 Switch Settings				
		5	6	7	8	9
23-751A9	RL01	OFF	OFF	OFF	OFF	ON
23-752A9	RX06/07	OFF	OFF	OFF	OFF	ON
23-753A9	RX01	OFF	OFF	OFF	OFF	ON
23-754A9	RX02	OFF	OFF	OFF	OFF	ON
23-755A9	RP02/03	OFF	OFF	OFF	OFF	ON
23-756A9	RP04/516, RM02/3	OFF	ON	OFF	ON	OFF
	RK03/05/05J (Unit 0)	OFF	OFF	OFF	OFF	ON
	RK03/05/05J (Unit 20)	ON	ON	ON	OFF	ON
	TU55/56	OFF	OFF	ON	ON	ON
23-757A9	TU16/E16 (TM02/03)	OFF	OFF	OFF	OFF	ON
23-758A9	TU10/TE10, TS03	OFF	OFF	OFF	OFF	ON
23-759A9	RS03/04	OFF	OFF	OFF	OFF	ON
23-760A9	PC05	OFF	OFF	OFF	OFF	ON
	DL11A/W	OFF	OFF	ON	ON	ON
23-761A9	TU60	OFF	OFF	OFF	OFF	ON
23-762A9	RS11	OFF	OFF	OFF	OFF	ON
	RS64	OFF	ON	OFF	ON	OFF
23-763A9	CR11	OFF	OFF	OFF	OFF	ON

The setting of switches S1-3 and S1-4 depends on the ROM location in which the boot ROM is located.

ROM Slot	S1-3	S1-4
1	OFF	OFF
2	OFF	ON
3	ON	OFF
4	ON	ON

Load Address Start Sequence – When microswitch S1-2 is placed in the OFF position, the device is specified by the console switch register. The address loaded in the switch register depends on which ROMs are installed and in which ROM locations they are located.

The load address start sequence is as follows.

1. Turn power ON.
2. Load address 765744.
3. Load switch register (8:0) with starting address and (11:9) with drive unit number.
4. Press START.

Switch register bits (11:9) are loaded with an octal number that is the drive number of the device used for booting.

Switch register bits (8:6) correspond to the ROM socket number in which the ROM is located. Set switches (8:6) on the console as follows:

ROM Socket Number	SW Reg (8:6)
1	0
2	2
3	4
4	6

Switch register bits (5:0) point to the starting address of the ROM boot program in the ROM selected by switch register bits (8:6). The following lists the available ROMs by part number and their devices, along with the address to load in switch register bits (5:0).

Part Number	Device	SW REG (5:0)
23-751A9	RL01	12
23-752A9	RK06/07	12
23-753A9	RX01	12
23-754A9	RX02	12
23-755A9	RP02/03	12
	RP04/516, RM02/03	56
23-756A9	RK03/05/05J	12
	TU55/56	42
23-757A9	TU16/E16 (TM02/03)	12
23-758A9	TU10/TE10, TS03	12
23-759A9	RS03/04	12
23-760A9	PC05	12
	DL11A/W	42
23-761A9	TU60	12
23-762A9	RS11	12
	RS64	56
23-763A9	CR11	12

3.4.2.8 Errors - M9312 – The following is a list of diagnostic error halt addresses and the corresponding failing test. Most of the errors are hard failures and there will be no recovery from them. If one of the cache memory tests fails (test 23 at location 165564 or test 24 at location 165704), attempt to boot the system by pressing continue. This will cause the program to force misses in both groups of cache before going to the bootstrap portion of the program.

Address Displayed	Test Number	Failing Test
165050	1	Unconditional Branch Test
165064	2	CLR, BMI, BVS, BHI, BLOS Test
165102	3	DEC, BPL, BEQ, BGE, BGT, BLE Test
165116	4	ROR, BVC, THIS, BIT, BNE Test
165132	5	SEZ, BHI, BLT, BLOS Test
165142	6	CLZ, BLE, BGT Test
165160	11	ADD, INC, COM, BCS, BLE, Test
165176	12	ROR, BIS, ADD, BLO, BGE Test
165206	13	DEC, BLOS, BLT Test
165214	14	COM, BLOS Test
165230	14	BIC, BGT, BGE, BLE Test
165250	15	ADC, CMP, BIT, BNE, BGT, BEQ Test
165260	16	MOVB, BPL Test
165302	16	SOB, CLR, TST, BNE Test
165320	20	ASH, SWAB Test
165332	21	JSR Test
165342	21	JSR Test
165352	21	RTS Test
165364	21	RTI Test
165372	21	JMP Test
165470	22	Main Memory Data Compare Test
165510	22	Main Memory Complement Data Test
165724	22	Main Memory Parity Error
165554	23	Cache Data Compare Test
165564	23	Cache Miss (Press continue to boot)
165672	24	Cache Data Compare Test
165704	24	Cache Miss (Press continue to boot)
165724	24	Cache/Main Memory Parity Error

3.4.2.9 M9312 Boot ROM Identification – Every boot ROM contains an identification code stored in the ROM program. To identify the type of ROM installed, examine the contents of the ROM's ID location at the console switch register and then find the part number from the list included below.

To identify the ROM in ROM socket number one, examine address 773000. To identify the ROM in ROM location two, examine address 773200. To identify the ROM in ROM location three, examine address 773400; and for the ROM in ROM socket number four, examine address 773600.

Contents of ROM ID Address	ROM Part Number	Used with Device
042114	23-751A9	RL01
042115	23-752A9	RK06/07
042130	23-753A9	RX01
042131	23-754A9	RX02
042120	23-755A9	RP02/03, RP04/516, RM02/03
042113	23-756A9	RK03/05/05J, TU55/56
046515	23-757A9	TU16/E16, TM02/03
046524	23-758A9	TU10/TE10, TS03
042123	23-759A9	RS03/04

050122	23-760A9	PC05, DL11A/W
041524	23-761A9	TU60
042106	23-762A9	RS11, RS64
041522	23-763A9	CR11

3.4.3 Diagnostics

Locate the installation checklist, K-SP-7668010 (a computer print-out). Compare the configuration key, or transfer sheet to the installation checklist and check under "Run" the diagnostic tests for all options listed as being present in this system.

Load and run the diagnostics listed in the installation checklist which are applicable to the system for the time or number of passes specified.

The diagnostics should be run in the order specified on Figure 3-9. Abstracts of the CPU diagnostics are reproduced in Chapter 5. Operating procedures and listings for all diagnostics are contained in the MAINDECs for each program.

Operating procedures for the XXDP monitor are described in the *XXDP User Manual, MAINDEC-11-DZQXA*.

3.4.4 DEC/X11 System Exerciser

DEC/X11 is a system exerciser, i.e., it is an operating system that runs all devices in a system, using random data. Any errors are reported.

DEC/X11 must be configured for each individual system. The *DEC/X11 User's Documentation and Reference Guide, MAINDEC-11-DXQBA* contains all information required to configure and run DEC/X11 and to interpret the results of the tests performed. The XXDP DEC/X11 Programming Card, MAINDEC-11-DZZPA contains a summary of DEC/X11 features.

Turn to the system exerciser section of installation checklist and prepare to load DEC/X11. The system exerciser checklist numbering sequence begins with IBXXXX. To start the DEC/X11 package, see the notes at the beginning of the system exerciser section of the installation checklist.

3.4.5 System Software Exerciser (Under Development)

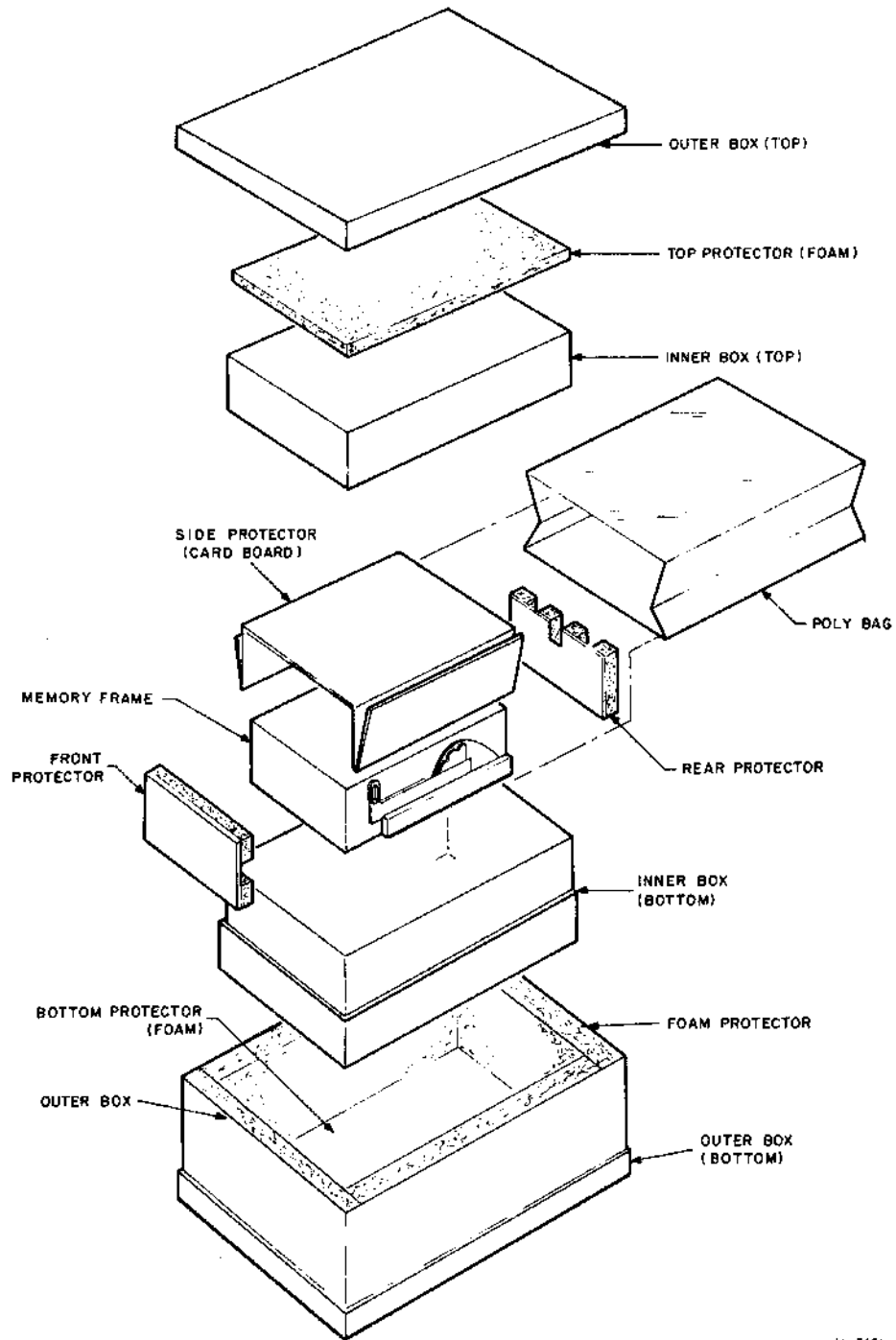
The system software exerciser will be similar to DEC/X11, except that it will use the system software operating system. Because of this, it will be a better test of the integrity of a system than DEC/X11. A printout will be available for each version of the software exerciser.

3.4.6 Summary and Final Acceptance

Go through each chapter of the PDP-11 Family Field Installation and Acceptance Procedure and ensure that all areas requiring an initial are so marked. If an initial is missing, investigate that section and complete if necessary.

Ensure that all paperwork is complete. The Field Service and/or installation reports should reflect any problems/repairs encountered during the installation. After completion, the reports and checklists should be returned to the office.

The installation is now complete. Have the customer sign the Field Service Report reflecting installation activity.



11-3161

Figure 3-14 Memory Frame Packaging

3.5 MJ11 MEMORY EXPANSION

An MJ11 memory frame is shipped in a protective box (Figure 3-14). Remove the memory frame from the box and inspect for damage. Save the shipping cartons and packaging materials in case it becomes necessary to return the memory frame for service. The slide mounts are attached to the memory frame, but the mounting screws are packed in a bag placed in the shipping container.

Slide Mounting – The fixed slides must be mounted equidistant from and parallel to the floor at the proper cabinet frame hole number (Figure 3-15). The front of the fixed slide has an integral bracket and is mounted in the cabinet with four screws that are secured with captive (Tinnerman) nuts. The rear of the fixed slide is attached to a separate L-shaped bracket with two screws and nuts. The bracket is attached to the cabinet with two screws that are secured with captive nuts.

Lift the memory frame and slide it carefully into the fixed guides until the slide release engages. Unlock the slide release and push the memory frame fully into the cabinet. Extend the memory frame enough to allow access to the front mounting screws. Slightly loosen the front and rear slide mounting screws and slide the memory frame back and forth. This allows the slides to assume a position that results in minimum binding. Retighten the mounting screws.

Cable Retractor – The cable retractor rod (DEC Part No. 12-12173-00) prevents the main memory bus cables from tangling when memory frames are extended from the cabinet. Install the cable retractor rod at the holes indicated in Figure 3-15.

AC Power Connection – Plug the memory frame power cord into one of the switched outlets of the cabinet power controller.

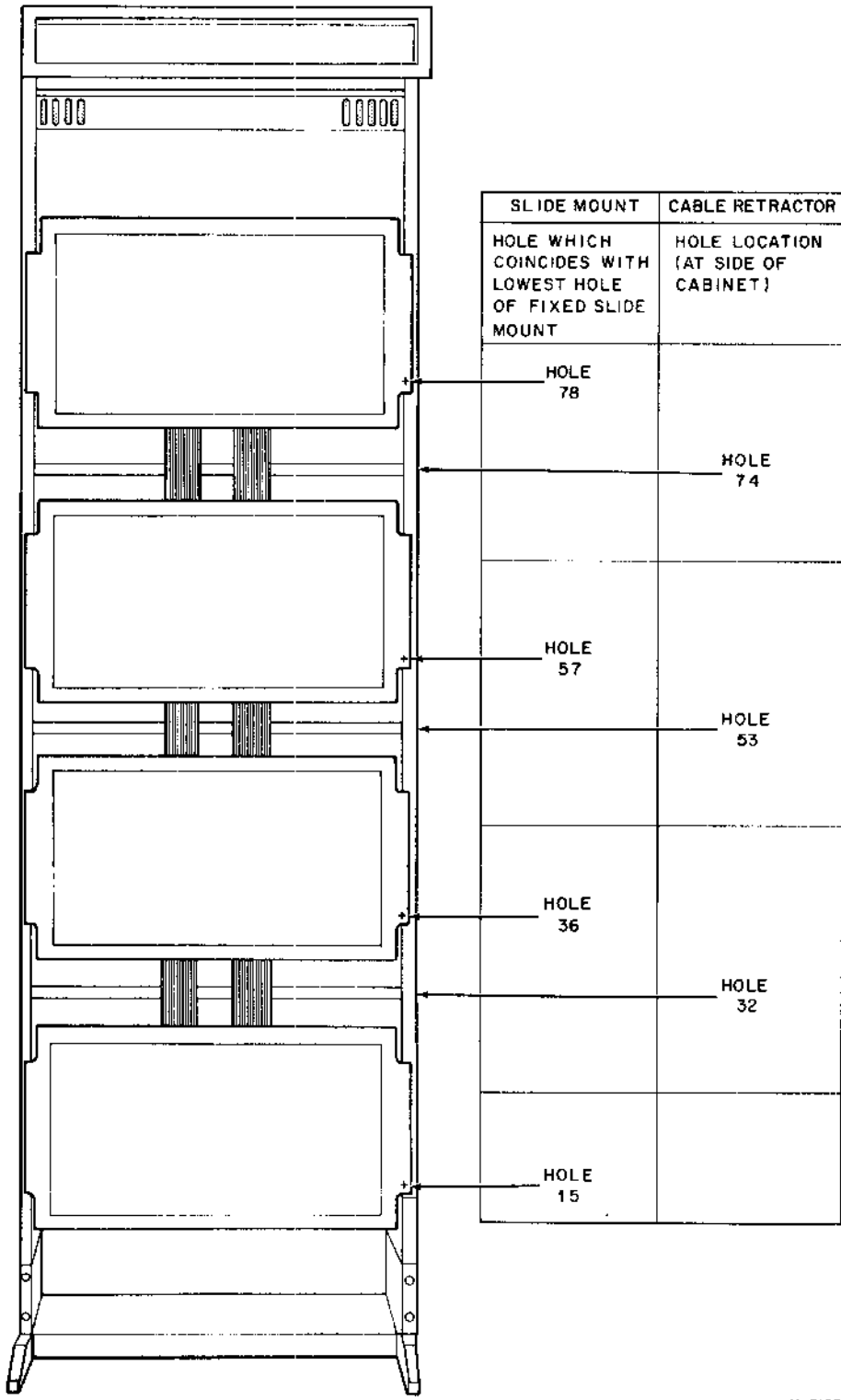
NOTE

The load at the power controller outlets must be distributed among the three phases. No other device should be plugged into a power controller phase circuit loaded by two memory frames. Refer to Drawing E-AR-11/70-0-1 and Figure 3-16.

3.5.1 MJ11 Memory Configuration

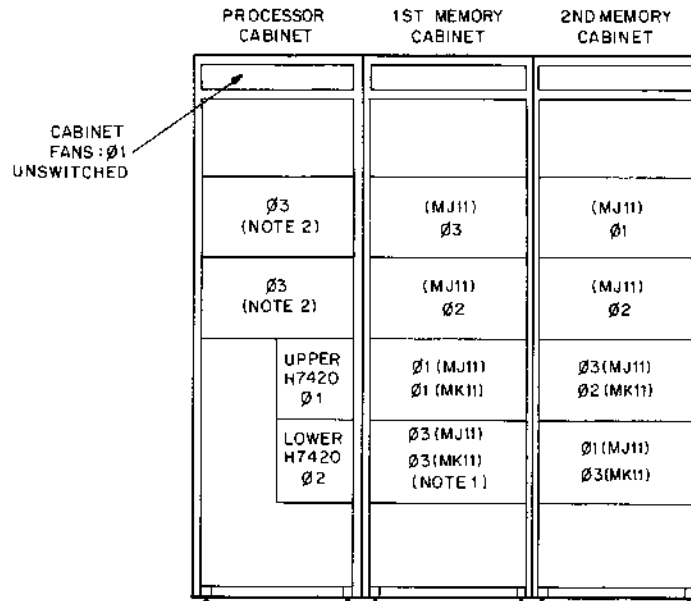
Whenever memory capacity is expanded, the following guidelines must be adhered to:

1. Before installing memory controller modules (M8147/M8148, and M8149), ensure that the switches on the M8147/M8148 module are properly configured.
2. Lower addresses must be implemented in memory frames electrically closest to the bus master.
3. All interleaved memory frames must be closer to the bus master than non-interleaved memory frames.
4. When memory frames are interleaved, they must be physically and electrically adjacent, with the memory frame containing “even” addresses closer to the bus master.
5. Care should be taken that modules are installed in their designated slots, as indicated in the module utilization sticker (Figure 3-17).
6. When memory capacity is increased within a memory frame, stack module set pairs are installed at the left and right-hand side of the backplane, working toward the center. Thus the stack three (high and low word) modules are the last module sets added to a memory frame.
7. Record the serial number of the module group just installed in the appropriate slot on the module utilization sticker.



11-3162

Figure 3-15 MJ11 Memory Frame and Cable Retractor Mounting



NOTES:
 1. Minimum memory: 128K bytes.
 2. Refer to chapter 1 for allowable peripherals.

MA-1485

Figure 3-16 Phasing of Memory Frames

Starting Address Switch Configuration – Switches S1-1 through S1-7, S2-1, and S2-2 on the M8147/M8148 module (drawing MCTB and MCTJ) must be configured to represent the starting address of the memory controller. This is done by setting the switches to the binary number which represents the total number of 16K blocks of 36-bit double words controlled by memory controllers having lower starting addresses.

A closed switch (set to ON) represents a logic 0. Switch S1-1 represents the LSB and switch S2-2 the MSB.

The steps required to determine the starting address switch settings are shown in Figure 3-18 in flow-chart form. For example:

In an MJ11 Memory System, any two adjacent memory frames containing equal amounts of memory can be interleaved. If interleaving is desired, switch S2-3 on the M8147/M8148 modules (drawing MCTB) in both memory frames must be open (OFF). By convention, the memory controller located closer (electrically) to the bus master is required to respond to “even” addresses. Switch S2-4 in this controller must be closed (ON); switch S2-4 in the memory controller, which is farther from the bus master, should be open (OFF).

Switch Configuration Example – In a memory system consisting of three memory frames, assume that the first two frames (0 and 1) contain 128K of 18-bit words (i.e., 64K 36-bit blocks each, and that memory frame contains 32K 18-bit words (i.e., 16K 36-bit blocks). If memory frames 0 and 1 are interleaved, the memory frames are configured as follows:

Memory Frame 0 – Since no words precede this frame, 0 divided by 16K = 0 is set into switches S1-1:S2-2 (i.e., all nine switches are set to ON). Switch S2-3 is set for interleaved operation (OFF) and switch S2-4 is set for even addresses (ON).

mj11 memory system			
CONTROLLER STARTING ADDRESS (OCTAL) 00000			
INTERLEAVED <input type="checkbox"/> YES <input type="checkbox"/> NO		<input type="checkbox"/> EVEN <input type="checkbox"/> ODD	
MEMORY SYSTEM SERIAL NO.		DATE INSTALLED	
SLOT	MODULE TYPE	MODULE GROUP SER. NO.	MODULE (GROUP) FUNCTION
01	G114 SIN		STACK 0 HIGH WORD
02	H217C STK		
03	G235 DRV		
04	G114 SIN		STACK 1 HIGH WORD
05	H217C STK		
06	G235 DRV		
07	G114 SIN		STACK 2 HIGH WORD
08	H217C STK		
09	G235 DRV		
10	G114 SIN		STACK 3 HIGH WORD
11	H217C STK		
12	G235 DRV		
13	M8148 MCT		MEMORY CONTROL & TIMING
14	M8149 MXR		MEMORY TRANSCEIVER
15	G114 SIN		STACK 3 LOW WORD
16	H217C STK		
17	G235 DRV		
18	G114 SIN		STACK 2 LOW WORD
19	H217C STK		
20	G235 DRV		
21	G114 SIN		STACK 1 LOW WORD
22	H217C STK		
23	G235 DRV		
24	G114 SIN		STACK 0 LOW WORD
25	H217C STK		
26	G235 DRV		

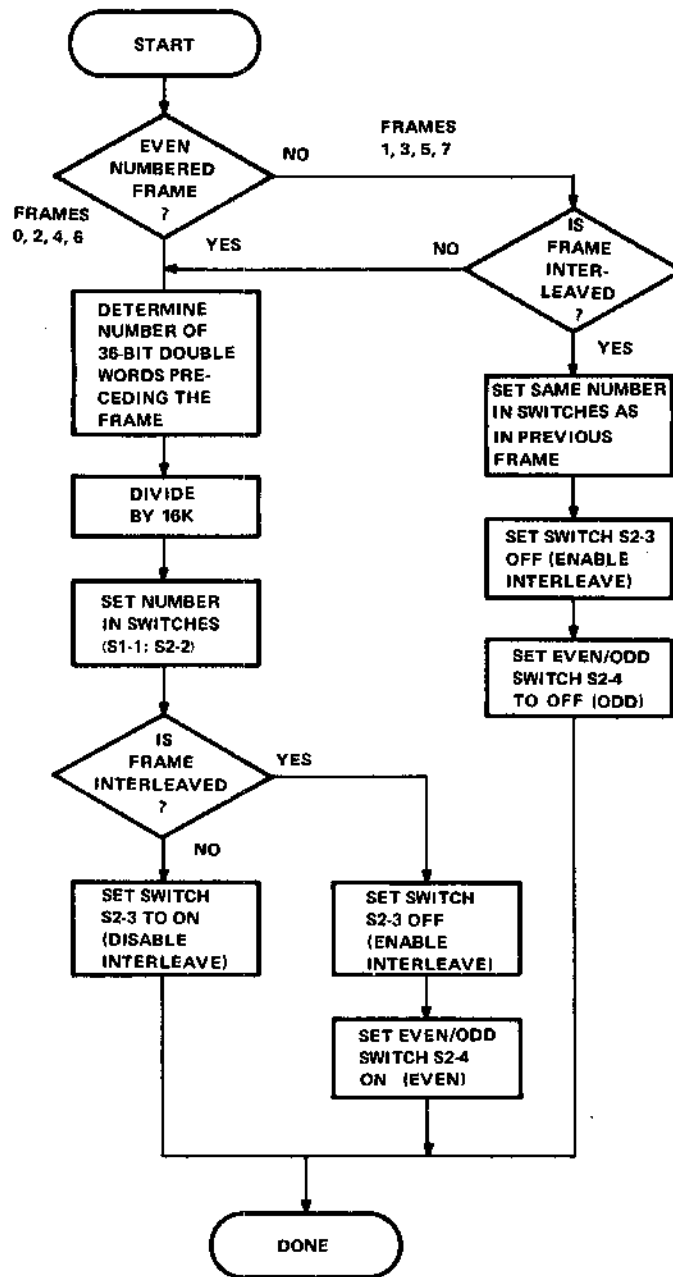
MJ11-A

mj11 memory system			
CONTROLLER STARTING ADDRESS (OCTAL) 00000			
INTERLEAVED <input type="checkbox"/> YES <input type="checkbox"/> NO		<input type="checkbox"/> EVEN <input type="checkbox"/> ODD	
MEMORY SYSTEM SERIAL NO.		DATE INSTALLED	
SLOT	MODULE TYPE	MODULE GROUP SER. NO.	MODULE (GROUP) FUNCTION
01	G116 SIN		STACK 0 HIGH/ODD WORD
02	H224C STK		
03	G236 DRV		
04	G116 SIN		STACK 1 HIGH/ODD WORD
05	H224C STK		
06	G236 DRV		
07	G116 SIN		STACK 2 HIGH/ODD WORD
08	H224C STK		
09	G236 DRV		
10	G116 SIN		STACK 3 HIGH/ODD WORD
11	H224C STK		
12	G236 DRV		
13	M8147 MCT		MEMORY CONTROL & TIMING
14	M8149 MXR		MEMORY TRANSCEIVER
15	G116 SIN		STACK 3 LOW/EVEN WORD
16	H224C STK		
17	G236 DRV		
18	G116 SIN		STACK 2 LOW/EVEN WORD
19	H224C STK		
20	G236 DRV		
21	G116 SIN		STACK 1 LOW/EVEN WORD
22	H224C STK		
23	G236 DRV		
24	G116 SIN		STACK 0 LOW/EVEN WORD
25	H224C STK		
26	G236 DRV		

MJ11-B

11-3287

Figure 3-17 Module Utilization Labels



11-3164

Figure 3-18 Procedure for Configuring M8147 (or M8148) Switches

Memory Frame 1 – Since this frame is interleaved, the starting address switches are configured as in memory frame 0. Switch S2-3 is set for interleaved operation (OFF) and switch S2-4 is set for odd addresses (OFF).

Memory Frame 2 – Since frames 0 and 1 contain a total of 128K 36-bit blocks, $128K \div 16K = 8(10) = 10(8) = 000001000(2)$ is set into switches S1-2:S2-2 (i.e., S1-4 is set to OFF while the remaining switches are set ON). Switch S2-3 is set to ON to disable interleaving. With interleaving disabled, the state of switch S2-4 is irrelevant.

3.5.2 Main Memory Bus Cabling

1. Remove the M8147/M8148 and M8149 module comprising the last memory controller on the main memory bus.
2. Remove the H873 bus terminator from J2 and J4 on each module.
3. Install address cable assembly 7010824-1 in connectors J2 and J4 of the M8147/M8148 module.
4. Install the data cable assembly 7010824-0 in connectors J2 and J4 of the M8149 module.
5. Replace the modules in their proper backplane slots.
6. Route the main memory bus cables as shown in Figures 3-19 and 3-20. Ensure that the cables do not obstruct the air vents at the rear of the memory frame. Connect the cables to J1 and J3 on the M8147/M8148 and M8149 modules of the memory frame being installed.
7. Insert the main memory bus terminators in connectors J2 and J4 of the M8147/M8148 and M8149 modules, which are last on the main memory bus.
8. Install the modules in their proper backplane slots.
9. Secure the bus cables by tightening the cable clamps.

3.5.3 Voltage Checks

After installation has been completed, check regulator voltage outputs in all the memory frames (Table 3-2). Perform voltage adjustments (Paragraph 4.5.2.2) if necessary.

3.5.4 Memory Expansion in the PDP-11/70

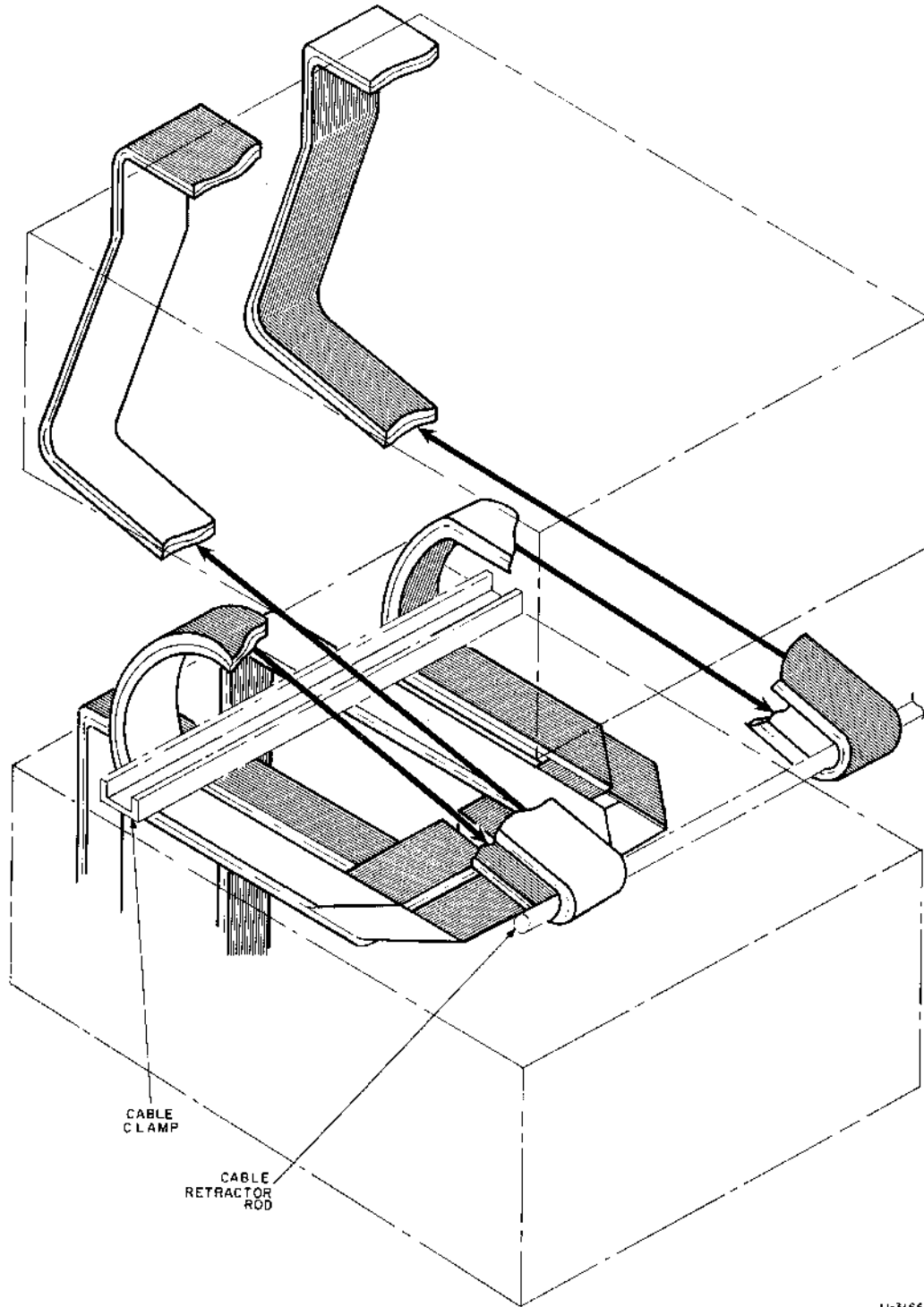
Prior to installation verification, the PDP-11/70 System Size register must be reconfigured to represent the new memory size. Refer to drawing D-CS-M8140-0-1, sheet SCCN in the PDP-11/70 Engineering Drawings and to Figure 3-21.

3.5.5 Checkout

Run diagnostics as listed in Figure 3-9.

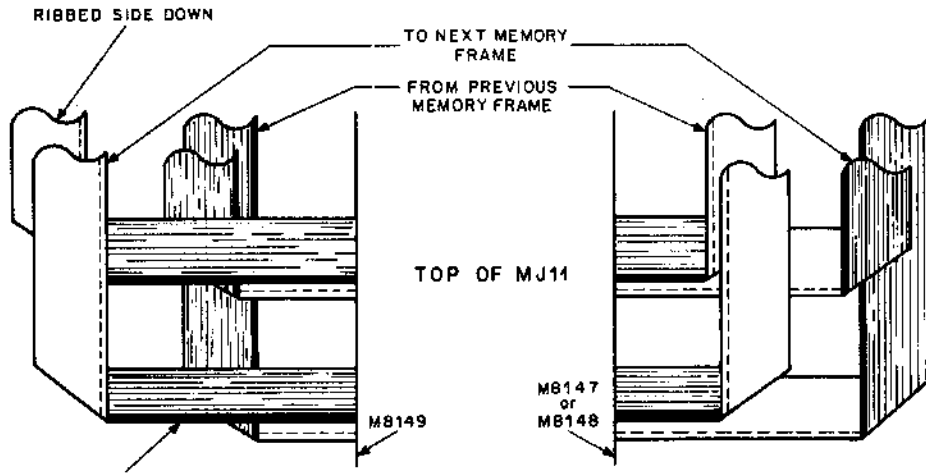
3.6 MK11 MEMORY EXPANSION

The MK11 memory frame is similar to the MJ11 memory frame. They are shipped in the same type of protective box (Figure 3-14) and have the same type of slide rail mounting brackets (Paragraph 3.5). Both memory frames are mounted in the memory cabinet in the same manner. In addition to installing the memory frame, the box controller and the three battery backup units must also be installed in the cabinet and cabled to the memory frame.

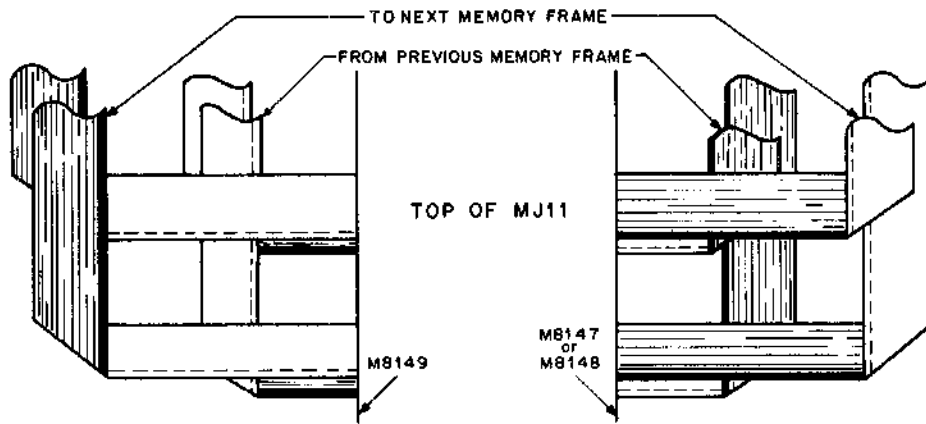


11-3/66

Figure 3-19 Typical MJ11 Cable Routing



a. In cabinets where the bus is routed from bottom to top



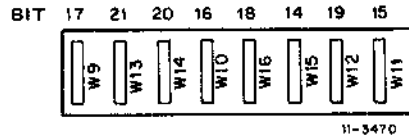
b. In cabinets where the bus is routed from top to bottom

NOTE:

1. The cables shown above do not overlap exactly due to illustrative purposes only.
2. Dotted lines indicate red stripes on smooth side of cable.

11-4509

Figure 3-20 MJ11 Main Memory Bus Cable Routing



X = ON
 - = OFF

Memory Size	Last Address	Switch Settings							
		W9	W13	W14	W10	W16	W15	W12	W11
32K	00177776	X	X	X	X	X	X	-	-
64K	00377776	X	X	X	-	X	X	-	-
96K	00577776	-	X	X	X	X	X	-	-
128K	00777776	-	X	X	-	X	X	-	-
160K	01177776	X	X	X	X	-	X	-	-
192K	01377776	X	X	X	-	-	X	-	-
224K	01577776	-	X	X	X	-	X	-	-
256K	01777776	-	X	X	-	-	X	-	-
288K	02177776	X	X	X	X	X	-	-	-
320K	02377776	X	X	X	-	X	-	-	-
352K	02577776	-	X	X	X	X	-	-	-
384K	02777776	-	X	X	-	X	-	-	-
416K	03177776	X	X	X	X	-	-	-	-
448K	03377776	X	X	X	-	-	-	-	-
480K	03577776	-	X	X	X	-	-	-	-
512K	03777776	-	X	X	-	-	-	-	-
544K	04177776	X	X	-	X	X	X	-	-
576K	04377776	X	X	-	-	X	X	-	-
608K	04577776	-	X	-	X	X	X	-	-
640K	04777776	-	X	-	-	X	X	-	-
672K	05177776	X	X	-	X	-	X	-	-
704K	05377776	X	X	-	-	-	X	-	-
736K	05577776	-	X	-	X	-	X	-	-
768K	05777776	-	X	-	-	-	X	-	-
800K	06177776	X	X	-	X	X	-	-	-
832K	06377776	X	X	-	-	X	-	-	-
864K	06577776	-	X	-	X	X	-	-	-
896K	06777776	-	X	-	-	X	-	-	-
928K	07177776	X	X	-	X	-	-	-	-
960K	07377776	X	X	-	-	-	-	-	-
992K	07577776	-	X	-	X	-	-	-	-
1024K	07777776	-	X	-	-	-	-	-	-

Figure 3-21 System Size Register Switches (Sheet 1 of 2)
 (refer to D-CS-M8148-0-1, Sheet 1, for Location of Switch Assembly)

X = ON
 - = OFF

Memory Size	Last Address	Switch Settings							
		W9	W13	W14	W10	W16	W15	W12	W11
1032K	10177776	X	—	X	X	X	—	X	—
1064K	10377776	X	—	X	—	X	—	X	—
1096K	10577776	—	—	X	X	X	—	X	—
1128K	10777776	—	—	X	—	X	—	X	—
1160K	11177776	X	—	X	X	—	—	X	—
1192K	11377776	X	—	X	—	—	—	X	—
1224K	11577776	—	—	X	X	—	—	X	—
1256K	11777776	—	—	X	—	—	—	X	—
1288K	12177776	X	—	X	X	X	—	—	—
1320K	12377776	X	—	X	—	X	—	—	—
1352K	12577776	—	—	X	X	X	—	—	—
1384K	12777776	—	—	X	—	X	—	—	—
1416K	13177776	X	—	X	X	—	—	—	—
1448K	13377776	X	—	X	—	—	—	—	—
1480K	13577776	—	—	X	X	—	—	—	—
1512K	13777776	—	—	X	—	—	—	—	—
1544K	14177776	X	—	—	X	X	—	X	—
1576K	14377776	X	—	—	—	X	—	X	—
1608K	14577776	—	—	—	X	X	—	X	—
1640K	14777776	—	—	—	—	X	—	X	—
1672K	15177776	X	—	—	X	—	—	X	—
1704K	15377776	X	—	—	—	—	—	X	—
1736K	15577776	—	—	—	X	—	—	X	—
1768K	15777776	—	—	—	—	—	—	X	—
1800K	16177776	X	—	—	X	X	—	—	—
1832K	16377776	X	—	—	—	X	—	—	—
1864K	16577776	—	—	—	X	X	—	—	—
1896K	16777776	—	—	—	—	X	—	—	—
1928K	17177776	X	—	—	X	—	—	—	—
1960K	17377776	X	—	—	—	—	—	—	—
1992K	17577776	—	—	—	X	—	—	—	—
2048K	17777776	—	—	—	—	—	—	—	—

Figure 3-21 System Size Register Switches (Sheet 2 of 2)
 (Refer to D-CS-M8148-0-1, Sheet 1, for Location of Switch Assembly)

Cable placement is critical in the memory cabinet. The cables will be damaged if the following procedure is not followed carefully. The following steps refer specifically to adding memory box no. 1 to the first memory cabinet. The procedure for installing expansion box no. 3 to the second memory cabinet is similar and can be generalized from the steps given in this section if the following guidelines are observed.

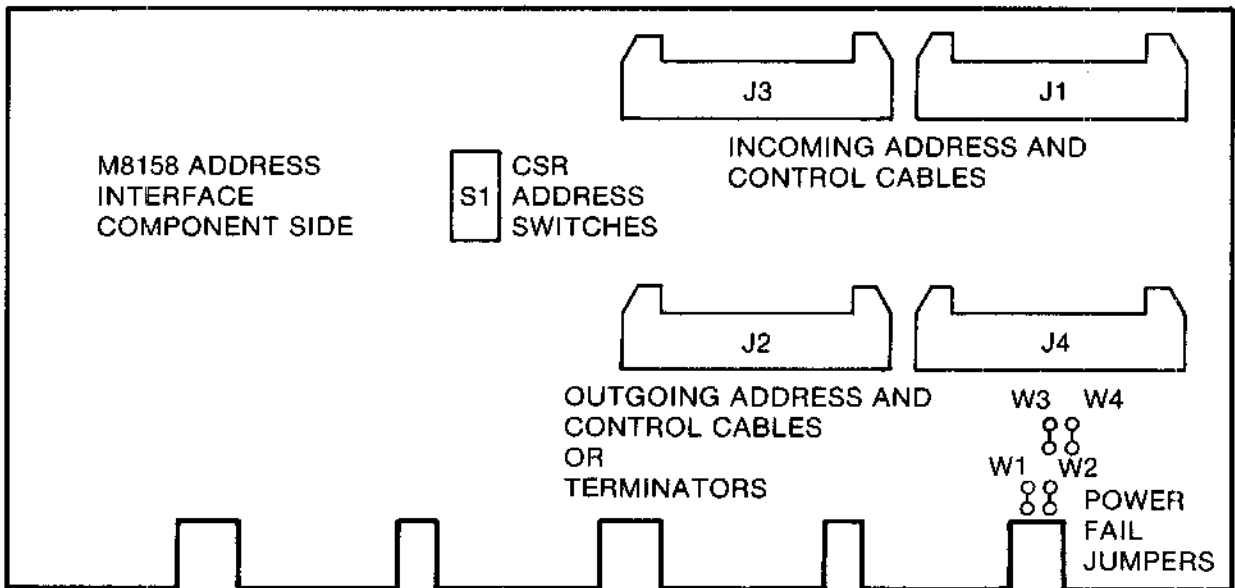
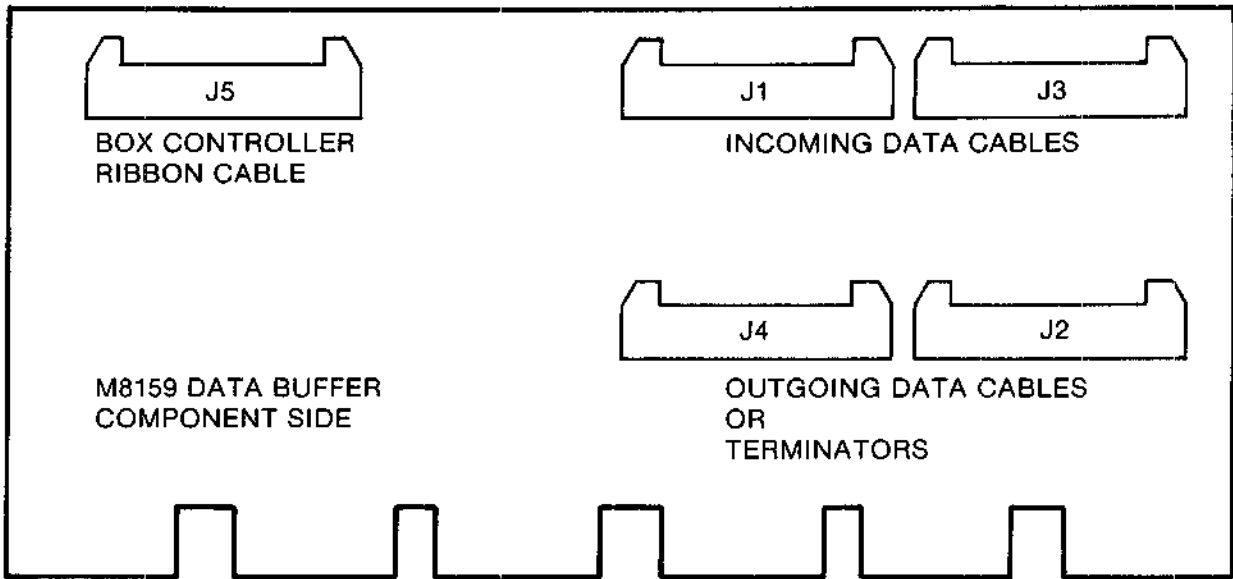
- Cable from lower numbered memory box to higher numbered box. Take up excess cable slack inside of higher numbered memory box.
- Keep smooth side up on incoming ribbon cables. Keep ribbed side up on outgoing ribbon cables.
- Memory boxes no. 0 and no. 2 have their incoming cables on the left-hand side of box. Memory boxes no. 1 and no. 3 have their incoming cables on the right.

Prior to installation, check contents of shipment against packing list, unpack containers, and inspect for obvious shipping damage. Remove the memory cabinet's front and rear doors.

Configure the power fail jumpers on the address buffer module (M8158) as shown in Table 3-4. This will allow any memory to be switched off-line and powered down without affecting the other memories or the processor.

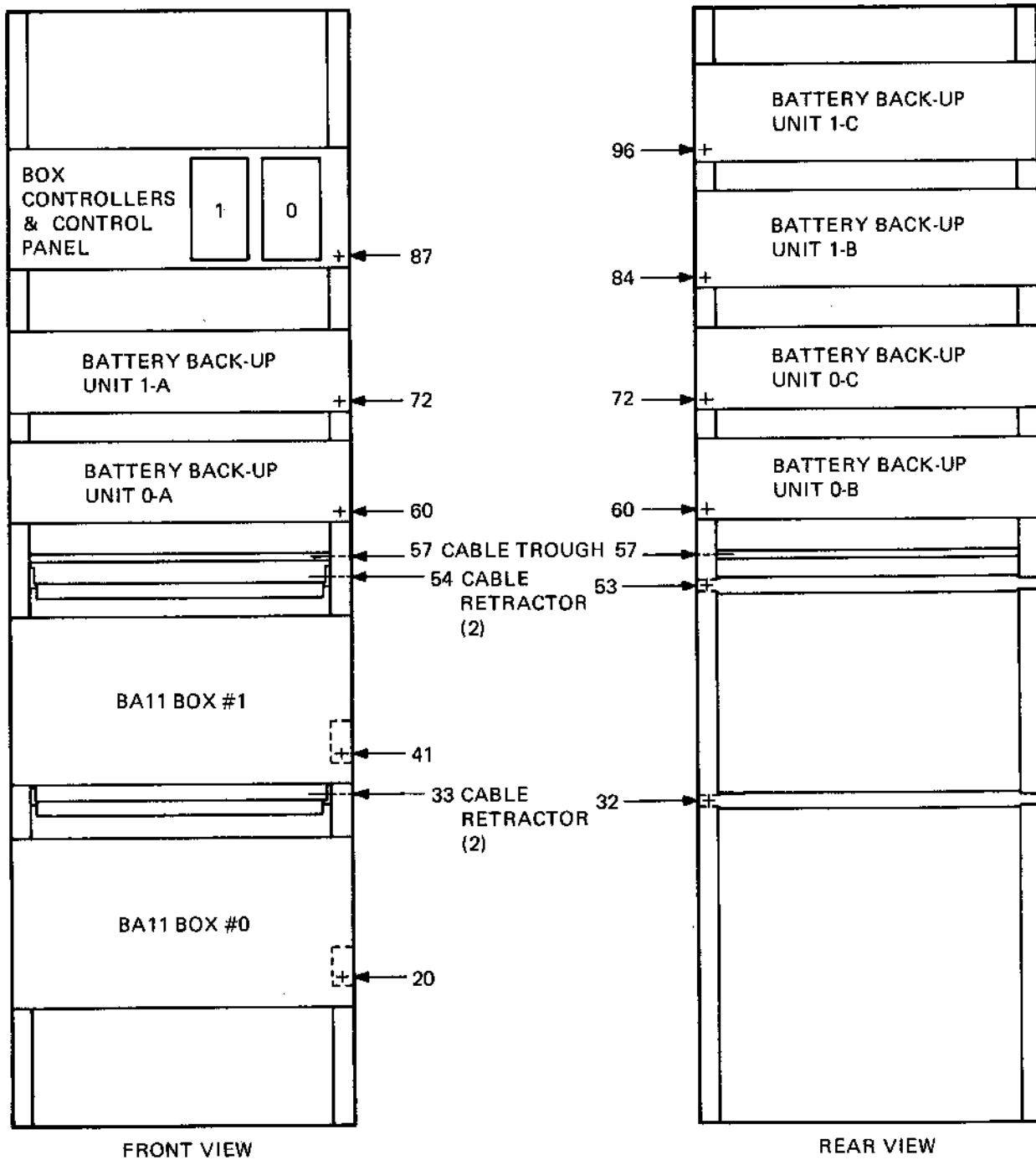
The CSR address select switches must select the address corresponding to the memory's unit number. Consult Table 3-5 for the proper CSR address and set the switches on the address interface module. Apply unit number decal to memory box.

1. Extend memory box no. 0 from the cabinet. Remove the top cover and remove the strain relief bar. Remove address interface and data buffer modules (slots 13 and 15). Remove screws and unplug memory bus terminators from J2 and J4; see Figure 3-22 for their location. Configure power fail jumpers as in Table 3-4. Plug in address and data bus cables, keeping ribbed side up and red stripe to left on component side of board. Replace address and data buffer modules.
2. Fold outgoing bus cables. Lay cables, ribbed side up, on right-hand side of memory box. Replace the strain relief bracket keeping cables between retaining screws. Flatten outgoing cables and pull them toward rear of box to take up any slack inside the box. Tighten strain relief bracket. Tie wrap outgoing cables to power supply assembly.
3. Tilt memory box no. 0 to the 90 degree service position. Align cables so they extend straight back into the cabinet, parallel to the slide rails. Tie wrap cables to front cable retractor bar as shown in Figure 3-28, taking up slack in cables between memory box and retractor. Route bus cables over cable retractor and into cabinet. Use tape to tie wrap the four cables together between memory box and front cable retractor. Place floating restraint under cables midway between memory box and cable retractor and tie wrap to cables.
4. Tilt memory box no. 0 to its level position and replace top cover. Slide box no. 0 into cabinet, guiding cables by hand if necessary.
5. Mount memory box no. 1 in cabinet, position slide rails at height indicated in Figure 3-23.



MA-1412

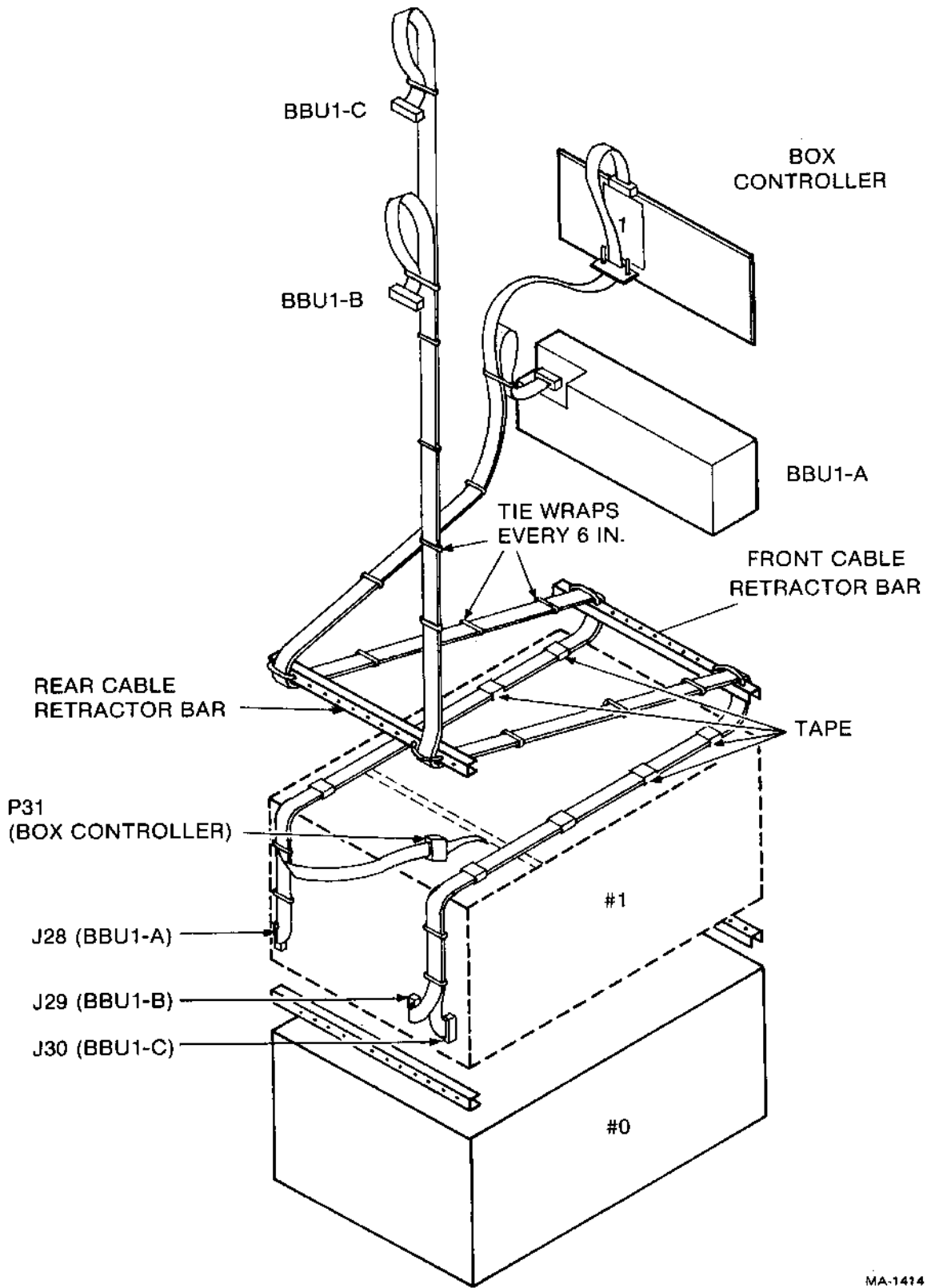
Figure 3-22 Address and Data Buffer Plug Locator



MA-1413

Figure 3-23 MK11 Memory Cabinet Configuration

6. Route power cables (Figure 3-24). Tilt box no. 1 to the 90 degree service position. Plug in battery backup and box controller power cables and tie wrap to power supply chassis. Overlap the two power cables on left side of box and tie wrap them to the front cable retractor, taking up any slack and keeping the cables parallel to the slide rails. Route cables straight back through the cabinet, under and around the rear cable retractor bar. Tie wrap power cables to cable retractor. On right side of box, route and tie wrap power and controller cables in the same fashion. Tie wrap cable bundles every six inches. Use tape to tie wrap cables between memory box and front cable retractor.
7. Install battery backup units 1B and 1C in the rear of the cabinet at the heights shown in Figure 3-23. Plug power cables into battery backup units. Take up slack in cables by tie wrapping loops into the cables as shown in Figure 3-25
8. Remove blank control panel cover. Pull controller power cable through cutout on top of control panel and out through front of panel. Plug cable into box controller and mount controller in control panel. Install battery backup unit 1A in cabinet and plug in power cable. Tie wrap loops into cables to take up slack as shown in Figure 3-26.
9. Return memory box no. 1 to level position. Remove top cover and strain relief bar. Lay the four incoming bus cables, from box no. 0, on the right-hand side of box, keeping smooth side of cables up. Replace strain relief bar (do not tighten) and position cables just to the left of the retaining screw. Pull bus cables forward under strain relief taking up enough slack in cables to allow service loop (Figures 3-27 and 3-28). Cables should be tight when memory box is pushed back into cabinet. If box is pushed into cabinet to check length of service loop, push box carefully and guide cables by hand to avoid damage to cables.
10. Remove data buffer and address buffer modules. Configure power fail jumpers and CSR address switches as two indicated in Tables 3-4 and 3-5. Plug terminators and secure with two screws and connect bus cables into modules as in Figure 3-22. Keep red stripe to left on component side of modules. Replace address and data buffer modules. Fold incoming bus cables to take up slack inside of memory box. Tie wrap incoming bus cables every six inches.
11. Plug box controller ribbon cable into data buffer board, fold, and lay on top of incoming bus cables, keeping smooth side up. Lift strain relief bar and slide cable under bar, position cable on top of bus cables (do not alter position of incoming bus cables). Flatten controller cable to remove slack and tighten strain relief bar. Replace top cover and tilt box to the 90 degree service position.
12. Route controller ribbon cable over front cable retractor bar then under and around rear cable retractor (Figure 3-26). Take up slack in cable and tie wrap to cable retractors as shown. Keep cable path parallel to slide rails. Bring cable across to front of cabinet and plug into box controller as in Figure 3-27. Plug cable in with smooth side of cable up on bracket behind controller. Take up slack in cable with folds and tie wrap to bottom of control panel. Install strain relief bracket behind controller panel. Tie wrap floating strain relief to cables mid-way between memory box and front retractor bar.
13. Return memory box to level position. Tie wrap power cord to rear cable retractor. Plug power cord into receptacle. Attach memory unit number decal corresponding to CSR address to memory box. Push memory box into cabinet, guiding cables by hand if necessary.



MA-1414

Figure 3-24 Box Controller and Battery Backup Power Cables

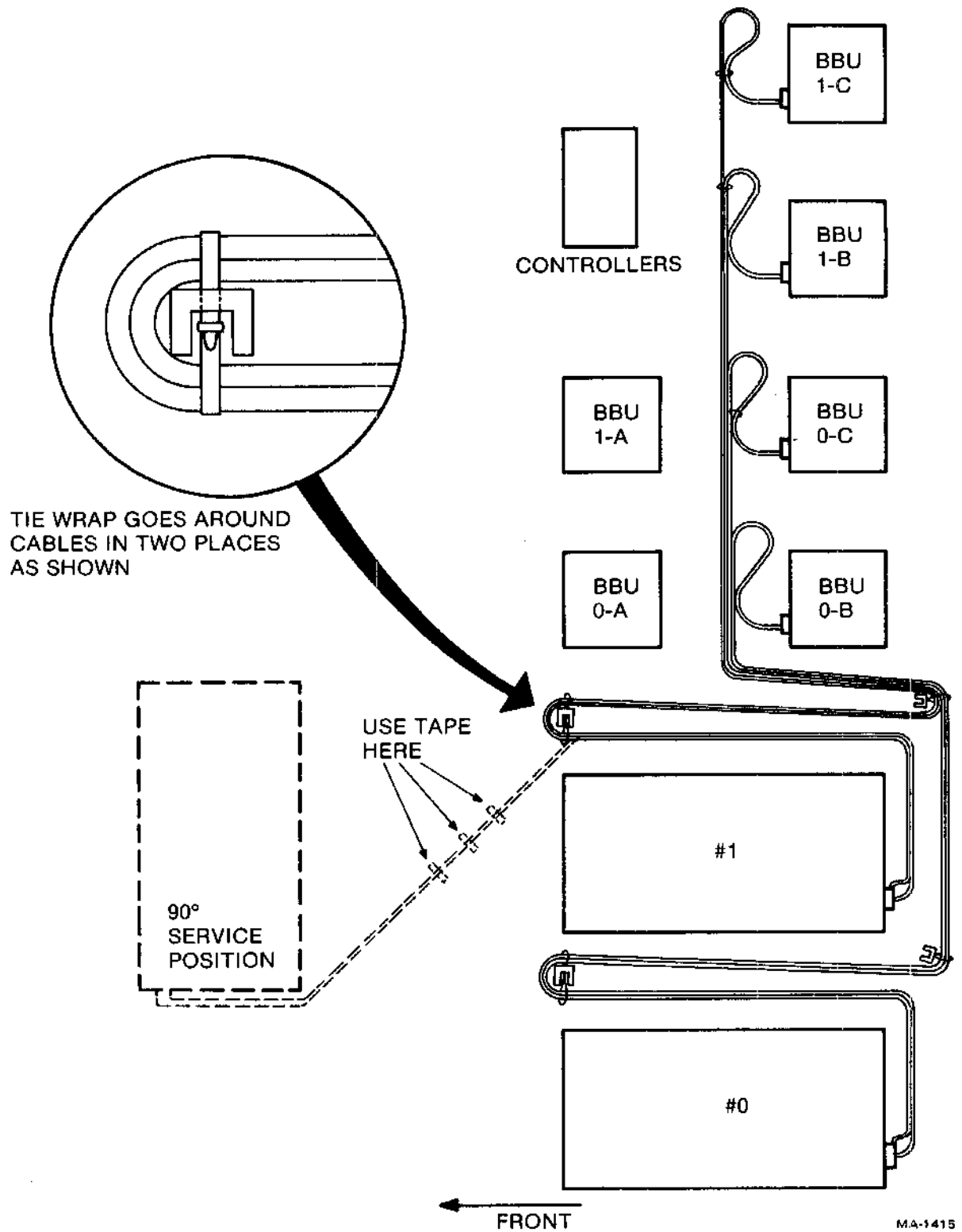


Figure 3-25 Battery Backup Power Cable Routing, First Memory Cabinet

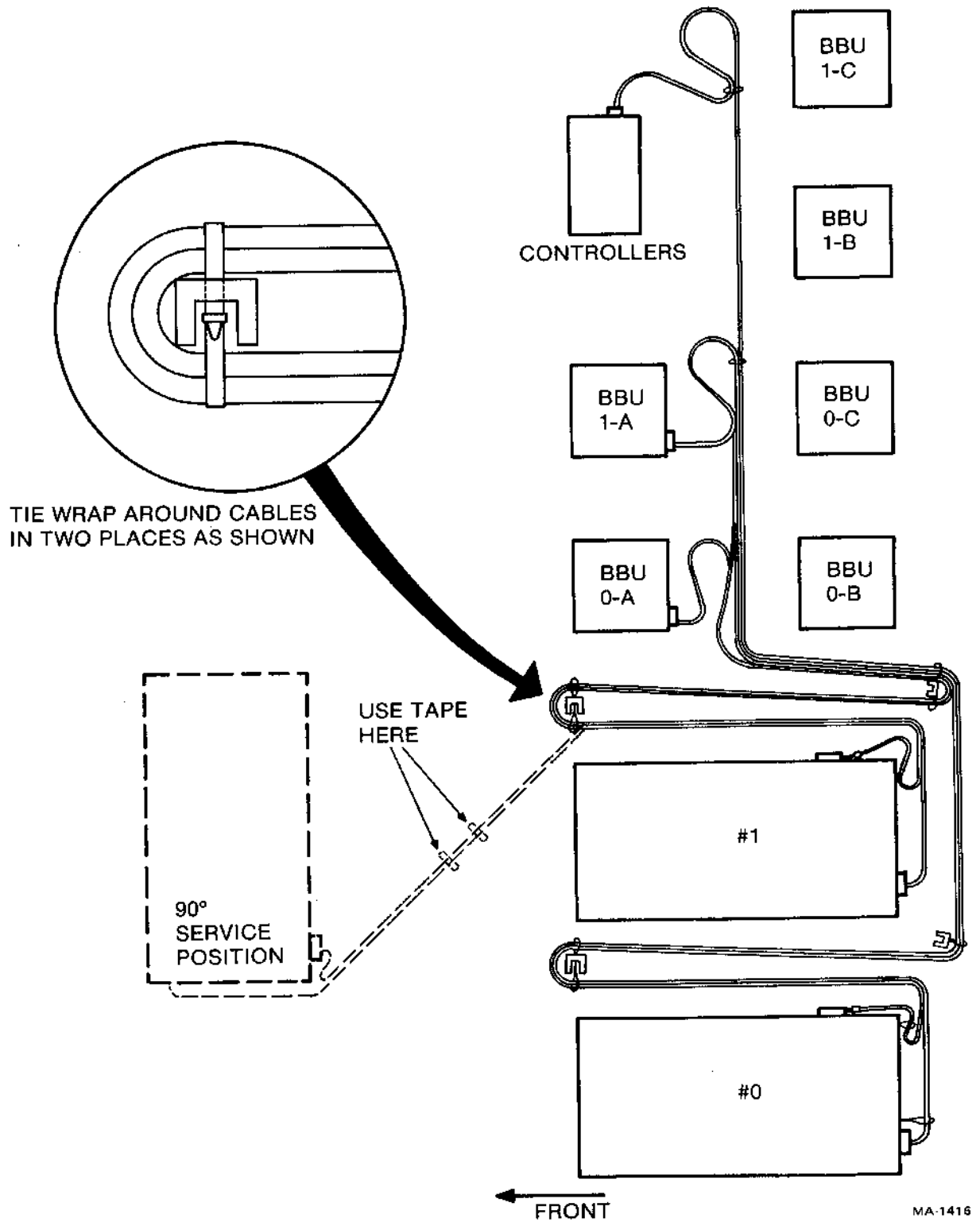
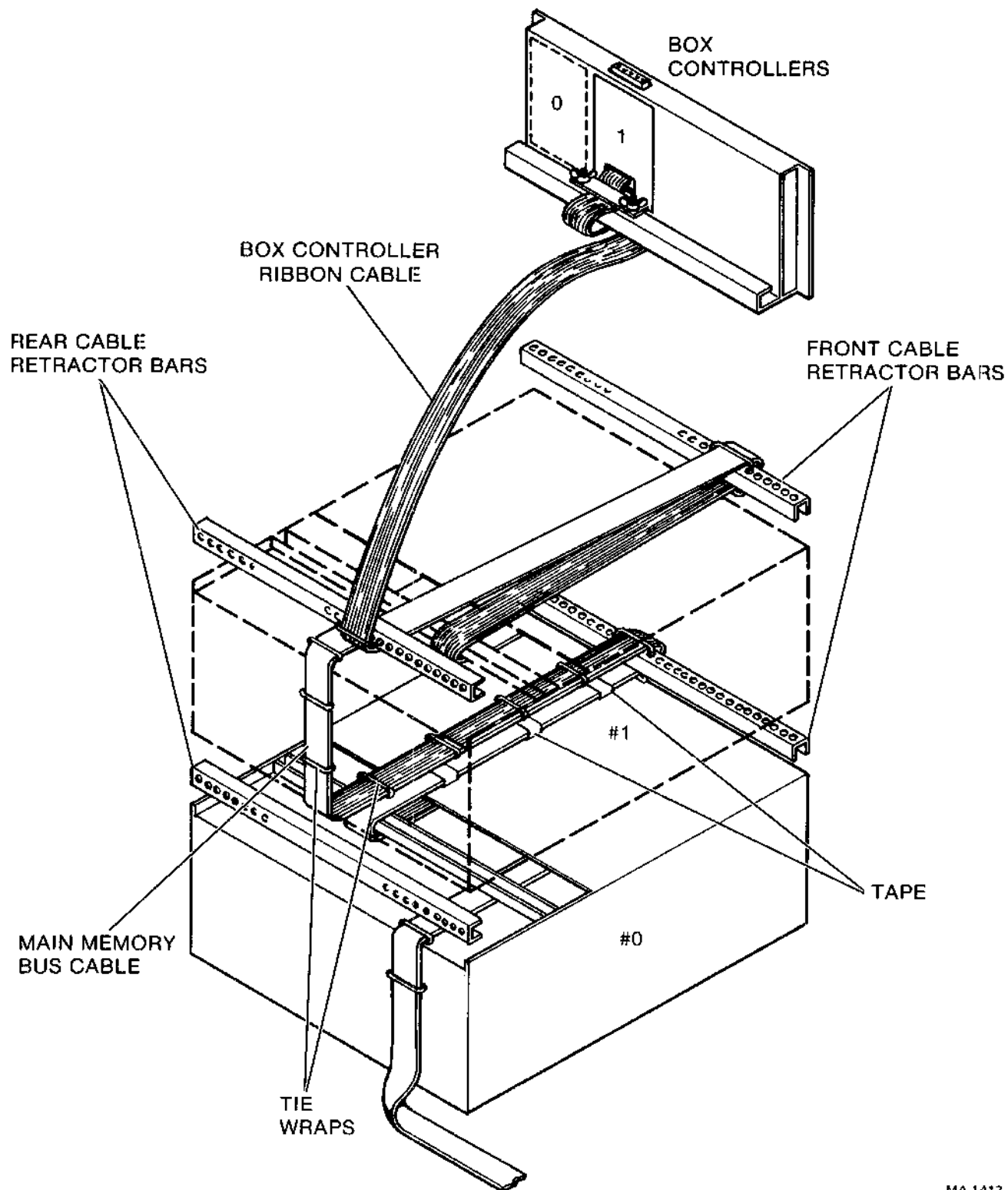
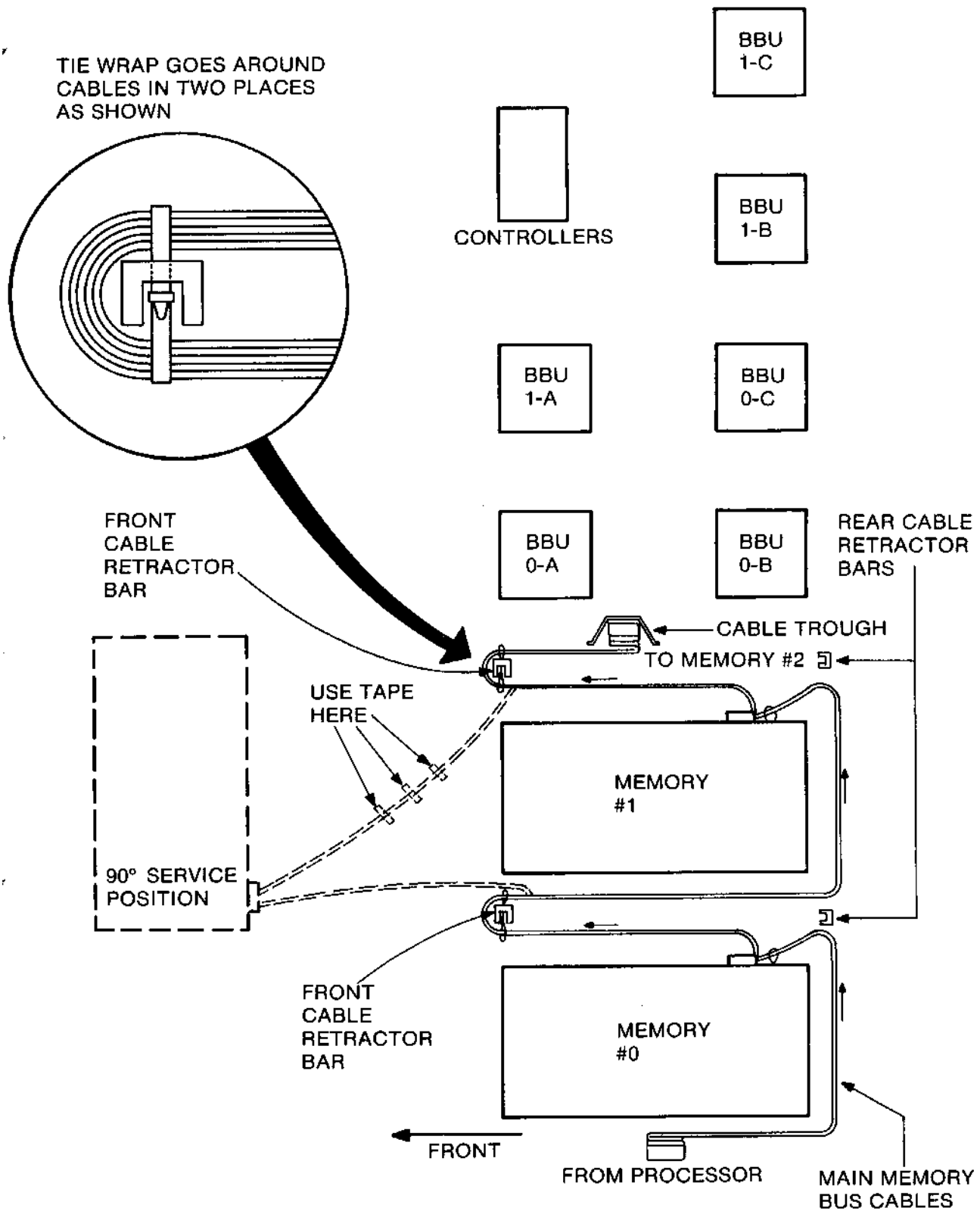


Figure 3-26 Box Controller and Battery Backup Cable Routing



MA-1417

Figure 3-27 Main Memory Bus and Box Controller Cables



MA-141B

Figure 3-28 Main Memory Bus Cable Routing, First Memory Cabinet

Table 3-4 Power Fail Jumpers

Memory	W1	W2	W3	W4
Last Memory Box on Bus	Out	In	Out	In
All Other Memory Boxes	In	Out	In	Out

Table 3-5 CSR Address Selection

Unit Number	CSR Address	Switch Position		S1-1
		S1-3	S1-2	
0	X772100	Closed	Closed	Closed
1	X772104	Closed	Closed	Open
2	X772110	Closed	Open	Closed
3	X772114	Closed	Open	Open

X = 106 for direct addressing mode.
X = 17 for indirect addressing mode.

3.6.1 Memory Expansion Cabinet

Expansion memory cabinets are shipped with the memory box, battery backup units, and the box controller installed and cabled. The second memory cabinet is installed immediately to the right of the first memory cabinet. At most sites, this requires repositioning the tape or disk drive cabinet since these cabinets are positioned to the right of the memory cabinet(s).

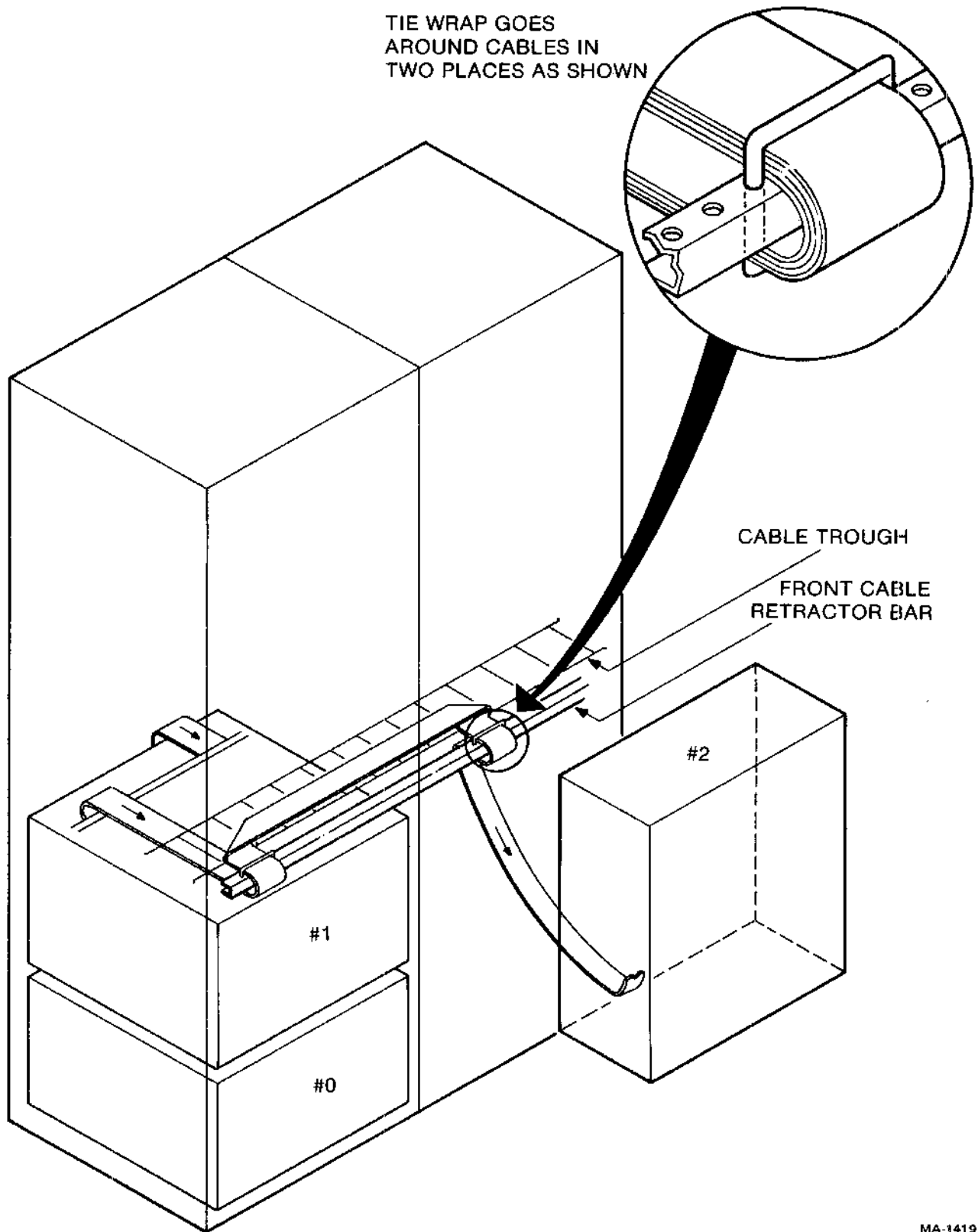
Prior to installation, check contents of shipment against packing list and inspect for obvious shipping damage.

1. Remove shipping container and polyethylene covers from cabinet. Remove tape, plastic shipping pins and securing bolts from cabinet. Remove side panel from right side of first memory cabinet.
2. Raise leveling feet so that cabinet rests on its casters. Roll cabinet onto floor using suitable ramp. Push cabinet into position along side the first memory cabinet.
3. Install filler strips between memory cabinets. Lower leveling feet to align height of second memory cabinet to first memory cabinet. Tighten bolts securing cabinets together. Install ground strapping between cabinets. Remove shipping bracket from memory box.
4. Install memory bus cable trough at height indicated in Figure 3-23.

5. Extend memory box no. 1 to service position. Remove top cover. Remove strain relief bracket. Remove address buffer and data buffer modules. Note cable positions, do not alter folds in ribbon cables. Configure power fail jumpers per Table 3-4. Remove screws and unplug memory bus terminators. Connect main memory bus cables to modules keeping ribbed side up and red stripe to left on component side of board. Replace address interface and data buffer modules.
6. Fold outgoing bus cables, keeping ribbed side up and lay them on left side of memory box just to the right of strain relief bracket retaining screw. Return incoming cables to original position. Replace strain relief bracket, do not tighten. Pull outgoing cables backward to take slack out of memory box. Tighten strain relief bracket.
7. Replace top cover. Tilt memory box no. 1 to 90 degree service position. Tie wrap outgoing bus cables to front cable retractor bar as shown, taking up slack between memory box and cable retractor. Keep path of cables parallel to slide rails. Wrap cables together with tape. Tilt memory box no. 1 back to level position and push memory box back into cabinet.
8. Extend memory box no. 2 to service position. Remove top cover. Remove strain relief bracket. Note position of controller ribbon cable.
9. Fold and route memory bus cables through cable trough into second memory cabinet as shown in Figure 3-29. Exit cables with smooth side up through front of second memory cabinet on top of front cable retractor bar. Lay cables on left side of memory box just to the right of retaining screw. Straighten cables and tie wrap to front cable retractor bar.
10. Remove address buffer and data buffer modules. Configure power fail jumpers and CSR address select switches per Tables 3-4 and 3-5. Connect memory bus terminators and incoming bus cables. Replace address interface and data buffer modules. Replace strain relief bracket; do not tighten.
11. Tilt memory box no. 2 to the 90 degree service position. Pull upward on incoming bus cables to take up slack between front cable retractor and memory box. Ensure controller ribbon cable is returned to former position. Tighten strain relief bracket. Tape incoming cables together between cable retractor and memory box. Tie wrap cables to floating restraint.
12. Return memory box no. 2 to level position. Fold incoming cables to take up slack inside of memory box. Replace top cover.
13. Place unit number decal on memory box (Figure 3-30) to indicate CSR address as in Table 3-5. Plug in power cord. Verify cabling with diagrams.

3.6.2 MK11 Memory Configuration

Thumbwheel switches on the MK11 box controller select the starting address and the type of interleaving for the memory frame. The thumbwheel switches are eight position switches, labeled from zero through seven. The octal number displayed by the starting address switches represents the starting address of the memory frame in 32K word blocks (decimal). The interleave number selects the external interleaving between two or four memory frames. The control panel decal, Figure 3-31, summarizes the interleave switch settings and correlates the starting address switch settings to the starting address of the memory.



MA-1419

Figure 3-29 Main Memory Bus Cable Routing, Second Memory Cabinet

mk11 memory system

BOX STARTING ADDRESS (OCTAL) _____			
CONTROL & STATUS REGISTER STARTING ADDRESS		<input type="checkbox"/> 1607721 _____ <input type="checkbox"/> 177721 _____	
INTERLEAVED <input type="checkbox"/> EXT 2 WAY <input type="checkbox"/> EXT 4 WAY		RESPONDS TO A ϕ 2: _____ A ϕ 3: _____	
MEMORY SYSTEM SERIAL NO. _____		DATE INSTALLED _____	
SLOT	MODULE TYPE	MODULE GROUP SER. NO.	MODULE FUNCTION
01	NOT USED		
02	M7984 -		#14 STORAGE ARRAY
03	M7984 -		#12 STORAGE ARRAY
04	M7984 -		#10 STORAGE ARRAY
05	M7984 -		#8 STORAGE ARRAY
06	M7984 -		#6 STORAGE ARRAY
07	M7984 -		#4 STORAGE ARRAY
08	M7984 -		#2 STORAGE ARRAY
09	M7984 -		#0 STORAGE ARRAY
10	M8161		0 CONTROL B (DATA & ECC)
11	M8160		0 CONTROL A (TIMING & CONT.)
12	NOT USED		
13	M8158		ADDRESS BUFFER
14	NOT USED		
15	M8159		DATA BUFFER
16	M8160		1 CONTROL A (TIMING & CONT.)
17	M8161		1 CONTROL B (DATA & ECC)
18	M7984 -		#1 STORAGE ARRAY
19	M7984 -		#3 STORAGE ARRAY
20	M7984 -		#5 STORAGE ARRAY
21	M7984 -		#7 STORAGE ARRAY
22	M7984 -		#9 STORAGE ARRAY
23	M7984 -		#11 STORAGE ARRAY
24	M7984 -		#13 STORAGE ARRAY
25	M7984 -		#15 STORAGE ARRAY
26	NOT USED		

Figure 3-30 Memory Box Decal

BATTERY STATUS							
LED'S				FUNCTION			
1. SLOW FLASH 2. ON 3. FAST FLASH 4. OFF				FAST CHARGE SLOW CHARGE DISCHARGE BATTERY OFF			
INTERLEAVE							
0 NO EXT INTERL 1 NOT USED 2 (2) WAY EXT INTERL BOX 0 3 (2) WAY EXT INTERL BOX 1 4 (4) WAY EXT INTERL BOX 0 5 (4) WAY EXT INTERL BOX 1 6 (4) WAY EXT INTERL BOX 2 7 (4) WAY EXT INTERL BOX 3							
STARTING ADDRESS							
PANEL SET	K WORDS	PANEL SET	K WORDS	PANEL SET	K WORDS	PANEL SET	K WORDS
000	0	020	512	040	1024	060	1536
001	32	021	544	041	1056	061	1568
002	64	022	576	042	1088	062	1600
003	96	023	608	043	1120	063	1632
004	128	024	640	044	1152	064	1664
005	160	025	672	045	1184	065	1696
006	192	026	704	046	1216	066	1728
007	224	027	736	047	1248	067	1760
010	256	030	768	050	1280	070	1792
011	288	031	800	051	1312	071	1824
012	320	032	832	052	1344	072	1856
013	352	033	864	053	1376	073	1888
014	384	034	896	054	1408	074	1920
015	416	035	928	055	1440	075	1952
016	448	036	960	056	1472	076	1984
017	480	037	992	057	1504	077	2016

Figure 3-31 Control Panel Decal

Interleaving – Internal interleaving, between the right and left sides of the memory frame, is a function of the number and types of storage arrays installed in the memory. If both sides of the memory contain the same number of MS11-KE, MS11-KD, and MS11-KC arrays, then, at power up, the memory will be internally interleaved. If the memory frame is unbalanced, that is a different capacity or number of array modules on one side than the other, then the memory will not be internally interleaved. There is no way to force an unbalanced memory to be internally interleaved. Internal interleaving in a balanced memory, however, may be defeated. Consult the technical manual for the MK11 memory for defeating the internal interleaving.

External interleaving, between two memory frames or among four memory frames, is determined by the interleave switches on the box controllers. To interleave two memory frames (external two way), set the interleave switch on one box controller to 2, and the interleave switch on the second box controller to 3. The memory frame with its box controller interleave switch set to 2 responds to addresses with address bit A02 equal to zero. The memory frame with its box controller interleave switch set to 3 responds to addresses with address bit A02 equal to one.

Two memory frames may be two-way externally interleaved only if their capacities are equal. Also, both memory frames must have the same starting address.

Four memory frames may be four-way externally interleaved by using the interleave switch positions labeled 4, 5, 6, and 7. The switch settings and the addresses that the memory responds to are listed below.

	Interleave Switch Number	Responds to Address Bits	
		A03	A02
Box 0	4	0	0
Box 1	5	0	1
Box 2	6	1	0
Box 3	7	1	1

In order to externally interleave the four memory frames, they must all have the same memory capacity. The same starting address must be selected for all four memory frames.

Interleave switch position 0 corresponds to no external interleaving. Use switch position 0 if there is only one MK11 memory frame in the system or if external interleaving among the boxes is not desired.

Interleave switch position 1 is not used.

Starting Address – Refer to the control panel decal shown in Figure 3-31. The decal correlates the octal starting address switch settings to the decimal starting addresses in 32K word blocks. The first memory frame in the system, box 0, will have its starting address switches set to 000. The starting address switch settings of the second memory frame, Box 1, are determined by the capacity of Box 0 (only if the two memories are not externally interleaved).

For example, if Box 0 contains 256K words of memory, the starting address switches for Box 1 are set to 010. The starting address for a third memory frame, Box 2, will be the total of the capacities of Box 0 and Box 1. For a fourth memory frame, total the capacities of Boxes 0, 1, and 2. If, in this case, all four memory frames contained 256K words, then the starting address of Box 2 would be 512K words. The starting address switches for Box 2 will be set to 020, from the decal. Box 3 will have a starting address of 256K + 256K + 256K or 768K and its starting address switches will be set to 030.

If any of the memory frames are externally interleaved, their box controllers must display the same starting address. Any memory interleaved with Box 0 will have a starting address of zero. To two-way interleave Boxes 0 and 1 of the preceding example, set the starting address switches of box controller 1 to 000 and set the interleave switches of Box 0 to 2 and Box 1 to 3. Similarly, Box 2 and Box 3 may be two-way interleaved by setting the starting address switches of Box 3 to 020, the starting address of Box 2. The interleave switches of Box 2 and Box 3 will then be changed from 0 to 2 and 3, respectively.

Set the starting address switches to 000 on all the box controllers for four-way external interleaving. The interleave switch settings will be 4, 5, 6, and 7. Remember that the memory capacity of the four frames must be equal for four-way external interleaving.

After configuring the MK11 memory system, enter the starting address, interleaving information, and the CSR address on the memory box decal. A sample memory box decal is shown in Figure 3-30.

3.6.3 Voltage Checks

After completing the installation and configuration procedures, verify the regulated voltage outputs of the memory frames (Table 3-3). Perform any necessary adjustments as described in Paragraph 4.5.2.2.

3.6.4 PDP-11/70 System Size Register

The system size register in the PDP-11/70 must be reconfigured to represent the new memory size. Refer to drawing D-CS-M8140-0-1, sheet SCCN in the PDP-11/70 engineering drawings and to Figure 3-21.

3.6.5 Checkout

Run diagnostics as listed in Figure 3-9.

3.7 NON-MEMORY ADD-ON INSTALLATION

Non-memory add-on installation may be:

1. System Unit (SU) options
2. Rack-mounted options
3. Cabinet options.

The options available to the PDP-11/70 are listed in Appendix F.

Installation in an existing system consists of:

1. Determination of the optimum electrical and physical position of the option on the Unibus or on the Massbus guidelines are supplied in Paragraphs 3.7.2 and 3.7.3 to aid in this determination.
2. Mechanical installation of the option.

3.7.1 Mechanical Installation

1. SUs are mounted in BA11-K boxes. All required information is supplied in the *BA11-K Mounting Box Manual*, EK-BA11K-MM.
2. Up to five SPCs may be mounted in the processor cabinet, slots 40-44. Refer to appropriate manual. Slot 40 is reserved for the DL11-A that controls the system terminal. Any additional SPCs must be mounted in BA11-K boxes.
3. Instructions for installation of rack-mounted and cabinet options are contained in their respective manuals.

3.7.2 System Configuration (Massbus)

The optimum configuration of the Massbus (RH70) is determined by the same rules used for Unibus NPR devices (Paragraph 3.7.3). The prepared order of priorities for RH70 devices is as follows:

1. CPU
2. RWS04
3. RWP04
4. RWS03
5. TWU16.

The DWR70 is a customer interface; the speed of this interface should determine the position of the DWR70 on the Massbus.

3.7.3 System Configuration (Unibus)

NOTE

System configuration is a function not only of the variables mentioned below, but also of size, available space, and power distribution. These factors are not discussed here, but must be taken into consideration when a system is reconfigured.

System configuration as defined here is a function of two variables:

1. The tolerance of each device for delays in service (maximum tolerable latency), and
2. The data transfer demand placed by each device on the system.

As the demand of device X increases, it increases the time that device Y must wait for service.

The order in which devices are serviced depends upon:

1. Their assigned priority, in descending order: NPR, BR7, BR6, BR5, BR4.
2. Within each priority, the order in which they are placed on the Unibus (electrical position).

The definitions that follow are taken from the glossary of the Unibus specification:

Latency is the delay between the time that a device initiates a transaction and the time that it receives a response.

Thus, if a device requests the use of the data section of the bus, is granted the use of the bus, and then receives the negation of BBSY (signifying that the previous master has released the data section of the bus), then latency is the delay between the assertion of the request and the receipt of the negation of BBSY by the requesting device.

Maximum Tolerable NPR Data Transfer Latency is the longest time that a device may be refused bus mastership before it loses data. It affects only devices that transfer data in a constant stream, e.g., a disk.

Maximum Tolerable BR Interrupt Latency is the longest time the computer may take to service an interrupt before the requesting device loses its data. The service time includes the execution of all higher priority interrupts and programs that may be pending, plus the time spent in the interrupt subroutine of the device in question.

From the preceding, general rules for configuration may be stated as follows ("behind" means farther from the processor):

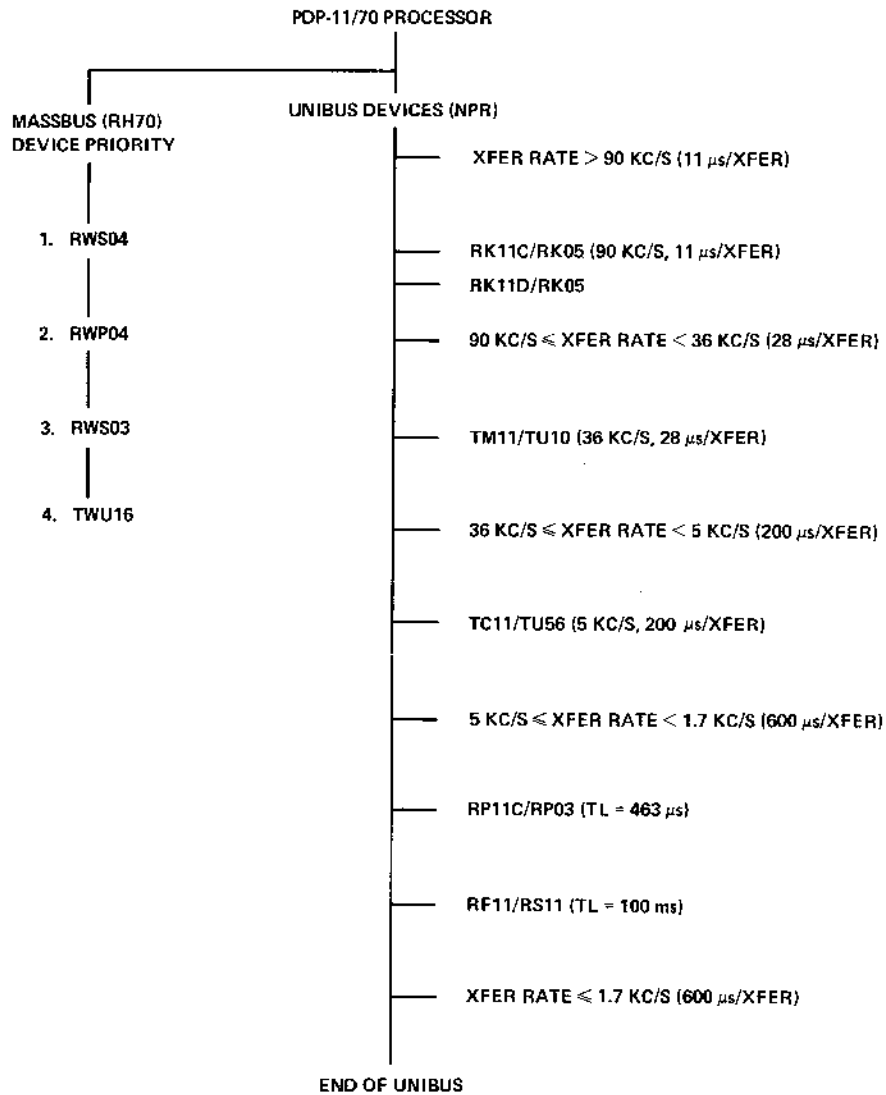
1. In general, BR devices should be placed physically behind NPR devices; thus, the propagation delay of fast NPR devices is reduced and transfers are faster. For convenience, however, some BR devices are sometimes placed before NPR devices, e.g., DL11-A/LA36 is first on the Unibus in the PDP-11/70 (slot 40 of the processor backplane.)
2. Buffered devices (Category 2: see Figure 3-33 for definition) should be placed physically behind unbuffered devices (Category 1: see Figure 3-33).
3. In either category, devices with higher transfer speed rates should be placed ahead of devices with lower transfer speed rates.
4. Less used devices may be placed behind devices that are accessed more often, if required.

Figure 3-32 shows the optimum placement of Massbus and NPR Unibus devices in a PDP-11/70 system.

The flowchart (Figure 3-33) provides an algorithm by which these variables can be combined to produce an optimum Unibus system configuration of both NPR or BR devices. BR devices are placed behind NPR devices with the same data transfer rates, and before NPR devices with slower data transfer rates. The same algorithm is used. This flowchart is intended only as a guideline.

NOTE

The algorithm given in Figure 3-33 suggests the optimum positioning of contending devices on the Unibus. This positioning is not mandatory. If the configuration resulting from the use of this algorithm is not satisfactory, alternative placement of devices should be tried.



11-3480

Figure 3-32 PDP-11/70 Configuration

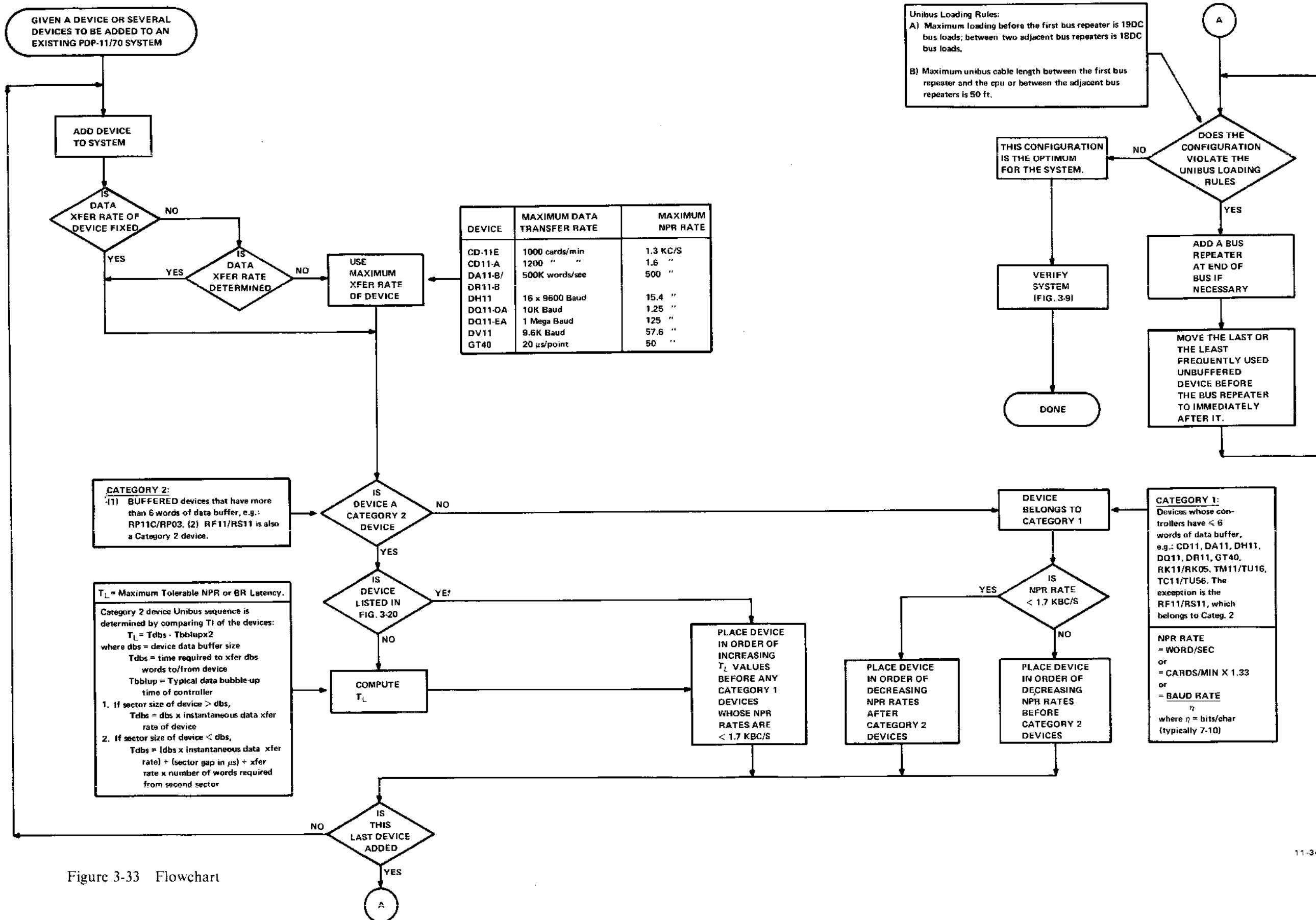


Figure 3-33 Flowchart

CHAPTER 4 POWER SYSTEM

4.1 SCOPE

This chapter describes ac and dc power in the PDP-11/70. Both the processor cabinet and the memory cabinet power systems are discussed. Included are descriptions of the power supplies, their location within the cabinets, how they function, voltage adjustments, and component removal procedures.

4.2 OVERALL SYSTEM DESCRIPTION

Figure 4-1 shows the physical location of the PDP-11/70 power system. The basic components are two 861-D/E power controls (one in the processor cabinet and one in the first memory cabinet), two H7420 power supplies (both located in the processor cabinet) and one power supply (per frame of memory), located in the memory cabinet. Additional power controls would be required if the basic system is expanded.

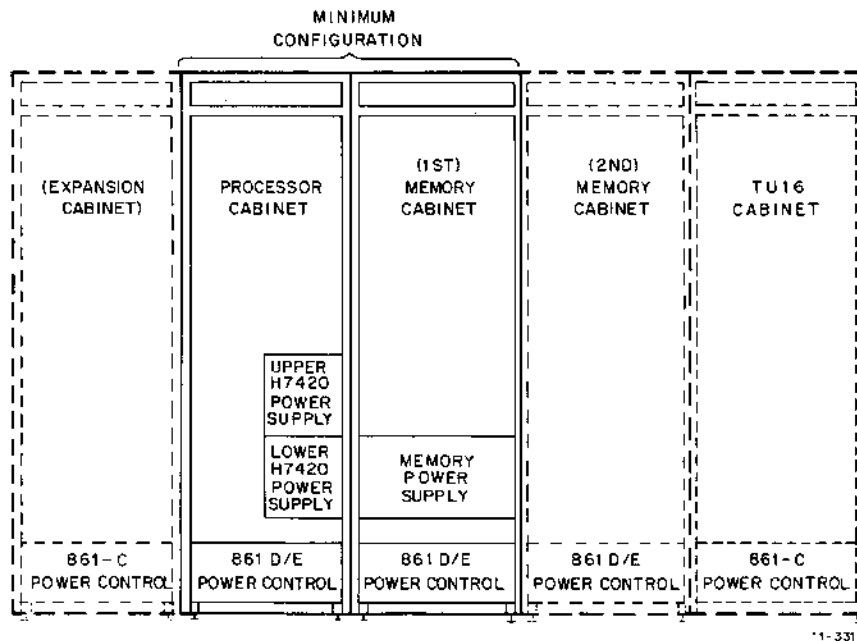
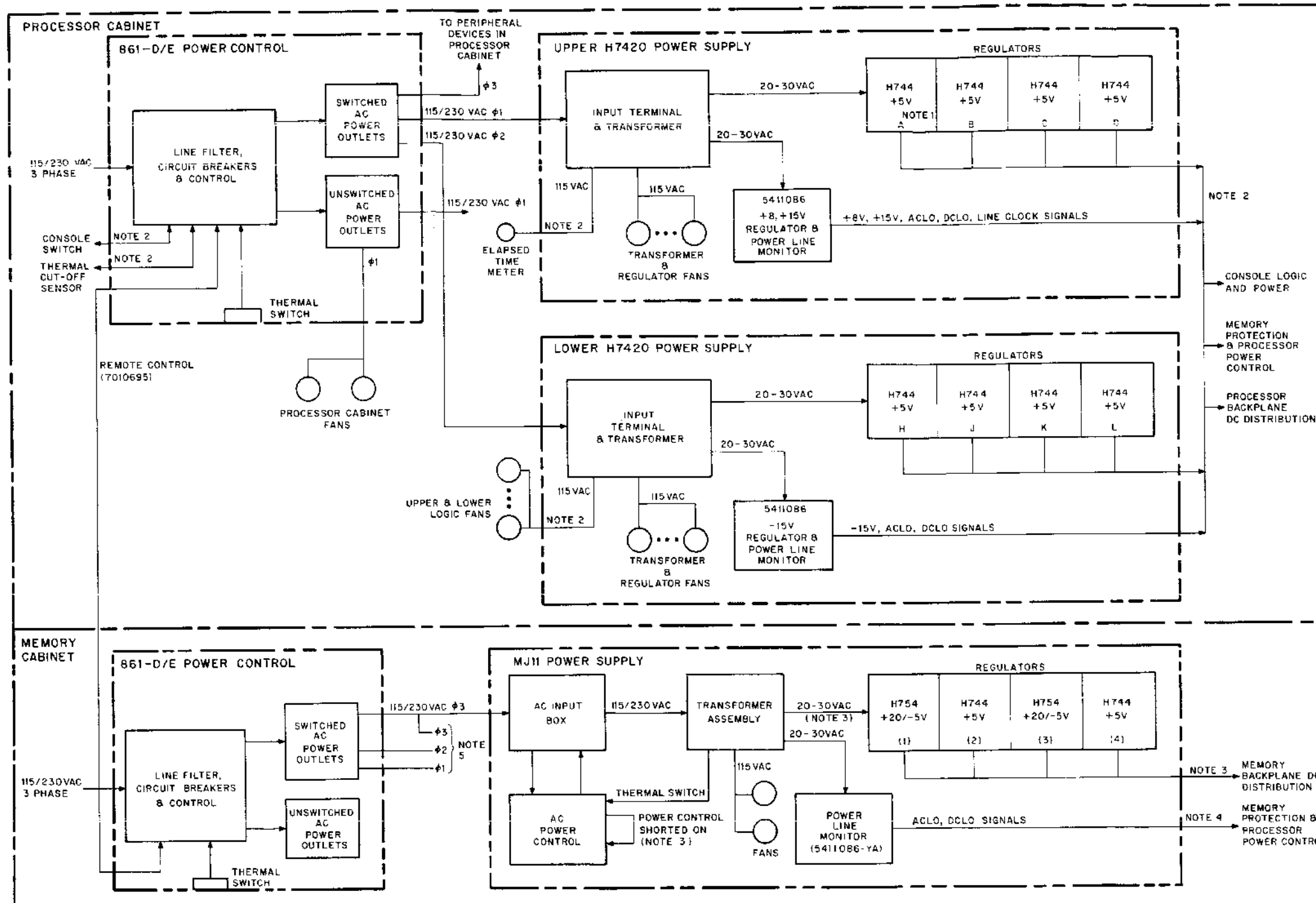


Figure 4-1 PDP-11/70 Power System, Physical Location

Figure 4-2 is a block diagram of the power system for a typical PDP-11/70. The processor and memory cabinets derive their ac and dc power from separate sources. In the processor cabinet, the basic devices are an 861-D power control (120 Vac line voltage) or an 861-E power control (240/415 Vac line voltage), and two H7420 power supplies. The memory cabinet contains a separate 861-D or E power control and a memory frame power supply. (Up to seven additional MJ11 memory frames or three additional MK11 memory frames can be installed. Each would require a separate memory frame power supply. Refer to Paragraph 4.3.2.).



- NOTES:
1. Included with floating point processor (optional)
 2. Part of power distribution cable harness 7011051
 3. Part of power cable harness 7010580
 4. AC/DC low wire harness 7010581 and main memory bus cable.
 5. To optional memory frames.

11-4084

Figure 4-2 Typical PDP-11/70 Power System

4.2.1 Processor Cabinet

The processor cabinet 861 power control is connected to the building mains (120 or 240 Vac 3 phase wye) which must be capable of supplying 24A (861-D) or 15A (861-E) per pole. Two types of outlets are provided on the 861: switched and unswitched (Figure 4-2). The switched group of outlets, which can be controlled either locally or remotely, consist of phase one, two, and three outlets. The unswitched outlets, however, are controlled solely by the 861 front panel circuit breakers; they are all phase one. The processor cabinet 861 switched outlets are controlled remotely by a switch on the processor console and a thermal cut-off switch in the processor mounting box. A second thermal switch is flush mounted on the side of the 861 box. These switched outlets are de-energized if either sensor detects an over temperature or the console switch is turned to the OFF position. The memory cabinet 861 switched outlets are also de-energized at the same time since the 861s are connected by a remote control cable.

Two H7420 power supplies, designated the upper H7420 and the lower H7420 according to their cabinet mounting location, are connected to phase one and phase two switched outlets, respectively, on the 861 rear panel. Each H7420 power supply contains four H744 +5 V regulators (three in the upper H7420 if the floating point option is not included in the system). These regulators furnish +5 Vdc to the processor backplane and the processor console. Their applications are listed in Table 4-1. A circuit description of the H7420 is provided in Paragraph 4.4.4.

In addition to the H744 regulators, each H7420 contains a 5411086 regulator. The 5411086 regulator in the upper H7420 provides a +8 V and +15 V to the processor backplane and functions as the power line monitor for the upper supply. This upper 5411086 also produces the line clock output that is used to drive the KW11-L line frequency and KW11-P real-time clock option. The 5411086 in the lower H7420 furnishes -15 V to the processor and monitors the lower supply for a low voltage condition. AC LO and DC LO signals are asserted in the event of a low voltage input to either 5411086 regulator (Paragraph 4.4.6.1 and Figure 4-34).

Completing each H7420 power supply are the input terminal block and the transformer assembly. The input terminal block in the upper H7420 provides 115 Vac to the elapsed time meter (which is mounted at the rear of the processor cabinet) to the power supply fans (one for the transformer and three for the regulators), and to the transformer primary. The lower H7420 input terminal block provides similar connections. However, in place of the output to an elapsed time meter, the lower input terminal block supplies 115 Vac to the processor mounting box fans (five upper and four lower). The terminal block in an H7420 used in a 230 Vac environment (861-E power control) provides the same voltage outputs. This is accomplished through the use of a different jumper configuration on the terminal block itself (drawing D-CS-H7420-0-1 and Figure 4-28). The transformer produces 20-30 Vac at the secondary (the actual voltage is subject to input voltage fluctuations). Outputs are provided to the H744 and 5411086 regulators.

A single power distribution cable harness (7011051) distributes the power and signal outputs from both H7420s. In addition to delivering dc voltages to the processor console and the processor backplane, the cable routes the AC LO and DC LO signals to the memory protection logic and to the processor power control logic. The line clock signals go to the line time clock. Also contained in the cable harness are connecting wires from the processor console switch and the thermal cut-off sensor to the 861-D/E power control. Figure 4-3 illustrates how the power distribution cable connects the 861 and the H7420s with the processor backplane.

A more detailed description of the processor cabinet and the H7420 power supply is provided in Paragraph 4.4.4.

Table 4-1 Processor Power Supply Voltage Regulators

Type	Name	Quantity	Location (Note 1)	Application (Figure 4-20)
H744	+5 V Regulator	8 (Note 2)	A	+5 V to processor module slots 2-5. Included only with the FP11 option.
			B	+5 V to processor module slots 1, 6-9.
			C	+5 V to processor module slots 10-15.
			D	+5 V to processor module slots 36-44.
			H	+5 V to processor module slots 20-22.
			J	+5 V to processor module slots 16-18 and to the console.
			K	+5 V to processor module slots 24-28.
			L	+5 V to processor module slots 29-35.
5411086	+8, +15 V Regulator	1	Upper H7420	+8 and +15 V to processor backplane; AC LO and DC LO sensing for the upper H7420.
5411086	-15 V Regulator	1	Lower H7420	-15 V to processor backplane; AC LO and DC LO sensing for the lower H7420

Notes:

1. Location within the H7420s.
2. Seven if the FP11 option is not included.

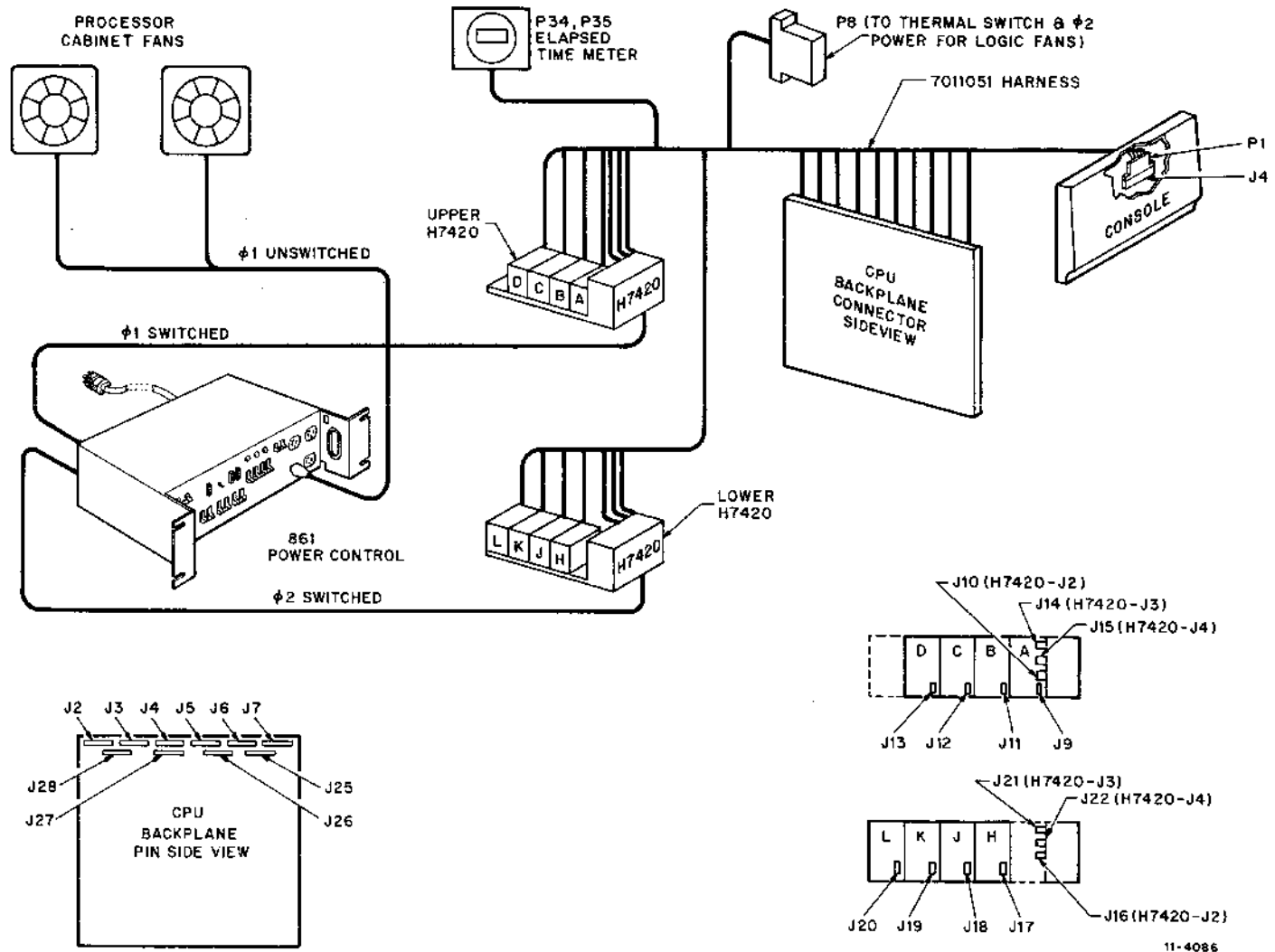


Figure 4-3 Processor Cabinet Power Connections

4.2.2 Memory Cabinet

As previously mentioned, the memory cabinet has its own power system (Figure 4-2). This system consists of an 861-D/E power control and a memory power supply. The 861s in the processor and memory cabinets are connected via a remote control cable (7010695). This cable connection allows the switched outlets on both power controls to be de-energized in the event either power control is shut down due to over temperature or if the console switch is turned to the OFF position (MJ11 only). The memory cabinet 861-D/E is connected to the building mains (120 or 240 Vac 3-phase wye). This source must be capable of supplying 24 A (861-D) or 15 A (861-E) per pole. Switched and unswitched outlets are provided on the 861; the switched outlets are the power source for the one or more memory frames included in the system. Switched phase 3 power is used if the minimum memory configuration of one frame is installed.

The MJ11 power supply (120 Vac: 7010694-00; 240 Vac: 7010694-01) consists of an ac input box with an associated power control circuit, a transformer assembly, a power line monitor circuit, four voltage regulators and two 1211714 fans.

The MK11 power supply (120 Vac: 7014227-00 240 Vac: 7014227-01) consists of an ac input box with an associated power control circuit, a transformer assembly, a power line monitor circuit, four voltage regulators, two 1211714 fans, and three H775 battery backup units.

The ac input box, under the direction of the ac power control circuit, routes the ac input power to the transformer assembly. Two types of boxes are used: one (7009811-1) for a 120 Vac input from an 861-D power control, and one (7009811-2) for a 240 Vac input from an 861-E power control. Only one ac input box is installed in each memory power supply. The ac power control circuit (5410993) controls the 120/240 Vac input to the transformer. A shorting wire in the MJ11 maintains the circuit in an ON condition, i.e., power is routed to the transformer. However, an input from a thermal switch attached to the transformer can open this circuit if an over-temperature condition is sensed. In the MK11, the power switch on the box controller switches ac power to the transformer via connector J4 on the ac input box.

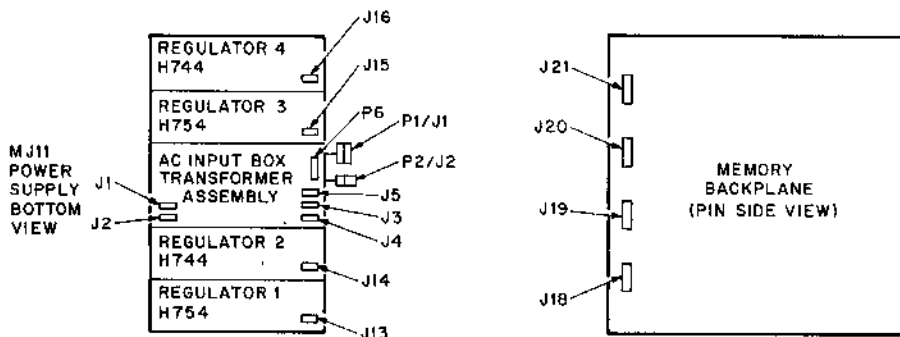
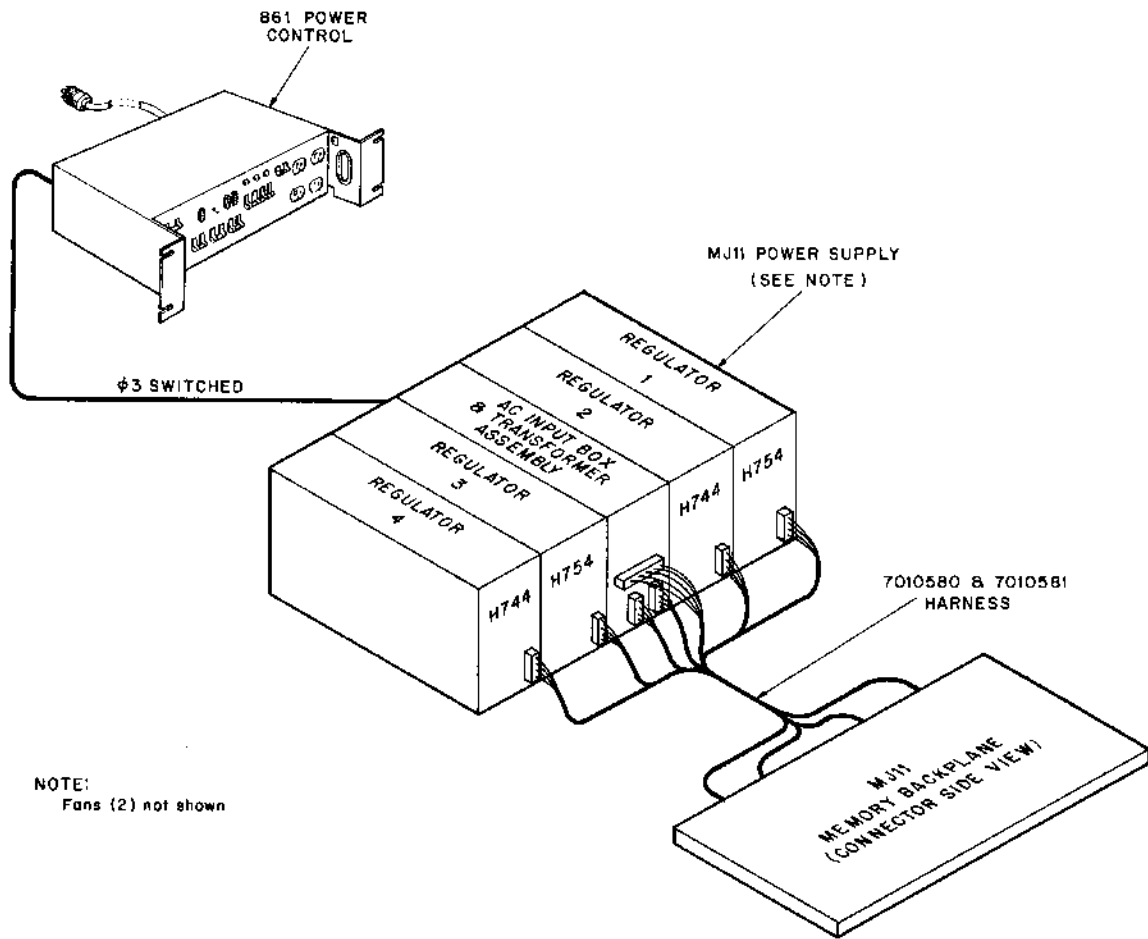
In the 7010014 (MJ11) or 7011486 (MK11) transformer assembly, two terminal blocks, with power inputs from the ac input box, have outputs to two fans that cool the transformer. Other terminal block outputs are to the transformer, which steps down the line voltage (120/240 Vac) to the required 20/30 Vac input for the regulators and the power line monitor circuit.

The power line monitor circuit and 15 V regulator are part of the 5411086; the regulator portion of the card is not used in the MJ11 or MK11 application – 5411086-YA. If a low voltage condition occurs at the 20-30 Vac input from the transformer assembly, the 5411086-YA asserts AC LO and DC LO signals. These power fail signals are carried to the memory protection logic and to the processor power control logic via a wire harness (7010581) and the main memory bus cable.

There are four voltage regulators used in the MJ11 power supply, two H744 and two H754. The H744 regulators generate +5 V and the H754 regulators generate both -5 V and +20 V. These dc voltages are routed to the memory backplane through the power cable harness (7010580). This cable also carries the 20-30 Vac input to the regulators from the transformer.

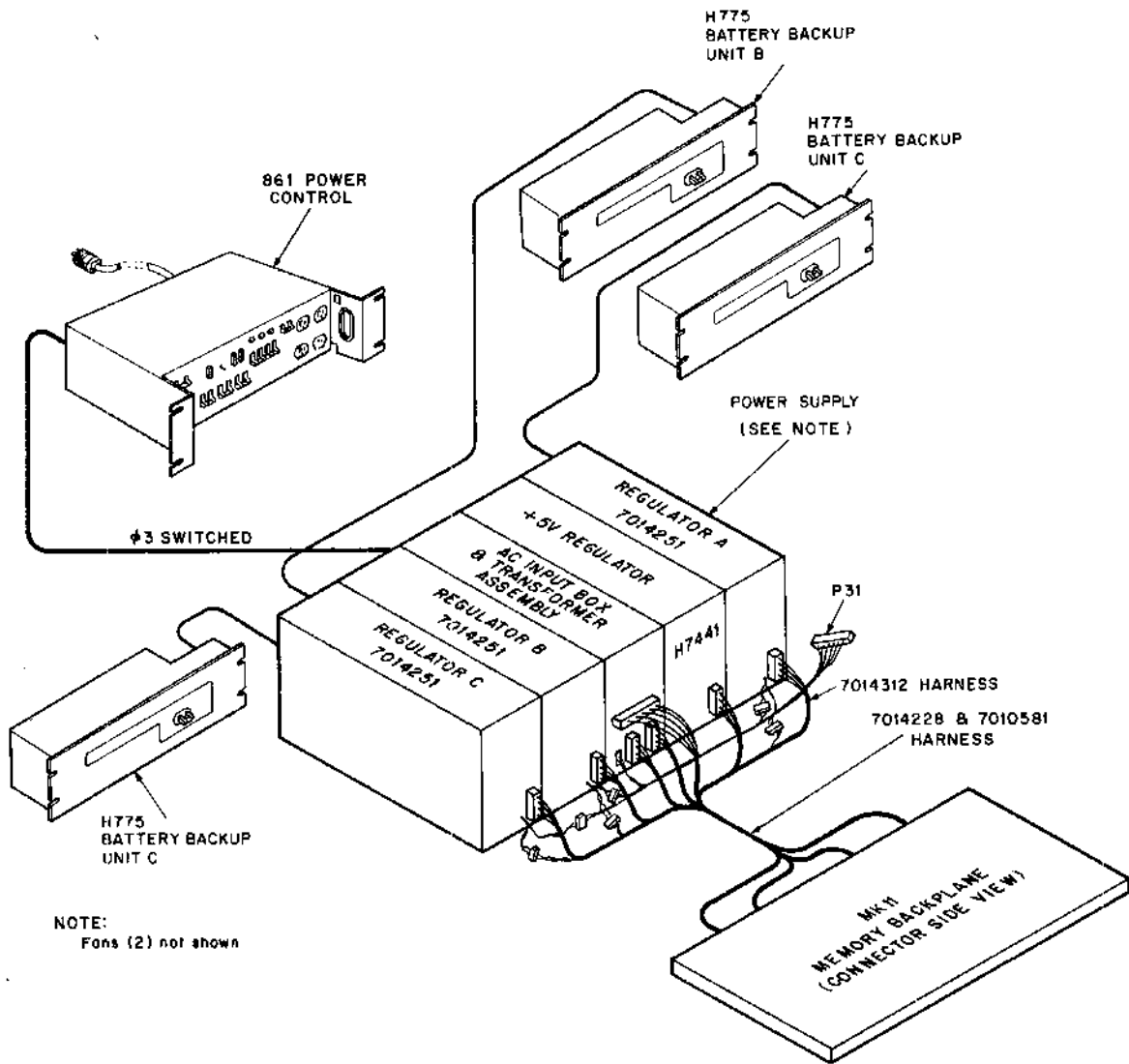
There are four voltage regulators used in the MK11 power supply, one H7441 and three 7014251. The H7441 regulator generates +5 V and the 7014251 regulators generate +5 V, +12 V, and -12 V. Cable harness 7014228 routes the stepped down ac voltage to the regulators and also routes the regulated voltages from the regulators to the memory backplane.

Figure 4-4 shows the power and signal connections between the 861 power control, the MJ11 power supply and the memory backplane. Figure 4-5 shows the power and signal connections for the MK11 memory.

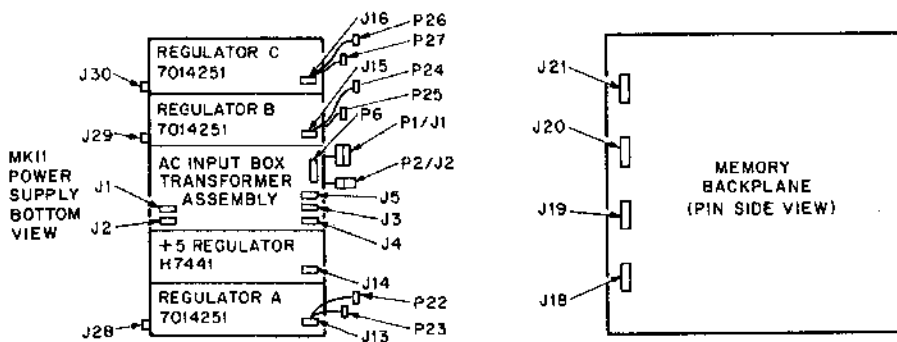


11-4085

Figure 4-4 MJ11 Memory Cabinet Power Connections



NOTE:
Fans (2) not shown



MA-1487

Figure 4-5 MK11 Memory Cabinet Power Connections

The contents of the power system are housed in a welded steel chassis. The chassis is rectangular and measures approximately 7-3/4 inches long by 10-1/2 inches high by 17 inches wide. The top power system cover is held in place by six screws. The main structural member contains cutouts and drill holes which enable screws to be inserted for securing the regulators, ac input box, transformer assembly, and fans. Cutouts for the regulators allow the regulator ON indicators to be monitored and the regulator output voltages to be adjusted.

A more detailed description of the memory cabinet and the power supply is provided in Paragraph 4.4.6 for the MJ11 and Paragraph 4.4.7 for the MK11.

4.3 PRIMARY AC POWER, 861 POWER CONTROL

Power from the building mains is applied to the system components in the processor, memory, and expansion cabinets through 861-D/E power control units. In a minimum configuration system consisting of a processor cabinet and a memory cabinet, power is controlled by two 861-D/E power controls, one in each cabinet. The controls are located at the bottom front of the cabinets (Figure 4-1).

The 861-D is used with 120 Vac, 3-phase lines; the 861-E is used with 240 Vac (415 Vac phase to phase), 3-phase lines. Both versions are contained on panels intended for mounting in racks or cabinets that accept standard 19-inch panels. Each power controller requires 5-3/16 inches of vertical mounting space and extends 11 inches into the mounting rack or cabinet.

Figure 4-6 is a simplified block diagram of the 861-D Power Controller. Four basic functions are performed:

1. Control of large amounts of power by control signals of small power content.
2. Convenient distribution of primary power to controlled devices.
3. Filtering of primary power to controlled devices.
4. Automatic removal of primary power from controlled devices in case of overload or over-temperature conditions.

Circuit descriptions of the 861-D and 861-E are given in Paragraph 4.3.5; ac power and remote power control connections are described in Paragraphs 4.3.2, 4.3.3, and 4.3.4.

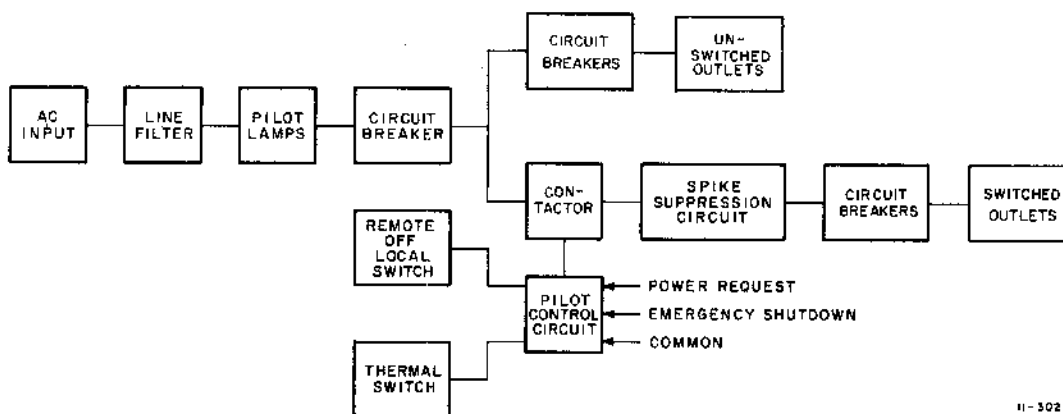


Figure 4-6 861 Power Controller Simplified Block Diagram

4.3.1 Power Control Specifications

Power control specifications are listed in Table 4-2. Reference should be made to the 861-A, B, C, D, E, F Power Controller Maintenance Manual for additional information.

Table 4-2 Power Controller Specifications

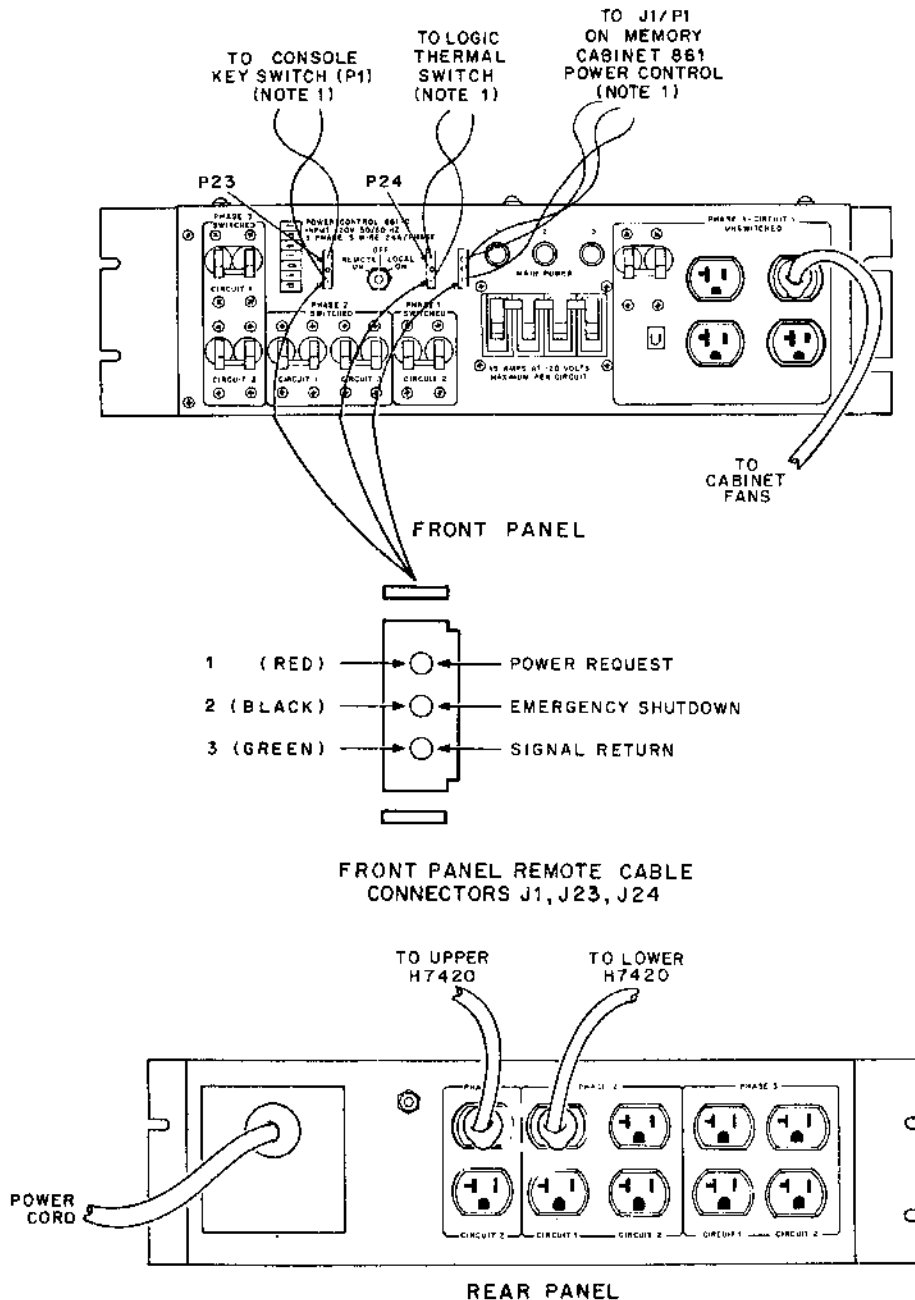
Mechanical and Environmental	
Dimensions	12.7 cm h, 48.57 cm w, 27.94 cm d (5 in h × 19-1/8 in w × 11 in d)
Weight	12.24 kg. (approx) (27 lb)
Cooling Method	Convection
Mounting	Rack (standard 19 in)
Ambient Temperature (recommended temperature)	
Operating	0° to +70° C
Storage	-40° to 71° C
Relative Humidity	95% max (no condensation)
Altitude (max)	2438 m (8,000 ft)
Shock, Non-operating	40 G (duration 30 ms)
Vibration, Non-operating	1.89 G rms average, 8 G peak; varying from 10 to 50 Hz, 8 dB/octave roll-off, 50-200 Hz; each of six directions
Electrical	
Input Power	
Voltage-phase to neutral of 3-phase wye	861-D: 90 Vac - 132 Vac 861-E: 180 Vac - 264 Vac
-phase to phase	861-D: 156 Vac - 229 Vac 861-E: 312 Vac - 458 Vac
Phase	3-phase (120 degree displacement) wye connection
Frequency	47-63 Hz
Current	861-E: 24 A per phase 861-E: 15 A per phase
Power Requirements	
Full load	861-D: 8640 VA 861-E: 10800 VA
No load	10 VA maximum
Inrush Current Capability	600 A peak, 1/2 cycle per phase
Input Overvoltage Transient (power controller alone)	180/260 V, 1 second 360/720 V, 360 ms

Table 4-2 Power Controller Specifications (Cont)

High Voltage Transients	
Magnitude	1 kV
Duration	≤0.1μs
Frequency	≤10 μs once every 10 s
Average Power	≤0.5 W
Leakage Current	861-D: 1.75 mA max 861-E: 3.5 mA max
Activate Time	20 ms (from switch closing to power out)
Deactivate Time	10 ms (from switch opening to power out)
Input Breaker	Delayed action, manual reset, magnetic; 861-D: 30 A; 861-E: 15 A
Thermoswitch	Opens at 71.1° C (160° F), automatically resets at 49° C (120° F), (exposed to ambient air external to controller)
Input Power Connection	861-D: NEMA L21-30P (Table 4-3) 861-E: None provided
Remote Power Control	
Remote Switching Control Connectors	Three: Female, AP 1-480304-0 (DEC-12-09350-03) with Amp 61117-4 (DEC-12-09379) pins or equivalent. These mate with AMP 1-480305-0 (DEC-12-09351) connectors with AMP 61118-4 (DEC-12-09378) pins or equivalent.)
Remote Control Cable	DEC 7010695
Input Signal Current Levels (for worst case line voltage)	0.5 mA min, 40 mA max Power Request 0.5 mA min, 80 mA max Emergency Shutdown
Input Signal Voltage Levels (for worst case line voltage)	+3.0 V max = low; +35 V min = high
Bus Signal Line Overload Capability	125 Vac rms, 60 Hz, 13K ohms impedance in relation to pin 3 for two seconds with no damage
Power Control Impedance	Inductive (diode suppressed)
Power Control Capacitance	200 pF (max)
Output	
Outlets (power)	14 (10 switched, 4 unswitched)
Outlet Current Ratings	861-D: 15 A/outlet, 24 A/phase 861-E: 12 A/outlet, 15 A/phase

4.3.2 Power and Power Control Connections

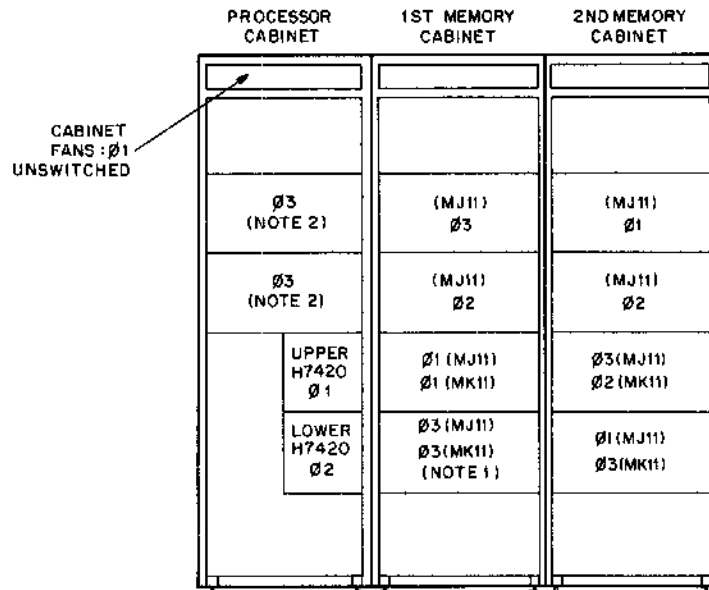
The H7420 processor cabinet power supplies and the memory cabinet power supply are connected to the switched outlets of the two power controls. All power supplies within these cabinets are single phase. The upper H7420 is plugged into a phase 1, circuit 2 outlet while the lower H7420 is plugged into a phase 2, circuit 1 outlet on the processor cabinet 861 power control (Figure 4-7). If the system contains a single memory frame, the memory power supply is connected to a switched phase 3 outlet on the memory cabinet 861 power control. Additional memory frames use switched phase 1, 2, or 3 outlets on the 861, as shown in Figure 4-8.



NOTES:
1. Part of harness 7011051.

11-3315

Figure 4-7 Processor Cabinet Power and Remote Control Connections



NOTES:
 1. Minimum memory:
 128 K bytes.
 2. Refer to chapter 1
 for allowable peripherals.

MA-1485

Figure 4-8 PDP-11/70 Power (Phase) Assignments

The 861-D/ E power controls in adjacent cabinets are interconnected to allow power in all cabinets of the system to be controlled from the processor console (power ON/OFF) or from emergency shut-down devices, i.e., thermal sensors. The remote power control cables used to interconnect the system cabinets contain three conductors and connect to three pin Mate-N-Lok connectors that are plugged into the 861 front panel (Figure 4-7). The following signals are routed to the pins:

- Pin 1 **POWER REQUEST** - A ground on this line activates the power control circuits and energizes the device.
- Pin 2 **EMERGENCY SHUTDOWN** - A ground on this line de-energizes the device.
- Pin 3 **GROUND RETURN** - This is the ground return for the preceding two signals.

The three remote power control connectors on the power controller are connected in parallel. When power is turned on at the processor console, a ground is routed via the power request line to all the power controllers in the system, causing their switched outlets to be energized.

A more detailed description of remote power control is contained in Paragraph 4.3.4.

4.3.3 Primary AC Power Connections

Of the two 861 power control versions supplied with the PDP-11/70, only the 861-D is equipped with an input power cable and connector. This cable is 15 feet long and consists of insulated stranded conductors. The input power cable connector and receptacle part numbers are listed in Table 4-3. The primary power outlet (receptacle) at the installation site must be compatible with the input power cable connector on the 861-E, Figure 4-9 shows the 861-D connector and receptacle outlines in addition to wire color coding information.

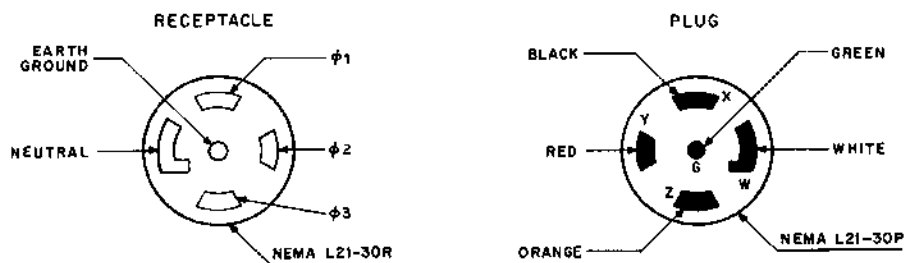
NOTE

In MK11 memory cabinets, the 861 LOCAL/OFF/REMOTE switch must be in the LOCAL position. Power to the memory is controlled by the box controller power switch.

Table 4-3 861-D Input Power Connector

Description	Poles	Wires
120 Vac, 30, 30 A, 5-prong twist	4	5 No.10 AWG

Plug			Receptacle		
NEMA	DEC No.	Hubbell No.	NEMA	DEC No.	Hubbell No.
L21-30P	12-12314	2811	L21-30R	12-12315	2810



11-3165

Figure 4-9 861-D Power Control Connector Outline

4.3.4 Remote Power Control Connections

Each cabinet in a PDP-11/70 system has one 861-D or 861-E power control. All the power controls are connected by a 3-wire bus that carries a remote turn-on signal (line 1), an emergency turn-off signal (line 2), and a control ground (line 3). These signals appear on pins 1, 2, and 3, respectively of the power control's J1, J23 and J24 connectors. Operation occurs as follows:

1. Connection between line 1 and line 3 energizes the power control relay and applies power to the components under control. When the LOCAL/OFF/REMOTE switch on the power control is in LOCAL, line 1 and line 3 are connected.
2. Connection between line 2 and line 3 overrides all other conditions to disconnect input power to the components under control.
3. If no connection exists between either lines 1 or 2 and line 3, the components will remain in the power off state unless the LOCAL/OFF/REMOTE switch is in LOCAL.

Table 4-4 summarizes these connectors.

Table 4-4 Power Control Operation

Connections Between Control Lines	Switch Position		
	Local Switched Power is:	Off Switched Power is:	Remote Switched Power is:
None	ON	OFF	OFF
1-3	ON	OFF	ON
2-3	OFF	OFF	OFF
1-3, 2-3	OFF	OFF	OFF

Three identical parallel-wired Mate-N-Lok connectors are provided on each power control. A 3-foot cable, DEC part number 7010695, is supplied with each cabinet to connect the power control of that cabinet to the power control in the next cabinet (Figure 4-10). Because each power control must be capable of connecting to the power controls in the preceding and following cabinets, two Mate-N-Lok connectors are reserved for the intercabinet cables; a third connector is provided for connection to thermal switches and other shut-off devices within the cabinet.

4.3.5 Power Controls 861-D and 861-E

Two versions of the power control are available for use in the PDP-11/70 (Figure 4-11):

1. 861-D 90-132 Vac, 47-63 Hz, 3-phase, 24 A/phase (30A circuit breaker)
2. 861-E 180-264 Vac, 47-63 Hz, 3-phase, 15 A/phase (15 A circuit breaker)

Circuit schematics of the 861-D and 861-E power controls are included in the engineering drawing set (D-CS-861-D-1 and D-CS-861-E-1).

Both versions of the 861 are similar. However, they are discussed separately in Paragraphs 4.3.6 and 4.3.7 for clarification purposes. The pilot control boards in the 861-D and 861-E are identical; they are described together in Paragraph 4.3.8.

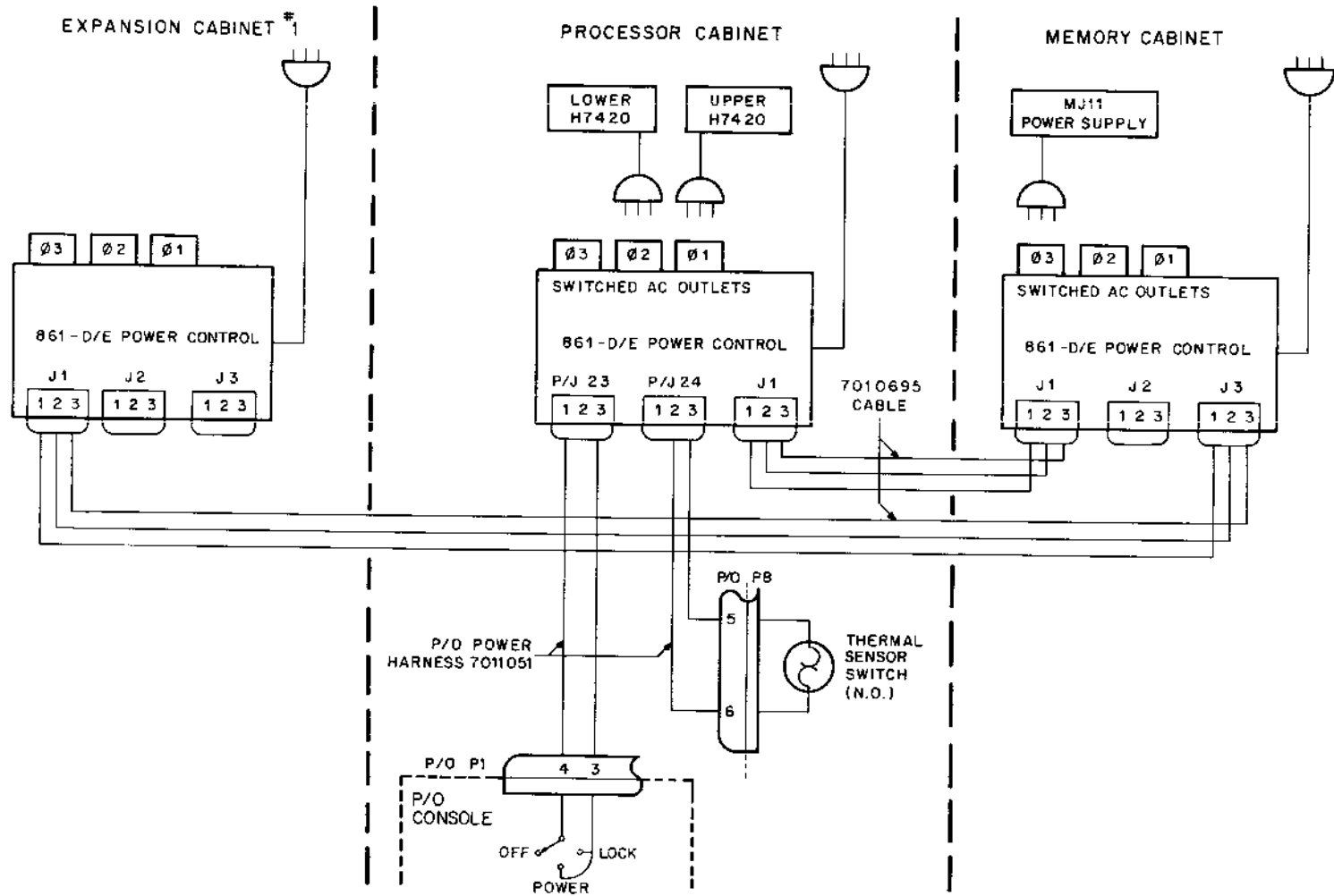
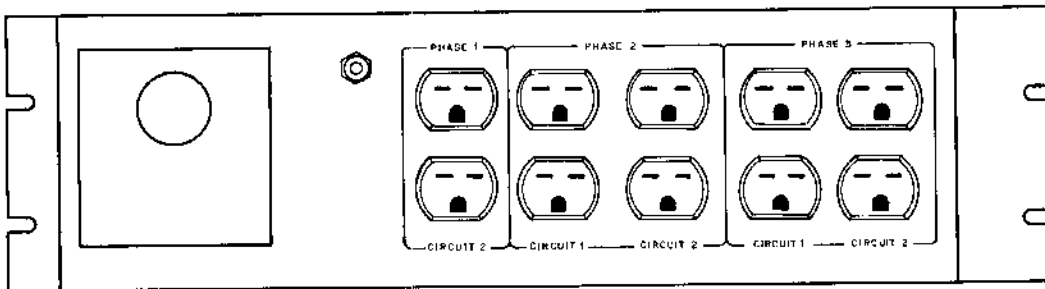
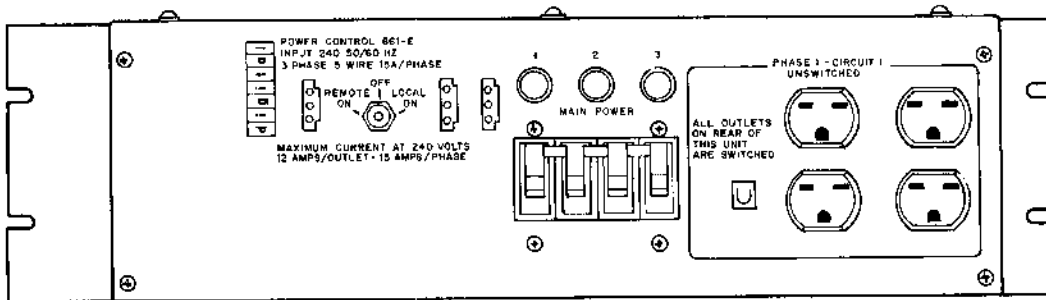
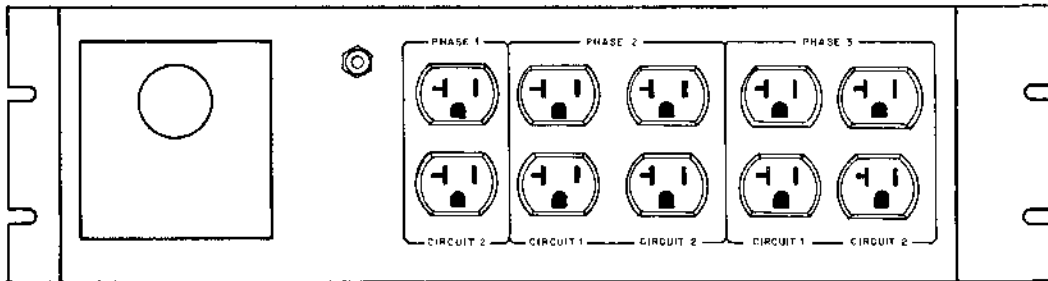
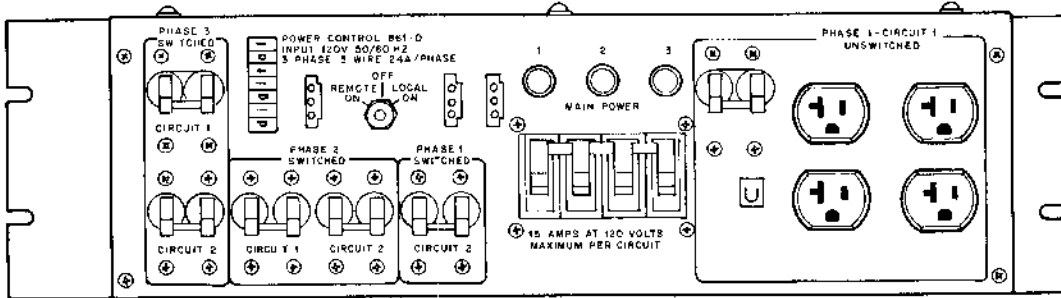


Figure 4-10 Example of Remote Power Control

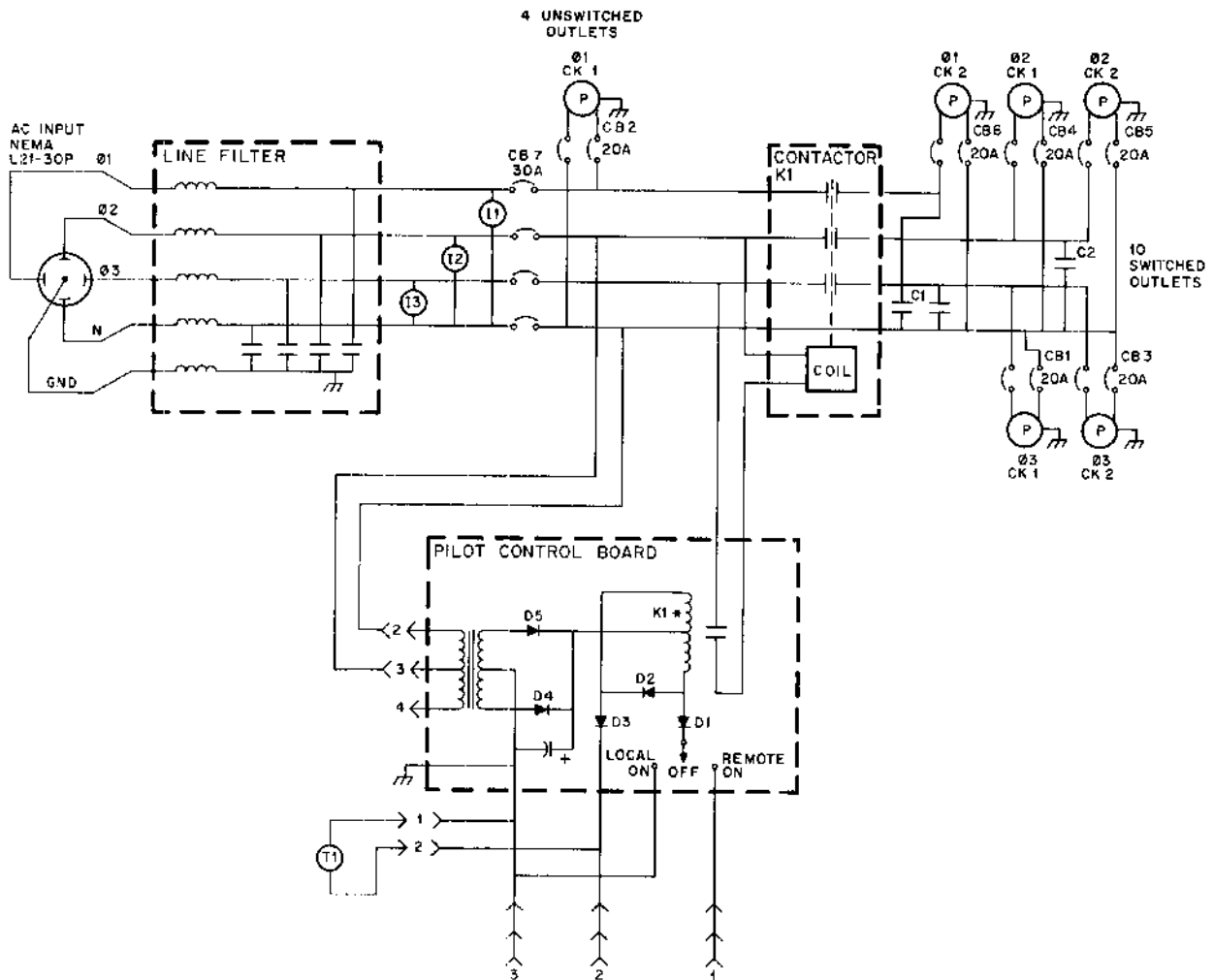


CP-1730

Figure 4-11 861-D/E Power Control Panels

4.3.6 Type 861-D Circuit Description

Figure 4-12 is an 861-D simplified circuit schematic. The 861-D is a 90-132 Vac, 47-63 Hz, 3-phase power controller.



CP-1732

Figure 4-12 861-D Simplified Circuit Schematic

Power is applied to the terminal block mounted on the power line filter via a 15-foot line cord. This filter contains $0.03 \mu\text{F}$ capacitors which connect between neutral and each of the 3-phase lines, and between neutral and ground. Also contained in the filter are nine chokes, connected in series with each of the four lines and ground. The capacitors provide low impedance paths to ground for high frequency line components. The chokes present a high impedance to these components. If 90-132 Vac exists between phase 1 and neutral, I1 lights. If 90-132 Vac is present between phase 2 and neutral, I2 lights. Similarly, if 90-132 Vac is present between phase 3 and neutral, I3 lights.

All three lines are connected to 30 A elements in circuit breaker CB7. All loads connected to the power controller (both switched and unswitched) are controlled by individual 20 A circuit breakers, CB1 through CB6.

If the current through any of the lines exceeds 20 A, the respective circuit breaker trips, removing power from the loads. Phase 1, circuit 1 outlets connect across the main circuit breaker output. These outlets are energized (90–132 Vac) whenever the circuit breaker is closed. All outlet lines from CB7 are connected to a normally open contact on contactor K1. The field coil associated with K1 is energized by 156–229 Vac from the output of CB7 if a relay (K1*) on the pilot control board is closed (see Paragraph 4.3.8 for a description of the pilot control board).

When K1 is closed, 90–132 Vac is applied across phase 1, circuit 2, phase 2, circuits 1 and 2, and phase 3, circuits 1 and 2. The three 0.1 μ F capacitors (C1 and C2), connected across the lines at the relay, reduce the amplitude of voltage spikes at the output of the controller when switching inductive loads, thereby preventing interference to nearby electronic data processing equipment.

4.3.7 Type 861-E Circuit Description

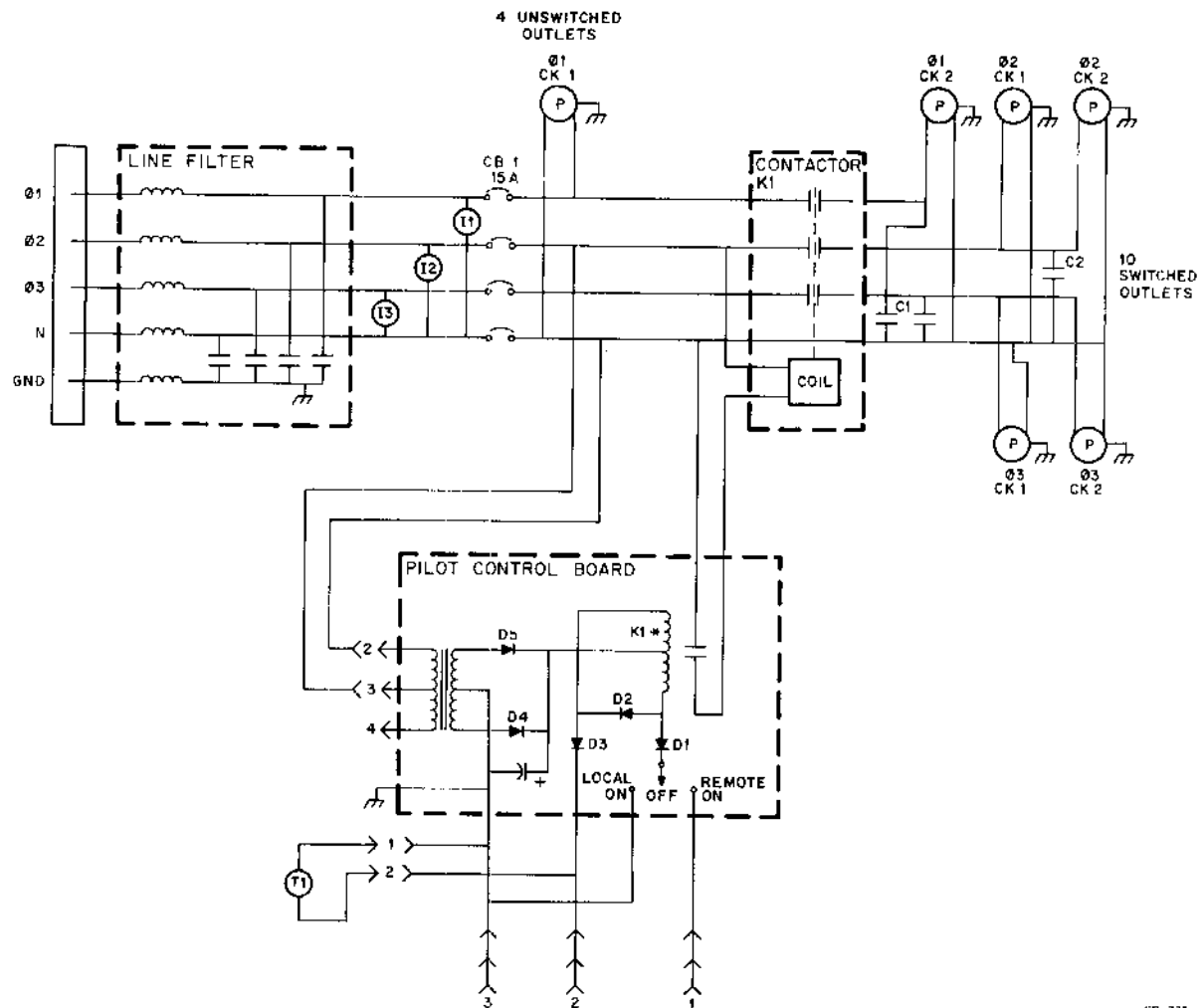
Figure 4-12 is a simplified circuit schematic of the 861-E, the 180–264 Vac (312–457 Vac phase to phase), 47–63 Hz, 3-phase version of the power controller.

Power is applied to the terminal block mounted on the power line filter. This filter contains 0.03 μ F capacitors which connect between neutral and each of the 3-phase 180–264 Vac lines, and between neutral and ground. Also contained in the filter are nine chokes, connected in series with each of the four lines and ground. The capacitors provide low impedance paths to ground for high frequency line components. The chokes present a high impedance to these components. If 180–264 Vac is present across each line at the output of the line filter, I1, I2, and I3 light. Each side of the line connects to a 15 A element of circuit breaker CB1. All loads connected to the power controller (both switched and unswitched) are controlled by CB1. If the current through either line exceeds 15 A, CB1 trips, removing power from the load. Phase 1, circuit 1 connects across the output of CB1. These outlets are energized (180–264 Vac) whenever the circuit breaker is closed. Each output line from CB1 connects to a normally-open contact on contactor K1. The field coil associated with K1 is energized by 180–264 Vac from the output of CB1 if a relay (K1*) on the pilot control board (Paragraph 4.3.8) is closed. When K1 is closed, 180–264 Vac is applied across outlets phase 1, circuit 2, phase 2, circuits 1 and 2, and phase 3, circuit 1 and 2. The 0.1 μ F capacitors (C1 and C2), connected across the lines at the relay, reduce the amplitude of voltage spikes at the output of the control when switching inductive loads, thereby preventing interference to nearby electronic data processing equipment.

4.3.8 Pilot Control Board Circuit Description

Figures 4-12 and 4-13 show the pilot control board simplified circuit schematic. The pilot control board contains the circuitry which allows remote turn-on and emergency turn-off of the switched power outlets in both 861 power controller versions. These functions are accomplished by controlling the voltage applied to the field coil of relay K1 in the 861 power controller.

Basically, the circuit consists of a full-wave rectifier loaded by the center-tapped field coil of a relay. Three control lines connect to the board. Pin 3 connects to the center-tapped secondary of the full-wave rectifier transformer. (The center tap is returned to chassis ground through a plug connection.) Pin 2 is the disable (emergency shutdown) line from the signal bus, pin 1 is the enable (power request) line from the signal bus. Two additional lines (from the thermal switch) are connected to the lines associated with pins 3 and 2.



CP-733

Figure 4-13 861-E Simplified Circuit Schematic

When the LOCAL/OFF/REMOTE switch is in the REMOTE position and pins 3 and 1 are connected, current flows through the lower portion of the center-tapped relay field coil to the full-wave rectifier transformer. This action closes the relay on the pilot control board and causes an energizing potential to be applied across the field coil associated with contactor K1 in the power controller, thereby energizing the controlled outlets. When pins 3 and 2 are connected (emergency shutdown is true), current flows through the lower and upper halves of the center-tapped field coil in different directions before returning to the power supply transformer. The resultant current through the field coil is less than that required for holding the relay closed. Therefore, energizing potential is not present at contactor K1 and power is removed from controlled outlets.

Diode D2 provides a current path in the lower section of the coil to prevent closing the relay in instances where pins 3 and 2 are connected, but no connection exists between pins 1 and 3.

Closing T1 (the thermal switch) performs the same function as emergency shutdown (connects pins 2 and 3 together). This switch is exposed to the ambient air surrounding the power controller. Temperatures above 71° C (160° F) close the switch (disabling the switched outlets). The switch resets automatically when the temperature drops below 49° C (120° F).

Placing the LOCAL/OFF/REMOTE switch in the LOCAL position provides a connection between pin 3 and the lower portion of the coil to energize relay K1, regardless of the state of the power request line on the signal bus. With MJ11 memories, this switch position is normally used for maintenance purposes; operations on the pilot control board are exactly the same for situations where a connection is provided between pins 3 and 1 of the signal bus connector due to closing of a circuit in an external device. MK11 memories require that this switch be in the LOCAL position. A connection between pins 2 and 3 disables the switched outlets, regardless of the position of the LOCAL/OFF/REMOTE switch.

4.3.9 AC Power Distribution

AC power distribution for both the processor and memory cabinets is depicted in Figure 4-2. In the processor cabinet the upper H7420 power supply is connected to a phase 1, circuit 2 outlet on the 861-D/E power controller (Figure 4-14). The lower H7420 uses a phase 2, circuit 1 outlet; those peripheral devices installed in the processor cabinet use phase 3 power. (These are all switched outlets.) The two processor cabinet fans (located at the top of the cabinet) obtain their power from an unswitched outlet on the 861 front panel. The ac power cord for the fans is routed through a terminal block that is attached to the inside surface of the top left part of the cabinet frame. The electrical hook-up at the terminal block is the same for both 115 and 230 Vac systems (Figure 4-14).

Several other devices in the processor cabinet use ac power from the 861-D/E power control. They are the transformer and regulator fans in both H7420s, the elapsed time meter (located at the rear of the cabinet), and the upper and lower processor box logic fans (Figure 4-2). The source of 115 Vac power for these devices is two terminal blocks (TB1) located in the upper and lower H7420s. The electrical jumper configuration at these terminal blocks is determined by the input voltage to the H7420: 115 Vac from an 861-D or 230 Vac from an 861-E (see note on Figure 4-14).

In the memory cabinet, the memory power supply obtains its power from a phase 3 switched outlet on the 861-D/E. Additional memory frames use phase 1 and phase 2 switched power from the 861 (Figure 4-8). Several connections in the memory (at two terminal blocks in the transformer assembly) provide 115 Vac to internal cooling fans (drawing E-AD-7010694-0-0).

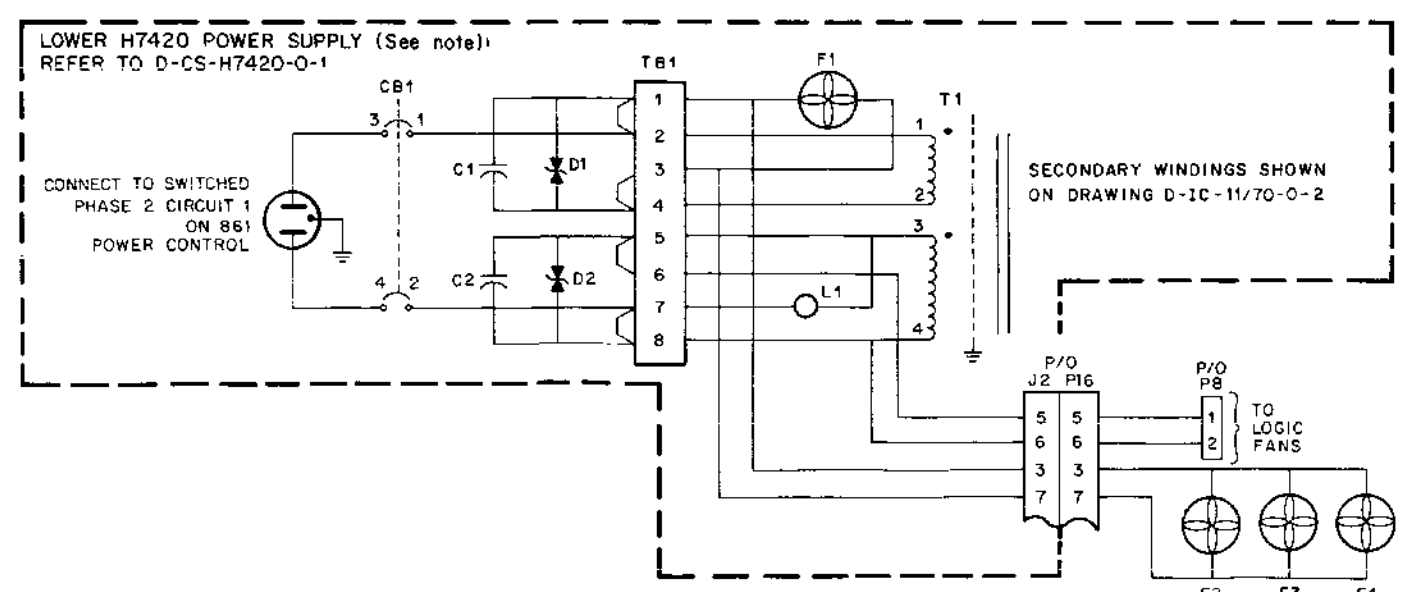
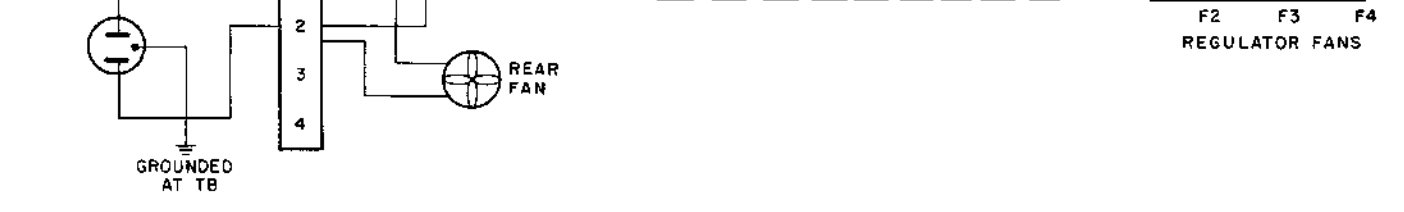
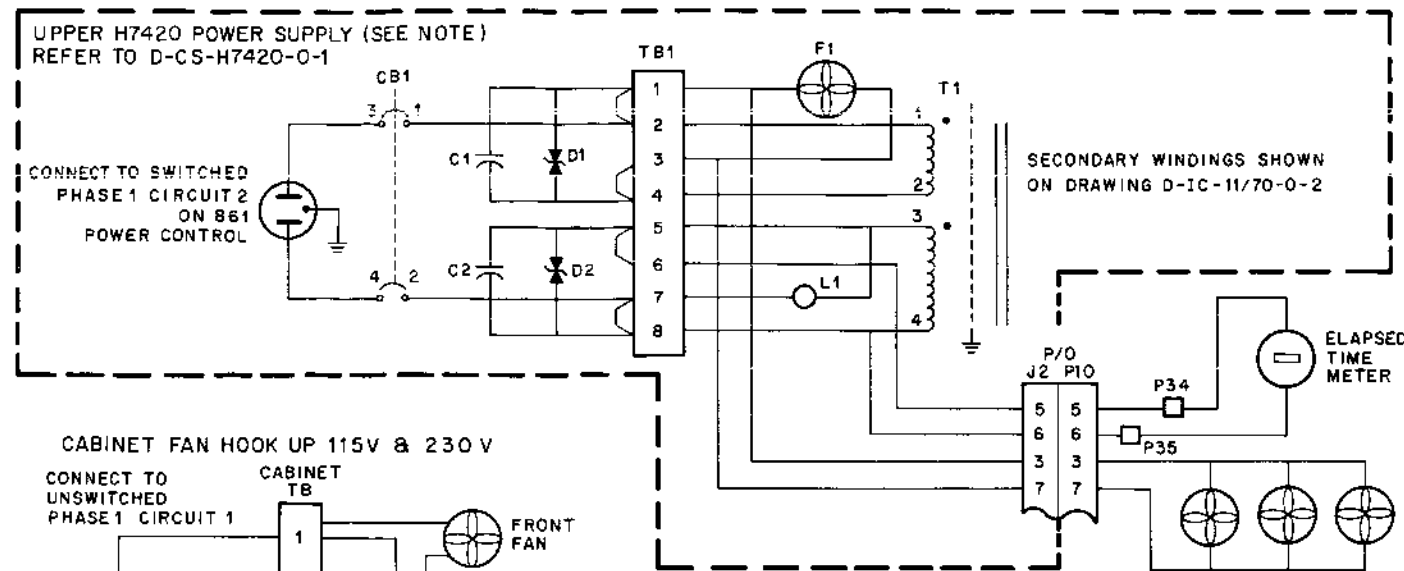
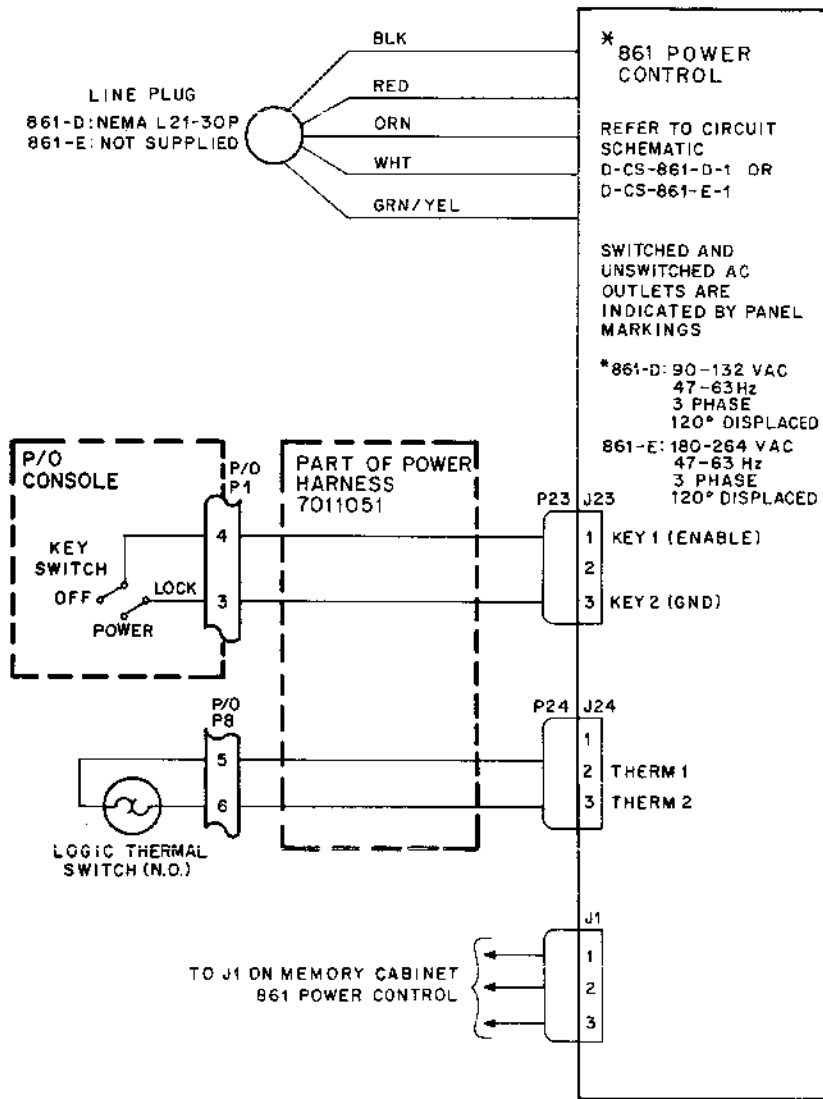
The distribution of the 20-30 Vac output of the H7420 and MJ11 transformer secondaries is described in Paragraphs 4.4.4 (for the H7420), and 4.4.7 (for the MJ11) and 4.4.7 (for the MK11).

4.4 DC POWER, H7420, MJ11, and MK11 POWER SUPPLIES

Switched ac power from the 861-D/E power controls in the processor and memory cabinets is routed to the H7420 and memory power supplies that generate the required dc voltage for the system (Figure 4-2, 4-3, 4-4, and 4-5).

4.4.1 DC Power Distribution

The outputs from the H7420 and MJ11 power supplies are channeled through three wire harnesses to the processor console and the processor and memory backplanes. AC power to the logic fans, to the elapsed time meter, and to the MJ11 voltage regulators is also sent through two of these harnesses (Figure 4-2).



NOTE:

H7420 VERSIONS			
VERSION	VOLTAGE	INSERT TB1 JUMPERS	CB1
A	90-132 VAC	2 ↔ 6, 4 ↔ 8	20 A
B	180-264 VAC	4 ↔ 6	15 A
E	90-132 VAC	2 ↔ 6, 4 ↔ 8	20 A
F	180-264 VAC	4 ↔ 6	15 A

11-3321

Figure 4-14 AC Power Connections (Processor Cabinet)

4.4.2 Power Distribution Cable Harnesses

Three power distribution harnesses are used in the PDP-11/70: one in the processor cabinet, 7011051 (Figure 4-15) and two in the memory cabinet, 5010580 and 5010581 (Figure 4-16). In general, the power harness connectors are assigned a number with a "P" prefix; e.g., P1, P2, etc., whereas the connectors attached to the hardware (regulators, backplanes, etc.) have a "J" prefix. Several exceptions to this can be noted on Figure 4-15. These harnesses contain several different types of Mate-N-Lok connections (both male and female). They are shown in detail on drawings D-IA-7010580-0-0, D-IA-7010581-0-0 and D-IA-7011051-0-0. Figures 4-17, 4-18, and 4-19 are photographs of the processor and memory cabinets that show the harnesses in relation to the power supplies.

The 7010580 power distribution harness interconnects the transformer assembly, regulators, and the memory backplane. The harness routes 30 Vac to the regulators and regulated dc voltage to the memory backplane.

The 7010581 harness interconnects the transformer assembly, the 5411086-YA power line monitor board, and the memory backplane. The harness routes 30 Vac to the power line monitor board, and power fail signals (AC LO and DC LO) to the memory backplane.

4.4.3 MJ11 Backplane Power Distribution

Processor cabinet power is applied to the processor backplane via the power harness to ten connectors (Figure 4-15). Six are voltage inputs (P2 through P7) and four are ground connections (P25 through P28). Ground is established through three connectors (from P25, P27, and P28) fastened to the backplane with the wire harness cable clamps. A separate plug (P1) on the harness (Figure 4-20) is the power and signal connection to the processor console (J4). An additional plug (P8) provides a connection for power to the five upper and four lower processor mounting box fans. P8 also connects the thermal switch in the mounting box to the 861 power control. The processor backplane row and slot assignments are shown in Figure 4-20; backplane connectors and pins are shown in Figure 4-21. Table 4-5 lists all the processor cabinet power and signal connections. These connections are also shown on drawing D-IC-11/70-0-2.

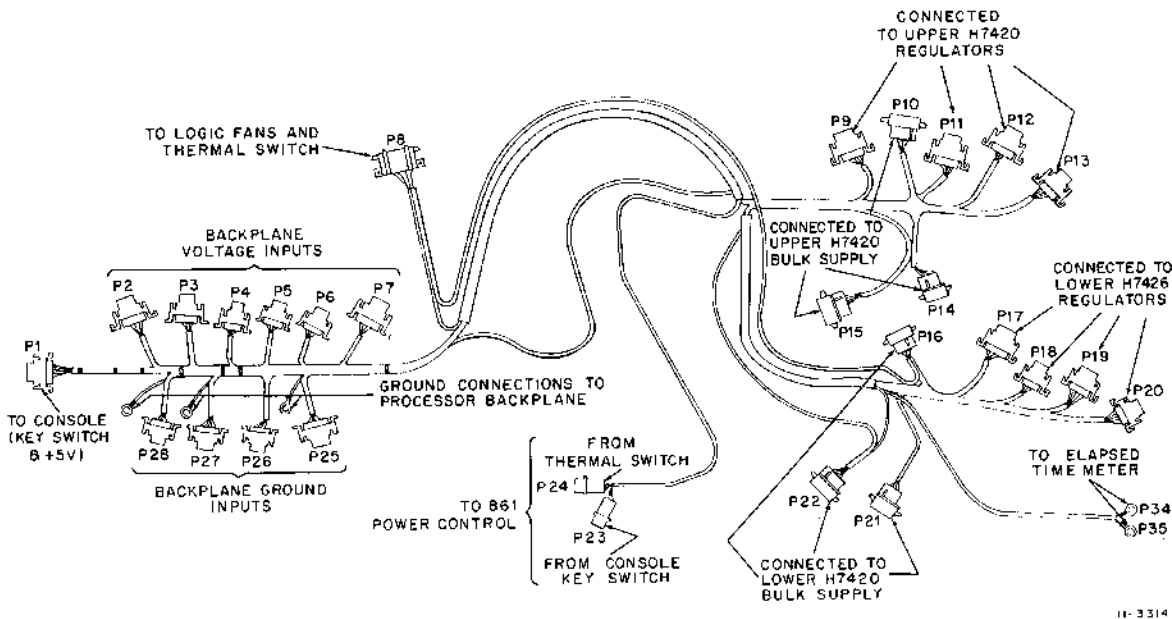
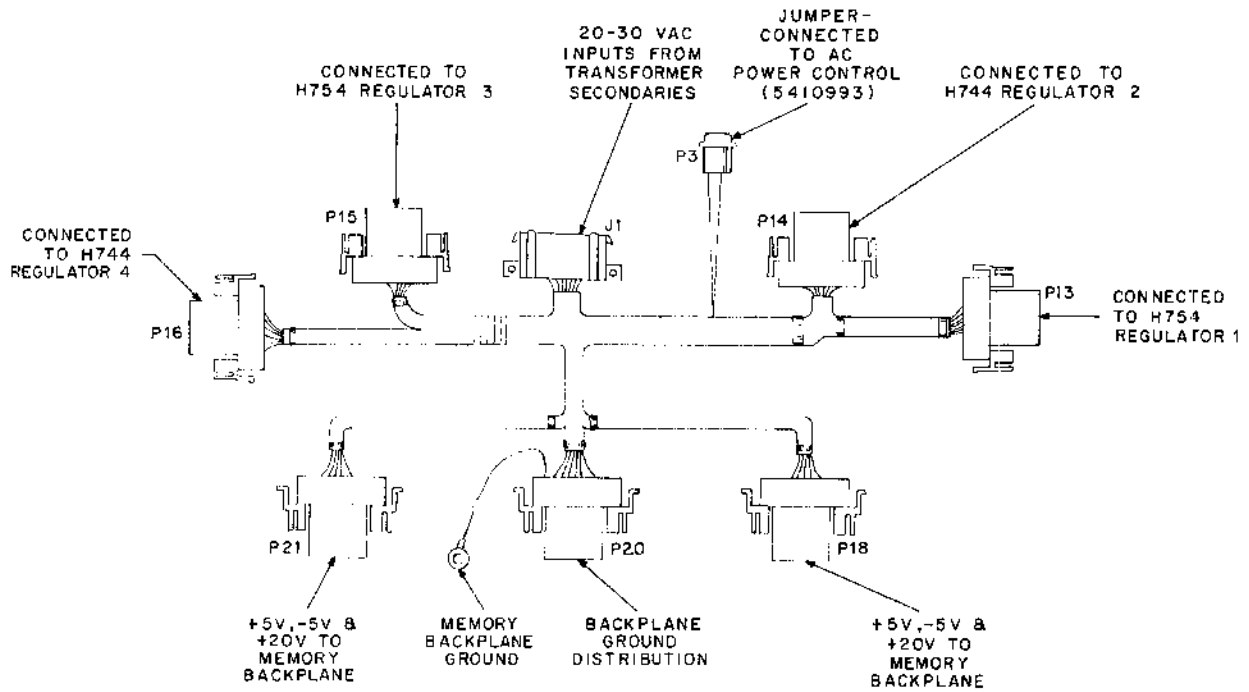
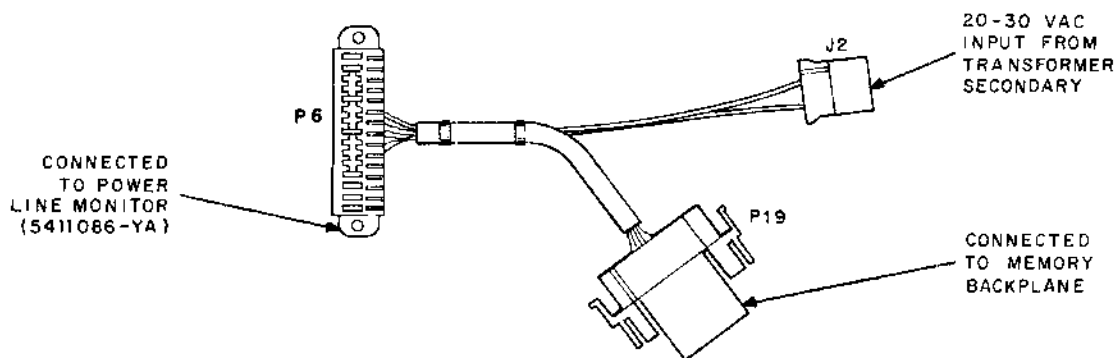


Figure 4-15 Power Distribution Cable Harness (Processor Cabinet) 7011051



11-3311

Power Harness Assembly 5010580



11-3312

AC LO DC LO Wire Harness Assembly 5010581

Figure 4-16 Power Distribution Cable Harnesses (Memory Cabinet)

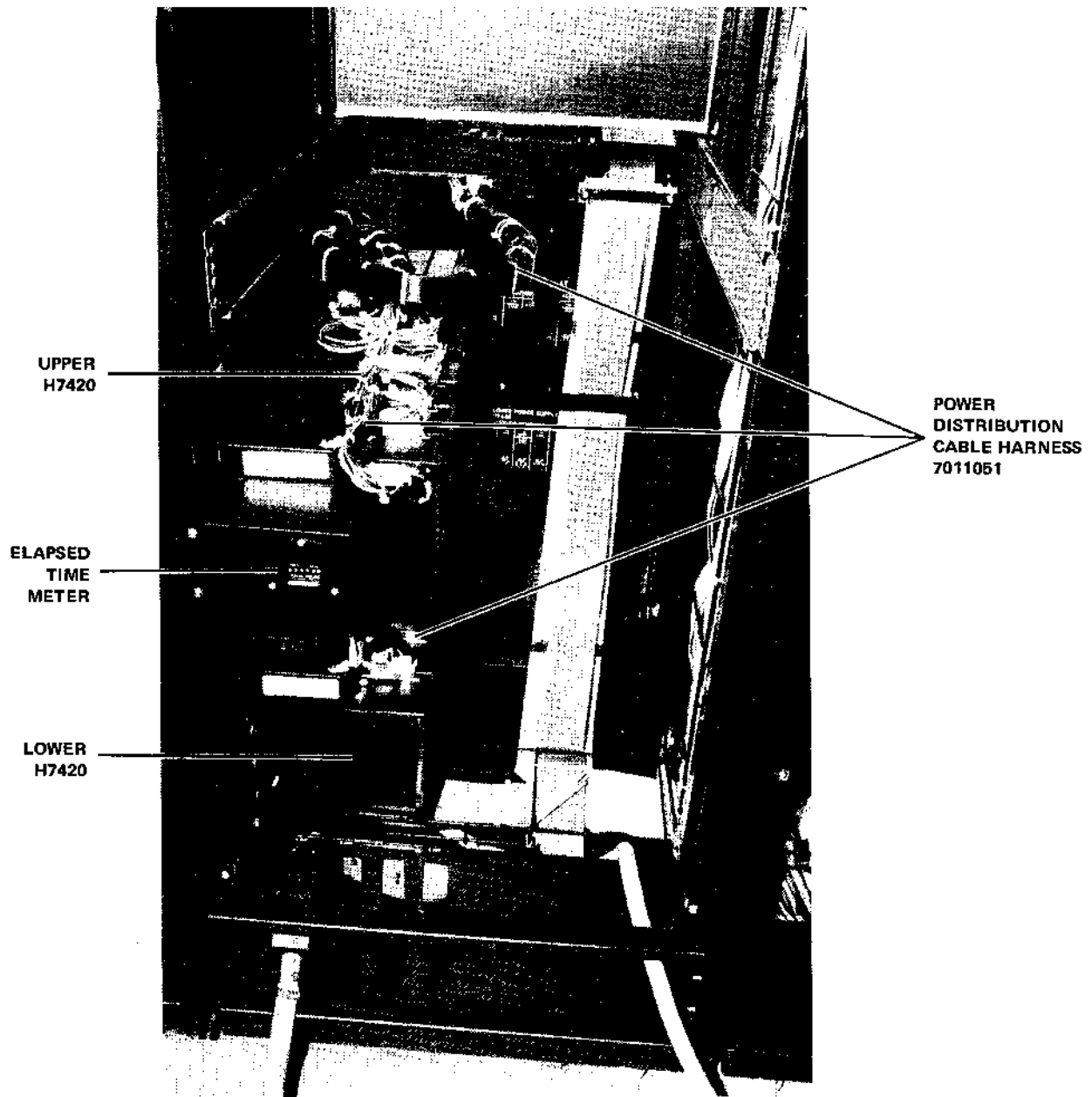
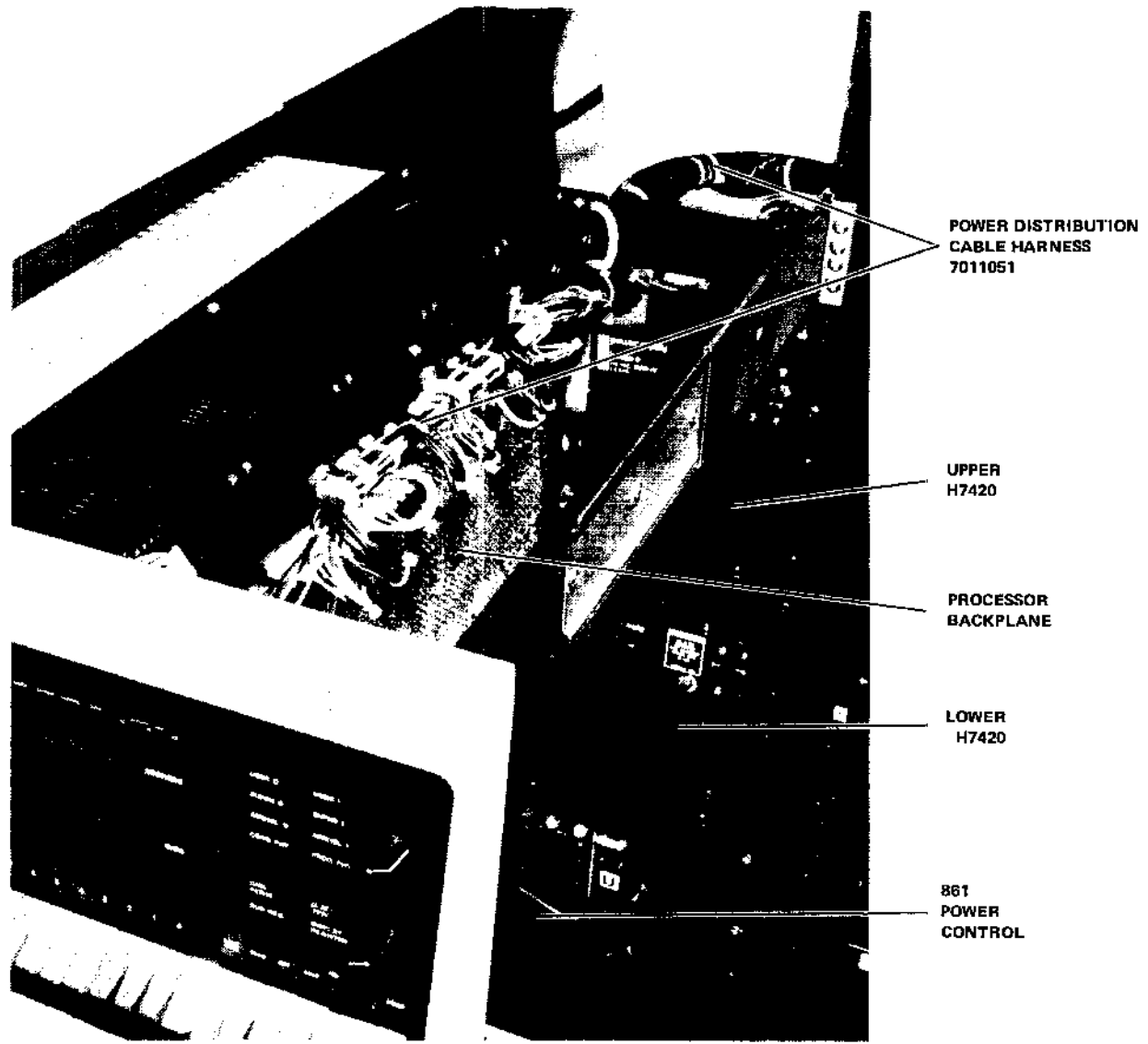


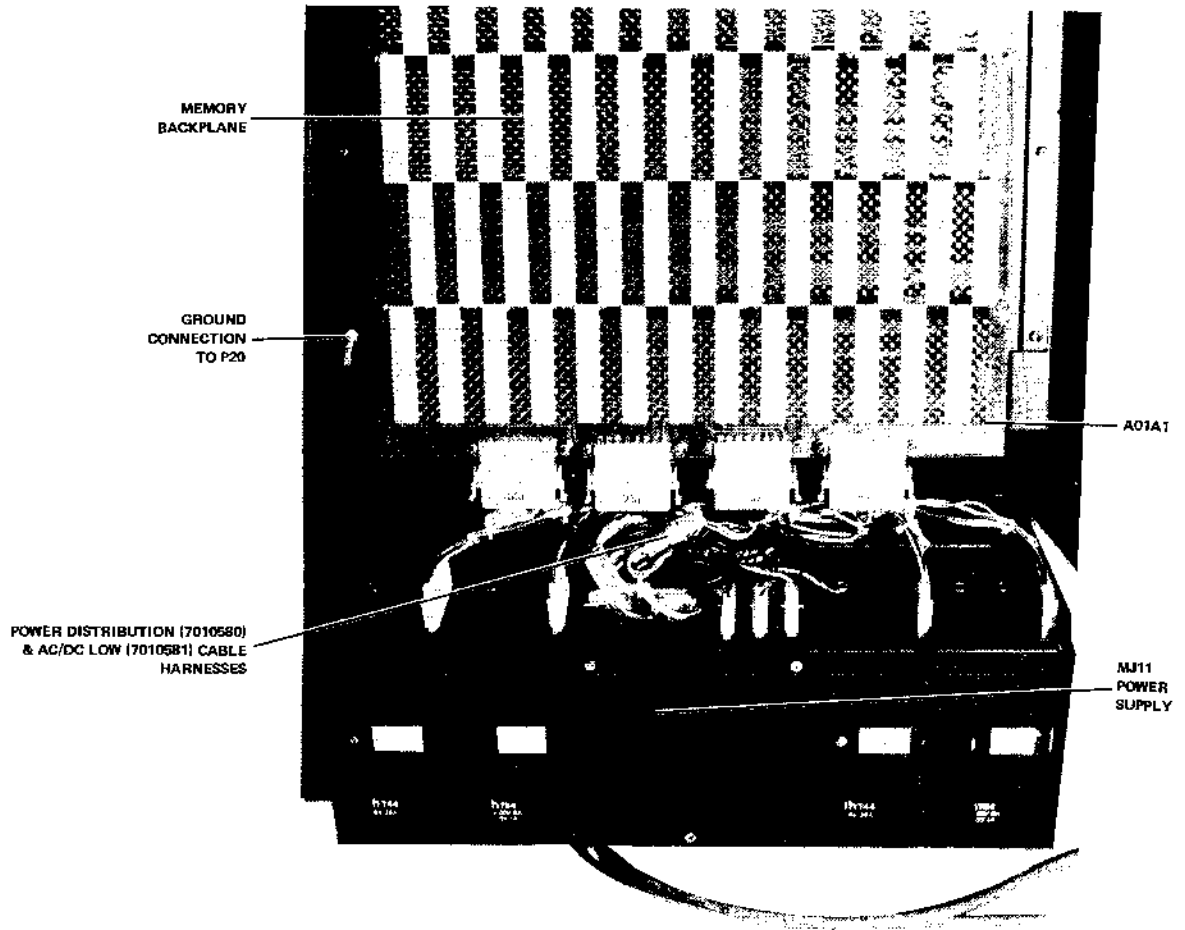
Figure 4-17 Processor Cabinet (Processor Mounting Box Extended)

7456-19



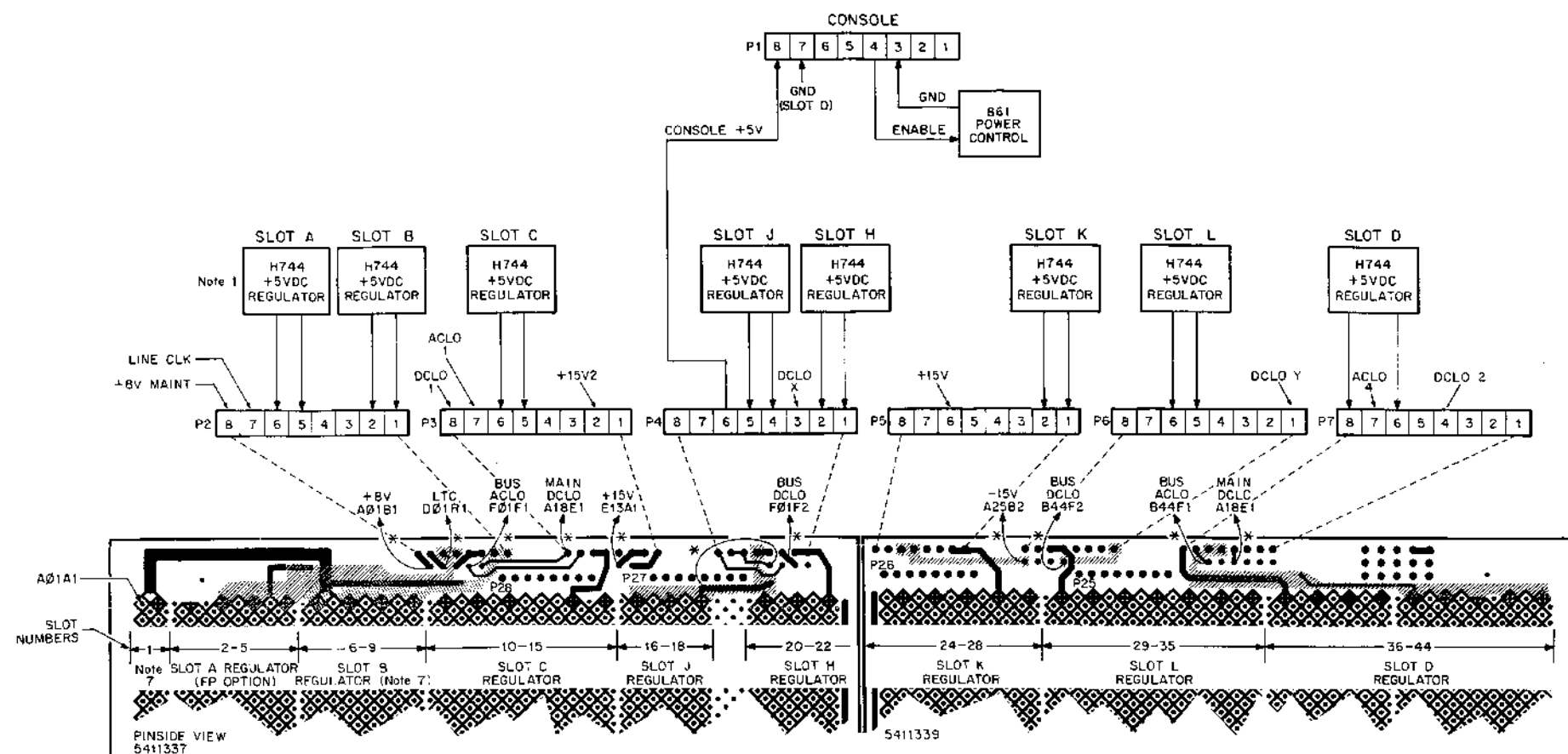
7645-11

Figure 4-18 Processor Mounting Box



7545-3

Figure 4-19 Memory Cabinet Power Supply (Bottom View)



NOTES:

- | | |
|---|--|
| 1. Used only if FP11 option is installed. | 5. -15 V, DCLO 2, and DCLO X are from lower H7420. |
| *2. Electrical Connection | 6. +8 V, -15 V, ACLO 1, DCLO Y, ACLO 4, LINE CLOCK, and DCLO 1 are from upper H7420. |
| 3. P25 through P28 are ground connections. (Refers to D IC-11:70-0-2) | 7. Slot B regulator provides power to slots 1, 6-9. |
| 4. Shaded wick connections are on connector side. | |

Figure 4-21 Processor Backplane Connectors and Pins

Table 4-5 Processor Cabinet Voltage/Signal Connections
(Refer to Figures 4-19 and 4-20)

Voltage/ Signal	H744 Regulator	Regulator Plug-Pin	Backplane Plug-Pin	Processor/ Modules
+5 V	Slot A	P9-2, 5	P2-5, 6	Slots 2-5 Slots 1, 6-9 Slots 10-15 Slots 36-44 Slots 20-22 Slots 16-18 Also to processor console (P1-8) via P4-6
	Slot B	P11-2, 5	P2-1, 2	
Ground	Slot C	P12-2, 5	P3-5, 6	All ground connections are common
	Slot D	P13-2, 5	P7-6, 8	
	Slot H	P17-2, 5	P4-1, 2	
	Slot J	P18-2, 5	P4-4, 5	
	Slot K	P19-2, 5	P5-1, 2	
	Slot L	P20-2, 5	P6-5, 6	
	Slot A	P9-3, 4	P28-1, 2	
	Slot B	P11-3, 4	P28-3, 4	
	Slot C	P12-3, 4	P28-5, 6	
	Slot D	P13-3, 4	P1-7; P27-4	
	Slot H	P17-3, 4	P25-1, 2	
	Slot J	P18-3, 4	P27-1, 2	
	Slot K	P19-3, 4	P25-3, 4	
	Slot L	P20-3, 4	P25-5, 6	
Voltage/ Signal	H7420 Power Supply	Power Supply Plug-Pin	Backplane Plug-Pin	Processor/ Modules
Logic Ground	Upper	P15-5	P28-8	Slots 40-44
	Lower	P22-2, 3	P26-5	
+15 V	Upper	P15-3	P3-2, 3	Slots 2, 17, 25-27, 29-31, 33-35, 37- 44
	Lower	P22-4	P5-5,6	
-15 V	Lower	P22-4	P5-5,6	
+8 V	Upper	P15-1	P2-8	Slot 1 (C P Maintenance card)
Line Clock (LTC)	Upper	P15-11	P2-7	Slot 1 (KW11)
Bus AC LO L	Upper	P15-8	P3-7	Refer to Figure 4-37 for complete AC LO, DC LO Circuit
	Lower	P22-10	P3-7	

Table 4-5 Processor Cabinet Voltage/Signal Connections (Cont)

Voltage/ Signal	H7420 Power Supply	Power Supply Plug-Pin	Backplane Plug-Pin	Processor/ Modules
BUS AC LO L (Cont)	Upper Lower	P15-10 P22-8	P7-7 P7-7	
Bus DC LO L	Upper Lower	P15-9 P22-12	P6-1 P4-3	
Main DC LO L	Upper Lower	P15-12 P22-9	P3-8 P7-4	
Voltage/ Signal	H7420 Power Supply	Power Supply Plug-Pin	Regulator Plug-Pin	Remarks
20-30 Vac	Upper Lower	P10-1, 2 P14-1, 2 P14-7, 8 P10-8, 10 P21-7, 8 P21-1, 2 P16-8, 10 P16-1, 2	P9-6, 7 P11-6, 7 P12-6, 7 P13-6, 7 P17-6, 7 P18-6, 7 P19-6, 7 P20-6, 7	Regulator A Regulator B Regulator C Regulator D Regulator H Regulator J Regulator K Regulator L
Voltage/ Signal	H7420 Power Supply	Power Supply Plug-Pin	H7420 Fan Connections	Remarks
115 Vac	Upper Lower	P10-3, 7 P16-3, 7	J10, J11 J8, J9 J6, J7 J10, J11 J8, J9 J6, J7	Upper H7420, Fan 2 Upper H7420, Fan 3 Upper H7420, Fan 4 Lower H7420, Fan 2 Lower H7420, Fan 3 Lower H7420, Fan 4
Voltage/ Signal	H7420 Power Supply	Power Supply Plug-Pin	Processor Cabinet Plug	Remarks
	Upper Lower	P10-5, 6 P16-5, 6	P34, P35 P8-1, 2	Elapsed Time Meter 9 Processor mounting box logic fans

Two plugs on the processor power harness, P_{v3} and P₂₄, connect the console ON/OFF switch (via P₁) and the thermal switch (via P₈) to the 861 power control (Figure 4-14).

Fourteen of the harness connectors are attached to the upper and lower H7420s. Seven (P₉ through P₁₅) go to the upper H7420 and seven (P₁₆ through P₂₂) go to the lower H7420. Figure 4-3 shows how the processor power harness plugs connect the backplane to the H7420s. The two remaining connectors on this harness, P₃₄ and P₃₅, are used to apply ac power to the elapsed time meter (Figure 4-17).

Memory cabinet power is distributed to the memory backplane via the power harness. The harness contains nine connectors (Figure 4-16). Two connectors (P₁₈ and P₂₁) apply dc voltage to the backplane (Table 4-6). A third connector (P₂₀) is for ground distribution that originates at a chassis ground connection on the backplane (Figure 4-19). At the MJ11 power supply, four connectors (P₁₃ through P₁₆) are attached to the voltage regulators and one connector (J₁) routes the ac input from the transformer secondary to the four regulators. The last connector on the harness is P₃, which is functionally separate from the others. P₃ is attached to the ac power control board in the MJ11 and contains a single shorting loop. This loop maintains the MJ11 in the ON mode during normal operation (Figure 4-2 and drawing E-AD-7010694-0-0).

Table 4-6 MJ11 Memory Cabinet Voltage/Signal Connections
(Refer to Figure 4-21)

Voltage/Signal	Wire Color	Regulator	Regulator Plug Pin	Backplane Plug Pin
+5 V	Red	H744 (No. 4) H744 (No. 2)	P16-2,5 P14-2,5	P21-5,6,7,8 P18-1,2,3,4
+20 V	Orange	H754 (No. 3) H754 (No. 1)	P15-5 P13-5	P21-3,4 P18-5,6
-5 V	Brown	H754 (No. 3) H754 (No. 1)	P15-3 P13-3	P21-1,2 P18-7,8
Ground	Black	H754 (No. 1) H744 (No. 2) H754 (No. 3) H744 (No. 4) 5411086-YA	P13-2 P14-3,4 P15-2 P16-3,4 P6-4,11	(Note) P20-3 P20-4,5 P20-7 P20-6,8 P19-4,5
DC LO	Violet	5411086-YA	P6-1,2	P19-6,7
AC LO	Yellow	5411086-YA	P6-3, 8	P19-8

NOTE: Ground connections on J₂₀ and J₁₉ (layer 3) are common to each other. P₂₀-2 is connected to chassis ground on the backplane (Figure 4-19).

A second wire harness is routed adjacent to the memory power harness in the MJ11. This is the ac/dc low wire harness (Figure 4-16). It is used to convey AC LO and DC LO power fail signals from the 5411086-YA low voltage detection circuit to the memory backplane, and ac power from the transformer to the 5411086-YA. Three connectors, P6, J2, and P12, are used for these functions.

Figure 4-22 depicts the MJ11 power supply and memory backplane connections made with the two wire harnesses (7010850 and 7010851) just described. In the drawing the four backplane layers are separated to show where each signal/voltage is applied. Layer four is the one observed when the backplane is viewed from the bottom (pin side). Some jack pins are common to each other due to an electrical connection on the associated backplane layer. Consequently, a voltage or signal may be present at more than one jack pin even though it is sent to just one plug pin. For example, -5 V is sent to P21-1 from regulator 3. However, -5 V is present at both J21-1 and J21-2 because of an etch connection on layer one between these two pins. Figure 4-23 is a cross-sectional view of this part of the backplane. Table 4-6 lists the backplane pins that are common to a particular voltage or signal. Pin A01A1, identified on each layer (Figure 4-22) to illustrate exactly how the four layers are overlaid, is in the lower right corner of the backplane when the memory drawer is in the raised (maintenance) position (Figure 4-19).

Drawing E-UA-MJ11-0-0 is a more comprehensive view of the backplane wire connections.

4.4.4 Processor Cabinet DC Power Supply (H7420)

The upper and lower H7420 power supplies in the processor cabinet provide the processor with the required dc voltage and low voltage signals. Each H7420 consists of a multiple output transformer, a power line monitor, 15 V regulator, and cooling for up to five H744 +5 V power supply modules. Figure 4-24 is a simplified schematic drawing of the two H7420s in the processor cabinet (only the unique parts of the lower H7420 are shown) and their connections to the processor cabinet, processor console, and processor backplane.

Figure 4-25 is a photograph of an H7420 with four regulators installed. In Figure 4-26, all the regulators have been removed and the top cover and the PC mounting board bracket have been detached to show the interior of the H7420. A front view of the power supply is shown in Figure 4-27.

Four versions of the H7420 are made: A, B, E, and F. The major differences are listed in Table 4-7.

The 115/230 Vac power input to the H7420 is through a circuit breaker (CB1) and a terminal block (TB1). (Refer to this part of the power supply on Figure 4-14). In the A and E versions, CB1 is a 20 A circuit breaker; the B and F versions use a 15 A circuit breaker. TB1 contains eight double terminals; adjacent terminal pairs are common as shown in Figure 4-28. In addition, jumpers are installed (Table 4-7) to provide 115 Vac outputs with either a 115 Vac or a 230 Vac input. Simplified circuit drawings of the two jumper-transformer configurations are shown on Figure 4-24. Also connected to TB1 are two capacitor-varistor assemblies (C1 and D1, C2 and D2) that function as input surge limiters.

The 115 Vac outputs from TB1 are connected to the two transformer primary windings, the regulator, and processor logic cooling fans, the elapsed time meter and the power indicator light (Figures 4-17, 4-26, and 4-27). The externally used outputs and the 115 Vac for the regulator fans are routed through J2 on the H7420 box (Figure 4-25).

The transformer secondary windings are connected to J2 (15-pin Mate-N-Lok) and J3 (9-pin Mate-N-Lok) on the H7420 box, and J5 (2-pin Mate-N-Lok). The output to J5 is the only one that is fused. These transformer outputs are 20–30 Vac (26 Vac is the nominal voltage). The two wires from P5 (J5) are routed to J1 (15 pin Molex right angle edge connector) on the 5411086 board (Figure 4-26).

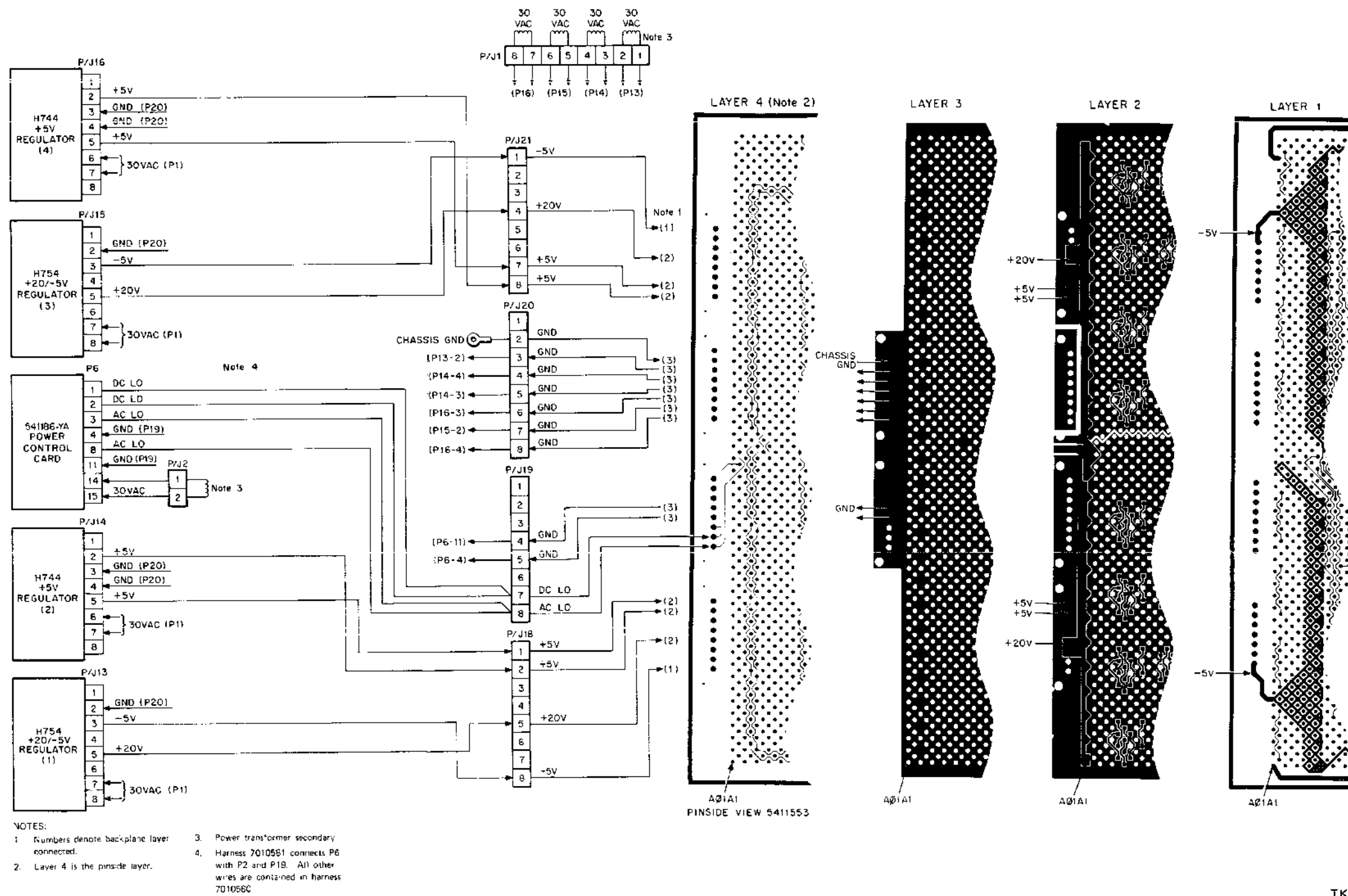


Figure 4-22 Memory Backplane Connectors and Pins

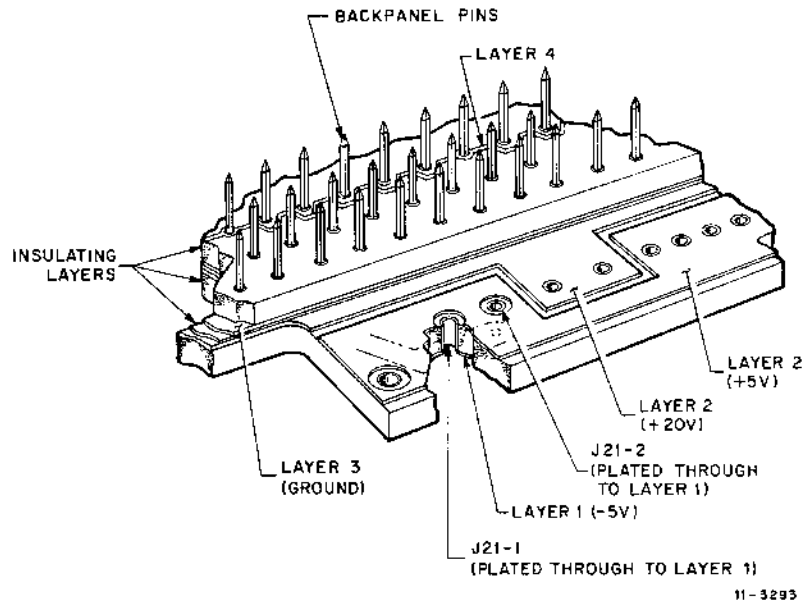


Figure 4-23 Memory Backplane Cross Section

Table 4-7 H7420 Versions

Version	Voltage	CB1	TB1 Jumper Connections	Apparent input Power (kVA max)
A	90-132 Vac	20 A	2-6, 4-8	1.44
B	180-264 Vac	15A	4-6	1.68
E	90-132 Vac	20A	2-6, 4-8	1.44
F	180-264 Vac	15 A	4-6	1.44
Version	Transformer Assy - DEC No.	Max Transformer Output Load*	Max No. Regulators	
A	7011211	1220 VA	5	
B	7011211	1220 VA	5	
E	7010814	1020 VA	4	
F	7010814	1020 VA	4	

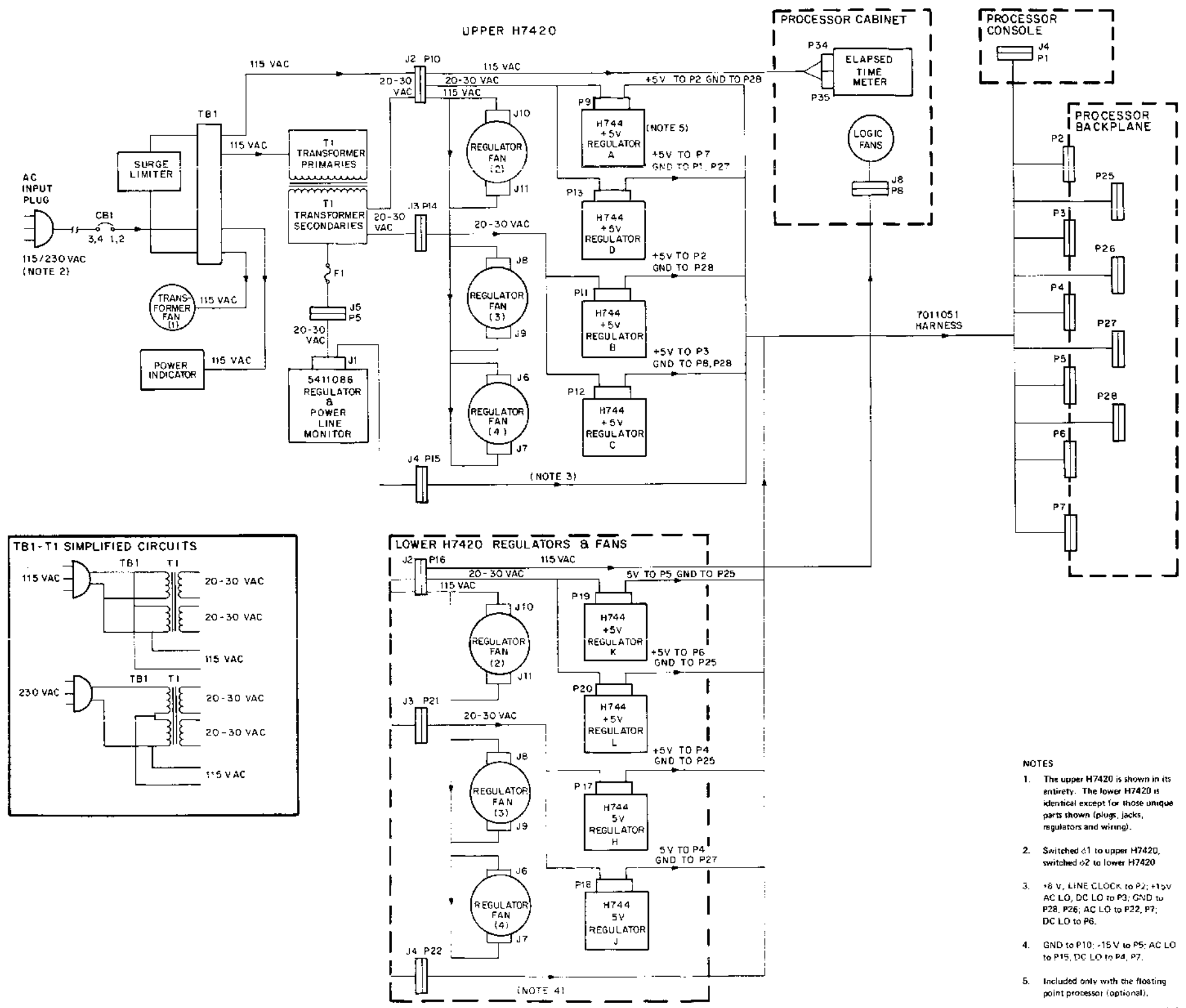
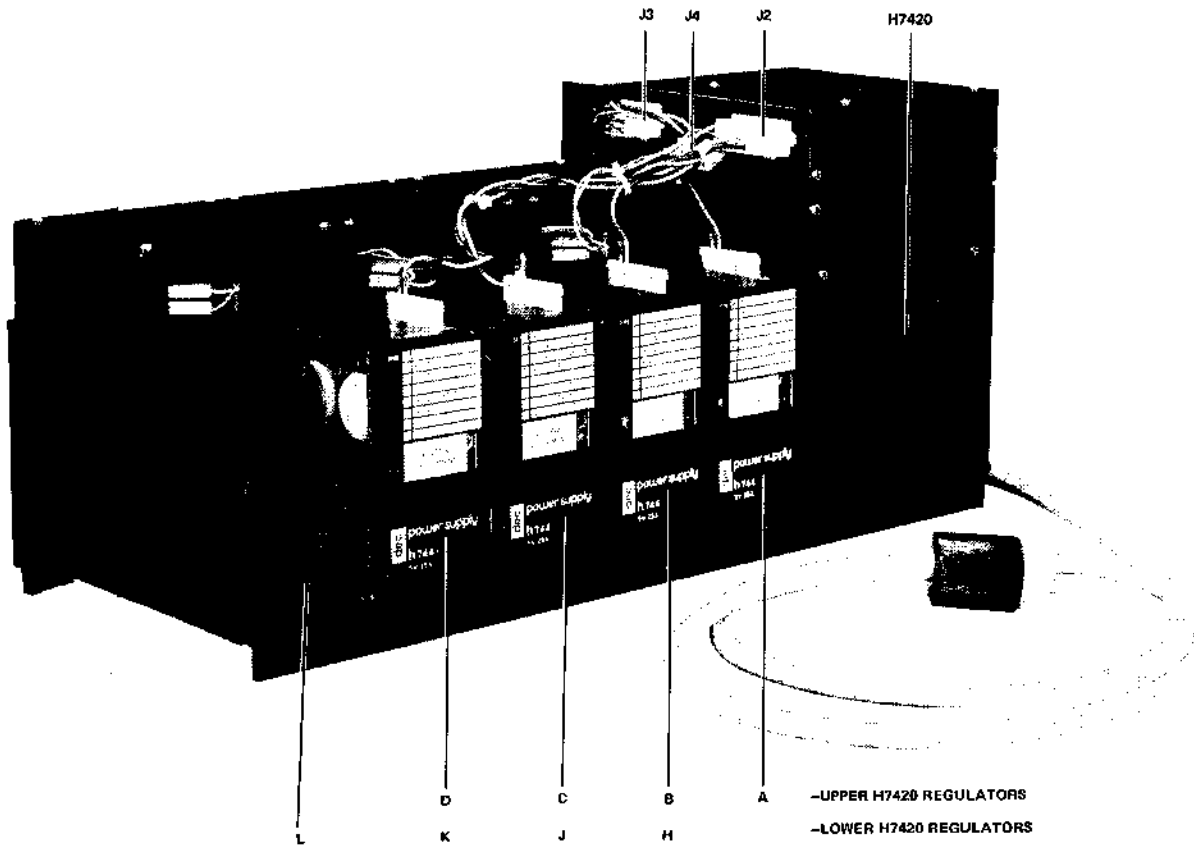
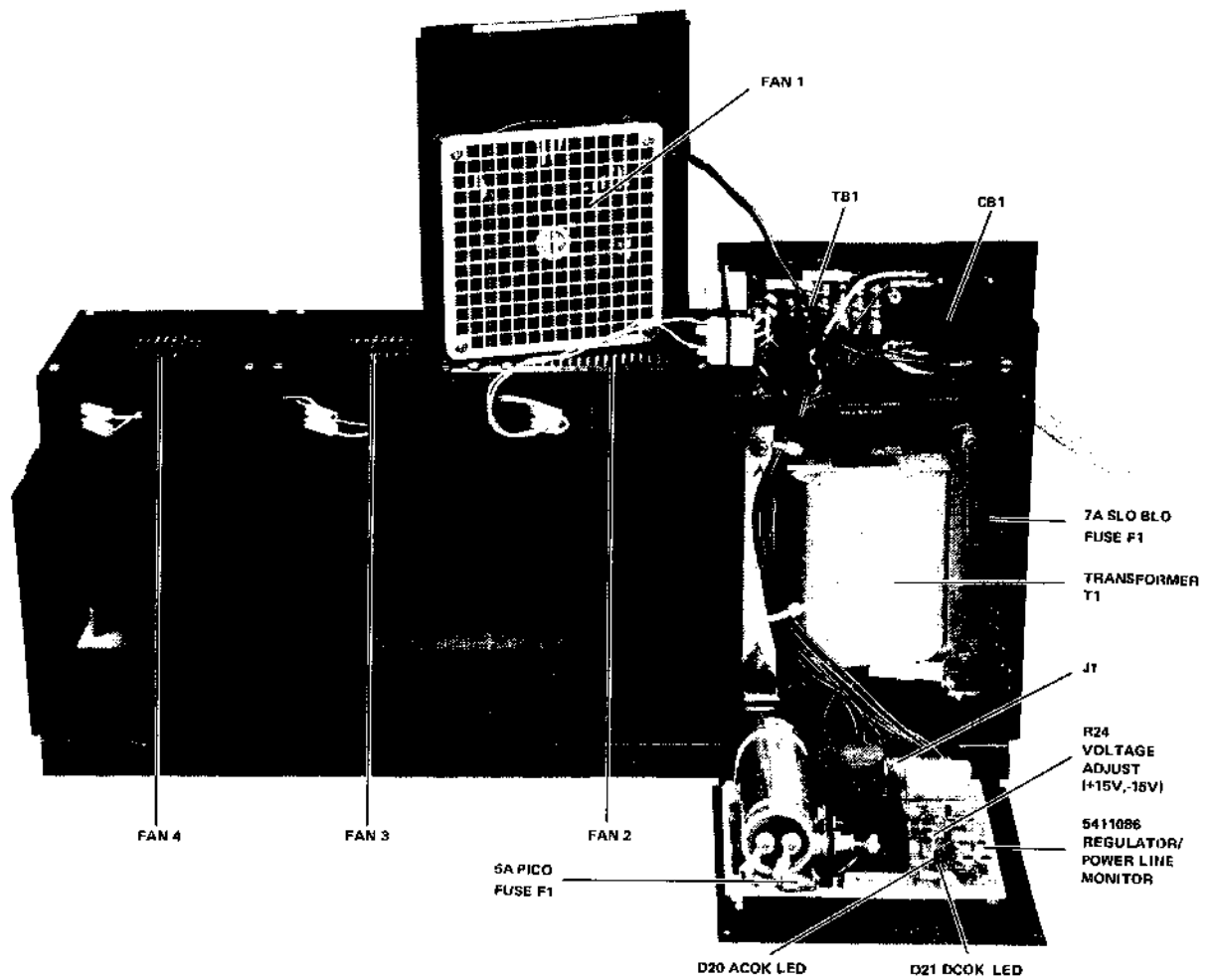


Figure 4-24 H7420 Power Supply



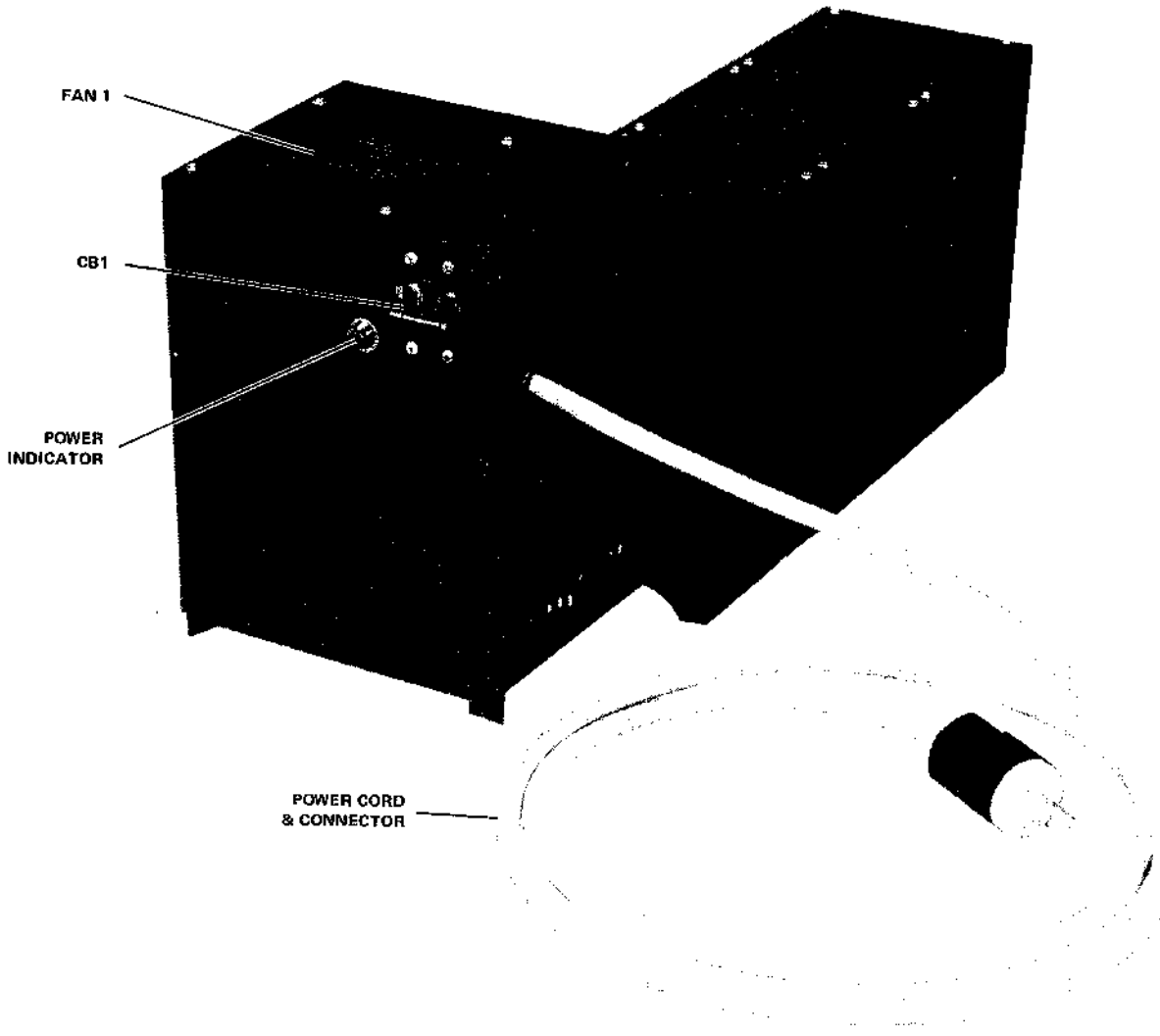
7301-2

Figure 4-25 H7420 Power Supply with Regulators



7301-3

Figure 4-26 H7420 Power Supply (PC Mounting Board Bracket with Top Cover Removed)



7301-1

Figure 4-27 H7420 Power Supply, Front View

J2 and J3 are mated with P10 and P14 respectively, in the upper H7420 and P16 and P21 in the lower H7420. The 20–30 Vac wires from these plugs are connected to the seven (or eight if the floating point option is installed) H744 regulators in the H7420.

The 5411086 regulator and line monitor boards – one in each H7420 – furnish +8 V, –15 V, and +15 V along with AC LO and DC LO power fail signals to the processor backplane (notes 1 and 2 on Figure 4-23). These outputs are through two 12-pin Mate-N-Lok connectors on the H7420 boxes: J4/P15 on the upper H7420, and J4/P22 on the lower H7420. The 5411086, including the AC LO and DC LO circuits, is described in Paragraph 4.4.6.1.

Four 4-inch, sleeve bearing fans provide air flow to cool each H7420. One is mounted above the transformer assembly and three are mounted above the H744 regulators (Figures 4-24, 4-25, and 4-27). The regulator fans receive 115 Vac power through six connectors, J6 through J11. Additional fan specifications follow.

A minimum of seven H744, +5 V regulators are included in the processor cabinet power system: three in the upper H7420 and four in the lower H7420. The upper H7420 regulators occupy slots B, C, and D; the lower H7420 regulators use slots H, J, K, and L (Figures 4-24 and 4-25). An additional H744 is installed in slot A of the upper H7420 if the optional floating point processor is included in the PDP-11/70. An 8-pin Mate-N-Lok connector on each regulator is used for both the 20–30 Vac input, and the +5 V output to the processor backplane. The connectors for the upper H7420 regulators are P9 and P11 through P13. For the lower regulators, they are P17 through P20 (Table 4-5). These connectors, as well as the connectors on the backplane, and the associated wires, are contained in the 7011051 power harness (Figures 4-15, 4-17, and 4-24). The H744 regulator is described in Paragraph 4.4.6.2.

To convert a 240 Vac version H7420 to a 120 Vac version, or a 120 Vac version to a 240 Vac version, it is necessary to change the following components:

1. Circuit breaker CBI
2. The jumper configuration on TB1
3. The line cord and connector
4. The decal

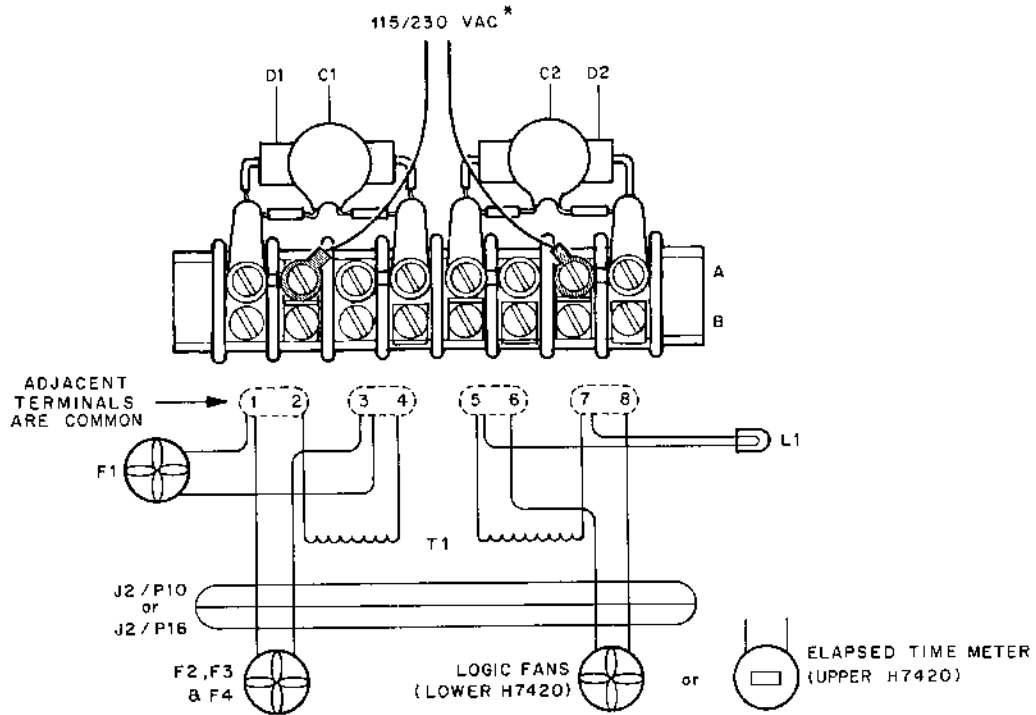
Refer to Table 4-7 and Figures 4-28 and 4-65 for component sizes and locations. Illustrated Parts Breakdown (IPB) EK-H7420-IP-001 lists the appropriate part numbers.

NOTE

The H7420 A and B versions can be converted to E and F versions, but not vice versa. This is because the E and F versions can supply 20–30 Vac to a maximum of four regulators; the A and B versions may be equipped with up to five regulators.

4.4.5 H7420 Power Supply Specifications

Specifications for the H7420 are listed in Table 4-8. Reference should be made to engineering specification A-SP-H7420-0-2 for additional information.



* For 115 VAC input jumper terminals 2-6 and 4-8. for 230 VAC inputs jumper terminals 4-6.

11-3310

Figure 4-28 Terminal Block TB1

Table 4-8 H7420 Power Supply Specifications

Mechanical and Environmental	
Dimensions	25.4 cm h × 58.42 cm w × 20.32 cm d (10 in. h × 23 in w × 8 in d)
Weight	17.23 kg (38 lb), approximately without regulators. Regulators are 1.18 kg (4 lb), approximately
Cooling	4-inch sleeve bearing fans, DEC Part No. 12-09403-01 (IMC No. WS2107F-110-01, ROTRON No. CT 3 A2) Temp Rating -28.9° C to +54.4° C (-20° F to +130° F) Power Requirements: 115 Vac 0.24 A Air delivery: 18.87 l/s (40 ft ³ /min)
Ambient Temperature:	Operating: 0° to 60° C (32° to 140° F) Storage: -40° to 70° C (-40° to 158° F)
Relative Humidity	10% to 90% (without condensation)
Altitude	3,048 meters (10,000 feet) max approximately
Electrical	
Input Power Voltage	90-132 Vac (H7420A, H7420E) 180-264 Vac (H7420B, H7420F)
Frequency	47-63 Hz
Current	12 A rms max at 120 Vac (A,E) 7 A rms max at 240 Vac (B) 6 A rms max at 240 Vac (F)
Inrush Current	260 A peak for 1/2 cycle at 120 Vac (A,E) 150 A peak for 1/2 cycle at 240 Vac (B,F)
Power (Apparent)	1.44 kVA max (A,E,F) 1.68 kVA max (B)
Conducted Noise (Noise on ac line)	
Transients	Single transient, without system degradation: 300 V at 0.2 W s Single transient, survival: 1000 V at 2.5 W s max. Average transient power survival: 0.5 W max.
CW Noise	10 KHz 3 MHz: 3 Vrms 3 MHz 50 MHz: 1 Vrms 500 MHz 1000 MHz: 0.5 Vrms

Table 4-8 H7420 Power Supply Specifications (Cont)

Conducted Noise (cont)	
RF Field Susceptibility	10 kHz-1000 MHz: 1 V/m
Ride-through Power	Upon power outage the voltage outputs are maintained within specified limits for ≥ 20 ms. Control outputs are maintained within specified limits for ≥ 5 ms. (Refer to Figure 4-36).

Output Power	
General	Output is through three Mate-N-Lok connectors, J2, J3, and J4, described in Paragraph 4.4.4 (Refer to Table 4-7)

J2	Pins	Voltage	Max Load
	1, 2, 8, 10	19-30 Vac	375 VA
	3, 7	90-132 Vac	N/A
	5, 6	90-132 Vac	4A
	4	0	Chassis Gnd
	9, 12	19-30 Vac	375 VA except E, F
	11, 13	Not used	
	14, 15	Not used	
J3	Pins	Voltage	Max Load
	1-8	19-30 Vac	375 VA except Pins 3-6 for E, F (no connection) Pins 1-2, 3-4 and 5-6, 7-8 are in parallel. Use only one set at one time.
	9	Not used	
J4	Pins	Voltage/Remarks	
	1	+8 V or -7 V if regulator used for -15 output	
	2, 3	+15 V or -15 V	
	4-6	Ground	
	7	AC LO/DC LO Grounds Connected to Pins 4, 5, and 6 if +15 V regulator; to pin 2 and 3 if -15 V regulator	
	8	AC LO 1	
	9	DC LO 1	
	10	AC LO 2	
	11	LTCL except when pins 2, 3, and 7 tied together (-15 V regulator)	
	12	DC LO 2	

5411086 Regulator - Refer to Paragraph 4.4.6.1

AC LO, DC LO Circuits - Refer to Paragraph 4.4.6.1

4.4.6 Memory Cabinet DC Power Supply (MJ11)

The MJ11 memory frame (Figure 4-29) is a 19 inch rack mountable expander box containing a 26-slot backplane and a power system which provides the regulated voltages and power fail signals required by the memory. There are two basic types of memory frame: the MJ11-AA, AC, BA, BC for 115 Vac, and the MJ11-AB, AD, BB, BD for 230 Vac. The MJ11-AA, AC, BA, BC (115 Vac) memory frame contains a 7009811-1 ac input box. The MJ11-AB, AD, BB, BD (230 Vac) contains a 7009811-2 ac input box. Aside from the ac input box, the two types of memory frames are physically identical. The memory frame can be converted from 115 Vac to 230 Vac operation or vice versa by installing the proper ac input box.

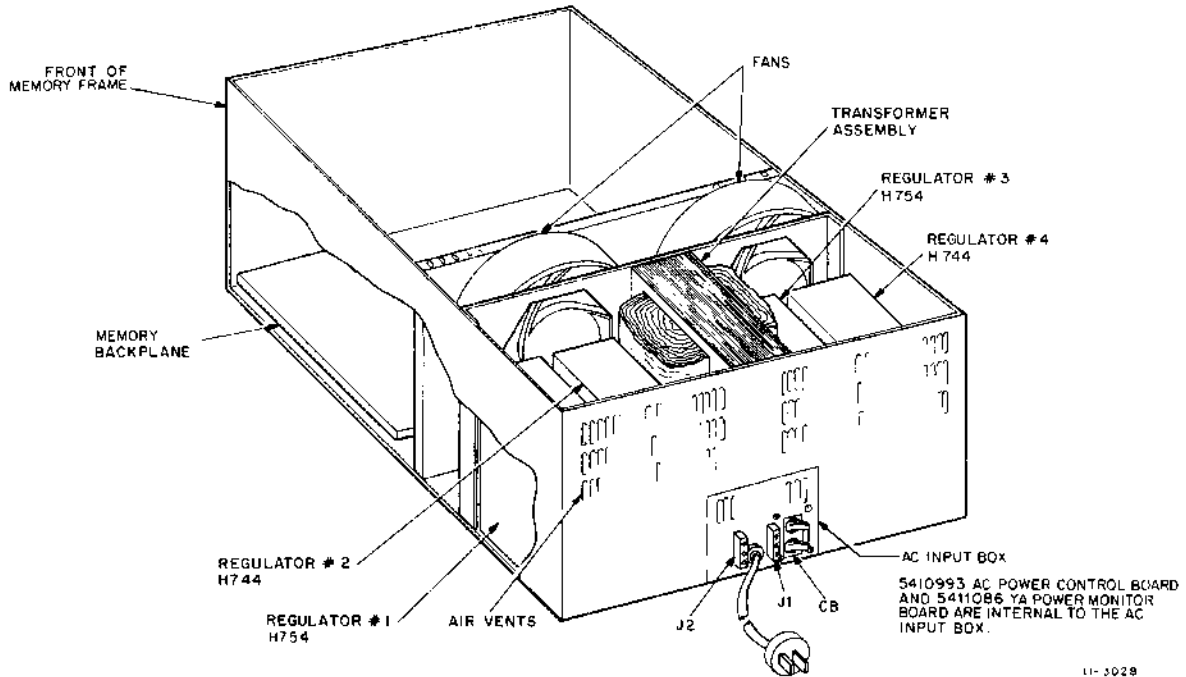


Figure 4-29 MJ11 Memory Frame Physical Layout

Table 4-9 lists the mechanical specifications of the memory frame.

The power supply is self-contained in its own chassis. It is secured to the main chassis with six screws. Two are special-purpose screws which function as hinges, enabling the power supply to be swung away from the main chassis during maintenance. The power supply contains four regulators, two fans, an ac input box, a transformer assembly, a power control card, and two power harnesses. The regulators are self-contained DIGITAL standard modular types. Table 4-10 lists the physical characteristics of the power supply. Tables 4-11 and 4-12 list the input power electrical specifications for the MJ11-AA, AC, BA, BC and MJ11-AB, AD, BB, BD memory frames.

Table 4-9 MJ11 Memory Frame Physical Characteristics

Dimensions	26.51 cm h × 43.48 cm w × 63.5 cm d (10.44 in h × 17.12 in w × 25 in d)
Weight	40.82kg (90 lb)
Module Slots	26
Slide Extension (Three-section slide)	68.58 cm (27 in) maximum
Slide Weight Capacity	68.04 kg (150 lb) (frame fully extended)
Three-section slide pivotal positions	Horizontal, 45 degrees and 90 degrees (front panel facing up)
Fan air movement direction	Horizontally toward rear of memory frame
Cooling efficiency for both fans at 90 Vac, 50 Hz	Temperature rise no greater than 10° C (18° F) from inlet air temperature to exhaust air

Table 4-10 Power Supply Physical Characteristics

Item	Description
Power Supply Components	H744 Regulators (two) H754 Regulators (two) 5411086-YA Power Line Monitor Board 7010014 Transformer Assembly 7009811-1 or -2 AC Input Box with 5410993 Power Control Board 7010580 Power Distribution Harness 7010581 Harness 1211714 Box Fans (two)
Fan Size	15.2 cm (6 in) Diam., 3.8 cm (1-1/2 in) blade depth
Fan Type	Ball bearing, DEC No. 1211714
Fan Capacity at 115 V, 50 Hz	122.7 l/s (260 ft ³ /min) at 0 static pressure
Fan efficiency at 90 Vac, 50 Hz	60%
7010014 Transformer Assembly Weight	11.34 kg (25 lb)

**Table 4-11 MJ11-AA, AC, BA, BC Memory Frame Input Power
Electrical Specifications**

Parameter	Specification
Input Power	MJ11-AA, BA 90-132 Vac, 115 Vac nominal, 47-63 Hz, single phase MJ11-AC, BC 180-264 Vac (phase to neutral) (312-456 Vac phase to phase) 3-phase wye at 30 A/phase
Inrush Current	175 A peak for 10 ms max. at 115 V line voltage
Input Power	1200 W maximum at 115 V nominal line voltage
Input Current	12 A max at 115 Vac
Circuit Breaker rating	20 A at 115 Vac
Power Factor	The ratio of input power to apparent power will be greater than 0.85
Conducted Noise (Noise on ac Line)	
Transients	Single transient without loss of data: 300 V at 0.2 W/s max. Single transient, survival: 1000 V at 2.5 W s max. Average transient power survival: 0.5 W max.
CW Noise	10 KHz - 3 MHz: 3 Vrms 3 MHz - 500 MHz: 1 Vrms 500 MHz - 1000 MHz: 0.5 Vrms
RF Field Susceptibility	10 KHz - 1000 MHz: 1 V/m
Power Fail	The power supply is capable of withstanding power interruptions of any magnitude and duration with- out damage. Storage time of power supply at low line and full load shall be 20 ms minimum. Storage time is measured from the time the power outage occurs until the time the regulator voltages listed in Table 4-16 drop below their specified regulation limits.

**Table 4-12 MJ11-AB, AD, BB, BD Memory Frame
Input Power Electrical Specifications**

Parameter	Specification
Input Power	180-264 Vac, 230 Vac nominal, 47-63 Hz, single phase
Inrush Current	80 A peak for 10 ms max at 230 Vac line voltage
Input Power	1200 W maximum at 230 Vac nominal line voltage
Input Current	6 A max at 230 Vac
Circuit Breaker Rating	10 A at 230 Vac
Power Factor	The ratio of input power to apparent power shall be greater than 0.85
Conducted Noise (Noise on ac Line)	
Transients	Single transient, without loss of data: 300 V at 0.2 W/s Single transient, survival: 1000 V at 2.5 W/s max Average transient power survival: 0.5 W max
CW Noise	10 KHz-3 MHz: 3 Vrms 3 MHz-50 MHz: 1 Vrms 500 MHz-1000 MHz: 0.5 Vrms
RF Field Susceptibility	10 KHz-1000 MHz: 1 V/m
Power Fail	The power supply is capable of withstanding power interruptions of any magnitude and duration without damage. Storage time of power supply at low line and full load shall be 20 ms minimum. Storage time is measured from the time the regulator voltages (listed in Table 4-16) drop below their specified regulation limits.

A functional block diagram of the power supply is shown in Figure 4-30. If the line cord is plugged into an energized outlet, line voltage is applied to the ac input box. The ac input box contains a circuit breaker, an ac power control board, and a power line monitor board. The circuit breaker is used as an ON/OFF switch, as well as an overcurrent protection device. The ac power control board and its associated relay (K2) allow remote control of ac power to the transformer assembly primaries by the thermal switch mounted on the transformer assembly. The memory frame cooling fans connect directly to the transformer primaries.

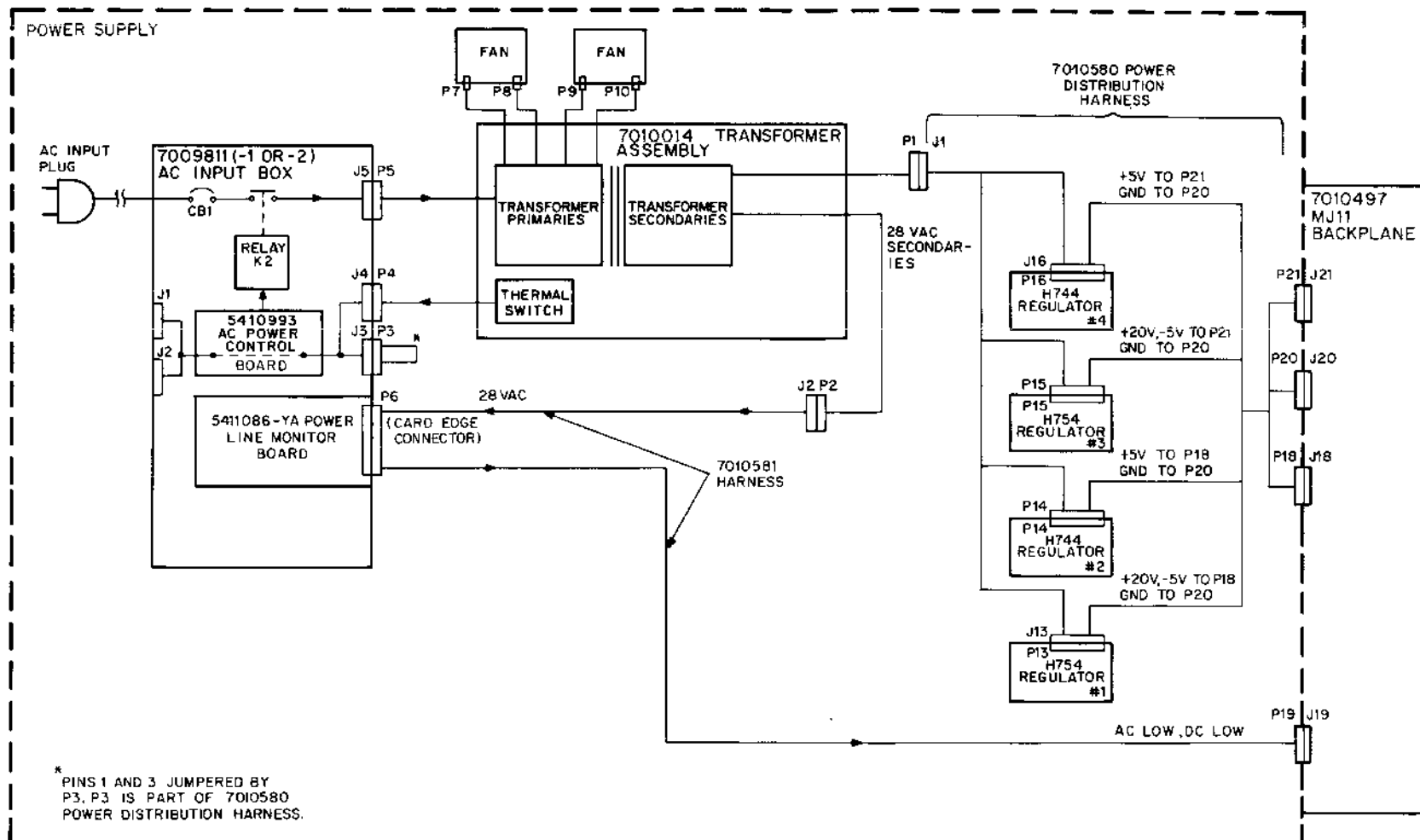


Figure 4-30 MJ11 Power Supply Functional Block Diagram

The 7010014 transformer assembly steps down the voltage from the ac input box to approximately 28 Vac and routes it to the two H744 regulators, the two H754 regulators, and the 5411086-YA power line monitor board in the ac input box. The H744 and H754 regulators produce the +5 V, +20 V, and -5 Vdc voltage required in the memory frame.

The 5411086-YA power line monitor generates the AC LO and DC LO power fail signals. It is mounted within the ac input box and is secured in place when the ac input box is installed in the power supply chassis. A card edge connector provides an electrical connection to a transformer secondary and to the memory backplane. Note that although the 5411086-YA is physically mounted in the ac input box, it is considered a separate assembly. The 5411086-YA, which is referred to as the power control card in some documentation, is described further in Paragraph 4.4.6.1.

The H744 (also used in the H7420) and H754 regulators are described in Paragraph 4.4.6.2. Drawings E-UA-MJ11-0-0 sheet 4 and E-AD-7010694 sheet 2 illustrate these circuits and their interrelation.

The following paragraphs describe, in detail, the ac input box, the transformer assembly, and the box fans.

The ac input box is mounted in the center of the power supply chassis with three Phillips head screws. The center rear of the power supply chassis is cut out, exposing the rear of the ac input box. This enables easy access to the ac line cord, circuit breaker, and remote power control Mate-N-Lok. The 5410993 ac power control board and the 5411086-YA power line monitor board are physically mounted in the ac control box.

The 115 V (7009811-1) and 230 V (7009811-2) ac input boxes are functionally identical. They differ physically in their components and in the way they are connected to the transformer assembly. Figure 4-31 is a simplified schematic of the 115 Vac power configuration. In this configuration, the power transformer windings are connected in parallel. In the 230 Vac power configuration (Figure 4-32), the power transformer windings are connected in series.

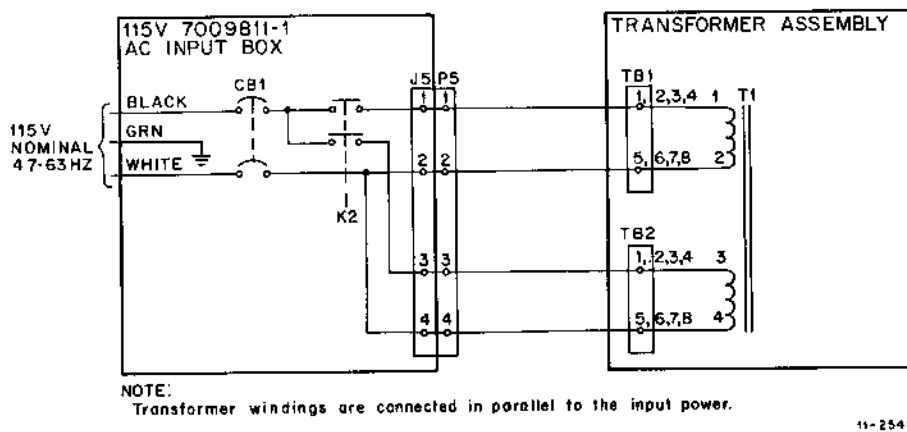


Figure 4-31 115 Vac Power Configuration

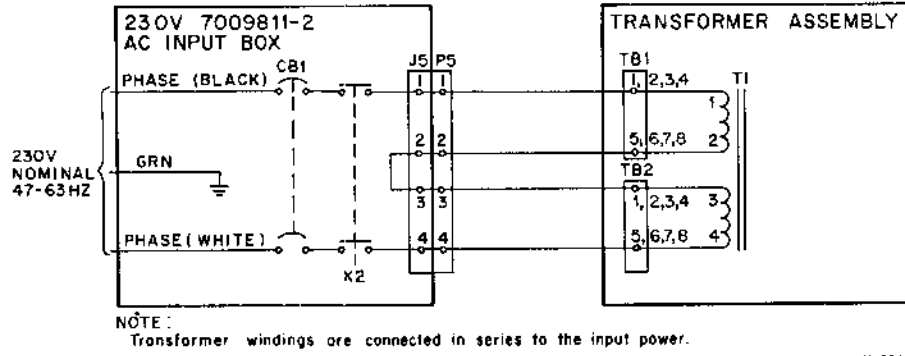


Figure 4-32 230 Vac Power Configuration

Utilizing the 115 Vac input box (7009811-1), the input line voltage is applied via a 20 A circuit breaker to relay K2 and transformer T1 on the power control board. Transformer T1 steps down the voltage to 24 Vac. The 24 Vac is rectified and applied to relay K1 (Figure 4-33). Energizing K1 completes the path to K2, switching the 115 Vac to the transformer assembly. The normally open thermal switch (TS1) (located in the transformer assembly) closes when an over-temperature condition is sensed. Closing TS1 applies 24 Vdc to half the K1 relay coil. This creates two opposing fields, causing K1 to de-energize. De-energizing K1 interrupts the ac power to the transformer assembly. The varistor (D6 or D7) across the coil of K2 suppresses voltage spikes in excess of 150 Vac for ac input box 7009811-1 and 275 Vac for ac input box 7009811-2.

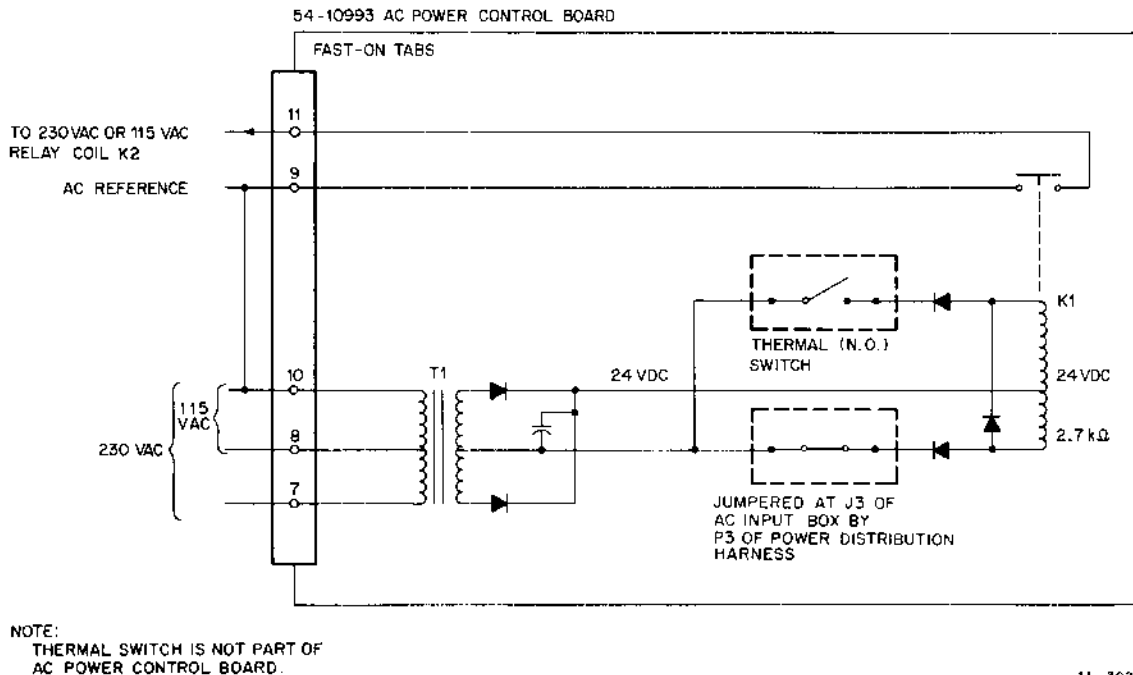


Figure 4-33 Power Control Board Simplified Diagram

The 7010014 transformer assembly is located in the center of the power supply chassis. Two capacitors, two varistors, and two terminal boards are mounted directly on the transformer. The transformer base plate is used to bolt the transformer to the chassis. The area around the transformer is open, enabling ample air flow from the two fans across the transformer. A thermistor is mounted directly to the transformer frame, enabling over-temperature monitoring. Output leads from the transformer, which go to other modules, are terminated in Mate-N-Lok connectors. A cable clamp is used to secure these leads to the chassis.

The primary function of the transformer assembly is to step down the 115 Vac or 230 Vac input voltage to 28 Vac. There are five separate secondary transformer windings, one for each regulator and one for the power line monitor board. In addition, the transformer assembly routes 115 Vac from TB1 and TB2 to box fans 1 and 2, respectively.

The two capacitors (C1, C2) connected across the primary of T1 function as input line filters. Two varistors (D1, D2), also connected across the T1 primary, suppress voltage spikes in excess of 150 Vac.

Two, 6-inch ball bearing box fans (1211714) are used in the power supply. They are mounted on the chassis between the module boards and regulators. Each fan is secured to the chassis with two screws.

4.4.6.1 5411086-YA Power Line Monitor – The 5411086 power line monitor (Figure 4-34) is a 15 V switching regulator that also produces real time clock (LTCL) and power fail (AC LO and DC LO) signals. A +8 V terminal is also provided. LTCL is a square wave, logic level, signal at line frequency. AC LO L indicates that the line voltage is below a prescribed minimum. DC LO L indicates that the line voltage is below the minimum operating tolerance and that the +15 V regulator circuit cannot be expected to produce an output within specified normal operating limits.

The 15 V output can be connected to provide either a -15 V or a +15 V source. If connected as a -15 V source, the LTCL and +8 V terminals should not be used. This is the case in the processor cabinet power system. The 5411086 in the upper H7420 power supply produces +15 V, +8 V, LTCL, and the AC LO-DC LO signals while the 5411086 in the lower H7420 produces only -15 V and the AC LO-DC LO signals.

NOTE

The MJ11 power supply is equipped with the -YA version of the 5411086 board. The 5411086-YA contains the line clock and power fail circuits just described, but not the regulator circuit.

The specifications for the 5411086 are listed in Table 4-13. Drawing D-CS-5411086-0-1 is a circuit schematic of the 5411086.

In the regulator circuit, the 20–30 Vac input is full-wave rectified by bridge D11 to provide dc voltage (25 to 45 Vdc, depending on line voltage and load on +15 V) across filter capacitor C1 and bleeder resistor R15. Operation centers on voltage regulator E1, which is configured as a positive switching regulator. A simplified schematic of E1 is shown in Figure 4-34. E1 is a monolithic integrated circuit that is used as a voltage regulator. It consists of a temperature-compensated reference amplifier, an error amplifier series pass power transistor, and the output circuit required to drive the external transistors. In addition to E1, the regulator circuit includes pass transistor Q7, predriver Q4, and level shifter Q6. Zener diode D17 is used with R11 to provide +15 V for E1.

The output circuit is standard for most switching regulators and consists of free-wheeling diode D12, choke coil L1, and output capacitor C3. These components make up the regulator output filter. Free-wheeling diode D12 is used to clamp the emitter of Q7 to ground when Q7 shuts off, providing a discharge path for L1.

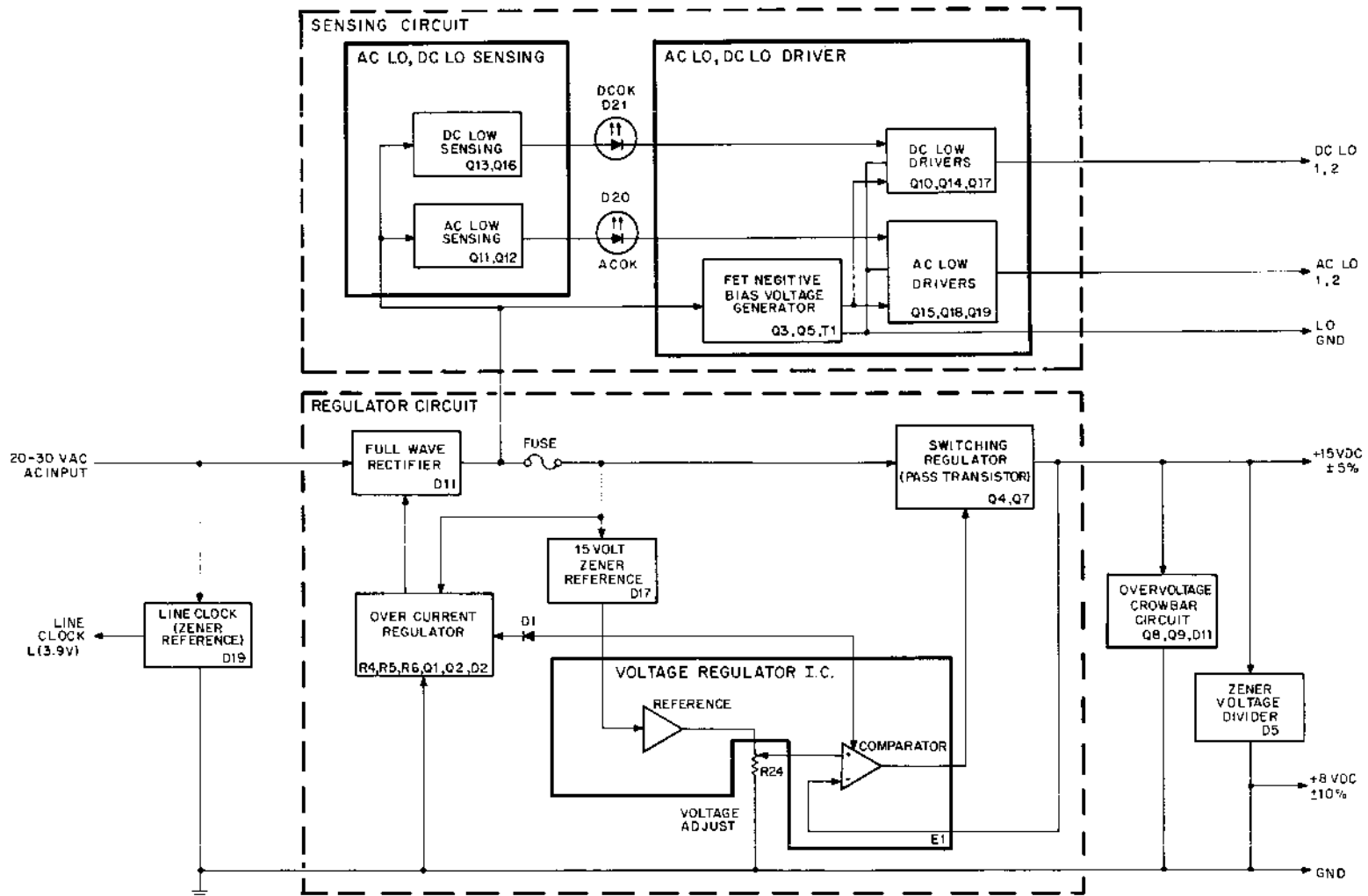


Figure 4-34 5411086 Block Diagram

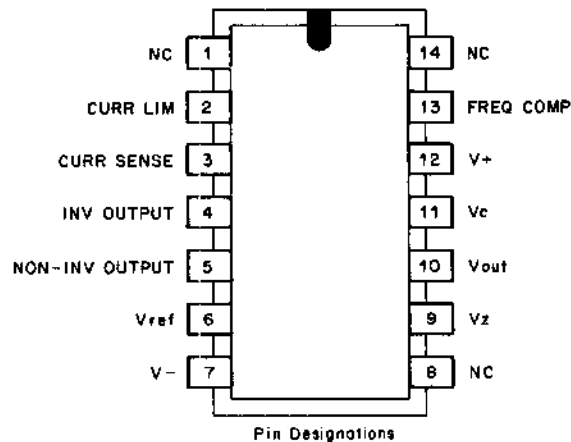
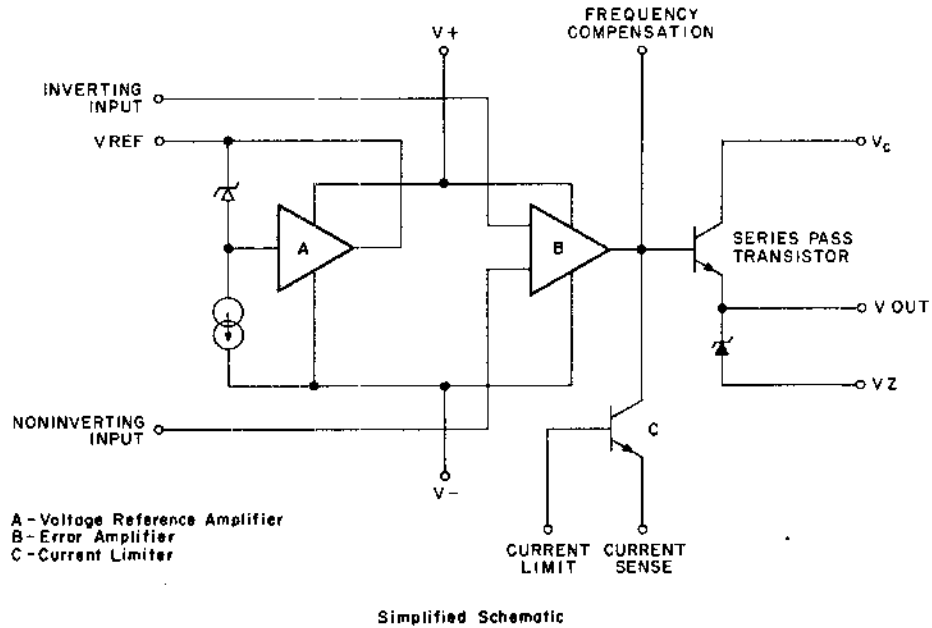
Table 4-13 5411086 Specifications (+15 V)

Parameter	Specification
Input Voltage, Frequency	20-33 Vac rms, 47-63 Hz
Input Power	120 W (at nominal line, full load)
Output Voltage	+15 Vdc \pm 5% +8 Vdc \pm 10%
Output Load	+15 V: 0 - 4.0 A +8 V: 0 - 1.0 A The total of +15 V and +8 V loads must not exceed 4 A
Adjustment	15 V \pm 1.5 V (R 24) +8 V output is 6.8 V \pm 5% below 15 V output
Ripple	0.45 V peak-to-peak maximum
Backup Fuse	5.0 A
Over Voltage Protection	SCR crowbar trips at 16.5 V to 19.5 V
Output Signals	LTCL, AC LO (2), DC LO (2)
Indicators	2 LEDs (ACOK, DCOK)

In operation, Q7 is turned on and off, generating a square wave of voltage that is applied across D12 at the input of the LC filter (L1 and C10). Basically, this filter is an averaging device, and the square wave of voltage appears as an average voltage at the output terminal. By varying the period of conduction of Q7, the output (average) voltage may be varied or controlled, thus supplying regulation (Figure 4-36). The output voltage is sensed and fed back to E1, where it is compared with a fixed reference voltage. E1 turns pass transistor Q7 on and off, according to whether the output voltage level approaches its upper and lower limits (approximately +15.15 V and +14.85 V respectively).

During one full cycle of operation, the regulator operates as follows: Q7 is turned on and a high voltage (approximately +30 V) is applied across L1. If the output is already at a +15 V level, then a constant +15 V would be present across L1. This constant dc voltage causes a linear ramp of current to build up through L1. At the same time, output capacitor C10 absorbs this changing current, causing the output level (+15 V at this point) to increase. When the output, which is monitored by E1, reaches approximately +15.15 V, E1 shuts off, turning Q7 off; the emitter of Q7 is then clamped to ground. L1 reverses polarity and discharges through D12 into capacitor C10, and the load. Predriver Q4 is used to increase the effective gain of Q7, thus ensuring that Q7 can be turned on and off in a relatively short period of time.

Conversely, once Q7 is turned off and the output voltage begins to decrease, a predetermined value of approximately +14.85 V will be reached, causing E1 to turn on; E1 in turn, causes Q7 to conduct, beginning another cycle of operation.



11-1895

Figure 4-35 Voltage Regulator E1, Simplified Diagram

Thus, a ripple voltage is superimposed on the output and is detected as predetermined maximum (+15.15 V) and minimum (+14.85 V) values by E1. When +15.15 V is reached, E1 turns Q7 off; when +14.85 V is reached, E1 turns Q7 on. This type of circuit action is called a ripple regulator.

The overcurrent regulator circuit functions as a current regulator when the current, monitored at D11, exceeds 5 A. The current regulator consists of R4, R5, R6, Q1, Q2, and D2. During normal operation, Q1 and Q2 are not conducting. Q2 starts conducting when the voltage drop across R5 and R6 (sensed by D2) exceeds approximately 0.6 V. When Q2 conducts, D1 becomes forward biased and E1 is shut off, turning off the pass transistor Q7 and predriver Q4. The conduction of Q2 will also turn on Q1 providing a constant current source (1 mA) to the base of Q2. Q1 will hold Q2 on until the current across R5 and R6 drop below approximately 4 A.

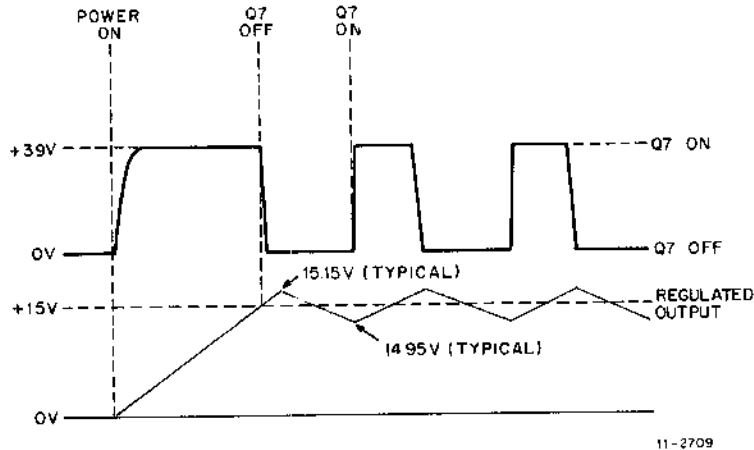


Figure 4-36 5411086 Regulator Waveforms

With Q1 and zener D2 tied to the +15 V zener reference for E1, the conduction of Q1 will hold E1 off. When Q1 and Q2 stop conducting, E1 will turn on, enabling the current to exceed the regulator limits. With a continuous overcurrent condition, Q1 and Q2 will be turning on and off, causing the circuit to become a constant current regulator.

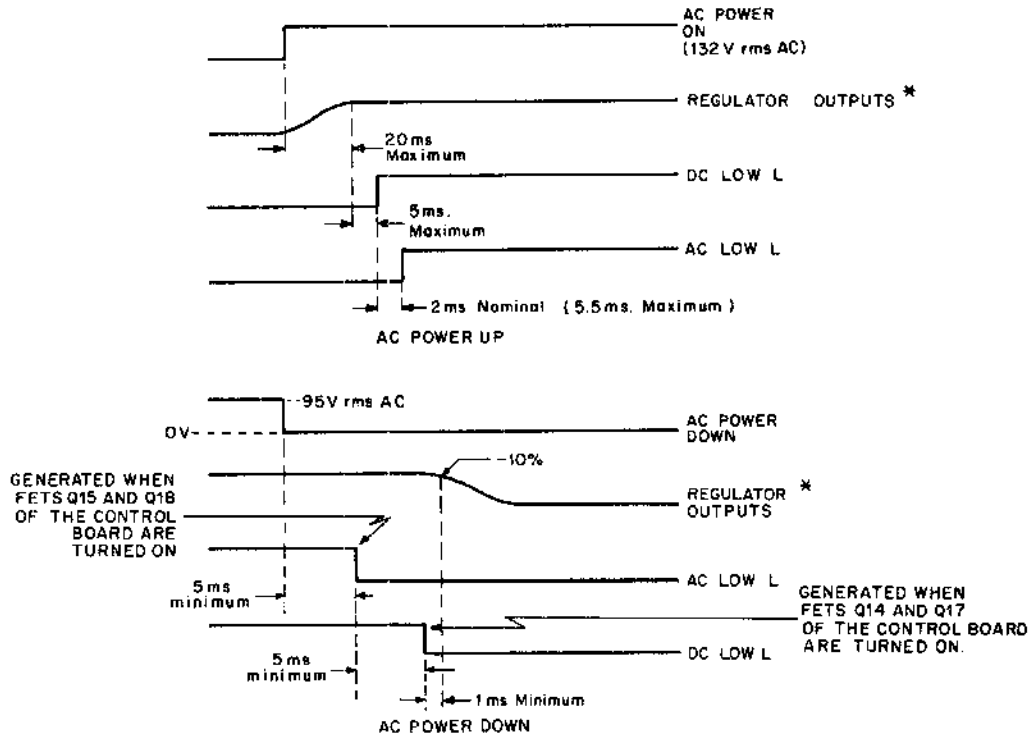
The +15 V overvoltage crowbar circuit consists of the following components: zener diode D18, silicon controlled rectifier (SCR) Q8, Q9, R38, R40, C13, and Q9. Under normal output voltage conditions, the trigger input to SCR D7 is at ground because the voltage across zener diode D3 is less than 18 V. If the output voltage becomes dangerously high (above 18.0 V), diode D18 conducts turning Q9 on, and the voltage drop across R40 draws gate current and triggers the SCR. The SCR fires, short circuits the +15 V output to ground, and turns off E1 by shorting out the +15 V reference at D17.

The line clock output (LTCL) is derived from one leg of full-wave rectifier bridge D11, by voltage divider R22 and zener diode D19. The clock output is a 0 to +3.9 V square wave at the line frequency of the power source (47 to 63 Hz). The clock output is used to drive the KW11 clock options.

The AC LO and DC LO sensing circuit has a 20-30 Vac input from a secondary winding of transformer T1. The sensing circuits are shown on drawing D-CS-5411086-0-1; a simplified version is shown in Figure 4-34. The ac input is rectified by diodes D15 and D16, and filtered by capacitors C20 and C24. A common reference voltage is derived by zener diodes D13 and D14. Both sensing circuits operate similarly; each contains a differential amplifier and associated circuits. The major difference is that the base of Q12 in the AC LO circuit differential amplifier is at a slightly lower value than that of Q16 in the DC LO differential amplifier. The operation of both sensing circuits depends on the voltage across capacitor C8. For AC LO and DC LO timing during power up and power down, refer to Figure 4-37. Table 4-14 lists some of the characteristics of the AC LO and DC LO circuits.

The AC LO and DC LO driver circuit produces the power fail signals that are sent to the memory backplane. When an ac low condition is sensed, the output of differential amplifier Q12 turns off Q9. Q19 in turn gates on FETs Q15 and Q18, generating AC LO 1 and AC LO 2 signals.

Approximately 7 ms after ac low is sensed, the dc low sensing circuit will generate DC LO. The dc low sensed output from differential amplifier Q16, turns off Q10. Q10 in turn gates on FETs Q14 and Q17, generating DC LO 1 and DC LO 2 signals.



* The 5411086-YA version does not supply regulated output voltage.

11-3027

Figure 4-37 5411086 Power Up and Power Down

Table 4-14 AC LO and DC LO Circuit Specifications

Parameter	Specifications
Static Performance at Full Load	
Input Voltage Increasing	DC LO goes high at 75-80 Vac AC LO goes high at 85-90 Vac
Input Voltage Decreasing	AC LO goes low (asserted) at 83-88 Vac DC LO goes low (asserted) at 73-78 Vac
Hysteresis	2-4 Vac (approximately)
Output Characteristics	
Load	J FETs can sink 100 mA (max)
Rise/Fall Times	1 μ s (max)

The +25 Vdc to +45 Vac from rectifier D11 is applied to T1, Q3, and Q5, Q3 and Q5, due to their switching action, create a pulsating dc which is applied to the primary of transformer T1. The output from the secondary of T1 (approximately 15 V) is rectified by D6, D7, D8, and D9, producing -10 Vdc to -15 Vdc. The -10 Vdc to -15 Vdc is a negative bias used to gate OFF J FETs Q15, Q18, Q14, and Q17 via Q19 and Q10. Unlike most transistors, the negative bias is used to turn off the J FETs. The J FETs are turned on when there is zero volts between gate (G) and source (S) terminals.

Light emitting diodes D20 (ACOK) and D21 (DCOK) are normally lit. When AC LO L and/or DC LO L are asserted, the light emitting diodes go off, indicating that this regulator is the source of AC LO L or DC LO L on the Unibus. (The location of D20 and D21 on the H7420 5411086 is shown in Figure 4-26.)

The following paragraphs describe AC LO and DC LO interconnections in the processor and memory cabinets. Figure 4-38 shows the routing of these signals through the system.

Each main memory drawer power supply and both processor cabinet power supplies contain a 5411086 power line monitor board (memory power supply contains a -YA version). The ac power monitor circuits (AC LO and DC LO) are on this board. AC LO and DC LO both have two independent open collector output drivers on each 5411086. Refer to the Engineering Print Set for a schematic of this circuit.

Table 4-15 lists the processor cabinet and main memory cabinet AC LO and DC LO signals.

The AC LO signals from all main memory power supplies are wire-ORed and transmitted to the cache (ADML) on the main memory bus cable. The signal is buffered, renamed ADML AC LO H and is one of two inputs to the processor power-up/power-down circuits on UBCE.

The processor power supply AC LO 1, AC LO 2, AC LO 3 and AC LO 4 signals are connected to the Unibus AC LO line (BUS AC LO L) at the backplane. This signal is the other input to the processor power-up/power-down circuits on UBCE, when it is ORed with ADML AC LO.

The output of the OR, UBCE AC LO L, is also input to the cache power-up circuits (ADMJ).

There are two separate DC LO lines in the PDP-11/70: BUS DC LO (Unibus) and MAIN DC LO (main memory). Two signal lines are required because:

1. The signal level on the Unibus (0 V to 5 V) is different from that on the main memory bus (0V to 3.5 V), and
2. The impedance of the Unibus (120 Ω) is different from that of the main memory bus (75 Ω).

BUS DC LO L is the wire-OR of DC LO Y (upper processor H7420 power supply), DC LO X (lower processor H7420) and the DC LO signals from all devices on the Unibus. It is one of two inputs to the processor power-up/power-down circuits on UBCE.

MAIN DC LO is the wire-OR of DC LO 1 (upper processor H7420), DC LO 2 (lower processor H7420), and both DC LO outputs from all main memory drawers (via the main memory bus cable). MAIN DC LO is buffered in the cache, renamed ADML MAIN DC LO H, and is the second input to the processor power-up/power-down circuits.

BUS DC LO and MAIN DC LO are ORed (UBCE) and input to both the cache power-up and to the processor power-up/power-down circuits. MAIN DC LO, however, is the only input to the main memory protection circuitry (MCTH). This circuitry inhibits the memory write operations on power-down 3 μ s after receipt of DC LO.

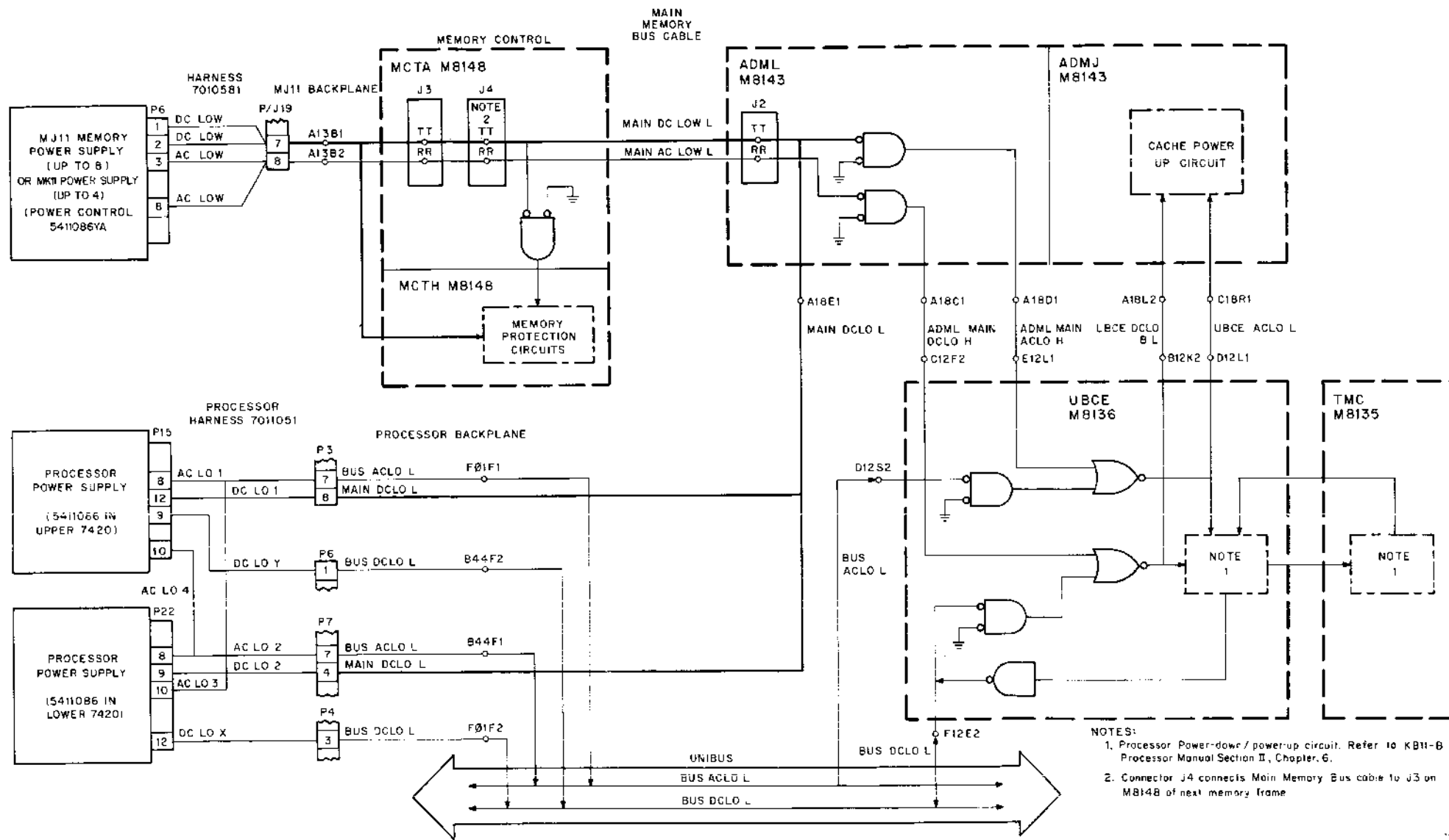


Figure 4-38 AC LO and DC LO Circuit

Table 4-15 AC LO and DC LO Driver Outputs

Signal Name	Unit	Connector Pin
AC LO 1	Upper processor H7420	P/J15-8
AC LO 2	Lower processor H7420	P/J22-8
AC LO 3	Lower processor H7420	P/J22-10
AC LO 4	Upper processor H7420	P/J15-10
AC LO	Main Memory P/S	P/J6-3
AC LO	Main Memory P/S	P/J6-8
DC LO 1	Upper processor H7420	P/J15-12
DC LO 2	Lower processor H7420	P/J22-9
DC LO X	Lower processor H7420	P/J22-12
DC LO Y	Upper processor H7420	P/J15-9
DC LO	Main Memory P/S	P/J6-1
DC LO	Main Memory P/S	P/J6-2

In the PDP-11/70, these interconnections are such that a power failure from any device (Unibus device, processor or main memory):

1. Causes the processor to trap to location 24 and to perform the power-down subroutine, and
2. Causes the cache to prevent all access to main memory when DC LO is asserted at the end of the 2 ms power-down subroutine time allotment.

In addition, when the power failure is a processor or a main memory failure, the main memory protection circuits are activated when MAIN DC LO is asserted by either the processor or the main memory power supplies.

4.4.6.2 H744 and H754 Regulators – There are seven (eight if the FP option is included) H744 regulators in the processor cabinet power system (Figure 4-3). In the MJ11 memory cabinet power supply, there are two H744 and two H754 regulators (Figure 4-4).

These regulators are secured to the power supply chassis with three screws and are installed with the heat sink upward. The mounting screws pass through the chassis holes and screw into the regulator. A plastic (Lexon) cover is installed on the component side of each regulator. This permits visual inspection of the regulator components when the regulator is removed from the chassis. The fuse, which is located on the component side, is accessed by removing the plastic cover. Table 4-16 lists the output power characteristics of the H744 and H754 regulators.

Circuit schematics for the H744 and H754 regulators are shown in drawings D-CS-H744-0-1 and D-CS-H754-0-1, respectively.

The following paragraphs describe the regulator circuit, overcurrent sensing circuit, and the over-voltage crowbar circuit for each regulator.

Table 4-16 Output Power Characteristics

Regulator	Voltage and Tolerance		Output Current (maximum per regulator)	Maximum Peak-to-Peak Ripple
H744	+5 Vdc	250 mV	25 A	200 mV
H754	+20 Vdc	1 V	8 A	5%*
	-5 Vdc	250 mV	1 A - 8 A**	5%*

*At backplane, typical ripple ± 3 percent.

**Maximum -5 V current is dependent upon +20 V current. It is equal to 1 A plus the current of the +20 V supply, up to a total of 8 A.

In the H744 regulator circuit, the 20-30 Vac input is full-wave rectified by bridge D1 to provide dc voltage (24 to 40 Vdc, depending on line voltage) across filter capacitor C1 and bleeder resistor R1. Operation centers on voltage regulator E1, which is configured as a positive switching regulator. A simplified schematic of E1 is shown in Figure 4-34. E1 is a monolithic integrated circuit that is used as a voltage regulator. It consists of a temperature-compensated reference amplifier, an error amplifier series pass power transistor, and the output circuit required to drive the external transistors. In addition to E1, the regulator circuit includes pass transistor Q2, predrivers Q3 and Q4, and level shifter Q5. Zener diode D2 is used with Q5 and R2 to provide +15 V for E1. Q5 is used as a level shifter; most of the input voltage is absorbed across the collector-emitter of Q5. This is necessary because the raw input voltage is well above that required for E1 operation. While this +15 V input is supplied, D2, Q5, and R2 retain the ability to switch pass transistor Q2 on or off by drawing current down through the emitter of Q5.

The output circuit is standard for most switching regulators and consists of free-wheeling diode D5, choke coil L1, and output capacitors C8 and C9. These components make up the regulator output filter. Free-wheeling diode D5 is used to clamp the emitter of Q2 to ground when Q2 shuts off, providing a discharge path for L1.

In operation, Q2 is turned on and off, generating a square wave of voltage that is applied across D5 at the input of the LC filter (L1, C8, and C9). Basically, this filter is an averaging device, and the square wave of voltage appears as an average voltage at the output terminal. By varying the period of conduction of Q2, the output (average) voltage may be varied or controlled, supplying regulation (Figure 4-38). The output voltage is sensed and fed back to E1, where it is compared with a fixed reference voltage. E1 turns pass transistor Q2 on and off, according to whether the output voltage level increases or decreases. Defined upper and lower limits for the output are approximately +5.05 V and +4.95 V.

During one full cycle of operation, the regulator operates as follows: Q2 is turned on and a high voltage (approximately +30 V) is applied across L1. If the output is already at a +5 V level, then a constant +25 V would be present across L1. This constant dc voltage causes a linear ramp of current to build up through L1. At the same time, output capacitors C8 and C9 absorb this changing current, causing the output level (+5 V at this point) to increase. When the output, which is monitored by E1, reaches approximately +5.05 V, E1 shuts off, turning Q2 off; the emitter of Q2 is then clamped to ground. L1 discharges into capacitors C8, C9, and the load. Predrivers Q3 and Q4 are used to increase the effective gain of Q2, ensuring that Q2 can be turned on and off in a relatively short period of time.

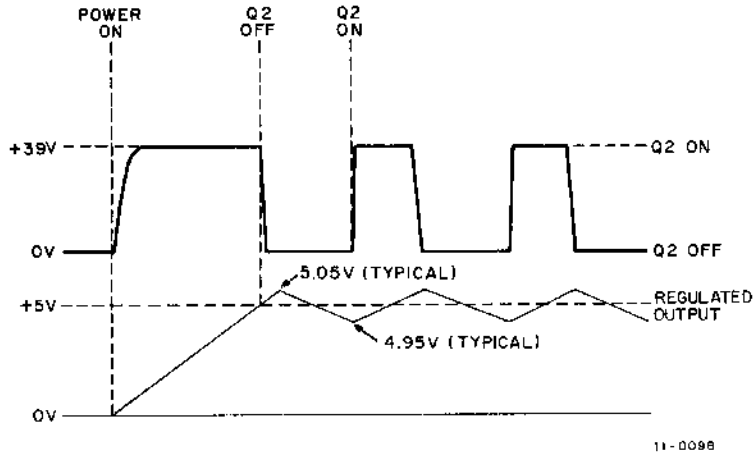


Figure 4-39 H744 Regulator Waveforms

Conversely, once Q2 is turned off and the output voltage begins to decrease, a predetermined value of approximately +4.95 V will be reached, causing E1 to turn on; E1 in turn, causes Q2 to conduct, beginning another cycle of operation.

Thus, a ripple voltage is superimposed on the output and is detected as predetermined maximum (+5.05 V) and minimum (+4.95 V) values by E1. When +5.05 V is reached, E1 turns Q2 off; when +4.95 V is reached, E1 turns Q2 on. This type of circuit action is called a ripple regulator.

The H744 +5 V overcurrent sensing circuit consists of Q1, R3 through R6, R25, R26, programmable unijunction Q7, and C4. Transistor Q1 is normally not conducting; however, if the output exceeds 30 A, the forward voltage across R4 is sufficient to turn Q1 on, causing C4 to begin charging. When C4 reaches a value equal to the voltage on the gate of Q7, Q7 turns on and E1 will be biased off, turning the pass transistor off. Thus, the output voltage is decreased as required to ensure that the output current is maintained below 35 A (approximately) and that the regulator is short circuit protected. The regulator continues to oscillate in this new mode until the overload condition is removed. C4 then discharges until E1 is allowed to turn on again and the cycle repeats.

The H744 +5 V overvoltage crowbar circuit contains the following components: zener diode D3, silicon-controlled rectifier (SCR) D7, D8, R22, R23, C7, and Q6. Under normal output voltage conditions, the trigger input to SCR D7 is at ground because the voltage across zener diode D3 is less than 5.1 V. If the output voltage becomes dangerously high (above 6.0 V), diode D3 conducts, and the voltage drop across R23 draws gate current and triggers the SCR. The SCR fires and short circuits the +5 V output to ground.

The regulator circuit in the H754 has a voltage doubler input, but the output consists of two shunt regulator circuits - one for the +20 V, the other for the -5 V. The +20 V shunt regulator consists of transistors Q4, Q10, and Q11; the -5 V shunt regulator consists of Q6 and Q9. Q10 and Q9 are the pass transistors.

The output of the basic regulator is 25 V (-5 to +20 V). The shunt regulators are connected across this output, with a tap to ground between pass transistors Q9 and Q10. The voltage at the bases of Q6 and Q4 will vary with respect to ground, depending on the relative amount of current drawn from the +20 V and -5 V outputs of the regulator. If the +20 V current increases while the -5 V current remains constant, the output voltage at the +20 V output will tend to go more negative with respect to ground; this will also cause the -5 V output to go more negative, since the output of the basic regulator is a fixed 25 V. This change is sensed at the bases of Q6 and Q4; Q6 will conduct, causing Q9 to conduct also, increasing the current between -5 V and ground until the balance between the +20 V and the -5 V is restored. At this time, neither Q6 nor Q4 will be conducting. If the -5 V current increases, Q4 and Q10 will conduct to balance the outputs.

The H754 has two crowbar circuits: Q7 and its associated components for the +20 V and the Q12 and its circuitry for the -5 V. Either one will trigger SCR D9.

The H754 overcurrent circuit comprises Q1, Q8, Q13, Q14, and associated circuitry. The total peak current is sampled through R4. When the peak current reaches approximately 14 A, Q1 turns on sufficiently to establish a voltage across R7 and R38, firing Q8. This pulls the voltage on pin 4 of the 723 up above the reference voltage on pin 5, shutting off Q2. D6 now conducts, and the current through R37 turns on Q14, which turns on Q13. This keeps Q8 on for a time which is determined by the output voltage and L1. This action, in turn, allows the off-time to increase as the overload current increases, thereby changing the duty cycle in proportion to the load. The output current is thus limited to approximately 10 A.

4.4.7 MK11 DC Power Supply

The MK11 power supply consists of an ac input box (7014420-1, 2), a transformer assembly (7011486), a +5 V regulator (H7441), three ± 12 V and +5 V regulators (7014251), and three battery backup units (H755-D). A chassis, mounted at the back of the memory box, houses the ac input box, transformer assembly, the four voltage regulators, and two cooling fans. The three battery backup units and their battery packs are each housed in their own boxes, separate from the other power supply assemblies. Figure 4-40 identifies the major assemblies of the memory's power supply.

4.4.7.1 MK11 Power Supply Cables

External Power Cables

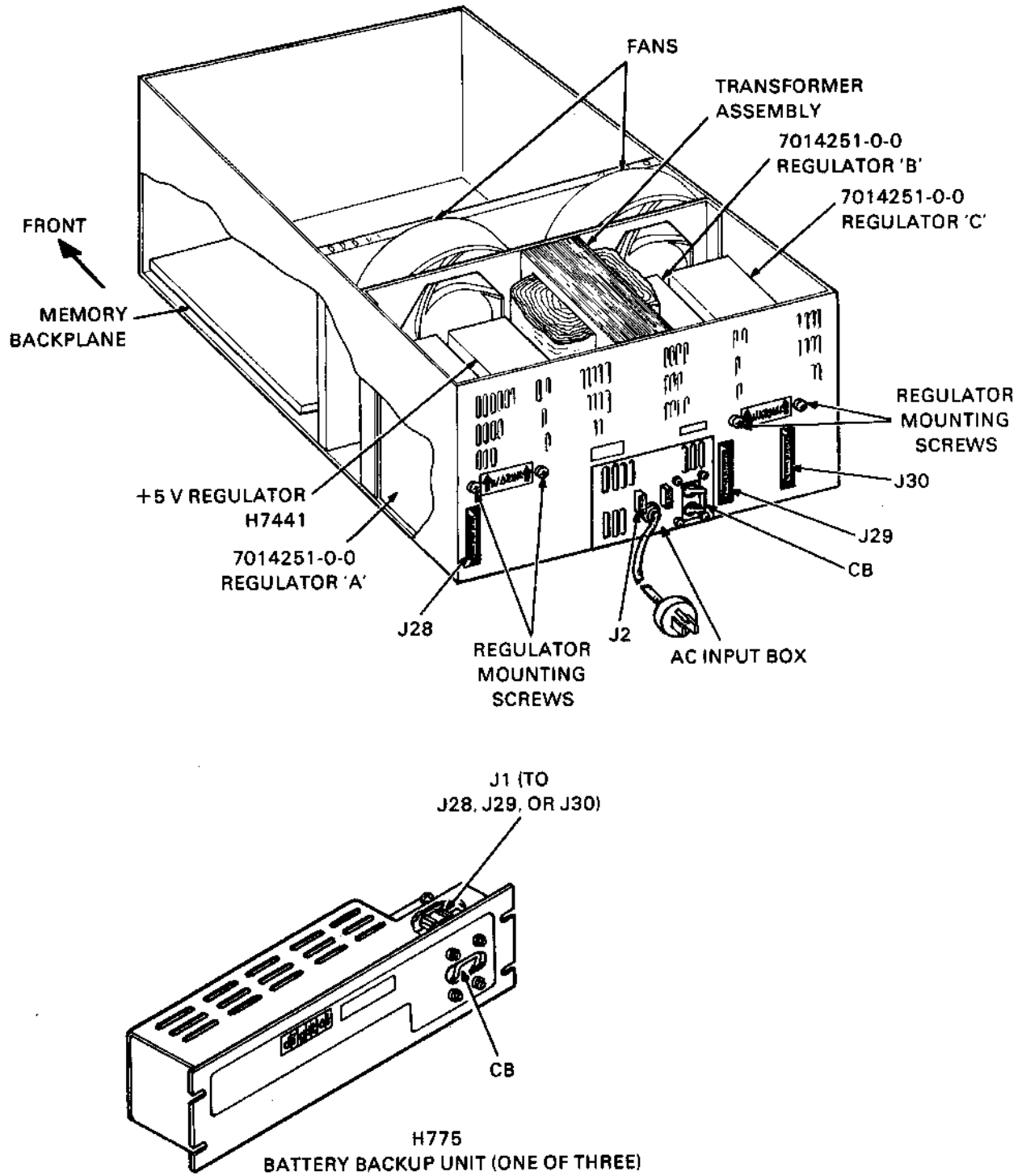
The external power cables interconnect the memory box and the box controller and battery backup units within the memory cabinet. Figure 4-41 is a simplified block diagram of these cables. For the actual cable routing, see Paragraph 3.6.

Box Controller Power Cable (7014311) – This cable harness connects the on/off power switch on the box controller to the memory's power supply for controlling power to the memory. This harness also carries signals to the battery status indicators, which show the operating mode of the three battery backup units.

Battery Backup Power Cable (7014520-08) – These three cables connect the battery backup units to their regulators. Power to charge the batteries or power from the batteries to run the memory is carried by these cables, along with control and battery status signals.

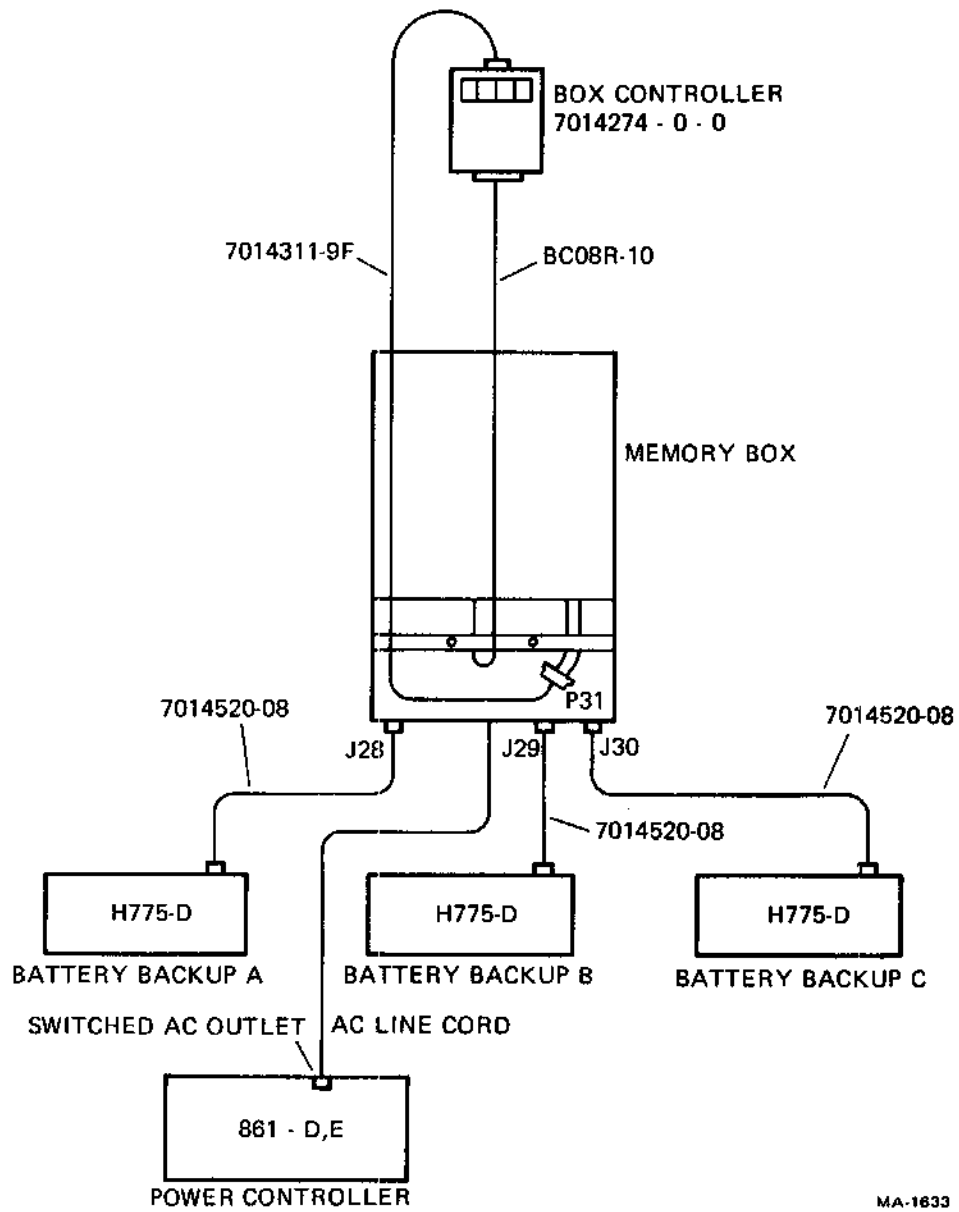
Internal Power Harnesses

The internal power harnesses connect the power supply assemblies to the memory backplane. These harnesses are shown in Figure 4-42.



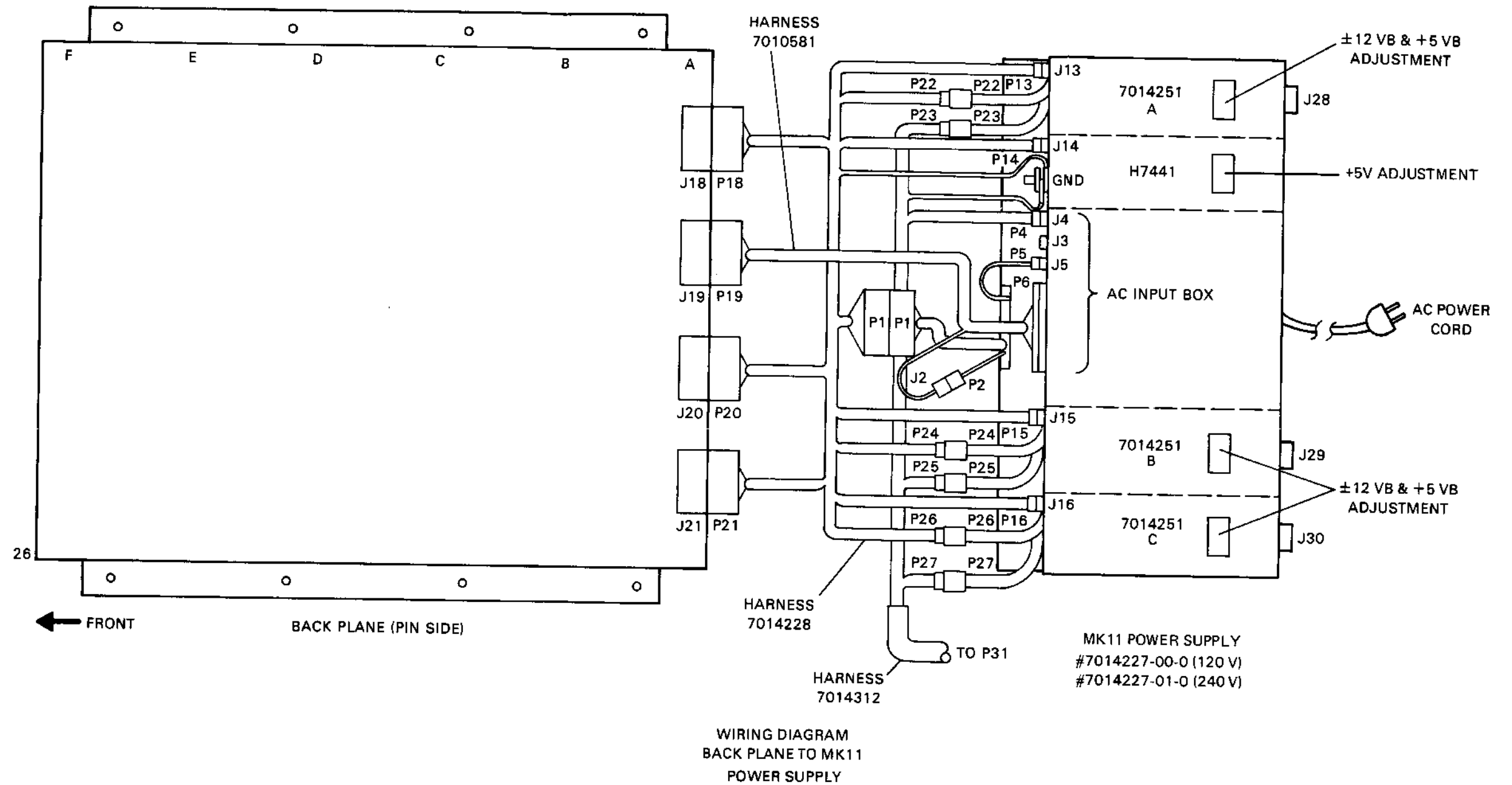
MA-1632

Figure 4-40 MK11 Power Supply Major Assemblies



MA-1633

Figure 4-41 MK11 Power Supply External Cabling



MA-1634

Figure 4-42 MK11 Power Supply Internal Cabling

Power Distribution Harness (7014228) – This harness carries low voltage ac power to the four regulator modules and connects the regulated output voltages to the backplane. Power fail and boot enable signals from the backplane are also sent by the 7014251 regulators via this harness.

Power Monitor Harness (7010581) – This harness carries the power fail signals to the memory backplane from the ac input box.

Box Controller Harness (7014312) – This harness connects the box controller power cable (7014311) to the power supply. It carries the power on signal to the ac input box, and power on and battery status signals between the three 7014251 regulators and P31.

4.4.7.2 Power Supply Major Assemblies

AC Input Box (7009811-1, 2)

The ac input box is mounted in the center of the power supply chassis with three Phillips head screws. A portion of the rear of the power supply chassis is cut out making the ac input box visible from the back of the memory. The ac power cord and a circuit breaker extend through the cutout. The primary function of the ac input box is to switch power to the transformer's primary windings. This assembly consists of a circuit breaker, a power control relay, an ac power control board (5410993), and a power line monitor board (5411086-YA).

The ac power control board operates the power relay that switches primary ac power to the transformer assembly. This allows remote power control for the power supply from the box controller power switch.

The power line monitor board receives a low voltage ac output from the transformer assembly. Sensing circuits monitor the ac voltage and generate the ac low and dc low signals for the memory if power is lost. Two LEDs indicate the generation of the power fail signals by turning off, flagging the memory that is the source of the ac low and dc low signals. Under normal conditions (ac low and dc low not asserted) these LEDs are lit.

Transformer Assembly (7011486)

The transformer assembly is located in the center of the power supply chassis. Two capacitors, two varistors, and two terminal boards are mounted directly on the transformer. Single phase 115 Vac or 230 Vac is stepped down by the transformer to approximately 30 Vac. There are five separate secondary windings, one for each regulator module and one for the power line monitor board. The cooling fans receive 115 Vac from the primary windings. The two capacitors filter the input line voltage and the varistors suppress voltage spikes that occur on the ac input voltage.

+5 Vdc Regulator (H7441)

The H7441 module mounts in the power supply chassis to the right of the transformer assembly (as viewed from the front.) It is secured in the chassis by three Phillips head screws. The input to the regulator is 30 Vac from one of the transformer's secondary windings; its output is a regulated +5 Vdc at up to 32 A.

The H7441 is a switching regulator and provides both overcurrent and overvoltage protection. An overcurrent sensing circuit protects the regulator from shorted loads. The current overload is a fold-back type; the output voltage is decreased by limiting the duty cycle of the switching regulator to decrease the output current. Overvoltage protection is provided by an overvoltage crowbar circuit that shunts the output current to ground through an SCR when the output voltage exceeds 6 V.

An LED, visible from the bottom of the regulator (near the voltage adjustment potentiometer), lights whenever +5 V is present at the output of the regulator.

±12 VB and +5 VB Battery Backup Regulators (7014251) and Battery Backup Units (H755D)

The three 7014251 modules mount in the power supply chassis in the locations shown in Figure 4-40. Each regulator is secured in the chassis by three Phillips head screws. The regulators are cabled to their battery backup units through cutouts at the rear of the power supply chassis. The battery backup units are housed in their own enclosures that mount in the memory cabinet. Figure 4-43 is a block diagram of one of the regulator/backup unit pairs.

The ±12 VB and +5 VB regulator consists of a regulator board (5413075), an input rectifier board (5412411), and a controller board (5413073). The rectifier board rectifies the low voltage output from the transformers secondary windings, supplying the raw dc voltage to the rectifier. Raw dc from the rectifier also goes to the battery backup unit to supply the charging current for the batteries. In the regulator, the raw dc is modulated by a switching circuit. Energy in the switched dc waveform is transformer coupled to rectifiers that produce the +12, -12, and +5 V outputs. Regulation is accomplished by changing the duty cycle of the switched raw dc to keep +5 VB at 5 V. The regulator is overcurrent protected by a foldback current limiter and overvoltage protected by a crowbar circuit. The controller monitors the power fail and charge mode signals to control the operation of the batteries and indicate the battery status with the lights in the box controller. Operation of the regulator is enabled by the power switch on the box controller via the signal DC ON. A normally closed thermal switch in the DC ON path opens and shuts off the regulator if an over temperature condition exists.

The battery backup unit contains a battery charger printed circuit board (5411625) and two 12 V batteries (1212499). The battery charger consists of a regulator that supplies the charging current, charge status circuitry, and a relay that connects the batteries to the charger. When the memory is powered up, the controller in the 7014251 regulator connects the batteries to the charging regulator through the relay. The regulator supplies the charging current from the raw dc input, supplying a full charging current until the battery voltage reaches approximately 22 V. After this level is reached, the regulator supplies a trickle charge to maintain the charge on the batteries. The rate of charging is sensed by the charge status indicator circuitry that sends the charge mode signals to the 7014251 regulator.

Loss of ac input power causes the loss of the rectified raw dc from the 7014251 regulator. When this happens, the batteries supply the dc voltage to the regulator in the 7014251 instead of the rectifier board. The regulator will continue to produce +12, -12, and +5 V until the batteries discharge past 18 V. An 18 V reference is used by the relay to disconnect the batteries from the regulator to prevent the batteries from discharging completely.

4.4.7.3 Power Distribution – Figure 4-44 shows the interconnection of all the power supply assemblies identified in the previous paragraphs. Distribution of the power can be traced from the ac line input to the memory backplane with this diagram; specific pin numbers and color coding of wires are found in the field maintenance print set. Locations of the regulated inputs to the backplane are called out in Figure 4-45 which shows the backplane as viewed from the bottom (wire-wrap pin side).

Single-phase ac line voltage is present at the ac input box from the 861-D,E power controller. Turning the power switch on the box controller activates the power relay through the ac power control board. The power relay switches 115 Vac or 230 Vac to the primary windings of the transformer and to the two cooling fans. From the transformer secondary windings the stepped down 30 Vac is routed to the four regulator modules via harness 7014228. The power switch on the box controller also switches on the three 7014251 regulators and the battery backup units.

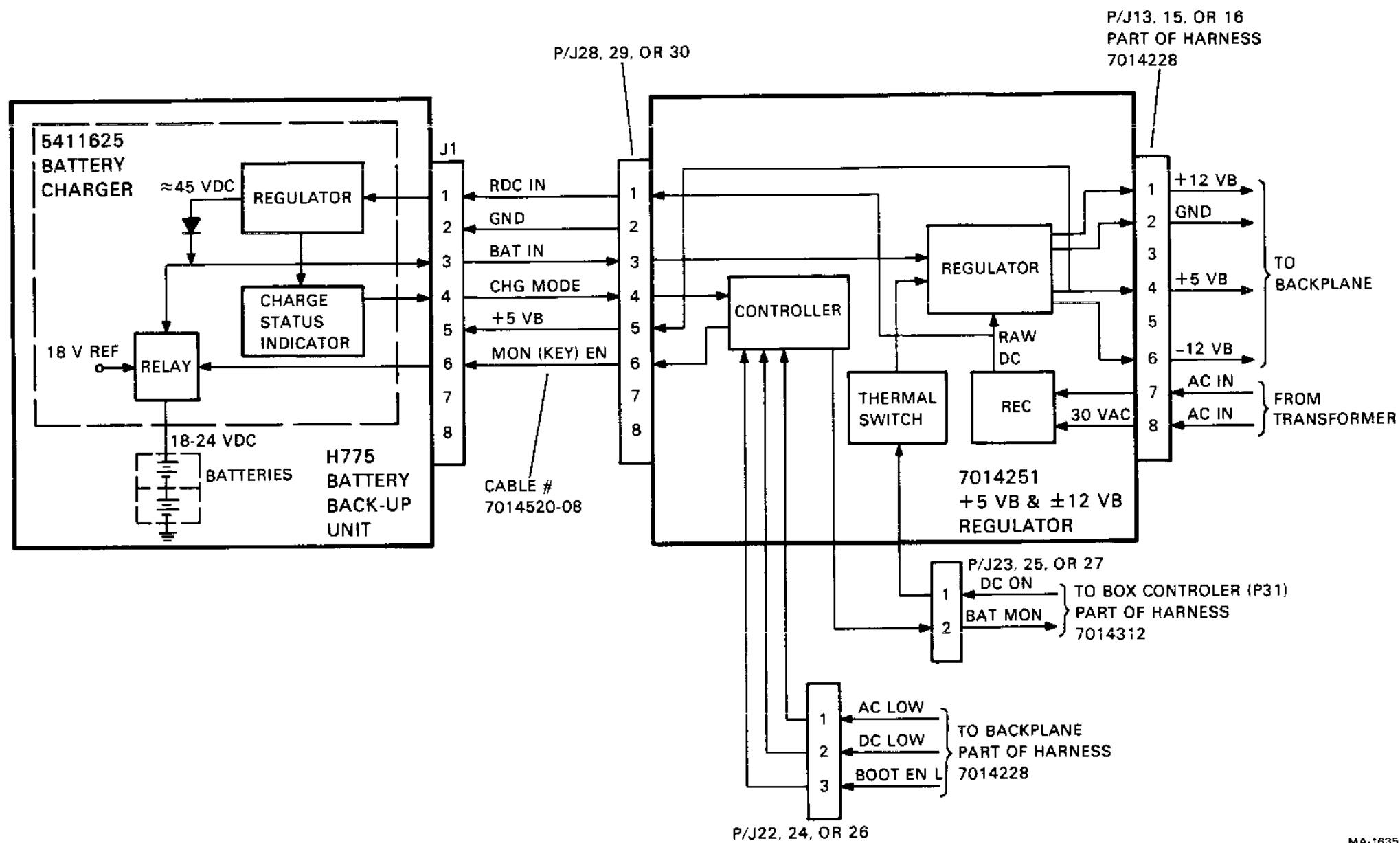


Figure 4-43 Battery Backup Regulator Block Diagram

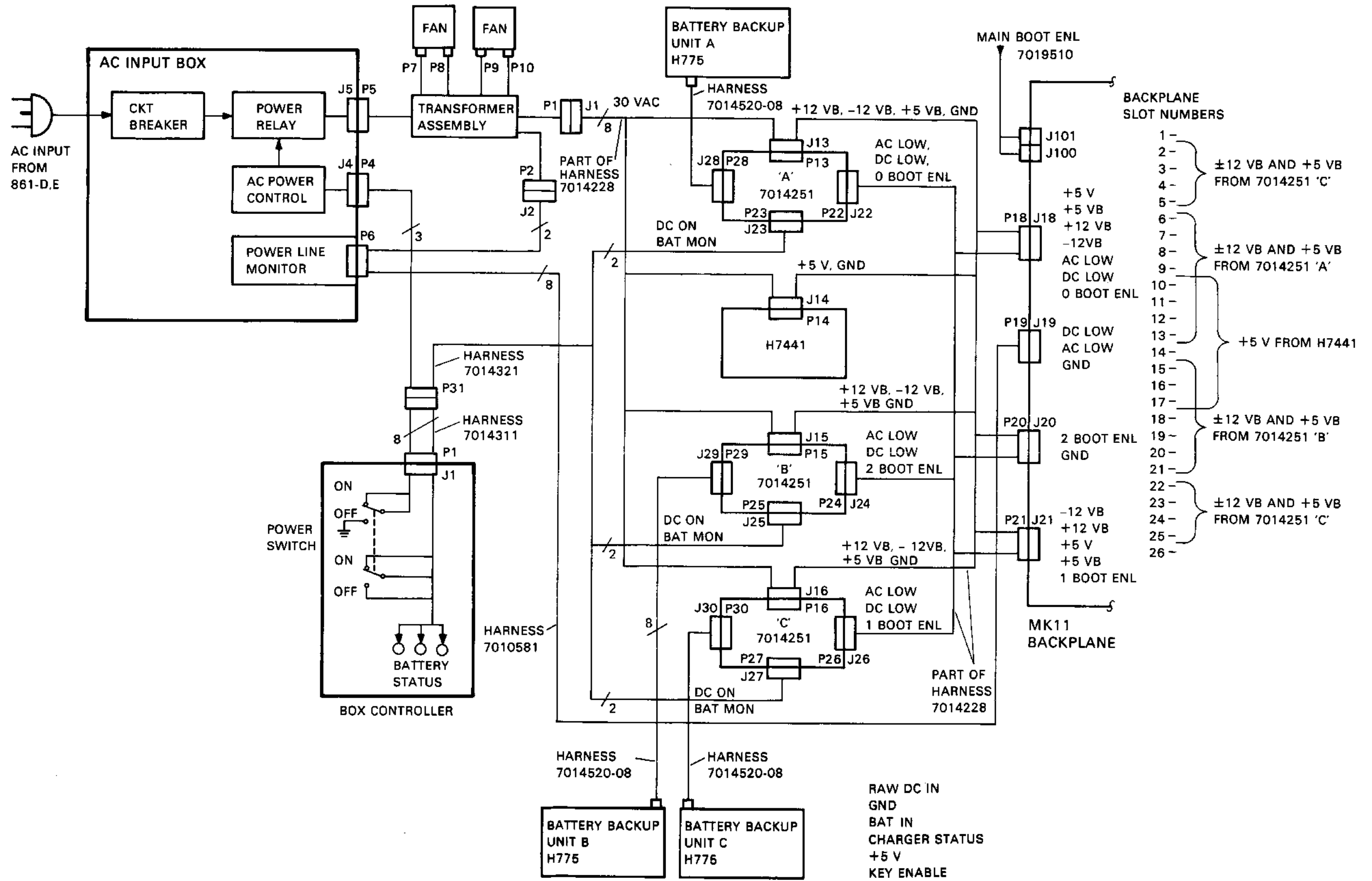
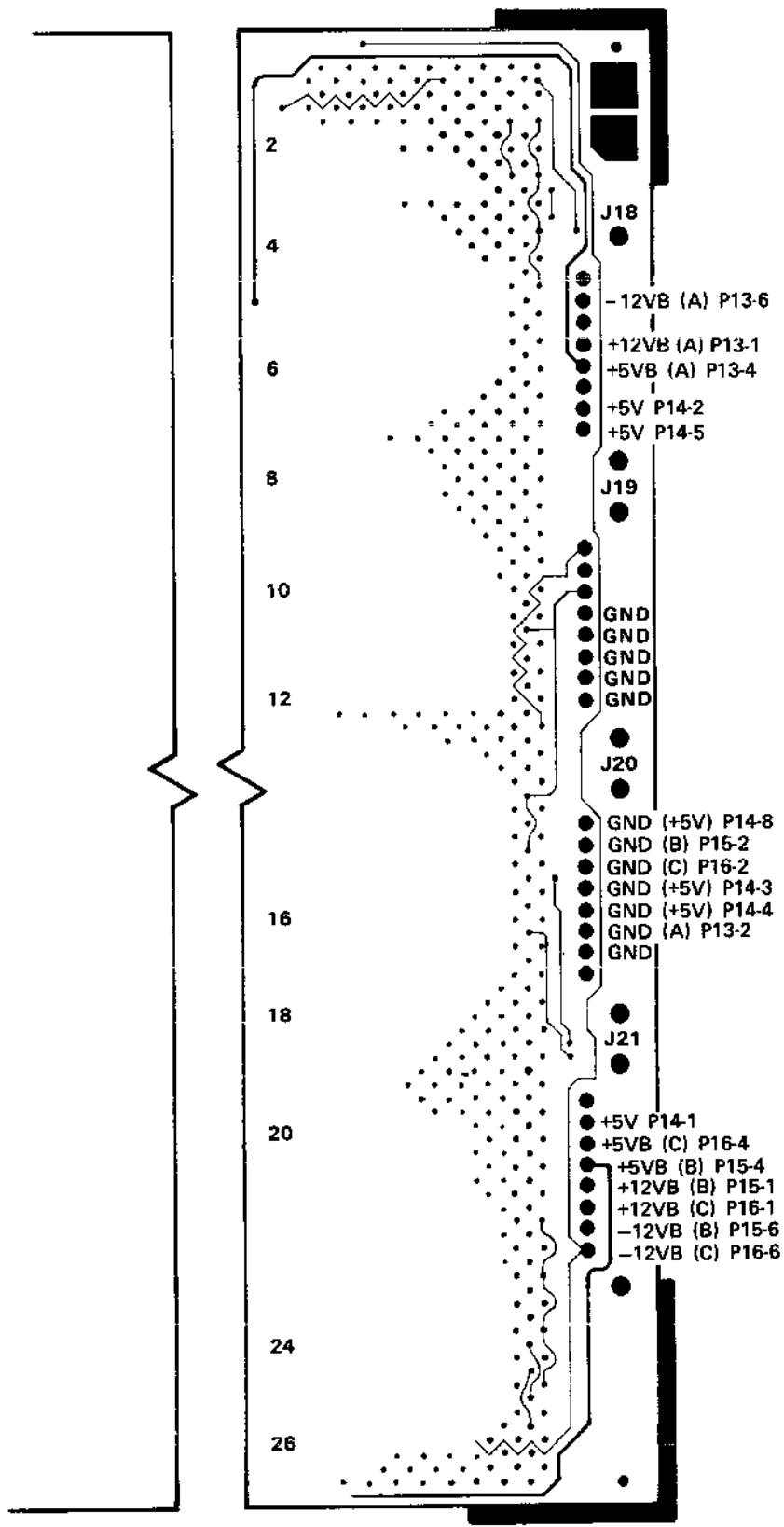


Figure 4-44 MK11 Power Distribution and Control



MA-1637

Figure 4-45 MK11 Backplane Power Connections

Thirty volts ac from one of the transformer's secondary windings is rectified and regulated by the four regulator modules. The H7441 +5 V regulated output is carried by harness 7014228 from J14 on the regulator module to backplane connectors J18 and J21 (ground return to J20.) From these connectors, the +5 V are routed to all backplane slots. The +5 V powers all the devices on the address buffer, data buffer, and the four control modules not flagged with asterisks in the schematic diagrams. A LED, on the bottom of the regulator near the adjustment potentiometer, illuminates while the H7441 is producing +5 V.

Three more secondary windings supply 30 Vac to the three 7014251 modules via harness 7014228. Regulator A produces +12, -12, and +5 Vdc (± 12 VB, +5 VB) which are carried through harness 7014228 (J13) to the memory backplane connector J18 (ground returns to J20.) From J18, regulator A's voltages go to backplane slots 6 through 13. The A regulator provides power to all the devices indicated with asterisks on the address interface module, the control 0 pair of control A and B modules, and to the array modules in backplane slots 6, 7, 8, and 9.

Regulator B produces +12, -12, and +5 Vdc, which enter the memory backplane via harness 7014228 to connector J21 (ground returns to J20.) The B regulator powers backplane slots 14 through 21, which contain the data buffer module, the control 1 pair of control A and B modules and the arrays in slots 18, 19, 20, and 21. Only the devices indicated with asterisks on the schematic diagrams are powered by the B regulator.

Regulator C sends its ± 12 VB and +5 VB voltages to the backplane via harness 7014228 to connector J21 (ground returns to J20.) Its regulated outputs power the array modules in backplane slots 2 through 5 and 22 through 25. Figure 4-45 locates the backplane connector pins that carry the regulated voltages and the source connectors and pin numbers.

A fifth secondary winding on the transformer supplies low voltage ac to the power line monitor located in the ac input box. When power is switched on, the power line monitor switches the dc low signal to a high level and then the ac low signal to a high level. Harness 7010581 carries these dc low and ac low signals to the memory backplane connector J19. The memory monitors the power fail signals from its own power line monitor and power fail signals from the main memory bus. From the backplane, dc low and ac low signals go to the 7014251 regulators (J22, J24, and J26) via harness 7014228. These same cables carry the boot enable signals to the 7014251 regulators. The source of the boot enable signal is cable 7019510, which plugs into connectors J100 and J101 on on memory box no. 0. Other memories in the system obtain the boot enable signal from the main memory bus.

Raw dc, rectified from the 30 Vac, is sent to the battery backup units by the 7014251 regulators via harness 7014520-08. This voltage powers the battery charger and supplies the charging current for the battery pack. The regulated output, +5 VB, also goes to the battery charger. The battery backup units send charger status information to the regulators, which send coded status signals to the box controller via harness 7014312 (P31). These battery monitor signals operate the battery status indicator LEDs in the box controller. The coding is as follows:

- OFF, Battery off
- SLOW FLASH, Battery receiving full charge
- FAST FLASH, Battery supplying power to memory
- ON, Battery receiving trickle charge

In the event of a power failure, the batteries in the backup units supply current to the 7014251 regulators which continue to produce their regulated output voltages. Power is then supplied only to the array modules and the devices flagged with asterisks on the schematic diagrams of the address buffer, data buffer, and control A and B modules. Battery power is used by the memory for refresh cycles only, no other memory cycles are allowed to run.

4.5 MAINTENANCE

Maintenance of the PDP-11/70 power system is discussed in the following paragraphs. Included are the preventive and corrective maintenance procedures for the 861-D, -E power control, the H7420 power supply, and the memory power supply. H7420 and memory subassembly removal procedures are also described.

The most important point in maintenance philosophy is that the user understand the normal operation of the PDP-11/70 power system as previously described in this chapter. A thorough comprehension of this information, plus the maintenance procedures described, are the best tools the user has to isolate and correct malfunctions.

4.5.1 861-D, -E Power Control

The 861 power controllers are constructed of high quality components (Figures 4-46 and 4-47) and can therefore be expected to provide trouble-free performance for extensive periods. No adjustment or alignment procedures exist. No special tools or equipment are required and no fuses are utilized. A 5000 Ω/V multimeter is adequate for accomplishing all voltage and resistance measurements.

Preventive maintenance procedures for the power controllers consist of periodic cleaning and inspection to detect any mechanical damage to wiring and components or evidence of overheating, etc. The operation of the thermal switch can be checked by holding a flame close to the sensing element while the controller is operating and observing that the switched outlets become disabled. Emergency shutdown response to devices on the signal bus can also be checked as a preventive maintenance procedure by connecting pins 3 and 2 of the remote switching control bus. Should a failure occur, proceed as described in the following paragraphs.

WARNING

Dangerous potentials exist within the power controller. Perform all measurements with properly insulated meter leads. Remove the main power plug before attaching or removing test leads.

Failures within the power controller occur in one of three failure modes:

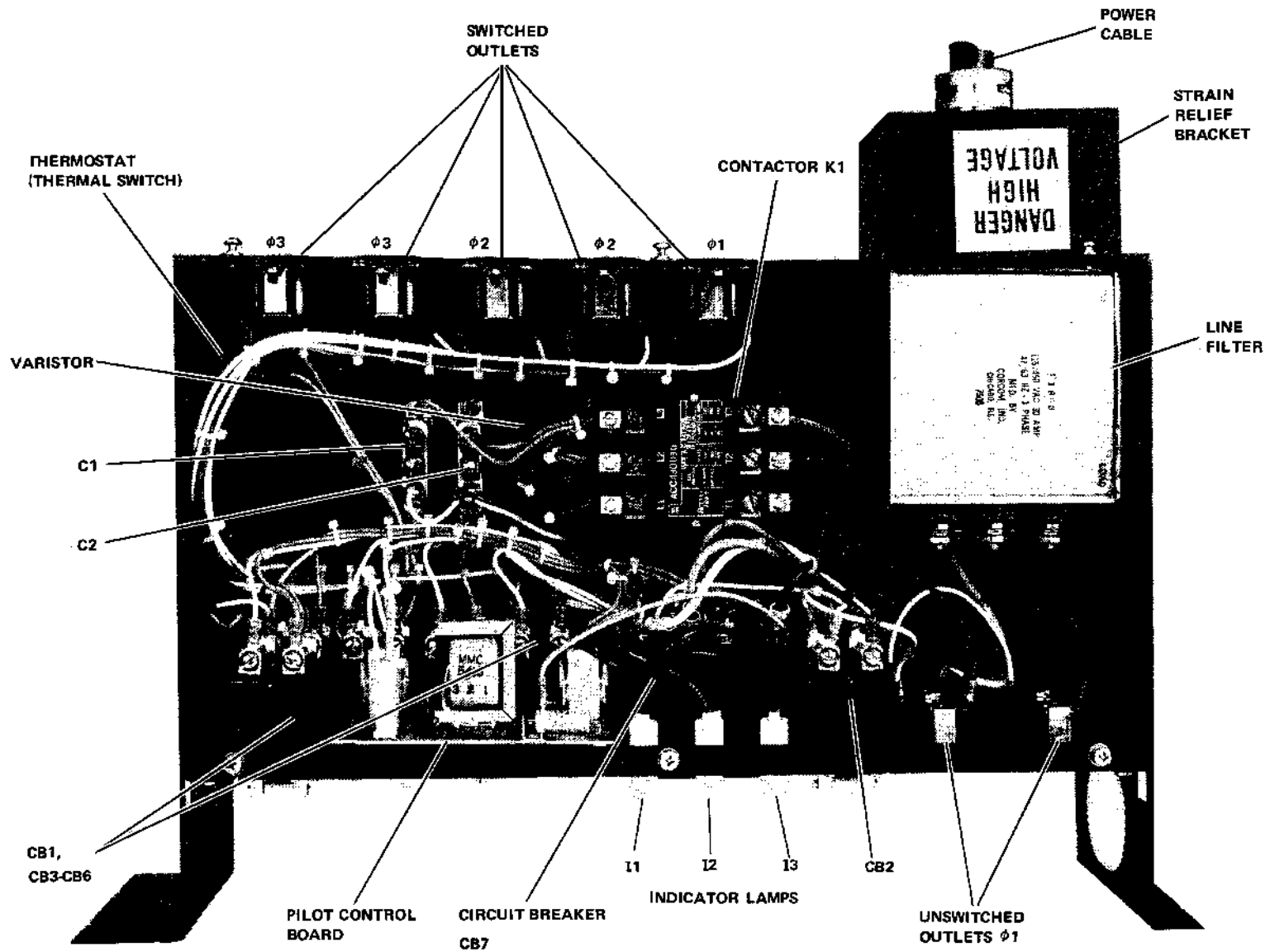
1. No output (circuit breaker trips)
2. No output (circuit breaker not tripped)
3. No control (including emergency shutdown and overtemperature)

The flowcharts in Figures 4-48 and 4-49 present a logical troubleshooting sequence for the three failure modes.

4.5.1.1 No Output (Circuit Breaker Tripped) – If correct power is available from the mains, a tripped circuit breaker can be caused only by: a faulty circuit breaker, a low resistance load, or a low resistance within the power controller caused by component failure.

4.5.1.2 No Output (Circuit Breaker Not Tripped) – Failures within this mode are caused by: bad cable connections, open components in the line filter, improper relay operation, or a faulty circuit breaker.

4.5.1.3 No Control – Control failures are associated only with the switched outlets; the input circuits, line filter, and main circuit breaker are therefore not involved. These failures are caused by bad cable connections, secondary circuit breakers, relays, and diodes. A faulty thermal switch, T1, can cause loss of control. Control problems can be isolated to either the internal or external circuit by use of the LOCAL/OFF/REMOTE switch. With the switch in the LOCAL position, if T1 is operating properly, the switched outlets should be enabled. If not, the problem is within the controller circuitry. If operation is normal when in LOCAL, check the control signals from the external device.



4-73

7570 - 2

Figure 4-46 861-D Power Control Component Identification

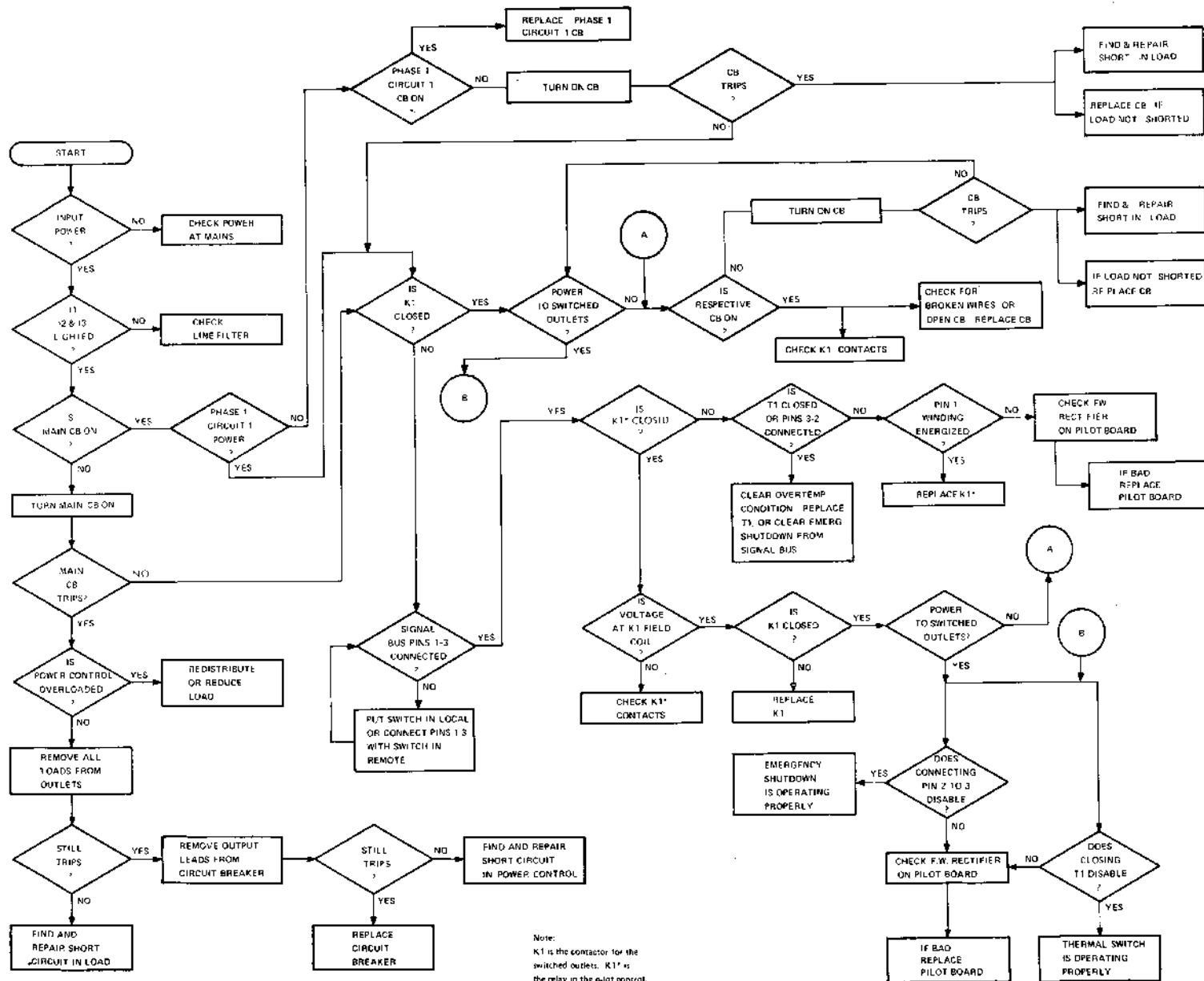


Figure 4-48 Troubleshooting Flow Diagram - 861-D

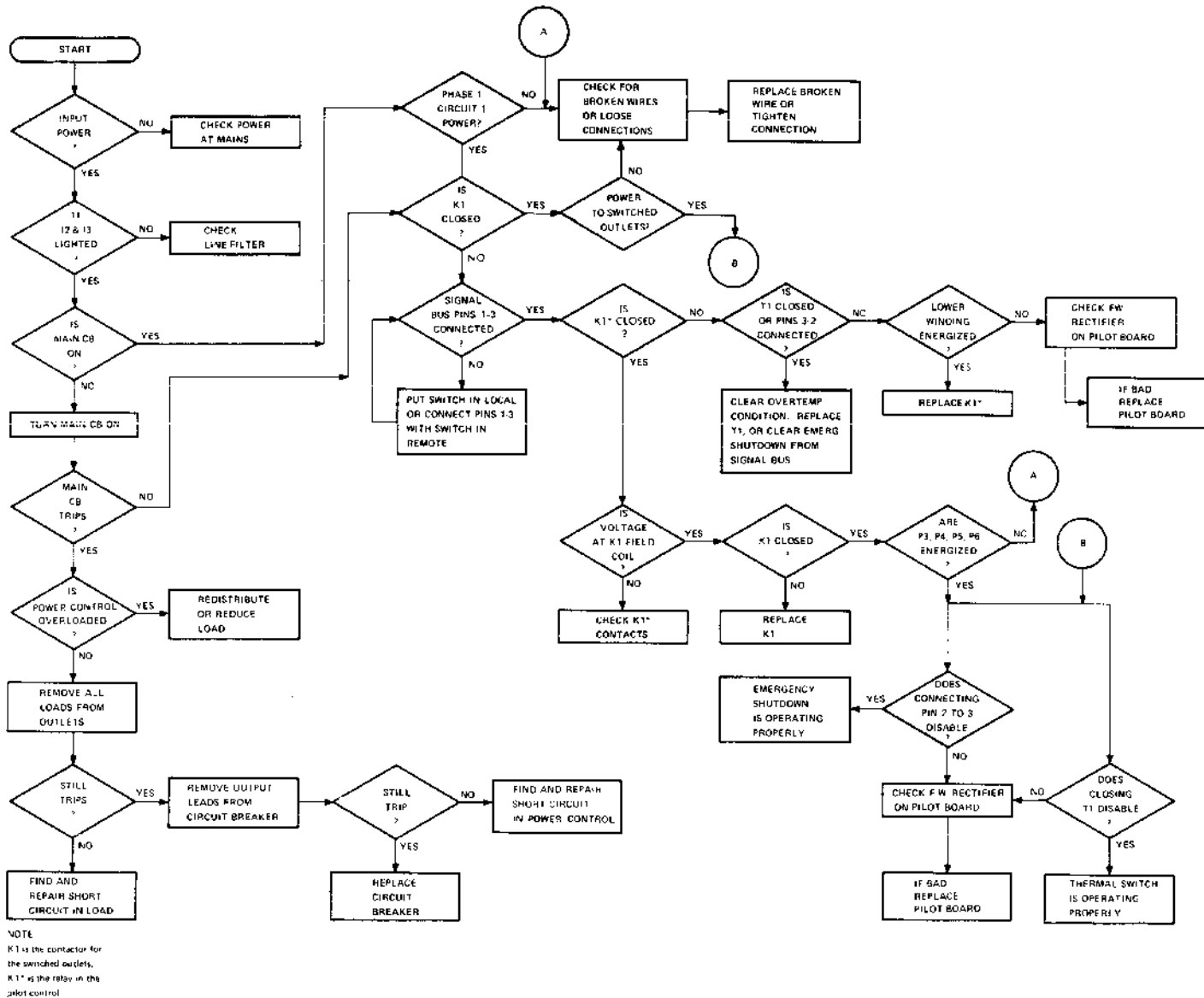


Figure 4-49 Troubleshooting Flow Diagram - 861-E

A digital voltmeter (Weston Schlumberger DVM Model 4443 or Data Technology Model 21) should be used for making the regulator voltage measurements. A calibrated oscilloscope may be used if a DVM is not available. An oscilloscope is necessary for measuring ripple voltage. A VOM is useful for making continuity and resistance checks within the power supply.

Visual Inspection

CAUTION

Make sure all power is off before performing the following steps.

1. Check all fans to ensure that they are not obstructed in any way. Clean air filters mounted on the inside of the cabinet door if required.
2. Visually inspect the modules and backplane for broken wires, connectors, or other obvious defects.
3. Inspect all wiring and cables for cuts, breaks, frays, deterioration, kinks, strain, and mechanical security. Repair or replace any defective wiring or cable covering.
4. Inspect the following for mechanical security; power supply regulators, fans, capacitors, etc. Tighten or replace as required.
5. Inspect power supply capacitors for leaks, bulges, or discoloration. Replace as required.

Voltage Measurements (MJ11) – Turn on power and open the memory cabinet door. With a DVM, or a calibrated oscilloscope, measure the dc voltages at the M8149 regulator test points (Figure 4-50 and drawing D-CS-M8149-0-1, sheet 1). The procedure is described in Appendix G. Using an oscilloscope, measure the peak-to-peak content of all dc outputs. Table 4-7 lists the test points, the associated voltages and regulators, and the regulator and backplane connections. (Regulator specifications are listed in Table 4-19; regulator adjustments are described in Paragraph 4.5.2.2).

Voltage Measurement (MK11) – Turn on power and measure the +12 VB, -12 VB, +5 VB, and +5 V voltages at J18 and J21 of the memory backplane with a DVM (Figure 4-45). All voltages must be within ± 5 percent tolerance as listed in Tables 4-18 and 4-19. If a voltage is found to be out of tolerance, perform the required voltage adjustment.

4.5.2.2 Memory Power Supply Corrective Maintenance – Before any adjustment procedure is undertaken, the MJ11 power supply should be inspected to ensure that the equipment is energized:

1. Check that the memory cabinet 861 power control indicators light.
2. Check that all fans are energized.
3. Check that all regulator indicators light.

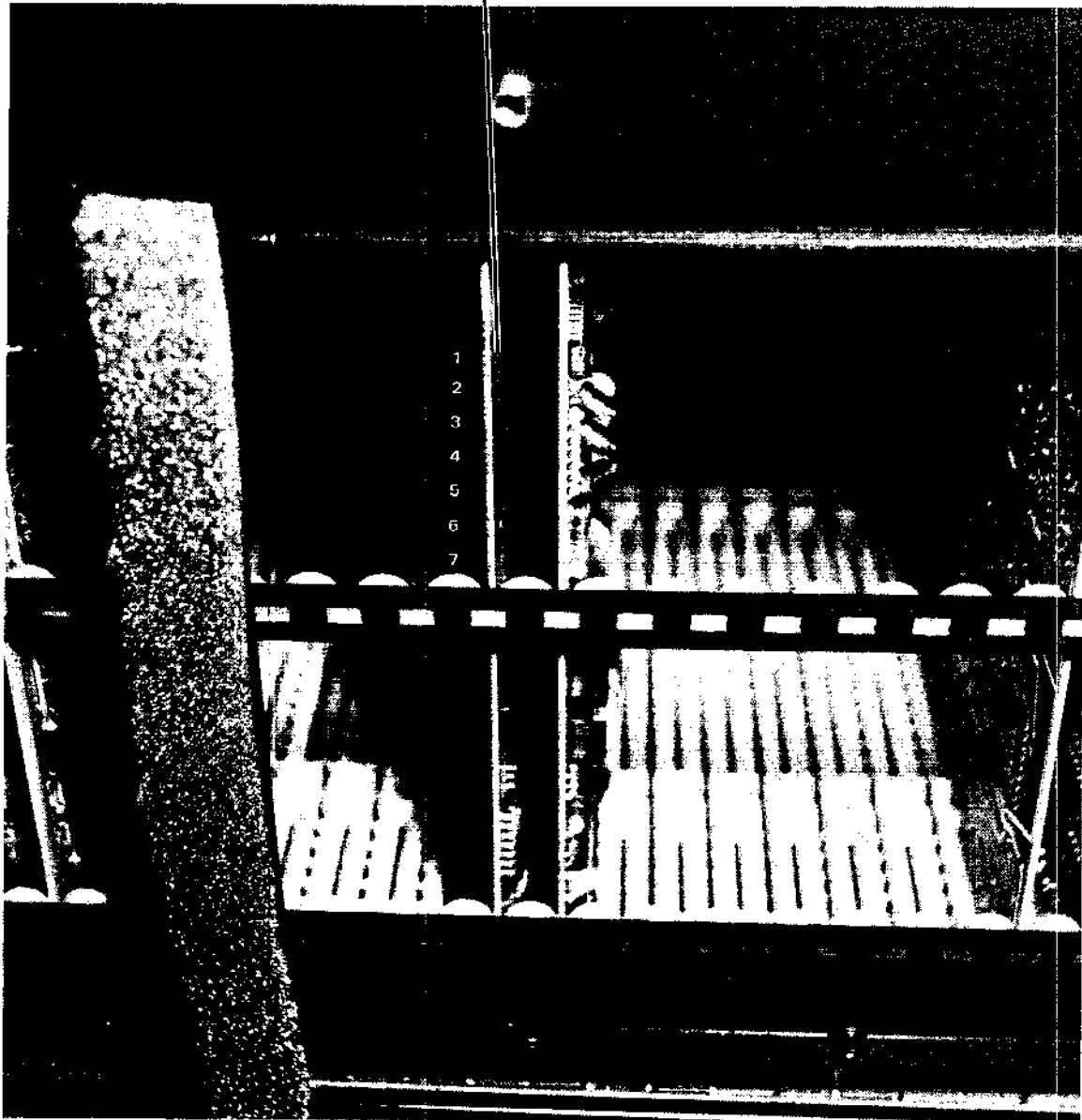
Voltage Regulator Adjustments

NOTE

Read the entire procedure before making any adjustment.

The voltage regulator outputs (Table 4-17) must be adjusted to the tolerances indicated in Table 4-19. When performing the adjustments, ensure that the maximum voltages at the regulator are not exceeded. These voltages represent the maximum regulator voltage prior to crowbar. Figure 4-51 shows the location of the voltage regulator adjustment potentiometers.

M8149
VOLTAGE
TEST POINTS
TP1-TP7



7644-5

Figure 4-50 MJ11 Voltage Test Points

Table 4-17 Regulator Test Points (MJ11)

M8149 Test Point	Regulator	Voltage (Vdc)	Regulator Pins	Backplane Connector Pins
TP1	744 No. 4	+5	J16-2,5	J21-5,6,7,8
TP2	744 No. 2	+5	J14-2,5	J18-1,2,3,4
TP3	754 No. 3	+20	J15-5	J21-3,4
TP4	754 No. 1	+20	J13-5	J18-5,6
TP5	754 No. 3	-5	J15-3	J21-1,2
TP6	754 No. 1	-5	J13-3	J18-7,8
TP7		TP Ground		

Table 4-18 Regulator Voltage Measurements (MK11)

Regulator	Voltage	Regulator Pins	Backplane Connector Pins	Backplane Slots Supplied
H7441	+5 Vdc	J14-1, 2, 5	J18-1, 2 J21-7	10-17
7014251 'A'	+5 Vdc +12 Vdc -12 Vdc	J13-4 J13-1 J13-6	J18-4 J18-5 J18-7	6-13 6-13 6-13
7014251 'B'	+5 Vdc +12 Vdc -12 Vdc	J15-4 J15-1 J15-6	J21-5 J21-4 J21-2	15-21 15-21 15-21
7014251 'C'	+5 Vdc +12 Vdc -12 Vdc	J16-4 J16-1 J16-6	J21-6 J21-3 J21-1	2-5, 22-25 2-5, 22-25 2-5, 22-25

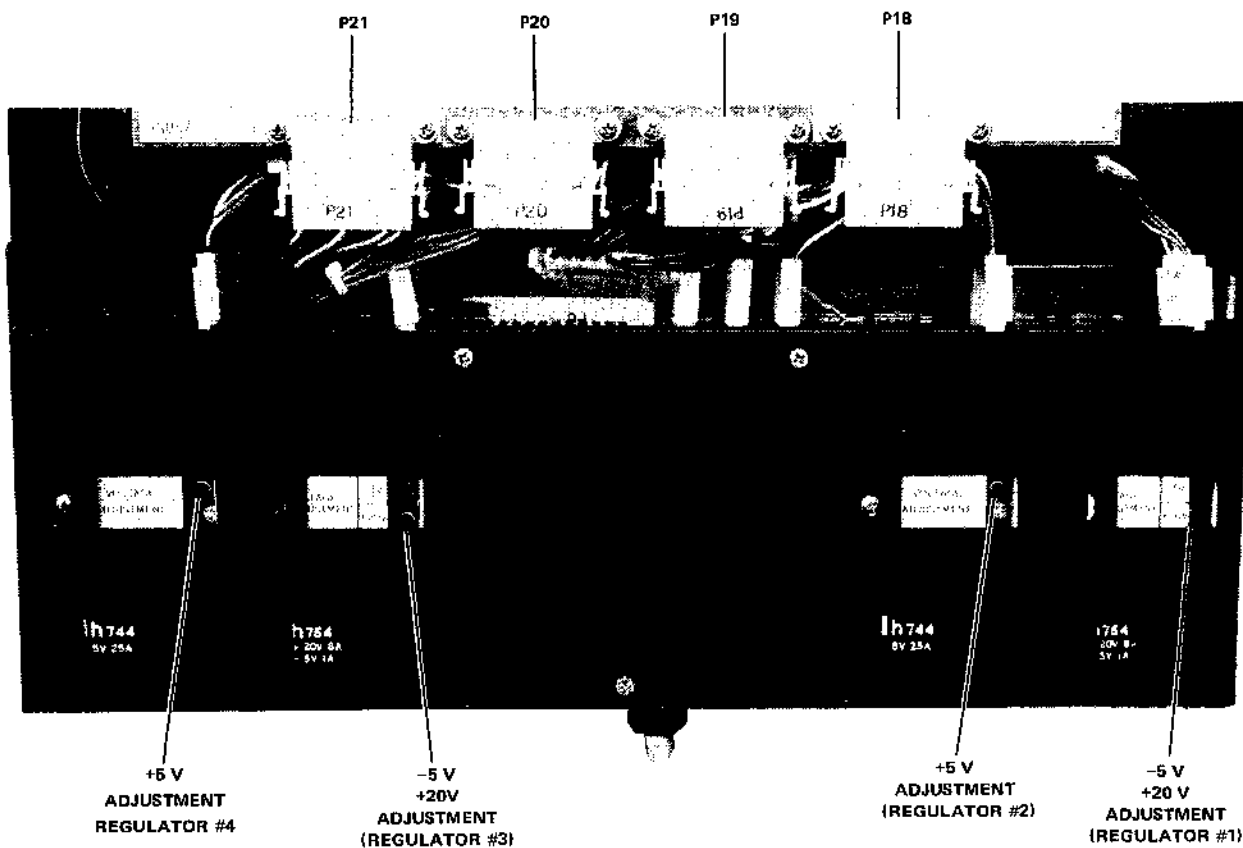
Table 4-19 Regulator Specifications

Regulator	Voltage and Tolerance at Backplane	Maximum Voltage at Regulator (Note 1)	Maximum Output Current Capability
H744	+5 Vdc \pm 250 mV	5.5 Vdc	25 A
H754 (Note 3)	+20 Vdc \pm 1 V -5 Vdc \pm 250 mV	21.5 Vdc -5.5 Vdc	8 A 1-8 A (Note 2)
H7441	+5 Vdc \pm 250 mV	5.5 Vdc	32 A
7014251	+5 Vdc \pm 250 mV \pm 12 Vdc \pm 600 mV	6.0 Vdc 13 Vdc	4 A 2 A
Regulator	Output Current Under Maximum Load (Per Regulator)	Maximum Peak-to-Peak Ripple	
H744	17 A	0.2 Vdc	
H754 (Note 3)	7.5 A 1.75 A	1.0 Vdc 1.0 Vdc	
H7441	27 A	0.2 Vdc	
7014251	3.5 A 1.3 A	1.0 Vdc 1.0 Vdc	

NOTES:

1. Do not adjust the regulator to these voltages. They represent the maximum regulator voltage prior to crowbar.
2. Maximum -5 V current is dependent upon +20 V current. It is equal to 1 A plus the current of the +20 V supply up to a total of 8 A.
3. When adjusting the output of H754, adjust +20 Vdc first, then -5 Vdc. Refer to the H754 voltage regulator adjustment procedure.

BACKPLANE CONNECTORS



7501-10

Figure 4-51 Regulator Adjustments

Correct power system voltages at the backplane are critical to a properly operating system. If a voltage regulator cannot be adjusted to meet the required tolerance, check for a faulty regulator or harness.

The regulator replacement procedure is described in Paragraph 4.5.2.3.

H754 Voltage Regulator Adjustment (+20 V, -5 V)

1. Power down the equipment.
2. Fully extend the memory frame from the rack, ensuring that the cables do not bind.
3. Refer to Figure 4-53. Pull the chassis slide operating handle to release the slide latch. Carefully rotate the memory frame 90 degrees to the upright position.
4. Power up the equipment.
5. Connect a digital voltmeter across the +20 V and -5 V test points (M8149) of the H754, i.e., TP3 and 5 or TP4 and 6.
6. Adjust the +20 V potentiometer (Figure 4-51) for a +25 V reading.
7. Connect the digital voltmeter between the -5 V and ground test points on the M8149, i.e., TP5 and 7 or TP6 and 7.
8. Adjust the -5 V potentiometer for -5 V. This procedure is necessary because the +20 V potentiometer (R17) actually sets the overall output of the regulator (25 V from +20 V to -5 V), while the -5 V adjustment (R21) controls the -5 V to ground output. (See Drawing D-CS-H754-0-1.)
9. Recheck the voltages at the M8149 test points, and if necessary, readjust the outputs.
10. Power down the equipment.
11. Return the memory frame to its original horizontal position (steps 2 and 3 above in reverse) or perform the +5 V adjustment described below (steps 3, 4, 5, and 6).

H744 Voltage Regulator Adjustment (+5 V)

1. Perform the procedure described above in steps 1, 2, and 3 of the H754 voltage regulator adjustment.
2. Power up the equipment.
3. Using a digital voltmeter, measure the +5 Vdc output voltages under normal load conditions at the M8149 test points (Table 4-17).

Adjust voltages (Figure 4-51) at the backplane to the tolerances specified in Table 4-18 as required.

4. Power down the equipment.

5. Pull the chassis slide operating handle to release the slide latch. Carefully rotate the memory frame down to the horizontal position.
6. Carefully push the memory frame back into the cabinet, observing that the cables do not bind.

H7441 Voltage Regulator Adjustment, +5 V

1. Using a digital voltmeter, measure the voltage at J18 pin 1 or J21 pin 7 under normal load conditions.
2. Adjust the voltage to +5 V; see Figure 4-52 for location of adjustment potentiometer.

If the voltage cannot be adjusted to +5 V, check for faulty regulator or harness.

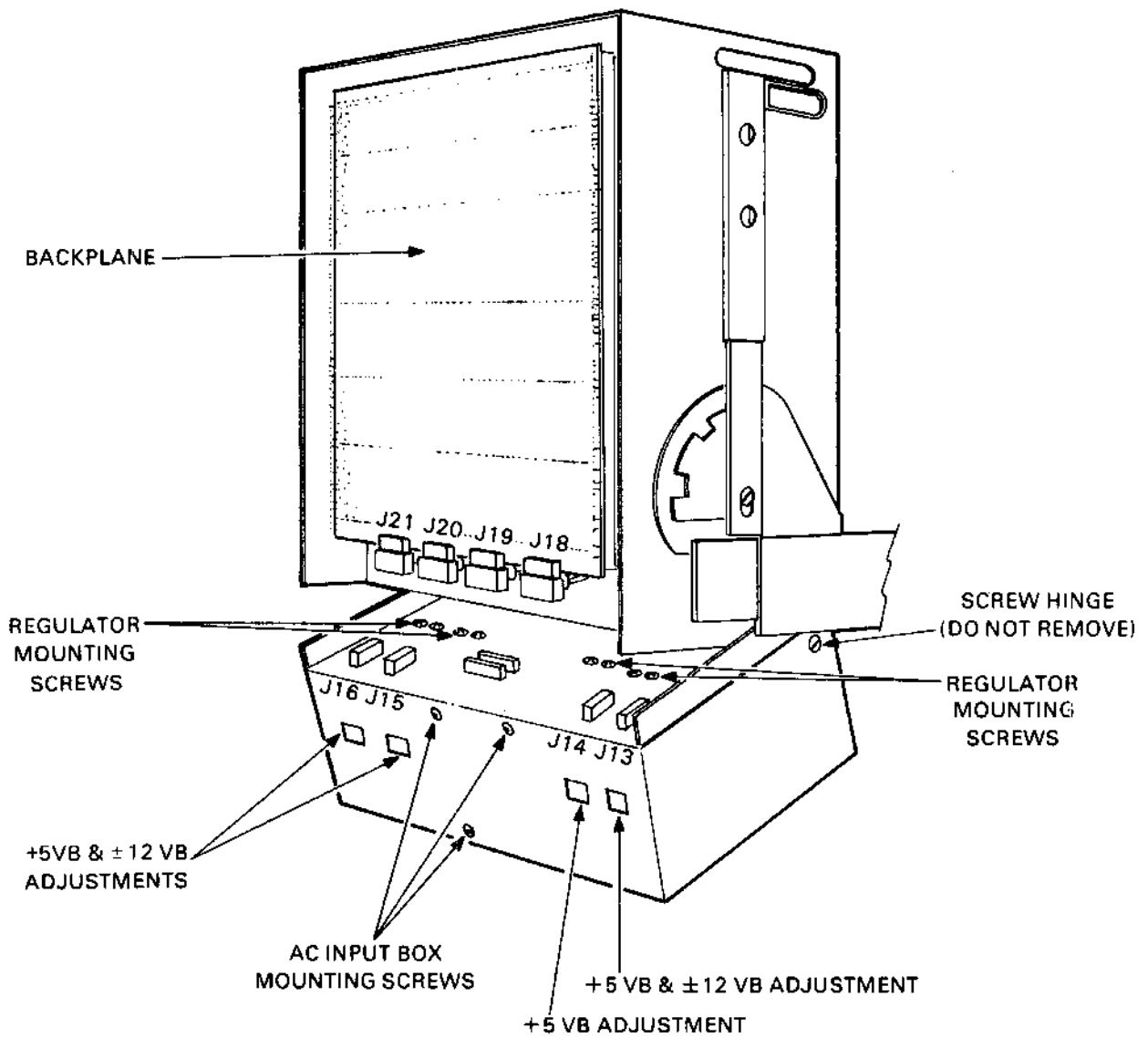
7014251 Voltage Regulator Adjustment, ± 12 VB and +5 VB

1. Using a digital voltmeter, measure the voltage of +5 VB (A) at the backplane under normal load conditions. Figure 4-45 shows the backplane pin connections.
2. Adjust the voltage to +5 V; see Figure 4-52 for the location of the adjustment potentiometer.
3. Measure the voltage of +12 VB (A) and -12 VB (A).
4. Repeat Steps 1-3 for the +5 VB (B), ± 12 VB (B) and +5 VB (C), ± 12 VB (C) voltages.

If the +5 VB voltages cannot be adjusted to +5 V or if the ± 12 VB voltages are out of tolerance, check for faulty regulators or harness.

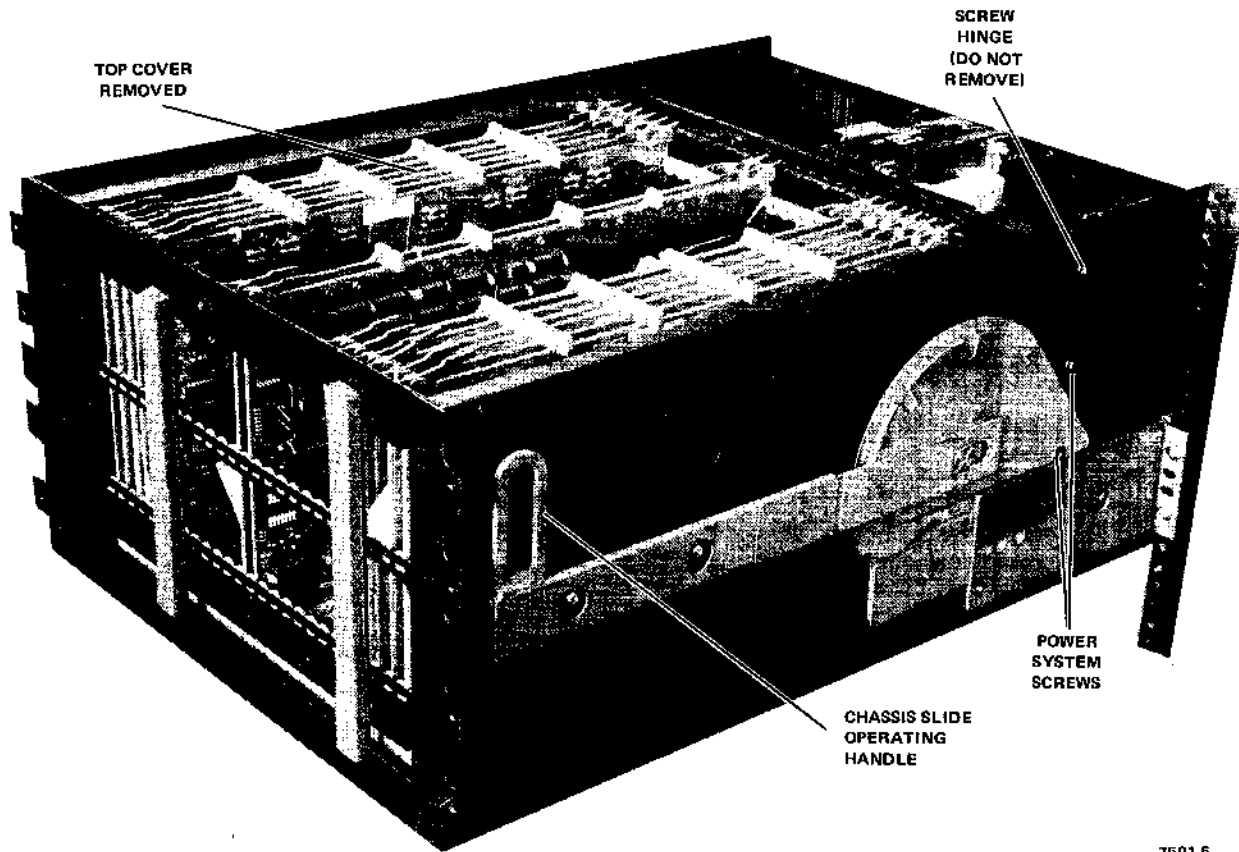
4.5.2.3 Memory Power Supply Fault Isolation – The memory frame power supply consists of field replaceable modules. Once a power system failure is discovered, the following steps and associated flowchart (Figure 4-46) can be utilized to isolate to a faulty module:

1. Ensure that the power supply is plugged in and getting primary ac power (115 Vac/230 Vac).
2. Check CBI on the ac input box.
3. Check the fans for proper operation.
4. Check the two LEDs on the 5411086-YA power line monitor. Both can be seen through the vent slots on the ac input box (Figure 4-29). They should be ON during normal operation, i.e., AC LO and DC LO not asserted (Paragraph 4.4.6.1).
5. Utilizing the flowchart (Figure 4-54) and power system schematic (drawing 7010694-0-0), isolate the faulty module.
6. Replace the module as described in Paragraph 4.5.2.4.
7. When a fault is isolated to a voltage regulator, refer to Paragraph 4.5.2.2 for voltage regulator checks and adjustments.



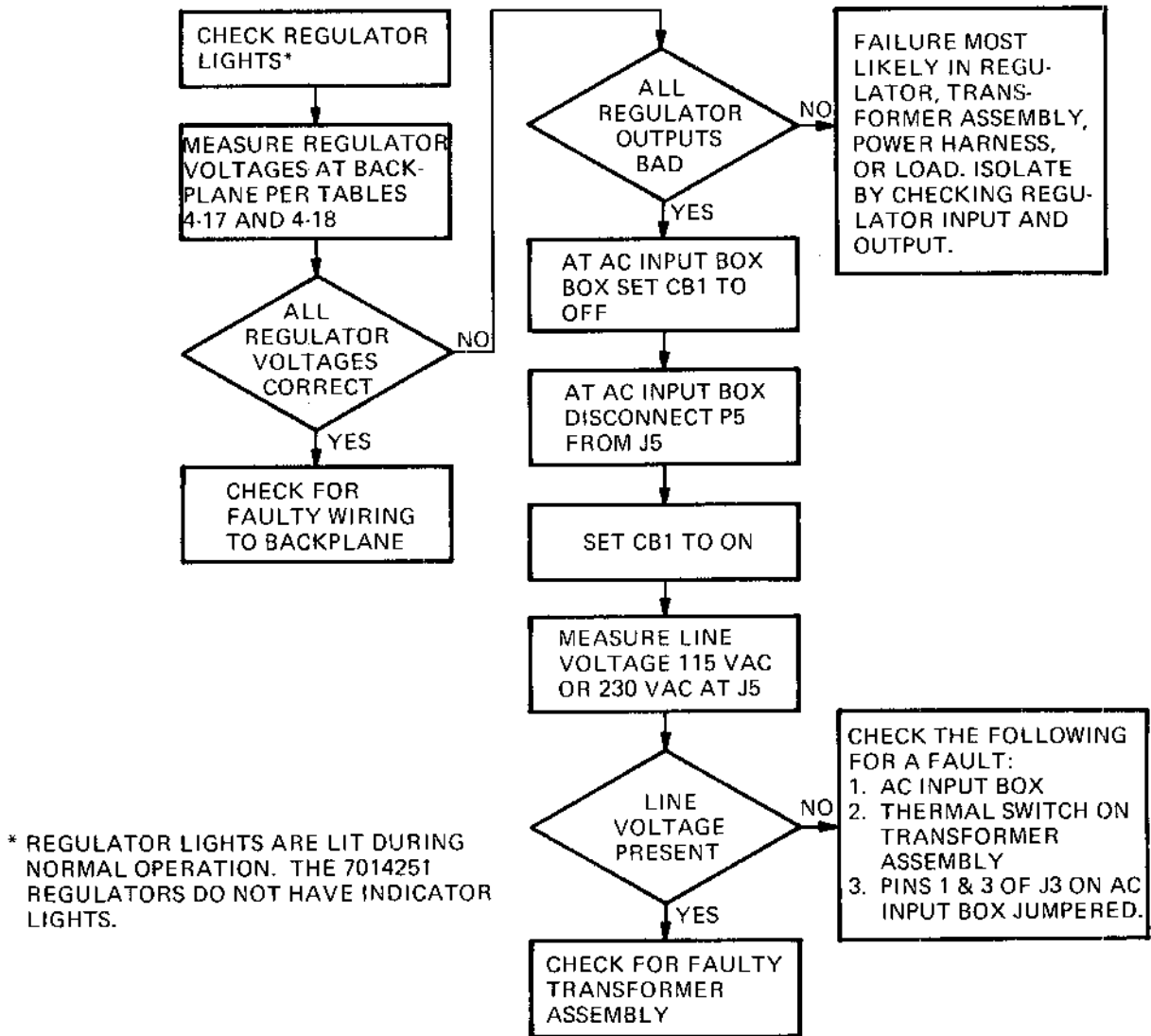
MA-1630

Figure 4-52 MK11 Power Supply in Maintenance Position



7501-6

Figure 4-53 Power Supply Access (Main Memory Bus Cables Not Shown)



TK-1790

Figure 4-54 Memory Frame Power Supply Fault Isolation Flowchart

Voltage Regulator Troubleshooting – The voltage regulators are designed to be replaced when a failure is detected. However, there are unique situations when a regulator must be repaired in the field. Table 4-20 lists the primary fault indications, the most probable cause, and corrective action required. This table should be used in conjunction with the regulator’s theory of operation (Paragraph 4.4.6.2) and the print set.

Once the repairs have been accomplished or a new regulator is installed (Paragraph 4.5.2.4), refer to Paragraph 4.5.2.2 for voltage regulator checks and adjustments.

Table 4-20 H744, H754 Voltage Regulator Troubleshooting Chart

Fault Indication	Most Probable Cause	Corrective Action
No output voltage	<ol style="list-style-type: none"> 1. Q2, Q3, Q4 and Q5 2. D5 3. D1 (bottom of D1 will appear burnt) 4. Faulty crowbar Q6 and Q7 5. E1 (DEC 723, IC voltage regulator) 6. Misadjusted output voltage 	<p>Replace regulator or transistor.</p> <p>Replace regulator or diode.</p> <p>Replace regulator or D1.</p> <p>Replace regulator or transistor.</p> <p>Replace regulator or E1.</p> <p>Shut power off and turn voltage adjust fully ccw (below crowbar voltage). Turn power on and slowly increase voltage (Table 4-18) until correct value is obtained.</p>
Blown fuse	<ol style="list-style-type: none"> 1. Q2 (pass transistor) 2. Excessive loading of voltage regulator 	<p>Replace voltage regulator or pass transistor and associated components</p> <p>Replace fuse and check loads</p>

Regulator Bench Test Procedures (H744 and H754) – The following paragraphs suggest procedures to troubleshoot and test the H744 +5 V regulator and H754 +20 V, -5 V regulator modules. The procedures are intended to aid in locating a fault, provided the fault has not destroyed the etched circuits.

When replacing a faulty voltage regulator, the new voltage regulator may need adjustment to compensate for the load. If the new regulator is initially adjusted too high, it may activate the crowbar circuit and provide no output when initially installed. If this happens, turn power off and rotate the adjustment potentiometer counterclockwise. Then reapply power (regulator should not crowbar) and adjust the regulator output.

Initial Tests – When a power system fault has been isolated to a voltage regulator (H744 or H754), examine internal fuse F1 (Figure 4-45). A blown fuse usually indicates that the main pass transistor Q2 and/or one of its drivers Q3 or Q4, has short-circuited.

1. Check for constantly tripped crowbar SCR. (V out = +1 to +1.5 Vdc and regulator “sings” too loud.)
2. Check for damage to base-emitter bleeder resistors and a scorched etched board in the area of Q3 (and Q4 if applicable).
3. If the pass transistor and drivers check OK on a VOM, the fault may be caused by continuous base drive to the first driver, Q4 (Q3 in H754). Check level shifter Q5 for a short circuit.
4. Check D5 for a short. A shorted D5 will usually destroy Q2, Q3, and Q4. Consequently, if the latter are bad, check D5 before powering up.
5. Check the resistance to ground at the input to precision voltage regulator integrated circuit E1 (pins 4 and 5) to determine if an external short circuit is affecting the IC.
6. Use the VOM to check for a short circuit between fuse terminals and ground. Possible short circuits involving mounting TO-3 components to the heat sink may be located by connecting VOM leads between TO-3 cases and a regulator bracket mounting screw on the end of the heat sink.

Output Short Circuit Tests – A voltage regulator that provides no output or low output without causing fuse F1 to blow, is probably working into a short-circuited output.

NOTE

An activated crowbar or a short-circuited output in an otherwise properly operating voltage regulator will not cause F1 to blow.

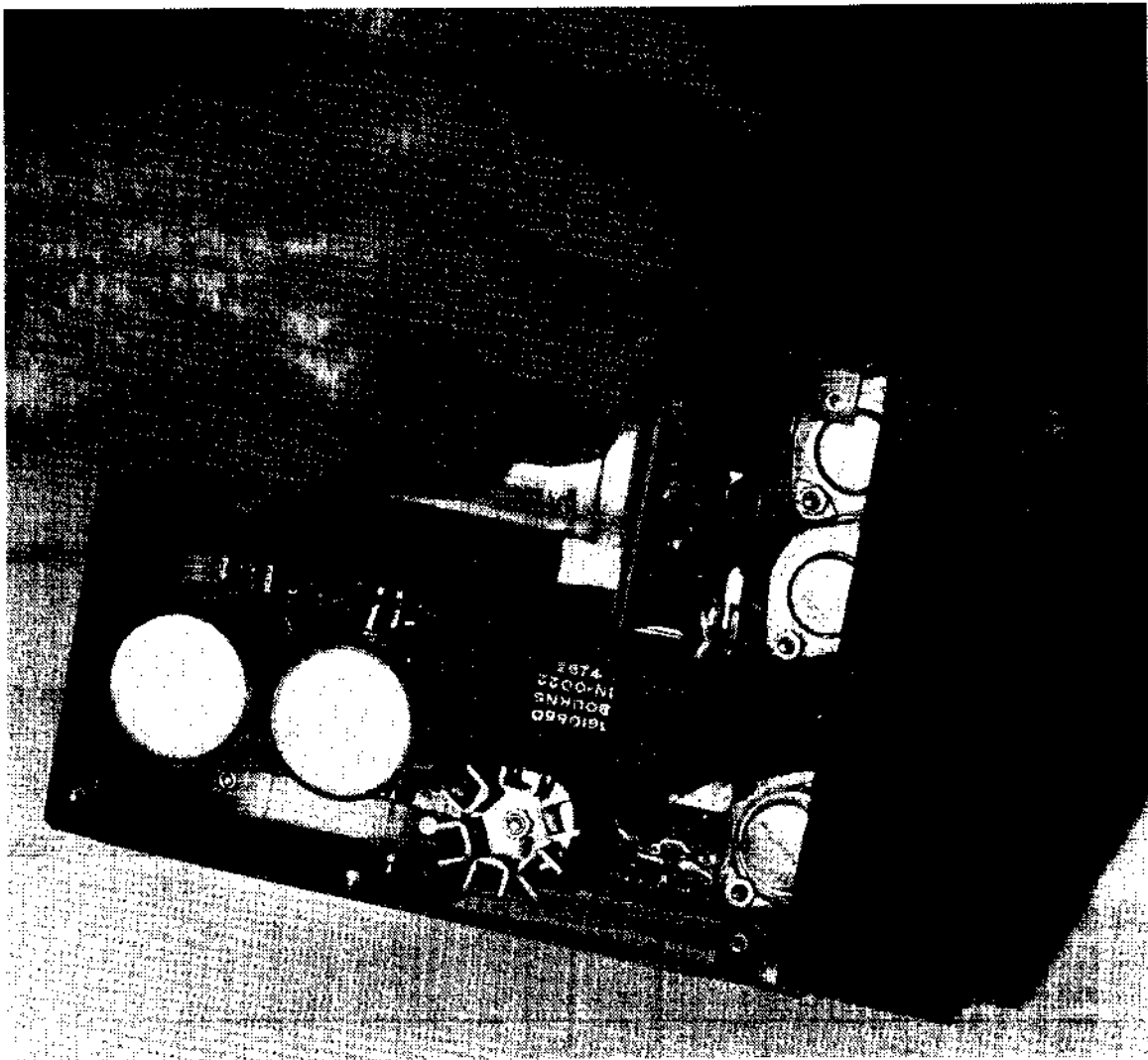
1. If fuse F1 is not blown and the area of etched circuit around the ac input to the bridge circuit is not damaged, it is safe to apply an ac input to the voltage regulator to determine if the regulator is overloaded by a short circuit across the output.
2. Connect the voltage regulator to a test bench source (Figure 4-56) and advance the Variac to about 90 V (20 Vac at voltage regulator input). If the output is near 0 V, turn the voltage adjustment fully counterclockwise and repeat the test.
3. If the regulator appears overloaded, check for a short circuit across the output and for a component failure in the crowbar circuit.

Testing a “Dead” Regulator – Use the following procedure to test a faulty regulator that does not exhibit the symptoms just described.

1. Apply 115 Vac to the test bench source (25 Vac at the voltage regulator input), with no load on the regulator output.
2. Check for 30 Vdc across filter capacitor C1 (and C2 if applicable).
3. Check for +15 Vdc at pin 12 of precision voltage regulator E1. No voltage at this point could mean zener diode D2 (H744) or D3 (H754) has failed.

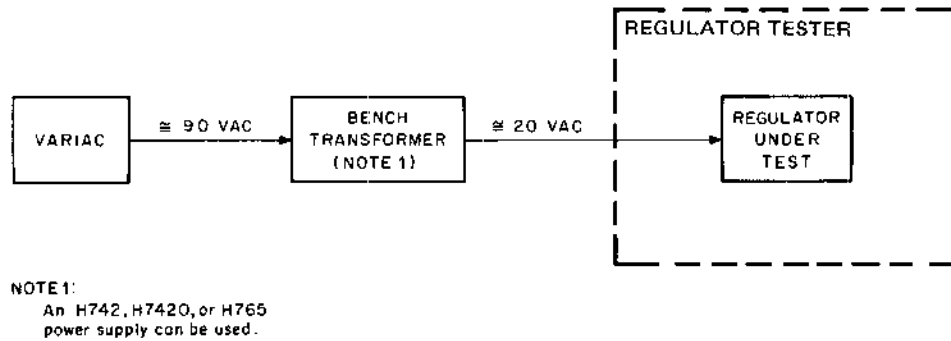
4. Check for 6.8 – 7.5 Vdc at pin 6 of E1 with respect to ground, pin 7.
5. If all voltage measurements steps 2, 3, and 4 are OK and there is no output voltage, pin 5 of E1 should be positive with respect to pin 4.

E1, pin 2, should be +0.6 V with respect to pin 3. If it is not, connect the emitter and base of Q5. If a 0.6 V indication is obtained, precision voltage regulator E1 is OK and the fault is probably caused by Q5 or Q4 (Q3 in H754).



7644-4

Figure 4-55 H744 Regulator Fuse Location



11-34 31

Figure 4-56 H744, H754 Bench Check

Testing a Voltage Regulator After Repairs – Before returning a repaired voltage regulator to service, it should be checked as follows:

1. Connect the repaired voltage regulator to the appropriate source connector.
2. Set the voltage adjustment fully counterclockwise and set the load to zero.
3. Close the input circuit breaker and advance the Variac until output voltage is indicated (at approximately 60–80 Vac input). No audible noise should be heard under no-load conditions.
4. Be sure Q2 is connected and soldered before loading the regulator.
5. Advance the Variac to 130 Vac and return to 115 Vac.
6. Apply a 30–50 percent load. The output voltage should remain nearly constant. A clean whistle may be heard. A buzz or harsh hissing sound indicates possible instability. Check waveforms as indicated in Figure 4-57.
7. Apply 100 percent load and set the voltage adjustment for nominal output as listed:

H744	+5.10 Vdc
H754	+25 Vdc between +20 and -5 outputs
8. Apply 200 percent load and clock for a decrease in the frequency and the output voltage.

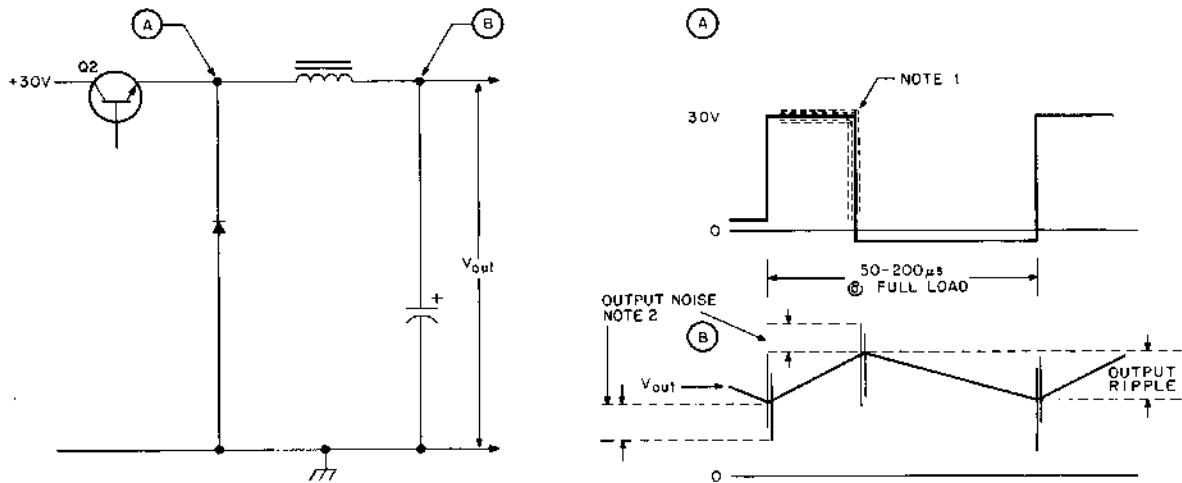
CAUTION

If the output voltage does not decrease noticeably (approximately 1 V on H744, or 1 to 5 V on the H754), do not attempt the following short circuit test.

9. Short circuit the output. The regulator should continue to operate at a low frequency with a clean, smooth whistle and stable waveforms.
10. Increase the voltage adjustment and observe the output voltage when the crowbar circuit fires. The output voltage should be within the following ranges:

H744 6.00 – 6.65 V

H754 25.0 – 30.0 V and
-6.00 to -7.00 V



NOTE 1: 30 volt level shifts with AC input voltage.
Small 120Hz jitter is normal.

NOTE 2: Peak noise+1% max.

Measure noise with a short 100Ω terminated piece of foil coax. Normal 10:1 scope probe will not give an accurate noise measurement.

11-1075

Figure 4-57 Typical Voltage Regulator Output Waveforms

4.5.2.4 Memory Power Supply Subassembly Removal Procedure – The power supply access procedure enables the supply to be accessed for adjustments and subassembly removal. The removal procedures include:

1. Power supply access procedure
2. H744, H754, H7441, and 7014251 regulator removal
3. AC power input box and 5411086-YA power line monitor board removal
4. Fan removal
5. Transformer assembly removal.

Power Supply Access Procedure

1. Power down the equipment.
2. Remove the ac power connection by disconnecting the line cord on the power supply from the 861 power control.
3. Fully extend the memory frame from the rack, ensuring that the cables do not bind (Figure 4-53).
4. Remove the memory frame's top cover by removing six screws.
5. Remove the cable clamps by removing four screws.
6. To remove the top cover of the power supply, loosen the top three screws and remove the back four screws.

Regulator Removal (Figure 4-58)

1. Perform the power supply access procedure just described.

CAUTION

Do not remove the power supply hinge screws when performing the next step.

2. Remove the two power screws on each side of the power supply (Figure 4-53).
3. Carefully rotate the memory frame 90 degrees and tilt the power supply (Figure 4-59).
4. Remove the bottom cover of the memory frame.

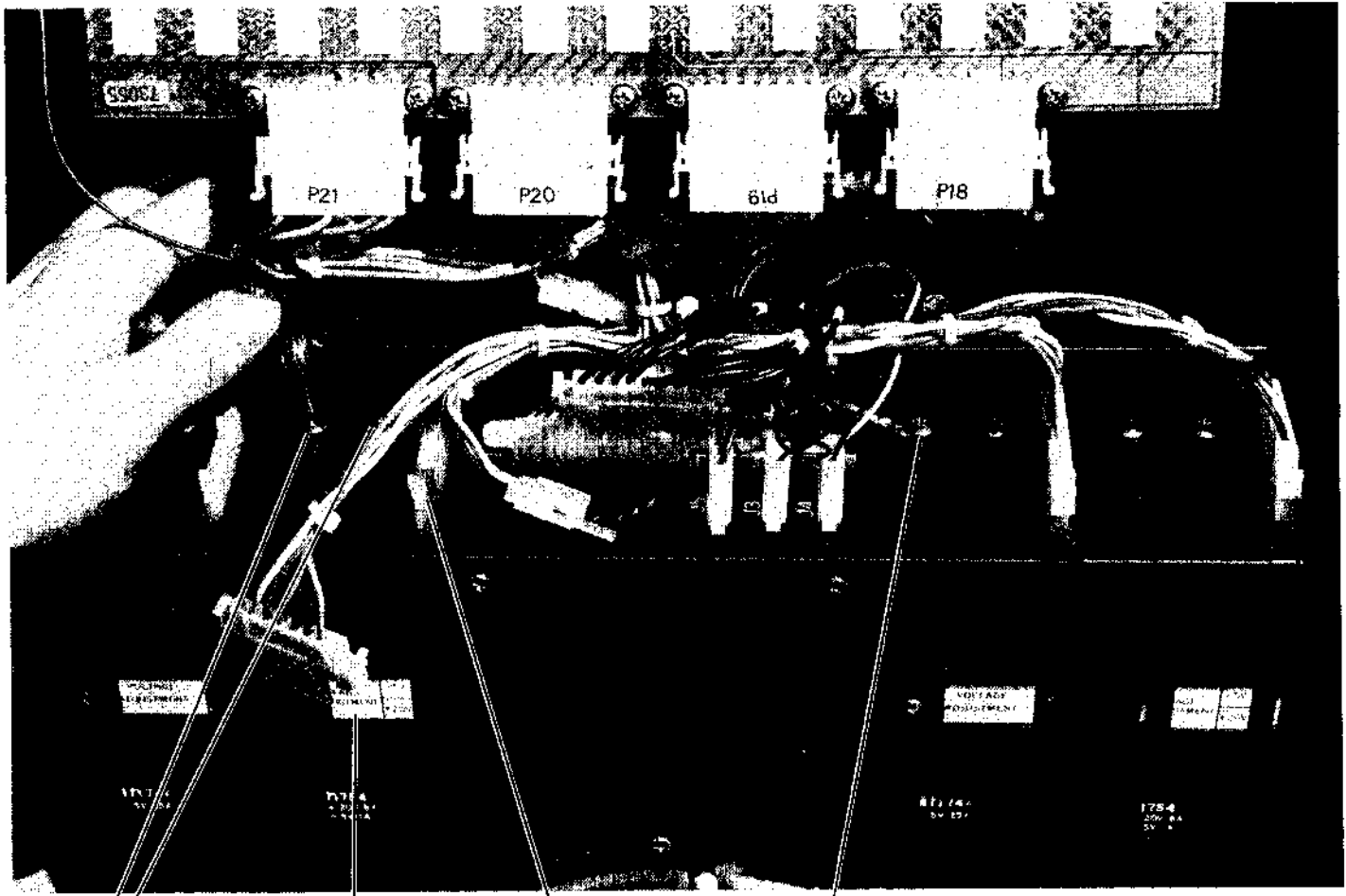
WARNING

Power must be removed prior to removing regulators.

5. Disconnect the Mate-N-Lok from the regulator to be removed.
6. Remove three screws, two on the top and one on the bottom of the regulator (Figures 4-58 and 4-60).
7. Rotate the memory frame 90 degrees to the horizontal position.
8. To remove the regulator, slide it out.
9. Install a new regulator as described in Paragraph 4.5.2.5.

CAUTION

Use correct length screws when installing a new regulator.



7501-22

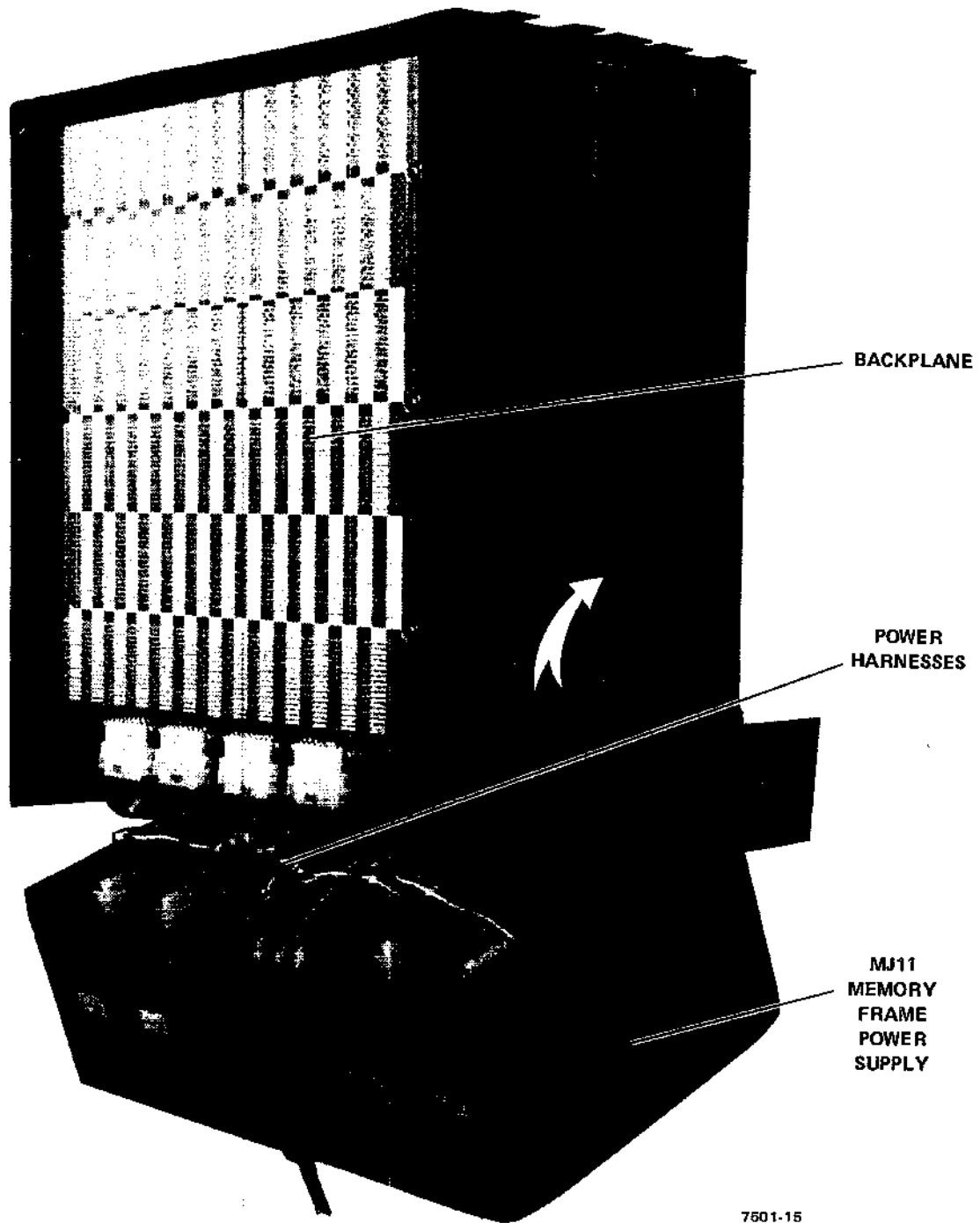
REGULATOR
MOUNTING
SCREWS

REGULATOR
(TO BE
REMOVED)

REGULATOR
MATE-N-LOK

TRANSFORMER
ASSEMBLY
GROUND LUG

Figure 4-58 Regulator Removal



7501-15

Figure 4-59 Power Supply in Maintenance Position

AC Input Box and 5411086-YA Power Line Monitor Board Removal

1. Perform the power supply access procedure just described.

CAUTION

Do not remove the power supply hinge screws when performing the next step.

2. Remove the two power system screws on each side of the power supply (Figure 4-53).
3. Carefully rotate the memory frame 90 degrees and tilt the power supply (Figure 4-59).

WARNING

Be sure that ac power is removed prior to removing the ac input box or 5411086-YA power line monitor board.

4. Disconnect all the Mate-N-Loks connected to the ac input box.
5. Disconnect the card edge connector from the 5411086-YA power line monitor board.

CAUTION

Hold the ac input box in place while performing the next step.

6. Remove three screws and slide out the ac input box (Figure 4-60).
7. Remove 5411086-YA power line monitor board from the ac input box.

Fan Removal

1. Perform the power supply access procedure just described.

NOTE

The memory frame should be in a horizontal position when removing fans.

WARNING

Ensure ac power is removed.

2. Remove all modules.
3. On the module side of the fan, remove the two screws holding the fan.
4. Slide the fan up and out of the power supply chassis and disconnect the jack (Figure 4-61) from the fan.

CAUTION

When installing the fan, do not tighten the screws beyond 10 in/lb. Tightening screws beyond 10 in/lb may cause the fan to bind.

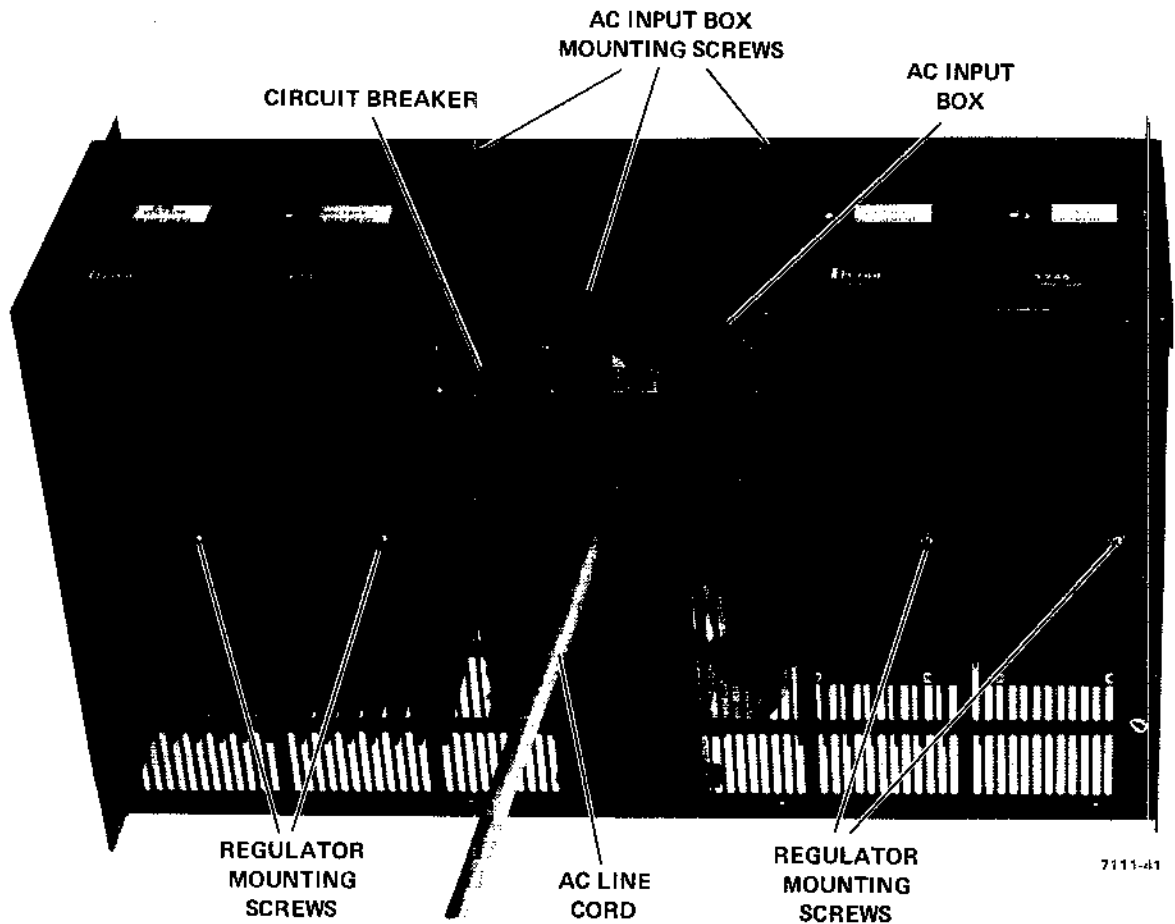


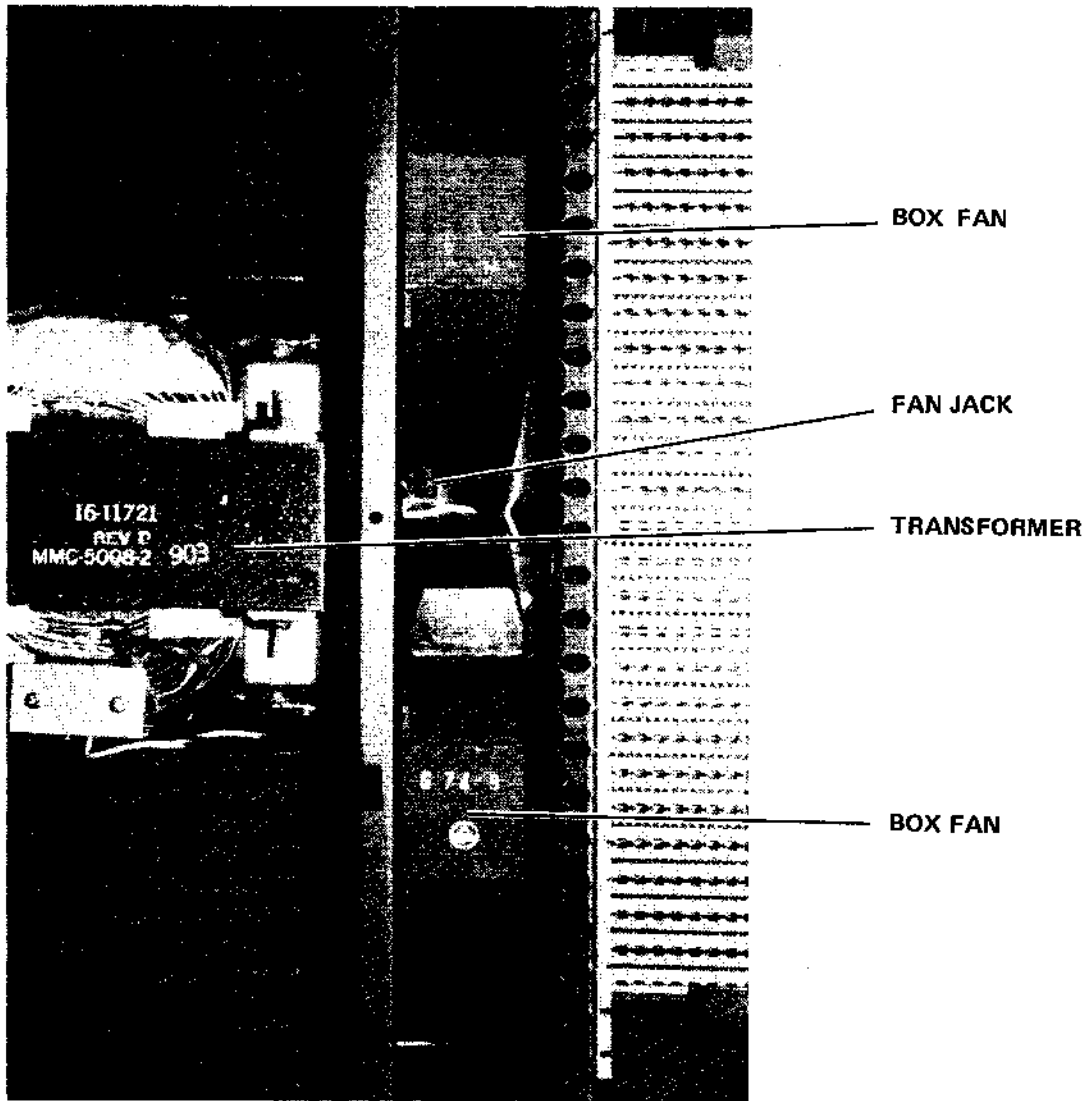
Figure 4-60 Memory Frame Power Supply

Transformer Assembly Removal

WARNING

Remove ac power before performing this procedure.

1. Remove all four regulators per previous directions.
2. Remove the ac input box. Refer to previous directions.
3. Remove both fans. Refer to previous directions.
4. Disconnect the transformer assembly's Mate-N-Loks.
5. Remove both screws from the transformer assembly's cable clamp (Figure 4-62, sheet 1).
6. Rotate the memory frame to the horizontal position.
7. Remove the transformer assembly's four mounting screws and nuts (Figure 4-62, sheet 2) and lift out the transformer assembly.



7501-30

Figure 4-61 Fan Removal

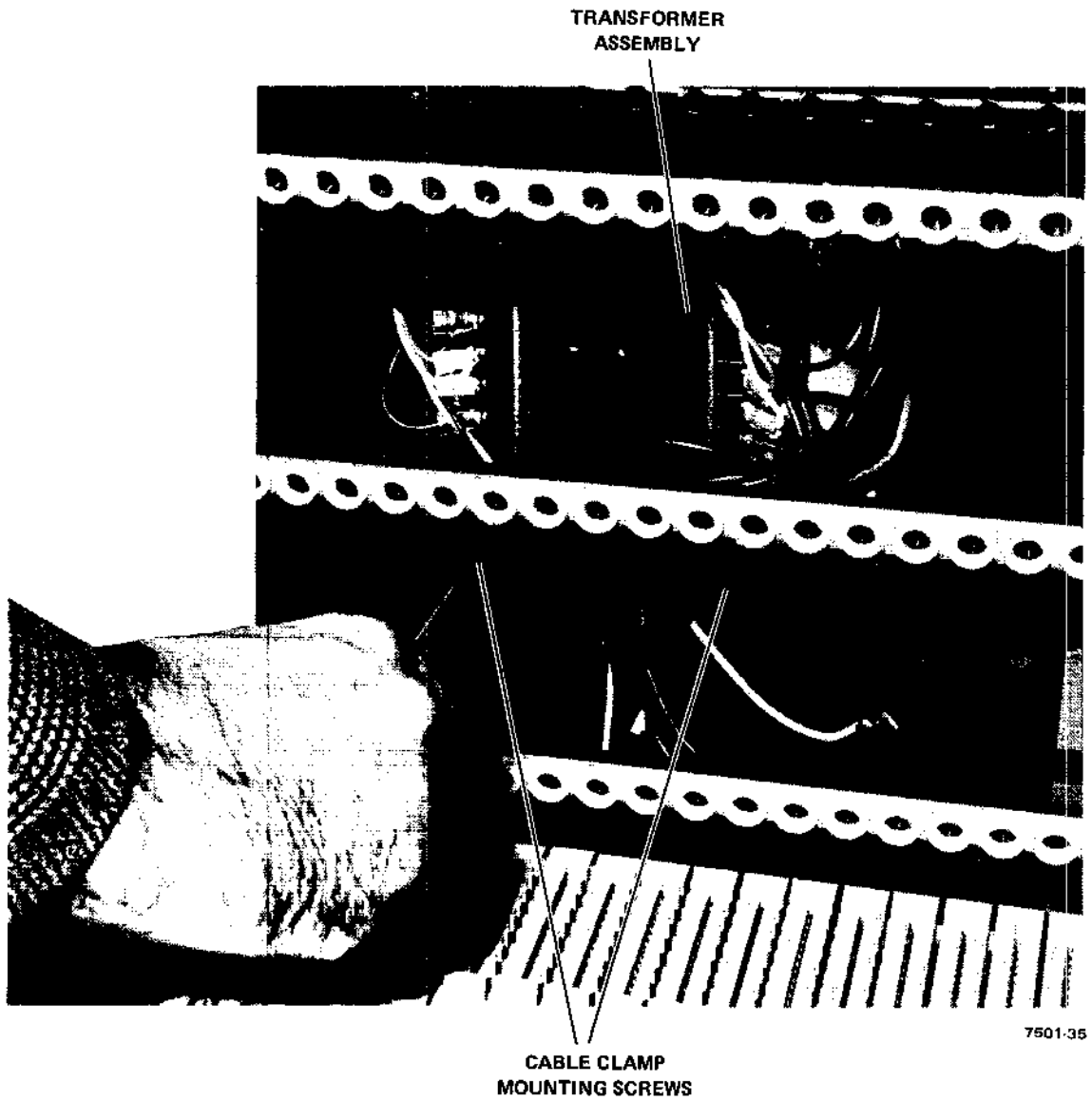
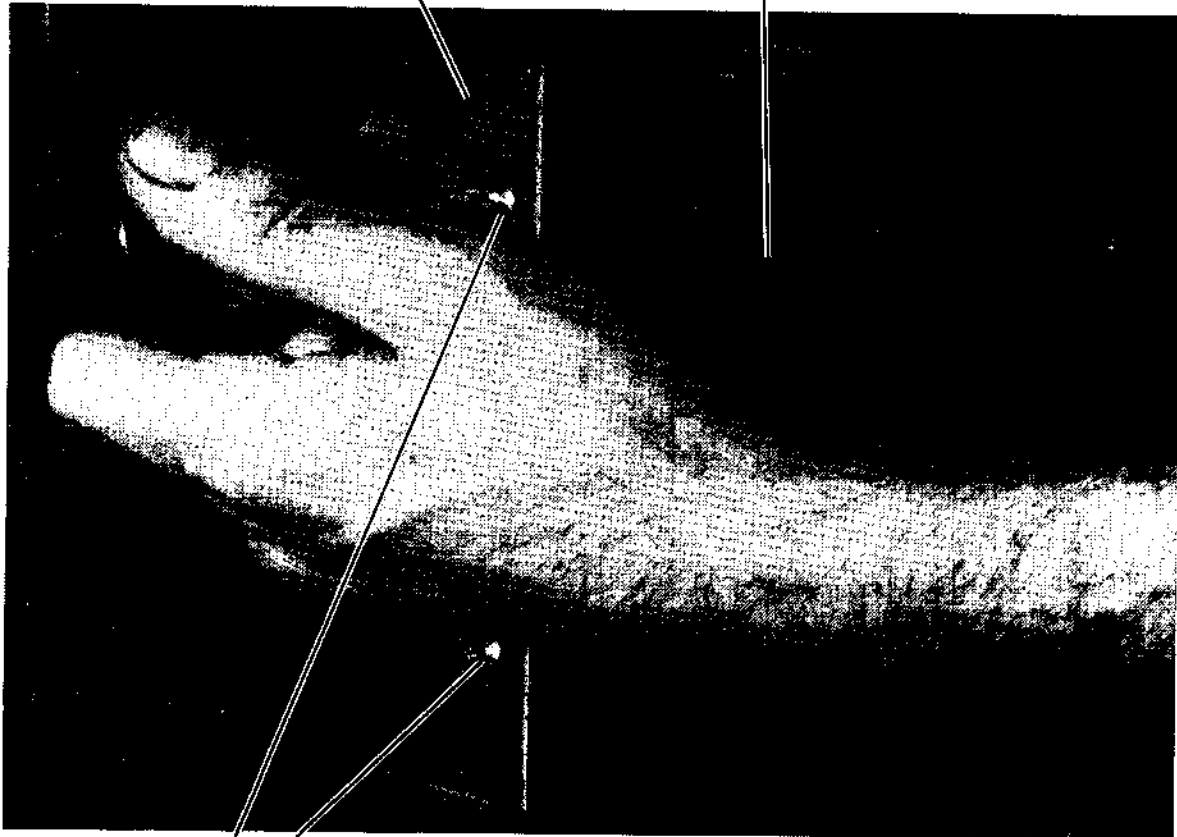


Figure 4-62 Transformer Assembly Removal (Sheet 1 of 2)

**AC INPUT BOX OPENING
(AC INPUT BOX REMOVED)**

**TRANSFORMER
(LOCATED INSIDE BOX)**



**TRANSFORMER ASSEMBLY
MOUNTING SCREWS**

7111-11

Figure 4-62 Transformer Assembly Removal (Sheet 2 of 2)

4.5.2.5 Regulator Installation Procedure – The following steps describe the procedure for installing the regulators.

1. Verify that power to the power supply is off.
2. Install the regulator. (Refer to Figures 4-58 and 4-60 for mounting screw locations.)

CAUTION

Use correct length screws when installing a new regulator.

3. Connect the regulator Mate-N-Lok to the installed regulator.
4. Turn on power to the regulator.

NOTE

If the regulator crowbars, turn power off and rotate the regulator voltage adjustment potentiometer fully counterclockwise (below crowbar voltage). Turn on power.

5. Using a DVM, measure the voltage(s) at the M8149 test point(s) (Paragraph 4.5.2) or at the backplane to ensure that the voltage(s) is(are) within limits specified in Table 4-19. Adjust voltage(s) if necessary (Paragraph 4.5.2.2).
6. Recheck the regulator voltage(s) at the backplane per Tables 4-17, 4-18, and 4-19. Adjust voltage(s) if necessary.
7. Turn off power and attach the bottom cover of the memory frame. Carefully rotate the memory frame to the horizontal position.
8. Install the two power system screws (Figure 4-53) and attach the top cover. Carefully push the frame back into the cabinet; be careful that the cables do not bind.

4.5.3 H7420 Power Supply

The following paragraphs describe the preventive and corrective maintenance procedures for the H7420 processor power supply.

4.5.3.1 Preventive Maintenance – The preventive maintenance philosophy for the MJ11 power supply, stated in Paragraph 4.5.2.1, is also applicable to the H7420, preventive maintenance (PM) of the H7420, consisting of periodic visual inspections and voltage measurements, help anticipate future equipment failures. The PDP-11/70 PM procedures, including those for the power system, are included in Appendix G; the listed PM schedule should be adhered to.

Monthly Field Service PM procedures (Appendix G) include visual inspection of the logic and power supply fans, cleaning the air filters, and replacing burned out indicators.

Quarterly PM procedures, also listed in Appendix G, include inspections and checks of the PDP-11/70 that are more comprehensive than the monthly procedures: a check of the wiring and etch conditions, cleaning the air vents and fan housings with a vacuum cleaner, and voltage checks of the regulators (Table 4-21).

Figure 4-63 is a reproduction of the decals that are attached to the back of the processor box. The decals indicate where the +5 Vac from each regulator in the two H7420s is applied.

Table 4-21 H7420 Voltage Measurements

Output	Slots Supplied	Measure at CPU Backplane Pin	Voltage	Max Ripple Peak-to-Peak
H744 +5 V Regulator A	2-5	F02A2	+5 V	0.2 Vdc
H744 +5 V Regulator B	1, 6-9	F09A2	+5 V	0.2 Vdc
H744 +5 V Regulator C	10-15	F15A2	+5 V	0.2 Vdc
H744 +5 V Regulator D	36-44	F44A2	+5 V	0.2 Vdc
H744 +5 V Regulator H	20-22	F22A2	+5 V	0.2 Vdc
H744 +5 V Regulator J	16-18 and the console	F18A2	+5 V	0.2 Vdc
H744 +5 V Regulator K	24-28	F28A2	+5 V	0.2 Vdc
H744 +5 V Regulator L	29-35	F35A2	+5 V	0.2 Vdc
Upper H7420 5411086	1	B01B1	+8 V ± 1.2 Vdc	0.24 Vdc
Upper H7420 5411086	40-44	E13A1	+15 V ± 1.5 Vdc	0.45 Vdc
Lower H7420 5411086	2, 17, 25, 27, 29-31, 33-35 37-44	E13B2	-15 V ± 1.5 Vdc	0.45 Vdc

Measure and adjust (if necessary) the regulator voltages according to the instructions listed in Appendix G. (Refer to Paragraph 4.5.3.2 for adjustment procedures). Figure 4-64 shows the locations of the H744 voltage adjustment screws; the 5411086 voltage adjustment is identified in Figure 4-26. If a regulator cannot be adjusted to meet specifications, remove and replace the regulator (Paragraph 4.5.3.4 and 4.5.3.5).

A digital voltmeter (Weston Schlumberger DVM Model 4443 or Data Technology Model 21) should be used for making the regulator voltage measurements. A calibrated oscilloscope may be used if a DVM is not available. A VOM is useful for making continuity and resistance checks within the power supply. An oscilloscope is necessary for measuring ripple. (Ripple tolerances are listed in Table 4-21).

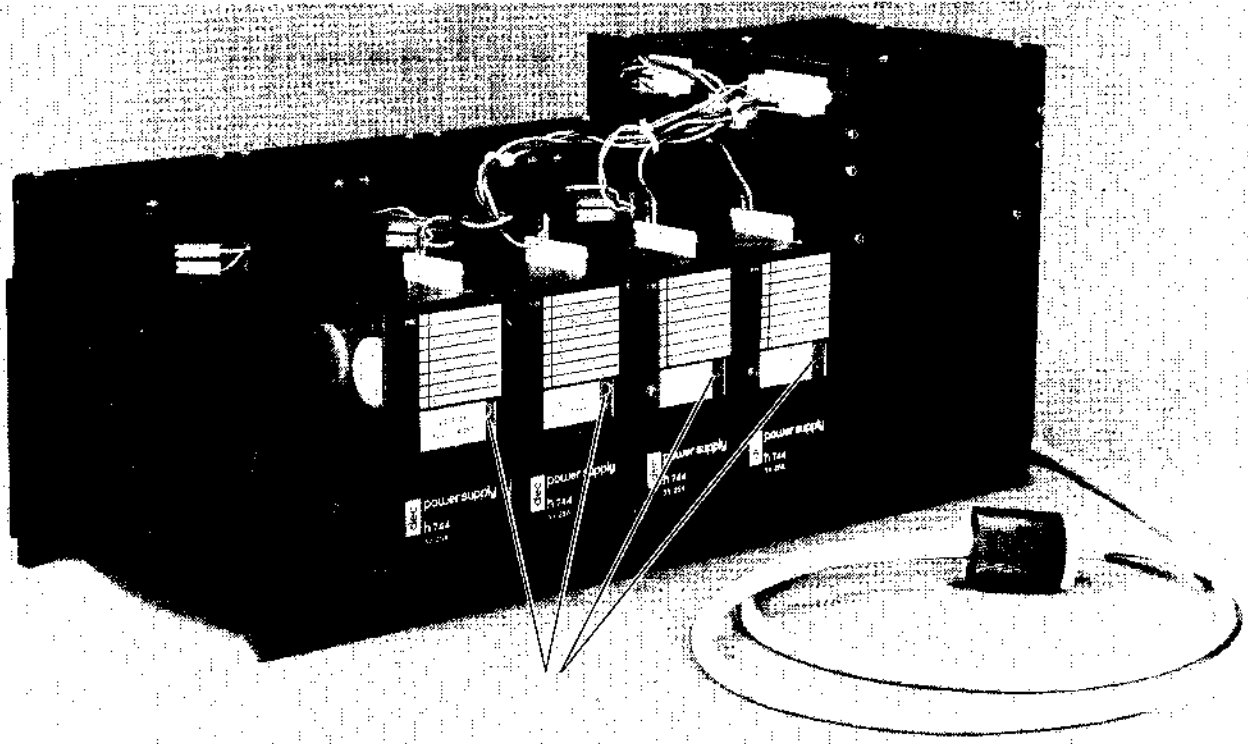
UPPER POWER SUPPLY					H7420 BULK SUPPLY
h7420					
REGULATOR E	REGULATOR D	REGULATOR C	REGULATOR B	REGULATOR A	
NOT USED	+5V RH70 & SPC	+5V CENTRAL PROCESSOR & MEMORY MANAGEMENT	+5V CENTRAL PROCESSOR	+5V FLOATING POINT	+15V TO CENTRAL PROCESSOR, CACHE, RH70 & SPC
					+8V TO MAINT SLOT
					AC LOW
					DC LOW
		+5V TO ROWS 36.37.38.39.40. 41.42.43.44	+5V TO ROWS 10.11.12.13.14.15	+5V TO ROWS 1.6.7.8.9	+5V TO ROWS 2.3.4.5

11-3285

LOWER POWER SUPPLY					H7420 BULK SUPPLY
h7420					
REGULATOR L	REGULATOR K	REGULATOR J	REGULATOR H	REGULATOR F	
+5V RH70	+5V RH70	+5V CACHE CONSOLE	+5V CACHE	NOT USED	-15V TO CENTRAL PROCESSOR, CACHE, RH70, & SPC
					AC LOW
+5V TO ROWS 29.30.31.32. 33.34.35	+5V TO ROWS 24.25.26.27.28	+5V TO ROWS 16.17.18	+5V TO ROWS 20.21.22		DC LOW

11-3286

Figure 4-63 H7420 Decals



7301-2

Figure 4-64 H744 Regulator Voltage Adjustment

Visual Inspection

CAUTION

Make sure all power is off before performing the following steps.

1. Check all fans to ensure that they are not obstructed in any way. Clean air filters mounted on the inside of the cabinet door if required.
2. Visually inspect the modules and backplane for broken wires, connectors, or other obvious defects.
3. Inspect all wiring and cables for cuts, breaks, frays, deterioration, kinks, strain, and mechanical security. Repair or replace any defective wiring or cable covering.
4. Inspect the following for mechanical security: power supply regulators, fans, capacitors, etc. Tighten or replace as required.
5. Inspect power supply capacitors for leaks, bulges, or discoloration. Replace as required.

4.5.3.2 H7420 Corrective Maintenance – Prior to making any adjustment, the H7420 power supply should be inspected to ensure that the equipment is energized.

1. Check that the processor cabinet 861 power control indicators light (Figure 4-46 and 4-47).
2. Check that all fans are energized.
3. Check that all regulator indicators light. The indicators are directly below the voltage adjustment screws (Figure 4-63) and are on during normal operation.

Voltage Regulator Adjustments – The H744 voltage regulator outputs (Table 4-17) must be adjusted to the tolerances indicated in Table 4-19. When performing the adjustments, ensure that the maximum voltages at the regulator are not exceeded. These voltages represent the maximum regulator voltage prior to crowbar. Figure 4-64 shows the location of the voltage regulator adjustment potentiometers.

Correct power system voltages at the backplane are critical to a properly operating system. If a voltage regulator cannot be adjusted to meet the required tolerance, check for a faulty regulator or harness.

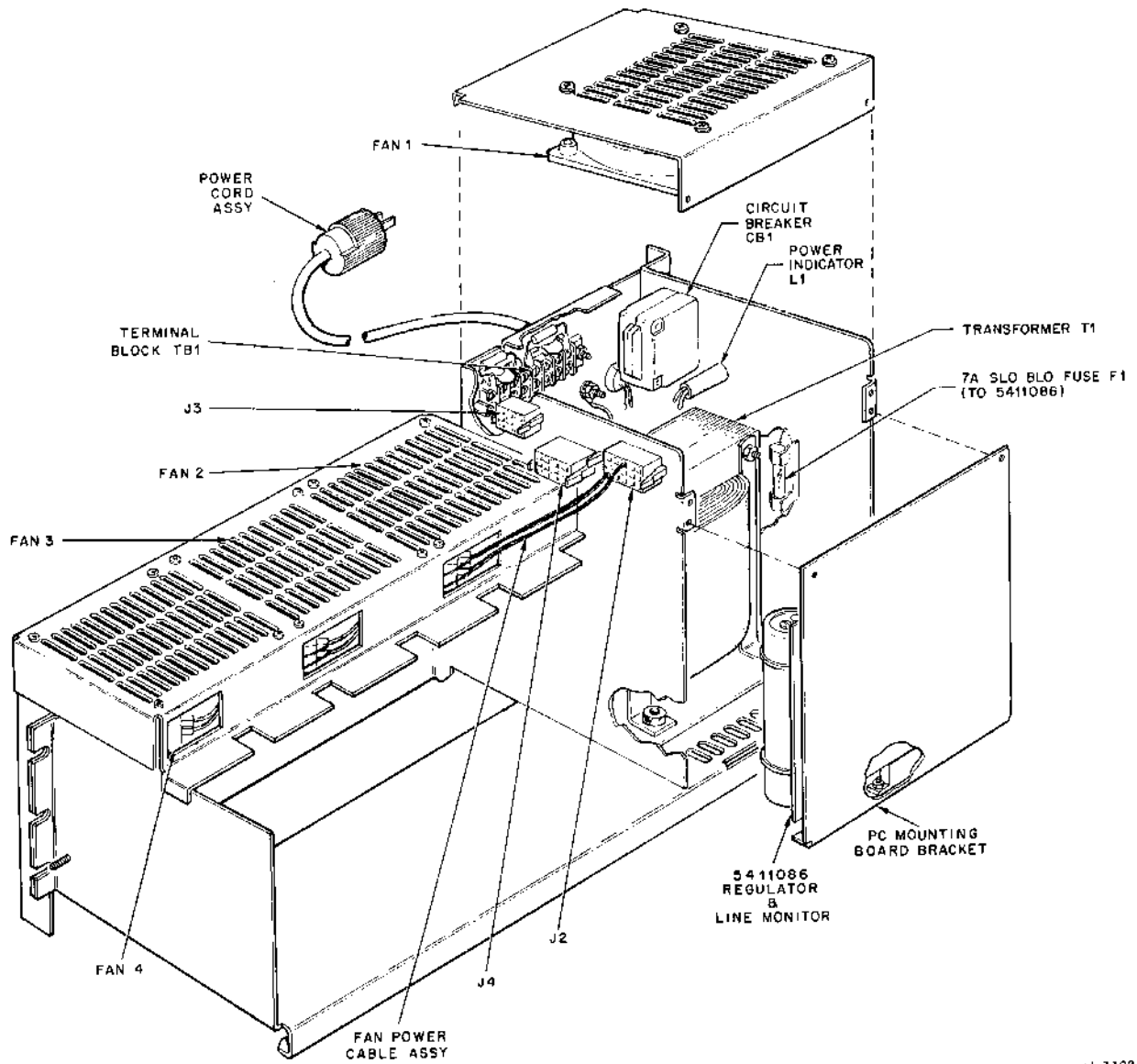
The regulator replacement procedure is described in Paragraphs 4.5.3.4 and 4.5.3.5.

H744 Voltage Regulator Adjustment (+5 V)

1. Power down the equipment.
2. Fully extend the processor frame from the rack, ensuring that the cables do not bind.
3. Power up the equipment.
4. Using a digital voltmeter, or a calibrated oscilloscope, measure the +5 V outputs at the processor backplane (Table 4-21). Adjust these voltages to +5 Vac \pm 250 mV. The adjustment screws are identified in Figure 4-64.
5. Power down the equipment.
6. Carefully push the processor frame back into the cabinet, observing that the cables do not bind.

4.5.3.3 H7420 Power Supply Fault Isolation – If a power system fault is suspected, visually inspect the system components for obvious fault indications. For example, each of the voltage regulator modules is provided with an output indicator lamp that lights when the output voltage is within range. If a single indicator lamp within the group (A-D or H-L) is not lit, the fault is probably within that voltage regulator module. This can be verified by swapping H744 modules. Once the fault has been isolated to a voltage regulator module, refer to the voltage regulator checkout procedure described in Paragraph 4.5.2.3. A decal (Figure 4-63) is placed on the rear of the processor rack chassis to indicate the location and function of each voltage regulator.

If none of the voltage regulator output indicator lamps in the group are lit, the fault is probably in the associated H7420 power supply or 861 power control. Visually inspect the power indicator lamps and circuit breakers provided with these devices to determine whether the fault can be isolated to either the H7420 or the power control. Figures 4-12, 4-24, 4-27, and 4-47 show where these indicator lamps and circuit breakers are located in each device. Figures 4-26 and 4-65 show the internal components of the H7420. A description of the 861 power control is given in Paragraph 4.3.5.



1-3309

Figure 4-65 H7420 Power Supply Component Identification

The following steps can be used to aid in locating the cause of a power system failure:

1. Ensure that the H7420 is plugged in and getting primary power (115/230 Vac) from the 861 power control.
2. Check the power indicator and circuit breaker CBI on the H7420 (Figure 4-27).
3. Check the individual regulator lights. (Regulator lights are lit during normal operation.)
4. Check the two LEDs on the 5411086 power line monitor (Figure 4-26). They should be on during normal operation, i.e., AC LO and DC LO are not asserted (Paragraph 4.4.6.1). The first two steps of the 5411086 removal procedure (Paragraph 4.5.3.4) must be performed in order to view the two indicators.
5. Measure regulator voltages at the processor backplane (Paragraph 4.5.3 and Table 4-21).
6. If all regulator outputs are within specifications, check the backplane for faulty wiring.
7. If one or more regulator outputs are incorrect, check the regulator fuse(s) (Figure 4-55), the transformer assembly, the power harness connections and the load.
8. If the +8 V, -15 V, or +15 V outputs are incorrect, check the 5411086 power line monitor. (Fuse locations are shown in Figure 4-26).
9. If the fault is isolated to a voltage regulator, refer to Paragraphs 4.5.2.3 and 4.5.3.2 for regulator troubleshooting and adjustment procedures. Table 4-20 lists several possible problem causes and their solution.

H744 regulator bench test procedures are described in Paragraph 4.5.2.3.

4.5.3.4 H7420 Power Supply Subassembly Removal Procedure – The power supply access procedure enables the supply to be accessed for adjustments and subassembly removal. The procedures listed below are described in the following paragraphs:

1. Power supply access procedure
2. H744 Regulator removal
3. 5411086 15 V regulator/power line monitor board removal

Power Supply Access Procedure

1. Power down the equipment.
2. Fully extend the processor frame from the rack, ensuring that the cables do not bind (Figure 4-17 and 4-18).
3. Remove the ac power connection by disconnecting the H7420 power cord (Figure 4-27) from the 861 power control.

CAUTION

Since both H7420s are connected to the same 861 (Figure 4-7), make certain that the correct H7420 power cord is disconnected.

H744 Regulator Removal

1. Perform the power supply access procedure just described.

WARNING

Power must be removed prior to removing regulators.

2. Disconnect the Mate-N-Lok connector from the regulator to be removed.
3. Remove the two screws and lockwashers that fasten the top of the regulator to the H7420 (Figure 4-66, sheet 1 of 2). Loosen, but do not remove, the knurled screw that fastens the bottom of the regulator to the H7420.
4. Slide the regulator out of the H7420 (Figure 4-66, sheet 2 of 2).
5. Install a new regulator as described in Paragraph 4.5.3.5.

5411086 15 V Regulator/Power Line Monitor Board Removal

1. Perform the power supply access procedures just described.

WARNING

Power must be removed prior to removing the 5411086 board.

2. Remove the two screws at the top of the PC mounting board bracket (Figure 4-67, sheet 1 of 3). The bracket then swings down from the top and remains suspended from the bottom edge.
3. Remove the two hex nuts from the end of the 5411086 board (Figure 4-67, sheet 2 of 3). Do not lose the attached hardware (screws, washers, and spacers).
4. Remove the 5411086 board from the PC mounting board bracket. This is accomplished by carefully pulling the board to separate the edge connector on the board from J1 (Figure 4-67, sheet 3 of 3).
5. Install a new 5411086 board as described in Paragraph 4.5.3.5.

4.5.3.5 H7420 Power Supply Subassembly Installation Procedure

H744 Regulator Installation –The following steps describe the procedure for installing H744 regulators in the H7420.

1. Perform the power supply access procedure (Paragraph 4.5.3.4).

WARNING

Power must be removed prior to installing regulators.

2. Place the H744 regulator in the correct position in the H7420. Tighten the knurled screw on the bottom of the H7420.
3. Fasten the top of the H744 to the H7420 with two screws and lock washers.
4. Connect the Mate-N-Lok connector (in the power harness) for this regulator position to the connector on the top of the regulator.
5. Turn on power and measure the regulator voltage at the processor backplane (Paragraph 4.5.3.1). Adjust the voltage (Paragraph 4.5.3.2) if the measured voltage is not within the tolerances listed in Table 4-19.

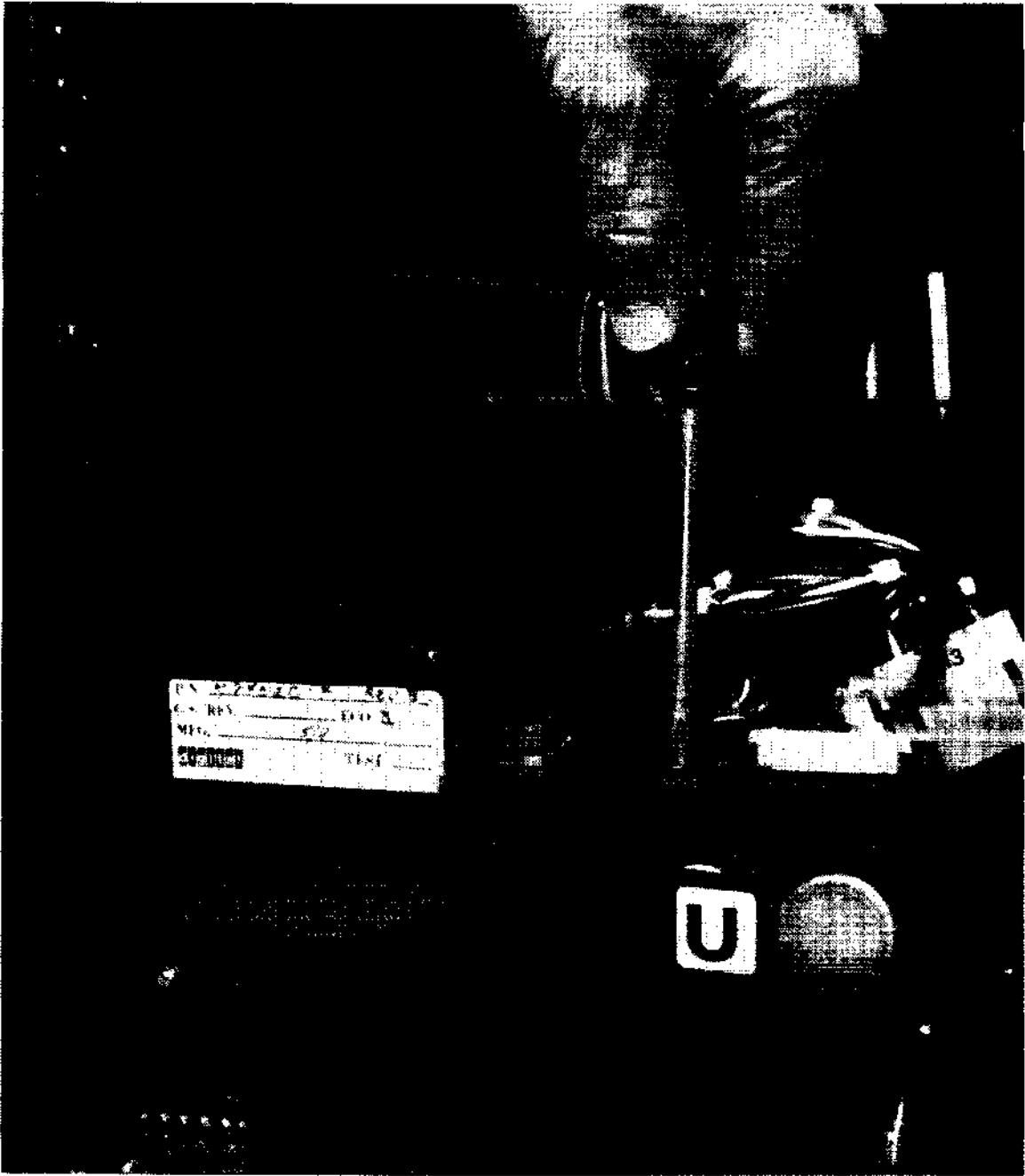
5411086 15 V Regulator/Power Line Monitor Board

1. Perform the power supply access and 5411086 removal procedures (Paragraph 4.5.3.4).

WARNING

Power must be removed prior to installing the 5411086 board.

2. Connect the edge connector on the 5411086 to J1 (Figure 4-67).
3. Fasten the opposite end of the board to the PC mounting board bracket with the necessary hardware (screws, washers, spacers, and hex nuts).
4. Attach the top of the PC mounting board to the H7420 chassis with two screws and washers.
5. Turn on power and check the backplane voltages (upper H7420: +15 V and +8 V; lower H7420: -15 V). Refer to Paragraphs 4.5.3.1 and 4.5.3.2 for 5411086 voltage check and adjustment procedures.
6. Power down the equipment.
7. Carefully push the processor frame into the cabinet, observing that the cables do not bind.



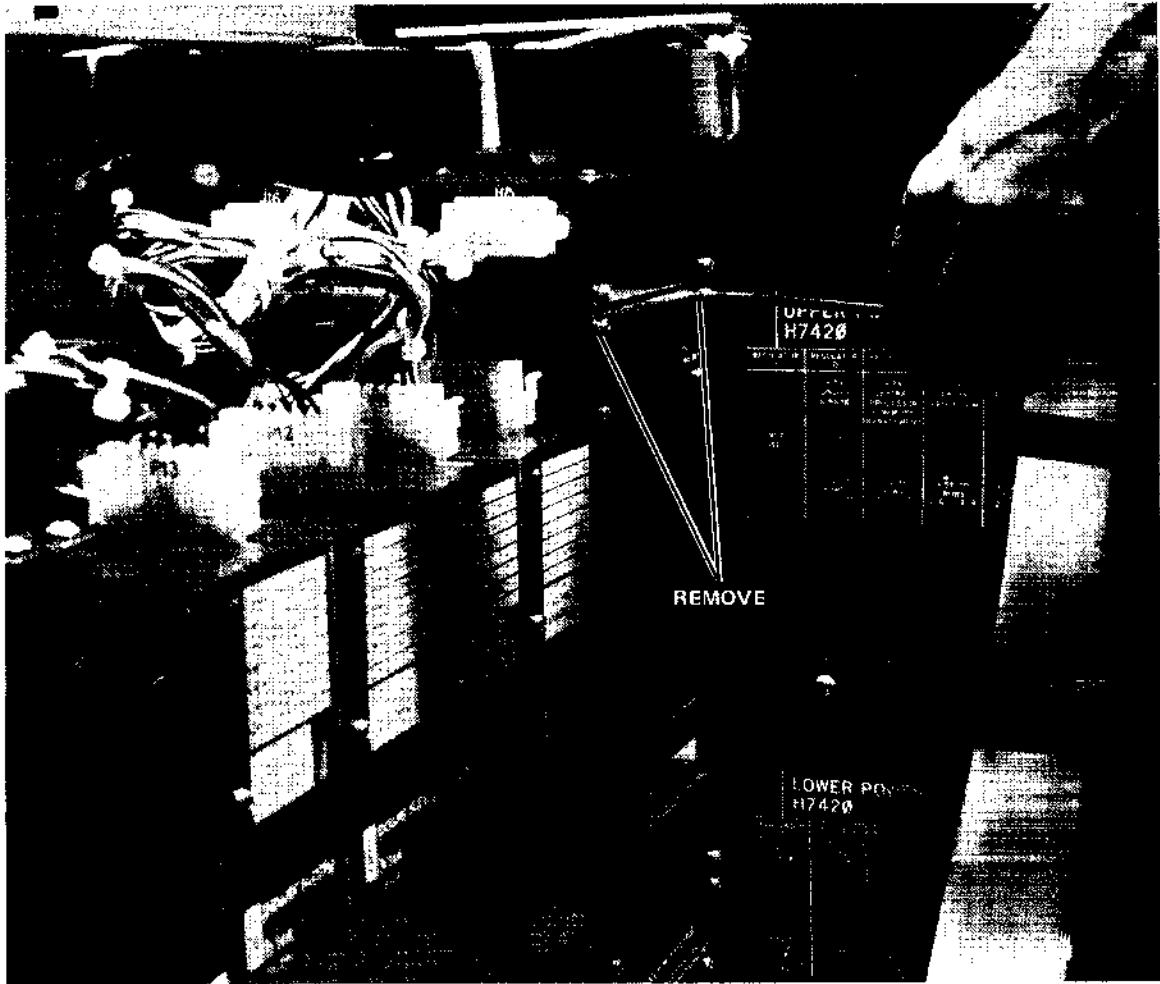
7644-8

Figure 4-66 H7420 Regulator Removal (Sheet 1 of 2)



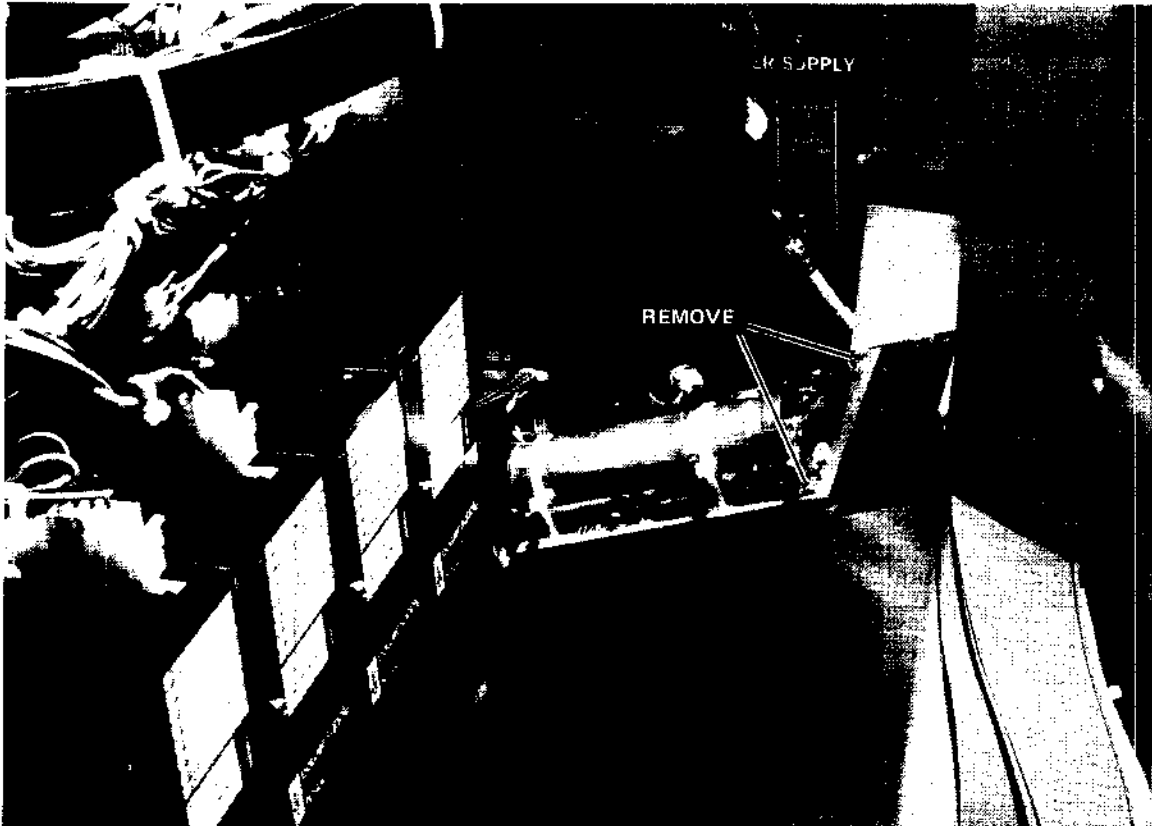
7644-2

Figure 4-66 H7420 Regulator Removal (Sheet 2 of 2)



7545-22

Figure 4-67 5411086 Removal (H7420) (Sheet 1 of 3)



7545-27

Figure 4-67 5411086 Removal (H7420) (Sheet 2 of 3)



7546-25

Figure 4-67 5411086 Removal (H7420) (Sheet 3 of 3)

CHAPTER 5 MAINTENANCE

By use of on-line diagnostics, DEC/X11 or the PDP-11/70 subsystem diagnostic, system faults can be isolated to the appropriate subsystem; i.e., CPU, cache, memory management, Unibus map, Unibus device, main memory, Massbus controller or Massbus device.

Once the failing subsystem has been identified, the individual stand-alone diagnostic is used to locate the failing module. Once the bad module has been identified, it should be replaced and returned to the Maynard or European Depots for repair. Due to the complexity of the modules and the size (cost) of the PDP-11/70 systems in general, on-site component level repair of modules is discouraged. Component level repair should only be used as a back-up strategy or whenever the fault is obvious and can be repaired quickly.

Cold start maintenance (being unable to load diagnostics) is made easier by a hardware diagnostic routine included in the system bootstrap loader (standard on all machines). This loader, the M9301-YC, YH or M9312, contains 512 words, of which 256 words are used for diagnostic routines. The listing of the program stored in the M9301-YC (DEKBH), M9301-YH and M9312 are supplied at the end of this chapter (Paragraph 5.4.11); they contain detailed documentation to aid in troubleshooting a defective machine.

Basically the routines check the instructions used by the loader for loading programs and the first 28K of memory (basic address test). It also does a basic check of memory management and a basic check of the Unibus map. There are no routines in the diagnostic boot for checking the loading device. A paper tape diagnostic is supplied for this purpose. In addition to the bootstrap diagnostic, cold start maintenance is aided by the ability to eliminate the cache partially by forcing misses in half or all of the cache as well as forcing selection (upon word replacement) to a specific group.

System maintenance on the PDP-11/70 is enhanced by various registers and indicators (Paragraphs 5.3.1 and 5.3.2) within the CPU (Paragraph 5.3.1.1) and Massbus controllers as well as a "maintenance mode" of operation within each Massbus controller to allow complete checking of the RH70 data buffer. System problems are also aided by various bits within the parity registers (outline following) which enable one to find out easily where parity errors actually occurred, i.e., Unibus operations, CPU abort, memory bus timeouts, etc.

Memory system maintainability is improved because of the extensive use of parity throughout the memory system. Memory system failures are easily isolated because of six error registers which retain information on where the error occurred in addition to providing means of verifying the parity checkers and margining main memory.

The error registers are as follows:

1. Lo Error Address Register – Provides lower 16 bits of the 22-bit address where the parity error occurred.
2. Hi Error Address Register – Provides upper 6 bits of the 22-bit address as well as the cycle type which was being done, i.e., DATI, DATO, etc.
3. Error Register – Tells where the error actually occurred, i.e., lower word main memory, main memory bus, etc.
4. Control Register – Allows for the disabling of parity traps, forcing of cycles to bypass the cache or go to a specific group within the cache, etc.
5. Maintenance Register – Allows for margining of main memory currents and strobe, as well as forcing wrong parity checks.
6. Hit/Miss Register – This register tracks each processor cycle whether it was a hit (word present in cache memory) or a miss (word had to be obtained from slow memory).

Error indicators are easily checked by opening the memory cabinet front door. Indicators are present for incorrectly configured memory systems, memory address parity errors, and hung memory controllers.

The basic tools required for maintenance and repair of the PDP-11/70 system are listed in Table 5-1.

This chapter describes the maintenance aids available to Field Service personnel for diagnosis and repair of a defective system:

1. Guidelines for PDP-11/70 troubleshooting (Paragraph 5.1)
2. Basic checkout of a dead machine (Paragraph 5.2).
3. Troubleshooting aids (Paragraph 5.3), which include the system registers, indicators switches, and the maintenance module
4. A description of the PDP-11/70 diagnostic (Paragraph 5.4).

Table 5-1 Maintenance Equipment Required

Equipment or Tool	Manufacturer	Model, Type or Part No.	DEC Part No
Oscilloscope	Tektronix	453*	
Digital Voltmeter (DVM)	Weston (or the like)	6000	
Volt/Ohmmeter (VOM)	Triplett		29-13510
Unwrapping Tool	Gardner-Denver (DEC Catalog #H812A)	505 244-475	29-18387
Hand Wrap Tool	Gardner-Denver (DEC Catalog #H811A)	A-20557-29	29-18301
Diagonal Cutters	Utica	47-4	29-13460
Diagonal Cutters	Utica	466-4 (modified)	29-19551
Miniature Needle Nose Pliers	Utica	23-4-1/2	29-13462
Wire Strippers	Millers	101S	29-13467
Solder Extractor	Solder Pullit	Standard	29-13451
Soldering Iron (30W)	Paragon	615	29-13452
Soldering Iron Tip	Paragon	605	29-19333
16-Pin IC Clip	AP Incorporated	AP923700	29-10246
24-Pin IC Clip	AP Incorporated	AP923714	29-19556
Maintenance Cards	DEC		W131,W133**
Maintenance Card Overlay	DEC		5509974-0-1
Module Extender Boards (3)	DEC		W900

* Tektronix type 453 oscilloscope is adequate for most test procedures; type 454, or equivalent, may be required for some measurements.

** W133 is a dual version of W130. It provides the drivers for two W131 maintenance cards.

5.1 SYSTEM TROUBLESHOOTING

This paragraph describes typical procedures used when attempting to isolate a failure in a PDP-11/70 system. It is not intended as a method to be used for all types of failures, but rather as a guideline.

Refer to Figure 5-1: This flowchart points to the available maintenance aids, and thus may be used as a guide for troubleshooting a defective PDP-11/70.

5.1.1 Dead Machine

This is cold start troubleshooting. Refer to Paragraph 5.2.

5.1.2 System Repair

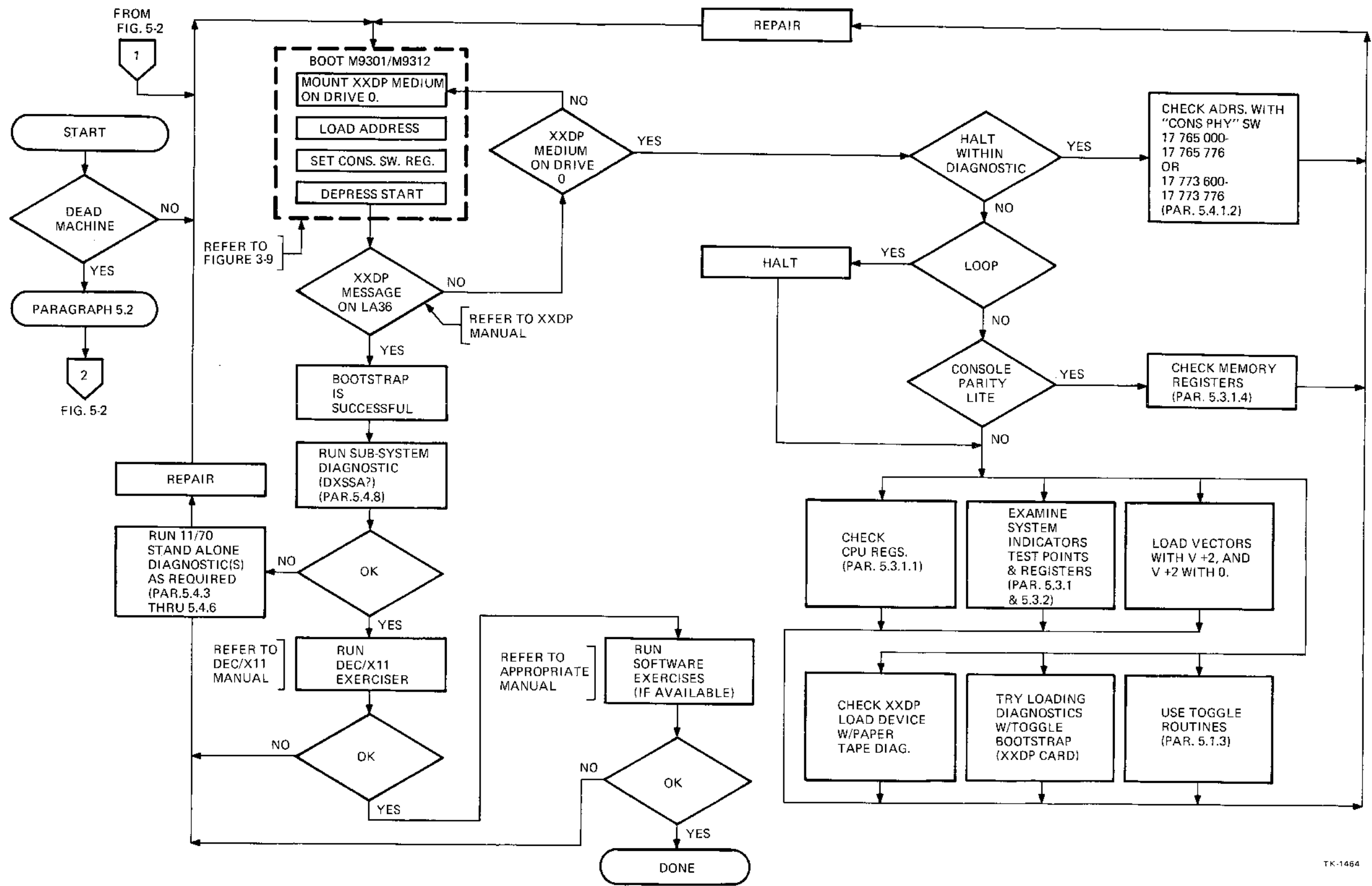
If the console functions work, attempt to bootstrap the XXDP monitor. If the bootstrap is successful, run the subsystem diagnostic. This program analyzes errors and points to the area of the system that is causing the primary trouble. Run the appropriate PDP-11/70 diagnostic, repair, and run the subsystem diagnostic again. If no errors are indicated, run DEC/X11 configured for the whole system, then the appropriate software exerciser. If no errors (within the limits set in the *PDP-11 Family Installation and Acceptance Procedure*) occur, the system should be good. If errors occur at any point in this series of tests, repair before proceeding.

If the bootstrap does not work (no message from XXDP), one of several conditions may occur:

1. The bootstrap halts at a location within its diagnostic. Refer to the diagnostic listing (Paragraph 5.12) to locate the defective instruction and repair. Use of the maintenance module and the KB11-B flowcharts may be indicated at this time.
2. The machine goes into a loop. Press the HALT switch and examine the PC. Also examine the PC if an unscheduled halt occurs and no parity error is indicated. If the PC contains a meaningless address, load all vector addresses with their own address plus 2, and the vector plus 2 with 0. Bootstrap again. The halt will then occur in the vector area, at address vector plus 4. Examination of the appropriate registers should then enable the field service engineer to start troubleshooting the appropriate area of the system. Examination of the various troubleshooting aids (indicators and test points) may save time at this point. The vectors that may be loaded are the following plus the vectors used by the Unibus devices installed on the system:

004	CPU errors
010	Illegal and reserved instructions
014	BPT, breakpoint trap
020	IOT, input/output trap
024	Power Fail
030	EMT, emulator trap
034	TRAP instruction
240	PIRQ, Program Interrupt Request
244	Floating Point Error
250	Memory Management

Refer to Paragraph 5.3 for a description of the PDP-11/70 registers, and troubleshooting aids.



TK-1464

Figure 5-1 Guidelines for PDP-11/70 Troubleshooting

3. The machine halts with the Parity Console Indicator ON. Examine the Cache Error register and the other Cache registers (Paragraph 5.3.1.4).
4. If the memory system is not working at all, the toggle-in routines, which use the PARS instead of memory, may help (Paragraph 5.1.3).
5. It is of course possible that the ROM in the M9301 or M9312 is defective. This may be checked by examining the suspected locations from the console, if no spare M9301 or M9312 is available. Listings of the ROM programs on the M9301-YC (DEKBH) M9301-YH and M9312 are reproduced in Paragraph 5.4.11. Operating procedures for the M9301 and M9312 are given in Paragraph 3.4.2.
6. The XXDP-DEC/X11 program card lists toggle-in loaders for all XXDP media; this method of booting diagnostics may also be tried.
7. If a defective load medium device is suspected, and it is not convenient to change devices (it must be drive 0), a paper tape diagnostic is supplied to check this device. If no paper tape device is available at the site, a PMK01 should be used.

5.1.3 Toggle-in Routines

A few ideas that should aid in debugging failures in the cache memory of the PDP-11/70 are presented here. Many failures in this unit prohibit the normal troubleshooting technique of using standard diagnostics to isolate problems. This is because the cache in the PDP-11/70 is very much a part of the system hard core. Even a minor failure in this area could mean that the diagnostics could not be run because main memory may not be accessible from the processor. For these situations, the use of an alternate storage for short toggle-in routines is suggested: the memory management PARs.

The troubleshooter of course should attempt to run the standard PDP-11/70 diagnostics before attempting to use the methods that are outlined here. If these will not load or run properly, then the user should try to load and run them with the cache disabled, that is: forcing misses to both cache groups by depositing 14 (8) in the Cache Control register, 17 777 746.

NOTE

The Cache Control register is cleared by a console START as well as by a power-up. Therefore, it is necessary to use the CONTINUE switch instead of the START switch when using this procedure.

In this way two of the four modules in the cache memory unit can be turned off effectively. These are the cache address memory board, M8143, and the cache data memory board, M8144. There is no way to disable the logic on the other two boards, the cache control board (M8142), or the cache data paths board (M8145).

The memory management PARs are 16-bit registers which can, with a little programming skill, be used easily to store short routines to check much of the logic anywhere in the PDP-11/70 system. Suggestions will be given here for toggling in cache tests.

Before toggling in a routine, the troubleshooter should try to isolate the problem first to either the address paths and control or the data paths and control. This can usually be done using the console. For example, a good way to check out most of the address paths is to examine the Cache Error Address register (17 777 740 and 17 777 742). This register is toggled every time a cycle is executed. It thus contains the address being referenced anytime a reference is made: When the register itself is examined twice, it should contain its own address on the second EXAMINE. This is an easy way to ensure that the address multiplexer on the ADM (M8143) board can pass ones and that the address paths themselves can go to one. Another good way to isolate a problem to a subcomponent is to use the Cache Error register, which should indicate the source of any parity error. If the Error register indicates an address memory error, an address test should be run, etc.

If the troubleshooter cannot isolate the failure from the console, he/she can pick routines that he/she thinks most general (or use one that was written by oneself).

As a simple example, consider the case in which it has been discovered that writing and reading data from a particular cache group (say group zero) will result in a parity error. Toggling the following routine into the KIPARs should be a great help in isolating the problem with or without the use of an oscilloscope:

Address	Data	Mnemonic
17772340	012737	MOV #1\$,@#114
17772342	172350	
17772344	000114	
17772346	005003	CLR R3
17772350	012706 1\$:	MOV #500,SP
17772352	000500	
17772354	005203	INC R3
17772356	010337	MOV R3,@#SWR
17772360	177570	
17772362	013701 2\$:	MOV @#SWR,R1
17772364	177570	
17772366	010110	MOV R1,(R0)
17772370	021001	CMP (R0),R1
17772372	001366	BNE 1\$
17772374	000772	BR 2\$

This routine will move the value constantly in the low order 16 Console Switch register switches to the address in R0. It will then compare what is in that location with what was written. If either this comparison fails or a parity error occurs, the contents of R3, which is displayed in the data lights of the display register, will be incremented. In this way the user can monitor the failure rate of a particular pattern, or try different patterns by changing the switches without stopping the program. Note that the parity traps (if any occur) will be dealt with properly.

As a more general approach which may be useful, the following program is provided. It has no parity check which eliminates machine halt on a parity error and thus may aid in troubleshooting. This program will write any pattern throughout memory from 0 to the system size register. It executes from the supervisor I and D space address registers. Deposit the pattern that you wish to use in R5. If you wish to clear memory, deposit 0 in R5.

17772300	077406
17772316	077406
17772340	000000
17772356	177600
17777700	000000
17777701	172340
17777702	177572
17777703	177760
17777704	172516
17777705	(PATTERN)

17772240	012714		MOV #20,(R4)
17772242	000020		
17772244	005212		INC (R2)
17772246	010520	1\$:	MOV R5,(R0)+
17772250	020027		CMP R0,#17776
17772252	017776		
17772254	003774		BLE 1\$
17772256	062711		ADD #200,(R1)
17772260	000200		
17772262	021311		CMP (R3),(R1)
17772264	003402		BLE 2\$
17772266	005000		CLR R0
17772270	000766		BR 1\$
17772272	005312	2\$:	DEC (R2)
17772274	000000		HALT

These were only examples. The routines presented are by no means general enough to catch any failure.

If the troubleshooter has determined the address paths to be the source of a problem which results in a parity error (or perhaps some addresses cannot be made hits) the following routine could be used:

17772340	012737		MOV	#1\$,@#114
17772342	172350			
17772344	000114			
17772346	005003		CLR	R3
17772350	012706	1\$:	MOV	#500,SP
17772352	000500			
17772354	005203		INC	R3
17772356	010337		MOV	R3,@#SWR
17772360	177570			
17772362	013700	2\$:	MOV	@#SWR,R0
17772364	177570			
17772366	021010		CMP	(R0),(R0)
17772370	006037		ROR	@#HITMISREG
17772372	177752			
17772374	103365		BCC	1\$
17772376	000771		BR	2\$

In this test, whatever address is in the Switch register (bits 15 through 0) is referenced and a check is made to see if that address can be made a hit. If that address was not a hit when it should have been, or if a parity error occurred, then the contents of R3 will be incremented and shown in the Display Register Data Indicators.

Note that this and the preceding routine continually loop and use the contents of the Switch register to make the test. The Switch register can be changed at any time while the program is running and any errors are displayed by incrementing the Display register. In spite of the fact that both routines are too specific to be used in finding a general or completely unknown problem, they are good examples of what is desirable in a usable toggle in routine.

If the troubleshooter has discovered how to aggravate a particular failure, he should not be afraid to write and toggle in a short simple routine to help isolate it. Sometimes a simple:

```
1$:      TST   (R0)
         BR    1$
```

will be of considerable aid when used in conjunction with an oscilloscope, if it is put in the PARs.

Some very general more sophisticated toggle in routines follow. These may be helpful when the source of a failure is not clear.

Test 1 Data Memory Count Pattern Test

This test runs a count pattern through each cache memory data word. If one of the patterns is not stored correctly, a parity error will occur and the halt at 116 will be executed. When HALT is executed, the contents of R0, the address, will be displayed in the Data Paths Display lights. R1 will contain the last data pattern read from that location. If the routine is unable to make the address a hit, then the halt at 17 772 364 will be executed. If a parity error occurs, then the troubleshooter should examine the contents of the Cache Error registers. Note that this routine should be run twice, once for each group. It should be run first in group zero by forcing misses to group one and forcing selection of group zero (put 30 in the Cache Control register, 17 777 746), then in group one by forcing misses to group zero and selection of group one (by putting 44 in the Cache Control register, 17 777 746).

NOTE

The Cache Control register is cleared by a console START as well as by a power-up. Therefore, it is necessary to use the CONTINUE switch instead of the START switch when using this procedure.

The test will run continuously if no errors occur. It can be made to run just one pass by replacing the last instruction with a halt (000000 at 17 772 376).

```
SP                000500
00000114          000116
00000116          00000
17772340          012700 1$:      MOV      #4000,R0
17772342          004000
17772344          012702          MOV      #1000,R2
17772346          001000
17772350          044010 2$:      BIC      -(R0),(R0)
17772352          005310 3$:      DEC      (R0)
17772354          011001          MOV      (R0),R1
17772356          006037          ROR      @#HITMISREG
17772360          177752
17772362          103401          BCS     4$
17772364          000000          HALT
17772366          005110 4$:      COM      (R0)
17772370          005110          COM      (R0)
17772372          001367          BNE     3$
17772374          077212          SOB     R2,2$
17772376          000760          BR     1$
```

Test 2 Address Memory Count Pattern Test (Bits A10 Through A15 Test)

This test tries to make every address in the first 28K (addresses 0 through 00 157 776) a hit. It should be run twice (once in each group) as was outlined in Test 1. If a parity error occurs, the HALT at 116 is executed and the user should look at the Cache Error registers to see what happened. When the routine fails to make a particular address a hit, the halt at location 17 772 360 will be executed. If either of these halts is executed, R0 (the address being tested) will be displayed in the Display Register Indicators.

SP	000500			
00000114	000116			
00000116	000000			
17772340	005000	1\$	CRL	R0
17772342	012701		MOV	#70000,R1
17772344	070000			
17772346	005710	2\$:	TST	(R0)
17772350	005720		TST	(R0)+
17772352	006037		ROR	@#HITMISREG
17772354	177752			
17772356	103401		BCS	3\$
17772360	000000		HALT	
17772362	077107	3\$:	SOB	R1,2\$
17772364	000765		BR	1\$

Test 3 Main Memory Dual Addressing Test 0 to 28K

This test runs a dual addressing test through the first 28K of main memory. It writes the address of each location into each location. Then it returns to check that each location contains its own address. If the halt at location 17 772 370 is executed, then the test has failed. The address that contained the bad data is in R0 (which is displayed in the data lights of the Display register). The user should then examine that location to see what the bad data is. This test should be run while forcing misses to both groups by first depositing 14 into the Cache Control register at 17 777 746.

SP	000500			
00000114	000116			
00000116	000000		HALT	
17772340	012700	1\$:	MOV	#500,R0
17772342	000500			
17772344	012701		MOV	#67540,R1
17772346	067540			
17772350	010020	2\$:	MOV	R0,(R0)+
17772352	077102		SOB	R1,2\$
17772354	012700		MOV	#500,R0
17772356	000500			
17772360	012701		MOV	#67540,R1
17772362	067540			
17772364	020010	3\$:	CMP	R0,(R0)
17772366	001401		BEQ	4\$
17772370	000000		HALT	
17772372	005120	4\$:	COM	(R0)+
17772374	077105		SOB	R1,3\$
17772376	000760		BR	1\$

Test 4 Data Memory Dual Addressing Test

This routine performs a dual addressing test on the cache data memory. Each of the locations 2000 through 3776 is made a hit and the address of each location is written into itself. Then the routine goes back and makes sure each of those locations still contains its own address. If the halt at 17 772 362 is executed, then there is a dual addressing problem. If the halt at 17 772 370 is executed, then the address being tested should have been a hit but was not. This test should be run twice; once for each group as just outlined.

R3	002000			
R4	001000			
R5	177752			
SP	000500			
00000114	000116			
00000116	000000		HALT	
17772340	010300	1\$:	MOV	R3,R0
17772342	010401		MOV	R4,R1
17772344	005710	2\$:	TST	(R0)
17772346	010020		MOV	R0,(R0)+
17772350	077103		SOB	R1,2\$
17772352	010300		MOV	R3,R0
17772354	010401		MOV	R4,R1
17772356	020010	3\$:	CMP	R0,(R0)
17772360	001401		BEQ	4\$
17772362	000000		HALT	
17772364	006015	4\$:	ROR	(R5)
17772366	103401		BCS	5\$
17772370	000000		HALT	
17772372	005120	5\$:	COM	(R0)+
17772374	077110		SOB	R1,3\$
17772376	000760		BR	1\$

Test 5 Main Memory Data Patterns Test

This routine puts data patterns that the user designates in the Switch register in the lower 28K of memory. Since the program loops, the specified data pattern can be changed as the program runs. The test should be run while forcing misses to both cache groups (deposit 14 in the Cache Control register at 17 777 746). If the HALT at 116 is executed, then a parity error occurred with the designated data pattern at the address in R0. If the HALT at 17 772 366 is executed, then the data read from the location does not match the data written into it. If either HALT is executed, the address (R0) will be displayed on the console. A suggested data pattern to put in the Switch register is 125252 or 052525; 000000 and 177777 might also be tried.

SP	000500			
00000114	000116			
00000116	000000		HALT	
17772340	012700	1\$:	MOV	#500,R0
17772342	000500			
17772344	012701		MOV	#067540,R1
17772346	067540			
17772350	013703	2\$:	MOV	@#SWR,R3
17772352	177570			
17772354	010310		MOV	R3,(R0)
17772356	005110		COM	(R0)
17772360	005110		COM	(R0)
17772362	022003		CMP	(R0,+,R3
17772364	000401		BEQ	3\$
17772366	000000		HALT	
17772370	077111	3\$:	SOB	R1,2\$
17772372	000762		BR	1\$

Test 6 Address Memory Dual Addressing Test

This routine performs a dual addressing test on the cache address memory. This sequence of tags (bits A10 through A21) is written into the address memory:

```

0
1
2
3
4
5
.
.
.
36
37
0
1
2
.
.
.

```

This is done by generating the sequence of addresses:

```

00002000
00002002
00004004
00004006
00006010
00006012
00010014
00010016
.
.
.

```

and making each a hit in one group. Then the routine goes back and re-references that same series of addresses to ensure that they all are still hits. Note how the addresses are made hits: The instruction at 17 772 350 (CMP (R0),(R0)+) is used, but when the routine goes back to check if the addresses are still hits, that instruction is changed to (CMP R0,(R0)+) by the XOR instruction. Then that instruction is changed back to (CMP (R0),(R0)+) by the XOR. This is done so when the addresses are originally made hits they are referenced twice; but when the routine goes back to see if they are still hits, only one reference is needed. If the HALT at 17 772 356 is executed, then an address which should have been a hit was not; the troubleshooter should examine location 17 772 350 to see if the routine was making the addresses hits for the first time, or if it was going back to ensure that they were all still hits. If the latter case is true, then there is a dual addressing problem in the address memory. This test should be run twice, once in each group as outlined in Test 1.

R2	100000			
R3	002000			
R4	000400			
R5	177752			
SP	001000			
00000114	000116			
00000116	000000		HALT	
17772340	005000	1\$:	CLR	R0
17772342	010401		MOV	R4,R1
17772344	060300	2\$:	ADD	R3,R0
17772346	040200		BIC	R2,R0
17772350	021020	3\$:	CMP	(R0),(R0)+
17772352	006015		ROR	(R5)
17772354	103401		BCS	5\$
17772356	000000	4\$:	HALT	
17772360	005720	5\$:	TST	(R0)+
17772362	006015		ROR	(R5)
17772364	103374		BCC	4\$
17772366	077112		SOB	R1,2\$
17772370	074737		XOR	SP,@#3\$
17772372	172350			
17772374	000761		BR	1\$

Test 7 Main Memory Data Pattern Test

This routine can be used to run a data pattern test on any 4K bank of memory. The user specifies which bank by setting the switches in the Switch register to any 100 (8) word block of memory. For example: To test addresses 2000 through 22000, put 20 in the Switch register. The routine loops continually so that the Switch register can be changed dynamically to test another memory bank without restarting the program. The test is run with the data pattern in R4. That pattern is written into every tested word and complemented twice. Suggested patterns are 125252 or 052525. Note that memory management is turned on while running this test from the PARs themselves. The user should force misses to both cache groups to run this test; put 14 in the Cache Control register at 17 777 746. If the HALT at 116 is executed, then a parity error occurred at the address contained in R0, that is displayed when the HALT is executed. If the HALT at 17 772 340 is executed, then the data that was read out of the location being tested did not match the data that was written; the address in R0 will be displayed. Note that this test does not have 17 772 340 as its starting address as do all the other routines. Its starting address is 17 772 342. Also note that the user should be careful not to specify a test of non-existent memory that will cause a trap to 4. Any memory up to 2 million words can be checked.

R2	010000			
R4	125252			THE DATA PATTERN
SP	000500			
00000114	000116			
00000116	000000		HALT	
17777572	000001			
17772516	000020			
17772300	077406			
17772306	077406			
17772316	077406			
17772340	000000	1\$:	HALT	
17772342	013727	2\$:	MOV	@#SWR,#000000
17772344	177570			
17772346	000000			
17772350	012700		MOV	#060000,R0
17772352	060000			
17772354	000401		BR	.+1
17772356	177600		.WORD	177600
17772360	010201		MOV	R2,R1
17772362	010410	3\$:	MOV	R4,(R0)
17772364	005110		COM	(R0)
17772366	005110		COM	(R0)
17772370	020420		CMP	R4,(R0)+
17772372	001362		BNE	1\$
17772374	077106		SOB	R1,3\$
17772376	000761		BR	2\$

Test 8 Address Memory Hits Test

This routine will check that any address in memory can be made a hit. It checks 4K at a time. The user specifies which 4K bank is to be tested using the Switch register. The user must specify the 100 (8) word block number of the starting address of the 4K bank he/she wishes to have tested. For example, if the user puts 1007 in the switches, addresses 00 100 700 through 00 120 700 will be tested. The routine loops continually so that the user can dynamically change the specified bank to another. If a parity error occurs, then the HALT at 116 will be executed. If the halt at 17 772 340 is executed, then the routine was unable to make the address in R0 a hit. The routine should be run twice, once for each group as outlined in Test 1.

SP	000500			
00000114	000116			
00000116	000000		HALT	
17777572	000001			
17772516	000020			
17772300	077406			
17772306	077406			
17772316	077406			
17772340	000000	1\$:	HALT	
17772342	013727	2\$:	MOV	@#SWR,#000000
17772344	177570			
17772346	000000			
17772350	012700		MOV	#060000,R0
17772352	060000			
17772354	000401		BR	.+1
17772356	177600		.WORD	177600
17772360	012701		MOV	#010000,R1
17772362	010000			
17772364	021020	3\$:	CP	(R0),(R0)+
17772366	006037		ROR	@#HITMISREG
17772370	177752			
17772372	103362		BCC	1\$
17772374	077105		SOB	R1,3\$
17772376	000761		BR	1\$

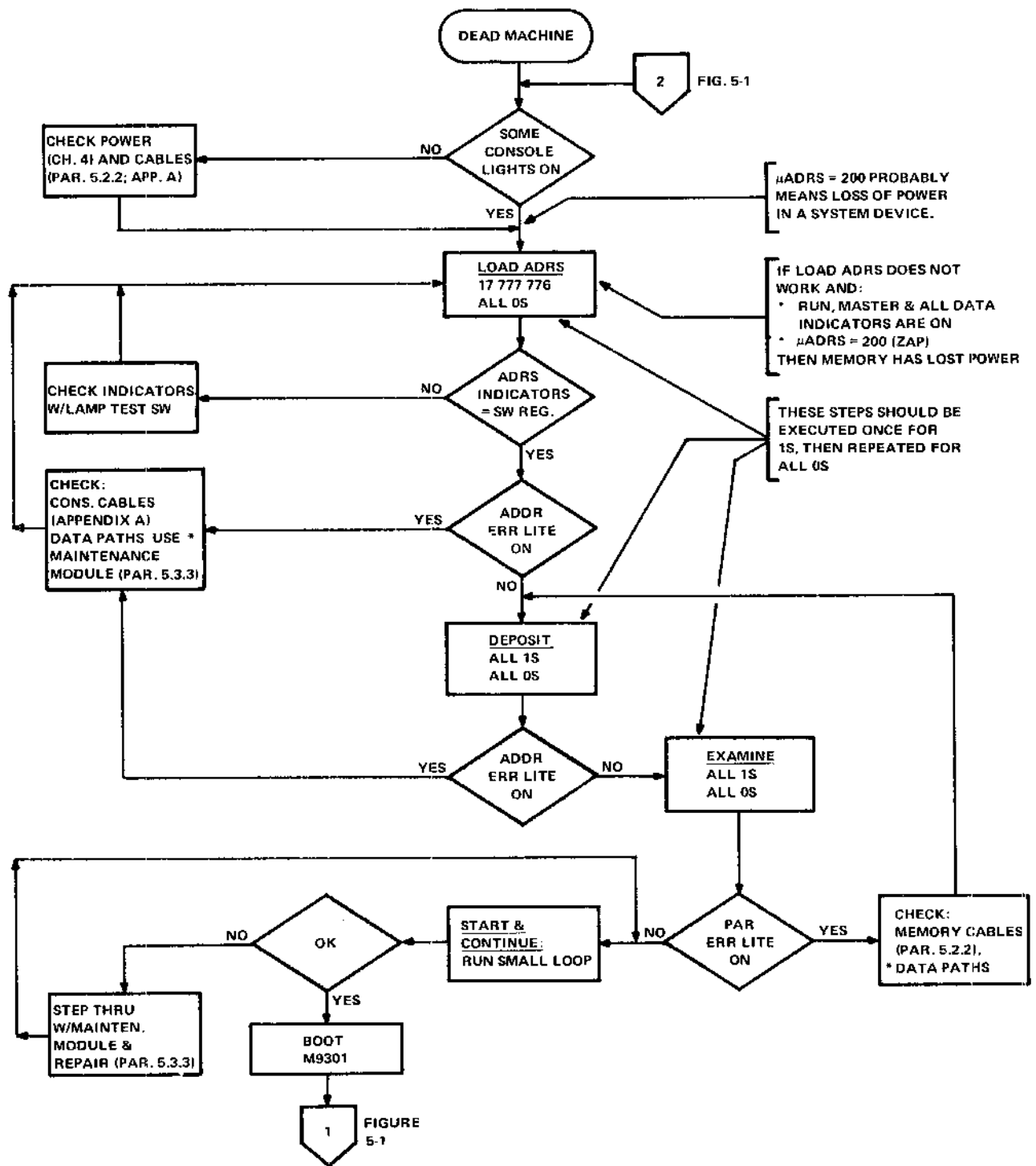
5.2 COLD START TROUBLESHOOTING

When a system is inoperative, the first things that should be checked and repaired if necessary include:

1. AC and dc power and cabling (Chapter 4)
2. Signal cabling (Paragraph 5.2.2 and Appendix A)
3. Console functions (Paragraph 5.2.3).

When the console is functioning properly, the diagnostics should be bootstrapped and the system verified. Refer to Figure 5-1.

The flowchart shown on Figure 5-2 suggests some steps that could be taken to bring a dead machine to the point at which the M9301-YC will operate. Console functions are described in detail in Section III of the *KB11-B Processor Manual (PDP-11/70)*.



*DATA PATHS ARE DESCRIBED IN SECT. II, CH. 2 OF KB11-B MANUAL

11 3481

Figure 5-2 Troubleshooting Dead Machine

5.2.1 AC and DC Power

AC and dc power maintenance and troubleshooting are explained in Chapter 4 of this manual.

5.2.2 Cabling

This paragraph describes the cable routing for the memory, Massbus and Unibus, and console. Power (ac and dc) cabling is described in Chapter 4.

When looking at the top of the CPU box, the memory, Massbus, and Unibus cables are all routed to the rear of the cabinet. All these cables are **ROUGH** side up, **RED STRIPE** towards the backplane side of the modules. The console cables, on the other hand, are routed to the front of the box and have the **SMOOTH** side up, **RED STRIPE** toward the handle side of the modules (refer to Paragraph 5.2.2.4 for the console cables).

The SPC (small peripheral controller) cables are also routed toward the rear of the box.

SPC, MJ11, Massbus and Unibus cables are held in place at the rear of the CPU box by a clamp (Figure 5-3).

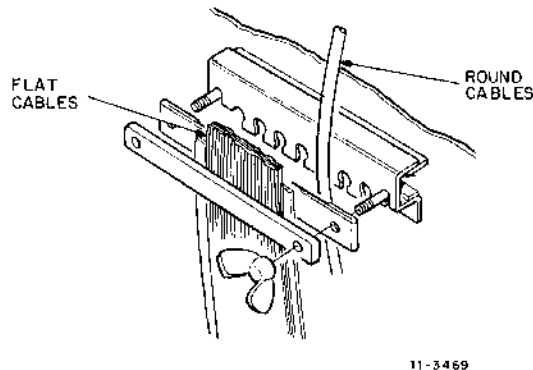


Figure 5-3 CPU Cable Holding Clamp

Some PDP-11/70 systems use wire cable troughs in which the cables are routed. Refer to Appendix H for details on this system.

5.2.2.1 MK11 Cabling -

1. All cables are marked at each end.
2. There are two address bus cables:
 - From H8143 (ADML) J1 to M8158 (ABB) J1.
 - From M8143 (ADML) J2 to M8158 (ABB) J3.
3. There are two data bus cables:
 - From M8145 (CDPC) J1 to M8159 (DBB) J1.
 - From M8145 (CDPC) J2 to M8159 (DBB) J3.

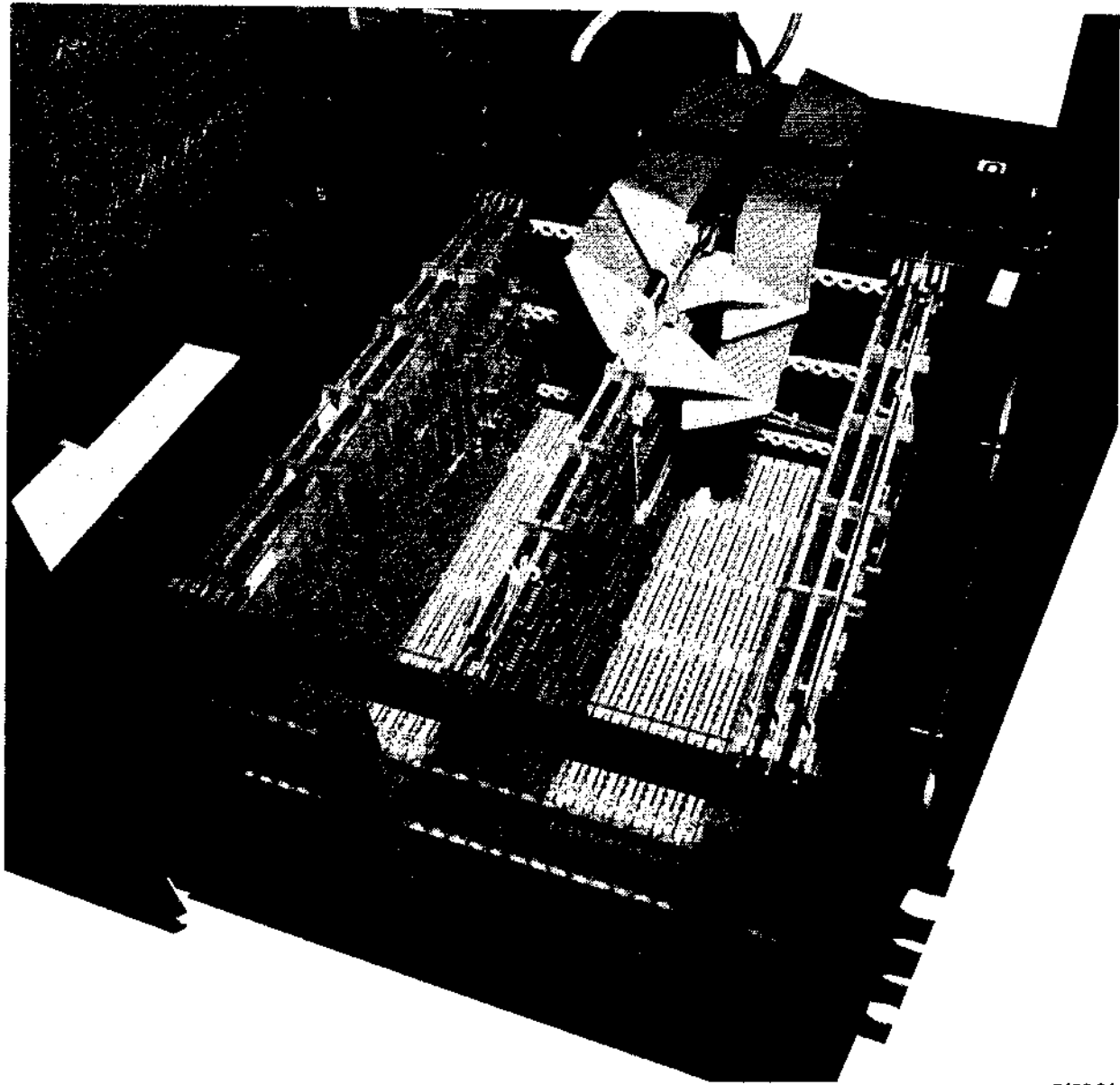
4. At the CPU end, the SMOOTH side of the bus cables face the module into which it is plugged. The red stripe is on the left (handle side of module).
5. At the MK11, the red stripe is on the left side as seen from the component side of the module. Incoming cables, from the CPU, have the SMOOTH side up; outgoing cables, to next memory frame, have the RIBBED side up.
6. There are two box controller cables:
 - From box controller J1 to memory frame J31.
 - From box controller J2 (SMOOTH side up) to M8159 (DBB) J5. (SMOOTH side up, red stripe to left on component side of board).
7. There are three battery backup power cables:
 - From memory frame J28 to H775 unit A, J1.
 - From memory frame J29 to H775 unit B, J1.
 - From memory frame J30 to H775 unit C, J1.

5.2.2.2 MJ11 Cabling

1. All cables are marked at each end.
2. There are two address cables:
 - From M8143 (ADML) J1 to M8147/M8148 (MCTA) J1.
 - From M8143 (ADML) J2 to M8147/M8148 (MCTA) J3.
3. There are two data cables:
 - From M8145 (CDPC) J1 to M8149 (MXRA) J1.
 - From M8145 (CDPD) J2 to M8149 (MXRB) J3.
4. At the CPU end, the SMOOTH side of the cables faces the module into which it is plugged. The red stripe is on the left (handle side of the module).
5. At the MJ11 end, the ROUGH side of the cable faces the module into which it is plugged. The red stripe is on the side of the cable closer to the front of the drawer (Figure 5-4).

5.2.2.3 Massbus Cabling

1. There are three Massbus cables per controller.
2. These cables plug into J1 of the three M5904 modules, SMOOTH side facing the module into which it is plugged.
3. The red stripe is on the left (handle side of module).
4. Refer to the several Massbus device maintenance manuals for the cable connections at the device.



7466-34

Figure 5-4 MJ11 Frame Cabling

5.2.2.4 PDP-11/70 Unibus Cabling – The BC11-A cable is the I/O bus that connects all Unibus system components external to the CPU cabinet. To connect the Unibus between the CPU cabinet and an expansion cabinet, insert the BC11-A cable in slot A44 of the CPU mounting box cabinet. The cable runs through a cable clamp in the upper left corner at the rear of the CPU mounting box and passes under the power supply mounting rails into the next cabinet. In the expansion cabinet, the cable passes through a similar cable clamp and is inserted in the appropriate slot of the first system unit of the BA11-K mounting box. Adjacent system units in a mounting box are connected by an M9202 Unibus connector module. The Unibus must be terminated at the CPU end (slots E01 and F01) by an M9301-YC.

If the Unibus interconnects more than 20 bus loads, or is longer than 50 feet, a DB11-A bus repeater must be used. Refer to Paragraph 3.6 for Unibus loading and configuration rules. A section of bus delimited by bus repeater(s) is called a bus segment, and must be terminated at both ends with an M930 bus terminator. The last terminator on the Unibus must be an M9302.

5.2.2.5 Console Cabling

Power Connector

Power is supplied to the console by processor harness plug P1. Insert this plug into console PC board connector J4.

Signal Connectors

Three flat signal cables connect the console to the processor modules.

1. J1 connects to J1 on M8134 (PDR, slot 10).
2. J2 connects to J1 on M8140 (SCC, slot 16); J3 connects to J2 on the same module. J1 on the M8140 is the connector closer to the edge of the module.

Installation of Signal Cables

The three signal cables are installed with the rough side facing the console PC board. The red stripe is on the side of the flat cables that is closer to the power harness connector J4. The smooth side of the cable faces the M8134 and M8140 modules.

5.2.3 Console Operations

The console operations, as listed below, can only be executed when the processor is in the HALT state (microprogram address = 170) and the console key is in the ON position.

Console operations are the following:

1. LOAD ADDRESS
2. DEPOSIT and DEPOSIT/STEP

Memory (00 000 000 – SYSTEM SIZE REGISTER)
Peripheral Page (17 777 776 – 17 760 000)
General Register (17 777 717 – 17 777 700)

3. EXAMINE and EXAMINE/STEP

Memory (00 000 000 – SYSTEM SIZE REGISTER)
Peripheral Page (17 777 776 – 17 760 000)
General Register (17 777 717 – 17 777 700)

4. START

5. CONTINUE

Section III of the *KB11-B Processor Manual* contains a description of these functions as well as those of the console indicators (Chapter 1), and a detailed description of the console logic (Chapter 2).

NOTE

It is important to use the correct setting of the address select switch:

VIRTUAL – Six positions: KERNEL, SUPER and USER I space and KERNEL, SUPER and USER D space. The address displayed is a 16-bit virtual address; bits 21 – 16 are always off.

CONS PHY – (Console Physical). The 22-bit address entered by a LOAD ADRS is the physical address of the console operation.

PROG PHY – (Program Physical). Displays the 22-bit physical address generated by memory management for the current Unibus or memory cycle.

5.3 TROUBLESHOOTING AIDS

5.3.1 PDP-11/70 Unibus Registers and Addresses

The peripheral page addresses of particular concern to the PDP-11/70 are listed below in numerical order.

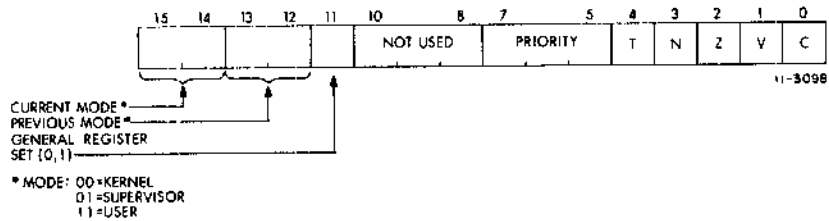
There are references to brief descriptions in this paragraph and to the appropriate manual.

Address	Register	References
17 777 776 17 777 774 17 777 772 17 777 770	Processor Status Word (PS) Stack Limit (SL) Program Interrupt Request (PIR) Microprogram Break	
17 777 766 17 777 764 17 777 762 17 777 760	CPU Error System I/D Upper Size Lower Size	
17 777 756 17 777 754	Reserved for future use	
17 777 716 17 777 715 17 777 714 17 777 713 17 777 712 17 777 711 17 777 710	Supervisor SP General Registers, Set 1	R6 R5 R4 R3 R2 R1 R0
17 777 707 17 777 706 17 777 705 17 777 704 17 777 703 17 777 702 17 777 701 17 777 700	Program Counter Kernel SP General Registers, Set 0	R7 (PC) R6 R5 R4 R3 R2 R1 R0
17 777 676 through 17 777 660	User Data PAR, Reg 0-7	MM Registers (5.3.1.2)
17 777 656 through 17 777 640	User Instruction PAR, Reg 0-7	
17 777 636 through 17 777 620	User Data PDR, Reg 0-7	
17 777 616 through 17 777 600	User Instruction PDR, Reg 0-7	
17 777 576 17 777 574 17 777 572	Memory Mgmt Regs: (MMR2) Memory Mgmt Regs: (MMR1) Memory Mgmt Regs: (MMR0)	

Address	Register	References
17 777 570	Console Switch and Display Register	Refer to Chapter 3, Section II of KB11-B, C Processor Manual.
17 777 566 17 777 564 17 777 562 17 777 560	LA36 DECwriter Printer Data LA36 DECwriter Printer Status LA36 DECwriter Keyboard Data LA36 DECwriter Keyboard Status	Refer to LA36 Manual. These locations are reserved for KB0, the system console.
17 777 556	PC11/PR11, punch data	
17 772 376 through 17 772 360	Kernel Data PAR, Reg 0-7	
17 772 356 through 17 772 340	Kernel Instruction PAR, Reg 0-7	
17 772 336 through 17 772 320	Kernel Data PDR, Reg 0-7	
17 772 316 through 17 772 300	Kernel Instruction PDR, Reg 0-7	
17 772 276 through 17 772 260	Supervisor Data PAR, Reg 0-7	
17 772 256 through 17 772 240	Supervisor Instruction PAR, Reg 0-7	
17 772 236 through 17 772 220	Supervisor Data PDR, Reg 0-7	
17 772 216 through 17 772 200	Supervisor Instruction PDR, Reg 0-7	
17 770 366 through 17 770 200	Unibus Map	Refer to Paragraph 5.3.1.3
17 765 776 through 17 765 000	Part of PDP-11/70 diagnostic bootstrap	Refer to Paragraphs 3.4.2 and 5.4

5.3.1.1 CPU Registers – The CPU registers are briefly explained here. For complete details, refer to Section II, Chapter 3, of the *KB11-B Processor Manual*.

Processor Status Word 17 777 776



15-14: Current Mode

Specifies the current processor mode as follows:

1. When PS(15:14) = 0, the processor is in Kernel mode; all operations are legal.
2. When PS(15:14) = 01, the processor is in Supervisor mode; HALT, RESET, and SPL instructions either trap to location 4 (HALT) or are treated as NOP (RESET and SPL); SUPER address space is used if memory management is enabled.
3. PS(15:14) = 10 is an illegal mode; if memory management is enabled, a memory management abort occurs (refer to Section IV of the *KB11-B Processor Manual*).
4. When PS(15:14) = 11, the processor is in User mode; HALT, RESET, and SPL instructions either trap to location 4 (HALT) or are treated as NOP (RESET and SPL) USER address space is used if memory management is enabled.

13-12: Previous Mode

Specifies the processor mode prior to the last trap, interrupt, or loading of the PS.

11: Register Set

Specifies which general register set is used; if PS11 = 0, register set 0 is selected; if PS11 = 1, register set 1 is used.

10-08: Unused

07-05: Priority

Sets the processor priority; this priority determines which levels of programmed and external device interrupt requests are honored.

04: Trace

When PS04 = 1, the processor traps to the trace trap vector address (14 octal) after each instruction fetch; this facility is used to debug programs.

03: N Condition Code

This bit is set when the result of the last data manipulation is negative.

02: Z Condition Code

This bit is set when the result of the last data manipulation is 0.

01: V Condition Code

This bit is set when the result of the last data manipulation causes an arithmetic overflow.

00: C Condition Code

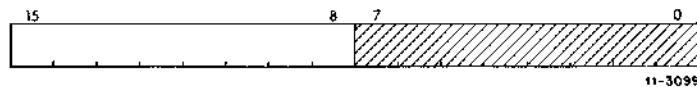
This bit is set when a carry occurs during data manipulation.

Stack Limit Register 17 777 774

The stack limit allows program control of the lower limit for permissible stack addresses. This limit may be varied in increments of 400 (8) bytes or 200 (8) words, up to a maximum address of 177 400 (almost the top of a 32K memory).

The normal boundary for stack addresses is 400. The stack limit option allows this lower limit to be raised, providing more address space for interrupt vectors or other data that should not be destroyed by the program.

The Stack Limit register has the following format:

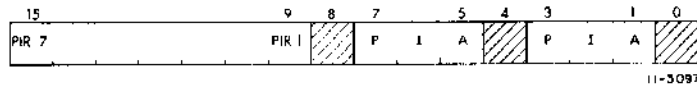


The Stack Limit register can be addressed as a word at location 17 777 774, or as a byte at location 17 777 775. The register is accessible to the processor and console, but not to any bus device.

The 8 bits, 15 through 8, contain the stack limit information. These bits are cleared by INIT. The lower 8 bits are not used. Bit 8 corresponds to a value of 400 (8) or 256 (10).

Program Interrupt Request Register (PIR) 17 777 772

A request is booked by setting one of the bits 15 through 9 (for PIR 7 - PIR 1) in the Program Interrupt register at location 17 777 772. The hardware sets bits 7-5 and 3-1 to the encoded value of the highest PIR bit set. This Program Interrupt Active (PIA) should be used to set the processor level and also index through a table of interrupt vectors for the seven software priority levels. The following figure shows the layout of the PIR register.



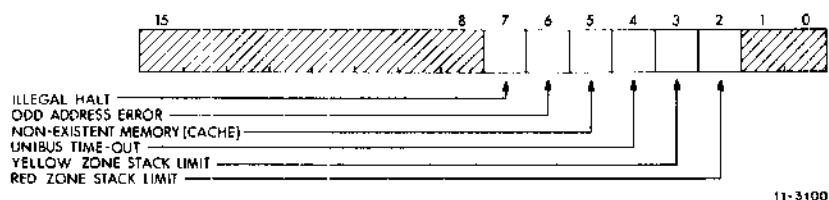
When the PIR is granted, the processor will trap to location 240 and pick up PC in 240 and the PSW in 242. It is the interrupt service routine's responsibility to queue requests within a priority level and to clear the PIR bit before the interrupt is dismissed.

Microprogram Break Register 17 777 770

This register is used for maintenance purposes only. It is used with maintenance equipment to provide timing synchronization and testing facilities. The microaddress in this register generates a sync pulse at T1 at pin F13K2 each time the cycle corresponding to the address is executed (TIGB PB SYNCH H); a pulse whose width is the same as that of the cycle is also generated at A10E1 (PDRC PB CMP H).

Refer to the *KB11-B or KB11-C Processor Manual* Section II, Paragraphs 3.6 and 4.9.2.

CPU Error Register 17 777 766



This register identifies the source of the abort or trap that used the vector at location 4.

7: Illegal Halt

Set when trying to execute a HALT instruction when the CPU is in User or Supervisor mode (not Kernel).

6: Odd Address Error

Set when a program attempts to do a word reference to an odd address.

5: Non-existent Memory

Set when the CPU attempts to read a word from a location higher than indicated by the System Size register. This does not include Unibus addresses.

4: Unibus Timeout

Set when there is no response on the Unibus within approximately 10 μ s.

3: Yellow Zone Stack Limit

Set when a yellow zone trap occurs.

2: Red Zone Stack Limit

Set when a red zone abort occurs.

System I/D Register 17 777 764

This read only register contains information uniquely identifying each system. As of this writing, the bits are undefined.

Upper Size Register 17 777 762

This register is an extension of the lower size register, which is reserved for future use. It is read only and its contents are always read as zero.

Lower Size Register 17 777 760

This read only register specifies the memory size of the system. It is defined to indicate the last addressable block of 32 words in memory (bit 0 is equivalent to bit 6 of the Physical Address).

Refer to Paragraph 3.5.4 and to the *KB11-B Processor Manual*, Section IV, Chapter 5.

CPU General Registers 17 777 717 - 17 777 700

The general registers can be used as accumulators, index registers, auto-increment registers, auto-decrement registers, or as stack pointers for temporary storage of data. Arithmetic operations can be from one general register to another, from one memory or device register to another, or between memory or device register and a general register.

R7 is used as the machine's program counter (PC) and contains the address of the next instruction to be executed. It is a general register normally used only for addressing purposes and not as an accumulator for arithmetic operations.

The R6 register is normally used as the processor stack pointer indicating the last entry in the appropriate stack (Kernel stack, Supervisor stack, and User stack). When the central processor is operating in Kernel mode it uses the Kernel stack, in Supervisor mode, the Supervisor stack, and in User mode, the User stack. When an interrupt or trap occurs, the PDP-11/70 automatically saves its current status on the Processor stack selected by the service routine.

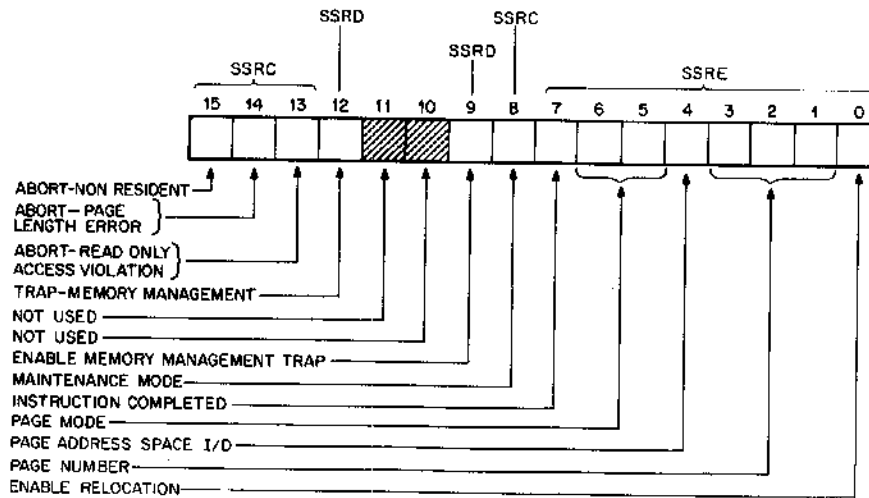
The remaining 12 registers are divided into two sets of unrestricted registers, R0-R5. The current register set in operation is determined by the processor status word bit 11.

Refer to the *KB11-B Processor Manual*, Section II, Paragraphs 2.1.3 and 2.1.4.

5.3.1.2 Memory Management Registers – A brief description of the Memory Management registers follows. For a detailed description of their operation, refer to Section IV of the *KB11-B Processor Manual*.

Memory Management Register 0 (MMR0)

MMR0 contains error flags, the page number whose reference caused the abort, and various other status flags. The register is organized as follows:



11-4046

Setting bit 0 of this register enables address relocation and error detection. This means that the bits in MMR0 become meaningful.

Bits 15-12 are the error flags. They may be considered to be in a "priority queue" in that "flags to the right" are less significant and should be ignored. That is, a "nonresident" fault-service routine would ignore length, access control, and memory management flags. A "page length" service routine would ignore access control and memory management faults, etc.

Bits 15-13, when set (error conditions), cause memory management to freeze the contents of bits 1-7 and Memory Management registers 1 and 2. This has been done to facilitate error recovery.

These bits may also be written under program control. No abort will occur, but the contents of the Memory Management registers will be locked up as in an abort.

15: Abort-Nonresident

Bit 15 is the abort-nonresident bit. It is set by attempting to access a page with an Access Control Field (ACF) key equal to 0, 3, or 7. It is also set by attempting to use memory relocation with a processor mode of 2.

14: Abort-Page Length

Bit 14 is the abort-page length bit. It is set by attempting to access a location in a page with a block number (virtual address bits, 12-6) that is outside the area authorized by the Page Length Field (PLF) of the Page Descriptor Register (PDR) for that page. Bits 14 and 15 may be set simultaneously by the same access attempt. Bit 14 is also set by attempting to use memory relocation with a processor mode of 2.

13: Abort-Read Only

Bit 13 is the abort-read only bit. It is set by attempting to write in a read-only page. Read only pages have access keys of 1 or 2.

12: Trap-Memory Management

Bit 12 is the trap-memory management bit. It is set whenever a memory management trap condition occurs; that is, a read operation which references a page with an Access Control Field (ACF) of 1 or 4, or a write operation to a page with an ACF key of 4 or 5.

11 and 10 – Spares

Bits 11 and 10 are spare and are always read as 0; they should never be written. They are unused and reserved for possible future expansion.

9: Enable Memory Management Traps

Bit 9 is the enable memory management traps bit. It is set or cleared by doing a direct write into MMR0. If bit 9 is 0, no memory management traps will occur. The A and W bits will, however, continue to log memory management trap conditions. When bit 9 is set to 1, the next memory management trap condition will cause a trap, vectored through Kernel virtual address 250.

Note that if an instruction which sets bit 9 to 0 (disable memory management trap) causes a memory management trap condition in any of its memory references prior to and including the one actually changing MMR0, then the trap will occur at the end of the instruction anyway.

8: Maintenance/Destination Mode

Bit 8 specifies that only destination mode references will be relocated using memory management. This bit may be used only for maintenance purposes.

7: Instruction Completed

Bit 7 indicates that the current instruction has been completed. It will be set to 1 during T bit, parity, odd address, and time out traps and interrupts. This provides error handling routines with an aid to determine whether the last instruction will have to be repeated in the course of an error recovery attempt. Bit 7 is read only (it cannot be written). It is initialized to a 1. Note that EMT, TRAP, BPT, and IOT do not set bit 7. Refer to Section IV, Paragraph 9.1.4 of the *KB11-B Processor Manual*.

5 and 6: Processor Mode

Bits 5 and 6 indicate the CPU Mode (Kernel/Supervisor/User) associated with the page causing the abort (Kernel = 00, Supervisor = 01, User = 11, Illegal mode = 10). If an Illegal mode is specified, bits 15 and 14 will be set.

4: Page Address Space

Bit 4 indicates the type of address space (I or D) the Unit was in when a fault occurred (0 = I Space, 1 = D Space). It is used in conjunction with bits 3-1, Page Number.

3 to 1: Page Number

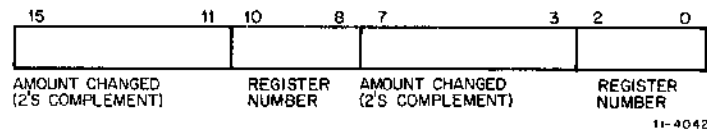
Bits 3-1 contain the page number of a reference causing a memory management fault. Note that pages, like blocks, are numbered from 0 upward.

0: Enable Relocation

Bit 0 is the enable relocation bit. When it is set to 1, all addresses are relocated by the unit. When bit 0 is set to 0, the memory management unit is inoperative and addresses are not relocated or protected.

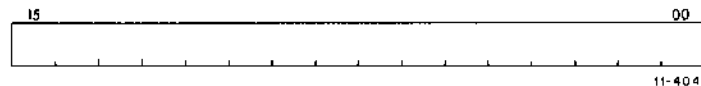
Memory Management Register 1 (MMR1) 17 777 574

MMR1 records any autoincrement/decrement of the general purpose registers, including explicit references through the PC. MMR1 is cleared at the beginning of each instruction fetch. Whenever a general purpose register is either autoincremented or autodecremented, the register number and the amount (in 2s complement notation) by which the register was modified, is written into MMR1.



Memory Management Register 2 (MMR2) 17 777 576

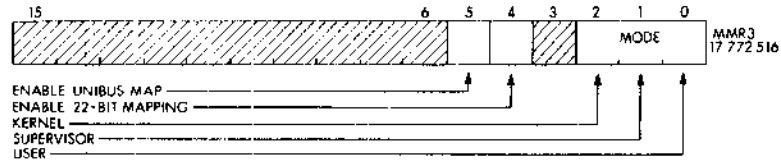
MMR2 is loaded with the 16-bit virtual address (VA) at the beginning of each instruction fetch, or with the address trap vector at the beginning of an interrupt, T bit trap, parity, odd address, and timeout aborts and parity trap. Note that MMR2 does not get the trap vector on EMT, TRAP, BPT and IOT instructions. MMR2 is read only; it cannot be written. MMR2 is the Virtual Address Program Counter.



Memory Management Register 3 (MMR3) 17 772 516

Memory Management Register 3 (MMR3) enables or disables the use of the D space PARs and PDRs and 22-bit mapping and Unibus mapping. When D space is disabled, 11 references use the I space registers; when D space is enabled, both the I space and D space registers are used. Bit 0 refers to the User's registers, bit 1 to the Supervisors, and bit 2 to the Kernels. When the appropriate bits are set, D space is enabled; when clear, it is disabled. Bit 03 is read as zero and never written. It is reserved for future use. Bit 04 enables 22-bit mapping. If memory management is not enabled, bit 04 is ignored and 16-bit mapping is used.

If bit 4 is clear and memory management is enabled (bit 0 of MMR0 is set), the computer uses 18-bit mapping. If bit 4 is set and memory management is enabled, the computer uses 22-bit mapping. Bit 5 is set to enable relocation in the Unibus map; the bit is cleared to disable relocation. Bits 6 to 15 are unused. On initialization, this register is set to 0 and only I space is in use.



11-4040

Bit	State	Operation
5	0	Unibus map relocation disabled
	1	Unibus map relocation enabled
4	0	Enable 18-bit mapping
	1	Enable 22-bit mapping
		} if bit 0 of MMRO is set
2	1	Enable Kernel D Space
1	1	Enable Supervisor D Space
0	1	Enable User D Space

Page Address Registers (PAR)

The Page Address Register (PAR) contains the Page Address Field (PAF), 16-bit field, which specifies the starting address of the page as a block number in physical memory.

The addresses of these registers are listed in Table 5-2.

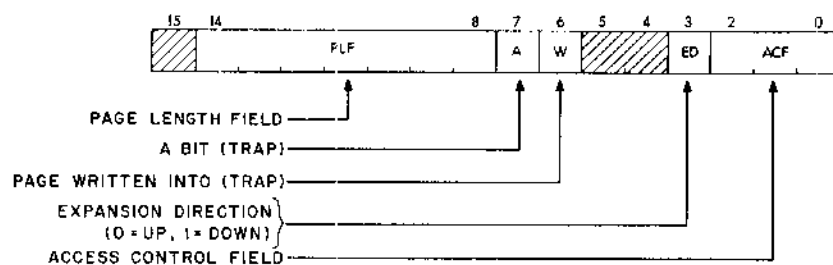
The Page Address Register may be alternatively thought of as a Relocation register containing a relocation constant, or as a Base register containing a base address. Either interpretation indicates the basic importance of the Page Address Register (PAR) as a relocation tool.

There are six sets of eight PARs, one set for Kernel Data Space, one for Kernel Instruction Space, one for Supervisor Data Space, one for Supervisor Instruction Space, one for User Data Space, and one for User Instruction Space.

Page Descriptor Registers (PDR)

The Page Descriptor Register (PDP) contains information relative to page expansion, page length, and access control.

There are six sets of eight PDRs which are allocated in the same manner as the PARs. The addresses of these registers are listed in Table 5-2.



11-4033

Table 5-2 PAR/PDR Unibus Addresses

Kernel					
I Space			D Space		
No.	PAR	PDR	No.	PAR	PDR
0	17 772 340	17 772 300	0	17 772 360	17 772 320
1	17 772 342	17 772 302	1	17 772 362	17 772 322
2	17 772 344	17 772 304	2	17 772 364	17 772 324
3	17 772 346	17 772 306	3	17 772 366	17 772 326
4	17 772 350	17 772 310	4	17 772 370	17 772 330
5	17 772 352	17 772 312	5	17 772 372	17 772 332
6	17 772 354	17 772 314	6	17 772 374	17 772 334
7	17 772 356	17 772 316	7	17 772 376	17 772 336

Supervisor					
I Space			D Space		
No.	PAR	PDR	No.	PAR	PDR
0	17 772 240	17 772 200	0	17 772 260	17 772 220
1	17 772 242	17 772 202	1	17 772 262	17 772 222
2	17 772 244	17 772 204	2	17 772 264	17 772 224
3	17 772 246	17 772 206	3	17 772 266	17 772 226
4	17 772 250	17 772 210	4	17 772 270	17 772 230
5	17 772 252	17 772 212	5	17 772 272	17 772 232
6	17 772 254	17 772 214	6	17 772 274	17 772 234
7	17 772 256	17 772 216	7	17 772 276	17 772 236

User					
I Space			D Space		
No.	PAR	PDR	No.	PAR	PDR
0	17 777 640	17 777 600	0	17 777 660	17 777 620
1	17 777 642	17 777 602	1	17 777 662	17 777 622
2	17 777 644	17 777 604	2	17 777 664	17 777 624
3	17 777 646	17 777 606	3	17 777 666	17 777 626
4	17 777 650	17 777 610	4	17 777 670	17 777 630
5	17 777 652	17 777 612	5	17 777 672	17 777 632
6	17 777 654	17 777 614	6	17 777 674	17 777 634
7	17 777 656	17 777 616	7	17 777 676	17 777 636

2 to 0: Access Control Field (ACF)

This three-bit field, occupying bits 2-0 of the Page Descriptor Register (PDR) contains the access rights to this particular page. The access codes or "keys" specify the manner in which a page may be accessed and whether or not a given access should result in a trap or an abort of the current operation. A memory reference which causes an abort is not completed while a reference causing a trap is completed. In fact, when a memory reference causes a trap to occur, the trap does not occur until the entire instruction has been completed. Aborts are used to catch a "missing page fault," prevent illegal access, etc.; traps are used as an aid to gather memory management information.

In the context of access control, the term "write" is used to indicate the action of any instruction that modifies the contents of any addressable word.

The modes of access control are as follows:

- 000 Nonresident Abort all accesses
- 001 Read only Abort on write attempt, memory management trap on read
- 010 Read only Abort on write attempt
- 011 Unused Abort all accesses – reserved for future use
- 100 Read/write Memory management trap upon completion of a read or write
- 101 Read/write Memory management trap upon completion of a write
- 110 Read/write No system trap/abort action
- 111 Unused Abort all accesses – reserved for future use

It should be noted that the use of I Space provides the user with a further form of protection, execute only.

7: A Bit

This bit is used by software to determine whether any accesses to this page met the trap condition specified by the Access Control Field (ACF) (A = 1 is affirmative). The A Bit is used in the process of gathering memory management statistics.

6: W Bit

This bit indicates whether this page has been modified (i.e., written into) since either the PAR or PDR was loaded. (W = 1 is affirmative). The W Bit is useful in applications that involve disk swapping and memory overlays. It is used to determine which pages have been modified and hence must be saved in their new form, and which pages have not been modified and can be simply overlaid.

Note that A and W bits are "reset" to "0" whenever either PAR or PDR is modified (written into).

3: Expansion Direction (ED)

Bit 03 of the Page Description Register (PDR) specifies in which direction the page expands. If ED = 0 the page expands upwards from Block Number 0 to include blocks with higher addresses; if ED = 1, the page expands downwards from Block Number 127 to include blocks with lower addresses. Upward expansion is usually used for program space while downward expansion is used for stack space.

14 to 08: Page Length Field (PLF)

This 7-bit field specifies the block number, which defines the boundary of that page.

The block number of the virtual address is compared against the page length field to detect length errors. An error occurs when expanding upwards if the block number is greater than the page length field, and when expanding downwards if the block number is less than the page length field.

15, 5, and 4: Reserved Bits

Bits 15, 5, and 4 are spare, are always read as 0, and should never be written. They are unused and reserved for possible future expansion.

5.3.1.3 Unibus Map Registers 17 770 336 – 17 770 200 – There are a total of 31 mapping registers for address relocation. Each register is composed of a double 16-bit PDP-11 word (in consecutive locations) that holds the 22-bit base address.

If Unibus Map relocation is enabled, the five high order bits of the Unibus address are used to select one of the 31 mapping registers. The low order 13 bits of the incoming address are used as an offset from the base address contained in the 22-bit mapping register. To form the physical address, the 13 low order bits of the Unibus address are added to 22 bits of the selected mapping register to produce the 22-bit physical address. The lowest order bit of all mapping registers is always a zero, since relocation is always on word boundaries.

Table 5-3 shows the correspondence between the Unibus address when reading or writing the Unibus Map registers and the peripheral page addresses that will use these same registers for mapping.

For a detailed description of Unibus Map operation, refer to Section V, Chapters 1 and 3 of the *KB11-B Processor Manual*.

5.3.1.4 Cache Registers – The PDP-11/70 utilizes byte parity throughout the memory system. Parity is checked on each byte of a word (the sum of the bits, 8 data plus one parity should always be odd).

When a parity error occurs under normal operation, it causes a trap through location 114. Exception is made when parity traps are disabled.

In general, two types of action can be taken as the result of a parity error. One is an abort of the memory reference, where the cycle detecting the parity error is suspended and the CPU is immediately trapped through location 114. The other type of action is a trap. This occurs at the completion of the instruction being executed and also traps the CPU through vector 114. Since the PDP-11/70 fetches two 16-bit words from main memory into the cache on misses, it is possible for parity errors to occur on either of the words being fetched. One of the two words fetched is not used immediately.

Aborts, in general, are the result of parity errors occurring on the data word requested by the memory reference, while traps occur if the data word not needed by the reference is the cause of the parity error.

Table 5-3 Access to Unibus Map Registers

Register No.	Unibus Address Read or Write		Unibus Address for Memory Reference When Mapping
	Low Order Bits	High Order Bits	
0	17 770 200	02	17 000 000 - 17 017 777
1	17 770 204	06	17 020 000 - 17 037 777
2	17 770 210	12	17 040 000 - 17 057 777
3	17 770 214	16	17 060 000 - 17 077 777
4	17 770 220	22	17 100 000 - 17 117 777
5	17 770 224	26	17 120 000 - 17 137 777
6	17 770 230	32	17 140 000 - 17 157 777
7	17 770 234	36	17 160 000 - 17 177 777
10	17 770 240	42	17 200 000 - 17 217 777
11	17 770 244	46	17 220 000 - 17 237 777
12	17 770 250	52	17 240 000 - 17 257 777
13	17 770 254	56	17 260 000 - 17 277 777
14	17 770 260	62	17 300 000 - 17 317 777
15	17 770 264	66	17 320 000 - 17 337 777
16	17 770 270	72	17 340 000 - 17 357 777
17	17 770 274	76	17 360 000 - 17 377 777
20	17 770 300	02	17 400 000 - 17 417 777
21	17 770 304	06	17 420 000 - 17 437 777
22	17 770 310	12	17 440 000 - 17 457 777
23	17 770 314	16	17 460 000 - 17 477 777
24	17 770 320	22	17 500 000 - 17 517 777
25	17 770 324	26	17 520 000 - 17 537 777
26	17 770 330	32	17 540 000 - 17 557 777
27	17 770 334	36	17 560 000 - 17 577 777
30	17 770 340	42	17 600 000 - 17 617 777
31	17 770 344	46	17 620 000 - 17 637 777
32	17 770 350	52	17 640 000 - 17 657 777
33	17 770 354	56	17 660 000 - 17 677 777
34	17 770 360	62	17 700 000 - 17 717 777
35	17 770 364	66	17 720 000 - 17 737 777
36	17 770 370	72	17 740 000 - 17 757 777
*37	17 770 374	76	17 760 000 - 17 777 777

*Note: Can be read or written into, but not used for mapping.

In the case where the memory word that is not required causes the parity error, a trap is set up for execution at the end of the instruction. If this word then becomes a desired location prior to the completion of the instruction, the instruction is also aborted immediately during the reference when it is the desired word.

Memory System Troubleshooting Aids

The PDP-11/70 contains numerous memory system troubleshooting aids. The most significant of which are the Error registers, which store information at the time of error for future reference.

These registers are listed in this paragraph along with a short description of each.

In addition to these registers, the console panel provides a parity error indicator and two byte parity bits adjacent to the Data register.

The parity error indicator operates dynamically: it follows the parity error lines from the memory system. Thus, when running a program, this indicator will be ON when an error occurs, and is cleared once it has been acknowledged by the trap sequence in the microprogram. For console operations this light remains on (after a parity error resulting from an EXAMINE) until another console function is executed.

The two parity bits adjacent to the Data register are loaded along with the 16 data bits when examining a location from the console. They are cleared on DEPOSIT. These bits can be used to determine whether the correct parity exists for a word in cases where the parity checkers/generators are suspected as being bad. Note that when a location causes a parity error, neither the data nor the parity bits are loaded. Instead, the parity error indicator is lit and all information concerning the error is saved in the Error registers.

An important feature of the memory system Error registers is that in the case of multiple errors,

1. The Error registers preserve the information pertaining to the first error that occurred, and
2. In addition, they also flag the fact that a multiple error condition exists and that the memory system no longer can track the failures. These bits are explained in detail in the Memory System Error register bit description.

When a memory system error is detected, the processor traps to location 114. If location 114 is used as a trap catcher, the operator can examine the Memory System Error register to determine the type of error that has occurred. The Low Error Address registers can then be examined to determine where in the program, and during what type of cycle, the error occurred. If statistics on the hit ratio are desired, the Hit/Miss register can be read. The Control register can be read to determine what the control conditions were at the time the error occurred.

If location 114 is not used as a trap catcher, the previous tasks must be performed by the trap service routine.

The following points should be noted when troubleshooting the memory system:

1. The data patterns being written and read can affect detection of parity errors. For example, if a bit in the address memory or main memory is stuck high, a parity error will be detected only after writing a 0 into that bit position.

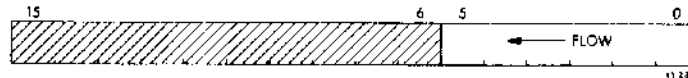
2. The replacement scheme within the cache is random. Thus:
 - a. Whenever a miss occurs and a block of data within the cache must be overwritten, or
 - b. Whenever a block of data is written immediately after power up, the group into which the word goes is selected at random.
3. Because of the replacement strategy, a parity error may be detected if data is read from a malfunctioning group, yet the same data will not generate a parity error when read from the non-malfunctioning group (or if fetched directly from main memory).
4. A parity check is made each time the address memory and fast data memory are accessed. A parity error can be detected even if the location being accessed is not stored in the cache (i.e., a miss). If the operation is a read, the data fetched from main memory will overwrite the location causing the parity error (i.e., random replacement is overridden). The next time the same location is read, no parity error may be detected.

In some cases, therefore, a solid error may appear to be intermittent, while an intermittent error may appear to be more intermittent than it really is.

Another factor to consider when working on the PDP-11/70 is that some of the older device diagnostics have not been rewritten to incorporate parity error handlers. This means that whenever a parity error occurs, the program will halt with 120 in the address lights. (Trap through 114). This condition should be treated in the same manner as any other memory parity error.

The Cache registers and their use are summarized in the following paragraphs. A complete description of these registers and of their operation may be found in Section VI of the *KB11-B Processor Manual*.

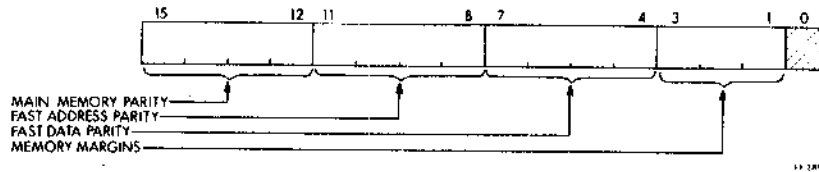
Hit/Miss Register 17 777 752



This register indicates whether the six most recent references by the CPU were hits or misses. A 1 indicates a read hit; a 0 indicates a read miss or a write. The lower numbered bits are for the more recent cycles.

All the bits are read only. The bits are undetermined after a power-up. They are not affected by a Console Start or a RESET instruction.

Maintenance Register 17 777 750



The Maintenance register is used mainly to check the parity checkers and generators in the PDP-11/70 memory system. Refer to the cache diagnostics for examples of the use of this register.

15-12: Main Memory Parity

Setting these bits causes the four parity bits to be 1s. This only causes an error if the byte(s) for which these bits are set to 1 contain an odd number of bits. There is 1 bit per byte; there are 4 bytes in the data block.

Bit Set	Byte
15	Odd word, high byte
14	Odd word, low byte
13	Even word, high byte
12	Even word, low byte

11-8: Fast Address Parity

Setting these bits causes the four parity bits for fast address memory to be wrong. This causes an error to be flagged immediately. Bits 11 and 10 affect group 1; bits 9 and 8 affect group 0.

7-4: Fast Data Parity

Setting these bits causes the four parity bits to be 1s. This only causes an error if the byte(s) for which these bits are set to 1 contain an odd number of bits.

Bit Set	Byte
7	Group 1, high byte
6	Group 1, low byte
5	Group 0, high byte
4	Group 0, low byte

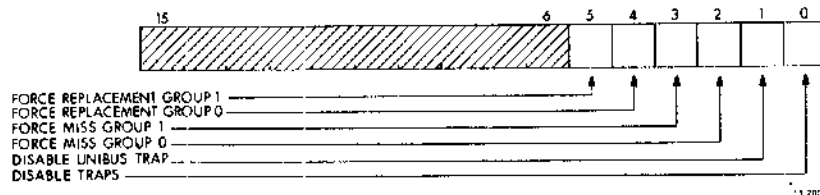
3-1: Memory Margins

These bits are encoded to perform maintenance checks on main memory.

	Bit 3	Bit 2	Bit 1	
0	0	0		Normal operation
0	0	1		Forces wrong address parity
0	1	0		Early strobe margin
0	1	1		Late strobe margin
1	0	0		Low current margin
1	0	1		High current margin
1	1	0		Reserved
1	1	1		Reserved

All main memory is margined simultaneously.

Control Register 17 777 746



The PDP-11/70 has the capability of running in a degraded mode if problems are detected in the cache. If group 0 of the cache is malfunctioning, it is possible to force all operations through group 1. If bits 2 and 5 of the Control register are set, and bits 3 and 4 are clear, the CPU will not be able to read data from group 0, and all main memory data replacements will occur within group 1. In this manner, half the cache will be operating, but system throughput will not decrease by 50 percent, since the statistics of read hit probability will still provide reasonably fast operation.

If group 1 is malfunctioning, bits 3 and 4 should be set, and bits 2 and 5 cleared so that only group 0 is operating. If all of the cache is malfunctioning, bits 2 and 3 should be set. The cache will be bypassed, and all references will be made directly to main memory.

Bits 1 and 0 can be set to disable trapping; more memory cycles will be performed, but overall system operation will produce correct results.

5-4: Force Replacement

Setting these bits forces data replacement within a group in the cache by main memory data on a read miss. Bit 5 selects group 1 for replacement; bit 4 selects group 0.

3-2: Force Miss

Setting these bits forces misses on reads to the cache. Bit 3 forces misses on group 1; bit 2 forces misses on group 0. Setting both bits forces all cycles to main memory and disables the cache.

1: Disable Unibus Trap

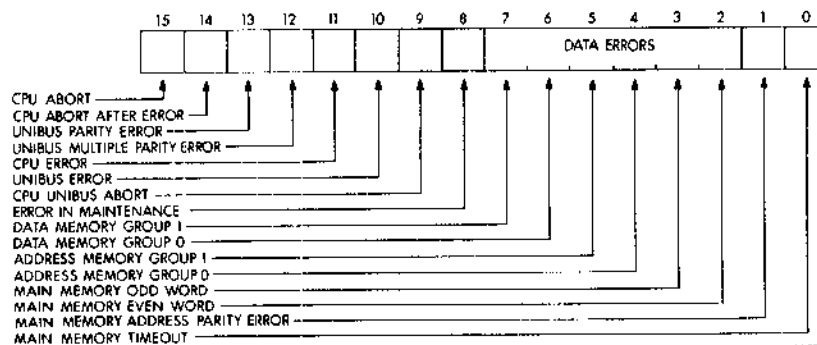
Set to disable traps to vector 114 when the parity error signal (PB=1, PA=0) is placed on the Unibus.

0: Disable Traps

Set to disable trap from non-fatal errors.

Bits 5 through 0 are read/write. The bits are cleared on Power-up or by Console Start.

Memory System Error Register 17 777 744



15: CPU Abort

Set if an error occurs that caused the cache to abort a processor cycle.

14: CPU Abort After Error

Set if an abort occurs with the Error Address register locked by a previous error.

If bit 14 (CPU abort after error) or bit 12 (Unibus multiple parity error) of the Memory System Error register is set, the address stored in the Low Error Address and High Error Address registers is the address of the first error and not the address at which the most recent error occurred. The address at which the most recent error occurred must be reconstructed from the contents of the SP (which points to the virtual address incremented by 2) and the appropriate memory management PAR.

The contents of the Memory System Error register and the High and Low Error Address registers indicates the failing section of the memory system.

13: Unibus Parity Error

Set if an error occurs that resulted in the Unibus Map asserting the parity error signal on the Unibus.

12: Unibus Multiple Parity Error

Set if an error occurs that caused the parity error to be asserted on the Unibus with the Error Address register locked by a previous error.

11: CPU Error

Set if any memory error occurs during a cache CPU cycle.

10: Unibus Error

Set if any memory errors occur during a cache cycle from the Unibus.

9: CPU Unibus Abort

Set if the processor traps to vector 114 because of Unibus parity error on a DATI or DATIP memory cycle.

8: Error in Maintenance

Set if an error occurs when any bit in the Maintenance register is set. The Maintenance register will then be cleared.

7-6: Data Memory

These bits are set if a parity error is detected in the fast data memory in the cache. Bit 7 is set if there is an error in group 1; bit 6 for group 0.

5-4: Address Memory

These bits are set if a parity error is detected in the address memory in the cache. Bit 5 is set if there is an error in group 1; bit 4 for group 0.

3-2: Main Memory

These bits are set if a parity error is detected on data from main memory. Bit 3 is set if there is an error in either byte of the odd word; bit 2 for the even word. (Main memory always transfers two words at a time.) An abort occurs if the error is in the word needed by a CPU reference. A trap occurs if the error is in the other word, or if it is a Unibus reference.

For example, if type MJ11-A (16K, core) memory is used in the system, and a main memory parity error bit is set in the Error register, all the information required to determine the failing 16K section of memory is present. The Low and High Error Address registers indicate the 32K section of memory in which the error occurred. The Error register indicates whether the error occurred on the odd or even addressed word. If, for instance, the error occurred in the odd addressed word, the 16K section containing odd addressed words should be replaced.

1: Main Memory Address Parity Error

Set if there is a parity error detected on the address and control lines on the main memory bus. If the main memory address parity bit is set, there may be a problem in the parity generator (Drawing ADMJ) or in a memory controller parity checker. A failure in the main memory bus address and control lines is the most likely cause for this error.

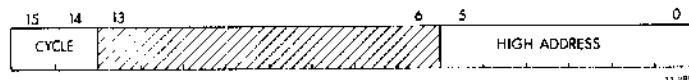
0: Main Memory Timeout

Set if there is no response from main memory. For CPU cycles, this error causes an abort. When a Unibus device requests a non-existent location, this bit will set, cause a time-out on the Unibus, and then cause the CPU to trap to vector 114. If the main memory time-out bit is set, the most probable cause is a memory controller failure. Another possible cause is a misconfiguration of the System Size register in the processor. (Refer to Paragraph 3.5.4.)

The bits are cleared on Power-up or by Console Start. They are unaffected by a RESET instruction.

When writing to the Memory System Error register, a bit is unchanged if a 0 is written to that bit, and it is cleared if a 1 is written to that bit. Thus, the register is cleared by writing the same data back to the register. This guarantees that if additional error bits were set between the read and the write, they will not be inadvertently cleared.

High Error Address Register 17 777 742



15-14: Cycle Type

These bits are used to encode the type of memory cycle that was being requested when the parity error occurred.

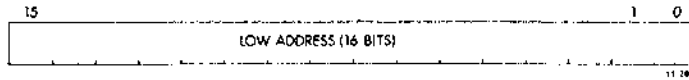
Bit 15	Bit 14	Cycle Type
0	1	Data In Pause
1	0	Data Out
1	1	Data Out Byte

5-0: Address

These bits contain the higher six of the 22-bit address of the first error. The most significant bit is bit 5.

All the bits are read only. The bits are undetermined after a power-up. They are not affected by a Console Start or RESET instruction.

Low Error Address Register 17 777 740



This register contains the lower 16 bits of the 22-bit address of the first error. The least significant bit is bit 0. The high order bits are contained in the High Error Address register.

All the bits are read only. The bits are undetermined after a Power-up. They are not affected by a Console Start or RESET instruction.

5.3.2 Indicators, Switches, Jumpers and Test Points

This paragraph describes the maintenance aids and the switches provided in the PDP-11/70.

5.3.2.1 SACK Timeout Indicator (UBCD) - If no response (SACK) is received from the Unibus 10 microseconds after a Unibus grant (NPG or BG) is issued, a SACK timeout is said to have occurred. This sets a flip-flop on UBCD, which turns on a LED indicator. The indicator stays on until the flip-flop is reset by INIT. Figure 5-5 in this maintenance manual shows the location of the LED. Refer to Section II, Paragraph 6.4, of the *KB11-B or KB11-C Processor Manual (PDP-11/70)*.

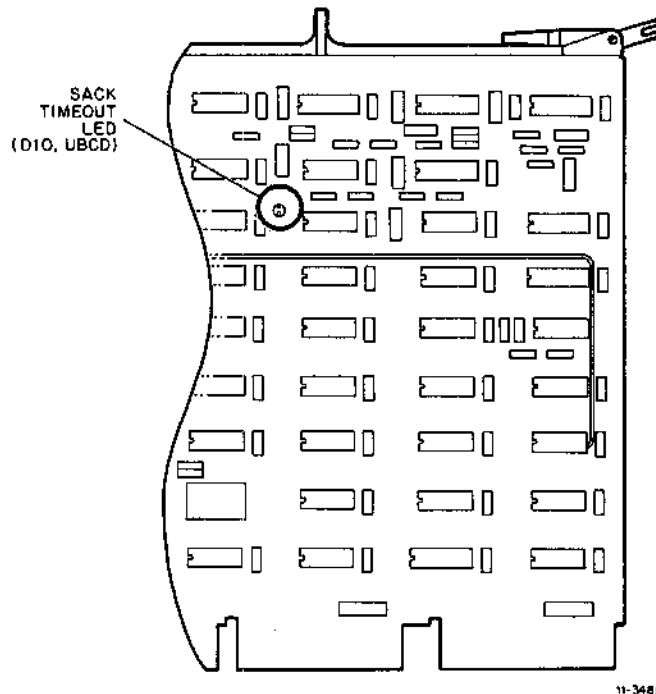


Figure 5-5 M8136 SACK Timeout LED

5.3.2.2 Start Vector (M8130-DAPE) – Jumpers W1 through W6, shown on DAPE, determine the start vector on power-up. The jumpers may be cut to provide a start vector between 00 000 000 and 00 000 174 (W6 OUT), or between 17 173 200 and 17 173 374 (W6 IN). Refer to Section II, Paragraph 2.1.9.4 of the *KB11-B or KB11-C Processor Manual (PDP-11/70)*.

Bits 00 and 01 of the start vector are always 0. Bits 02:06 of the start vector are 0s if their respective jumpers (W1:W5) are OUT, and 1s if they are IN.

5.3.2.3 System Size Register (M8140-SCCN) – Refer to Paragraph 3.5.4, Figure 3-20, and Table 3-4 of this manual.

5.3.2.4 Massbus Controller Indicators and Jumpers

5.3.2.4.1 Indicators – The following light-emitting diodes are incorporated in the RH70 Massbus Controller logic BCT module (Figure 5-6) on the M8153.

SSYN (Slave Sync)	D-CS-M8153-0-1, Sheet 3 of 6
TRA (Transfer)	D-CS-M8153-0-1, Sheet 3 of 6
BG IN (Bus Grant In)	D-CS-M8153-0-1, Sheet 4 of 6
SACK (Selection Acknowledge)	D-CS-M8153-0-1, Sheet 4 of 6
BBSY (Bus Busy)	D-CS-M8153-0-1, Sheet 4 of 6

These LEDs are provided to aid maintenance personnel to isolate system faults as described below:

1. Unibus on PDP-11/70 is in “hung” condition (no operations can be performed on Unibus):
 - a. Stuck SACK,
 - b. Stuck BBSY, or
 - c. Stuck SSYN

The associated LED will be continuously illuminated. LEDs may flicker intermittently during normal operation.

2. The Unibus device interrupt sequence is not functioning properly (processor continuously loops in service routine and fails to execute instructions).

This condition may be caused by discontinuity of the bus grant signal on the Unibus from the processor to the interrupting device and may be caused by missing grant continuity cards or effective circuitry which normally passes grant signals from device to device. This will cause the BG IN light-emitting diode to illuminate. If this LED is brightly illuminated, this indicates that the Unibus BG IN signal coming to that device is stuck high.

3. The processor attempts to read or write a Remote register in the RWS04 or RWS03 subsystem and receives an address error indication on the console (CPU traps to location 4).

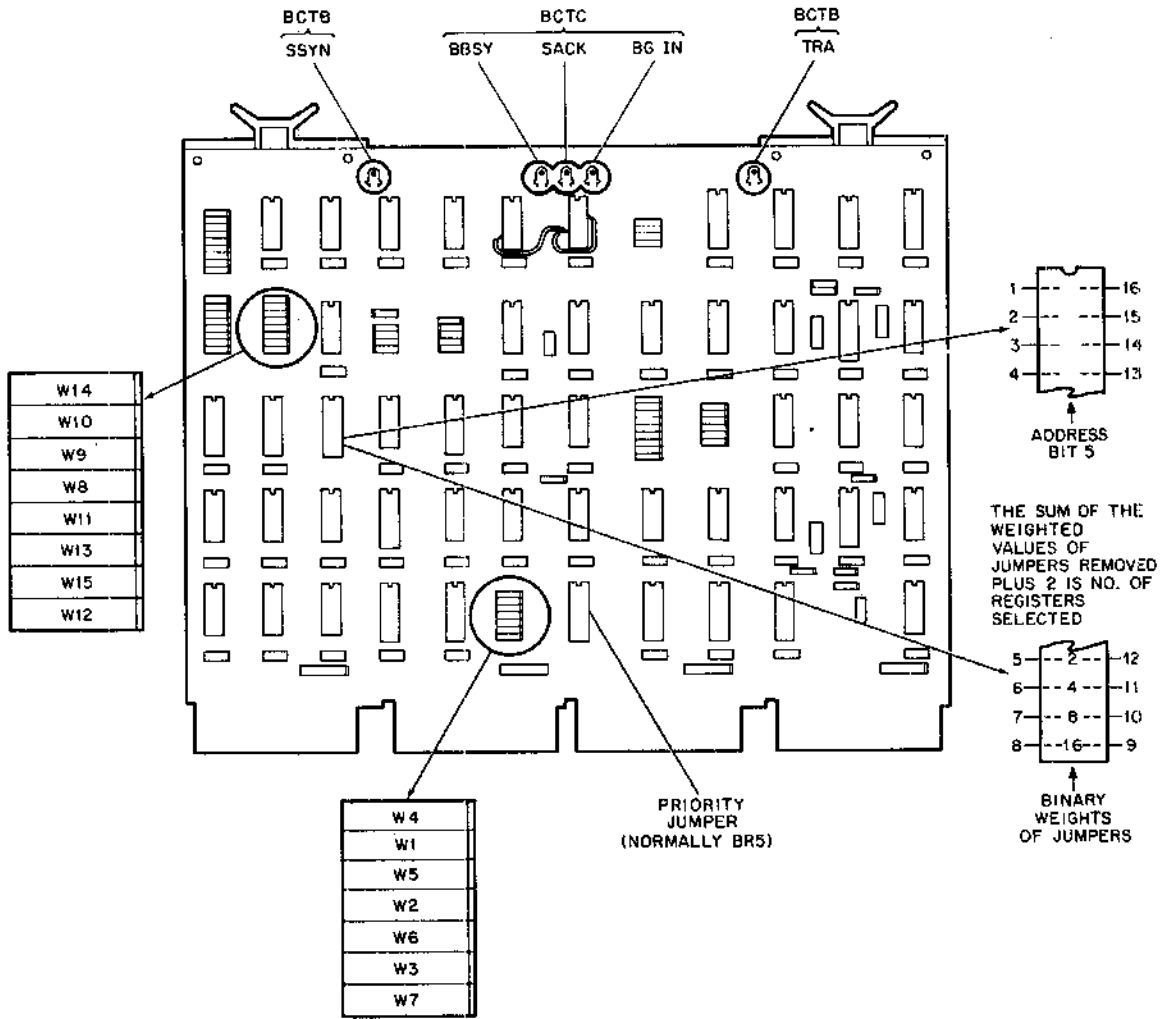
This condition may be caused by a stuck TRA signal on the Massbus which prevents the SSYN response from the RH70.

Determination of this condition may be made if local registers in the RH70 can be successfully accessed. If no register responds, the address jumpers may be improperly selected.

RH70 Jumpers

Address Selection Jumper (BCTA)	Address Bit	Device		
		RWS04 (14 REG)	RWP04 (22 REG)	TWU16 (16 REG)
W14	12	OUT	OUT	OUT
W10	11	IN	OUT	IN
W9	10	OUT	OUT	OUT
W8	9	IN	IN	IN
W11	8	IN	OUT	OUT
W13	7	IN	OUT	IN
W15	6	IN	OUT	IN
W12	5	OUT	IN	OUT
Slot E41 Jumper (BCTA)	Binary Weight			
(ADRS. Bit 5)				
1-16	—	IN	OUT	IN
2-25	—	IN	OUT	IN
3-14	—	OUT	IN	OUT
4-13	—	OUT	IN	OUT
(No. of Regs.)				
5-12	2	IN	IN	OUT
6-11	4	OUT	OUT	OUT
7-10	8	OUT	IN	out
8-9	16	IN	OUT	IN
Vector Jumper (BCTC)	Vector Bit			
W4	V8	OUT	OUT	OUT
W1	V7	IN	IN	IN
W5	V6	OUT	OUT	OUT
W2	V5	OUT	IN	OUT
W6	V4	OUT	OUT	IN
W3	V3	OUT	IN	OUT
W7	V2	IN	IN	IN

Figure 5-6 M8153 (BCT) Module (Sheet 1 of 2)



11-3487

Figure 5-6 M8153 (BCT) Module (Sheet 2 of 2)

5.3.2.4.2 Jumper Configurations – The following paragraphs describe the various jumper configurations on the BCT (M8153), MDP (M8150), and CDP (M8145) modules.

BCT Module M8153

The BCT module contains jumpers for register selection, BR level interrupt, and vector address. Refer to Figure 5-6, which shows both jumper location and configurations.

Register Selection – The RH70 is capable of responding to 32 possible Unibus addresses. The number of addresses, however, is dependent on the Massbus device. Jumpers W8 through W15 select the block of Unibus addresses that the subsystem responds to. The standard addressing blocks assigned are as follows:

RWS04: 772 040 through 772 072
RWP04: 776 700 through 776 752
TWU16: 772 440 through 772 476

BR Level Interrupt – The priority jumper plug for the RH70 is normally set for the BR5 level. This plug is located in E022 (refer to D-CS-M8153-0-1, sheet 4 of 6).

Vector Address Jumpers – The interrupt vector transferred to the processor is jumper selectable via jumpers W1 through W7, representing vector bits 2 through 8. Vector assignments for the RH70 devices are the following:

RWS04: 204
RWP04: 254
TWU16: 224

MDP Module M8150

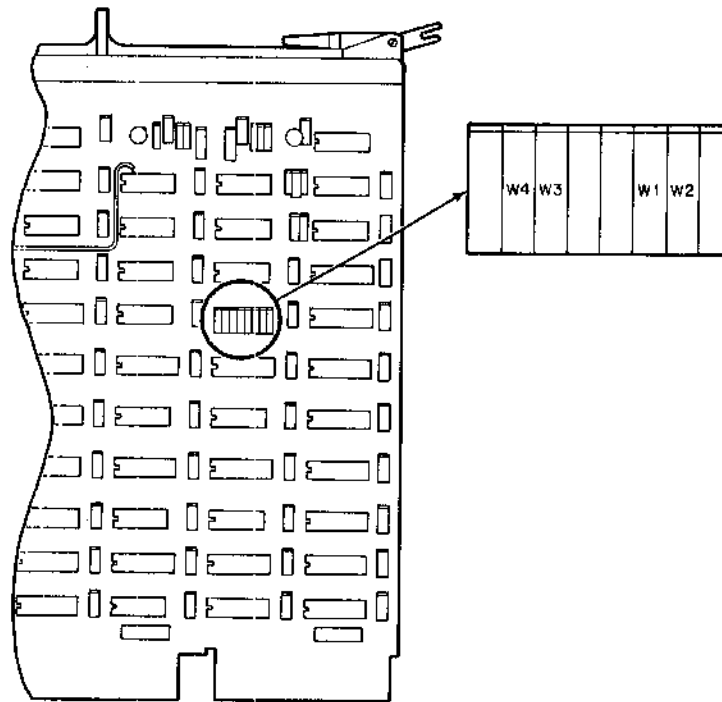
The MDP module contains jumpers that allow troubleshooting of the write-check error circuitry (Figure 5-7). These jumpers allow maintenance personnel to disconnect wired-OR connections from the exclusive-OR network used to detect write-check errors. These jumpers are designated W1 through W4 and are shown on MDPE. The jumpers provide maintenance personnel with a method of isolating a faulty output (stuck low) of the wired-OR bus to one of four integrated circuit (IC) chips which perform the exclusive-OR function during write-check operations. For example, if the output of E21 and E23 open-collector line is stuck low when scoping of the inputs indicate that it should be high, the faulty IC (E21 or E23) can be ascertained by removing jumpers W2 and W1. If, after removing the jumpers, the outputs of the exclusive-OR gates in E23 are still low, it indicates that the E23 chip is defective. If E23 outputs are high, then the E21 chip is defective (outputs stuck low).

CDP Module M8145

Jumpers W1, W2, and W3 determine the priority arbitration of the RH70 Massbus controllers. A complete description of the arbitration process is given in Section VI, Paragraph 4.6 of the *KB11-B Processor Manual* (PDP-11/70). The most common configuration is that which allocates priority to the controllers in the following order:

1. A (slots 24–27)
2. B (slots 28–31)
3. C (slots 32–35)
4. D (slots 36–39)

In this case, jumpers W1, W2, and W3 are all IN.



11-249C

Figure 5-7 MDP Module - M8150

5.3.2.5 Main Memory (MK11) Maintenance Aids – Maintenance aids provided in the MK11 MOS memory include: control and status register (CSR), fault indicator lights on the memory frame modules, and indicator lights on the box controller. The format of the two word CSR is shown in Figure 5-8. The address of the CSR is indicated in the memory box decal (refer to Chapter 3, Figure 3-29). The CSR can be written to and read from the processor console, or through a terminal while running the memory system diagnostic program, CEMKAA.

The CSR can be accessed from the processor console in the following manner:

1. Halt all NPR activity in system.
2. Turn off cache 17777746 ← 14.
3. Set up map 0 17770200 ← 170000
17770202 ← 77.
4. Turn on Unibus map 17772516 ← 40.
5. Turn display switch to **CONSOLE PHYSICAL**.
6. Examine and/or deposit SCRs as addresses 17002100 through 17002136 (address is indicated on the memory box decal).

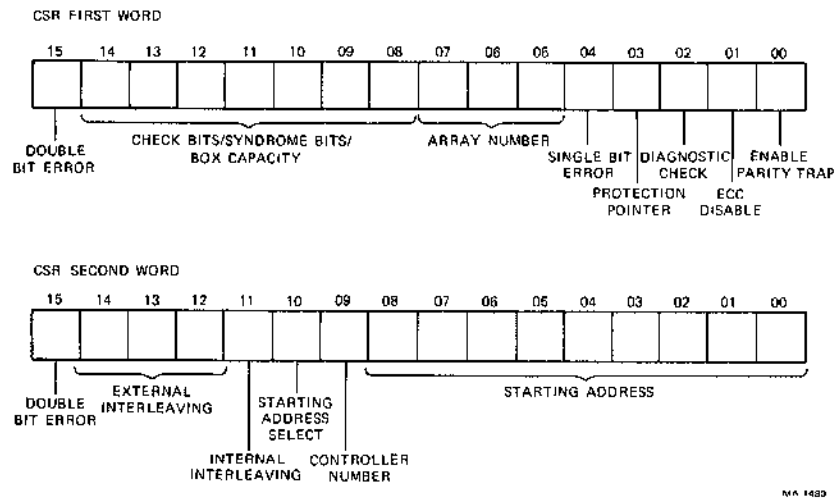


Figure 5-8 MK11 Control and Status Register

While running the memory system diagnostic program, the CSR can be accessed by entering the field service mode (control F) and typing command 1 to read the CSR or typing command 2 to load data into the CSR. Refer to the *MK11 MOS Memory Technical Manual* for a description of running the memory diagnostic.

CSR Bits – First Word

Bit 15 – Double Bit Error – When set to one, this bit indicates a double bit (uncorrectable) error was found in a 32-bit double word fetched from an array. The array number and controller number indicating the location of the error will be loaded into the CSR.

Bits (14:8) – Check Bits – In a diagnostic mode [bits (3:1) = 010] check bits can be written to and read from the check bit storage field on the array modules.

Bits (14:8) – Syndrome Bits – Bits 14 through 8 store the ECC syndrome bits when the ECC circuitry encounters a single bit error.

Bits (14:8) – Box Capacity – By writing a 100 into bits (3:1), the box capacity in 32K word blocks can then be read from bits (14:8).

Bits (7:5) – Array Number – These bits indicate the array that contained the single bit or double bit error flagged by bit 4 or bit 15.

Bit 4 – Single Bit Error – When set to one, this bit indicates that a single bit (correctable) error was found in a 32 bit double word fetched from an array. The array number, controller number, and syndrome bits will be loaded into the CSR.

Bit 3 – Protection Pointer – For diagnostic purposes, this bit selects which 32K word bank of memory is protected memory space. When zero, this bit indicates that the first 32K bank of each controller is protected. When one, this bit indicates that the second 32K bank of each controller is protected.

Bit 2 – Diagnostic Check – When set to one, this bit allows the reading and writing of check bits via SCR bits 14 through 8.

Bit 1 – ECC Disable – When set to one, this bit disables single bit error correction in all unprotected memory space.

Bit 0 – Enable Parity Trap – When one, enables parity traps. Memory will force bad parity on Main Memory Bus if ECC circuitry encounters an uncorrectable error.

CSR Bits – Second Word

Bit 15 – Double Bit Error – Same as CSR first word bit 15.

Bits (14:12) – External Interleaving – These bits indicate the number of ways the memory is externally interleaved. The interleave number from the box controller interleave switch is loaded into bits (14:12) at power up. See bit 10.

Bit 11 – Internal Interleaving – When one, this bit indicates that the memory is internally interleaved. Bit is set to one at power up if memory arrays in frame are balanced. When zero, this bit indicates that there is no internal interleaving. See bit 10.

Bit 10 – Starting Address Select – When zero, this bit selects the switches on the box controller as the source of the starting address and number of ways externally interleaved. When set to one, the bit allows writing SCR bits 14:12, 11, and 8:0 to select the external interleaving, internal interleaving, and starting address. To write these bits, the Address/Interleave switch on the box controller must be in the ALLOW PROG CONTROL position.

Bit 9 – Controller Number – This bit, along with first word bits (7:5), indicate the array that contained the single bit or double bit error flagged by first word bit 4 or bit 15. A zero is for controller pair zero (right side of frame); a one is for controller pair one (left side).

Bits (8:0) – Starting Address – These bits indicate the starting address of the memory frame in 32K word banks. The starting address from the box controller thumbwheel switches is loaded into bits (8:0) at power up. See bit 10.

Memory Frame Indicator Lights – Fault indicator lights (LEDs) in the memory frame are shown in Figure 5-9. These lights are mounted near the edge of address interface (M8158), data buffer (M8159), and control B (M8160) modules; they are visible through the opening at the front of the memory frame.

Address Parity Error Indicator – Lights when the memory receives incorrect address parity on the main memory bus. Indicator stays lit until the memory is powered down.

Configuration Error Indicator – Lights if MOS array modules are improperly installed in memory frame.

Double Bit Error Indicator – Lights when the error detection circuitry encounters an uncorrectable (double bit) error in the data during a read operation.

Memory Busy Indicator – Lights while memory controller is executing a memory cycle (read, write, refresh). Brightness of light indicates the rate at which the memory is accessed. Light glows dimly while controller is refreshing memory only. When off, light indicates that the controller is not functioning.

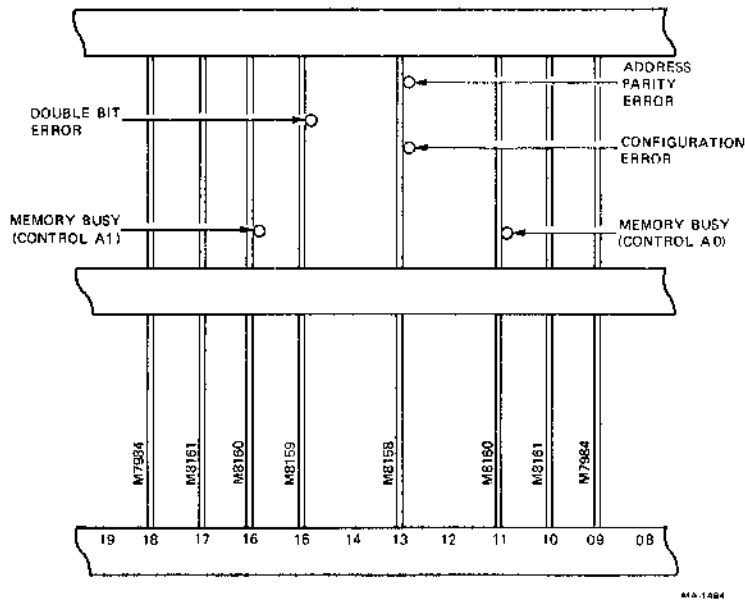


Figure 5-9 MK11 Memory Frame Error Indicators

Box Controller Indicator Lights – The box controller, shown in Figure 5-10, mounts in a controller panel near the top of the memory cabinet. It contains the following indicator lights.

Panel Selected – When lit, light indicates that the Address/Interleave switch is in the FORCE PANEL position and that the thumbwheel switches determine the starting address and interleaving. CSR second word bit 10 is held at zero.

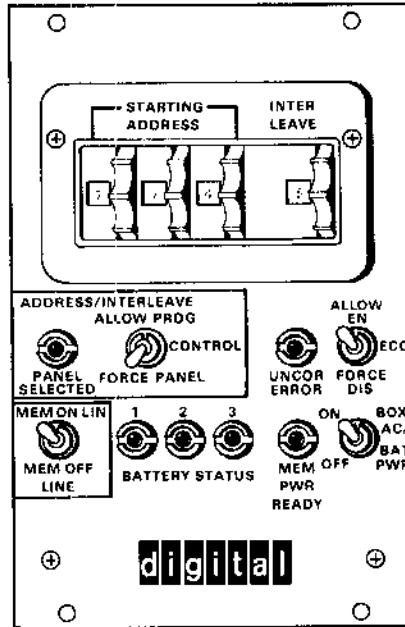
Uncor Error – When lit, light indicates that a double bit error was detected in memory. See CSR bit 15.

Battery Status – These lights indicate the operating status of the three battery backup units.

- | | |
|------------|---------------------------------------|
| ON | – Battery receiving trickle charge |
| Fast Flash | – Battery delivering power to memory |
| Slow Flash | – Battery receiving full rate charge. |
| OFF | – Battery off or disconnected |

MEM PWR Ready – When lit, light indicates that the power supply voltages are within tolerance. When off, light indicates that either main dc low or box dc low are asserted.

5.3.2.6 Main Memory (MJ11) Maintenance Aids – Refer to Figure 5-8, which shows the module layout (Rev C) of the M8148 module. This module contains all the logic indicators, test points and switches for an MJ11 frame. Seven power test points are provided on the M8149 module. Refer to Paragraph 4.5.2 of this manual.



MA-1420

Figure 5-10 Box Controller

The use of switches S1 and S2 is described in Paragraph 3.5.1 of this manual.

The following paragraphs describe the use of the indicators and test points. For additional maintenance information, refer to the *MJ11 Memory System Maintenance Manual*, EK-MJ11-MM.

Address and Control Parity Error Indicator and TP2 – MCTA WRONG PARITY is asserted when a memory controller detects bad parity on the A and C lines, at the time that it receives START. In this case, the controller does not respond to START and a memory bus time-out occurs. This in turn causes the memory cycle to be aborted. The Parity Error flip-flop is set, asserting MCTA PAR ERR (1) L. This asserts MAIN PAR ERR L on the main memory bus.

MCTA PAR ERR (1) L sets a flip-flop that lights the Parity Error LED indicator, which is visible from the front of the memory mounting box (Figure 5-11). The flip-flop is cleared on Power-up (MCTH RESET L asserted), or by grounding test point TP2 on the M8147/M8148 module.

TP1 – When grounded, TP1 causes the memory controller to cycle continuously. A console LOAD ADRS followed by a DEPOSIT or an EXAMINE would cause the read/write operation to be repeated until the ground is removed from TP1.

CAUTION

Do not power up memory system with TP1 grounded. To do so may cause failure of stack charge circuitry on H217C stacks controlled by this controller. Refer to the MJ11 Maintenance Manual for diagnostic procedures and proper use of TP1.

Mismatch Error Indicators - The MJ11 Memory Controller is designed to operate with different types of stack module sets (16K→MJ11-A, 32K→MJ11-B). The different types of stack modules have different control and timing requirements. The circuitry at the top center of Drawing MCTC determines whether the 16K block being addressed resides in a 16K or 32K stack. If a 16K stack is being addressed, the 16K flip-flop is clocked set when MCTF IACK H is asserted (i.e., when the memory controller initiates the memory cycle), thereby asserting MCTC 16K (B) H.

Stacks that operate in parallel must be of the same type. The eight Exclusive-OR gates on Drawing MCTC check that the stack module set pairs are properly matched. If a mismatch is detected, MCTC MISER L is asserted; this asserts MTB GO DISABLE H, which inhibits initiation of memory cycles by the memory controller. MCTC MISER L asserted also lights the Mismatch Error LED, which is visible from the front of the memory frame (Figure 5-11).

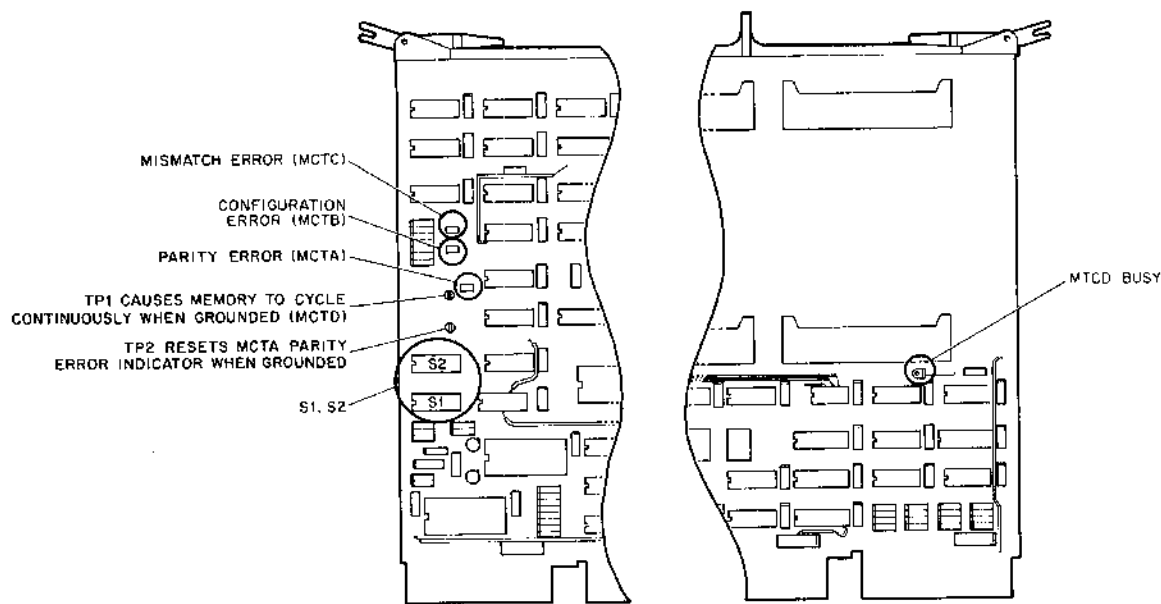


Figure 5-11 M8148 (MCT) Module

Configuration Error Indicator (Upper Limit Comparison) - Signals MCTB 16K BLK ADDR 2:0 H, which represent the effective 16K block address, are applied to the A inputs of the Upper Limit Compare ALU. The B inputs of the ALU are provided by the Memory Top Look-Up ROM. This ROM decodes the ID signals from the stack module sets installed in the memory frame and generates outputs that indicate the number of 16K blocks available to the memory controller. The Upper Limit Compare ALU output MCTB ABOVE TOP L is asserted if the effective 16K block address being accessed is greater than the number of 16K blocks available to the memory controller. If MCTB ABOVE TOP is asserted, MCTB GO DISABLE H is asserted, thereby inhibiting initiation of a memory cycle.

The Memory Top Look-Up ROM also checks for correct configuration of the stack module sets. A configuration error asserts MCTB CONER L, which asserts MCTB GO DISABLE, inhibiting all memory cycles by the memory controller. MCTB CONER L lights the LED which is visible from the front of the memory frame (Figure 5-11).

Busy Indicator – MCTD DELAY L starts the read timing sequence by turning on transistor Q1. This shunts the +5 V at the collector of Q1 to the input of a delay line, sending a positive pulse down the line. Taps along the delay line are located at 25 ns intervals and are labeled accordingly. The leading edge of the pulse asserts MCTD RDLY 0 H through MCTD RDLY 350 H as it travels down the delay line. MCTD RDLY 350 H is fed back and turns transistor Q1 off, thereby terminating the positive pulse. The width of the pulse traveling down the delay line is thus fixed at 350 ns. This means that the outputs at all the delay line taps are also 350 ns pulses. The signals output from the delay line are buffered by type 74S04 inverters to provide clean TTL-compatible signals with sufficient drive. The buffered outputs of the delay line are MCTD RT 0 through MCTD RT 350. MCTD RD 0 L direct sets the Busy flip-flop, which inhibits the memory controller from initiating memory cycles while the present cycle is in progress. The BUSY LED indicator (Figure 5-11) is set by the Busy flip-flop.

5.3.2.7 Unibus Map Response Switches (M8141-MAPF) – Jumpers W1 and W3–W6 (MAPF HIXX JUMPER H) determine the upper limit of responding Mapping registers to be compared with the Unibus address.

Jumpers W2 and W7–W10 (MAPF LOXX JUMPER H), are the lower limit of responding Mapping registers to be compared with the Unibus address.

In standard configurations, the HIXX jumpers are all 1s, and W1, W3–W6 are OUT; the LOXX jumpers are all 0s, and W2, W7–W10 are IN. This allows the Unibus Map to accept Unibus addresses 000 000 through 757 777.

Table 5-4 shows the limits that can be obtained by the jumper configurations. Note that if the HI jumpers are all 0s (IN), or if the LO jumpers are all 1s (OUT), no response can be obtained from the Unibus Map.

5.3.2.8 AC LO and DC LO Indicator – The Power Line Monitor/15 V Regulator Module (D-CS-5411086) contains two LED indicators which are ON when AC LO or DC LO are not asserted (=power OK).

In the MJ11, they may be observed through the ventilation slots in the AC input box. In the CPU cabinet, the H7420 power supply must be opened to observe these indicators. Refer to Paragraphs 4.5.2 (MJ11) and 4.5.3 (H7420) of this manual.

WARNING

Power must be shut off by turning the console key to OFF before assembling or disassembling the H7420.

Figure 5-12 shows the location of these indicators on the 5411086 module.

Table 5-4 Unibus Map Limit Jumpers (MAPF)

MAPF HI (17:13) JUMPER H (OCTAL)	Highest Possible Unibus Address	MAPF LO (17:13) JUMPER H (OCTAL)	Lowest Possible Unibus Address
37	757 777	37	None
36	737 777	36	740 000
35	717 777	35	720 000
34	677 777	34	700 000
33	657 777	33	660 000
32	637 777	32	640 000
31	617 777	31	620 000
30	577 777	30	600 000
27	557 777	27	560 000
26	537 777	26	540 000
25	517 777	25	520 000
24	477 777	24	500 000
23	457 777	23	460 000
22	437 777	22	440 000
21	417 777	21	420 000
20	377 777	20	400 000
17	357 777	17	360 000
16	337 777	16	340 000
15	317 777	15	320 000
14	277 777	14	300 000
13	257 777	13	260 000
12	237 777	12	240 000
11	217 777	11	220 000
10	177 777	10	200 000
07	157 777	07	160 000
06	137 777	06	140 000
05	117 777	05	120 000
04	077 777	04	100 000
03	057 777	03	060 000
02	037 777	02	040 000
01	017 777	01	020 000
00	None	00	000 000

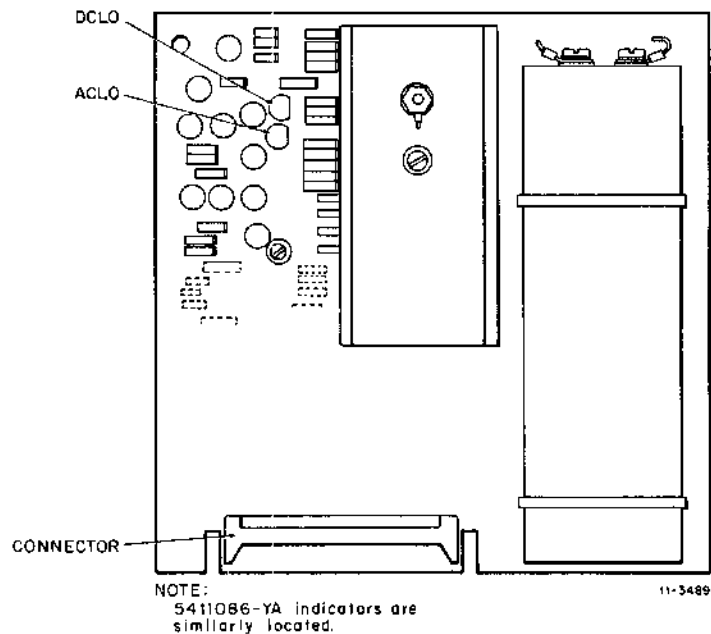


Figure 5-12 5411086 AC LO and DC LO Indicators

5.3.2.9 Sync Points – The microaddress in the Microprogram Break register (17 777 770) generates a sync pulse (TIGB PB SYNCH H) at T1 at pin F13K2 each time the cycle corresponding to the address is executed. PDRC PB CMP H generates a pulse whose width is the same as that of the microstate (pin A10E1).

5.3.3 How to Use Maintenance Cards

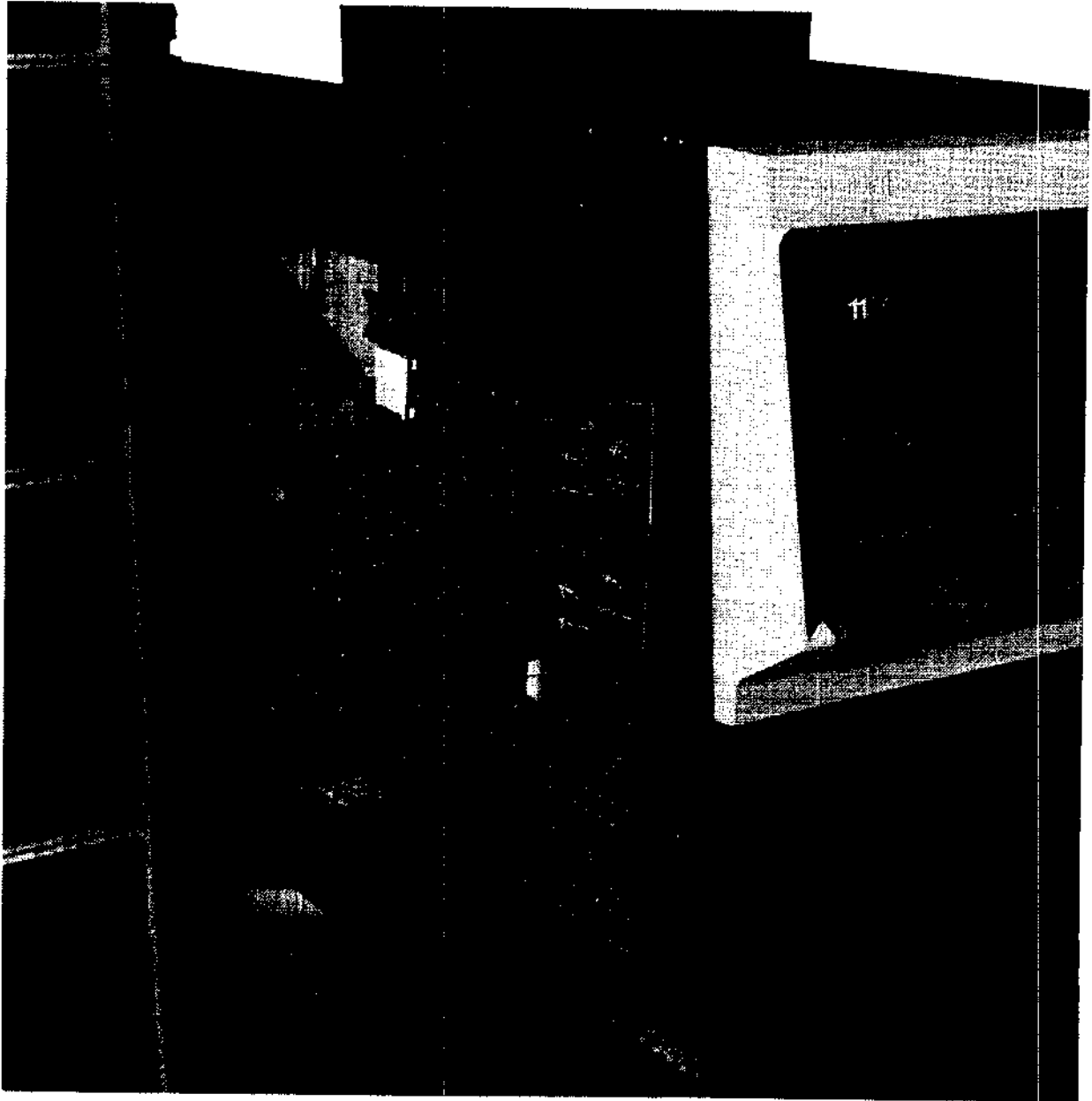
The maintenance card that is used to perform maintenance tests and troubleshooting procedures on the PDP-11/70 system is shown in Figure 5-13. The maintenance card is constructed from a W131 Maintenance module. The W131 is used with a W133 Driver module. Figure 5-11 shows the overlay that is used to designate switches and indicators for KB11-B, C and FP11-B test functions.

NOTE

The maintenance card is not used with the FP11-C, since it operates synchronously with the processor and has no RC clock.

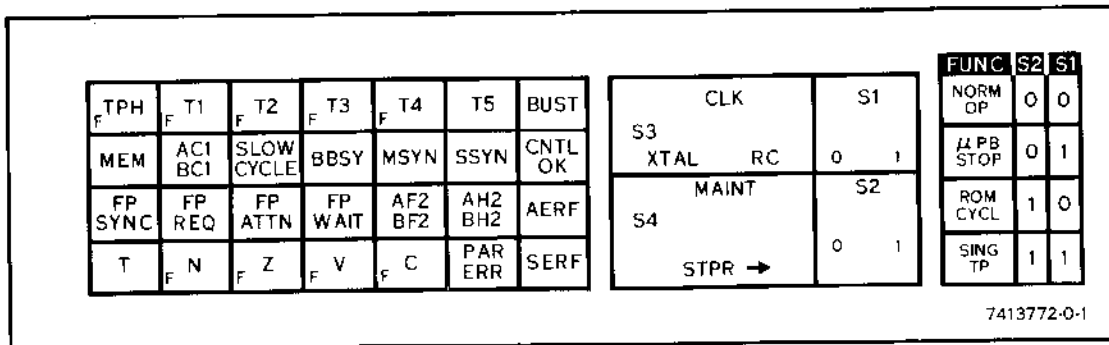
The indicator lamp functions and the sources of the inputs from the KB11-B, C and FP11-B follow:

Indicator	Source		Signal Description
	KB11-B,C	FP11-B	
TPH	TIGA TPH MAT H	FRHJ MSTEP CLOCK (0) H	KB11-B,C: Basic processor timing pulse, whether crystal clock, RC clock, or MAINT STPR is selected. FP11-B: Indicates MAINT STPR clock pulse.
T1 through T5	TIGA (T1:T5) MAT H	FRHH (T1S:T4S) H	Indicate major time states for KB11-B,C and FP11-B. T5 is not used for FP11-B.
BUST	UBCE BUST MAT H	UBCE BUST MAT H	KB11-B,C bust cycle. Not asserted by FP11-B.
MEM	TIGA MEM SYNC H	TIGA MEM SNC H	Indicates the completion of a memory cycle. Asserted by CCBC MEM SYNC H.
AF2/BF2 AH2/BH2	No connection No connection	No connection No connection	Spare indicators. Inputs at pins F2 or H2.
SLOW CYCLE	CCBD SLOW CYCLE MAT H	CCBD SLOW CYCLE MAT H	Indicates that the memory cycle referenced main memory.
BBSY	UBCA BBSY MAT H	UBCA BBSY MAT H	Indicates Unibus is busy.



7545-6

Figure 5-13 Maintenance Cards: for FP11-B (Top) and
for KB11-B,C (Bottom)



11-3288

Figure 5-14 Maintenance Card Overlay

Indicator	Source		Signal Description
	KB11-B,C	FP11-B	
MSYN	MAPB MSYN B MAT H	MAPB MSYN B MAT H	Indicates Unibus Master Sync is asserted.
SSYN	UBCB SSYN MAT H	UBCB SSYN MAT H	Indicates Unibus Slave Sync is asserted.
CNTL OK	TMCE CONTROL OK H	TMCE CONTROL OK H	Asserted by processor to allow memory cycle to be completed.
FP SYNC	UBCD FP SYNC H	UBCD FP SYNC H	Indicates that the FP11-B is ready to send or receive data. Asserted by FRMJ FP SYNC L.
FP REQ	RACK FP REQ H	RACK FP REQ H	Used with FP SYNC to indicate to CPU that more data words are required. If FP SYNC is returned to CPU without FP REQ, the memory cycles are terminated.
FP ATTN	UBCD FP ATTN H	UBCD FP ATTN H	Decoded from CPU ROM states where MSC = 5, indicating floating-point instruction has been decoded.
FP WAIT	FRHH WAITS H	FRHH WAITS H	Represents the Wait state of the FP11-B.

Indicator	Source		Signal Description
	KB11-B,C	FP11-B	
AC1/BC1	No connection	No connection	Spare indicator, input at pin C1.
AERF	TMCC AERF MAT H	TMCC AERF MAT H	Indicates state of KB11-B,C Address Error Flag.
SERF	TMCC SERF MAT H	TMCC SERF MAT H	Indicates state of KB11-B,C Stack Error Flag.
PAR ERR	UBCB PARITY ERR MAT H	UBCB PARITY ERR MAT H	Indicates Unibus or memory has detected a parity error.
T	TMCB PS04 MAT H	TMCB PS04 MAT H	Indicates processor status word trace bit is set.
N	IRCH MAT N H	FRLP FN (1) H	KB11-B,C: N (negative) bit of the CPU Processor Status Word condition code. FP11-B: N bit of the FPP Program Status register.
Z	IRCH MAT Z H	FRLP FZ (1) H	KB11-B,C: Z (zero) bit of the CPU Processor Status Word condition code. FP11-B: Z bit of the FPP Program Status register.
V	IRCH MAT V H	FRLP FV (1) H	KB11-B,C: V (overflow) bit of the CPU Processor Status Word condition code. FP11-B: V bit of the FPP Program Status register.
C	IRCH MAT C H	FRLP FC (1) H	KB11-B,C: C (carry) bit of the CPU Processor Status Word condition code. FP11-B: C bit of the FPP Program Status register.

5.3.3.1 Clock Selection – CLK switch S3 is used to select the crystal clock (XTAL), the RC maintenance clock (RC), or the MAINT STPR switch as the timing source for the CPU or FP11-B. CPU timing and FP11-B timing are independent; thus, the switches on each maintenance card need not be set for the same selection when two cards are used.

When set to XTAL, the 33.3 MHz crystal clock is selected for the CPU timing source and the 18 MHz crystal clock is selected for the FP11-B. When the CLK switch is set to RC, the variable frequency RC maintenance clock is selected as the timing source. By adjusting the potentiometer, the useful range of the period of the RC maintenance clock pulse can be adjusted as follows:

KB11-B,C RC Clock: 28 to 50 ns
 FP11-B RC Clock: 50 to 290 ns

NOTE

When using both CPU and FP11-B RC clocks, half of the FP11-B clock period must be shorter than two CPU ROM cycles. The FP11-C does not have a variable RC clock.

5.3.3.2 Maintenance Mode Control – Maintenance card switches S2 and S1 are used to select the Maintenance mode, as indicated below:

S2	S1	Mode	Operation
0	0	NRM OP	No effect on KB11-B,C or FP11-B operation.
0	1	μ PB STOP	The KB11-B,C or FP11-B will execute instructions until the microprogram ROM address matches the contents of the Program Break (PB) register. It halts at T2 of that ROM state.
1	0	ROM CYCL	The KB11-B,C or FP11-B will execute a single ROM state each time the MAINT STPR is pressed.
1	1	SING TP	The basic clock changes state each time the MAINT STPR is pressed. Pressing MAINT STPR twice provides a single time pulse.

Single ROM Cycle – When Switches S1 and S2 are set for single ROM Cycle mode, the processor executes a single ROM cycle each time the console CONT switch is pressed. For convenience, MAINT STPR switch S4 on the maintenance card can also be used to initiate the single ROM cycle. In this mode of maintenance operation, the processor stops in T2 of each microstate.

MPB STOP – If CONT is pressed when switches S1 and S2 are set for PB (microprogram break) Stop mode, the KB11-B,C or FP11-B execute program instructions until the ROM Address register contents match the CPU Program Break (PB) register contents. When both microstate addresses are equal, the processor stops in T2 of the selected microstate. At that point, S1 and S2 can be set for SING TP mode as described in Paragraph 5.3.3.3. Load the PB with the desired microprogram address as follows:

1. Press HALT switch. Processor halts at microprogram CON.00 (CPU μ ADRS 170).
2. Set PB register address 17 777 770 into console Switch register.
3. Press LOAD ADRS. ADDRESS: Display will be 17 777 770.
4. Set desired microprogram break address into the low byte of the Switch register. For example, to stop at IRD.00, set 343(8) into the Switch register.

5. Press DEP. The DATA display will display this input in the low order byte with the Data Display Select switch set to DATA PATHS.
6. Set Maintenance module switches for PB STOP (S1=1, S2=0).
7. Press CONT. The processor executes program instructions until the RAR equals the PB, then stops.

Single Step – When switches S1 and S2 are set for SING TP mode, gating logic shown on drawing TIGB inhibits the source synchronizer from selecting either the crystal clock or the RC maintenance clock. Under these conditions, each time MAINT STPR switch S4 is pressed, TP H changes levels.

NOTE

MAINT STPR must be pressed twice to complete each time pulse. This feature allows events that occur on the leading edge or trailing edge of the same time pulse to be examined separately.

5.3.3.3 Using the Maintenance Card with KB11-B,C – Section II, Chapter 1 of the KB11-C and KB11-B Processor Manuals explains how to use the processor flow diagrams; an instruction example is also provided to familiarize the reader with the sequence of machine states used to execute a typical instruction. The same compare instruction example is used to demonstrate how to use the maintenance card for test purposes. Section II, Chapter 4 of the KB11-C and KB11-B Processor Manuals describes the maintenance board control logic on the M8139 module (TIG). Section III of the same manual explains the console logic in detail.

Deposit Test Intruction – Set the Address Display Select switch to CONS PHY, load address 1000, and deposit the following:

Address	Data	Comments
1000	022767	Compare instruction
1002	000015	Source operand immediate
1004	000100	Destination operand indexed
.		
.		
1106	000000	Word = 0

μ PB Stop Mode

1. Set up the PB for a PB STOP at IRD.00 (CPU ADRS 343).
2. Load address 1000(8).
3. Set maintenance card switches S1 and S2 for PB STOP mode. (S1=1, S2=0)
4. Set ENABLE/HALT to ENABL and press START.

The processor stops at Ird.00 (343), in T2. The table below shows normal console indications as a result of these events.

Console Display	Contents (octal)
ADDRESS: CON PHYS	1002
DATA: DATA PATHS	1002
BUS REGISTER	022767
μADRS FPP/CPU	343*
PAUSE	

Maintenance card indicator T2 lights.

*In Low order byte.

Single ROM Cycle Mode – This setup causes the processor to execute one ROM cycle of the test instruction and stop in timestate 2 each time MAINT STPR switch S4 is toggled.

1. Set Maintenance Card switches S1 and S2 for single ROM Cycle mode. (S1=0, S2=1).
2. Press Maintenance Card MAINT STPR switch S4 or CONT switch on the console.

The table below lists normal ADDRESS and DATA displays resulting from each ROM cycle execution, starting with IRD.00, T2 of the example test instruction.

ROM μstate	Console Display			
	μADRS CPU	Data Path	Bus Register	Address CON PHYS
IRD.00	343	1002	022767	1002
S13.00	021	1004	022767	1002 (BUST)**
S13.10	027	1004	022767	1002 (CNTL OK)**
D67.80	117	15	15	1004 (BUST)**
D67.00	006	1006	15	1004 (CNTL OK)**
D67.10	251	1106	100	1004
D10.30	122	15	100	1106 (BUST)**
D10.60	177	15	15	1106 (CNTL OK)**
TST.10	033	177762*	0	1006

*1's complement of 15(8).

**Maintenance Module Indicators

SING TP MODE – This procedure allows the maintenance card user to step through microstates of the test instructions example in the SING TP mode.

1. Set S1 and S2 to.
2. Set ENABL/HALT to HALT and press START.
3. Load the example instruction address 1000.
4. Set Maintenance Card switches S1 and S2 to μPB STOP mode. (S1=1, S2=1).
5. Set ENABL/HALT to ENABL and press START.

When the processor stops at T2 of FET.10 (CPU μ ADRS 260), set S1 and S2 to select SING TP mode. Then press MAINT STPR switch S4 twice to step through each time state.

NOTE

The T1 through T5 indicators on the Maintenance module are driven by the T1-T5 flip-flops on TIGA. Thus, a time pulse is only asserted when both its associated indicator and the TP H indicator are on.

5.4 PDP-11/70 DIAGNOSTICS

The principal PDP-11/70 diagnostic programs are briefly described in this paragraph.

NOTE

1. During an installation, the stand alone diagnostics described in Paragraphs 5.4.2-5.4.5 and 5.4.8 and 5.4.9 should all be run immediately after loading XXDP (Figure 3-9).
2. During a service call in which the failure is not obvious, the Subsystem Diagnostic (Paragraph 5.4.7) should be run; this program will then point to the stand-alone diagnostic(s) related to the area of the system that is failing (Figure 5-1).

5.4.1 PDP-11/70 XXDP

XXDP is a catch-all name for a group of binary packages available for loading devices listed in Figure 3-9.

All XXDP packages require a console device (teletype, LA36, VT05), and one of the diagnostic package media.

The above requirements are for loading and running diagnostic programs already stored in one of the diagnostic package media. They are also sufficient for implementing permanent patches on programs when required.

The XXDP monitor is loaded via the M9301-YC bootstrap module.

Complete documentation is contained in the XXDP user manual, MAINDEC-11-DZQXA. A programming card, MAINDEC-11-DZZPA is also available.

Disclaimers – The XXDP packages have been designed for diagnostic purposes only. The software used is not intended to be compatible with any other PDP-11 family software, any non-diagnostic uses of the software, or uses of the software in other than the manner described in the XXDP user manual are not supported.

The XXDP packages are binary packages only. They provide the PDP-11 family diagnostic programs in the various media described. Documentation for each of the programs stored in a XXDP package must be obtained separately. However, said documentation must be obtained at the same time as the package, in order to ensure that the documents and the programs match.

Contents of an XXDP Package – The basic parts of an XXDP package are:

1. A control program referred to as the *monitor*. The monitor provides the means to load programs under keyboard control, to obtain a directory of contents of the XXDP medium (DECtape, Magtape, etc.), to duplicate the medium, and to make up Chains of programs to be run sequentially under Chain mode.
2. XXDP Update Program 1. This 4K program provides the means for modifying and updating the programs in the XXDP package. It is intended for use in 8K systems.
3. XXDP Update Program 2. A 6K program that provides a more comprehensive set of commands that provide more convenience and ease of updating the XXDP package.
4. The PDP-11 Family Diagnostic programs themselves, including DEC/X11 exerciser (Paragraph 5.4.6).

5.4.2 PDP-11/70 Stand Alone CPU Diagnostics

5.4.2.1 DEKBA and DEKBB (CPU Diagnostics parts 1 and 2) – DEKBA/B are programs designed to detect and report logic faults in the PDP-11/70 Central Processing Unit. They consists of 210(8) individual tests carefully designed and sequenced to detect and attempt to identify logic faults at a minimum hardware/software level. These tests are partitioned into two stand alone programs as described below.

1. **Basic Instruction Test**

DEKBA consists of a logically sequenced set of instruction tests designed to verify the integrity of those instructions and logic operations used by the utility routines that provide error reporting and scope looping facilities for DEKBB.

Any fault detected in this program causes the program to HALT with the console address lights indicating the error program counter and the console data lights showing the test number (for tests 24 and above). Additional fault identification information is available in the program annotation for the failing test.

If the program halts at location 6 or 12 (address lights of 10 or 14), the program annotation for the indicated test number should give a clue to the problem. To loop on the error, the halt must be replaced by the octal code shown in the comment field of the HALT and the program restarted at 200, or the start address of that particular test.

2. **Advanced Instruction and Miscellaneous Logic Test**

DEKBB consists of a logically sequenced set of instruction tests followed by a set of miscellaneous logic tests. The instruction tests complete the test of the PDP-11/70 instruction repertoire. The logic tests verify such things as:

- a. The internal registers
- b. Register set 1
- c. Internal interrupts
- d. Bus request levels 4, 5, and 6
- e. Internal traps and aborts
- f. Other mode selection
- g. External traps and aborts

Each test in this program calls a SCOPE LOOP utility that makes user control of test selection and execution via the console Switch register easier.

Upon detection of a logic fault, each test in this section calls an ERROR SERVICE that reports it as hard copy on the console terminal device. The error service routine also facilitates user control of the program sequence via console Switch register options. After reporting the error, the program continues on its normal sequence unless modified by the user activating the HALT ON ERROR switch option.

3. Important Note

The program annotation in DEKBA and the typed error reports in DEKBB are based upon the knowledge that all previous tests were faultless and that there is only one single point failure in the processor. This means that if either program, or the programs themselves, are not run in sequence, the error message may not be valid.

Although each error annotation and typed message conclusion has been proven by physical fault insertion (one signal stuck low), it is humanly impossible to guarantee that error report is 100% correct. The sole function of the error report is to direct the user to the most probable area of failure.

5.4.2.2 DEKBC and DEKBD (Cache diagnostic parts 1 and 2) – The programs, DEKBC and DEKBD, are intended to be used as aids for the repair and maintenance of the cache memory system in the PDP-11/70 computing system. The aim is to detect and report failing components of the cache unit. The failures are typically identified with a failing circuit when the report is made, but the overall diagnostic philosophy has been to locate the failing module (hex board) of which there are four in the cache unit. Note that when a failure is reported and the associated circuit identified, that circuit should not be taken in blind faith as the defective component; the identified component should rather be taken as the probable cause of the failure. There are four modules (hex boards) in the cache unit:

CCB Cache Control Board
CDP Cache Data Paths Board
ADM Cache Address Memory Board
DTM Cache Data Memory Board

The program DEKBC is designed to test the first two of these boards; the program DEKBD is designed to test the last two boards. Note that though the testing has been divided into two stand alone programs, each associated with two modules, it should not be assumed that a particular module is working after having run only one of the programs. Both programs should be run. For example, just running DEKBC without error does not rule out a faulty component on the CCB (Cache Control) board. To put it more simple, the testing has been divided into programs only because of the restrictions of core size, and not to provide a means of testing two of the boards with one program and the other two boards with a second program.

NOTE

DEKBD is designed to run after DEKBC. If this hierarchy is not heeded, that is, if DEKBD is run before DEKBC, then the error reporting from DEKBD cannot be strictly interpreted.

5.4.2.3 DEKBE (Memory Management Diagnostic) – This program will test all of the memory management logic and enable the field service representative to isolate the detected failures to a replaceable module. It is assumed that both the CPU and the cache have been tested, or are known to be functioning correctly, and that the program is started from address 200. This will provide the earliest detection of memory management related errors and enable looping on the error involving minimum logic. This program may also expose faults that are on the interface between Memory Management and other sections of the computer.

This program has been segmented in the following way: All data tables, error messages, and subroutines reside in low core (virtual pages 0 and 1 i.e., addresses 001100 through 037776). Right now the end of the subroutines is around 025000, so there is some room for future expansion. The test code starts at virtual page 2 (address 040000) and expands toward page 4 (address 100000). The end of the program is now around address 074000, so modifications can be made without resegmenting the program.

This program has been segmented in the following way: All data tables, error messages, and subroutines reside in low core (virtual pages 0 and 1 i.e., addresses 001100 through 037776). Right now the end of the subroutines is around 025000, so there is some room for future expansion. The test code starts at virtual page 2 (address 040000) and expands toward page 4 (address 100000). The end of the program is now around address 074000, so modifications can be made without resegmenting the program.

The reason for this segmentation is two-fold. First it enables the operator to tell from the address lights exactly where the program has halted or hung-up. That is, did it halt in the error routine or in a trap routine because of a condition impossible to recover from (on page 0 or 1), or did it get hung-up in the test code on page 2 or 3. The other reason is that certain memory management functions lock up the virtual PC of the instruction and the program, and in order to operate properly, one must know where it is at all times. It seems much simpler for the code to start at a predetermined boundary so that if the messages change or a new subroutine is added, the page that the code is on will remain the same.

Each test will set the loop on error pointer (\$LPERR) to the minimum necessary setup code, if any, for the function under test. A synchronization instruction (NOP) is provided before the instruction(s) that test(s) each new function. This will enable the field service representative to utilize the Micro Break register to generate an External Sync pulse on the backplane for better pulse resolution.

It should be noted that this program does not check out the console or the console cables that plug into the memory management boards. The program assumes that those components have been tested or are known to be good.

5.4.2.4 DEKBF (Unibus Map Diagnostic) – This program is designed to be run on a PDP-11/70 on which the CPU, cache, and memory management diagnostic programs have been run. The program will detect all errors that originate with the Unibus Map and provide looping capabilities so that the field service engineer can verify the failures. There may be some cases, such as the Cache register data path, and cache memory data path, where interaction between modules prohibits close isolation, but the failing function will be called out so the field service engineer can complete the isolation process.

If the program catches an error in an early test and is allowed to continue running through the later tests, the error indications from those later tests may be invalid. This is due to the structure of the program, which assumes that all areas tested prior to the current test are functioning properly.

The error type-outs will be in table format, with a message indicating the class of error, a header identifying each column, and a report of all pertinent data. When the test can produce more than one error condition, a summary of errors will be given at the end of that test consisting of: The logical AND and OR of the data previously reported, and the number of errors in this test.

The program loads 044 into the Micro Break register (17 777 770) so that a sync pulse is generated on pin A10E1 and F13K2 every time a NOP is executed. This should help to isolate the exact timing of bad or missing signals. Refer to Paragraph 5.3.2.8.

5.4.2.5 DEKBG (Power-Fail Test) – This program is made up of 16 subtests to check out the power fail on the PDP-11/70. The 2 ms power down and power up time is checked on each power fail. Initially, power fails are tried in all processor modes, then error conditions like Red Zone, Yellow Zone, Timeout, and Odd Address are tried in all the processor modes. Finally, a power fail is done with memory management aborts occurring and a memory volatility test is run on all available memory.

5.4.2.6 DEQKC (11/70 Instruction Exerciser) – This Diagnostic Program is designed to be a comprehensive check of the PDP-11/70 processor. The program executes each instruction in all address modes and includes tests for traps and the Teletype® interrupt sequence. The program relocates the test code throughout memory 0–512K. If selected, the program may be relocated by any of the available disks.

5.4.2.7 DEMJA (PDP-11/70 Memory Test) – Program DEMJA tests contiguous memory address from 000000 to 17757776. It verifies that each address is unique (an address test) and that each memory location can be read/written reliably (worst case noise tests). This program may be used to adjust/margin memory.

5.4.2.8 CEMKAA (PDP-11/70 Memory Diagnostic) – This program tests both MK11 memory systems and mixed memory systems containing both MJ11 (core) memory and MK11 (MOS) memory frames. Configuration maps and error printouts isolate memory faults to the board level. A field service mode allows test operations to be run directly from a terminal.

5.4.3 RWP04 Diagnostics

DERHA	RH70 Controller Diagnostic
DERPK	Read/Write and Mechanical
DERPL	Formatter program
DERPM	Head Alignment Verification
DERPN	Multidrive Exerciser
DERPS	Diskless Controller Test (Part 1), Static 1
DERPT	Diskless Controller Test (Part 2), Static 1
DERPU	Functional Controller Test (Part 1), Static 2
DERPV	Functional Controller Test (Part 2), Static 2

Refer to appropriate MAINDEC documentation.

*Teletype is a registered trademark of Teletype Corporation, Skokie, Illinois.

5.4.4 RWS03 or RWS04 Diagnostics

DERHA	RH70 Controller Diagnostic
DERSA	Basic Function Test
DERSB	Data Reliability
DERSC	Diskless (RS03)
DERSD	Diskless (RS04)

Refer to appropriate MAINDEC documentation.

5.4.5 TU16 Diagnostics

DERHA	RH70 Controller Diagnostic
DZTUA	Data Reliability
DZTUB	Basic Function Diagnostic
DZTUC	TM02/TU16 Control Logic Test
DZTUD	TM02 Drive Function Timer
DZTUE	TU16 Utility Driver

Refer to appropriate MAINDEC documentation.

5.4.6 PDP-11/70 DEC/X11

DEC/X11 is a comprehensive, easy to use software system that provides the user with the means to generate, run, control, and update interactive hardware system exerciser programs for PDP-11/70 systems.

Because of the dependency of the DEC/X11 software on the XXDP diagnostic package software, the user is urged to become thoroughly familiar with the uses of the XXDP packages. Refer to *XXDP User Manual*, MAINDEC-11-DZQXA.

DEC/X11 is documented in the *DEC/X11 User's Documentation and Reference Guide*, MAINDEC-11-DXQBA. A programming card, MAINDEC-11-DZZPA is also available.

5.4.7 PDP-11/70 Subsystem Diagnostic

The objectives of the PDP-11/70 subsystem diagnostics are:

1. To check the complete CPU cluster of the PDP-11/70 system. This cluster includes: CPU, cache, memory management, Unibus Map, and all of main memory, and will also ensure that the Unibus and Massbus are capable of performing data transfers.
2. To find subsystem problems *within the CPU cluster* and, through error analysis, attempt to isolate these problems to the failing subsystem.
3. To allow quick verification of a questionable system or to ensure the integrity of a newly-repaired system.

This program is intended:

1. To allow the Field Service Engineer to logically attack a problem on a system's level.
2. To allow rapid isolation of a problem in order to minimize MTTR (Mean Time To Repair).
3. To allow quick verification of a questionable system or to ensure the integrity of a newly repaired system.

The operator selects elements that are run under the PDP-11/70 system diagnostic, which in turn is a module run under the DEC/X11 monitor. Errors occurring in the CPU cluster are analyzed. The results of this analysis, if errors are relatively concrete, will be isolation to some subsystem. Unibus and Massbus device transfers are attempted and any errors are reported. Errors are also logged and analyzed in an attempt to provide further isolation through the use of the stand alone diagnostics.

This program assumes that the diagnostic boot ROM (M9301-YC) has run successfully and that a successful load has occurred via the XXDP device.

The subsystem diagnostic programs are fully documented in MAINDEC-11-DTUMA.

5.4.8 DZKWA (Line Clock Test)

This program tests the KW11L line frequency clock. It validates proper operation under both Interrupt and Non-interrupt modes. It requires the operator to monitor its operation with a clock capable of measuring time in seconds.

5.4.9 DZKLA (TTY or DECwriter Test)

This MAINDEC consists of a package of test programs designed to test an ASR33, KSR33, ASR35, or KSR35 teletype when attached to a PDP-11 system through a KL11 or DL11A teletype control. All tests are included in a single object tape.

NOTE

The following programming format is illegal and is not used in this program: message, filler, filler, reset, and another message immediately.

The available test programs are listed here in numerical order:

PRG0	Combined Input-Output Logic Tests
PRG1	Reader Test
PRG2	Printer Test
PRG3	Punch Test
PRG4	Keyboard Test
PRG5	Combined Reader-Punch-Printer Test
PRG6	Reader Exerciser-Special Binary Count Pattern
PRG7	Printer Exerciser
PRG10	Special Binary Count Pattern Tape Generator
PRG11	Punch Clock Adjustment Routine
PRG12	Reader Clock Adjustment Routine
PRG13	Maintenance Mode Single Character Data Test
PRG14	Maintenance Mode Special Binary Count Pattern Test

Programs PRG0 through PRG5 are the actual teletype tests.

Programs PRG6 through PRG14 are utility and maintenance routines.

5.4.10 Maintenance Program Generator (MPG)

MPG (MAINDEC-11-DTUMA) is a compiler that uses english language statements. It provides hardware oriented technical personnel with the ability to easily generate and execute programs on the PDP-11 series of computers. While these programs may be written to perform any type of task, the major applications expected are programs that aid in the maintenance and repair of peripheral devices.

The XXDP Update Program 2 (UPD2 - MAINDEC - 11-ZQUB) is used for certain MPG media maintenance and creation functions. In addition, MPG uses the XXDP media and therefore is preceded by execution of the applicable XXDP Monitor.

Related Documents – For details concerning the operation of the XXDP monitor and the UPD2 program, refer to the XXDP User's Manual (MAINDEC-11-DZQXA).

A catalog of selected MPG User programs will be provided in the MPG User Program Manual (MAINDEC-11-DTUPA). These will be programs developed by MPG factory and field users.

5.4.11 M9301-YC and DEKBH

This paragraph contains both a listing of DEKBH, the ROM program contained on the M9301-YC, and a brief description of the interaction between DEKBH and the logic on the M9301.

The operation of the bootstrap module is described in Paragraph 3.4.2.

M9301/DEKBH Interaction – Refer to schematic D-CS-M9301-0-1 and to the DEKBH listing, which is reproduced at the end of Chapter 5.

The M9301 is a Unibus device which responds to addresses 17 765 000 – 17 765 776 and 17 773 000 – 17 773 776. The starting address is loaded (17 765 000) and, when START is pressed on the K11-B console, this address is decoded by the logic on sheet 3 of the schematic. When MSYN is received, ENAB DATA and 765XXX L are asserted, and the first ROM word is read by the processor; this is the first instruction of DEKBH.

Instructions are read from the ROM and executed in the following order (refer to DEKBH listing in Chapter 5):

1. 17 765 000 – 17 765 776 (diagnostic)
2. 17 773 606 – 17 773 776 (diagnostic)
3. 17 773 000 – 17 773 604 (bootstrap)

Location 17 765 772 contains a JMP to 17 773 606 at which time 773XX L is asserted. Location 17 773 774 contains a JMP to 17 773 000. 773XXX L also asserts ENAB DATA and allows the bootstrap portion of DEKBH to be executed.

If the diagnostic portion of the program finds an error, the program halts. Refer to Chapter 5 for an explanation of the use of the diagnostic.

Default Device and Drive – Refer to line numbers 716–724 of the DEKBH listing and to the lower right of sheet 4 of the schematic.

1. Line 715 moves the low order byte of the Switch register to R0. If R0 is not equal to 0, the program branches to 1\$ (line 724), where R0 is moved to R4 and then decoded into device and drive parameters.
2. If R0 is equal to 0, the program does not branch (line 717), but moves the contents of the updated PC (17 773 024) to R0, then increments the PC and executes the next instruction, ASR R0, (line 723), which shifts the contents of location 17 773 024 right one bit. This location reflects the setting of S1–3 through S1–10 on the M9301-YC.

ENAB JUMP L is asserted when bits (08:01) of the Unibus address lines equal 024 octal, and the high order Unibus address is not 765 octal. If the program calls for 17 773 024 (step 2 above), 773XXX L is asserted, as is ENAB DATA L; the ROM data word [ROM D(15:01) L] at location 17 773 024 is 0. The 7402s on sheet 4 of the schematic are all asserted (outputs high); they enable the 8881 Unibus drivers for BUS D(08:01).

1. If any of the switches S1-3 through S1-10 are *OPEN* (off), the Unibus driver to which it is the input, is then asserted (low=1).
2. If any of the switches S1-3 through S1-10 are *CLOSED* (on), the Unibus driver to which it is the input, is not asserted (high=0) since ENAB JUMP L is asserted (low) and disables the Unibus driver.
3. The data from the switches is output on BUS D(08:01) L. This is the reason for the ASR on line 723 of DEKBH.

NOTE

The preceding logic description corresponds to Rev F of the M9301. Rev E logic is slightly different, but overall operation is identical. Note also that the DEKBH program is the same in both revisions, but the ROMs are different. Check the revision before ordering spares.

5.4.12 M9301-YH and 60BOOT

The ROM program contained on the M9301-YH is called 60BOOT. For the M9301-YH, consult the bootstrap and diagnostic listing, 60BOOT LST. A current listing of 60BOOT is included in the documentation package supplied with the processor.

5.4.13 M9312 and DIAROM

The M9312 Bootstrap and Terminator Module contains the diagnostic ROM program DIAROM. For the M9312, consult Section II of the listing, DIAROM LST. A current listing of this diagnostic program is supplied with the documentation package shipped with the processor. Program listings for the bootstrap ROMs are supplied with the individual ROMs


```

183 165848 102803          BVC 18          : V 321 BRANCH IF V=0
184 165842 103802          BHI 18          : V 321 BRANCH IF C=0
185 165844 101801          BHI 18          : V 321 BRANCH IF C AND Z ARE BOTH 0
186 165846 021801          BNE T8T5       : = 320 BRANCH IF Z=0
187 165850 020803          HALT
188
189
190
191
192
193
194
195
196
197
198
199
200
201 165852
202 165852 000204          T8T5:
203 165854 101803          SET 18          : IN=0,Z=1,V=1,C=1
204 165856 000270          SEN 18          : V 321 BRANCH IF Z AND C ARE BOTH 0
205 165860 002401          BLT 18          : IN=1,Z=1,V=1,C=1
206 165862 101401          BLS T8T4       : V 324 BRANCH IF (N XOR V)=1
207 165864 000000          HALT           : = 325 BRANCH IF Z OR C=1
208
209
210
211
212
213
214
215
216
217
218
219
220
221 165866
222 165866 000244          T8T6:
223 165870 003401          CLZ 18          : IN=1,Z=0,V=1,C=1
224 165872 003901          BLE 18          : V 324 BRANCH IF (Z OR (N XOR V))=1
225 165874 000000          BGT T8T7       : = 320 BRANCH IF Z AND (N XOR V) ARE BOTH 0
226
227
228
229
230
231
232
233
234
235
236
237
238
239
240
241 165876
242 165876 012704 125252          T8T7:
243 165882 010600          MOV 4125252,SP  : IN=1,Z=0,V=0,C=1,SP=125252
244 165884 010801          MOV SP,R0       : IN=1,Z=0,V=0,C=1,R0=125252
245 165886 010102          MOV R0,R1       : IN=1,Z=0,V=0,C=1,R1=125252
246 165888 010203          MOV R1,R2       : IN=1,Z=0,V=0,C=1,R2=125252
247 165890 010304          MOV R2,R3       : IN=1,Z=0,V=0,C=1,R3=125252
248 165892 010405          MOV R3,R4       : IN=1,Z=0,V=0,C=1,R4=125252
249 165894 010503          MOV R4,R5       : IN=1,Z=0,V=0,C=1,R5=125252
250 165896 170200          MOV R0,(PC)+   : IN=1,Z=0,V=0,C=1
251 165898 167701          INOMAP: WORD MAPL0 : MAPL0=125252
252 165898 012401          SUB @INOMAP,R1  : IN=0,Z=1,V=0,C=0, AND R1=000000
253 165898 011401          BLT 18          : V 324 BRANCH IF (N XOR V)=1
254 165898 070800          BEQ T8T10      : = 326 BRANCH IF Z=1
255
256
257
258
259
260
261
262
263
264
265
266
267
268
269
270 165898
271 165898 070167 003040          T8T10:
272 165898 103801          ROL MAPL0       : IN=0,Z=0,V=1,C=1, AND MAPL0 = 052524
273 165898 072401          BFC 18          : V 321 BRANCH IF C=0
274 165898 000000          BLT T8T11      : = 326 BRANCH IF (N XOR V)=1
275
276
277
278
279
280
281
282
283
284
285
286
287
288
289
290 165898          T8T11:
291 165898

```

```

291
292 169146 066703 013026 ADD MAPL0,R3 ;MAPL00 = 092524 + (R3 = 129292)
293 169192 025203 INC R3 ;N=1,Z=0,V=0,C=0, AND R3=17777
294 169194 035103 COM R3 ;N=1,Z=0,V=0,C=0, AND R3=17777
295 169196 060301 ADD R3,R1 ;N=0,Z=1,V=0,C=1, AND R3 = 000000
296 169160 103401 BCS 15 ;N=0,Z=1,V=0,C=0, AND R1 = 000000
297 169162 003401 BCC 15 ; V 324 BRANCH IF C=1
298 169164 070000 HALT ; * 326 BRANCH IF (Z OR (N XOR V))=1
299
300
301 ;*****
302 ;.SBTTL TEST12 TEST "ROR", "BIS", "ADD", AND "BLO", "BGE"
303 ;*
304 ;* WHEN THIS TEST IS ENTERED THE CONDITION CODES ARE:
305 ;* N = 0, Z = 1, V = 0, AND C = 0.
306 ;* THE REGISTERS ARE: R0 = 129292, R1 = 000000, R2 = 129292
307 ;* R3 = 000000, R4 = 129292, R5 = 129292, SP = 129292.
308 ;* UPON COMPLETION OF THIS TEST THE CONDITION CODES ARE:
309 ;* N = 0, Z = 1, V = 0, AND C = 0.
310 ;* THE REGISTERS ARE LEFT UNCHANGED EXCEPT FOR
311 ;* R3 WHICH SHOULD BE MODIFIED BACK TO 000000, AND
312 ;* R4 WHICH SHOULD NOW EQUAL 092524
313 ;*
314 ;*****
315 ;.ST121
316 ROR R4 ;N=0,Z=0,V=1,C=0, AND R4 = 052925
317 BIS R4,R3 ;N=0,Z=0,V=0,C=0, AND R3 = 052925
318 ADD R3,R3 ;N=1,Z=0,V=0,C=0, AND R3 = 177777
319 INC R3 ;N=0,Z=1,V=0,C=0, AND R3 = 000000
320 BLO 15 ; V 324 BRANCH IF C=1
321 BGE TEST13 ; * 328 BRANCH IF (N XOR V)=0
322
323 ;*****
324 ;.SBTTL TEST13 TEST "DEC", AND "BLOS", "BLT"
325 ;*
326 ;* WHEN THIS TEST IS ENTERED THE CONDITION CODES ARE:
327 ;* N = 0, Z = 1, V = 0, AND C = 0.
328 ;* THE REGISTERS ARE: R0 = 129292, R1 = 000000, R2 = 129292
329 ;* R3 = 000000, R4 = 092929, R5 = 129292, SP = 129292.
330 ;* UPON COMPLETION OF THIS TEST THE CONDITION CODES ARE:
331 ;* N = 1, Z = 0, V = 0, AND C = 0.
332 ;* THE REGISTERS ARE LEFT UNCHANGED EXCEPT FOR
333 ;* R1 WHICH SHOULD NOW EQUAL 177777
334 ;*
335 ;*****
336 ;.TEST131
337 DEC R1 ;N=1,Z=0,V=0,C=0,R1=177777
338 BLOS 15 ; V 324 BRANCH IF (Z OR C)=1
339 BLT TEST14 ; * 326 BRANCH IF (N XOR V)=1
340 HALT
341
342 ;*****
343 ;.SBTTL TEST14 TEST "COM", "BIC", AND "BGT", "BGE", "BLE"
344 ;*
345 ;* WHEN THIS TEST IS ENTERED THE CONDITION CODES ARE:
346 ;* N = 1, Z = 0, V = 0, AND C = 0.
347 ;* THE REGISTERS ARE: R0 = 129292, R1 = 177777, R2 = 129292
348 ;* R3 = 000000, R4 = 092929, R5 = 129292, SP = 129292.
349 ;* UPON COMPLETION OF THIS TEST THE CONDITION CODES ARE:
350 ;* N = 0, Z = 0, V = 1, AND C = 1.
351 ;* THE REGISTERS ARE LEFT UNCHANGED EXCEPT FOR
352 ;* R0 WHICH SHOULD NOW EQUAL 092929, AND
353 ;* R1 WHICH SHOULD NOW EQUAL 092924
354 ;*
355 ;*****
356 ;.TEST141
357 COM R0 ;N=0,Z=0,V=0,C=1, AND R0 = 092929
358 BLOS 20 ; * 325 BRANCH IF (Z OR C)=1
359 HALT ;STOP HERE IF BRANCH FAILED
360 BIC R0,R1 ;N=1,Z=0,V=0,C=1, AND R1 = 129292
361 ADD R1,R1 ;N=0,Z=0,V=0,C=1, AND R1 = 092924
362 BGT 15 ; V 322 BRANCH IF Z AND (N XOR V) ARE BOTH 0
363 BGE 15 ; V 322 BRANCH IF (N XOR V)=0
364 BLE TEST15 ; * 326 BRANCH IF (Z OR (N XOR V))=1
365 HALT
366
367 ;*****
368 ;.SBTTL TEST15 TEST "ADC", "CMP", "BIT", AND "BNE", "BBI", "BEG"
369 ;*
370 ;* WHEN THIS TEST IS ENTERED THE CONDITION CODES ARE:
371 ;* N = 0, Z = 0, V = 1, AND C = 1.
372 ;* THE REGISTERS ARE: R0 = 092929, R1 = 092524, R2 = 129292
373 ;* R3 = 000000, R4 = 092929, R5 = 129292, SP = 129292.
374 ;* UPON COMPLETION OF THIS TEST THE CONDITION CODES ARE:
375 ;* N = 0, Z = 1, V = 0, AND C = 0.
376 ;* THE REGISTERS ARE NOW:
377 ;* R0 = 092525, R1 = 000000, R2 = 129292, R3 = 000000
378 ;* R4 = 092925, R5 = 092925, SP = 129292.
379 ;*
380 ;*****
381 ;.TEST151
382 ADC R1 ;N=0,Z=0,V=0,C=0, AND R1 = 092925
383 CMP R4,R1 ;N=0,Z=1,V=0,C=0
384 BNE 15 ; V 322 BRANCH IF Z=0
385 ;R1 = 092925 R5 = 129292
386 BIT R1,R5 ;N=0,Z=1,V=0,C=0
387 BGT 15 ; V 322 BRANCH IF Z AND (N XOR V) ARE BOTH 0
388 COM R0 ;N=0,Z=0,V=0,C=1, AND R0 = 092925
389 SUB R5,R1 ;N=0,Z=1,V=0,C=0, AND R1 = 000000
390 BEQ TEST16 ; * 326 BRANCH IF Z=1
391 HALT
392
393 ;*****
394 ;.SBTTL TEST16 TEST "MOV", "SOB", "CLR", "TST", AND "BPL", "BNE"
395 ;*
396 ;* WHEN THIS TEST IS ENTERED THE CONDITION CODES ARE:
397 ;* N = 0, Z = 1, V = 0, AND C = 0.
398 ;* THE REGISTERS ARE: R0 = 092929, R1 = 000000, R2 = 129292

```

```

399
400
401
402
403
404
405
406 169260
407 169260 112700 177481
408 169264 170001
409 169266 000000
410 169270 077002
411 169272 009001
412 169274 005201
413 169276 077002
414 169300 009700
415 169302 001802
416 169304 009701
417 169306 001401
418 169310 000000
419
420
421
422
423
424
425
426
427
428
429
430
431
432
433
434
435 169312
436 169312 112700 100000
437 169316 079201
438 169320 012702 130620
439 169324 000200
440 169326 009700
441 169330 000301
442 169332 029901
443 169334 077200
444
445
446 169336 000001
447 169340 073401
448 169342 000001
449 169344 000000
450
451
452
453
454
455
456
457
458
459
460
461
462
463
464 169346
465 169346 072127 000007
466
467 169352 109701
468
469 169354 100401
470 169356 000000
471 169360 000301
472
473 169362 072127 177761
474
475 169364 009201
476 169370 001401
477 169372 000000
478
479
480
481
482
483
484
485
486
487
488
489
490
491
492
493
494 169374
495 169374 112700 172340
496 169400 112701 000020
497 169404 075140
498 169406 110420
499 169410 020400 177776
500 169414 001014
501 169416 109140
502 169420 120510
503 169422 101011
504 169424 120440
505 169426 071007
506 169430 120510

; R3 = 000000, R4 = 052525, R5 = 052525, SP = 125252.
; UPON COMPLETION OF THIS TEST THE CONDITION CODES ARE:
; N = 0, Z = 1, V = 0, AND C = 0.
; R0 IS DECREMENTED BY A 300 INSTRUCTION TO 000000
; R1 IS CLEARED AND THEN INCREMENTED AROUND TO 000000
;
;*****
;TEST16:
MOV    0177401,R0    ;N=0,Z=0,V=0,C=0, AND R0 = 000001
BPL    00                ; = 320 BRANCH IF N=0
HALT   00                ;STOP IF "BPL" FAILED
;
;15:
MOV    R0,R1          ;ADD NOT LOOP SINCE (R0 - 1) = 0
CLR    R1              ;N=0, Z=1, V=0, C=0, AND R1 = 000000
;
;30:
INC    R1              ;INCREMENT 04K TIMES (2 ** 10)
MOV    R0,R1          ;LOOP BACK TO "INC" 04K TIMES
TST    R0              ;N=0,Z=1,V=0,C=0, AND R0 = 000000
BNC    40              ; V 320 BRANCH IF Z=0
TST    R1              ;N=0,Z=1,V=0,C=0, AND R1 = 000000
BEQ    40              ; = 320 BRANCH IF Z=1
HALT   40
;
;*****
;BTTL TEST17 TEST "ASL", "ASL"
;
; WHEN THIS TEST IS ENTERED THE CONDITION CODES ARE:
; N = 0, Z = 1, V = 0, AND C = 0.
; THE REGISTERS ARE: R0 = 125252, R1 = 000000, R2 = 125252
; R3 = 000000, R4 = 052525, R5 = 052525, SP = 125252.
; UPON COMPLETION OF THIS TEST THE CONDITION CODES ARE:
; N = 0, Z = 0, V = 0, AND C = 0.
; THE REGISTERS ARE LEFT UNCHANGED EXCEPT FOR
; R0 WHICH IS NOW EQUAL TO 000000,
; R1 WHICH IS NOW 000001, AND
; R2 WHICH IS NOW 000000.
;
;*****
;TEST17:
MOV    0100000,R0    ;R0=100000
JRC    R1              ;R1=000000
MOV    01010,R2       ;SET COUNTER TO 10 DECIMAL
;
;15:
ASR    R0              ;RIGHT SHIFT R0, SIGN EXTEND (10 TIMES)
ADC    R0              ;ADD CARRY (0 UNTIL LAST TIME)
ASL    R1              ;LEFT SHIFT R1 (10 TIMES)
ADD    R1              ;ADD CARRY (0 UNTIL LAST TIME)
SOB    R2,R1          ;LOOP BACK 10 DECIMAL TIMES
; AT THE END OF THE LOOP
; R0 = 000000 AND R1 = 000001
; N=0,Z=0,V=0,C=0 R2=000001, R3=000000
; V 320 BRANCH IF (Z OR (N XOR V))=1
; = 320 BRANCH IF Z AND (N XOR V) ARE BOTH 1
;
;25:
ADD    R0,R1
BLC    20
BCY    20
HALT   20
;
;*****
;BTTL TEST20 TEST ASH, AND SWAB
;
; WHEN THIS TEST IS ENTERED THE CONDITION CODES ARE:
; N = 0, Z = 0, V = 0, AND C = 0.
; THE REGISTERS ARE: R0 = 000000, R1 = 000001, R2 = 000000
; R3 = 000000, R4 = 052525, R5 = 052525, SP = 125252.
; UPON COMPLETION OF THIS TEST THE CONDITION CODES ARE:
; N = 0, Z = 1, V = 0, AND C = 1.
; THE REGISTERS ARE LEFT UNCHANGED EXCEPT FOR
; R1 WHICH SHOULD NOW EQUAL 000000
;
;*****
;TEST20:
ASH    07,R1          ;LEFT SHIFT 0101 INTO BIT7
;N=0,Z=0,V=0,C=0, AND R1 = 000200
;LOWER BYTE SHOULD BE NEGATIVE
;N=1,Z=0,V=0,C=0
; = 320 BRANCH IF N=1
; = 320 BRANCH IF N=1
;
;15:
SWAB  R1              ;"ASH" MUST HAVE FAILED
;SWITCH BYTES OF R1, R1 = 100000
;N=1,Z=0,V=0,C=0
;RIGHT SHIFT R1 15 PLACES SIGN EXTEND
;N=1,Z=0,V=0,C=0, R1 = 177777
;N=0,Z=1,V=0,C=1, R1 = 000000
; = 320 BRANCH IF Z=1
; EITHER "SWAB" OR "ASH" FAILED
;
;*****
;BTTL TEST21 TEST 16 KERNEL P.A.H.'S
;
; WHEN THIS TEST IS ENTERED THE CONDITION CODES ARE:
; N = 0, Z = 1, V = 0, AND C = 1.
; THE REGISTERS ARE: R0 = 000000, R1 = 000000, R2 = 000000
; R3 = 000000, R4 = 052525, R5 = 052525, SP = 125252.
; UPON COMPLETION OF THIS TEST THE CONDITION CODES ARE:
; N = 0, Z = 1, V = 0, AND C = 0.
; THE REGISTERS NOW EQUAL:
; R0 = 172400, R1 = 000000, R2 = 000000, R3 = 000000
; R4 = 052525, R5 = 125252, SP = 125252.
; ALL KERNEL P.A.H.'S = 125252.
;
;*****
;TEST21:
MOV    WKIPAR0,R0    ;FIRST "PAR" TO BE CHECKED
MOV    01010,R1      ;00 KIPAR0 THRU XDPAR7
COH    R0            ;R5=125252
;
;15:
MOV    R0,(R0)+      ;PAR=052525
CMP    R4,-2(R0)     ;010 IF LOAD PROPERLY?
BNC    20            ; V BRANCH IF NO R0 = PAR + 2
COHB  -(R0)          ;COMPLEMENT HIGH BYTE PAR=125125
CMPB  R0,(R0)        ;CHECK THE HIGH BYTE
BNC    20            ; V BRANCH IF BAD R0 = PAR + 1
CMPB  R4,-(R0)       ;CHECK THE LOW BYTE DIDN'T CHANGE
BNC    20            ; V BRANCH IF IT CHANGED R0 = PAR
COHB  (R0)           ;COMPLEMENT THE LOW BYTE PAR=125252

```

```

507 169432 120920      CHPN  R9,(R9)+    :CHECK THE LOW BYTE
508 169434 201004      BNC   25          : V BRANCH IF BAD R9 = PAR + 1
509 169436 120920      CHPN  R9,(R9)+    :CHECK THE HIGH BYTE
510 169440 271002      BNC   25          : V BRANCH IF IT FAILED R9 = PAR + 2
511 169442 077117      BDB   R1,15       :LOOP UNTIL KOPAR7 HAS BEEN TESTED
512 169444 200401      BR    TST22       : V BRANCH TO NEXT TEST
513 169446 230000      HALT                    :A P.A.M. FAILED TO HOLD THE RIGHT DATA
514                                     :CHECK R9 FOR THE ADDRESS
515
516
517
518
519
520
521
522
523
524
525
526
527
528
529
530 169450
531 169450 012700 172320      MOV   #KIPDR7+2,R9    :START WITH LAST "PDR"
532 169454 012701 000010      MOV   #700,R1         :OO KIPDR7 THRU KIPDR6
533 169460 012702 077400      MOV   @077400,R2     :PATTERN TO TEST "PDR" S
534 169464 110240      15:  MOV   R2,-(R0)      :LOAD "PDR" UNDER TEST
535 169466 021002      CMP   (R0),R2        :SEE IF THE DATA LOADED IS CORRECT
536 169470 071401      BEQ   25             :BRANCH IF THE DATA MATCHES
537 169472 220000      HALT                    :A "PDR" HAS FAILED
538                                     :R9 HAS THE ADDRESS OF THE BAD "PDR"
539                                     :R2 HAS THE EXPECTED DATA
540 169474 077105      25:  BDB   R1,15       :LOOP UNTIL ALL EIGHT "PDR" S HAVE BEEN
541                                     :TESTED
542
543
544
545
546
547
548
549
550
551
552
553
554
555 169476
556
557
558 169476 012706 172370      MOV   #KOPAR7,SP     :SET UP THE STACK POINTER
559 169502 074767 030002      JSR   PC,15          :TRY TO JSR TO 15
560 169506 070000      18:  HALT                    :THE "JSR" MUST HAVE FAILED
561 169510 022716 165506      19:  CMP   0100,(SP)     :WAS THE CORRECT ADDRESS PUSHED?
562 169514 071401      BEQ   25             :BRANCH IF YES
563 169516 020000      20:  HALT                    :WRONG THING PUSHED ON STACK
564 169524 020207      MOV   #30,(SP)      :CHANGE THE ADDRESS ON THE STACK
565 169524 200000      RTS   PC             :TRY TO RETURN TO 30
566 169530 030046      21:  HALT                    :DID NOT RETURN PROPERLY
567 169532 012746 165542      CLR   -(SP)         :PUSH A ZERO ON THE STACK
568 169536 000002      MOV   #0,-(SP)     :PUSH THE RETURN ADDRESS ON STACK
569 169540 000000      RTI                    :SEE IF AN "RTI" WORKS
570 169542 000137 165550      49:  HALT                    :THE "RTI" FAILED
571 169546 000000      JMP   #0           :TRY TO "JMP"
572 169550 000000      50:  HALT                    :THE "JMP" FAILED
573                                     :ADDRESS TO "JMP" TO
574
575
576
577
578
579
580
581
582
583
584
585
586
587
588
589
590
591
592
593
594
595 169550
596 169550 013702 177570      MOV   @0500,R2       :READ THE SWITCH REGISTER
597 169554 081002      BNC   100           :SKIP THE NEXT INSTRUCTION IF NOT ZERO
598 169556 013702 173024      MOV   @017302+2,R2  :READ THE SWITCHES ON THE M000
599 169562 072227 177776      ASH   #2,R2         :RIGHT SHIFT BITS <13:12> 2 PLACES
600 169566 042702 141777      BIC   #0030000,R2   :LEAVE ONLY BITS <13:11> IN R2
601 169572 081433      BEQ   TST25        :GO TO NEXT TEST IF R2 IS ZERO NOW
602
603
604
605
606
607
608
609
610
611
612
613
614
615
616
617
618
619
620
621
622
623
624
625
626
627
628
629
630
631
632
633
634
635
636
637
638
639
640
641
642
643
644
645
646
647
648
649
650
651
652
653
654
655
656
657
658
659
660
661
662
663
664
665
666
667
668
669
670
671
672
673
674
675
676
677
678
679
680
681
682
683
684
685
686
687
688
689
690
691
692
693
694
695
696
697
698
699
700
701
702
703
704
705
706
707
708
709
710
711
712
713
714
715
716
717
718
719
720
721
722
723
724
725
726
727
728
729
730
731
732
733
734
735
736
737
738
739
740
741
742
743
744
745
746
747
748
749
750
751
752
753
754
755
756
757
758
759
760
761
762
763
764
765
766
767
768
769
770
771
772
773
774
775
776
777
778
779
780
781
782
783
784
785
786
787
788
789
790
791
792
793
794
795
796
797
798
799
800
801
802
803
804
805
806
807
808
809
810
811
812
813
814
815
816
817
818
819
820
821
822
823
824
825
826
827
828
829
830
831
832
833
834
835
836
837
838
839
840
841
842
843
844
845
846
847
848
849
850
851
852
853
854
855
856
857
858
859
860
861
862
863
864
865
866
867
868
869
870
871
872
873
874
875
876
877
878
879
880
881
882
883
884
885
886
887
888
889
890
891
892
893
894
895
896
897
898
899
900
901
902
903
904
905
906
907
908
909
910
911
912
913
914
915
916
917
918
919
920
921
922
923
924
925
926
927
928
929
930
931
932
933
934
935
936
937
938
939
940
941
942
943
944
945
946
947
948
949
950
951
952
953
954
955
956
957
958
959
960
961
962
963
964
965
966
967
968
969
970
971
972
973
974
975
976
977
978
979
980
981
982
983
984
985
986
987
988
989
990
991
992
993
994
995
996
997
998
999
1000

```

```

615
616 169623 172227 177766 10 ASH R1=010,R2 :RIGHT SHIFT R2 16 PLACES
617 169624 185903 CLR R3 :START WITH R3 = 00000
618 169625 012700 178200 MOV #MAPL0,R0 :ADDRESS OF FIRST MAP REGISTER
619 169632 012701 030007 MOV #07,R1 :PREPARE TO LOAD SEVEN MAP REGISTERS
620 169636 010320 231 MOV R3,(R0)+ :LOAD LOWER 16 BITS OF THE MAP REGISTER
621 169648 010320 MOV R3,(R0)+ :LOAD UPPER 8 BITS OF THE MAP REGISTER
622 169642 142703 020000 ADD #20000,R3 :POINT TO THE NEXT 4K BLOCK
623 169646 077105 SOB R1,R2 :LOOP UNTIL SEVEN MAP REGS ARE LOADED
624
625 169650 012737 000000 172916 MOV #00,P0NHR0 :ENABLE 22-BIT MAPPING AND UNIBUS MAP
626 169656 009237 177972 INC #NHR0 :TURN ON FULL RELOCATION
627
628
629
630 *****
631 .SBTTL TEST2M TEST MAIN MEMORY FROM VIRTUAL 1000 TO 20K
632
633 10 THIS TEST WILL TEST MAIN MEMORY WITH THE CACHE DISABLED, FROM
634 VIRTUAL ADDRESS 001000 TO 19776. IF THE DATA DOES NOT COMPARE
635 PROPERLY THE TEST WILL HALT AT EITHER 105740 OR 105796. IF A
636 PARITY ERROR OCCURS THE TEST WILL HALT AT ADDRESS 105776, WITH
637 THE PC = 0 ON THE STACK WHICH IS IN THE KERNEL D-SPACE P.A.K.'S.
638
639 10 IN THIS TEST THE REGISTERS ARE INITIALIZED AS FOLLOWS:
640 R0 = 001000, R1 = DATA READ, R2 = 007400, R3 = 001000
641 R4 = 007400, R5 = 177746 (CONTROL REG.), SP = 172916
642
643 *****
644 TST2M:
645 MOV R2,(SP) :SAVE R2 FOR THE UPPER SIX BITS
646 :OF THE MASS BUS DEVICE'S BUS ADDRESS
647 :IN ADDRESS 1777236 (NDPAR7)
648
649 169664 012737 105776 000114 MOV #PAEHLT,00114 :SET UP PARITY VECTOR
650 169672 009037 000110 CLR #0110 :SET PROCESSOR STATUS WORD TO ZERO
651 169676 012700 177746 MOV #177746,R0 :CACHE CONTROL REGISTER ADDRESS
652 169702 012715 000014 MOV #100,(R5) :FORCE MISS BOTH GROUPS
653 169706 012702 007400 MOV #07400,R2 :COUNT STORAGE
654 169712 012703 001000 MOV #1000,R3 :FIRST ADDRESS STORAGE
655 169716 010224 MOV R0,R4 :SETUP COUNTER
656 169720 010300 MOV R0,R0 :SETUP FIRST ADDRESS
657 169722 010320 101 MOV R0,(R0)+ :LOAD EACH ADDRESS WITH ITS
658 :OWN ADDRESS
659 169724 077402 SOB R4,16 :LOOP UNTIL DONE
660 169726 010204 MOV R0,R4 :SETUP COUNTER AND FIRST ADDRESS
661 169730 010300 MOV R0,R0 :SET STARTING ADDRESS IN R0
662 169732 011001 231 MOV (R0),R1 :GET THE DATA
663 169734 020001 CMP R0,R1 :IS IT CORRECT?
664 169736 001401 BEQ 30 :BRANCH IF YES
665 169740 000000 HALT :R0=ADDRESS, R1=DATA
666 169742 129128 301 COM (R0)+ :COMPLEMENT DATA AND INCREMENT ADDRESS
667 169744 077406 SOB R4,28 :LOOP UNTIL DONE
668 169746 014001 401 MOV -(R0),R1 :READ THE DATA (IT SHOULD NOW BE THE
669 :COMPLEMENT OF THE ADDRESS)
670 169750 029101 COM R1 :COMPLEMENT BEFORE CHECKING
671 169752 020001 CMP R0,R1 :IS THE DATA CORRECT?
672 169754 001401 BEQ 50 :BRANCH IF YES
673 169756 000000 HALT :R0=ADDRESS R1=DATA
674 169760 077206 501 SOB R2,48 :LOOP UNTIL DONE
675 169762 012737 173762 000114 MOV #CONT,00114 :SET PARITY VECTOR TO CODE THAT
676 :WILL TRY TO CONTINUE AND BOOT
677 169770 005046 676 CLR -(SP) :IF THE CACHE FAILS,
678 169772 000137 173000 JMP #077206 :SET THE CYCLE FLAG TO ZERO
679 169776 000000 PAEHLT: HALT :JUMP TO SECOND HALF OF THE ROM
680 :HALTING HERE MEANS A PARITY ERROR

```

```

881 .SBTTL BOOTSTRAP ENTRY POINT IS AT 17773000
882
883
884
885
886
887
888
889
890
891
892
893
894
895
896
897
898
899
900
901
902
903
904
905
906
907
908
909
910
911
912
913
914
915
916
917
918
919
920
921
922
923
924
925
926
927
928
929
930
931
932
933
934
935
936
937
938
939
940
941
942
943
944
945
946
947
948
949
950
951
952
953
954
955
956
957
958
959
960
961
962
963
964
965
966
967
968
969
970
971
972
973
974
975
976
977
978
979
980
981
982
983
984
985
986
987
988
989
990
991
992
993
994
995
996
997
998
999

```

THE REGISTER USAGE DURING THE BOOTSTRAP IS GENERALLY AS FOLLOWS:
R0 = THE DRIVE NUMBER RIGHT JUSTIFIED (0 = 7)
R1 = THE ADDRESS OF THE MAIN CONTROL AND STATUS REGISTER
R2 = THE DRIVE NUMBER POSITIONED FOR LOADING INTO DEVICE
R3 = POINTER TO THE FUNCTION TABLE
R4 = INDEX NUMBER TO GET THRU THE TABLES FOR THE CORRECT INFORMATION
AFTER A SUCCESSFUL BOOT THE REGISTERS ARE AS FOLLOWS!
R0 = THE DRIVE NUMBER RIGHT JUSTIFIED (0 = 7)
R1 = THE ADDRESS OF THE MAIN COMMAND AND STATUS REGISTER

```

*****
*****
904
905
906
907
908
909
910
911
912
913
914
915
916
917
918
919
920
921
922
923
924
925
926
927
928
929
930
931
932
933
934
935
936
937
938
939
940
941
942
943
944
945
946
947
948
949
950
951
952
953
954
955
956
957
958
959
960
961
962
963
964
965
966
967
968
969
970
971
972
973
974
975
976
977
978
979
980
981
982
983
984
985
986
987
988
989
990
991
992
993
994
995
996
997
998
999

```

I = BASE2
BOOTI BR START :BRANCH TO START OF BOOT STRAP
.SBTTL CODE TO WAIT FOR TUI0 TO COME ON LINE
WAITI BIT #TUI0,*(R1) :IS THE SELECTED DRIVE ON LINE
BEC WAIT :WAIT FOR BIT TO BE SET BY DRIVE
BR TUI02 :BRANCH TO CONTINUE BOOTING FROM TUI0
.SBTTL THIS IS THE CODE TO READ THE SWITCH REGISTER AND DECODE IT
STARTI MOV #SHR,R0 :READ SWITCH REGISTER INTO R0
BR 18 :BRANCH TO DECODE IF THE LOWER
:BYTE IS NOT ZERO
MOV #PC)+,R0 :IF SWITCH REGISTER IS ZERO
:THEN READ SWITCHES ON THE M9301
:TO DETERMINE DEVICE TYPE AND NO.
:THIS WORD WILL BE ASSEMBLED AT 773024
WORD 8 :RIGHT SHIFT R0 ONE PLACE
ASR R0 :COPY DEVICE AND UNIT NUMBER
MOV R0,R4 :LEAVE DEVICE NUMBER IN R4
BIC #C000370,R4 :SHIFT R4 RIGHT 2 PLACES TO BE 2 = 76
AND #2,R4 :ADJUST R4 TO INDEX THRU TABLE (0 = 74)
TST #R4 :LEAVE UNIT NUMBER IN R0
BIC #C7,R0 :COPY UNIT NUMBER INTO R2
MOV R0,R2 :PUT UNIT NUMBER IN UPPER BYTE OF R2
SWAB R2 :LOAD MAIN CSR ADDRESS INTO R1
MOV #CSRPTH(M4),R1 :LOAD POINTER TO FUNCTION TABLE
MOV #CNDPTM(N4),R3 :JUMP TO START OF PARTICULAR BOOT
JMP #ADDRN(H4)

```

970
971
972
973
974
975
976
977
978
979
980
981
982
983
984
985
986
987
988
989
990
991
992
993
994
995
996
997
998
999

```

THIS IS THE START OF THE TMI1/TUI0 BOOT STRAP (MAGNETIC TAPE, TMI1)
:COMMAND REGISTER ADDRESS IS 172922
TUI0: MOV R2,(R1) :LOAD UNIT NUMBER INTO C.S.R.
BR WAIT :DO WAIT FOR SELECTED DRIVE TO COME ONLINE
:OR REWIND COMMAND INTO C.S.R.
TUI02: BIR (R3)+,(H1) :THIS COMMAND ALSO SETS 000 BPI 9 CHAN.
:SEE IF THE REWIND IS COMPLETE
18: TSTB (R1) :WAIT FOR BIT 07 OF C.S.R. TO BE SET
BPL 19 :SET RECORD COUNTER TO SKIP ONE RECORD
MOV #1,2(R1) :LOAD SPACE FORWARD COMMAND INTO C.S.R.
MOV#B (R3)+,(H1) :SEE IF THE SPACE IS COMPLETE
29: TSTB (R1) :WAIT FOR BIT 07 OF C.S.R. TO BE SET
BPL 28 :CHECK THE ERROR FLAG FOR THE TMI1/TUI0
TST (R1) :RE-TRY BOOT IF THERE WAS AN ERROR
BHI AGAIN :BRANCH TO COMMON READ CODE IF NO ERRORS
BR CMNSGO

```

990
991
992
993
994
995
996
997
998
999

```

THIS IS THE START OF THE TC11/TU00 BOOT STRAP (DEC TAPE, TC11-6)
:COMMAND REGISTER ADDRESS IS 177342
TU00: MOV R2,(R1) :LOAD UNIT NUMBER INTO C.S.R.
BIR (R3)+,(H1) :OR REWIND COMMAND INTO C.S.R.
18: TST (R1) :SEE IF ERROR BIT IS SET
BPL 19 :WAIT UNTIL BIT 15 OF C.S.R. IS SET
TST #E(H1) :IS THE ERROR 'END ZONE'
BPL AGAIN :BRANCH IF NOT 'END ZONE'
MOV R2,(R1) :RE-LOAD DRIVE NUMBER AND CLEAR REVERSE BIT
BR CMNSGO :BRANCH TO COMMON READ CODE

```

990
991
992
993
994
995
996
997
998
999

```

THIS IS THE START OF THE RK11/RK05 BOOT STRAP (DEC PACK DISK CARTRIDGE, RK11-0)
:COMMAND REGISTER ADDRESS IS 177484
RK05: ASH #9,R2 :LEFT SHIFT UNIT NUMBER 9 PLACES
MOV R2,(H1) :LOAD UNIT NUMBER INTO DEVICE
BR CMNSGO :BRANCH TO COMMON READ CODE

```

990
991
992
993
994
995
996
997
998
999

```

THIS IS THE START OF THE RP11/RP03 BOOT STRAP (DISK PACK, RP11-0)
:COMMAND REGISTER ADDRESS IS 176714
RP03: MOV R2,(R1) :LOAD THE UNIT NUMBER INTO THE COMMAND REG.

```

990
991
992
993
994
995
996
997
998
999

```

THIS IS THE START OF THE COMMON READ CODE
CMNSGO: MOV #512,2(R1) :LOAD WORD COUNT OF 512 WORDS
MOV#B (R3),(R1) :LOAD READ FUNCTION INTO C.S.R.
18: TSTB (R1) :SEE IF FUNCTION IS COMPLETE
BPL 19 :WAIT UNTIL BIT 07 OF C.S.R. IS SET
TST (R1) :WERE THERE ANY ERRORS ON THE TRANSFER
BPL 28 :IF NO ERRORS BRANCH TO SEC. BOOT
CMP #12,R4 :IS THIS THE RNT0/TUI0?

```

794 173226 081130      ONE      AGAIN      ;BRANCH IF NOT TO TRY AGAIN
795 173210 022761 201000 000014      CMP      @PC,14(R1) ;MAY ERROR A FRAME COUNT ERROR
796 173216 081134      ONE      AGAIN      ;BRANCH IF NOT TO TRY AGAIN
797 173220 080811      CLR      (R1)      ;CLEAR COMMAND REGISTER THIS WILL STOP
798 173222 080807      CLR      PC        ;THE DECTAPE MOTION IF DEVICE WAS TUSE
799 173224 169808      .WORD   169808    ;VECTOR TO THE START OF M9303 BOOTSTRAP
800 173226 169348      .WORD   169348    ;PROCESSOR STATUS TO ASSUME AT BOOT TIME
801
802
803 .BTTL THIS IS THE START OF THE RM78/TU16 BOOT STRAP (MAGNETIC TAPE SYSTEM, INU36)
804 .ICMMAND REGISTER ADDRESS IS 172448
805
806 173230 010002      TU161  MOV      R0,R2      ;COPY UNIT NUMBER INTO R2
807 173232 032702 021300      BIT      @R1,R2      ;OR @R1 RPI & FORMAT, WITH SLAVE NUMBER
808 173234 010261 040032      MOV      R2,32(R1)   ;LOAD UNIT NUMBER
809 173242 032761 010000 000012 18:  BIT      @R0L,12(R1)  ;IS THE MEDIUM ON LINE
810 173250 061774      SEQ      16          ;IS THE MEDIUM ON LINE
811 173252 112311      MOVSB   (R3)+,(R1)   ;WAIT FOR BIT 12 OF DRIVE STATUS REG
812 173254 125761 000012 20:  TSTB   12(R1)      ;ISSUE REWIND COMMAND
813 173260 100375      SPL     25          ;IS DRIVE READY BIT SET YET?
814 173262 112311      MOVSB   (R3)+,(R1)   ;WAIT FOR DRIVE READY BIT
815 173264 125761 000012 30:  TSTB   12(R1)      ;ISSUE DRIVE CLEAR COMMAND
816 173270 100375      SPL     30          ;IS DRIVE READY BIT SET?
817 173272 112761 177777 000006      MOV      @R1,6(R1)   ;WAIT UNTIL BIT 07 IS SET
818 173300 112311      MOVSB   (R3)+,(R1)   ;SET SKIP COUNT TO 1 RECORD
819 173302 125761 000012 40:  TSTB   12(R1)      ;ISSUE SPACE FORWARD COMMAND
820 173306 100375      SPL     40          ;WAS THE DRIVE FINISHED THE SPACE?
821 173310 011041 000034      MOV      (SP),34(R1) ;WAIT UNTIL BIT 07 IS SET
822 173314 100413      OR      CHMSRH      ;LOAD UPPER 8 BITS OF BUS ADDRESS
823
824
825 .BTTL THIS IS THE START OF THE RM78/RP04 BOOT STRAP (DISK PACK, RHP04)
826 .ICMMAND REGISTER ADDRESS IS 176788
827
828 173316 110001 000010 02:  MOV      R0,10(R1)   ;SELECT UNIT NUMBER TO BOOT FROM
829 173322 112311      MOVSB   (R3)+,(R1)   ;ISSUE READ-IN PRESET COMMAND
830 173324 112761 014000 000032 04:  MOV      @R1,32(R1)  ;SET FMT2 & ECC INHIBIT BITS
831 173332 011041 000030      MOV      (SP),30(R1) ;LOAD UPPER 8 BITS OF BUS ADDRESS
832 173336 000404      OR      CHMSRH      ;GO JOIN THE COMMON RM78 CODE
833
834
835 .BTTL THIS IS THE START OF THE RM78/R004 BOOT STRAP (FIXED HEAD DISK, RHM04)
836 .ICMMAND REGISTER ADDRESS IS 172948
837
838 173340 110001 000010 02:  MOV      R0,10(R1)   ;LOAD THE DRIVE NUMBER TO BOOT FROM
839 173344 011041 040030      MOV      (SP),40(R1) ;LOAD UPPER 8 BITS OF BUS ADDRESS
840
841
842 .BTTL THIS IS THE START OF THE COMMON RM-78 CODE
843
844 173350 116161 040010 000016 CHMSRH1 MOV      16(R1),16(R1) ;TURN OFF ANY ACTIVE ATTENTION FLAGS
845 173354 070781      OR      DRN000      ;BRANCH TO COMMON READ CODE
846
847
848 .BTTL THIS IS THE START OF THE RM11/RX01 BOOT STRAP (FLOPPY DISK)
849 .ICMMAND REGISTER ADDRESS IS 177178
850
851 173360 042730 050000 00:  BIT      @R0,R0      ;MAKE SURE UNIT NUMBER IS ZERO OR ONE
852 173364 001401 13      BIT      13          ;SKIP NEXT INST IF UNIT NUMBER IS ZERO
853 173366 229203      INC      R0          ;POINT TO UNIT ONE'S READ COMMAND
854 173370 132711 070040 10:  BIT      @R0,(R1)    ;IS THE "DONE" BIT SET?
855 173374 001775      BEQ     18          ;WAIT UNTIL THE DONE BIT IS SET
856 173376 111311      MOVSB   (R3)+,(R1)   ;LOAD THE READ COMMAND
857 173400 012702 000002 20:  MOV      @R2,R2      ;LOAD LOOP COUNT INTO R2
858 173404 105711      TSTB   (R1)          ;IS THE "TR" BIT SET?
859 173406 100376      SPL     25          ;WAIT UNTIL BIT 07 OF RX08 IS SET
860 173410 112761 000002 30:  MOV      @R0L,2(R1)  ;LOAD SECTOR NUMBER OR TRACK ADDRESS
861 173414 032711 100040 38:  MOV      R2,25      ;LOOP BACK TO LOAD SECTOR NUMBER
862 173416 032711 100040 38:  BIT      @R0,48(R1)  ;CHECK FOR "ERROR" OR "DONE"
863 173420 021775      BEQ     35          ;WAIT UNTIL BIT 15 OR BIT 05 OF RX05 IS SET
864 173422 100420      BHI     AGAIN        ;BRANCH TO TRY AGAIN IF ERROR
865 173430 112711 000003 40:  MOVSB   @R0,(R1)    ;LOAD "EMPTY BUFFER" COMMAND INTO RX05
866 173434 105711      TSTB   (R1)          ;IS "TR" BIT SET?
867 173436 100376      SPL     40          ;WAIT UNTIL BIT 07 OF RX05 IS SET
868 173440 114122 040002 42:  MOV      2(R1),(R2)+ ;STORE DATA (R2 STARTS AT 0 & GOES TO 177)
869 173444 105702      TSTB   R2            ;IS BIT 07 OF MEMORY ADDRESS SET?
870 173446 100372      SPL     40          ;BRANCH IF NOT 128 BYTES YET
871 173450 005007      CLR      PC        ;START SECONDARY BOOT AT VIRTUAL ZERO
872
873
874 .BTTL THIS IS THE START RESERVED FOR A FUTURE DEVICE
875
876 173452 000000 000000 00:  HALT      ;THERE IS NO BOOT YET
877 173454 000000      .WORD   000000      ;RESERVED FOR FUTURE BOOT EXPANSION
878 173456 000000      .WORD   000000      ;RESERVED FOR FUTURE BOOT EXPANSION
879 173458 000000      .WORD   000000      ;RESERVED FOR FUTURE BOOT EXPANSION
880 173460 000000      .WORD   000000      ;RESERVED FOR FUTURE BOOT EXPANSION
881 173462 000000      .WORD   000000      ;RESERVED FOR FUTURE BOOT EXPANSION
882 173464 000000      .WORD   000000      ;RESERVED FOR FUTURE BOOT EXPANSION
883 173466 000000      .WORD   000000      ;RESERVED FOR FUTURE BOOT EXPANSION
884
885 173470 000000 000000 00:  AGAIN1  RESET      ;CLEAR THE WORLD AFTER ERROR
886 173472 000137 169990      JMP      0075T26    ;GO SETUP MEMORY MANAGEMENT AND TEST
887
888

```



```

886
887
888
889 173476 060017
890 173580 011
891 173901 003
892
893 173502 004003
894 173584
895 173584 015
896
897 173505 007
898 173506 011
899 173507 031
900 173510 071
901
902 173911 021
903 173912 071
904
905 173913 007
906 173914 027
907
908 173915 000
909 173916 000000
910
911
912
913
914 173920 172922
915 173922 177342
916 173924 174404
917 173926 176714
918 173930 170000
919 173932 172440
920 173934 176700
921 173936 172040
922 173940 177170
923
924
925
926 173942 173476
927 173944 173502
928 173946 173504
929 173950 173504
930 173952 173510
931 173954 173505
932 173956 173511
933 173960 173512
934 173962 173513
935
936
937
938 173864 173070
939 173866 173124
940 173870 173146
941 173872 173160
942 173874 173182
943 173876 173230
944 173880 173310
945 173882 173340
946 173884 173360
947
948
949
950
951
952
953
954
955
956
957
958
959
960
961
962
963
964 173406
965
966
967
968
969
970
971
972
973
974
975
976
977
978
979
980
981
982
983
984 173406
985 173406 012704 120252
986 173412 012710 000030
987 173416 010302
988 173420 010200
989 173422 012701 000000
990 173426 005104

```

```

.BYTTL FUNCTION CODES FOR THE ALL OF THE DEVICES
TU105: .WORD 060017 ;REWIND SELECTED DRIVE AND SET 000 HP1
        .BYTE 011 ;SPACE FORWARD COMMAND FOR TU10
        .BYTE 003 ;READ COMMAND FOR TU10
TU506: .WORD 004003 ;SEARCH FOR BLOCK 0, REVERSE DIRECTION
RK005: .BYTE 005 ;READ COMMAND FOR TU506, RK005, RP003
RP003: .BYTE 007 ;REWIND SELECTED DRIVE
        .BYTE 011 ;DRIVE CLEAR COMMAND
        .BYTE 031 ;SPACE FORWARD
        .BYTE 071 ;READ FORWARD
RP045: .BYTE 021 ;READ-IN PRESET
RS045: .BYTE 071 ;READ COMMAND FOR RP04 & RS04
RX015: .BYTE 007 ;READ SECTOR COMMAND FOR DRIVE ZERO
        .BYTE 027 ;READ SECTOR COMMAND FOR DRIVE ONE
FUTURE: .BYTE 0 ;SPACE FOR FUTURE DEVICE COMMAND
        .WORD 0 ;SPACE FOR MORE COMMANDS

```

```

.BYTTL COMMAND AND STATUS REGISTER ADDRESS TABLE
CSRPTR: .WORD 172922 ;THIS IS THE C.S.R. ADDRESS FOR TU10
        .WORD 177342 ;THIS IS THE C.S.R. ADDRESS FOR TU506
        .WORD 177404 ;THIS IS THE C.S.R. ADDRESS FOR THE RK05
        .WORD 176714 ;THIS IS THE C.S.R. ADDRESS FOR THE RP03
        .WORD 0 ;THIS IS THE C.S.R. ADDRESS OF A FUTURE DEVICE
        .WORD 172440 ;THIS IS THE C.S.R. ADDRESS FOR THE RH70/TU10
        .WORD 176700 ;THIS IS THE C.S.R. ADDRESS FOR THE RH70/RP04
        .WORD 172040 ;THIS IS THE C.S.R. ADDRESS FOR THE RH70/R004
        .WORD 177170 ;THIS IS THE C.S.R. ADDRESS FOR RX11/RX01

```

```

.BYTTL FUNCTION POINTER TABLE
CNDPTR: .WORD TU105 ;POINTER TO FUNCTION TABLE FOR THE TU10
        .WORD TU506 ;POINTER TO FUNCTION TABLE FOR THE TU506
        .WORD RK005 ;POINTER TO FUNCTION TABLE FOR THE RK05
        .WORD RP003 ;POINTER TO FUNCTION TABLE FOR THE RP03
        .WORD FUTURE ;POINTER TO FUNCTION TABLE FOR A FUTURE DEVICE
        .WORD TU105 ;POINTER TO FUNCTION TABLE FOR THE RH70/TU10
        .WORD RP045 ;POINTER TO FUNCTION TABLE FOR THE RH70/RP04
        .WORD RS045 ;POINTER TO FUNCTION TABLE FOR THE RH70/R004
        .WORD RX015 ;POINTER TO FUNCTION TABLE FOR THE RX01

```

```

.BYTTL STARTING ADDRESS TABLE
ADDRS: .WORD TU10 ;STARTING ADDRESS FOR THE TU10/TU10
        .WORD TU506 ;STARTING ADDRESS FOR THE TU506/TU506
        .WORD RK005 ;STARTING ADDRESS FOR THE RK11/RK05
        .WORD RP003 ;STARTING ADDRESS FOR THE RP11/RP03
        .WORD FUTURE ;STARTING ADDRESS FOR A FUTURE DEVICE
        .WORD TU10 ;STARTING ADDRESS FOR THE RH70/TU10
        .WORD RP045 ;STARTING ADDRESS FOR THE RH70/RP04
        .WORD RS045 ;STARTING ADDRESS FOR THE RH70/R004
        .WORD RX01 ;STARTING ADDRESS FOR THE RX11/RX01

```

```

.BYTTL CACHE MEMORY DIAGNOSTIC TESTS
;*****
; THE FOLLOWING TWO TESTS ARE CACHE MEMORY TESTS; IF EITHER OF
; THEM FAIL TO RUN SUCCESSFULLY THEY WILL COME TO A HALT
; IN THE M9301 ROM. IF YOU DESIRE TO TRY TO BOOT YOUR SYSTEM, OR
; DIAGNOSTIC ANYWAY, YOU CAN PRESS "CONTINUE" AND THE PROGRAM
; WILL FORCE MESSAGES IN BOTH GROUPS OF THE CACHE AND GO TO THE
; BOOT STRAP THAT HAS BEEN SELECTED.
;*****
;*****
; = PAGE 2 + 004
;*****
.BYTTL TEST20 TEST CACHE DATA MEMORY
;*****
; THIS TEST WILL CHECK THE DATA MEMORY IN THE CACHE, FIRST GROUP
; 0 AND THEN GROUP 1. IT LOADS 002525 INTO AN ADDRESS COMPLEMENTS
; IT TWICE AND THEN READS THE DATA, THEN IT CHECKS TO INSURE THAT
; THE DATA WAS A HIT. THEN THE SEQUENCE IS REPEATED ON THE SAME
; ADDRESS WITH 120250 AS THE DATA. ALL CACHE MEMORY DATA LOCATIONS
; ARE TESTED IN THIS WAY.
; IF EITHER GROUP FAILS AND THE OPERATOR PASSES CONTINUE THE
; PROGRAM WILL TRY TO BOOT WITH THE CACHE DISABLED.
;*****
; THE REGISTERS ARE INITIALIZED AS FOLLOWS FOR THIS TEST:
; R0 = 1000 (ADDRESS), R1 = 2 (COUNT), R2 = 1000 (COUNT)
; R3 = 1000 (COUNT), R4 = 120250 (PATTERN), R5 = 177740 (CONTROL REG)
; SP = 173374 (FLAG OF ZERO PUSHED ON STACK)
;*****
TEST20:
MOV 012525,R4 ;SET UP R4 FOR THIS TEST
MOV 0000,(R5) ;FORCE REPLACE GROUP 0 AND FORCE MISS GROUP 1
L0: MOV R3,R2 ;SET COUNT TO CONTENTS OF R3
MOV R2,R0 ;SET STARTING ADDRESS INTO R0
20: MOV R2,R1 ;USE 2 PATTERNS IN DATA MEMORY
30: COM R4 ;COMPLEMENT DATA IN R4

```

```

991 173638 018418
992 173632 009118
993 173634 009118
994 173636 021004
995 173648 031401
996 173642 008808
997 173644 036937 177752
998 173658 036402
999 173652 008808
1000 173654 008444
1001 173656 077115
1002 173660 039720
1003 173662 077221
1004 173664 012715 008844
1005 173670 075116
1006 173672 071351
1007
1008
1009
1010
1011
1012
1013
1014
1015
1016
1017
1018
1019
1020
1021
1022
1023
1024
1025
1026
1027
1028 173674
1029 173674 012702 067400
1030 173700 010300
1031 173702 010204
1032 173704 010020
1033 173706 077402
1034 173710 012716 008838
1035 173714 012701 008823
1036 173720 010300
1037 173722 010204
1038 173724 009113
1039 173726 035118
1040 173730 020020
1041
1042 173732 001401
1043 173734 008808
1044 173736 036837 177752
1045 173742 036402
1046 173744 008808
1047 173746 008407
1048 173750 077413
1049 173752 011615
1050
1051 173754 025016
1052 173756 077120
1053 173760 008404
1054
1055
1056 173762 008808
1057 173764 020020
1058 173766
1059 173766 012715 008814
1060 173772 005726
1061
1062 173774 008137 173800
1063
1064
1065
008801
.END
MOV R4,(R0) ;WRITE THE TEST PATTERN
COM (R0) ;DOUBLE COMPLEMENT DATA AND
COM (R0) ;MAKE SURE DATA IS IN THE CACHE
CMP (R0),R4 ;COMPARE DATA & SET BIT 0 IN HIT/MISS REG.
BEQ 5$ ;BRANCH IF DATA MATCHES
HALT ;DATA DIDN'T MATCH R0 = ADDRESS
ROR 0#177752 ;WAS THE LAST MEMORY REFERENCE A HIT?
BCS 4$ ;BRANCH IF YES
HALT ;CACHE FAILED TO HIT R0 = ADDRESS
BR BOOTHISS ;ABORT REST OF TEST IF "CONTINUE" PRESSED
SOB R1,1$ ;GO BACK ONE TIME TO TRY COMPLEMENT DATA
TST (R0)+ ;MOVE TO NEXT ADDRESS
SOB R2,2$ ;BRANCH IF NOT DONE
MOV #GRP1,(R5) ;FORCE REPLACE GROUP 1 AND FORCE MISS GROUP 0
COM (R0) ;COMPLEMENT THE CYCLE FLAG
BNE 1$ ;LOOP IF NOT DONE
;*****
;BTTL TEST2/ TEST VIRTUAL 20K WITH CACHE ON
;
; THIS TEST CHECKS VIRTUAL MEMORY FROM 001000 THRU 197776
; TO INSURE THAT YOU CAN GET HITS ALL THE WAY UP THROUGH MAIN
; MEMORY. IT STARTS WITH GROUP 1 ENABLED, THEN TESTS GROUP 0, AND
; FINALLY CHECKS MEMORY WITH BOTH GROUPS ENABLED. IF ANY OF
; THE THREE PASSES FAIL THE TEST WILL HALT AT "CONT + 2". THEN
; IF THE OPERATOR PASSES "CONTINUE", THE PROGRAM WILL TRY TO
; BOOT WITH THE CACHE DISABLED.
;
; UPON ENTRY THE REGISTERS WILL BE SET UP AS FOLLOWS:
; R0 = 001000 (ADDRESS), R1 = 3 (PASS COUNT), R2 = 67400 (MEMORY COUNTER),
; R3 = 1000 (FIRST ADDRESS), R4 = 67400 (MEMORY COUNTER),
; R5 = 177746 (CONTROL REG.), SP = 172374 (POINTING TO CODE FOR CONTROL REG)
;
; UPON COMPLETION OF THIS TEST MAIN MEMORY FROM VIRTUAL ADDRESSES
; 001000 THRU 197776 WILL CONTAIN ITS OWN VIRTUAL ADDRESS.
;*****
TST271
MOV #67400,R2 ;COUNT STRAP (20K = 1000 BYTES)
MOV R3,R0 ;FIRST ADDRESS IS 1000 OCTAL
MOV R2,R4 ;SETUP COUNTER
1$: MOV R0,(R0)+ ;FILL MEMORY WITH ADDRESSES
SOB R4,1$ ;LOOP UNTIL DONE
MOV #GRP0,(R0) ;LOAD CODE TO FORCE GROUP 0 ONTO STACK
MOV R3,R1 ;SET PASS COUNT TO THREE
2$: MOV R3,R0 ;FIRST ADDRESS
MOV R2,R4 ;COUNTER
3$: COM (R0) ;DOUBLE COMPLEMENT DATA AND
COM (R0) ;MAKE SURE IT IS IN THE CACHE,
CMP (R0),(R0)+ ;COMPARE DATA, AND SET BIT 0 IN HIT/MISS REG
;ALSO POINT TO NEXT ADDRESS
BEQ 5$ ;BRANCH IF DATA MATCHES
HALT ;DATA DIDN'T MATCH R0 = ADDRESS + 2
ROR 0#177752 ;WAS THE LAST MEMORY REFERENCE A HIT?
BCS 4$ ;BRANCH IF YES
HALT ;HIT FAILED TO OCCUR R0 = ADDRESS + 2
BR BOOTHISS ;ABORT REST OF TEST IF "CONTINUE" PRESSED
SOB R4,3$ ;LOOP UNTIL DONE
MOV (R0),(R5) ;FORCE MISS GRP1 ON PASS 2, FULLY
;ENABLE CACHE ON PASS THREE.
CLR (R0) ;GET READY TO FULLY ENABLE CACHE ON PASS 3
SOB R1,2$ ;RUN THREE PASSES THRU THIS TEST
BR JUMP ;GO TO BOOT STRAP CODE
CONT: HALT ;STOP HERE IF THERE IS A CACHE ERROR
BOOTHISS: CMP (R0)+,(R0)+ ;ADJUST STACK POINTER AFTER ABORT
JUMP: MOV #MISS,(R5) ;FORCE MISSES IN BOTH GROUPS OF CACHE
TST (R0)+ ;POINT TO UPPER SIX BITS OF BUS ADDRESS
JMP #0001 ;THAT DATA IS IN ADDRESS 1772376 (KUPAR7)
;GO TO BOOT STRAP ENTRY POINT

```


TU90S	173002	893#	927															
WAIT	173002	789#	718	740														
STN	000002	1#	117	126#	129	136#	143	146	160#	165	168	182#	186	189				
		202#	206	209	222#	224	227	242#	253	256	271#	273	276	291#				
		297	300	315#	320	323	337#	339	342	357#	364	367	382#	390				
		393	407#	417	420	436#	448	491	493#	476	479	495#	512	516				
		551#	544	556#	575	576#	601	629	644#	666	683#	1006	1024#					
	174000	116#	704#	964#														
COMMEN	1#	77	100	083	051													
ENDCOM	1#	96	112	700	961													
MSG1	117#	119																
MSG10	256#	250																
MSG11	276#	278																
MSG12	300#	302																
MSG13	323#	325																
MSG14	342#	344																
MSG15	367#	369																
MSG16	393#	395																
MSG17	420#	422																
MSG2	129#	131																
MSG20	451#	453																
MSG21	479#	481																
MSG22	516#	518																
MSG23	544#	546																
MSG24	575#	577																
MSG25	629#	631																
MSG26	960#	960																
MSG27	1000#	1010																
MSG3	146#	148																
MSG4	168#	170																
MSG5	189#	191																
MSG6	209#	211																
MSG7	227#	229																
NXTST	1#	117	129	146	160	189	209	227	256	278	300	320	342	367	393			
	420	451	479	516	544	575	629	666	1000									
SKIP	1#	126	143	165	186	206	224	253	273	297	320	339	364	390	417			
	448	476	512	601														
STAR#	1#	117	124	129	136	146	158	168	188	189	200	209	226	227	240			
	256	269	276	289	300	313	323	335	342	355	367	380	393	405	420			
	434	451	483	479	493	516	529	544	554	573	594	629	642	666	683			
	1000	1027																
SENXT	1#	117	129	146	160	189	209	227	256	278	300	320	342	367	393			
	420	451	479	516	544	575	629	666	1000									
SSKIP	1#	126	143	165	186	206	224	253	273	297	320	339	364	390	417			
	448	476	512	601														
ADC	382	440	442															
ADD	292	245	317	361	446	609	622											
ASH	465	473	599	610	726	770												
ASL	441																	
ASR	439	723																
BCC	272																	
BGS	296	995	1045															
BEQ	162	253	390	417	476	936	541	601	603	671	710	807	849	892	960			
	995	1042																
BGE	163	320	363															
BGT	104	224	362	367	448													
BHI	142	105	203															
BHIS	104																	
BIC	360	600	725	728	848													
BIS	316	741	758	804														
BIT	306	709	806	859														
BITB	051																	
BLE	165	223	297	305	447													
BLO	319																	
BLOS	143	204	330	396														
BLT	205	252	273	339														
BNI	140	469	750	801														
BNE	186	304	415	500	503	505	500	510	597	717	789	791	1000					
BPL	161	408	744	740	760	762	789	787	810	813	817	856	864	867				
BR	126	912	705	711	746	791	764	772	819	829	842	1000	1047	1053				
BVC	163																	
BVS	141																	
CLR	139	411	566	617	649	677	792	794	800	1051								
CLZ	222																	
CMF	303	499	535	500	662	670	780	798	994	1040	1057							
CMFB	502	504	507	509														
COM	294	357	308	497	665	640	990	992	993	1000	1030	1039						
COB	501	506																
DEC	160	337																
HALT	127	144	166	167	207	220	254	274	290	321	340	359	365	391	409			
	418	449	470	477	513	537	559	602	603	569	571	644	672	679	674			
	996	999	1043	1046	1056													
INC	293	310	412	467	475	626	650											
JMP	570	670	733	804	1042													
JSR	558																	
MOV	242	243	244	245	246	247	248	249	436	430	495	496	498	531	532			
	533	534	597	593	567	596	596	600	607	600	611	610	619	620	621			
	625	644	640	650	621	652	653	654	655	656	659	660	661	667	674			
	719	724	729	731	732	739	749	757	763	771	776	782	803	805	814			
	818	827	820	836	841	854	865	906	907	908	909	991	1004	1029	1030			
	1031	1032	1034	1035	1038	1037	1049	1050										
	487	716	746	703	800	811	815	825	826	839	853	857	862	865				
MOVB																		
RESET	883																	
ROL	271																	
ROR	102	315	997	1044														
RTI	368																	
RTS	564																	
SEN	284																	
SEZ	292																	

	410	413	443	511	540	610	623	650	666	673	690	1001	1003	1033	1040
SOB	410	413	443	511	540	610	623	650	666	673	690	1001	1003	1033	1040
SUB	1032														
SWAB	231	309													
TBT	471	739													
TST	414	416													
TSTB	467	743													
BYTE	690	891	895	897	898	999	980	982	983	989	980	988			
DSABL	1														
ENABL	1														
END	1065														
ENDC	119	129	127	130	137	144	147	150	156	169	181	187	190	201	207
	210	221	225	220	241	254	257	270	274	277	299	290	301	314	321
	324	336	340	343	350	365	368	381	391	394	400	410	421	435	440
	482	484	477	488	494	513	517	530	543	559	576	595	602	630	643
	907	904	1009	1020											
EQUIV															
IF	117	124	126	129	136	143	146	150	155	160	160	166	169	180	200
	209	220	224	227	240	253	256	269	273	276	289	297	300	313	320
	323	339	339	342	355	364	367	380	393	393	405	417	420	434	440
	481	483	476	479	493	512	516	529	544	554	575	594	601	629	642
IFF	966	983	1000	1027											
	117	124	126	129	136	143	146	150	155	160	160	166	169	180	200
	209	220	224	227	240	253	256	269	273	276	289	297	300	313	320
	323	339	339	342	355	364	367	380	393	393	405	417	420	434	440
	481	483	476	479	493	512	516	529	544	554	575	594	601	629	642
IIIF	966	983	1000	1027											
	117	124	126	129	136	143	146	150	155	160	160	166	169	180	200
	180	189	190	191	200	209	210	220	229	229	220	229	240	250	257
	250	249	274	277	278	289	288	291	292	313	324	325	335	342	342
	343	344	355	367	368	369	380	391	394	399	405	420	421	422	434
	481	482	483	483	479	480	481	493	516	517	510	520	544	545	546
	554	575	576	577	594	629	630	631	642	660	647	660	683	1000	1009
LIST	1010	1027													
	1	77	96	100	112	117	126	129	130	146	160	160	182	189	202
	209	222	227	242	246	271	274	291	300	313	323	337	342	357	367
	362	393	407	420	436	451	469	479	495	516	531	544	556	579	596
	629	644	663	700	701	741	746	780	1000	1029					
MACRO	1	117	139	146	160	189	209	227	254	276	300	323	342	367	393
	420	431	479	510	544	575	629	666	1000						
NLIST	1	77	96	100	112	117	126	129	130	146	160	160	182	189	202
	209	222	227	242	246	271	274	291	300	313	323	337	342	357	367
	362	393	407	420	436	451	469	479	495	516	531	544	556	579	596
	629	644	663	700	701	741	746	780	1000	1029					
PAGE	1	21	75	641	666	711	748								
REPT	77	96	143	112	403	700	875	951	951						
SBTTL	118	130	147	169	190	210	220	257	277	301	324	343	360	394	421
	432	480	517	545	576	630	660	707	714	730	754	767	775	780	800
	822	832	839	845	872	887	912	924	936	949	967	1000			
TITLE	13														
WORD	230	722	796	797	875	876	877	878	879	880	889	893	909	914	915
	916	917	910	919	920	921	922	924	927	928	929	930	931	932	933
	934	938	939	940	941	942	943	944	945	946					

ERRORS DETECTED: 0

*DEKBA,DEKBA,LIS/SOL/CRF*DEKBA.M11
 RUN-TIME: 10 19 2 SECONDS
 CORE USED: 9K

APPENDIX A MODULE AND CONSOLE ASSEMBLY, REMOVAL, AND REPLACEMENT

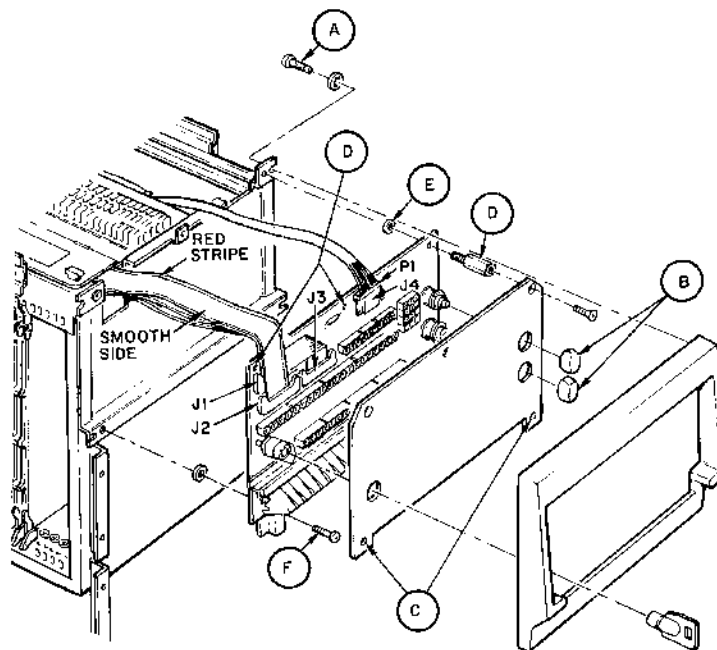
No special procedures are required to disassemble and reassemble most of the components and assemblies in the H960-C cabinet or the processor mounting box. This paragraph outlines the procedures for removing and replacing modules and the steps required to disassemble the console.

A.1 MODULE REMOVAL AND REPLACEMENT

The multilayer modules used in the PDP-11/70 are equipped with lock/release type handles, and each slot in the backplane has card edge and center guides that allow the modules to be installed easily. The card guides ensure that the modules are not removed or inserted at an angle so great that module or connector slots are damaged. Even though these features are provided, always install and remove the modules carefully.

A.2 CONSOLE DISASSEMBLY

Refer to Figure A-1. The following steps are required to disassemble the console:



11-3427

Figure A-1 Console Assembly

1. Turn power OFF at the circuit breakers.
2. Remove the four screws (A) that secure the bezel; remove the bezel.
3. Pull off the two switch knobs (B).
4. Remove the five nylon screws (C) and the console panel.
5. Unplug the harness power plug P1 from J4 and the signal cables from J1, J2 and J3.
6. Remove the three spacers (D) and the three screws (F) that hold the console PC board to the processor mounting box. Retain the six adhesive spacers (E) for reassembly.

A.3 CONSOLE REASSEMBLY

The console is reassembled by executing the steps in Paragraph A.2 in reverse order.

A.4 CONSOLE CABLES

A.4.1 Power Connector

Power is supplied to the console by processor harness plug P1. Insert this plug into console PC board connector J4.

A.4.2 Signal Connectors

Three flat signal cables connect the console to the processor modules.

1. J1 connects to J1 on M8134 (PDR, slot 10).
2. J2 connects to J1 on M8140 (SCC, slot 16); J3 connects to J2 on the same module. J1 on the M8140 is the connector closer to the edge of the module.

A.4.3 Installation of Signal Cables

The three signal cables are installed with the rough side facing the console PC board. The red stripe is on the side of the flat cable that is closer to the power harness connector J4. The smooth side of the cable faces the M8134 and M8140 modules.

APPENDIX B REMOVAL AND REPLACEMENT OF ICs

The PDP-11/70 modules are multilayer etched circuit boards. The four layers consist of two (power and ground) internal planes, and two etched circuit external layers (Figure B-1). The inner power and ground planes form a decoupling capacitor between the power and ground planes, providing shielding between the etched circuit layers and reducing the possibility of noise and/or cross-talk. One advantage in using this type of module construction is that the need to route power and ground signals to each individual component and IC via etching on the two outer etched boards is eliminated, allowing a much greater component density on each board.

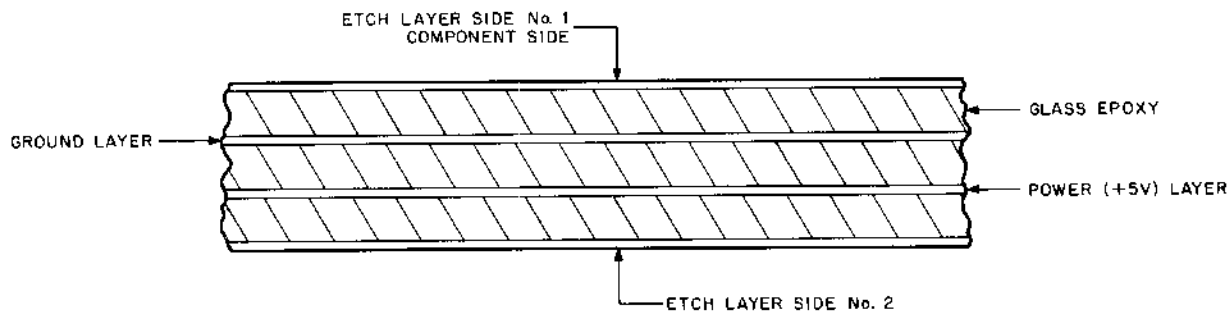


Figure B-1 Cross Section of Multilayer Board

B.1 LOCATION OF ICs

On the handle end of the board, the physical location of the last IC in each row is E-numbered to aid in locating ICs during maintenance and troubleshooting.

The first sheet of each module circuit schematic is a physical layout showing the location of the ICs and discrete components on that module.

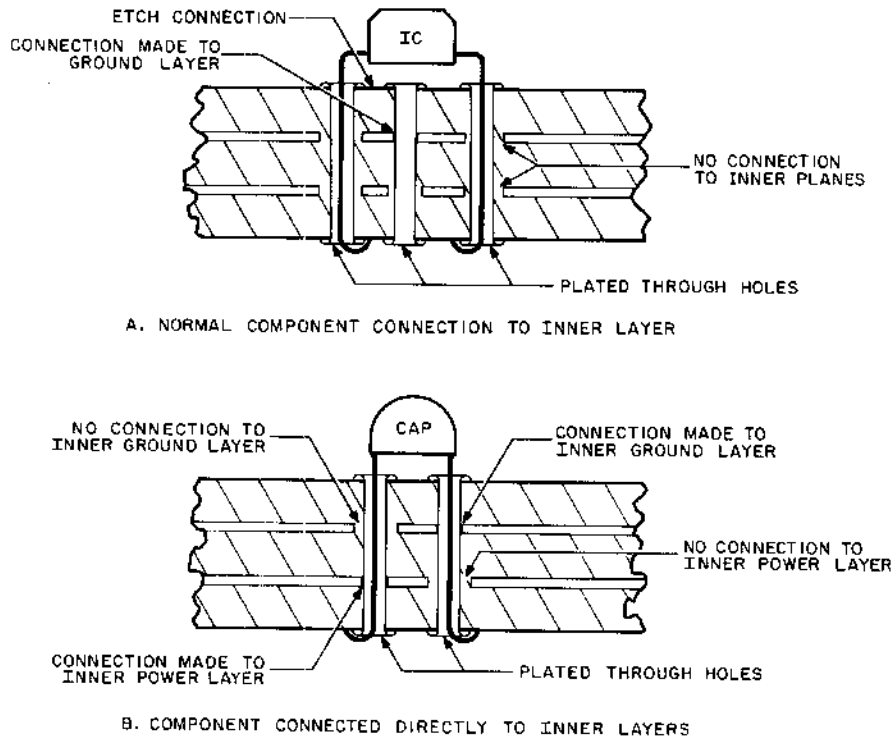
When possible, some IC locations on most boards are not used; these spare locations, provided on a space available basis, ensure that if future ECOs (engineering change orders) involving additions are required, they can be implemented more easily.

When spare locations are provided on the module, each spare location has a number just like one of the ICs. The spare locations must also be counted when locating ICs on the board. Thus, when an IC is added to a board (e.g., because of an ECO), the IC assumes the preassigned number of the location into which it is installed. Thus, the numbered IC locations at the handle end of the board, as well as all other IC locations, always remain the same.

B.2 IC CONNECTIONS

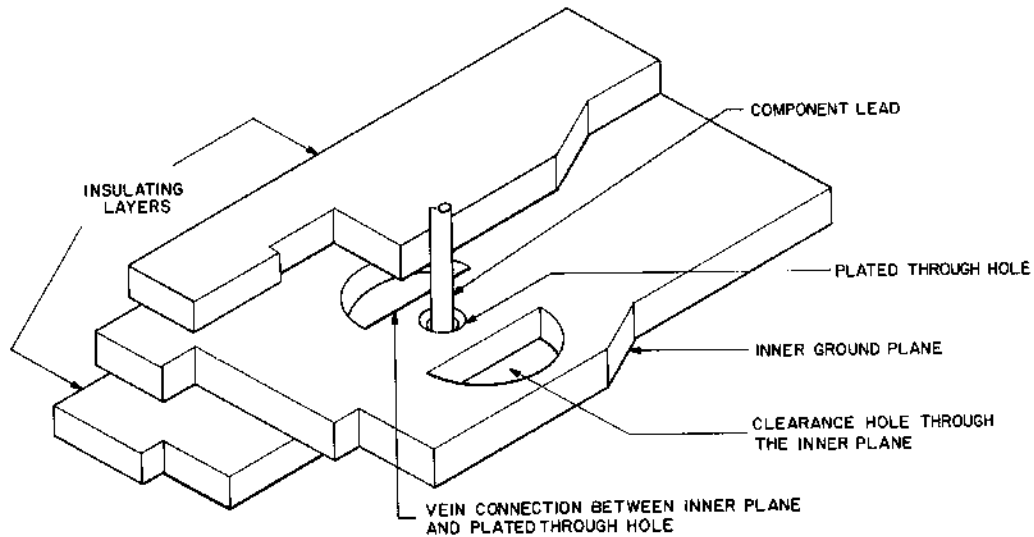
IC and component connections to the power and/or ground inner layers are normally made as shown in Figure B-2A. The ICs and components are connected to the inner layers in this manner to allow the IC or component to be more easily replaced.

When a component is tied directly to an inner layer, as shown in Figure B-2B, instead of connecting through an etch as shown in Figure B-2A, it is difficult to remove the component because most of the heat from the soldering iron is absorbed by the inner layer, preventing the solder around the leads of the component or IC from melting. To minimize this difficulty, direct connections to the inner layer are made by a vein-type connection as shown in Figure B-3. This type of connection reduces the connected area between the plated-through hole and the inner layer. This reduces the amount of heat transfer to the inner layer when heat is applied to the plated-through hole when melting solder and removing component leads, or removing excess solder once the lead has been removed.



11-0961

Figure B-2 Component Connections to Inner Layers



11-2300

Figure B-3 Top View of Component Connection Made Directly to Inner Layer

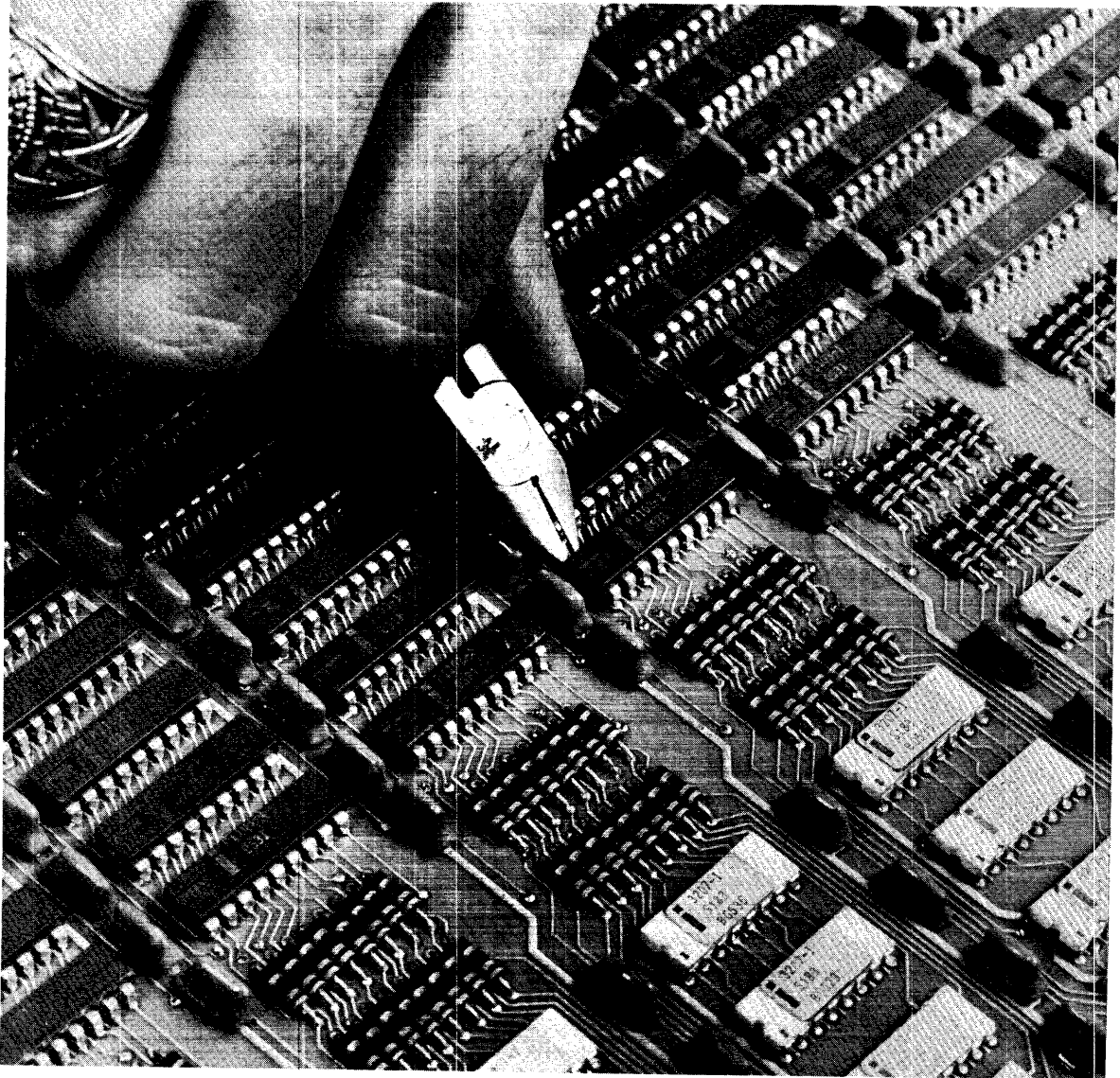
B.3 IC AND COMPONENT REMOVAL AND REPLACEMENT

Because the etch and plated-through hole eyelets are so small, extra care should be taken during the maintenance and repair of the multilayer modules, especially when soldering and unsoldering components. Certain tools (or their equivalent) are recommended for use during removal and replacement of ICs on the multilayer modules. The manufacturer and type of part number of each tool is indicated in the list below:

Small diagonal cutters, Utica No. 47-4
 Soldering iron, Paragon No. 615
 Pliers, Utica No. 23-4

B.4 REMOVAL AND REPLACEMENT OF PLASTIC CASE ICs

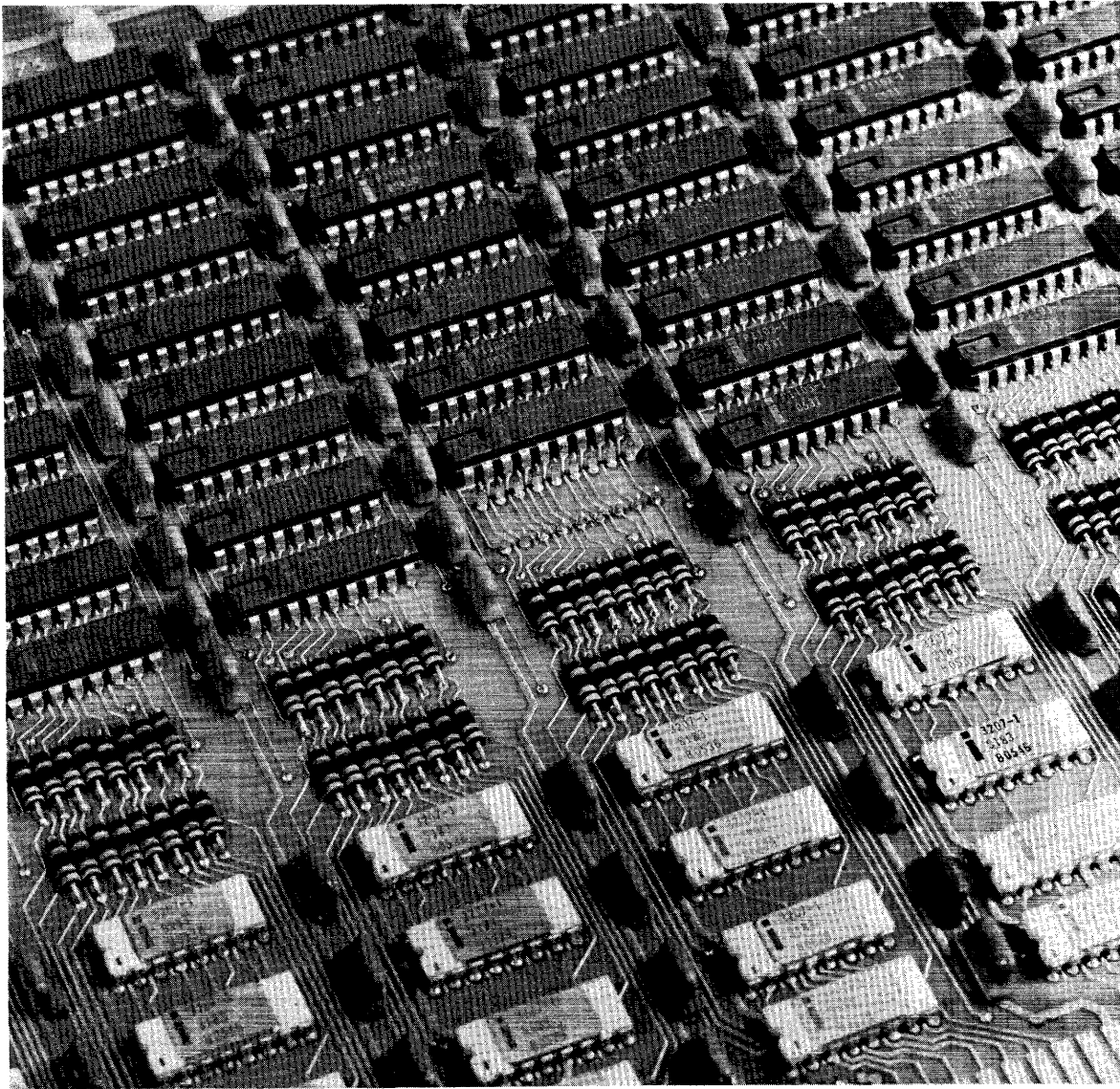
To remove and replace a plastic case IC and to preclude damage to the multilayer board, the procedure described by Figures B-4 through B-10 should be strictly adhered to.



6201-2

Figure B-4 Removing a Defective IC From the Module

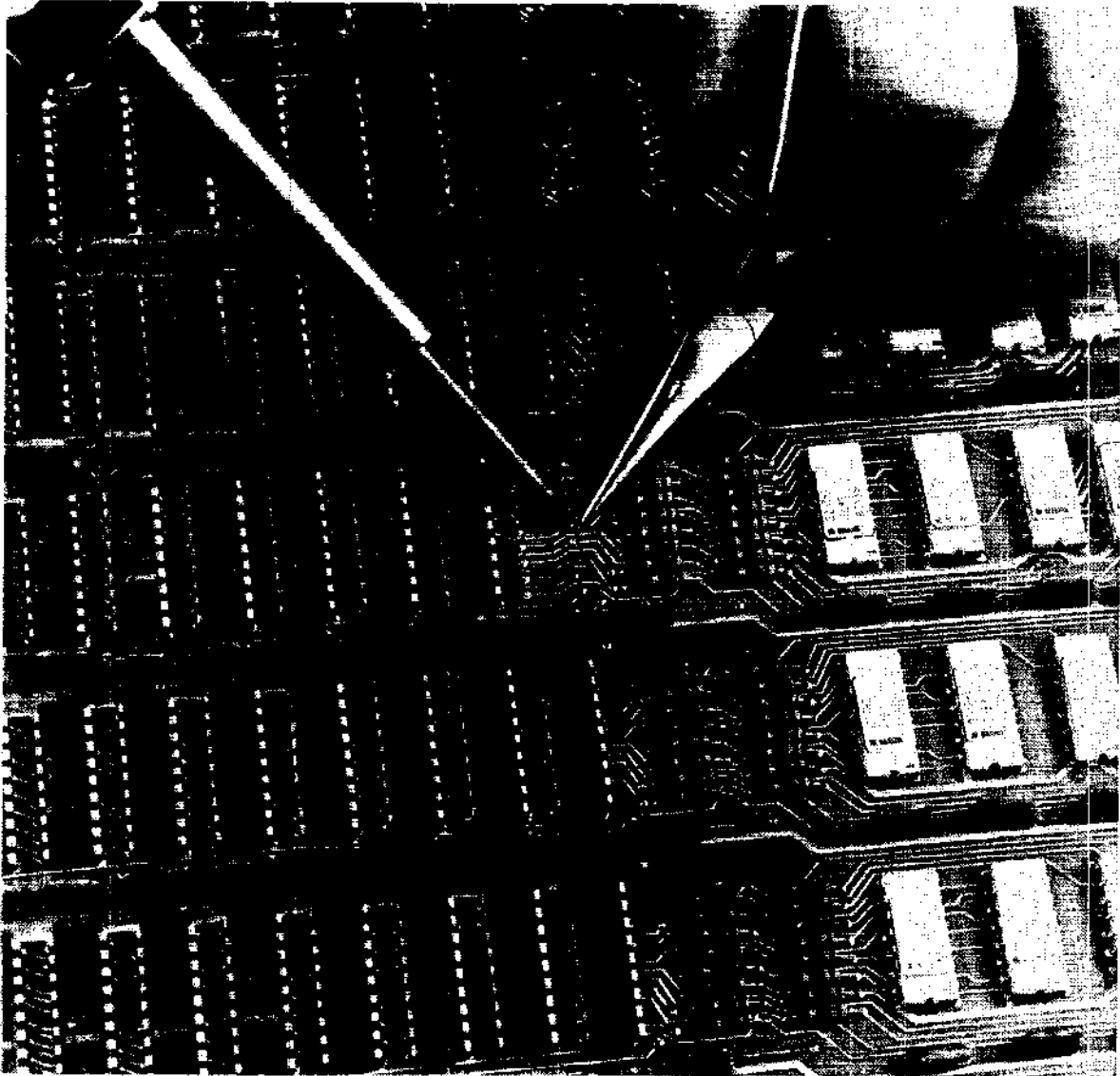
Defective IC leads are clipped, using small diagonal cutters (Utica, Part No. 47-4). Cut the leads as close to the body of the IC as possible to allow the remaining leads to be removed more easily.



6201-3

Figure B-5 Defective IC Removed

IC location after the IC has been removed – with the IC leads still in the board. Locate the leads of the IC just removed on the soldered (back) side of the board and cut all leads to avoid difficulty during their removal.



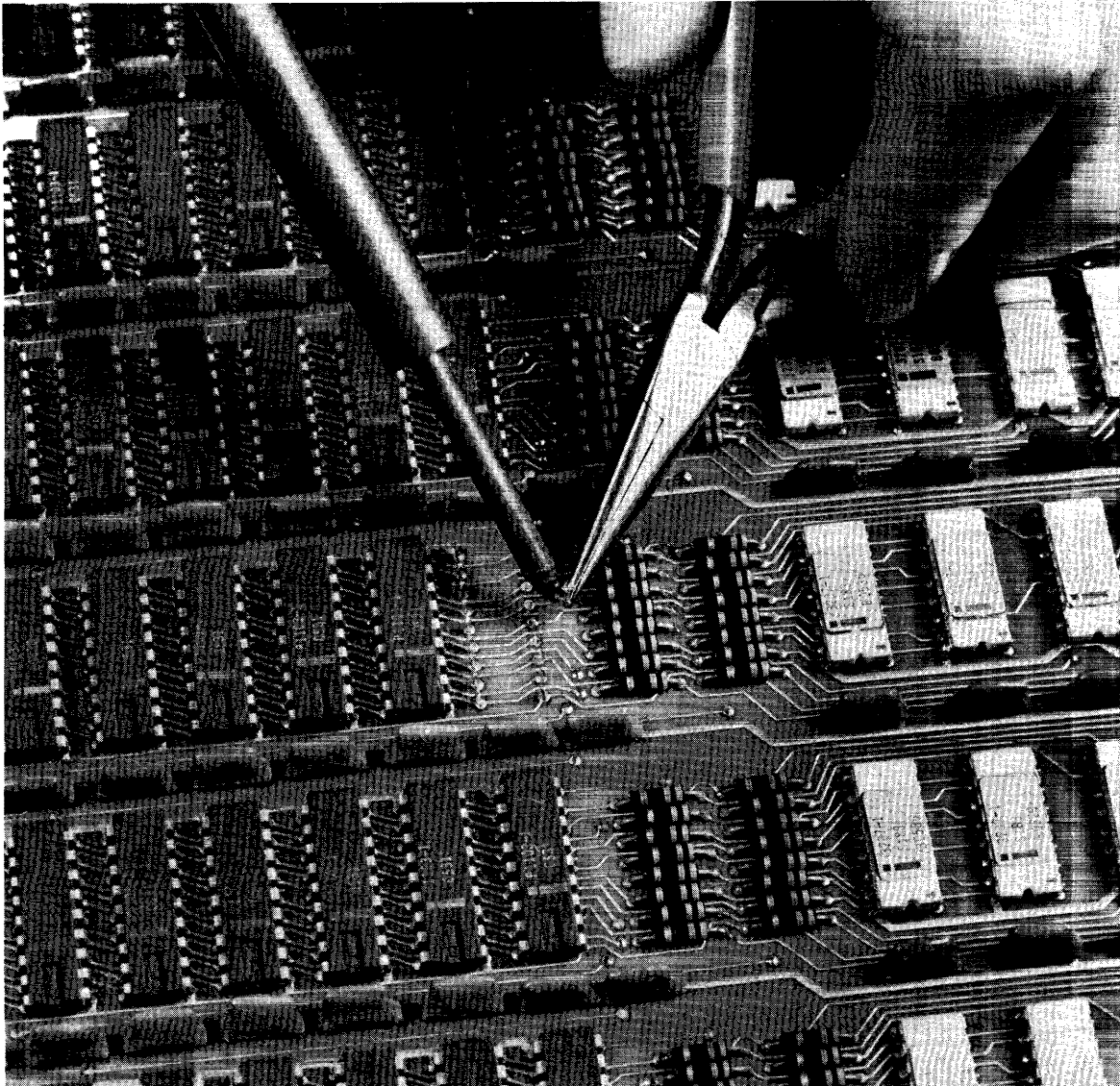
6201-4

Figure B-6 Removing IC Leads

IC leads being removed from side 1 of the board. Apply heat to the lead until the lead becomes loose. Then remove the lead by pinching with the soldering iron (Paragon, Part No. 615) and pliers (Utica, Part No. 23-4).

CAUTION

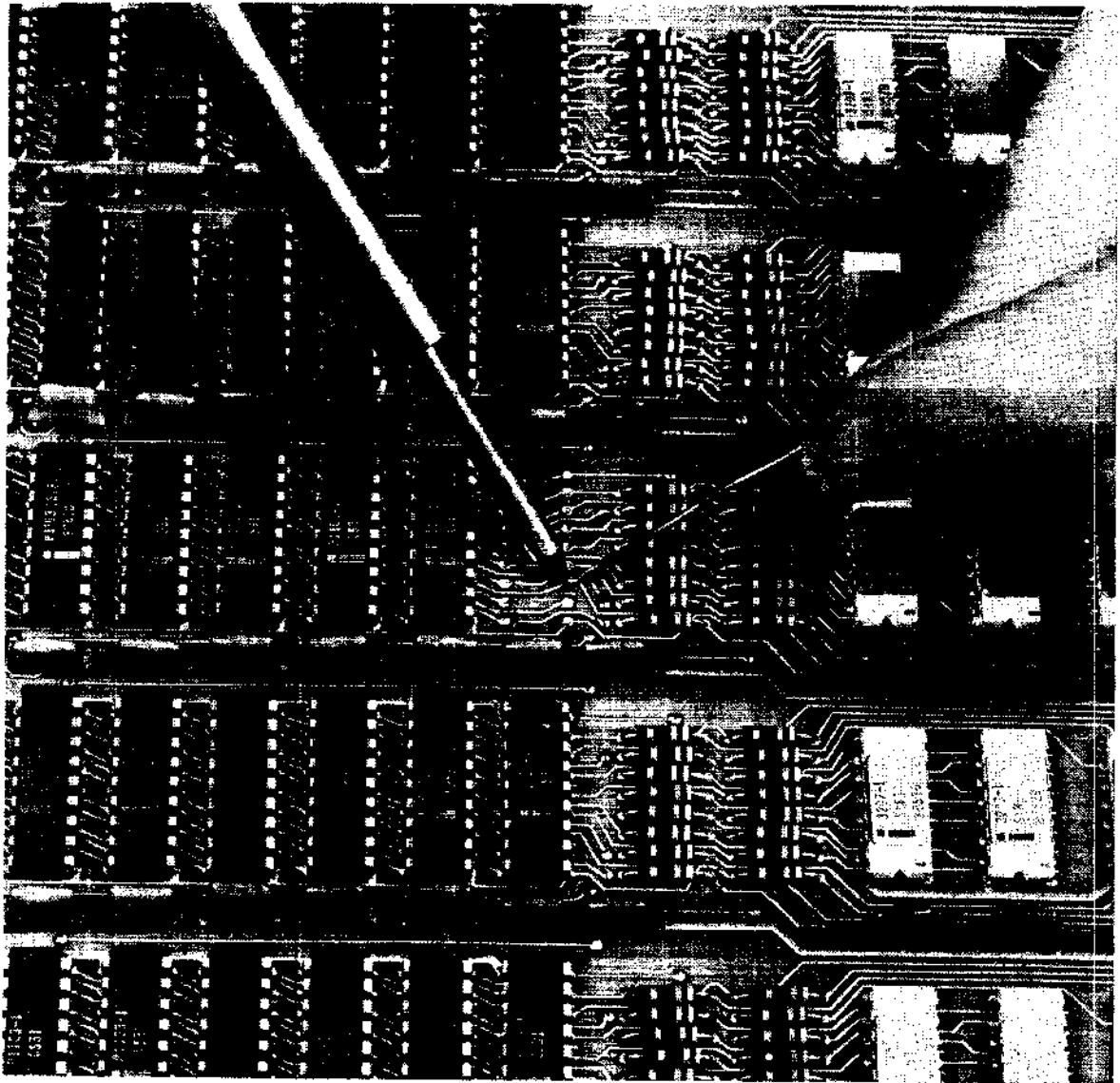
Leads that are connected to an inner layer require more heat because much of the heat is absorbed by the inner layer. It is helpful to add solder to the lead first causing more heat to be conducted to the solder in the eyelet around the lead.



6201-5

Figure B-7 IC Lead Removed

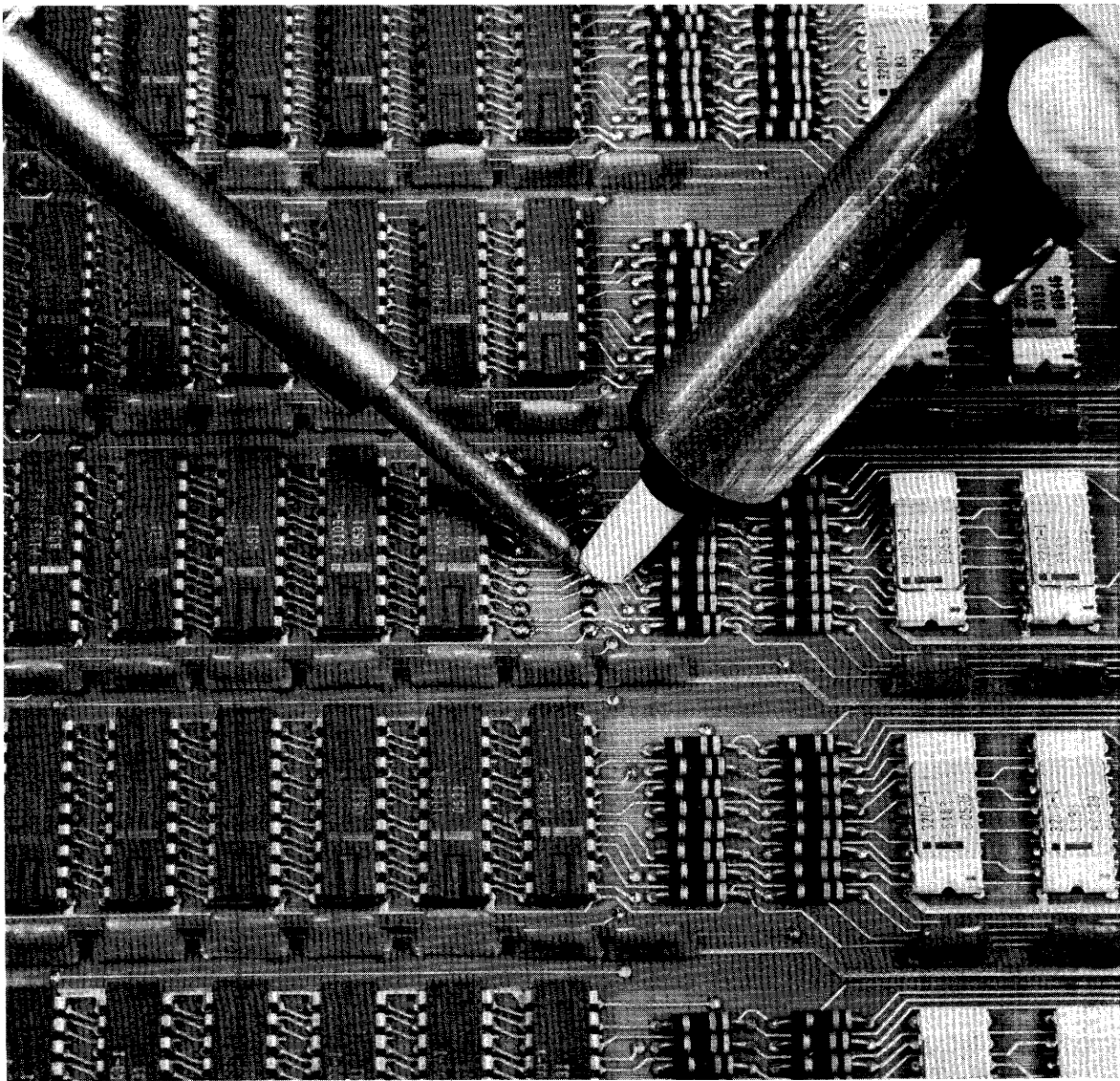
Lead directly after removal from the eyelet using the soldering iron and pliers.



6201-6

Figure B-8 Applying Solder to Refill Eyelet

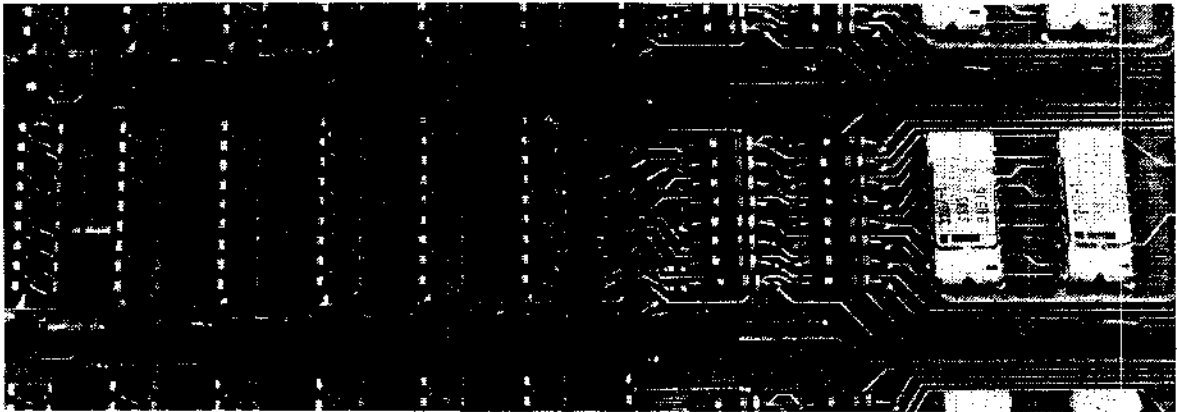
After all of the IC leads have been removed, remove the excess solder remaining in the eyelets prior to inserting the new IC. This figure shows solder being applied to the eyelets after all the leads have been removed. The extra solder absorbs excess heat and keeps it from being applied directly to the etch of the plated-through holes.



6201-9

Figure B-9 Removing Excess Solder From Eyelet

Once the eyelets have been refilled with solder, as described in Figure B-8, remove the solder using the soldering iron and solder extractor as shown above. In this figure, the eyelet has no connection to the board inner layers; thus, the solder can be extracted from the same side of the module to which the heat is applied. However, in cases where direct connections to the inner layer are made, heat must be applied to one side of the module and the solder must be extracted from the opposite side due to the heat sinking properties of the inner layers. In this case, the module should be in a vertical position to allow access to both sides of the module simultaneously.



3201-8

Figure B-10 IC Location Ready for Insertion of New IC

IC location after all the eyelets have been cleared of solder.

1. Inspect the eyelets to ensure that no excess solder remains. If all the solder is not removed, refill the hole as described in Figure B-8 and remove the solder again as described in Figure B-9. Continue this procedure as required, until all of the eyelets are cleared of excess solder.
2. Use a cleaning solvent and brush to clean the IC location of any excess solder flux.
3. Thoroughly inspect the IC location and surrounding area for solder splash and damage to etch lines and plated-through holes.
4. Ensure that none of the leads is bent, and insert the replacement IC in the holes. When inserting the replacement IC into place, avoid ending the leads on the opposite side of the module; this makes future removal of the IC easier, should it be necessary.

CAUTION

If the leads must be bent to hold the IC in position for soldering, avoid bending the leads more than 45 degrees, using only one lead at each end and on opposite sides of the IC.

5. Solder in the new IC from the opposite side of the module. Use enough solder to fill the holes and make a good connection. Avoid using an excess of solder to prevent overflow on the top side of the board, which could cause a short under the body of the IC.
6. Once all the solder connections are made, clean and inspect the area for any damage. Cut off IC leads close to the board. Take necessary corrective action for any defects that are found.

CAUTION

After installing the ECO or replacing a faulty IC on a module, ensure that no short circuit exists between the power and ground planes of the module. Do this before replacing the module in the equipment.

APPENDIX C EQUIPMENT CONFIGURATION AND REVISION STATUS LABELS AND SHIPPING FORMS

The following paragraphs describe the MUL sticker, the ECO status sticker, and module revision status. The MUL sticker lists the equipment complement system serial number, etc.; the ECO status sticker provides information about the current ECO status of wire-wrap devices; module revision status shows the current ECO status of the module.

C.1 MECHANICAL STATUS STICKER

See Figure C-1. This sticker is located on the rear of the mounting box. Box type is PDP-11/70, H960-X. A letter designates the revision level at manufacturing. Field installed ECOs should be entered as performed.

MECHANICAL STATUS	
BOX TYPE _____	
REVISION LEVEL AT MFG. _____	
FIELD INSTALLED MECHANICAL ECOS	
ECO NUMBER	DATE

Figure C-1 Mechanical Status Sticker

C.2 ECO STATUS STICKER

The ECO status sticker, Figure C-2, is located on the inside of the module door in the CPU or BA11-FB mounting box. This sticker is filled out for installation of ECOs to wire-wrap devices such as the KB11-B, C or the various system units. Table C-1 describes how the various columns are to be filled out and the department responsible for filling out these items.

C.3 MODULE ECOS

Each module is stamped with the alphabet (except for G, I, and O) to record various circuit schematic revisions to a module. When a module is shipped from the factory, the actual revision letter from production is stamped on the handle. When ECOs that revise modules are installed in the field, scratch off the appropriate letters from the module. For example, if an ECO corresponding to revision F of the module was installed and an ECO corresponding to revision E of the module was not installed, the letter F would be scratched out and the letter E would remain intact.

C.4 MODULE UTILIZATION LIST (MUL) STICKER

This sticker, Figure C-3, located on the top panel of the A11-FA mounting box (left-hand side), provides a quick, convenient tabulation of the various equipments located in a particular system. Additional information such as serial number, comments, technical tips, and installation of partial ECOs is also shown on the sticker. Table C-2 describes the manner in which the sticker is to be filled out and indicates the department (production/field service) responsible for filling out the various items.

Table C-2 Completing MUL Sticker

Item No.	Responsibility	Description
1	Production	System Serial Number, Unit Serial Number
2	Field Service	Acceptance Date of installation at customer site
3	None	Not Used
4	Field Service	Comment area. Note ECO/FCOs installed, partial ECO/FCOs, miscellaneous information about module or slot.
5	None	Not Used
6	Production/Field Service*	Enter device type as installed.

*To be filled out by production if option or device is factory installed. If option or device is an add-on in the field, field service will complete these items.

NOTE: The MUL Sticker is located on the top of the KB11-B, C cover over the modules.

*INDICATES OPTION																								INDICATES NON STANDARD VOLTAGE PRESENT												kb11b												SYSTEM SERIAL NUMBER				UNIT SERIAL NUMBER				DATE INSTALLED			
SMALL PERIPHERAL CONT.				RH70 CONTROLLER D*				RH70 CONTROLLER C*				RH70 CONTROLLER B*				RH70 CONTROLLER A*				MAP		CACHE MEMORY		MEMORY MGT.		CENTRAL PROCESSOR						FLOATING POINT*				MISC		ROW																					
M9302 UBUS TERM OR UBUS OUT				M5904 MBS C	M5904 MBS B	M5904 MBS A	M8150 MDP	M5904 MBS C	M5904 MBS B	M5904 MBS A	M8150 MDP	M5904 MBS C	M5904 MBS B	M5904 MBS A	M8150 MDP	NOT USED	M8141 MAP	M8145 CDP	M8144 DTM	NOT USED	M8143 ADM	M8142 CCB	M8140 SCC	M8138 SSR	M8137 SAP	NOT USED	M8136 UBC	M8135 TMC	M8134 PDR	M8133 RAC	M8132 IRC	M8131 GRA	M8130 DAP	M8113 FXP	M8112 FRM	M8115 FRL	M8114 FRH	FPT MAINT	A																				
				M7800 DL11	M8153 BCT	M8152 AWR	M8151 CST	M8153 BCT	M8152 AWR	M8151 CST	M8153 BCT	M8152 AWR	M8151 CST	M8153 BCT	M8152 AWR	M8151 CST									M8139 TIG														CP MAINT	B																			
																																							NOT USED	C																			
																																							M787 KW11 CLOCK	D																			
SPC E*	SPC D*	SPC C*	SPC B*																																				M9301 U BUS TERM	E																			
																																								F																			
44	43	42	41	40	39	38	37	36	35	34	33	32	31	30	29	28	27	26	25	24	23	22	21	20	19	18	17	16	15	14	13	12	11	10	09	08	07	06	05	04	03	02	01																

11-3284

*INDICATES OPTION																								INDICATES NON STANDARD VOLTAGE PRESENT												kb11c												SYSTEM SERIAL NUMBER				UNIT SERIAL NUMBER				DATE INSTALLED			
SMALL PERIPHERAL CONT.				RH70 CONTROLLER D*				RH70 CONTROLLER C*				RH70 CONTROLLER B*				RH70 CONTROLLER A*				MAP		CACHE MEMORY		MEMORY MGT.		CENTRAL PROCESSOR						FLOATING POINT*				MISC		ROW																					
M9302 UBUS TERM OR UBUS OUT				M5904 MBS C	M5904 MBS B	M5904 MBS A	M8150 MDP	M5904 MBS C	M5904 MBS B	M5904 MBS A	M8150 MDP	M5904 MBS C	M5904 MBS B	M5904 MBS A	M8150 MDP	NOT USED	M8141 MAP	M8145 CDP	M8144 DTM	NOT USED	M8143 ADM	M8142 CCB	M8140 SCC	M8138 YA SSR	M8137 SAP	NOT USED	M8136 UBC	M8135 TMC	M8134 PDR	M8123 RAC	M8132 IRC	M8131 GRA	M8130 DAP	M8129 FXP	M8128 FRM	M8127 FRL	M8126 FRH	FPT MAINT	A																				
				M7800 DL11	M8153 BCT	M8152 AWR	M8151 CST	M8153 BCT	M8152 AWR	M8151 CST	M8153 BCT	M8152 AWR	M8151 CST	M8153 BCT	M8152 AWR	M8151 CST																										CP MAINT	B																
																																										NOT USED	C																
																																										M787 KW11 CLOCK	D																
SPC E*	SPC D*	SPC C*	SPC B*																																							M9301 U BUS TERM	E																
																																										F																	
44	43	42	41	40	39	38	37	36	35	34	33	32	31	30	29	28	27	26	25	24	23	22	21	20	19	18	17	16	15	14	13	12	11	10	09	08	07	06	05	04	03	02	01																

11-3463

Figure C-3 MUL Stickers

APPENDIX D IC DESCRIPTIONS

The following ICs are described in this appendix. The S or H version of an IC listed below merely indicates its a high-speed version.

3101	Random Access Memory
7474	D-Type Edge-Triggered Flip-Flops
7485	4-Bit Comparator
8598	Read-Only Memory
74112	Dual J-K Edge Triggered Flip-Flops
74151	8-Line to 1-Line Multiplexer
74153	Dual 4-Line to 1-Line Data Selectors/Multiplexers
74154	4-Line to 16-Line Demultiplexer
74155	3-Line to 8-Line Decoder
74157	Quadruple 2-Line to 1-Line Multiplexer
74158	Quadruple 2-Line to 1-Line Multiplexer
74161	4-Bit Binary Couter
74174	HEX D-Type Flip-Flops
74175	Quad D-Type Flip-Flops
74181	4-Bit Arithmetic Unit with Full Look-Ahead
74182	Look-Ahead Carry Generator
74187	1023-Bit Read-Only Memory
74191	4-Bit Binary Counter
74193	4-Bit Binary Counter
74194	Parallel Access Shift Register with Mode Control

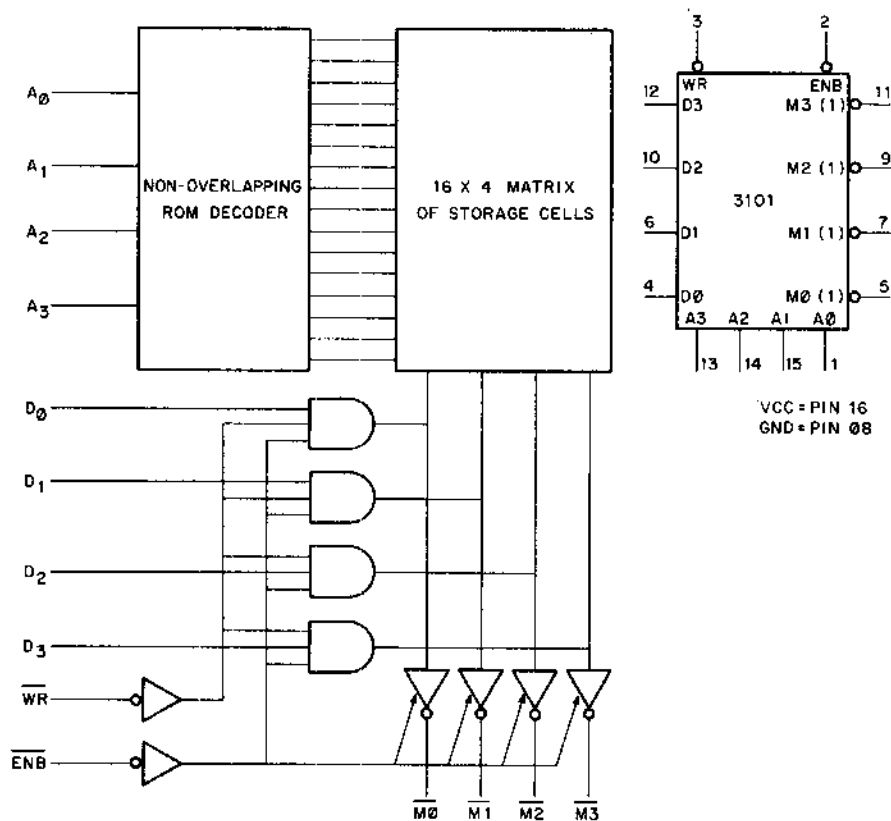
3101 16-WORD \times 4-BIT MEMORY

Easy memory expansion is provided by an active LOW chip select (ENB) input and open collector OR tieable outputs.

An active LOW Write line WR controls the writing/reading operation of the memory. When the chip-select and write lines are LOW the information on the four data inputs D_0 to D_3 is written into the addressed memory word.

Reading is performed with the chip select line LOW and the write line HIGH. The information stored in the addressed word is read out on the four inverting outputs M_0 to M_3 .

During the writing operation or when the chip select line is HIGH the four outputs of the memory go to an inactive high impedance state.



IC - 3101

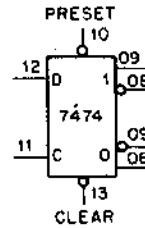
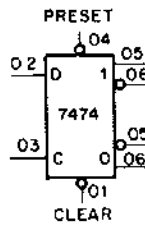
7474 DUAL FLIP-FLOP

TRUTH TABLE FOR
7474 STANDARD CONFIGURATION
(EACH FLIP-FLOP)

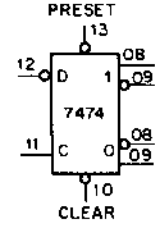
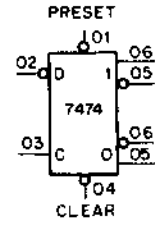
t_n			t_{n+1}	
Preset Pin 4(10)	Clear Pin 1(13)	D Input Pin 2(12)	1 Side Pin 5	Q Side Pin 6
High	High	Low	Low	High
High	High	High	High	Low
High	Low	X	Low	High
Low	High	X	High	Low
Low	Low	X	High	High

t_n = bit time before clock pulse.
 t_{n+1} = bit time after clock pulse.
 X = irrelevant

STANDARD CONFIGURATION



REDIFINED CONFIGURATION

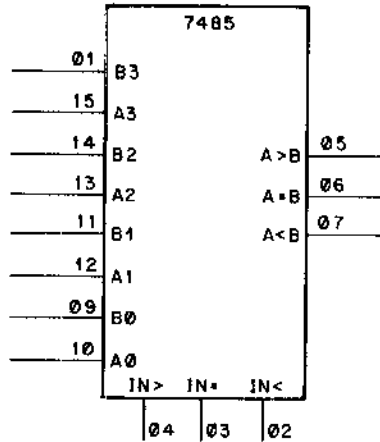


V_{CC} = PIN 14
 GND = PIN 07

IC-7474

7485 4-BIT COMPARATOR

The 7485 performs magnitude comparison of straight binary or straight BCD codes. Three fully decoded decisions ($A > B$, $A < B$, $A = B$) about two 4-bit words (A,B) are made and externally available at three outputs.



VCC = PIN 16
 GND = PIN 08

TRUTH TABLE

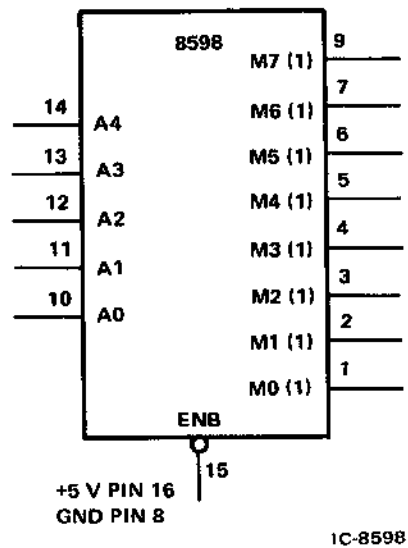
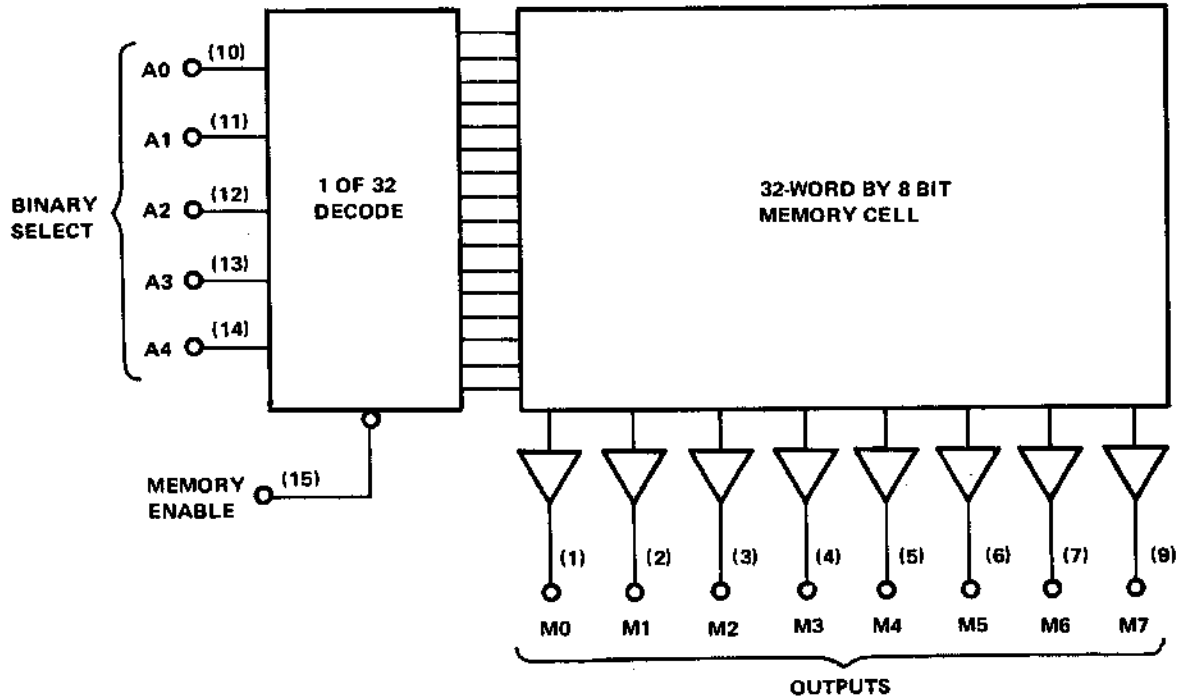
COMPARING INPUTS				CASCADING INPUTS			OUTPUTS		
A3, B3	A2, B2	A1, B1	A0, B0	IN >	IN <	IN =	A > B	A < B	A = B
A3 > B3	X	X	X	X	X	X	H	L	L
A3 < B3	X	X	X	X	X	X	L	H	L
A3 = B3	A2 > B2	X	X	X	X	X	H	L	L
A3 = B3	A2 < B2	X	X	X	X	X	L	H	L
A3 = B3	A2 = B2	A1 > B1	X	X	X	X	H	L	L
A3 = B3	A2 = B2	A1 < B1	X	X	X	X	L	H	L
A3 = B3	A2 = B2	A1 = B1	A0 > B0	X	X	X	H	L	L
A3 = B3	A2 = B2	A1 = B1	A0 < B0	X	X	X	L	H	L
A3 = B3	A2 = B2	A1 = B1	A0 = B0	H	L	L	H	L	L
A3 = B3	A2 = B2	A1 = B1	A0 = B0	L	H	L	L	H	L
A3 = B3	A2 = B2	A1 = B1	A0 = B0	L	L	H	L	L	H

NOTE: H = high level, L = low level, X = irrelevant

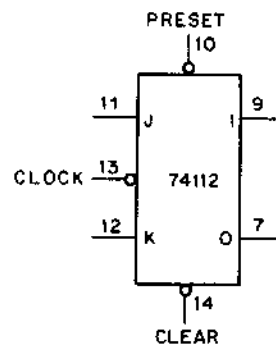
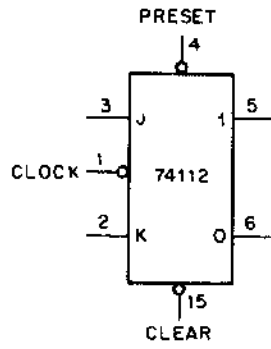
1C-7485

8598 READ-ONLY MEMORY

The 8598 is a 256-bit, read-only memory organized as 32 words of eight bits each. Addressing is accomplished in straight 5-bit binary with full decoding. An overriding memory enable input is provided which, when taken high, will inhibit the 32 address gates and cause all eight outputs to remain high.



74112 DUAL J-K FLIP-FLOP



74112 Truth Table

t_n		t_{n+1}
J	K	Pin 5 or 9
L	L	No change
L	H	L
H	L	H
H	H	Complement

t_n = Bit time before clock pulse.

t_{n+1} = Bit time after clock pulse.

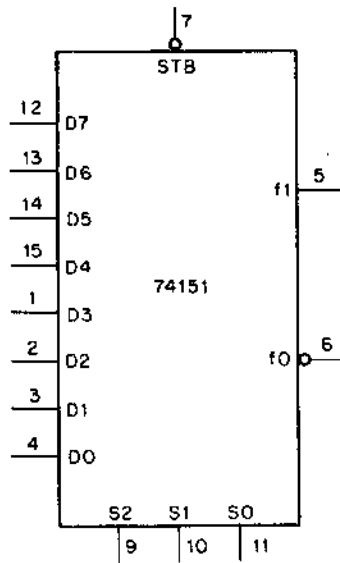
IC-74112

74151 8 TO 1 MULTIPLEXER

74151 TRUTH TABLE

Inputs											Outputs		
S2	S1	S0	STB	D0	D1	D2	D3	D4	D5	D6	D7	f1	f0
X	X	X	1	X	X	X	X	X	X	X	X	0	1
0	0	0	0	0	X	X	X	X	X	X	X	0	1
0	0	0	0	1	X	X	X	X	X	X	X	1	0
0	0	1	0	X	0	X	X	X	X	X	X	0	1
0	0	1	0	X	1	X	X	X	X	X	X	1	0
0	1	0	0	X	X	0	X	X	X	X	X	0	1
0	1	0	0	X	X	1	X	X	X	X	X	1	0
0	1	1	0	X	X	X	0	X	X	X	X	0	1
0	1	1	0	X	X	X	1	X	X	X	X	1	0
1	0	0	0	X	X	X	X	0	X	X	X	0	1
1	0	0	0	X	X	X	X	1	X	X	X	1	0
1	0	1	0	X	X	X	X	X	0	X	X	0	1
1	0	1	0	X	X	X	X	X	1	X	X	1	0
1	1	0	0	X	X	X	X	X	X	0	X	0	1
1	1	0	0	X	X	X	X	X	X	1	X	1	0
1	1	1	0	X	X	X	X	X	X	X	0	0	1
1	1	1	0	X	X	X	X	X	X	X	1	1	0
1	1	1	1	X	X	X	X	X	X	X	1	1	0

When used to indicate an input, X = irrelevant.

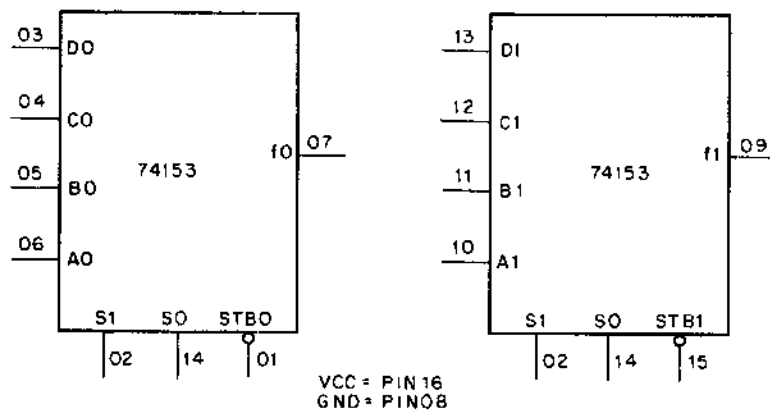


IC-74151

74153 DUAL 4 TO 1 MULTIPLEXER

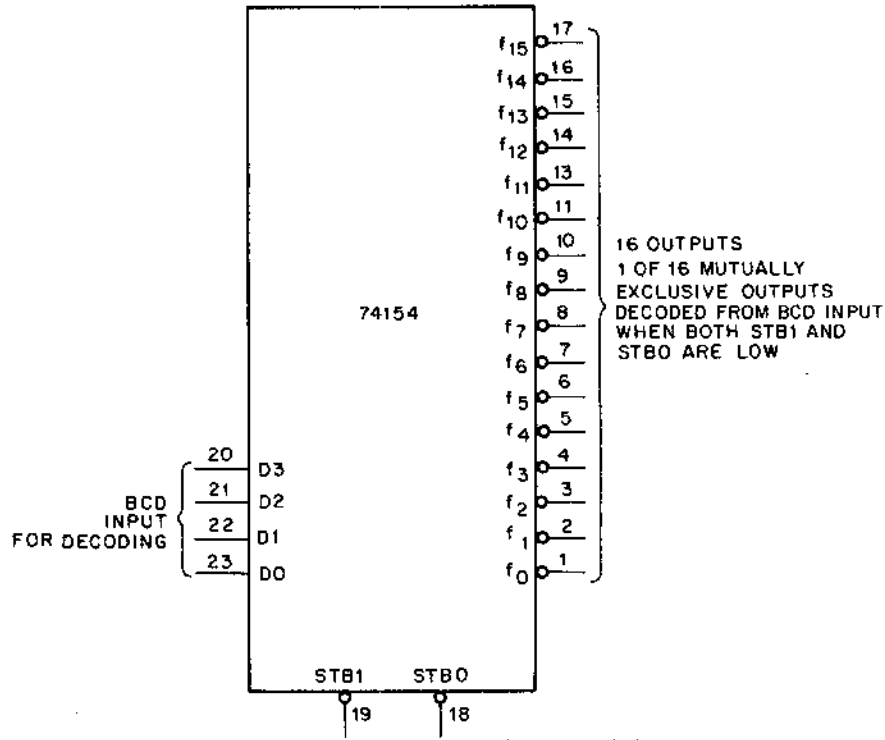
ADDRESS INPUTS		DATA INPUTS				STROBE OUTPUT	
S1	S0	A	B	C	D	STB	f
X	X	X	X	X	X	H	L
L	L	L	X	X	X	L	L
L	L	H	X	X	X	L	H
L	H	X	L	X	X	L	L
L	H	X	H	X	X	L	H
H	L	X	X	L	X	L	L
H	L	X	X	H	X	L	H
H	H	X	X	X	L	L	L
H	H	X	X	X	H	L	H

Address inputs S0 and S1 are common to both sections.
 H = high level, L = low level, X = irrelevant.



74154 4-LINE TO 16-LINE DECODER

The 74154 4-Line to 16-Line Decoder decodes four binary-coded inputs into one of 16 mutually-exclusive outputs when both strobe inputs (G1 and G2) are low. The decoding function is performed by using the four input lines to address the output line, passing data from one of the strobe inputs with the other strobe input low. When either strobe input is high, all outputs are high.

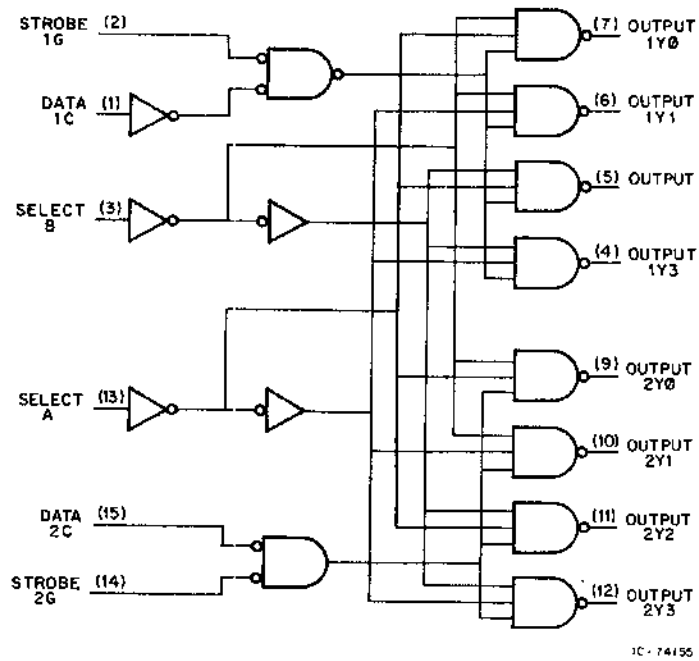


+5V - PIN 24
GND - PIN 12

Notes For Demultiplexing:
Inputs used to address output line.
Data passed from one strobe input
with other strobe held low. Either
strobe high gives all high outputs.

IC-74154

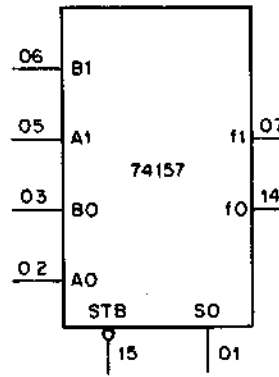
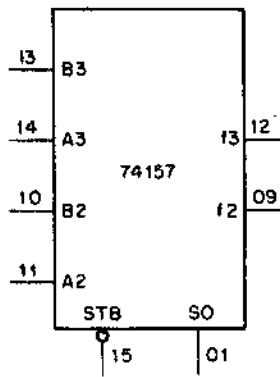
74155 3-LINE TO 8-LINE DECODER



74157 QUAD 2 TO 1 MULTIPLEXER

INPUTS				OUTPUT
STB	S0	A	B	f
H	X	X	X	L
L	L	L	X	L
L	L	H	X	H
L	H	X	L	L
L	H	X	H	H

H = high level, L = low level, X = irrelevant.



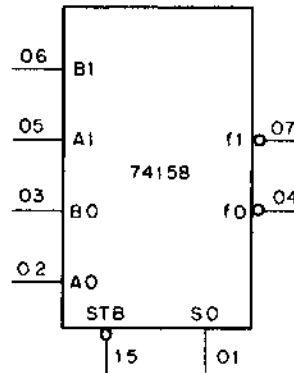
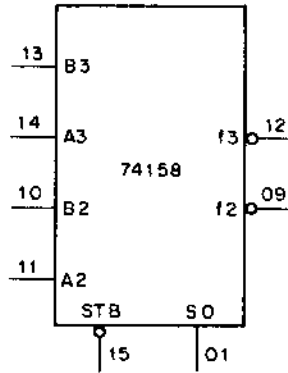
VCC = PIN 16
GND = PIN 08

10-74157

74158 QUAD 2 TO 1 MULTIPLEXER

INPUTS				OUTPUT
STB	S0	A	B	f
H	X	X	X	L
L	L	L	X	L
L	L	H	X	H
L	H	X	L	L
L	H	X	H	H

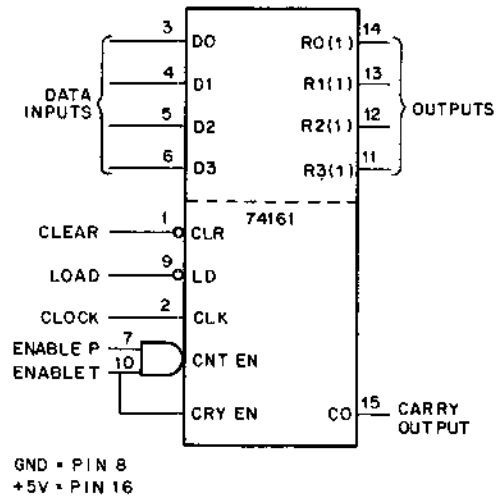
H = high level, L = low level, X = irrelevant.



VCC = PIN 16
GND = PIN 08

IC-74158

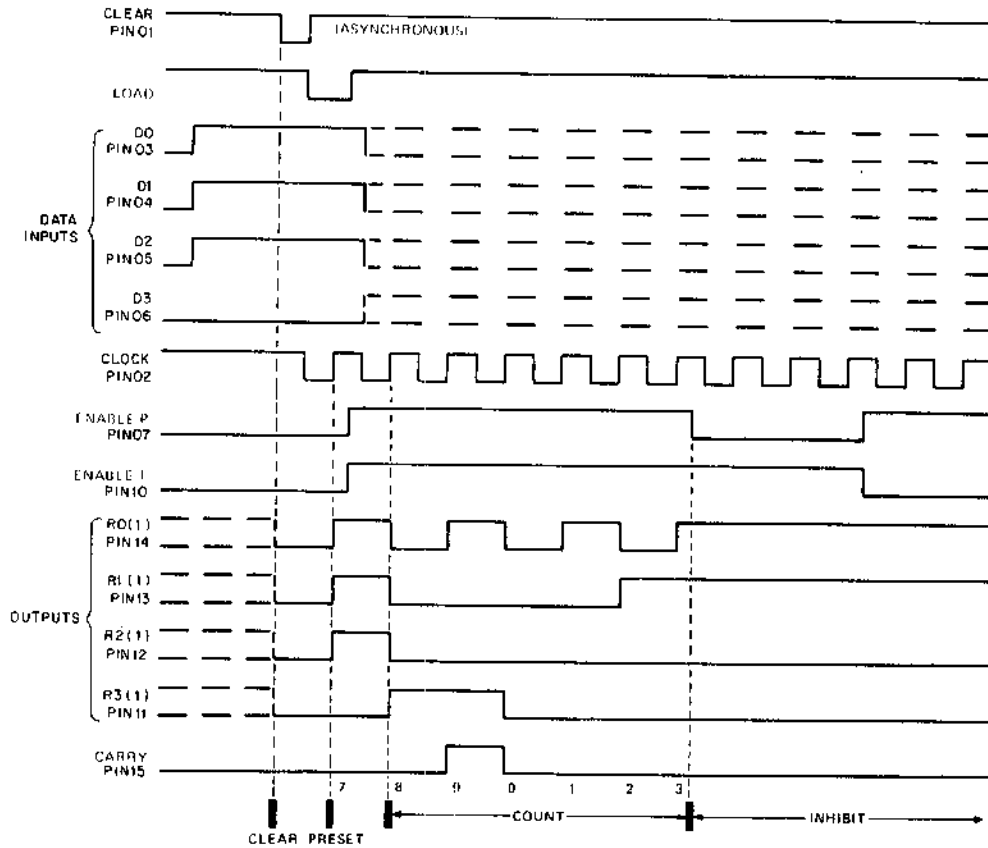
74161 SYNCHRONOUS 4-BIT COUNTER



typical clear, preset, count, and inhibit sequences for 74161

Illustrated below is the following sequence:

1. Clear outputs to zero.
2. Preset to BCD seven.
3. Count to eight, nine, zero, one, two, and three.
4. Inhibit



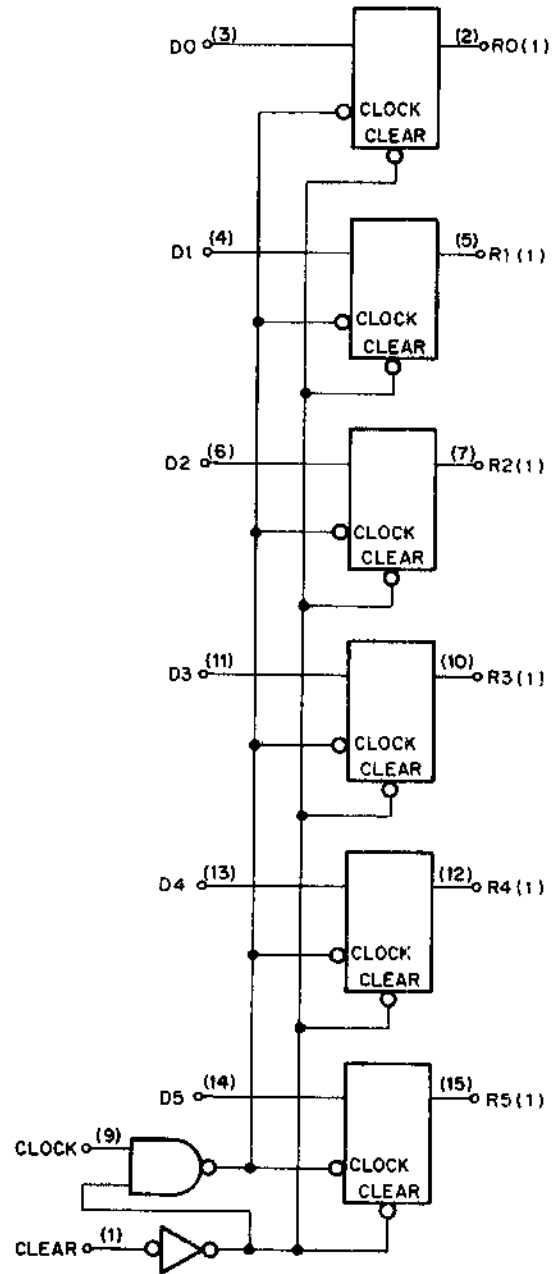
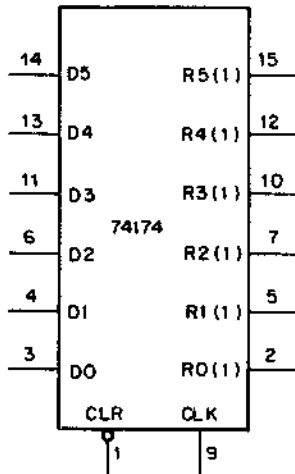
IC-74161

74174 HEX D FLIP-FLOP REGISTER

TRUTH TABLE

INPUT t_n	OUTPUT t_{n+1}
D	R(1)
H	H
L	L

t_n = Bit time before clock pulse.
 t_{n+1} = Bit time after clock pulse.



Pin (16) = V_{CC} , Pin (8) = GND

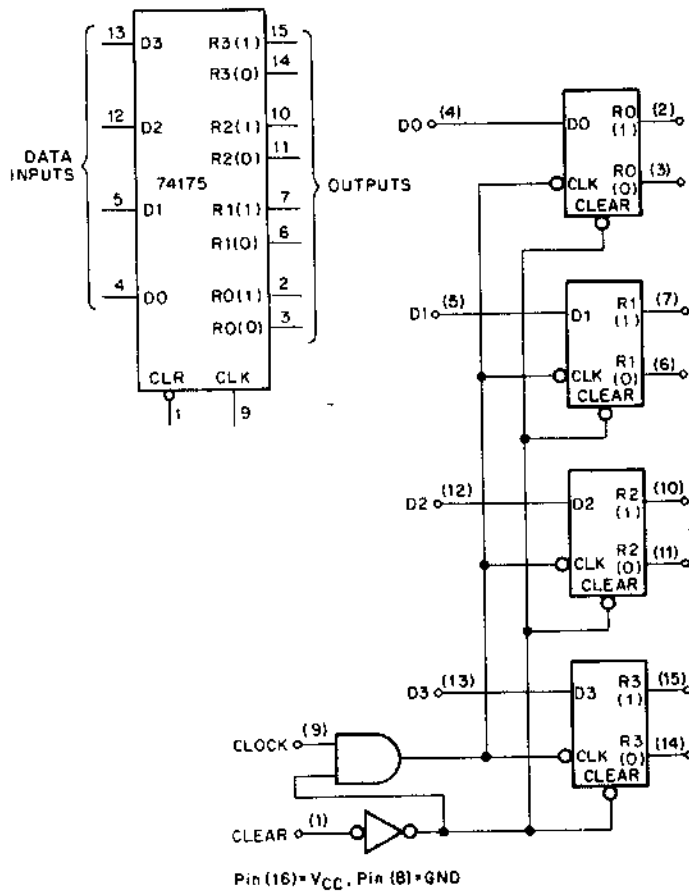
IC-74174

74175 QUAD STORAGE REGISTER

TRUTH TABLE

INPUT t_n	OUTPUTS t_{n+1}
D	R(1) R(0)
H	H L
L	L H

t_n = Bit time before clock pulse.
 t_{n+1} = Bit time after clock pulse.



IC - 74175

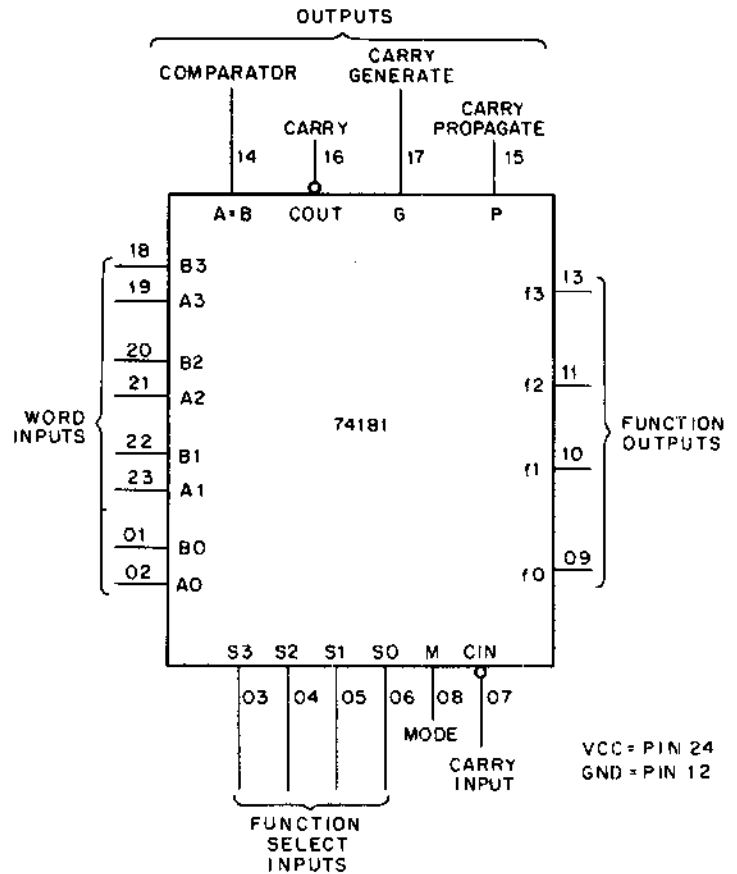
74181 4-BIT ARITHMETIC LOGIC UNIT, ACTIVE HIGH DATA

The 74181 performs up to 16 arithmetic and 16 logic functions. Arithmetic operations are selected by four function-select lines (S0, S1, S2, and S3) with a low-level voltage at the mode control input (M), and a low-level carry input. Logical operations are selected by the same four function-select lines except that the mode control input (M) must be high to disable the carry input.

74181
TABLE OF LOGIC FUNCTIONS

Function Select				Output Function	
S3	S2	S1	S0	Negative Logic	Positive Logic
L	L	L	L	$f = \bar{A}$	$f = \bar{A}$
L	L	L	H	$f = \bar{A}\bar{B}$	$f = \bar{A} + \bar{B}$
L	L	H	L	$f = \bar{A} + B$	$f = \bar{A}B$
L	L	H	H	$f = \text{Logical 1}$	$f = \text{Logical 0}$
L	H	L	L	$f = \bar{A} + \bar{B}$	$f = \bar{A}B$
L	H	L	H	$f = \bar{B}$	$f = \bar{B}$
L	H	H	L	$f = A \oplus B$	$f = A \oplus B$
L	H	H	H	$f = A + \bar{B}$	$f = A\bar{B}$
H	L	L	L	$f = \bar{A}B$	$f = \bar{A} + B$
H	L	L	H	$f = A \oplus B$	$f = A \oplus B$
H	L	H	L	$f = B$	$f = B$
H	L	H	H	$f = A + B$	$f = AB$
H	H	L	L	$f = \text{Logical 0}$	$f = \text{Logical 1}$
H	H	L	H	$f = \bar{A}\bar{B}$	$f = A + \bar{B}$
H	H	H	L	$f = AB$	$f = A + B$
H	H	H	H	$f = A$	$f = A$

With mode control (M) high: C_{in} irrelevant
 For positive logic: logical 1 = high voltage
 logical 0 = low voltage
 For negative logic: logical 1 = low voltage
 logical 0 = high voltage



VCC = PIN 24
GND = PIN 12

IC-74181

74181
TABLE OF ARITHMETIC OPERATIONS

Function Select				Output Function	
S3	S2	S1	S0	Low Levels Active	High Levels Active
L	L	L	L	$f = A \text{ minus } 1$	$f = A$
L	L	L	H	$f = AB \text{ minus } 1$	$f = A + B$
L	L	H	L	$f = \bar{A}\bar{B} \text{ minus } 1$	$f = A + \bar{B}$
L	L	H	H	$f = \text{minus } 1 \text{ (2's complement)}$	$f = \text{minus } 1 \text{ (2's complement)}$
L	H	L	L	$f = A \text{ plus } [A + \bar{B}]$	$f = A \text{ plus } \bar{A}\bar{B}$
L	H	L	H	$f = AB \text{ plus } [A + \bar{B}]$	$f = [A + B] \text{ plus } \bar{A}\bar{B}$
L	H	H	L	$f = A \text{ minus } B \text{ minus } 1$	$f = A \text{ minus } B \text{ minus } 1$
L	H	H	H	$f = A + \bar{B}$	$f = \bar{A}\bar{B} \text{ minus } 1$
H	L	L	L	$f = A \text{ plus } [A + B]$	$f = A \text{ plus } AB$
H	L	L	H	$f = A \text{ plus } B$	$f = A \text{ plus } B$
H	L	H	L	$f = \bar{A}\bar{B} \text{ plus } [A + B]$	$f = [A + \bar{B}] \text{ plus } AB$
H	L	H	H	$f = A + B$	$f = AB \text{ minus } 1$
H	H	L	L	$f = A \text{ plus } A \dagger$	$f = A \text{ plus } A \dagger$
H	H	L	H	$f = \bar{A}\bar{B} \text{ plus } A$	$f = [A + B] \text{ plus } A$
H	H	H	L	$f = \bar{A}\bar{B} \text{ plus } A$	$f = [A + \bar{B}] \text{ plus } A$
H	H	H	H	$f = A$	$f = A \text{ minus } 1$

With mode control (M) and C_{in} low
 † Each bit is shifted to the next more significant position.

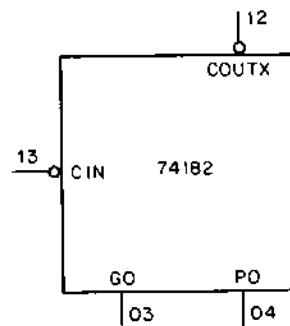
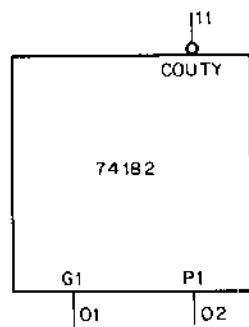
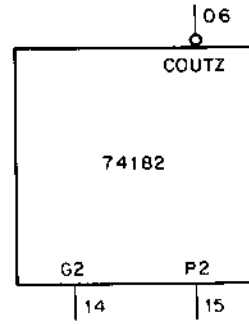
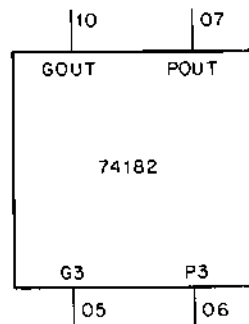
74182 LOOK-AHEAD CARRY GENERATOR

The 74182 Look-Ahead Carry Generator, when used with the 74181 ALU, provides carry look-ahead capability for up to n-bit words. Each 74182 generates the look-ahead (anticipated carry) across a group of four ALUs and, in addition, other carry look-ahead circuits may be employed to anticipate carry across sections of four look-ahead packages up to n-bits.

Carry inputs and outputs of the 74181 ALU are in their true form, and the carry propagate (POUT) and carry generate (GOUT) are in negated form.

PIN DESIGNATIONS

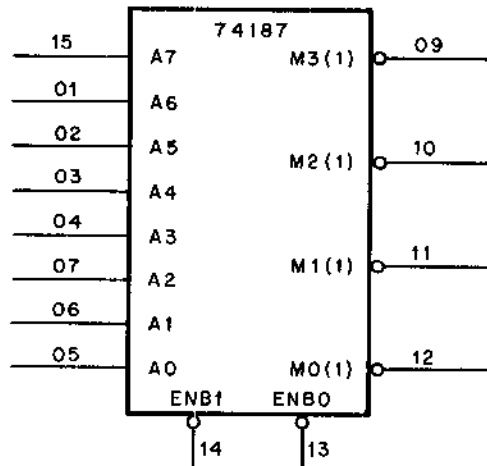
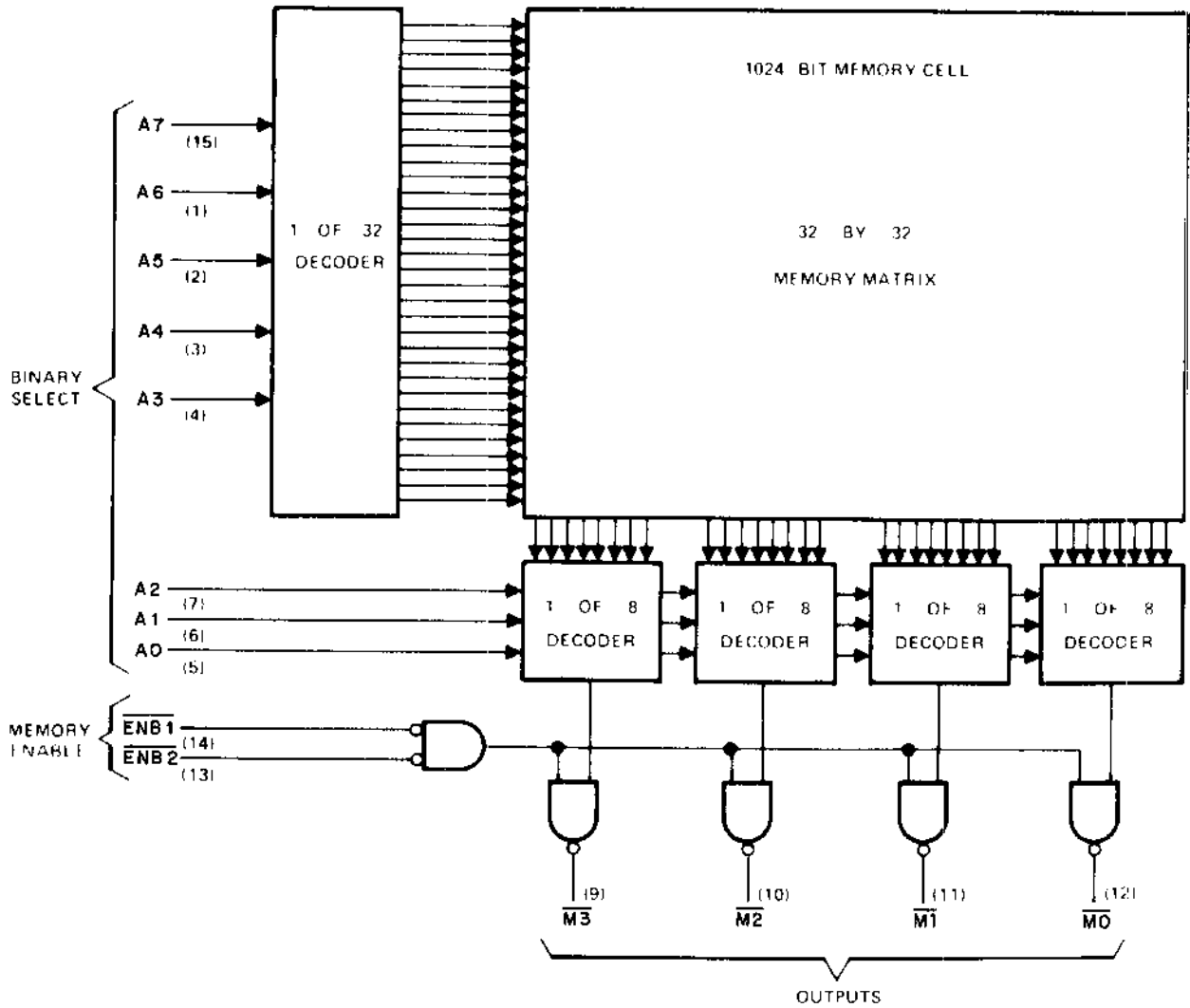
Designation	Pin No.	Function
G0, G1, G2, G3	3, 1, 14, 5	ACTIVE-LOW CARRY GENERATE INPUTS
P0, P1, P2, P3	4, 2, 15, 6	ACTIVE-LOW CARRY PROPAGATE INPUTS
CIN	13	CARRY INPUT
COUTX, COUTY, COUTZ	12, 11, 9	CARRY OUTPUTS
GOUT	10	ACTIVE-LOW CARRY GENERATE OUTPUT
POUT	7	ACTIVE-LOW CARRY PROPAGATE OUTPUT
V _{CC}	16	SUPPLY VOLTAGE
GND	8	GROUND



V_{CC} = PIN 16
GND = PIN 08

IC-74182

74187 1023-BIT READ-ONLY MEMORY



VCC = PIN 16
GND = PIN 08

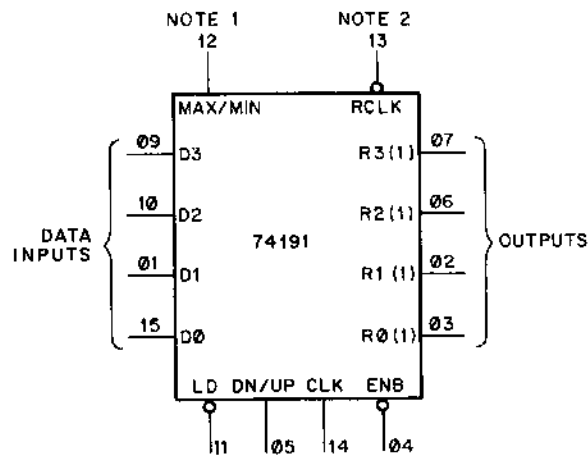
IC-74187

74191 4-BIT UP/DOWN COUNTER

The 74191 is a 4-bit binary counter that counts in BCD or binary and can operate as an up or down counter. The counter can be preset by the load control and uses a rippled clock output for cascading.

DOWN/UP	ENABLE	LOAD	MODE
X	X	L	Parallel Load
X	H	H	No Change
L	L	H	Count Up
H	L	H	Count Down

H = high level L = low level X = irrelevant



VCC = PIN 16
GND = PIN 08

NOTES:

1. MAX/MIN produces a high level output pulse when the counter overflows or underflows.
2. Ripple clock produces a low level output pulse when an overflow or underflow condition exists.

IC-74191A

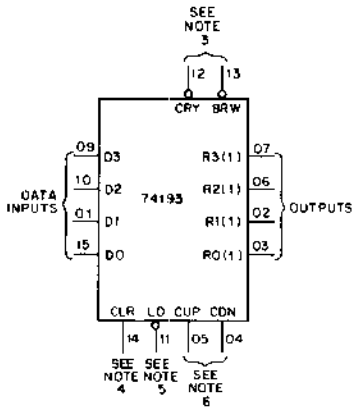
74193 4-BIT UP/DOWN COUNTER

The 74193 binary counter has an individual asynchronous preset to each flip-flop, a fully independent clear input, internal cascading circuitry, and provides synchronous counting operations.

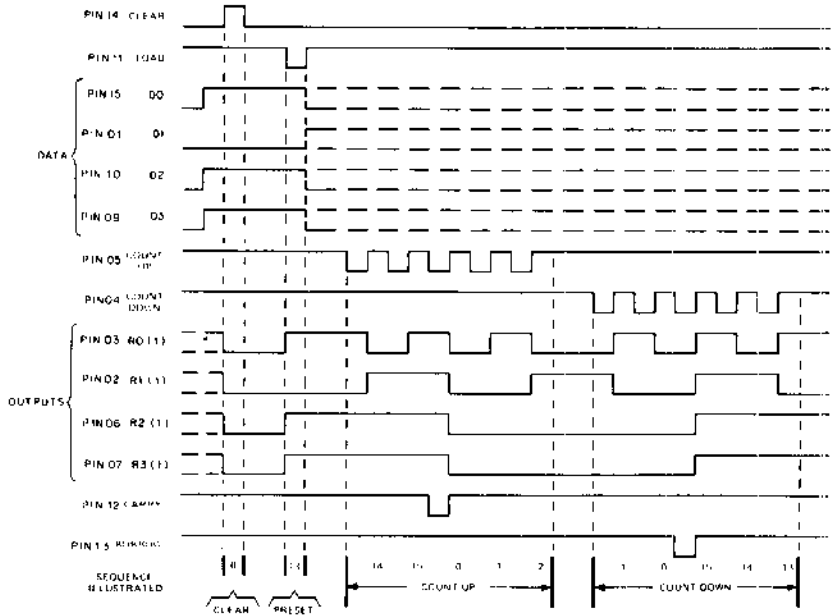
typical clear, load, and count sequences for 74193

Illustrated below is the following sequence

1. Clear outputs to zero.
2. Load (preset) to BCD thirteen.
3. Count up to fourteen, fifteen, carry, zero, one, and two.
4. Count down to one, zero borrow, fifteen, fourteen and thirteen.



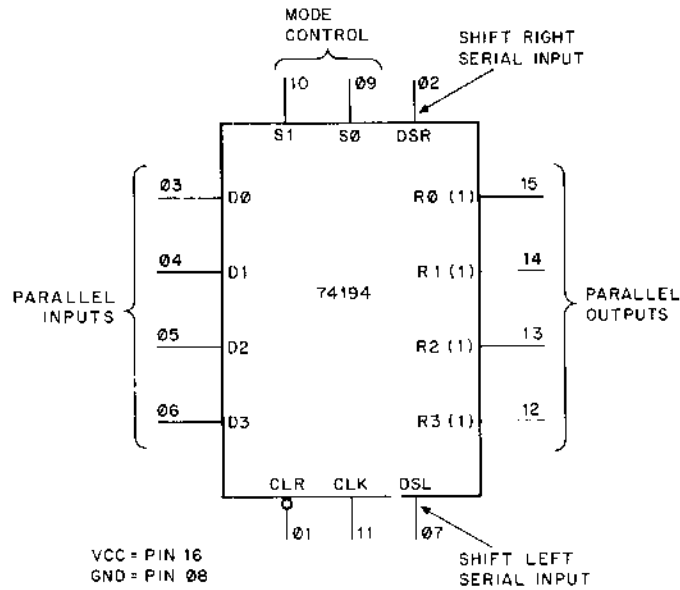
- NOTES:
1. Clear overrides load, data, and count inputs
 2. When counting up, count down input must be high. When counting down, count-up input must be high.
 3. Produce pulses equal to width of count pulses during: Underflow (BORROW) Overflow (CARRY)
 4. CLR input high forces all outputs low. CLR overrides load, data and DN/UP inputs.
 5. Preset to any state by applying input data with load input low. Outputs changes to agree with inputs independent of count pulses.
 6. Select DN or UP clock while other is held high.



17-19-93

74194 4-BIT SHIFT REGISTER

The 74194 is a parallel load, parallel output, shift register with left shift and right shift capability. Clocking is accomplished by positive-edge triggering. In addition, the IC contains an inhibit function and direct overriding clear input.



	MODE CONTROL	
	S1	S0
PARALLEL LOAD	H	H
SHIFT RIGHT (IN THE DIRECTION R0 TOWARD R3)	L	H
SHIFT LEFT (IN THE DIRECTION R3 TOWARD R0)	H	L
INHIBIT CLOCK (DO NOTHING)	L	L

IC - 74194

APPENDIX E
PREVENTIVE MAINTENANCE SCHEDULE

Device	Period*	Time*	Weekly	Monthly	Quarterly	Semi-Annually	Annually
CR11/CR04	40 hr	15 min	—	—	1 hr	2 hr	—
DL11-A	—	—	—	—	15 min	—	20 min
FP11-B	—	—	—	—	1.5 hr	—	—
KB11-B, C	—	—	—	15 min	2.5 hr	—	3 hr
MJ11	—	—	—	—	20 min	25 min	30 min
KW11-L	—	—	—	—	—	—	—
LA36	—	—	—	—	—	—	—
LP05	—	—	30 min	—	1.5 hr	4 hr	—
LP11 (ALL)	—	—	1 hr	—	2 hr	—	3 hr, 10 min
LPS11	—	—	—	—	3 hr	—	—
LV11/LV01	—	—	15 min	—	1 hr	3 hr	—
PC05	—	—	—	5 min	35 min	1.75 hr	—
RH70	—	—	—	—	30 min	—	—
RK05	—	—	—	10 min	1.75 hr	2.75 hr	3.75 hr
RP04	—	—	—	—	1.5 hr	3 hr	3.5 hr
RP11C/RP03	—	—	—	10 min	1.5 hr	3 hr	3 hr, 10 min
RS03/04	—	—	—	—	1.5 hr	2.5 hr	—
TU10	8 hr	15 min	—	15 min	1.5 hr	2.75 hr	4 hr
TU16	—	—	—	30 min	1 hr	2 hr	—
TU56	—	—	—	20 min	1 hr	2 hr	3.5 hr

* NOTE: These two columns show the maintenance required at odd intervals, e.g., 15 min of PM every 8 hrs on the TU10.

APPENDIX F

SUMMARY OF EQUIPMENT SPECIFICATIONS

This table provides mechanical, environmental, and programming information for the PDP-11/70 optional equipment. The equipment is arranged in alphanumeric order by Model Number.

NOTES

1. Mounting Codes

CAB = Cabinet mounted. If a cabinet is included with the option, it is indicated by an X in the "Cab Incl" column.

FS = Free standing unit. Height X Width X Depth dimensions are shown in inches.

TT = Table top unit.

PAN = Panel mounted. Front panel height is shown in inches. An included cabinet is indicated when applicable.

SU = System Unit. SU mounting assembly is included with the option.

SPC = Small Peripheral Controller. Option is a module that mounts in a quad module, SPC slot.

MOD = Module. Height is single, double, or quad.

() = Option mounts in the same space as the equipment shown within the parentheses.

Some options include 2 separate physical parts and are indicated by use of a plus (+) sign.

2. Cabinet and peripheral equipment (such as magnetic tape) are included in the specifications.
3. Relative humidity specifications mean without condensation.
4. Equipment that can supply current is indicated by parentheses () around the number of amps in the POWER section.
5. Non-Processor Request Devices are indicated by an X in the "NPR" column.
6. MJ11 Memory specifications are stated in Chapter 2 of this manual.

CONVERSION FACTORS

(inches)	× 2.54	=	(cm)
(lbs)	× 0.454	=	(kg)
(Watts)	× 3.41	=	(Btu/hr)
$[(^{\circ}\text{C}) \times \frac{9}{5}] + 32$		=	($^{\circ}\text{F}$)

Model Number	Description	MECHANICAL					ENVIRONMENTAL		POWER			PROGRAMMING		UNIBUS			Model Number	
		Mounting Code	Size H x W x D (inches)	Cab Incl	Weight (lbs)	Power Harness		Oper Temp (°C)	Rel Humid (%)	Cur needed / (supplied)		Power Dis (W)	1st Reg Address	Int Vector	BR Level	NPR		Bus Loads
						BA11-K	H960-D			+5 V	115 Vac / other (amps)							
AA11-D AD01-D AFC11 AR11-K	D/A Subsystem A/D Subsystem A/D Subsystem A/D Subsystem	SU PAN CAB SPC + PAN	5 1/4		15	7009562 7009562	7009562 7009562	10-50 0-55 10-55	20-95 10-95 10-95	3 4	0.5 0.5 15	60 60 1700	17 776 756 17 776 770 17 772 570	140,144 130 134	4, 5 4-7 4		1 1 1	AA11-D AD01-D AFC11 AR11-K
BA11-K BA614 BB11 BB11-A	Mounting Box D/A Converter Blank Mntg Panel Blank Mounting Panel (non-slotted blocks)	PAN (AA11-D) SU SU	10 1/2		100						12 @ 115 V 10A @ -15V 1A @ -5 V 50A @ +5 V 8A @ +20V 4A @ +15V	1380						BA11-K BA614 BB11 BB11-A
BB11-B BC11-A BM792-Y CB11	Blank double Mounting Panel, 9 x 6 Unibus Cable Bootstrap Loader Telephone Switching Interface	2SU SPC Cab			300			10-50	10-90	0.3		650	17 764 000	float	4-7		1 1, 2	BB11-B BC11-A BM792-Y CB11
CD11-A/B CD11-E CM11-F CR11	Card Reader Card Reader Card Reader Card Reader	SU + TT SU + TT SPC + TT SPC + TT	14 x 24 x 18 38 x 24 x 38 11 x 19 x 14 11 x 19 x 14		85 200 60 60	7010117 7010117	7009562 7009562	10-50 10-50 10-50 10-50	10-90 10-90 10-90 10-90	2.5 2.5 1.5 1.5	4 6 4 4	450 700 400 400	17 772 460 17 772 460 17 777 160 17 777 160	230 230 230 230	4 4 6 6	X X	1 1 1 1	CD11-A CD11-E CM11-F CR11
CTS-11 DA11-B DA11-F DB11-A	Card Reader/Punch Unibus Link Unibus Window Bus Repeater	SU + FS SU SU SU	38 x 48 x 27		300	7009562 7009562 7010117 7009562	7009562 7009562 7009563 7009562	5-43 10-50 5-50	8-90 10-90 10-95	4.0 4 5 3.2		17 777 160 17 772 410 17 764 000	230 124 float	4 5 7	X X	1 1 1 1+1	CTS-11 DA11-B DA11-F DB11	
DC11-A DD11-B DECKit 01-A DECKit 11-F	Asynch Line Inter Periph Mntg Panel Remote Analog Data Concentrator: 8 Channels, Serial I/O Interface: 3 Words In/1 Word Out	SU SU PAN SU	5 1/4 x 19 x 13		15	7010117 7010117 7009562	7009562 7009563 7009562	10-50 0-50 0-70	20-90 10-95 10-95		see Product Bull. 1.5 @ 115 Vac 0.75 @ 230 Vac	175	17 774 000 User	float User	5 7		1 4	DC11-A DD11-A DECKit 01-A DECKit 11-F
DECKit 11-H DECKit 11-K DECKit 11-M	I/O Interface: 4 Words In/4 Words Out I/O Interface: 8 Words In I/O Interface: Instrumentation Interface Acoustic Coupler	SU SU SU TT				7009562 7009562 7009562		0-70 0-70 0-70	10-95 10-95 10-95	3.91 1.97 1.75		User User User	User User	5-6 4		4 2 2	DECKit 11-H DECKit 11-K DECKit 11-M	
DF01-A DF11 DH11 DH11-AD	Line Sig Cond Asynch Line MX Asynch 6 Line MX	DF slot 2 SU 2 SU	6 x 7 x 12		6	7010118 7010118	7009561	5-45 10-40	10-95	8.4 10.8	see Product Bull. 0.24 A @ -15 V 0.4 A @ +15 V 0.65 A @ -15 V		float float float	float float	5	X X	2 2	DF01-A DF11 DH11 DH11-AD

Model Number	Description	MECHANICAL					ENVIRONMENTAL		POWER			PROGRAMMING		UNIBUS			Model Number		
		Mounting Code	Size H x W x D (inches)	Cab Incl	Weight (lbs)	Power Harness		Oper Temp (°C)	Rel Humid (%)	Cur needed / (supplied)		Power Dis (W)	1st Reg Address	Int Vector	BR Level	NPR		Bus Loads	
						BA11-K	H960-D			+5 V	115 Vac / other (amps)								
DH11-AE	Asynch 6 Line MX	2 SU				7010118		10-40		8.6	0.1 A @ +15 V 0.34 A @ -15 V			float		X	2	DH11-AE	
DJ11-A	Asynch Line MX	SU				7010117	7009563			5	see Product Bull.		float	float	5		1	DJ11	
DL11-A	Terminal Control	SPC								1.8	0.15 A @ -15 V		17 777 560	060,064	4		1	DL11-A	
DL11 (others)	Asynch Line Inter	SPC								1.8	0.15 A @ -15 V		17 776 500	float	4		1	DL11 (others)	
DM11-BB	Modem Ctr. MUX	(DH11)								2.8			17 775 000	float			1	DM11-BB	
DN11-A	Auto Calling Unit	SU				7009562	7009562	0-40	20-90	1.4	0.10 A @ +15 V		17 775 200	float	4		1	DN11	
DP11	Synch Line Inter	SU				7009562	7009562	0-40	20-90	2.5	0.10 A @ ±15 V		17 774 400	float	5		1	DP11	
DQ11	DMA Sync Line Interface	SU				7010117	7009563	10-50	10-90	5.7	0.04 A @ +15 V 0.07 A @ -15 V		float	float	5	X	1	DQ11	
DR11-B	DMA Interface	SU				7009562	7009562	10-50	20-90	3.3			17 772 410	124	5	X	1	DR11-B	
DR11-C	General Interface	SPC						10-50	20-90	1.5			17 767 770	float	5		1	DR11-C	
DR11-K	General Interface																	DR11-K	
DR11-L	Unibus 2-Word In	SPC						5-50	10-95	1.5			User	User	User		1	DR11-L	
DR11-M	Unibus 2-Word Out	SPC						5-50	10-95	1.5			User	User	User		1	DR11-M	
DT03-F	Unibus Switch	PAN	5%					10-50	20-95	2.2	2			User	7		1+1	DT03-F	
DU11	Sync Line Inter	SPC						10-50	20-95	2.2	0.7 A @ +15 V 0.17 A @ -15 V			float	5		1	DU11	
DV11+	Sync MUX	2 SU				7010835		10-40	10-90	15	0.5 A @ +15 V 1.0 A @ -15 V	97		float	5-6	X	2	DV11+	
2 DV11-BA																		2 DV11-BA	
DX11	IBM Chan. Interface	CAB		X	180			10-55	10-90		2.5		300	17 776 200	float	4-7	X	1	DX11-B
GT40	Graphics Terminal	TT	18 x 20 x 24		150			15-35	20-80		15		1500	float	float			1	GT40
H312-A	Null Modem																		H312-A
H720-E	Power Supply	(BA11)			30			0-50	20-95	(22)	6 (10 A) @ -15 V	700							H720
H722	Transformer	(PC11-A)									1.5 A @ 230 Vac								H722
H742	Power Supply	(H960-D)									8 (1 A) @ +15 V								H742
H744	+5 V Regulator	(H742)																	H744
H745	-15 V Regulator	(H742)									(10 A) @ -15 V								H745
H754	+20, -5 V Regulator	(H742)									(8 A) @ +20 V (1 A) @ -5 V								H754
H933-C	Mounting Panel (H803 blocks)	SU																	H933-C
H933-CB	Mounting Panel (slotted blocks)	SU																	H933-CB
H933-D	Mounting Panel (H808 blocks)	SU																	H933-D
H934-CB	Double Mounting Panel (slotted blocks)	2 SU																	H934-CB
H960-C	Cabinet	FS	72 x 21 x 30	X	120														H960-C
H960-D	Cab (1 drawer)	FS	72 x 21 x 30	X	300		7009566			(75)	8 (20 A) @ -15 V	900							H960-D
H960-E	Cab (2 drawers)	FS	72 x 21 x 30	X	470		7009566			(150)	16 (40 A) @ -15 V	1800							H960-E
H961-A	Cab w/o side pan	FS	72 x 21 x 30	X	120														H961-A
KG11-A	Comm Arith Unit	SPC								1.5			17 770 700				1	KG11-A	
KW11-L	Line Clock	MOD	single ht							0.8			17 777 546	100	6		1	KW11-L	
KW11-P	Programmable Clock	SPC								1			17 772 540	104	6		1	KW11-P	

Model Number	Description	MECHANICAL					ENVIRONMENTAL		POWER			PROGRAMMING		UNIBUS			Model Number	
		Mounting Code	Size H x W x D (inches)	Cab Incl	Weight (lbs)	Power Harness		Oper Temp (°C)	Rel Humid (%)	Cur needed / (supplied)		Power Dis (W)	1st Reg Address	Int Vector	BR Level	NPR		Bus Loads
						BA11-K	H960-D			+5 V	115 Vac / other (amps)							
LA36	DECwriter	FS	33.5 x 27.5 x 24		102			10-40	10-90	1.5	3	300	17 777 560	060,064	4		1	LA36
LC11-A	LA30 Control	SPC																LC11-A
LP11-F	Printer (80 col)	SPC + FS	46 x 24 x 22		200			10-43	15-80	1.5	2	250	17 777 514	200	4		1	LP11-F
LP11-J	Printer (132 col)	SPC + FS	46 x 48 x 25		575			10-43	15-80	1.5	4	500	17 777 514	200	4		i	LP11-J
LP11-R	Ptr (Heavy duty)	SPC + FS	48 x 49 x 36		800			10-43	15-80	1.5	17	2000	17 777 514	200	4		1	LP11-R
LPS11	Lab Periph System	PAN	5 1/4		80			5-43	20-80		3	300	float	float	4-6	opt	2	LPS11-S
LS11	Line Printer	SPC + TT	12 x 28 x 20		155			5-38	5-90	1.5	3	300	17 777 514	200	4		1	LS11
LT33	Teletype	FS	34 x 22 x 19		60			15-35	20-80		2	200						LT33
LV11	Electrostatic Ptr	SPC + FS	38 x 19 x 18		160			10-43	20-80	1.5	5	600	17 777 514	200	4		1	LV11
M105	Adrs Select Module	MOD	single ht							0.34								M105
M783	Bus Transmitter	MOD	single ht							0.2								M783
M784	Bus Receiver	MOD	single ht							0.2								M784
M785	Bus Transceiver	MOD	single ht							0.3			17 773 000				1	M785
M792	Diode ROM	SPC	quad ht							0.23								M792
M795	Word Count	MOD	double ht							0.6								M795
M796	Bus Control	MOD	single ht							0.13								M796
M920	Bus Jumper	MOD	double ht							1.25								M920
M9302	Bus Terminator	MOD	double ht							0.3								M9302
M1501	Bus Input Interface	MOD	single ht					0-70	10-95	0.75								M1501
M1502	Bus Output Inter	MOD	double ht					0-70	10-95	0.75								M1502
M1621	DVM Data Input Interface	MOD	quad ht					0-70	10-95	0.78								M1621
M1623	Instrument Remote Control Interface	MOD	quad ht					0-70	10-95	1.6								M1623
M1710	Unibus Interface	MOD & SPC	quad ht					0-70	10-95	0.79					opt			M1710
M1801	Foundation 16-Bit Relay Output Interface	MOD	quad ht					0-70	10-95	1.46								M1801
M7821	Interrupt Control	MOD	single ht							0.55								M7821
PC11	Paper Tape	SPC + PAN	10 1/2		50			13-38	20-95	1.5	3	350	17 777 550	070,074	4		1	PC11
PDM70	Programmable Data Mover	TT	5 1/4 x 19 x 23	X	55			0-40	10-95			250						PDM70
PR11	Paper Tape (rdr)	SPC + PAN	10 1/2		50			13-38	20-95	1.5	3	350	17 777 550	070	4		1	PR11
RC11-A	Disk & Control	PAN	10 1/2		115			17-50	20-80		2.2	250	17 777 440	210	5	X	1	RC11-A
RF11-A	Disk & Control	PAN + PAN	16 + 16	X	500			17-33	20-55		6.5	750	17 777 460	204	5	X	1	RF11-A
RK05	Disk Drive	PAN	10 1/2		110			15-43	20-80		2	160						RK05
RK11-D	Disk & Control	SU + PAN	10 1/2	X	250	7010115	7009562	15-43	20-80	7.5	2	200	17 777 400	220	5	X	1	RK11-D
RP03	Disk Drive	FS	40 x 30 x 24		415			15-33	10-80		6 A @ 230 Vac	1300						RP03
RP11-C	Disk & Control	CAB + FS		X	740			15-33	10-80		7 6 A @ 230 Vac	2100	17 776 710	254	5	X	1	RP11-C
RS11	Disk Drive	PAN	16		100			17-33	20-55		2	200						RS11
RS64	Disk	PAN	10 1/2		65			17-50	20-80		2.2	250						RS64
RT01	Numeric Data Entry Terminal	TT	6.5 x 12.5 x 15	X	12			0-40	10-90		0.25 @ 115 Vac 0.12 @ 220 Vac	30						RT01
RT02	Alphanumeric Data Entry Terminal	TT	6.3 x 14.4 x 16	X	14			0-40	10-90		110 Vac 220 Vac	50 50						RT02
RWP04	Disk Drive and Massbus Control	FS	40 x 31 x 32		600			15-32	20-80		3 phase Y or Δ	2100	17 776 000	254	5	(MB)	1	RWP04
RWS03	Disk Drive & Massbus Control	PAN	16		110						6 A	700	17 772 040	204	5	(MB)	1	RWS03

Model Number	Description	MECHANICAL						ENVIRONMENTAL		POWER			PROGRAMMING		UNIBUS			Model Number
		Mounting Code	Size H x W x D (inches)	Cab Incl	Weight (lbs)	Power Harness		Oper Temp (° C)	Rel Humid (%)	Cur needed / (supplied)		Power Dis (W)	1st Reg Address	Int Vector	BR Level	NPR	Bus Loads	
						BA11-K	H960-D			+5 V	115 Vac / other (amps)							
RWS04	Disk Drive & Massbus Control	PAN	16		120						6 A	700	17 772 040	204	5	(MB)	1	RWS04
RX11	Floppy Disk & Control	SPC + PAN	10½ x 19 x 17		60			15-32	20-80	1.5	4 A	400	17 177 170	264	5		2	RX11
TA11	Cassette	SPC + PAN	5¼					10-40	20-80	1.5	1	120	17 777 500	260	6		1	TA11
TC11-G	DECtape & Control	PAN + PAN	10½ x 10½	X	250			15-32	20-80		9	870	17 777 340	214	6	X	1	TC11-G
TMA-11	TU10 & Control	PAN + PAN	26 x 10½	X	500			15-32	20-80		9	1000	17 772 520	224	5	X	1	TMA-11
TMA-11-M	TS03 & Control	PAN + PAN	10½ x 10½		100			15-32	20-80		2	200	17 772 520	224	5	X	1	TMA-11-M
TS03	Magtape Transport	PAN	10½		40			15-32	20-80		1	100						TS03
TU10	Magtape Transport	PAN	26	X	450			15-32	20-80		9	1000						TU10
TU16	Magtape Transport	PAN	26	X	450			15-32	20-80		8	1000						TU16
TU45	Magtape Transport	PAN	26	X	450			15-32	20-80									TU45
TU56	DECtape Transport	PAN	10½		80			15-32	20-80		3	350						TU56
TU70	Magtape Transport	PAN	26	X	500			15-32	20-80		8	1000						TU70
TWU16	Magtape Transport & Massbus Control	PAN	26	X	500			15-32	20-80		8	1000	17 772 440	224	5	(MB)	1	TWU16
TWU45	Magtape Transport & Massbus Control	PAN	26	X	450			15-32	20-80									TWU45
TWU70	Magtape Transport & Massbus Control	PAN	26	X	450			15-32	20-80									TWU70
UDC11	Magtape Transport & Massbus Control & Massbus Control I/O Subsystem	CAB						5-50	10-90		15	1700	17 771 774	234	4, 6		2	UDC11
VR01	Display	PAN	10½		30			10-50	10-90		1	120						VR01
VR14	Display	PAN	10½		75			10-50	10-90		4	400						VR14
VT01	Display	TT	12 x 12 x 23		50			0-50	10-80		2.2	250						VT01
VT05	Alphanum Terminal	TT	12 x 19 x 30		55			10-43	8-90		2	130						VT05
VT20	Alphanum Terminal	TT	14 x 21 x 28		43			10-40	10-90		1	110						VT20
VT50	Alphanum Terminal	TT	14 x 21 x 28		44			10-40	10-90			110						VT50
VT52	Alphanum Terminal	TT	14 x 21 x 28		44			10-40	10-90			110						VT52
VT55	Alphanum Terminal	TT	14 x 21 x 28		44			10-40	10-90			110						VT55
XY11	Plotter Control for Calcomp 563 & 565 Houston DPI & DPI0	SPC								1.4	0.1A @ -15 V		17 772 554	120	4		1	XY11
XY311	3 Pen Plotter (Calcomp 936)	SPC + FS	44 x 50 x 24										17 772 554	120	4		1	XY311

APPENDIX G WIRE TROUGH SYSTEM

This appendix is included in this manual to acquaint service personnel with the wire trough cable routing system. Some PDP-11/70s are already cabled this way, and eventually, all will be.

The illustrations show part numbers as well as cable folding procedures.

G.1 GENERAL

The trough system (Wire Cable Basket System) provides an organized cable system that improves the appearance of the cabling and helps reduce cable damage. With this system, cables are routed in channel baskets (troughs) along the edge of a bay, thus eliminating the tangled clumps of cables that were previously inevitable (Figure G-1). This system protects cables from inadvertent snagging when servicing a box.

Figure G-6 illustrates a trough section and its associated hardware. The trough itself is merely a wire basket. Trough sections come in three lengths: 1-bay, which is used for horizontal and vertical applications, and 2- and 3-bay, which are used strictly for vertical applications extending up to the entire height of a bay.

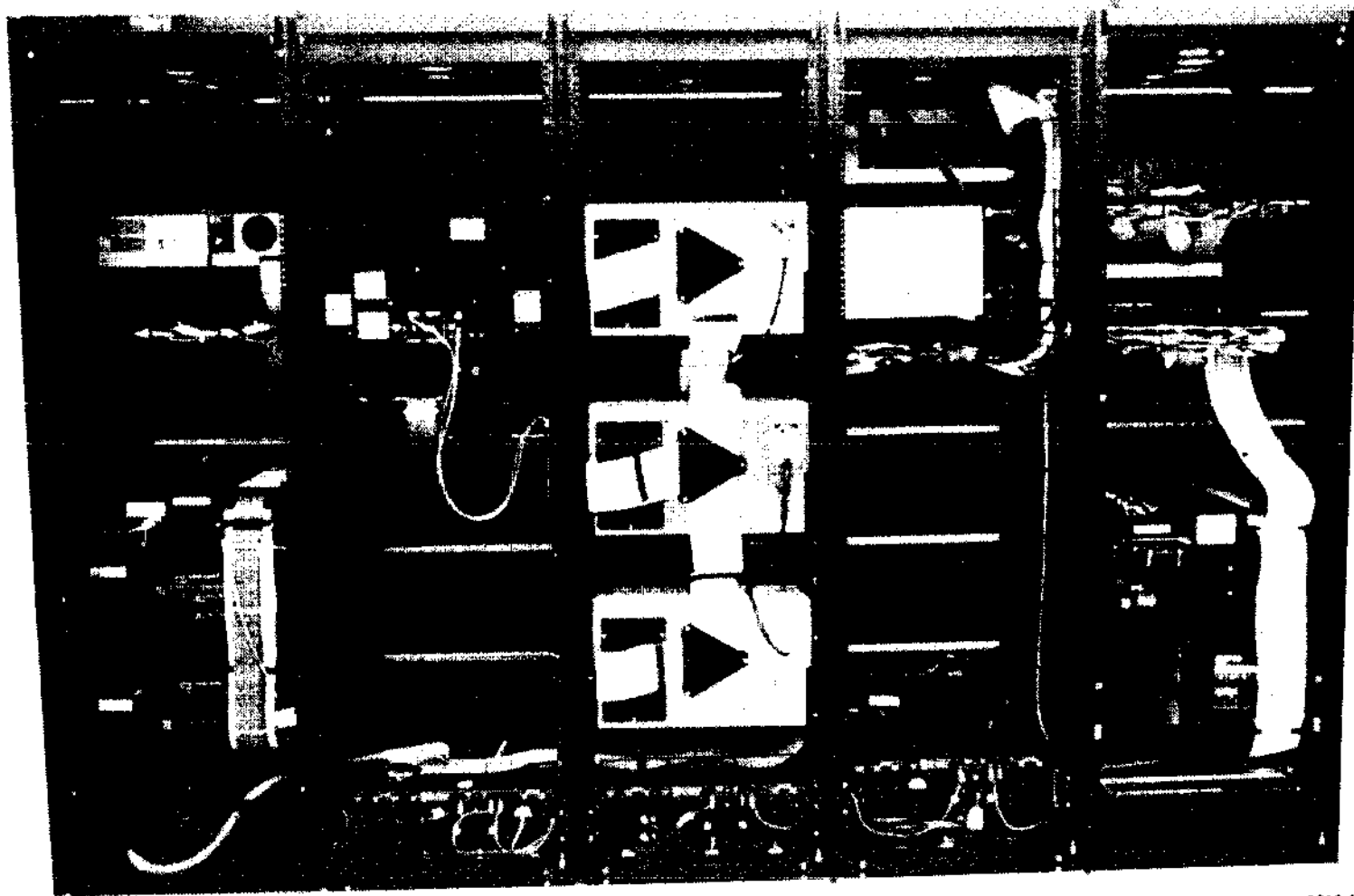
Figure G-2 illustrates a typical system application.

G.2 CALCULATION OF REQUIREMENTS (CABLES AND TROUGHS)

There are two cases in which troughs are used. First, they are used in the initial factory assembly of a system. (Refer to Paragraphs G.2.1 and G.2.2 for a design procedure and example.) Secondly wire troughs are field-retrofitted in existing systems for system enhancement. (Refer to Paragraph G.2.2 for a general procedure for the location and installation of troughs.)

The following are basic rules for planning the installation and placement of troughs. These rules are not intended to be absolute, but merely a guide for planning.

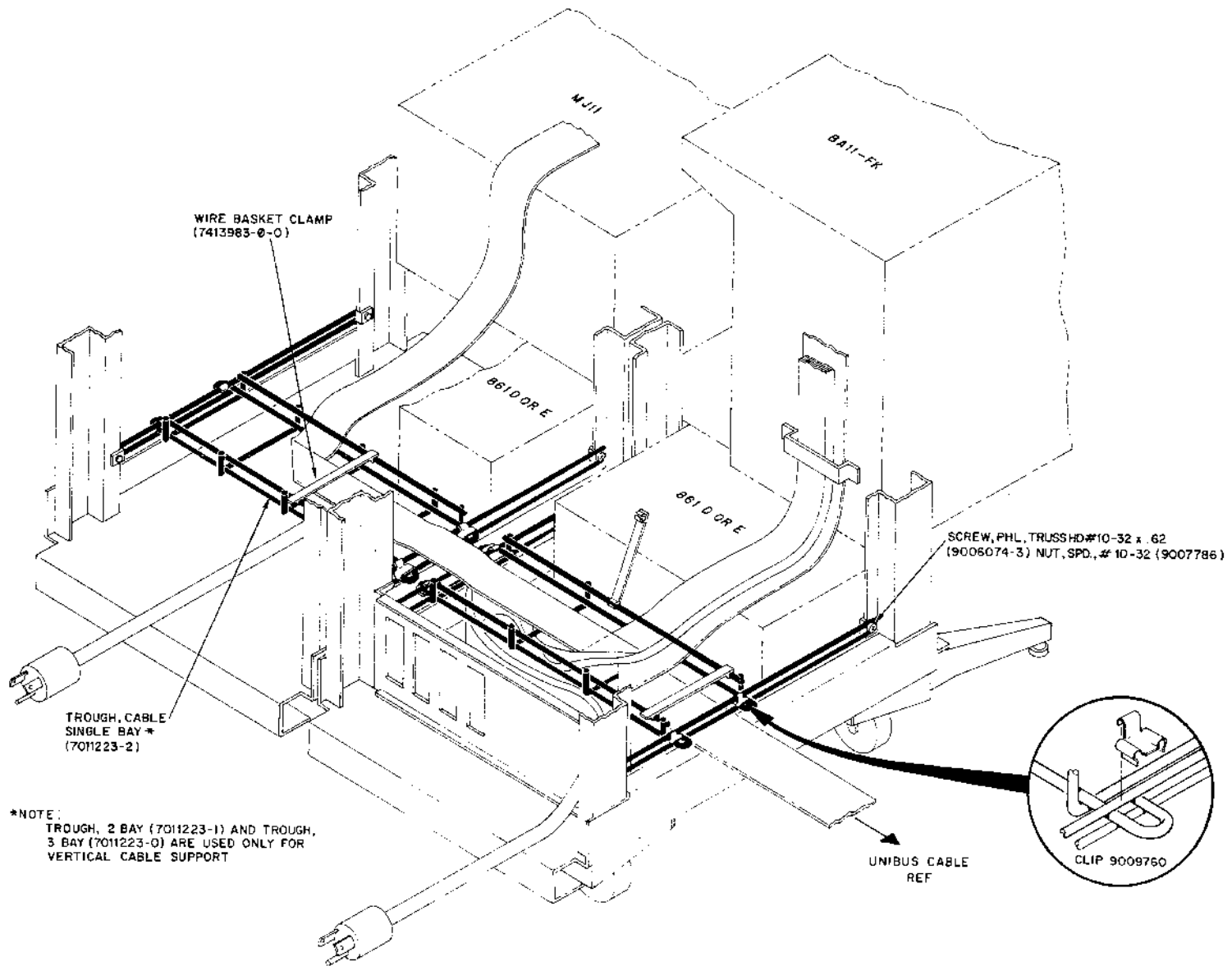
1. Always install troughs at the rear of the bays. This makes it possible to install equipment in box space and prevents zig-zag trough patterns.
2. For an unwired system, always plan to channel cables down to the bottom, back edge of the system. This provides accessibility and causes minimum interference with boxes.
3. Allow enough extra cable in all boxes to remove cable connectors from modules.
4. A horizontal trough section must be available for each slide-mounted box.



7819 19

Figure G-1 Installed Wire Trough System

G-3



11-4092

Figure G-2 PDP-11/70 with Cable Troughs

G.2.1 Determining Correct Cable Lengths

Most Unibus and I/O cables come in lengths of 1 foot increments. Thus, the accuracy of our calculations need not exceed ± 0.5 feet. Cable should be conserved to cut costs, but should not be conserved at the expense of proper operation and safety.

The maximum Unibus cable length is approximately 50 feet. If the cable length exceeds the limit, cable rerouting should be considered. If this does not reduce it sufficiently, a bus repeater must be added.

Cable lengths can be determined as follows:

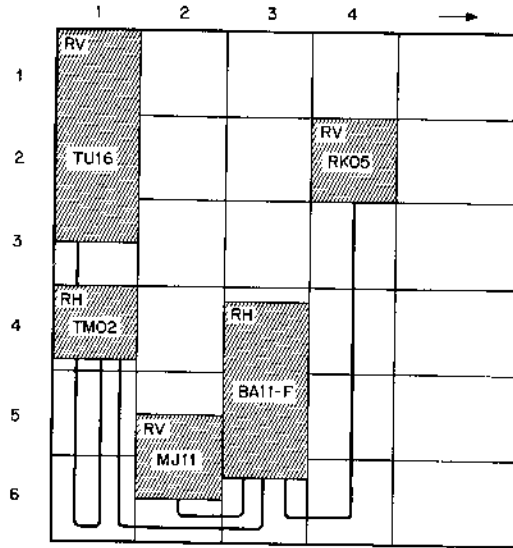
1. Set up a block diagram of the system and specify each type of box in its respective location as seen from the back of the system. (See example, Figure G-3a.)
2. List the desired cable connections (box-to-box; example: CU to BA11-F).
3. In the upper-left corner of the box, place an r, signifying Removable (slide-mounted), or an F, signifying Fixed. If Removable, also place an H or V within the box, signifying Horizontally or Vertically removable modules (i.e., modules that are removed from the side or from the top or bottom). This will assist in identifying the type of box for formula use (step 5).
4. Draw a U-type line connecting the box bases to represent the desired cable run. (Bottom of U rests on bottom of bays or top of box occupying bottom of bays.) Use a color code of your choice to define the different types of cables present in your system (i.e., red: Unibus; blue: round cables (line printer terminal); green: flat BC08 type).
5. For each cable connection (refer to the list made in step 2), calculate the proper length by using the formula shown below. Using destination direction (left or right), refer to the system block diagram (Figure G-3a) for A and B values. Table G-1 lists the cable lengths (feet) necessary to span from the rear of the box to an exit at the bay base (approximate the box level and adjust L (total cable length) according to level approximation). The exit (right or left will depend on the destination direction (for example, see Figure G-4). These values do not include service loop considerations.

NOTES

1. Total cable length, L, will be altered upon completion of trough planning.
 2. Do not discard system block diagram as it will be used for calculations of trough sections and locations.
- f301 6. Examine the system block diagram for obvious cable routes. (In the example, Figure G-3, cable need not run to the bottom of the cabinet in a connection of TU16 and TM02, or RK05 and BA11-F.) Note this type of connection for future trough planning.

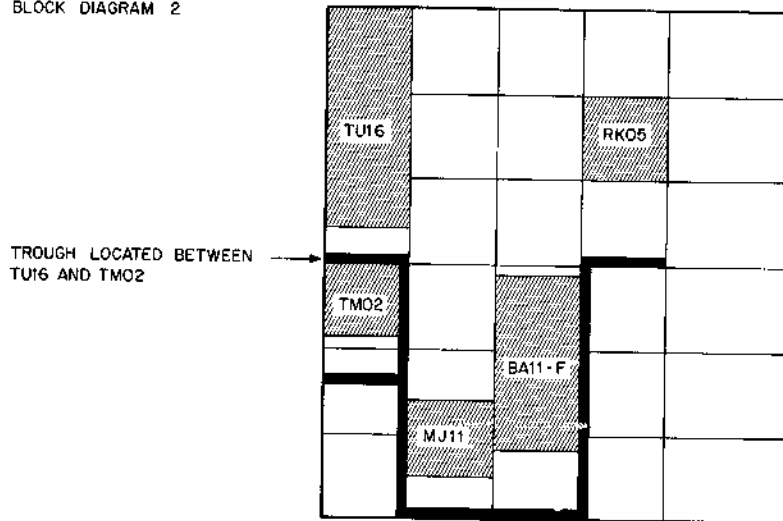
Certain options are usually connected and located in the same positions. This has generated usage of standard cable lengths. Cable connections from TU10 to TM11 and TU16 to TM02 require 6-foot lengths.

BLOCK DIAGRAM 1



TU16	TMO2	L = 6 ft. (STANDARD LENGTH) (2 SERVICE LOOPS)
TMO2	BA11-F	L = 6+6+2+2.5+2.5+0.5+0.5+0.5 = 20.5 ft.
MJ11	BA11-F	L = 5+6+0+2.5+2.5+0+0.5+0.5 = 17 ft.
RK05	BA11-F	L = 10+5+0+2.5+2.5+0+0.5+0.5 = 21 ft.

BLOCK DIAGRAM 2



CABLE LENGTH ALTERATIONS

TU16	TMO2	L = 6 ft.
TMO2	BA11-F	L = 20.5 ft.
MJ11	BA11-F	L = 17 + 2 = 19 ft.
RK05	BA11-F	L = 21 ft.

11-3651

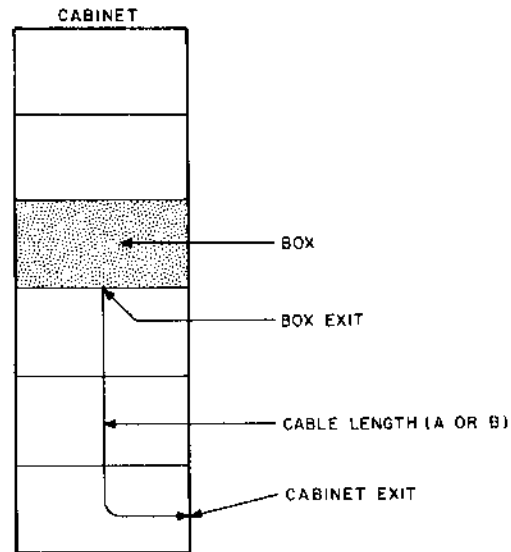
Figure G-3 Example Problem

Table G-1 Option to Bay Base Cable Length

Option	Level	Cable Length from Rear of Box to Bay Exit at Base	
		Destination-Left	Destination-Right
BA11-F 21 in. High Max. Box Depth 2.0 ft	1, 2, & 3	8.0	7.0
	4, 5, & 6	5.0	4.0
BA11-K MJ11 10.5 in. High Max. Box Depth 2.0 ft	2	7.0	7.0
	3	6.0	6.0
	4	5.0	5.0
	5	4.0	4.0
BA11-D, B BA11-ES 10.5 in. High Max. Box Depth 2.0 ft	2	7.0	6.0
	3	6.0	5.0
	4	5.0	4.0
	5	4.0	3.0
BA11-L (PDP-11/04) 5.25 in. High Max. Box Depth 2.0 ft	2	7.0	6.0
	3	6.0	5.0
	4	5.0	4.0
	5	4.0	3.0
PDP-11/05 5.25 in. High Max. Box Depth 2.0 ft	2	7.0	6.0
	3	6.0	5.0
	4	5.0	4.0
	5	4.0	3.0
BA11-M (PDP-11/03) 3.50 in. High Max. Box Depth 15 in. or 1.25 ft	2	8.0	7.0
	3	7.0	6.0
	4	6.0	5.0
	5	5.0	4.0
TC11 DECTape Control	1	10.0	8.0
	2	9.0	7.0
	3	8.0	6.0
RF-11 Fixed Head Disk Control	1 & 2	9.0	7.0
	2 & 3	8.0	6.0

Table G-1 Option to Bay Base Cable Length (Cont)

Option	Level	Cable Length from Rear of Box to Bay Exit at Base	
		Destination-Left	Destination-Right
RP11 Disk Pack Control	2 & 3	8.0	6.0
TM11 (TU10)	4	7.0	6.0
Max. Box Depth 1.5 ft	5	6.0	5.0
TM02 (TU16)	4	7.0	6.0
Max. Box Depth 1.5 ft	5	6.0	5.0
RK11	2	10.0	9.0
RK05	3	9.0	8.0
10.5 in. High	4	8.0	7.0
Max. Box Depth 2.0 ft	5	7.0	6.0
RJS04 RS04	2 & 3	6.0	6.0
15.75 in. High	3 & 4	5.0	5.0
Max. Box Depth 2.0 ft	4 & 5	4.0	4.0
TA11 TU60	2	7.0	6.0
5.25 in. High	3	6.0	5.0
Max. Box Depth	4	5.0	4.0
1.5 ft	5	4.0	3.0



11-3660

Figure G-4 Destination Direction - Right

The formula for calculating cable length is as follows:

$$L = A + B + nC + D_A + D_B + E_A + E_B$$

NOTE

0.5 is added to the total to prevent taut cables.

where L = Total cable length (feet or meters)

A = Cable length within starting unit bay (Table G-1)

B = Cable length within the destination unit bay (Table G-1)

n = Number of bays between cable termination bays

c = 2 feet (bay width)

D_A, D_B = 2.5 feet if box is slide-mounted or removable (R) for service loop

E_A, E_B = Estimated value for length of cable needed to reach connecting module inside the box from the back of the box (see Table G-1 for the maximum box depth); add 0.5 feet if the box is slide-mounted and modules are horizontally removable (H).

In calculating the cable length needed to reach a peripheral device located outside the system bays, the total, L, becomes LX (L exterior).

$$LX = A + DA + EA + P$$

where P = Length of cable needed from exit of bay to peripheral device.

NOTES

1. **0.5 is added to the total to prevent taut cables.**
2. **Total cable length may change once trough location is determined. This is due to possible additional cable needed to access a trough.**

G.2.2 Determining Correct Trough Sections and Locations

To determine the correct trough sections and locations for a prewired system, follow the procedure below.

1. Examine the system from the rear and draw a sketch of the box locations including the cable system layout.
2. Plan trough locations referring to basic rules (Paragraph G.2).

NOTE

It may be necessary to plan various new cable routes and lengths.

3. Remove back doors to system wherever possible.
4. Examine the system and observe trough locations making plan alterations for obvious cable conservation.
5. Install troughs (Paragraph G.3.1).
6. Route cables in troughs individually using Unclamp-Reclamp method (Paragraph G.3.2).

If the system is an initial factory assembly, the cables are installed after the installation of all troughs is completed.

As a general rule, cables should be run across the back bottom edge of the bays (unless occupied by a box). One-bay horizontal trough sections are used to cross through a bay to another bay. A horizontal trough section is also used when a service loop is required for a slide-mounted box. The trough provides fixed anchorage for the one end of the service loop. The trough for service loop anchorage is usually planned for positioning on a level adjacent to the box.

Necessary trough sections and locations can be determined as follows:

1. Draw a second system block diagram (Figure G-1b) and label the appropriate boxes with the option designations.

2. Examine the first system block diagram (Figure G-1a) for required horizontal trough sections. Do not use 2- or 3-bay lengths when crossing the bays consecutively. This is physically difficult to install. Indicate the necessary horizontal trough sections on the second system block diagram.
3. Examine the first block diagram for vertical trough section locations. Observe adjacent bays to determine where vertical sections are required. Remember a vertical section need not extend fully to a slide-mounted box. Draw the required vertical trough sections on the second system block diagram. Leave as many box positions empty as possible in order to provide for possible future box additions.
4. Upon completion of trough planning, an alteration of cable lengths may be necessary. This is because positioning the vertical troughs for maximum cable access may have caused a more indirect cable route. Examine both diagrams and check each cable route for added cabling to access a trough. If the cable must be routed in the opposite direction from its destination, recalculate the corresponding A or B value for the opposite direction and add 2 feet. (This is done to allow for cabinet width.) Otherwise the total, L, remains unchanged. The same holds for L_X .

G.3 INSTALLATION

Before beginning installation of troughs and/or cables, examine the physical system to confirm correctness of planning approximations. When the necessary corrections are satisfactorily done, continue with the installation procedures.

NOTE

Care must be taken in trough positioning, to allow clearance for the fans on the top and/or bottom of the cabinet.

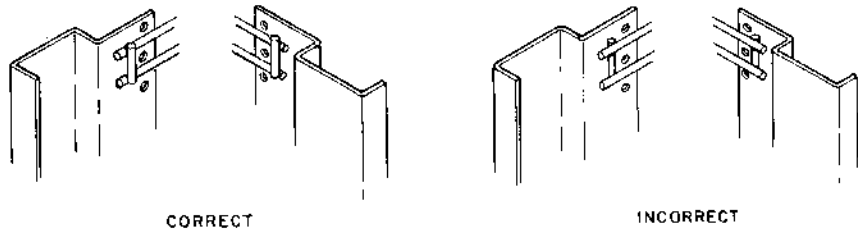
G.3.1 Installation of Troughs

Examine Figure G-6. Note the required parts and fastening hardware. Part numbers are included. The only required tools are pliers and a Phillips screwdriver (offset if available).

G.3.1.1 Basket Bar Assembly (Retaining Bracket) – Once a trough location is selected, fasten the retaining bracket to the bay frame. This retaining bracket may be connected on the inner or outer edges of the cabinet. Note that these brackets are always installed horizontally from back to front and act as a support for a horizontal and/or vertical trough. The connection to the cabinet is made at each end of the bracket by means of a Phillips truss-head machine screw and self-retaining speed nut (Figure G-6). If space restricts use of speed nuts, kep nuts can be used as replacements. Note the contact surface of the bracket in Figure G-5.

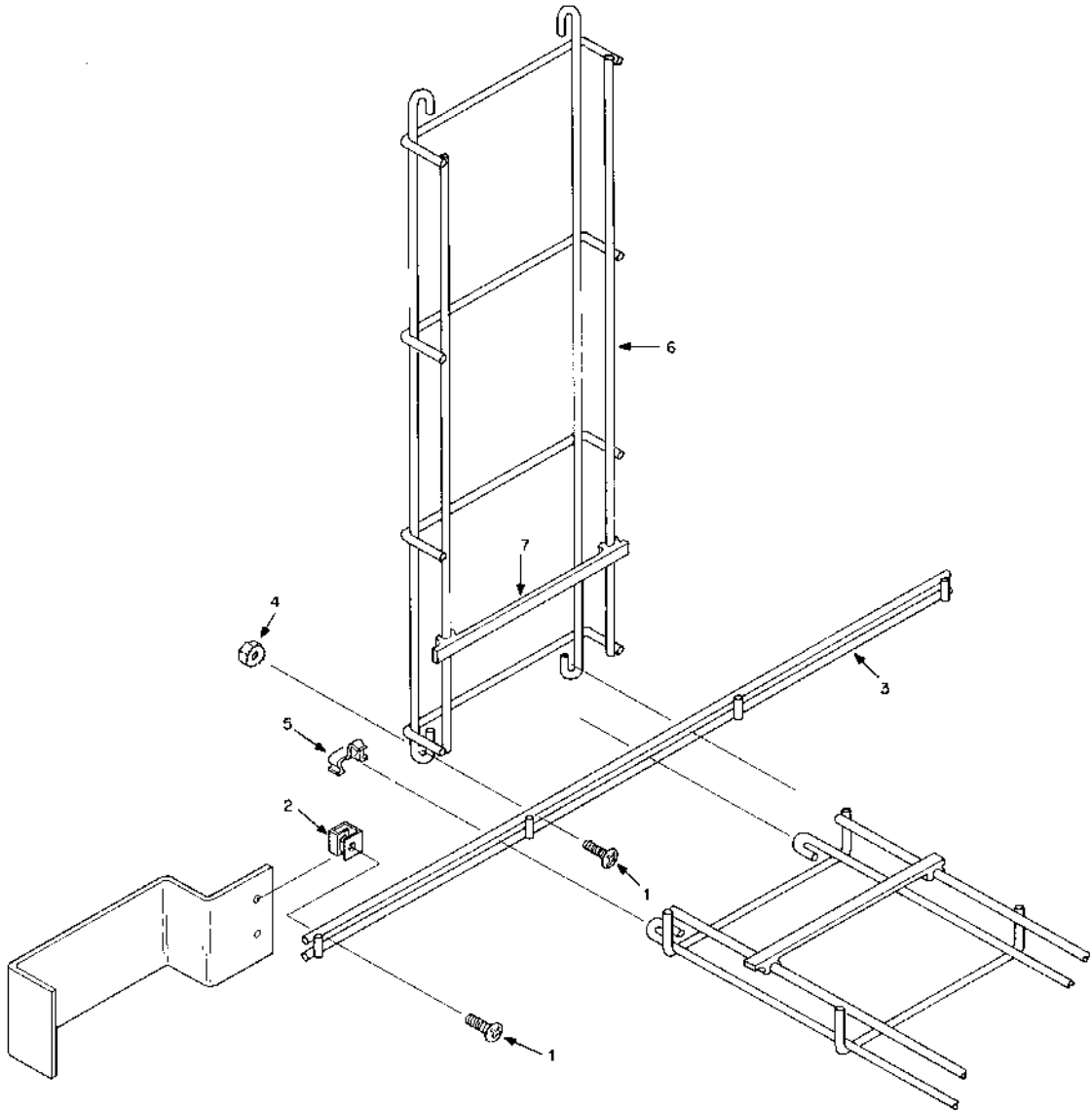
A retaining bracket is installed to support each end of the trough. When connecting a vertical trough section to a horizontal section, the adjoining bracket can act as a support for both.

G.3.1.2 Horizontal Troughs – After retaining brackets have been installed at each end of the desired trough location, slide hooked ends of trough through bars of bracket. Both ends are positioned at the same time (Figure G-7). Once the trough is in position, place clips on hooked ends (Figure G-2) with pliers. This will secure the trough.



11 3652

Figure G-5 Retaining Bracket Contact Surface



NOTE:
 Troughs can be obtained in three lengths:
 1 bay - 18.88 in.
 2 bay - 39.68 in.
 3 bay - 60.25 in.

11 3653

Figure G-6 Trough Assembly

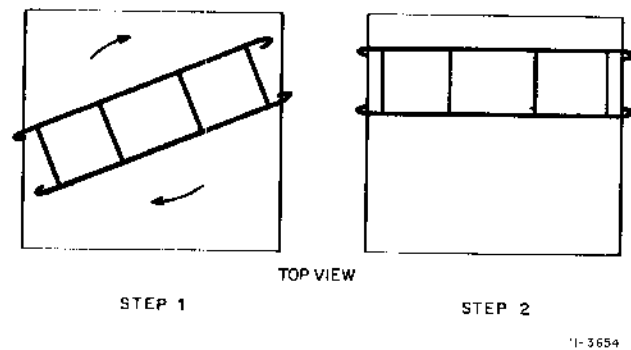


Figure G-7 Positioning Horizontal Trough Section

G.3.1.3 Vertical Troughs – A vertical trough is installed so that it correctly joins with the horizontal troughs and necessary retaining brackets. The second retaining bracket for a vertical trough is positioned by temporarily holding the trough in its location. Once both brackets are installed, the trough is again positioned and fastened to the retaining bracket. This is done by a nut and screw assembly through the hooked ends of the trough and bars of the retaining bracket (Figure G.3.2). The screw heads should appear on the inside of the bay to allow removal of the trough if necessary.

G.3.2 Installation of Cables

Examine Figure G-8. Note the way in which a cable enters and exits a trough.

Each cable will be installed completely before installation of the next cable. Begin at one cable end and make the proper cable connections to the box. Observe all length considerations before branching the cable onto the first trough. (Refer to Paragraphs G.2.1.) Folding will be necessary to keep cables flat and obtain desired polarity at the destination. (Refer to Paragraph G.3.2.1.) Apply clamps as the cable is routed down a trough at approximately 6-inch intervals. For successive cable routing through the same trough, one end of each clamp is unclamped and then reclamped as the cable is set in the trough. This is repeated down the entire cable path for each cable addition and is referred to as the Unclamp-Reclamp method. Cable ties are also used to bundle cables in troughs. Foam padding is required between adjacent Unibus cables to prevent cross talk.

G.3.2.1 Folding – In order to branch on or off a trough with a flat cable, a bend, fold, or number of folds are necessary (Figure G-8). Figures G-9 and G-10 provide various folding sequences to assist in cable manipulation.

Excess cable due to miscalculation is folded in an overlapping sequence and wrapped with a cable tie. If possible, this folding is stored inside the box to preserve the appearance of the system and may be utilized as an internal service loop for removing modules. Excess cable is necessary to provide an internal service loop for horizontally removable modules (Figure G-11).

G.3.2.2 Service Loops – A service loop consists of an excess unbound bundle of cables which allows a slide-mounted box to be extended from the cabinet without detaching cables (Figure G-12).

When a service loop is required, a horizontal trough is accessed within one level of the box position. This allows a fixed feedpoint for the cable. If a horizontal trough does not exist in this proximity, installation of one is required. Although it is usually located below the box, it may be positioned above the box. A service loop requires branching through (not over) the edge of a trough (Figure G-8).

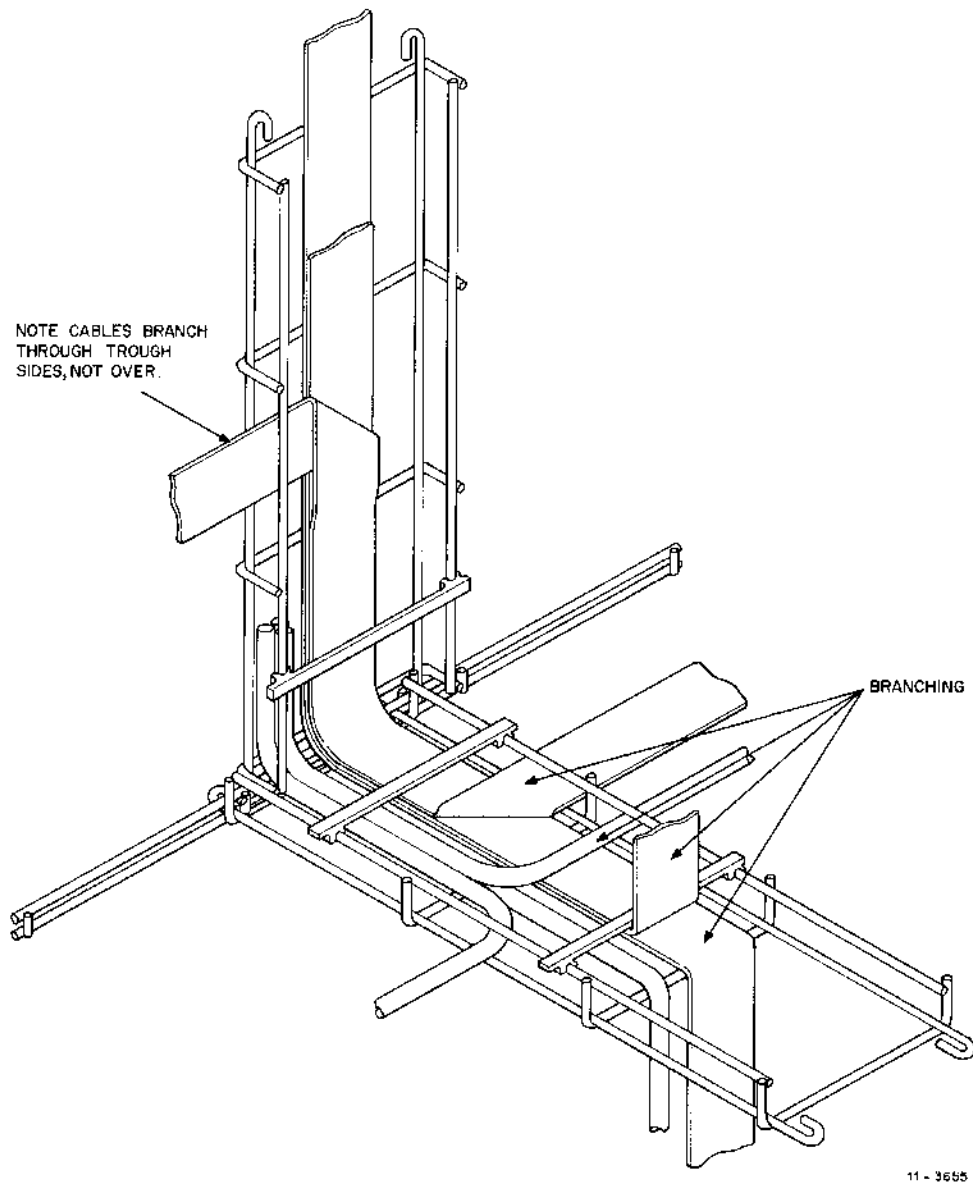
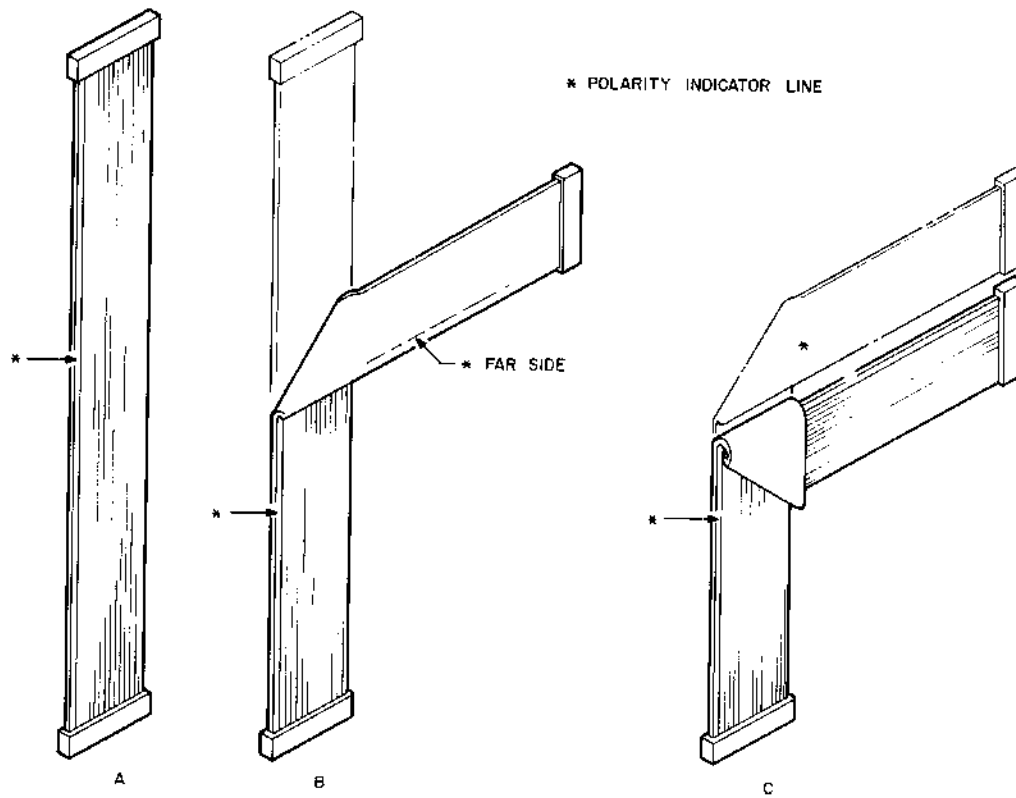


Figure G-8 Horizontal and Vertical Troughs with Cables

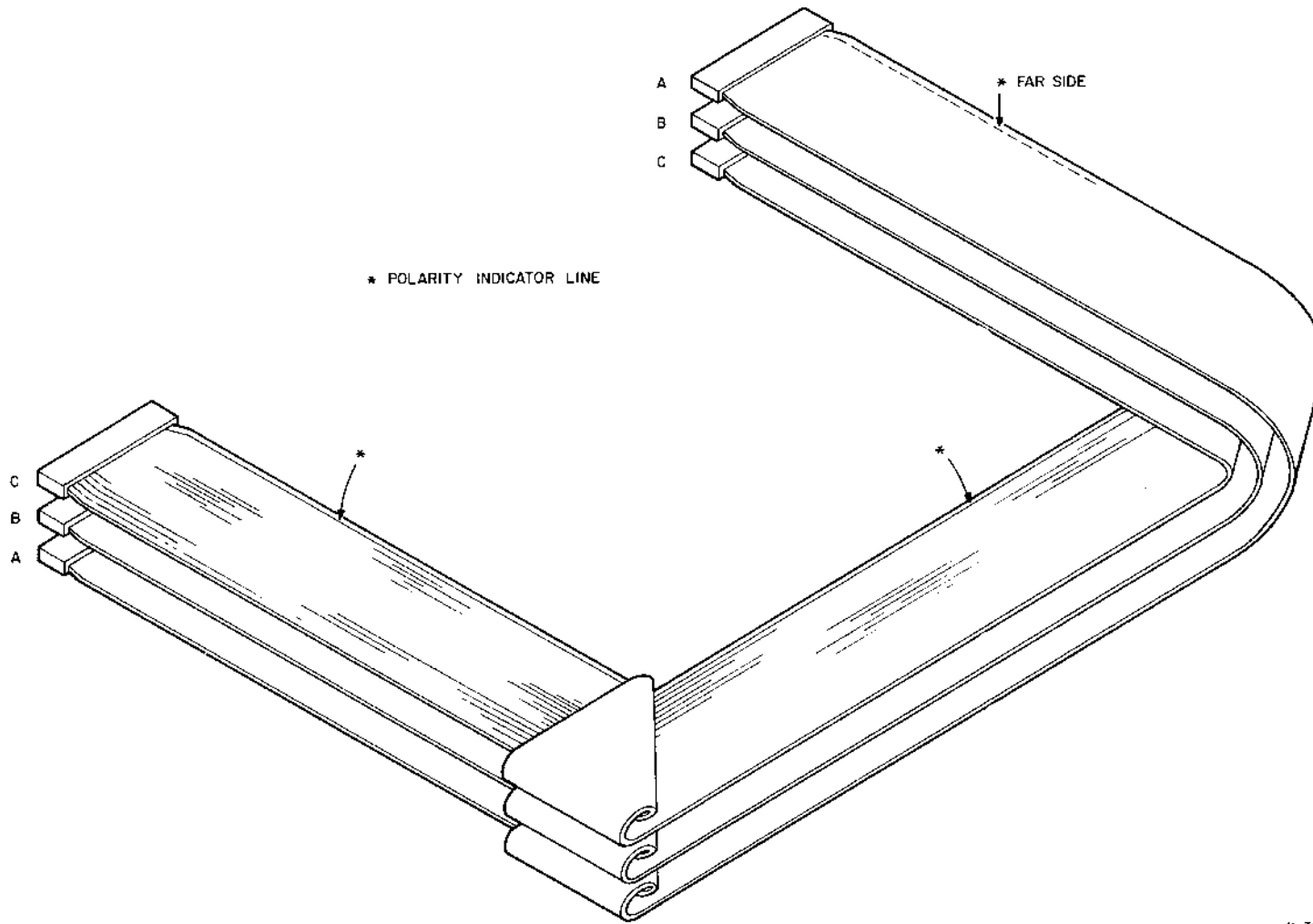


CABLE FOLD
 A. Straight cable
 B. Polarity on bottom
 C. Polarity on top

11-3656

Figure G-9 Cable Fold

G-15



11-3657

Figure G-10 TU16 Cables: Cables Inverted and Red Stripe on Same Side

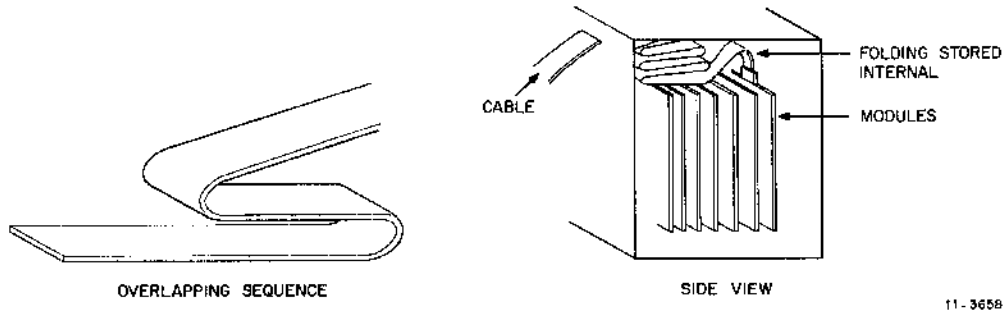


Figure G-11 Excess Cable Folding

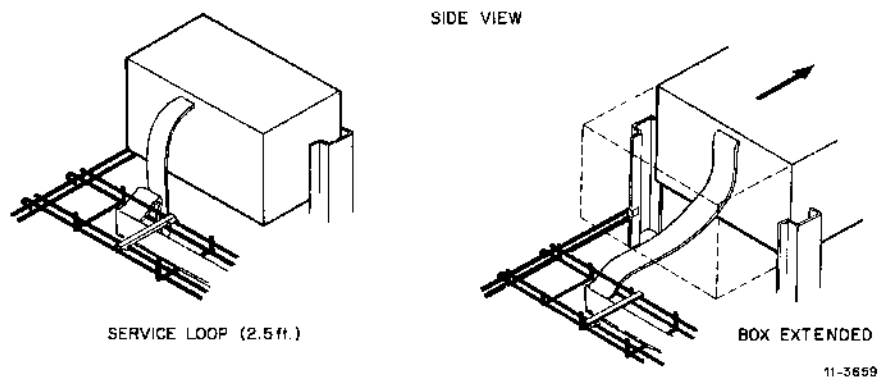


Figure G-12 Service Loop

APPENDIX H

PDP-11/70 BLOCK DIAGRAM ADDRESS AND DATA PATHS

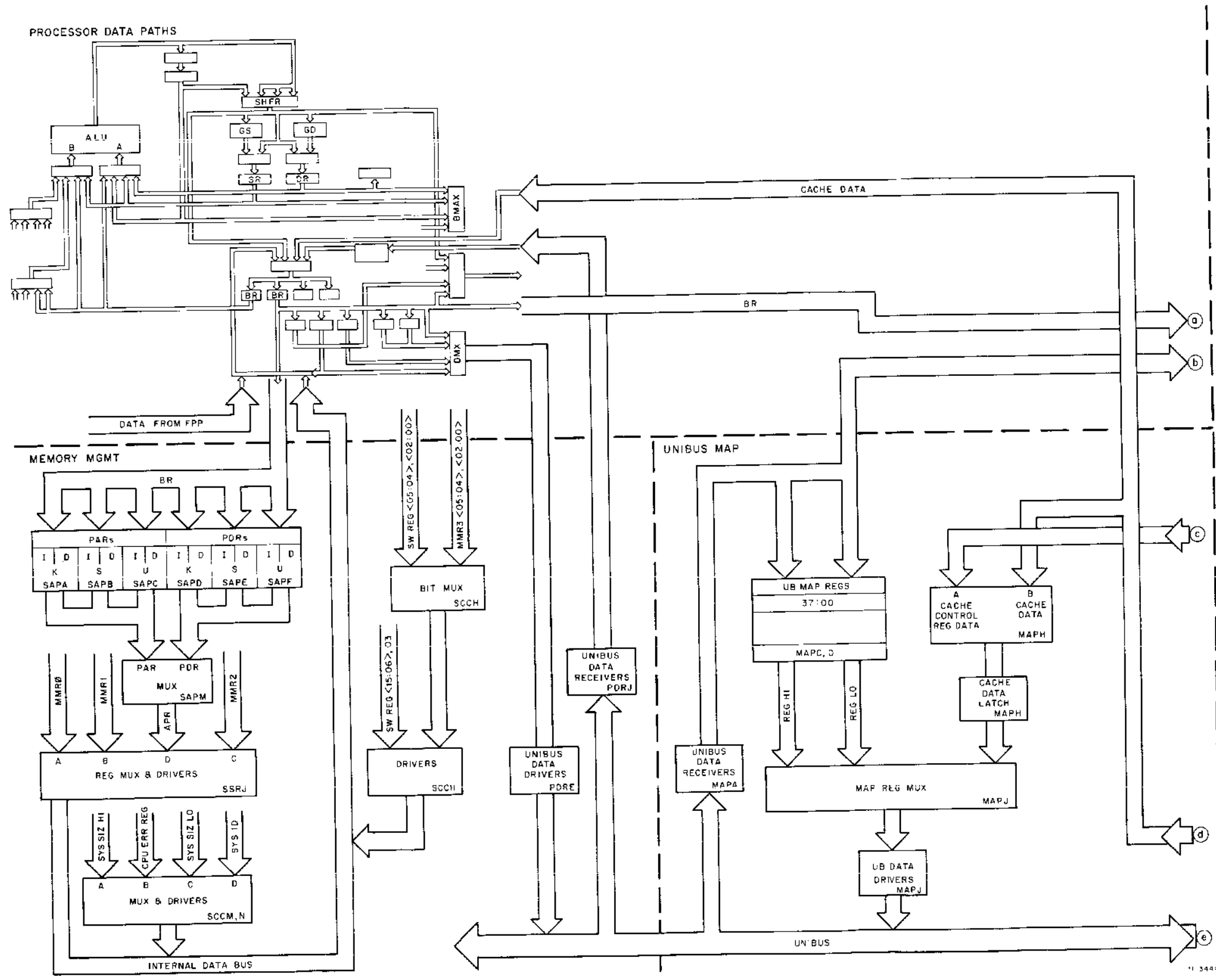


Figure H-1 PDP-11/70 Address Paths

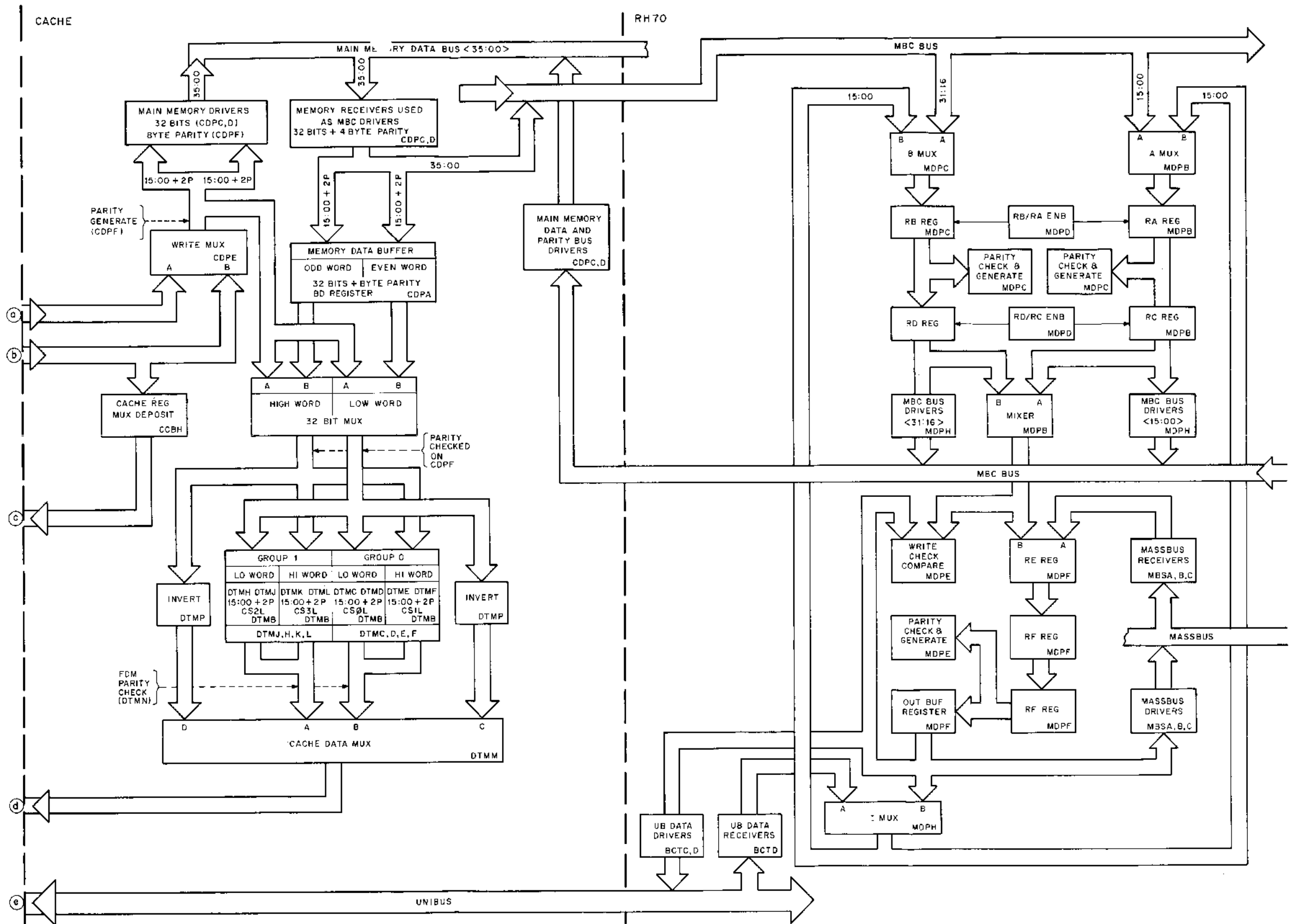


Figure H-2 PDP-11/70 Data Paths

Your comments and suggestions will help us in our continuous effort to improve the quality and usefulness of our publications.

What is your general reaction to this manual? In your judgment is it complete, accurate, well organized, well written, etc.? Is it easy to use? _____

What features are most useful? _____

What faults or errors have you found in the manual? _____

Does this manual satisfy the need you think it was intended to satisfy? _____

Does it satisfy *your* needs? _____ Why? _____

Please send me the current copy of the *Technical Documentation Catalog*, which contains information on the remainder of DIGITAL's technical documentation.

Name _____ Street _____
Title _____ City _____
Company _____ State/Country _____
Department _____ Zip _____

Additional copies of this document are available from:

Digital Equipment Corporation
444 Whitney Street
Northboro, Ma 01532
Attention: Communications Services (NR2/M15)
Customer Services Section

Order No. EK-11070-MM-002

Fold Here

Do Not Tear - Fold Here and Staple

digital

**No Postage
Necessary
if Mailed in the
United States**

BUSINESS REPLY MAIL
FIRST CLASS PERMIT NO. 33 MAYNARD, MA.
POSTAGE WILL BE PAID BY ADDRESSEE



**Digital Equipment Corporation
Communications Development and Publishing
1925 Andover Street
Tewksbury, Massachusetts 01876**