

11/60

"THE MATERIAL HEREIN IS FOR INFORMATION PURPOSES ONLY AND IS SUBJECT TO CHANGE WITHOUT NOTICE. DIGITAL EQUIPMENT CORPORATION ASSUMES NO RESPONSIBILITY FOR ANY ERRORS WHICH MAY APPEAR HEREIN."

FIELD MAINTENANCE PRINT SET

"THIS DRAWING AND SPECIFICATIONS, HEREIN, ARE THE PROPERTY OF DIGITAL EQUIPMENT CORPORATION AND SHALL NOT BE REPRODUCED OR COPIED OR USED IN WHOLE OR IN PART AS THE BASIS FOR THE MANUFACTURE OR SALE OF ITEMS WITHOUT WRITTEN PERMISSION. COPYRIGHT © 1977, DIGITAL EQUIPMENT CORPORATION."

TABLE OF CONTENTS

B-TC-11/60-0-4	11/60 SYSTEMS
B-DD-11S60-0	UNIT ASSY 11S60
E-UA-11S60-0-0	UNIT ASSY 11S60
A-PL-11S60-0-0	UNIT ASSY 11S60
A-PL-11S60-0-2	SHIPPING LIST 11S60
B-DD-11T60-0	UNIT ASSY 11T60
E-UA-11T60-0-0	UNIT ASSY 11T60
A-PL-11T60-0-0	UNIT ASSY 11T60
A-PL-11T60-0-2	SHIPPING LIST 11T60
A-DD-11X60-0	UNIT ASSY 11X60
E-UA-11X60-0-0	UNIT ASSY 11X60
A-PL-11X60-0-0	UNIT ASSY 11X60
A-PL-11X60-0-2	SHIPPING LIST, 11X60
B-DD-11Y60-0	UNIT ASSY 11Y60
E-UA-11Y60-0-0	UNIT ASSY 11Y60
A-PL-11Y60-0-0	UNIT ASSY 11Y60
A-PL-11Y60-0-2	SHIPPING LIST, 11Y60
B-DD-866-D	POWER SUPPLY ASSY 866D
D-CS-866-D-1	POWER CONTROL SCHEMATIC 866D
E-UA-866-D-0	POWER SUPPLY ASSY 866D
A-PL-866-D-0	POWER SUPPLY ASSY 866D

UNIT VARIATIONS COVERED BY THIS PRINT SET
11S60
11T60
11X60
11Y60

11/60 SYS.
Field Maintenance
Print Set

Digital Equipment
Corporation
PRINT SET ORDER NO.
MP00166

REVISIONS	REV.	A	USED ON OPTION/MODEL	DRN.	BLODGETT	DATE	24 77 MAY	TITLE: 11/60 SYSTEMS	digital	
	CHG. NO.	11/60-2		CHK'D	[Signature]	DATE	6 June 77			
	DATE	11-77	PROJ. ENG.	[Signature]	DATE	2 June 77				
				FIELD SERV.	[Signature]	DATE	2 June 77			
				SHEET I OF 2		SIZE	B	CODE	TC	
						NUMBER		11/60-0-4	REV.	A

EN-01124-16-NB75-(127)

DRAWING DIRECTORY

THIS DRAWING AND SPECIFICATIONS, HEREIN, ARE THE PROPERTY OF DIGITAL EQUIPMENT CORPORATION AND SHALL NOT BE REPRODUCED OR COPIED OR USED IN WHOLE OR IN PART AS THE BASIS FOR THE MANUFACTURE OR SALE OF ITEMS WITHOUT WRITTEN PERMISSION. COPYRIGHT © 1976 , DIGITAL EQUIPMENT CORPORATION

CUSTOMER PRINT SET INDEX

SEQUENCE

SEQUENCE

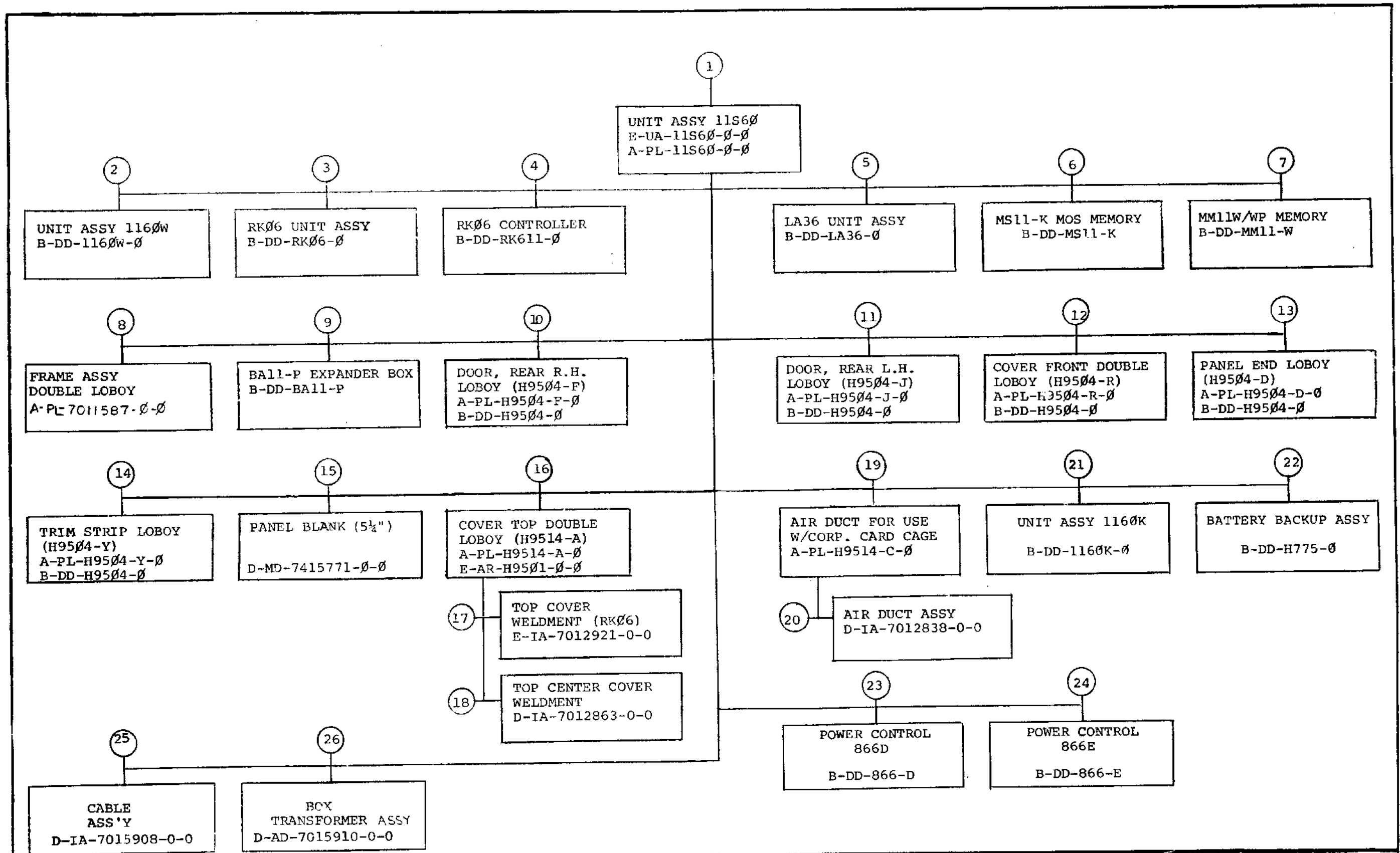
THIS IS PRINT SET

UNIT VARIATIONS		PRINT SET	
VAR	TITLE		
11S60-AA	UNIT ASSY 11S60 (60 HZ 120V)		
11S60-AB	UNIT ASSY 11S60 (60 HZ 240V)		
11S60-AC	UNIT ASSY 11S60 (50 HZ 120V)		
11S60-AD	UNIT ASSY 11S60 (50 HZ 240V)		
11S60-BA	UNIT ASSY 11S60 (60 HZ 120V)		
11S60-BB	UNIT ASSY 11S60 (60 HZ 240V)		
11S60-BC	UNIT ASSY 11S60 (50 HZ 120V)		
11S60-BD	UNIT ASSY 11S60 (50 HZ 240V)		
11S60-CA	UNIT ASSY 11S60 (60 HZ 120V) (MOS)		
11S60-CB	UNIT ASSY 11S60 (60 HZ 240V) (MOS)		
11S60-CC	UNIT ASSY 11S60 (50 HZ 120V) (MOS)		
11S60-CD	UNIT ASSY 11S60 (50 HZ 240V) (MOS)		

REVISIONS		
DATE	CHG. NO.	REV
6-77	11S60-00001	A
2-78	11S60-00002	B
3-79	11S60-3	C

USED ON OPTION/MODEL		CR'D	DATE	TITLE			
11/60		D. HEALY	DEC 76	UNIT ASSY 11S60			
		CR'D.	DATE				
		D. HEALY	DEC 76				
		PROJ'G	DATE	SIZE	CODE	NUMBER	REV
		<i>Hobson</i>	1 FEB 77	B	DD	11S60-0	C
		W'D.	DATE				
		<i>A. Smith</i>	16 AT 77				
		W'D.	DATE				
		<i>[Signature]</i>					
CSET 1 OF 4				DIST			

TW



TITLE	SHEET	OF	SIZE	CODE	NUMBER	REV
UNIT ASSY 11S6Ø	2	4	B	DD	11S6Ø-Ø	C

TW

FIND NO.	DRAWING NO.	DESCRIPTION	TYPE	FIND NO.	DRAWING NO.	DESCRIPTION	TYPE
1	MP00166	11/60 SYSTEMS (PRINT SET ORDER NO.)	-	7	B-DD-MM11-W	MM11W/WP MEMORY	E/M
	B-TC-11/60-0-4	11/60 SYSTEMS (PRINT SET)	-				
	F-UA-11S60-0-0	UNIT ASSY 11S60	E/M				
	A-PL-11S60-0-0	UNIT ASSY 11S60 (PL)	E/M				
	A-SP-11/60-0-2	PDP1160 COMPUTER SPECIFICATION	E/M	8	A-PL-7011587-0-0	FRAME ASSY (DOUBLE LOBOY)	M
	D-IA-7008360-0-0	CABLE ASSY (KL8-E)	E/M		E-PS-1213092-0-0	TROUGH, CABLE	M
	A-SP-BALL-P-2	BALL-P VOLTAGE CONVERSION PROCEDURE	E				
	C-MD-7415640-0-0	BRACKET, POWER SUPPLY MTG.	M				
	C-IA-7417519-0-0	BRACKET, POWER CABLE	M				
	C-MD-7415774-0-0	BRACKET, VERTICAL PANEL MTG. DOUBLE	M	9	B-DD-BALL-P	BALL-P EXPANDER BOX	E/M
	E-AR-H9501-0-0	H9501 OPTION ARRANGEMENT	-				
	B-AR-11/60-0-3	PDP11/60 CONFIGURATION DRAWING	E/M				
	A-PL-11S60-0-4	SOFTWARE LIST	E				
	D-AD-7011184-0-0	LOWER BEZEL ASSY (RK06)	M				
	D-UA-M9202-0-0	CABLE, UNIBUS (JUMPER)	E/M	10	A-PL-H9504-F-0	DOOR, REAR R.H. LOBOY (H9504-F)	M
	E-IA-7012292-0-0	CABLE ASSY I/O	E/M		B-DD-H9504-0	CABINET COVERS	M
	B-TC-11/60-0-1	11/60 BASIC COMPUTER (MP00409)	-				
	B-TC-BALL-P-1	BALL-P BOX AND POWER SUPPLY (MP00410)	-				
	A-PL-11S60-0-2	SHIPPING LIST 11S60	E/M				
				11	A-PL-H9504-J-0	DOOR, REAR L.H. LOBOY (H9504-J)	M
					B-DD-H9504-0	CABINET COVERS	M
				12	A-PL-H9504-R-0	COVER, FRONT DOUBLE LOBOY (H9504-R)	M
					B-DD-H9504-0	CABINET COVERS	M
2	B-DD-1160W-0	UNIT ASSY 1160W	E/M				
				13	A-PL-H9504-D-0	PANEL END LOBOY (H9504-D)	M
					B-DD-H9504-0	CABINET COVERS	M
3	B-DD-RK06-0	RK06 UNIT ASSY	E/M				
				14	A-PL-H9504-Y-0	TRIM STRIP LOBOY (H9504-Y)	M
4	B-DD-RK611-0	RK06 CONTROLLER	E/M		B-DD-H9504-0	CABINET COVERS	M
				15	D-MD-7415771-0-0	PANEL BLANK 5 1/2	M
5	B-DD-LA36-0	LA36 UNIT ASSY	E/M				
6	B-DD-MS11-K	MS11-K MOS MEMORY	E/M				

EN010622C-1-R-1316-1231

TYPE: E ELECTRICAL
M MECHANICAL
E/M ELECTRO/MECHANICAL

digital

TITLE	SIZE	CODE	NUMBER	REV
UNIT ASSY 11S60	B	DD	11S60-0	C

SHEET 3 OF 4

TW

FIND NO.	DRAWING NO.	DESCRIPTION	TYPE	FIND NO.	DRAWING NO.	DESCRIPTION	TYPE
16	A-PL-H9514-A-Ø E-AR-H95Ø1-Ø-Ø	COVER TOP DOUBLE LOBOY (H9514-A) OPTION ARRANGEMENT	M	24	B-DD-866-E	POWER CONTROL 866E	E/M
	A-PL-H95Ø1-Ø-Ø E-MD-7417025-0-0	OPTION ARRANGEMENT (PL) TRIM, SIDE	M	25	D-IA-7015908-0-0	CABLE ASS'Y	E/M
				26	D-AD-7015910-0-0 D-IA-7421298-0-0 D-IA-7421299-0-0	BOX, TRANSFORMER ASS'Y ENCLOSURE, BASE ENCLOSURE, COVER	E/M E/M E/M
17	E-IA-7012921-0-0 E-IA-7417023-0-0 C-MD-7417022-0-0	TOP COVER WELDMENT (RKØ6) COVER, STIFFENER COVER, CATCH	M M M				
18	D-IA-7012863-0-0 D-MD-7416958-0-0 D-MD-7416959-0-0	TOP CENTER COVER WELDMENT (RKØ6) TOP CENTER COVER HAT SECTION	M M				
19	A-PL-H9514-C-Ø	AIR DUCT FOR USE WITH CORP. CARD CAGE	M				
20	D-IA-7012838-0-0 E-MD-7415894-0-0	AIR DUCT ASSY AIR DUCT	M M				
21	B-DD-1160K-Ø	UNIT ASSY 1160K	E/M				
22	B-DD-H775-Ø	BATTERY BACKUP ASSY	E/M				
23	B-DD-866-D	POWER CONTROL 866D	E/M				

TYPE: E ELECTRICAL
M MECHANICAL
E/M ELECTRO/MECHANICAL

digital

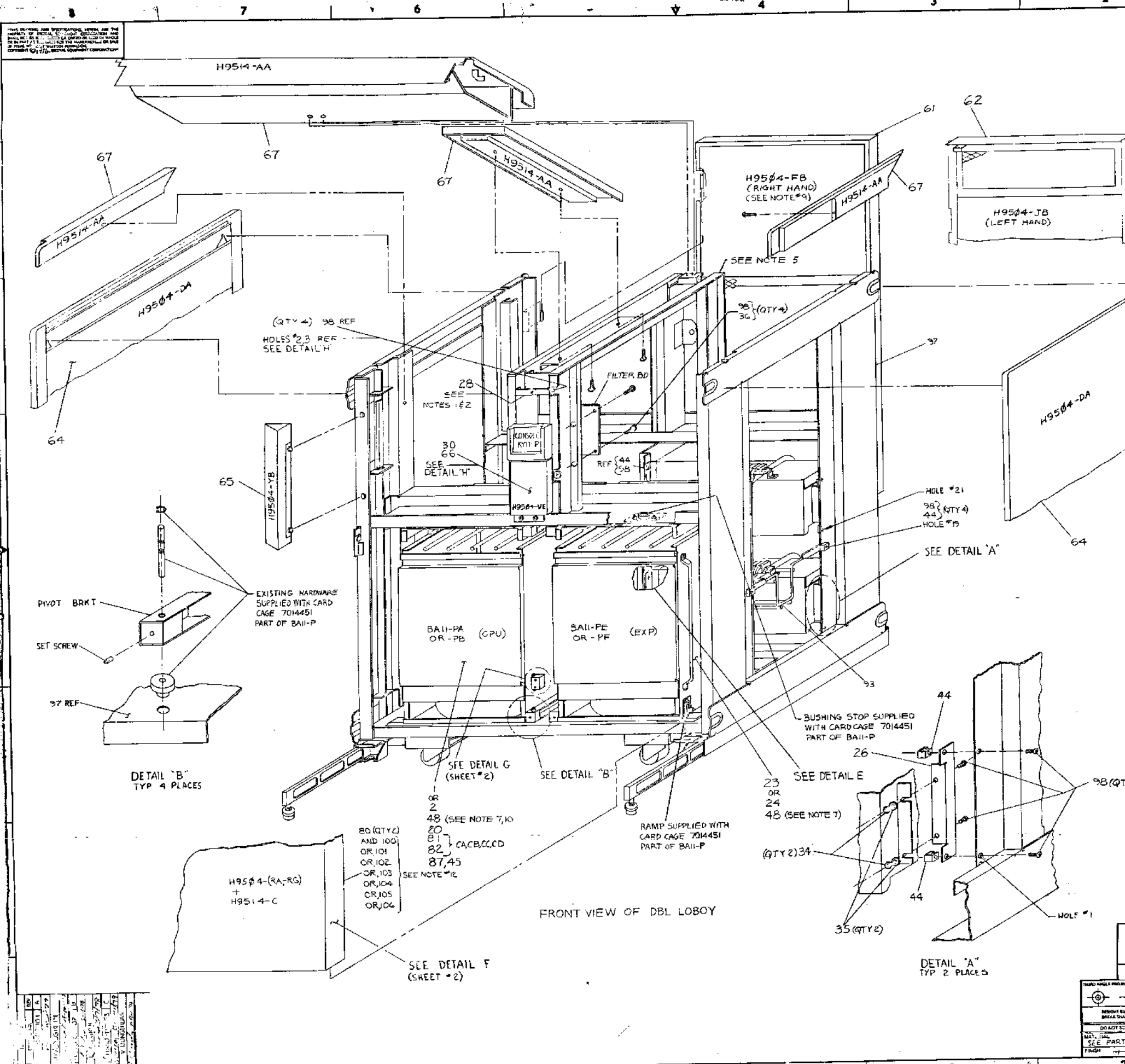
TITLE
UNIT ASSY 11S6Ø

SHEET 4 OF 4

SIZE CODE
B DD

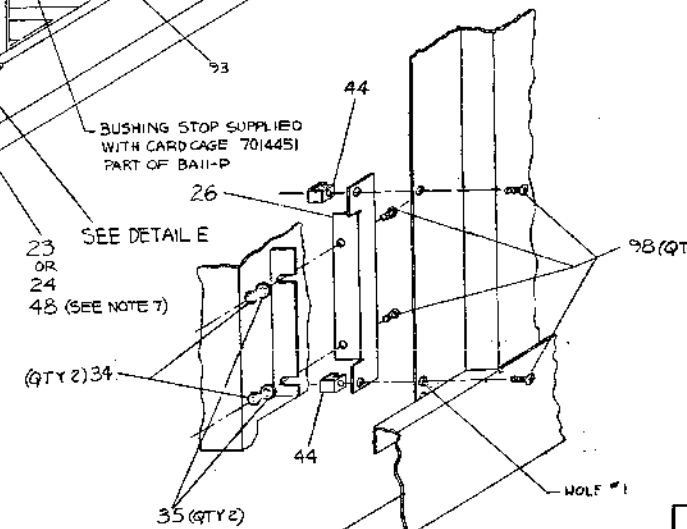
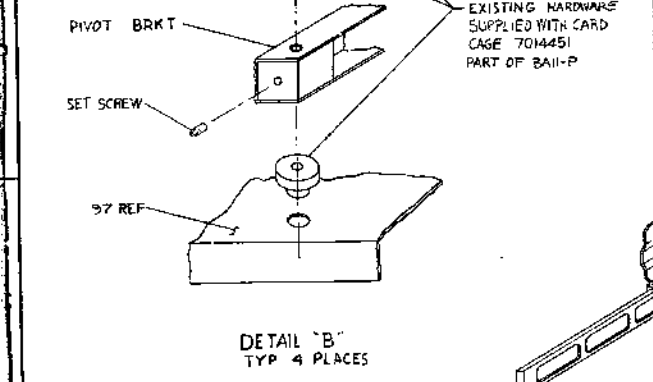
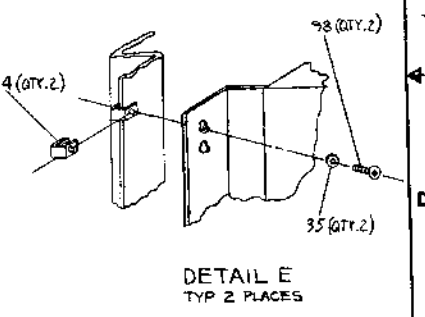
NUMBER
11S6Ø-Ø

REV
C

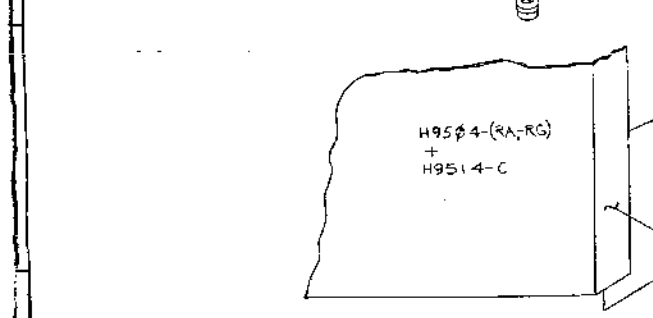


- NOTES:
1. MOUNT ITEM #28 (BRKT) AS SHOWN ON INSIDE ROW OF VERTICAL HOLES AND 3RD HOLE FROM TOP FROM THE TOP USING ITEM #34 (W/T).
 2. MOUNT CONSOLE (KYII-P) TO ITEM #28 USING ITEM #34 (W/T).
 3. FOR OPTION ARRANGEMENT DWG SEE E-AR-H9501-0-0 / A-PL-H950-0-0.
 4. FOR BREAKDOWN OF ALL COVERS SEE B-DD-H9504-0.
 5. THIS PART IS REVERSED (AS SHOWN) TO ACCOMMODATE STD R406 TOP COVER. SEE E-AR-H9501-0-0.
 6. MOUNT BRACKET PART OF ITEM #65 DOWN ON INSIDE ROW OF VERTICAL HOLES. 3RD HOLE FROM BOTTOM. 4TH HOLE FROM TOP.
 7. REFER TO PDP 1160 CONFIGURATION DWG. B-AR-1160-0-3.
 8. ALL COVERS COME WITH GROUND STRAP ALREADY ATTACHED TO THEM. GROUND NUT ITEM #69 IS USED TO FASTEN GROUND STRAPS TO CAB FRAME. SEE E-AR-H9501-0-0.
 9. REMOVE THE LOWER AIR FILTER 10307 FILTER COVER (E-MD-7415446-0) AND SIX (6) #10-32 SCREWS FROM ITEM #41 BEFORE ASSY. THESE PARTS ARE NOT NEEDED.
 10. INSTALLATION OF THE H9504-AA-AB REQUIRES THE FOLLOWING:
 - A. REMOVE THE MFI11-IP MEMORY FROM THE H9504 BOX AND INSTALL IT INTO SYSTEM UNIT POSITION 1, 2 IN THE EXPANDER BOX BAL-PE-PF.
 - B. REMOVE THE H754 REGULATOR FROM THE BASE H7420 SUPPLY (SLOT) AND INSTALL IT INTO THE EXPANDER H7420 (SLOT L).

THIS DRAWING AND SPECIFICATIONS ARE THE PROPERTY OF SPERRY-RAND CORPORATION AND ARE NOT TO BE REPRODUCED OR TRANSMITTED IN ANY FORM OR BY ANY MEANS, ELECTRONIC OR MECHANICAL, INCLUDING PHOTOCOPYING, RECORDING, OR BY ANY INFORMATION STORAGE AND RETRIEVAL SYSTEM, WITHOUT PERMISSION IN WRITING BY SPERRY-RAND CORPORATION.



12. ONE (1) FRONT COVER MUST BE INSTALLED ON EACH SYSTEM. FRONT COVER VARIATION IS DETERMINED BY THE INDIVIDUAL PRODUCT LINES.
 13. WHEN SYSTEM CONTAINS EMPTY REGULATOR SLOTS IN THE H7420, PLUS LOOSE END OF POWER HARNESS INTO MATING CONN. (ITEM #95) AND TIE DOWN TO MAIN BODY OF HARNESS USING TIE WRAP (ITEM #96).
 14. WHEN A SYSTEM CONTAINS AN H7421, USE A SUPPORT BRACKET (741836) WITH A #10 KEENUT AND A #10-32 x 1/2 TRUSS PHL SCREW MAY BE USED IN PLACE OF (7412319-0-0) WHEN SYSTEM CONTAINS ANY OF THE FOLLOWING OPTIONS: RTFPA, RTFPA5, RTFPA6, RUM02 OR RUM03.
- CAUTION: OFF SHEET PARTS LIST EXISTS SEE A-PL-11560-0-0



DESCRIPTION	QUANTITY	DISC PART NO	ITEM NO
UNIT ASSY	1	11560-0-0	

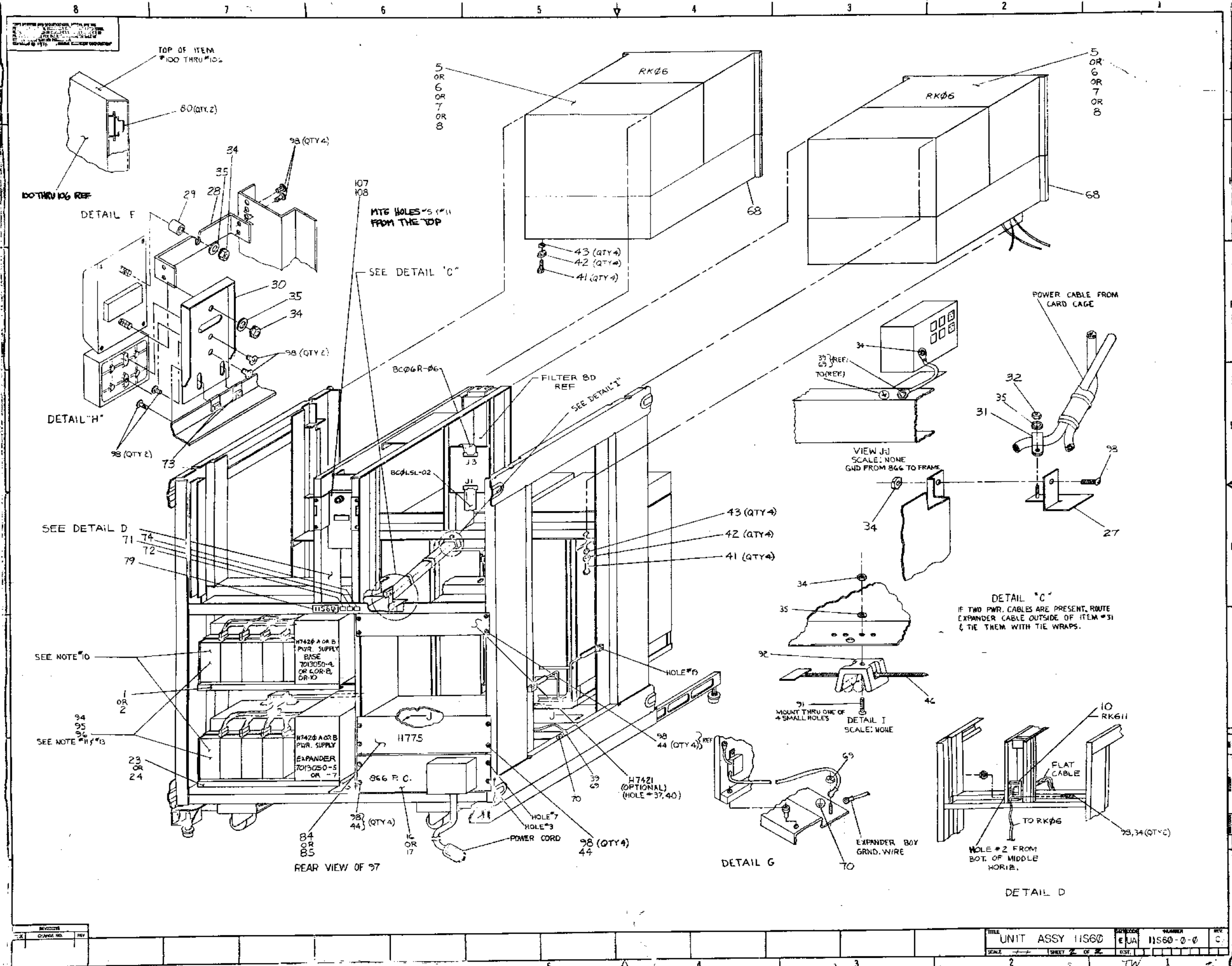
UNIT ASSY
11560

DATE: 11/5/73
SCALE: NONE
FINISH: -

REVISIONS:

REV	DESCRIPTION	DATE
1	INITIAL ISSUE	11/5/73

BY: EJA
CHKD: TW



TOP OF ITEM
*100 THRU *102

DO THRU 106 REF

DETAIL F

DETAIL "H"

SEE DETAIL D

SEE NOTE *10

SEE NOTE *11, *13

MTE HOLES 5/16"
FROM THE TOP

SEE DETAIL "C"

FILTER BD
REF
SEE DETAIL "I"

VIEW J-I
SCALE: NONE
GND FROM 846 TO FRAME

DETAIL "C"
IF TWO PWR. CABLES ARE PRESENT, ROUTE
EXPANDER CABLE OUTSIDE OF ITEM #31
& TIE THEM WITH THE WRAPS.

DETAIL I
SCALE: NONE

DETAIL G

DETAIL D

REAR VIEW OF 97

REV	DATE	BY	CHK

TITLE	UNIT ASSY 11S60	DESIGN	EUA	DATE	11S60-0-0	REV	C
SCALE		SHEET	2 OF 2				

DIGITAL EQUIPMENT CORPORATION
MAYNARD, MASSACHUSETTS

PARTS LIST

MADE BY *J. Buzynski* CHECKED *J. Buzynski* SECTION
DATE *6-7-77* DATE *6-7-77* ISSUED SECT.
ENG *J. Buzynski* PROD *J. Buzynski*
DATE *6-7-77* DATE *6-7-77*

ITEM NO.	DWG NO. / PART NO.	DESCRIPTION	ISSUED SECT.
		MAJOR COMPONENTS (MOS)	
81	E-UA-1160K-AA-0	UNIT ASSY (1160K) (120V)	
82	E-UA-1160K-AB-0	UNIT ASSY (1160K) (240V)	
83			
84	E-UA-H75-BA-0	BATTERY BACK-UP ASSY (120V)	
85	E-UA-H75-BB-0	BATTERY BACK-UP ASSY (240V)	
86			
87	MS11-KA	32x16 MOS Array Card	
88			
89			
90			
		CABINET STRUCTURE (CONT)	
91	9006074-03	SCR, TRUSS HD 10-32 x .62	
92	9009911	CABLE TIE MOUNT	
93	1213092-01	TROUGH, CABLE	
94			
95	1209340-00	MATE-N-LOK, 8 PIN HSG E-UA-11S60-0-0	

TITLE UNIT ASSY 11S60
SIZE CODE A PL
ASSY NO. E-UA-11S60-0-0
SHEET 5 OF 6
DIST.

DEC FORM DEC 16 (35)-1031-N870
ORA 110

QUANTITY / VARIATION

ITEM NO.	DWG NO. / PART NO.	DESCRIPTION	ISSUED SECT.
		MAJOR COMPONENTS (MOS)	
		UNIT ASSY (1160K) (120V)	
		UNIT ASSY (1160K) (240V)	
		BATTERY BACK-UP ASSY (120V)	
		BATTERY BACK-UP ASSY (240V)	
		32x16 MOS Array Card	
		CABINET STRUCTURE (CONT)	
		SCR, TRUSS HD 10-32 x .62	
		CABLE TIE MOUNT	
		TROUGH, CABLE	
		MATE-N-LOK, 8 PIN HSG E-UA-11S60-0-0	

TITLE UNIT ASSY 11S60
SIZE CODE A PL
ASSY NO. E-UA-11S60-0-0
SHEET 5 OF 6
DIST.

TW

DIGITAL EQUIPMENT CORPORATION
MAYNARD, MASSACHUSETTS

PARTS LIST

MADE BY *J. Buzynski* CHECKED *J. Buzynski* SECTION
DATE *6-7-77* DATE *6-7-77* ISSUED SECT. 1
ENG *J. Buzynski* PROD *JOHN ROGERS*
DATE *6-7-77* DATE *6-7-77*

ITEM NO.	DWG NO. / PART NO.	DESCRIPTION	ISSUED SECT.
96	9007880	TIE WRAP	
97	A-PL-7011587-2-0	FRAME ASSY (DOUBLE LOBOY)	
98	9009700-00	SEMS SCREW, PH TR HD, #10-32 x .50	
99			
		CABINET EXTERIOR (CONT)	
100	A-PL-H9504-RA-0	COVER, FRONT (LT GRAY)	
101	A-PL-H9504-RB-0	COVER, FRONT (BLUE MULLEN)	
102	A-PL-H9504-RC-0	COVER, FRONT (BL MULLEN W/SILK SCREEN)	
103	A-PL-H9504-RD-0	COVER, FRONT (BL MULLEN W/SS SYSTEM 48)	
104	A-PL-H9504-RE-0	COVER, FRONT (PREFERRED RED)	
105	A-PL-H9504-RF-0	COVER, FRONT (PREFERRED RED W/S. SCREEN)	
106	A-PL-H9504-RG-0	COVER, FRONT (DARK GRAY)	
107	D-IA-7015908-0-0	CABLE ASSY	
108	D-AD-7015910-0-0	BOX TRANSFORMER ASSY	
109	7418361	SUPPORT BRACKET	
		(SEE NOTE 14 ON E-UA-11S60-0-0)	

TITLE UNIT ASSY 11S60
SIZE CODE A PL
ASSY NO. E-UA-11S60-0-0
SHEET 6 OF 6
DIST.

TITLE UNIT ASSY 11S60
SIZE CODE A PL
ASSY NO. E-UA-11S60-0-0
SHEET 6 OF 6
DIST.

DEC FORM DEC 16 (35)-1031-N870
ORA 110

TW

DIGITAL EQUIPMENT CORPORATION
MAYNARD, MASSACHUSETTS

PARTS LIST

MADE BY *J. Buzyński* CHECKED *J. Buzyński* SECTION 1
 DATE *5-27-77* DATE *5-27-77* ISSUED SECT. 1
 ENG *J. Buzyński* PROD *J. Buzyński*
 DATE *5-27-77* DATE

ITEM NO.	DWG NO. / PART NO.	DESCRIPTION	11S60-BA	11S60-BB	11S60-CA	11S60-CB	Y	VARIATION
1	EK-11060-OP-*	OPERATOR INSTALLATION MANUAL (11-60)	1	1	1	1		
2	EK-11060-TM-*	BASIC COMPUTER (11/60)	**	**	**	**		
3	EK-11060-PS-*	PDP 11/60 CABINET AND POWER SUPPLY	**	**	**	**		
4	MP00166	PRINT SET, 11/60 SYSTEMS	1	1	1	1		
5	MP00409	PRINT SET, 11/60 BASIC	1	1	1	1		
6	MP00410	PRINT SET, BAIL-P BOX AND POWER SUPPLY	1	1	1	1		
7	MP00034	PRINT SET, MFL1-W/MP	1	1	-	-		
8	EK-MF11W-MM-*	MFL1-W/MP CORE MEMORY SYSTEM MANUAL	**	**	-	-		
9	EK-MF11K-MM-*	MFL1S-K MOS MEMORY MANUAL	-	-	**	**		
10	EK-M9301-MM-*	M9301 MAINTENANCE MANUAL	**	**	**	**		
11	EK-DL11W-MM-*	DL11-W MAINTENANCE MANUAL	**	**	**	**		
12	EK-LA36-MM-*	LA36 MAINTENANCE MANUAL	**	**	**	**		
13	EA0649820	PDP 11/60 HANDBOOK	1	1	1	1		
14	MD-11-DZZRA--*BB	DIAGNOSTIC PROGRAMS (RMDP #1)	1	1	1	1		
15	11S60-36-1	CABLE ASSY (20 MA) (DL1-W)	1	1	1	1		
16	1212315	5 PRONG TWIST RECEPTACLE (NEMA I21-30R)	1	-	1	-		
17	1214033	5 PRONG TWIST RECEPTACLE (NEMA I22-20R)	-	1	-	1		
18	MP00310	PRINT SET, MFL1S-K	-	-	1	1		
19	1213091-00	KEY FOR SPANNER HEAD STUD	1	1	1	1		
		** MANUALS ARE SHIPPED BY PRODUCT LINE REQUEST ONLY.						
		*LATEST REVISION						

TITLE SHIPPING LIST, 11S60
 ASSY NO. NONE SIZE CODE **A PL** NUMBER 11S60-0-2 REV. ECO NO. 11S60-00002
 SHEET 1 OF 2 DIST.

DEC FORM DEC 16 (325)-1031-N870
 DRA 110

DIGITAL EQUIPMENT CORPORATION
MAYNARD, MASSACHUSETTS
PARTS LIST

MADE BY J. BUZYNSKI CHECKED J. BUZYNSKI SECTION 1
 DATE 5/27/77 DATE 5/27/77
 ENG J. BUZYNSKI PROD JOHN ROGERS ISSUED SECT. 1
 DATE 5/27/77 DATE 5/27/77

ITEM NO.	DWG NO. / PART NO.	DESCRIPTION	11S60-BA	11S60-BB	11S60-CA	11S60-CB	QUANTITY	VARIATION
20	MAINDEC DMCA-D	11/60 MICROCODE LISTING	REF	REF	REF	REF		
21	EP-KD11-K-WL-*	11/60 WIRE LIST (MICROFICHE)	REF	REF	REF	REF		

TITLE SHIPPING LIST, 11S60
 ASSY NO. NONE SIZE CODE **A PL** NUMBER 11S60-0-2 REV. ECO NO. 11S60-00002
 SHEET 2 OF 2 DIST.

DEC FORM DEC 16 (325)-1031-N870
 DRA 110

CUSTOMER PRINT SET INDEX

THIS IS PRINT SET

SEQUENCE

77

77

SEQUENCE

77

UNIT VARIATIONS

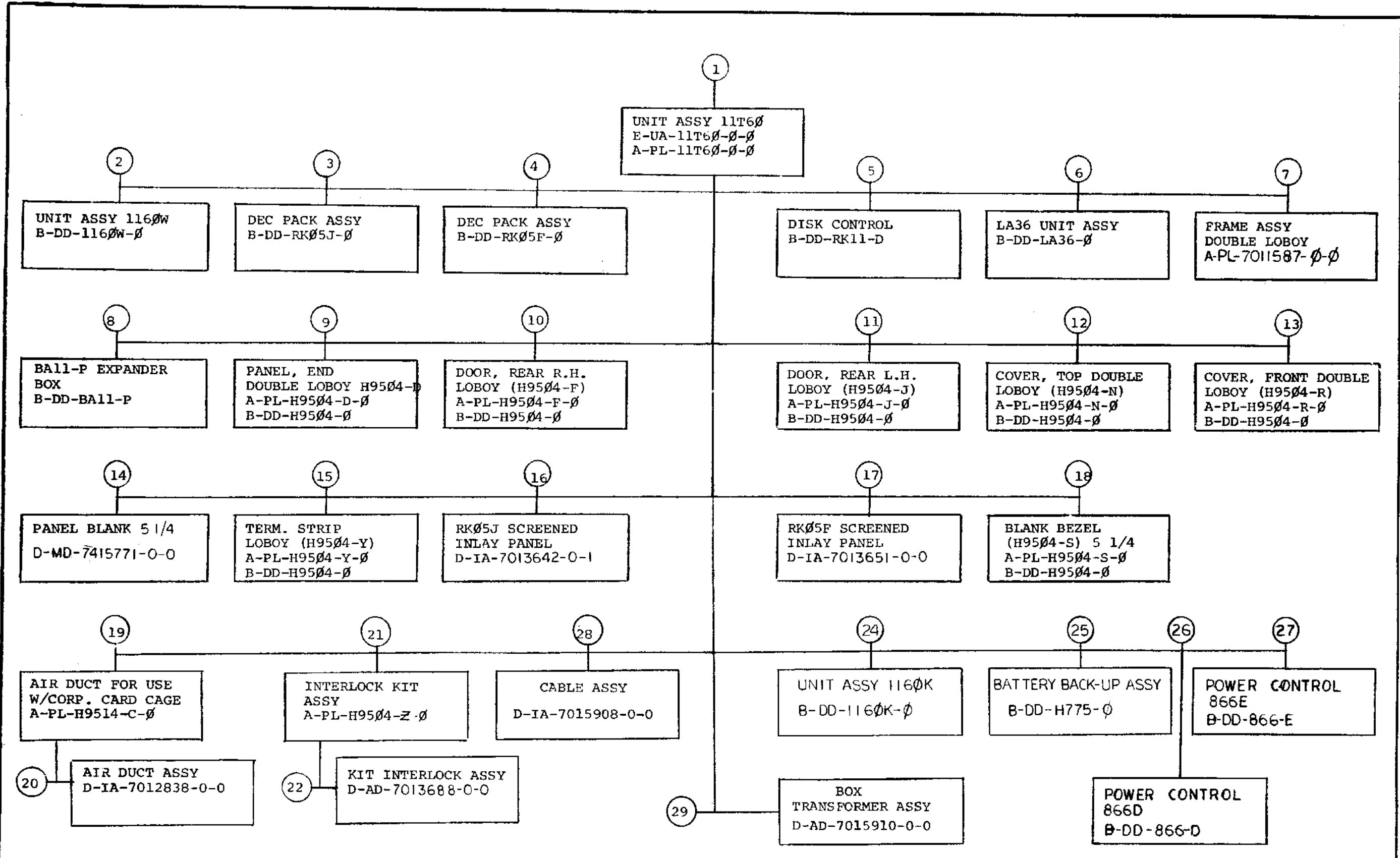
VAR	TITLE	PRINT SET		
11T60-AA	UNIT ASSY 11T60 (60 HZ 120V)			
11T60-AD	UNIT ASSY 11T60 (60 HZ 240V)			
11T60-AC	UNIT ASSY 11T60 (50 HZ 120V)			
11T60-AD	UNIT ASSY 11T60 (50 HZ 240V)			
11T60-BA	UNIT ASSY 11T60 (60 HZ 120V)			
11T60-BB	UNIT ASSY 11T60 (60 HZ 240V)			
11T60-BC	UNIT ASSY 11T60 (50 HZ 120V)			
11T60-BD	UNIT ASSY 11T60 (50 HZ 240V)			
11T60-CA	UNIT ASSY 11T60 (60 HZ 120V)(MOS)			
11T60-CB	UNIT ASSY 11T60 (60 HZ 240V)(MOS)			
11T60-CC	UNIT ASSY 11T60 (50 HZ 120V)(MOS)			
11T60-CD	UNIT ASSY 11T60 (50 HZ 240V)(MOS)			

REVISIONS		
DATE	CHG. NO.	REV
7-77	11T60-1	A
2-78	11T60-2	B
3-79	11T60-3	C

USED ON OPTION/MODEL		DRN. D. HEALY	DATE DEC 76	TITLE UNIT ASSY 11T60	
		CHK'D. D. HEALY	DATE DEC 76		
		PROJ ENG. <i>P. O'Connell</i>	DATE 1 FEB 77		
		PROD. <i>Spring</i>	DATE 1 FEB 77		
FIELD SERV. <i>H</i>			DATE		
CHEET	1 OF 4	SIZE B	CODE DD	NUMBER 11T60-0	REV C
		DIST			

EN-01062-1A-16-RB72-1(325)

TW



TITLE	SHEET	SIZE	CODE	NUMBER	REV
UNIT ASSY 11T6Ø	2 OF 4	B		11T6Ø-Ø	C

TIV

FIND NO.	DRAWING NO.	DESCRIPTION	TYPE	FIND NO.	DRAWING NO.	DESCRIPTION	TYPE
1	MP00166	11/60 SYSTEMS (PRINT SET ORDER NO.)	-				
	B-TC-11/60-0-4	11/60 SYSTEMS (FIELD MAINT. PRINT SET)	-				
	E-UA-11T60-0-0	UNIT ASSY 11T60	E/M	7	A-PL-7011587-0-0	FRAME ASSY DOUBLE LOBOY	E/M
	A-PL-11T60-0-0	UNIT ASSY 11T60 (PL)	E/M		E-PS-1213092-0-0	TROUGH, CABLE	
	A-SP-11/60-0-2	PDP11/60 COMPUTER SPECIFICATION	E/M				
	D-IA-7008360-0-0	CABLE ASSY (KL8-E)	E/M				
	A-SP-BALL-P-2	BALL-P VOLTAGE CONVERSION PROCEDURE	E	8	B-DD-BALL-P	BALL-P EXPANDER BOX	E/M
	C-MD-7415640-0-0	BRACKET, POWER SUPPLY MTG.	M				
	C-IA-7417519-0-0	BRACKET, POWER CABLE	M				
	C-MD-7415774-0-0	BRACKET, VERTICAL PANEL MTG. DOUBLE	M				
	E-AR-H9501-0-0	H9501 OPTION ARRANGEMENT	-				
	B-AR-11/60-0-3	PDP11/60 CONFIGURATION DRAWING	E/M	9	A-PL-H9504-D-0	PANEL END DOUBLE LOBOY (H9504)	M
	A-PL-11T60-0-4	SOFTWARE LIST	E		B-DD-H9504-0	CABINET COVERS	M
	E-MD-7416621-0-0	RK05 BEZEL	M				
	C-IA-7419269-0-0	BRACKET, SHIPPING	M				
	D-UA-M9202-0-0	CABLE, UNIBUS (JUMPER)	E/M				
	D-UA-BC11A-0-0	CABLE ASSY (BC11A)	E/M				
	B-TC-11/60-0-1	11/60 BASIC COMPUTER (MP00409)	-	10	A-PL-H9504-F-0	DOOR REAR R.H. LOBOY (H9504-F)	M
	A-PL-11T60-0-5	SHIPPING LIST 11T60	E/M		B-DD-H9504-0	CABINET COVERS	M
	B-TC-BALL-P-1	BALL-P BOX AND POWER SUPPLY (MP00410)	-				
				11	A-PL-H9504-J-0	DOOR REAR L.H. LOBOY (H9504-J)	M
					B-DD-H9504-0	CABINET COVERS	M
2	B-DD-1160W-0	UNIT ASSY 1160W	E/M	12	A-PL-H9504-N-0	COVER, TOP DOUBLE LOBOY (H9504-N)	M
					B-DD-H9504-0	CABINET COVERS	M
3	B-DD-RK05J-0	DEC PACK ASSY	E/M	13	A-PL-H9504-R-0	COVER, FRONT DOUBLE LOBOY (H9504-R)	M
					B-DD-H9504-0	CABINET COVERS	M
4	B-DD-RK05F-0	DEC PACK ASSY	E/M	14	D-MD-7415771-0-0	PANEL BLANK 5 1/4	M
							M
5	B-DD-RK11-D	DISK CONTROL	E/M				
				15	A-PL-H9504-Y-0	TERM. STRIP LOBOY (H9504-Y)	M
					B-DD-H9504-0	CABINET COVERS	M
6	B-DD-LA36-0	LA36 UNIT ASSY	E/M				

TYPE: E ELECTRICAL
 M MECHANICAL
 E/M ELECTRO/MECHANICAL

digital

TITLE
UNIT ASSY 11T60

SHEET 3 OF 4

SIZE CODE
B DD

NUMBER
11T60-0

REV
C

FIND NO.	DRAWING NO.	DESCRIPTION	TYPE	FIND NO.	DRAWING NO.	DESCRIPTION	TYPE
16	D-IA-7013642-0-1 C-SS-7416627-0-2	RK05J SCREENED INLAY PANEL SILK SCREEN RK05J	M M	26	B-DD-866-D	POWER CONTROL 866D	E/M
17	D-IA-7013651-0-0	RK05F SCREENED INLAY PANEL	M	27	B-DD-866-E	POWER CONTROL 866E	E/M
18	A-PL-H9504-S-0 B-DD-H9504-0	BLANK BEZEL CABINET COVERS	M M	28	D-IA-7015908-0-0	CABLE ASSY	E/M
19	A-PL-H9514-C-0	AIR DUCT FOR USE WITH CORP. CARD CAGE	M	29	D-AD-7015910-0-0 D-IA-7421298-0-0 D-IA-7421299-0-0	BOX, TRANSFORMER ASSY ENCLOSURE, BASE ENCLOSURE, COVER	E/M M M
20	D-IA-7012838-0-0 E-MD-7415894-0-0	AIR DUCT ASSY AIR DUCT	M M				
21	A-PL-H9504-Z-0	INTERLOCK KIT ASSY	M				
22	D-AD-7013688-0-0	KIT, INTERLOCK ASSY	M M M M				
24	B-DD-1160K-0	UNIT ASSY 1160K (MOS)	E/M				
25	B-DD-H775-0	BATTERY BACK-UP ASSY.	E/M				

TYPE: E ELECTRICAL
M MECHANICAL
E/M ELECTRO/MECHANICAL

digital

TITLE

UNIT ASSY 11T60

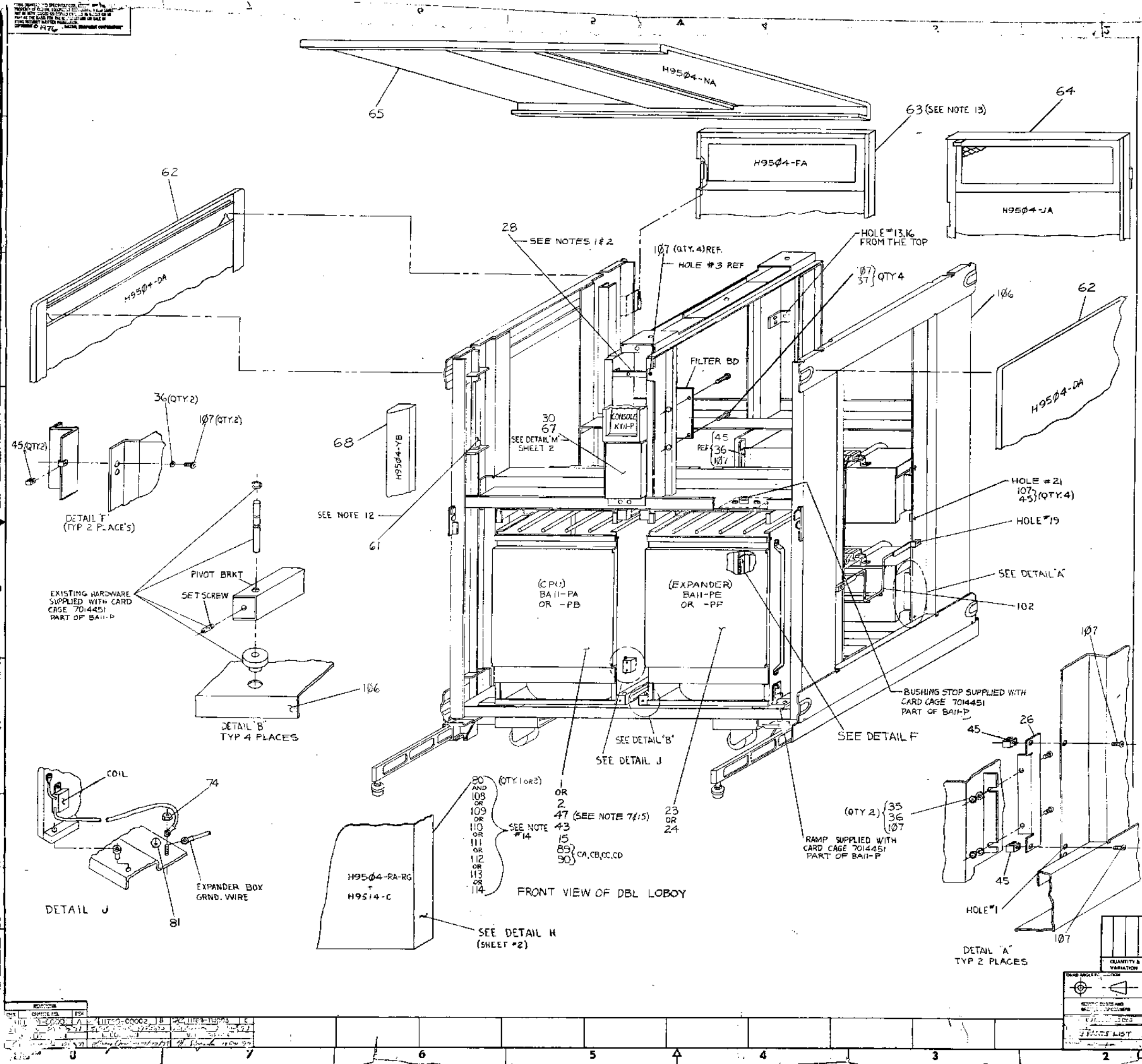
SHEET 4 OF 4

SIZE CODE
B DD

NUMBER
11T60-0

REV
C

EN-01002-2C-18-R376-13251



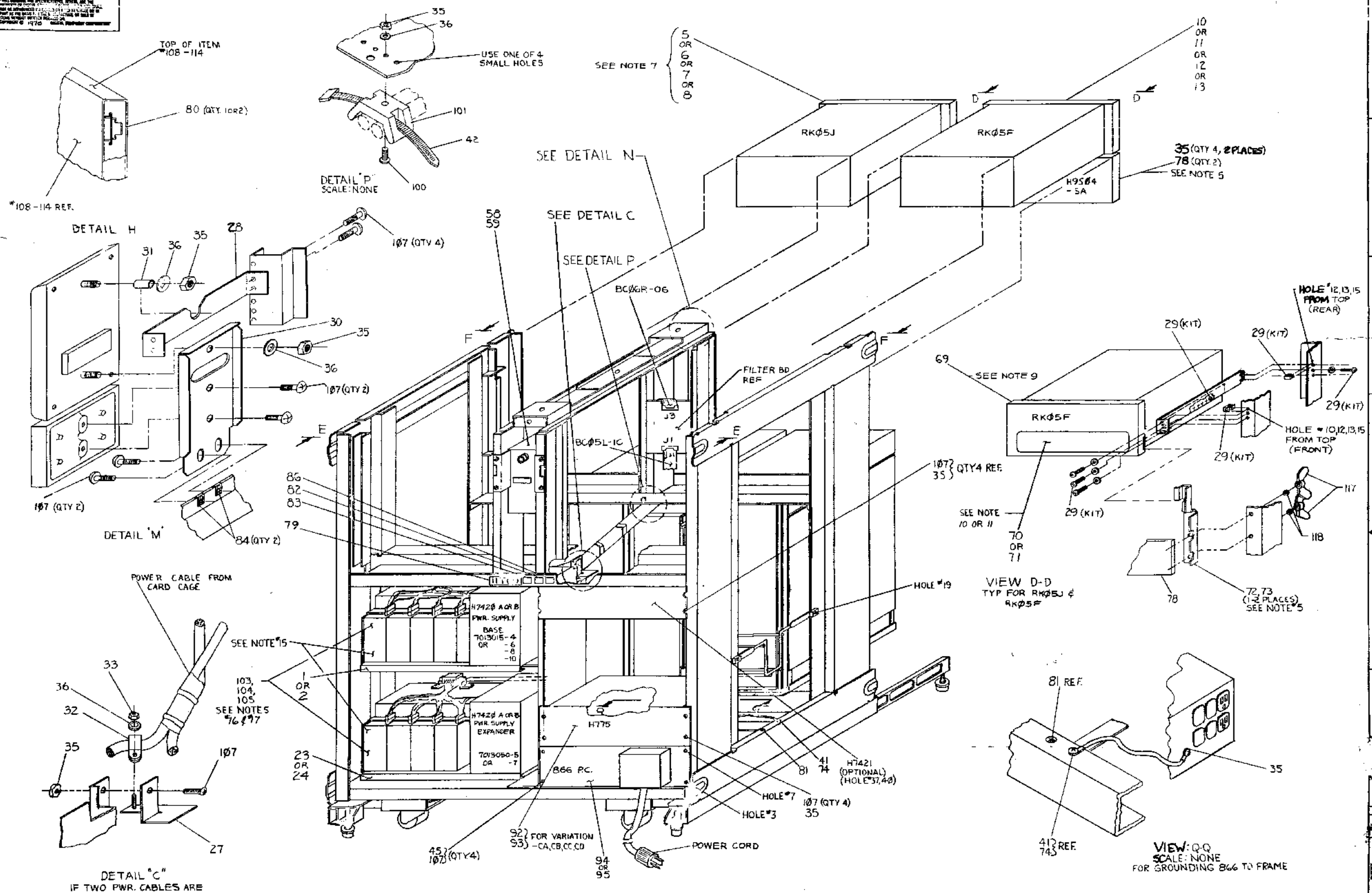
- ON INSIDE ROW OF VERTICAL HOLES**
2nd & 3rd HOLE FROM TOP
2. MOUNT CONSOLE (ITEM #1) TO ITEM #20 USING ITEM #35 (NOTE 7)
 3. FOR OPTION ARRANGEMENT DWG SEE E-AR-H9501-0-0 & A-PL-H9501-0-0.
 4. FOR BREAKDOWN OF ALL COVERS, ETC. SEE B-DD-H9504-0-0.
 5. ITEMS 71-73 TO BE REMOVED DURING CUSTOMER INSTALLATION (ITEM 73 TO BE REINSTALLED WITH ITEMS 117, 118)
 6. MOUNT BRACKETS, PART OF ITEM #69, AS SHOWN ON INSIDE ROW OF VERTICAL HOLES - 2ND HOLE FROM BOTTOM & 1ST HOLE FROM BOTTOM
 7. REFER TO PDP 11/60 CONFIGURATION DWG B-AR-1160-0-3.
 8. ALL COVERS COME WITH GROUND STRAP ALREADY ATTACHED TO THEM. GROUND NUT ITEM #74 IS USED TO FASTEN GROUND STRAPS TO CAB FRAME, SEE E-AR-H9504-0-0.
 9. REPLACE BEZEL E-MD-7409217 OR E-PS-211250-0-0 PART OF D-UR-RK05J-0-0 & D-UR-RK05F-0-0 WITH BEZEL E-MD-7416621-0-0.
 10. REPLACE FRONT PANEL, RK05F - D-IA-7415560-0-0, PART OF D-UR-RK05F-0-0 WITH INLAY, BEZEL D-IA-7013651-0-0.
 11. REPLACE FRONT PANEL, RK05J - D-IA-7409207-0-0, PART OF D-UR-RK05J-0-0 WITH INLAY, BEZEL D-IA-7013642-0-0
 12. FOR INSTALLATION OF ITEM #61 REFER TO D-AD-7012669-0-0 (INSTALL ABOVE SLIDES).
 13. REMOVE THE LOWER AIR FILTER (1213096-00), FILTER COVER (E-MD-145446-0-0) AND SIX (6) 10-32 SCREWS FROM ITEM #63 BEFORE ASSEMBLY. THESE PARTS ARE NOT NEEDED.
 14. ONE (1) FRONT COVER MUST BE INSTALLED ON EACH SYSTEM. FRONT COVER VARIATION IS DETERMINED BY THE INDIVIDUAL PRODUCT LINES.
 15. INSTALLATION OF THE 1160W-AA-AB REQUIRES THE FOLLOWING:
 - A. REMOVE THE MEMORY FROM THE 1160W BOX AND INSTALL IT INTO SLOT 1, 2 IN THE EXPANDER BOX. BALL-PE, PE.
 - B. REMOVE THE 1175A REGULATOR FROM THE BASE H7428 SUPPLY (SLOT E) AND INSTALL IT INTO SLOT L IN THE EXPANDER H7428.
 16. FILTER PANEL 7413405 ITEM #61 MUST BE INSTALLED IN EMPTY REGULATOR POSITIONS
 17. WHEN SYSTEM CONTAINS EMPTY REGULATOR SLOTS IN THE H7428, PLUG LOOSE END OF POWER HARNESS INTO MATING CONN. (ITEM #104) AND TIE DOWN TO MAIN BODY OF HARNESS USING THE WRAP (ITEM #105).
 18. WHEN A SYSTEM CONTAINS AN H7421, USE A SUPPORT BRACKET (741832) WITH A #10 KEP NUT AND A #10-32 1/2 TRUSS HD PHILLIPS SCREW.
 19. THE PANEL CONNECTOR ASSY (7010574-0-0) MAY BE USED IN PLACE OF (7412313-0-0) WHEN THE SYSTEM CONTAINS ANY OF THE FOLLOWING OPTIONS: RJP94, RJP95, RJP96, RJM92 OR RJM93.

CAUTION: OFF SHEET PARTS LIST EXISTS SEE A-PL-1160-0-0

DESCRIPTION	QTY	UNIT NO.	ITEM NO.								
UNLESS OTHERWISE SPECIFIED, DIMENSIONS ARE IN INCHES											
<table border="1"> <tr> <th>QUALITY</th> <th>STANDARD</th> <th>PRELIMINARY</th> <th>REVISION</th> </tr> <tr> <td></td> <td></td> <td></td> <td></td> </tr> </table>				QUALITY	STANDARD	PRELIMINARY	REVISION				
QUALITY	STANDARD	PRELIMINARY	REVISION								
QUANTITY & VARIATION											
DATE OF CHANGE											
CHG. BY											
ENG. BY											
DATE											
<p style="text-align: center;">UNIT ASSY</p> <p style="text-align: center;">1160</p> <p style="text-align: center;">EUA1160-0-0</p>											

REV.	DATE	BY	DESCRIPTION
1			
2			
3			
4			
5			
6			
7			

THIS DRAWING IS PRELIMINARY. IT IS SUBJECT TO CHANGE WITHOUT NOTICE. THE USER IS ADVISED THAT THE DRAWING IS NOT TO BE USED FOR FABRICATION OF PARTS OR ASSEMBLY OF THE UNIT WITHOUT THE WRITTEN APPROVAL OF THE ORIGINAL DRAWING ENGINEER.



DETAIL "C"
 IF TWO PWR. CABLES ARE PRESENT, ROUTE EXPANDER CABLE OUTSIDE ITEM #32 AND TIE THEM WITH TIE WRAPS

REAR VIEW OF ITEM #106

108 RK05J (REAR)	108 RK05F (REAR)
H7420 (BASE)	H7421 (EXP)
H7420 EXP	H775 B66 P.C.

VIEW E-E
 REAR OF 11760
 (SEE NOTE 7)

RK05F (FRONT)	78 REF.	RK05J (FRONT)
H9504-SA		H9504-SA
BAN-PA -PB (BASE) -PK -PL		BAN-PE -PF (EXP.)

VIEW F-F
 FRONT OF 11760
 (SEE NOTE 7)

QUANTITY & VARIATION		DESCRIPTION		REV. NO.	ITEM NO.
QTY	VAR	DESCRIPTION	REV.		
1		UNIT ASSY 11760	1		11760
DRAWN BY: [Signature]		CHECKED BY: [Signature]		DATE: [Date]	
APPROVED BY: [Signature]		PROJECT NO: [Project No]		SCALE: [Scale]	
MATERIALS		FIRST USED ON: [Date]		REV. C	
PARTS LIST		R.D.D. (T)		EUA 11760-0-0	
SCALE: [Scale]		EST. [Estimate No]		REV. [Revision]	

DIGITAL EQUIPMENT CORPORATION MAYNARD, MASSACHUSETTS			QUANTITY / VARIATION											
PARTS LIST			11T6β-BA	11T6β-BB	11T6β-BC	11T6β-BD	11T6β-CA	11T6β-CB	11T6β-CC	11T6β-CD				
MADE BY	John Buzyński	CHECKED	John Buzyński	SECTION										
DATE	6-7-77	DATE	6-7-77	1										
ENG	John Buzyński	PROD	John Rogers	ISSUED SECT.										
DATE	6-7-77	DATE	6-7-77	1										
ITEM NO.	DWG NO. / PART NO.	DESCRIPTION		11T6β-BA	11T6β-BB	11T6β-BC	11T6β-BD	11T6β-CA	11T6β-CB	11T6β-CC	11T6β-CD			
X		CABINET EXTERIOR (CONT.)												
81	3613272	DECAL, CHASSIS GND		2	2	2	2	2	2	2	2			
82	A-DC-7416197-1-0	DECAL, UL		1	1	1	1	1	1	1	1			
83	3613211-01	DECAL, CSA		1	1	1	1	1	1	1	1			
84	9009923-00	NUT- CLIP, FLOATING 10-32		2	2	2	2	2	2	2	2			
85	9007730-00	BLACK ZIPPER STOPPING 1 1/8"		R	R	R	R	R	R	R	R			
86	A-DC-7409478-C-0	Patent Decal (PDF11)		1	1	1	1	1	1	1	1			
87	C-IA-7419269-0-0	SHIPPING BRACKET		1	1	1	1	1	1	1	1			
88		MAJOR COMPONENTS (MOS)												
89	E-UA-1160K-AA-0	UNIT ASSY (1160K) (120V)		-	-	-	-	1	+	1	-			
90	E-UA-1160K-AB-0	UNIT ASSY (1160K) (240V)		-	-	-	-	-	1	-	1			
91														
92	E-UA-H775-BA-0	BATTERY BACK-UP ASSY (120V)		-	-	-	-	1	-	1	-			
93	E-UA-H775-BB-0	BATTERY BACK-UP ASSY (240V)		-	-	-	-	-	1	-	1			
94	E-UA-866-D-β	POWER CONTROL 866-D (120V)		1	-	1	-	1	-	1	-			
95	E-UA-866-E-β	POWER CONTROL 866-E (240V)		-	1	-	1	-	1	-	1			
96														
97														
98														
99														
TITLE		UNIT ASSY 11T6β		ASSY NO.	E-UA-11T6β-β-β		SIZE	CODE		NUMBER	11T6β-β-β	REV.	ECO NO.	
							A	PL				C		
				SHEET	5 OF 7		DIST.							

DEC FORM DEC 16 (325)-1031-N870
DRA 110

TW

DIGITAL EQUIPMENT CORPORATION MAYNARD, MASSACHUSETTS			QUANTITY / VARIATION											
PARTS LIST			11T6β-BA	11T6β-BB	11T6β-BC	11T6β-BD	11T6β-CA	11T6β-CB	11T6β-CC	11T6β-CD				
MADE BY	JOHN BUZYNSKI	CHECKED	JOHN BUZYNSKI	SECTION										
DATE	6/7/77	DATE	6/7/77	1										
ENG	JOHN BUZYNSKI	PROD	JOHN BUZYNSKI	ISSUED SECT.										
DATE	6/7/77	DATE	6/7/77	1										
ITEM NO.	DWG NO. / PART NO.	DESCRIPTION		11T6β-BA	11T6β-BB	11T6β-BC	11T6β-BD	11T6β-CA	11T6β-CB	11T6β-CC	11T6β-CD			
		CABINET STRUCTURE (CONT)												
117	9006572	NUT, WING, #10-32		4	4	4	4	4	4	4	4			
118	9007906	SPLIT LOCK WASHER, #10		4	4	4	4	4	4	4	4			
119														
120														
121														
122														
123														
124	7411632-00	STRESS CLAMP		A	RA	RA	R	A	RA	RA	RA	R		
125	7411633-00	STRESS CLAMP		A	RA	RA	R	A	RA	RA	RA	R		
TITLE		UNIT ASSY 11T6β		ASSY NO.	E-UA-11T6β-β-β		SIZE	CODE		NUMBER	11T6β-β-β	REV.	ECO NO.	
							A	PL				C		
				SHEET	7 OF 7		DIST.							

DEC FORM DEC 16 (325)-1031-N870
DRA 110

TW

DIGITAL EQUIPMENT CORPORATION MAYNARD, MASSACHUSETTS			QUANTITY / VARIATION											
PARTS LIST			11T6β-BA	11T6β-BB	11T6β-BC	11T6β-BD	11T6β-CA	11T6β-CB	11T6β-CC	11T6β-CD				
MADE BY	JOHN BUZYNSKI	CHECKED	JOHN BUZYNSKI	SECTION										
DATE	6-7-77	DATE	6-7-77	1										
ENG	JOHN BUZYNSKI	PROD	JOHN ROGERS	ISSUED SECT.										
DATE	6-7-77	DATE	6-7-77	1										
ITEM NO.	DWG NO. / PART NO.	DESCRIPTION		11T6β-BA	11T6β-BB	11T6β-BC	11T6β-BD	11T6β-CA	11T6β-CB	11T6β-CC	11T6β-CD			
		CABINET STRUCTURE (CONT)												
100	9006074-03	SCR, TRUSS HD 10-32 x .62		1	1	1	1	1	1	1	1			
101	9009911	CABLE TIE MOUNT		1	1	1	1	1	1	1	1			
102	1213092-01	TROUGH, CABLE		1	1	1	1	1	1	1	1			
103	7413405	PANEL, FILLER H7420 (SEE NOTES 16 & 17 ON DRAWING 11T6β-0-0)		R	R	R	R	R	R	R	R			
104	1209340-00	MATE-N-LOK, SPIN, HOUSING		A	RA	RA	RA	R	A	RA	RA	RA	R	
105	9007880	TIE WRAP		A	RA	RA	RA	R	A	RA	RA	RA	R	
106	A-PL-7011587-2-0	FRAME ASSY (DOUBLE LOBOY)		1	1	1	1	1	1	1	1	1		
107	9009700-00	SEMS SCREW, PH TR HD, 10-32 x .50		37	37	37	37	33	33	33	33			
		CABINET EXTERIOR (CONT)												
108	A-PL-H95β4-RA-β	COVER, FRONT (LT GRAY)		A	RA	RA	RA	R	A	RA	RA	RA	R	
109	A-PL-H95β4-RB-β	COVER, FRONT (BLUE MULLEN)		A	RA	RA	RA	R	A	RA	RA	RA	R	
110	A-PL-H95β4-RC-β	COVER, FRONT (BL MULLEN W/SILK SCREEN)		A	RA	RA	RA	R	A	RA	RA	RA	R	
111	A-PL-H95β4-RD-β	COVER, FRONT (BL MULLEN W/SS, SYSTEM 48)		A	RA	RA	RA	R	A	RA	RA	RA	R	
112	A-PL-H95β4-RE-β	COVER, FRONT (PREFERRED RED)		A	RA	RA	RA	R	A	RA	RA	RA	R	
113	A-PL-H95β4-RF-β	COVER, FRONT (PREFERRED RED W/S.SCREEN)		A	RA	RA	RA	R	A	RA	RA	RA	R	
114	A-PL-H95β4-RG-β	COVER, FRONT (DARK GRAY)		A	RA	RA	RA	R	A	RA	RA	RA	R	
115														
116														
TITLE		UNIT ASSY 11T6β		ASSY NO.	E-UA-11T6β-β-β		SIZE	CODE		NUMBER	11T6β-β-β	REV.	ECO NO.	
							A	PL				C		
				SHEET	6 OF 7		DIST.							

DEC FORM DEC 16 (325)-1031-N870
DRA 110

TW

"THE MATERIAL HEREIN IS FOR INFORMATION PURPOSES ONLY AND IS SUBJECT TO CHANGE WITHOUT NOTICE. DIGITAL EQUIPMENT CORPORATION ASSUMES NO RESPONSIBILITY FOR ANY ERRORS WHICH MAY APPEAR HEREIN."

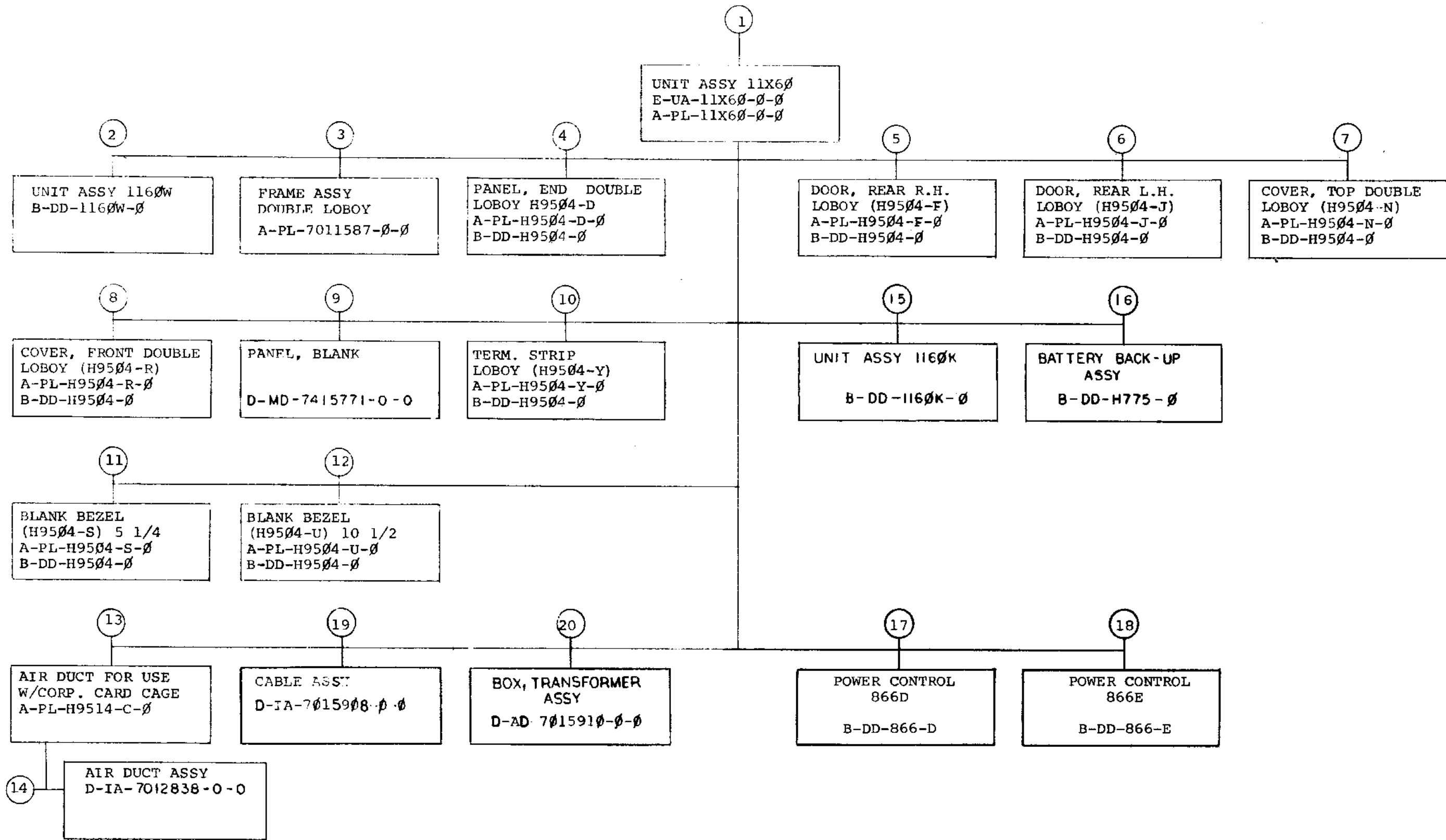
DRAWING DIRECTORY

"THIS DRAWING AND SPECIFICATIONS, HEREIN, ARE THE PROPERTY OF DIGITAL EQUIPMENT CORPORATION AND SHALL NOT BE REPRODUCED OR COPIED OR USED IN WHOLE OR IN PART AS THE BASIS FOR THE MANUFACTURE OR SALE OF ITEMS WITHOUT WRITTEN PERMISSION. COPYRIGHT © 1977 DIGITAL EQUIPMENT CORPORATION."

UNIT VARIATIONS	
VAR	TITLE
11X60-BA	UNIT ASSY 11X60 (120V)
11X60-BB	UNIT ASSY 11X60 (240V)
11X60-CA	UNIT ASSY 11X60 (120V MOS)
11X60-CB	UNIT ASSY 11X60 (240V MOS)

REVISIONS	
CHK	CHANGE NO.
	11X60-00001 A
	11X60-00002 B
70	11X60TWI03 C

USED ON OPTION/MODEL	DRN. 11X60	DATE 13 APR 77	TITLE	digital
	CHK'D.	DATE 4/11/77	UNIT ASSY 11X60	
	PROJ. ENG. 14	DATE 12/11/77	SIZE	CODE
	PROD. 11	DATE 4/11/77	B	DD
SHEET 1 OF 4			NUMBER	REV
			11X60-0	C
			DIST.	



TITLE	UNIT ASSY 11X6Ø	SHEET 2 OF 4	SIZE CODE B DD	NUMBER 11X6Ø-Ø	REV C
-------	-----------------	--------------	-------------------	-------------------	----------

FIND NO.	DRAWING NO.	DESCRIPTION	TYPE	FIND NO.	DRAWING NO.	DESCRIPTION	TYPE
1	MP00166	11/60 SYSTEMS (PRINT SET ORDER NO.)	-	7	A-PL-H9504-N-0	COVER, TOP DOUBLE LOBOY (H9504-N)	M
	B-TC-11/60-0-4	11/60 SYSTEMS FIELD MAINTENANCE PRINT SET	-		B-DD-H9504-0	CABINET COVERS	M
	E-UA-11X60-0-0	UNIT ASSY 11X60	E/M				
	A-PL-11X60-0-0	UNIT ASSY 11X60 (PL)	E/M				
	A-SP-11/60-0-2	PDP11/60 COMPUTER SPECIFICATION	E/M				
	D-IA-7008360-1-0	CABLE ASSY (KL8-E)	E/M	8	A-PL-H9504-R-0	COVER, FRONT DOUBLE LOBOY (H9504-R)	M
	A-SP-BALL-P-2	BALL-P VOLTAGE CONVERSION PROCEDURE	E		B-DD-H9504-0	CABINET COVERS	M
	C-MD-7415640-0-0	BRACKET, POWER SUPPLY MTG.	M				
	C-IA-7417519-0-0	BRACKET, POWER CABLE	M				
	C-MD-7415774-0-0	BRACKET, VERTICAL PANEL MTG. DOUBLE	M				
	E-AR-H9501-0-0	H9501 OPTION ARRANGEMENT	-				
	B-AR-11/60-0-3	PDP11/60 CONFIGURATION DRAWING	E/M	9	D-MD-7415771-07	PANEL BLANK	M
			E				M
	D-UA-M9202-0-0	CABLE, UNIBUS (JUMPER)	E/M				
	D-UA-BC11A-0-0	CABLE ASSY (BC11A)	E/M				
	A-PL-11X60-0-2	SHIPPING LIST, 11X60	E/M				
	B-TC-11/60-0-1	11/60 BASIC COMPUTER (MP00409)	-				
	B-TC-BALL-P-1	BALL-P BOX AND POWER SUPPLY (MP00410)	-	10	A-PL-H9504-Y-0	TERM. STRIP LOBOY (H9504-Y)	M
	A-PL-11X60-0-2	SHIPPING LIST 11X60	E/M		B-DD-H9504-0	CABINET COVERS	M
2	B-DD-1160W-0	UNIT ASSY 1160W	E/M	11	A-PL-H9504-S-0	BLANK BEZEL	M
					B-DD-H9504-0	CABINET COVERS	M
3	A-PL-7011587-0-0	FRAME ASSY DOUBLE LOBOY	M	12	A-PL-H9504-U-0	BLANK BEZEL	M
	E-PS-1213092-0-0	TROUGH, CABLE	M		B-DD-H9504-0	CABINET COVERS	M
4	A-PL-H9504-D-0	PANEL END DOUBLE LOBOY (H9504)	M				
	B-DD-H9504-0	CABINET COVERS	M	13	A-PL-H9514-C-0	AIR DUCT FOR USE WITH CORP. CARD CAGE	M
5	A-PL-H9504-F-0	DOOR REAR R.H. LOBOY (H9504-F)	M	14	D-IA-7012838-0-0	AIR DUCT ASSY	M
	B-DD-H9504-0	CABINET COVERS	M		E-MD-7415894-0-0	AIR DUCT	M
				15	B-DD-1160K-0	UNIT ASSY 1160K	E/M
6	A-PL-H9504-J-0	DOOR REAR L.H. LOBOY (H9504-J)	M	16	B-DD-H775-0	BATTERY BACK-UP ASSY	E/M
	B-DD-H9504-0	CABINET COVERS	M				

TYPE: E ELECTRICAL
M MECHANICAL
E/M ELECTRO/MECHANICAL

digital

TITLE

UNIT ASSY 11X60

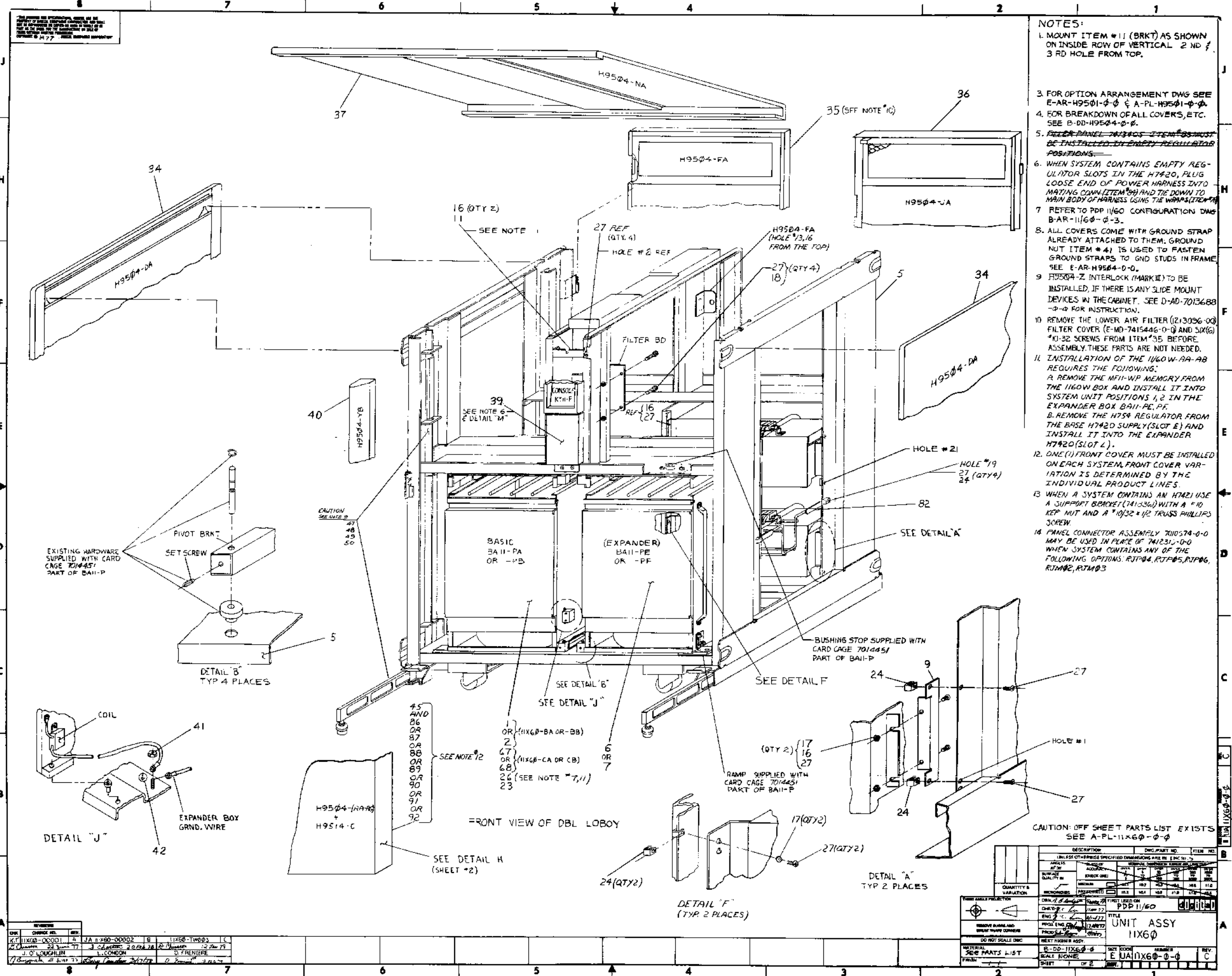
SHEET 3 OF 4

SIZE
8

CODE
DD

NUMBER
11X60-0

REV
C



- NOTES:**
1. MOUNT ITEM #11 (BRKT) AS SHOWN ON INSIDE ROW OF VERTICAL 2 ND & 3 RD HOLE FROM TOP.
 2. FOR OPTION ARRANGEMENT DWG SEE E-AR-H9501-0-0 & A-PL-H9501-0-0.
 3. FOR BREAKDOWN OF ALL COVERS, ETC. SEE B-DD-H9504-0-0.
 4. REFER TO PDP 11/60 CONFIGURATION DWG B-AR-11160-0-3.
 5. ALL COVERS COME WITH GROUND STRAP ALREADY ATTACHED TO THEM. GROUND NUT ITEM #41 IS USED TO FASTEN GROUND STRAPS TO GND STUDS IN FRAME SEE E-AR-H9504-0-0.
 6. H9504-Z INTERLOCK (MARK II) TO BE INSTALLED IF THERE IS ANY SLIDE MOUNT DEVICES IN THE CABINET. SEE D-AD-7013688-0-0 FOR INSTRUCTION.
 7. REMOVE THE LOWER AIR FILTER (213056-00) FILTER COVER (E-MD-7415446-0-0) AND SIX (6) #10-32 SCREWS FROM ITEM #35 BEFORE ASSEMBLY. THESE PARTS ARE NOT NEEDED.
 8. INSTALLATION OF THE 1160W-AA-AB REQUIRES THE FOLLOWING:
 - A. REMOVE THE M11-WP MEMORY FROM THE 1160W BOX AND INSTALL IT INTO SYSTEM UNIT POSITIONS 1, 2 IN THE EXPANDER BOX BA11-PE, PF.
 - B. REMOVE THE H754 REGULATOR FROM THE BASE H742D SUPPLY (SLOT E) AND INSTALL IT INTO THE EXPANDER H742D (SLOT L).
 9. ONE (1) FRONT COVER MUST BE INSTALLED ON EACH SYSTEM. FRONT COVER VARIATION IS DETERMINED BY THE INDIVIDUAL PRODUCT LINES.
 10. WHEN A SYSTEM CONTAINS AN H742D USE A SUPPORT BRACKET (741336) WITH A #10 KEF NUT AND A #10/32 X 1/2 TRUSS PHILLIPS SCREW.
 11. PANEL CONNECTOR ASSEMBLY 701074-0-0 MAY BE USED IN PLACE OF 741231-0-0 WHEN SYSTEM CONTAINS ANY OF THE FOLLOWING OPTIONS: R1P#4, R1P#5, R1P#6, R1M#2, R1M#3.

REVISIONS

NO.	DATE	BY	DESCRIPTION
1	11/16/60	J. O'LOUGHLIN	INITIAL DESIGN
2	12/1/60	J. O'LOUGHLIN	REVISED TO ADD H9504-RA
3	12/1/60	J. O'LOUGHLIN	REVISED TO ADD H9504-CA
4	12/1/60	J. O'LOUGHLIN	REVISED TO ADD H9504-CB
5	12/1/60	J. O'LOUGHLIN	REVISED TO ADD H9504-CC

DESCRIPTION

UNIT ASSY
11X60

QUANTITY & VARIATION

DESCRIPTION	QTY	VARIATION
UNIT ASSY	1	

REVISIONS

NO.	DATE	BY	DESCRIPTION
1	11/16/60	J. O'LOUGHLIN	INITIAL DESIGN
2	12/1/60	J. O'LOUGHLIN	REVISED TO ADD H9504-RA
3	12/1/60	J. O'LOUGHLIN	REVISED TO ADD H9504-CA
4	12/1/60	J. O'LOUGHLIN	REVISED TO ADD H9504-CB
5	12/1/60	J. O'LOUGHLIN	REVISED TO ADD H9504-CC

SCALE: NONE

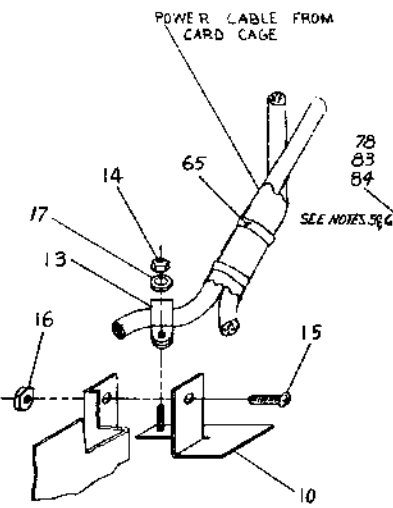
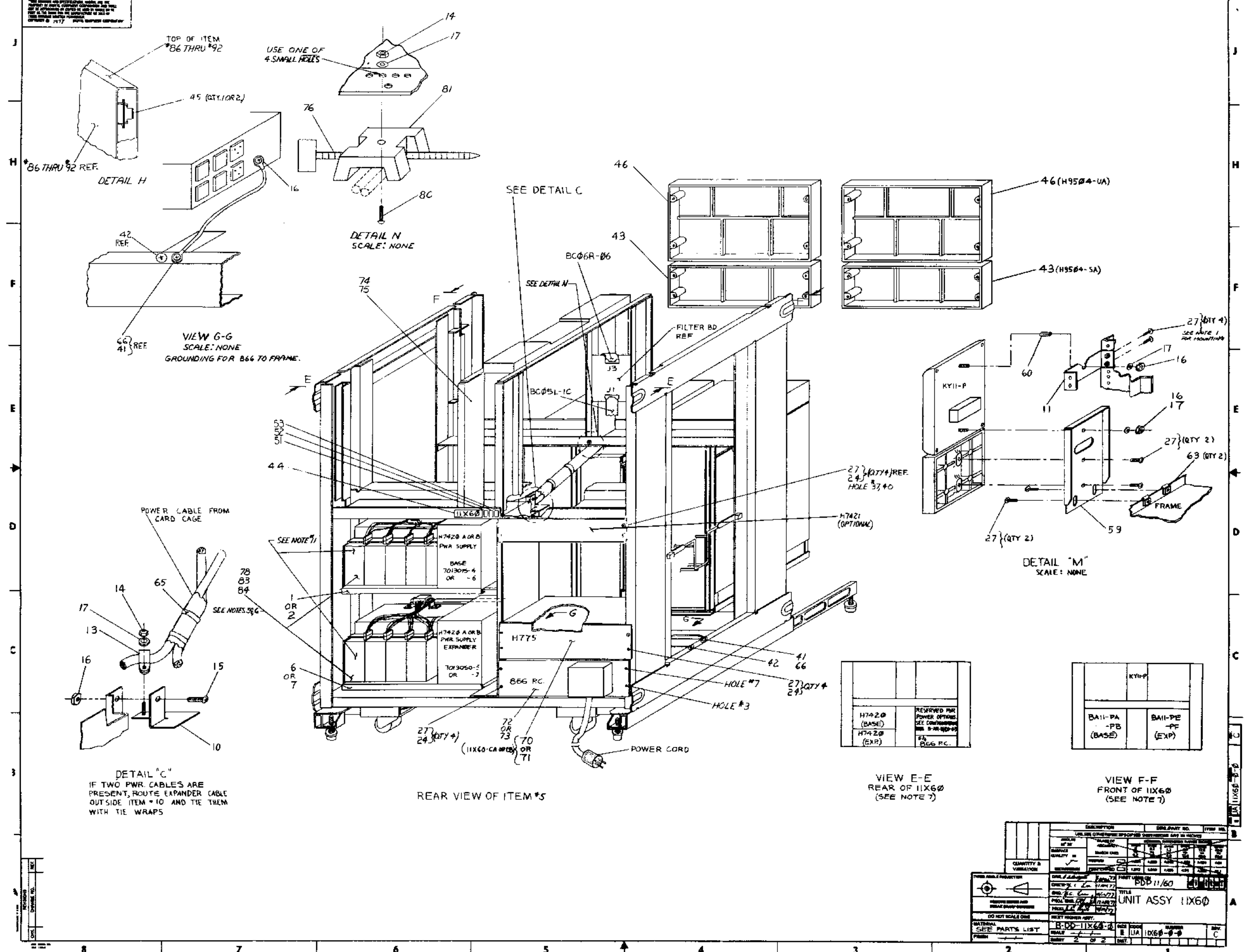
UNIT ASSY

SCALE: NONE

UNIT ASSY

SCALE: NONE

THIS DRAWING AND SPECIFICATIONS SHALL BE THE PROPERTY OF MILVAC COMPANY. IT IS TO BE USED ONLY FOR THE PURPOSES SPECIFIED HEREIN. IT IS TO BE KEPT IN THE ORIGINAL FORM AND NOT REPRODUCED IN ANY MANNER WITHOUT THE WRITTEN PERMISSION OF MILVAC COMPANY.



DETAIL "C"
IF TWO PWR. CABLES ARE PRESENT, ROUTE EXPANDER CABLE OUTSIDE ITEM #10 AND TIE THEM WITH TIE WRAPS

H7420 (BASE)	RESERVED FOR POWER OPTIONS SEE CONSTRUCTION FOR H-APP-04
H7420 (EXP)	FA 866 P.C.

KY11-P	
BALI-PA -PB (BASE)	BALI-PE -PC (EXP)

VIEW E-E
REAR OF 11X60
(SEE NOTE 7)

VIEW F-F
FRONT OF 11X60
(SEE NOTE 7)

DESCRIPTION		DATE	BY
UNIT ASSY 11X60		11/60	
PART NO. PDB 11/60		REV.	
TITLE		DATE	
UNIT ASSY 11X60		11/60	
MATERIAL		REV.	
R-DO-11X60-0		11/60	
DRAWING NO.		REV.	
R-DO-11X60-0		11/60	
SHEET		REV.	
2		11/60	
OF 2			
DRAWN		REV.	
11/60			

DIGITAL EQUIPMENT CORPORATION
MAYNARD, MASSACHUSETTS

PARTS LIST

MADE BY: *J. C. Lee* CHECKED: *J. C. Lee* SECTION: 1
 DATE: *4/11/77* DATE: *4/11/77* ISSUED SECT.: 1
 ENG: *J. C. Lee* PROD: *J. C. Lee*
 DATE: *4/11/77* DATE: *4/11/77*

ITEM NO.	DWG NO./PART NO.	DESCRIPTION	MAJOR COMPONENTS
x			
1	E-UA-1160W-AA-0	UNIT ASSY (1160W) (120V)	
2	E-UA-1160W-AB-0	UNIT ASSY (1160W) (240V)	
3	A-SP-11/60-0-2	PDP11/60 COMPUTER SPECIFICATION	
x		CABINET STRUCTURE	
4	A-AD-7012984-0-0	FRAME ASSY (DBL LOBOY) (120V)	
5	A-P-7011587-2-0	FRAME ASSY (DBL LOBOY)	
6	E-UA-BALL-PE-0	BALL-P EXPANDER BOX (120V)	
7	E-UA-BALL-PF-0	BALL-P EXPANDER BOX (240V)	
8	A-SP-BALL-P-2	BALL-P VOLTAGE CONVERSION PROCEDURE	
9	C-MD-7415649-0-0	BRACKET, POWER SUPPLY MTG	
10	C-IA-7417519-0-0	BRACKET, POWER CABLE	
11	C-MD-7419055-0-0	BRACKET, CONSOLE MTG.	
12	A-AD-7009276-0-0	MTG. BRACKET KIT	
13	9007091	CLAMP, CABLE	
14	9006563	NUT, KEPS #8-32	
15	9006073-01	SCR, PH TRUSS HD #10 - 32 x .50	
16	9006565	NUT, KEPS #10 - 32	
17	9006664	WASHER, FLAT .437 d. x .21 id. x .06 thk	

TITLE: UNIT ASSY 11X60
 ASSY NO. E-UA-11X60-0-0
 SIZE: A PL
 SHEET 1 OF 5
 DIST

DEC FORM DRA 110

QUANTITY VARIATION

REV	ECO NO.	NUMBER
C	11X60-00003	11X60-0-0

DIGITAL EQUIPMENT CORPORATION
MAYNARD, MASSACHUSETTS

PARTS LIST

MADE BY: *J. C. Lee* CHECKED: *J. C. Lee* SECTION: 1
 DATE: *4/11/77* DATE: *4/11/77* ISSUED SECT.: 1
 ENG: *J. C. Lee* PROD: *J. C. Lee*
 DATE: *4/11/77* DATE: *4/11/77*

ITEM NO.	DWG NO./PART NO.	DESCRIPTION	MAJOR COMPONENTS
18	9009789-01	INSERT, SNAP IN	
19	9009248-03	SCR, PH HD TRUSS #10 - 32 x .25	
20	9006635	WASHER, INT. TIGHT LOCK #10	
21	9006661	WASH, TL .437 o.d. x .187 id. x .03 thk	
22	9006056-1	SCR, PH HD PAN 3/4 - 20 x .50	
23	1213314	AIR DEFLECTOR	
24	9007786	RETAINER U NUT 10 - 32	
25	E-AR-H9501-0-0	H9501 OPTION ARRANGEMENT	
26	B-AR-11/60-0-3	PDP11/60 CONFIGURATION DRAWING	
27	9009700-00	SEMS SCREW, PH HD TR, 10-32 x .50	
28	B-DD-H9504-0	DRAWING DIRECTORY H9504	
29		CABLES	
30	D-UA-M9202-0-0	CABLE, UNIBUS (JUMPER)	
31	D-IA-7008360-1-0	CABLE ASSY (KL8-E)	
32	D-UA-Bell-A-00	CABLE ASSY (Bell A)	
x		CABINET EXTERIOR	
33			
34	A-PL-H9504-DA-0	PANEL, END DOUBLE LOBOY (H9504-DA)	
35	A-PL-H9504-FA-0	DOOR, REAR R.H. LOBOY (H9504-FA)	
36	A-PL-H9504-JA-0	DOOR, REAR L.H. LOBOY (H9504-JA)	

TITLE: UNIT ASSY 11X60
 ASSY NO. E-UA-11X60-0-0
 SIZE: A PL
 SHEET 2 OF 5
 DIST

DEC FORM DRA 110

QUANTITY VARIATION

REV	ECO NO.	NUMBER
C	11X60-00003	11X60-0-0

DIGITAL EQUIPMENT CORPORATION
MAYNARD, MASSACHUSETTS
PARTS LIST

MADE BY *J.C. Lee* CHECKED *J.C. Lee* SECTION
DATE *4/12/77* DATE *4/12/77* ISSUED SECT.
ENG *J.C. Lee* PROD *J.C. Lee* 1
DATE *4/12/77* DATE *4/12/77* 1

ITEM NO.	DWG NO./PART NO.	DESCRIPTION	SIZE	ASSY NO.	REV	ECO NO.
37	A-PL-H9504-NA-0	COVER, TOP DOUBLE LOBOY (H9504-NA)	A	E-UA-11X60-0-0	C	
38	A-PL-H9504-RE-0	COVER, FRONT DOUBLE LOBOY (H9504-RE)				
39	D-MD-7415771-07	FILLER PANEL 5-1/4				
40	A-PL-H9504-YB-0	TRIM STRIP LOBOY (H9504-YB)				
41	9008203-01	NUT, 1/4 - 20 GREEN				
42	3613272-00	DECAL, CHASSIS GND				
43	A-PL-H9504-SA-0	BLANK BEZEL (H9504-SA) 5 1/4				
44	3613210-00	LABEL, ADHESIVE BACKED ELEC. DATA				
45	A-PL-H9514-CA-0	AIR DUCT FOR USE/CORP CARD CAGE				
46	A-PL-H9504-UA-0	BLANK BEZEL (H9504-UA) 10 1/2				
47	A-PL-H9504-ZA-0	INTERLOCK KIT (MARK III) L.H.				
48	A-PL-H9504-ZB-0	INTERLOCK KIT (MARK III) R.H.				
49	A-PL-7013688-0-0	INTERLOCK KIT (MARK III)				
50	D-AD-7013688-0-0	INTERLOCK KIT (MARK III)				
51	A-DC-7416197-1-0	DECAL, UL				
52	3613211-01	DECAL, CSA				
53	A-DC-7409478-0-0	PATENT DECAL (PDPII)				
54						
55						
56						
57	7411632-00	STRESS CLAMP				
58	7411633-00	STRESS CLAMP				

TITLE UNIT ASSY 11X60
SIZE A PL
ASSY NO. E-UA-11X60-0-0
SHEET 3 OF 5
DIST 11X60-0-0

DEC FORM
DRA 110

DIGITAL EQUIPMENT CORPORATION
MAYNARD, MASSACHUSETTS
PARTS LIST

MADE BY *J.C. Lee* CHECKED *J.C. Lee* SECTION
DATE *4-12-77* DATE *4-12-77* ISSUED SECT.
ENG *J.C. Lee* PROD *J.C. Lee* 1
DATE *4-12-77* DATE *4-12-77* 1

ITEM NO.	DWG NO./PART NO.	DESCRIPTION	SIZE	ASSY NO.	REV	ECO NO.
		CABINET STRUCTURE (CONT.)				
59	C-MD-7419056-0-0	PLATE, CONSOLE MTG.				
60	9009922-00	SPACE, 5/16 od x .194 id x 1/8 lg.				
61	9006634-00	WASHER, #8 INTERNAL TOOTH LOCK				
62	9006039-03	SCR-PHL TRUSS HD 8 - 32 x 1/2				
63	9009923-00	NUT-CLIP, FLOATING 8 - 32				
64	9007730-00	TUBING, BLACK ZIPPER				
65	9007032	CABLE, TIE				
66	C-IA-7415578-1-0	GROUND STRAP				
		MAJOR COMPONENTS (CONT.)				
67	E-UA-1160K-AA-0	UNIT ASSY (1160K) (120V)				
68	E-UA-1160K-AB-0	UNIT ASSY (1160K) (240V)				
69						
70	E-UA-H775-BA-0	BATTERY BACK-UP ASSY (120V)				
71	E-UA-H775-BB-0	BATTERY BACK-UP ASSY (240V)				
72	E-UA-866-D-0	POWER CONTROL 866-D (120V)				
73	E-UA-866-E-0	POWER CONTROL 866-E (240V)				
74	D-IA-7015908-0-0	CABLE ASSY				
75	D-AD-7015910-0-0	BOX, TRANSFORMER ASSY				

TITLE UNIT ASSY 11X60
SIZE A PL
ASSY NO. E-UA-11X60-0-0
SHEET 4 OF 5
DIST 11X60-0-0

DEC FORM
DRA 110

DIGITAL EQUIPMENT CORPORATION MAYNARD, MASSACHUSETTS					QUANTITY VARIATION												
PARTS LIST					11X6Ø-BA	11X6Ø-BB	11X6Ø-CA	11X6Ø-CB									
MADE BY	Y.C. LEE	CHECKED	Y.C. LEE	SECTION													
DATE	4-12-77	DATE	4-12-77	1													
ENG	Y.C. LEE	PROD	JOHN ROGERS	ISSUED SECT.													
DATE	4-12-77	DATE	4-12-77	1													
ITEM NO	DWG NO. / PART NO.	DESCRIPTION															
CABINET STRUCTURE (CONT)																	
76	9009617	CABLE TIE, 3/16W x 11"L			1	1	1	1									
77	7418361	SUPPORT BRACKET			A/R	A/R	A/R	A/R									
78	9007880	TIE WRAP			A/R	A/R	A/R	A/R									
79	7010574-Ø-Ø	PANEL CONNECTOR ASSY			A/R	A/R	A/R	A/R									
80	9006074-03	SCR, TRUSS HD 10-32 x .62			1	1	1	1									
81	9009911	CABLE TIE MOUNT			1	1	1	1									
82	1213092-01	TROUGH, CABLE			1	1	1	1									
83	7413405	PANEL, FILLER, H7420 (SEE NOTES 5 & 6 ON			A/R	A/R	A/R	A/R									
84	1209340-00	MATE-N-LOK, 8 PIN, HSG (E-UA-11X6Ø-Ø-Ø)			A/R	A/R	A/R	A/R									
85																	
CABINET EXTERIOR (CONT)																	
86	A-PL-H95Ø4-RA-Ø	COVER, FRONT (LT GRAY)			A/R	A/R	A/R	A/R									
87	A-PL-H95Ø4-RB-Ø	COVER, FRONT (BLUE MULLEN)			A/R	A/R	A/R	A/R									
88	A-PL-H95Ø4-RC-Ø	COVER, FRONT (BL MULLEN W/SILK SCREEN)			A/R	A/R	A/R	A/R									
89	A-PL-H95Ø4-RD-Ø	COVER, FRONT (BL MULLEN W/SS, SYSTEM 48)			A/R	A/R	A/R	A/R									
90	A-PL-H95Ø4-RE-Ø	COVER, FRONT (PREFERRED RED)			A/R	A/R	A/R	A/R									
91	A-PL-H95Ø4-RF-Ø	COVER, FRONT (PREFERRED RED W/S.SCREEN)			A/R	A/R	A/R	A/R									
92	A-PL-H95Ø4-RG-Ø	COVER, FRONT (DARK GRAY)			A/R	A/R	A/R	A/R									

TITLE UNIT ASSY 11X6Ø		ASSY NO. E-UA-11X6Ø-Ø-Ø		SIZE A	CODE PL	NUMBER 11X6Ø-Ø-Ø	REV C	ECO NO
SHEET 5 OF 5		DIST.						

**DIGITAL EQUIPMENT CORPORATION
MAYNARD, MASSACHUSETTS**

PARTS LIST

MADE BY J. BUZYNSKI 12 May 77 CHECKED J. Buzyński SECTION 1
 DATE 12 May 77 DATE 12 May 77
 ENG J. BUZYNSKI 12 May 77 PROD J. BUZYNSKI 12 May 77 ISSUED SECT. 1
 DATE 12 May 77 DATE John & Riggs 12 May 77

ITEM NO.	DWG NO./PART NO.	DESCRIPTION	11X60-BA	11X60-BB	11X60-CA	11X60-CB	QUANTITY VARIATION		
1	EK-11060-OP-***	Operator Installation Manual (11/60)	1	1	1	1			
2	EK-11060-TM-***	Basic Computer (11/60)	**	**	**	**			
3	EK-11060-PS-***	PDP 11/60 Cabinet and Power Supply	**	**	**	**			
4	MP00166	Print Set 11/60 SYSTEMS							
5	EK-MF11W-MM-***	MF11-W/WP Core Memory System Manual	**	**	-	-			
6	EK-MF11K-MM-***	MF11S-K MOS MEMORY MANUAL	-	-	**	**			
7	EK-M9301-MM-***	M9301 Maintenance Manual	**	**	**	**			
8	EK-DL11W-MM-***	DL11-W Maintenance Manual	**	**	**	**			
9	EK-LA36-MM-***	LA36 Maintenance Manual	**	**	**	**			
10	EA0649820	PDP 11/60 Handbook	1	1	1	1			
11	See Note #1	Diagnostic Programs	1	1	1	1			
12	21120041	Cable Assy (21120041) (D111-F1)	1	1	1	1			
13	1212315	5 Prong Twist Receptacle (NEMA L21-3ØR)	1	-	1	-			
14	1214033	5 Prong Twist Receptacle (NEMA L22-2ØR)	-	1	-	1			
15	MP00034	PRINT SET, MF11-W/WP	1	1	-	-			
16	MP00310	PRINT SET, MF11S-K	-	-	1	1			
17	MP00409	PRINT SET, 11/60 BASIC	1	1	1	1			
18	MP00410	PRINT SET, BAI-P BOX AND POWER SUPPLY	1	1	1	1			
NOTES:									
1. Diagnostics to be shipped on the media applicable to the particular system configuration.									
*** Latest Revision.									

TITLE **SHIPPING LIST, 11X60**

DEC FORM DRA 110

SIZE CODE **A PL**

ASSY NO. NONE

NUMBER 11X60-Ø-2

DIST

SHEET 1 OF 2

REV. ECO NO. 11X60-00002 B

**DIGITAL EQUIPMENT CORPORATION
MAYNARD, MASSACHUSETTS**

PARTS LIST

MADE BY J. BUZYNSKI 12 MAY 77 CHECKED J. BUZYNSKI SECTION 1
 DATE 12 MAY 77 DATE 12 MAY 77
 ENG J. BUZYNSKI 12 MAY 77 PROD J. BUZYNSKI 12 MAY 77 ISSUED SECT. 1
 DATE 12 MAY 77 DATE

ITEM NO.	DWG NO. / PART NO.	DESCRIPTION	11X60-BA	11X60-BB	11X60-CA	11X60-CB	QUANTITY / VARIATION		
19	1213091-00	KEY FOR SPANNER HEAD STUD	1	1	1	1			
20	MAINDEC DOMCA-D	11/60 MICROCODE LISTING	REF	REF	REF	REF			
21	EP-KD11-K-WL-*	11/60 WIRE LIST (MICROFICHE)	REF	REF	REF	REF			
** MANUALS ARE TO BE SHIPPED BY PRODUCT LINE REQUEST ONLY.									

TITLE **SHIPPING LIST, 11X60**

DEC FORM DE 16 (325) 1031 N670

SIZE CODE **A PL**

ASSY NO. NONE

NUMBER 11X60-Ø-2

DIST

SHEET 2 OF 2

REV. ECO NO. 11X60-00002 B

CUSTOMER PRINT SET INDEX

THIS IS PRINT SET

SEQUENCE
77

77

SEQUENCE
77

UNIT VARIATIONS			PRINT SET	
VAR	TITLE			
11Y60-BA	UNIT ASSY 11Y60 (120V)			
11Y60-BB	UNIT ASSY 11Y60 (240V)			
11Y60-CA	UNIT ASSY 11Y60 (120V MOS)			
11Y60-CB	UNIT ASSY 11Y60 (240V MOS)			

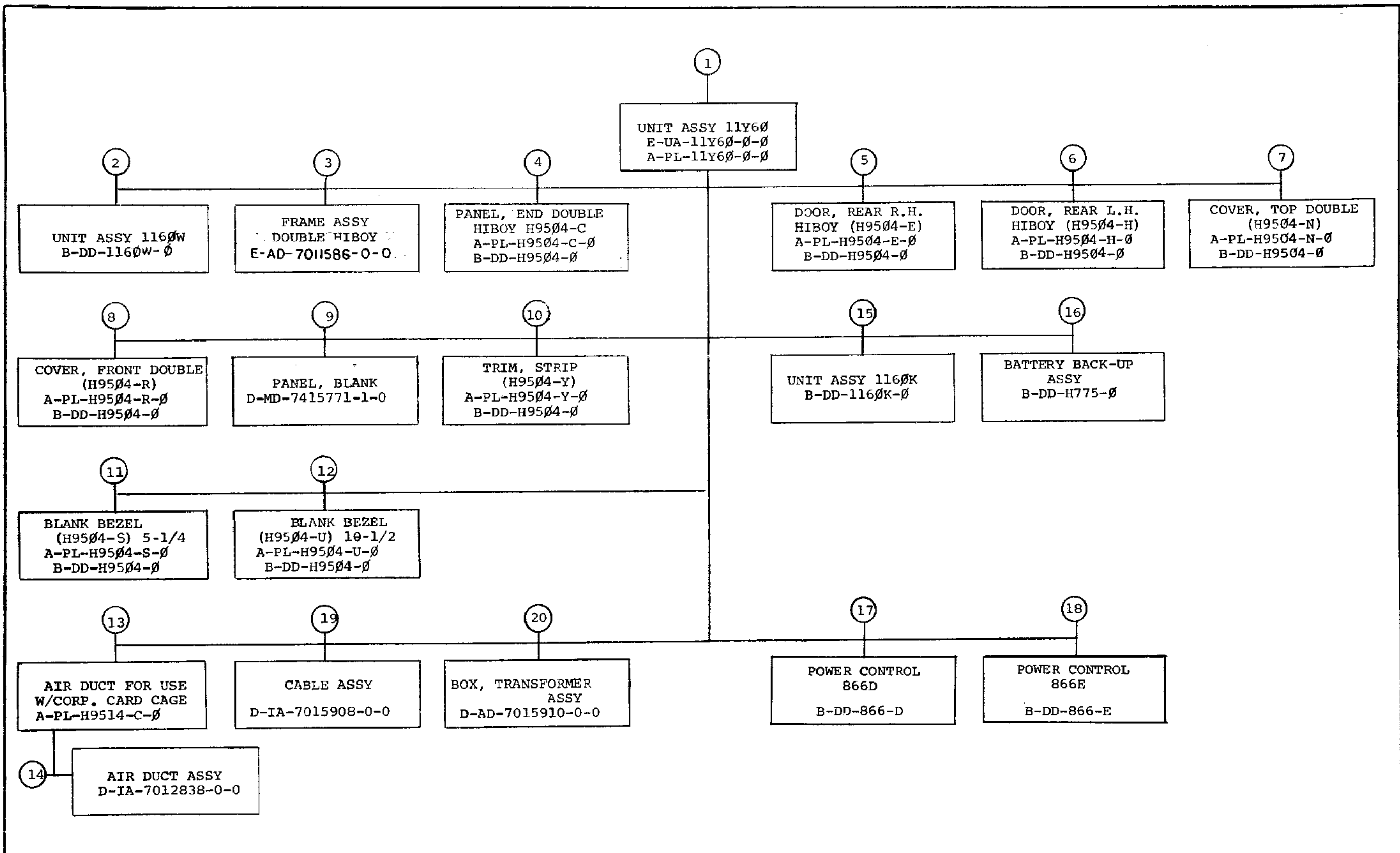
REVISIONS		
DATE	CHG. NO.	REV
7-78	11Y60-1	A
3-79	11Y60-2	B

EN-01062-1A-16-RD72-(325)

USED ON OPTION/MODEL	DRN 3. Blodgett	DATE 27 June 77	TITLE	UNIT ASSY 11Y60			
	CHK'D. J. C. La	DATE 30 Jan 77		SIZE	CODE	NUMBER	REV
	PROJ ENG. John Duggan	DATE 30 June 77		B	DD	11Y60-0	B
	PROP. John Rogers	DATE 29 June 77		DIST			
	FIELD SERV. Leo. Eveman	DATE 29 June 77					
SHEET 1 OF 3							

TW

DRB 106



TITLE	SHEET	OF	SIZE	CODE	NUMBER	REV
UNIT ASSY 11Y60	2	3	B	DD	11Y60-0	B

TW

FIND NO.	DRAWING NO.	DESCRIPTION	TYPE	FIND NO.	DRAWING NO.	DESCRIPTION	TYPE
1	MP00166	11/60 SYSTEMS (PRINT SET ORDER NO.)	-	6	A-PL-H9504-H-0 B-DD-H9504-0	DOOR REAR L.H. HIROY (H9504-H) CABINET COVERS	M M
	B-TC-11/60-0-1	11/60 SYSTEMS FIELD MAINTENANCE PRINT SET	-	7	A-PL-H9504-N-0 B-DD-H9504-0	COVER, TOP DOUBLE LOBOY (H9504-N) CABINET COVERS	M M
	E-UA-11Y60-0-0	UNIT ASSY 11Y60	E/M	8	A-PL-H9504-R-0 B-DD-H9504-0	COVER, FRONT DOUBLE (H9504-R) CABINET COVERS	M M
	A-PL-11Y60-0-0	UNIT ASSY 11Y60 (PL)	E/M	9	D-MD-7415771-01	PANEL BLANK	M
	A-SP-11/60-0-2	PDP11/60 COMPUTER SPECIFICATION	E/M	10	A-PL-H9504-Y-0 B-DD-H9504-0	TRIM STRIP LOBOY (H9504-Y) CABINET COVERS	M M
	D-IA-7008360-0-0	CABLE ASSY (KL8-E)	E/M	11	A-PL-H9504-S-0 B-DD-H9504-0	BLANK BEZEL CABINET COVERS	M M
	A-SP-Ball-P-2	Ball-P VOLTAGE CONVERSION PROCEDURE	E	12	A-PL-H9504-U-0 B-DD-H9504-0	BLANK BEZEL CABINET COVERS	M M
	C-MD-7415640-0-0	BRACKET, POWER SUPPLY MTG.	M	13	A-PL-H9514-C-0	AIR DUCT FOR USE WITH CORP. CARD CAGE	M
	C-IA-7417519-0-0	BRACKET, POWER CABLE	M	14	D-IA-7012838-0-0 E-MD-7415894-0-0	AIR DUCT ASSY AIR DUCT	M M
	C-MD-7415774-0-0	BRACKET, VERTICAL PANEL MTG. DOUBLE	M	15	B-DD-1160K-0	UNIT ASSY 1160K	E/M
	E-AR-H9501-0-0	H9501 OPTION ARRANGEMENT	-	16	B-DD-H775-0	BATTERY, BACK-UP ASSY	E/M
	B-AR-11/60-0-3	PDP11/60 CONFIGURATION DRAWING	E/M	17	B-DD-866-D	POWER CONTROL 866D	E/M
	D-UA-M9202-0-0	CABLE, UNIBUS (JUMPER)	E/M	18	B-DD-866-E	POWER CONTROL 866E	E/M
	D-UA-BC11A-0-0	CABLE ASSY (BC11A)	E/M	19	D-IA-7015908-0-0	CABLE ASSY	E/M
	B-TC-11/60-0-1	11/60 BASIC PRINT SET (MP00409)	-	20	D-AD-7015910-0-0 D-IA-7421298-0-0 D-IA-7421299-0-0	BOX, TRANSFORMER ASSY ENCLOSURE, BASE ENCLOSURE, COVER	E/M M M
	B-TC-Ball-P-1	Ball-P BOX AND POWER SUPPLY PRINT SET (MP00410)	-				
	A-PL-11Y60-0-2	SHIPPING LIST 11Y60	E/M				
2	B-DD-1160W-0	UNIT ASSY 1160W	E/M				
3	E-AD-7011586-0-0 E-PS-1213092-0-0	FRAME ASSY DOUBLE HIROY TROUGH, CABLE	E/M M				
4	A-PL-H9504-C-0 B-DD-H9504-0	PANEL END DOUBLE HIROY (H9504) CABINET COVERS	M M				
5	A-PL-H9504-E-0 B-DD-H9504-0	DOOR REAR R.H. HIROY (H9504-E) CABINET COVERS	M M				

TYPE: E ELECTRICAL
M MECHANICAL
E/M ELECTRO/MECHANICAL

digital

TITLE

UNIT ASSY 11Y60

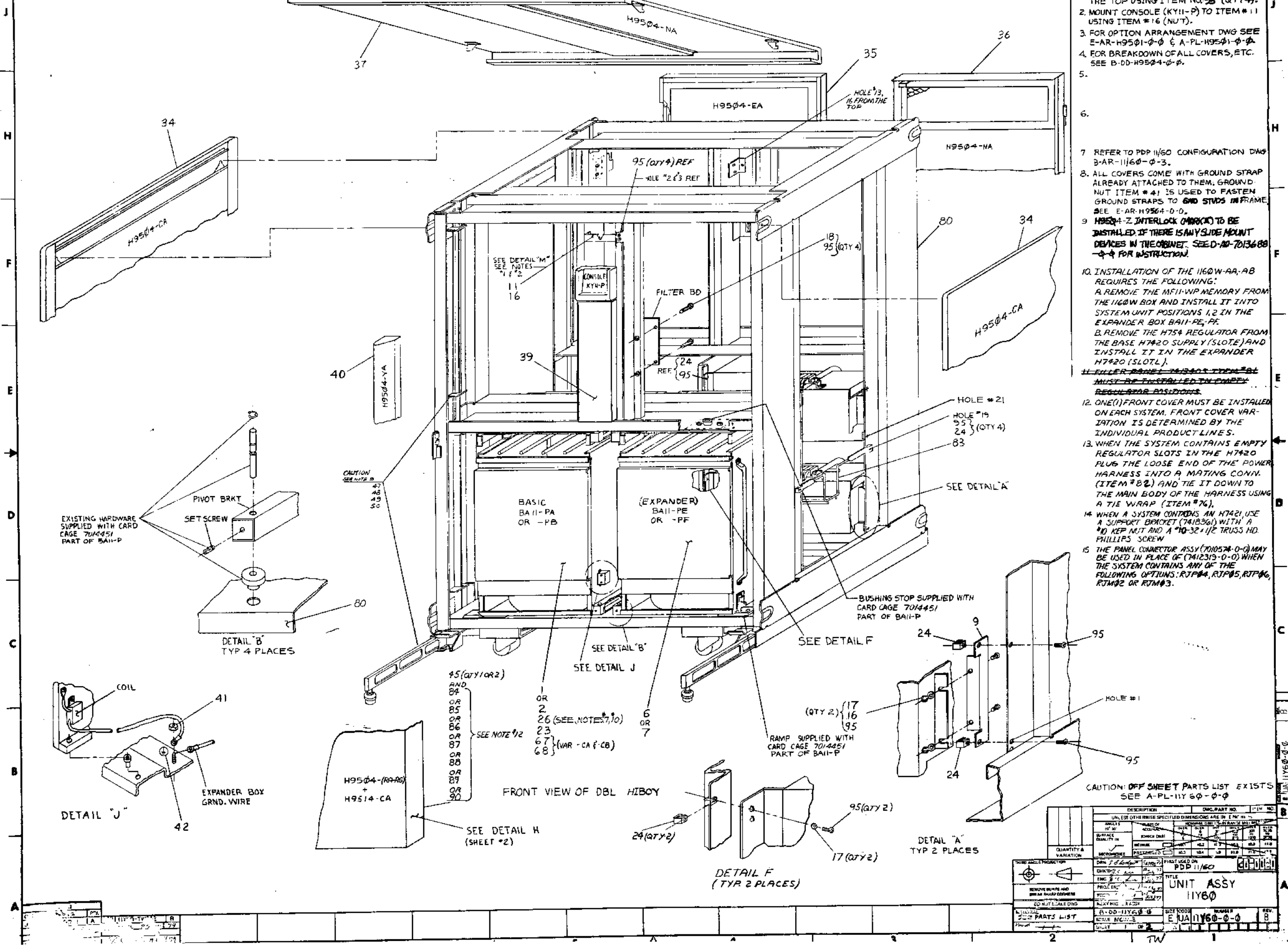
SHEET 3 OF 3

SIZE CODE
B DD

NUMBER
11Y60-0

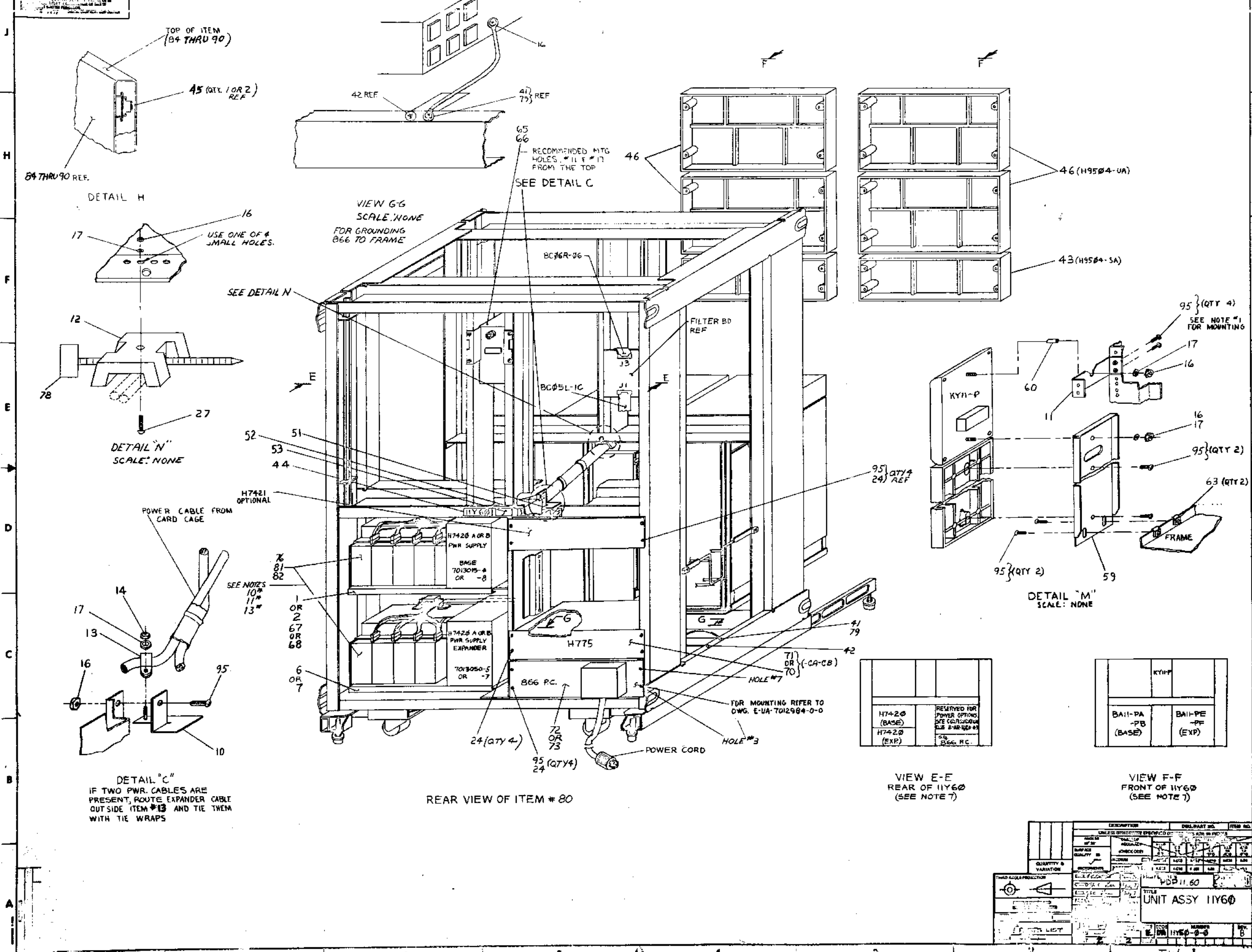
REV
B

FOR INFORMATION OF THE USER, THIS DRAWING IS A REPRODUCTION OF THE ORIGINAL DRAWING. IT IS NOT TO BE USED AS A SUBSTITUTE FOR THE ORIGINAL DRAWING. THE ORIGINAL DRAWING IS THE ONLY AUTHORITY FOR THE CORRECT DIMENSIONS AND TOLERANCES. THE REPRODUCTION IS PROVIDED FOR YOUR CONVENIENCE ONLY.



- NOTES:**
1. MOUNT ITEM #11 (BRKT) AS SHOWN ON INSIDE ROW OF VERTICAL HOLES 2ND (3RD HOLE FROM TOP & 16 HOLE FROM THE TOP USING ITEM NO. 95 (QTY 4).
 2. MOUNT CONSOLE (KY11-P) TO ITEM #11 USING ITEM #16 (NUT).
 3. FOR OPTION ARRANGEMENT DWG SEE E-AR-H9501-0-0 & A-PL-H9501-0-0.
 4. FOR BREAKDOWN OF ALL COVERS, ETC. SEE B-DD-H9504-0-0.
 - 5.
 - 6.
 7. REFER TO PDP 11/60 CONFIGURATION DWG B-AR-11/60-0-3.
 8. ALL COVERS COME WITH GROUND STRAP ALREADY ATTACHED TO THEM. GROUND NUT ITEM #41 IS USED TO FASTEN GROUND STRAPS TO GND STUDS IN FRAME SEE E-AR-H9504-0-0.
 9. H9504-Z INTERLOCK (MARKED) TO BE INSTALLED IF THERE IS ANY SLIDE MOUNT DEVICES IN THE CABINET. SEE B-DD-7013608-0-0 FOR INSTRUCTION.
 10. INSTALLATION OF THE 1160W-AA, AB REQUIRES THE FOLLOWING:
 - A. REMOVE THE MF11-WP MEMORY FROM THE 1160W BOX AND INSTALL IT INTO SYSTEM UNIT POSITIONS 1,2 IN THE EXPANDER BOX BA11-PE, PF.
 - B. REMOVE THE H754 REGULATOR FROM THE BASE H7420 SUPPLY (SLOT E) AND INSTALL IT IN THE EXPANDER H7420 (SLOT L).
 11. FILLER PANEL (H9504-YA) MUST BE INSTALLED IN EMPTY REGULATOR POSITIONS.
 12. ONE (1) FRONT COVER MUST BE INSTALLED ON EACH SYSTEM. FRONT COVER VARIATION IS DETERMINED BY THE INDIVIDUAL PRODUCT LINES.
 13. WHEN THE SYSTEM CONTAINS EMPTY REGULATOR SLOTS IN THE H7420 PLUG THE LOOSE END OF THE POWER HARNESS INTO A MATING CONN. (ITEM #82) AND TIE IT DOWN TO THE MAIN BODY OF THE HARNESS USING A TIE WRAP (ITEM #76).
 14. WHEN A SYSTEM CONTAINS AN H7421, USE A SUPPORT BRACKET (7418361) WITH A #10 KEP NUT AND A #10-32 x 1/2 TRUSS HD. PHILLIPS SCREW.
 15. THE PANEL CONNECTOR ASSY (701057A-0-0) MAY BE USED IN PLACE OF (7412319-0-0) WHEN THE SYSTEM CONTAINS ANY OF THE FOLLOWING OPTIONS: RJP#4, RJP#5, RJP#6, RJM#2 OR RJM#3.

DESCRIPTION	QTY	PART NO.	REV.
UNIT ASSY	1	1160	1
EXPANDER BOX	1	BA11-PE	1
BASIC UNIT	1	BA11-PA	1
COVER	1	H9504-NA	1
CONSOLE	1	KY11-P	1
BRACKET	4	95	1
BRACKET	2	17	1
BRACKET	2	24	1
BRACKET	4	18	1
BRACKET	1	39	1
BRACKET	1	40	1
BRACKET	1	80	1
BRACKET	1	34	1
BRACKET	1	37	1
BRACKET	1	35	1
BRACKET	1	36	1
BRACKET	1	41	1
BRACKET	1	42	1
BRACKET	1	43	1
BRACKET	1	44	1
BRACKET	1	45	1
BRACKET	1	46	1
BRACKET	1	47	1
BRACKET	1	48	1
BRACKET	1	49	1
BRACKET	1	50	1
BRACKET	1	51	1
BRACKET	1	52	1
BRACKET	1	53	1
BRACKET	1	54	1
BRACKET	1	55	1
BRACKET	1	56	1
BRACKET	1	57	1
BRACKET	1	58	1
BRACKET	1	59	1
BRACKET	1	60	1
BRACKET	1	61	1
BRACKET	1	62	1
BRACKET	1	63	1
BRACKET	1	64	1
BRACKET	1	65	1
BRACKET	1	66	1
BRACKET	1	67	1
BRACKET	1	68	1
BRACKET	1	69	1
BRACKET	1	70	1
BRACKET	1	71	1
BRACKET	1	72	1
BRACKET	1	73	1
BRACKET	1	74	1
BRACKET	1	75	1
BRACKET	1	76	1
BRACKET	1	77	1
BRACKET	1	78	1
BRACKET	1	79	1
BRACKET	1	80	1
BRACKET	1	81	1
BRACKET	1	82	1
BRACKET	1	83	1
BRACKET	1	84	1
BRACKET	1	85	1
BRACKET	1	86	1
BRACKET	1	87	1
BRACKET	1	88	1
BRACKET	1	89	1
BRACKET	1	90	1
BRACKET	1	91	1
BRACKET	1	92	1
BRACKET	1	93	1
BRACKET	1	94	1
BRACKET	1	95	1
BRACKET	1	96	1
BRACKET	1	97	1
BRACKET	1	98	1
BRACKET	1	99	1
BRACKET	1	100	1



REAR VIEW OF ITEM # 80

VIEW E-E REAR OF 11Y60 (SEE NOTE 7)

VIEW F-F FRONT OF 11Y60 (SEE NOTE 7)

H7420 (BASE)	RESERVED FOR POWER OPTIONS SEE CONFIGURATION SEE 2-ND REV 88
H7420 (EXP)	866 P.C.

KY11-P	
BA11-PA -PB (BASE)	BA11-PE -PF (EXP)

THIRD ANGLE PROJECTION	QUANTITY & VARIATION	DESCRIPTION	DEL. PART NO.	ITEM NO.
UNIT ASSY 11Y60 TITLE E UA 11Y60-0-0 REV. B				

DIGITAL EQUIPMENT CORPORATION
MAYNARD, MASSACHUSETTS.
PARTS LIST

MADE BY LARRY CONDON CHECKED LARRY CONDON SECTION
DATE 11/10/77 DATE 11/10/77
ENG LARRY CONDON LARRY CONDON
DATE 11/10/77 DATE 11/10/77 ISSUED SECT.

ITEM NO	DWG NO. / PART NO.	DESCRIPTION	QUANTITY / VARIATION
74			11Y60-BA
75			11Y60-BB
			11Y60-CA
			11Y60-CB
X		CABINET STRUCTURE (CONT)	
76	9007880	TIE WRAP	A/RA/RA/RA/R
77			
78	9009617	CABLE TIE, 3/16W X 11"L	1 1 1 1
79	C-IA-7415578-1-0	GROUND STRAP	1 1 1 1
80	E-AD-7011586-0-0	FRAME ASSEMBLY (DBL HIBOY)	1 1 1 1
81	7413485	PANEL, FIBER #7428 SEE NOTES 11 & 13	A/RA/RA/RA/R
82	1209340-00	MATE-N-LOCK, 8-PIN HSG ON E-UA-11Y60-0-0	A/RA/RA/RA/R
83	1213092-01	TROUGH, CABLE	1 1 1 1
		CABINET EXTERIOR (CONT)	
84	A-PL-H9504-RA-0	COVER, FRONT (LT GRAY)	A/RA/RA/RA/R
85	A-PL-H9504-RB-0	COVER, FRONT (BLUE MULLEN)	A/RA/RA/RA/R
86	A-PL-H9504-RC-0	COVER, FRONT (BLUE MULLEN W/SILK SCREEN)	A/RA/RA/RA/R
87	A-PL-H9504-RD-0	COVER, FRONT (BL MULLEN W/S.SCREEN 48S YS)	A/RA/RA/RA/R
88	A-PL-H9504-RE-0	COVER, FRONT (PREFERRED RED)	A/RA/RA/RA/R
89	A-PL-H9504-RF-0	COVER, FRONT (PREFERRED RED W/S.SCREEN)	A/RA/RA/RA/R
90	A-PL-H9504-RG-0	COVER, FRONT (DARK GRAY)	A/RA/RA/RA/R
TITLE		ASSY NO. SIZE CODE NUMBER P.V. ECONO.	
UNIT ASSY 11Y60		E-UA-11Y60-0-0 A PL 11Y60-0-0 B B	
		SHEET 5 OF 6 DIST	

DEC FORM DEC 16 (25) 1031 NS70
DRA 110

1W

DIGITAL EQUIPMENT CORPORATION
MAYNARD, MASSACHUSETTS.
PARTS LIST

MADE BY LARRY CONDON CHECKED LARRY CONDON SECTION
DATE 12/12/77 DATE 12/12/77
ENG LARRY CONDON LARRY CONDON
DATE 12/12/77 DATE 12/12/77 ISSUED SECT.

ITEM NO	DWG NO. / PART NO.	DESCRIPTION	QUANTITY / VARIATION
91			11Y60-BA
92			11Y60-BB
93			11Y60-CA
94			11Y60-CB
		CABINET STRUCTURE (CONT)	
95	9009700-00	SEMS SCREW, PH TR HD, 10-32 X .50	32 32 28 28
96			
97			
98			
99			
100			
TITLE		ASSY NO. SIZE CODE NUMBER P.V. ECONO.	
UNIT ASSY 11Y60		E-UA-11Y60-0-0 A PL 11Y60-0-0 B B	
		SHEET 6 OF 6 DIST	

DEC FORM DEC 16 (25) 1031 NS70
DRA 110

DRAWING DIRECTORY

THIS DRAWING AND SPECIFICATIONS, HERETH, ARE THE PROPERTY OF DIGITAL EQUIPMENT CORPORATION AND SHALL NOT BE REPRODUCED OR COPIED OR USED IN WHOLE OR IN PART AS THE BASIS FOR THE MANUFACTURE OR SALE OF ITEMS WITHOUT WRITTEN PERMISSION. COPYRIGHT © 1976 DIGITAL EQUIPMENT CORPORATION

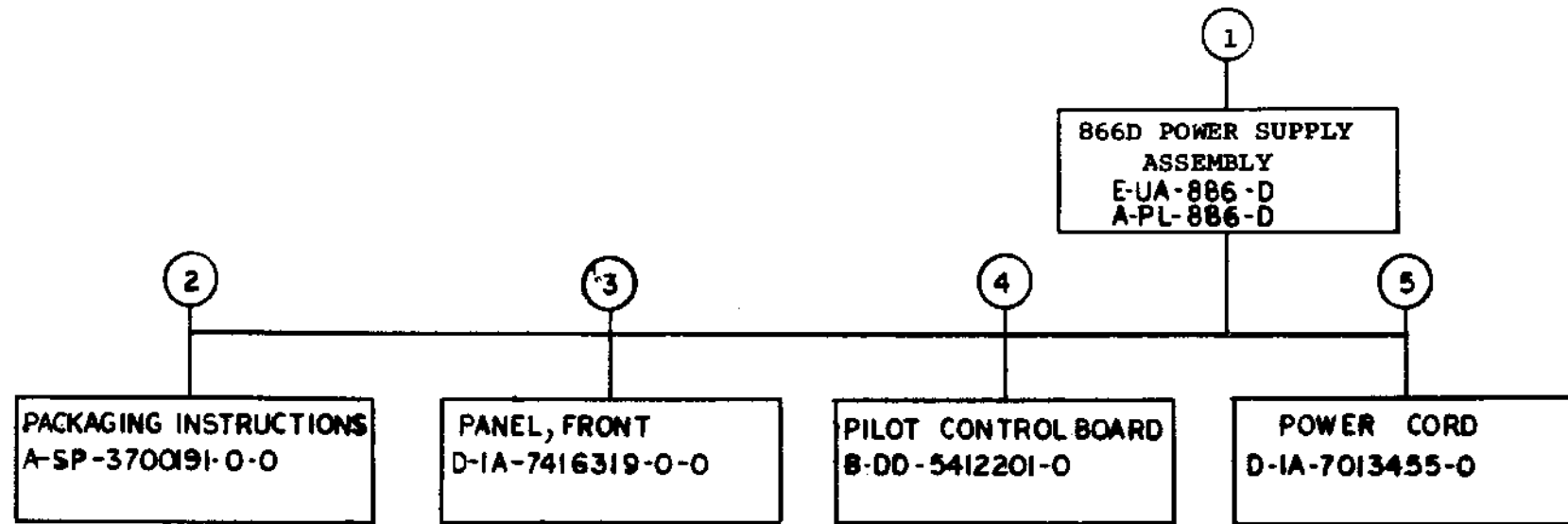
CUSTOMER PRINT SET INDEX

THIS IS PRINT SET

SEQUENCE	SEQUENCE
866D DRAWING DIRECTORY	B-DD-866-D
866D POWER CONTROL ASSY.	E-UA-866-D
866D POWER CONTROL P.L.	A-PL-866-D
PILOT CONTROL BOARD	B-DD-5412201-0
PACKAGING INSTRUCTIONS	A-SP-3700191-0-0

UNIT VARIATIONS		PRINT SET	
VAR	TITLE		
866-D	866-D POWER CONTROL		

REVISIONS		USED ON OPTION/MODEL	DWN.	DATE	TITLE					
DATE	CHG. NO.	REV	CHK'D.	DATE	NUMBER					
					B	DD	866-D		REV	
					B	DD	866-D		B	
					B	DD	866-D		B	



TITLE POWER SUPPLY ASSY 866-D	SHEET 2 OF 3	SIZE CODE B DB	NUMBER 866-D	REV B
----------------------------------	--------------	-------------------	-----------------	----------

FIND NO.	DRAWING NO.	DESCRIPTION	TYPE	FIND NO.	DRAWING NO.	DESCRIPTION	TYPE
	B-DD-866-D	866-D POWER SUPPLY ASSEMBLY					
1	E-UA-866-D-0	866-D POWER SUPPLY ASSEMBLY	E/M				
	A-PL-866-D-0	866-D POWER SUPPLY ASSEMBLY	E/M				
	E-IA-7416321-0-0	CHASSIS	M				
	D-IA-7416319-0-0	PANEL, FRONT					
	D-MD-7416322-0-0	COVER, TOP	M				
	C-IA-7416870-0-1	CHANNEL, STRAIN RELIEF	M				
	C-MD-7416871-0-0	COVER, STRAIN RELIEF	M				
	D-CS-866-D-1	POWER CONTROL SCHEMATIC 866D	E				
	A-WL-7012937-0-0	WIRE RUN LIST	E/M				
	A-DC-3610267-00	DECAL, HIGH VOLTAGE	M				
	A-DC-3612063-00	DECAL, UL	M				
	A-DC-3612680-00	DECAL, GROUND	M				
	A-DC-7416582-1-1	DECAL, NOT FOR EXTERNAL LOADS	M				
	C-DC-7416754-0-0	DECAL	M				
	B-SS-5412201-0-0	PILOT CONTROL BOARD ASSY					
	A-SP-866-D-2	TEST PROCEDURE 866D	E				
	A-SP-861-0-3	ENGINEERING SPEC 861/866	M				
2	A-SP-3700191-0-0	PACKAGING INSTRUCTIONS (INTER PLANT)	M				
	A-PS-9905726-0-0	FULL OVERLAP CARTON	M				
	A-PS-9905727-0-0	LAMINATED BUILDUP	M				
	A-PS-9905729-0-0	TAPE - GLASFLEX	M				
	A-SP-3700191-2-0	PACKING INSTRUCTIONS (CUSTOMER)	M				
	D-IA-7013455-0	POWER CORD					
3	D-IA-7416319-0-0	PANEL, FRONT	M				
	B-SS-7416319-0-1	PANEL, FRONT, SILKSCREEN 866-D	M				
4	B-DD-5412201-0	PILOT CONTROL BOARD	E/M				
5	D-IA-7013455-0	POWER CORD	E/M				
	A-WL-7012937-0	GENERAL WIRING SHEET	E				

TYPE: E ELECTRICAL
M MECHANICAL
E/M ELECTRO/MECHANICAL

digital

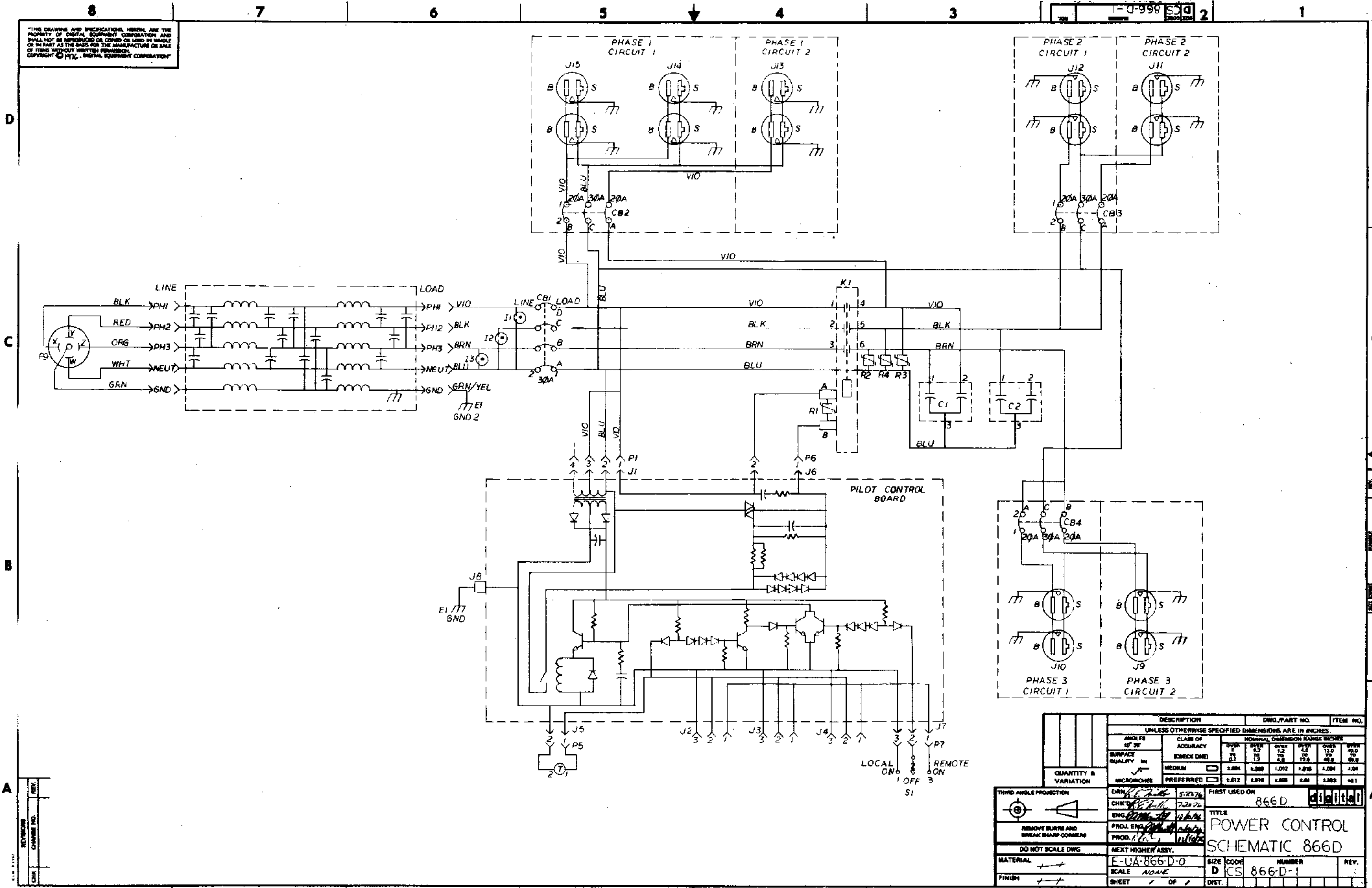
TITLE
POWER SUPPLY ASSY 866D

SHEET³ OF 3
SIZE CODE
B DD

NUMBER
866-D

REV
B

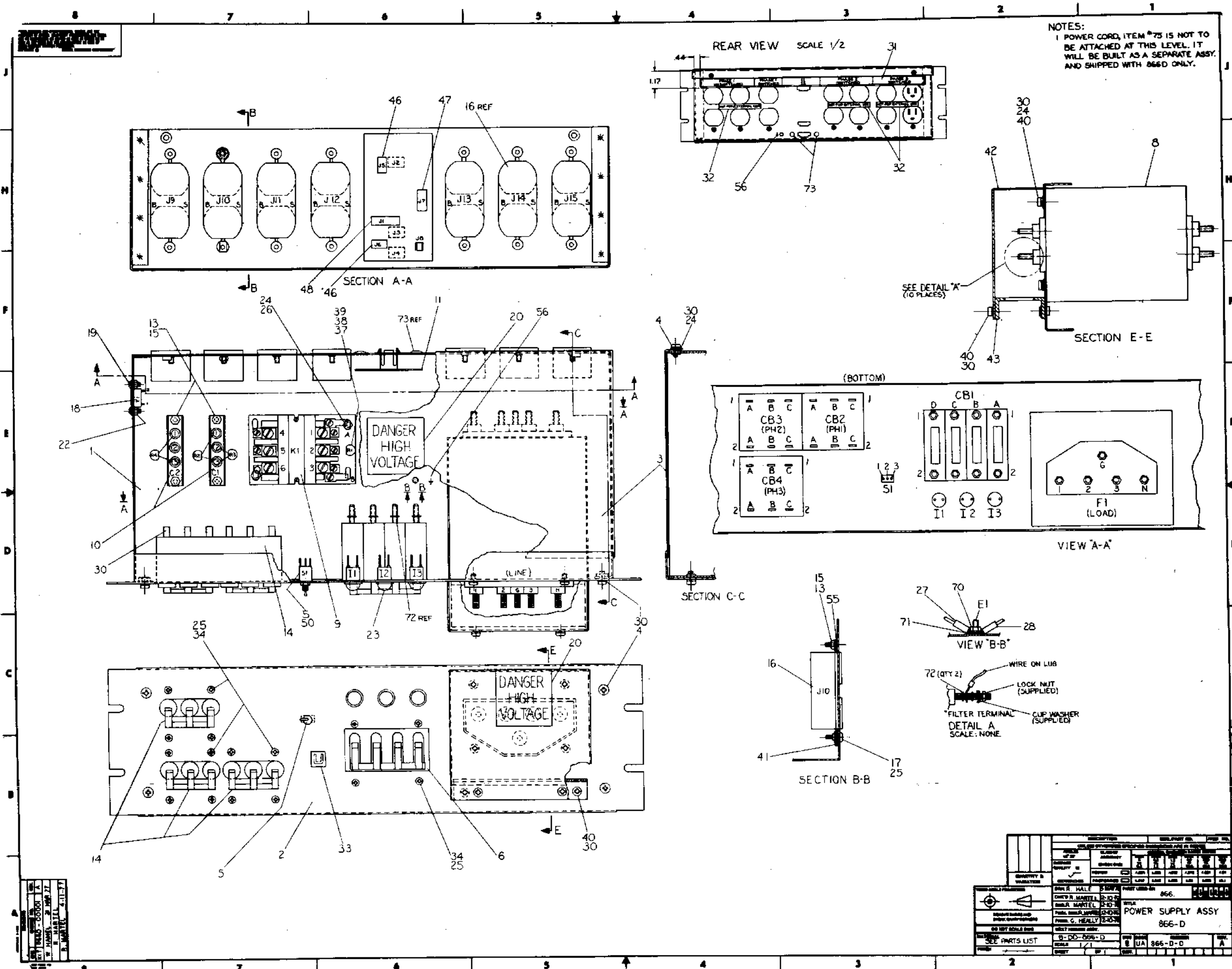
THIS DRAWING AND SPECIFICATIONS HEREIN ARE THE PROPERTY OF DIGITAL EQUIPMENT CORPORATION AND SHALL NOT BE REPRODUCED OR COPIED OR USED IN WHOLE OR IN PART AS THE BASIS FOR THE MANUFACTURE OR SALE OF ITEMS WITHOUT WRITTEN PERMISSION. COPYRIGHT © 1974, DIGITAL EQUIPMENT CORPORATION.



DESCRIPTION		DWG. PART NO.	ITEM NO.
UNLESS OTHERWISE SPECIFIED DIMENSIONS ARE IN INCHES			
ANGLES 90° ± 30'	CLASS OF ACCURACY (CHECK DWG)	NOMINAL DIMENSION RANGE INCHES	
SURFACE QUALITY FIN	MEDIUM	OVER 0	OVER 0.2
		0.25	0.5
MICRONICHES	PREFERRED	0.012	0.012
		0.012	0.012
THIRD ANGLE PROJECTION		FIRST USED ON	
REMOVE BURRS AND BREAK SHARP CORNERS		866D	
DO NOT SCALE DWG		TITLE	
MATERIAL		E-UA-866-D-0	
FINISH		SCALE	
		SHEET	
		REV.	

REVISIONS
NO. DATE BY

866-D-1



DIGITAL EQUIPMENT CORPORATION
MAYNARD, MASSACHUSETTS

MADE BY R.E. Miller		CHECKED	SECTION	
DATE	24 JUN 76	DATE	1/20/76	
ENG	<i>R. Miller</i>	PROD		
DATE	12/10/76	DATE	E. Blum 1/20/76	
DATE		ISSUED SECT.		
ITEM NO.	DWG NO. / PART NO.	DESCRIPTION	QUANTITY	VARIATION
1	E-IA-7416321-0-0	CHASSIS	1	
2	D-IA-7416319-0-0	PANEL, FRONT	1	
3	D-MD-7416322-0-0	COVER, TOP	1	
4	9006037-1	8-32 X .375 PAN HD SCREW	6	
5	1211180-00	TOGGLE SWITCH	1	S1
6	1211037-02	CIRCUIT BREAKER	1	CB1
7	A-WL-7012937-0-0	WIRE RUN LIST	REF	
8	1213287-00	FILTER, LINE	1	F1
9	1212266-01	CONTACTOR	1	K1
10	1000034	CAPACITORS	2	C1 C2
11	5412201-00	PCB ASSY	1	
12	9006008-00	SPACER #6 CLEAR X.50 LG	2	
13	9006658-00	.144 ID X .375 OD X .062 FLAT WASHER	13	
14	1211196-02	CIRCUIT BREAKER	3	CB2 CB3 CB4
15	9008185-00	6-32 KEP NUTS	11	
16	1212265	DUPLEX RECEPTACLE	7	J9 J10 J11 J12 J13 J14 J15
17	9006023-1	6-32X.437 PAN HD SCREW	7	
18	1211158	THERMOSTAT FIXED TEMPERATURE	1	T1
19	9006010-1	4-40 X .312 PAN HD SCREW	2	
20	A-DC-3610267-00	DECAL, HIGH VOLTAGE	2	
21	9009695-00	TERMINAL SPADE TONGUE	14	
22	9006557-00	4-40 KEP NUT	2	
TITLE		POWER SUPPLY ASSY 866-D	SIZE CODE	REV. ECO NO.
			A PL	866-D-0 A 00001
			SHEET 1 OF 4	NUMBER 866-D-0

DEC FORM DEC 16 (325)-1031-N870
DRA 110

DIGITAL EQUIPMENT CORPORATION
MAYNARD, MASSACHUSETTS

MADE BY R.E. Miller		CHECKED	SECTION	
DATE	24 JUN 76	DATE	1/20/76	
ENG		PROD		
DATE		DATE		
DATE		ISSUED SECT.		
ITEM NO.	DWG NO. / PART NO.	DESCRIPTION	QUANTITY	VARIATION
23	1205303	PILOT LAMP	3	I1 I2 I3
24	9006660-00	.187 ID X .375 OD X .036 FLAT WASHER	8	
25	9007801-00	#6 SPLIT LOCK WASHER	20	
26	9006563-00	8-32 KEP NUTS	2	
27	9007928-00	TERMINAL RINGS	25	
28	9007926-01	TERMINAL RINGS	19	
29	9007969-00	TERMINAL QUICK DISCONNECT	8	
30	9006690-00	#8 SPLIT LOCK WASHER	32	
31	C-DC-7416754-00	DECAL, PHASE 1,2,3 WHITE ON BLACK	1	
32	A-DC-7416582-1-1	DECAL, NOT FOR EXT LOAD, BLACK ON CLEAR	3	
33	A-DC-3612063-00	DECAL, UL	1	
34	9006020-01	6-32 X .25 PAN HD SCREW	18	
35	9006008-00	SPACER #6 CLEAR X.50 LG	2	
36	9007930-00	TERMINAL RING	8	
37	1311996-00	MOV VARISTOR 150 VAC	4	R1 R2 R3 R4
38	9107278-11	TUBING, TEE THIN WALL	1	
39	9007970-00	TERMINAL QUICK DISCONNECT	6	
40	9006036-01	8-32 X .31 PAN HD SCREW	8	
41	9007300-00	6-32 CLIP ON SELF LOCKING	7	
42	C-MD-7416871-0-0	COVER, STRAIN RELIEF	1	
43	C-IA-7416870-01	CHANNEL, STRAIN RELIEF	1	
44	9007920 00	TERMINAL QUICK CONNECT	1	
TITLE		POWER SUPPLY ASSY 866-D	SIZE CODE	REV. ECO NO.
			A PL	866-D-0 A
			SHEET 2 OF 4	NUMBER 866-D-0

DEC FORM DEC 16 (325)-1031-N870
DRA 110

DIGITAL EQUIPMENT CORPORATION
MAYNARD, MASSACHUSETTS

PARTS LIST

MADE BY R.E. Miller
 DATE 24 JUN 76
 ENG
 DATE

CHECKED

DATE
 PROD
 DATE

SECTION

ISSUED SECT.

ITEM NO.	DWG NO. / PART NO.	DESCRIPTION	QUANTITY	VARIATION
45	900389-01	NOV. STRAIN RELIEF		
46	1212167-02	CONNECTOR PLUG (UNIVERSAL)	P5 P6	
47	1212167-00	CONNECTOR PLUG (UNIVERSAL)	P1	
48	1212167-01	CONNECTOR PLUG (UNIVERSAL)	P7	
49	1212170-00	SOCKET	10	
50	9007714-00	SHRINK TUBING	A/R	
51	1708935-00	POWER CORD AWG 10 5 WIRE	15 FEET	
52	1717314	TWIST LOCK PLUG	P9	
53	1312437	SOCKET	3	
54	9007032-00	TIE WRAPS	A/R	
55	9007649	#6 STAR WASHER	7	
56	3612680-0-0	DECAL, GROUND	2	
57	9107390-66	WIRE, BLUE 10 AWG	A/R	
58	9107390-00	WIRE, BLK 10 AWG	A/R	
59	9107390-11	WIRE, BRN 10 AWG	A/R	
60	9107390-77	WIRE, VIO 10 AWG	A/R	
61	9107779-54	WIRE, GRN/YEL 10 AWG	A/R	
62	9107370-66	WIRE, BLUE 14 AWG	A/R	
63	9107370-00	WIRE, BLK 14 AWG	A/R	
64	9107370-11	WIRE, BRN 14 AWG	A/R	
65	9107370-77	WIRE, VIO 14 AWG	A/R	
66	9107777-54	WIRE, GRN/YEL 14 AWG	A/R	

TITLE POWER SUPPLY ASSY 866-D
 ASSY NO. E-UA-866-D-0
 SHEET 3 OF 4
 SIZE CODE A PL
 NUMBER 866-D-0
 REV. ECO NO. A

DEC FORM DEC 16 (325) 1031-N870
 DRA 110

DIGITAL EQUIPMENT CORPORATION
MAYNARD, MASSACHUSETTS

PARTS LIST

MADE BY R.E. Miller
 DATE 24 JUN 76
 ENG
 DATE

CHECKED

DATE
 PROD
 DATE

SECTION

ISSUED SECT.

ITEM NO.	DWG NO. / PART NO.	DESCRIPTION	QUANTITY	VARIATION
67	9107360-33	WIRE, ORG 18 AWG	A/R	
68	9107360-88	WIRE, GRY 18 AWG	A/R	
69	9107360-44	WIRE, YEL 18 AWG	A/R	
70	9006565-00	KEI NUT 10-32	1	
71	9007651	10 EXTERNAL TOOTH LOCKWASHER	1	
72	9006636	LOCKWASHER, #10 INTERNAL TOOTH	28	
73	9007049	BUTTON, PLUG	2	
74	A-SP-3700191-0-0	PACKING INSTRUCTIONS (IN PLANT)	1	
75	7013455-0	CORD, POWER ASSY.	1	
76	A-SP-3700191-2-0	PACKING INSTRUCTIONS (CUSTOMER)	0	
77	A-SP-866-D-2	TEST PROCEDURE, 866D	REF	

TITLE POWER SUPPLY ASSY 866D
 ASSY NO. E-UA-866-D-0
 SHEET 4 OF 4
 SIZE CODE A PL
 NUMBER 866-D-0
 REV. ECO NO. A

DEC FORM DEC 16-(325)-1031-N870
 DRA 110

DRAWING DIRECTORY

THIS DRAWING AND SPECIFICATIONS, HEREIN, ARE THE PROPERTY OF DIGITAL EQUIPMENT CORPORATION AND SHALL NOT BE REPRODUCED OR COPIED OR USED IN WHOLE OR IN PART AS THE BASIS FOR THE MANUFACTURE OR SALE OF ITEMS WITHOUT WRITTEN PERMISSION. COPYRIGHT © 1976, DIGITAL EQUIPMENT CORPORATION

CUSTOMER PRINT SET INDEX

THIS IS PRINT SET

866-E DRAWING DIRECTORY
866-E POWER CONTROL ASSY
866-E POWER CONTROL P.L.
PILOT CONTROL BOARD
PACKAGING INSTRUCTIONS

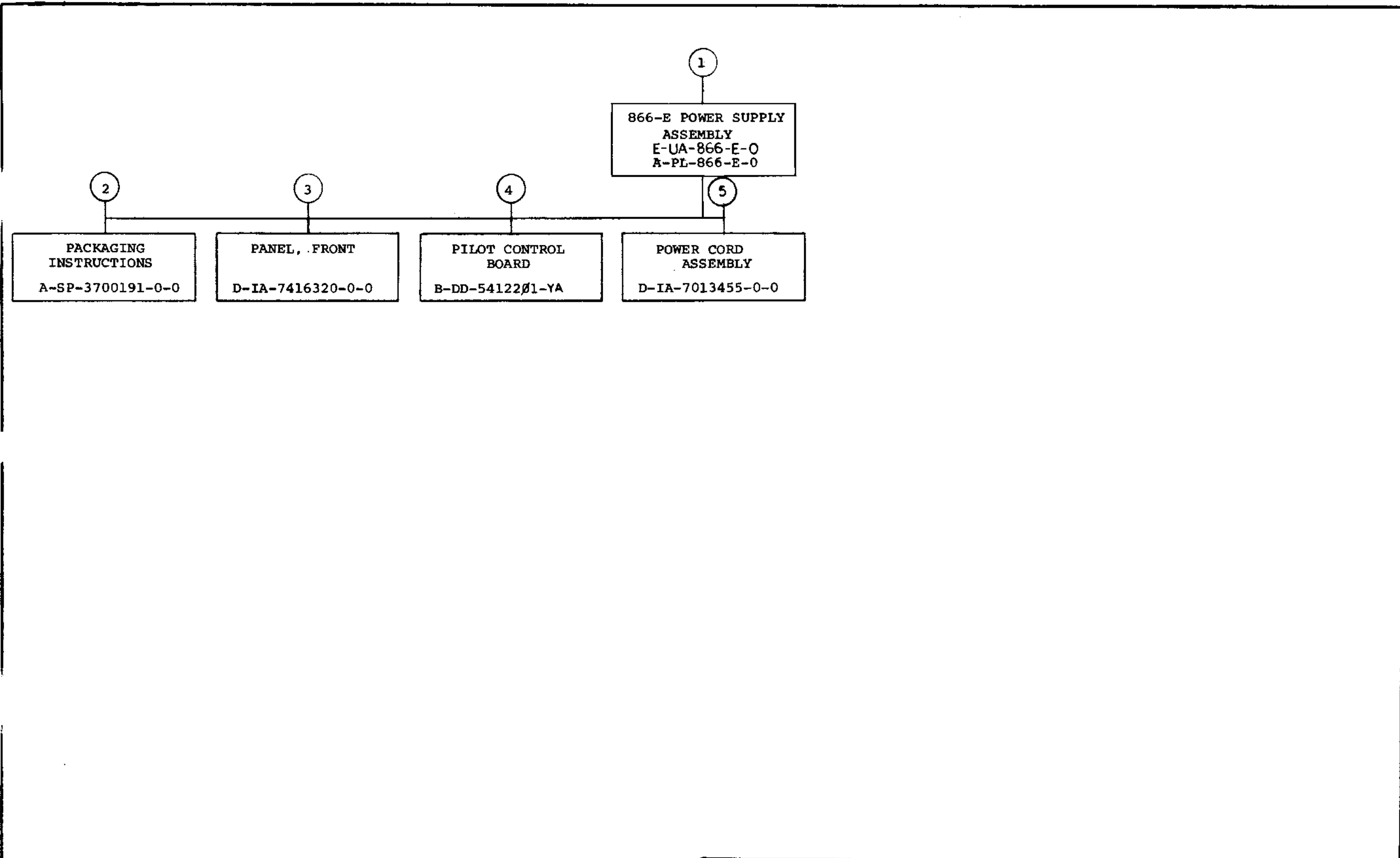
B-DD-866-E
E-UA-866-E
A-PL-866-E
B-DD-54122Ø1-YA
A-SP-3700191-Ø-Ø

UNIT VARIATIONS		PRINT SET	
VAR	TITLE		
866-E	866-E POWER CONTROL		

DATE	REV	CHG. NO.
5-77	A	866E-1
8-77	B	866E-2
10-77	C	866E-4
2-78	D	866E-5

USED ON OPTION/MODEL	DATE	TITLE	DATE
	<i>N. L. F. K. W.</i>	POWER SUPPLY ASSEMBLY	<i>2/21/77</i>
	<i>W. R. J. P. I. N.</i>	866-E	<i>3 Jan 77</i>
	<i>D. J. A. M. I. N. T.</i>		<i>12 Jan 77</i>
	<i>S. B. L. I. N.</i>		<i>12 Jan 77</i>
	<i>A. J. P. A. I. N. I. S.</i>		<i>12 Jan 77</i>
SHEET 1 OF 3		SIZE CODE NUMBER REV	
		B DD 866-E 0	

DRB 106



TITLE	SHEET	SIZE	CODE	NUMBER	REV
POWER SUPPLY ASSY 866-E	2 OF 3	B		866-E	D

FIND NO.	DRAWING NO.	DESCRIPTION	TYPE	FIND NO.	DRAWING NO.	DESCRIPTION	TYPE
	B-DD-866-E	866-E POWER SUPPLY ASSY					
1	E-UA-866-E-0	866-E POWER SUPPLY ASSEMBLY	E/M				
	A-PI-866-E-0	866-E POWER SUPPLY ASSEMBLY	E/M				
	E-IA-7416321-0-0	CHASSIS	M				
	D-MD-7416322-0-0	COVER, TOP	M				
	C-IA-7416870-0-0	CHANNEL, STRAIN RELIEF	M				
	C-MD-7416871-0-0	COVER, STRAIN RELIEF	M				
	D-CS-866-E-1	POWER CONTROL SCHEMATIC	E				
	A-WL-7013772-0-0	WIRE RUN LIST	E/M				
	A-DC-3610267-00	DECAL HIGH VOLTAGE	M				
	A-DC-3612063-00	DECAL UL	M				
	A-DC-3612680-00	DECAL GROUND	M				
	A-DC07416582-1-1	DECAL, NOT FOR EXTERNAL USE	M				
	C-DC-7416754-00	DECAL	M				
	A-DC-7416581-0-0	DECAL	M				
	A-SP-866-E-2	SPECIFICATION, TEST	E				
	A-SP-861-0-3	ENGINEERING SPECIFICATION 861/866	E				
2	A-SP-3700191-0-0	PACKAGING INSTRUCTIONS	M				
	A-PS-9905726-0-0	FULL OVERLAP CARTON	M				
	A-PS-9905727-00	LAMINATED BUILDUP	M				
	A-PS-9905729-0-0	TAPE GLASFLEX	M				
3	D-IA-7416320-0-0	PANEL, FRONT	M				
	D-SS-7416320-0-1	PANEL, SILKSCREEN, 866-E	M				
4	B-DD-5412201-YA	PILOT CONTROL BOARD	E/M				
5	D-IA-7013455-0-0	POWER CORD ASSEMBLY					

TYPE: E ELECTRICAL
M MECHANICAL
E/M ELECTRO/MECHANICAL



TITLE

POWER SUPPLY ASSY 866

SHEET 3 OF 3

SIZE CODE
B DD

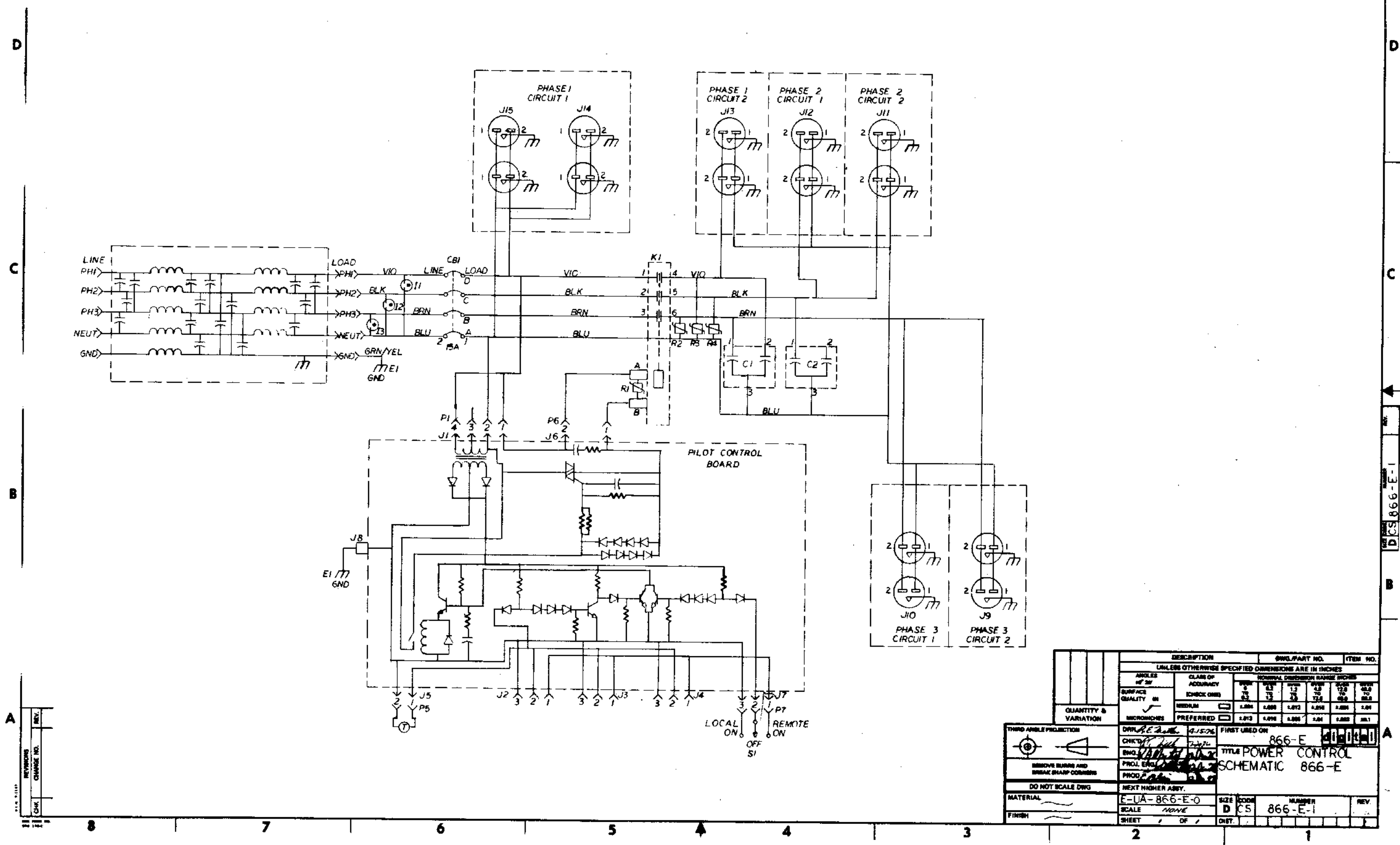
NUMBER
866-E

REV
D

DRB 108A

THIS DRAWING AND SPECIFICATIONS HEREON ARE THE PROPERTY OF DIGITAL EQUIPMENT CORPORATION AND SHALL NOT BE REPRODUCED OR COPIED OR USED IN WHOLE OR IN PART AS THE BASIS FOR THE MANUFACTURE OR SALE OF ITEMS WITHOUT WRITTEN PERMISSION. COPYRIGHT © 1974, DIGITAL EQUIPMENT CORPORATION

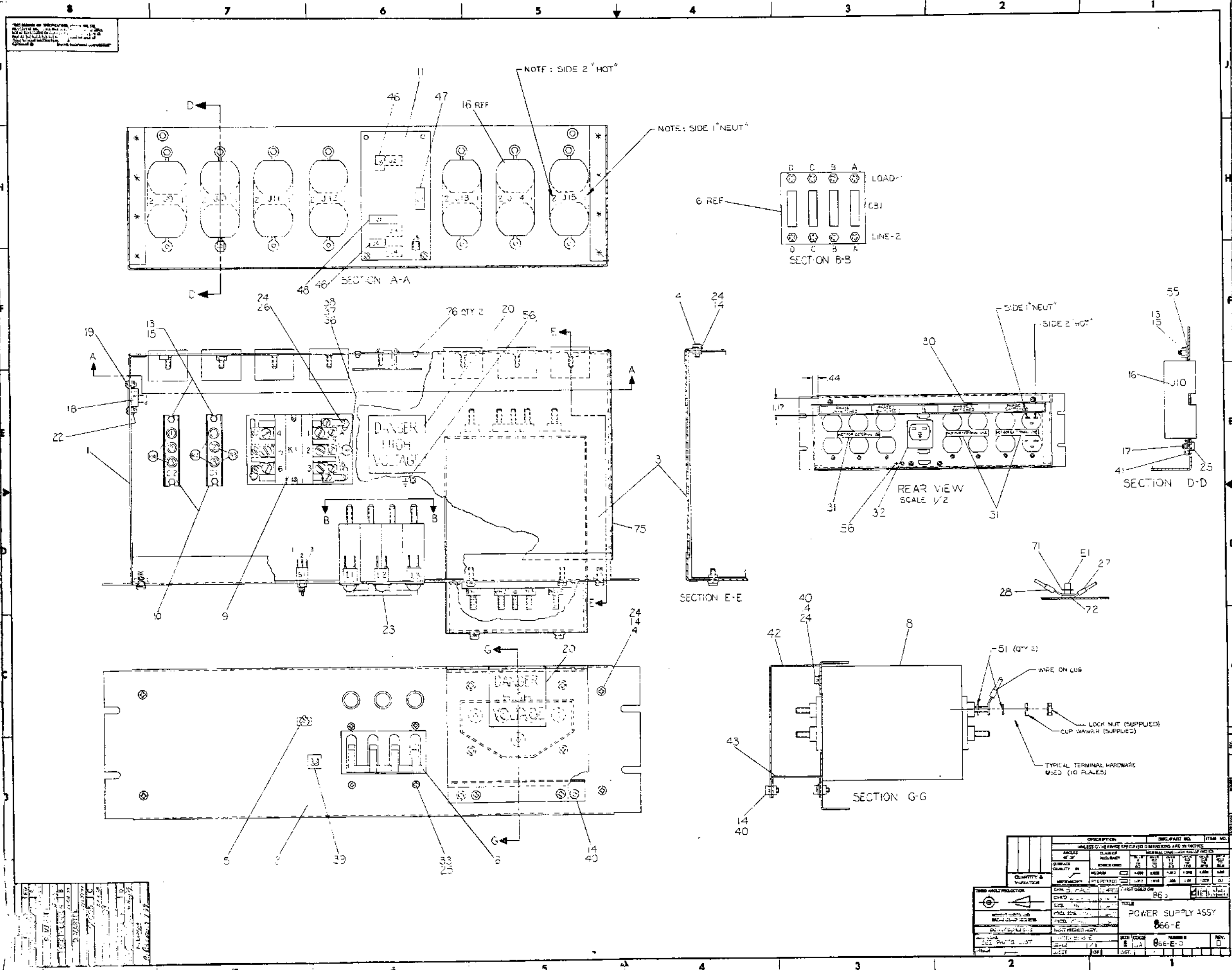
866-E-1



REV.	
CHANGE NO.	

QUANTITY & VARIATION		DESCRIPTION		SHEET/PART NO.		ITEM NO.	
UNLESS OTHERWISE SPECIFIED DIMENSIONS ARE IN INCHES							
ANGLES	CLASS OF ACCURACY	TYPICAL DIMENSION RANGE TOLERANCES					
1/2"	AS CHECKED	0.125 - 0.250	0.250 - 0.375	0.375 - 0.500	0.500 - 0.750	0.750 - 1.000	1.000 - 1.500
SURFACE QUALITY	CHECK ONE	1.000	1.000	1.012	1.000	1.000	1.000
FINISH	CHECK ONE	1.012	1.010	1.000	1.000	1.000	1.000
DO NOT SCALE DWG	CHECK ONE	1.012	1.010	1.000	1.000	1.000	1.000
MATERIAL	E-UA-866-E-0	SIZE	CODE	NUMBER	REV.		
FINISH	NONE	SCALE	D CS	866-E-1			
SHEET		OF		DST.			

D CS 866-E-1

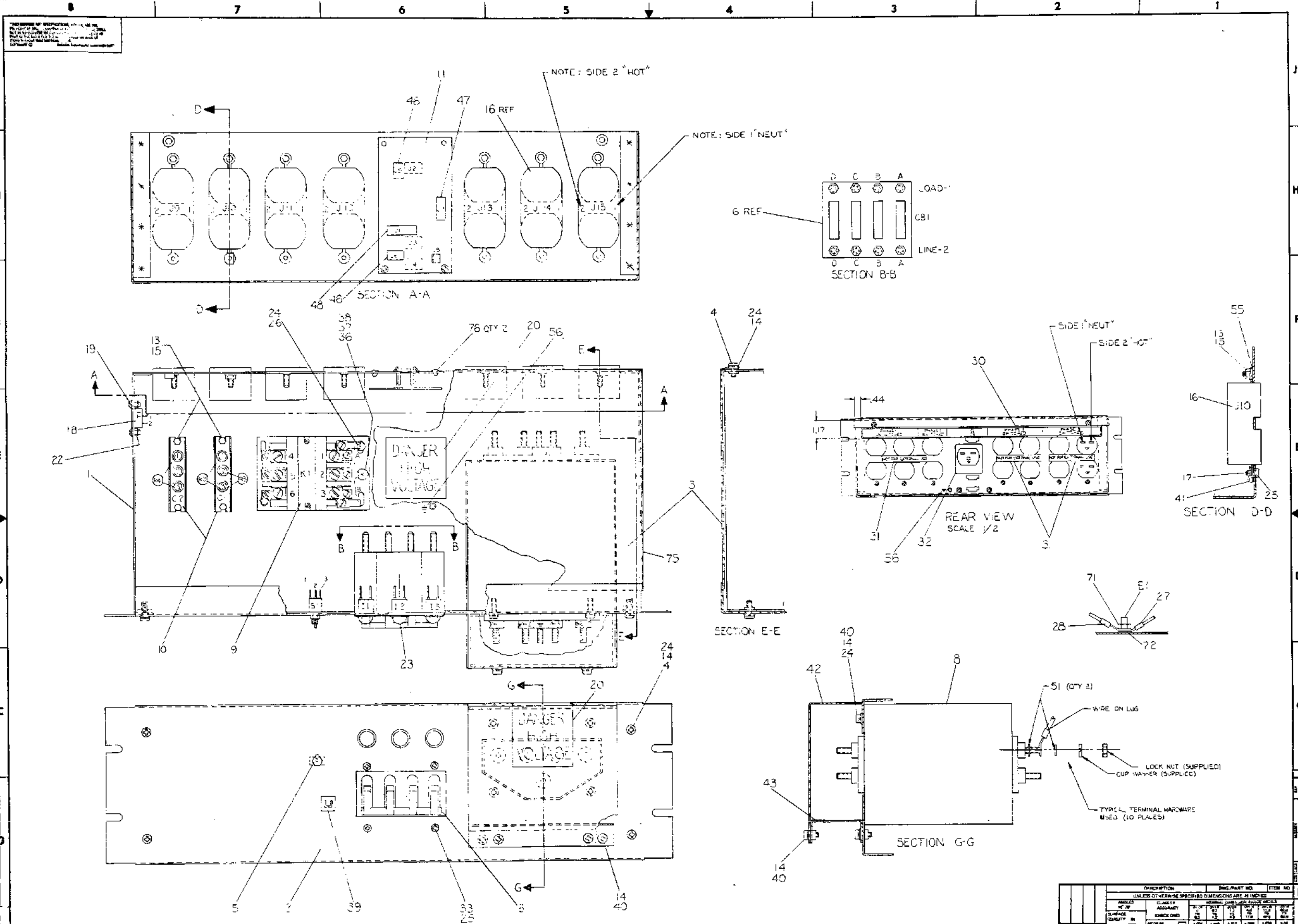


REV	DATE	BY	CHKD	DESCRIPTION
1				
2				
3				
4				
5				
6				
7				
8				

DESCRIPTION		DRAWING NO.		ITEM NO.	
UNLESS OTHERWISE SPECIFIED DIMENSIONS ARE IN INCHES					
ANGLE	CLASS	ACCOMMODATION	MINIMUM	MAXIMUM	UNIT
45°	1	1	1	1	1
90°	1	1	1	1	1
120°	1	1	1	1	1
150°	1	1	1	1	1
180°	1	1	1	1	1
210°	1	1	1	1	1
240°	1	1	1	1	1
270°	1	1	1	1	1
300°	1	1	1	1	1
330°	1	1	1	1	1
360°	1	1	1	1	1

DATE	BY	CHKD	APPROVED	NOT USED ON
06-10-66	JWA	JWA	JWA	
REV	DATE	BY	CHKD	DESCRIPTION
1				
2				
3				
4				
5				
6				
7				
8				

POWER SUPPLY ASSY
866-E



REVISIONS

NO.	DESCRIPTION	DATE
1	As Shown	10-15-58
2

DESCRIPTION		Dwg. PART NO.		ITEM NO.
POWER SUPPLY ASSY		866-E		
866-E-0				

NO.	QTY.	DESCRIPTION	UNIT
...

DIGITAL EQUIPMENT CORPORATION MAYNARD, MASSACHUSETTS				QUANTITY / VARIATION			
PARTS LIST							
MADE BY R.E. MILLER		CHECKED	SECTION				
DATE 6/24/76		DATE 3-30-77					
ENG DATE		PROD DATE	ISSUED SECT.				
DATE 7/77		DATE 7-77					
ITEM NO.	DWG NO. / PART NO.	DESCRIPTION					
1	E-IA-7416321-0-0	CHASSIS	1				
2	D-IA-7416320-0-0	PANEL, FRONT	1				
3	D-MD-7416322-0-0	COVER, TOP	1				
4	9006037-1	8-32 X .375 PAN HD SCREW	6				
5	1211180	TOGGLE SWITCH	1				
6	1212321-00	CIRCUIT BREAKER CB-1	1				
7	A-WL-7013772-0-0	WIRE RUN LIST	REF				
8	1213287-00	FILTER LINE	1				
9	1212266-00	CONTACTOR (K-1)	1				
10	1000034	CAPACITOR (C1,C2)	2				
11	5412201-YA	PCB ASSY	1				
12	9006038-00	SCREW .05 CLEAR X .50 LG.	2				
13	9006658-00	.144ID X .375OD X .062 FLAT WASHER	11				
14	9006690-00	#8 SPLIT LOCK WASHER	14				
15	9008185-00	#6-32 KEP NUT	11				
16	1211204-01	DUPLEX RECEPTACLE	7				
17	9006023-1	6-32 X .437 PAN HD SCREWS	7				
18	1211158	THERMOSTAT FIXED TEMPERATURE	1				
19	9006010-1	4.40 X .312 PAN HD SCREW	2				
20	A-DC-3610267-00	DECAL, HIGH VOLTAGE	2				
21	9009695-00	TERMINAL SPADE LUG	20				
22	9006557-00	4-40 KEP NUT	2				

TITLE	ASSY NO.	SIZE CODE	NUMBER	REV.	ECO NO.
POWER SUPPLY ASSY 866E	E-UA-866-E-0	A PL	866-E-0	D	106
SHEET 1 OF 4	DIST.				

DEC FORM DEC 16-(325)-1031-N870
DRA 110

DIGITAL EQUIPMENT CORPORATION MAYNARD, MASSACHUSETTS				QUANTITY / VARIATION			
PARTS LIST							
MADE BY R.E. MILLER		CHECKED	SECTION				
DATE 6/24/76		DATE					
ENG DATE		PROD DATE	ISSUED SECT.				
DATE		DATE					
ITEM NO.	DWG NO. / PART NO.	DESCRIPTION					
45							
46	1212167-02	CONNECTOR PLUG UNIVERSAL	2				
47	1212167-00	CONNECTOR PLUG UNIVERSAL	1				
48	1212167-01	CONNECTOR PLUG UNIVERSAL	1				
49	1212170	SOCKET	10				
50	9107714-00	SHRINK SLEEVE	A/R				
51	9006636	LOCK WASHER #10 INT TOOTH	10				
52	7013455-02	POWER CORD ASSY	1				
53							
54	9007032-00	TIE WRAP	A/R				
55	9007649-00	#6 STAR WASHER	7				
56	3612680-0-0	DECAL GROUND	2				
57	9107390-66	WIRE, BLUE 10 AWG	A/R				
58	9107390-00	WIRE, BLK 10 AWG	A/R				
59	9107390-11	WIRE, BRN 10 AWG	A/R				
60	9107390-77	WIRE, VIO 10 AWG	A/R				
61	9107779-54	WIRE, GRN/YEL 10 AWG	A/R				
62	9107370-66	WIRE, BLUE 14 AWG	A/R				
63	9107370-00	WIRE, BLK 14 AWG	A/R				
64	9107370-11	WIRE, BRN 14 AWG	A/R				
65	9107370-77	WIRE, VIO 14 AWG	A/R				
66	9107777-54	WIRE, GRN/YEL 14 AWG	A/R				

TITLE	ASSY NO.	SIZE CODE	NUMBER	REV.	ECO NO.
POWER SUPPLY ASSY 866-E	E-UA-866-E-0	A PL	866-E-0	D	
SHEET 3 OF 4	DIST.				

DEC FORM DEC 16-(325)-1031-N870
DRA 110

DIGITAL EQUIPMENT CORPORATION MAYNARD, MASSACHUSETTS				QUANTITY / VARIATION			
PARTS LIST							
MADE BY R.E. MILLER		CHECKED	SECTION				
DATE 6/24/76		DATE					
ENG DATE		PROD DATE	ISSUED SECT.				
DATE		DATE					
ITEM NO.	DWG NO. / PART NO.	DESCRIPTION					
23	1202556-00	PILOT LAMP (I1, I2, I3)	3				
24	9006660-00	.187ID X .375OD X .036 FLAT WASHER	12				
25	9007801-00	#6 SPLIT LOCK WASHER	11				
26	9006563	8-32 KEP NUTS	2				
27	9007928-00	TERM RING	7				
28	9007926-01	TERM RING	12				
29	9007969-00	TERM QUICK CONN.	8				
30	C-DC-7416754-0-0	DECAL, PHASE 1,2,3, WHITE ON BLACK	1				
31	A-DC-7416582-1-1	DECAL, NOT FOR EXT LOAD, BLACK ON CLEAR	3				
32	A-DC-7416581-1-1	DECAL, 270V, OUTLET, BLACK ON CLEAR	1				
33	9006020-01	6-32 X .25 PAN HD SCR.	4				
34	9006038-00	SCREW .05 CLEAR X .50 LG.	2				
35	9007930-00	TERMINAL RING	8				
36	1311996-02	MOV VARISTOR 275VAC (R1, R2, R3, R4)	4				
37	9107278-11	TUBING TFP THIN WALL	A/R				
38	9007970-00	TERMINAL, QUICK CONN	6				
39	A-DC-3612063-00	DECAL, UL	1				
40	9006036-1	8-32 X .31 PAN HD SCR	6				
41	9009360-00	CLIP ON SELF LOCKING NUT #6-32	7				
42	C-MD-7416871-00	COVER STRAIN RELIEF	1				
43	C-IA-7416870-1-0	CHANNEL STRAIN RELIEF	1				
44	9007920-00	TERM QUICK CONN	1				

TITLE	ASSY NO.	SIZE CODE	NUMBER	REV.	ECO NO.
POWER SUPPLY ASSY 866E	E-UA-866-E-0	A PL	866-E-0	D	
SHEET 2 OF 4	DIST.				

DEC FORM DEC 16-(325)-1031-N870
DRA 110

DIGITAL EQUIPMENT CORPORATION MAYNARD, MASSACHUSETTS				QUANTITY / VARIATION			
PARTS LIST							
MADE BY R.E. MILLER		CHECKED	SECTION				
DATE 6/24/76		DATE					
ENG DATE		PROD DATE	ISSUED SECT.				
DATE		DATE					
ITEM NO.	DWG NO. / PART NO.	DESCRIPTION					
67	9107360-33	WIRE, ORG 18 AWG	A/R				
68	9107360-88	WIRE, GRY 18 AWG	A/R				
69	9107360-44	WIRE, YEL 18 AWG	A/R				
70							
71	9006565-00	NUT, KEPS #10-32	1				
72	9007651-00	WASHER, EXT TOOTH LOCK #10	1				
73	A-SP-3700191-1-0	PACKAGING INSTRUCTIONS, 866 (INTERPLANT)	1				
74	A-SP-3700191-2-0	PACKAGING INSTRUCTIONS, 866 (CUSTOMER)	0				
75	9009255-01	LABEL POWER SUPPLY	1				
76	9007049-00	PUSH PENNY	2				

TITLE	ASSY NO.	SIZE CODE	NUMBER	REV.	ECO NO.
POWER SUPPLY ASSY 866E	E-UA-866-E-0	A PL	866-E-0	D	
SHEET 4 OF 4	DIST.				

DEC FORM DEC 16-(325)-1031-N870
DRA 110