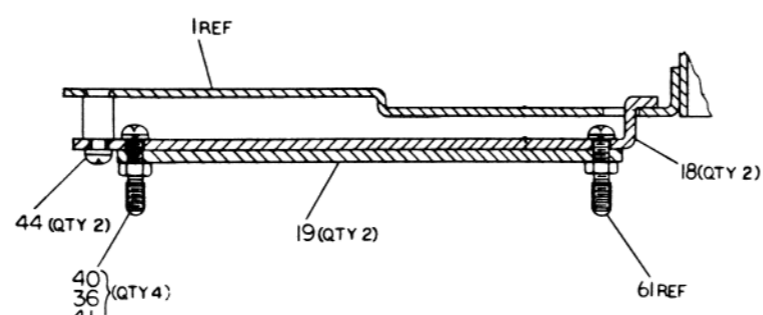
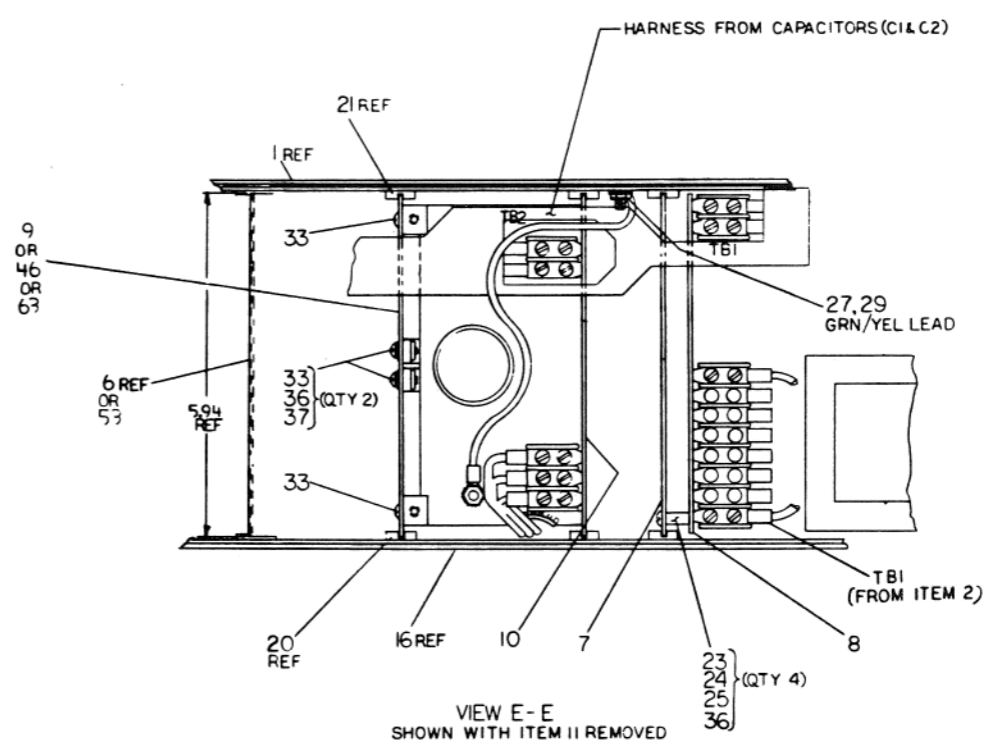
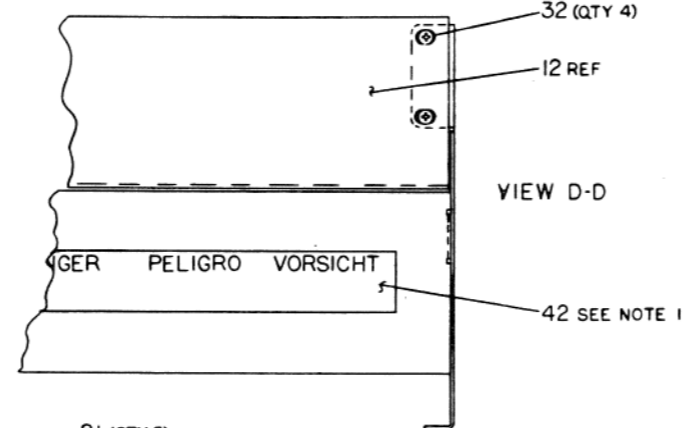


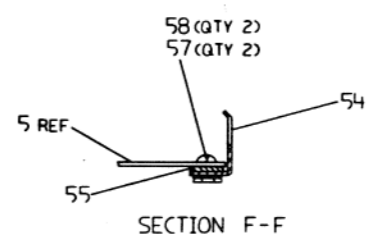
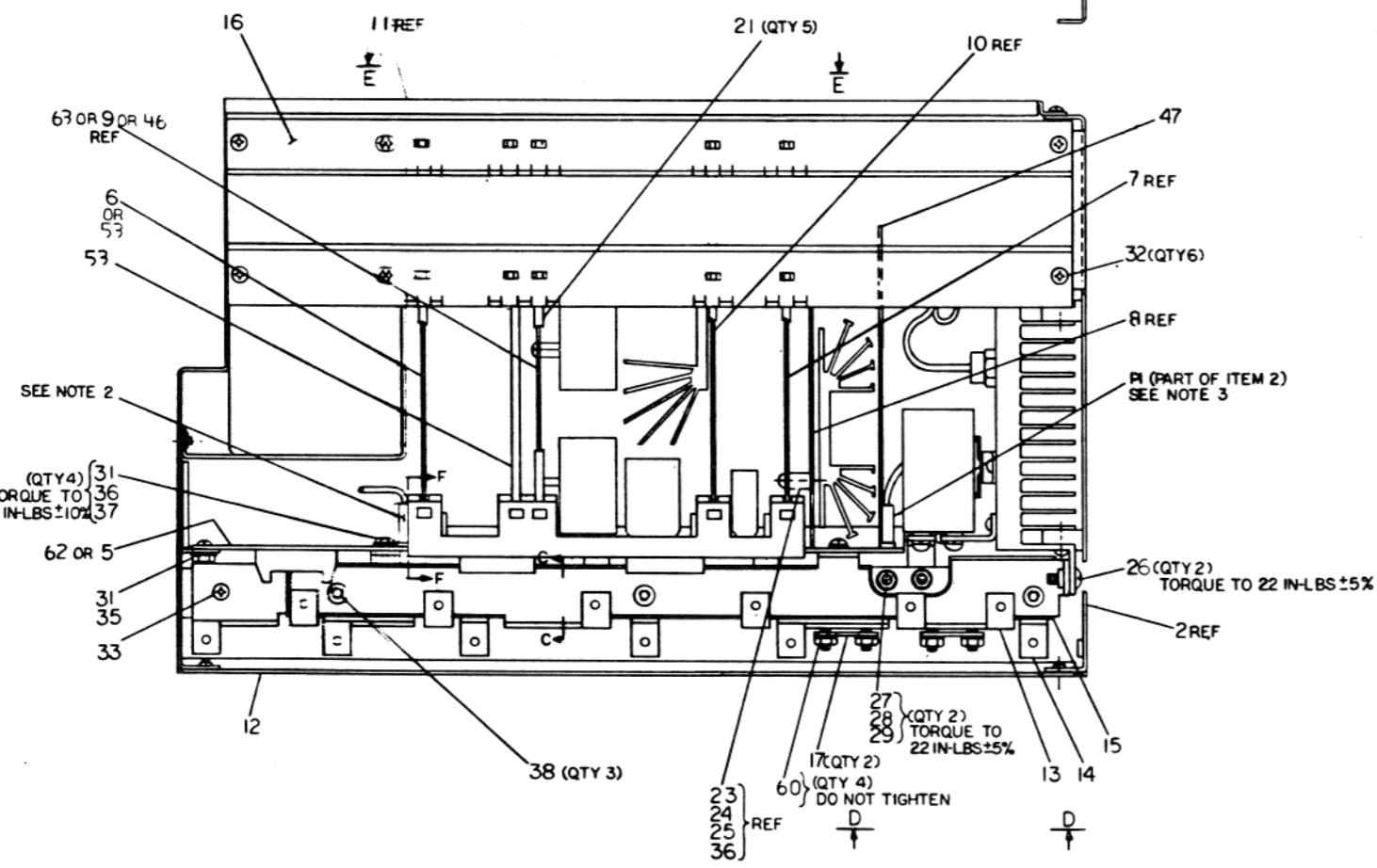
ALL DIMENSIONS ARE UNLESS OTHERWISE SPECIFIED IN INCHES AND DECIMALS THEREOF. DIMENSIONS IN PARENTHESES ARE FOR REFERENCE ONLY. DIMENSIONS IN BRACKETS ARE FOR INFORMATION ONLY. DIMENSIONS IN DASHES ARE FOR INFORMATION ONLY. DIMENSIONS IN SQUARES ARE FOR INFORMATION ONLY. DIMENSIONS IN CIRCLES ARE FOR INFORMATION ONLY. DIMENSIONS IN TRIANGLES ARE FOR INFORMATION ONLY. DIMENSIONS IN DIAMONDS ARE FOR INFORMATION ONLY. DIMENSIONS IN PARALLELOGRAMS ARE FOR INFORMATION ONLY. DIMENSIONS IN OVALS ARE FOR INFORMATION ONLY. DIMENSIONS IN OTHER SHAPES ARE FOR INFORMATION ONLY.



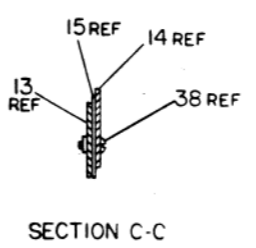
SECTION B-B
SCALE: 2/1
TYP 2 PLACES



VIEW E-E
SHOWN WITH ITEM 11 REMOVED



SECTION F-F



SECTION C-C

LINE	ITEM	DOCUMENT NUMBER	PART NUMBER	DESCRIPTION	QUANTITY PER VARIATION								
					AA	AB	BA	BB	CA	CB	DA	DB	
1	1	E-AD-7016476-0-0	7016476-00	INPUT ASSY.	1	1	1	1	1	1	1	1	1
2	2	E-AD-7016054-0-0	7016054-00	OUTPUT PANEL ASSY.	1	1	1	1	1	1	1	1	1
3	3	D-AD-7016478-0-0	7016478-00	AC CABLE ASSY	1	-	1	-	1	-	1	-	-
4	4	D-AD-7016478-1-0	7016478-01	2201 H7140 AB,AC, CABLE	-	1	-	1	-	1	-	-	1
5	5	E-UA-5413615-0-0	5413615-00	H7140 MOTHER BOARD	1	1	1	1	1	1	-	-	-
6	6	D-UA-5413605-0-0	5413605-00	BIAS AND INTERFACE BOARD FOR 111	1	1	1	1	-	-	-	1	1
7	7	D-UA-5413601-0-0	5413601-00	LOGIC INVERTER BD	1	1	1	1	1	1	1	1	1
8	8	D-UA-5413599-0-0	5413599-00	LOGIC INVERTER BD	1	1	1	1	1	1	1	1	1
9	9	D-UA-5413607-0-0	5413607-00	MEMORY REGULATOR BD	1	1	-	-	-	-	-	-	-
10	10	D-UA-5413603-0-0	5413603-00	MEMORY INVERTER BD	1	1	1	1	1	1	1	1	1
11	11	D-MD-7422396-0-0	7422396-00	TOP COVER	1	1	1	1	1	1	1	1	1
12	12	D-MD-7421436-0-0	7421436-00	COVER	1	1	1	1	1	1	1	1	1
13	13	D-MD-7422042-0-0	7422042-00	45V BUS	1	1	1	1	1	1	1	1	1
14	14	D-MD-7422041-0-0	7422041-00	RETURN BUS	1	1	1	1	1	1	1	1	1
15	15	D-MD-7422044-0-0	7422044-00	BUS INSULATOR	1	1	1	1	1	1	1	1	1
16	16	D-MD-7425385-0-0	7425385-00	SHIELD	1	1	1	1	1	1	1	1	1
17	17	D-MD-7422731-0-0	7422731-00	MOUNTING BRACKET	2	2	2	2	2	2	2	2	2
18	18	C-MD-7423066-0-0	7423066-00	CABLE ROUTING BRKT.	2	2	2	2	2	2	2	2	2
19	19	B-MD-7423067-0-0	7423067-00	CABLE CLAMP	2	2	2	2	2	2	2	2	2
20	20	BLANK		*** THIS ITEM IS NOT USED ***	-	-	-	-	-	-	-	-	-
21	21		1212405-04	GUIDE,CARD ,NYLON ,NATURAL	10	10	10	10	10	10	10	10	10
22	22	BLANK		*** THIS ITEM IS NOT USED ***	-	-	-	-	-	-	-	-	-
23	23		9006844-00	SPACER,THREADED HEX ALUM 6-3	4	4	4	4	4	4	4	4	4
24	24		9007794-01	SCREW,MACH PAN PHIL 6-	4	4	4	4	4	4	4	4	4
25	25		9008957-00	NUT,HEX 6-32X .246AF SS/N	8	8	8	8	8	8	8	8	8
26	26		9010119-00	SCREW, TRUSS PHIL 10-	2	2	2	2	2	2	2	2	2
27	27		9009005-00	NUT,HEX 10-32X .246AF SS/N	3	3	3	3	3	3	3	3	3
28	28	BLANK		*** THIS ITEM IS NOT USED ***	-	-	-	-	-	-	-	-	-
29	29		9007906-00	WASHER,HELICAL SPLIT STEEL	3	3	3	3	3	3	3	3	3
30	30		9006037-01	SCREW,MACH PAN PHIL 8-	2	2	2	2	2	2	2	2	2

REVISION HISTORY			BASIC PART NO: H7140		DRN: A. MOWRY		DATE: 15-AUG-79		DIGITAL			
ENG	ECO NUMBER	REV	SECTION A OF A	CHK'D:	R. RILEY	DATE:	17-AUG-79	TITLE PARTS LIST				
	INITIAL	F	SECTION VARIATION INDEX	DES.ENG.:	R. J. WOLF	DATE:	17-AUG-79	DOCUMENT NUMBER				
!KK	TW008	J	[A] AA,AB,BA,BB,CA,CB,DA,DB	RESP.ENG.:	R. J. WOLF	DATE:	17-AUG-79	SIZE	CODE	NUMBER	REV	
!RH	H7140-TW009	K		MFG.ENG.:	F. MUNIZ	DATE:	17-AUG-79	K	PL	H7140-0-DBP	W	
!KK	H7140-TW011	L	[B]	ASSEMBLY NUMBER:	E-UA-H7140-0-0	TOP DOCUMENT NUMBER:		FILE NAME:	Z2993W.PLS	EDIT #:	11	
!KK	H7140-TW012	M		"THIS DRAWING AND SPECIFICATIONS HEREIN, ARE THE PROPERTY OF DIGITAL EQUIPMENT CORPORATION AND SHALL NOT BE REPRODUCED OR COPIED OR USED IN WHOLE OR IN PART AS THE BASIS FOR THE MANUFACTURE OR SALE OF ITEMS WITHOUT WRITTEN PERMISSION. COPYRIGHT (C) 1983. DIGITAL EQUIPMENT CORPORATION"								
!KK	H7140-TW013	N	[C]									
!AK	H7140-TW014	P										
!KK	H7140-TW016	R	[D]									
!KK	H7140-TW017	S										
!PP	H7140-TW018	T	[E]									
!CS	H7140-TW019	U										
!KK	H7140-TW020	V	[F]									
!KK	H7140-TW021	W										

AUTOMATED BY PRTLST.4Q(50)

PARTS LIST

SHEET A2 OF A2

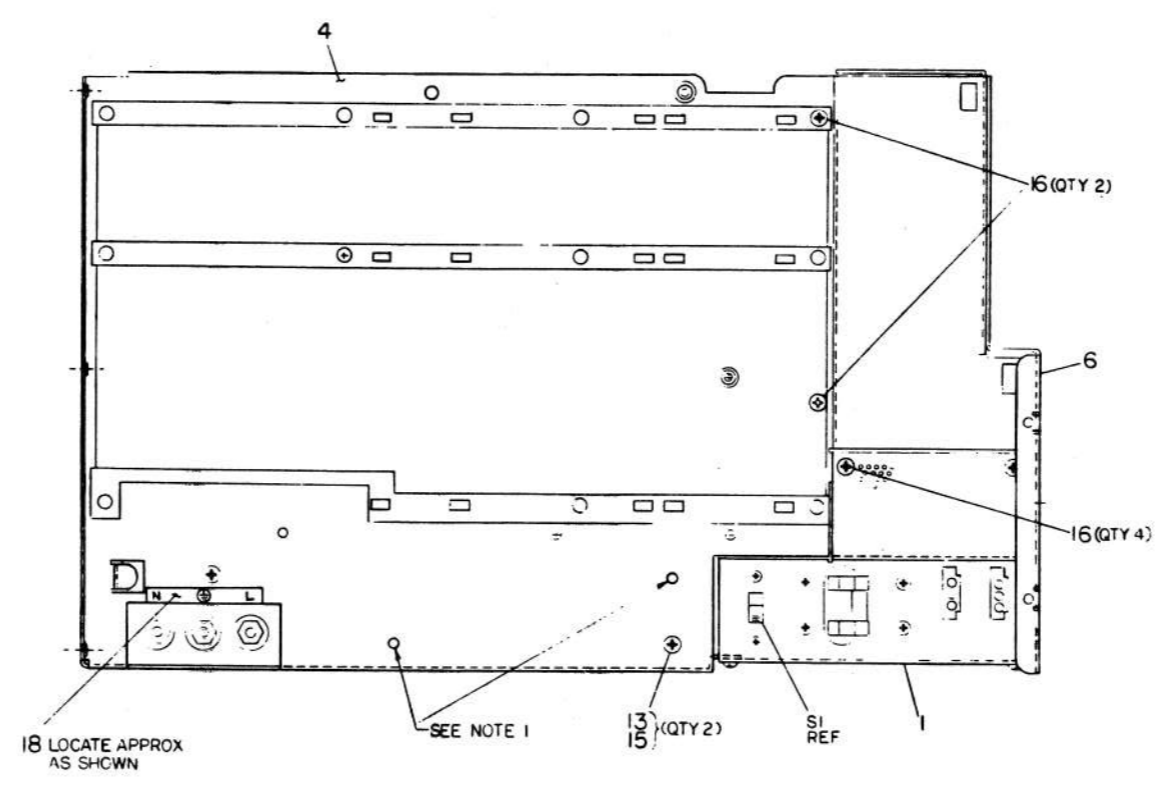
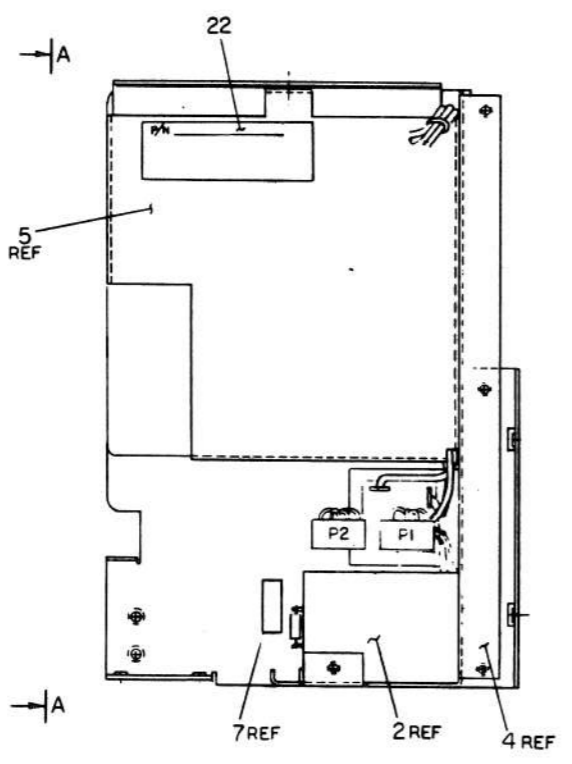
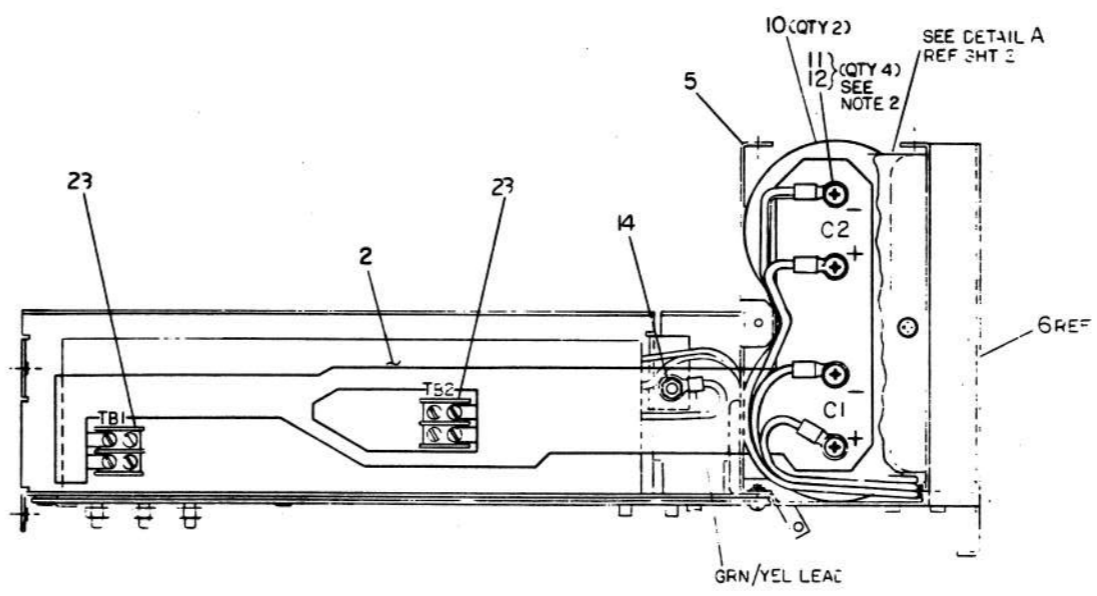
LINE	ITEM	DOCUMENT NUMBER	PART NUMBER	DESCRIPTION	QUANTITY PER VARIATION								
					AA	AB	BA	BB	CA	CB	DA	DB	
31	31		9006022-01	SCREW,MACH PAN PHIL 6-	5	5	5	5	5	5	5	5	5
32	32		9009796-00	SCREW,TAP FLAT PHIL THD RL 6-	14	14	14	14	14	14	14	14	14
33	33		9009708-00	SCREW,TAP PAN PHIL THD RL 6-	11	11	11	11	11	11	11	11	11
34	34		9006690-00	WASHER,HELICAL SPLIT SST	2	2	2	2	2	2	2	2	2
35	35		9009243-00	NUT,HEX EXT TOOTH LCKWSHR 6-32	1	1	1	1	1	1	1	1	1
36	36		9007801-00	WASHER,HELICAL SPLIT SST	14	14	14	14	14	14	14	14	14
37	37		9006656-00	WASHER,FLAT STEEL	6	6	6	6	6	6	6	6	6
38	38		9008212-00	SCREW,NYLN PAN SLOT 6-	3	3	3	3	3	3	3	3	3
39	39	BLANK		*** THIS ITEM IS NOT USED ***	-	-	-	-	-	-	-	-	-
40	40		9009587-01	SCREW,TAP PAN PHIL THD RL 6-	4	4	4	4	4	4	4	4	4
41	41	BLANK		*** THIS ITEM IS NOT USED ***	-	-	-	-	-	-	-	-	-
42	42		3615087-02	LABEL,"DANGER-HIGH CURRENT"	1	1	1	1	1	1	1	1	1
43	43		3616930-00	LABEL,DANGER STORED HIGH VOLTAGE	1	1	1	1	1	1	1	1	1
44	44		9009701-00	SCREW,SEMS PAN PHIL 6-	4	4	4	4	4	4	4	4	4
45	45	(SEE NOTE 1)	9009087-00	FOAM, TAPE, SINGLE SIDED 1/8 THK	0	0	0	0	0	0	0	0	0
46	46	D-UA-5413607-0-0	5413607-YA	MEMORY INVERTER BD.	-	-	1	1	1	1	-	-	-
47	47	B-MD-7424586-0-0	7424586-00	INSULATOR, HEATSINK	1	1	1	1	1	1	1	1	1
48	48		3612063-00	LABEL, ADHESIVE I.D. FOR UL C	1	1	1	1	1	1	1	1	1
49	49		9009255-01	LABEL, POWER SUPPLY, 2-7/8" LG X	1	1	1	1	1	1	1	1	1
50	50		3613211-01	DECAL,CLEAR PREPRINTED CSA 1-1/4	1	1	1	1	1	1	1	1	1
51	51	BLANK		*** THIS ITEM IS NOT USED ***	-	-	-	-	-	-	-	-	-
52	52	BLANK		*** THIS ITEM IS NOT USED ***	-	-	-	-	-	-	-	-	-
53	53		2019637-B1	MODULE,AIR FLOW SENSOR (BURNED I	1	1	1	1	-	-	-	1	1
54	54		7425384-00	BRACKET,LOWER CARD GUIDE	1	1	1	1	1	1	1	1	1
55	55		7425386-00	INSULATOR,CARD GUIDE BRACKET	1	1	1	1	1	1	1	1	1
56	56		3617664-00	LABEL,H7140 MODULE REV	1	1	1	1	1	1	1	1	1
57	57		9006010-01	SCREW,MACH PAN PHIL 4-	2	2	2	2	2	2	2	2	2
58	58		9006557-00	NUT,HEX EXT TOOTH LCKWSHR 4-40	2	2	2	2	2	2	2	2	2
59	59		9010164-00	WASHER,FLAT SS	2	2	2	2	2	2	2	2	2
60	60		9006565-00	NUT,HEX EXT TOOTH LCKWSHR 10-32	4	4	4	4	4	4	4	4	4
61	61		9009731-00	CAP,WHT. VINYL .112 ID	4	4	4	4	4	4	4	4	4
62	62		5413605-YA	BIAS & INTERFACE BD	-	-	-	-	1	1	-	-	-
63	63		5413615-YA	H7140 MOTHER BOARD	-	-	-	-	-	-	-	1	1
64	64		5413607-YB	MEMORY REGULATOR BOARD	-	-	-	-	-	-	-	1	1

65 NOTE: 1. ITEM 45, ALL VARIATIONS ARE 2.25.

D	I	G	I	T	A	L	TITLE	H7140 UNIT ASSEMBLY	SECTION A	OF A	SIZE	CODE	DOCUMENT NUMBER	REV
CHK	HH	4									K	PL	H7140-0-DBP	W

1979

NOTE
 1. DO NOT INSTALL HARDWARE IN THESE HOLES.
 2. TORQUE TO 16 IN-LB ±10%.

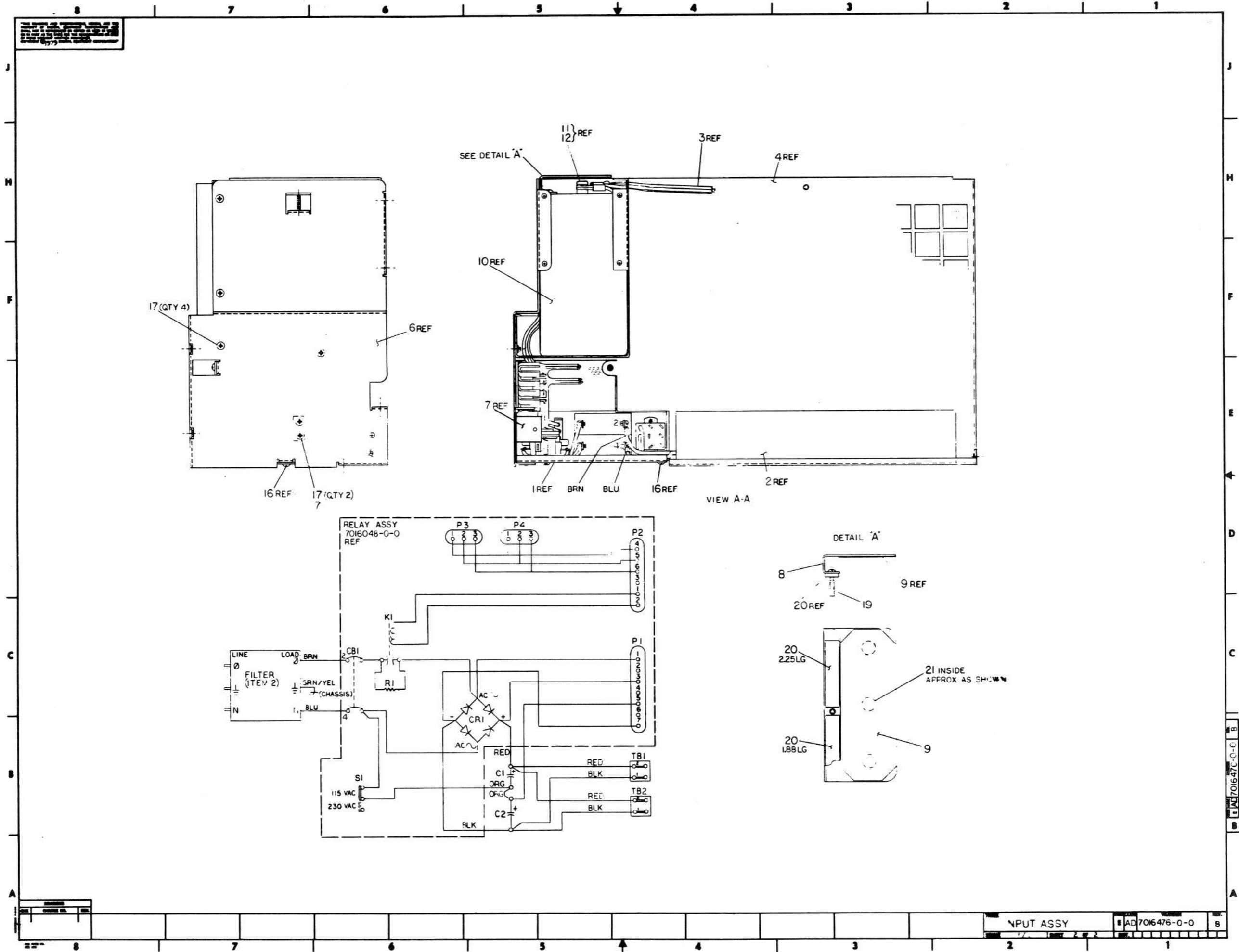


REV	DATE	BY	CHKD
1			
2			
3			
4			
5			
6			
7			
8			
9			
10			

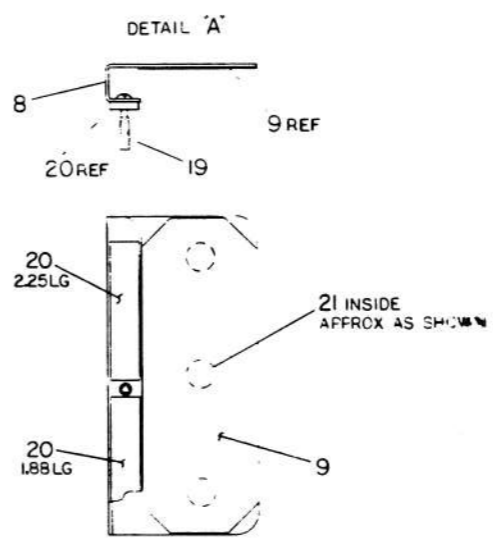
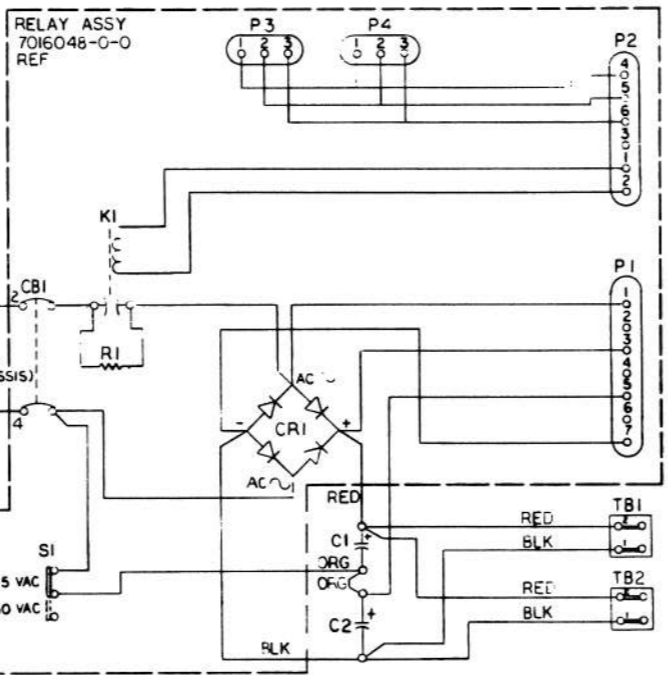
CAUTION: OFF SHEET PARTS LIST
 SEE 3-PL-7016476-0-0

REV	DATE	BY	CHKD
1			
2			
3			
4			
5			
6			
7			
8			
9			
10			

DESCRIPTION: INPUT ASSY
 PART NUMBER: H7140
 SCALE: NONE
 DRAWING NO: AD7016476-0-0



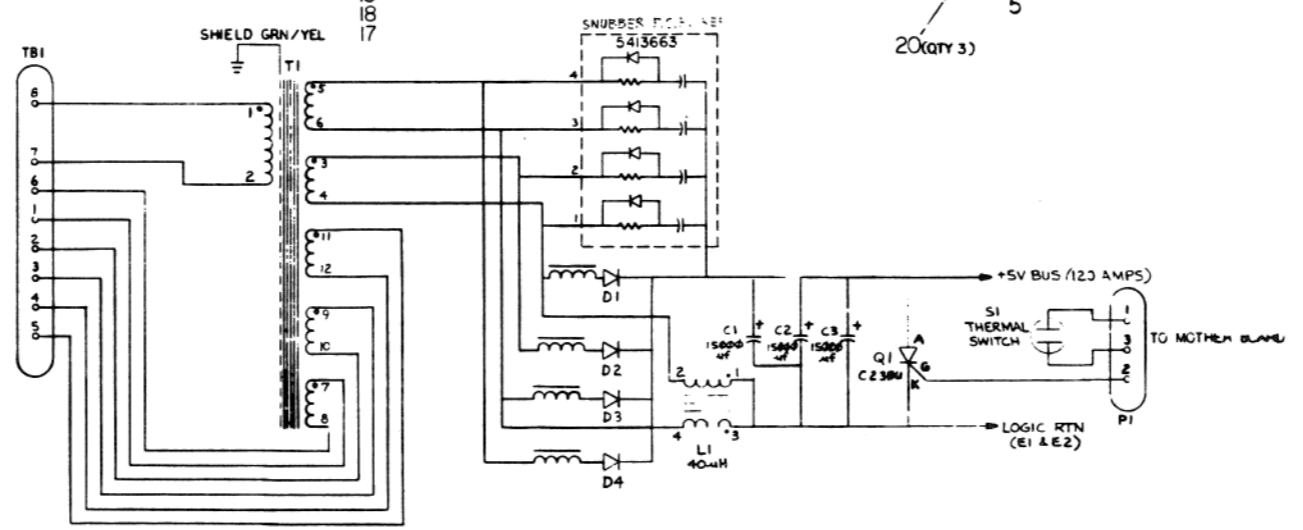
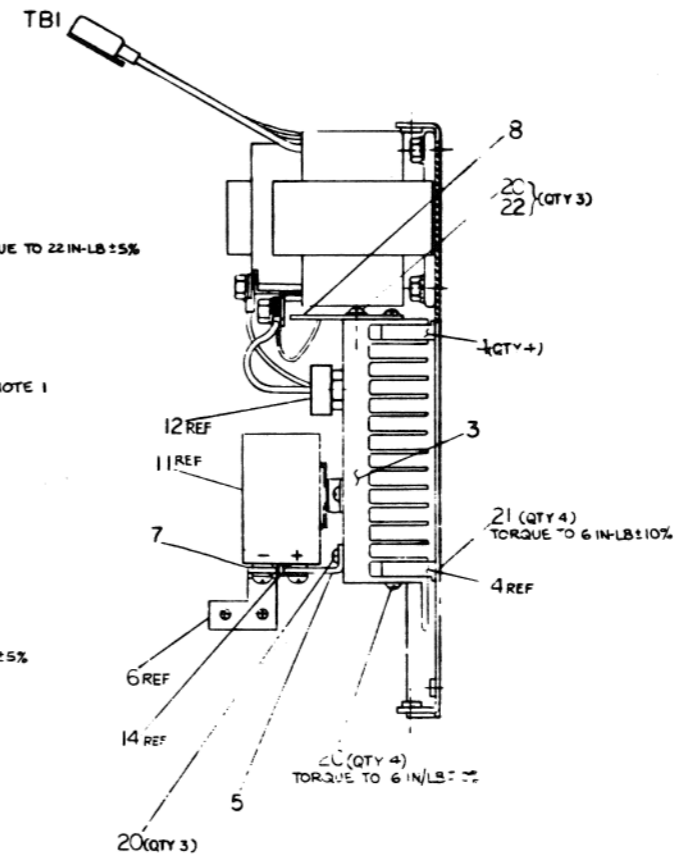
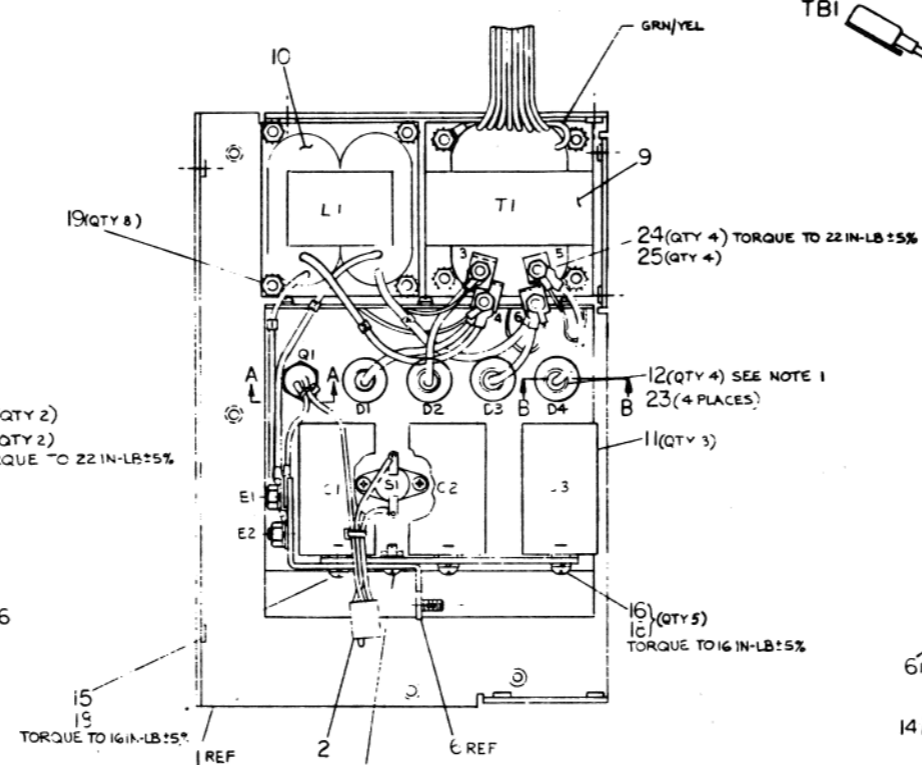
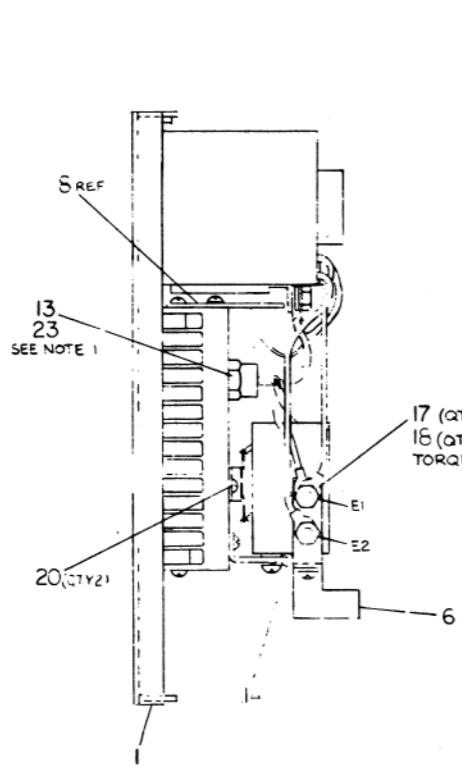
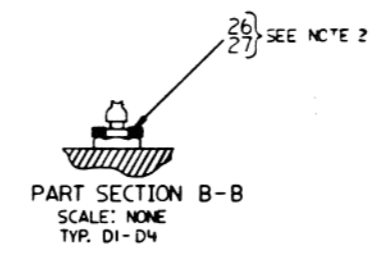
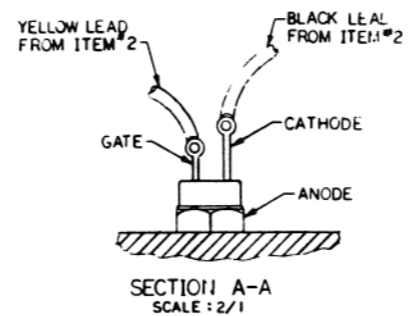
7016476-0-0



INPUT ASSY AD 7016476-0-0

INTERCONNECTION TABLE		REMARKS
FROM	TO	
C1	T1-4	
L1-2	T1-4	
WIRE #1 ITEM 8	T1-3	
D4	T1-3	
WIRE #2 ITEM 8	T1-6	
D3	T1-6	
L1-4	T1-6	
WIRE #3 ITEM 8	T1-5	
L2	T1-5	
WIRE #4 ITEM 8	MTD STUD	
T1-GRN/YEL	Q1-GATE	
YEL LEAD ITEM 2	E1	
BLK LEAD ITEM 2	E1	
Q1-CATHODE	E1	
L1-3	E2	
L1-1	E2	

NOTES:
 1. ITEMS 12 & 13 (D1-D4 & Q1) MUST SEAT FLUSH ON HEATSINK (ITEM 3). USE ITEM 23 (JOINT COMPD) UNDER ITEMS 12 & 13, TORQUE TO 25 IN-LBS MIN. UNTIL FULLY SEATED.
 2. APPLY ITEM 26, 4 PLACES D1 THRU D4 USING ITEM 27.



CAUTION: OFF SHEET PARTS LIST
 SEE K-PL-7016054-0-DBP (244948)

QUANTITY	DESCRIPTION	UNIT	REVISION
1	OUTPUT PANEL ASSY		
1	AD 7016054-0-0		

REVISIONS
 1. ORIGINAL
 2. REVISED
 3. REVISED
 4. REVISED
 5. REVISED
 6. REVISED
 7. REVISED
 8. REVISED
 9. REVISED
 10. REVISED
 11. REVISED
 12. REVISED
 13. REVISED
 14. REVISED
 15. REVISED
 16. REVISED
 17. REVISED
 18. REVISED
 19. REVISED
 20. REVISED
 21. REVISED
 22. REVISED
 23. REVISED
 24. REVISED
 25. REVISED
 26. REVISED
 27. REVISED
 28. REVISED
 29. REVISED
 30. REVISED
 31. REVISED
 32. REVISED
 33. REVISED
 34. REVISED
 35. REVISED
 36. REVISED
 37. REVISED
 38. REVISED
 39. REVISED
 40. REVISED
 41. REVISED
 42. REVISED
 43. REVISED
 44. REVISED
 45. REVISED
 46. REVISED
 47. REVISED
 48. REVISED
 49. REVISED
 50. REVISED

LINE	ITEM	DOCUMENT NUMBER	PART NUMBER	DESCRIPTION	QTY PER VARIATION	REFERENCE DESIGNATOR
					00	
1	1	D-MD-7421434-0-0	7421434-00	PANEL, SIDE	1	
2	2	D-IA-7016511-0-0	7016511-00	OVER TEMP CABLE ASSY	1	
3	3		1216648-00	HEAT SINKS, 05.62X05.3	1	
4	4		1216965-00	BLOCK, MTG INSULATED	4	
5	5	B-MD-7422038-0-0	7422038-00	CAP, BRKT POS	1	
6	6	B-MD-7422037-0-0	7422037-00	RETURN BUS BRKT	1	
7	7	B-MD-7422036-0-0	7422036-00	CAP, BRKT NEG	1	
8	8	D-UA-5413663-0-0	5413663-00	SNUBBER BOARD	1	
9	9	C-IA-7016056-0-0	7016056-00	TRANSFORMER ASSY	1	T1
10	10	C-IA-7016055-0-0	7016055-00	CHOKES ASSY	1	L1
11	11		1014338-00	15,000 MFD 7.5V 20% AL EL	3	C1, C2, C3
12	12		1117833-00	USD 545F PIV=45V I=75A D05	4	D1, D2, D3, D4
13	13		1109978-00	C 230U SCRA 25V I=25A S131	1	Q1
14	14	(SEE NOTE 1)	9007036-00	GROMMET CATERPILLAR POLYAMIDE	0	
15	15		9006071-01	SCREW, MACH PAN PHIL 10-	2	
16	16		9006070-01	SCREW, MACH PAN PHIL 10-	5	
17	17		9009005-00	NUT, HEX 10-32X .246AF SS/N	3	
18	18		9007906-00	WASHER, HELICAL SPLIT STEEL	9	
19	19		9006563-00	NUT, HEX EXT TOOTH LCKWSHR 8-32	8	
20	20		9009708-00	SCREW, TAP PAN PHIL THD RL 6-	12	
21	21		9009796-00	SCREW, TAP FLAT PHIL THD RL 6-	4	
22	22		9009882-00	WASHER, LOCK INTERNAL SST	3	
23	23		9008268-00	COMPOUND, THERMAL JOINT	A/R	
24	24		9006561-00	NUT, HEX 8-32X .307AF SS/N	4	
25	25		9006690-00	WASHER, HELICAL SPLIT SST	4	
26	26		1620201-01	CORE, POWDER IRON .9420DX.560IDX.	4	
27	27		4901462-00	ADHESIVE/SEALANT, SILICONE RUBBER	A/R	

REVISION HISTORY		BASIC PART NO: 7016054		DRN: A.RUSZCZYK		DATE: 14-JUL-82		D I G I T A L	
ENG:	ECO NUMBER	REV	SECTION A OF A	CHK'D:	T.MCCULLOUGH	DATE:	14-JUL-82	TITLE	PARTS LIST
---	INITIAL	A	SECTION VARIATION INDEX					OUTPUT PANEL ASSEMBLY	
			[A] 00						
			[B]						
			[C]	DES.ENG:	R.WOLF	DATE:	14-JUL-82		
			[D]						
			[E]	RESP.ENG.:	K.KNOWLES	DATE:	14-JUL-82	DOCUMENT NUMBER	
			[F]						
			[H]					SIZE: CODE: NUMBER	REV
			[J]						
			[K]	MFG.ENG.:	C.ROLDAN	DATE:	14-JUL-82	K PL 7016054-0-DBP	A
			[L]						
			[M]	ASSEMBLY NUMBER:	E-AD-7016054-0-0	TOP DOCUMENT NUMBER:	E-UA-H7140-0-0	FILE NAME:	24494A.PLS
			[N]					EDIT #:	2

"THIS DRAWING AND SPECIFICATIONS HEREIN, ARE THE PROPERTY OF DIGITAL EQUIPMENT CORPORATION AND SHALL NOT BE REPRODUCED OR COPIED OR USED IN WHOLE OR IN PART AS THE BASIS FOR THE MANUFACTURE OR SALE OF ITEMS WITHOUT WRITTEN PERMISSION. COPYRIGHT (C) 1982. DIGITAL EQUIPMENT CORPORATION"

AUTOMATED BY PRTLST.3P(44)

PARTS LIST

SHEET A2 OF A2

LINE ITEM DOCUMENT NUMBER

PART NUMBER

DESCRIPTION

QTY PER VARIATION
00

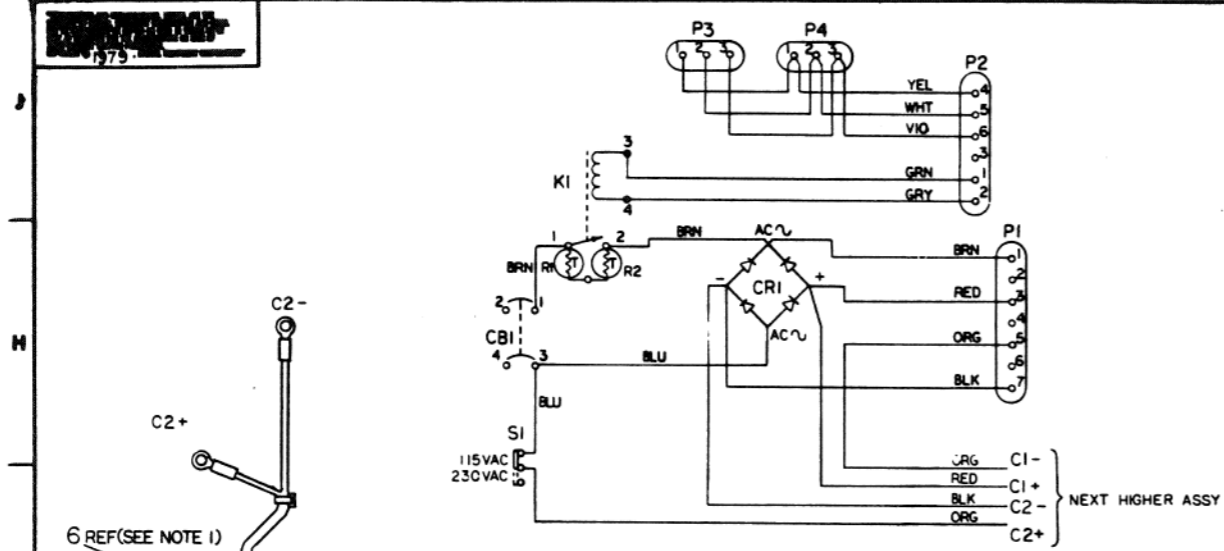
REFERENCE DESIGNATOR

28 NOTE: 1. QUANTITY FOR ITEM NUMBER 14 IS .33 FT.

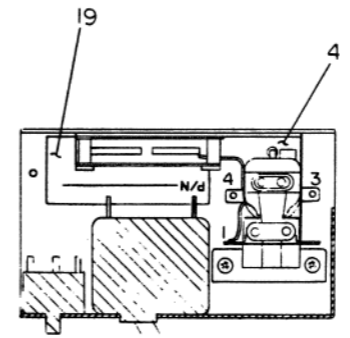
D	I	G	I	T	A	L	TITLE	SECTION A OF A	SIZE	CODE	DOCUMENT NUMBER	REV
							OUTPUT PANEL ASSEMBLY		K	PL	7016054-Q-DBP	A

7 6 5 4 3 2 1

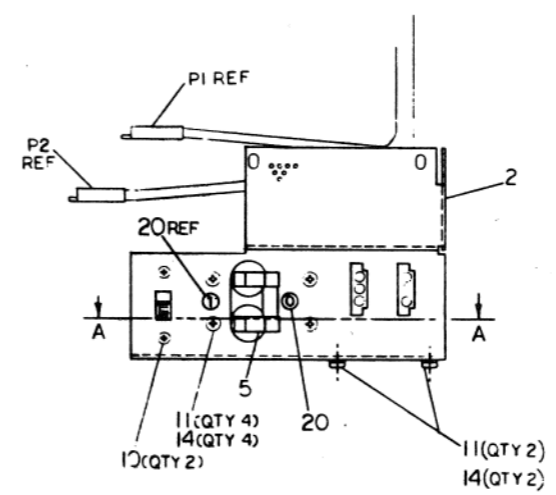
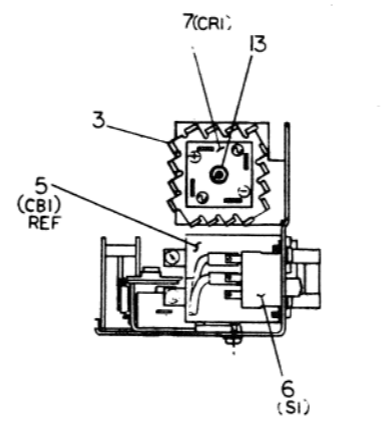
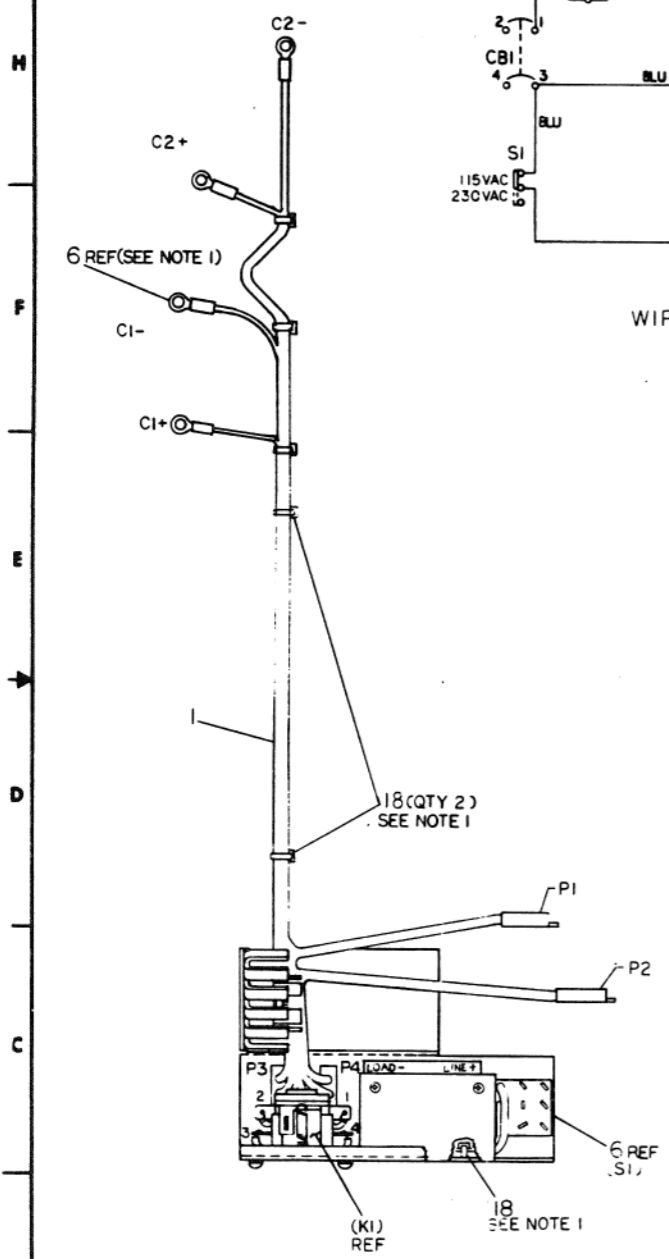
NOTES:
 1. DRESS ORG LEAD OF ITEM 6(SI) AROUND ITEM 5(CRI) AND LAY IN WITH MAIN HARNESS BODY. USE ITEM 18 (CABLE TIES) APPROX WHERE SHOWN.



WIRING DIAGRAM



SECTION A-A



1	RELAY ASSY	1
2	RELAY ASSY	1
3	RELAY ASSY	1
4	RELAY ASSY	1
5	RELAY ASSY	1
6	RELAY ASSY	1
7	RELAY ASSY	1
8	RELAY ASSY	1

CAUTION: OFF SHEET PARTS LIST
 SEE K-PL-7016048-0-DEP

QUANTITY & VARIATION	DESCRIPTION	ENCL. PART NO.	ITEM NO.
1	RELAY ASSY		1
1	RELAY ASSY		2
1	RELAY ASSY		3
1	RELAY ASSY		4
1	RELAY ASSY		5
1	RELAY ASSY		6
1	RELAY ASSY		7
1	RELAY ASSY		8

RELAY ASSY

SCALE: 1-1

DATE: 1-1-77

BY: [Signature]

CHKD: [Signature]

ENCL. PART NO. H7140

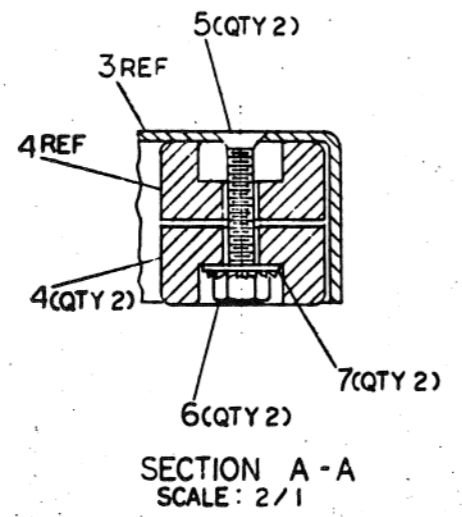
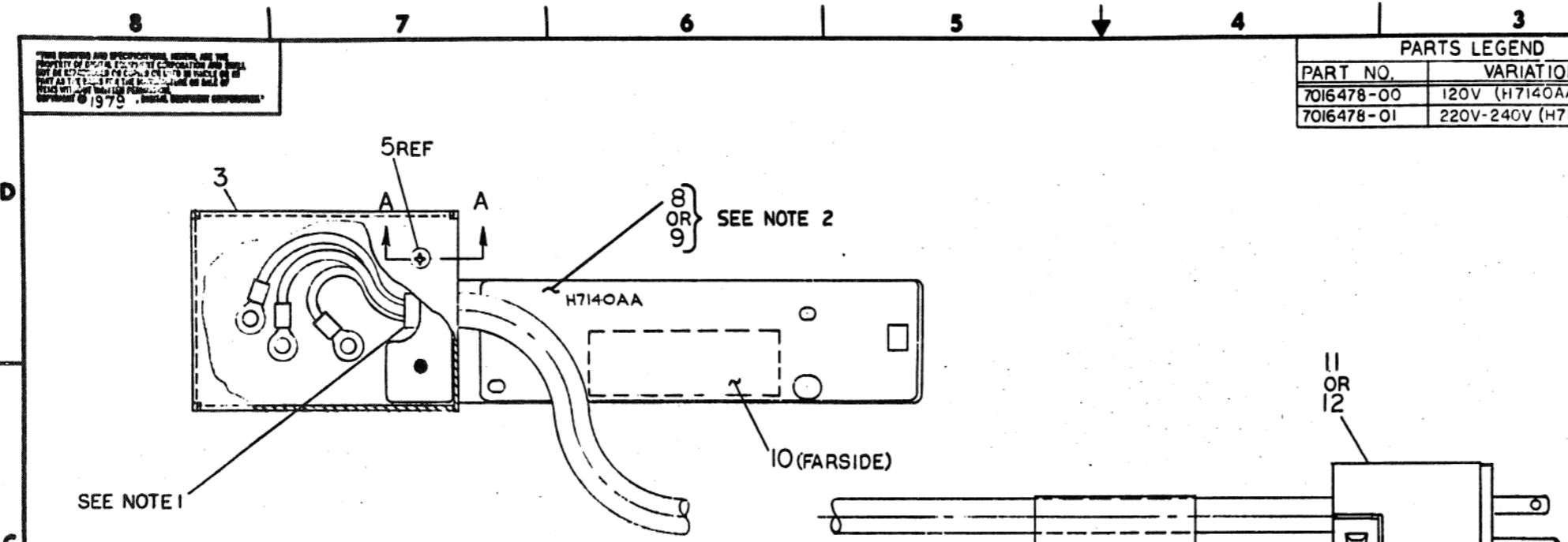
ITEM NO. 1

7 6 5 4 3 2 1

THIS DRAWING AND SPECIFICATIONS SHALL BE THE PROPERTY OF GPO & FIC, INC. IT IS TO BE USED ONLY AS AUTHORIZED BY THE CONTRACTOR. IT IS TO BE KEPT IN THE ORIGINAL FILE OF THE DRAWING. ANY REVISIONS SHALL BE MADE BY THE CONTRACTOR. APPROVED 6/1979. GPO & FIC, INC.

PARTS LEGEND	
PART NO.	VARIATION
7016478-00	120V (H7140AA)
7016478-01	220V-240V (H7140AB)

NOTES:
 1. OUTSIDE JACKET OF ITEM 1 OR 2 (LINE CORD) TO EXTEND APPROX .25 IN. BEYOND CLAMPING AREA OF ITEM 4 (CABLE CLAMP).
 2. ALIGN THE THREE OBOUNDS HOLES IN ITEM 8 OR 9 WITH THE MATCHING OBOUNDS HOLES IN ITEM 3.



CAUTION: SEE OFF SHEET PARTS LIST K-PL-7016478-0-DBP, (Z5524 ,PLS).

ITEM NO.	DESCRIPTION	QTY	PART NO.	ITEM NO.
1	LABEL, PWR SUPPLY	1	9009255-00	10
1	LABEL, H7140AB (220-240V)	1	3616977-01	9
1	LABEL, H7140AA (120V)	1	3616977-00	8
2	WASHER, FLAT #8-32X.3150D.X.187	2	9006660-00	7
2	NUT, KEP #8-32X.1.75 AF	2	9006563-00	6
2	SCR, FLAT, PHIL #8-32X.1.75	2	9006042-02	5
2	CLAMP, CABLE	2	1216566-00	4
1	COVER, A.C.	1	D-MD-74220480-0	3
1	CORD ASSY, LINE (220-240V)	1	D-1A-7016907-1-0	2
1	CORD ASSY, LINE (120V)	1	D-1A-7016907-0-0	1

DESCRIPTION	DWG./PART NO.	ITEM NO.
UNLESS OTHERWISE SPECIFIED DIMENSIONS ARE IN INCHES		
ANGLE 90°	CLASS OF ACCURACY	NOMINAL DIMENSION RANGE INCHES
SURFACE QUALITY IN	CHECK ONE	0.125 - 0.250
FINISH	PREFERRED	0.250 - 0.375
		0.375 - 0.500
		0.500 - 0.750
		0.750 - 1.000
		1.000 - 1.500
		1.500 - 2.000
		2.000 - 3.000
		3.000 - 4.000
		4.000 - 6.000
		6.000 - 10.000

THIRD ANGLE PROJECTION

DRN: *[Signature]* 5-16-79 FIRST USED ON H7140

CHK'D: *[Signature]* 8/18/77

ENG. *[Signature]* 8-18-79

PROJ. ENG. *[Signature]* 8-18-79

PROD. *[Signature]* 7-12-79

DO NOT SCALE DWG

MATERIAL SEE PARTS LIST

SCALE: 1/1

FINISH: //

SIZE CODE: D

NUMBER: AD 7016478-0-0

REV. B

TITLE: POWER CORD ASSY

NEXT HIGHER ASSY:

SHEET 1 OF 1

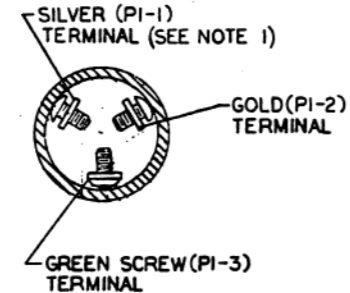
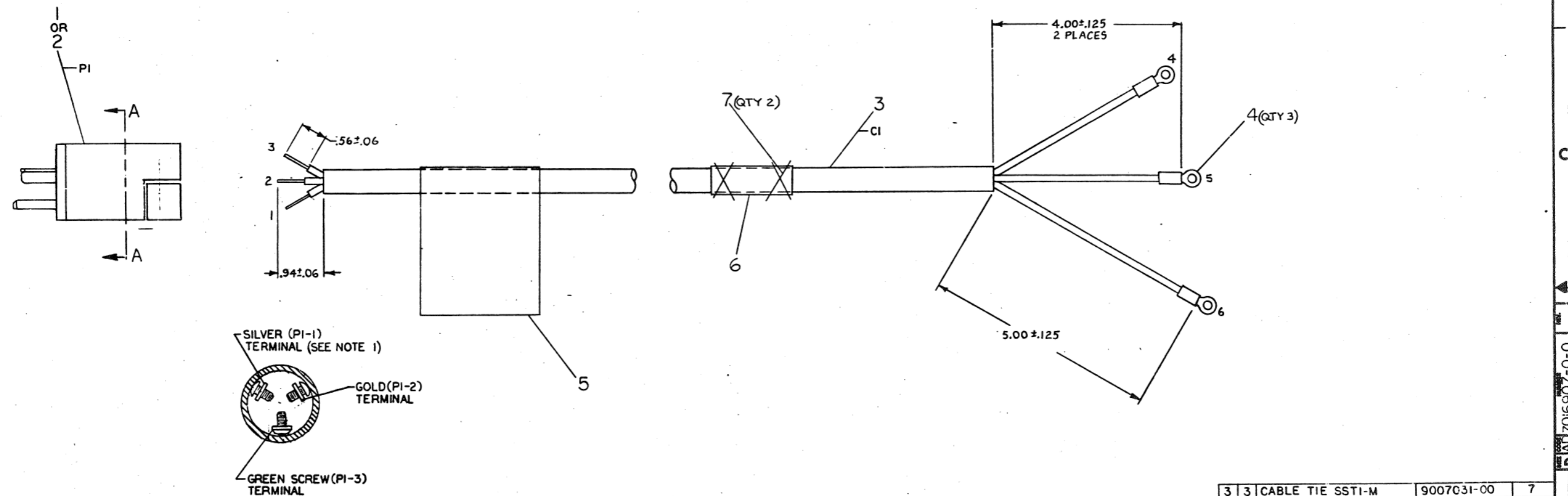
REV.	DATE	BY	DESCRIPTION
1	12-18-77	K. KNOWLES	REVISED TO 12-18-77
2	12-18-77	H. COOK	REVISED TO 12-18-77
3	12-18-77	H. COOK	REVISED TO 12-18-77

THIS DRAWING AND SPECIFICATIONS, HEREIN, ARE THE PROPERTY OF DIGITAL EQUIPMENT CORPORATION AND SHALL NOT BE REPRODUCED OR COPIED OR USED IN WHOLE OR IN PART AS THE BASIS FOR THE MANUFACTURE OR SALE OF ITEMS WITHOUT WRITTEN PERMISSION.
COPYRIGHT © 1979 - DIGITAL EQUIPMENT CORPORATION

ITEM	DESCRIPTION		TO			FROM			LENGTH
	AWG	COLOR	POINT	CONNECTION	WITH	POINT	CONNECTION	WITH	
3	14	GRN/YEL	CI-1	PI-3	---	CI-6	---	4	9'5.0±2.0"
3	14	BLU	CI-2	PI-1	---	CI-5	---	4	9'4.0±2.0"
3	14	BRN	CI-3	PI-2	---	CI-4	---	4	9'4.0±2.0"

PARTS LEGEND	
PART NUMBER	VARIATION
7016907-00	120V
7016907-01	220V-240V

NOTES:
 1. TERMINAL PI-1 SILVER ON 120 V (1215183-C0) VARIATION ONLY. ON 230V VARIATIONS (3008853-00) PI-1 & PI-2 ARE GOLD.
 2. AFTER ASSY, COIL ITEM 3 (PWR CORD) 3 TIMES LEAVING ENDS APPROX 18 INCHES EACH SIDE, CABLE TIE COILS TOGETHER USING ITEM 7.



QTY	ITEM NO.	DESCRIPTION	DWG. PART NO.	ITEM NO.
3	3	CABLE TIE SST1-M	9007031-00	7
1	1	LABEL, CABLE IDENT.	9009532-C0	6
1	1	LABEL, AC LINE CORD WARNING	3611448-00	5
3	3	TERM. RING, 1 POS. INS, 14AWG	9007928-00	4
1	1	POWER CORD, 14-3, 15A, 300V	1700027-01	3
1	1	CONN, PWR PLUG NEMA 6-15P	9008853-00	2
1	1	CONN, PWR PLUG NEMA 5-20P	1215183-00	1

UNLESS OTHERWISE SPECIFIED DIMENSIONS ARE IN INCHES	
ANGLES 1/2 3/4	CLASS OF ACCURACY
SURFACE QUALITY	CHECK OVER
MICROINCHES	PREFERRED

THIRD ANGLE PROJECTION

REMOVE BURRS AND BREAK BLAMP CORNERS

DO NOT SCALE DWG

MATERIAL SEE PARTS LIST

FINISH

DRN. *A. M...* 5/12/77
 CHK'D *[Signature]* 7/24/77
 ENGR. *[Signature]* 7-11-77
 PROD. ENG. *[Signature]* 7-12-77

FIRST USED ON H7140

TITLE LINE CORD ASSY

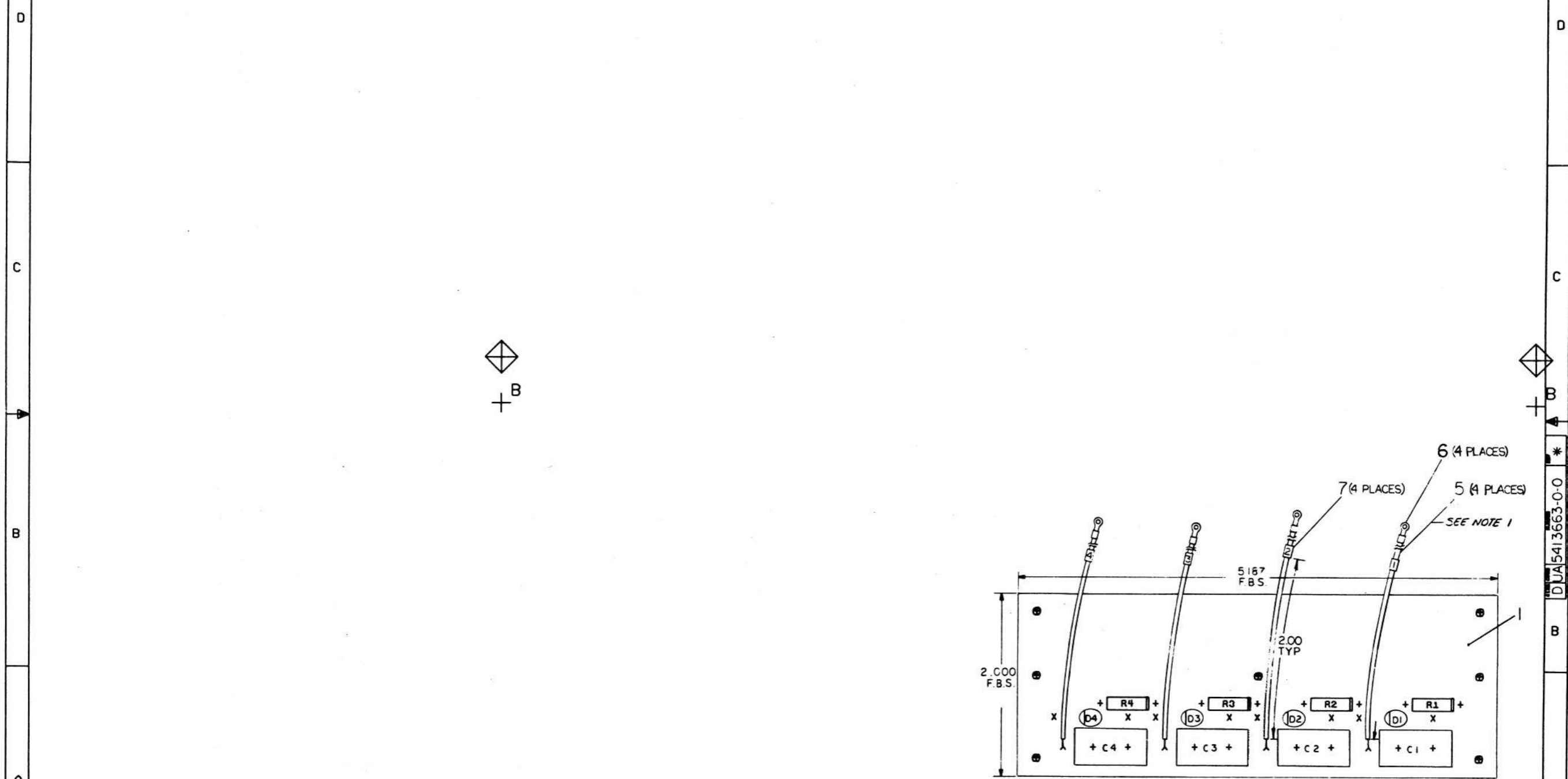
NEXT HIGHER ASSY.

D-AD-7016478-0-0 SIZE CODE NUMBER REV.
 SCALE NONE D AD 7016907-0-0 *
 SHEET 1 OF 1 DIST. TW 1

REV.	CHANGE NO.

COMPONENT SIDE VIEW

THIS DRAWING AND INFORMATION HEREON ARE THE PROPERTY OF DIGITAL EQUIPMENT CORPORATION AND WILL NOT BE DISCLOSED OR REPRODUCED IN WHOLE OR IN PART WITHOUT THE WRITTEN PERMISSION OF DIGITAL EQUIPMENT CORPORATION.



NOTES: 1. WIRE (ITEM 5) SHOULD BE PRECUT TO 4" LENGTHS (4 PIECES REQUIRED)

CHANGE NO	REV

ETCH REV.	A
P.C. DESIGN DATA BRISE REV.	A

SIGNATURES	DATE	digital
DRN. <i>[Signature]</i>	7-7-78	TITLE H7140 SNUBBER BOARD
CHK'D. <i>[Signature]</i>	7-14-78	
ENG. <i>[Signature]</i>	6-24-78	
PROD. <i>[Signature]</i>	7-15-78	
SCALE	2 / 1	SIZE CODE NUMBER REV
SHT.	1 OF 2	d UA 5413663-0-0 *
NEXT HIGHER ASSY. B-DD-5413663-0		

8

7

6

5

4

3

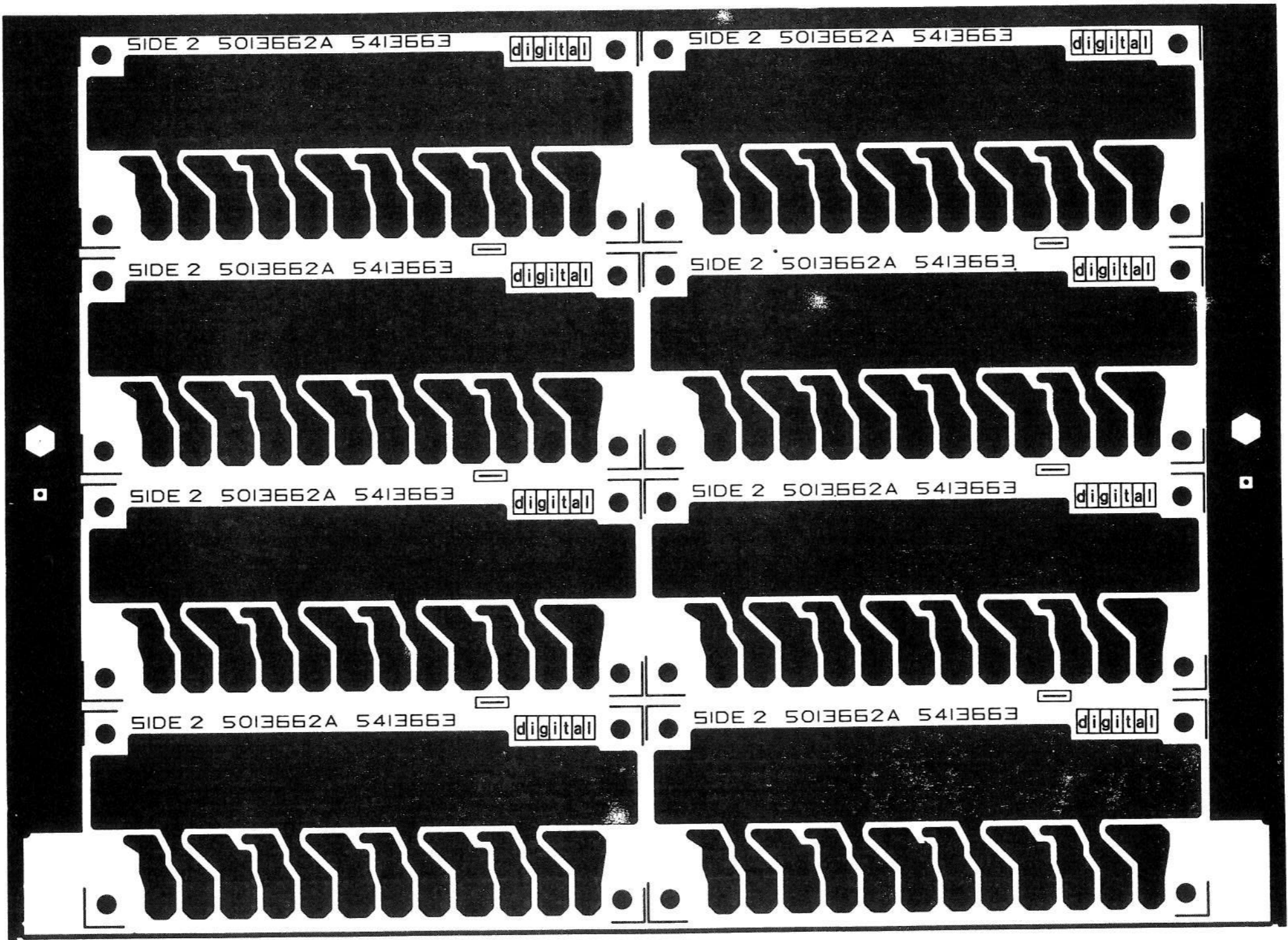
* 0-0-5413663-0-0 DUA 5413663-0-0

1

"THIS DRAWING AND SPECIFICATIONS HEREIN ARE THE PROPERTY OF DIGITAL EQUIPMENT CORPORATION AND SHALL NOT BE REPRODUCED OR COPIED OR USED IN WHOLE OR IN PART AS THE BASIS FOR THE MANUFACTURE OR SALE OF ITEMS WITHOUT WRITTEN PERMISSION. COPYRIGHT © 1979 DIGITAL EQUIPMENT CORPORATION"

D
C
B
A

D
C
B
A



REVISIONS		
CHK	CHANGE NO.	REV.

8

7

6

5

4

3

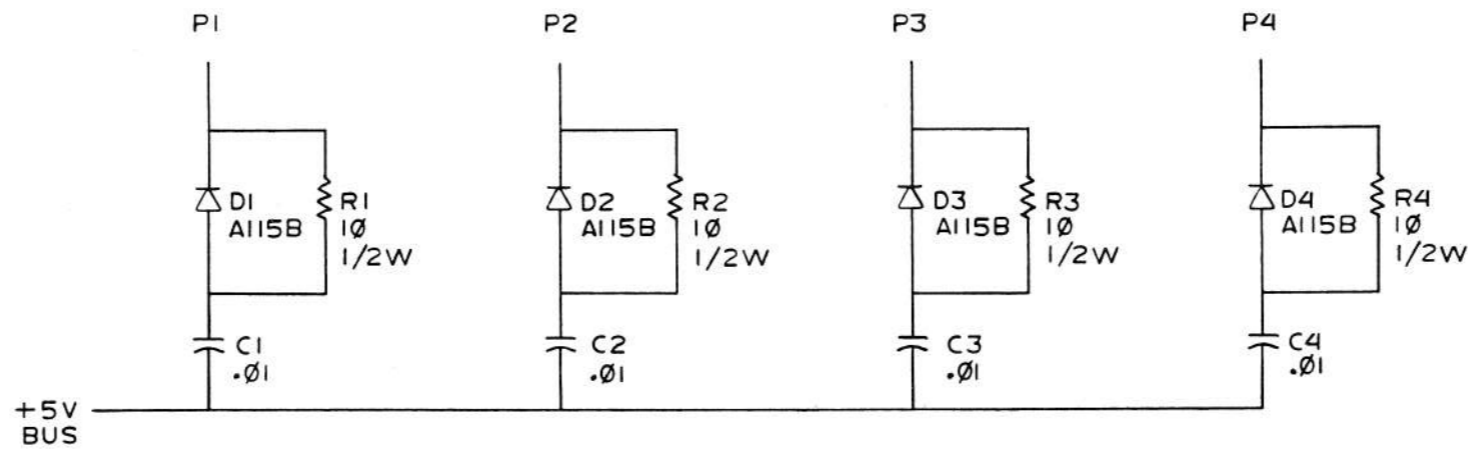
2

1

TITLE	SIZE CODE	NUMBER	REV.
H7140 SNUBBER BOARD	D UA	5413663-0-0	
SCALE 2/1	SHEET 2 OF 2	DIST.	

* 0-0-5413663-0-0 DUA 5413663-0-0

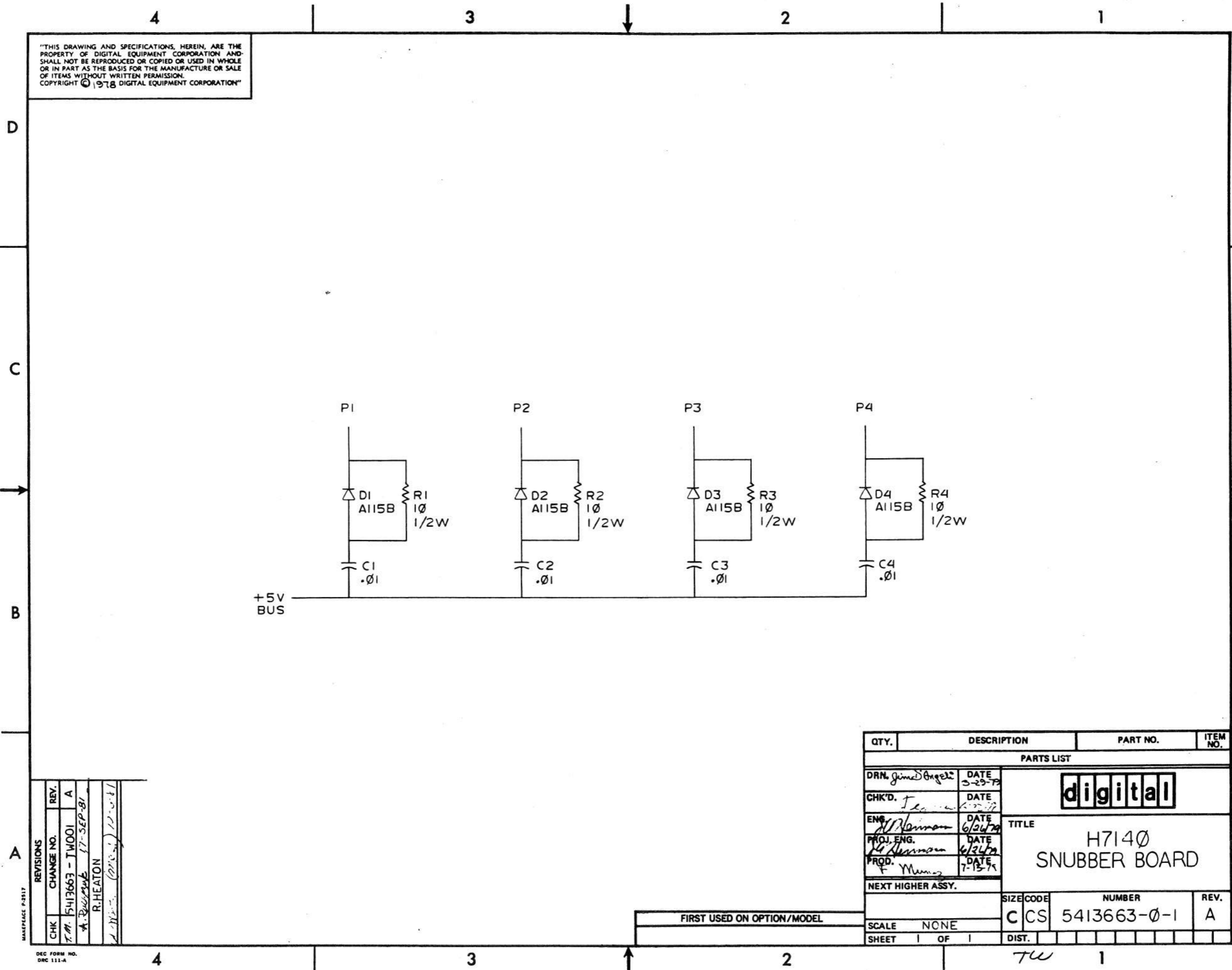
"THIS DRAWING AND SPECIFICATIONS, HEREIN, ARE THE PROPERTY OF DIGITAL EQUIPMENT CORPORATION AND SHALL NOT BE REPRODUCED OR COPIED OR USED IN WHOLE OR IN PART AS THE BASIS FOR THE MANUFACTURE OR SALE OF ITEMS WITHOUT WRITTEN PERMISSION. COPYRIGHT © 1978 DIGITAL EQUIPMENT CORPORATION"



REV.	CHANGE NO.	CHK	DATE
A	1	T.M.	5/13/66
B	1	A.	11-5-67
C	1	R.	HEATON

QTY.	DESCRIPTION	PART NO.	ITEM NO.
PARTS LIST			
DRN. <i>Jim D'Angelis</i>	DATE <i>5-29-78</i>	 TITLE H7140 SNUBBER BOARD	
CHK'D. <i>J. ...</i>	DATE <i>6-22-78</i>		
ENG. <i>H. ...</i>	DATE <i>6/24/78</i>		
PROJ. ENG. <i>H. ...</i>	DATE <i>6/24/78</i>		
PROD. <i>F. ...</i>	DATE <i>7-15-78</i>		
NEXT HIGHER ASSY.		SIZE CODE	NUMBER
FIRST USED ON OPTION/MODEL		C CS	5413663-0-1
SCALE NONE		DIST.	
SHEET 1 OF 1			

REV. A
 NUMBER 5413663-0-1
 SIZE CODE C CS

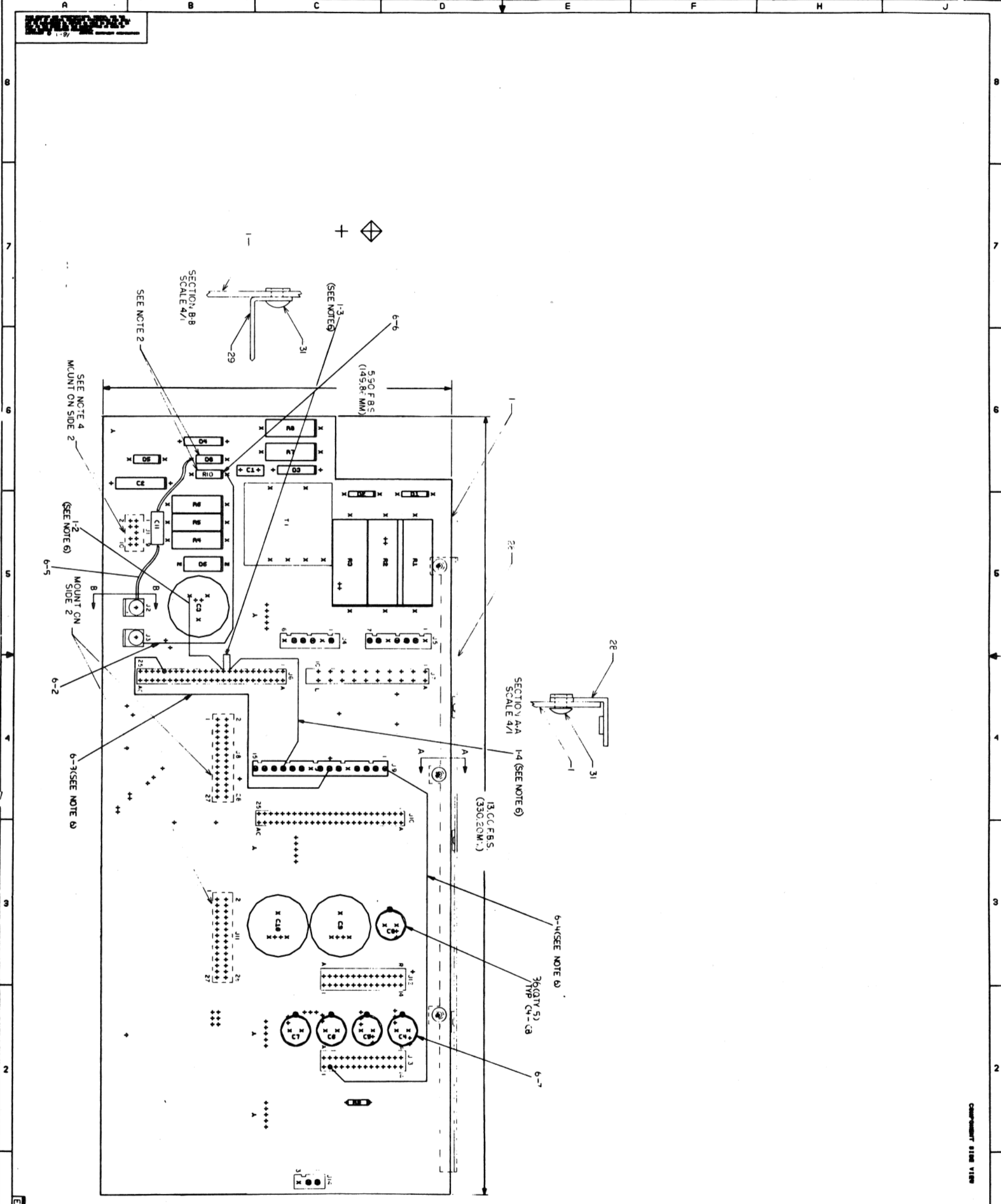


LINE ITEM	DOCUMENT NUMBER	PART NUMBER	DESCRIPTION	QTY PER VARIATION 00	REFERENCE DESIGNATOR
1	D-MD-5013662-0-0	5013662-00	DRILL & FTCH BD	1	
2		1011847-01	.01 MFD 400V 10% POLYPROP	4	C1-C4
3		1112594-01	A115B PIV=200 I= 3A	4	D1-D4
4		130016R-00	1W 1/2W 5% CC	4	R1-R4
5		9107801-33	WIRE,STRND,20AWG IPVC UL1431	A/R	
6		9007930-00	TERM RING 1POS INSULATED,22-16	4	
7		9008356-01	WIPE IDENTIFIER,(1-48)	1	

NOTE: ITEM #5, 1.33" IS USED.

REVISION HISTORY		BASIC PART NO: 5413663		DRN: K.FRIEDGEN		DATE: 22-MAY-79		D I G I T A L	
ENG	ECO NUMBER	REV	SECTION A OF A	CHK'D:	J.CASEY	DATE:	19-JUL-79	TITLE	PARTS LIST
	INITIAL	*	SECTION VARIATION INDEX					SNUBBER BOARD ASSY	
			(A) 00						
			(B)	DES.ENG:	J.A.HERRMANN	DATE:	22-MAY-79		
			(C)						
			(D)						
			(E)						
			(F)	RESP.ENG.:	J.A.HERRMANN	DATE:	22-MAY-79		DOCUMENT NUMBER
			(G)						
			(H)						
			(I)						
			(J)	MFG.ENG.:	F.MUNIZ	DATE:	19-JUL-79	SIZE CODE NUMBER	REV
			(K)					K PL 5413663-0-DBP	*
			(L)						
			(M)	ASSEMBLY NUMBER:		TOP DOCUMENT NUMBER:		FILE NAME:	EDIT #
			(N)	D-UA-5413663-0-0		D-MD-5413663-0-0		13663.PLS	8

"THIS DRAWING AND SPECIFICATIONS HEREIN, ARE THE PROPERTY OF DIGITAL EQUIPMENT CORPORATION AND SHALL NOT BE REPRODUCED OR COPIED OR USED IN WHOLE OR IN PART AS THE BASIS FOR THE MANUFACTURE OR SALE OF ITEMS WITHOUT WRITTEN PERMISSION. COPYRIGHT (C) 1979, DIGITAL EQUIPMENT CORPORATION"



COMPONENT SIDE VIEW

- NOTES: 1. U.I. APPROVAL REQUIRED
 2. DIMENSIONS ARE FOR FUTURE USE
 3. J1, J2, AND J3 ARE TO BE MOUNTED ON SIDE 2
 4. REMOVE PIN & BRIDGE MOUNTING CLIP
 5. STEP AND HILLING MIL 42
 6. STEP 1 & 2 ARE TO BE MOUNTED ON SIDE 1
 7. STEP 3 & 4 ARE TO BE MOUNTED ON SIDE 2

REV	DATE	DESCRIPTION
1		INITIAL RELEASE
2		REVISION
3		REVISION
4		REVISION
5		REVISION
6		REVISION
7		REVISION
8		REVISION
9		REVISION
10		REVISION

NOTES: 6. WIRE ON SIDE 2.

DATE	BY

SIGNATURE		DATE	digital
CHK'D. F. GAKOVALO		6/2/77	
PROJ. ENG. M. J. ...		6/2/77	TITLE H 7140
PROD. F. ...		6/2/77	MOTHER BOARD
REV. 1 OF 2			
PART NUMBER: 8-00-3413615-0			

5413615-0-0 H

REWORK INSTRUCTIONS

ECO #1

~~ETCH CUT SIDE 1~~
~~FROM C3/NEG TO J6-P11, J6-P10 AND J6-P12~~

WIRE ADDS: SIDE 2

- 1-2 FROM C3/NEG (TACK SOLDER TO ETCH) TO J6-P11
- 1-3 FROM J6-P11 TO J6-P10
- 1-4 FROM J6-P10 TO J9-P12

ECO #6

WIRE ADDS: SIDE 2

- 6-2 FROM J9 TO D7 CATHODE
 - 6-3 FROM J9-7 TO J6-21
 - 6-4 FROM J9-1 TO J9-2
- } USE ITEM 32

COMPONENT ADDS: SIDE 1

- 6-5 C11 (P/N 100040-00) FROM D8 ANODE TO J2-INSULATE LEADS WITH ITEM 33.
- 6-6 R10 (P/N 131220-00) IN FORMER D7 POSITION.
- 6-7 ITEM 36 (P/N 9009731-03) ADD ON C4-CB.

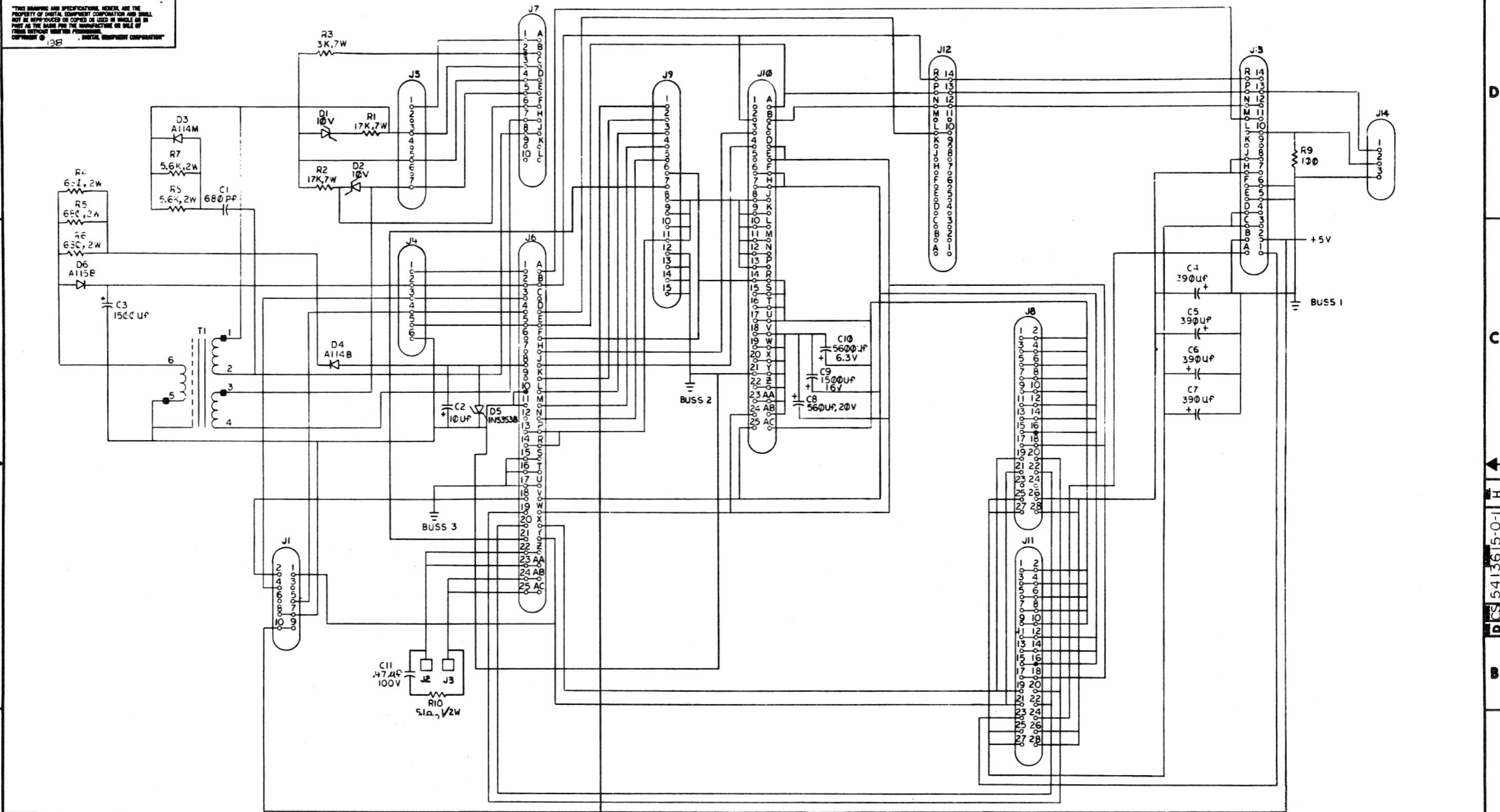
5413615-0-0 H

H7140 MOTHER BD.

JA 5413615-0-0 H

5413615-0-0 H

THIS DRAWING AND SPECIFICATIONS HEREIN ARE THE PROPERTY OF DIGITAL EQUIPMENT CORPORATION AND SHALL NOT BE REPRODUCED OR COPIED OR USED IN WHOLE OR IN PART AS THE BASIS FOR THE MANUFACTURE OR SALE OF ITEMS WITHOUT WRITTEN PERMISSION OF DIGITAL EQUIPMENT CORPORATION.



REV. NO.	REV.
1	E
2	F
3	G
4	H
5	I
6	J
7	K
8	L

DRN. 11-2-78	FIRST USED ON	H7140
CHK'D. 12/2/79	TITLE	H7140 MOTHER BOARD
ENG. 9-6-79	SCALE	D
PROJ. ENG. 8-6-79	SIZE	CS 5413615-0-1
NEXT HIGHER ASSY.	NUMBER	1
SCALE	REV.	H
SHEET	OF	1

LINE ITEM	DOCUMENT NUMBER	PART NUMBER	DESCRIPTION	QTY PER VARIATION 00	REFERENCE DESIGNATOR
1	D-MD-5013614-0-0	5013614-00	DRILL & ETCH BD	1	
2		1004813-00	10 MFD 20V 10% S,TANT	1	C2
3		1012607-00	560 MFD 20V H% 672D AL EL	1	CR
4		1012607-06	390 MFD 20V H% 67D AL EL	4	C4-C7
5		1013280-00	680.0 MMF1000V 5%200PPM	1	C1
6		1014229-00	1500 MFD 16V +75-10% AL EL	2	C9,C3
7		1016169-00	5600 MFD 6.3V +75,-10% AL EL	1	C10
8		1110854-00	1N 5353B VZ= 16.0V 5% .40W M	1	D5
9		1100125-00	1N 758A VZ= 10.0 5% .40W PPE	2	D1,D2
10		1112594-01	A115B PIV=200 I= 3A	1	D6
11		1112595-01	A114B PIV=200 I= 1A	1	D4
12		1112595-02	A114M PIV=600 I= 1A	1	D3
13		1215341-01	HEADER 10POS VERTICAL	1	J1
14		1211004-00	SOCKET,100 28POS BOTTOM MOUNT	4	J12,J13,J11,J8
15		1211004-04	SOCKET,100 40POS	1	J7
16		1211004-05	SOCKET,100 50POS	2	J6,J10
17		1216122-01	HEADER,156 7POS KEYED	1	J5
18		1216122-02	HEADER,156 15POS KEYED	1	J9
19		1216122-04	HEADER,156 3POS	1	J14
20		1216122-05	HEADER,156 6POS	1	J4
21		1300229-00	100.0 .25 W 5.0 % CC	1	R9
22		1300348-00	680.0 2.0 W 5.0 % CC	3	R4-R6
23		1300456-00	5.60 K 2.0 W10.0 % CC	2	R7,R8
24		1316207-00	3.0 K 7W+,-5% WW	1	R3
25		1316209-00	17.0 K 7W+,-5% WW	2	R1,R2
26		1616215-00	XFMR P=240/360 S=5V	1	T1
27		7422391-00	SUPPORT,MOTHER BOARD	1	
28		9008219-00	TERM QUICK 1POS ADAPTER	2	J2,J3
29		9009000-00	FYELET, ROLLED FLANGE, .121 OD X	5	
30		9107688-55	WIRE(WRAP)24AWG UL1327 A/R		

REVISION HISTORY			BASIC PART NO: 5413615			DRN: M.CICCONE			DATE: 27-MAR-79			D I G I T A L		
ENG	ECO NUMBER	REV	SECTION A OF A	CHK'D:	E.T.GERRY	DATE:	27-MAR-79	TITLE	PARTS LIST					
---	INITIAL	D	SECTION, VARIATION INDEX					MOTHER BOARD						
R.W	TW001	E	[A] 00											
			[B]											
			[C]	DES.ENG:	R.WOLF	DATE:	27-MAR-79							
			[D]											
			[E]	RESP.ENG.:	R.WOLF	DATE:	27-MAR-79	DOCUMENT NUMBER						
			[F]											
			[H]					SIZE	CODE	NUMBER	REV			
			[J]	MFG.ENG.:	P.WAITKUS	DATE:	6-AUG-79	K	PL	5413615-0-DBP	E			
			[K]	ASSEMBLY NUMBER:		TOP DOCUMENT NUMBER:		FILE NAME:	Z0376E.PLS		EDIT #			
			[L]	ID-UA-5413615-0-0							7			
			[M]											
			[N]											

"THIS DRAWING AND SPECIFICATIONS HEREIN, ARE THE PROPERTY OF DIGITAL EQUIPMENT CORPORATION AND SHALL NOT BE REPRODUCED OR COPIED OR USED IN WHOLE OR IN PART AS THE BASIS FOR THE MANUFACTURE OR SALE OF ITEMS WITHOUT WRITTEN PERMISSION. COPYRIGHT (C) 1980, DIGITAL EQUIPMENT CORPORATION"

TW

AUTOMATED BY PRTLST.3J(25)

PARTS LIST

SHEET A2 OF A2

LINE ITEM DOCUMENT NUMBER

PART NUMBER

DESCRIPTION

QTY PER VARIATION
00

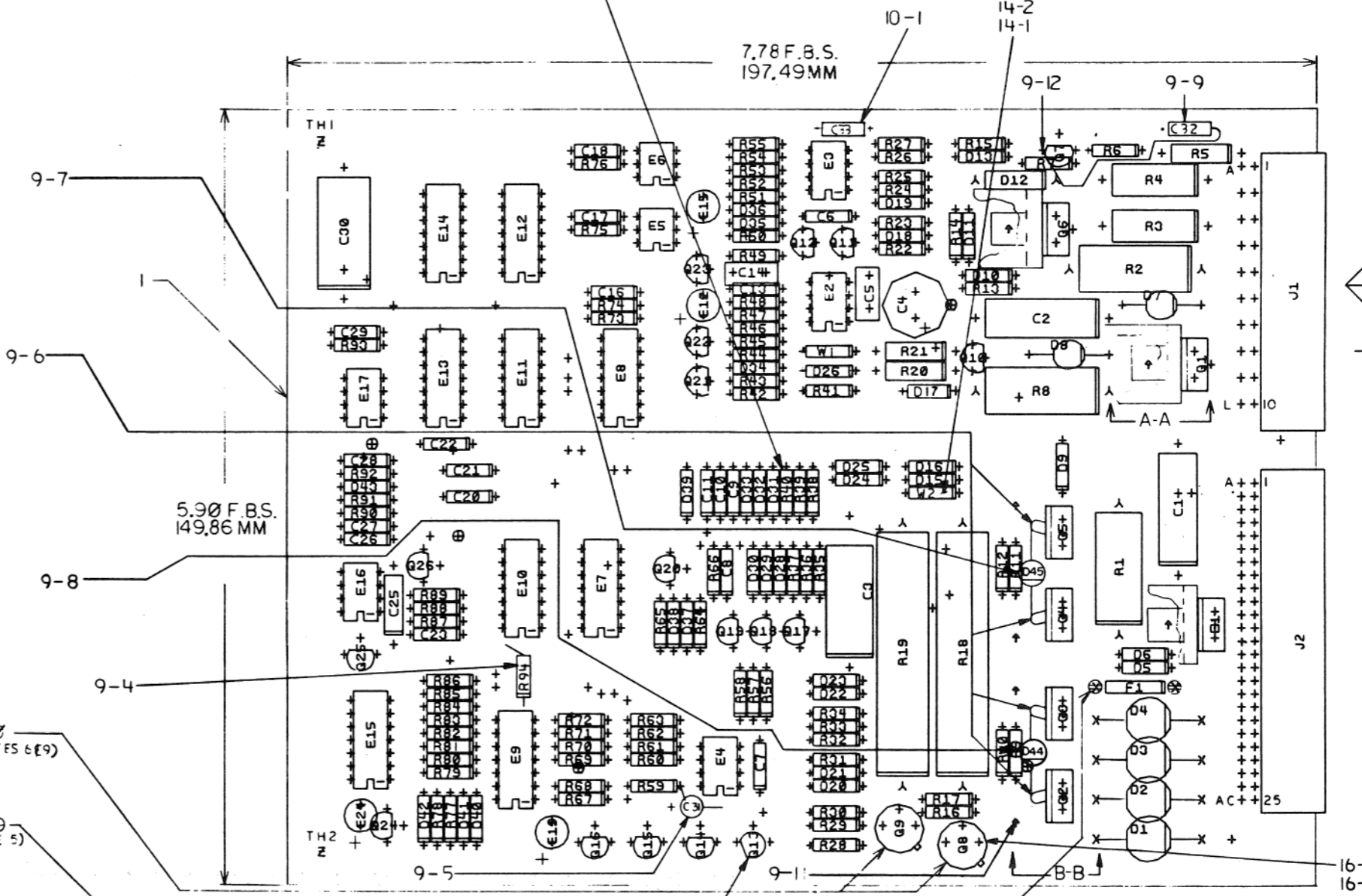
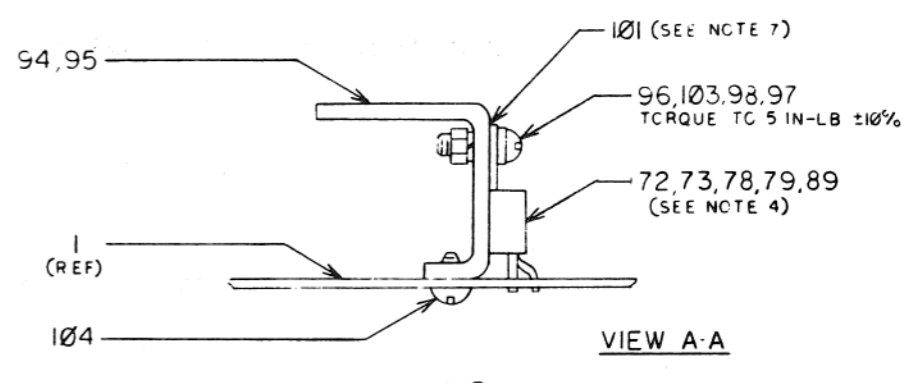
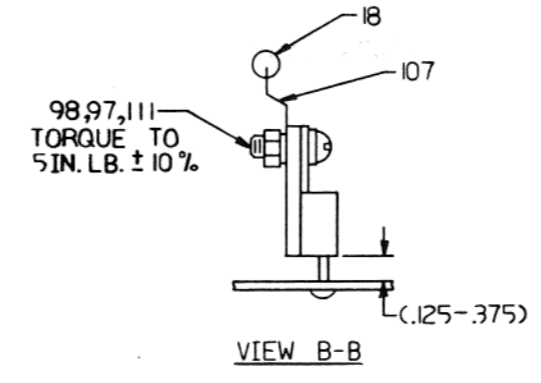
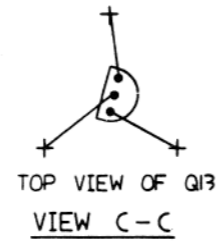
REFERENCE DESIGNATOR

31 NOTE: FOR ITEM #32, 46' IS USED.

D	I	G	I	T	A	L	TITLE	MOTHER BOARD	SECTION A OF A	SIZE	CODE	DOCUMENT NUMBER	REV
										K	PL	5413615-0-DBP	E

TW

THE DRAWING AND SPECIFICATIONS ARE HEREBY MADE THE PROPERTY OF E.I. DU PONT DE NEMOURS AND COMPANY. NO PART OF THIS DRAWING OR SPECIFICATION IS TO BE REPRODUCED OR TRANSMITTED IN ANY FORM OR BY ANY MEANS WITHOUT THE WRITTEN PERMISSION OF E.I. DU PONT DE NEMOURS AND COMPANY.



- NOTES:
- STEP AND REPEAT CODE 2ML 39
 - R18, R19 MUST BE RAISED .125" TO .150"
 - D1 - D4, R1, R2, R8 MUST BE RAISED .05" TO .10"
 - E1 AND Q1-Q6, MUST BE MOUNTED TO HEAT SINK BEFORE BEING ATTACHED TO PCB. SEE VIEW A A.
 - EYELET ITEM NO. 99, USED IN MOUNTING HOLES OF F1.
 - USE TRANSIPAD ITEM NO. 100 UNDER Q9
 - USE THERMAL COMPOUND ITEM NO. 101 BETWEEN E1-Q1-Q6, AND HEAT SINK'S.
 - FOR INSTALLATION OF Q13 (ITEM # 69) SEE VIEW C-C.
- | STEP | E | Y | AXIS | 6.025 | STEP | T | TIMES |
|--------|---|---|------|-------|-------|------|-------|
| REPEAT | | | X | AXIS | 7.900 | STEP | T |

9. ASSEMBLE QTY2 OF ITEM 100 WITH SMOOTH SURFACES TOGETHER UNDER Q8.

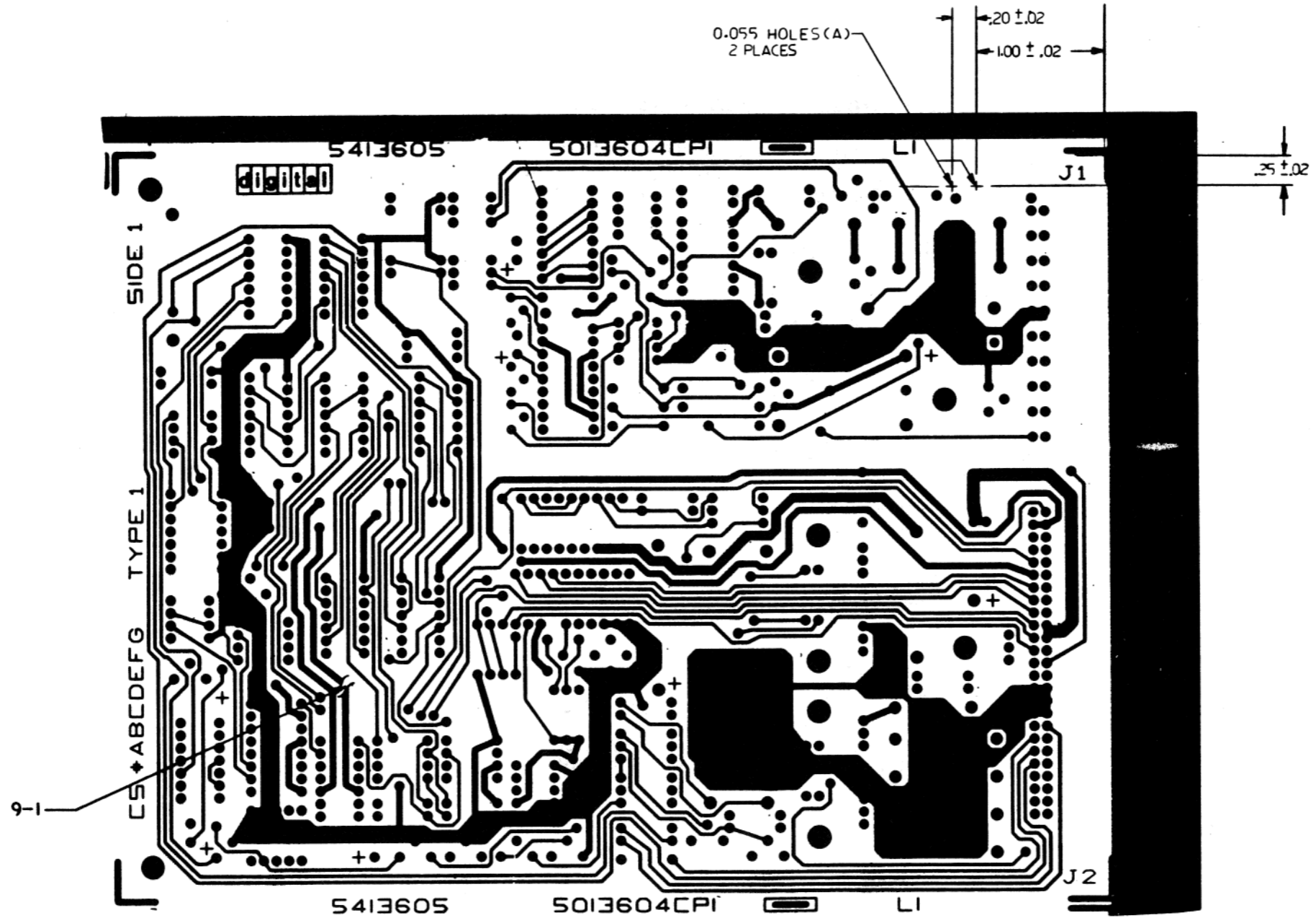
CHK/CHANGE NO	REV	DATE	BY	APP
5413605-TW4	E	10-1-80	R. WOLF	
5413605-TW4	F	10-2-80	E. CROCKER	
5413605-TW4	G	10-2-80	R. HEATON	
5413605-TW4	H	10-2-80	R. HEATON	
5413605-TW4	J	10-2-80	K. KNOWLES	
5413605-TW4	K	10-2-80	K. KNOWLES	
5413605-TW4	L	10-2-80	R. HEATON	
5413605-TW4	M	10-2-80	K. KNOWLES	
5413605-TW4	N	10-2-80	K. KNOWLES	

ETCH REV.	CPI
-----------	-----

SIGNATURES	DATE	TITLE
DRN. <i>[Signature]</i>	1-4-80	BIAS AND INTERFACE BOARD
CHK'D. <i>[Signature]</i>	1-17-80	
MECH. ENG. <i>[Signature]</i>	10-2-80	
PROJ. ENG. <i>[Signature]</i>	10-2-80	
SCALE	1:1	SIZE CODE
SHT. 1 OF 3		NUMBER
NEXT HIGHER ASSY. B-00-5413605-0		REV

THIS DRAWING AND SPECIFICATIONS HEREAFTER ARE THE PROPERTY OF DIGITAL EQUIPMENT CORPORATION AND SHALL NOT BE REPRODUCED OR COPIED OR USED IN WHOLE OR IN PART AS THE BASIS FOR THE MANUFACTURE OR SALE OF THIS EQUIPMENT WITHOUT WRITTEN PERMISSION. COPYRIGHT © DIGITAL EQUIPMENT CORPORATION

DUA 5413605-C-0



REVISION HISTORY	
DATE	REV.

DOCUMENT NUMBER			
REV.	CODE	NUMBER	REV.
D	UA	5413605-C-0	M
SCALE		SHEET	OF
TW		2	3

TITLE
BIAS AND
INTERFACE BOARD

DUA 5413605-C-0

8

W 0-0-509E1HS V D
AM 10000 1275

6

5

4

3

2

1

THIS DRAWING AND SPECIFICATIONS HEREIN ARE THE PROPERTY OF DIGITAL EQUIPMENT CORPORATION AND SHALL NOT BE REPRODUCED OR COPIED OR USED IN WHOLE OR IN PART AS THE BASIS FOR THE MANUFACTURE OR SALE OF ITEMS WITHOUT WRITTEN PERMISSION.
COPYRIGHT © DIGITAL EQUIPMENT CORPORATION

D

REWORK INSTRUCTIONS

ECO #9

ETCH CUTS SIDE 1:

9-1 CUT ETCH FROM E9-3 TO C20.

ETCH CUTS SIDE 2:

9-2 CUT ETCH FROM Q4-C TO Q5-C.

9-3 CUT ETCH FROM Q2-C TO Q3-C.

COMPONENT ADDS SIDE 1

9-4 INSTALL R74 ACROSS ETCH CUT 9-1 BY TACK SOLDER AS SHOWN.

9-5 INSTALL POS. END OF C31 TO END OF R59 ADJACENT TO E4 USING A .125" LENGTH OF TUBING (ITEM 110) AND SOLDERING NEG. END TO ETCH BETWEEN E4 AND Q14.

9-6 INSTALL SOLDER TERMINALS (ITEM 107) ON COLLECTOR TABS OF Q2-Q5 USING EXISTING HARDWARE AS SHOWN.

9-7 CONNECT D45 TO TERMINALS ON Q4 AND Q5 WITH CATHODE (BLACK BAND) CONNECTED TO Q4.

9-8 CONNECT D44 TO TERMINALS ON Q2 AND Q3 WITH CATHODE (BLACK BAND) CONNECTED TO Q2.

9-9 INSTALL C32 BY DRILLING TWO .055 HOLES (AS SHOWN ON SHEET 2 OF 3 OF THE UA PRINT) AND INSTALL GRIPLET (P/N 12-10244-01) IN HOLE NEAREST EDGE CONNECTOR ONLY. TACK SOLDER TO ETCH BETWEEN R5 AND R6 ON SIDE 2.

COMPONENT DELETE SIDE 1:

9-10 REMOVE HEAT SINKS (ITEM 95) FROM Q2-Q5.

COMPONENT DELETE SIDE 2:

9-11 REMOVE FOUR(4) TAPPING SCREWS (ITEM 104) USED TO SECURE HEAT SINKS (ITEM 95).

WIRE ADDS SIDE 1:

9-12 INSTALL WIRE (ITEM 114) IN HOLE WITH GRIPLET AND CONNECT TO Q7 COLLECTOR.

REWORK INSTRUCTIONS

ECO #10

COMPONENT ADD SIDE 1:

10-1 ADD C33 BY HANDDRILLING 2 .055 HOLES AND TACK SOLDERING ONE LEAD TO RUN THAT E3-PIN 3 IS ATTACHED TO, AND TACK SOLDERING THE OTHER LEAD TO RUN THAT IS ATTACHED TO E3-PIN 4 (BOTH CONNECTIONS SHOULD BE TACK SOLDERED ON SIDE #2).

REWORK INSTRUCTIONS

ECO #12

COMPONENT DELETE SIDE 1

12-1 DELETE R40, DEC P/N 1300439-00.

COMPONENT ADD SIDE 1

12-2 ADD R40, DEC P/N 1301890-00.

REWORK INSTRUCTIONS

ECO #14

COMPONENT DELETE SIDE 1

14-1 REMOVE D14

WIRE ADD SIDE 1

14-2 ADD JUMPER (ITEM #102) IN PLACE OF D14.

REWORK INSTRUCTIONS ECO #16

COMPONENT DELETES SIDE 1

16-1 REMOVE Q8 P/N 15-10959-00 AND DISCARD

COMPONENT ADDS SIDE 1

16-2 ADD Q8 P/N 15-10959-00 WITH QTY 2 OF ITEM 100 PREASSEMBLED WITH SMOOTH SURFACES TOGETHER

C

C

B

B

A

A

REVISION HISTORY		
DATE	ECO NUMBER	REV.

DOCUMENT NUMBER			
SIZE CODE	NUMBER	REV.	
D	UA 5413605-0-0	M	
SCALE	2/1	SHEET	3 OF 3

TITLE BIAS AND INTERFACE BOARD

DDO 138A

8

7

6

5

4

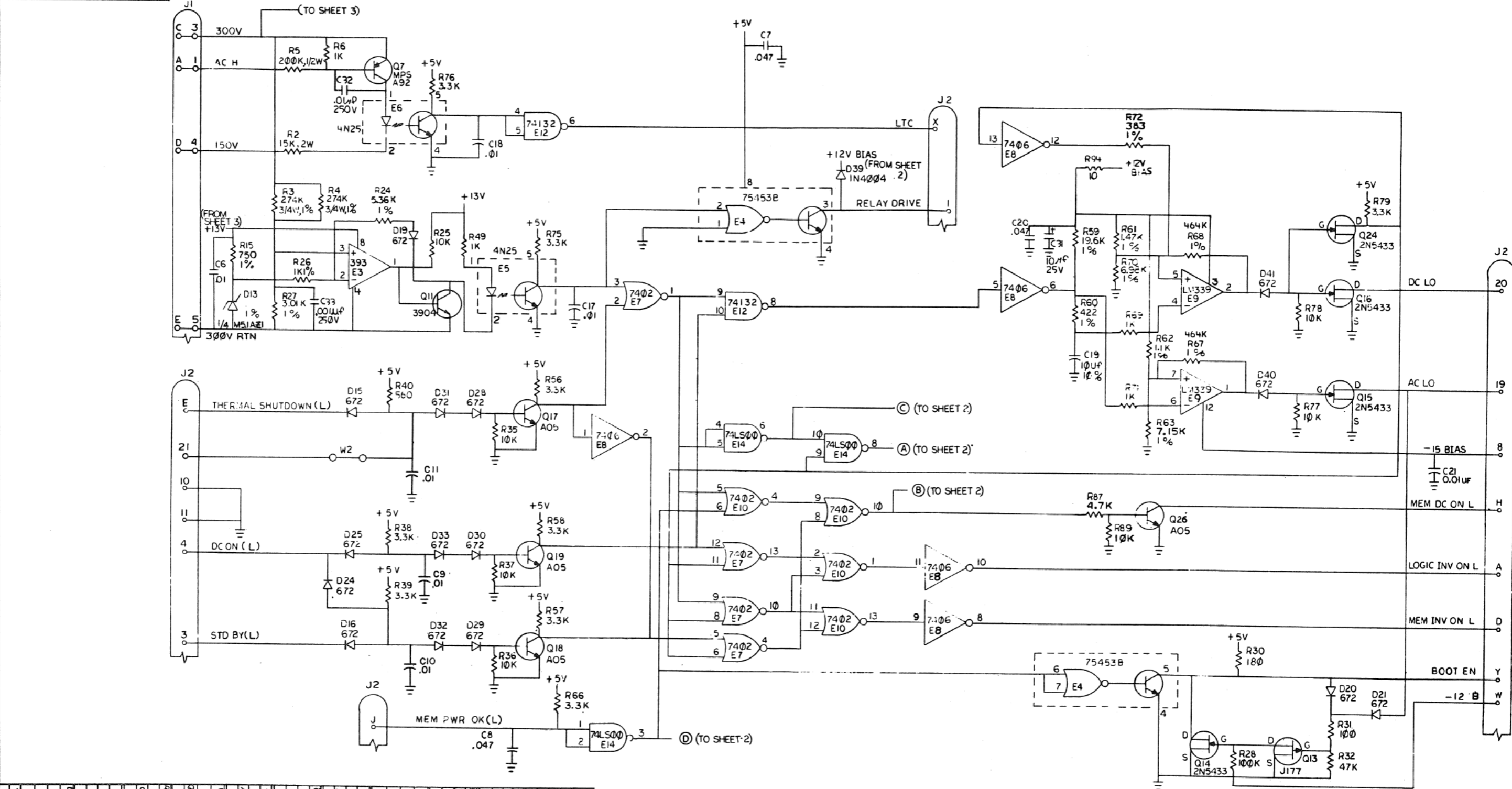
3

2

1

REV M
NUMBER
DUA5413605-0-0
SIZE CODE

THIS DRAWING AND SPECIFICATIONS HEREIN ARE THE PROPERTY OF DIGITAL EQUIPMENT CORPORATION AND SHALL NOT BE REPRODUCED OR COPIED OR USED IN WHOLE OR IN PART AS THE BASIS FOR THE MANUFACTURE OR SALE OF ITEMS WITHOUT WRITTEN PERMISSION.
 COPYRIGHT © 1978 DIGITAL EQUIPMENT CORPORATION



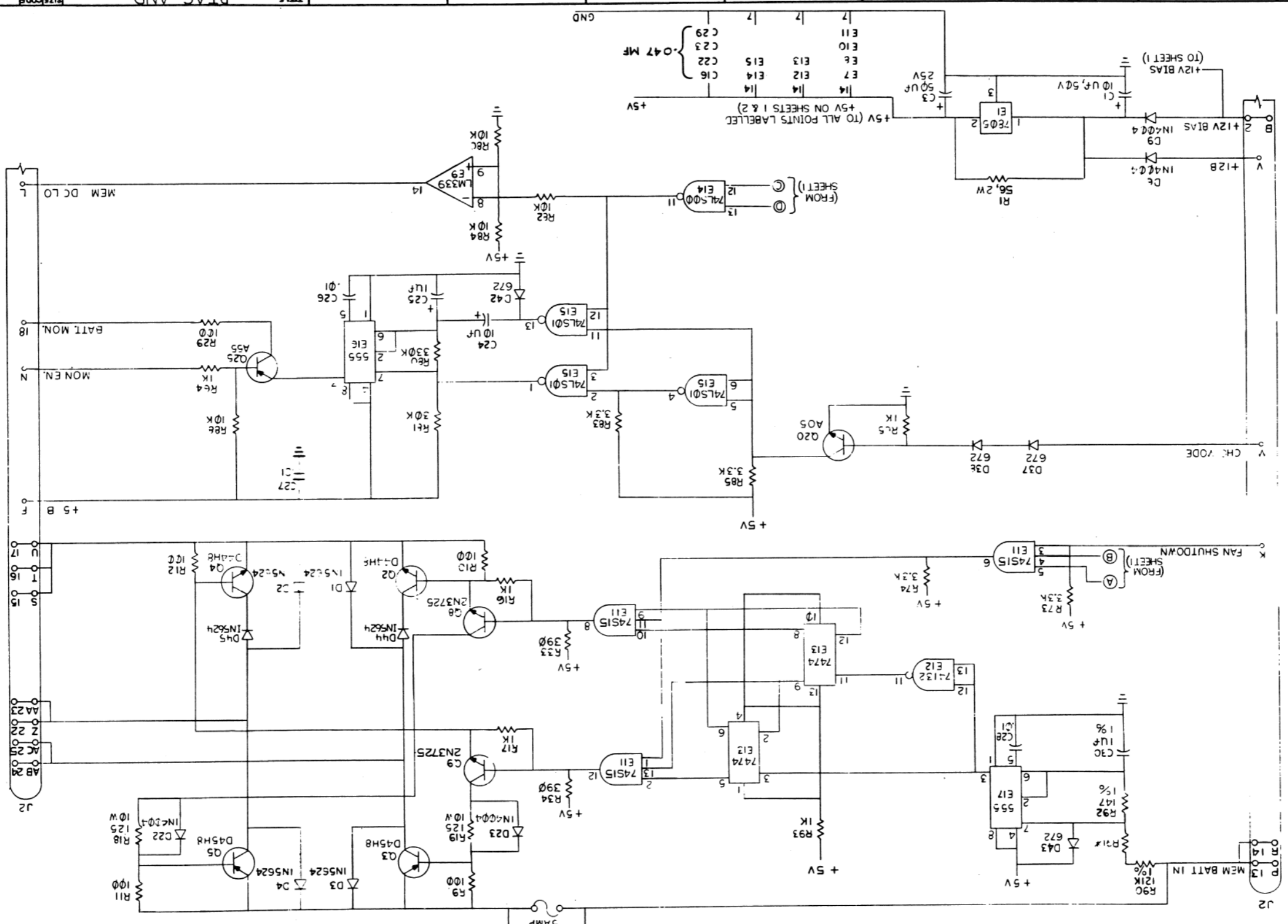
REV.	DATE	BY	CHK'D	APP'D
1	5/13/80	TWO01	B	
2	7/27/80	TWO02	C	
3	7/27/80	TWO03	D	
4	7/27/80	TWO04	E	
5	7/27/80	TWO05	F	
6	7/27/80	TWO06	G	
7	7/27/80	TWO07	H	
8	7/27/80	TWO08	I	
9	7/27/80	TWO09	J	
10	7/27/80	TWO10	K	
11	7/27/80	TWO11	L	
12	7/27/80	TWO12	M	
13	7/27/80	TWO13	N	
14	7/27/80	TWO14	O	
15	7/27/80	TWO15	P	
16	7/27/80	TWO16	Q	
17	7/27/80	TWO17	R	
18	7/27/80	TWO18	S	
19	7/27/80	TWO19	T	
20	7/27/80	TWO20	U	
21	7/27/80	TWO21	V	
22	7/27/80	TWO22	W	
23	7/27/80	TWO23	X	
24	7/27/80	TWO24	Y	
25	7/27/80	TWO25	Z	

DRN. No. 11-778	FIRST USED ON	Digital
CHK'D	DATE	
ENG. R. Wolf	7-27-80	
PROJ. ENG. J. Wolf	7-27-80	
PROD. F. Wolf	7-13-80	
NEXT HIGHER ASSY.	TITLE	BIAS AND INTERFACE BOARD
SCALE	SIZE CODE	D CS 5413605-0-1 N
SHEET 1 OF 3	DIST.	

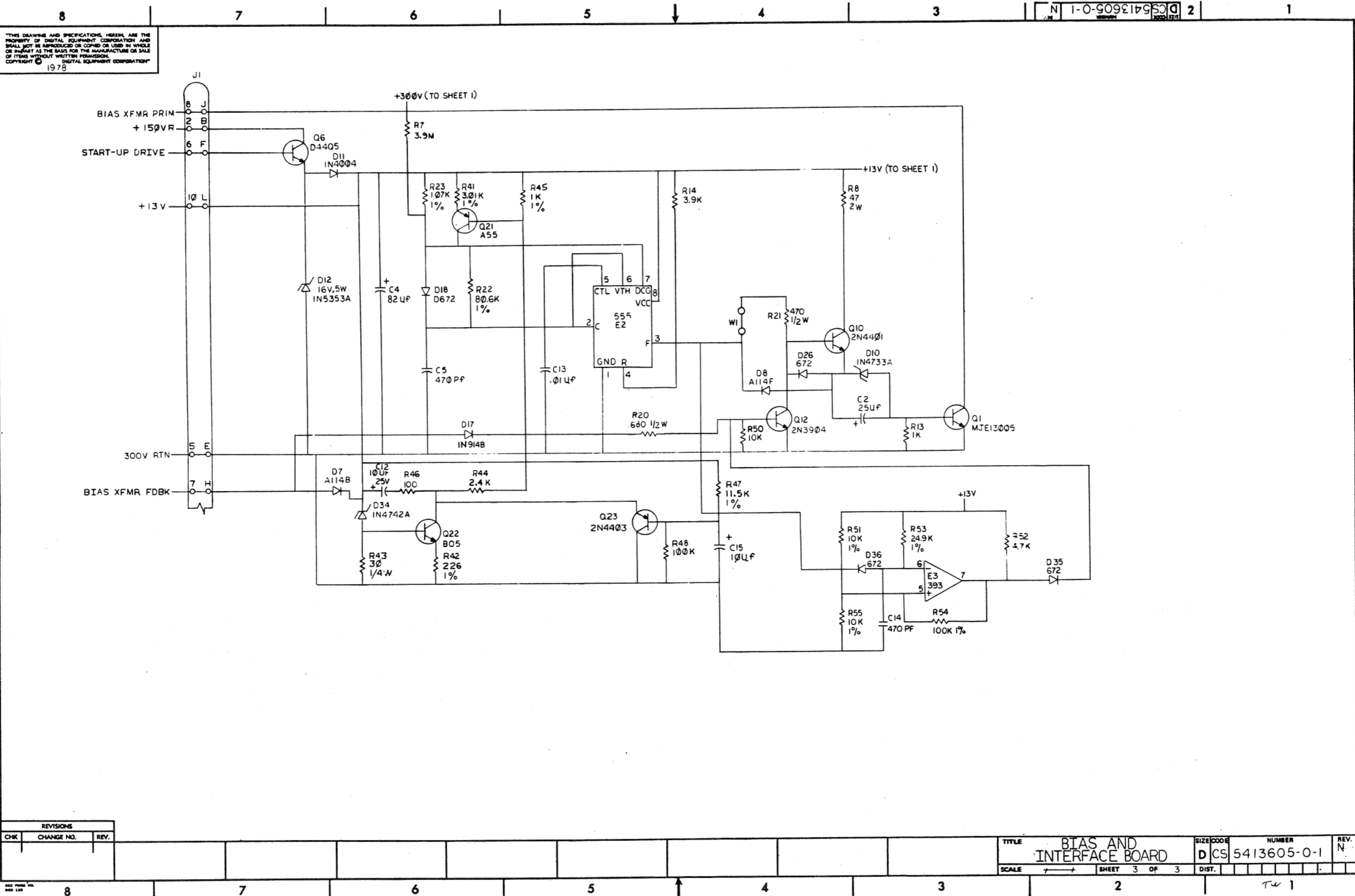
REV.	CHANGES NO.	REV.

COMPONENT	- CO	VAR	VA
R91	5.36K	40.2K	1.7%
DESIGNATOR	VAR	VAR	

THIS DRAWING AND SPECIFICATION HEREIN ARE THE PROPERTY OF DIGITAL CORPORATION AND SHALL NOT BE REPRODUCED OR USED IN WHOLE OR IN PART AS THE BASIS FOR THE MANUFACTURE OF ANY DIGITAL EQUIPMENT WITHOUT THE WRITTEN PERMISSION OF DIGITAL CORPORATION. © 1976



THIS DRAWING AND SPECIFICATIONS, HEREIN, ARE THE PROPERTY OF DIGITAL EQUIPMENT CORPORATION AND SHALL NOT BE REPRODUCED OR COPIED OR USED IN WHOLE OR IN PART AS THE BASIS FOR THE MANUFACTURE OR SALE OF ITEMS WITHOUT WRITTEN PERMISSION. DIGITAL EQUIPMENT CORPORATION. COPYRIGHT © 1978



REVISIONS		
CHK	CHANGE NO.	REV.

TITLE	BIAS AND INTERFACE BOARD	SIZE CODE	D CS	NUMBER	5413605-0-1	REV. N.
SCALE	→	SHEET	3 OF 3	DIST.		

DATE CODE NUMBER DCS 5413605-0-1-N

TW 1

AUTOMATED BY PRTLST.3L(40)

PARTS LIST

SHEET A1 OF A3

LINE	ITEM	DOCUMENT NUMBER	PART NUMBER	DESCRIPTION	QTY	PER VARIATION	REFERENCE DESIGNATOR
					00		
1	1	D-MD-5013604-0-0	5013604-00	DRILL & ETCH BD	1		
2	2		1000024-00	470.0 MMF 100V 5%200PPM MICA	2		C5,C14
3	3		1000070-00	10 MFD 50V+100-10% AL EL	1		C1
4	4		1000075-00	25 MFD 25V +75-10% AL EL	1		C2
5	5		1001610-00	.01 MFD 50V +80-20% Z5U CER	11	CONT	C6,C9-C11,C13,C17,C18,C21, C26-C28
6	6		1001776-00	1 MFD 35V 10% S.TANT	1		C25
7	7		1001796-00	50 MFD 25V +75-10% AL EL	1		C3
8	8		1010866-02	10 MFD 25V +50-20% S.TANT	4		C12,C15,C24,C31
9	9		1012784-00	.047 MFD 50V +80-20% CER	6		C7,C16,C20,C22,C23,C29
10	10		1013252-00	82 MFD 50V+100-10% AL EL	1		C4
11	11		1016138-00	1 MFD 50V 1% M.POLYCARB	1		C30
12	12		1105275-00	D 672 TR= 15NS PIV= 60V SI	23	CONT	D15,D16,D18-D21,D24-D26,D28-D33, D35-D38,D40-D43
13	13		1105796-00	1N 4004 PIV=400 I= 1A D041 SP	7		D5,D6,D9,D11,D22,D23,D39
14	14		1105871-00	1/4M5.1AZ1 = 5.1 1% .25W N	1		D13
15	15		1109502-02	1N 4742A VZ= 12.0 5% 1W	1		D34
16	16		1109517-00	1N 914B TR= 4NS PIV= 75V SY	1		D17
17	17		1109943-00	1N 4733A VZ= 5.1 5% 1W Y	1		D10
18	18		1110420-00	1N 5624 PIV=200 I= 5A	6		D1-D4,D44,D45
19	19		1110854-00	1N 5353B VZ= 16.0V 5% .40W M	1		D12
20	20		1112595-00	A114F PIV= 50 I= 1A	1		D8
21	21		1112595-01	A114B PIV=200 I= 1A	1		D7
22	22		1205747-00	FUSE, SUB-MINI, 5.000A, 125V, A	1		F1
23	23		1215112-02	PCB,HEADER 20POS(1X20).156CC 90D	1		J1
24	24		1216112-03	PCB,HEADER 50POS(1X50).156CC 90D	1		J2
25	25		1300229-00	100.0 .25 W 5.0 % CF	7		R9-R12,R29,R31,R46
26	26		1300309-00	390.0 .25 W 5.0 % CF	2		R33,R34
27	27		1300315-00	470.0 .50 W 5.0 % CF	1		R21
28	28		1300347-00	680.0 .50 W 5.0 % CF	1		R20

REVISION HISTORY			BASIC PART NO: 5413605			D I G I T A L		
ENG	ECO NUMBER	REV	SECTION A OF A	DRN:	DATE:	TITLE		
	INITIAL	E	SECTION VARIATION INDEX	J. FERGUSON	16-OCT-80	PARTS LIST		
EC	5413605-TW009	F	[A] 00	F. GAROFALO	16-OCT-80	BIAS AND INTERFACE BD		
RH	5413605-TW010	H	[B]					
KK	5413605-TW012	J	[C]	DES. ENG: R. WOLF	16-OCT-80			
KK	5413605-TW014	K	[D]					
RH	5413605-TW015	L	[E]	RESP. ENG.: R. WOLF	16-OCT-80	DOCUMENT NUMBER		
KK	5413605-TW016	M	[F]			SIZE	CODE	NUMBER
			[H]	MFG. ENG.: J. COMELLA	16-OCT-80	K	PL	5413605-0-DBP
			[J]					REV
			[K]	ASSEMBLY NUMBER:				M
			[L]	D-UA-5413605-0-0	TOP DOCUMENT NUMBER:			EDIT
			[M]		B-DD-5413605-0-0		FILE NAME:	24
			[N]				Z0402M.PLS	

"THIS DRAWING AND SPECIFICATIONS HEREIN, ARE THE PROPERTY OF DIGITAL EQUIPMENT CORPORATION AND SHALL NOT BE REPRODUCED OR COPIED OR USED IN WHOLE OR IN PART AS THE BASIS FOR THE MANUFACTURE OR SALE OF ITEMS WITHOUT WRITTEN PERMISSION. COPYRIGHT (C) 1983. DIGITAL EQUIPMENT CORPORATION "

AUTOMATED BY PRTLST.3L(40)

PARTS LIST

SHEET A2 OF A3

LINE	ITEM	DOCUMENT NUMBER	PART NUMBER	DESCRIPTION	QTY	PER VARIATION	REFERENCE DESIGNATOR
					00		
29	29		1300365-00	1.0 K .25 W 5.0 % CF	10		R6,R13,R16,R17,R49,R64,R65,R69,
30	30		1300439-00	3.30 K .25 W 5.0 % CF	13	CONT	R71,R93
31	31		1300444-00	3.90 K .25 W 5.0 % CF	1	CONT	R38,R39,R56-R58,R66,R73-R76,R79,
32	32		1300447-00	4.70 K .25 W 5.0 % CF	2		R83,R85
33	33		1300479-00	10.0 K .25 W 5.0 % CF	12		R14
34	34		1301322-00	180.0 .25 W 5.0 % CF	1	CONT	R52,R87
35	35		1302091-00	330.0 K .25 W 5.0 % CF	1		R25,R35-R37,R50,R77,R78,R82,R84,
36	36		1302177-00	47.0 K .25 W 5.0 % CF	1		R86,R88,R89
37	37		1302334-00	15.0 K 2.0 W 5.0 % CC	1		R30
38	38		1302394-00	30.0 K .25 W 5.0 % CF	1		R80
39	39		1302466-00	100.0 K .25 W 5.0 % CF	2		R81
40	40		1302479-00	200.0 K .50 W 5.0 % CF	1		R28,R48
41	41		1302644-00	226.0 .25 W 1.0 % RN55D-F10	1		R5
42	42		1302645-00	1.10 K .25 W 1.0 % RN55D-F10	1		R42
43	43		1302748-00	1.0 K .25 W 1.0 % RN55C-F 5	2		R62
44	44		1302751-00	30.0 .25 W 5.0 % CF	1		R26,R45
45	45		1302836-00	56.0 2.0 W 5.0 % CC	1		R43
46	46		1302860-00	11.50 K .25 W 1.0 % RN55D-F10	1		R1
47	47		1302874-00	147.0 .25 W 1.0 % RN55D-F10	1		R47
48	48		1302955-00	750.0 .25 W 1.0 % RN55D-F10	1		R92
49	49		1303067-00	422.0 .25 W 1.0 % RN55D-F10	1		R15
50	50		1303177-00	2.40 K .25 W 5.0 % CF	1		R60
51	51		1303305-00	6.98 K .25 W 1.0 % RN55D-F10	1		R44
52	52		1303322-00	274.0 K .75 W 1.0 % RN65D-F10	2		R70
53	53		1303438-00	121.0 K .25 W 1.0 % RN55D-F10	1		R3,R4
54	54	BLANK		*** THIS ITEM IS NOT USED ***	-		R90
55	55		1305108-00	1.47 K .25 W 1.0 % RN55D-F10	1		R61
56	56		1305125-00	383.0 .25 W 1.0 % RN55D-F10	1		R72
57	57		1305253-00	7.15 K .25 W 1.0 % RN55D-F10	1		R63
58	58		1305357-00	125.0 10.0 W 5.0 % WW	2		R18,R19
59	59		1309419-00	19.60 K .25 W 1.0 % RN55D-F10	1		R59
60	60		1305405-00	24.90 K .25 W 1.0 % RN55D-F10	1		R53
61	61		1313341-00	5.36 K .25 W 1.0 % RN55D-F10	2		R24,R91
62	62		1313775-00	80.60 K .25 W 1.0 % RN55D-F10	1		R22
63	63		1313843-00	107.0 K .25 W 1.0 % RN55D-F10	1		R23
64	64		1314023-00	47.0 2.0 W 5.0 % CC	1		R8
65	65		1314041-00	3.01 K .25 W 1.0 % RN55D-F10	2		R27,R41
66	66		1303043-00	464.0 K .25 W 1.0 % RN55D-F10	2		R67,R68
67	67		1314387-00	3.90 M .25 W 5.0 % CF	1		R7
68	68		1509524-00	2N 3904 NPN 310MW SI 40 40 M	2		Q11,Q12
69	69		1517832-00	J 177 FET 360MW SI P CHNNL	1		Q13
70	70		1510705-00	XA 05 NPN 500MW SI 60 50 P	5		Q17-Q20,Q26
71	71		1510706-00	XA 55 PNP 500MW SI 60 50 P	2		Q21,Q25
72	72		1510707-00	D 44H8 NPN 25W SI 60A2A	2		Q2,Q4
73	73		1510708-00	D 45H8 PNP 50WT SI 60 60 Y	2		Q3,Q5

D	I	G	I	T	A	L	TITLE	SECTION A OF A	SIZE	CODE	DOCUMENT NUMBER	REV
							BIAS AND INTERFACE BD		K	PL	5413605-0-DBP	M

AUTOMATED BY PRTLST.3L(40)

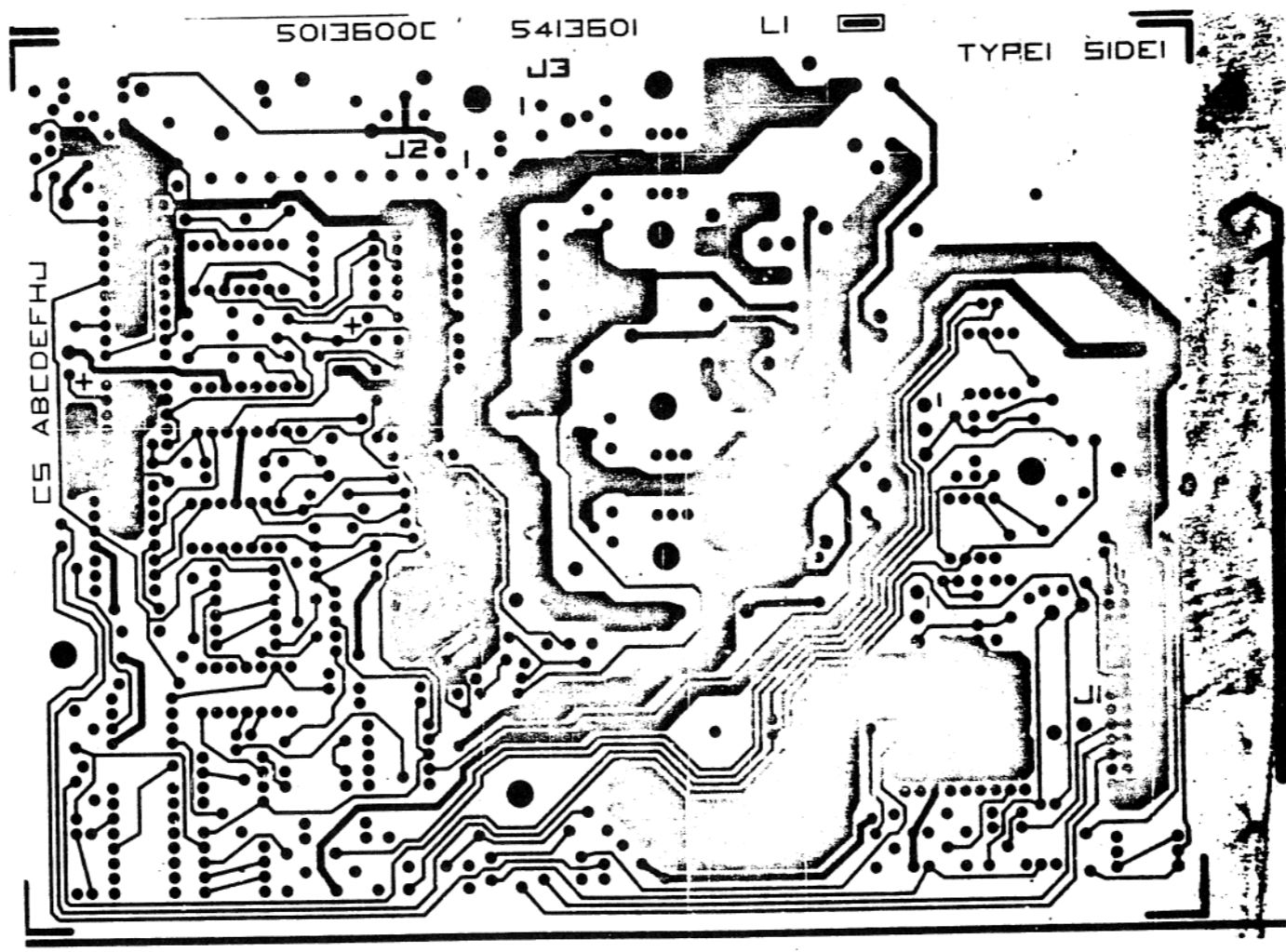
PARTS LIST

SHEET A3 OF A3

LINE	ITEM	DOCUMENT NUMBER	PART NUMBER	DESCRIPTION	QTY PER VARIATION 00	REFERENCE DESIGNATOR
74	74		1510959-00	2N 3725 NPN 3.5WC SI 50 60 P	2	Q8,Q9
75	75		1511686-00	DEC5433 FET N 350MW 10 25 1A	4	Q14-Q16,Q24
76	76		1513489-00	2N 4401 NPN 350MW SI 40 20	1	Q10
77	77		1513490-00	2N 4403 PNP 350MW SI-40 30	1	Q23
78	78		1514271-01	D 44Q5 NPN 31W SI225 30	1	Q6
79	79		1516119-00	NPN 75W SI	1	Q1
80	80		1516121-00	MPS A92 PNP 625MW SI300 25	1	Q7
81	81		1905547-00	7474 FF-D DUAL,EDGE TRIGG	1	E13
82	82		1909004-00	DEC 7402 NOR GATE-QUAD 2IN	2	E7,E10
83	83		1910538-00	74S15 AND GATE-TRIPLE 3IN	1	E11
84	84		1910741-00	7406 INVERTER GATE-HEX 1I	1	E8
85	85		1911036-00	75453 DRIVER,PERIPH,DUAL,	1	E4
86	86		1911637-00	74132 NAND GATE-QUAD 2 IN	1	E12
87	87		1911944-00	555CN TIMER,FUNCT.BLOCK	2	E2,E16
88	88		1912108-00	339 VOLT CMPRTR,QUAD	1	E9
89	89		1912536-01	7805 VOLT REG,FIX +5V	1	E1
90	90		1912799-00	LS00 NAND-GATE-QUAD 2IN,P	1	E14
91	91		1912800-00	LS01 NAND-GATE-QUAD 2IN,P	1	E15
92	92		1914156-00	LM 393 VOLT.COMPARATOR DUAL	1	E3
93	93		1914194-00	OPTP-COUPLED ISOLATOR	2	E5,E6
94	94	C-MD-7422046-0-0	7422046-00	HEAT SINK,SINGLE	3	
95	95	BLANK		*** THIS ITEM IS NOT USED ***	-	
96	96		9006011-01	SCREW,MACH PAN PHIL 4-	3	
97	97		9006556-00	NUT,HEX 4-40X .264AF SS/N	7	
98	98		9006688-00	WASHER,HELICAL SPLIT SST	7	
99	99		9006735-00	EYELET,FUNNEL 0.0590DX0.187	2	
100	100		9007201-00	PAD,MOUNTING,COMPONENT	3	
101	101		9008268-00	COMPOUND, THERMAL JOINT	A/R	
102	102		9009185-00	JUMPER, WIRE, INSULATED, BLACK B	2	W1,W2
103	103		9009769-00	WASHER,RECTNGLR STEEL	3	
104	104		9010128-00	SCREW,TAP PAN PHIL THD RL 4-	3	
105	105		1303312-00	10.0 K .25 W 1.0 % RN55D-F10	2	R51,R55
106	106		1303044-00	100.0 K .25 W 1.0 % RN55D-F10	1	R54
107	107		9006761-00	TERM,LUG #6STUD LOCKING 45	4	
108	108		1010978-32	.047 MFD 50V 10% CER	1	C8
109	109		1301317-00	10.0 .25 W 5.0 % CF	1	R94
110	110		9107256-00	TUBING,TEFLON .027ID	A/R	
111	111		9008301-01	SCREW,MACH PAN PHIL 4-	4	
112	112		1000043-00	1000.0 MMF 250V 20% Y5F DISC	2	C32,C33
113	113		1210244-01	GRIPLET .050 STRIP FORM	1	
114	114		9105740-55	WIRE(WRAP) 30AWG KYNAR UL14	A/R	
115	115		1301890-00	560.0 .25 W 5.0 % CF	1	R40
116	116		1911944-01	555-1 TIMER FUNCT.BLOCK,5	1	E17
117	117		1018571-00	10 MFD 25V 10% S.TANT	1	C19
118	118		1510705-01	B 05 NPN 500MW SI 60 50	1	Q22

D	I	G	I	T	A	L	TITLE	SECTION A OF A	SIZE	CODE	DOCUMENT NUMBER	REV
							BIAS AND INTERFACE BD		K	PL	5413605-0-DBP	M

ALL DRAWING AND SPECIFICATIONS HEREIN ARE THE PROPERTY OF DIGITAL EQUIPMENT CORPORATION AND SHALL NOT BE REPRODUCED OR COPIED OR USED IN WHOLE OR IN PART AS THE BASIS FOR THE MANUFACTURE OR SALE OF ITEMS WITHOUT WRITTEN PERMISSION FROM DIGITAL EQUIPMENT CORPORATION



REVISIONS		
NO.	CHANGE TO	BY

TITLE	LOGIC INVERTER CONTROL BOARD	SIZE/CODE	DJA	NUMBER	5413601-0-0	REV	F
SCALE	2/1	SHEET	2	OF	4	DIST	

DJA 5413601-0-0 F

8

7

6

5

3

DUA 5413601-0-0 2

1

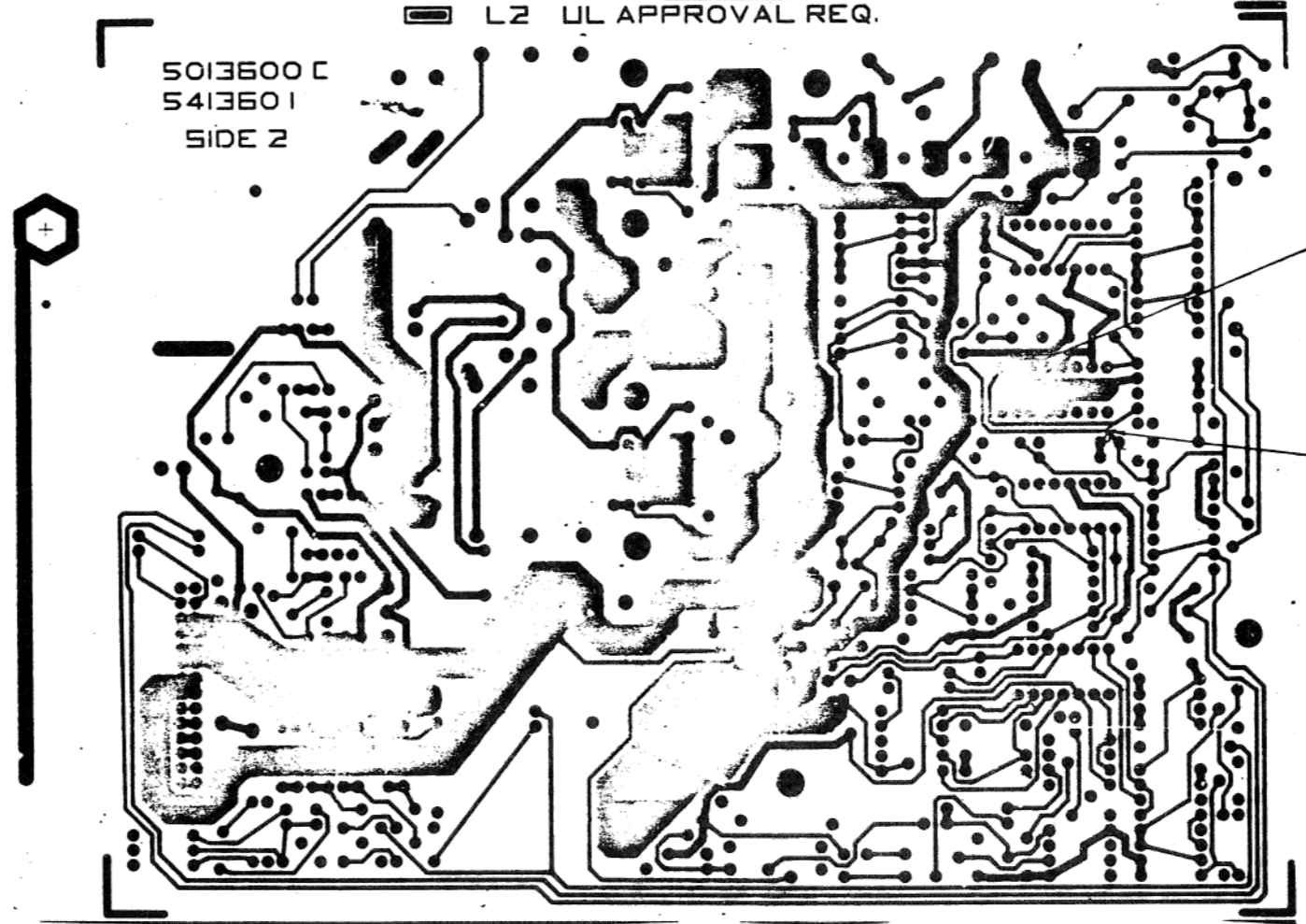
ALL DIMENSIONS ARE IN INCHES UNLESS OTHERWISE SPECIFIED.
 DIMENSIONS ARE TO CENTER UNLESS OTHERWISE SPECIFIED.
 DIMENSIONS ARE TO CENTER UNLESS OTHERWISE SPECIFIED.
 DIMENSIONS ARE TO CENTER UNLESS OTHERWISE SPECIFIED.
 DIMENSIONS ARE TO CENTER UNLESS OTHERWISE SPECIFIED.

D
C
B
A

D
C
B
A

L2 UL APPROVAL REQ.

5013600 C
5413601
SIDE 2



0-1

0-2

REVISIONS		
NO.	CHANGE NO.	REV.

8	7	6	5	4	3	2	1	
TITLE LOGIC INVERTER CONTROL BOARD						SIZE CODE DUA	NUMBER 5413601-0-0	REV. F
SCALE 2/1						SHEET 3 OF 4	DIST	

DUA 5413601-0-0 F

8

DJA 5413601-0-0

6

5

4

3

2

1

THIS DRAWING AND SPECIFICATIONS HEREIN ARE THE PROPERTY OF DIGITAL EQUIPMENT CORPORATION AND SHALL NOT BE REPRODUCED OR COPIED OR USED IN WHOLE OR IN PART AS THE BASIS FOR THE MANUFACTURE OR SALE OF ITEMS WITHOUT WRITTEN PERMISSION. COPYRIGHT © 1979 DIGITAL EQUIPMENT CORPORATION

REWORK INSTRUCTIONS:

ETCH CUTS SIDE 2

- 0-1 CUT ETCH ON BOTH SIDES OF E3-10 (2 CUTS)
- 0-2 FROM R74 TO Q18/BASE (CUT NEAR BASE)

WIRE ADD SIDE 1

- 0-3 FROM R123 TO C31
- 0-4 FROM D49/CATHODE TO D29/CATHODE
- 0-5 FROM E3-8 TO C22
- 0-6 FROM E3-10 TO R74.

REWORK INSTRUCTIONS: (ECO #1)

- COMPONENT DELETE SIDE 1
- 1-1 DELETE C12

REWORK INSTRUCTIONS: (ECO 3)

COMPONENT DELETES SIDE 1:

- 3-1 DELETE D20 DEC P/N 11-12594-01
- 3-2 DELETE D21 DEC P/N 11-12594-01
- 3-3 DELETE D22 DEC P/N 11-12594-01
- 3-4 DELETE D23 DEC P/N 11-12594-01
- 3-5 DELETE R82 DEC P/N 13-00391-00
- 3-6 DELETE R38 DEC P/N 13-00271-00
- 3-7 DELETE R40 DEC P/N 13-00271-00
- 3-8 DELETE R29 DEC P/N 13-11604-00
- 3-9 DELETE R30 DEC P/N 13-11604-00
- 3-10 DELETE R35 DEC P/N 13-11604-00
- 3-11 DELETE C42 DEC P/N 10-12783-00
- 3-12 DELETE C43 DEC P/N 10-12783-00
- 3-13 DELETE R36 DEC P/N 13-11604-00

COMPONENT ADDS. SIDE 1:

- 3-14 ADD D20 DEC P/N 11-15273-00
- 3-15 ADD D22 DEC P/N 11-15273-00
- 3-16 ADD R82 DEC P/N 13-00391-00
- 3-17 ADD R38 DEC P/N 13-02379-00
- 3-18 ADD R40 DEC P/N 13-02379-00
- 3-19 ADD C42 DEC P/N 10-11683-00
- 3-20 ADD C43 DEC P/N 10-11683-00

WIRE ADDS SIDE 1:

- 3-21 ADD JUMPER DEC P/N 91-07560-03 IN FORMER LOCATION OF R30
- 3-22 ADD JUMPER DEC P/N 91-07560-03 IN FORMER LOCATION OF R36

REWORK INSTRUCTIONS

ECO #4

COMPONENT DELETES: SIDE 1

- 4-1 REMOVE R11, DEC P/N 1300365-00.
- 4-2 REMOVE R14, DEC P/N 1300365-00.
- 4-3 REMOVE R15, DEC P/N 1300365-00.
- 4-4 REMOVE Q14, DEC P/N 1510706-00.

COMPONENT ADDS: SIDE 1

- 4-5 ADD Q14, DEC P/N 1510706-00.
- 4-6 ADD C44, DEC P/N 1011740-03, SOLDER ONE LEAD TO E3-9, THE OTHER TO GROUND (APPROXIMATELY AS SHOWN). ADD TUBING, ITEM 129 TO BOTH LEADS OF C44.

REVISION HISTORY		
DATE	ECO NUMBER	REV.

TITLE LOGIC INVERTER CONTROL BOARD

DOCUMENT NUMBER		
ORG CODE	NUMBER	REV.
DJA	5413601-0-0	FC
SCALE NONE		SHEET 4 OF 4

8

7

6

5

4

3

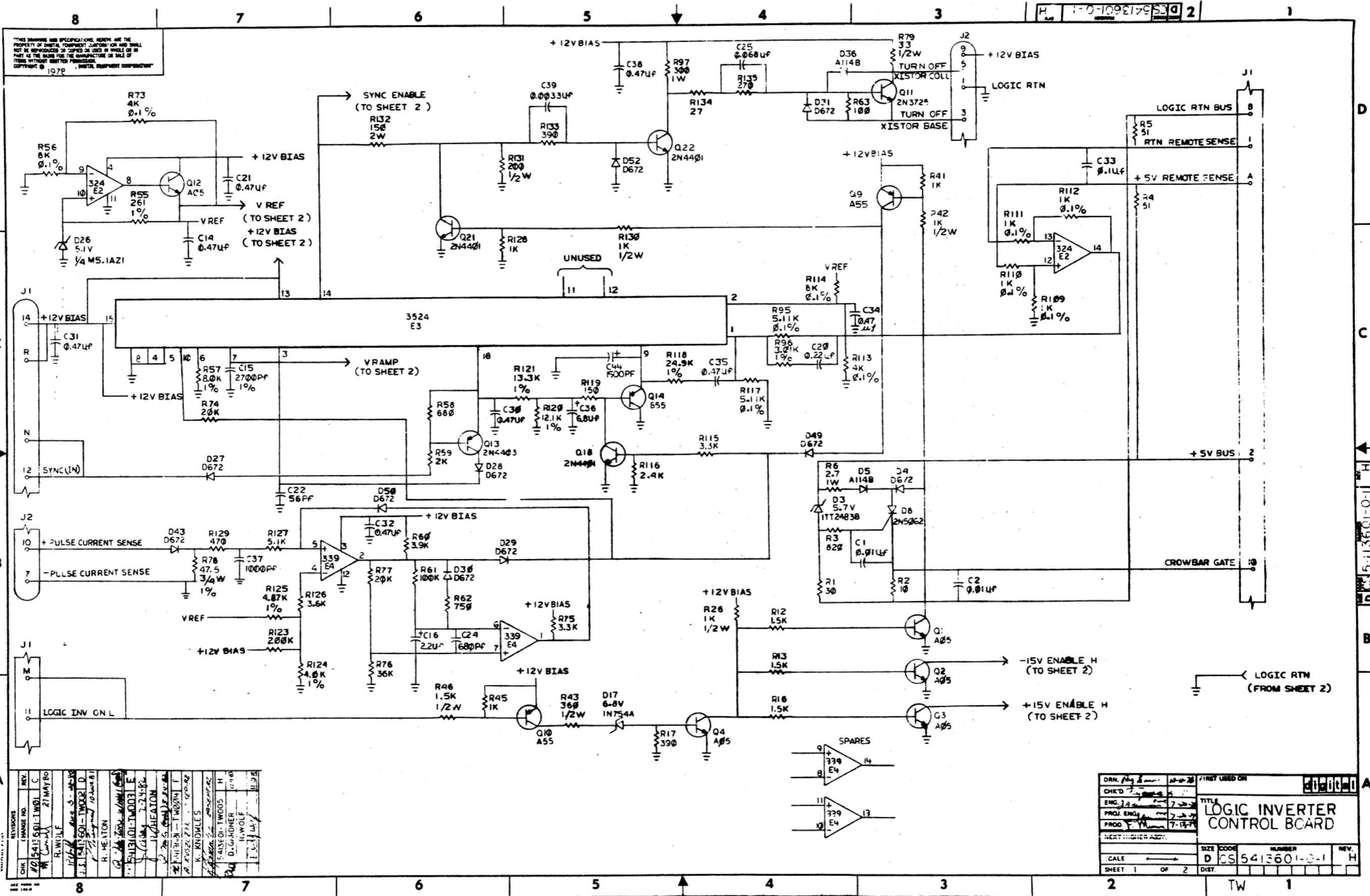
2

1

TW

DJA 5413601-0-0

DJA 5413601-0-0

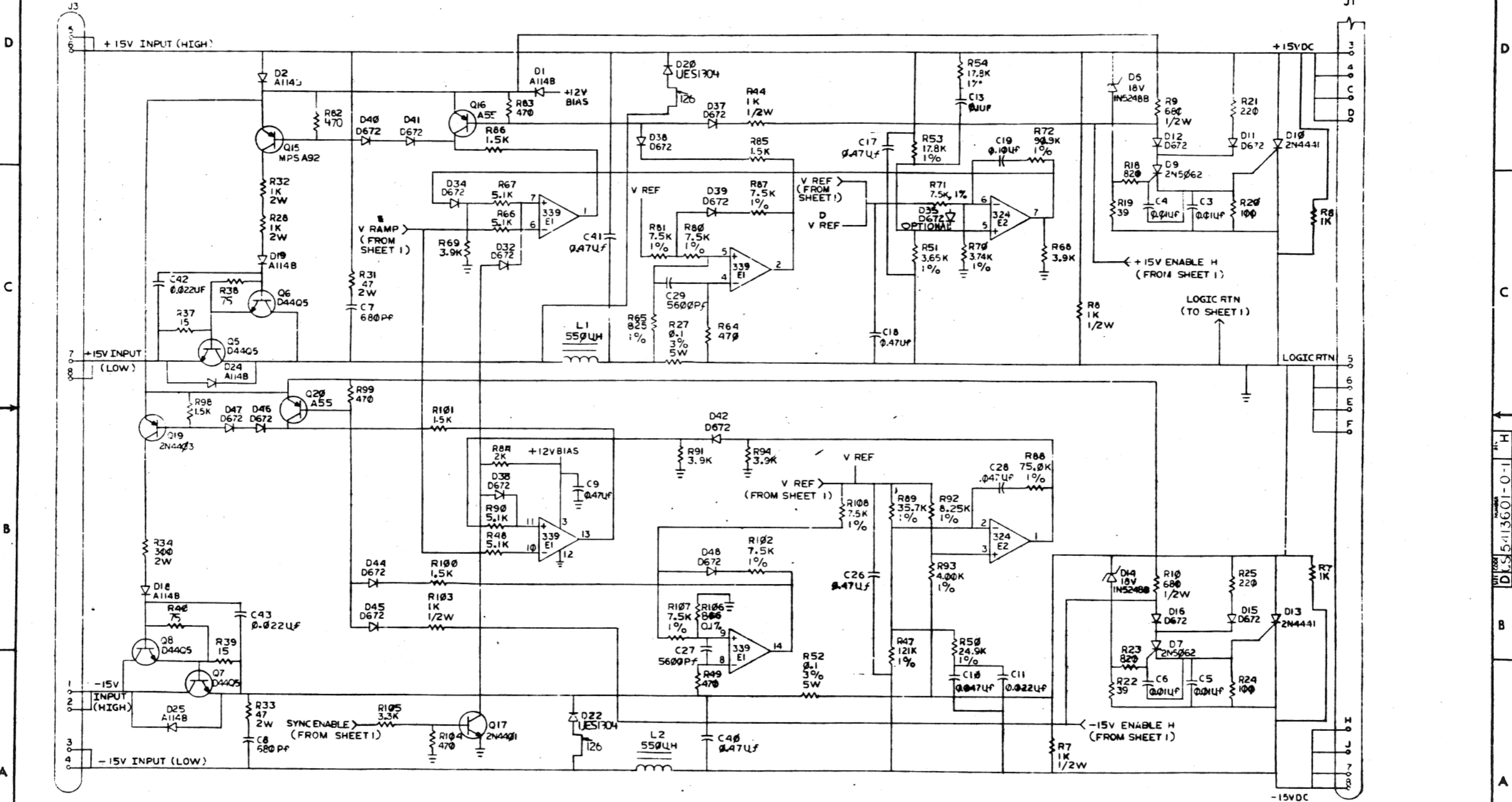


THIS DRAWING AND SPECIFICATIONS HEREIN ARE THE PROPERTY OF BENTON ELECTRONIC CORPORATION AND SHALL NOT BE REPRODUCED OR COPIED IN WHOLE OR IN PART AS THE BASIS FOR THE MANUFACTURE OR SALE OF ITEMS WITHOUT WRITTEN PERMISSION.
 COPYRIGHT © 1978 BENTON ELECTRONIC CORPORATION

REV.	DATE	BY	CHKD
1	21 May 80	R. WOLF	
2	12 Jun 81	J. J. JONES	
3	13 Jun 81	R. HEATON	
4	13 Jun 81	R. HEATON	
5	13 Jun 81	R. HEATON	
6	13 Jun 81	R. HEATON	
7	13 Jun 81	R. HEATON	
8	13 Jun 81	R. HEATON	
9	13 Jun 81	R. HEATON	
10	13 Jun 81	R. HEATON	
11	13 Jun 81	R. HEATON	
12	13 Jun 81	R. HEATON	
13	13 Jun 81	R. HEATON	
14	13 Jun 81	R. HEATON	
15	13 Jun 81	R. HEATON	
16	13 Jun 81	R. HEATON	
17	13 Jun 81	R. HEATON	
18	13 Jun 81	R. HEATON	
19	13 Jun 81	R. HEATON	
20	13 Jun 81	R. HEATON	

DRAWN BY	12-11-80	FIRST USED ON	11-11-81
CHK'D		TITLE	LOGIC INVERTER CONTROL BOARD
ENG. J.A.		SIZE CODE	D
PROJ. ENGR.		NUMBER	5413601-0-1
PROG. F.Y.		REV.	H
NEXT HOLDER ASSY.		SCALE	
		SHEET 1 OF 2	
		DIST.	

THIS DRAWING AND SPECIFICATIONS HEREIN ARE THE PROPERTY OF DIGITAL EQUIPMENT CORPORATION AND SHALL NOT BE REPRODUCED OR COPIED OR USED IN WHOLE OR IN PART AS THE BASIS FOR THE MANUFACTURE OR SALE OF ITEMS WITHOUT WRITTEN PERMISSION. COPYRIGHT © 1972



REVISIONS			TITLE		SCALE		SHEET		OF		DIST.		REV.	
CHK	CHANGE NO.	REV.	LOGIC INVERTER CONTROL BOARD		SCALE		SHEET 2 OF 2		DIST.		REV.		H	

DCS 5413601-0-1 H

LINE	ITEM	DOCUMENT NUMBER	PART NUMBER	DESCRIPTION	QTY	PER VARIATION	REFERENCE DESIGNATOR
					00		
1	1	D-MD-5013600-0-0	5013600-00	DRILL & ETCH BD	1		
2	2		1010978-24	.01 MFD 50V 10% CER	6		C1-C6
3	3		1013280-00	680.0 MMF 1000V 5%200PPM MICA	2		C7,C8
4	4		1010279-01	.47 MFD 25V 20% CER	14		C9,C14,C18,C21,C30-C32,C34,C35,
5	5		1010978-32	.047 MFD 50V 10% CER	2	CONT	C38,C17,C26,C40,C41
6	6		1011683-00	.022 MFD 50V 10% CER	3		C10,C28
7	7		1014170-00	2700.0 MMF 100V 1% 70PPM MICA	1		C11,C42,C43
8	8		1002627-00	2.2MFD 20V 10% S.TANT	1		C15
9	9	BLANK		*** THIS ITEM IS NOT USED ***	-		C16
10	10		1010978-36	.1 MFD 50V 10% CER	3		C19,C33,C13
11	11		1010274-00	.22 MFD 50V +80-20% Z5U CER	1		C20
12	12		1000012-00	56.0 MMF 100V 5%200PPM MICA	1		C22
13	13		1013466-08	680.0 MMF 50V 10% X7R CER	1		C24
14	14		1000052-00	.068 MFD 100V 10% MYLR	1		C25
15	15	BLANK		*** THIS ITEM IS NOT USED ***	-		
16	16		1011740-00	5600.0 MMF 50V 10% CER	2		C27,C29
17	17		1005306-00	6.8MFD 35V 10% S.TANT	1		C36
18	18		1013466-09	1000.0 MMF 50V 10% X7R CER	1		C37
19	19		1011740-01	3300.0 MMF 50V 10% CER	1		C39
20	20		1112595-01	PIV= 200 IO= 1.00A AXIAL	8		D1,D2,D5,D18,D19,D24,D25,D36
21	21		1111205-00	VZ= 5.7 2% 400 MW	1		D3
22	22		1105275-00	PIV= 60 IO=300 MA -15NS	28		D4,D11,D12,D15,D16,D27-D34,
23	23		1110766-00	VZ= 18.0 5% 500M2 1N5248B D	2	CONT	D37-D50,D52
24	24		1110968-00	SCR PIV= 100 IO= .80A 2N5062	3		D6,D14
25	25		1109991-00	VZ= 6.8 5% 400 MW 1N754A	1		D7-D9
26	26		1115273-00	RECT,ULTRA FAST PIV= 200 IO= 3.0	2		D17
27	27		1105871-00	VZ= 5.15 1% 250 MW	1		D20,D22
28	28	BLANK		*** THIS ITEM IS NOT USED ***	-		D26

REVISION HISTORY			BASIC PART NO: 5413601								
ENG	ECO NUMBER	REV	SECTION A OF A	DRN:	J.LENT	DATE:	3-JAN-79	D I G I T A L			
	INITIAL	B	SECTION VARIATION INDEX	CHK'D:	F.GERRY	DATE:	19-JUL-79	TITLE PARTS LIST			
	INITIAL	B	[A] 00					LOGIC INVERTER CONTROL BD			
RW	5413601-TW001	C	[B]	DES.ENG:	J.A.HERRMANN	DATE:	19-JUL-79	DOCUMENT NUMBER			
RH	5413601-TW002	D	[C]					SIZE CODE NUMBER REV			
RH	5413601-TW003	E	[D]	RESP.ENG.:	J.A.HERRMANN	DATE:	19-JUL-79	K	PL	5413601-0-DBP	H
KK	5413601-TW004	F	[E]	MFG.ENG.:	F.MUNIZ	DATE:	19-JUL-79				
RW	5413601-TW005	H	[F]	ASSEMBLY NUMBER:	D-UA-5413601-0-0	TOP DOCUMENT NUMBER:		FILE NAME:		EDIT #	
			[G]					Z0400H.PLS		32	
			[H]	"THIS DRAWING AND SPECIFICATIONS HEREIN, ARE THE PROPERTY OF DIGITAL EQUIPMENT CORPORATION AND SHALL NOT BE REPRODUCED OR COPIED OR USED IN WHOLE OR IN PART AS THE BASIS FOR THE MANUFACTURE OR SALE OF ITEMS WITHOUT WRITTEN PERMISSION. COPYRIGHT (C) 1983. DIGITAL EQUIPMENT CORPORATION"							
			[I]								
			[J]								
			[K]								
			[L]								
			[M]								
			[N]								

LINE	ITEM	DOCUMENT NUMBER	PART NUMBER	DESCRIPTION	QTY	PER VARIATION	REFERENCE DESIGNATOR
					00		
29	29		1211728-00	CONN,P+S 01SKT	14		J2,J3
30	30		1216112-01	PCB,HEADER 28POS(1X28).156CC 90D	1		J1
31	31		1302751-00	30.0 .25 W 5.0 % CF	1		R1
32	32		1301317-00	10.0 .25 W 5.0 % CF	1		R2
33	33		1301775-00	820.0 .25 W 5.0 % CF	3		R3,R18,R23
34	34		1312928-00	51.0 .25 W 5.0 % CF	2		R4,R5
35	35		1310382-00	2.70 1.0 W 5.0 % CC	1		R6
36	36		1300364-00	1.0 K .50 W 5.0 % CF	7		R7,R8,R26,R42,R44,R103,R130
37	37		1300347-00	680.0 .50 W 5.0 % CF	2		R9,R10
38	38		1300365-00	1.0 K .25 W 5.0 % CF	3		R41,R45,R128
39	39		1300391-00	1.50 K .25 W 5.0 % CF	8		R12,R13,R16,R85,R86,R98,R100, R101
						CONT	
40	40		1300309-00	390.0 .25 W 5.0 % CF	2		R17,R133
41	41		1302377-00	39.0 .25 W 5.0 % CF	2		R19,R22
42	42		1300229-00	100.0 .25 W 5.0 % CF	3		R20,R24,R63
43	43		1300271-00	220.0 .25 W 5.0 % CF	2		R21,R25
44	44		1305872-00	.10 5.0 W 3.0 % WW	2		R27,R52
45	45		1301952-00	1.0 K 2.0 W 5.0 % CC	2		R28,R32
46	46	BLANK		*** THIS ITEM IS NOT USED ***	-		
47	47		1314023-00	47.0 2.0 W 5.0 % CC	2		R31,R33
48	48		1309855-00	300.0 2.0 W 5.0 % CC	1		R34
49	49		1301421-00	15.0 .25 W 5.0 % CF	2		R37,R39
50	50		1305143-00	825.0 .25 W 1.0 % RN55D-F10	1		R65
51	51		1302383-00	360.0 .50 W 5.0 % CF	1		R43
52	52		1300394-00	1.50 K .50 W 5.0 % CF	1		R46
53	53		1303438-00	121.0 K .25 W 1.0 % RN55D-F10	1		R47
54	54		1300316-00	470.0 .25 W 5.0 % CF	7		R49,R64,R83,R99,R104,R129,R82
55	55		1305405-00	24.90 K .25 W 1.0 % RN55D-F10	2		R50,R118
56	56		1305337-00	3.65 K .25 W 1.0 % RN55D-F10	1		R51
57	57		1312989-00	17.80 K .25 W 1.0 % RN55D-F10	2		R53,R54
58	58		1313151-00	3.60 K .25 W 5.0 % CF	1		R126
59	59		1302873-00	261.0 .25 W 1.0 % RN55D-F10	1		R55
60	60		1305356-00	8.0 K .25 W .10 % RN55C-B 5	2		R56,R114
61	61		1305129-00	8.0 K .25 W 1.0 % RN55D-F10	1		R57
62	62		1312930-00	5.10 K .25 W 5.0 % CF	5		R48,R66,R67,R90,R127
63	63		1300444-00	3.90 K .25 W 5.0 % CF	5		R60,R68,R69,R91,R94
64	64		1302466-00	100.0 K .25 W 5.0 % CF	1		R61
65	65		1301401-00	750.0 .25 W 5.0 % CF	1		R62
66	66	BLANK		*** THIS ITEM IS NOT USED ***	-		
67	67		1302391-00	20.0 K .25 W 5.0 % CF	2		R77,R74
68	68		1312452-00	3.74 K .25 W 1.0 % RN55D-F10	1		R70
69	69		1313344-00	75.0 K .25 W 1.0 % RN55D-F10	1		R88
70	70		1311320-00	90.90 K .25 W 1.0 % RN55D-F10	1		R72
71	71		1304728-00	4.0 K .25 W .10 % RN55E-B 2	2		R73,R113
72	72		1300439-00	3.30 K .25 W 5.0 % CF	3		R75,R105,R115
73	73		1312932-00	36.0 K .25 W 5.0 % CF	1		R76
74	74		1301459-00	47.50 .75 W 1.0 % RN65D-F10	1		R78
75	75		1300195-00	33.0 .50 W 5.0 % CF	1		R79

D	I	G	I	T	A	L	TITLE	SECTION A OF A	SIZE	CODE	DOCUMENT NUMBER	REV
							LOGIC INVERTER CONTROL BD		K	PL	5413601-0-DBP	H

LINE	ITEM	DOCUMENT NUMBER	PART NUMBER	DESCRIPTION	QTY	PER VARIATION	REFERENCE DESIGNATOR
					00		
76	76		1305322-00	7.50 K .25 W 1.0 % RN55D-F10	7		R80,R81,R107,R108,R87,R102,R71
77	77		1302388-00	2.0 K .25 W 5.0 % CF	2		R59,R84
78	78		1305421-00	35.70 K .25 W 1.0 % RN55D-F10	1		R89
79	79		1305325-00	8.25 K .25 W 1.0 % RN55D-F10	1		R92
80	80		1305127-00	4.0 K .25 W 1.0 % RN55D-F10	2		R93,R124
81	81		1305432-00	5.11 K .25 W .10% RN55E-B 2	2		R95,R117
82	82		1314041-00	3.01 K .25 W 1.0 % RN55D-F10	1		R96
83	83		1300292-00	300.0 1.0 W 5.0 % CC	1		R97
84	84		1304865-00	1.0 K .25 W .10% RN55E-B 2	4		R109-R112
85	85		1300250-00	150.0 .25 W 5.0 % CF	1		R119
86	86		1303313-00	12.10 K .25 W 1.0 % RN55D-F10	1		R120
87	87		1312565-00	13.30 K .25 W 1.0 % RN55D-F10	1		R121
88	88	BLANK		*** THIS ITEM IS NOT USED ***	-		
89	89	BLANK		*** THIS ITEM IS NOT USED ***	-		
90	90		1302381-00	200.0 .50 W 5.0 % CF	1		R131
91	91		1300257-00	150.0 2.0 W 5.0 % CC	1		R132
92	92		1301522-00	27.0 .25 W 5.0 % CF	1		R134
93	93		1301972-00	270.0 .25 W 5.0 % CF	1		R135
94	94		1510705-00	XA 05 NPN 500MW SI 60 50 P	5		Q1-Q4,Q12
95	95		1514271-01	D 44Q5 NPN 31W SI225 30	4		Q5-Q8
96	96		1510706-00	XA 55 PNP 500MW SI 60 50 P	4		Q9,Q10,Q16,Q20
97	97		1510959-00	2N 3725 NPN 3.5WC SI 50 60 P	1		Q11
98	98		1513490-00	2N 4403 PNP 350MW SI-40 30	2		Q13,Q19
99	99		1516121-00	MPS A92 PNP 625MW SI300 25	1		Q15
100	100		1513489-00	2N 4401 NPN 350MW SI 40 20	4		Q17,Q18,Q21,Q22
101	101		1505867-00	SCR PIV= 50 IO= 8.00A 2N4441	2		D10,D13
102	102		1616213-00	450.0 UH 4 A	2		L1,L2
103	103		1912108-00	339 VOLT CMPRTR,QUAD	2		E1,E4
104	104		1912107-00	324 OP AMP,QUAD	1		E2
105	105		1914250-00	3524 MODULATOR-REGULATING	1		E3
106	106		7422047-01	HEAT SINK DOUBLE	2		
107	107		1301424-00	680.0 .25 W 5.0 % CF	1		R58
108	108		9006039-01	SCREW,MACH PAN PHIL 8-	2		
109	109		9006660-00	WASHER,FLAT SST	4		
110	110		9006690-00	WASHER,HELICAL SPLIT SST	2		
111	111		1303177-00	2.40 K .25 W 5.0 % CF	1		R116
112	112		9006011-01	SCREW,MACH PAN PHIL 4-	4		
113	113		9009769-00	WASHER,RECTNGLR STEEL	4		
114	114		9006556-00	NUT,HEX 4-40X .264AF SS/N	4		
115	115		9006688-00	WASHER,HELICAL SPLIT SST	4		
116	116		9010128-00	SCREW,TAP PAN PHIL THD RL 4-	4		
117	117		9007201-00	PAD,MOUNTING,COMPONENT	1		C23
118	118		9008268-00	COMPOUND, THERMAL JOINT	A/R		
119	119		1314516-00	200.0 K .25 W 5.0 % CF	1		R123
120	120		1313592-00	4.87 K .25 W 1.0 % RN55D-F10	1		R125
121	121		9105740-55	WIRE(WRAP) 30AWG KYNAR UL14	A/R		
122	122	BLANK		*** THIS ITEM IS NOT USED ***	-		
123	123	BLANK		*** THIS ITEM IS NOT USED ***	-		

D	I	G	I	T	A	L	TITLE	LOGIC INVERTER CONTROL BD	SECTION A	OF A	SIZE	CODE	DOCUMENT NUMBER	REV
											K	PL	5413601-0-DBP	H

AUTOMATED BY PRTLST.3G(17)

PARTS LIST

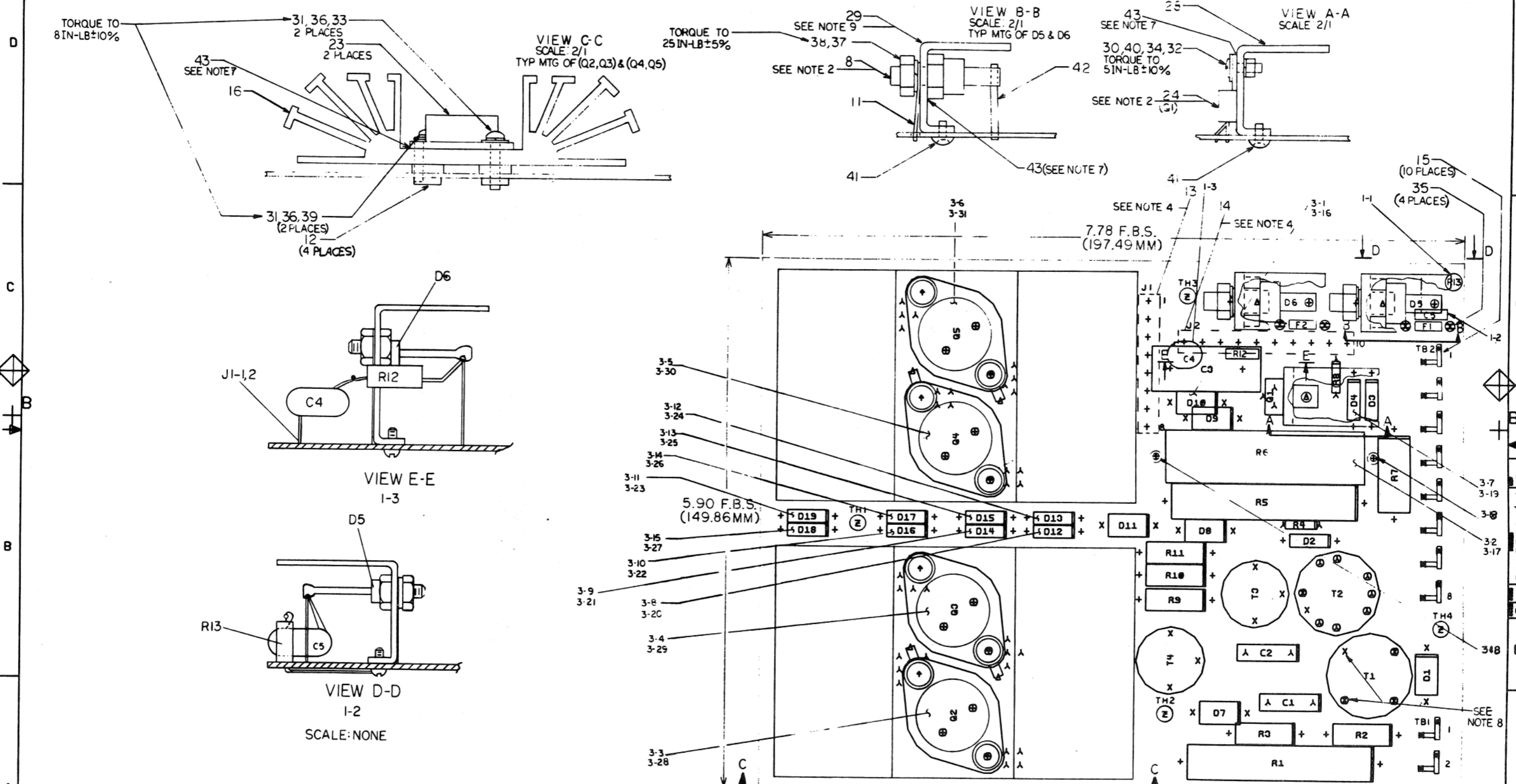
SHEET A4 OF A4

LINE	ITEM	DOCUMENT NUMBER	PART NUMBER	DESCRIPTION	QTY PER VARIATION 00	REFERENCE DESIGNATOR
124	124		1309293-00	866.0 .25 W .10% RN55E-B 2	1	R106
125	125		1302379-00	75.0 .25 W 5.0 % CF	2	R38,R40
126	126		9107560-03	WIRE,BUSS 18AWG TIN BARE	A/R	
127	127		1510706-01	B 55 PNP 500MW SI 60 50	1	Q14
128	128		1011740-03	1500.0 MMF 50V 10% CER	1	C44
129	129		9107256-11	TUBING,TEFLON .027ID	A/R	

130 NOTE: ITEM #121; .52' IS USED.

D	I	G	I	T	A	L	TITLE	LOGIC INVERTER CONTROL BD	SECTION A	OF A	SIZE	CODE	DOCUMENT NUMBER	REV
yCHK	HH	14									K	PL	5413601-0-DBP	H

1979



- NOTES:**
- FOR STEP AND REPEAT DIM'S SEE 3 ML 39
 - Q1, D5 & D6 MUST BE MOUNTED TO HEATSINKS BEFORE BEING ATTACHED TO P.C.B.
 - FOR ASSM. OF ITEM 23 SEE VIEW C
 - J1 AND J2 TO BE MOUNTED ON SIDE 2
 - RAISE R1, 5, AND R6, 12 TO 150° OFF P.C.B.
 - RAISE D1, 7, 8-11 AND R3, 7, 9-11, Q5 TO 100°

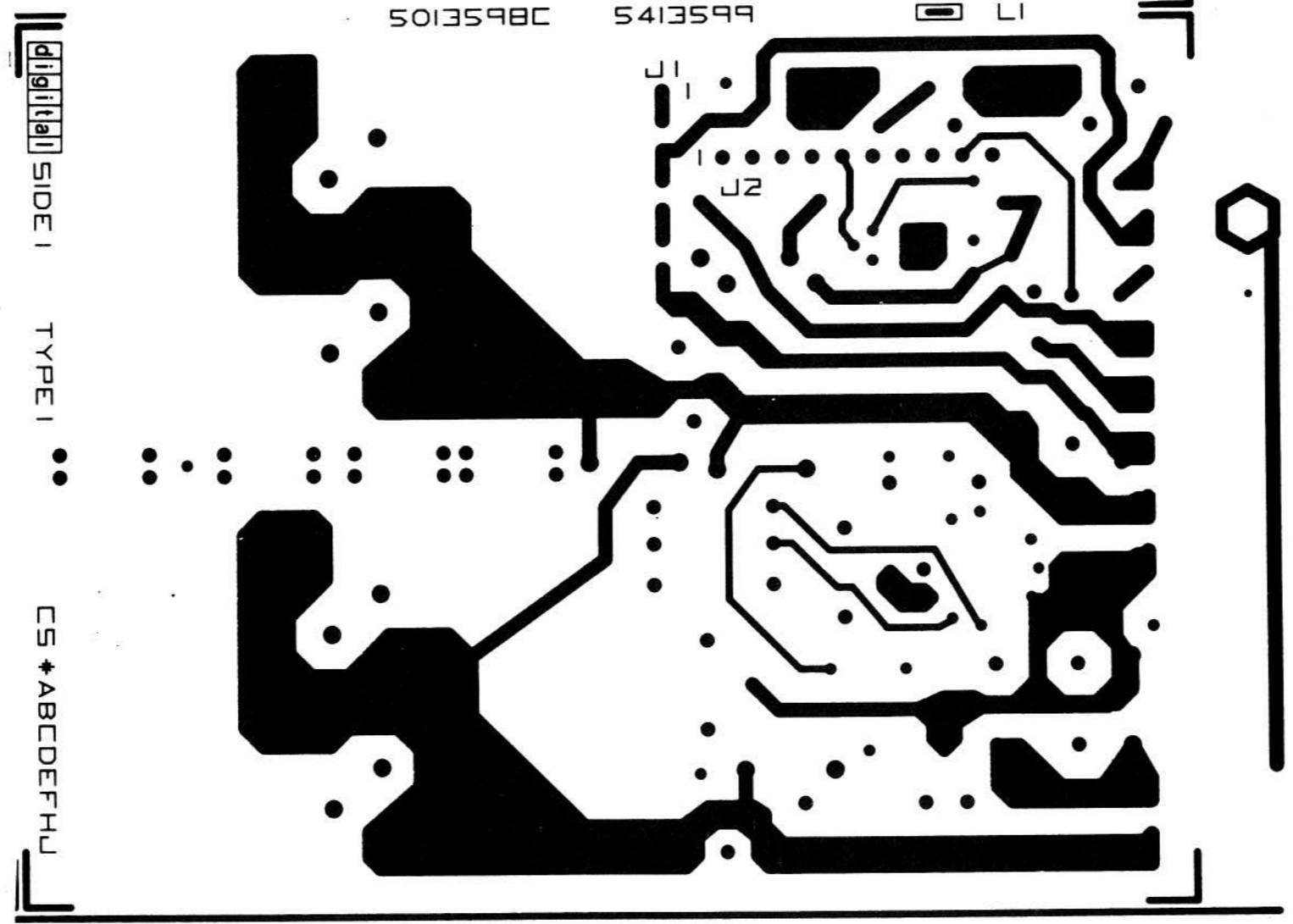
CHANGE NO	REV	DATE	BY	CHK'D
5413599-1	1	11-14-79	RICHARD	
5413599-2	2	12-12-79	S. GARDNER	
5413599-3	3	1-10-80	K. KNOWLES	

- NOTES:**
- USE THERMAL COMPOUND ITEM 43 BETWEEN Q2, Q3, Q4, Q5 - Q1, D5, D6 AND HEAT SINK.
 - LARGER DIAMETER LEADS IN THESE TWO POSITIONS.
 - TOP FIN OF ITEM 29 (HEATSINK) MUST BE INSTALLED PARALLEL TO EDGE OF BOARD

ETCH REV.	C
P.C. DESIGN DATA BASE REV.	CL

SIGNATURES		DATE	digital
DRN. Day Long		2-9-79	
CHK'D. Frank Langley		2-11-79	TITLE LOGIC INVERTER BD.
ENC. W. Thompson		6-24-79	
PROJ. ENG. W. Thompson		7-15-79	
PROD. T. Munn			
SCALE 2/1	SIZE CODE	NUMBER	REV
SHT. 1 OF 4	D UA 54-13599-0-0		
NEXT HIGHER ASSY. B-DD-54-13599-0			

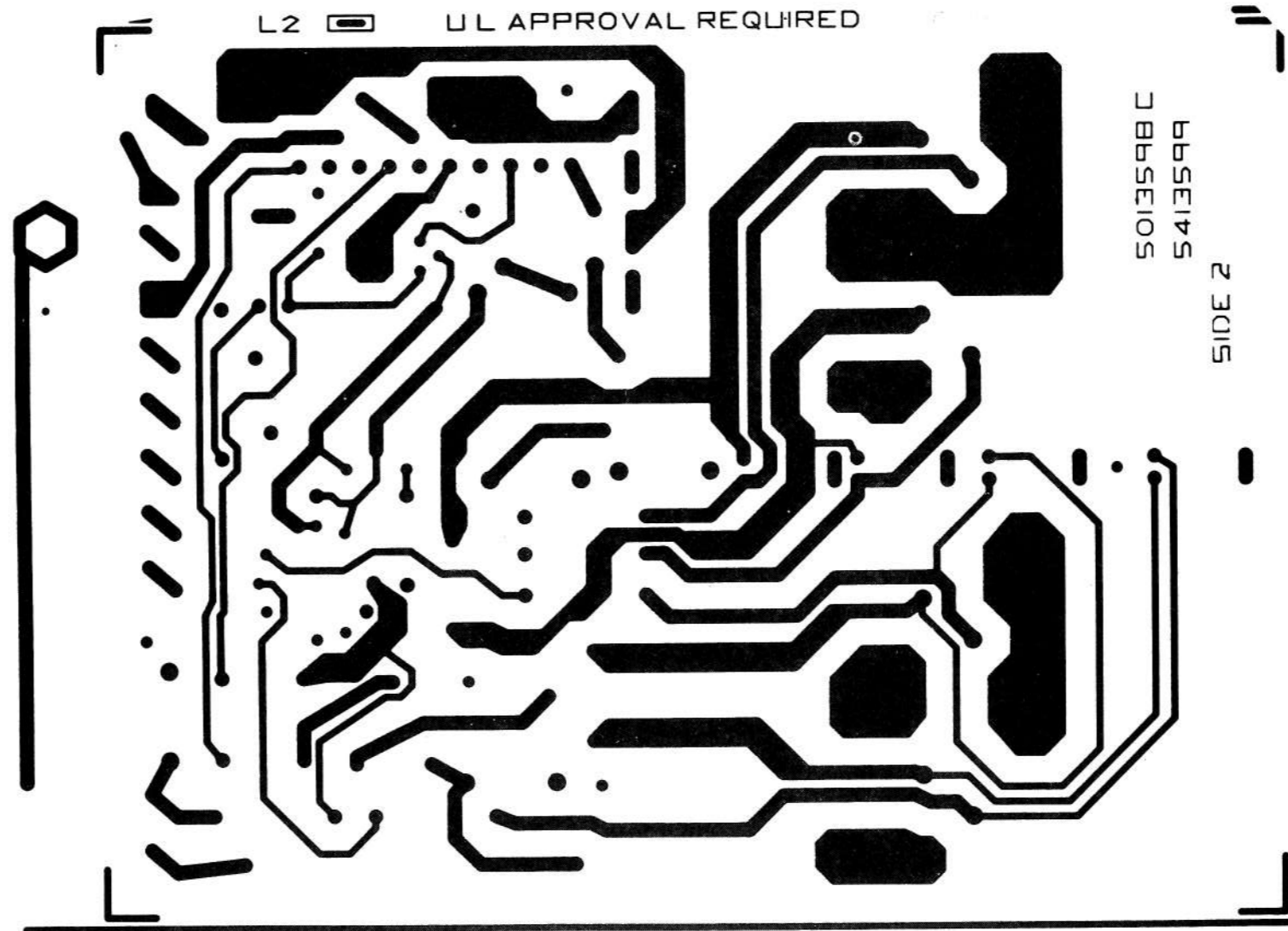
THIS DRAWING AND SPECIFICATIONS HEREIN ARE THE PROPERTY OF DIGITAL EQUIPMENT CORPORATION AND SHALL NOT BE REPRODUCED OR COPIED OR USED IN WHOLE OR IN PART AS THE BASIS FOR THE MANUFACTURE OR SALE OF ITEMS WITHOUT WRITTEN PERMISSION. COPYRIGHT © 1975 DIGITAL EQUIPMENT CORPORATION



REVISIONS		
CHK	CHANGE NO	REV

TITLE	SIZE CODE	NUMBER	REV.
LOGIC INVERTER BOARD	D UA	5413599-0-0	D
SCALE 1/1	SHEET 2 OF 4	DIST.	

ALL DRAWINGS AND SPECIFICATIONS HEREIN ARE THE PROPERTY OF DIGITAL EQUIPMENT CORPORATION AND SHALL NOT BE REPRODUCED OR TRANSMITTED IN ANY FORM OR BY ANY MEANS, ELECTRONIC OR MECHANICAL, INCLUDING PHOTOCOPYING, RECORDING, OR BY ANY INFORMATION STORAGE AND RETRIEVAL SYSTEM, WITHOUT WRITTEN PERMISSION FROM DIGITAL EQUIPMENT CORPORATION.



REVISIONS		
REV.	CHANGE NO.	DATE

TITLE	NUMBER	REV.
LOGIC INVERTER BOARD	DUA 5413599-0-0	D
SCALE 2/1	SHEET 3 OF 4	DIST.

DUA 5413599-0-0 D

70 1

THIS DRAWING AND SPECIFICATIONS HEREIN ARE THE PROPERTY OF DIGITAL EQUIPMENT CORPORATION AND SHALL NOT BE REPRODUCED OR COPIED OR USED IN WHOLE OR IN PART AS THE BASIS FOR THE MANUFACTURE OR SALE OF ITEMS WITHOUT WRITTEN PERMISSION.
COPYRIGHT © 1980
DIGITAL EQUIPMENT CORPORATION

REWORK INSTRUCTION (ECO 1)

COMPONENT ADDS: SIDE 1

- 1-1 INSTALL R13 BY DRILLING ONE .055" HOLE AS SHOWN. (HOLE IS UNDERNEATH R13)
- 1-2 C5 AND R13 ARE CONNECTED BY TWISTING ONE LEAD OF R13 WITH ONE LEAD OF C5 AND SOLDERING. THE OTHER LEAD OF R13 IS TACK SOLDERED TO THE ETCH ON: SIDE 2 LEADING TO THE CATHODE OF D5. THE OTHER LEAD OF C5 IS CONNECTED TO THE ANODE OF D5. (SEE VIEW D-D)
- 1-3 R12 AND C4 ARE CONNECTED BY TWISTING ONE LEAD OF R12 WITH ONE LEAD OF C4 AND SOLDERING. THE OTHER LEAD OF R12 IS CONNECTED TO THE ANODE OF D6. THE OTHER LEAD OF C4 IS TACK SOLDERED TO J1-1 AND 2. (SEE VIEW E-E)

REWORK INSTRUCTION (ECO #3)

COMPONENT DELETES: SIDE 1

- 3-1 REMOVE D10 DEC. PT. NO. 1112594-02
- 3-2 REMOVE R6 DEC. PT. NO. 1314172-01
- 3-3 REMOVE Q2
- 3-4 REMOVE Q3
- 3-5 REMOVE Q4
- 3-6 REMOVE Q5
- 3-7 REMOVE D4 DEC. PT. NO. 1112595-01
- 3-8 REMOVE D12
- 3-9 REMOVE D14
- 3-10 REMOVE D16
- 3-11 REMOVE D19
- 3-12 REMOVE D13
- 3-13 REMOVE D15
- 3-14 REMOVE D17
- 3-15 REMOVE D18

COMPONENT ADD: SIDE 1

- 3-16 ADD D10 DEC. PT. NO. 1115273-01.
- 3-17 ADD R6 DEC. PT. NO. 1305260-00 (SEE 3-18)
- 3-18 ADD SPACER ITEM 47 DEC. PT. NO. 9009798-01 TO EACH LEAD OF R6.
- 3-19 ADD D4 DEC. PT. NO. 1115273-00
- 3-20 ADD D12
- 3-21 ADD D14
- 3-22 ADD D16
- 3-23 ADD D19
- 3-24 ADD D13
- 3-25 ADD D15
- 3-26 ADD D17
- 3-27 ADD D18
- 3-28 ADD Q2
- 3-29 ADD Q3
- 3-30 ADD Q4
- 3-31 ADD Q5

REVISION HISTORY		
DATE	ECO NUMBER	REV.

TITLE
LOGIC INVERTER BOARD

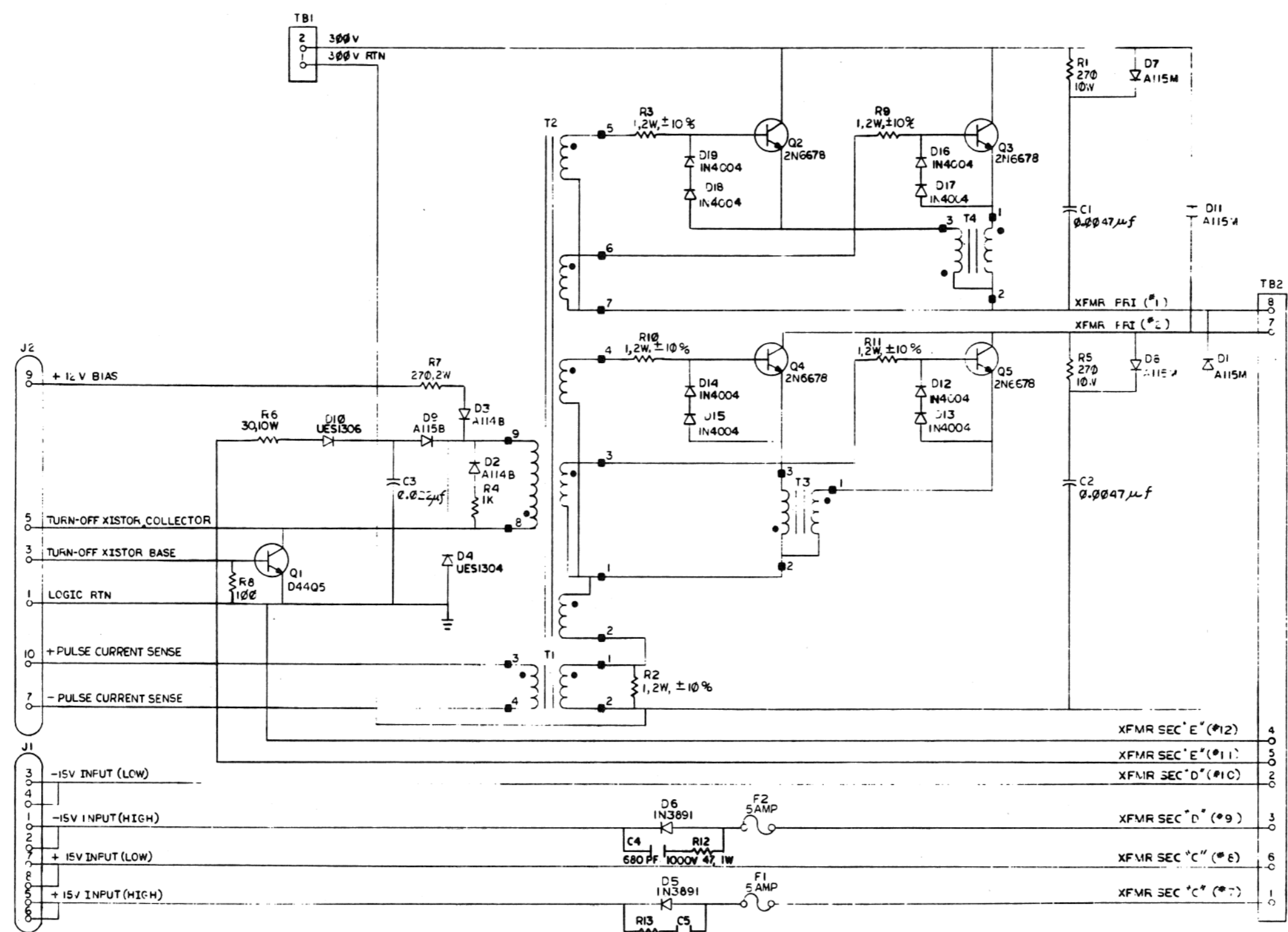
DOCUMENT NUMBER		
REV. CODE	NUMBER	REV.
D	UJA 54-13599-0-0	D
SCALE 2/1	SHEET 4	OF 4

TW 1

THIS DRAWING AND SPECIFICATIONS HEREBY ARE THE PROPERTY OF THE UNITED STATES GOVERNMENT AND SHALL NOT BE REPRODUCED OR TRANSMITTED IN ANY FORM OR BY ANY MEANS, ELECTRONIC OR MECHANICAL, INCLUDING PHOTOCOPYING, RECORDING, OR BY ANY INFORMATION STORAGE AND RETRIEVAL SYSTEM, WITHOUT PERMISSION IN WRITING FROM THE DIRECTOR, ARMY RESEARCH OFFICE-DURHAM.

1976

CS 5413599-0-1 E 2



DESIGNED BY	DATE
CHANGED BY	DATE
5413599-TWO01 C	10-2-74
5413599-TWO02 D	10-2-74
5413599-TWO03 E	7-15-74
5413599-TWO04 F	
5413599-TWO05 G	
5413599-TWO06 H	
5413599-TWO07 I	
5413599-TWO08 J	
5413599-TWO09 K	
5413599-TWO10 L	
5413599-TWO11 M	
5413599-TWO12 N	
5413599-TWO13 O	
5413599-TWO14 P	
5413599-TWO15 Q	
5413599-TWO16 R	
5413599-TWO17 S	
5413599-TWO18 T	
5413599-TWO19 U	
5413599-TWO20 V	
5413599-TWO21 W	
5413599-TWO22 X	
5413599-TWO23 Y	
5413599-TWO24 Z	

DRN/ISS/REV	10-2-74	FIRST USED ON	30-0000
CHK'D		TITLE	LOGIC INVERTER BOARD
ENG		SCALE	D CS 5413599-0-1 E
PROJ. ENG.		SHEET	OF 1
PROD. F.		DIST.	
NEXT HIGHER ASSY.			

LINE	ITEM	DOCUMENT NUMBER	PART NUMBER	DESCRIPTION	QTY	PER VARIATION	REFERENCE DESIGNATOR
1	1	D-MD-5013598-0-0	5013598-00	DRILL & ETCH BD	1		
2	2		1011847-03	.0047 MFD 600V 10% POLYPROP	2		C1,C2
3	3		1017913-00	.022 MFD 400V 20% M.POLYPROP	1		C3
4	4		1112594-01	A115B PIV=200 I= 3A	1		D9
5	5		1112594-02	A115M PIV=600 I= 3A	4		D1,D7,D8,D11,
6	6		1105796-01	5796-1PIV=400 I=1A D041	8		D12-D19
7	7		1112595-01	A114B PIV=200 I= 1A	2		D2,D3
8	8		1110491-20	IN 3891 PIV=200 T=12A D04 SI	2		D5,D6
9	9	BLANK		*** THIS ITEM IS NOT USED ***	1		
10	10		1205747-00	FUSE, SUB-MINI, 5.000A, 125V, A	2		F1,F2
11	11		1216937-00	TERM,SOLDER .375DIA	2		
12	12		1214789-00	INSERT,THREAD	8		
13	13		1216108-00	PCB,HEADER 08POS(1X08).200CC STR	1		J1
14	14		1216108-01	PCB,HEADER 01POS(1X01).200CC STR	1		J2
15	15		1216269-00	TERM,SPADE .145STUD SOLDER	10		
16	16		1216316-00	HEAT SINKS, 02.50X03.9	2		
17	17		1300229-00	100.0 .25 W 5.0 % CC	1		R8
18	18		1300365-00	1.0 K .25 W 5.0 % CC	1		R4
19	19		1305380-00	270.0 2.0 W 5.0 % CC	1		R7
20	20		1314350-00	1.0 2.0 W10.0 % FUSE	5		R2,R3,R9-R11
21	21		1305260-00	30.0 10.0 W 1.0 % WN	1		R6
22	22		1314544-00	270.0 10.0 W 5.0 % WN	2		R1,R5
23	23		1517365-00	2N 6678 NPN 175W SI	4		Q2-Q5
24	24		1514271-01	D 4405 NPN 31W SI225 30	1		Q1
25	25		1614202-00	XFMR,CURRENT	1		T1
26	26		1614203-00	CHOKE,BALUN-COMMON MODE	2		T3,T4
27	27		1614204-00	PULSE XFMR 20312 BASE DRIVE	1		T2
28	28		7422046-00	HEAT SINK,SINGLE	1		
29	29		7422046-01	HEAT SINK	2		
30	30		9006011-01	SCREW,MACH PAN PHIL 4-	1		

REVISION HISTORY		BASIC PART NO: 5413599		DRN: K.FRIEDGEN	DATE: 20-JUL-79	DIGITAL	
ENG	ECO NUMBER	REV	SECTION A OF A	CHK'D: F.GERRY	DATE: 20-JUL-79	TITLE PARTS LIST	
	INITIAL	B	SECTION.VARIATION INDEX			LOGIC INVERTER BD	
RR	5413599-TW001	C	[A] 00				
RH	5413599-TW002	D	[B]				
RH	5413599-TW002	D	[C]				
KK	5413599-TW003	E	[D]				
			[E]				
			[F]				
			[H]				
			[J]				
			[K]				
			[L]				
			[M]				
			[N]				
				DES.ENG: J.A.HERRMANN	DATE: 20-JUL-79		
				RESP.ENG.: J.A.HERRMANN	DATE: 20-JUL-79		
				MFG.ENG.: F.MUNIZ	DATE: 20-JUL-79	K	PL 5413599-0-DBP E
				ASSEMBLY NUMBER: D-UA-5413559-0-0	TOP DOCUMENT NUMBER:	FILE NAME: Z0399E.PLS	EDIT #: 20

"THIS DRAWING AND SPECIFICATIONS HEREIN, ARE THE PROPERTY OF DIGITAL EQUIPMENT CORPORATION AND SHALL NOT BE REPRODUCED OR COPIED OR USED IN WHOLE OR IN PART AS THE BASIS FOR THE MANUFACTURE OR SALE OF ITEMS WITHOUT WRITTEN PERMISSION. COPYRIGHT (C) 1982. DIGITAL EQUIPMENT CORPORATION"

AUTOMATED BY PRTLST.3H(23)

PARTS LIST

SHEET A2 OF A2

LINE	ITEM	DOCUMENT NUMBER	PART NUMBER	DESCRIPTION	QTY	PER VARIATION	REFERENCE DESIGNATOR
					00		
31	31		9006025-01	SCREW, MACH PAN PHIL 6-	8		
32	32		9006556-00	NUT, HEX 4-40X .264AF SS/N	1		
33	33		9006656-00	WASHER, FLAT STEEL	4		
34	34		9006688-00	WASHER, HELICAL SPLIT SST	1		
35	35		9006735-00	EYELET, FUNNEL 0.0590DX0.187	4		
36	36		9007801-00	WASHER, HELICAL SPLIT SST	8		
37	37		9007906-00	WASHER, HELICAL SPLIT STEEL	2		
38	38		9009005-00	NUT, HEX 10-32X .246AF SS/N	2		
39	39		9009676-00	TERM, SOLDER BARRIER STR	4		
40	40		9009769-00	WASHER, RECTNGLR STEEL	1		
41	41		9010128-00	SCREW, TAP PAN PHIL THD RL 4-	3		
42	42		9107560-03	WIRE, BUSS 18AWG TIN BARE	A/R		
43	43		9008268-00	COMPOUND, THERMAL JOINT	A/R		
44	44		1013280-00	680.0 MMF 1000V 5%200PPM MICA	2		C4, C5
45	45		1302199-00	47.0 1.0 W 5.0% CC	2		R12, R13
46	46		1115273-01	UES1306 RECTIFIER 400V 5V 50NS	1		D10
47	47		9009798-01	SPACER, CLEAR HOLE RND CERAM .07	2		
48	48		1115273-00	UES 1304 RECTIFIER 200V 6A	1		D4

49 NOTE: ITEM #42; .19' IS ISED.

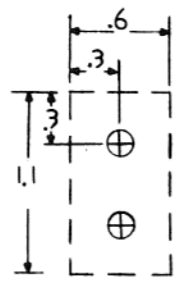
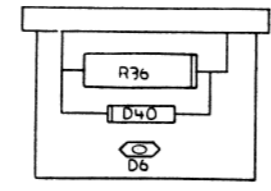
D	I	G	I	T	A	L	TITLE	SECTION A OF A	SIZE	CODE	DOCUMENT NUMBER	REV
							LOGIC INVERTER BD		K	PL	5413599-0-DBP	E

THIS DRAWING AND SPECIFICATIONS, RIGHTS, AND THE PROPERTY OF AVCO ELECTRIC CORPORATION AND SHALL NOT BE REPRODUCED OR USED IN WHOLE OR IN PART AS THE BASIS FOR THE CONSTRUCTION OF SUCH OF THEM WITHOUT WRITTEN PERMISSION. COPYRIGHT © 1979 AVCO ELECTRIC CORPORATION

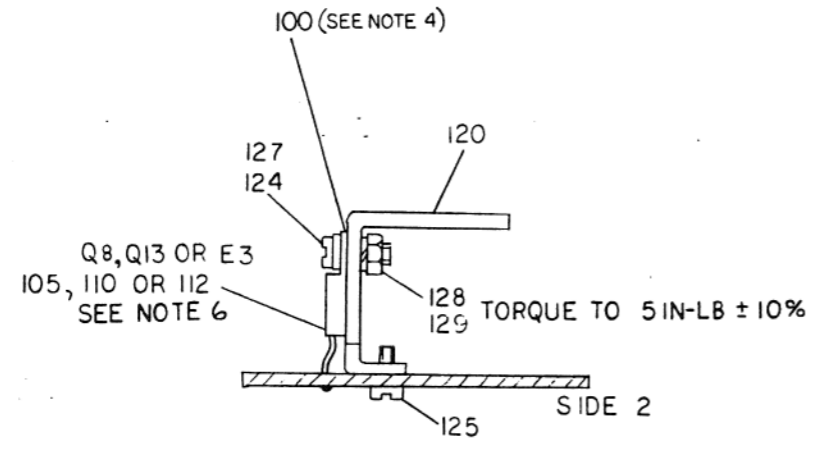
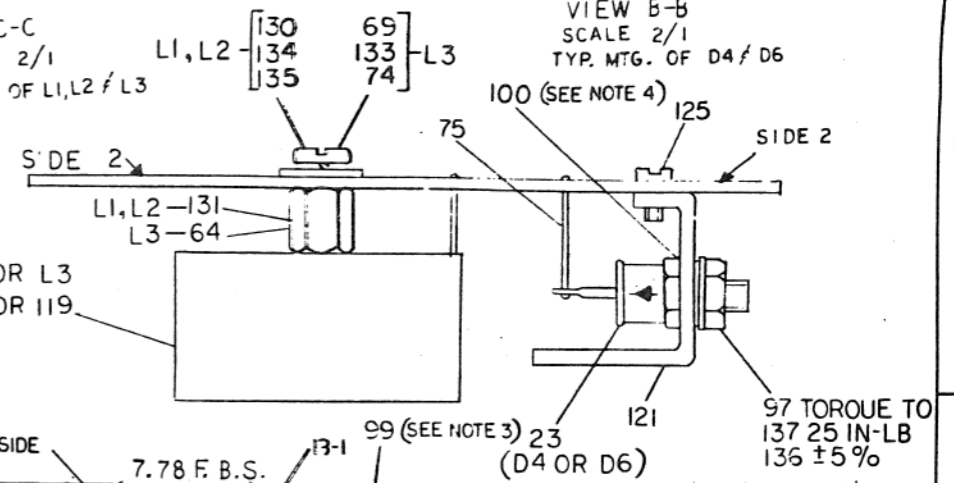
2-0-202147 2

VIEW C-C
SCALE 2/1
TYP. MTG OF L1, L2 / L3

VIEW B-B
SCALE 2/1
TYP. MTG. OF D4 / D6

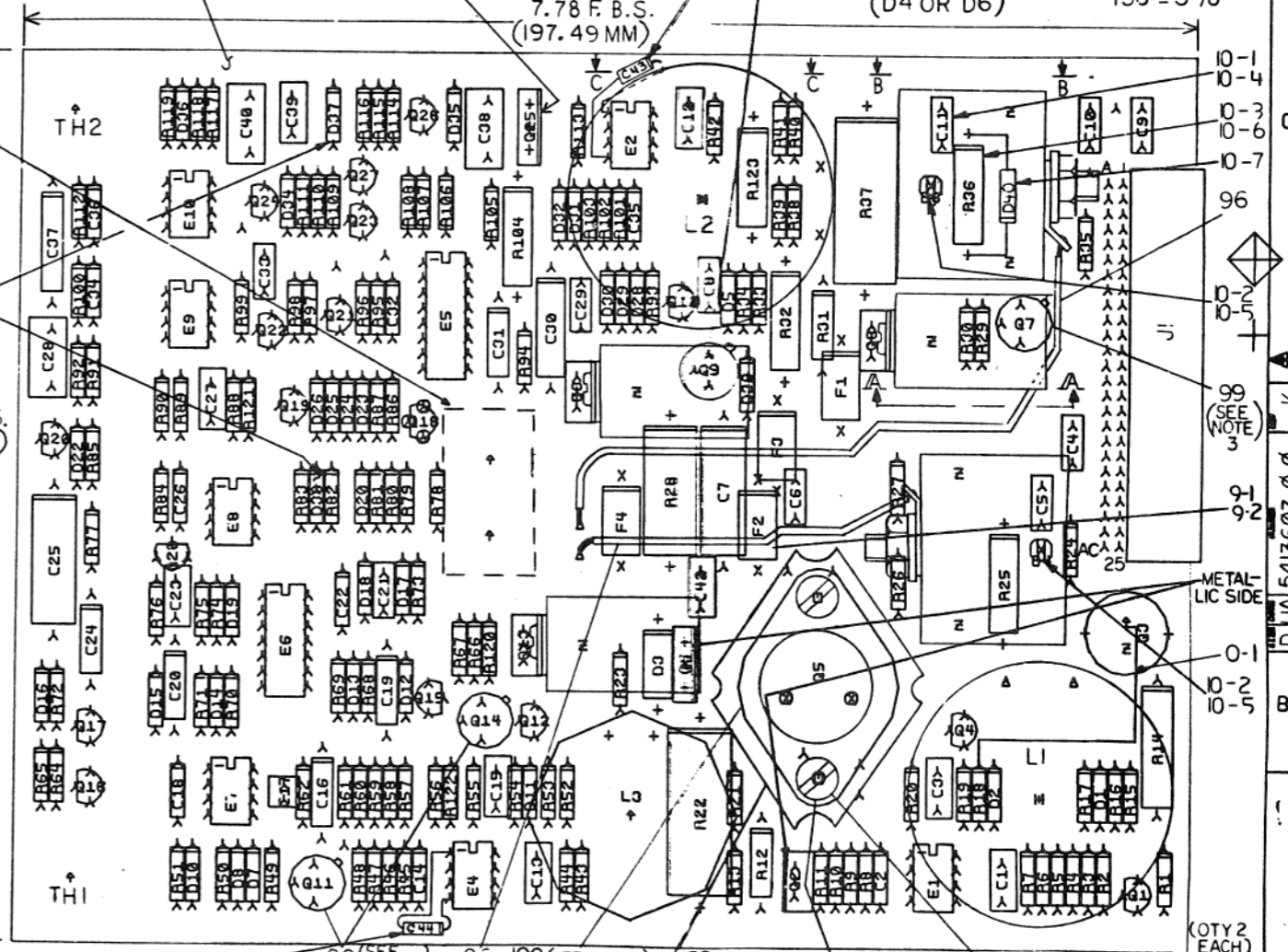


DETAIL A
SEE NOTE 7



SECTION A-A
SCALE: 2/1
TYPICAL 3 PLACES

FOR -00 DIODE IS USED
FOR -YA JUMPER IS USED
FOR YB JUMPER IS USED
IN PLACE OF D38 ONLY.



- NOTES:
- R14/R37 MUST BE RAISED .125" TO .150"
 - D3 MUST BE RAISED .05" TO .10"
 - USE TRANSIPADS (ITEM 99) UNDER Q7, Q9, Q11, Q14
 - USE THERMAL COMPOUND (ITEM 100) BETWEEN E3, Q5, Q8, Q13, D4, D6 / HEAT SINK.

CHG	NO	REV	BY	DATE	DESCRIPTION
	1		R. WOLF	12-22-79	INITIAL RELEASE
	2		R. WOLF	2-5-80	REVISION
	3		R. WOLF	11-9-80	REVISION
	4		R. WOLF	11-1-80	REVISION
	5		R. WOLF	12-7-80	REVISION

- TORQUE TO 8 IN LB ± 10%
- Q8, Q13, E3, D4, D6 MUST BE MOUNTED TO HEAT SINKS BEFORE BEING ATTACHED TO P.C.B.
- MASK THIS AREA ON SIDE 2 ONLY, KEEP FREE OF SOLDER.

ETCH REV.	D-PI
-----------	------

SIGNATURES		DATE	digital
DRN. P. RICHARD TELLIER		12-22-79	
CHK'D. <i>[Signature]</i>		2-5-80	TITLE MEMORY REGULATOR
MECH. ENG. <i>[Signature]</i>		11-9-80	
PROJ. ENG. <i>[Signature]</i>		11-1-80	
PROD. <i>[Signature]</i>		12-7-80	
SCALE 2/1	SHT. 1 OF 2	SIZE CODE	NUMBER
		D UA 5413607-0	REV K

TW 1 MS#171921D-PI

THIS DRAWING AND SPECIFICATIONS HEREIN ARE THE PROPERTY OF DIGITAL EQUIPMENT CORPORATION AND SHALL NOT BE REPRODUCED OR COPIED OR USED IN WHOLE OR IN PART AS THE BASIS FOR THE MANUFACTURE OR SALE OF ITEMS WITHOUT WRITTEN PERMISSION. COPYRIGHT © 1980 DIGITAL EQUIPMENT CORPORATION.

REWORK INSTRUCTION

WIRE ADD SIDE 1
 0-1 FROM R18 (WRAP WIRE AROUND COMPONENT LEAD) TO Q3 CATHODE (GND) (USE ITEM 144.)

REWORK INSTRUCTION

ECO # 9
 COMPONENT DELETE SIDE 1
 9-1 DELETE F2 DEC P/N 12-05747-00.
 COMPONENT ADD SIDE 1
 9-2 ADD F2 DEC P/N 12-10929-09

REWORK INSTRUCTIONS

ECO # 10
 COMPONENT DELETES SIDE 1
 10-1 DELETE C1, DEC P/N 1001610-01
 10-2 DELETE D4, D6, DEC P/N 1110491-01
 10-3 DELETE R36, DEC P/N 1300171-00
 COMPONENT ADDS SIDE 1
 10-4 ADD C1, DEC P/N 1012784-00
 10-5 ADD D4, D6, DEC P/N 1116645-03
 10-6 ADD R36, DEC P/N 1316575-00
 10-7 ADD D40, DEC P/N 1114893-00 ACROSS R36 CATHODE TO END NEAR Q7.

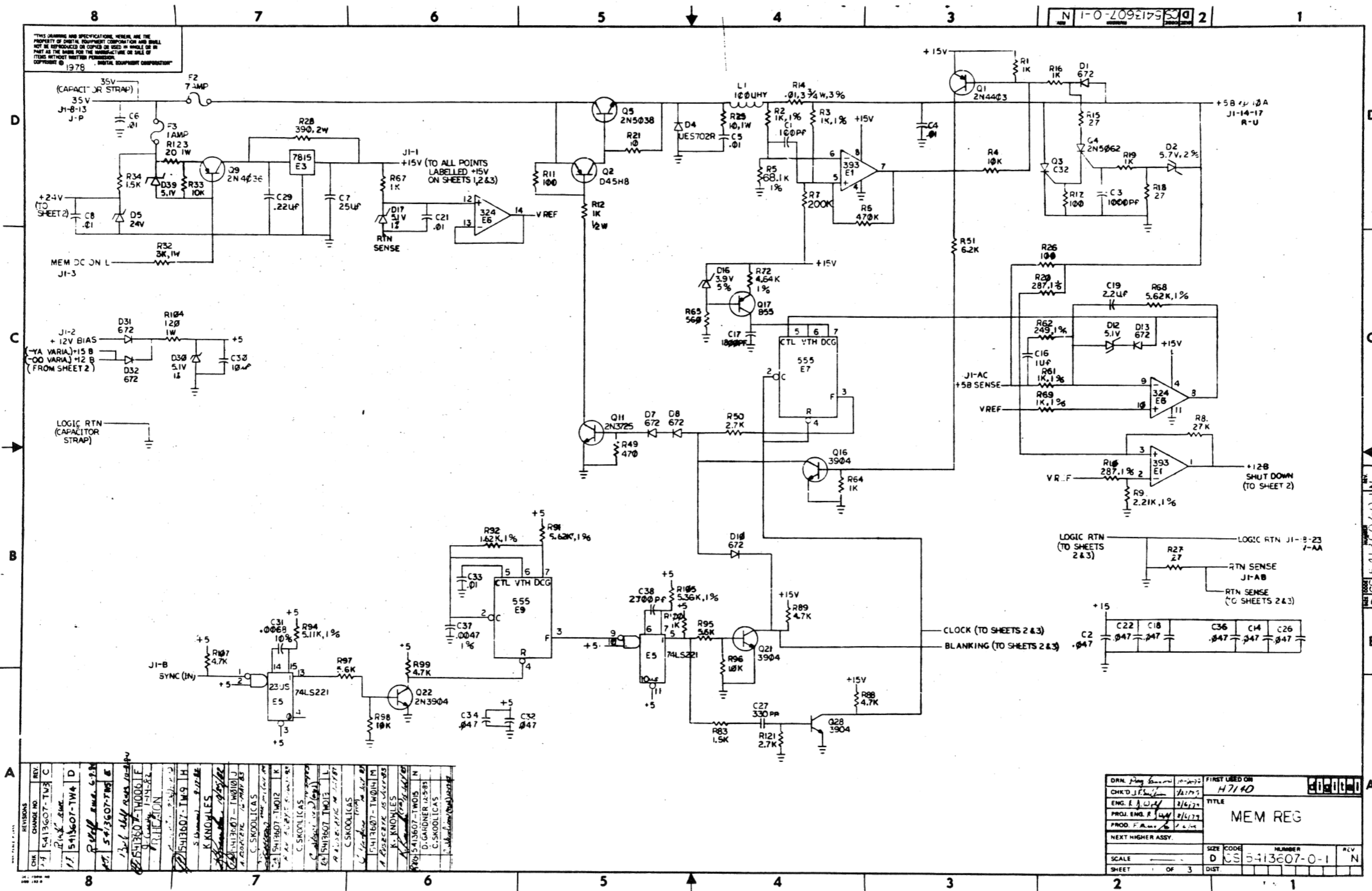
REWORK INSTRUCTIONS

ECO # 13
 COMPONENT ADD SIDE 1
 13-1 ADD C43 DEC P/N 1001610-01 FROM E2-2 TO E2-4 (GROUND)
 13-2 ADD C44 DEC P/N 1001610-01 FROM E4-2 TO E4-4 (GROUND)

REVISION HISTORY		
DATE	ECO NUMBER	REV.

DOCUMENT NUMBER		REV.
SIZE CODE	NUMBER	K
DUA	5413607-0-0	
SCALE	SHEET 2 OF 2	

THIS DRAWING AND SPECIFICATIONS HEREAFTER ARE THE PROPERTY OF DIGITAL EQUIPMENT CORPORATION AND SHALL NOT BE REPRODUCED OR COPIED OR USED IN WHOLE OR IN PART AS THE BASIS FOR THE MANUFACTURE OR SALE OF ITEMS WITHOUT WRITTEN PERMISSION OF DIGITAL EQUIPMENT CORPORATION © 1978

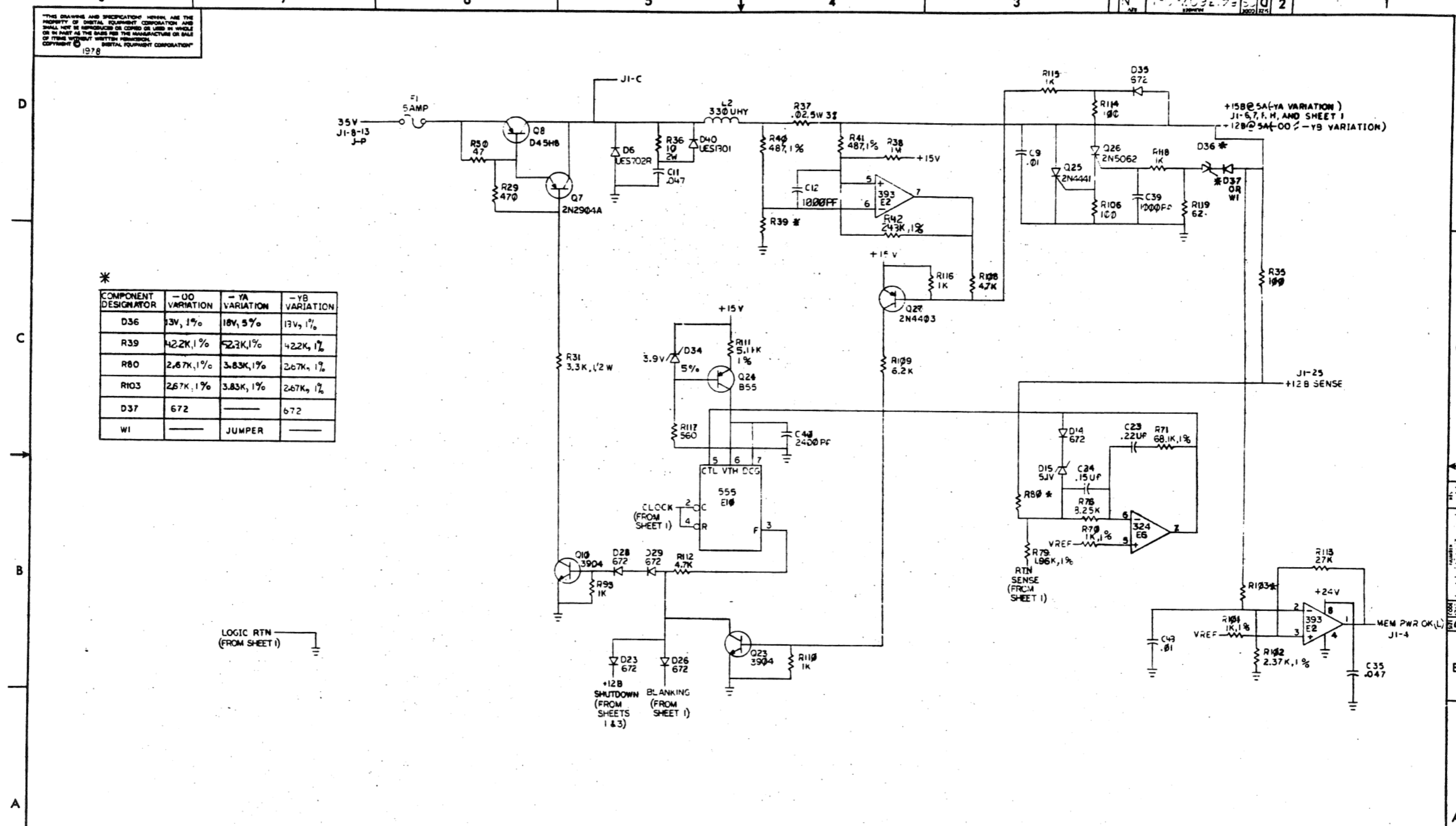


REV	DATE	BY	CHK	DESCRIPTION
1	11/15/78	W.A.	W.A.	INITIAL DESIGN
2	11/15/78	W.A.	W.A.	REVISION
3	11/15/78	W.A.	W.A.	REVISION
4	11/15/78	W.A.	W.A.	REVISION
5	11/15/78	W.A.	W.A.	REVISION
6	11/15/78	W.A.	W.A.	REVISION
7	11/15/78	W.A.	W.A.	REVISION
8	11/15/78	W.A.	W.A.	REVISION

DRN. <i>[Signature]</i>	FIRST USED ON	71140
CHK'D <i>[Signature]</i>	DATE	11/15/78
ENG. <i>[Signature]</i>	DATE	11/15/78
PROJ. ENG. <i>[Signature]</i>	DATE	11/15/78
NEXT HIGHER ASSY.		
MEM REG		
SCALE	SIZE	CODE
	D	CS
SHEET	OF	DIST
1	3	

THIS DRAWING AND SPECIFICATION HEREIN ARE THE PROPERTY OF DIGITAL EQUIPMENT CORPORATION AND SHALL NOT BE REPRODUCED OR COPIED OR USED IN WHOLE OR IN PART AS THE BASIS FOR THE MANUFACTURE OR SALE OF ITEMS WITHOUT WRITTEN PERMISSION. DIGITAL EQUIPMENT CORPORATION 1978

N 1009278 2



*

COMPONENT DESIGNATOR	-U0 VARIATION	-YA VARIATION	-YB VARIATION
D36	13V, 1%	18V, 5%	13V, 1%
R39	422K, 1%	523K, 1%	422K, 1%
R80	2.67K, 1%	3.83K, 1%	2.67K, 1%
R103	2.67K, 1%	3.83K, 1%	2.67K, 1%
D37	672		672
W1		JUMPER	

LOGIC RTN (FROM SHEET 1)

+12B SHUTDOWN (FROM SHEETS 1 & 3)
BLANKING (FROM SHEET 1)

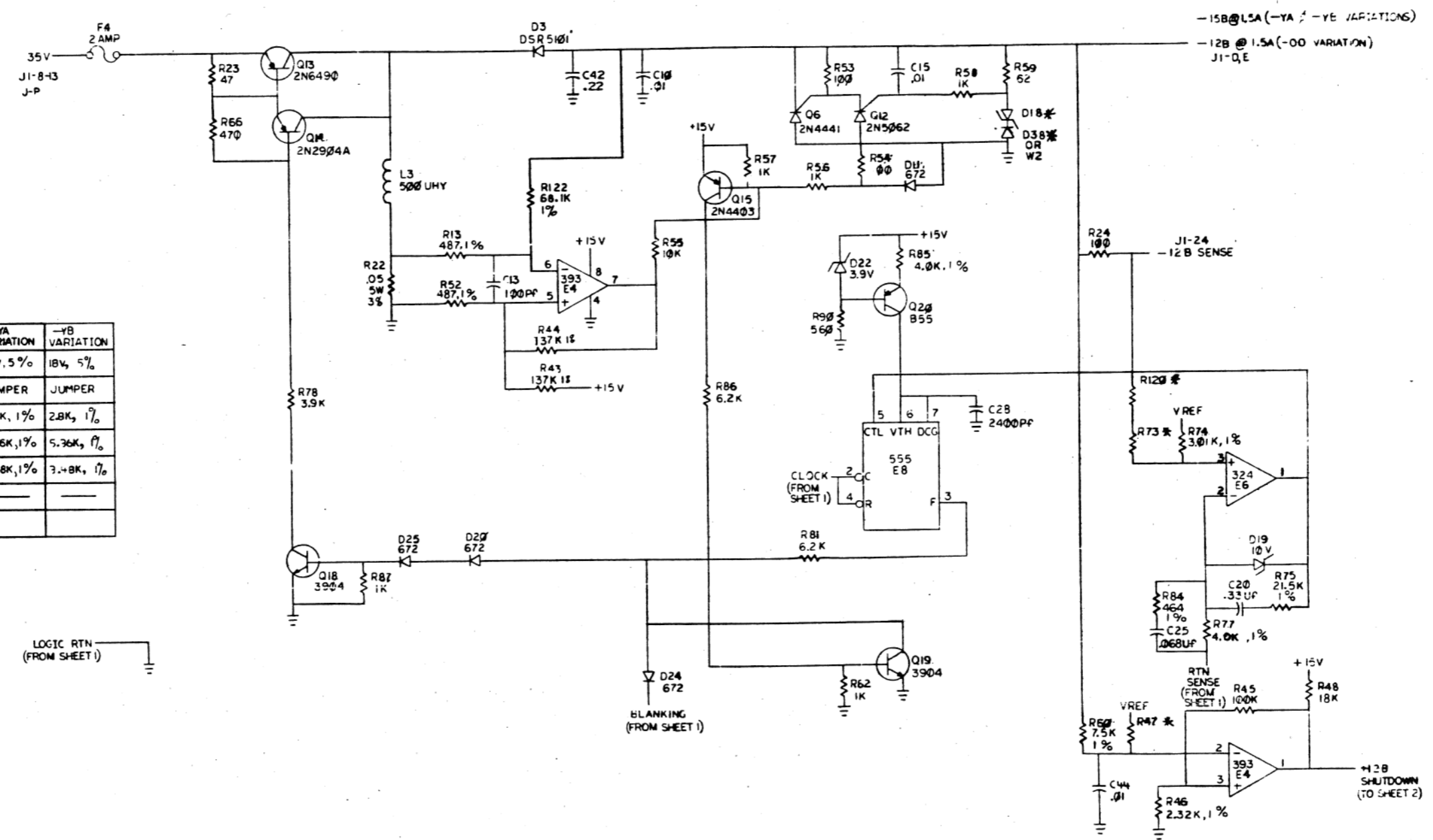
REVISIONS		
CHK	CHANGE NO.	REV.

TITLE MEM REG
SCALE
SHEET 2 OF 3
DST
SIZE CODE DCS
NUMBER 5413607-J-1
REV. N

THIS DRAWING AND SPECIFICATIONS HEREIN ARE THE PROPERTY OF DIGITAL EQUIPMENT CORPORATION AND SHALL NOT BE REPRODUCED OR COPIED OR USED IN WHOLE OR IN PART AS THE BASIS FOR THE MANUFACTURE OR SALE OF ITEMS WITHOUT WRITTEN PERMISSION. DIGITAL EQUIPMENT CORPORATION. COPYRIGHT © 1971.

*

COMPONENT DESIGNATOR	-00 VARIATION	-YA VARIATION	-YB VARIATION
D18	13V, 1%	18V, 5%	18V, 5%
W2	---	JUMPER	JUMPER
R47	3.48K, 1%	2.8K, 1%	2.8K, 1%
R73	5.62K, 1%	5.36K, 1%	5.36K, 1%
R120	1.47K, 1%	3.48K, 1%	3.48K, 1%
D38	672	---	---



5413607-0-1 N

LINE	ITEM	DOCUMENT NUMBER	PART NUMBER	DESCRIPTION	QTY	PER	VARIATION	REFERENCE DESIGNATOR
					00	YA	YB	
1	1	D-MD-5013606-0-0	5013606-00	DRILL & ETCH BD	1	1	1	
2	2		1004813-00	10 MFD 20V 10% S.TANT	1	1	1	C30
3	3		1000042-00	1000.0 MMF 100V 5%200PPM MICA	3	3	3	C3,C39,C12
4	4		1000052-00	.068 MFD 100V 10% MYLR	1	1	1	C25
5	5		1000060-00	6800.0 MMF 200V 10% MYLR	1	1	1	C31
6	6		1000075-00	25 MFD 25V +75-10% AL EL	1	1	1	C7
7	7	SEE NOTE #157	1001610-01	.01 MFD50/100V +80-20% DISC	11	11	11	C4-C6,C8-C10,C21,C33,C15,C43,C44
8	8		1001776-00	1 MFD 35V 10% S.TANT	1	1	1	C16
9	9		1001636-00	2400.0 MMF 100V 5%200PPM MICA	2	2	2	C28,C40
10	10		1014170-00	2700.0 MMF 100V 1% 70PPM MICA	1	1	1	C38
11	11		1002627-00	2.2MFD 20V 10% S.TANT	1	1	1	C19
12	12		1005328-00	.33 MFD 20V 10% S.TANT	1	1	1	C20
13	13		1009312-00	.0047 MFD 100V 1% MYLR	1	1	1	C37
14	14		1010274-01	.22 MFD 50V +80-20% Z5U CER	1	1	1	C29
15	15		1011740-02	1800.0 MMF 50V 10% CER	1	1	1	C17
16	16		1011895-00	.15 MFD 35V 10% S.TANT	1	1	1	C24
17	17		1012784-00	.047 MFD 50V +80-20% CER	10	10	10	C2,C14,C18,C22,C26,C32,C34-C36,C11
18	18		1100122-00	VZ= 3.9 5% 400 MW 1N748A	3	3	3	D16,D22,D34
19	19		1105275-00	PIV= 60 IO=300 MA -15NS	19	-	-	D1,D7,D8,D10,D11,D13,D14,D20,D23-D26,D28,D29,D31,D32,D35,D37,D38
			CONT		-	17	-	D1,D7,D8,D10,D11,D13,D14,D20,D23-D26,D28,D29,D31,D32,D35
			CONT		-	-	18	D1,D7,D8,D10,D11,D13,D14,D20,D23-D26,D28,D29,D31,D32,D35,D37
20	20		1100125-00	VZ= 10.0 5% 400 MW 1N758A	1	1	1	D19
21	21		1105871-00	VZ= 5.15 1% 250 MW	3	3	3	D17,D30,D39
22	22		1118411-00	VZ= 13.0 1% 500 MW 1N5243	2	-	-	D18,D36
			CONT		-	-	1	D36

REVISION HISTORY			BASIC PART NO: 5413607		
ENG	ECO NUMBER	REV	SECTION A OF A	DRN: J.FERGUSON	DATE: 06-AUG-80
	TWO05	H	SECTION VARIATION INDEX	CHK'D: J.FERGUSON	DATE: 06-AUG-80
MS	5413607-TW006	J	[A] 00, YA, YB	DES. ENG: B.WOLF	DATE: 06-AUG-80
KK	5413607-TW009	K	[B]	RESP. ENG.: B.WOLF	DATE: 06-AUG-80
CS	5413607-TW010	L	[C]	MFG. ENG.: P.WAITKUS	DATE: 06-AUG-80
CS	5413607-TW012	M	[D]	ASSEMBLY NUMBER: D-UA-5413607-0-0	TOP DOCUMENT NUMBER: B-DD-5413607-0-0
CS	5413607-TW013	N	[E]	FILE NAME: Z0403R.PLS	EDIT #: 9
KK	5413607-TW014	P	[F]		
CS	5413607-TW015	R	[H]		
			[J]		
			[K]		
			[L]		
			[M]		
			[N]		

"THIS DRAWING AND SPECIFICATIONS HEREIN, ARE THE PROPERTY OF DIGITAL EQUIPMENT CORPORATION AND SHALL NOT BE REPRODUCED OR COPIED OR USED IN WHOLE OR IN PART AS THE BASIS FOR THE MANUFACTURE OR SALE OF ITEMS WITHOUT WRITTEN PERMISSION. COPYRIGHT (C) 1983. DIGITAL EQUIPMENT CORPORATION"

LINE	ITEM	DOCUMENT NUMBER	PART NUMBER	DESCRIPTION	QTY PER VARIATION			REFERENCE DESIGNATOR
					00	YA	YB	
23	23		1116645-03	RECT,ULTRA FAST PIV= 100 IO=25.0	2	2	2	D4,D6
24	24		1110713-00	VZ= 5.1 2% 400 MW 1N751	2	2	2	D12,D15
25	25		1110856-00	VZ= 24.0 5% 400 MW 1N970B	1	1	1	D5
26	26		1111205-00	VZ= 5.7 2% 400 MW	1	1	1	D2
27	27		1114602-00	RECT,ULTRA FAST PIV= 100 IO= 4.0	1	1	1	D3
28	28		1110968-00	SCR PIV= 100 IO= .80A 2N5062	3	3	3	Q4,Q12,Q26
29	29		1010978-40	.22 MFD 50V 10% CER	2	2	2	C23,C42
30	30		1210929-02	FUSE, SUB-MINI 1.000A, 125V, A	1	1	1	F3
31	31		1205747-00	FUSE, SUB-MINI, 5.000A, 125V, A	1	1	1	F1
32	32		1216112-03	PCB,HEADER 50POS(1X50).156CC 90D	1	1	1	J1
33	33		1305127-00	4.0 K .25 W 1.0 % RN55D-F10	2	2	2	R77,R85
34	34		1304856-00	4.64 K .25 W 1.0 % RN55D-F10	1	1	1	R72
35	35		1304854-00	5.11 K .25 W 1.0 % RN55D-F10	2	2	2	R94,R111
36	36		1300391-00	1.50 K .25 W 5.0 % CF	2	2	2	R34,R83
37	37		1300316-00	470.0 .25 W 5.0 % CF	3	3	3	R29,R49,R66
38	38		1300447-00	4.70 K .25 W 5.0 % CF	6	6	6	R99,R107,R112,R88,R89,R108
39	39		1300229-00	100.0 .25 W 5.0 % CF	9	9	9	R11,R17,R24,R26,R35,R53,R54, R106,R114
								CONT
40	40		1301317-00	10.0 .25 W 5.0 % CF	1	1	1	R21
41	41		1300364-00	1.0 K .50 W 5.0 % CF	1	1	1	R12
42	42		1300171-00	10.0 1.0 W 5.0 % CC	1	1	1	R25
43	43		1313014-00	.01 3.75 W 3.0 % WW	1	1	1	R14
44	44		1301864-00	390.0 2.0 W 5.0 % CC	1	1	1	R28
45	45		1300479-00	10.0 K .25 W 5.0 % CF	5	5	5	R4,R33,R55,R96,R98
46	46		1309595-00	1.0 M .25 W 5.0 % CF	1	1	1	R38
47	47		1303114-00	1.0 K .25 W 1.0 % RN55D-F10	6	6	6	R2,R3,R61,R69,R70,R101
48	48	BLANK		*** THIS ITEM IS NOT USED ***	-	-	-	
49	49		1300365-00	1.0 K .25 W 5.0 % CF	16	16	16	R1,R16,R19,R56-R58,R64,R67,R82, R87,R93,R100,R110,R115,R116,R118
								CONT
50	50		1301522-00	27.0 .25 W 5.0 % CF	3	3	3	R15,R18,R27
51	51		1305114-00	3.48 K .25 W 1.0 % RN55D-F10	1	-	-	R47
				CONT	-	1	1	R120
52	52		1301890-00	560.0 .25 W 5.0 % CF	3	3	3	R65,R90,R117
53	53		1300426-00	2.70 K .25 W 5.0 % CF	2	2	2	R50,R121
54	54		1211751-00	FUSE, SUB-MINI, 2.000A, 125V, A	1	1	1	F4
55	55		1305128-00	5.62 K .25 W 1.0 % RN55D-F10	3	-	-	R68,R73,R91
				CONT	-	2	-	R68,R91
				CONT	-	-	1	R68
56	56		1303044-00	100.0 K .25 W 1.0 % RN55D-F10	1	1	1	R45
57	57		1309787-00	249.0 .25 W 1.0 % RN55E-F 2	1	1	1	R62
58	58		1310876-03	.05 5.0 W 3.0 % WW	1	1	1	R22
59	59		1305124-00	287.0 .25 W 1.0 % RN55D-F10	2	2	2	R10,R20
60	60		1310631-00	2.21 K .25 W 1.0 % RN55D-F10	1	1	1	R9
61	61		1313341-00	5.36 K .25 W 1.0 % RN55D-F10	1	-	-	R105
				CONT	-	2	2	R105,R73
62	62		1304862-00	1.62 K .25 W 1.0 % RN55D-F10	1	1	1	R92
63	63		1300202-00	47.0 .25 W 5.0 % CF	2	2	2	R23,R30
64	64		9006801-00	SPACER,CLEAR HOLE HEX ALUM 6	1	1	1	

D	I	G	I	T	A	L	TITLE	SECTION A OF A	SIZE	CODE	DOCUMENT NUMBER	REV
							MEMORY REG		K	PL	5413607-0-DBP	R

PARTS LIST

LINE	ITEM	DOCUMENT NUMBER	PART NUMBER	DESCRIPTION	QTY PER VARIATION			REFERENCE DESIGNATOR					
					00	YA	YB						
65	65		1311845-00	487.0	.25	W	1.0	%	RN55D-F10	4	4	4	R13,R40,R41,R52
66	66		1315436-00	52.30 K	.25	W	1.0	%	RN55D-F10	-	1	-	R39
67	67		1310876-00	.02	5.0	W	3.0	%	WW	1	1	1	R37
68	68		1304843-00	243.0 K	.25	W	1.0	%	RN55D-F10	1	1	1	R42
69	69		9006026-01	SCREW,MACH PAN PHIL					6-	1	1	1	
70	70		1300440-00	3.30 K	.50	W	5.0	%	CF	1	1	1	R31
71	71		1312929-00	62.0	.25	W	5.0	%	CF	2	2	2	R59,R119
72	72		1305252-00	68.10 K	.25	W	1.0	%	RN55D-F10	3	3	3	R71,R122,R5
73	73		1305325-00	8.25 K	.25	W	1.0	%	RN55D-F10	1	1	1	R76
74	74		9006653-00	WASHER,FLAT					STEEL	1	1	1	
75	75		9107560-03	WIRE,BUSS 18AWG					TIN BARE	A/R	A/R	A/R	
76	76		1305346-00	27.0 K	.25	W	5.0	%	CF	2	2	2	R8,R113
77	77		1310634-00	2.67 K	.25	W	1.0	%	RN55D-F10	2	-	2	R80,R103
78	78		1310632-00	2.37 K	.25	W	1.0	%	RN55D-F10	1	1	1	R102
79	79		1301874-00	5.60 K	.25	W	5.0	%	CF	2	2	2	R95,R97
80	80		1300444-00	3.90 K	.25	W	5.0	%	CF	1	1	1	R78
81	81	BLANK		*** THIS ITEM IS NOT USED ***									
82	82		1303155-00	21.50 K	.25	W	1.0	%	RN55D-F10	1	1	1	R75
83	83		1314041-00	3.01 K	.25	W	1.0	%	RN55D-F10	1	1	1	R74
84	84		1312931-00	6.20 K	.25	W	5.0	%	CF	4	4	4	R51,R81,R86,R109
85	85		1000016-00	100.0 MMF	100V	5%	200PPM		MICA	2	2	2	C1,C13
86	86		1304833-00	1.96 K	.25	W	1.0	%	RN55D-F10	1	1	1	R79
87	87		1305322-00	7.50 K	.25	W	1.0	%	RN55D-F10	1	1	1	R60
88	88		1312545-00	2.32 K	.25	W	1.0	%	RN55D-F10	1	1	1	R46
89	89		1300433-00	3.0 K	1.0	W	5.0	%	CC	1	1	1	R32
90	90		1302398-00	470.0 K	.25	W	5.0	%	CF	1	1	1	R6
91	91		1000023-00	330.0 MMF	100V	5%	200PPM		MICA	1	1	1	C27
92	92		1302465-00	18.0 K	.25	W	5.0	%	CF	1	1	1	R48
93	93		1303047-00	464.0	.25	W	1.0	%	RN55D-F10	1	1	1	R84
94	94		1305422-00	137.0 K	.25	W	1.0	%	RN55D-F10	2	2	2	R43,R44
95	95		1301838-00	120.0	1.0	W	5.0	%	CC	1	1	1	R104
96	96		9107370-00	WIRE,	14AWG	19/.0147	IPVC	150V		A/R	A/R	A/R	
97	97		9007928-00	TERM,RING	#10	STUD	CRIMP	14-1		2	2	2	
98	98	BLANK		*** THIS ITEM IS NOT USED ***									
99	99		9007201-00	PAD,MOUNTING,COMPONENT						4	4	4	
100	100		9008268-00	COMPOUND, THERMAL JOINT						A/R	A/R	A/R	
101	101		1510928-00	SCR PIV= 100 IO=25.00A						1	1	1	Q3
102	102		1505867-00	SCR PIV= 50 IO= 8.00A 2N4441						2	2	2	Q6,Q25
103	103		1305108-00	1.47 K	.25	W	1.0	%	RN55D-F10	1	-	-	R120
104	104		1510969-00	2N 5038	NPN	140WC	SI	90 50 Y		1	1	1	Q5
105	105		1510708-00	D 45H8	PNP	50WT	SI	60 60 Y		2	2	2	Q2,Q8
106	106		1510959-00	2N 3725	NPN	3.5WC	SI	50 60 P		1	1	1	Q11
107	107		1510706-01	B 55	PNP	500MW	SI	60 50		3	3	3	Q17,Q20,Q24
108	108		1513490-00	2N 4403	PNP	350MW	SI	40 30		3	3	3	Q1,Q15,Q27
109	109		1509524-00	2N 3904	NPN	310MW	SI	40 40 M		8	8	8	Q10,Q16,Q18,Q19,Q21,Q22,Q23,Q28
110	110		1512652-00	2N 6490	PNP	50W	SI	60 40		1	1	1	Q13
111	111		1501913-00	2N 2904A	PNP	600MW	SI	60 40 Y		2	2	2	Q7,Q14
112	112		1914473-02	7815A VOLT REG, FIX				+15V		1	1	1	E3

D	I	G	I	T	A	L	TITLE	SECTION A	OF A	SIZE	CODE	DOCUMENT NUMBER	REV
							MEMORY REG			K	PL	5413607-0-DBP	R

LINE	ITEM	DOCUMENT NUMBER	PART NUMBER	DESCRIPTION	QTY PER VARIATION			REFERENCE DESIGNATOR
					00	YA	YB	
113	113		1914156-00	LM 393 VOLT.COMPARATOR DUAL	3	3	3	E1,E2,E4
114	114		1912107-00	324 OP AMP,QUAD	1	1	1	E6
115	115		1911944-00	555CN TIMER,FUNCT.BLOCK	3	3	3	E7,E8,E10
116	116		1912858-00	LS221 ONE SHOT-DUAL,SCHMIT	1	1	1	E5
117	117		1616212-00	80.0 UH 12.5ADC 30KHZ	1	1	1	L1
118	118		1616210-00	250.0 UH @ 6.5A DC,600.0 UH @	1	1	1	L2
119	119		1616211-00	350.0 UH 3A	1	1	1	L3
120	120		7422046-00	HEAT SINK,SINGLE	3	3	3	
121	121		7422047-01	HEAT SINK DOUBLE	2	2	2	
122	122		1213426-03	HEAT SINK,TO-3 1.880X01.4	1	1	1	
123	123		1214789-00	INSERT,THREAD	2	2	2	
124	124		9009769-00	WASHER,RECTNGLR STEEL	3	3	3	
125	125		9010128-00	SCREW,TAP PAN PHIL THD RL 4-	7	7	7	
126	126		9006024-01	SCREW,MACH PAN PHIL 6-	2	2	2	
127	127		9006011-01	SCREW,MACH PAN PHIL 4-	3	3	3	
128	128		9006688-00	WASHER,HELICAL SPLIT SST	3	3	3	
129	129		9006556-00	NUT,HEX 4-40X .264AF SS/N	3	3	3	
130	130		9006041-01	SCREW,MACH PAN PHIL 8-	2	2	2	
131	131		9006802-00	SPACER,CLEAR HOLE HEX ALUM 8	2	2	2	
132	132		9006656-00	WASHER,FLAT STEEL	2	2	2	
133	133		9007801-00	WASHER,HELICAL SPLIT SST	3	3	3	
134	134		9006690-00	WASHER,HELICAL SPLIT SST	2	2	2	
135	135		9006660-00	WASHER,FLAT SST	2	2	2	
136	136		9009005-00	NUT,HEX 10-32X .246AF SS/N	2	2	2	
137	137		9007906-00	WASHER,HELICAL SPLIT STEEL	2	2	2	
138	138		9009185-00	JUMPER, WIRE, INSULATED, BLACK B	-	2	-	W1,W2
			CONT		-	-	1	W2
139	139	BLANK		*** THIS ITEM IS NOT USED ***	-	-	-	
140	140		1509700-00	2N 4036 PNP 7WC SI 80100 M	1	1	1	Q9
141	141	BLANK		*** THIS ITEM IS NOT USED ***	-	-	-	
142	142	BLANK		*** THIS ITEM IS NOT USED ***	-	-	-	
143	143	BLANK		*** THIS ITEM IS NOT USED ***	-	-	-	
144	144		9107688-55	WIRE(WRAP) 24AWG KYNAR UL13	A/R	A/R	A/R	
145	145		1110766-00	VZ= 18.0 5% 500M2 1N5248B D	-	2	-	D18,D36
			CONT		-	-	1	D18
146	146		1309413-00	3.83 K .25 W 1.0 % RN55D-F10	-	2	-	R80,R103
147	147		1305145-00	2.80 K .25 W 1.0 % RN55D-F10	-	1	1	R47
148	148		1312993-00	20.0 1.0 W 5.0 % CC	1	1	1	R123
149	149		1314923-00	42.20 K .25 W 1.0 % RN55D-F10	1	-	1	R39
150	150		1210929-09	FUSE, SUB-MINI, 7.000A, 125V,AXI	1	1	1	F2
151	151		1316575-00	10.0 2.0 W 5.0 % CC	1	1	1	R36
152	152		1114893-00	RECT,ULTRA FAST PIV= 50 IO= 6.0	1	1	1	D40
153	153		1911944-01	555-1 TIMER FUNCT.BLOCK,5	1	1	1	E9
154	154		1305336-00	200.0 K .25 W 1.0 % RN55D-F10	1	1	1	R7

D	I	G	I	T	A	L	TITLE	SECTION A OF A	SIZE	CODE	DOCUMENT NUMBER	REV
							MEMORY REG		K	PL	5413607-0-DBP	R

AUTOMATED BY PRTLST.3P(44)

P A R T S L I S T

SHEET A5 OF A5

LINE ITEM DOCUMENT NUMBER

PART NUMBER

DESCRIPTION

QTY PER VARIATION
00 YA YB

REFERENCE DESIGNATOR

155 NOTE: ITEM #75; .17' IS USED.

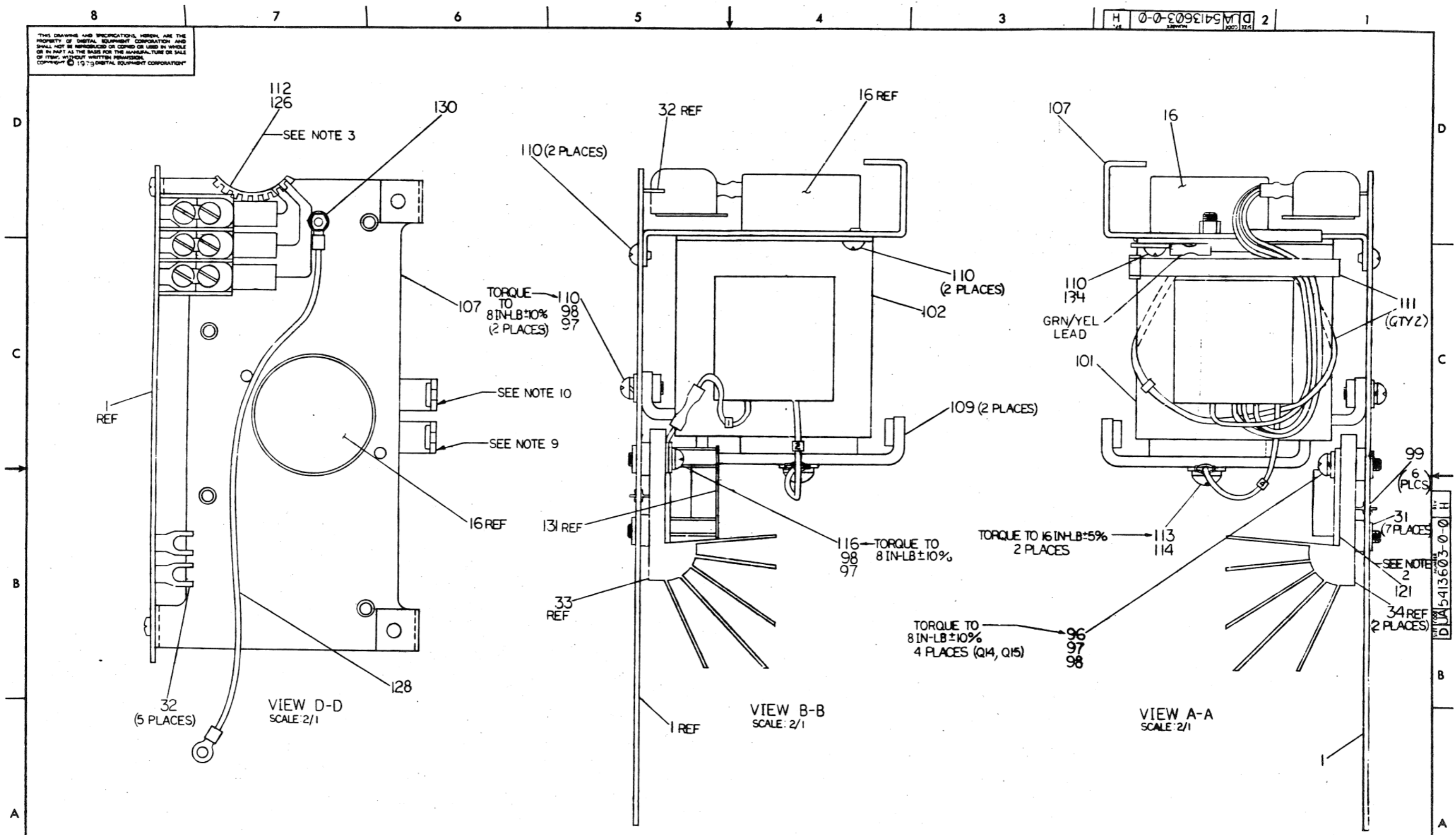
156 NOTE: ITEM #144; .19' IS USED.

157 NOTE: ITEM #96; .56' IS USED.

158 NOTE: ITEM #7, FOR C43 & C44, DEC P/N 1001610-00 MAY BE USED IN PLACE OF DEC P/N 1001610-01.

D	I	G	I	T	A	L	TITLE	SECTION A OF A	SIZE	CODE	DOCUMENT NUMBER	REV
CHK	HH	14					MEMORY REG		K	PL	5413607-0-DBP	R

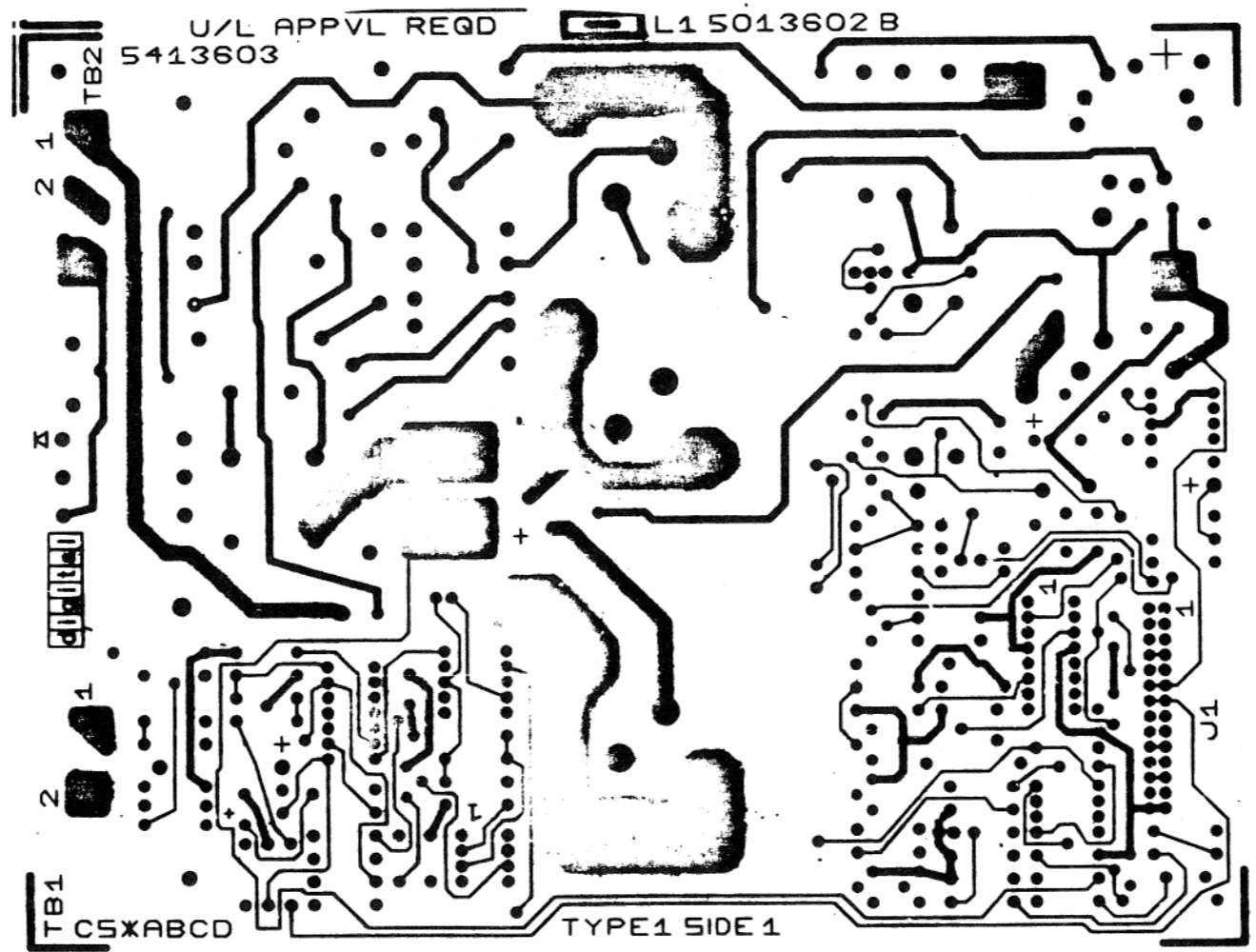
THIS DRAWING AND SPECIFICATIONS HEREIN ARE THE PROPERTY OF DIGITAL EQUIPMENT CORPORATION AND SHALL NOT BE REPRODUCED OR COPIED OR USED IN WHOLE OR IN PART AS THE BASIS FOR THE MANUFACTURE OR SALE OF ITEMS, WITHOUT WRITTEN PERMISSION. COPYRIGHT © 1975 DIGITAL EQUIPMENT CORPORATION



REVISIONS		
CHK	CHANGE NO	REV.

TITLE	MEMORY INVERTER	SIZE CODE	DJA 5413603-0-0	NUMBER	H
SCALE	2/1	SHEET	2 OF 5	DIST.	

THIS DRAWING AND SPECIFICATIONS HEREON ARE THE PROPERTY OF DIGITAL EQUIPMENT CORPORATION AND SHALL NOT BE REPRODUCED OR COPIED OR USED IN WHOLE OR IN PART AS THE BASIS FOR THE MANUFACTURE OR SALE OF ITEMS WITHOUT WRITTEN PERMISSION. COPYRIGHT © 1979 DIGITAL EQUIPMENT CORPORATION

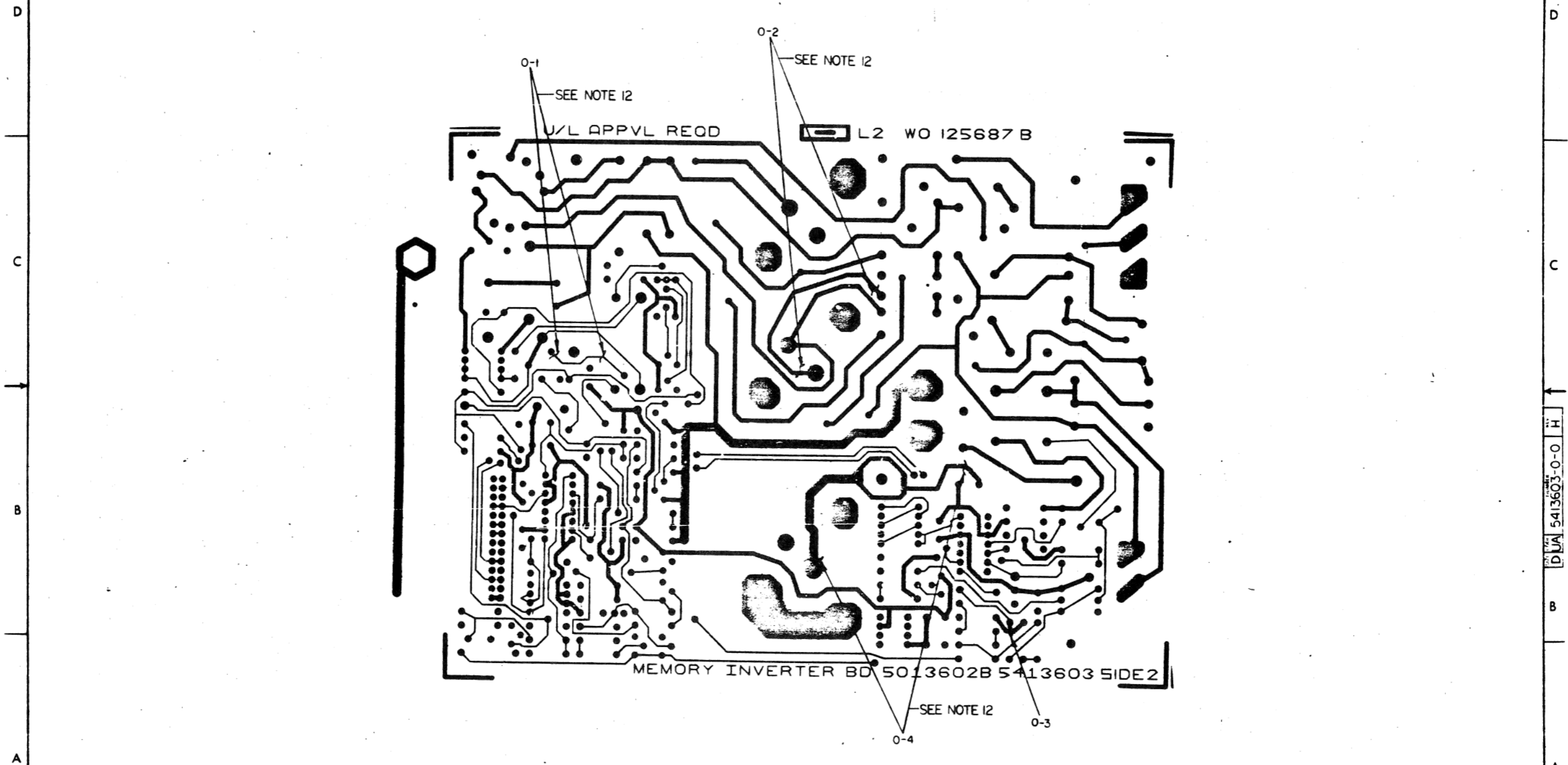


REVISIONS		
CHK	CHANGE NO	REV

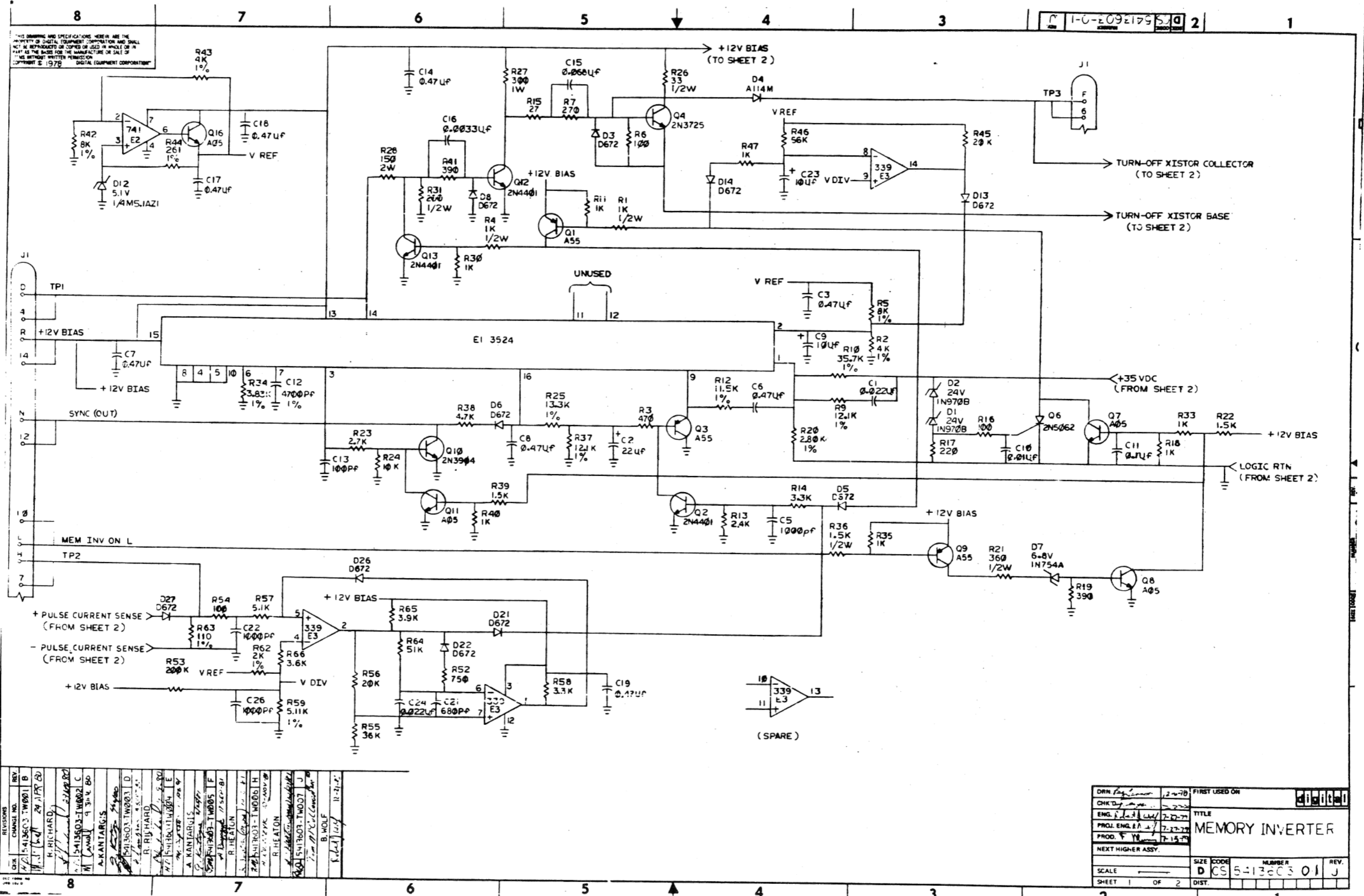
TITLE	SIZE CODE	NUMBER	REV
MEMORY INVERTER	DUA	5413603-0-0	H
SCALE 2/1	SHEET 3 OF 5	DIST	

DUA 5413603-0-0 H

THIS DRAWING AND SPECIFICATIONS HEREIN ARE THE PROPERTY OF DIGITAL EQUIPMENT CORPORATION AND SHALL NOT BE REPRODUCED OR COPIED OR USED IN WHOLE OR IN PART AS THE BASIS FOR THE MANUFACTURE OR SALE OF THIS WITHOUT WRITTEN PERMISSION. COPYRIGHT © 1974 DIGITAL EQUIPMENT CORPORATION



REVISIONS		
CHK	CHANGE TO	DATE



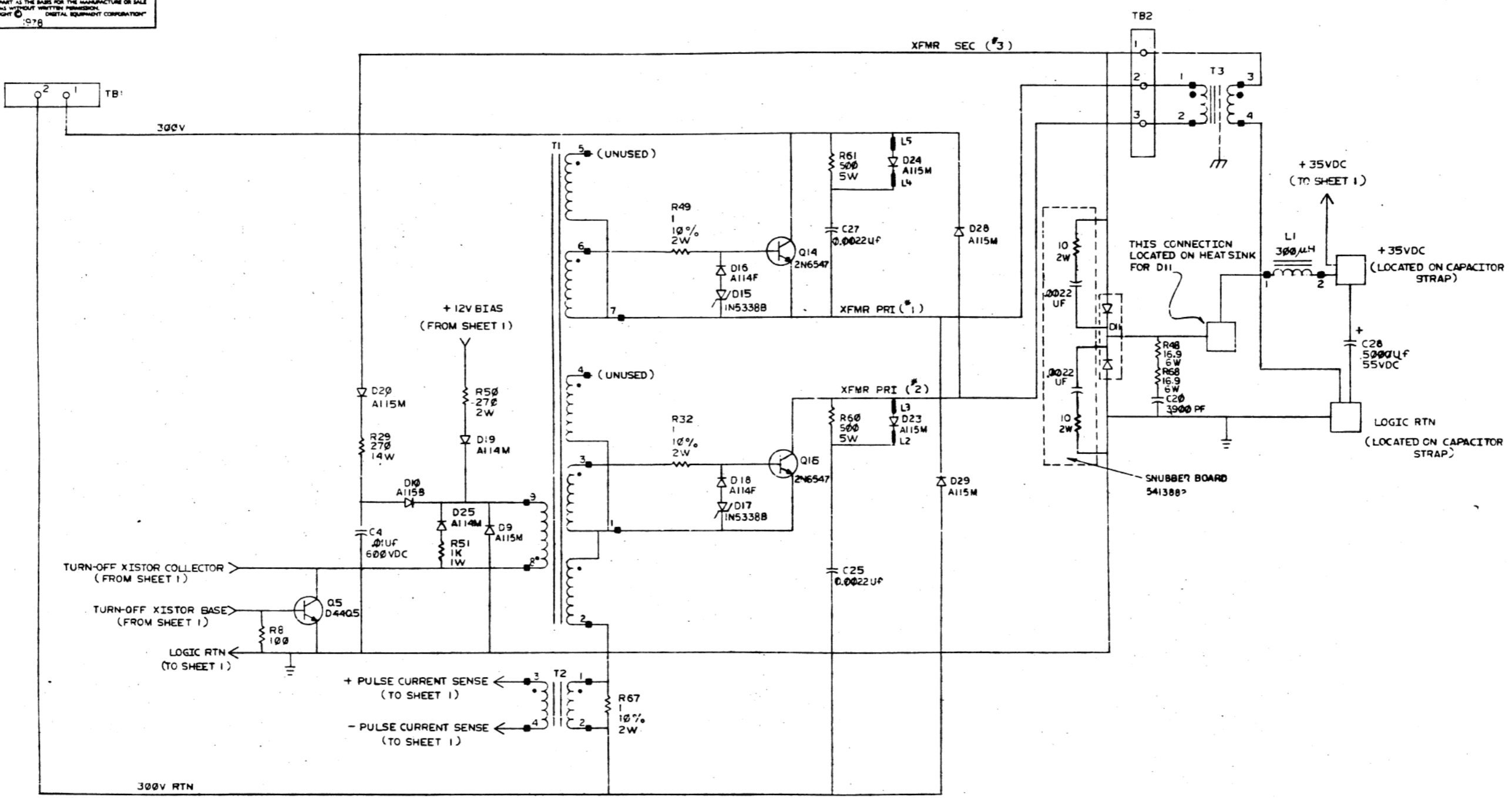
THIS DRAWING AND SPECIFICATIONS HEREIN ARE THE PROPERTY OF DIGITAL EQUIPMENT CORPORATION AND SHALL NOT BE REPRODUCED OR COPIED OR USED IN WHOLE OR IN PART AS THE BASIS FOR THE MANUFACTURE OR SALE OF ANY PRODUCT WITHOUT WRITTEN PERMISSION OF DIGITAL EQUIPMENT CORPORATION.

REV.	DATE	BY	CHK'D
1	12-15-70	R. WOLF	R. WOLF
2	1-15-71	R. WOLF	R. WOLF
3	2-15-71	R. WOLF	R. WOLF
4	3-15-71	R. WOLF	R. WOLF
5	4-15-71	R. WOLF	R. WOLF
6	5-15-71	R. WOLF	R. WOLF
7	6-15-71	R. WOLF	R. WOLF
8	7-15-71	R. WOLF	R. WOLF

DRN. <i>[Signature]</i>	2-2-70	FIRST USED ON	<i>[Signature]</i>
CHK'D <i>[Signature]</i>	2-2-70	TITLE	MEMORY INVERTER
ENG. <i>[Signature]</i>	7-17-71	SCALE	D CS 5-13603 01 J
PROJ. ENG. <i>[Signature]</i>	7-17-71	SHEET 1 OF 2	
PROD. <i>[Signature]</i>	7-15-71		

THIS DRAWING AND SPECIFICATIONS HEREBY ARE THE PROPERTY OF DIGITAL EQUIPMENT CORPORATION AND SHALL NOT BE REPRODUCED OR COPIED OR USED IN WHOLE OR IN PART AS THE BASIS FOR THE MANUFACTURE OR SALE OF ITEMS WITHOUT WRITTEN PERMISSION. COPYRIGHT © 1978 DIGITAL EQUIPMENT CORPORATION

D CS 5413603-0-1 J 2



REVISIONS		
CHK	CHANGE NO.	REV.

TITLE	MEMORY INVERTER	SIZE CODE	D CS	NUMBER	5413603-0-1	REV.	J
SCALE	←→	SHEET	2	OF	2	DIST.	

LINE	ITEM	DOCUMENT NUMBER	PART NUMBER	DESCRIPTION	QTY	PER VARIATION	REFERENCE DESIGNATOR
					00		
1	1	D-MD-5013602-0-0	5013602-00	DRILL & ETCH BD	1		
2	2		1000016-00	100.0 MMF 100V 5%200PPM MICA	1		C13
3	3		1000052-00	.068 MFD 100V 10% MYLR	1		C15
4	4	BLANK		*** THIS ITEM IS NOT USED ***	-		
5	5		1005636-00	22 MFD 6V 10% S.TANT	1		C2
6	6		1009312-00	.0047 MFD 100V 1% MYLR	1		C12
7	7		1010279-00	.47 MFD 25V 20% CER	8		C7,C18,C19,C8,C14,C17,C3,C6
8	8		1010978-24	.01 MFD 50V 10% CER	1		C10
9	9		1011740-01	3300.0 MMF 50V 10% CER	1		C16
10	10		1011683-00	.022 MFD 50V 10% CER	2		C1,C24
11	11		1013466-08	680.0 MMF 50V 10% X7R CER	1		C21
12	12		1013466-09	1000.0 MMF 50V 10% X7R CER	3		C5,C22,C26
13	13		1011847-02	.01 MFD 600V 10% POLYPROP	1		C4
14	14		1014139-00	.0022 MFD 600V 10% POLYPROP	2		C25,C27
15	15		1013397-00	3900.0 MMF 300V 10%200PPM MIC	1		C20
16	16		1016168-00	5000 MFD 55V 20% AL EL	1		C28
17	17		1010978-36	.1 MFD 50V 10% CER	1		C11
18	18		1010866-02	10 MFD 25V +50-20% S.TANT	2		C9,C23
19	19		1105275-00	PIV= 60 IO=300 MA -15NS	10	CONT	D26,D27,D21,D22,D8,D5,D3,D14, D13,D6
20	20		1105871-00	VZ= 5.15 1% 250 MW	1		D12
21	21		1109991-00	VZ= 6.8 5% 400 MW 1N754A	1		D7
22	22		1110856-00	VZ= 24.0 5% 400 MW 1N970B	2		D1,D2
23	23		1112594-01	PIV= 200 IO= 3.00A	1		D10
24	24		1112594-02	PIV= 600 IO= 3.00A	6		D24,D20,D23,D28,D29,D9
25	25		1112595-00	PIV= 50 IO= 1.00A AXIAL	2		D16,D18
26	26		1112595-02	PIV= 600 IO= 1.00A AXIAL	3		D25,D4,D19
27	27		1114192-00	PIV= 400 IO=15.00A TO-3	1		D11
28	28		1114435-00	VZ= 5.1 5% 5 W 1N5338	2		D15,D17
29	29		1110968-00	SCR PIV= 100 IO= .80A 2N5062	1		Q6

REVISION HISTORY			BASIC PART NO: 5413603			DRN: K.SHEYTANIAN DATE: 20-DEC-78			D I G I T A L		
ENG	ECO NUMBER	REV	SECTION A OF A	CHK'D:	F.GAROFALO	DATE:	20-DEC-78	TITLE PARTS LIST			
	INIT	A	SECTION VARIATION INDEX					MEMORY INVERTER			
RW	5413603-TW001	B	[A] 00								
AK	5413603-UW192!)	C	[B]								
AK	5413603-TW002	C	[C]	DES.ENG:	J.A.HERRMANN	DATE:	20-DEC-78				
RW	5413603-TW003	D	[D]								
RW	5413603-TW004	E	[E]								
EC	5413603-TW005	F	[F]	RESP.ENG.:	J.HERMANN	DATE:	20-DEC-78	DOCUMENT NUMBER			
EC	5413603-TW006	H	[H]					SIZE	CODE	NUMBER	REV
RH	5413603-TW06A	H	[J]					K	PL	5413603-0-DBP	J
RW	5413603-TW007	J	[K]	MFG.ENG.:	J.COMELLA	DATE:	20-DEC-78				
			[L]								
			[M]	ASSEMBLY NUMBER:		TOP DOCUMENT NUMBER:		FILE NAME: Z0401J.PLS			
			[N]	D-UA-5413603-0-0				EDIT # 39			

"THIS DRAWING AND SPECIFICATIONS HEREIN, ARE THE PROPERTY OF DIGITAL EQUIPMENT CORPORATION AND SHALL NOT BE REPRODUCED OR COPIED OR USED IN WHOLE OR IN PART AS THE BASIS FOR THE MANUFACTURE OR SALE OF ITEMS WITHOUT WRITTEN PERMISSION. COPYRIGHT (C) 1983. DIGITAL EQUIPMENT CORPORATION "

LINE	ITEM	DOCUMENT NUMBER	PART NUMBER	DESCRIPTION	QTY	PER VARIATION	REFERENCE DESIGNATOR
					00		
30	30		1216112-01	PCB,HEADER 28POS(1X28).156CC 90D	1		J1
31	31		1214789-00	INSERT,THREAD	7		
32	32		1216269-01	TERM,SPADE .145STUD SOLDER	5		
33	33		1216314-00	HEAT SINKS, 2.750X2.44	1		
34	34		1216314-01	HEAT SINKS, 2.750X1.32	2		
35	35		1309679-00	16.90 6.0 W 1.0 * WW	2		R48,R68
36	36		1300195-00	33.0 .50 W 5.0 * CF	1		R26
37	37		1300229-00	100.0 .25 W 5.0 * CF	4		R16,R6,R8,R54
38	38		1300250-00	*** THIS ITEM IS NOT USED ***	-		
39	39		1300257-00	150.0 2.0 W 5.0 * CC	1		R28
40	40		1300271-00	220.0 .25 W 5.0 * CF	1		R17
41	41		1300292-00	300.0 1.0 W 5.0 * CC	1		R27
42	42		1300309-00	390.0 .25 W 5.0 * CF	2		R19,R41
43	43		1300316-00	470.0 .25 W 5.0 * CF	1		R3
44	44		1300364-00	1.0 K .50 W 5.0 * CF	2		R4,R1
45	45		1300365-00	1.0 K .25 W 5.0 * CF	7		R30,R11,R35,R18,R33,R40,R47
46	46		1300394-00	1.50 K .50 W 5.0 * CF	1		R36
47	47		1300439-00	3.30 K .25 W 5.0 * CF	2		R58,R14
48	48		1300444-00	3.90 K .25 W 5.0 * CF	1		R65
49	49		1300447-00	4.70 K .25 W 5.0 * CF	1		R38
50	50		1300479-00	10.0 K .25 W 5.0 * CF	1		R24
51	51		1301401-00	750.0 .25 W 5.0 * CF	1		R52
52	52		1301522-00	27.0 .25 W 5.0 * CF	1		R15
53	53		1303169-00	500.0 5.0 W 5.0 * WW	2		R60,R61
54	54		1301972-00	270.0 .25 W 5.0 * CF	1		R7
55	55		1302873-00	261.0 .25 W 1.0 * RN55D-F10	1		R44
56	56		1302377-00	*** THIS ITEM IS NOT USED ***	-		
57	57		1302383-00	360.0 .50 W 5.0 * CF	1		R21
58	58		1302391-00	20.0 K .25 W 5.0 * CF	2		R56,R45
59	59		1304839-00	51.0 K .25 W 5.0 * CF	1		R64
60	60		1303114-00	*** THIS ITEM IS NOT USED ***	-		
61	61		1303313-00	12.10 K .25 W 1.0 * RN55D-F10	2		R37,R9
62	62		1305127-00	4.0 K .25 W 1.0 * RN55D-F10	2		R43,R2
63	63		1305129-00	8.0 K .25 W 1.0 * RN55D-F10	2		R42,R5
64	64		1305145-00	2.80 K .25 W 1.0 * RN55D-F10	1		R20
65	65		1305322-00	*** THIS ITEM IS NOT USED ***	-		
66	66		1305380-00	270.0 2.0 W 5.0 * CC	1		R50
67	67		1305421-00	35.70 K .25 W 1.0 * RN55D-F10	1		R10
68	68		1314350-00	1.0 2.0 W10.0 * FUSE	3		R32,R49,R67
69	69		1309413-00	3.83 K .25 W 1.0 * RN55D-F10	1		R34
70	70		1314172-00	270.0 14.0 W 5.0 * WW	1		R29
71	71		1300426-00	2.70 K .25 W 5.0 * CF	1		R23
72	72		1312565-00	13.30 K .25 W 1.0 * RN55D-F10	1		R25
73	73		1312923-00	*** THIS ITEM IS NOT USED ***	-		
74	74		1312930-00	5.10 K .25 W 5.0 * CF	1		R57
75	75		1312932-00	36.0 K .25 W 5.0 * CF	1		R55
76	76		1313151-00	3.60 K .25 W 5.0 * CF	1		R66
77	77		1313581-00	110.0 .25 W 1.0 * RN55D-F10	1		R63

D	I	G	I	T	A	L	TITLE	SECTION A OF A	SIZE	CODE	DOCUMENT NUMBER	REV
							MEMORY INVERTER		K	PL	5413603-0-DBP	J

LINE	ITEM	DOCUMENT NUMBER	PART NUMBER	DESCRIPTION	QTY	PER VARIATION	REFERENCE DESIGNATOR
					00		
78	78		1300389-00	*** THIS ITEM IS NOT USED ***	-		
79	79		1302381-00	200.0 .50 W 5.0 % CF	1		R31
80	80		1300368-00	1.0 K 1.0 W 5.0 % CC	1		R51
81	81		1300391-00	1.50 K .25 W 5.0 % CF	2		R39,R22
82	82		1302395-00	56.0 K .25 W 5.0 % CF	1		R46
83	83		1510705-00	XA 05 NPN 500MW SI 60 50 P	4		Q7,Q8,Q11,Q16
84	84		1510706-00	XA 55 PNP 500MW SI 60 50 P	3		Q1,Q3,Q9
85	85		1510959-00	2N 3725 NPN 3.5WC SI 50 60 P	1		Q4
86	86		1513489-00	2N 4401 NPN 350MW SI 40 20	3		Q2,Q12,Q13
87	87		1514195-00	2N 6547 NPN 400V SI 15A	2		Q14,Q15
88	88		1514271-01	D 44Q5 NPN 31W SI225 30	1		Q5
89	89		1509524-00	2N 3904 NPN 310MW SI 40 40 M	1		Q10
90	90		1614202-00	XFMR,CURRENT	1		T2
91	91		1614204-00	PULSE XFMR 20312 BASE DRIVE	1		T1
92	92		1910298-00	741 OP AMP GEN PURP. COM	1		E2
93	93		1912108-00	339 VOLT CMPRTR,QUAD	1		E3
94	94		1914250-00	3524 MODULATOR-REGULATING	1		E1
95	95		7422046-00	HEAT SINK,SINGLE	1		
96	96		9006025-01	SCREW,MACH PAN PHIL 6-	4		
97	97		9006656-00	WASHER,FLAT STEEL	9		
98	98		9007801-00	WASHER,HELICAL SPLIT SST	9		
99	99		9007836-00	EYELET,ROLLED 0.1210DX0.093	6		
100	100		9010128-00	SCREW,TAP PAN PHIL THD RL 4-	1		
101	101		7016051-00	TRANSFORMER ASSY	1		T3
102	102		7016052-00	CHOKE ASSY	1		L1
103	103		1303177-00	2.40 K .25 W 5.0 % CF	1		R13
104	104		1302860-00	11.50 K .25 W 1.0 % RN55D-F10	1		R12
105	105		1304854-00	5.11 K .25 W 1.0 % RN55D-F10	1		R59
106	106		1300411-00	2.0 K .25 W 1.0 % RN55D-F10	1		R62
107	107		7421435-00	MTG BRKT	1		
108	108		9009052-00	*** THIS ITEM IS NOT USED ***	-		
109	109		7422045-00	CAPACITOR STRAP	2		
110	110		9009708-00	SCREW,TAP PAN PHIL THD RL 6-	7		
111	111		9009617-00	TIE,CABLE BUNDL.DIA 0-3"TYPE=101	2		
112	112		9007035-00	GROMMET,CATERPILLAR POLYAMIDE	A/R		
113	113		9006071-01	SCREW,MACH PAN PHIL 10-	2		
114	114		9007906-00	WASHER,HELICAL SPLIT STEEL	2		
115	115		9009243-00	*** THIS ITEM IS NOT USED ***	-		
116	116		9007793-01	SCREW,MACH PAN PHIL 6-	1		
117	117		9009769-00	WASHER,RECTNGLR STEEL	1		
118	118		9006011-01	SCREW,MACH PAN PHIL 4-	1		
119	119		9006688-00	WASHER,HELICAL SPLIT SST	1		
120	120		9006556-00	NUT,HEX 4-40X .264AF SS/N	1		
121	121		9008268-00	COMPOUND, THERMAL JOINT	A/R		
122	122		9007201-00	PAD,MOUNTING,COMPONENT	1		
123	123		9105740-55	WIRE(WRAP) 30AWG KYNAR UL14	A/R		
124	124		9007036-00	GROMMET,CATERPILLAR POLYAMIDE	A/R		
125	125		1314516-00	200.0 K .25 W 5.0 % CF	1		R53

D	I	G	I	T	A	L	TITLE	SECTION A	OF A	SIZE	CODE	DOCUMENT NUMBER	REV
							MEMORY INVERTER			K	PL	5413603-0-DBP	J

DATED BY PRTLST.2E(3)

PARTS LIST

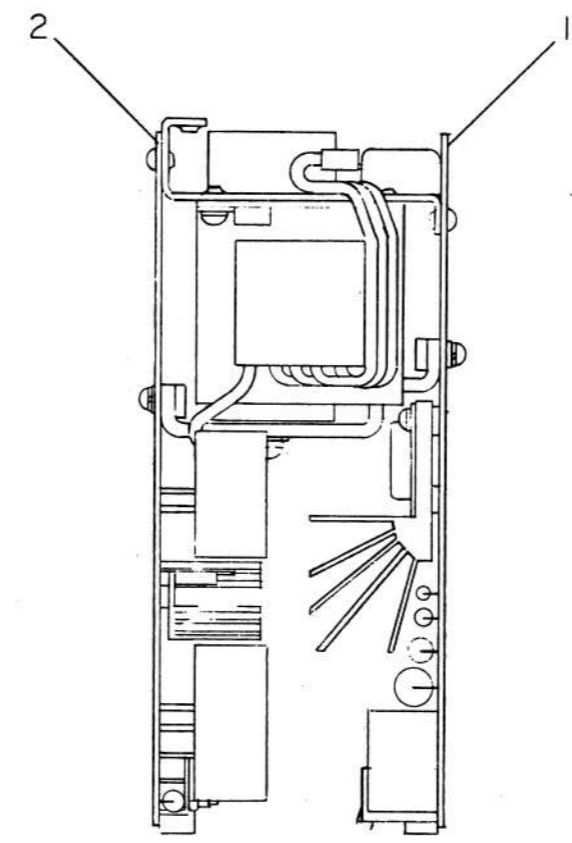
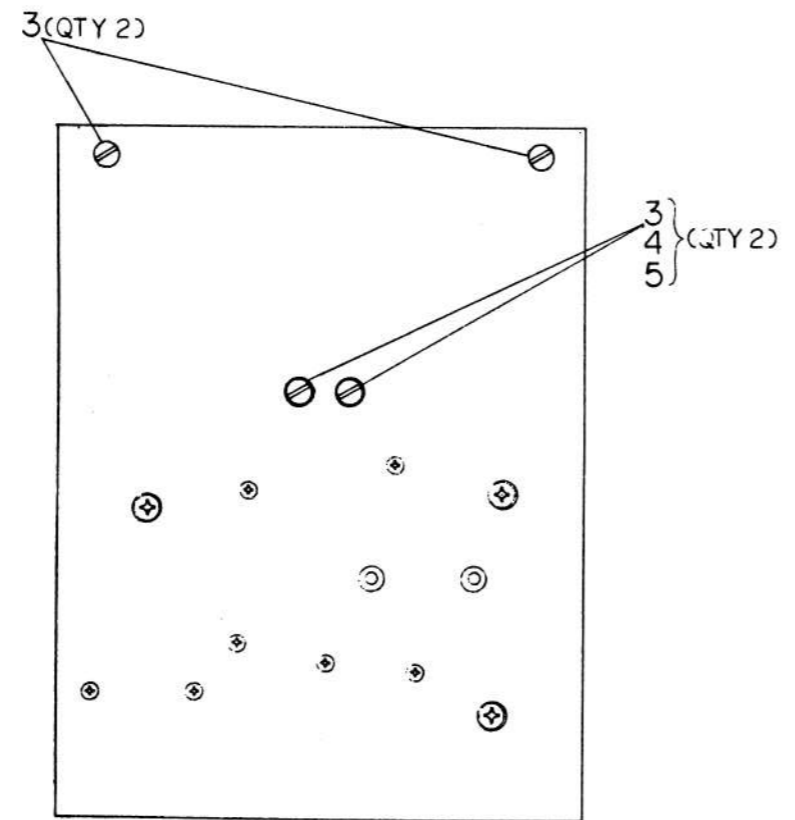
SHEET A4 OF A4

ITEM	DOCUMENT NUMBER	PART NUMBER	DESCRIPTION	QTY PER VARIATION	REFERENCE DESIGNATOR
126		9009157-00	ADH,LIQ.RM.TEMP CURING COLORLESS	A/R	
127		9107256-11	TUBING,TEFLON .027ID	A/R	
128		7016920-00	JUMPER ASSY	1	
129		9107560-01	WIRE,BUSS 22AWG TIN BARE	A/R	
130		9006565-00	NUT,HEX EXT TOOTH LCKWSHR 10-32	1	
131		5413882-00	SNV SNUBBER	1	
132		9007853-01	SCREW,MACH PAN PHIL 6-	2	
133		9006803-00	SPACER,CLEAR HOLE HEX ALUM 6	2	
134		9009708-01	SCREW,TAP PAN PHIL THD RL 6-	1	
135		1622663-01	BEAD,FERRITE .2000DX.250LG	4	L2,L3,L4,L5

NOTE: ITEM #123; .52' IS USED.
NOTE: ITEM #124; .08' IS USED.
NOTE: ITEM #127; .56' IS USED.
NOTE: ITEM #129; .37' IS USED.

I	G	I	T	A	L	TITLE	SECTION A OF A	SIZE	CODE	DOCUMENT NUMBER	REV
HH	14					MEMORY INVERTER		K	PL	5413603-0-DBP	J

THIS DRAWING AND SPECIFICATIONS HEREIN ARE THE PROPERTY OF DIGITAL EQUIPMENT CORPORATION AND SHALL NOT BE REPRODUCED OR COPIED OR USED IN WHOLE OR IN PART AS THE BASIS FOR THE MANUFACTURE OR SALE OF ITEMS WITHOUT WRITTEN PERMISSION.
 COPYRIGHT © 1979, DIGITAL EQUIPMENT CORPORATION



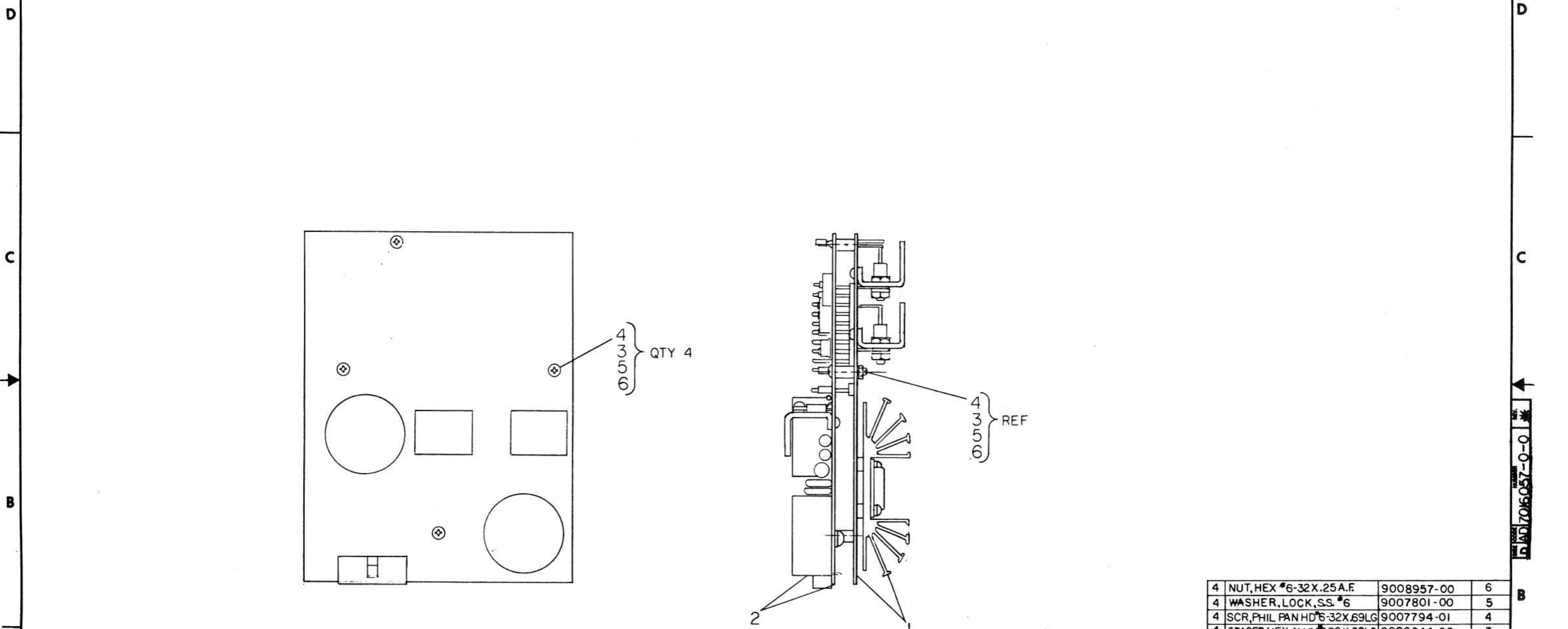
ITEM NO.	DESCRIPTION	DWG./PART NO.	ITEM NO.
2	WASHER, FLAT #6	9006656-00	5
2	WASHER, LOCK, S.S. #6	9007801-00	4
4	SCREW, PAN HD, SELF TAP #6-32 X .31 LG	9009708-00	3
1	MEMORY REGULATOR BOARD	5413607-00	2
1	MEMORY INVERTER BOARD	5413603-00	1

THIRD ANGLE PROJECTION 		FIRST USED ON H7140	
REMOVE BURRS AND BREAK SHARP CORNERS DO NOT SCALE DWG		TITLE H7140 MEMORY VOLTAGE ASSY	
MATERIAL SEE PARTS LIST FINISH H		SIZE D CODE AD 7016050-0-0 NUMBER REV. *	

REV.	CHANGE NO.

AD 7016050-0-0

"THIS DRAWING AND SPECIFICATIONS, HEREIN, ARE THE PROPERTY OF DIGITAL EQUIPMENT CORPORATION AND SHALL NOT BE REPRODUCED OR COPIED OR USED IN WHOLE OR IN PART AS THE BASIS FOR THE MANUFACTURE OR SALE OF ITEMS WITHOUT WRITTEN PERMISSION.
COPYRIGHT © 1979, DIGITAL EQUIPMENT CORPORATION"



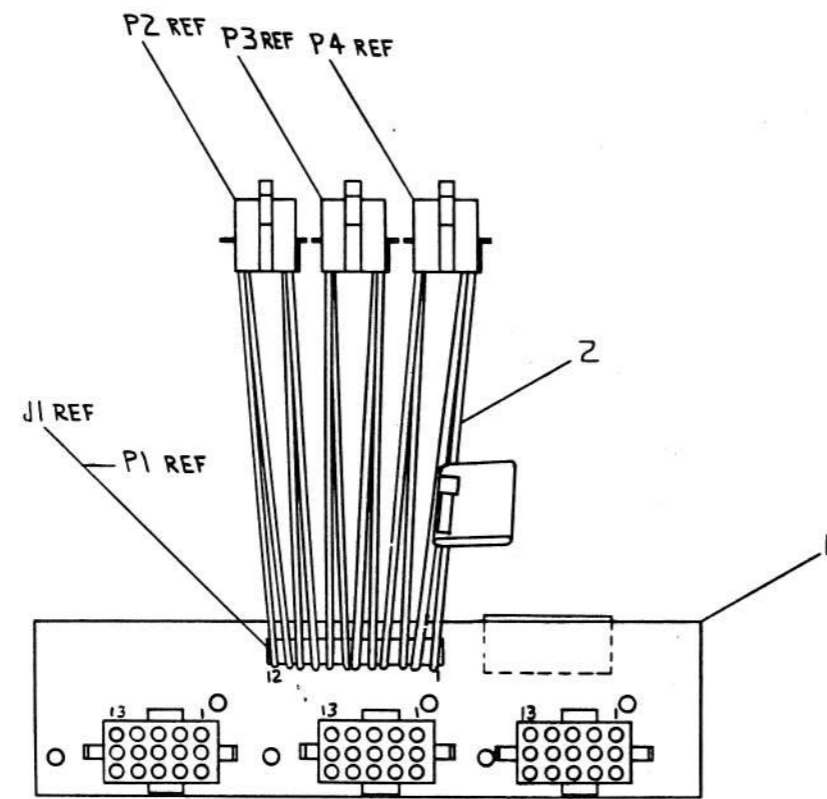
4	NUT, HEX #6-32X.25 A.F.	9008957-00	6
4	WASHER, LOCK, SS #6	9007801-00	5
4	SCR, PHIL PAN HD #6-32X.69LG	9007794-01	4
4	SPACER, HEX, ALUM #6-32X.38LG	9006844-00	3
1	LOGIC INVERTER CONT BD	5413601-00	2
1	LOGIC INVERTER BD	5413599-00	1

DESCRIPTION	DWG./PART NO.	ITEM NO.				
UNLESS OTHERWISE SPECIFIED DIMENSIONS ARE IN INCHES						
ANGLES 30° 30'	CLASS OF ACCURACY	NOMINAL DIMENSION RANGE INCHES				
SURFACE QUALITY IN	(CHECK ONE)	OVER 0 TO 1.2	OVER 1.2 TO 4.9	OVER 4.9 TO 12.0	OVER 12.0 TO 48.0	OVER 48.0 TO 86.0
		MEDIUM <input type="checkbox"/>	1.004 1.008 1.012 1.016 1.020 1.024 1.028	1.012 1.016 1.020 1.024 1.028 1.032 1.036	1.020 1.024 1.028 1.032 1.036 1.040 1.044	1.028 1.032 1.036 1.040 1.044 1.048 1.052
QUANTITY & VARIATION	MICROINCHES	PREFERRED <input type="checkbox"/>	1.012 1.016 1.020 1.024 1.028 1.032 1.036	1.020 1.024 1.028 1.032 1.036 1.040 1.044	1.028 1.032 1.036 1.040 1.044 1.048 1.052	1.036 1.040 1.044 1.048 1.052 1.056 1.060

THIRD ANGLE PROJECTION	DRN. <i>A. Moura</i> 6-5-79	FIRST USED ON	H7140	digital
REMOVE BURRS AND BREAK SHARP CORNERS	CHK'D <i>[Signature]</i> 2-9-79	TITLE	H7140 +5V INVERTER ASSY	
DO NOT SCALE DWG	PROJ. ENG. <i>[Signature]</i> 11-4-79	NEXT HIGHER ASSY.		
MATERIAL SEE PARTS LIST	PROG. <i>[Signature]</i> 11/79	SCALE	NONE	
FINISH		SHEET	1 OF 1	

REV.	
CHANGE NO.	
CHE	

THIS DRAWING AND SPECIFICATIONS, WHICH ARE THE PROPERTY OF DIGITAL EQUIPMENT CORPORATION AND SHALL NOT BE REPRODUCED OR COPIED IN WHOLE OR IN PART AS THE BASIS FOR THE MANUFACTURE OR SALE OF ITEMS WITHOUT WRITTEN PERMISSION. COPYRIGHT © 1979, DIGITAL EQUIPMENT CORPORATION

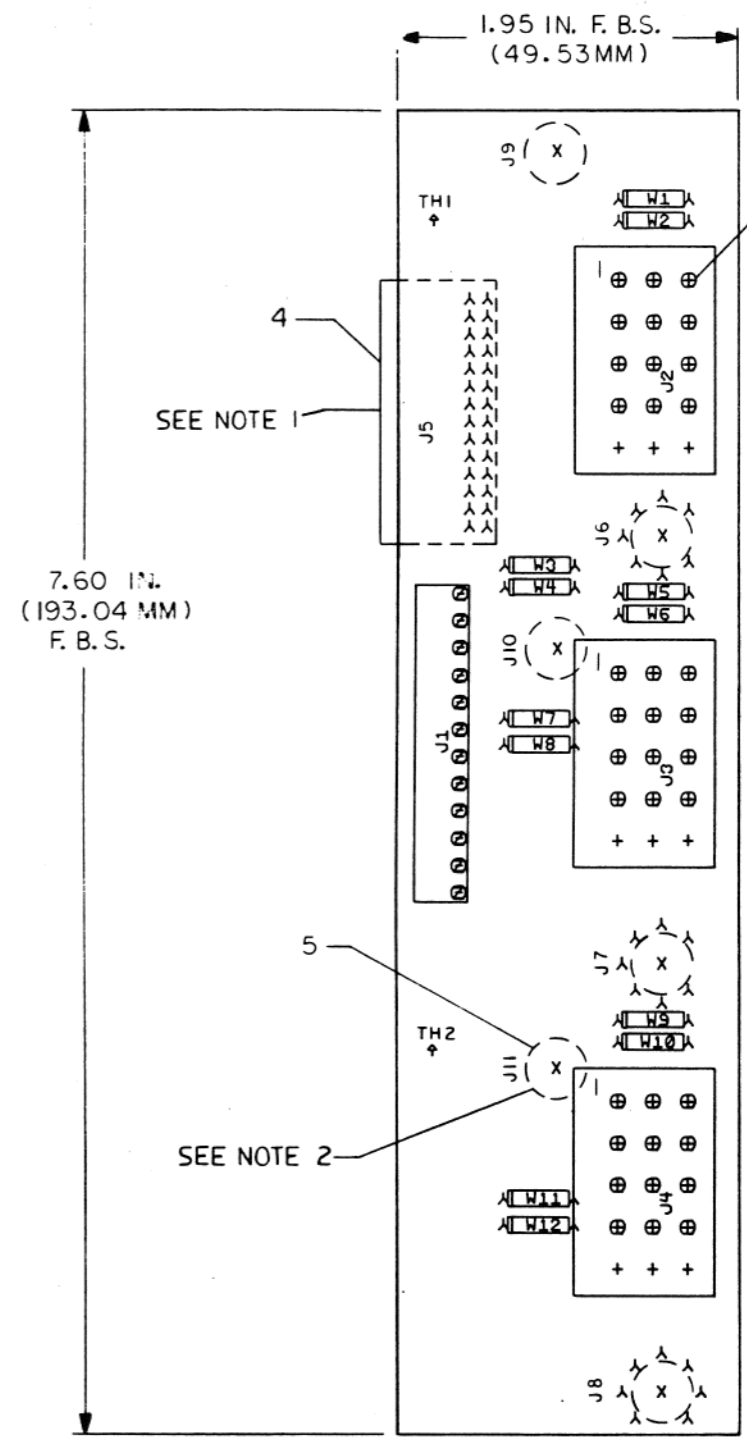


1	CABLE JUMPER ASSY	D-1A-7016887-00	2				
1	POWER DIST. BOARD	D-1A-5413632-0-0	1				
DESCRIPTION		DWG. PART NO.	ITEM NO.				
UNLESS OTHERWISE SPECIFIED DIMENSIONS ARE IN INCHES							
ANGLES M ² 30°	CLASS OF ACCURACY	NOMINAL DIMENSION RANGE INCHES					
SURFACE QUALITY IN MICRONS	CHECK ONE	OVER 0	OVER 0.2	OVER 1.2	OVER 4.0	OVER 12.0	OVER 40.0
		TO 0.2	TO 1.2	TO 4.0	TO 12.0	TO 40.0	TO 80.0
MICRONS	PREFERRED	0.004	0.008	0.012	0.016	0.024	0.04
		0.012	0.016	0.025	0.04	0.063	0.1
QUANTITY & VARIATION	FIRST USED ON						
THIRD ANGLE PROJECTION	DRN. <i>[Signature]</i>	B111-A					
REMOVE BURRS AND BREAK SHARP CORNERS	CHK'D: <i>[Signature]</i> 7 MAY 73	TITLE					
DO NOT SCALE DWG	ENG. <i>[Signature]</i> 9 MAY 73	POWER DISTRIBUTION BOARD ASSY					
MATERIAL	PROJ. ENG. <i>[Signature]</i>	SIZE CODE	NUMBER				
FINISH	PROB'L <i>[Signature]</i>	D AD	7016888-0-0				
	NEXT HIGHER ASSY.	SHEET	OF 1				
	E-1A-B111-A-0	DIST.	TW 1				

REV.	
CHANGE NO.	
REVISIONS	

D AD 7016888-0-0

COMPONENT SIDE VIEW



THIS DRAWING AND SPECIFICATIONS, HEREIN, ARE THE PROPERTY OF DIGITAL EQUIPMENT CORPORATION AND SHALL NOT BE REPRODUCED OR COPIED OR USED IN WHOLE OR IN PART AS THE BASIS FOR THE MANUFACTURE OR SALE OF ITEMS WITHOUT WRITTEN PERMISSION.
 COPYRIGHT © 1977 DIGITAL EQUIPMENT CORPORATION

SEE NOTE 1

SEE NOTE 2

NOTES:

- ITEM 4 (J5) MOUNT ON SIDE 2.
- ITEM 5 MOUNT ON SIDE 2.
- ITEM 5 MUST BE SOLDERED IN PLACE ON SIDE 2.

STEP 4	→ Y AXIS 0.000 STEP 0 TIMES
REPEAT	→ X AXIS 2.075 STEP 4 TIMES

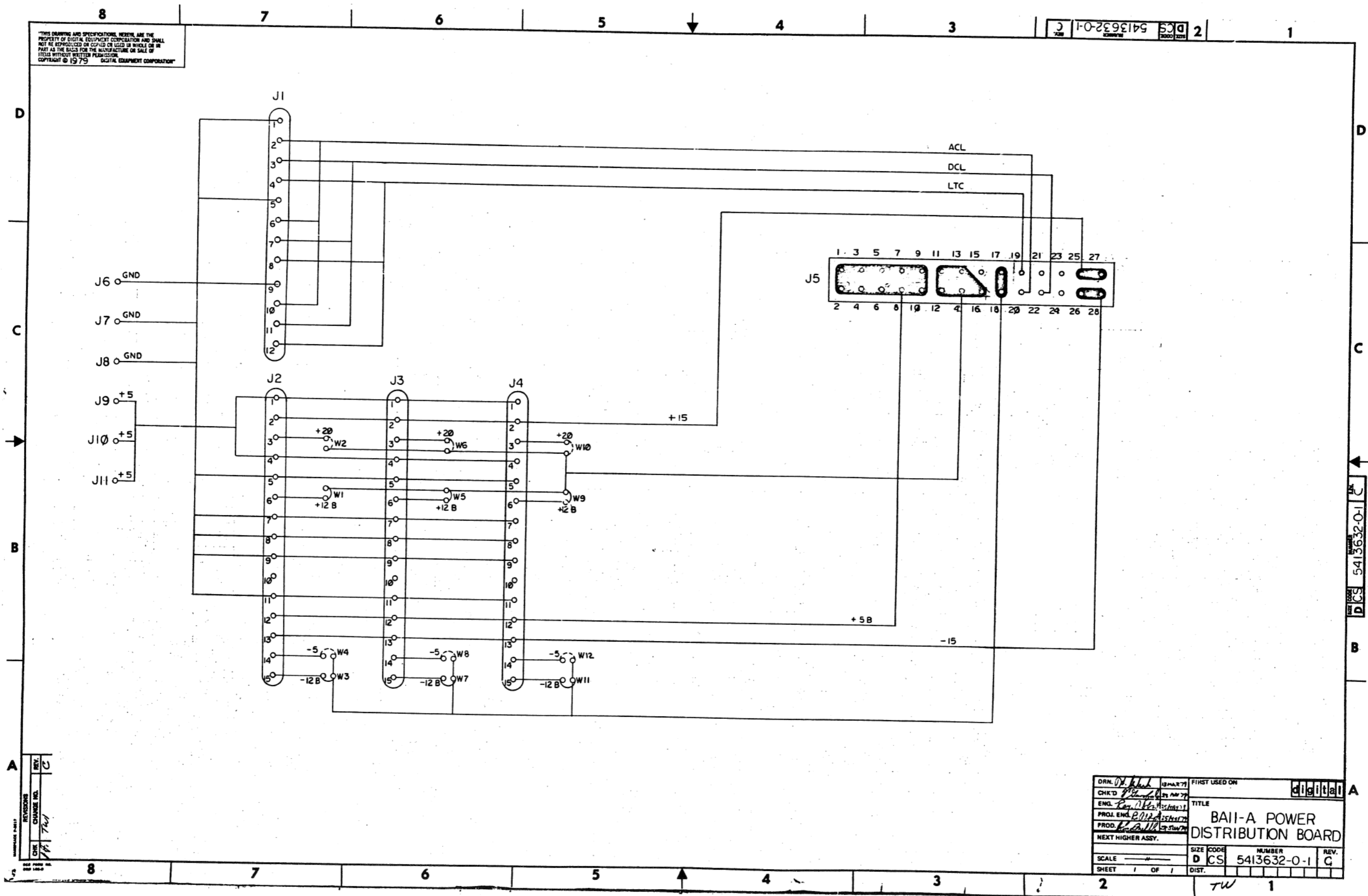
CHK CHANGE NO	REV	
78/7	C	
5413632-	D	
ML002		

ETCH REV.	D-PT
-----------	------

SIGNATURES		DATE	digital
DRN. P. Richard Teller		10-24-75	
CHK'D. E. T. GERRY		2-13-77	
MECH. ENG.			TITLE BAIL A POWER DISTRIBUTION
PROJ. ENG.			
PROD.			
SCALE 2/1		SIZE CODE	NUMBER
SHT. 1 OF 1		DUA 5413632-0-0	REV D
NEXT HIGHER ASSY. B-DD-5413632-0			

THIS DRAWING AND SPECIFICATIONS, HEREIN, ARE THE PROPERTY OF DIGITAL EQUIPMENT CORPORATION AND SHALL NOT BE REPRODUCED OR COPIED OR USED IN WHOLE OR IN PART AS THE BASIS FOR THE MANUFACTURE OR SALE OF ITEMS WITHOUT WRITTEN PERMISSION.
COPYRIGHT © 1975 DIGITAL EQUIPMENT CORPORATION

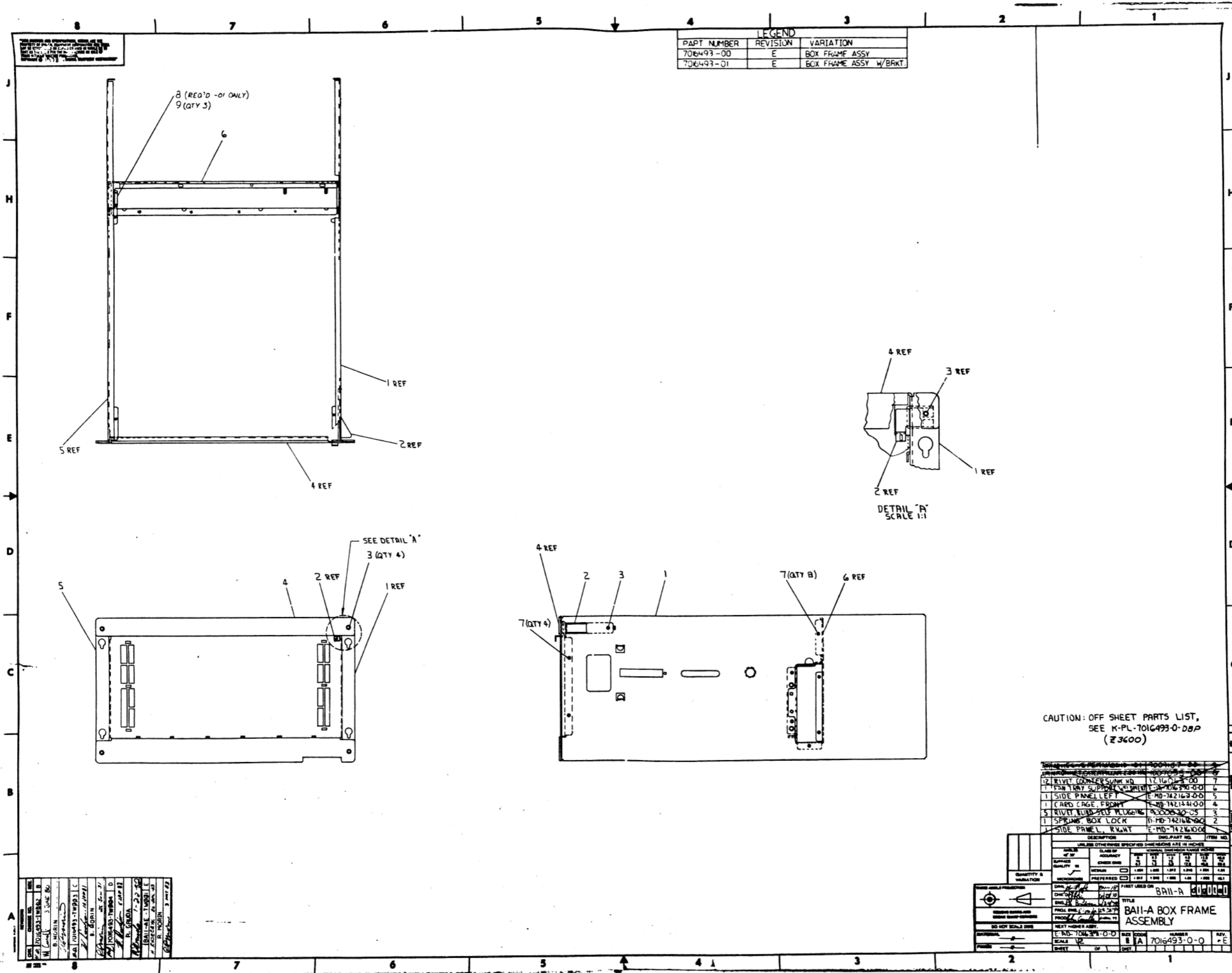
DIGITAL 5413632-0-1 2



REV.	BY	DATE
1	TW	

DRN. <i>D. J. [unclear]</i>	18 MAR 77	FIRST USED ON	digital
CHK'D <i>[unclear]</i>	29 MAY 77	TITLE	BALI-A POWER DISTRIBUTION BOARD
ENGR. <i>Ray. [unclear]</i>	15 MAY 77	SIZE	D CS
PROD. ENGR. <i>B. [unclear]</i>		NUMBER	5413632-0-1
PROD. <i>[unclear]</i>		REV.	G
NEXT HIGHER ASSY.		SCALE	
		SHEET	1 OF 1
		DIST.	

TW 1



LEGEND		
PART NUMBER	REVISION	VARIATION
706493-00	E	BOX FRAME ASSY
706493-01	E	BOX FRAME ASSY W/BRKT

CAUTION: OFF SHEET PARTS LIST,
SEE K-PL-7016493-0-DBP
(Z3600)

ITEM NO.	DESCRIPTION	QTY	UNIT
12	RIVET (CONSP/SUNK HD)	12	EA
1	PANTRY SUPPORT (V-RIB)	1	EA
1	SIDE PANEL LEFT	1	EA
1	CARD CAGE FRONT	1	EA
5	RIVET (BLD SELF PLG)	5	EA
1	SPRING BOX LOCK	1	EA
1	SIDE PANEL RIGHT	1	EA

TITLE BAN-A BOX FRAME ASSEMBLY	PART NO. 706493-0-0	REV. E
DRAWN BY <i>[Signature]</i>	CHECKED BY <i>[Signature]</i>	DATE 12/27/52
PROJECT 7-22-52	SCALE 1/2"	SHEET 1 OF 1

DESIGNED BY B. MORIN	CHECKED BY B. MORIN
DRAWN BY B. MORIN	APPROVED BY [Signature]
DATE 12/27/52	PROJECT 7-22-52

AUTOMATED BY PRTLST.3P(44)

PARTS LIST

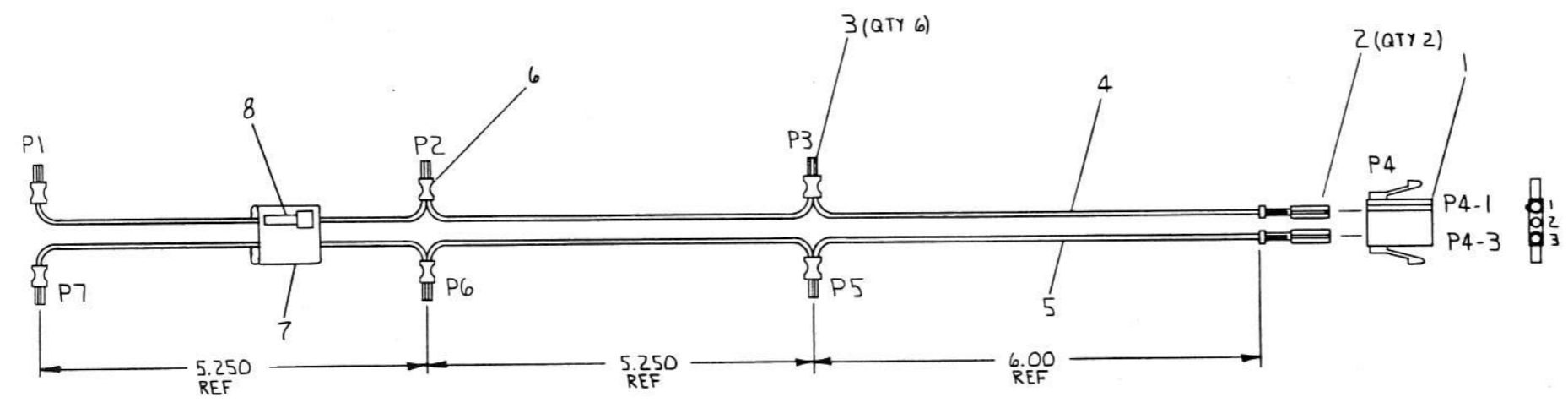
SHEET A1 OF A1

LINE	ITEM	DOCUMENT NUMBER	PART NUMBER	DESCRIPTION	QUANTITY PER VARIATION
		E-MD-7421610-0-0	7421610-00	SIDE PANEL LEFT	1
		D-MD-7421616-0-0	7421616-00	BOX SPRING LOCK	1
			9000030-05	RIVET, BLIND, SELF-PLUGGING	5
		E-MD-7421441-0-0	7421441-00	CARD CAGE FRONT	1
		E-MD-7421631-0-0	7421631-00	SIDE PANEL LEFT	1
		E-IA-7016390-0-0	7016390-00	FANTRAY SUPPORT WELDMENT	1
			1216063-00	RIVET, BLIND,	12

REVISION HISTORY		BASIC PART NO: 7016493		DRN: H. DARAKJIAN		DATE: 5-JAN-82		D I G I T A L	
ENG	ECO NUMBER	REV	SECTION A OF A	CHK'D:	T. MCCULLOUGH	DATE:	5-JAN-82	TITLE	PARTS LIST
	INITIAL	D	SECTION. VARIATION INDEX					BA11-A BOX FRAME ASSEMBLY	
			[A] 00					DOCUMENT NUMBER	
			[B]	DES.ENG.:	R. BOUDREAU	DATE:	29-JUN-79	SIZE	CODE
			[C]	RESP.ENG.:	R. GRUDA	DATE:	29-JUN-79	K	PL
			[D]	MFG.ENG.:	J. COMELLA	DATE:	6-JUL-79	7016493-0-DBP	
			[E]	ASSEMBLY NUMBER:	E-IA-7016493-0-0	TOP DOCUMENT NUMBER:	E-AD-7016391-0-0	FILE NAME:	EDIT #
			[F]					Z3600D.PLS	3

"THIS DRAWING AND SPECIFICATIONS HEREIN, ARE THE PROPERTY OF DIGITAL EQUIPMENT CORPORATION AND SHALL NOT BE REPRODUCED OR COPIED OR USED IN WHOLE OR IN PART AS THE BASIS FOR THE MANUFACTURE OR SALE OF ITEMS WITHOUT WRITTEN PERMISSION. COPYRIGHT (C) 1982. DIGITAL EQUIPMENT CORPORATION"

WIRE TABLE										
ITEM NO	DESCRIPTION			FROM			TO			PRECUT LENGTH
	AWG	COLOR	POINT	CONNECTION	TERM	POINT	CONNECTION	TERM		
5	18	RED	P1		3	P2		3	6 IN ±.12	
5	18	RED	P2		3	P3		3	6 IN	
5	18	RED	P3		3	P4	P4-1	2	7 IN	
4	18	WHITE	P7		3	P6		3	6 IN	
4	18	WHITE	P6		3	P5		3	6 IN	
4	18	WHITE	P5		3	P4	P4-3	2	7 IN ±.12	



CAUTION: SEE OFF SHEET PARTS
LIST K-PL-7016392-0-DBP.
(Z3324A.PLS)

ITEM NO	DESCRIPTION	DWG./PART NO.	ITEM NO.
1	TIE, CABLE SSTI-M	9007031-00	8
1	LABEL, CABLE I.D.	9009532-00	7
6	SHRINK TUBING .188 DIA	9107254-09	6
5	WIRE #18 AWG RED	9107360-22	5
4	WIRE #18 AWG WHITE	9107360-99	4
3	TERMINAL, POS FASTON	9007647-00	3
2	PIN #18 AWG MATE'N LOC	1209379-00	2
1	CONN 3 PIN MATE'N LOC	1209350-03	1

DESCRIPTION		DWG./PART NO.		ITEM NO.	
UNLESS OTHERWISE SPECIFIED DIMENSIONS ARE IN INCHES					
ANGLES 10°-30°	SLABE OF ACCURACY	NOMINAL DIMENSION RANGE INCHES			
SURFACE QUALITY IN	CHECK ONE	OVER 0	OVER 0.2	OVER 0.5	OVER 1.0
		TO 0.2	TO 0.5	TO 1.0	TO 1.0
MEDIUM		1.008	1.012	1.016	1.020
MICROINCHES		PREPARED	1.012	1.016	1.020

THIRD ANGLE PROJECTION	DRN. <i>[Signature]</i> 13/01/78	FIRST USED ON	BR11-A
REMOVE BURRS AND BREAK SHARP CORNERS	CHK'D <i>[Signature]</i> 10/15/78	TITLE	FAN ASSEMBLY. CABLE
DO NOT SCALE DWG	ENG. <i>[Signature]</i> 11/16/78	SIZE	D
MATERIAL SEE PARTS LIST	PROJ. ENG. <i>[Signature]</i> 11/16/78	NUMBER	7016392-0-0
FINISH	PROOF <i>[Signature]</i> 11/16/78	SCALE	1:1
	NEXT HIGHER ASSY.	DIST.	1 OF 1

THIS DRAWING AND SPECIFICATIONS HEREIN ARE THE PROPERTY OF DIGITAL EQUIPMENT CORPORATION AND SHALL NOT BE REPRODUCED OR COPIED OR USED IN WHOLE OR IN PART AS THE BASIS FOR THE MANUFACTURE OR SALE OF ITEMS WITHOUT WRITTEN PERMISSION. COPYRIGHT © 1978, DIGITAL EQUIPMENT CORPORATION

REV.	CHANGE NO.	DATE	BY	CHKD
1	7016392-0-001	11/16/78	E. CROCKER	

DIA 7016392-0-0

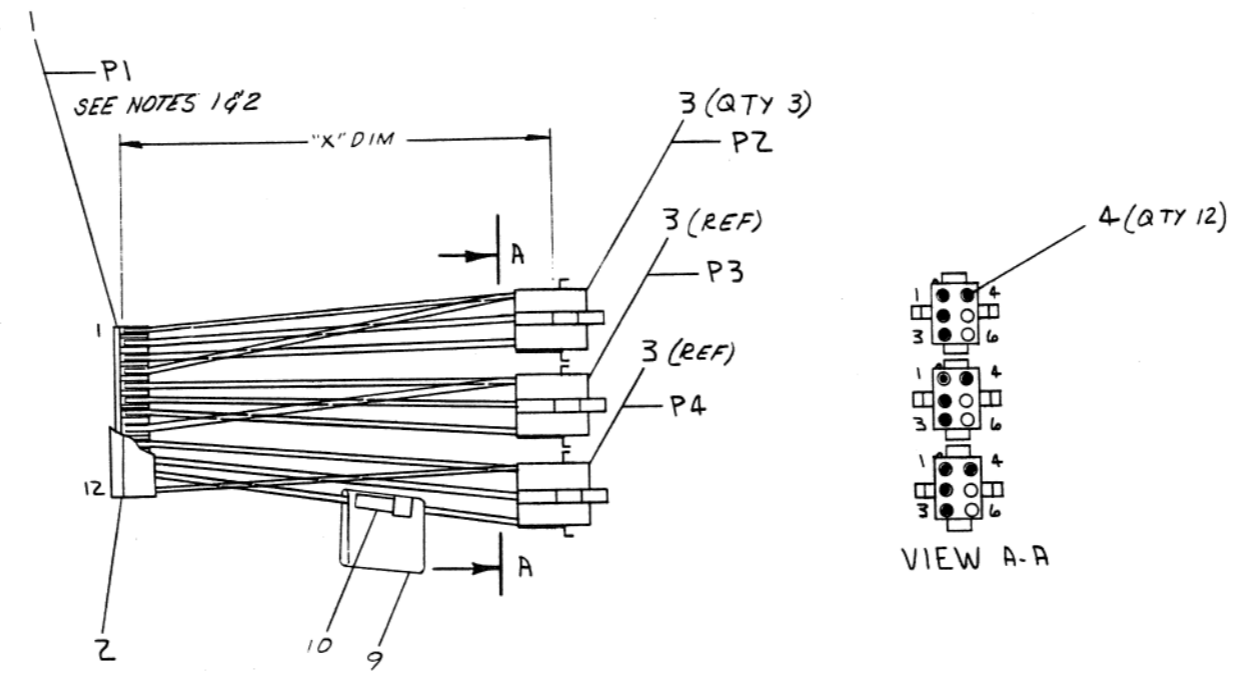
TW 1

THIS DRAWING AND SPECIFICATIONS HEREIN ARE THE PROPERTY OF DIGITAL EQUIPMENT CORPORATION AND SHALL NOT BE REPRODUCED OR COPIED OR USED IN WHOLE OR IN PART AS THE BASIS FOR THE MANUFACTURE OR SALE OF ITEMS WITHOUT WRITTEN PERMISSION.
COPYRIGHT © 1979, DIGITAL EQUIPMENT CORPORATION

WIRE TABLE							
ITEM NO	DESCRIPTION		FROM		TO		NOTES
	AWG	COLOR	CONN	TERM	CONN	TERM	
5	18	BLK	P1-1		P2-1	4	5.00IN ± 0.06
6		YEL	P1-2		P2-4		
7		VIO	P1-3		P2-3		
8		BRN	P1-4		P2-2		
5		BLK	P1-5		P3-1		
6		YEL	P1-6		P3-4		
7		VIO	P1-7		P3-3		
8		BRN	P1-8		P3-2		
5		BLK	P1-9		P4-1		
6		YEL	P1-10		P4-4		
7		VIO	P1-11		P4-3		
8	18	BRN	P1-12		P4-2	4	5.00IN ± 0.06

LEGEND	
NUMBER	"X" DIM
7016887-0E	5.0 ± .5 IN

- NOTES**
1. WIRES TERMINATING TO P1 MUST NOT BE STRIPPED.
 2. PLACE COVER, ITEM #2, OVER CONN HOUSING, ITEM #1, AFTER WIRES HAVE BEEN TERMINATED.
 3. STRIP WIRES ONLY ON P2, P3, P4 ENDS .187 BEFORE CRIMPING CONTACTS.
 4. ITEM #4 CAN BE SUBSTITUTED BY P/N 12-09379-00 FOR MACHINE CRIMPING.

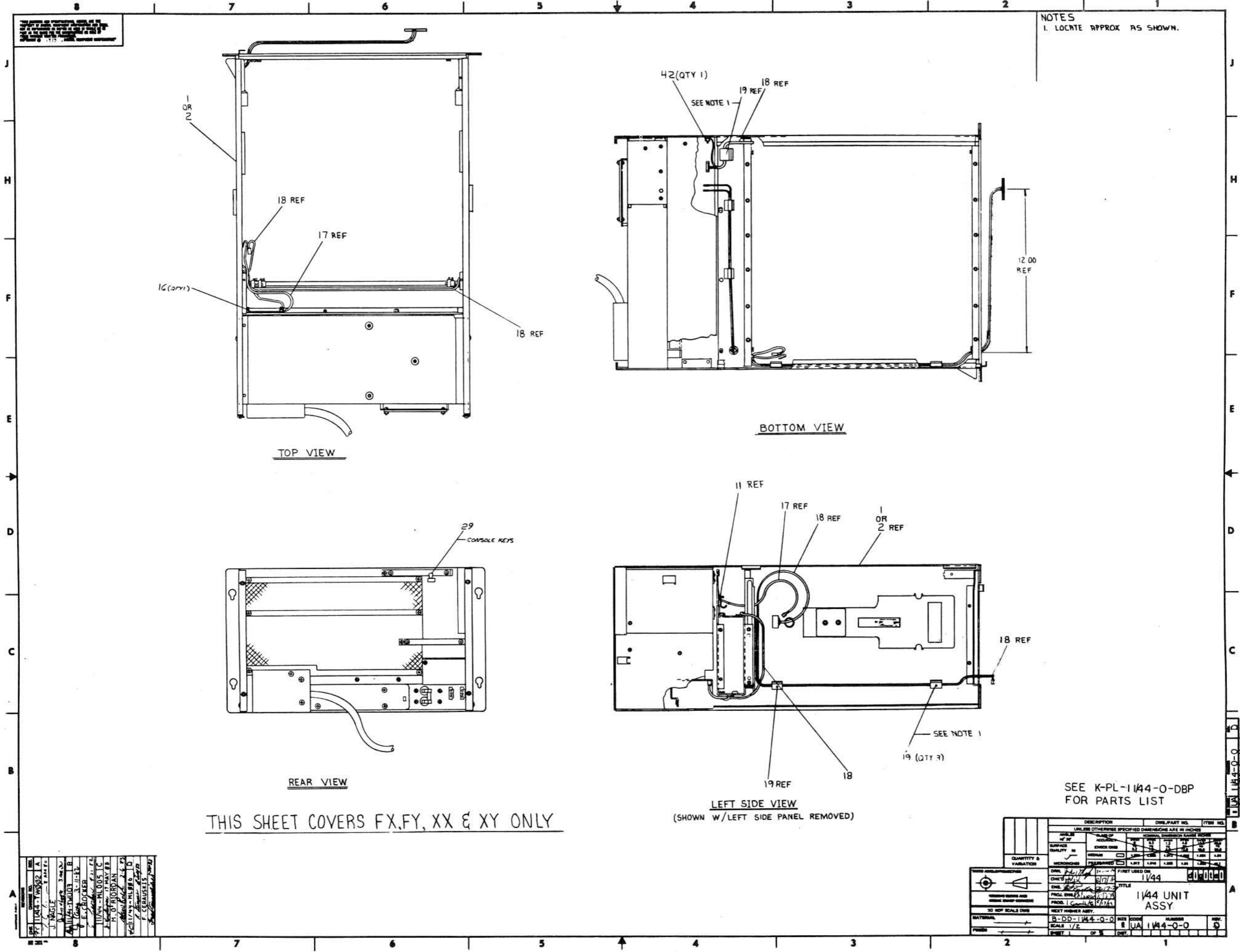


DESCRIPTION	DWG./PART NO.	ITEM NO.
1 TIE, CABLE SSTI-M	9007031-00	10
1 LABEL, CABLE IDENTIFICATION	9009532-00	9
15" WIRE, 18 AWG, BRN, UL 1430	9107786-11	8
15" WIRE, 18 AWG, VIO, UL 1430	9107786-77	7
15" WIRE, 18 AWG, YEL, UL 1430	9107786-47	6
15" WIRE, 18 AWG, BLK, UL 1430	9107786-00	5
12 SKT, MATE-N-LOK, 20-14AWG	1209379-D1	4
3 CONN, 6 PIN MATE-N-LOK	1209350-06	3
1 COVER, 12 PIN MTA CONN	1216650-00	2
1 CONN, HOUSING 12 POS MTA	1216651-00	1

UNLESS OTHERWISE SPECIFIED DIMENSIONS ARE IN INCHES	
ANGLES 10° 30°	CLASS OF ACCURACY
SURFACE QUALITY	IN
QUANTITY & VARIATION	MICROINCHES
THIRD ANGLE PROJECTION	FIRST USED ON
REMOVE BURRS AND BREAK SHARP CORNERS	TITLE
DO NOT SCALE DWG	NEXT HIGHER ASSY.
MATERIAL	SCALE
FINISH	SHEET OF

REV.	CHANGE NO.	DATE	BY	CHK'D
A				

REV. A
DRAWN BY: JAD
DATE: 7/16/88
PART NO: 7016887-0-0



NOTES
1. LOCATE APPROX AS SHOWN.

TOP VIEW

BOTTOM VIEW

REAR VIEW

LEFT SIDE VIEW
(SHOWN W/LEFT SIDE PANEL REMOVED)

THIS SHEET COVERS FX,FY, XX & XY ONLY

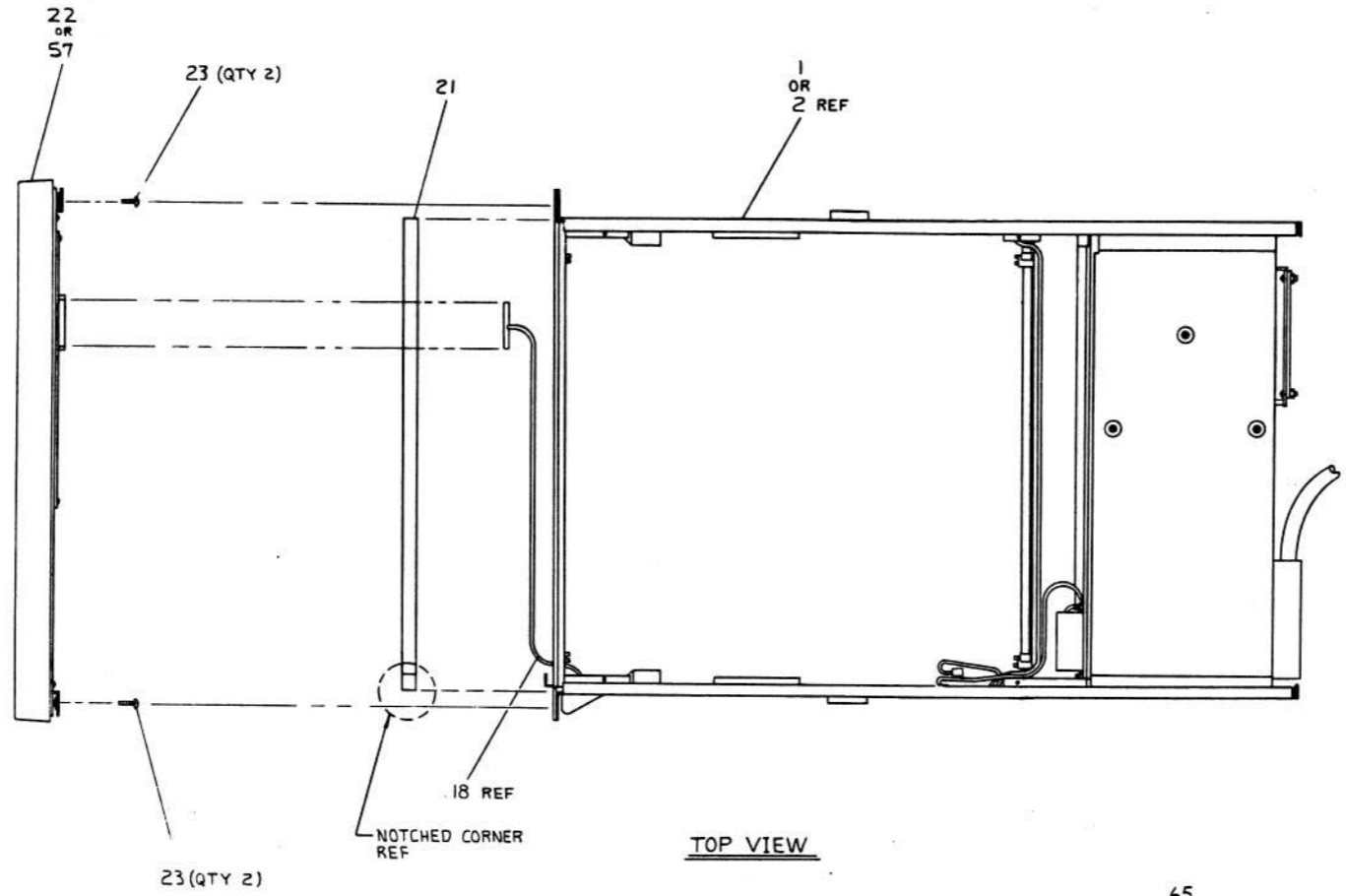
SEE K-PL-1144-O-DBP
FOR PARTS LIST

REV	DATE	BY	CHKD
1	11/24/44	J. MAGLE	
2	12/1/44	J. MAGLE	
3	12/1/44	J. MAGLE	
4	12/1/44	J. MAGLE	
5	12/1/44	J. MAGLE	
6	12/1/44	J. MAGLE	
7	12/1/44	J. MAGLE	
8	12/1/44	J. MAGLE	

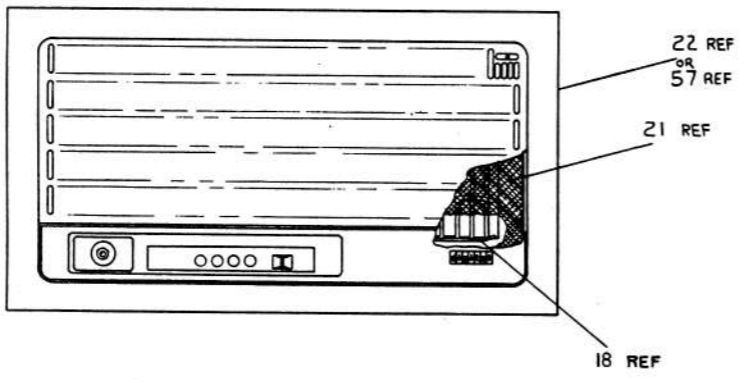
DESCRIPTION		QTY	UNIT PART NO.	ITEM NO.
UNLESS OTHERWISE SPECIFIED DIMENSIONS ARE IN INCHES				
SIZE	VALVE OF	1	1V44	30-00-0
1/2"	1/2"	1		
3/4"	3/4"	1		
1"	1"	1		
1 1/2"	1 1/2"	1		
2"	2"	1		
2 1/2"	2 1/2"	1		
3"	3"	1		
3 1/2"	3 1/2"	1		
4"	4"	1		
4 1/2"	4 1/2"	1		
5"	5"	1		
5 1/2"	5 1/2"	1		
6"	6"	1		
6 1/2"	6 1/2"	1		
7"	7"	1		
7 1/2"	7 1/2"	1		
8"	8"	1		
8 1/2"	8 1/2"	1		
9"	9"	1		
9 1/2"	9 1/2"	1		
10"	10"	1		
10 1/2"	10 1/2"	1		
11"	11"	1		
11 1/2"	11 1/2"	1		
12"	12"	1		
12 1/2"	12 1/2"	1		
13"	13"	1		
13 1/2"	13 1/2"	1		
14"	14"	1		
14 1/2"	14 1/2"	1		
15"	15"	1		
15 1/2"	15 1/2"	1		
16"	16"	1		
16 1/2"	16 1/2"	1		
17"	17"	1		
17 1/2"	17 1/2"	1		
18"	18"	1		
18 1/2"	18 1/2"	1		
19"	19"	1		
19 1/2"	19 1/2"	1		
20"	20"	1		
20 1/2"	20 1/2"	1		
21"	21"	1		
21 1/2"	21 1/2"	1		
22"	22"	1		
22 1/2"	22 1/2"	1		
23"	23"	1		
23 1/2"	23 1/2"	1		
24"	24"	1		
24 1/2"	24 1/2"	1		
25"	25"	1		
25 1/2"	25 1/2"	1		
26"	26"	1		
26 1/2"	26 1/2"	1		
27"	27"	1		
27 1/2"	27 1/2"	1		
28"	28"	1		
28 1/2"	28 1/2"	1		
29"	29"	1		
29 1/2"	29 1/2"	1		
30"	30"	1		
30 1/2"	30 1/2"	1		
31"	31"	1		
31 1/2"	31 1/2"	1		
32"	32"	1		
32 1/2"	32 1/2"	1		
33"	33"	1		
33 1/2"	33 1/2"	1		
34"	34"	1		
34 1/2"	34 1/2"	1		
35"	35"	1		
35 1/2"	35 1/2"	1		
36"	36"	1		
36 1/2"	36 1/2"	1		
37"	37"	1		
37 1/2"	37 1/2"	1		
38"	38"	1		
38 1/2"	38 1/2"	1		
39"	39"	1		
39 1/2"	39 1/2"	1		
40"	40"	1		
40 1/2"	40 1/2"	1		
41"	41"	1		
41 1/2"	41 1/2"	1		
42"	42"	1		
42 1/2"	42 1/2"	1		
43"	43"	1		
43 1/2"	43 1/2"	1		
44"	44"	1		
44 1/2"	44 1/2"	1		
45"	45"	1		
45 1/2"	45 1/2"	1		
46"	46"	1		
46 1/2"	46 1/2"	1		
47"	47"	1		
47 1/2"	47 1/2"	1		
48"	48"	1		
48 1/2"	48 1/2"	1		
49"	49"	1		
49 1/2"	49 1/2"	1		
50"	50"	1		
50 1/2"	50 1/2"	1		
51"	51"	1		
51 1/2"	51 1/2"	1		
52"	52"	1		
52 1/2"	52 1/2"	1		
53"	53"	1		
53 1/2"	53 1/2"	1		
54"	54"	1		
54 1/2"	54 1/2"	1		
55"	55"	1		
55 1/2"	55 1/2"	1		
56"	56"	1		
56 1/2"	56 1/2"	1		
57"	57"	1		
57 1/2"	57 1/2"	1		
58"	58"	1		
58 1/2"	58 1/2"	1		
59"	59"	1		
59 1/2"	59 1/2"	1		
60"	60"	1		
60 1/2"	60 1/2"	1		
61"	61"	1		
61 1/2"	61 1/2"	1		
62"	62"	1		
62 1/2"	62 1/2"	1		
63"	63"	1		
63 1/2"	63 1/2"	1		
64"	64"	1		
64 1/2"	64 1/2"	1		
65"	65"	1		
65 1/2"	65 1/2"	1		
66"	66"	1		
66 1/2"	66 1/2"	1		
67"	67"	1		
67 1/2"	67 1/2"	1		
68"	68"	1		
68 1/2"	68 1/2"	1		
69"	69"	1		
69 1/2"	69 1/2"	1		
70"	70"	1		
70 1/2"	70 1/2"	1		
71"	71"	1		
71 1/2"	71 1/2"	1		
72"	72"	1		
72 1/2"	72 1/2"	1		
73"	73"	1		
73 1/2"	73 1/2"	1		
74"	74"	1		
74 1/2"	74 1/2"	1		
75"	75"	1		
75 1/2"	75 1/2"	1		
76"	76"	1		
76 1/2"	76 1/2"	1		
77"	77"	1		
77 1/2"	77 1/2"	1		
78"	78"	1		
78 1/2"	78 1/2"	1		
79"	79"	1		
79 1/2"	79 1/2"	1		
80"	80"	1		
80 1/2"	80 1/2"	1		
81"	81"	1		
81 1/2"	81 1/2"	1		
82"	82"	1		
82 1/2"	82 1/2"	1		
83"	83"	1		
83 1/2"	83 1/2"	1		
84"	84"	1		
84 1/2"	84 1/2"	1		
85"	85"	1		
85 1/2"	85 1/2"	1		
86"	86"	1		
86 1/2"	86 1/2"	1		
87"	87"	1		
87 1/2"	87 1/2"	1		
88"	88"	1		
88 1/2"	88 1/2"	1		
89"	89"	1		
89 1/2"	89 1/2"	1		
90"	90"	1		
90 1/2"	90 1/2"	1		
91"	91"	1		
91 1/2"	91 1/2"	1		
92"	92"	1		
92 1/2"	92 1/2"	1		
93"	93"	1		
93 1/2"	93 1/2"	1		
94"	94"	1		
94 1/2"	94 1/2"	1		
95"	95"	1		
95 1/2"	95 1/2"	1		
96"	96"	1		
96 1/2"	96 1/2"	1		
97"	97"	1		
97 1/2"	97 1/2"	1		
98"	98"	1		
98 1/2"	98 1/2"	1		
99"	99"	1		
99 1/2"	99 1/2"	1		
100"	100"	1		
100 1/2"	100 1/2"	1		

THIS DRAWING AND SPECIFICATIONS SHALL BE USED ONLY IN CONNECTION WITH THE CONTRACT AND SHALL BE THE PROPERTY OF THE U.S. AIR FORCE. IT IS TO BE KEPT IN THE OFFICE OF THE CONTRACTING OFFICER AND NOT TO BE REPRODUCED OR TRANSMITTED IN ANY FORM OR BY ANY MEANS, ELECTRONIC OR MECHANICAL, INCLUDING PHOTOCOPYING, RECORDING, OR BY ANY INFORMATION STORAGE AND RETRIEVAL SYSTEM.

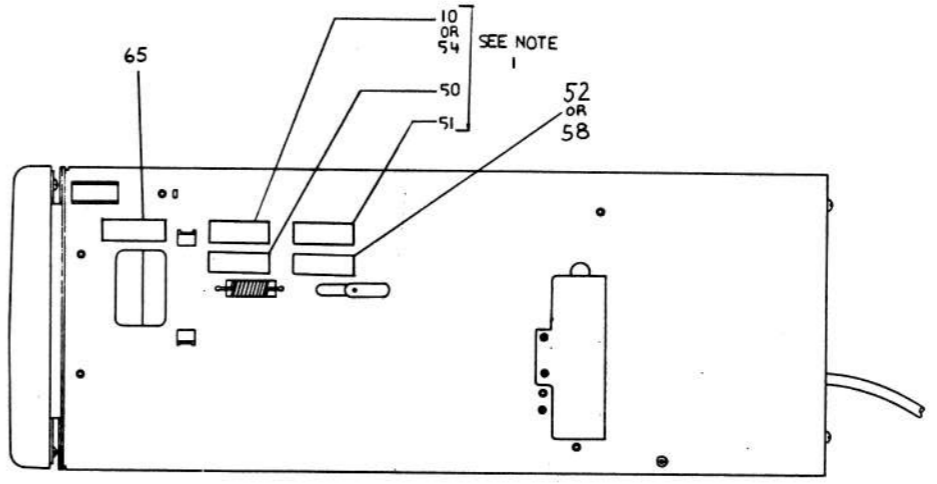
NOTE
 1. IF ITEM NO. 54 IS NOT AVAILABLE USE
 P/N FOR ITEM 10, 50, 51



TOP VIEW



FRONT VIEW



RIGHT SIDE VIEW

THIS SHEET COVERS FX& FY, XX& XY ONLY

REV.	DESCRIPTION

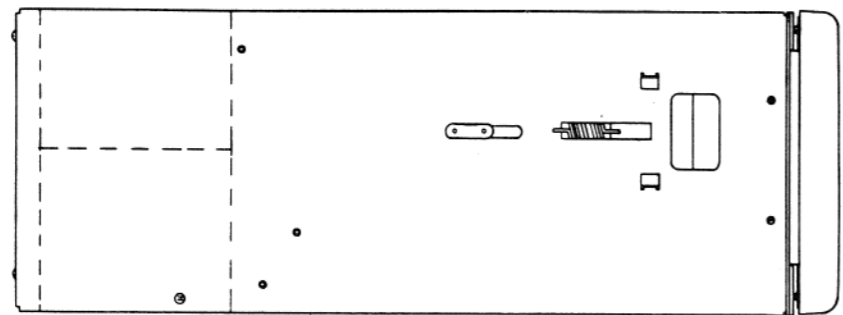
TITLE	11/44 UNIT ASSY.	REV.	1
SCALE	1/2	DATE	
SHEET 2 OF 5			

8 7 6 5 4 3 2 1

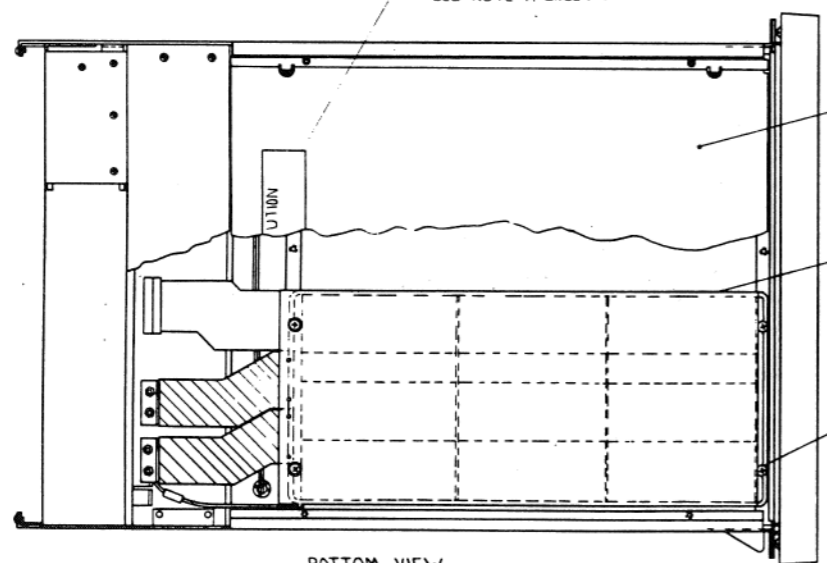
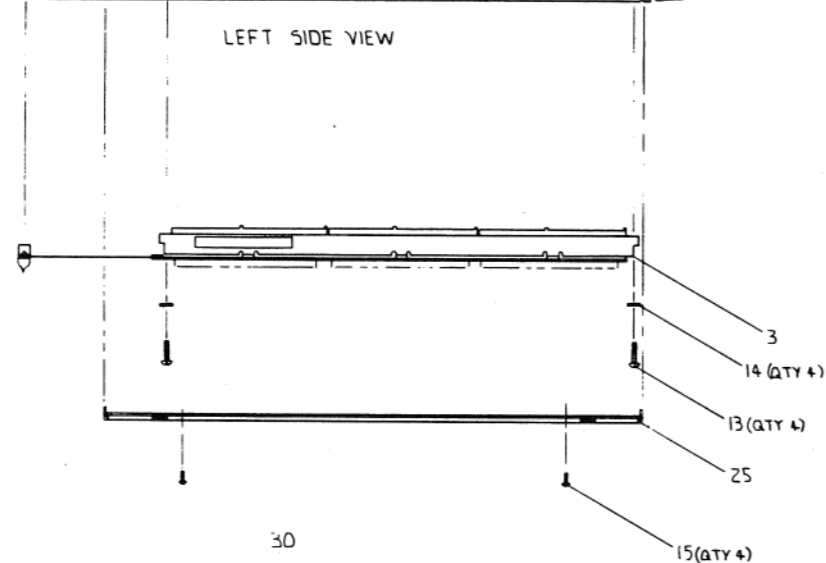
J H F E D C B A

THIS SHEET COVERS FX & FY, XX & XY ONLY

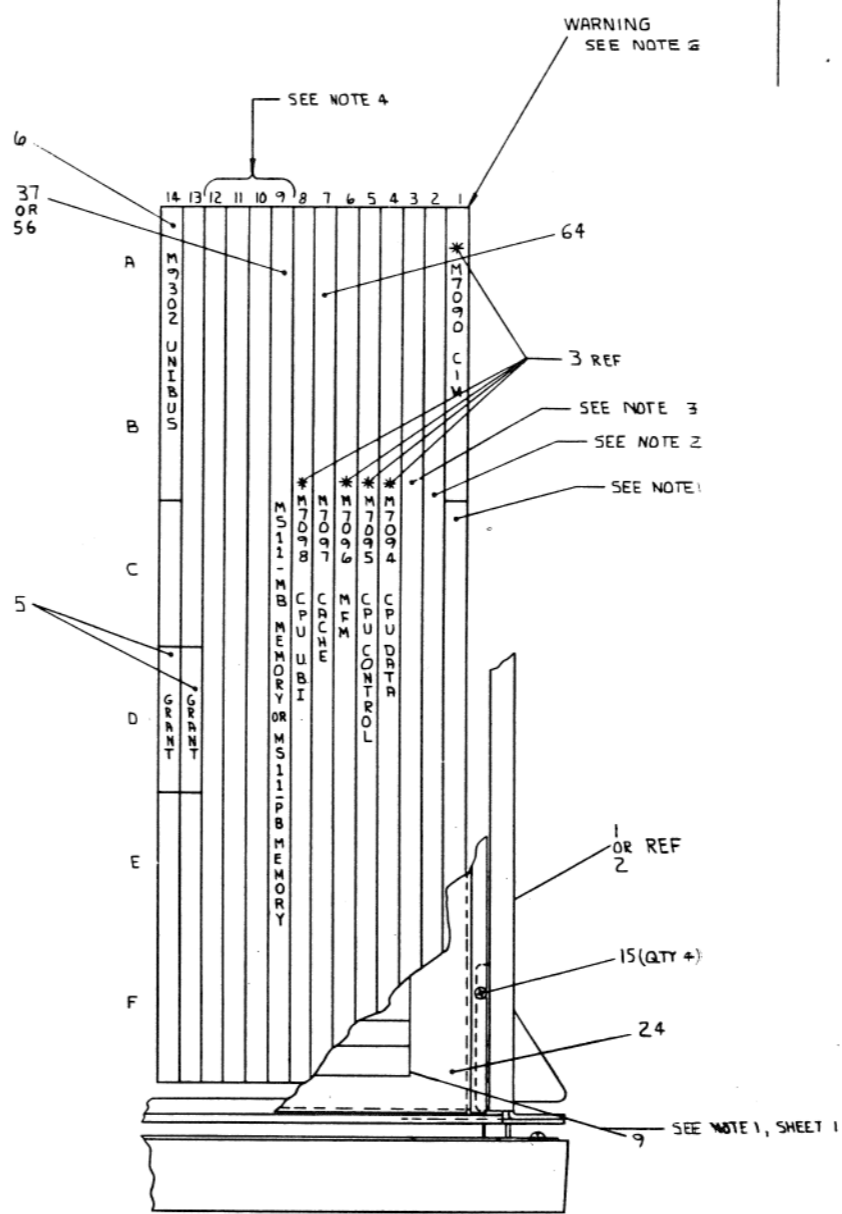
- NOTES:
- * DESIGNATES STANDARD KDII-2 (ITEM 3) BOARD.
 - 1. SLOT 1C-1F FOR OPTION BOARD M7091.
 - 2. SLOT 2A-2F FOR OPTION BOARD M7092.
 - 3. SLOT 3A-3F FOR OPTION BOARD M7093.
 - 4. SLOTS 9-12 ARE USED FOR MEMORY BOARDS.
 - 5. THIS M.U. COVERS XX, XY, CA, CB, DA, DB, FX & FY VARIATIONS.
 - 6. CAUTION: DO NOT USE MULTILAYER EXTENDER BOARDS IN SLOTS 1A & 1B. USE DOUBLE SIDED EXTENDER BOARD ONLY.



LEFT SIDE VIEW



BOTTOM VIEW



TOP VIEW
SCALE 1:1
MODULE UTILIZATION
SEE NOTE *5

THIS SHEET COVERS FX & FY, XX & XY ONLY

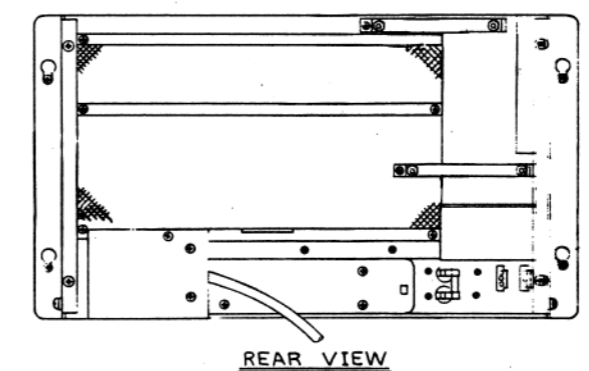
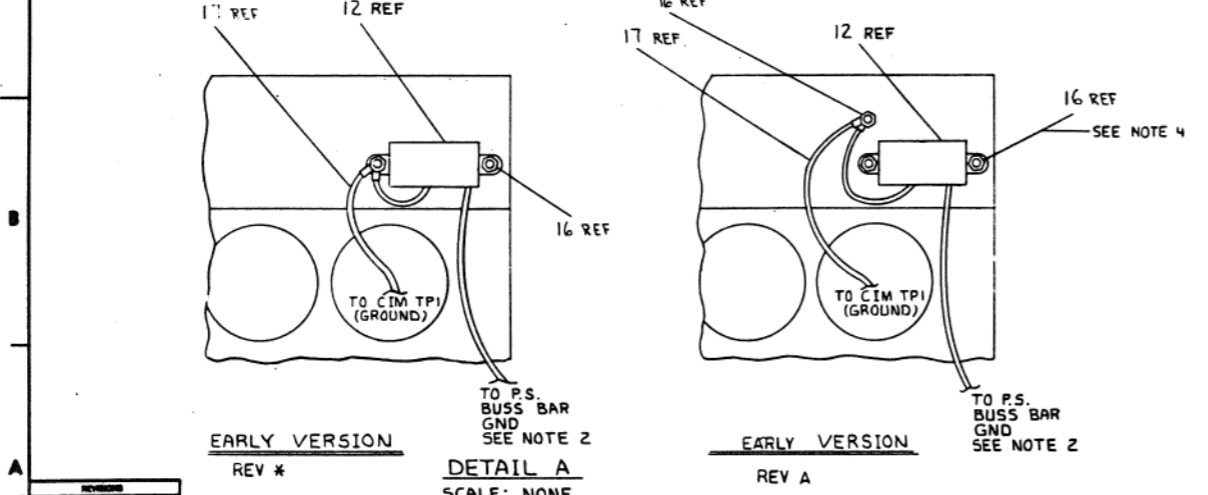
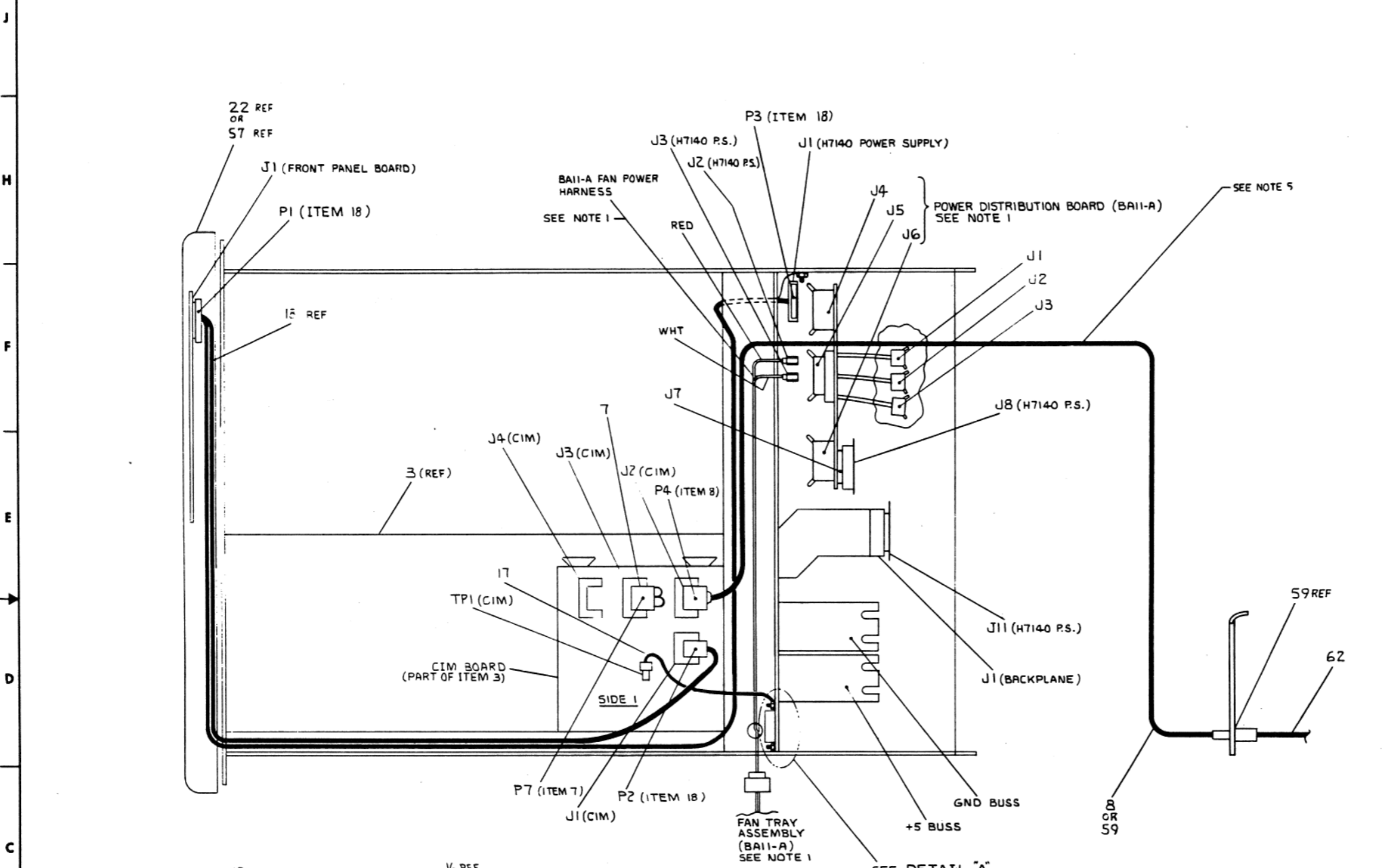
REV	DESCRIPTION	DATE

11/44 UNIT ASSEMBLY	EUA 11/44-0-0	D
SCALE 1:1	SHEET 3 OF 5	REV. D

8 7 6 5 4 3 2 1

THIS DRAWING AND SPECIFICATIONS APPLY TO THE 1/44 UNIT ASSY. THE PARTS LIST, DRAWING CHANGES, AND NOTES ARE PART OF THIS DRAWING. THE PARTS LIST IS LOCATED ON THE NEXT DRAWING SHEET.

- NOTES:**
1. FAN POWER HARNESS, POWER DISTRIBUTION BOARD, AND FAN TRAY ASSEMBLY ARE NOT PART OF THE 1/44 UNIT ASSY AND ARE NOT LISTED ON THE PARTS LIST. THESE ITEMS ARE PART OF E-UA-B11-A AND E-AD-7016391-0-0 AND ARE LISTED ON THOSE DOCUMENTS. THEY ARE SHOWN HERE AS PART OF THE SYSTEM INTERCONNECT FOR CLARITY.
 2. SEE SHEET 1 FOR EXACT MOUNTING LOCATION AND HARDWARE.
 3. ~~ITEM 26 & 29 ARE USED ON THE XX, XY VERSION FOR SHIPPING~~
 4. WITH GND INDUCTOR REMOVED CIM GND CONNECTION SHOULD BE MOVED TO RIGHT STUD
 5. FOR SHIPPING XX&XY, FX&FY VERSION LOOP CABLE IN EXPANSION BACK PANEL AREA AND PLACE CONNECTOR IN CABLE TROUGH AND TIE WRAP TO MODULE CARD GUIDE

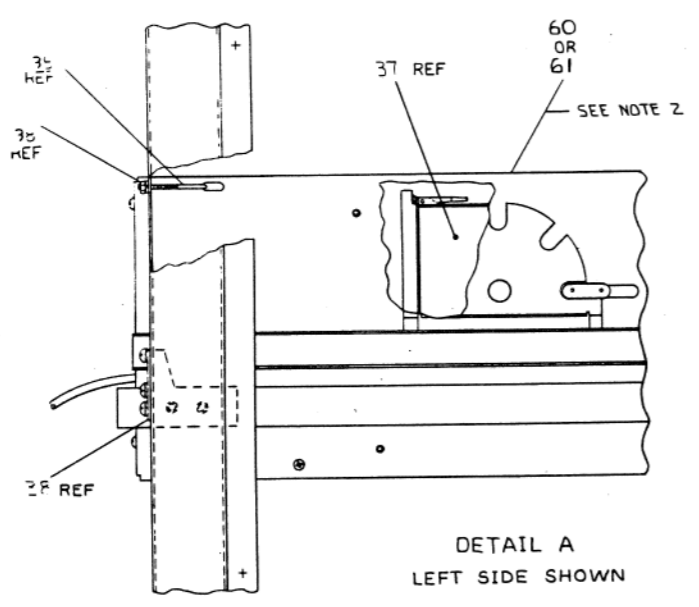
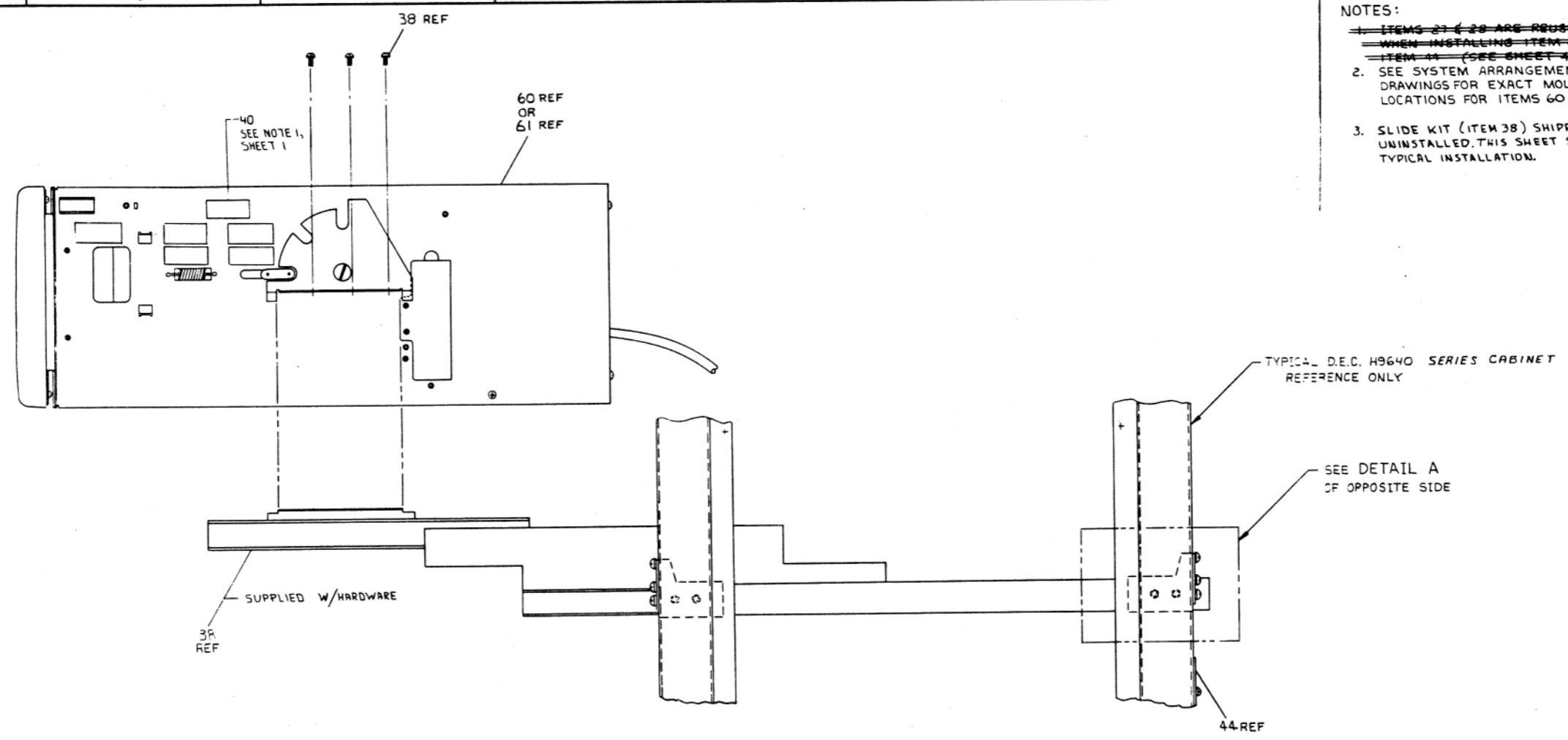


THIS SHEET FOR VARIATIONS FX, FY, XX, XY, CA, CB, DA & DB

REV #	DATE	BY	CHKD	APP'D	TITLE	SCALE	SHEET #	TOTAL SHEETS
REV *					1/44 UNIT ASSY	NONE	5	5
REV A					EUA 1/44-0-0			

THIS DRAWING AND SPECIFICATIONS HEREBY ARE THE PROPERTY OF GENERAL ELECTRIC COMPANY AND ARE NOT TO BE REPRODUCED OR TRANSMITTED IN ANY FORM OR BY ANY MEANS, ELECTRONIC OR MECHANICAL, INCLUDING PHOTOCOPYING, RECORDING, OR BY ANY INFORMATION STORAGE AND RETRIEVAL SYSTEM.

- NOTES:
- ~~1. ITEMS 37 & 38 ARE REUSED WHEN INSTALLING ITEM 37 IN ITEM 44 (SEE SHEET 4)~~
 - 2. SEE SYSTEM ARRANGEMENT DRAWINGS FOR EXACT MOUNTING LOCATIONS FOR ITEMS 60 OR 61
 - 3. SLIDE KIT (ITEM 38) SHIPPED UNINSTALLED. THIS SHEET SHOWS TYPICAL INSTALLATION.



THIS SHEET FOR FX, FY, CA, CB, DA & DB VARIATION ONLY

REV.	CHANGE NO.	DATE

TITLE	1/44 UNIT ASSY	REV.	D
SCALE	1/2	SHEET	5 OF 5
DESIGNER	EUA	NUMBER	1/44-0-0

1/44-0-0

LINE	ITEM	DOCUMENT NUMBER	PART NUMBER	DESCRIPTION	QUANTITY PER VARIATION										
					XX	XY	CA	CB	UA	UB	DA	DB	FX	FY	
1	1	E-UA-3A11-A-0	0BA11-AA	10.5"BOX,H7140-AA PS,120V LINE C	1	-	-	-	-	-	-	-	-	1	-
2	2	E-UA-BA11-A-0	0BA11-BB	HEX BOARD EXPANSION BOX W PS & S	-	1	-	-	-	-	-	-	-	-	1
3	3	B-DD-KD11-Z-0	OKD11-Z	16 BIT PROCESSOR FOR 11/44: M709	1	1	-	-	-	-	-	-	-	1	1
4	4	B-DD-KD11-B-0	OKD11-B	*** THIS ITEM IS NOT USED ***	-	-	-	-	-	-	-	-	-	-	-
5	5	D-UA-G727-0-1	OG727-00	SHORTS DD11 W/O PERIPH CONT	2	2	-	-	-	-	-	-	-	2	2
6	6	D-UA-M9302-0-1	M9302-00	UNIBUS TERMINATOR	1	1	-	-	-	-	-	-	-	1	1
7	7	C-IA-7422428-0-0	7422428-00	LOOP BACK CONN.	1	1	-	-	-	-	-	-	-	1	1
8	8	D-IA-BC44A-1-0	BC44A-10	EIA RS232 FILTERED CABLE ASSY. (1	1	-	-	-	-	-	-	-	-	-
9	9	A-DC-3616928-0-0	3616928-00	LABEL,MODULE UTILIZATION 11/44	1	1	-	-	-	-	-	-	-	1	1
10	10	A-DC-3615180-0-0	3615180-00	/REPLACED BY 36-17674-00	A/R	A/R	-	-	-	-	-	-	-	A/R	A/R
11	11	BLANK		*** THIS ITEM IS NOT USED ***	-	-	-	-	-	-	-	-	-	-	-
12	12	BLANK		*** THIS ITEM IS NOT USED ***	-	-	-	-	-	-	-	-	-	-	-
13	13		9007846-01	SCREW,MACH PAN PHIL 8-	4	4	-	-	-	-	-	-	-	4	4
14	14		9008072-00	WASHER,LOCK EXTERNAL STEEL	4	4	-	-	-	-	-	-	-	4	4
15	15		9009701-00	SCREW,SEMS PAN PHIL 6-	8	8	-	-	-	-	-	-	-	8	8
16	16		9006563-00	NUT,HEX EXT TOOTH LCKWSHR 8-32	1	1	-	-	-	-	-	-	-	1	1
17	17	B-IA-7422393-0-0	7422393-00	WIRE ASSY	1	1	-	-	-	-	-	-	-	1	1
18	18	D-AD-7016487-0-0	7016487-00	CIM CABLE ASSY	1	1	-	-	-	-	-	-	-	1	1
19	19		9008442-00	CLIP ,HARNES ADH MNT ACCOM	3	3	-	-	-	-	-	-	-	3	3
20	20	BLANK		*** THIS ITEM IS NOT USED ***	-	-	-	-	-	-	-	-	-	-	-
21	21		1216271-00	FILTER,AIR FOAM 020PPI	1	1	-	-	-	-	-	-	-	1	1
22	22	E-AD-7016501-0-0	7016501-00	CONSOLE,BEZEL ASSY	1	1	-	-	-	-	-	-	-	-	-
23	23		9006073-03	SCREW,MACH TRUSS PHIL 10-	4	4	-	-	-	-	-	-	-	4	4
24	24	D-MD-7421614-0-0	7421614-00	TOP COVER	1	1	-	-	-	-	-	-	-	1	1
25	25	D-AD-7016479-0-0	7016479-00	BOTTOM COVER ASSY.	1	1	-	-	-	-	-	-	-	1	1
26	26	BLANK		*** THIS ITEM IS NOT USED ***	-	-	-	-	-	-	-	-	-	-	-
27	27	BLANK		*** THIS ITEM IS NOT USED ***	-	-	-	-	-	-	-	-	-	-	-
28	28	BLANK		*** THIS ITEM IS NOT USED ***	-	-	-	-	-	-	-	-	-	-	-
29	29		9007032-00	TIE,CABLE BUNDL DIA 0-1-3/4"-101	1	1	-	-	-	-	-	-	-	1	1
30	30	A-PS-3615087-02-0	3615087-02	LABEL,"DANGER-HIGH CURRENT"	1	1	-	-	-	-	-	-	-	1	1

REVISION HISTORY		BASIC PART NO: 11/44		DRN: J. CASEY	DATE: 16-MAR-82	D I G I T A L			
ENG:	ECO NUMBER	REV	SECTION A OF A	CHK'D: T. MCCULLOUGH	DATE: 16-MAR-82	TITLE PARTS LIST			
	INITIAL	B	SECTION. VARIATION INDEX:	DES. ENG.: E. CROCKER	DATE: 16-MAR-82	DOCUMENT NUMBER			
WA	11/44-TW004	C	[A] XX,XY,CA,CB,UA,UB,	RESP. ENG.: E. CROCKER	DATE: 16-MAR-82	SIZE: K	CODE: PL	NUMBER: 11/44-0-DBP	REV: E
MR	11/44-ML005	D	[B] DA,DB,FX,FY	MFG. ENG.: J. GALLANT	DATE: 16-MAR-82	FILE NAME: Z4228E.PLS			
FC	11/44-ML006	E	[C]	ASSEMBLY NUMBER: E-UA-11/44-0-0	TOP DOCUMENT NUMBER: B-DD-11/44-0-0	EDIT 3			
			[D]						
			[E]						
			[F]						

"THIS DRAWING AND SPECIFICATIONS HEREIN, ARE THE PROPERTY OF DIGITAL EQUIPMENT CORPORATION AND SHALL NOT BE REPRODUCED OR COPIED OR USED IN WHOLE OR IN PART AS THE BASIS FOR THE MANUFACTURE OR SALE OF ITEMS WITHOUT WRITTEN PERMISSION. COPYRIGHT (C) 1983. DIGITAL EQUIPMENT CORPORATION "

AUTOMATED BY PRTLST.3P(44)

PARTS LIST

SHEET A2 OF A2

LINE	ITEM	DOCUMENT NUMBER	PART NUMBER	DESCRIPTION	QUANTITY PER VARIATION									
					XX	XY	CA	CB	UA	UB	DA	DB	FX	FY
31	31	BLANK		*** THIS ITEM IS NOT USED ***	-	-	-	-	-	-	-	-	-	-
32	32	BLANK		*** THIS ITEM IS NOT USED ***	-	-	-	-	-	-	-	-	-	-
33	33	BLANK		*** THIS ITEM IS NOT USED ***	-	-	-	-	-	-	-	-	-	-
34	34	BLANK		*** THIS ITEM IS NOT USED ***	-	-	-	-	-	-	-	-	-	-
35	35	E-UA-11/44-XX-0	11/44-XX	*** THIS ITEM IS NOT USED ***	-	-	-	-	-	-	-	-	-	-
36	36	E-UA-11/44-XY-0	11/44-XY	*** THIS ITEM IS NOT USED ***	-	-	-	-	-	-	-	-	-	-
37	37	D-UA-MS11-MB-0	OMS11-MB	256 KBYTES MOS ECC MEMORY(M8722- SLIDE KIT FOR BA11-A IN H9642	-	-	1	1	2	2	-	-	-	-
38	38	K-PL-H9544-MG-DBP	H9544-MG	*** THIS ITEM IS NOT USED ***	-	-	-	-	-	-	-	-	1	1
39	39	A-SP-3700471-0-0	3700471-00	*** THIS ITEM IS NOT USED ***	-	-	-	-	-	-	-	-	-	-
40	40	A-DC-3615946-0-0	3615946-00	LABEL,PRODUCT VARIATION	-	-	1	1	1	1	1	1	-	-
41	41	BLANK		*** THIS ITEM IS NOT USED ***	-	-	-	-	-	-	-	-	-	-
42	42		9006565-00	NUT,HEX EXT TOOTH LCKWSHR 10-32	1	1	-	-	1	1	-	-	1	1
43	43	D-UA-BC03M-25-0	BC03M-25	*** THIS ITEM IS NOT USED ***	-	-	-	-	-	-	-	-	-	-
44	44	D-AD-7017048-0-0	7017048-00	*** THIS ITEM IS NOT USED ***	-	-	-	-	-	-	-	-	-	-
45	45	B-PL-11/44-0-4	11/44-00	010479	1	1	REF	REF	REF	REF	REF	REF	1	1
46	46	A-SP-3700505-0-0	3700505-00	INSTR PKG. KIT, DOCK MERGE 1144	-	-	REF	REF	REF	REF	REF	REF	-	-
47	47	BLANK		*** THIS ITEM IS NOT USED ***	-	-	-	-	-	-	-	-	-	-
48	48	BLANK		*** THIS ITEM IS NOT USED ***	-	-	-	-	-	-	-	-	-	-
49	49	BLANK		*** THIS ITEM IS NOT USED ***	-	-	-	-	-	-	-	-	-	-
50	50	A-DC-5309414-0-0	5309414-00	DECAL UL INSIGNIA (VT14)	A/R	A/R	-	-	-	-	-	-	A/R	A/R
51	51	A-PS-3613211-01-0	3613211-01	DECAL,CLEAR PREPRINTED CSA 1-1/4	A/R	A/R	-	-	-	-	-	-	A/R	A/R
52	52	A-PS-3617880-01-0	3617880-01	LABEL,FCC,NON-COMLIANT	1	1	-	-	-	-	-	-	-	-
53	53		9009255-00	*** THIS ITEM IS NOT USED ***	-	-	-	-	-	-	-	-	-	-
54	54	A-PS-3617674-01-0	3617674-01	LABEL,SERIAL & POWER W/UL & CSA	1	1	-	-	-	-	-	-	1	1
55	55		OMR11-EB	MR11-EA LESS M9312	-	-	-	-	1	1	-	-	-	-
56	56	K-PL-MS11-P-DBP	OMS11-PB	1MB ECC MOS RAM (M8743-BA,512K X	-	-	-	-	-	-	1	1	-	-
57	57	E-AD-7016501-0-0	7016501-01	CONSOLE BEZEL ASSY.	-	-	-	-	-	-	-	-	1	1
58	58	A-PS-3617880-0-0	3617880-09	LABEL,FCC,NON-COMPLIANT	-	-	-	-	-	-	-	-	1	1
59	59	D-IA-BC44E-0-0	BC44E-10	10 FT EIA RS232 FILTERED CABLE A	-	-	-	-	-	-	-	-	1	1
60	60	E-UA-11/44-0-0	11/44-FX	KD11-Z, KK11-B, M9302, BA11-AA, BC44	-	-	1	-	1	-	1	-	-	-
61	61	E-UA-11/44-0-0	11/44-FY	KD11-Z, KK11-B, M9302, BA11-AB, BC44	-	-	-	1	-	1	-	1	-	-
62	62	B-UA-BC22D-0-0	BC22D-25	25FT CABLE,ASYNC,NULL MODEM,6 WI	-	-	1	1	1	1	1	1	-	-
63	63	A-SP-3700472-0-0	3700472-00	INSTR PKG COMPUTER(BA11-A)	1	1	-	-	-	-	-	-	1	1
64	64	B-DD-KK11-B-0	OKK11-B	4K WORD CACHE (M7097)	1	1	-	-	-	-	-	-	1	1
65	65		9009255-01	LABEL, POWER SUPPLY, 2-7/8" LG X	1	1	-	-	-	-	-	-	1	1

66 NOTE: MR11-EB ROMS ARE TO BE SHIPPED LOOSE PIECE W/SYSTEM AND TO BE INSTALLED BY FIELD SERVICE AS NEEDED.

D	I	G	I	T	A	L	TITLE	SECTION A OF A	SIZE	CODE	DOCUMENT NUMBER	REV
CHK	HH	G3					11/44 UNIT ASSY		K	PL	11/44-0-DBP	E

DIGITAL EQUIPMENT CORPORATION PARTS LIST

MADE BY Liz Hevesh
 DATE 11 June 79
 ENG Ray Gruelle
 DATE 8-17-79

CHECKED [Signature]
 DATE 8/17/79
 PROD DATE [Signature]

SECTION
 ISSUED SECTION

QUANTITY / VARIATION

NOTES:

ITEM NO.	DRAWING NO.	PART NO.	DESCRIPTION	QUANTITY / VARIATION						REF DESIGNATION
				11/44-CA	11/44-CB	11/44-JA	11/44-JB	11/44-DA	11/44-DB	
1	EK- 11044-UG-001		11/44 System User Guide	1	1	1	1	1	1	
2	MP00742		MS11-M Print Set	1	1	1	1	-	-	
3	EK-MS11M-UG-001		MS11-MB 256KB ECC MOS Memory	1	1	1	1	-	-	
4	MP00809		11/44 Basic Print Set	1	1	1	1	1	1	
5	ZJ014-FR		11/44 Basic CPU Kit (FICHE)	1	1	1	1	1	1	
6	ZJ014-PB		11/44 BASIC CPU KIT (PAPERTAPE)	1	1	1	1	-	1	
7		MP00810	FP11-F PRINT SET	-	-	1	1	-	-	
8	A-SP-3700389-0-0		INSTR. PKG. KIT	-	-	1	1	-	-	
9		9906228-00	ROM BOX	-	-	2	2	-	-	
10	MP01477		MS11-P PRINT SET	-	-	-	-	1	1	

E.C.O. NO.
 11-44-
 TW001
 11-44
 TW003
 11/44
 TW004
 11/44
 MLO05

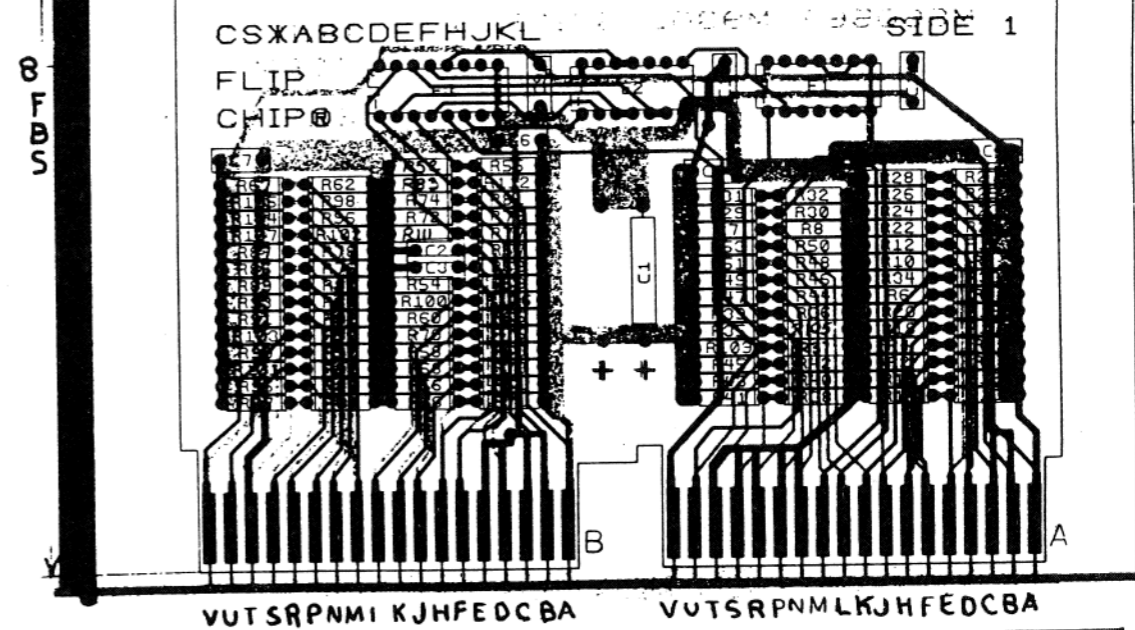
"THIS DRAWING AND SPECIFICATIONS, HEREIN, ARE THE PROPERTY OF DIGITAL EQUIPMENT CORPORATION AND SHALL NOT BE REPRODUCED OR COPIED OR USED IN WHOLE OR IN PART AS THE BASIS FOR THE MANUFACTURE OR SALE OF ITEMS WITHOUT WRITTEN PERMISSION. COPYRIGHT © 1979 DIGITAL EQUIPMENT CORPORATION"

TITLE
 Shipping List

ASSY NO.
 E-UA-11/44-0-0
 SHEET 1 OF 1

SIZE B
 CODE PL
 NUMBER 11/44-0-4
 REV D
 INSERTION PARTS LIST DATA BASE REV

CAUTION
(DECAL)



NOTES:

REF DESIGNATIONS NOT USED ARE R37, R52, R83, R108, AND R111.

DRILLING DATA			
HOLE LETTER	DRILL SIZES	CAN TAKE STRIPLETS	QTY OF HOLES
	FOR PTH BOARDS	FOR NON-PTH BOARDS	
	BEFORE PLATE	AFTER PLATE	
NONE	#56 (0.465 DIA)	✓	

BOARD FABRICATION INFORMATION

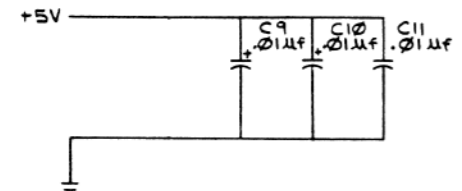
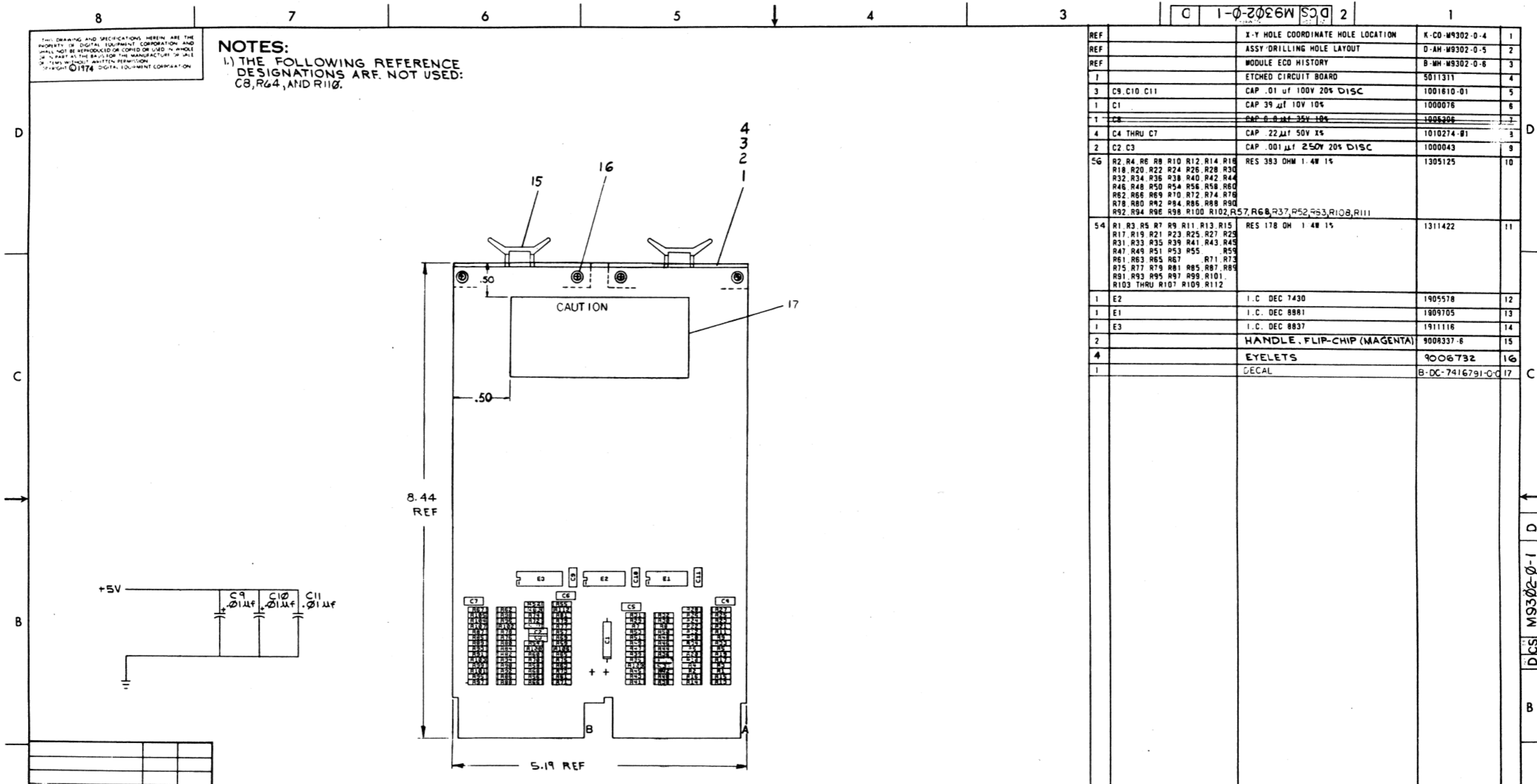
BOARD SIZE 8540 X 11750
 DMD 760589-0-0
 BOARD MATERIAL 052 THK
 1 OZ COPPER 2 SIDES
 EYELET PLATED THRU
 2 SIDED MULTI-LAYER
 NOTCH BEFORE GOLD PLATING
 NOTCH AFTER GOLD PLATING

DRN	DATE	digital EQUIPMENT CORPORATION LAWRENCE, MASSACHUSETTS
CHK P	DATE	
ENG	DATE	TITLE
PROJ. ENG.	DATE	UNIBUS TERM
PROD.	DATE	
FIRST USED ON	M9302	SIZE CODE
SCALE 2/1	D AH	NUMBER
ETCH REV	B	REV.
	TW	MS 60567

THIS DRAWING AND SPECIFICATIONS HEREIN ARE THE PROPERTY OF DIGITAL EQUIPMENT CORPORATION AND SHALL NOT BE REPRODUCED OR COPIED OR USED IN WHOLE OR IN PART AS THE BASIS FOR THE MANUFACTURE OF ANY OR PARTS THEREOF WITHOUT WRITTEN PERMISSION FROM DIGITAL EQUIPMENT CORPORATION.

NOTES:
 1.) THE FOLLOWING REFERENCE DESIGNATIONS ARE NOT USED: C8, R64, AND R110.

D | 1-0-2036W | S.C.D. | 2 | 1



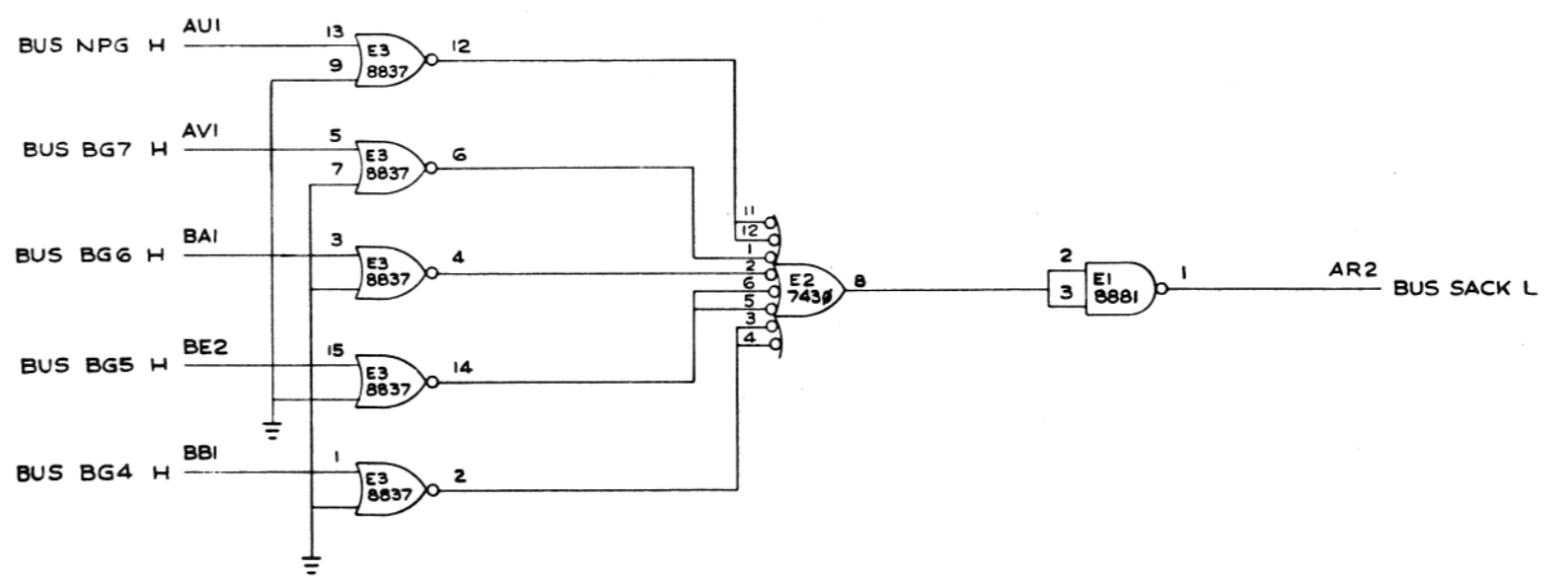
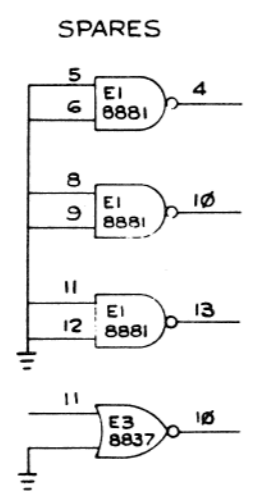
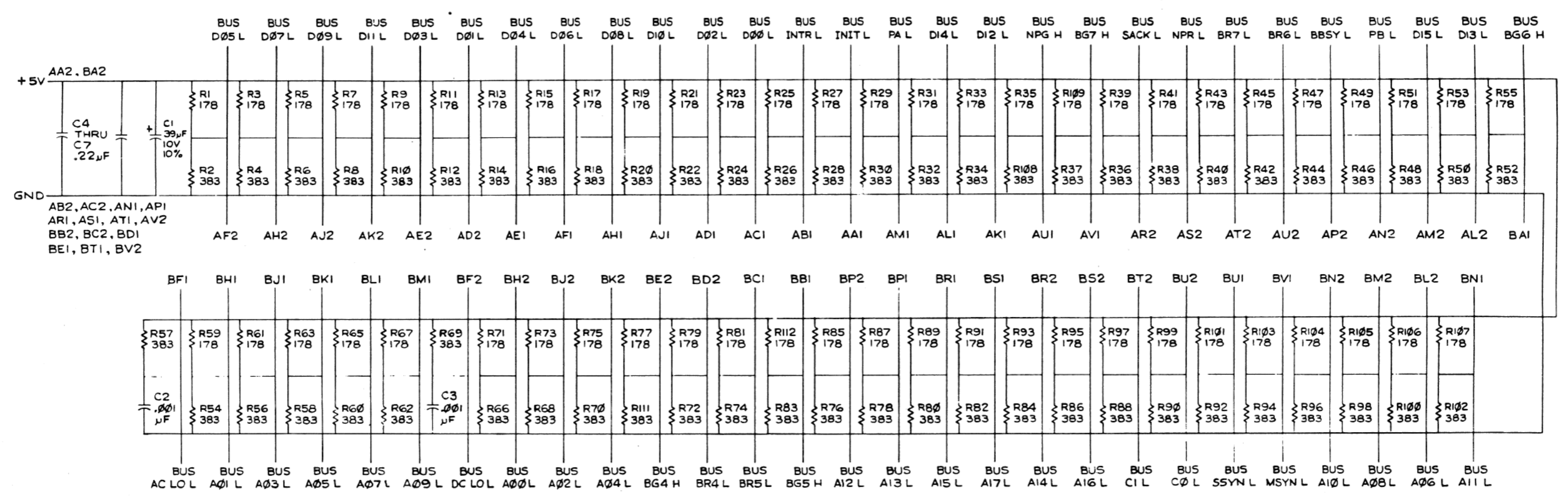
IC TYPE	GND	+5V
IC DEC 883T	8	16
GND AND 5V ARE USUALLY PIN 7 AND 14 RESPECTIVELY. EXCEPTIONS ARE STATED ABOVE.		
IC PIN LOCATIONS		

REF	DESCRIPTION	PART NO.	ITEM NO.
	X-Y HOLE COORDINATE HOLE LOCATION	K-CO-M9302-0-4	1
	ASSY DRILLING HOLE LAYOUT	D-AH-M9302-0-5	2
	MODULE ECO HISTORY	B-MH-M9302-0-6	3
1	ETCHED CIRCUIT BOARD	5011311	4
3	C9, C10, C11	CAP .01 uf 100V 20% DISC	1001610-01
1	C1	CAP 39 uf 10V 10%	1000076
1	C8	CAP 0.01 uf 35V 10%	1006306
4	C4 THRU C7	CAP .22 uf 50V 1%	1010274-01
2	C2, C3	CAP .001 uf 250V 20% DISC	1000043
56	R2, R4, R6, R8, R10, R12, R14, R16, R18, R20, R22, R24, R26, R28, R30, R32, R34, R36, R38, R40, R42, R44, R46, R48, R50, R52, R54, R56, R58, R60, R62, R64, R66, R68, R70, R72, R74, R76, R78, R80, R82, R84, R86, R88, R90, R92, R94, R96, R98, R100, R102, R104, R106, R108, R110	RES 393 OHM 1/4W 1%	1305125
54	R1, R3, R5, R7, R9, R11, R13, R15, R17, R19, R21, R23, R25, R27, R29, R31, R33, R35, R37, R39, R41, R43, R45, R47, R49, R51, R53, R55, R57, R59, R61, R63, R65, R67, R69, R71, R73, R75, R77, R79, R81, R83, R85, R87, R89, R91, R93, R95, R97, R99, R101, R103 THRU R107, R109, R112	RES 178 OHM 1/4W 1%	1311422
1	E2	I.C. DEC 7430	1905578
1	E1	I.C. DEC 8881	1909705
1	E3	I.C. DEC 883T	1911116
2	HANDLE, FLIP-CHIP (MAGENTA)	9008337-6	15
4	EYELETS	9006732	16
1	DECAL	B-DC-7416791-C0	17

FIRST USED ON OPTION MODEL			PARTS LIST																				
ETCH BOARD REV	B	DATE	DRN	DATE	REV.																		
		10/1/76	10/1/76																				
		12/3/77	12/3/77																				
		1/25/78	1/25/78																				
		2/25/78	2/25/78																				
		3/25/78	3/25/78																				
<table border="1"> <tr> <td>DEC NO.</td> <td>EIA NO.</td> <td>DEC NO.</td> <td>EIA NO.</td> <td>SCALE</td> <td>1 OF 2</td> </tr> <tr> <td colspan="4">SEMICONDUCTOR CONVERSION CHART</td> <td>SHEET</td> <td>1 OF 2</td> </tr> </table>						DEC NO.	EIA NO.	DEC NO.	EIA NO.	SCALE	1 OF 2	SEMICONDUCTOR CONVERSION CHART				SHEET	1 OF 2						
DEC NO.	EIA NO.	DEC NO.	EIA NO.	SCALE	1 OF 2																		
SEMICONDUCTOR CONVERSION CHART				SHEET	1 OF 2																		
<table border="1"> <tr> <th>REV.</th> <th>DESCRIPTION</th> </tr> <tr> <td>1</td> <td>CHANGE NO.</td> </tr> <tr> <td>2</td> <td>CHANGE NO.</td> </tr> <tr> <td>3</td> <td>CHANGE NO.</td> </tr> </table>		REV.	DESCRIPTION	1	CHANGE NO.	2	CHANGE NO.	3	CHANGE NO.	<table border="1"> <tr> <td colspan="2">TITLE</td> <td>SIZE CODE</td> <td>NUMBER</td> <td>REV.</td> </tr> <tr> <td colspan="2">UNIBUS TERMINATOR</td> <td>DCS</td> <td>M9302-0-1</td> <td>D</td> </tr> </table>				TITLE		SIZE CODE	NUMBER	REV.	UNIBUS TERMINATOR		DCS	M9302-0-1	D
REV.	DESCRIPTION																						
1	CHANGE NO.																						
2	CHANGE NO.																						
3	CHANGE NO.																						
TITLE		SIZE CODE	NUMBER	REV.																			
UNIBUS TERMINATOR		DCS	M9302-0-1	D																			

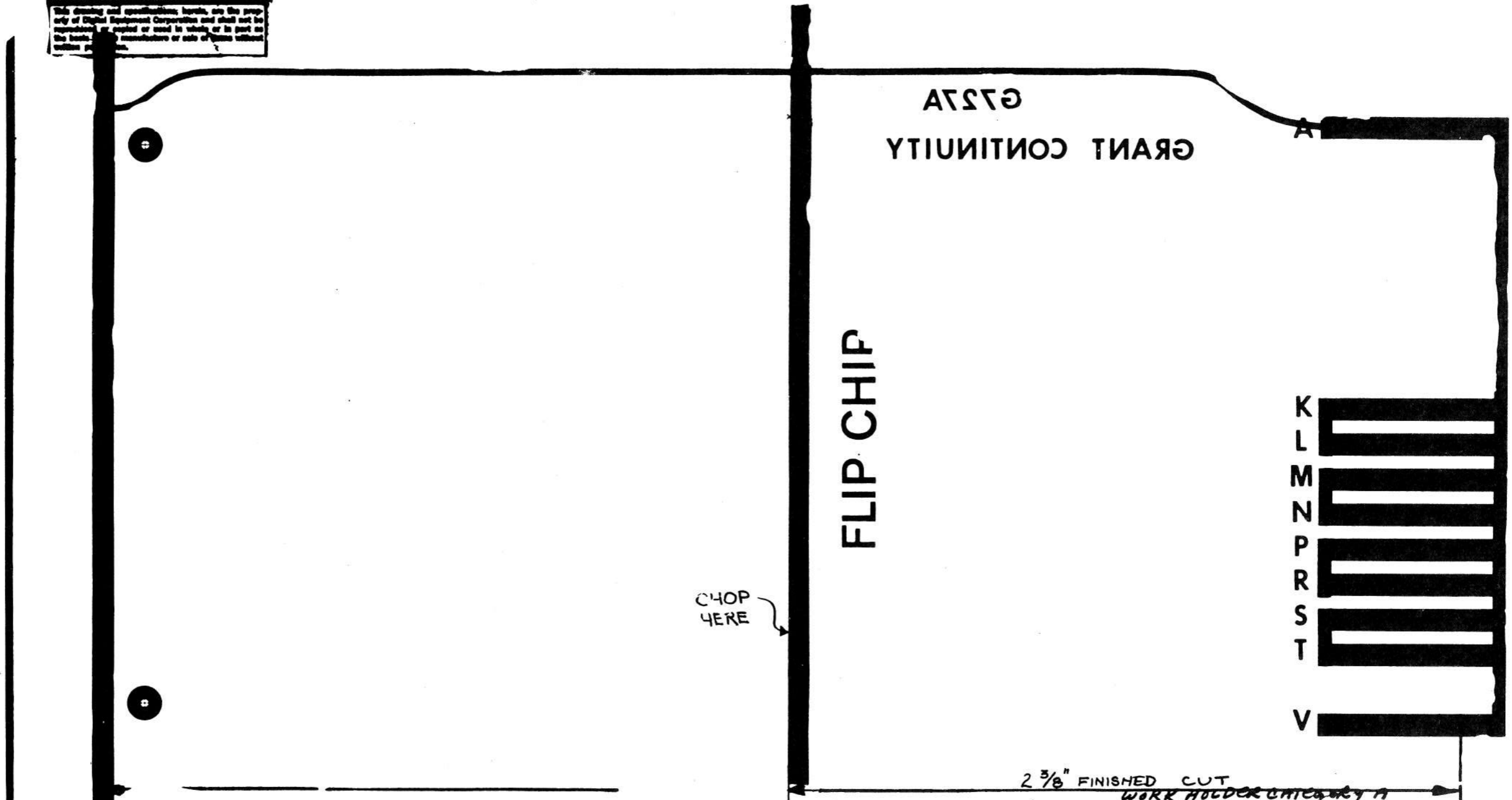
D | DCS | M9302-0-1 | D

THIS DRAWING AND SPECIFICATIONS HEREIN ARE THE PROPERTY OF DIGITAL EQUIPMENT CORPORATION AND SHALL NOT BE REPRODUCED OR COPIED OR USED IN WHOLE OR IN PART AS THE BASIS FOR THE MANUFACTURE OR SALE OF ITEMS WITHOUT WRITTEN PERMISSION. COPYRIGHT © 1975 DIGITAL EQUIPMENT CORPORATION.



REVISIONS		
CHK	CHANGE NO	REV

This drawing and specifications, herein, are the property of Digital Equipment Corporation and shall not be reproduced, copied or used in whole or in part as the basis for any manufacture or sale of items without written permission.



CHOP
HERE

2 3/8" FINISHED CUT
WORK HOLDER CATEGORY A
PR# 7818

UNLESS OTHERWISE INDICATED
RESISTORS ARE _____
CAPACITORS ARE _____
DIODES ARE _____
TRANSISTORS ARE _____

BOARD FABRICATION INFO
BOARD SIZE NON STD. (2 3/8") STOCK CODE# 2230
BOARD MAT'L .055 THK.; 2oz COPPER CLAD
PLATED THRU EYELET SINGLE SIDED
HOLES BEFORE PLATING _____
UNMARKED HOLES ARE _____
HOLES ARE _____ PLACES _____
HOLES ARE _____ PLACES _____
HOLES ARE _____ PLACES _____
NOTCH BEFORE G.P. NOTCH AFTER G.P.

QTY.	DESCRIPTION	PART NO.	ITEM NO.
PARTS LIST			
DRN. S. PATTERSON		DATE 11-6-69	
CHK'D. J. Mikowski		DATE 12-16-69	
ENG. P.E. Jensen		DATE 1/28/70	
PROL. ENG. P.E. Jensen		DATE 1/28/70	
PROD. S. Patterson		DATE 3/9/70	
FIRST USED ON		G727	
SCALE		SIZE CODE C AH	NUMBER G727-0-5
SHEET OF		DIST. B44/284	REV. 1

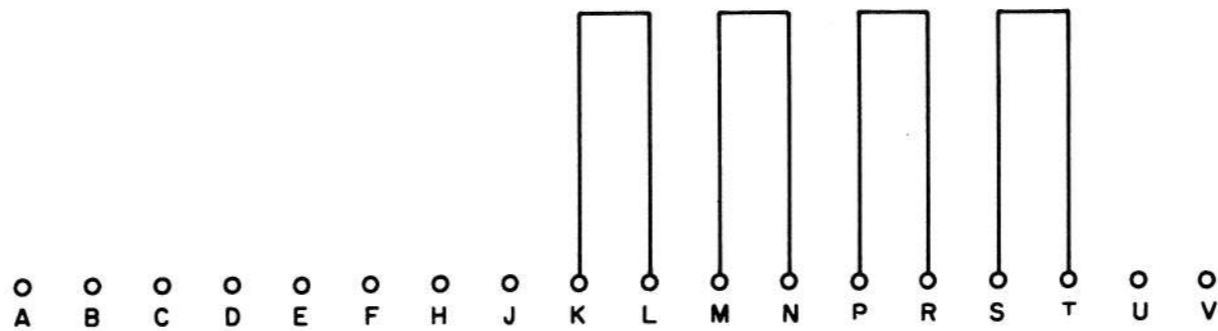
digital EQUIPMENT CORPORATION
MAYNARD, MASSACHUSETTS

TITLE
ASSY/DRILLING HOLE LAYOUT

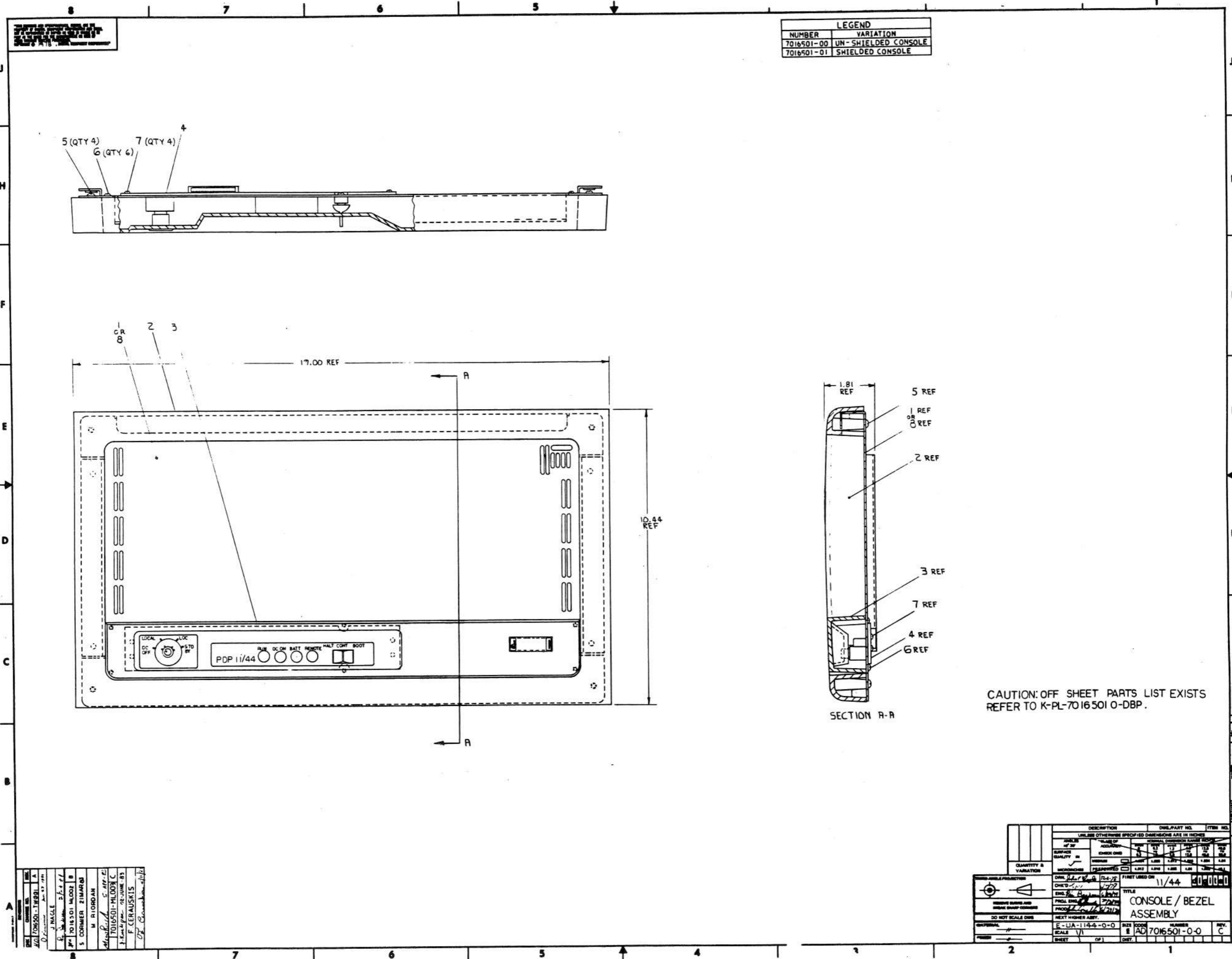
2. PINK DW

REV	6727-0-1	CS	B
	NUMBER	CODE	SIZE

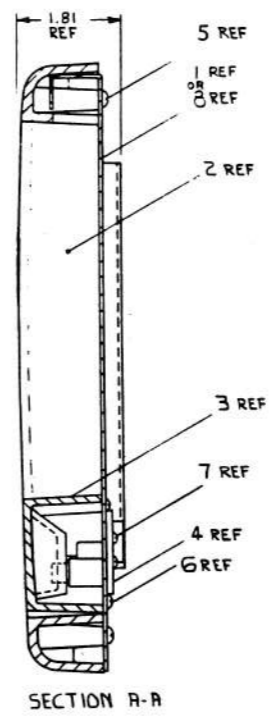
THIS SCHEMATIC IS FURNISHED ONLY FOR TEST AND MAINTENANCE PURPOSES. THE CIRCUITS ARE PROPRIETARY IN NATURE AND SHOULD BE TREATED ACCORDINGLY. COPYRIGHT 1969 BY DIGITAL EQUIPMENT CORPORATION



REVISIONS CHK CHG NO. REV.	DRN. <i>BUTLER</i>	DATE <i>11-19-69</i>	TRANSISTOR & DIODE CONVERSION CHART				 EQUIPMENT CORPORATION MAYNARD, MASSACHUSETTS	TITLE GRANT CONTINUITY G727			
	CHK'D <i>P. de St...</i>	DATE <i>6-FEB 70</i>	DEC	EIA	DEC	EIA		SIZE	CODE	NUMBER	REV.
	ENG. <i>P. de St...</i>	DATE <i>1/28/70</i>						B	CS	G727-0-1	
	PROD.	DATE						PRINTED CIRCUIT REV.			A



LEGEND	
NUMBER	VARIATION
7016501-00	UN-SHIELDED CONSOLE
7016501-01	SHIELDED CONSOLE



CAUTION: OFF SHEET PARTS LIST EXISTS REFER TO K-PL-7016501 0-DBP.

REV	DATE	BY	CHKD	DESCRIPTION
1	11/14/44	F. CERASKIS		CONSOLE / BEZEL ASSEMBLY
2	11/14/44	F. CERASKIS		CONSOLE / BEZEL ASSEMBLY
3	11/14/44	F. CERASKIS		CONSOLE / BEZEL ASSEMBLY
4	11/14/44	F. CERASKIS		CONSOLE / BEZEL ASSEMBLY
5	11/14/44	F. CERASKIS		CONSOLE / BEZEL ASSEMBLY
6	11/14/44	F. CERASKIS		CONSOLE / BEZEL ASSEMBLY
7	11/14/44	F. CERASKIS		CONSOLE / BEZEL ASSEMBLY
8	11/14/44	F. CERASKIS		CONSOLE / BEZEL ASSEMBLY

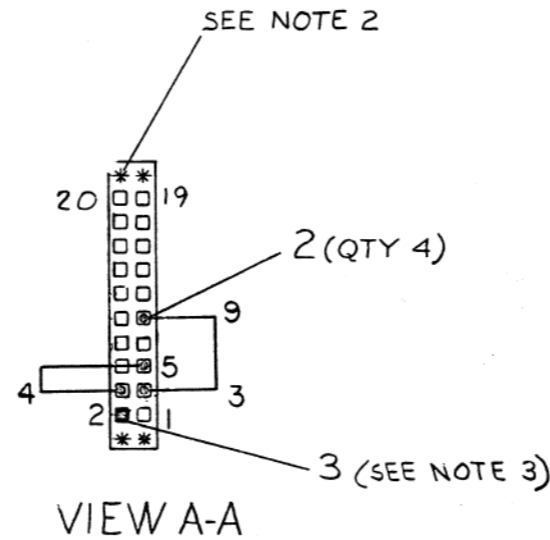
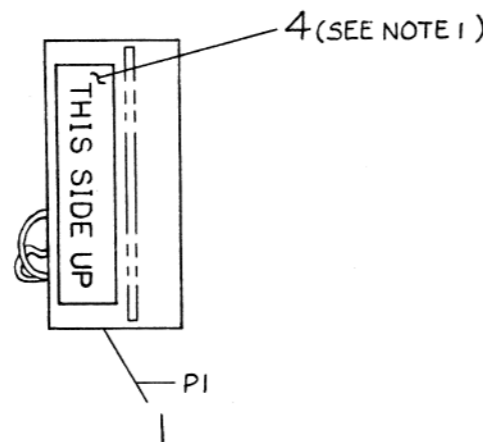
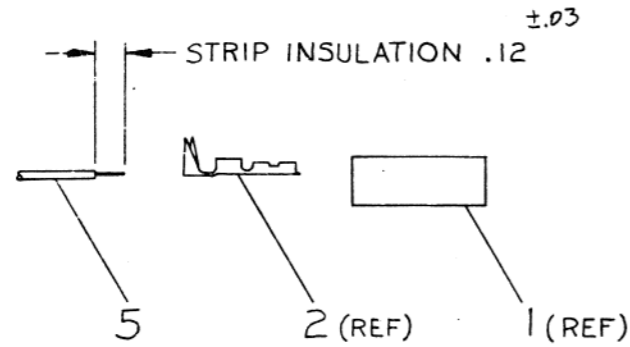
QUANTITY & VARIATION	DESCRIPTION	DWG/PART NO.	ITER NO.
1	CONSOLE / BEZEL ASSEMBLY	7016501-00	1
1	CONSOLE / BEZEL ASSEMBLY	7016501-01	1
1	CONSOLE / BEZEL ASSEMBLY	7016501-02	1
1	CONSOLE / BEZEL ASSEMBLY	7016501-03	1
1	CONSOLE / BEZEL ASSEMBLY	7016501-04	1
1	CONSOLE / BEZEL ASSEMBLY	7016501-05	1
1	CONSOLE / BEZEL ASSEMBLY	7016501-06	1
1	CONSOLE / BEZEL ASSEMBLY	7016501-07	1
1	CONSOLE / BEZEL ASSEMBLY	7016501-08	1
1	CONSOLE / BEZEL ASSEMBLY	7016501-09	1
1	CONSOLE / BEZEL ASSEMBLY	7016501-10	1
1	CONSOLE / BEZEL ASSEMBLY	7016501-11	1
1	CONSOLE / BEZEL ASSEMBLY	7016501-12	1
1	CONSOLE / BEZEL ASSEMBLY	7016501-13	1
1	CONSOLE / BEZEL ASSEMBLY	7016501-14	1
1	CONSOLE / BEZEL ASSEMBLY	7016501-15	1
1	CONSOLE / BEZEL ASSEMBLY	7016501-16	1
1	CONSOLE / BEZEL ASSEMBLY	7016501-17	1
1	CONSOLE / BEZEL ASSEMBLY	7016501-18	1
1	CONSOLE / BEZEL ASSEMBLY	7016501-19	1
1	CONSOLE / BEZEL ASSEMBLY	7016501-20	1
1	CONSOLE / BEZEL ASSEMBLY	7016501-21	1
1	CONSOLE / BEZEL ASSEMBLY	7016501-22	1
1	CONSOLE / BEZEL ASSEMBLY	7016501-23	1
1	CONSOLE / BEZEL ASSEMBLY	7016501-24	1
1	CONSOLE / BEZEL ASSEMBLY	7016501-25	1
1	CONSOLE / BEZEL ASSEMBLY	7016501-26	1
1	CONSOLE / BEZEL ASSEMBLY	7016501-27	1
1	CONSOLE / BEZEL ASSEMBLY	7016501-28	1
1	CONSOLE / BEZEL ASSEMBLY	7016501-29	1
1	CONSOLE / BEZEL ASSEMBLY	7016501-30	1
1	CONSOLE / BEZEL ASSEMBLY	7016501-31	1
1	CONSOLE / BEZEL ASSEMBLY	7016501-32	1
1	CONSOLE / BEZEL ASSEMBLY	7016501-33	1
1	CONSOLE / BEZEL ASSEMBLY	7016501-34	1
1	CONSOLE / BEZEL ASSEMBLY	7016501-35	1
1	CONSOLE / BEZEL ASSEMBLY	7016501-36	1
1	CONSOLE / BEZEL ASSEMBLY	7016501-37	1
1	CONSOLE / BEZEL ASSEMBLY	7016501-38	1
1	CONSOLE / BEZEL ASSEMBLY	7016501-39	1
1	CONSOLE / BEZEL ASSEMBLY	7016501-40	1
1	CONSOLE / BEZEL ASSEMBLY	7016501-41	1
1	CONSOLE / BEZEL ASSEMBLY	7016501-42	1
1	CONSOLE / BEZEL ASSEMBLY	7016501-43	1
1	CONSOLE / BEZEL ASSEMBLY	7016501-44	1
1	CONSOLE / BEZEL ASSEMBLY	7016501-45	1
1	CONSOLE / BEZEL ASSEMBLY	7016501-46	1
1	CONSOLE / BEZEL ASSEMBLY	7016501-47	1
1	CONSOLE / BEZEL ASSEMBLY	7016501-48	1
1	CONSOLE / BEZEL ASSEMBLY	7016501-49	1
1	CONSOLE / BEZEL ASSEMBLY	7016501-50	1

"THIS DRAWING AND SPECIFICATIONS, HEREIN, ARE THE PROPERTY OF DIGITAL EQUIPMENT CORPORATION AND SHALL NOT BE REPRODUCED OR COPIED OR USED IN WHOLE OR IN PART AS THE BASIS FOR THE MANUFACTURE OR SALE OF ITEMS WITHOUT WRITTEN PERMISSION. COPYRIGHT © 1979, DIGITAL EQUIPMENT CORPORATION"

WIRE TABLE							
ITEM NO.	DESCRIPTION		FROM		TO		REMARKS
	AWG	COLOR	CONN.	WITH	CONN.	WITH	
5	22	BLK	PI-3	ITEM 2	PI-9	ITEM 2	3.0 IN. ±.06
5	22	BLK	PI-4	ITEM 2	PI-5	ITEM 2	3.0 IN. ±.06
3	-	KEY	-	-	PI-2	ITEM 3	SEE NOTE 3

NOTES:

1. PLACE LABEL (ITEM 4) ON CONNECTOR (ITEM 1) APPROX. AS SHOWN.
2. POSITIONS MARKED "*" ASTERISK IN VIEW A-A ARE NOT TO BE USED.
3. CONNECTOR (ITEM 1) SHALL HAVE ONE KEY (ITEM 3) INSERTED IN POSITION 2 AS SHOWN.



QTY	DESCRIPTION	DWG./PART NO.	ITEM NO.
60	WIRE, 22AWG, STRD, UL1429	9107350-00	5
1	LABEL (THIS SIDE UP) 1.0x.25	3611567-01	4
1	CONN, PIN (DUMMY), KEY	9009140-00	3
4	SOCKET, CRIMP TYP REEL	1210089-07	2
1	TERM. 24 POS. HOUSING	1210918-25	1

DESCRIPTION		DWG./PART NO.	ITEM NO.				
UNLESS OTHERWISE SPECIFIED DIMENSIONS ARE IN INCHES							
ANGLES ±0° 30'	CLASS OF ACCURACY (CHECK ONE)	NOMINAL DIMENSION RANGE INCHES					
SURFACE QUALITY IN		OVER 0 TO 0.2	OVER 0.2 TO 1.2	OVER 1.2 TO 4.0	OVER 4.0 TO 12.0	OVER 12.0 TO 40.0	OVER 40.0 TO 80.0
MICRONCHES	MEDIUM <input type="checkbox"/>	±.004	±.008	±.012	±.016	±.024	±.04
	PREFERRED <input checked="" type="checkbox"/>	±.012	±.018	±.026	±.04	±.063	±.1
THIRD ANGLE PROJECTION	DRN. <i>R. Barkham</i>	1 DEC 78	FIRST USED ON <i>11/44</i>				
REMOVE BURRS AND BREAK SHARP CORNERS	CHK'D <i>J.F. Sullivan</i>	MAR 26 79	TITLE CONNECTOR, LOOP BACK				
DO NOT SCALE DWG	ENG. <i>R. Albert</i>	6/15/79					
MATERIAL SEE PARTS LIST	PROJ. ENG. <i>R. Albert</i>	6/22/79					
FINISH	PROD. <i>Chelle</i>	29 Jun 79	SIZE CODE C IA				
	E-UR-1144-0-0	SCALE 2/1	NUMBER 7422428-0-0				
	SHEET 1 OF 1	DIST.	REV. *				

REVISIONS	REV.
CHANGE NO.	
CHK	

REV. NUMBER 7422428-0-0

