

"THE MATERIAL HEREIN IS FOR INFORMATION PURPOSES ONLY AND IS SUBJECT TO CHANGE WITHOUT NOTICE. DIGITAL EQUIPMENT CORPORATION ASSUMES NO RESPONSIBILITY FOR ANY ERRORS WHICH MAY APPEAR HEREIN."

FIELD MAINTENANCE PRINT SET

"THIS DRAWING AND SPECIFICATIONS, HEREIN, ARE THE PROPERTY OF DIGITAL EQUIPMENT CORPORATION AND SHALL NOT BE REPRODUCED OR COPIED OR USED IN WHOLE OR IN PART AS THE BASIS FOR THE MANUFACTURE OR SALE OF ITEMS WITHOUT WRITTEN PERMISSION. COPYRIGHT © 1983 - DIGITAL EQUIPMENT CORPORATION."

TABLE OF CONTENTS

B-TC-Ball-A-1	FIELD MAINT. PRINT SET MP00832
B-DD-Ball-A	DRAWING DIRECTORY - Ball-A UNIT ASSY
E-UA-Ball-A-0	Ball-A UNIT ASSY
K-PL-Ball-A-DBP	Ball-A UNIT ASSY - P/L
E-AD-7016391-0-0	Ball-A BOX ASSEMBLY
K-PL-7016391-0-DBP	Ball-A BOX ASSY - P/L
C-IA-7016901-0-0	FAN POWER HARNESS
D-AD-7016472-0-0	FAN TRAY ASSEMBLY
K-PL-7016472-0-DBP	FAN TRAY ASSY - P/L
MP00837	H7140 POWER SUPPLY
D-AD-7016888-0-0	POWER DISTRIBUTION BD. ASSEMBLY
D-UA-5413632-0-0	POWER DISTRIBUTION BD.
D-CS-5413632-01	CIRCUIT SCHEMATIC (PWR DISTRIBUTION BD.)
E-AD-7016493-0-0	Ball-A BOX FRAME ASSEMBLY
K-PL-7016493-0-DBP	Ball-A BOX FRAME ASSY - P/L
C-IA-7016392-0-0	FAN CABLE ASSY
D-AD-7016887-0-0	POWER DISTRIBUTION BD. HARNESS ASSY

SEE
B-DD-Ball-AE
DWG. DIRECTORY

UNIT VARIATIONS COVERED BY THIS PRINT SET
BAll-AA
BAll-AB
BAll-AE
BAll-AF
BAll-AL
BAll-AM
BAll-AS
BAll-AT

**Field Maintenance
Print Set**

BAll-A

**Digital Equipment
Corporation**

MP00832

EN-01124-18-N875-(327)

REVISIONS	CHG. NO.	A	B	USED ON OPTION/MODEL	DRN.		DATE		TITLE:	digital				
					JOHN	NAGLE	30	JUN79		SIZE	CODE	NUMBER	REV.	
		BAll-A-TWI		11/44					Ball-A UNIT ASSEMBLY	B	TC	BAll-A-1	B	
		BAll-A-		11/24		CHK'D				DATE				
		ML002		11/730-A		P. HELG		8/17/79						
						PROJ. ENG.								
						R. GRUDA		8/17/79						
						FIELD SERV.								
						RALPH EVANS		8/17/79		DIST.				
					SHEET 1 OF 1									

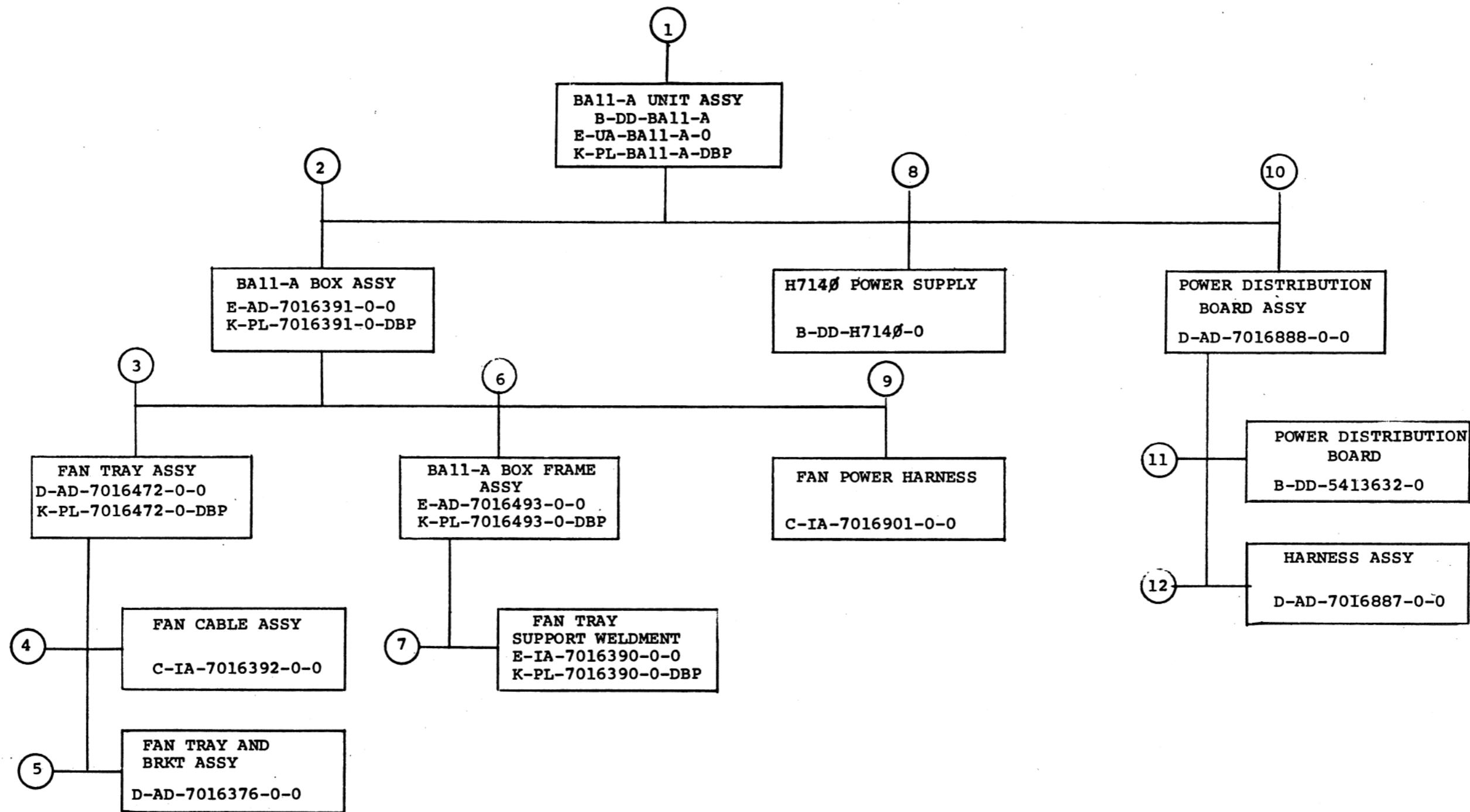
"THE MATERIAL HEREIN IS FOR INFORMATION PURPOSES ONLY AND IS SUBJECT TO CHANGE WITHOUT NOTICE. DIGITAL EQUIPMENT CORPORATION ASSUMES NO RESPONSIBILITY FOR ANY ERRORS WHICH MAY APPEAR HEREIN."

DRAWING DIRECTORY

"THIS DRAWING AND SPECIFICATIONS, HEREIN, ARE THE PROPERTY OF DIGITAL EQUIPMENT CORPORATION AND SHALL NOT BE REPRODUCED OR COPIED OR USED IN WHOLE OR IN PART AS THE BASIS FOR THE MANUFACTURE OR SALE OF ITEMS WITHOUT WRITTEN PERMISSION. COPYRIGHT © 1983 DIGITAL EQUIPMENT CORPORATION."

UNIT VARIATIONS	
VAR	TITLE
BALL-AA	BALL-A BOX W/H714Ø-AA PS, 12ØV
BALL-AB	BALL-A BOX W/H714Ø-AB PS, 24ØV
BALL-AE	
BALL-AF	EXPANDER } SEE B-DD-BALL-AE
BALL-AL	
BALL-AM	
BALL-AS	BALL-A BOX W/H714Ø-DA P.S., 12ØV
BALL-AT	BALL-A BOX W/H714Ø-DB P.S., 24ØV

REVISIONS			USED ON OPTION/MODEL	DRN. JOHN NAGLE	DATE 5/1/79	TITLE					
REV.	CHANGE NO.										
A	BALL-A		11/44	CHK'D.	DATE	<div style="float: right; border: 1px solid black; padding: 2px;">digital</div> <p>BALL-A UNIT ASSY</p>					
B	BALL-A		11/24	P. HELG	7/2/79						
			11/73Ø-A								
				PROJ. ENG. R. GRUDA	DATE 7/3/79	SIZE B	CODE DD	NUMBER BALL-A			REV B
				PROD. RALPH EVANS	DATE 6/29/79	DIST.					



TITLE	SHEET 2 OF 3	SIZE	CODE	NUMBER	REV.
BALL-A UNIT ASSY		B	DD	BALL-A	B

FIND NO.	DRAWING NO.	DESCRIPTION	TYPE	FIND NO.	DRAWING NO.	DESCRIPTION	TYPE
1	MP00832	FIELD MAINTENANCE PRINT SET (MP)	-	7	E-AD-7016390-0-0	FAN TRAY SUPPORT WELDMENT	M
	B-TC-Ball-A-1	FIELD MAINTENANCE PRINT SET (TC)	-		E-MD-7421634-0-0	FAN TRAY SUPPORT FRONT	M
	B-DD-Ball-A	Ball-A UNIT ASSY - DWG. DIRECTORY	-		E-MD-7421633-0-0	FAN TRAY SUPPORT REAR	M
	E-UA-Ball-A-0	Ball-A UNIT ASSY	M				
	K-PL-Ball-A-DBP	Ball-A UNIT ASSY - P/L	-				
	D-IA-7426283-0-0	COVER, CABLE COMPARTMENT	M				
				8	B-DD-H7140-0	H7140 POWER SUPPLY - DWG DIRECTORY	-
				9	C-IA-7016901-0-0	FAN POWER HARNESS	E/M
2	E-AD-7016391-0-0	Ball-A BOX ASSY	M				
	K-PL-7016391-0-DBP	Ball-A BOX ASSY - P/L	-				
	B-MD-7421611-0-0	SLIDE PAWL	M	10	D-AD-7016888-0-0	POWER DISTRIBUTION BOARD ASSY	E/M
	B-MD-7421444-0-0	PLATE, SLIDE NUT	M				
	B-MD-7421612-0-0	BAR, GUIDE MOUNTING	M				
	A-PS-1215848-0-0	CARD GUIDE	M	11	B-DD-5413632-0-0	POWER DISTRIBUTION MODULE	E/M
	A-PS-1216189-0-0	RETRACTOR, SLIDE PAWL	M				
	A-PS-1216190-0-0	SPRING, SLIDE PAUL	M				
				12	D-AD-7016887-0-0	P.D.B. HARNESS ASSY	E/M
3	D-AD-7016472-0-0	FAN TRAY ASSY	E/M				
	K-PL-7016472-0-DBP	FAN TRAY ASSY - P/L	-				
	A-PS-1216563-0-0	FAN, 35V SQ. WAVE	E/M				
4	C-IA-7016392-0-0	FAN CABLE ASSY	E/M				
5	D-AD-7016376-0-0	FAN TRAY & BRACKET ASSY	M				
	D-MD-7421632-0-0	FAN TRAY	M				
	B-MD-7421387-0-0	BRACKET, FAN TRAY CONN	M				
6	E-AD-7016493-0-0	Ball-A BOX FRAME ASSY	M				
	K-PL-7016493-0-DBP	Ball-A BOX FRAME ASSY - P/L	-				
	E-MD-7421631-0-0	SIDE PANEL LEFT	M				
	E-MD-7421441-0-0	CARD CAGE FRONT	M				
	D-MD-7421616-0-0	SPRING BOX LOCK	M				
	E-MD-7421610-0-0	SIDE PANEL RIGHT	M				
	C-MD-7426276-0-0	SUPPORT, COVER CABLE COMPARTMENT	M				

TYPE: E ELECTRICAL
M MECHANICAL
E/M ELECTRO/MECHANICAL

digital

TITLE

BALL-A UNIT ASSY

SHEET 3 OF 3

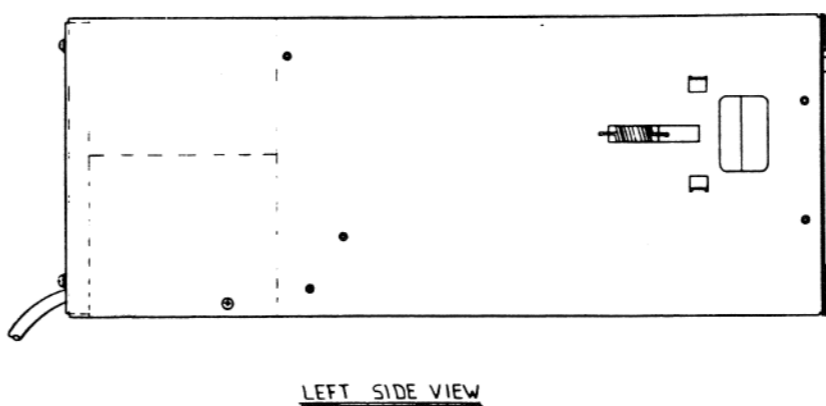
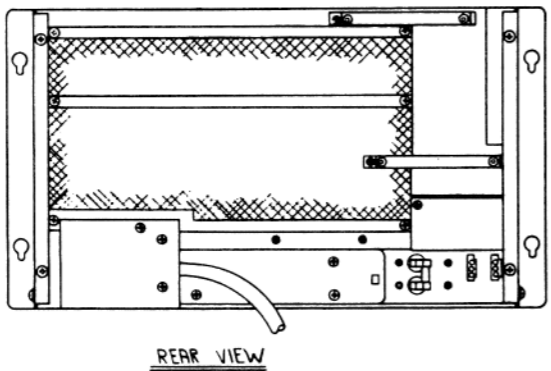
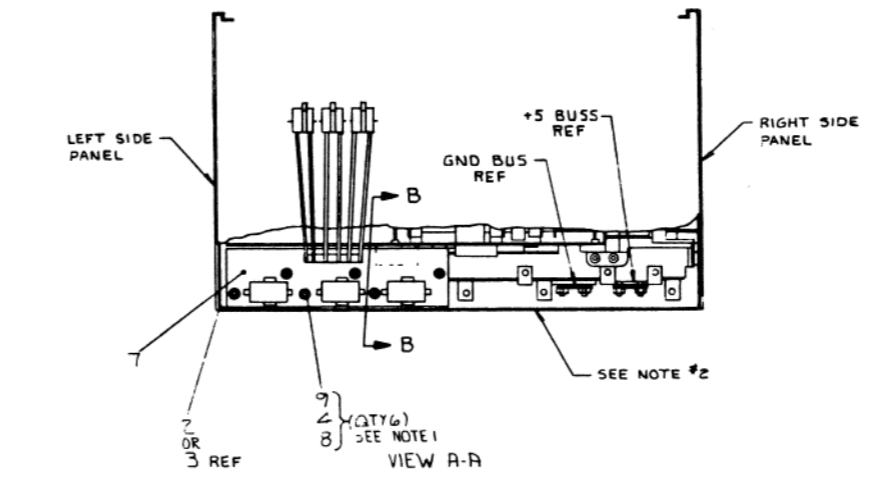
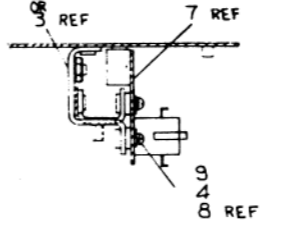
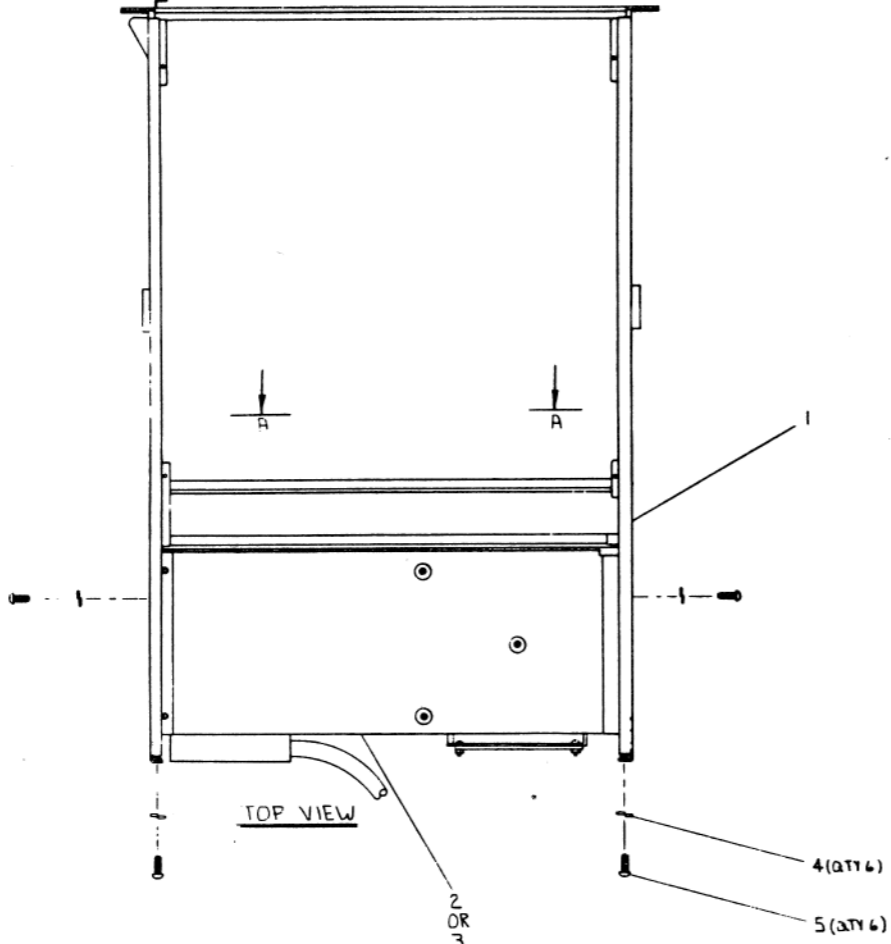
SIZE CODE
B DD

NUMBER
BALL-A

REV
B

UNLESS OTHERWISE SPECIFIED DIMENSIONS ARE IN INCHES
 DIMENSIONS IN PARENTHESES ARE FOR REFERENCE ONLY

NOTES:
 1. TORQUE ITEM 8 TO 22 IN/INBS.
 2. POWER SUPPLY BOTTOM COVER MUST BE REMOVED TO INSTALL POWER DISTRIBUTION BOARD (ITEM 7).



SEE OFF SHEET PARTS LIST
 N-PL-BAI1-A-DBP, 23630A

REV	DESCRIPTION	DATE
1	INITIAL DESIGN	11/77
2	REVISED TO ADD...	12/77
3	REVISED TO ADD...	1/78
4	REVISED TO ADD...	2/78

QUANTITY & VARIATION		DESCRIPTION		DIM. PART NO.		ITEM NO.	
UNLESS OTHERWISE SPECIFIED DIMENSIONS ARE IN INCHES		UNLESS OTHERWISE SPECIFIED DIMENSIONS ARE IN INCHES		UNLESS OTHERWISE SPECIFIED DIMENSIONS ARE IN INCHES		UNLESS OTHERWISE SPECIFIED DIMENSIONS ARE IN INCHES	
QTY	VARIATION	DESCRIPTION	DIM. PART NO.	ITEM NO.	FIRST USED ON		
1		BAI1-A UNIT ASSEMBLY			11/44 41000-0		
TITLE				B-DD-DAI1-A-O			
SCALE				1:2			
SHEET				1 OF 1			

BAI1-A-O

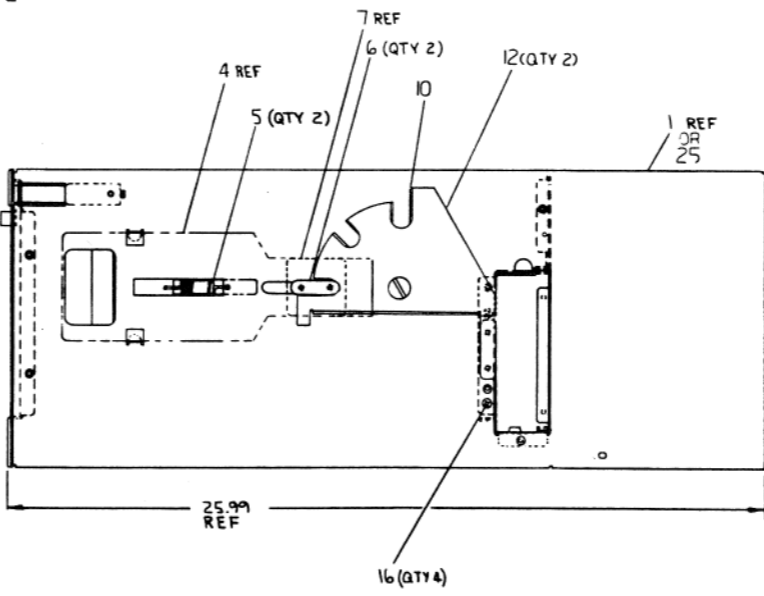
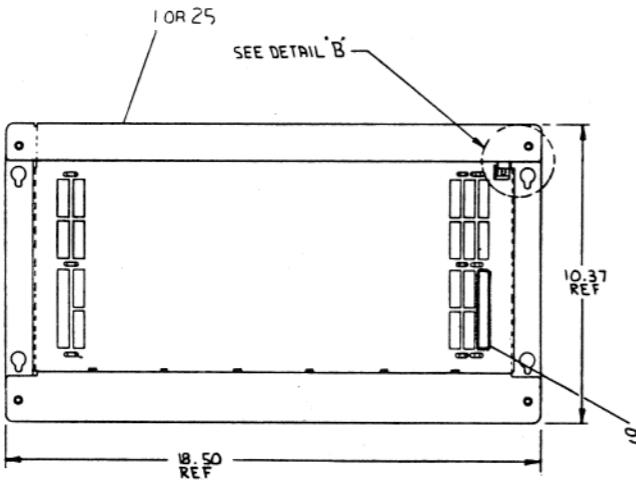
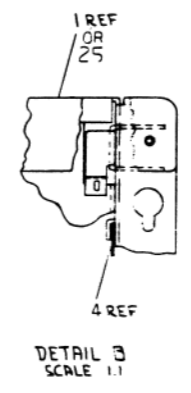
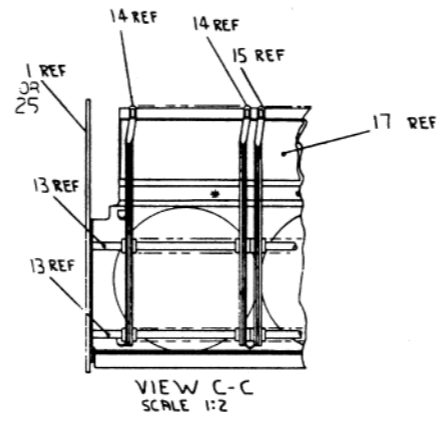
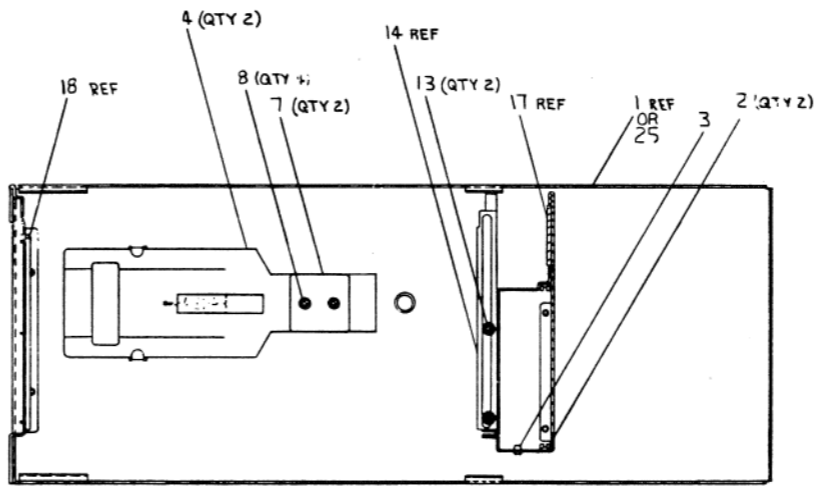
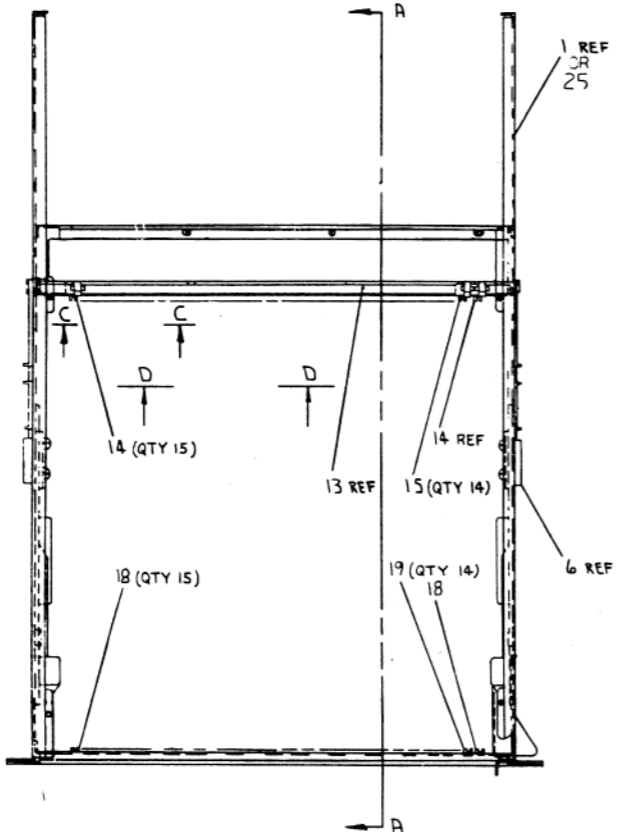
TW 1

LINE	ITEM	DOCUMENT NUMBER	PART NUMBER	DESCRIPTION	QUANTITY PER VARIATION								
					AA	AB	AE	AF	AL	AM	AS	AT	
1	1	E-AD-7016391-0-0	7016391-00	BA11 BOX ASSY	1	1	-	-	-	-	-	-	-
2	2	E-UA-H7140-0-0	H7140-00	*** THIS ITEM IS NOT USED ***	-	-	-	-	-	-	-	-	-
3	3	E-UA-H7140-0-0	H7140-AB	H7140 W 240V LINE CORD,50/60HZ	-	1	-	-	-	-	-	-	-
4	4		9006690-00	WASHER,HELICAL SPLIT SST	12	12	-	-	-	-	12	12	-
5	5		9006418-01	SCREW,TAP PAN PHIL THD RL 8-	6	6	-	-	-	-	6	6	-
6	6	A-SP-3700472-0-0	3700472-00	INSTR PKG COMPUTER(BA11-A)	REF	REF	-	-	-	-	-	-	-
7	7	D-AD-7016888-0-0	7016888-00	POWER DIST. JUMPER ASSY	1	1	-	-	-	-	1	1	-
8	8		9006039-01	SCREW,MACH PAN PHIL 8-	6	6	-	-	-	-	6	6	-
9	9		9006661-00	WASHER,FLAT SST	6	6	-	-	-	-	6	6	-
10	10	E-AD-7016391-0-0	7016391-03	BA11-A BOX ASSY	-	-	-	-	-	-	1	1	-
11	11	E-UA-H7140-0-0	H7140-DA	H7140 EXCEPT +12V/-15V BATT,120V	-	-	-	-	-	-	1	-	-
12	12	E-UA-H7140-0-0	H7140-DB	H7140 EXCEPT +12V/-15V BATT,240V	-	-	-	-	-	-	-	1	-
13	13	D-IA-7426283-0-0	7426283-01	COVER,CABLE COMPARTMENT	-	-	-	-	-	-	1	1	-
14	14		9009701-00	SCREW,SEMS PAN PHIL 6-	-	-	-	-	-	-	4	4	-
15	15	B-DD-BA11-AE	OBA11-AE	10.5" EXPANSION BOX W H7140-BA P	-	-	REF	REF	REF	REF	-	-	-
16	16	E-UA-H7140-0-0	H7140-AA	H7140 W 120V LINE CORD,50/60HZ	1	-	-	-	-	-	-	-	-

REVISION HISTORY		BASIC PART NO: OBA11		DRN: S. CHARTIER	DATE: 16-APR-82	DIGITAL				
ENG: ECO NUMBER	REV	SECTION A OF A	CHK'D: T. MCCULLOUGH	DATE: 16-APR-82	TITLE		PARTS LIST			
INITIAL	A	SECTION VARIATION INDEX	DES.ENG.: R. BOUDREAU	DATE: 16-APR-82	BA11-A UNIT ASSY					
RM: BA11-A-ML002	B	[A] AA,AB,AE,AF,AL,AM, AS,AT	RESP.ENG.: R. BOUDREAU	DATE: 16-APR-82	DOCUMENT NUMBER					
		[B]	MFG.ENG.: J. GALLANT	DATE: 16-APR-82	SIZE: K	CODE: PL	NUMBER: BA11-A-DBP	REV: B		
		[C]	ASSEMBLY NUMBER: E-UA-BA11-A-0	TOP DOCUMENT NUMBER:	FILE NAME: Z3630B.PLS	EDIT #		6		
		[D]	"THIS DRAWING AND SPECIFICATIONS HEREIN, ARE THE PROPERTY OF DIGITAL EQUIPMENT CORPORATION AND SHALL NOT BE REPRODUCED OR COPIED OR USED IN WHOLE OR IN PART AS THE BASIS FOR THE MANUFACTURE OR SALE OF ITEMS WITHOUT WRITTEN PERMISSION. COPYRIGHT (C) 1983. DIGITAL EQUIPMENT CORPORATION"							
		[E]	CHK HH 13							
		[F]								

8 7 6 5 4 3 2 1

NOTES:
 1. ALL DIMENSIONS UNLESS OTHERWISE SPECIFIED ARE IN INCHES.
 2. DIMENSIONS TO CENTER UNLESS OTHERWISE SPECIFIED.
 3. DIMENSIONS TO FACE UNLESS OTHERWISE SPECIFIED.
 4. DIMENSIONS TO CENTER UNLESS OTHERWISE SPECIFIED.
 5. DIMENSIONS TO FACE UNLESS OTHERWISE SPECIFIED.
 6. DIMENSIONS TO CENTER UNLESS OTHERWISE SPECIFIED.
 7. DIMENSIONS TO FACE UNLESS OTHERWISE SPECIFIED.
 8. DIMENSIONS TO CENTER UNLESS OTHERWISE SPECIFIED.
 9. DIMENSIONS TO FACE UNLESS OTHERWISE SPECIFIED.
 10. DIMENSIONS TO CENTER UNLESS OTHERWISE SPECIFIED.
 11. DIMENSIONS TO FACE UNLESS OTHERWISE SPECIFIED.
 12. DIMENSIONS TO CENTER UNLESS OTHERWISE SPECIFIED.
 13. DIMENSIONS TO FACE UNLESS OTHERWISE SPECIFIED.
 14. DIMENSIONS TO CENTER UNLESS OTHERWISE SPECIFIED.
 15. DIMENSIONS TO FACE UNLESS OTHERWISE SPECIFIED.
 16. DIMENSIONS TO CENTER UNLESS OTHERWISE SPECIFIED.
 17. DIMENSIONS TO FACE UNLESS OTHERWISE SPECIFIED.
 18. DIMENSIONS TO CENTER UNLESS OTHERWISE SPECIFIED.
 19. DIMENSIONS TO FACE UNLESS OTHERWISE SPECIFIED.
 20. DIMENSIONS TO CENTER UNLESS OTHERWISE SPECIFIED.
 21. DIMENSIONS TO FACE UNLESS OTHERWISE SPECIFIED.
 22. DIMENSIONS TO CENTER UNLESS OTHERWISE SPECIFIED.
 23. DIMENSIONS TO FACE UNLESS OTHERWISE SPECIFIED.
 24. DIMENSIONS TO CENTER UNLESS OTHERWISE SPECIFIED.
 25. DIMENSIONS TO FACE UNLESS OTHERWISE SPECIFIED.



LEGEND	
VARIATIONS	DESCRIPTIONS
7016391-00	BAI1-A BOX, W/FANS
7016391-01	BAI1-A BOX, W/O FANS
7016391-02	BAI1-A BOX, W/QUIET FANS
7016391-03	BAI1-A BOX, W/FANS (11730)

CAUTION: OFF SHEET PARTS LIST
 EXIST SEE K-PL-7016391-0-DB9
 (27626)

REV	DATE	BY	CHKD	DESCRIPTION
1	10/15/00	RAY CARON		REVISED TO ADD PARTS LIST
2	11/02/00	RAY CARON		REVISED TO ADD PARTS LIST
3	11/02/00	RAY CARON		REVISED TO ADD PARTS LIST
4	11/02/00	RAY CARON		REVISED TO ADD PARTS LIST
5	11/02/00	RAY CARON		REVISED TO ADD PARTS LIST
6	11/02/00	RAY CARON		REVISED TO ADD PARTS LIST
7	11/02/00	RAY CARON		REVISED TO ADD PARTS LIST
8	11/02/00	RAY CARON		REVISED TO ADD PARTS LIST
9	11/02/00	RAY CARON		REVISED TO ADD PARTS LIST
10	11/02/00	RAY CARON		REVISED TO ADD PARTS LIST

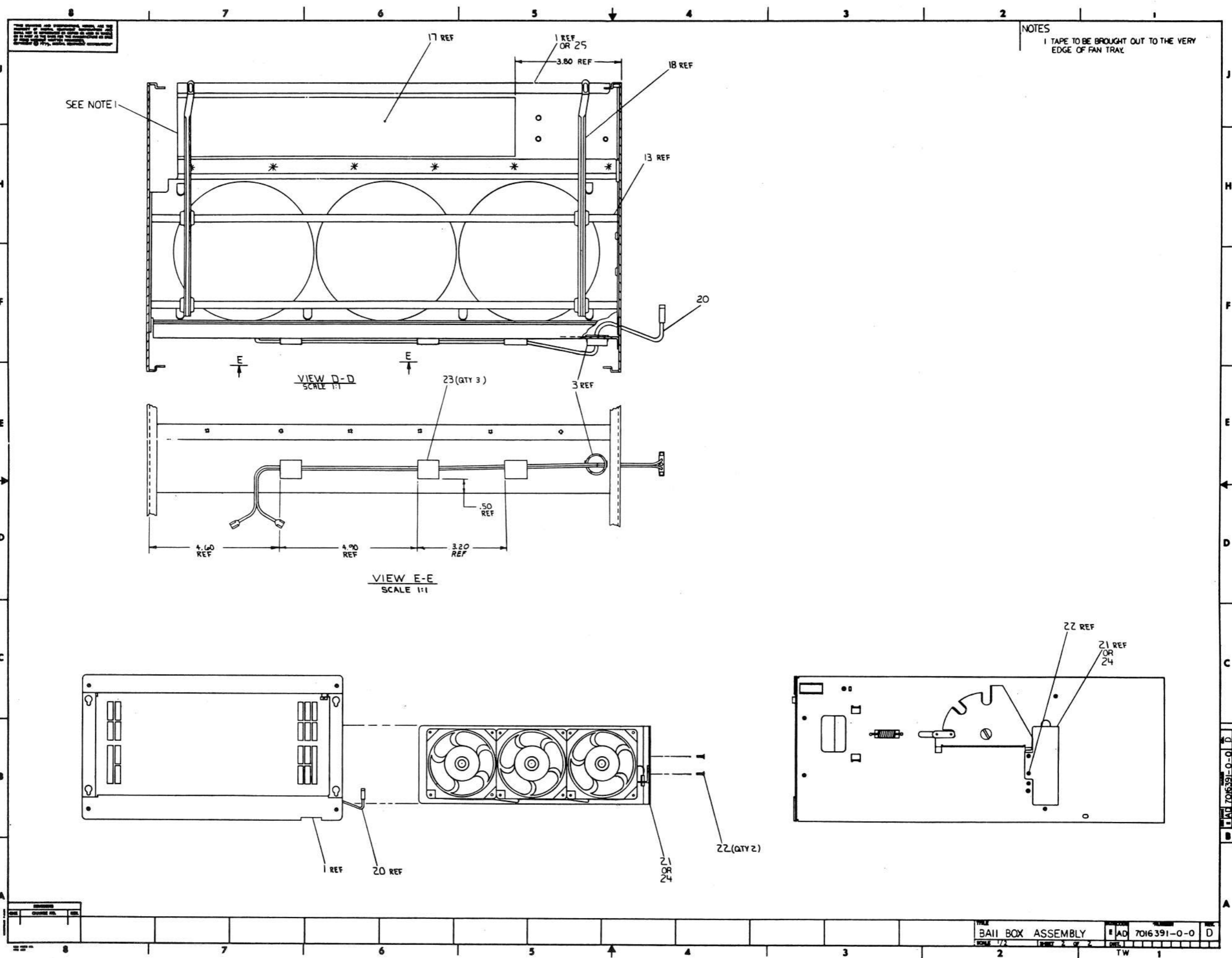
QUANTITY & VARIATION	DESCRIPTION	UNIT/PART NO.	ITEM NO.
1	BAI1-A BOX ASSEMBLY	BAI1-A	01
TITLE: BAI1-A BOX ASSEMBLY SCALE: 1/2 SHEET: 1 OF 1 DATE: 11/02/00 DRAWN BY: RAY CARON CHECKED BY: RAY CARON APPROVED BY: RAY CARON PART NO.: 7016391-0-0 REV: 10			

7016391-0-0

BAI1-A

1

8 7 6 5 4 3 2 1



SEE NOTE 1

NOTES
1 TAPE TO BE BROUGHT OUT TO THE VERY EDGE OF FAN TRAY.

VIEW D-D
SCALE 1:1

VIEW E-E
SCALE 1:1

DIGITAL EQUIPMENT CORPORATION PARTS LIST

MADE BY J. NAGLE DATE 8 JUNE 1979	CHECKED <i>[Signature]</i> DATE 6/29/79
ENG <i>Ben</i> DATE 6/24/79	PROD <i>John Comella</i> DATE 6 JUL-79

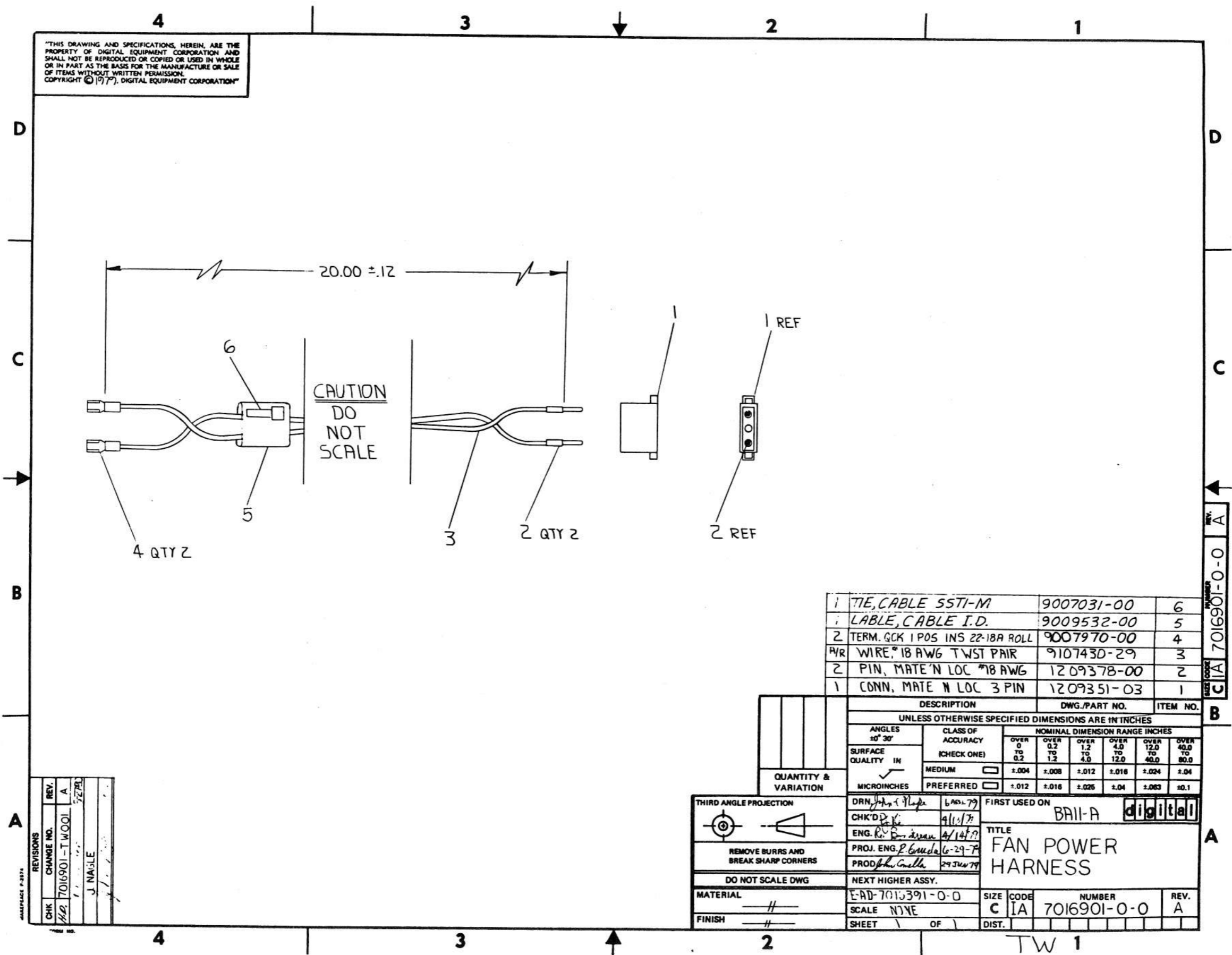
SECTION	ISSUED SECTION
---------	----------------

NOTES:

ITEM NO.	DRAWING NO.	PART NO.	DESCRIPTION	QUANTITY / VARIATION												REF DESIGNATION	
				7016391-0-0	7016391-1-0												
1	E-IA-7016493-0-0		BA11 BOX FRAME ASSY	1	1												
2		9010107-00	CARD GUIDE (FAN TRAY)	2	2												
3		9007783-00	SNAP BUSHING	1	1												
4		1216189	RETRACTOR, SLIDE PAWL	2	2												
5		1216190	SPRING, SLIDE PAWL	2	2												
6	B-MD-7421611-0-0		SLIDE PAWL	2	2												
7	B-MD-7421444-0-0		PLATE, SLIDE NUT	2	2												
8		1216785	SEMS SCREW, PHIL TRUSS HD #10-32X.437 INT TOOTH	4	4												
9		9007035-00	GROMMET, CATAPILLER TYPE 5.70 INCHES	1	1												
10	D-MD-7421613-0-0		PLATE, SLIDE INDEX, RIGHT HAND	1	1												
11	D-MD-7421613-0-1		PLATE, SLIDE INDEX, LEFT HAND	1	1												
12		1216197	PIVOT SCREW	2	2												
13	B-MD-7421612-0-0		BAR, GUIDE MOUNTING	2	2												
14		1215848-0	CARD GUIDE (NATURAL)	15	15												
15		1215848-1	CARD GUIDE (BLACK)	14	14												
16		9010118-00	SCREW, NYLOCK 100° C SINK PHLP HD .31X#10-32	4	4												
17		9009087	FOAM TAPE, .125 X 2.10 X 12"	1	1												
18		1212405-0	CARD GUIDE (SNAP IN) WHITE	15	15												
19		1212405-10	CARD GUIDE (SNAP IN) BLACK	14	14												
20	C-IA-7016901-0-0		FAN POWER HARNESS	1	-												
21	D-AD-7016472-0-0		FAN TRAY ASSY	1	-												
22		9010120-00	SCREW 6-32 X .187 NYLOCK	2	-												
23		9009636-00	CABLE CLAMP	3	3												

E.C.O. NO. TW001	TITLE BA11 BOX ASSEMBLY	ASSY NO. E-AD-7016391-0-0	SIZE B	CODE PL	NUMBER 7016391-0-0	REV. A
"THIS DRAWING AND SPECIFICATIONS, HEREIN, ARE THE PROPERTY OF DIGITAL EQUIPMENT CORPORATION AND SHALL NOT BE REPRODUCED OR COPIED OR USED IN WHOLE OR IN PART AS THE BASIS FOR THE MANUFACTURE OR SALE OF ITEMS WITHOUT WRITTEN PERMISSION. COPYRIGHT © 1979 DIGITAL EQUIPMENT CORPORATION"		SHEET 1 OF 1	INSERTION PARTS LIST DATA BASE REV			

"THIS DRAWING AND SPECIFICATIONS, HEREIN, ARE THE PROPERTY OF DIGITAL EQUIPMENT CORPORATION AND SHALL NOT BE REPRODUCED OR COPIED OR USED IN WHOLE OR IN PART AS THE BASIS FOR THE MANUFACTURE OR SALE OF ITEMS WITHOUT WRITTEN PERMISSION. COPYRIGHT © (1977), DIGITAL EQUIPMENT CORPORATION"



1	TIE, CABLE SSTI-M	9007031-00	6
1	LABLE, CABLE I.D.	9009532-00	5
2	TERM. GCK 1 POS INS 22-18A ROLL	9007970-00	4
4/R	WIRE, #18 AWG TWST PAIR	9107430-29	3
2	PIN, MATE'N LOC #18 AWG	1209378-00	2
1	CONN, MATE'N LOC 3 PIN	1209351-03	1

REV.	A
CHANGE NO.	7016901-T WOOD
CHK	J. NAGLE
DATE	5/27/78

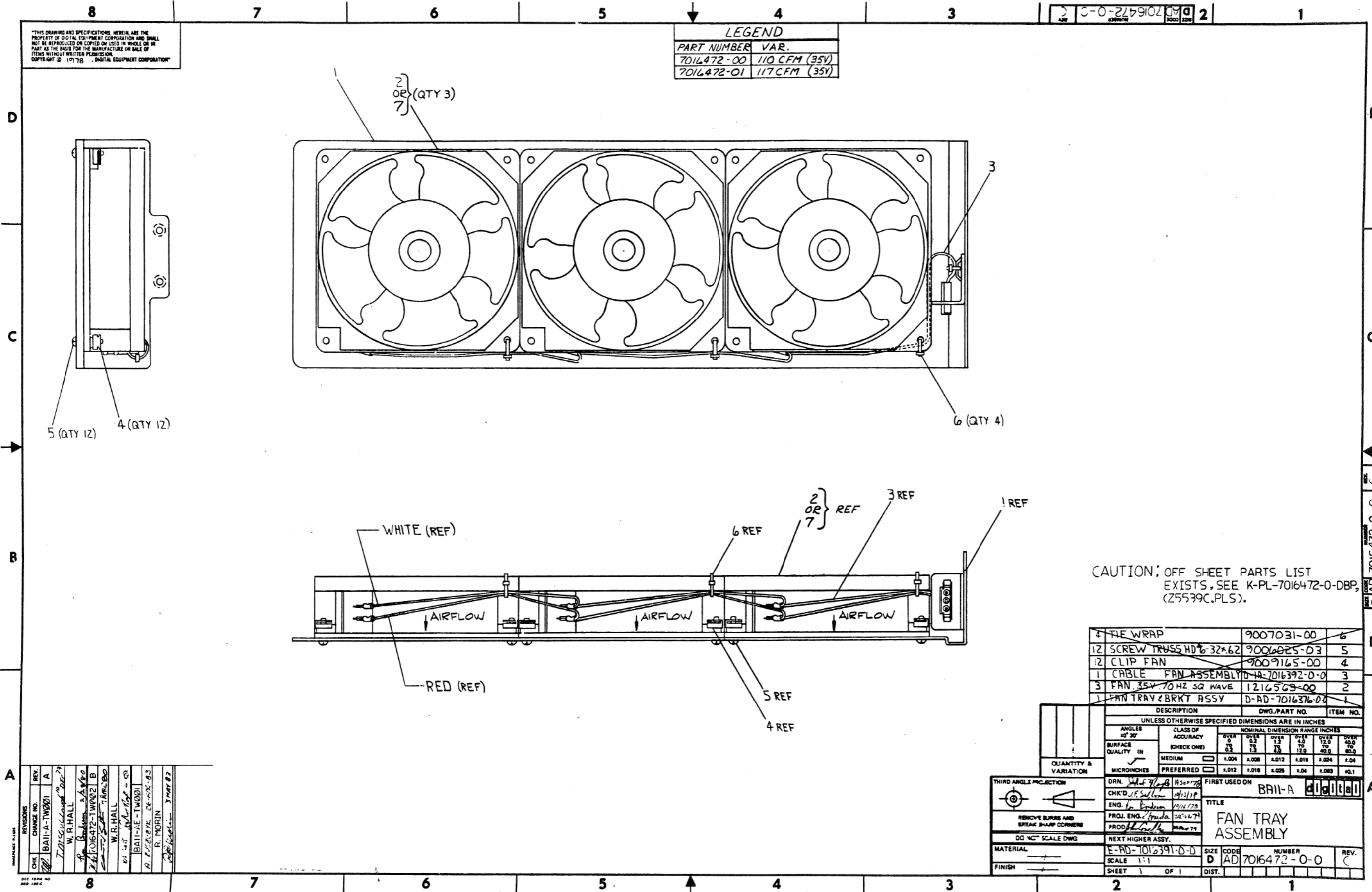
QUANTITY & VARIATION	DESCRIPTION	DWG./PART NO.	ITEM NO.
THIRD ANGLE PROJECTION	UNLESS OTHERWISE SPECIFIED DIMENSIONS ARE IN INCHES		
REMOVE BURRS AND BREAK SHARP CORNERS	ANGLES 10° 30'	CLASS OF ACCURACY (CHECK ONE)	NOMINAL DIMENSION RANGE INCHES
DO NOT SCALE DWG	SURFACE QUALITY IN MICROINCHES	MEDIUM <input type="checkbox"/>	OVER 0 TO 0.2 <input type="checkbox"/>
MATERIAL	PREFERRED <input checked="" type="checkbox"/>	±.004 ±.008 ±.012 ±.016 ±.024 ±.04	OVER 0.2 TO 1.2 <input type="checkbox"/>
FINISH	DRN. J. Nagle 6/24/77	±.012 ±.016 ±.025 ±.04 ±.063 ±.01	OVER 1.2 TO 4.0 <input type="checkbox"/>
	CHK'D P. K. 4/11/78	FIRST USED ON	OVER 4.0 TO 12.0 <input type="checkbox"/>
	ENG. R. D. 4/14/78	BRII-A	OVER 12.0 TO 40.0 <input type="checkbox"/>
	PROJ. ENG. P. G. 6-29-77	TITLE	OVER 40.0 TO 80.0 <input type="checkbox"/>
	PROD. J. G. 29 JUN 79	FAN POWER HARNESS	
	NEXT HIGHER ASSY.	SIZE	
	E-AD-7016391-0-0	CODE	
	SCALE NONE	NUMBER	
	SHEET 1 OF 1	DIST.	
		REV.	
		C IA 7016901-0-0	A

REV. A
C IA 7016901-0-0

TW 1

THIS DRAWING AND SPECIFICATIONS HEREIN ARE THE PROPERTY OF DIGITAL EQUIPMENT CORPORATION AND SHALL NOT BE REPRODUCED OR COPIED OR USED IN WHOLE OR IN PART AS THE BASIS FOR THE MANUFACTURE OR SALE OF ITEMS WITHOUT WRITTEN PERMISSION. COPYRIGHT © 1978 . DIGITAL EQUIPMENT CORPORATION

LEGEND	
PART NUMBER	VAR.
7016472-00	110 CFM (35V)
7016472-01	117 CFM (35V)



CAUTION: OFF SHEET PARTS LIST EXISTS. SEE K-PL-7016472-0-DBP, (Z5539C, PLS).

DESCRIPTION	DWG./PART NO.	ITEM NO.
4 TIE WRAP	9007031-00	6
12 SCREW TRUSS HD 6-32x.62	9006025-03	5
12 CLIP FAN	9009165-00	4
1 CABLE FAN ASSEMBLY	4A-7016392-0-0	3
3 FAN 35V 70 HZ. SQ WAVE	1216563-00	2
1 FAN TRAY & BRKT ASSY	D-AD-7016376-0	1

UNLESS OTHERWISE SPECIFIED DIMENSIONS ARE IN INCHES	
ANGLES	CLASS OF ACCURACY
30° 30'	CHECK ONE
SURFACE QUALITY	MEDIUM
QUANTITY & VARIATION	PREFERRED
DRN.	1/15/78
CHK'D	J.E. Sullivan 1/15/78
ENG.	W. R. Hall 1/15/78
PROJ. ENG.	W. R. Hall 1/15/78
PROD.	W. R. Hall 1/15/78

TITLE		FIRST USED ON	
FAN TRAY ASSEMBLY		BAIL-A digital	
E-AD-7016391-0-0		SIZE	CODE
SCALE 1:1		D	AD
SHEET 1 OF 1		NUMBER	REV.
		7016472-0-0	C

REV.	CHANGE NO.	DESCRIPTION
A	BAIL-A-TW0001	1/15/78
B	2/16/78	2/16/78
C	3/1/78	3/1/78
D	3/1/78	3/1/78
E	3/1/78	3/1/78
F	3/1/78	3/1/78
G	3/1/78	3/1/78
H	3/1/78	3/1/78
I	3/1/78	3/1/78
J	3/1/78	3/1/78
K	3/1/78	3/1/78
L	3/1/78	3/1/78
M	3/1/78	3/1/78
N	3/1/78	3/1/78
O	3/1/78	3/1/78
P	3/1/78	3/1/78
Q	3/1/78	3/1/78
R	3/1/78	3/1/78
S	3/1/78	3/1/78
T	3/1/78	3/1/78
U	3/1/78	3/1/78
V	3/1/78	3/1/78
W	3/1/78	3/1/78
X	3/1/78	3/1/78
Y	3/1/78	3/1/78
Z	3/1/78	3/1/78

AUTOMATED BY PRTLST.4Q(50)

PARTS LIST

SHEET A1 OF A1

LINE	ITEM	DOCUMENT NUMBER	PART NUMBER	DESCRIPTION	QUANTITY PER VARIATION	
					00	01
1	1	D-AD-7016376-0-0	7016376-00	FAN TRAY + BRACKET ASSY	1	1
2	2		1216563-00	FAN,TUBE AXIAL 4.5" 110CFM 35V	3	-
3	3	D-IA-7016392-0-0	7016392-00	FAN-HARNESS ASSY	1	1
4	4		9009165-00	CLIP, FAN MOUNTING (12-05033 FAN	12	12
5	5		9003023-03	SCREW,MACH TRUSS PHIL 6-	12	12
6	6		9007031-00	TIE,CABLE BUNDL.DIA 0- 3/4"=101	4	4
7	7		1216563-01	FAN,TUBE AXIAL 4.5" 117CFM 35V	-	3

REVISION HISTORY			BASIC PART NO: 7016472			DRN: A.RUSZCZYK			DATE: 26-APR-83			D I G I T A L			
ENG	ECO NUMBER	REV	SECTION A OF A			CHK'D: T.MCCULLOUGH			DATE: 26-APR-83			TITLE PARTS LIST			
	INITIAL	C	SECTION VARIATION INDEX			DES.ENG.: R.BOUDREAU			DATE: 26-APR-83			FAN TRAY ASSEMBLY			
			[A] 00,01			RESP.ENG.: R.MORIN			DATE: 26-APR-83			DOCUMENT NUMBER			
			[B]			MFG.ENG.: J.AVILES			DATE: 26-APR-83			SIZE	CODE	NUMBER	REV
			[C]			ASSEMBLY NUMBER:			TOP DOCUMENT NUMBER:			K	PL	7016472-0-DBP	C
			[D]			D-AD-7016472-0-0			E-AD-7016391-0-0			FILE NAME			EDIT #
			[E]									Z5539C.PLS			5
			[F]												
<p>"THIS DRAWING AND SPECIFICATIONS HEREIN, ARE THE PROPERTY OF DIGITAL EQUIPMENT CORPORATION AND SHALL NOT BE REPRODUCED OR COPIED OR USED IN WHOLE OR IN PART AS THE BASIS FOR THE MANUFACTURE OR SALE OF ITEMS WITHOUT WRITTEN PERMISSION. COPYRIGHT (C) 1983. DIGITAL EQUIPMENT CORPORATION "</p>															