

"THE MATERIAL HEREIN IS FOR INFORMATION PURPOSES ONLY AND IS SUBJECT TO CHANGE WITHOUT NOTICE. DIGITAL EQUIPMENT CORPORATION ASSUMES NO RESPONSIBILITY FOR ANY ERRORS WHICH MAY APPEAR HEREIN."

FIELD MAINTENANCE PRINT SET

"THIS DRAWING AND SPECIFICATIONS, HEREIN, ARE THE PROPERTY OF DIGITAL EQUIPMENT CORPORATION AND SHALL NOT BE REPRODUCED OR COPIED OR USED IN WHOLE OR IN PART AS THE BASIS FOR THE MANUFACTURE OR SALE OF ITEMS WITHOUT WRITTEN PERMISSION. COPYRIGHT © 1983 . DIGITAL EQUIPMENT CORPORATION."

TABLE OF CONTENTS

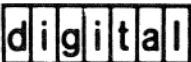
B-TC-877-0-1	FIELD MAINTENANCE PRINT SET
B-DD-877-0	877 POWER CONTROLLER (DD)
E-UA-877-0-DBU	877 POWER CONTROLLER
K-PL-877-0-DBP	877 POWER CONTROLLER (PL)
D-CS-877-0-DBU	877 POWER CONTROLLER (CS)
E-AD-7019938-0-DBU	FRONT PANEL ASSY
K-PL--7019938-0-DBP	FRONT PANEL ASSY (PL)
D-IA-7020657-0-DBU	HARNESS, CONTROL BOARD
K-PL-7020657-0-DBP	HARNESS, CONTROL BOARD
D-UA-5415690-0-0	A.C. CONTROL BOARD
K-PL-5415690-0-DBP	A.C. CONTROL BOARD (PL)
D-CS-5415690-0-1	A.C. CONTROL BOARD (CS)
A-SP-877-0-2	877 POWER CONTROLLER ENGINEERING SPECIFICATION

UNIT VARIATIONS COVERED BY THIS PRINT SET
877-A
877-B
877-C
877-D
877-E

Field Maintenance Print Set

Digital Equipment Corporation

PRINT SET ORDER NO.
MPØ1598

REVISIONS	REV. A	B	USED ON OPTION/MODEL		DRN.	DATE	TITLE: 877 POWER CONTROLLER			
	CHG. NO.	INITIAL			P. FAVINI	7SEP82				
	DATE	3/30/83	877-ML001			CHK'D E. MCCULLOUGH			14JAN83	
						PROJ. ENG. A. BARON			20JAN83	
						FIELD SERV. R. KLABIS			20JAN83	
			SHEET I OF I				SIZE B	CODE TC	NUMBER 877-0-1	REV. B
							DIST.			

EN 01124.16.N675.(327)

DRB 124

" THE MATERIAL HEREIN IS FOR INFORMATION PURPOSES ONLY AND IS SUBJECT TO CHANGE WITHOUT NOTICE. DIGITAL EQUIPMENT CORPORATION ASSUMES NO RESPONSIBILITY FOR ANY ERRORS WHICH MAY APPEAR HEREIN."

DRAWING DIRECTORY

" THIS DRAWING AND SPECIFICATIONS, HEREIN, ARE THE PROPERTY OF DIGITAL EQUIPMENT CORPORATION AND SHALL NOT BE REPRODUCED OR COPIED OR USED IN WHOLE OR IN PART AS THE BASIS FOR THE MANUFACTURE OR SALE OF ITEMS WITHOUT WRITTEN PERMISSION." COPYRIGHT © 1983 DIGITAL EQUIPMENT CORPORATION.

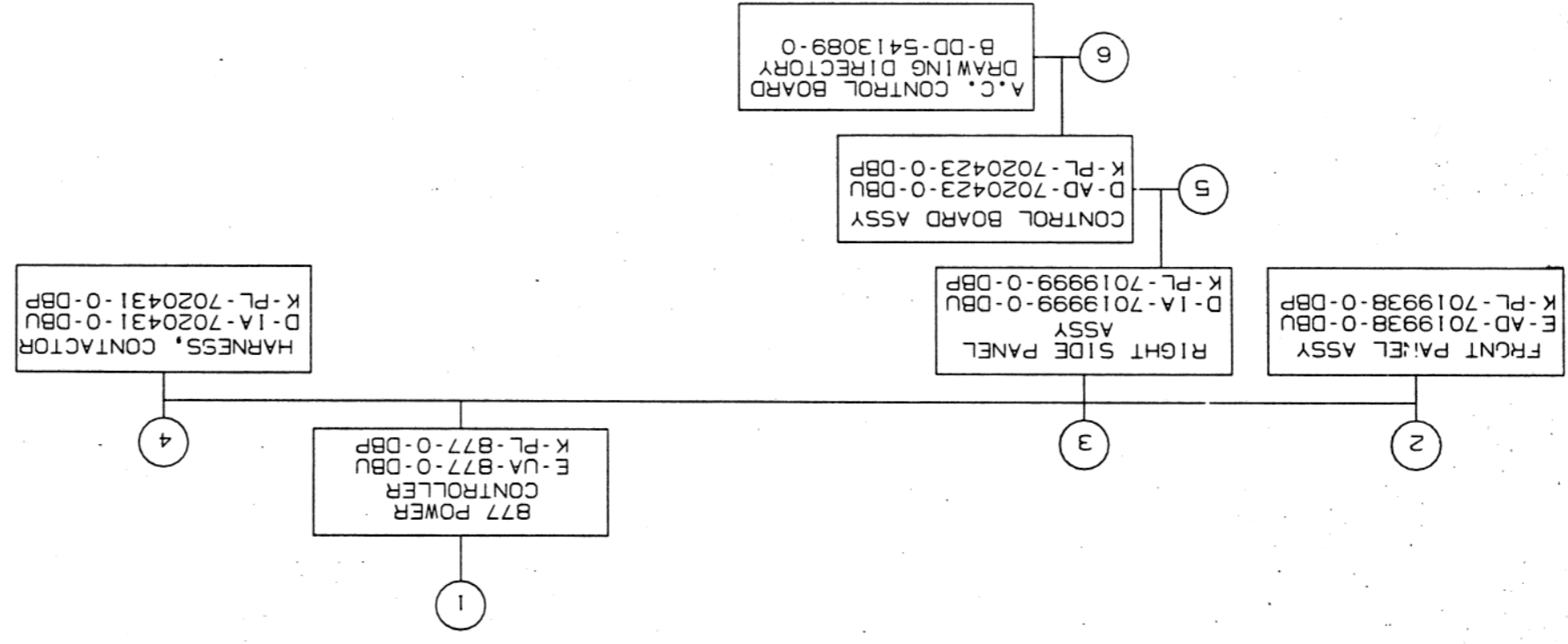
UNIT VARIATIONS

VAR	TITLE
877-A	POWER CONTROLLER, 120V, 12A
877-B	POWER CONTROLLER, 240V, 12A
877-C	POWER CONTROLLER, 120V, 16A
877-D	POWER CONTROLLER, 120V, 24A
877-E	POWER CONTROLLER, 240V, 24A

REVISIONS	CHK	CHANGE NO.	REV.		USED ON OPTION/MODEL	DRN.	DATE	TITLE	SIZE CODE	NUMBER	REV.	DIST.	SHEET 1 OF 3
			INITIAL			P. FAVINI	7SEPT82	877 POWER CONTROLLER					
			A			CHK'D	DATE						
				B		E. McCULLOUGH	19 JAN 83						
						PROJ. ENG.	DATE						
						A. BARON	19 JAN 83						
						PROD.	DATE						
						R. KENNEDY	19 JAN 83						

ML 1

TITLE:	877 POWER CONTROLLER
SHEET 2 OF 3	SIZE CODE B DD
NUMBER 877-0-DBU0	REV. B



FIND NO.	DRAWING NO.	DESCRIPTION	TYPE	FIND NO.	DRAWING NO.	DESCRIPTION	TYPE
1	MP01598	FIELD MAINTENANCE PRINT SET (MP)	—				
	B-TC-877-0-1	877 POWER CONTROLLER	—				
	E-UA-877-0-DBU	877 POWER CONTROLLER	E/M				
	K-PL-877-0-DBP	877 POWER CONTROLLER (PL)	E/M	5	D-AD-7020423-0-DBU	CONTROL BOARD ASSY	E/M
	D-CS-877-0-1	877 POWER CONTROLLER (CS)	E		K-PL-7020423-0-DBP	CONTROL BOARD ASSY (PL)	E/M
	A-SP-877-0-2	POWER CONTROLLER SPECIFICATION-877	E/M				
	D-MD-7427398-0-DBU	COVER, TOP	M				
	D-1A-7427401-0-DBU	PANEL, LEFT SIDE	M				
	C-MD-7427396-0-DBU	COVER	M				
	D-1A-7427397-0-DBU	PANEL, REAR	M	6	B-DD-5413089-0	A.C. CONTROL BOARD DRAWING DIRECTORY	E
	K-PL-7427397-0-DBP	PANEL, REAR (PL)	M				
	A-PA-3700718-0-0	PACKAGING INSTRUCTION	—				
2	E-AD-7019938-0-DBU	FRONT PANEL ASSY	E/M				
	K-PL-7019938-0-DBP	FRONT PANEL ASSY (PL)	E/M				
	D-MD-7427399-0-DBU	PANEL, FRONT	M				
	K-PL-7427399-0-DBP	PANEL, FRONT (PL)	M				
	C-1A-7422924-0-0	COVER PLATE	M				
	C-1A-7428237-0-DBU	BRACKET	M				
3	D-1A-7019999-0-DBU	RIGHT SIDE PANEL ASSY	E/M				
	K-PL-7019999-0-DBP	RIGHT SIDE PANEL ASSY (PL)	E/M				
	D-1A-7427400-0-DBU	PANEL, RIGHT SIDE	M				
4	D-1A-7020431-0-DBU	HARNESS, CONTACTOR	E/M				
	K-PL-7020431-0-DBP	HARNESS, CONTACTOR (PL)	E/M				

TYPE: E ELECTRICAL
 M MECHANICAL
 E/M ELECTRO/MECHANICAL

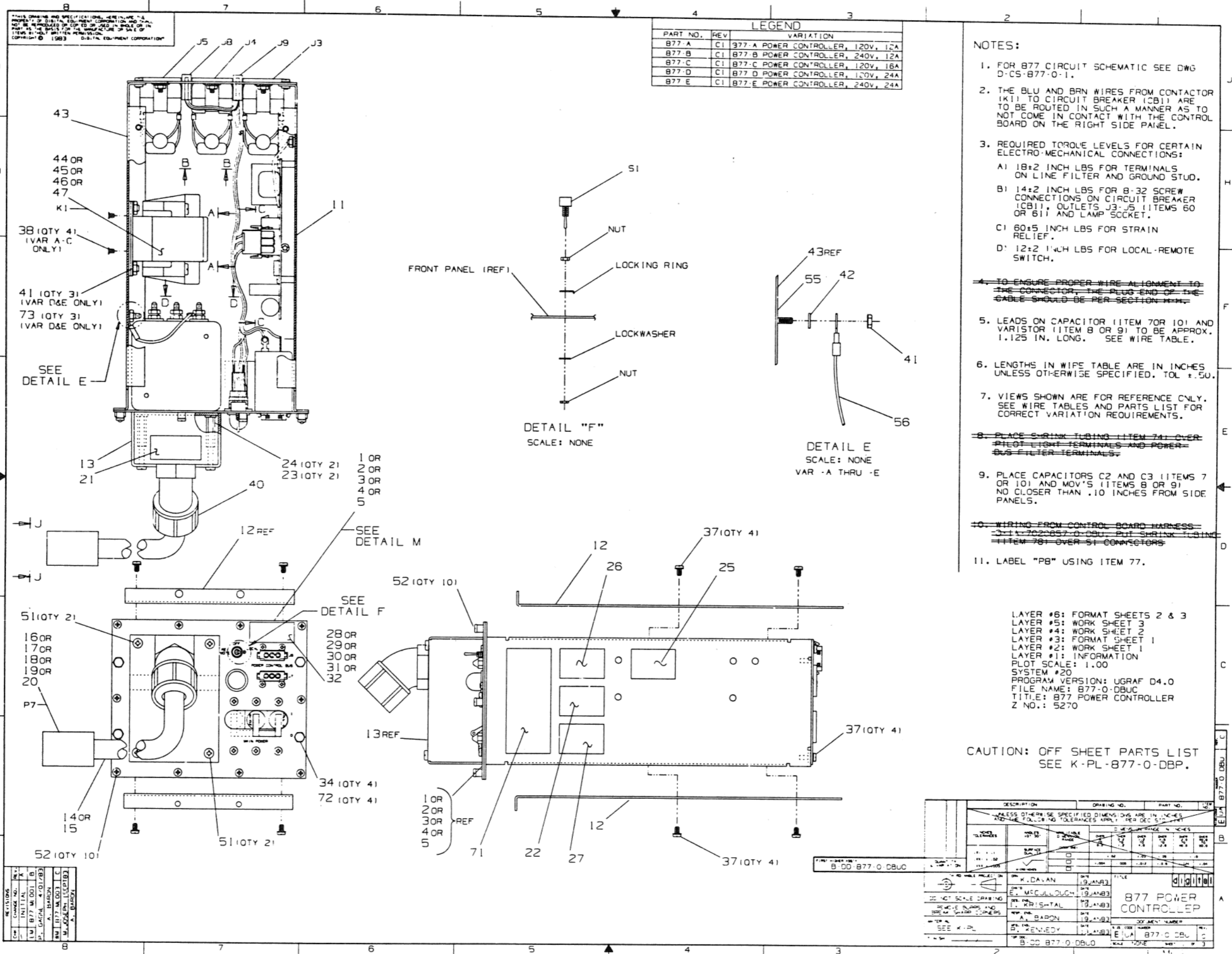


TITLE: 877 POWER CONTROLLER

SHEET 3 OF 3	SIZE CODE BDD	NUMBER 877-0-DBU0	REV. B
--------------	---------------	-------------------	--------

DRB 108A

ML 1



THIS DRAWING AND SPECIFICATIONS HERETOIN ARE THE PROPERTY OF DIGITAL EQUIPMENT CORPORATION AND SHALL NOT BE REPRODUCED OR COPIED IN WHOLE OR IN PART AS THE BASIS FOR THE MANUFACTURE OF SALE OF ITEMS WITHOUT WRITTEN PERMISSION. COPYRIGHT © 1983 DIGITAL EQUIPMENT CORPORATION

LEGEND		
PART NO.	REV	VARIATION
B77-A	C1	B77-A POWER CONTROLLER, 120V, 12A
B77-B	C1	B77-B POWER CONTROLLER, 240V, 12A
B77-C	C1	B77-C POWER CONTROLLER, 120V, 16A
B77-D	C1	B77-D POWER CONTROLLER, 120V, 24A
B77-E	C1	B77-E POWER CONTROLLER, 240V, 24A

- NOTES:
- FOR B77 CIRCUIT SCHEMATIC SEE DWG D-CS-B77-0-1.
 - THE BLU AND BRN WIRES FROM CONTACTOR (K1) TO CIRCUIT BREAKER (CB1) ARE TO BE ROUTED IN SUCH A MANNER AS TO NOT COME IN CONTACT WITH THE CONTROL BOARD ON THE RIGHT SIDE PANEL.
 - REQUIRED TORQUE LEVELS FOR CERTAIN ELECTRO-MECHANICAL CONNECTIONS:
 - A) 18±2 INCH LBS FOR TERMINALS ON LINE FILTER AND GROUND STUD.
 - B) 14±2 INCH LBS FOR 8-32 SCREW CONNECTIONS ON CIRCUIT BREAKER (CB1), OUTLETS J3-J5 (ITEMS 60 OR 61) AND LAMP SOCKET.
 - C) 60±5 INCH LBS FOR STRAIN RELIEF.
 - D) 12±2 INCH LBS FOR LOCAL-REMOTE SWITCH.
 - ~~TO ENSURE PROPER WIRE ALIGNMENT TO THE CONNECTOR, THE PLUG END OF THE CABLE SHOULD BE PER SECTION 11.~~
 - LEADS ON CAPACITOR (ITEM 70) AND VARIATOR (ITEM 8 OR 9) TO BE APPROX. 1.125 IN. LONG. SEE WIRE TABLE.
 - LENGTHS IN WIRE TABLE ARE IN INCHES UNLESS OTHERWISE SPECIFIED. TOL ±.50.
 - VIEWS SHOWN ARE FOR REFERENCE ONLY. SEE WIRE TABLES AND PARTS LIST FOR CORRECT VARIATION REQUIREMENTS.
 - ~~PLACE SHRINK TUBING (ITEM 74) OVER PILOT LIGHT TERMINALS AND POWER-BUS FILTER TERMINALS.~~
 - PLACE CAPACITORS C2 AND C3 (ITEMS 7 OR 10) AND MOV'S (ITEMS 8 OR 9) NO CLOSER THAN .10 INCHES FROM SIDE PANELS.
 - ~~WIRING FROM CONTROL BOARD HARNESS TO 14-7020857-0-DBU PUT SHRINK TUBING (ITEM 78) OVER S1 CONNECTORS~~
 - LABEL "PB" USING ITEM 77.

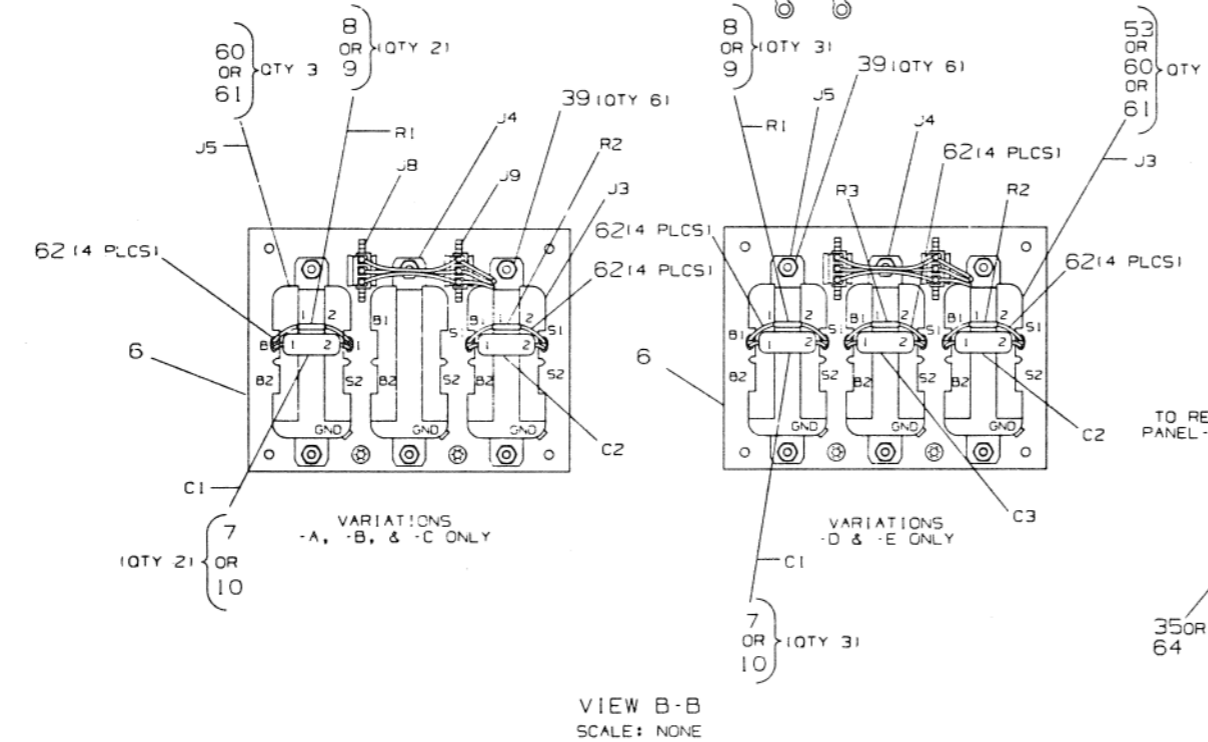
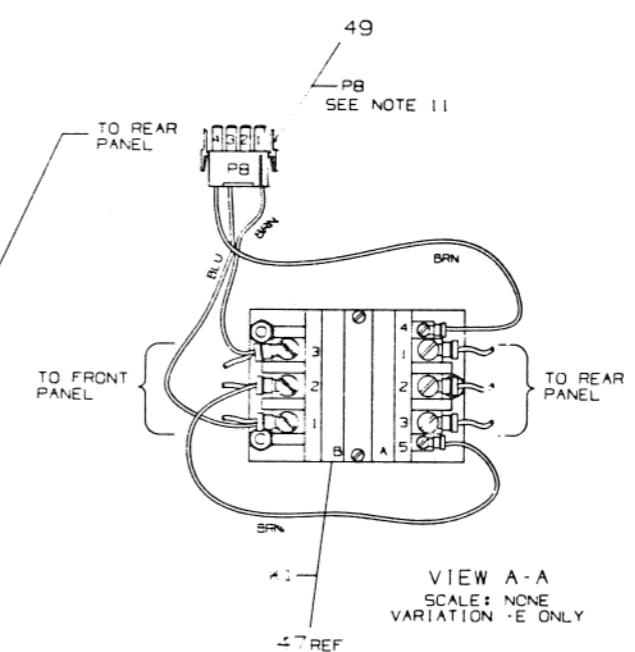
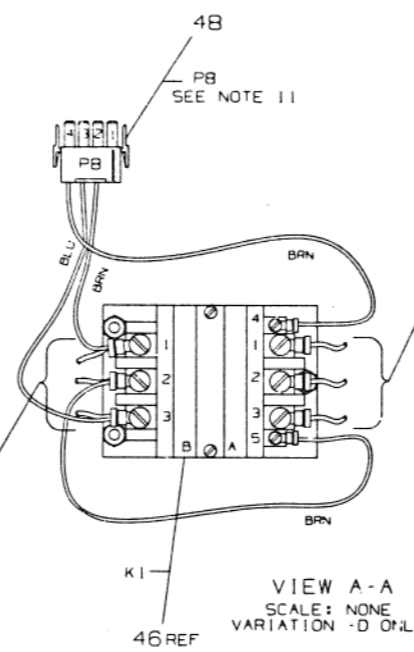
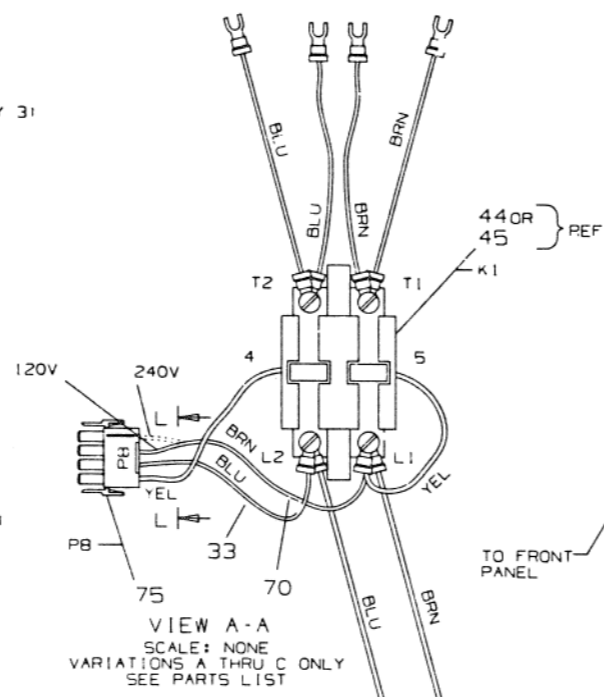
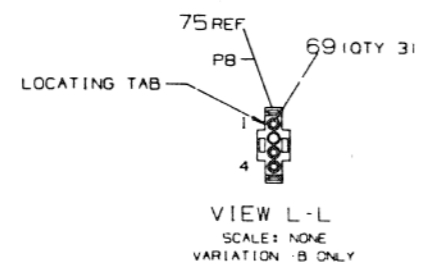
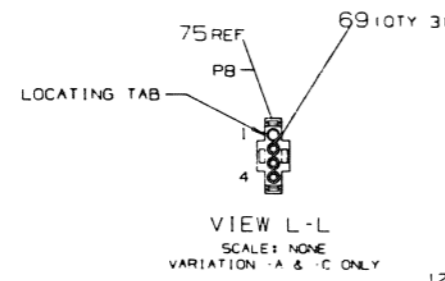
LAYER #6: FORMAT SHEETS 2 & 3
 LAYER #5: WORK SHEET 3
 LAYER #4: WORK SHEET 2
 LAYER #3: FORMAT SHEET 1
 LAYER #2: WORK SHEET 1
 LAYER #1: INFORMATION
 PLOT SCALE: 1.00
 SYSTEM #20
 PROGRAM VERSION: UGRAF D4.0
 FILE NAME: B77-0-DBUC
 TITLE: B77 POWER CONTROLLER
 Z NO.: 5270

CAUTION: OFF SHEET PARTS LIST SEE K-PL-B77-0-DBP.

DESCRIPTION	DRAWING NO.	PART NO.	REV																														
B77-0-DBUC																																	
<table border="1"> <tr> <th>DATE</th> <th>BY</th> <th>CHKD</th> <th>APP'D</th> <th>REV</th> </tr> <tr> <td>19 JAN 83</td> <td>K. DALAN</td> <td></td> <td></td> <td>1</td> </tr> <tr> <td>19 JAN 83</td> <td>M. C. BLOUGH</td> <td></td> <td></td> <td>2</td> </tr> <tr> <td>19 JAN 83</td> <td>F. KRISTAL</td> <td></td> <td></td> <td>3</td> </tr> <tr> <td>19 JAN 83</td> <td>A. BARON</td> <td></td> <td></td> <td>4</td> </tr> <tr> <td>19 JAN 83</td> <td>D. KENNEDY</td> <td></td> <td></td> <td>5</td> </tr> </table>				DATE	BY	CHKD	APP'D	REV	19 JAN 83	K. DALAN			1	19 JAN 83	M. C. BLOUGH			2	19 JAN 83	F. KRISTAL			3	19 JAN 83	A. BARON			4	19 JAN 83	D. KENNEDY			5
DATE	BY	CHKD	APP'D	REV																													
19 JAN 83	K. DALAN			1																													
19 JAN 83	M. C. BLOUGH			2																													
19 JAN 83	F. KRISTAL			3																													
19 JAN 83	A. BARON			4																													
19 JAN 83	D. KENNEDY			5																													
TITLE: B77 POWER CONTROLLER DRAWING NO.: B77-0-DBUC PART NO.: B77-0-DBUC REV: 5																																	

REV	DATE	BY	CHKD	APP'D	DESCRIPTION
1	12/1/82	M. J. JOHNSON			INITIAL
2	1/1/83	A. BARON			REVISED
3	1/1/83	M. J. JOHNSON			REVISED

THIS DRAWING AND SPECIFICATIONS, HEREIN, ARE THE PROPERTY OF DIGITAL EQUIPMENT CORPORATION AND SHALL NOT BE REPRODUCED OR COPIED OR USED IN WHOLE OR IN PART AS THE BASIS FOR THE MANUFACTURE OR SALE OF ANY EQUIPMENT WITHOUT WRITTEN PERMISSION. COPYRIGHT © 1983 DIGITAL EQUIPMENT CORPORATION

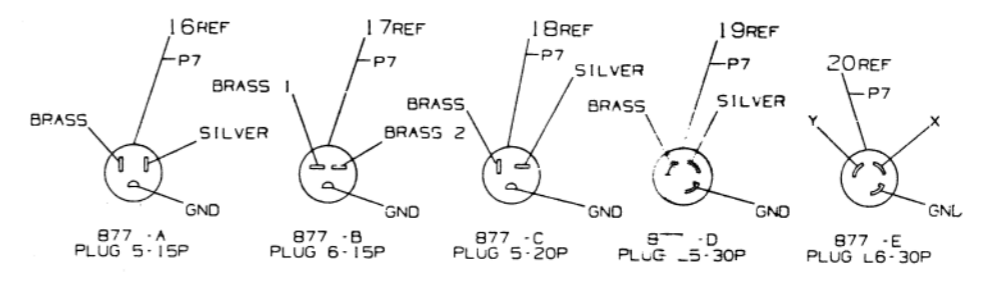


REVISION HISTORY		
DATE	ECO HISTORY	REV

ALL DIMENSIONS AND SPECIFICATIONS HEREIN ARE THE PROPERTY OF DIGITAL EQUIPMENT CORPORATION AND SHALL NOT BE REPRODUCED OR COPIED OR USED IN WHOLE OR IN PART AS THE BASIS FOR THE MANUFACTURE OF TABLES WITHOUT WRITTEN PERMISSION.
 COPYRIGHT © 1983 DIGITAL EQUIPMENT CORPORATION

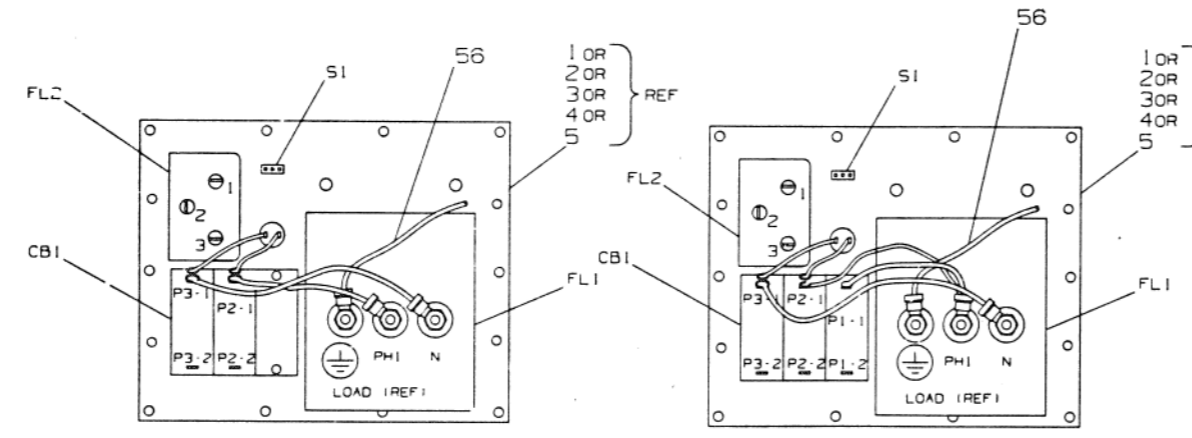
WIRE TABLE									
ITEM NO.	AWG	COLOR	LENGTH	CONNECTION FROM	WITH	CONNECTION TO	WITH	REMARKS	
56	10	GRN/YEL	6.0	LF LOAD GND	54	ITEM 43 GND	54	SEE DETAIL E	
11	22	GRN		POINT 1		FL2 1		SOLDER	
11	22	RED		POINT 2		FL2 1		SOLDER	
11	22	BLK		POINT 3		FL2 2		SOLDER	
36	12	BRN	9.0	CB1 P2 2	54	J3 B2	57	VAR -A THRU E	
35	12	SLU	9.0	CB1 P3 2	54	J3 S2	57		
36	12	BRN	5.5	K1 L1	54	CB1 P2 2	54	VAR -A, B & C ONLY	
35	12	BLU	5.5	K1 L2	54	CB1 P3 2	54		
36	12	BRN	4.0	K1 T1	57	J5 B2	57		
36	12	BRN	4.0	K1 T1	57	J4 B2	57		
35	12	BLU	4.0	K1 T2	57	J5 S2	57		
35	12	BLU	4.0	K1 T2	57	J4 S2	57		
64	10	BLU	9.0	CB1 P3 2	54	J3 S2	59		
65	10	BRN	9.0	CB1 P2 2	54	J3 B2	59		
65	10	BRN	5.5	K1 B 1	54	CB1 P2 2	54		
65	10	BRN	5.5	K1 B 2	54	CB1 P1 2	54		
64	10	BLU	5.5	K1 B 3	54	CB1 P3 2	54		
65	10	BRN	4.5	K1 A 1	54	J4 B2	59	VAR -D & E ONLY	
65	10	BRN	4.5	K1 A 2	54	J5 B2	59		
64	10	BLU	4.5	K1 A 3	54	J4 S2	59		
64	10	BLU	4.5	K1 A 3	54	J5 S2	59		
70	18	BRN	7.0	K1 5	58	K1 B 2	66		
48	18	BRN		K1 4		PB 4		VAR -D ONLY	
49	18	BLU		K1 B 3		PB 3		VAR -E ONLY	
48	18	BRN		K1 B 1		PB 2			
49	18	BRN		K1 B 1		PB 1			
7				C1 1	62	J5 B1	63	VAR -A, C & D ONLY	
8				R1 1	62	J5 S1	63		
7				C1 2	62	J3 B1	63	VAR -B & E ONLY	
8				R1 2	62	J3 S1	63		
7				C2 1	62	J3 B1	63	VAR -B & E ONLY	
8				R2 1	62	J3 S1	63		
10				C1 1	62	J5 B1	63	VAR -D ONLY	
9				R1 1	62	J5 S1	63		
10				C1 2	62	J3 B1	63	VAR -E ONLY	
9				R2 1	62	J3 S1	63		
10				C2 2	62	J3 S1	63		
7				R2 2	62	J3 S1	63		
8				C3 1	62	J4 B1	63		
7				R3 1	62	J4 S1	63		
10				C3 1	62	J4 B1	63		
9				R3 1	62	J4 S1	63		
10				C3 2	62	J4 S1	63		
9				R3 2	62	J4 S1	63		

WIRE TABLE									
ITEM NO.	AWG	COLOR	LENGTH	CONNECTION FROM	WITH	CONNECTION TO	WITH	REMARKS	
12	22	GRN/YEL		FL1 LINE GND	54	P7 GND		VAR -A, C	
12	22	BRN		FL1 LINE PHI	54	P7 BRASS		SEE DETAIL M & N	
12	22	BLU		FL1 LINE N	54	P7 SILVER			
12	22	GRN/YEL		FL1 LINE GND	54	P7 GND		VAR -B	
12	22	BRN		FL1 LINE PHI	54	P7 BRASS1		SEE DETAIL M & N	
12	22	BLU		FL1 LINE N	54	P7 BRASS2			
10	22	GRN/YEL	15 FT.	FL1 LINE GND	54	P7 GND		VAR -D	
10	22	BRN		FL1 LINE PHI	54	P7 BRASS		SEE DETAIL M & N	
10	22	BLU		FL1 LINE N	54	P7 SILVER			
10	22	GRN/YEL		FL1 LINE GND	54	P7 GND		VAR -E	
10	22	BRN		FL1 LINE PHI	54	P7 Y			
10	22	BLU		FL1 LINE N	54	P7 X			
44	18	YEL	4.0	K1 5		K1 L1	67	VAR -A THRU E	
44	18	YEL	6.0	K1 4		K1 L1	67		
33	18	BLU	4.0	K1 L2	68	PB 3	69	VAR -A ONLY	
70	18	BRN	4.0	K1 L1	67	PB 2	69		
45	18	YEL	4.0	K1 5		K1 L1	67	VAR -B	
45	18	YEL	6.0	K1 4		K1 L1	67		
33	18	BLU	4.0	K1 L2	68	PB 3	69	VAR -B ONLY	
70	18	BRN	4.0	K1 L1	67	PB 1	69		
11	22	BLK		POINT 4		FL 2		SOLDER	
11	22	GRN		POINT 5		FL 2 3		SOLDER	
11	22	GRN		POINT 6		FL 2 3		SOLDER	
11	22	GRN		POINT 7		S1 1		SOLDER	
11	22	GRN		POINT 8		S1 3		SOLDER	
11	22	RED		POINT 9		S1 2		SOLDER	

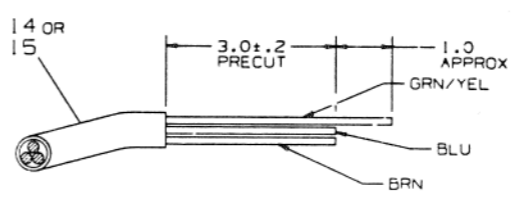


VIEW J-J
 SCALE: NONE
 SEE SHEET I & WIRE TABLE
 REF TO LEGEND & K-PL-877-0-DBP

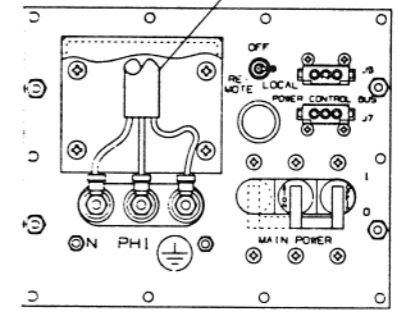
14 OR 15 REF
 SEE DETAIL N



VARIATIONS -A, -B & -C ONLY
 VIEW D-D
 SCALE: NONE
 (FRONT PANEL, REAR)
 SEE WIRE TABLE



DETAIL N
 SCALE: NONE



DETAIL M
 FRONT PANEL
 (ITEM 13 REMOVED)
 SCALE: NONE

REVISION HISTORY		
DATE	ECO HISTORY	REV

AUTOMATED BY PRTLST.4Q(50)

PARTS LIST

SHEET A1 OF A2

LINE	ITEM	DOCUMENT NUMBER	PART NUMBER	DESCRIPTION	QUANTITY PER VARIATION				
					A	B	C	D	E
1	1	E-AD-7019938-0-DBU	7019938-00	FRONT PANEL ASSY. (877-A)	1	-	-	-	-
2	2	E-AD-7019938-0-DBU	7019938-01	FRONT PANEL ASSY (877-B)	-	1	-	-	-
3	3	E-AD-7019938-0-DBU	7019938-02	FRONT PANEL ASSY (877-C)	-	-	1	-	-
4	4	E-AD-7019938-0-DBU	7019938-03	FRONT PANEL ASSY (877-D)	-	-	-	1	-
5	5	E-AD-7019938-0-DBU	7019938-04	FRONT PANEL ASSY (877-E)	-	-	-	-	1
6	6	D-IA-7427397-0-DBU	7427397-01	PANEL, REAR	1	1	1	1	1
7	7	A-PS-1014430-0-0	1014430-01	.1 MFD 270V 20% M.POLYPROP	2	-	2	3	-
8	8	A-PS-1311996-0-0	1311996-00	VARISTOR 150VAC VOLT TRANS SUP	2	-	2	3	-
9	9	A-PS-1311996-0-0	1311996-02	VARISTOR 275VAC VOLT TRANS SUP	-	2	-	-	3
10	10	A-PS-1018866-0-0	1018866-00	.1 MFD 800V 20% POLYPROP	-	2	-	-	3
11	11	D-IA-7019999-0-DBU	7019999-00	PANEL, RIGHT SIDE ASSY.	1	1	1	1	1
12	12	D-MD-7427398-0-DBU	7427398-01	COVER, TOP	2	2	2	2	2
13	13	C-MD-7427396-0-DBU	7427396-01	COVER	1	1	1	1	1
14	14	A-PS-1700025-0-0	1700025-00	PWR CORDAGE 3COND 12AWG STO	1	1	1	-	-
15	15		9107548-00	PWR CORDAGE 3COND 10AWG ST	-	-	-	1	1
16	16		9008938-00	CONN,POWER 02P3W PLUG NEMA 05-1	1	-	-	-	-
17	17	A-PS-1215183-0-0	1215183-00	CONN,POWER 02P03W PLUG NEMA 05-	-	-	1	-	-
18	18		9008853-00	CONN,POWER 02P03W PLUG NEMA 06-1	-	1	-	-	-
19	19	A-PS-1211193-0-0	1211193-00	CONN,POWER 02P03W PLUG NEMA L05-	-	-	-	1	-
20	20	A-PS-1216886-0-0	1216886-00	CONN,POWER 02P03W PLUG NEMA LG -	-	-	-	-	1
21	21	A-PS-3617676-0-0	3617676-01	LABEL, DANGER HIGH VOLTAGE	1	1	1	1	1
22	22	A-PS-3613210-0-0	3613210-02	LABEL, UL FOIL ADH BACK	1	1	1	1	1
23	23		9006690-00	WASHER, HELICAL SPLIT SST	2	2	2	2	2
24	24		9000001-23	STANDOFF, MALE/FEMALE HEX 10-32	2	2	2	2	2
25	25	A-PS-3612063-0-0	3612063-00	LABEL, ADHESIVE I.D. FOR UL C	1	1	1	1	1
26	26	A-PS-3613211-0-0	3613211-01	DECAL, CLEAR PREPRINTED CSA 1-1/4	1	1	1	1	1
27	27	A-PS-3617614-0-0	3617614-00	LABEL, CAUTION OVER CURRENT PROTE	-	-	-	1	1
28	28	A-PS-3621131-0-0	3621131-01	LABEL, 877A PWR CONTROL	1	-	-	-	-
29	29	A-PS-3621131-0-0	3621131-02	LABEL, 877B PWR CONTROL	-	1	-	-	-
30	30	A-PS-3621131-0-0	3621131-03	LABEL, 877C PWR CONTROL	-	-	1	-	-

REVISION HISTORY		BASIC PART NO: 00877		DRN:	P. FAVINI	DATE:	DIGITAL			
ENG:	ECO NUMBER	REV	SECTION A OF A	CHK'D:	E. MCCULLOUGH	DATE:	PARTS LIST			
	INITIAL	A	SECTION, VARIATION INDEX				TITLE			
A.B	877-ML001	B	[A] A, B, C, D, E			21-JAN-83	877 POWER CONTROLLER			
			[B]	DES. ENG.:	I. KRISHTAL	21-JAN-83	DOCUMENT NUMBER			
			[C]	RESP. ENG.:	A. BARON	21-JAN-83	SIZE:	CODE:	NUMBER	REV
			[D]	MFG. ENG.:	R. KENNEDY	21-JAN-83	K	PL	877-0-DBP	B
			[E]	ASSEMBLY NUMBER:			TOP DOCUMENT NUMBER:		FILE NAME:	EDIT #
			[F]	E-UA-877-0-DBU			#B-DD-877-0-DBU		Z5270B.PLS	21

"THIS DRAWING AND SPECIFICATIONS HEREIN, ARE THE PROPERTY OF DIGITAL EQUIPMENT CORPORATION AND SHALL NOT BE REPRODUCED OR COPIED OR USED IN WHOLE OR IN PART AS THE BASIS FOR THE MANUFACTURE OR SALE OF ITEMS WITHOUT WRITTEN PERMISSION. COPYRIGHT (C) 1983. DIGITAL EQUIPMENT CORPORATION"

AUTOMATED BY PRTLST.4Q(50)

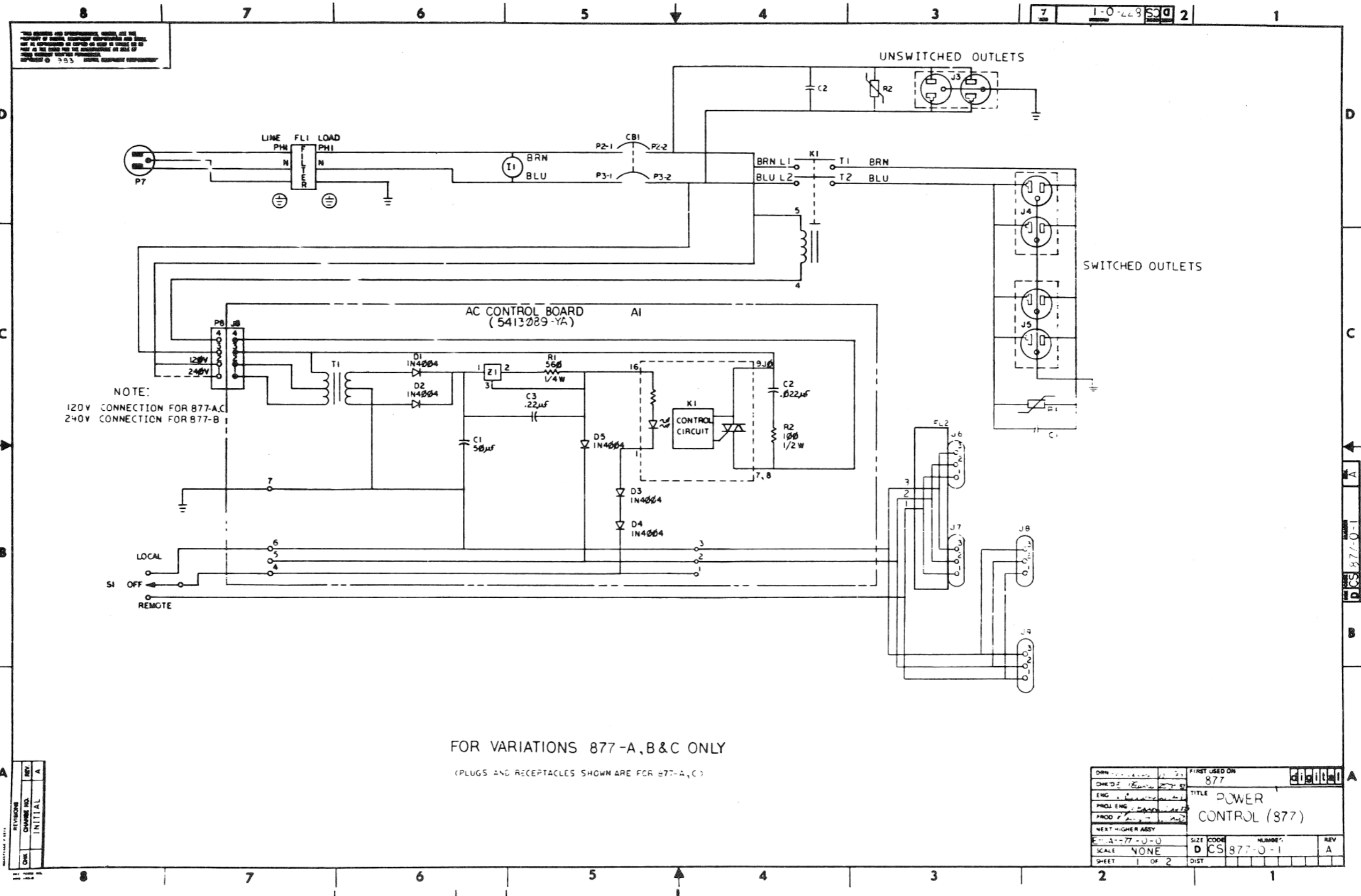
PARTS LIST

SHEET A2 OF A2

LINE	ITEM	DOCUMENT NUMBER	PART NUMBER	DESCRIPTION	QUANTITY PER VARIATION				
					A	B	C	D	E
31	31	A-PS-3621131-0-0	3621131-04	LABEL,877D PWR CONTROL	-	-	-	1	-
32	32	A-PS-3621131-0-0	3621131-05	LABEL,877E PWR CONTROL	-	-	-	-	1
33	33		9107786-66	WIRE, 18AWG(19/30)IPVC 300V1	A/R	A/R	A/R	-	-
34	34		9010439-01	NUT,CAP 6-32X 5/16AF	4	4	4	4	4
35	35		9107380-66	WIRE, 12AWG19/.0185IPVC 300V1	A/R	A/R	A/R	-	-
36	36		9107380-11	WIRE, 12AWG19/.0185IPVC 300V1	A/R	A/R	A/R	-	-
37	37		9010174-00	SCREW,SEMS PAN PHIL 6-	12	12	12	12	12
38	38		9000039-06	SCREW,MACH FLAT PHIL 4-	4	4	4	-	-
39	39		9006560-00	NUT,HEX EXT TOOTH LCKWSHR 6-32	6	6	6	6	6
40	40	A-PS-1214574-0-0	1214574-02	STRAIN RELIEF,PWR CORD	1	1	1	1	1
41	41		9006565-00	NUT,HEX EXT TOOTH LCKWSHR 10-32	1	1	1	4	4
42	42		9007651-00	WASHER,LOCK EXTERNAL STEEL	1	1	1	1	1
43	43	D-IA-7427401-0-DBU	7427401-01	PANEL,LEFT SIDE	1	1	1	1	1
44	44	A-PS-1214283-0-0	1214283-00	CONTACTOR, 20A,2P ,120V C	1	-	1	-	-
45	45	A-PS-1214283-0-0	1214283-01	CONTACTOR, 20A,2P ,240V C	-	1	-	-	-
46	46	A-PS-1211147-0-0	1211147-00	CONTACTOR, 30A,3P DBL BRK,600V,1	-	-	-	1	-
47	47	A-PS-1211147-0-0	1211147-01	CONTACTOR, 30A,3P DBL BRK,600V,2	-	-	-	-	1
48	48	D-IA-7020431-0-DBU	7020431-01	HARNESS CONTACTOR (877-D)	-	-	-	1	-
49	49	D-IA-7020431-0-DBU	7020431-02	HARNESS CONTACTOR (877-E)	-	-	-	-	1
50	50		9007031-00	TIE,CABLE BUNDL.DIA 0- 3/4"=101	A/R	A/R	A/R	A/R	A/R
51	51		9010174-01	SCREW,SEMS PAN PHIL 8-	4	4	4	4	4
52	52	A-PS-1221361-0-0	1221361-01	SCREW,CAPTIV PHIL 6-32	10	10	10	10	10
53	53	A-PS-1216885-0-0	1216885-01	CONN,POWER 02P05W RCPT NEMA 06-2	-	-	-	-	3
54	54		9007926-01	TERM,RING #10STUD CRIMP 10-1	19	19	19	17	17
55	55	A-PS-3612680-0-0	3612680-00	DECAL, GROUND SIGN PER 3E6 *	1	1	1	1	1
56	56		9107779-54	WIRE, 10AWG(105/30)IPVC 300V1	A/R	A/R	A/R	A/R	A/R
57	57		9009695-07	*** THIS ITEM IS NOT USED ***	-	-	-	-	-
58	58		9007970-00	TERM,QUICK .300TAB CRIMP 18-2	-	-	-	1	1
59	59		9009695-02	TERM,SPADE #8STUD CRIMP 10-1	6	6	6	-	-
60	60	A-PS-1212265-0-0	1212265-00	CONN,POWER 02P03W RCPT NEMA 05-2	3	-	3	3	-
61	61	A-PS-1211204-0-0	1211204-03	CONN,POWER 02P03W RCPT NEMA 06-1	0	3	-	-	-
62	62		9107278-09	TUBING,TEFLON .042ID	A/R	A/R	A/R	A/R	A/R
63	63		9009695-00	TERM,SPADE #8STUD CRIMP 14-1	4	4	4	6	6
64	64		9107390-66	WIRE, 10AWG(105/30)IPVC 300V1	-	-	-	A/R	A/R
65	65		9107390-11	WIRE, 10AWG(105/30)IPVC 300V1	0	-	-	A/R	A/R
66	66		9006999-00	TERM,RING #10STUD FLAG 16-1	0	-	-	1	1
67	67		9007928-00	TERM,RING #10STUD CRIMP 14-1	2	2	2	-	-
68	68		9007930-00	TERM,RING #10STUD CRIMP 16-2	1	1	1	-	-
69	69	A-PS-1212170-0-0	1212170-00	MATE-N-LOK 01SKT 20-14AWG .0850D	3	3	3	-	-
70	70		9107786-11	WIRE, 18AWG(19/30)IPVC 300V1	A/R	A/R	A/R	A/R	A/R
71	71	A-PS-3616073-0-0	3616073-00	LABEL,ID W/COPY VERTICAL	1	1	1	1	1
72	72		9006633-00	WASHER,LOCK INTERNAL STEEL	4	4	4	4	4
73	73		9006664-00	WASHER,FLAT SST	-	-	-	3	3
74	74		9107305-02	TUBING,SHRINK .187ID EXP	A/R	A/R	A/R	A/R	A/R
75	75	A-PS-1212167-0-0	1212167-01	MATE-N-LOK 04SKT(1X04).250CC HSG	1	1	1	-	-
76	76	A-PS-9107714-0-0	9107714-00	TUBING,SHRINK .093ID EXP	A/R	A/R	A/R	A/R	A/R

D	I	G	I	T	A	L	TITLE	SECTION A OF A	SIZE	CODE	DOCUMENT NUMBER	REV
							877 POWER CONTROLLER		K	PL	877-0-DBP	B

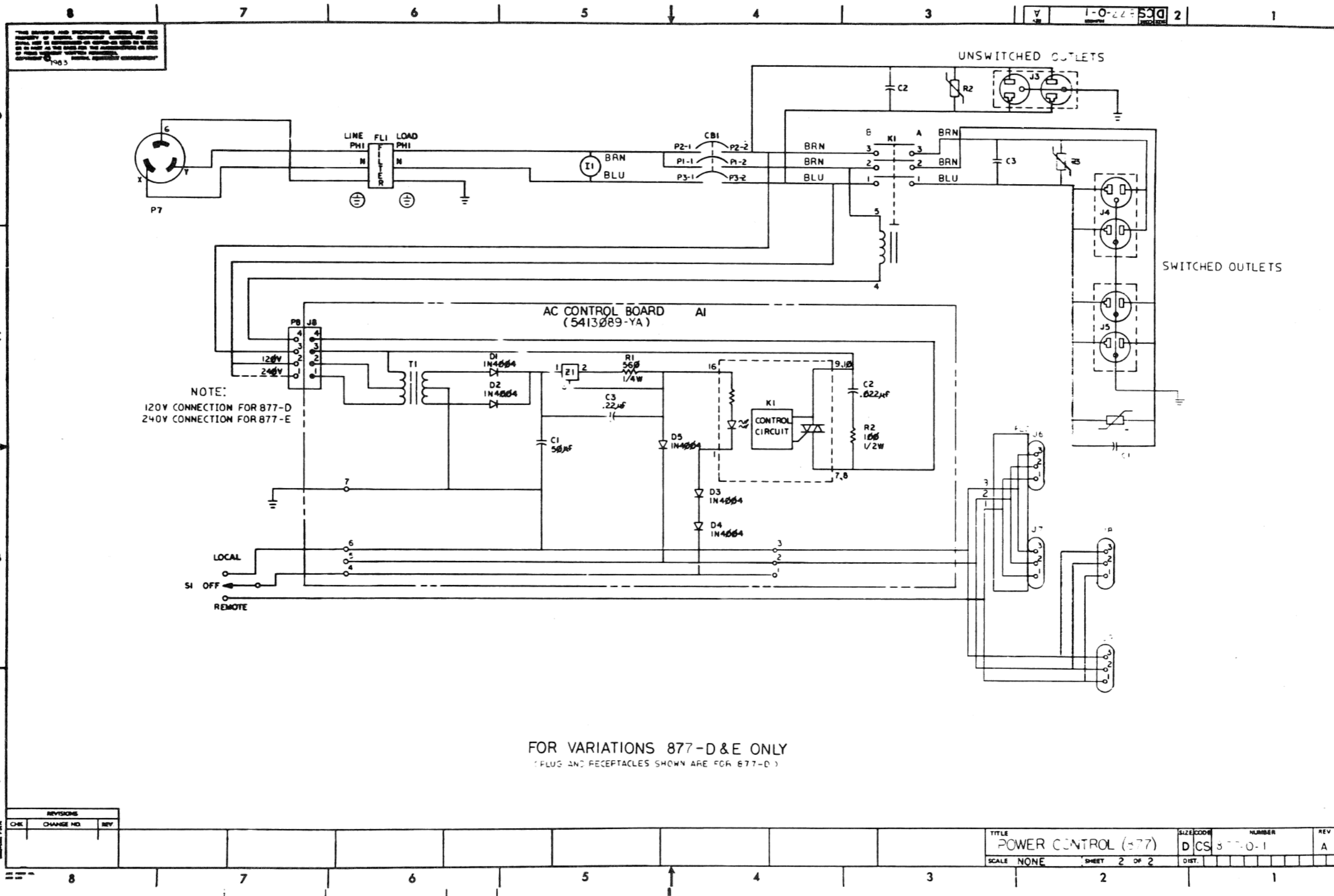
P.N. 187 7108



THIS DRAWING AND SPECIFICATIONS HEREBY ARE THE PROPERTY OF THE UNITED STATES GOVERNMENT AND ARE NOT TO BE REPRODUCED OR TRANSMITTED IN ANY FORM OR BY ANY MEANS, ELECTRONIC OR MECHANICAL, INCLUDING PHOTOCOPYING, RECORDING, OR BY ANY INFORMATION STORAGE AND RETRIEVAL SYSTEM, WITHOUT PERMISSION IN WRITING FROM THE UNITED STATES GOVERNMENT.

REV	DATE	INITIAL
1		A

DRW	877	FIRST USED ON	877
CHK'D		TITLE	POWER CONTROL (877)
ENG		SIZE	D
PROL ENG		CODE	CS 877-0-1
PROD		NUMBER	1
REV		REV	A
SCALE	NONE	DIST	
SHEET	1 OF 2		



REVISIONS		
CHK	CHANGE NO.	REV.

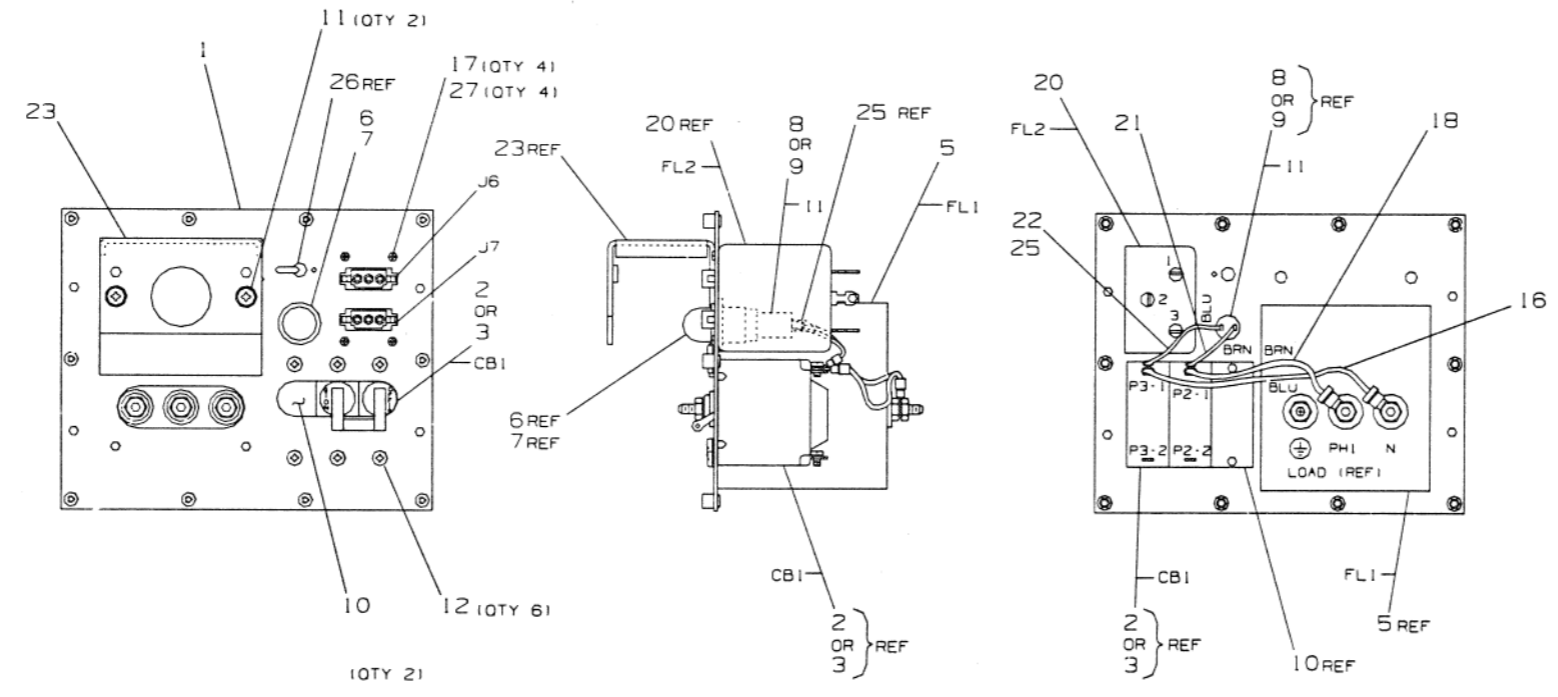
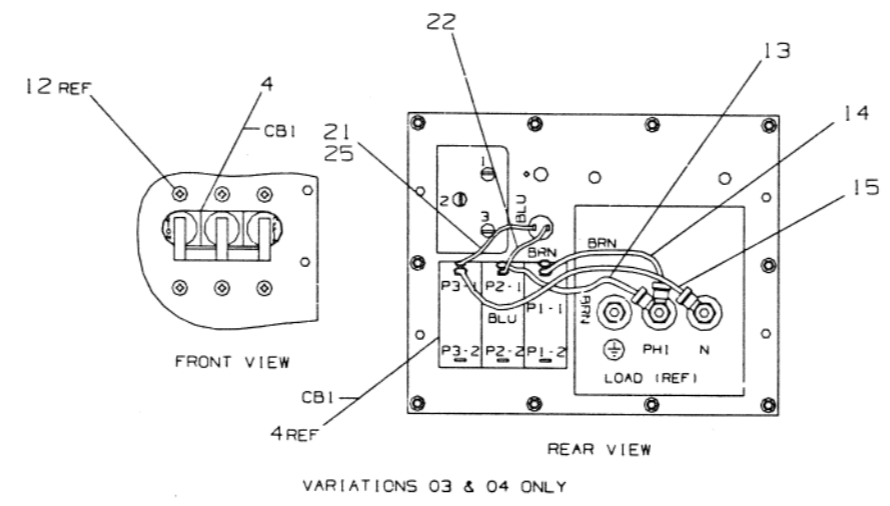
TITLE	POWER CONTROL (877)	SIZE/CODE	D CS	NUMBER	877-0-1	REV	A
SCALE	NONE	SHEET	2 OF 2	DIST.			

THIS DRAWING AND SPECIFICATIONS, HEREINAFTER, ARE THE PROPERTY OF DIGITAL EQUIPMENT CORPORATION AND SHALL NOT BE REPRODUCED OR COPIED OR USED IN WHOLE OR IN PART AS THE BASIS FOR THE MANUFACTURE OR SALE OF ITEMS WITHOUT WRITTEN PERMISSION.
 DIGITAL EQUIPMENT CORPORATION
 COPYRIGHT © 1983

WIRE TABLE									
ITEM NO.	AWG	COLOR	LENGTH	CONNECTION FROM	WITH STRIP	CONNECTION TO	WITH STRIP	REMARKS	
14	10	BRN	5.5	FL1-LOAD-PHI	13	CB1-P1-1	13		
15	10	BLU	6.5	FL1-LOAD-N	13	CB1-P3-1	13		VAR 03&04 ONLY
14	10	BRN	6.5	FL1-LOAD-PHI	13	CB1-P2-1	13		
18	12	BRN	5.5	FL1-LOAD-PHI	13	CB1-P2-1	13		VAR 00, 01, & 02 ONLY
16	12	BLU	5.5	FL1-LOAD-N	13	CB1-P3-1	13		
22	18	BRN	3.0	11-1-1	SOLDER	CB1-P2-1	19		
21	18	BLU	3.0	11-1-1	SOLDER	CB1-P3-1	19		VAR 00 THRU 04

LEGEND		
PART NO.	REV	VARIATION
701993B-00	B1	FRONT PANEL ASSY FOR B77-A
701993B-01	B1	FRONT PANEL ASSY FOR B77-B
701993B-02	B1	FRONT PANEL ASSY FOR B77-C
701993B-03	B1	FRONT PANEL ASSY FOR B77-D
701993B-04	B1	FRONT PANEL ASSY FOR B77-E

- NOTES:
- REQUIRED TORQUE LEVELS:
 - 18±2 INCH LBS FOR TERMINALS ON LINE FILTER (ITEM 51).
 - 14±2 INCH LBS FOR SCREW CONNECTIONS ON CIRCUIT BREAKER CB1 (ITEM 2,3 OR 4) & LAMP MTG NUT.
 - 12±2 INCH LBS FOR LOCAL-REMOTE SWITCH.
 - LENGTHS GIVEN IN WIRE TABLE ARE IN INCHES, TOL ±.50.



LAYER #3: FORMAT
 LAYER #2: WORK
 LAYER #1: INFORMATION
 PLOT SCALE: 1.00
 SYSTEM #20
 PROGRAM VERSION: UGRAF D3.0
 FILE NAME: 701993B-0-DBUA
 TITLE: FRONT PANEL ASSY (B77)
 Z NO.: 5214

CAUTION: OFF SHEET PARTS LIST
 SEE K-PL-701993B-0-DBP.

REV	DATE	INITIALS	DESCRIPTION
1	4/1/83	A. BARON	ISSUED FOR MANUFACTURE
2	4/1/83	P. GAGNE	REVISED
3	4/1/83	E.M. B77	REVISED

DESCRIPTION	DRAWING NO.	PART NO.	REV
FRONT PANEL ASSY (B77)	701993B-0-DBUA	701993B-0-DBUA	B1

DATE	INITIALS	DESCRIPTION
30 JUN 82	P. FAVINI	ISSUED FOR MANUFACTURE
9 JAN 83	E. MCCOLLOUGH	REVISED
9 JAN 83	J. KRISHNAN	REVISED
9 JAN 83	A. BARON	REVISED
9 JAN 83	R. KENNEDY	REVISED
9 JAN 83	E. AD	REVISED

AUTOMATED BY PRTLST.4Q(50)

PARTS LIST

SHEET A1 OF A1

LINE	ITEM	DOCUMENT NUMBER	PART NUMBER	DESCRIPTION	QUANTITY PER VARIATION				
					00	01	02	03	04
1	1	D-MD-7427399-0-DBU	7427399-01	PANEL,FRONT	1	1	1	1	1
2	2	A-PS-1212124-0-0	1212124-08	CKT BKR 15.0 A 240V 2P SERIES TR	1	1	-	-	-
3	3	A-PS-1212124-0-0	1212124-07	CKT BKR 20.0 A 240V 2P SERIES TR	-	-	1	-	-
4	4	A-PS-1211196-0-0	1211196-04	CKT BKR 20,20,30A 250V SERIES TR	-	-	-	1	1
5	5	A-PS-1213070-0-0	1213070-00	FILTER,LINE 110-220V,50-60HZ 112	1	1	1	1	1
6	6	A-PS-1219281-0-0	1219281-00	LAMP NEON W/RESISTOR FOR 115-230	1	1	1	1	1
7	7	A-PS-1219295-0-0	1219295-01	LENS,LAMP HOLDER USE W/12-19294-	1	1	1	1	1
8	8	A-PS-1219294-0-0	1219294-01	HOLDER,NEON LAMP W/RESISTOR 2TER	1	-	1	1	-
9	9	A-PS-1219294-0-0	1219294-02	HOLDER,NEON LAMP W/68KOHM RESIST	-	1	-	-	1
10	10	C-IA-7422924-0-0	7422924-00	COVER PLATE	1	1	1	-	-
11	11		9010174-01	SCREW,SEMS PAN PHIL 8-	2	2	2	2	2
12	12		9010174-00	SCREW,SEMS PAN PHIL 6-	6	6	6	6	6
13	13		9007926-01	TERM,RING #10STUD CRIMP 10-1	4	4	4	6	6
14	14		9107390-11	WIRE, 10AWG(105/30)IPVC 300V1	-	-	-	A/R	A/R
15	15		9107390-66	WIRE, 10AWG(105/30)IPVC 300V1	-	-	-	A/R	A/R
16	16		9107380-66	WIRE, 12AWG19/.0185IPVC 300V1	A/R	A/R	A/R	-	-
17	17		9008301-01	SCREW,MACH PAN PHIL 4-	4	4	4	4	4
18	18		9107380-11	WIRE, 12AWG19/.0185IPVC 300V1	A/R	A/R	A/R	-	-
19	19		9000009-01	TERM,RING #3,4STUD CRIMP 16-2	2	2	2	2	2
20	20	A-PS-1221099-0-0	1221099-01	FILTER,POWER BUS	1	1	1	1	1
21	21		9107786-66	WIRE, 18AWG(19/30)IPVC 300V1	A/R	A/R	A/R	A/R	A/R
22	22		9107786-11	WIRE, 18AWG(19/30)IPVC 300V1	A/R	A/R	A/R	A/R	A/R
23	23	C-IA-7428237-0-DBU	7428237-01	BRACKET	1	1	1	1	1
24	24		9009545-01	SCREW,SEMS PAN PHIL 8-	2	2	2	2	2
25	25		9107305-02	TUBING,SHRINK .187ID EXP	A/R	A/R	A/R	A/R	A/R

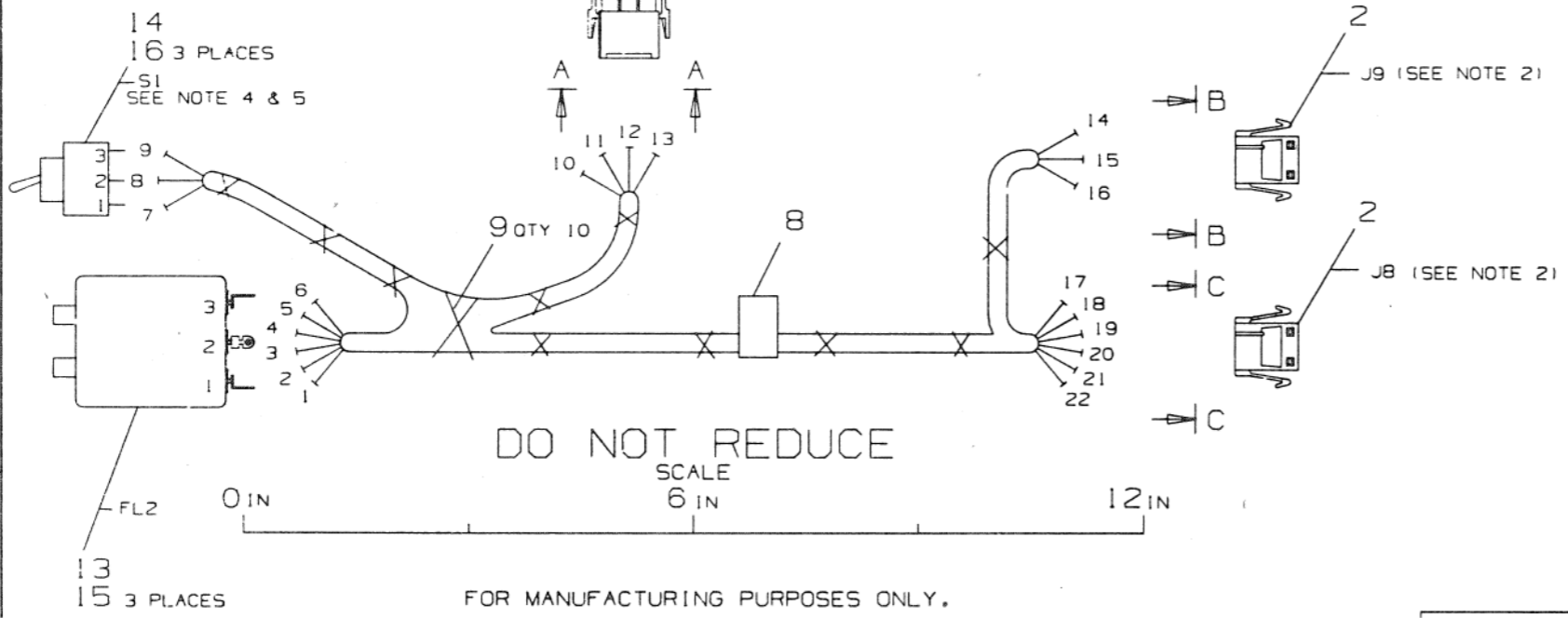
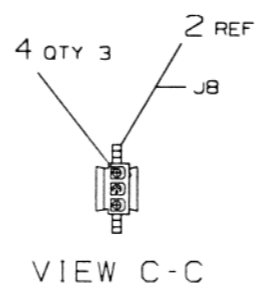
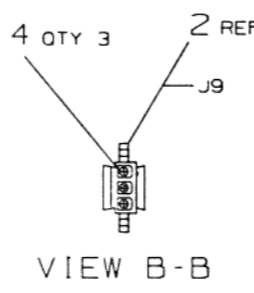
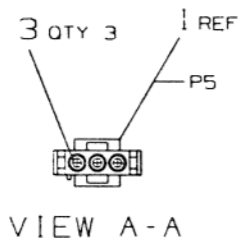
REVISION HISTORY			BASIC PART NO: 7019938		DRN: P. FAVINI		DATE: 29-JUN-82		D I G I T A L		
ENG	ECO NUMBER	REV	SECTION A OF A	CHK'D:	E. MCCULLOUGH	DATE:	21-JAN-83	TITLE PARTS LIST			
	INITIAL	A	SECTION VARIATION INDEX					FRONT PANEL ASS- (377)			
			[A] 00,01,02,03,04	DES.ENG.:	I. KRISHTAL	DATE:	21-JAN-83	DOCUMENT NUMBER			
			[B]	RESP.ENG.:	A. BARON	DATE:	21-JAN-83	SIZE	CODE	NUMBER	REV
			[C]	MFG.ENG.:	R. KENNEDY	DATE:	21-JAN-83	K	PL	7019938-0-DBP	A
			[D]	ASSEMBLY NUMBER:	E-AD-7019938-0-DBU	TOP DOCUMENT NUMBER:	E-AD-7019938-0-DBU	FILE NAME:	Z5214A.FLS	EDIT #:	18
			[E]	"THIS DRAWING AND SPECIFICATIONS HEREIN, ARE THE PROPERTY OF DIGITAL EQUIPMENT CORPORATION AND SHALL NOT BE REPRODUCED OR COPIED OR USED IN WHOLE OR IN PART AS THE BASIS FOR THE MANUFACTURE OR SALE OF ITEMS WITHOUT WRITTEN PERMISSION. COPYRIGHT (C) 1983. DIGITAL EQUIPMENT CORPORATION"							
			[F]								

*THIS DRAWING AND SPECIFICATIONS, HEREIN, ARE THE PROPERTY OF DIGITAL EQUIPMENT CORPORATION AND SHALL NOT BE REPRODUCED OR COPIED OR USED IN WHOLE OR IN PART AS THE BASIS FOR THE MANUFACTURE OR SALE OF ITEMS WITHOUT WRITTEN PERMISSION.
 COPYRIGHT © 1983 DIGITAL EQUIPMENT CORPORATION*

WIRE TABLE												
ITEM NO.	DESCRIPTION	FROM						TO				LENGTHS
		AWG	COLOR	POINT	CONN	STRIP	WITH	POINT	CONN	STRIP	WITH	
10	22	ORG	1	FL2-1	.25	SOLDER	7	SI-1	.25	SOLDER	5.00	
5		RED	2	FL2-1			18	J8-1		ITEM4	11.75	
6		BLK	3	FL2-2			12	P5-2		ITEM3	6.00	
6		BLK	4	FL2-2			20	J8-2		ITEM4	11.75	
7		GRN	5	FL2-3			11	P5-3		ITEM3	6.00	
7		GRN	6	FL2-3			22	J8-3		ITEM4	11.75	
5		RED	8	SI-2			13	P5-1		ITEM3	7.75	
7		GRN	9	SI-3	.25	SOLDER	10	P5-3		ITEM3	7.75	
5		RED	14	J9-1			17	J8-1		ITEM4	4.50	
6		BLK	15	J9-2			19	J8-2		ITEM4	4.50	
7		GRN	16	J9-3			21	J8-3		ITEM4	4.50	

LEGEND		
PART NO.	REV	VARIATION
7020657-01	B1	AS SHOWN

- NOTES:
- USE TIE WRAPS (X) ITEM 9 APPROXIMATELY EVERY 3 INCHES WHEN NECESSARY AND AT EVERY BREAKOUT POINT.
 - CONNECTORS TO BE LABELED WITH COMPONENT IDENTIFIERS ITEMS 11 & 12.
 - UNLESS OTHERWISE NOTED ALL LENGTHS ARE IN INCHES.
 - POSITION OF KEYING SLOT ON SWITCH BARREL DETERMINES PIN 1 (AS SHOWN).
 - PLACE SHRINK TUBING (ITEM 16) OVER SWITCH TERMINALS.



LAYER #2 = FORMAT LAYER
 LAYER #1 = WORK LAYER
 PLOT AT: 1.00
 CAUTION: OFF SHEET PARTS LIST
 REFER TO K-PL-7020657-0-DBP
 (Z6444)

REV.	CHG.	NO.	BY	DATE
A		1	A. BARON	4/07/83
B		2	M. JOSEPH	31/AUG/83

DESCRIPTION	DRAWING NO.	PART NO.	ITEM NO.
UNLESS OTHERWISE SPECIFIED DIMENSIONS ARE IN INCHES AND THE FOLLOWING TOLERANCES APPLY (PER DEC STD 114)			
INCHES TOLERANCES	DIMENSION RANGE IN INCHES		
	OVER 0 TO 0.2	OVER 0.2 TO 1.2	OVER 1.2 TO 4.0
	±.02	±.03	±.05
	±.004	±.008	±.012
	±.008	±.012	±.016
	±.012	±.016	±.020
	±.016	±.020	±.024
	±.020	±.024	±.028
	±.024	±.028	±.032
	±.028	±.032	±.036
	±.032	±.036	±.040
	±.036	±.040	±.044
	±.040	±.044	±.048
	±.044	±.048	±.052
	±.048	±.052	±.056
	±.052	±.056	±.060
	±.056	±.060	±.064
	±.060	±.064	±.068
	±.064	±.068	±.072
	±.068	±.072	±.076
	±.072	±.076	±.080
	±.076	±.080	±.084
	±.080	±.084	±.088
	±.084	±.088	±.092
	±.088	±.092	±.096
	±.092	±.096	±.100
QUANTITY & VARIATION			
FINISH	NONE		
MATERIAL	SEE PARTS LIST		
DATE	28 JAN 83		
DESIGNED BY	KEN DAVAN		
DATE	10 MAR 83		
DESIGNED BY	E. MCCULLOUGH		
DATE	10 MAR 83		
DESIGNED BY	A. BARON		
DATE	10 MAR 83		
DESIGNED BY	A. BARON		
DATE	10 MAR 83		
DESIGNED BY	R. KENNEDY		
DATE	10 MAR 83		
DESIGNED BY	D. A. 7020657-0-DBU		
DATE			
FINISH			
SCALE	1/1		
SHEET	1 OF 1		
SIZE	D 1A		
NUMBER	7020657-0-DBU		
REV.	B		
SCALE	1/1		
SHEET	1 OF 1		
SIZE	ML 1		
NUMBER	1		
REV.			

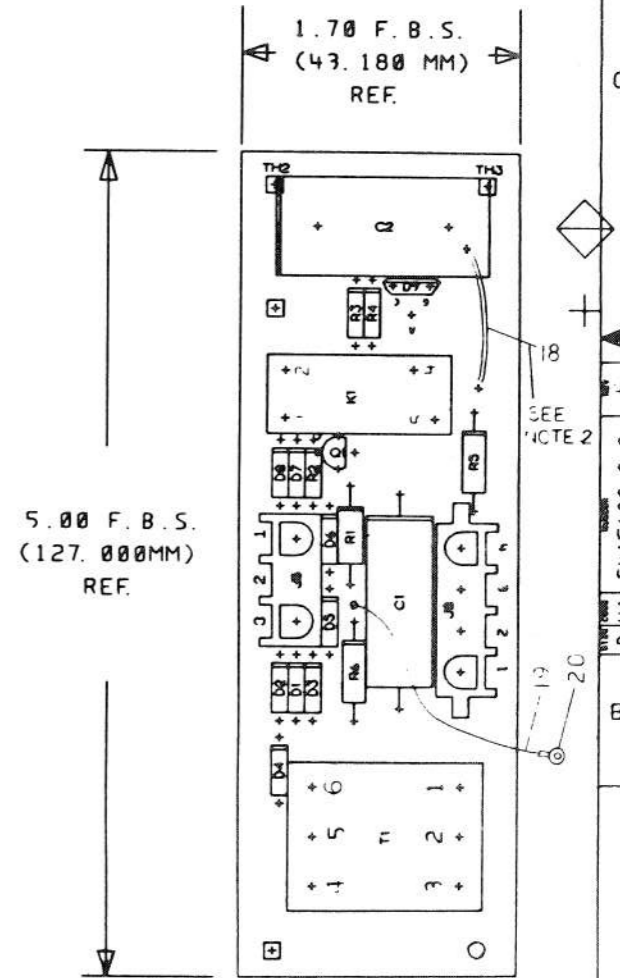
LINE	ITEM	DOCUMENT NUMBER	PART NUMBER	DESCRIPTION	QUANTITY PER VARIATION
1	1	A-PS-1212167-0-0	1212167-00	MATE-N-LOK 03SKT(1X03).250CC HSG	1
2	2	A-PS-1209350-0-0	1209350-03	MATE-N-LOK 03SKT(1X03).200CC HSG	2
3	3	A-PS-1212170-0-0	1212170-03	MATE-N-LOK 01SKT 24-18AWG .0850D	3
4	4	A-PS-1209379-0-0	1209379-06	MATE-N-LOK 01SKT 24-18AWG .0820D	6
5	5		9107796-22	WIRE, 22AWG(07/30)IPVC 300V1	A/R
6	6		9107796-00	WIRE, 22AWG(07/30)IPVC 300V1	A/R
7	7		9107796-55	WIRE, 22AWG(07/30)IPVC 300V1	A/R
8	8		9009532-00	LABEL, CABLE IDENTIFICATION	1
9	9		9007031-00	TIE,CABLE BUNDL.DIA 0- 3/4"=101	A/R
10	10		9107796-33	WIRE, 22AWG(07/30)IPVC 300V1	A/R
11	11		7409872-02	PWR HARNESS DECAL, BLACK ON CLEA	1
12	12		7409873-02	PWR CONN DECAL BLACK ON CLEAR	1
13	13		1221099-01	FILTER,POWER BUS	1
14	14		1221067-01	SW,TOG 1PDT ON/OFF/ON SA	1
15	15		9107305-02	TUBING,SHRINK .187ID EXP	A/R
16	16		9107714-00	TUBING,SHRINK .093ID EXP	A/R

REVISION HISTORY			BASIC PART NO: 7020657			D I G I T A L			
ENG:	ECO NUMBER	REV	SECTION A OF A	DRN:	KEN DAVAN	DATE:	02-FEB-83	TITLE	PARTS LIST
---	INITIAL	A	SECTION VARIATION INDEX	CHK'D:	E. MCCULLOUGH	DATE:	02-FEB-83	HARNESS,	CONTROL BOARD
A.B:	877-ML003	B	[A] 01	DES.ENG.:	AL BARON	DATE:	02-FEB-83	DOCUMENT NUMBER	
			[B]	RESP.ENG.:	AL BARON	DATE:	02-FEB-83	SIZE:CODE:	NUMBER
			[C]	MFG.ENG.:	R. KENNEDY	DATE:	29-APR-83	K	PL
			[D]	ASSEMBLY NUMBER:	E-AD-7019938-0-DBU	TOP DOCUMENT NUMBER:	D-IA-7020657-0-DBU	FILE NAME:	Z64448.PLS
			[E]					EDIT #	9
			[F]						

"THIS DRAWING AND SPECIFICATIONS HEREIN, ARE THE PROPERTY OF DIGITAL EQUIPMENT CORPORATION AND SHALL NOT BE REPRODUCED OR COPIED OR USED IN WHOLE OR IN PART AS THE BASIS FOR THE MANUFACTURE OR SALE OF ITEMS WITHOUT WRITTEN PERMISSION. COPYRIGHT (C) 1983. DIGITAL EQUIPMENT CORPORATION"

Y&HK HH G3

THIS DRAWING AND SPECIFICATIONS, HEREIN, ARE THE PROPERTY OF DIGITAL EQUIPMENT CORPORATION AND SHALL NOT BE REPRODUCED OR COPIED OR USED IN WHOLE OR IN PART OR THE BASIS FOR THE MANUFACTURE OR SALE OF ITEMS WITHOUT WRITTEN PERMISSION.
 COPYRIGHT © 1983 DIGITAL EQUIPMENT CORPORATION



- NOTES:
1. THIS BOARD MEETS REQUIREMENTS FOR U.L. TYPE HPWR.
 2. ADD JUMPER TO FEEDTHRU TO RIGHT OF C2-2 AND TO FEEDTHRU ABOVE R5-1

STEP E	→ Y AXIS	STEP	TIMES
REPEAT	→ X AXIS	STEP	TIMES

CHANGE NO	REV	
5415698	B	
M. 001		
D. Baron	5/25/84	
A. L. BARON		
	12/1/83	

ETCH REV. C1

SIGNATURES	DATE	TITLE
DRW. JOE LIZOTTE	12-4-83	digital
CHK D. Baron	1-5-84	
MECH. ENG. <i>Alfred Baron</i>	1-7-84	
PROJ. ENG. <i>Alfred Baron</i>	2-2-84	
PROD. <i>Alfred Baron</i>	4-1-84	
SCALE 2:1	SIZE CODE	NUMBER
SHT. 1 OF 1	D UA	5415698-8-B
TOP DOC NUMBER: 0-DD-5415698-8-0		

AUTOMATED BY PRTLST.4Q(50)

PARTS LIST

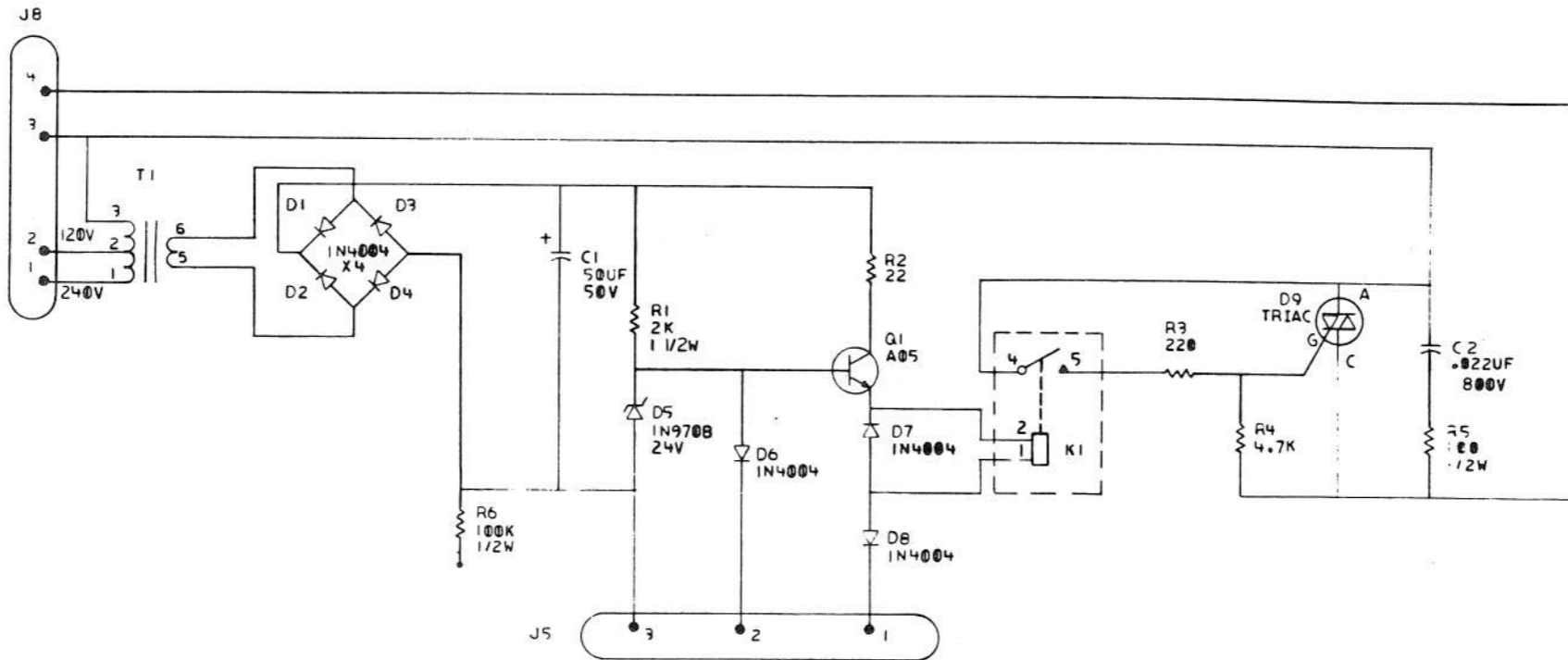
SHEET A1 OF A1

LINE	ITEM	DOCUMENT NUMBER	PART NUMBER	DESCRIPTION	QTY PER VARIATION 00	REFERENCE DESIGNATOR
1	1	D-MD-5015689-0-0	5015689-00	CIRCUIT DRILL AND ETCH	1	
2	2		1000080-00	50 MFD 50V +75-10% AL EL	1	C1
3	3		1018866-01	.022 MFD 800V 20% POLYPROP	1	C2
4	4		1105796-00	PIV= 400 IO= 1.00A 1N4004 DO-41	7	D1-D4,D6-D8
5	5		1212297-01	MATE-N-LOK 04PIN(1X04).250CC HDR	1	J8
6	6		1218087-00	RLY,G.P., 24V COIL, .10A	1	K1
7	7		1301969-00	22.0 .25 W 5.0 % CF	1	R2
8	8		1621344-01	XFMR P=120/240 S=38V,47-63HZ	1	T1
9	9		1300271-00	220.0 .25 W 5.0 % CF	1	R3
10	10		1212297-03	MATE-N-LOK 03PIN(1X03).250CC HDR	1	J5
11	11		1110856-00	VZ= 24.0 5% 400 MW 1N970B	1	D5
12	12		1510705-00	XA 05 NPN 500MW SI 60 50 P	1	Q1
13	13		1518101-00	TRIAC PIV= 500 IO= .80A	1	D9
14	14		1321151-01	2.0 K 1.50 W 5.0 % WW	1	R1
15	15		1300447-00	4.70 K .25 W 5.0 % CF	1	R4
16	16		1300228-00	100.0 .50 W 5.0 % CF	1	R5
17	17		1316506-00	100.0 K .50 W 5.0 % CF	1	R6
18	18	SEE NOTE	9107796-55	WIRE, 22AWG(07/30)IPVC 300V1	A/R	
19	19		9107400-54	WIRE, 22AWG(07/30)IPVC 150V	A/R	
20	20		9007930-00	TERM,RING #10STUD CRIMP 16-2	1	

21 NOTE: CUT ITEM 18 APPROX 1 1/2" LONG

REVISION HISTORY			BASIC PART NO: 5415690								
ENG:	ECO NUMBER	REV	SECTION A OF A	DRN:	J. LIZOTTE	DATE:	01-JAN-83	D I G I T A L			
---	INITIAL	A	SECTION VARIATION INDEX	CHK'D:	D. BARRIERE	DATE:	08-NOV-82	TITLE PARTS LIST			
A.B.	5415690-ML001	B	[A] 00	DES.ENG:	A. BARON	DATE:	08-NOV-82	A.C. CONTROL BOARD			
			[B]	RESP.ENG.:	A. BARON	DATE:	08-NOV-82	DOCUMENT NUMBER			
			[C]	MFG.ENG.:	B. KENNEDY	DATE:	08-NOV-82	SIZE:	CODE:	NUMBER:	REV:
			[D]	ASSEMBLY NUMBER:	D-UA-5415690-0-0	TOP DOCUMENT NUMBER:	B-DD-5415690-0-0	K	PL	5415690-0-DBP	B
			[E]			FILE NAME:	Z5849B.PLS				EDIT #
			[F]								4
			[G]	"THIS DRAWING AND SPECIFICATIONS HEREIN, ARE THE PROPERTY OF DIGITAL EQUIPMENT CORPORATION AND SHALL NOT BE REPRODUCED OR COPIED OR USED IN WHOLE OR IN PART AS THE BASIS FOR THE MANUFACTURE OR SALE OF ITEMS WITHOUT WRITTEN PERMISSION. COPYRIGHT (C) 1983. DIGITAL EQUIPMENT CORPORATION"							
			[H]								
			[I]								
			[J]								
			[K]								
			[L]								
			[M]								
			[N]								

THIS DRAWING AND SPECIFICATIONS HEREIN ARE THE PROPERTY OF DIGITAL EQUIPMENT CORPORATION AND SHALL NOT BE REPRODUCED OR COPIED OR USED IN WHOLE OR IN PART AS THE BASIS FOR THE MANUFACTURE OR SALE OF ITEMS WITHOUT WRITTEN PERMISSION. COPYRIGHT © 1982. DIGITAL EQUIPMENT CORPORATION



NOTE :

1. UNLESS NOTED ALL RESISTORS ARE 1/4W, 5%

REVISION HISTORY	
DATE	BY
12/25/82	ML001 B
5/25/83	AL BARON

877

DRN: S. D'Angeli	DATE: 3 Dec 82	TITLE: digital
CHG: A. Baron	DATE: 3 Dec 82	A.C. CONTROL BOARD
DESIGN: A. Baron	DATE: 3-1-83	
REP. ENG: A. Esion	DATE: 3-1-83	DOCUMENT NUMBER:
REP. ENG: B. B. L. P.	DATE: 4-1-83	SCALE: 1 of 1
B-DD-5415690-0-0		CS 5415690-0-1 B

ENGINEERING SPECIFICATION DATE: 13 JANUARY 1983

TITLE: POWER CONTROLLER SPECIFICATION - 877

REVISIONS

REV	DESCRIPTION	CHG NO	ORIG	DATE	APPD BY	DATE
A	INIT RELEASE					
B	Doc. Change	877-ML002		5/26/83	<i>Alfred Baron</i>	5-26-83

TABLE OF CONTENTS

- 1.0 GENERAL DESCRIPTION
- 2.0 APPLICABLE DOCUMENTS
- 3.0 ELECTRICAL DESCRIPTION
- 4.0 INPUT OVERVOLTAGE SURGE RATING & CIRCUIT BREAKER RATING
- 5.0 POWER CONTROL BUS
- 7.0 RIDE THROUGH CAPABILITY
- 8.0 MECHANICAL AND ENVIRONMENTAL SPEC
- 9.0 PRODUCT SAFETY
- 10.0 RELIABILITY

This document contains confidential and proprietary information to Digital. This information shall not be disclosed to persons outside the employ of DEC, except by DEC personnel so authorized by DEC, and only for use by such other persons in the design, production or manufacture of products for DEC.
Copyright (C) 1983 Digital Equipment Corporation.

ENG.	APPD	SIZE	CODE	NUMBER	REV
A. BARON	A. BARON	A	SP	877-0-2	B

SHEET 1 OF 9

SIZE	CODE	NUMBER	REV
A	SP	877-0-2	B

SHEET 2 OF 9

1.0 GENERAL DESCRIPTION

1.1 MECHANICAL

The 877 power controller consists of five variations: 877-A, B, C, D and E. All have two switched duplex outlets and one unswitched duplex (total of 6 outlets). All variations include an ac line filter. The 877's application is to distribute and control ac power in cabinets. All variations include a line cord and a suitable connector.

2.0 APPLICABLE DOCUMENTS

DEC STD. 002	AC Power Wiring, Grounding, Receptacles Rev. C
DEC STD. 102	Environmental Standard Rev. D
DEC STD. 122	AC Power Line Standard Rev. D
DEC STD. 123	Power Control Bus Standard Rev. A
DEC STD. 119	Product Safety Standard Rev. D

3.0 ELECTRICAL

The power controller serves four functions:

- a) To control large amounts of power with low signal power.
- b) To provide a convenient ac power distribution point.
- c) To disconnect power for servicing and in case of overload.

A block diagram of the basic power controller is shown in Figure

There are five (5) configurations of the power controller listed, all are single phase (see Table I).

SIZE	CODE	NUMBER	REV
A	SP	877-0-2	B

SHEET 3 OF 9

ENGINEERING SPECIFICATION digital CONTINUATION SHEET

ELECTRICAL SPECIFICATIONS All values are rms unless otherwise specified.

877 TYPE	RATED VOLT.	INPUT RANGE	RATED CURRENT (PEAK I)	INRUSH (PEAK I)	INPUT VA BREAKER FULL LOAD RATING	CIRCUIT BREAKER	POWER CORD	OUTPUT
							REMA PLUG	REMA RECEPT.
A	120	90-132	12A	300A	1440	15-15A	#12	5-15P 5-20R
B	240	180-264	12A	300A	2880	15-15A	#12	6-15P 6-20R
C	120	90-132	16A	400A	1920	25-25A	#12	5-20P 5-20R
D	120	90-132	24A	500A	2880	25-25-30A	#10	15-30P 15-20R
E	240	180-264	24A	500A	5760	25-25-30A	#10	16-30P 6-20R

GENERAL SPECIFICATIONS - All variations
Input and output connections are single phase 2 wire plus ground
Input range is 47 Hertz to 63 Hertz
Frequency range is 47 Hertz to 63 Hertz
Input power at no load - 10 Watts maximum
Line filter - See A-FS-12-13070-0-0
Leakage current contribution of the Power Controller - 1.5mA max @ 250 V 60 Hz
Output voltage - Same as input less voltage drop through unit not to exceed 2 volts

TABLE I

SIZE	CODE	NUMBER	REV
A	SP	877-0-2	B

SHEET 4 OF 9

4.0 INPUT OVERVOLTAGE SURGE FOR THE POWER CONTROLLER ALONE

VERSION	PHASE TO NEUTRAL
877-A,C,D	150V, 1 SECOND
877-B,E	300V, 1/2 OND

CIRCUIT BREAKER TRIP CHARACTERISTICS

VERSIONS	DEC PART NUMBER	DELAY CURVE
877-A,B	1212124-0-8	FIG. II
877-C	1212124-0-7	FIG. II
877-D,E	1211196-0-4	FIG. III

5.0 POWER CONTROL BUS

The power control bus consists of two parallel connected three pin Mate-N-Lok connectors going to the control board. Each of these connectors feeds two three pin Mate-N-Lok connectors mounted on the power controller. The pin connections are as follows:

- Pin 1 Power Request
- Pin 2 Power Inhibit
- Pin 3 Return

The two Mate-N-Lok connectors on the front panel are part of a power bus filter designed to reduce noise appearing at the front panel power bus Mate-N-Lok connectors.

Input signal current levels:

- High < 20 uA*
- Low > 20 mA*

* For worst case line voltage.

Input signal voltage levels:

- High < 35V at 132V line voltage
- Low < 1.6V

6.0 LOADS

No loads external to the cabinet are to be plugged into the power controller.

SIZE	CODE	NUMBER	REV
A	SP	877-0-2	B

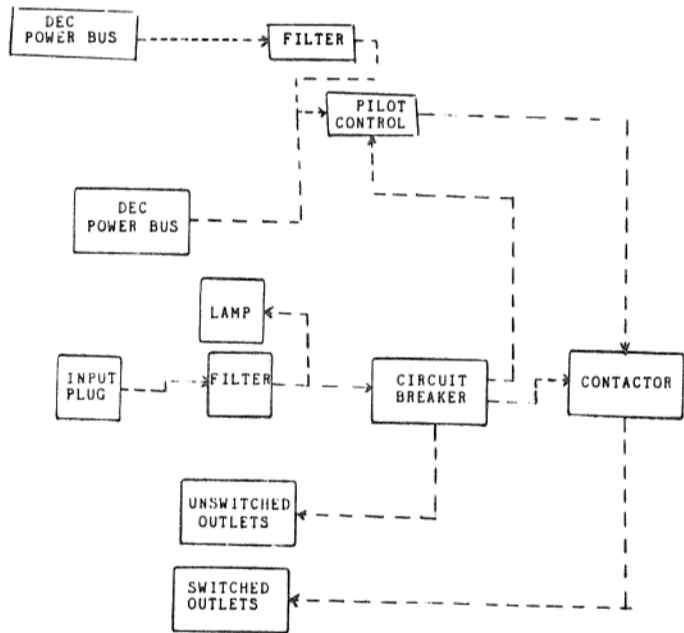


FIGURE I

SIZE	CODE	NUMBER	REV
A	SP	877-0-2	B

7.0 RIDE THROUGH CAPABILITY

Less than 1 millisecond.

8.0 MECHANICAL AND ENVIRONMENTAL

8.1 DIMENSIONS

6 9/16 (16.7cm) x 11 1/16 (28.1cm) x 5 5/16 (12.5cm)

8.2 WEIGHT

15 lbs. (6.8kg) max.

8.3 APPLICATION

To be used only in h7640 cabinet series with H9544-S series bulkhead panels in which the outlet receptacles will not be operator accessible.

8.4 TEMPERATURE

Per DEC STD.102 Rev. C DEC Class B (10°C To 40°C) OPERATING (-40°C To 65°C) STORAGE

8.5 RELATIVE HUMIDITY

Per DEC STD.102 Rev. C DEC Class B

8.6 VIBRATION

Per DEC STD.102 REV. C DEC Class C.

8.7 SHOCK

Per DEC STD.102 Paragraph 2.0

8.8 ALTITUDE

Per DEC STD.102 Paragraph 3.0

8.9 COOLING

Convection cooled.

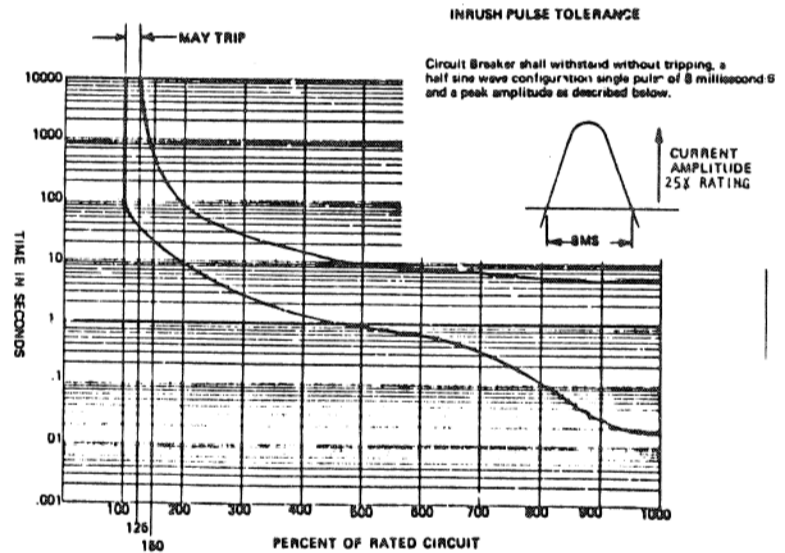
9.0 PRODUCT SAFETY

The 877 power controller shall conform to DEC STD.119 (Product Safety).

10.0 PRODUCT RELIABILITY

The MCBF of the 877 power controller shall be 2500. Based on one ON/OFF cycle per day (24 hours/cycle), this relates to an MTBF of 60,000 hours.

SIZE	CODE	NUMBER	REV
A	SP	877-0-2	B



TIME-DELAY CURVE

FIG. II

SIZE	CODE	NUMBER	REV
A	SP	877-0-2	B

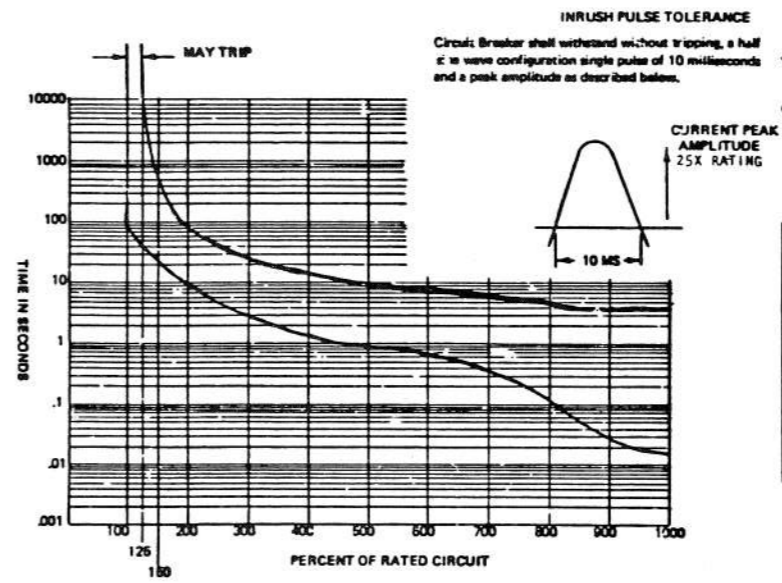


FIGURE III
TIME-DELAY CURVE

SIZE	CODE	NUMBER	REV
A	SP	877-0-2	B