

TITLE	SHEET	SIZE	CODE	NUMBER	REV
11X44 KERNEL	2 OF 3	B	DD	11X44-Ø	A

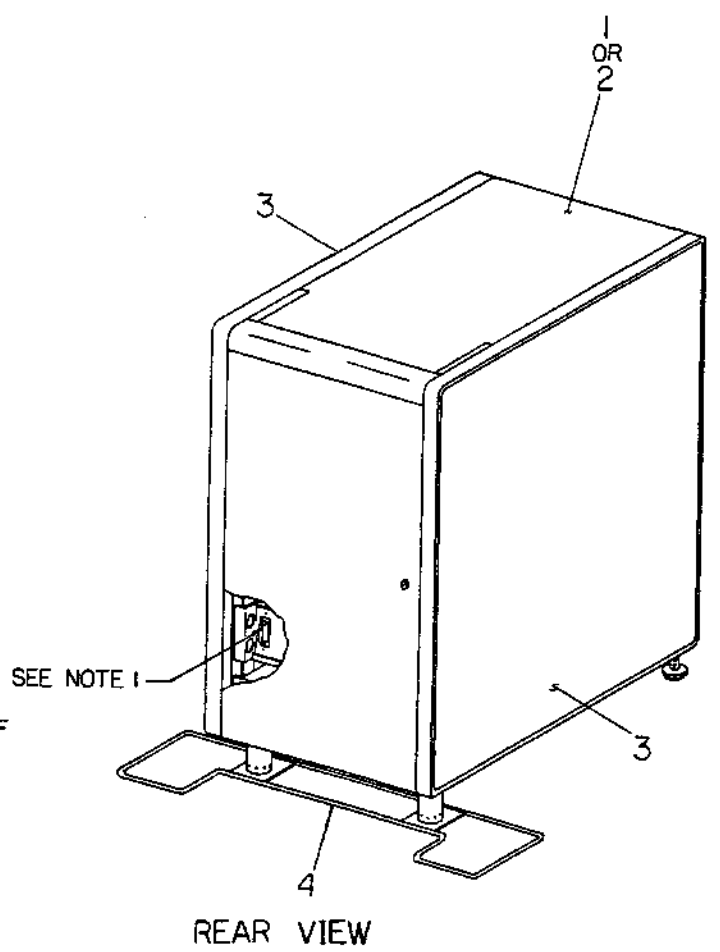
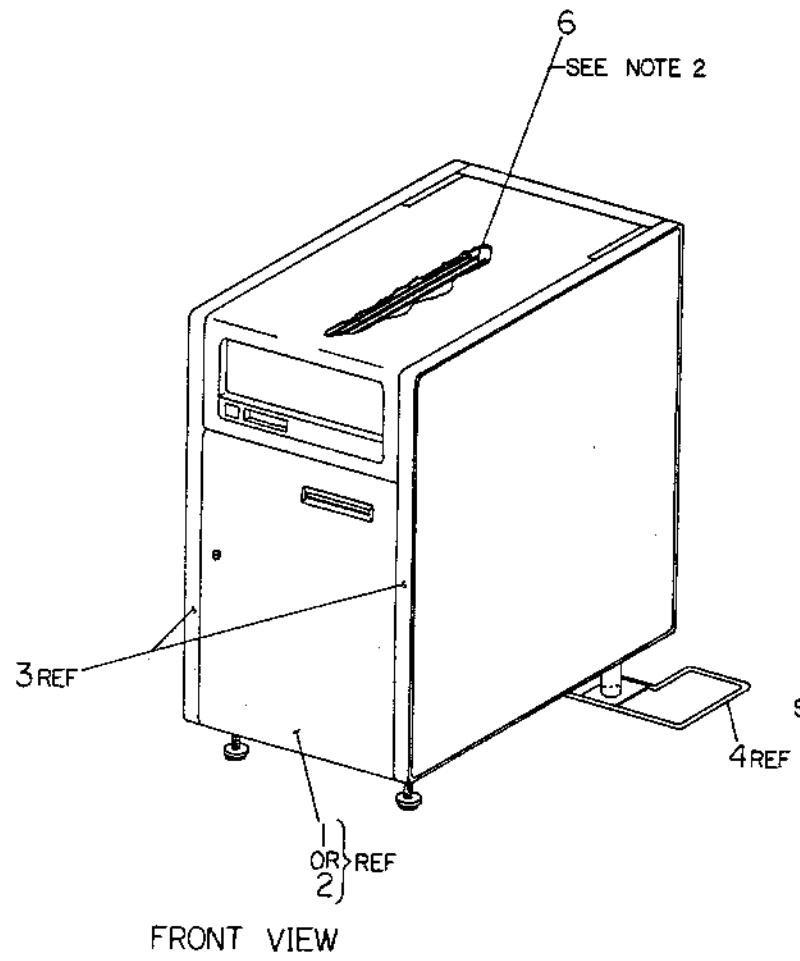
THIS DRAWING AND SPECIFICATIONS HEREIN ARE THE PROPERTY OF DIGITAL EQUIPMENT CORPORATION AND SHALL NOT BE REPRODUCED OR COPIED IN WHOLE OR IN PART AS THE BASIS FOR THE MANUFACTURE OR SALE OF ITEMS WITHOUT WRITTEN PERMISSION. COPYRIGHT © 1970 DIGITAL EQUIPMENT CORPORATION

0-0-11X44-0-0
 11X44-0-0
 11X44-0-0

LEGEND		
NUMBER	TITLE	VOLTS
11X44-CA	11X44	120
11X44-CB	11X44	240
11X44-XX	11X44	120
11X44-XY	11X44	240

NOTES:

1. CABLE (ITEM 5) FROM CONNECTOR SHOWN TO CONSOLE TERMINAL.
2. MEMORY MODULE (ITEM 6) PLUGS INTO SLOT 9 OF 11/44 CPU BACKPLANE.



FOR PARTS LIST SEE K-PL-11X44-0-DBP

DESCRIPTION	DRAWING NO.	PART NO.	ITEM NO.
UNLESS OTHERWISE SPECIFIED DIMENSIONS ARE IN INCHES AND THE FOLLOWING TOLERANCES APPLY (PER DEC STD 114)			
INCHES TOLERANCES	ANGLES ±.50	APPLICABLE DIMENSION RANGE	
		DIMENSION RANGE IN INCHES	
X = ±.1	SURFACE QUALITY	OVER 12	OVER 12.0
XX = ±.02		TO 12	TO 12.0
XXX = ±.006	MICROINCHES	TO 12	TO 12.0
		TO 12.0	TO 12.0
		±.004	±.002
		±.002	±.001
		±.001	±.0005

THIRD ANGLE PROJECTION

DO NOT SCALE DRAWING

REMOVE BURRS AND BREAK SHARP CORNERS

MATERIAL SEE PARTS LIST

DATE 24 OCT 1979

DATE 11/19/79

DATE 12 JAN 80

TITLE 11X44 KERNEL

DOCUMENT NUMBER DJA11X44-0-0

SCALE

REV	INITIAL	DATE
A		

DJA 11X44-0-0

LINE ITEM	DOCUMENT NUMBER	PART NUMBER	DESCRIPTION	QUANTITY PER VARIATION			
				CA	CB	XX	XY
1	E-AD-7016719-0-0	7016719-00	CPU KERNEL 11/44 120V	1	-	1	-
2	E-AD-7016719-0-0	7016719-01	CPU KERNEL 11/44 220V-240V	-	1	-	1
3	E-UA-H9544-A-0	H9544-AA	40"END PANEL,GREY FRAME,DARK BRO	2	2	-	-
4	D-AD-H9544-MJ-0	H9544-MJ	STABLIZER KIT ASSY.	1	1	-	-
5	B-PL-BC22A-0-0	BC22A-25	BC22A-10 EXCEPT 25 FT	1	1	-	-
6	B-PL-MS11-M-0	OMS11-MB	256 KBYTES MOS ECC MEMORY(M8722-	1	1	-	-
7	A-SP-3700433-0-0	3700436-00	PKG CAB H9642/H9645/H9646	REF	REF	REF	REF

REVISION HISTORY		BASIC PART NO: 11X44		DRN: MARINA PANZICA P.B. DATE: 21-NOV-79		D I G I T A L			
ENG	ECD NUMBER	REV	SECTION A OF A	CHK'D:	DATE: 21-NOV-79	TITLE		PARTS LIST	
	INITIAL	A	SECTION, VARIATION INDEX	F.H. KEYES JR. FX P.B.	DATE: 21-NOV-79	11X44 KERNEL			
			[A] CA, CB, XX, XY						
			[B]	DES.ENG.: KEN BANKER P.B.	DATE: 21-NOV-79				
			[C]						
			[D]	RESP.ENG.: KEN BANKER P.B.	DATE: 21-NOV-79	DOCUMENT NUMBER			
			[E]			SIZE	CODE	NUMBER	REV
			[F]	MFG.ENG.: NORM POLLITT P.B.	DATE: 21-NOV-79	K	PL	11X44-0-DBP	A
ASSEMBLY NUMBER: D-UA-11X44-0-0				TOP DOCUMENT NUMBER: #B-DD-11X44-0		FILE NAME: Z1066A.PLS		EDIT # 15	

*THIS DRAWING AND SPECIFICATIONS HEREIN, ARE THE PROPERTY OF DIGITAL EQUIPMENT CORPORATION AND SHALL NOT BE REPRODUCED OR COPIED OR USED IN WHOLE OR IN PART AS THE BASIS FOR THE MANUFACTURE OR SALE OF ITEMS WITHOUT WRITTEN PERMISSION. COPYRIGHT (C) 1980. DIGITAL EQUIPMENT CORPORATION *

digital**PARTS LIST**

QUANTITY / VARIATION

NOTES:

DRN. DATE	P. BARTH 29NOV79	DES. ENG. K. BANKER DATE	MFG. ENG. NORM POLLITT
-----------	---------------------	-----------------------------	---------------------------

CHK'D. DATE	F. KEYES 29NOV79	RESP. ENG. K. BANKER DATE	NEXT HIGHER DOC.
-------------	---------------------	------------------------------	------------------

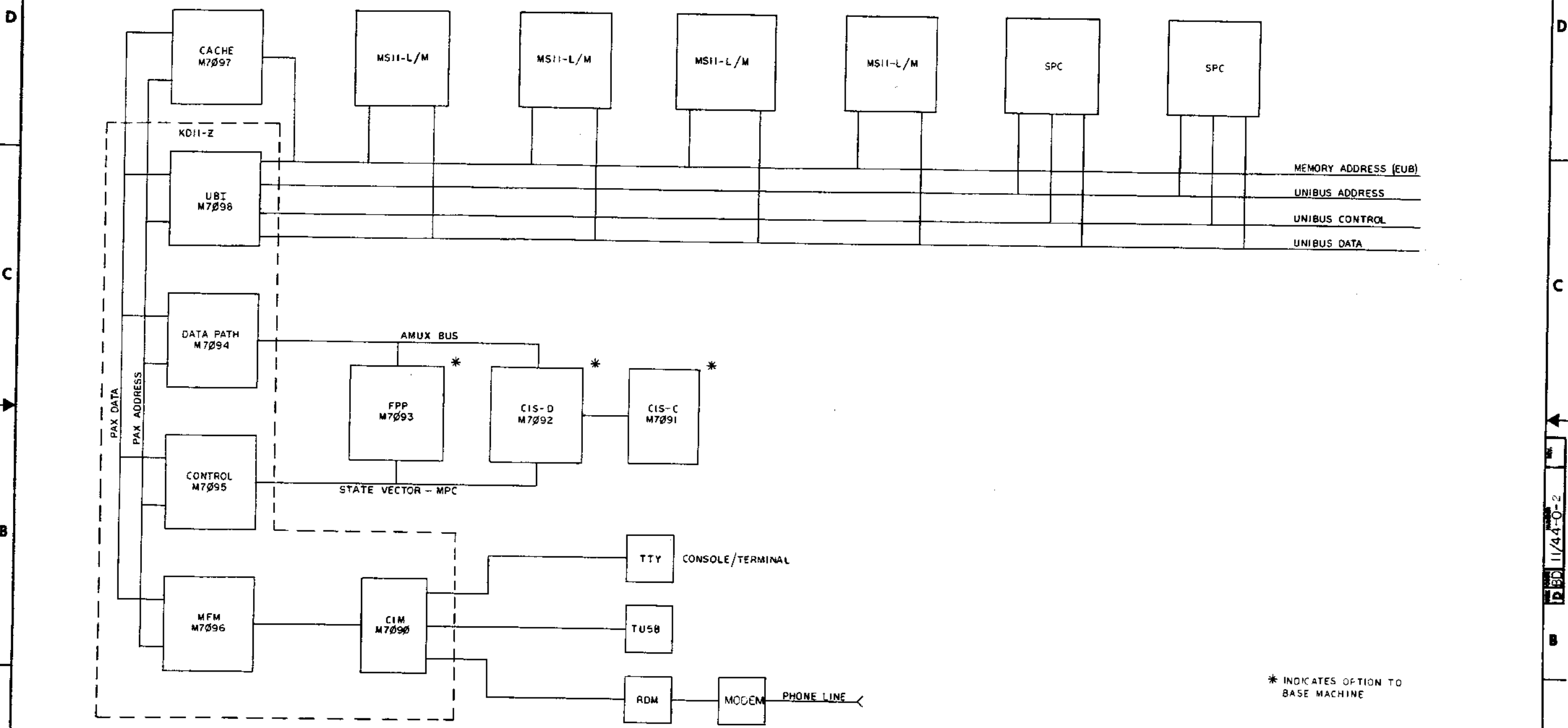
ITEM NO.	DRAWING NO.	PART NO.	DESCRIPTION	QUANTITY / VARIATION												REFERENCE DESIGNATORS	
				11X44-CA	11X44-CB	11X44-XX	11X44-XY										
1	B-TC-11X44-0-1	MP00897	11X44 KERNEL PRINT SET	1	1	1	1										
2		ZJ014-FR	11/44 BASIC CPU KIT (FICHE)	1	1	1	1										
3		EK-MS11M-UG	MS11-MB USER'S GUIDE	1	1	1	1										
4		EK-TU58-UG	TU58 TAPE SUB-SYSTEM USER GUIDE	1	1	1	1										
5		EK-11044-UG	11/44 SYSTEM USER GUIDE	1	1	1	1										
6		ZJ014-PB	11/44 BASIC CPU KIT (PAPER TAPE)	1	1	1	1										
7		ZJ287-FR	TU58 KIT (FICHE)	1	1	1	1										
8		ZJ287-PB	TU58 KIT PAPER TAPE	1	1	1	1										

ECO NO.	
---------	--

<small>THIS DRAWING AND SPECIFICATIONS, HEREIN, ARE THE PROPERTY OF DIGITAL EQUIPMENT CORPORATION AND SHALL NOT BE REPRODUCED OR COPIED OR USED IN WHOLE OR IN PART AS THE BASIS FOR THE MANUFACTURE OR SALE OF ITEMS WITHOUT WRITTEN PERMISSION. COPYRIGHT © 1980 DIGITAL EQUIPMENT CORPORATION</small>	TITLE	ASSY. NO.	SIZE	CODE	NUMBER	REV.
	SHIPPING LIST (11X44 KERNEL)		B	PL	11X44-0	A
		SECTION 1 OF 1			SHEET 1 OF 1	

THIS DRAWING AND SPECIFICATIONS HERIN ARE THE PROPERTY OF BOSTON UNIVERSITY COMPUTER CENTER. ANY REPRODUCTION OR COPIES IN WHOLE OR IN PART IS THE BASIS FOR THE MANUFACTURE OR SALE OF ITEMS WITHOUT WRITTEN PERMISSION. COPYRIGHT © 1979 BOSTON UNIVERSITY COMPUTER CENTER

11/44-0-2 2 1



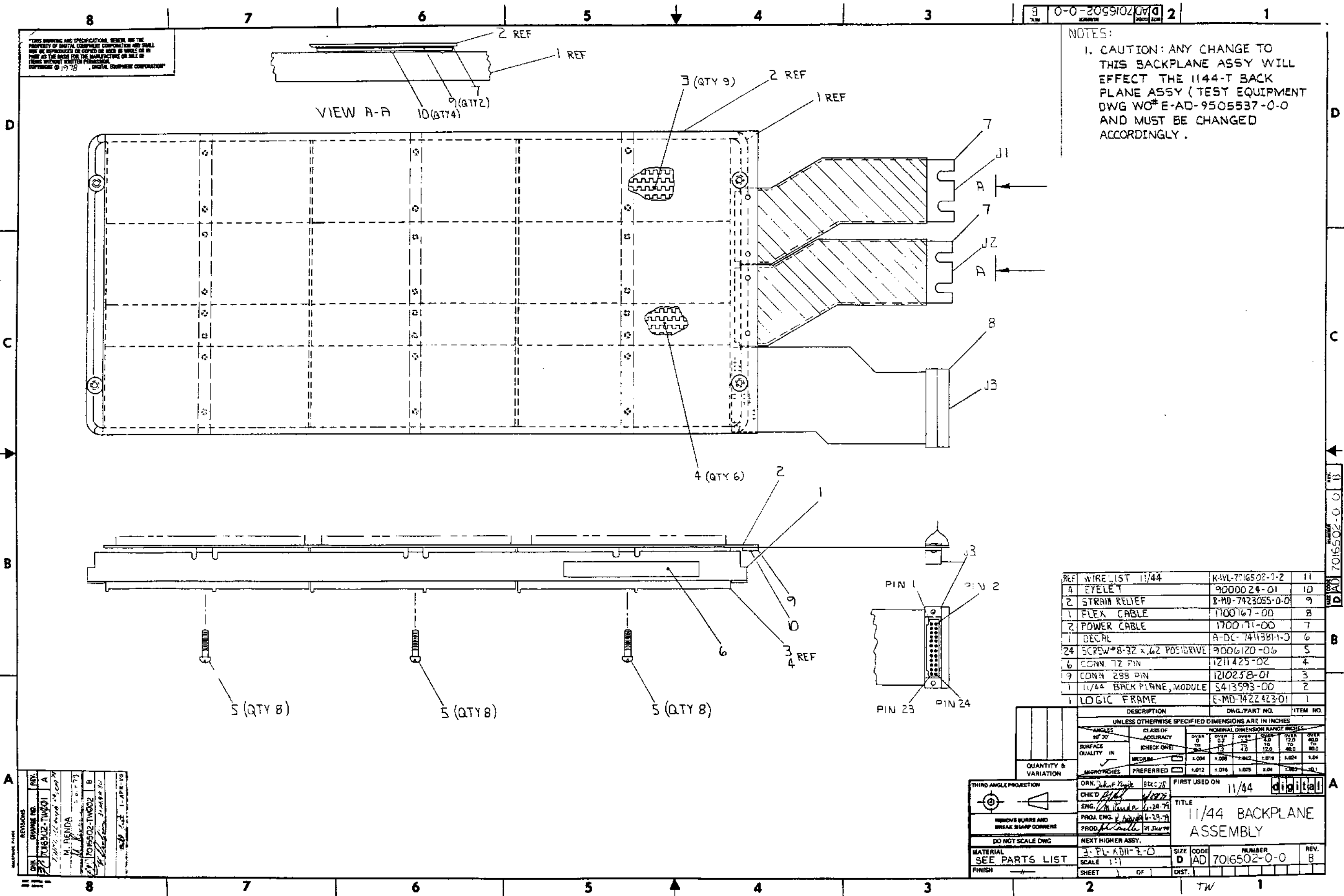
* INDICATES OPTION TO BASE MACHINE

REV.	DATE
1	11/79
2	11/79
3	11/79
4	11/79
5	11/79
6	11/79
7	11/79
8	11/79

DRN. <i>P. J. ...</i>	DATE 11/79	FIRST USED ON	11/44 SYSTEM
CHK'D		TITLE	BLOCK DIAGRAM
ENG.		SIZE	D
PROJ. ENG.		CODE	BD
PROD. <i>P. J. ...</i>	11/79	NUMBER	11/44-0-2
NEXT HIGHER ASSY.		REV.	*
SCALE ++		SHEET	1 OF 1
		DIST.	TW 1

THIS DRAWING AND SPECIFICATIONS, WHEN IN THE PROPERTY OF DIGITAL EQUIPMENT CORPORATION AND SHALL BE A SERVICE OR COPYED OR USED IN WHOLE OR IN PART AS THE BASIS FOR THE MANUFACTURE OR SALE OF ITEMS WITHOUT WRITTEN PERMISSION OF DIGITAL EQUIPMENT CORPORATION © 1978

NOTES:
 1. CAUTION: ANY CHANGE TO THIS BACKPLANE ASSY WILL EFFECT THE 1144-T BACK PLANE ASSY (TEST EQUIPMENT DWG WO*E-AD-950537-0-0 AND MUST BE CHANGED ACCORDINGLY.

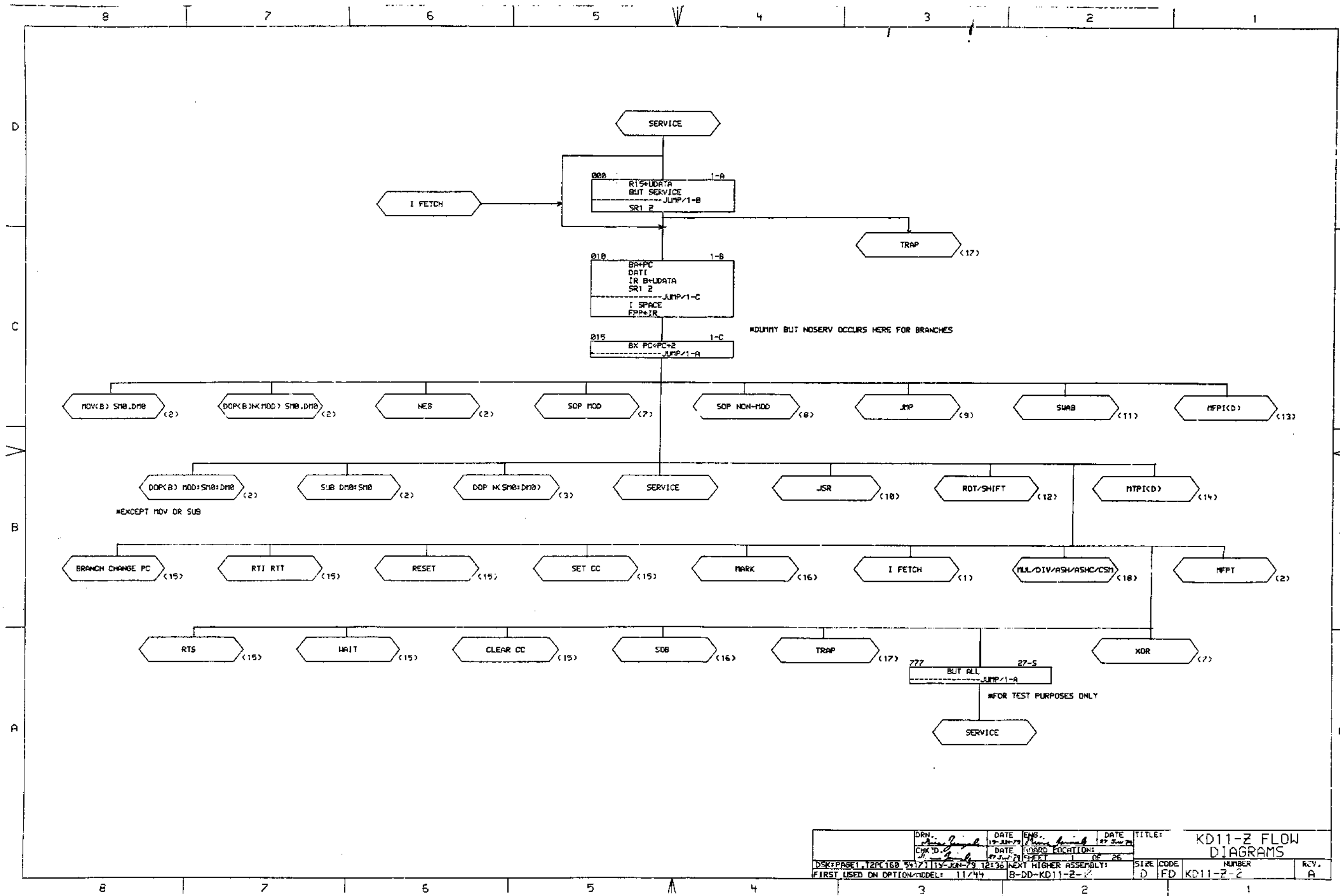


REF	DESCRIPTION	DWG/PART NO.	ITEM NO.
4	EYELET	9000024-01	10
2	STRAIN RELIEF	8-MD-7423055-0-0	9
1	FLEX CABLE	1700167-00	8
2	POWER CABLE	1700171-00	7
1	DECAL	A-DC-7411381-0	6
24	SCREW #8-32 x .62 POSITIVE	9006120-06	5
6	CONN 72 PIN	1211425-02	4
9	CONN 288 PIN	1210258-01	3
1	11/44 BACK PLANE, MODULE	5413593-00	2
1	LOGIC FRAME	E-MD-7422423-01	1

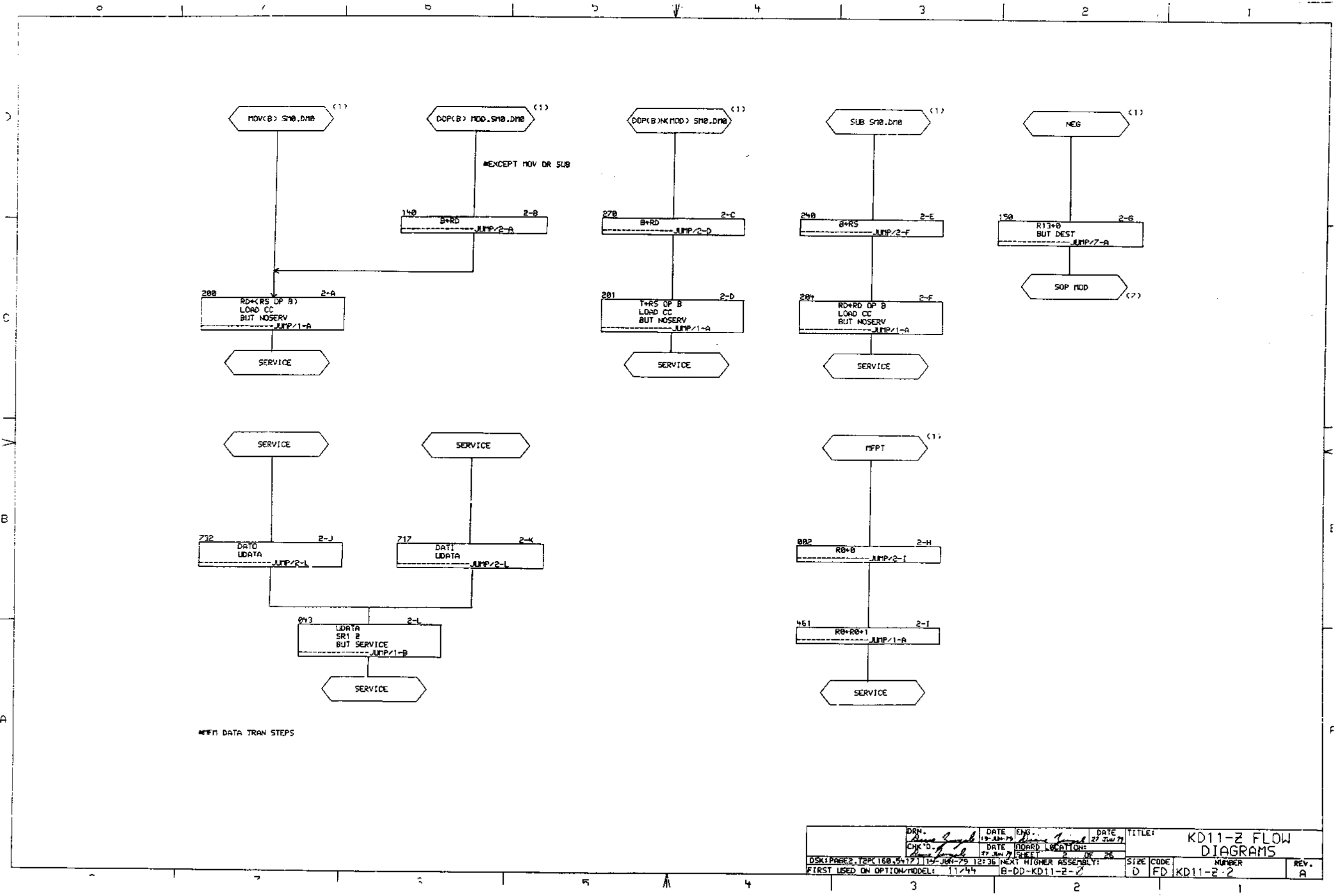
UNLESS OTHERWISE SPECIFIED DIMENSIONS ARE IN INCHES		FIRST USED ON	
ANGLES OF 30°	CLASS OF ACCURACY (CHECK ONE)	11/44	digital
SURFACE QUALITY IN MICROINCHES	PREFERRED		
QUANTITY & VARIATION	DO NOT SCALE DWG		
THIRD ANGLE PROJECTION	MATERIAL SEE PARTS LIST		
REMOVE BURRS AND BREAK SHARP CORNERS	FINISH		
TITLE		NUMBER	
11/44 BACKPLANE ASSEMBLY		AD 7016502-0-0	
NEXT HIGHER ASSY.		REV.	
3-PL-AD11-2-0		B	
SCALE 1:1		SHEET OF	
SHEET OF		DST.	

REV.	DATE	BY	CHKD
A	11/44	M. RENDA	
B	1-APR-79		

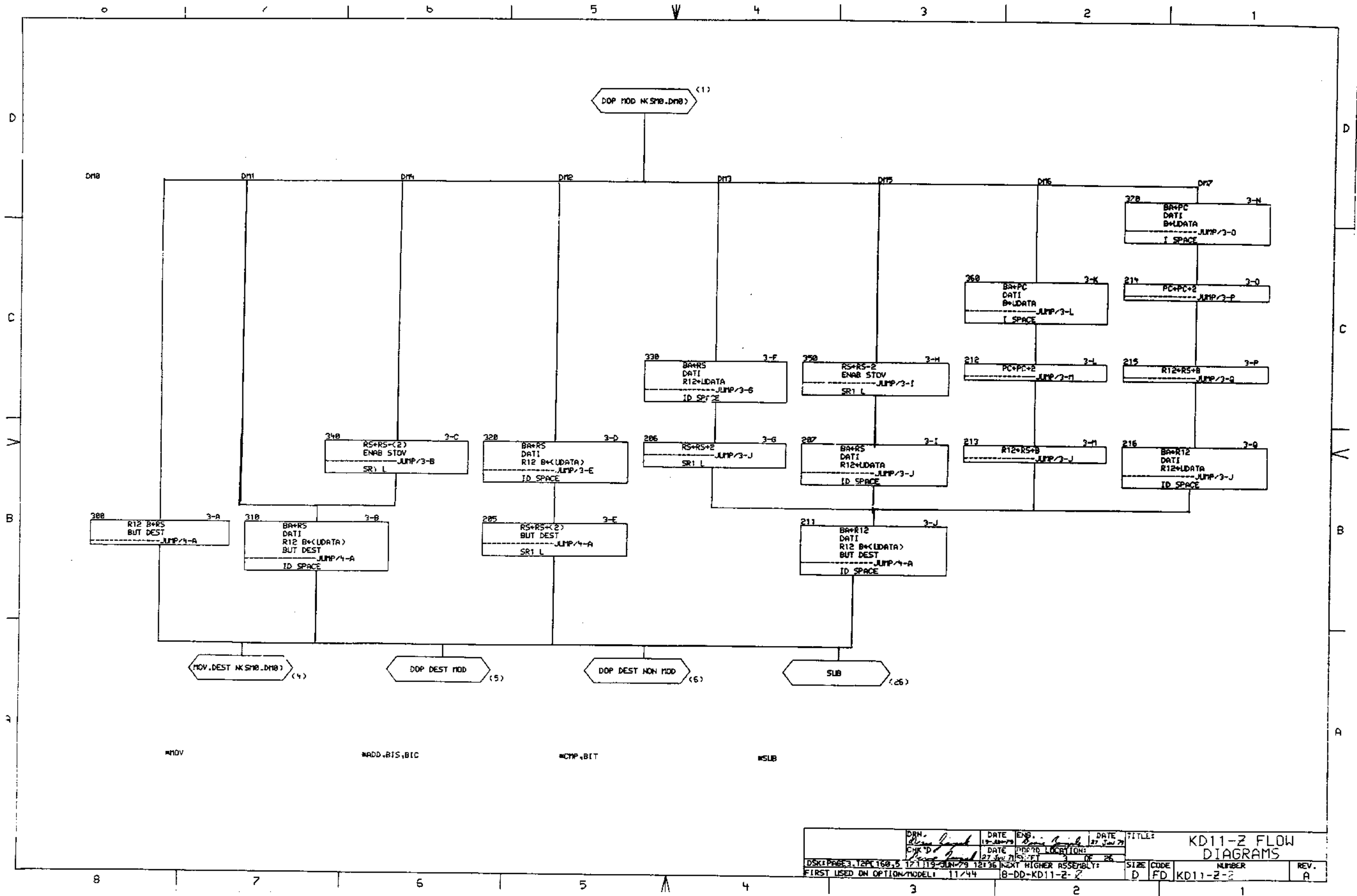
AD 7016502-0-0 B

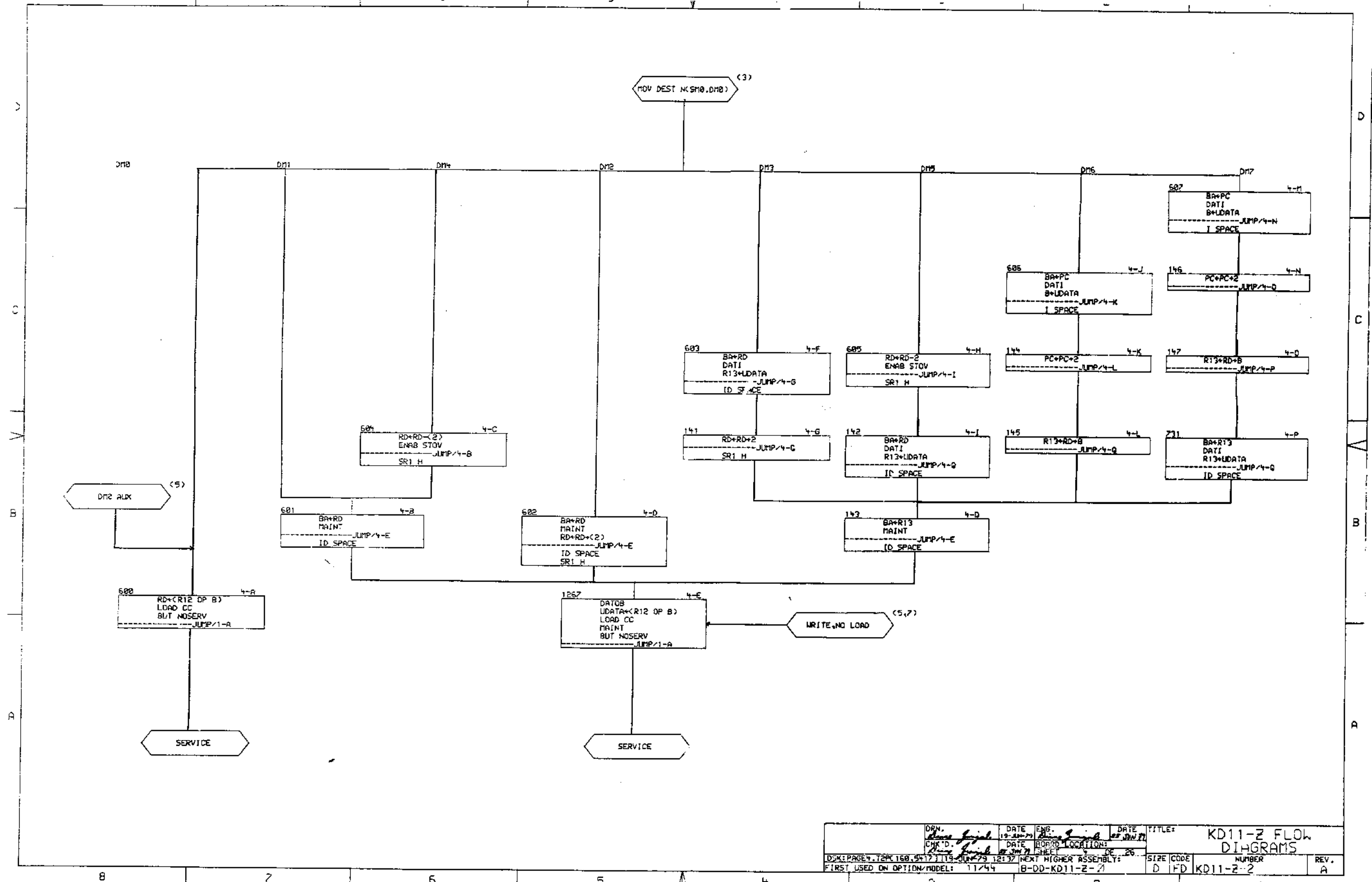


DRN.	DATE	ENG.	DATE	TITLE:
CHK'D.	DATE	FORWARD LOCATION:	DATE	KD11-Z FLOW DIAGRAMS
DSKT/PAGE/1, 12/PC/16B	5/17/71	11/4	12/35	SIZE CODE NUMBER REV.
FIRST USED ON OPTION/MODEL:	11/44	B-DD-KD11-Z-1	D FD	KD11-Z-2 A

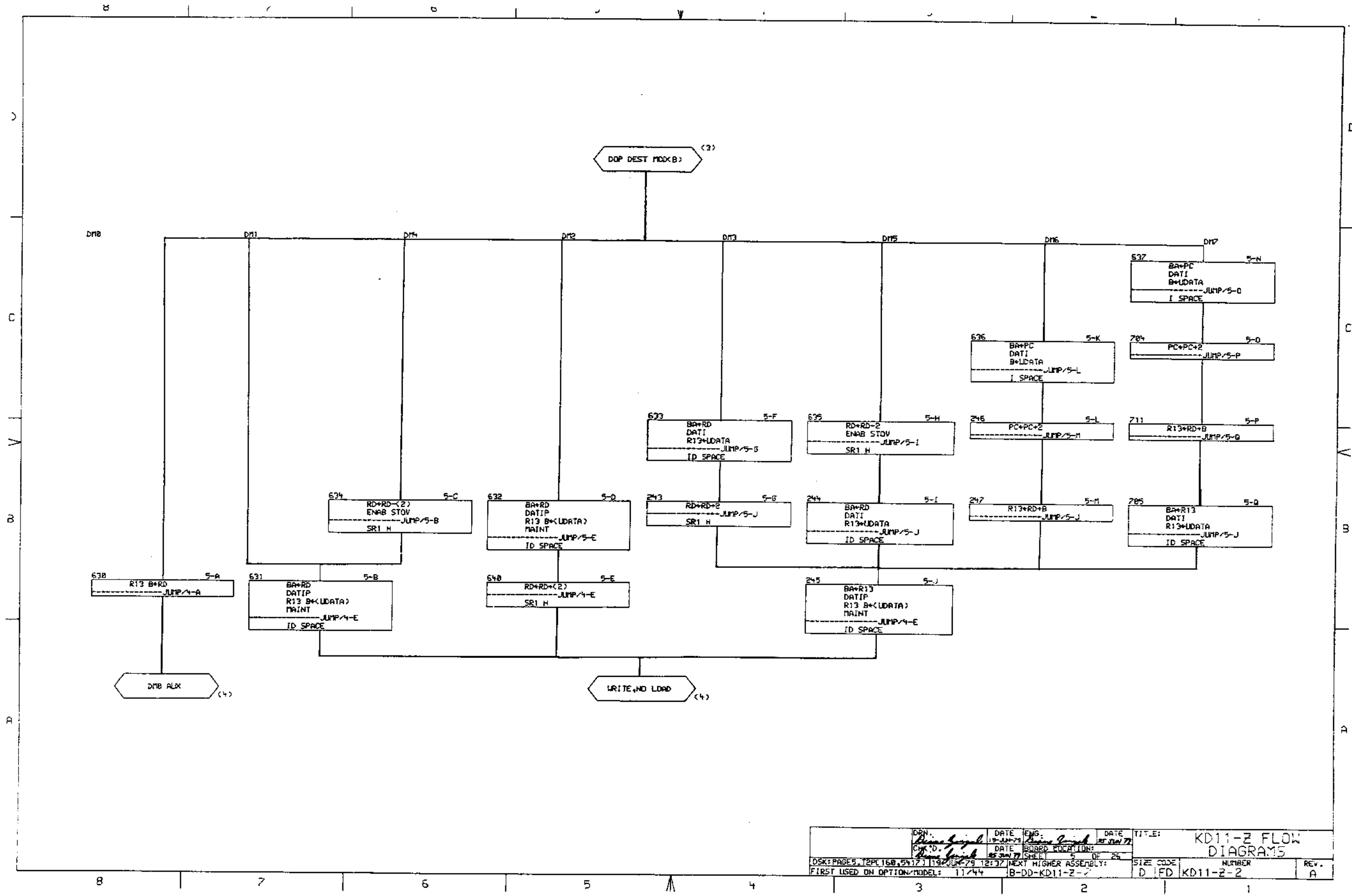


DRN. CHK'D	DATE 18-23-79	ENG. D. J. J.	DATE 27 Jul 79	TITLE: KD11-Z FLOW DIAGRAMS
DSK1 PAGE 2, TOP 168, 8-17	18-JUN-79 12:36	NEXT HIGHER ASSEMBLY: B-DD-KD11-2-2	SIZE CODE D FD	NUMBER KD11-2-2
FIRST USED ON OPTION/MODEL: 11/44				REV. A



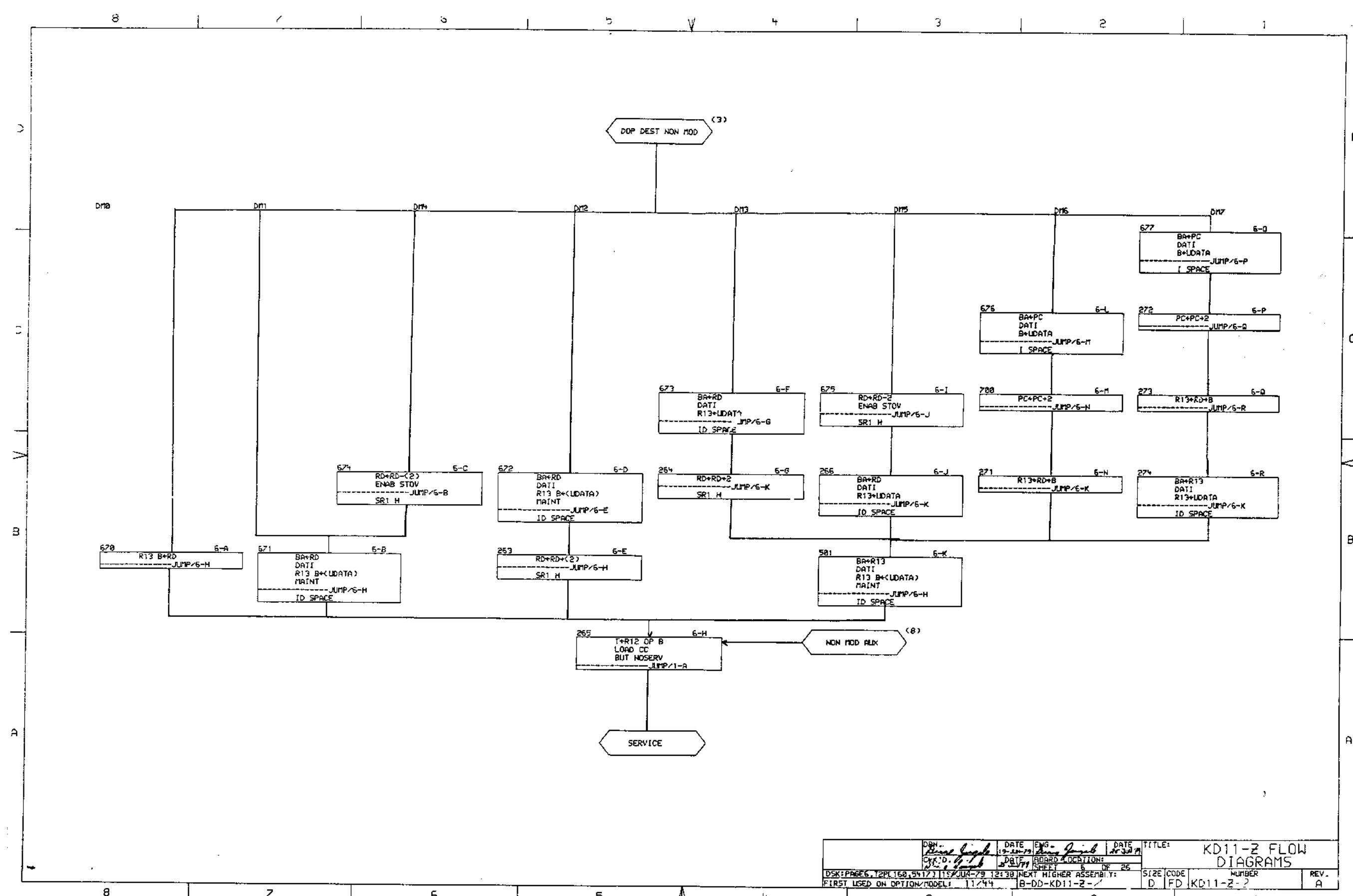


DRN. <i>Steve Fajal</i>	DATE 12-20-79	ENG. <i>Steve Fajal</i>	DATE 25 JAN 80	TITLE KD11-Z FLOW DIAGRAMS
CHK'D. <i>Steve Fajal</i>	DATE 25 JAN 80	BOARD LOCATION DE 26	SIZE CODE D 1 FD	NUMBER KD11-Z-2
FIRST USED ON OPTION/MODEL: 11/44 B-DD-KD11-Z-2			REV. A	

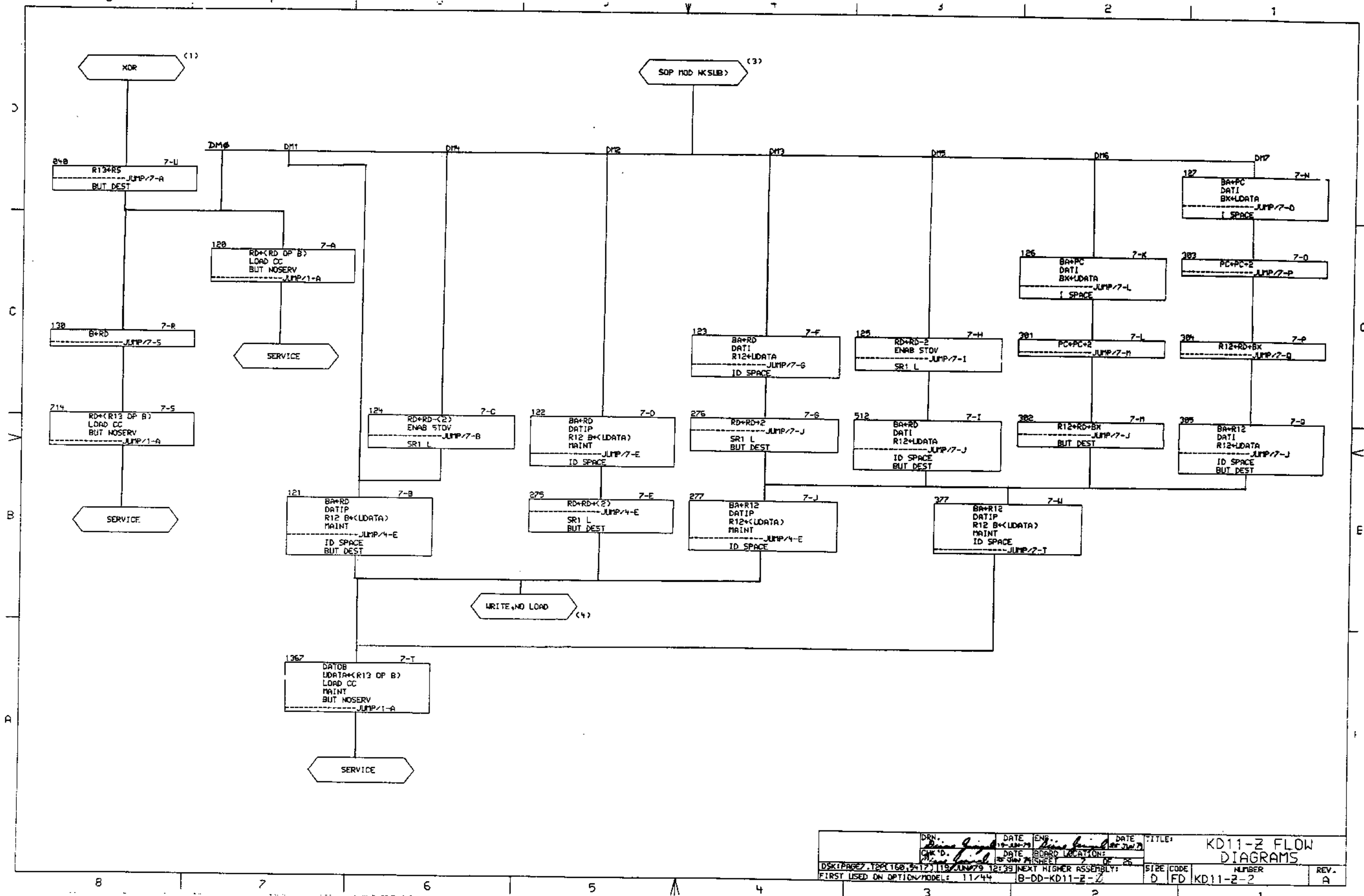


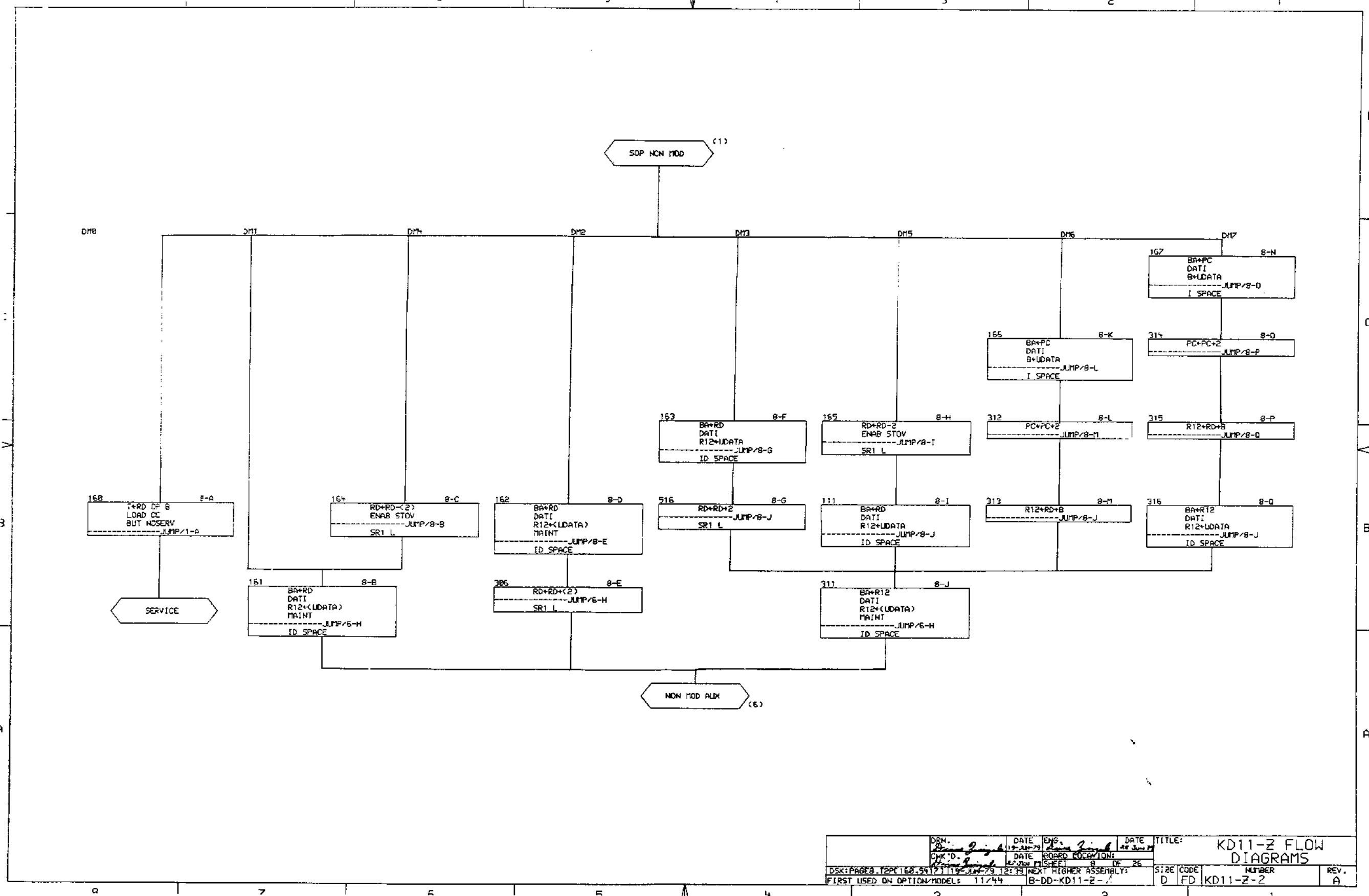
DRN <i>David Joseph</i>	DATE 18 JAN 79	ENG <i>David Joseph</i>	DATE 25 JUN 79	TITLE: KD11-Z FLOW DIAGRAMS
CHK'D <i>David Joseph</i>	DATE 25 JUN 79	BOARD LOCATION 5 OF 25	SHEET 5 OF 25	SIZE CODE D 1FD
FIRST USED ON OPTION/MODEL: 11/44			NEXT HIGHER ASSEMBLY: B-DD-KD11-Z-2	NUMBER KD11-Z-2
				REV. A

8 7 6 5 4 3 2 1

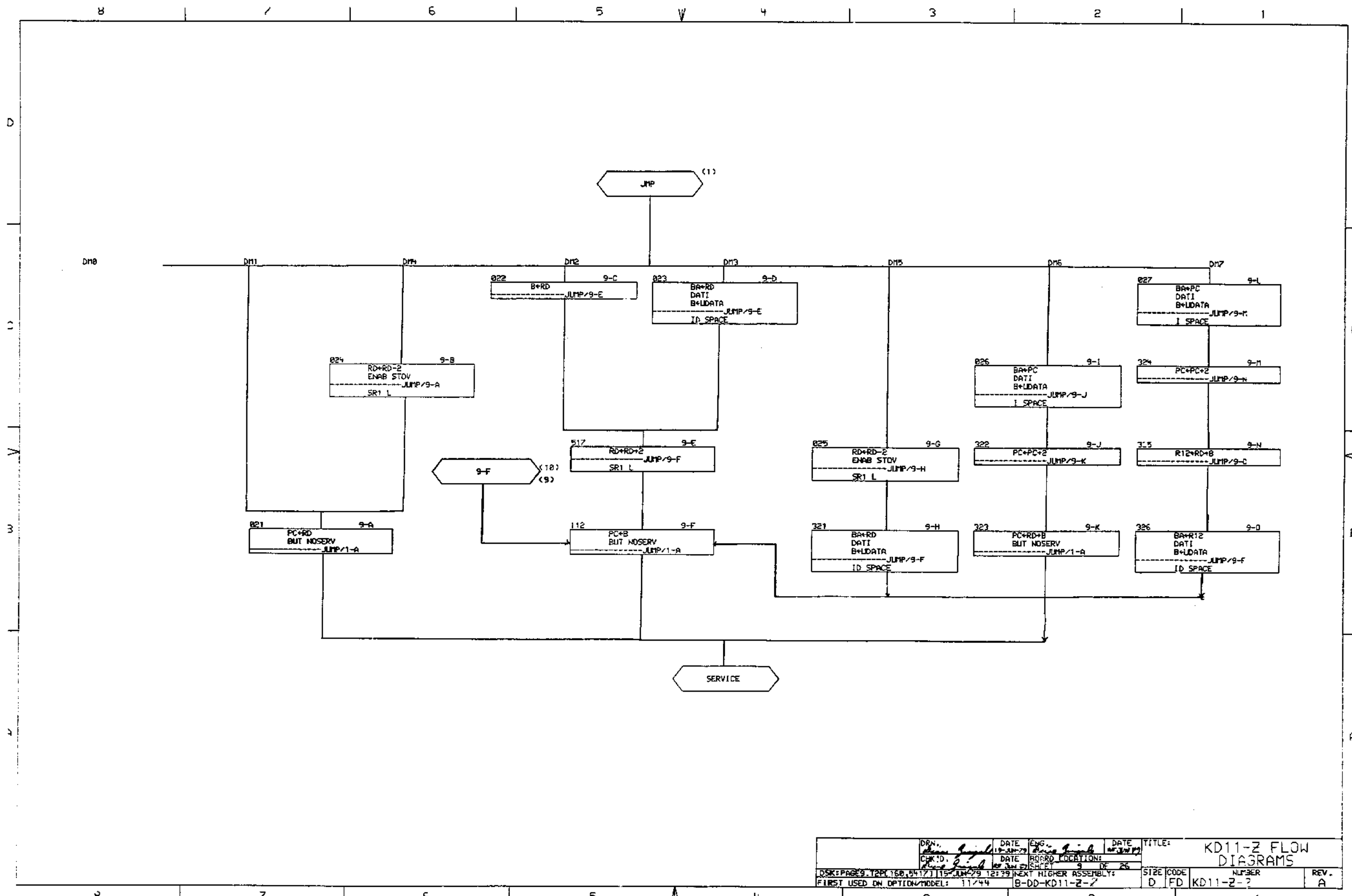


DRN: <i>Steve Smith</i>	DATE: <i>12-20-79</i>	ENG: <i>Steve Smith</i>	DATE: <i>12-20-79</i>	TITLE: KD11-Z FLOW DIAGRAMS
CHK'D: <i>Steve Smith</i>	DATE: <i>12-20-79</i>	APPROV: <i>Steve Smith</i>	DATE: <i>12-20-79</i>	REV: A
DSK: PAGE 6, TRC 160, 54177	11/24/79	12:30	NEXT HIGHER ASSEMBLY: B-DD-KD11-Z-1	SIZE CODE: D, FD
FIRST USED ON OPTION/MODEL: 11/44				NUMBER: KD11-Z-?

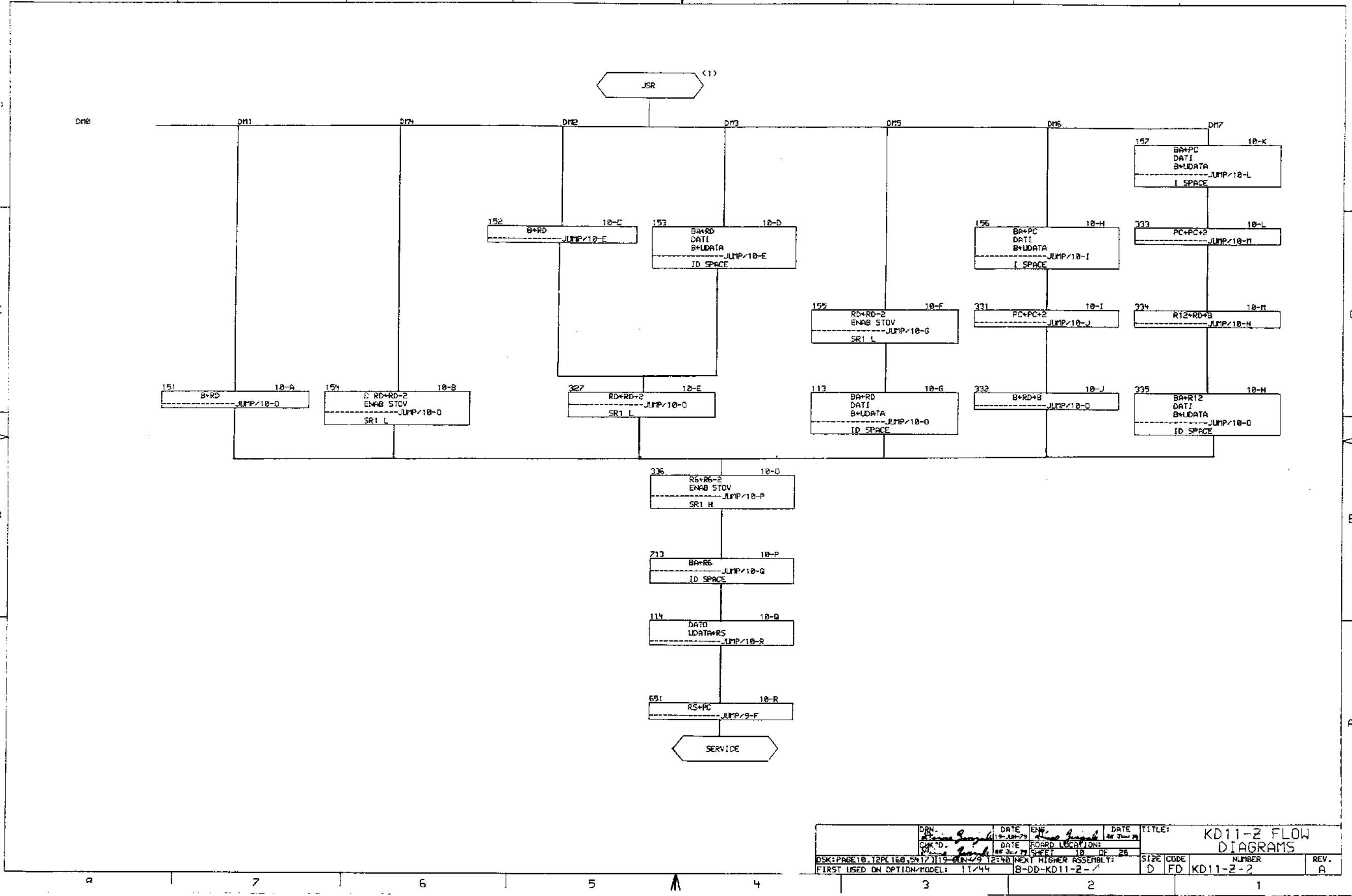




DRN.	DATE	ENG.	DATE	TITLE:
CHK'D.	DATE	DESIGN	DATE	KD11-Z FLOW
				DIAGRAMS
DSK:PAGE 1,2,3,4,5,6,7,8,9,10,11,12,13,14,15,16,17,18,19,20,21,22,23,24,25,26				SIZE CODE
FIRST USED ON OPTION/MODEL: 11/44				NUMBER
				REV.
				A

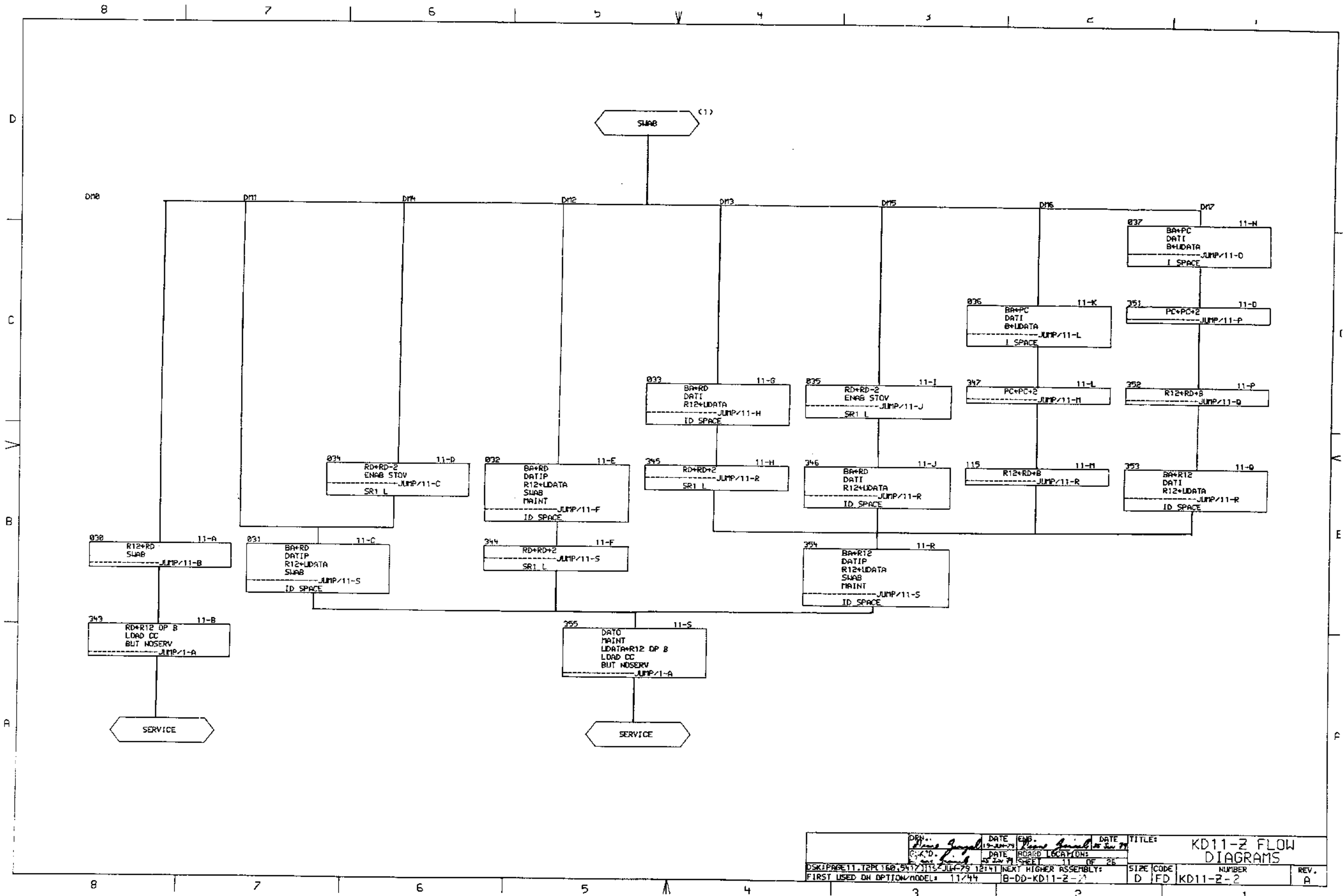


DRN.	DATE	ENG.	DATE	TITLE:
CHK'D.	DATE	BOARD LOCATION:	SHEET	KD11-Z FLOW DIAGRAMS
DSK:PAGE9.TAP:150,5477115 JUN-79 12:39 NEXT HIGHER ASSEMBLY:				SIZE CODE NUMBER REV.
FIRST USED ON OPTION/MODEL: 11/44 B-DD-KD11-Z-7				D FD KD11-Z-? A

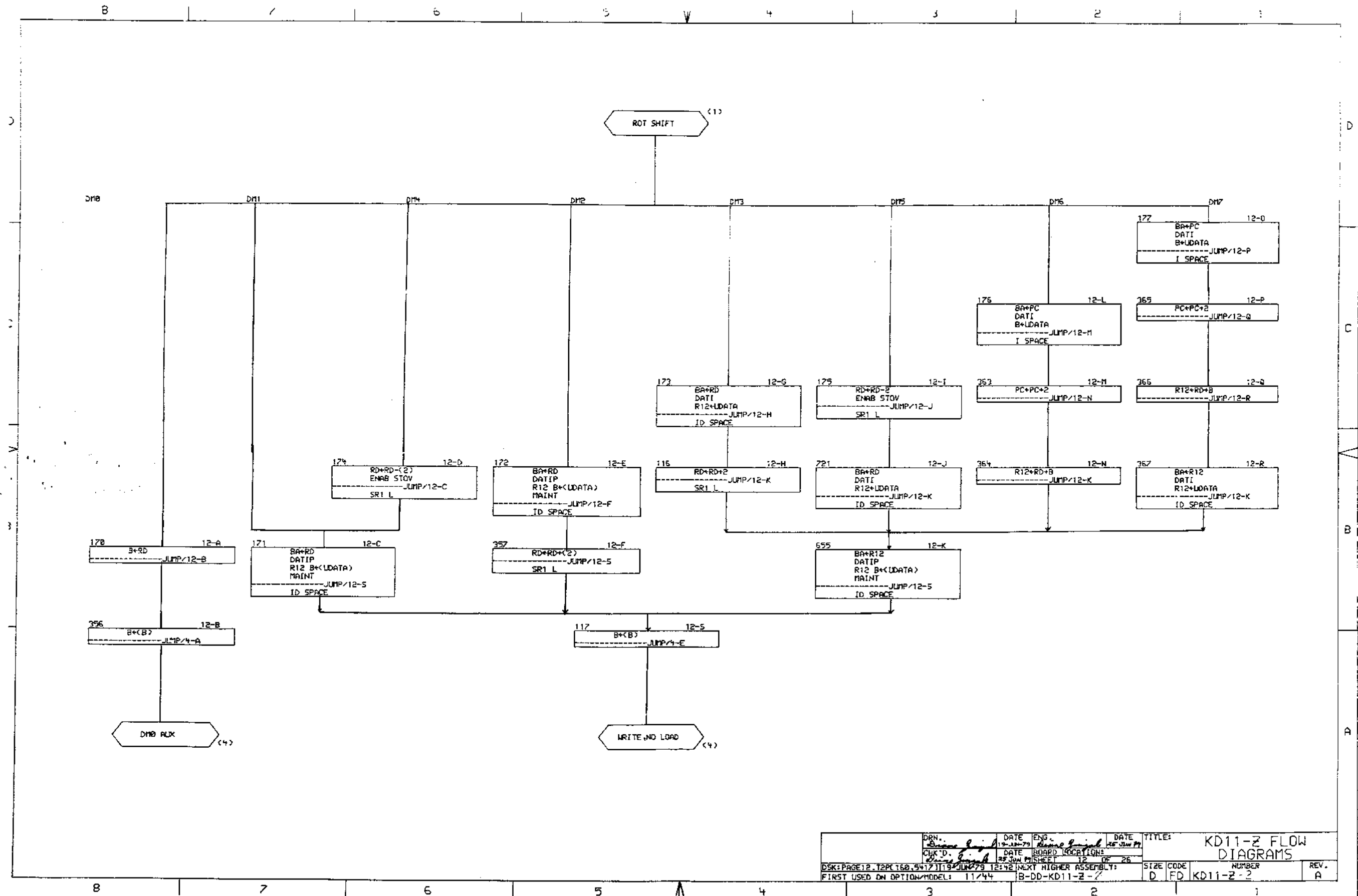


DRN.	DATE	ENR.	DATE	TITLE:
CHK'D.	DATE	BOARD LOCATION		KD11-2 FLOW DIAGRAMS
CHK'D.	DATE	DEPT.	DE	
FIRST USED ON OPTION/MODEL:				REV.
11/44				A

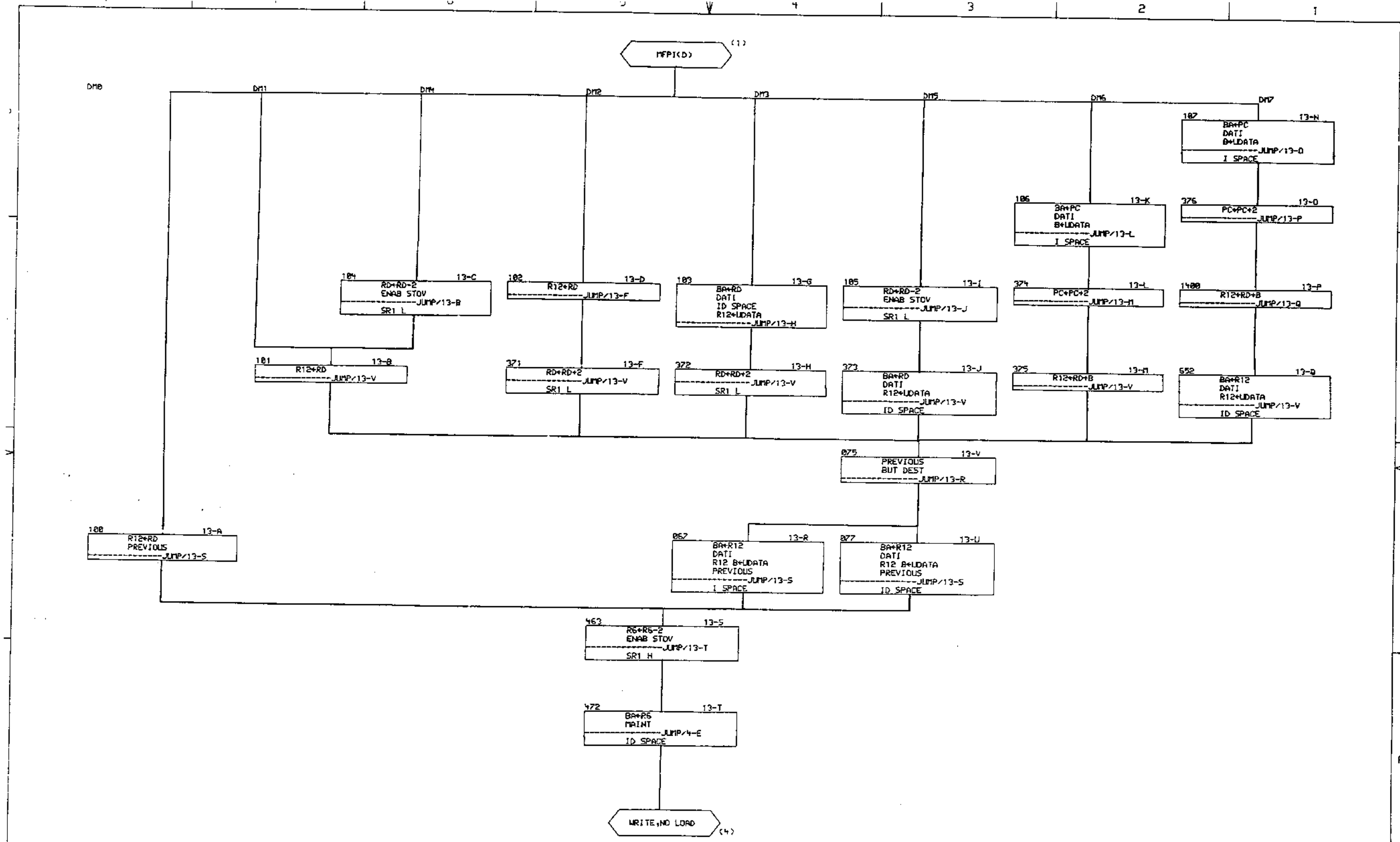
8 7 6 5 4 3 2 1



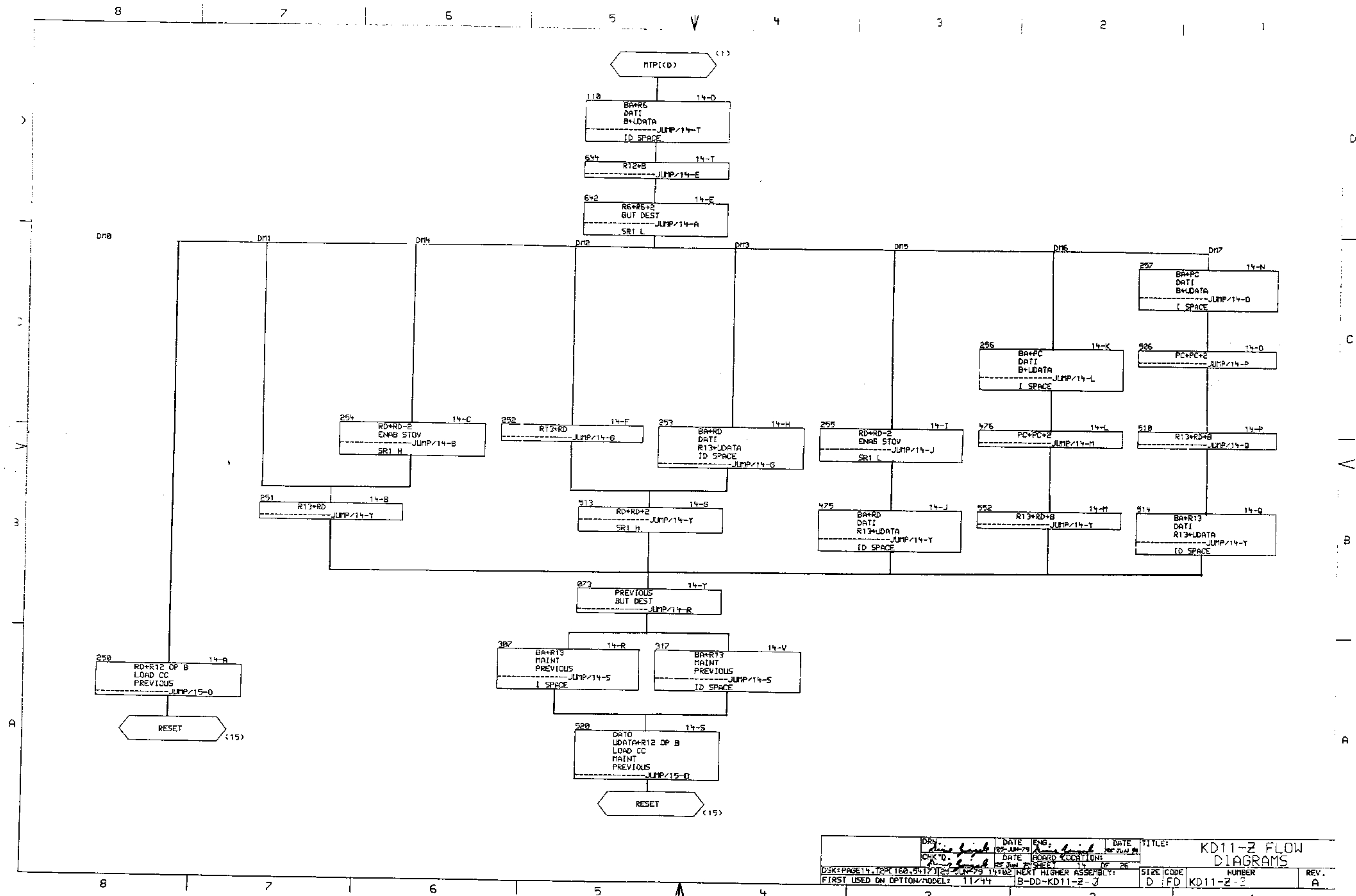
DESIGNED BY: <i>James J. Gagnier</i>	DATE: 11-20-79	ENG. BY: <i>James J. Gagnier</i>	DATE: 11-20-79	TITLE: KD11-Z FLOW DIAGRAMS
CHECKED BY: <i>James J. Gagnier</i>	DATE: 11-20-79	BOARD LOCAT. (ONE):	SIZE: D	CODE: FD
DATE: 11-20-79	SHEET: 11	OF: 26	NUMBER: KD11-Z-2	REV. A
DSK: PAPER 11, TRM 160, 541, 1113, JUL-79, 12:11		NEXT HIGHER ASSEMBLY: B-DD-KD11-Z-2		
FIRST USED ON OPTION/MODEL: 11/44				



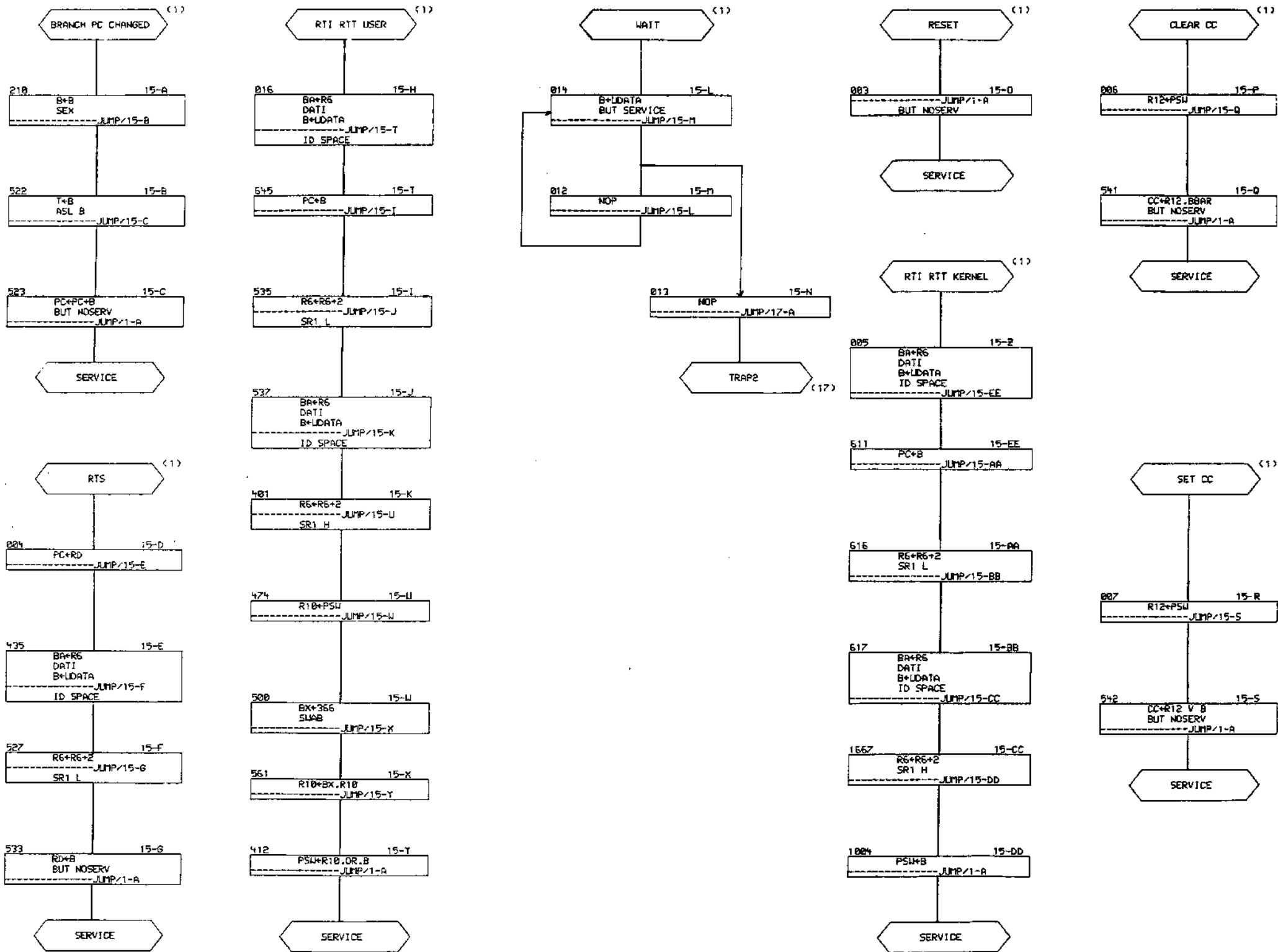
DRN.	DATE	ENG.	DATE	TITLE
1	11-19-79	James L. Smith	15 June 79	KD11-Z FLOW DIAGRAMS
CHK'D.	DATE	BOARD	LOCATION	
10-25-79	25 June 79	12	26	
FIRST USED ON OPTION/MODEL: 11/44				B-DD-KD11-Z-2
SIZE	CODE	NUMBER	REV.	
D	FD	KD11-Z-2	A	



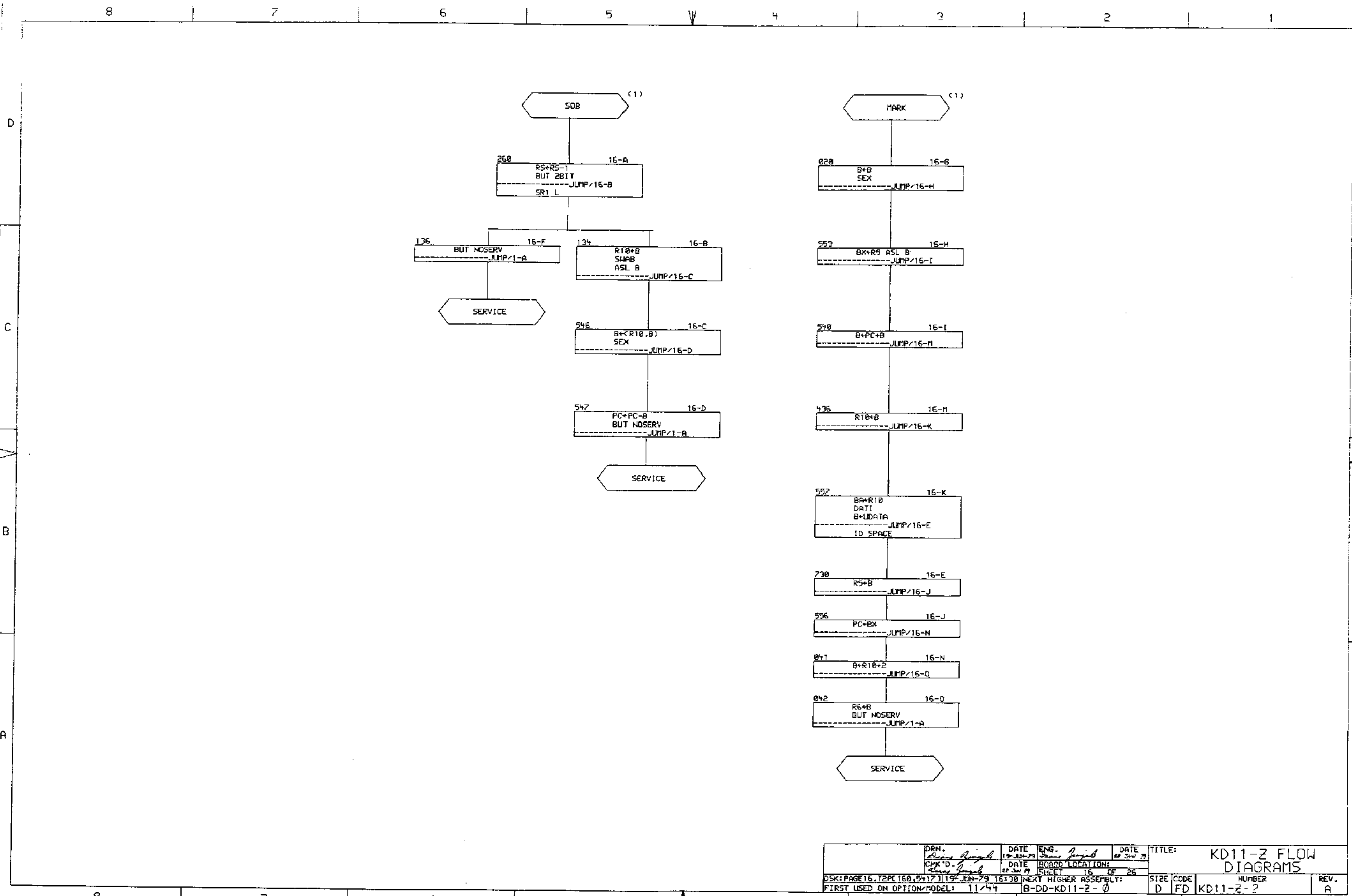
DBN: <i>David Smith</i>	DATE: 19-11-73	ENR: <i>David Smith</i>	DATE: 20-11-73	TITLE: KD11-Z FLOW DIAGRAMS
CHK'D: <i>David Smith</i>	DATE: 20-11-73	CHK'D: <i>David Smith</i>	DATE: 20-11-73	BOARD LOCATION: 13 DE 26
SKIP PAGE 13, 12P, 15B, 5N, 17, 119, 20N, 73, 12:42				SIZE CODE: D FD
FIRST USED ON OPTION/MODEL: 11/44				NUMBER: KD11-2-2
				REV. A



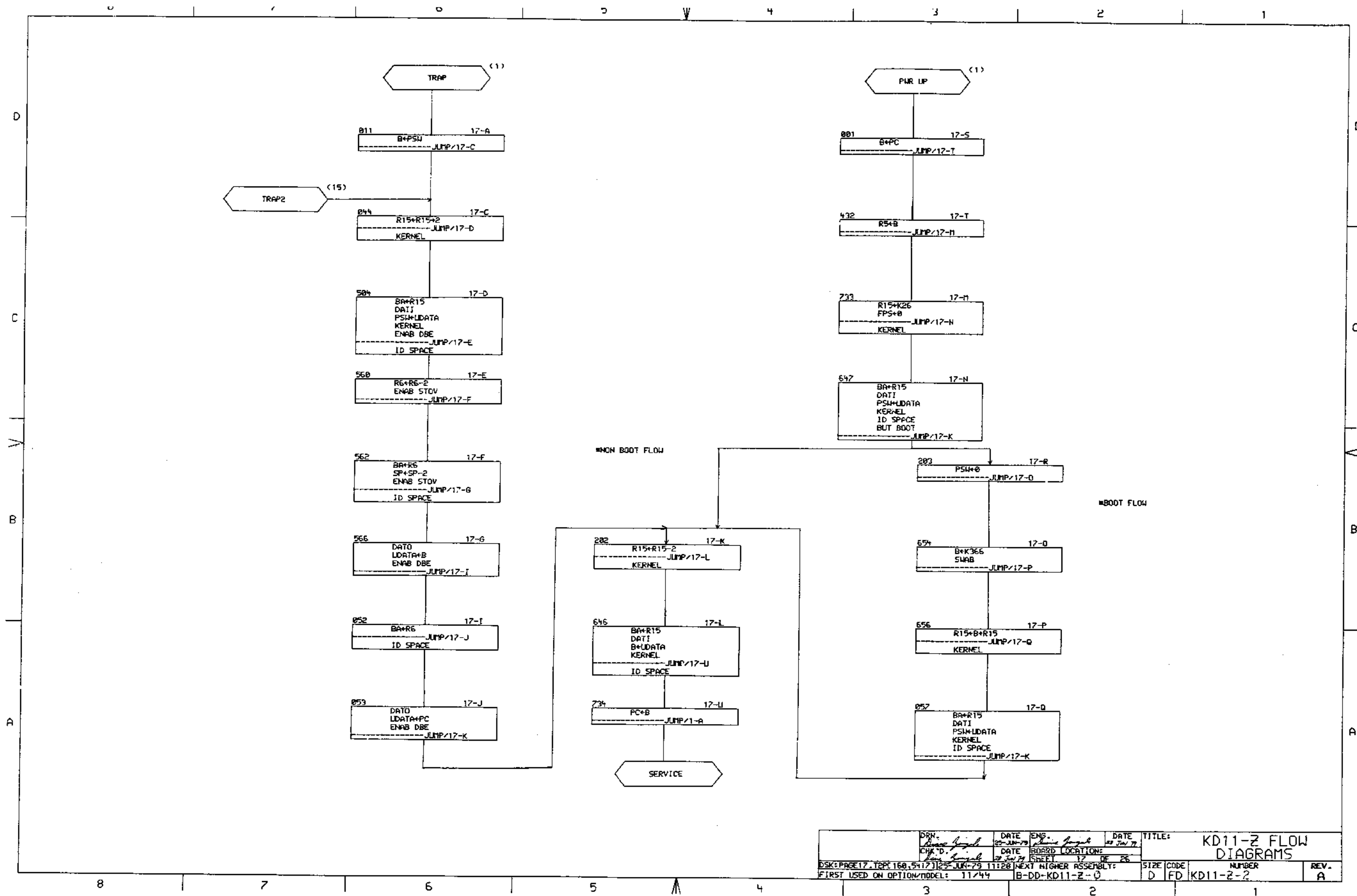
DRN: <i>John Joseph</i>	DATE: 05-10-70	ENG: <i>John Joseph</i>	DATE: 05-10-70	TITLE: KD11-Z FLOW DIAGRAMS
CHK'D: <i>John Joseph</i>	DATE: 05-10-70	BOARD LOCATION: 11	OF: 26	SIZE: CODE
FIRST USED ON: OPTON/MODEL: 11/44	NEXT HIGHER ASSEMBLY: B-DD-KD11-Z-J	NUMBER: D:FD	REV. A	



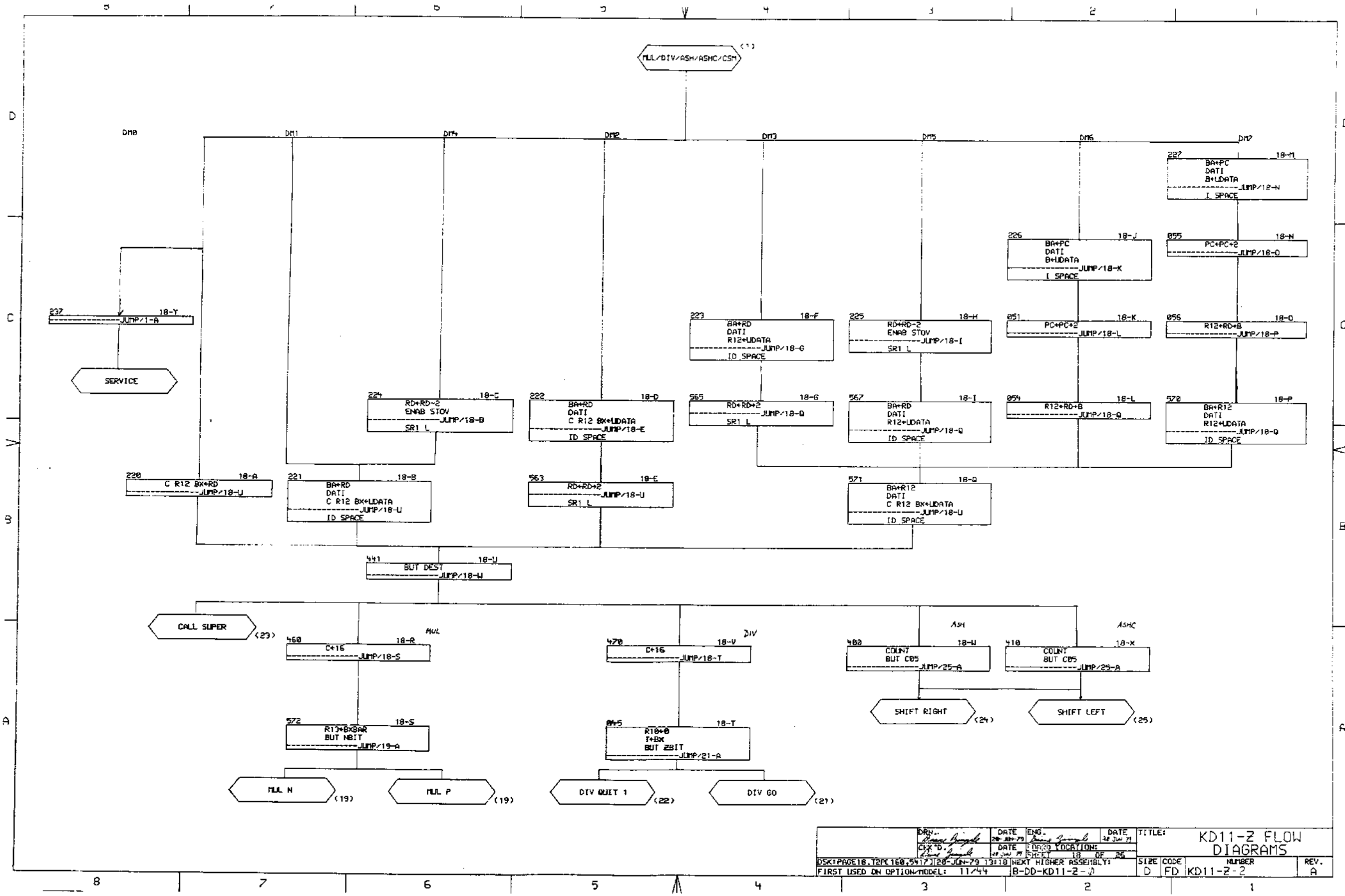
DRN. *James G. ...* DATE *12-JUN-79* ENG. *James G. ...* DATE *20-JUN-79* TITLE: **KD11-2 FLOW DIAGRAMS**
 CHK'D. *James G. ...* DATE *20-JUN-79* BOARD LOCATION: *15* OF *25* SHEET
 DSK:PAGE15,12PL160,54127119 JUN 79 12:43 NEXT HIGHER ASSEMBLY: *15* SIZE CODE: *15* NUMBER: *15* REV. *A*
 FIRST USED ON OPTION/MODEL: *11/44* B-DD-KD11-2-*4* FD: *KD11-2-2*



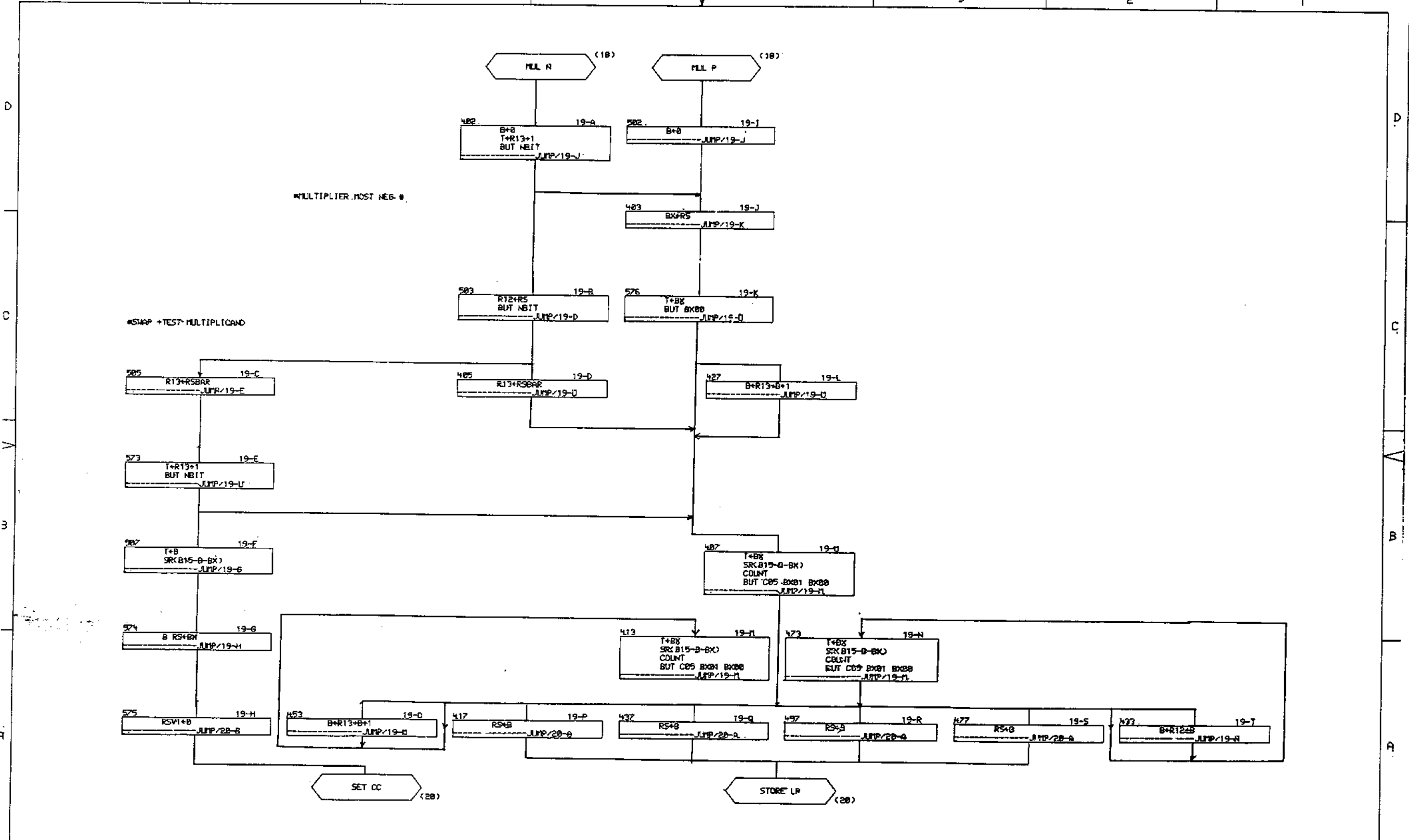
DRN. <i>James P. ...</i>	DATE 15 JUN 79	ENG. <i>James P. ...</i>	DATE 22 JUN 79	TITLE: KD11-Z FLOW DIAGRAMS
CHK'D. <i>James P. ...</i>	DATE 22 JUN 79	BOARD LOCATION:	SHEET 15 OF 25	SIZE CODE D FD
DSK: PAGE 16, T2PCT 160, 5412113 JUN-79 16:38 NEXT HIGHER ASSEMBLY:				NUMBER KD11-Z-2
FIRST USED ON OPTION/MODEL: 11/44 B-DD-KD11-Z-0				REV. A



DRN.	DATE	ENG.	DATE	TITLE:
<i>James H. Smith</i>	22 JUN 79	<i>James H. Smith</i>	23 JUN 79	KD11-Z FLOW DIAGRAMS
CHK'D.	DATE	BOARD LOCATION:	SHEET	OF
<i>James H. Smith</i>	22 JUN 79	17	26	
DSK: PAGE 17, TOP 160, 5412 J125 JUN 79 11:28 NEXT HIGHER ASSEMBLY:				SIZE
FIRST USED ON OPTION/MODEL: 11/44				D FD
B-DD-KD11-Z-0				NUMBER
				KD11-Z-2
				REV.
				A

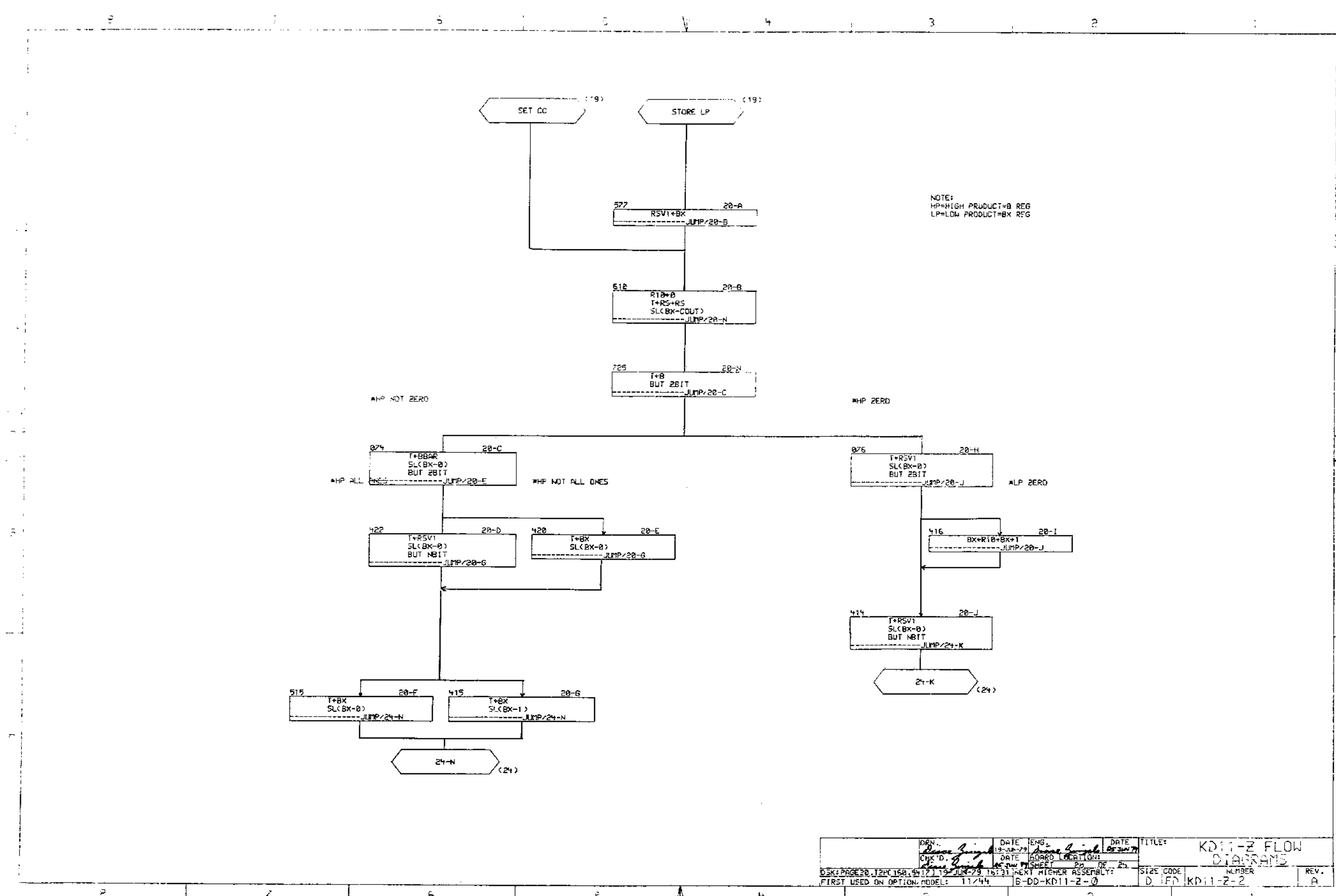


DRY	DATE	ENG.	DATE	TITLE:
CHK'D.	DATE	FOR'D LOCATION:	DATE	KD11-Z FLOW DIAGRAMS
DATE	DATE	SHEET	OF	25
DSK:PAGE18,TPC180,547,128 JUN-79 13:18 NEXT HIGHER ASSEMBLY:				SIZE
FIRST USED ON OPTION MODEL: 11/44				CODE
				NUMBER
				REV.
				A



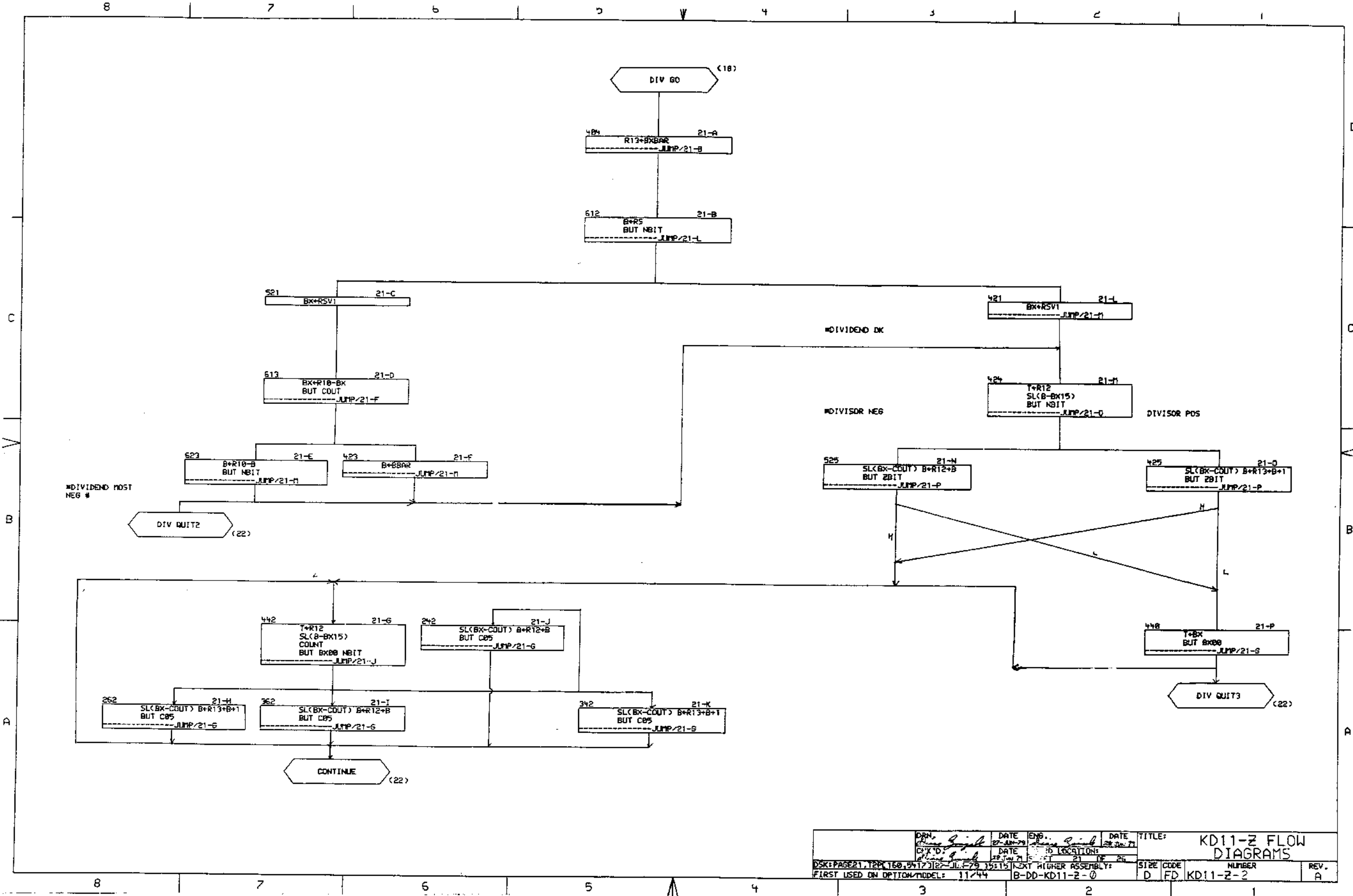
DRN.	DATE	BY	DATE	TITLE
				KD11-Z FLOW DIAGRAMS
DESIGNED BY: TAC 169, 5417 J18-01-78 10:31	EXT: RUGER ASSEMBLY	SIZE	CODE	NUMBER
FIRST USED ON OPTION/MODEL: 11/44	B-DD-KD11-Z-0	D	FD	KD11-Z-2
				REV. A

8 7 6 5 4 3 2 1

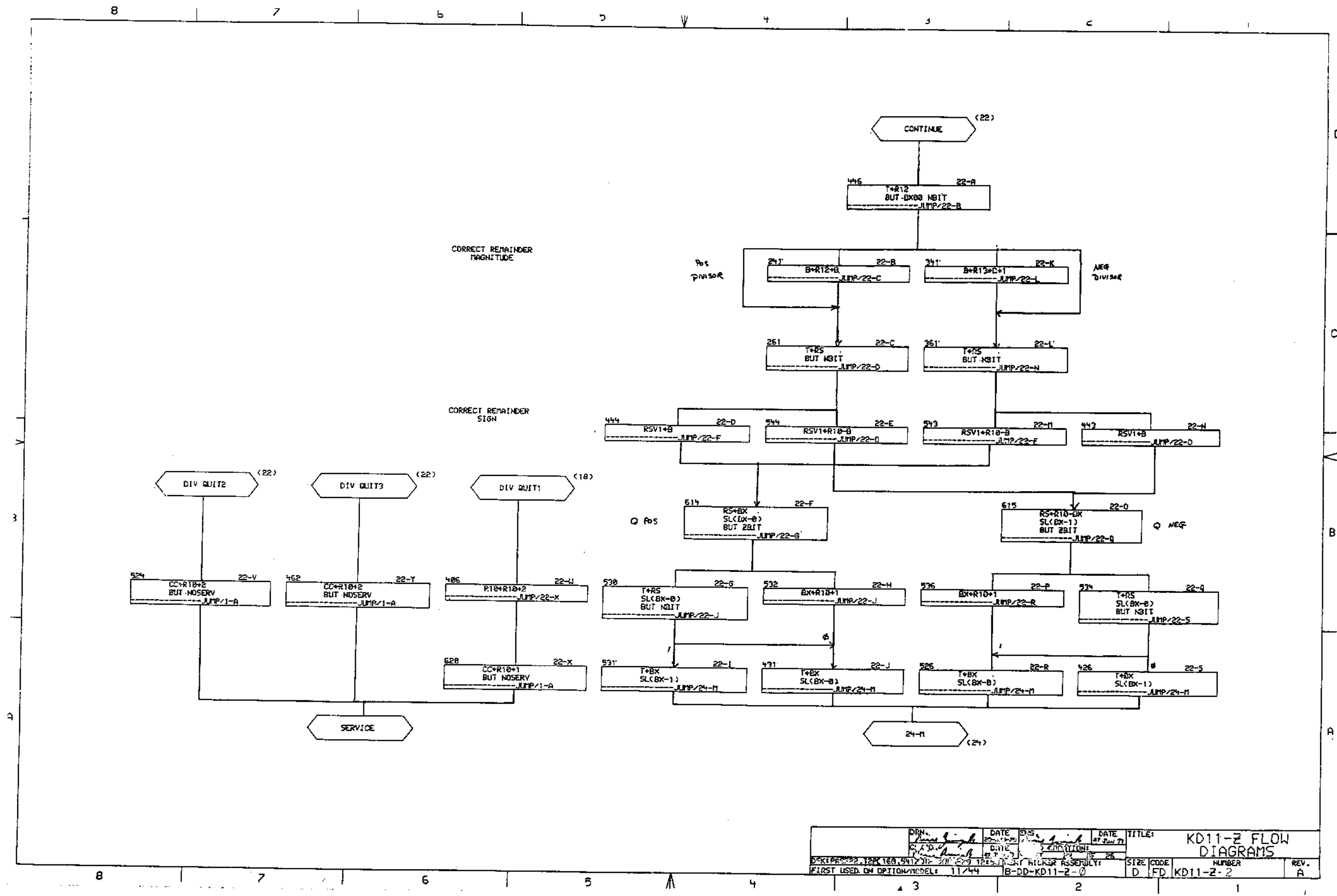


NOTE:
 HP=HIGH PRODUCT=B REG
 LP=LOW PRODUCT=BX REG

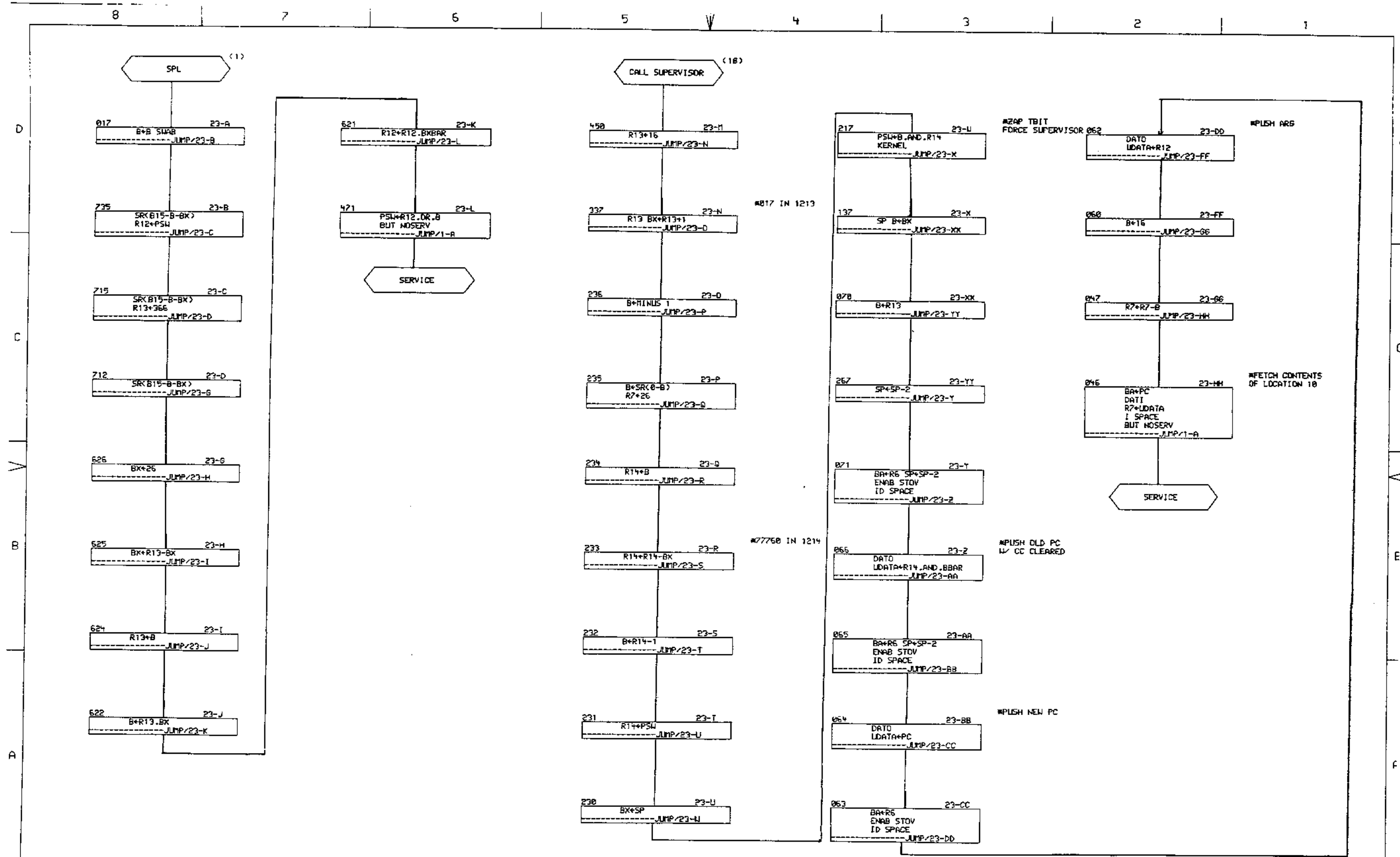
DRN. <i>James J. ...</i>	DATE 19-08-79	ENG. <i>James J. ...</i>	DATE 05-01-79	TITLE: KD11-Z FLOW DIAGRAMS
CHK'D. <i>James J. ...</i>	DATE 15-07-79	BOARD 15	POSITION 29 OF 25	SIZE CODE D (FD)
FIRST USED ON OPTION MODEL: 11/44			NEXT HIGHER ASSEMBLY: B-DD-KD11-Z-0	NUMBER KD11-Z-2
				REV. A



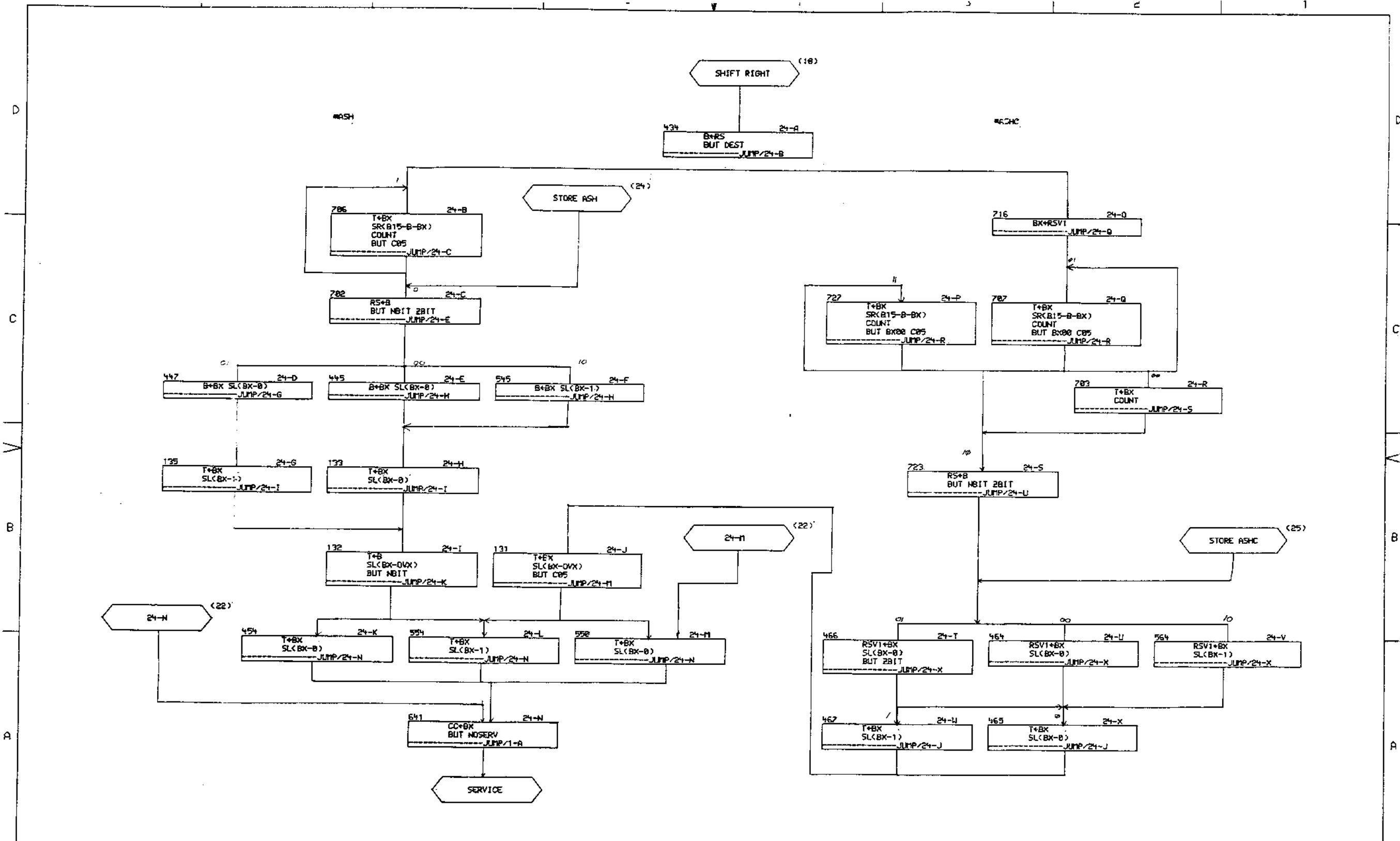
DRN <i>John Smith</i>	DATE 27-10-79	ENG. <i>John Smith</i>	DATE 28-10-79	TITLE: KD11-Z FLOW DIAGRAMS
CHK'D <i>John Smith</i>	DATE 28-10-79	LOCATIONS 21	REV. A	
FIRST USED ON OPTION/MODEL: 11/44		NEXT HIGHER ASSEMBLY: B-DD-KD11-2-0		SIZE CODE D FD
		NUMBER KD11-Z-2		



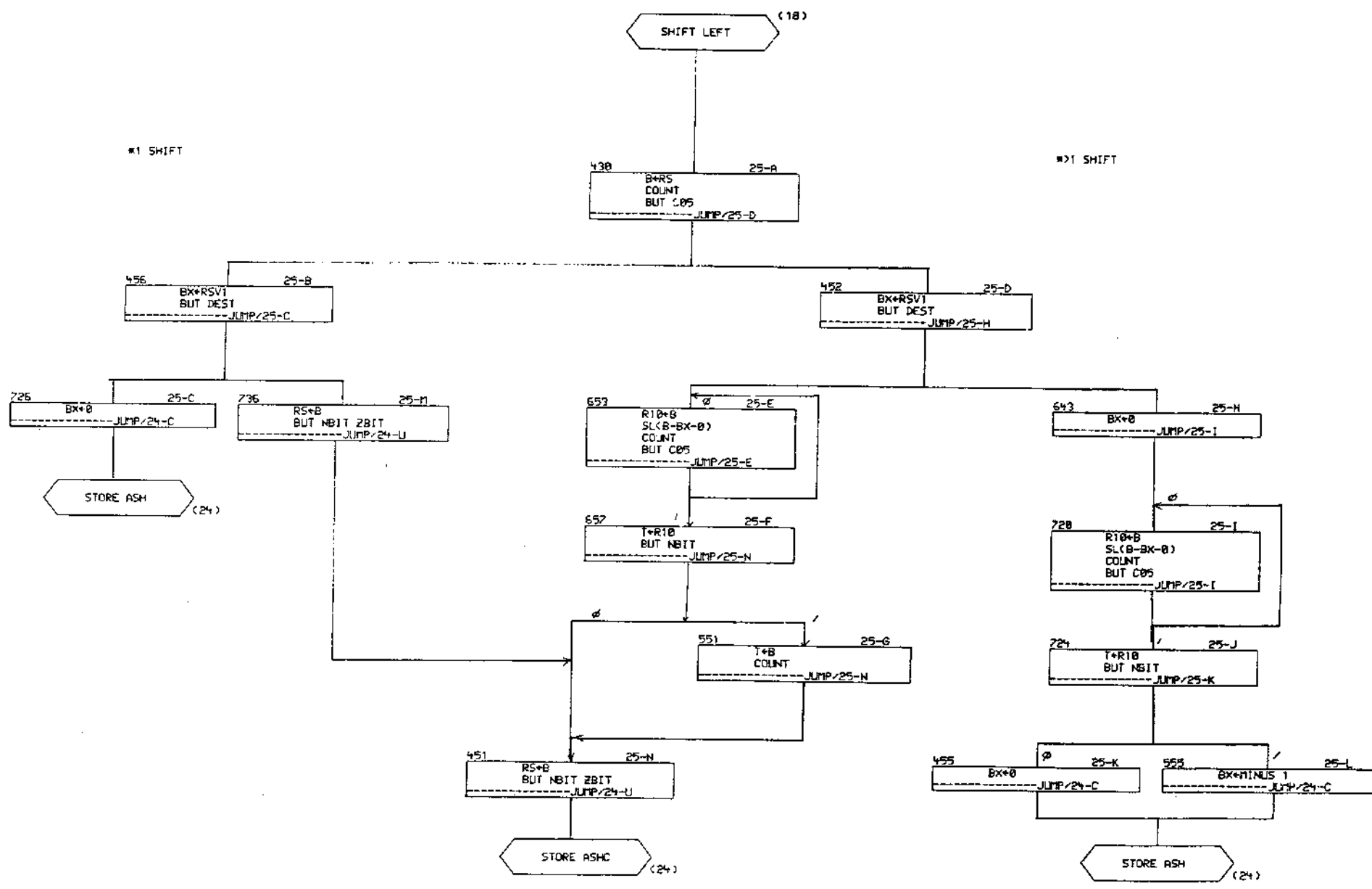
DRN.	DATE	REV.	DATE	TITLE:
				KD11-Z FLOW DIAGRAMS
DESIGNED BY: [Signature]	DATE: [Date]	REV. [Number]	DATE: [Date]	SIZE: [Code]
FIRST USED ON OPTION MODEL: 11/44	BY: [Signature]	BY: [Signature]	BY: [Signature]	NUMBER: KD11-Z-2
				REV. A



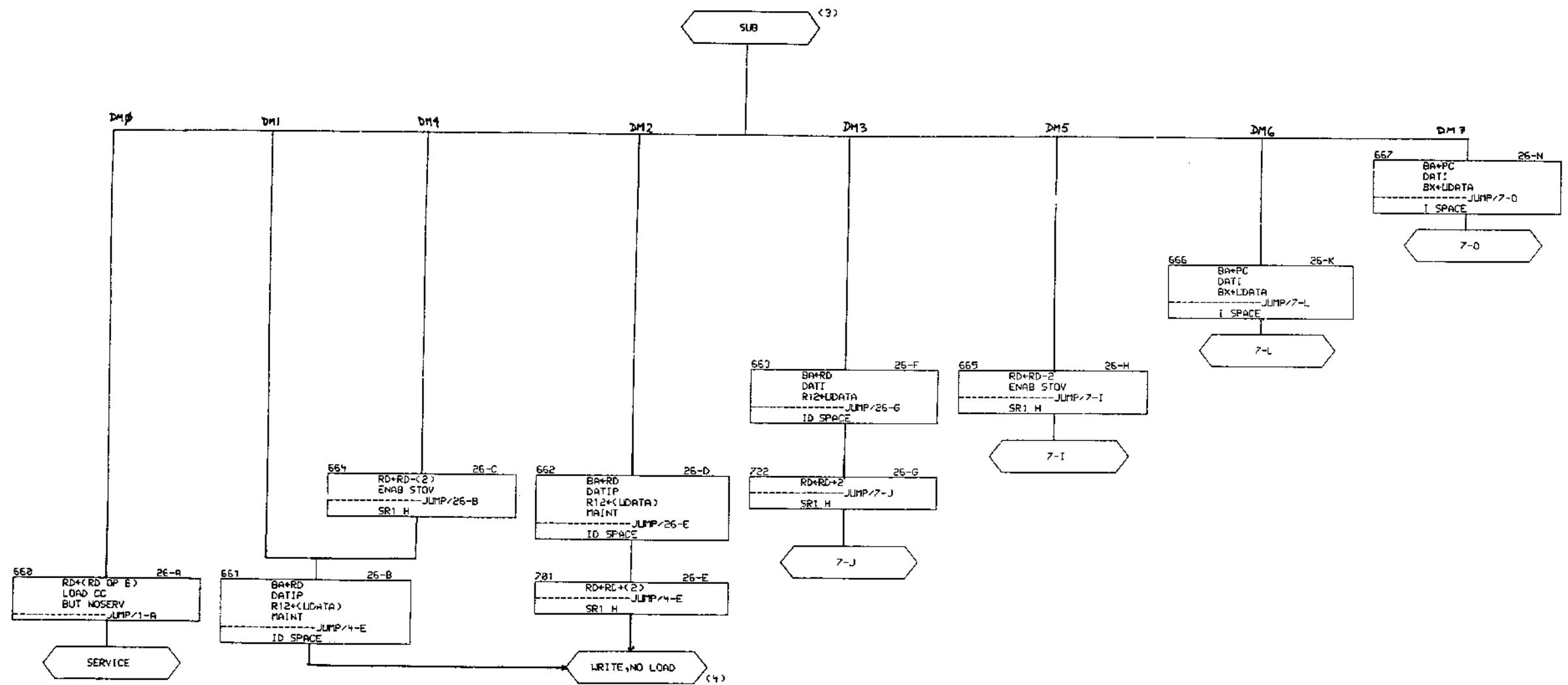
DRN. <i>John J. ...</i>	DATE <i>28 Jun 79</i>	ENG. <i>John J. ...</i>	DATE <i>28 Jun 79</i>	TITLE: KD11-Z FLOW DIAGRAMS
CHK'D. <i>John J. ...</i>	DATE <i>28 Jun 79</i>	BOARD LOCATION: 23	SHEET: 25	REV. A
DSK:PAGE23.T2P.160.5412.128 JUN 79 12:51 NEXT HIGHER ASSEMBLY: B-DD-KD11-Z-C				SIZE CODE: D FD
FIRST USED ON OPTION/MODEL: 11/44				NUMBER: KD11-Z-2



DRN. <i>David J. ...</i>	DATE 25-30-79	ENG. <i>David J. ...</i>	DATE 28 Jun 77	TITLE: KD11-Z FLOW DIAGRAMS
CHK'D <i>David J. ...</i>	DATE 28 Jun 77	STABD SECRET	LOCATIONS 24 OF 26	SIZE D
DSK:PAGE24,TRC160,5417,1129-JUN-79 11:29 NEXT HIGHER ASSEMBLY: FIRST USED ON OPTION MODEL: 11/44				NUMBER KD11-2-2
				REV. A

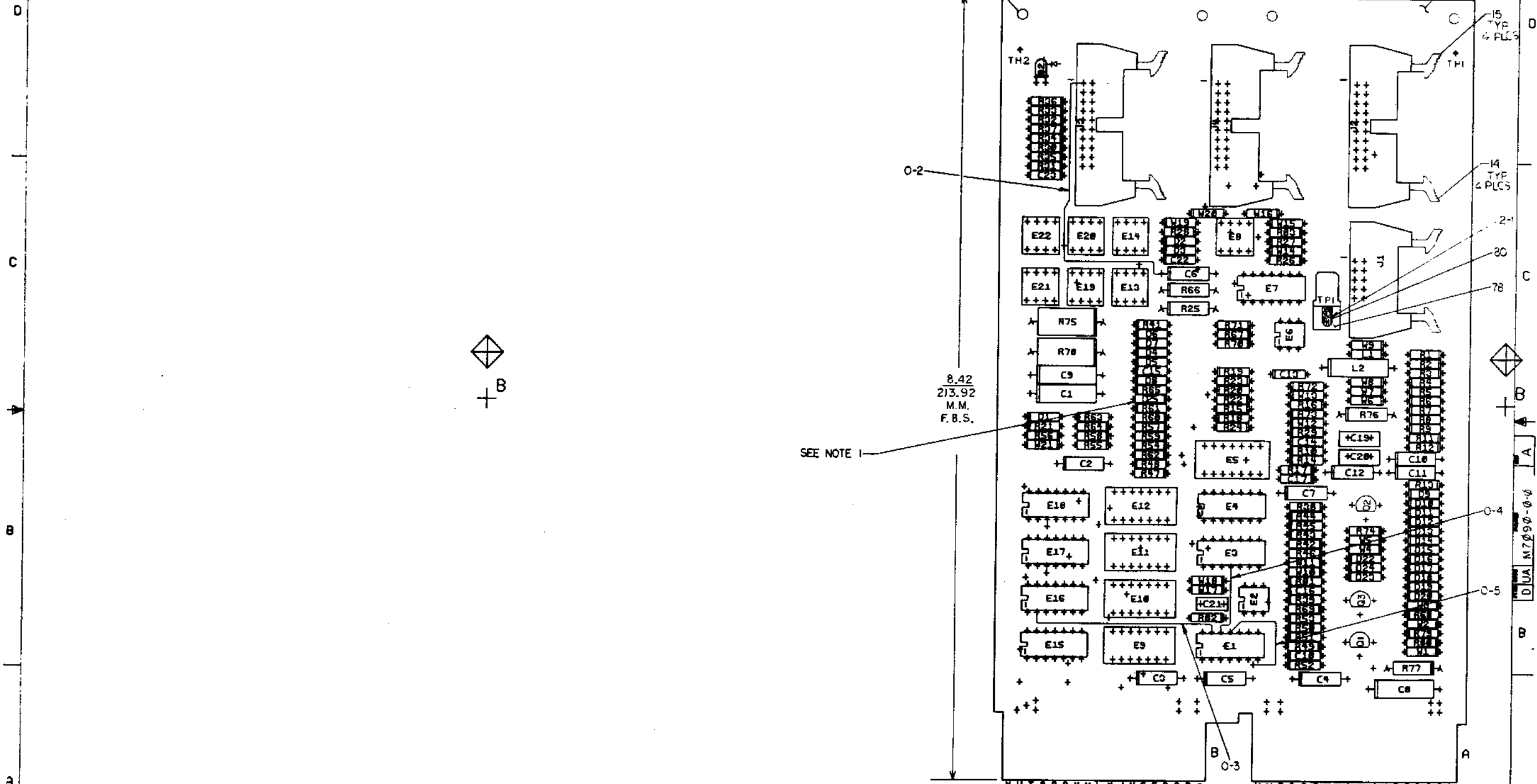


DRN <i>[Signature]</i>	DATE 20-11-73	ENG. <i>[Signature]</i>	DATE 20-11-73	TITLE: KD11-Z FLOW DIAGRAMS
CHK'D. <i>[Signature]</i>	DATE 10-11-73	DATE 10-11-73	DATE 10-11-73	REV. A
DSK1 PAGE 25. TPT 160, 54, 17, 1120, JUL 29 12:51		NEXT HIGHER ASSEMBLY: B-DD-KD11-Z-0		NUMBER KD11-Z-2
FIRST USED ON OPTION MODEL: 11/44		SIZE CODE D FD		



DRN. <i>James G. Smith</i>	DATE <i>28 JUN 73</i>	ENG. <i>James G. Smith</i>	DATE <i>16 JUN 73</i>	TITLE: KD11-Z FLOW DIAGRAM
CHK'D. <i>James G. Smith</i>	DATE <i>28 JUN 73</i>	BOARD LOCATION: <i>25</i>	SHEET <i>25</i> OF <i>25</i>	SIZE CODE
DESK: PROC26, T2PC158, 5412 J120 JUN 29 12:52 NEXT HIGHER ASSEMBLY: B-DD-KD11-Z-0				NUMBER KD11-Z-2
FIRST USED ON PARTNO/MODEL: 11244				REV. A

8 7 6 5 4 3 2 1
 DUA M7090-0-0 2



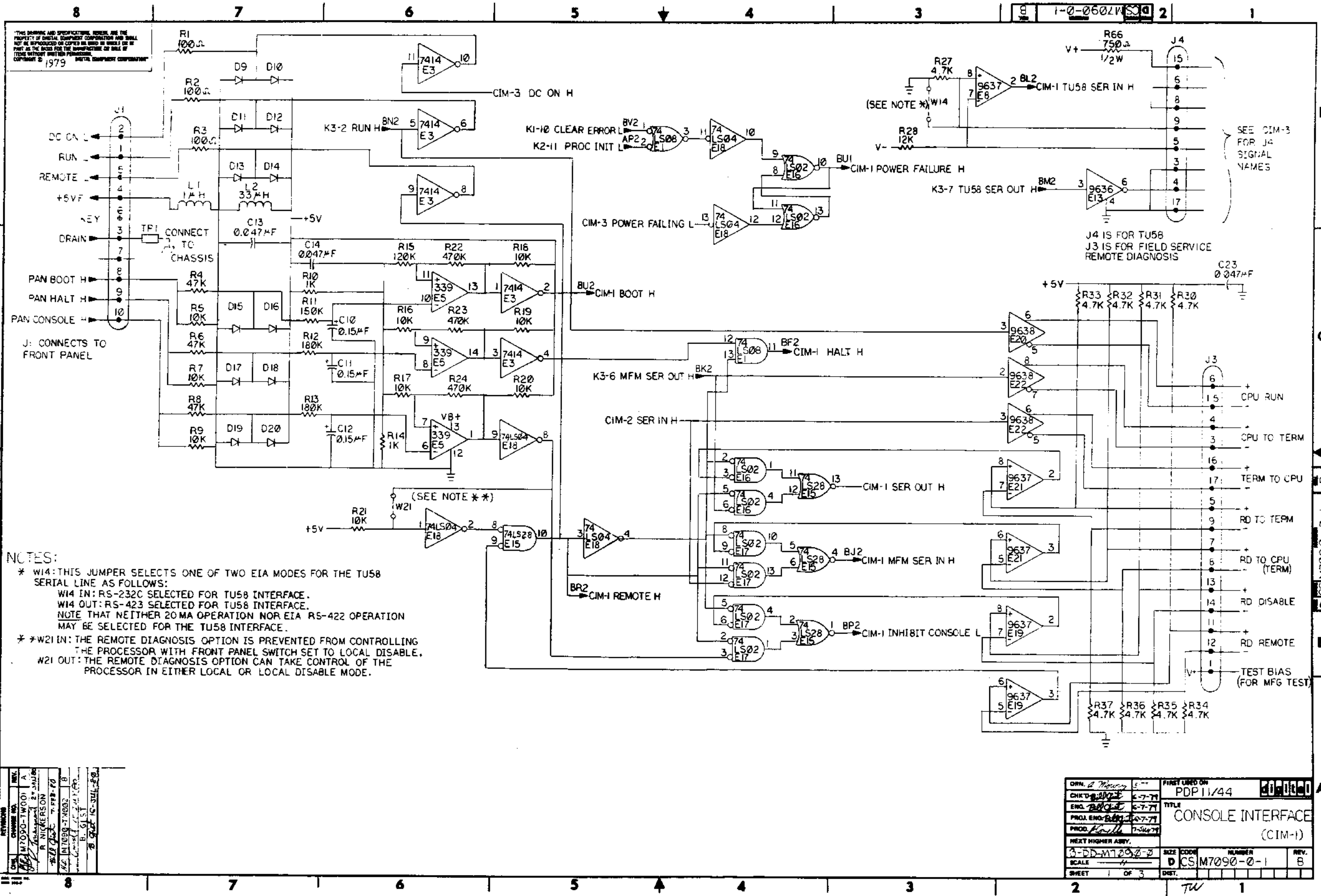
NOTES: 1. D25 MAY HAVE TO BE MANUALLY
 INSERTED SINCE PIN 1 IS ON RIGHT SIDE
 2. R83, W1-W9, W13-W15, W17, W19, W21 ARE
 NOT INSTALLED.

CHK	CHANGE NO	REV	DATE	BY

ETCH REV.	PLC DESIGN DATA BRD REV.
A	A

SIGNATURES		DATE	digital
DRN.	<i>[Signature]</i>	6-1-77	
CHK'D.	<i>[Signature]</i>	5-26-77	
ENC.	<i>[Signature]</i>	6-7-77	
PROJ. ENG.	<i>[Signature]</i>	6-7-77	
PROD.	<i>[Signature]</i>	6-20-77	
SCALE	2:1	SIZE CODE	NUMBER
SHT.	1 OF 4	D UA	M7090-0-0
NEXT HIGHER ASSY. B-D0-M7090-0			

TU 1 MS#170078A



THIS DRAWING AND SPECIFICATIONS HEREBY ARE THE PROPERTY OF DIGITAL EQUIPMENT CORPORATION AND SHALL NOT BE REPRODUCED OR COPIED IN WHOLE OR IN PART AS THE BASIS FOR THE MANUFACTURE OR SALE OF ITEMS WITHOUT WRITTEN PERMISSION. COPYRIGHT © 1979 DIGITAL EQUIPMENT CORPORATION

NOTES:

- * W14: THIS JUMPER SELECTS ONE OF TWO EIA MODES FOR THE TU58 SERIAL LINE AS FOLLOWS:
 W14 IN: RS-232C SELECTED FOR TU58 INTERFACE.
 W14 OUT: RS-423 SELECTED FOR TU58 INTERFACE.
 NOTE THAT NEITHER 20 MA OPERATION NOR EIA RS-422 OPERATION MAY BE SELECTED FOR THE TU58 INTERFACE.
- * W21 IN: THE REMOTE DIAGNOSIS OPTION IS PREVENTED FROM CONTROLLING THE PROCESSOR WITH FRONT PANEL SWITCH SET TO LOCAL DISABLE.
 W21 OUT: THE REMOTE DIAGNOSIS OPTION CAN TAKE CONTROL OF THE PROCESSOR IN EITHER LOCAL OR LOCAL DISABLE MODE.

REV. 1	CHANGED	DATE
1	INITIALS	DATE
2	INITIALS	DATE
3	INITIALS	DATE
4	INITIALS	DATE
5	INITIALS	DATE
6	INITIALS	DATE
7	INITIALS	DATE
8	INITIALS	DATE

ORIG. & REVISION	5	FIRST USED ON	PDP11/44
CHK'D	6-7-71	TITLE	CONSOLE INTERFACE (CIM-1)
ENGR.	6-7-71	SCALE	1 OF 3
PROJ. ENG.	6-7-71	SIZE	D
PROD. ENGR.	7-15-71	CODE	CS M7090-0-1
NEXT HIGHER ASBY.		NUMBER	8
3-DD-M7090-0		REV.	B
SCALE	1 OF 3	DIST.	

THIS DRAWING AND SPECIFICATIONS HEREON ARE THE PROPERTY OF DIGITAL EQUIPMENT CORPORATION AND SHALL NOT BE REPRODUCED OR COPIED OR USED IN WHOLE OR IN PART AS THE BASIS FOR THE MANUFACTURE OR SALE OF ITEMS WITHOUT WRITTEN PERMISSION. COPYRIGHT © 1970 DIGITAL EQUIPMENT CORPORATION

POWER PINNING TABLE

IC TYPE	REF	GND	+5V	V+	V-	VB+
9636	4	-	8	5	-	-
9637	4	1	-	-	-	-
9638	4	1	-	-	-	-
324AN	-	-	-	11	4	-
339	12	-	-	-	3	-
74LS02, 74LS04 74LS08, 74LS28 74LS74, 7414 DEC0242	7	14	-	-	-	-

NOTE: DASH "-" MEANS NO CONNECTION

TRANSMITTER 20 MA

MODE	W4	W5	W6	W7	W13
ACTIVE	OUT	IN	IN	OUT	IN
PASSIVE	IN	OUT	OUT	IN	OUT
NOT IN USE	OUT	OUT	OUT	OUT	OUT

RECEIVER 20 MA

MODE	W1	W2	W3	W8	W9	W17	W18
ACTIVE	IN	OUT	IN	OUT	IN	IN	OUT
PASSIVE	OUT	IN	OUT	IN	OUT	IN	OUT
NOT IN USE	OUT	OUT	OUT	OUT	OUT	OUT	IN

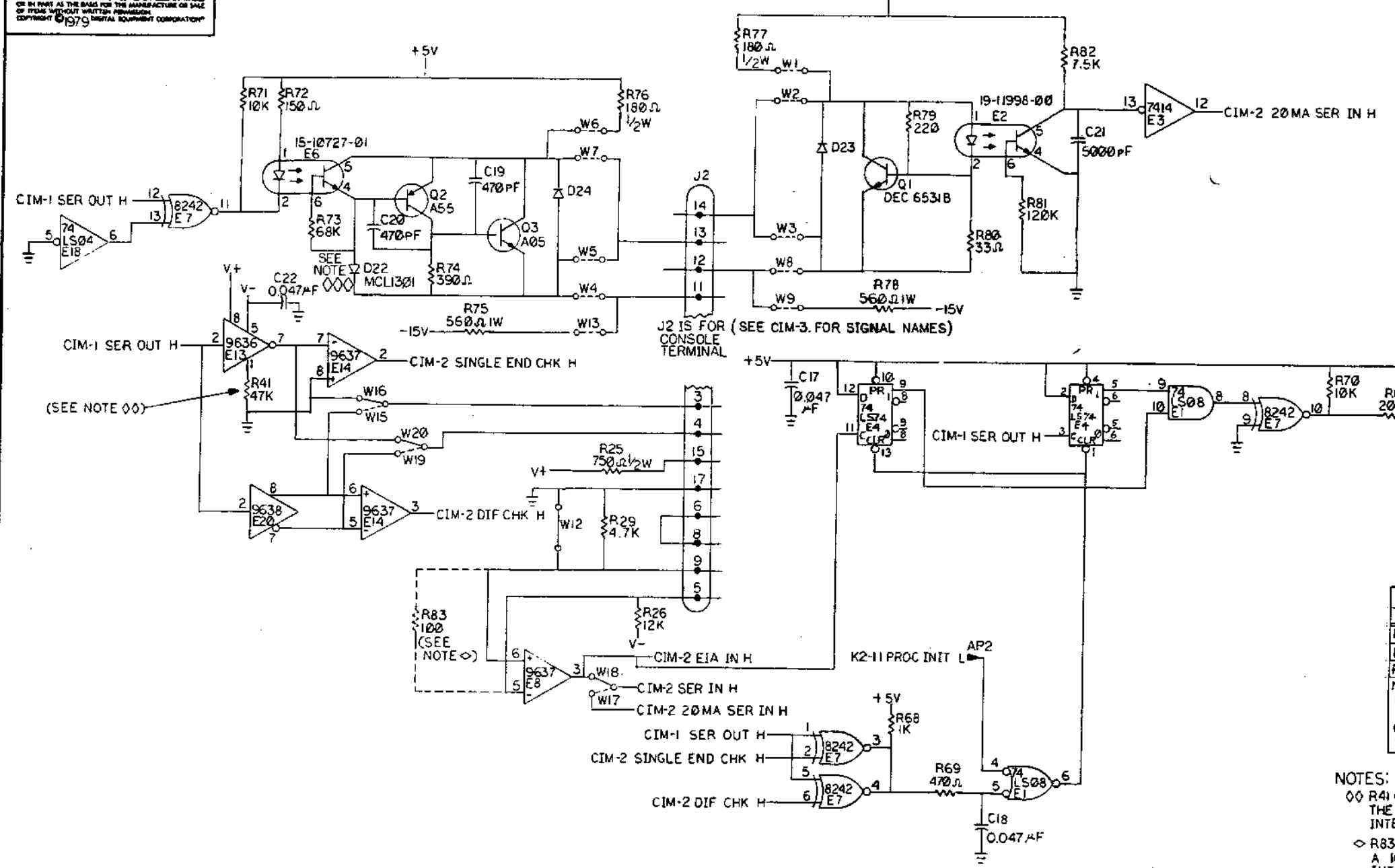
CONSOLE TERMINAL EIA

MODE	W12	W15	W16	W17	W18	W19	W20	W1-9, 13
RS-232C	IN	OUT	IN	OUT	IN	OUT	IN	OUT
RS-423	OUT	OUT	IN	OUT	IN	OUT	IN	OUT
RS-422	OUT	IN	OUT	OUT	IN	IN	OUT	OUT

NOTE: IF 20MA OPERATION IS USED W12, 15, 16, 19 AND 20 MAY BE LEFT IN ANY CONFIGURATION, AND W1-9, 13, 17 AND 18 MUST BE CONFIGURED ACCORDING TO THE TABLES SHOWN FOR THOSE JUMPERS.

NOTES:

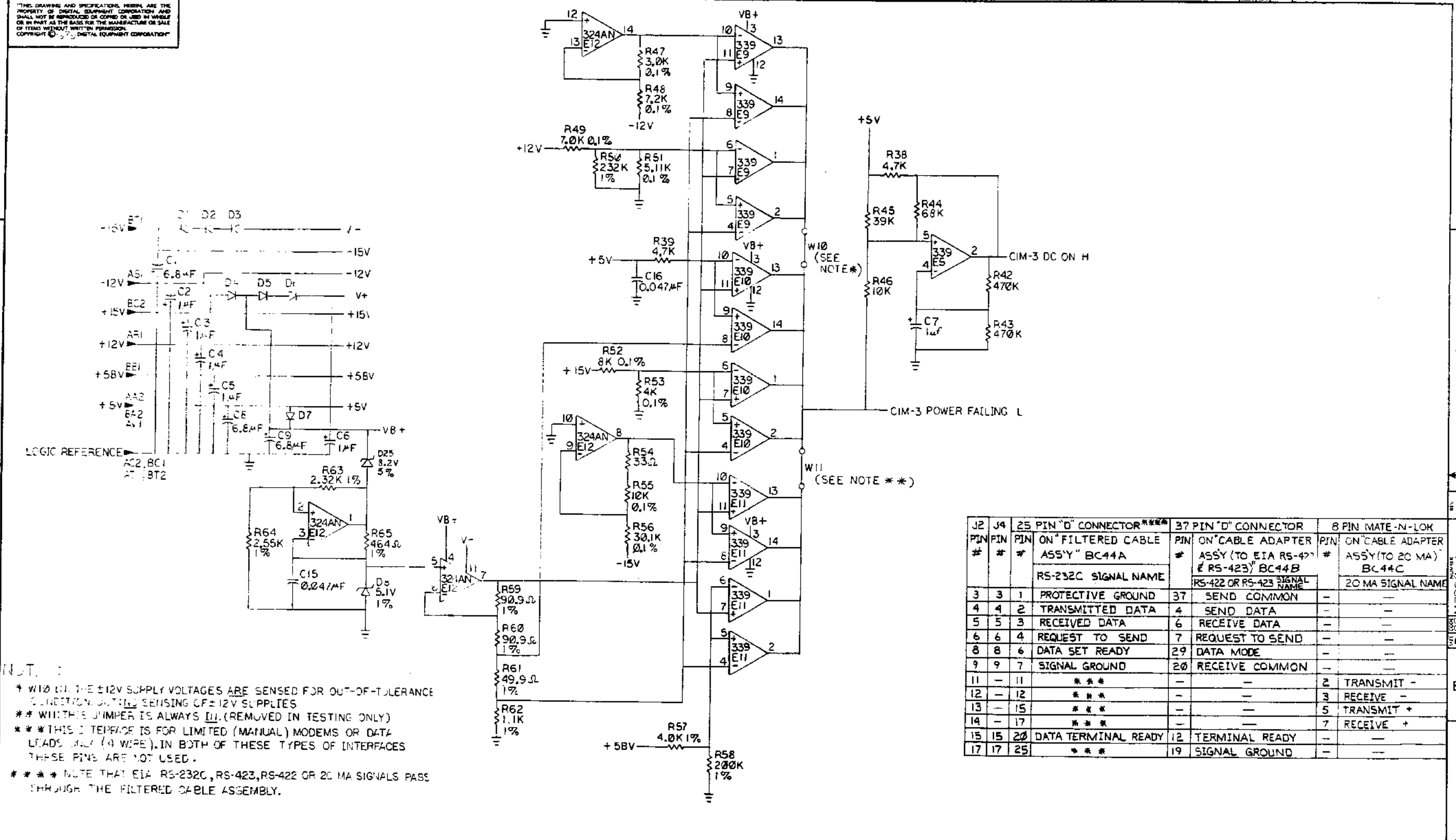
- ◇◇ R41 CONTROLS THE SLEW RATE FOR BOTH OUTPUTS OF E13. THE VALUE OF R41 MUST REMAIN AT 47KΩ FOR THE TUSB INTERFACE TO OPERATE PROPERLY AT 38.4K BAUD.
- ◇ R83 IS OPTIONAL AND SHOULD BE INSTALLED ONLY WHEN A 100 OHM TRANSMISSION CABLE IS USED FOR SERIAL INTERCONNECT, AND W12, 15-20 ARE SET UP FOR EIA RS-422 OPERATION.
- ◇◇◇ D22 IS A 1 MA CURRENT LIMITING DIODE.



REVISIONS

CHK	CHANGE NO.	REV.

THE DRAWING AND SPECIFICATIONS HEREIN ARE THE PROPERTY OF DIGITAL EQUIPMENT CORPORATION AND SHALL NOT BE REPRODUCED OR COPIED OR USED IN WHOLE OR IN PART AS THE BASIS FOR THE MANUFACTURE OR SALE OF ITEMS WITHOUT WRITTEN PERMISSION. COPYRIGHT © 1975 DIGITAL EQUIPMENT CORPORATION



NOTE:
 † W10 (1) THE ±12V SUPPLY VOLTAGES ARE SENSED FOR OUT-OF-TOLERANCE CONDITIONS DURING SENSING OF ±12V SUPPLIES
 ** WITH THIS JUMPER IS ALWAYS (1) (REMOVED IN TESTING ONLY)
 *** THIS INTERFACE IS FOR LIMITED (MANUAL) MODEMS OR DATA LEADS ONLY (4 WIRES). IN BOTH OF THESE TYPES OF INTERFACES THESE PINS ARE NOT USED.
 **** NOTE THAT EIA RS-232C, RS-423, RS-422 OR 20 MA SIGNALS PASS THROUGH THE FILTERED CABLE ASSEMBLY.

RESISTOR TOLERANCES ARE 5% UNLESS OTHERWISE NOTED

J2 PIN #	J4 PIN #	25 PIN "D" CONNECTOR*** ON FILTERED CABLE ASSY BC44A	37 PIN "D" CONNECTOR ON CABLE ADAPTER ASSY (TO EIA RS-422) & RS-423 BC44B	8 PIN MATE-N-LOK ON CABLE ADAPTER ASSY (TO 20 MA) BC44C	
		RS-232C SIGNAL NAME	RS-422 OR RS-423 SIGNAL NAME	20 MA SIGNAL NAME	
3	3	1	37	SEND COMMON	
4	4	2	4	SEND DATA	
5	5	3	6	RECEIVE DATA	
6	6	4	7	REQUEST TO SEND	
8	8	6	29	DATA MODE	
9	9	7	20	RECEIVE COMMON	
11	-	11	-	2	TRANSMIT -
12	-	12	-	3	RECEIVE -
13	-	15	-	5	TRANSMIT +
14	-	17	-	7	RECEIVE +
15	15	20	12	TERMINAL READY	
17	17	25	19	SIGNAL GROUND	

CHK	CHANGE NO.	REV.

LINE	ITEM	DOCUMENT NUMBER	PART NUMBER	DESCRIPTION	QTY PER VARIATION	REFERENCE DESIGNATOR
					00	
1	1		5013819-00	DRILL&ETCH BOARD	1	
2	2		1000024-00	470.0 MMF 100V 5%200PPM MICA	2	C19,C20
3	3		1001765-00	.005 MFD 100V 20% Z5T DISC	1	C21
4	4		1001776-00	1 MFD 35V 10% S.TANT	6	C2-C7
5	5		1005306-00	6.8MFD 35V 10% S.TANT	3	C1,C8,C9
6	6		1011895-00	.15 MFD 35V 10% S.TANT	3	C10-C12
7	7		1012784-00	.047 MFD 50V +80-20% CER	8	C13-C18,C22,C23
8	8		1103441-00	1N 756A VZ= 8.2 5% .40W P	1	D25
9	9		1105275-00	D 672 TR= 15NS PIV= 60V SI	12	D9-D20
10	10		1105610-00	MCL1301 CL@1MA FROM10-80V	1	D22
11	11		1105796-00	1N 4004 PIV=400 I= 1A D041 SP	9	D1-D7,D23,D24
12	12		1105871-00	1/4MS,1A21 = 5.1 1% .25W N	1	D8
13	13		1110864-00	LED 2MCD@10MA	1	D21
14	14		1209941-03	HEADER RT ANGLE LEFT L	4	
15	15		1209941-04	HEADER RT ANGLE,RIGHT	4	
16	16		1300197-00	33.0 .25 W 5.0 % CC	2	R54,R80
17	17		1300229-00	100.0 .25 W 5.0 % CC	3	R1-R3
18	18		1300250-00	150.0 .25 W 5.0 % CC	1	R72
19	19		1300260-00	180.0 .50 W 5.0 % CC	2	R76,R77
20	20		1300271-00	220.0 .25 W 5.0 % CC	1	R79
21	21		1300309-00	390.0 .25 W 5.0 % CC	1	R74
22	22		1300316-00	470.0 .25 W 5.0 % CC	1	R69
23	23		1300354-00	750.0 .50 W 5.0 % CC	2	R25,R66
24	24		1300365-00	1.0 K .25 W 5.0 % CC	3	R10,R14,R68
25	25		1300447-00	4.70 K .25 W 5.0 % CC	12	R27,R29-R39
26	26		1300479-00	10.0 K .25 W 5.0 % CC	12	R5,R7,R9,R16-R21,R46,R70,R71
27	27		1300488-00	12.0 K .25 W 5.0 % CC	2	R26,R28
28	28		1300539-00	120.0 K .25 W 5.0 % CC	2	R15,R81
29	29		1301327-00	68.0 K .25 W 5.0 % CC	2	R44,R73
30	30		1301422-00	7.50 K .25 W 5.0 % CC	1	R82

REVISION HISTORY			BASIC PART NO: M7090		DRN: K.FRIEDGEN		DATE: 10-MAY-79		D I G I T A L			
ENG	ECO NUMBER	REV	SECTION A OF A	CHK'D:	F.GAROFALO	DATE:	7-FEB-79	TITLE	PARTS LIST			
	INITIAL	*	SECTION,VARIATION INDEX	CHK'D:	F.GAROFALO	DATE:	7-FEB-79	CONSOLE INTERFACE MODULE				
BG	M7090-TW001	A	[A] 00	DES.ENG:	B.GIST	DATE:	7-FEB-79	DOCUMENT NUMBER				
RN	M7090-YW002	B	[B]	RESP.ENG.:	B.GIST	DATE:	9-NOV-78	SIZE	CODE	NUMBER	REV	
RN	M7090-TW002 Bg	B	[C]	MFG.ENG.:	J.COMELLA	DATE:	10-MAY-79	K	PL	M7090-0-DBP	B	
			[D]	ASSEMBLY NUMBER:		TOP DOCUMENT NUMBER:		FILE NAME:	Z0394B.PLS		EDIT #	
			[E]	D-UA-M7090-0-0							12	

*THIS DRAWING AND SPECIFICATIONS HEREIN, ARE THE PROPERTY OF DIGITAL EQUIPMENT CORPORATION AND SHALL NOT BE REPRODUCED OR COPIED OR USED IN WHOLE OR IN PART AS THE BASIS FOR THE MANUFACTURE OR SALE OF ITEMS WITHOUT WRITTEN PERMISSION. COPYRIGHT (C) 1980. DIGITAL EQUIPMENT CORPORATION *

TW

LINE	ITEM	DOCUMENT NUMBER	PART NUMBER	DESCRIPTION	QTY	PER VARIATION	REFERENCE DESIGNATOR
					00		
31	31		1302177-00	47.0 K .25 W 5.0 % CC	4		R4,R6,RB,R41
32	32		1302396-00	150.0 K .25 W 5.0 % CC	1		R11
33	33		1302397-00	180.0 K .25 W 5.0 % CC	2		R12,R13
34	34		1302398-00	470.0 K .25 W 5.0 % CC	5		R22-R24,R42,R43
35	35		1302514-00	39.0 K .25 W 5.0 % CC	1		R45
36	36		1302645-00	1.10 K .25 W 1.0 % RN55D-F10	1		R62
37	37		1302676-00	3.0 K .25 W .10% RN55E-B 2	1		R47
38	38		1302931-00	49.90 .25 W 1.0 % RN55D-F10	1		R61
39	39		1303037-00	90.90 .25 W 1.0 % RN55D-F10	2		R59,R60
40	40		1303047-00	464.0 .25 W 1.0 % RN55D-F10	1		R65
41	41		1303048-00	560.0 1.0 W 5.0 % CC	2		R75,R78
42	42		1303205-00	7.20 K .25 W .10% RN55E-B 2	1		R48
43	43		1304728-00	4.0 K .25 W .10% RN55E-B 2	1		R53
44	44		1305127-00	4.0 K .25 W 1.0 % RN55D-F10	1		R57
45	45		1305336-00	200.0 K .25 W 1.0 % RN55D-F10	1		R58
46	46		1305355-00	7.0 K .25 W .10% RN55C-B 5	1		R49
47	47		1305356-00	3.0 K .25 W .10% RN55C-B 5	1		R52
48	48		1305424-00	232.0 K .25 W 1.0 % RN55D-F10	1		R50
49	49		1305431-00	10.0 K .25 W .10% RN55E-B 2	1		R55
50	50		1305432-00	5.11 K .25 W .10% RN55E-B 2	1		R51
51	51		1310248-00	30.10 K .25 W .10% RN55E-B 2	1		R56
52	52		1310633-00	2.55 K .25 W 1.0 % RN55D-F10	1		R64
53	53		1311522-00	200.0 .25 W 5.0 % CC	1		R67
54	54		1312545-00	2.32 K .25 W 1.0 % RN55D-F10	1		R63
55	55		1509338-00	DEC6531B NPN 310MW SI 40 90 P	1		Q1
56	56		1510705-00	XA 05 NPN 500MW SI 60 50 P	1		Q3
57	57		1510706-00	XA 55 PNP 500MW SI 60 50 P	1		Q2
58	58		1510727-01	OPTO COUPLED ISOLATOR	1		E6
59	59		1601562-00	1.0 UH 10% 475MA #DD1.00	1		L1
60	60		1601759-00	33 UH 5% 300MA	1		L2
61	61		1709712-00	DEC 8242 COMPARATOR-4BIT N,	1		E7
62	62		1911324-00	7414 INVERTER,HEX 1IN SCH	1		E3
63	63		1911998-00	4N26 OPTO COUPLED ISLTR	1		E2
64	64		1912107-01	324ANOP AMP,QUAD	1		E12
65	65		1912108-00	339 VOLT CMPRTR,QUAD	4		E5,E9-E11
66	66		1912801-00	LS02 NOR-GATE-QUAD 2IN	2		E16,E17
67	67		1912803-00	LS04 INVERTER GATE-HEX 1I	1		E18
68	68		1912805-00	LS08 AND GATE-QUAD 2IN,PO	1		E1
69	69		1912814-00	LS28 NOR GATE-QUAD 2IN,PO	1		E15
70	70		1912824-00	LS74 FF-D DUAL,EDGE TRIGG	1		E4
71	71		1915415-00	9636 DRIVER,DUAL,EIA RS-	1		E13
72	72		1915416-00	9637 RECEIVER,DUAL,RS-42	4		E8,E14,E19,E21
73	73		1915417-00	9638 DRIVER,DUAL,EIA RS-	2		E20,E22
74	74		1209941-13	HEADER 20POS RT ANGLE	3		J2-J4
75	75		1209941-12	HEADER 10POS RT ANGLE	1		J1
76	76		7422428-00	*** THIS ITEM IS NOT USED ***	-		
77	77		9006732-00	EYELET, ROLLED FLANGE, .121 OD X	4		
78	78		9007112-00	TERM QUICK 1POS ADAPTER	1		TP1

D	I	G	I	T	A	L	TITLE	SECTION A	OF A	SIZE	CODE	DOCUMENT NUMBER	REV
							CONSOLE INTERFACE MODULE			K	PL	M7090-0-DBF	B

TW/

AUTOMATED BY PRTLST.3J(25)

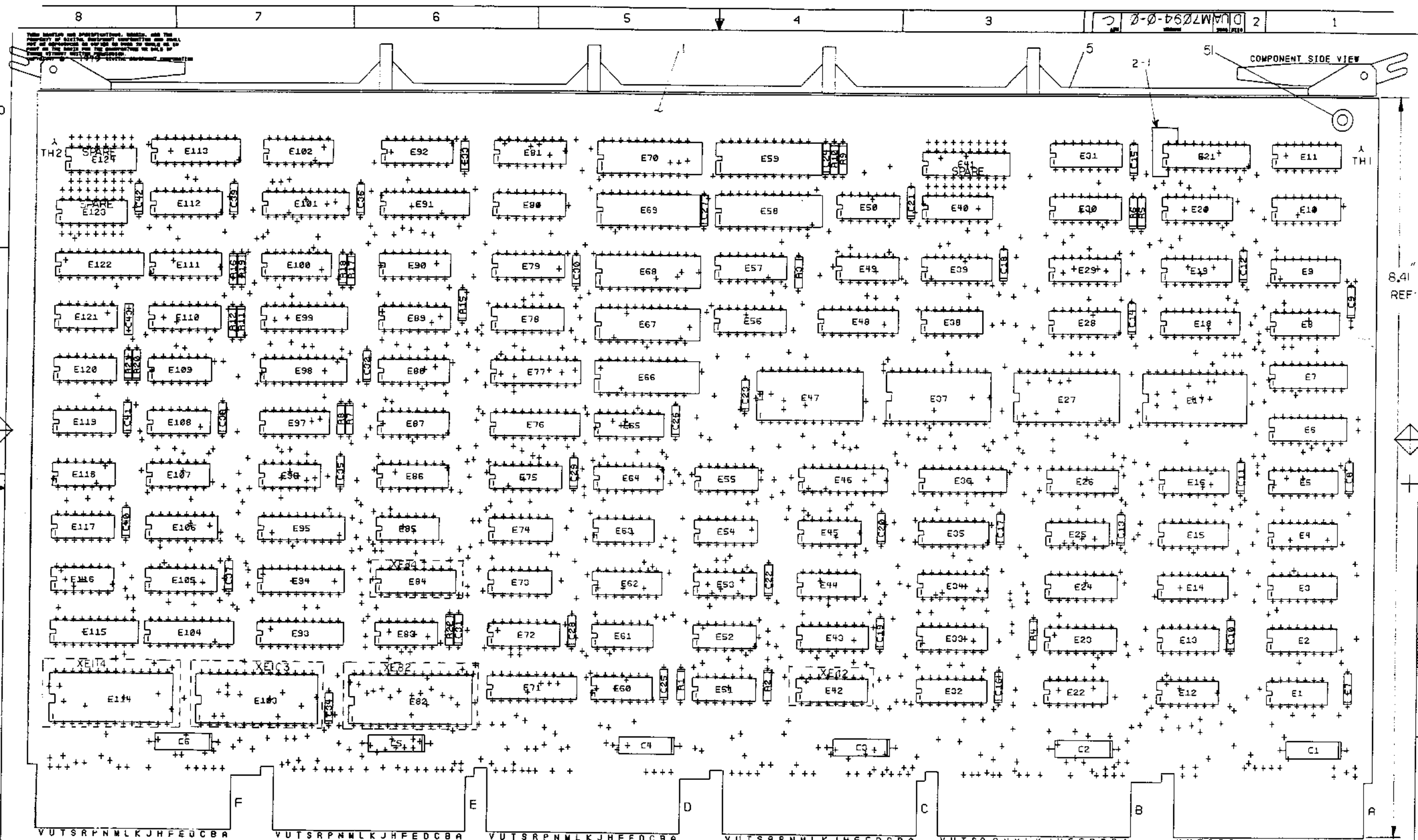
P A R T S L I S T

SHEET A3 OF A3

LINE	ITEM	DOCUMENT NUMBER	PART NUMBER	DESCRIPTION	QTY PER VARIATION 00	REFERENCE DESIGNATOR
79	79		9008337-06	HANDLE, FLIP CHIP, MAGENTA	2	
80	80		9009000-00	EYELET, ROLLED FLANGE, .121 OD X	1	
81	81		9009157-00	ADH, LIQ, RM. TEMP CURING COLORLESS	A/R	
82	82		9009185-00	JUMPER, WIRE, INSULATED, BLACK B	6	
83	83		9105740-55	WIRE(WRAP)30AWG UL1423	1	W10-W12,W16,W18,W20
84	84		9107360-00	WIRE,STRND,18AWG,IPVC UL1429	A/R	

85 NOTE: ITEM #84.1 IS USED.

D	I	G	I	T	A	L	TITLE	SECTION A OF A	SIZE	CODE	DOCUMENT NUMBER	REV
							CONSOLE INTERFACE MODULE		K	PL	M7090-0-DBP	B



NOTES: 1. E4, E123 AND E124 ARE
SPECIAL CASES

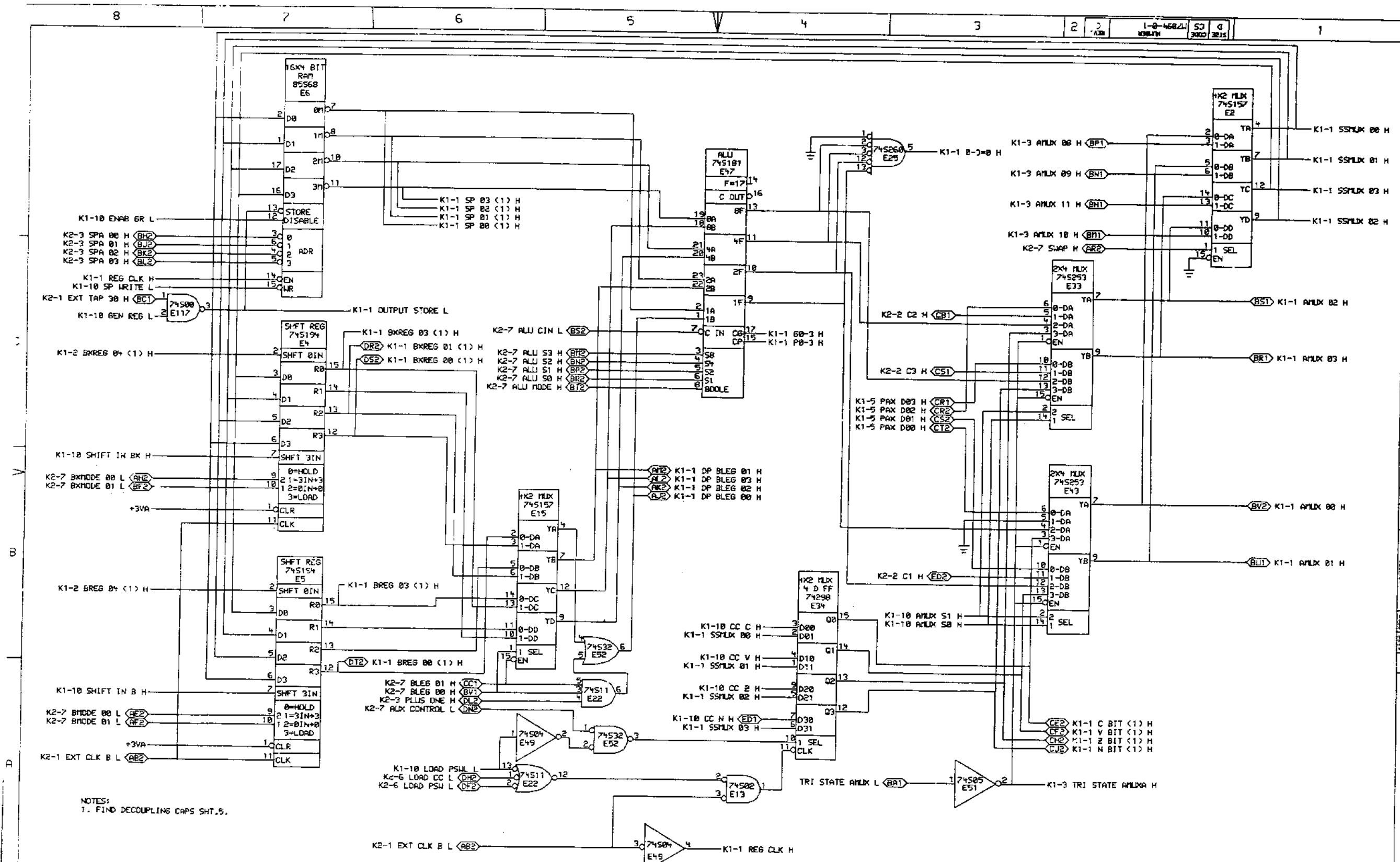
STEP 1 → Y AXIS STEP 2 TIMES
 REPEAT → X AXIS STEP 3 TIMES

CHANGE NO. REV	
DATE	
BY	
CHK'D	
DATE	
BY	
CHK'D	
DATE	
BY	
CHK'D	
DATE	
BY	

ETCH REV.	C-PI
-----------	------

SIGNATURES	DATE
DRN.	
CHK'D.	
MECH. ENG.	
PROJ. ENG.	
PROD. C.	
SCALE	2/1
SHT. OF	2
NEXT HIGHER ASSY.	B-D0-M7094-0

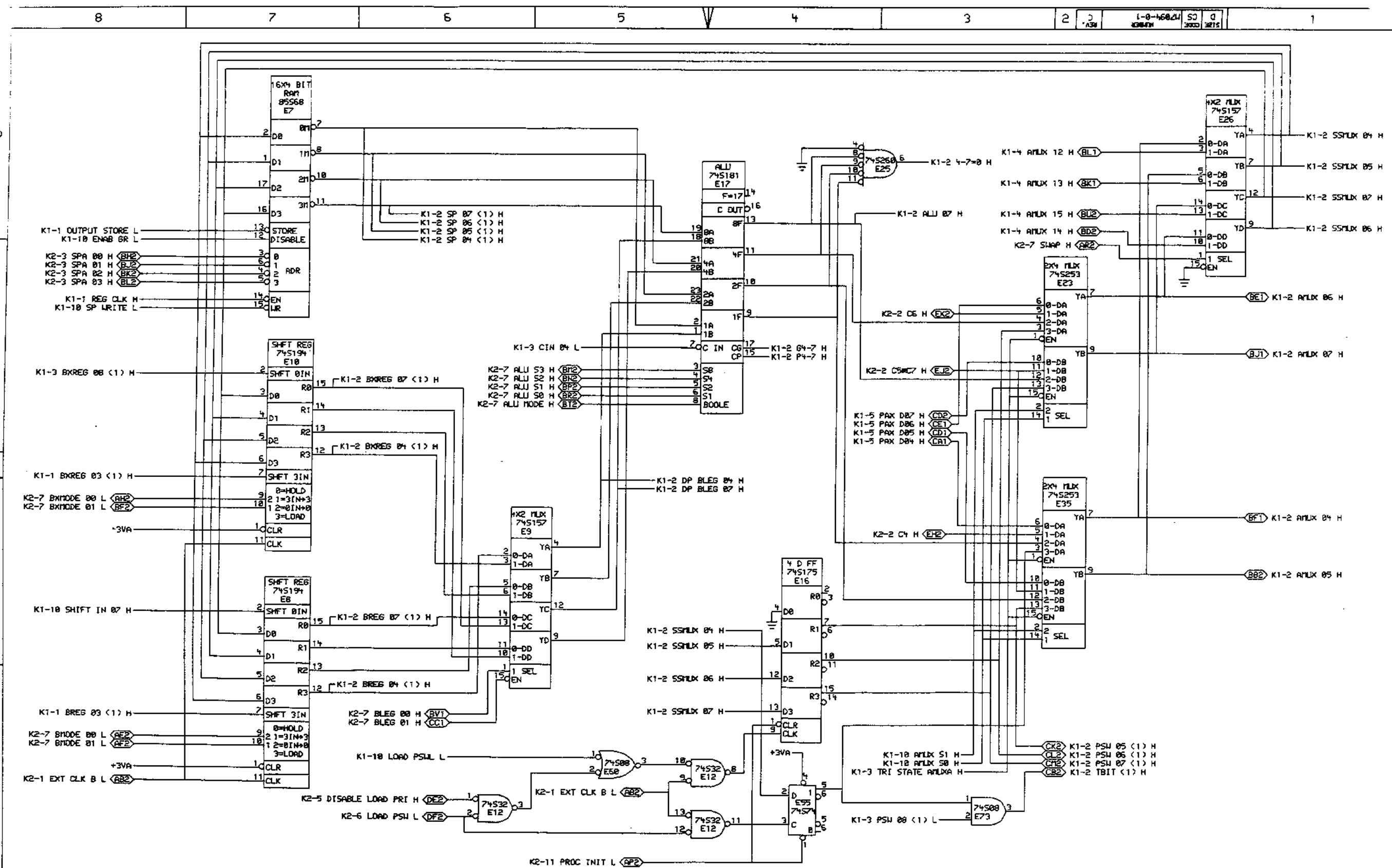
TITLE	KDII-Z
DATA PATH	
SIZE CODE	D
NUMBER	UAM7094-0-2
REV	C



NOTES:
1. FIND DECOUPLING CAPS SHT.5.

REVISIONS		M7094-TW002 C	
CHK	CHANGE NO.	REV	DATE
1	REVISED AND REDRAWN	B	R. DAY
		Bill Galt 21-MAR-70	

digital	DATE	18-OCT-79	ENG	R. Day (BG)	DATE	21-OCT-79	TITLE	(K1-1) DATA PATH (D0-D3)
	CHK'D	21-OCT-79	DATE	21-OCT-79	BOARD LOCATION			
FIRST USED ON OPTION/MODEL:		11/44	NEXT HIGHER ASSEMBLY:		B-DD-M7094-0	SIZE	CODE	D CS
NUMBER		M7094-0-1		REV.	C			



THIS DRAWING AND SPECIFICATIONS ARE THE PROPERTY OF DIGITAL EQUIPMENT CORPORATION AND SHALL NOT BE REPRODUCED OR COPIED OR USED IN WHOLE OR IN PART AS THE BASIS FOR THE MANUFACTURE OF ANY PRODUCT WITHOUT WRITTEN PERMISSION. COPYRIGHT © 1974, DIGITAL EQUIPMENT CORPORATION.

REVISIONS		
CHK	CHANGE NO.	REV.

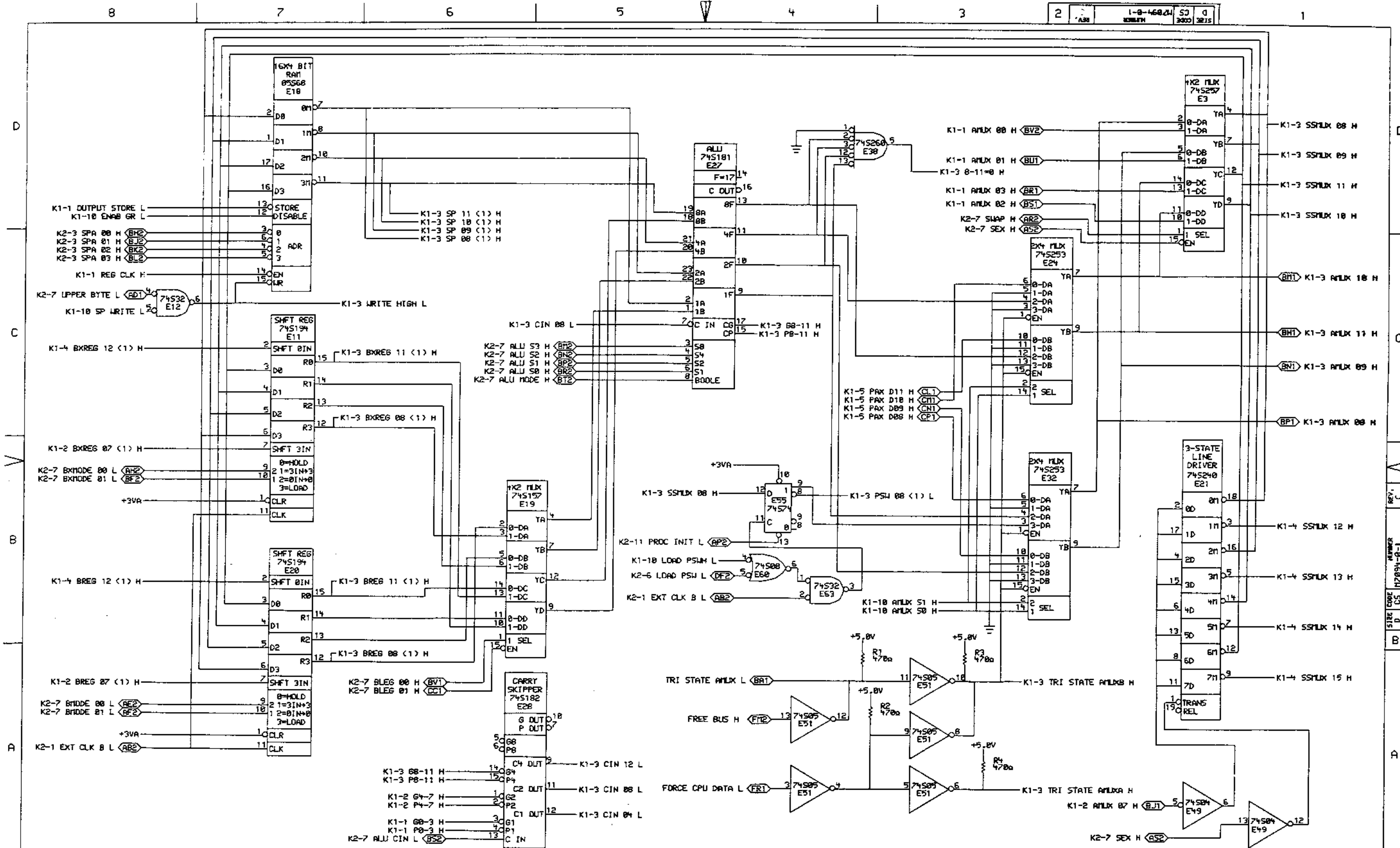
		DATE: 16-OCT-79 BOARD LOCATION: 11	TITLE: (K1-2) DATA PATH (D4-D7)
C160,257 X128.DRW FIRST USED ON OPTION/MODEL: 11/44		DATE: 18-OCT-79 NEXT HIGHER ASSEMBLY: B-DD-117094-0	SIZE CODE: D CS NUMBER: M7094-0-1 REV. C

8 7 6 5 4 3 2 1

D C B A

REV. C

SIZE CODE NUMBER
D CS M7094-0-1

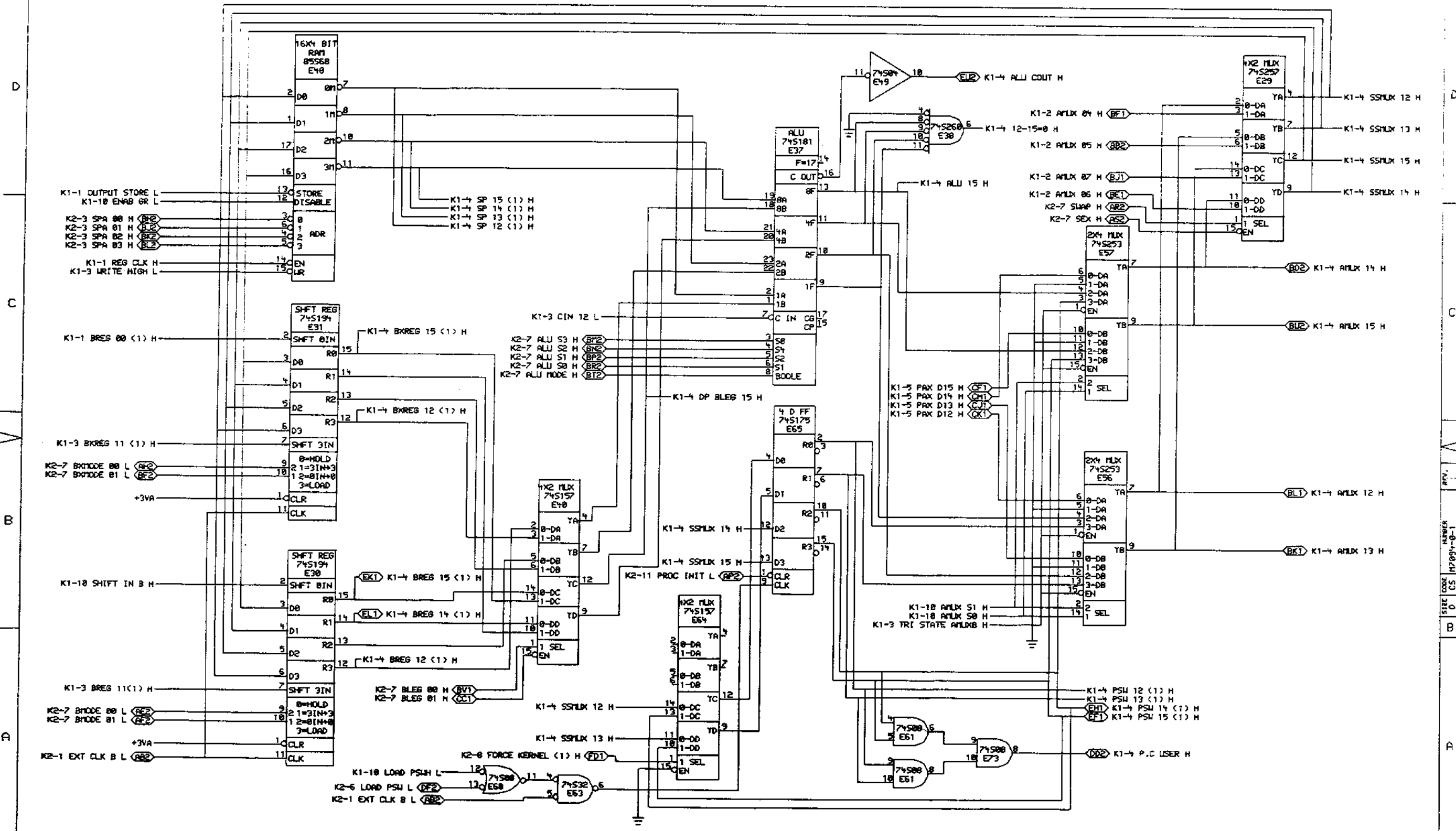


THIS DRAWING AND SPECIFICATIONS ARE THE PROPERTY OF DIGITAL EQUIPMENT CORPORATION AND SHALL NOT BE REPRODUCED OR COPIED IN WHOLE OR IN PART AS THE BASIS FOR THE MANUFACTURE OR SALE OF ITEMS WITHOUT WRITTEN PERMISSION. COPYRIGHT © 1974, DIGITAL EQUIPMENT CORPORATION.

REV.	CHG	CHANGE NO.	REV

	DATE	18-OCT-79	DESIGNED BY	J. J. J.	DATE		TITLE:	(K1-3) DATA PATH (D8-D11)
	DATE	16-OCT-79	CHECKED BY		DATE		BOARD LOCATION:	
							SHEET	2 OF 11
							NEXT HIGHER ASSEMBLY:	B-DD-M7094-B
							SIZE CODE	D CS
							NUMBER	M7094-0-1
							REV.	C

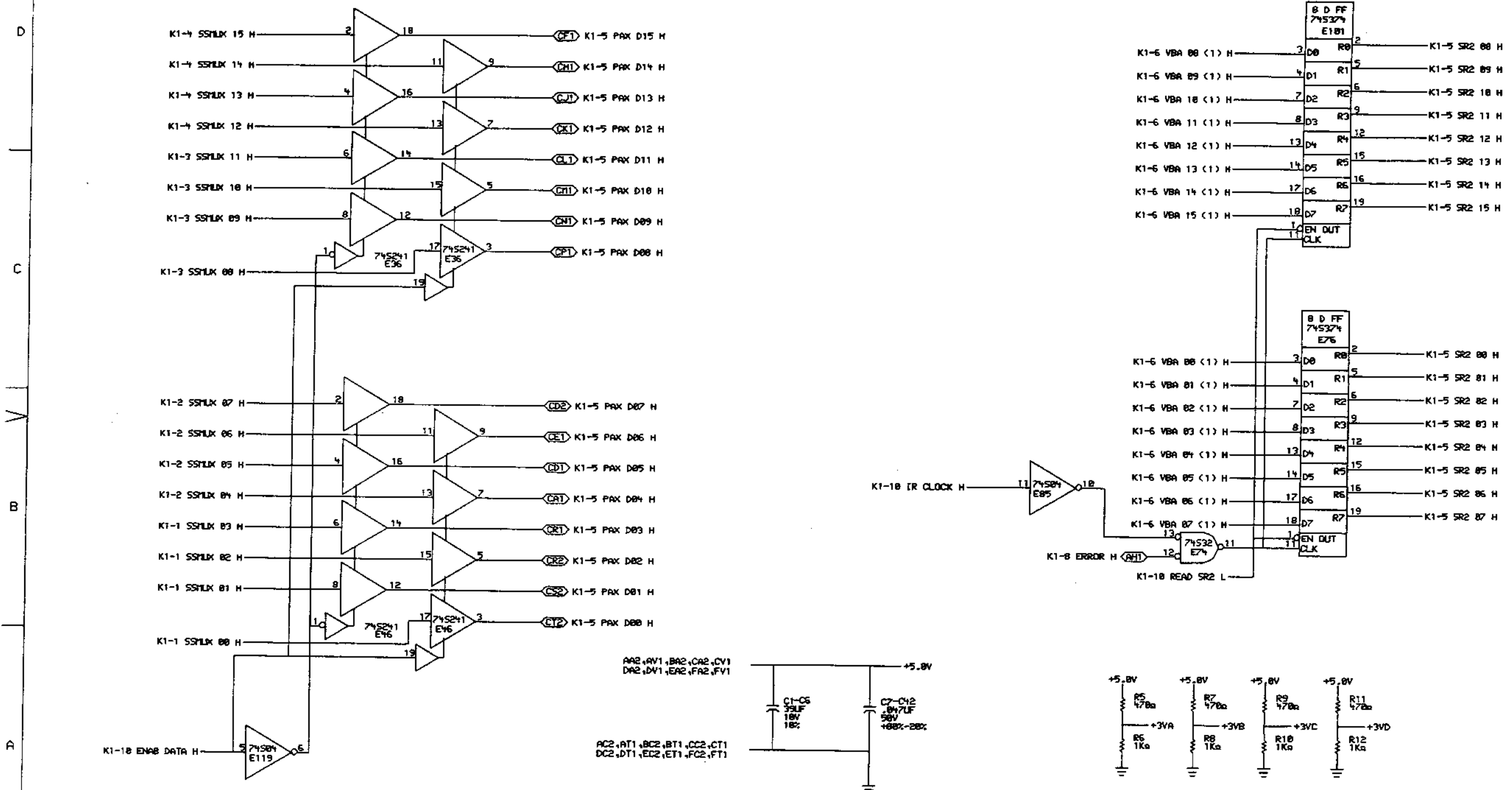
REV. C
 NUMBER M7094-0-1
 SIZE CODE CS



THIS DRAWING AND SPECIFICATIONS ARE THE PROPERTY OF DIGITAL EQUIPMENT CORPORATION AND SHALL NOT BE REPRODUCED OR COPIED OR USED IN WHOLE OR IN PART FOR THE PURPOSES FOR THE MANUFACTURE OR SALE OF OTHER WITHOUT WRITTEN PERMISSION. COPYRIGHT © 1974, DIGITAL EQUIPMENT CORPORATION.

REVISIONS	
CHK	CHANGE NO. REV

	DATE: 18-OCT-79	ENG: [Signature]	DATE: [Signature]	TITLE: (K1-4) DATA PATH (D12-D15)
	DATE: 16-OCT-79 14:45	BOARD LOCATION: B-DD-M7094-0	DATE: 11	SIZE CODE: D CS M7094-0-1
FIRST USED ON OPTION/MODEL: 11/74	NEXT HIGHER ASSEMBLY: B-DD-M7094-0	NUMBER: 1	REV: C	



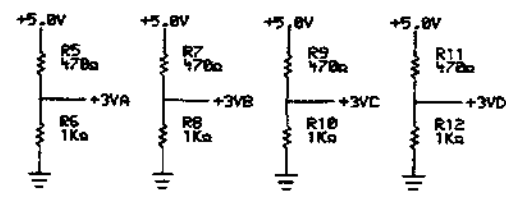
AA2,AV1,BA2,CA2,CV1
DA2,DV1,EA2,FA2,FV1

AC2,AT1,BC2,BT1,CC2,CT1
DC2,DT1,EC2,ET1,FC2,FT1

+5.0V

C1-C6
331F
18V
18%

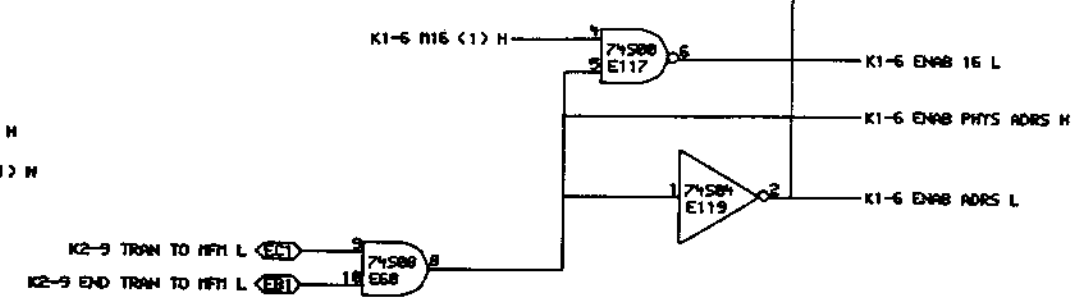
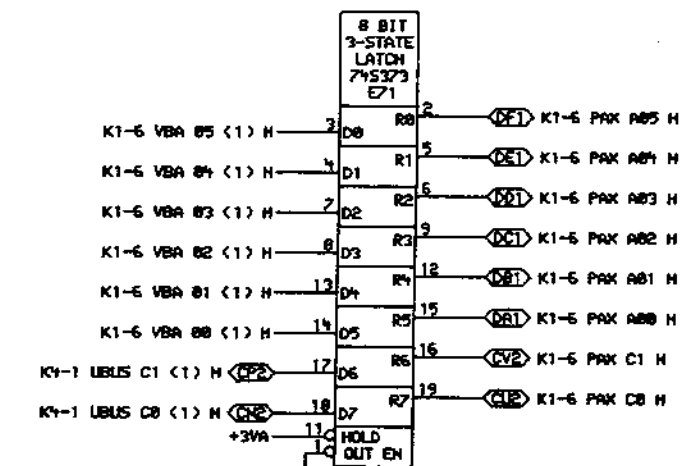
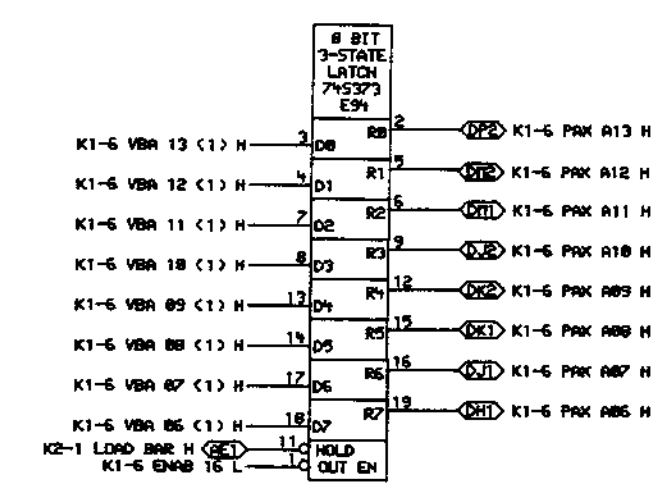
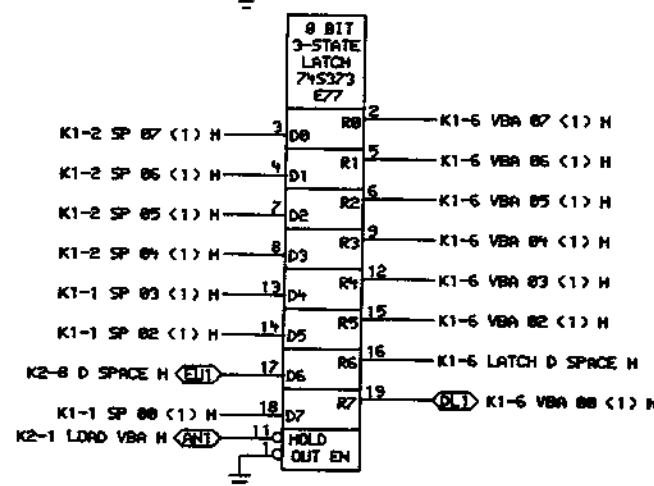
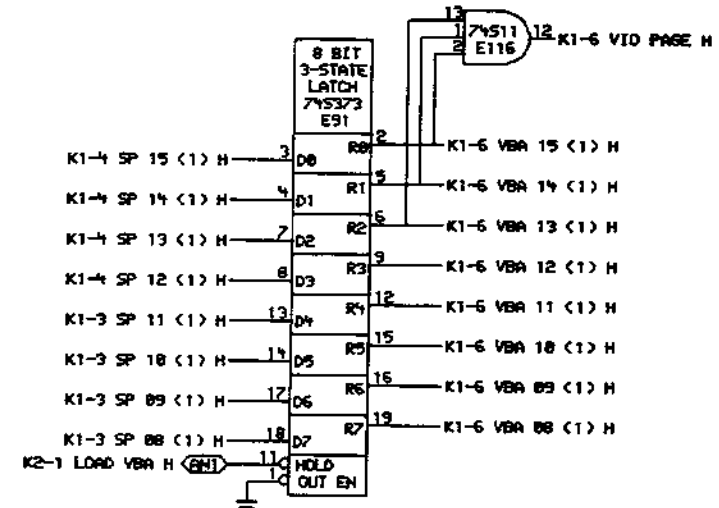
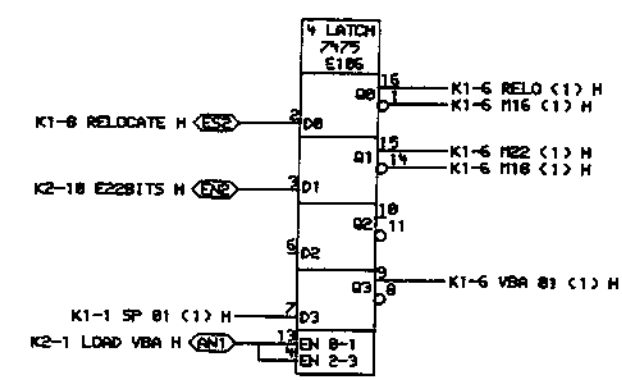
C7-C12
8171F
50V
+80%-20%



THIS DRAWING AND SPECIFICATIONS
HEREIN, ARE THE PROPERTY OF
DIGITAL EQUIPMENT CORPORATION AND
SHALL NOT BE REPRODUCED OR COPIED
OR USED IN WHOLE OR IN PART OR
FOR ANY PURPOSES WITHOUT THE
WRITTEN PERMISSION OF DIGITAL
EQUIPMENT CORPORATION.

CHK	CHANGE NO.	REV

	DATE: 10-OCT-79	ENG: [Signature]	DATE: [Blank]	TITLE: (K1-5) DATA PATH (PAX DATA, SR2)
	DATE: [Blank]	DATE: [Blank]	DATE: [Blank]	BOARD LOCATION: [Blank]
C150,252 K158,081	176-OCT-79 14:46	NEXT HIGHER ASSEMBLY: B-DD-17894-B	SHEET: 5 OF 11	SIZE CODE: D CS M7894-0-1
FIRST USED ON OPTION/MODEL: 11/44				NUMBER: TW



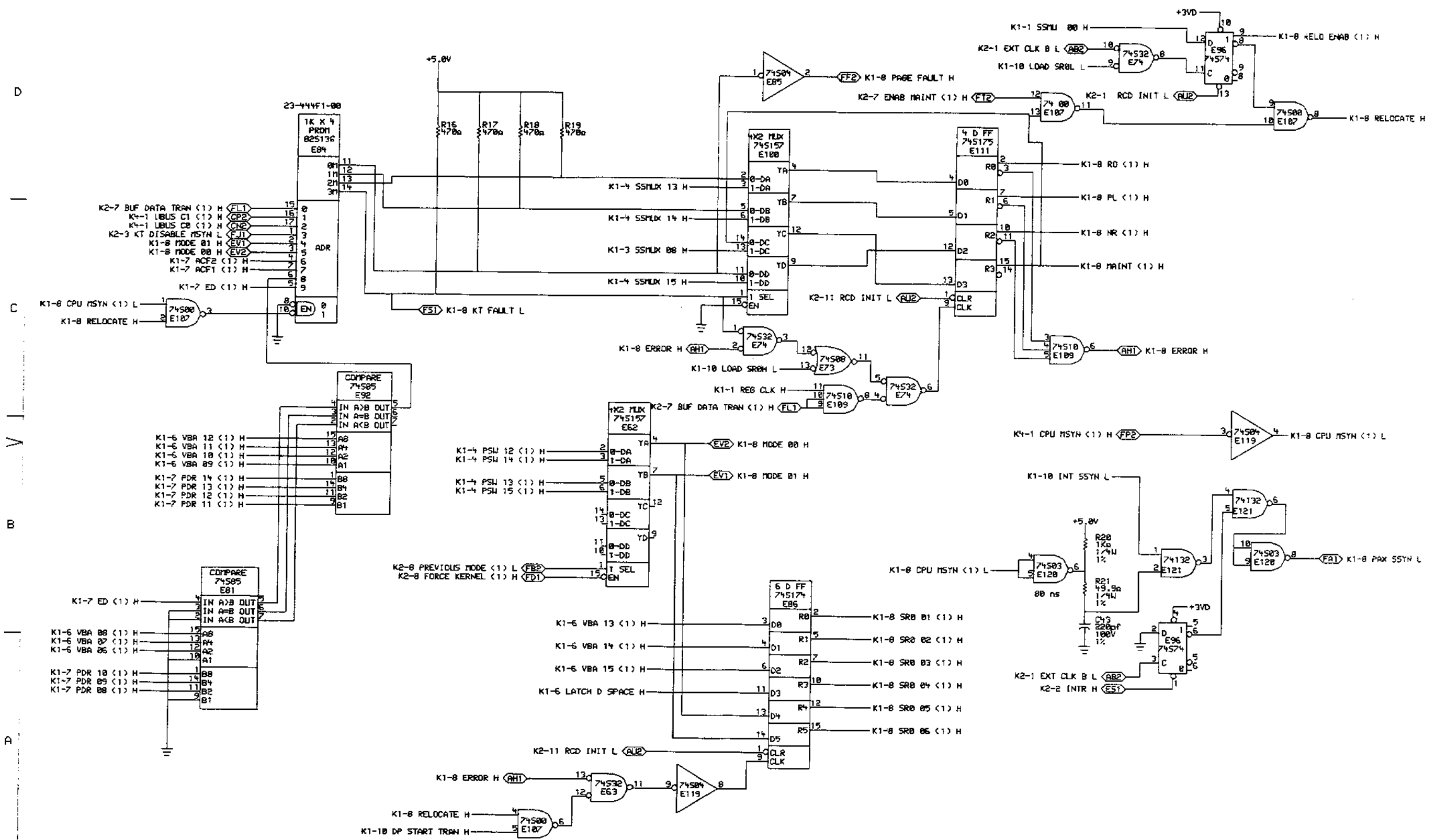
D
C
B
A

D
C
B
A

REV.	CHG.	NO.	REV.

digital

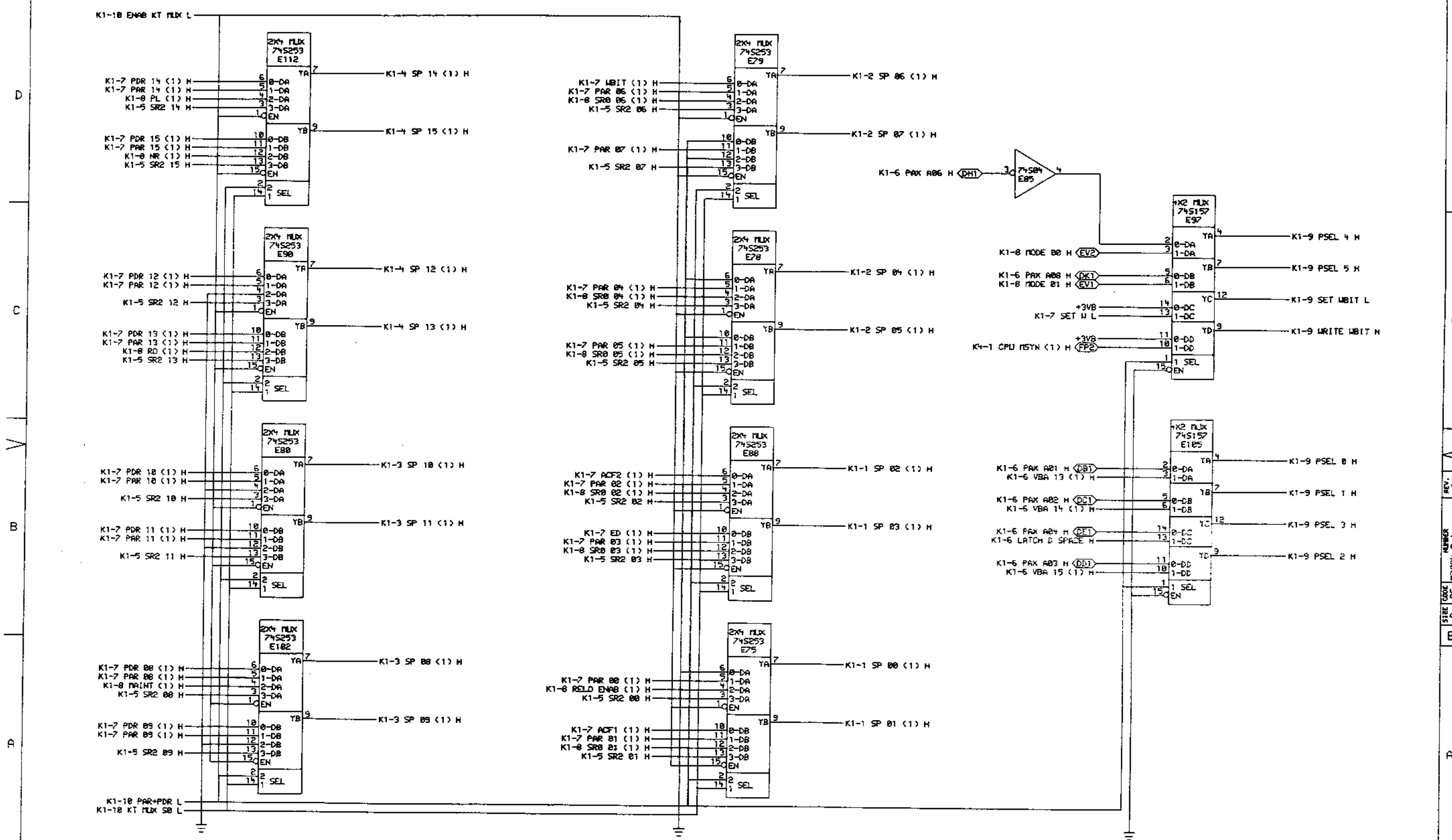
DATE: 11-01-79
 BOARD LOCATION: 5 DE 11
 TITLE: (K1-6) DATA PATH (KT BUFFER)
 SIZE CODE: D CS
 NUMBER: M7094-0-1
 REV: C



REVISIONS			DATE	ENG.	DATE	TITLE:
CHK	CHANGE NO.	REV				(K1-8) DATA PATH (SR0)
			26-OCT-79			

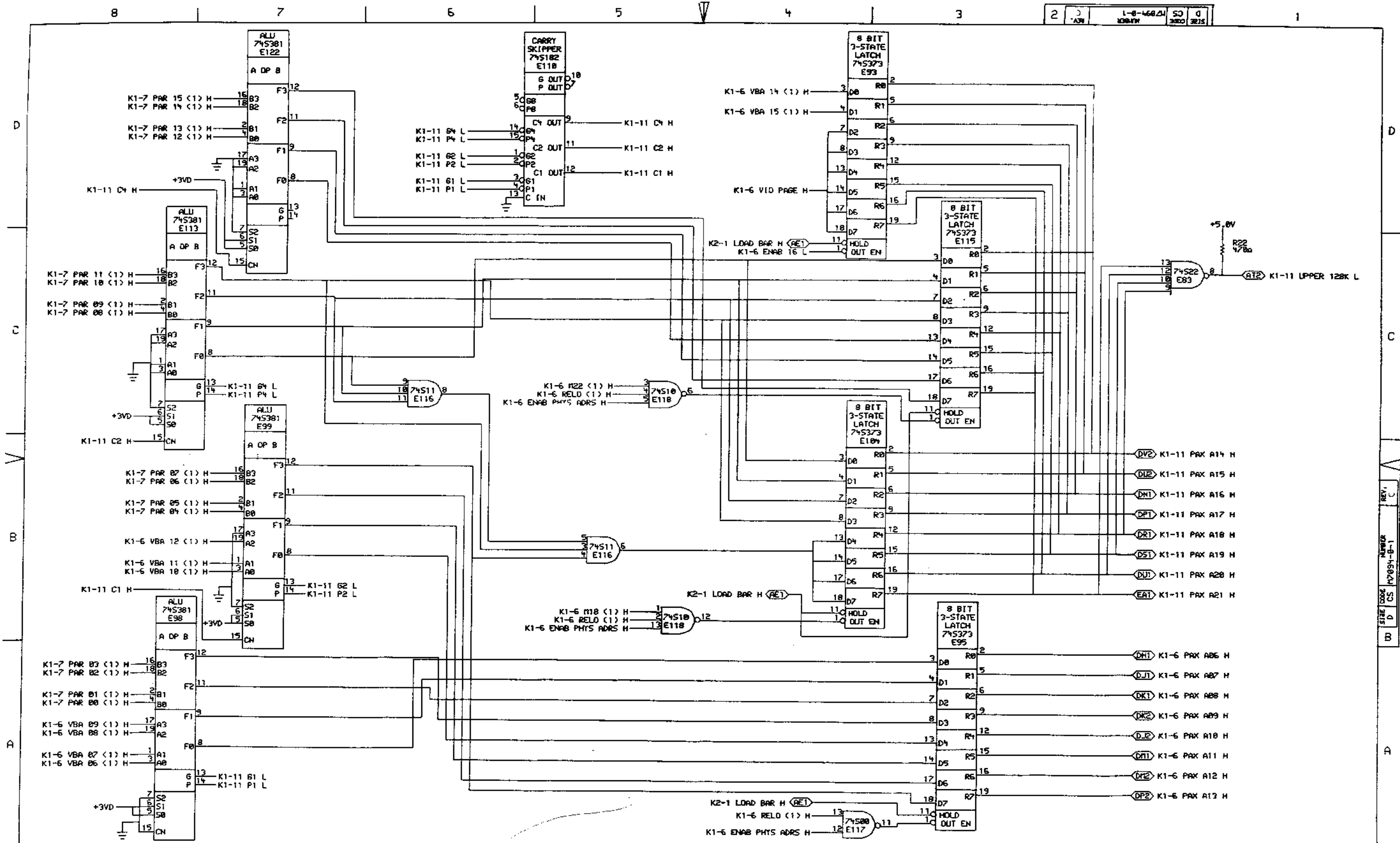
168,257 K188.DRL	26-OCT-79 12:08	NEXT HIGHER ASSEMBLY:	SIZE	CODE	NUMBER	REV.
FIRST USED ON OPTION/MODEL: 11/44	B-DD-17094-0		D	CS	17094-0-1	C

REV. C
 SIZE CODE NUMBER
 D CS 17094-0-1
 B



REV.	DATE	DESCRIPTION
1	15-OCT-79	INITIAL DESIGN
2	15-OCT-79	REVISED FOR MANUFACTURE

digital DRW: J. J. J. DATE: 15-OCT-79
 TITLE: (K1-9) DATA PATH (REG MUXES)
 SHEET: 9 OF 11
 FIRST USED ON OPTION/MODEL: 11/44
 NEXT HIGHER ASSEMBLY: B-DD-17094-0
 SIZE CODE: D CS NUMBER: 17094-0-1 REV: C



THIS DRAWING AND SPECIFICATIONS, WHEN USED IN CONNECTION WITH THE PROPERTY OF DIGITAL EQUIPMENT CORPORATION AND SHALL NOT BE REPRODUCED OR COPIED OR USED IN WHOLE OR IN PART AS THE BASIS FOR THE MANUFACTURE OF ANY ITEMS WITHOUT WRITTEN PERMISSION. COPYRIGHT © 1979, DIGITAL EQUIPMENT CORPORATION.

REVISIONS	CHK	CHANGE NO.	REV

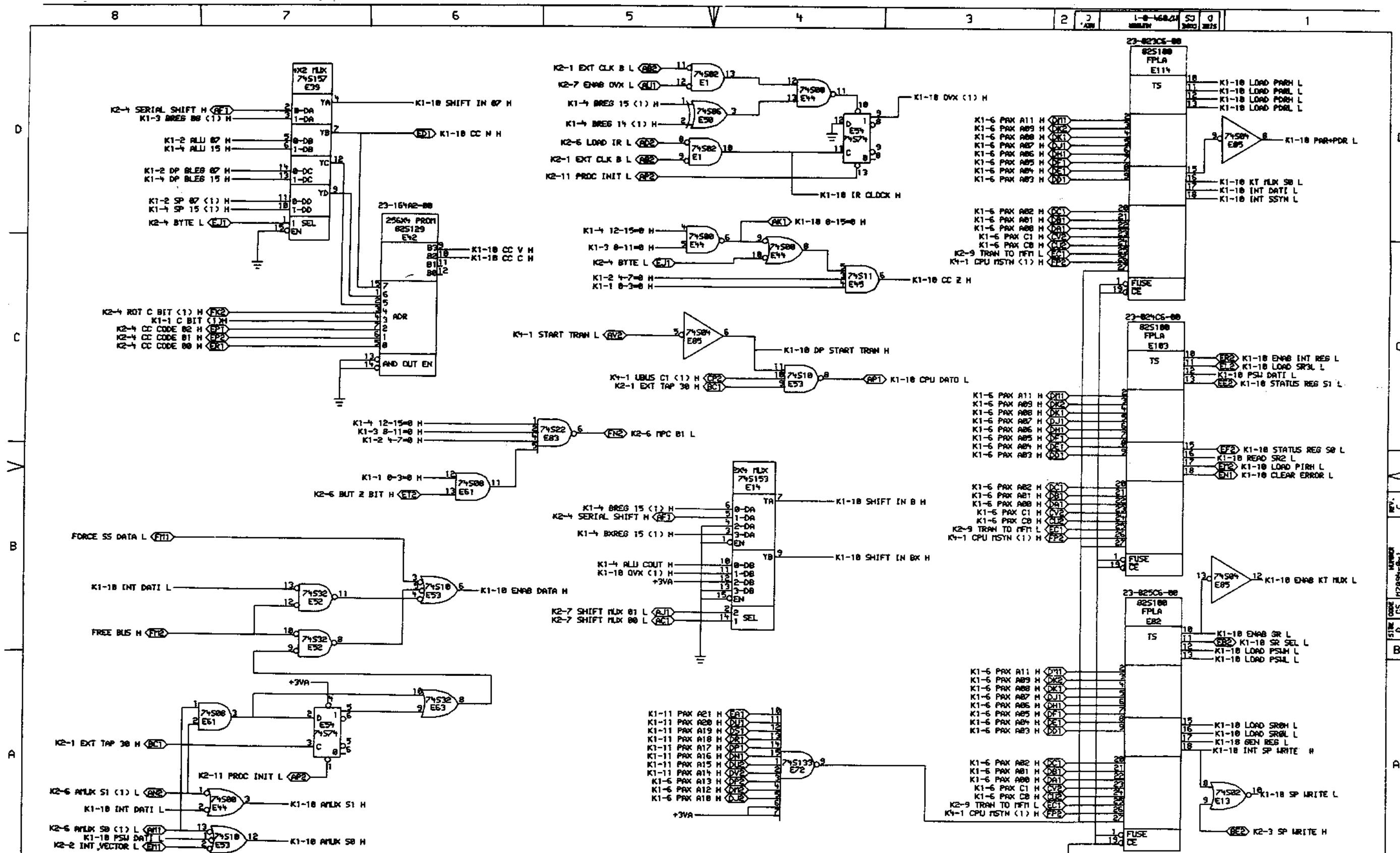
digital DR: J. J. J. DATE: 18-OCT-79 ENG. DATE: DATE: TITLE: (K1-11) DATA PATH (KT ADDRES)

116_252_K111B.DRM 116-OCT-79 14:51 NEXT HIGHER ASSEMBLY: SHEET: 11 OF 11

FIRST USED ON OPTION MODEL: 11/44 B-DD-M7094-0

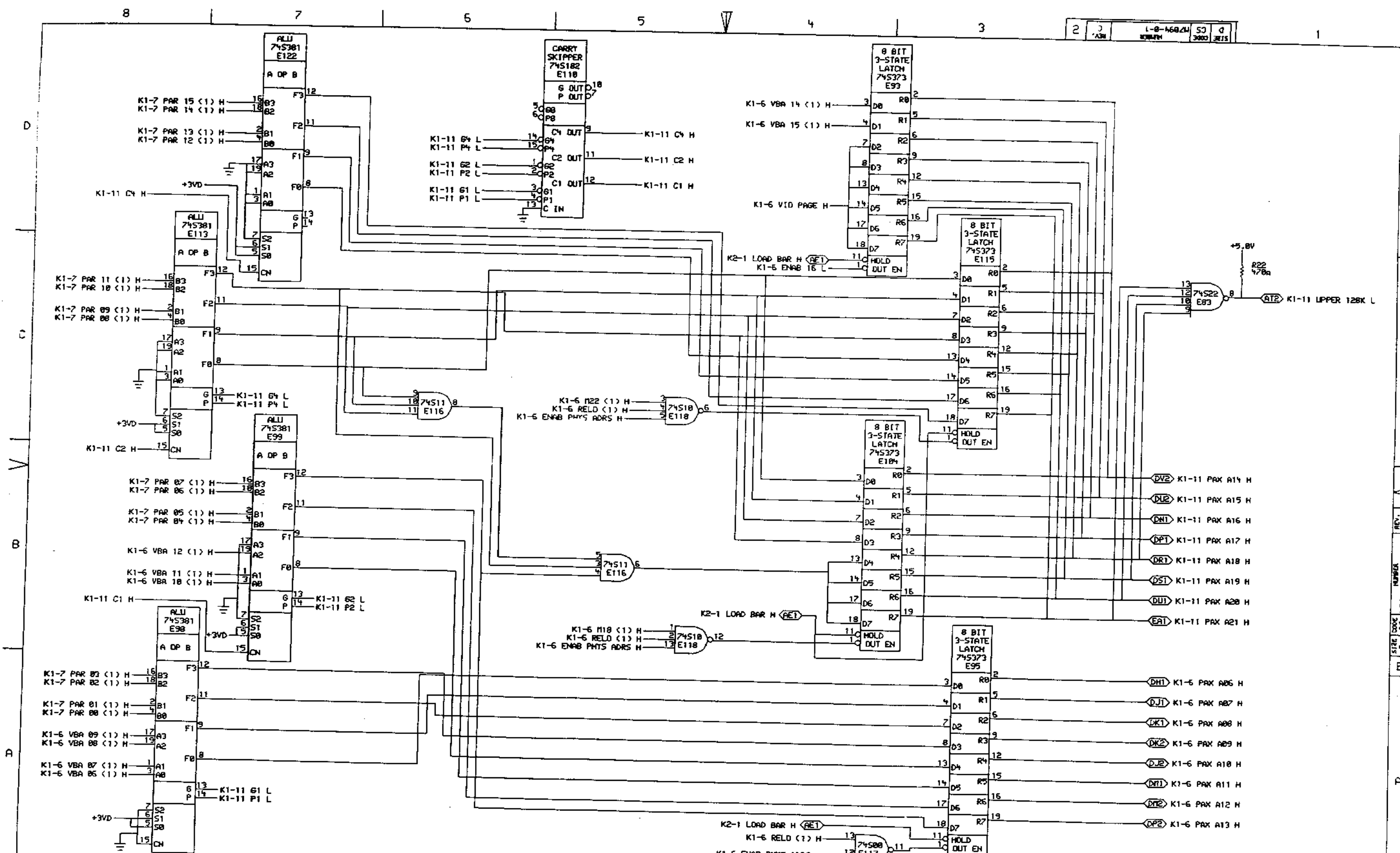
SIZE CODE: D CS M7094-0-1 NUMBER: REV: C

REV: C
 NUMBER: M7094-0-1
 CS



REVISIONS			DATE		TITLE	
CHK	CHANGE NO.	REV	ENG	DATE	REV	DATE

digital		DATE: 10-07-79		TITLE: (K1-10) DATA PATH (INT ADRS DEC)	
116-257 X1188 DRU		FIRST USED ON OPTION/MODEL: 11/44		NEXT HIGHER ASSEMBLY: B-DD-17094-0	
SIZE: D	CODE: CS	NUMBER: M7094-0-1	REV: C		



ALL RIGHTS RESERVED AND SPECIFICATIONS ARE THE PROPERTY OF DIGITAL EQUIPMENT CORPORATION AND SHALL NOT BE REPRODUCED OR COPIED IN ANY MANNER OR IN ANY MEDIUM WITHOUT THE WRITTEN PERMISSION OF DIGITAL EQUIPMENT CORPORATION.

REV. NO.	CHANGE NO.	REV.
1		

	DATE: 10-OCT-79	ENG.:	DATE:	TITLE: (K1-11) DATA PATH (KT ADDERS)
	DATE: 11-OCT-79	BOARD LOCATION: 11 OF 11	SHEET: 11 OF 11	SIZE: D
FIRST USED ON OPTION/MODEL: 11/44	NEXT HIGHER ASSEMBLY: 19-D0-117094-0	NUMBER: 117094-0-1	REV.:	C

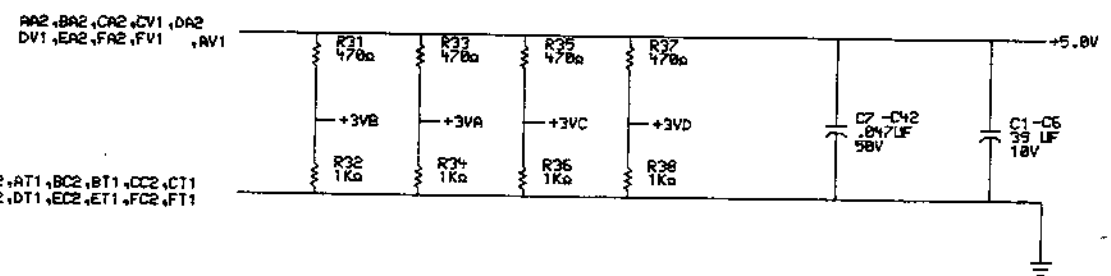
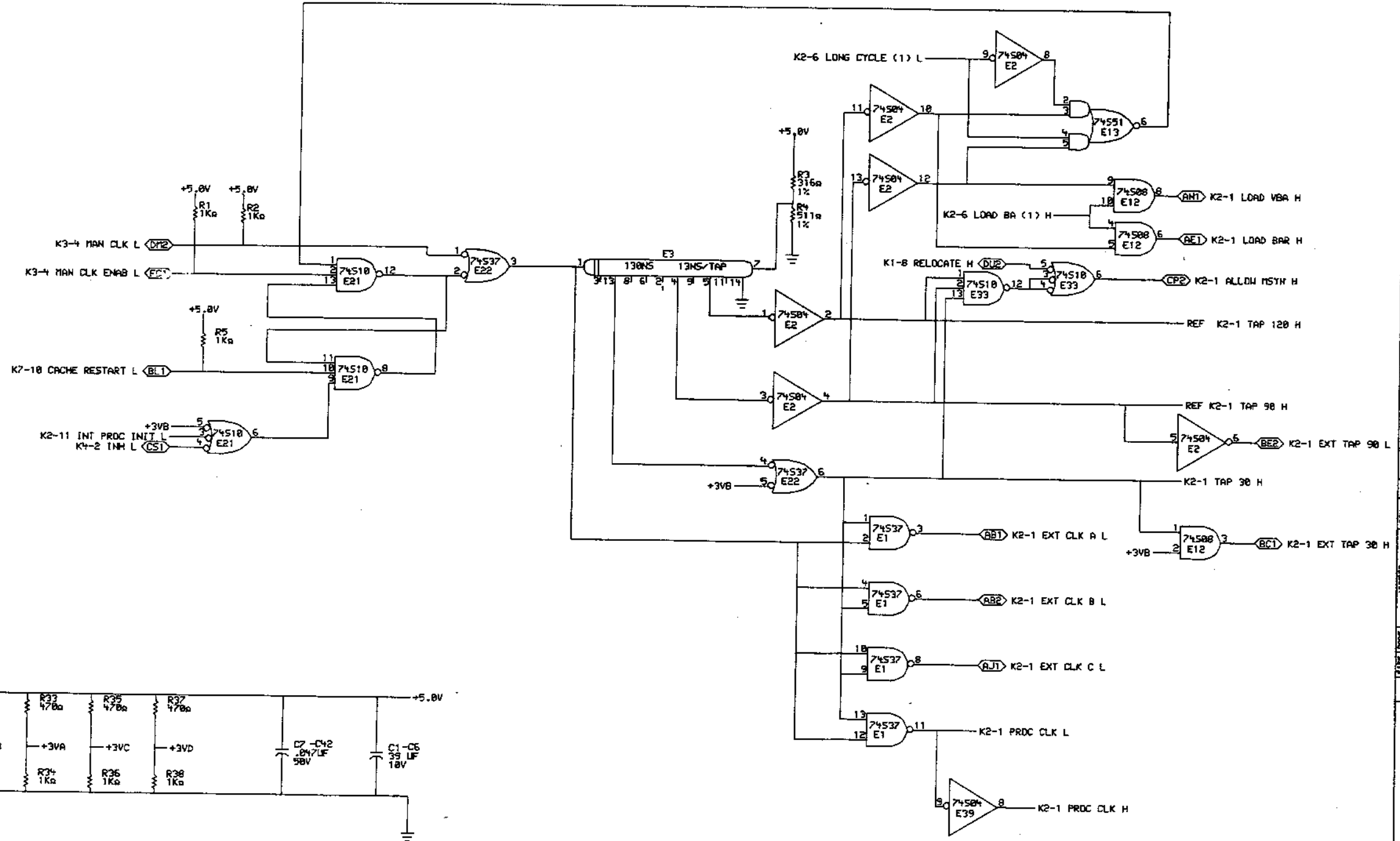
REV. C
 NUMBER 117094-0-1
 CS D CS

TW 1

LINE ITEM	DOCUMENT NUMBER	PART NUMBER	DESCRIPTION	QTY PER VARIATION	REFERENCE DESIGNATOR
30	30	1911983-00	74S133 NAND GATE-POSITIVE 1	1	E72
31	31	1912069-00	MEMORY READ/WRITE,25	1	E87
32	32	1912089-00	74SR5 CMPRTR-4BIT MAGNITUD	2	E81,E92
33	33	1912096-00	DEC 74SR6 XOR GATE,QUAD 2IN	1	E50
34	34	1912097-00	SN 74S102 LOOK AHD CARRY GEN	2	E28,E110
35	35	1912388-00	74S02 NOR GATE-QUAD 2IN,PO	2	E1,E13
36	36	1912389-00	74S08 AND GATE-QUAD 2IN,PO	3	E60,E61,E73
37	37	1912586-00	DM 85S68N REGISTER,64BIT EDGE	4	E6,E7,E18,E48
38	38	1912660-00	74S253 MUX 1 OF 4 (DUAL)	16	E23,E24,E32,E33,E35,E43,E56,E57, E75,E78-E80,E88,E90,E102,E112
39	39	1913340-00	74S32 OR GATE-QUAD 2IN	5	CONT E12,E52,E63,E74,E108
40	40	1913462-00	74S240 OCTAL BUFFER,INVERTI	1	E21
41	41	1913493-00	74S241 OCTAL BUFFER,TRI-STA	2	E36,E46
42	42	1913670-00	74S373 LATCH 8BIT TRASP TR	8	E71,E77,E91,E93-E95,E104,E115
43	43	1913671-00	74S374 FF-D OCTAL TRISTATE	2	E76,E101
44	44	1913700-00	74S381 ALU-4BIT	4	E98,E99,E113,E122
45	45	1914085-00	74S260 NOR GATE-DUAL,POS	2	E25,E38
46	46	1914550-00	*** THIS ITEM IS NOT USED ***	-	
47	47	1915697-00	RAM 256X4 TRI-STATE	7	E58,E59,E66-E70
48	48	23164A2-00	A2-05	1	E42
49	49	23023C6-00	C6-01	1	E114
50	50	23444F1-00	F1-02	1	E84
51	51	9000024-01	FYFLET, POLLED FLANGE, .121 OD X	12	
52	52	1911637-00	74132 NAND GATE-QUAD 2 IN	1	E121
53	53	23024C6-00	C6-01	1	E103
54	54	23025C6-00	C6-01	1	E82
55	55	23000F1-01	*** THIS ITEM IS NOT USED ***	-	
56	56	9105740-55	WIRE(WRAP)30A*G UL1473	1	

D	I	G	I	T	A	L	TITLE	SECTION A OF A	SIZE	CODE	DOCUMENT NUMBER	REV
							KD11-Z DATA PATH		K	PL	M7094-0-DR?	C

Handwritten signature



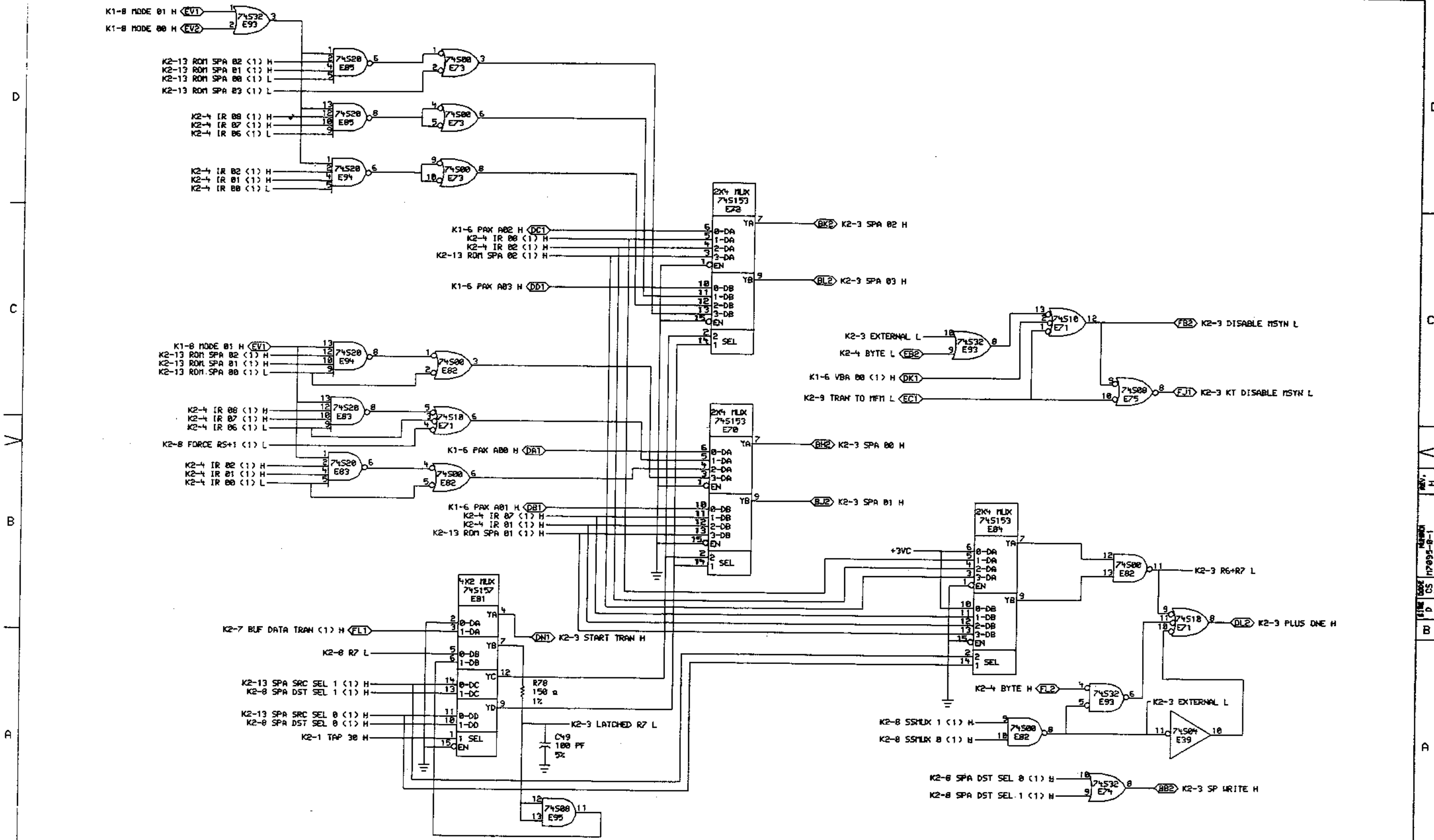
* ALL RESISTORS ON THIS MODULE ARE 1/4W 5% UNLESS OTHERWISE NOTED

REV	CHK	CHANGE NO.	REV	CHK	CHANGE NO.
1		1	1		1
2		2	2		2
3		3	3		3
4		4	4		4
5		5	5		5
6		6	6		6
7		7	7		7
8		8	8		8

REV	CHK	CHANGE NO.	REV	CHK	CHANGE NO.
1		1	1		1
2		2	2		2
3		3	3		3
4		4	4		4
5		5	5		5
6		6	6		6
7		7	7		7
8		8	8		8

	DATE	ENGR.	DATE	TITLE:
	19-APR-88	B. GIST	19-APR-88	(K2-1) CONTROL (SYS CLOCK)
	DATE	BOARD LOCATION	DE	
19-APR-88	12:25	B-DD-M7895-0	12	
FIRST USED ON OPTION/MODEL:	11/44			
			SIZE	CODE
			D	CS
			NUMBER	
			M7895-0-1	
			REV.	
			H	

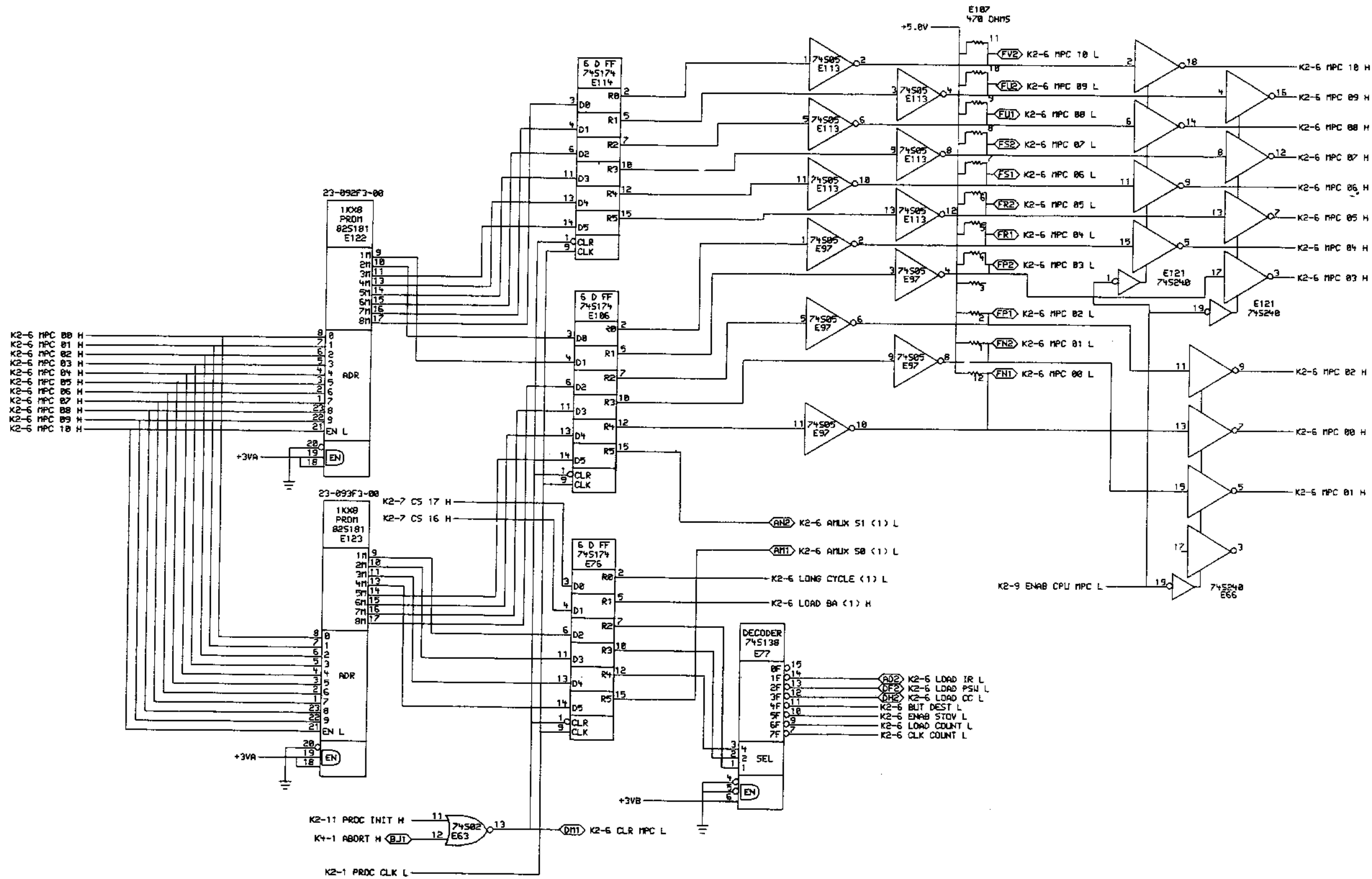
REV. H
 17895-0-1
 CS
 D
 B
 A



THIS DRAWING AND SPECIFICATIONS HEREAFTER ARE THE PROPERTY OF DIGITAL EQUIPMENT CORPORATION AND SHALL NOT BE REPRODUCED OR COPIED OR USED IN WHOLE OR IN PART FOR ANY PURPOSE WITHOUT THE WRITTEN PERMISSION OF DIGITAL EQUIPMENT CORPORATION.

REVISIONS	
CHK	CHANGE NO. REV

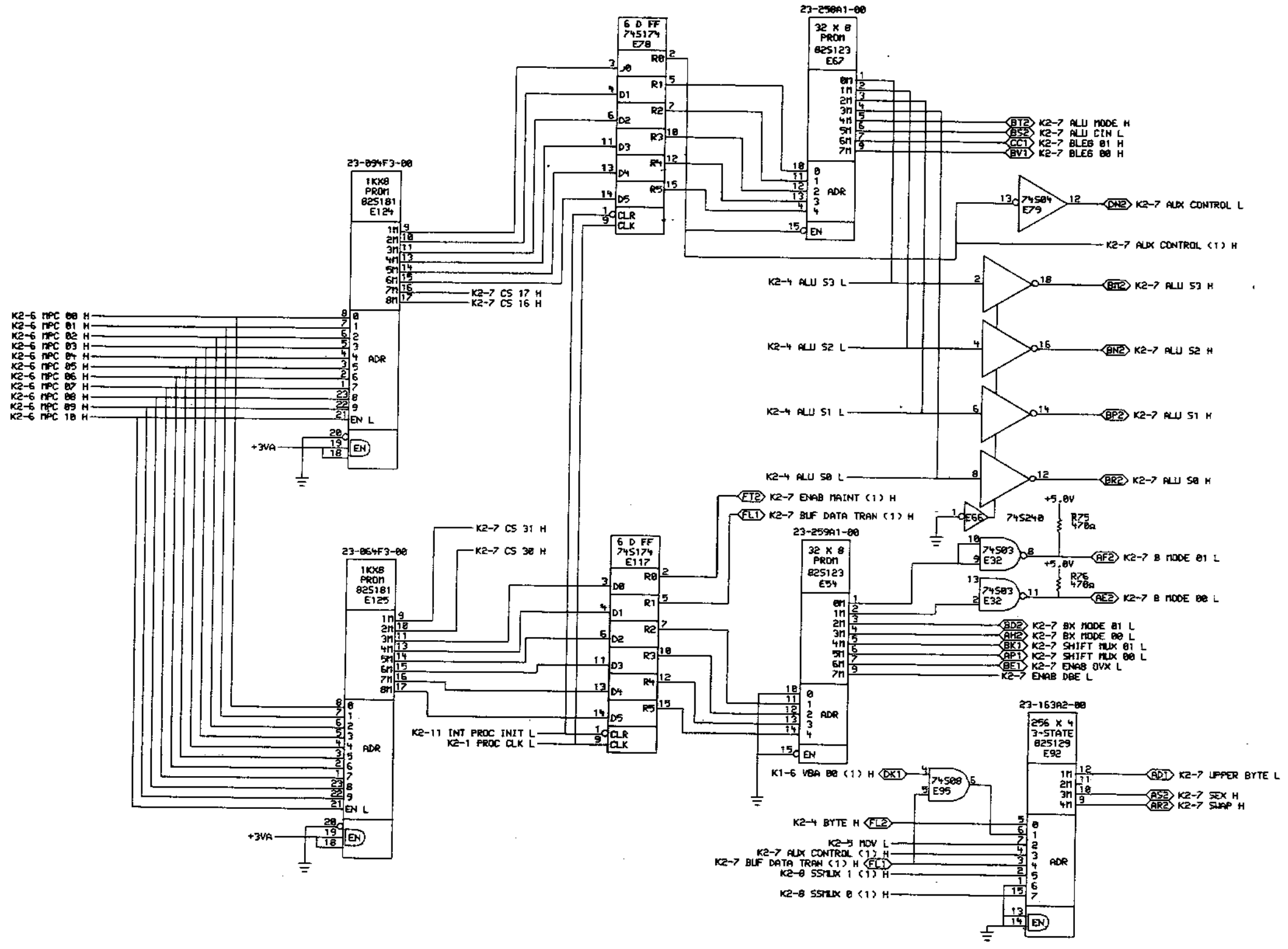
	DATE: 25-APR-66	DESIGNER: J. J. J.	DATE: 25-APR-66	TITLE: (K2-3) CONTROL (SP ADRS MUX)
	DATE: 25-APR-66	DESIGNER: J. J. J.	DATE: 25-APR-66	BOARD LOCATION: 3 OF 13
(150.257) 10105E.DRM FIRST USED ON OPTION/MODEL: 11-44	25-APR-66 13:57 NEXT HIGHER ASSEMBLY: B-DD-M7095-0	SIZE: D CODE: CS	NUMBER: M7095-0-1	REV: H



THIS DRAWING AND SPECIFICATIONS ARE THE PROPERTY OF DIGITAL EQUIPMENT CORPORATION AND SHALL NOT BE REPRODUCED OR COPIED OR USED IN WHOLE OR IN PART AS THE BASIS FOR THE MANUFACTURE OR SALE OF ITEMS WITHOUT WRITTEN PERMISSION OF DIGITAL EQUIPMENT CORPORATION.

REVISIONS	
CHK	CHANGE NO. REV

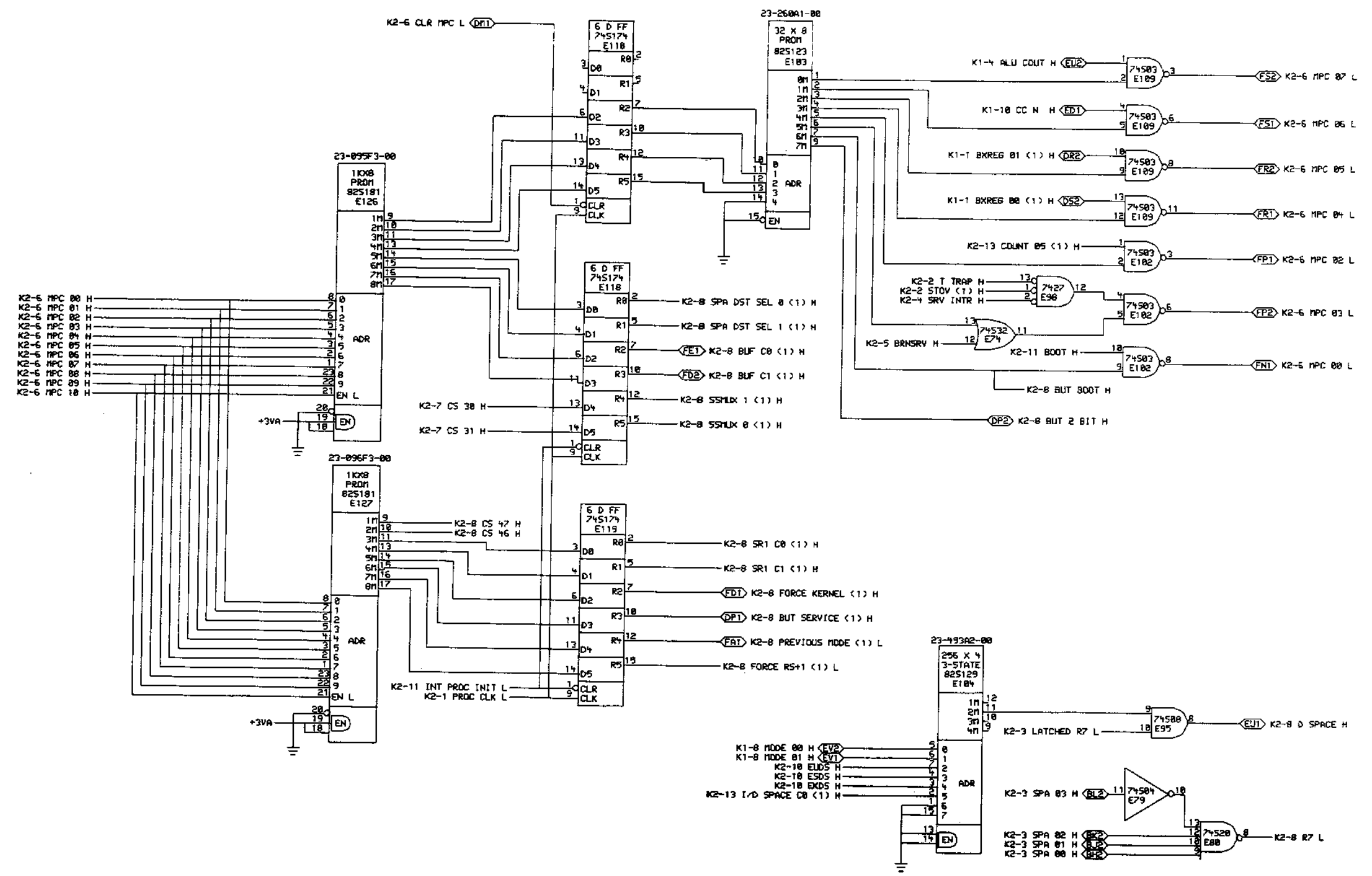
	DATE: 29 APR 88	ENG: [Signature]	DATE: [Signature]	TITLE: (K2-6) CONTROL (MPC NEXT)
	C:\68,257\CTLOSE.DRW 125 APR 88 14:31 FIRST USED ON OPTION/MODEL: 11/44	BOARD LOCATION: SHEET 6 OF 13 NEXT HIGHER ASSEMBLY: B-DD-M7095-0	SIZE: D CODE: CS	NUMBER: M7095-0-1 REV: H



REVISIONS	
CHK	CHANGE NO., REV

digital

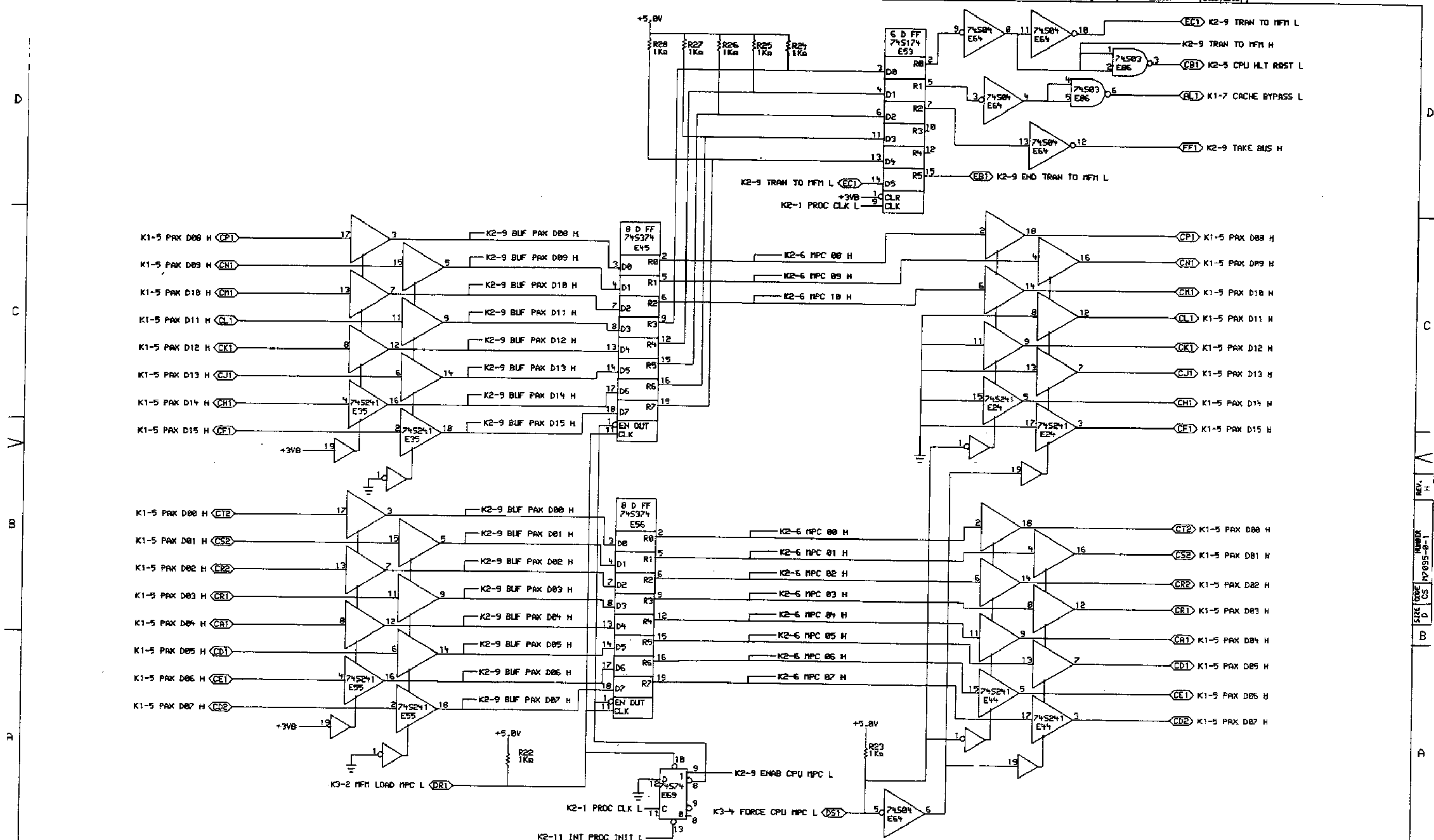
DATE: 28-APR-88	ENG: J. J. J.	DATE: 11-74	TITLE: (K2-7) CONTROL (DATAPATH CONT)
DATE: 11-74	ROBOD LOCATION: 11	SIZE: D	CODE: CS
FIRST USED ON OPTION MODEL: 11/74	NEXT HIGHER ASSEMBLY: 18-DD-M7095-0	NUMBER: M7095-0-1	REV: H



REV.	CHG.	NO.	REV.

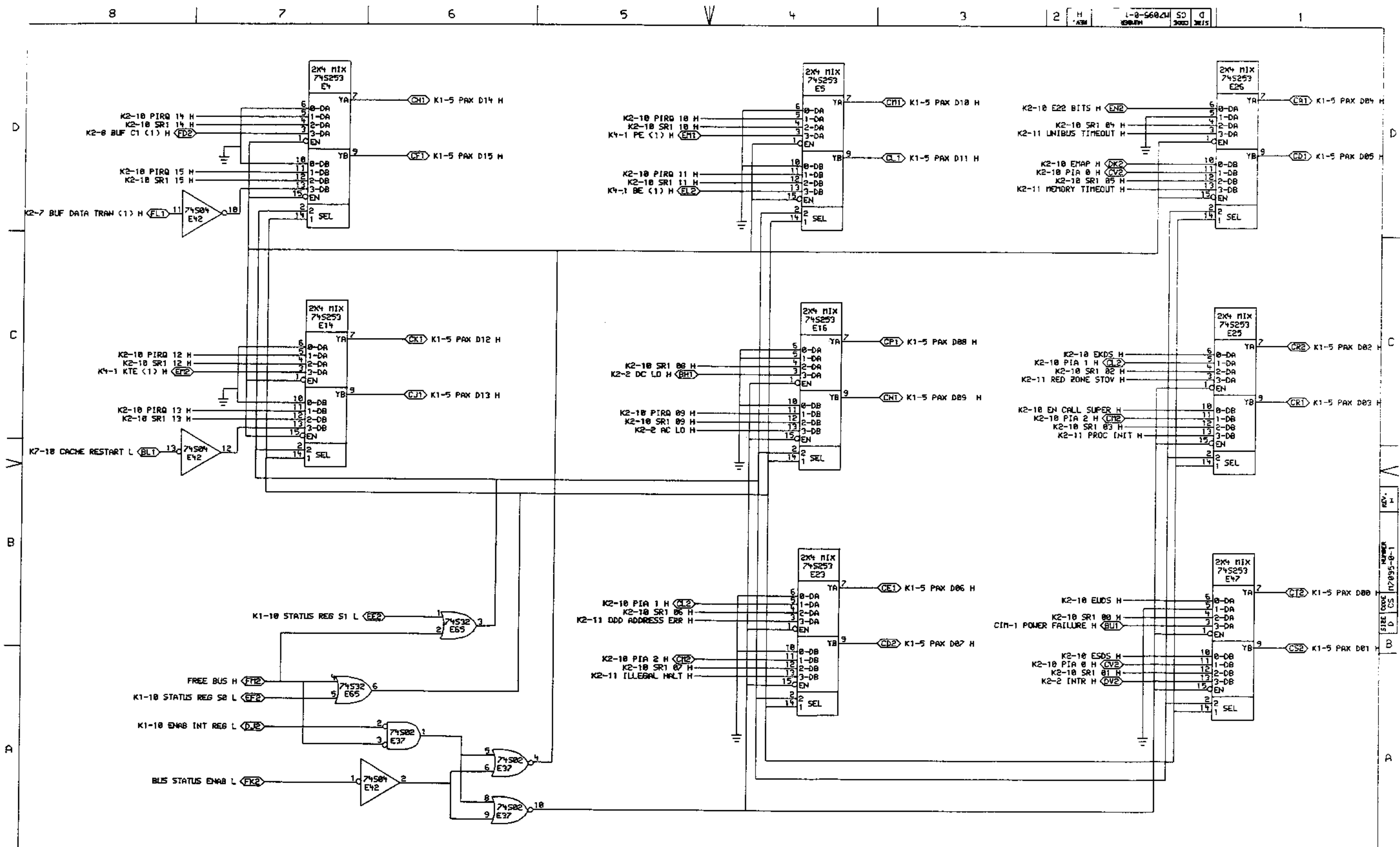
digital	DATE	12-27-74	ENGR		DATE		TITLE	(K2-8) CONTROL (BUT/ I/D SPACE)	
	DATE				DATE				
FIRST USED ON OPTION MODEL: 11/74		BOARD LOCATION: B-DD-M7095-B		SIZE	D CS	NUMBER	M7095-0-1	REV.	H

REV. H
NUMBER M7095-0-1
SITE CODE CS
BOARD M7095-0-1

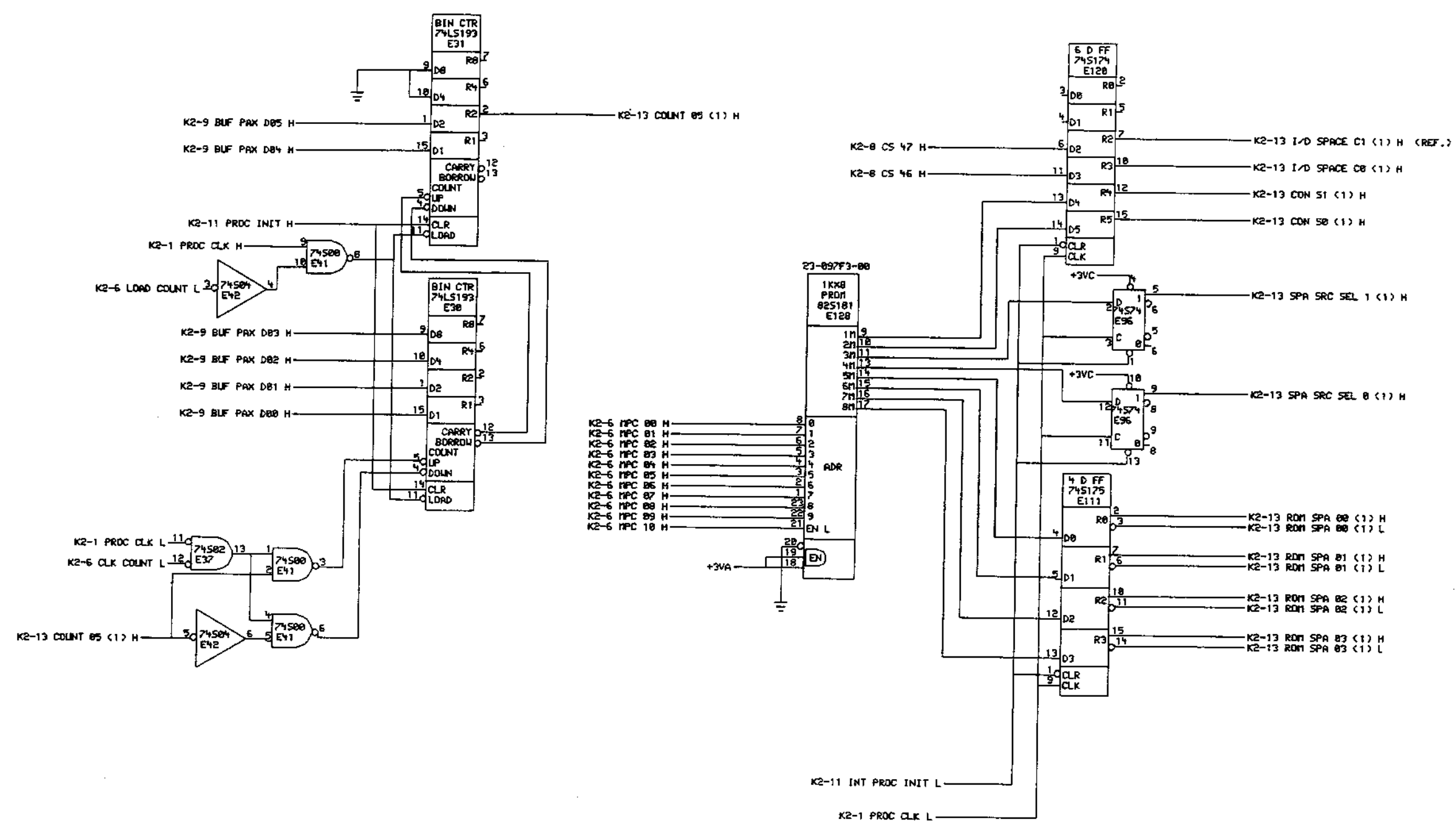


REVISIONS		
CHK	CHANGE NO.	REV

	DATE: 10/80	DATE: 10/80	TITLE: (K2-9) CONTROL (PAX DATA INTRE)
	DATE: 11/80	DATE: 11/80	DATE: 11/80
(168,252) CTLOBE.DRI FIRST USED ON OPTION/MODEL: 11/44	BOARD LOCATION: B-DD-M7095-0 SHEET: 3 OF 13	SIZE CODE: D CS NUMBER: M7095-0-1	REV: -



THIS DRAWING AND SPECIFICATIONS ARE THE PROPERTY OF DIGITAL. NO PART OF THIS DRAWING OR SPECIFICATIONS IS TO BE REPRODUCED OR COPIED IN ANY MANNER WITHOUT THE WRITTEN PERMISSION OF DIGITAL CORPORATION.	REVISIONS CHK. CHANGE NO. REV.	digital DATE: 25-APR-88 14:53 FIRST USED ON OPTION/MODEL: 11/44	DATE: 25-APR-88 BOARD LOCATION: B-DD-M7095-0 NEXT HIGHER ASSEMBLY:	TITLE: (K2-12) CONTROL (REGISTER MUXES) SIZE CODE: D CS NUMBER: M7095-0-1 REV. 1
---	--	--	--	---



D
C
B
A

D
C
B
A

REVISIONS
CHK CHANGE NO. REV

	DATE: 29-APR-80	ENG.:	DATE:	TITLE: (K2-13) CONTROL (EIS CNTR, ROM SPA)
	DATE: 13 OF 13	BOARD LOCATION:	REV.:	
1168.257 ICTL136.DRW	125-APR-80 14:57	NEXT HIGHER ASSEMBLY:	SIZE CODE: D CS	NUMBER: M7895-0-1
FIRST USED ON OPTION MODEL: 11744	18-DD-M7895-0			REV. H

LINE	ITEM	DOCUMENT NUMBER	PART NUMBER	DESCRIPTION	QTY	PER VARIATION	REFERENCE DESIGNATOR
					00		
1	1		5013573-00	PRINTED CIRCUIT BOARD FOR KD11-Z	1		
2	2		1000076-00	39 MFD 10V 10% S.TANT	6		C1-C6
3	3		1001610-00	.01 MFD 50V +80-20% 25U CER	2		C48,C52
4	4		1004812-00	15 MFD 20V 10% S.TANT	1		C43
5	5		1004813-00	10 MFD 20V 10% S.TANT	1		C47
6	6		1009964-00	.68 MFD 35V 10% S.TANT	2		C44,C45
7	7		1012121-00	220.0 MMF 100V 1%200PPM MICA	1		C46
8	8		1012784-00	.047 MFD 50V +80-20% CER	36		C7-C42
9	9		1210209-00	SW,TOG,SPDT,.01A@6V,ON/ON,SURMIN	1		S1
10	10		1210711-02	/REPLACED BY 12-16989-02	1		
11	11		1215006-02	SOCKET 16PIN IC LOW PROFILE	9		XE6,XE43,XE54,XE67,XE68,XE92, CONT XE103,XE104,XE59
12	12		1215006-03	SOCKET 18PIN IC LOW PROFILE	2		XE108,XE88
13	13		1215006-04	SOCKET 20PIN IC LOW PROFILE	2		XE46,XE7
14	14		1215006-06	SOCKET 24PIN IC LOW PROFILE	7		XE122-XE128
15	15		1215006-07	SOCKET 28PIN IC LOW PROFILE	4		XE99,XE100,XE115,XE116
16	16		1300005-04	R NETWORK 15-470 5.0 % 16PIN	1		E107
17	17		1300316-00	470.0 .25 W 5.0 % CC	16		R14,R15,R17-R21,R31,R35,R37,R75, CONT R76,R33,R77,R79,R80
18	18		1300365-00	1.0 K .25 W 5.0 % CC	18		R1,R2,R12,R16,R24-R29,R32,R34, CONT R36,R38,R50,R5,R23,R22
19	19		1302411-00	511.0 .25 W 1.0 % RN55D-F10	1		R4
20	20		1303312-00	10.0 K .25 W 1.0 % RN55D-F10	1		R10
21	21		1304863-00	316.0 .25 W 1.0 % RN55D-F10	1		R3
22	22		1305125-00	383.0 .25 W 1.0 % RN55D-F10	3		R51,R52,R54
23	23		1311594-00	30.10 K .25 W 1.0 % RN55D-F10	3		R9,R11,R30
24	24		1313583-00	150.0 .25 W 1.0 % RN55D-F10	2		R13,R78
25	25		1612463-01	DELAY= 130NS,10TAPS 14PIN DIP	1		E3
26	26		1905587-00	DEC 7473 FF-JK DUAL,MASTER SL	2		E49,E51
27	27		1910436-00	DEC 74123 ONE SHOT-DUAL,RETRIG	2		E9,E10

REVISION HISTORY		BASIC PART NO:	M7095	DRN:	K.FRIEDGEN	DATE:	26-JUN-79	DIGITAL			
ENG:	ECO NUMBER	REV	SECTION A OF A	CHK'D:	E.GERRY	DATE:	21-FEB-79	PARTS LIST			
	INITIAL	A	SECTION, VARIATION INDEX					KD11-Z CONTROL MODULE			
	R.D!TW001	B	[A] 00								
	R.D!TW001	B	[B]								
	R.D!TW002	C	[C]	DES.ENG:	R.DAY	DATE:	21-FEB-79				
	DRN !M7095-TW003	D	[D]					DOCUMENT NUMBER			
	DBG !M7095-TW004	E	[E]								
	IMP !M7095-TW005	F	[F]	RESP.ENG.:	R.DAY	DATE:	27-JUN-79	SIZE	CODE	NUMBER	REV
	R.A!TW006 <i>WJR</i>	H	[H]								
			[J]								
			[K]	MFG.ENG.:	J.COMELLA	DATE:	27-JUN-79	K	PL	M7095-0-DBF	H
			[L]								
			[M]	ASSEMBLY NUMBER:		TOP DOCUMENT NUMBER:		FILE NAME:		EDIT #	
			[N]	ID-UA-M7095-0-0				20398.PLS		39	

"THIS DRAWING AND SPECIFICATIONS HEREIN ARE THE PROPERTY OF DIGITAL EQUIPMENT CORPORATION AND SHALL NOT BE REPRODUCED OR COPIED OR USED IN WHOLE OR IN PART AS THE BASIS FOR THE MANUFACTURE OR SALE OF ITEMS WITHOUT WRITTEN PERMISSION. COPYRIGHT (C) 1980. DIGITAL EQUIPMENT CORPORATION"

LINE ITEM	DOCUMENT NUMBER	PART NUMBER	DESCRIPTION	QTY PER VARIATION 00	REFERENCE DESIGNATOR
28	28	1910532-00	74500 NAND GATE-QUAD 2IN	6	E20,E38,E41,E73,E82,E90
29	29	1910533-00	74503 NAND GATE-QUAD 2IN,0	5	E32,E86,E101,E102,E109
30	30	1910534-00	74504 INVERTER GATE-HEX 1I	6	E2,E39,E40,E42,E64,E79
31	31	1910535-00	74505 INVERTER GATE-HEX 1	2	E97,E113
32	32	1910536-00	74510 NAND GATE-TRIPLE 3IN	4	E21,E29,E33,E71
33	33	1910539-00	74520 NAND GATE-DUAL 4INPU	4	E80,E83,E85,E94
34	34	1910544-00	74574 FF-D DUAL,EDGE TRIGG	4	E48,E52,E69,E96
35	35	1910547-00	745153 MUX 1 OF 4 (DUAL)	3	E70,E72,E84
36	36	1910548-00	745157 MUX 1 OF 2 (QUAD)	1	E81
37	37	1910550-00	745174 FF-D HEX	14	E15,E36,E53,E58,E61,E76,E78, E106,E110,E114,E117-E120
38	38	1910878-00	7427 NOR GATE-TRIPLE 3IN	2	E91,E98
39	39	1910957-00	745175 FF-D QUAD COMMON CLD	3	E60,E87,E111
40	40	1911469-00	DEC 8640 RECEIVER,BUS,QUAD,U	1	E89
41	41	1911579-00	8641 TRANSCEIVER,BUS,QUA	1	E11
42	42	1911675-00	745138 DECODER/DEMUX 3-8 LIN	1	E77
43	43	1911712-00	74551 AND-OR GATE-INVERT D	1	E13
44	44	1912388-00	74502 NOR GATE-QUAD 2IN,PO	5	E18,E37,E50,E57,E63
45	45	1912389-00	74508 AND GATE-QUAD 2IN,PO	4	E12,E62,E75,E95
46	46	1912660-00	745253 MUX 1 OF 4 (DUAL)	8	E4,E5,E14,E16,E23,E25,E26,E47
47	47	1912746-00	DEC 74537 NAND GATE-QUAD 2IN	3	E1,E19,E22
48	48	1912854-00	LS193 COUNTER,SYNCHR,4BIT,	2	E30,E31
49	49	1912864-00	LS279 LATCH,QUAD-S-R	1	E28
50	50	1913340-00	74532 OR GATE-QUAD 2IN	3	E65,E74,E93
51	51	1913462-00	745240 OCTAL BUFFER,INVERTI	2	E66,E121
52	52	1913493-00	745241 OCTAL BUFFER,TRI-STA	4	E24,E35,E44,E55
53	53	1913671-00	745374 FF-D OCTAL TRISTATE	4	E17,E27,E45,E56
54	54	1914085-00	745260 NOR GATE-DUAL,POS	1	E34
55	55	23259A1-00	A1-07	1	E54
56	56	23258A1-00	A1-07	1	E67
57	57	23257A1-00	A1-07	1	E68
58	58	23260A1-00	A1-07	1	E103
59	59	23494A2-00	A2-05	1	E6
60	60	23568A2-00	A2-05	1	E43
61	61	23163A2-00	A2-05	1	E92
62	62	23493A2-00	A2-05	1	E104
63	63	9000024-01	EYELET, ROLLED FLANGE, .121 OD X	12	
64	64	23846A9-00	A9-01	1	E59
65	65	23055B1-00	B1-01	1	E7
66	66	23046B1-00	B1-01	1	E46
67	67	23051C6-00	C6-01	1	E99
68	68	23030C6-00	C6-02	1	E100
69	69	23053C6-00	C6-02	1	E115
70	70	23028C6-00	C6-02	1	E116
71	71	23450F1-00	F1-01	1	E88
72	72	23449F1-00	F1-01	1	E108
73	73	23092F3-00	F3-03	1	E122
74	74	23093F3-00	F3-03	1	E123

CONT

! D ! I ! G ! I ! T ! A ! L !	! TITLE	! SECTION A OF A !	! SIZE ! CODE !	! DOCUMENT NUMBER !	! REV !
	! KD11-Z CONTROL MODULE !		! K ! PL !	! M7095-0-IBP !	! H !

AUTOMATED BY PRTLST.3H(23)

P A R T S L I S T

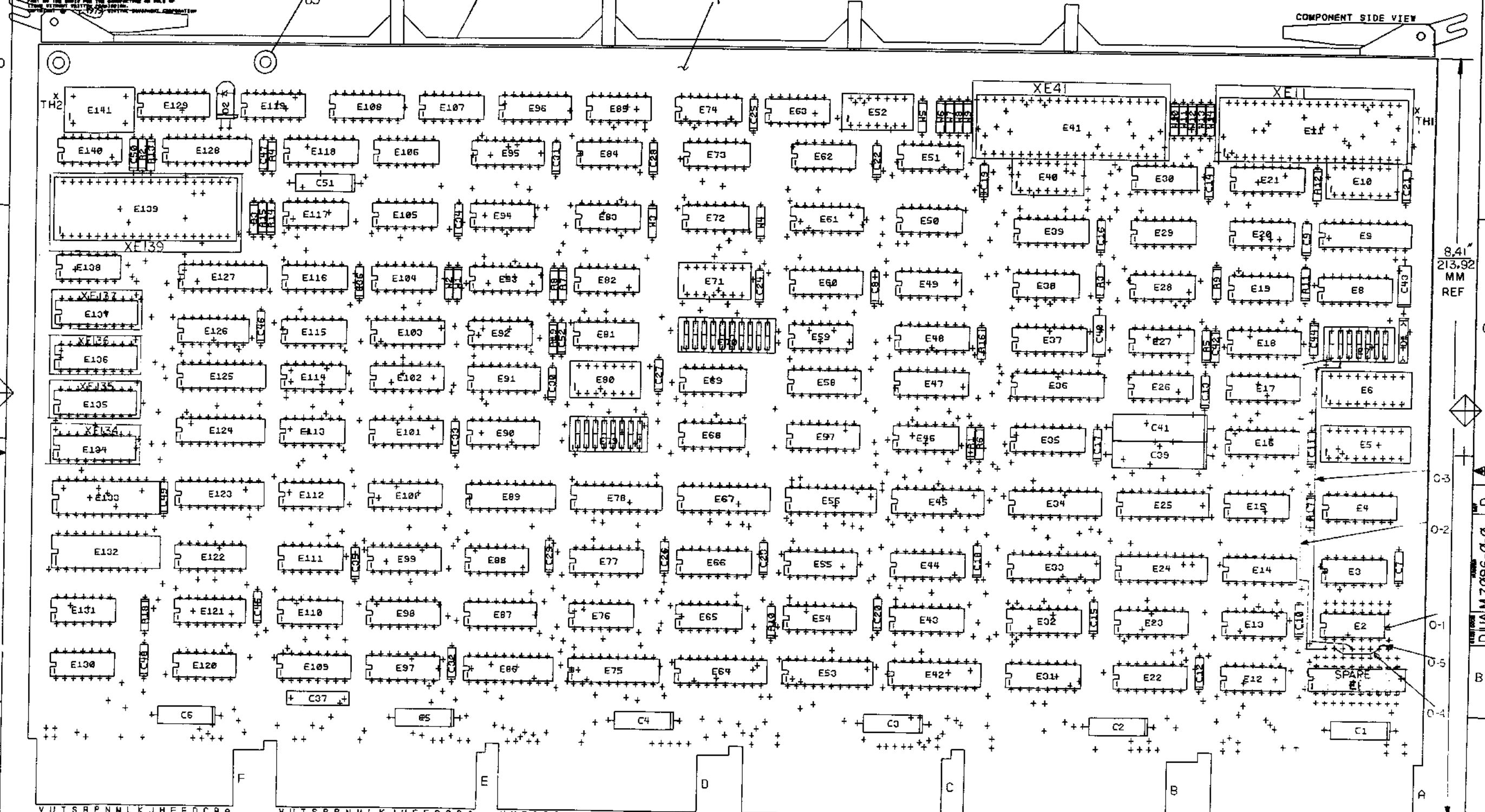
SHEET A3 OF A3

LINE	ITEM	DOCUMENT NUMBER	PART NUMBER	DESCRIPTION	QTY PER VARIATION 00	REFERENCE DESIGNATOR
75	75		23094F3-00	F3-03	1	E124
76	76		23064F3-00	F3-03	1	E125
77	77		23095F3-00	F3-03	1	E126
78	78		23096F3-00	F3-03	1	E127
79	79		23097F3-00	F3-03	1	E128
80	81		1311422-00	178.0 .25 W 1.0 % RN55D-F10	1	R53
81	82		1000016-00	100.0 MMF 100V 5%200PPM MICA	1	C49
82	83		9105740-55	WIRE(WRAP)30AWG UL1423	7	
83	84		1910537-00	74S11 AND GATE-TRIPLE 3INP	1	EB

84 NOTE: (ITEM 83) LENGH IS IN FEET.

D	I	G	I	T	A	L	TITLE	SECTION A OF A	SIZE	CODE	DOCUMENT NUMBER	REV
							KD11-Z CONTROL MODULE		K	PL	M7095-0-DBP	H

THIS DRAWING AND SPECIFICATIONS, HEREIN, AND THE PROPERTY OF SYSTEMS CORPORATION AND SHALL BE RETURNED TO THE OFFICE OF ORIGIN AS PART OF THE DRAWING AND SPECIFICATIONS ON ALL COPIES WITHOUT WRITTEN PERMISSION.



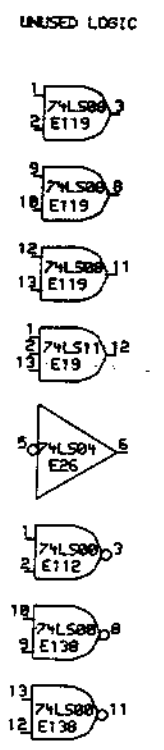
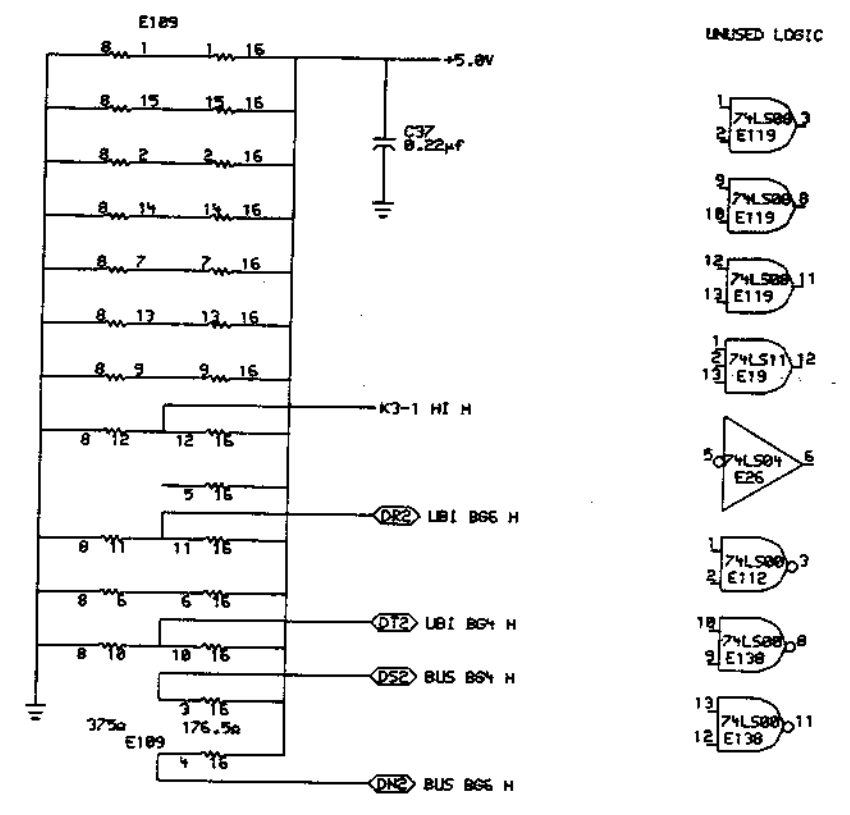
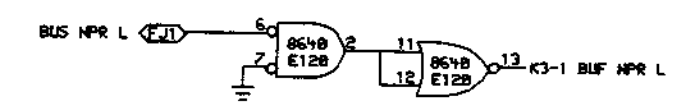
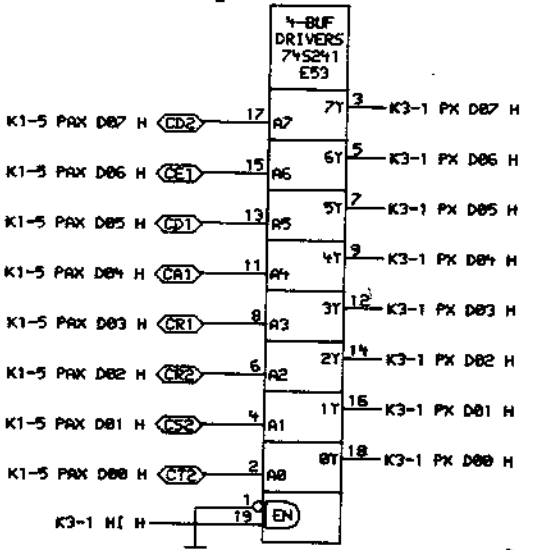
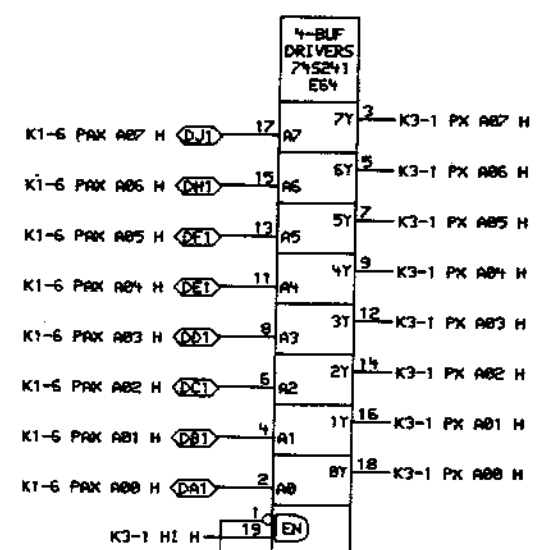
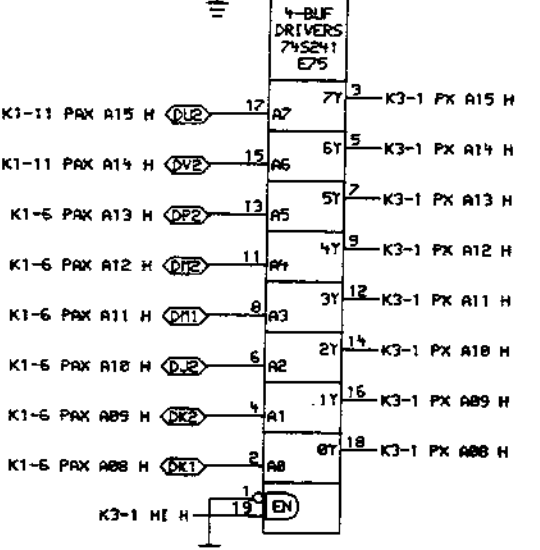
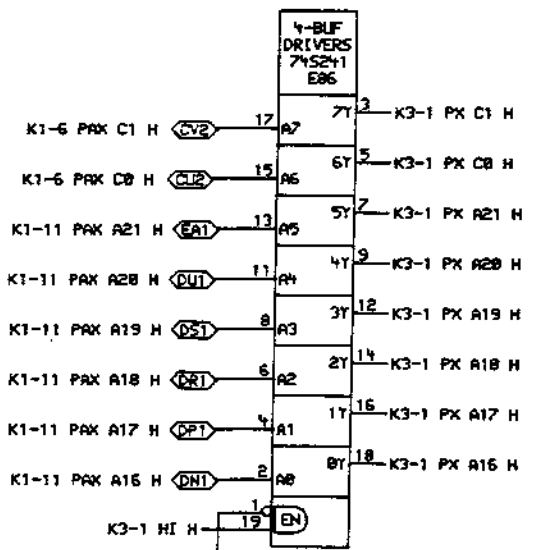
NOTES: 1. W1-W3, W11-W14 ARE NOT INSTALLED

STEP E + Y AXIS 0 STEP 0 TIMES
 REPEAT + X AXIS 0 STEP 0 TIMES

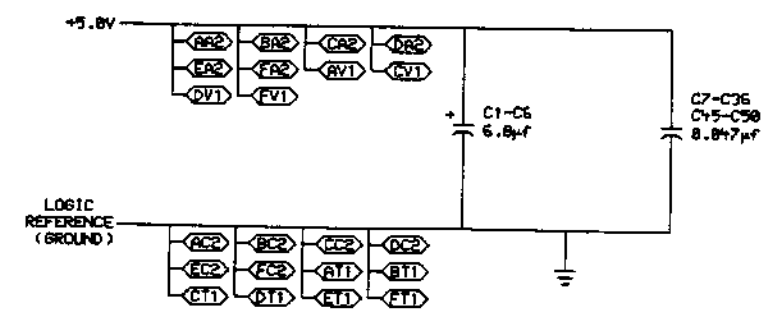
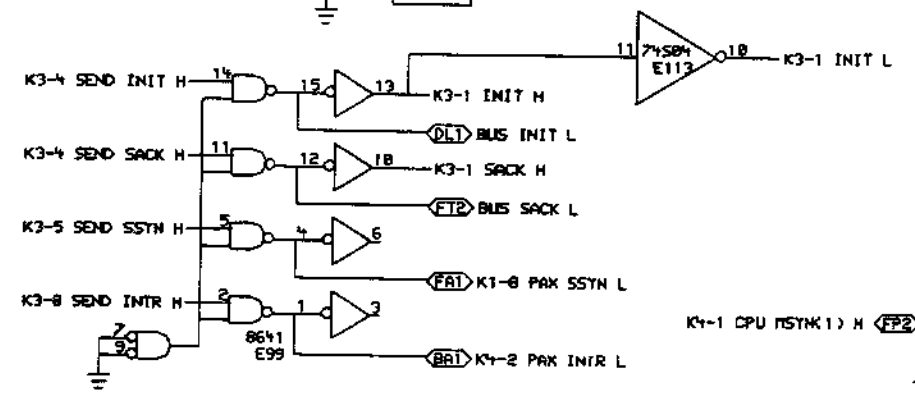
CHANGE NO	REV
1	1
2	1
3	1
4	1
5	1
6	1
7	1
8	1
9	1
10	1
11	1
12	1
13	1
14	1
15	1
16	1
17	1
18	1
19	1
20	1
21	1
22	1
23	1
24	1
25	1
26	1
27	1
28	1
29	1
30	1
31	1
32	1
33	1
34	1
35	1
36	1
37	1
38	1
39	1
40	1
41	1
42	1
43	1
44	1
45	1
46	1
47	1
48	1
49	1
50	1
51	1
52	1
53	1
54	1
55	1
56	1
57	1
58	1
59	1
60	1
61	1
62	1
63	1
64	1
65	1
66	1
67	1
68	1
69	1
70	1
71	1
72	1
73	1
74	1
75	1
76	1
77	1
78	1
79	1
80	1
81	1
82	1
83	1
84	1
85	1
86	1
87	1
88	1
89	1
90	1
91	1
92	1
93	1
94	1
95	1
96	1
97	1
98	1
99	1
100	1
101	1
102	1
103	1
104	1
105	1
106	1
107	1
108	1
109	1
110	1
111	1
112	1
113	1
114	1
115	1
116	1
117	1
118	1
119	1
120	1
121	1
122	1
123	1
124	1
125	1
126	1
127	1
128	1
129	1
130	1
131	1
132	1
133	1
134	1
135	1
136	1
137	1
138	1
139	1
140	1
141	1

ETCH REV. C-1

SIGNATURES	DATE	digital
DRN. <i>[Signature]</i>	2/17/77	
CHK'D. <i>[Signature]</i>	2/17/77	TITLE K011-2
MECH. ENG. <i>[Signature]</i>	2/17/77	MULTI-FUNCTION
PROJ. ENG. <i>[Signature]</i>	2/17/77	SCALE 2/1
PROD. <i>[Signature]</i>	2/17/77	SIZE CODE NUMBER
SHT. 1 OF 2		0 UAM7096-0-0
NEXT HIGHER ASSY. B-00-M7096-0		REV D



NOTE: SEE PAGES K3-5, K3-8, AND K3-10 FOR JUMPER AND SWITCH DEFINITIONS



PAX BUS RECEIVERS, BUS CONTROL INTERFACE

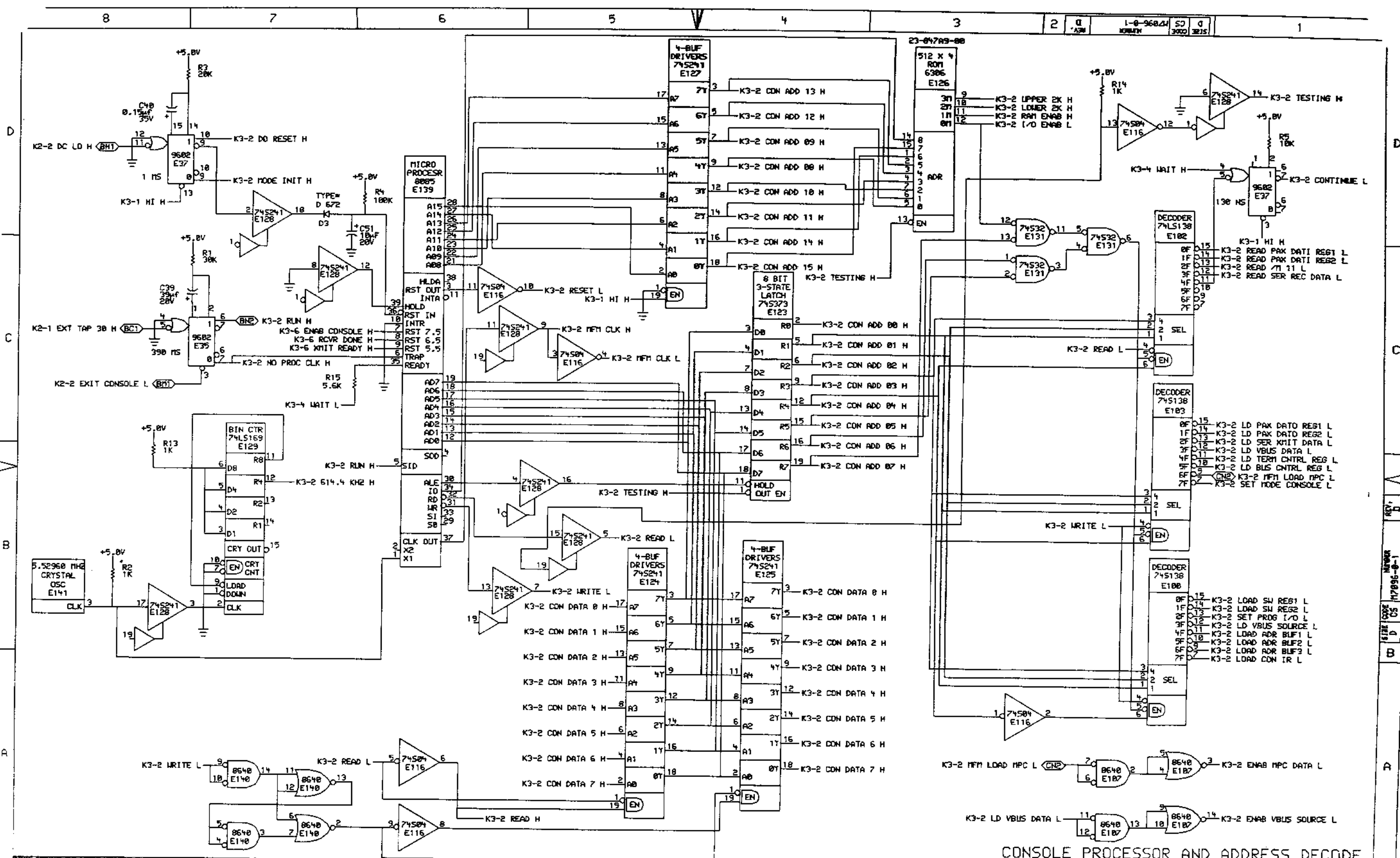
REV	CHG	NO.	DATE
0	1	1	11-44

REV	CHG	NO.	DATE
0	1	1	11-44

REV	CHG	NO.	DATE
0	1	1	11-44

REV	CHG	NO.	DATE
0	1	1	11-44

REV	CHG	NO.	DATE
0	1	1	11-44

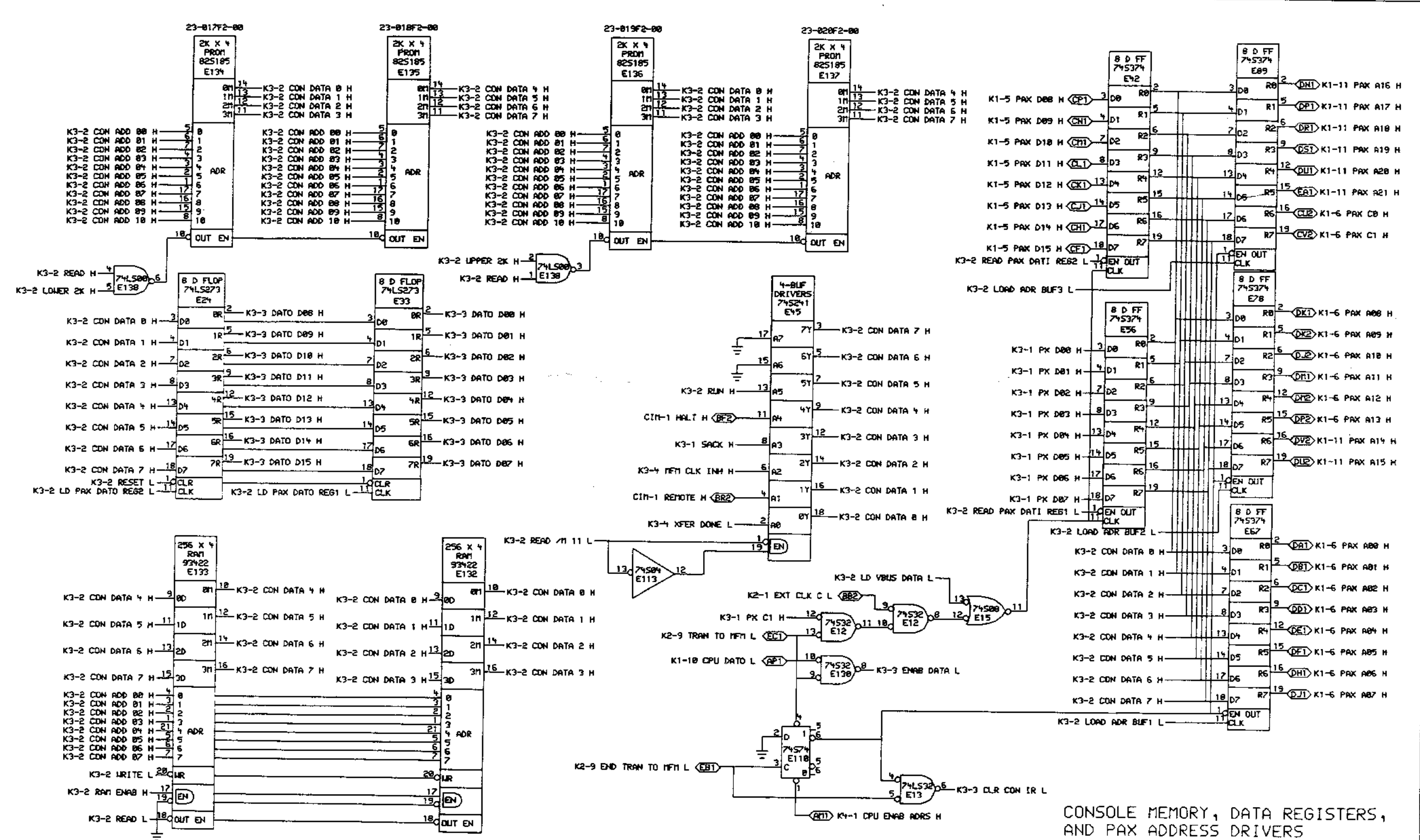


CONSOLE PROCESSOR AND ADDRESS DECODE

THIS DRAWING AND SPECIFICATIONS ARE THE PROPERTY OF DIGITAL EQUIPMENT CORPORATION AND SHALL NOT BE REPRODUCED OR COPIED OR USED IN WHOLE OR IN PART AS THE BASIS FOR THE MANUFACTURE OR SALE OF ITEMS WITHOUT WRITTEN PERMISSION. COPYRIGHT © 1974 DIGITAL EQUIPMENT CORPORATION.

REV.	CHG.	DESCRIPTION
1		INITIAL RELEASE
2		REVISIONS
3		REVISIONS
4		REVISIONS
5		REVISIONS
6		REVISIONS
7		REVISIONS
8		REVISIONS

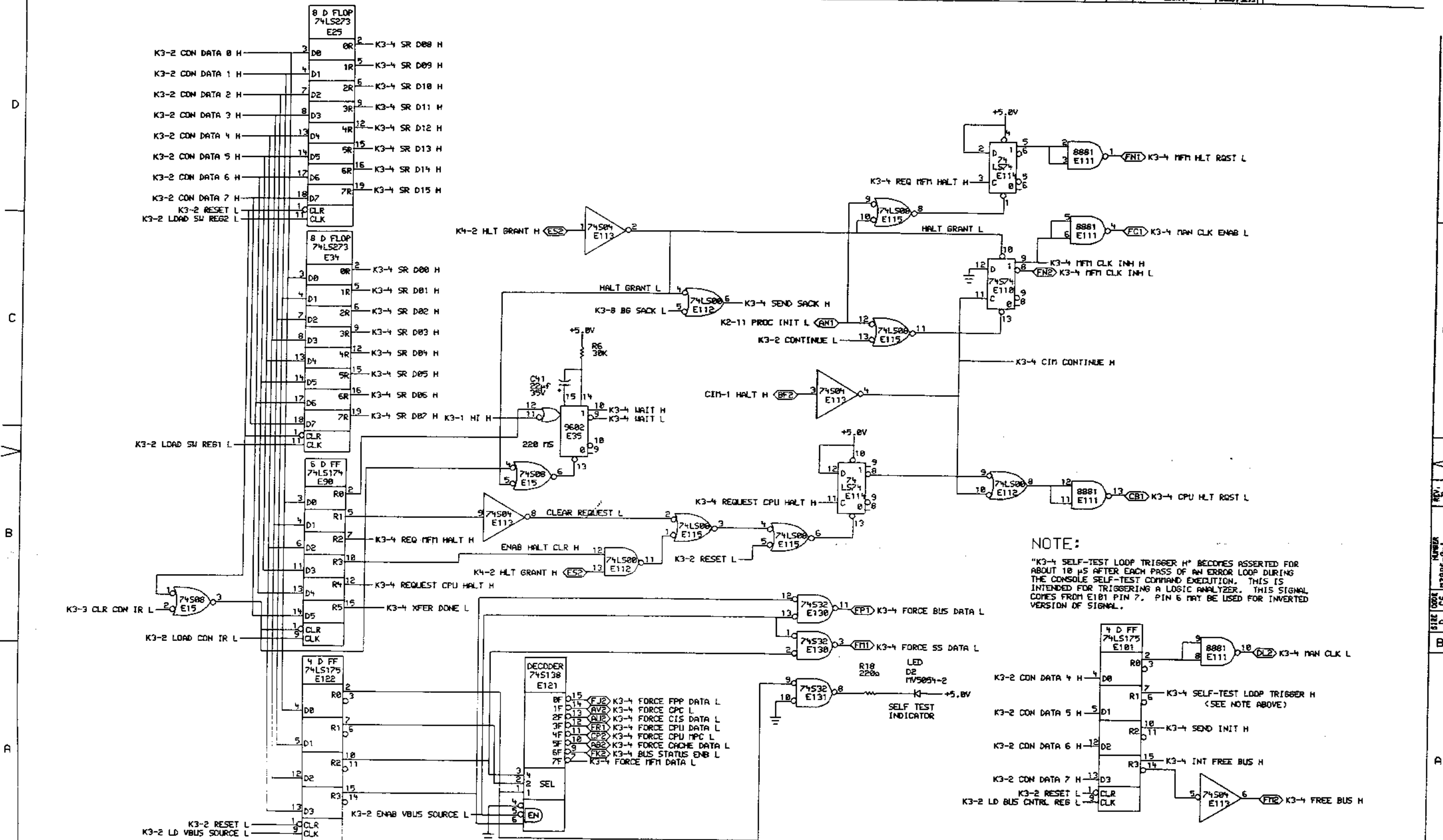
	DATE: 28 OCT 79	DATE: 28 OCT 79	TITLE: (K3-2) MULTI-FUNCTION MODULE
	DATE: 17 OCT 79	DATE: 10/28	DATE: 11/44
1758-257 MFT20.DRW	17-OCT-79 10:28	NEXT HIGHER ASSEMBLY: B-DD-M7096-0	SIZE CODE: D C5 M7096-0-1
FIRST USED ON OPTION MODEL: 11/44			REV. D



CONSOLE MEMORY, DATA REGISTERS,
 AND PAX ADDRESS DRIVERS

REV.	CHG.	CHANGE NO.	REV.

digital DATE: 30-OCT-79
 DATE: 17-OCT-78 10:29 NEXT HIGHER ASSEMBLY: B-DD-M7096-0
 TITLE: (K3-3) MULTI-FUNCTION MODULE
 SIZE CODE: D CS M7096-0-1
 NUMBER: 7u
 REV: D



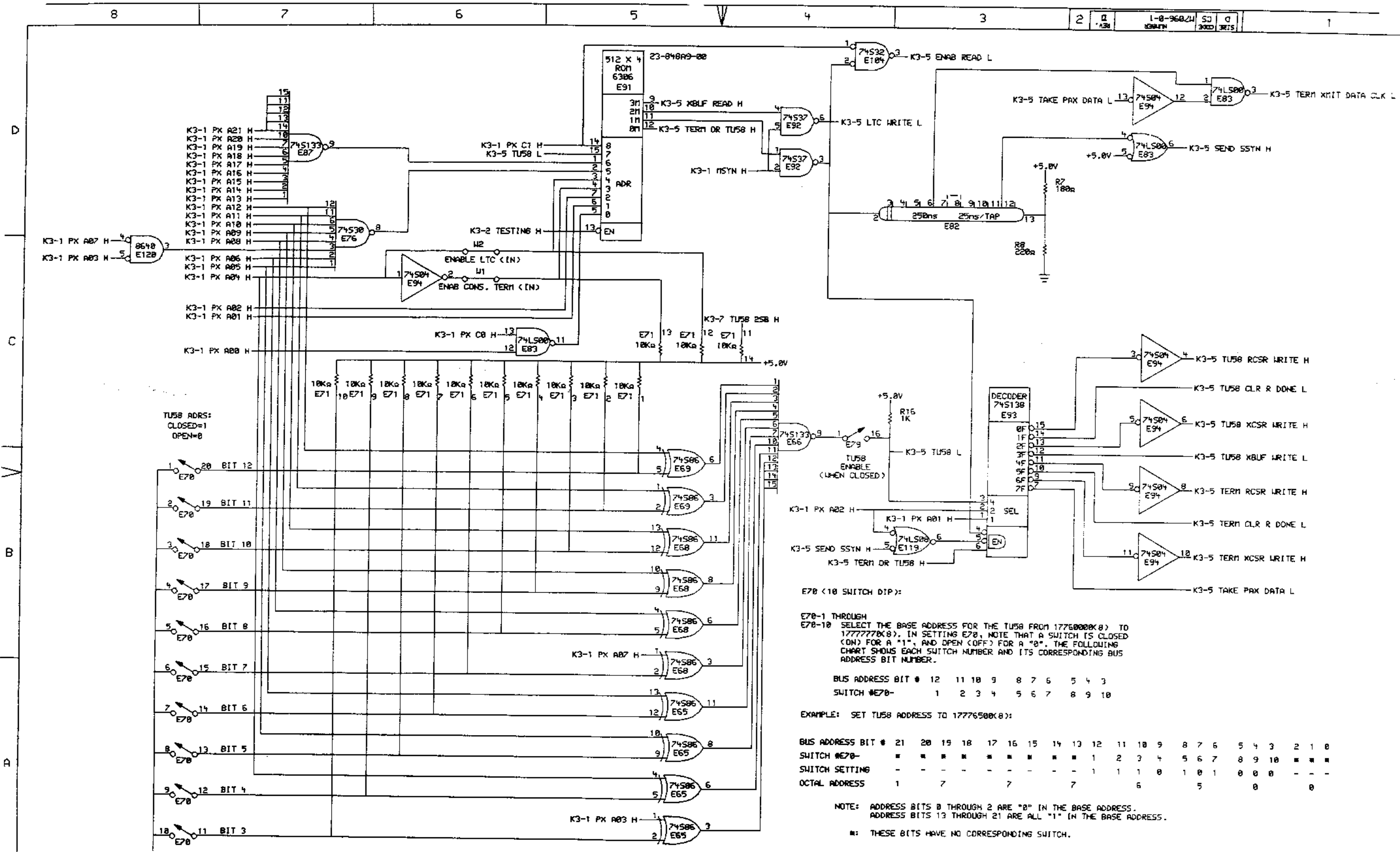
NOTE:
 "K3-4 SELF-TEST LOOP TRIGGER H" BECOMES ASSERTED FOR ABOUT 10 μS AFTER EACH PASS OF AN ERROR LOOP DURING THE CONSOLE SELF-TEST COMMAND EXECUTION. THIS IS INTENDED FOR TRIGGERING A LOGIC ANALYZER. THIS SIGNAL COMES FROM E121 PIN 7. PIN 6 MAY BE USED FOR INVERTED VERSION OF SIGNAL.

SWITCH REGISTER, CONSOLE CONTROL REGISTERS

THIS DRAWING AND SPECIFICATIONS ARE THE PROPERTY OF DIGITAL EQUIPMENT CORPORATION AND SHALL NOT BE REPRODUCED OR COPIED OR USED IN WHOLE OR IN PART AS THE BASIS FOR THE MANUFACTURE OR SALE OF ITEMS WITHOUT WRITTEN PERMISSION. COPYRIGHT © 1979 DIGITAL EQUIPMENT CORPORATION.

REVISIONS	
CHK	CHANGE NO. REV

	DATE	ENG.	DATE	TITLE:
	11-2-79	J. J. ...	11-2-79	(K3-4) MULTI-FUNCTION MODULE
(150-257) MFM AND DRU FIRST USED ON OPTION MODEL: 11-44	DATE	BOARD LOCATION	SHEET	OF
11-2-79 10:30	B-DD-M7096-0	4	18	
	SIZE CODE	NUMBER	REV.	
	D CS	M7096-0-1	D	



E70 (10 SWITCH DIP):

E70-1 THROUGH
E70-10 SELECT THE BASE ADDRESS FOR THE TUS8 FROM 1776000(K8) TO 1777777(K8). IN SETTING E70, NOTE THAT A SWITCH IS CLOSED (ON) FOR A "1", AND OPEN (OFF) FOR A "0". THE FOLLOWING CHART SHOWS EACH SWITCH NUMBER AND ITS CORRESPONDING BUS ADDRESS BIT NUMBER.

BUS ADDRESS BIT #	12	11	10	9	8	7	6	5	4	3
SWITCH #E70-	1	2	3	4	5	6	7	8	9	10

EXAMPLE: SET TUS8 ADDRESS TO 17776500(K8):

BUS ADDRESS BIT #	21	20	19	18	17	16	15	14	13	12	11	10	9	8	7	6	5	4	3	2	1	0
SWITCH #E70-	■	■	■	■	■	■	■	■	■	■	1	2	3	4	5	6	7	8	9	10	■	■
SWITCH SETTING	-	-	-	-	-	-	-	-	-	-	1	1	1	0	1	0	1	0	0	0	-	-
OCTAL ADDRESS	1	7			7			7			6			5				0				

NOTE: ADDRESS BITS 0 THROUGH 2 ARE "0" IN THE BASE ADDRESS.
ADDRESS BITS 13 THROUGH 21 ARE ALL "1" IN THE BASE ADDRESS.

■: THESE BITS HAVE NO CORRESPONDING SWITCH.

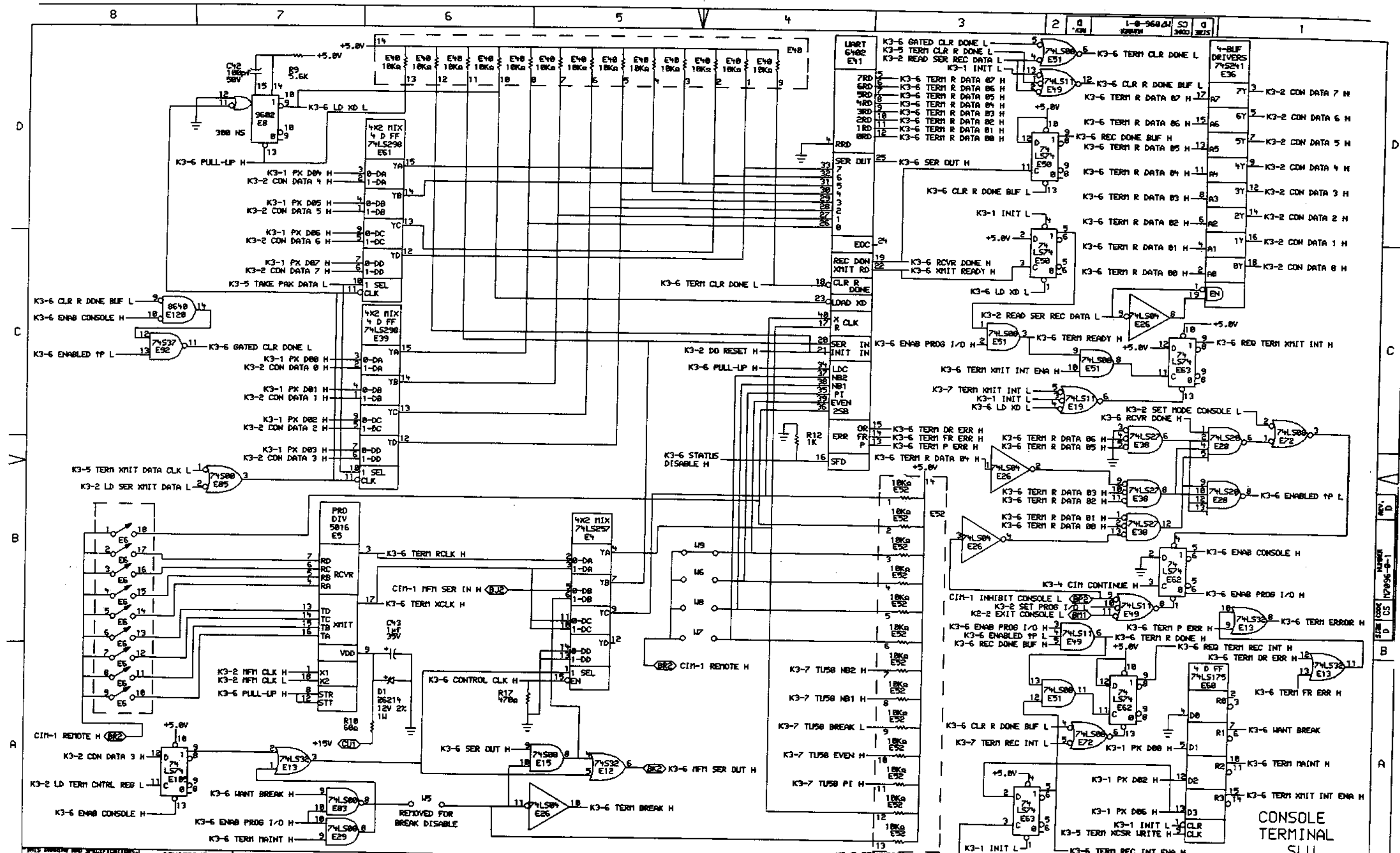
PAX ADDRESS DECODE

THIS DRAWING AND SPECIFICATIONS ARE THE PROPERTY OF DIGITAL EQUIPMENT CORPORATION AND SHALL NOT BE REPRODUCED OR COPIED IN ANY MANNER OR USED IN ANY MANNER OR FOR THE MANUFACTURE OF ANY PRODUCT WITHOUT WRITTEN PERMISSION. COPYRIGHT © 1974, DIGITAL EQUIPMENT CORPORATION.

REVISIONS	CHK	CHANGE NO.	REV

digital	DATE	ENG.	DATE	TITLE:
	30-OCT-79			(K3-5) MULTI-FUNCTION MODULE
	DATE	BOARD LOCATION:	SHEET	OF
	17-OCT-79	17-32	10	10
	FIRST USED ON OPTION/MODEL:	11/44	B-DD-17096-0	
	SIZE	CODE	NUMBER	REV.
D	CS	M7096-0-1		0

REV. D
M7096-0-1

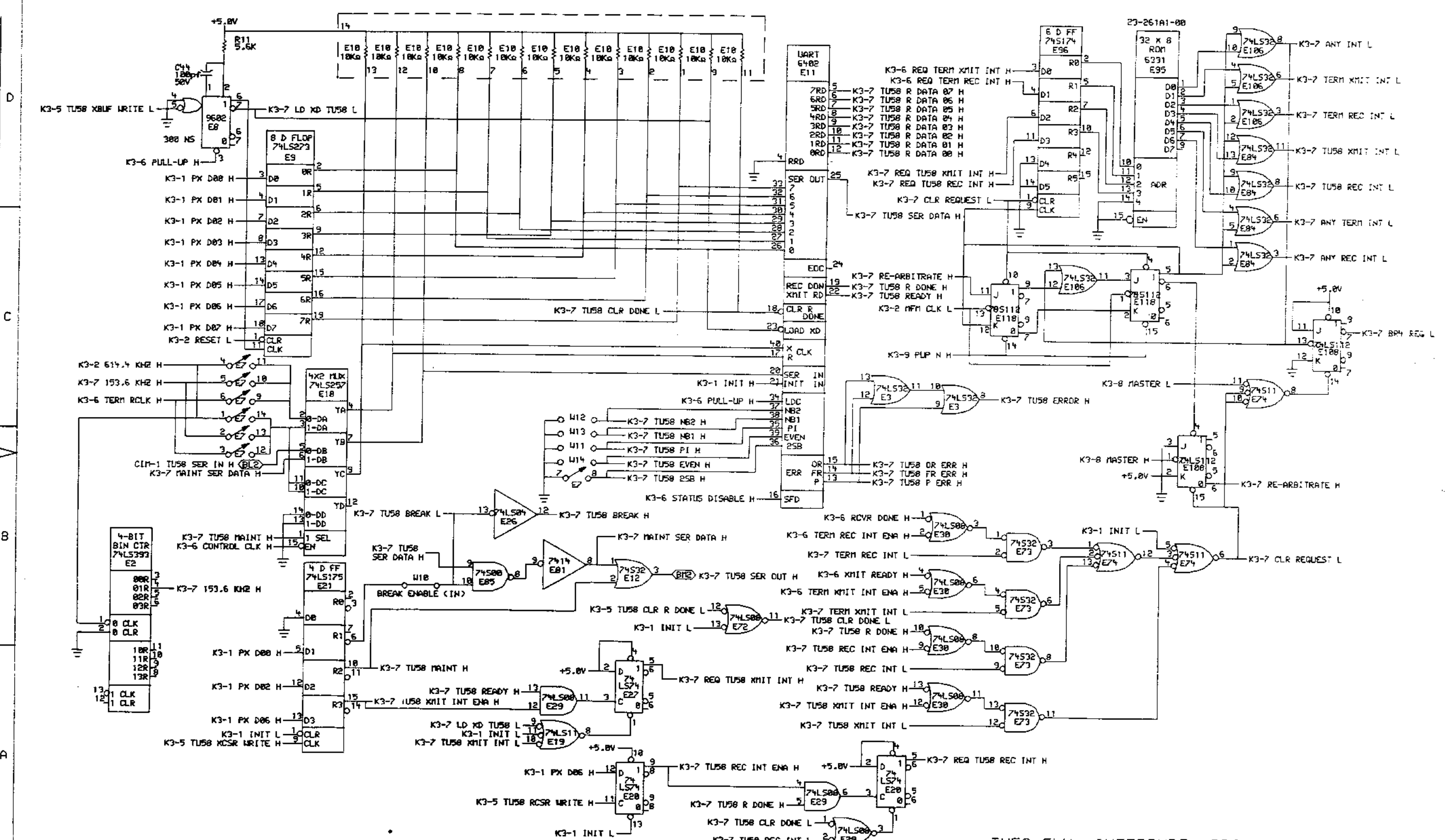


THIS DRAWING AND SPECIFICATIONS ARE THE PROPERTY OF DIGITAL EQUIPMENT CORPORATION AND ARE NOT TO BE REPRODUCED OR TRANSMITTED IN ANY FORM OR BY ANY MEANS, ELECTRONIC OR MECHANICAL, INCLUDING PHOTOCOPYING, RECORDING, OR BY ANY INFORMATION STORAGE AND RETRIEVAL SYSTEM. WITHOUT PERMISSION, COPYRIGHT © 1971, DIGITAL EQUIPMENT CORPORATION.

REVISIONS	CHK	CHANGE NO.	REV

		DATE: 17-OCT-79	DATE: 17-OCT-79	TITLE: (K3-6) MULTI-FUNCTION MODULE
1168.237 INTRO.DRW		DATE: 11/74	DATE: B-DD-17096-0	SIZE: D
FIRST USED ON OPTION MODEL: 11/44		NEXT HIGHER ASSEMBLY:		CODE: CS
				NUMBER: M7096-0-1
				REV: D

CONSOLE
TERMINAL
SLU

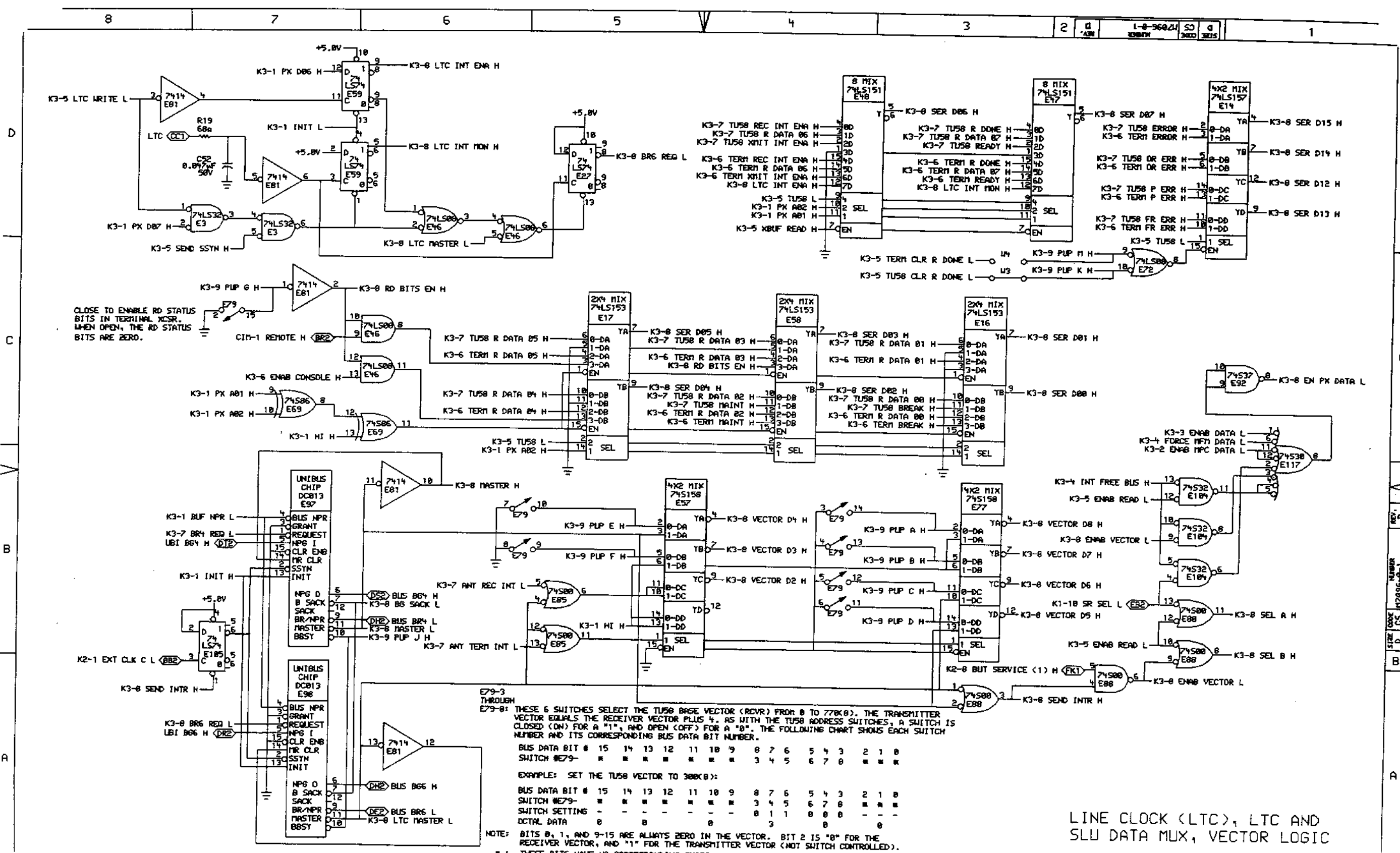


TU58 SLU, INTERRUPT ARBITRATION LOGIC

REV. NO.	DATE	BY	CHK
1	11-74		

REV. NO.	DATE	BY	CHK
1	11-74		

digital	DATE: 11-74	ENG: [Signature]	FILE: (K3-7) MULTI-FUNCTION MODULE
160.257 YPT7D.DRL	DATE: 11-74	BOARD LOCATION: B-DD-M7096-0	SIZE CODE: D CS
FIRST USED ON OPTION MODEL: 11/74	DATE: 11-74	NUMBER: M7096-0-1	REV. D



CLOSE TO ENABLE RD STATUS BITS IN TERMINAL XCSR. WHEN OPEN, THE RD STATUS BITS ARE ZERO.

E79-3 THROUGH E79-8: THESE 6 SWITCHES SELECT THE TUS8 BASE VECTOR (RCVR) FROM 0 TO 770(B). THE TRANSMITTER VECTOR EQUALS THE RECEIVER VECTOR PLUS 4. AS WITH THE TUS8 ADDRESS SWITCHES, A SWITCH IS CLOSED (ON) FOR A "1", AND OPEN (OFF) FOR A "0". THE FOLLOWING CHART SHOWS EACH SWITCH NUMBER AND ITS CORRESPONDING BUS DATA BIT NUMBER.

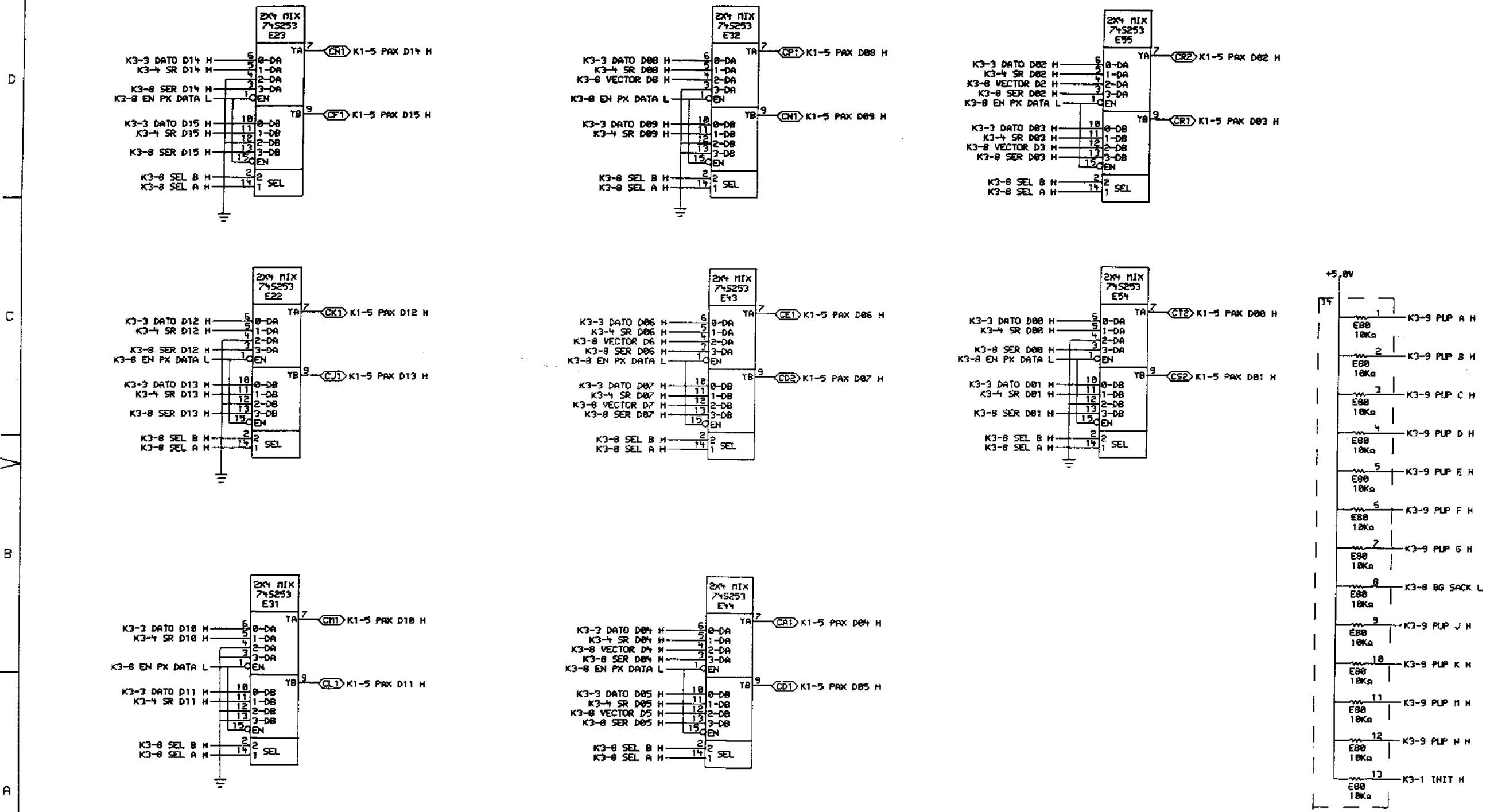
BUS DATA BIT #	15	14	13	12	11	10	9	8	7	6	5	4	3	2	1	0
SWITCH #E79-	1	2	3	4	5	6	7	8	9	10	11	12	13	14	15	16

EXAMPLE: SET THE TUS8 VECTOR TO 300(B):

BUS DATA BIT #	15	14	13	12	11	10	9	8	7	6	5	4	3	2	1	0
SWITCH #E79-	1	1	1	1	1	1	1	1	1	1	1	1	1	1	1	1
SWITCH SETTING	-	-	-	-	-	-	-	-	-	-	-	-	-	-	-	-
DCTAL DATA	0	0	0	0	0	0	0	0	0	0	0	0	0	0	0	0

NOTE: BITS 0, 1, AND 9-15 ARE ALWAYS ZERO IN THE VECTOR. BIT 2 IS "0" FOR THE RECEIVER VECTOR, AND "1" FOR THE TRANSMITTER VECTOR (NOT SWITCH CONTROLLED).
 ■ : THESE BITS HAVE NO CORRESPONDING SWITCH.

LINE CLOCK (LTC), LTC AND SLU DATA MUX, VECTOR LOGIC



PAX DATA MUX / DRIVERS

REVISIONS
 CHK CHANGE NO. REV

digital	DATE	ENG.	DATE	TITLE:
	31-OCT-79			(K3-9) MULTI-FUNCTION MODULE
FIRST USED DW OPTION/MODEL: 11/44		NEXT HIGHER ASSEMBLY: B-DD-M7896-0		SIRE CODE: D CS
				NUMBER: M7896-0-1
				REV: D

JUMPER DESCRIPTIONS (W1-W14, IN ORDER):

- W1 IN: CONSOLE TERMINAL ADDRESS DECODE IS ENABLED.
OUT: CONSOLE TERMINAL ADDRESS DECODE IS DISABLED.
- W2 IN: LINE CLOCK (LTC) ADDRESS DECODE IS ENABLED.
OUT: LINE CLOCK ADDRESS DECODE IS DISABLED.
- W3 IN: TUSB RECEIVER ERROR BITS ARE ENABLED IN THE TUSB RECEIVER BUFFER REGISTER (RBUF), BITS 12-15.
OUT: TUSB RECEIVER ERROR BITS ARE DISABLED. RBUF BITS 12-15 ARE ZERO.
- W4 IN: CONSOLE TERMINAL RECEIVER ERROR BITS ARE ENABLED IN THE CONSOLE TERMINAL RECEIVER BUFFER REGISTER (RBUF), BITS 12-15.
OUT: CONSOLE TERMINAL RECEIVER ERROR BITS ARE DISABLED. RBUF BITS 12-15 ARE ZERO.
- W5 IN: CONSOLE TERMINAL TRANSMITTER STATUS REGISTER (XCSR) BREAK BIT (BIT 0) IS ENABLED TO BE SET OR CLEARED.
OUT: CONSOLE TERMINAL XCSR BREAK BIT IS DISABLED AND WILL REMAIN CLEARED.
- W6 IN: CONSOLE TERMINAL RECEIVER PARITY DETECTION IS ENABLED, AND PARITY WILL BE GENERATED. IF W4 IS IN, THE PARITY ERROR BIT (BIT 12 IN RBUF) WILL BE SET ON A PARITY ERROR.
OUT: CONSOLE TERMINAL RECEIVER PARITY DETECTION AND GENERATION IS DISABLED. THE PARITY ERROR BIT WILL REMAIN CLEARED.
- W7 AND W8: THESE JUMPERS PROGRAM THE CHARACTER LENGTH FOR THE CONSOLE TERMINAL UART (E4) AS FOLLOWS:

	5 BITS	6 BITS	7 BITS	8 BITS
W7 IN	IN	IN	OUT	OUT
W8 IN	IN	OUT	IN	OUT
- W9 IN: CONSOLE TERMINAL PARITY ODD/EVEN SELECT. IF W6 IS IN, ODD PARITY WILL BE GENERATED AND CHECKED.
OUT: CONSOLE TERMINAL PARITY ODD/EVEN SELECT. IF W6 IS IN, EVEN PARITY WILL BE GENERATED AND CHECKED.
- W10 IN: TUSB TRANSMITTER STATUS REGISTER (XCSR) BREAK BIT (BIT 0) IS ENABLED TO BE SET OR CLEARED.
OUT: TUSB XCSR BREAK BIT IS DISABLED AND WILL REMAIN CLEARED.
- W11 IN: TUSB RECEIVER PARITY DETECTION IS ENABLED, AND PARITY WILL BE GENERATED. IF W3 IS IN, THE PARITY ERROR BIT (BIT 12 IN RBUF) WILL BE SET ON A PARITY ERROR.
OUT: TUSB RECEIVER PARITY DETECTION AND GENERATION IS DISABLED. THE PARITY ERROR BIT WILL REMAIN CLEARED.
- W12 AND W13: THESE JUMPERS PROGRAM THE CHARACTER LENGTH FOR THE TUSB UART (E11) AS FOLLOWS:

	5 BITS	6 BITS	7 BITS	8 BITS
W12 IN	IN	IN	OUT	OUT
W13 IN	IN	OUT	IN	OUT
- W14 IN: TUSB PARITY ODD/EVEN SELECT. IF W11 IS IN, ODD PARITY WILL BE GENERATED AND CHECKED.
OUT: TUSB PARITY ODD/EVEN SELECT. IF W11 IS IN, EVEN PARITY WILL BE GENERATED AND CHECKED.

SWITCH DESCRIPTIONS (E6,7, AND 79): CLOSED = ON; OPEN = OFF

- E6 (9 SWITCH DIP):
- E6-1: STOP BIT SELECT FOR CONSOLE TERMINAL. ON FOR 1 STOP BIT. OFF FOR 2 STOP BITS (OR 1.5 STOP BITS FOR 5 BIT CHARACTER LENGTH).
 - E6-2,3,4,5: CONSOLE TERMINAL RECEIVER BAUD RATE SELECT (SEE CHART BELOW). SYSTEM REMOTE MODE: 19.2 K BAUD.
 - E6-6,7,8,9: CONSOLE TERMINAL TRANSMITTER BAUD RATE SELECT. (SEE CHART BELOW). SYSTEM REMOTE MODE: 19.2 K BAUD.
- | RECEIVER SW. | E6-2 | 3 | 4 | 5 | |
|---------------------|-------|-----|-----|-----|-----|
| TRANSMITTER SW. E6- | 6 | 7 | 8 | 9 | |
| BAUD RATE: | 50 | ON | ON | ON | ON |
| | 75 | ON | ON | ON | OFF |
| | 110 | ON | ON | OFF | ON |
| | 134.5 | ON | ON | OFF | OFF |
| | 150 | ON | OFF | ON | ON |
| | 200 | ON | OFF | ON | OFF |
| | 300 | ON | OFF | OFF | ON |
| | 600 | ON | OFF | OFF | OFF |
| | 1200 | OFF | ON | ON | ON |
| | 1800 | OFF | ON | ON | OFF |
| | 2000 | OFF | ON | OFF | ON |
| | 2400 | OFF | ON | OFF | OFF |
| | 3600 | OFF | OFF | ON | ON |
| | 4800 | OFF | OFF | ON | OFF |
| | 9600 | OFF | OFF | OFF | ON |
| | 19200 | OFF | OFF | OFF | OFF |
- SYSTEM REMOTE MODE 19200 ANY SETTING

- E79 (8 SWITCH DIP):
- E79-1: WHEN ON, TUSB ADDRESS DECODE IS ENABLED. WHEN OFF, TUSB ADDRESS DECODE IS DISABLED.
 - E79-2: WHEN ON, THE REMOTE DIAGNOSIS STATUS BITS ARE ENABLED IN BITS 3 THROUGH 5 OF THE CONSOLE TERMINAL TRANSMITTER STATUS REGISTER (XCSR). BIT 3 = "1" (E79-2 IS ON); BIT 4 = "1" WHEN IN CONSOLE MODE; BIT 5 = "1" WHEN SYSTEM IS IN REMOTE MODE. WHEN OFF, THE REMOTE DIAGNOSIS STATUS BITS ARE DISABLED, AND BITS 3 THROUGH 5 OF THE CONSOLE TERMINAL XCSR ARE ZERO.
- NOTE: E79-3 THROUGH E79-8 (TUSB VECTOR SELECT) ARE DESCRIBED ON PAGE K3-8.
E79-1 THROUGH E79-10 (TUSB ADDRESS SELECT) ARE DESCRIBED ON PAGE K3-5.

- E7 (7 SWITCH DIP):
- E7-1,2,3: TUSB TRANSMITTER BAUD RATE SOURCE SELECT. (SEE CHART BELOW.)
 - E7-4,5,6: TUSB RECEIVER BAUD RATE SOURCE SELECT. (SEE CHART BELOW.)
 - E7-7: STOP BIT SELECT FOR TUSB. ON FOR 1 STOP BIT. OFF FOR 2 STOP BITS (OR 1.5 STOP BITS FOR 5 BIT CHARACTER LENGTH).
- | TRANSMITTER SWITCH | E7-1 | 2 | 3 |
|---------------------------------------|------|-----|-----|
| RECEIVER SWITCH E7- | 4 | 5 | 6 |
| BAUD RATE 38,400 | ON | OFF | OFF |
| BAUD RATE 9,600 | OFF | ON | OFF |
| CONSOLE TERMINAL RECEIVER BAUD RATE * | OFF | OFF | ON |
- NOTE: NO COMBINATION OF SWITCHES E7-1 THROUGH E7-6 SHOULD BE MADE OTHER THAN AS SHOWN IN ABOVE CHART. THE BAUD RATE SOURCE FOR THE TRANSMITTER DOES NOT HAVE TO BE THE SAME AS THE BAUD RATE SOURCE FOR THE RECEIVER.
* : WHEN SYSTEM IS IN REMOTE MODE, THE BAUD RATE OF THE CONSOLE TERMINAL SW IS UNCONDITIONALLY SWITCHED TO 19.2 K BAUD.

REVISIONS	
CHK	CHANGE NO. REV

	DATE: 19-DEC-79 14:25	END: 15-FEB-80	DATE: 19-DEC-79 14:25	REV.:
	NEXT HIGHER ASSEMBLY: B-DD-M7896-B FIRST USED ON OPTION/MODEL: 11/44	BOARD LOCATION: 1A SHEET: 18 OF 18	TITLE: (K3-10) MULTI-FUNCTION MODULE	
SIZE: D	CODE: CS	NUMBER: M7896-B-1	REV.:	D

LINE	ITEM	DOCUMENT NUMBER	PART NUMBER	DESCRIPTION	QTY	PER VARIATION	REFERENCE DESIGNATOR
1	1		5013556-00	ETCHED CIRCUIT BOARD	1		
2	2		1001776-00	1 MFD 35V 10% S.TANT	1		C43
3	3		1002433-00	22 MFD 35V 20% S.TANT	1		C41
4	4		1005306-00	6.0MFD 35V 10% S.TANT	6		C1-C6
5	5		1005335-00	39 MFD 20V 10% S.TANT	1		C39
6	6		1011895-00	.15 MFD 35V 10% S.TANT	1		C40
7	7		1012784-00	.047 MFD 50V +80-20% CER	37		C7-C36,C45-C50,C52
8	8		1013466-00	100.0 MFD 50V 5% CER	2		C42,C44
9	9		1013466-11	.22 MFD 50V +80-20% 25U CER	1		C37
10	10		1109502-01	Z 6214 VZ= 12.0 2% 1W	1		D1
11	11		1110864-00	LED 2MCD@10MA	1		D2
12	12		1210711-02	HANDLE,MODULE,HEX	1		
13	13		1211164-03	SW,DIP 1P 1A 7POS	1		E7
14	14		1211164-04	SW,DIP 1P 1A 8POS	1		E79
15	15		1211164-05	SW,DIP 1P 1A 9POS	1		E6
16	16		1211164-06	SW,DIP 1P 1A 10POS	1		E70
17	17		1215006-03	SOCKET 18PIN IC LOW PROFILE	4		XE134,XE135,XE136,XE137
18	18		1215006-08	SOCKET 40PIN IC LOW PROFILE	3		XE11,XE41,XE139
19	19		1300005-03	R NETWORK 13-10K 5.0% 14PIN	5		E10,E40,E52,E71,E80
20	20		1300219-00	60.0 .25 W 5.0% CC	2		R10,R19
21	21		1300271-00	220.0 .25 W 5.0% CC	2		R8,R18
22	22		1300316-00	470.0 .25 W 5.0% CC	1		R17
23	23		1300365-00	1.0 K .25 W 5.0% CC	5		R2,R12,R13,R14,R16
24	24		1300479-00	10.0 K .25 W 5.0% CC	1		R5
25	25		1301322-00	180.0 .25 W 5.0% CC	1		R7
26	26		1301874-00	5.60 K .25 W 5.0% CC	3		R9,R11,R15
27	27		1302391-00	20.0 K .25 W 5.0% CC	1		R3
28	28		1302394-00	30.0 K .25 W 5.0% CC	2		R1,R6
29	29		1312628-01	R NETWORK 14-176.5 11-375 16PIN	1		E109
30	30		1611243-00	DELAY=25-250NS,10TAPS RCL#L=183	1		E82

REVISION HISTORY			BASIC PART NO: M7096		DRN:	K.FRIEDGEN	DATE:	22-MAR-79	DIGITAL			
ENG	ECO NUMBER	REV	SECTION A OF A	CHK'D:	F.T.GERRY	DATE:	22-MAR-79	TITLE				
	INITIAL	A	SECTION VARIATION INDEX					PARTS LIST				
BG	TW001	B	[A] 00					KD11-Z MULTI-FUNCTION				
BG	TW003	C	[B]	DES.ENG:	R.GIST	DATE:	22-MAR-79					
BG	TW004	D	[C]	RESP.ENG.:	R.GIST	DATE:	22-MAR-79	DOCUMENT NUMBER				
			[D]					SIZE	CODE	NUMBER	REV	
			[E]									
			[F]									
			[G]									
			[H]									
			[I]									
			[J]									
			[K]	MFG.ENG.:	J.COMELLA	DATE:	10-MAY-79	K	PL	M7096-0-DBP	D	
			[L]	ASSEMBLY NUMBER:		TOP DOCUMENT NUMBER:		FILE NAME:		EDIT #		
			[M]	ID-UA-M7096-0-0				20622D,PLS		12		
			[N]									

"THIS DRAWING AND SPECIFICATIONS HEREIN, ARE THE PROPERTY OF DIGITAL EQUIPMENT CORPORATION AND SHALL NOT BE REPRODUCED OR COPIED OR USED IN WHOLE OR IN PART AS THE BASIS FOR THE MANUFACTURE OR SALE OF ITEMS WITHOUT WRITTEN PERMISSION. COPYRIGHT (C) 1980. DIGITAL EQUIPMENT CORPORATION"

TU

LINE	ITEM	DOCUMENT NUMBER	PART NUMBER	DESCRIPTION	QTY PER VARIATION 00	REFERENCE DESIGNATOR
31	31		1811660-23	OSCILLATOR, XTAL 5.5296 MHZ	1	E141
32	32		1909705-00	DEC 8881 NAND GATE-QUAD 2IN 0	1	E111
33	33		1910532-00	74S00 NAND GATE-QUAD 2IN	2	E85,E88
34	34		1910534-00	74S04 INVERTER GATE-HEX 1I	3	E94,E113,E116
35	35		1910537-00	74S11 AND GATE-TRIPLE 3IMP	1	E74
36	36		1910544-00	74S74 FF-D DUAL,EDGE TRIGG	1	E110
37	37		1910545-00	74S112 FF-JK DUAL,EDGE TRIG	1	E118
38	38		1910549-00	74S158 MUX 1 OF 2 (QUAD)	2	E57,E77
39	39		1910550-00	74S174 FF-D HEX	1	E96
40	40		1910951-00	9602 ONE SHOT-DUAL	3	E8,E35,E37
41	41		1911324-00	7414 INVERTER,HEX 1IN SCH	1	E81
42	42		1911469-00	DEC 8640 RECEIVER,BUS,QUAD,U	3	E107,E120,E140
43	43		1911579-00	8641 TRANSCEIVER,BUS,QUA	1	E99
44	44		1911675-00	74S138 DECODER/DEMUX 3-8 LIN	4	E93,E100,E103,E121
45	45		1911983-00	74S133 NAND GATE-POSITIVE 1	2	E66,E87
46	46		1912096-00	DEC 74S86 XOR GATE,QUAD 2IN	3	E65,E68,E69
47	47		1912389-00	74S08 AND GATE-QUAD 2IN,PO	1	E15
48	48		1912647-00	LS257 MUX 1 OF 2 (QUAD)	2	E4,E18
49	49		1912660-00	74S253 MUX 1 OF 4 (DUAL)	8	E22,E23,E31,E32,E43,E44,E54,E55
50	50		1912697-00	LS174 FF-D HEX W/CLEAR	1	E90
51	51		1912746-00	DEC 74S37 NAND GATE-QUAD 2IN	1	E92
52	52		1912799-00	LS00 NAND-GATE-QUAD 2IN,P	3	E83,E112,E138
53	53		1912803-00	LS04 INVERTER GATE-HEX 1I	1	E26
54	54		1912805-00	LS08 AND GATE-QUAD 2IN,PO	7	E29,E30,E46,E51,E72,E115,E119
55	55		1912808-00	LS11 AND GATE-TRIPLE 3IN	2	E49,E19
56	56		1912810-00	LS20 NAND GATE-DUAL 4IN	1	E28
57	57		1912813-00	LS27 NOR GATE-TRIPLE 3IN	1	E38
58	58		1912816-00	LS32 OR GATE-QUAD 2IN,POS	4	E3,E13,E84,E106
59	59		1912824-00	LS74 FF-D DUAL,EDGE TRIGG	8	E20,E27,E50,E59,E62,E63,E105, CONT E114
60	60		1912834-00	LS112 FF-JK DUAL,EDGE TRIG	1	E108
61	61		1912842-00	LS138 DECODER-THREE INPUT,	1	E102
62	62		1912844-00	LS151 MUX 1 OF 8 & DATA	2	E47,E48
63	63		1912845-00	LS153 MUX 1 OF 4 (DUAL)	3	E16,E17,E58
64	64		1912847-00	LS157 MUX 1 OF 2(QUAD)	1	E14
65	65		1912851-00	LS169 COUNTER,SYNCH. UP/DO	1	E129
66	66		1912853-00	LS175 FF-D QUAD	4	E21,E50,E101,E122
67	67		1912863-00	LS273 FF-D OCTAL W/CLEAR	5	E9,E24,E25,E33,E34
68	68		1912867-00	LS298 MUX 1 OF 4,2IN W/S	2	E39,E61
69	69		1913340-00	74S32 OR GATE-QUAD 2IN	5	E12,E73,E104,E130,E131
70	70		1913493-00	74S241 OCTAL PUFFER,TRI-STA	10	E36,E45,E53,E64,E75,E86,E124, CONT E125,E127,E128
71	71		1913670-00	74S373 LATCH 8BIT TRASP TR	1	E123
72	72		1913671-00	74S374 FF-D OCTAL TRISTATE	5	E42,E56,E67,E78,E89
73	73		1914086-00	74S30 NAND GATE-POS 8IN	2	E76,E117
74	74		1914438-00	DC 013 UNIBUS INTERRUPT-NIP	2	E97,E98
75	75		1915697-00	RAM 256X4 TRI-STATE	2	E132,E133
76	76		2112623-02	DUAL BAUD RATE GEN/PROG DIVIDER	1	E5

D	I	G	I	T	A	L	TITLE	SECTION A OF A	SIZE	CODE	DOCUMENT NUMBER	REV
							KD11-Z MULTI-FUNCTION				M7096-0-DBP	D

TW

AUTOMATED BY PRTLST.3J(25)

PARTS LIST

SHEET A3 OF A3

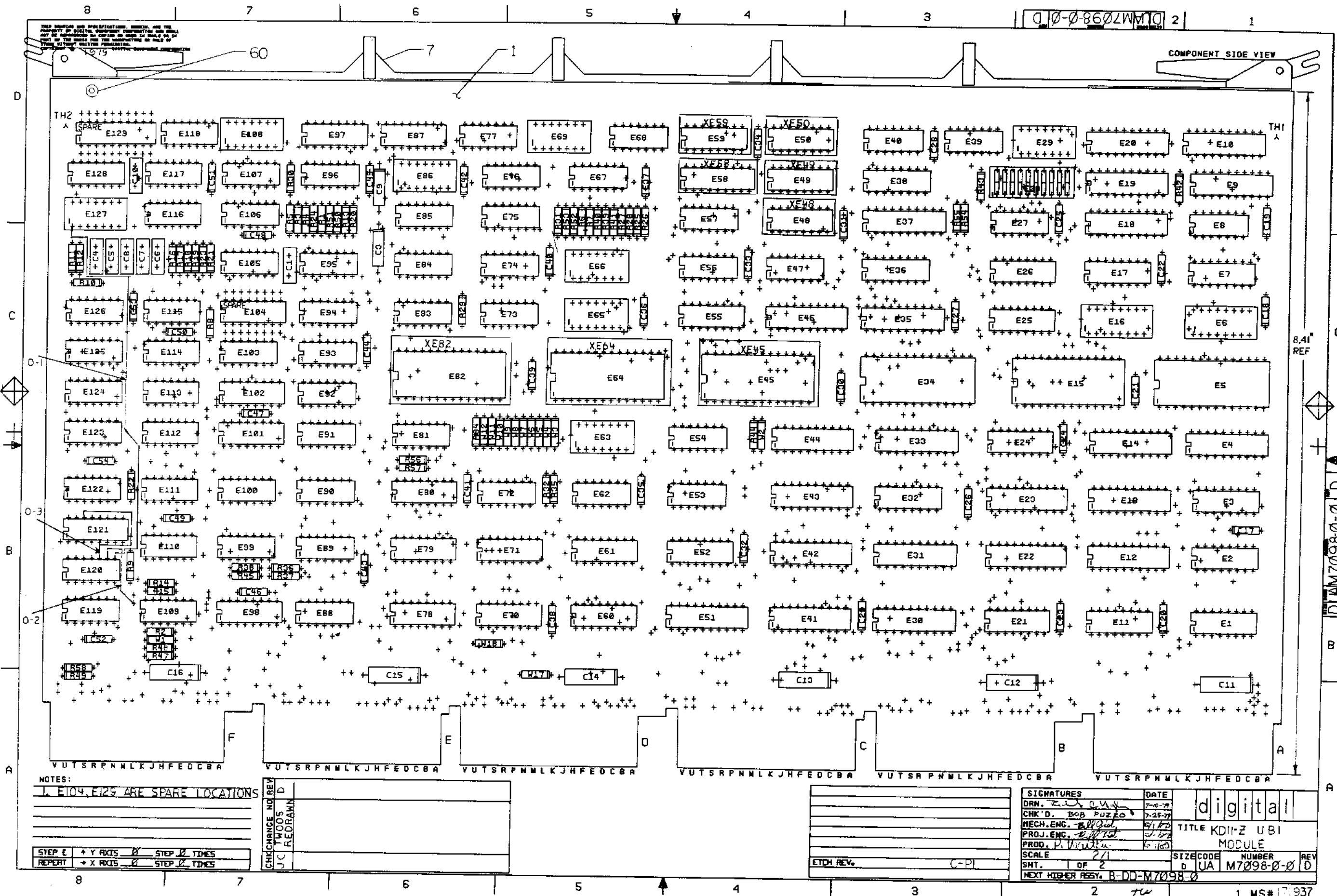
LINE	ITEM	DOCUMENT NUMBER	PART NUMBER	DESCRIPTION	QTY PER VARIATION 00	REFERENCE DESIGNATOR
77	77		2113937-00	HART 125K BUAD	2	E11,E41
78	78		2114963-00	UP,8-BIT NMOS	1	E139
79	79		23017F2-00	F2-01	1	E134
80	80		23018F2-00	F2-01	1	E135
81	81		23019F2-00	F2-01	1	E136
82	82		23261A1-00	A1-07	1	E95
83	83		23847A9-00	A9-01	1	E126
84	84		23848A9-00	A9-01	1	E91
85	85		9000024-01	EYELET, ROLLED FLANGE, .121 OD X	12	
86	86		9009157-00	ADH,LIQ,RM,TFMP CURING COLORLESS	A/R	
87	87		9009185-00	JUMPER, WIRE, INSULATED, BLACK B	5	W1-W3,W9,W10
88	88		9105740-55	WIPE(WRAP)30AWG UL1423	1	
89	89		1914451-00	74LS393 COUNTER,BINARY,4BIT	1	E2
90	90		23020F2-00	F2-01	1	E137
91	91		1004813-00	10 MFD 20V 10% S.TANT	1	C51
92	92		1105275-00	D 672 TR= 15NS PIV= 60V SI	1	D3
93	93		1302466-00	100.0 K .25 W 5.0 % CC	1	R4

D	I	G	I	T	A	L	TITLE	SECTION A OF A	SIZE	CODE	DOCUMENT NUMBER	REV
							KD11-Z MULTI-FUNCTION		K	PL	M7096-0-DBP	D

TW

DIAM 7098-0-0 2

COMPONENT SIDE VIEW



NOTES:
 1. E104, E129 ARE SPARE LOCATIONS

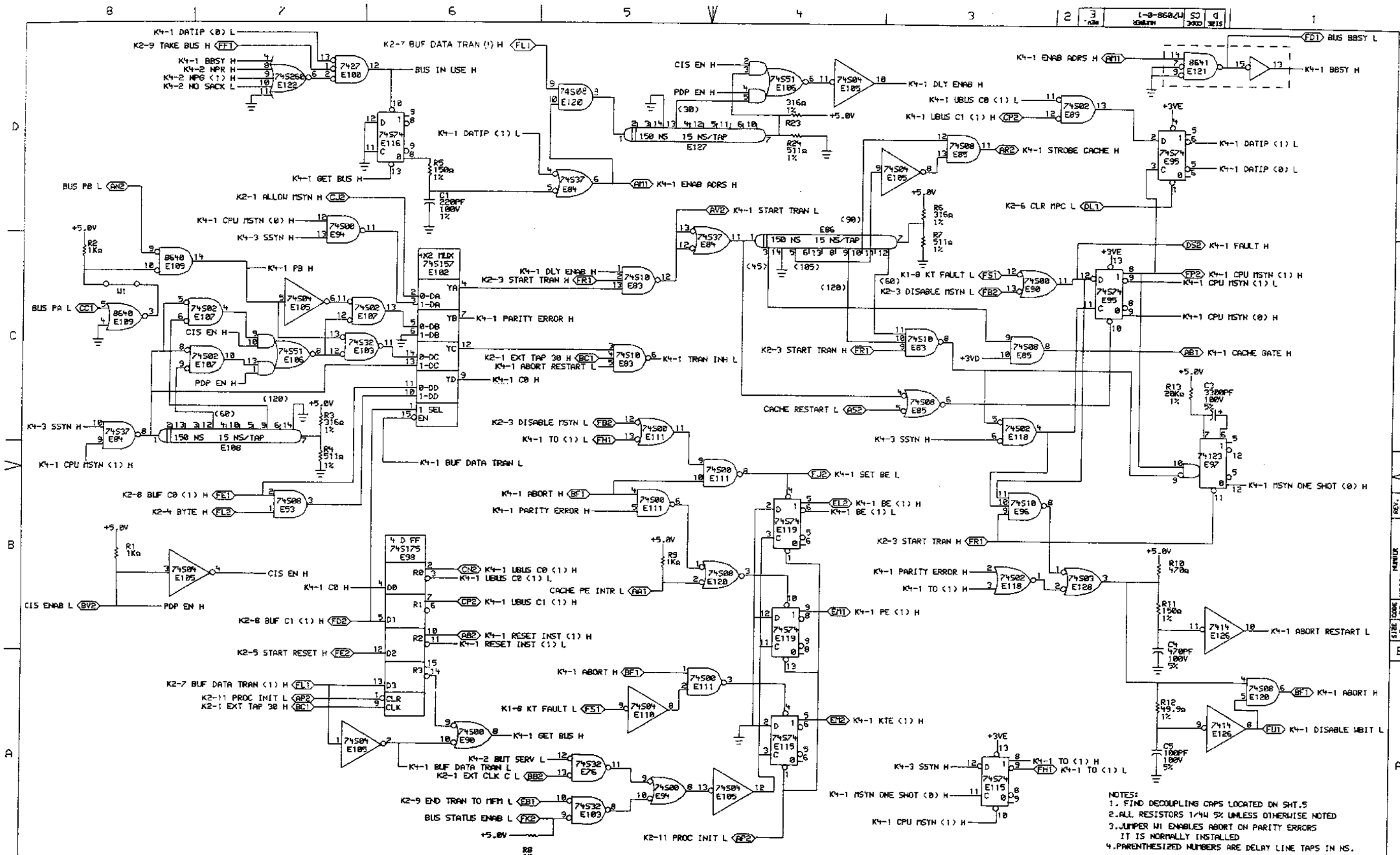
STEP E	+ Y AXIS	0	STEP 0	TIMES
REPORT	+ X AXIS	0	STEP 0	TIMES

CHECKCHANGE NO	REV	D
WOODS		
REDRAWN		
J.C.		

ETCH REV.	C-PI
-----------	------

SIGNATURES	DATE
DRN. <i>[Signature]</i>	7-10-77
CHK'D. BOB PUZZO	7-25-77
MECH. ENG. <i>[Signature]</i>	8/1/77
PROJ. ENG. <i>[Signature]</i>	5/1/77
PROD. P. <i>[Signature]</i>	6/1/77
SCALE	2/1
SHT.	1 OF 2
NEXT HIGHER REV.	B-DD-M7098-0

digital	
TITLE KD11-Z UBI MODULE	
SIZE CODE	NUMBER
UA	M7098-0-0
REV	D

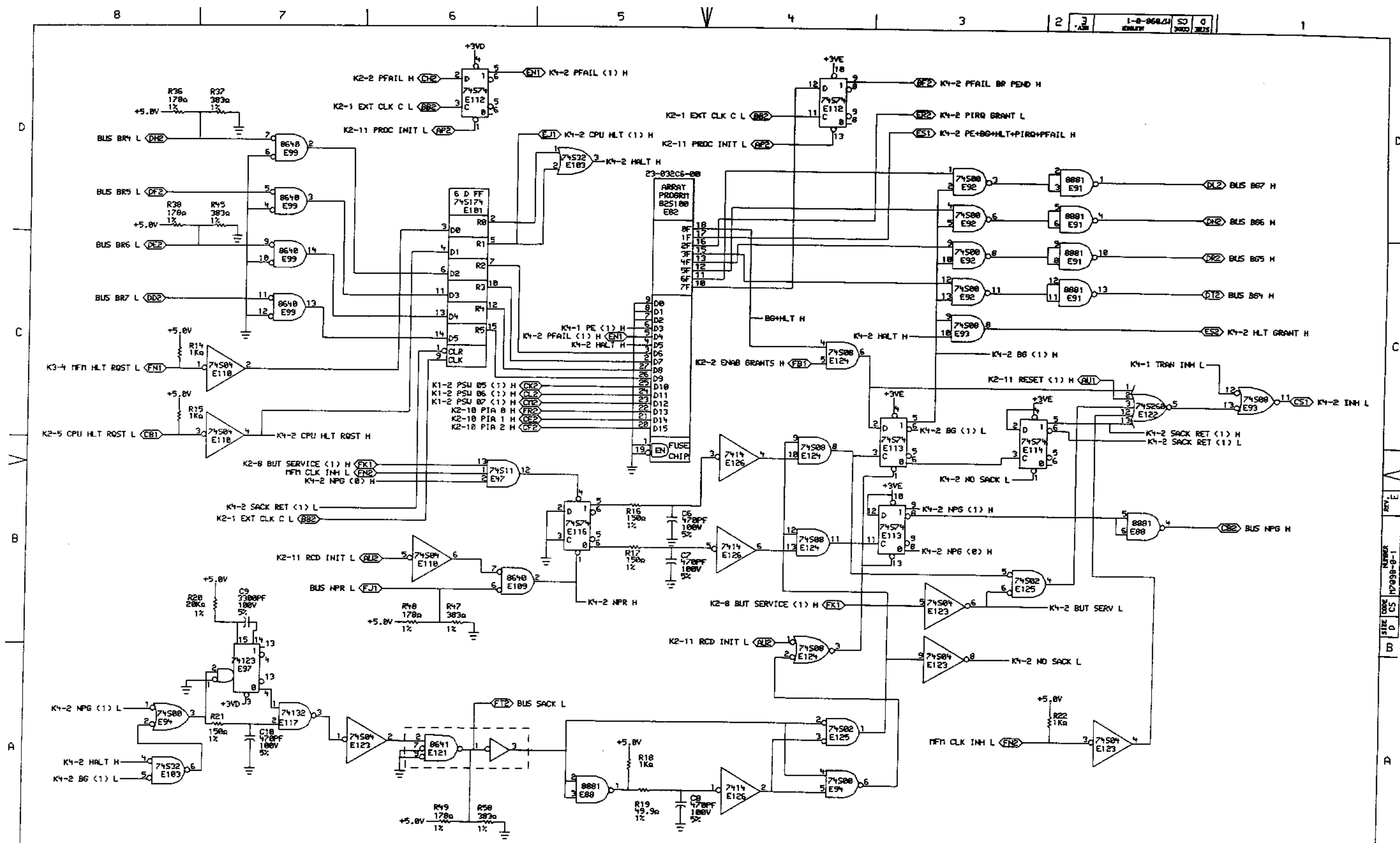


- NOTES:
 1. FIND DECOUPLING CAPS LOCATED ON SHT.5
 2. ALL RESISTORS 1/4W 5% UNLESS OTHERWISE NOTED
 3. JUMPER W1 ENABLES ABORT ON PARITY ERRORS IT IS NORMALLY INSTALLED
 4. PARENTHEZIZED NUMBERS ARE DELAY LINE TAPS IN NS.

REV. NO.	DATE	BY	CHK'D.	DATE	BY
1	11-21-77	B. GIST	B. GIST	11-21-77	B. GIST
2	12-23-78	B. GIST	B. GIST	12-23-78	B. GIST
3	1-29-79	B. GIST	B. GIST	1-29-79	B. GIST

digital
 (150,257) K4-18, DRU 16-OCT-79 15:04 NEXT HIGHER ASSEMBLY: B-DD-17098-0
 FIRST USED ON OPTION MODEL: 11/44

DATE ENG. 12-OCT-79	DATE 10/21/80	TITLE: (K4-1) UBI MODULE (BUS TRANSFER)
DATE BOARD LOCATED	SHEET 11	SIZE CODE D CS
NUMBER M7098-0-1	REV. E	

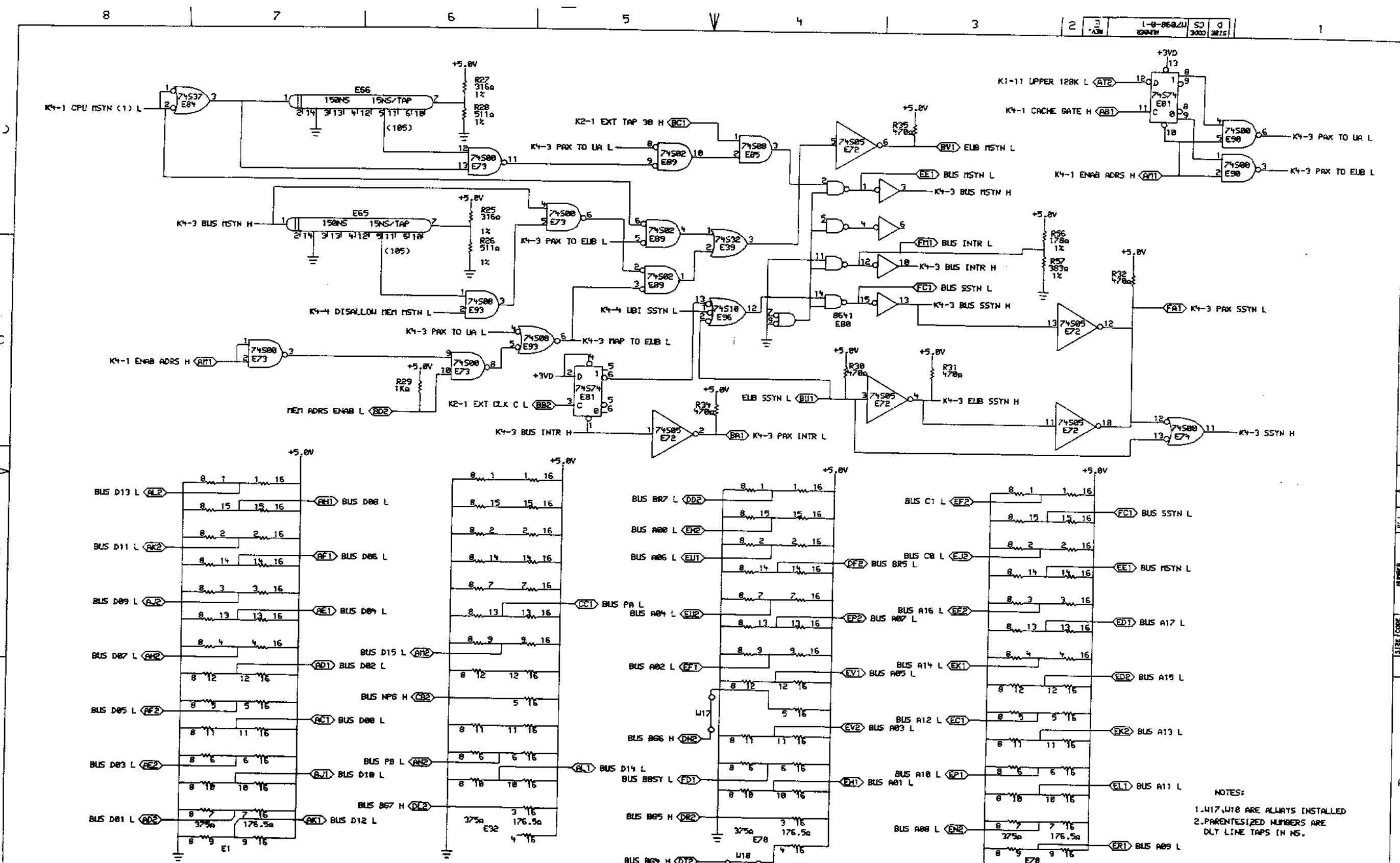


THIS PRINTING AND SPECIFICATIONS ARE THE PROPERTY OF DIGITAL EQUIPMENT CORPORATION AND SHALL NOT BE REPRODUCED OR COPIED IN WHOLE OR IN PART OR USED IN ANY MANNER WITHOUT WRITTEN PERMISSION. COPYRIGHT © 1979, DIGITAL EQUIPMENT CORPORATION.

REV.	CHG.	DESCRIPTION
1		INITIAL RELEASE
2		REVISIONS
3		REVISIONS
4		REVISIONS
5		REVISIONS
6		REVISIONS
7		REVISIONS
8		REVISIONS

		DATE: 19-OCT-79 DATE: 19-OCT-79 BOARD LOCATION: 11	TITLE: (K4-2) UBI MODULE (BUS ARBITR.)
FIRST USED ON OPTION MODEL: 11/44	NEXT HIGHER ASSEMBLY: 16-OCT-79 15:05 18-DD-M7098-0	SIZE: D CS CODE: M7098-0-1	NUMBER: 1 REV.: E

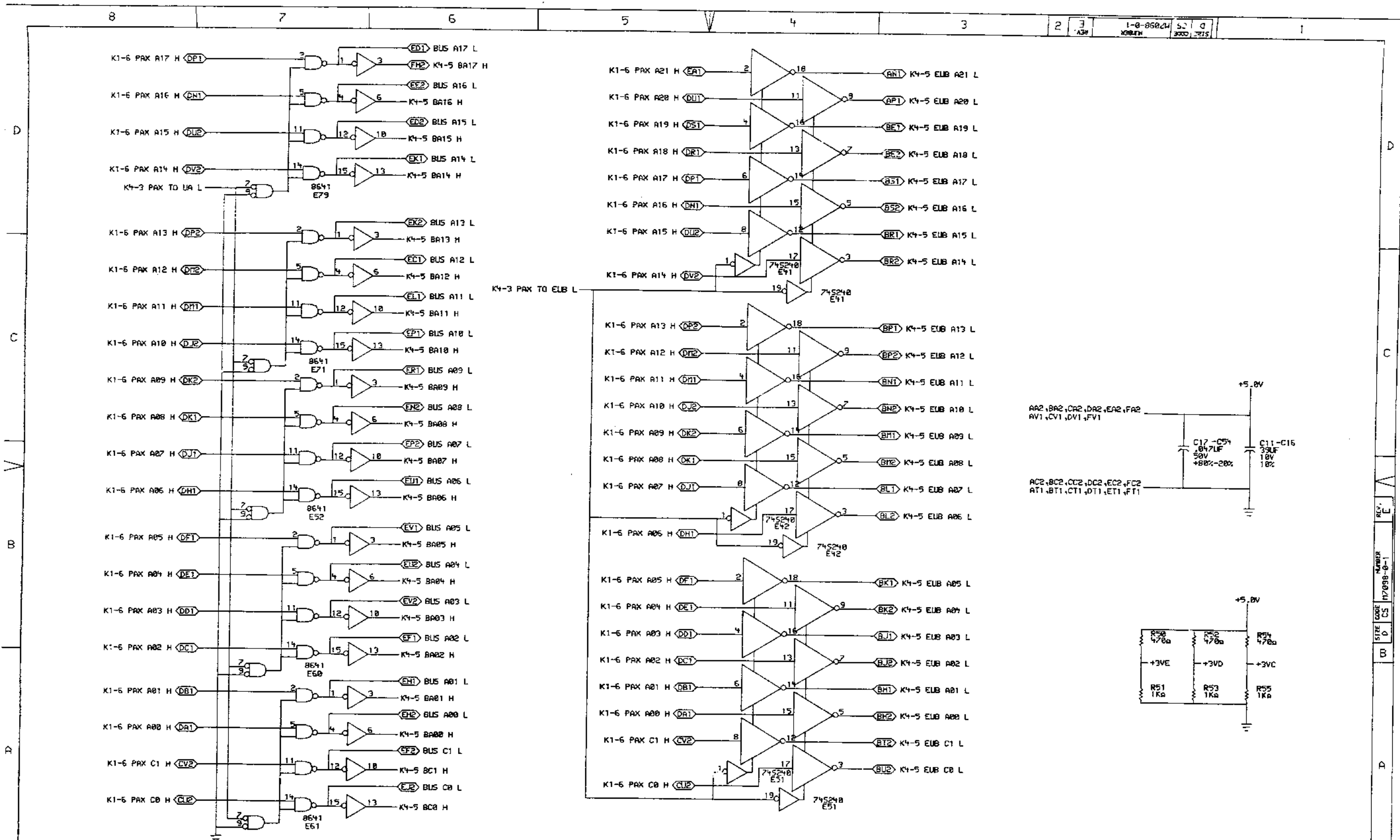
SIZE CODE NUMBER REV. 18-DD-M7098-0-1



REV. NO.	DATE	DESCRIPTION
1	11-74	INITIAL DESIGN
2	1-75	REVISIONS

REVISIONS CHK CHANGE NO. REV		digital		DATE ENG: 11-74 DATE PCB: 11-74	TITLE: (K4-3) UBI MODULE (MSYN STEER)
FIRST USED ON OPTION MODEL: 11/74		NEXT HIGHER ASSEMBLY: B-DD-M7098-0		SIZE CODE: D CS	NUMBER: M7098-0-1
				REV. E	

NOTES:
 1. U17, U18 ARE ALWAYS INSTALLED
 2. PARENTESIZED NUMBERS ARE DLT LINE TAPS IN NS.



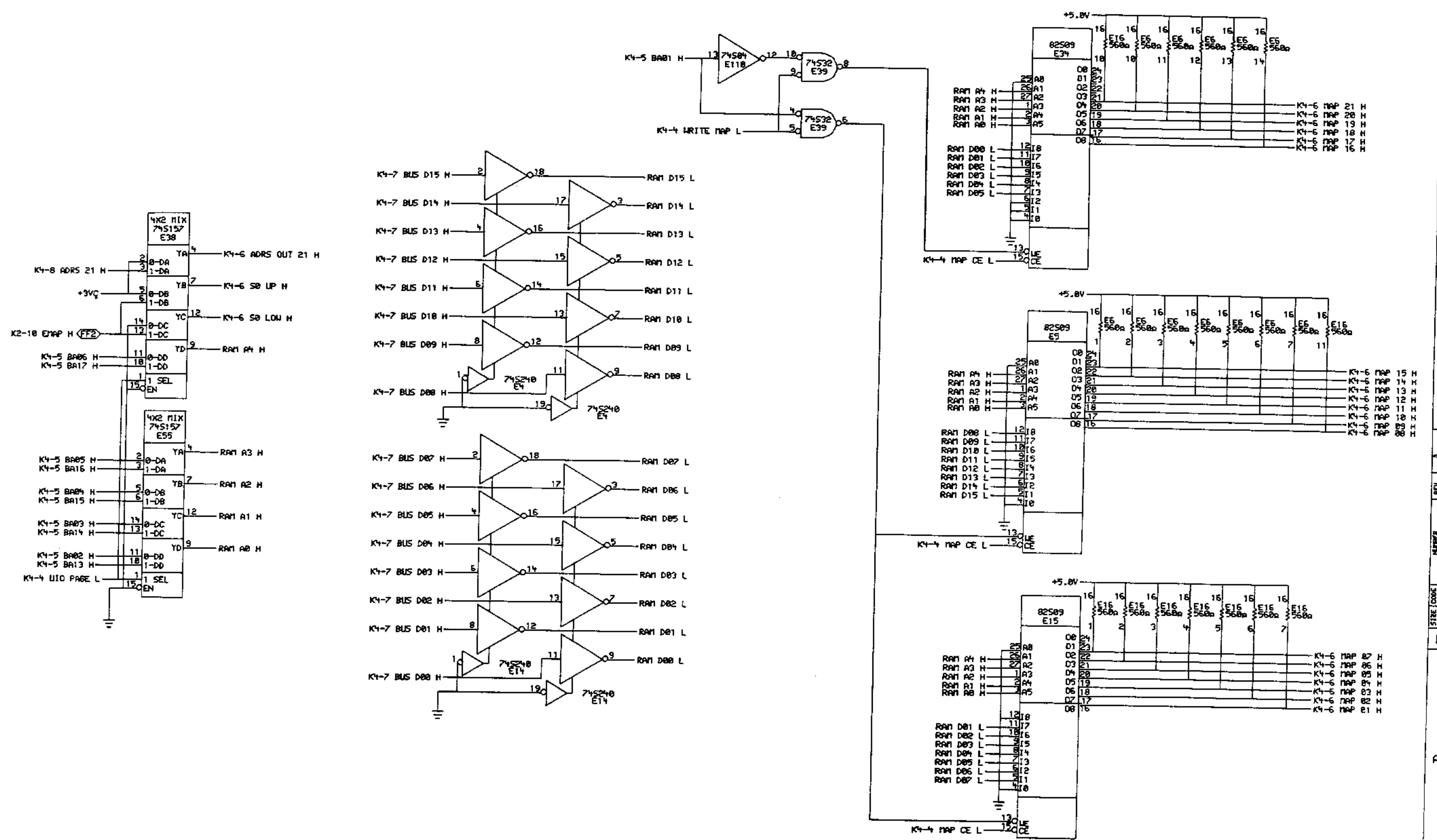
THIS DRAWING AND SPECIFICATIONS ARE THE PROPERTY OF DIGITAL EQUIPMENT CORPORATION AND SHALL BE LOANED TO YOU BY CONTRACT OR LICENSE IN WRITING ONLY. IT IS TO BE USED FOR THE MANUFACTURE OF THIS PRODUCT ONLY. IT IS NOT TO BE REPRODUCED OR TRANSMITTED IN ANY FORM OR BY ANY MEANS, ELECTRONIC OR MECHANICAL, INCLUDING PHOTOCOPYING, RECORDING, OR BY ANY INFORMATION STORAGE AND RETRIEVAL SYSTEM.

REVISIONS	
CHK	CHANGE NO. REV

digital L160.257 K45B.DRW FIRST USED ON OPTION/MODEL: 11/44	DATE: 15-OCT-79 TIME: 15:02 NEXT HIGHER ASSEMBLY: B-DD-N7098-0	DATE: 12-OCT-79 SHEET: 5 OF 11	TITLE: (K4-5) UBI MODULE (PAX TO EUB, UBI)
	BOARD LOCATION: 11	SIZE: D CS CODE: M7098-0-1	NUMBER: 1 REV: E

REV. L
 NUMBER 117098-0-1
 CS
 D
 B
 A

D
C
B
A



REV. E
NUMBER 17098-0-1
SIZE CODE D CS

REVISIONS		
CHK	CHANGE NO.	REV

digital 115-01-75 15-00

DATE: 11/74
 DATE: 11/74
 DATE: 11/74

TITLE: (K4-6) UBI MODULE (MAP REG)

FIRST USED ON OPTION MODEL: 11/74
 NEXT HIGHER ASSEMBLY: B-DD-17098-0

SIZE CODE: D CS
 NUMBER: 17098-0-1
 REV. E

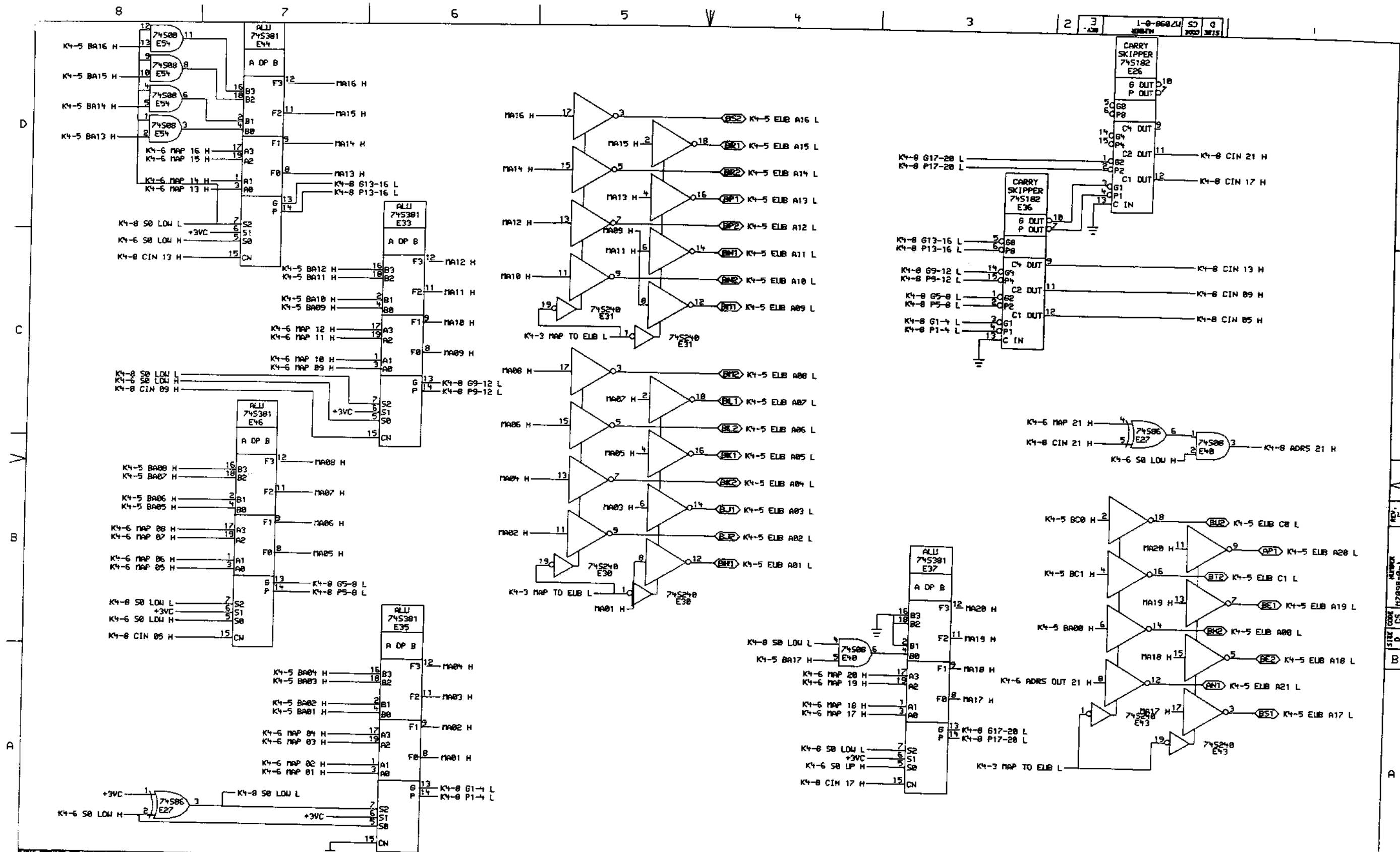


THIS DRAWING AND SPECIFICATIONS ARE THE PROPERTY OF DIGITAL EQUIPMENT CORPORATION AND SHALL NOT BE REPRODUCED OR COPIED IN ANY MANNER OR IN WHOLE OR IN PART AS THE BASIS FOR THE MANUFACTURE OF ANY EQUIPMENT WITHOUT WRITTEN PERMISSION. COPYRIGHT © 1974, DIGITAL EQUIPMENT CORPORATION.

REV.	CHANGE NO.	REV.

digital DATE: 16-OCT-79
 TITLE: (K4-7) UBI MODULE (ADRS INTRF)
 FIRST USED ON OPTION/MODEL: 11/44
 BOARD LOCATION: 11
 NUMBER: M7098-0-1
 REV: E

REV. L
 M7098-0-1
 CS
 D

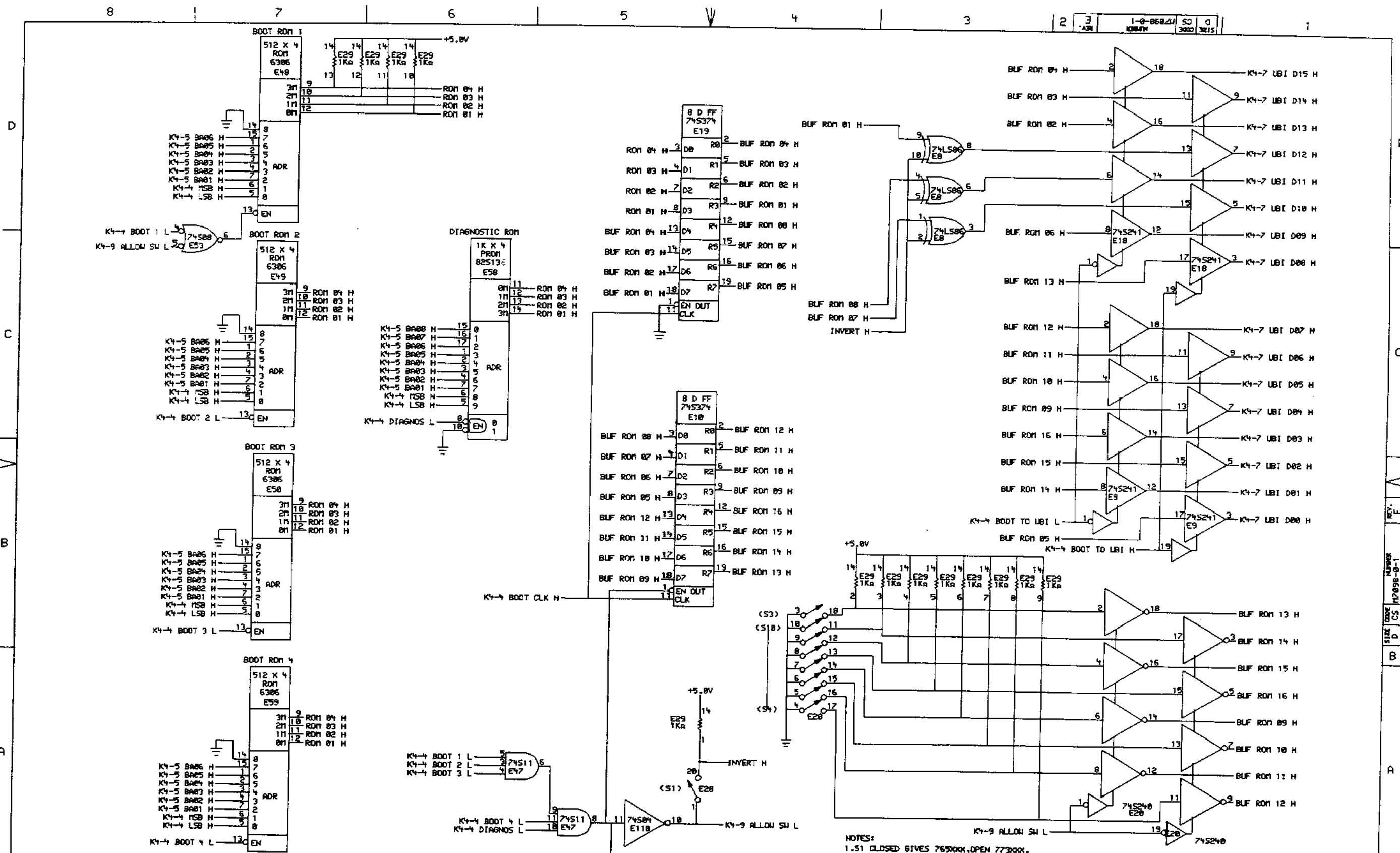


THIS DRAWING AND SPECIFICATIONS ARE THE PROPERTY OF DIGITAL EQUIPMENT CORPORATION AND SHALL NOT BE REPRODUCED OR COPIED OR USED IN WHOLE OR IN PART AS THE BASIS FOR THE MANUFACTURE OF ANY PRODUCT WITHOUT THE WRITTEN PERMISSION OF DIGITAL EQUIPMENT CORPORATION.

REVISIONS	
CHK	CHANGE NO. REV

	DATE: 11-10-79	DESIGNER: [Signature]	DATE: [Blank]	TITLE: (K4-8) UBI MODULE (MAP)
	DATE: 11-10-79	DATE: [Blank]	DATE: [Blank]	DATE: [Blank]
FIRST USED ON OPTION/MODEL: 11/44	NEXT HIGHER ASSEMBLY: B-DD-17098-0	SIZE CODE: D	NUMBER: CS 17098-0-1	REV: E

REV. 1
 PART NO. 17098-0-1
 SIZE CODE CS



THIS DRAWING AND SPECIFICATIONS ARE THE PROPERTY OF DIGITAL EQUIPMENT CORPORATION AND SHALL NOT BE REPRODUCED OR TRANSMITTED IN ANY FORM OR BY ANY MEANS, ELECTRONIC OR MECHANICAL, INCLUDING PHOTOCOPYING, RECORDING, OR BY ANY INFORMATION STORAGE AND RETRIEVAL SYSTEM, WITHOUT WRITTEN PERMISSION. COPYRIGHT © 1979, DIGITAL EQUIPMENT CORPORATION.

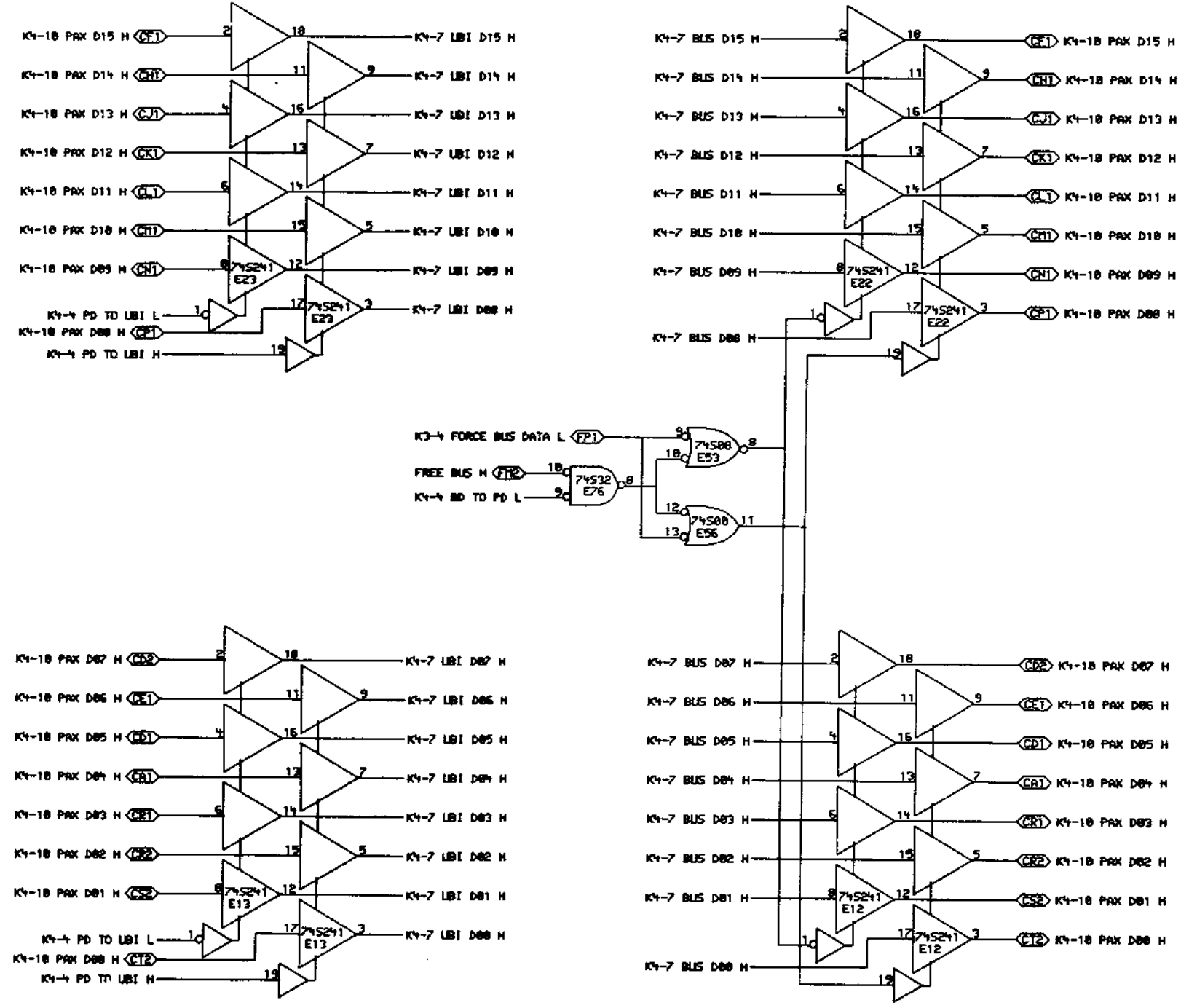
REV. NO.	CHANGE NO.	REV.

- NOTES:
 1. S1 CLOSED GIVES 76500K, OPEN 77500K.
 2. S3-S18 SUPPLY XXX, WHERE CLOSED="1".

	DATE: 11-11-79	REV.:	DATE: 11-11-79	REV.:	TITLE: (K4-9) UBI MODULE (BOOT ROMS)
	(168,257,3458,083) 116-OCT-79 15:11 NEXT HIGHER ASSEMBLY: B-DD-17098-0	BOARD LOCATION: 3 OF 11	SIZE CODE: D CS	NUMBER: M7098-0-1	REV.: E

D
C
B
A

D
C
B
A



REVISIONS	
CHK	CHANGE NO. REV

	DATE	16-OCT-79	DATE	11-12-79	TITLE	(K4-10) LBI MODULE			
	DATE	11-12-79	DATE	11-12-79	TITLE	(PAK DATA)			
FIRST USED ON OPTION/MODEL:	11/44	NEXT HIGHER ASSEMBLY:	18-DD-M7098-B	SIZE CODE	D CS	NUMBER	M7098-0-1	REV.	E

M7098 JUMPER AND SWITCH SETTINGS

UNIBUS MAP ADDRESS LIMIT JUMPER TABLES

JUMPERS U12-U8 AND U7-U3 SPECIFY THE LOWER AND UPPER LIMIT, RESPECTIVELY, OF A SET OF UNIBUS ADDRESSES NOT MAPPED TO MAIN MEMORY (ASSERTED ON THE UNIBUS ONLY). EXCEPT FOR THE I/O PAGE, EVERY UNIBUS ADDRESS NOT IN THIS SET IS MAPPED TO MAIN MEMORY (ASSERTED ON THE MEMORY BUS) BY THE UNIBUS MAP. DEVICES ON THE UNIBUS SHOULD BE ADDRESSED ONLY IN UNMAPPED OR I/O PAGE ADDRESS SPACE.

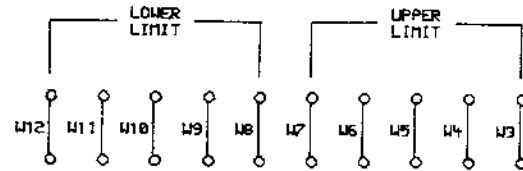
WHEN THE UPPER AND LOWER LIMITS ARE SET TO THE SAME OCTAL BANK (PAGE) NUMBER, EVERY NON-I/O PAGE ADDRESS IS MAPPED TO MAIN MEMORY (ASSERTED ON THE MEMORY BUS).

LOWER LIMIT OF UNMAPPED SET:

THIS TABLE LISTS JUMPER SETTINGS FOR THE LOWER LIMIT OF THE SET OF UNMAPPED ADDRESSES. UNIBUS ADDRESSES (IF ANY) FROM ZERO TO JUST BELOW THIS LIMIT ARE MAPPED TO MAIN MEMORY (ASSERTED ON THE MEMORY BUS). THE OCTAL BANK NUMBER IN THIS TABLE IS THE FIRST BANK OF THE UNMAPPED SET EXCEPT WHEN THE LOWER AND UPPER LIMITS ARE SET TO THE SAME BANK NUMBER, IN WHICH CASE ONLY THE I/O PAGE IS UNMAPPED.

LOWEST ADDRESS IN UNMAPPED SET	DECIMAL KU	OCTAL BANK	JUMPER				
			U12	U11	U10	U9	U8
NONE	124	37	OUT	OUT	OUT	OUT	OUT
748 000	120	36	IN	OUT	OUT	OUT	OUT
720 000	116	35	OUT	IN	OUT	OUT	OUT
700 000	112	34	IN	IN	OUT	OUT	OUT
650 000	108	33	OUT	OUT	IN	OUT	OUT
640 000	104	32	IN	OUT	IN	OUT	OUT
620 000	100	31	OUT	IN	IN	OUT	OUT
600 000	96	30	IN	IN	IN	OUT	OUT
560 000	92	27	OUT	OUT	OUT	IN	OUT
540 000	88	26	IN	OUT	OUT	IN	OUT
520 000	84	25	OUT	IN	OUT	IN	OUT
500 000	80	24	IN	IN	OUT	IN	OUT
460 000	76	23	OUT	OUT	IN	IN	OUT
440 000	72	22	IN	OUT	IN	IN	OUT
420 000	68	21	OUT	IN	IN	IN	OUT
400 000	64	20	IN	IN	IN	IN	OUT
360 000	60	17	OUT	OUT	OUT	OUT	IN
340 000	56	16	IN	OUT	OUT	OUT	IN
320 000	52	15	OUT	IN	OUT	OUT	IN
300 000	48	14	IN	IN	OUT	OUT	IN
260 000	44	13	OUT	OUT	IN	OUT	IN
240 000	40	12	IN	OUT	IN	OUT	IN
220 000	36	11	OUT	IN	IN	OUT	IN
200 000	32	10	IN	IN	IN	OUT	IN
160 000	28	7	OUT	OUT	OUT	IN	IN
140 000	24	6	IN	OUT	OUT	IN	IN
120 000	20	5	OUT	IN	OUT	IN	IN
100 000	16	4	IN	IN	OUT	IN	IN
60 000	12	3	OUT	OUT	IN	IN	IN
40 000	8	2	IN	OUT	IN	IN	IN
20 000	4	1	OUT	IN	IN	IN	IN
0	0	0	IN	IN	IN	IN	IN

POSITION OF JUMPERS ON M7098:



UPPER LIMIT OF UNMAPPED SET:

THIS TABLE LISTS JUMPER SETTINGS FOR THE UPPER LIMIT OF THE SET OF UNMAPPED ADDRESSES. UNIBUS ADDRESSES (IF ANY) ABOVE THIS LIMIT AND BELOW 760 000 ARE MAPPED TO MAIN MEMORY. THE OCTAL BANK NUMBER IN THIS TABLE IS THE FIRST MAPPED BANK AFTER THE UNMAPPED SET EXCEPT WHEN IT IS BANK 37, THE I/O PAGE (ALWAYS UNMAPPED).

HIGHEST ADDRESS IN UNMAPPED SET	DECIMAL KU	OCTAL BANK	JUMPER				
			U7	U6	U5	U4	U3
757 777	124	37	OUT	OUT	OUT	OUT	OUT
737 777	120	36	IN	OUT	OUT	OUT	OUT
717 777	116	35	OUT	IN	OUT	OUT	OUT
677 777	112	34	IN	IN	OUT	OUT	OUT
657 777	108	33	OUT	OUT	IN	OUT	OUT
637 777	104	32	IN	OUT	IN	OUT	OUT
617 777	100	31	OUT	IN	IN	OUT	OUT
577 777	96	30	IN	IN	IN	OUT	OUT
557 777	92	27	OUT	OUT	OUT	IN	OUT
537 777	88	26	IN	OUT	OUT	IN	OUT
517 777	84	25	OUT	IN	OUT	IN	OUT
477 777	80	24	IN	IN	OUT	IN	OUT
457 777	76	23	OUT	OUT	IN	IN	OUT
437 777	72	22	IN	OUT	IN	IN	OUT
417 777	68	21	OUT	IN	IN	IN	OUT
377 777	64	20	IN	IN	IN	IN	OUT
357 777	60	17	OUT	OUT	OUT	OUT	IN
337 777	56	16	IN	OUT	OUT	OUT	IN
317 777	52	15	OUT	IN	OUT	OUT	IN
277 777	48	14	IN	IN	OUT	OUT	IN
257 777	44	13	OUT	OUT	IN	OUT	IN
237 777	40	12	IN	OUT	IN	OUT	IN
217 777	36	11	OUT	IN	IN	OUT	IN
177 777	32	10	IN	IN	IN	OUT	IN
157 777	28	7	OUT	OUT	OUT	IN	IN
137 777	24	6	IN	OUT	OUT	IN	IN
117 777	20	5	OUT	IN	OUT	IN	IN
77 777	16	4	IN	IN	OUT	IN	IN
57 777	12	3	OUT	OUT	IN	IN	IN
37 777	8	2	IN	OUT	IN	IN	IN
17 777	4	1	OUT	IN	IN	IN	IN
NONE	0	0	IN	IN	IN	IN	IN

EXAMPLE OF LIMIT SETTING:

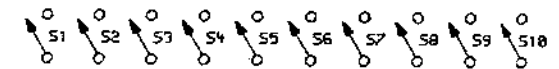
SET UP FOR 12 (DECIMAL) KU (3 PAGES) OF UNIBUS DEVICE ADDRESSES JUST BELOW THE I/O PAGE:

- PAGE (BANK) 37 IS THE I/O PAGE. THEREFORE THE THREE PAGES TO BE UNMAPPED ARE 34, 35, AND 36.
- READ JUMPER SETTINGS FOR U12 THROUGH U8 FROM THE LOWER LIMIT TABLE AT BANK 34. THE FIRST UNMAPPED BANK: U12=IN, U11=IN, U10=OUT, U9=OUT, & U8=OUT.
- READ JUMPER SETTINGS FOR U7 THROUGH U3 FROM THE UPPER LIMIT TABLE AT BANK 37. THE NEXT BANK AFTER THE UNMAPPED SET DESIRED (34, 35, AND 36): U7=OUT, U6=OUT, U5=OUT, U4=OUT, & U3=OUT.

NOTICE THAT THE UPPER LIMIT TABLE "DECIMAL KU" AMOUNT MINUS THE LOWER LIMIT TABLE "DECIMAL KU" AMOUNT EQUALS 12KU, THE SIZE AREA DESIRED.

BOOT SWITCHES-E28, K4-9:

FOR ALL SWITCHES ON = CLOSED = LOGIC "1"



S1 DETERMINES START ADDRESS (UPPER 3 DIGITS): WHEN OPEN, 773xxx; WHEN CLOSED, 765xxx.

S2, WHEN ON, ENABLES INTERNAL BOOT.

S3-S10 ARE BITS 0-1 OF THE STARTING ADDRESS.

A CLOSED SWITCH EQUALS A "1" IN THE ADDRESS.

THE SWITCHES ARE VIEWED WITH THE BOARD COMPONENT SIDE UP, GOLD FINGERS AT THE BOTTOM.

BOOT ROMS

THE CPU SPECIFIC DIAGNOSTIC ROM GOES INTO SOCKET E58. ROMS FOR OTHER BOOTABLE DEVICES GO INTO THE FOLLOWING SOCKETS IN ORDER:

- BT1 E48
- BT2 E49
- BT3 E50
- BT4 E59

THE M7098 HAS ETCH MARKINGS FOR EACH ROM BT1-BT4.

JUMPER U2 ENABLES THE DIAGNOSTICS ROM WHEN IN (STANDARD CONFIGURATION IS IN).

JUMPER U1 ENABLES PARITY ERROR ABORT WHEN IN (STANDARD CONFIGURATION IS IN).

JUMPERS U17 & U18 ARE ALWAYS INSTALLED.

REVISIONS		
CHK	CHANGE NO.	REV

digital	DATE	ENG. <i>B. G. J.</i>	DATE	TITLE: (K4-11) UBI MODULE
	CHK'D. <i>B. G. J.</i>	DATE	ISSUE LOCATION:	(SW SETTINGS)
FIRST USED ON OPTION MODEL: 11/44		DATE	REV. E	
B-00-M7098-0		DATE	NUMBER	
		DATE	D CS M7098-0-1	
		DATE	TW 1	

PARTS LIST

LINE	ITEM	DOCUMENT NUMBER	PART NUMBER	DESCRIPTION	QTY PER VARIATION	REFERENCE DESIGNATOR
1	1		5013R2R-00	UNIBUS CONTROL	1	
2	2		1000016-00	100.0 MMF 100V 5%200PPM DM15S	1	C5
3	3		1000024-00	470.0 MMF 100V 5%200PPM DM15S	5	C4,C6-C8,C10
4	4		1000076-00	39 MFD 10V 10% 1500 S.TA	6	C11-C16
5	5		1013466-10	3300.0 MMF 50V 5% CER	2	C3,C9
6	6		1012784-00	.047 MFD 50V +20-20% CER	3R	C17-C54
7	7		1210711-02	HANDLE,MODULE,HEX	1	
8	8		1211164-00	SW,DIP 1P 1A 10POS	1	
9	9		1215006-02	SOCKET 16PIN IC LOW PROFILE	4	E28
10	10		1215006-03	SOCKET 18PIN IC LOW PROFILE	1	XE48-XE50,XE59
11	11		1215006-07	SOCKET 28PIN IC LOW PROFILE	3	XF58
12	12		1300005-01	R NETWORK 13-1K 5.0 & 14PIN	2	XE45,XE64,XE82
13	13		1300005-10	R NETWORK 15-560 5.0 & 16PIN	2	E29,E63
14	14		1300316-00	470.0 .25 W 5.0 & CC	11	E6,E16
15	15		1300365-00	1.0 K .25 W 5.0 & CC	14	CONT R10,R50,R52,R54,R30-R32,R34,R35, R41,R42
16	16		1313596-00	20.0 K .25 W 1.0 & RN55D-F10	2	CONT R29,R44,R51,R53,R55,R8,R43,R1, R2,R9,R14,R15,R18,R22
17	17		1302411-00	511.0 .25 W 1.0 & RN55D-F10	6	R13,R20
18	18		1302931-00	47.0K .25 W 1.0 & RN55D-F10	2	R4,R7,R24,R26,R28,R40
19	19		1304863-00	316.0 .25 W 1.0 & RN55D-F10	6	R12,R19
20	20		1312628-00	R NETWORK 14-176.5 14-375 16PIN	2	R3,R6,R23,R25,R27,R39
21	21		1312629-01	R NETWORK 14-176.5 11-375 16PIN	2	E1,E78
22	22		1313583-00	150.0 .25 W 1.0 & RN55D-F10	5	E32,E70
23	23		1612463-00	DELAY= 150NS,10TAPS	6	R5,R11,R16,R17,R21
24	24		1909705-00	DEC 98R1 NAND GATE-QUAD 2IN 0	2	E65,E66,E69,E86,E108,E127
25	25		1910436-00	DEC 74123 ONE SHOT-DUAL,PETRIG	1	E88,E91
26	26		1910532-00	74S00 NAND GATE-QUAD 2IN	7	E97
27	27		1910533-00	74S03 NAND GATE-QUAD 2IN,0	1	E56,E73,E74,E90,E92,E94,E111
28	28		1910534-00	74S04 INVERTER GATE-HEX 11	3	E128 E105,E110,E123

REVISION HISTORY			BASIC PART NO: M7098		DRN:	M. FUNARO	DATE:	22-JAN-79	D I G I T A L		
ENGR	ECO NUMBER	REF	SECTION A OF A	CHK'D:	E. T. GERRY	DATE:	22-JAN-79	TITLE PARTS LIST			
RG	M7098-TAB03	IC	(A) 00	DFS,ENG:	R. DAY	DATE:	27-JUN-79	DOCUMENT NUMBER			
RG	M7098-TAB04	1D	(B)	RESP,ENG.:	J. MITCHELL	DATE:	22-JAN-79	SIZE	CODE	NUMBER	REV
RG	TAB05	1E	(C)	MPG,ENG.:	J. COMELLA	DATE:	27-JUN-79	K	PL	M7098-0-DBP	E
				ASSEMBLY NUMBER:	D-UA-M7098-0-0	TOP DOCUMENT NUMBER:	FILE NAME:	Z0621E,PLS			EDIT #
								18			

"THIS DRAWING AND SPECIFICATIONS HEREIN, ARE THE PROPERTY OF DIGITAL EQUIPMENT CORPORATION AND SHALL NOT BE REPRODUCED OR COPIED OR USED IN WHOLE OR IN PART AS THE BASIS FOR THE MANUFACTURE OR SALE OF ITEMS WITHOUT WRITTEN PERMISSION. COPYRIGHT (C) 1980, DIGITAL EQUIPMENT CORPORATION."

TW

LINE	ITEM	DOCUMENT NUMBER	PART NUMBER	DESCRIPTION	QTY PER VARIATION	REFERENCE DESIGNATOR
					00	
29	29		1910535-00	74S25 INVERTER GATE-HEX 1	2	E68,E72
30	30		1910536-00	74S10 NAND GATE-TRIPLE 3IN	2	E83,E96
31	31		1910537-00	74S11 AND GATE-TRIPLE 3IMP	2	E47,E75
32	32		1910544-00	74S74 FF-D DUAL,EDGE TRIGG	8	E81,E95,E112-E115,E119
33	33		1910548-00	74S157 MUX 1 OF 2 (QUAD)	3	E38,E55,E102
34	34		1910550-00	74S174 FF-D HFX	1	E101
35	35		1910570-00	7427 NOR GATE-TRIPLE 3IN	1	E100
36	36		1910557-00	74S175 FF-D QUAD COMMON CLO	2	E87,E98
37	37		1911324-00	7414 INVERTER,HEX 1IN SCH	1	E126
38	38		1911469-00	REC 8640 RECEIVER,BUS,QUAD,U	2	E99,E109
39	39		1911579-00	8641 TRANSCEIVER,BUS,QUA	11	E2,E3,E11,E21,E52,E60,E61,E71, E79,E80,E121
						CONT
40	40		1911641-00	SN 74S257 MUX,QUAD 2 TO 1	4	E7,E17,E24,E25
41	41		1911712-00	74S51 AND-OR GATE-INVERT D	1	E106
42	42		1912096-00	REC 74S86 XOR GATE,QUAD 2IN	1	E27
43	43		1912297-00	SN 74S182 LOOK AND CARRY GEN	2	E26,E36
44	44		1912382-00	74S02 NOR GATE-QUAD 2IN,PO	5	E67,E89,E107,E118,E125
45	45		1912389-00	74S08 AND GATE-QUAD 2IN,PO	8	E40,E53,E54,E57,E85,E93,E120, E124
						CONT
46	46		1912746-00	REC 74S37 NAND GATE-QUAD 2IN	2	E77,E84
47	47		1912820-00	LS86 X-OR GATE-QUAD 2IN	1	E6
48	48		1913340-00	74S32 OR GATE-QUAD 2IN	3	E39,E76,E103
49	49		1913462-00	74S240 OCTAL BUFFER,INVERTI	9	E4,F14,E20,E30,E31,E41-E43,E51
50	50		1913493-00	74S241 OCTAL BUFFER,TRI-STA	6	E9,E12,E13,E18,E22,E23
51	51		1913663-00	93419DC RAM 64X9 28PIN TT	3	E5,F15,E34
52	52		1913671-00	74S374 FF-D OCTAL TRISTATE	2	E10,E19
53	53		1913700-00	74S381 ALU-4BIT	5	E33,E35,E37,E44,E46
54	54		1914065-00	74S260 NOR GATE-DUAL,POS	1	E122
55	55		1914085-00	74S30 NAND GATE-POS 8IN	1	E62
56	56		1911537-00	74132 NAND GATE-QUAD 2 IN	1	E117
57	57		23000A0-01	*** THIS ITEM IS NOT USED ***	-	
58	58		23032C6-00	C6-01	1	E82
59	59		23000F1-01	*** THIS ITEM IS NOT USED ***	-	
60	60		9000024-01	RYFLFT, POILED FLANGE, .121 OD X	12	
61	61		9009185-00	JUMPER, WIRE, INSULATED, BLACK H	14	W1-W12,W17,W18
62	62		1311422-00	178.0 .25 x 1.0 # RNS5D-F10	5	R36,R38,R48,R49,R56
63	63		1305125-00	383.0 .25 x 1.0 # RNS5D-F10	5	R37,R45,R47,R57,R58
64	64		23054C6-00	C6-01	1	E64
65	65		23052C6-00	C6-01	1	E45
66	66		23446F1-00	F1-02	1	E58
67	67		1012121-00	270.0 MMF 100V 1020PPM 0M15S	1	C1
68	68		9009157-00	MDH,LIQ.RM,TEMP CURING COLORLESS	A/R	
69	69		9105740-55	WIRE(WRAP)30AWG UL1423	1	

D	I	G	I	T	A	L	TITLE	SECTION A OF A	SIZE	CODE	DOCUMENT NUMBER	REV
							MD11-Z UBI MODULE				M7098-0-DBP	E

TW

"THE MATERIAL HEREIN IS FOR INFORMATION PURPOSES ONLY AND IS SUBJECT TO CHANGE WITHOUT NOTICE. DIGITAL EQUIPMENT CORPORATION ASSUMES NO RESPONSIBILITY FOR ANY ERRORS WHICH MAY APPEAR HEREIN."

DRAWING DIRECTORY

"THIS DRAWING AND SPECIFICATIONS, HEREIN, ARE THE PROPERTY OF DIGITAL EQUIPMENT CORPORATION AND SHALL NOT BE REPRODUCED OR COPIED OR USED IN WHOLE OR IN PART AS THE BASIS FOR THE MANUFACTURE OR SALE OF ITEMS WITHOUT WRITTEN PERMISSION. COPYRIGHT © 1979 DIGITAL EQUIPMENT CORPORATION."

FOR FIELD MAINTENANCE PRINT SET

REFER TO:

MP00811

UNIT VARIATIONS	
VAR	TITLE
KK11-B	CACHE MEMORY

REVISIONS	CHANGE NO.	REV.		USED ON OPTION/MODEL	DRN.	DATE	TITLE CACHE MEMORY digital								
				11/44	E.H.	6/1/79									
	CHK				CHK'D.		DATE	SIZE	CODE	NUMBER	REV				
					J. SULLIVAN	6/21/79	B					DD	KK11-B-0	*	
				PROJ. ENG.		DATE	DIST.								
					<i>[Signature]</i>	6-27-79									
					PROD.	DATE									
				SHEET 1 OF 2	<i>[Signature]</i>	200079									

TW

FIND NO.	DRAWING NO.	DESCRIPTION	TYPE	FIND NO.	DRAWING NO.	DESCRIPTION	TYPE
1	MP00811	Print Set Order Number					
	B-BD-KK11-B-1	Block Diagram					
	B-TD-KK11-B-2	Timing Diagram					
	A-PL-KK11-B-4	Shipping List					
2	B-DD-M7097-0-0	Cache Memory Module	E				

TYPE: E ELECTRICAL
M MECHANICAL
E/M ELECTRO/MECHANICAL



TITLE

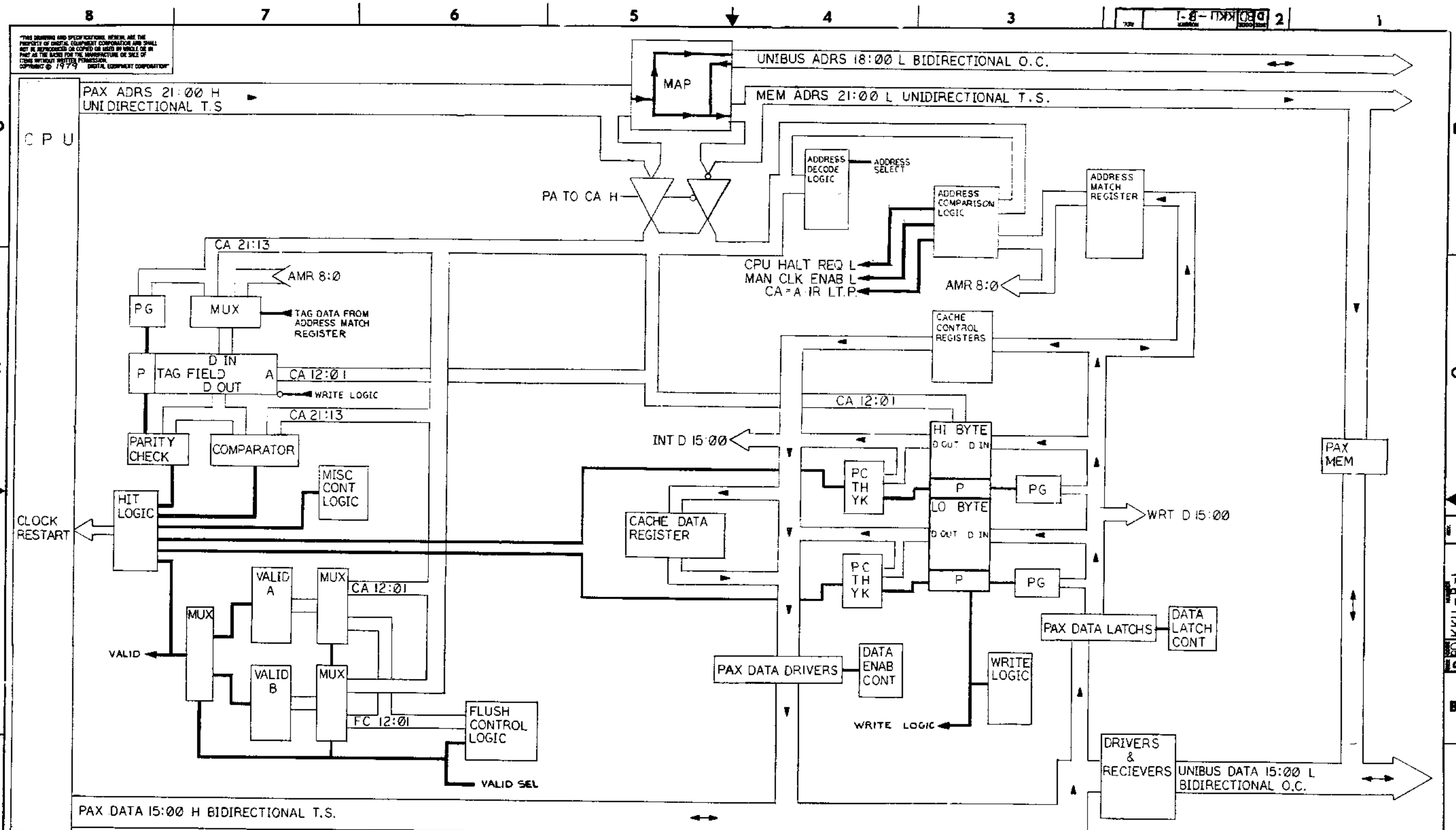
SHEET 2 OF 2

SIZE CODE
B DD

NUMBER
KK11-B-0

REV
*

TW

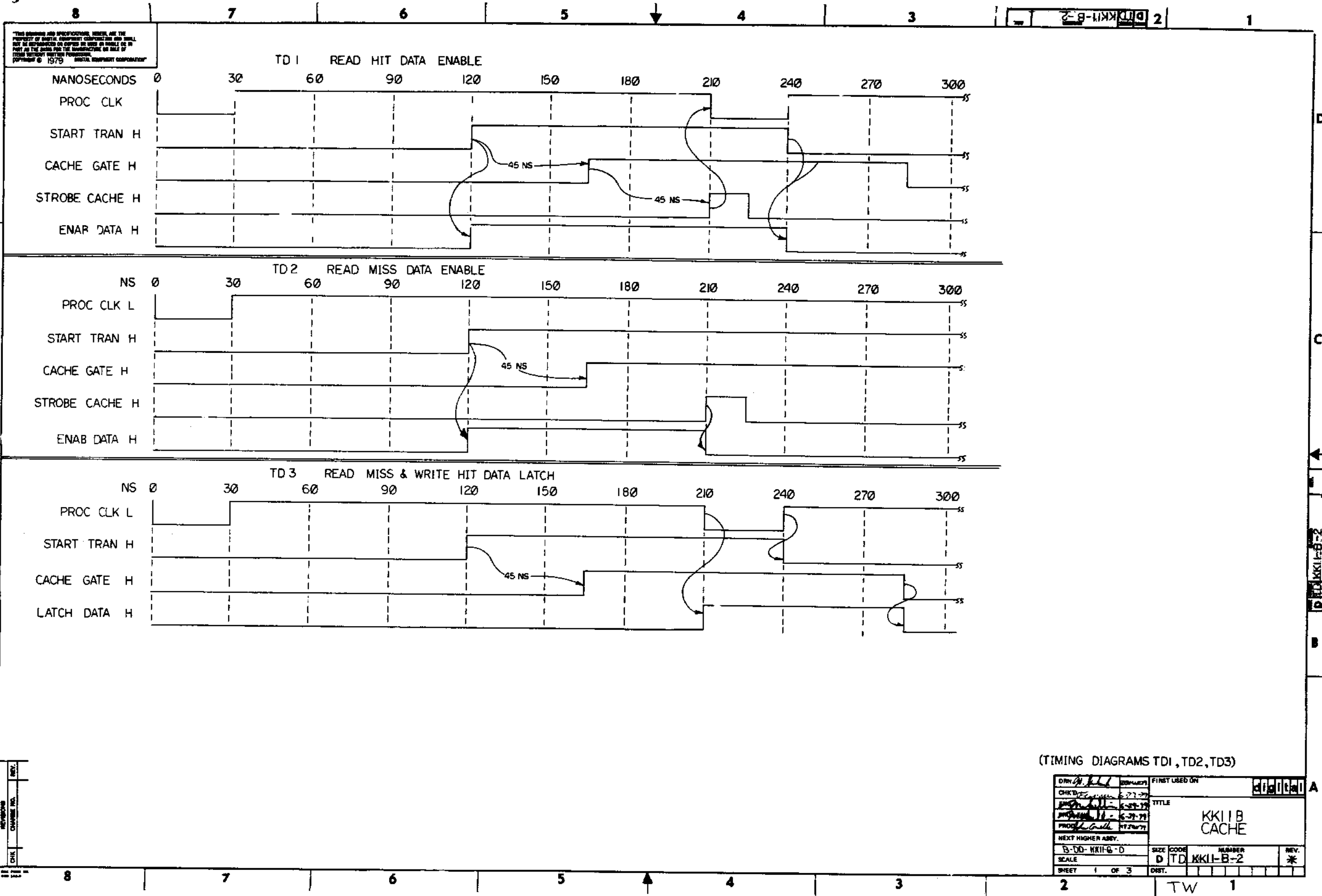


THIS DRAWING AND SPECIFICATIONS HEREIN ARE THE PROPERTY OF DIGITAL EQUIPMENT CORPORATION AND SHALL NOT BE REPRODUCED OR COPIED OR USED IN WHOLE OR IN PART AS THE BASIS FOR THE MANUFACTURE OR SALE OF ITEMS WITHOUT WRITTEN PERMISSION.
 COPYRIGHT © 1979 DIGITAL EQUIPMENT CORPORATION

(BLOCK DIAGRAM)

DRN <i>D. Howrey</i>	3-8-79	FIRST USED ON	11/44
CHK'D <i>[Signature]</i>	6-27-79	TITLE	KKIIB CACHE
ENG. <i>[Signature]</i>	6-29-79	SIZE	D
PROJ. <i>[Signature]</i>	6-29-79	CODE	BDK11-B-1
PROD. <i>[Signature]</i>	7-2-79	NUMBER	*
NEXT HIGHER ASSY.		SCALE	1/1
B-DD-KKIIB-0		SHEET	1 OF 1

REV. 1
 CHG. 1
 CHG. 2
 CHG. 3



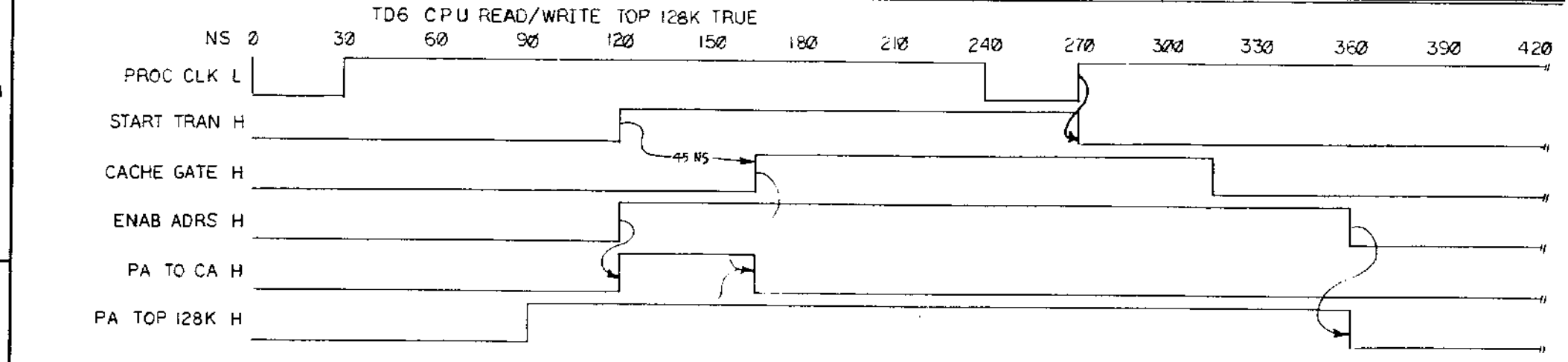
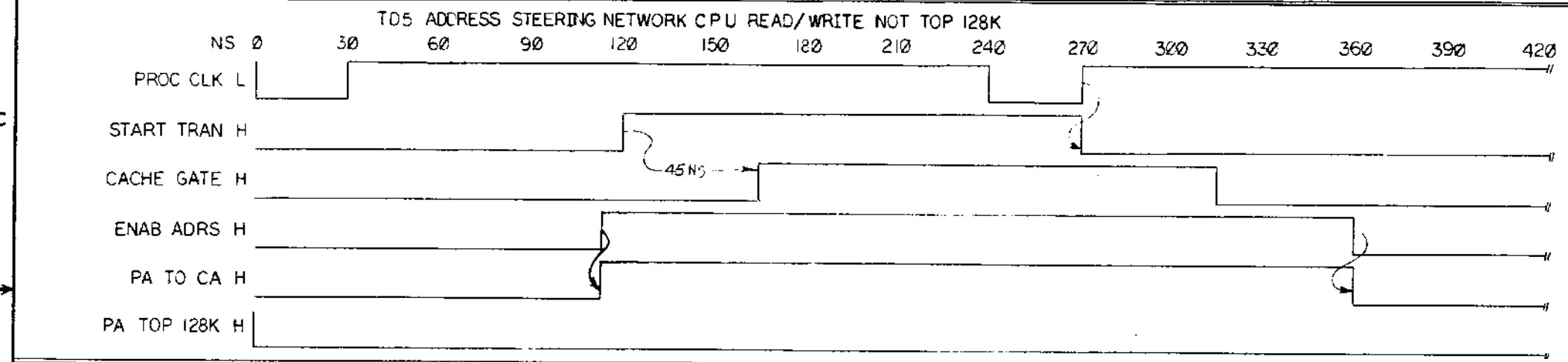
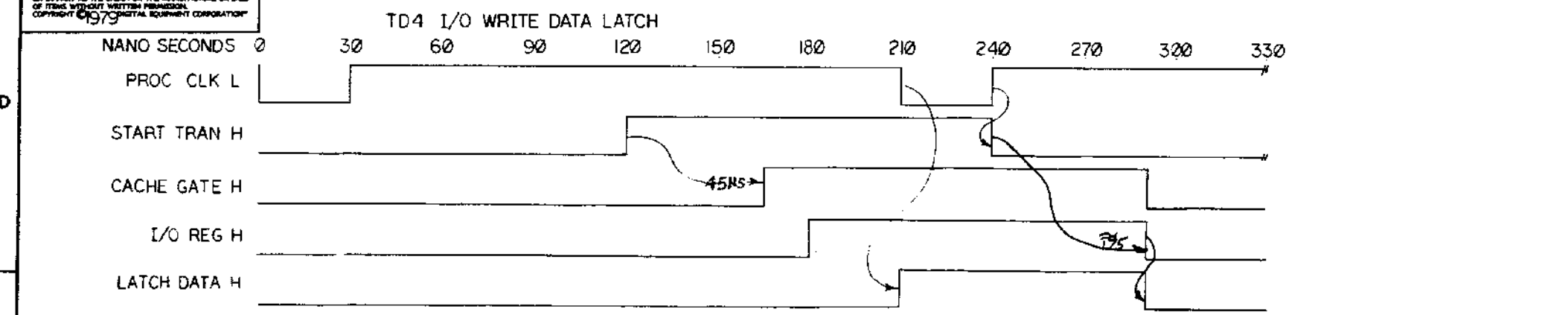
(TIMING DIAGRAMS TD1, TD2, TD3)

CHK'D	DATE	FIRST USED ON	digital
DESIGNED	DATE	TITLE	KK11B CACHE
DRAWN	DATE	SCALE	D TD KK11-B-2
PROF'D	DATE	SHEET	1 OF 3
NEXT HIGHER ASSY.		DIST.	
B-D-11-KK11-B-0		SIZE	D
		CODE	TW
		NUMBER	1
		REV.	*

THIS DRAWING AND SPECIFICATIONS HEREIN ARE THE PROPERTY OF DIGITAL EQUIPMENT CORPORATION AND SHALL NOT BE REPRODUCED OR COPIED IN WHOLE OR IN PART OR IN ANY MANNER FOR THE MANUFACTURE OR SALE OF ITEMS WITHOUT WRITTEN PERMISSION. COPYRIGHT © 1979 DIGITAL EQUIPMENT CORPORATION

REVISIONS
 DATE
 CHANGE NO.
 BY

THIS DRAWING AND SPECIFICATIONS HEREIN ARE THE PROPERTY OF DIGITAL EQUIPMENT CORPORATION AND SHALL NOT BE REPRODUCED OR COPIED OR USED IN WHOLE OR IN PART AS THE BASIS FOR THE MANUFACTURE OR SALE OF ITEMS WITHOUT WRITTEN PERMISSION. COPYRIGHT © 1979 DIGITAL EQUIPMENT CORPORATION



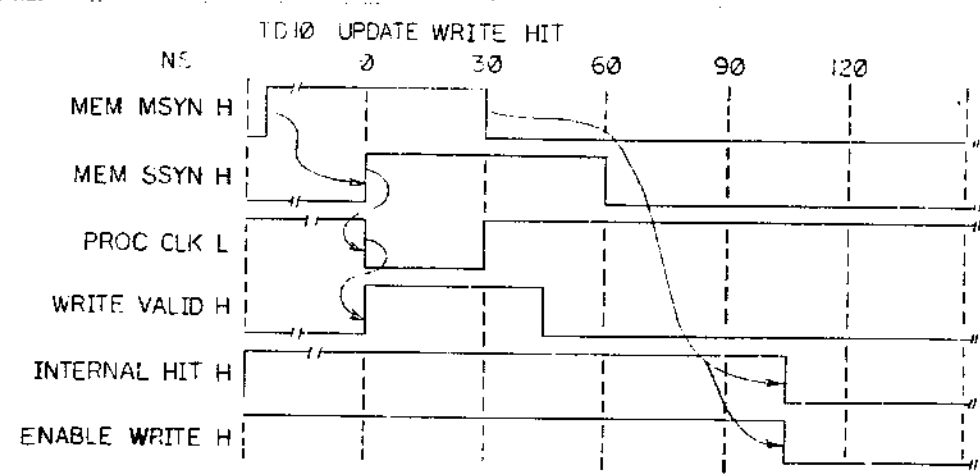
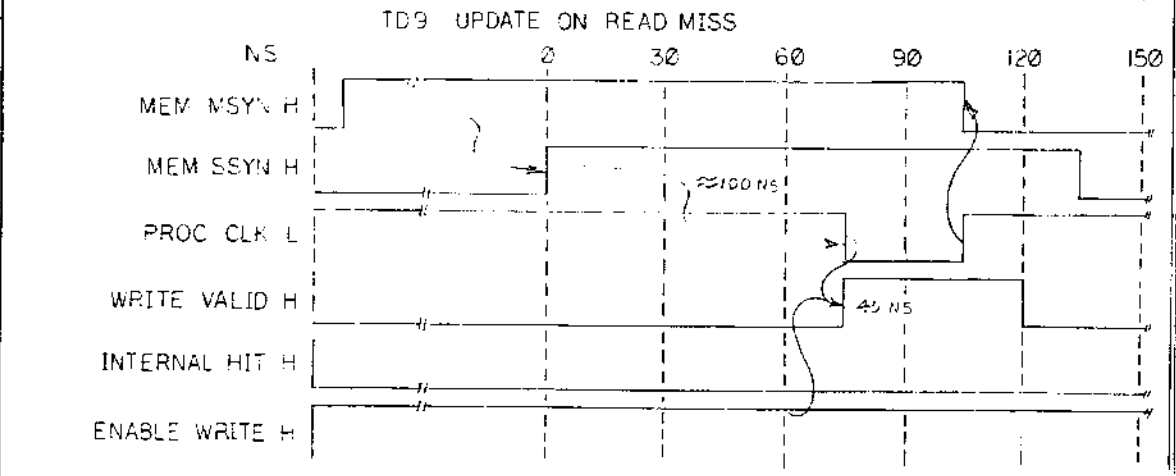
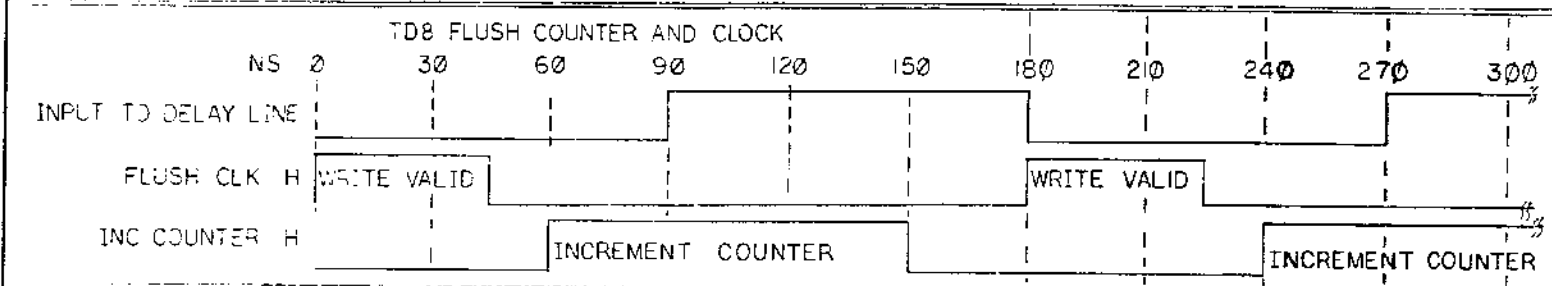
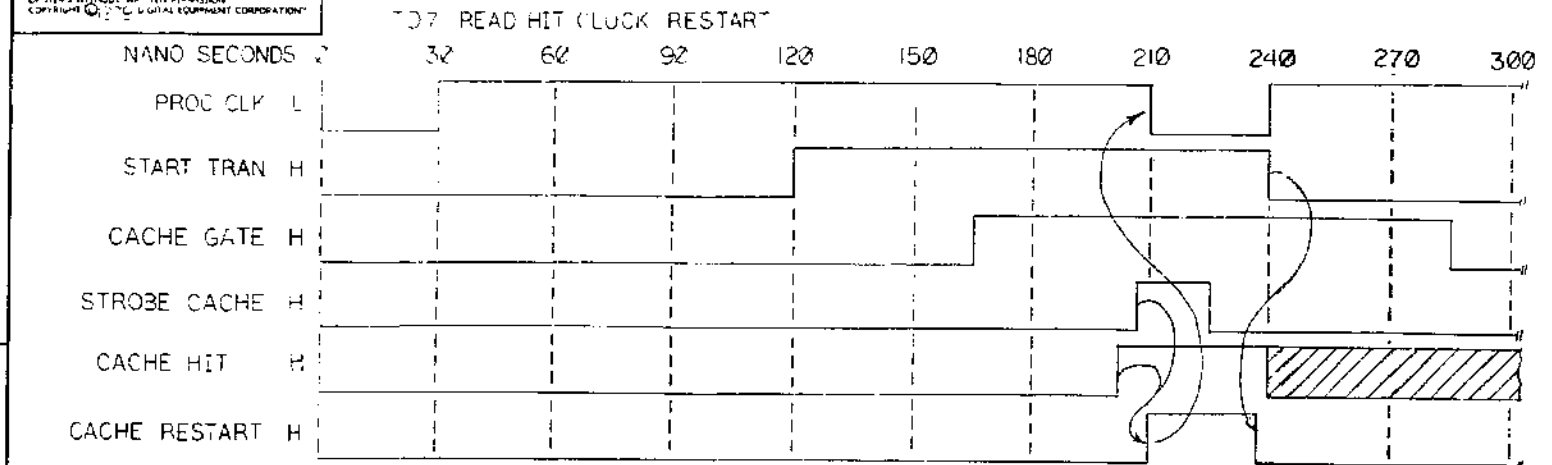
REVISIONS		
CHK	CHANGE NO.	REV.

(TIMING DIAGRAMS TD4, TD5, TD6)

TITLE	KK11B CACHE	SIZE CODE	D TD	NUMBER	KK11-B-2	REV.	*
SCALE	1/1	SHEET	2 OF 3	DIST.			

REV. NUMBER DTD KK11-B-2

THIS DRAWING AND SPECIFICATION HEREIN ARE THE PROPERTY OF DIGITAL EQUIPMENT CORPORATION AND SHALL NOT BE REPRODUCED OR COPIED OR USED IN WHOLE OR IN PART AS THE BASIS FOR THE MANUFACTURE OF SALE OF ITEMS WITHOUT THE WRITTEN PERMISSION OF DIGITAL EQUIPMENT CORPORATION.

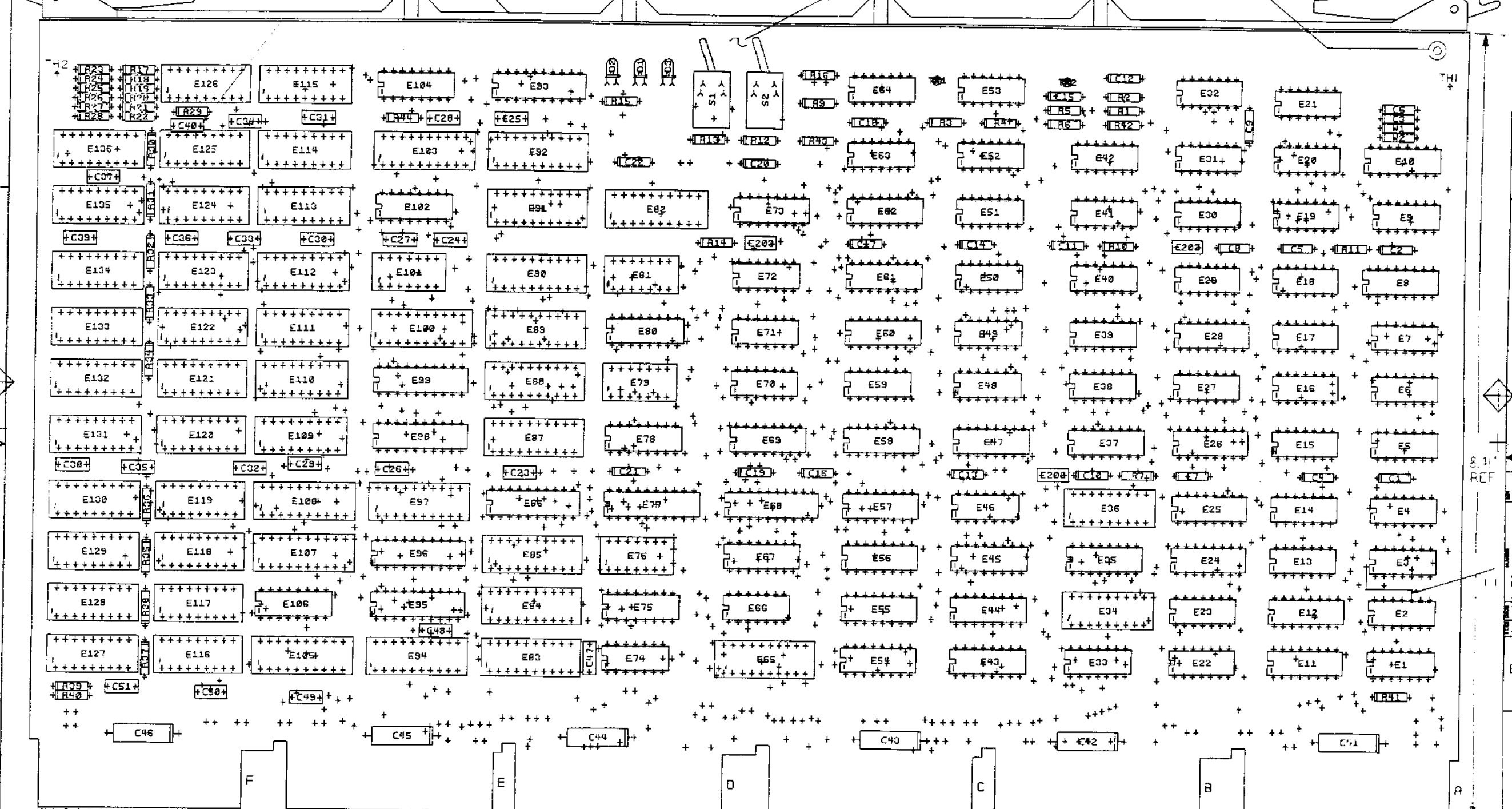


REVISIONS		
CHK	CHANGE NO	REV

(TIMING DIAGRAMS TD7, TD8, TD9 & TD10)

SEE NOTE 1

COMPONENT SIDE VIEW



VUTSRPNMLKJHFEDCBA

VUTSRPNMLKJHFEDCBA

VUTSRPNMLKJHFEDCBA

VUTSRPNMLKJHFEDCBA

VUTSRPNMLKJHFEDCBA

VUTSRPNMLKJHFEDCBA

NOTES:
1. C40 AND R2 ARE NOT INSTALLED

STEP	→ Y AXIS	STEP	→ X AXIS
REPEAT	→ X AXIS	STEP	→ Y AXIS

CHANGE NO.	REV.
DATE	BY
REVISION	DESCRIPTION

ETCH REV.	DPI
-----------	-----

SIGNATURES	DATE	digital
DRN: [Signature]	1/25/80	
CHK'D: [Signature]	1/25/80	TITLE
MECH. ENG. [Signature]	1/25/80	KK11-B CACHE
PROD. [Signature]	1/25/80	SIZE CODE
SCALE 2:1	1 OF 2	NUMBER
SHT. 1 OF 2		REV
NEXT HIGH-GR ASSY. B-CD-M7037-3		C

8.11 RCF

B

A

LINE	ITEM	DOCUMENT NUMBER	PART NUMBER	DESCRIPTION	QTY PER VARIATION	REFERENCE DESIGNATOR
1	1		5013560-00	ETCH CIRCUIT BOARD	1	
2	2		1000021-00	220.0 MMF 100V 5%200PPM DM15S	2	C200,C203
3	3		1000024-00	470.0 MMF 100V 5%200PPM DM15S	1	C202
4	4		1005306-00	6.8MFD 35V 10% S.TANT	6	C41-C46
5	5		1010274-01	.22 MFD 50V -20+80 Z5U CER	22	C23-C39,C47-C51
6	6		1012784-00	.047 MFD 50V +80-20% CER	22	C1-C22
7	7		1210209-00	SW,TOG,SPDT,.01A@6V,ON/ON,SUBMIN	2	S1,S2
8	8		1210711-02	HANDLE,MODULE,HEX	1	
9	9		1110864-00	LED 2MCD@10MA	3	D1-D3
10	10		1300202-00	47.0 .25 W 5.0 % CC	1	R7
11	11		1300229-00	100.0 .25 W 5.0 % CC	13	R14,R18,R20,R21,R23,R25,R27,R29, R31,R33,R35,R37,R39
12	12		1300250-00	150.0 .25 W 5.0 % CC	13	CONT R10,R17,R19,R22,R24,R26,R28,R30, R32,R34,R36,R38,R40
13	13		1300309-00	390.0 .25 W 5.0 % CC	4	CONT R1,R2,R5,R6
14	14		1300316-00	470.0 .25 W 5.0 % CC	3	R9,R15,R16
15	15		1300365-00	1.0 K .25 W 5.0 % CC	8	R3,R4,R12,R13,R41-R44
16	16		1612463-00	DELAY= 150NS,10TAPS	2	E32,E53
17	17		1910018-00	DEC 74193 COUNTER,SYNCHR. UP/D	3	E26,E43,E54
18	18		1910532-00	74S00 NAND GATE-QUAD 2IN	9	E9,E13,E17,E18,E27,E33,E46,E49
19	19		1910533-00	74S03 NAND GATE-QUAD 2IN,0	1	E21
20	20		1910534-00	74S04 INVERTER GATE-HEX 1I	5	E22,E23,E31,E41,E51
21	21		1910536-00	74S10 NAND GATE-TRIPLE 3IN	3	E16,E30,E52
22	22		1910537-00	74S11 AND GATE-TRIPLE 3INP	3	E4,E5,E15
23	23		1910539-00	74S20 NAND GATE-DUAL 4INPU	3	E20,E29,E50
24	24		1910544-00	74S74 FF-D DUAL,EDGE TRIGG	9	E1,E3,E6,E38,E39,E42,E63,E70,E71
25	25		1910548-00	74S157 MUX 1 OF 2 (QUAD)	10	E0,E10,E24,E25,E35,E37,E44,E45, E55,E56
26	26		1910550-00	74S174 FF-D HEX	1	CONT E73
27	27		1910957-00	74S175 FF-D QUAD COMMON CLO	3	E47,E78,E80

REVISION HISTORY		BASIC PART NO: M7097		DRN:	M.FUNARO	DATE:	16-FEB-79	DIGITAL			
ENG	ECO NUMBER	REV	SECTION A OF A	CHK'D:	E.T.GERRY	DATE:	16-FEB-79	PARTS LIST			
---	INITIAL	C	SECTION VARIATION INDEX	CHK'D:	E.T.GERRY <td>DATE:</td> <td>16-FEB-79 <td colspan="4">TITLE</td> </td>	DATE:	16-FEB-79 <td colspan="4">TITLE</td>	TITLE			
MS	TW001	C	(A) 00	DES.ENG:	M.SULLIVAN <td>DATE:</td> <td>16-FEB-79 <td colspan="4">KK11-B CACHE</td> </td>	DATE:	16-FEB-79 <td colspan="4">KK11-B CACHE</td>	KK11-B CACHE			
			(B)	RESP.ENG.:	M.SULLIVAN <td>DATE:</td> <td>27-JUN-79 <td colspan="4">DOCUMENT NUMBER</td> </td>	DATE:	27-JUN-79 <td colspan="4">DOCUMENT NUMBER</td>	DOCUMENT NUMBER			
			(C)					SIZE	CODE	NUMBER	REV
			(D)	MFG.ENG.:	J.COMELLA <td>DATE:</td> <td>27-JUN-79</td> <td>K</td> <td>PL</td> <td>M7097-0-DBP</td> <td>C</td>	DATE:	27-JUN-79	K	PL	M7097-0-DBP	C
			(E)	ASSEMBLY NUMBER:		TOP DOCUMENT NUMBER:		FILE NAME:		EDIT #	
			(F)	ID-UA-M7097-0-0				Z0620C,PLS		17	
			(G)								
			(H)								
			(I)								
			(J)								
			(K)								
			(L)								
			(M)								
			(N)								

"THIS DRAWING AND SPECIFICATIONS HEREIN, ARE THE PROPERTY OF DIGITAL EQUIPMENT CORPORATION AND SHALL NOT BE REPRODUCED OR COPIED OR USED IN WHOLE OR IN PART AS THE BASIS FOR THE MANUFACTURE OR SALE OF ITEMS WITHOUT WRITTEN PERMISSION. COPYRIGHT (C) 1980, DIGITAL EQUIPMENT CORPORATION."

TW

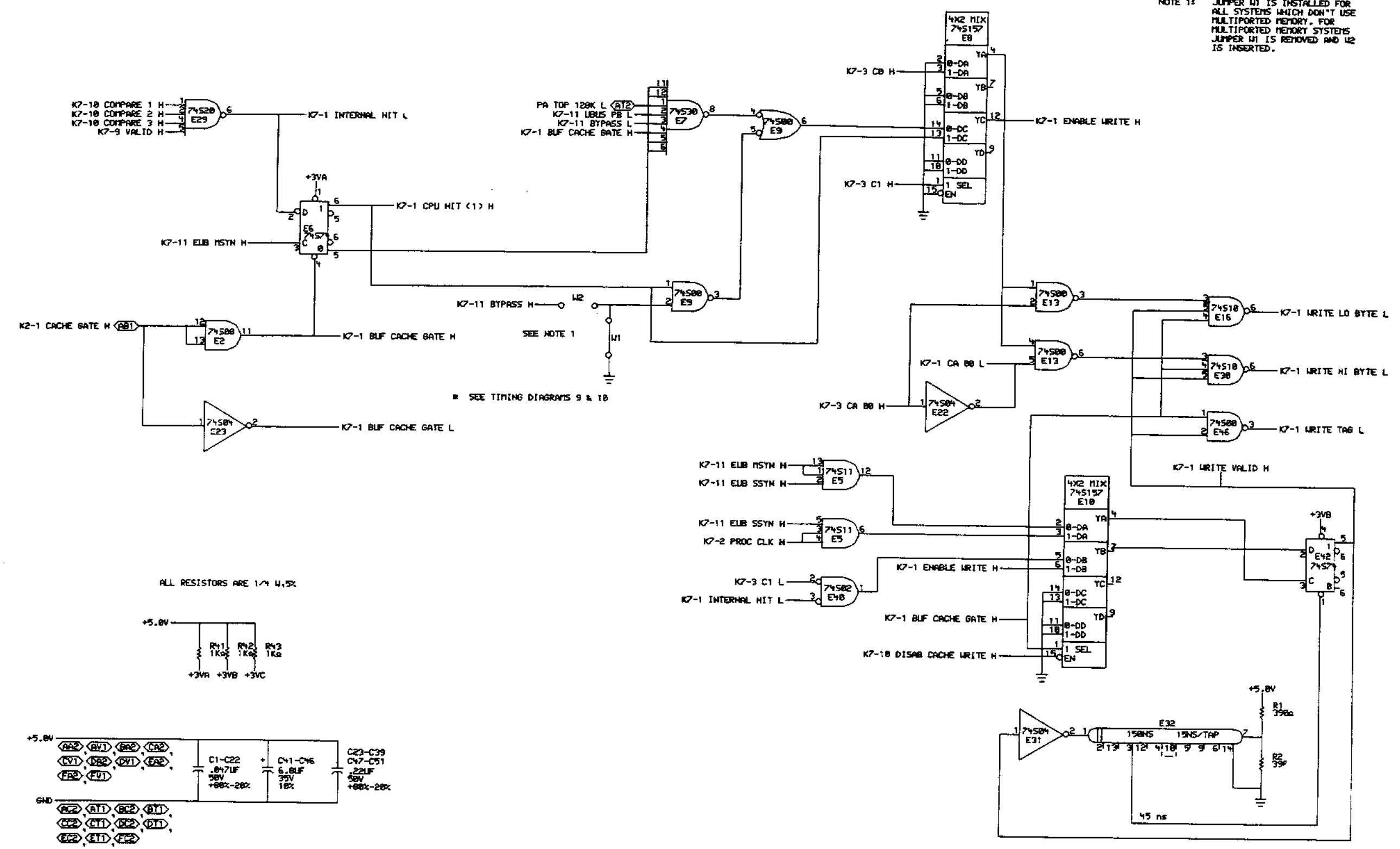
LINE	ITEM	DOCUMENT NUMBER	PART NUMBER	DESCRIPTION	QTY PER VARIATION 00	REFERENCE DESIGNATOR
28	28		1911116-00	DEC 8837 RECEIVER,BUS,HEX,UN	1	E11
29	29		1911573-00	74S280 PARITY GEN/CHKR,9BIT	4	E76,E79,E81,E101
30	30		1911579-00	8641 TRANSCEIVER,BUS,QUA	1	E12
31	31		1911675-00	74S138 DECODER/DEMUX 3-8 LIN	1	E60
32	32		1911983-00	74S133 NAND GATE-POSITIVE 1	2	E20,E62
33	33		1912089-00	74S85 CMPRTR-4BIT MAGNITUD	7	E57,E61,E67,E69,E75,E104,E106
34	34		1912096-00	DEC 74S86 XOR GATE,QUAD 2IN	1	E64
35	35		1912388-00	74S02 NOR GATE-QUAD 2IN,PO	5	E19,E40,E48,E59,E72
36	36		1912389-00	74S08 AND GATE-QUAD 2IN,PO	2	E2,E14
37	37		1913462-00	74S240 OCTAL BUFFER,INVERTI	3	E65,E84,E107
38	38		1913493-00	74S241 OCTAL BUFFER,TRI-STA	8	E83,E85,E87,E94,E97,E100,E103, E105
39	39		1913670-00	74S373 LATCH 8BIT TRASP TR	2	E68,E95
40	40		1913671-00	74S374 FF-D OCTAL TRISTATE	7	E77,E86,E89,E93,E96,E98,E99
41	41		1914086-00	74S30 NAND GATE-POS 8IN	3	E7,E66,E74
42	42		1914866-00	AM 93S48PCGEN/CHECK PARITY, 4B	2	E58,E102
43	43		1915193-00	LS244 DRIVER,LINE,OCTAL,T	6	E82,E88,E90-E92,E108
44	44		2114523-00	4K MOS RAM 55NS 18PIN	30	E34,E36,E109-E136
45	45		9000024-01	EYFLET, ROLLED FLANGE, .121 OD X	12	
46	46		9008085-00	TERM PCB 1POS SOLDER TURRET	2	TP1,TP2
47	47		9009185-00	JUMPER, WIRE, INSUIATED, BLACK B	1	W1
48	48		9105740-55	WIRE(WRAP)30AWG UL1423	1	
49	49		1300295-00	330.0 .25 W 5.0 % CC	1	R11

CONT

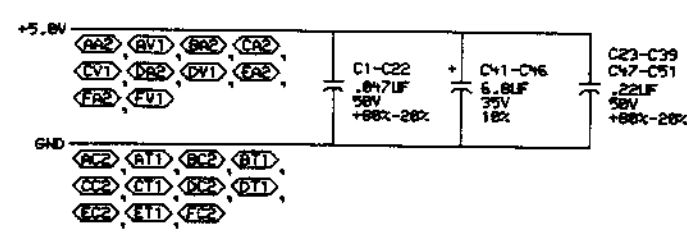
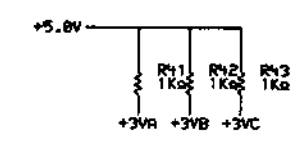
D	I	G	I	T	A	L	TITLE	SECTION A OF A	SIZE	CODE	DOCUMENT NUMBER	REV
							KR11-B CACHE		K	PL	M7097-0-08P	C

TW

NOTE 1: JUMPER W1 IS INSTALLED FOR ALL SYSTEMS WHICH DON'T USE MULTIPORTED MEMORY. FOR MULTIPORTED MEMORY SYSTEMS JUMPER W1 IS REMOVED AND W2 IS INSERTED.

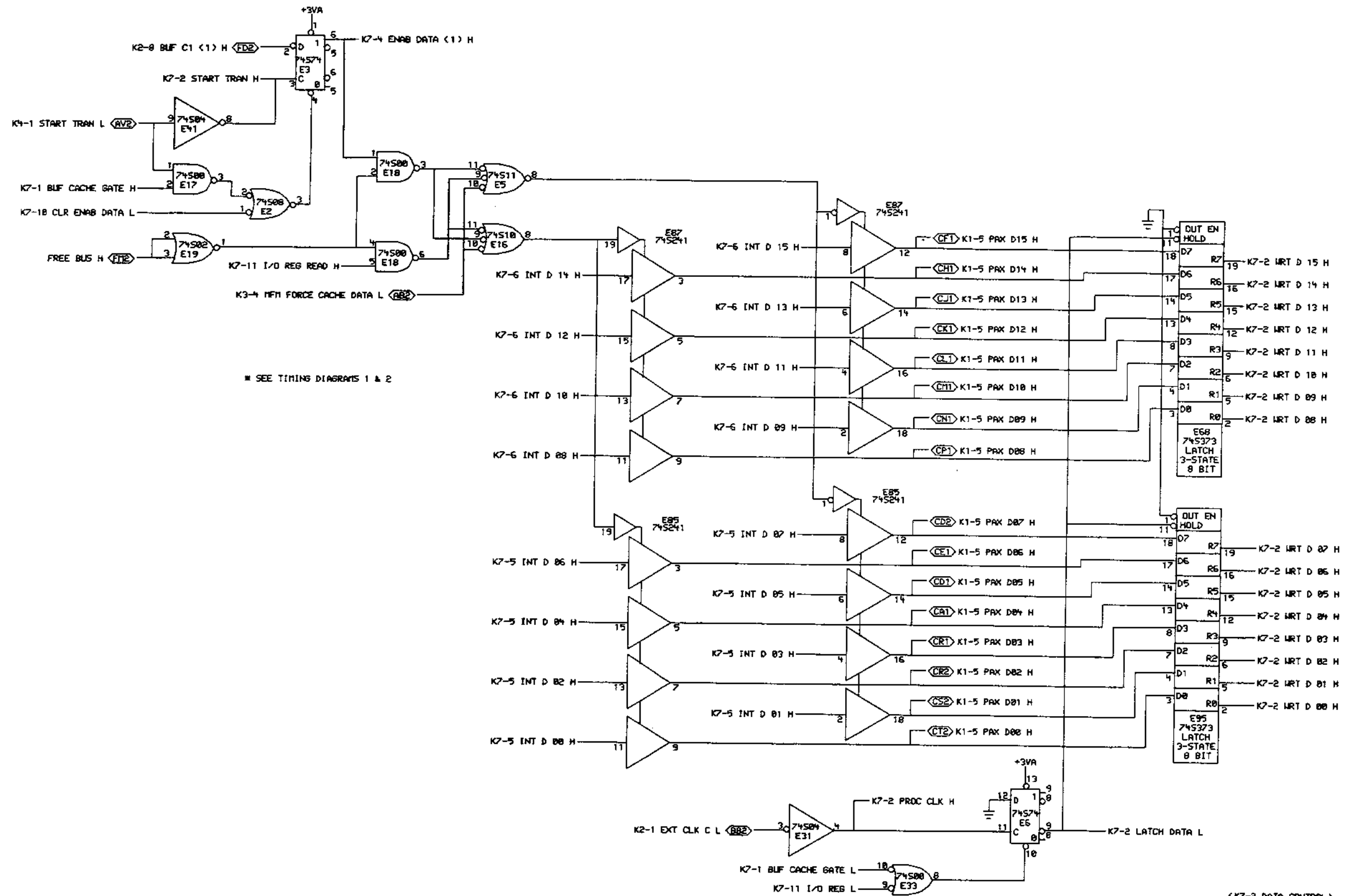


ALL RESISTORS ARE 1/4 W, 5%



(K7-1 WRITE CONTROL LOGIC)

<p>THIS DRAWING AND SPECIFICATIONS ARE THE PROPERTY OF DIGITAL EQUIPMENT CORPORATION AND SHALL NOT BE REPRODUCED OR COPIED FOR USE IN WHOLE OR IN PART IN THE ABSENCE OF THE WRITTEN PERMISSION OF THE MANUFACTURER.</p>		<p>REVISIONS</p> <p>CHK CHANGE NO. REV. DATE</p> <p>AC M7097-TWOOL C</p> <p>M/SULLIVAN 2-6-80</p>	<p>DATE ENG. 11-80</p> <p>DATE 11-80</p> <p>DATE 11-80</p> <p>DATE 11-80</p>	<p>TITLE: KK11B CACHE</p>
<p>1158, 5500 17097B1.DWG</p> <p>FIRST USED ON OPTION MODEL: 11/44</p>	<p>DATE 126-JUN-79 13:06</p> <p>NEXT HIGHER ASSEMBLY: B-DD-M7097-0</p>	<p>SIZE CODE D CS</p> <p>NUMBER M7097-0-1</p> <p>REV. C</p>	<p>DATE 11-80</p> <p>DATE 11-80</p> <p>DATE 11-80</p> <p>DATE 11-80</p>	<p>DATE 11-80</p> <p>DATE 11-80</p> <p>DATE 11-80</p> <p>DATE 11-80</p>

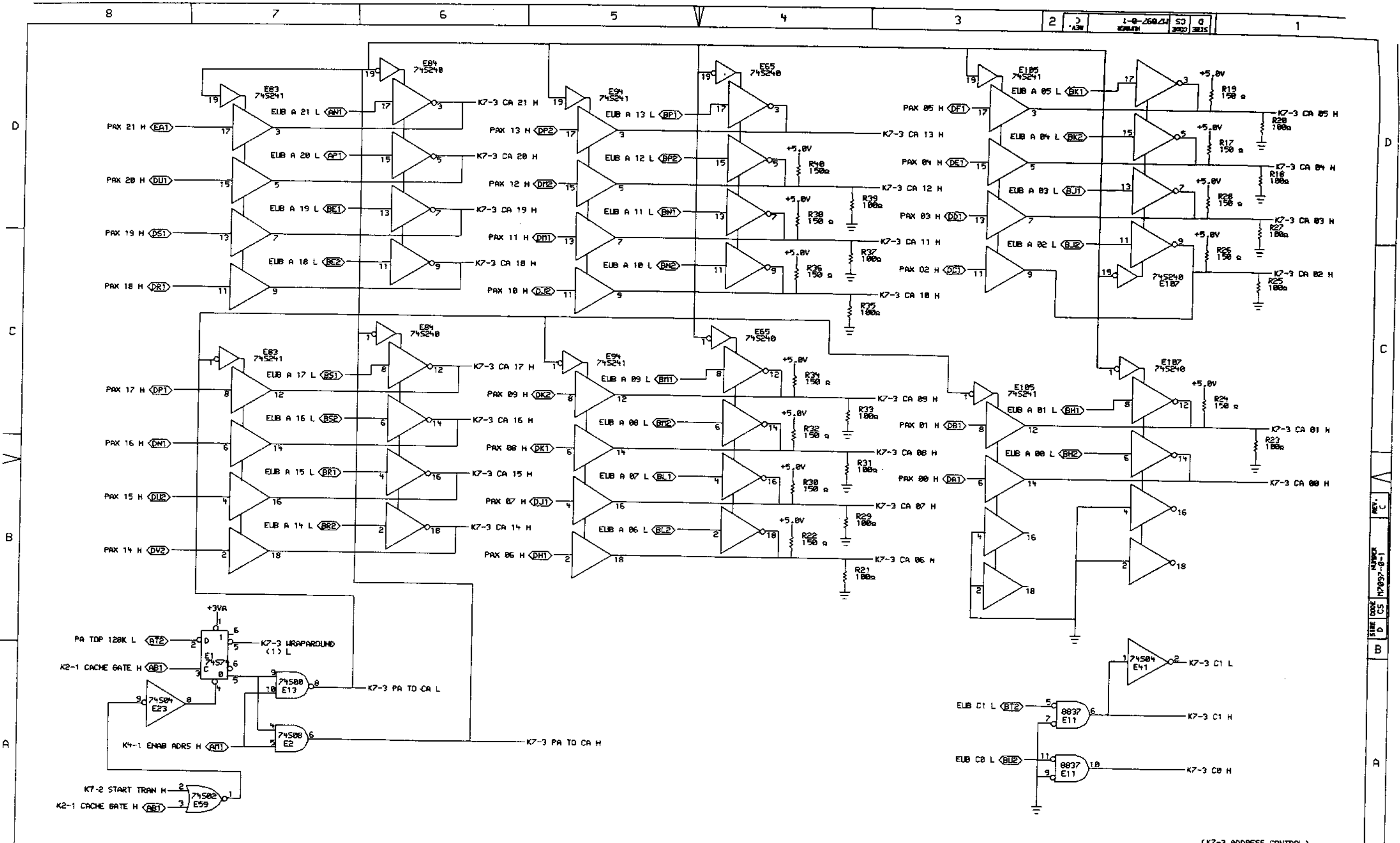


* SEE TIMING DIAGRAMS 1 & 2

(K7-2 DATA CONTROL)

REVISIONS	
CHK	CHANGE NO. REV

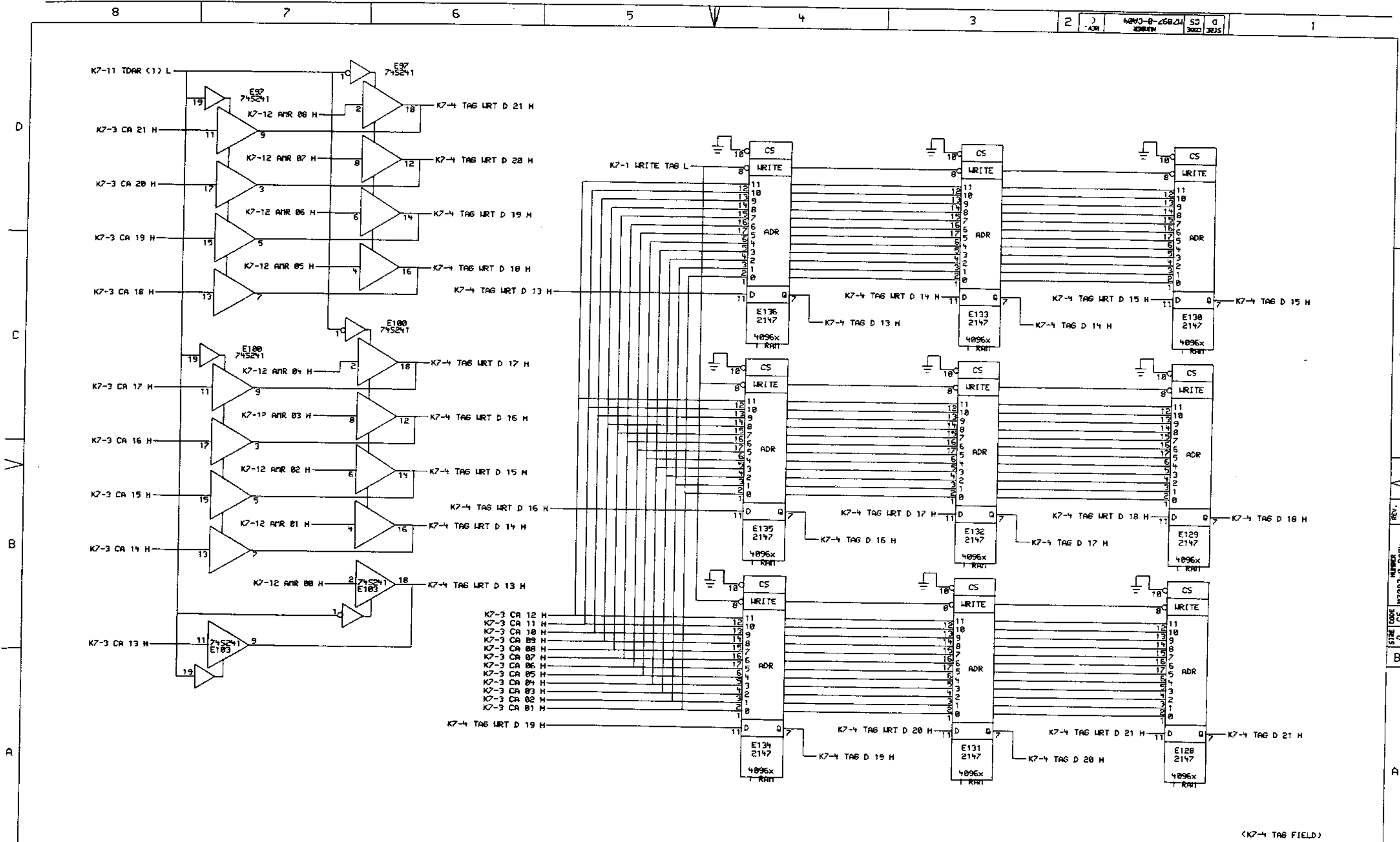
	DATE: 25-JUN-79 DATE: 23-JUN-79 DATE: 23-JUN-79	DATE: 25-JUN-79 DATE: 23-JUN-79 DATE: 23-JUN-79	TITLE: KK11B CACHE
C150 5500 1709702.DRI FIRST USED ON OPTION/MODEL: 11/44	25-JUN-79 19:07 NEXT HIGHER ASSEMBLY: B-DD-M7097-0	SIZE: D CODE: CS	NUMBER: M7097-0-1 REV.: C



THIS DRAWING AND SPECIFICATIONS HEREIN ARE THE PROPERTY OF DIGITAL EQUIPMENT CORPORATION AND SHALL NOT BE REPRODUCED OR COPIED IN WHOLE OR IN PART OR USED IN THE MANUFACTURE OR SALE OF ITEMS WITHOUT WRITTEN PERMISSION. COPYRIGHT © 1974, DIGITAL EQUIPMENT CORPORATION.

REVISIONS	
CHK	CHANGE NO. REV

	DATE: 25-JUN-79	DATE: 27-JUN-79	TITLE: KK11B CACHE
	DATE: 11-44	DATE: B-DD-M7097-0	DATE: 3 OF 13
FIRST USED ON OPTION/MODEL: 11/44		NEXT HIGHER ASSEMBLY: B-DD-M7097-0	SIZE CODE: D CS
		NUMBER: M7097-0-1	REV: C



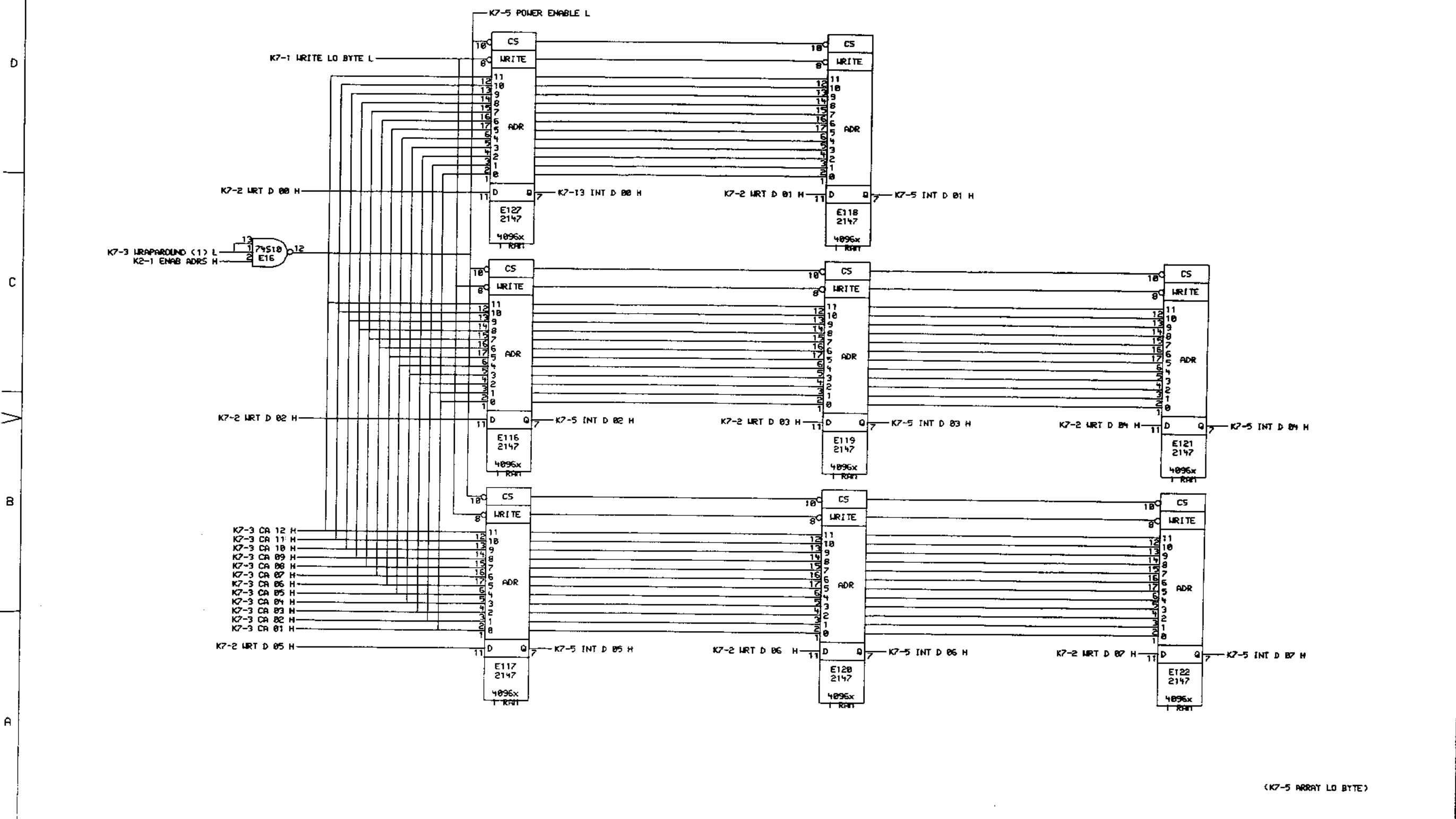
(K7-4 TAG FIELD)

THIS DRAWING AND SPECIFICATIONS ARE THE PROPERTY OF DIGITAL EQUIPMENT CORPORATION AND SHALL NOT BE REPRODUCED OR COPIED OR USED IN WHOLE OR IN PART AS THE BASIS FOR THE MANUFACTURE OR SALE OF ITEMS WITHOUT WRITTEN PERMISSION. COPYRIGHT © 1974, DIGITAL EQUIPMENT CORPORATION.

REVISIONS	
CHK	CHANGE NO. REV

	DATE ENG: 25-JUN-79	DATE: 21-DEC-79	TITLE: KK11B CACHE
	DATE BOARD LOCATION: 27-JUN-79	SHEET: 4 OF 13	
FIRST USED ON OPTION/MODEL: 11/44		B-DD-M7097-0	SIZE CODE NUMBER REV. D CS M7097-0-1 C

REV. NUMBER 17097-0-CASH
 SIZE CODE CS
 CD

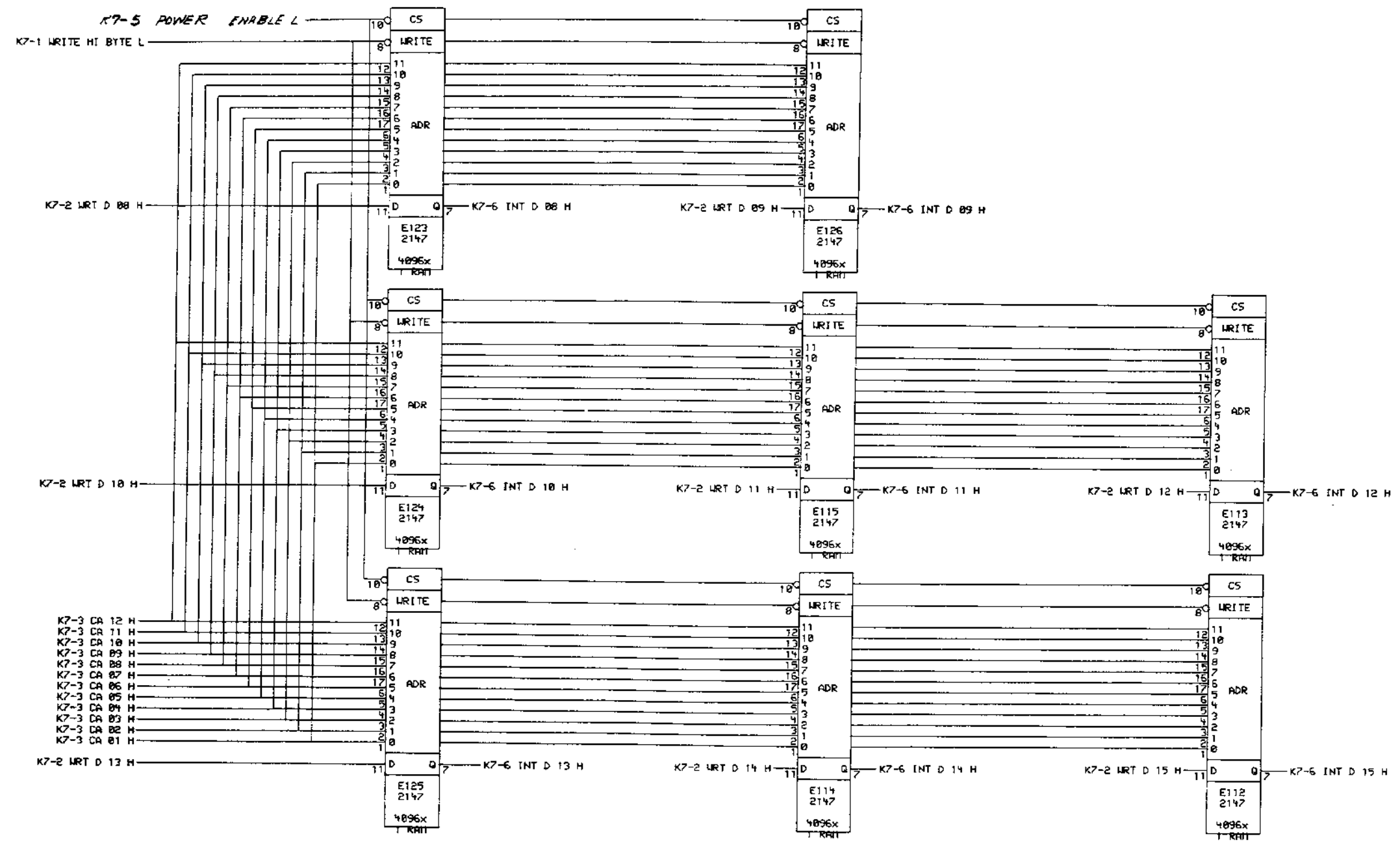


(K7-5 ARRAY LO BYTE)

THIS DRAWING AND SPECIFICATIONS ARE THE PROPERTY OF DIGITAL EQUIPMENT CORPORATION AND SHALL NOT BE REPRODUCED OR COPIED OR USED IN WHOLE OR IN PART AS THE BASIS FOR THE MANUFACTURE OR SALE OF ITEMS WITHOUT WRITTEN PERMISSION. COPYRIGHT © 1979, DIGITAL EQUIPMENT CORPORATION.

REVISIONS	CHK	CHANGE NO.	REV

	DATE	25-JUN-79	DATE	23-JUN-79	TITLE:	KK11B CACHE			
	DESIGNED BY	W. J. ...	DATE	23-JUN-79	BOARD LOCATION				
[160,5500] 1709705.DRW	26-JUN-79 19:08	NEXT HIGHER ASSEMBLY:	18-DD-M7097-0	SIZE CODE	D CS	NUMBER	M7097-0-1	REV.	C
FIRST USED ON OPTION MODEL:	11/44	18-DD-M7097-0	TW	1	8	7	6	5	4

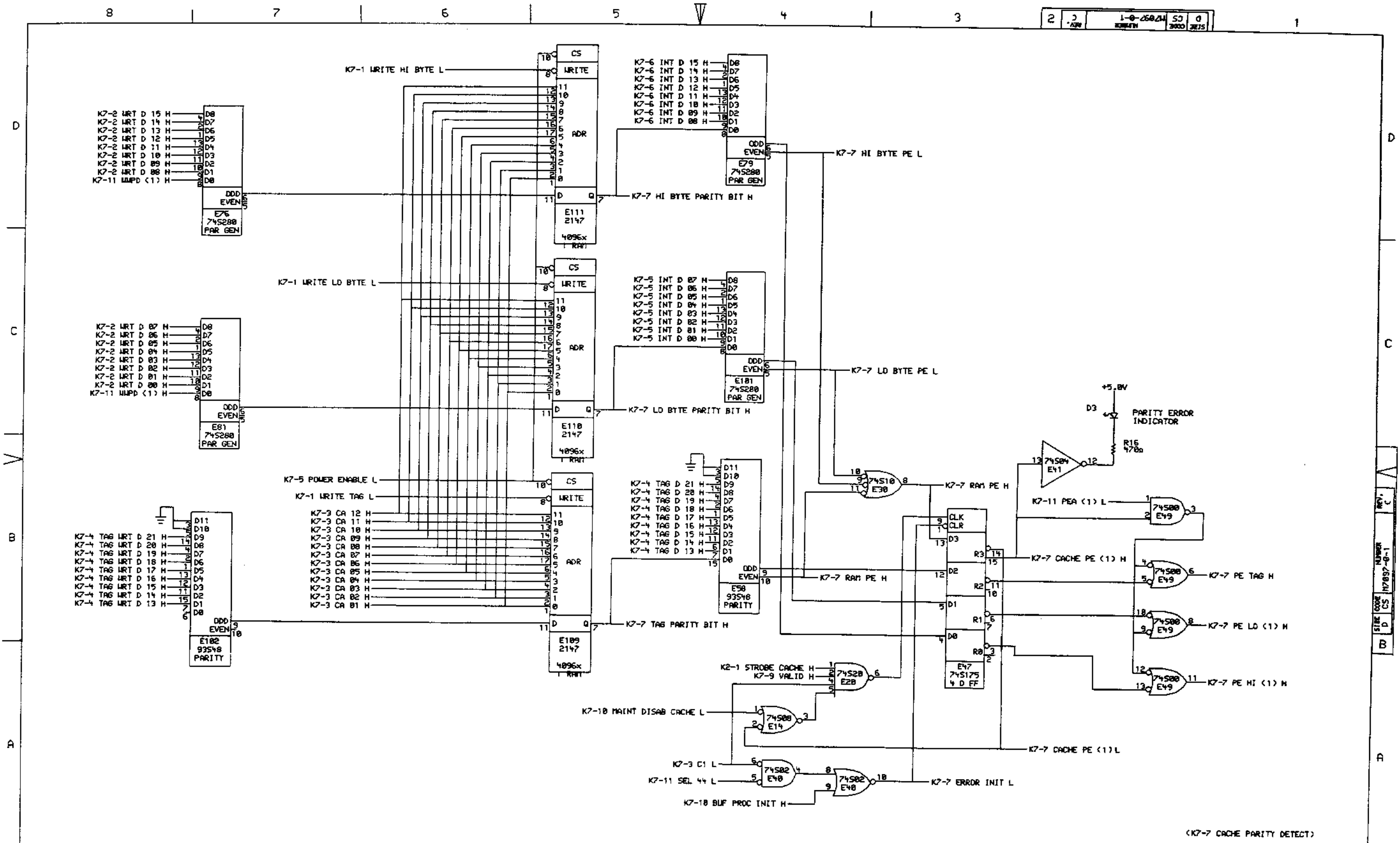


<K7-6 ARRAY HI BYTE>

THIS DRAWING AND SPECIFICATIONS ARE THE PROPERTY OF DIGITAL EQUIPMENT CORPORATION AND SHALL NOT BE REPRODUCED OR COPIED FOR USE IN WHOLE OR IN PART AS THE BASIS FOR THE MANUFACTURE OR SALE OF ITEMS WITHOUT WRITTEN PERMISSION. COPYRIGHT © 1974, DIGITAL EQUIPMENT CORPORATION

REVISIONS	
CHK	CHANGE NO. REV

digital	DATE	26-JUN-79	DATE	27-JUN-79	TITLE:	KK11B CACHE
	CHK'D	M. Allen	DATE	27-JUN-79	BOARD LOCATION:	
FIRST USED ON OPTION/MODEL:		11/44	NEXT HIGHER ASSEMBLY:		B-DD-M7097-0	
SIZE CODE	D CS	NUMBER	M7097-0-1	REV.	C	



(K7-7 CACHE PARITY DETECT)

THIS DRAWING AND SPECIFICATIONS ARE THE PROPERTY OF DIGITAL EQUIPMENT CORPORATION AND SHALL NOT BE REPRODUCED OR COPIED OR USED IN WHOLE OR IN PART AS THE BASIS FOR THE MANUFACTURE OR SALE OF ITEMS WITHOUT WRITTEN PERMISSION. COPYRIGHT © 1979, DIGITAL EQUIPMENT CORPORATION.

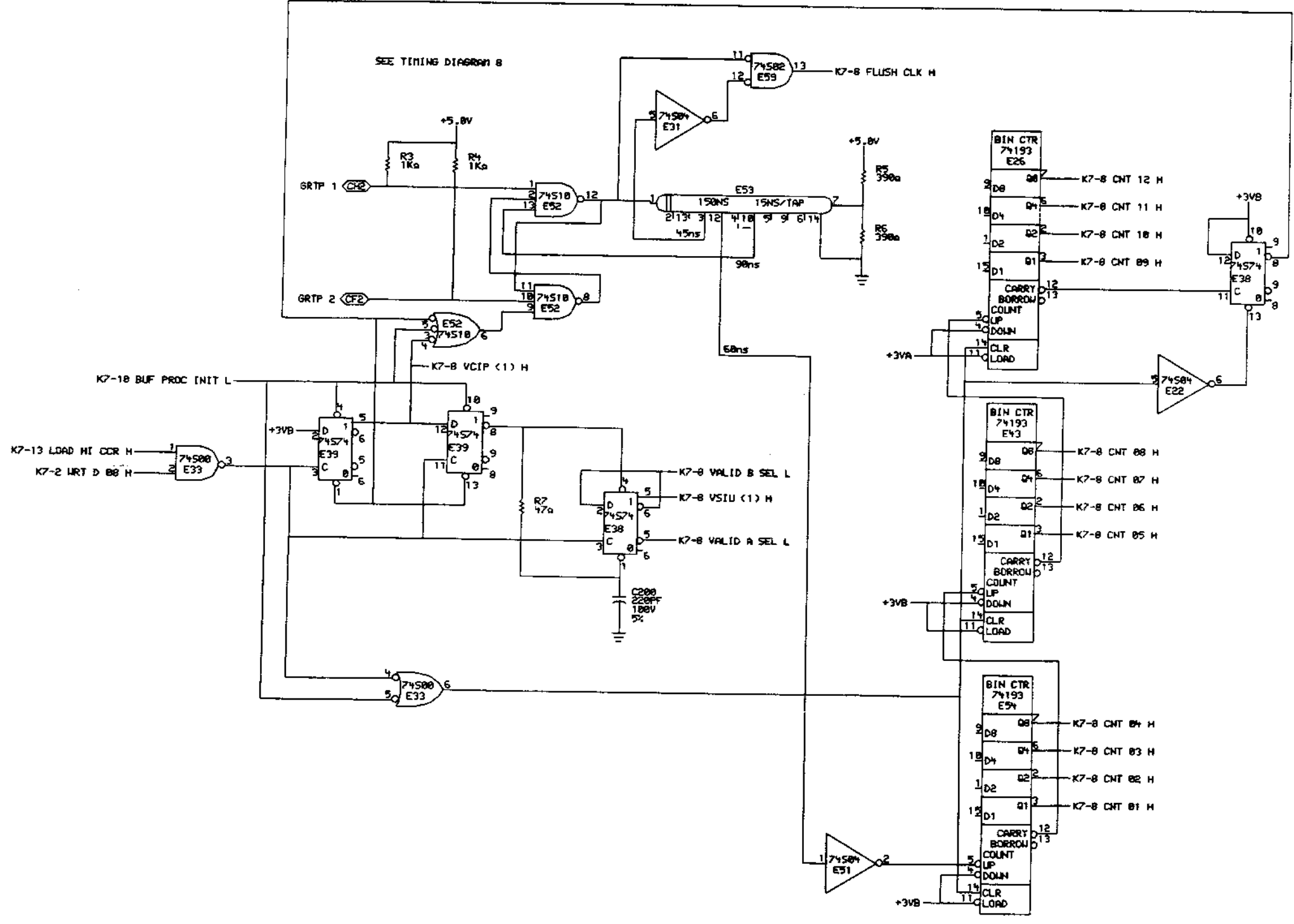
REV. NO.	CHANGE NO.	REV.

	DATE ENG: 25-APR-79	DATE DES: 11-25-79	TITLE: KK11B CACHE
	DATE R002 LOCATIONS: 27-APR-79	DATE R002 LOCATIONS: 27-APR-79	DATE R002 LOCATIONS: 27-APR-79
C 150, 5500 2/09/82 DBL	25-JUN-79 19:05	NEXT HIGHER ASSEMBLY: B-DD-M7097-0	SIZE CODE: D CS
FIRST USED ON OPTION/MODEL: 11/44			NUMBER: M7097-0-1
			REV. C

REV. C
NUMBER M7097-0-1
SIZE CODE D CS

TW

EACH FLUSH CYCLE TAKES ABOUT 800 MICRO SECONDS

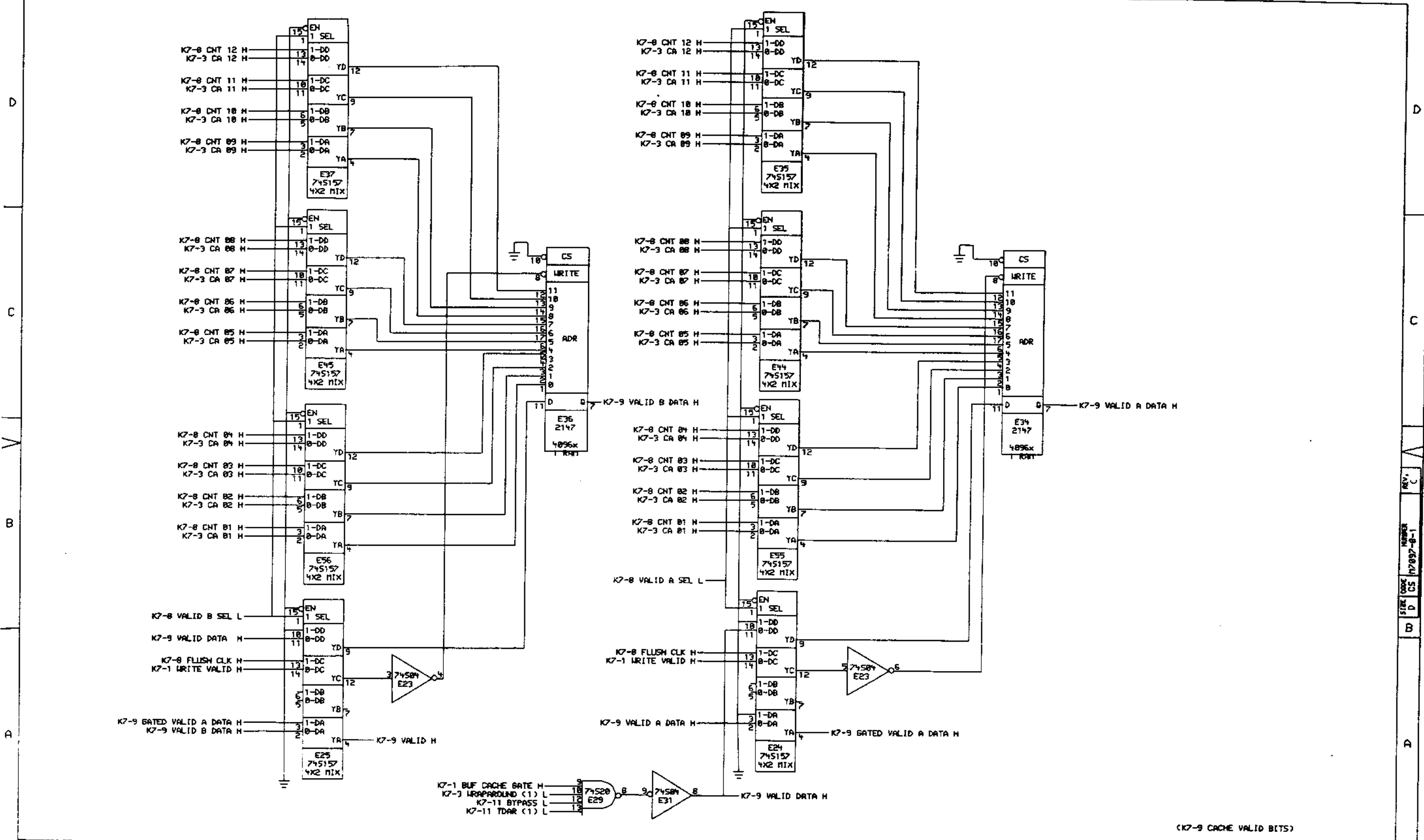


(K7-8 FLUSH CONTROL)

THIS DRAWING AND SPECIFICATIONS ARE THE PROPERTY OF DIGITAL EQUIPMENT CORPORATION AND SHALL NOT BE REPRODUCED OR COPIED IN ANY MANNER OR USED IN WHOLE OR IN PART AS THE BASIS FOR THE MANUFACTURE OF ANY EQUIPMENT WITHOUT WRITTEN PERMISSION. COPYRIGHT © 1979, DIGITAL EQUIPMENT CORPORATION.

REVISIONS	
CHK	CHANGE NO. REV

digital	DATE	ENG.	DATE	TITLE
	168,5588 1709708.DRW	W. Fisher	29-Jan-79	KK11B CACHE
FIRST USED ON OPTION MODEL: 11/44		NEXT HIGHER ASSEMBLY: B-DD-17097-0		SIZE CODE
				NUMBER
				REV.
				C

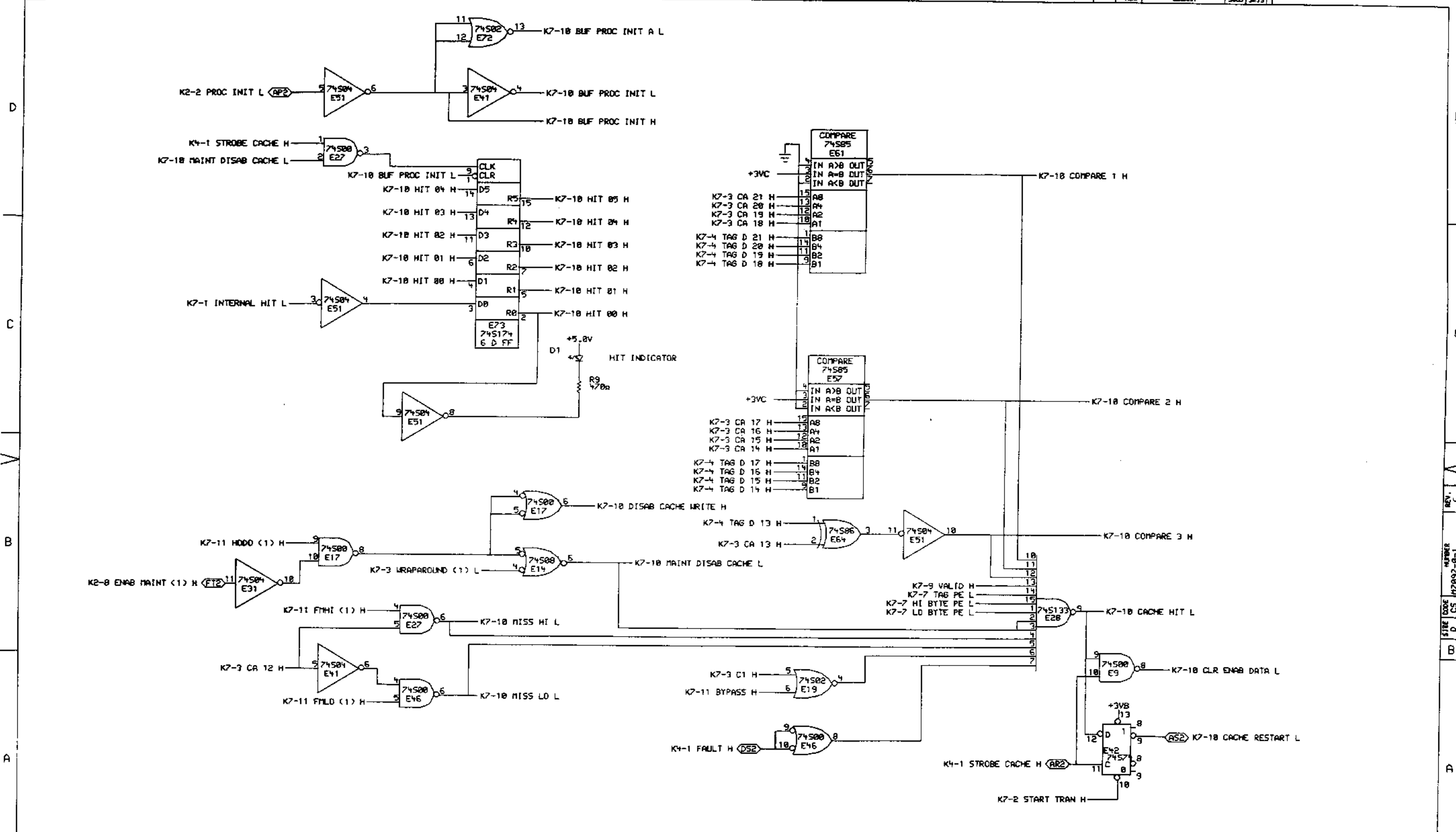


(K7-9 CACHE VALID BITS)

THIS DRAWING AND SPECIFICATIONS ARE THE PROPERTY OF DIGITAL EQUIPMENT CORPORATION AND SHALL NOT BE REPRODUCED OR COPIED OR USED IN WHOLE OR IN PART AS THE BASIS FOR THE MANUFACTURE OR SALE OF ITEMS WITHOUT WRITTEN PERMISSION. COPYRIGHT © 1979, DIGITAL EQUIPMENT CORPORATION.

REVISIONS	CHK	CHANGE NO.	REV

digital (168, 2588) 7/85/89.DWG 125 JUN 79 19718 (NEXT HIGHER ASSEMBLY) FIRST USED IN OPTION MODEL: 11/44	DATE: 08-18-79 DATE: 24-24-79	DATE: 08-18-79 DATE: 24-24-79	TITLE: KK11B CACHE
	SIZE: D CODE: CS	NUMBER: M7097-0-1	REV.: C

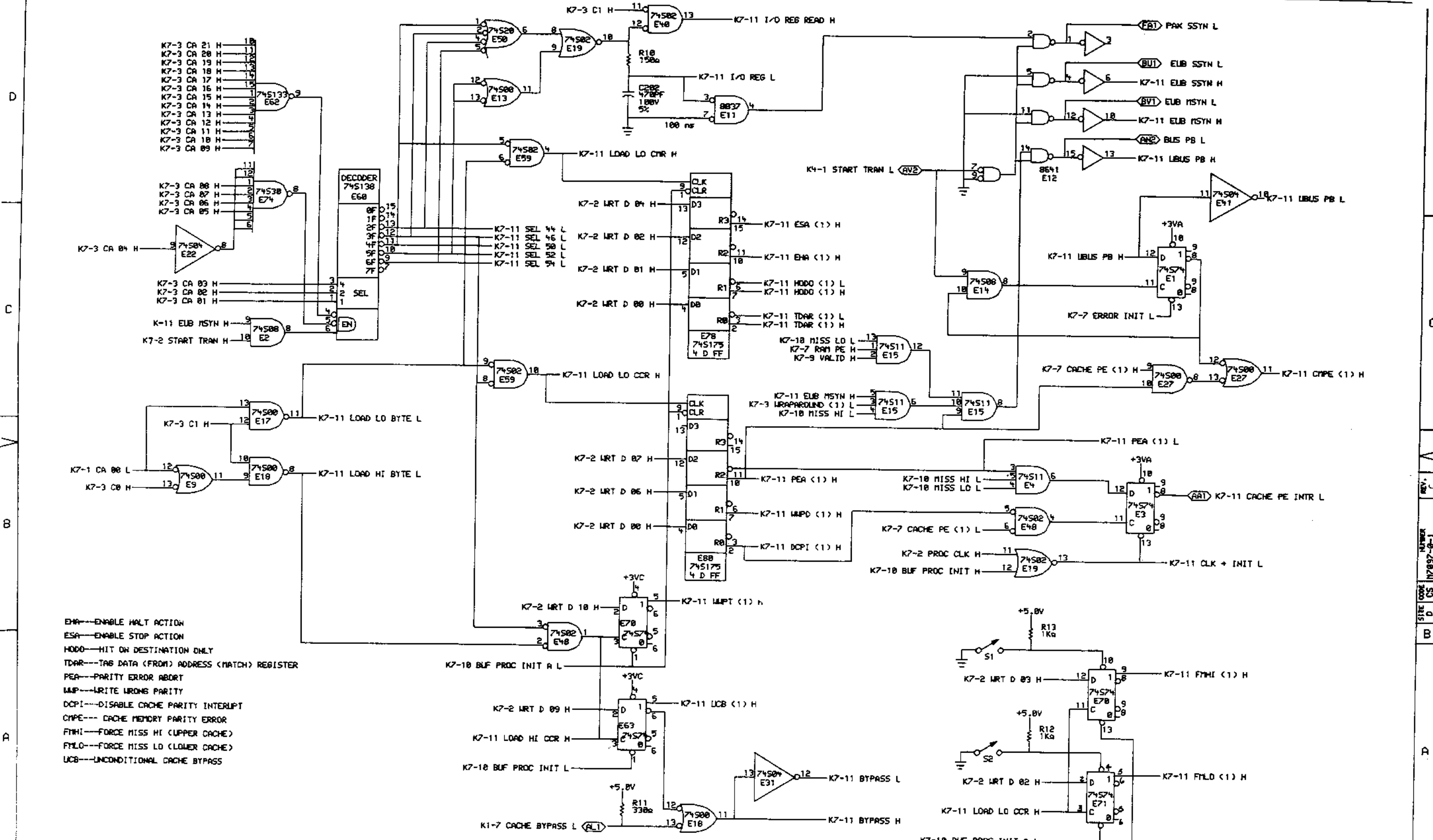


WSEE TIMING DIAGRAM 7

<K7-18 HIT DETECT>

<small>THIS DRAWING AND SPECIFICATIONS ARE THE PROPERTY OF DIGITAL EQUIPMENT CORPORATION AND SHALL NOT BE REPRODUCED OR COPIED IN WHOLE OR IN PART OR THE BASIS FOR THE MANUFACTURE OF ANY DEVICE WITHOUT THE WRITTEN PERMISSION OF DIGITAL EQUIPMENT CORPORATION.</small>	REVISIONS CHK CHANGE NO. REV		DATE ENG. 11-74 DATE BOARD LOCATION: 10 OF 13 DATE 19-74	TITLE: KK11B CACHE			
	FIRST USED ON OPTION MODEL: 11/44				SIZE CODE: D, CS		
8	7	6	5	4	3	2	1

REV. C
 NUMBER 17097-0-1
 CODE D, CS
 B
 A



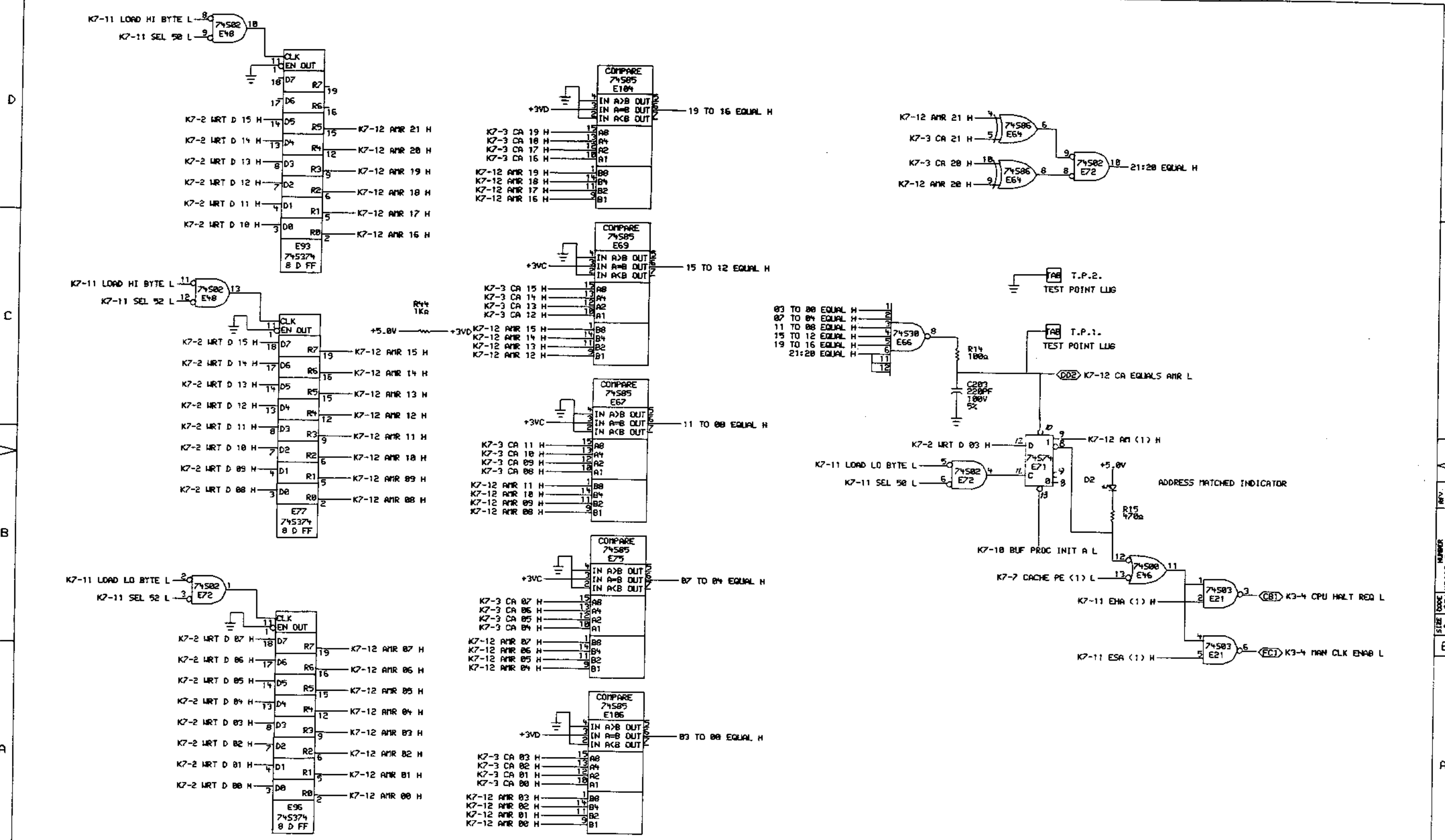
ENA---ENABLE HALT ACTION
 ESA---ENABLE STOP ACTION
 HODO---HIT ON DESTINATION ONLY
 TDAR---TAG DATA (FROM) ADDRESS (MATCH) REGISTER
 PEA---PARITY ERROR ABORT
 WAP---WRITE ERRORS PARITY
 DCPI---DISABLE CACHE PARITY INTERRUPT
 CMPE--- CACHE MEMORY PARITY ERROR
 FMHI---FORCE MISS HI (UPPER CACHE)
 FMLO---FORCE MISS LO (LOWER CACHE)
 LCB---UNCONDITIONAL CACHE BYPASS

REV. NO.	CHANGE NO.	REV.

THIS DRAWING AND SPECIFICATIONS
 HEREIN, ARE THE PROPERTY OF
 DIGITAL EQUIPMENT CORPORATION AND
 SHALL NOT BE REPRODUCED OR COPIED
 OR USED IN WHOLE OR IN PART AS
 THE BASIS FOR THE MANUFACTURE OF
 ANY ITEM WITHOUT WRITTEN
 PERMISSION. COPYRIGHT © 1974,
 DIGITAL EQUIPMENT CORPORATION

digital *W. Fisher* DATE: 25-JUN-79 ENG: M. J. L. DATE: 21-JUN-79
 BOARD LOCATION: 11 DE 13 TITLE: KK11B CACHE
 FIRST USED ON OPTION/MODEL: 11/44 NEXT HIGHER ASSEMBLY: B-DD-M7897-0
 SIZE CODE NUMBER REV. D CS M7897-0-1 TW C

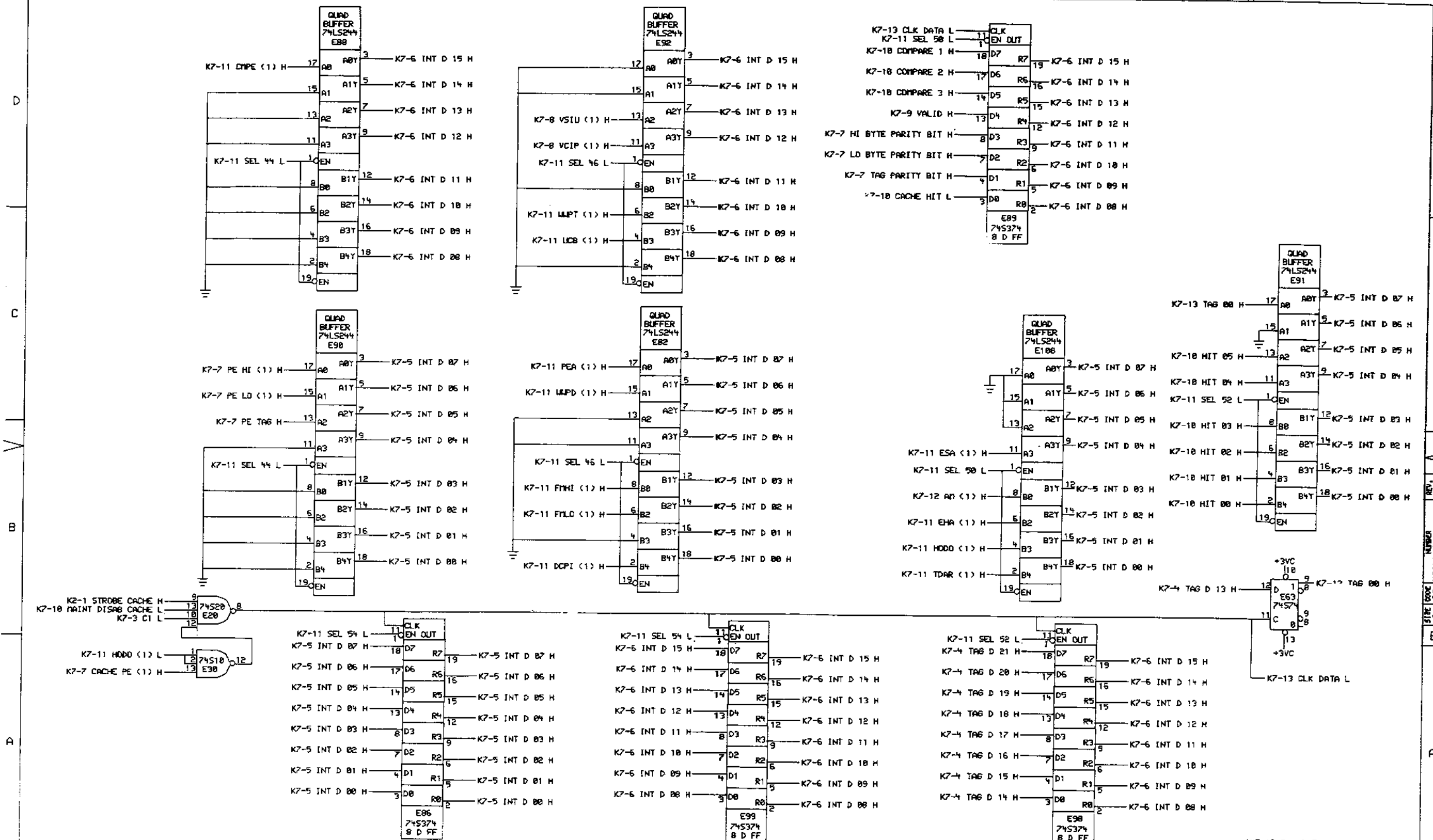
REV. C
 SIZE CODE NUMBER
 D CS M7897-0-1
 A



THIS DRAWING AND SPECIFICATIONS ARE THE PROPERTY OF DIGITAL EQUIPMENT CORPORATION AND SHALL NOT BE REPRODUCED OR COPIED OR USED IN WHOLE OR IN PART AS THE BASIS FOR THE MANUFACTURE OR SALE OF ITEMS WITHOUT WRITTEN PERMISSION. COPYRIGHT © 1974, DIGITAL EQUIPMENT CORPORATION.

REVISIONS	
CHK	CHANGE NO., REV

	DATE ENG: 28-JUN-79 DATE BOARD LOCATIONS: 28-JUN-79 SHEET 12 OF 13	DATE: 28-JUN-79 TITLE: KK11B CACHE
	FIRST USED ON OPTION/MODEL: 11/44 B-DD-M7097-0	SIZE CODE: D CS NUMBER: M7097-0-1



THIS DRAWING AND SPECIFICATIONS HEREIN ARE THE PROPERTY OF DIGITAL EQUIPMENT CORPORATION AND SHALL NOT BE REPRODUCED OR COPIED OR USED IN WHOLE OR IN PART AS THE BASIS FOR THE MANUFACTURE OR SALE OF ITEMS WITHOUT WRITTEN PERMISSION. COPYRIGHT © 1979, DIGITAL EQUIPMENT CORPORATION.

REVISIONS		
CHK	CHANGE NO.	REV.

NO.	DESCRIPTION	DATE	BY	CHK'D BY
1				

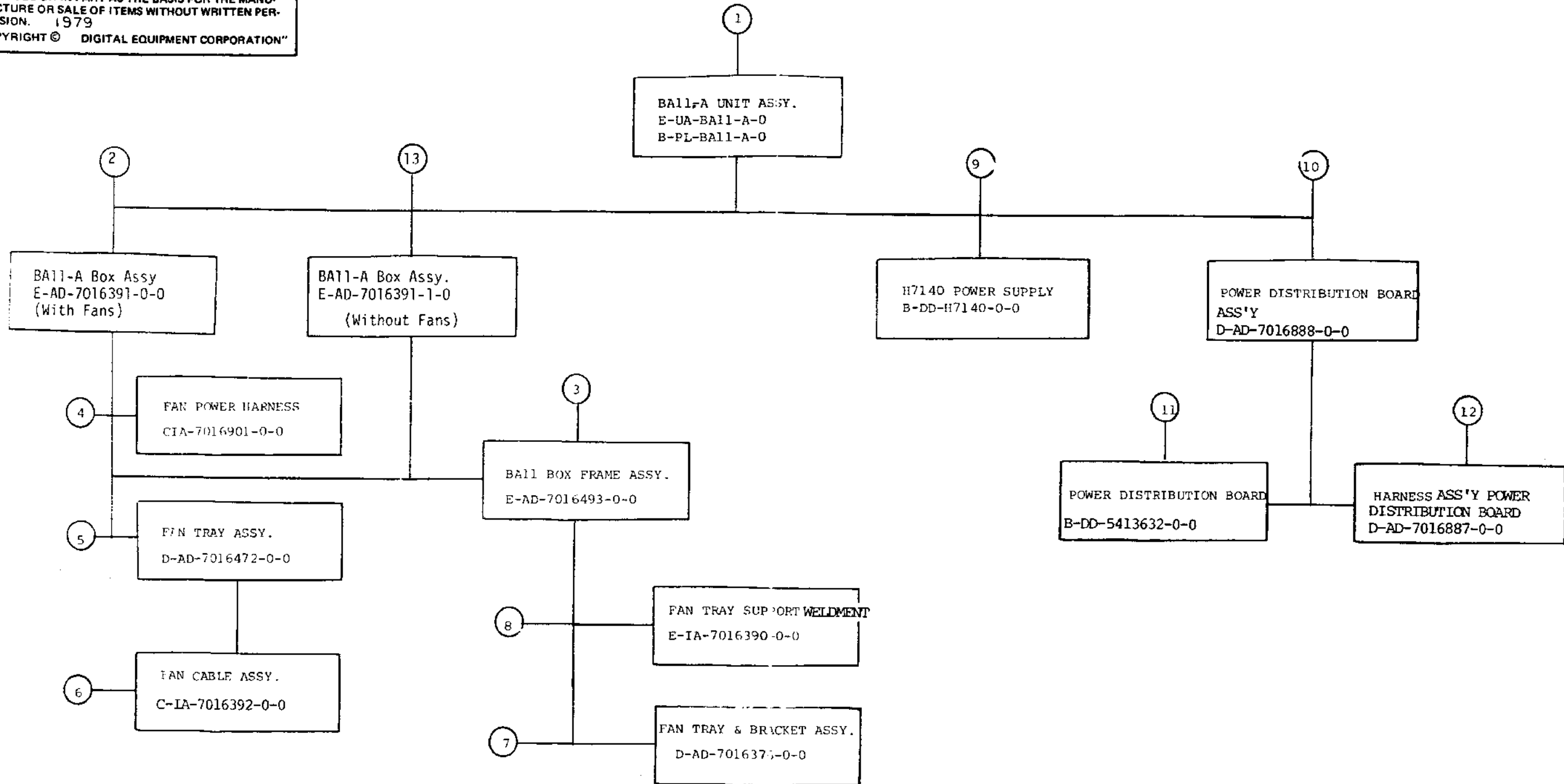
DATE ENG. 25-JUN-79	DATE BOARD LOCATION: 21-SEP-79	SHEET 13 OF 13
(150,5500)789713, DRG. 126-JUN-79 19:11	NEXT HIGHER ASSEMBLY: B-DD-M7097-0	
FIRST USED ON OPTION/MODEL: 11/44		

TITLE: KK11B CACHE
SIZE CODE D CS
NUMBER M7097-0-1
REV. C

(K7-13 RAM DATA & REG FILE)

"THIS DRAWING AND SPECIFICATIONS, HEREIN, ARE THE PROPERTY OF DIGITAL EQUIPMENT CORPORATION AND SHALL NOT BE REPRODUCED OR COPIED OR USED IN WHOLE OR IN PART AS THE BASIS FOR THE MANUFACTURE OR SALE OF ITEMS WITHOUT WRITTEN PERMISSION. 1979
 COPYRIGHT © DIGITAL EQUIPMENT CORPORATION"

REV. BALL-A-0
 NUMBER
 GO 8
 CODE SIZE



TITLE	SIZE	CODE	NUMBER	REV
BALL-A UNIT ASSY.	B	DD	BALL-A-0	*
SHEET 2 OF 3				

FIND NO.	DRAWING NO.	DESCRIPTION	TYPE	FIND NO.	DRAWING NO.	DESCRIPTION	TYPE
1	E-UA-Ball-A-0	BALL-A UNIT ASSY.	E/M	9	E-DD-H7140-0-0	H7140 POWER SUPPLY DRAWING DIRECTORY	REF
	B-PL-Ball-A-0	BALL-A PARTS LIST	REF				
2	E-AD-7016391-0-0	BALL-A BOX ASSY. (with fans)	E/M	10	D-AD-7016888-0-0	POWER DISTRIBUTION BOARD ASSY.	E/M
	D-PS-1216189-0-0	RETRACTOR SLIDE PAWL	M	11	B-DD-5413632-0-0	POWER DISTRIBUTION BOARD	E
	B-PS-1216190	SPRING SLIDE PAWL	M	12	D-AD-7016887	CABLE HARNESS ASS'Y POWER DISTRIBUTION BOARD	E
	B-MD-7421611-0-0	SLIDE PAWL	M				
	B-MD-7421444-0-0	PLATE SLIDE NUT	M				
	D-MD-7421613-0-0	SLIDE INDEX PLATE (2)	M				
	B-PS-1216197-0-0	PIVOT SCREW	M				
	D-PS-1215848-0-0	CARD GUIDE	M				
	B-MD-7421612-0-0	BAR GUIDE MNTING	M	13	E-AD-7016391-1-0	BALL-A Box Assy, Without fans (Reference only)	REF
3	E-MD-7016493-0-0	BALL BOX FRAME ASSY.	M				
	E-MD-7421631-0-0	SIDE PANEL LEFT	M				
	E-MD-7421441-0-0	CARD CAGE FRONT	M				
	D-MD-7421616-0-0	SPRING BOX LOCK	M				
	E-MD-7421610-0-0	SIDE PANEL RIGHT	M				
4	C-IA-7016901-0-0	FAN POWER HARNESS	E				
5	D-AD-7016472-0-0	FAN TRAY ASSY.	E/M				
6	D-IA-7016392-0-0	FAN CABLE ASSY.	E				
7	D-AD-7016376-0-0	FAN TRAY & BRACKET ASSY.	M				
	D-MD-7421632-0-0	FAN TRAY	M				
	E-MD-7421387-0-0	BRACKET FAN TRAY CONN	M				
8	E-AD-7016390-0-0	FAN TRAY SUPPORT WELDMENT	M				
	E-MD-7421634-0-0	FAN TRAY SUPPORT FRONT	M				
	E-MD-7421633-0-0	FAN TRAY SUPPORT REAR	M				

TYPE: E ELECTRICAL
M MECHANICAL
E/M ELECTRO/MECHANICAL



TITLE

BALL-A UNIT ASSY.

SHEET 3 OF 3

SIZE CODE
B DD

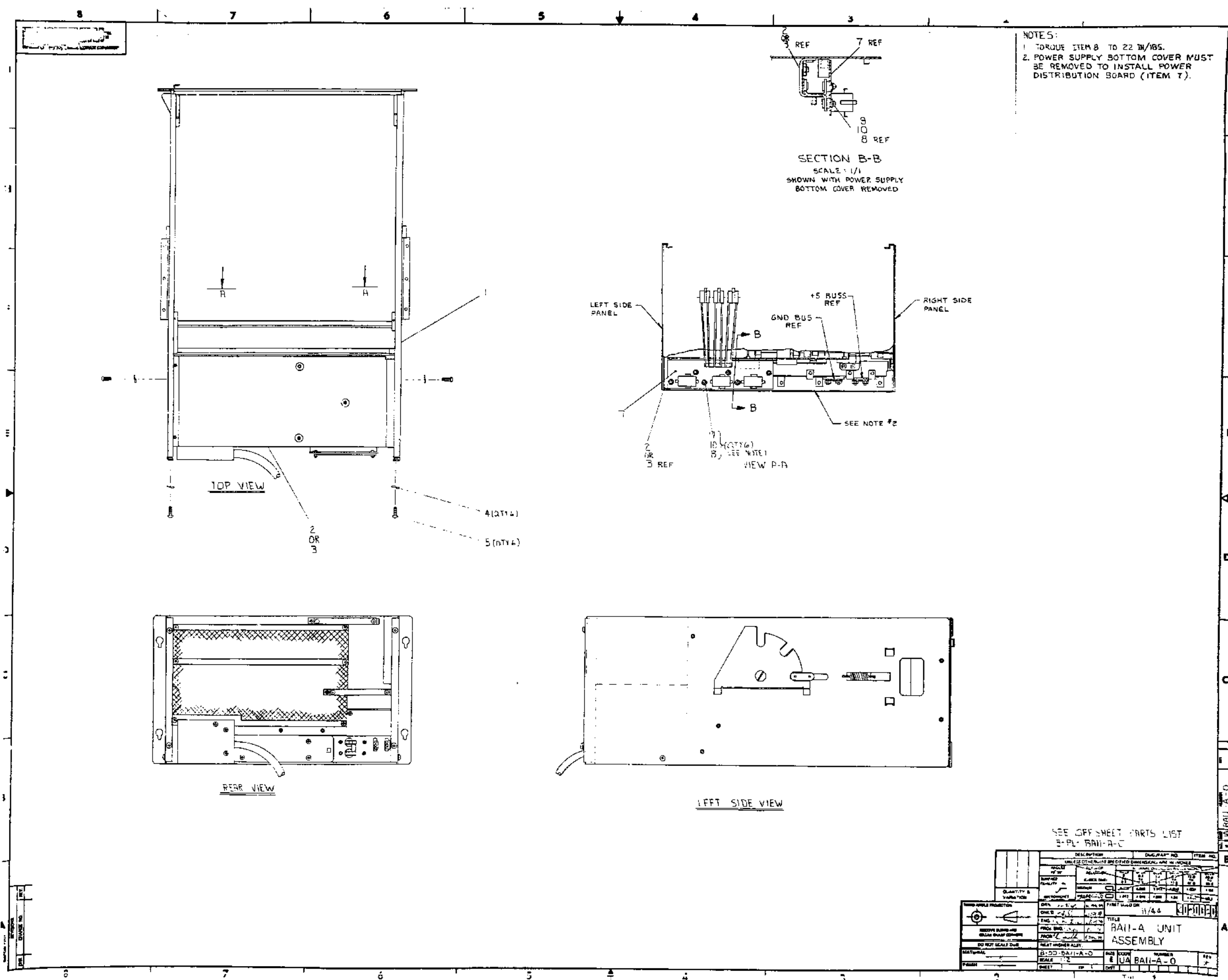
NUMBER
BALL-A-0

REV



DRB 108A

T W/



SEE OFF SHEET PARTS LIST
B-PL-BAI-A-C

DESCRIPTION		QTY	REF	ITEM NO.
UNLESS OTHERWISE SPECIFIED DIMENSIONS ARE IN INCHES				
ANGLE				
FINISH				
QUANTITY & VARIATION				
DATE	11/44			
ENG. BY				
PROJ. NO.				
PROJ. NAME				
REVISION				
MATERIAL		B-55-BAI-A-0	SIZE	SCOP
FINISH		SCALE 1/2	NUMBER	11/44
		SHEET	OF	2

RAI-A UNIT ASSEMBLY
B-PL-BAI-A-0

DIGITAL EQUIPMENT CORPORATION PARTS LIST

MADE BY JOHN NAGLE
DATE 8 APRIL 1979

CHECKED *JPL*
DATE *6/29/79*

SECTION

ENG *Boyd*
DATE *6/29/79*

PROD *John Conella*
DATE *6 JUL 79*

ISSUED SECTION

QUANTITY / VARIATION

NOTES:

ITEM NO.	DRAWING NO.	PART NO.	DESCRIPTION	QUANTITY / VARIATION										REF DESIGNATION		
				BATT-AA	BATT-AB											
1	E-AD-7016391-0-0		BATT BOX ASSY	1	1											
2	E-UA-H7140-0-0		H7140-AA PWR SUPPLY 120V	1	1											
3	E-UA-H7140-0-0		H7140-AB PWR SUPPLY 240V	1	1											
4	9006690-00		LOCKWASHER #8 SPLIT RING	6	6											
5	9006418-01		SCREW 8-32 X .38 TAPTITE	6	6											
6	A-SP-3700472-0-0		PACKAGING INSTRUCTIONS	REF	REF											
7	D-AD-7016888-0-0		POWER DISTRIBUTION BOARD	1	1											
8	9006039-01		SCREW #8-32 X .50 PLIPS PAN HD	6	6											
9	9006661-00		#8 FLAT WASHER	6	6											
10	9006690-00		#8 HELICAL SPLIT LOCKWASHER	6	6											

E.C.O. NO.

"THIS DRAWING AND SPECIFICATIONS, HEREIN, ARE THE PROPERTY OF DIGITAL EQUIPMENT CORPORATION AND SHALL NOT BE REPRODUCED OR COPIED OR USED IN WHOLE OR IN PART AS THE BASIS FOR THE MANUFACTURE OR SALE OF ITEMS WITHOUT WRITTEN PERMISSION. COPYRIGHT ©1979 DIGITAL EQUIPMENT CORPORATION"

TITLE
BATT-A UNIT
ASSEMBLY

ASSY NO.
E-UA-BATT-A-0

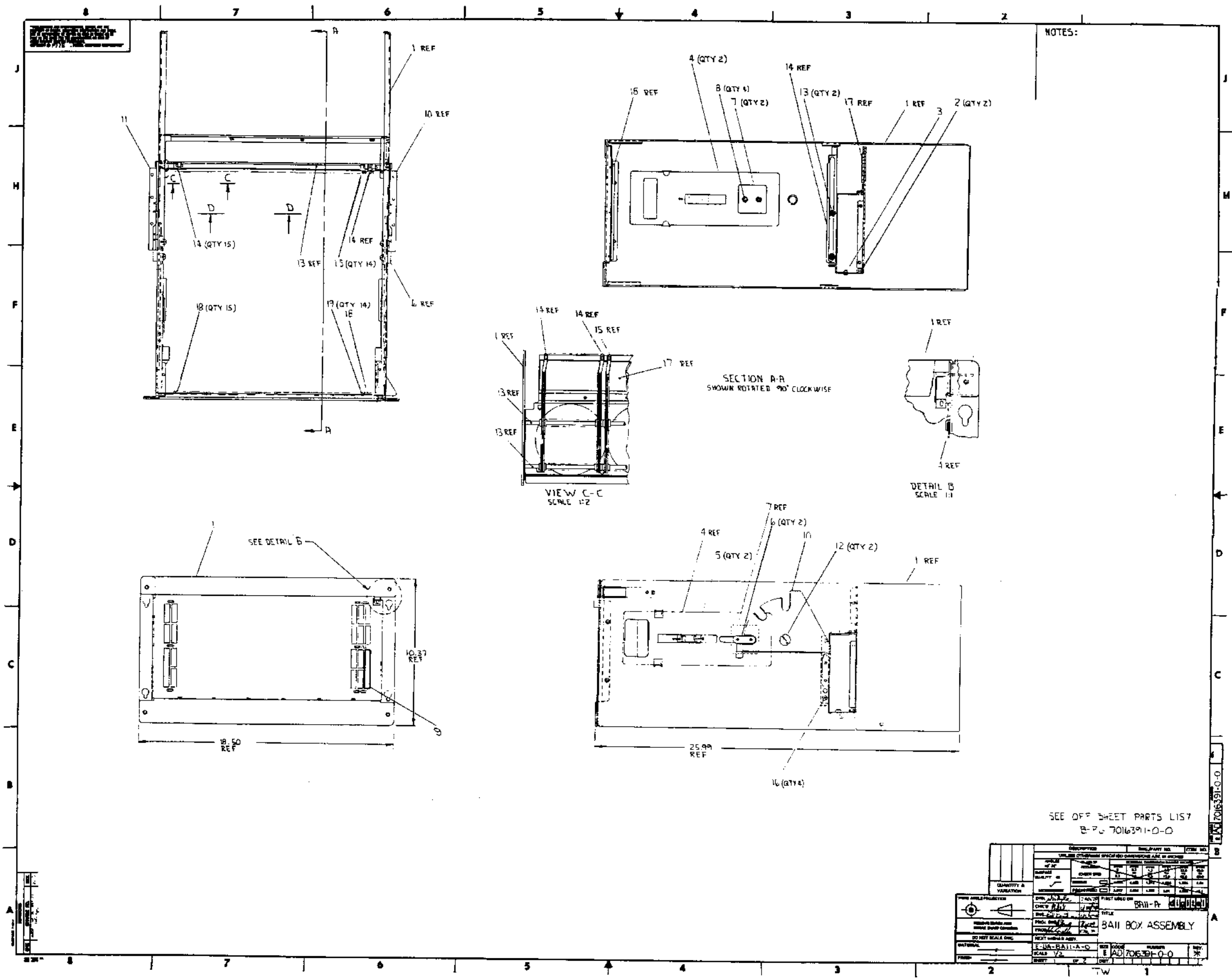
SIZE CODE
B PL

NUMBER
BATT-A-0

REV.
*

SHEET 1 OF 1

INSERTION PARTS LIST DATA BASE REV

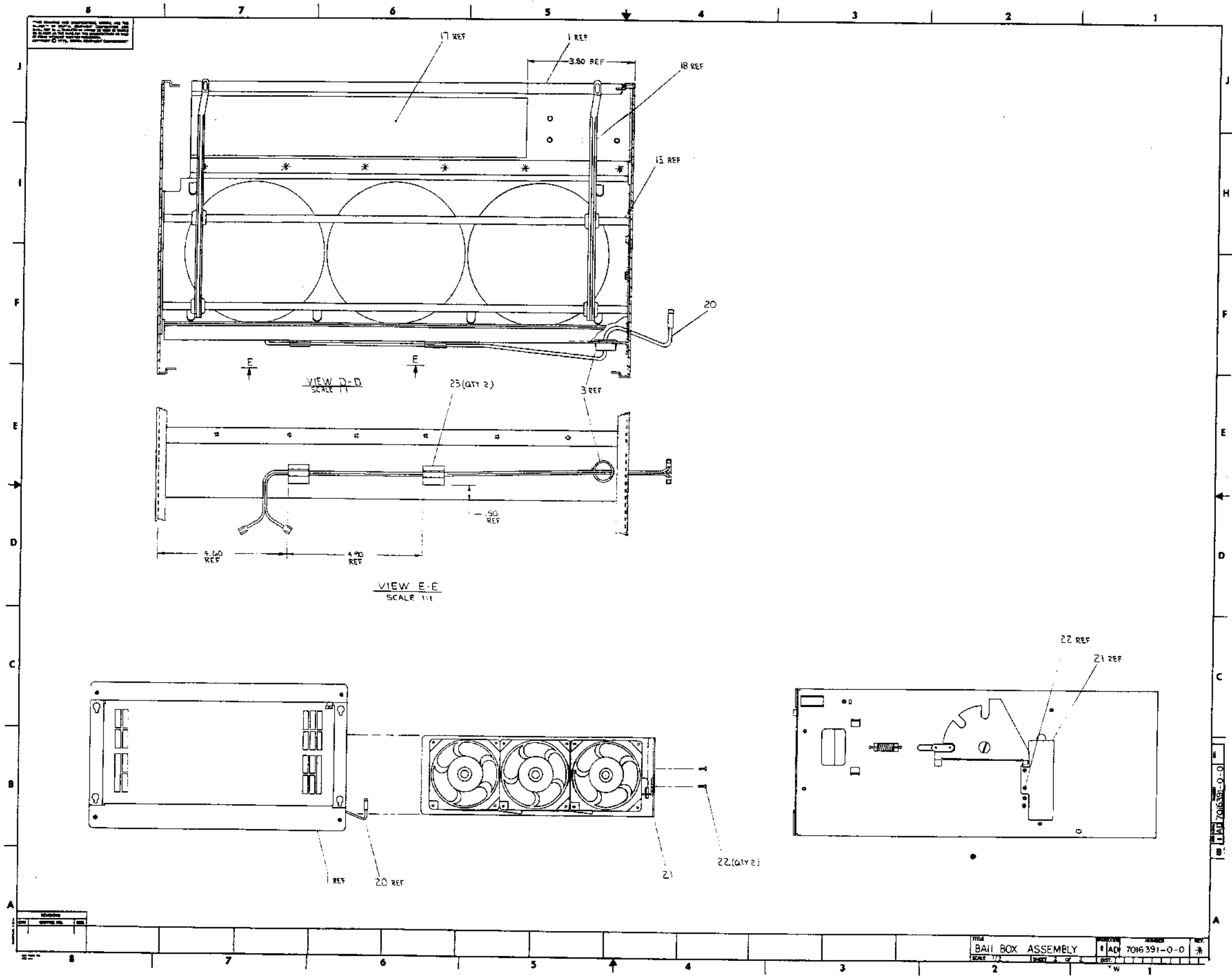


NOTES:

SEE OFF SHEET PARTS LIST
B-P-7016391-D-0

QUANTITY & VARIATION		DESCRIPTION		MATERIAL		DIMENSIONS		TOLERANCES		FINISHES		OTHER	
1	REF	1	REF	1	REF	1	REF	1	REF	1	REF	1	REF
2	QTY 2	2	QTY 2	2	QTY 2	2	QTY 2	2	QTY 2	2	QTY 2	2	QTY 2
3	QTY 2	3	QTY 2	3	QTY 2	3	QTY 2	3	QTY 2	3	QTY 2	3	QTY 2
4	QTY 2	4	QTY 2	4	QTY 2	4	QTY 2	4	QTY 2	4	QTY 2	4	QTY 2
5	QTY 2	5	QTY 2	5	QTY 2	5	QTY 2	5	QTY 2	5	QTY 2	5	QTY 2
6	QTY 2	6	QTY 2	6	QTY 2	6	QTY 2	6	QTY 2	6	QTY 2	6	QTY 2
7	QTY 2	7	QTY 2	7	QTY 2	7	QTY 2	7	QTY 2	7	QTY 2	7	QTY 2
8	QTY 1	8	QTY 1	8	QTY 1	8	QTY 1	8	QTY 1	8	QTY 1	8	QTY 1
13	QTY 2	13	QTY 2	13	QTY 2	13	QTY 2	13	QTY 2	13	QTY 2	13	QTY 2
14	REF	14	REF	14	REF	14	REF	14	REF	14	REF	14	REF
15	REF	15	REF	15	REF	15	REF	15	REF	15	REF	15	REF
16	REF	16	REF	16	REF	16	REF	16	REF	16	REF	16	REF
17	REF	17	REF	17	REF	17	REF	17	REF	17	REF	17	REF
18	QTY 15	18	QTY 15	18	QTY 15	18	QTY 15	18	QTY 15	18	QTY 15	18	QTY 15
19	QTY 14	19	QTY 14	19	QTY 14	19	QTY 14	19	QTY 14	19	QTY 14	19	QTY 14

TW 1



1. All dimensions are in inches unless otherwise specified.
 2. All dimensions are to be maintained unless otherwise specified.
 3. All dimensions are to be maintained unless otherwise specified.
 4. All dimensions are to be maintained unless otherwise specified.
 5. All dimensions are to be maintained unless otherwise specified.
 6. All dimensions are to be maintained unless otherwise specified.
 7. All dimensions are to be maintained unless otherwise specified.
 8. All dimensions are to be maintained unless otherwise specified.

VIEW D-D
SCALE 1:1

VIEW E-E
SCALE 1:1

TITLE: BAH BOX ASSEMBLY
 PART: E AD 7016391-0-0
 SCALE: 1/2
 SHEET: 2 OF 2
 DATE:

DIGITAL EQUIPMENT CORPORATION PARTS LIST

QUANTITY / VARIATION

NOTES:

MADE BY DATE	J. NAGLE 8 JUNE 1979	CHECKED DATE	[Signature] 6/29/79	SECTION
ENG DATE	Ron [Signature] 6/29/79	PROD DATE	John Conella 6 JUL-79	ISSUED SECTION

ITEM NO.	DRAWING NO.	PART NO.	DESCRIPTION	QUANTITY / VARIATION		NOTES:									
				7016391-0-0	7016391-1-0	REF DESIGNATION									
1	E-MD-7016493-0-0		BA11 BOX FRAME ASSY	1	1										
2		9010107-00	CARD GUIDE (FAN TRAY)	2	2										
3		9007783-00	SNAP BUSHING	1	1										
4		1216189	RETRACTOR, SLIDE PAWL	2	2										
5		1216190	SPRING, SLIDE PAWL	2	2										
6	B-MD-7421611-0-0		SLIDE PAWL	2	2										
7	B-MD-7421444-0-0		PLATE, SLIDE NUT	2	2										
8		1216785	SEMS SCREW, PHIL TRUSS HD #10-32X.437 INT TOOTH	4	4										
9		9007035-00	GROMMET, CATAPILLER TYPE 5.70 INCHES	1	1										
10	D-MD-7421613-0-0		PLATE, SLIDE INDEX, RIGHT HAND	1	1										
11	D-MD-7421613-0-1		PLATE, SLIDE INDEX, LEFT HAND	1	1										
12		1216197	PIVOT SCREW	2	2										
13	B-MD-7421612-0-0		BAR, GUIDE MOUNTING	2	2										
14		1215848-0	CARD GUIDE (NATURAL)	15	15										
15		1215848-1	CARD GUIDE (BLACK)	14	14										
16		9010118-00	SCREW, NYLOCK 100° C SINK PHL P HD .31X#10-32	4	4										
17		9009087	FOAM TAPE, .125 X 2.10 X 12"	1	1										
18		1212405-0	CARD GUIDE (SNAP IN) WHITE	15	15										
19		1212405-10	CARD GUIDE (SNAP IN) BLACK	14	14										
20	C-1A-7016901-0-0		FAN POWER HARNESS	1	-										
21	D-AD-7016472-0-0		FAN TRAY ASSY	1	-										
22		9010120-00	SCREW 6-32 X .187 NYLOCK	2	-										
23		9009771-03	CABLE CLAMP	2	2										

E.C.O. NO. _____

"THIS DRAWING AND SPECIFICATIONS, HEREIN, ARE THE PROPERTY OF DIGITAL EQUIPMENT CORPORATION AND SHALL NOT BE REPRODUCED OR COPIED OR USED IN WHOLE OR IN PART AS THE BASIS FOR THE MANUFACTURE OR SALE OF ITEMS WITHOUT WRITTEN PERMISSION. COPYRIGHT © 1979 DIGITAL EQUIPMENT CORPORATION"

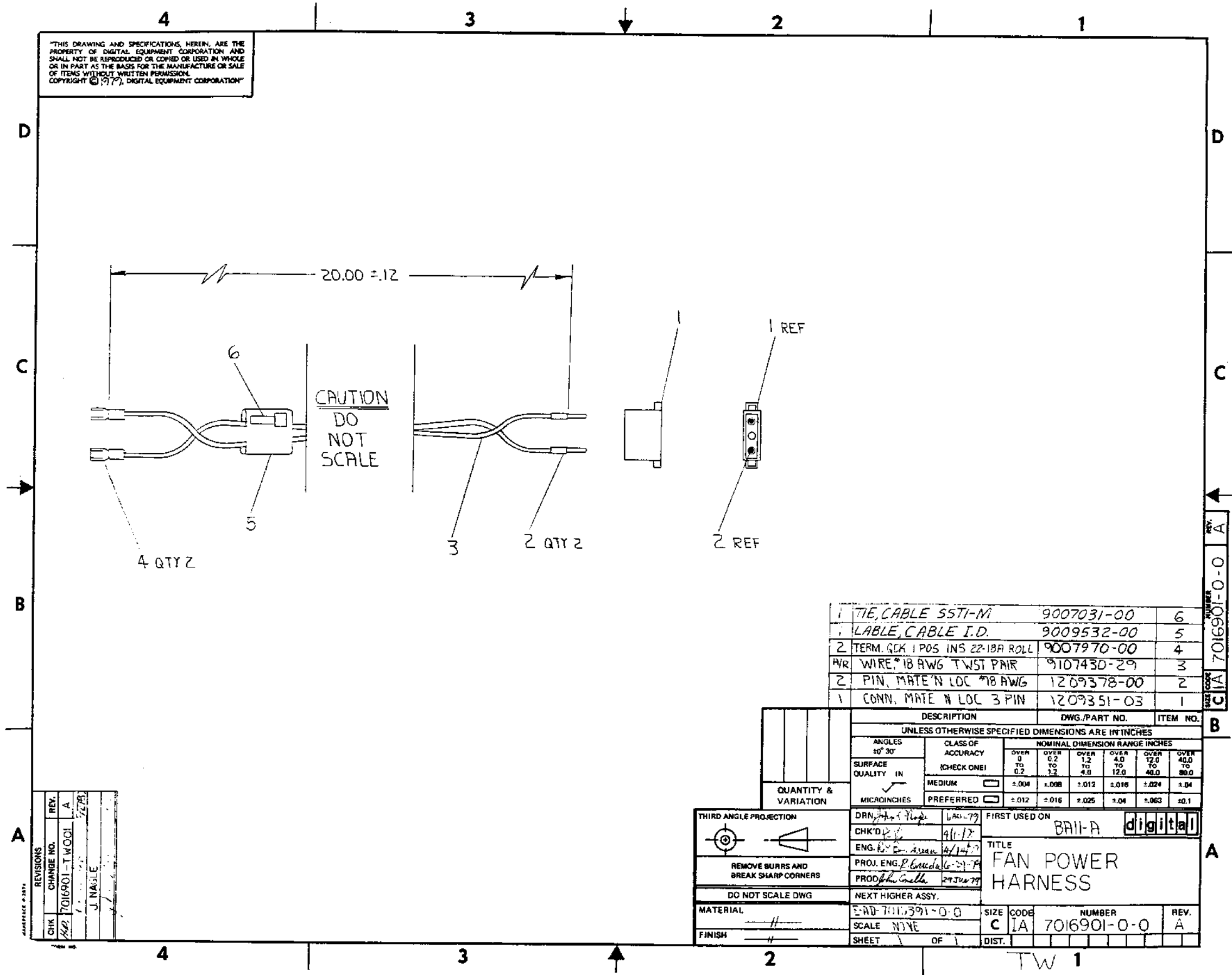
TITLE
BA11 BOX ASSEMBLY

ASSY NO.
E-AD-7016391-0-0
SHEET 1 OF 1

SIZE CODE
B PL
NUMBER
7016391-0-0
INSERTION PARTS LIST DATA BASE REV

REV.
*

"THIS DRAWING AND SPECIFICATIONS, HEREIN, ARE THE PROPERTY OF DIGITAL EQUIPMENT CORPORATION AND SHALL NOT BE REPRODUCED OR COPIED OR USED IN WHOLE OR IN PART AS THE BASIS FOR THE MANUFACTURE OR SALE OF ITEMS WITHOUT WRITTEN PERMISSION. COPYRIGHT © 1977, DIGITAL EQUIPMENT CORPORATION"



1	TIE, CABLE SSTI-M	9007031-00	6
1	CABLE, CABLE I.D.	9009532-00	5
2	TERM. QCK 1 POS INS 22-18A ROLL	9007970-00	4
2	WIRE, 18 AWG TWST PAIR	9107430-29	3
2	PIN, MATE'N LOC 18 AWG	1209378-00	2
1	CONN, MATE'N LOC 3 PIN	1209351-03	1

DESCRIPTION	DWG./PART NO.	ITEM NO.						
UNLESS OTHERWISE SPECIFIED DIMENSIONS ARE IN INCHES								
ANGLES 90° 30°	CLASS OF ACCURACY	NOMINAL DIMENSION RANGE INCHES						
SURFACE QUALITY IN	(CHECK ONE)	OVER 0 TO 0.2	OVER 0.2 TO 1.2	OVER 1.2 TO 4.0	OVER 4.0 TO 12.0	OVER 12.0 TO 40.0	OVER 40.0 TO 80.0	
		MEDIUM <input type="checkbox"/>	±.004	±.008	±.012	±.016	±.024	±.04
		PREFERRED <input type="checkbox"/>	±.012	±.016	±.025	±.04	±.063	±0.1

THIRD ANGLE PROJECTION	DRN. <i>[Signature]</i> 6/21/79	FIRST USED ON	BAIL-A digital
REMOVE BURRS AND BREAK SHARP CORNERS	CHK'D <i>[Signature]</i> 4/11/79	TITLE	FAN POWER HARNESS
DO NOT SCALE DWG	PROJ. ENG. <i>[Signature]</i> 4/14/79	SIZE	C
MATERIAL	PROD. <i>[Signature]</i> 2/25/79	CODE	IA
FINISH	E-AD-7016901-0-0	NUMBER	7016901-0-0
	SCALE NONE	REV.	A
	SHEET 1 OF 1		

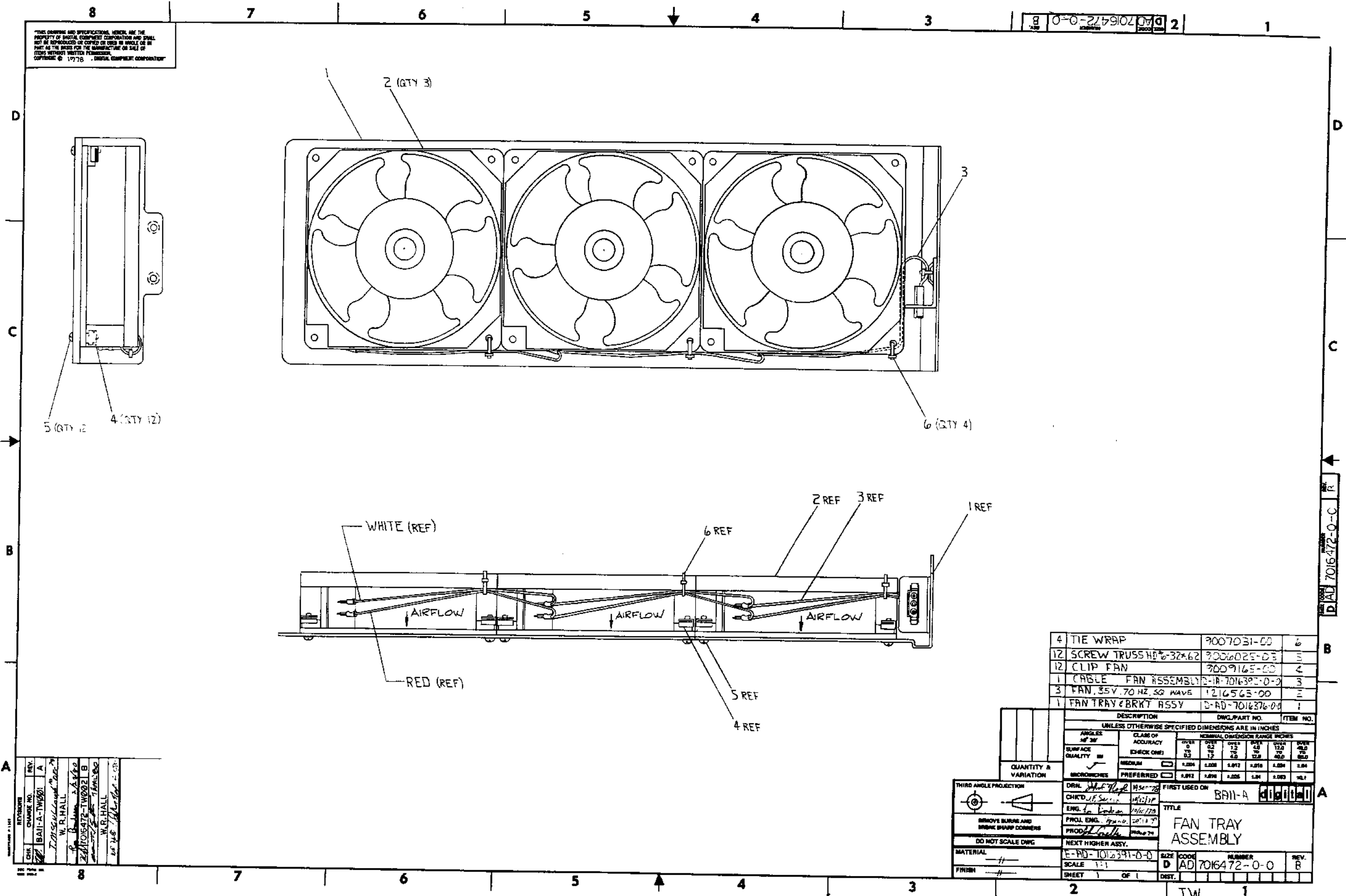
REVISIONS	CHANGE NO.	REV.
CHK	7016901-TWOOL	A
	J. NAGLE	

REV. A
7016901-0-0

TW 1

THIS DRAWING AND SPECIFICATIONS, HEREIN, ARE THE PROPERTY OF DIGITAL EQUIPMENT CORPORATION AND SHALL NOT BE REPRODUCED OR COPIED OR USED IN WHOLE OR IN PART AS THE BASIS FOR THE MANUFACTURE OR SALE OF ITEMS WITHOUT WRITTEN PERMISSION.
COPYRIGHT © 1978 - DIGITAL EQUIPMENT CORPORATION

D AD 7016472-0-0 2



4 TIE WRAP	9007031-00	6
12 SCREW TRUSS HD #6-32x.62	9006025-03	12
12 CLIP FAN	9009165-00	4
1 CABLE FAN ASSEMBLY	2-1A-7016372-0-0	3
3 FAN, 35V, 70 HZ, 50 WAVE	1216563-00	12
1 FAN TRAY & BRKT ASSY	D-AD-7016376-00	1

DESCRIPTION		DWG. PART NO.		ITEM NO.	
UNLESS OTHERWISE SPECIFIED DIMENSIONS ARE IN INCHES					
ANGLES 45° 90°	CLASS OF ACCURACY	NOMINAL DIMENSION RANGE INCHES			
SURFACE QUALITY	CHECK ONE	OVER 0 TO 0.25	OVER 0.25 TO 0.5	OVER 0.5 TO 1.0	OVER 1.0 TO 4.0
		1.004	1.008	1.012	1.016
MICROINCHES	PREFERRED	0.004	0.008	0.012	0.016
		0.020	0.030	0.040	0.050

THIRD ANGLE PROJECTION

REMOVE BURRS AND BRASK SHARP CORNERS

DO NOT SCALE DWG

MATERIAL: — / —

FINISH: — / —

DRW. *[Signature]* 1/30/78

CHK'D. *[Signature]* 1/10/78

ENG. *[Signature]* 1/10/78

PROJ. ENG. *[Signature]* 1/10/78

PROD. *[Signature]* 1/10/78

FIRST USED ON: BAI1-A

TITLE: FAN TRAY ASSEMBLY

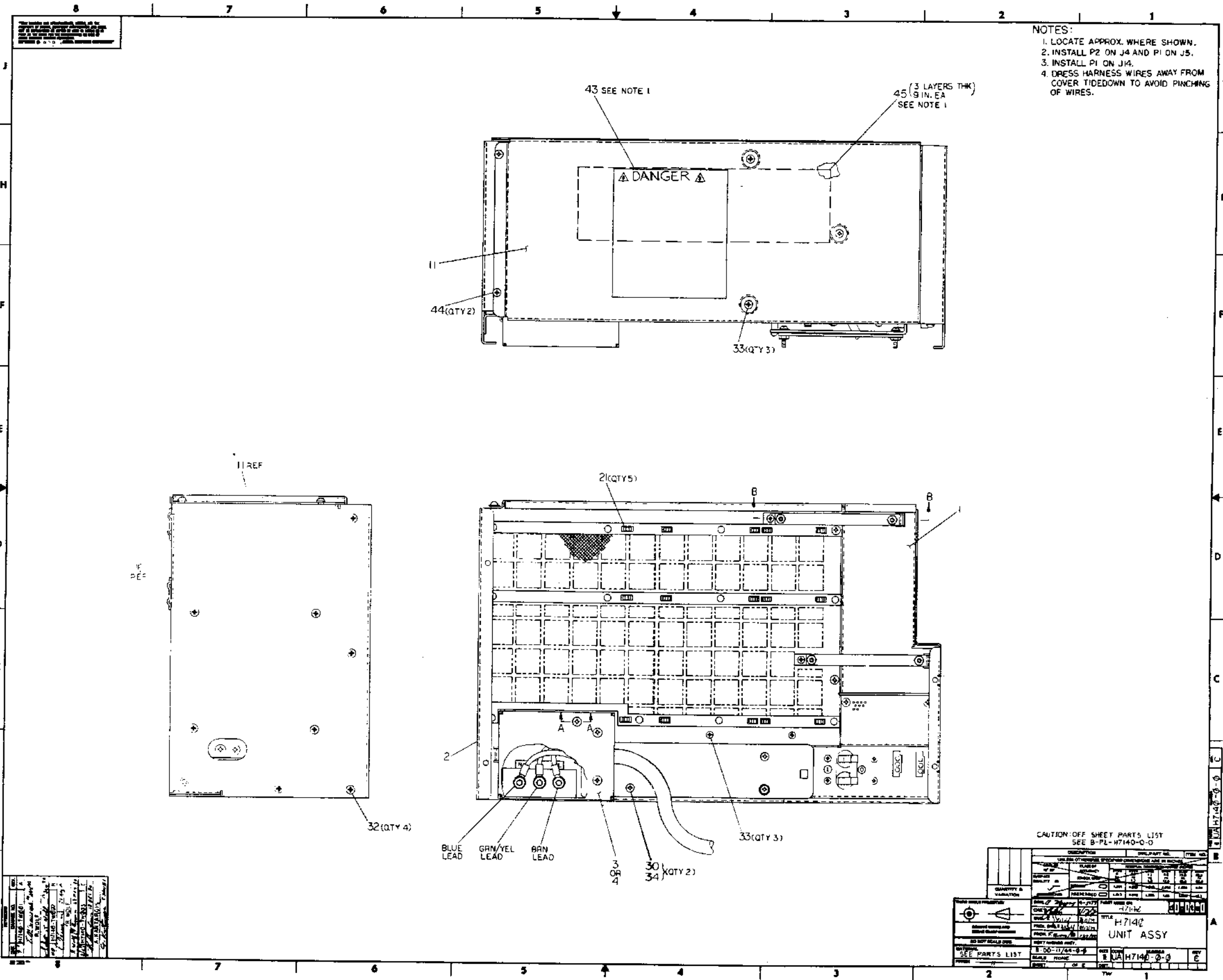
SIZE: D

SCALE: 1:1

SHEET 1 OF 1

REV. B

REV.	A
CHANGE NO.	BAI1-A-TW001
DATE	1/10/78
BY	W. R. HALL
CHK'D.	W. R. HALL
DATE	1/10/78
BY	W. R. HALL
CHK'D.	W. R. HALL
DATE	1/10/78
BY	W. R. HALL
CHK'D.	W. R. HALL
DATE	1/10/78

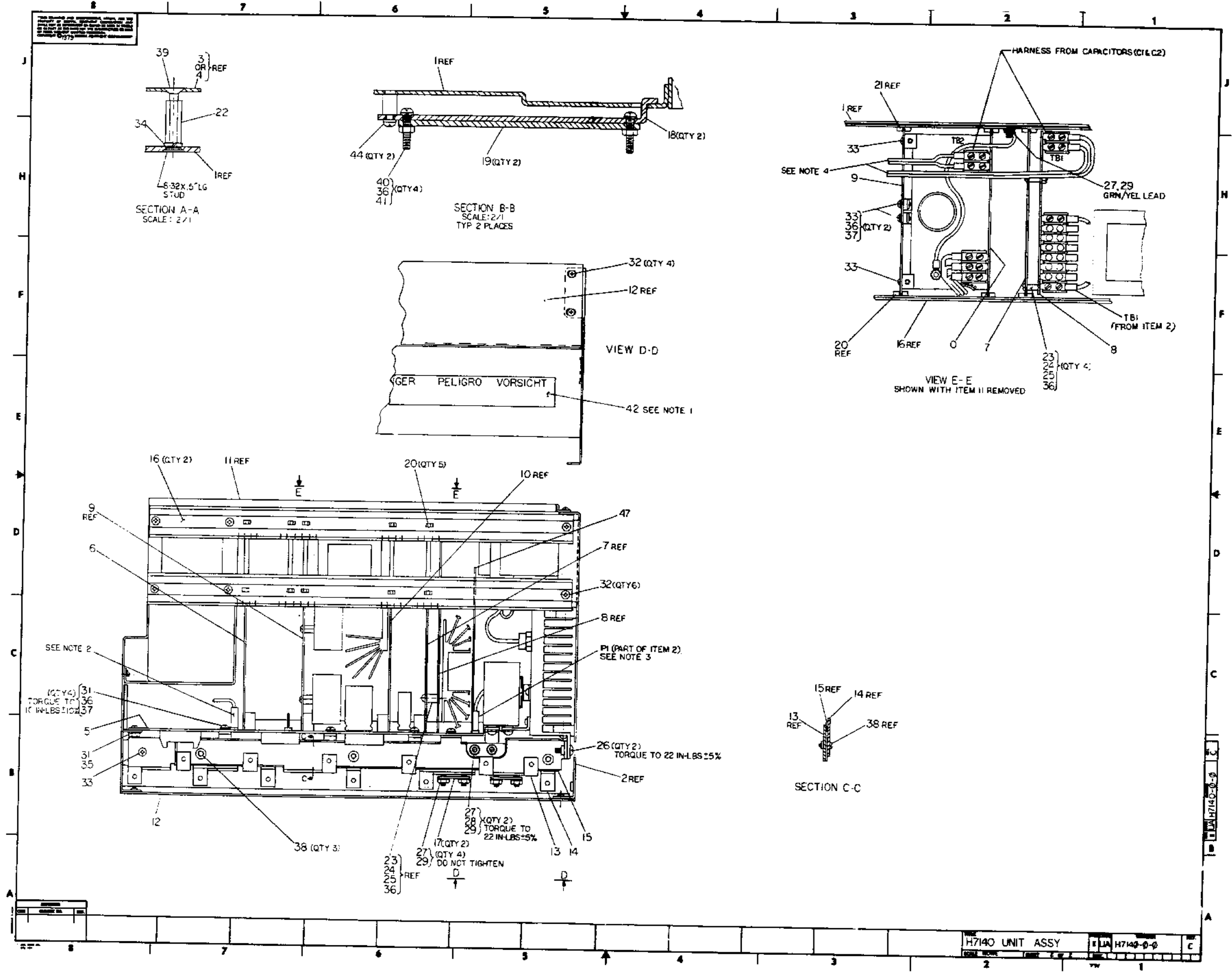


- NOTES:**
1. LOCATE APPROX. WHERE SHOWN.
 2. INSTALL P2 ON J4 AND P1 ON J5.
 3. INSTALL P1 ON J14.
 4. DRESS HARNESS WIRES AWAY FROM COVER TIEDOWN TO AVOID PINCHING OF WIRES.

REV	DATE	BY	CHKD	DESCRIPTION
1				ISSUED FOR PRODUCTION
2				REVISED TO ADD PARTS LIST
3				REVISED TO CORRECT DIMENSIONS
4				REVISED TO ADD DIMENSIONS
5				REVISED TO ADD DIMENSIONS
6				REVISED TO ADD DIMENSIONS
7				REVISED TO ADD DIMENSIONS
8				REVISED TO ADD DIMENSIONS

CAUTION: OFF SHEET PARTS LIST SEE B-PL-H7140-Q-0

DESCRIPTION	H7140	UNIT ASSY
QUANTITY	1	
DATE	11/14/64	
BY	J. J. [unclear]	
CHKD	[unclear]	
APPROVED	[unclear]	
REVISIONS		
REV	DATE	DESCRIPTION
1		ISSUED FOR PRODUCTION
2		REVISED TO ADD PARTS LIST
3		REVISED TO CORRECT DIMENSIONS
4		REVISED TO ADD DIMENSIONS
5		REVISED TO ADD DIMENSIONS
6		REVISED TO ADD DIMENSIONS
7		REVISED TO ADD DIMENSIONS
8		REVISED TO ADD DIMENSIONS



DIGITAL EQUIPMENT CORPORATION PARTS LIST

MADE BY DATE	A. MOWRY 8/15/79	CHECKED DATE	SECTION
ENG DATE	R. MOWRY 8/17/79	PROD DATE	F. MOWRY / B 8/17/79

QUANTITY / VARIATION

NOTES:

ITEM NO.	DRAWING NO.	PART NO.	DESCRIPTION	QUANTITY / VARIATION												REF DESIGNATION		
				H7140-AA	H7140-AB	H7140-BA	H7140-BB											
1	E-AD-7016476-0-0	7016476-00	INPUT ASSY	1	1	1	1											
2	E-AD-7016054-0-0	7016054-00	OUTPUT PANEL ASSY	1	1	1	1											
3	D-AD-7016478-0-0	7016478-00	A.C. POWER CORD ASSY (120V)	1	-	1	1											
4	D-AD-7016478-1-0	7016478-01	A.C. POWER CORD ASSY (220V - 240V)	-	1	-	1											
5	E-UA-5413615-00	5413615-00	MOTHER BOARD, H7140	1	1	1	1											
6	D-UA-5413605-00	5413605-00	BIAS & INTERFACE BOARD	1	1	1	1											
7	D-UA-5413601-00	5413601-00	LOGIC INVERTER CONTROL BOARD	1	1	1	1											
8	D-UA-5413599-00	5413599-00	LOGIC INVERTER BOARD	1	1	1	1											
9	D-UA-5413607-00	5413607-00	MEMORY REGULATOR BOARD	1	1	0	0											
10	D-UA-5413603-00	5413603-00	MEMORY INVERTER BOARD	1	1	1	1											
11	D-MD-7422396-0-0	7422396-00	COVER, TOP	1	1	1	1											
12	D-MD-7421436-0-0	7421436-00	COVER, PWR SUPPLY, BOTTOM	1	1	1	1											
13	D-MD-7422042-0-0	7422042-00	BUS, +5V	1	1	1	1											
14	D-MD-7422041-0-0	7422041-00	BUS BAR, RETURN	1	1	1	1											
15	D-MD-7422044-0-0	7422044-00	INSULATOR, BUS	1	1	1	1											
16	D-MD-7421437-0-0	7421437-00	BRACKET, CARD GUIDE MTG	2	2	2	2											
17	D-MD-7422731-0-0	7422731-00	BRACKET, MOUNTING	2	2	2	2											
18	C-MD-7423066-0-0	7423066-00	BRACKET, CABLE ROUTING	2	2	2	2											
19	B-MD-7423067-0-0	7423067-00	CLAMP, CABLE	2	2	2	2											
20		1212405-11	CARD GUIDE, NYLON (SHORT)	5	5	5	5											
21		1212405-04	CARD GUIDE, NYLON (LONG)	5	5	5	5											
22		9003246-00	SPACER HEX #8-32 X .75 LG	1	1	1	1											
23		9003844-00	SPACER, HEX AL #6-32 X .375 LG	4	4	4	4											
24		9007794-01	SCR, PAN, PHIL #6-32 X 11/16 LG	4	4	4	4											
25		9008957-00	NUT, HEX #6-32 X 1/4 AF	4	4	4	4											
26		9010119-00	SCR PHL TRUSS HD #10-32 X .50 LG	2	2	2	2											
27		9009005-00	NUT, HEX #10-32	7	7	7	7											

E.C.O. NO.
H7140-TW001
H7140-TW002
H7140-TW003

THIS DRAWING AND SPECIFICATIONS, HEREIN, ARE THE PROPERTY OF DIGITAL EQUIPMENT CORPORATION AND SHALL NOT BE REPRODUCED OR COPIED OR USED IN WHOLE OR IN PART AS THE BASIS FOR THE MANUFACTURE OR SALE OF ITEMS WITHOUT WRITTEN PERMISSION. COPYRIGHT © 1979 DIGITAL EQUIPMENT CORPORATION	TITLE H7140 UNIT ASSEMBLY	ASSY NO. E-UA-H7140-00	SIZE B	CODE PL	NUMBER H7140-0-0	REV. c
		SHEET 1 OF 2		INSERTION PARTS LIST DATA BASE REV		

TW

DIGITAL EQUIPMENT CORPORATION PARTS LIST

QUANTITY / VARIATION

NOTES:

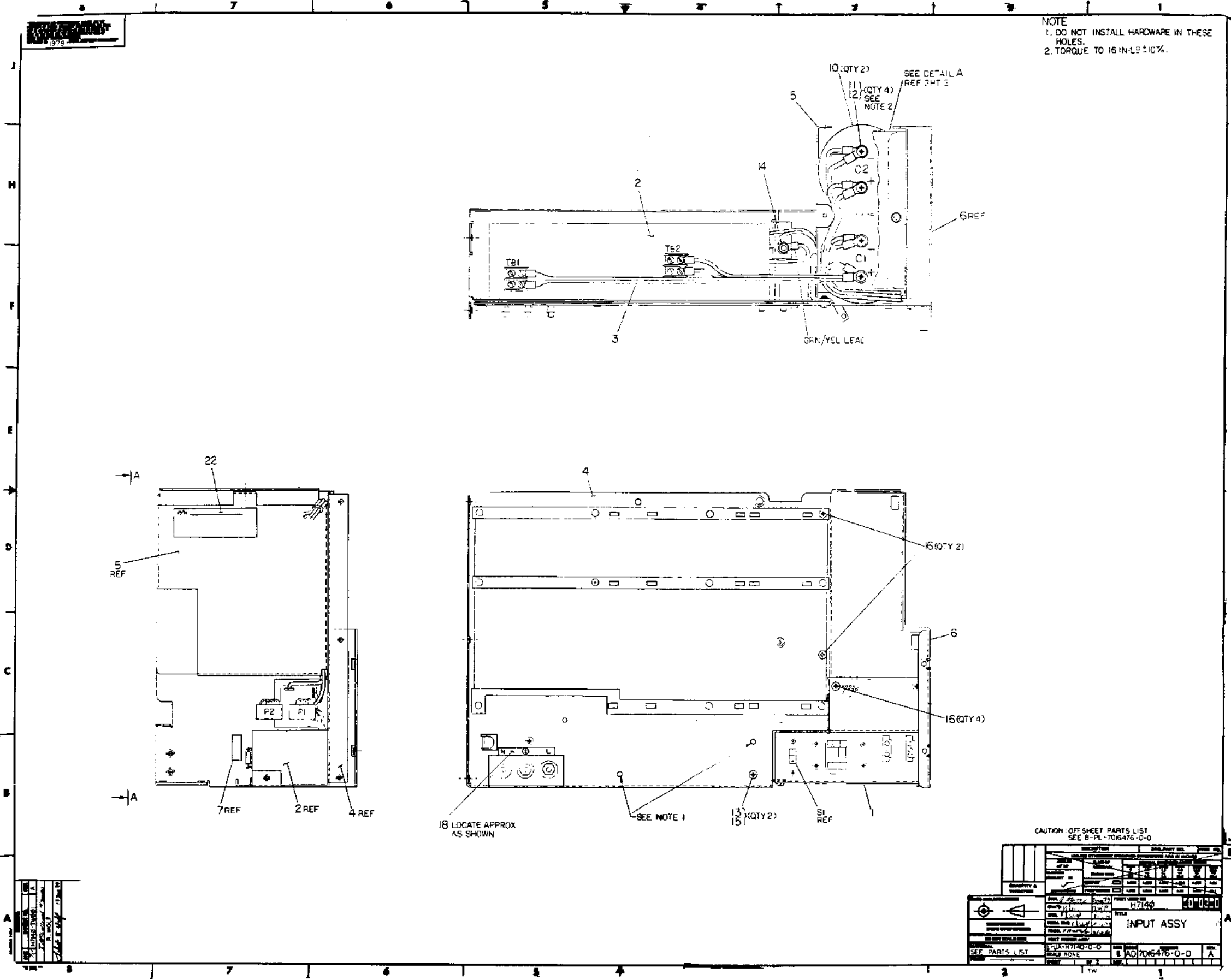
MADE BY DATE	A. MOWRY 8/15/79	CHECKED DATE	SECTION
ENG DATE		PROD DATE	ISSUED SECTION

ITEM NO.	DRAWING NO.	PART NO.	DESCRIPTION	QUANTITY / VARIATION												REF DESIGNATION	
				H7140-AA	H7140-AB	H7140-BA	H7140-BB										
28		9006664-00	WASHER, FLAT #10	2	2	2	2										
29		9007906-00	WASHER, SPLIT, LOCK #10	7	7	7	7										
30		9006037-01	SCR PHL PAN HD #8-32 X .38 LG	2	2	2	2										
31		9006022-01	SCR PHL PAN HD #6-32 X .38 LG	5	5	5	5										
32		9009796-00	SCR PHL FLAT HD #6-32 X 1/2 LG SELF TAP	14	14	14	14										
33		9009798-00	SCR PHL PAN HD #6-32 X 5/16 LG SELF TAP	11	11	11	11										
34		9006690-00	WASHER, SPLIT, LOCK #8	3	3	3	3										
35		9009243-00	NUT, KEP #6-32	1	1	1	1										
36		9007801-00	WASHER, SPLIT, LOCK #6	14	14	14	14										
37		9006656-00	WASHER, FLAT #6	6	6	6	6										
38		9008212-00	SCR NYLON SLTD PAN HD #6-32 X 7/16 LG	3	3	3	3										
39		9006039-02	SCR PHL FLAT HD #8-32 X .5 LG	1	1	1	1										
40		9009537-01	SCR PHL PAN HD #6-32 X .62 SELF TAP	4	4	4	4										
41		9008957-00	NUT, HEX #6-32	4	4	4	4										
42		3615037-02	LABEL, "DANGER HIGH CURRENT"	1	1	1	1										
43		3616930-00	LABEL, DANGER STORED HIGH VOLTAGE	1	1	1	1										
44		9009791-00	SCREW, SEMS, PHL PAN HD #6-32 X 5/16 LG	4	4	4	4										
45		9009087-00	FOAM, TAPE, SINGLE SIDED 1/8 X 2.10	2.25	2.25	2.25	2.25										
46	D-UA-5413607-00	5413607-YA	MEMORY REGULATOR BOARD	0	0	1	1										
47	B-MD-7424586-0-0	7424586-00	INSULATOR, HEATSINK	1	1	1	1										

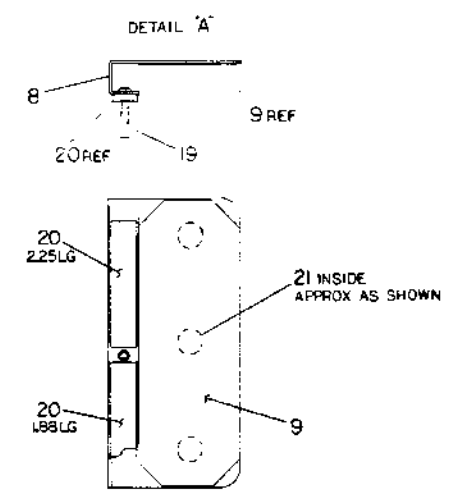
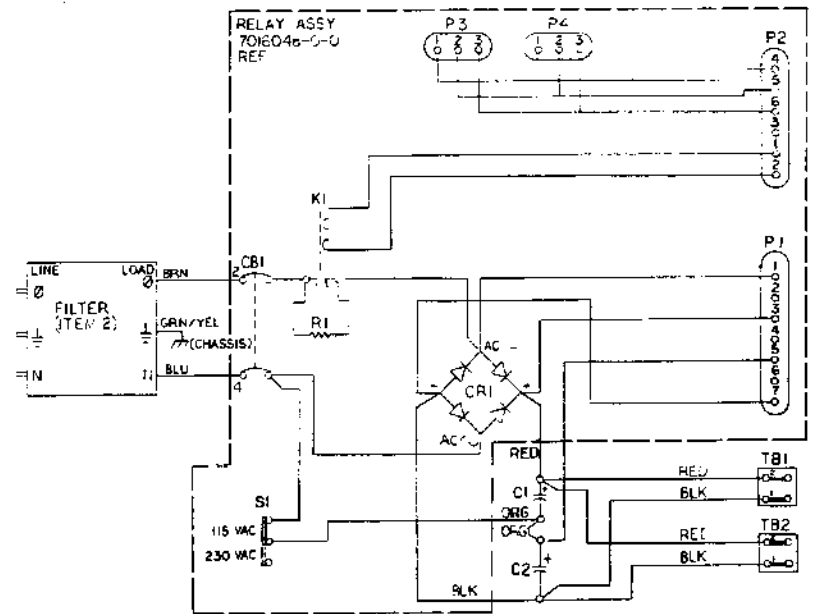
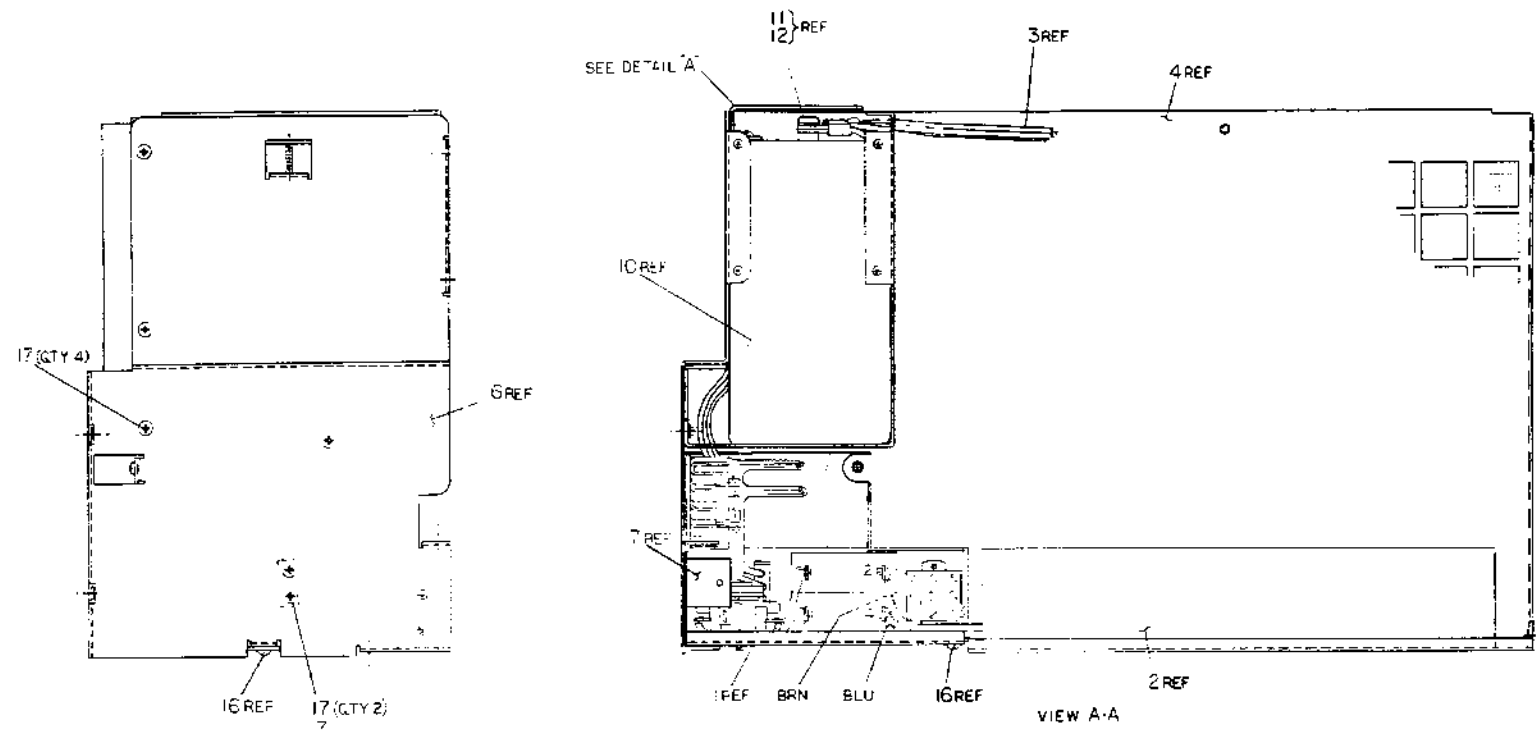
E.C.O. NO.

THIS DRAWING AND SPECIFICATIONS, HEREIN, ARE THE PROPERTY OF DIGITAL EQUIPMENT CORPORATION AND SHALL NOT BE REPRODUCED OR COPIED OR USED IN WHOLE OR IN PART AS THE BASIS FOR THE MANUFACTURE OR SALE OF ITEMS WITHOUT WRITTEN PERMISSION. COPYRIGHT © 1979 DIGITAL EQUIPMENT CORPORATION	TITLE H7140 UNIT ASSEMBLY	ASSY NO. E-UA-H7140-00	SIZE B	CODE PL	NUMBER H7140-0-0	REV. C
		SHEET 2 OF 2	INSERTION PARTS LIST DATA BASE REV			

TW



ALL DIMENSIONS ARE IN INCHES UNLESS OTHERWISE SPECIFIED.
 DIMENSIONS ARE TO CENTER UNLESS OTHERWISE SPECIFIED.
 DIMENSIONS ARE TO FACE UNLESS OTHERWISE SPECIFIED.
 DIMENSIONS ARE TO CENTER UNLESS OTHERWISE SPECIFIED.



DIGITAL EQUIPMENT CORPORATION PARTS LIST

MADE BY A. MOWRY	CHECKED <i>[Signature]</i>	SECTION
DATE 04-09-79	DATE 8/13/79	
ENG <i>Robert J. Wolf</i>	PROD <i>P. MULLER</i>	ISSUED SECTION
DATE 8-10-79	DATE 8/10/79	

QUANTITY / VARIATION

NOTES:

ITEM NO.	DRAWING NO.	PART NO.	DESCRIPTION	QUANTITY	VARIATION	UNIT	REF DESIGNATION
1	E-AD-7016048-0-0	7016048-00	RELAY ASSY	1			
2	C-IA-7016898-0-0	7016898-00	FILTER, RFI, ASSY	1			
3	D-IA-7016477-0-0	7016477-00	HARNASS, 300V	1			
4	D-IA-7016926-0-0	7016926-00	CHASSIS ASSY, REAR	1			
5	D-MD-7421433-0-0	7421433-00	BRACKET, CAPACITOR	1			
6	D-MD-7421438-0-0	7421438-00	PANEL, SIDE	1			
7	B-MD-7423546-0-0	7423546-00	BLOCK, MTG	1			
8	B-MD-7422382-0-0	7422382-00	CLAMP, CAPACITOR	1			
9	B-MD-7422401-0-0	7422401-00	INSULATOR, CAPACITOR	1			
10		1014336-00	CAPACITOR, 4500 uf/200 VDC, E%	2			
11		9006072-01	SCR, PHL PAN HD SS #10-32 x .438 LG	4			
12		9007906-00	WASHER, SPLIT, LOCK #10	4			
13		9006037-01	SCR, PHL PAN HD SS #8-32 x .375 LG	2			
14		9006565-00	NUT, KEP CS/CAD #10-32 x 3/8 AF	1			
15		9006690-00	WASHER, SPLIT, LOCK #8	2			
16		9009708-00	SCREW, PHL PAN HD SELF TAP #6-32 x .312	6			
17		9009796-00	SCR, PHL FLAT HD SELF TAP #6-32 x .250	6			
18		3617016-00	LABEL, N-GROUND-L	1			
19		9010133-00	SCREW, PHILL PAN HD #8-32 x .88 LG	1			
20		9009342-00	FOAM TAPE ADH. BACK .50 x .125	.35	FT		
21		9009157-00	ADHESIVE, PERMABOND #101	A/R			
22		9009255-00	LABEL, POWER SUPPLY	1			

E.C.O. NO.
M7150-1
TY001

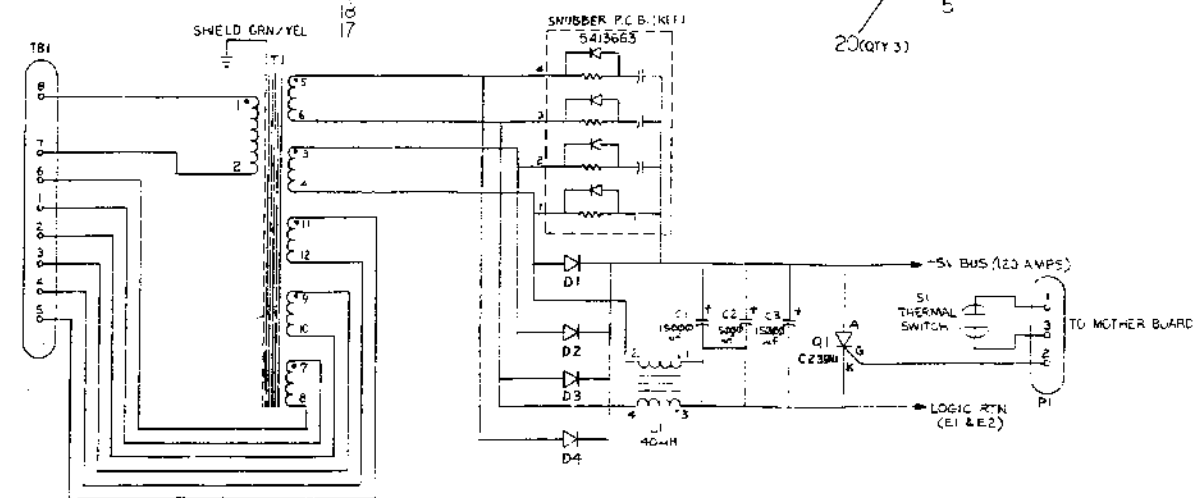
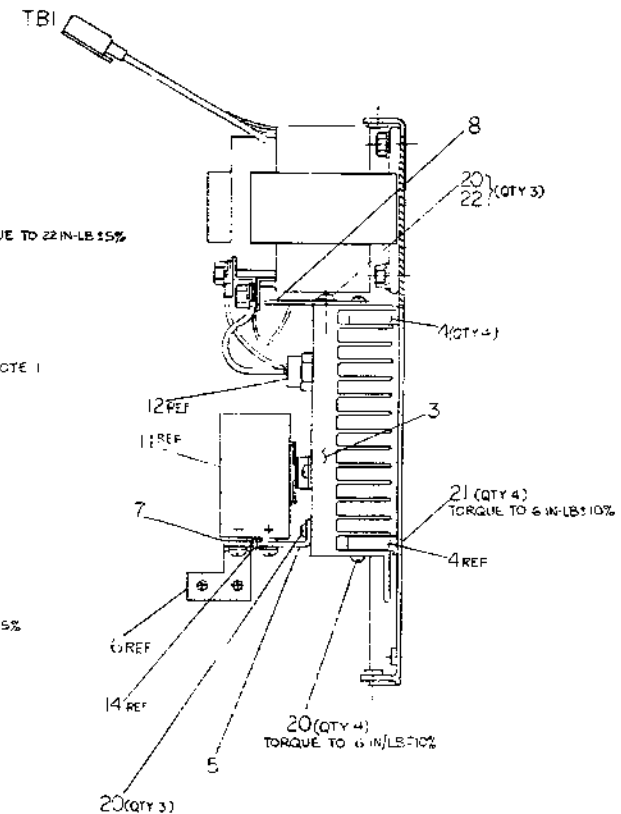
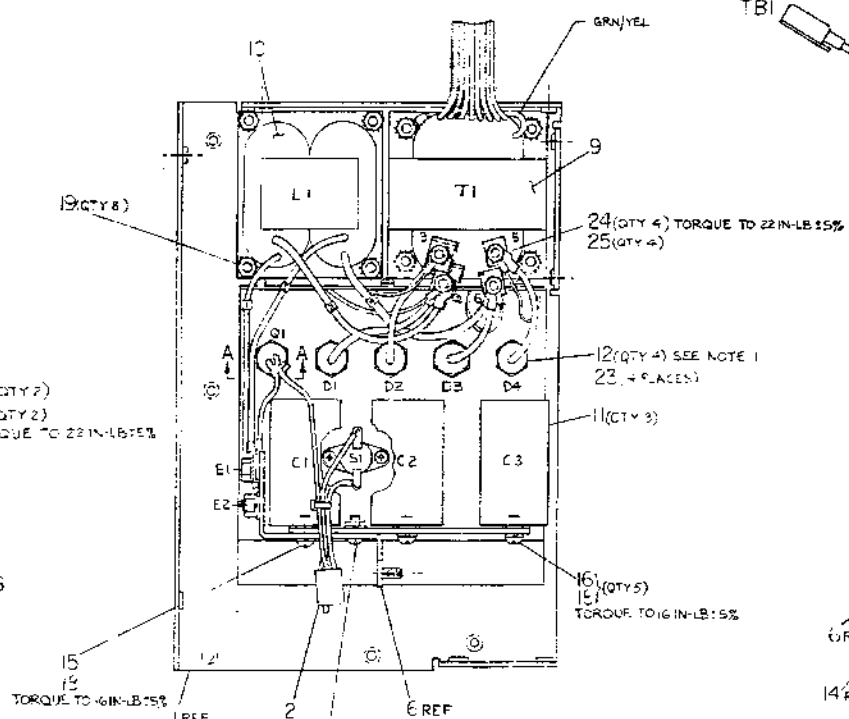
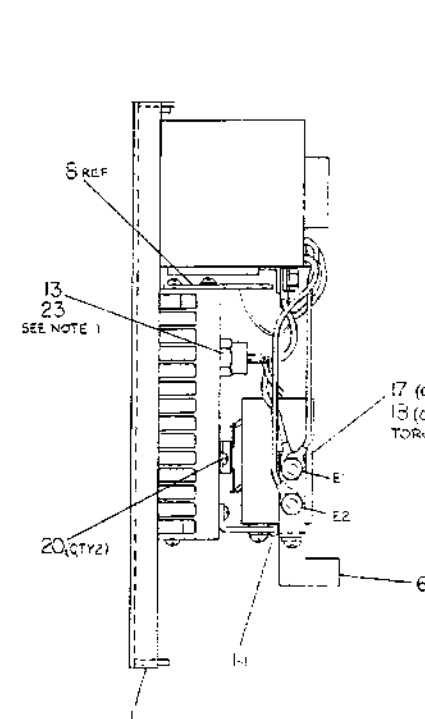
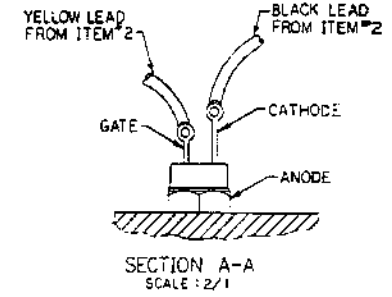
<p>"THIS DRAWING AND SPECIFICATIONS, HEREIN, ARE THE PROPERTY OF DIGITAL EQUIPMENT CORPORATION AND SHALL NOT BE REPRODUCED OR COPIED OR USED IN WHOLE OR IN PART AS THE BASIS FOR THE MANUFACTURE OR SALE OF ITEMS WITHOUT WRITTEN PERMISSION. COPYRIGHT © 1979 DIGITAL EQUIPMENT CORPORATION"</p>	<p>TITLE INPUT ASSY</p>	<p>ASSY NO. E-AD-7016476-00</p>	<p>SIZE B</p>	<p>CODE PL</p>	<p>NUMBER 7016476-0-0</p>	<p>REV. A</p>
		<p>SHEET 1 OF 1</p>	<p>INSERTION PARTS LIST DATA CASE REV</p>			

DRB 126

TW

INTERCONNECTION TABLE		REMARKS
FROM	TO	
D1	T1-4	
L1-2	T1-4	
WIRE #1 ITEM 8	T1-3	
D2	T1-3	
WIRE #2 ITEM 8	T1-6	
D3	T1-6	
L1-4	T1-6	
WIRE #3 ITEM 8	T1-5	
D4	T1-5	
WIRE #4 ITEM 8	MYD STUD	
T1-GRN/YEL	Q1-GATE	
YEL LEAD ITEM 2	Q1-GATE	
BLK LEAD ITEM 2	E1	
Q1-CATHODE	E1	
L1-3	E2	
L1-1	E2	

NOTES:
 1. ITEMS 12 & 13 (D1-D4 & Q1) MUST SEAT FLUSH ON REAR SINK (ITEM 8). USE TM 25 (CONTINUED) UNDER ITEMS 12 & 13, TORQUE TO 25 IN-LB 5% UNTIL FULLY SEATED.



CAUTION: OFF SHEET PARTS LIST
 SEE B-PL-706054-0-0

QUANTITY & VERIFICATION		DESCRIPTION		QTY	UNIT	ITEM NO.
1	✓	OUTPUT PANEL ASSY	ASSEMBLY	1	ASSEMBLY	706054-0-0
1	✓	REAR PANEL	ASSEMBLY	1	ASSEMBLY	706054-0-0
1	✓	FRONT PANEL	ASSEMBLY	1	ASSEMBLY	706054-0-0
1	✓	TRANSFORMER	ASSEMBLY	1	ASSEMBLY	706054-0-0
1	✓	BRIDGE RECTIFIER	ASSEMBLY	1	ASSEMBLY	706054-0-0
1	✓	SHUNTER P.C.B.	ASSEMBLY	1	ASSEMBLY	706054-0-0
1	✓	DIODES	ASSEMBLY	4	ASSEMBLY	706054-0-0
1	✓	RESISTORS	ASSEMBLY	2	ASSEMBLY	706054-0-0
1	✓	CAPACITORS	ASSEMBLY	3	ASSEMBLY	706054-0-0
1	✓	INDUCTOR	ASSEMBLY	1	ASSEMBLY	706054-0-0
1	✓	THERMAL SWITCH	ASSEMBLY	1	ASSEMBLY	706054-0-0

DIGITAL EQUIPMENT CORPORATION PARTS LIST				QUANTITY / VARIATION							NOTES:
MADE BY DATE	CHECKED DATE	SECTION	ISSUED SECTION	7016054-00	REF DESIGNATION	REF DESIGNATION	REF DESIGNATION	REF DESIGNATION	REF DESIGNATION	REF DESIGNATION	
ENG DATE	PROD DATE										REF DESIGNATION
1	D-MD-7421434-0-0	7421434-00	CHASSIS, SIDE	1							
2	D-IA-7016511-0-0	7016511-00	OVERTEMP CABLE & SWITCH ASSY	1							
3		1216648-00	HEAT SINK	1							
4		1216965-00	MTG BLOCK, INSULATED	4							
5	B-MD-7422038-0-0	7422038-00	CAP., BRKT POS.	1							
6	B-MD-7422037-0-0	7422037-00	BRKT, RETURN BUS	1							
7	B-MD-7422036-0-0	7422036-00	BRKT, CAP NEG.	1							
8	D-UA-5413663-0-0	5413663-00	SNUBBER P.C.B.	1							
9	C-IA-7016056-0-0	7016056-00	XFORMER, PWR, HIGH FREQ ASSY	1	T1						
10	C-IA-7016055-0-0	7016055-00	CHOKE, OUTPUT DOUBLE SECTION ASSY	1	L1						
11		1014338-00	CAPACITOR, 15,000 MFD 7.5V ± 20%	3	C1	C2	C3				
12		1114197-00	RECTIFIER PLU=45 I=60	4	D1	D2	D3	D4			
13		1109978-00	RECTIFIER, C230V SCR @ 25V I = 25A	1	Q1						
14		9007036-00	GROMMET, CATERPILLAR	.33	FT						
15		9006071-01	SCR PHL PAN HD #10-32 X .38	2							
16		9006070-01	SCR PHL PAN HD #10-32 X .31	5							
17		9009005-00	NUT, HEX #10-32 X 1/4 AF	3							
18		9007906-00	WASHER, SPLIT LOCK #10	9							
19		9006563-00	NUT, KEP #8-32 X 11/32 AF	8							
20		9009708-00	SCR, PHL PAN HD SELF TAP #6-32 X .31	12							
21		9009796-00	SCR PHL (FLT) HD SELF TAP #6-32 X .25	4							
22		9009882-00	WASHER, LOCK INT TOOTH #6	3							
23		9008268-00	COMPOUND, THERMAL JOINT	A/R							
24		9006561-00	NUT, HEX #8-32 x 5/16 AF	4							
25		9006690-00	WASHER, LOCK, S.S. #8	4							

E.C.O. NO.

"THIS DRAWING AND SPECIFICATIONS, HEREIN, ARE THE PROPERTY OF DIGITAL EQUIPMENT CORPORATION AND SHALL NOT BE REPRODUCED OR COPIED OR USED IN WHOLE OR IN PART AS THE BASIS FOR THE MANUFACTURE OR SALE OF ITEMS WITHOUT WRITTEN PERMISSION. COPYRIGHT ©1979 DIGITAL EQUIPMENT CORPORATION"

TITLE
OUTPUT PANEL ASSEMBLY

ASSY NO.
E-AD-7016054-0-0

SIZE CODE
B PL

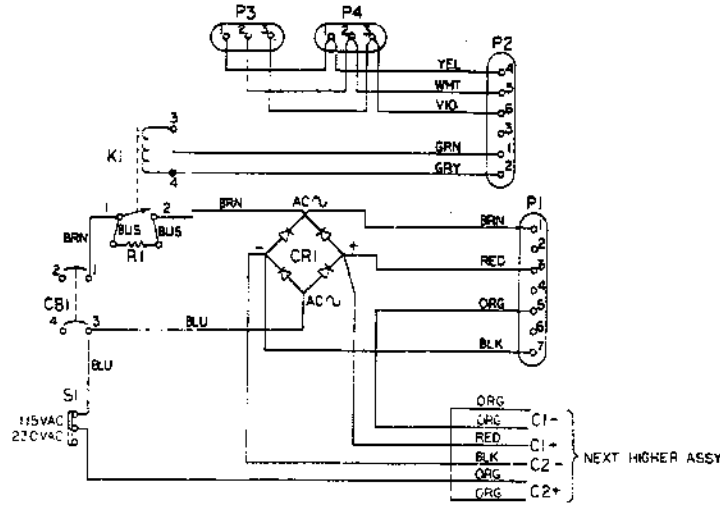
NUMBER
7016054-0-0

REV.
*

SHEET 1 OF 1

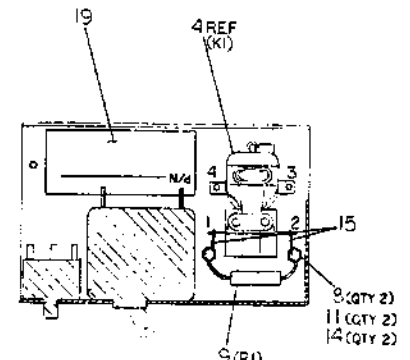
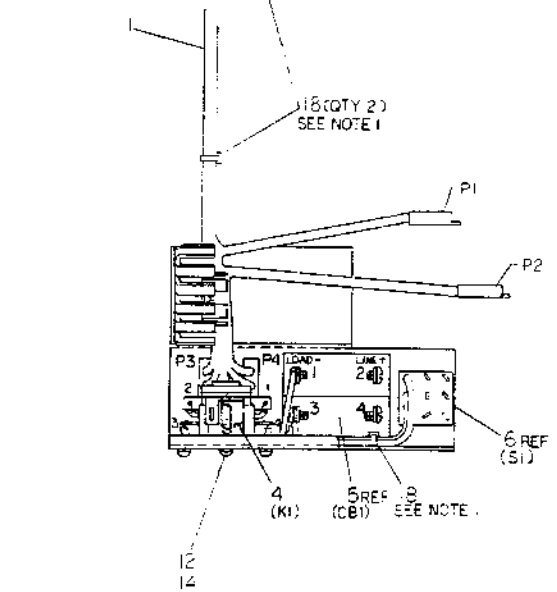
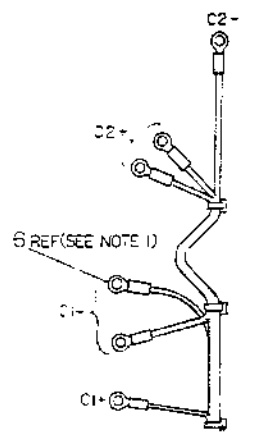
INSERTION PARTS LIST DATA BASE REV

REVISIONS

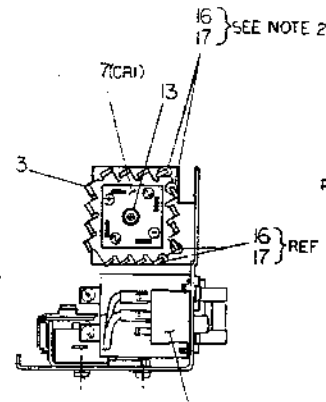


WIRING DIAGRAM

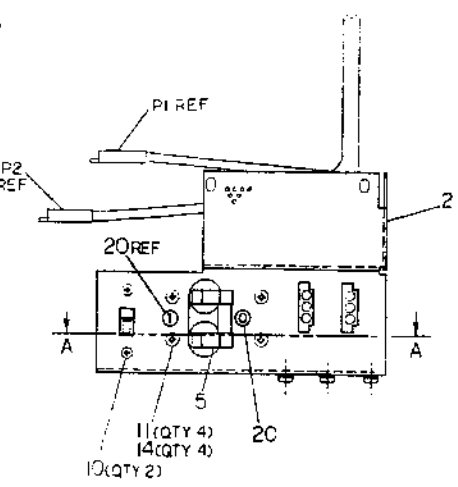
NOTES:
 1. DRESS ORG. LEAD OF ITEM 6(S1) AROUND ITEM 2(B) AND LAY IN WITH MAIN HARNESS BODY. USE ITEM 18(CABLE TIE) APPROX. WHERE SHOWN.
 2. CUT ITEM 16(CAP) PERILLAR GRAMMET TO .70 LG. PIECES CEMENT IN PLACE WITH ITEM 17 (PERMABOND ADHESIVE) AS SHOWN.



SECTION A-A



VIEW SHOWN WITH ITEM 1 (HARNESS) REMOVED FOR CLARITY



CAUTION: OFF SHEET PARTS LIST
 SEE B. PL-7016248-0-0

DESCRIPTION		PART NO.		REV. NO.	
UNLESS OTHERWISE SPECIFIED DIMENSIONS ARE IN INCHES					
DATE	BY	DATE	BY	DATE	BY
DESIGNED BY	CHKD BY	DESIGNED BY	CHKD BY	DESIGNED BY	CHKD BY
TITLE: RELAY ASSY					
SCALE: 1-1					
DRAWING NO: 7016248-0-3					
SHEET 1 OF 1					

DIGITAL EQUIPMENT CORPORATION PARTS LIST

MADE BY DATE	A. MOWRY 03/27/79	CHECKED DATE	SECTION
ENG DATE	Robert J. Wray 7-27-79	PROD DATE	ISSUED SECTION
		Manuel H. Heltzer (C.D.) 7-31-79	

QUANTITY / VARIATION

NOTES:

REF DESIGNATION

ITEM NO.	DRAWING NO.	PART NO.	DESCRIPTION	QTY	UNIT	VAR	VAR	VAR	VAR	VAR	VAR	VAR	VAR
1	D-IA-7016049-0-0	7016049-00	HARNES, A.C. INPUT	1									
2	D-MD-7422040-0-0	7422040-00	BRACKET, INPUT	1									
3		1216688-00	HEAT SINK	1									
4		1216206-00	RELAY, PWR 12V COIL. SPST 30A	1									
5		1212124-01	CKT BKR, 2 P SERIES TRIP, 20A 240V	1									
6	C-IA-7016923-0-0	7016923-00	SWITCH ASSY	1									
7		1116216-00	BRIDGE RECTIFIER IF = 30A, 600V VR	1									
8		9006966-00	TERMINAL, P.C.B. 2 POS INS, TURRET	2									
9		1314848-00	RESISTOR 3 OHM 5% 7 WATT	1									
10		9000039-06	SCR, PHIL, FLAT HD #4-40 x .187	2									
11		9006020-01	SCR, PHIL, PAN HD #6-32 x .250	6									
12		9006021-01	SCR, PHIL, PAN HD #6-32 x .312	1									
13		9009243-00	NUT, KEP #6-32 x 5/16 AF S.S.	1									
14		9007801-00	WASHER, LOCK SS #6	7									
15		9107560-03	WIRE BUSS #18 AWG	.21	FT								
16		9007036-00	GROMMET, CATERPILLAR	.25	FT								
17		9009157-00	ADHESIVE, PERMABOND	A/R									
18		9007031-00	TIE, CABLE SST1-M	3									
19		9009255-00	LABEL, POWER SUPPLY	1									
20		3615680-00	LABEL, SWITCH POSITION, ADH BACK	1									

E.C.O. NO.	THIS DRAWING AND SPECIFICATIONS, HEREIN, ARE THE PROPERTY OF DIGITAL EQUIPMENT CORPORATION AND SHALL NOT BE REPRODUCED OR COPIED OR USED IN WHOLE OR IN PART AS THE BASIS FOR THE MANUFACTURE OR SALE OF ITEMS WITHOUT WRITTEN PERMISSION. COPYRIGHT © 1977 DIGITAL EQUIPMENT CORPORATION	TITLE RELAY ASSY	ASSY NO. E-AD-7016048-0-0	SIZE B	CODE PL	NUMBER 7016048-0-0	REV. *
			SHEET 1 OF 1	INSERTION PARTS LIST DATA BASE REV			

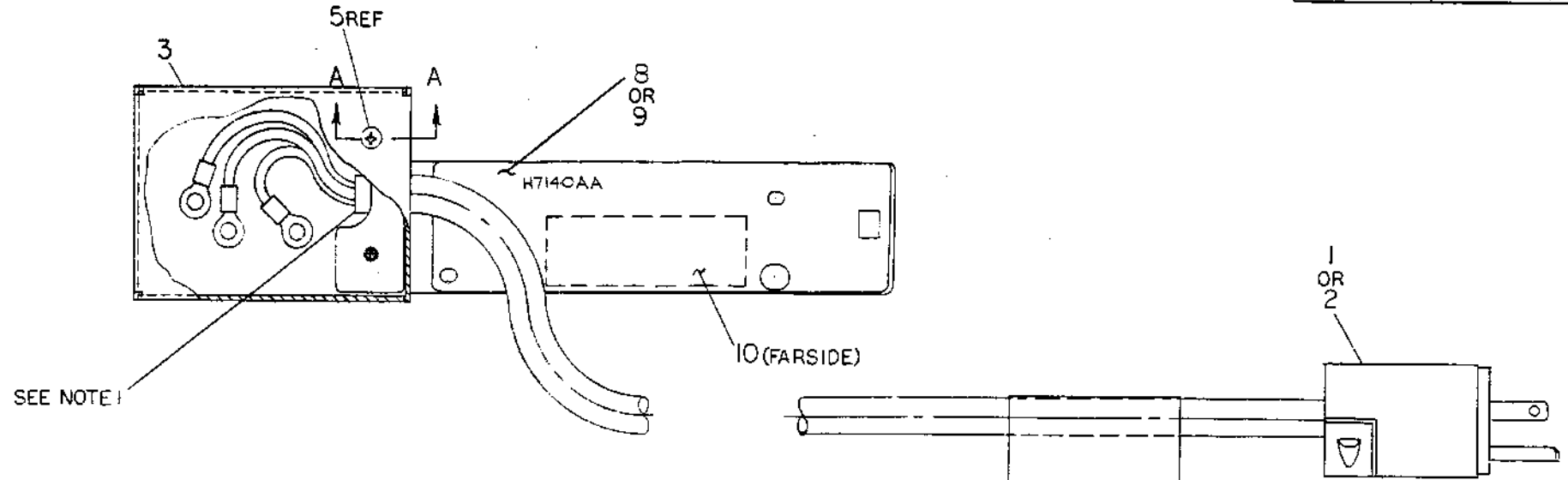
TW

8 7 6 5 4 3 2 1

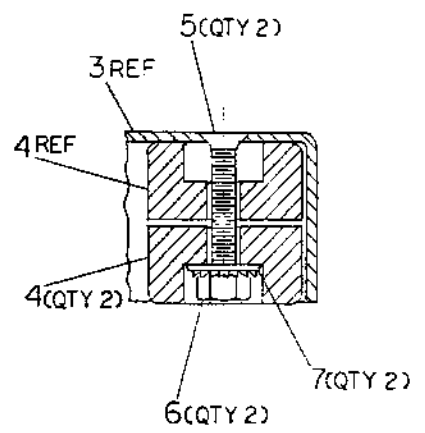
THIS DRAWING AND SPECIFICATIONS, HEREIN, ARE THE PROPERTY OF THE U.S. GOVERNMENT AND SHALL NOT BE REPRODUCED OR TRANSMITTED IN ANY FORM OR BY ANY MEANS, ELECTRONIC OR MECHANICAL, INCLUDING PHOTOCOPYING, RECORDING, OR BY ANY INFORMATION STORAGE AND RETRIEVAL SYSTEM, WITHOUT PERMISSION IN WRITING FROM THE U.S. GOVERNMENT.

PARTS LEGEND	
PART NO.	VARIATION
7016478-00	120V (H714CAA)
7016478-01	220V-240V (H7140AB)

NOTES:
 1. OUTSIDE JACKET OF ITEM 1 OR 2 (LINE CORD) TO EXTEND APPROX. .25 IN. BEYOND CLAMPING AREA OF ITEM 4 (CABLE CLAMP).



SEE NOTE 1



SECTION A-A
SCALE: 2/1

QTY	DESCRIPTION	UNIT	ITEM NO.
1	LABEL, PWR SUPPLY		9009255-00 10
1	LABEL, H7140AB (220-240V)		3616977-01 9
1	LABEL, H7140AA (120V)		3616977-00 8
2	WASHER, FLAT #8-32X1/32 AF		9006660-00 7
2	NUT, KEP #8-32X1/32 AF		9006563-00 6
2	SCR, FLAT, PHIL #8-32X1/16		9006042-02 5
2	CLAMP, CABLE		1215566-00 4
1	COVER, A.C.		D-MD-74220480-0 3
1	CORD ASSY, LINE (220-240V)		D-1A-7016907-1-0 2
1	CORD ASSY, LINE (120V)		D-1A-7016907-0-0 1

QUANTITY & VARIATION	DESCRIPTION	UNIT	ITEM NO.
1	LABEL, PWR SUPPLY		9009255-00 10
1	LABEL, H7140AB (220-240V)		3616977-01 9
1	LABEL, H7140AA (120V)		3616977-00 8
2	WASHER, FLAT #8-32X1/32 AF		9006660-00 7
2	NUT, KEP #8-32X1/32 AF		9006563-00 6
2	SCR, FLAT, PHIL #8-32X1/16		9006042-02 5
2	CLAMP, CABLE		1215566-00 4
1	COVER, A.C.		D-MD-74220480-0 3
1	CORD ASSY, LINE (220-240V)		D-1A-7016907-1-0 2
1	CORD ASSY, LINE (120V)		D-1A-7016907-0-0 1

THIRD ANGLE PROJECTION

REWORKS AND BREAKS SHOWN

DO NOT SCALE DIMS

SEE PARTS LIST

FINISH

DRN: [Signature] 15-16-79

CHKD: [Signature] 7/18/79

ENGR: [Signature] 7-18-79

PROJ. ENGR: [Signature] 7-18-79

PROD. [Signature] 7-18-79

NEXT NUMBER ASBY.

E-UA-H7140-0-0

SCALE 1/1

CHIT 1 OF 1

DATE USED ON: H7140

TITLE: POWER CORD ASSY

SIZE: 1000

NUMBER: D AD7016478-0-0

REV: *

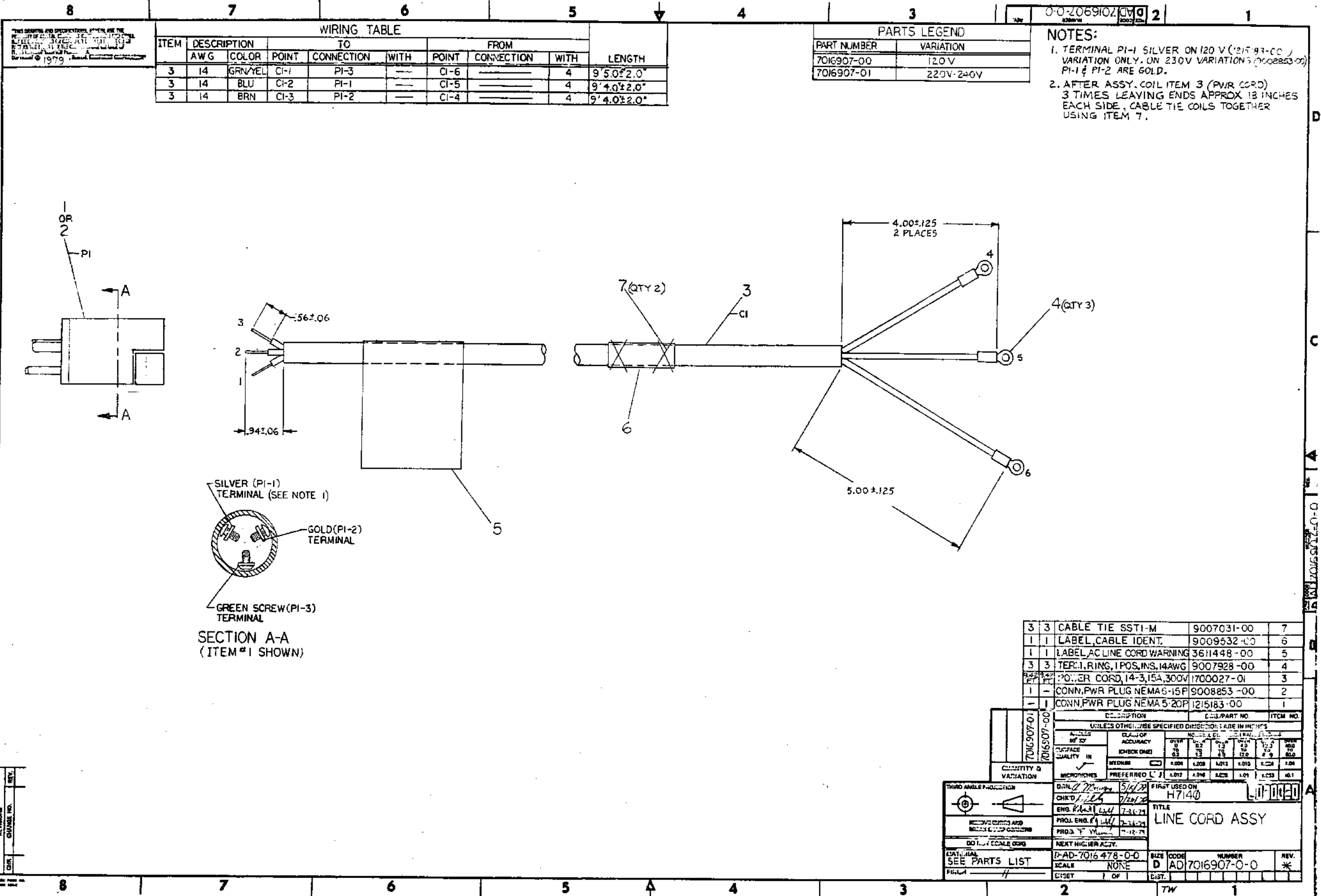
DIST. 1

TW 1

REVISIONS
 CHANGE NO.
 REV.

8 7 6 5 4 3 2 1

DRAWING NO. AD7016478-0-0

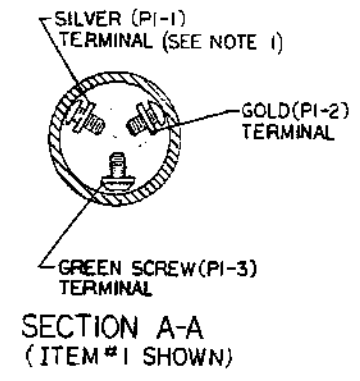


WIRING TABLE									
ITEM	DESCRIPTION	TO			FROM			LENGTH	
		AWG	COLOR	POINT	CONNECTION	WITH	POINT		CONNECTION
3	14	GRN/YEL	CI-1	PI-3	---	CI-6	---	4	9' 5.0 ± 2.0"
3	14	BLU	CI-2	PI-1	---	CI-5	---	4	9' 4.0 ± 2.0"
3	14	BRN	CI-3	PI-2	---	CI-4	---	4	9' 4.0 ± 2.0"

PARTS LEGEND	
PART NUMBER	VARIATION
7016907-00	120 V
7016907-01	220V-240V

NOTES:

1. TERMINAL PI-1 SILVER ON 120 V (215 93-00) VARIATION ONLY. ON 230V VARIATIONS (9008853-00) PI-1 & PI-2 ARE GOLD.
2. AFTER ASSY. COIL ITEM 3 (PWR CORD) 3 TIMES LEAVING ENDS APPROX. 18 INCHES EACH SIDE. CABLE TIE COILS TOGETHER USING ITEM 7.

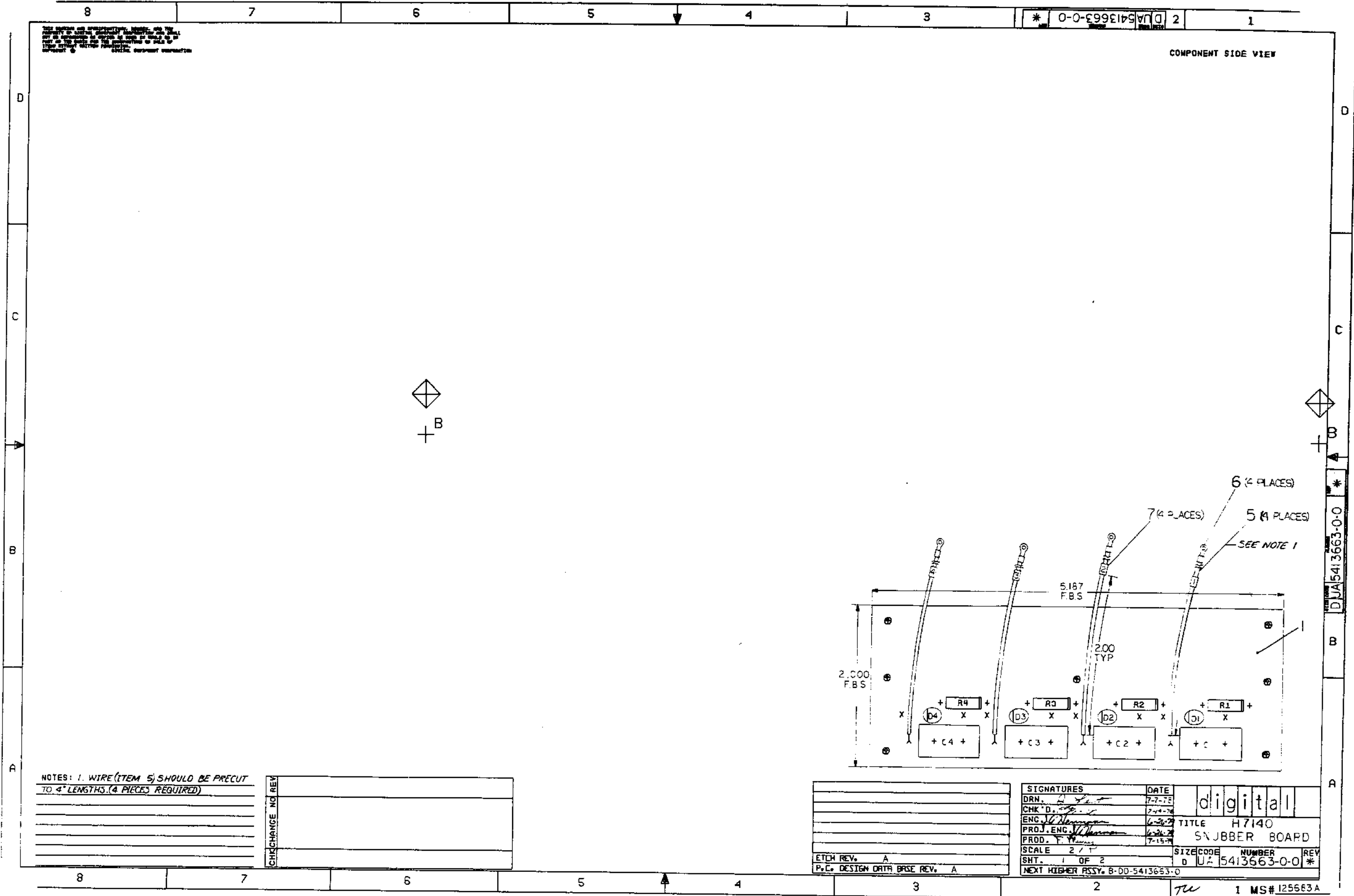


QTY	ITEM NO.	DESCRIPTION	QTY	ITEM NO.
3	3	CABLE TIE SST1-M	9007031-00	7
1	1	LABEL, CABLE IDENT.	9009532-00	6
1	1	LABEL, AC LINE CORD WARNING	3611448-00	5
3	3	TER. RING, 1 POS, INS, 14AWG	9007928-00	4
1	1	PWR CORD, 14-3, 15A, 300V	1700027-01	3
1	1	CONN, PWR PLUG NEMA 6-15P	9008853-00	2
1	1	CONN, PWR PLUG NEMA 5-20P	1215183-00	1

THIRD ANGLE PROJECTION	DATE: 5/1/79	FIRST USED ON: H7140
	CHK'D: [Signature]	DATE: 7/26/78
REVISED DIMS AND BREAKS TO CORRECT	ENG: [Signature]	TITLE: LINE CORD ASSY
DO NOT SCALE DIMS	PROJ. ENG: [Signature]	SCALE: NONE
	PROD. Y: [Signature]	SIZE CODE: D
		NUMBER: AD 7016907-0-0
		REV.:
		FIG. 1
		1 OF 1
		DIST.:

THIS DRAWING AND ALL INFORMATION CONTAINED THEREIN ARE THE PROPERTY OF DIGITAL EQUIPMENT CORPORATION. NO PART OF THIS DRAWING IS TO BE REPRODUCED OR TRANSMITTED IN ANY FORM OR BY ANY MEANS, ELECTRONIC OR MECHANICAL, INCLUDING PHOTOCOPYING, RECORDING, OR BY ANY INFORMATION STORAGE AND RETRIEVAL SYSTEM. WITHOUT PERMISSION IN WRITING FROM DIGITAL EQUIPMENT CORPORATION.

COMPONENT SIDE VIEW



NOTES: 1. WIRE (ITEM 5) SHOULD BE PRECUT TO 4" LENGTHS. (4 PIECES REQUIRED)

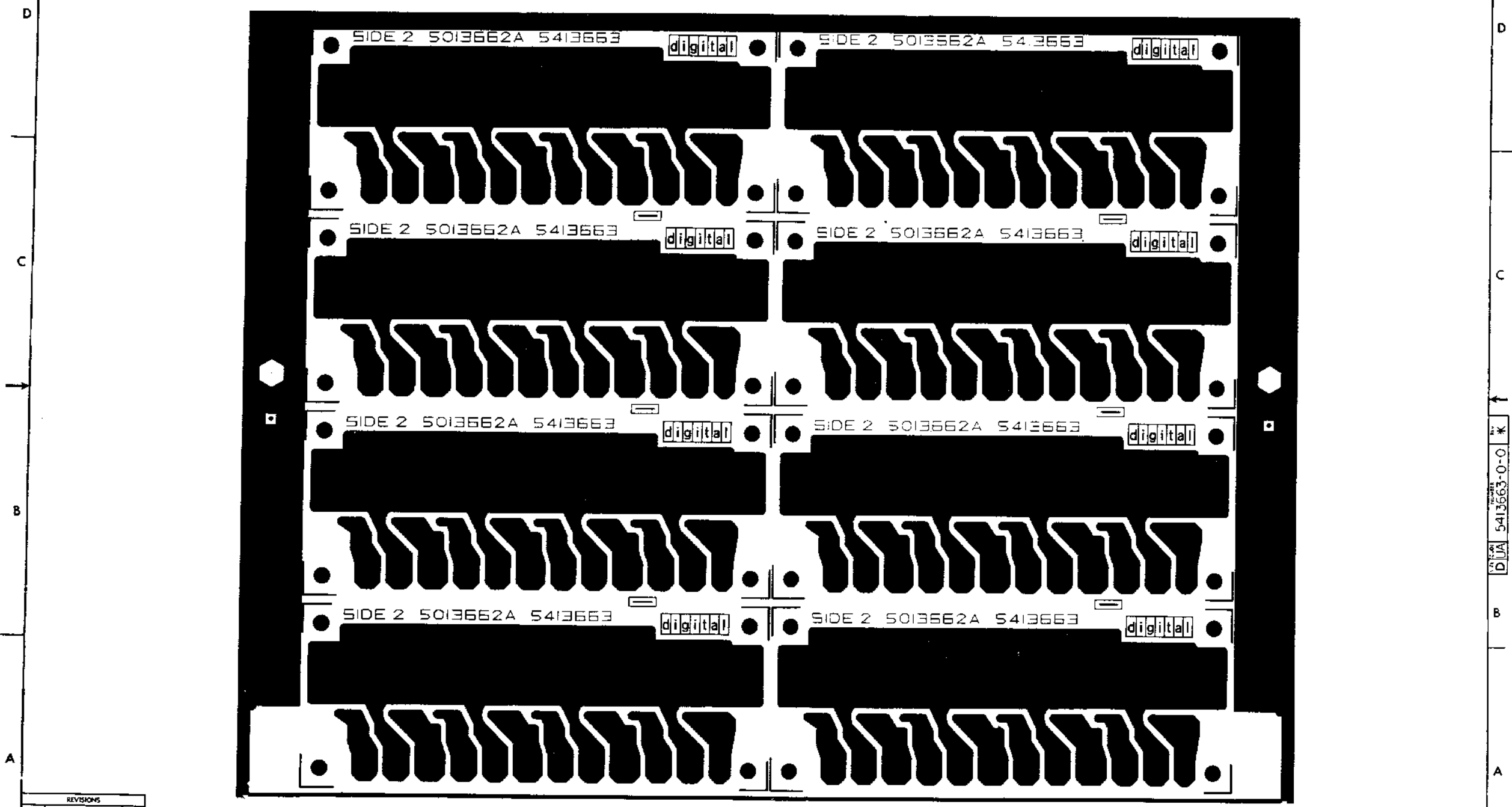
CHANGE NO	REV

ETCH REV.	A
P.C. DESIGN DATA BASE REV.	A

SIGNATURES		DATE	digital
DRN.	<i>[Signature]</i>	7-7-78	
CHK'D.	<i>[Signature]</i>	7-7-78	TITLE H7140 SNUBBER BOARD
ENG.	<i>[Signature]</i>	6-28-78	
PROJ. ENG.	<i>[Signature]</i>	6-28-78	SIZE CODE NUMBER DUA 5413663-0-0 *
PROD. F. W.	<i>[Signature]</i>	7-15-78	
SCALE 2 / 1			NEXT HIGHER ASSY. B-DD-5413663-0
SHT. 1 OF 2			

THIS DRAWING AND SPECIFICATIONS HEREIN ARE THE PROPERTY OF DIGITAL EQUIPMENT CORPORATION AND SHALL NOT BE REPRODUCED OR COPIED OR USED IN WHOLE OR IN PART AS THE BASIS FOR THE MANUFACTURE OR SALE OF ITEMS WITHOUT WRITTEN PERMISSION. COPYRIGHT © 1979 DIGITAL EQUIPMENT CORPORATION.

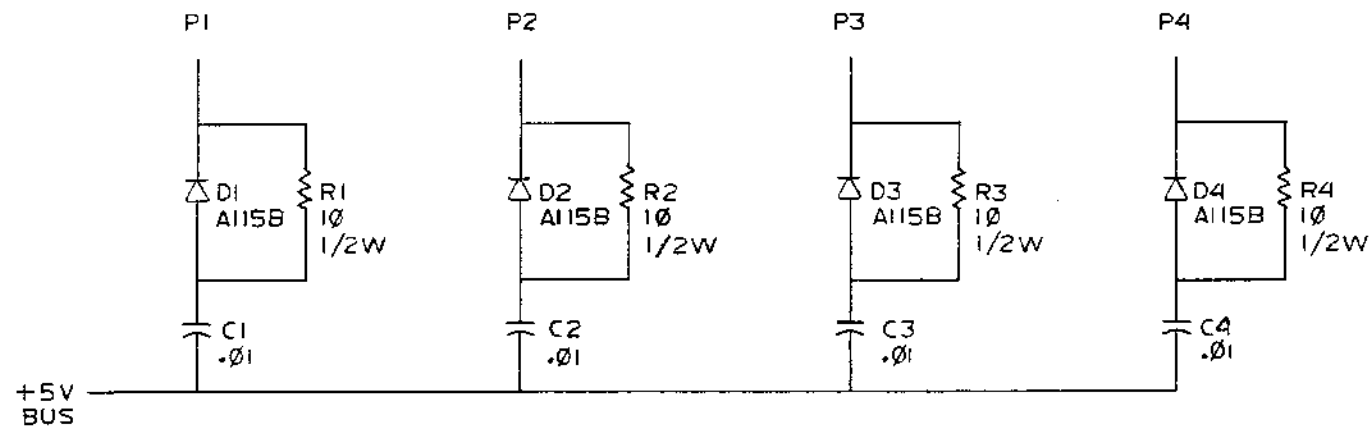
10-0-2998-79 MTD 2



REVISIONS		
CHK	CHANGE NO.	REV.

D UA 5413663-0-0 *

"THIS DRAWING AND SPECIFICATIONS, HEREIN, ARE THE PROPERTY OF DIGITAL EQUIPMENT CORPORATION AND SHALL NOT BE REPRODUCED OR COPIED OR USED IN WHOLE OR IN PART AS THE BASIS FOR THE MANUFACTURE OR SALE OF ITEMS WITHOUT WRITTEN PERMISSION. COPYRIGHT © 1978 DIGITAL EQUIPMENT CORPORATION"



REVISIONS	REV.
	CHANGE NO.
	CHK

QTY.	DESCRIPTION	PART NO.	ITEM NO.
PARTS LIST			
DRN. <i>James Engel</i>	DATE 5-29-78		
CHK'D. <i>T. L...</i>	DATE 6/27/78		
ENG. <i>R. Norman</i>	DATE 6/27/78		
PROJ. ENG. <i>R. Norman</i>	DATE 6/27/78		
PROD. <i>F. Morris</i>	DATE 7-15-78		
TITLE		H7140 SNUBBER BOARD	
NEXT HIGHER ASSY.		SIZE CODE	NUMBER
FIRST USED ON OPTION/MODEL		C CS	5413663-0-1
SCALE	NONE		REV. *
SHEET	1 OF 1	DIST.	

SIZE CODE C CS
 NUMBER 5413663-0-1
 REV. *

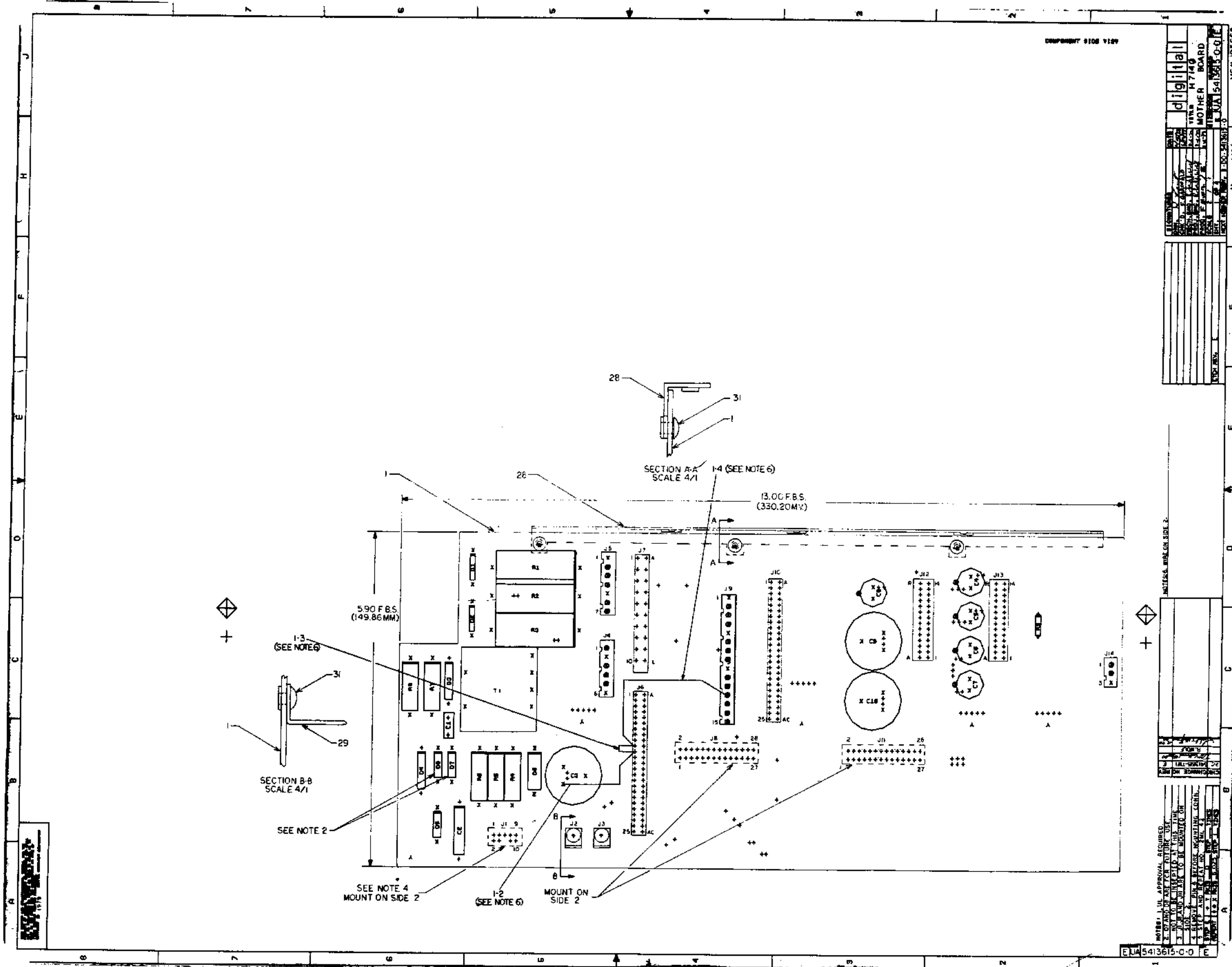
P A R T S L I S T

LINE	ITEM	DOCUMENT NUMBER	PART NUMBER	DESCRIPTION	QTY PER VARIATION	REFERENCE DESIGNATOR
1	1	D-MD-5413663-0-0	5413663-00	DRILL & FITCH SD	1	
2	2		1011847-01	.01 MFD 400V 10% POLYPROP	4	C1-C4
3	3		1112594-01	A115B PIV=200 I= 3A	4	D1-D4
4	4		1300168-00	10 1/2W 5% CC	4	R1-R4
5	5		9117901-33	WIPE, STAND, 20AWG IFVC UL1431	A/R	
6	6		9007930-00	TEMP RING 1POS INSULATED, 22-16	4	
7	7		9008356-01	WIPE IDENTIFIER, (1-48)	1	

NOTE: ITEM #5, 1.33" IS USED.

REVISION HISTORY		BASIC PART NO: 5413663		DPM: K. FRIEDGEN		DATE: 22-MAY-79		D I G I T A L			
ENG	ECO NUMBER	REV	SECTION A OF A	CHK'D:	J. CASEY	DATE:	19-JUL-79	TITLE		PARTS LIST	
	INITIAL	*	SECTION VARIATION INDEX					SMURBER BOARD ASSY			
			(A) 00					DOCUMENT NUMBER			
			(B)					SIZE	CODE	NUMBER	REV
			(C)	DFS, ENG:	J. A. HERRMANN	DATE:	22-MAY-79				
			(D)								
			(E)								
			(F)	HFSP, ENG.:	J. A. HERRMANN	DATE:	22-MAY-79				
			(H)								
			(J)								
			(K)	MFG, ENG.:	F. MUNIZ	DATE:	19-JUL-79	K	PL	5413663-0-DBP	*
			(L)								
			(M)	ASSEMBLY NUMBER:		TOP DOCUMENT NUMBER:		FILE NAME:		EDIT #	
			(N)	D-UA-5413663-0-0		D-MD-5413663-0-0		13663.PLS		8	

THIS DRAWING AND SPECIFICATIONS HEREIN, ARE THE PROPERTY OF DIGITAL EQUIPMENT CORPORATION AND SHALL NOT BE REPRODUCED OR COPIED OR USED IN WHOLE OR IN PART AS THE BASIS FOR THE MANUFACTURE OR SALE OF ITEMS WITHOUT WRITTEN PERMISSION.
COPYRIGHT (C) 1979, DIGITAL EQUIPMENT CORPORATION

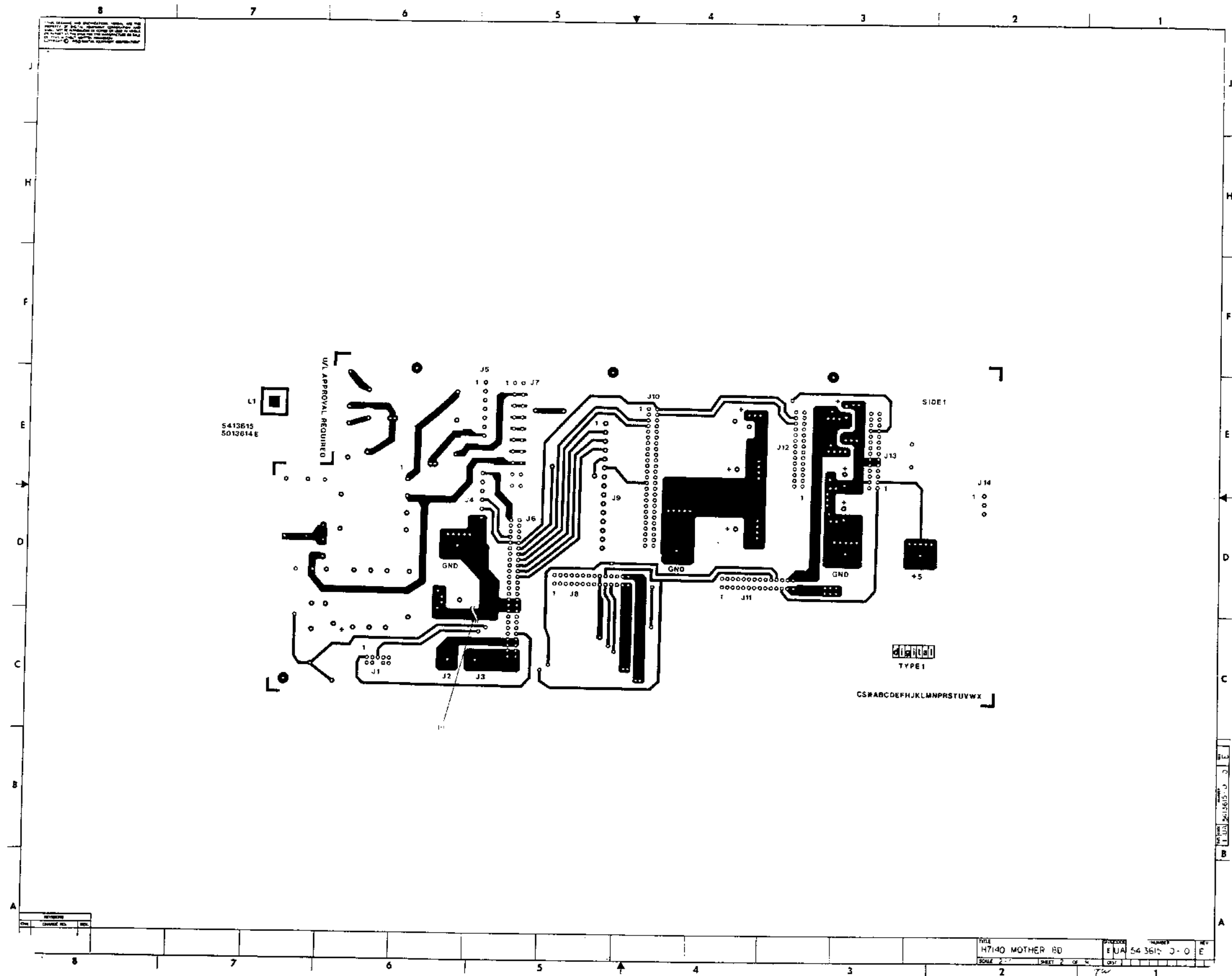


REV.	DATE	BY	CHKD.	APP.
1				
2				
3				
4				
5				
6				
7				
8				
9				
10				
11				
12				
13				
14				
15				
16				
17				
18				
19				
20				
21				
22				
23				
24				
25				
26				
27				
28				
29				
30				
31				
32				
33				
34				
35				
36				
37				
38				
39				
40				
41				
42				
43				
44				
45				
46				
47				
48				
49				
50				
51				
52				
53				
54				
55				
56				
57				
58				
59				
60				
61				
62				
63				
64				
65				
66				
67				
68				
69				
70				
71				
72				
73				
74				
75				
76				
77				
78				
79				
80				
81				
82				
83				
84				
85				
86				
87				
88				
89				
90				
91				
92				
93				
94				
95				
96				
97				
98				
99				
100				

REV.	DATE	BY	CHKD.	APP.
1				
2				
3				
4				
5				
6				
7				
8				
9				
10				
11				
12				
13				
14				
15				
16				
17				
18				
19				
20				
21				
22				
23				
24				
25				
26				
27				
28				
29				
30				
31				
32				
33				
34				
35				
36				
37				
38				
39				
40				
41				
42				
43				
44				
45				
46				
47				
48				
49				
50				
51				
52				
53				
54				
55				
56				
57				
58				
59				
60				
61				
62				
63				
64				
65				
66				
67				
68				
69				
70				
71				
72				
73				
74				
75				
76				
77				
78				
79				
80				
81				
82				
83				
84				
85				
86				
87				
88				
89				
90				
91				
92				
93				
94				
95				
96				
97				
98				
99				
100				

NOTES: 1. IN APPROVAL, EQUIPMENT TO BE APPROVED BY THE USER. 2. THE USER SHALL BE RESPONSIBLE FOR THE PROTECTION OF THE BOARD FROM DAMAGE. 3. THE BOARD SHALL BE KEPT IN A CLEAN AND DRY ENVIRONMENT. 4. THE BOARD SHALL BE KEPT IN A SAFE AND SECURE LOCATION. 5. THE BOARD SHALL BE KEPT IN A SAFE AND SECURE LOCATION. 6. THE BOARD SHALL BE KEPT IN A SAFE AND SECURE LOCATION. 7. THE BOARD SHALL BE KEPT IN A SAFE AND SECURE LOCATION. 8. THE BOARD SHALL BE KEPT IN A SAFE AND SECURE LOCATION. 9. THE BOARD SHALL BE KEPT IN A SAFE AND SECURE LOCATION. 10. THE BOARD SHALL BE KEPT IN A SAFE AND SECURE LOCATION. 11. THE BOARD SHALL BE KEPT IN A SAFE AND SECURE LOCATION. 12. THE BOARD SHALL BE KEPT IN A SAFE AND SECURE LOCATION. 13. THE BOARD SHALL BE KEPT IN A SAFE AND SECURE LOCATION. 14. THE BOARD SHALL BE KEPT IN A SAFE AND SECURE LOCATION. 15. THE BOARD SHALL BE KEPT IN A SAFE AND SECURE LOCATION. 16. THE BOARD SHALL BE KEPT IN A SAFE AND SECURE LOCATION. 17. THE BOARD SHALL BE KEPT IN A SAFE AND SECURE LOCATION. 18. THE BOARD SHALL BE KEPT IN A SAFE AND SECURE LOCATION. 19. THE BOARD SHALL BE KEPT IN A SAFE AND SECURE LOCATION. 20. THE BOARD SHALL BE KEPT IN A SAFE AND SECURE LOCATION. 21. THE BOARD SHALL BE KEPT IN A SAFE AND SECURE LOCATION. 22. THE BOARD SHALL BE KEPT IN A SAFE AND SECURE LOCATION. 23. THE BOARD SHALL BE KEPT IN A SAFE AND SECURE LOCATION. 24. THE BOARD SHALL BE KEPT IN A SAFE AND SECURE LOCATION. 25. THE BOARD SHALL BE KEPT IN A SAFE AND SECURE LOCATION. 26. THE BOARD SHALL BE KEPT IN A SAFE AND SECURE LOCATION. 27. THE BOARD SHALL BE KEPT IN A SAFE AND SECURE LOCATION. 28. THE BOARD SHALL BE KEPT IN A SAFE AND SECURE LOCATION. 29. THE BOARD SHALL BE KEPT IN A SAFE AND SECURE LOCATION. 30. THE BOARD SHALL BE KEPT IN A SAFE AND SECURE LOCATION. 31. THE BOARD SHALL BE KEPT IN A SAFE AND SECURE LOCATION. 32. THE BOARD SHALL BE KEPT IN A SAFE AND SECURE LOCATION. 33. THE BOARD SHALL BE KEPT IN A SAFE AND SECURE LOCATION. 34. THE BOARD SHALL BE KEPT IN A SAFE AND SECURE LOCATION. 35. THE BOARD SHALL BE KEPT IN A SAFE AND SECURE LOCATION. 36. THE BOARD SHALL BE KEPT IN A SAFE AND SECURE LOCATION. 37. THE BOARD SHALL BE KEPT IN A SAFE AND SECURE LOCATION. 38. THE BOARD SHALL BE KEPT IN A SAFE AND SECURE LOCATION. 39. THE BOARD SHALL BE KEPT IN A SAFE AND SECURE LOCATION. 40. THE BOARD SHALL BE KEPT IN A SAFE AND SECURE LOCATION. 41. THE BOARD SHALL BE KEPT IN A SAFE AND SECURE LOCATION. 42. THE BOARD SHALL BE KEPT IN A SAFE AND SECURE LOCATION. 43. THE BOARD SHALL BE KEPT IN A SAFE AND SECURE LOCATION. 44. THE BOARD SHALL BE KEPT IN A SAFE AND SECURE LOCATION. 45. THE BOARD SHALL BE KEPT IN A SAFE AND SECURE LOCATION. 46. THE BOARD SHALL BE KEPT IN A SAFE AND SECURE LOCATION. 47. THE BOARD SHALL BE KEPT IN A SAFE AND SECURE LOCATION. 48. THE BOARD SHALL BE KEPT IN A SAFE AND SECURE LOCATION. 49. THE BOARD SHALL BE KEPT IN A SAFE AND SECURE LOCATION. 50. THE BOARD SHALL BE KEPT IN A SAFE AND SECURE LOCATION. 51. THE BOARD SHALL BE KEPT IN A SAFE AND SECURE LOCATION. 52. THE BOARD SHALL BE KEPT IN A SAFE AND SECURE LOCATION. 53. THE BOARD SHALL BE KEPT IN A SAFE AND SECURE LOCATION. 54. THE BOARD SHALL BE KEPT IN A SAFE AND SECURE LOCATION. 55. THE BOARD SHALL BE KEPT IN A SAFE AND SECURE LOCATION. 56. THE BOARD SHALL BE KEPT IN A SAFE AND SECURE LOCATION. 57. THE BOARD SHALL BE KEPT IN A SAFE AND SECURE LOCATION. 58. THE BOARD SHALL BE KEPT IN A SAFE AND SECURE LOCATION. 59. THE BOARD SHALL BE KEPT IN A SAFE AND SECURE LOCATION. 60. THE BOARD SHALL BE KEPT IN A SAFE AND SECURE LOCATION. 61. THE BOARD SHALL BE KEPT IN A SAFE AND SECURE LOCATION. 62. THE BOARD SHALL BE KEPT IN A SAFE AND SECURE LOCATION. 63. THE BOARD SHALL BE KEPT IN A SAFE AND SECURE LOCATION. 64. THE BOARD SHALL BE KEPT IN A SAFE AND SECURE LOCATION. 65. THE BOARD SHALL BE KEPT IN A SAFE AND SECURE LOCATION. 66. THE BOARD SHALL BE KEPT IN A SAFE AND SECURE LOCATION. 67. THE BOARD SHALL BE KEPT IN A SAFE AND SECURE LOCATION. 68. THE BOARD SHALL BE KEPT IN A SAFE AND SECURE LOCATION. 69. THE BOARD SHALL BE KEPT IN A SAFE AND SECURE LOCATION. 70. THE BOARD SHALL BE KEPT IN A SAFE AND SECURE LOCATION. 71. THE BOARD SHALL BE KEPT IN A SAFE AND SECURE LOCATION. 72. THE BOARD SHALL BE KEPT IN A SAFE AND SECURE LOCATION. 73. THE BOARD SHALL BE KEPT IN A SAFE AND SECURE LOCATION. 74. THE BOARD SHALL BE KEPT IN A SAFE AND SECURE LOCATION. 75. THE BOARD SHALL BE KEPT IN A SAFE AND SECURE LOCATION. 76. THE BOARD SHALL BE KEPT IN A SAFE AND SECURE LOCATION. 77. THE BOARD SHALL BE KEPT IN A SAFE AND SECURE LOCATION. 78. THE BOARD SHALL BE KEPT IN A SAFE AND SECURE LOCATION. 79. THE BOARD SHALL BE KEPT IN A SAFE AND SECURE LOCATION. 80. THE BOARD SHALL BE KEPT IN A SAFE AND SECURE LOCATION. 81. THE BOARD SHALL BE KEPT IN A SAFE AND SECURE LOCATION. 82. THE BOARD SHALL BE KEPT IN A SAFE AND SECURE LOCATION. 83. THE BOARD SHALL BE KEPT IN A SAFE AND SECURE LOCATION. 84. THE BOARD SHALL BE KEPT IN A SAFE AND SECURE LOCATION. 85. THE BOARD SHALL BE KEPT IN A SAFE AND SECURE LOCATION. 86. THE BOARD SHALL BE KEPT IN A SAFE AND SECURE LOCATION. 87. THE BOARD SHALL BE KEPT IN A SAFE AND SECURE LOCATION. 88. THE BOARD SHALL BE KEPT IN A SAFE AND SECURE LOCATION. 89. THE BOARD SHALL BE KEPT IN A SAFE AND SECURE LOCATION. 90. THE BOARD SHALL BE KEPT IN A SAFE AND SECURE LOCATION. 91. THE BOARD SHALL BE KEPT IN A SAFE AND SECURE LOCATION. 92. THE BOARD SHALL BE KEPT IN A SAFE AND SECURE LOCATION. 93. THE BOARD SHALL BE KEPT IN A SAFE AND SECURE LOCATION. 94. THE BOARD SHALL BE KEPT IN A SAFE AND SECURE LOCATION. 95. THE BOARD SHALL BE KEPT IN A SAFE AND SECURE LOCATION. 96. THE BOARD SHALL BE KEPT IN A SAFE AND SECURE LOCATION. 97. THE BOARD SHALL BE KEPT IN A SAFE AND SECURE LOCATION. 98. THE BOARD SHALL BE KEPT IN A SAFE AND SECURE LOCATION. 99. THE BOARD SHALL BE KEPT IN A SAFE AND SECURE LOCATION. 100. THE BOARD SHALL BE KEPT IN A SAFE AND SECURE LOCATION.

MS# 125668



1. All dimensions are in inches.
 2. All dimensions are to center unless otherwise specified.
 3. All dimensions are to be maintained unless otherwise specified.
 4. All dimensions are to be maintained unless otherwise specified.
 5. All dimensions are to be maintained unless otherwise specified.

L1
 S413615
 S012614E

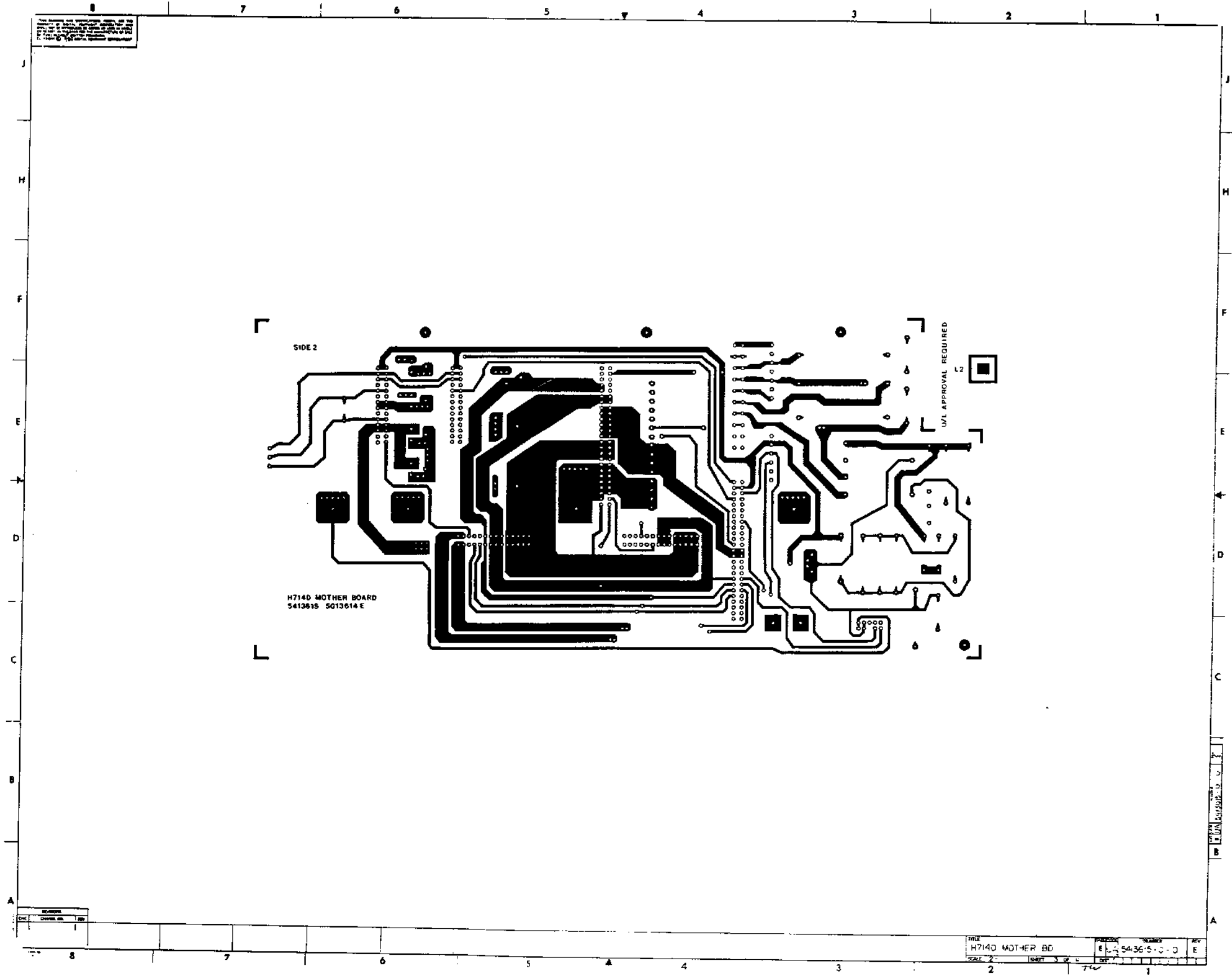
U/I APPROVAL REQUIRED

TYPE 1

CSRABCDEFHJKLMNPRSTUVWX

REV	DATE	BY	CHKD

TITLE: H7140 MOTHER BD
 DRAWN: EJA
 CHECKED: S413615 J-O-E
 SCALE: 2:1
 SHEET 2 OF 4
 DATE: 7/2/70



THIS DRAWING IS THE PROPERTY OF THE U.S. GOVERNMENT
 AND IS LOANED TO YOUR ORGANIZATION. IT AND ITS CONTENTS
 ARE NOT TO BE DISTRIBUTED OUTSIDE YOUR ORGANIZATION.

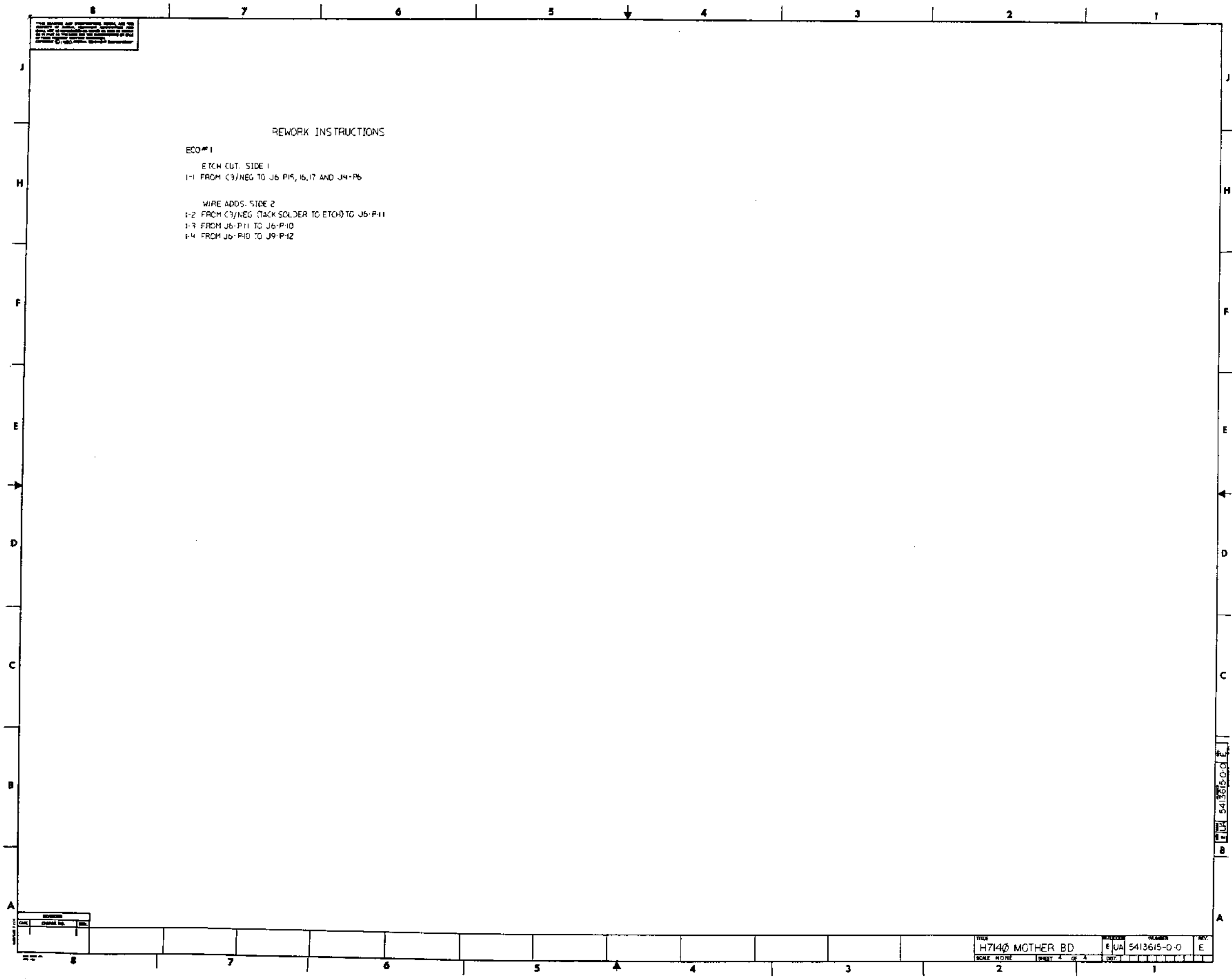
SIDE 2

H7140 MOTHER BOARD
 5413615 5013614 E

U/L APPROVAL REQUIRED

REV	DATE	BY	CHKD

TITLE	H7140 MOTHER BD	PROJECT	5413615-0	REV	E
SCALE	2"	ISOMET	3 OF 4	DATE	



THIS DRAWING IS THE PROPERTY OF
 THE UNITED STATES GOVERNMENT
 AND IS LOANED TO YOUR ORGANIZATION.
 IT AND ITS CONTENTS ARE NOT TO BE
 DISTRIBUTED OUTSIDE YOUR ORGANIZATION.
 GPO: 1965 O-350-000

REWORK INSTRUCTIONS

ECO #1

ETCH CUT- SIDE 1

1-1 FROM C3/NEG TO J6 P15, 16, 17 AND J4-P6

WIRE ADDS- SIDE 2

1-2 FROM C3/NEG (TACK SOLDER TO ETCH) TO J6-P11

1-3 FROM J6-P11 TO J6-P10

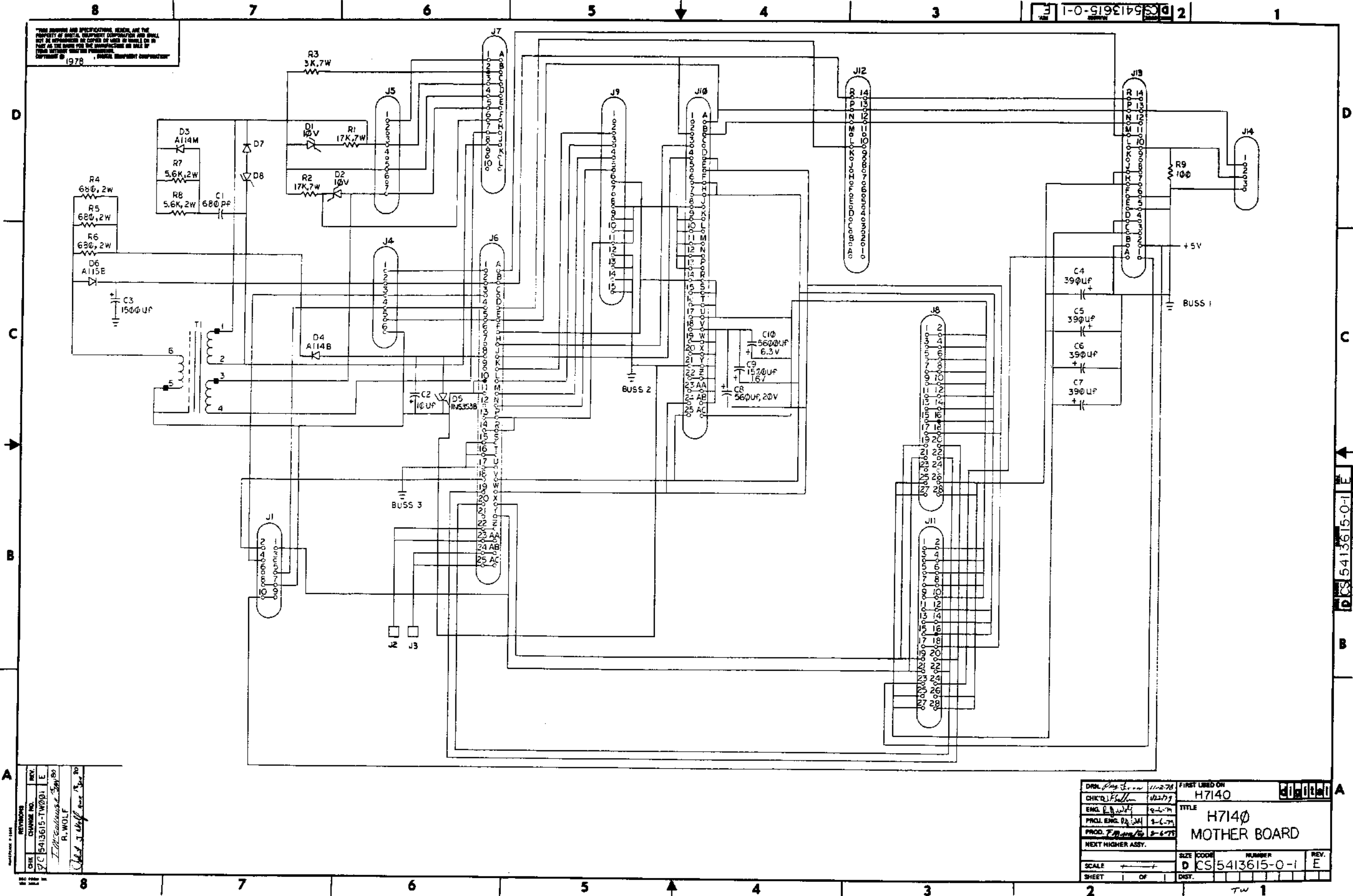
1-4 FROM J6-P10 TO J9-P12

DATE	DESIGNED BY	CHKD.

TITLE	H7140 MOTHER BD.	DESIGNER	EUA	REVISION	5413615-0-0	REV.	E
SCALE	NONE	UNIT	INCHES	DATE			

5413615-0-0

THIS DRAWING AND SPECIFICATIONS HEREON ARE THE PROPERTY OF DIGITAL EQUIPMENT CORPORATION AND SHALL NOT BE REPRODUCED OR COPIED IN WHOLE OR IN PART AS THE BASIS FOR THE MANUFACTURE OR SALE OF EQUIPMENT WITHOUT THE PERMISSION OF DIGITAL EQUIPMENT CORPORATION
 1978



REV.	REV.
CHG	CHG
5413615-TW001	5413615-TW001
R. WOLF	R. WOLF

DRN	11-2-78	FIRST USED ON	H7140
CHK'D	12-2-78	TITLE	H7140
ENG	2-6-79	TITLE	MOTHER BOARD
PROJ. ENG.	2-6-79		
PROD.	2-6-79		
NEXT HIGHER ASSY.			
SCALE	+	SIZE CODE	D CS 5413615-0-1
SHEET	OF	DIST.	REV. E

LINE	ITEM	DOCUMENT NUMBER	PART NUMBER	DESCRIPTION	QTY PER VARIATION	REFERENCE DESIGNATOR
					00	
1	1	D=MD-5013614-0-0	5013614-00	DRILL & ETCH BD	1	
2	2		1004813-00	10 MFD 20V 10% S,TANT	1	C2
3	3		1012607-00	560 MFD 20V HQ 672D AL EL	1	CP
4	4		1012607-00	390 MFD 20V HQ 67D AL EL	4	C4-C7
5	5		1013280-00	680.0 MMF1000V 50200PPM	1	C1
6	6		1014229-00	1500 MFD 16V +75-10% AL EL	2	C9,C3
7	7		1016169-00	5600 MFD 6.3V +75,-10% AL EL	1	C10
8	8		1110054-00	1N 5353B VZ= 16.0V 5% .40W M	1	D5
9	9		1100125-00	1N 750A VZ= 10.0 5% .40W PPE	2	D1,D2
10	10		1112594-01	A115B PIV=200 I= 3A	1	D6
11	11		1112595-01	A114B PIV=200 I= 1A	1	D4
12	12		1112595-02	A114M PIV=600 I= 1A	1	D3
13	13		1215341-01	HEADER 10POS VERTICAL	1	J1
14	14		1211004-00	SOCKET,100 28POS BOTTOM MOUNT	4	J12,J13,J11,J8
15	15		1211004-04	SOCKET,100 40POS	1	J7
16	16		1211004-05	SOCKET,100 50POS	2	J6,J10
17	17		1216122-01	HEADER,156 7POS KEYED	1	J5
18	18		1216122-02	HEADER,156 15POS KEYED	1	J9
19	19		1216122-04	HEADER,156 3POS	1	J14
20	20		1216122-05	HEADER,156 6POS	1	J4
21	21		1300229-00	100.0 .25 W 5.0 % CC	1	R9
22	22		1300348-00	500.0 2.0 W 5.0 % CC	3	R4-R6
23	23		1300456-00	5.60 K 2.0 W10.0 % CC	2	R7,R8
24	24		1316207-00	3.0 K 7W+,-5% WW	1	R3
25	25		1316209-00	17.0 K 7W+,-5% WW	2	R1,R2
26	27		1616215-00	XFMR P=240/360 S=5V	1	T1
27	28		7422391-00	SUPPORT,MOTHER BOARD	1	
28	29		9000219-00	TERM QUICK 1POS ADAPTER	2	J2,J3
29	31		9000000-00	EYELET, ROLLED FLANGE, .121 OD X	5	
30	32		9107688-55	WIRE(WRAP)24AWG UL1327 A/R		

REVISION HISTORY		BASIC PART NO: 5413615		DRN:	M. CICCONE	DATE:	27-MAR-79	DIGITAL			
ENG:	ECO NUMBER	REV	SECTION A OF A	CHK'D:	F. T. GERRY	DATE:	27-MAR-79	PARTS LIST			
	INITIAL	D	SECTION, VARIATION INDEX					TITLE			
R. W.	TW001	E	(A) 00					MOTHER BOARD			
			(B)								
			(C)	DES. ENG:	R. WOLF	DATE:	27-MAR-79				
			(D)								
			(E)								
			(F)	RESP. ENG.:	R. WOLF	DATE:	27-MAR-79	DOCUMENT NUMBER			
			(H)								
			(J)					SIZE	CODE	NUMBER	REV
			(K)	MPG. ENG.:	P. WAITKUS	DATE:	6-AUG-79	K	PL	5413615-0-DBP	E
			(L)								
			(M)	ASSEMBLY NUMBER:		TOP DOCUMENT NUMBER:		FILE NAME:		EDIT #	
			(N)	D-UA-5413615-0-0				Z0376E.PLS		7	

"THIS DRAWING AND SPECIFICATIONS HEREIN, ARE THE PROPERTY OF DIGITAL EQUIPMENT CORPORATION AND SHALL NOT BE REPRODUCED OR COPIED OR USED IN WHOLE OR IN PART AS THE BASIS FOR THE MANUFACTURE OR SALE OF ITEMS WITHOUT WRITTEN PERMISSION. COPYRIGHT (C) 1980, DIGITAL EQUIPMENT CORPORATION"

TAM

AUTOMATED BY PHLST.3J(25)

PARTS LIST

SHEET A2 OF A2

LINE ITEM DOCUMENT NUMBER

PART NUMBER

DESCRIPTION

QTY PER VARIATION
00

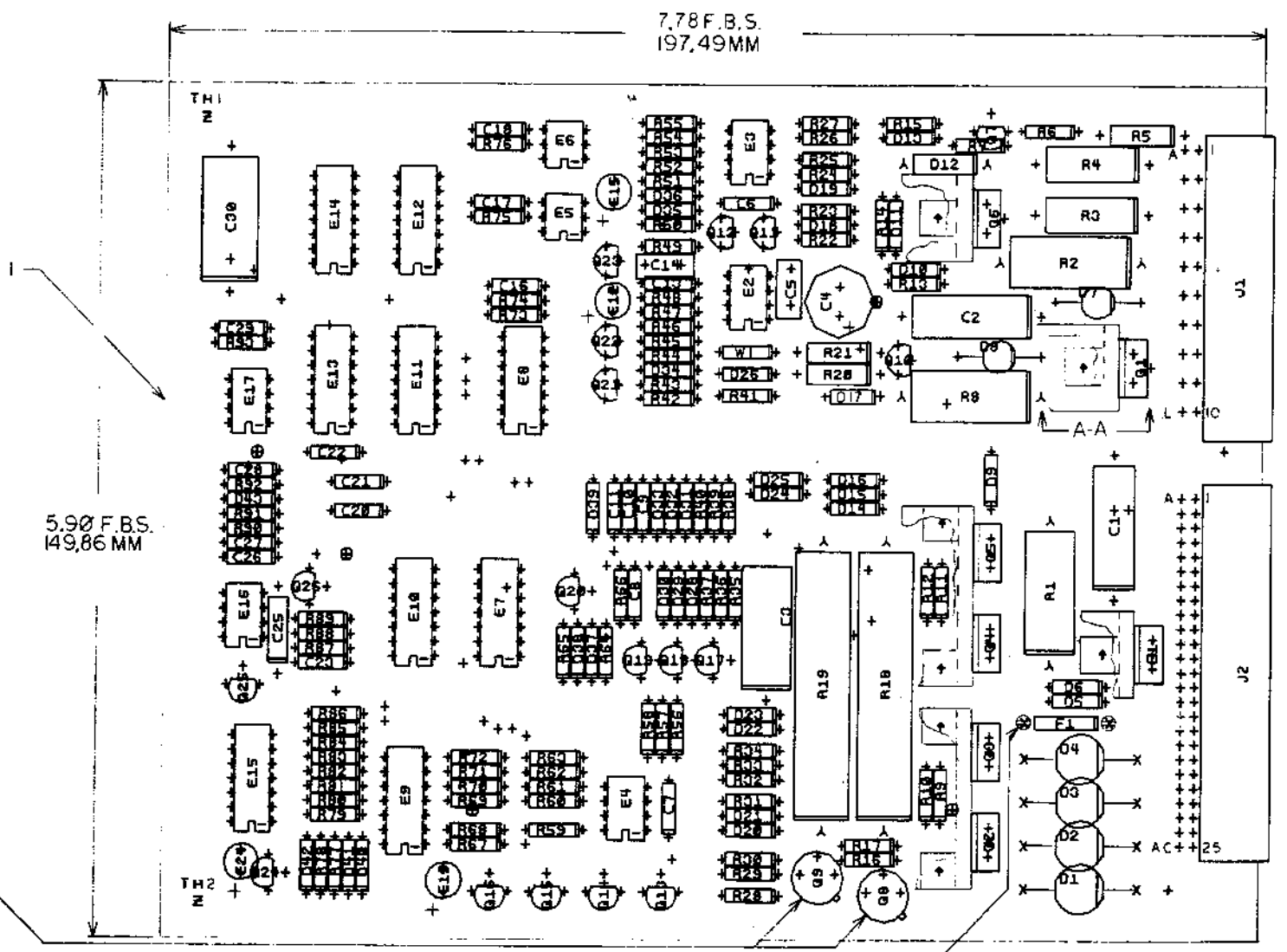
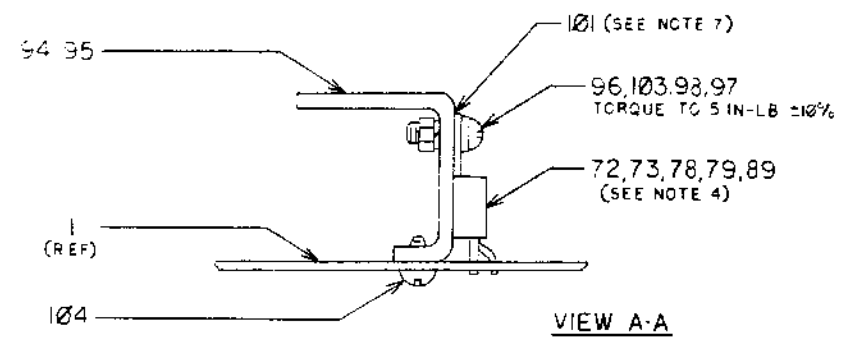
REFERENCE DESIGNATOR

31 NOTE: FOR ITEM #32, 46' IS USED.

D	I	G	I	T	A	L	TITLE	SECTION A OF A	SIZE	CODE	DOCUMENT NUMBER	REV
							MOTHER BOARD			PL	5413615-0-DBP	E

TW

1988



- NOTES:
1. STEP AND REPEAT CODE 2ML 39
 2. R18, R19 MUST BE RAISED .125 TO .150
 3. D1-D4, R1, R2, R6 MUST BE RAISED .05 TO .10
 4. E1 AND Q1-Q6, MUST BE MOUNTED TO HEAT SINK BEFORE BEING ATTACHED TO PCB.
 5. SEE VIEW A-A.
 6. EYELET ITEM NO. 99, USED IN MOUNTING HOLES OF F1.
 7. USE TRANSIPADS, ITEM NO. 100, UNDER Q8, Q9.
 8. USE THERMAL COMPOUND, ITEM NO. 101, BETWEEN E1-Q6 AND HEAT SINK'S.

100 (SEE NOTE 6)
99 (SEE NOTE 5)

STEP E	+ Y	POCS 5.025	STEP	TIMES
REPEAT	+ X	POCS 7.900	STEP	TIMES

CHANGE NO	REV	DATE	BY	CHK'D
1	E	1-17-80	R. WOLF	

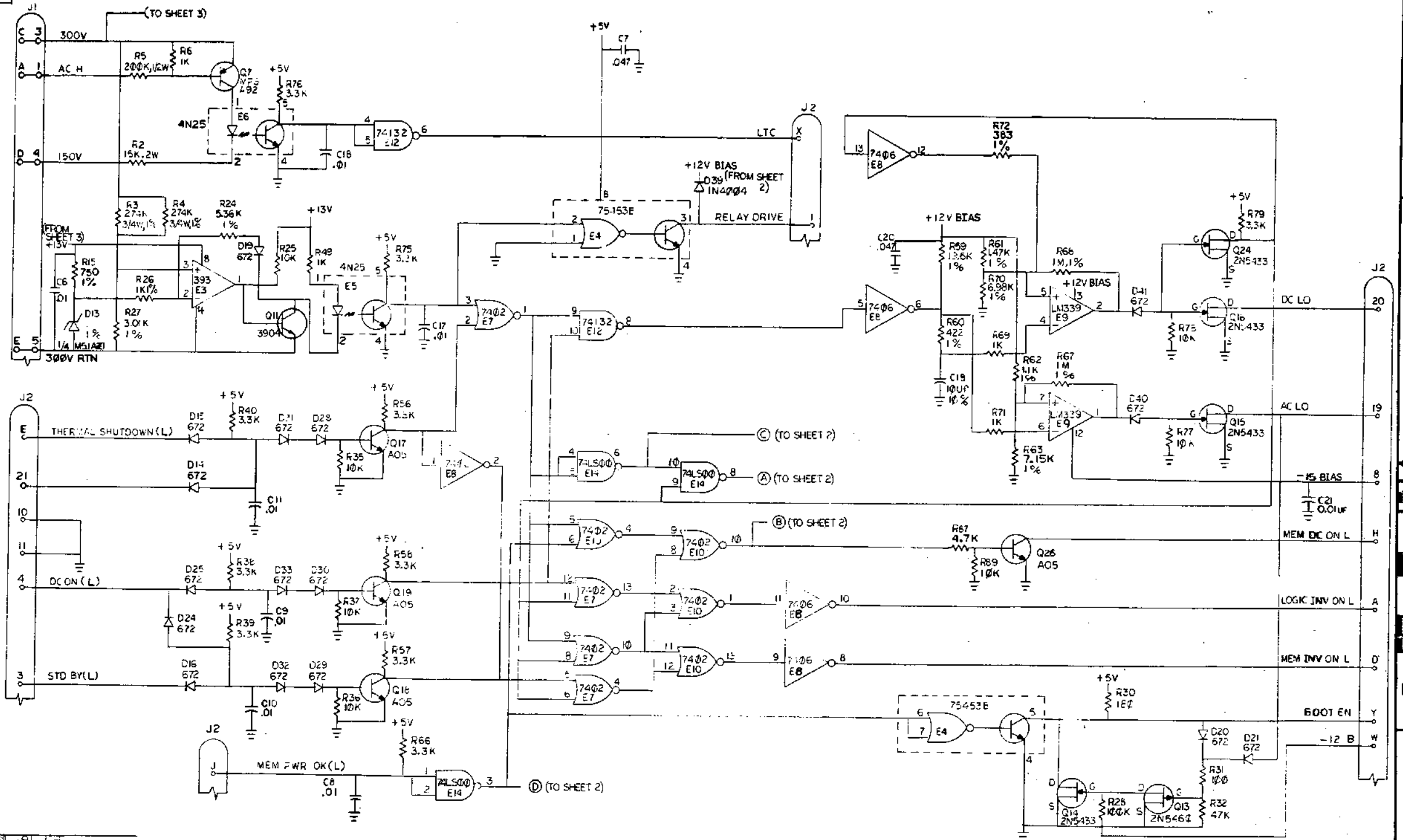
ETCH REV.	CPI
-----------	-----

SIGNATURES		DATE	digital
DRN. J. [Signature]		1-4-80	
CHK'D. [Signature]		1-17-80	
MECH. ENG. [Signature]		1-17-80	
PROJ. ENG. [Signature]		1-17-80	
PROD. [Signature]		1-17-80	
SCALE			
SHT. 1 OF 1			
NEXT HIGHER ASSY. 8-DD-5413605-0			

TITLE BIAS AND INTERFACE BOARD

SIZE CODE NUMBER REV
D UA 5413605-0-0 E

ALL DIMENSIONS ARE IN MILLIMETERS UNLESS OTHERWISE SPECIFIED.
TOLERANCES: .50mm (20mil) UNLESS OTHERWISE SPECIFIED.
1976

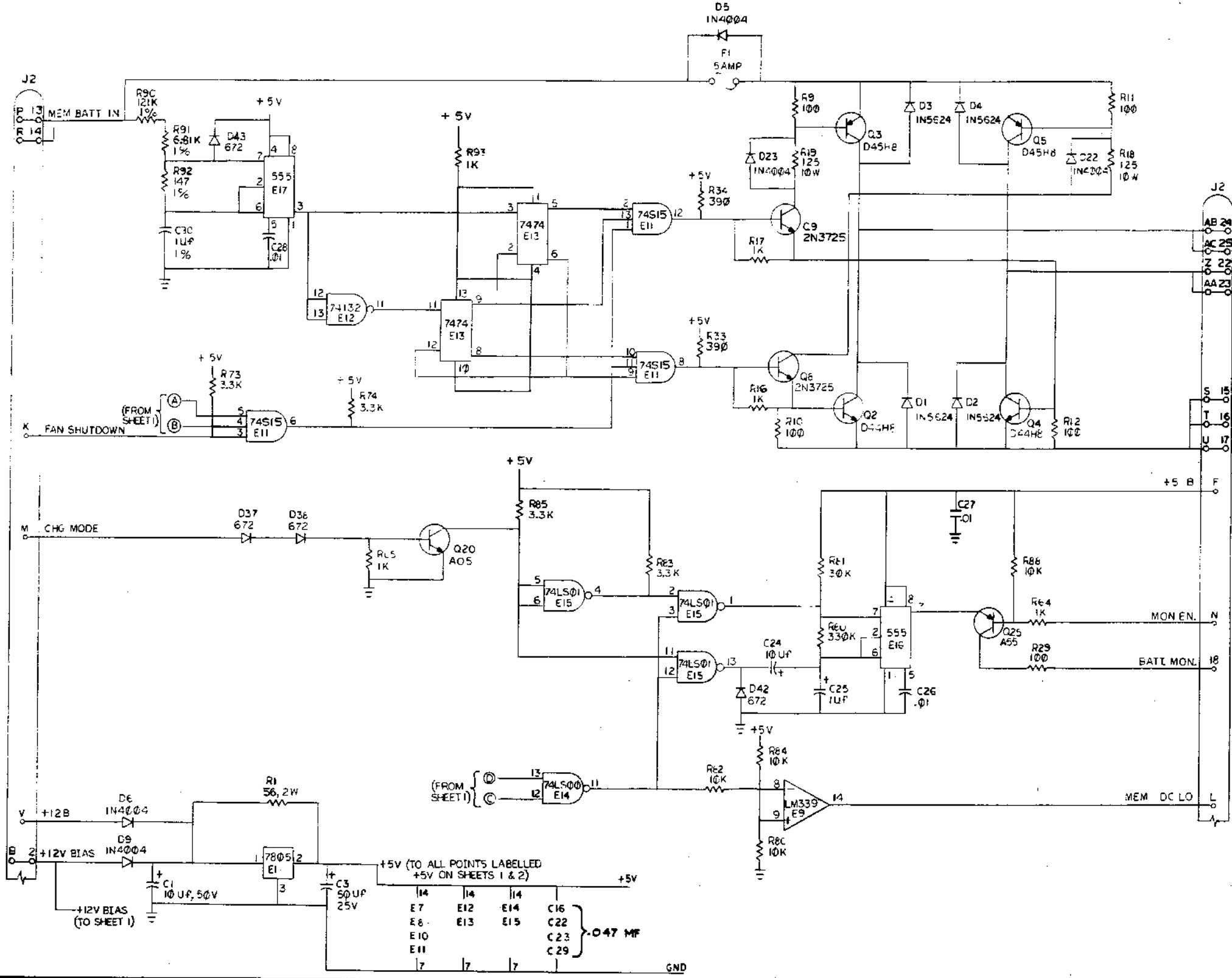


REV	1	DATE	7-15-77	BY	R. WOLF
REV	2	DATE	7-27-77	BY	R. WOLF
REV	3	DATE	7-27-77	BY	R. WOLF
REV	4	DATE	7-15-77	BY	R. WOLF
REV	5	DATE	7-15-77	BY	R. WOLF
REV	6	DATE	7-15-77	BY	R. WOLF
REV	7	DATE	7-15-77	BY	R. WOLF
REV	8	DATE	7-15-77	BY	R. WOLF
REV	9	DATE	7-15-77	BY	R. WOLF
REV	10	DATE	7-15-77	BY	R. WOLF

DRWG. NO.	D CS 5413605-0-1 E	FIRST ISSUE ON	7-15-77
ENGR.	R. WOLF	TITLE	BIAS AND INTERFACE BOARD
PROJ. ENGR.	R. WOLF	PROJ. NO.	7-15-77
PROD. ENGR.	R. WOLF	REV.	10
NEXT HIGHER ASBY.		SCALE	D
		SIZE	3.5" x 5.5"
		NUMBER	1
		REV.	E
		SHEET	OF 3
		DRWT.	

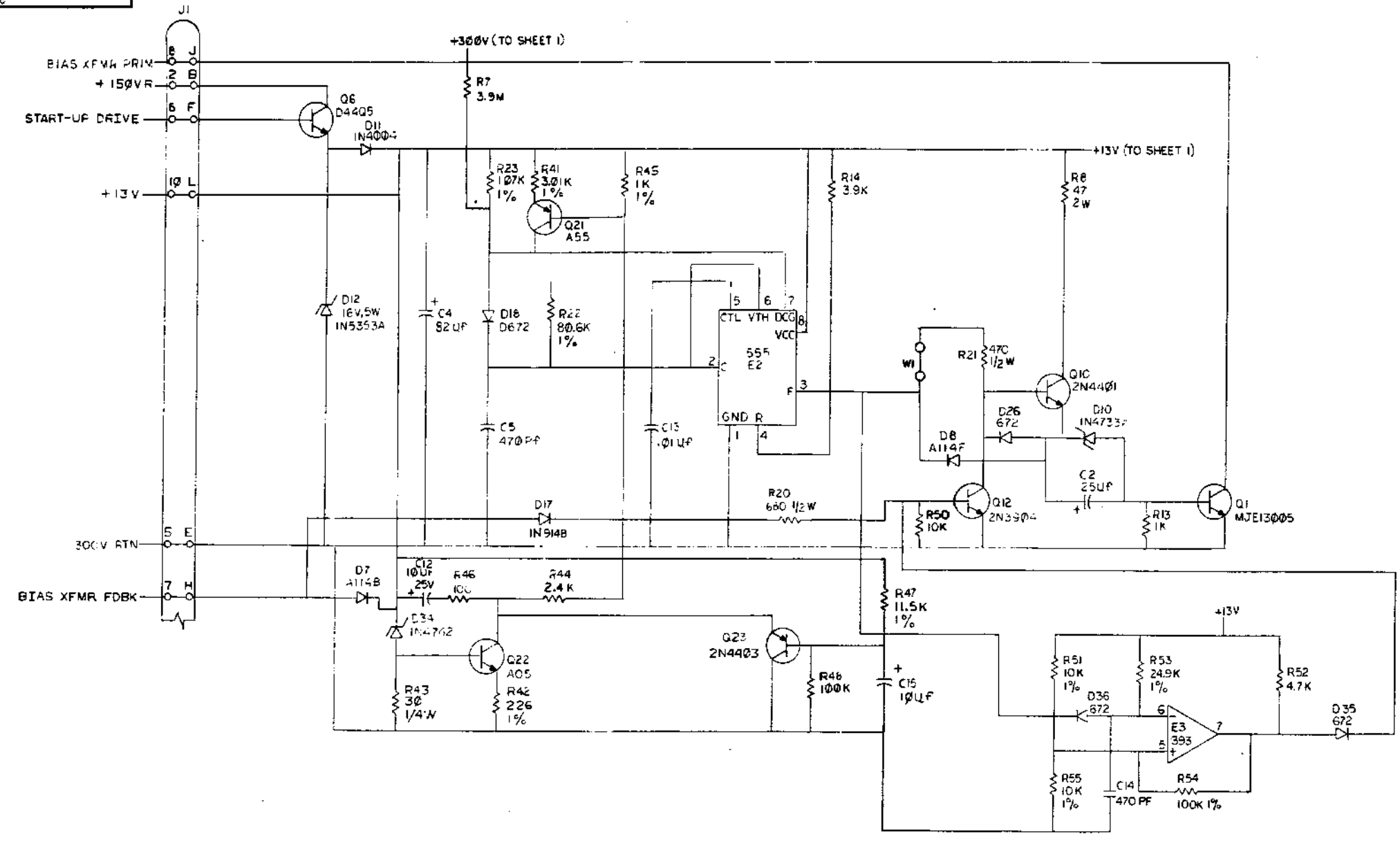
D CS 5413605-0-1 E

THIS DRAWING AND SPECIFICATIONS HEREAFTER ARE THE PROPERTY OF DIGITAL EQUIPMENT CORPORATION AND SHALL NOT BE REPRODUCED OR COPIED OR USED IN WHOLE OR IN PART AS THE BASIS FOR THE MANUFACTURE OR SALE OF ITEMS UNLESS WRITTEN PERMISSION IS OBTAINED FROM DIGITAL EQUIPMENT CORPORATION.
1975



REVISIONS		
CHK	CHANGE NO.	REV.

THE DRAWING AND SPECIFICATIONS HEREON ARE THE PROPERTY OF DIGITAL EQUIPMENT CORPORATION AND SHALL NOT BE REPRODUCED OR COPIED OR USED IN WHOLE OR IN PART AS THE BASIS FOR THE MANUFACTURE OR SALE OF ITEMS WITHOUT WRITTEN PERMISSION. DIGITAL EQUIPMENT CORPORATION 1978



REVISIONS		
CHK	CHANGE NO.	REV.

TITLE	BIAS AND INTERFACE BOARD	REVISION	D	NUMBER	CS 5413605-0-1	REV.	E
SCALE		SHEET	3	OF	3	DIST.	

LINE ITEM	DOCUMENT NUMBER	PART NUMBER	DESCRIPTION	QTY PER VARIATION	REFERENCE DESIGNATOR
				00	
1	1	D-MD-5013604-0-0	5013604-00 DRILL & ETCH BD	1	
2	2		1000024-00 470.0 MMF 100V 5%200PPM MICA	2	C5,C14
3	3		1000070-00 10 MFD 50V+10%-10% AL EL	1	C1
4	4		1000075-00 25 MFD 25V +75-10% AL EL	1	C2
5	5		1001610-00 .01 MFD 50V +80-20% 25U CER	12	C6,C8-C11,C13,C17,C18,C21, CONT C26-C28
6	6		1001776-00 1 MFD 35V 10% S.TANT	1	C25
7	7		1001796-00 50 MFD 25V +75-10% AL EL	1	C3
8	8		1010866-02 10 MFD 25V +50-20% S.TANT	4	C12,C15,C19,C24
9	9		1012784-00 .047 MFD 50V +80-20% CER	6	C7,C16,C20,C22,C23,C29
10	10		1013252-00 82 MFD 50V+100-10% AL EL	1	C4
11	11		1016138-00 1 MFD 50V 1% M.POLYCARB	1	C30
12	12		1105275-00 D 672 TR= 15NS PIV= 60V SI	24	D14-D16,D18-D21,D24-D26,D28-D33, CONT D35-D38,D40-D43
13	13		1105796-00 1N 4004 PIV=400 I= 1A D041 SP	7	D5,D6,D9,D11,D22,D23,D39
14	14		1105871-00 1/4M5.1AZ1 = 5.1 1% .25W N	1	D13
15	15		1109502-00 1N 4742 VZ= 12.0 10% 1W Y	1	D34
16	16		1109517-00 1N 914B TR= 4NS PIV= 75V SY	1	D17
17	17		1109943-00 1N 4733A VZ= 5.1 5% 1W Y	1	D10
18	18		1110420-00 1N 5624 PIV=200 I= 5A	4	D1-D4
19	19		1110854-00 1N 5353B VZ= 16.0V 5% .40W M	1	D12
20	20		1112595-00 A114F PIV= 50 I= 1A	1	D8
21	21		1112595-01 A114B PIV=200 I= 1A	1	D7
22	22		1205747-00 FUSE, SUB-MINI, 5.000A, 125V, A	1	F1
23	23		1216112-02 HEADER.100 40POS RT ANGLE	1	J1
24	24		1216112-03 HEADER.100 50POS RT ANGLE	1	J2
25	25		1300229-00 100.0 .25 W 5.0 % CC	7	R9-R12,R29,R31,R46
26	26		1300309-00 390.0 .25 W 5.0 % CC	2	R33,R34
27	27		1300315-00 470.0 .50 W 5.0 % CC	1	R21
28	28		1300347-00 680.0 .50 W 5.0 % CC	1	R20

REVISION HISTORY		BASIC PART NO: 5413605		DRN:	J.FERGUSON	DATE:	16-OCT-80	DIGITAL			
ENG	ECD NUMBER	REV	SECTION A OF A	CHK'D:	F.GAROFALO	DATE:	16-OCT-80	TITLE PARTS LIST			
	INITIAL	E	SECTION VARIATION INDEX	DES.ENG:	R.WOLF <td>DATE:</td> <td>16-OCT-80</td> <td colspan="4">BIAS AND INTERFACE BD</td>	DATE:	16-OCT-80	BIAS AND INTERFACE BD			
			[A] 00	RESP.ENG.:	R.WOLF <td>DATE:</td> <td>16-OCT-80</td> <td colspan="4">DOCUMENT NUMBER</td>	DATE:	16-OCT-80	DOCUMENT NUMBER			
			[B]	MFG.ENG.:	J.COMELLA <td>DATE:</td> <td>16-OCT-80</td> <td>SIZE</td> <td>CODE</td> <td>NUMBER</td> <td>REV</td>	DATE:	16-OCT-80	SIZE	CODE	NUMBER	REV
			[C]	ASSEMBLY NUMBER:		TOP DOCUMENT NUMBER:		K	PL	5413605-0-DBP	E
			[D]	D-UA-5413605-0-0		B-DD-5413605-0-0				FILE NAME:	EDIT #
			[E]							Z0402.PLS	11
			[F]	*THIS DRAWING AND SPECIFICATIONS HEREIN, ARE THE PROPERTY OF DIGITAL EQUIPMENT CORPORATION AND SHALL NOT BE REPRODUCED OR COPIED OR USED IN WHOLE OR IN PART AS THE BASIS FOR THE MANUFACTURE OR SALE OF ITEMS WITHOUT WRITTEN PERMISSION. COPYRIGHT (C) 1980. DIGITAL EQUIPMENT CORPORATION *							

TW

LINE	ITEM	DOCUMENT NUMBER	PART NUMBER	DESCRIPTION	QTY	PER VARIATION	REFERENCE DESIGNATOR
					00		
29	29		1300365-00	1.0 K .25 W 5.0 % CC	10		R6,R13,R16,R17,R49,R64,R65,R69,
						CONT	R71,R93
30	30		1300439-00	3.30 K .25 W 5.0 % CC	14		R38-R40,R56-R58,R66,R73-R76,R79,
						CONT	R83,R85
31	31		1300444-00	3.90 K .25 W 5.0 % CC	1		R14
32	32		1300447-00	4.70 K .25 W 5.0 % CC	2		R52,R87
33	33		1300479-00	10.0 K .25 W 5.0 % CC	12		R25,R35-R37,R50,R77,R78,R82,R84,
						CONT	R86,R88,R89
34	34		1301322-00	180.0 .25 W 5.0 % CC	1		R30
35	35		1302091-00	330.0 K .25 W 5.0 % CC	1		R80
36	36		1302177-00	47.0 K .25 W 5.0 % CC	1		R32
37	37		1302334-00	15.0 K 2.0 W 5.0 % CC	1		R2
38	38		1302394-00	30.0 K .25 W 5.0 % CC	1		R81
39	39		1302466-00	100.0 K .25 W 5.0 % CC	2		R28,R48
40	40		1302479-00	200.0 K .50 W 5.0 % CC	1		R5
41	41		1302644-00	226.0 .25 W 1.0 % RN55D-F10	1		R42
42	42		1302645-00	1.10 K .25 W 1.0 % RN55D-F10	1		R62
43	43		1302748-00	1.0 K .25 W 1.0 % RN55C-F 5	2		R26,R45
44	44		1302751-00	30.0 .25 W 5.0 % CC	1		R43
45	45		1302836-00	56.0 2.0 W 5.0 % CC	1		R1
46	46		1302860-00	11.50 K .25 W 1.0 % RN55D-F10	1		R47
47	47		1302874-00	147.0 .25 W 1.0 % RN55D-F10	1		R92
48	48		1302955-00	750.0 .25 W 1.0 % RN55D-F10	1		R15
49	49		1303067-00	422.0 .25 W 1.0 % RN55D-F10	1		R60
50	50		1303177-00	2.40 K .25 W 5.0 % CC	1		R44
51	51		1303305-00	6.98 K .25 W 1.0 % RN55D-F10	1		R70
52	52		1303322-00	274.0 K .75 W 1.0 % RN65D-F10	2		R3,R4
53	53		1303438-00	121.0 K .25 W 1.0 % RN55D-F10	1		R90
54	54		1304870-00	6.81 K .25 W 1.0 % RN55D-F10	1		R91
55	55		1305108-00	1.47 K .25 W 1.0 % RN55D-F10	1		R61
56	56		1305125-00	383.0 .25 W 1.0 % RN55D-F10	1		R72
57	57		1305253-00	7.15 K .25 W 1.0 % RN55D-F10	1		R63
58	58		1305357-00	125.0 10.0 W 5.0 % WW	2		R18,R19
59	59		1309419-00	19.60 K .25 W 1.0 % RN55D-F10	1		R59
60	60		1305405-00	24.90 K .25 W 1.0 % RN55D-F10	1		R53
61	61		1313341-00	5.36 K .25 W 1.0 % RN55D-F10	1		R24
62	62		1313775-00	80.60 K .25 W 1.0 % RN55D-F10	1		R22
63	63		1313843-00	107.0 K .25 W 1.0 % RN55D-F10	1		R23
64	64		1314023-00	47.0 2.0 W 5.0 % CC	1		R8
65	65		1314041-00	3.01 K .25 W 1.0 % RN55D-F10	2		R27,R41
66	66		1314121-00	1.0 M .25 W 1.0 % RN55D-F10	2		R67,R68
67	67		1314387-00	3.90 M .25 W 5.0 % CC	1		R7
68	68		1509524-00	2N 3904 NPN 310MW SI 40 40 M	2		Q11,Q12
69	69		1510233-00	2N 5460 FET 310MW SIP CHNNL	1		Q13
70	70		1510705-00	XA 05 NPN 500MW SI 60 50 P	6		Q17-Q20,Q22,Q26
71	71		1510706-00	XA 55 PNP 500MW SI 60 50 P	2		Q21,Q25
72	72		1510707-00	D 44HB NPN 25W SI 60@2A	2		Q2,Q4
73	73		1510708-00	D 45HB PNP 50WT SI 60 60 Y	2		Q3,Q5

!	D	I	G	I	T	A	L	!	TITLE	!	SECTION A	OF A	!	!	SIZE	!	CODE	!	DOCUMENT NUMBER	!	REV	!
!								!	BIAS AND INTERFACE BD	!			!		K	!	FL	!	5413605-0-DBP	!	E	!

TW

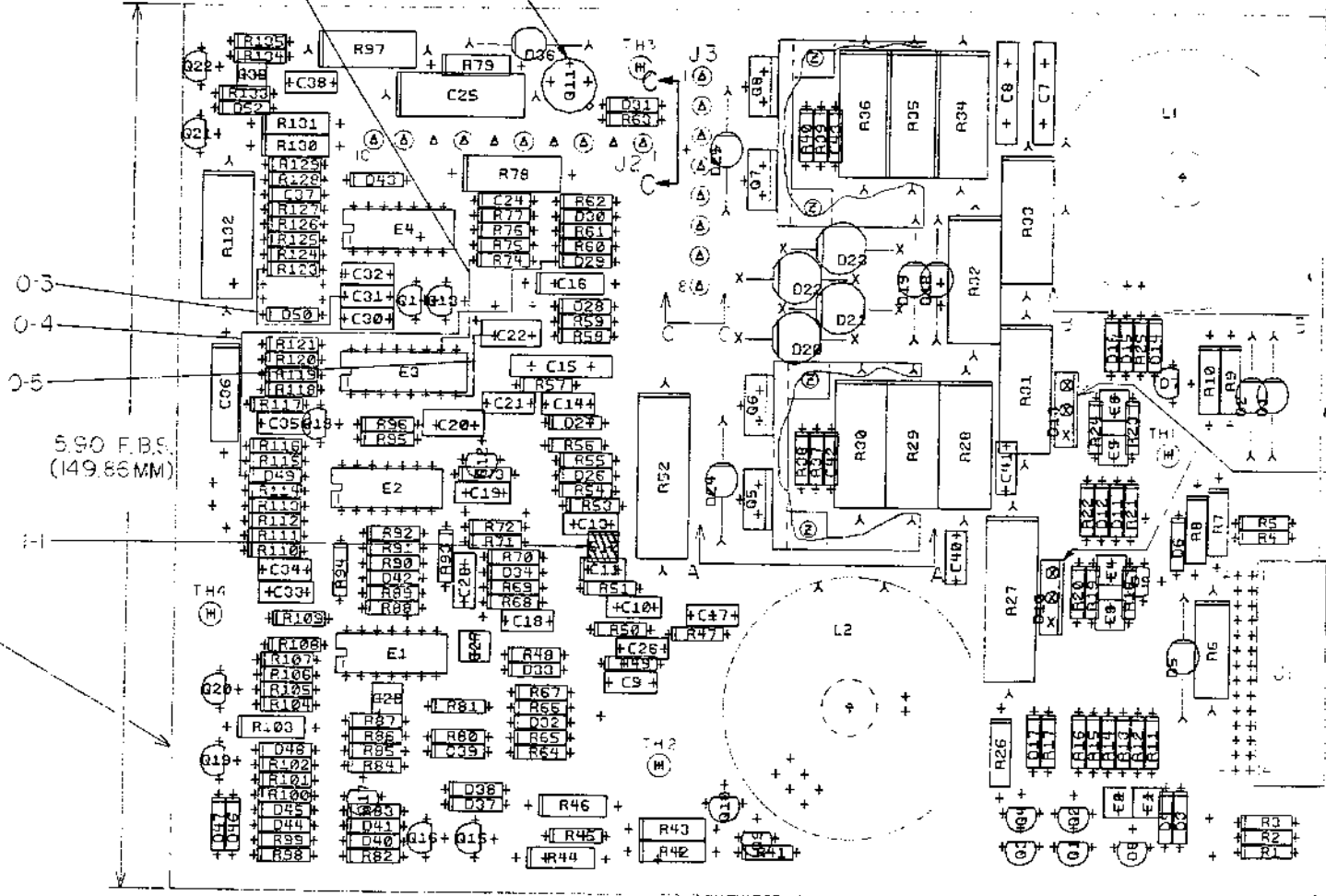
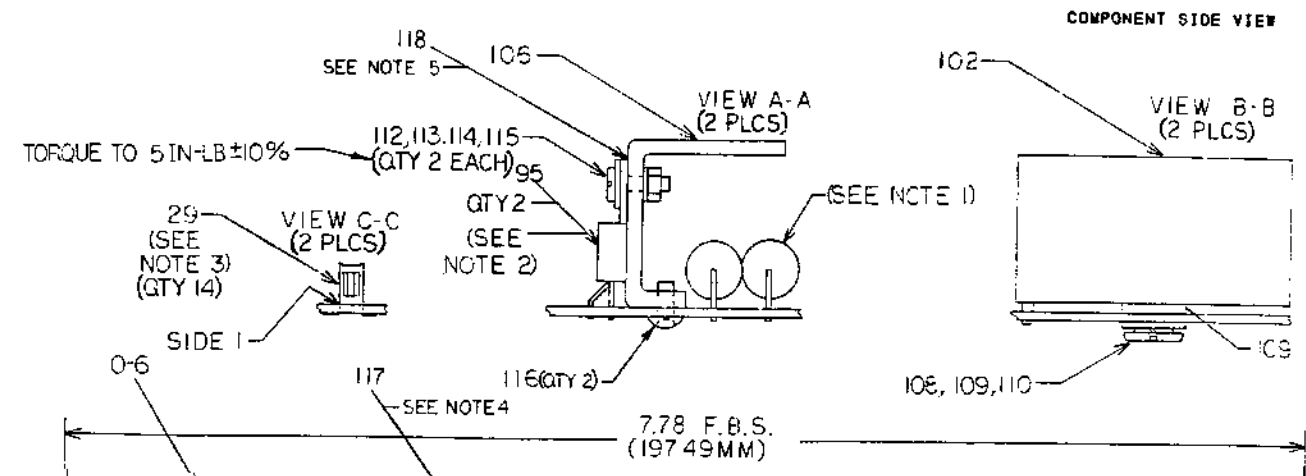
LINE ITEM	DOCUMENT NUMBER	PART NUMBER	DESCRIPTION	QTY PER VARIATION 00	REFERENCE DESIGNATOR
74	74	1510959-00	2N 3725 NPN 3.5WC SI 50 60 P	2	Q8,Q9
75	75	1511686-00	DEC5433 FET N 350MW 10 25 1A	4	Q14-Q16,Q24
76	76	1513489-00	2N 4401 NPN 350MW SI 40 20	1	Q10
77	77	1513490-00	2N 4403 PNP 350MW SI-40 30	1	Q23
78	78	1514271-01	D 44Q5 NPN 31W SI225 30	1	Q6
79	79	1516119-00	NPN 600MW SI400 40	1	Q1
80	80	1516121-00	MPS A92 PNP 625MW SI300 25	1	Q7
81	81	1905547-00	7474 FF-D DUAL,EDGE TRIGG	1	E13
82	82	1909004-00	DEC 7402 NOR GATE-QUAD 2IN	2	E7,E10
83	83	1910538-00	74S15 AND GATE-TRIPLE 3IN	1	E11
84	84	1910741-00	7406 INVERTER GATE-HEX 1I	1	E8
85	85	1911036-00	75453 DRIVER,PERIPH,DUAL,	1	E4
86	86	1911637-00	74132 NAND GATE-QUAD 2 IN	1	E12
87	87	1911944-00	555CN TIMER,FUNCT.BLOCK	3	E2,E16,E17
88	88	1912108-00	339 VOLT CMPRTR,QUAD	1	E9
89	89	1912536-01	7805 VOLT REG,FIX +5V	1	E1
90	90	1912799-00	LS00 NAND-GATE-QUAD 2IN,P	1	E14
91	91	1912800-00	LS01 NAND-GATE-QUAD 2IN,P	1	E15
92	92	1914156-00	LM 393 VOLT.COMPARATOR DUAL	1	E3
93	93	1914194-00	OPTP-COUPLED ISOLATOR	2	E5,E6
94	94	C-MD-7422046-0-0	7422046-00 HEAT SINK,SINGLE	3	
95	95	B-MD-7422047-0-0	7422047-00 HEAT SINK,DOUBLE	2	
96	96	9006011-01	SCREW,FAN,PHIL 4-40X 3/8 SS	7	
97	97	9006556-00	NUT,HEX , 4-40X1/4 AF X 3/	7	
98	98	9006688-00	WASHER, LOCK, S.S. #4	7	
99	99	9006735-00	EYELET, FUNNEL FLANGE, .059 OD X	2	
100	100	9007201-00	TRANSIPADS #10253	2	
101	101	9008268-00	COMPOUND, THERMAL JOINT	A/R	
102	102	9009185-00	JUMPER, WIRE, INSULATED, BLACK B	1	W1
103	103	9009769-00	WASHER, RECTANGULAR .405X.225X.0	7	
104	104	9010128-00	SCREW,TAPPING,TYPE FAN ,PHIL,	7	
105	105	1303312-00	10.0 K .25 W 1.0 % RN55D-F10	2	R51,R55
106	106	1303044-00	100.0 K .25 W 1.0 % RN55D-F10	1	R54

D	I	G	I	T	A	L	TITLE	SECTION A OF A	SIZE	CODE	DOCUMENT NUMBER	REV
							BIAS AND INTERFACE BD		K	PL	5413605-0-DBP	E

TW

THIS DRAWING AND SPECIFICATIONS, HEREIN, ARE THE PROPERTY OF DIGITAL EQUIPMENT CORPORATION AND SHALL NOT BE REPRODUCED OR COPIED IN WHOLE OR IN PART, OR THE DESIGN OR THE MANUFACTURE OF SUCH PARTS, WITHOUT WRITTEN PERMISSION. COPYRIGHT © 1970 DIGITAL EQUIPMENT CORPORATION

0-0-109E1199 2 1
 DUA5413601-0-0



- NOTES:
- D20-23, R7-36, R52, 78, 97, AND R132 TO BE PAISED C5 TO IC OFF PCB. (SEE VIEW A-A)
 - G5-6 MUST BE MOUNTED TO HEAT SINK BEFORE BEING ATTACHED TO PCB. (SEE VIEW A-A)
 - ITEM 29 TO BE INSERTED IN J3 PINS 1-6 AND J2 PINS 1, 3, 5, 7, 9. IC PINS 2, 4, 6, 8 ARE EMPTY. (SEE VIEW C-C)
 - USE TRANSIPAD (ITEM 117) UNDER Q 11.

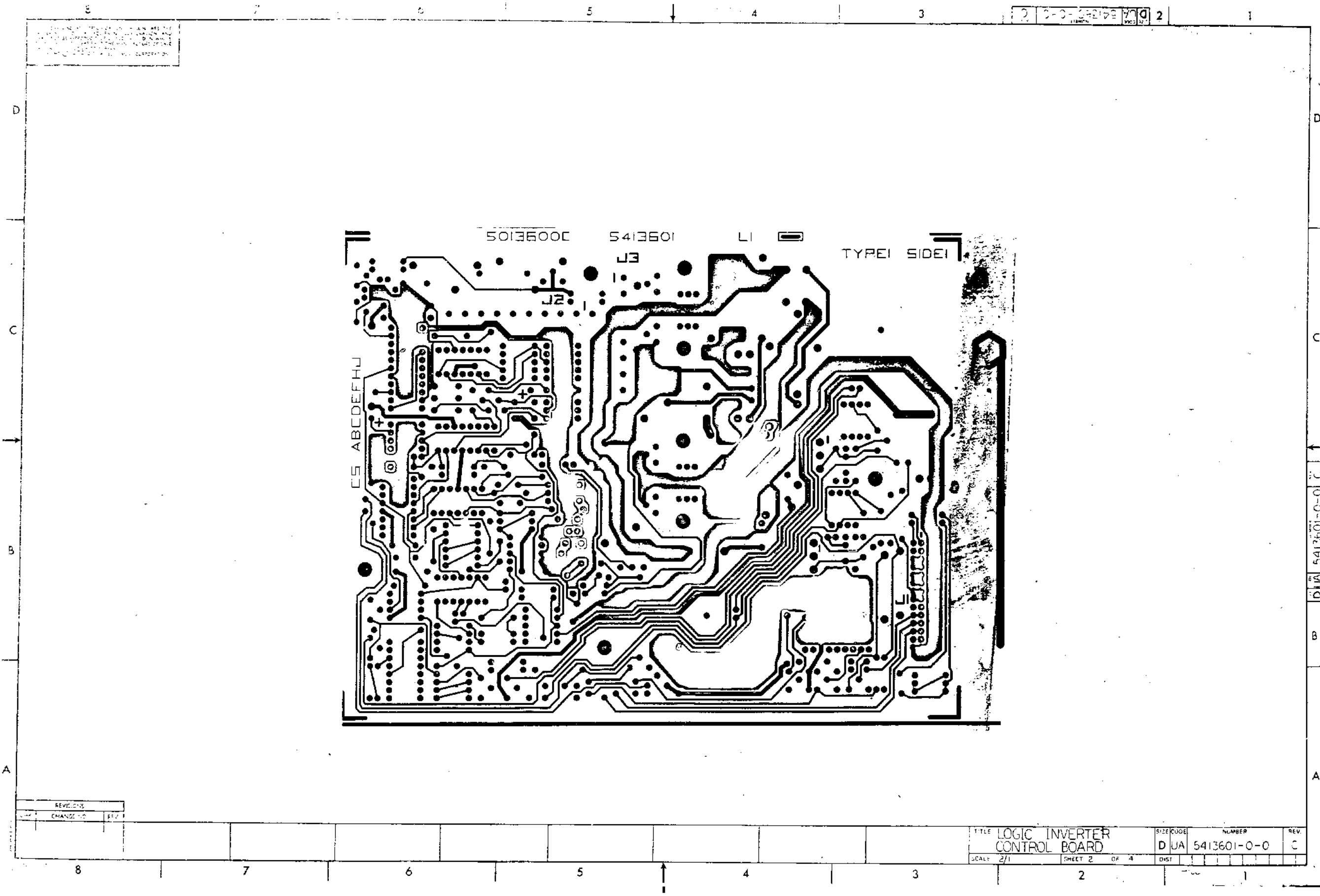
CHK	CHANGE	NO	REV

- NOTES:
- USE THERMAL COMPOUND (ITEM 118) BETWEEN HEAT SINK AND G5, 6, 7, 8.

ETCH REV.	P.C. DESIGN DATA BASE REV.

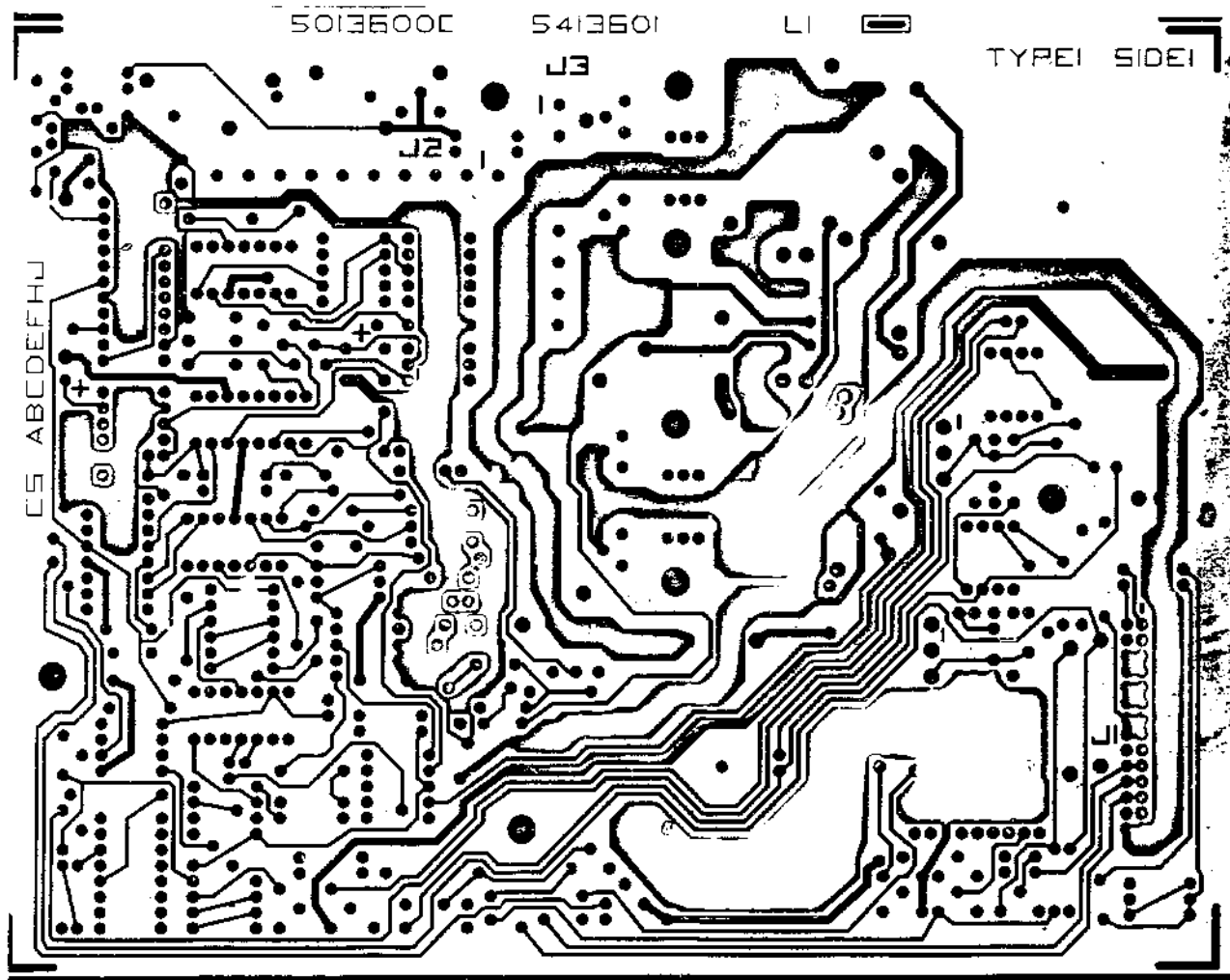
SIGNATURES	DATE	TITLE	NUMBER	REV
DRN.	5-5-73	digital		
CHK'D.	5-7-73			
ENG.				
PROJ. ENC.		TITLE LOGIC INVERTER		
PROD.	7-15-73	CONTROL BOARD		
SCALE				
SHT. 1 OF 4		SIZE CODE	NUMBER	REV
NEXT HIGHER ASSY. B DD-5413601-0-0		0	UA 5413601-0-0	C

1 MS# 125667



ALL DIMENSIONS ARE IN INCHES
 UNLESS OTHERWISE SPECIFIED
 TOLERANCES ARE AS SHOWN

5413601-0-0
 SHEET 2 OF 4



REVISIONS		
NO.	CHANGE TO	BY

TITLE	LOGIC INVERTER CONTROL BOARD	SIZE CODE	D UA	NUMBER	5413601-0-0	REV.	C
SCALE	2/1	SHEET	2	OF	4	DIST	

8 7 6 5 4 3 2 1

D J A 5413601-0-0 2

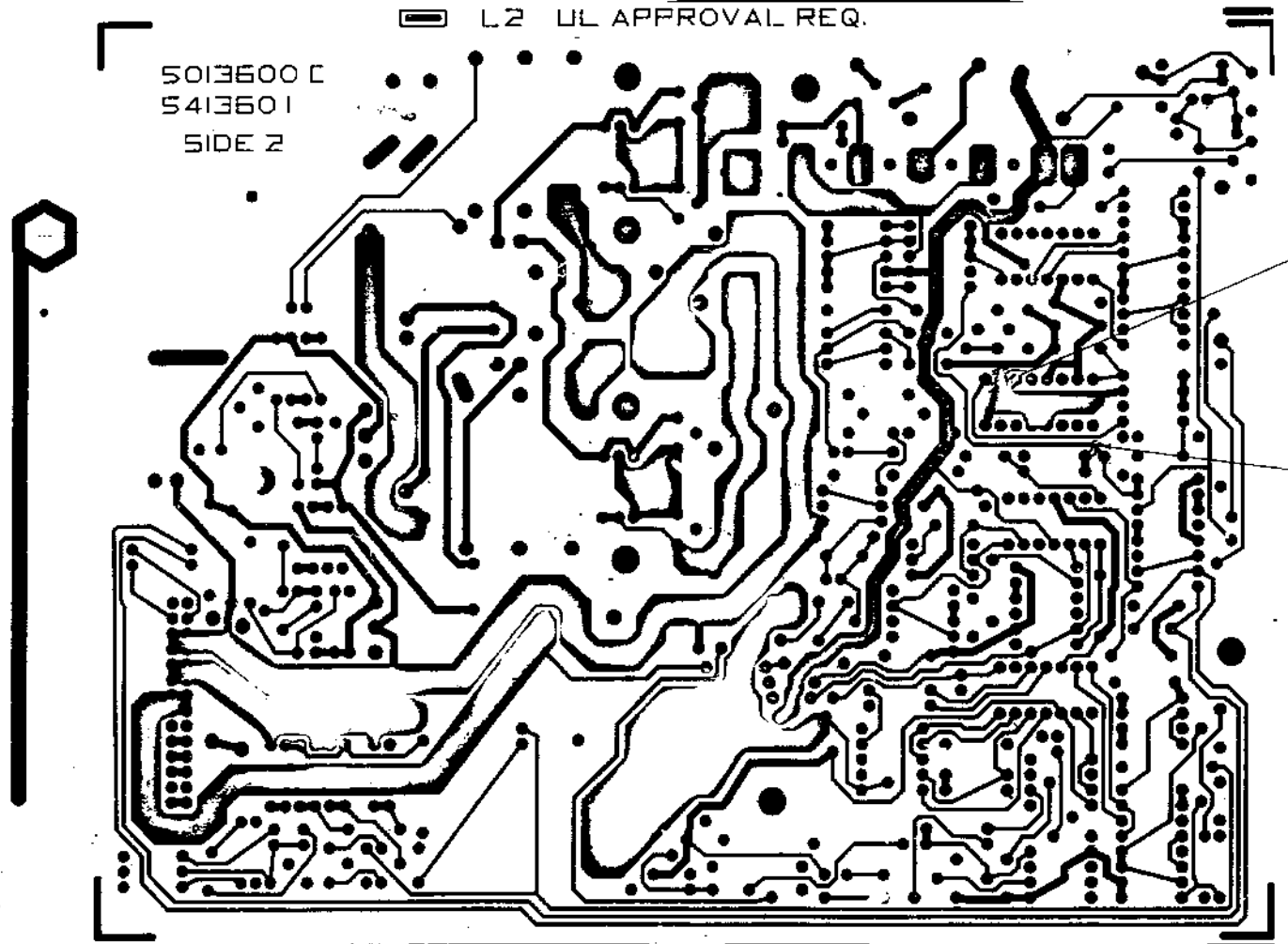
THIS DRAWING AND ALL INFORMATION HEREIN ARE THE PROPERTY OF THE AIR FORCE AND SHALL NOT BE REPRODUCED OR COPIED IN WHOLE OR IN PART AS THE BASIS FOR THE MANUFACTURE OR SALE OF ANY EQUIPMENT WITHOUT THE WRITTEN PERMISSION OF THE AIR FORCE RESEARCH AND DEVELOPMENT COMMAND.

D
C
B
A

D
C
B
A

L2 UL APPROVAL REQ.

5013600 C
5413601
SIDE 2



0-1

0-2

D J A 5413601-0-0 C

REVISIONS		
NO.	DESCRIPTION	DATE

8 7 6 5 4 3 2 1

TITLE	LOGIC INVERTER CONTROL BOARD	SIZE CODE	D J A	NUMBER	5413601-0-0	REV.	C
SCALE	2/1	SHEET	3	OF	4	DIST.	

8

DUA 5413601-0-0

6

5

4

3

2

1

THIS DRAWING AND SPECIFICATIONS HEREBY ARE THE PROPERTY OF DIGITAL EQUIPMENT CORPORATION AND SHALL NOT BE REPRODUCED OR COPIED OR TRANSMITTED IN ANY FORM OR BY ANY MEANS, ELECTRONIC OR MECHANICAL, INCLUDING PHOTOCOPYING, RECORDING, OR BY ANY INFORMATION STORAGE AND RETRIEVAL SYSTEM, WITHOUT THE WRITTEN PERMISSION OF DIGITAL EQUIPMENT CORPORATION.
COPYRIGHT © 1979 DIGITAL EQUIPMENT CORPORATION

REWORK INSTRUCTIONS:

ETCH CUTS SIDE 2

- 0-1 CUT ETCH ON BOTH SIDES OF E3-10 (2 CUTS)
- 0-2 FROM R74 TO Q18/BASE (CUT NEAR BASE)

WIRE ADD SIDE 1

- 0-3 FROM R 23 TO C31
- 0-4 FROM D49/CATHODE TO D29/CATHODE
- 0-5 FROM E3-B TO C22
- 0-6 FROM E3-10 TO R74.

REWORK INSTRUCTIONS: (ECO#)

- COMPONENT DELETE SIDE 1
- 1-1 DELETE C12

D

C

B

A

D

C

B

A

DUA 5413601-0-0 C

REVISION HISTORY		
DATE	ECO NUMBER	REV.

TITLE LOGIC INVERTER CONTROL BOARD

DOCUMENT NUMBER		
SIZE CODE	NUMBER	REV.
DUA	5413601-0-0	C
SCALE NONE		SHEET 4 OF 4

TW 1

DWG 137A

0

7

6

5

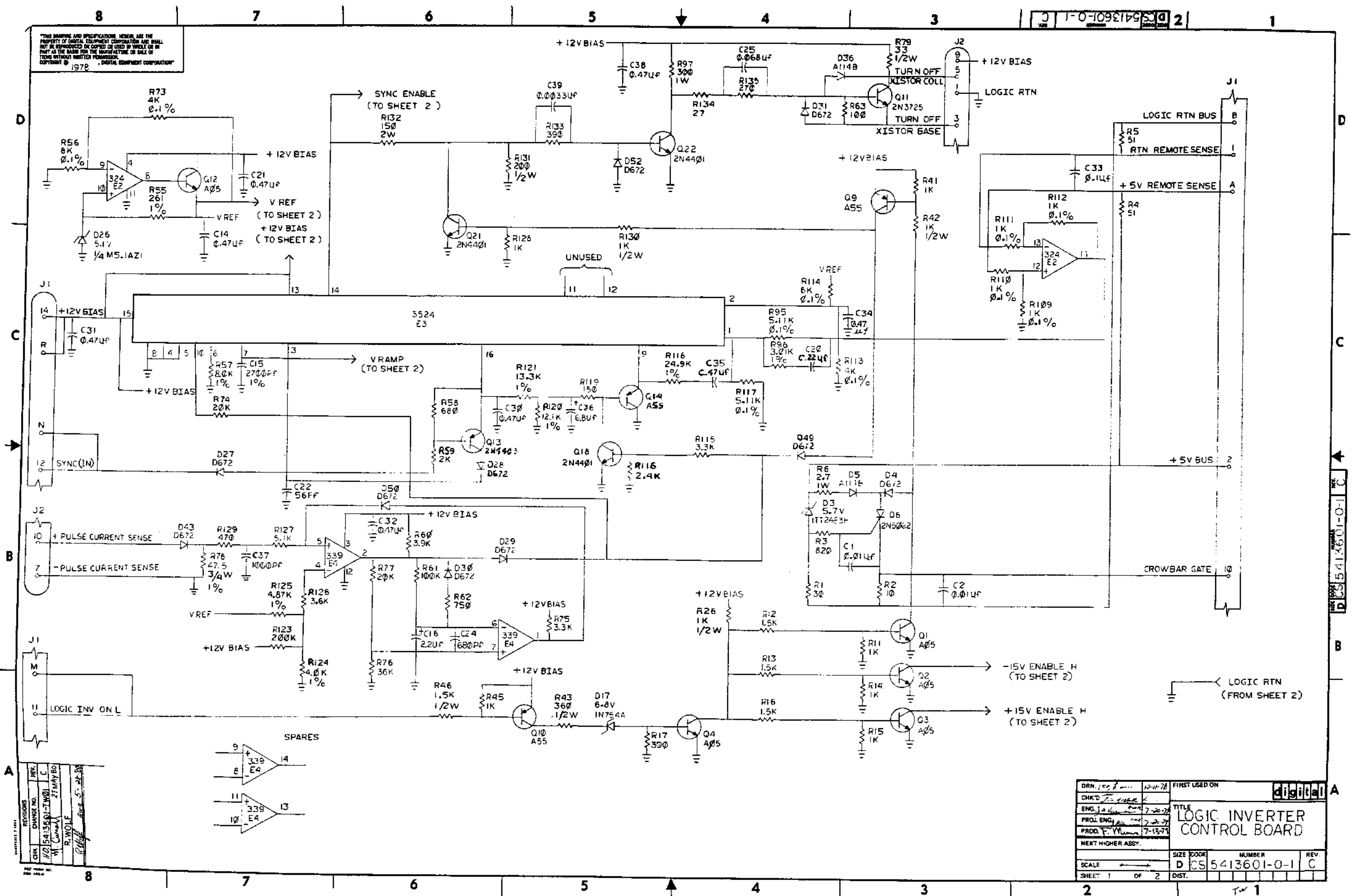
4

3

2

1

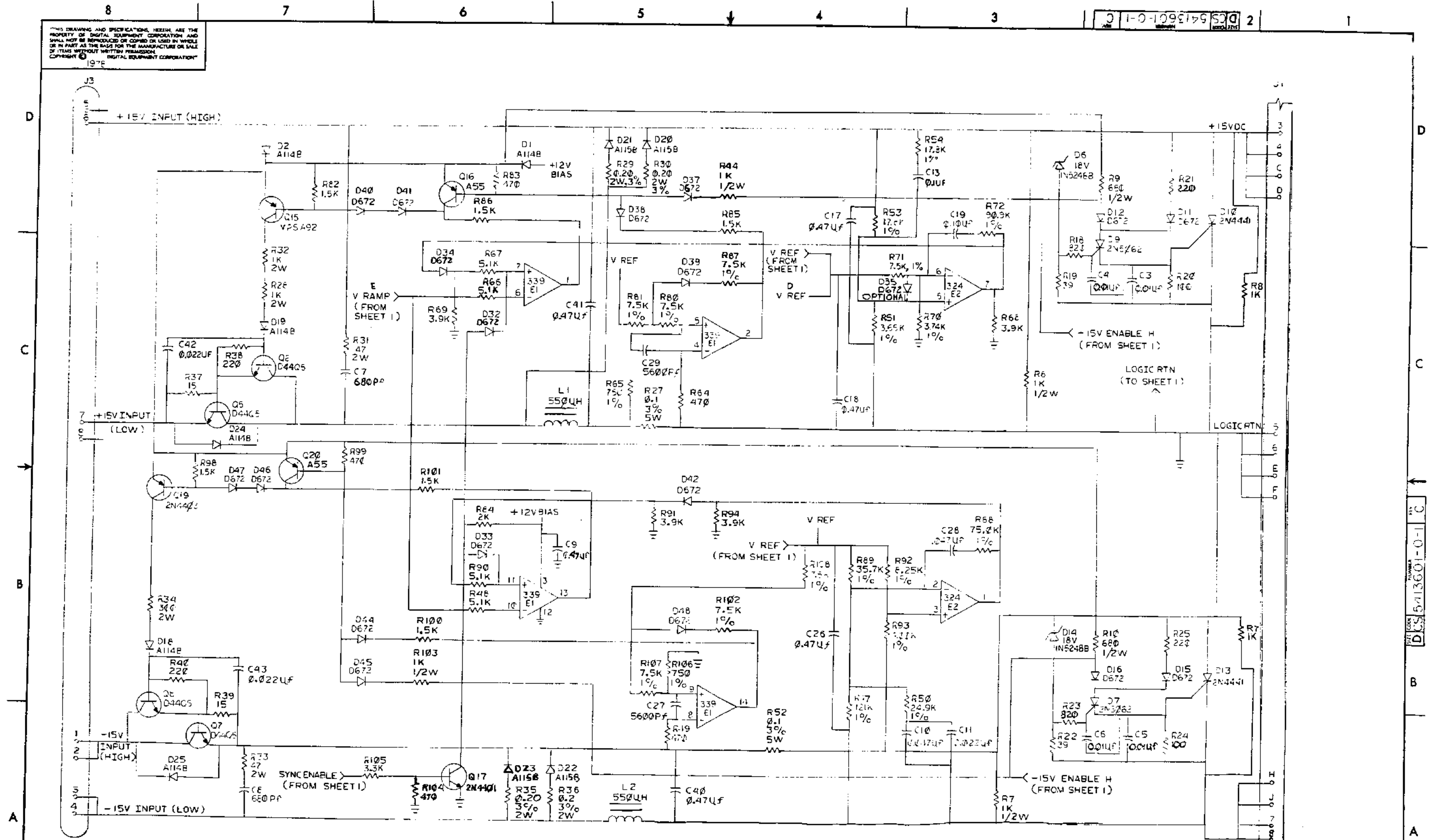
THIS DRAWING AND SPECIFICATIONS HEREIN ARE THE PROPERTY OF DIGITAL EQUIPMENT CORPORATION AND SHALL NOT BE REPRODUCED OR COPIED OR USED IN WHOLE OR IN PART AS THE BASIS FOR THE MANUFACTURE OR SALE OF THIS WITHOUT WRITTEN PERMISSION. COPYRIGHT © 1978, DIGITAL EQUIPMENT CORPORATION.



REV.	DATE	BY	CHK'D
1	7/20/78	W. W. W.	W. W. W.
2	7/20/78	W. W. W.	W. W. W.
3	7/20/78	W. W. W.	W. W. W.
4	7/20/78	W. W. W.	W. W. W.
5	7/20/78	W. W. W.	W. W. W.
6	7/20/78	W. W. W.	W. W. W.
7	7/20/78	W. W. W.	W. W. W.
8	7/20/78	W. W. W.	W. W. W.

DRN. 100	12-11-78	FIRST USED ON	Digital
CHK'D	7-20-78	TITLE	LOGIC INVERTER CONTROL BOARD
ENG.	7-20-78	PROJ. ENGR.	
PROJ. ENGR.	7-20-78	PROD. F.	7-13-79
NEXT HIGHER ASSY.		SIZE	CODE
SCALE		NUMBER	REV.
SHEET 1 OF 2	DIST.	D 5413601-0-1	C

THIS DRAWING AND SPECIFICATIONS HEREIN ARE THE PROPERTY OF DIGITAL EQUIPMENT CORPORATION AND SHALL NOT BE REPRODUCED OR COPIED OR USED IN WHOLE OR IN PART AS THE BASIS FOR THE MANUFACTURE OR SALE OF ITEMS WITHOUT WRITTEN PERMISSION. COPYRIGHT © 1976 DIGITAL EQUIPMENT CORPORATION



REVISIONS		
CHK	CHANGE NO.	REV.

LINE	ITEM	DOCUMENT NUMBER	PART NUMBER	DESCRIPTION	QTY	PER VARIATION	REFERENCE DESIGNATOR
					00		
1	1	D-MD-5013600-0-0	5013600-00	DRILL & ETCH BD	1		
2	2		1010978-24	.01 MFD 50V 10% 2C067 CER	6		C1-C6
3	3		1013280-00	680.0 MMF 1000V 5%200PPM	2		C7,C8
4	4		1010279-01	.47 MFD 25V 20% 2C023 CER.	14		C9,C14,C18,C21,C30-C32,C34,C35,
						CONT	C38,C17,C26,C40,C41
5	5		1010978-32	.047 MFD 50V 10% 2C067CER.	2		C10,C28
6	6		1011683-00	.022 MFD 50V 10% 2C067 CER.	1		C11
7	7		1014170-00	2700.0 MMF 100V 1% 70PPM	1		C15
8	8		1002627-00	2.2MFD 20V 10% 150D S.TA	1		C16
9	9	BLANK		*** THIS ITEM IS NOT USED ***			
10	10		1010978-36	.1 MFD 50V 10% 2C067 CER	3		C19,C33,C13
11	11		1010274-00	.22 MFD 50V -20+80 Z5U CER	1		C20
12	12		1000012-00	56.0 MMF 100V 5%200PPM DM15S	1		C22
13	13		1013466-08	680.0 MMF 50V 10% X7R CER	1		C24
14	14		1000052-00	.063 MFD 100V 10% 6630W MYLR	1		C25
15	15		1012783-00	.022 MFD 50V +80-20% CER	2		C43,C42
16	16		1011740-00	5600.0 MMF 50V 10% CW15C CER.	2		C27,C29
17	17		1005306-00	6.8MFD 35V 10% S.TANT	1		C36
18	18		1013466-09	1000.0 MMF 50V 10% X7RCER	1		C37
19	19		1011740-01	3300.0 MMF 50V 10% CW15C CER.	1		C39
20	20		1112595-01	A114B PIV=200 I= 1A	8		D1,D2,D5,D18,D19,D24,D25,D36
21	21		1111205-00	SCREENED VZ= 5.7 2% .40W	1		D3
22	22		1105275-00	D 672 TR= 15NS PIV= 60V SI	28		D4,D11,D12,D15,D16,D27-D34,
						CONT	D37-D50,D52
23	23		1110766-00	1N 5248B VZ= 18.0 5% .50W	2		D6,D14
24	24		1110968-00	2N 5062 SCR@100V I=.8A T092	3		D7-D9
25	25		1109991-00	1N 754A VZ= 6.8 5% .40W	1		D17
26	26		1112594-01	A115B PIV=200 I= 3A	4		D20-D23
27	27		1105871-00	1/4MS.1AZ1 = 5.1 1% .25W N	1		D26
28	28		1105873-00	*** THIS ITEM IS NOT USED ***			

REVISION HISTORY		BASIC PART NO: 5413601		DRN:	J.LENT	DATE:	3-JAN-79	DIGITAL	
ENG	ECD NUMBER	REV	SECTION A OF A	CHK'D:	F.GERRY	DATE:	19-JUL-79	TITLE	PARTS LIST
			SECTION, VARIATION INDEX						
			[A] 00						
			[B]						
			[C]	DES.ENG:	J.A.HERRMANN	DATE:	19-JUL-79		
			[D]						
			[E]						
			[F]	RESP.ENG.:	J.A.HERRMANN	DATE:	19-JUL-79		
			[G]						
			[H]						
			[I]						
			[J]						
			[K]	MFG.ENG.:	F.MUNIZ	DATE:	19-JUL-79	K	PL
			[L]						
			[M]	ASSEMBLY NUMBER:		TOP DOCUMENT NUMBER:		FILE NAME:	EDIT #
			[N]	D-UA-5413601-0-0				Z0400C.PLS	20

THIS DRAWING AND SPECIFICATIONS HEREIN, ARE THE PROPERTY OF DIGITAL EQUIPMENT CORPORATION AND SHALL NOT BE REPRODUCED OR COPIED OR USED IN WHOLE OR IN PART AS THE BASIS FOR THE MANUFACTURE OR SALE OF ITEMS WITHOUT WRITTEN PERMISSION.
 COPYRIGHT (C) 1980. DIGITAL EQUIPMENT CORPORATION

LINE ITEM	DOCUMENT NUMBER	PART NUMBER	DESCRIPTION	QTY	PER VARIATION	REFERENCE DESIGNATOR
				00		
29	29	1211728-00	SOCKET 1POS STRIP FORM	14		J2,J3
30	30	1216112-01	HEADER.100 28POS RT ANGLE	1		J1
31	31	1302751-00	30.0 .25 W 5.0 % CC	1		R1
32	32	1301317-00	10.0 .25 W 5.0 % CC	1		R2
33	33	1301775-00	820.0 .25 W 5.0 % CC	3		R3,R18,R23
34	34	1312928-00	51.0 .25 W 5.0 % CC	2		R4,R5
35	35	1310382-00	2.70 1.0 W 5.0 % CC	1		R6
36	36	1300364-00	1.0 K .50 W 5.0 % CC	7		R7,R8,R26,R42,R44,R103,R130
37	37	1300347-00	680.0 .50 W 5.0 % CC	2		R9,R10
38	38	1300365-00	1.0 K .25 W 5.0 % CC	6		R11,R14,R15,R41,R45,R128
39	39	1300391-00	1.50 K .25 W 5.0 % CC	9		R12,R13,R16,R82,R85,R86,R98, CONT R100,R101
40	40	1300309-00	390.0 .25 W 5.0 % CC	2		R17,R133
41	41	1302377-00	39.0 .25 W 5.0 % CC	2		R19,R22
42	42	1300229-00	100.0 .25 W 5.0 % CC	3		R20,R24,R63
43	43	1300271-00	220.0 .25 W 5.0 % CC	4		R21,R25,R38,R40
44	44	1305872-00	.10 5.0 W 3.0 % WW	2		R27,R52
45	45	1301952-00	1.0 K 2.0 W 5.0 % CC	2		R28,R32
46	46	1311604-00	.20 3.0 W 3.0 % WW	4		R29,R30,R35,R36
47	47	1314023-00	47.0 2.0 W 5.0 % CC	2		R31,R33
48	48	1309855-00	300.0 2.0 W 5.0 % CC	1		R34
49	49	1301421-00	15.0 .25 W 5.0 % CC	2		R37,R39
50	50	1302955-00	750.0 .25 W 1.0 % RN55D-F10	2		R106,R65
51	51	1302383-00	360.0 .50 W 5.0 % CC	1		R43
52	52	1300394-00	1.50 K .50 W 5.0 % CC	1		R46
53	53	1303438-00	121.0 K .25 W 1.0 % RN55D-F10	1		R47
54	54	1300316-00	470.0 .25 W 5.0 % CC	6		R49,R64,R83,R99,R104,R129
55	55	1305405-00	24.90 K .25 W 1.0 % RN55D-F10	2		R50,R118
56	56	1304835-00	/REPLACED BY 13-05337-00	1		R51
57	57	1312989-00	17.80 K .25 W 1.0 % RN55D-F10	2		R53,R54
58	58	1313151-00	3.60 K .25 W 5.0 % CC	1		R126
59	59	1302873-00	261.0 .25 W 1.0 % RN55D-F10	1		R55
60	60	1305356-00	8.0 K .25 W .10% RN55C-B 5	2		R56,R114
61	61	1305129-00	8.0 K .25 W 1.0 % RN55D-F10	1		R57
62	62	1312930-00	5.10 K .25 W 5.0 % CC	5		R48,R66,R67,R90,R127
63	63	1300444-00	3.90 K .25 W 5.0 % CC	5		R60,R68,R69,R91,R94
64	64	1302466-00	100.0 K .25 W 5.0 % CC	1		R61
65	65	1301401-00	750.0 .25 W 5.0 % CC	1		R62
66	66	1304693-00	*** THIS ITEM IS NOT USED ***	-		
67	67	1302391-00	20.0 K .25 W 5.0 % CC	2		R77,R74
68	68	1312452-00	3.74 K .25 W 1.0 % RN55D-F10	1		R70
69	69	1313344-00	75.0 K .25 W 1.0 % RN55D-F10	1		R88
70	70	1311320-00	90.90 K .25 W 1.0 % RN55D-F10	1		R72
71	71	1304728-00	4.0 K .25 W .10% RN55E-B 2	2		R73,R113
72	72	1300439-00	3.30 K .25 W 5.0 % CC	3		R75,R105,R115
73	73	1312932-00	36.0 K .25 W 5.0 % CC	1		R76
74	74	1301459-00	47.50 .75 W 1.0 % RN65D-F10	1		R78
75	75	1300195-00	33.0 .50 W 5.0 % CC	1		R79

D	I	G	I	T	A	T	TITLE	SECTION	SIZE	CODE	DOCUMENT NUMBER	REV
							LOGIC INVERTER CONTROL RD	A			5413601-0-DBP	C

LINE	ITEM	DOCUMENT NUMBER	PART NUMBER	DESCRIPTION	QTY	PER VARIATION	REFERENCE DESIGNATOR
					00		
76	76		1305322-00	7.50 K .25 W 1.0 % RN55D-F10	7		R80,R81,R107,R108,R87,R102,R71
77	77		1302388-00	2.0 K .25 W 5.0 % CC	2		R59,R84
78	78		1305421-00	35.70 K .25 W 1.0 % RN55D-F10	1		R89
79	79		1305325-00	8.25 K .25 W 1.0 % RN55D-F10	1		R92
80	80		1305127-00	4.0 K .25 W 1.0 % RN55D-F10	2		R93,R124
81	81		1305432-00	5.11 K .25 W .10% RN55E-B 2	2		R95,R117
82	82		1314041-00	3.01 K .25 W 1.0 % RN55D-F10	1		R94
83	83		1300292-00	300.0 1.0 W 5.0 % CC	1		R97
84	84		1304865-00	1.0 K .25 W .10% RN55E-B 2	4		R109-R112
85	85		1300250-00	150.0 .25 W 5.0 % CC	1		R119
86	86		1303313-00	12.10 K .25 W 1.0 % RN55D-F10	1		R120
87	87		1312565-00	13.30 K .25 W 1.0 % RN55D-F10	1		R121
88	88		1300202-00	*** THIS ITEM IS NOT USED ***	-		
89	89		4810004-48	*** THIS ITEM IS NOT USED ***	-		
90	90		1302381-00	200.0 .50 W 5.0 % CC	1		R131
91	91		1300257-00	150.0 2.0 W 5.0 % CC	1		R132
92	92		1301522-00	27.0 .25 W 5.0 % CC	1		R134
93	93		1301972-00	270.0 .25 W 5.0 % CC	1		R135
94	94		1510705-00	XA 05 NPN 500MW SI 60 50 P	5		Q1-Q4,Q12
95	95		1514271-01	D 4405 NPN 31W SI225 30	4		Q5-Q8
96	96		1510706-00	XA 55 PNP 500MW SI 60 50 P	5		Q9,Q10,Q14,Q16,Q20
97	97		1510959-00	2N 3725 NPN 3.5WC SI 50 60 P	1		Q11
98	98		1513490-00	2N 4403 PNP 350MW SI-40 30	2		Q13,Q19
99	99		1516121-00	MPS A92 PNP 625MW SI300 25	1		Q15
100	100		1513489-00	2N 4401 NPN 350MW SI 40 20	4		Q17,Q18,Q21,Q22
101	101		1505867-00	2N 4441 SCRD 50V & 8A	2		D10,D13
102	102		1616213-00	550.0 UH VARIABLE	2		L1,L2
103	103		1912108-00	339 VOLT CMPRTR,QUAD	2		E1,E4
104	104		1912107-00	324 OP AMP,QUAD	1		E2
105	105		1914250-00	3524 MODULATOR-REGULATING	1		E3
106	106		7422047-01	HEAT SINK DOUBLE	2		
107	107		1301424-00	680.0 .25 W 5.0 % CC	1		R58
108	108		9006039-01	SCREW,PAN,PHIL 8-32X 1/2 SS	2		
109	109		9006660-00	WASHER, FLAT, .375 O.D. X .187 I	4		
110	110		9006690-00	WASHER, LOCK, S.S. #8	2		
111	111		1303177-00	2.40 K .25 W 5.0 % CC	1		R116
112	112		9006011-01	SCREW,PAN,PHIL 4-40X 3/8 SS	4		
113	113		9009769-00	WASHER, RECTANGULAR .405X.225X.0	4		
114	114		9006556-00	NUT,HEX , 4-40X1/4 AF X 3/	4		
115	115		9006688-00	WASHER, LOCK, S.S. #4	4		
116	116		9010128-00	SCREW,TAPPING,TYPE PAN,PHIL,	4		
117	117		9007201-00	TRANSIPADS #10253	1		C23
118	118		9008268-00	COMPOUND, THERMAL JOINT	A/R		
119	119		1314516-00	200.0 K .25 W 5.0 % CC	1		R123
120	120		1313592-00	4.87 K .25 W 1.0 % RN55D-F10	1		R125
121	121		9105740-55	WIRE(WRAP)30AWG UL1423	A/R		
122	122		1000009-00	*** THIS ITEM IS NOT USED ***	-		
123	123		4810004-34	*** THIS ITEM IS NOT USED ***	-		

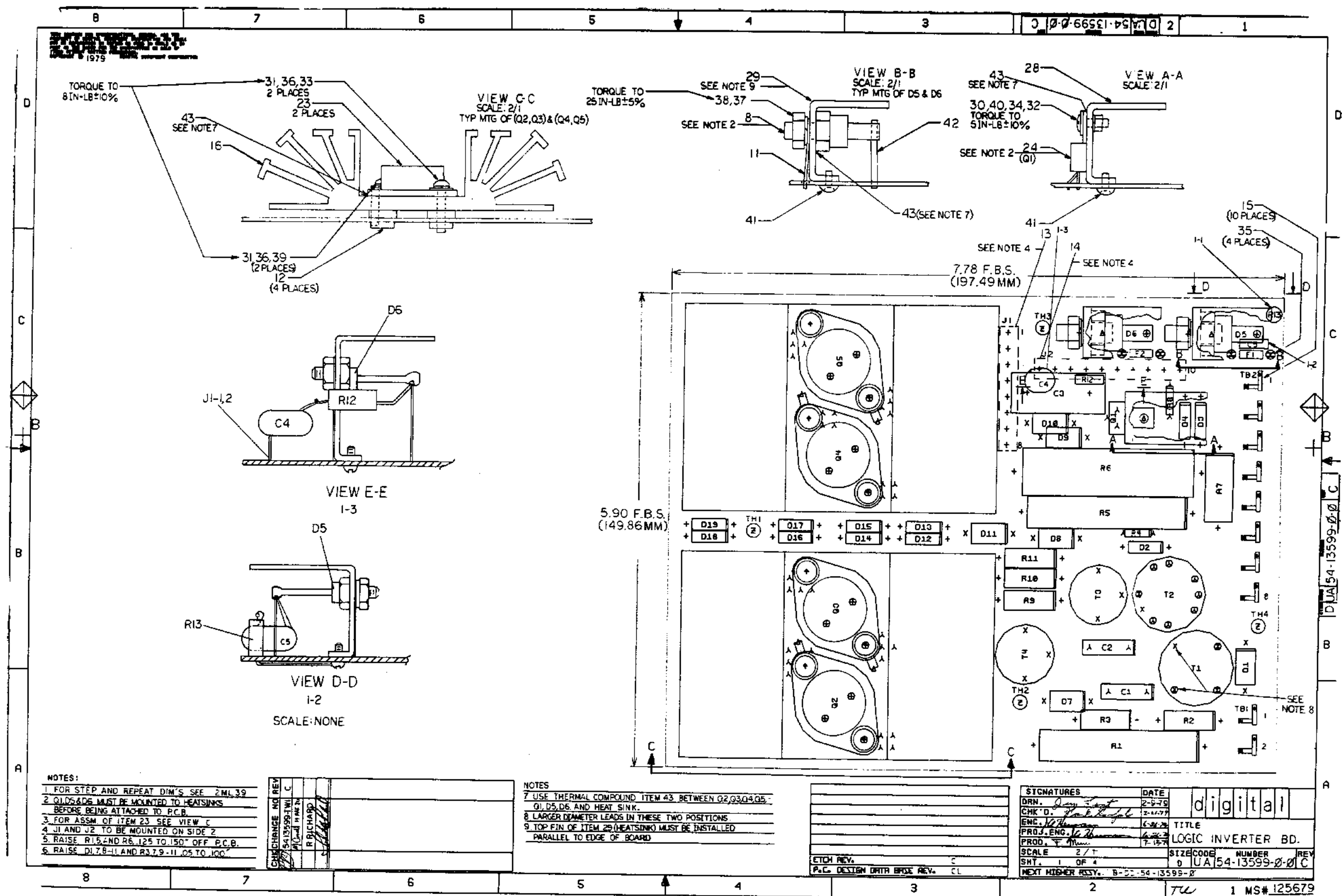
D	I	G	I	T	A	L	TITLE	LOGIC INVERTER CONTROL BD	SECTION A OF A	SIZE	CODE	DOCUMENT NUMBER	REV
										K	PL	5413601-0-DBP	C

TW

LINE ITEM	DOCUMENT NUMBER	PART NUMBER	DESCRIPTION	QTY PER VARIATION 00	REFERENCE DESIGNATOR
-----------	-----------------	-------------	-------------	-------------------------	----------------------

124 NOTE: ITEM #121; .52' IS USED.

D	I	G	I	T	A	L	TITLE	LOGIC INVERTER CONTROL BD	SECTION A	OF A	SIZE	CODE	DOCUMENT NUMBER	REV
											K	PL	5413601-0-DBP	C



- NOTES:
- FOR STEP AND REPEAT DIM'S SEE 2 ML 39
 - Q1, D5, D6 MUST BE MOUNTED TO HEATSINKS BEFORE BEING ATTACHED TO P.C.B.
 - FOR ASSM OF ITEM 23 SEE VIEW C
 - J1 AND J2 TO BE MOUNTED ON SIDE Z
 - RAISE R1, 5, AND R6, 125 TO 150° OFF P.C.B.
 - RAISE D1, 7, 8-11 AND R3, 7, 9-11, D5 TO 100°

CHANGE NO	REV	DATE	BY	CHK'D
1	1	2-5-79	R. RICHARD	

- NOTES:
- USE THERMAL COMPOUND ITEM 43 BETWEEN Q2, Q3, Q4, Q5, Q1, D5, D6 AND HEAT SINK.
 - LARGER DIAMETER LEADS IN THESE TWO POSITIONS
 - TOP FIN OF ITEM 29 (HEATSINK) MUST BE INSTALLED PARALLEL TO EDGE OF BOARD

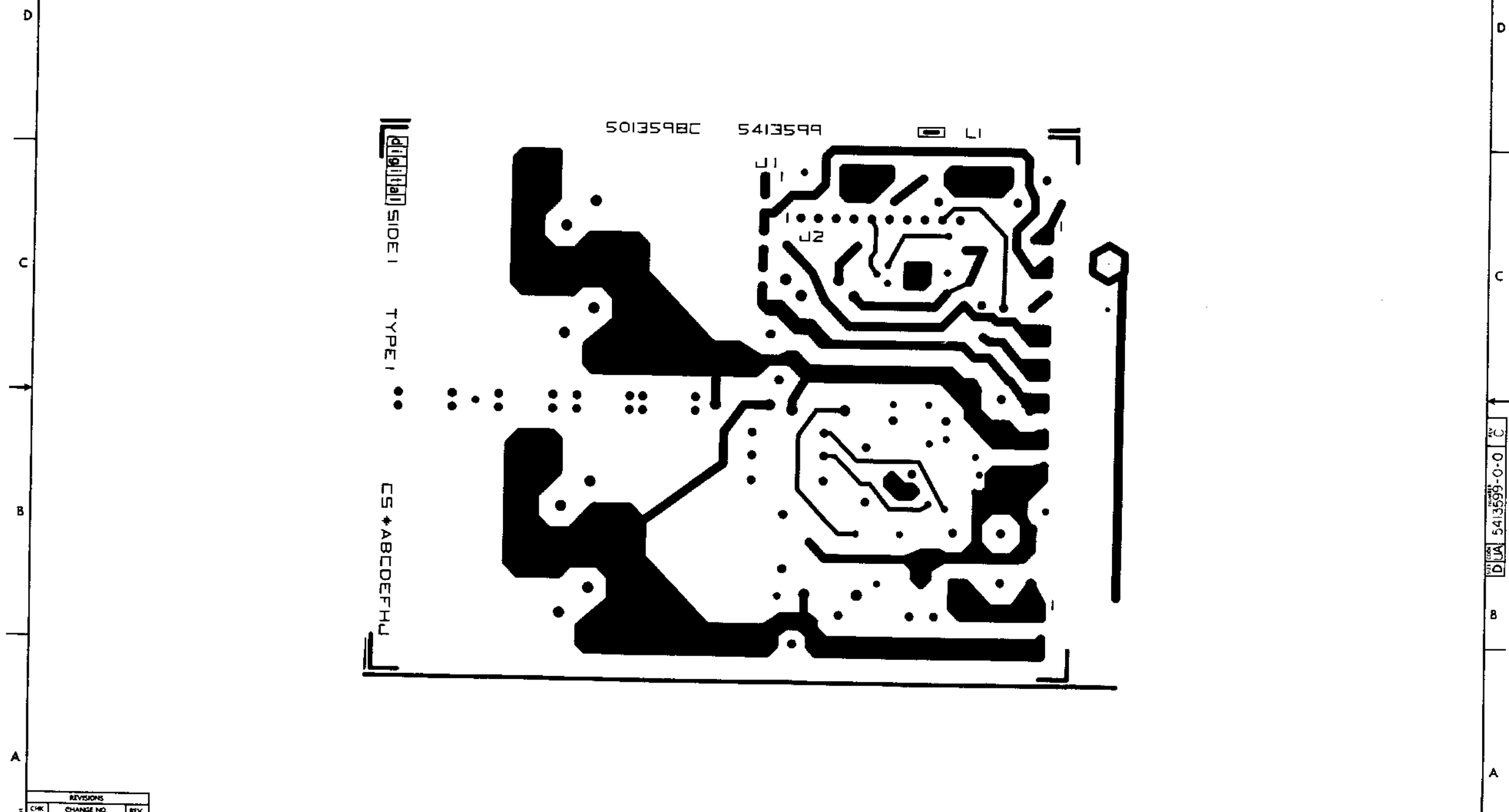
ETCH REV.	C
P.C. DESIGN ORTR BRD REV.	CL

SIGNATURES		DATE	digital
DRN	<i>[Signature]</i>	2-5-79	
CHK'D	<i>[Signature]</i>	2-22-79	
ENC.	<i>[Signature]</i>	6-26-79	
PROJ. ENG.	<i>[Signature]</i>	7-15-79	
TITLE			LOGIC INVERTER BD.
SCALE	2/1	SIZE CODE	NUMBER
SHT.	1 OF 4	D	UA154-13599-0-0 C
NEXT HIGHER ASSY.			B-00-54-13599-0

1 MS# 125679

THIS DRAWING AND SPECIFICATIONS HEREIN ARE THE PROPERTY OF DIGITAL EQUIPMENT CORPORATION AND SHALL NOT BE REPRODUCED OR COPIED OR USED IN WHOLE OR IN PART AS THE BASIS FOR THE MANUFACTURE OR SALE OF ITEMS WITHOUT WRITTEN PERMISSION. COPYRIGHT © 1970 DIGITAL EQUIPMENT CORPORATION

DJA 5413599-0-0 C 2

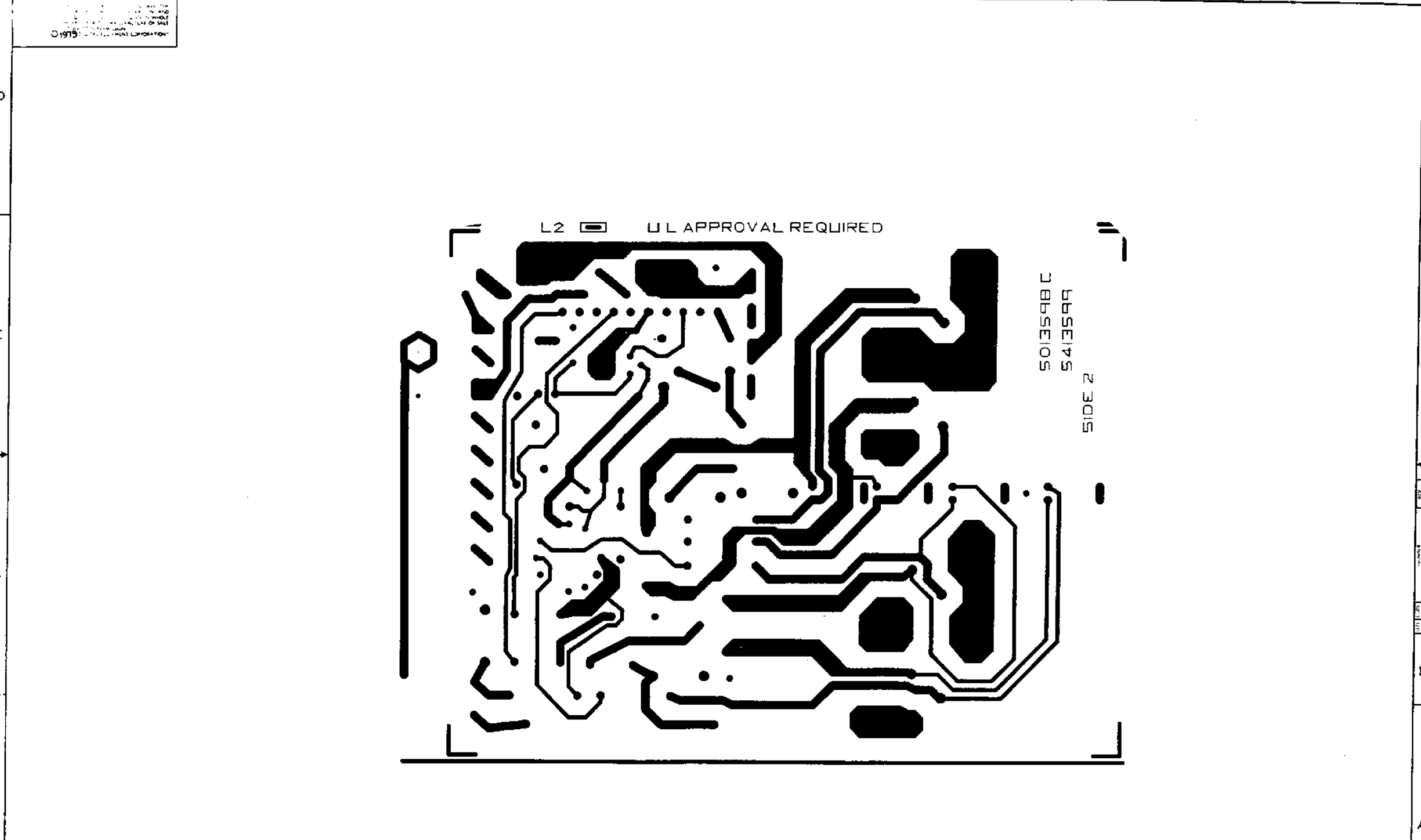


REVISIONS		
CHK	CHANGE NO.	REV.

TITLE	LOGIC INVERTER BOARD	SIZE CODE	DJA	NUMBER	5413599-0-0	REV.	C
SCALE	1/1	SHEET	2	OF	4	DIST.	TW

8 7 6 5 4 3 2 1

8 7 6 5 4 3 2 1



© 1975 DUAL CORPORATION

DUAL 5413599-0-0 C 2

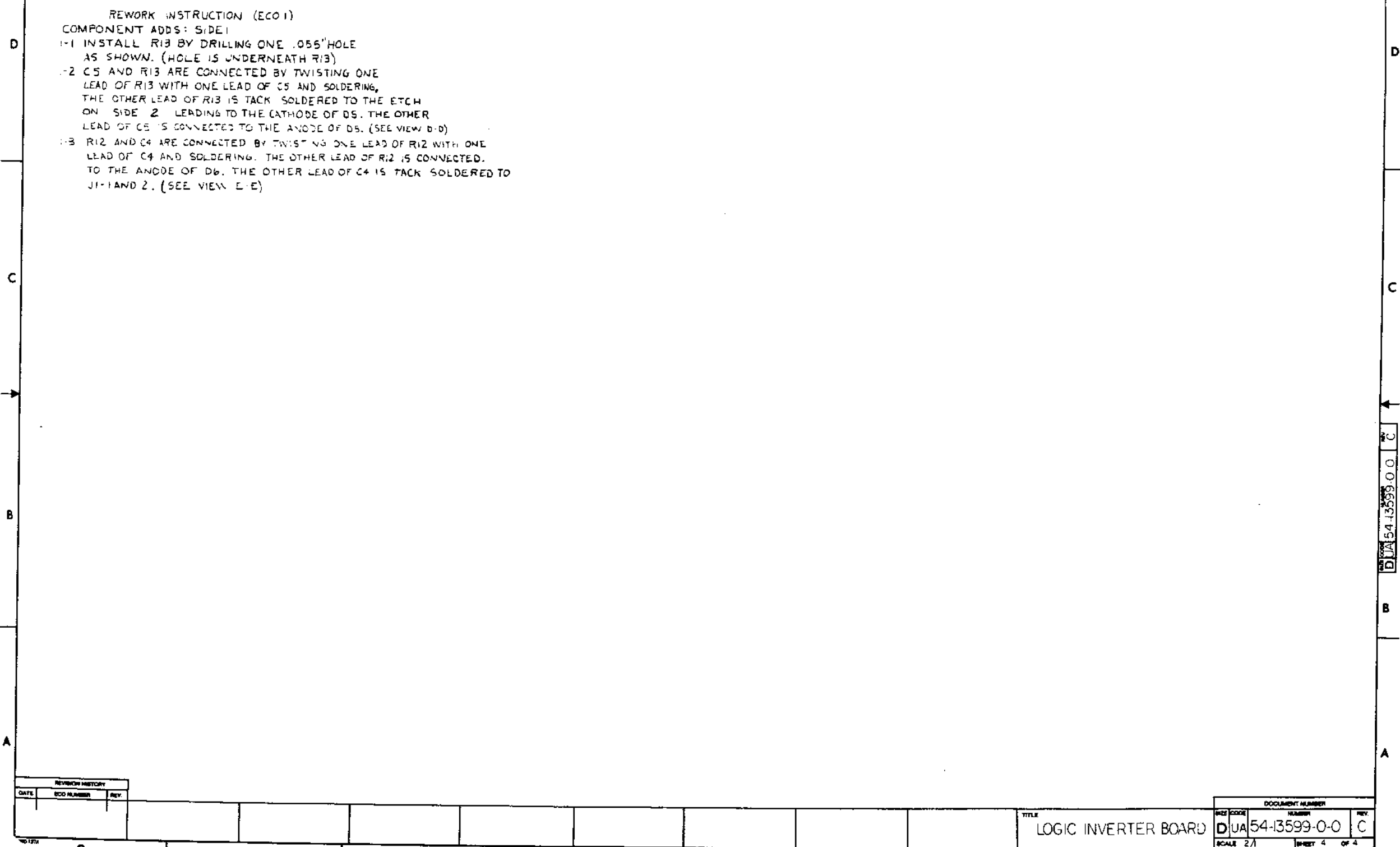
L2 U/L APPROVAL REQUIRED

501359B C
541359A
SIDE 2

REVISIONS		
NO.	CHANGE NO.	REV.

THE DIMENSIONS AND SPECIFICATIONS HEREIN ARE THE PROPERTY OF DIGITAL EQUIPMENT CORPORATION AND SHALL NOT BE REPRODUCED OR TRANSMITTED IN ANY FORM OR BY ANY MEANS, ELECTRONIC OR MECHANICAL, INCLUDING PHOTOCOPYING, RECORDING, OR BY ANY INFORMATION STORAGE AND RETRIEVAL SYSTEM, WITHOUT THE WRITTEN PERMISSION OF DIGITAL EQUIPMENT CORPORATION.

REV. C DUA 54-13599-0-0



REWORK INSTRUCTION (ECO 1)

COMPONENT ADDS: SIDE 1

- 1-1 INSTALL R13 BY DRILLING ONE .055" HOLE AS SHOWN. (HOLE IS UNDERNEATH R13)
- 1-2 C5 AND R13 ARE CONNECTED BY TWISTING ONE LEAD OF R13 WITH ONE LEAD OF C5 AND SOLDERING. THE OTHER LEAD OF R13 IS TACK SOLDERED TO THE ETCH ON SIDE 2 LEADING TO THE CATHODE OF D5. THE OTHER LEAD OF C5 IS CONNECTED TO THE ANODE OF D5. (SEE VIEW D-D)
- 1-3 R12 AND C4 ARE CONNECTED BY TWISTING ONE LEAD OF R12 WITH ONE LEAD OF C4 AND SOLDERING. THE OTHER LEAD OF R12 IS CONNECTED TO THE ANODE OF D6. THE OTHER LEAD OF C4 IS TACK SOLDERED TO J1-1 AND 2. (SEE VIEW E-E)

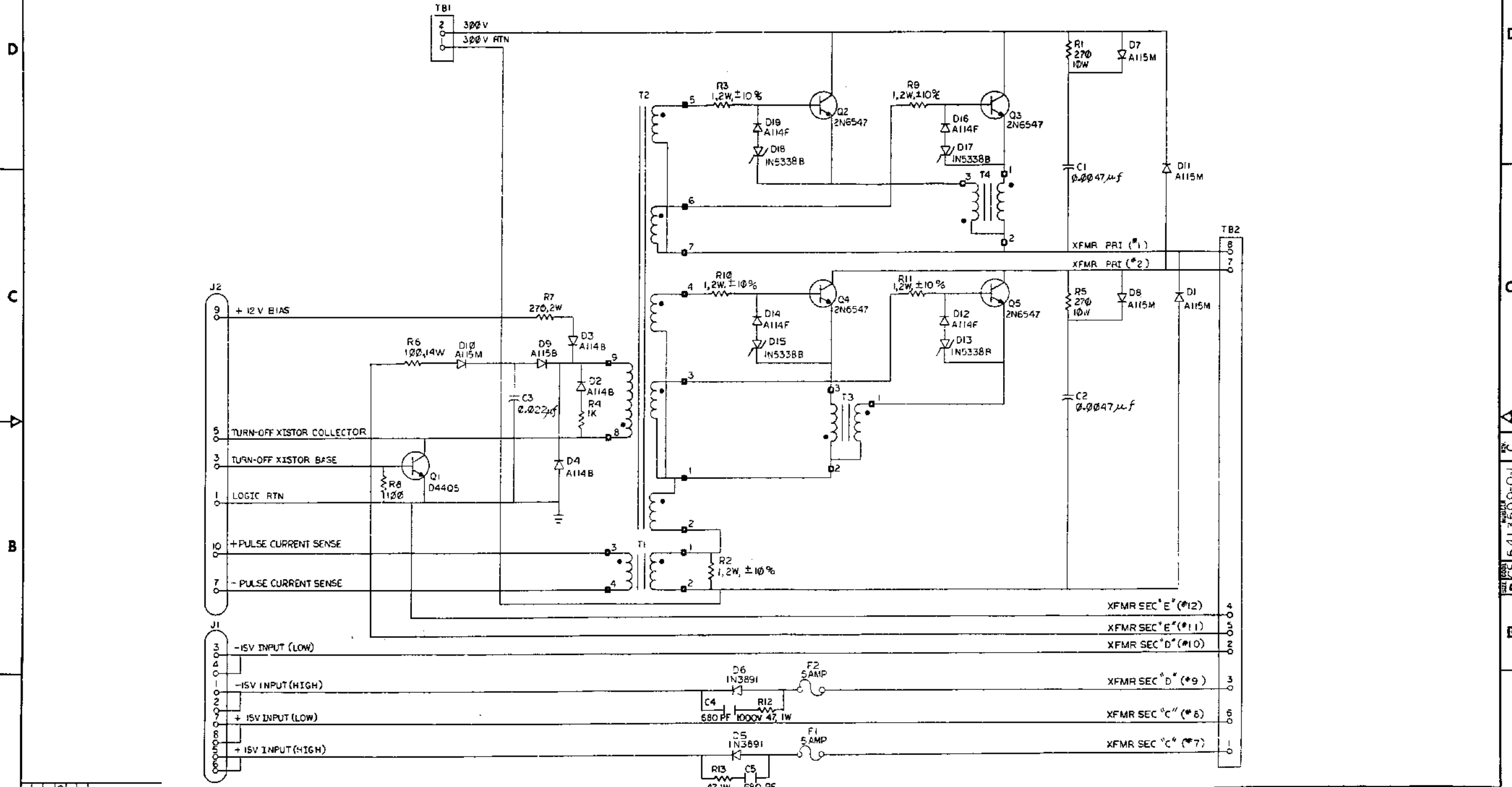
REVISION HISTORY

DATE	ECO NUMBER	REV.

TITLE LOGIC INVERTER BOARD
 DRAWING CODE DUA 54-13599-0-0
 SCALE 2/1
 SHEET 4 OF 4
 REV. C

TW 1

THIS DRAWING AND SPECIFICATIONS HEREAFTER ARE THE PROPERTY OF DIGITAL EQUIPMENT CORPORATION AND SHALL NOT BE REPRODUCED OR COPIED IN WHOLE OR IN PART FOR ANY PURPOSES WITHOUT THE WRITTEN PERMISSION OF DIGITAL EQUIPMENT CORPORATION.



REV. 1	DATE	BY
REV. 2	DATE	BY
REV. 3	DATE	BY
REV. 4	DATE	BY
REV. 5	DATE	BY
REV. 6	DATE	BY
REV. 7	DATE	BY
REV. 8	DATE	BY

DRN FOR	10-2-78	FIRST USED ON	41-1101 A
CHK'D	10-2-78	TITLE	LOGIC INVERTER BOARD
ERG.	10-2-78	SIZE	D
PROJ. ENG.	10-2-78	CODE	CS 5413599-0-1
PROD. ENG.	10-2-78	NUMBER	C
NEXT HIGHER ASSY.		REV.	
SCALE		SHEET	1 OF 1
DIST.			

LINE	ITEM	DOCUMENT NUMBER	PART NUMBER	DESCRIPTION	QTY PER VARIATION	REFERENCE DESIGNATOR
					00	
1	1	D-MD-5013598-0-0	5013598-00	DRILL & ETCH BD	1	
2	2		1011847-03	.0047 MFD 600V 10% POLYPROP	2	C1,C2
3	3		1014430-00	.022 MFD 270V 10% M.POLYPROP	1	C3
4	4		1112594-01	A115B FIV=200 I= 3A	1	D9
5	5		1112594-02	A115M FIV=600 I= 3A	5	D1,D7,D8,D11,D10
6	6		1112595-00	A114F FIV= 50 I= 1A	4	D12,D14,D16,D19
7	7		1112595-01	A114B FIV=200 I= 1A	3	D2-D4
8	8		1110491-20	IN 3891 FIV=200 T=12A D04 SI	2	D5,D6
9	9		1114435-00	IN 5338B VZ= 5.1 5% 5W	4	D13,D15,D17,D18
10	10		1205747-00	FUSE, SUB-MINI, 5.000A, 125V, A	2	F1,F2
11	11		1216937-00	TERMINAL,SOLDER	2	
12	12		1214789-00	INSERT,THREADED 6-32 ,BRASS,ELEC	8	
13	13		1216108-00	HEADER,200 8POS STRAIGHT	1	J1
14	14		1216108-01	HEADER,200 10POS STRAIGHT	1	J2
15	15		1216269-00	TERM SPADE 1POS SOLDER STRIP	10	
16	16		1216316-00	HEAT SINK,ALUM,YELLOW CHROM. FIN	2	
17	17		1300229-00	100.0 .25 W 5.0 % CC	1	R8
18	18		1300365-00	1.0 K .25 W 5.0 % CC	1	R4
19	19		1305380-00	270.0 2.0 W 5.0 % CC	1	R7
20	20		1314350-00	1.0 2.0 W10.0 % WW	5	R2,R3,R9-R11
21	21		1314172-01	100.0 14.0 W 5.0 % WW	1	R6
22	22		1314544-00	270.0 10.0 W 5.0 % WW	2	R1,R5
23	23		1514195-00	2N 6547 PNP 400V SI 15A	4	Q2-Q5
24	24		1514271-01	D 44Q5 NPN 31W SI225 30	1	Q1
25	25		1614202-00	XFMR,CURRENT	1	T1
26	26		1614203-00	CHOKE,BALUN-COMMON MODE	2	T3,T4
27	27		1614204-00	PULSE XFMR 20312 BASE DRIVE	1	T2
28	28		7422046-00	HEAT SINK,SINGLE	1	
29	29		7422046-01	HEAT SINK	2	
30	30		9006011-01	SCREW,FAN,PHIL 4-40X 3/8 SS	1	

REVISION HISTORY		BASIC PART NO: 5413599		DRN:	K.FRIEDGEN	DATE:	20-JUL-79	DIGITAL			
ENG	ECD NUMBER	REV	SECTION A OF A	CHK'D:	F.GERRY	DATE:	20-JUL-79	TITLE PARTS LIST			
---	INITIAL	B	SECTION,VARIATION INDEX	CHK'D:	F.GERRY <td>DATE:</td> <td>20-JUL-79 <td colspan="3">TITLE PARTS LIST</td> </td>	DATE:	20-JUL-79 <td colspan="3">TITLE PARTS LIST</td>	TITLE PARTS LIST			
RR	5413599-TW001	C	[A] 00					LOGIC INVERTER BD			
			[B]								
			[C]	DES.ENG:	J.A.HERRMANN	DATE:	20-JUL-79				
			[D]								
			[E]					DOCUMENT NUMBER			
			[F]	RESP.ENG.:	J.A.HERRMANN	DATE:	20-JUL-79				
			[G]					SIZE	CODE	NUMBER	REV
			[H]								
			[I]	MFG.ENG.:	F.MUNIZ	DATE:	20-JUL-79	K	PL	5413599-0-DRP	C
			[J]								
			[K]								
			[L]								
			[M]	ASSEMBLY NUMBER:		TOP DOCUMENT NUMBER:		FILE NAME:		EDIT #:	
			[N]	D-UA-5413599-0-0				Z0399C.PLS		14	

*THIS DRAWING AND SPECIFICATIONS HEREIN, ARE THE PROPERTY OF DIGITAL EQUIPMENT CORPORATION AND SHALL NOT BE REPRODUCED OR COPIED OR USED IN WHOLE OR IN PART AS THE BASIS FOR THE MANUFACTURE OR SALE OF ITEMS WITHOUT WRITTEN PERMISSION. COPYRIGHT (C) 1980, DIGITAL EQUIPMENT CORPORATION *

AUTOMATED BY PRTLST,3H(23)

PARTS LIST

SHEET A2 OF A2

LINE	ITEM	DOCUMENT NUMBER	PART NUMBER	DESCRIPTION	QTY PER VARIATION	REFERENCE DESIGNATOR
					00	
31	31		9006025-01	SCREW,PAN,PHIL 6-32X 5/8 SS	8	
32	32		9006556-00	NUT,HEX , 4-40X1/4 AF X 3/	1	
33	33		9006656-00	WASHER, FLAT, .312 O.D. X .156 I	4	
34	34		9006688-00	WASHER, LOCK, S.S. #4	1	
35	35		9006735-00	EYELET, FUNNEL FLANGE, .059 OD X	4	
36	36		9007801-00	WASHER, LOCK, S.S. #6	8	
37	37		9007906-00	WASHER, LOCK S.S. #10	2	
38	38		9009005-00	NUT,HEX , 10-32 X1/4 AF X 3	2	
39	39		9009676-00	TERM LUG 1POS SOLDER	4	
40	40		9009769-00	WASHER, RECTANGULAR .405X.225X.0	1	
41	41		9010128-00	SCREW,TAPPING,TYPE PAN,PHIL,	3	
42	42		9107560-03	WIRE,BUSS,18AWG	A/R	
43	43		9008268-00	COMPOUND, THERMAL JOINT	A/R	
44	44		1013280-00	680.0 MMF1000V 5%200PPM	2	
45	45		1302199-00	47.0 1.0 W 5.0 % CC	2	C4,C5 R12,R13

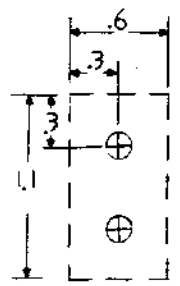
46 NOTE: ITEM #42; .19' IS ISER.

D	I	G	I	T	A	L	TITLE	SECTION A OF A	SIZE	CODE	DOCUMENT NUMBER	REV
							LOGIC INVERTER BD				5413599-0-DRP	C
									K	PL		

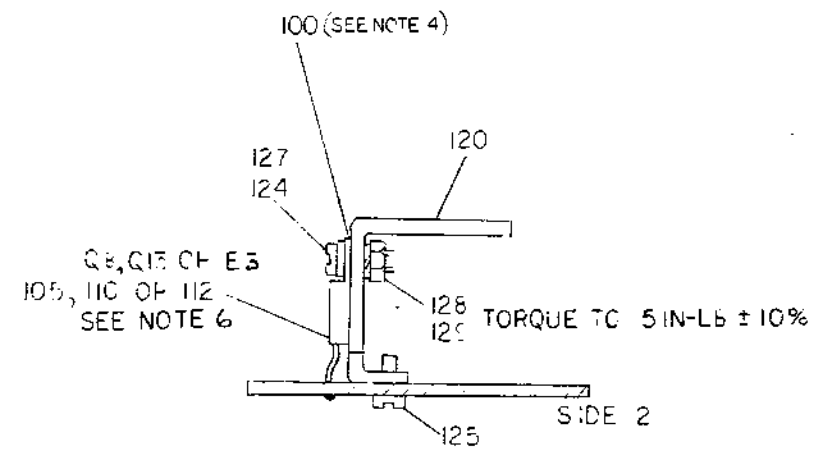
THIS DRAWING AND SPECIFICATIONS, WHETHER MADE BY THE PROPERTY OF GENERAL ELECTRIC CORPORATION OR NOT, ARE HEREBY MADE PUBLIC IN FULL IN ORDER TO BE USED BY THE PUBLIC FOR THE PURPOSES OF THE TYPING OF THIS DRAWING WITHOUT PERMISSION OF GENERAL ELECTRIC CORPORATION.

VIEW C-C
SCALE 2/1
TYP. MTG. OF L1, L2, L3

VIEW B-B
SCALE 2/1
TYP. MTG. OF D4, D6



DETAIL A
SEE NOTE 7



SECTION A-A
SCALE: 2/1
TYPICAL 3 PLACES

SEE
DETAIL
(A)

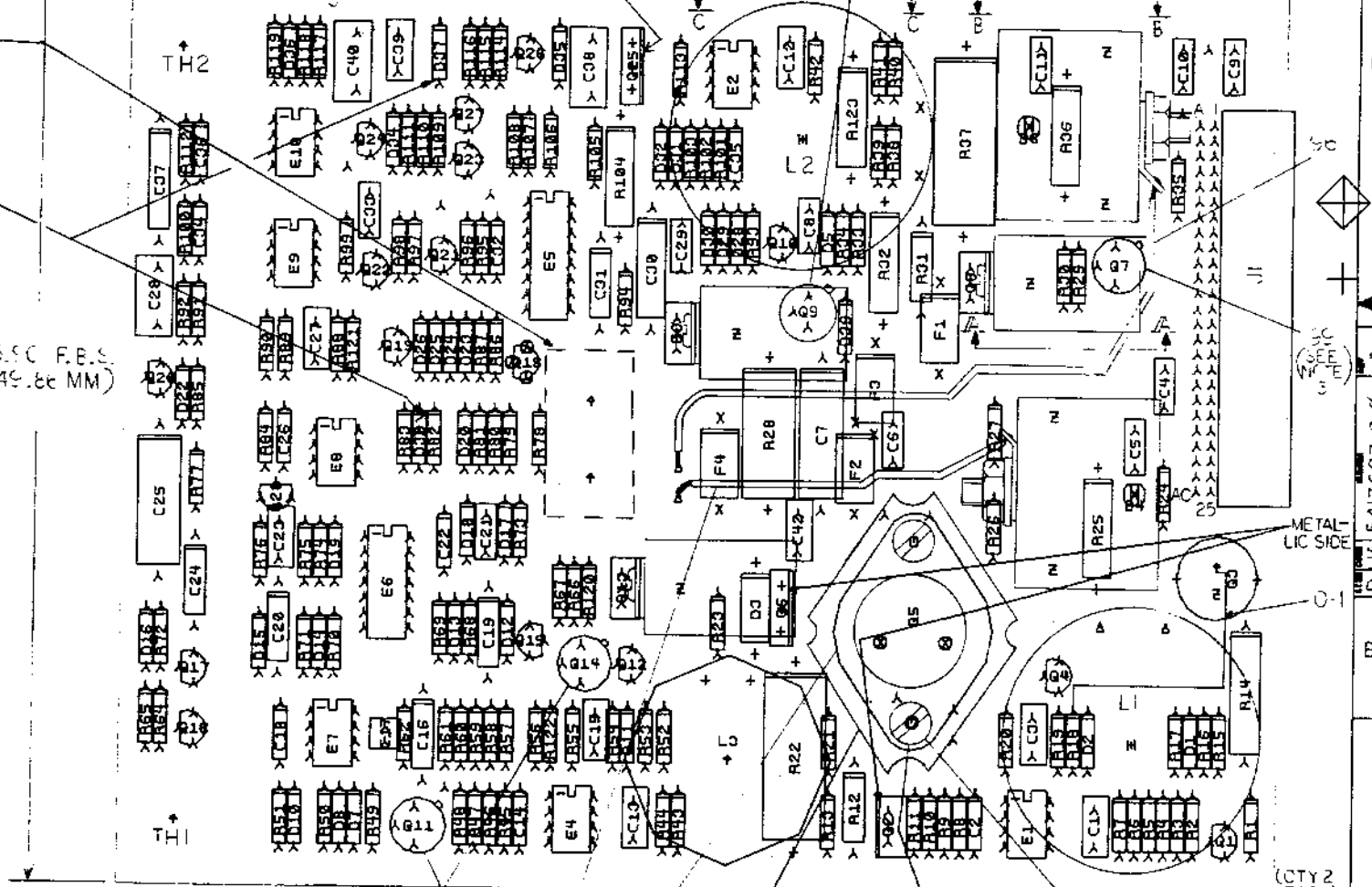
FOR -00 DIODE IS USED
FOR -YA JUMPER IS USED

5.50 F.B.S.
(140.66 MM)

7.78 F.B.S.
(197.49 MM)

99 (SEE NOTE 3)
23
(D4 OF D6)

97 TORQUE TO
137.25 IN-LB
± 5%



- NOTES:
1. PATTERN MUST BE RE-ETCHED TO .150.
 2. DRILL HOLES IN E3, E5, .05" TO .10".
 3. USE TRANSIPADS (EM 99) UNDER C709, Q117, Q14.
 4. USE THERMAL CONDUCTIVE (1" X 1" 100) BETWEEN E3, E5, C8, Q13, D4, D6 / HEAT SINK.

CHANGE NO	REV	DATE	BY	CHK'D
1	1			
2	1			
3	1			
4	1			
5	1			
6	1			
7	1			
8	1			
9	1			
10	1			

5. TORQUE TO 6 IN LB ± 10%
6. Q8, Q13, E3, D4, D6 MUST BE MOUNTED TO HEAT SINKS BEFORE BEING ATTACHED TO P.C.B.
7. MASK THIS AREA ON SIDE 2 ONLY, KEEP FREE OF SOLDER.

99 (SEE NOTE 3)	99	100 (SEE NOTE 4)	422	(QTY 2) 123 FAR SIDE	126, 133, 132 (SEE NOTE 5)
SIGNATURES					
DAN. P. RICHARD TELLIER		DATE		12-27-79	
CHK'D		DATE		2-5-80	
MECH. ENG.		DATE		11-5-80	
PROJ. ENG.		DATE		11-5-80	
PROD.		DATE		12-9-80	
SCALE		2/1		SIZE CODE	
SHT.		1 OF 2		NUMBER	
NEXT HIGHER ASSY.		B-DD-5413607-0		REV	

TITLE		digital	
MEMORY REGULATOR			
SIZE	CODE	NUMBER	REV
D	UA	5413607-0-E	

8

DUA 5413607-0-0

6

5

4

3

2

1

THIS DRAWING AND SPECIFICATIONS HEREIN ARE THE PROPERTY OF DIGITAL EQUIPMENT CORPORATION AND SHALL NOT BE REPRODUCED OR COPIED OR USED IN WHOLE OR IN PART AS THE BASIS FOR THE MANUFACTURE OR SALE OF ITEMS WITHOUT WRITTEN PERMISSION. COPYRIGHT © 1960 DIGITAL EQUIPMENT CORPORATION

D

REWORK INSTRUCTION

WIRE ADD SIDE 1
C-1 FROM R.8 (WRAP WIRE AROUND COMPONENT LEAD) TO G3 CATHODE (GND) (USE ITEM 144)

C

B

A

D

C

B

A

DUA 5413607-0-0

REVISION HISTORY		
DATE	ECO NUMBER	REV

TITLE
MEMORY REGULATOR

SIZE	CODE	DOCUMENT NUMBER	NUMBER	REV.
D	UA	5413607-0-0		E

SCALE + + SHEET 2 OF 2

8

7

6

5

4

3

2

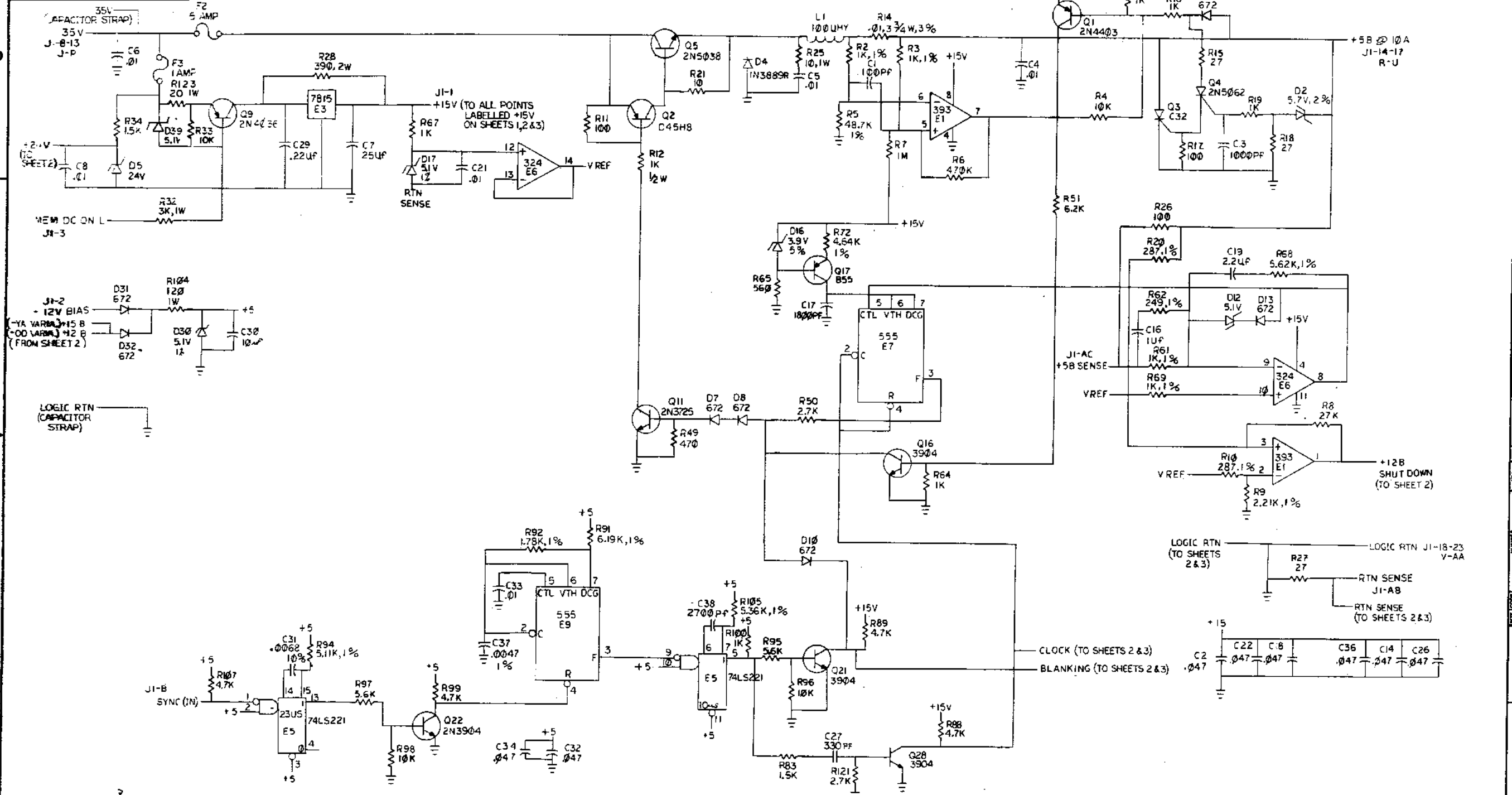
1

TW

DWG 137A

THIS DRAWING AND SPECIFICATIONS HEREAFTER ARE THE PROPERTY OF DIGITAL EQUIPMENT CORPORATION AND SHALL NOT BE REPRODUCED OR COPIED OR USED IN WHOLE OR IN PART AS THE BASIS FOR THE MANUFACTURE OR SALE OF THIS EQUIPMENT WITHOUT PERMISSION OF DIGITAL EQUIPMENT CORPORATION. COPYRIGHT © 1976

5413607-0-1



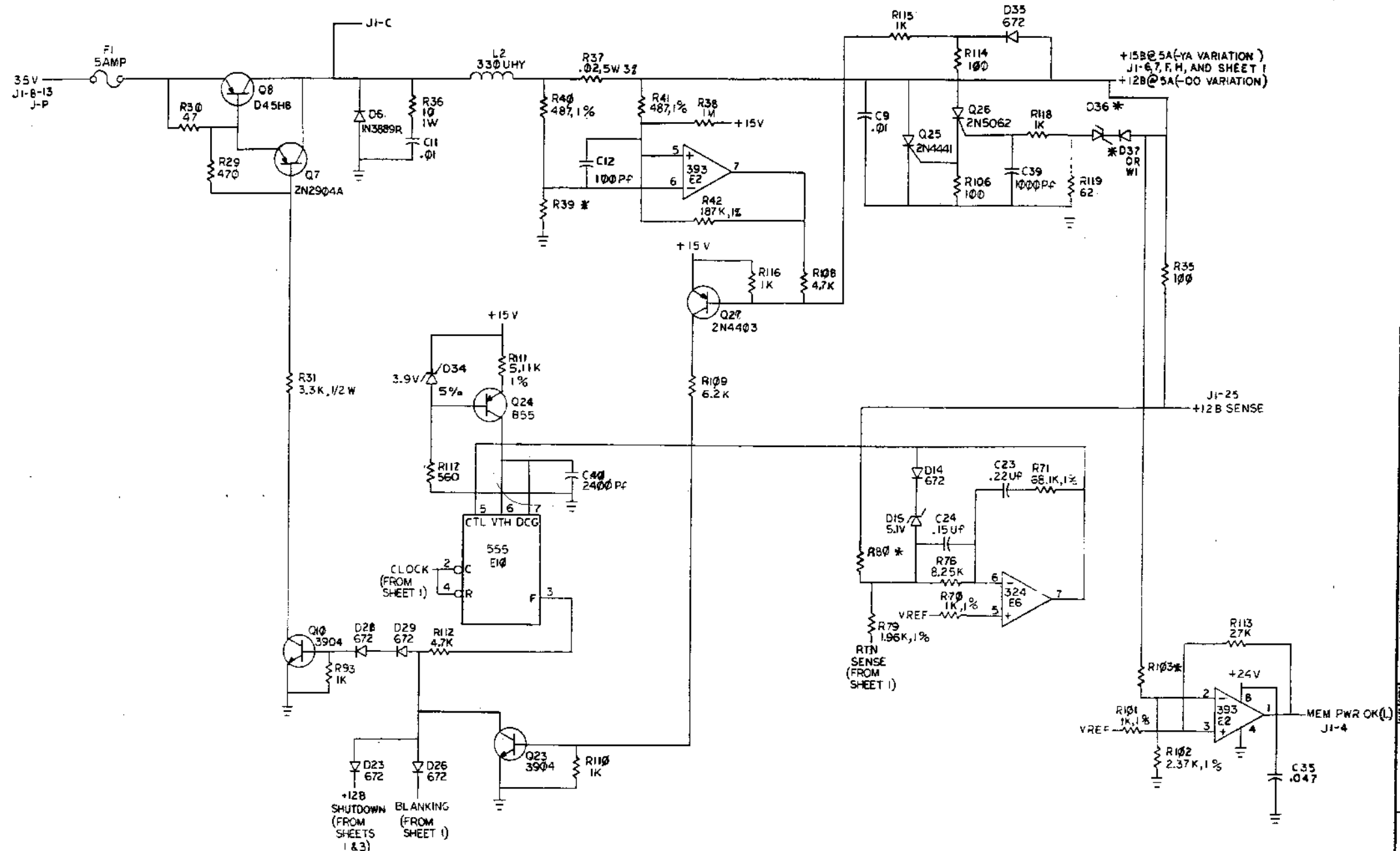
REV	DATE	BY	CHKD
1	11/15/75	R. J. W.	J. S. W.
2	11/15/75	R. J. W.	J. S. W.
3	11/15/75	R. J. W.	J. S. W.
4	11/15/75	R. J. W.	J. S. W.
5	11/15/75	R. J. W.	J. S. W.
6	11/15/75	R. J. W.	J. S. W.
7	11/15/75	R. J. W.	J. S. W.
8	11/15/75	R. J. W.	J. S. W.

DRN. R. J. W.	11/15/75	FIRST USED ON	H7140	digital
CHKD. J. S. W.	11/15/75	TITLE	MEM REG	
ENG. R. J. W.	11/15/75	SIZE	D	NUMBER
PROJ. ENG. R. J. W.	11/15/75	SCALE	1 OF 3	
PROD. F. M. W.	11/15/75	SHEET	1 OF 3	REV.
NEXT HIGHER ASSY.		DIST.		

THIS DRAWING AND SPECIFICATIONS HEREIN ARE THE PROPERTY OF DIGITAL EQUIPMENT CORPORATION AND SHALL NOT BE REPRODUCED OR COPIED OR USED IN WHOLE OR IN PART AS THE BASIS FOR THE MANUFACTURE OR SALE OF ITEMS WITHOUT WRITTEN PERMISSION. DIGITAL EQUIPMENT CORPORATION. COPYRIGHT © 1972

*

COMPONENT DESIGNATOR	- OO VARIATION	- YA VARIATION
D36	13V, 5%	18V, 5%
R39	39.2K, 1%	48.7K, 1%
R80	2.67K, 1%	3.83K, 1%
R103	2.67K, 1%	3.83K, 1%
D37	672	
W1		JUMPER



LOGIC RTN (FROM SHEET 1)

+12B SHUTDOWN (FROM SHEETS 1 & 3)
BLANKING (FROM SHEET 1)

MEM PWR OK (L) J1-4

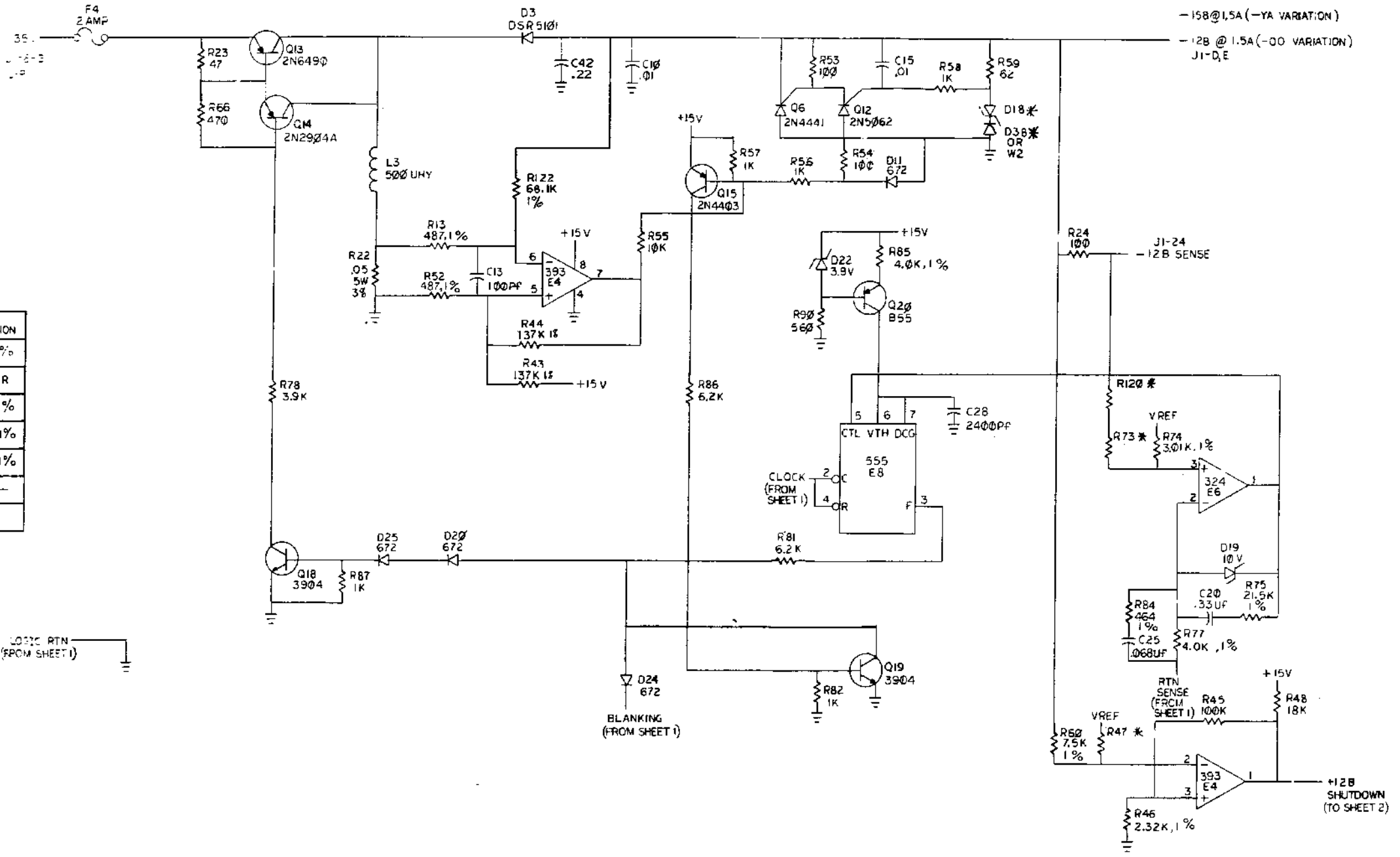
DCS 5413607-0-1 E

REVISIONS		
CHK	CHANGE NO.	REV.

ALL DRAWINGS AND SPECIFICATIONS HEREIN ARE THE PROPERTY OF DIGITAL EQUIPMENT CORPORATION AND SHALL NOT BE REPRODUCED OR COPIED IN WHOLE OR IN PART AS THE BASIS FOR THE MANUFACTURE OR SALE OF ITEMS WITHOUT WRITTEN PERMISSION. COPYRIGHT © 1970 DIGITAL EQUIPMENT CORPORATION

*

COMPONENT DESIGNATOR	-00 VARIATION	-YA VARIATION
D18	13V, 5%	18V, 5%
W2	---	JUMPER
R47	3.48K, 1%	2.8K, 1%
R73	5.62K, 1%	5.36K, 1%
R120	1.47K, 1%	3.48K, 1%
D38	672	---



LOGIC RTN (FROM SHEET 1)

BLANKING (FROM SHEET 1)

+12B SHUTDOWN (TO SHEET 2)

REVISIONS		
CHK	CHANGE NO.	REV.

LINE ITEM	DOCUMENT NUMBER	PART NUMBER	DESCRIPTION	QTY PER VARIATION		REFERENCE DESIGNATOR	
				00	YA		
1	1	D-MD-5013606-0-0	5013606-00	DRILL & ETCH BD	1	1	
2	2		1004813-00	10 MFD 20V 10% S.TANT	1	1	C30
3	3		1000042-00	1000.0 MMF 100V 5%200PPM MICA	2	2	C3,C39
4	4		1000052-00	.068 MFD 100V 10% MYLR	1	1	C25
5	5		1000060-00	6800.0 MMF 200V 10% MYLR	1	1	C31
6	6		1000075-00	25 MFD 25V +75-10% AL EL	1	1	C7
7	7		1001610-01	.01 MFD50/100V +80-20% DISC	10	10	C4-C6,C8-C11,C21,C33,C15
8	8		1001776-00	1 MFD 35V 10% S.TANT	1	1	C16
9	9		1001636-00	2400.0 MMF 100V 5%200PPM MICA	2	2	C28,C40
10	10		1014170-00	2700.0 MMF 100V 1% 70PPM MICA	1	1	C38
11	11		1002627-00	2.2MFD 20V 10% S.TANT	1	1	C19
12	12		1005328-00	.33 MFD 10V 10% S.TANT	1	1	C20
13	13		1009312-00	.0047 MFD 100V 1% MYLR	1	1	C37
14	14		1010274-01	.22 MFD 50V +80-20% Z5U CER	1	1	C29
15	15		1011740-02	1800.0 MMF 50V 10% CER	1	1	C17
16	16		1011895-00	.15 MFD 35V 10% S.TANT	1	1	C24
17	17		1012784-00	.047 MFD 50V +80-20% CER	9	9	C2,C14,C18,C22,C26,C32,C34-C36
18	18		1100122-00	1N 748A VZ= 3.9 5%	3	3	D16,D22,D34
19	19		1105275-00	D 672 TR= 15NS PIV= 60V SI	19	-	D1,D7,D8,D10,D11,D13,D14,D20, D23-D26,D28,D29,D31,D32,D35,D37, D38
			CONT		-	17	CONT D1,D7,D8,D10,D11,D13,D14,D20, D23-D26,D28,D29,D31,D32,D35
20	20		1100125-00	1N 758A VZ= 10.0 5% .40W PPE	1	1	D19
21	21		1105871-00	1/4M5.1AZ1 = 5.1 1% .25W N	3	3	D17,D30,D39
22	22		1109988-00	1N 964B VZ= 13.0 5% .40W	2	-	D18,D36
23	23		1110491-01	1N 3889R PIV=50 I=12A D04	2	2	D4,D6
24	24		1110713-00	SZ710910 VZ= 5.1 2% M	2	2	D12,D15
25	25		1110856-00	1N 970B VZ= 24.0 5% .40W Y	1	1	D5
26	26		1111205-00	SCREENED VZ= 5.7 2% .40W	1	1	D2

REVISION HISTORY		BASIC PART NO: 5413607		DRN:	J.FERGUSON	DATE:	06-AUG-80	DIGITAL			
ENG	ECO NUMBER	REV	SECTION A OF A	CHK'D:	J.FERGUSON	DATE:	06-AUG-80	TITLE PARTS LIST			
	TWO05	H	SECTION VARIATION INDEX					MEMORY REG			
			[A] 00, YA								
			[B]								
			[C]	DES.ENG:	B.WOLF	DATE:	06-AUG-80				
			[D]								
			[E]								
			[F]	RESP.ENG.:	B.WOLF	DATE:	06-AUG-80	DOCUMENT NUMBER			
			[G]					SIZE	CODE	NUMBER	REV
			[H]								
			[I]	MFG.ENG.:	P.WAITKUS	DATE:	06-AUG-80	K	PL	5413607-0-DBP	H
			[J]								
			[K]	ASSEMBLY NUMBER:		TOP DOCUMENT NUMBER:		FILE NAME:		EDIT #:	
			[L]	D-UA-5413607-0-0		B-DD-5413607-0-0		Z0403H.FLS		38	
			[M]								
			[N]								

*THIS DRAWING AND SPECIFICATIONS HEREIN, ARE THE PROPERTY OF DIGITAL EQUIPMENT CORPORATION AND SHALL NOT BE REPRODUCED OR COPIED OR USED IN WHOLE OR IN PART AS THE BASIS FOR THE MANUFACTURE OR SALE OF ITEMS WITHOUT WRITTEN PERMISSION. COPYRIGHT (C) 1980. DIGITAL EQUIPMENT CORPORATION *

TW

LINE	ITEM	DOCUMENT NUMBER	PART NUMBER	DESCRIPTION	QTY	PER	VARIATION	REFERENCE DESIGNATOR
					00	YA		
27	27		1114602-00	UES1302 FIV=100V I= 4A	1	1		D3
28	28		1110968-00	2N 5062 SCR@100V I=.8A T092	3	3		Q4,R12,Q26
29	29		1010978-40	.22 MFD 50V 10% CER	2	2		C23,C42
30	30		1210929-02	FUSE, SUB-MINI 1.000A, 125V, A	1	1		F3
31	31		1205747-00	FUSE, SUB-MINI, 5.000A, 125V, A	2	2		F1,F2
32	32		1216112-03	HEADER.100 50FDS RT ANGLE	1	1		J1
33	33		1305127-00	4.0 K .25 W 1.0 % RN55D-F10	2	2		R77,R85
34	34		1304856-00	4.64 K .25 W 1.0 % RN55D-F10	1	1		R72
35	35		1304854-00	5.11 K .25 W 1.0 % RN55D-F10	2	2		R94,R111
36	36		1300391-00	1.50 K .25 W 5.0 % CC	2	2		R34,R83
37	37		1300316-00	470.0 .25 W 5.0 % CC	3	3		R29,R49,R66
38	38		1300447-00	4.70 K .25 W 5.0 % CC	6	6		R99,R107,R112,R88,R89,R108
39	39		1300229-00	100.0 .25 W 5.0 % CC	9	9		R11,R17,R24,R26,R35,R53,R54, CONT R106,R114
40	40		1301317-00	10.0 .25 W 5.0 % CC	1	1		R21
41	41		1300364-00	1.0 K .50 W 5.0 % CC	1	1		R12
42	42		1300171-00	10.0 1.0 W 5.0 % CC	2	2		R25,R36
43	43		1313014-00	.01 3.75 W 3.0 % WW	1	1		R14
44	44		1301864-00	390.0 2.0 W 5.0 % CC	1	1		R28
45	45		1300479-00	10.0 K .25 W 5.0 % CC	5	5		R4,R33,R55,R96,R98
46	46		1309595-00	1.0 M .25 W 5.0 % CC	2	2		R7,R38
47	47		1303114-00	1.0 K .25 W 1.0 % RN55D-F10	6	6		R2,R3,R61,R69,R70,R101
48	48		1313842-00	48.70 K .25 W 1.0 % RN55D-F10	1	-		R5
			CONT		-	2		R5,R39
49	49		1300365-00	1.0 K .25 W 5.0 % CC	16	16		R1,R16,R19,R56-R58,R64,R67,R82, CONT R87,R93,R100,R110,R115,R116,R118
50	50		1301522-00	27.0 .25 W 5.0 % CC	3	3		R15,R18,R27
51	51		1305114-00	3.48 K .25 W 1.0 % RN55D-F10	1	-		R47
			CONT		-	1		R120
52	52		1301890-00	560.0 .25 W 5.0 % CC	3	3		R65,R90,R117
53	53		1300426-00	2.70 K .25 W 5.0 % CC	2	2		R50,R121
54	54		1211751-00	FUSE, SUB-MINI, 2.000A, 125V, A	1	1		F4
55	55		1305128-00	5.62 K .25 W 1.0 % RN55D-F10	2	-		R68,R73
			CONT		-	1		R68
56	56		1303044-00	100.0 K .25 W 1.0 % RN55D-F10	1	1		R45
57	57		1309787-00	249.0 .25 W 1.0 % RN55E-F 2	1	1		R62
58	58		1310876-03	.05 5.0 W 3.0 % WW	1	1		R22
59	59		1305124-00	287.0 .25 W 1.0 % RN55D-F10	2	2		R10,R20
60	60		1310631-00	2.21 K .25 W 1.0 % RN55D-F10	1	1		R9
61	61		1313341-00	5.36 K .25 W 1.0 % RN55D-F10	1	-		R105
			CONT		-	2		R105,R73
62	62		1302612-00	1.78 K .25 W 1.0 % RN55D-F10	1	1		R92
63	63		1300202-00	47.0 .25 W 5.0 % CC	2	2		R23,R30
64	64		9006801-00	SPACER, HEX, ALUM, .138 ID X .3	1	1		
65	65		1311845-00	487.0 .25 W 1.0 % RN55D-F10	4	4		R13,R40,R41,R52
66	66		1305265-00	39.20 K .25 W 1.0 % RN55D-F10	1	-		R39
67	67		1310876-00	.02 5.0 W 3.0 % WW	1	1		R37
68	68		1312984-00	187.0 K .25 W 1.0 % RN55D-F10	1	1		R42

D	I	G	I	T	A	L	TITLE	SECTION A	OF A	SIZE	CODE	DOCUMENT NUMBER	REV
							MEMORY REG			K	PL	5413607-0-DBF	H

TW

LINE	ITEM	DOCUMENT NUMBER	PART NUMBER	DESCRIPTION	QTY	PER	VARIATION	REFERENCE DESIGNATOR
					00	YA		
69	69		9006026-01	SCREW,PAN,PHIL 6-32X 3/4 SS	1	1		
70	70		1300440-00	3.30 K .50 W 5.0 % CC	1	1		R31
71	71		1312929-00	62.0 .25 W 5.0 % CC	2	2		R59,R119
72	72		1305252-00	68.10 K .25 W 1.0 % RN55D-F10	2	2		R71,R122
73	73		1305325-00	8.25 K .25 W 1.0 % RN55D-F10	1	1		R76
74	74		9006653-00	WASHER, FLAT, .375 O.D. X .156 I	1	1		
75	75		9107560-03	WIRE,BUSS,18AWG	A/R	A/R		
76	76		1305346-00	27.0 K .25 W 5.0 % CC	2	2		R8,R113
77	77		1310634-00	2.67 K .25 W 1.0 % RN55D-F10	2	-		R80,R103
78	78		1310632-00	2.37 K .25 W 1.0 % RN55D-F10	1	1		R102
79	79		1301874-00	5.60 K .25 W 5.0 % CC	2	2		R95,R97
80	80		1300444-00	3.90 K .25 W 5.0 % CC	1	1		R78
81	81	BLANK		*** THIS ITEM IS NOT USED ***	-	-		
82	82		1303155-00	21.50 K .25 W 1.0 % RN55D-F10	1	1		R75
83	83		1314041-00	3.01 K .25 W 1.0 % RN55D-F10	1	1		R74
84	84		1312931-00	6.20 K .25 W 5.0 % CC	4	4		R51,R81,R86,R109
85	85		1000016-00	100.0 MMF 100V 5%200PPM MICA	3	3		C1,C12,C13
86	86		1304833-00	1.96 K .25 W 1.0 % RN55D-F10	1	1		R79
87	87		1305322-00	7.50 K .25 W 1.0 % RN55D-F10	1	1		R60
88	88		1312545-00	2.32 K .25 W 1.0 % RN55D-F10	1	1		R46
89	89		1300433-00	3.0 K 1.0 W 5.0 % CC	1	1		R32
90	90		1302398-00	470.0 K .25 W 5.0 % CC	1	1		R6
91	91		1000023-00	330.0 MMF 100V 5%200PPM MICA	1	1		C27
92	92		1302465-00	18.0 K .25 W 5.0 % CC	1	1		R48
93	93		1303047-00	464.0 .25 W 1.0 % RN55D-F10	1	1		R84
94	94		1305422-00	137.0 K .25 W 1.0 % RN55D-F10	2	2		R43,R44
95	95		1301838-00	120.0 1.0 W 5.0 % CC	1	1		R104
96	96		9107370-00	WIRE,STRND,14AWG,IFVC UL1534	A/R	A/R		
97	97		9008150-00	TERM LUG 1FOS LOCKING,SOLDER	2	2		
98	98	BLANK		*** THIS ITEM IS NOT USED ***	-	-		
99	99		9007201-00	TRANSIFIDS #10253	4	4		
100	100		9008268-00	COMPOUND, THERMAL JOINT	A/R	A/R		
101	101		1510928-00	C32AX135 SCR@100V I=25A	1	1		Q3
102	102		1505867-00	2N 4441 SCR@ 50V & 8A	2	2		Q6,Q25
103	103		1305108-00	1.47 K .25 W 1.0 % RN55D-F10	1	-		R120
104	104		1510969-00	2N 5038 NPN 140WC SI 90 50 Y	1	1		Q5
105	105		1510708-00	D 45H8 PNP 50WT SI 60 60 Y	2	2		Q2,Q8
106	106		1510959-00	2N 3725 NPN 3.5WC SI 50 60 P	1	1		Q11
107	107		1510706-01	B 55 PNP 500MW SI 60 50	3	3		Q17,Q20,Q24
108	108		1513490-00	2N 4403 PNP 350MW SI-40 30	3	3		Q1,Q15,Q27
109	109		1509524-00	2N 3904 NPN 310MW SI 40 40 M	8	8		Q10,Q16,Q18,Q19,Q21,Q22,Q23,Q28
110	110		1512652-00	2N 6490 PNP 50W SI 60 40	1	1		Q13
111	111		1501913-00	2N 2904A PNP 600MW SI 60 40 Y	2	2		Q7,Q14
112	112		1914473-02	7815A VOLT REG, FIX +15V	1	1		E3
113	113		1914156-00	LM 393 VOLT.COMPARATOR DUAL	3	3		E1,E2,E4
114	114		1912107-00	324 OP AMP,QUAD	1	1		E6
115	115		1911944-00	555CN TIMER,FUNCT.BLOCK	4	4		E7-E10
116	116		1912858-00	LS221 ONE SHOT-DUAL,SCHMIT	1	1		E5

D	I	G	I	T	A	L	TITLE	SECTION A OF A	SIZE	CODE	DOCUMENT NUMBER	REV
							MEMORY REG		K	PL	5413607-0-DBP	H

TW

LINE	ITEM	DOCUMENT NUMBER	PART NUMBER	DESCRIPTION	QTY PER VARIATION		REFERENCE DESIGNATOR
					00	YA	
117	117		1616212-00	80.0 UH 12.SA	1	1	L1
118	118		1616210-00	250.0 UH @ 6.5A DC,600,0 UH @	1	1	L2
119	119		1616211-00	350.0 UH 3A	1	1	L3
120	120		7422046-00	HEAT SINK,SINGLE	3	3	
121	121		7422047-01	HEAT SINK DOUBLE	2	2	
122	122		1213426-03	HEAT SINK TD-3 1"HIGH	1	1	
123	123		1214789-00	INSERT,THREADED 6-32 ,BRASS,ELEC	2	2	
124	124		9009769-00	WASHER, RECTANGULAR .405X.225X.0	3	3	
125	125		9010128-00	SCREW,TAPPING,TYPE PAN ,PHIL,	7	7	
126	126		9006024-01	SCREW,PAN,PHIL 6-32X 1/2 SS	2	2	
127	127		9006011-01	SCREW,PAN,PHIL 4-40X 3/8 SS	3	3	
128	128		9006689-00	WASHER, LOCK, S.S. #4	3	3	
129	129		9006556-00	NUT,HEX , 4-40X1/4 AF X 3/	3	3	
130	130		9006041-01	SCREW,PAN,PHIL 8-32X 3/4 SS	2	2	
131	131		9006802-00	SPACER, HEX, ALUM, .164 ID X .3	2	2	
132	132		9006656-00	WASHER, FLAT, .312 O.D. X .156 I	2	2	
133	133		9007801-00	WASHER, LOCK, S.S. #6	3	3	
134	134		9006690-00	WASHER, LOCK, S.S. #8	2	2	
135	135		9006660-00	WASHER, FLAT, .375 O.D. X .187 I	2	2	
136	136		9009005-00	NUT,HEX , 10-32 X1/4 AF X 3	2	2	
137	137		9007906-00	WASHER, LOCK S.S. #10	2	2	
138	138		9009195-00	JUMPER, WIRE, INSULATED, BLACK B	-	2	W1,W2
139	139	BLANK		*** THIS ITEM IS NOT USED ***	-	-	
140	140		1509700-00	2N 4036 PNP 7WC SI 80100 M	1	1	Q9
141	141	BLANK		*** THIS ITEM IS NOT USED ***	-	-	
142	142		1314187-00	6.19 K .25 W 1.0 % RN55D-F10	1	1	R91
143	143	BLANK		*** THIS ITEM IS NOT USED ***	-	-	
144	144		9107688-55	WIRE(WRAP)24AWG UL1327	A/R	A/R	
145	145		1110766-00	1N 5248B VZ= 18.0 5% .50W	-	2	D18,D36
146	146		1309413-00	3.83 K .25 W 1.0 % RN55D-F10	-	2	R80,R103
147	147		1305145-00	2.80 K .25 W 1.0 % RN55D-F10	-	1	R47
148	148		1312993-00	20.0 1.0 W 5.0 % CC	1	1	R123

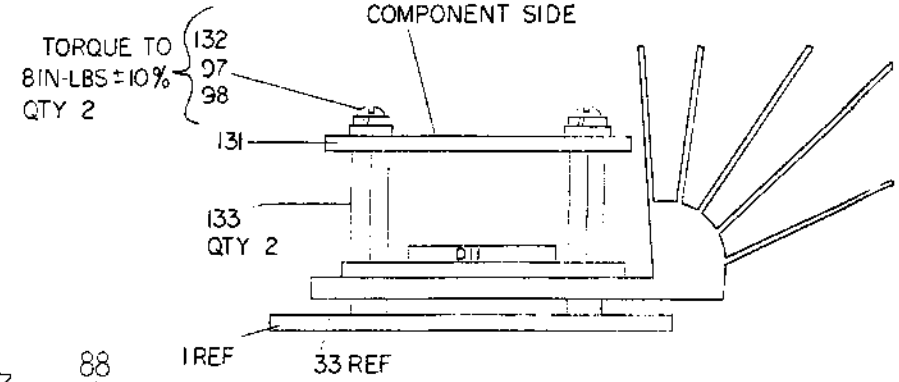
149 NOTE: ITEM #75; .17' IS USED.
 150 NOTE: ITEM #144; .19' IS USED.
 151 NOTE: ITEM #96; .56' IS USED.

! D ! I ! G ! I ! T ! A ! L !	! T ! I ! T ! L !	! S ! E ! C ! T ! I ! O ! N ! A !	! O ! F ! A !	! S ! I ! Z ! E !	! C ! O ! D ! E !	! D ! O ! C ! U ! M ! E ! N ! T ! N ! U ! M ! B ! E ! R !	! R ! E ! V !
	MEMORY REG			K	FL	5413607-0-DBF	H

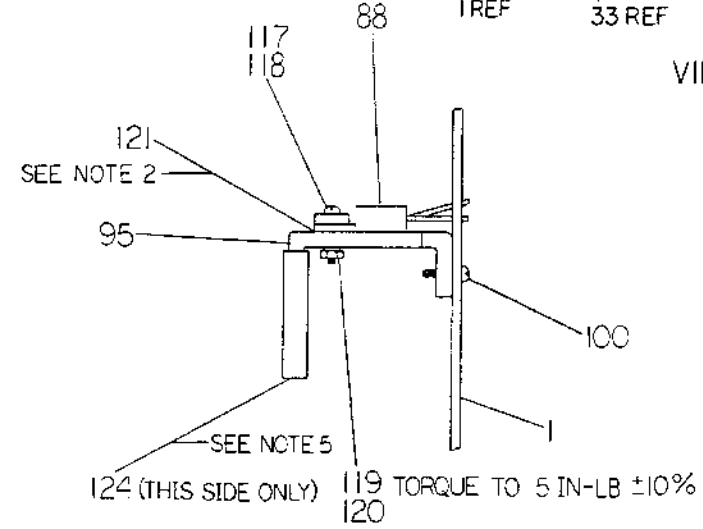
TW

THIS DRAWING AND SPECIFICATIONS, HEREIN, AND THE PROPERTY OF AVCO ELECTRIC CORPORATION AND SHALL NOT BE REPRODUCED OR COPIED IN WHOLE OR IN PART OR IN ANY MANNER FOR THE MANUFACTURE OF THIS DRAWING WITHOUT AVCO'S PERMISSION. COPYRIGHT © 1979 AVCO ELECTRIC CORPORATION

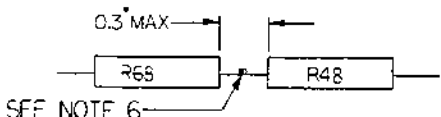
COMPONENT SIDE VIEW



VIEW F-F



VIEW C-C SCALE: 2/1



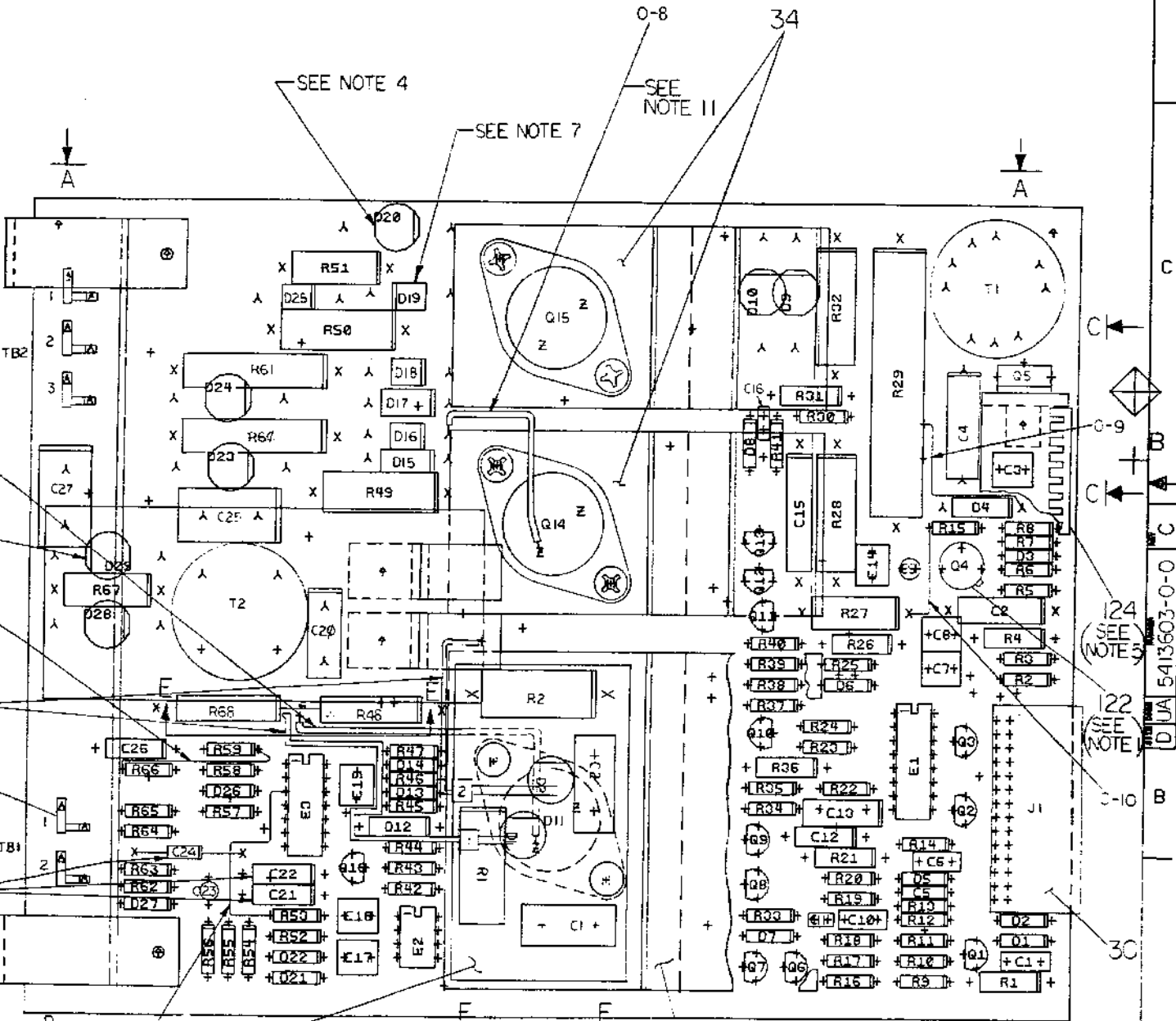
VIEW E-E SCALE: 2/1

5. APPLY GROMMET (ITEM 124) TO HEAT SINK (ITEM 95) USING PERMABOND (ITEM 126). (USE ONLY ON SIDE INDICATED).
6. R48 & R68 ARE CONNECTED BY TWISTING ONE LEAD OF R68 WITH ONE LEAD OF R48 AND SOLDERING. THE SPECIFIED SPACING BETWEEN THE BODIES OF THE RESISTORS MUST NOT BE EXCEEDED AND ALL EXTRA LEAD MATERIAL MUST BE REMOVED.
7. D19 & D25 HAVE CATHODES IN OPPOSITE DIRECTION TO OTHER DIODES ON BOARD.
8. APPLY INSULATING SLEEVING (ITEM 127) TO EACH LEAD OF C24, C22 & C21.
9. POSITIVE TERMINAL OF CAP. C28 (ITEM 16) IS CONNECTED TO THIS CAPACITOR STRAP (ITEM 103).
10. NEGATIVE TERMINAL OF CAPACITOR C28 (ITEM 16) IS CONNECTED TO THIS CAPACITOR STRAP (ITEM 109).
11. USE 22 AWG BUS WIRE (ITEM 129) AND APPLY INSULATING SLEEVING (ITEM 127) TO REWORK INSTRUCTION *0-7 & 0-8.
12. REMOVE ENTIRE ETCH BETWEEN CUT MARKS FOR REWORK INSTRUCTIONS *0-1, 0-2 & 0-4.
13. Q5 MUST BE MOUNTED TO HEATSINK BEFORE BEING ATTACHED TO P.C.B.

NOTES: 1. USE TRANSIPAD (ITEM 122) UNDER Q4.
 2. USE THERMAL COMPOUND (ITEM 121) BETWEEN D11, Q5, Q14, Q15 AND HEAT SINKS.
 3. APPLY GROMMET (ITEM 112) TO XFMR MTS BRKT (ITEM 107) USING PERMABOND (ITEM 126). (APPLY ONLY IN AREA INDICATED).
 4. RAISE R23, R48, R61, R32, R49, R67, D9, R68, D20, D23, D24, D28 AND D25 .100 TO .150 OFF P.C. BOARD.

CHG	NO	REV	DATE	BY	CHKD
1	1	1	7-19-79	J. KANTARIS	
2	1	1	7-19-79	J. KANTARIS	
3	1	1	7-19-79	J. KANTARIS	

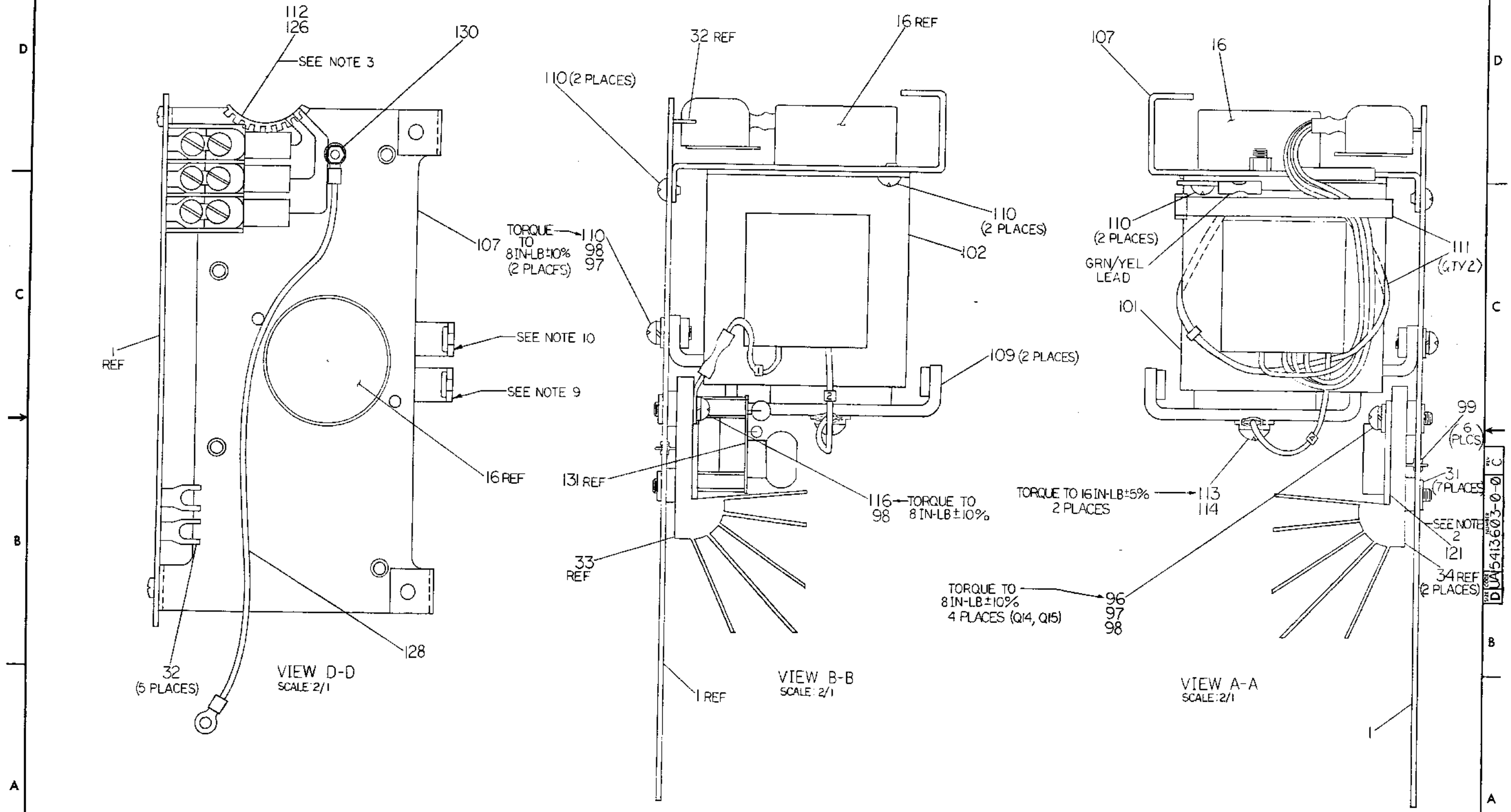
14. TACK SOLDER LEAD #1 TO ETCH UNDER P.8 AND USE PTH NEAR HEATSINK (ITEM 33) FOR LEAD #2.



SIGNATURES	DATE	TITLE
DRN. [Signature]	7-19-79	digital
CHK. [Signature]	7-19-79	
ENG. [Signature]	7-19-79	
PROJ. ENG. [Signature]	7-19-79	MEMORY INVERTER
PROD. [Signature]	7-19-79	
SCALE 2/1		SIZE CODE NUMBER
SHT. 1 OF 5		0 JA 5413603-0-0 C
NEXT HIGHER ASSY.		

D JA 5413603-0-0 C

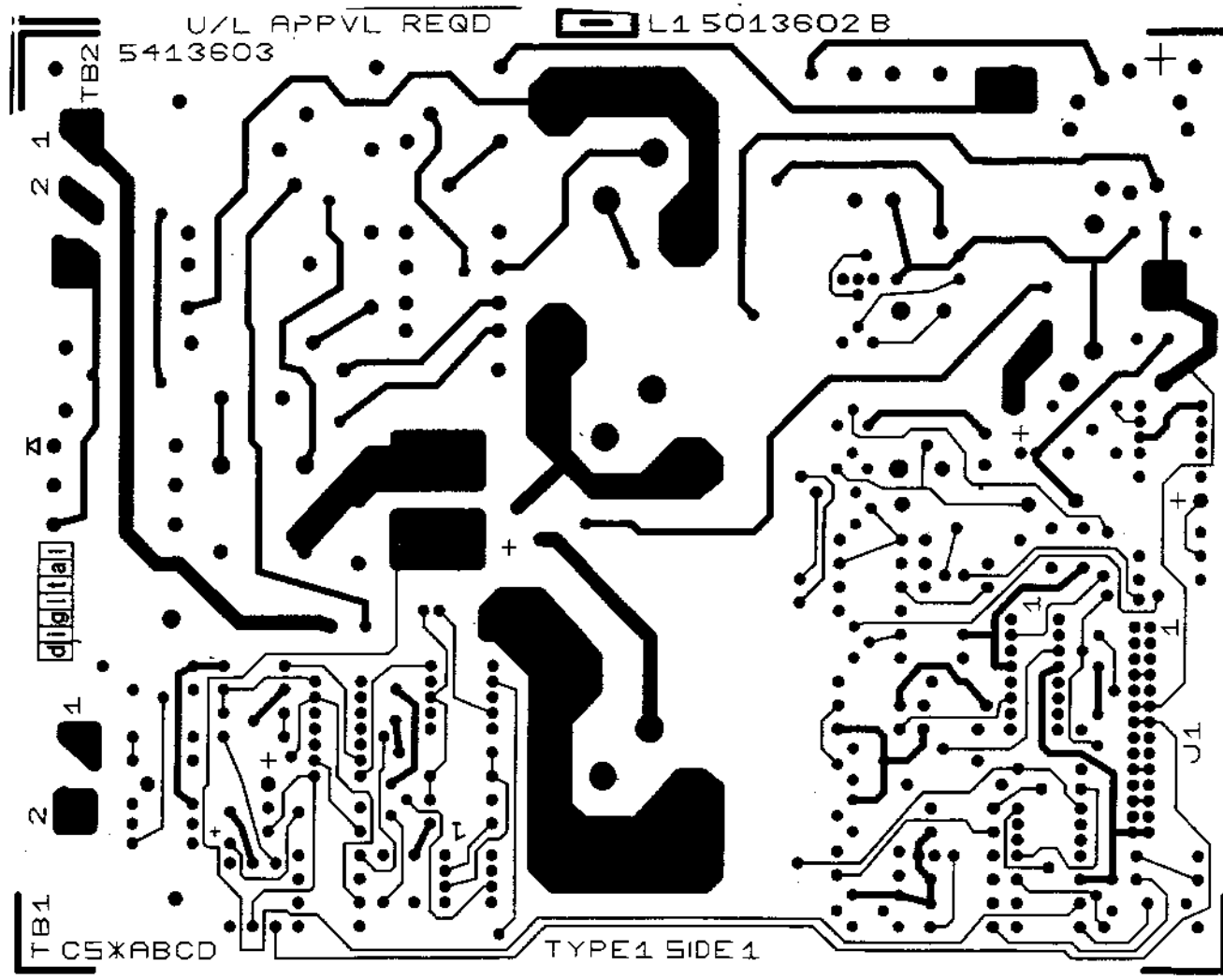
THIS DRAWING AND SPECIFICATIONS HEREIN ARE THE PROPERTY OF DIGITAL EQUIPMENT CORPORATION AND SHALL NOT BE REPRODUCED OR COPIED OR USED IN WHOLE OR IN PART AS THE BASIS FOR THE MANUFACTURE OR SALE OF ITEMS WITHOUT WRITTEN PERMISSION. COPYRIGHT © 1975 DIGITAL EQUIPMENT CORPORATION



REVISIONS		
CHK	CHANGE NO.	REV.

TITLE	SIZE/CODE	NUMBER	REV.
MEMORY INVERTER	DJA 5413603-0-0	C	
SCALE 2/1	SHEET 2 OF 5	DIST.	

"THIS DRAWING AND SPECIFICATIONS HEREIN ARE THE PROPERTY OF DIGITAL EQUIPMENT CORPORATION AND SHALL NOT BE REPRODUCED OR COPIED OR USED IN WHOLE OR IN PART AS THE BASIS FOR THE MANUFACTURE OR SALE OF ITEMS WITHOUT WRITTEN PERMISSION. COPYRIGHT © 1974 DIGITAL EQUIPMENT CORPORATION"



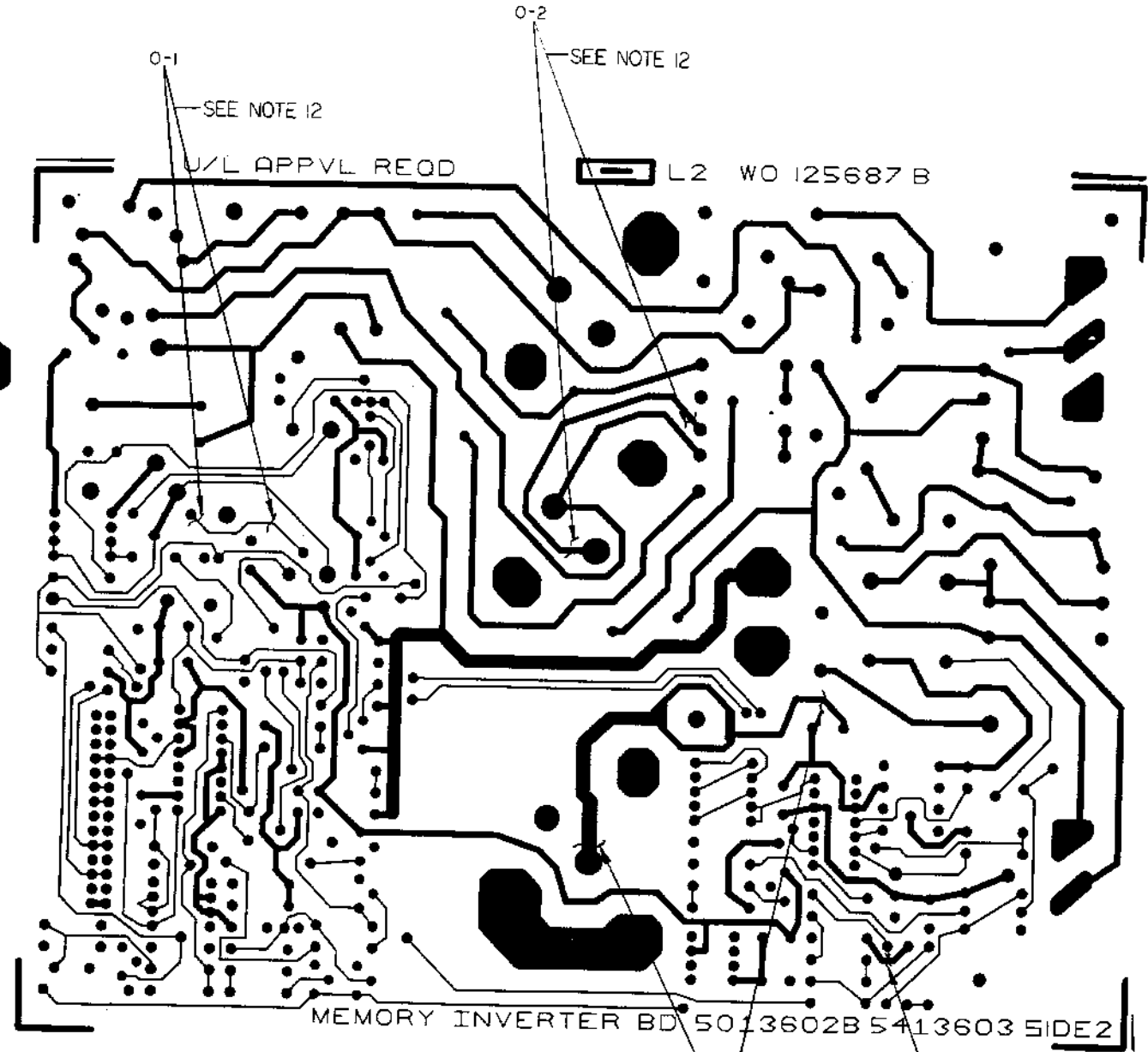
REVISIONS		
CHK	CHANGE NO	REV.

TITLE	SIZE CODE	NUMBER	REV.
MEMORY INVERTER	D UA	5413603-0-0	C
SCALE 2/1	SHEET 3 OF 5	DIST.	

fw

THIS DRAWING AND SPECIFICATIONS HEREIN ARE THE PROPERTY OF DIGITAL EQUIPMENT CORPORATION AND SHALL NOT BE REPRODUCED OR COPIED OR USED IN WHOLE OR IN PART AS THE BASIS FOR THE MANUFACTURE OR SALE OF ITEMS WITHOUT WRITTEN PERMISSION. COPYRIGHT © 1974 DIGITAL EQUIPMENT CORPORATION

0-0-0-0093105 MJD 2



MEMORY INVERTER BD 5013602B 5413603 SIDE 2

REVISIONS		
CHK	CHANGE NO.	REV.

TITLE	MEMORY INVERTER	SIZE CODE	D UA	NUMBER	5413603-0-0	REV.	C
SCALE	2/1	SHEET	4	OF	5	DIST.	

DUA 5413603-0-0 C

tu

8

DUA 5413603-0-0

6

5

4

3

2

1

THIS DRAWING AND SPECIFICATIONS HEREIN ARE THE PROPERTY OF DIGITAL EQUIPMENT CORPORATION AND SHALL NOT BE REPRODUCED OR COPIED OR USED IN WHOLE OR IN PART AS THE BASIS FOR THE MANUFACTURE OR SALE OF ITEMS WITHOUT WRITTEN PERMISSION. COPYRIGHT © 1973 DIGITAL EQUIPMENT CORPORATION.

REWORK INSTRUCTIONS

ETCH CUTS SIDE 2:

- 0-1 FROM R15 TO PTH BETWEEN C15 & R28. (REMOVE ENTIRE ETCH BETWEEN CUT MARKS)
- 0-2 FROM Q14/BASE TO D16/CATHODE. (REMOVE ENTIRE ETCH BETWEEN CUT MARKS)
- 0-3 FROM R53 TO R55
- 0-4 FROM D11/ANODE TO PTH CONNECTING TO TBZ-1. (REMOVE ENTIRE ETCH BETWEEN CUT MARKS)

WIRE ADDS SIDE 1:

- 0-5 FROM R53 TO E3-3
- 0-6 FROM R66 TO R59
- 0-7 FROM PTH CLOSER TO R68 TO D11/ANODE. (USE ITEMS 127 & 129)
- 0-8 FROM D16/CATHODE TO Q14/BASE. (USE ITEMS 127 & 129)
- 0-9 FROM D4/CATHODE TO PTH BETWEEN C4 & R29
- 0-10 FROM R27 TO R15

D

D

C

C

B

B

A

A

DUA 5413603-0-0 C

REVISION HISTORY		
DATE	ECO NUMBER	REV

DRG 137A

8

7

6

5

4

3

2

1

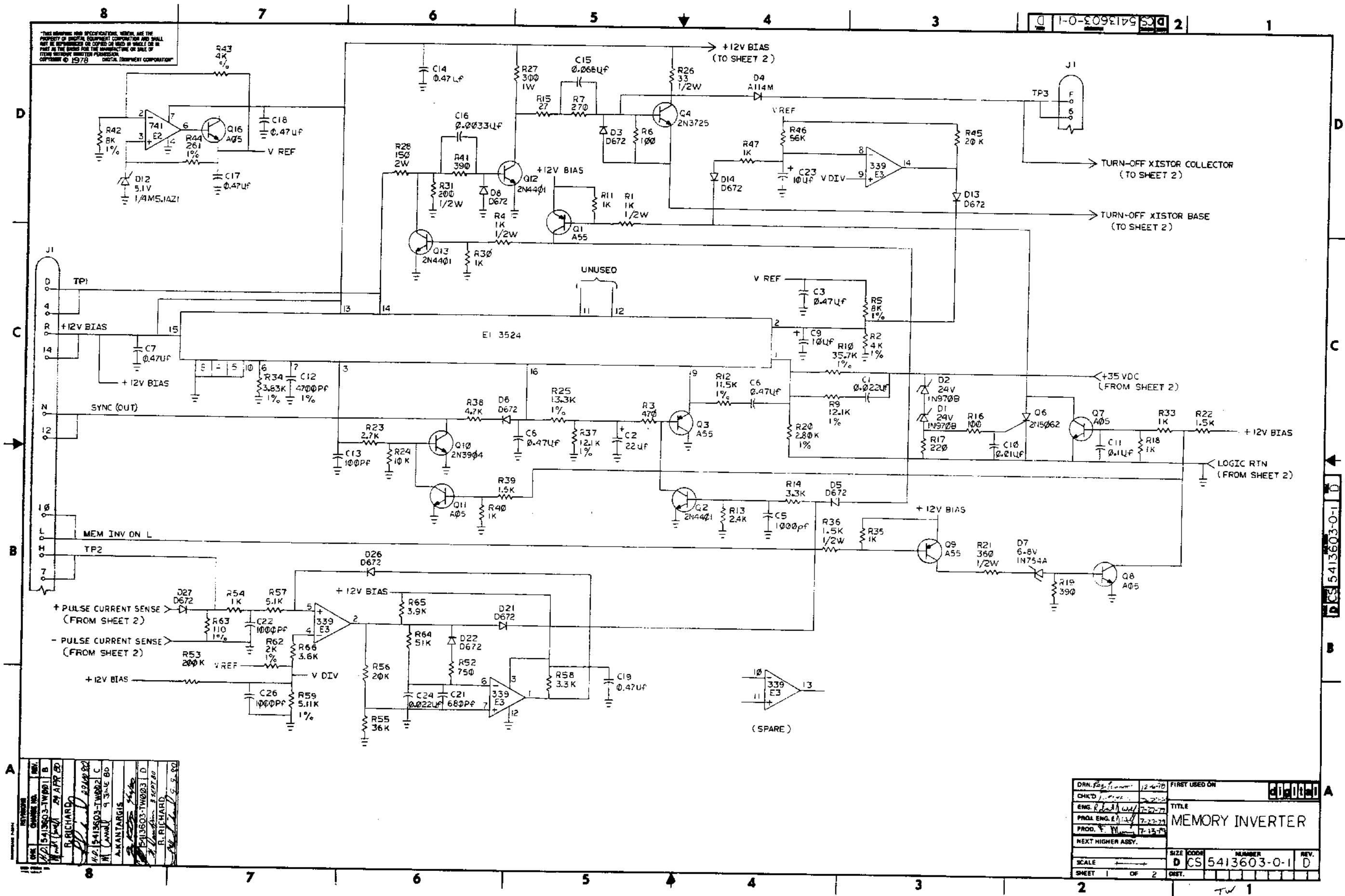
TITLE
MEMORY INVERTER

DOCUMENT NUMBER		
SIZE CODE	NUMBER	REV
DUA	5413603-0-0	C

SCALE SHEET 5 OF 5

TW

THIS DRAWING AND SPECIFICATIONS HEREON ARE THE PROPERTY OF DIGITAL EQUIPMENT CORPORATION AND SHALL NOT BE REPRODUCED OR COPIED OR USED IN WHOLE OR IN PART IN THE ABSENCE OF THE WRITTEN PERMISSION OF DIGITAL EQUIPMENT CORPORATION © 1978



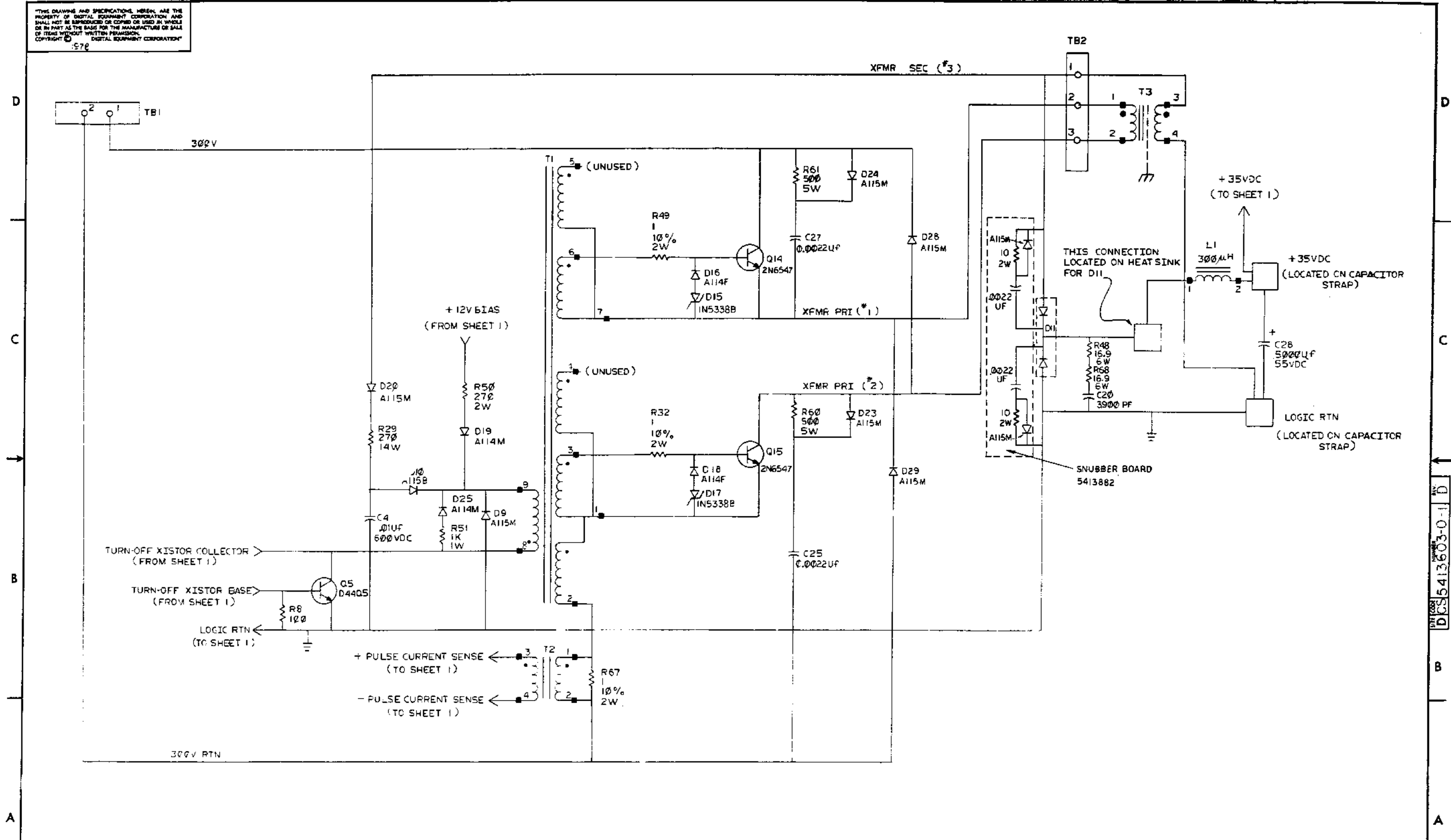
REV.	CHANGE NO.	DATE	BY	CHKD.
1	1	12-14-70	R. RICHARD	R. RICHARD
2	2	1-10-71	R. RICHARD	R. RICHARD
3	3	2-10-71	R. RICHARD	R. RICHARD
4	4	3-10-71	R. RICHARD	R. RICHARD
5	5	4-10-71	R. RICHARD	R. RICHARD
6	6	5-10-71	R. RICHARD	R. RICHARD
7	7	6-10-71	R. RICHARD	R. RICHARD
8	8	7-10-71	R. RICHARD	R. RICHARD
9	9	8-10-71	R. RICHARD	R. RICHARD
10	10	9-10-71	R. RICHARD	R. RICHARD
11	11	10-10-71	R. RICHARD	R. RICHARD
12	12	11-10-71	R. RICHARD	R. RICHARD
13	13	12-10-71	R. RICHARD	R. RICHARD
14	14	1-11-72	R. RICHARD	R. RICHARD
15	15	2-11-72	R. RICHARD	R. RICHARD
16	16	3-11-72	R. RICHARD	R. RICHARD
17	17	4-11-72	R. RICHARD	R. RICHARD
18	18	5-11-72	R. RICHARD	R. RICHARD
19	19	6-11-72	R. RICHARD	R. RICHARD
20	20	7-11-72	R. RICHARD	R. RICHARD
21	21	8-11-72	R. RICHARD	R. RICHARD
22	22	9-11-72	R. RICHARD	R. RICHARD
23	23	10-11-72	R. RICHARD	R. RICHARD
24	24	11-11-72	R. RICHARD	R. RICHARD
25	25	12-11-72	R. RICHARD	R. RICHARD
26	26	1-12-73	R. RICHARD	R. RICHARD
27	27	2-12-73	R. RICHARD	R. RICHARD
28	28	3-12-73	R. RICHARD	R. RICHARD
29	29	4-12-73	R. RICHARD	R. RICHARD
30	30	5-12-73	R. RICHARD	R. RICHARD
31	31	6-12-73	R. RICHARD	R. RICHARD
32	32	7-12-73	R. RICHARD	R. RICHARD
33	33	8-12-73	R. RICHARD	R. RICHARD
34	34	9-12-73	R. RICHARD	R. RICHARD
35	35	10-12-73	R. RICHARD	R. RICHARD
36	36	11-12-73	R. RICHARD	R. RICHARD
37	37	12-12-73	R. RICHARD	R. RICHARD
38	38	1-1-74	R. RICHARD	R. RICHARD
39	39	2-1-74	R. RICHARD	R. RICHARD
40	40	3-1-74	R. RICHARD	R. RICHARD
41	41	4-1-74	R. RICHARD	R. RICHARD
42	42	5-1-74	R. RICHARD	R. RICHARD
43	43	6-1-74	R. RICHARD	R. RICHARD
44	44	7-1-74	R. RICHARD	R. RICHARD
45	45	8-1-74	R. RICHARD	R. RICHARD
46	46	9-1-74	R. RICHARD	R. RICHARD
47	47	10-1-74	R. RICHARD	R. RICHARD
48	48	11-1-74	R. RICHARD	R. RICHARD
49	49	12-1-74	R. RICHARD	R. RICHARD
50	50	1-2-75	R. RICHARD	R. RICHARD
51	51	2-2-75	R. RICHARD	R. RICHARD
52	52	3-2-75	R. RICHARD	R. RICHARD
53	53	4-2-75	R. RICHARD	R. RICHARD
54	54	5-2-75	R. RICHARD	R. RICHARD
55	55	6-2-75	R. RICHARD	R. RICHARD
56	56	7-2-75	R. RICHARD	R. RICHARD
57	57	8-2-75	R. RICHARD	R. RICHARD
58	58	9-2-75	R. RICHARD	R. RICHARD
59	59	10-2-75	R. RICHARD	R. RICHARD
60	60	11-2-75	R. RICHARD	R. RICHARD
61	61	12-2-75	R. RICHARD	R. RICHARD
62	62	1-3-76	R. RICHARD	R. RICHARD
63	63	2-3-76	R. RICHARD	R. RICHARD
64	64	3-3-76	R. RICHARD	R. RICHARD
65	65	4-3-76	R. RICHARD	R. RICHARD
66	66	5-3-76	R. RICHARD	R. RICHARD
67	67	6-3-76	R. RICHARD	R. RICHARD
68	68	7-3-76	R. RICHARD	R. RICHARD
69	69	8-3-76	R. RICHARD	R. RICHARD
70	70	9-3-76	R. RICHARD	R. RICHARD
71	71	10-3-76	R. RICHARD	R. RICHARD
72	72	11-3-76	R. RICHARD	R. RICHARD
73	73	12-3-76	R. RICHARD	R. RICHARD
74	74	1-4-77	R. RICHARD	R. RICHARD
75	75	2-4-77	R. RICHARD	R. RICHARD
76	76	3-4-77	R. RICHARD	R. RICHARD
77	77	4-4-77	R. RICHARD	R. RICHARD
78	78	5-4-77	R. RICHARD	R. RICHARD
79	79	6-4-77	R. RICHARD	R. RICHARD
80	80	7-4-77	R. RICHARD	R. RICHARD
81	81	8-4-77	R. RICHARD	R. RICHARD
82	82	9-4-77	R. RICHARD	R. RICHARD
83	83	10-4-77	R. RICHARD	R. RICHARD
84	84	11-4-77	R. RICHARD	R. RICHARD
85	85	12-4-77	R. RICHARD	R. RICHARD
86	86	1-5-78	R. RICHARD	R. RICHARD
87	87	2-5-78	R. RICHARD	R. RICHARD
88	88	3-5-78	R. RICHARD	R. RICHARD
89	89	4-5-78	R. RICHARD	R. RICHARD
90	90	5-5-78	R. RICHARD	R. RICHARD
91	91	6-5-78	R. RICHARD	R. RICHARD
92	92	7-5-78	R. RICHARD	R. RICHARD
93	93	8-5-78	R. RICHARD	R. RICHARD
94	94	9-5-78	R. RICHARD	R. RICHARD
95	95	10-5-78	R. RICHARD	R. RICHARD
96	96	11-5-78	R. RICHARD	R. RICHARD
97	97	12-5-78	R. RICHARD	R. RICHARD
98	98	1-6-79	R. RICHARD	R. RICHARD
99	99	2-6-79	R. RICHARD	R. RICHARD
100	100	3-6-79	R. RICHARD	R. RICHARD

DRN. No.	12-4-70	FIRST USED ON	
CHKD.		TITLE	MEMORY INVERTER
ENG.		PROJ. NO.	
PROJ. ENG.		PROJ. DATE	
NEXT HIGHER ASSY.		SCALE	
SIZE	D	CODE	
NUMBER	CS 5413603-0-1	REV.	D
SHEET	1	OF	2

TW 1

"THIS DRAWING AND SPECIFICATIONS HEREIN ARE THE PROPERTY OF DIGITAL EQUIPMENT CORPORATION AND SHALL NOT BE REPRODUCED OR COPIED OR USED IN WHOLE OR IN PART AS THE BASIS FOR THE MANUFACTURE OR SALE OF ITEMS WITHOUT WRITTEN PERMISSION. COPYRIGHT © DIGITAL EQUIPMENT CORPORATION 1970"

DCS 5413603-0-1 D 2



REVISIONS		
CHK	CHANGE NO.	REV.

TITLE MEMORY INVERTER		SIZE CODE	NUMBER	REV.
SCALE		D	DCS 5413603-0-1	D
SHEET 2 OF 2		DIST.		

DCS 5413603-0-1 D

LINE ITEM	DOCUMENT NUMBER	PART NUMBER	DESCRIPTION	QTY PER VARIATION	REFERENCE DESIGNATOR
				00	
1	1	D-MD-5013602-0-0	5013602-00 DRILL & ETCH BD	1	
2	2		100.0 MMF 100V 5%200PPM MICA	1	C13
3	3		.068 MFD 100V 10% MYLR	1	C15
4	4		1012783-00 .022 MFD 50V +80-20% CER	1	C24
5	5		1005636-00 22 MFD 6V 10% S.TANT	1	C2
6	6		1009312-00 .0047 MFD 100V 1% MYLR	1	C12
7	7		1010279-00 .47 MFD 25V 20% CER	8	C7,C18,C19,C8,C14,C17,C3,C6
8	8		1010978-24 .01 MFD 50V 10% CER	1	C10
9	9		1011740-01 3300.0 MMF 50V 10% CER	1	C16
10	10		1011683-00 .022 MFD 50V 10% CER	1	C1
11	11		1013466-08 680.0 MMF 50V 10% X7R CER	1	C21
12	12		1013466-09 1000.0 MMF 50V 10% X7R CER	3	C5,C22,C26
13	13		1011847-02 .01 MFD 600V 10% POLYPROP	1	C4
14	14		1014139-00 .0022 MFD 600V 10% POLYPROP	2	C25,C27
15	15		1013397-00 3900.0 MMF 200V 10%200PPM MICA	1	C20
16	16		1016168-00 5000 MFD 55V 20% AL EL	1	C28
17	17		1010978-36 .1 MFD 50V 10% CER	1	C11
18	18		1010866-02 10 MFD 25V +50-20% S.TANT	2	C9,C23
19	19		1105275-00 D 672 TR= 15NS PIV= 60V SI	10	D26,D27,D21,D22,D8,D5,D3,D14,
20	20		1105871-00 1/4MS.1AZ1 = 5.1 1% .25W N	1	CONT D13,D6
21	21		1109991-00 1N 754A VZ= 6.8 5% .40W	1	D12
22	22		1110856-00 1N 970B VZ= 24.0 5% .40W Y	2	D7
23	23		1112594-01 A115B PIV=200 I= 3A	1	D1,D2
24	24		1112594-02 A115M PIV=600 I= 3A	6	D10
25	25		1112595-00 A114F PIV= 50 I= 1A	2	D24,D20,D23,D28,D29,D9
26	26		1112595-02 A114M PIV=600 I= 1A	3	D16,D18
27	27		1114192-00 TR=200NS COM. CATHODE	1	D25,D4,D19
28	28		1114435-00 1N 5338B VZ= 5.1 5% 5W	2	D11
29	29		1110968-00 2N 5062 SCR@100V I=.8 T092	1	D15,D17
					Q6

REVISION HISTORY		BASIC PART NO: 5413603		DRN:	K.SHEYTANIAN	DATE:	20-DEC-78	DIGITAL			
ENG	ECO NUMBER	REV	SECTION A OF A	CHK'D:	F.GAROFALO	DATE:		PARTS LIST			
	INIT	A	SECTION VARIATION INDEX					MEMORY INVERTER			
RW	5413603-TW001	B	[A] 00								
AK	5413603-TW002	C	[B]								
AK	5413603-TW002	C	[C]	DES.ENG:	J.A.HERRMANN	DATE:					
RW	5413603-TW003	D	[D]								
			[E]					DOCUMENT NUMBER			
			[F]	RESP.ENG.:	J.HERMANN	DATE:	20-DEC-78	SIZE	CODE	NUMBER	REV
			[G]					K	PL	5413603-0-DBP	D
			[H]	MFG.ENG.:	J.COMELLA	DATE:					
			[I]	ASSEMBLY NUMBER:		TOP DOCUMENT NUMBER:		FILE NAME:		EDIT	
			[J]	D-UA-5413603-0-0				Z0401.PLS		18	

*THIS DRAWING AND SPECIFICATIONS HEREIN, ARE THE PROPERTY OF DIGITAL EQUIPMENT CORPORATION AND SHALL NOT BE REPRODUCED OR COPIED OR USED IN WHOLE OR IN PART AS THE BASIS FOR THE MANUFACTURE OR SALE OF ITEMS WITHOUT WRITTEN PERMISSION. COPYRIGHT (C) 1980. DIGITAL EQUIPMENT CORPORATION *

LINE	ITEM	DOCUMENT NUMBER	PART NUMBER	DESCRIPTION	QTY	PER VARIATION	REFERENCE DESIGNATOR
					00		
30	30		1216112-01	HEADER,100 28POS RT ANGLE	1		J1
31	31		1214789-00	INSERT,THREADED 6-32 ,BRASS,ELEC	7		
32	32		1216269-01	TERM SPADE 1POS SOLDER STRIP	5		
33	33		1216314-00	HEAT SINK	1		
34	34		1216314-01	HEAT SINK	2		
35	35		1309679-00	16.90 6.0 W 1.0 % WW	2		R48,R68
36	36		1300195-00	33.0 .50 W 5.0 % CC	1		R26
37	37		1300229-00	100.0 .25 W 5.0 % CC	3		R16,R6,R8
38	38		1300250-00	*** THIS ITEM IS NOT USED ***	-		
39	39		1300257-00	150.0 2.0 W 5.0 % CC	1		R28
40	40		1300271-00	220.0 .25 W 5.0 % CC	1		R17
41	41		1300292-00	300.0 1.0 W 5.0 % CC	1		R27
42	42		1300309-00	390.0 .25 W 5.0 % CC	2		R19,R41
43	43		1300316-00	470.0 .25 W 5.0 % CC	1		R3
44	44		1300364-00	1.0 K .50 W 5.0 % CC	2		R4,R1
45	45		1300365-00	1.0 K .25 W 5.0 % CC	8		R30,R11,R35,R18,R33,R40,R47,R54
46	46		1300394-00	1.50 K .50 W 5.0 % CC	1		R36
47	47		1300439-00	3.30 K .25 W 5.0 % CC	2		R58,R14
48	48		1300444-00	3.90 K .25 W 5.0 % CC	1		R65
49	49		1300447-00	4.70 K .25 W 5.0 % CC	1		R38
50	50		1300479-00	10.0 K .25 W 5.0 % CC	1		R24
51	51		1301401-00	750.0 .25 W 5.0 % CC	1		R52
52	52		1301522-00	27.0 .25 W 5.0 % CC	1		R15
53	53		1303169-00	500.0 5.0 W 5.0 % WW	2		R60,R61
54	54		1301972-00	270.0 .25 W 5.0 % CC	1		R7
55	55		1302873-00	261.0 .25 W 1.0 % RN55D-F10	1		R44
56	56		1302377-00	*** THIS ITEM IS NOT USED ***	-		
57	57		1302383-00	360.0 .50 W 5.0 % CC	1		R21
58	58		1302391-00	20.0 K .25 W 5.0 % CC	2		R56,R45
59	59		1304839-00	51.0 K .25 W 5.0 % CC	1		R64
60	60		1303114-00	*** THIS ITEM IS NOT USED ***	-		
61	61		1303313-00	12.10 K .25 W 1.0 % RN55D-F10	2		R37,R9
62	62		1305127-00	4.0 K .25 W 1.0 % RN55D-F10	2		R43,R2
63	63		1305129-00	8.0 K .25 W 1.0 % RN55D-F10	2		R42,R5
64	64		1305145-00	2.80 K .25 W 1.0 % RN55D-F10	1		R20
65	65		1305322-00	*** THIS ITEM IS NOT USED ***	-		
66	66		1305380-00	270.0 2.0 W 5.0 % CC	1		R50
67	67		1305421-00	33.70 K .25 W 1.0 % RN55D-F10	1		R10
68	68		1314350-00	1.0 2.0 W10.0 % FUSE	3		R32,R49,R67
69	69		1309413-00	3.83 K .25 W 1.0 % RN55D-F10	1		R34
70	70		1314172-00	270.0 14.0 W 5.0 % WW	1		R29
71	71		1300426-00	2.70 K .25 W 5.0 % CC	1		R23
72	72		1312565-00	13.30 K .25 W 1.0 % RN55D-F10	1		R25
73	73		1312923-00	*** THIS ITEM IS NOT USED ***	-		
74	74		1312930-00	5.10 K .25 W 5.0 % CC	1		R57
75	75		1312932-00	36.0 K .25 W 5.0 % CC	1		R55
76	76		1313151-00	3.60 K .25 W 5.0 % CC	1		R66
77	77		1313581-00	110.0 .25 W 1.0 % RN55D-F10	1		R63

D I G I T A L				TITLE	SECTION A OF A	SIZE	CODE	DOCUMENT NUMBER	REV
				MEMORY INVERTER		K	FL	5413603-0-DBP	D

LINE	ITEM	DOCUMENT NUMBER	PART NUMBER	DESCRIPTION	QTY	PER VARIATION	REFERENCE DESIGNATOR
					00		
78	78		1300389-00	*** THIS ITEM IS NOT USED ***	-		
79	79		1302381-00	200.0 .50 W 5.0 % CC	1		R31
80	80		1300368-00	1.0 K 1.0 W 5.0 % CC	1		R51
81	81		1300391-00	1.50 K .25 W 5.0 % CC	2		R39,R22
82	82		1302395-00	56.0 K .25 W 5.0 % CC	1		R46
83	83		1510705-00	XA 05 NPN 500MW SI 60 50 P	4		Q7,Q8,Q11,Q16
84	84		1510706-00	XA 55 PNP 500MW SI 60 50 P	3		Q1,Q3,Q9
85	85		1510959-00	2N 3725 NPN 3.5WC SI 50 60 P	1		Q4
86	86		1513489-00	2N 4401 NPN 350MW SI 40 20	3		Q2,Q12,Q13
87	87		1514195-00	2N 6547 PNP 400V SI 15A	2		Q14,Q15
88	88		1514271-01	D 44Q5 NPN 31W SI225 30	1		Q5
89	89		1509524-00	2N 3904 NPN 310MW SI 40 40 M	1		Q10
90	90		1614202-00	XFMR,CURRENT	1		T2
91	91		1614204-00	PULSE XFMR 20312 BASE DRIVE	1		T1
92	92		1910298-00	741 OP AMP GEN PURP. COM	1		E2
93	93		1912108-00	339 VOLT CMPRTR,QUAD	1		E3
94	94		1914250-00	3524 MODULATOR-REGULATING	1		E1
95	95		7422046-00	HEAT SINK,SINGLE	1		
96	96		9006025-01	SCREW,PAN,PHIL 6-32X 5/8 SS	4		
97	97		9006656-00	WASHER, FLAT, .312 O.D. X .156 I	8		
98	98		9007801-00	WASHER, LOCK, S.S. #6	9		
99	99		9007836-00	EYELET, ROLLED FLANGE, .121 OD X	6		
100	100		9010128-00	SCREW,TAPPING,TYPE PAN,PHIL,	1		
101	101		7016051-00	TRANSFORMER ASSY	1		T3
102	102		7016052-00	CHOKE ASSY	1		L1
103	103		1303177-00	2.40 K .25 W 5.0 % CC	1		R13
104	104		1302860-00	11.50 K .25 W 1.0 % RN55D-F10	1		R12
105	105		1304854-00	5.11 K .25 W 1.0 % RN55D-F10	1		R59
106	106		1300411-00	2.0 K .25 W 1.0 % RN55D-F10	1		R62
107	107		7421435-00	MIS BRKT	1		
108	108		9009052-00	*** THIS ITEM IS NOT USED ***	-		
109	109		7422045-00	CAPACITOR STRAP	2		
110	110		9009708-00	SCREW,PAN,PHIL,TAP'G 6-32X	8		
111	111		9009617-00	TIE,CABLE BUNDL.DIA 0-3"TYPE=101	2		
112	112		9007035-00	GROMMET #122-37-1500	A/R		
113	113		9006070-01	SCREW,PAN,PHIL 10-32X 5/16 SS	2		
114	114		9007906-00	WASHER, LOCK S.S. #10	2		
115	115		9009243-00	*** THIS ITEM IS NOT USED ***	-		
116	116		9006024-01	SCREW,PAN,PHIL 6-32X 1/2 SS	1		
117	117		9009769-00	WASHER, RECTANGULAR .405X.225X.0	1		
118	118		9006011-01	SCREW,PAN,PHIL 4-40X 3/8 SS	1		
119	119		9006688-00	WASHER, LOCK, S.S. #4	1		
120	120		9006556-00	NUT,HEX , 4-40X1/4 AF X 3/	1		
121	121		9008268-00	COMPOUND, THERMAL JOINT	A/R		
122	122		9007201-00	TRANSIPADS #10253	1		
123	123		9105740-55	WIRE(WRAP)30AWG UL1423	A/R		
124	124		9007036-00	GROMMET #122-37-2500	A/R		
125	125		1314516-00	200.0 K .25 W 5.0 % CC	1		R53

D	I	G	I	T	A	L	TITLE	SECTION A OF A	SIZE	CODE	DOCUMENT NUMBER	REV
							MEMORY INVERTER		K	PL	5413603-0-DBP	D

AUTOMATED BY PRTLST.2E(3)

PARTS LIST

SHEET A4 OF A4

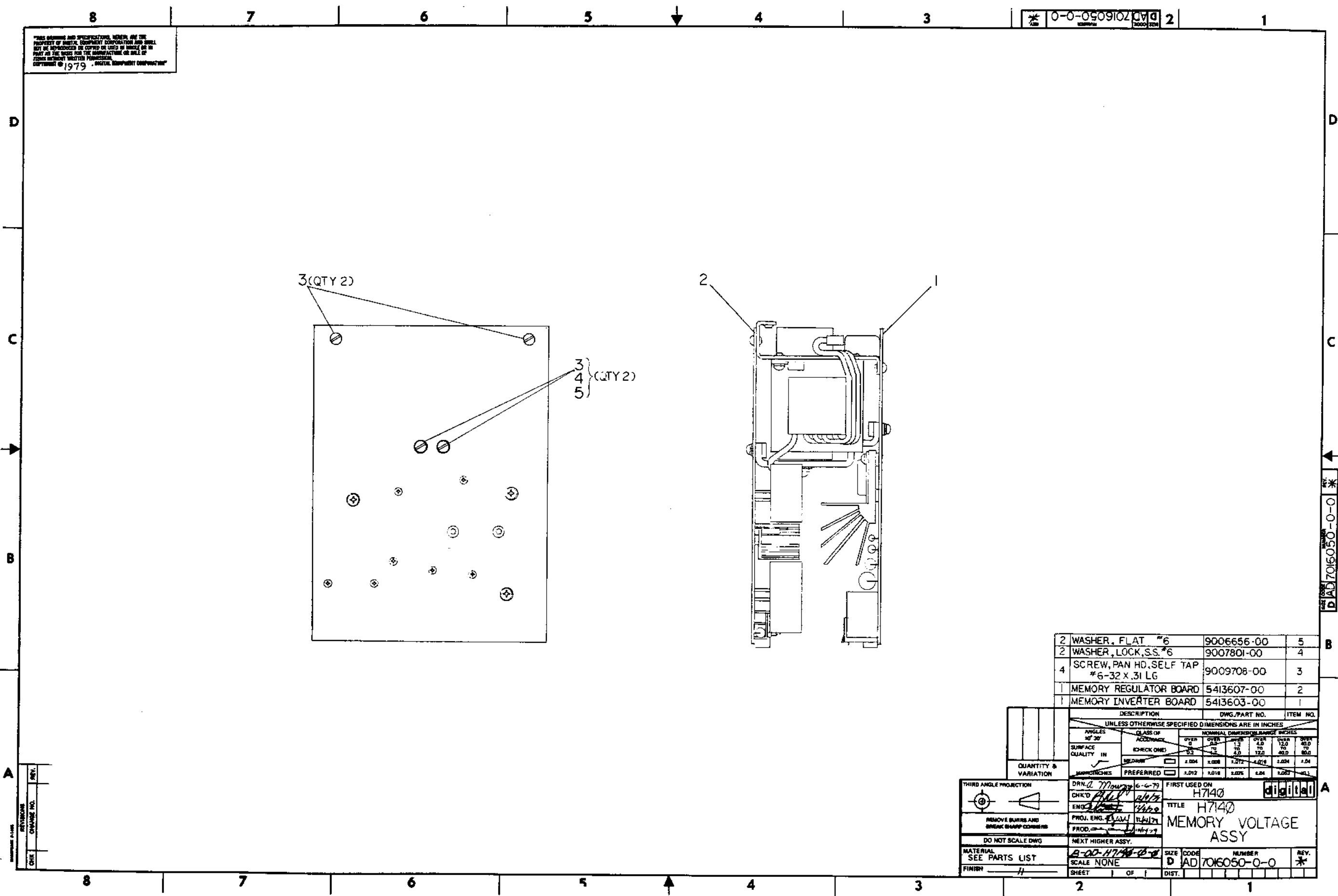
LINE	ITEM	DOCUMENT NUMBER	PART NUMBER	DESCRIPTION	QTY PER VARIATION 00	REFERENCE DESIGNATOR
126	126		9009157-00	ADH, LIQ. RM. TEMP CURING COLORLESS	A/R	
127	127		9107256-11	TUBING, THIN WALL, .027ID UL	A/R	
128	128		7016920-00	JUMPER ASSY	1	
129	129		9107560-01	WIRE, BUSS, 22AWG	A/R	
130	130		9006565-00	NUT, KEP , 10-32X 3/8 AF	1	
131	131		5413882-00	SNV SNUBBER	1	
132	132		9007853-01	SCREW, PAN, PHIL 6-32X1-1/8 SS	2	
133	133		9006803-00	SPACER, HEX, ALUM, .138 ID X .5	2	

134 NOTE: ITEM #123; .52' IS USED.
 135 NOTE: ITEM #124; .08' IS USED.
 136 NOTE: ITEM #127; .56' IS USED.
 137 NOTE: ITEM #129; .37' IS USED.

D	I	G	I	T	A	L	TITLE	SECTION A OF A	SIZE	CODE	DOCUMENT NUMBER	REV
							MEMORY INVERTER		K	PL	5413603-0-DBP	D

THIS DRAWING AND SPECIFICATIONS, HEREIN, ARE THE PROPERTY OF DIGITAL EQUIPMENT CORPORATION AND SHALL NOT BE REPRODUCED OR COPIED OR USED IN WHOLE OR IN PART AS THE BASIS FOR THE MANUFACTURE OR SALE OF ITEMS WITHOUT WRITTEN PERMISSION.
 OCTOBER 1979 · DIGITAL EQUIPMENT CORPORATION

REV. 0-0-050910Z DAD 2



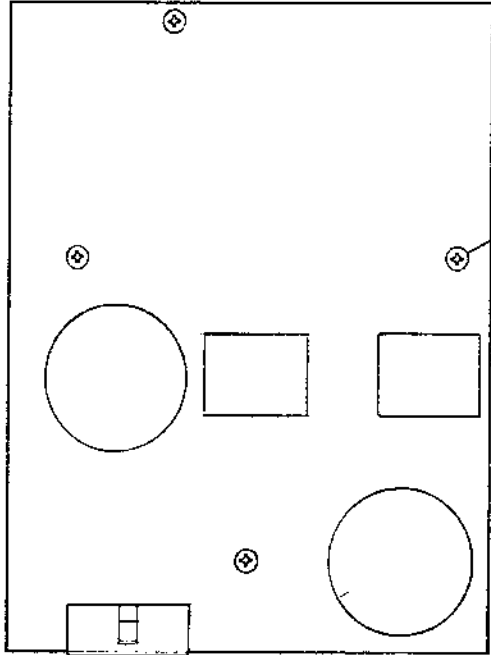
2	WASHER, FLAT #6	9006656-00	5
2	WASHER, LOCK, S.S. #6	9007801-00	4
4	SCREW, PAN HD. SELF TAP #6-32 X .31 LG	9009708-00	3
1	MEMORY REGULATOR BOARD	5413607-00	2
1	MEMORY INVERTER BOARD	5413603-00	1

DESCRIPTION	DWG. PART NO.	ITEM NO.
UNLESS OTHERWISE SPECIFIED DIMENSIONS ARE IN INCHES		
ANGLES CLASS OF ACCURACY M' 30'	OVER 0 UNDER 1.2	OVER 1.2 UNDER 4.9
SURFACE QUALITY IN	OVER 1.2 UNDER 4.9	OVER 4.9 UNDER 12.0
FINISH	2.004 2.008 2.012 2.016 2.020 2.024 2.028 2.032	2.036 2.040 2.044 2.048 2.052 2.056 2.060 2.064

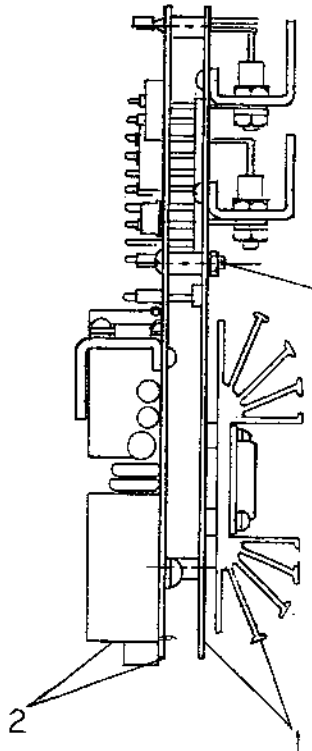
THIRD ANGLE PROJECTION	DRN. <i>A. Murphy</i> 6-6-79	FIRST USED ON	H7140
REMOVE BURRS AND BREAK SHARP CORNERS	CHK'D <i>[Signature]</i>	TITLE	H7140
DO NOT SCALE DWG	PROJ. ENG. <i>[Signature]</i>	TITLE	MEMORY VOLTAGE ASSY
MATERIAL SEE PARTS LIST	PROD. <i>[Signature]</i>	SCALE	NONE
FINISH <i>H</i>	NEXT HIGHER ASSY.	SIZE	D
		CODE	AD
		NUMBER	7016050-0-0
		REV.	*

REV. 0-0-050910Z DAD 2

THIS DRAWING AND SPECIFICATIONS, WHICH ARE THE PROPERTY OF MILITARY EQUIPMENT CORPORATION AND SHALL NOT BE REPRODUCED OR COPIED IN WHOLE OR IN PART AS THE BASIS FOR THE MANUFACTURE OF ANY ITEM WITHOUT WRITING PERMISSION. MILITARY EQUIPMENT CORPORATION © 1979



QTY 4



REF

4	NUT, HEX #6-32X.25 A.E	9008957-00	6
4	WASHER, LOCK, SS #6	9007801-00	5
4	SCR, PHIL PAN HD #6-32X.69LG	9007794-01	4
4	SPACER, HEX, ALUM #6-32 X.38LG	9006844-00	3
1	LOGIC INVERTER CONT BD	5413601-00	2
1	LOGIC INVERTER BD	5413599-00	1

DESCRIPTION	DWG. PART NO.	ITEM NO.
UNLESS OTHERWISE SPECIFIED DIMENSIONS ARE IN INCHES		
ANGLES M 30	CLASS OF ACCURACY	NOMINAL DIMENSION RANGE INCHES
SURFACE QUALITY IN	CHECK ONE	0.001 0.002 0.003 0.004 0.005 0.006 0.007 0.008 0.009 0.010 0.012 0.015 0.020 0.025 0.030 0.035 0.040 0.045 0.050 0.060 0.070 0.080 0.090 0.100 0.125 0.150 0.175 0.200 0.250 0.300 0.375 0.450 0.500 0.625 0.750 0.875 1.000 1.250 1.500 2.000 2.500 3.000 4.000 5.000 6.000 8.000 10.000
QUANTITY & VARIATION	FINISH	OTHER

THIRD ANGLE PROJECTION

REMOVE BURRS AND BREAK SHARP CORNERS

DO NOT SCALE DWG

MATERIAL SEE PARTS LIST

FINISH

DRN: *D. W. H. / 6-5-79*

CHKD: *[Signature]*

ENG: *[Signature]*

PROJ. ENG. *[Signature]*

PROG. *[Signature]*

FIRST USED ON H7140

TITLE H7140 +5V INVERTER ASSY

SIZE CODE NUMBER

SCALE NONE D AD 7016057-0-0

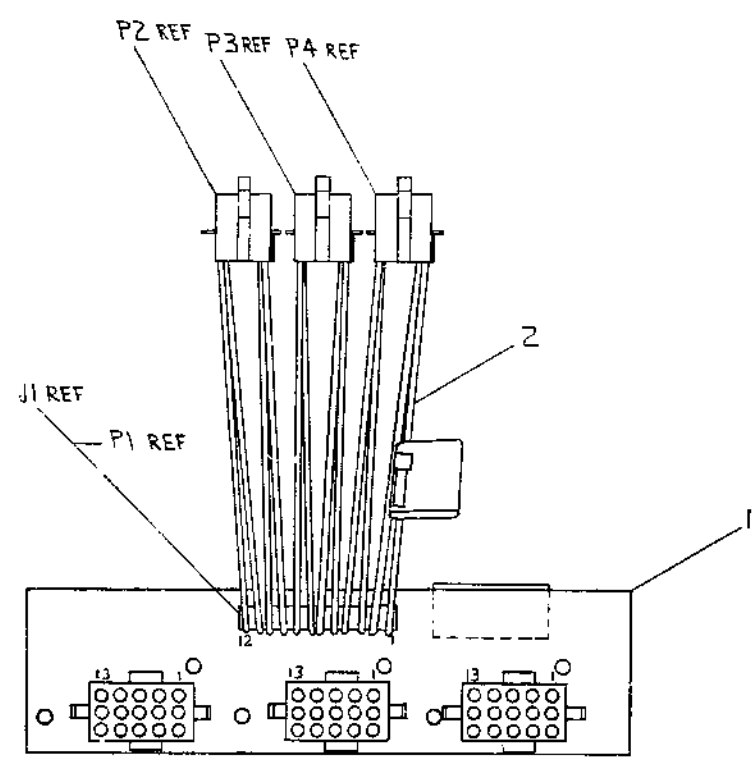
SHEET 1 OF 1

REV. CHANGE NO.

D AD 7016057-0-0

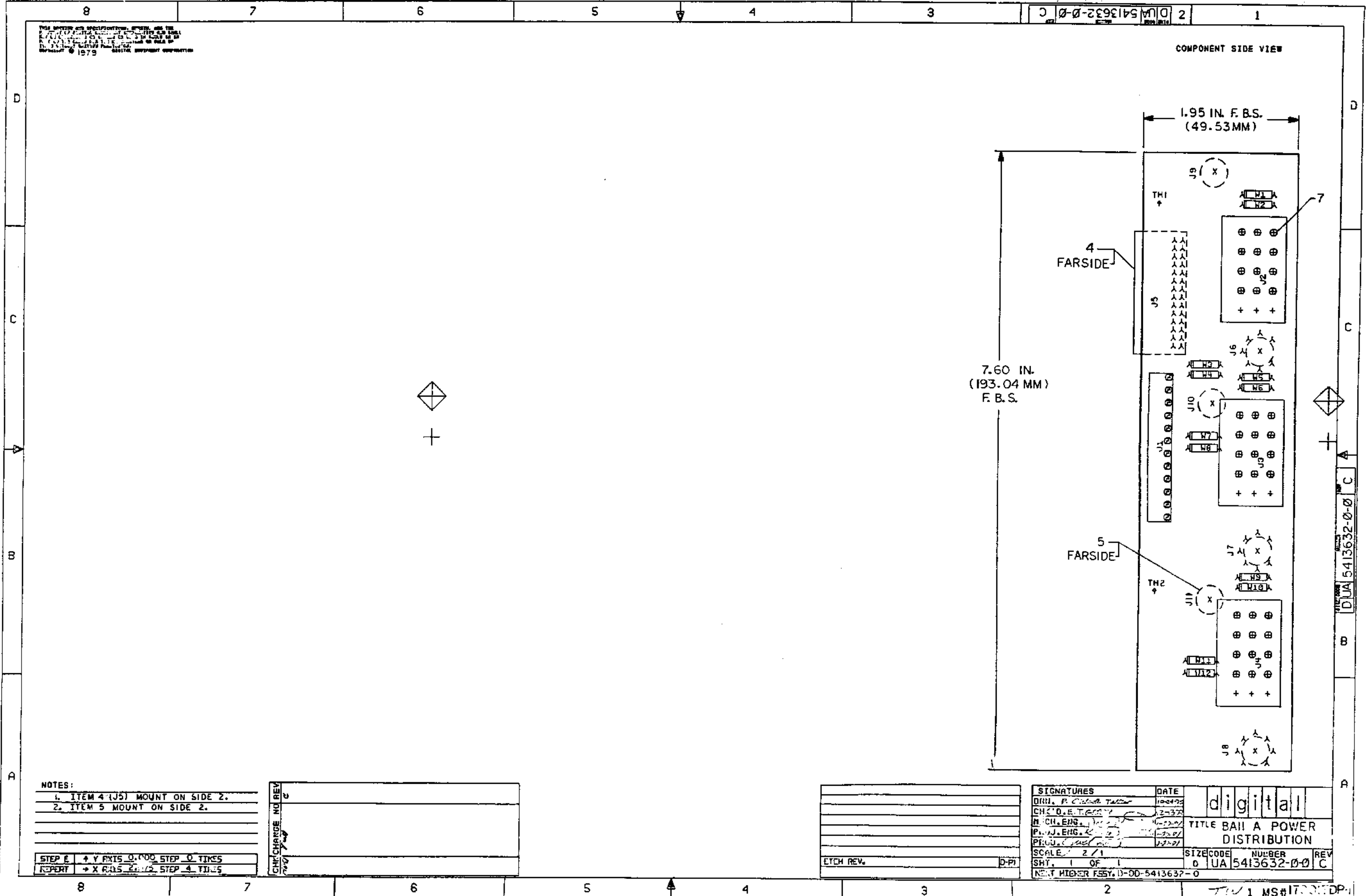
THIS DRAWING AND SPECIFICATIONS HEREAFTER ARE THE PROPERTY OF DIGITAL EQUIPMENT CORPORATION AND SHALL REMAIN THE PROPERTY OF DIGITAL EQUIPMENT CORPORATION IN WHOLE OR IN PART. IT IS TO BE KEPT AS A CONFIDENTIAL DRAWING AND NOT TO BE REPRODUCED OR TRANSMITTED IN ANY FORM OR BY ANY MEANS, ELECTRONIC OR MECHANICAL, INCLUDING PHOTOCOPYING, RECORDING, OR BY ANY INFORMATION STORAGE AND RETRIEVAL SYSTEM, WITHOUT THE WRITTEN PERMISSION OF DIGITAL EQUIPMENT CORPORATION.

0-0-8889102 AD 2



REV.	
CHANGE NO.	
CHK	

1	CABLE JUMPER ASSY	D-IA-7016887-00	2
1	POWER DIST. BOARD	D-IA-54136320-0	1
DESCRIPTION		DWG. PART NO.	ITEM NO.
UNLESS OTHERWISE SPECIFIED DIMENSIONS ARE IN INCHES			
ANGLES 30°/30°	CLASS OF ACCURACY	SERIAL DIMENSION RANGE INCHES	
SURFACE QUALITY IN	CHECK ONE	OVER	OVER
		TO	TO
QUANTITY & VARIATION	MEASUREMENT	1.004	1.008
	MICROINCHES	1.012	1.018
		1.025	1.04
		1.05	1.08
		1.09	1.1
THIRD ANGLE PROJECTION	DRN <i>[Signature]</i>	12 MAY 77	FIRST USED ON BAN-A <i>[Signature]</i>
REMOVE BURRS AND BREAK SHARP CORNERS	CHK'D <i>[Signature]</i>	12 MAY 77	TITLE POWER DISTRIBUTION BOARD ASSY
DO NOT SCALE DWG	ENG'G <i>[Signature]</i>	12 MAY 77	SIZE CODE D AD 7016888-0-0
MATERIAL	PROJ. ENG. <i>[Signature]</i>	12 MAY 77	NUMBER REV. *
FINISH	PROD. <i>[Signature]</i>	12 MAY 77	SCALE 1:1
	NEXT HIGHER ASSY.		SHEET 1 OF 1
	E-IA BAN-0-0		DIST.



NOTES:
 1. ITEM 4 (J5) MOUNT ON SIDE 2.
 2. ITEM 5 MOUNT ON SIDE 2.

STEP E + Y AXIS 0.100 STEP 0.100
 REPORT + X AXIS 0.100 STEP 4 TIMES

CHANGE NO	REV

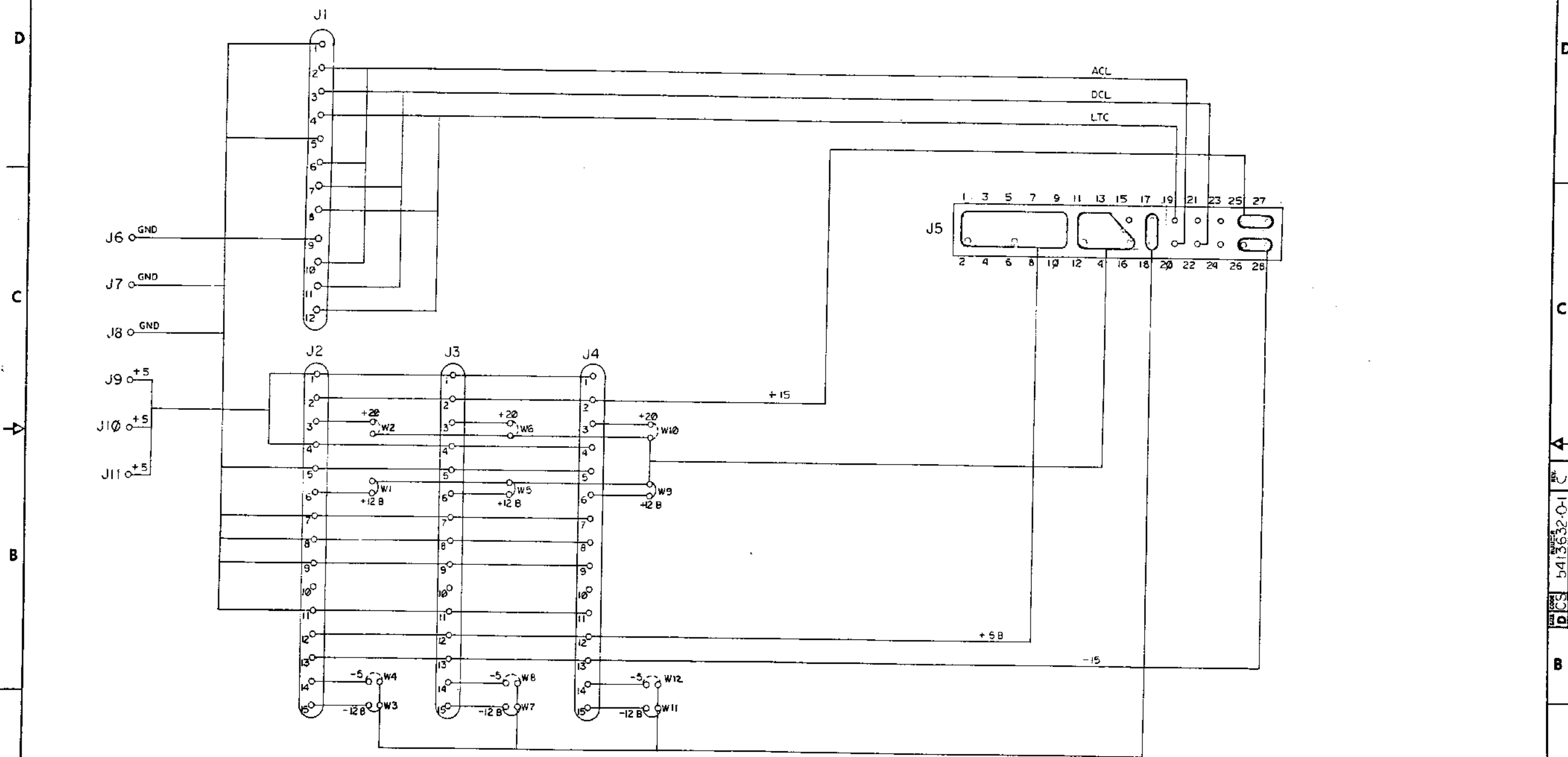
SIGNATURES		DATE
DIV. P. ...		10-24-75
CH. O. E. ...		2-3-75
M. CH. ENG. ...		10-23-75
P. W. J. ENG. ...		10-23-75
PRG. ...		10-23-75

TITLE BAIL A POWER DISTRIBUTION

SCALE	SIZE	CODE	NUMBER	REV
2/1	0	UA	5413632-0-0	C

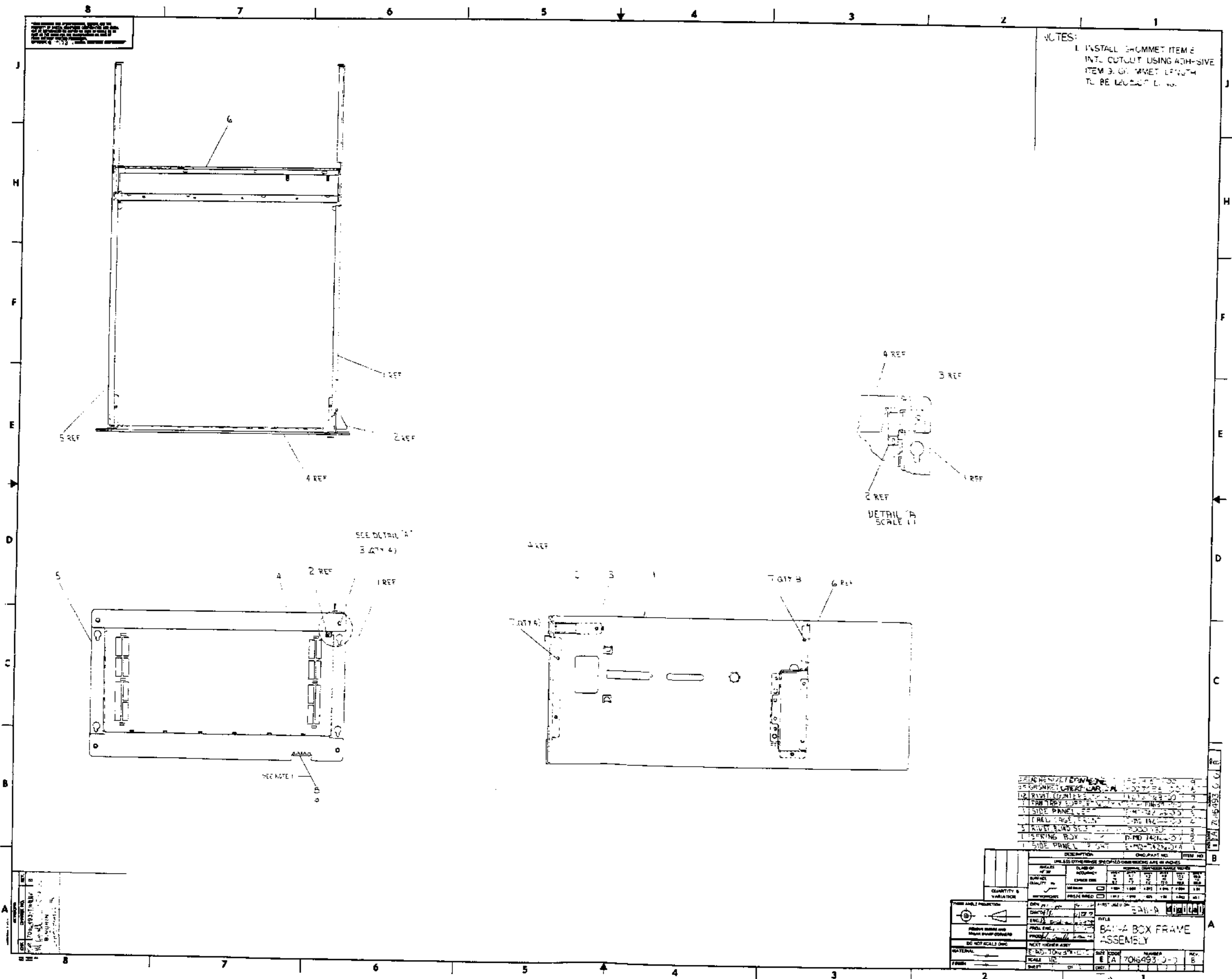
REV 1 MS#1700(DP)

"THIS DRAWING AND SPECIFICATIONS, HEREIN, ARE THE PROPERTY OF DIGITAL EQUIPMENT CORPORATION AND SHALL NOT BE REPRODUCED OR USED IN WHOLE OR IN PART AS THE BASIS FOR THE MANUFACTURE OR SALE OF ANY EQUIPMENT WITHOUT THE WRITTEN PERMISSION OF DIGITAL EQUIPMENT CORPORATION." COPYRIGHT © 1975



REV. C	DATE	BY
REV. B		
REV. A		

DRAWN BY: <i>[Signature]</i>	DATE: 10/24/75	FIRST USED ON:	
CHKD BY: <i>[Signature]</i>	DATE: 11/11/75	TITLE:	BALI-A POWER DISTRIBUTION BOARD
ENG. BY: <i>[Signature]</i>	DATE: 11/11/75	SIZE:	D CS
PROJ. ENG. BY: <i>[Signature]</i>	DATE: 11/11/75	NUMBER:	5413632-0-1
PROJ. MGR. BY: <i>[Signature]</i>	DATE: 11/11/75	REV.:	C
NEXT HIGHER ASSY.:		SCALE:	
SHEET 1 OF 1		DIST.:	



NOTES:
 1. INSTALL THOMMET ITEM 6 INTO CUTOFF USING ADHESIVE ITEM 3. THOMMET LENGTH TO BE 12.0000 IN.

REV. 1
 DATE 10/1/77
 BY [Signature]
 CHECKED [Signature]
 APPROVED [Signature]

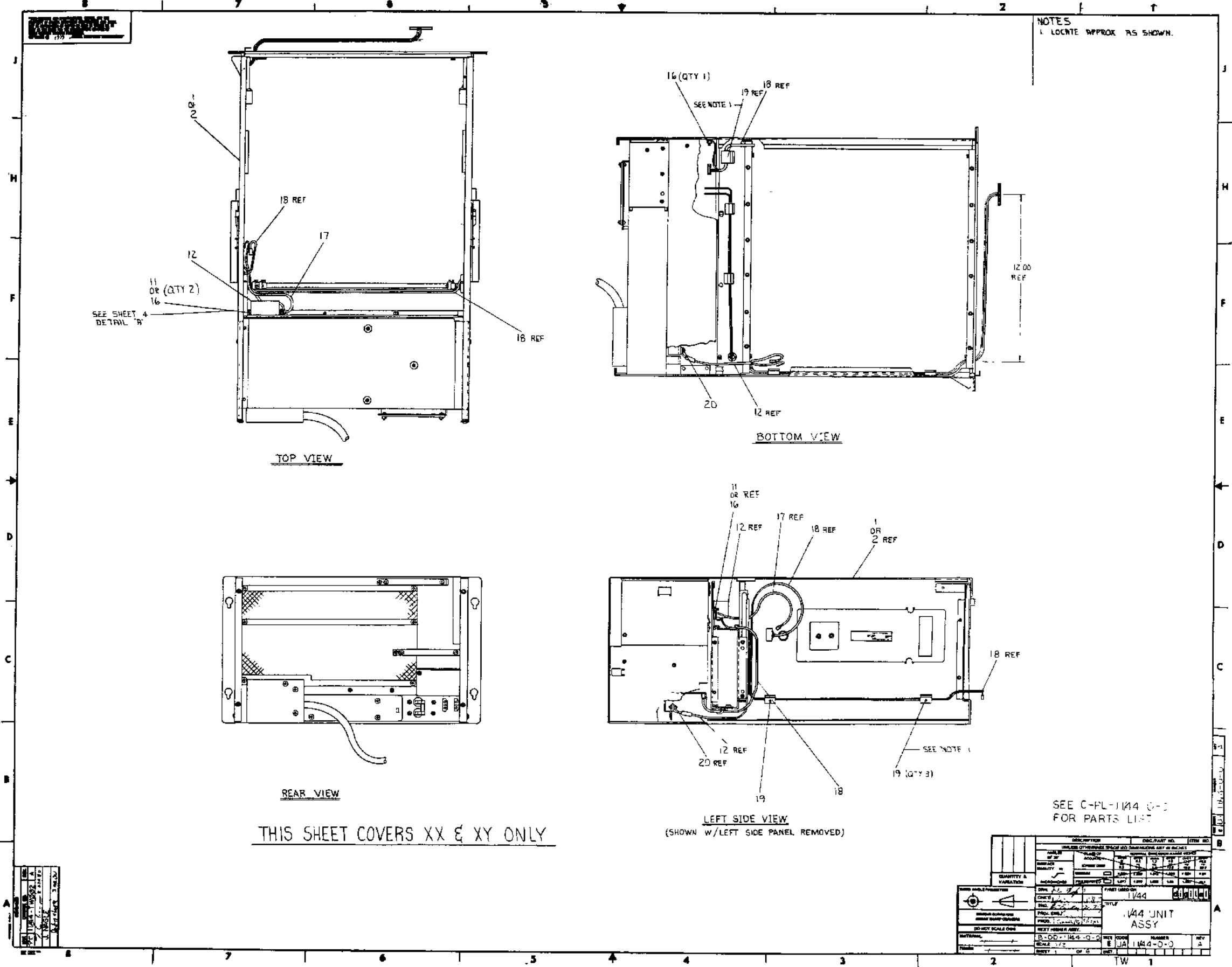
QUANTITY & VARIATION		DESCRIPTION		ITEM NO.
1		FRONT PANEL	706493-001	1
1		BACK PANEL	706493-002	2
1		TOP PANEL	706493-003	3
1		BOTTOM PANEL	706493-004	4
1		LEFT SIDE PANEL	706493-005	5
1		RIGHT SIDE PANEL	706493-006	6
1		FRONT BRACKET	706493-007	7
1		BACK BRACKET	706493-008	8
1		TOP BRACKET	706493-009	9
1		BOTTOM BRACKET	706493-010	10
1		LEFT SIDE BRACKET	706493-011	11
1		RIGHT SIDE BRACKET	706493-012	12
1		FRONT BRACKET	706493-013	13
1		BACK BRACKET	706493-014	14
1		TOP BRACKET	706493-015	15
1		BOTTOM BRACKET	706493-016	16
1		LEFT SIDE BRACKET	706493-017	17
1		RIGHT SIDE BRACKET	706493-018	18
1		FRONT BRACKET	706493-019	19
1		BACK BRACKET	706493-020	20
1		TOP BRACKET	706493-021	21
1		BOTTOM BRACKET	706493-022	22
1		LEFT SIDE BRACKET	706493-023	23
1		RIGHT SIDE BRACKET	706493-024	24
1		FRONT BRACKET	706493-025	25
1		BACK BRACKET	706493-026	26
1		TOP BRACKET	706493-027	27
1		BOTTOM BRACKET	706493-028	28
1		LEFT SIDE BRACKET	706493-029	29
1		RIGHT SIDE BRACKET	706493-030	30

DATE 10/1/77
 BY [Signature]
 CHECKED [Signature]
 APPROVED [Signature]

SCALE: 1/8" = 1"

FILE: BAN-A BOX FRAME ASSEMBLY

REV. 1



NOTES
1. LOCATE APPROX AS SHOWN.

SEE SHEET 4
DETAIL "A"

TOP VIEW

BOTTOM VIEW

REAR VIEW

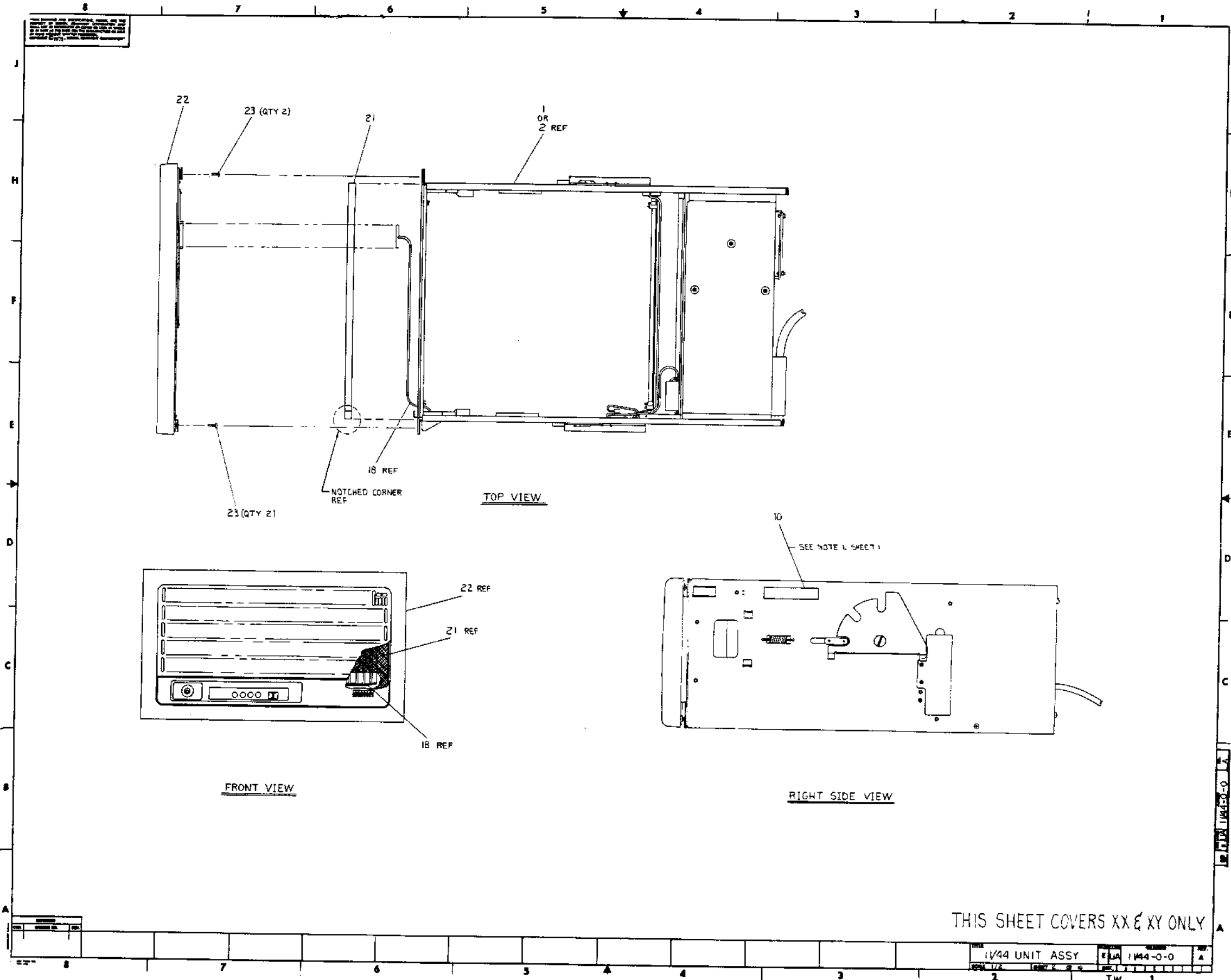
LEFT SIDE VIEW
(SHOWN W/LEFT SIDE PANEL REMOVED)

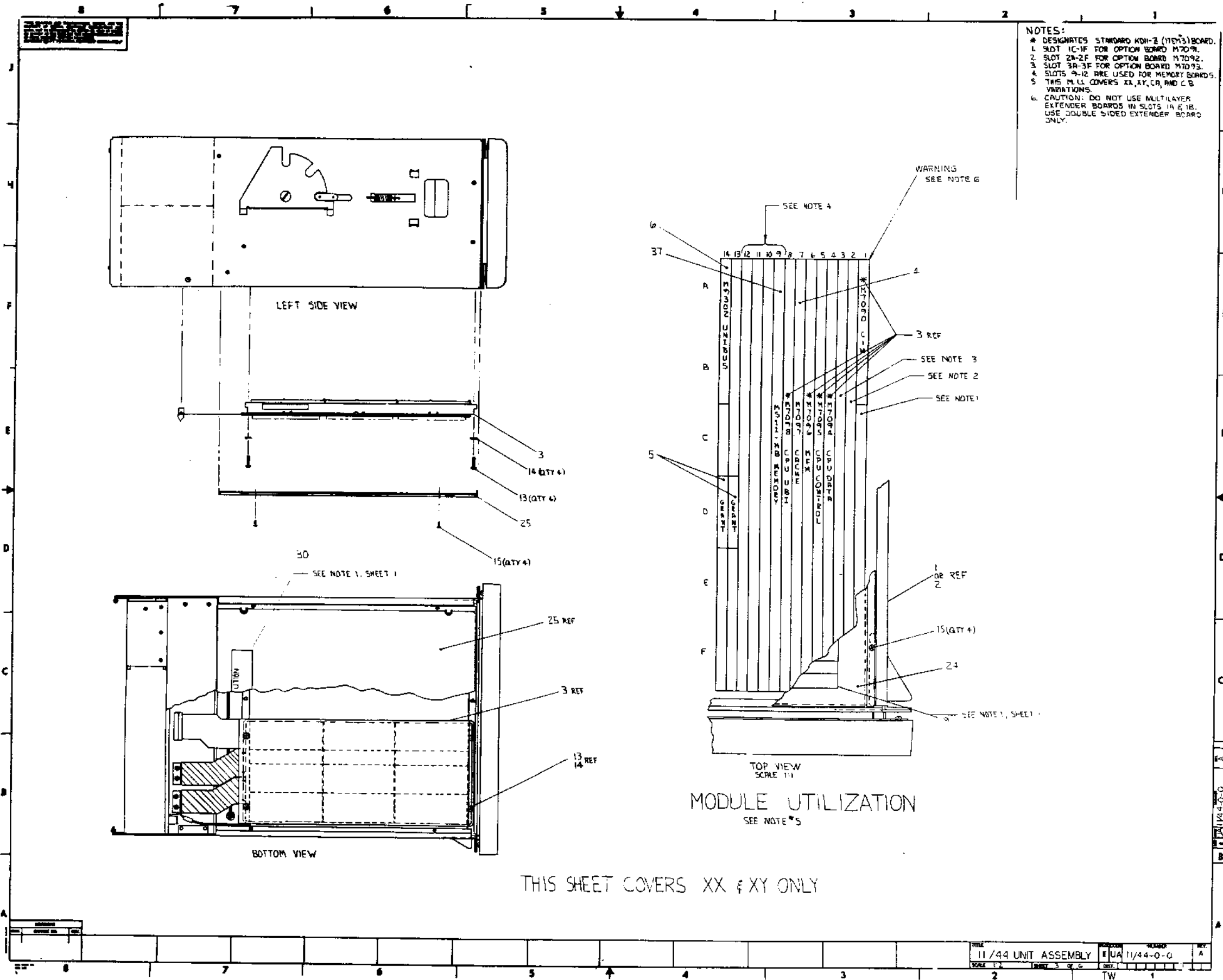
THIS SHEET COVERS XX & XY ONLY

SEE C-PL-1144 0-1
FOR PARTS LIST

1	1/4" x 1/2" x 1/8" AL	1
2	1/4" x 1/2" x 1/8" AL	1
3	1/4" x 1/2" x 1/8" AL	1
4	1/4" x 1/2" x 1/8" AL	1

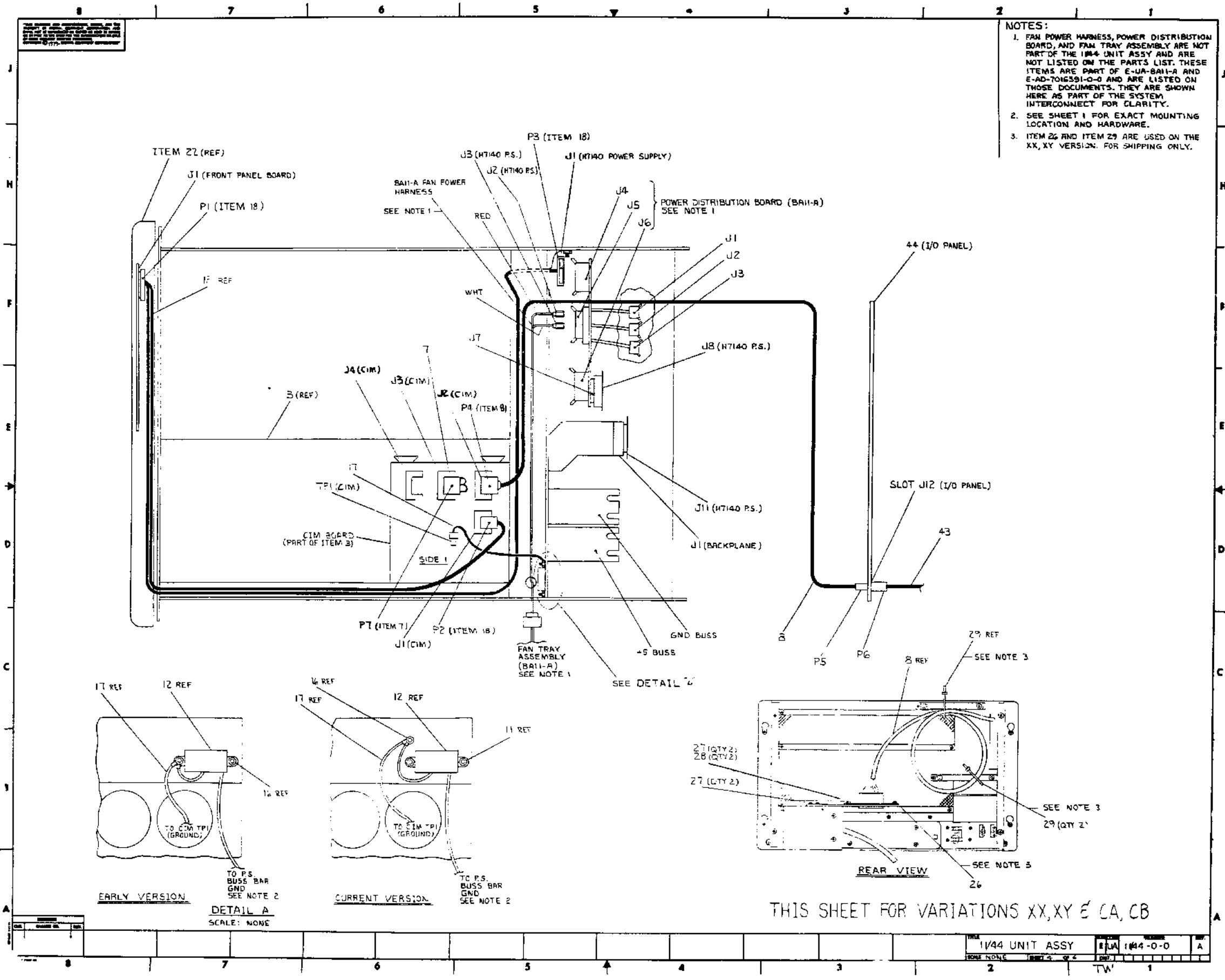
DESCRIPTION		QTY	UNIT
UNLESS OTHERWISE SPECIFIED DIMENSIONS ARE IN INCHES			
QTY	DESCRIPTION	UNIT	
1	1/4" x 1/2" x 1/8" AL	1	
2	1/4" x 1/2" x 1/8" AL	1	
3	1/4" x 1/2" x 1/8" AL	1	
4	1/4" x 1/2" x 1/8" AL	1	
5	1/4" x 1/2" x 1/8" AL	1	
6	1/4" x 1/2" x 1/8" AL	1	
7	1/4" x 1/2" x 1/8" AL	1	
8	1/4" x 1/2" x 1/8" AL	1	
9	1/4" x 1/2" x 1/8" AL	1	
10	1/4" x 1/2" x 1/8" AL	1	
11	1/4" x 1/2" x 1/8" AL	1	
12	1/4" x 1/2" x 1/8" AL	1	
13	1/4" x 1/2" x 1/8" AL	1	
14	1/4" x 1/2" x 1/8" AL	1	
15	1/4" x 1/2" x 1/8" AL	1	
16	1/4" x 1/2" x 1/8" AL	1	
17	1/4" x 1/2" x 1/8" AL	1	
18	1/4" x 1/2" x 1/8" AL	1	
19	1/4" x 1/2" x 1/8" AL	1	
20	1/4" x 1/2" x 1/8" AL	1	
21	1/4" x 1/2" x 1/8" AL	1	
22	1/4" x 1/2" x 1/8" AL	1	
23	1/4" x 1/2" x 1/8" AL	1	
24	1/4" x 1/2" x 1/8" AL	1	
25	1/4" x 1/2" x 1/8" AL	1	
26	1/4" x 1/2" x 1/8" AL	1	
27	1/4" x 1/2" x 1/8" AL	1	
28	1/4" x 1/2" x 1/8" AL	1	
29	1/4" x 1/2" x 1/8" AL	1	
30	1/4" x 1/2" x 1/8" AL	1	
31	1/4" x 1/2" x 1/8" AL	1	
32	1/4" x 1/2" x 1/8" AL	1	
33	1/4" x 1/2" x 1/8" AL	1	
34	1/4" x 1/2" x 1/8" AL	1	
35	1/4" x 1/2" x 1/8" AL	1	
36	1/4" x 1/2" x 1/8" AL	1	
37	1/4" x 1/2" x 1/8" AL	1	
38	1/4" x 1/2" x 1/8" AL	1	
39	1/4" x 1/2" x 1/8" AL	1	
40	1/4" x 1/2" x 1/8" AL	1	
41	1/4" x 1/2" x 1/8" AL	1	
42	1/4" x 1/2" x 1/8" AL	1	
43	1/4" x 1/2" x 1/8" AL	1	
44	1/4" x 1/2" x 1/8" AL	1	
45	1/4" x 1/2" x 1/8" AL	1	
46	1/4" x 1/2" x 1/8" AL	1	
47	1/4" x 1/2" x 1/8" AL	1	
48	1/4" x 1/2" x 1/8" AL	1	
49	1/4" x 1/2" x 1/8" AL	1	
50	1/4" x 1/2" x 1/8" AL	1	
51	1/4" x 1/2" x 1/8" AL	1	
52	1/4" x 1/2" x 1/8" AL	1	
53	1/4" x 1/2" x 1/8" AL	1	
54	1/4" x 1/2" x 1/8" AL	1	
55	1/4" x 1/2" x 1/8" AL	1	
56	1/4" x 1/2" x 1/8" AL	1	
57	1/4" x 1/2" x 1/8" AL	1	
58	1/4" x 1/2" x 1/8" AL	1	
59	1/4" x 1/2" x 1/8" AL	1	
60	1/4" x 1/2" x 1/8" AL	1	
61	1/4" x 1/2" x 1/8" AL	1	
62	1/4" x 1/2" x 1/8" AL	1	
63	1/4" x 1/2" x 1/8" AL	1	
64	1/4" x 1/2" x 1/8" AL	1	
65	1/4" x 1/2" x 1/8" AL	1	
66	1/4" x 1/2" x 1/8" AL	1	
67	1/4" x 1/2" x 1/8" AL	1	
68	1/4" x 1/2" x 1/8" AL	1	
69	1/4" x 1/2" x 1/8" AL	1	
70	1/4" x 1/2" x 1/8" AL	1	
71	1/4" x 1/2" x 1/8" AL	1	
72	1/4" x 1/2" x 1/8" AL	1	
73	1/4" x 1/2" x 1/8" AL	1	
74	1/4" x 1/2" x 1/8" AL	1	
75	1/4" x 1/2" x 1/8" AL	1	
76	1/4" x 1/2" x 1/8" AL	1	
77	1/4" x 1/2" x 1/8" AL	1	
78	1/4" x 1/2" x 1/8" AL	1	
79	1/4" x 1/2" x 1/8" AL	1	
80	1/4" x 1/2" x 1/8" AL	1	
81	1/4" x 1/2" x 1/8" AL	1	
82	1/4" x 1/2" x 1/8" AL	1	
83	1/4" x 1/2" x 1/8" AL	1	
84	1/4" x 1/2" x 1/8" AL	1	
85	1/4" x 1/2" x 1/8" AL	1	
86	1/4" x 1/2" x 1/8" AL	1	
87	1/4" x 1/2" x 1/8" AL	1	
88	1/4" x 1/2" x 1/8" AL	1	
89	1/4" x 1/2" x 1/8" AL	1	
90	1/4" x 1/2" x 1/8" AL	1	
91	1/4" x 1/2" x 1/8" AL	1	
92	1/4" x 1/2" x 1/8" AL	1	
93	1/4" x 1/2" x 1/8" AL	1	
94	1/4" x 1/2" x 1/8" AL	1	
95	1/4" x 1/2" x 1/8" AL	1	
96	1/4" x 1/2" x 1/8" AL	1	
97	1/4" x 1/2" x 1/8" AL	1	
98	1/4" x 1/2" x 1/8" AL	1	
99	1/4" x 1/2" x 1/8" AL	1	
100	1/4" x 1/2" x 1/8" AL	1	



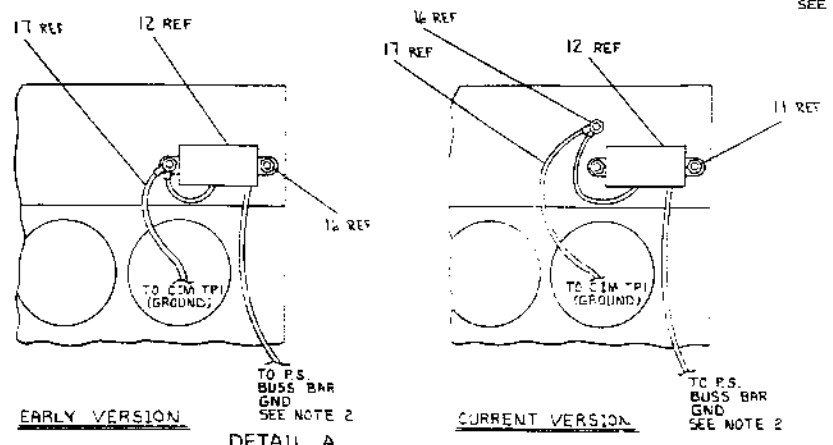


NOTES:
 * DESIGNATES STANDARD K01-2 (ITEM 3) BOARD.
 1. SLOT 1C-1F FOR OPTION BOARD M709.
 2. SLOT 2A-2F FOR OPTION BOARD M7092.
 3. SLOT 3A-3F FOR OPTION BOARD M7093.
 4. SLOTS 4-12 ARE USED FOR MEMORY BOARDS.
 5. THIS M.U.L. COVERS XX, XY, CR, AND C.B. VARIATIONS.
 6. CAUTION: DO NOT USE MULTILAYER EXTENDER BOARDS IN SLOTS 1A, E, 1B. USE DOUBLE SIDED EXTENDER BOARD ONLY.

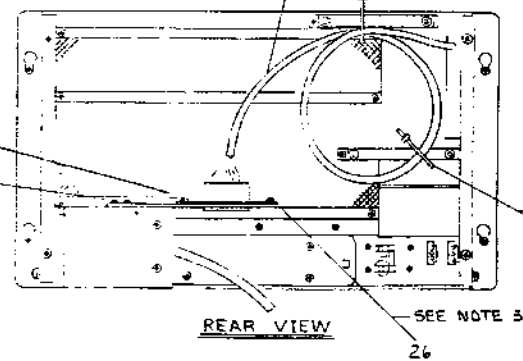
THIS SHEET COVERS XX & XY ONLY



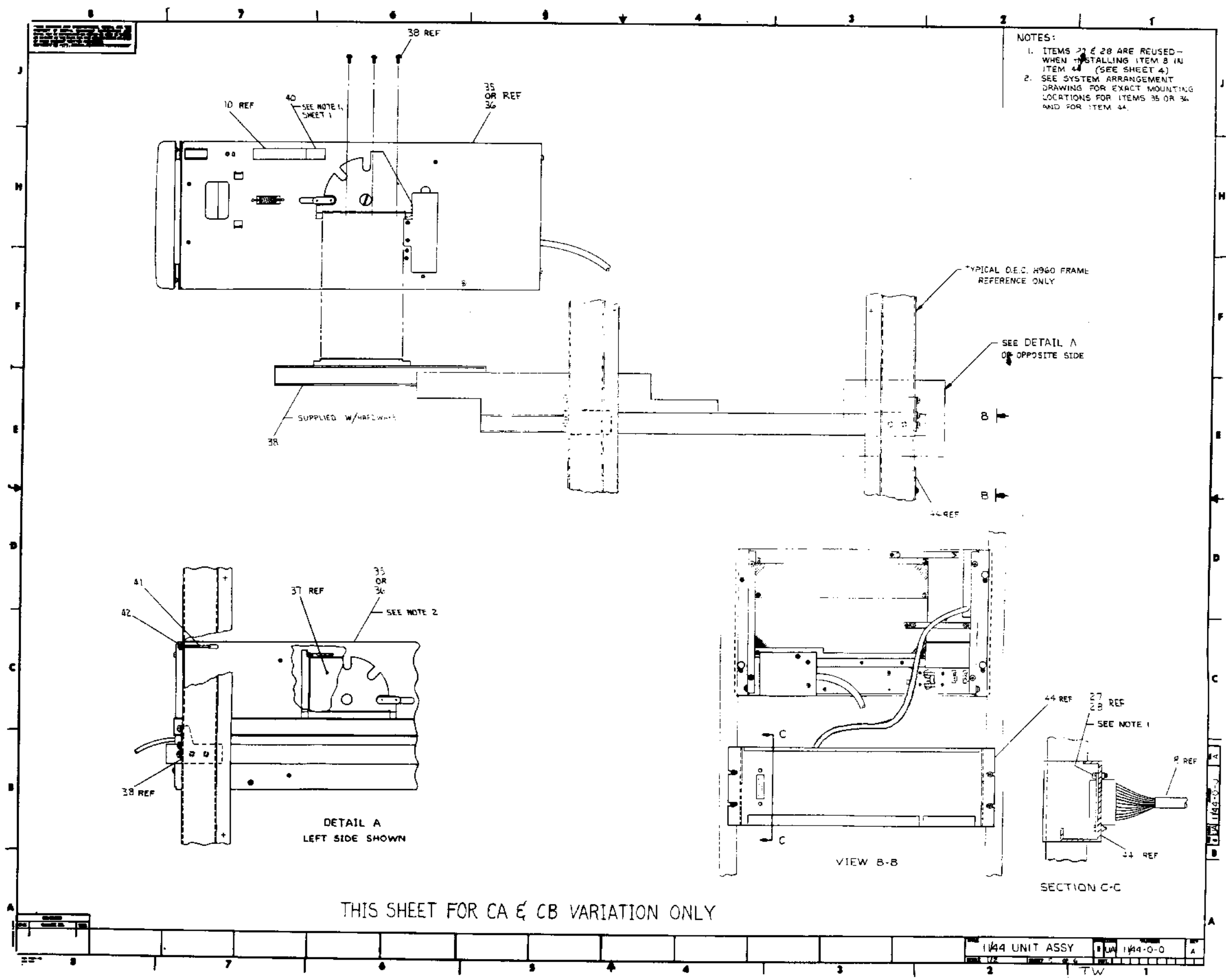
- NOTES:**
1. FAN POWER HARNESS, POWER DISTRIBUTION BOARD, AND FAN TRAY ASSEMBLY ARE NOT PART OF THE IMA-4 UNIT ASSY AND ARE NOT LISTED ON THE PARTS LIST. THESE ITEMS ARE PART OF E-IA-B41-A AND E-AD-7016391-0-0 AND ARE LISTED ON THOSE DOCUMENTS. THEY ARE SHOWN HERE AS PART OF THE SYSTEM INTERCONNECT FOR CLARITY.
 2. SEE SHEET 1 FOR EXACT MOUNTING LOCATION AND HARDWARE.
 3. ITEM 26 AND ITEM 29 ARE USED ON THE XX, XY VERSION. FOR SHIPPING ONLY.



DETAIL A
SCALE: NONE



THIS SHEET FOR VARIATIONS XX, XY & CA, CB



- NOTES:
1. ITEMS 27 & 28 ARE REUSED - WHEN INSTALLING ITEM 8 IN ITEM 44 (SEE SHEET 4)
 2. SEE SYSTEM ARRANGEMENT DRAWING FOR EXACT MOUNTING LOCATIONS FOR ITEMS 35 OR 36 AND FOR ITEM 44.

8 7 6 5 4 3 2 1

J

H

F

E

D

C

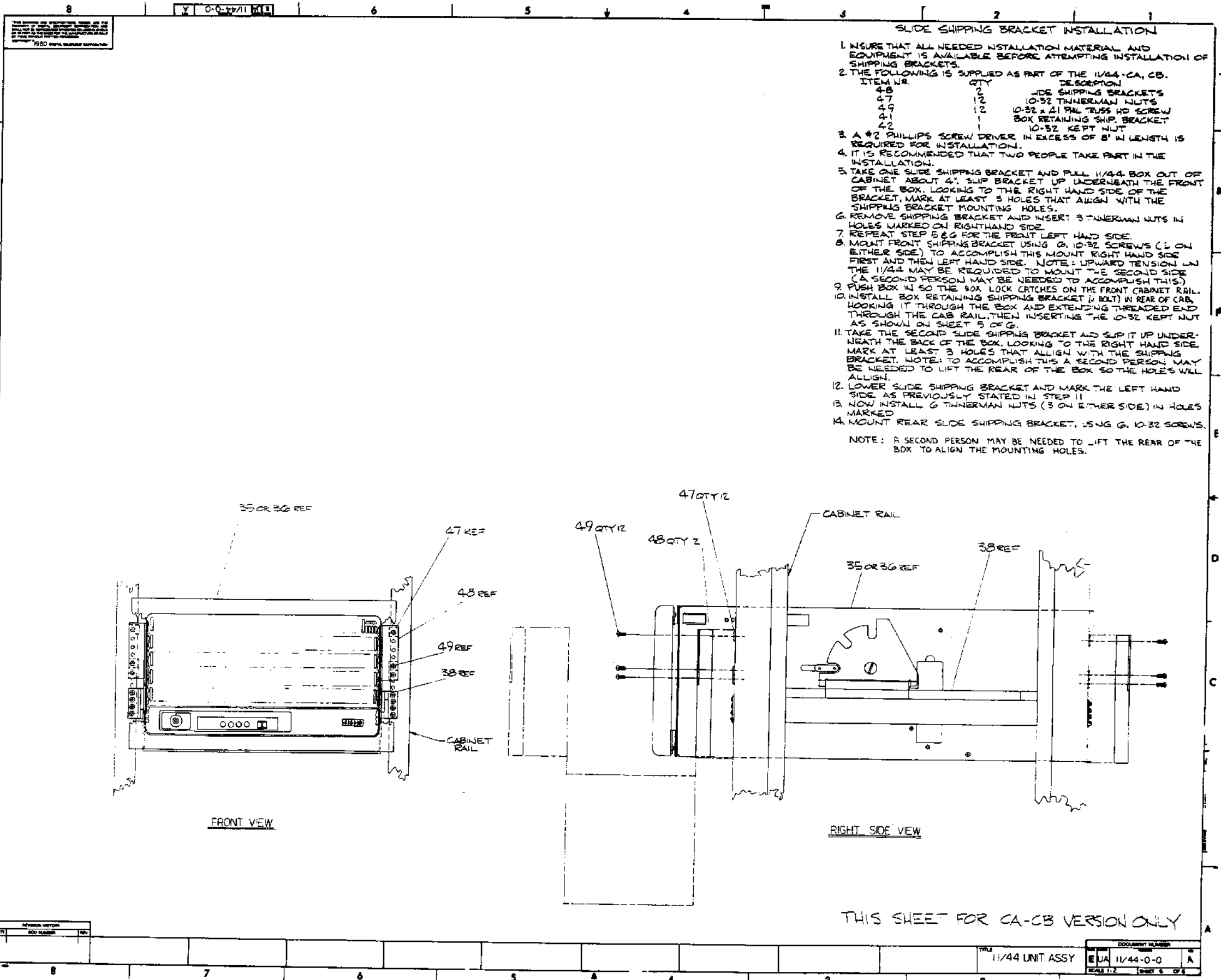
B

A

8 7 6 5 4 3 2 1

8 7 6 5 4 3 2 1

8 7 6 5 4 3 2 1



SLIDE SHIPPING BRACKET INSTALLATION

1. INSURE THAT ALL NEEDED INSTALLATION MATERIAL AND EQUIPMENT IS AVAILABLE BEFORE ATTEMPTING INSTALLATION OF SHIPPING BRACKETS.
 2. THE FOLLOWING IS SUPPLIED AS PART OF THE 11/44-CA, CB.

ITEM NR	QTY	DESCRIPTION
48	2	SLIDE SHIPPING BRACKETS
47	12	10-32 THINWALL NUTS
49	12	10-32 x 21 FULL THREAD HD SCREW
41	1	BOX RETAINING SHIP. BRACKET
42	1	10-32 KEPT NUT
 3. A #2 PHILLIPS SCREW DRIVER IN EXCESS OF 8" IN LENGTH IS REQUIRED FOR INSTALLATION.
 4. IT IS RECOMMENDED THAT TWO PEOPLE TAKE PART IN THE INSTALLATION.
 5. TAKE ONE SLIDE SHIPPING BRACKET AND PULL 11/44 BOX OUT OF CABINET ABOUT 4". SLIP BRACKET UP UNDERNEATH THE FRONT OF THE BOX, LOOKING TO THE RIGHT HAND SIDE OF THE BRACKET, MARK AT LEAST 3 HOLES THAT ALIGN WITH THE SHIPPING BRACKET MOUNTING HOLES.
 6. REMOVE SHIPPING BRACKET AND INSERT 3 THINWALL NUTS IN HOLES MARKED ON RIGHTHAND SIDE.
 7. REPEAT STEP 5 & 6 FOR THE FRONT LEFT HAND SIDE.
 8. MOUNT FRONT SHIPPING BRACKET USING 6. 10-32 SCREWS (3 ON EITHER SIDE) TO ACCOMPLISH THIS MOUNT RIGHT HAND SIDE FIRST AND THEN LEFT HAND SIDE. NOTE: UPWARD TENSION ON THE 11/44 MAY BE REQUIRED TO MOUNT THE SECOND SIDE (A SECOND PERSON MAY BE NEEDED TO ACCOMPLISH THIS).
 9. PUSH BOX IN SO THE BOX LOCK CATCHES ON THE FRONT CABINET RAIL.
 10. INSTALL BOX RETAINING SHIPPING BRACKET (1 BOLT) IN REAR OF CAB. HOOKING IT THROUGH THE BOX AND EXTENDING THREADED END THROUGH THE CAB RAIL, THEN INSERTING THE 10-32 KEPT NUT AS SHOWN ON SHEET 5 OF 6.
 11. TAKE THE SECOND SLIDE SHIPPING BRACKET AND SLIP IT UP UNDERNEATH THE BACK OF THE BOX, LOOKING TO THE RIGHT HAND SIDE. MARK AT LEAST 3 HOLES THAT ALIGN WITH THE SHIPPING BRACKET. NOTE: TO ACCOMPLISH THIS A SECOND PERSON MAY BE NEEDED TO LIFT THE REAR OF THE BOX SO THE HOLES WILL ALIGN.
 12. LOWER SLIDE SHIPPING BRACKET AND MARK THE LEFT HAND SIDE AS PREVIOUSLY STATED IN STEP 11.
 13. NOW INSTALL 6 THINWALL NUTS (3 ON EITHER SIDE) IN HOLES MARKED.
 14. MOUNT REAR SLIDE SHIPPING BRACKET, USING 6. 10-32 SCREWS.
- NOTE: A SECOND PERSON MAY BE NEEDED TO LIFT THE REAR OF THE BOX TO ALIGN THE MOUNTING HOLES.

THIS SHEET FOR CA-CB VERSION ONLY

DATE	BY	REV

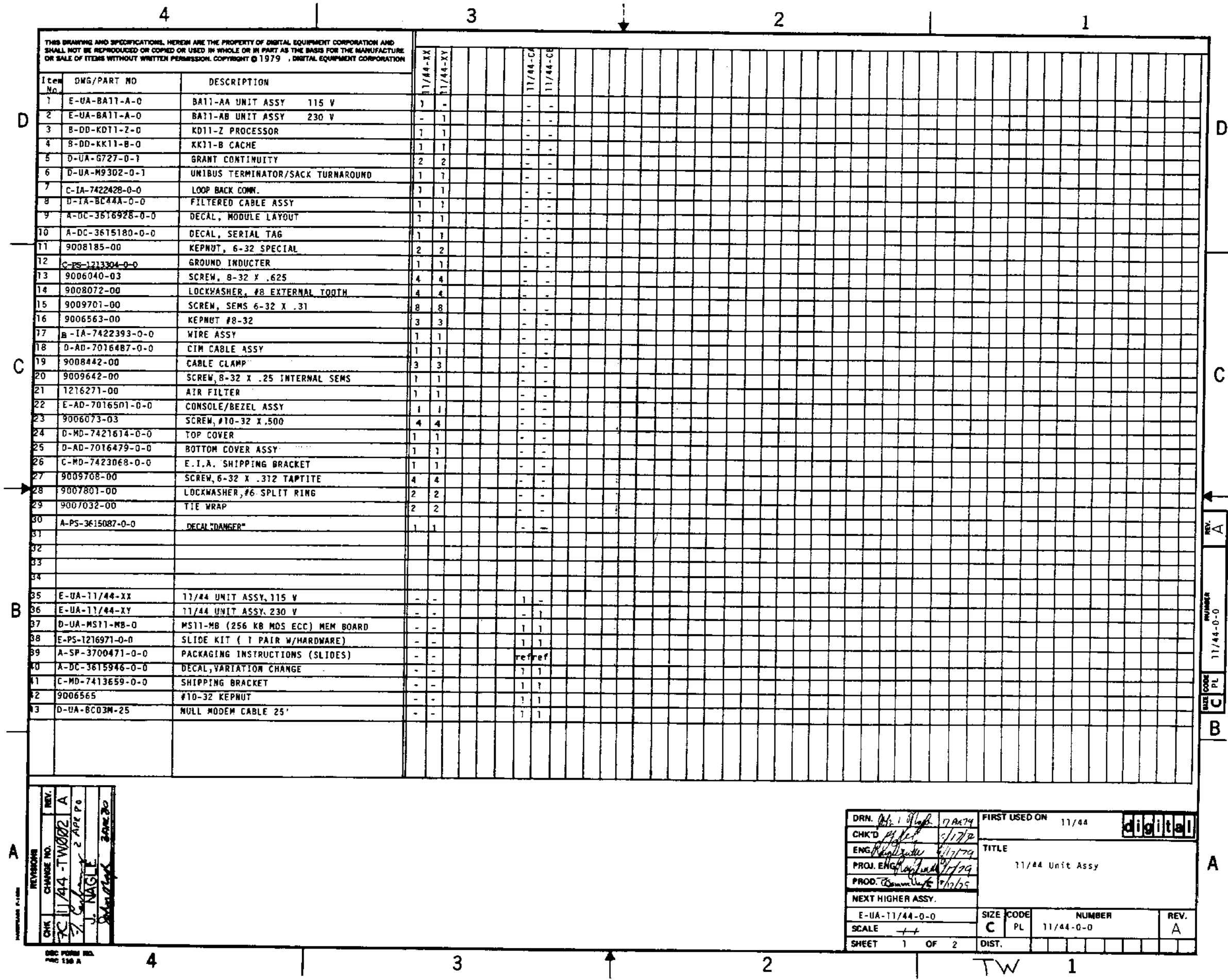
TITLE	DOCUMENT NUMBER	REV
11/44 UNIT ASSY	EUA 11/44-0-0	A
SCALE 1:2		Sheet 5 of 6

THIS DRAWING AND SPECIFICATIONS, HEREIN ARE THE PROPERTY OF DIGITAL EQUIPMENT CORPORATION AND SHALL NOT BE REPRODUCED OR COPIED OR USED IN WHOLE OR IN PART AS THE BASIS FOR THE MANUFACTURE OR SALE OF ITEMS WITHOUT WRITTEN PERMISSION. COPYRIGHT © 1979, DIGITAL EQUIPMENT CORPORATION

Item No.	DWG/PART NO.	DESCRIPTION	11/44-XX	11/44-XY	11/44-C	11/44-CB
1	E-UA-BA11-A-0	BA11-AA UNIT ASSY 115 V	1	-	-	-
2	E-UA-BA11-A-0	BA11-AB UNIT ASSY 230 V	-	1	-	-
3	B-DD-KD11-Z-0	KD11-Z PROCESSOR	1	1	-	-
4	B-DD-KK11-B-0	KK11-B CACHE	1	1	-	-
5	D-UA-6727-0-1	GRANT CONTINUITY	2	2	-	-
6	D-UA-M9302-0-1	UNIBUS TERMINATOR/SACK TURNAROUND	1	1	-	-
7	C-IA-7422428-0-0	LOOP BACK CMM.	1	1	-	-
8	D-IA-BC44A-0-0	FILTERED CABLE ASSY	1	1	-	-
9	A-DC-3516928-0-0	DECAL, MODULE LAYOUT	1	1	-	-
10	A-DC-3615180-0-0	DECAL, SERIAL TAG	1	1	-	-
11	9008185-00	KEPNUT, 6-32 SPECIAL	2	2	-	-
12	C-PS-1213304-0-0	GROUND INDUCTER	1	1	-	-
13	9006040-03	SCREW, 8-32 X .625	4	4	-	-
14	9008072-00	LOCKWASHER, #8 EXTERNAL TOOTH	4	4	-	-
15	9009701-00	SCREW, SEMS 6-32 X .31	8	8	-	-
16	9006563-00	KEPNUT #8-32	3	3	-	-
17	B-IA-7422393-0-0	WIRE ASSY	1	1	-	-
18	D-AD-7016487-0-0	CIM CABLE ASSY	1	1	-	-
19	9008442-00	CABLE CLAMP	3	3	-	-
20	9009642-00	SCREW, 8-32 X .25 INTERNAL SEMS	1	1	-	-
21	1216271-00	AIR FILTER	1	1	-	-
22	E-AD-7016501-0-0	CONSOLE/BEZEL ASSY	1	1	-	-
23	9006073-03	SCREW, #10-32 X .500	4	4	-	-
24	D-MD-7421614-0-0	TOP COVER	1	1	-	-
25	D-AD-7016479-0-0	BOTTOM COVER ASSY	1	1	-	-
26	C-MD-7423068-0-0	E.I.A. SHIPPING BRACKET	1	1	-	-
27	9009708-00	SCREW, 6-32 X .312 TAPTITE	4	4	-	-
28	9007801-00	LOCKWASHER, #6 SPLIT RING	2	2	-	-
29	9007032-00	TIE WRAP	2	2	-	-
30	A-PS-3615087-0-0	DECAL "DANGER"	1	1	-	-
31						
32						
33						
34						
35	E-UA-11/44-XX	11/44 UNIT ASSY, 115 V	-	-	1	-
36	E-UA-11/44-XY	11/44 UNIT ASSY, 230 V	-	-	-	1
37	D-UA-MS11-MB-0	MS11-MB (256 KB MOS ECC) MEM BOARD	-	-	1	1
38	E-PS-1216971-0-0	SLIDE KIT (1 PAIR W/HARDWARE)	-	-	1	1
39	A-SP-3700471-0-0	PACKAGING INSTRUCTIONS (SLIDES)	-	-	ref	ref
40	A-DC-3615946-0-0	DECAL, VARIATION CHANGE	-	-	1	1
41	C-MD-7413659-0-0	SHIPPING BRACKET	-	-	1	1
42	9006565	#10-32 KEPNUT	-	-	1	1
43	D-UA-8C03M-25	NULL MODEM CABLE 25'	-	-	1	1

REV.	A
CHK	J. NAGLE
DATE	2 APR 79
REV.	A
CHK	J. NAGLE
DATE	2 APR 79

DRN. 11/44-XX	17/44-XX	FIRST USED ON	11/44	digital
CHK'D	11/72	TITLE	11/44 Unit Assy	
ENG.	11/79	PROJ. ENG.	11/79	
PROD. 11/79	11/79	NEXT HIGHER ASSY.		
E-UA-11/44-0-0	SIZE	CODE	NUMBER	REV.
SCALE ++	C	PL	11/44-0-0	A
SHEET 1 OF 2	DIST.			



THIS DRAWING AND SPECIFICATIONS, HEREIN ARE THE PROPERTY OF DIGITAL EQUIPMENT CORPORATION AND SHALL NOT BE REPRODUCED OR COPIED OR USED IN WHOLE OR IN PART AS THE BASIS FOR THE MANUFACTURE OR SALE OF ITEMS WITHOUT WRITTEN PERMISSION. COPYRIGHT © 1979 . DIGITAL EQUIPMENT CORPORATION

ITEM NO	DWG/PART NO	DESCRIPTION
44	D-AD-7017048-0-0	I/O PANEL KIT
45	A-PL-11/44-0-4	11/44 SHIPPING LIST
46	A-SP-3700505-0-0	PACKAGING INSTRUCTIONS (DOCK MERGE)
47	9007786-00	#10 TINNED NUT
48	D-AD-7017541-0-0	BRACKET SHIPPING
49	9006072-03	SCREW #10 - 32 X .43 TRUSS HD

	11/44-XY	11/44-XY	11/44-CB	11/44-CB
	-	-	1	1
	-	-	ref	ref
	-	-	ref	ref
	-	-	12	12
	-	-	2	2
	-	-	12	12

REV.	CHANGE NO.

DRN. John Nagle	13 Aug	FIRST USED ON	11/44	digital
CHK'D		TITLE	11/44 UNIT ASSY	
ENG. <i>K...</i>				
PROJ. ENG. <i>...</i>				
PROD. <i>J. ...</i>				
NEXT HIGHER ASSY.				
E-UA-11/44-0-0	SIZE	CODE	NUMBER	REV.
SCALE	C	PL	11/44-0-0	A
SHEET 2 OF 2	DIST.			

MARKSPACE P-1885

A

A

C

C

B

B

D

D

4

3

2

1

4

3

2

1

TW

DIGITAL EQUIPMENT CORPORATION PARTS LIST

MADE BY Liz Hevesh	CHECKED <i>[Signature]</i>	SECTION
DATE 11 June 79	DATE 8/17/79	
ENG <i>[Signature]</i>	PKOD	ISSUED SECTION
DATE 7-17-79	DATE <i>[Signature]</i>	

QUANTITY / VARIATION

NOTES:

ITEM NO.	DRAWING NO.	PART NO.	DESCRIPTION	11/44-CA	11/44-CB											REF DESIGNATION			
1	EK- 11044-UG-001		11/44 System User Guide	1	1														
2	MP00742		MS11-M Print Set	1	1														
3	EK-MS11M-UG-001		MS11-MB 256KB ECC MOS Memory	1	1														
4	MP00809		11/44 Basic Print Set	1	1														
5	ZJ014-FR		11/44 Basic CPU Kit (FICHE)	1	1														
6	ZJ014-PB		11/44 BASIC CPU KIT (PAPERTAPE)	1	1														

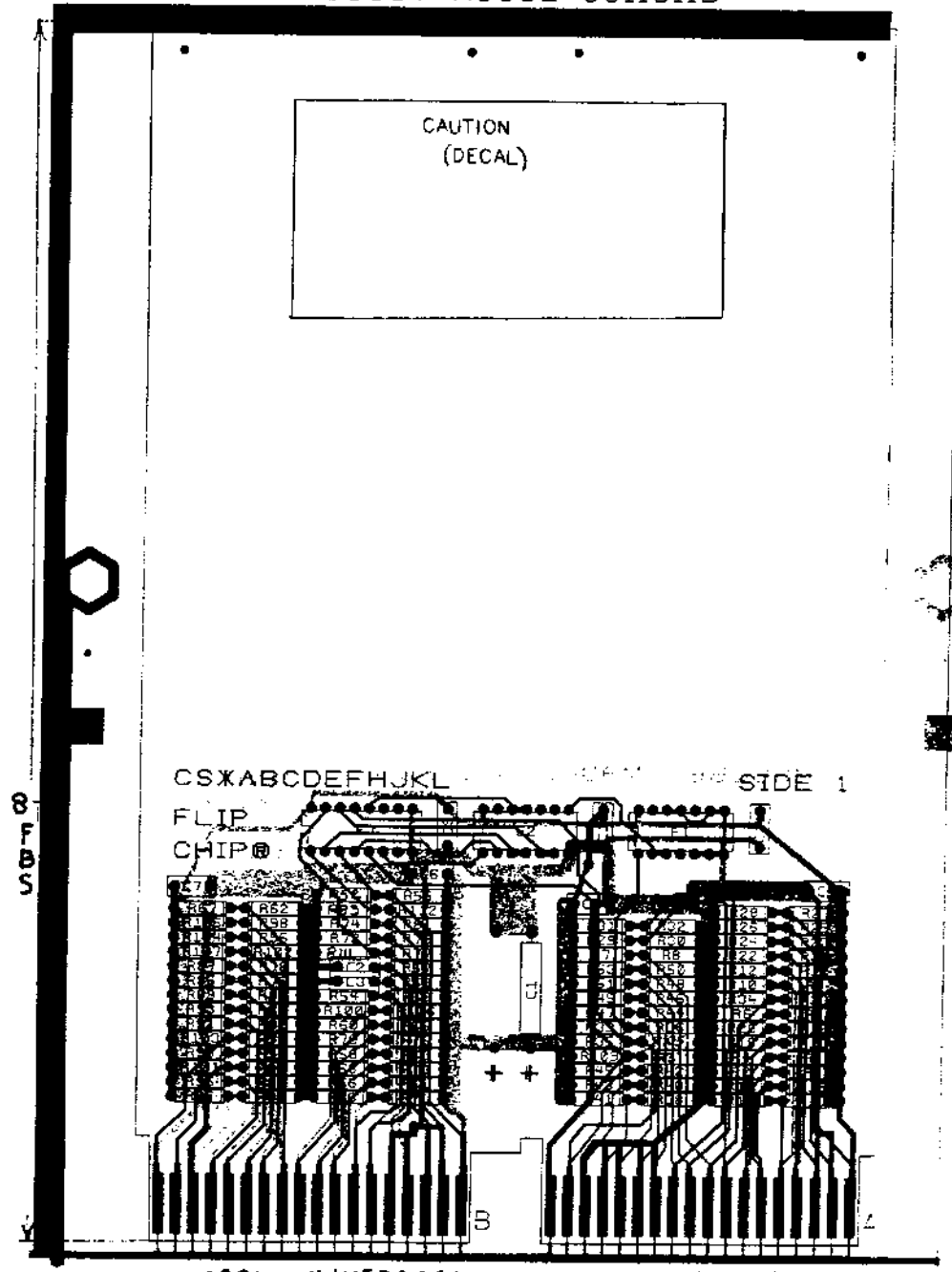
E.C.O. NO.
11/44-
TW001

THIS DRAWING AND SPECIFICATIONS, HEREIN, ARE THE PROPERTY OF DIGITAL EQUIPMENT CORPORATION AND SHALL NOT BE REPRODUCED OR COPIED OR USED IN WHOLE OR IN PART AS THE BASIS FOR THE MANUFACTURE OR SALE OF ITEMS WITHOUT WRITTEN PERMISSION. COPYRIGHT © 1979 DIGITAL EQUIPMENT CORPORATION	TITLE Shipping List	ASSY NO. E-UA-11/44-0-0	SIZE B	CODE PL	NUMBER 11/44-0-4	REV. A
		SHEET 1 OF 1	INSERTION PARTS LIST DATA BASE REV			

TW

MS60567 M9302 5011311B

CAUTION
(DECAL)



NOTES:

REF DESIGNATIONS NOT USED ARE R37, R52,
R83, R108, AND R111

DRAILING DATA			
HOLE LETTER	DRAWL SIZES	CAN TAKE STRIPLETS	QTY OF HOLES
	FOR PTH BOARDS	FOR NON-PTH BOARDS	
NONE	*56(.0465DIA)	✓	

BOARD FABRICATION INFORMATION

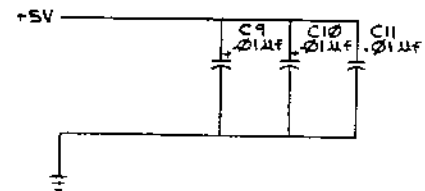
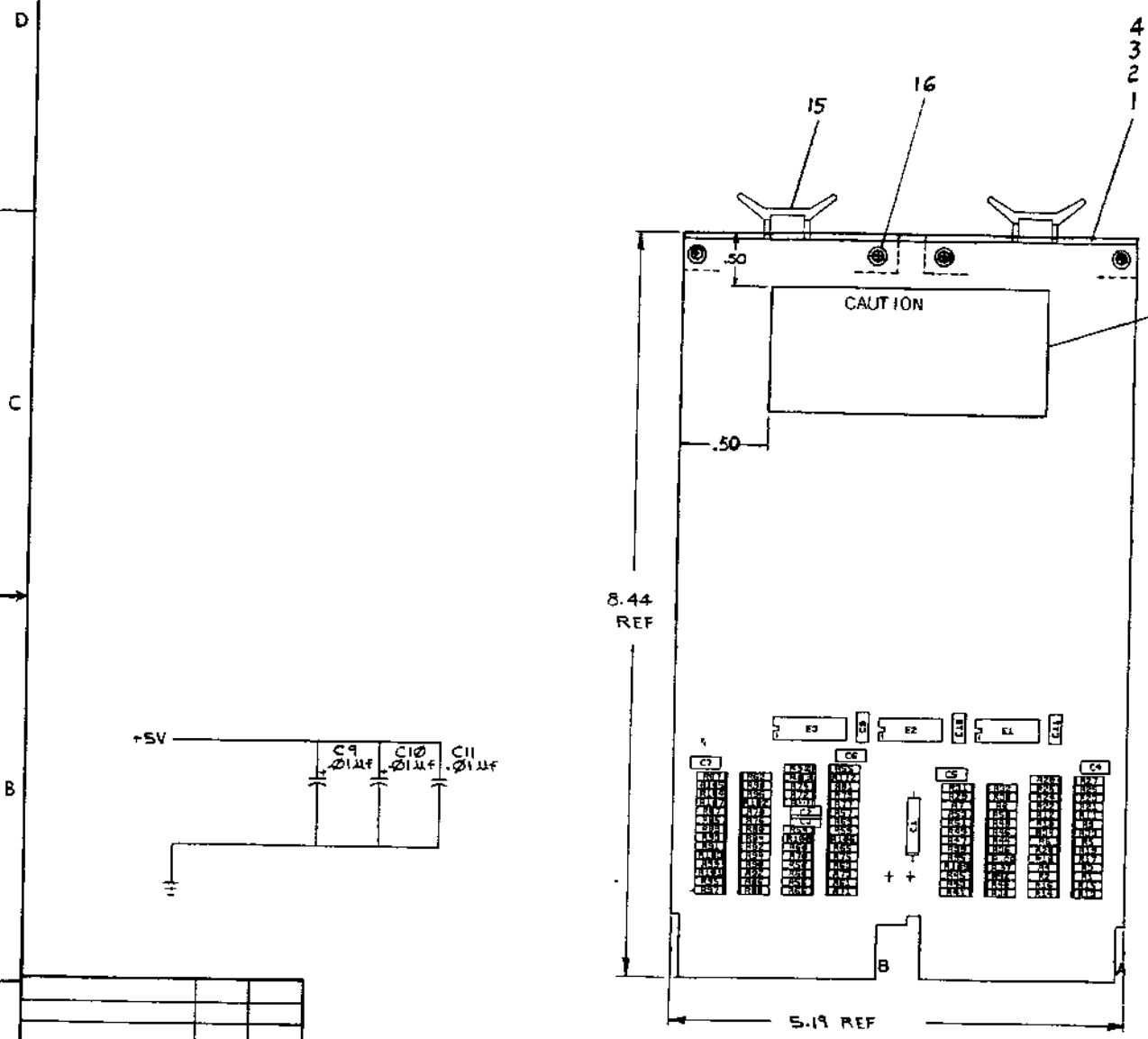
BOARD SIZE 8540 X 11750
 D MD 760589-0-0
 BOARD MATERIAL .052 THK
 1 OZ COPPER 2 SIDES
 EYELET PLATED THRU
 2 SIDED MULTI-LAYER
 NOTCH BEFORE GOLD PLATING
 NOTCH AFTER GOLD PLATING

DRN: <i>Heck</i>	DATE: 7-22	DIGITAL EQUIPMENT CORPORATION
CHEK: <i>...</i>	DATE: 11-27-74	
DATE: 3-25-77	TITLE: JUNIBUS TERM	
DATE: 3-25-75		
DATE: ...		
FIRST USED ON: M9302	SIZE CODE: D AH	NUMBER: M9302-0-5
SCALE: 2/1	ETCH REV: 5	REV: D
		TW MS 60567

8 7 6 5 4 3 2 1

THIS DRAWING AND SPECIFICATIONS HEREIN ARE THE PROPERTY OF DIGITAL EQUIPMENT CORPORATION AND SHALL NOT BE REPRODUCED OR COPIED OR USED IN WHOLE OR IN PART AS THE BASIS FOR THE MANUFACTURE OR SALE OF ITEMS WITHOUT WRITTEN PERMISSION. COPYRIGHT © 1978 DIGITAL EQUIPMENT CORPORATION

NOTES:
 1.) THE FOLLOWING REFERENCE DESIGNATIONS ARE NOT USED: C8, R64, AND R110.



IC TYPE	GND	+5V
IC DEC 8837	B	16
GND AND 5V ARE USUALLY PIN 7 AND 14 RESPECTIVELY. EXCEPTIONS ARE STATED ABOVE.		
IC PIN LOCATIONS		

REVISIONS

REV	DESCRIPTION
A	...
B	...
C	...
D	...

QTY	REF DESIGNATION	DESCRIPTION	PART NO	ITEM NO
1	E2	I.C. DEC 7430	1905570	12
1	E1	I.C. DEC 8881	1809705	13
1	E3	I.C. DEC 8837	1911118	14
2		HANDLE, FLIP-CHIP (MAGENTA)	9008337-6	15
4		EYELETS	9006732	16
1		DECAL	B-DC-7416791-00	17

REF	X-Y HOLE COORDINATE HOLE LOCATION	K-CO-M9302-0-4	1
REF	ASSY/DRILLING HOLE LAYOUT	D-AH-M9302-0-5	2
REF	MODULE ECD HISTORY	B-MH-M9302-0-6	3
1	ETCHED CIRCUIT BOARD	5011311	4
3	C9, C10, C11	CAP .01 uf 100V 20% DISC	1001610-01
1	C1	CAP 39 uf 10V 10%	1000078
1	C3	CAP 2.2 uf 50V 10%	1008206
4	C4 THRU C7	CAP 22 uf 50V 1%	1010274-01
2	C2, C5	CAP .001 uf 250V 20% DISC	1000043
56	R2, R4, R6, R8, R10, R12, R14, R16, R18, R20, R22, R24, R26, R28, R30, R32, R34, R36, R38, R40, R42, R44, R46, R48, R50, R52, R54, R56, R58, R60, R62, R64, R66, R68, R70, R72, R74, R76, R78, R80, R82, R84, R86, R88, R90, R92, R94, R96, R98, R100, R102, R104, R106, R108, R110	RES 303 OHM 1/4W 1%	1305125
54	R1, R3, R5, R7, R9, R11, R13, R15, R17, R19, R21, R23, R25, R27, R29, R31, R33, R35, R37, R39, R41, R43, R45, R47, R49, R51, R53, R55, R57, R59, R61, R63, R65, R67, R69, R71, R73, R75, R77, R79, R81, R83, R85, R87, R89, R91, R93, R95, R97, R99, R101, R103 THRU R107, R109, R112	RES 178 OHM 1/4W 1%	1311422
1	E2	I.C. DEC 7430	1905570
1	E1	I.C. DEC 8881	1809705
1	E3	I.C. DEC 8837	1911118
2		HANDLE, FLIP-CHIP (MAGENTA)	9008337-6
4		EYELETS	9006732
1		DECAL	B-DC-7416791-00

DEC NO	EIA NO	DEC NO	EIA NO

SEMICONDUCTOR CONVERSION CHART

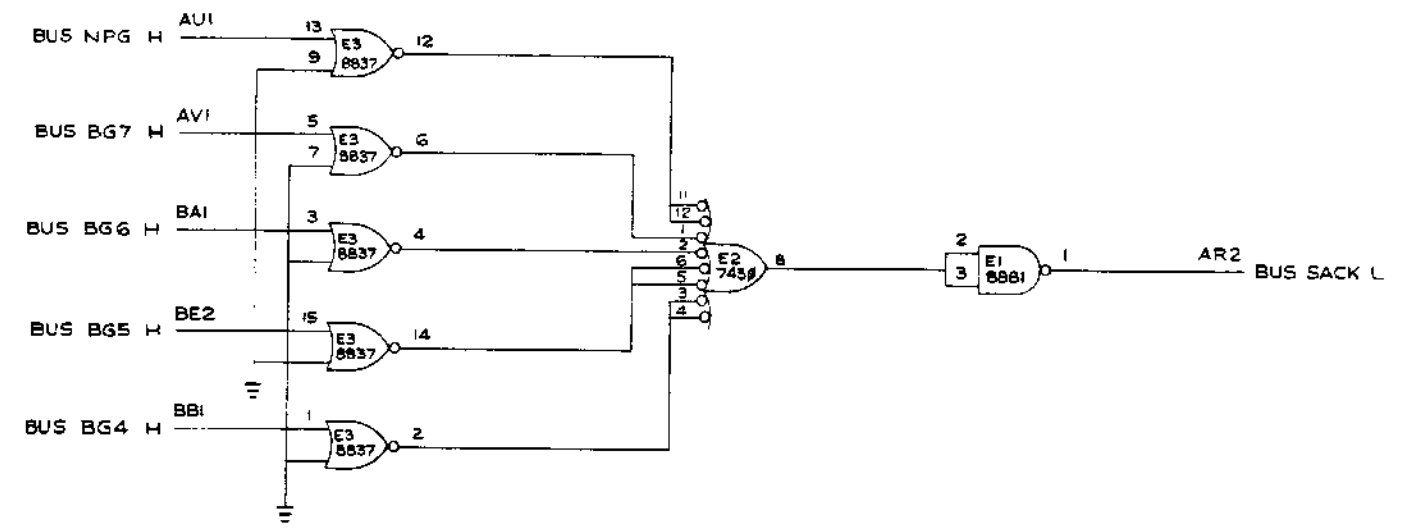
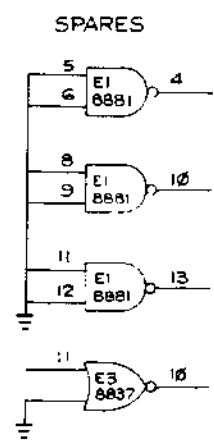
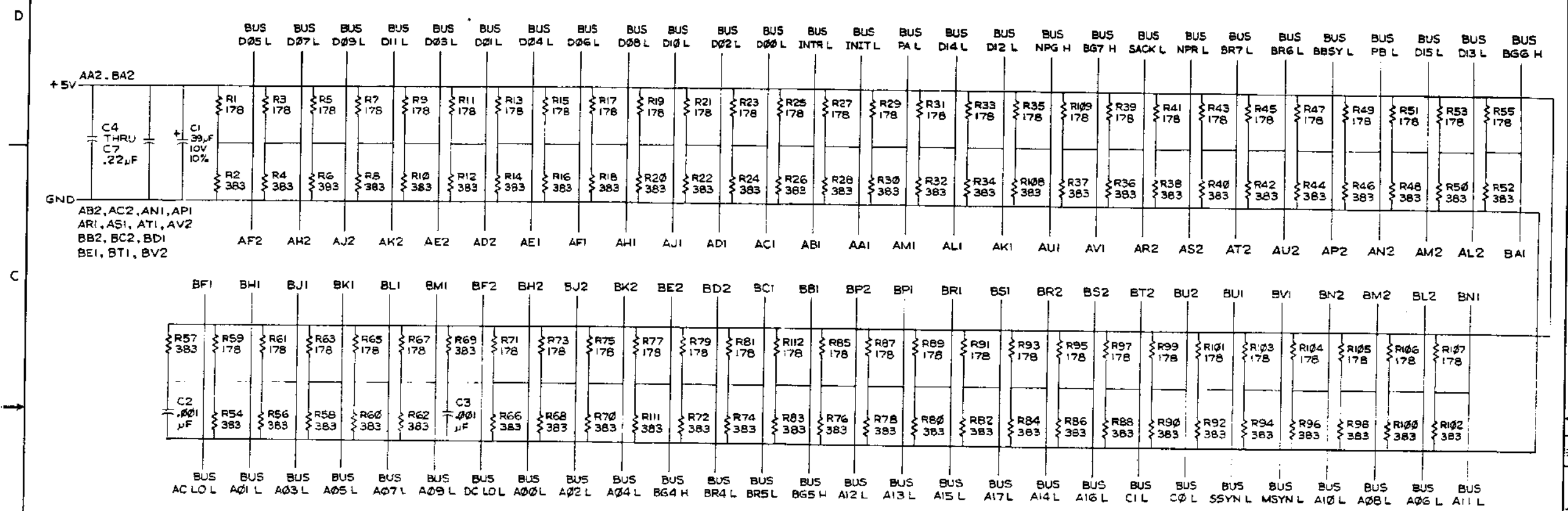
DRN	10/9/78
CHK'D	10/2/78
ENG	10/2/78
PROJ ENG	10/2/78
PROD	10/2/78

digital EQUIPMENT CORPORATION
 UNIBUS TERMINATOR
 SCALE: 1 of 2
 SHEET 1 of 2

8 7 6 5 4 3 2 1

THIS DRAWING AND SPECIFICATIONS HEREIN ARE THE PROPERTY OF DIGITAL EQUIPMENT CORPORATION, AND SHALL NOT BE REPRODUCED OR COPIED OR USED IN WHOLE OR IN PART AS THE BASIS FOR THE MANUFACTURE OR SALE OF ITEMS WITHOUT WRITTEN PERMISSION. COPYRIGHT © 1975 DIGITAL EQUIPMENT CORPORATION.

DCS M9302-0-1



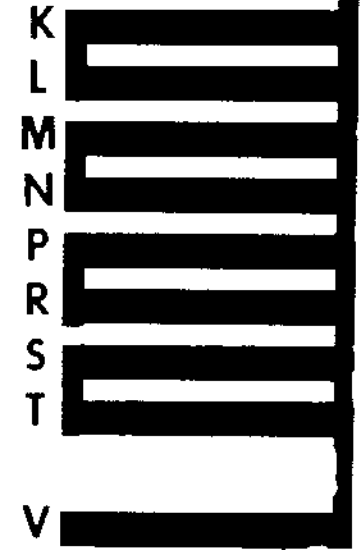
REVISIONS		
CHK	CHANGE NO	REV

This drawing and specifications herein, are the property of Digital Equipment Corporation and shall not be reproduced, copied or used in whole or in part on any other project without the written permission of Digital Equipment Corporation.

ΑΓΣΤΑ
ΥΤΙΥΝΙΤΙΟC ΤΙΑΡΘ

FLIP CHIP

CHOP
HERE



2 3/8" FINISHED CUT
WORK HOLDER CHINA WELDER
PR# 7818

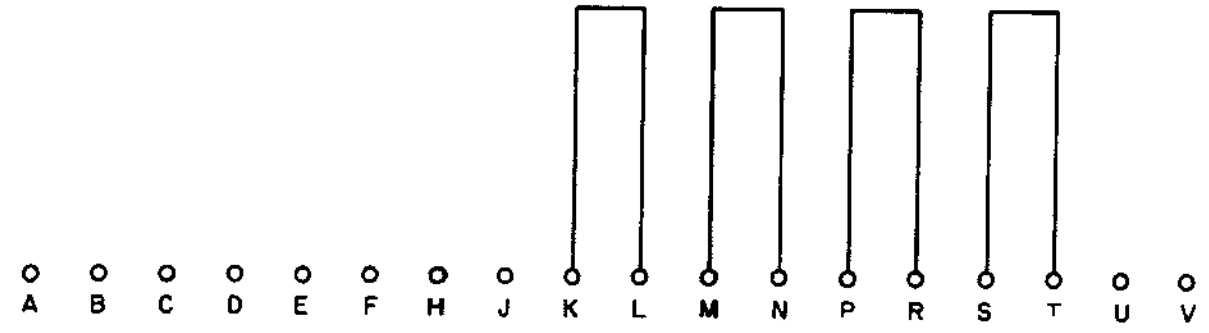
UNLESS OTHERWISE INDICATED
RESISTORS ARE _____
CAPACITORS ARE _____
DIODES ARE _____
TRANSISTORS ARE _____

BOARD FABRICATION INFO
BOARD SIZE NON STD. (2 3/8") STOCK CODE# 2230
BOARD MAT'L .055 THK.; 2oz COPPER CLAD
PLATED THRU EYELET SINGLE SIDED
HOLES BEFORE PLATING _____
UNMARKED HOLES ARE _____
HOLES ARE _____ PLACES _____
HOLES ARE _____ PLACES _____
HOLES ARE _____ PLACES _____
NOTCH BEFORE G.P. NOTCH AFTER G.P.

QTY.	DESCRIPTION	PART NO.	ITEM NO.
PARTS LIST			
DRN. S. PATTERSON	DATE 11-6-69	digital EQUIPMENT CORPORATION MAYNARD, MASSACHUSETTS TITLE ASSY/DRILLING HOLE LAYOUT SIZE CODE C AH NUMBER G727-0-5 REV. 1 DIST. B24/K28	
CHKD. J. HILTON	DATE 12-16-69		
ENG. P.C. JOHNSON	DATE 1/24/70		
PROJ. P.C. JOHNSON	DATE 1/24/70		
PROD. J. HILTON	DATE 3/9/70		
FIRST USED ON		G727	
SCALE		C AH G727-0-5	
SHEET OF		DIST. B24/K28	

REV.	NUMBER	CS	B
	G727-0-1		

THIS SCHEMATIC IS FURNISHED ONLY FOR TEST AND MAINTENANCE PURPOSES. THE CIRCUITS ARE PROPRIETARY IN NATURE AND SHOULD BE TREATED ACCORDINGLY. COPYRIGHT 1969 BY DIGITAL EQUIPMENT CORPORATION

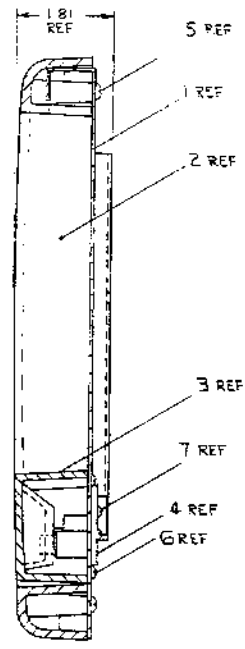
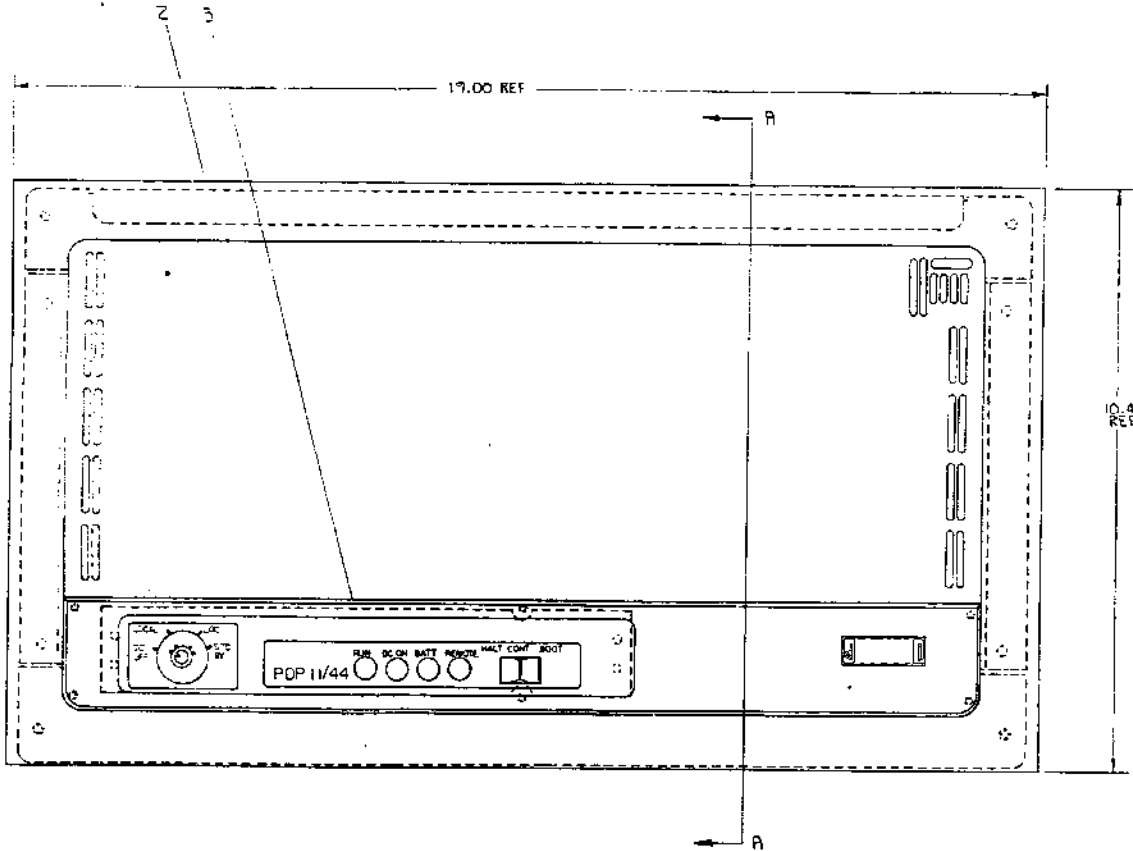
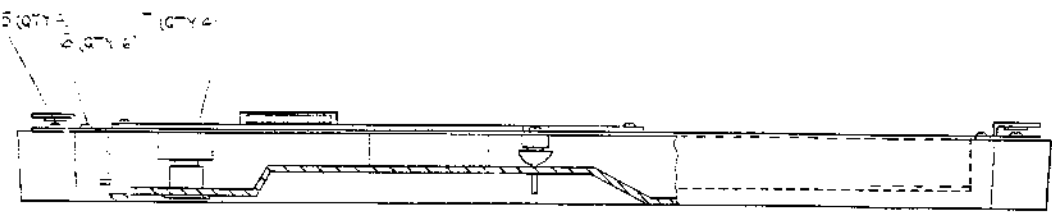


REVISIONS CHK CHG NO REV	DRN.	DATE	TRANSISTOR & DIODE CONVERSION CHART				digital EQUIPMENT CORPORATION MAYNARD, MASSACHUSETTS	TITLE			
	BUTLER	11-19-69	DEC	EIA	DEC	EIA		GRANT CONTINUITY G727			
	CHK'D	DATE						SIZE	CODE	NUMBER	REV.
	P. J. Stank	6-FC-370						B	CS	G727-0-1	
ENG.	DATE					PRINTED CIRCUIT REV.					
P. E. Johnson	1/28/70					A					
PROD.	DATE										

DEC FORM NO. DRB 102

DIST. 324,434,435 3 TW

ALL DIMENSIONS UNLESS OTHERWISE SPECIFIED ARE IN INCHES AND DECIMALS THEREOF. DIMENSIONS IN PARENTHESES ARE FOR INFORMATION ONLY.



SECTION R-R

ITEM NO.	DESCRIPTION	QUANTITY	UNIT
1	SCREW #0-32 X .34 NYLON	22	2148-01
2	SCREW #0-32 X .38 NYLON	20	201148-00
3	SCREW #0-32 X .50 NYLON	20	201119-00
4	FRONT PANEL GUARD	1	A-513671-0-0
5	CONSOLE BODY	1	A-114500-0-0
6	BEZEL	1	MD-7422036-0-1
7	PANEL CONSOLE MOUNTING	1	ECA-7422016-0-1

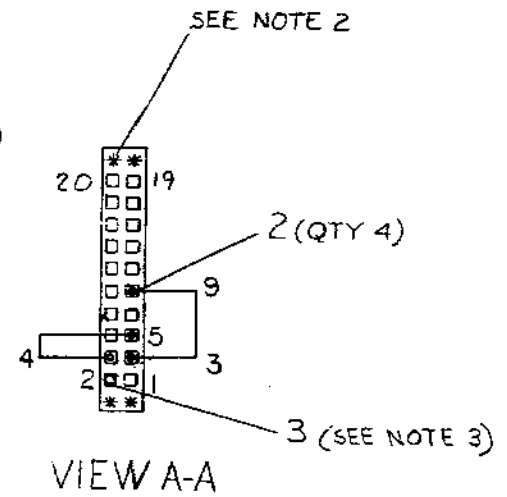
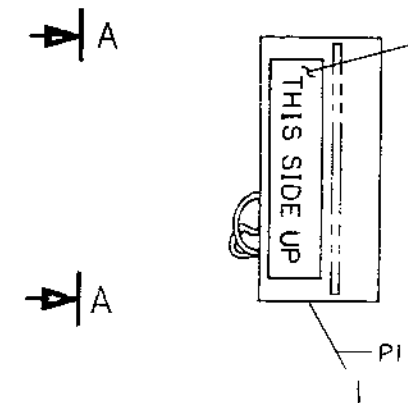
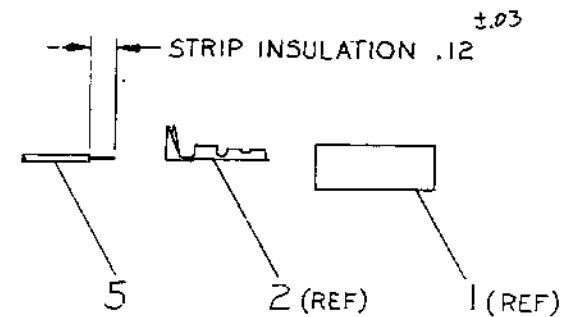
<p>QUANTITY & VARIATION</p> <p>REV. 1</p> <p>DATE 11/44</p>	<p>DESCRIPTION</p> <p>CONSOLE/BEZEL ASSEMBLY</p>	<p>ITEM NO.</p> <p>7016501-0-0</p>
---	--	------------------------------------

REV. 1

THIS DRAWING AND SPECIFICATIONS HEREIN ARE THE PROPERTY OF DIGITAL EQUIPMENT CORPORATION AND SHALL NOT BE REPRODUCED OR COPIED OR USED IN WHOLE OR IN PART AS THE BASIS FOR THE MANUFACTURE OR SALE OF ITEMS WITHOUT WRITTEN PERMISSION. COPYRIGHT © 1979, DIGITAL EQUIPMENT CORPORATION.

WIRE TABLE							REMARKS
ITEM NO.	DESCRIPTION	FROM		TO			
	AWG	COLOR	CONN.	WITH	CONN.	WITH	
5	22	BLK	PI-3	ITEM 2	PI-9	ITEM 2	3.0IN.±.06
5	22	BLK	PI-4	ITEM 2	PI-5	ITEM 2	3.0IN.±.06
3	-	KEY	-	-	PI-2	ITEM 3	SEE NOTE 3

- NOTES:
- PLACE LABEL (ITEM 4) ON CONNECTOR (ITEM 1) APPROX. AS SHOWN.
 - POSITIONS MARKED "*" ASTERISK IN VIEW A-A ARE NOT TO BE USED.
 - CONNECTOR (ITEM 1) SHALL HAVE ONE KEY (ITEM 3) INSERTED IN POSITION 2 AS SHOWN.



ITEM NO.	DESCRIPTION	DWG./PART NO.	ITEM NO.
5	WIRE, 22AWG, STRDUL1429	9107350-00	5
4	LABEL (THIS SIDE UP) 1.0x.25	3611567-01	4
3	CONN, PIN (DUMMY), KEY	9009190-00	3
2	SOCKET, CRIMP TYP REEL	1210089-07	2
1	TERM. 24 POS. HOUSING	1210918-25	1

UNLESS OTHERWISE SPECIFIED DIMENSIONS ARE IN INCHES		FIRST USED ON	
ANGLES 10° 30'	CLASS OF ACCURACY (CHECK ONE)	DRN. <i>R. Butters</i>	DEC 78
SURFACE QUALITY IN	MEDIUM	CHK'D. <i>J.F. Sullivan</i>	MAR 26 79
MICROINCHES	PREFERRED	ENG. <i>R. D. Gish</i>	
		PROJ. ENG. <i>R. D. Gish</i>	
		PROD. <i>R. Gish</i>	
QUANTITY & VARIATION		TITLE CONNECTOR, LOOP BACK	
THIRD ANGLE PROJECTION		SIZE	CODE
REMOVE BURRS AND BREAK SHARP CORNERS		C	IA
DO NOT SCALE DWG		NUMBER	7422428-0-0
MATERIAL SEE PARTS LIST		REV.	*
FINISH		SHEET	1 OF 1

REV.	CHANGE NO.	REVISIONS

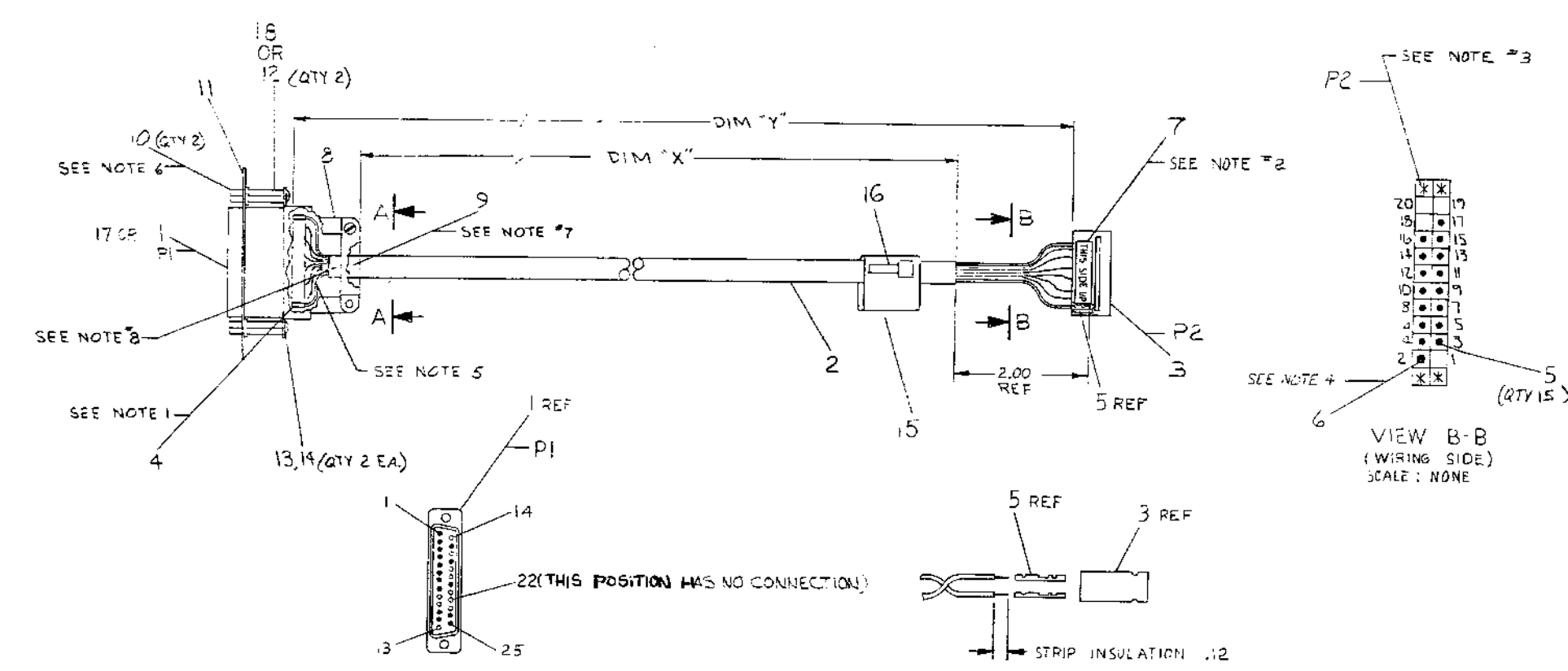
DEC FORM NO. DMC 100-C

THIS DRAWING AND SPECIFICATIONS HEREIN ARE THE PROPERTY OF DIGITAL EQUIPMENT CORPORATION AND SHALL NOT BE REPRODUCED OR COPIED OR USED IN WHOLE OR IN PART AS THE BASIS FOR THE MANUFACTURE OR SALE OF ITEMS WITHOUT WRITTEN PERMISSION.
 COPYRIGHT © 1978, DIGITAL EQUIPMENT CORPORATION

WIRE TABLE						
ITEM NO	DESCRIPTION	FROM		TO		
		AWG	COLOR	CONN	WITH	CONN
2	22	BLU	PI-1	SOLDER	P2-3	5
		WHT/BLK	PI-2		P2-4	
		RED/BLK	PI-3		P2-5	
		GRN/BLK	PI-4		P2-6	
		BLK	PI-5		P2-7	
		WHT	PI-6		P2-8	
		ORN/BLK	PI-7		P2-9	
		BLU/BLK	PI-8		P2-10	
		BLK/WHT	PI-11		P2-11	
		RED/WHT	PI-12		P2-12	
		ORN	PI-15		P2-13	
		GRN	PI-17		P2-14	
		RED	PI-20		P2-15	
		BLU/WHT	PI-24		P2-16	
2	22	GRN/WHT	PI-25	SOLDER	P2-17	5

PART NO.	VARIATION		REMARKS
	DIM "X"	DIM "Y" PRECUT	
BC44A-10	10FT. ±2IN.	10FT. 5IN.	SEE NOTE 9
BC44A-YA	10FT. ±2IN.	10FT. 5IN.	

- NOTES:
- EACH SOLDERED CONTACT ON (PI) SHALL BE INSULATED WITH A .25 IN. PIECE OF SHRINK TUBING (ITEM #4).
 - PLACE LABEL (ITEM #7) AS SHOWN ON CONN (ITEM #3).
 - PINS MARKED (X) IN VIEW B-B ARE NOT TO BE USED.
 - CONN. P2-2 (ITEM #3) SHALL HAVE ONE KEY (ITEM #6) INSERTED AS SHOWN.
 - WIRES COMING FROM CENTER OF PLUG CANN SHOULD BE FANNED OUT INTO HOOD SO THAT THEY ARE NOT BUNCHED.
 - PLACE LOCKWASHER (SUPPLIED WITH ITEM #10) BETWEEN SPACER AND CONNECTOR FLANGE. DISCARD NUT (QTY. 2) SUPPLIED WITH ITEM #10.
 - FOR STRAIN RELIEF WRAP 2 TURNS OF TAPE (ITEM #9) AROUND CABLE (ITEM #2) AS SHOWN.
 - CABLE JACKET INSULATION (ITEM #2) SHOULD EXTEND BEYOND STRAIN RELIEF CLAMP (ITEM #8) A MIN. OF .20 INCH.
 - THE BC44A-10 AND BC44A-YA ARE THE SAME, EXCEPT FOR THE FILTERED CONNECTOR AND SPACER. THESE TWO VARIATIONS ARE INTERCHANGABLE.



2	SPACER, THREADED, HEX, 4-40	950083-02	16
1	CONN, D 055, 25 PIN FILTERED	24091-02	17
1	TIE, CABLE, SSTI-M	3007031-00	18
1	LABEL, CABLE I.D.	3009532-00	15
2	WASHER, LOCK #4	3006688-00	14
2	SCR. PHL PAN HD 4-40 X .25	3008301-01	3
2	SPACER, THREADED, HEX, 4-40	3008833-00	12
1	PLATE, CONN. MTS	3-MD-741472-0-0	11
2	SCREW LOCK ASSY	9002451-00	10
1/4 R/4 R	TAPE, DOUBLE CRYST. .5WD	9007834-00	9
1	HOOD, CONN. W/CLAMP ASSY	1212516-00	8
1	LABEL (THIS SIDE UP) 1.0 X .25	3611567-01	7
1	KEY, DUMMY, POLAR	3009140-00	6
15	SOCKET, CRIMP	120031-07	5
4	TUBING, SHRINK, .094 I.D.	907714-09	4
1	TERM. ASSY. (24 POS)	1210918-25	3
1/4 R/4 R	CABLE, 22 AWG (15 COND) GL 2404	9107672-00	2
1	CONN, D 055, 25 PIN FILTERED	1214081-00	1

VIEW A-A
(WIRING SIDE)
SCALE: NONE

VIEW B-B
(WIRING SIDE)
SCALE: NONE

REV.	CHG.	BY	DATE
1		BC44A-10	10/1/77
2		BC44A-10	10/1/77
3		BC44A-10	10/1/77
4		BC44A-10	10/1/77
5		BC44A-10	10/1/77
6		BC44A-10	10/1/77
7		BC44A-10	10/1/77
8		BC44A-10	10/1/77

QUANTITY & VARIATION	DESCRIPTION	DWG./PART NO.	ITEM NO.
1	PLATE, CONN. MTS	3-MD-741472-0-0	11
2	SCREW LOCK ASSY	9002451-00	10
1/4 R/4 R	TAPE, DOUBLE CRYST. .5WD	9007834-00	9
1	HOOD, CONN. W/CLAMP ASSY	1212516-00	8
1	LABEL (THIS SIDE UP) 1.0 X .25	3611567-01	7
1	KEY, DUMMY, POLAR	3009140-00	6
15	SOCKET, CRIMP	120031-07	5
4	TUBING, SHRINK, .094 I.D.	907714-09	4
1	TERM. ASSY. (24 POS)	1210918-25	3
1/4 R/4 R	CABLE, 22 AWG (15 COND) GL 2404	9107672-00	2
1	CONN, D 055, 25 PIN FILTERED	1214081-00	1

ANGLES	CLASS OF ACCURACY	NOMINAL DIMENSION RANGE INCHES				
30°	CHECK ONE	OVER 0 TO 1.2	OVER 1.2 TO 4.0	OVER 4.0 TO 12.0	OVER 12.0 TO 40.0	OVER 40.0 TO 200.0
		±.004	±.005	±.007	±.010	±.015
		±.002	±.003	±.004	±.006	±.009

MATERIAL	FINISH	SCALE	SHEET	OF	SIZE	CODE	NUMBER	REV
SEE PARTS LIST		1/1	1	1	D	IA	BC44A-0-0	A

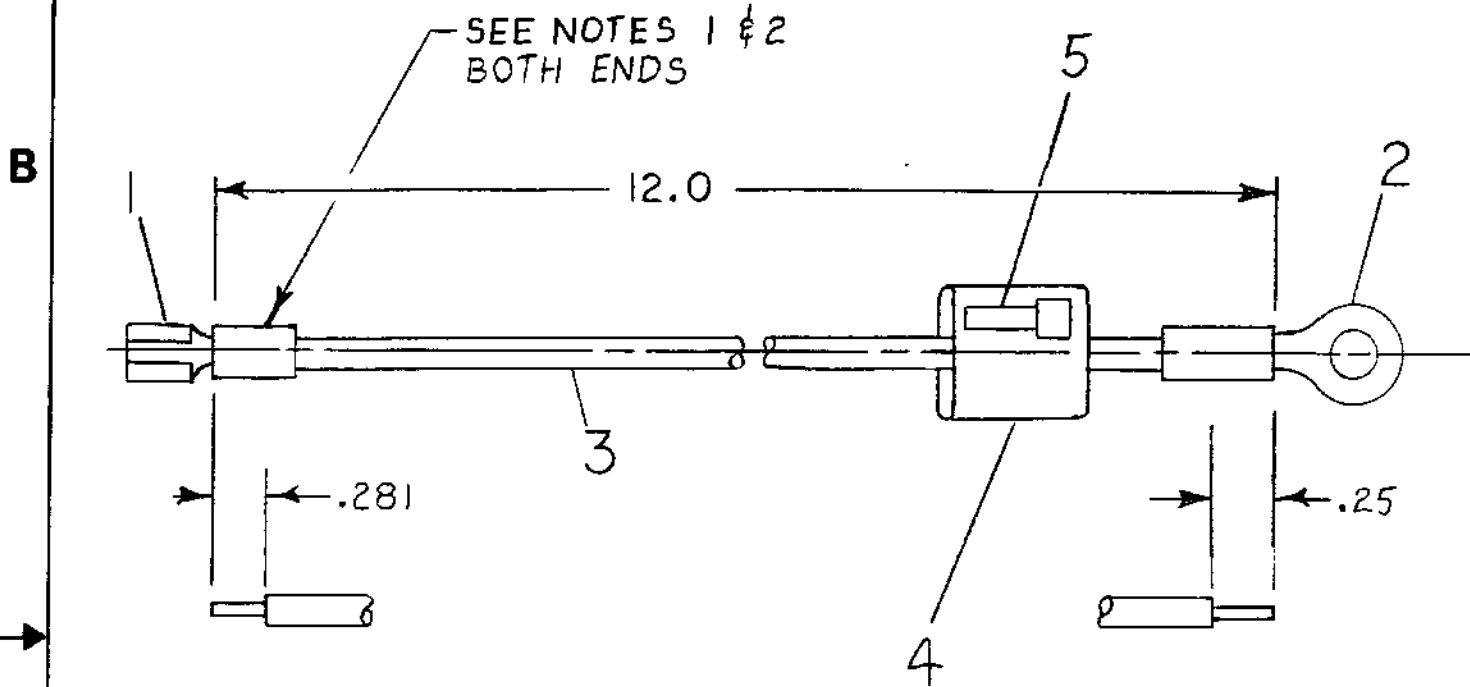
"THIS DRAWING AND SPECIFICATIONS, HEREIN, ARE THE PROPERTY OF DIGITAL EQUIPMENT CORPORATION AND SHALL NOT BE REPRODUCED OR COPIED OR USED IN WHOLE OR IN PART AS THE BASIS FOR THE MANUFACTURE OR SALE OF ITEMS WITHOUT WRITTEN PERMISSION.

COPYRIGHT © 1978 DIGITAL EQUIPMENT CORPORATION

REV. B I A 7422393-0-0

NOTES:

1. CRIMP PER DEC. STD. 116 SEC 3 REV B PAGE 6
2. PULL TEST, PER DEC. STD A-SP-7665267 REV B, AFTER CRIMP



1	TIE, CABLE SSTI-M	9007031-00	5
1	LABEL, CABLE I.D.	9009532-00	4
12	WIRE #20AWG STRD GRN	9107460-55	3
1	RING TERM #8 STUD	1214628-00	2
1	FASTON TERM	9007970-00	1

DESCRIPTION		DWG./PART NO.	ITEM NO.
UNLESS OTHERWISE SPECIFIED DIMENSIONS ARE IN INCHES			
ANGLES ±0° 30'	CLASS OF ACCURACY (CHECK ONE)	NOMINAL DIMENSION RANGE INCHES	
SURFACE QUALITY IN MICROINCHES	MEDIUM <input type="checkbox"/>	OVER 0 TO .125	OVER .125 TO .250
	PREFERRED <input checked="" type="checkbox"/>	OVER .250 TO .375	OVER .375 TO .500
		±.004	±.008 ±.012 ±.016 ±.024 ±.04
		±.012	±.016 ±.025 ±.04 ±.063 ±0.1

REVISIONS	CHANGE NO.	REV.

THIRD ANGLE PROJECTION

DRN. *J. Mowry* 10-5-78
 CHK'D. *J. F. Sullivan* 11/7/79
 ENG. *R. O. Loh* 1/23/79
 PROJ. ENG. *R. O. Loh* 6/27/79
 PROD. *John Conklin* 2/28/78

FIRST USED ON 11/44

TITLE WIRE ASSY

REMOVE BURRS AND BREAK SHARP CORNERS

DO NOT SCALE DWG

MATERIAL SEE PARTS LIST

FINISH *H*

SCALE NONE	SHEET 1 OF 1	SIZE CODE B I A	NUMBER 7422393-0-0	REV. *
------------	--------------	-----------------	--------------------	--------

DRB 100A

4 | 1 | 3 | 2 | 1

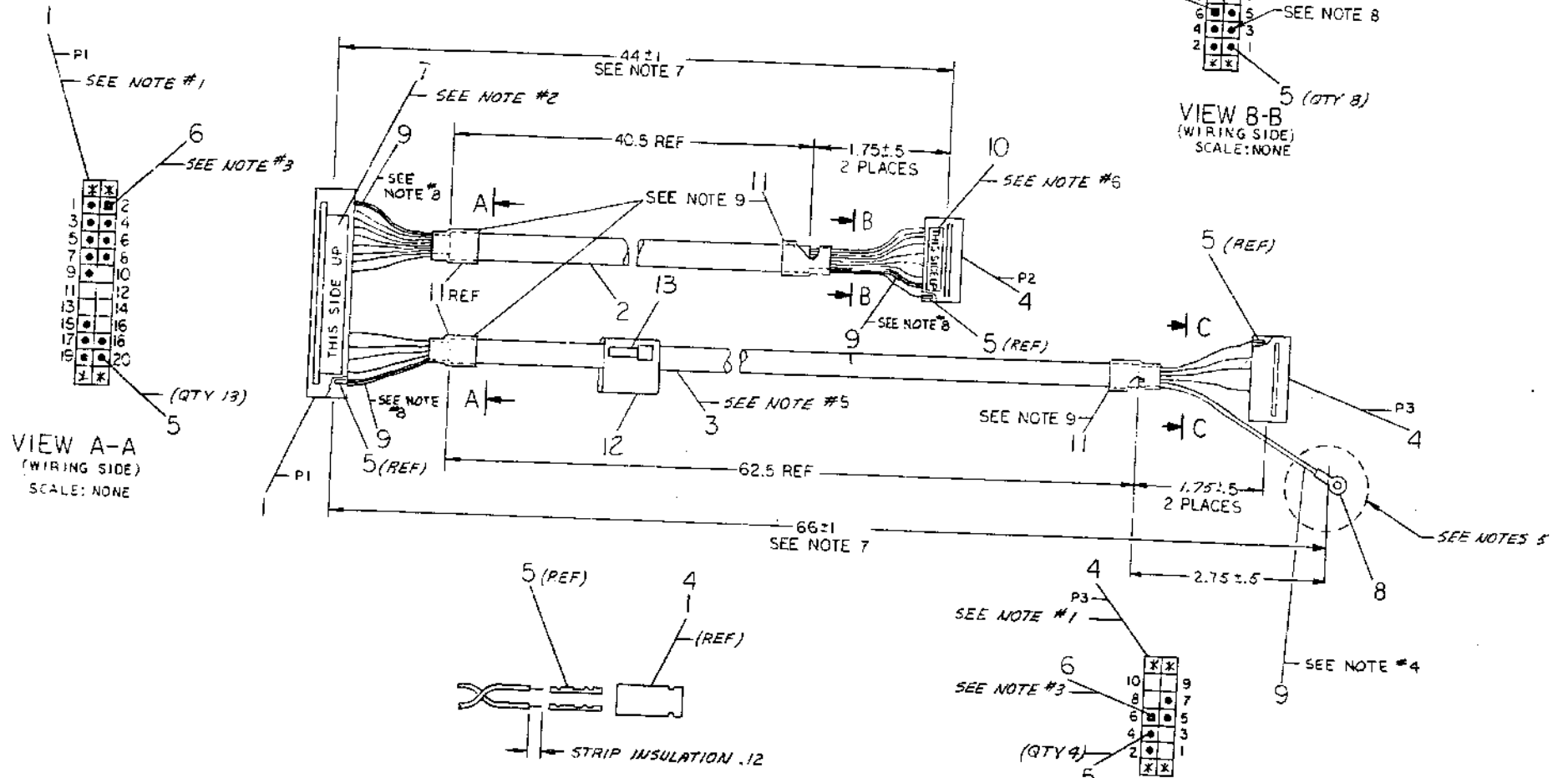
4 | 1 | 3 | 2 | 1

TW 1

THIS DRAWING AND SPECIFICATIONS HEREON ARE THE PROPERTY OF DIGITAL EQUIPMENT CORPORATION AND SHALL NOT BE REPRODUCED OR COPIED IN WHOLE OR IN PART WITHOUT THE WRITTEN PERMISSION OF SAID CORPORATION © 1978

WIRE TABLE							
ITEM NO.	DESCRIPTION	FROM	TO		REMARKS		
		CONN	WITH	CONN	WITH		
2	24 DRAIN	P1-1	ITEM 5	P2-3	ITEM 5	SEE NOTE 6	
2	24 RED	P1-3	ITEM 5	P2-4	ITEM 5		
2	24 WHT	P1-4	ITEM 5	P2-5	ITEM 5		
2	24 GRN	P1-5	ITEM 5	P2-1	ITEM 5		
2	24 BLK	P1-6	ITEM 5	P2-2	ITEM 5		
2	24 BRN	P1-7	ITEM 5	P2-9	ITEM 5		
2	24 DRN	P1-8	ITEM 5	P2-8	ITEM 5		
2	24 BLU	P1-9	ITEM 5	P2-10	ITEM 5		
3	24 BLK	P1-15	ITEM 5	P3-2	ITEM 5		
3	24 GRN	P1-17	ITEM 5	P3-4	ITEM 5		
3	24 WHT	P1-18	ITEM 5	P3-5	ITEM 5		
3	24 RED	P1-19	ITEM 5	P3-7	ITEM 5		
3	24 DRAIN	P1-20	ITEM 5	ITEM 8	ITEM 9	SEE NOTES 4,8	

- NOTES:
- LOCATIONS MARKED (*) IN VIEWS A-A, B-B AND C-C ARE NOT TO BE USED.
 - PLACE LABEL (ITEM #7) AS SHOWN ON CONN P1 (ITEM #1)
 - CONN. P1-2, P2-6 AND P3-6 (ITEMS #1 AND 4) SHALL HAVE ONE KEY (ITEM #6) INSERTED AS SHOWN.
 - SLIDE EXTRUDED TUBING (ITEM #9) OVER DRAIN WIRE WHERE IT BREAKS OUT OF CABLE AS REQUIRED.
 - WIRE FROM P1-20 TO ITEM #8 SHALL BE MADE 1 INCH LONGER THAN WIRES FROM P1 TO P3.
 - LOCATE LABEL (ITEM #10) AS SHOWN ON CONNECTOR P2 (ITEM #4)
 - CUT LENGTH
 - SLIDE EXTRUDED TUBING (ITEM #9) OVER DRAIN WIRE BEFORE CRIMPING CONTACTS P2-3, P1-1, P1-20.
 - INSTALL SHRINK TUBING (ITEM #11) APPROX 1 INCH LONG, OVERLAPPING CABLE JACKET



VIEW A-A (WIRING SIDE) SCALE: NONE

VIEW B-B (WIRING SIDE) SCALE: NONE

VIEW C-C (WIRING SIDE) SCALE: NONE

DESCRIPTION	DWG. PART NO.	ITEM NO.
1 TIE, CABLE 55T1-M	9007031-00	13
1 LABEL, CABLE I.D.	9009532-00	12
4" TUBING, SHRINK .250 I.D.	9107253-09	11
1 LABEL (THIS SIDE UP), 50 X .25	3611567-02	10
8" TUBING EXTRUDED 22ANG 02T10	9107256-00	9
1 RING TERM. INS. 1POS. 26-20RNG	1214628-00	8
1 LABEL 1.0 X .25 (THIS SIDE UP)	3611567-01	7
3 KEY, POLAR, DUMMY	9009140-00	6
25 SOCKET, CRIMP REEL	1210089-07	5
2 TERM. HSG. (.4 POS)	1210918-30	4
66" CABLE, #24 AWG STRND (4 COND)	1700155-01	3
44" CABLE, #24 AWG STRND (7 COND)	1700155-00	2
1 TERM. HSG. (24 POS)	1210918-25	1

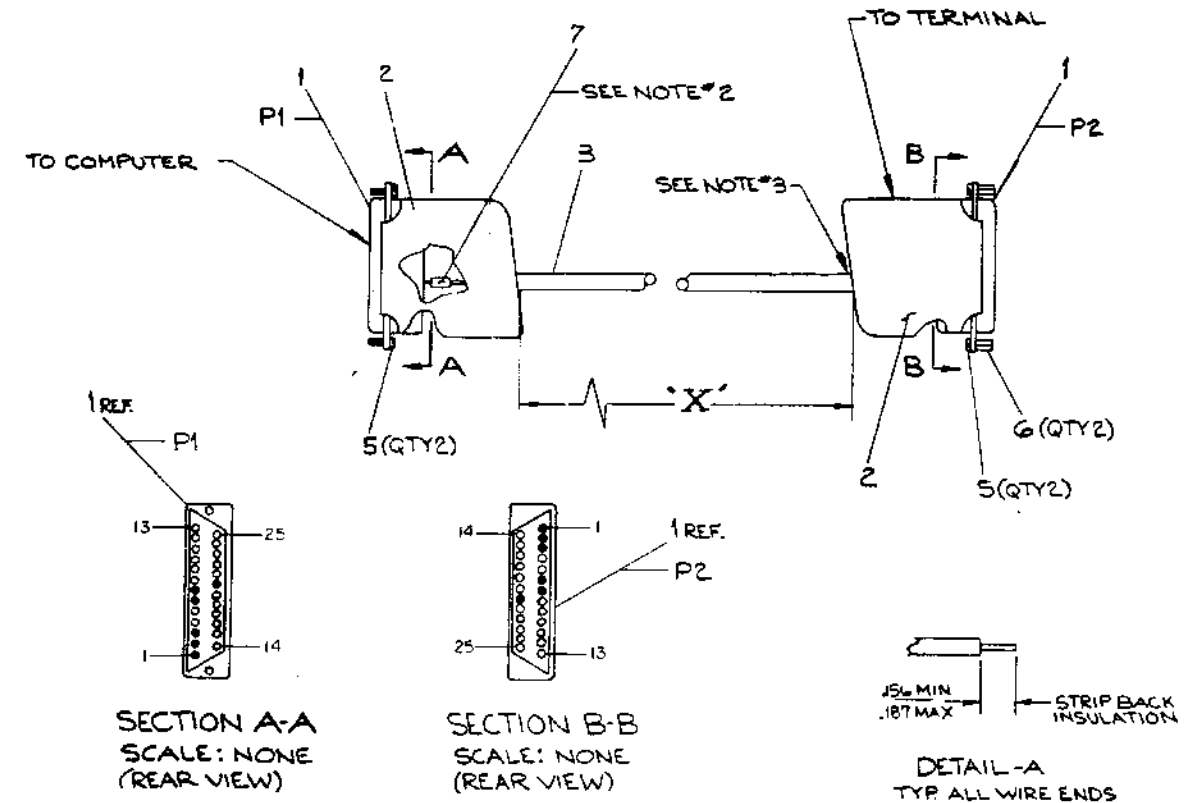
UNLESS OTHERWISE SPECIFIED DIMENSIONS ARE IN INCHES ANGLES 30° BY CLASS OF ACCURACY SURFACE FINISH QUALITY III MEDIUM MICROFINISH PREFERRED	DIMENSIONS IN INCHES OVER 0.25 .25 TO .125 .125 TO .063 .063 TO .031 .031 TO .016 .016 TO .008 .008 TO .004 .004 TO .002 .002 TO .001	DRN: [Signature] 12/27/78 CHK'D: F. [Signature] ENG: R. [Signature] 1/29/79 PROJ. [Signature] 1/29/79 PROD. [Signature] 1/29/79	FIRST USED ON TITLE CIM CABLE ASSY SIZE CODE D IA 7016487-0-0 NUMBER DIST.
QUANTITY & VARIATION THIRD ANGLE PROJECTION REMOVE BURRS AND BREAK SHARP CORNERS DO NOT SCALE DWG MATERIAL SEE PARTS LIST FINISH	SCALE 1/1 SHEET 1 OF 1	REV. R 7 6 5 4 3 2 1	REV. *

THE DRAWING AND SPECIFICATION HEREIN ARE THE PROPERTY OF DIGITAL EQUIPMENT CORPORATION AND SHALL NOT BE REPRODUCED OR TRANSMITTED IN ANY FORM OR BY ANY MEANS, ELECTRONIC OR MECHANICAL, INCLUDING PHOTOCOPYING, RECORDING, OR BY ANY INFORMATION STORAGE AND RETRIEVAL SYSTEM, WITHOUT PERMISSION IN WRITING FROM DIGITAL EQUIPMENT CORPORATION.

WIRE TABLE									
ITEM NO.	DESCRIPTION	FROM		TO		REMARKS			
		AWG	COLOR	CONNECTION	WITH		CONNECTION	WITH	
2	2E	BLK	P1-7	NOTE #4	4	P2-7	NOTE #4	4	
3		RED	P1-2		8	P2-3		8	
3		SHIELD	P1-1	NOTE #2 & 4	4&7	P2-1	NOTE #2	4&7	
3		BLK	P1-7	NOTE #4	4	P2-7	NOTE #4	4	
3		WHT	P1-3		8	P2-2		8	
3		SHIELD	P1-1	NOTE #2 & 4	4&7	P2-1	NOTE #2	4&7	
3		BLK	P1-6		8	P2-20		8	
3		GRN	P1-20		8	P2-6		8	
3	2.2	SHIELD	SEE NOTE #3		-	SEE NOTE #3		-	

LEGEND		
NUMBER	VARIATION	REMARKS
BC03M-01	DIM'S	
BC03M-01	1 FT.	PREASSEMBLED
BC03M-25	25 FT.	PREASSEMBLED
BC03M-100	100 FT.	PREASSEMBLED
BC03M-250	250 FT.	PARTIALLY ASSEMBLED
BC03M-500	500 FT.	PARTIALLY ASSEMBLED
BC03M-1000	1000 FT.	PARTIALLY ASSEMBLED
BC03M-15	750 FT.	PARTIALLY ASSEMBLED

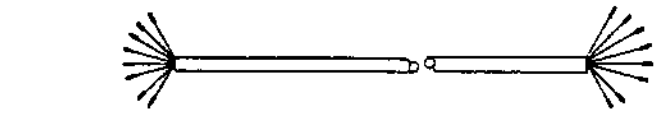
- NOTES:**
- VARIATIONS AND LENGTHS SHOWN IN LEGEND ARE STANDARD AND ARE SPECIFIED BY NUMERIC DESIGNATION IN FOOT INCREMENTS, THE TOLERANCE ON DIMENSION "X" WILL BE ± 2% OF THE FOOT INCREMENT.
 - DRAINWIRES TO BE ENCLOSED WITH ITEM #7 (TUBING) FROM END OF CABLE JACKET TO POINT WHERE THEY ENTER CONTACT.
 - CUT BACK DRAIN WIRE TO OUTER INSULATION ON BOTH ENDS.
 - THERE ARE TWO WIRES INSTALLED IN EACH #18-20 GA CONTACT (ITEM #4).
 - USE INSERTION/EXTRACTION TOOL (ITEM #9) TO CONSTRUCT CABLE. THIS PIECE IS DISCARDED AFTER USE.
 - 1 FOOT, 25 FOOT AND 100 FOOT CABLES ARE PREASSEMBLED, ALL OTHERS ARE PARTIALLY ASSEMBLED.
 - STEPS 1 THRU 4 ARE FOR CABLE LENGTHS OVER 100 FT.
- REFERENCE INFORMATION**
- USE CRIMP TOOL TYPE M22520/1-01 WITH THIS LOCATOR
- CABLES OVER 100 FT ARE TO BE STOCKED IN KIT FORM AS FOLLOWS
 PUT ITEMS 1, 2, 5, 6, 9 AND 1 (ONE) COPY OF THIS PRINT INTO PLASTIC BAG (ITEM #10) FOLD OVER CABLE (ITEM #3) AND STAPLE TOGETHER.
8. REMOVE ITEM 6 FOR CONNECTION TO UNITS WITHOUT CABLES I.E. VTOS, VTI, ETC.



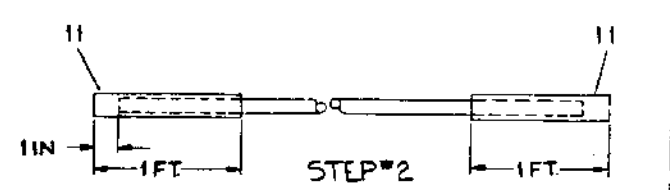
SECTION A-A
SCALE: NONE
(REAR VIEW)

SECTION B-B
SCALE: NONE
(REAR VIEW)

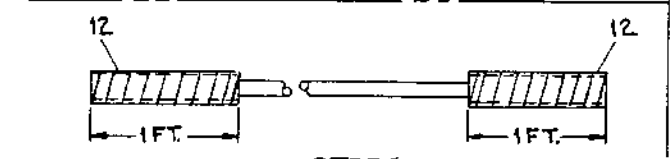
DETAIL-A
TYP ALL WIRE ENDS



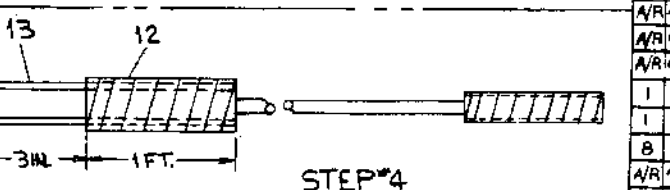
STEP #1
INSTALL ITEM #4, 7 AND 8 TO ITEM #3 (CABLE) PER WIRE TABLE



STEP #2
COVER BOTH ENDS WITH ITEM #11 (TUBING, HEAT SHRINK) PER ABOVE DIM'S



STEP #3
COVER BOTH ENDS WITH ITEM #12 (TAPE) PER ABOVE DIM'S



STEP #4
INSTALL ITEM #13 TO ITEM #3 BY USING ITEM #12 (TAPE) PER ABOVE DIM'S. THE WIRE LOOP AT END OF CABLE IS USED TO PULL CABLE THRU CONDUIT PIPE, AT INSTALLATION.

QTY	DESCRIPTION	DWG. PART NO.	ITEM NO.
13	WIRE #14 AWG (2 FT 6 IN LG)	9107370-00	13
12	TAPE (ROLL)	9009507	12
11	TUBING (HEAT SHRINK)	9107252-00	11
10	BAG, PLASTIC	9905129-21	10
9	TOOL, INSERT/EXTRACT	4700024	9
8	SOCKET #22	1212583-0	8
7	TUBING #18 GA (NAT)	9107278-11	7
6	SPACER #440 X .25 LG.	9008496	6
5	SCR. RETAINER (MALE)	9009722	5
4	SOCKET #18-20	1212583-1	4
3	CABLE	9107723	3
2	HOOD	1210493-50	2
1	PLUG	1211354	1

UNLESS OTHERWISE SPECIFIED DIMENSIONS ARE IN INCHES

CLASS OF ACCURACY	NOMINAL DIMENSION RANGE INCHES					
	OVER 18	12 TO 18	6 TO 12	3 TO 6	1.5 TO 3	0.10 TO 1.5
CHECK ONE	±.004	±.005	±.007	±.008	±.008	±.008
MEDIUM	±.004	±.005	±.007	±.008	±.008	±.008
PREFERRED	±.002	±.003	±.004	±.005	±.005	±.005

THIRD ANGLE PROJECTION

REMOVE SQUARE AND BREAK SHARP CORNERS

DO NOT SCALE DWG

MATERIAL: SEE PARTS LIST

FINISH: ---

DRN: [Signature]

CHKD: [Signature]

PROJ: [Signature]

PROV: [Signature]

DATE: 10-17-75

FIRST USED ON: [Signature]

TITLE: CORD, EXTENSION NULL MODEM

SIZE: D

CODE: JA

NUMBER: BC03M-0-0

REV: D

SHEET: 1

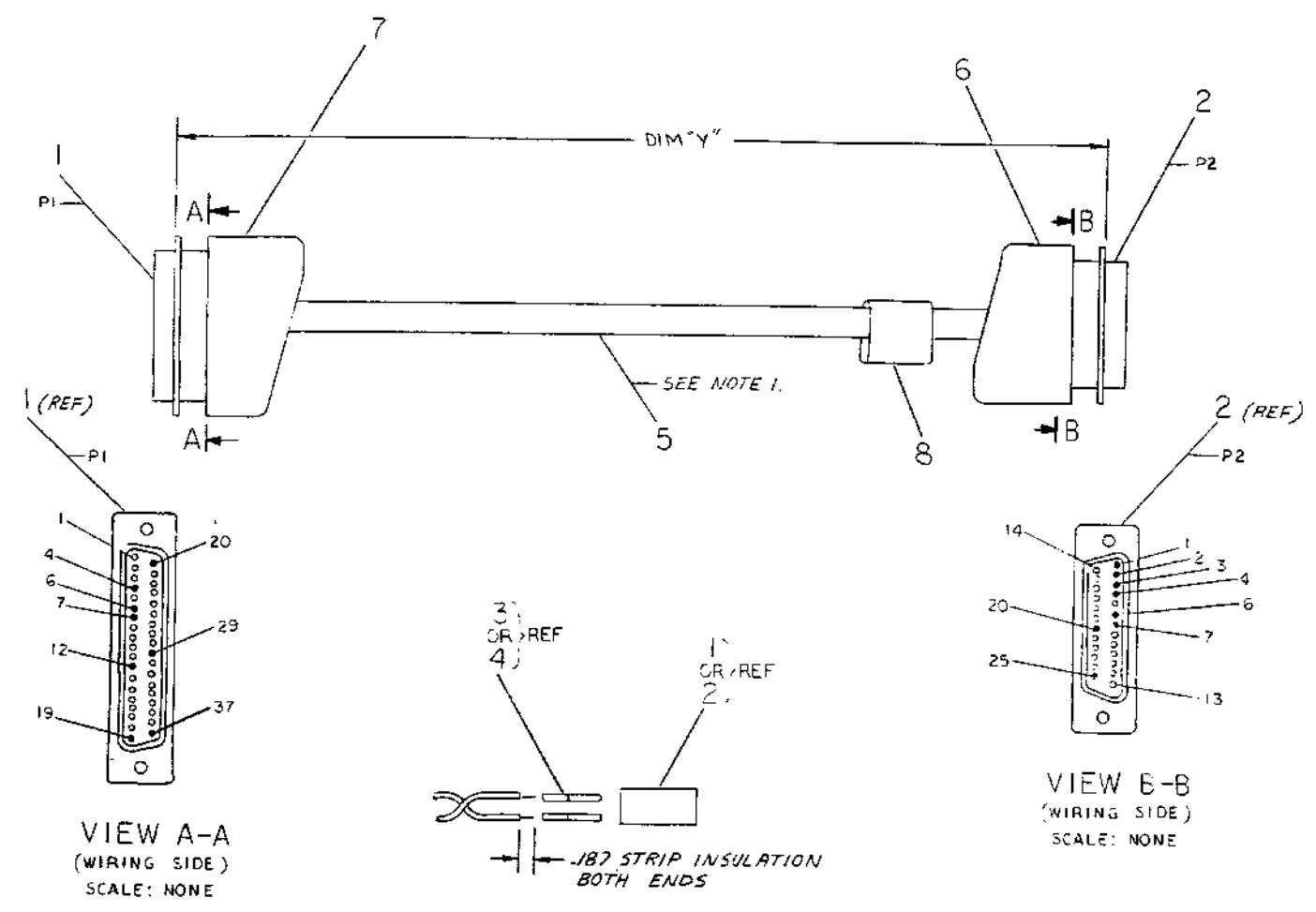
REV.	DATE	BY	CHKD.
1	10-17-75	B. SAMPSON	B. SAMPSON
2	10-22-75	B. SAMPSON	B. SAMPSON
3	11-11-75	B. SAMPSON	B. SAMPSON
4	11-11-75	B. SAMPSON	B. SAMPSON
5	11-11-75	B. SAMPSON	B. SAMPSON
6	11-11-75	B. SAMPSON	B. SAMPSON
7	11-11-75	B. SAMPSON	B. SAMPSON
8	11-11-75	B. SAMPSON	B. SAMPSON

*THE DRAWING AND SPECIFICATIONS HEREIN ARE THE PROPERTY OF DIGITAL EQUIPMENT CORPORATION AND SHALL NOT BE REPRODUCED OR COPIED OR USED IN WHOLE OR IN PART AS THE BASIS FOR THE MANUFACTURE OR SALE OF ITEMS WITHOUT WRITTEN PERMISSION.
COPYRIGHT © 1978, DIGITAL EQUIPMENT CORPORATION

WIRE TABLE							
ITEM NO.	DESCRIPTION	COLOR	FROM		TO		REMARKS
			CONN	WITH	CONN	WITH	
5	22	BCK	P1-37	ITEM 3	P2-1	ITEM 4	
5	22	RED	P1-4	ITEM 3	P2-2	ITEM 4	
5	22	WHT	P1-6	ITEM 3	P2-3	ITEM 4	
5	22	GRN	P1-7	ITEM 3	P2-4	ITEM 4	
5	22	BRN	P1-29	ITEM 3	P2-6	ITEM 4	
5	22	GRY	P1-20	ITEM 3	P2-7	ITEM 4	
5	22	BLU	P1-12	ITEM 3	P2-20	ITEM 4	
5	22	ORN	P1-19	ITEM 3	P2-25	ITEM 4	

LEGEND		
PART NO.	VARIATION	REMARKS
BC448-01	12.00 IN ± 1 IN	

NOTES:
1. THE YELLOW AND PURPLE CONDUCTORS ARE NOT USED, AND SHOULD BE CUT NEAR CABLE JACKET ON BOTH ENDS.



DESCRIPTION	DWG. PART NO.	ITEM NO.
1 LABEL, CABLE I.D.	3616073-00	8
1 HOOD, CONN, CABLE CLAMP	1214066-30	7
1 HOOD, HOUSING	1210493-50	2
5/8 CABLE #22 AWG (10 COND)	9107623-00	5
8 CONTACT SOCKET, CRIMP	1210493-41	4
8 CONTACT PIN, CRIMP	1210493-39	3
1 CONN. HOUSING	1210493-32	2
1 CONN. PLUG 27 PIN	1214065-00	1

UNLESS OTHERWISE SPECIFIED DIMENSIONS ARE IN INCHES	
ANGLES 30° 30'	CLASS OF ACCURACY (CHECK ONE)
SURFACE QUALITY IN	NOMINAL DIMENSION RANGE INCHES
QUANTITY & VARIATION	PREFERRED
THIRD ANGLE PROJECTION	FIRST USED ON
REMOVE BURRS AND BREAK SHARP CORNERS	TITLE
DO NOT SCALE DWG	SIZE
MATERIAL SEE PARTS LIST	SCALE
FINISH	SHEET

REV.	CHANGE NO.	DESCRIPTION
1	1	INITIAL DESIGN
2	1	REVISED

REVISIONS

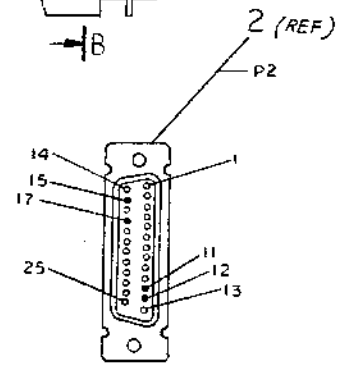
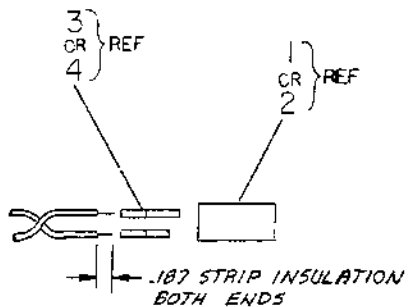
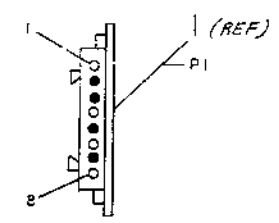
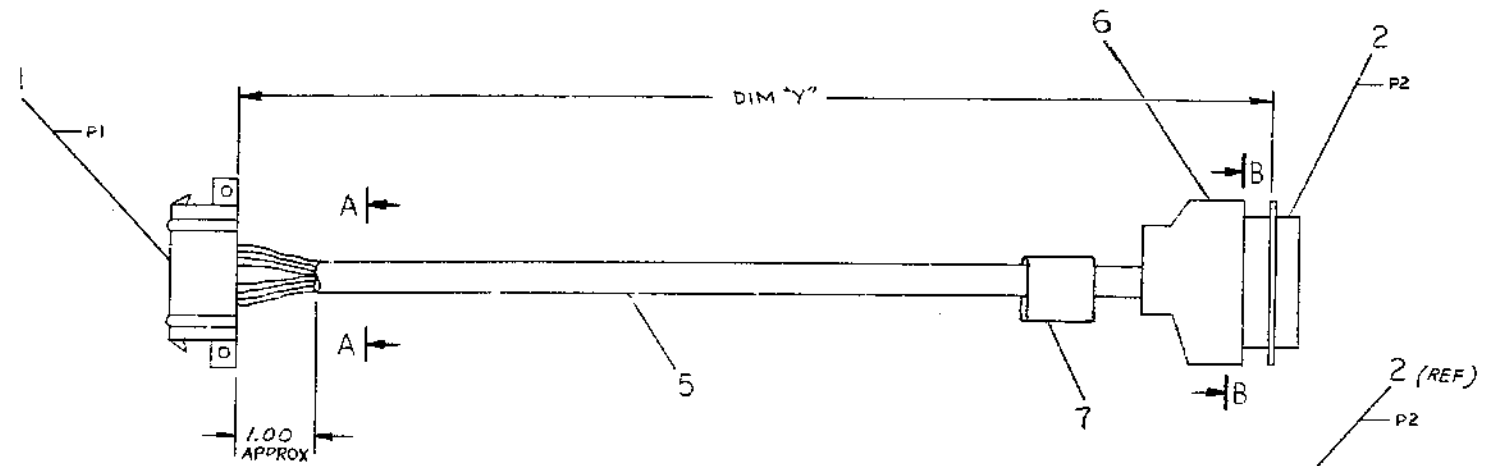
DIGITAL BC448-0-0

DIGITAL

THIS DRAWING AND SPECIFICATIONS, HEREBY ARE THE PROPERTY OF DIGITAL EQUIPMENT CORPORATION AND SHALL BE RETURNED TO THE COMPANY BY THE PURCHASER OR USER OF THE DRAWING OR SPECIFICATIONS, WITHOUT CHARGE, IN THE EVENT OF CANCELLATION OF THE ORDER OR FAILURE OF THE PURCHASER OR USER TO MAKE OR FILE OF THE DRAWING OR SPECIFICATIONS WITHIN THE TIME PERIOD SPECIFIED BY THE COMPANY. © 1973 DIGITAL EQUIPMENT CORPORATION

WIRE TABLE							
ITEM NO.	DESCRIPTION	COLOR	FROM		TO		REMARKS
			CONN.	WITH	CONN.	WITH	
5	22	BLK	P1-2	ITEM 3	P2-11	ITEM 4	
5	22	RED	P1-3	ITEM 3	P2-12	ITEM 4	
5	22	WHT	P1-5	ITEM 3	P2-15	ITEM 4	
5	22	GRN	P1-7	ITEM 3	P2-17	ITEM 4	

LEGEND		
PART NO.	VARIATION	REMARKS
BC44C-01	12.00IN = 1 IN	



DESCRIPTION	DWG/PART NO.	ITEM NO.
1 LABEL, CABLE I.D.	36 16073-00	7
1 CONN JUNCTION SHELL	1210493-50	6
4/8 CABLE #22AWG (4 COND)	9107706-00	5
4 CONTACT, SOCKET CRIMP	1210493-41	4
4 MIN/L PIN, SOCKET 30-22AWG	1209379-03	3
1 CONN RECPT 25 SOCKET	1210493-32	2
1 MATE-N-LCK R/PIN, HOUSING, SH1	1209340-00	1

UNLESS OTHERWISE SPECIFIED DIMENSIONS ARE IN INCHES	
ANGLES 10° 30'	CLASS OF ACCURACY (CHECK ONE)
SURFACE QUALITY IN	MEDIUM
QUANTITY & VARIATION	PREFERRED
THIRD ANGLE PROJECTION	
REMOVE BURRS AND BREAK SHARP CORNERS	
DO NOT SCALE DWG	
MATERIAL SEE PARTS LIST	
FINISH	
DRAWN: [Signature]	19/07/73
CHECKED: [Signature]	11/07/73
ENG: [Signature]	12/07/73
PROJ. [Signature]	12/07/73
TITLE	CABLE ADAPTER ASSEMBLY (TO 20MA)
FIRST USED ON	1/44
SIZE	D
CODE	IA
NUMBER	BC44C-0-0
REV.	A
SHEET	1 OF 1
DIST.	

REV.	DATE	BY	CHKD.
1	1/44	S. HOYLE	
2	12/73	[Signature]	

DIGITAL EQUIPMENT CORPORATION PARTS LIST

MADE BY DATE	H. DARAKJIAN 31 JAN 79	CHECKED DATE	D. HEALY 26 DEC 79
ENG DATE	J. E. MANTON 1-15-80	PROD DATE	B. SCHAAP 1-15-80

SECTION 1
ISSUED SECTION 1

QUANTITY / VARIATION

NOTES:

1. QTY OF 1 DEPENDING ON VARIATION USED (MS11-MA)
2. QTY OF 1 DEPENDING ON VARIATION USED (MS11-MB)

ITEM NO.	DRAWING NO.	PART NO.	DESCRIPTION
1	K-PL-M8722-AA-DBP	M8722-AB	128K BYTES/MOSTEK 16K CHIPS
2	K-PL-M8722-AA-DBP	M8722-AC	128K BYTES/FUJITSU 16K CHIPS
3	K-PL-M8722-AA-DBP	M8722-AF	128K BYTES/HITACHI 16K CHIPS
4	K-PL-M8722-BA-DBP	M8722-BB	256K BYTES/MOSTEK 16K CHIPS
5	K-PL-M8722-3A-DBP	M8722-BC	256K BYTES/FUJITSU 16K CHIPS
6	K-PL-M8722-BA-DBP	M8722-BF	256K BYTES/HITACHI 16K CHIPS
7	B-PL-MS11-M		MS11-M SHIPPING LIST

MS11-MA	MS11-MB	MS11-MC	MS11-MD								
NOTE 1	-	-	-	-	-	-	-	-	-	-	-
-	NOTE 2	NOTE 3	NOTE 4	-	-	-	-	-	-	-	-
1	1	1	1	-	-	-	-	-	-	-	-

REF DESIGNATION

NOTES:

3. A QTY OF 2 MS11-MB MODULES (SEE NOTE 2 FOR VARIATION)
4. A QTY OF 3 MS11-MB MODULES (SEE NOTE 2 FOR VARIATION)

E.C.O. NO.

"THIS DRAWING AND SPECIFICATIONS, HEREIN, ARE THE PROPERTY OF DIGITAL EQUIPMENT CORPORATION AND SHALL NOT BE REPRODUCED OR COPIED OR USED IN WHOLE OR IN PART AS THE BASIS FOR THE MANUFACTURE OR SALE OF ITEMS WITHOUT WRITTEN PERMISSION. COPYRIGHT © 79 DIGITAL EQUIPMENT CORPORATION"

TITLE
ECC MOS MEMORY (MS11-M)

ASSY NO.
B-DD-MS11-M

SIZE
B

CODE
PL

NUMBER
MS11-M-0

REV.
A

SHEET 1 OF 1

INSERTION PARTS LIST DATA BASE REV

THIS DRAWING AND SPECIFICATIONS, HEREIN, ARE THE PROPERTY OF DIGITAL EQUIPMENT CORPORATION AND SHALL NOT BE REPRODUCED OR COPIED OR USED IN WHOLE OR IN PART AS THE BASIS FOR THE MANUFACTURE OR SALE OF ITEMS WITHOUT WRITTEN PERMISSION
 COPYRIGHT © 1978 DIGITAL EQUIPMENT CORPORATION

MODIFIED HAMMING CODE MATRIX

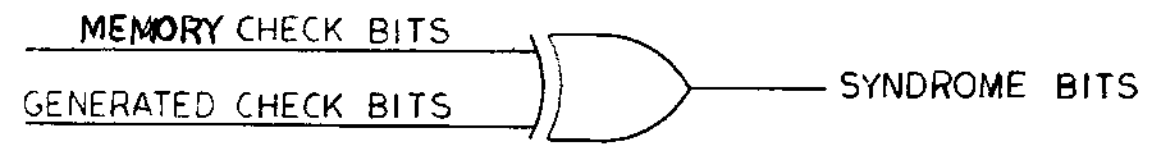
DATA BITS
 SYNDROME BITS

	BYTE 0							BYTE 1							BYTE 2							BYTE 3							CHECK BITS										
	0	1	2	3	4	5	6	7	8	9	10	11	12	13	14	15	16	17	18	19	20	21	22	23	24	25	26	27	28	29	30	31	C1	C2	C4	C8	C16	C32	CT
S1	X		X		X		X		X		X		X		X		X		X		X		X		X		X		X		X		X						
S2		X	X			X	X			X	X			X	X			X	X			X	X			X	X			X	X			X					
S4				X	X	X	X					X	X	X	X					X	X	X	X					X	X	X	X			X					
S8	X	X	X	X	X	X	X	X	X	X	X	X	X	X	X	X									X	X	X	X	X	X	X	X			X				
S16	X	X	X	X	X	X	X	X									X	X	X	X	X	X	X	X	X	X	X	X	X	X	X	X				X			
S32									X	X	X	X	X	X	X	X	X	X	X	X	X	X	X	X	X	X	X	X	X	X	X	X					X		
ST	X		X		X	X			X		X		X	X			X		X		X	X			X	X		X											X

EACH CHECK BIT IS THE RESULT OF ODD PARITY GENERATED ON THE DATA BITS DESIGNATED BY X. I.E. C1 IS P(1,3,5,7,9.... 29,31). C32 IS P(8 THRU 31). THE EXCEPTION IS CT, WHICH IS THE RESULT OF EVEN PARITY.

- SYNDROME BITS (S1 ETC.) ARE FORMED BY A COMPARISON OF THE CHECK BITS READ FROM MEMORY AND THE NEW CHECK BITS GENERATED ON THE DATA READ FROM MEMORY.
- A SINGLE ERROR WILL CAUSE AN ODD NUMBER OF SYNDROME BITS TO GO HIGH
 E.G. IF BIT 1 FAILS S1, S8 & S16 WILL GO HIGH.
 IF BIT 15 FAILS S1, S2, S4, S8 & S32 WILL GO HIGH.

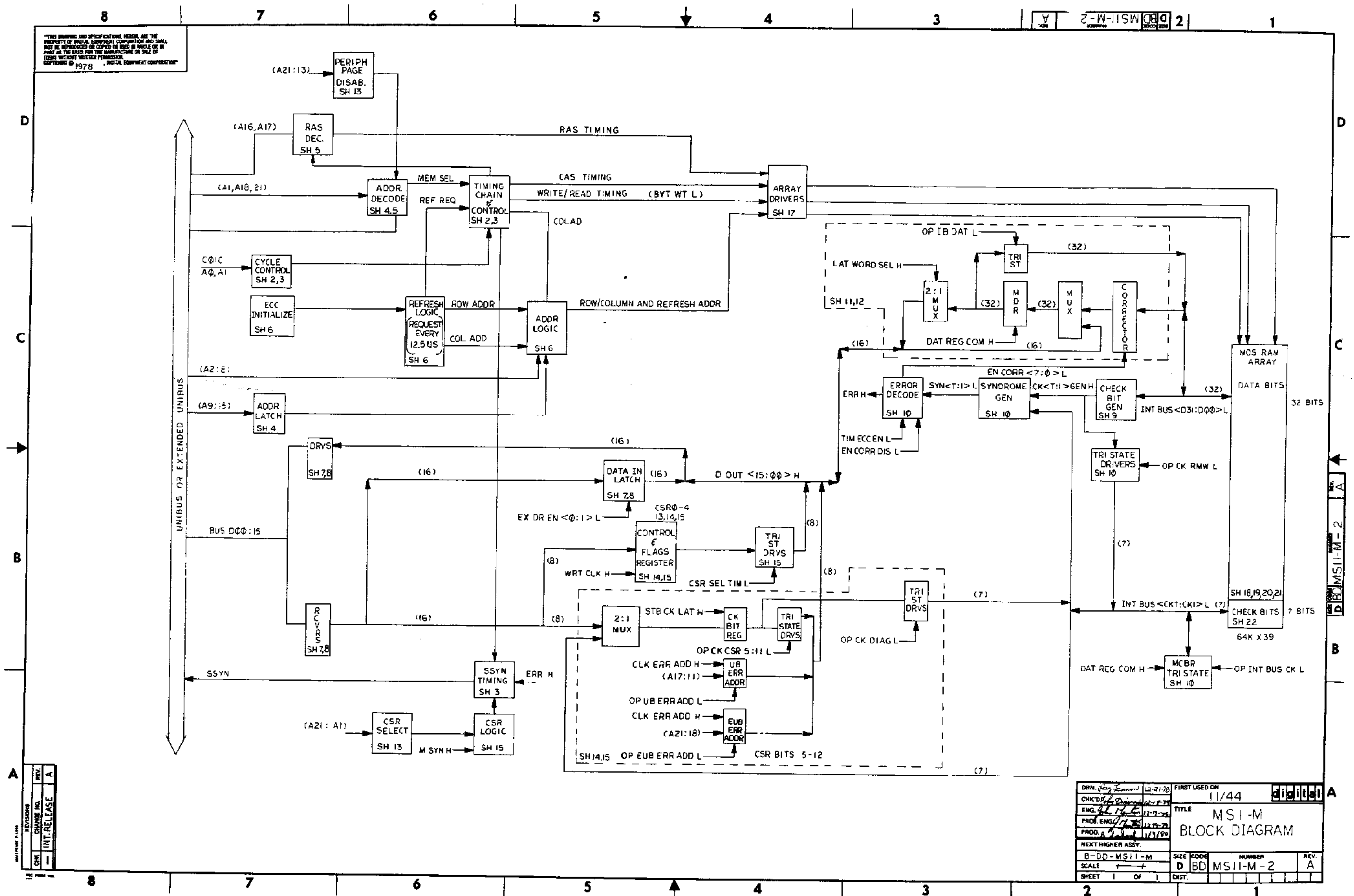
A DOUBLE ERROR WILL CAUSE AN EVEN NUMBER OF SYNDROME BITS TO GO HIGH.
 E.G. IF BITS 0 & 1 FAIL S1 & ST WILL GO HIGH, BUT S8 & S16 WILL NOT SINCE C8 & C16 ARE COMMON TO BITS 0 & 1 AND THE PARITY REMAINS UNCHANGED.



REV. CHANGE NO.	REV. INT. RELEASE
1	A

THIRD ANGLE PROJECTION		DRN. <i>Regannon</i> 12-22-78	FIRST USED ON
REMOVE BURRS AND BREAK SHARP CORNERS		CHK'D <i>By Dir...</i> 11-20-79	11/44 digital
DO NOT SCALE DWG		ENG. <i>J.B. Martin</i> 12-14-79	TITLE
MATERIAL <i>++</i>		PROD. <i>B. Schaefer</i> 11/9/80	MS11-M
FINISH <i>++</i>		NEXT HIGHER ASSY.	ERROR CHECK CODE
SCALE <i>++</i>		SIZE CODE	NUMBER
SHEET OF		B BS	MS11-M-7
DIST.		REV.	A

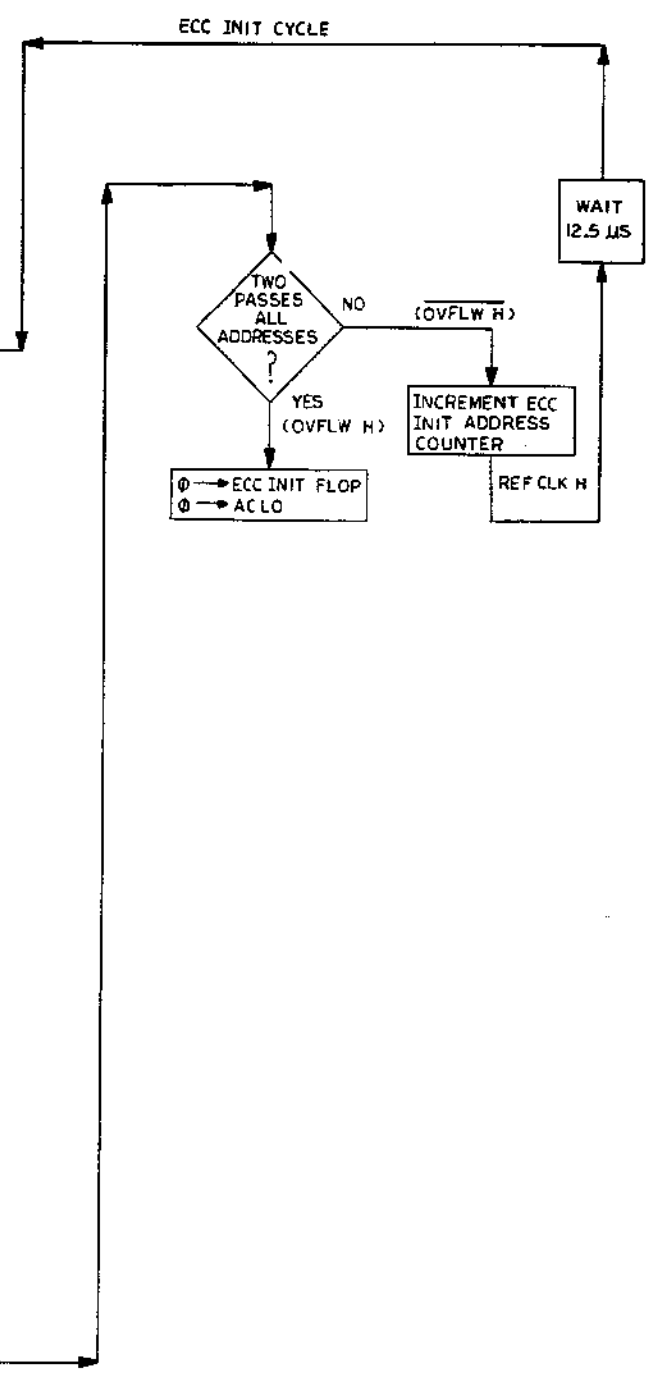
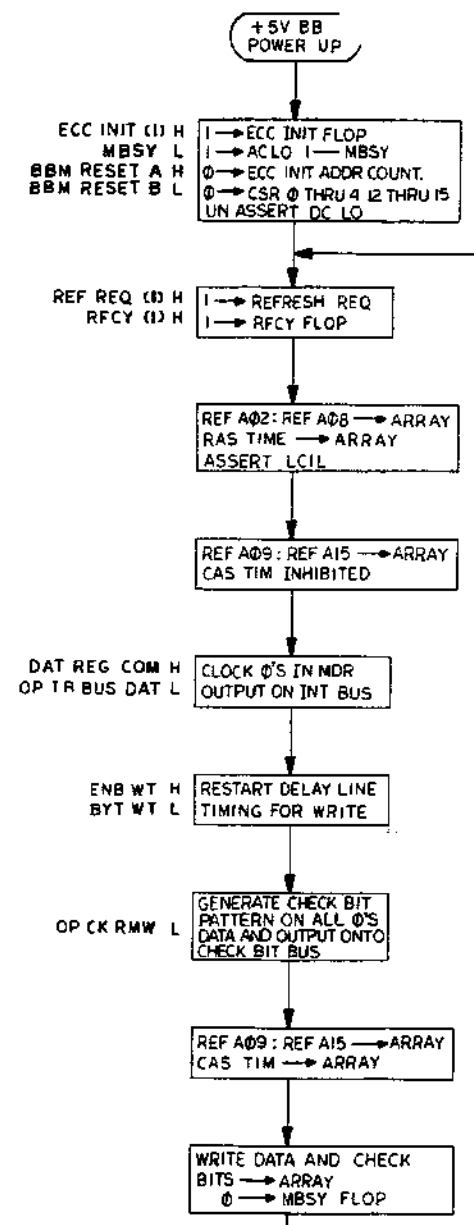
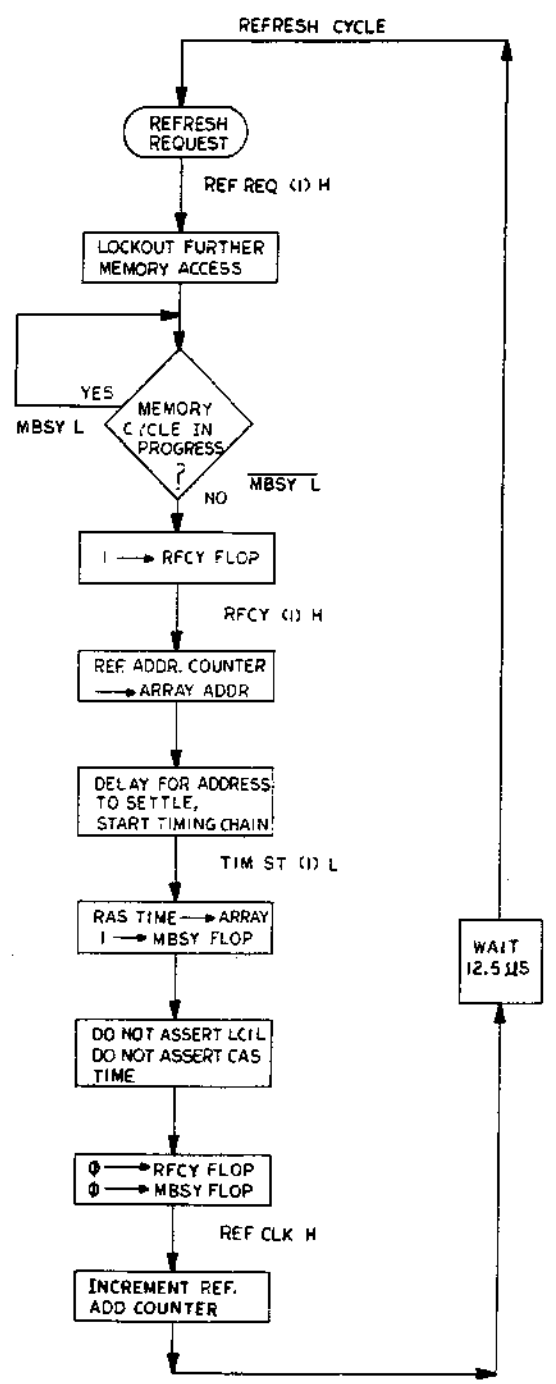
THIS DRAWING AND SPECIFICATIONS HEREON ARE THE PROPERTY OF DIGITAL EQUIPMENT CORPORATION AND SHALL NOT BE REPRODUCED OR COPIED OR USED IN WHOLE OR IN PART AS THE BASIS FOR THE MANUFACTURE OR SALE OF ITEMS WITHOUT WRITTEN PERMISSION. COPYRIGHT © 1978, DIGITAL EQUIPMENT CORPORATION



DRN. <i>Ray Larson</i>	12-21-78	FIRST USED ON	11/44	digital
CHK'D BY <i>Ray Larson</i>	12-21-78	TITLE	MS11-M BLOCK DIAGRAM	
ENG. <i>Ray Larson</i>	11-9-78	PROJ. ENG. <i>Ray Larson</i>	11-9-78	
PROD. ENG. <i>Ray Larson</i>	11-9-78	PROJ. A <i>Ray Larson</i>	11-9-78	
NEXT HIGHER ASSY.				
B-DD-MS11-M	SIZE CODE	D	BD	MS11-M-2
SCALE	+	+	+	+
SHEET	1	OF	1	DIST.

REV. A	INT. RELEASE
REV. B	INT. RELEASE
REV. C	INT. RELEASE
REV. D	INT. RELEASE

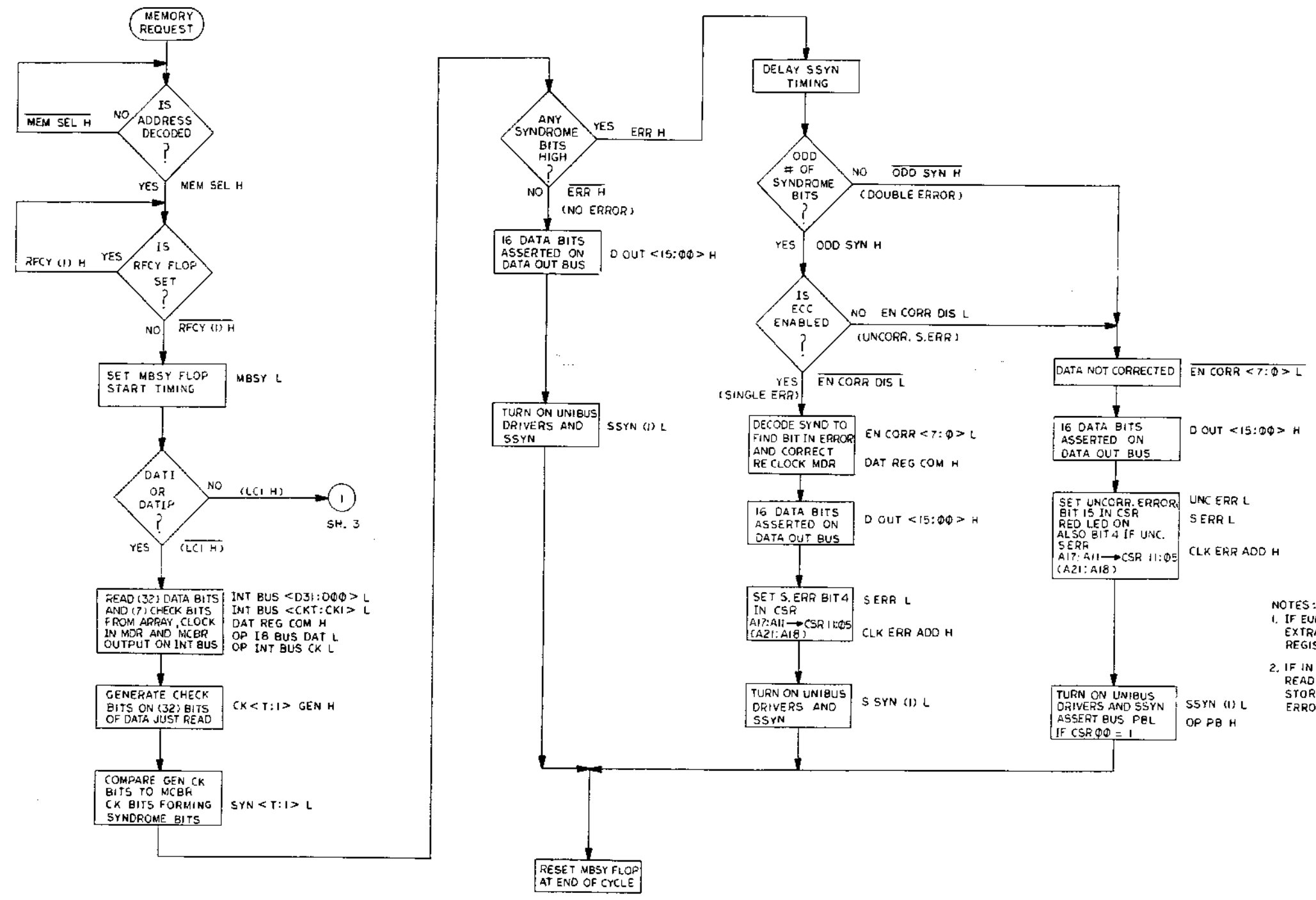
THIS DRAWING AND SPECIFICATIONS HEREIN ARE THE PROPERTY OF DIGITAL EQUIPMENT CORPORATION AND SHALL NOT BE REPRODUCED OR COPIED OR USED IN WHOLE OR IN PART AS THE BASIS FOR THE MANUFACTURE OR SALE OF ITEMS WITHOUT WRITTEN PERMISSION.
 COPYRIGHT © 1978, DIGITAL EQUIPMENT CORPORATION



REV. A	INT. RELEASE
CHG	

DRN. [Signature]	12-27-78	FIRST USED ON	11/44	digital
CHK'D [Signature]	12-19-78	TITLE	MS11-M FLOW DIAGRAM	
ENG. [Signature]	12-15-78	SIZE	D	FD
PROJ. ENG. [Signature]	12-15-78	NUMBER	MS11-M-3	REV. A
PROD. [Signature]	12-15-78	SCALE		
NEXT HIGHER ASSY.		SHEET	1	OF 4

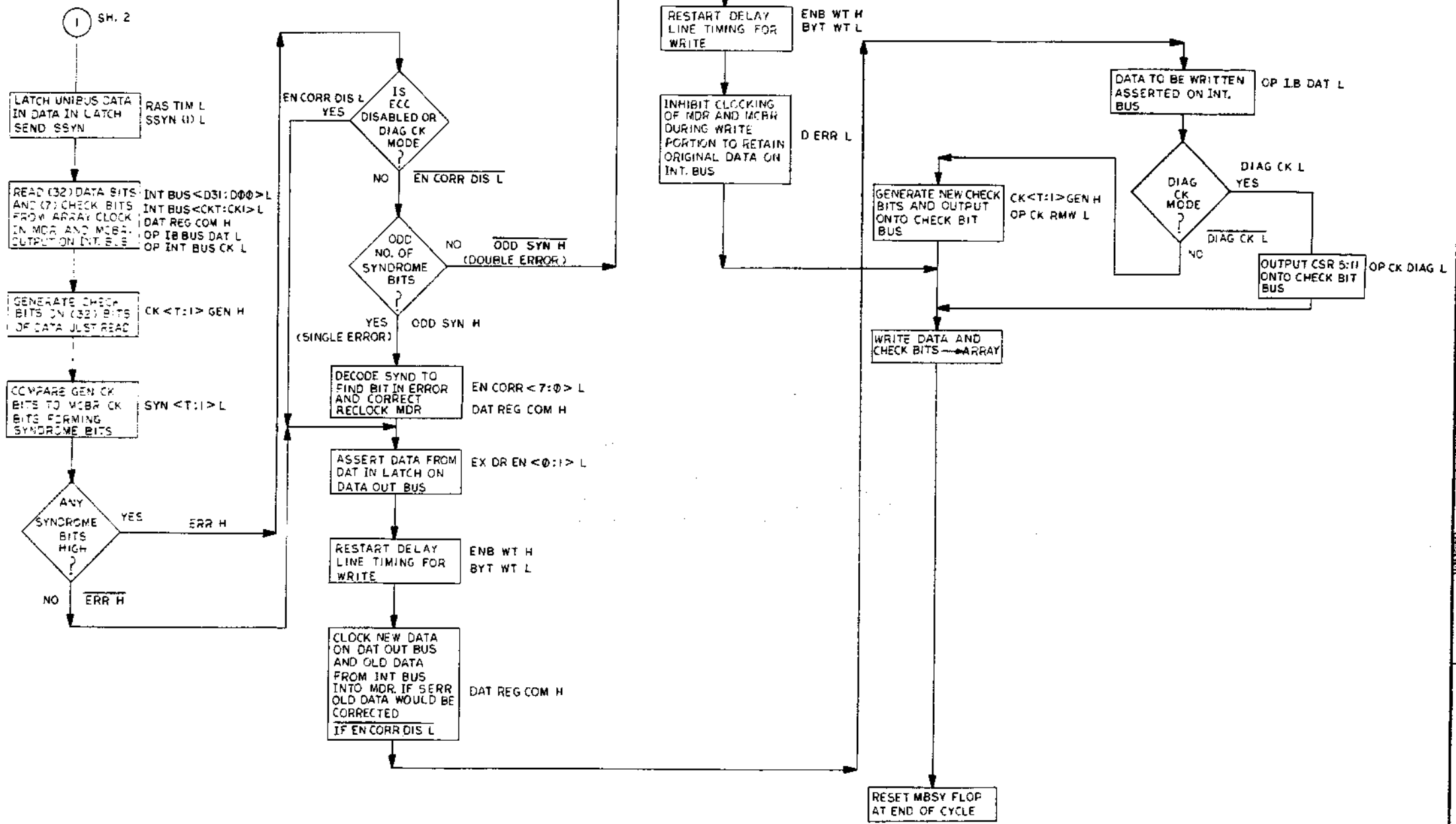
THE DRAWING AND SPECIFICATIONS HEREIN ARE THE PROPERTY OF DIGITAL EQUIPMENT CORPORATION AND SHALL NOT BE REPRODUCED OR COPIED OR USED IN WHOLE OR IN PART AS THE BASIS FOR THE MANUFACTURE OR SALE OF ITEMS WITHOUT WRITTEN PERMISSION. COPYRIGHT © 1978 DIGITAL EQUIPMENT CORPORATION



NOTES:
 1. IF EUB ON ERROR A21:11 -> CSR 11:05 EXTRA 4 BITS STORED IN BACKUP REGISTER.
 2. IF IN DIAG CK MODE CHECK BITS READ FROM ARRAY ARE ALWAYS STORED IN CSR <5:11> WHETHER ERROR OCCURS OR NOT

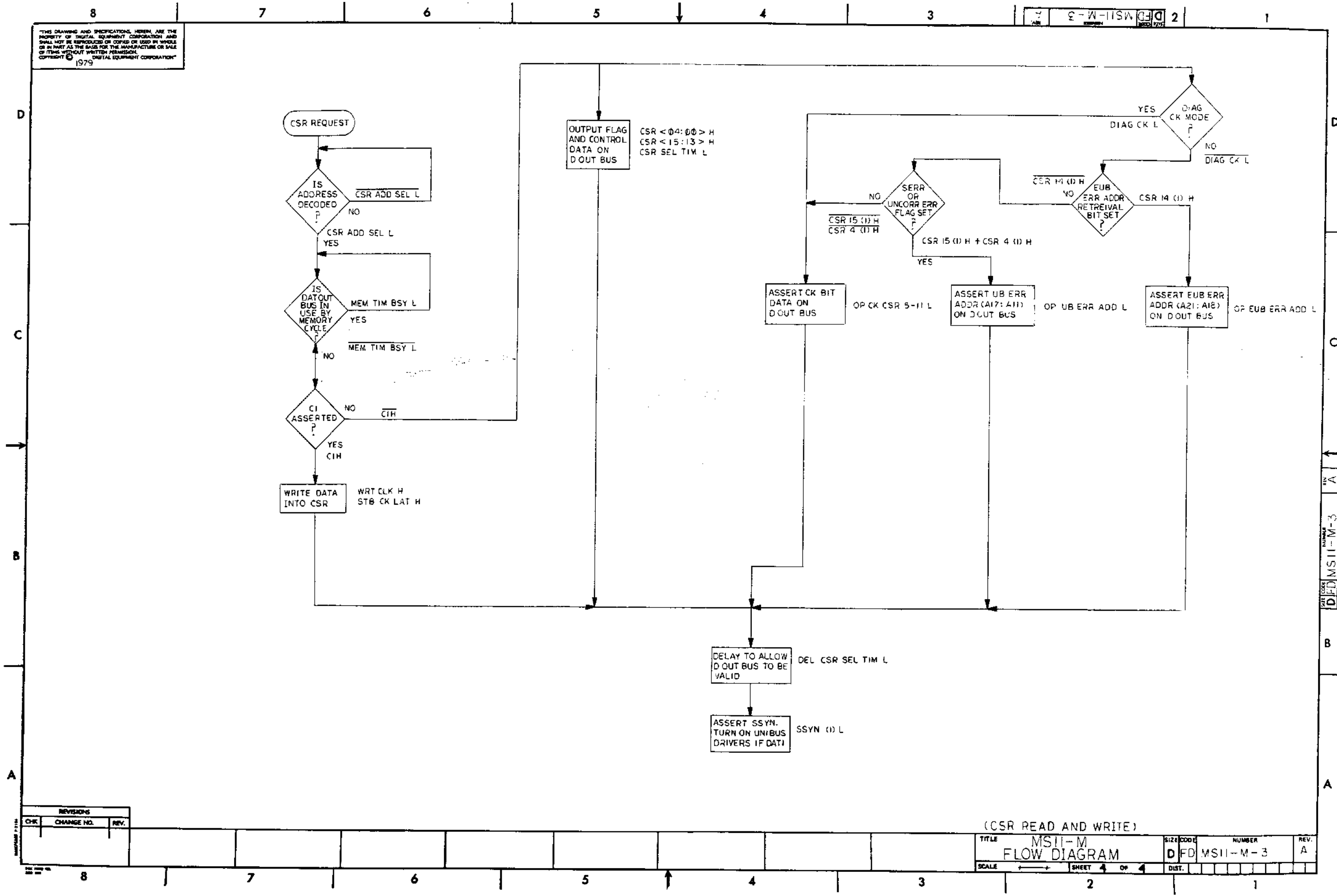
REVISIONS		
CHK	CHANGE NO.	REV.

THIS DRAWING AND SPECIFICATIONS HEREIN ARE THE PROPERTY OF DIGITAL EQUIPMENT CORPORATION AND SHALL NOT BE REPRODUCED OR COPIED OR USED IN WHOLE OR IN PART AS THE BASIS FOR THE MANUFACTURE OR SALE OF ITEMS WITHOUT WRITTEN PERMISSION.
 DIGITAL EQUIPMENT CORPORATION
 1978



REVISIONS		
CHK	CHANGE NO.	REV.

THIS DRAWING AND SPECIFICATIONS, HEREIN, ARE THE PROPERTY OF DIGITAL EQUIPMENT CORPORATION AND SHALL NOT BE REPRODUCED OR COPIED OR USED IN WHOLE OR IN PART AS THE BASIS FOR THE MANUFACTURE OR SALE OF ITEMS WITHOUT WRITTEN PERMISSION. COPYRIGHT © 1979 DIGITAL EQUIPMENT CORPORATION



MS11-M-3

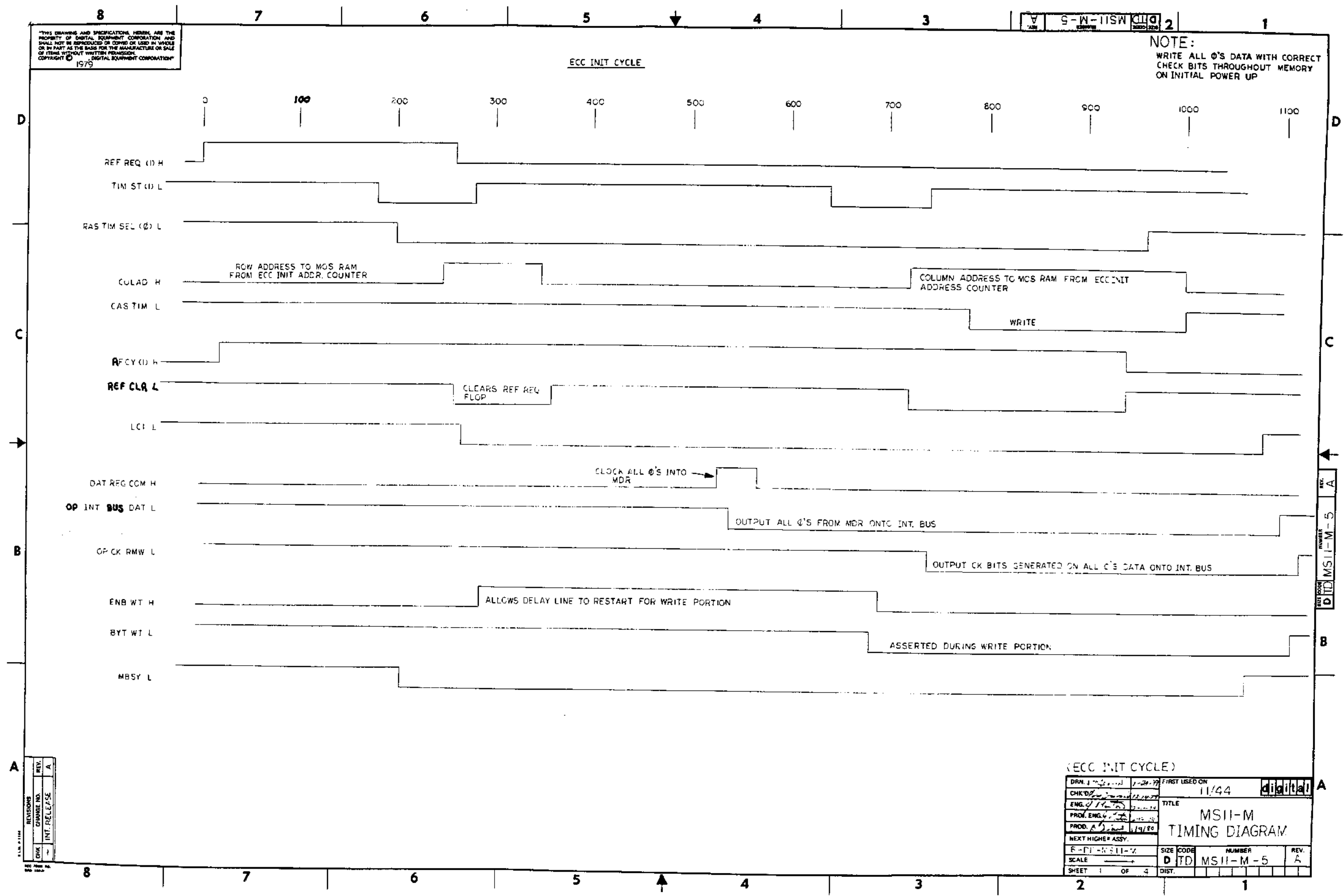
REVISIONS		
CHK	CHANGE NO.	REV.

THIS DRAWING AND SPECIFICATIONS HEREIN ARE THE PROPERTY OF DIGITAL EQUIPMENT CORPORATION AND SHALL NOT BE REPRODUCED OR COPIED OR USED IN WHOLE OR IN PART AS THE BASIS FOR THE MANUFACTURE OR SALE OF ITEMS WITHOUT WRITTEN PERMISSION. DIGITAL EQUIPMENT CORPORATION. COPYRIGHT © 1979

9-W-11SW 2

NOTE:
WRITE ALL 0'S DATA WITH CORRECT CHECK BITS THROUGHOUT MEMORY ON INITIAL POWER UP

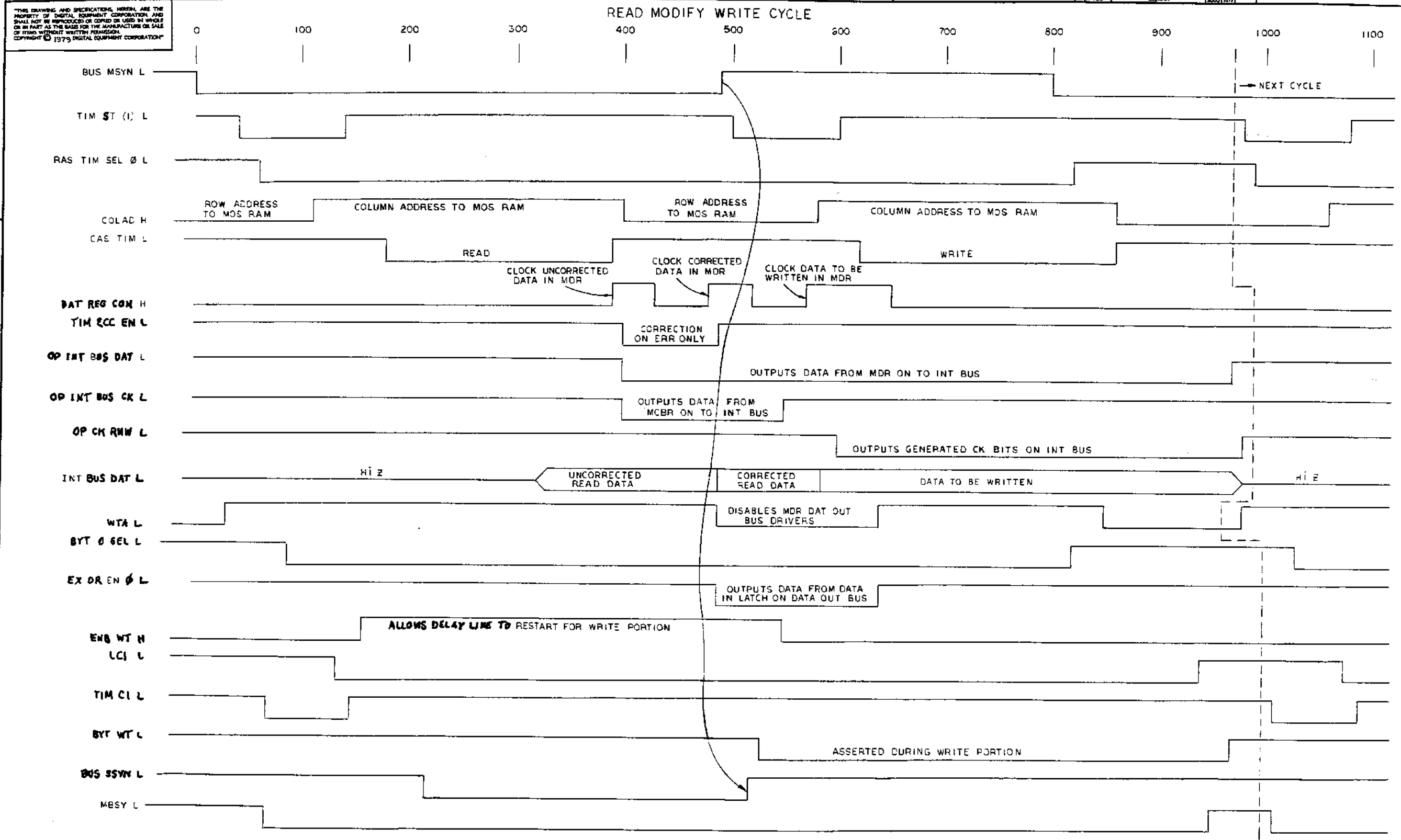
ECC INIT CYCLE



REV. A	INT. RELEASE
CHG	CHANGE NO.
REV.	REVISIONS

(ECC INIT CYCLE)		DRN. 11/44	FIRST USED ON 11/44	digital
CHK'D	11/44	ENG. 11/44	PROD. ENG. 11/44	TITLE MS11-M TIMING DIAGRAM
PROD. ENG.	11/44	11/44	11/44	SIZE CODE NUMBER REV.
NEXT HIGHER ASSY.			D TD	MS11-M-5 A
SCALE	1	OF 4	DIST.	

READ MODIFY WRITE CYCLE



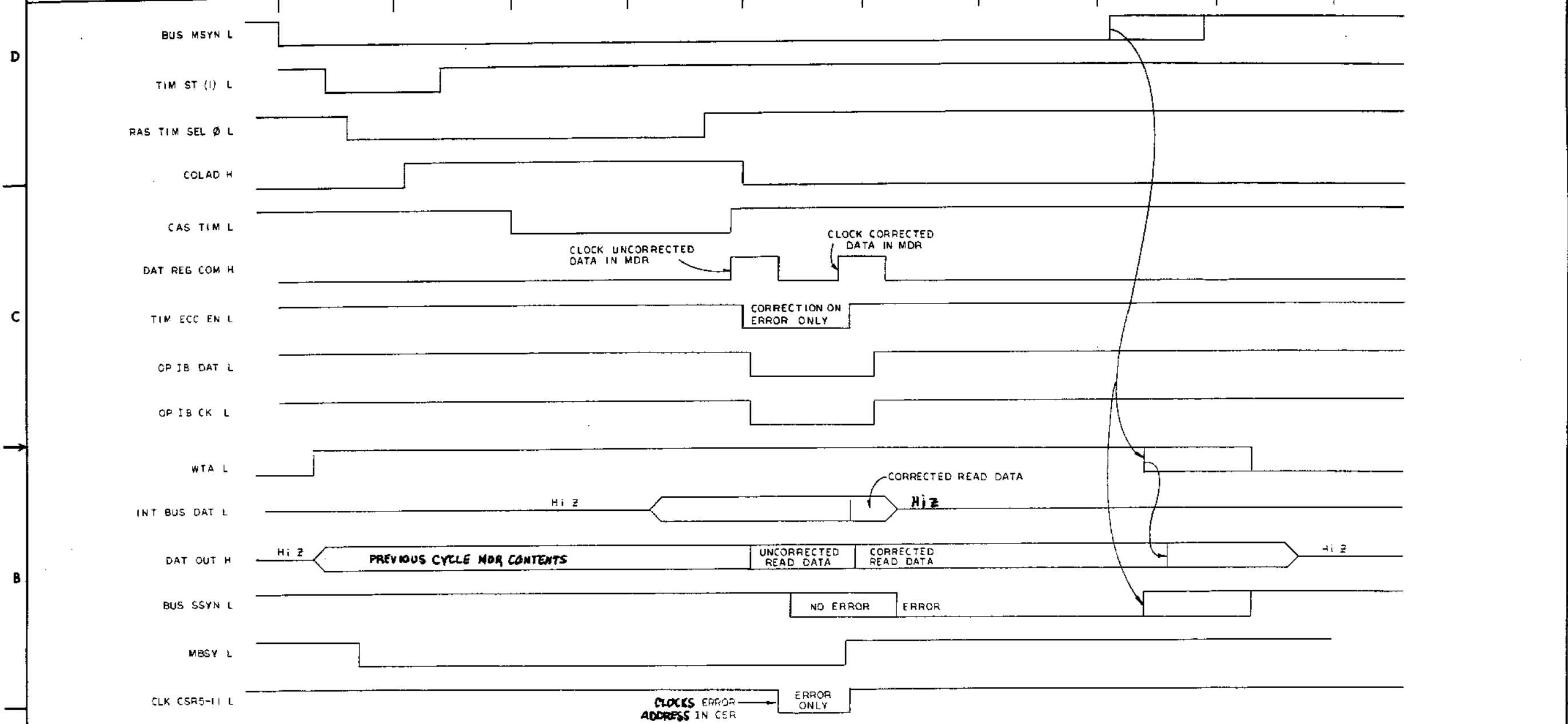
THIS DRAWING AND SPECIFICATIONS HEREIN ARE THE PROPERTY OF DIGITAL EQUIPMENT CORPORATION AND SHALL NOT BE REPRODUCED OR COPIED OR USED IN WHOLE OR IN PART AS THE BASIS FOR THE MANUFACTURE OR SALE OF ITEMS WITHOUT WRITTEN PERMISSION. COPYRIGHT © 1979 DIGITAL EQUIPMENT CORPORATION

REVISIONS		
CHK	CHANGE NO.	REV.

DTD MS11-M-5
 NUMBER
 REV. A

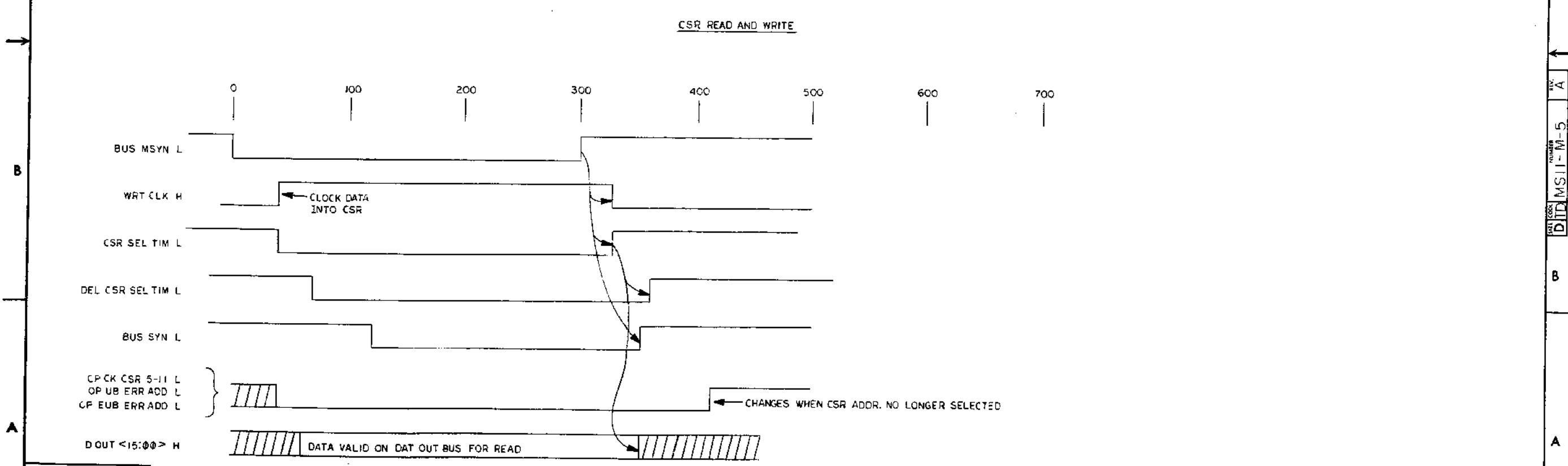
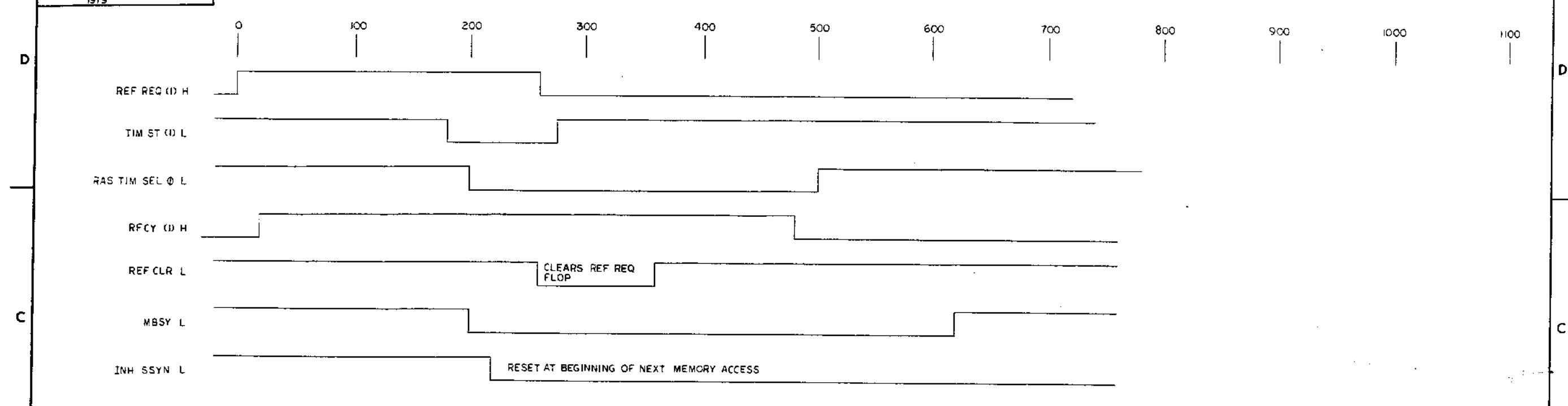
THIS DRAWING AND SPECIFICATIONS HEREIN ARE THE PROPERTY OF DIGITAL EQUIPMENT CORPORATION AND SHALL NOT BE REPRODUCED OR COPIED OR USED IN WHOLE OR IN PART AS THE BASIS FOR THE MANUFACTURE OR SALE OF ITEMS WITHOUT WRITTEN PERMISSION. COPYRIGHT © 1975 DIGITAL EQUIPMENT CORPORATION

READ CYCLE



REVISIONS		
CHK	CHANGE NO.	REV.

REV. A
NAME MS11-M-5
D TD



REVISIONS		
CHK	CHANGE NO.	REV.

REV. A

MS11-M-5

DTD

DRAWING NO.	NO. OF SHTS.	PART NO.	DESCRIPTION	REVISIONS		
				A	B	C
B-DD-M8722-0	1		ECC MOS MEMORY	A	B	C
D-UA-M8722-0-0	9		ECC MOS MEMORY	B	C	D
D-CS-M8722-0-1	22		ECC MOS MEMORY	B	C	D
D-MD-5013505-0-0	5		DRILL & ETCH DRAWING	B	B	B
		5013505	ETCHED BOARD	C	C	C
K-PC-M8722-0-DBC	-		P.C. DESIGN DATA BASE (M8722)	A	A	A
K-PL-M8722-BA-DBP	-		PARTS LIST DATA BASE (Z0472)	B	B	B
K-PL-M8722-AA-DBP	-		PARTS LIST DATA BASE (Z0471)	B	B	B

NOTES:

DATE	CHG NO.	REV.	REVISIONS		
			A	B	C
3-24	ML001				
4-30	ML002				

"THIS DRAWING AND SPECIFICATIONS, HEREIN, ARE THE PROPERTY OF DIGITAL EQUIPMENT CORPORATION AND SHALL NOT BE REPRODUCED OR COPIED OR USED IN WHOLE OR IN PART AS THE BASIS FOR THE MANUFACTURE OR SALE OF ITEMS WITHOUT WRITTEN PERMISSION.

COPYRIGHT© 1980 DIGITAL EQUIPMENT CORPORATION



USED ON OPTION/MODEL	DRN. P. BOSSMAN	10 JAN 79	TITLE
11/44	CHK'D P. Bossman	12 JAN 79	ECC MOS MEMORY
	ENG. J. G. Manton	19 DEC 79	SIZE B
	PROD. B. L. Schuy	1/9/80	CODE DD
			NUMBER M8722-0
			REV. C
			SHEET 1 OF 1

LINE	ITEM	DOCUMENT NUMBER	PART NUMBER	DESCRIPTION	QTY PER VARIATION			REFERENCE DESIGNATOR
					BB	BC	BF	
1	1		5013505-00	128K ECC UNIBUS MEM ETCH CIR. BD	1	1	1	
2	2		1012219-00	47. MFD 30V GZ 600D AL EL	2	2	2	C400,C401
3	3		1012121-00	220.0 MMF 100V 1%200PPM DM15S	4	4	4	C1,C3,C4,C7
4	4		1001610-00	.01 MFD 50V -20+80 Z5U AXIAL	33	33	33	C2,C111-C131,C220-C230
5	5		1012084-01	8 MFD 25V GZ 30D AL EL	5	5	5	C100-C103,C200
6	6		1010279-01	.47 MFD 25V 20% 2C023 CER.	101	101	101	C210-C214,C310-C357,C410-C457
7	7		1110994-00	1N 751A VZ= 5.1 5% .40W	1	1	1	D5
8	8		1109991-00	1N 754A VZ= 6.8 5% .40W	1	1	1	D4
9	9		1104860-00	*** THIS ITEM IS NOT USED ***	-	-	-	
10	10		1110324-00	LED 1MCD@10MA PIV=3	1	1	1	D2
11	11		1114384-00	LED 105MW 35MA GREEN	1	1	1	D3
12	12		1210711-02	HANDLE,MODULE,HEX	1	1	1	
13	13		1211164-04	SW,DIP 1P 1A 8POS	1	1	1	E46
14	14		1211164-00	SW,DIP 1P 1A 4POS	1	1	1	E61
15	15		1302124-00	18.0 .25 W 5.0 % CC	2	2	2	R7,R31
16	16		1301890-00	560.0 .25 W 5.0 % CC	1	1	1	R2
17	17		1304863-00	316 1/4W 1% RN55D-F 100PPM	2	2	2	R11,R12
18	18		1301424-00	*** THIS ITEM IS NOT USED ***	-	-	-	
19	19		1300447-00	4.70 K .25 W 5.0 % CC	11	11	11	R10,R13,R14,R18-R20,R22-R24,E26, CONT R30
20	20		1300316-00	470.0 .25 W 5.0 % CC	1	1	1	R21
21	21		1300365-00	1.0 K .25 W 5.0 % CC	1	1	1	R15
22	22		1300309-00	*** THIS ITEM IS NOT USED ***	-	-	-	
23	23		1300229-00	100.0 .25 W 5.0 % CC	1	1	1	R5
24	24		1301972-00	270.0 .25 W 5.0 % CC	2	2	2	R27,R28
25	25		1300202-00	47.0 .25 W 5.0 % CC	1	1	1	R29
26	26		1300444-00	3.90 K .25 W 5.0 % CC	1	1	1	R4
27	27		1311594-00	30.1 K 1/4W 1% RN55D-F 100PPM	1	1	1	R6
28	28		1315339-00	R NETWORK 4-5K 5.0 % 5PIN	3	3	3	R100-R102
29	29		1316187-00	R NETWORK 3-18 5.0 % 6PIN	8	8	8	R200-R207

REVISION HISTORY		BASIC PART NO: M8722		DRN: J. LIZOTTE		DATE: 14-DEC-78		D I G I T A L	
ENG	ECD NUMBER	REV	SECTION A OF A	CHK'D		DATE		TITLE	PARTS LIST
	INITIAL		SECTION VARIATION INDEX		D. CARUSSO	14-DEC-78		ECC MOS MEMORY	
			[A] BB,BC,BF		J. MANTON	14-DEC-78		DOCUMENT NUMBER	
			[B]		R. SCHAAP	14-DEC-78		SIZE CODE NUMBER REV	
			[C]					K PL M8722-BA-DBP B	
			[D]					ASSEMBLY NUMBER:	TDP DOCUMENT NUMBER:
			[E]					FILE NAME:	EDIT #
			[F]					Z0472B.PLS	3
			[G]						
			[H]						
			[I]						
			[J]						
			[K]						
			[L]						
			[M]						
			[N]						

*THIS DRAWING AND SPECIFICATIONS HEREIN, ARE THE PROPERTY OF DIGITAL EQUIPMENT CORPORATION AND SHALL NOT BE REPRODUCED OR COPIED OR USED IN WHOLE OR IN PART AS THE BASIS FOR THE MANUFACTURE OR SALE OF ITEMS WITHOUT WRITTEN PERMISSION. COPYRIGHT (C) 1980. DIGITAL EQUIPMENT CORPORATION *

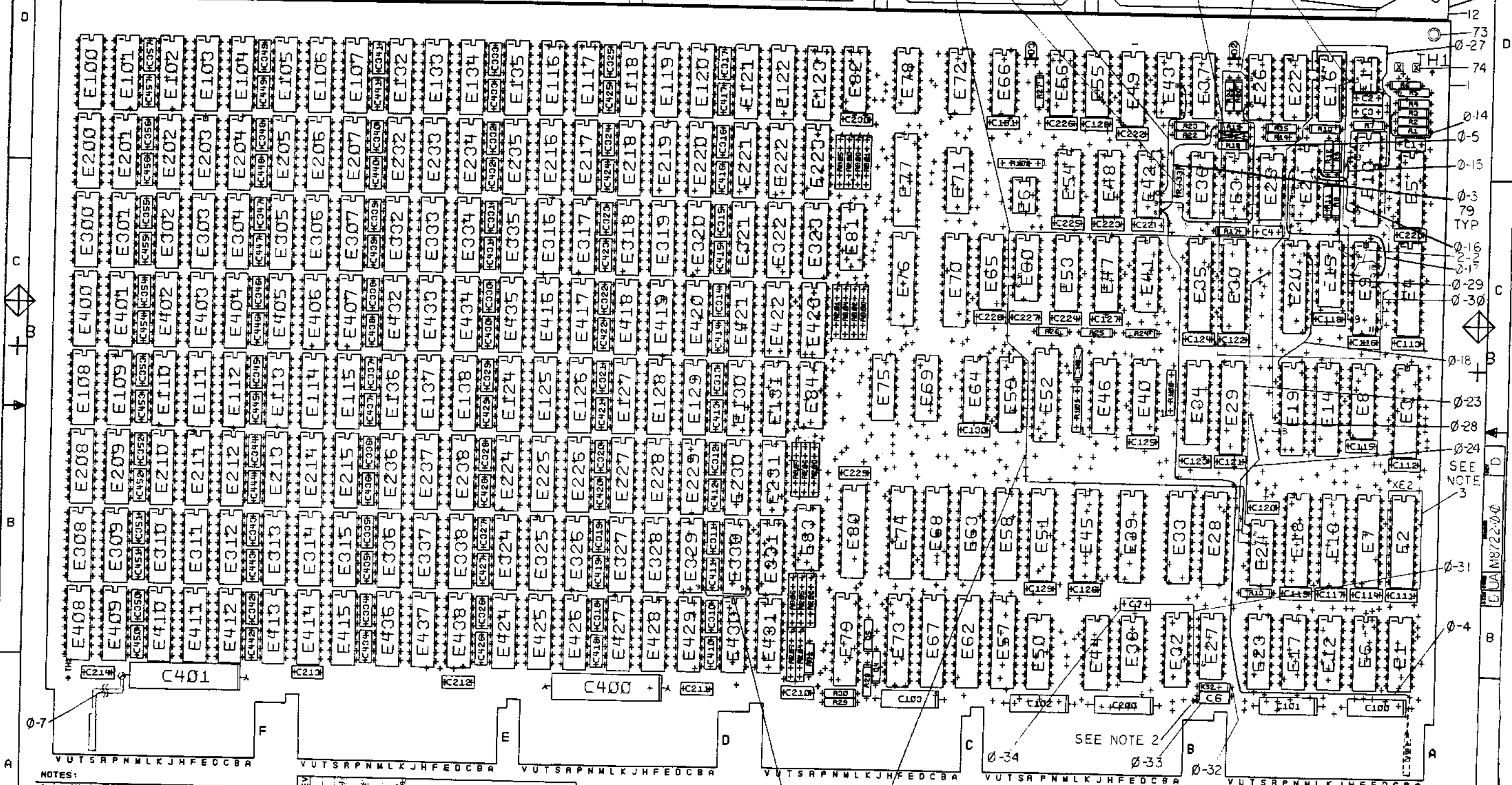
LINE	ITEM	DOCUMENT NUMBER	PART NUMBER	DESCRIPTION	QTY PER VARIATION			REFERENCE DESIGNATOR
					BB	BC	BF	
30	30		1316186-00	R NETWORK 1-12 2-18 6PIN	8	8	8	R300-R307
31	31		1613120-00	DELAY= 200NS,10TAPS	2	2	2	E5,E21
32	32		1910532-00	74S00 NAND GATE-QUAD 2IN	1	1	1	E31
33	33		1912799-00	LS00 NAND-GATE-QUAD 2IN,P	1	1	1	E25
34	34		1912388-00	74S02 NOR GATE-QUAD 2IN,PO	1	1	1	E42
35	35		1911469-00	DEC 8640 RECEIVER,BUS,QUAD,U	1	1	1	E38
36	36		1910533-00	74S03 NAND GATE-QUAD 2IN,O	1	1	1	E22
37	37		1909705-00	DEC 8881 NAND GATE-QUAD 2IN O	1	1	1	E27
38	38		1914451-00	74LS393 COUNTER,BINARY,4BIT	2	2	2	E54,E56
39	39		1910547-00	74S153 MUX 1 OF 4 (DUAL)	5	5	5	E40,E41,E47,E49,E53
40	40		1911944-00	555CN TIMER,FUNCT,BLOCK	1	1	1	E11
41	41		1910534-00	74S04 INVERTER GATE-HEX 1I	1	1	1	E60
42	42		1910544-01	74S74-60GG-D DUAL,EDGE TRIG	1	1	1	E26
43	43		1912824-00	LS74 FF-D DUAL,EDGE TRIGG	2	2	2	E15,E43
44	44		1911116-00	DEC 8837 RECEIVER,BUS,HEX,UN	4	4	4	E23,E32,E44,E50
45	45		1915219-00	LS373 FF-D OCTAL-TRANSPARE	3	3	3	E3,E18,E39
46	46		1914214-00	LS374 FF-D OCTAL EDGE TRIG	3	3	3	E7,E28,E68
47	47		1911579-00	8641 TRANSCEIVER,BUS,QUA	4	4	4	E1,E6,E12,E17
48	48		1910537-00	74S20 NAND GATE-DUAL 4IN,PU	1	1	1	E37
49	49		1912828-00	LS85 COMPARATOR,4BIT MAGN	1	1	1	E65
50	50		1912697-00	LS174 FF-D HEX W/CLEAR	1	1	1	E8
51	51		1915193-00	LS244 DRIVER,LINE,OCTAL,T	1	1	1	E14
52	52		1911573-00	74S280 PARITY GEN/CHKR,9BIT	11	11	11	E48,E66,E69,E71,E72,E75,E78, CONT E81-E84
53	53		1912096-00	DEC 74S86 XOR GATE,QUAD 2IN	2	2	2	E36,E64
54	54		1914086-00	74S30 NAND GATE-POS 8IN	1	1	1	E55
55	55		1913777-00	LS240 DRIVER,LINE,OCTAL,T	1	1	1	E9
56	56		1912389-00	74S08 AND GATE-QUAD 2IN,PO	1	1	1	E24
57	57		1912125-00	74S135 XOR/NOR GATE-QUAD 2I	1	1	1	E59
58	58		1913493-00	74S241 OCTAL BUFFER,TRI-STA	5	5	5	E70,E76,E77,E79,E80
59	59		2113825-01	16K MOS RAM 200NS 1	156	-	-	E100-E138,E200-E238,E300-E338, CONT E400-E438
60	60		23259F1-00	F1-01	1	1	1	E34
61	61		23001J5-00	J5-01	1	1	1	E10
62	62		23002J5-00	J5-01	1	1	1	E19
63	63		23003J5-00	J5-01	1	1	1	E4
64	64		23004J5-00	J5-01	1	1	1	E30
65	65		23005J5-00	J5-01	1	1	1	E35
66	66		23006J5-00	J5-01	1	1	1	E33
67	67		23007J5-00	J5-01	1	1	1	E20
68	68		23008J5-00	J5-01	1	1	1	E29
69	69		23009J5-00	J5-01	1	1	1	E52
70	70		23001K3-00	K3-01	8	8	8	E45,E51,E57,E58,E62,E63,E67,E73
71	71		23002K3-00	K3-01	2	2	2	E2,E13
72	72		9009185-00	*** THIS ITEM IS NOT USED ***	-	-	-	
73	73		9000024-01	EYELET, ROLLED FLANGE, .121 OD X	12	12	12	
74	74		9009149-00	PIN, STAKING, P.C. BOARD, .025 X	2	2	2	TP1,TP2
75	75		2114408-01	16K MOS RAM 200NS 1	-	156	-	E100-E138,E200-E238,E300-E338,

! D ! I ! G ! I ! T ! A ! L !	TITLE	SECTION A OF A	! SIZE ! CODE !	DOCUMENT NUMBER	! REV !
	ECC MOS MEMORY		! K ! PL !	M8722-BA-DBP	B

VARIATION B A

SEE NOTE 1

COMPONENT SIDE VIEW



NOTES:
 1. A WL NEAR BUS CONFIGURATION
 2. *INDICATE BUS ENDS OF C6
 3. 320 PIN SOCKET: XE2, XE1, XE10, XE13, XE19, XE20, XE29, XE30, XE33, XE36, XE35, XE61, XE62, XE67, XE68, XE69, XE70, XE73

CHANGE NO	REV	DATE	BY	CHK'D
M16722	C	11/17/79	J. MANTON	
M16722	B	11/17/79	J. MANTON	
M16722	A	11/17/79	J. MANTON	

4. SEE SHEET 2 FOR WIRE ADDS

EICH C
 C DESIGN DATA BASE REV. CLZCM

SIGNATURES		DATE
DRN.		
CHK'D.		
ENG.		
PROJ. ENG.		
PRD.		
SCALE		
SHT.	1 OF 9	
NEXT HIGHER ASSY: H-D-D-M8722-0		

digital		
TITLE		ECC
MOS MEMORY		
SIZE	CODE	NUMBER
D	UA	M8722-0-0
ETCH REV.	C	

1982

LAYER 1
M8722 5013505 C L1

2 DIM. 4-21-82. FIG 2

0-20

A-3 Z-3

CSX ABCDEFGHIJKLMNPRS
E101 E102 E103

E132 E133

E118 E119

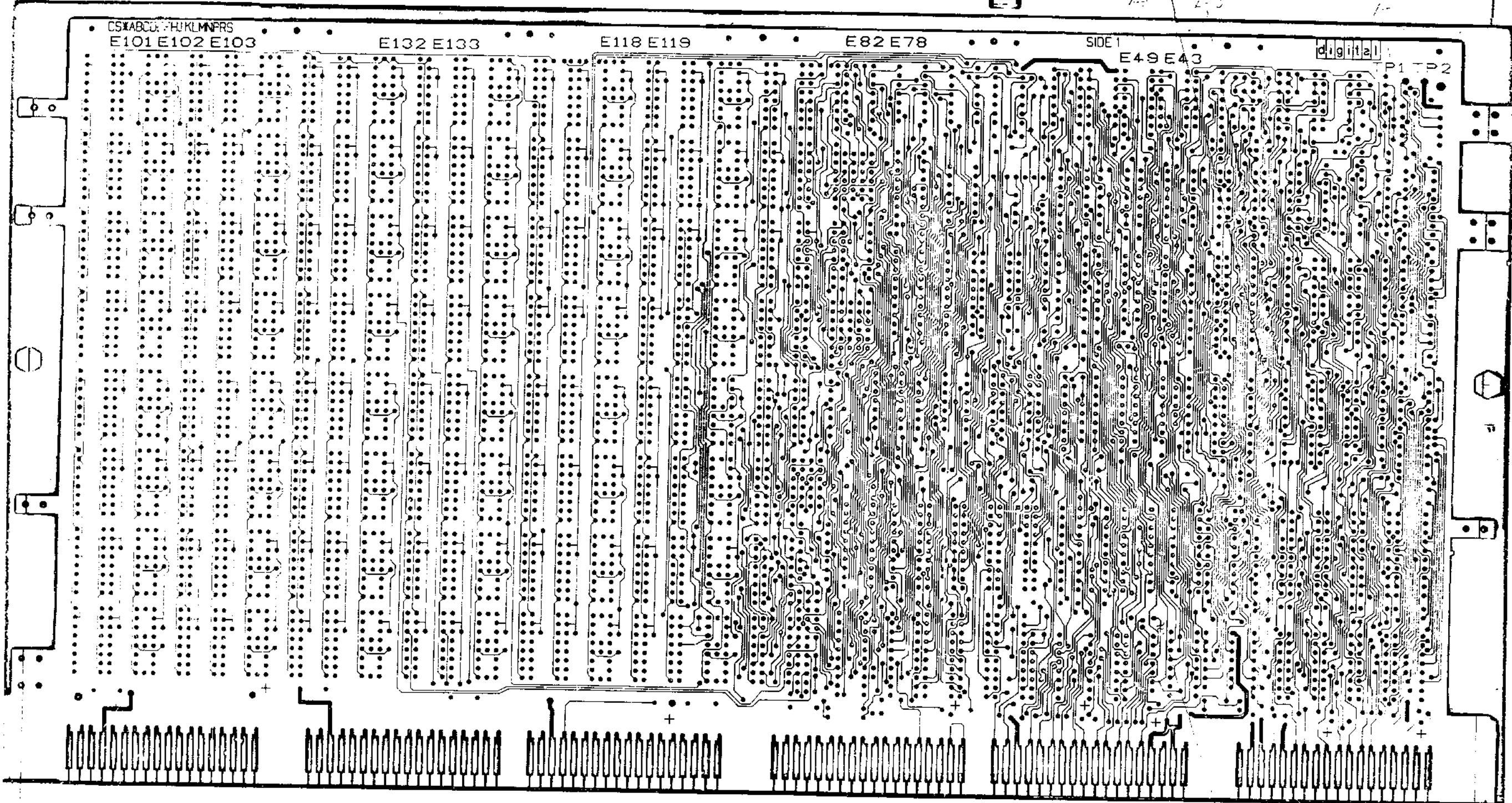
E82 E78

SIDE 1

E49 E43

digital

TP1 TP2



REVISIONS
MAN/ENC

0-26

ECC MOS MEMOR 0 0- N5700-0 0
2/1

6

5

4

3

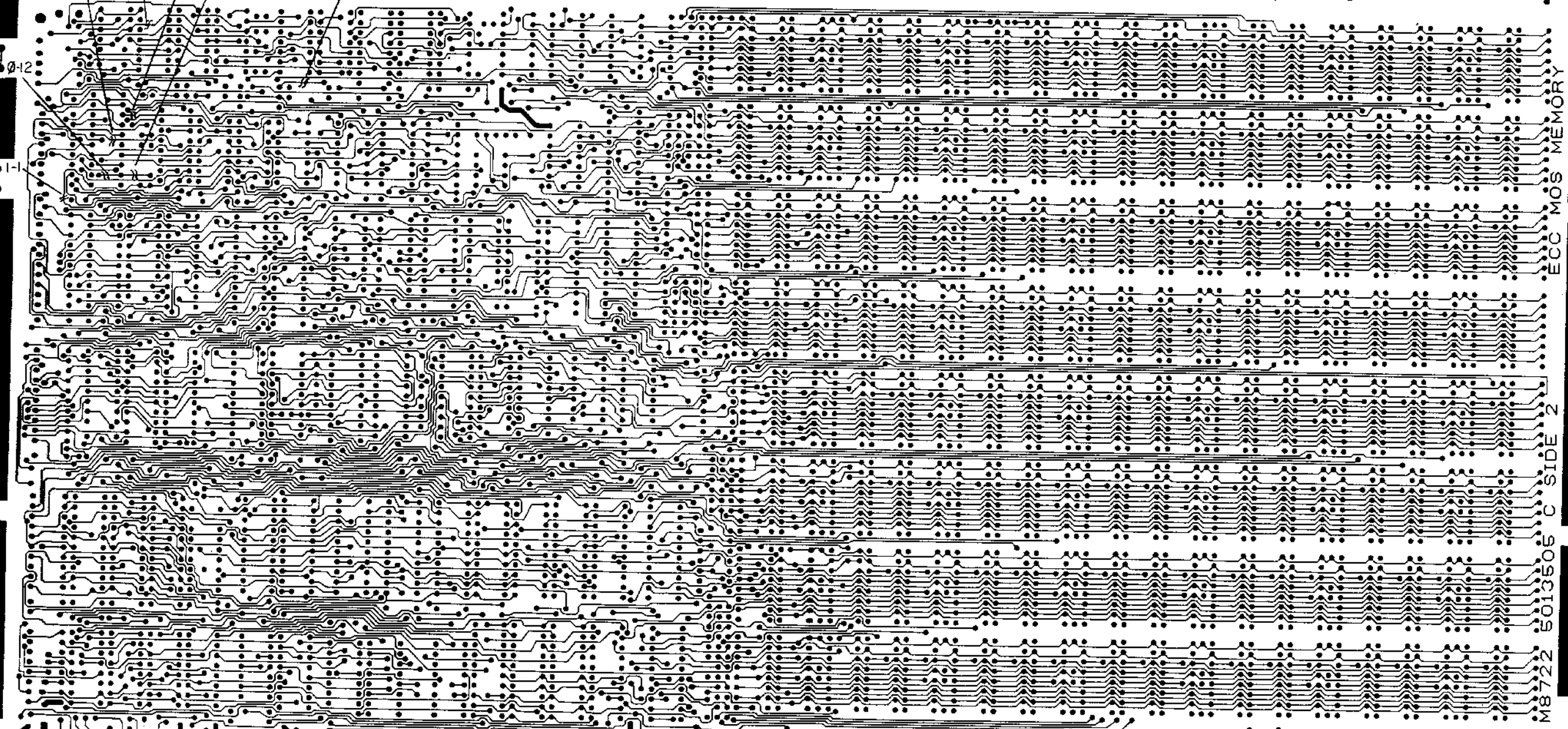
THIS DRAWING AND ITS CONTENTS, HEREIN ARE THE PROPERTY OF DIGITAL EQUIPMENT CORPORATION AND SHALL NOT BE REPRODUCED OR COPIED OR USED IN WHOLE OR IN PART AS THE BASIS FOR THE MANUFACTURE OR SALE OF ANY PRODUCT WITHOUT THE PERMISSION OF DIGITAL EQUIPMENT CORPORATION.

0-0-22287A 2

L4 P 834AJ

Ø-15 Ø-11 Ø-1

Ø-25 2-1



ECC MOS MEMORY
5013505 C SIDE 2

REVISIONS	
NO.	REV.

ECC MOS MEMORY DUA, ME22-00 D

8

7

6

5

4

3

2

1

THIS DRAWING AND SPECIFICATIONS HEREIN ARE THE PROPERTY OF DIGITAL EQUIPMENT CORPORATION AND SHALL NOT BE REPRODUCED OR COPIED OR USED IN WHOLE OR IN PART AS THE BASIS FOR THE MANUFACTURE OR SALE OF ITEMS WITHOUT WRITTEN PERMISSION. COPYRIGHT © 1977 DIGITAL EQUIPMENT CORPORATION.

W8722

FIRST RELEASE

ETCH CUT - SIDE 2:

- # - 1. CUT ETCH BETWEEN E43-11 AND R18 (TO THE LEFT OF THE FEED THRU).
- # - 11. CUT ETCH BETWEEN E10-8 AND FEED THRU (RIGHT SIDE OF PIN).
- # - 12. CUT ETCH BETWEEN E10-8 AND FEED THRU (LEFT SIDE OF PIN, ISOLATING E10-8).
- # - 13. CUT ETCH BETWEEN E10-3 AND FEED THRU (RIGHT SIDE).
- # - 25. CUT ETCH BETWEEN E10-16 AND FEED THRU (RIGHT SIDE).

ETCH CUTS - SIDE 1:

- # - 7. CUT ETCH BETWEEN C401 AND FINGER P51.
- # - 8. CUT ETCH BETWEEN R1 AND R3.
- # - 9. CUT ETCH BETWEEN THE 1ST AND 2ND FEED THRU E42-13 (RIGHT SIDE).
- # - 10. CUT ETCH BETWEEN E19-1 AND E20-3.
- # - 20. CUT ETCH BETWEEN THE FIRST AND SECOND FEED THRU OF E30-18 (RIGHT SIDE).
- # - 26. CUT ETCH NO MORE THAN 1/4" FROM C7 (ZZ0PF) (RIGHT SIDE) AS SHOWN.

WIRE ADDS:

- # - 2. ADD A WIRE FROM E42-10 TO E43-11.
- # - 3. ADD A WIRE FROM E42-8 TO R19 (LEFT SIDE).
- # - 4. ADD A WIRE FROM E42-8 THRU A FEED THRU TO FINGER AB2.
- # - 5. ADD A WIRE FROM E42-8 TO E26-6.
- # - 6. ADD A WIRE FROM E30-8 TO E329-9 FOR 'BA' VARIATIONS ONLY.
- # - 14. ADD WIRE FROM R1 TO R3 (AS SHOWN).
- # - 15. ADD WIRE FROM E10-3 TO E21-13.
- # - 16. ADD WIRE FROM E10-8 TO E21-14.
- # - 17. ADD WIRE FROM E9-17 TO E21-3.
- # - 18. ADD WIRE FROM E20-19 TO E19-1.
- # - 21. ADD WIRE FROM E30-5 TO E21-5.
- # - 22. ADD WIRE FROM E30-5 TO E24-2.
- # - 23. ADD WIRE FROM E24-1 TO FIRST FEED THRU OF E30-18 (AS SHOWN).
- # - 24. ADD WIRE FROM E24-3 TO SECOND FEED THRU OF E30-18 (AS SHOWN).
- # - 27. ADD WIRE FROM E16-1 TO E10-17.
- # - 28. ADD WIRE FROM E16-3 TO E19-9.
- # - 29. ADD WIRE FROM E16-2 TO E9-8.
- # - 30. ADD WIRE FROM E9-11 TO E10-2.
- # - 31. ADD WIRE FROM C7 (ZZ0PF) (RIGHT SIDE) TO E27-6.

REPLACEMENT COMPONENTS:

- # - 32. REPLACE D1 WITH R32, 24.3K, 17.
- # - 33. REPLACE R16 WITH C6, 3.9UF, 10V.
- # - 34. REPLACE C5 WITH C7, 220PF, 100V.

COMPONENT ADD:

- # - 35. ADD R30, 150 K Ω , 1% AS SHOWN.

ECO # 1

ETCH CUT - SIDE 2

- 1-1 CUT ETCH BETWEEN E10-11 AND FEEDTHRU (RIGHT SIDE)

WIRE ADDS - SIDE 1

- 1-2 ADD WIRE FROM E24-11 TO E10-11
- 1-3 ADD WIRE FROM E24-12 TO E9-7
- 1-4 ADD WIRE FROM E24-13 TO E29-19

ECO NO. 2

ETCH CUT - SIDE 2

- 2-1 CUT ETCH BETWEEN E11-3 TO E26-3

WIRE ADDS - SIDE 1

- 2-2 ADD WIRE FROM E9-4 TO E9-18
- 2-3 ADD WIRE FROM E9-2 TO E11-3
- 2-4 ADD WIRE FROM E9-16 TO E26-3

REVISIONS		
CHK	CHANGE NO.	REV.

TITLE	ECC MOS MEMORY	SIZE/DATE	DUA	NUMBER	M8722-0-0	REV.	D
SCALE	2/1	SHEET	9 OF 9	DIST.			

THIS DRAWING AND SPECIFICATIONS HEREIN ARE THE PROPERTY OF DIGITAL EQUIPMENT CORPORATION AND SHALL NOT BE REPRODUCED OR COPIED OR USED IN WHOLE OR IN PART AS THE BASIS FOR THE MANUFACTURE OR SALE OF ITEMS WITHOUT WRITTEN PERMISSION.
 COPYRIGHT © 1980 DIGITAL EQUIPMENT CORPORATION

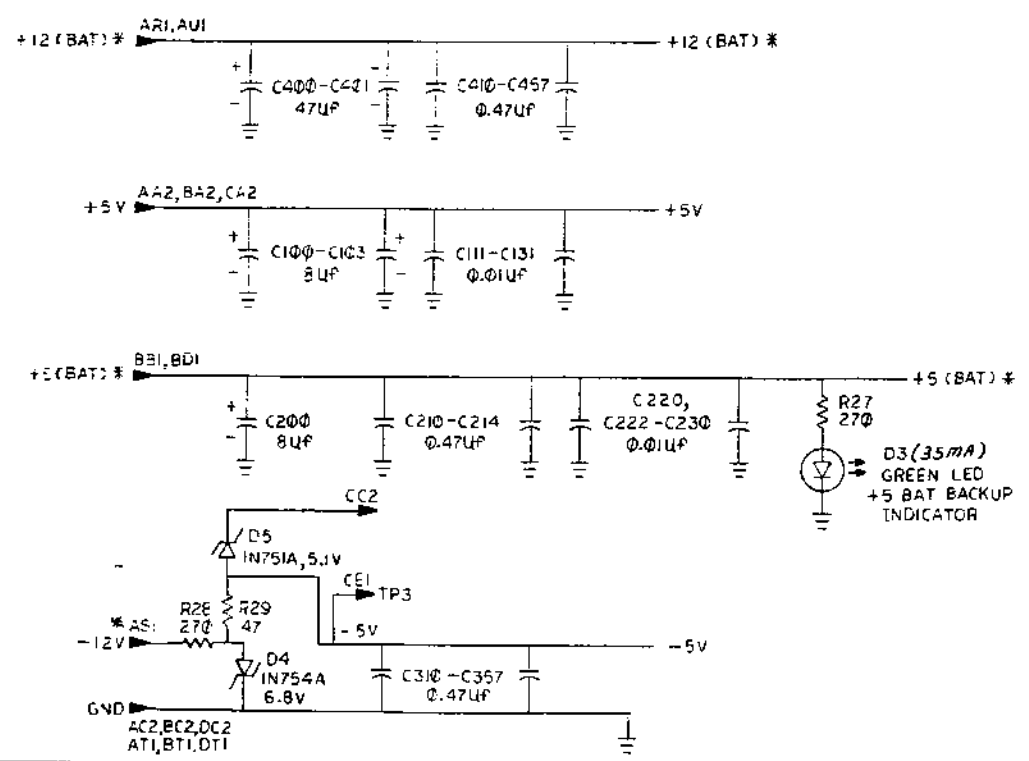
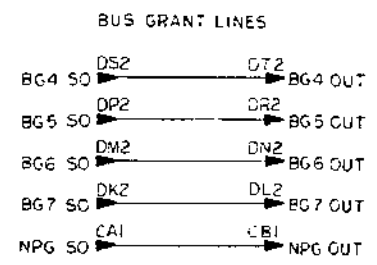
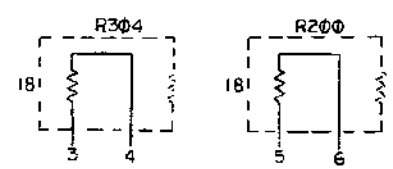
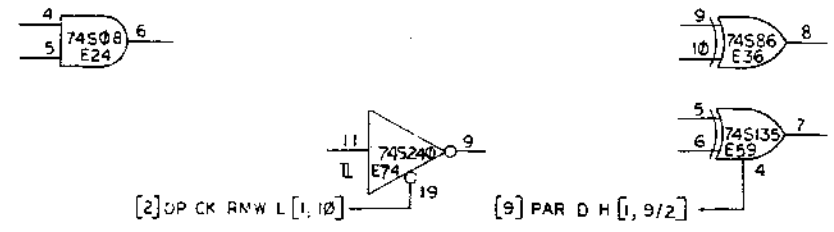
NOTES:

- SIGNAL NAMES WILL BE REFERENCED AS FOLLOWS:
 [X/Z] SIGNAL NAME [X/Z]
 NUMBER OF CONNECTION POINTS ON DESTINATION SHEET.
 DESTINATION SHEET NUMBER.
 NUMBER OF CONNECTION POINTS ON SOURCE SHEET.
 SOURCE SHEET NUMBER.
- * INDICATES BATTERY BACKED UP.
- GND AND +5V ARE AS FOLLOWS:

	GND	+5V
14 PIN DIP	7	14
16 PIN DIP	8	16
18 PIN DIP	9	18
20 PIN DIP	10	20

EXCEPTIONS ARE
 9640 1 8

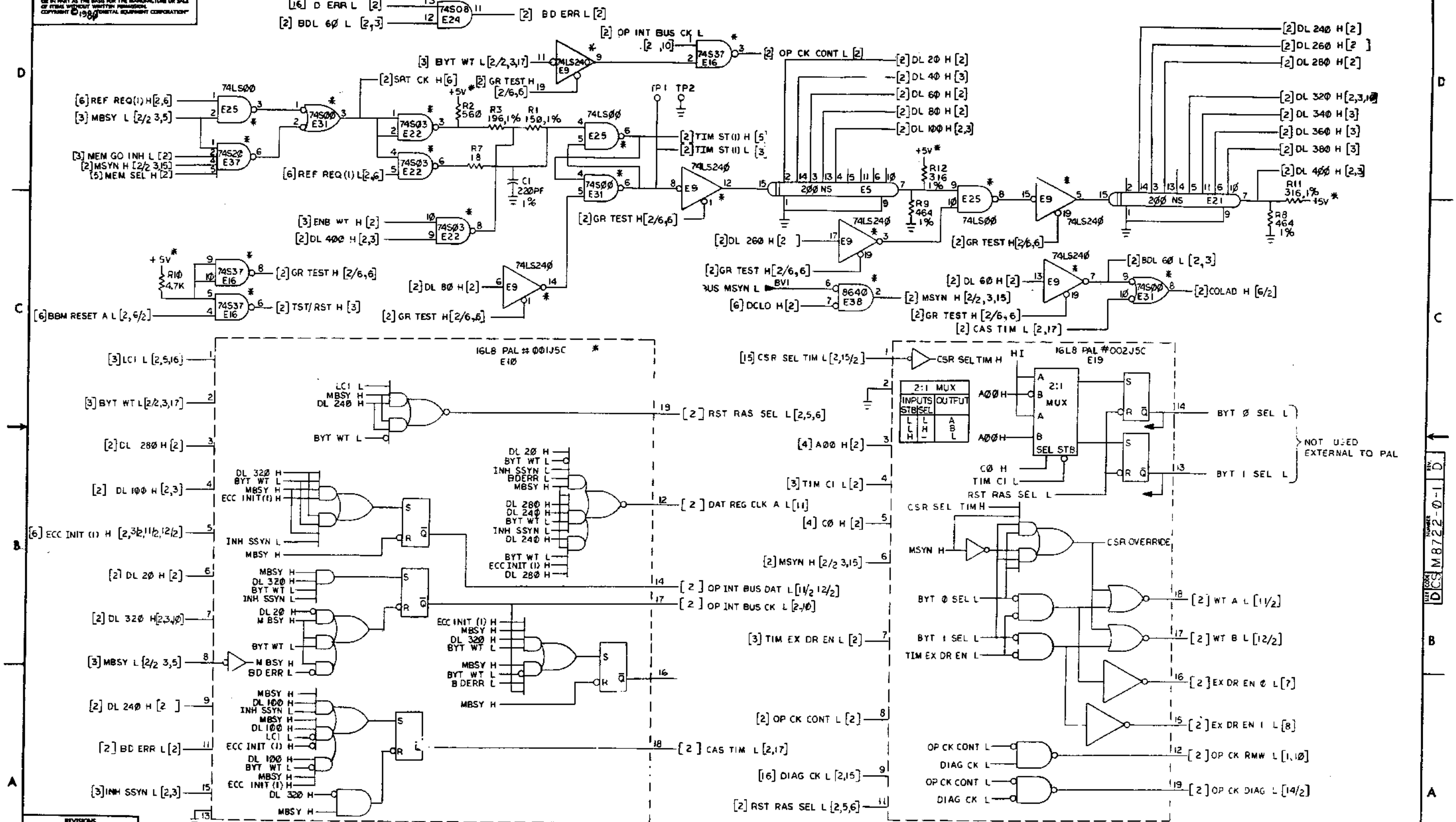
SPARES



REV.	REV. NO.	DATE	BY	CHKD.
1	1	11/80	JOHN MANTON	
2	1	11/80	JOHN MANTON	
3	1	11/80	JOHN MANTON	
4	1	11/80	JOHN MANTON	
5	1	11/80	JOHN MANTON	

DRN. P. 12-15-80	FIRST USED ON	11/44	Digital
CHK'D. [Signature]	TITLE	ECC MOS MEMORY (MSIIM)	
ENG. [Signature]	PROD. [Signature]		
PROD. [Signature]	NEXT HIGHER ASSY.		
B-00-M8722-0	SIZE CODE	D	CS
SCALE	NUMBER	M8722-0-1	REV. D
SHEET 1 OF 22	DIST.		

THIS DRAWING AND SPECIFICATIONS HEREIN ARE THE PROPERTY OF DIGITAL EQUIPMENT CORPORATION AND SHALL NOT BE REPRODUCED OR COPIED OR USED IN WHOLE OR IN PART AS THE BASIS FOR THE MANUFACTURE OR SALE OF ITEMS WITHOUT WRITTEN PERMISSION. COPYRIGHT © 1980 DIGITAL EQUIPMENT CORPORATION

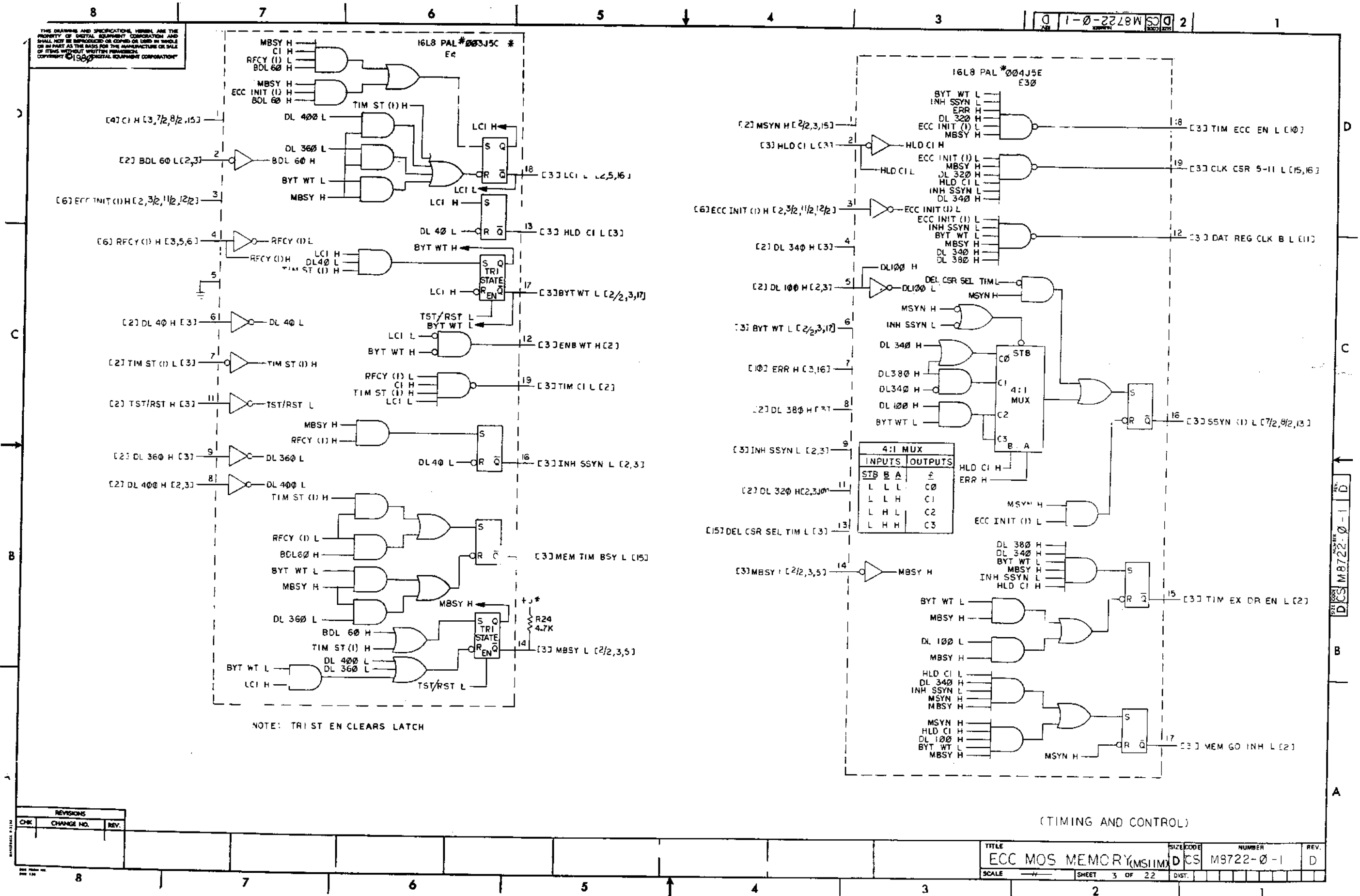


REVISIONS		
CHK	CHANGE NO.	REV.

(TIMING CHAIN CONTROL)		TITLE	SCALE	SHEET	OF	DIST.	NUMBER	REV.
		ECC MOS MEMORY (MS11M)	+	2	22		D CS M8722-0-1	D

D CS M8722-0-1

THIS DRAWING AND SPECIFICATIONS, HEREIN, ARE THE PROPERTY OF DIGITAL EQUIPMENT CORPORATION AND SHALL NOT BE REPRODUCED OR COPIED OR USED IN WHOLE OR IN PART AS THE BASIS FOR THE MANUFACTURE OR SALE OF ITEMS WITHOUT WRITTEN PERMISSION OF DIGITAL EQUIPMENT CORPORATION.

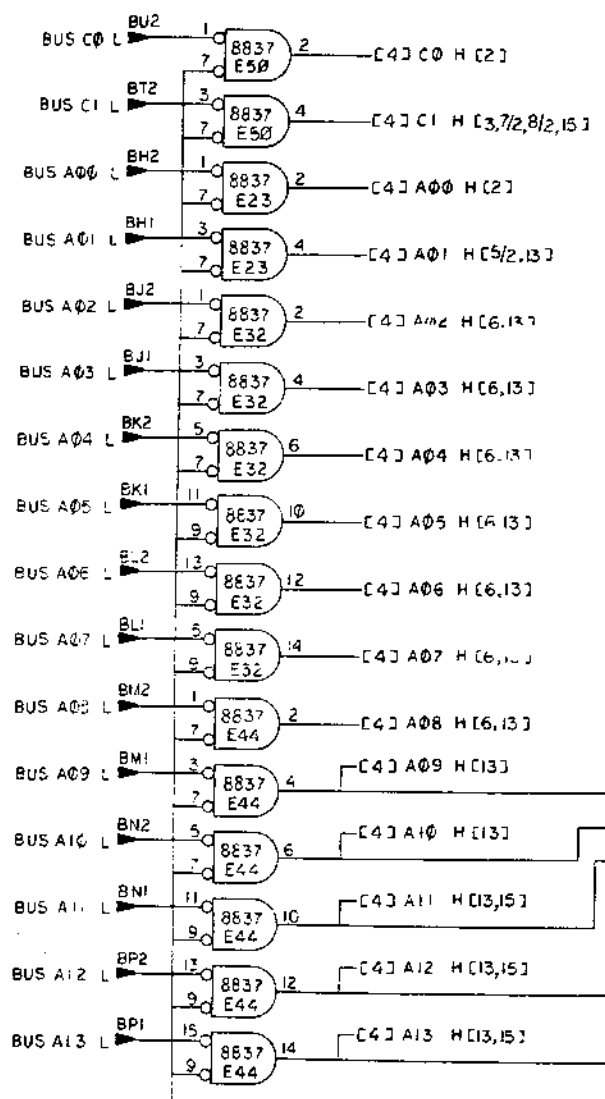


(TIMING AND CONTROL)

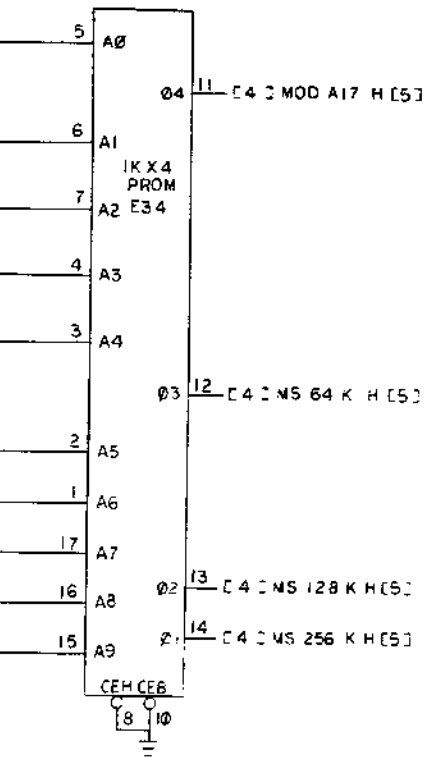
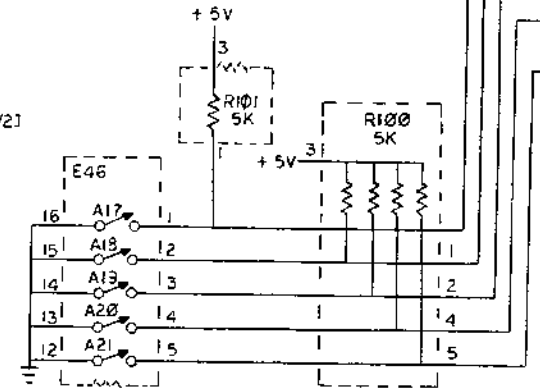
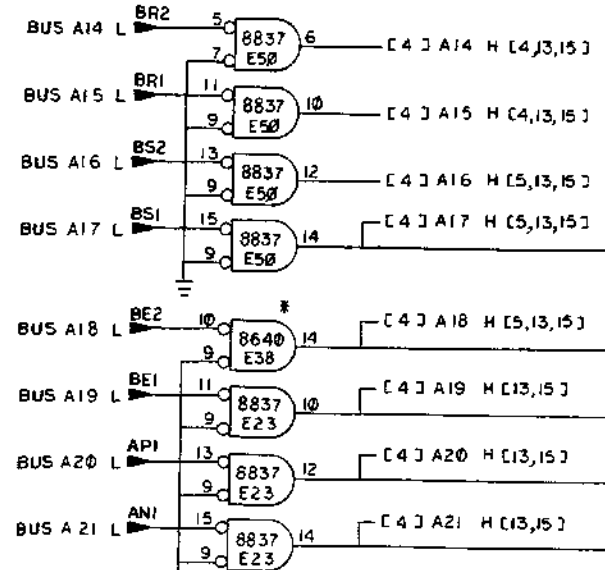
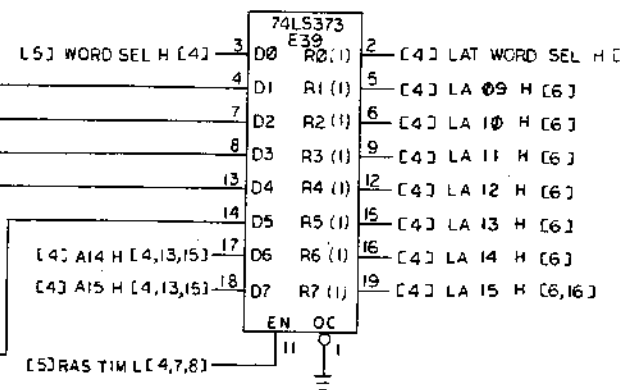
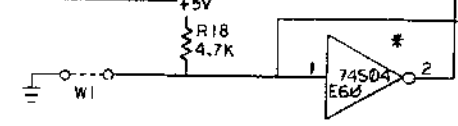
REVISIONS		
CHK	CHANGE NO.	REV.

THIS DRAWING AND SPECIFICATIONS HEREIN ARE THE PROPERTY OF DIGITAL EQUIPMENT CORPORATION AND SHALL NOT BE REPRODUCED OR COPIED OR USED IN WHOLE OR IN PART AS THE BASIS FOR THE MANUFACTURE OR SALE OF ITEMS WITHOUT WRITTEN PERMISSION. COPYRIGHT © 1980 DIGITAL EQUIPMENT CORPORATION

D
C
B
A



WI	BUS STRUCTURE
OUT	EXTENDED UNIBUS
IN	UNIBUS



STARTING MEMORY BANK (WORDS)	STARTING ADDRESS	SWITCH SETTING				
		(A21) E46-5	(A20) E46-4	(A19) E46-3	(A18) E46-2	(A17) E46-1
0	0	0	0	0	0	0
64K	400000	0	0	0	0	0
128K	1000000	0	0	0	0	0
192K	1400000	0	0	0	0	0
256K	2000000	0	0	0	0	0
320K	2400000	0	0	0	0	0
384K	3000000	0	0	0	0	0
448K	3400000	0	0	0	0	0
512K	4000000	0	0	0	0	0
576K	4400000	0	0	0	0	0
640K	5000000	0	0	0	0	0
704K	5400000	0	0	0	0	0
768K	6000000	0	0	0	0	0
832K	6400000	0	0	0	0	0
896K	7000000	0	0	0	0	0
960K	7400000	0	0	0	0	0
1024K	8000000	0	0	0	0	0
1088K	10400000	0	0	0	0	0
1152K	11000000	0	0	0	0	0
1216K	11400000	0	0	0	0	0
1280K	12000000	0	0	0	0	0
1344K	12400000	0	0	0	0	0
1408K	13000000	0	0	0	0	0
1472K	13400000	0	0	0	0	0
1536K	14000000	0	0	0	0	0
1600K	14400000	0	0	0	0	0
1664K	15000000	0	0	0	0	0
1728K	15400000	0	0	0	0	0
1792K	16000000	0	0	0	0	0
1856K	16400000	0	0	0	0	0
1920K	17000000	0	0	0	0	0
1984K	17400000	0	0	0	0	0

0 = SWITCH ON
1 = SWITCH OFF

ADDRESS RECEIVERS, STARTING ADDRESS SELECTION

TITLE	SIZE/SCALE	NUMBER	FE.
ECC MOS MEMORY (MSIM)	DCS	M8722-0-1	2
SCALE	SHEET 4 OF 22	DIST.	

DCS M8722-0-1

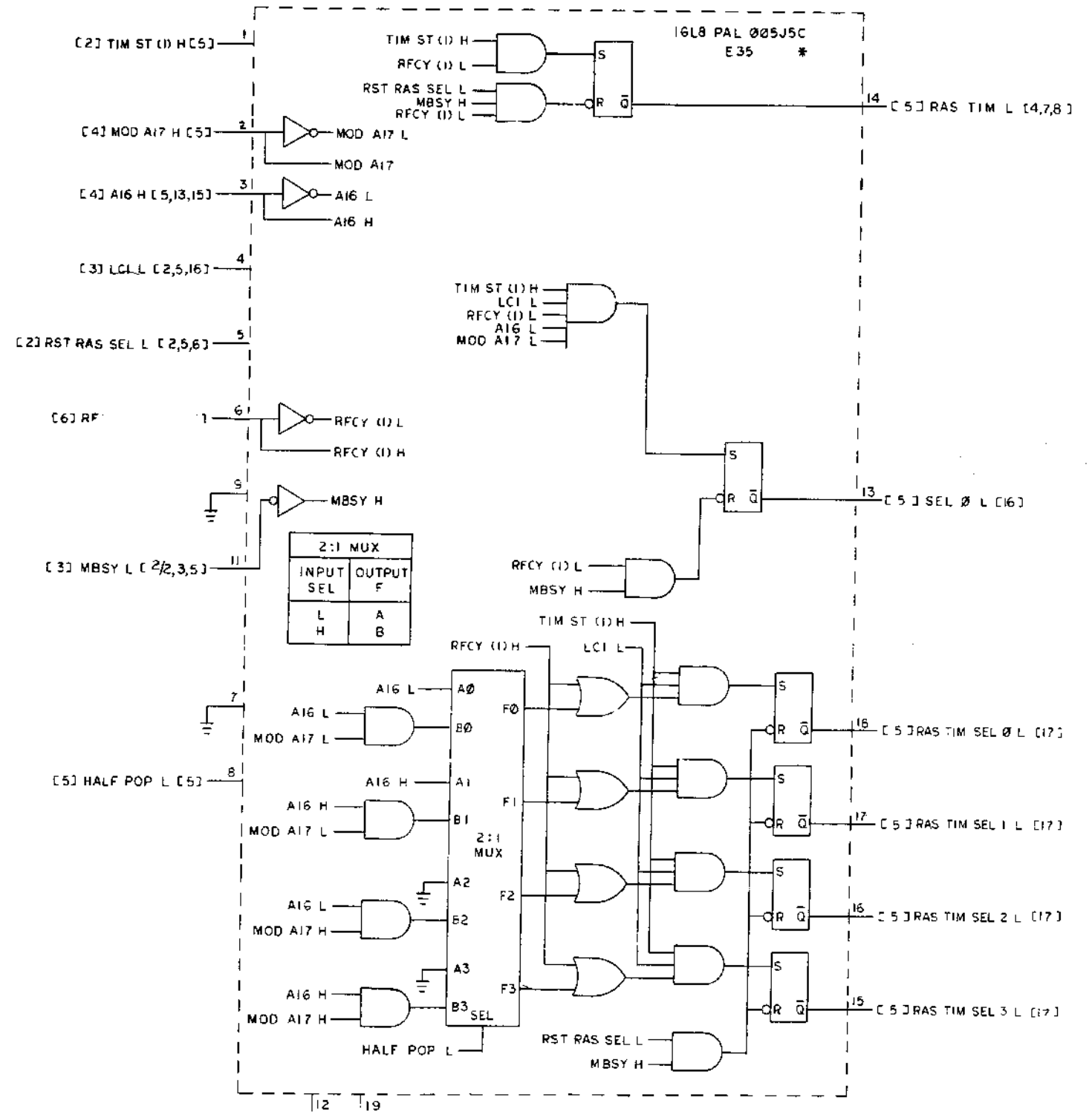
REVISIONS		
CHK	CHANGE NO.	REV.

THIS DRAWING AND SPECIFICATIONS HEREON ARE THE PROPERTY OF DIGITAL EQUIPMENT CORPORATION AND SHALL NOT BE REPRODUCED OR COPIED OR USED IN WHOLE OR IN PART AS THE BASIS FOR THE MANUFACTURE OR SALE OF ITEMS WITHOUT WRITTEN PERMISSION OF DIGITAL EQUIPMENT CORPORATION

745153 4:1 MUX			
INPUTS			OUTPUTS
STB	SI	S0	F
L	L	L	A
L	L	H	B
L	H	L	C
L	H	H	D
H	X	X	LOW

SW POSITION		USAGE		MEMORY CAPACITY AND INTERLEAVING
8	7	6	JUMPER W2	
OFF	OFF	OFF	IN	64K 1/2 POP NON INTERL.
OFF	OFF	OFF	OUT	128K FULLY POP NON INTERL.
OFF	ON	ON	IN	64K 1/2 POP INTERL RESPONDS TO A01 H NON ASSERTED
OFF	ON	ON	OUT	128K FULLY POP INTERL RESPONDS TO A01 H NON ASSERTED
ON	OFF	ON	IN	64K 1/2 POP INTERL RESPONDS TO A01 H ASSERTED
ON	OFF	ON	OUT	128K FULLY POP INTERL RESPONDS TO A01 H ASSERTED

NOTE: SW 8 & 7 MUST NOT BE ON AT THE SAME TIME

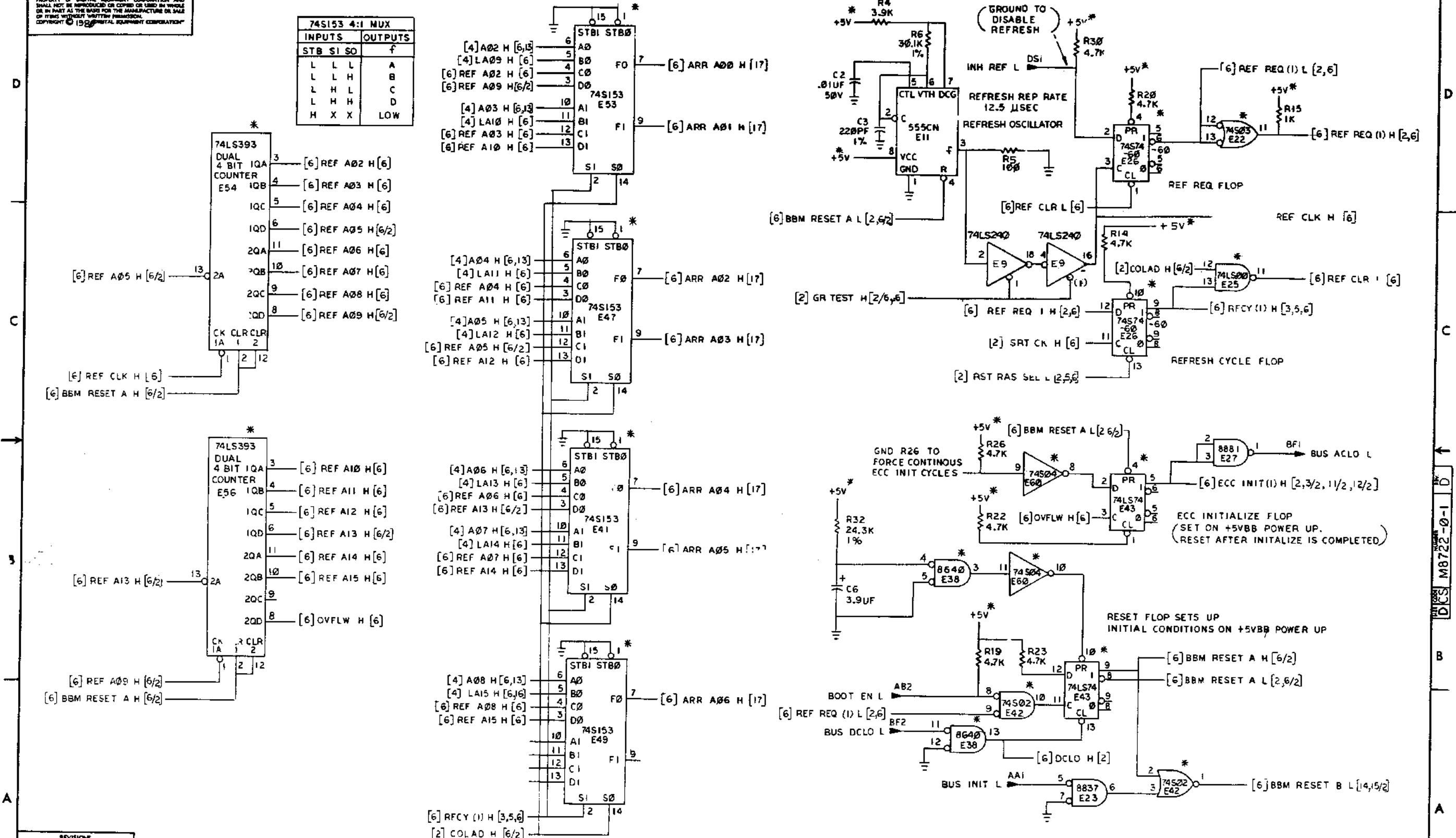


(MEMORY SELECT, INTERLEAVING RAS TIM GENERATION)

REVISIONS		
CHK	CHANGE NO.	REV.

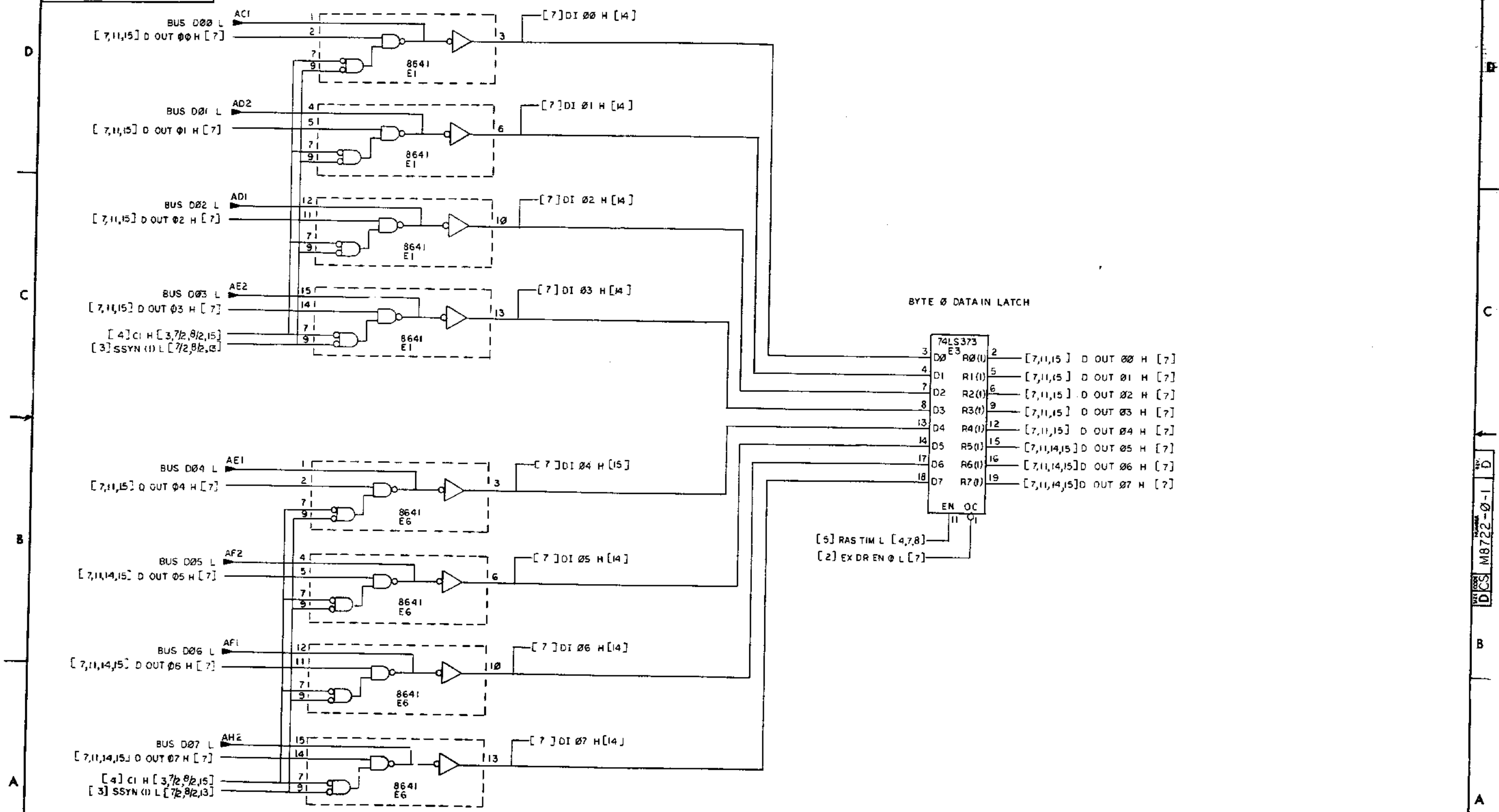
THIS DRAWING AND SPECIFICATIONS HEREIN ARE THE PROPERTY OF DIGITAL EQUIPMENT CORPORATION AND SHALL NOT BE REPRODUCED OR COPIED OR USED IN WHOLE OR IN PART AS THE BASIS FOR THE MANUFACTURE OR SALE OF ITEMS WITHOUT WRITTEN PERMISSION. COPYRIGHT © 1972 DIGITAL EQUIPMENT CORPORATION

74S153 4:1 MUX			
INPUTS		OUTPUTS	
STB	SI	SO	f
L	L	L	A
L	L	H	B
L	H	L	C
L	H	H	D
H	X	X	LOW



REVISIONS		
CHK	CHANGE NO.	REV.

THE DRAWING AND SPECIFICATIONS HEREIN ARE THE PROPERTY OF DIGITAL EQUIPMENT CORPORATION AND SHALL NOT BE REPRODUCED OR COPIED OR USED IN WHOLE OR IN PART AS THE BASIS FOR THE MANUFACTURE OR SALE OF ITEMS WITHOUT WRITTEN PERMISSION FROM DIGITAL EQUIPMENT CORPORATION



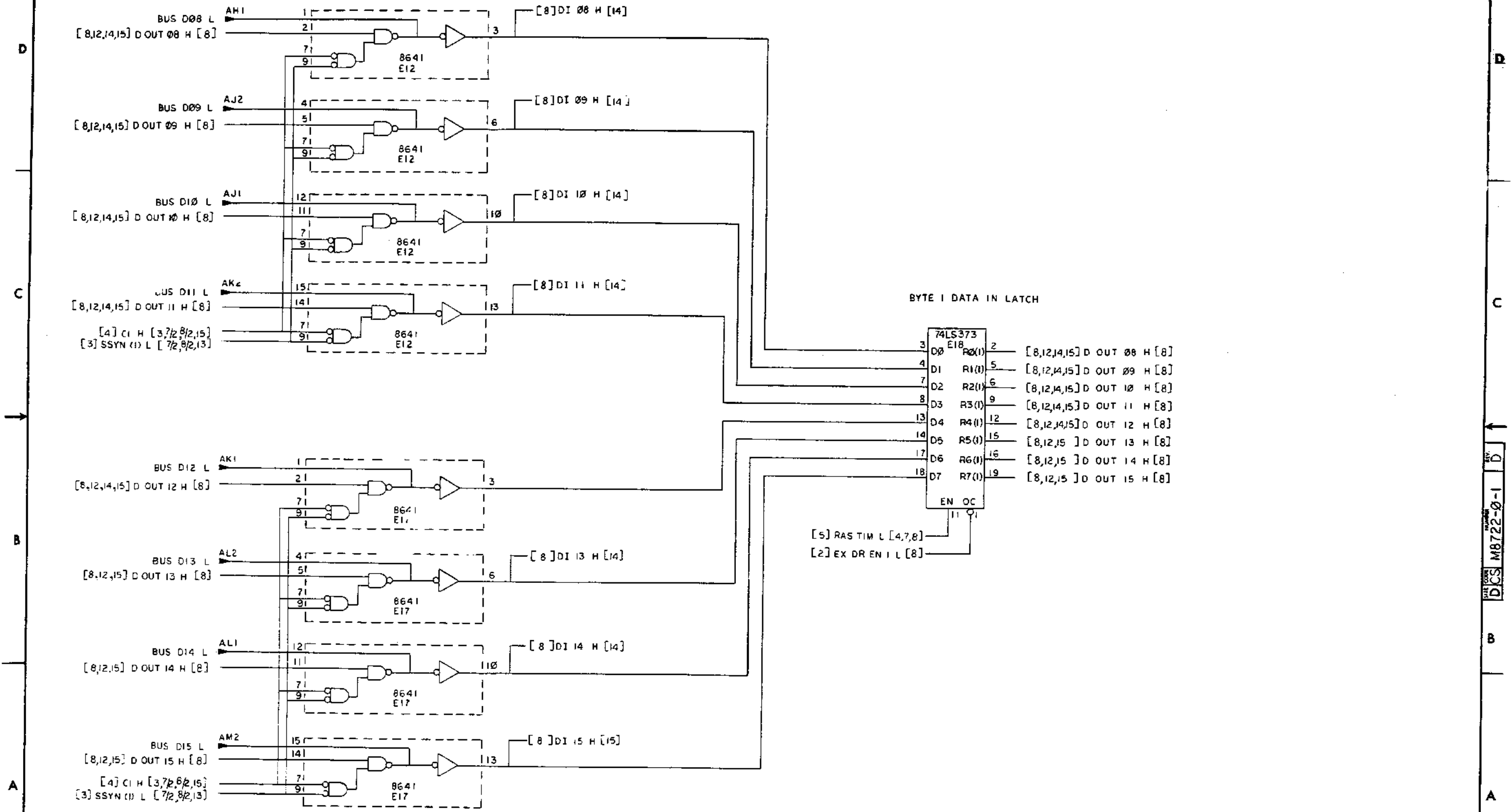
(BYTE 0 DATA DRIVERS, RECEIVERS AND LATCH)

REVISIONS		
CHK	CHANGE NO.	REV.

TITLE	ECC MOS MEMORY(MSIM)	SIZE CODE	D CS	NUMBER	M8722-0-1	REV	D
SCALE		SHEET	7	OF	22	DIST.	

D CS M8722-0-1

THIS DRAWING AND SPECIFICATIONS HEREIN ARE THE PROPERTY OF DIGITAL EQUIPMENT CORPORATION AND SHALL NOT BE REPRODUCED OR COPIED OR USED IN WHOLE OR IN PART AS THE BASIS FOR THE MANUFACTURE OR SALE OF ITEMS WITHOUT WRITTEN PERMISSION. COPYRIGHT © 1972 DIGITAL EQUIPMENT CORPORATION.

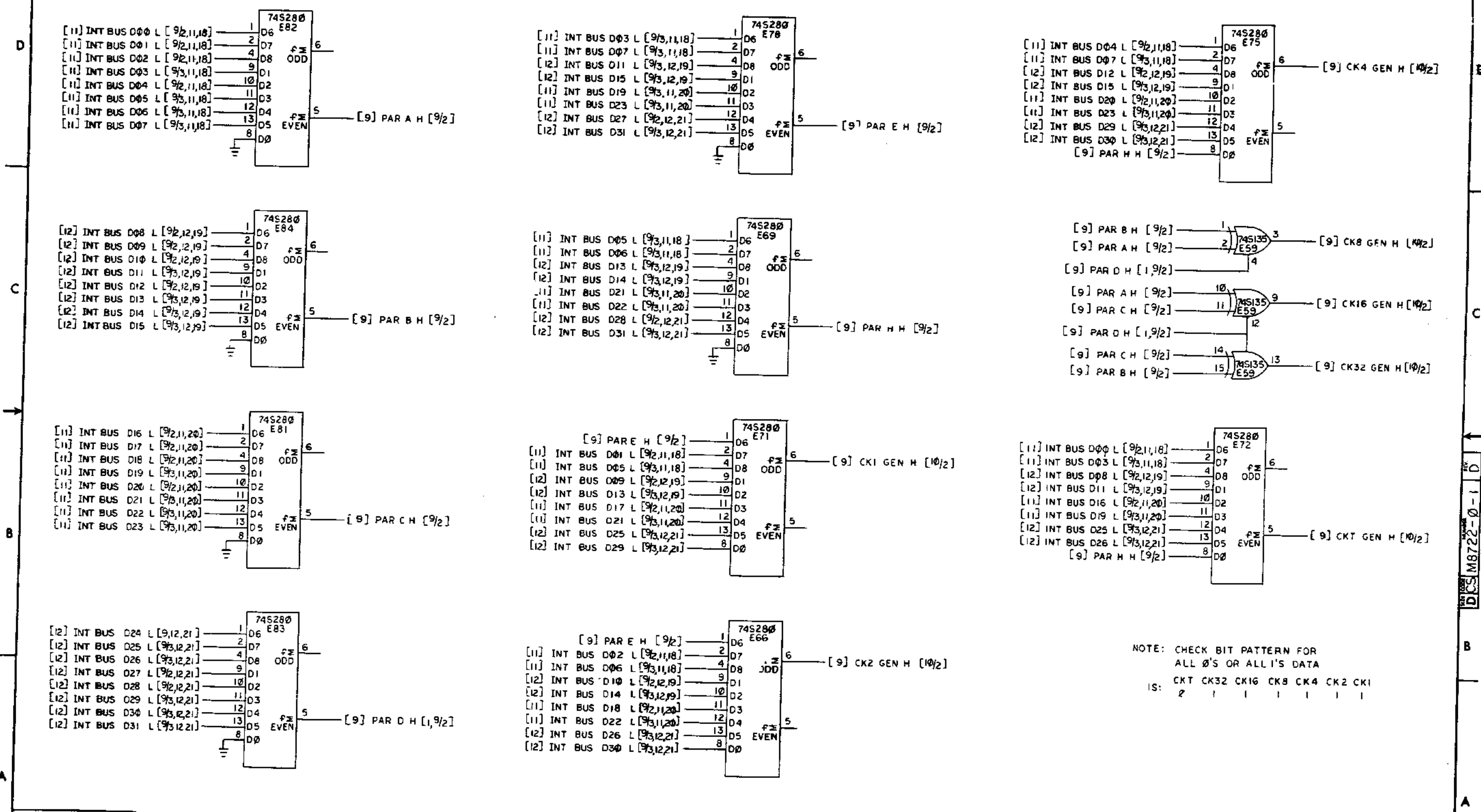


REVISIONS		
CHK	CHANGE NO.	REV.

(BYTE 1 DATA DRIVERS, RECEIVERS AND LATCH)

TITLE	SIZE CODE	NUMBER	REV.
ECC MOS MEMORY (MS11M)	D CS	M8722-0-1	D
SCALE	SHEET 6	OF 22	DIST.

THE DESIGN AND SPECIFICATIONS HEREIN ARE THE PROPERTY OF GENERAL ELECTRIC CORPORATION AND SHALL NOT BE REPRODUCED OR COPIED OR USED IN WHOLE OR IN PART AS THE BASIS FOR THE MANUFACTURE OR SALE OF ITEMS WITHOUT WRITTEN PERMISSION.
 COPYRIGHT © 1978 GENERAL ELECTRIC CORPORATION



NOTE: CHECK BIT PATTERN FOR ALL 0'S OR ALL 1'S DATA
 CKT CK32 CK16 CK8 CK4 CK2 CK1
 IS: 0 1 1 1 1 1

(CHECK BIT GENERATION)

REVISIONS		
CHK	CHANGE NO.	REV.

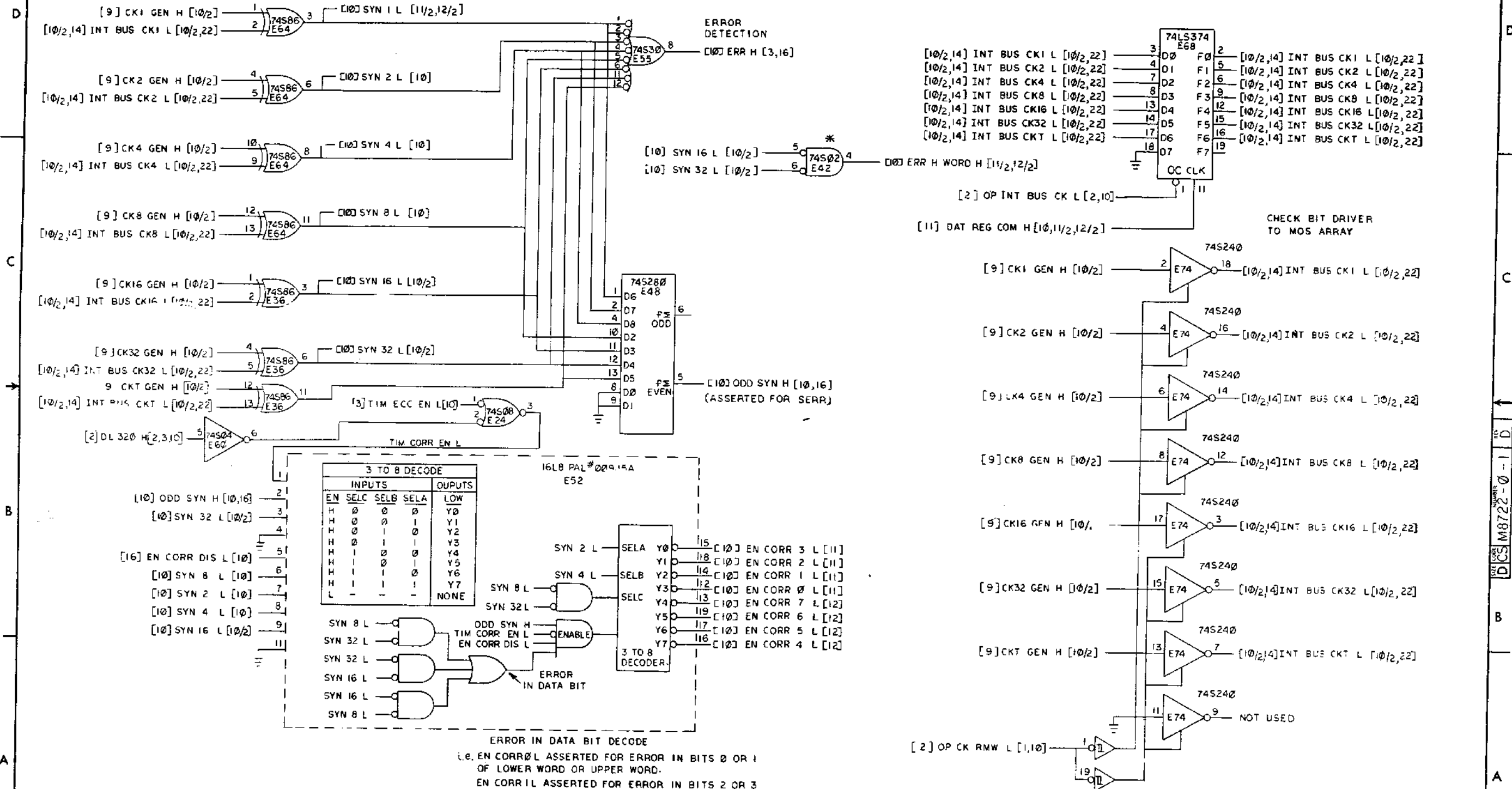
TITLE	SIZE CODE	NUMBER	REV.
ECC MOS MEMORY (MSIM)	DCS	M8722-0-1	D
SCALE	SHEET	OF	TOTAL
	9	22	

DCS M8722-0-1 D

THIS DRAWING AND SPECIFICATIONS HEREIN ARE THE PROPERTY OF DIGITAL EQUIPMENT CORPORATION AND SHALL NOT BE REPRODUCED OR COPIED OR USED IN WHOLE OR IN PART AS THE BASIS FOR THE MANUFACTURE OR SALE OF ITEMS WITHOUT WRITTEN PERMISSION OF DIGITAL EQUIPMENT CORPORATION.

SYNDROME GENERATION ON CHECK BIT COMPARE

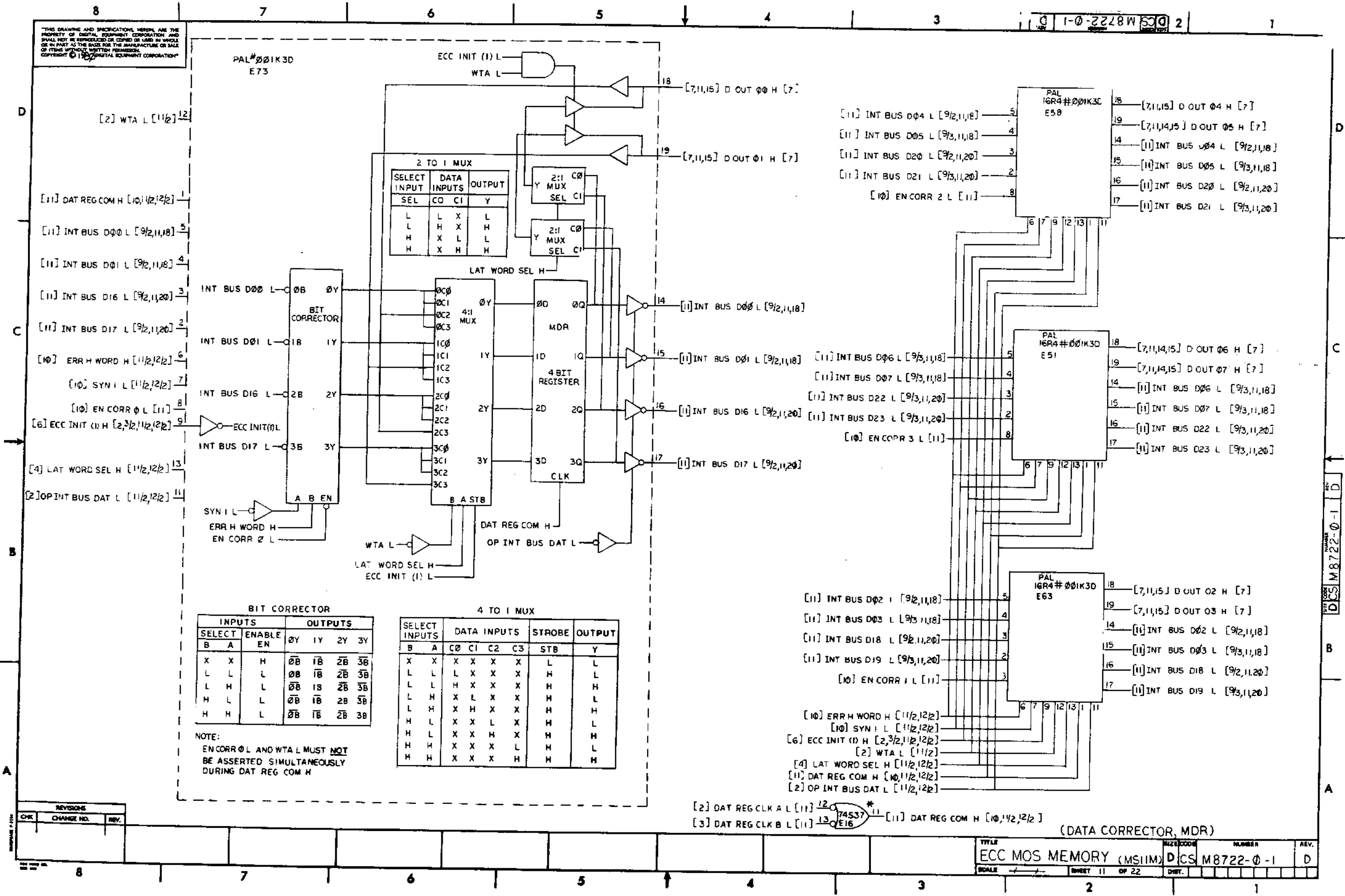
CHECK BIT REGISTER



REVISIONS

CHK	CHANGE NO.	REV.

THIS DRAWING AND SPECIFICATIONS HEREIN ARE THE PROPERTY OF DIGITAL EQUIPMENT CORPORATION AND SHALL NOT BE REPRODUCED OR COPIED OR USED IN WHOLE OR IN PART AS THE BASIS FOR THE MANUFACTURE OR SALE OF ITEMS WITHOUT WRITTEN PERMISSION. COPYRIGHT © 1973 DIGITAL EQUIPMENT CORPORATION



BIT CORRECTOR

INPUTS			OUTPUTS			
SELECT	ENABLE		0Y	1Y	2Y	3Y
B	A	EN	0B	1B	2B	3B
X	X	H	0B	1B	2B	3B
L	L	L	0B	1B	2B	3B
L	H	L	0B	1B	2B	3B
H	L	L	0B	1B	2B	3B
H	H	L	0B	1B	2B	3B

4 TO 1 MUX

SELECT INPUTS		DATA INPUTS				STROBE	OUTPUT
B	A	C0	C1	C2	C3	STB	Y
X	X	X	X	X	X	L	L
L	L	L	X	X	X	H	L
L	L	H	X	X	X	H	H
L	H	X	L	X	X	H	L
L	H	X	H	X	X	H	H
H	L	X	X	L	X	H	L
H	L	X	X	H	X	H	H
H	H	X	X	X	L	H	L
H	H	X	X	X	H	H	H

NOTE:
EN CORR 0 L AND WTA L MUST NOT BE ASSERTED SIMULTANEOUSLY DURING DAT REG COM H

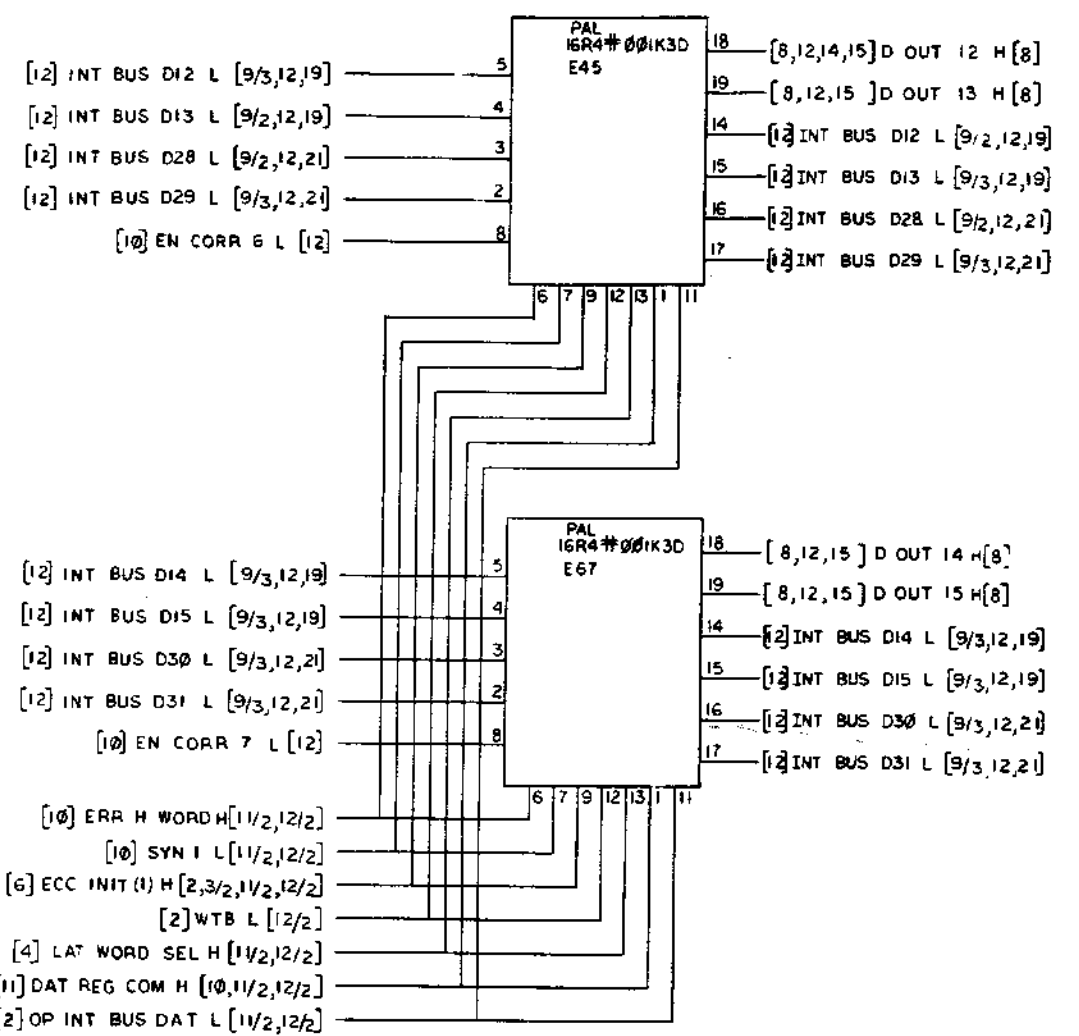
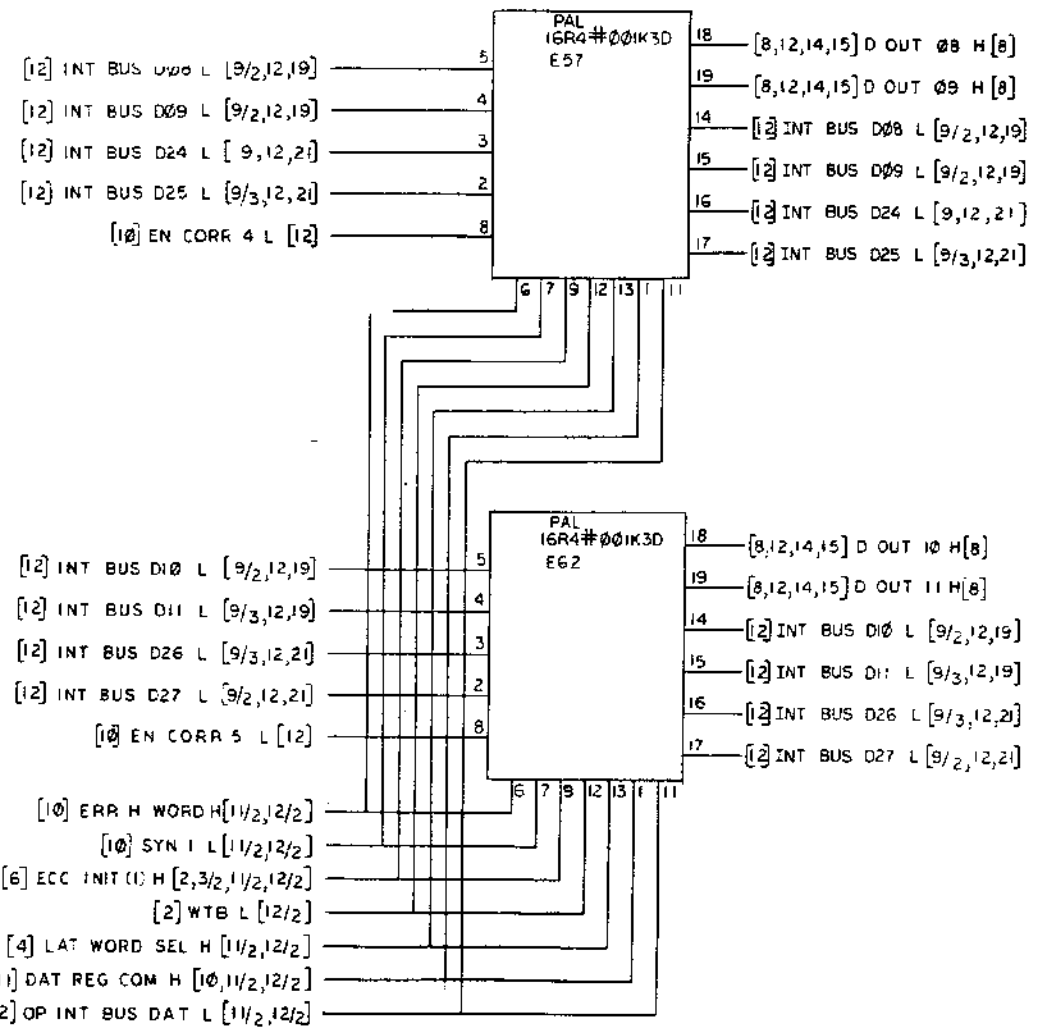
[2] DAT REG CLK A L [11] 12
[3] DAT REG CLK B L [11] 13

(DATA CORRECTOR, MDR)

REVISIONS

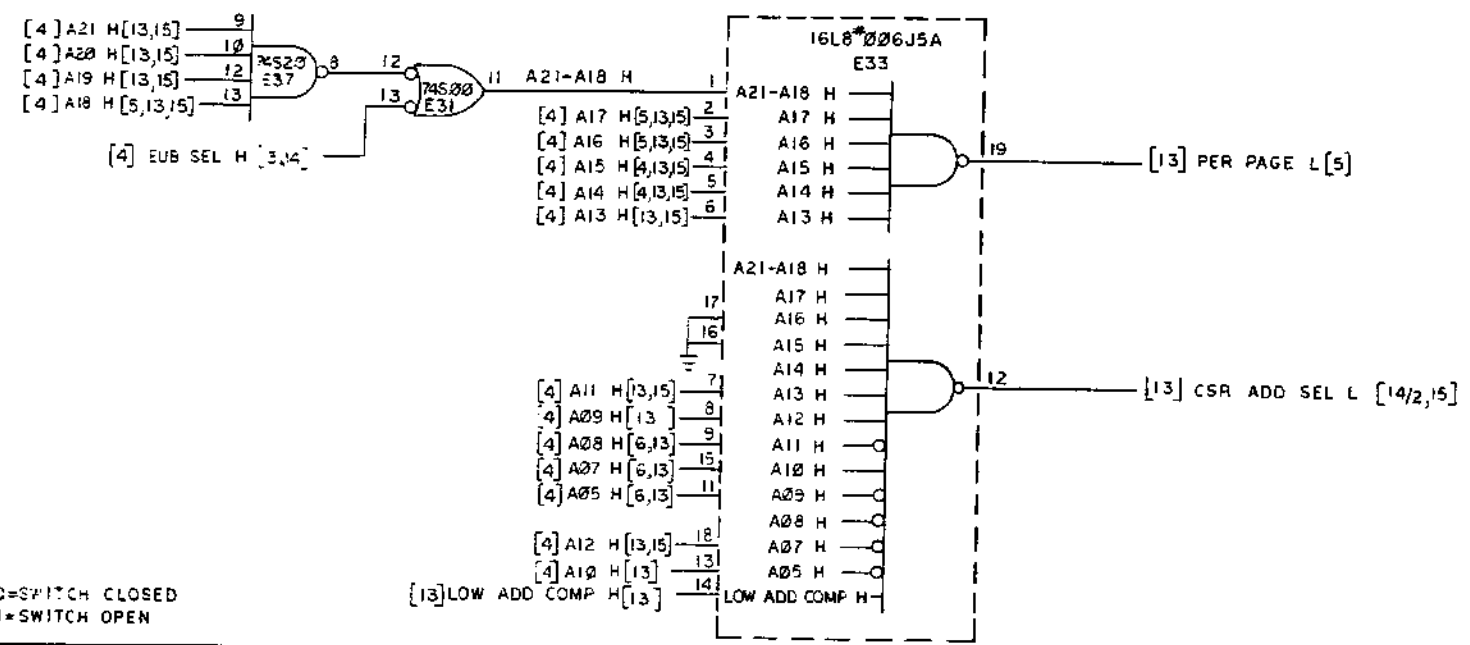
CHK	CHANGE NO.	REV.

THIS DRAWING AND SPECIFICATIONS HEREIN ARE THE PROPERTY OF DIGITAL EQUIPMENT CORPORATION AND SHALL NOT BE REPRODUCED OR COPIED IN WHOLE OR IN PART AS THE BASIS FOR THE MANUFACTURE OR SALE OF ITEMS WITHOUT WRITTEN PERMISSION. COPYRIGHT © 1987, DIGITAL EQUIPMENT CORPORATION.



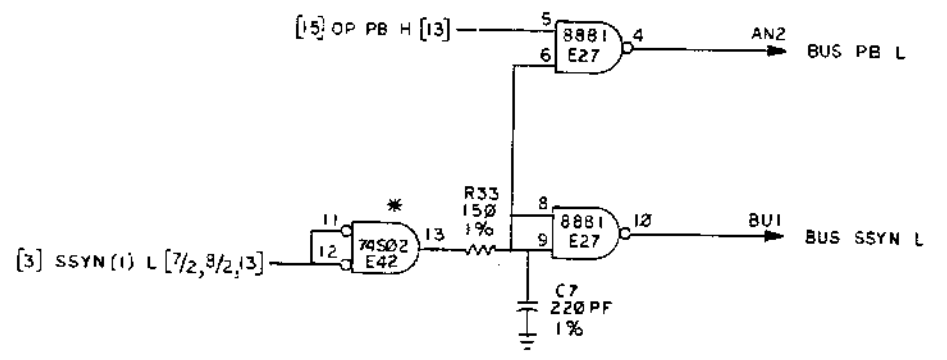
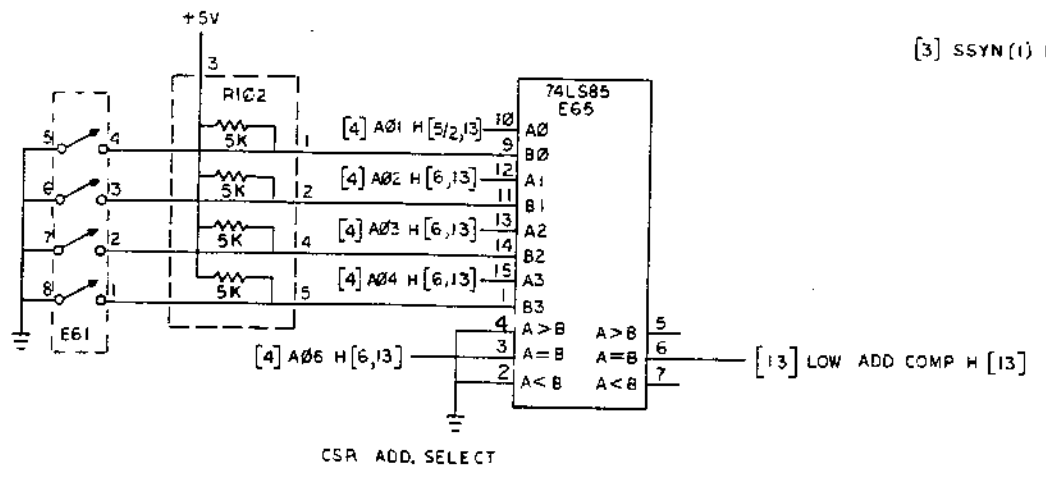
REVISIONS		
CHK	CHANGE NO	REV

THIS DRAWING AND SPECIFICATIONS HEREIN ARE THE PROPERTY OF DIGITAL EQUIPMENT CORPORATION AND SHALL NOT BE REPRODUCED OR COPIED OR USED IN WHOLE OR IN PART AS THE BASIS FOR THE MANUFACTURE OR SALE OF ITEMS WITHOUT WRITTEN PERMISSION. COPYRIGHT © 1977 DIGITAL EQUIPMENT CORPORATION.



0=SWITCH CLOSED
1=SWITCH OPEN

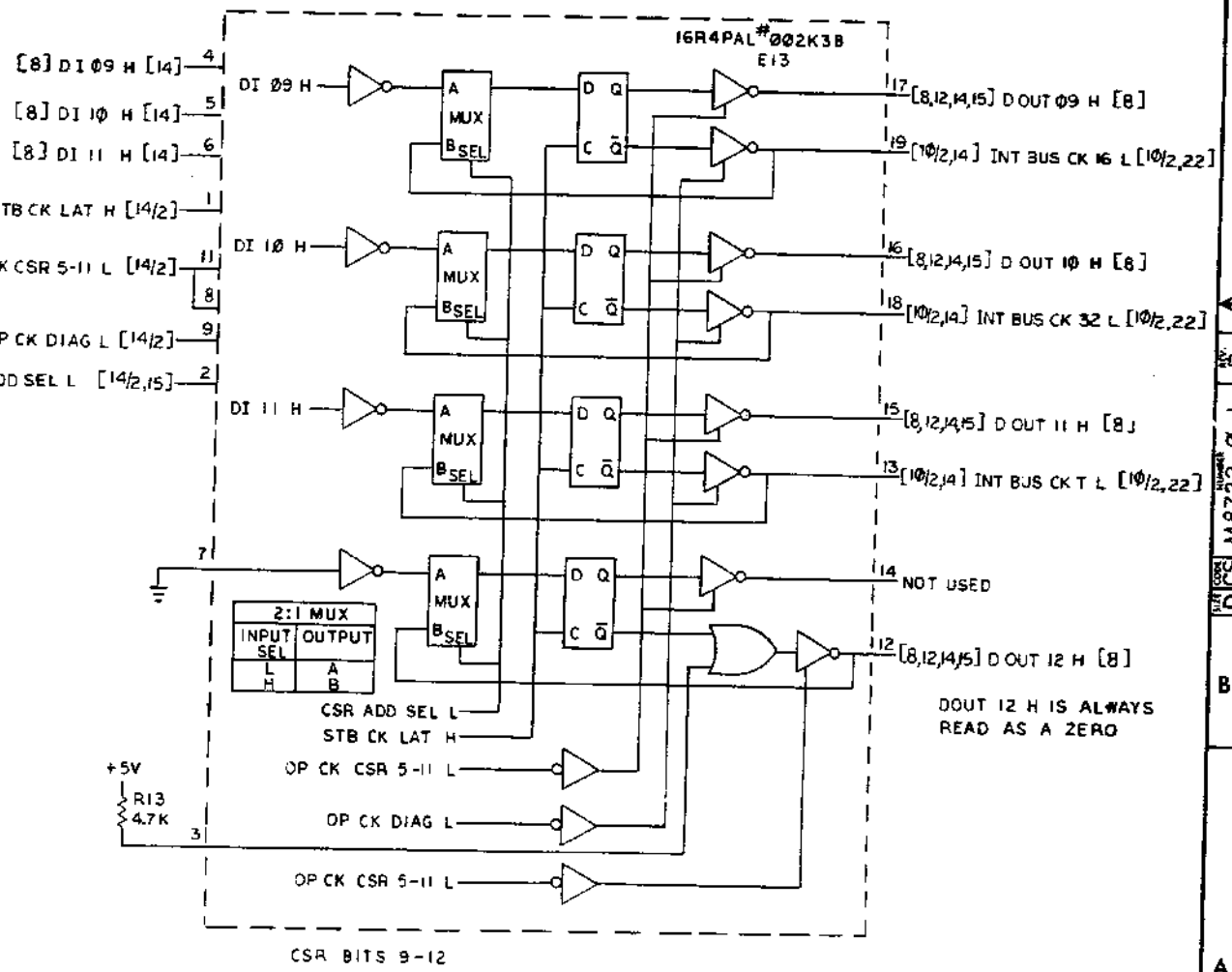
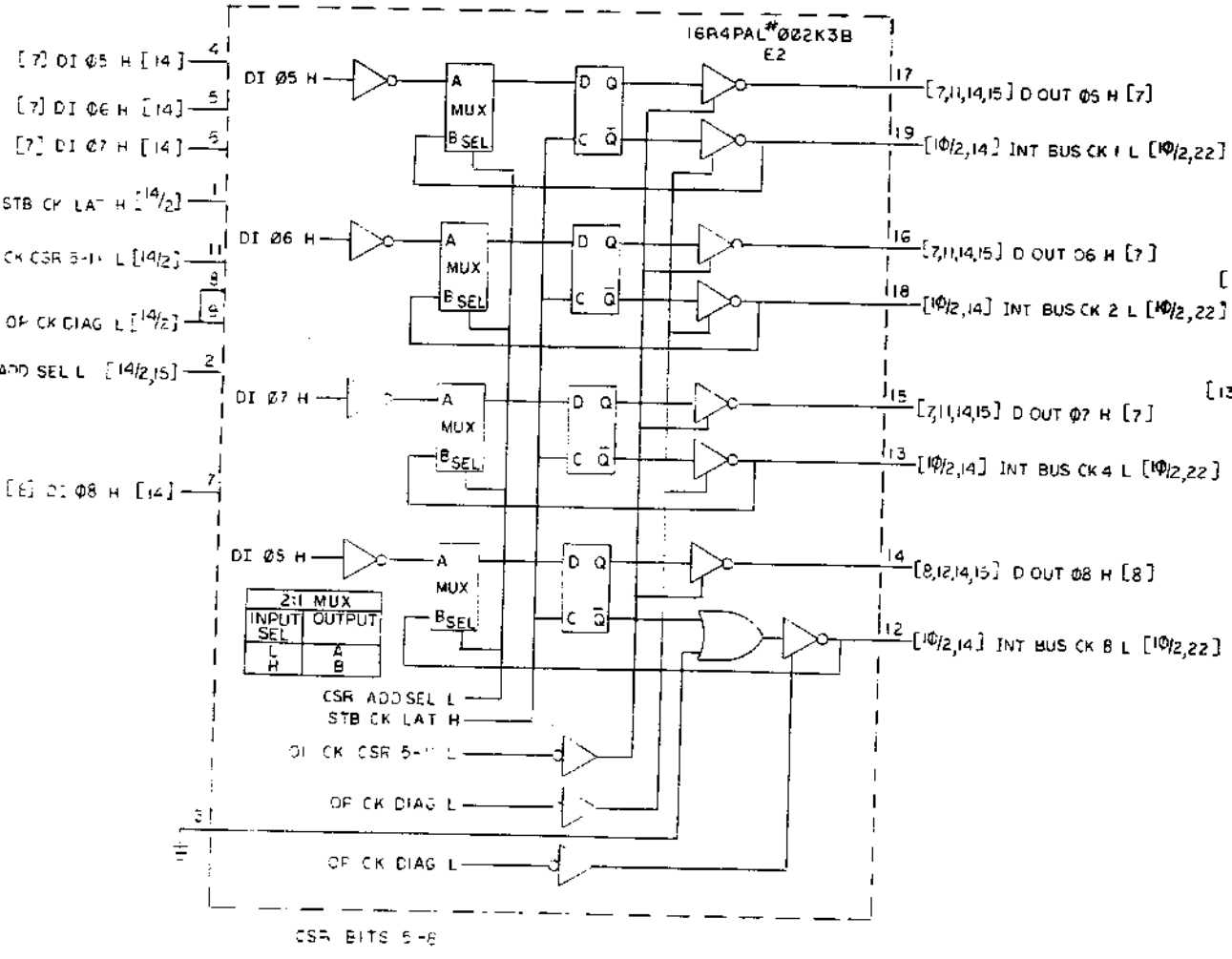
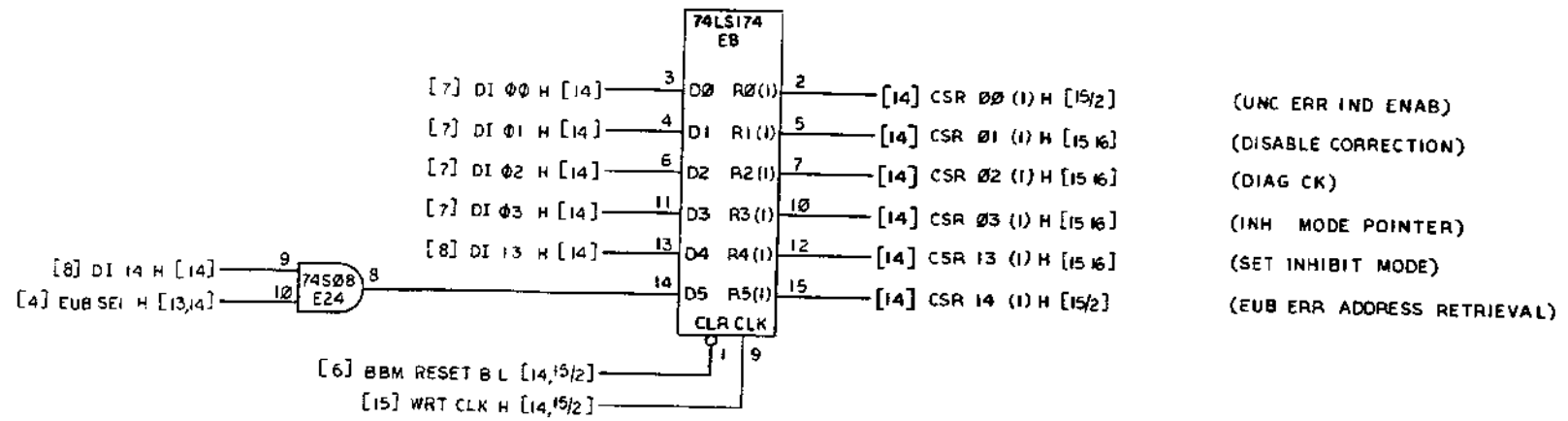
CSR ADDRESS	E61			
	A04	A03	A02	A01
772100	0	0	0	0
772102	0	0	0	1
772104	0	0	1	0
772106	0	0	1	1
772110	0	1	0	0
772112	0	1	0	1
772114	0	1	1	0
772116	0	1	1	1
772120	1	0	0	0
772122	1	0	0	1
772124	1	0	1	0
772126	1	0	1	1
772130	1	1	0	0
772132	1	1	0	1
772134	1	1	1	0
772136	1	1	1	1



(CSR ADDRESS SELECTION)

REVISIONS		
CHK	CHANGE NO.	REV.

THIS DRAWING AND SPECIFICATIONS HEREIN ARE THE PROPERTY OF DIGITAL EQUIPMENT CORPORATION AND SHALL NOT BE REPRODUCED OR COPIED OR USED IN WHOLE OR IN PART AS THE BASIS FOR THE MANUFACTURE OR SALE OF ITEMS WITHOUT WRITTEN PERMISSION. COPYRIGHT © 1976 DIGITAL EQUIPMENT CORPORATION



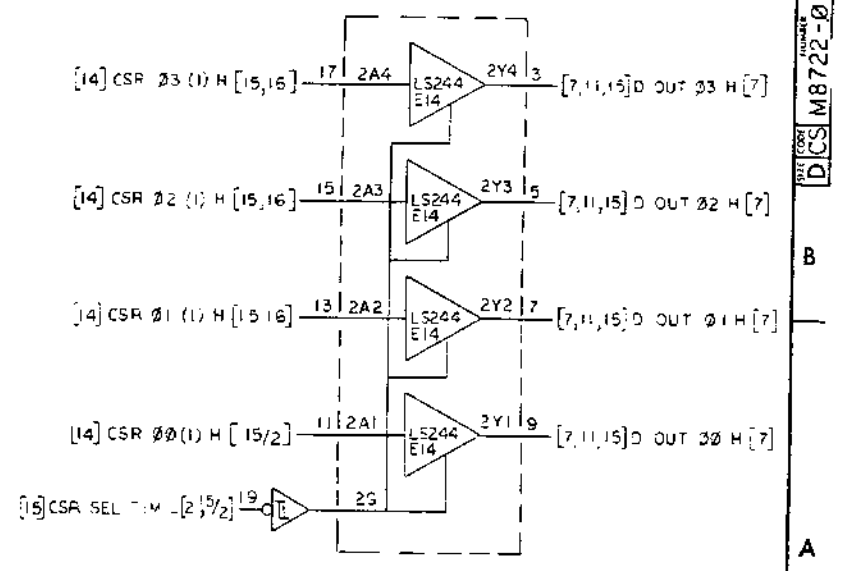
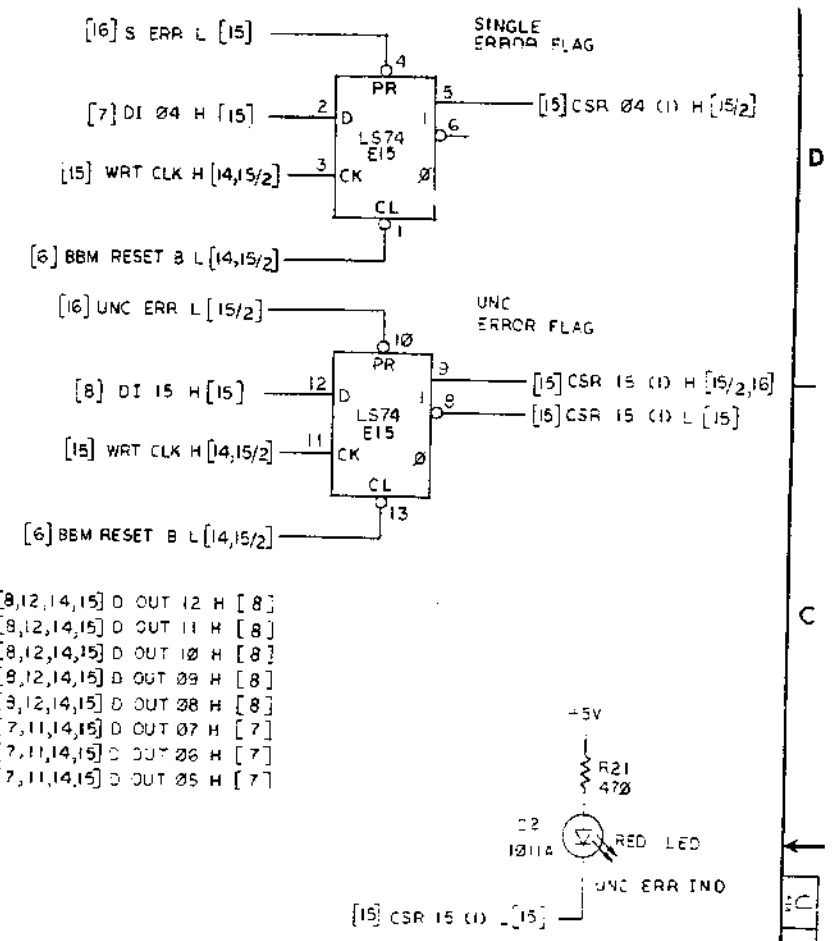
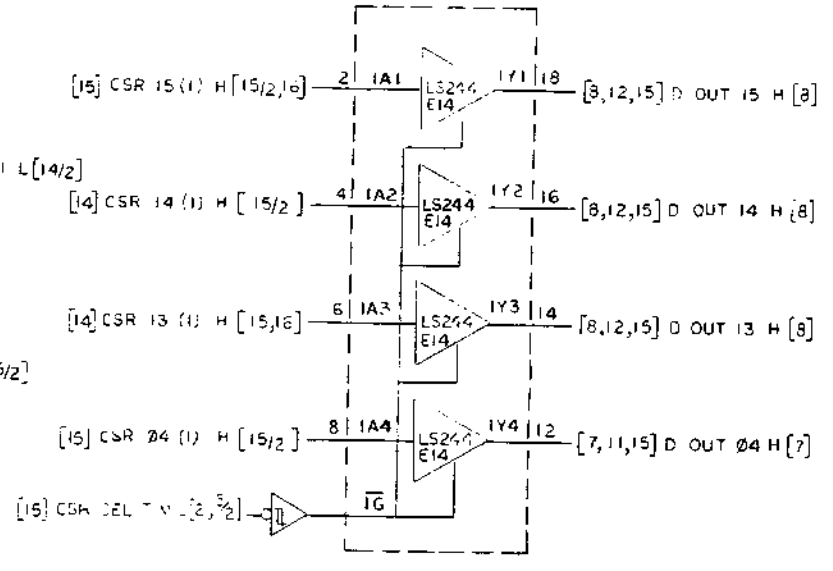
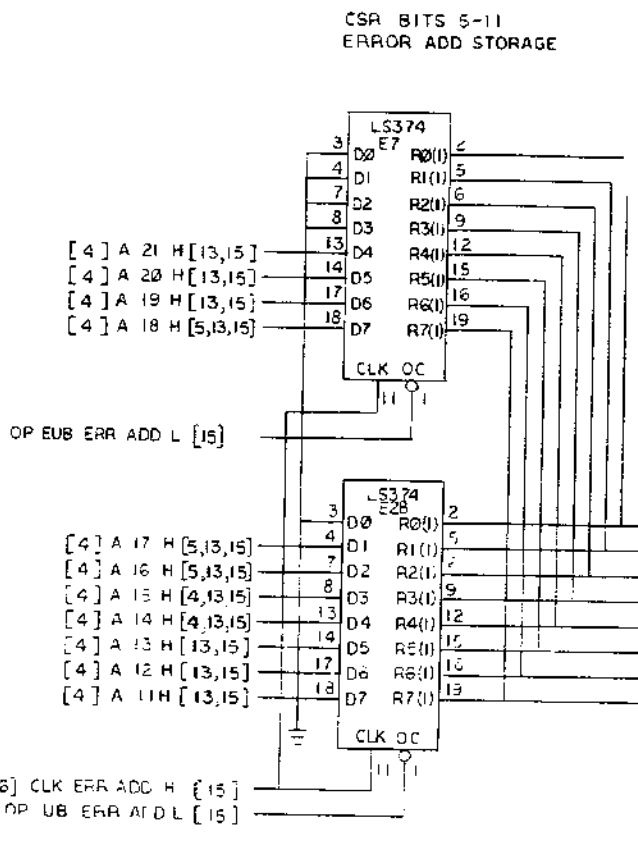
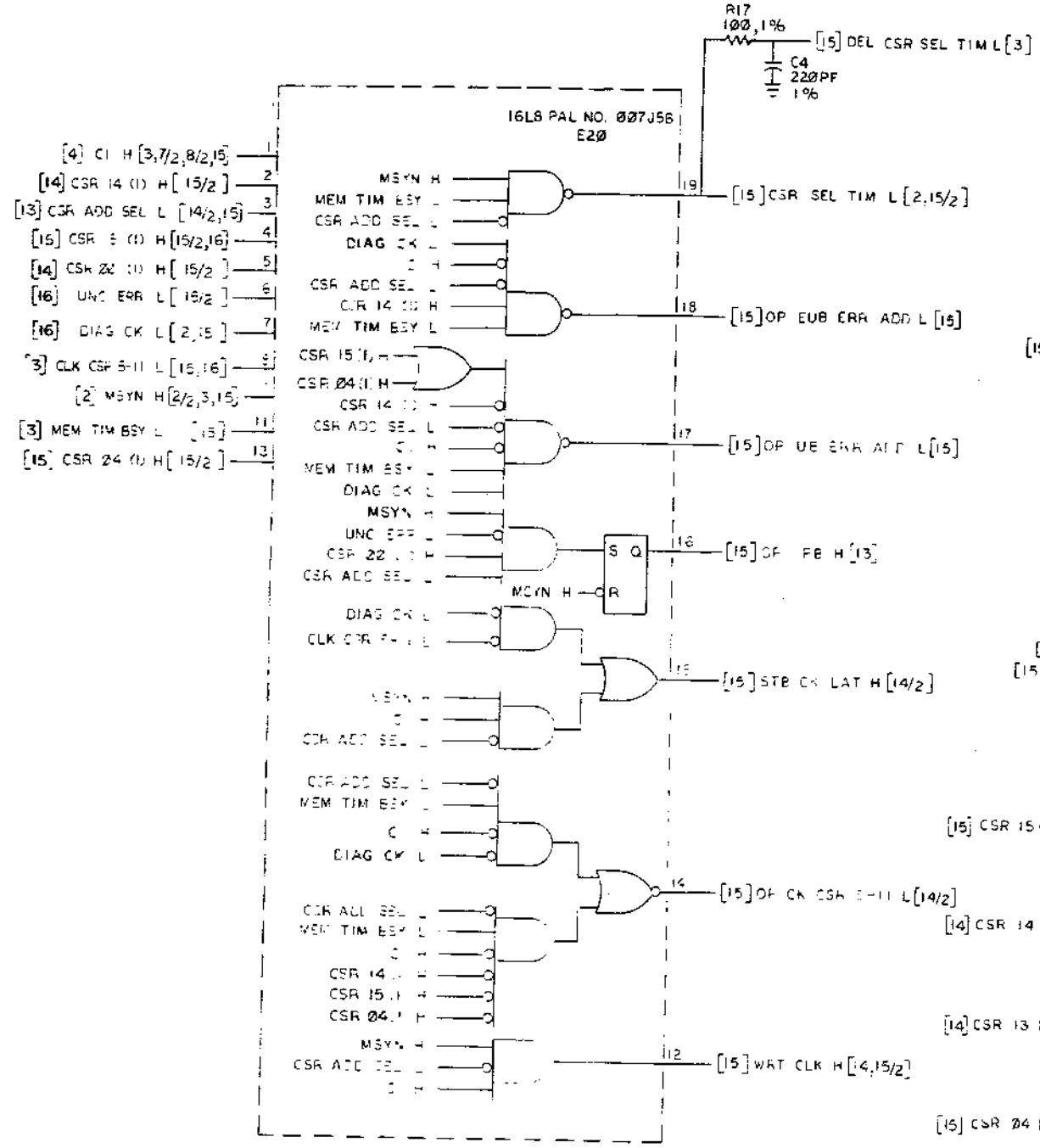
(CSR BITS 00-03, 05-12, 13, 14)

REVISIONS		
CHK	CHANGE NO.	REV.

TITLE	ECC MOS MEMORY (MSIIM)	SIZE CODE	D CS	NUMBER	M8722-0-1	REV.	D
SCALE	1/1	SHEET	14	OF	22	DIST.	

THIS DRAWING AND SPECIFICATIONS HEREIN ARE THE PROPERTY OF DIGITAL EQUIPMENT CORPORATION AND SHALL NOT BE REPRODUCED OR COPIED IN WHOLE OR IN PART AS THE BASIS FOR THE MANUFACTURE OR SALE OF ITEMS WITHOUT WRITTEN PERMISSION. COPYRIGHT © 1980 DIGITAL EQUIPMENT CORPORATION

D
C
B
A



REVISIONS		
CHK	CHANGE NO.	REV.

CSR CONTROL, CSR ERR ADDR STORAGE, CSR BITS 04,15

TITLE	ECC MOS MEMORY (MS11M)	SIZE CODE	D CS	NUMBER	M8722-0-1	REV.	D
SCALE	1:1	SHEET	15	OF	22	DIST.	

D CS M8722-0-1

THIS DRAWING AND SPECIFICATIONS HEREIN ARE THE PROPERTY OF DIGITAL EQUIPMENT CORPORATION AND SHALL NOT BE REPRODUCED OR COPIED OR USED IN WHOLE OR IN PART AS THE BASIS FOR THE MANUFACTURE OR SALE OF ITEMS WITHOUT WRITTEN PERMISSION. COPYRIGHT © 1980 DIGITAL EQUIPMENT CORPORATION

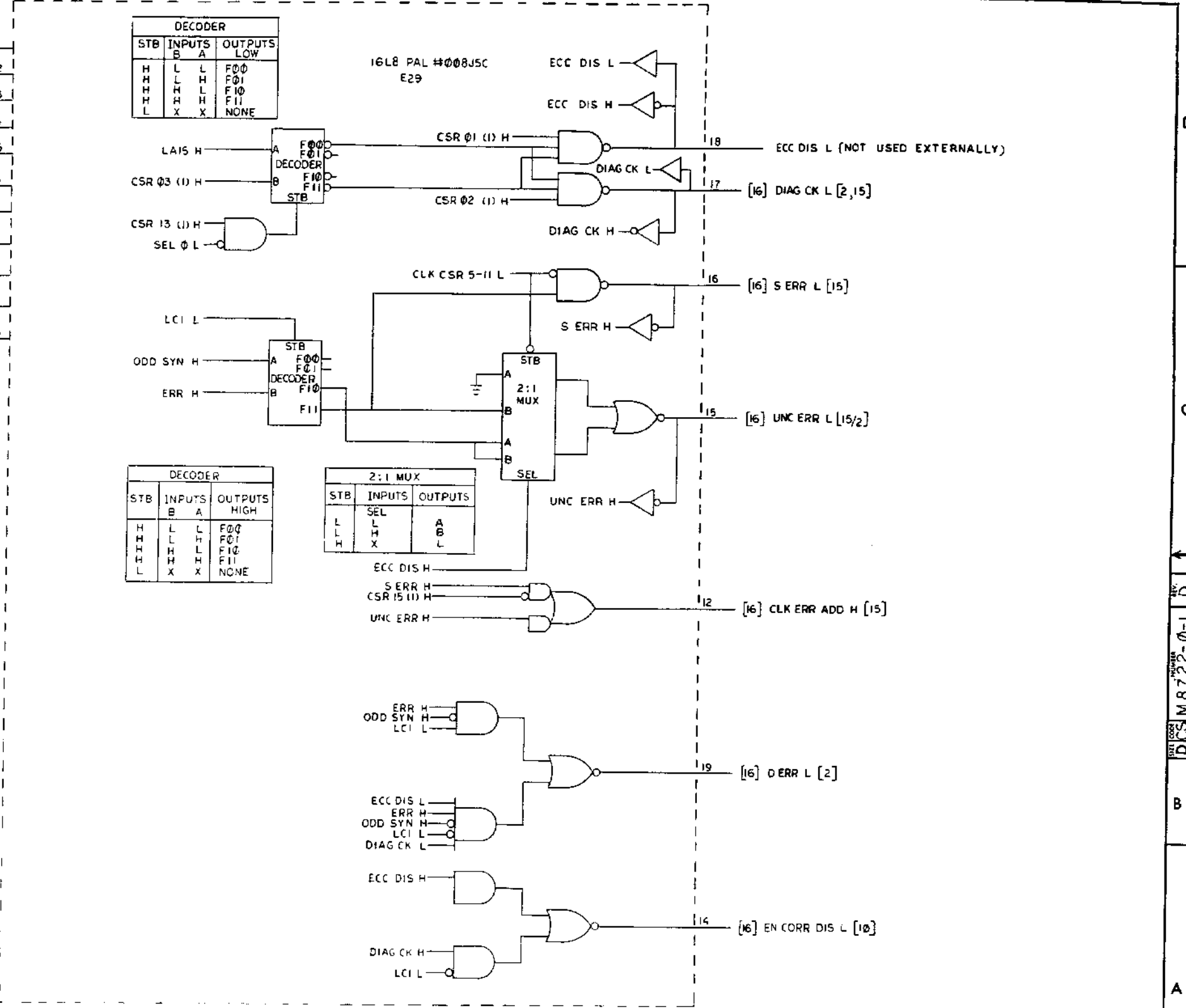
DCS M8722-0-1 2

- [14] CSR 01 (1) H [15,16] 1
- [4] LA 15 H [6,16] 2
- [14] CSR 03 (1) H [15,16] 3
- [14] CSR 02 (1) H [15,16] 4
- [14] CSR 13 (1) H [15,16] 5
- [5] SEL 0 L [16] 6
- [10] ODD SYN H [10,16] 7
- [10] ERR H [3,16] 8
- [3] CLK CSR 5-11 L [15,16] 9
- [3] LCI L [2,5,16] 11
- [15] CSR 15 (1) H [15/2,16] 13

DECODER			
STB	INPUTS	A	OUTPUTS LOW
H	L	L	F00
H	L	H	F01
H	H	L	F10
H	H	H	F11
L	X	X	NONE

DECODER			
STB	INPUTS	A	OUTPUTS HIGH
H	L	L	F00
H	L	H	F01
H	H	L	F10
H	H	H	F11
L	X	X	NONE

2:1 MUX		
STB	INPUTS	OUTPUTS
L	L	A
L	H	B
H	X	L



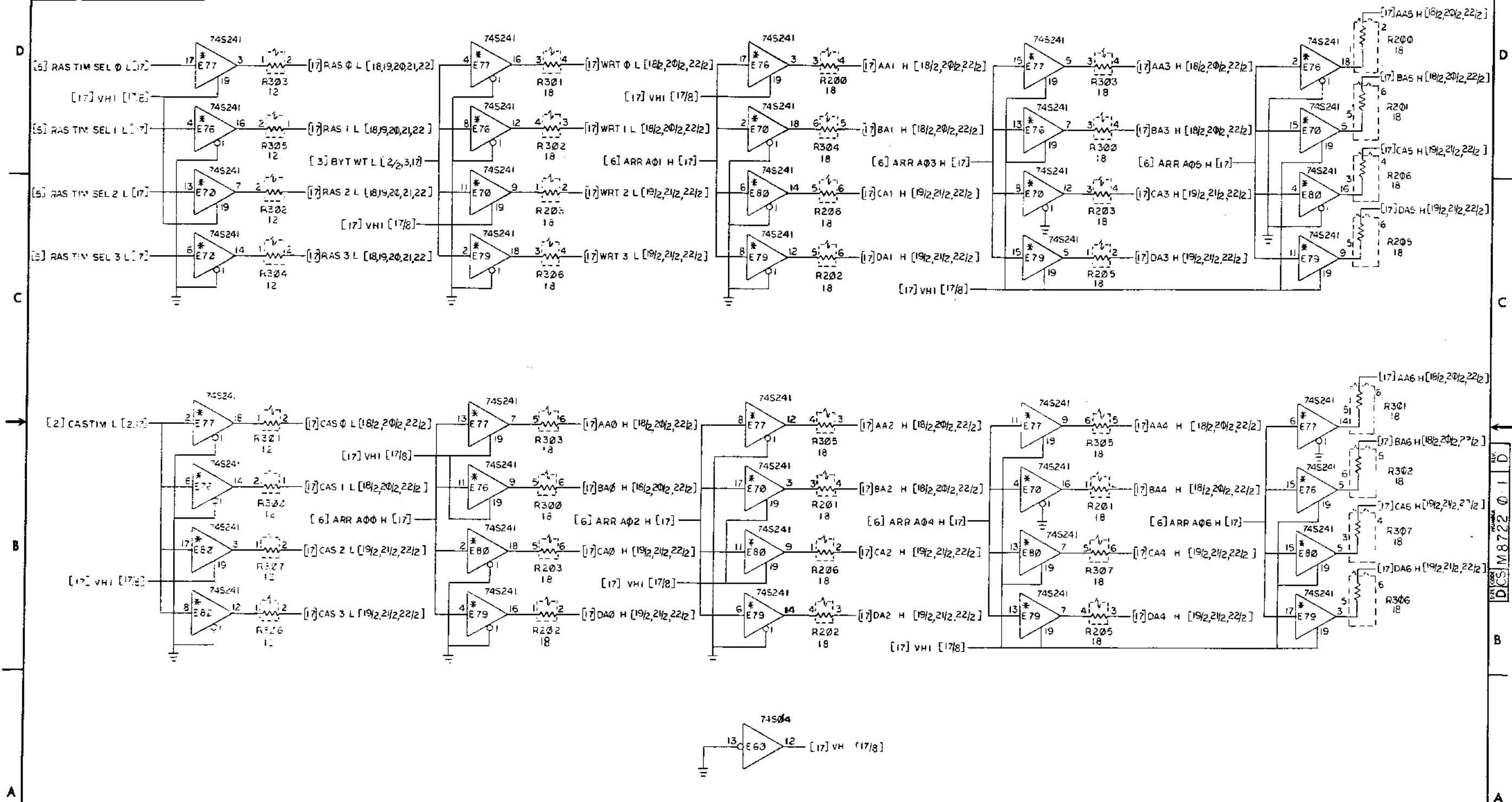
REVISIONS		
CHK	CHANGE NO.	REV.

(ERROR CONTROL)

TITLE ECC MOS MEMORY(MS1M) SIZE CODE DCS NUMBER M8722-0-1 REV. D
SCALE SHEET 16 OF 22 DIST.

THIS DRAWING AND SPECIFICATIONS HEREIN ARE THE PROPERTY OF DIGITAL EQUIPMENT CORPORATION AND SHALL NOT BE REPRODUCED OR COPIED OR USED IN WHOLE OR IN PART AS THE BASIS FOR THE MANUFACTURE OR SALE OF ITEMS WITHOUT WRITTEN PERMISSION. COPYRIGHT © 1975 DIGITAL EQUIPMENT CORPORATION

1-0-2228WIS 2



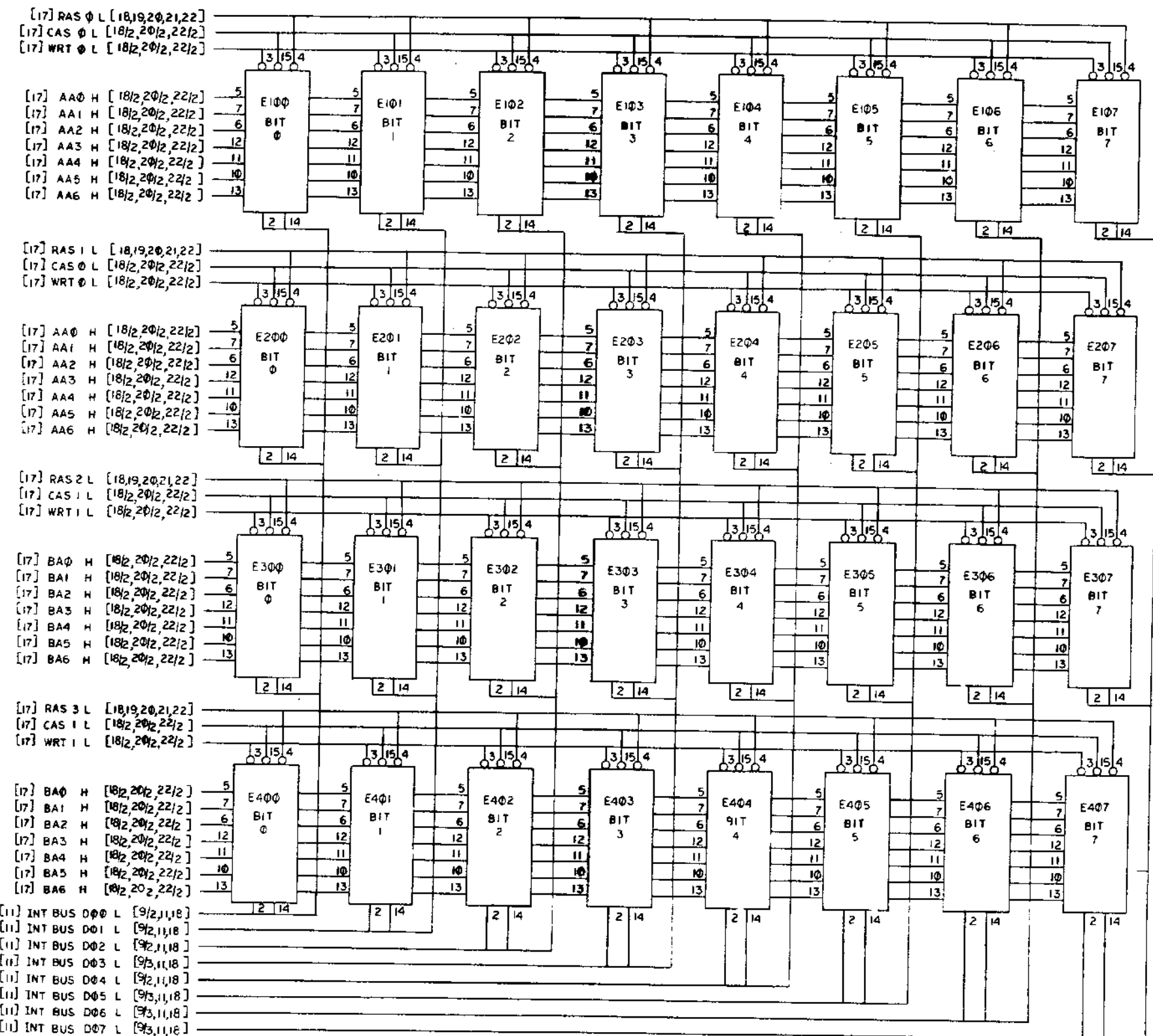
REVISIONS		
CHK	CHANGE NO.	REV.

(ARRAY DRIVERS)			
TITLE	SIZE CODE	NUMBER	REV.
ECC MOS MEMORY (MS111A)	DCS	M8722-0-1	D
SCALE	SHEET 17	OF 22	DIST.

DCS M8722-0-1 D

THIS DRAWING AND SPECIFICATIONS HEREIN ARE THE PROPERTY OF DIGITAL EQUIPMENT CORPORATION AND SHALL NOT BE REPRODUCED OR COPIED OR USED IN WHOLE OR IN PART AS THE BASIS FOR THE MANUFACTURE OR SALE OF ITEMS WITHOUT WRITTEN PERMISSION. COPYRIGHT © 1980 DIGITAL EQUIPMENT CORPORATION

D
C
B
A



GND PIN 16 FOR 16K MOS RAM
-5V PIN 1
+5V PIN 9
+12V PIN 8

NOTE:
ALL MOS RAM VOLTAGES ARE BATTERY BACKED UP

DCS M8722-0-1 D

REVISIONS		
CHK	CHANGE NO.	REV.

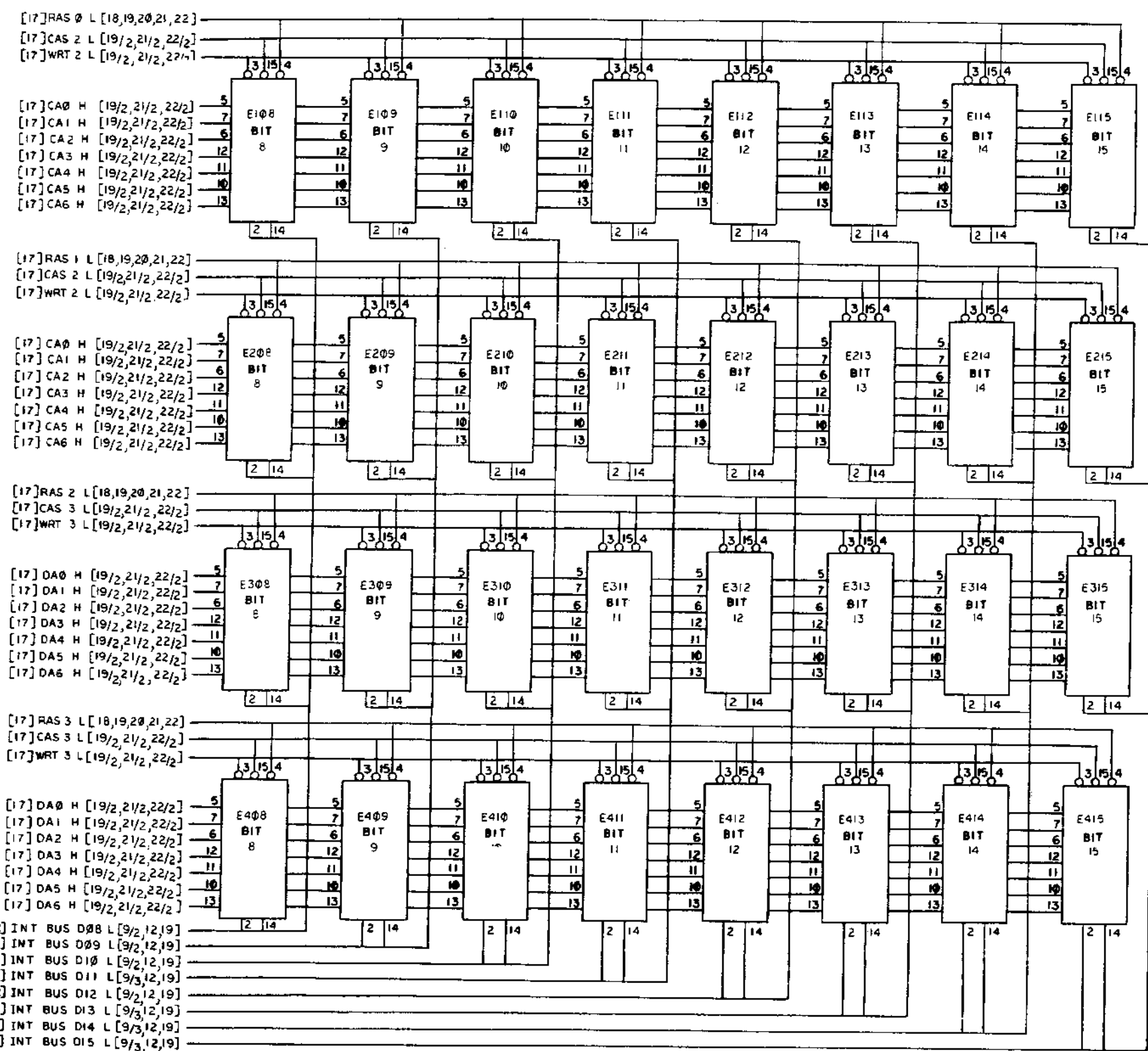
MOS ARRAY (DATA BYTE @)

TITLE	SIZE/COO	NUMBER	REV.
ECC MOS MEMORY (MSIIM)	DCS	M8722-0-1	D
SCALE	SHEET 18	OF 22	DIST.

THE NUMBER AND SPECIFICATIONS HEREIN ARE THE PROPERTY OF WESTON EQUIPMENT CORPORATION AND SHALL NOT BE REPRODUCED OR COPIED OR USED IN WHOLE OR IN PART AS THE BASIS FOR THE SPECIFICATIONS OR SALE OF OTHER EQUIPMENT WITHOUT WRITTEN PERMISSION OF WESTON EQUIPMENT CORPORATION.

D
C
B
A

D
C
B
A



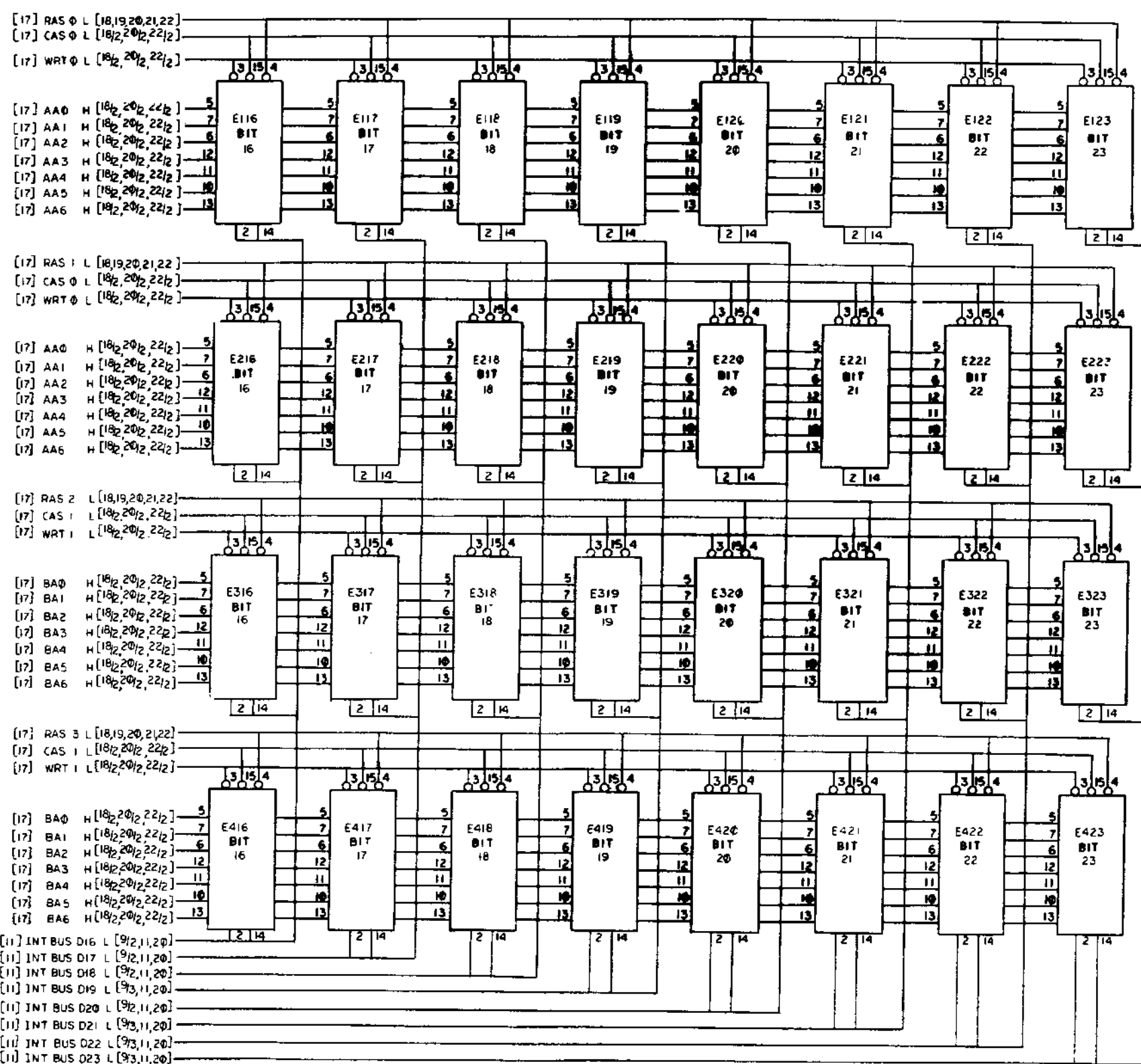
GND PIN 16 FOR 16K
-5V PIN 1 MOS RAM
+5V PIN 9
+12V PIN 8

NOTE: ALL MCS RAM VOLTAGES ARE BATTERY BACKED UP

MOS ARRAY (DATA BYTE 1)

REVISIONS		
CHK	CHANGE NO.	REV.

THE DRAWING AND SPECIFICATIONS HEREON ARE THE PROPERTY OF SPITAL EQUIPMENT CORPORATION AND SHALL NOT BE REPRODUCED OR COPIED OR USED IN WHOLE OR IN PART AS THE BASIS FOR THE MANUFACTURE OR SALE OF ITEMS WITHOUT WRITTEN PERMISSION.
 SPITAL EQUIPMENT CORPORATION
 1980



GND PIN 16
 -5V PIN 1
 +5V PIN 9
 +12V PIN 8

FOR 16K
 MOS RAM

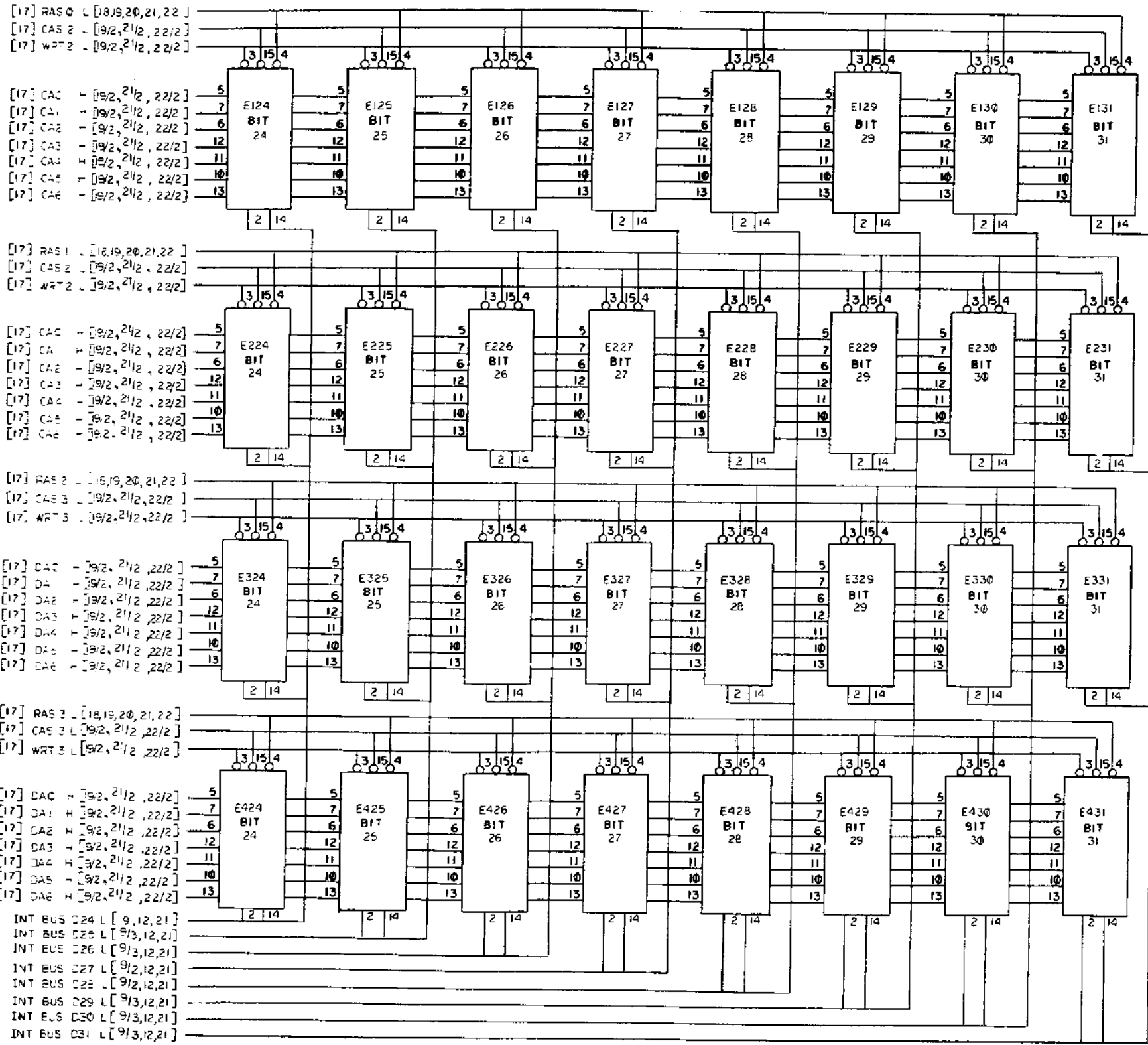
NOTE:
 ALL MOS RAM VOLTAGES ARE BATTERY
 BACKED UP

REVISIONS		
CHK	CHANGE NO.	REV.

TITLE	SIZE/DOOR	NUMBER	REV.
ECC MOS MEMORY (MS11M)	DCS	M8722-0-1	D
SCALE	SHEET 20	OF 22	DWT.

DCS M8722-0-1 D

THIS DRAWING AND SPECIFICATIONS HEREIN ARE THE PROPERTY OF DIGITAL EQUIPMENT CORPORATION AND SHALL NOT BE REPRODUCED OR COPIED OR USED IN WHOLE OR IN PART AS THE BASIS FOR THE MANUFACTURE OR SALE OF ITEMS WITHOUT WRITTEN PERMISSION.
 DIGITAL EQUIPMENT CORPORATION
 1982



[17] RAS 0 L [18,19,20,21,22]
 [17] CAS 2 L [19,2,21/2,22/2]
 [17] WRT 2 L [19,2,21/2,22/2]
 [17] CA0 H [19/2,21/2,22/2]
 [17] CA1 H [19/2,21/2,22/2]
 [17] CA2 H [19/2,21/2,22/2]
 [17] CA3 H [19/2,21/2,22/2]
 [17] CA4 H [19/2,21/2,22/2]
 [17] CA5 H [19/2,21/2,22/2]
 [17] CA6 H [19/2,21/2,22/2]
 [17] RAS 1 L [18,19,20,21,22]
 [17] CAS 2 L [19/2,21/2,22/2]
 [17] WRT 2 L [19/2,21/2,22/2]
 [17] CA0 H [19/2,21/2,22/2]
 [17] CA1 H [19/2,21/2,22/2]
 [17] CA2 H [19/2,21/2,22/2]
 [17] CA3 H [19/2,21/2,22/2]
 [17] CA4 H [19/2,21/2,22/2]
 [17] CA5 H [19/2,21/2,22/2]
 [17] CA6 H [19/2,21/2,22/2]
 [17] RAS 2 L [18,19,20,21,22]
 [17] CAS 3 L [19/2,21/2,22/2]
 [17] WRT 3 L [19/2,21/2,22/2]
 [17] DA0 H [19/2,21/2,22/2]
 [17] DA1 H [19/2,21/2,22/2]
 [17] DA2 H [19/2,21/2,22/2]
 [17] DA3 H [19/2,21/2,22/2]
 [17] DA4 H [19/2,21/2,22/2]
 [17] DA5 H [19/2,21/2,22/2]
 [17] DA6 H [19/2,21/2,22/2]
 [17] RAS 3 L [18,19,20,21,22]
 [17] CAS 3 L [19/2,21/2,22/2]
 [17] WRT 3 L [19/2,21/2,22/2]
 [17] DA0 H [19/2,21/2,22/2]
 [17] DA1 H [19/2,21/2,22/2]
 [17] DA2 H [19/2,21/2,22/2]
 [17] DA3 H [19/2,21/2,22/2]
 [17] DA4 H [19/2,21/2,22/2]
 [17] DA5 H [19/2,21/2,22/2]
 [17] DA6 H [19/2,21/2,22/2]
 [12] INT BUS 024 L [9,12,21]
 [12] INT BUS 025 L [9/3,12,21]
 [12] INT BUS 026 L [9/3,12,21]
 [12] INT BUS 027 L [9/2,12,21]
 [12] INT BUS 028 L [9/2,12,21]
 [12] INT BUS 029 L [9/3,12,21]
 [12] INT BUS 030 L [9/3,12,21]
 [12] INT BUS 031 L [9/3,12,21]

GND PIN 16
 -5V PIN 1
 +5V PIN 9
 +12V PIN 8
 FOR 16K MOS RAM

NOTE:
 ALL MOS RAM VOLTAGES ARE BATTERY BACKED UP

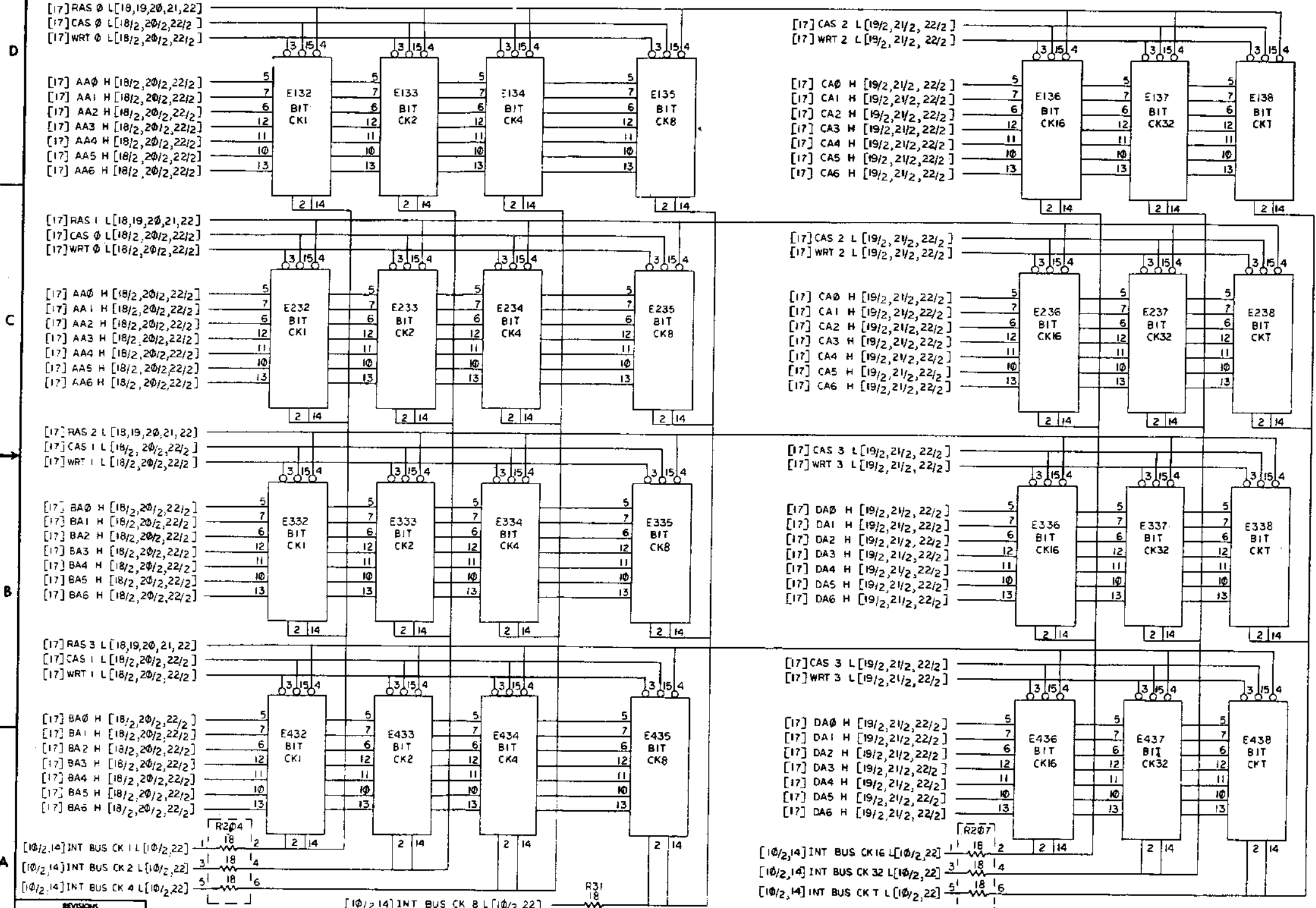
MOS ARRAY (DATA BYTE 3)

REVISIONS		
CHK	CHANGE NO.	REV.

TITLE	SIZE CODE	NUMBER	REV.
ECC MOS MEMORY (MS11M)	D	CS M8722-0-1	D
SCALE	SHEET 21	OF 22	DIST.

DCS M8722-0-1 D

THIS DRAWING AND SPECIFICATIONS HEREIN ARE THE PROPERTY OF DIGITAL EQUIPMENT CORPORATION AND SHALL NOT BE REPRODUCED OR COPIED OR USED IN WHOLE OR IN PART AS THE BASIS FOR THE MANUFACTURE OR SALE OF ITEMS WITHOUT WRITTEN PERMISSION. DIGITAL EQUIPMENT CORPORATION. COPYRIGHT © 1980



GND PIN 16
 -5V PIN 1 FOR 16K
 +5V PIN 9 MOS RAM
 +12V PIN 8

NOTE: ALL MOS RAM VOLTAGES ARE BATTERY BACKED UP.

D CS M8722-0-1 D

REVISIONS		
CHK	CHANGE NO.	REV.

TITLE		SIZE/NO.	NUMBER	REV.
ECC MOS MEMORY (MSIIM)		D CS	M8722-0-1	D
SCALE	SHEET 22 OF 22	DIST.		

DIGITAL EQUIPMENT CORPORATION PARTS LIST

MADE BY H. DARAKJIAN DATE 28 MAR 79	CHECKED D. HEALY DATE 26 DEC 79	SECTION 1
ENG <i>John B. Manton</i> DATE 1-15-80	PROD <i>Bob Schaaf</i> DATE 1-15-80	ISSUED SECTION 1

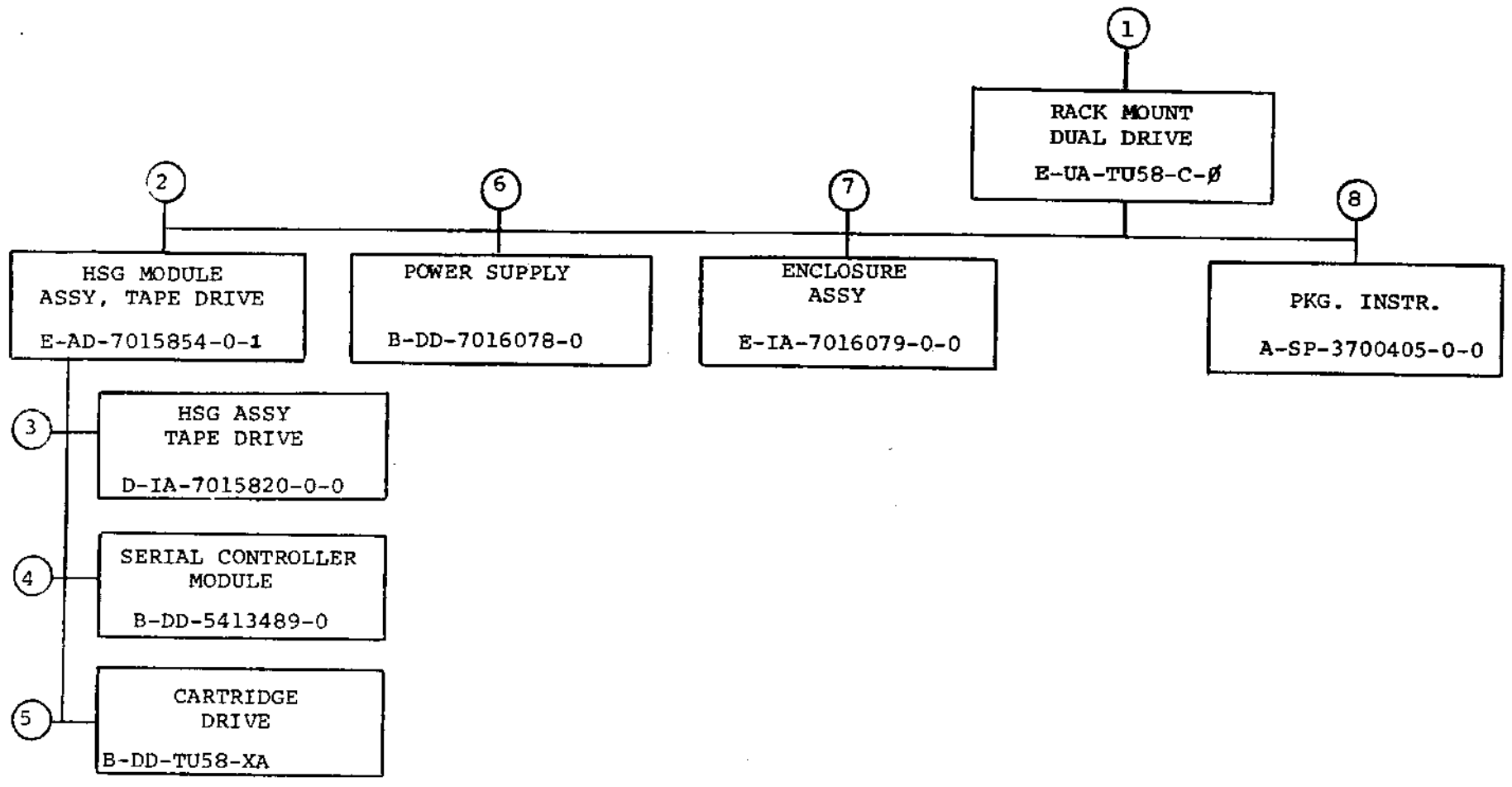
QUANTITY / VARIATION

NOTES:

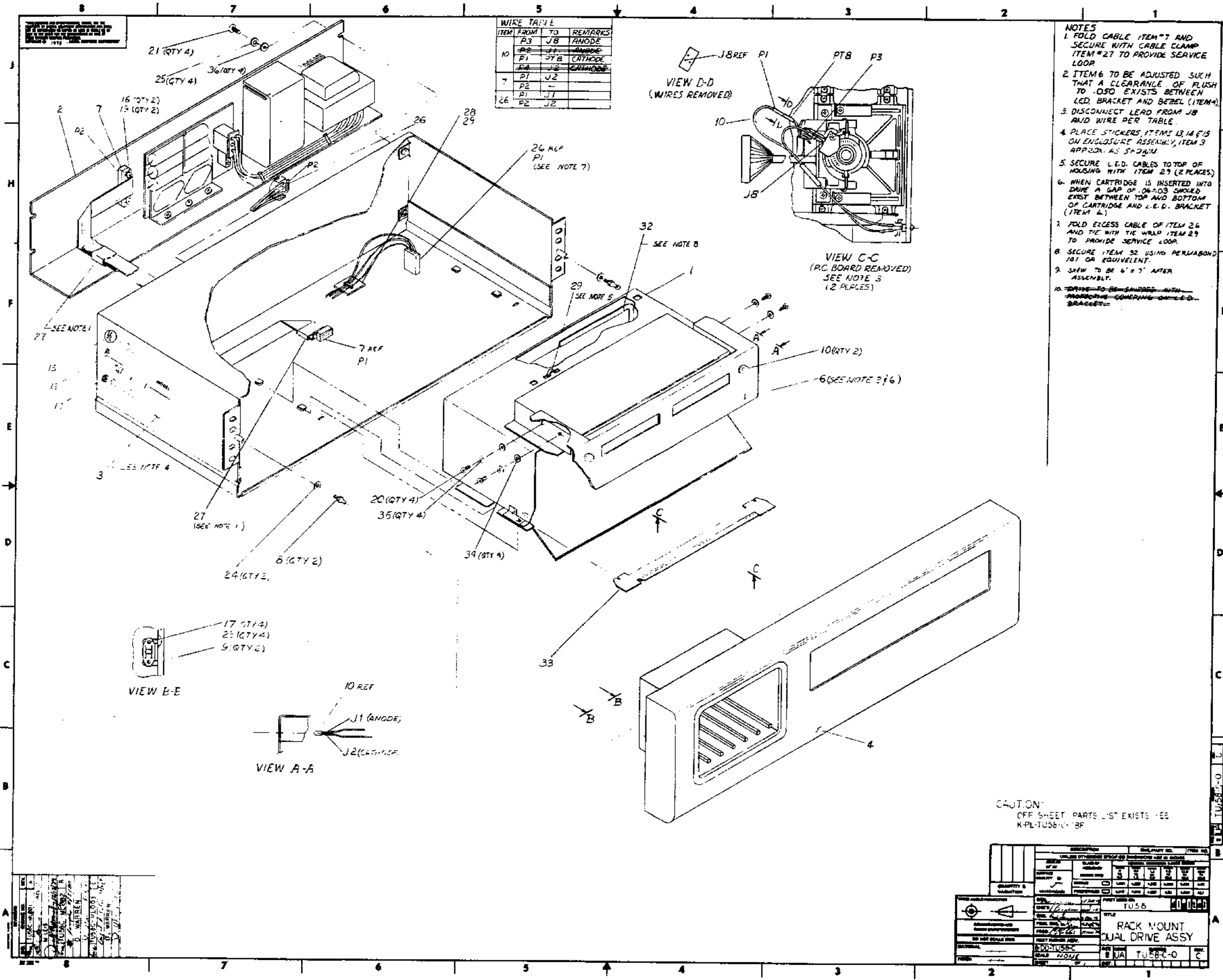
ITEM NO.	DRAWING NO.	PART NO.	DESCRIPTION	MS11-MA	MS11-MB	MS11-MC	MS11-MD											REF DESIGNATION					
1	B-TC-MS11-M-1	MP00742	PRINT SET MS11-M	1	1	1	1																
2		EK-MS11M-UG	MS11-M ECC MOS MEMORY USERS GUIDE	1	1	1	1																
3		AC-F294A-MC	MS11-M & MS11-L DIAGNOSTIC LISTING	1	1	1	1																
4		AK-F293A-MC	PAPER TAPE	1	1	1	1																

E.C.O. NO.

"THIS DRAWING AND SPECIFICATIONS, HEREIN, ARE THE PROPERTY OF DIGITAL EQUIPMENT CORPORATION AND SHALL NOT BE REPRODUCED OR COPIED OR USED IN WHOLE OR IN PART AS THE BASIS FOR THE MANUFACTURE OR SALE OF ITEMS WITHOUT WRITTEN PERMISSION. COPYRIGHT ©1979 DIGITAL EQUIPMENT CORPORATION"	TITLE MS11-M SHIPPING LIST	ASSY NO. B-DD-MS11-M	SIZE B	CODE PL	NUMBER MS11-M	REV. A
		SHEET 1 OF 1	INSERTION PARTS LIST DATA BASE REV			



TITLE	SIZE CODE	NUMBER	REV
RACK MOUNT, DUAL DRIVE	B DD	TU58-C	A



WIRE TABLE

ITEM	FROM	TO	REMARKS
10	P3	J8	ANODE
	P1	J7	ANODE
	P1	J7B	CATHODE
	P3	J8	CATHODE
7	P1	J2	
	P2		
	P1	J1	
26	P2	J2	

- NOTES
1. FOLD CABLE ITEM #7 AND SECURE WITH CABLE CLAMP ITEM #27 TO PROVIDE SERVICE LOOP.
 2. ITEM #6 TO BE ADJUSTED SUCH THAT A CLEARANCE OF FLUSH TO .030 EXISTS BETWEEN LED BRACKET AND BEZEL (ITEM #4).
 3. DISCONNECT LEAD FROM J8 AND WIRE PER TABLE.
 4. PLACE STICKERS ITEMS 13, 14 & 15 ON ENCLOSURE ASSEMBLY, ITEM 3 APPROX. AS SHOWN.
 5. SECURE L.E.D. CABLES TO TOP OF HOUSING WITH ITEM 29 (2 PLACES).
 6. WHEN CARTRIDGE IS INSERTED INTO DRIVE A GAP OF .06-.03 SHOULD EXIST BETWEEN TOP AND BOTTOM OF CARTRIDGE AND L.E.D. BRACKET (ITEM #4).
 7. FOLD EXCESS CABLE OF ITEM 26 AND TIE WITH THE WRAP ITEM 29 TO PROVIDE SERVICE LOOP.
 8. SECURE ITEM 32 USING PERMABOND 101 OR EQUIVALENT.
 9. SAW TO BE 6" ± 7" AFTER ASSEMBLY.
 10. DRIVE TO BE SHIPPED WITH PROTECTIVE COVERING ON L.E.D. BRACKET.

CAUTION:
OFF SHEET PARTS LIST EXISTS SEE
K-PL-TU56-01-13F

QTY	DESCRIPTION	UNIT	PRICE	TOTAL
1	RACK MOUNT DUAL DRIVE ASSY			
1	TU56			
1	K-PL-TU56-01-13F			

REV	DATE	BY	CHKD	DESCRIPTION
1				ISSUED FOR PRODUCTION
2				REVISION

LINE	ITEM	DOCUMENT NUMBER	PART NUMBER	DESCRIPTION	QUANTITY PER VARIATION	
					CA	CX
1	1	E-AD-7015854-0-0	7015854-01	HOUSING/MODULE ASSY TAPE DRIVE(W	1	1
2	2	D-AD-7016078-0-0	7016078-00	POWER SUPPLY ASSY	1	1
3	3	E-IA-7016079-0-0	7016079-00	ENCLOSURE ASSY	1	1
4	4	C-MD-7422486-0-0	7422486-00	BEZEL,REWORK FOAM	1	1
5	5	BLANK			0	0
6	6	D-MD-7421487-0-0	7421487-00	BRKT, LED MTG, TUSB	1	1
7	7	C-IA-7016305-0-0	7016305-1F	CABLE I/O	1	1
8	8		9008149-00	STUD, BALL, 6-32 X .155, .187 DI	2	2
9	9		9008487-00	RETAINER, BALL STUD	2	2
10	10		7017543-00	L.E.D. ASSY.	2	2
11	11	B-IA-7016525-0-0	7016525-00	*** THIS ITEM IS NOT USED ***	-	-
12	12	BLANK			0	0
13	13		3613209-00	LABEL,ELECTRICAL DATA	1	1
14	14		3613211-00	DECAL,CLEAR PREPRINTED CSA 1-1/4	1	1
15	15	A-DC-7416197-0-0	7416197-01	DECAL	1	1
16	16		9006557-00	NUT,KEP , 4-40X 1/4 AF	2	2
17	17		9010036-00	SCREW, SLOTTED HEX, HEAD 4 X 5/1	4	4
18	18		9008301-01	SCREW,PAN,PHIL 4-40X 1/4 SS	4	4
19	19		9008033-01	SCREW,PAN,PHIL 4-40X 9/16 SS	2	2
20	20		9006020-01	SCREW,PAN,PHIL 6-32X 1/4 SS	4	4
21	21		9006039-03	SCREW,TRUS,PHIL, 8-32X 1/2	4	4
22	22		9006656-00	*** THIS ITEM IS NOT USED ***	-	-
23	23		9006632-00	WASHER,LOCK,INT,.2600D X .120ID	4	4
24	24		9006633-00	WASHER,LOCK,INT,.2800D X .146ID	2	2
25	25		9006634-00	WASHER,LOCK,INT,.2300D X .172ID	4	4
26	26	C-IA-7016527-0-0	7016527-1F	1FT. 6 IN. +-1.0 IN.	1	1
27	27		9009636-00	CLAMP, CABLE, FOR FLAT CABLE	2	2
28	28		9008264-00	MOUNT, CABLE TIE, ADHESIVE BACKE	A/R	A/R
29	29		9007031-00	TIE,CABLE BUNDL.DIA 0- 3/4"=101	A/R	A/R
30	30	A-SP-3700405-0-0	3700405-00	INSTR PKG KIT OPTION TUSB-CA	1	1

REVISION HISTORY		BASIC PART NO: OTUSB		DRN: C.GEISENHAINER		DATE: 09-OCT-80		DIGITAL				
ENG	ECO NUMBER	REV	SECTION A OF A	CHK'D:	DATE:	DATE:	DATE:	SIZE	CODE	NUMBER	REV	
DW	TUSB-ML003	C	SECTION. VARIATION INDEX	CHK'D:	D.BRIGHAM	DATE:	09-OCT-80					
			[A] CA,CX									
			[B]	DES.ENG.:	P.LORUSSO	DATE:	09-OCT-80					
			[C]	RESP.ENG.:	P.LORUSSO	DATE:	09-OCT-80					
			[D]									
			[E]	MFG.ENG.:	P.GIBBS	DATE:	09-OCT-80	K	PL	TUSB-C-DBP	C	
			[F]	ASSEMBLY NUMBER:		TOP DOCUMENT NUMBER:		FILE NAME:			EDIT #	
				E-UA-TUSB-0-0				Z1677C.PLS			3	

*THIS DRAWING AND SPECIFICATIONS HEREIN, ARE THE PROPERTY OF DIGITAL EQUIPMENT CORPORATION AND SHALL NOT BE REPRODUCED OR COPIED OR USED IN WHOLE OR IN PART AS THE BASIS FOR THE MANUFACTURE OR SALE OF ITEMS WITHOUT WRITTEN PERMISSION. COPYRIGHT (C) 1980. DIGITAL EQUIPMENT CORPORATION *

AUTOMATED BY PRTLST.3P(44)

PARTS LIST

SHEET A2 OF A2

LINE ITEM	DOCUMENT NUMBER	PART NUMBER	DESCRIPTION	QUANTITY PER VARIATION	
				CA	CX
31	31	B-PL-TU58-C-0	#SHIPPING LIST	1	1
32	32	9007035-00	GROMMET #122-37-1500	A/R	A/R
33	33	B-IA-7017424-0-0	7017424-00	1	1
34	34	9006655-00	RETAINING BAR ASSY.	4	4
35	35	9007801-00	WASHER, FLAT, .312 O.D. X .125 I	4	4
36	36	9006660-00	WASHER, LOCK, S.S. #6	4	4
			WASHER, FLAT, .375 O.D. X .187 I	4	4

D	I	G	I	T	A	L	TITLE	SECTION A OF A	SIZE	CODE	DOCUMENT NUMBER	REV
							RACK MOUNT DUAL DRIVE ASSY		K	PL	TU58-C-DBP	C

DIGITAL EQUIPMENT CORPORATION PARTS LIST

QUANTITY / VARIATION

NOTES:

* ITEMS 13-16 ARE MOUNTING HARDWARE TO BE BAGGED AND SHIPPED WITH UNIT.

MADE BY DATE	D. MUTNANSKY 3/8/79	CHECKED <i>13</i> 12-3-79 DATE	SECTION
ENG DATE	<i>Paul A. Russo</i> 16 March 1979	PROD DATE	ISSUED SECTION

TU58-CA	TU58-CX																		
---------	---------	--	--	--	--	--	--	--	--	--	--	--	--	--	--	--	--	--	--

REF DESIGNATION

ITEM NO.	DRAWING NO.	PART NO.	DESCRIPTION	TU58-CA	TU58-CX															
1		1700083-02	LINE CORD 115 VAC	1	1															
2		1700090-00	LINE CORD 230 VAC	1	1															
3		23765A9-00	BOOT STRAP CHIP	1	1															
4		9906228-00	SHIPPING BOX BOOT STRAP CHIP	1	1															
5	D-UA-BC20Y-0-0	BC20Y-25	40 PIN TO 10 PIN DATA CABLE	1	-															
6	D-UA-BC20Z-0-0	BC20Z-25	10 PIN TO 10 PIN DATA CABLE	1	-															
7		9007207-00	FUSE .38 A 250 VAC SB	1	1															
8		EX-0TU58-UG-001	TU58 USER'S GUIDE (PAPER)	1	1															
9		TU58-K	TU58 MEDIA (TAPE CARTRIDGE)	2	2															
10		MP00747	TU58C FIELD MAINTENANCE PRINT	1	1															
11		ZJ287-RG	TU58 DIAGNOSTIC KIT	1	-															
12		* 9006077-03	BAG, COTTON, PARTS	1	-															
13		* 9006073-03	SCREW, TRUSS HD, 10-32 X .50	12	12															
14		* 9006636-00	WASHER, INTERNAL TOOTH, #10	12	12															
15		* 9006664-00	WASHER, FLAT, #10	12	12															
16		* 9007786-00	NUT, SELF-RETAINING, 10-32	12	12															
17	C-MD-7423818-0-0	7423818-00	BRACKET, SUPPORT	2	2															
18	C-MD-7423818-0-1	7423818-01	BRACKET, SUPPORT	2	2															

E.C.O. NO.
PL001
ML002

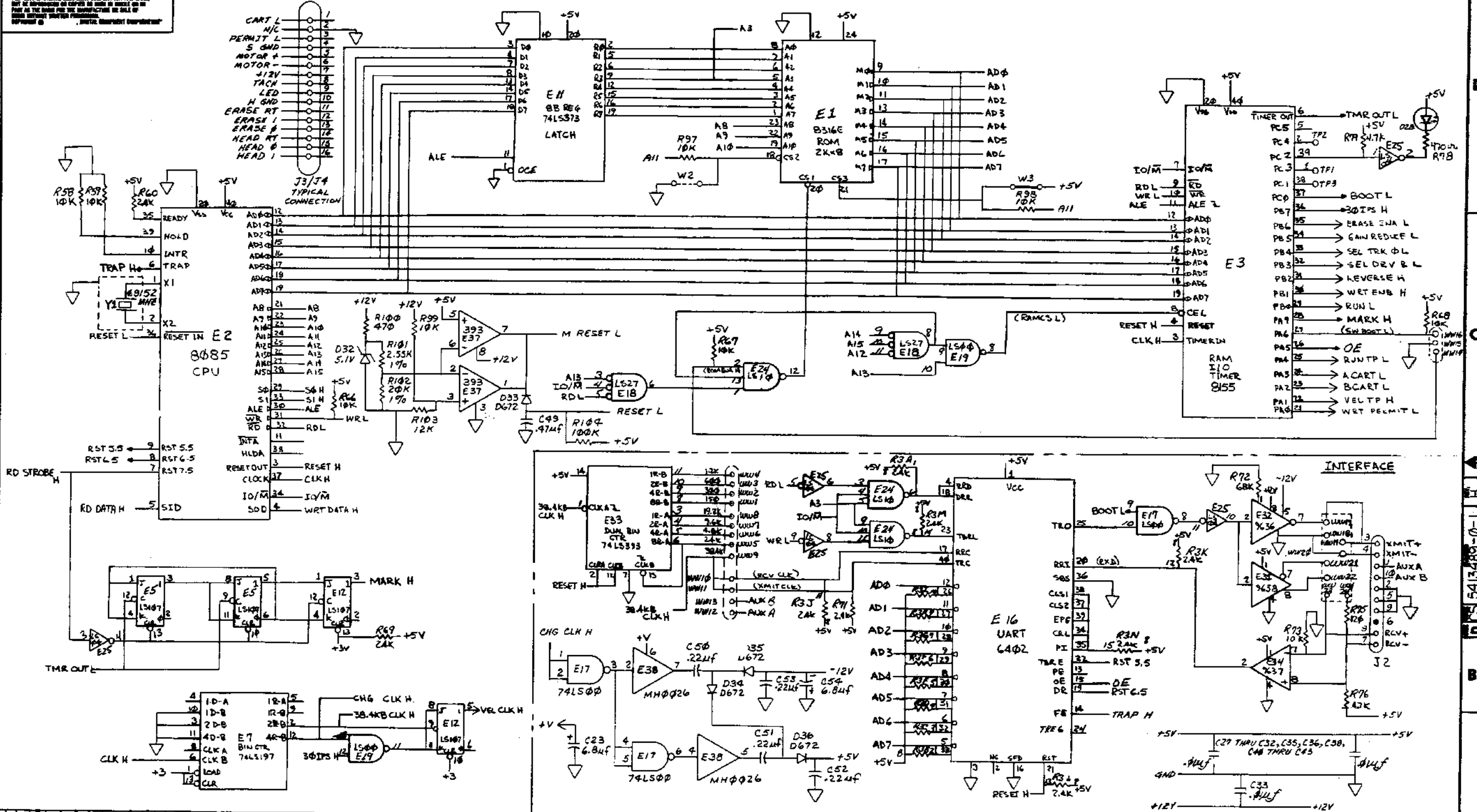
"THIS DRAWING AND SPECIFICATIONS, HEREIN, ARE THE PROPERTY OF DIGITAL EQUIPMENT CORPORATION AND SHALL NOT BE REPRODUCED OR COPIED OR USED IN WHOLE OR IN PART AS THE BASIS FOR THE MANUFACTURE OR SALE OF ITEMS WITHOUT WRITTEN PERMISSION. COPYRIGHT © 1979 DIGITAL EQUIPMENT CORPORATION"

TITLE
SHIPPING LIST

ASSY NO.
E-UA-TU58-C-0

SIZE	CODE	NUMBER	REV.
B	PL	TU58-C	B

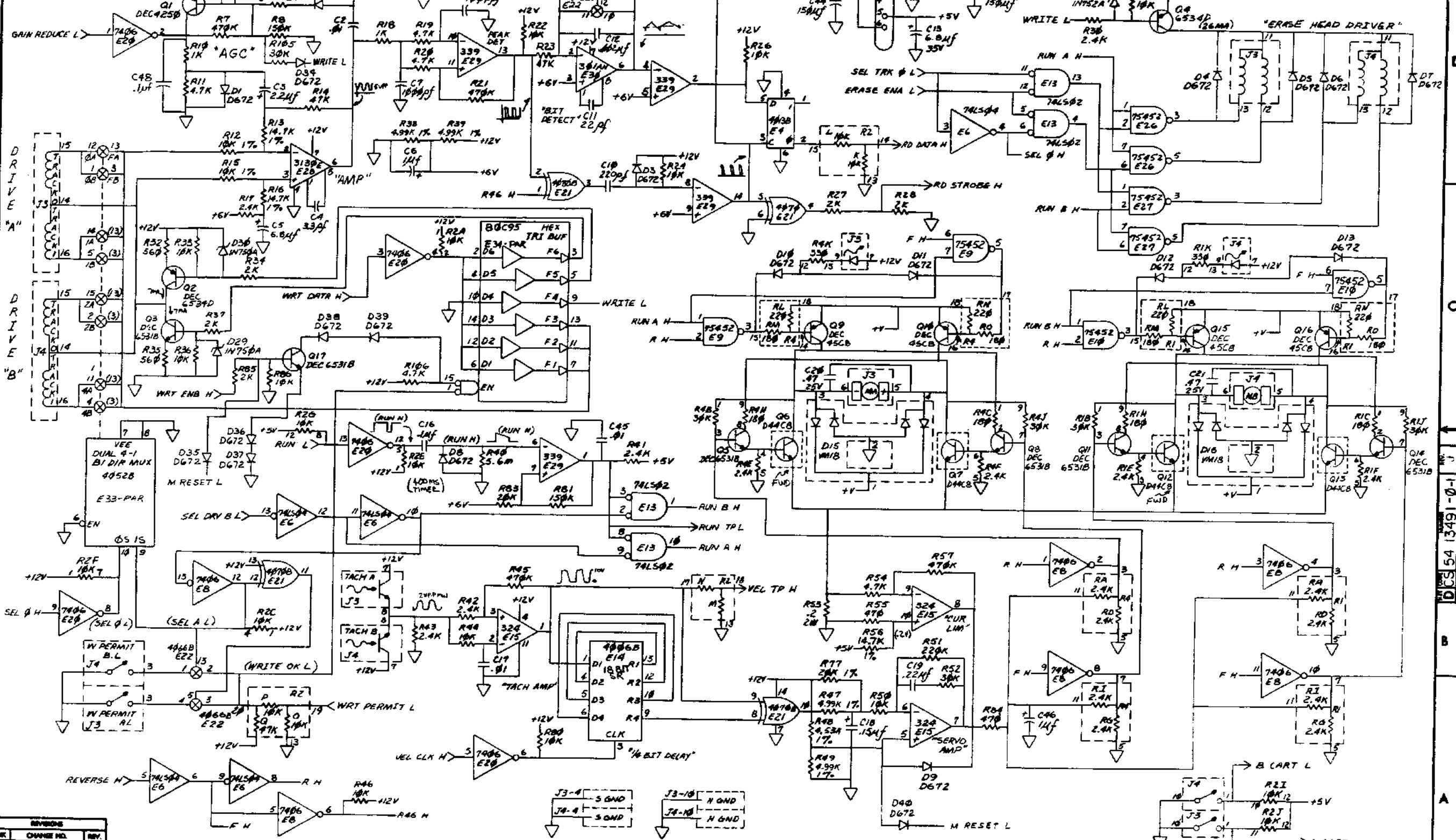
THIS DRAWING AND SPECIFICATIONS SHALL BE THE PROPERTY OF DIGITAL EQUIPMENT CORPORATION AND SHALL NOT BE REPRODUCED OR COPIED IN WHOLE OR IN PART AS THE BASIS FOR THE MANUFACTURE OR SALE OF OTHER EQUIPMENT WITHOUT PERMISSION OF DIGITAL EQUIPMENT CORPORATION.



REV.	DATE	BY	CHKD.	APP'D.
1	10/1/78	M. LEIS		
2	10/1/78	M. LEIS		
3	10/1/78	M. LEIS		
4	10/1/78	M. LEIS		
5	10/1/78	M. LEIS		
6	10/1/78	M. LEIS		
7	10/1/78	M. LEIS		
8	10/1/78	M. LEIS		

DRN. M. LEIS	10/1/78	FIRST USED ON	TU58
CHK'D M. LEIS	10/1/78	TITLE	TU58 ELECTRONICS:
ENG. ROSE/LEIS	10/1/78		
PROJ. ENG. M. LEIS	10/1/78		
PROD. M. LEIS	10/1/78		
NEXT HIGHER ASSY.			SERIAL
B-312-5413489-0		SIZE CODE	NUMBER
SCALE		D CS 5413489-0-1	H
SHEET 1 OF 2		DIST.	

THE SYMBOLS AND SPECIFICATIONS HEREIN ARE THE PROPERTY OF DIGITAL EQUIPMENT CORPORATION AND SHALL NOT BE REPRODUCED OR COPIED IN WHOLE OR IN PART AS THEY ARE THE ASSUMPTION OR SALE OF THIRD PARTY SUPPLIERS. DIGITAL EQUIPMENT CORPORATION © 1975 DIGITAL EQUIPMENT CORPORATION



REV. NO.	DATE	BY
1	M. L. E.	
2	M. L. E.	

LINE	ITEM	DOCUMENT NUMBER	PART NUMBER	DESCRIPTION	QTY PER VARIATION	REFERENCE DESIGNATOR
					00	
1	1		5013488-00	TU58 ELECTRONIC SERIAL	1	
2	2		1215816-00	HEADER,100 15POS STRAIGHT	2	J3,J4
3	3		1000021-00	220.0 MMF 100V 5%200PPM MICA	1	C10
4	4		1000023-00	*** THIS ITEM IS NOT USED ***	-	
5	5		1010978-36	.1 MFD 50V 10% CER	3	C8,C16,C47
6	6		1000042-00	1000.0 MMF 100V 5%200PPM MICA	2	C9,C7
7	7		1001610-00	.01 MFD 50V +80-20% 25U CER	17	C2,C17,C27-C33,C35,C36,C38,C40, CONT C41,C42-C43,C45
8	8		1001776-00	1 MFD 35V 10% S.TANT	2	C6,C46
9	9		1002315-00	2000.0 MMF 500V 5%200PPM MICA	1	C12
10	10		1013466-21	3.3 MMF 50V+- .5PF CER	1	C4
11	11		1002431-00	2.2MFD 35V 10% S.TANT	2	C1,C3
12	12		1005306-00	6.8MFD 35V 10% S.TANT	4	C5,C13,C23,C54
13	13		1005334-00	*** THIS ITEM IS NOT USED ***	-	
14	14		1005820-00	22.0 MMF 100V 5%200PPM MICA	1	C11
15	15		1010978-40	.22 MFD 50V 10% CER	1	C19
16	16		1011895-00	.15 MFD 35V 10% S.TANT	1	C18
17	17		1012312-00	*** THIS ITEM IS NOT USED ***	-	
18	18		1100101-00	*** THIS ITEM IS NOT USED ***	-	
19	19		1102808-00	1N 752A VZ= 5.6 5% .40W	1	D27
20	20		1105275-00	D 672 TR= 15NS PIV= 60V SI	25	D1-D13,D31,D33-D43
21	21		1110324-00	LED 1MCD@10MA PIV=3	1	D28
22	22		1115369-00	VM 18 PIV=100 I=1A	2	D15,D16
23	23		1213506-04	HEADER 10POS RT ANGLE W/3 SI	1	J2
24	24		1212385-04	SOCKET 24PIN IC	1	XE1
25	25	USED FOR Q7 & Q12	1213071-06	INSULATOR,RUBBER SILICONE	2	
26	26		1213113-01	*** THIS ITEM IS NOT USED ***	-	
27	27		1213418-01	HEAT SINK,VERTICLE MNT,ALUMINUM	2	
28	28		1300247-00	120.0 .25 W 5.0 Z CC	1	R75
29	29		1300274-00	*** THIS ITEM IS NOT USED ***	-	

REVISION HISTORY		BASIC PART NO: 5413487		DRN:	IAN MUTNANSKY	DATE:	22-MAY-78	D I G I T A L			
ENG	ECO NUMBER	REV	SECTION A OF A	CHK'D:	P. BOSSMAN	DATE:	6-JUNE-78	TITLE	PARTS LIST		
---	INIT	C	SECTION.VARIATION INDEX	DES.ENG:	MIKE LEIS	DATE:	22-MAY-78	DOCUMENT NUMBER			
!PB	!5413489-ML001	!D	! [A] 00	!MFG.ENG.:	! P. BARTON	!DATE:	! 6-JUNE-78	!SIZE	!CODE	!NUMBER	!REV
!M.L	!5413489-ML003	!E	! [B]	!ASSEMBLY NUMBER:	!E-UA-5413489-0-0	!TOP DOCUMENT NUMBER:	!TU58	!K	!PL	!5413489-0-DBP	!H
!ML	!5413489-ML004	!F	! [C]	!ASSEMBLY NUMBER:	!E-UA-5413489-0-0	!TOP DOCUMENT NUMBER:	!TU58	!FILE NAME:	!Z0582H.PLS	!EDIT #	!38
!D.M	!5413489-ML006	!H	! [D]	*THIS DRAWING AND SPECIFICATIONS HEREIN, ARE THE PROPERTY OF DIGITAL EQUIPMENT CORPORATION AND SHALL NOT BE REPRODUCED OR COPIED OR USED IN WHOLE OR IN PART AS THE BASIS FOR THE MANUFACTURE OR SALE OF ITEMS WITHOUT WRITTEN PERMISSION. COPYRIGHT (C) 1980. DIGITAL EQUIPMENT CORPORATION *							

PARTS LIST

LINE	ITEM	DOCUMENT NUMBER	PART NUMBER	DESCRIPTION	QTY	PER VARIATION	REFERENCE DESIGNATOR
					00		
30	30		1300316-00	470.0 .25 W 5.0 % CC	5		R5,R55,R100,R78,R84
31	31		1300365-00	1.0 K .25 W 5.0 % CC	2		R10,R18
32	32		1300295-00	*** THIS ITEM IS NOT USED ***	-		
33	33		1300447-00	4.70 K .25 W 5.0 % CC	8		R11,R19,R20,R25,R54,R79,R76,R105
34	34		1300479-00	10.0 K .25 W 5.0 % CC	21		R9,R22,R24,R26,R44,R46,R50,R58, R59,R66,R67,R68,R90,R33,R36,R96, CONT R86,R73,R97-R99 CONT
35	35		1301322-00	180.0 .25 W 5.0 % CC	1		R31
36	36		1301327-00	68.0 K .25 W 5.0 % CC	1		R72
37	37		1300432-00	3.0 K .25 W 5.0 % CC	1		R6
38	38		1301969-00	22.0 .25 W 5.0 % CC	1		R29
39	39		1302092-00	220.0 K .25 W 5.0 % CC	1		R51
40	40		1302177-00	47.0 K .25 W 5.0 % CC	2		R14,R23
41	41		1302388-00	2.0 K .25 W 5.0 % CC	5		R27,R28,R34,R37,R85
42	42		1302391-00	20.0 K .25 W 5.0 % CC	1		R83
43	43		1302394-00	30.0 K .25 W 5.0 % CC	2		R52,R106
44	44		1302396-00	150.0 K .25 W 5.0 % CC	2		R8,R81
45	45		1302398-00	470.0 K .25 W 5.0 % CC	4		R7,R21,R45,R57
46	46		1302941-00	14.70 K .25 W 1.0 % RN55D-F10	3		R13,R16,R56
47	47		1303177-00	2.40 K .25 W 5.0 % CC	8		R17,R30,R41,R42,R43,R60,R69,R71
48	48		1303312-00	10.0 K .25 W 1.0 % RN55D-F10	2		R12,R15
49	49		1305324-00	4.99 K .25 W 1.0 % RN55D-F10	4		R38,R39,R47,R49
50	50		1309386-00	5.60 M .25 W 5.0 % CC	1		R40
51	51		1001610-01	*** THIS ITEM IS NOT USED ***	-		
52	52		1311466-00	.20 2.0 W 5.0 % WW	1		R53
53	53		1313596-00	20.0 K .25 W 1.0 % RN55D-F10	2		R77,R102
54	54		1315660-00	R NETWORK 16-10K 1-4.7K 20PIN	1		R2
55	55		1315661-00	R NETWORK MULTI-VALUE	2		R1,R4
56	56		1315662-00	R NETWORK 14-2.4K 10.0 % 15PIN	1		R3
57	57		1503409-00	DEC6534D PNP 310MW SI 40 90	2		Q2,Q4
58	58		1509142-00	DEC4250 PNP 200MW SI 40250	1		Q1
59	59		1509338-00	DEC6531B NPN 310MW SI 40 90 P	6		Q3,Q5,Q8,Q11,Q14,Q17
60	60		1510421-00	D 44C8 NPN 30WT SI 60 20	4		Q6,Q7,Q12,Q13
61	61		1510598-00	DEC45C8 PNP 27WT SI 60 20 Y	4		Q9,Q10,Q15,Q16
62	62		1812396-06	XTAL 4.9152 MHZ	1		Y1
63	63		1910282-00	301AN OP AMP	1		E30
64	64		1910645-00	75452 DRIVER,PERIPH,DUAL,	4		E9,E10,E26,E27
65	65		1910741-00	7406 INVERTER GATE-HEX 11	1		E8
66	66		1911242-00	*** THIS ITEM IS NOT USED ***	-		
67	67		1912107-00	324 OP AMP,QUAD	1		E15
68	68		1912108-00	339 VOLT CMPRTR,QUAD	1		E29
69	69		1912799-00	LS00 NAND-GATE-QUAD 2IN,P	2		E17,E19
70	70		1912801-00	LS02 NOR-GATE-QUAD 2IN	1		E13
71	71		1912803-00	774LS04 INVERTER GATE, HEX	2		E6,E25
72	72		1912807-00	LS10 NAND GATE-TRIPLE 3IN	1		E24
73	73		1912813-00	LS27 NOR GATE-TRIPLE 3IN	1		E18
74	74		1912832-00	LS107 FF-JK DUAL MASTER/SL	2		E5,E12
75	75		1912857-00	LS197 COUNTER,BINARY,PRESET	1		E7

D	I	G	I	T	A	L	TITLE	SECTION A	OF A	SIZE	CODE	DOCUMENT NUMBER	REV
							SERIAL TUS8			K	PL	5413489-0-DBP	H

PARTS LIST

LINE	ITEM	DOCUMENT NUMBER	PART NUMBER	DESCRIPTION	QTY PER VARIATION 00	REFERENCE DESIGNATOR
76	76		1914451-00	74LS393 COUNTER,BINARY,4BIT	1	E33
77	77		1914466-00	3130E OP AMP MOS/FET IN,CM	1	E28
78	78		1915219-00	LS373 FF-D OCTAL-TRANSPARE	1	E11
79	79		1915415-00	9636 DRIVER,DUAL,EIA RS-	1	E32
80	80		1915416-00	9637 RECEIVER,DUAL,RS-42	1	E34
81	81		1915417-00	9639 DRIVER,DUAL,EIA RS-	1	E31
82	82		2113605-00	4006B SHIFT REG,18 STAGE	1	E14
83	83		2113609-00	4015B FF-D DUAL W/SET/RESE	1	E4
84	84		2113630-00	4052B MULTIFLEXER 4CHAN DI	1	E35
85	85		2113632-00	4066B BILATERAL SWITCH-QUA	1	E22
86	86		2113634-00	4070B X-OR GATE-QUAD CMOS	1	E21
87	87		2113937-00	UART 125K BUAD	1	E16
88	88		2114663-00	MM 60C95 BUFFER-GATE-HEX TRIS	1	E36
89	89		2114963-00	UP,8-BIT NMOS	1	E2
90	90		2114964-00	RAM 2048 MOSJ-STATIC	1	E3
91	91		23089E2-00	E2-01	1	E1
92	92		1212619-07	HEADER.156 6POS STRAIGHT	1	J1
93	93		9009185-00	JUMPER, WIRE, INSULATED, BLACK B	2	W1,W3
94	94	USED FOR Q7 & Q12	9010057-00	WASHER, INSULATING SHOULDER FOR	2	
95	95		1215816-01	HEADER.100 3POS STRAIGHT	1	
96	96		1215816-02	HEADER.100 13POS STRAIGHT	1	
97	97		1215816-03	HEADER.100 8POS STRAIGHT	1	
98	98		9006011-01	SCREW,PAN,PHIL 4-40X 3/8 SS	2	
99	99		9006557-00	NUT,KEP , 4-40X 1/4 AF	2	
100	100		1100124-00	1N 750A VZ= 4.7 5% .40W P	2	B29,D30
101	101		1301890-00	560.0 .25 W 5.0 % CC	2	R32,R35
102	102		1313840-00	4.53 K .25 W 1.0 % RN55D-F10	1	R48
103	103		9105740-55	WIRE(WRAP)30AWG UL1423	A/R	
104	104		1012084-03	150 MFD 15V +75-10% AL EL	2	C44,C14
105	105		9107256-11	*** THIS ITEM IS NOT USED ***	-	
106	106		1910741-01	7406N BUFFER,HEX	1	E20
107	107		5414232-00	*** THIS ITEM IS NOT USED ***	-	
108	108		1310633-00	2.55 K .25 W 1.0 % RN55D-F10	1	R101
109	109		1300488-00	12.0 K .25 W 5.0 % CC	1	R103
110	110		1302466-00	100.0 K .25 W 5.0 % CC	1	R104
111	111		1105871-00	1/4M5.1A21 = 5.1 1% .25W N	1	D32
112	112		1914156-00	LM 393 VOLT.COMPARATOR DUAL	1	E37
113	113		1912098-00	0026 DRIVER,MOS CLOCK,2	1	E38
114	114		1010274-01	.22 MFD 50V +80-20% Z5U CER	4	C50-C53
115	115		1010279-00	.47 MFD 25V 20% CER	3	C20,C21,C49

D	I	G	I	T	A	L	TITLE	SERIAL TU58	SECTION A OF A	SIZE	CODE	DOCUMENT NUMBER	REV
										K	PL	5413489-0-DBP	H

LINE ITEM	DOCUMENT NUMBER	PART NUMBER	DESCRIPTION	QTY PER VARIATION	REFERENCE DESIGNATOR
1		5013490-00	TU58 ELECTRONICS PARALLEL	1	
2		1000021-00	220.0 MMF 100V 5%200PPM MICA	2	C10, C47
3		1010978-36	.1 MFD 50V 10% CER	2	C8, C16, C48
4		1000042-00	1000.0 MMF 100V 5%200PPM MICA	2	C9, C7
5		1001610-00	.01 MFD 50V +80-20% 25U CER	21	C2, C17, C23-C33, C35, C36, C39, C40-C43, C45
6		1001776-00	1 MFD 35V 10% S.TANT	2	C6, C46
7		1002315-00	2000.0 MMF 500V 5%200PPM MICA	1	C12
8		1013466-21	3.3 MMF 50V+-5PF CER	1	C4
9		1002431-00	2.2MFD 35V 10% S.TANT	2	C1, C3
10		1005306-00	6.8MFD 35V 10% S.TANT	2	C5, C13
11		1005820-00	22.0 MMF 100V 5%200PPM MICA	1	C11
12		1010978-40	.22 MFD 50V 10% CER	1	C19
13		1011895-00	.15 MFD 35V 10% S.TANT	1	C18
14		1012084-03	150 MFD 15V +75-10% AL EL	2	C44, C14
15		1012312-00	*** THIS ITEM IS NOT USED ***	1	
16		1100124-00	1N 750A VZ= 4.7 5% .40W P	2	D29, D30
17		1102808-00	1N 752A VZ= 5.6 5% .40W	1	D27
18		1105275-00	D 672 TR= 15NS PIV= 60V SI	22	D1-D13, D31, D33-D40
19		1110324-00	LED 1MCD@10MA PIV=3	1	D28
20		1115369-00	VM 18 PIV=100 I=1A	2	D15, D16
21		1216106-00	SOCKET 32PIN	1	XJ2
22		1212385-04	SOCKET 24PIN IC	1	XE1
23		1212619-07	HEADER.156 6POS STRAIGHT	1	J1
24		1213071-06	INSULATOR, RUBBER SILICONE	2	
25		1213418-01	HEAT SINK, VERTICLE MNT, ALUMINUM	2	
26		1215816-00	HEADER.100 15POS STRAIGHT	2	J3, J4
27		1215816-01	HEADER.100 3POS STRAIGHT	1	
28		1300219-00	68.0 .25 W 5.0 % CO	9	R87-R95
29		1300316-00	470.0 .25 W 5.0 % CO	5	R5, R55, R78, R84, R97

REVISION HISTORY		BASIC PART NO: 5413491		DRN:	D. MUTNANSKY	DATE:	14-JUL-78	DIGITAL			
ENG:	ECO NUMBER	REV	SECTION A OF A								
---	INIT	C	SECTION VARIATION INDEX	CHK'D:	D. MUTNANSKY	DATE:	08-AUG-78	TITLE PARTS LIST			
PB	MLO01	D	[A] 00								
M.L.	MLO02	E	[B]								
ML	5413491-MLO03	F	[C]	DES.ENG.:	M. LEIS	DATE:	08-AUG-78				
ML	5413491-MLO05	H	[D]								
ML	5413491-MLO06	J	[E]	RESP.ENG.:	M. LEIS	DATE:	14-JUL-78	DOCUMENT NUMBER			
			[F]								
			[H]								
			[J]								
			[K]	MFG.ENG.:	P. BARTON	DATE:	08-AUG-78	K	PL	5413491-0-08P	J
			[L]								
			[M]	ASSEMBLY NUMBER:	0-UA-5413491-0-0	TOP DOCUMENT NUMBER:	TU58	FILE NAME:	Z0583J.PLS	EDIT #	34
			[N]								

"THIS DRAWING AND SPECIFICATIONS HEREIN, ARE THE PROPERTY OF DIGITAL EQUIPMENT CORPORATION AND SHALL NOT BE REPRODUCED OR COPIED OR USED IN WHOLE OR IN PART AS THE BASIS FOR THE MANUFACTURE OR SALE OF ITEMS WITHOUT WRITTEN PERMISSION. COPYRIGHT (C) 1981. DIGITAL EQUIPMENT CORPORATION"

LINE	ITEM	DOCUMENT NUMBER	PART NUMBER	DESCRIPTION	QTY	PER VARIATION	REFERENCE DESIGNATOR
					CC		
30	33		1300365-00	1.0 K .25 W 5.0 %	CC	2	R10, R18
31	35		1300447-00	4.70 K .25 W 5.0 %	CC	7	R11, R19, R20, R25, R54, R79, R106
32	36		1300479-00	10.0 K .25 W 5.0 %	CC	20	R9, R22, R24, R26, R44, R46, R50, R58, R59, R66-R68, R80, R33, R36, R95, R86, R100, R103, R104
							CONT
							CONT
33	37		1301322-00	180.0 .25 W 5.0 %	CC	1	R31
34	38		1300432-00	3.0 K .25 W 5.0 %	CC	1	R6
35	39		1301890-00	560.0 .25 W 5.0 %	CC	1	R32, R35
36	40		1301969-00	22.0 .25 W 5.0 %	CC	1	R29
37	41		1302092-00	220.0 K .25 W 5.0 %	CC	1	R51
38	42		1302177-00	47.0 K .25 W 5.0 %	CC	1	R14, R23
39	43		1302388-00	2.0 K .25 W 5.0 %	CC	1	R27, R28, R34, R37, R85
40	44		1302391-00	20.0 K .25 W 5.0 %	CC	1	R83
41	45		1302394-00	30.0 K .25 W 5.0 %	CC	1	R52, R105
42	46		1302396-00	150.0 K .25 W 5.0 %	CC	1	R8, R81
43	47		1302398-00	470.0 K .25 W 5.0 %	CC	4	R7, R21, R45, R57
44	48		1302941-00	14.70 K .25 W 1.0 %	RN55D-F10	2	R13, R16, R56
45	49		1303177-00	2.40 K .25 W 5.0 %	CC	7	R17, R30, R41-R43, R60, R69
46	50		1303312-00	10.0 K .25 W 1.0 %	RN55D-F10	2	R12, R15
47	51		1305324-00	4.99 K .25 W 1.0 %	RN55D-F10	4	R38, R39, R47, R49
48	52		1309386-00	5.60 M .25 W 5.0 %	CC	1	R40
49	53		1311466-00	.20 2.0 W 5.0 %	WN	1	R53
50	54		1313596-00	20.0 K .25 W 1.0 %	RN55D-F10	2	R77, R99
51	55		1313840-00	4.53 K .25 W 1.0 %	RN55D-F10	1	R48
52	56		1315660-00	R NETWORK 16-10K 1-4.7K 20PIN		1	R2
53	57		1315661-00	R NETWORK MULTI-VALUE		1	R1, R4
54	58		1503409-00	DEC6534D PNP 310MW SI 40 90		2	Q2, Q4
55	59		1509142-00	DEC4250 PNP 200MW SI 40250		1	Q1
56	60		1509338-00	DEC6531B NPN 310MW SI 40 90 F		6	Q3, Q5, Q8, Q11, Q14, Q17
57	61		1510421-00	D 4408 NPN 30WT SI 60 20		4	Q6, Q7, Q12, Q13
58	62		1510598-00	DEC4506 PNP 27WT SI 60 20 Y		4	Q9, Q10, Q15, Q16
59	63		1812396-06	XTAL 4.9152 MHZ		1	Y1
60	64		1910282-00	301AN OP AMP		1	E30
61	65		1910645-00	75452 DRIVER, PERIPH, DUAL		4	E9, E10, E26, E27
62	66		1910741-00	7406 INVERTER GATE-HEX 11		1	E8
63	67		1912107-00	324 OP AMP, QUAD		1	E15
64	68		1912108-00	339 VOLT CMPTR, QUAD		1	E29
65	69		1912799-00	LS00 NAND-GATE-QUAD 2IN, F		1	E31
66	70		1912801-00	LS02 NOR-GATE-QUAD 2IN		2	E13, E32
67	71		1912803-00	6S04 INVERTER GATE, HEL		1	E6
68	72		1912813-00	LS27 NOR GATE-TRIPLE 3IN		1	E18
69	73		1912824-00	LS74 FF-D DUAL, EDGE TRIGG		1	E24
70	74		1912832-00	LS107 FF-JK DUAL MASTER/SL		2	E5, E12
71	75		1913414-00	LS14 INVERTER GATE-HEX SC		1	E25
72	76		1512857-00	LS197 COUNTER, BINARY, PRESET		1	E7
73	77		1913471-00	LS367 DRIVER, BUS, HEX, TRI-		1	E17
74	78		1913667-00	DP 8212N BUFFER 8 BIT TRISA		2	E16, E23
75	79		1914466-00	3130E OP AMP MOS/FET IN, CM		1	E28

D	I	G	I	T	A	L	TITLE	PARALLEL TUSS	SECTION A OF A	SIZE	CODE	DOCUMENT NUMBER	REV
										K	PL	5413491-0-DBP	J

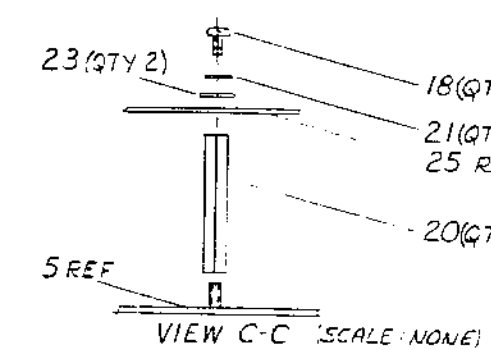
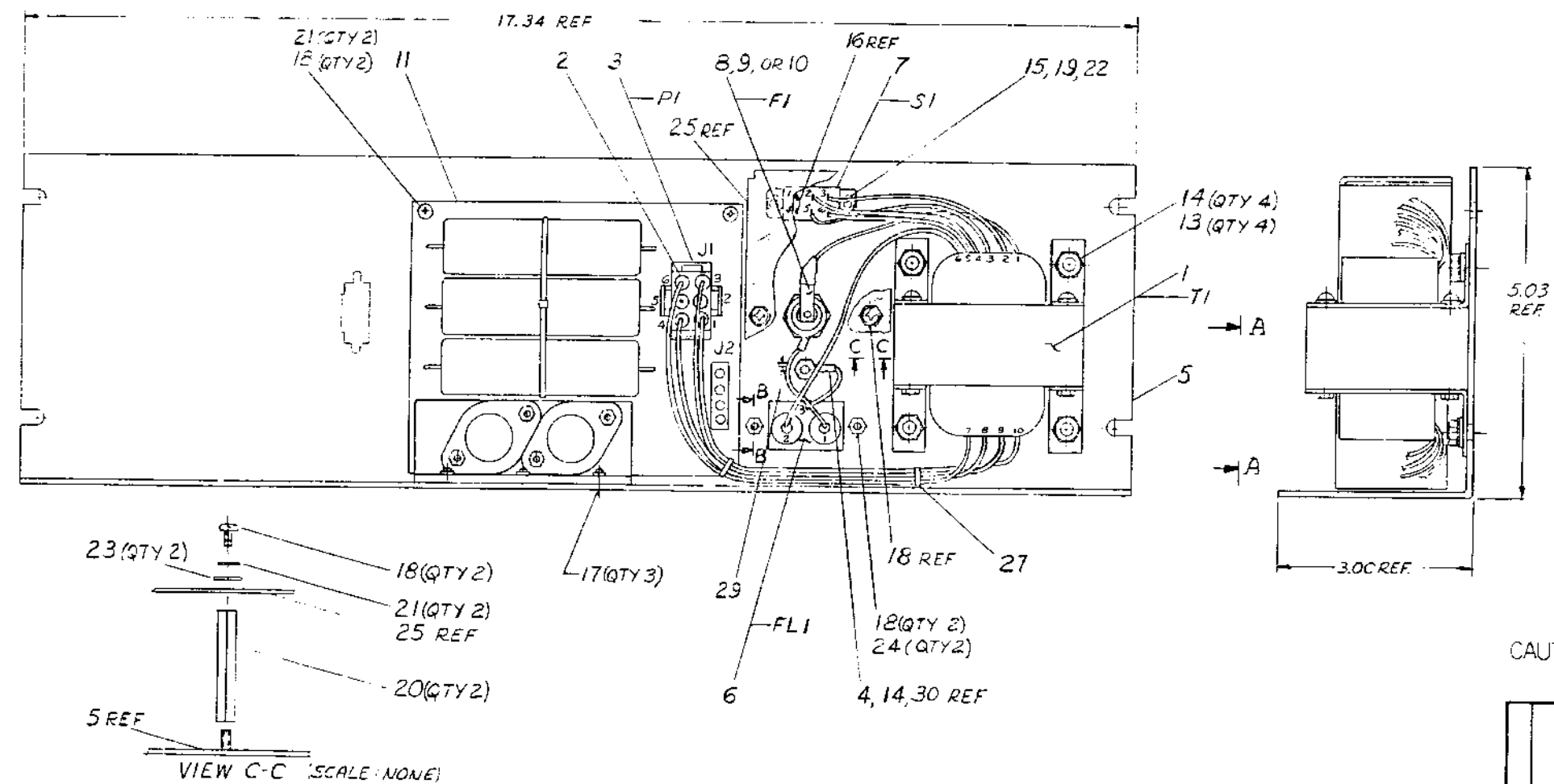
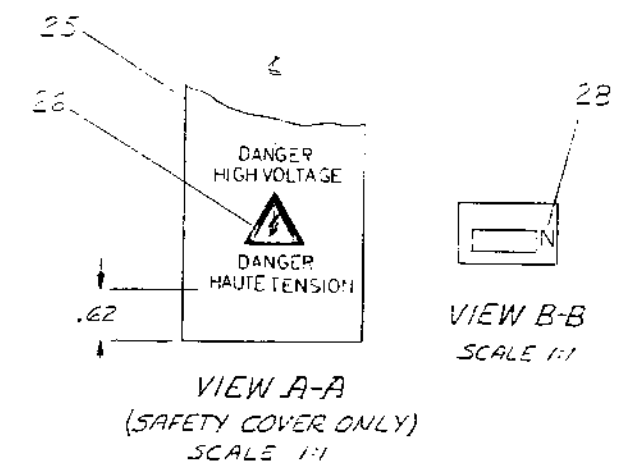
LINE	ITEM	DOCUMENT NUMBER	PART NUMBER	DESCRIPTION	QTY PER VARIATION CC	REFERENCE DESIGNATOR
76	80		1915219-00	L5373 FF-D OCTAL-TRANSPARE	1	E11
77	81		2113605-00	4006B SHIFT REG, 18 STAGE	1	E14
78	82		2113609-00	4013B FF-D DUAL W/SET/RESE	1	E14
79	83		2113630-00	4052B MULTIPLEXER 4CHAN DI	1	E33
80	84		2113632-00	4066B BILATERAL SWITCH-QUA	1	E22
81	85		2113634-00	4070B X-OR GATE-QUAD CMOS	1	E21
82	86		2114663-00	MM 80C95 BUFFER-GATE-HEX TRIS	1	E34
83	87		2114963-00	UP, 8-BIT NMOS	1	E2
84	88		2114964-00	RAM 2048 MOSJ-STATIC	1	E3
85	89		23089E2-00	E2-01	1	E1
86	90		9006011-01	SCREW, PAN, PHIL 4-40X 3/8 SS	1	
87	91		9008557-00	NUT, KEP 4-40X 1/4 AF	1	
88	92		9009185-00	JUMPER, WIRE, INSULATED, BLACK B	1	W1, W3
89	93		9010057-00	WASHER, INSULATING SHOULDER FOR	1	
90	101		9105740-55	*** THIS ITEM IS NOT USED ***		
91	102		5414232-YA	*** THIS ITEM IS NOT USED ***		
92	103		1910741-01	7406N BUFFER, HEX	1	E20
93	104		1310633-00	2.55 K .25 W 1.0 % RN55D-F10	1	R98
94	105		1300488-00	12.0 K .25 W 5.0 % CC	1	R101
95	106		1105871-00	1/4MS. 1A21 = 5.1 1% .25W N	1	D32
96	107		1914155-00	LM 393 VOLT. COMPARATOR DUAL	1	E65
97	108		1010279-00	.47 MFD 25V 20% CER	1	C20, C21, C48
98	109		1302466-00	100.0 K .25 W 5.0 % CC	1	R102
99	110		1912807-00	LS10 NAND GATE-TRIPLE GIN	1	E19
100	111	E-UA-5413491-0-0		UNIT ASSEMBLY	REF	
101	112	E-MD-5013490-0-0		DRILL AND ETCH DRAWING	REF	
102	113	U-CG-5413491-0-1		CIRCUIT SCHEMATIC	REF	
103	114	E-EC-5013490-0-0		ETCH CUT DRAWING	REF	

D	I	G	I	T	A	L	TITLE	PARALLEL TUBS	SECTION A	OF A	SIZE	CODE	DOCUMENT NUMBER	REV
											K	PL	5413491-0-DBF	J

THIS DRAWING AND SPECIFICATIONS HEREIN ARE THE PROPERTY OF DIGITAL EQUIPMENT CORPORATION AND SHALL NOT BE REPRODUCED OR COPIED IN WHOLE OR IN PART AS THE BASIS FOR THE MANUFACTURE OR SALE OF ITEMS WITHOUT WRITTEN PERMISSION. COPYRIGHT © 1978 DIGITAL EQUIPMENT CORPORATION

WIRE TABLE						
ITEM NO.	DESCRIPTION	FROM	TO	REMARKS		
	NO.	WIRE COLOR	CONNECTION	WITH CONNECTION	WITH	
1	18	BLUE	T1-7	P1-6	362	9.37 LG.
1	1	BLUE	T1-8	P1-4	362	9.37 LG.
1	1	BL. BK.	T1-9	P1-3	362	10.00 LG.
1	1	BL. BK.	T1-10	P1-1	362	10.00 LG.
3	1	GRN/YEL.	FL1-3	GND	4, 14	3.5 LG.
3	1	BROWN	FL1-1	F1-1	SOLD, 10	4.25 LG.
1	1	RED	T1-1	F1-2	SOLD, 10	6.5 LG.
1	1	RED	T1-2	S1-3	SOLDER	4.5 LG.
1	1	RED-Y.	T1-3	S1-5	↑	5.5 LG.
1	1	BLACK	T1-4	S1-2	↓	4.5 LG.
1	1	WHITE	T1-5	S1-6	↓	4.0 LG.
1	16	WHITE	T1-6	FL1-2	SOLDER	6.5 LG.
16	16		S1-1	S1-4	SOLDER	.5 LG.

NOTE:
1. LOCATE ITEM 26 SYMMETRICALLY ON ITEM 25.



CAUTION: OFF SHEET PARTS LIST EXISTS
SEE B-PL-7016078-0-0

QUANTITY & VARIATION	DESCRIPTION	DWG/PART NO.	ITEM NO.
ANGLES 30° 30' SURFACE QUALITY IN MICROMETRES CLASS OF ACCURACY (CHECK ONE) MEDIUM PREFERRED	UNLESS OTHERWISE SPECIFIED DIMENSIONS ARE IN INCHES NOMINAL DIMENSION RANGE INCHES OVER 0 TO 0.2 OVER 0.2 TO 0.4 OVER 0.4 TO 0.7 OVER 0.7 TO 1.0 OVER 1.0 TO 1.5 OVER 1.5 TO 2.0 OVER 2.0 TO 3.0 OVER 3.0 TO 4.0 OVER 4.0 TO 6.0 OVER 6.0 TO 10.0 OVER 10.0 TO 15.0 OVER 15.0 TO 25.0 OVER 25.0 TO 40.0 OVER 40.0 TO 60.0 OVER 60.0 TO 100.0		
THIRD ANGLE PROJECTION	ORIGIN: 15 APR 78	FIRST USED ON: TU 58	
REMOVE BURRS AND BREAK SHARP CORNERS	CHK'D: [Signature]	TITLE: POWER SUPPLY ASSEMBLY	
DO NOT SCALE DWG	PROJ. ENG: [Signature]	SIZE CODE: D	NUMBER: AD7016078-0-0
MATERIAL: SEE PARTS LIST	PROD. [Signature]	SHEET: 1 OF 1	REV.
FINISH			

DIGITAL EQUIPMENT CORPORATION PARTS LIST

MADE BY DATE <i>C. Gusev</i> <i>23-10-78</i>	CHECKED DATE <i>Briglan</i> <i>23-10-78</i>	SECTION 1
ENG <i>LARRY DOIRON</i> DATE <i>23-10-78</i>	PROD <i>P. BARTON</i> DATE <i>23-10-78</i> <i>PB</i>	ISSUED SECTION 1

QUANTITY / VARIATION

NOTES:

ITEM NO.	DRAWING NO.	PART NO.	DESCRIPTION	QUANTITY	VARIATION
1		1616062-00	TRANSFORMER, POWER	1	
2		1212170-00	CONTACT FEMALE (SOCKET)	6	
3		1212167-06	CONNECTOR, PLUG, 6 PIN	1	
4		9007930-00	RING TERMINAL RED #10	1	
5	E-IA-7421484-0-0	7421484-00	COVER, PWR. SUPPLY MTG.	1	
6		1215905-00	POWER RECEPTACLE AND LINE FILTER	1	
7		1215340-01	DPDT SWITCH (115-230V)	1	
8		1212893-00	FUSE HOLDER (20A-300V)	1	
9		1211237-00	FUSE, .750A, 250V, SLO BLOW	1	
10		9107305-02	TUBING, SHRINK (RED)	A/R	
11	D-UA-5413609-0-0	5413609-00	REGULATOR BOARD	1	
12					
13		9006661-00	WASHER, FLAT #8	4	
14		9006563-00	NUT, KEP 8-32	5	
15		9006010-01	SCREW, PAN, PHIL, 4-40 X 5/16	2	
16		9107560-03	WIRE, BUSS #18 AWG	A/R	
17		9006022-02	SCREW, FLAT, PHIL, 6-32 X 3/8	3	
18		9006022-01	SCF W, PAN, PHIL, 6-32 X 3/8	6	
19		9009280-00	NUT, HEX 4-40	2	
20		9007604-00	SPACER, HEX, ALUM. 6-32, .250X2.000 LG	2	
21		9007649-00	WASHER, LOCK EXTERNAL TOOTH #6	4	

REF DESIGNATION

E.C.O. NO.

THIS DRAWING AND SPECIFICATIONS, HEREIN, ARE THE PROPERTY OF DIGITAL EQUIPMENT CORPORATION AND SHALL NOT BE REPRODUCED OR COPIED OR USED IN WHOLE OR IN PART AS THE BASIS FOR THE MANUFACTURE OR SALE OF ITEMS WITHOUT WRITTEN PERMISSION. COPYRIGHT © 1978 DIGITAL EQUIPMENT CORPORATION

TITLE
POWER SUPPLY ASSY

ASSY NO.
D-AD-7016078-0-0

SIZE B	CODE PL	NUMBER 7016078-0-0	REV.
------------------	-------------------	-----------------------	------

SHEET 1 OF 2

INSERTION PARTS LIST DATA BASE REV

8

7

6

5

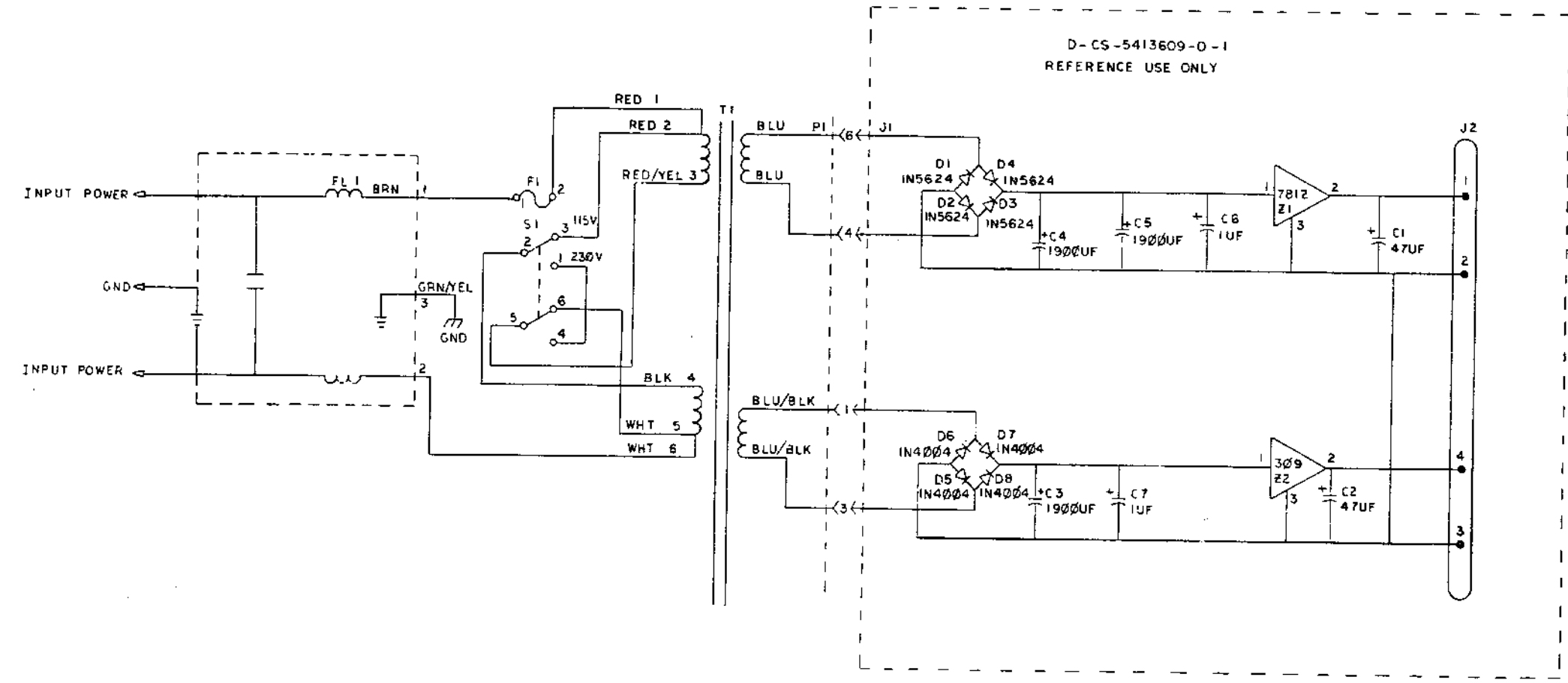
4

3

1

1-0-8209102 2

THIS DRAWING AND SPECIFICATIONS, HEREIN ARE THE PROPERTY OF SIGMA EQUIPMENT CORPORATION AND SHALL NOT BE REPRODUCED OR COPIED OR USED IN WHOLE OR IN PART AS THE BASIS FOR THE MANUFACTURE OR SALE OF ITEMS WITHOUT WRITTEN PERMISSION. COPYRIGHT © 1978 SIGMA EQUIPMENT CORPORATION



REV.	
CHANGE NO.	
REV.	
CHK'D	
ENGR.	
PROJ. ENGR.	
PRD.	
NEXT HIGHER ASSY.	
D-40-7016078-0-0	
SCALE	
SHEET	

DRN	SEPT 1978	FIRST USED ON	TU58
CHK'D		TITLE	POWER SUPPLY SCHEMATIC
ENGR.		SIZE	D
PROJ. ENGR.		CODE	CS 7016078-0-1
PRD.		NUMBER	
NEXT HIGHER ASSY.		REV.	
D-40-7016078-0-0		SHEET	
SCALE		OF	
SHEET		DIST.	

8

7

6

5

4

3

2

1

PARTS LIST

LINE ITEM	DOCUMENT NUMBER	PART NUMBER	DESCRIPTION	QUANTITY PER VARIATION XA
1	D-AD-7015510-0-0	7015510-00	CARTRIDGE DRIVE	1
2	A-PS-3700385-0-0	3700385-00	INSTR PKG TAPE DRIVE TU58-XA	1
3		9906077-03	BAG, COTTON, PARTS	1
4	B-MD-7424084-0-0	7424084-00	SCREW, SHOULDER	4
5	A-PS-1217653-0-0	1217653-00	SPRING, COMPRESSION .234 OD X .3	4
6	B-MD-7424101-0-0	7424101-00	WASHER	4
7	EK-0TU58-WS		MOUNTING INSTRUCTIONS	1
8	A-PS-3617416-0-0	3617416-00	LABEL, HEAD CLEANING ADVICE FOR T	1

9 NOTE: ITEMS 4-7 ARE MOUNTING HARDWARE TO BE BAGGED AND SHIPPED WITH UNIT

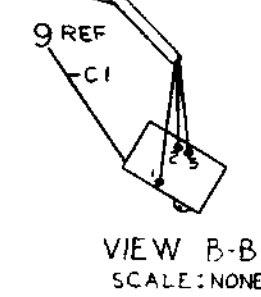
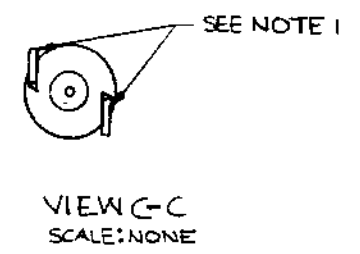
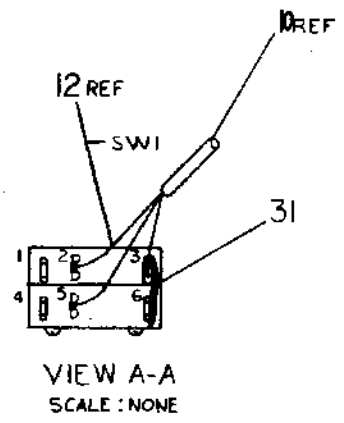
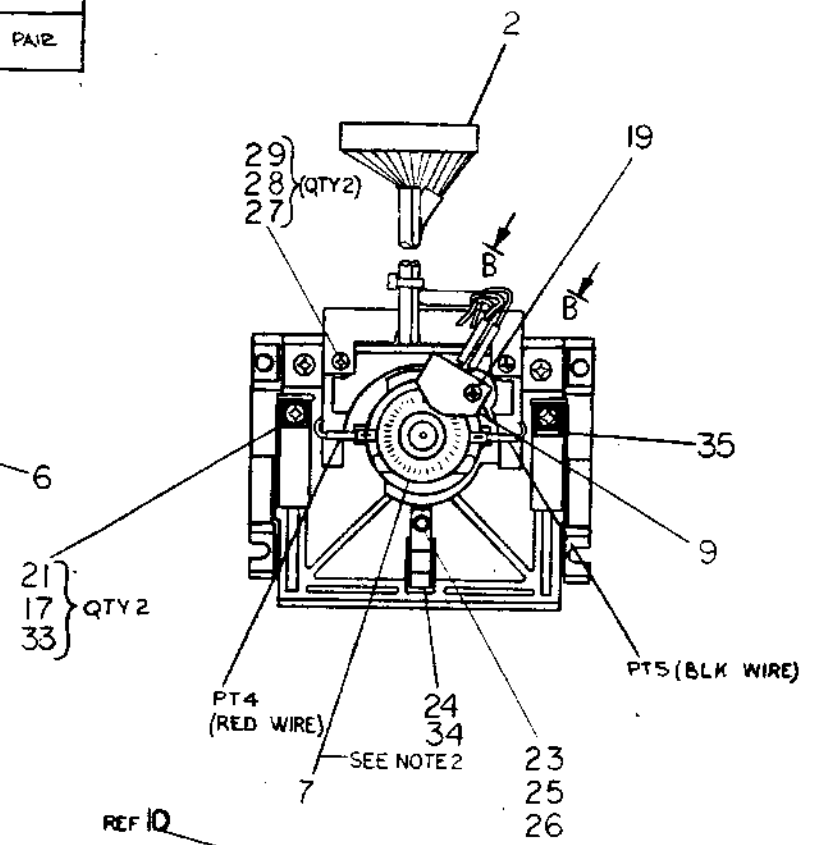
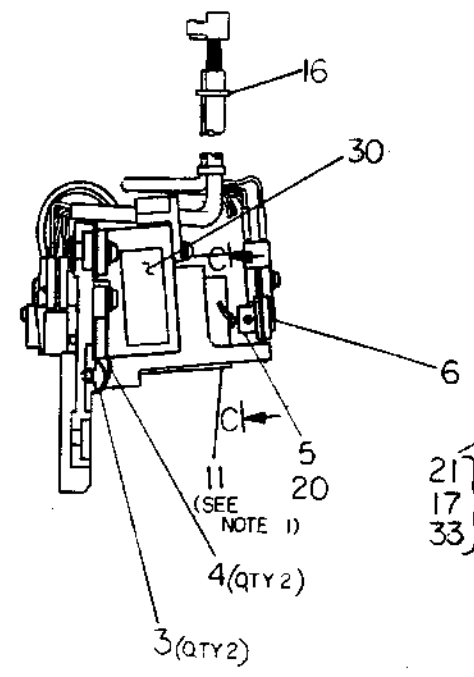
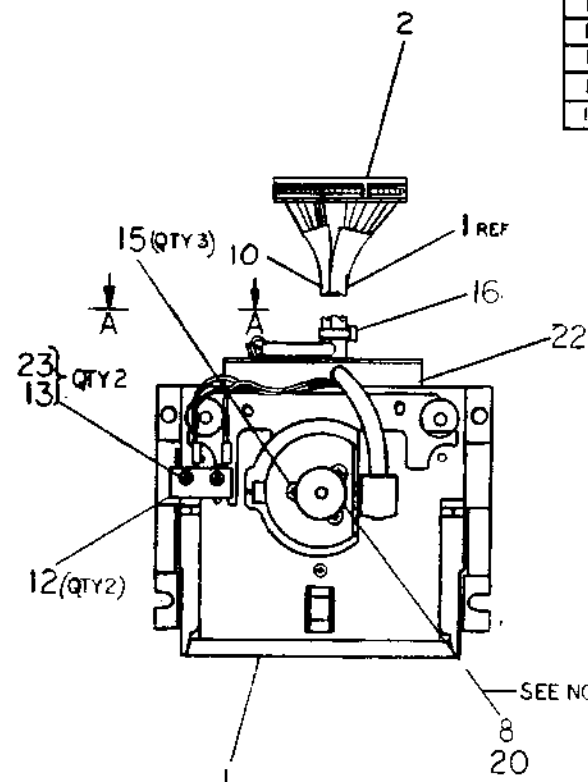
REVISION HISTORY		BASIC PART NO: OTU58		DRN: G. MARINI		DATE: 9-20-78		DIGITAL	
ENG	ECO NUMBER	REV	SECTION A OF A	CHK'D:	T. ANDREWS	DATE:	12-5-78	TITLE	PARTS LIST
D.W.	TU58XA-MLO03	A	SECTION, VARIATION INDEX	DES. ENG.:	P. WAYNE	DATE:	2-2-79	DRIVE MECHANISM	(TU58-XA)
DW	TU58XA-MLO04	B	[A] XA	RESP. ENG.:	P. WAYNE	DATE:	12-5-80	DOCUMENT NUMBER	
			[B]	MFG. ENG.:	R. TAYLOR	DATE:	12-5-78	SIZE: CODE: NUMBER	REV
			[C]	ASSEMBLY NUMBER:		TOP DOCUMENT NUMBER:		K PL TU58-XA-DBF	B
			[D]			FILE NAME:		Z1609B.PLS	EDIT #
			[E]						13
			[F]						

*THIS DRAWING AND SPECIFICATIONS HEREIN, ARE THE PROPERTY OF DIGITAL EQUIPMENT CORPORATION AND SHALL NOT BE REPRODUCED OR COPIED OR USED IN WHOLE OR IN PART AS THE BASIS FOR THE MANUFACTURE OR SALE OF ITEMS WITHOUT WRITTEN PERMISSION. COPYRIGHT (C) 1980. DIGITAL EQUIPMENT CORPORATION *

WIRE TABLE						
ITEM NO	DESCRIPTION	FROM		TO		REMARKS
		CONN	WITH	CONN	WITH	
10	24	YEL	PT-2	---	SWI-5	---
10	24	GRY	PT-1	---	SWI-2	---
10	24	VIO	PT-3	---	SWI-3	---
31	22	---	SW-6	SOLD	SWI-3	SOLD. BUS WIRE
10	24	GRN	PT-6	---	CI-3	---
10	24	BRN	PT-8	---	CI-2	---
10	24	BLU	PT-7	---	CI-1	---
10	24	BLK	PT-5	---	MOTOR-	---
10	24	RED	PT-4	---	MOTOR+	---
						TWISTED PAIR

- ASSEMBLE ITEM#5,6,9 USING $5 \pm .5$ IN LBS TORQUE.
- CARTRIDGE WITHDRAWAL FORCE SHALL BE A MAXIMUM OF 4.8 LBS. AND WHEN AN EXCESS FORCE OF 1LB. IS APPLIED TO THE DRIVE ROLLER (OUTWARD) AND IS REMOVED, THE CARTRIDGE SHALL STILL BE AGAINST THE DRIVE REFERENCE STOPS.
- HEAD SKEW TO BE WITHIN $6' \pm 0.6'$ AFTER FINAL ASSY.

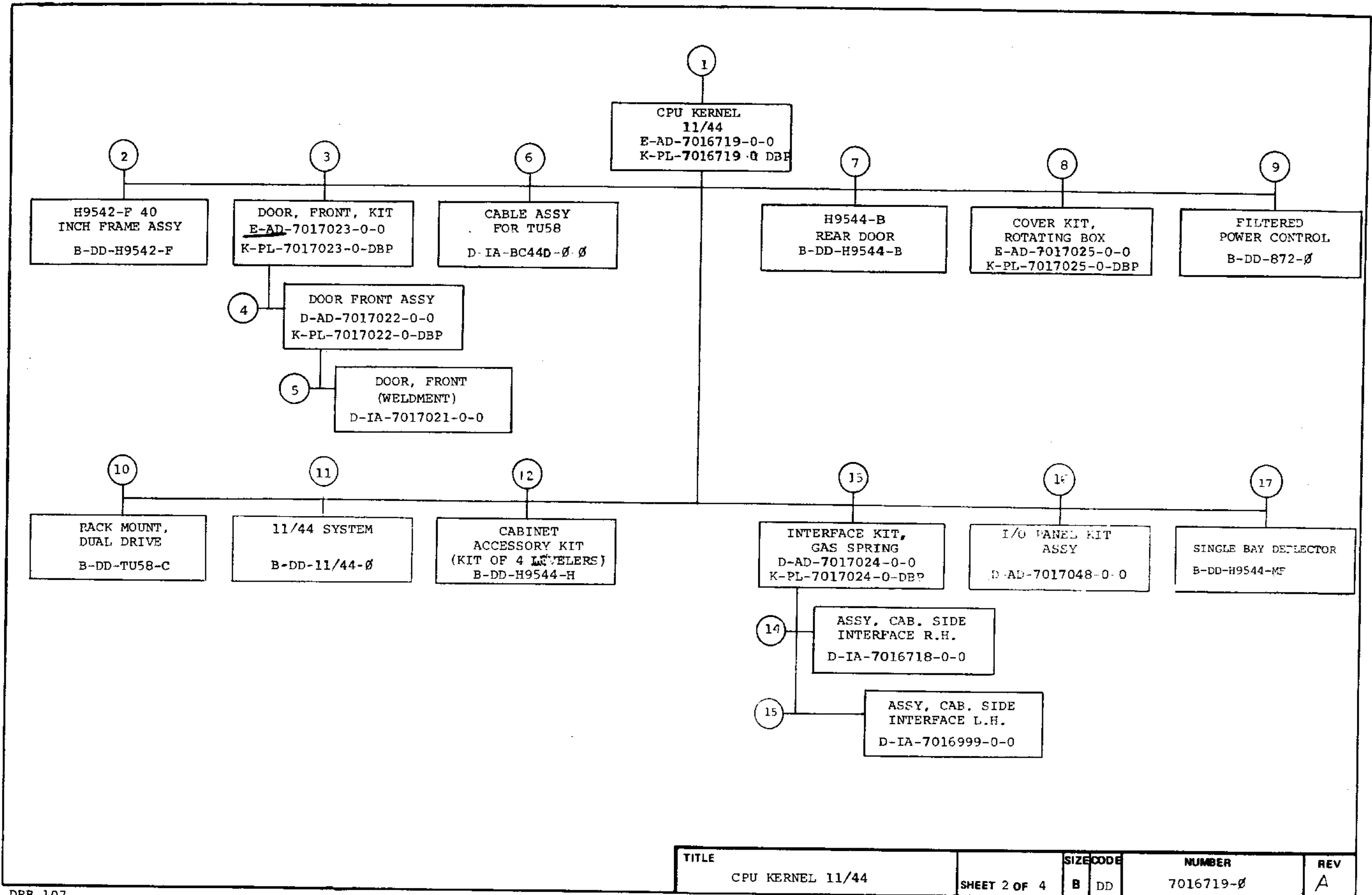
- NOTES:
- MOTOR TO BE ROTATED TO PROVIDE EASIEST ACCESS TO TERMINALS PT4, PT5. MOTOR LEADS MAY BE BENT AS SHOWN IF NECESSARY TO CLEAR MOTOR MOUNT.
 - CODE WHEEL ITEM#7 MUST ROTATE FREELY WITHOUT RUBBING IN SLOT IN OPTICAL SENSOR ITEM#9.
 - TIGHTEN ITEM#20 TO $3.5 \pm .5$ IN LBS. SET DRIVE ROLLER, ITEM#8, TO BE FLUSH WITH END OF MOTOR SHAFT ITEM#11.
 - TIGHTEN ITEM#20 TO $3.5 \pm .5$ IN LBS.
 - TIGHTEN ITEMS 13, 25 TO $2.0 \pm .5$ IN LBS.
 - TIGHTEN ITEMS 15, 17, 27 TO $3.5 \pm .5$ IN LBS.
 - TIGHTEN ITEM 21 TO $5 \pm .5$ IN LBS. WHEN CARTRIDGE IS INSERTED INTO DRIVE, THE FORCE ON THE DRIVE ROLLER (ITEM#8) IS TO BE 1LB. ± .1".



CAUTION: OFF SHEET PARTS LIST K-PL-7015510-0-DBP

7015510-0-0	D. WARREN	10/27/79
7015510-0-0	D. WARREN	10/27/79
7015510-0-0	D. WARREN	10/27/79
7015510-0-0	D. WARREN	10/27/79
7015510-0-0	D. WARREN	10/27/79
7015510-0-0	D. WARREN	10/27/79
7015510-0-0	D. WARREN	10/27/79
7015510-0-0	D. WARREN	10/27/79
7015510-0-0	D. WARREN	10/27/79
7015510-0-0	D. WARREN	10/27/79

<p>QUANTITY & VARIATION</p> <p>DO NOT SCALE DIMS</p> <p>SEE PARTS LIST</p>	<p>DESCRIPTION</p> <p>7015510-0-0</p> <p>TUSE-XA</p> <p>CARTRIDGE DRIVE</p> <p>K-PL-TUSE-XA-DBP</p> <p>SCALE 1/1</p>	<p>DATE</p> <p>10/27/79</p> <p>BY</p> <p>D. WARREN</p> <p>APP'D</p> <p>D. WARREN</p>
--	--	--



TITLE	SIZE	CODE	NUMBER	REV
CPU KERNEL 11/44	B	DD	7016719-0	A

TW

FIND NO.	DRAWING NO.	DESCRIPTION	TYPE	FIND NO.	DRAWING NO.	DESCRIPTION	TYPE
1	E-AD-7016719-0-0	CPU KERNEL 11/44	E/M				
	K-PL-7016719-0-DBP	CPU KERNEL 11/44 (PL)	E/M				
	D-AR-7016719-0-1	11/44 CPU KERNEL	REF				
	C-IA-7008288-0-0	CABLE ASSY	E/M	6	D-IA-BC44D-0-0	CABLE ASSY FOR TU58	E/M
	D-IA-7422997-0-0	PLATE, CABLE TIE	M				
	C-MD-7422996-0-0	BRACKET, CABLE TIE	M				
	C-MD-7422995-0-0	BRACKET, STRAIN RELIEF	M				
	A-PS-3613210-0-0	LABEL	M				
	A-DC-7416107-0-0	DECAL	M				
	A-PS-3613211-0-0	LABEL	M	7	B-DD-H9544-B	H9544-B REAR DOOR	M
	A-PS-3616208-0-0	LABEL, ME	M				
	A-PS-3617250-0-0	LABEL	M				
				8	E-AD-7017025-0-0	COVER KIT (ROTATING BOX)	M
					K-PL-7017025-0-DBP	COVER KIT (ROTATING BOX) (PL)	M
					E-IA-7422666-0-0	COVER, REMOVABLE TOP	M
					D-MD-7422645-0-0	BRACKET, TOP COVER	M
					D-IA-7422661-0-0	VENT, REAR	M
					D-MD-7422646-0-0	BRACKET, REAR VENT	M
					C-MD-7422653-0-0	BRACKET, TRIM STRIP SUPPORT	M
2	B-DD-H9542-F	H9542-F 40 INCH FRAME ASSY	M		C-IA-7422654-0-0	STRIP, TRIM	M
3	E-AD-7017023-0-0	DOOR FRONT KIT	M	9	B-DD-872-0	FILTERED POWER CONTRCL	E/M
	K-PL-7017023-0-DBP	DOOR FRONT KIT (PL)	M				
	C-MD-7422262-0-0	BRACKET, FRONT DOOR PIVOT	M				
	C-MD-7422264-0-0	BRACKET, TOP PIVOT	M				
	C-MD-7422222-0-0	BRACKET, DOOR LOCK	M				
	E-AD-7016703-0-0	STOP, DOOR	M	10	B-DD-TU58-C	RACK MOUNT, DUAL DRIVE	E/M
	E-MD-7422951-0-0	BEZEL, DOOR MOUNTED	M				
	A-SS-7422951-0-1	BEZEL, DOOR MOUNTED, (ARTWORK)	M				
	C-IA-7422267-0-0	BRACKET, DOOR LOCK MOUNTING	M				
4	D-AD-7017022-0-0	DOOR FRONT ASSY	M	11	B-DD-11/44-0	11/44 SYSTEM	E/M
	K-PL-7017022-0-DBP	DOOR FRONT ASSY (PL)	M				
5	D-IA-7017021-0-0	DOOR FRONT (WELDMENT)	M	12	B-DD-H9544-H	CABINET ACCESSORY KIT (KIT OF 4 LEVELERS)	M
	D-MD-7422922-0-0	DOOR, FRONT, WITH CUTOUT	M				
	C-MD-7422277-0-0	BRKT. HINGE, FRONT DOOR TOP	M				
	C-IA-7422263-0-0	BRACKET, FRONT DOOR MTG.	M				

TYPE E ELECTRICAL
M MECHANICAL
E/M ELECTRO-MECHANICAL

DRB 108A

digital

TITLE

CPU KERNEL 11/44

SHEET 3 OF 4

SIZE CODE
B DD

NUMBER
7016719-0

REV
A

TW

FIND NO.	DRAWING NO.	DESCRIPTION	TYPE	FIND NO.	DRAWING NO.	DESCRIPTION	TYPE
13	D-AD-7017024-0-0	INTERFACE KIT, GAS SPRING	M				
	K-PL-7017024-0-DBP	INTERFACE KIT, GAS SPRING (PL)	M				
	C-MD-7422638-0-0	STOP, TIE DOWN	M				
	B-MD-7422639-0-0	BRKT, CENTERING & TIE DOWN	M				
	D-MD-7422642-0-0	BRKT, CAB REAR INTERFACE	M				
	D-MD-7422644-0-0	BRKT, PIVOT	M				
	B-MD-7422640-0-0	PIN, PIVOT	M				
	C-MD-7422641-0-0	BRKT, BOX INTERFACE	M				
14	D-IA-7016718-0-0	ASSY, CAB SIDE INTERFACE R.H.	M				
	D-MD-7422643-0-0	BRKT, CAB SIDE INTERFACE, R.H.	M				
	B-MD-7422662-0-0	BRKT, MTG, GAS SPRING	M				
	B-MD-7422854-0-0	TUBE, 90° STOP	M				
15	D-IA-7016999-0-0	ASSY, CAB SIDE INTERFACE L.H.	M				
	D-MD-7422851-0-0	BRKT, CAB SIDE INTERFACE, L.H.	M				
	B-MD-7422662-0-0	BRKT, MOUNTING, GAS SPRING	M				
16	D-AD-7017048-0-0	I/O PANEL KIT ASSY	M				
	E-IA-7422923-0-0	PANEL I/O	M				
17	E-DD-R9544-MF	DEFLECTOR, SINGLE BAY	M				

TYPE E ELECTRICAL
M MECHANICAL
EM ELECTRO-MECHANICAL

DRB 108A



TITLE CPU KERNEL 11/44

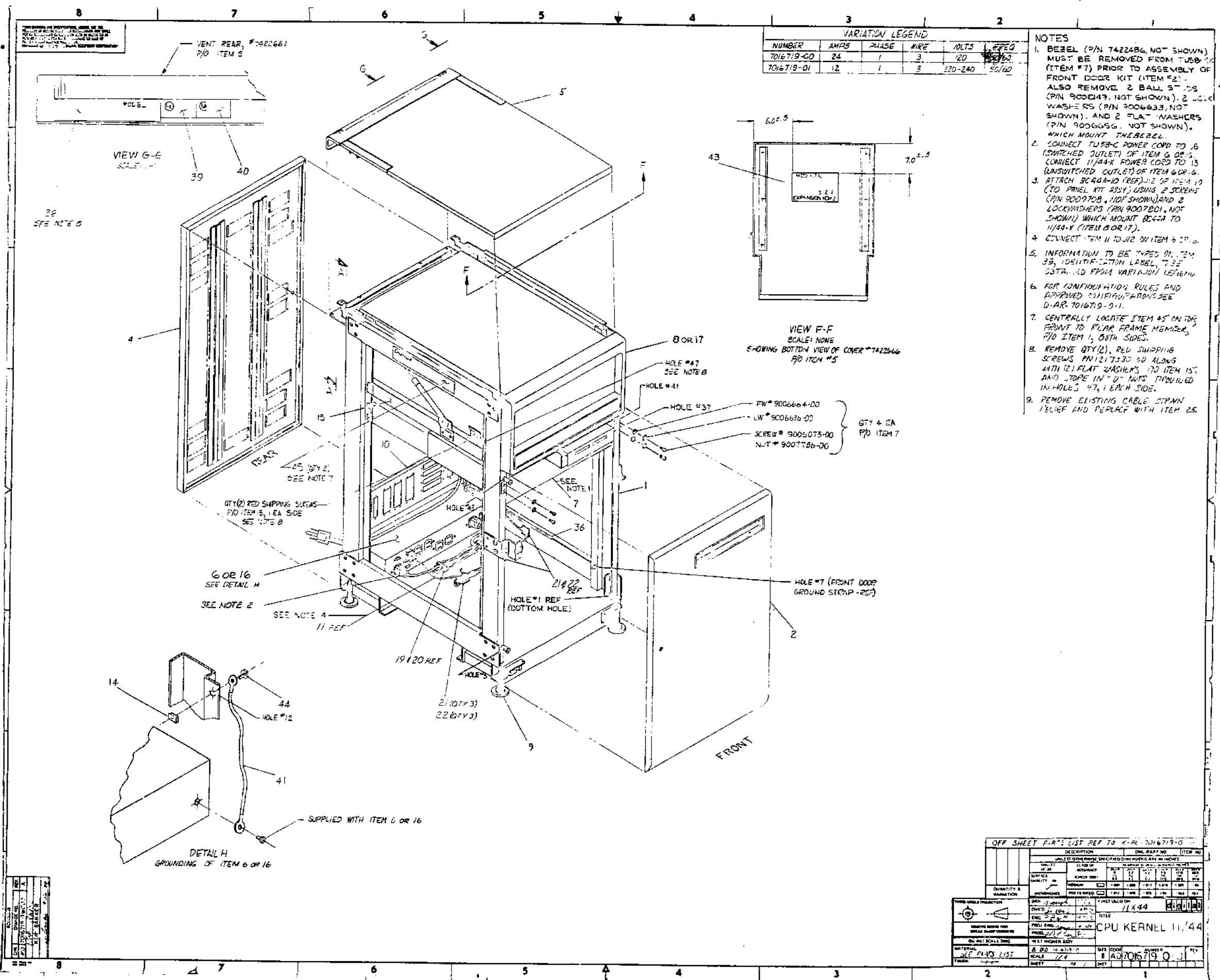
SHEET 4 OF 4

SIZE B CODE DD

NUMBER 7016719-0

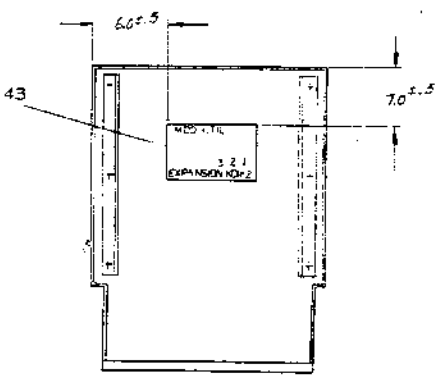
REV A

TW



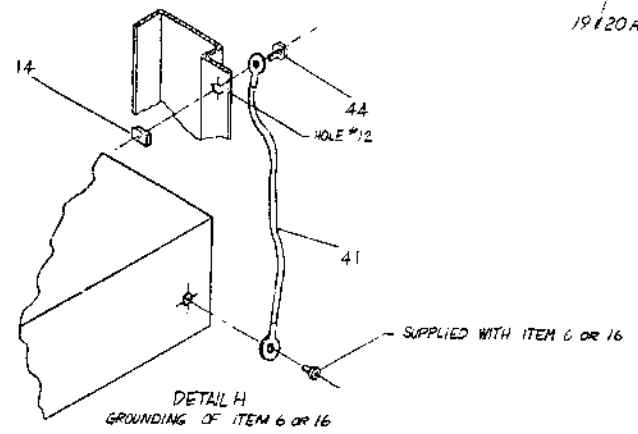
VARIATION LEGEND					
NUMBER	AMPS	PHASE	WIRE	VOLTS	FREQ
7016719-00	24	1	3	120	60/60
7016719-01	12	1	3	120-240	50/60

- NOTES**
1. BEZEL (P/N 7422466, NOT SHOWN) MUST BE REMOVED FROM TUBS (ITEM #7) PRIOR TO ASSEMBLY OF FRONT DOOR KIT (ITEM #2). ALSO REMOVE 2 BALL STUDS (P/N 9006149, NOT SHOWN), 2 LOCK WASHERS (P/N 9006633, NOT SHOWN), AND 2 FLAT WASHERS (P/N 9006656, NOT SHOWN), WHICH MOUNT THE BEZEL.
 2. CONNECT TUBS-C POWER CORD TO .8 (SWITCHED OUTLET) OF ITEM 6 OR 16. CONNECT 11/44-X POWER CORD TO 13 (UNSWITCHED OUTLET) OF ITEM 6 OR 16.
 3. ATTACH BC404-10 (REF) 1/2 OF ITEM 10 (TO PANEL KIT ASSY) USING 2 SCREWS (P/N 9009708, NOT SHOWN) AND 2 LOCKWASHERS (P/N 9007801, NOT SHOWN) WHICH MOUNT BC404 TO 11/44-X (ITEM 6 OR 17).
 4. CONNECT ITEM 11 TO J12 ON ITEM 6 OR 16.
 5. INFORMATION TO BE TYPED ON ITEM 39, IDENTIFICATION LABEL, 735 OBTAINED FROM VARIATION LEGEND.
 6. FOR CONFIGURATION RULES AND APPROVED CONFIGURATIONS SEE D-AR-7016719-0-1.
 7. CENTRALLY LOCATE ITEM #5 ON TOP FRONT TO FLAR FRAME MEMBER, P/D ITEM 1, BOTH SIDES.
 8. REMOVE QTY(2), RED SHIPPING SCREWS P/N 1217330 60 ALONG WITH 12 FLAT WASHERS P/D ITEM 15, AND TOPE IN 1/4" NUTS PROVIDED IN HOLES #7, 1 EACH SIDE.
 9. REMOVE EXISTING CABLE STRAP RELIEF AND REPLACE WITH ITEM 25.



VIEW F-F
SCALE: NONE
SHOWING BOTTOM VIEW OF COVER #7422466
P/D ITEM #5

- FW # 9006664-00
 - LW # 9006666-00
 - SCREW # 9006073-00
 - NUT # 9007786-00
- QTY 4 EA
P/D ITEM 7

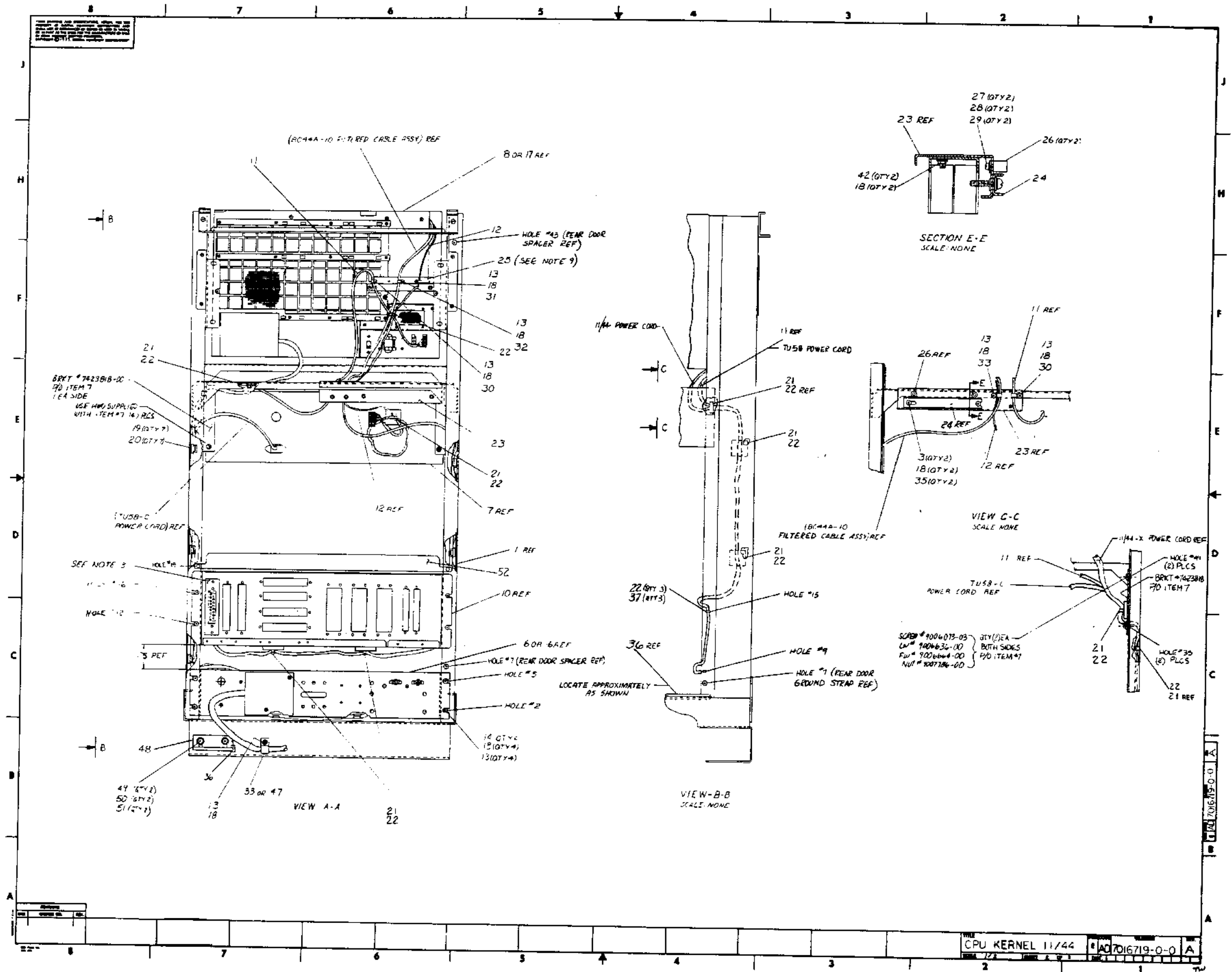


DETAIL H
GROUNDING OF ITEM 6 OR 16

OFF SHEET PARTS LIST REF TO 1-PL-7016719-0

ITEM NO	DESCRIPTION	QTY	UNIT	REF
1	BEZEL (P/N 7422466, NOT SHOWN)			
2	FRONT DOOR KIT (ITEM #2)			
3	IDENTIFICATION LABEL, 735			
4	FRONT DOOR KIT (ITEM #2)			
5	FRONT DOOR KIT (ITEM #2)			
6	FRONT DOOR KIT (ITEM #2)			
7	FRONT DOOR KIT (ITEM #2)			
8	FRONT DOOR KIT (ITEM #2)			
9	FRONT DOOR KIT (ITEM #2)			
10	FRONT DOOR KIT (ITEM #2)			
11	FRONT DOOR KIT (ITEM #2)			
12	FRONT DOOR KIT (ITEM #2)			
13	FRONT DOOR KIT (ITEM #2)			
14	FRONT DOOR KIT (ITEM #2)			
15	FRONT DOOR KIT (ITEM #2)			
16	FRONT DOOR KIT (ITEM #2)			
17	FRONT DOOR KIT (ITEM #2)			
18	FRONT DOOR KIT (ITEM #2)			
19	FRONT DOOR KIT (ITEM #2)			
20	FRONT DOOR KIT (ITEM #2)			
21	FRONT DOOR KIT (ITEM #2)			
22	FRONT DOOR KIT (ITEM #2)			
23	FRONT DOOR KIT (ITEM #2)			
24	FRONT DOOR KIT (ITEM #2)			
25	FRONT DOOR KIT (ITEM #2)			

DATE: 11/44
TITLE: CPU KERNEL 11/44
SCALE: 1/4
SHEET: 1 OF 1



LINE	ITEM	DOCUMENT NUMBER	PART NUMBER	DESCRIPTION	QUANTITY PER VARIATION	
					00	01
1	1	E-UA-H9542-F-0	H9542-FE	H9542-F 40 INCH FRAME ASSY	1	1
2	2	E-AD-7017023-0-0	7017023-00	DOOR,FRONT,KIT	1	1
3	3		9009896-00	WASHER, LOCK, INT. TOOTH #10 SS	2	2
4	4	E-UA-H9544-B-0	H9544-BA	40" REAR DOOR W LOCK, FULLY LOUV	1	1
5	5	D-AD-7017025-0-0	7017025-00	COVER KIT (ROTATING BOX)	1	1
6	6	E-UA-00872-0-0	00872-D	120V 24A FILTERED POWER CONTROL	1	-
7	7	E-UA-TU58-0-0	0TU58-CX	TU58-CA W NO DATA CABLES,120V/24	1	1
8	8	E-UA-11/44-0-0	11/44-XX	KD11-Z,KK11-B,NO MEMORY,BA11-AA,	1	-
9	9	E-UA-H9544-H-0	H9544-HB	KIT OF 4 LEVELERS	1	1
10	10	D-AD-7017048-0-0	7017048-00	I/O PANEL KIT ASSY	1	1
11	11	C-IA-7008288-0-0	7008288-8F	CABLE ASSY PDP-11	1	1
12	12	D-IA-8C44D-0-0	8C44D-09	CABLE ASSY. FOR TU58	1	1
13	13		9009700-00	SCREW, SEMS, PHILLIPS TRUSS HD 1	11	11
14	14		9007786-00	RETAINER, U-NUT, 10-32	5	5
15	15	D-AD-7017024-0-0	7017024-00	GAS SPRING INTERFACE KIT	1	1
16	16	E-UA-00872-0-0	00872-R	240V 12A FILTERED POWER CONTROL	-	1
17	17	E-UA-11/44-0-0	11/44-XY	KD11-Z,KK11-B,NO MEMORY,BA11-AB,	-	1
18	18		9006664-00	WASHER, FLAT, .437 OD X .218 ID	15	15
19	19	A-PS-1215843-0-0	1215843-01	CLIP,FLAT CABLE W/ADHESIVE BK	7	7
20	20	A-PS-1213716-0-0	1213716-01	SPACER,FOAM FOR FLAT WIRE CLIP	7	7
21	21		9008264-00	MOUNT, CABLE TIE, ADHESIVE BACKE	10	10
22	22		9007032-00	TIE,CABLE BUNDL.DIA 0-1-3/4"=101	14	14
23	23	D-IA-7422997-0-0	7422997-00	PLATE CABLE TIE	1	1
24	24	C-MD-7422996-0-0	7422996-00	BRKT., CABLE TIE	1	1
25	25	C-MD-7422995-0-0	7422995-00	BRKT, STRAIN RELIEF	1	1
26	26		9007660-00	SPACER, FIBER, RND, 4-40, .250 X	2	2
27	27		9006011-01	SCREW,PAN,PHIL 4-40X 3/8 SS	2	2
28	28		9006683-00	WASHER, LOCK, S.S. #4	2	2
29	29		9006655-00	WASHER, FLAT, .312 O.D. X .125 I	2	2
30	30		9007079-00	CLAMP, CABLE, SCREW MNT, 1/8"	2	2

REVISION HISTORY		BASIC PART NO: 7016719		DRN:	MICHAEL JOSEPH	DATE:	14-AUG-79	DIGITAL			
ENG	ECO NUMBER	REV	SECTION A OF A	CHK'D:	D. HEALY	DATE:	14-AUG-79	PARTS LIST			
	INITIAL	*	SECTION, VARIATION INDEX					CPU KERNEL 11/44			
	K.B!TW003	A	LA3 00,01								
			[B]	DES.ENG.:	PHIL BARTH	DATE:	14-AUG-79	DOCUMENT NUMBER			
			[C]	RESP.ENG.:	KEN BANKER	DATE:	14-AUG-79	SIZE	CODE	NUMBER	REV
			[D]	MFG.ENG.:	AL TSHUDY	DATE:	14-AUG-79	K	PL	7016719-0-DBP	A
			[E]	ASSEMBLY NUMBER:	E-AD-7016719-0-0	TOP DOCUMENT NUMBER:	#B-DD-7016719-0	FILE NAME:	Z0329.PLS	EDIT #:	14
			[F]								

*THIS DRAWING AND SPECIFICATIONS HEREIN, ARE THE PROPERTY OF DIGITAL EQUIPMENT CORPORATION AND SHALL NOT BE REPRODUCED OR COPIED OR USED IN WHOLE OR IN PART AS THE BASIS FOR THE MANUFACTURE OR SALE OF ITEMS WITHOUT WRITTEN PERMISSION. COPYRIGHT (C) 1980. DIGITAL EQUIPMENT CORPORATION *

AUTOMATED BY PRTLST.3L(31)

PARTS LIST

SHEET A2 OF A2

LINE	ITEM	DOCUMENT NUMBER	PART NUMBER	DESCRIPTION	QUANTITY PER VARIATION	
					00	01
31	31		9007080-00	CLAMP,CABLE,SCREW MTD. 3/16"	1	1
32	32		9007082-00	CLAMP,CABLE,SCREW MTD. 5/16"	1	1
33	33		9007083-00	CLAMP,CABLE,SCREW MTD. 3/8"	2	3
34	34		9006564-00	NUT,HEX , 10-32X3/8 AF X 1/	1	1
35	35		9006077-01	SCREW,PAN,PHIL 10-32X1 SS	2	2
36	36		9009718-00	GROMMET, STRIP, 14"	1	1
37	37		9007867-00	MOUNT, PUSH,CABLE TIE	3	3
38	38	A-PS-3613210-0-0	3613210-00	LABEL,ELECTRICAL DATA	1	1
39	39	A-PS-7416197-0-0	7416197-01	DECAL	1	1
40	40	A-PS-3613211-0-0	3613211-01	DECAL,CLEAR PREPRINTED CSA 1-1/4	1	1
41	41	A-PS-1213756-0-0	1213756-07	GROUND STRAP	1	1
42	42		9006565-00	NUT,KEP , 10-32X 3/8 AF	2	2
43	43	A-PS-3616928-0-0	3616928-00	LABEL,MODULE UTILIZATION 11/44	1	1
44	44		9010156-00	SCREW,HEX,SLOT,SEMS10-32X 1/2,W	1	1
45	45	A-PS-3617250-0-0	3617250-00	LABEL,CAUTION,STABILITY H9542	2	2
46	46	D-AR-7016719-0-1		11/44 CPU KERNAL IN H9542 CAB	REF	REF
47	47		9007087-00	CLAMP,CABLE,SCREW MTD. 5/8"	1	0
48	48	C-MD-7422221-0-0	7422221-00	BRKT,DOOR HINGE/END PANEL LOCK	1	1
49	49		9006243-09	SCREW,HEX 1/4-20X 3/4	2	2
50	50		9006676-00	WASHER, FLAT, .625 OD X .281 ID	2	2
51	51		9007797-00	WASHER, LOCK, S.S. 1/4	2	2
52	52	D-UA-H9544-MF-0	H9544-MF	SINGLE BAY DEFLECTOR ASSY.	1	1

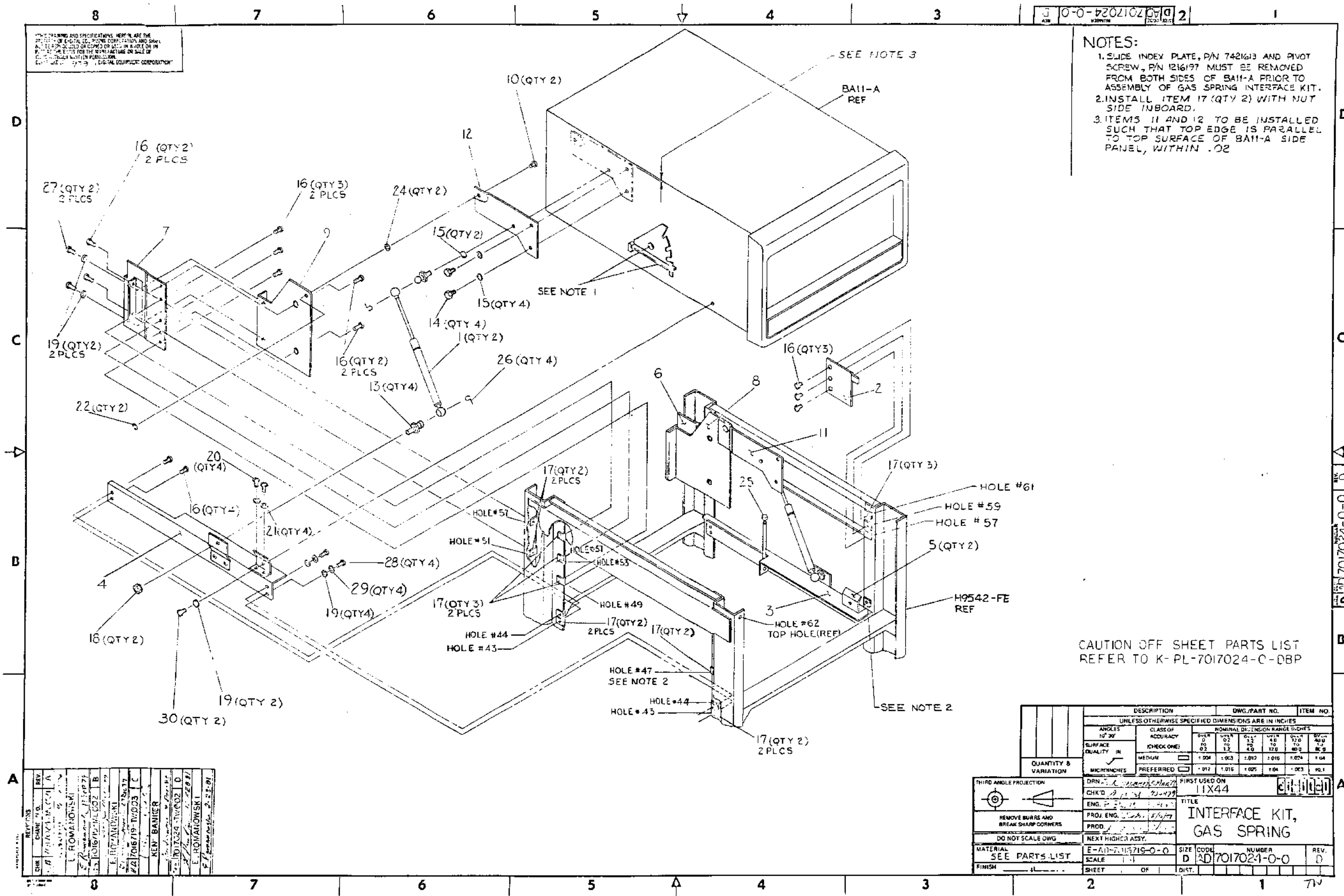
DIGITAL				TITLE	SECTION A OF A		SIZE	CODE	DOCUMENT NUMBER	REV
				CPU KERNEL 11/44			K	PL	7016719-0-DBF	A

111

THE DRAWING AND SPECIFICATIONS HEREIN ARE THE PROPERTY OF DIGITAL EQUIPMENT CORPORATION AND SHALL NOT BE REPRODUCED OR TRANSMITTED IN ANY FORM OR BY ANY MEANS, ELECTRONIC OR MECHANICAL, INCLUDING PHOTOCOPYING, RECORDING, OR BY ANY INFORMATION STORAGE AND RETRIEVAL SYSTEM, WITHOUT THE WRITTEN PERMISSION OF DIGITAL EQUIPMENT CORPORATION.

NOTES:

1. SLIDE INDEX PLATE, P/N 7421613 AND PIVOT SCREW, P/N 1216197 MUST BE REMOVED FROM BOTH SIDES OF BAI1-A PRIOR TO ASSEMBLY OF GAS SPRING INTERFACE KIT.
2. INSTALL ITEM 17 (QTY 2) WITH NUT SIDE INBOARD.
3. ITEMS 11 AND 12 TO BE INSTALLED SUCH THAT TOP EDGE IS PARALLEL TO TOP SURFACE OF BAI1-A SIDE PANEL, WITHIN .02



CAUTION OFF SHEET PARTS LIST REFER TO K-PL-7017024-C-08P

REV	DATE	BY	CHK	DESCRIPTION
1	11/15/77	E. ROMANOWSKI		ISSUE FOR MANUFACTURE
2	12/15/77	E. ROMANOWSKI		REVISION TO PARTS LIST
3	1/15/78	E. ROMANOWSKI		REVISION TO PARTS LIST
4	2/15/78	E. ROMANOWSKI		REVISION TO PARTS LIST
5	3/15/78	E. ROMANOWSKI		REVISION TO PARTS LIST
6	4/15/78	E. ROMANOWSKI		REVISION TO PARTS LIST
7	5/15/78	E. ROMANOWSKI		REVISION TO PARTS LIST
8	6/15/78	E. ROMANOWSKI		REVISION TO PARTS LIST

DESCRIPTION	DWG./PART NO.	ITEM NO.										
UNLESS OTHERWISE SPECIFIED DIMENSIONS ARE IN INCHES												
ANGLES 30° 30'	CLASS OF ACCURACY	NOMINAL DIMENSION RANGE IN INCHES										
SURFACE QUALITY IN	MEDIUM	OVER 0	0.1	0.2	0.3	0.4	0.5	0.6	0.7	0.8	0.9	1.0
		0.1	0.2	0.3	0.4	0.5	0.6	0.7	0.8	0.9	1.0	1.2
QUANTITY & VARIATION	MICROMETERS	PREFERRED	0.01	0.02	0.05	0.10	0.20	0.50	1.00	2.00	5.00	10.00
THIRD ANGLE PROJECTION	DRN. <i>[Signature]</i>	FIRST USED ON	11X44									
REMOVE BURS AND BREAK SHARP CORNERS	CHK'D. <i>[Signature]</i>	PROJ. ENG. <i>[Signature]</i>	TITLE									
DO NOT SCALE DWG	NEXT HIGHER ASSY.		INTERFACE KIT, GAS SPRING									
MATERIAL SEE PARTS LIST	E-AD-7-10719-0-0	SIZE CODE	NUMBER		REV.							
FINISH	SCALE	SHEET	OF	DIST.								

LINE	ITEM	DOCUMENT NUMBER	PART NUMBER	DESCRIPTION	QUANTITY PER VARIATION
1	1	A-PS-1216166-0-0	1216166-00	SPRING,GAS,DOUBLE DAMPED	2
2	2	C-MD-7422638-0-0	7422638-00	STOP,TIE DOWN	1
3	3	D-IA-7016718-0-0	7016718-00	ASSY,CAB SIDE INTERFACE,R.H.	1
4	4	D-IA-7016999-0-0	7016999-00	ASSY,CAB SIDE INTERFACE L.H.	1
5	5	B-MD-7422639-0-0	7422639-00	BRKT,CENTERING & TIE DOWN	2
6	6	D-MD-7422642-0-0	7422642-00	BRKT CAB REAR INTERFACE R.H.	1
7	7	D-MD-7422642-0-0	7422642-01	BRKT CAB REAR INTERFACE L.H.	1
8	8	D-MD-7422644-0-0	7422644-00	BRKT, PIVOT R.H.	1
9	9	D-MD-7422644-0-0	7422644-01	BRKT, PIVOT L.H.	1
10	10	B-MD-7422640-0-0	7422640-00	PIN,PIVOT	2
11	11	C-MD-7422641-0-0	7422641-00	BRKT, BOX INTERFACE (R.H.)	1
12	12	C-MD-7422641-0-0	7422641-01	BRKT, BOX INTERFACE (L.H.)	1
13	13	A-PS-1216627-0-0	1216627-00	STUD,BALL 10MM 1.038	4
14	14	A-PS-1216633-0-0	1216633-00	SCREW,HEX 5/16-24X 1/2	4
15	15		9007788-00	WASHER, LOCK S.S. 3/8	6
16	16		9009700-00	SCREW, SEMS, PHILLIPS TRUSS HD 1	21
17	17		9007786-00	RETAINER, U-NUT, 10-32	23
18	18		9007898-00	NUT,KEP ,5/16-24 X1/2 AF	2
19	19		9006664-00	WASHER, FLAT, .437 OD X .218 ID	10
20	20		9009545-01	SCREW, SEMS, PHILLIPS PAN HD.,B-	4
21	21		9006660-00	WASHER, FLAT, .375 O.D. X .187 I	4
22	22		9009579-00	RING, RETAINING, EXTERNAL FOR S/	2
23	24		9000003-02	WASHER,FLAT,NYLON, .75 OD X .385	2
24	25		9007872-00	FOOT LEVELER GRY/PLAS BASE CAPS	1
25	26	A-PS-1215806-0-0	1215806-02	CLIP,SAFETY	4
26	27		9009228-10	SCREW, SEMS, PHILLIP PAN HD. 10-	4
27	28		9006074-01	SCREW,PAN,PHIL 10-32X 5/8 SS	4
28	29		9009896-00	WASHER, LOCK, INT. TOOTH #10 SS	4
29	30		1217330-00	SCREW, SEMS, PHILLIPS TRUSS HD10	2

REVISION HISTORY			BASIC PART NO: 7017024						
ENG	ECD NUMBER	REV	SECTION A OF A	DRN: MICHAEL JOSEPH	DATE: 14-AUG-79	DIGITAL			
---	INITIAL	*	SECTION, VARIATION INDEX	CHK'D: D. HEALY	DATE: 14-AUG-79	TITLE PARTS LIST			
E.R.	7017024-ML001	A	[A] 00			INTERFACE KIT, GAS SPRING			
K.B.	7016719-ML002	B	[B]	DES.ENG.: PHIL BARTH	DATE: 14-AUG-79	DOCUMENT NUMBER			
E.R.	7017024-TW002	D	[D]	RESP.ENG.: KEN BANKER	DATE: 14-AUG-79	SIZE	CODE	NUMBER	REV
			[E]	MFG.ENG.: AL TSHUDY	DATE: 14-AUG-79	K	PL	7017024-0-DBP	D
			[F]	ASSEMBLY NUMBER:	TOP DOCUMENT NUMBER:	FILE NAME:		EDIT #	
				D-AD-7017024-0-0	D-AD-7017024-0-0	Z0512.PLS		25	

"THIS DRAWING AND SPECIFICATIONS HEREIN, ARE THE PROPERTY OF DIGITAL EQUIPMENT CORPORATION AND SHALL NOT BE REPRODUCED OR COPIED OR USED IN WHOLE OR IN PART AS THE BASIS FOR THE MANUFACTURE OR SALE OF ITEMS WITHOUT WRITTEN PERMISSION. COPYRIGHT (C) 1981, DIGITAL EQUIPMENT CORPORATION"

TW/

DIGITAL EQUIPMENT CORPORATION PARTS LIST

MADE BY S.ZYLAK DATE 1/11/80	CHECKED <i>S. Zylak</i> DATE 11-22-80	SECTION 1
ENG <i>Brown</i> DATE 17 JAN 80	PROD <i>Brown</i> DATE 18 JAN 80	ISSUED SECTION 1

QUANTITY / VARIATION

NOTES:

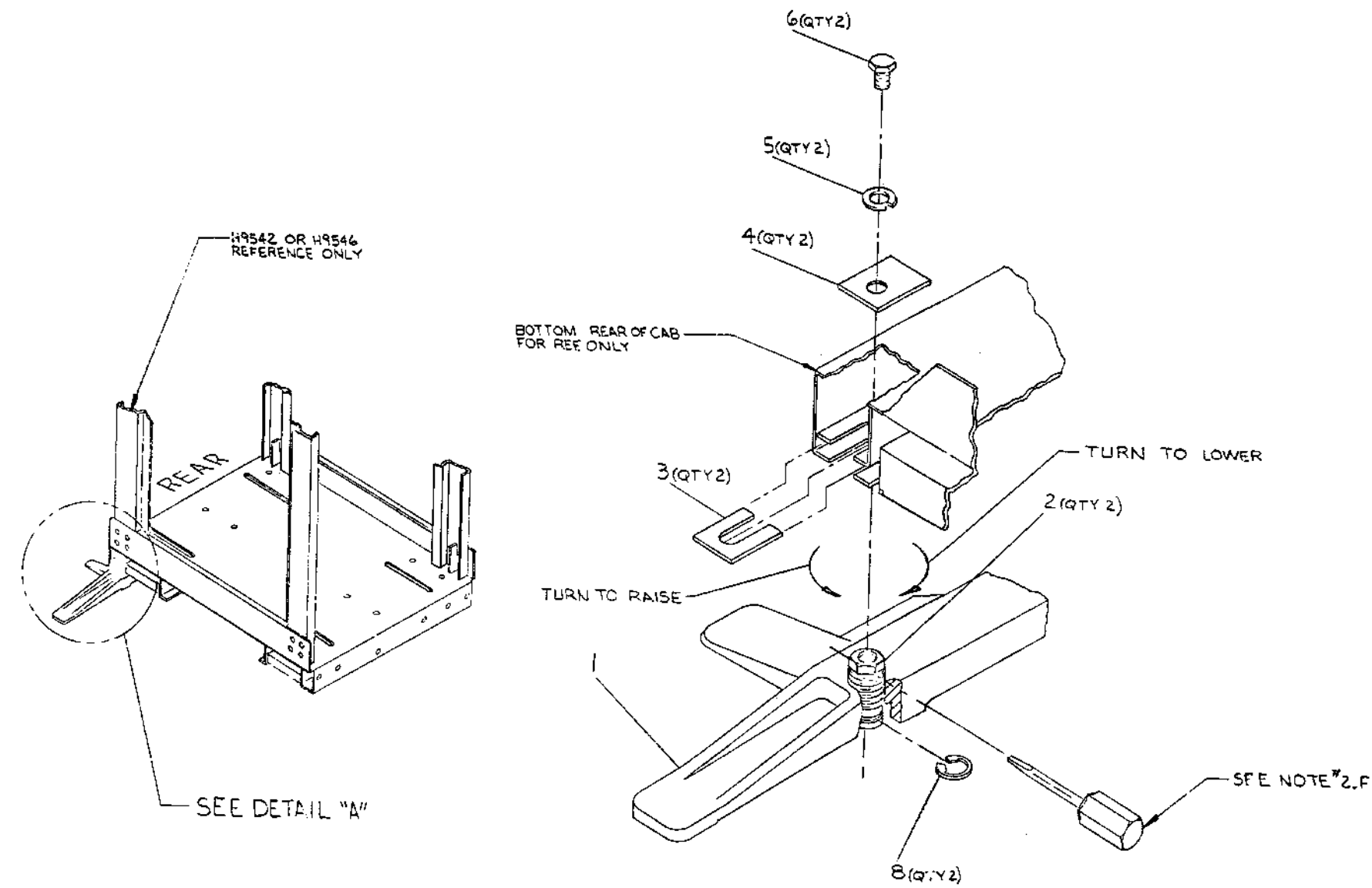
ITEM NO.	DRAWING NO.	PART NO.	DESCRIPTION	BC22A-10	BC22A-25											REF DESIGNATION			
1	A-PS-1700163-0-0	1700163-00	CABLE, NULL MODEM	1	-														
2	A-PS-1700163-0-0	1700163-01	CABLE, NULL MODEM	-	1														

<p><small>"THIS DRAWING AND SPECIFICATIONS, HEREIN, ARE THE PROPERTY OF DIGITAL EQUIPMENT CORPORATION AND SHALL NOT BE REPRODUCED OR COPIED OR USED IN WHOLE OR IN PART AS THE BASIS FOR THE MANUFACTURE OR SALE OF ITEMS WITHOUT WRITTEN PERMISSION. COPYRIGHT © 1980 DIGITAL EQUIPMENT CORPORATION"</small></p>	<p>TITLE CABLE, NULL MODEM</p>	<p>ASSY NO. <u> // </u></p>	<p>SIZE B</p>	<p>CODE PL</p>	<p>NUMBER BC22A-0-0</p>	<p>REV. *</p>
		<p>SHEET 1 OF 1</p>	<p>INSERTION PARTS LIST DATA BASE REV</p>			

MK

THIS DRAWING AND SPECIFICATIONS SHALL BE THE PROPERTY OF DIGITAL EQUIPMENT CORPORATION. IT IS TO BE USED FOR THE MANUFACTURE OF THE PRODUCT SPECIFICALLY IDENTIFIED HEREON. IT IS NOT TO BE REPRODUCED OR TRANSMITTED IN ANY FORM OR BY ANY MEANS, ELECTRONIC OR MECHANICAL, INCLUDING PHOTOCOPYING, RECORDING, OR BY ANY INFORMATION STORAGE AND RETRIEVAL SYSTEM, WITHOUT PERMISSION IN WRITING FROM DIGITAL EQUIPMENT CORPORATION.

DAD H9544-MJ-0



DETAIL A
SCALE: NONE

- NOTES:
- 1 ITEMS 5&6 ARE PART OF H9544-MJ HARDWARE KIT AND ARE LISTED FOR REF ONLY.
 - 2 INSTRUCTIONS TO INSTALL STABILIZER:
 - A ATTACH THE TWO COUPLERS TO THE BASE STABILIZER AS SHOWN.
 - B SLIDE STABILIZER UNDER CABINET AS SHOWN IN DETAIL "A".
 - C PLACE ITEM 4,5&6 RESPECTFULLY IN PLACE AS SHOWN LEAVING ITEM 6 A LOOSE FIT.
 - D LEVEL CABINET BY ADJUSTING THE COUPLERS. TO RAISE CABINET: TURN COUPLER COUNTERCLOCKWISE. TO LOWER CABINET: TURN COUPLER CLOCKWISE. USE PHILLIPS OR REGULAR SCREW DRIVER TO HELP TURN COUPLER.
 - E SLIDE ITEM 3 (SHIM) IN PLACE AS SHOWN.
 - F TIGHTEN ITEM 6 (1/2-13 SCREW) USING A BOX WRENCH SIZE (.812). INSERT A SCREW DRIVER THROUGH THE 5/16 DIA. HOLES IN COUPLER AND HOLD IN PLACE WHILE TORQUING SCREW TO 250 INCH POUNDS.

SEE OFF SHEETS PARTS LIST:
K-PL-H9544-MJ-DBP

REV	DESCRIPTION	DATE
1	ISSUED FOR MANUFACTURE	12/18/80
2	REVISED TO CORRECT DIMENSIONS	1/15/81
3	REVISED TO CORRECT DIMENSIONS	1/15/81
4	REVISED TO CORRECT DIMENSIONS	1/15/81
5	REVISED TO CORRECT DIMENSIONS	1/15/81
6	REVISED TO CORRECT DIMENSIONS	1/15/81
7	REVISED TO CORRECT DIMENSIONS	1/15/81
8	REVISED TO CORRECT DIMENSIONS	1/15/81
9	REVISED TO CORRECT DIMENSIONS	1/15/81
10	REVISED TO CORRECT DIMENSIONS	1/15/81

DESCRIPTION		DRAWING NO.		PART NO.		REV.	
UNLESS OTHERWISE SPECIFIED DIMENSIONS ARE IN INCHES AND THE FOLLOWING TOLERANCES APPLY (PER DEC STD 114)							
INCHES TOLERANCES	ANGLES ±.010	APPLICABLE DECISION RANGE	DIMENSION RANGE IN INCHES				
			OVER 12.0	OVER 12.0	OVER 12.0	OVER 12.0	OVER 12.0
X ± .1	SURFACE QUALITY	INCHES	TO .02	TO .02	TO .02	TO .02	TO .02
M ± .001	FINISH	INCHES	TO .02	TO .02	TO .02	TO .02	TO .02
QTY	DESCRIPTION	DATE	TITLE				
DO NOT SCALE DRAWING	DESIGNER	DATE	STABILIZER (CAST) ASSEMBLY KIT				
REMOVE BURRS AND BREAK CHAMFER CORNERS	DESIGNER	DATE	DOCUMENT NUMBER				
MATERIAL	DESIGNER	DATE	DAD H9544-MJ-0 C				
SEE PARTS LIST	DESIGNER	DATE	REV				
REV	DESCRIPTION	DATE	REV				

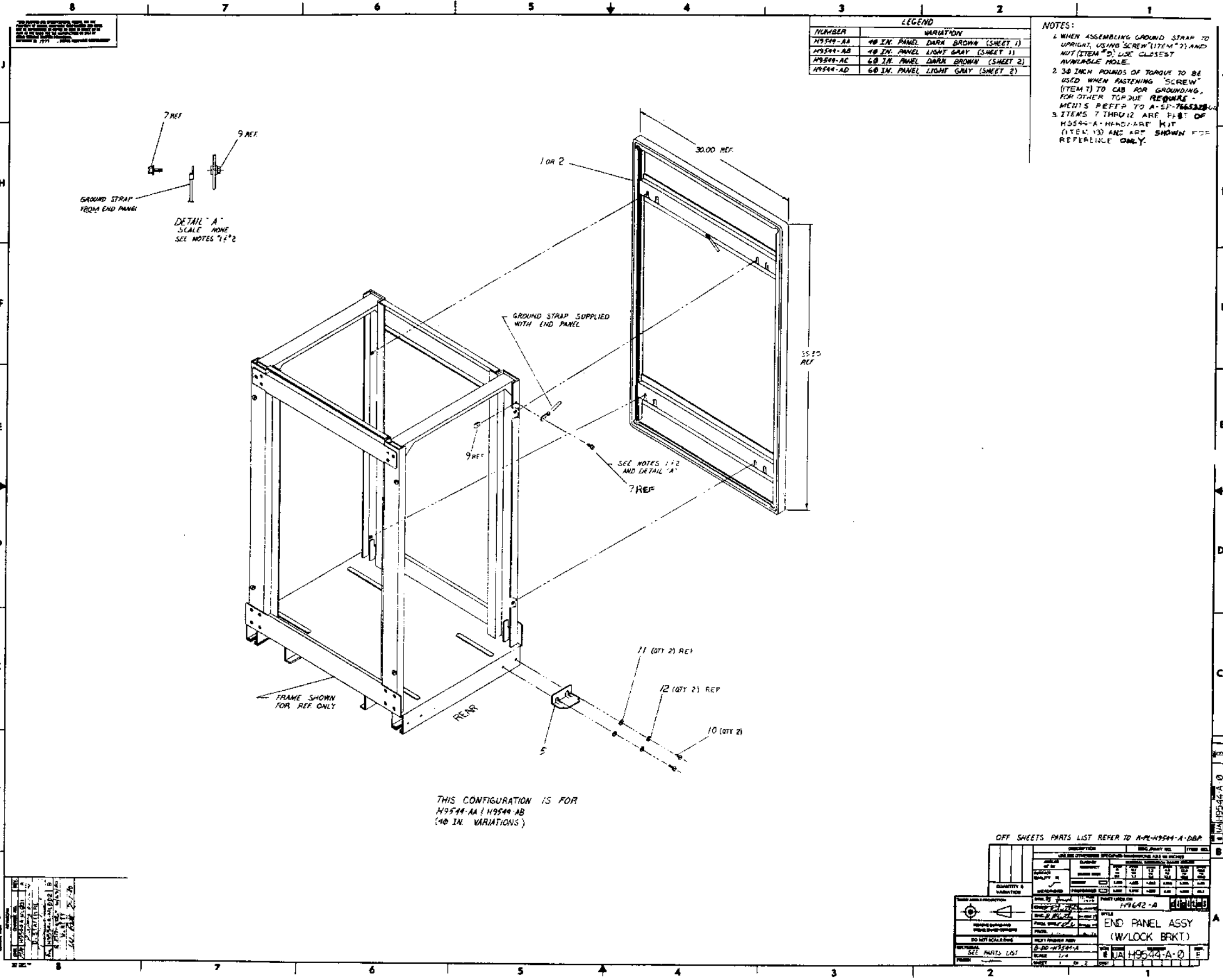
PARTS LIST

LINE ITEM	DOCUMENT NUMBER	PART NUMBER	DESCRIPTION	QUANTITY PER VARIATION
1	E-MD-7424063-0-0	7424063-00	CASTING, STABLIZER	1
2	C-MD-7424074-0-0	7424074-00	COUPLER	2
3	C-MD-7423352-0-0	7423352-00	SHIM	2
4	C-MD-7423349-0-0	7423349-00	WASHER, RECTANGULAR	2
5		9009895-00	WASHER, LOCK, SPLIT, .518 ID X .	REF
6		9000043-02	SCREW, HEX 1/2-13X 3/4	REF
7		2200032-00	HARDWARE KIT FOR H9544-MJ	1
8		9009703-00	RING, RETAINING, EXTERNAL FOR 7/	REF
9	A-SF-3700548-0-0	3700548-00	PKG KIT OPTION H9544 STABILIZER	1

10 NOTE: ITEM 5, 6, & 8 ARE PART OF H9544-MJ HARDWARE KIT AND ARE LISTED FOR REF ONLY.

REVISION HISTORY		BASIC PART NO: H9544		DRN: D. DIPERRI		DATE: 22-AUG-79		D I G I T A L	
ENG	ECD NUMBER	REV	SECTION A OF A	CHK'D:	F. KEYES	DATE:	01-OCT-79	TITLE	PARTS LIST
	INITIAL	A	SECTION, VARIATION INDEX	DES.ENG.:	T. STONE	DATE:	01-OCT-79	STABILIZER KIT ASSY	
DS	H9544-MJ-ML001	B	[A] MJ	RESP.ENG.:	T. STONE	DATE:	01-OCT-79	DOCUMENT NUMBER	
TS	H9544-MJ-ML002	C	[B]	MFG.ENG.:	V. ADAMETZ	DATE:	02-OCT-79	SIZE	CODE
			[C]	ASSEMBLY NUMBER:	D-UA-H9544-MJ-0	TOP DOCUMENT NUMBER:	B-DD-H9544-0-0	NUMBER	REV
			[D]					K	PL
			[E]					H9544-MJ-DBP	C
			[F]					FILE NAME:	EDIT
								Z0955C.FLS	10

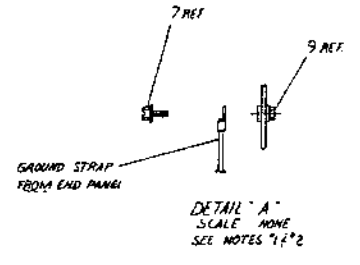
*THIS DRAWING AND SPECIFICATIONS HEREIN, ARE THE PROPERTY OF DIGITAL EQUIPMENT CORPORATION AND SHALL NOT BE REPRODUCED OR COPIED OR USED IN WHOLE OR IN PART AS THE BASIS FOR THE MANUFACTURE OR SALE OF ITEMS WITHOUT WRITTEN PERMISSION. COPYRIGHT (C) 1980. DIGITAL EQUIPMENT CORPORATION *



LEGEND	
NUMBER	VARIATION
H9544-AA	40 IN. PANEL DARK BROWN (SHEET 1)
H9544-AB	40 IN. PANEL LIGHT GRAY (SHEET 1)
H9544-AC	60 IN. PANEL DARK BROWN (SHEET 2)
H9544-AD	60 IN. PANEL LIGHT GRAY (SHEET 2)

NOTES:

- 1 WHEN ASSEMBLING GROUND STRAP TO UPRIGHT, USING SCREW (ITEM 7) AND NUT (ITEM 9), USE CLOSEST AVAILABLE HOLE.
- 2 30 INCH POUNDS OF TORQUE TO BE USED WHEN FASTENING SCREW (ITEM 7) TO CAB FOR GROUNDING, FOR OTHER TOP DUE REPAIRS - MEN'S REF TO A-5F-766322-00
- 3 ITEMS 7 THROUGH 12 ARE PART OF H9544-A HARDWARE KIT (ITEM 13) AND ARE SHOWN FOR REFERENCE ONLY.



GROUND STRAP SUPPLIED WITH END PANEL

FRAME SHOWN FOR REF ONLY

THIS CONFIGURATION IS FOR
H9544-AA / H9544-AB
(40 IN. VARIATIONS)

REV	DATE	BY	CHKD	DESCRIPTION
1				ISSUED FOR PRODUCTION
2				REVISED TO ADD PART 10
3				REVISED TO ADD PART 11
4				REVISED TO ADD PART 12

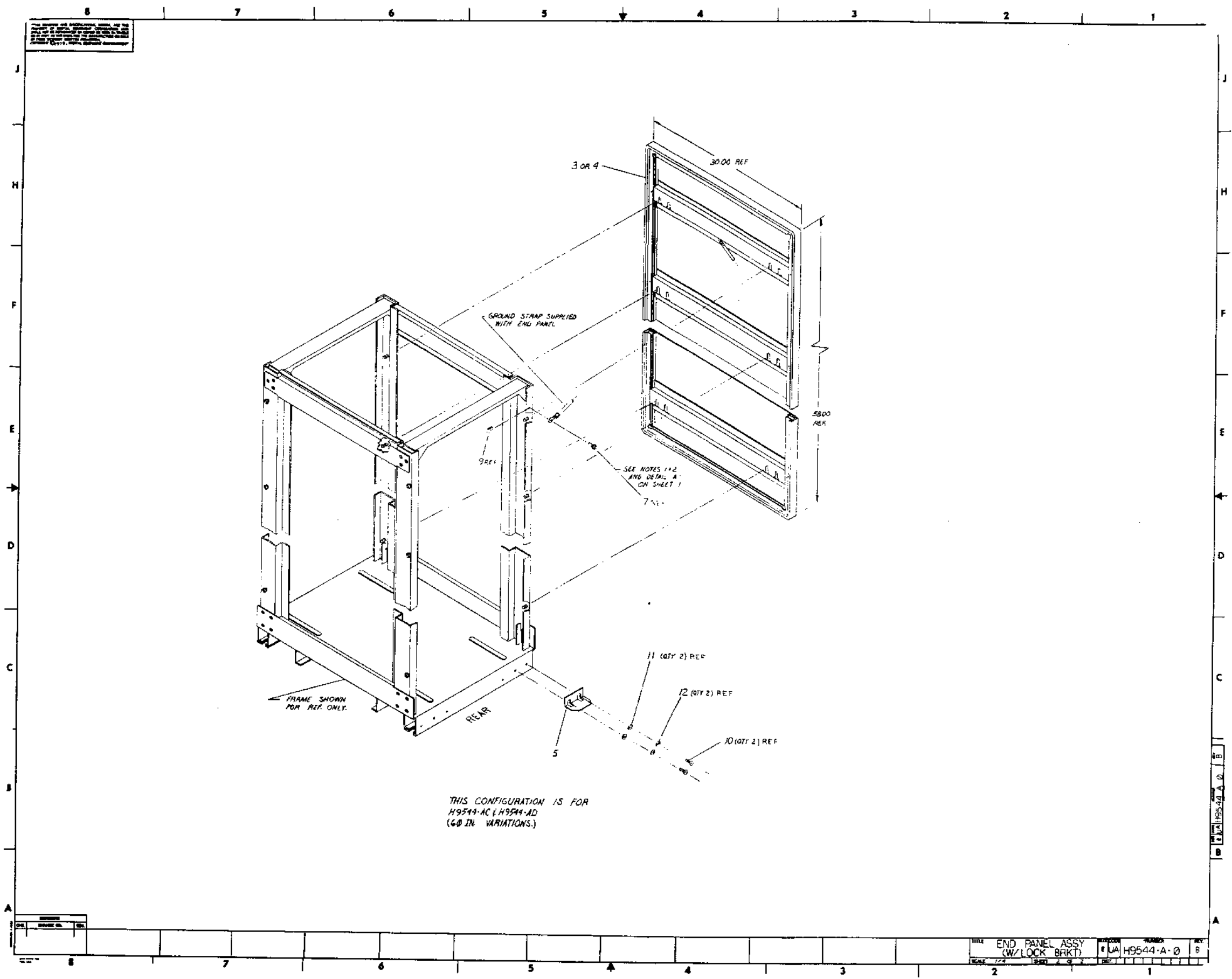
OFF SHEETS PARTS LIST REFER TO A-PL-H9544-A-D&P

ITEM NO.	DESCRIPTION	QTY	UNIT	REF
7	SCREW	1	EA	REF
9	NUT	1	EA	REF
10	SCREW	2	EA	REF
11	SCREW	2	EA	REF
12	SCREW	2	EA	REF
5	SCREW	1	EA	REF

END PANEL ASSY (W/LOCK BRKT.)

SCALE: 1/4"

SHEET 1 OF 2



REVISIONS

NO.	DATE	DESCRIPTION

DATE

--	--	--

TITLE	END PANEL ASSY (W/ LOCK BRKT)	REV	0
SCALE	1:1	DATE	

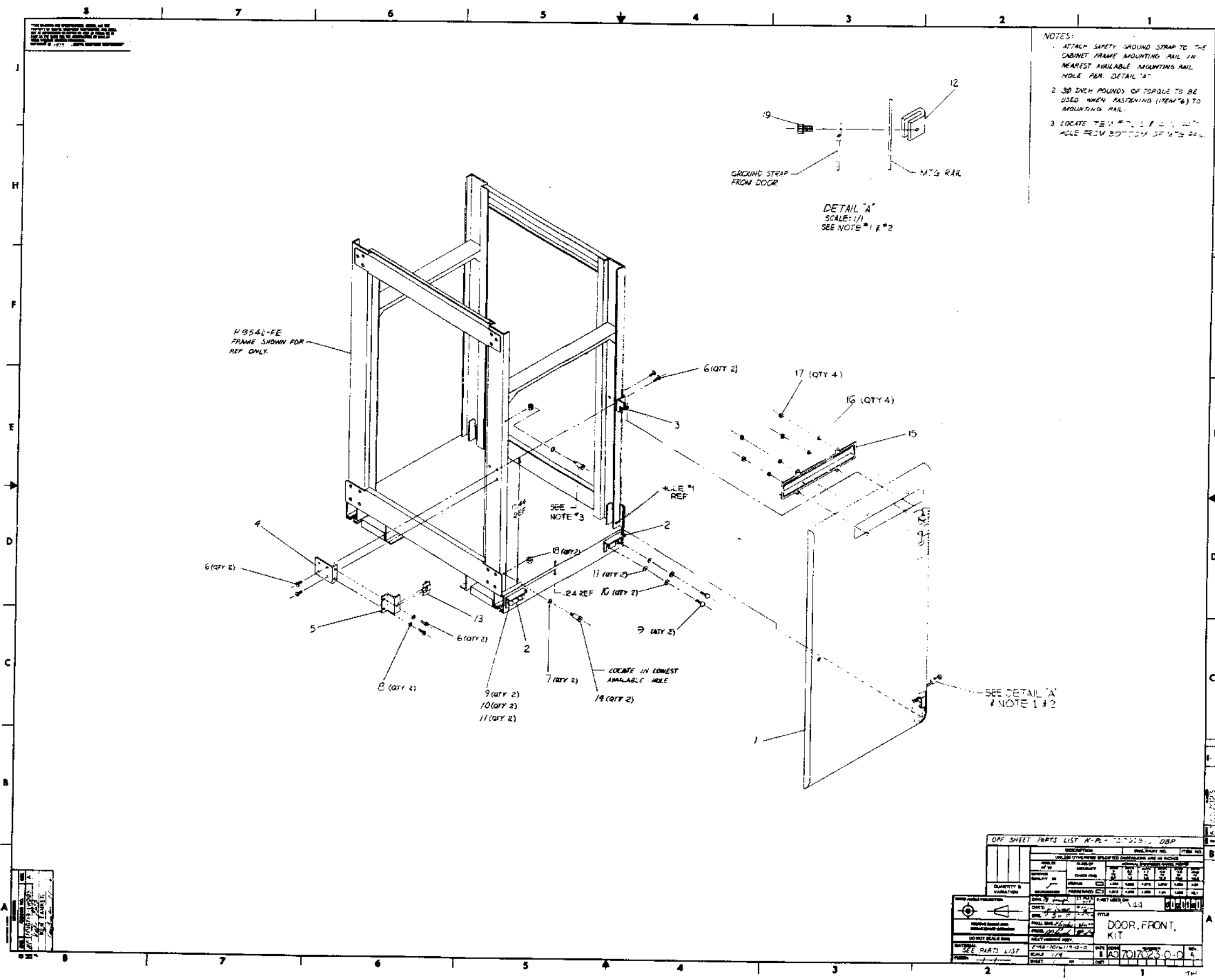
PARTS LIST

LINE ITEM	DOCUMENT NUMBER	PART NUMBER	DESCRIPTION	QUANTITY PER VARIATION			
				AA	AB	AC	AD
1	E-AD-7016534-0-0	7016534-00	END PANEL ASSY	1	-	-	-
2	E-AD-7016534-0-0	7016534-01	PANEL ASSY,END	-	1	-	-
3	E-AD-7016699-0-0	7016699-00	END PANEL ASSY 60 INCH	-	-	1	-
4	E-AD-7016699-0-0	7016699-01	END PANEL ASSY 60IN LT GREY	-	-	-	1
5	C-MD-7422221-0-0	7422221-00	BRKT,DOOR HINGE/END PANEL LOCK	1	1	1	1
6	C-MD-7414318-0-0	7414318-00	*** THIS ITEM IS NOT USED ***	-	-	-	-
7		9010156-00	SCREW,HEX,SLOT,SEMS10-32X 1/2,W	REF	REF	REF	REF
8		9007651-00	*** THIS ITEM IS NOT USED ***	-	-	-	-
9		9007786-00	RETAINER, U-NUT, 10-32	REF	REF	REF	REF
10		9006243-09	SCREW,HEX 1/4-20X 3/4	REF	REF	REF	REF
11		9006676-00	WASHER, FLAT, .625 OD X .281 ID	REF	REF	REF	REF
12		9007797-00	WASHER, LOCK, S.S. 1/4	REF	REF	REF	REF
13		2200021-00	HARDWARE KIT FOR H9544-A	1	1	1	1

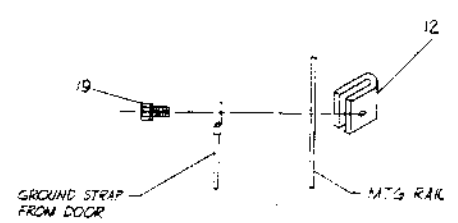
14 NOTE: ITEMS 7 THRU 12 ARE PART OF H9544-A HARDWARE KIT AND ARE ,
 15 NOTE: LISTED FOR REFERENCE ONLY.

REVISION HISTORY			BASIC PART NO: H9544		DRN: M. JOSEPH		DATE: 16-MAR-79		DIGITAL			
ENG	ECD NUMBER	REV	SECTION A OF A	CHK'D:	S. ROBERTS	DATE:	16-MAR-79	TITLE		PARTS LIST		
	INITIAL	*	SECTION, VARIATION INDEX	DES.ENG.:	W. F. MC CARTHY	DATE:	16-MAR-79	END PANEL ASSY (W. LOCK BRKT)				
DS	H9544-A-ML001	A	[A] AA,AB,AC,AD	RESP.ENG.:	P. DUBE	DATE:	16-MAR-79	DOCUMENT NUMBER				
WR	H9544-A-ML002	B	[B]	MFG.ENG.:	R. CARRIER	DATE:	16-MAR-79	SIZE	CODE	NUMBER	REV	
			[C]	ASSEMBLY NUMBER:	E-UA-H9544-A-0	TOP DOCUMENT NUMBER:		K	PL	H9544-A-DBP	B	
			[D]			FILE NAME:	Z0236B.PLS			EDIT	14	
			[E]									
			[F]									

"THIS DRAWING AND SPECIFICATIONS HEREIN, ARE THE PROPERTY OF DIGITAL EQUIPMENT CORPORATION AND SHALL NOT BE REPRODUCED OR COPIED OR USED IN WHOLE OR IN PART AS THE BASIS FOR THE MANUFACTURE OR SALE OF ITEMS WITHOUT WRITTEN PERMISSION. COPYRIGHT (C) 1980. DIGITAL EQUIPMENT CORPORATION"



- NOTES:
1. ATTACH SAFETY GROUND STRAP TO THE CABINET FRAME MOUNTING RAIL IN NEAREST AVAILABLE MOUNTING RAIL HOLE PER DETAIL "A"
 2. 30 INCH POUNDS OF TORQUE TO BE USED WHEN FASTENING (ITEM #6) TO MOUNTING RAIL.
 3. LOCATE ITEM #7, 8, 9, 10, 11 HOLE FROM BOTTOM OF MTS RAIL.



DETAIL "A"
SCALE: 1/1
SEE NOTE #1 & #2

H0542-FE
FRAME SHOWN FOR
REF ONLY.

SEE DETAIL "A"
NOTE 1 & 2

OFF SHEET PARTS LIST K-PL-3-0025-DBP

DESCRIPTION	QTY	UNIT	REF
1	1	DOOR	
2	2	SCREW	
3	2	SCREW	
4	2	SCREW	
5	2	SCREW	
6	2	SCREW	
7	2	SCREW	
8	2	SCREW	
9	2	SCREW	
10	2	SCREW	
11	2	SCREW	
12	1	RAIL	
13	1	SCREW	
14	1	SCREW	
15	1	SCREW	
16	4	SCREW	
17	4	SCREW	
18	2	SCREW	
19	1	STRAP	

DOOR, FRONT, KIT

LINE ITEM	DOCUMENT NUMBER	PART NUMBER	DESCRIPTION	QUANTITY PER VARIATION
				00
1	D-AD-7017022-0-0	7017022-00	DOOR,FRONT,ASSY	1
2	C-MD-7422262-0-0	7422262-00	BRACKET,FRONT DOOR PIVOT	2
3	C-MD-7422264-0-0	7422264-00	BRKT, TOP PIVOT	1
4	C-IA-7422267-0-0	7422267-00	BRKT,DOOR LOCK MTG	1
5	C-MD-7422222-0-0	7422222-00	BRACKET,DOOR LOCK	1
6		9009700-00	SCREW, SEMS, PHILLIPS TRUSS HD 1	6
7		9007906-00	WASHER, LOCK S.S. #10	2
8		9006664-00	WASHER, FLAT, .437 OD X .218 ID	2
9		9006243-09	SCREW,HEX 1/4-20X 3/4	4
10		9007797-00	WASHER, LOCK, S.S. 1/4	4
11		9006676-00	WASHER, FLAT, .625 OD X .281 ID	2
12		9007786-00	RETAINER, U-NUT, 10-32	1
13		1212972-02	SPRING,RECEPTACLE FASTENER 1/4 T	1
14	R-AD-7016703-0-0	7016703-02	STOP DOOR 1.62	2
15	E-MD-7422951-0-0	7422951-00	BEZEL,DOOR MOUNTED	1
16		9009949-00	WASHER, FLAT, .500 OD X .156 ID	4
17		9008185-00	NUT,KEP , 6-32X1/4 AF	4
18		9006565-00	NUT,KEP , 10-32X 3/8 AF	3
19		9010156-00	SCREW,HEX,SLOT,SEMS10-32X 1/2,W	1

REVISION HISTORY		BASIC PART NO: 7017023		DRN:	MICHAEL JOSEPH	DATE: 14-AUG-79	D I G I T A L				
ENG	ECO NUMBER	REV	SECTION A OF A	CHK'D:	D. HEALY	DATE: 14-AUG-79	TITLE		PARTS LIST		
---	INITIAL	*	SECTION, VARIATION INDEX				DOOR, FRONT, KIT				
	K.BITW003	A	[A] 00								
			[B]	DES.ENG.:	PHIL BARTH	DATE: 14-AUG-79					
			[C]	RESP.ENG.:	KEN BANKER	DATE: 14-AUG-79	DOCUMENT NUMBER				
			[D]				SIZE	CODE	NUMBER	REV	
			[E]	MFG.ENG.:	AL TSHUDY	DATE: 14-AUG-79	K	PL	7017023-0-DBP	A	
			[F]	ASSEMBLY NUMBER:		TOP DOCUMENT NUMBER:	FILE NAME:		EDIT #		
				E-AD-7017023-0-0		E-AD-7017023-0-0	Z0511.PLS		13		

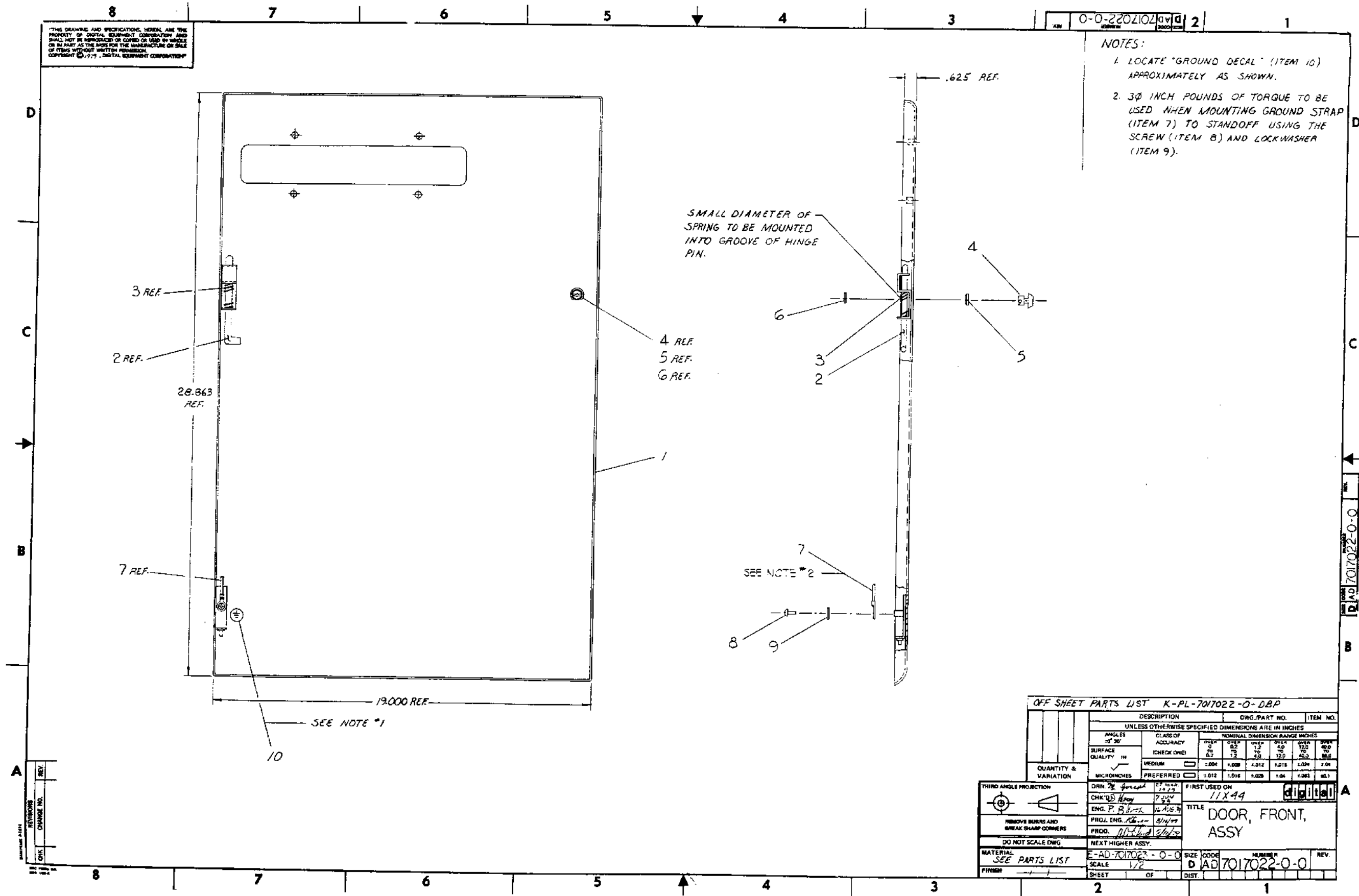
*THIS DRAWING AND SPECIFICATIONS HEREIN, ARE THE PROPERTY OF DIGITAL EQUIPMENT CORPORATION AND SHALL NOT BE REPRODUCED OR COPIED OR USED IN WHOLE OR IN PART AS THE BASIS FOR THE MANUFACTURE OR SALE OF ITEMS WITHOUT WRITTEN PERMISSION.

COPYRIGHT (C) 1980, DIGITAL EQUIPMENT CORPORATION *

THIS DRAWING AND SPECIFICATIONS HEREAFTER ARE THE PROPERTY OF DIGITAL EQUIPMENT CORPORATION AND SHALL NOT BE REPRODUCED OR COPIED OR USED IN WHOLE OR IN PART AS THE BASIS FOR THE MANUFACTURE OR SALE OF ITEMS WITHOUT WRITTEN PERMISSION. COPYRIGHT © 1977, DIGITAL EQUIPMENT CORPORATION

NOTES:

1. LOCATE "GROUND DECAL" (ITEM 10) APPROXIMATELY AS SHOWN.
2. 30 INCH POUNDS OF TORQUE TO BE USED WHEN MOUNTING GROUND STRAP (ITEM 7) TO STANDOFF USING THE SCREW (ITEM 8) AND LOCKWASHER (ITEM 9).



OFF SHEET PARTS LIST K-PL-701022-0-DBP

DESCRIPTION	DWG. PART NO.	ITEM NO.
UNLESS OTHERWISE SPECIFIED DIMENSIONS ARE IN INCHES		
ANGLES OF 30°	CLASS OF ACCURACY	NOMINAL DIMENSION RANGE INCHES
SURFACE QUALITY IN	(CHECK ONE)	OVER 12 TO 48.0 12 TO 48.0 6.0 TO 12.0 1.5 TO 6.0 0.7 TO 1.5
QUANTITY & VARIATION	MEDIUM	±.004 ±.008 ±.012 ±.018 ±.024 ±.04
MICROINCHES	PREFERRED	±.012 ±.016 ±.020 ±.04 ±.063 ±.1
THIRD ANGLE PROJECTION	DRN: <i>P. B. S.</i> 11/77	FIRST USED ON: <i>11X44</i>
REMOVE BURRS AND BREAK SHARP CORNERS	CHK'D: <i>W. J.</i> 7/84	TITLE: DOOR, FRONT, ASSY
DO NOT SCALE DWG	PRG. ENG. <i>P. B. S.</i> 11/77	PROG. <i>W. J.</i> 7/84
MATERIAL: SEE PARTS LIST	E-AD-701022-0-0	SIZE: D AD 701022-0-0
FINISH: <i>1</i>	SCALE: 1/2	SHEET: OF

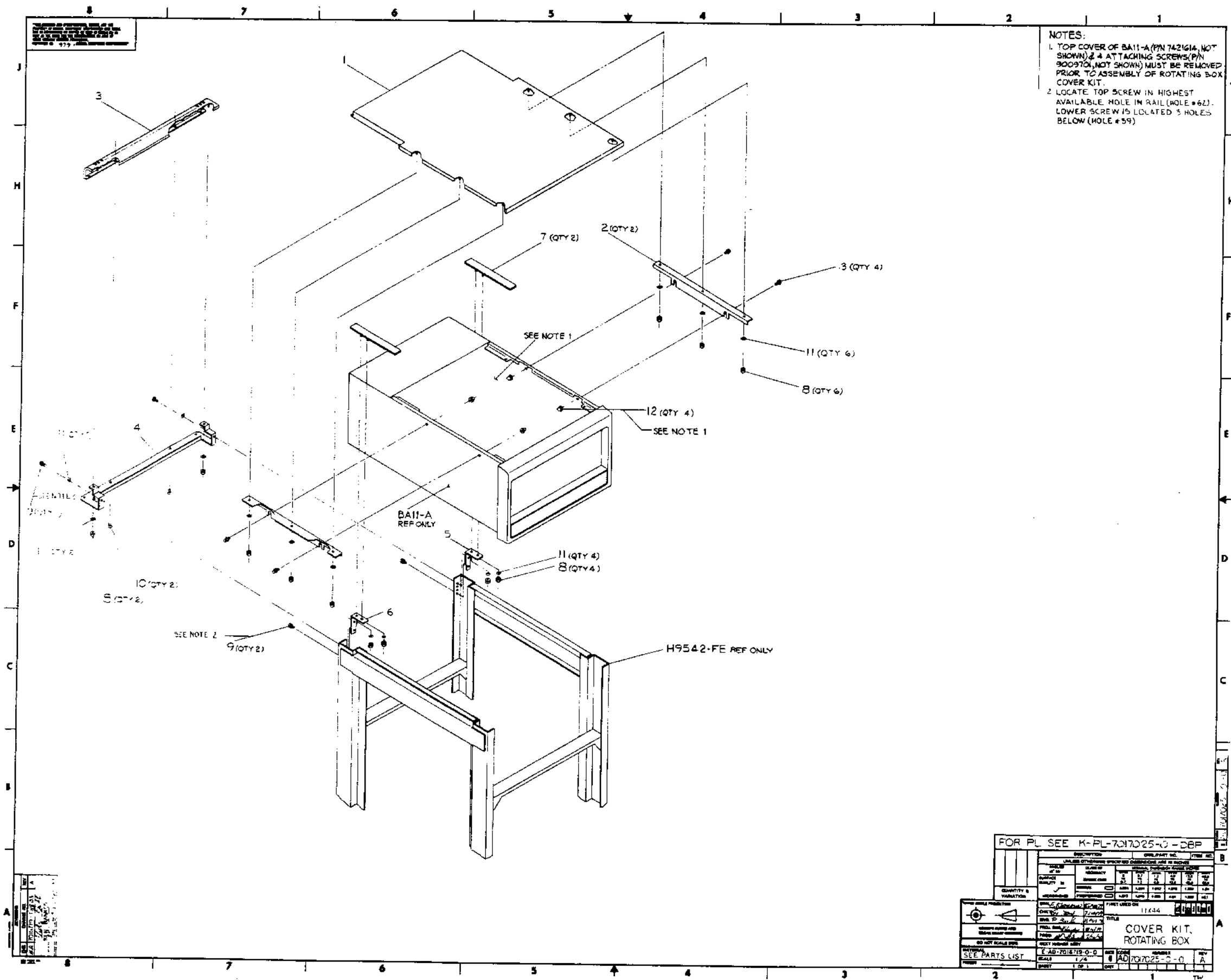
AUTOMATED BY PRTIST,31(31)

P A R T S L I S T

SHEET A1 OF A1

LINE	ITEM	DOCUMENT NUMBER	PART NUMBER	DESCRIPTION	QUANTITY PER VARIATION
1	1	D-1A-7-17221-2-A	7017221-00	DOOR, FRONT(WELDMENT)	1
2	2		1216223-00	PIN, DOOR HINGE	1
3	3		1216225-00	SPRING, HINGE 1.54LG	1
4	4		1212972-00	FASTENER, QUARTER TURN W/RECESSED	1
5	5		1212972-03	GROMMET HALF FOR 1/4 TURN FASTEN	1
6	6		9000500-00	RING, RETAINING .500 O.D. X.423	1
7	7		1213756-12	GROUND STRAP	1
8	8		9000007-01	SCREW, PAN, PHIL, 10-32X 1/4 S	1
9	9		9006635-00	WASHER, LOCK, INT, 31000 X .200LD	1
10	10		3613272-00	LABEL, AMM BACK, NYLAR CAP	1

REVISION HISTORY			BASIC PART NO: 7017222		DRN: MICHAEL JOSEPH		DATE: 14-AUG-79		D I G I T A L			
ENG	ECO NUMBER	REV	SECTION A OF A	CHK'D:	DATE:	TITLE PARTS LIST						
***	INITIAL		SECTION, VARIATION INDEX	DENNIS HEALY <i>DH</i>	14-AUG-79	DOOR, FRONT, ASSY						
			(A) WK	DES, ENG, PHIL BARIH <i>P.B.</i>	14-AUG-79	DOCUMENT NUMBER						
			(B)	RESP, ENG, KEN BANKER <i>KB</i>	14-AUG-79	SIZE:	CODE:	NUMBER			REV	
			(C)	MFG, ENG, AL TSHUDY <i>AT</i>	14-AUG-79	K	PL	7017222-0-08P			*	
			(D)	ASSEMBLY NUMBER:	TOP DOCUMENT NUMBER:	FILE NAME:			EDIT #			
			(E)	D-AD-7017222-0-0	D-AD-7017222-0-0	E0955,PLS			0			
			(F)	<p>"THIS DRAWING AND SPECIFICATIONS HEREIN, ARE THE PROPERTY OF DIGITAL EQUIPMENT CORPORATION AND SHALL NOT BE REPRODUCED OR COPIED OR USED IN WHOLE OR IN PART AS THE BASIS FOR THE MANUFACTURE OR SALE OF ITEMS WITHOUT WRITTEN PERMISSION."</p> <p>COPYRIGHT (C) 1979, DIGITAL EQUIPMENT CORPORATION</p>								



NOTES:
 1. TOP COVER OF BAIL-A (P/N 7421G14, NOT SHOWN) & 4 ATTACHING SCREWS (P/N 9009701, NOT SHOWN) MUST BE REMOVED PRIOR TO ASSEMBLY OF ROTATING BOX COVER KIT.
 2. LOCATE TOP SCREW IN HIGHEST AVAILABLE HOLE IN RAIL (HOLE #62). LOWER SCREW IS LOCATED 5 HOLES BELOW (HOLE #59).

FOR PL SEE K-PL-7017025-0-DBP

DESCRIPTION	QTY	UNIT	REF. NO.
1. TOP COVER OF BAIL-A (P/N 7421G14, NOT SHOWN) & 4 ATTACHING SCREWS (P/N 9009701, NOT SHOWN) MUST BE REMOVED PRIOR TO ASSEMBLY OF ROTATING BOX COVER KIT.	1	COVER KIT	
2. LOCATE TOP SCREW IN HIGHEST AVAILABLE HOLE IN RAIL (HOLE #62). LOWER SCREW IS LOCATED 5 HOLES BELOW (HOLE #59).	1	COVER KIT	

COVER KIT, ROTATING BOX

SEE PARTS LIST

AUTOMATED BY PRTLST,3L(31)

PARTS LIST

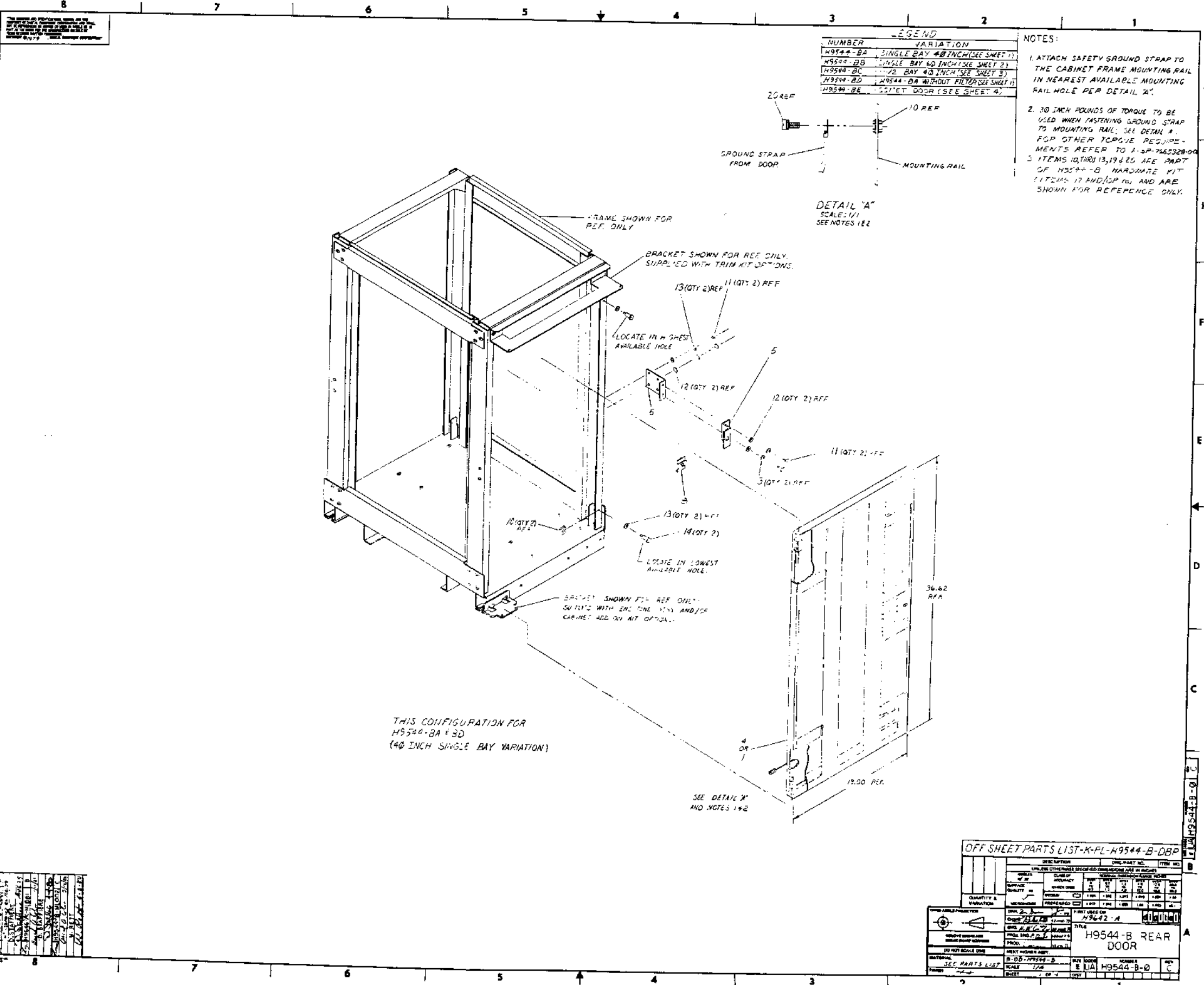
SHEET A1 OF A1

LINE ITEM	DOCUMENT NUMBER	PART NUMBER	DESCRIPTION	QUANTITY PER VARIATION
1	E-IA-7422666-0-0	7422666-00	COVER,REMOVABLE TOP	1
2	D-MD-7422645-0-0	7422645-00	BRKT, TOP COVER	2
3	D-IA-7422661-0-0	7422661-00	VENT, REAR	1
4	D-MD-7422646-0-0	7422646-00	BRACKET, REAR VENT	1
5	C-MD-7422653-0-0	7422653-00	BRKT TRIM STRIP SUPPORT R.H.	1
6	C-MD-7422653-0-0	7422653-01	BRKT TRIM STRIP SUPPORT L.H.	1
7	C-IA-7422654-0-0	7422654-00	STRIP, TRIM	2
8		9006565-00	NUT, KEP , 10-32X 3/8 AF	12
9		9009700-00	SCREW, SEMS, PHILLIPS TRIUSS HD 1	4
10		9006070-02	SCREW, FLAT, PHIL, 10-32X 5/16	2
11		9006664-00	WASHER, FLAT, .437 OD X .218 ID	14
12		9006610-00	NUT, CAP , 10-32 X7/16AF REL	4
13		9009988-05	SCREW, SEMS, SLOTTED HEX HD 10-	4

REVISION HISTORY			BASIC PART NO: 7017025			D I G I T A L		
ENG	ECO NUMBER	REV	SECTION A OF A	DRN:	MICHAEL JOSEPH	DATE:	14-AUG-79	
---	INITIAL	*	SECTION, VARIATION INDEX	CHK'D:	D. HEALY	DATE:	14-AUG-79	TITLE
KB	TW003	A	[A] 00					PARTS LIST
			[B]	DES.ENG.:	PHIL BARTH	DATE:	14-AUG-79	COVER KIT, ROTATING BOX
			[C]	RESP.ENG.:	KEN BANKER	DATE:	14-AUG-79	DOCUMENT NUMBER
			[D]					SIZE CODE NUMBER
			[E]	MFG.ENG.:	AL TSHUDY	DATE:	14-AUG-79	K PL 7017025-0-DBP
			[F]	ASSEMBLY NUMBER:	E-AD-7017025-0-0	TOP DOCUMENT NUMBER:	E-AD-7017025-0-0	FILE NAME: Z0513.PLS
								EDIT 9

*THIS DRAWING AND SPECIFICATIONS HEREIN, ARE THE PROPERTY OF DIGITAL EQUIPMENT CORPORATION AND SHALL NOT BE REPRODUCED OR COPIED OR USED IN WHOLE OR IN PART AS THE BASIS FOR THE MANUFACTURE OR SALE OF ITEMS WITHOUT WRITTEN PERMISSION. COPYRIGHT (C) 1980. DIGITAL EQUIPMENT CORPORATION *

TW



NUMBER	VARIATION
H9544-B-A	SINGLE BAY 48 INCH (SEE SHEET 1)
H9544-B-B	SINGLE BAY 60 INCH (SEE SHEET 2)
H9544-B-C	TWO BAY 48 INCH (SEE SHEET 3)
H9544-B-D	H9544-B-A WITHOUT FILTER (SEE SHEET 1)
H9544-B-E	DOOR (SEE SHEET 4)

- NOTES:
1. ATTACH SAFETY GROUND STRAP TO THE CABINET FRAME MOUNTING RAIL IN NEAREST AVAILABLE MOUNTING RAIL HOLE PER DETAIL 'A'.
 2. 30 INCH POUNDS OF TORQUE TO BE USED WHEN FASTENING GROUND STRAP TO MOUNTING RAIL; SEE DETAIL 'A'. FOR OTHER TORQUE REQUIREMENTS REFER TO P-SP-7462328-00.
 3. ITEMS 10, 11, 12, 13, 14 & 20 ARE PART OF H9544-B HARDWARE KIT. ITEMS 17 AND 18 ARE SHOWN FOR REFERENCE ONLY.

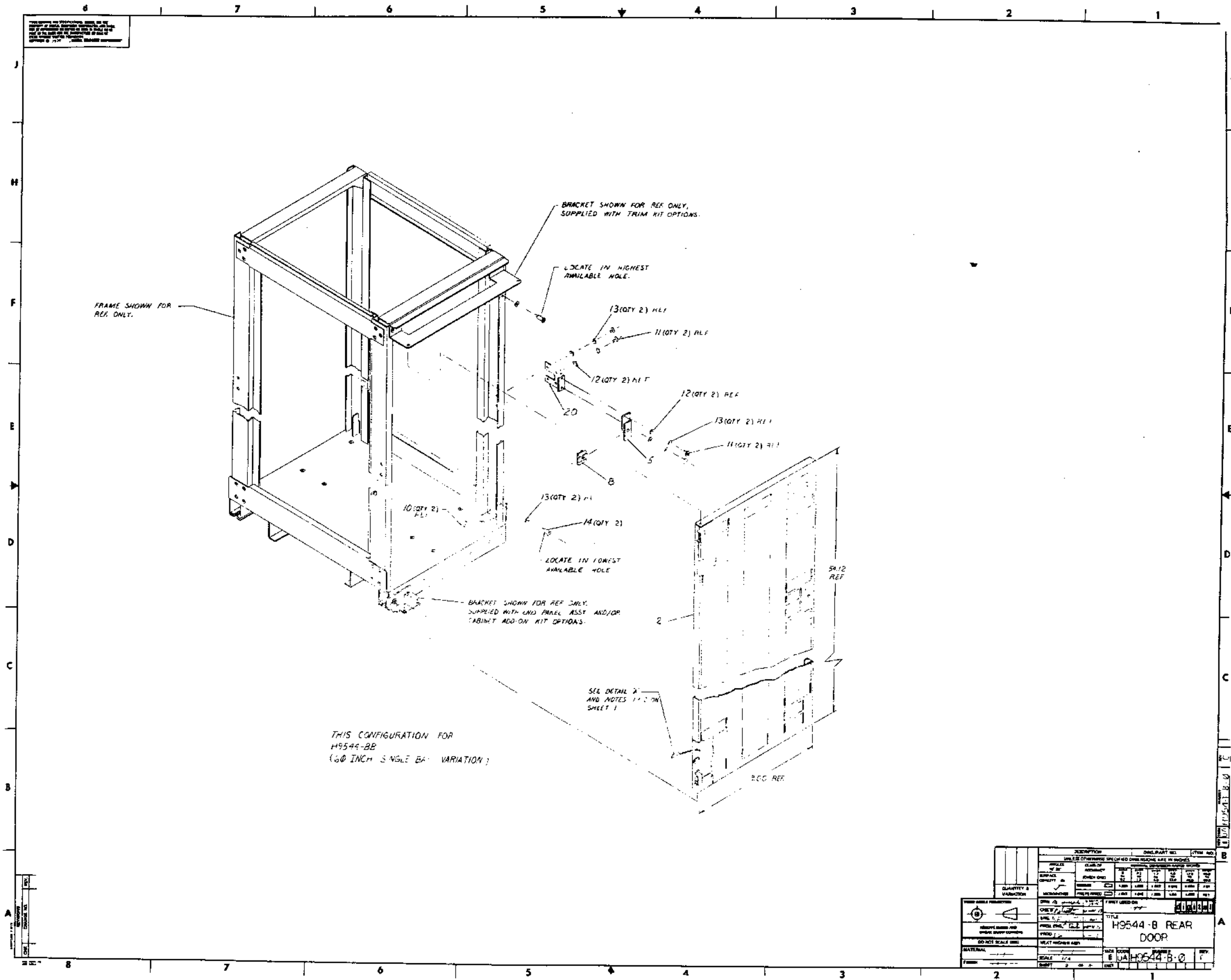
THIS CONFIGURATION FOR
H9544-B-A & B-D
(48 INCH SINGLE BAY VARIATION)

OFF SHEET PARTS LIST-K-PL-H9544-B-DBP

DESCRIPTION	QTY	REF	ITEM NO.
1. SAFETY GROUND STRAP	1	20 REF	1
2. MOUNTING RAIL	1	10 REF	2
3. BRACKET	1	11 (QTY 2) REF	3
4. BRACKET	1	12 (QTY 2) REF	4
5. BRACKET	1	13 (QTY 2) REF	5
6. BRACKET	1	14 (QTY 2)	6
7. BRACKET	1	15 (QTY 2) REF	7
8. BRACKET	1	16 (QTY 2)	8
9. BRACKET	1	17 (QTY 2) REF	9
10. BRACKET	1	18 (QTY 2)	10
11. BRACKET	1	19 (QTY 2) REF	11
12. BRACKET	1	20 REF	12

REV	DESCRIPTION	DATE
1	ISSUED FOR MANUFACTURE	11/11/00
2	REVISED TO ADD PART 10	11/11/00
3	REVISED TO ADD PART 11	11/11/00
4	REVISED TO ADD PART 12	11/11/00
5	REVISED TO ADD PART 13	11/11/00
6	REVISED TO ADD PART 14	11/11/00
7	REVISED TO ADD PART 15	11/11/00
8	REVISED TO ADD PART 16	11/11/00
9	REVISED TO ADD PART 17	11/11/00
10	REVISED TO ADD PART 18	11/11/00
11	REVISED TO ADD PART 19	11/11/00
12	REVISED TO ADD PART 20	11/11/00

DATE: 11/11/00	BY: EJA	CHKD: EJA	APP: EJA
SCALE: 1/2" = 1'-0"	SHEET: 1 OF 4	REV: 12	REV: 12
DESCRIPTION: H9544-B REAR DOOR	ITEM NO: H9544-B-0	REV: C	REV: C



THIS CONFIGURATION FOR
H9544-BB
(60 INCH SINGLE BA VARIATION)

QUANTITY & IDENTIFICATION		DESCRIPTION		DRAWING NO.		TYPE NO.	
1	DOOR	DOOR	H9544-B REAR DOOR	1	1	1	1
2	BRACKET	BRACKET	BRACKET	2	2	2	2
3	SCREW	SCREW	SCREW	3	3	3	3
4	WASHER	WASHER	WASHER	4	4	4	4
5	SPACER	SPACER	SPACER	5	5	5	5
6	SCREW	SCREW	SCREW	6	6	6	6
7	WASHER	WASHER	WASHER	7	7	7	7
8	SPACER	SPACER	SPACER	8	8	8	8
9	SCREW	SCREW	SCREW	9	9	9	9
10	WASHER	WASHER	WASHER	10	10	10	10
11	SPACER	SPACER	SPACER	11	11	11	11
12	SCREW	SCREW	SCREW	12	12	12	12
13	WASHER	WASHER	WASHER	13	13	13	13
14	SPACER	SPACER	SPACER	14	14	14	14
15	SCREW	SCREW	SCREW	15	15	15	15
16	WASHER	WASHER	WASHER	16	16	16	16
17	SPACER	SPACER	SPACER	17	17	17	17
18	SCREW	SCREW	SCREW	18	18	18	18
19	WASHER	WASHER	WASHER	19	19	19	19
20	SPACER	SPACER	SPACER	20	20	20	20

LINE	ITEM	DOCUMENT NUMBER	PART NUMBER	DESCRIPTION	QUANTITY PER VARIATION				
					BA	BB	BC	BD	BE
1	1	E-AD-7016533-0-0	7016533-00	DOOR ASSY,REAR(SINGLE BAY,40INCH	1	-	-	-	-
2	2	E-AD-7016695-0-0	7016695-00	DOOR ASSY REAR(SINGLE BAY,60")	-	1	-	-	-
3	3	E-AD-7016697-0-0	7016697-00	DOOR ASSY REAR(1 1/2 BAY 40")	-	-	1	-	-
4	4	E-AD-7016533-0-0	7016533-01	DOOR ASSY REAR(REAR DOOR W/O FIL	-	-	-	1	-
5	5	C-MD-7422222-0-0	7422222-00	BRACKET,DOOR LOCK	1	1	1	1	1
6	6	C-IA-7422267-0-0	7422267-00	BRKT,DOOR LOCK MTG	1	-	1	1	1
7	7		4700045-00	*** THIS ITEM IS NOT USED ***	-	-	-	-	-
8	8		1212972-02	SPRING,RECEPTACLE FASTENER 1/4 T	1	1	1	1	1
9	9		9007651-00	*** THIS ITEM IS NOT USED ***	-	-	-	-	-
10	10		9007786-00	RETAINER, U-NUT, 10-32	REF	REF	REF	REF	REF
11	11		9006074-01	SCREW,PAN,PHIL 10-32X 5/8 SS	REF	REF	REF	REF	REF
12	12		9006664-00	WASHER, FLAT, .437 OD X .218 ID	REF	REF	REF	REF	REF
13	13		9007906-00	WASHER, LOCK S.S. #10	REF	REF	REF	REF	REF
14	14	B-AD-7016703-0-0	7016703-00	STOP DOOR (REAR)	2	2	2	2	2
15	15	D-AD-7016632-0-0	7016632-00	DOOR ASSY REAR(1 1/2 BAY)	-	-	-	-	1
16	16	C-RU-7422272-0-0	7422272-01	PIVOT BRKT BOTTOM REAR DOOR L.H.	-	-	-	-	1
17	17		2200024-00	HARDWARE KIT FOR H9544-3	1	1	1	1	-
18	18		2200024-01	HARDWARE KIT FOR H9544-3(COMET C	-	-	-	-	1
19	19		9009005-00	NUT,HEX 10-32 X1/4 AF X 3	REF	REF	REF	REF	REF
20	20	C-IA-7424014-0-0	7424014-00	BRKT, DOORLOCK MTG	-	1	-	-	-
21	21		9010156-00	SCREW,HEX,SLOT,SENS10-32X 1/2,W	REF	REF	REF	REF	REF

22 NOTE: ITEM 10 THRU 13,19&21 ARE PART OF H9544-B HARDWARE KIT AND
 23 NOTE: ARE LISTED FOR REFERENCE ONLY.

REVISION HISTORY		BASIC PART NO: H9544		DRN: K. DAVAN		DATE: 13-MAR-79		D I G I T A L	
ENG	ECO NUMBER	REV	SECTION A OF A	CHK'D:	S. ROBERTS	DATE:	13-MAR-79	TITLE	PARTS LIST
	INITIAL	*	SECTION, VARIATION INDEX						
DS	H9544-B-ML001	1A	IAJ BA, BB, BC, BD, BE					H9544-B REAR DOOR	
DS	H9646-AC-ML001	1B							
WR	H9544-B-ML002	1C	1B1	DES.ENG.:	W. F. MC CARTHY	DATE:	13-MAR-79		
			1C1					DOCUMENT NUMBER	
			1D1	RESP.ENG.:	P. DUBE	DATE:	13-MAR-79	SIZE	CODE
			1E1					NUMBER	REV
			1F1	MFG.ENG.:	R. CARRIER	DATE:	13-MAR-79	K	PL
				ASSEMBLY NUMBER:		TOP DOCUMENT NUMBER:		FILE NAME:	EDIT #
				E-UA-H9544-B-0				20237C.PLS	17

*THIS DRAWING AND SPECIFICATIONS HEREIN, ARE THE PROPERTY OF DIGITAL EQUIPMENT CORPORATION AND SHALL NOT BE REPRODUCED OR COPIED OR USED IN WHOLE OR IN PART AS THE BASIS FOR THE MANUFACTURE OR SALE OF ITEMS WITHOUT WRITTEN PERMISSION.
 COPYRIGHT (C) 1980, DIGITAL EQUIPMENT CORPORATION *

