

"THE MATERIAL HEREIN IS FOR INFORMATION PURPOSES ONLY AND IS SUBJECT TO CHANGE WITHOUT NOTICE. DIGITAL EQUIPMENT CORPORATION ASSUMES NO RESPONSIBILITY FOR ANY ERRORS WHICH MAY APPEAR HEREIN."

## FIELD MAINTENANCE PRINT SET

"THIS DRAWING AND SPECIFICATIONS, HEREIN, ARE THE PROPERTY OF DIGITAL EQUIPMENT CORPORATION AND SHALL NOT BE REPRODUCED OR COPIED OR USED IN WHOLE OR IN PART AS THE BASIS FOR THE MANUFACTURE OR SALE OF ITEMS WITHOUT WRITTEN PERMISSION. COPYRIGHT © DIGITAL EQUIPMENT CORPORATION."

### TABLE OF CONTENTS

FIELD MAINT. PRINT SET H777-0	B-TC-H777-0-1
POWER SUPPLY H777-0 SH1	E-UA-H777-0-0
+5V REGULATOR ASSY	D-AD-7011073-0-0
BOARD, POWER DISTRIBUTION H777	D-CS-5411586-0-1
H777 +5V REGULATOR	D-CS-5411597-0-1
AC INPUT ASSY	D-AD-7011075-0-0
MOS REGULATOR H777	D-CS-5411601-0-1
CORE REGULATOR H777	D-CS-5411599-0-1
POWER SUPPLY H777-0 (PL)	A-PL-H777-0-0

UNIT VARIATIONS COVERED BY THIS PRINT SET
H777-BA (MOS ONLY)
H777-BB (MOS ONLY)
H777-AA (CORE/MOS)
H777-AB (CORE/MOS)

H777-0 VOL. I  
Field Maintenance  
Print Set

Digital Equipment  
Corporation

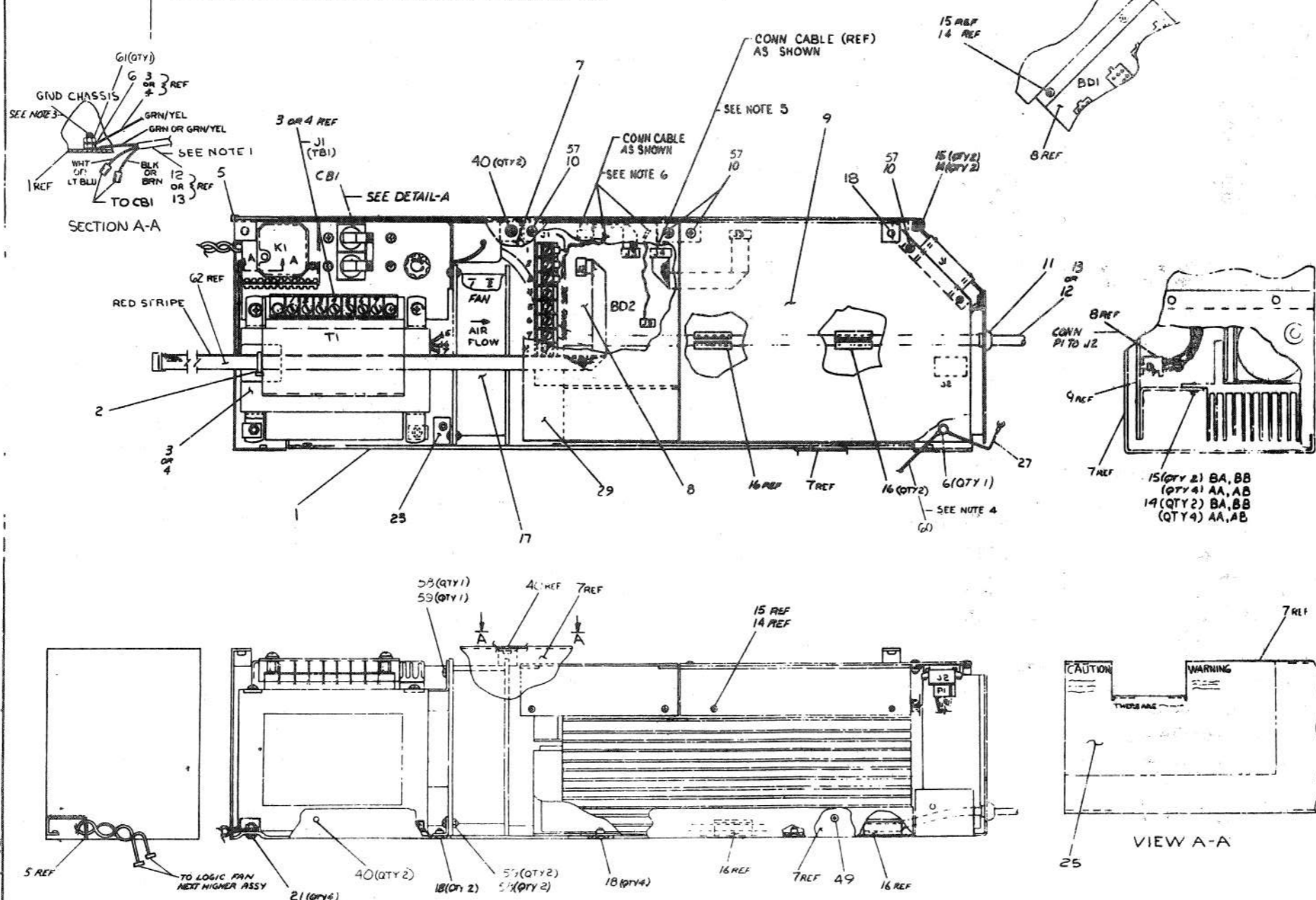
PRINT SET ORDER NO.  
MP00016

REVISIONS				USED ON OPTION/MODEL		DRN.	DATE	TITLE:		
DATE	CHG. NO.	REV.				D. HEALY	9/30/75	FIELD MAINTENANCE SET H777-0		
JAN-77	H777-2	D				CHK'D	DATE			
	REVISED & REDRAWN					D. HEALY	9/30/75	PROJ. ENG.	DATE	
						R. BARRY	10/22/75	FIELD SERV.	DATE	
				SHEET I OF 1				SIZE B	CODE TC	NUMBER H777-0-1
								DIST.		

EN-01134-16-N87B-(327)



WIRE TABLE										LEGEND	
ITEM NO	AWG	COLOR	CONNECTION	FROM	TO	REMARKS	PART NO	VARIATION			
12	14	BLK		30RM	CB1-K1 LINE		H777-BA	PS ASS ONLY 115V			
13	14	WHT		30RM	CB-2(K) LINE		H777-BB	PS ASS ONLY 230V			
13	14	GRN			GND CHASSIS		H777-AA	PS CORE/MOS 115V			
4	14	BLU	T1-5		J1-7(BD2)		H777-AB	PS CORE/MOS 230V			
4	14	TRPL	BLK/BLK	T1-6	J1-6(BD2)						
3	14	TRPL	BLU/BLU	T1-7	J1-8(BD2)						
18	18	GRY			J1-4(BD1)						
18	18	BLK			J1-5(BD1)						
18	18	WHT			FAN-1						
18	18	BLK			FAN-2						
30RM	14	GRN/YEL	EMI-3 (REF)		GND CHASSIS						
60	14	GRN/YEL	GND CHASSIS		GND CHASSIS						
27	14	GRN/YEL	GND CHASSIS		GND CHASSIS						
14	14	BLK	ITEM # 29		J1-3(BD2)						
14	14	ORN	ITEM # 29		J1-2(BD2)						
14	14	BRN	ITEM # 29		J1-1(BD2)						



- NOTES:
1. MAX. 5 INCH SERVICE LOOP AT HOOP END.
  2. APPLY SELF STICK AS SHEET (ITEM #2) TO UNDER SIDE OF POWER SUPPLY COVER IN AREA OF HEAT SINKS (CORE & MOS REGS).
  3. APPLY SELF STICK ITEM 26 BESIDE THIS GND STUD.
  4. ITEM 60 IS A GND CABLE TO GND THE FRONT PANEL CASTINGS FOR MOS AND CORE REGULATORS.
  5. CABLE PART OF ITEM #9.
  6. CABLE 4 WIRES ARE PART OF ITEM #29.

REV	DATE	BY	CHKD	DESCRIPTION
1				
2				
3				
4				
5				
6				
7				
8				
9				
10				
11				
12				
13				
14				
15				
16				
17				
18				
19				
20				
21				
22				
23				
24				
25				
26				
27				
28				
29				
30				
31				
32				
33				
34				
35				
36				
37				
38				
39				
40				
41				
42				
43				
44				
45				
46				
47				
48				
49				
50				
51				
52				
53				
54				
55				
56				
57				
58				
59				
60				

SEE APL-4777-0 FOR PARTS LIST

REV	DATE	BY	CHKD	DESCRIPTION
1				
2				
3				
4				
5				
6				
7				
8				
9				
10				
11				
12				
13				
14				
15				
16				
17				
18				
19				
20				
21				
22				
23				
24				
25				
26				
27				
28				
29				
30				
31				
32				
33				
34				
35				
36				
37				
38				
39				
40				
41				
42				
43				
44				
45				
46				
47				
48				
49				
50				
51				
52				
53				
54				
55				
56				
57				
58				
59				
60				

CAUTION: UNIT ASSEMBLY FOR OPT. ONE AA, AB, BA, AND BB ONLY.

SEE SHEET 2 FOR OPTIONS CA, CB, DA, AND DB.

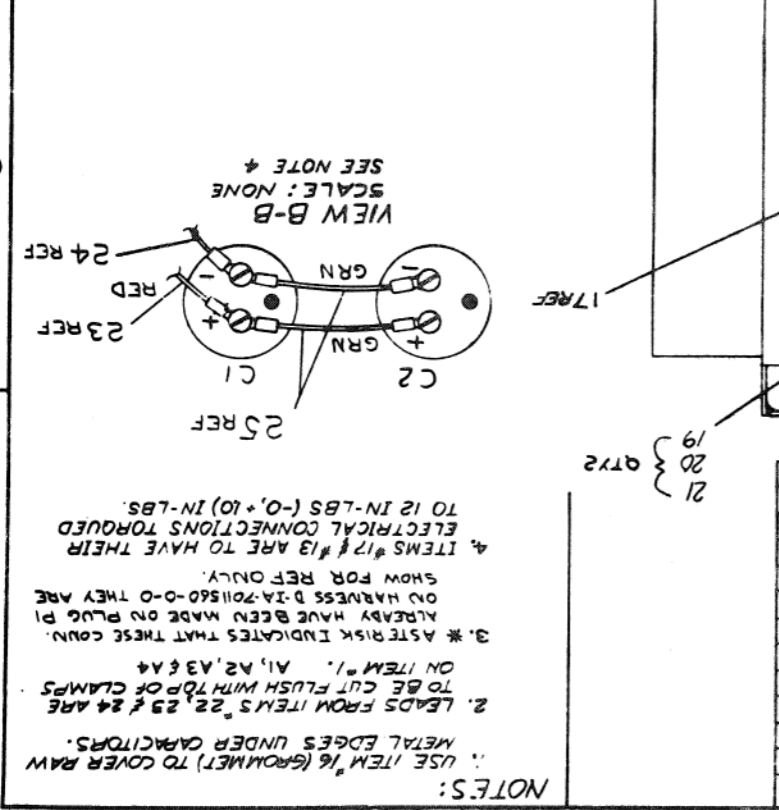
SEE APL-4777-0 FOR PARTS LIST

POWER SUPPLY ASSY (H777)

REV	NO	DATE	BY
C	1		

DRAWING NO. 7011073-0-0  
 TITLE: +5V REG ASSY  
 PART NO. H777  
 QTY: 1000  
 UNIT: EACH

ITEM NO.	DESCRIPTION	QTY	UNIT
1	DECAL	1	EA
2	WASHER NYLON #6	1	EA
3	NUT KEYS #8-32	2	EA
4	JAMNUT (GRN)	2	EA
5	JAMNUT (BLK)	2	EA
6	JAMNUT (BRN)	2	EA
7	JAMNUT (VIO)	2	EA
8	JAMNUT (YEL)	2	EA
9	JAMNUT (BLK)	2	EA
10	JAMNUT (GRN)	2	EA
11	JAMNUT (WHT)	2	EA
12	JAMNUT (GRY)	2	EA
13	JAMNUT (BLU)	2	EA
14	JAMNUT (RED)	2	EA
15	JAMNUT (LTC)	2	EA
16	JAMNUT (LTC)	2	EA
17	JAMNUT (LTC)	2	EA
18	JAMNUT (LTC)	2	EA
19	JAMNUT (LTC)	2	EA
20	JAMNUT (LTC)	2	EA
21	JAMNUT (LTC)	2	EA
22	JAMNUT (LTC)	2	EA
23	JAMNUT (LTC)	2	EA
24	JAMNUT (LTC)	2	EA
25	JAMNUT (LTC)	2	EA
26	JAMNUT (LTC)	2	EA
27	JAMNUT (LTC)	2	EA
28	JAMNUT (LTC)	2	EA

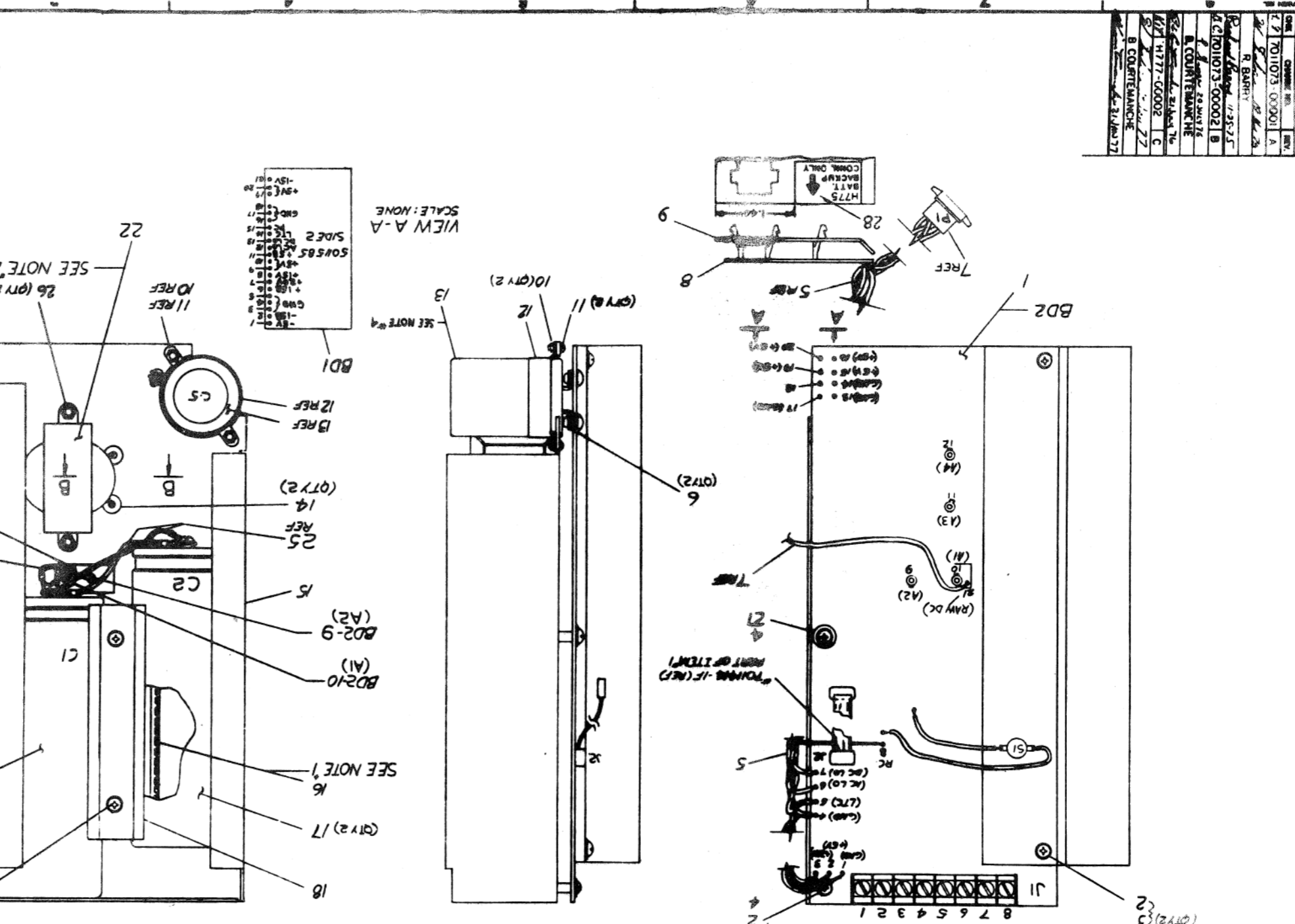


WIRE CHART

ITEM NO.	DESCRIPTION	FROM	TO
1	RED	BD1-1	BD1-1
2	BLK	BD1-18	BD1-18
3	RED	BD1-11	BD1-11
4	GRY	BD1-8	BD1-8
5	WHT	BD1-6	BD1-6
6	RED	BD2-21	BD2-21
7	GRN	BD1-2	BD1-2
8	GRN	BD1-2	BD1-2
9	GRN	C1(+)	C1(+)
10	RED	BD2-21	BD2-21
11	RED	BD1-21	BD1-21
12	RED	BD2-20	BD2-20
13	BLU	BD1-21	BD1-21
14	BLK	BD1-18	BD1-18
15	RED	BD1-11	BD1-11
16	BLK	BD1-18	BD1-18
17	BLK	BD1-21	BD1-21
18	RED	BD1-11	BD1-11
19	RED	BD1-11	BD1-11
20	BLK	BD1-18	BD1-18
21	RED	BD1-11	BD1-11
22	BLK	BD1-18	BD1-18
23	RED	BD1-11	BD1-11
24	RED	BD1-11	BD1-11
25	RED	BD1-11	BD1-11
26	RED	BD1-11	BD1-11
27	RED	BD1-11	BD1-11
28	BLK	BD1-18	BD1-18
29	RED	BD1-11	BD1-11
30	BLK	BD1-18	BD1-18
31	VIO	BD1-17	BD1-17
32	YEL	BD1-16	BD1-16
33	BLK	BD1-20	BD1-20
34	BRN	BD1-19	BD1-19
35	GRN	BD1-4	BD1-4
36	BLK	BD1-2	BD1-2
37	BLK	BD1-18	BD1-18
38	BLK	BD1-17	BD1-17
39	BLK	BD1-10	BD1-10
40	BLK	BD1-5	BD1-5
41	BLK	BD1-2	BD1-2
42	BLK	BD1-18	BD1-18
43	BLK	BD1-17	BD1-17
44	BLK	BD1-10	BD1-10
45	BLK	BD1-5	BD1-5
46	BLK	BD1-2	BD1-2
47	BLK	BD1-18	BD1-18
48	BLK	BD1-17	BD1-17
49	BLK	BD1-10	BD1-10
50	BLK	BD1-5	BD1-5
51	BLK	BD1-2	BD1-2

NOTES:

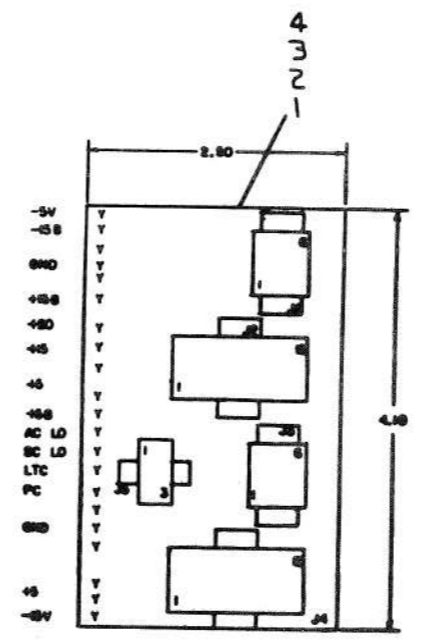
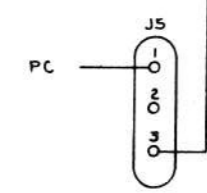
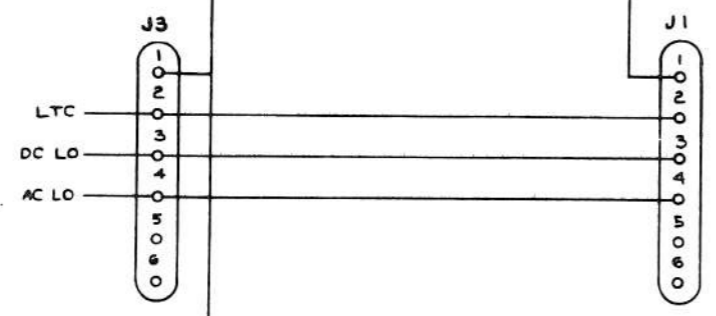
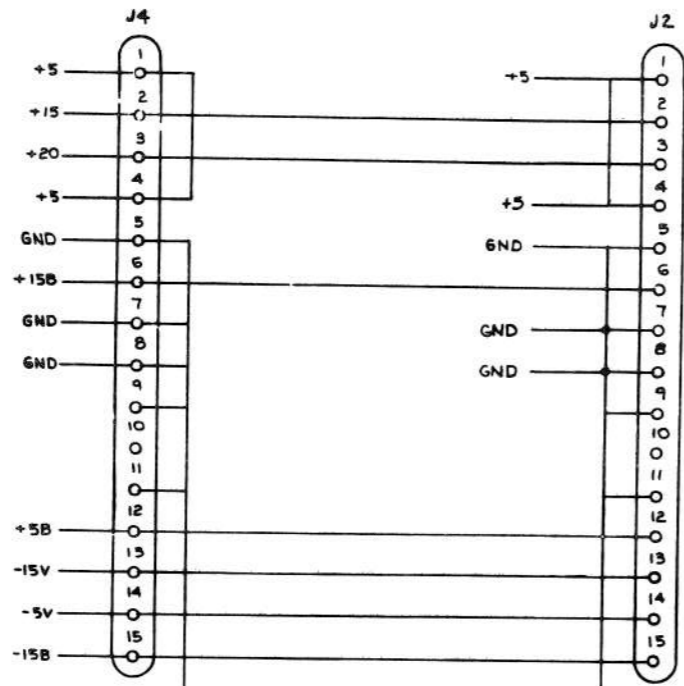
- USE ITEM #6 (GRANULET) TO COVER RAW METAL EDGES UNDER CAPACITORS.
- LEADS FROM ITEMS #22, #23 & #24 ARE TO BE CUT FLUSH WITH TOP OF CLAMPS ON ITEM #1. A1, A2, A3 & A4.
- A3 TEST RISK INDICATES THAT THESE CONN. ALREADY HAVE BEEN MADE ON PLUG P1 ON HARNESS D-2A-7011560-0-0 THEY ARE SHOW FOR REF ONLY.
- ITEMS #12 & #13 ARE TO HAVE THEIR ELECTRICAL CONNECTIONS TORQUED TO 12 IN.-LBS (-0,+10) IN.-LBS.



"THIS DRAWING AND SPECIFICATIONS HEREIN ARE THE PROPERTY OF DIGITAL EQUIPMENT CORPORATION AND SHALL NOT BE REPRODUCED OR COPIED OR USED IN WHOLE OR IN PART AS THE BASIS FOR THE MANUFACTURE OR SALE OF ITEMS WITHOUT WRITTEN PERMISSION FROM DIGITAL EQUIPMENT CORPORATION"

**NOTES:**

REF	X-Y COORDINATE HOLE LOCATION	K-CO-5411586-0-1	1
REF	ASSY DRILLING HOLE LAYOUT	D-AN-5411586-0-5	2
REF	MODULE ECT HISTORY	B-AN-5411586-0-6	3
1	ETCHED CIRCUIT BOARD	5011586	4
2	J2, J4	CONN., MATE-N-LOCK, 15 PIN HOUSING	1204350-15
2	J1, J3	CONN., MATE-N-LOCK, 6 PIN HOUSING	1204350-06
45	PIN CONTACT, MATE-N-LOCK	1204356-01	7
1	J5	CONN., MATE-N-LOCK, 3 PIN HOUSING	1204350-03



IC TYPE	GND	+5V
GND AND 5V ARE USUALLY PIN 7 AND 14 RESPECTIVELY. EXCEPTIONS ARE STATED ABOVE.		
IC PIN LOCATIONS		

QTY	REF DESIGNATION	DESCRIPTION	PART NO.	PTR. (D)
	1184	PWR SUPPLY		
	ETCH BOARD REV	D		

REV	DATE	BY	CHKD
CHANGE NO. REVISIONS			
REC. NO.	EIA NO.	SEC. NO.	SHA. NO.
SEMICONDUCTOR CORPORATION CREDIT			

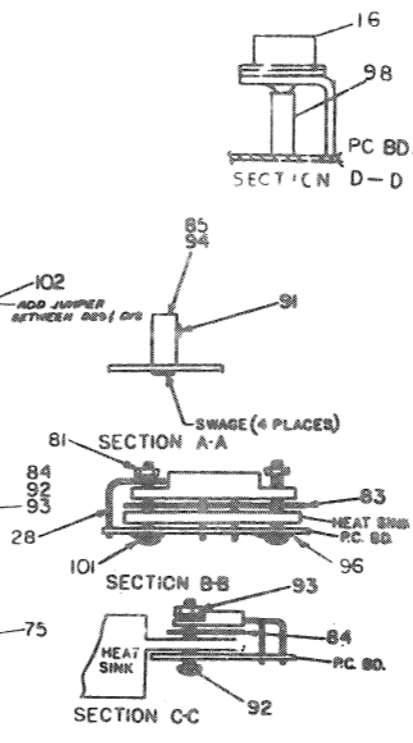
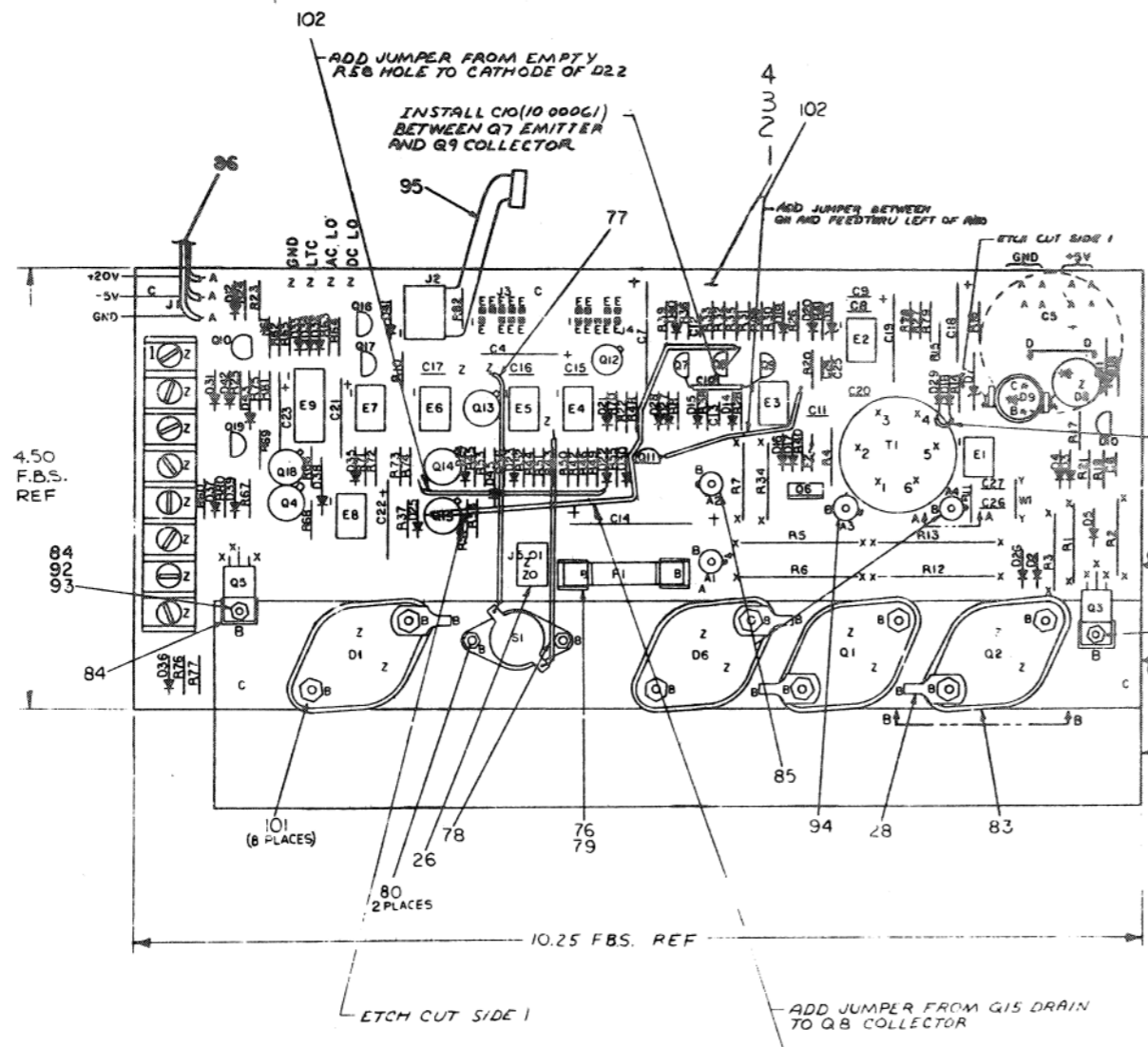
EQUIPMENT CORPORATION	
MASSACHUSETTS	
TITLE BOARD, POWER DISTRIBUTION H777	
PART NO. <b>D-5411586-C-1</b>	
REV. <b>C</b>	

THIS DRAWING AND SPECIFICATIONS HEREAFTER ARE THE PROPERTY OF DIGITAL EQUIPMENT CORPORATION AND SHALL NOT BE REPRODUCED OR TRANSMITTED IN ANY FORM OR BY ANY MEANS, ELECTRONIC OR MECHANICAL, INCLUDING PHOTOCOPYING, RECORDING, OR BY ANY INFORMATION STORAGE AND RETRIEVAL SYSTEM, WITHOUT PERMISSION IN WRITING FROM DIGITAL EQUIPMENT CORPORATION.

**NOTES:**  
 1. HARDWARE ON D1, Q1, Q2, D6, S1, C5 MUST BE TORQUED TO 12 IN-LBS (-0, +1)

1	C19	CAPACITOR, 1.5mf, 50V, POLYCARB	1010031-08
1	D1	DIODE	1112723-01
8	C6, C9, C11, C20, C24 - C27	CAPACITOR, .01mf, 50V	1001610-00
QTY	REF DESIGNATION	SUBSTITUTION LIST DESCRIPTION	PART NO.

QTY	REF DESIGNATION	SUBSTITUTION LIST DESCRIPTION	PART NO.	ITEM NO.	X-Y COORDINATE HOLE LOCATION	K-CO-5411597-0-4
1	C12	CAPACITOR, 100pf, 100V, 5% DM	1000010	5		
1	C13	CAPACITOR, 470pf, 100V, 5% DM	1000024	6		
1	C14	CAPACITOR, 50mf, 50V, AL.EI.	1000080	7		
8	C6, C9, C11, C20, C24 - C27	CAPACITOR, .01mf, 100V DISC	1001610-01	8		
2	C22, C23	CAPACITOR, 1mf, 35V, 10% TANT	1001176	9		
3	C15, C16, C17	CAPACITOR, 5pf, 100V, 5% DM	1002425	10		
1	C19	CAPACITOR, 1.5mf, 35V, 10% TANT	1009725	12		
2	C4, C'8	CAPACITOR, 2.2mf, 20V, 10% TANT	1002627	13		
2	C7, C21	CAPACITOR, 10mf, 20V, 10% TANT	1004813	14		
1	D11	DIODE 1N752A	1102608	15		
1	D8	DIODE 1N1538	1103341	16		
28	D3, D4, D12, D14 THRU D20, D22 THRU D25, D27, D30 THRU D37, D40, D42, D5, D39, D26	DIODE D672	1105275	17		
3	D21, D41, D29	DIODE 1N4004	1105796	18		
1	D13	DIODE, ZENER, 5.1V, 2% RTY - 5mA	1110713	19		
1	D6	DIODE, TO3	1110715	20		
1	D10	DIODE 2N602	1110968	21		
3	D7, D43, D45	DIODE 1N752A	1110994	22		
1	D1	DIODE, DUAL, TO3	1112723-00	23		
2	D2, D28	DIODE A1148	1112595-01	24		
1	D38	DIODE, ZENER 13V 1W648	1109988	25		
1	J8	CONNECTOR 2 PIN MATE-IN-LOC	1211342-2	26		
1	J1	TERMINAL BOARD 8 STATION	1212484-01	27		
4		SOLDER LUG	9009676	28		
18		PINS, STAKING	9009149	29		
1	F2	FUSE 5A	1209070	30		
2	R18, R19	RESISTOR, 100, 1/4W, 5%	1300229	31		
1	R18	RESISTOR, 150, 1/4W, 5%	1300290	32		
1	R2	RESISTOR, 150, 1W, 5%	1300255	33		
1	R34	RESISTOR, 220, 1W, 10%	1300277	34		
2	R78, R81	RESISTOR, 340, 1/4W, 5%	1300369	35		
2	R29, R16	RESISTOR, 470, 1/4W, 5%	1300316	36		
7	R82, R20, R30, R36, R39, R52, R34	RESISTOR, 1K, 1/4W, 5%	1300385	37		
2	R8, R9	RESISTOR, 2.7K, 1/4W, 5%	1300426	38		
7	R87, R88, R89, R95, R96, R97, R98, R99	RESISTOR, 4.7K, 1/4W, 5%	1300447	39		
13	R63, R27, R22, R35, R36, R37, R38, R59, R57, R61, R70, R77	RESISTOR, 10K, 1/4W, 5%	1300470	40		
1	R24	RESISTOR, 12, 1/4W, 5%	1301430	41		
1	R4	RESISTOR, 47, 1/20W, 5%	1301895	42		
6	R11, R23, R48, R49, R54, R75	RESISTOR, 270, 1/4W, 5%	1301972	43		
2	R72, R74	RESISTOR, 150K, 1/4W, 5%	1302096	44		
2	R26, R81	RESISTOR, 2K, 1/4W, 5%	1302380	45		
4	R22, R71, R41, R73	RESISTOR, 30K, 1/4W, 5%	1302394	46		
3	R48, R51, R53	RESISTOR, 50K, 1/4W, 5%	1302395	47		
1	R27	RESISTOR, 100K, 1/4W, 5%	1302488	48		
2	R17, R21	RESISTOR, 30, 1/4W, 5%	1302751	49		
2	R43, R44	RESISTOR, 1.21K, 1/4W, 1%	1302871	50		
1	R46	RESISTOR, 1K, 1/4W, 1%	1303114	51		
2	R33, R14	RESISTOR, 0.2K, 1/4W, 5%	1303179	52		
1	R45	RESISTOR, 19K, 1/20W, 1%	1303312	53		



IC TYPE	QTY	REF
IC 555	1	8
GND		
+5V		
GND AND 5V ARE USUALLY PIN 7 AND 14 RESPECTIVELY EXCEPT WHERE STATED ABOVE		
IC PIN LOCATIONS		

REV	DATE	BY	CHK
1	11-21-72	J. SOLO	
2	12-19-75	R. BARRY	
3	12-19-75	G. POTTER	
4	03-03-76	A. PARSON	

FIRST USED OR OPTION MODEL

ETCH BOARD REV. E

DATE 6-30-75

DATE 7-8-75

TITLE H777 + 5V REGULATOR

SIZE CODE DCS 5411597-0-1

NUMBER 1

REV. J

SEMICONDUCTOR CONVERSION CHART

SHEET 1 OF 4

"THE DIMENSIONS AND SPECIFICATIONS HEREIN ARE THE PROPERTY OF DIGITAL EQUIPMENT CORPORATION AND SHALL NOT BE REPRODUCED OR USED IN WHOLE OR IN PART AS THE BASIS FOR THE MANUFACTURE OR SALE OF ITEMS WITHOUT WRITTEN PERMISSION. COPYRIGHT © 1971, DIGITAL EQUIPMENT CORPORATION"

DCS 5411597-0-1

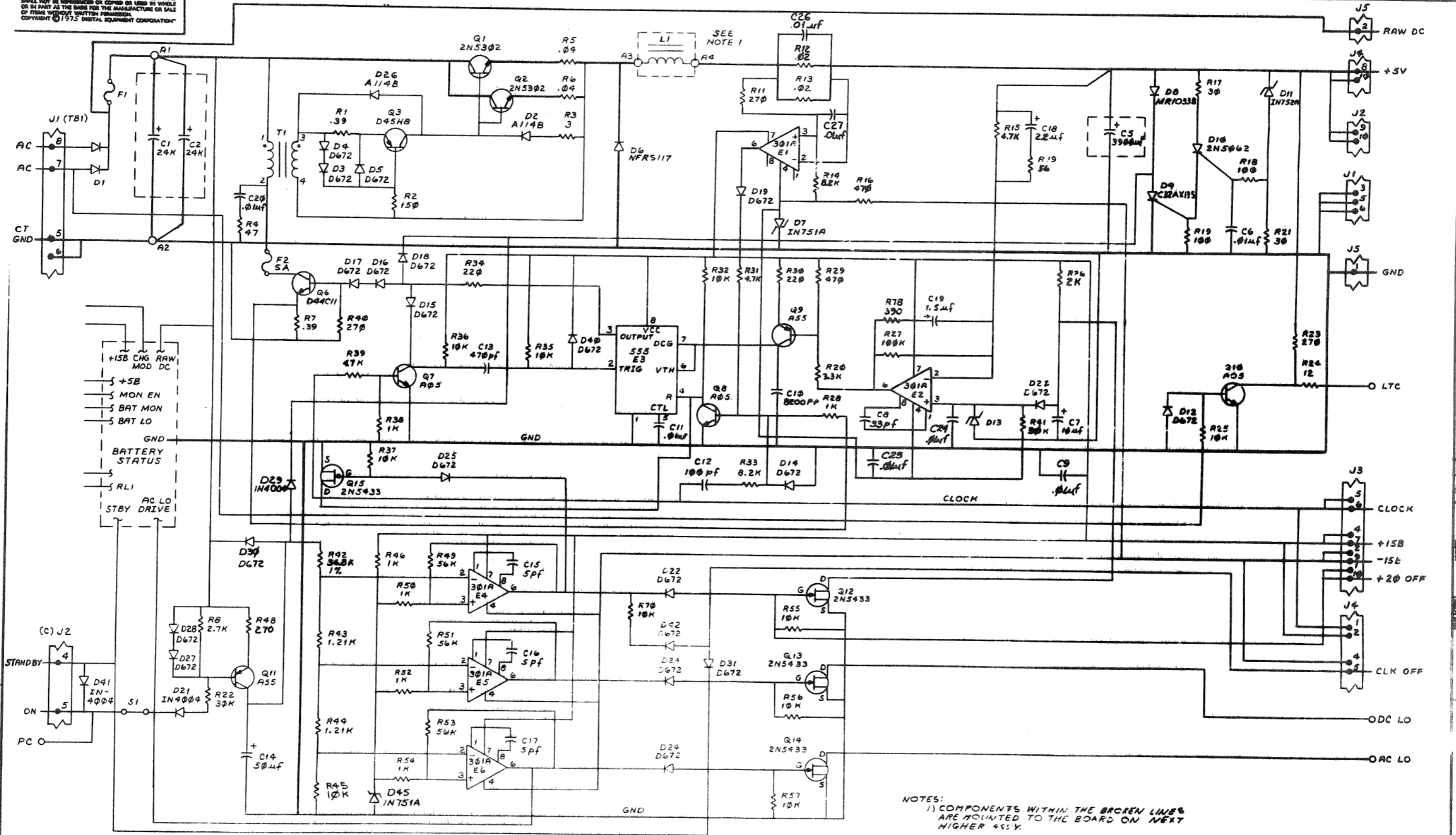
1	R76	RESISTOR, 51, 1/4W, 5%	1309422	34
1	R79	RESISTOR, 56, 1/4W, 5%	1302602	35
1	R42	RESISTOR, 34.8K, 1/4W, 1%	1303156	36
2	R1, R7	RESISTOR, .39, 2W, 3%	1310900	37
2	R12, R13	RESISTOR, .02, 5W, 3%	1310978	38
2	R5, R8	RESISTOR, .04, 5W,	1311362	39
1	R3	RESISTOR, 3, 3W, 5%	1312682	40
2	Q1, Q2	TRANSISTOR, 2N5302	1510188	41
3	Q7, Q8, Q10	TRANSISTOR, A05	1510705	42
5	Q9, Q11, Q16, Q17, Q18	TRANSISTOR, A55	1510706	43
2	Q3, Q5	TRANSISTOR, D45H0	1510708	44
5	Q4, Q12 THRU Q15	TRANSISTOR, 2N5433	1511888	45
1	Q19	TRANSISTOR, 2N8028	1510877	46
1	Q8	TRANSISTOR, D44C11	1512790	47
1	Q9	TRANSISTOR, C32AX135	1510828	48
1	T1	TRANSFORMER PULSE	1612592	49
1	E8	I.C. DEC 7410	1803578	70
5	E1, E2, E4, E5, E6	I.C. DEC 301A	1910282	71
3	E3, E7, E9	I.C. DEC LM555	1911844	72
1	F1	FUSE 15A, 32V	8007220	73
1	S1	THERMOSTAT (ELMWOOD)	1212787	74
1		HEAT SINK	7414238	75
2		EYELET	9006732	76
3		WIRE, #22 AWG STRANDED (WHITE)	9107350-59	77
3		WIRE, #22 AWG STRANDED (WHITE)	9107350-88	78
2		FUSECLIP	8007203	79
2		SCREW, #4-40 x 7/16 LG PHILLIPS HD	8006012-1	80
10		NUT, KEP #4-40	8006597	81
A/R		COMPOUND, THERMAL	9006268	82
4		INSULATOR, T03	9006416	83
2		INSULATOR, THERMA-FILM	9006587	84
3	A1, A2, A4	STANDOFF	7414048-0	85
REF		ASSY, HARNESS	7011415-0-0	86
1	B1	WIRE #18 AWG	9009185	87
1	C10	CAPACITOR 800 PF 100V MYLAR	1000061	88
1	C8	CAPACITOR, 33PF, 100V, 5% D.M.	1000009	89
4		SET SCREW #6-32 X 1/2 LG.	9006290-10	91
2		SCREW NYLON #4-40 X 1/2 LG.	9006402-4	92
2		NUT NYLON #4-40	9007992	93
1	A3	STANDOFF	7414048-1	94
1	J2	CONTROL CABLE (CONSOLE)	7011414-1F	95
5		WASHER, FLAT	9008172	96
1		SPACER, INSULATOR	9007418	98
1	R30	RES 220, 1/4W, 5%	1300271	99
1	R20	RES 3.3K, 1/4W, 5%	1300439	100
8		SCREW, PHL PAN HD 4-40 x 5/8	9006014-01	101
A/R		JUMPER	9105740-55	102
A/R		WIRE	9107267-09	103

REVISIONS		
CHK	CHANGE NO	REV

TITLE	SIZE CODE	NUMBER	REV.
H777+5V REGULATOR	DCS 5411597-0-1	J	J
SCALE	SHEET 2 OF 4	DIST.	

THIS DRAWING AND SPECIFICATIONS HEREAFTER ARE THE PROPERTY OF DIGITAL EQUIPMENT CORPORATION AND SHALL NOT BE REPRODUCED OR COPIED OR USED IN WHOLE OR IN PART AS THE BASIS FOR THE MANUFACTURE OR SALE OF ITEMS WITHOUT WRITTEN PERMISSION. COPYRIGHT © 1975 DIGITAL EQUIPMENT CORPORATION

DCS 5411597-0-1 2



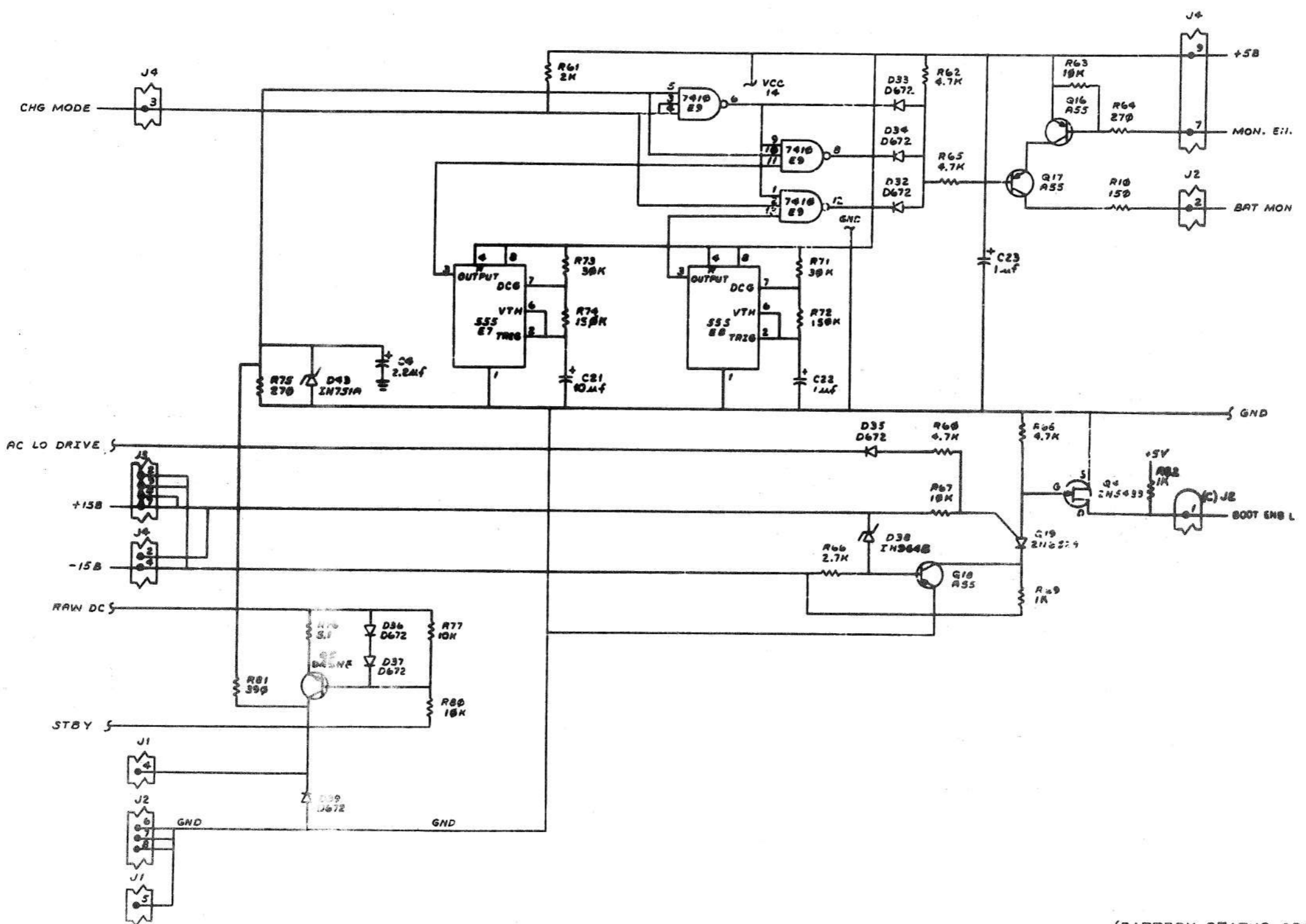
NOTES:  
1) COMPONENTS WITHIN THE BROKEN LINES ARE MOUNTED TO THE BOARD ON NEXT HIGHER ASSY.

REVISIONS		
CHK	CHANGE NO.	REV.

TITLE	H777 +5V REGULATOR	NUMBER	DCS 5411597-0-1	REV.	J
SCALE		SHEET	3 OF 4	DIST.	

325

"THE DRAWING AND SPECIFICATIONS HEREIN ARE THE PROPERTY OF DIGITAL EQUIPMENT CORPORATION AND SHALL NOT BE REPRODUCED OR COPIED IN WHOLE OR IN PART AS THE BASIS FOR THE MANUFACTURE OR SALE OF THIS EQUIPMENT WITHOUT PERMISSION. COPYRIGHT © 1972 DIGITAL EQUIPMENT CORPORATION"



(BATTERY STATUS CRKT'S)

REVISIONS		
CHK	CHANGE NO.	REV.

TITLE	H777 +5V REGULATOR	NUMBER	D CS 5411597-0-1	REV.	J
SCALE		SHEET	4 OF 4	DATE	



THIS DRAWING AND SPECIFICATIONS, HEREIN, ARE THE PROPERTY OF DIGITAL EQUIPMENT CORPORATION AND SHALL NOT BE REPRODUCED OR COPIED OR USED IN WHOLE OR IN PART AS THE BASIS FOR THE MANUFACTURE OR SALE OF ITEMS WITHOUT WRITTEN PERMISSION. COPYRIGHT © 1975, DIGITAL EQUIPMENT CORPORATION.

LEGEND		WIRE CHART									
PLAT NO	VARIATION	ITEM NO	DESCR	FROM	TO	REMARKS	ITEM NO	DESCR	FROM	TO	REMARKS
7011075-0	120 V	22	18 WHT	K1-4	SOLD, 31	*TB2-4S	SOLD	5 1/2' L			
		23	18 BLK	K1-6		*TB2-1S	SOLD	5' L			
		24	18 BRN	K1-7		TB2-5H	25, 43	6 1/2' L			
		26	18 BLU	K1-9		TB2-6H	25, 43	7 1/2' L			
		27	18 GRN	K1-2				25			
		26	18 BLK	K1-3	SOLD, 31			25			
		26	18 BLU	G2	SOLD	*TB2-6S	SOLD	6' L			
		23	18 BLK	F1-1	SOLD, 31	*TB2-1S	SOLD	6' L			
		15	18 BLU	EMI-2 LOAD		*TB2-4S	SOLD	6' L			
		22	18 BRN	EMI-1 LOAD		*TB2-6S	SOLD	6' L			
		22	18 WHT	EMI-2	SOLD, 31	CBI-2 LOAD	28, 41	5' L			
		23	18 BLK	EMI-1	SOLD, 31	CBI-1 LOAD	28, 41	5' L			
		45	18 WHT	*TB2-5S	SOLD	J2-1	30, 32	6 1/2' L			
		45	18 TWP	BLK	*TB2-2S	SOLD	J2-2	30, 32	6 1/2' L		
		45	18 WHT	*TB2-5S	SOLD	J3-1	30, 32	15 1/2' L			
		45	18 TWP	BLK	*TB2-2S	SOLD	J3-2	30, 32	15 1/2' L		

- NOTES:
- SECOND SOURCE FOR ITEM #15 (LINE FILTER) WILL HAVE WHT/BLK LEADS. SUBSTITUTE WHT FOR BLU AND BLK FOR BRN.
  - TWISTED PAIR WIRE TO HAVE A MIN OF 4 TWIST PER INCH AS PER WIRE CHART.
  - ALL CONNECTIONS TO TB2 ARE TO BE MADE FROM SIDE INDICATED BY ARROW.
  - USE TIE WRAPS (ITEM 38) AS NEEDED.
  - PRIMARY WIRES TO TB2 MUST BE ROUTED BY ITEM 4.
  - COVER ITEM #28 WITH ITEM #31 TO COVER EXPOSED PART OF TERMINAL.

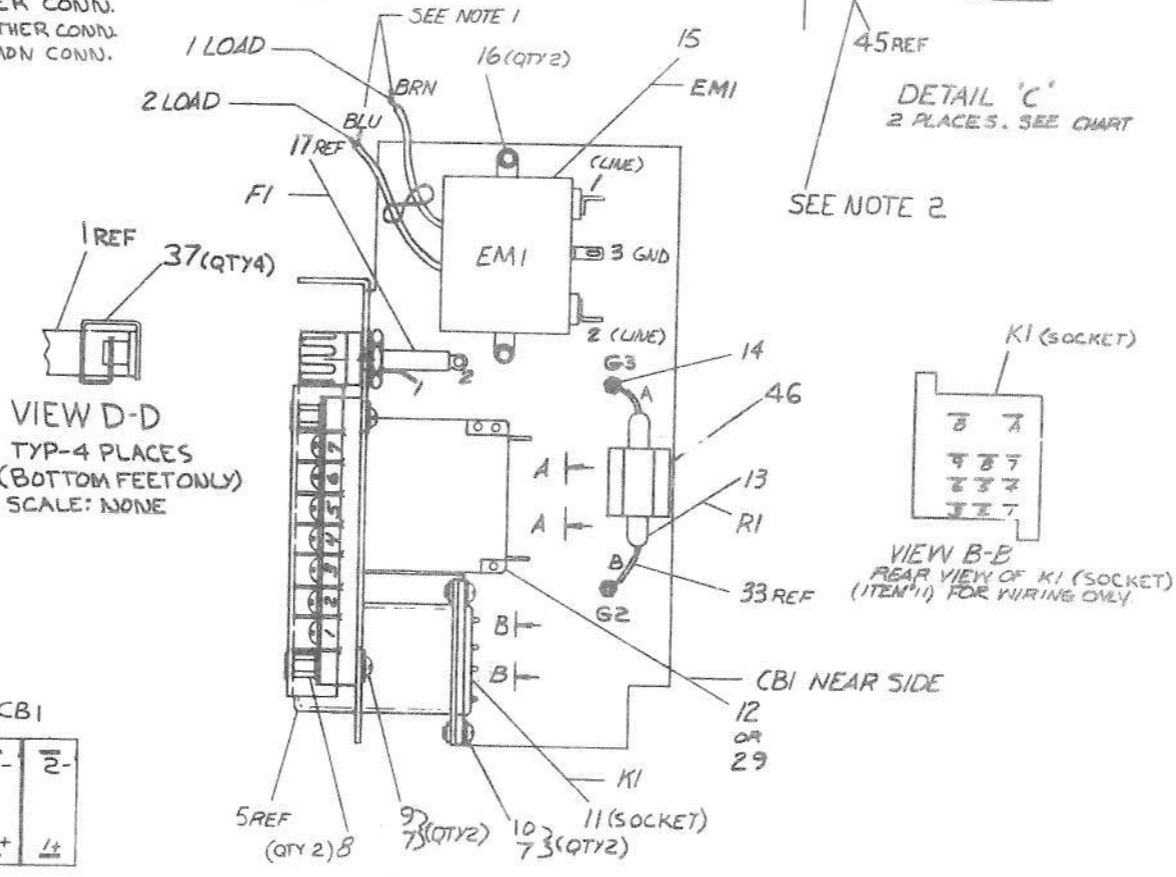
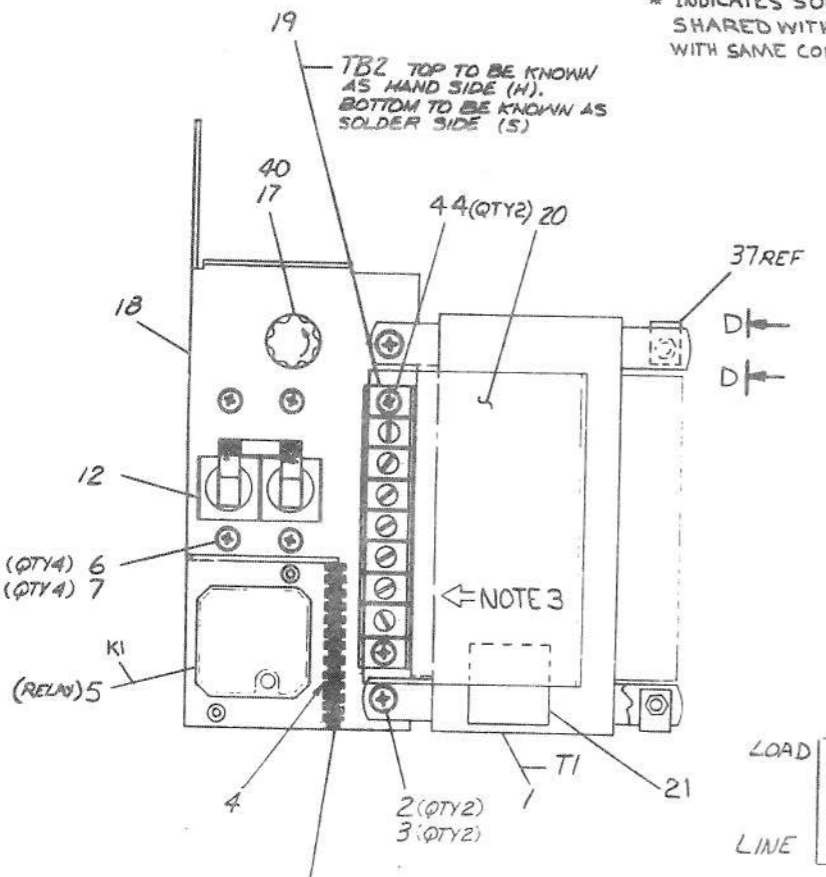
SEE NOTE 2

SEE NOTE 2

SEE NOTE 2  
SEE DETAIL 'C'

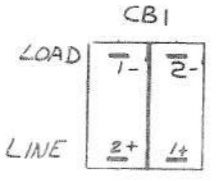
\* INDICATES SOLDER CONN. SHARED WITH OTHER CONN. WITH SAME COMMON CONN.

TB2 TOP TO BE KNOWN AS HAND SIDE (H). BOTTOM TO BE KNOWN AS SOLDER SIDE (S)



VIEW D-D  
TYP-4 PLACES  
(BOTTOM FEET ONLY)  
SCALE: NONE

VIEW B-B  
REAR VIEW OF K1 (SOCKET)  
(ITEM #1) FOR WIRING ONLY.



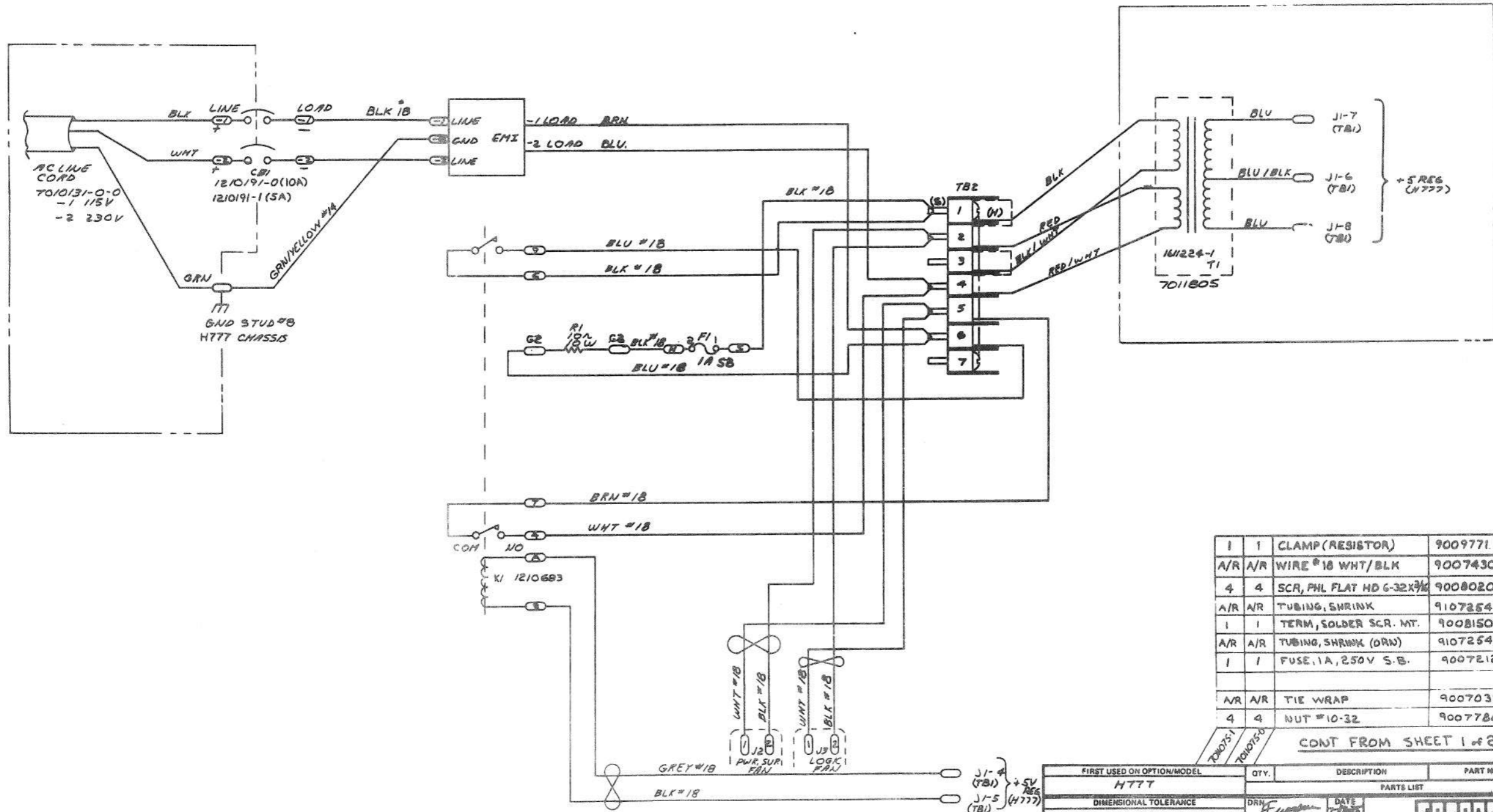
VIEW A-A  
REAR VIEW OF CBI (CBI-2)  
(ITEM #2) FOR WIRING ONLY.

CONT. ON SHEET 2 OF 2			
QTY	DESCRIPTION	REF	ITEM NO
1	JUMPER ASSY (WHT 2")	36	94701798-0-0
1	JUMPER ASSY (BLK 2")	35	94701797-0-0
4	WIRE TANG TRACER (BRN/BLU)	34	910777-54
4	TUBING INS (RED)	33	910728-02
4	HOUSING SOCKET (PSTAB)	32	210020-1
4	TUBING BRN (RED)	31	9107305-02
4	HOUSING TERM (PSTAB)	30	121020-2
1	CIRCUIT BREAKER, 5A	29	1210191-1
2	CONN (PSTAB) (RED AS)	28	9007970
4	WIRE 18 AWG (BRN/BLK)	27	9107430-08
4	WIRE 18 AWG (BLU)	26	9107360-66
2	RING CRIMP (RED)	25	9007929
4	WIRE 18 AWG (BRN)	24	9107360-11
4	WIRE 18 AWG (BLK)	23	9107360-00
4	WIRE 18 AWG (WHT)	22	9107360-99
1	MOUNT TIE WRAP	21	9008264
1	SHIELD TERM	20	C-34744745-0-0
1	TERMINAL 7 POS	19	1212788
1	BRACKET COMPONENT	18	D-47413769-0-0
1	HOLDER, FUSE	17	9007242-0
2	NUT KEPS #6-32	16	9009243
1	FILTER LINE (EMI)	15	1212748
2	TERMINAL TURRET INS	14	9006966
1	RESISTOR 100.10M	13	1300173
1	CIRCUIT BREAKER, 10A	12	1210191-0
1	SOCKET, RELAY	11	1212789
2	SCR PHIL HO PAK 602X-25	10	9006021-01
2	SCR PHIL HO PAK 602X-60	9	9006026-01
2	SPACER HEX 3/32 X 1/8	8	9006048
8	WASHER INT TERM 1/8	7	9006633
4	SCR PHIL HO PAK 602X-12	6	9006020-01
1	RELAY 4 LINE SP	5	1212787
4	GROMMET (RED) 1/8	4	9007929
2	WASHER 1/8" DIA	3	9006633
2	SCR PHIL PAK 602X-12	2	9006020-01
1	TRANSFORMER 120V/230V	1	C-701303-0-0

REV	DATE	BY	CHKD	DESCRIPTION
A	11-10-77	R. BARRY		7011075-00001
B	11-10-77	R. BARRY		7011075-00002
C	11-10-77	R. BARRY		7011075-00003
D	11-10-77	A. BARON		7011075-00004

THIRD ANGLE PROJECTION	QUANTITY & VARIATION	DESCRIPTION	QTY	REV
REMOVE BURRS AND BREAK SHARP CORNERS	PROG. NO.	DATE	11-10-77	
DO NOT SCALE DIMS	PROJ. I	TITLE	A/C INPUT ASSY (120V/230V)	
MATERIAL	D-1A-1777-0-0	SIZE	CODE	NUMBER
FINISH	SCALE 1/11	SIZE	D	AD 7011075-0-0
	SHEET	OF	1	DIST.

"THE DIMENSIONS AND SPECIFICATIONS HEREIN ARE THE PROPERTY OF SPENTAL EQUIPMENT CORPORATION AND SHALL NOT BE REPRODUCED OR COPIED OR USED IN WHOLE OR IN PART AS THE BASIS FOR THE MANUFACTURE OR SALE OF ITEMS WITHOUT WRITTEN PERMISSION. COPYRIGHT © 1975 SPENTAL EQUIPMENT CORPORATION"



1	1	CLAMP (RESISTOR)	9009771-2	46
A/R	A/R	WIRE #18 WHT/BLK	9007430-09	45
4	4	SCR, PHL FLAT HD 6-32X3/4	9008020-02	44
A/R	A/R	TUBING, SHRINK	9107254-9	43
1	1	TERM, SOLDER SCR. MT.	9008150	42
A/R	A/R	TUBING, SHRINK (DRN)	9107254-02	41
1	1	FUSE, 1A, 250V S.B.	9007212	40
A/R	A/R	TIE WRAP	9007031	38
4	4	NUT #10-32	9007786	37

CONT FROM SHEET 1 of 2

FIRST USED ON OPTION/MODEL H777		QTY.	DESCRIPTION	PART NO.	ITEM NO.
PARTS LIST					
DIMENSIONAL TOLERANCE		DRN	DATE	TITLE	
DIMENSIONS ARE INCHES UNLESS OTHERWISE SPECIFIED		CHKD	DATE	A/C INPUT ASSY (120V/230V)	
MILLIMETERS		ENG	DATE	DIGITED	
XXX ±0.10	XXX ±0.008	XXX ±0.02	XXX ±0.005	PROJ. DATE	
XXX ±0.2	XXX ±0.02	XXX ±0.02	XXX ±0.005	PROD. DATE	
THIRD ANGLE PROJECTION	REMOVE BURRS AND BREAK SHARP CORNERS SURFACE QUALITY ✓	NEXT HIGHER ASSY.		SIZE CODE	NUMBER
MATERIAL	FINISH	SCALE	SHEET	D AD	7011075-0-0
			2 OF 2	DIST.	C

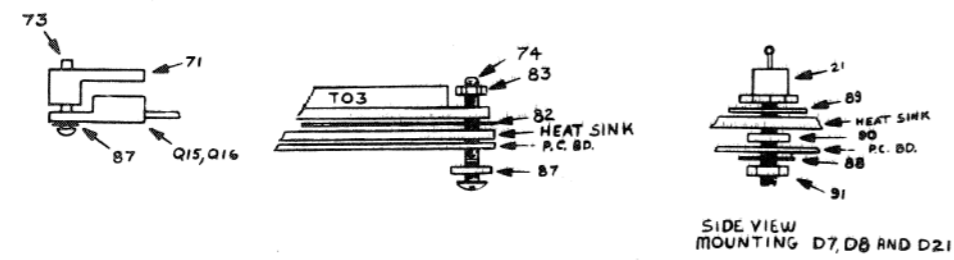
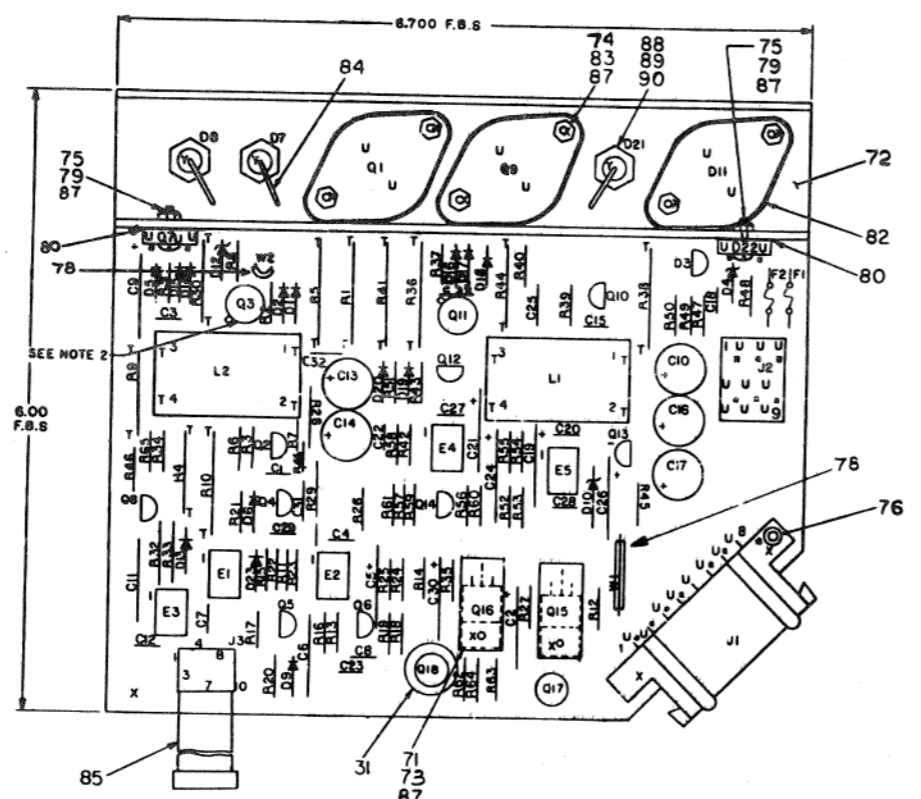
REV.	CHG	NO.	DATE

7

719

THIS DRAWING AND SPECIFICATIONS, HEREIN, ARE THE PROPERTY OF DIGITAL EQUIPMENT CORPORATION AND SHALL NOT BE REPRODUCED OR COPIED IN WHOLE OR IN PART AS THE BASIS FOR THE MANUFACTURE OR SALE OF ITEMS WITHOUT WRITTEN PERMISSION.  
 COPYRIGHT © 1975 DIGITAL EQUIPMENT CORPORATION

- NOTES:**
- SEE PARTS LIST FOR CURRENT HDW. D7, D8, D21
  - USE TRANSPAD DEC #9007201 UNDER Q3, Q11, Q17, Q18
  - TORQUE Q1, Q9, D7, D8, D11, & D21 HARDWARE TO 6-8 IN-LBS.



IC TYPE	GND	+5V
GND AND 5V ARE USUALLY PIN 7 AND 14 RESPECTIVELY EXCEPTIONS ARE STATED ABOVE		
IC PIN LOCATIONS		

QTY	REF. DESIGNATION	DESCRIPTION	PART NO.	ITEM NO.	QTY	REF. DESIGNATION	DESCRIPTION	PART NO.	ITEM NO.
1	R18	RESISTOR, 8.2K, 1/4W, 5%	1303179	51	REF	X-Y COORDINATE HOLE LOCATION	K-CO-5411601-0-4	1	
1	R28	RESISTOR, 4.98K, 1/4W, 1% MF	1305324	52	REF	ASSY/DRILLING HOLE LAYOUT	D-AH-5411601-0-5	2	
2	R1, R36	RESISTOR, 1.2W, 5% WW	1305428	53	REF	MODULE ECO HISTORY	B-MH-5411601-0-6	3	
1	R55	RESISTOR, 5/1, 1/4W, 5%	1309422	54	1	ETCHED CIRCUIT BOARD	5011800	4	
2	R5, R38	RESISTOR, .15, 2W, 10%	1310147	55	2	C20, C4	CAPACITOR, 33pf, 100V, 5%	1000009	5
2	R32, R33	RESISTOR, 2.21K, 1/4W, 1%	1310831	56	1	C8	CAPACITOR, 100pf, 100V, 5%	1000016	6
1	D22	DIODE 2N4441 SCR	1505867	57	1	C7	CAPACITOR, 220pf, 100V, 5%	1000021	7
3	Q3, Q11, Q17	TRANSISTOR, 2N4036	1509700	58	1	C25	CAPACITOR, 1mf, 100V, 20% DISC	1000030	8
1	Q18	TRANSISTOR, DEC 3734	1510082	59	9	C1, C3, C12, C15, C18, C27, C28, C32, C33	CAPACITOR, 01mf, 100V, DISC	1001610-01	9
1	Q7	TRANSISTOR, MJE3055	1510555	60					
7	Q4, Q5, Q6, Q8, Q12 THRU Q14	TRANSISTOR, XA05	1510705	61	6	C2, C5, C9, C10, C26, C30	CAPACITOR, 1mf, 35V, 10%	1001776	10
2	Q2, Q10	TRANSISTOR, XA55	1510708	62	2	C29, C31	CAPACITOR, 47mf, 25V, 20%	1010279	11
1	Q16	TRANSISTOR, D45H8	1510708	63	1	C24	CAPACITOR, 10mf, 20V, 10%	1004813	12
2	Q1, Q15	TRANSISTOR, 2N5038	1510989	64	2	C8, C21	CAPACITOR, 01mf, 100V, 10% MYLAR	1005784	13
1	Q19	TRANSISTOR, D44H5	1512722	65	1	C11	CAPACITOR, 015mf, 50V, 2% POLYC	1010648	14
2	L1, L2	INDUCTOR, 500uh	1812593	66	2	C13, C14	CAPACITOR, 390mf, 20V	1012607-06	15
2	E2, E5	I.C. L.M. 301A	1910282	67	1	C17	CAPACITOR, 120mf, 6.3V	1012607-01	16
3	E1, E3, E4	I.C. L.M. 555	1911944	68	2	C10, C18	CAPACITOR, 180mf, 50V	1012607-02	17
1	C22	CAPACITOR, 470pf, 100V, 5%	1000024	69	1	B4	DIODE 1N752A	1102908	18
1	C23	CAPACITOR, 180pf, 100V, 5%	1000020	70	11	D1, D2, D6, D13 THRU D17, D19, D20, D23	DIODE D072	1105275	19
2		HEAT SINK	7414765	71					
1		HEAT SINK	7413842	72	1	B9	DIODE 1N4804	1105796	20
2		SCREW #4-40 x 7/16 LG	9088012-1	73	3	D7, D8, D21	DIODE 1N3890	1109440	21
6		SCREW #4/40 x 1/2 LG	9088013-1	74	1	D12	DIODE 1N4742	1109502	22
2		SCREW, NYLON #4/40 x 3/32 LG	9088481-4	75	1	D10	DIODE 1zt 5ma 5-1V, 2%	1110713	23
1		EYELET	9009000	76	1	B3	DIODE 2N5902	1110968	24
4		TRANSIPAD	9007201	77	2	D9, D18	DIODE A1148	1112595-01	25
1		TUBING	9107296-11	78	1	D11	DIODE DUAL	1112723-00	26
2		NUT, NYLON #4/40	9C37992	79	2	F1, F2	FUSE 5A	1209070	27
2		SILPAD TO Z2	1213071-06	80	1	J1	CONN. 6 PIN MATE-N-LOC	1209340-00	28
A/R		THERMAL COMPOUND	9088288	81	1	J2	CONN. 9 PIN MATE-N-LOC	1209350-09	29
3		SILPAD TO 3	1213071-02	82	17		PINS	1209456-01	30
8		NUT, KEP #4/40	9086357	83	1	(Q18)	HEAT SINK	1210001	31
A/R		WIRE #20 AWG STRANDED	9107488-88	84	5	R2, R3, R37, R47, R50	RESISTOR, 33, 1/4W, 5%	1300137	32
1	J3	CONTROL CABLE	701414-0D	85	2	R12, R14	RESISTOR, 47, 1/4W, 5%	1300202	33
10		WASHER, FLAT	9008172	87	8	R8, R27, R35, R39, R48, R49, R63, R64	RESISTOR, 100, 1/4W, 5%	1300229	34
3		WASHER, FLAT	9006666	88	2	R9, R44	RESISTOR, 100, 1W, 5%	1300232	35
3		SILPAD, STUD MOUNT	1213071-05	89	1	R32	RESISTOR, 390, 1/4W, 5%	1300309	36
3		BUSHING, NYLON	9008440	90	7	R19, R20, R54, R59, R60, R62, R65	RESISTOR, 1K, 1/4W, 5%	1300365	37
3		NUT, HEX #10-32	9076565	91	1	R45	RESISTOR, 1.5K, 1/4W, 5%	1300381	38
					1	R28	RESISTOR, 2.48K, 3/4W, 1%	1300424	39
A/R	W1, W2	WIRE #20 AWG. SOLID	9107560-02	93	3	R11, R43, R61	RESISTOR, 2.7K, 1/4W, 5%	1300428	40
1		LABEL, POWER SUPPLY	9009255-00	94	2	R7, R85	RESISTOR, 4.7K, 1/4W, 5%	1300447	41
2		TIE, CABLE	9007031	95	2	R23, R86	RESISTOR, 5.62K, 1/4W, 1%	1305128	42
					11	R13, R15, R16, R17, R21, R22, R42, R46, R51, R57, R58	RESISTOR, 10K, 1/4W, 5%	1300479	43
					2	R53, R24	RESISTOR, 100K, 1/4W, 5%	1302466	44
					3	R8, R31, R40	RESISTOR, 10, 1/4W, 5%	1301317	45
					2	R10, R41	RESISTOR, 330, 2W, 10%	1301961	46
					2	R26, R34	RESISTOR, 2K, 1/4W, 5%	1302368	47
					1	R66	RESISTOR, 100, 1/4W, 5%	1301322	48
					1	R4	RESISTOR, 1.2K, 1W, 10%	1302950	49
					1	R30	RESISTOR, 1.8K, 1W, 5%	1303122	50

ALTERNATE PARTS LIST

QTY	REF. DESIGNATION	DESCRIPTION	PART NO.	ITEM NO.	QTY	REF. DESIGNATION	DESCRIPTION	PART NO.	ITEM NO.
1		EYELET	9006732	76	1	R4	RESISTOR, 1.2K, 1W, 10%	1302950	49
9	C1, C3, C12, C15, C18, C27, C28, C32	CAPACITOR .01 MF 50V	1001610-00	9	1	R30	RESISTOR, 1.8K, 1W, 5%	1303122	50

ETCH BOARD REV. E

REVISIONS

DRN. 9.3.1975	DATE 5-28-75
CHNID.	DATE
ENG. 1.1.75	DATE
PROJ. ENG. J.C. Barry	DATE 7/22/75
PROD. R.R. Kishin	DATE 6/28/75
NEXT HIGHER ASSY	

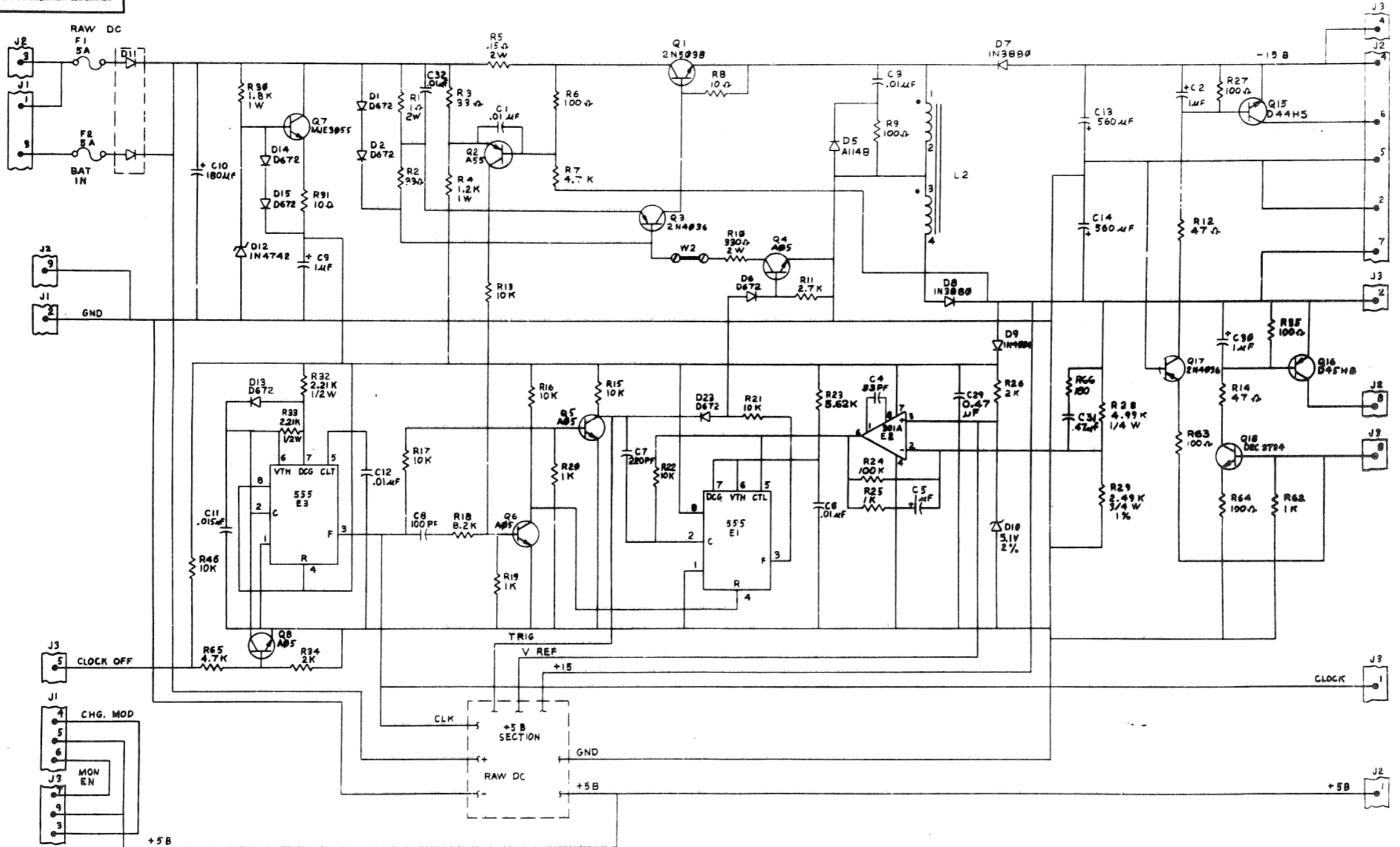
TITLE MOS REGULATOR H777

SIZE CODE DCS NUMBER 5411601-0-1 REV. M

SCALE 1 OF 3 SHEET

SEMICONDUCTOR CONVERSION CHART

THIS DRAWING AND SPECIFICATIONS HEREIN ARE THE PROPERTY OF DIGITAL EQUIPMENT CORPORATION AND SHALL NOT BE REPRODUCED OR COPIED OR USED IN WHOLE OR IN PART AS THE BASIS FOR THE MANUFACTURE OR SALE OF ITEMS WITHOUT WRITTEN PERMISSION. COPYRIGHT © 1977 DIGITAL EQUIPMENT CORPORATION

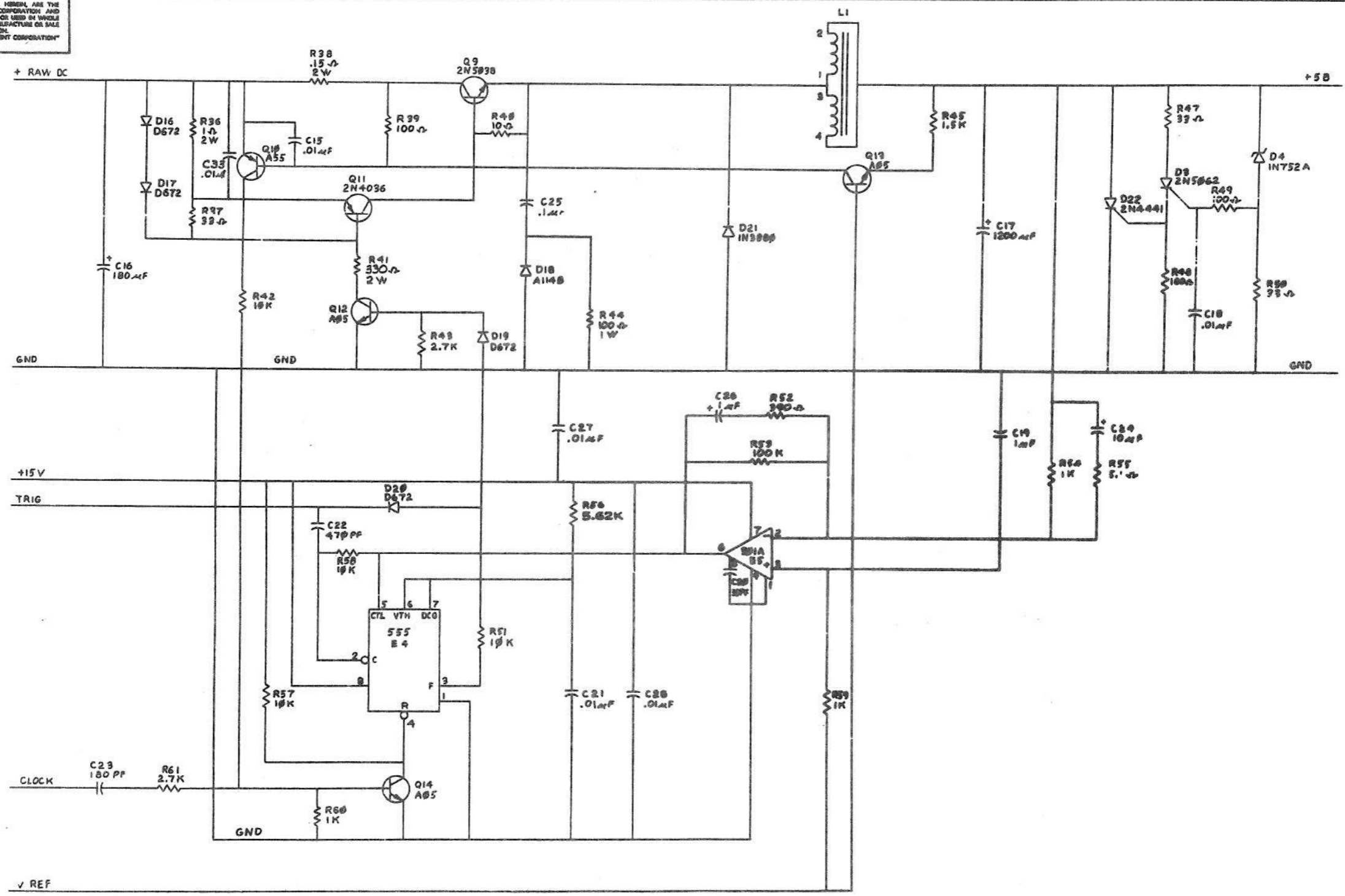


REVISIONS		
CHK	CHANGE NO.	REV

TITLE	MOS REGULATOR H777	SIZE CODE	DCS	NUMBER	5411601-0-1	REV	M
SCALE		SHEET	2 OF 3	DIST.			

DCS 5411601-0-1 M

THIS DRAWING AND SPECIFICATIONS HEREIN ARE THE PROPERTY OF DIGITAL EQUIPMENT CORPORATION AND SHALL NOT BE REPRODUCED OR COPIED OR USED IN WHOLE OR IN PART AS THE BASIS FOR THE MANUFACTURE OR SALE OF ITEMS WITHOUT WRITTEN PERMISSION. COPYRIGHT © 1977 DIGITAL EQUIPMENT CORPORATION



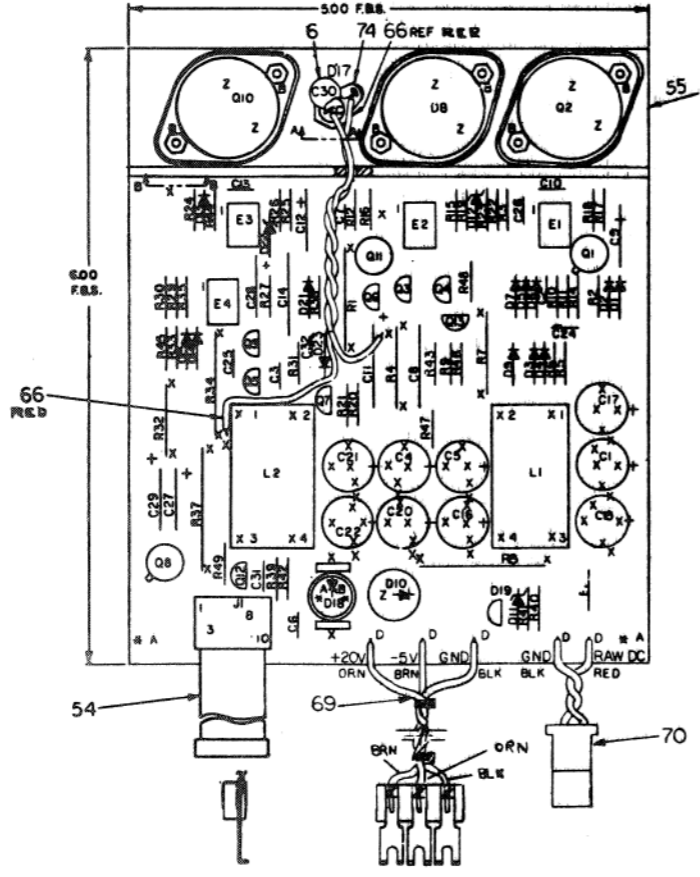
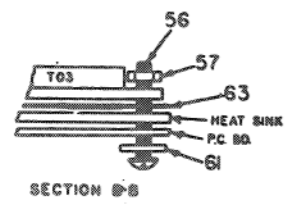
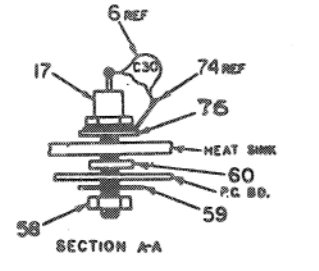
REVISIONS		
CHK	CHANGE NO.	REV.

TITLE	MOS REGULATOR H777	DATE		NUMBER		REV.	
SCALE		SHEET	3	OF	3	DIST.	

NOTES:

USE TRANSPAD DEC# 9007201 UNDER Q14Q8

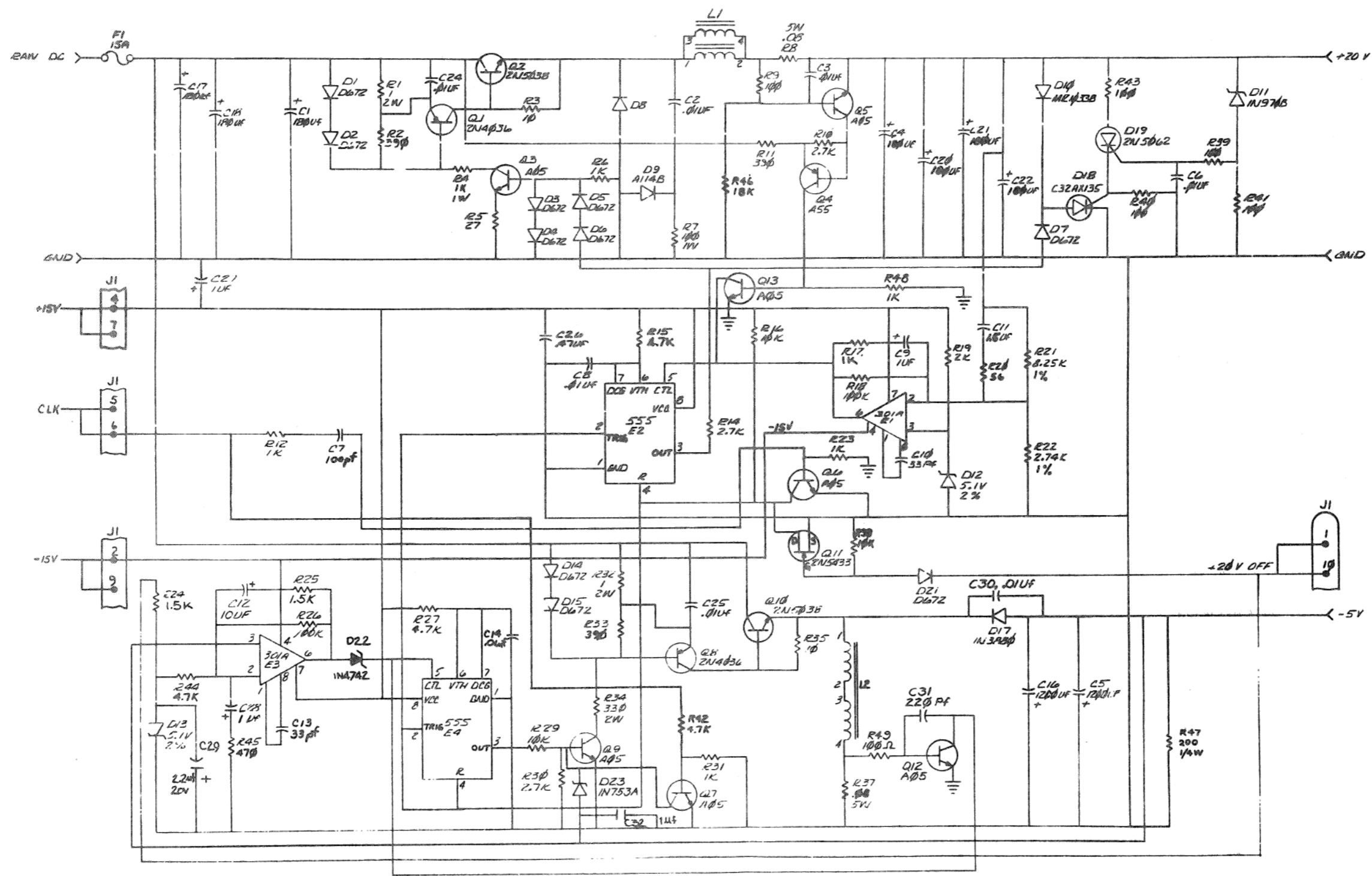
QTY	REF. DESIGNATION	DESCRIPTION	PART NO.	ITEM NO.
1		HEAT SINK	7416236-0-0	55
6		SCREW, #4-48 x 1/2 IN PH HD	9088813-1	56
6		NUT, KEP #4-48	9088857	57
1		NUT, HEX #18-32	9089964	58
1		WASHER, FLAT	9088882	59
1		BUSHING, NYLON	5008440	60
8		WASHER, FLAT	9088172	61
A/R		COMPOUND, THERMAL	9088288	62
3		INSULATOR, TO 3	1213071-02	63
2		TRANSPAD	9087281	65
A/R		WIRE #18 AWG, TWISTED PAIR	9187430-02	68
1	C29	CAPACITOR, 2.2UF, 20V	1002627	67
1	R47	RESISTOR, 300, 1/4W, 5%	1311582	68
1		HARNESS (THREE WIRE)	C-1A 7012947-0-0	69
1		HARNESS (TWO WIRE)	C-1A 7012946-0-0	70
1	C12	CAPACITOR, 10UF, 20V, 10%, TANT	1004813	71
1	DZ3	DIODE, 1N753A	1102421	72
1	C26	CAPACITOR, .47UF, 25V, 20%, CER	1010275	73
1		SOLDER, TERM, SCREW MTG.	9007815	74
1		SIL PAD, 300, 190 I.D.	1213071-05	75
1	C32	CAP. 1UF 50V CER.	1010274-02	76
1	Q9	DIODE, 1N140	1112895-01	22
1	F1	FUSE, 15A, PICO	1210828	23
1	R48	RESISTOR, 10K, 1/4W, 5%	1302465	34
6	R9, R29, R40, R41, R43, R49	RESISTOR, 100, 1/4W, 5%	1300229	26
1	R7	RESISTOR, 100, 1W, 5%	1300232	27
5	R11, R2, R33	RESISTOR, 500, 1/4W, 5%	1300309	28
6	R8, R12, R23, R31, R17, R45	RESISTOR, 1K, 1/4W, 5%	1300305	29
3	R10, R14, R30	RESISTOR, 2.7K, 1/4W, 5%	1300426	29
4	R42, R44, R16, R27	RESISTOR, 4.7K, 1/4W, 5%	1300447	30
1	R4	RESISTOR, 1K, 1W, 5%	1300368	31
3	R10, R20, R36	RESISTOR, 10K, 1/4W, 5%	1300470	32
2	R3, R35	RESISTOR, 10, 1/4W, 5%	1301317	33
1	R45	RESISTOR, 470, 1/4W, 5%	1300316	34
1	Q8	TRANSISTOR, 2N4530	1501522	35
1	R24	RESISTOR, 330, 2W, 10%	1301961	36
2	R10	RESISTOR, 2K, 1/4W, 5%	1302300	37
2	R10, R26	RESISTOR, 100K, 1/4W, 5%	1302480	38
1	R22	RESISTOR, 2.7K, 1/4W, 1%	1304080	39
2	R1, R22	RESISTOR, 1, 2W, 5% WW	1305430	40
2	R24, R25	RESISTOR, 1.5K, 1/4W, 5%	1300391	41
1	R21	RESISTOR, 8.2K, 1/4W, 1%	1309420	42
2	R0, R37	RESISTOR, 60, 5W, 3% WW	1311883	43
1	R20	RESISTOR, 56, 1/4W, 5%	1302602	44
2	Q1, Q2	TRANSISTOR, 2N4530	1501500	45
7	Q3, Q5, Q6, Q7, Q8, Q12, Q13	TRANSISTOR, 2AF5	1510700	46
1	Q4	TRANSISTOR, 2AF5	1510700	47
1	Q10	TRANSISTOR, C32AX130	1510920	48
2	Q2, Q10	TRANSISTOR, 2N5030	1510900	49
1	Q11	TRANSISTOR, 2N5433	1511000	50
2	L1, L2	INDUCTOR, 900UH	1612803	51
2	E1, E3	I.C. DEC 301A	1910282	52
2	E2, E4	I.C. DEC 305	1911844	53
1	J1	CABLE ASSY	7011414 -0E	54



IC TYPE	QND	+5V
GND AND 5V ARE USUALLY PIN 7 AND 14 RESPECTIVELY (EXCEPTIONS ARE STATED ABOVE)		
IC PIN LOCATIONS		

FIRST USED ON OPTION MODEL	
ETCH BOARD REV. D	
PARTS LIST	
TITLE: +20V REGULATOR/H777	
E-UA-H777-0-0	
DCS 5411599-0-1	
REV. J	

THIS DRAWING AND SPECIFICATIONS HEREAFTER ARE THE PROPERTY OF DIGITAL EQUIPMENT CORPORATION AND SHALL NOT BE REPRODUCED OR COPIED IN WHOLE OR IN PART AS THE SAME ARE THE PROPRIETARY OR TRADE MARK OF DIGITAL EQUIPMENT CORPORATION.



REVISIONS		
CHK	CHANGE NO	REV.

TITLE	+20V REGULATOR/H777	SIZE/CODE	D CS 5411599-0-1	NUMBER	J	REV.	
SCALE		SHEET	2	OF	2	DIST.	

DIGITAL EQUIPMENT CORPORATION MAYNARD, MASSACHUSETTS				QUANTITY / VARIATION							
PARTS LIST				H777-AA	H777-AB	H777-BA	H777-BB	H777-CA	H777-CB	H777-DA	H777-DB
MADE BY	CHECKED	D. HEALY	SECTION								
DATE	DATE	29 JUL 76	1								
ENG	PROD	R.B. King	ISSUED SECT.								
DATE	DATE	26 Aug 76	1								
ITEM NO.	DWG NO. / PART NO.	DESCRIPTION									
1	D-IA-7011248-0-0	CHASSIS ASSY P.S.	1	1	1	1	1	1	1	1	1
2	9007031-05	TIE WRAP	A	BA	BA	BA	BA	BA	BA	BA	R
3	D-AD-7011075-0-0	A/C INPUT ASSY (120V)	1	1	1	1	1	1	1	1	1
4	D-AD-7011075-1-0	A/C INPUT ASSY (230V)	1	1	1	1	1	1	1	1	1
5	9007035	GROMMET	A	BA	BA	BA	BA	BA	BA	BA	R
6	9006563	NUT, KEPS #8 - 32	2	2	2	2	2	2	2	2	2
7	E-MD-7413825-0-0	COVER, POWER SUPPLY	1	1	1	1	1	1	1	1	1
8	D-AD-7011073-0-0	+5V REGULATOR ASSY	1	1	1	1	1	1	1	1	1
9	D-CS-5411601-0-1	MOS. REG. H777	1	1	1	1	1	1	1	1	1
10	9006021-01	SCR. PHIL HD PAN #6 - 32 x .31	4	4	2	2	3	3	1	1	1
11	9008509	STRAIN RELIEF	1	1	1	1	1	1	1	1	1
12	D-IA-7012320-0	POWER CORD (115V)	1	1	1	1	1	1	1	1	1
13	D-IA-7012320-1	POWER CORD (230V)	1	1	1	1	1	1	1	1	1
14	9006022-1	SCR. PHIL HD PAN #6-32 x .38	6	6	4	4	4	4	4	4	4
15	9006633	WASHER, INT. TOOTH #6	10	10	6	6	3	3	1	1	1
16	9009771-02	CLAMP	2	2	2	2	2	2	2	2	2
17	1209403-01	FAN, BOXER 115V, 50/60 HZ	1	1	1	1	1	1	1	1	1
18	9006020-2	SCR. PHIL FLAT HD #6 - 32 x .25	7	7	7	7	7	7	7	7	7
19	9008185	NUT, KEPS #6 - 32	2	2	2	2	2	2	2	2	2
20	9006023-1	SCR. PHIL HD PAN #6 - 32 x .38	4	4	4	4	4	4	4	4	4
21	9006074-3	SCR., PHIL TRUSS #10 - 32 x .62	4	4	4	4	4	4	4	4	4
22	9007651	WASHER, EXT. TOOTH #10	4	4	4	4	4	4	4	4	4
TITLE	POWER SUPPLY ASSY (H777)	ASSY NO.	E-UA-H777-0-0	SIZE CODE	A PL	NUMBER	H777-0-0	REV	M	ECO NO	100005
SHEET 1 OF 3		DIST									

DEC FORM DEC 16 (325) 1031 N870  
ORA 110

DIGITAL EQUIPMENT CORPORATION MAYNARD, MASSACHUSETTS				QUANTITY / VARIATION							
PARTS LIST				H777-AA	H777-AB	H777-BA	H777-BB	H777-CA	H777-CB	H777-DA	H777-DB
MADE BY	CHECKED	D. HEALY	SECTION								
DATE	DATE	29 JUL 76	1								
ENG	PROD	R.B. King	ISSUED SECT.								
DATE	DATE	26 Aug 76	1								
ITEM NO.	DWG NO. / PART NO.	DESCRIPTION									
45	9006634	WASHER INT. TOOTH LOCK #8	1	1	1	1	1	1	1	1	1
46	D-IA-7012320-1	POWER CORD (230V)	1	1	1	1	1	1	1	1	1
47	9006011-1	SCR PH HD PAN #4 - 40 x .38	2	2	2	2	2	2	2	2	2
48	9006632	WASHER INT. TOOTH LOCK #4	2	2	2	2	2	2	2	2	2
49	9008020-02	SCR, PHIL FLAT HD. #6 J2 x .18	1	1	1	1	1	1	1	1	1
50	7011411-1L	CABLE, CONSOLE CONTROL	REF	REF	REF	REF	REF	REF	REF	REF	REF
51	9006022-03	SCR. PHIL. TRUSS #6-32 x .38	4	4	4	4	4	4	4	4	4
52	C-IA-7013938-1	CABLE JUMPER	1	1	1	1	1	1	1	1	1
53	C-IA-7013938-0	CABLE JUMPER	1	1	1	1	1	1	1	1	1
54	C-IA-7013939-0	CABLE GROUNDING	1	1	1	1	1	1	1	1	1
55	C-IA-7420323-00	AC POWER CORD W/LABLE (120V)	1	1	1	1	1	1	1	1	1
56	C-IA-7420323-01	AC POWER CORD W/LABLE (240V)	1	1	1	1	1	1	1	1	1
57	9006656	WASHER, FLAT	4	4	2	2	3	3	1	1	1
58	9006025-01	SCR, PAN PHIL #6-32 x 5/8	3	3	3	3	3	3	3	3	3
59	9006560	NUT, KEP 6-32	3	3	3	3	3	3	3	3	3
60	7011412-3C	CABLE ASSY	1	1	1	1	1	1	1	1	1
61	9006561	NUT, HEX 8-32	1	1	1	1	1	1	1	1	1
62	7011414-1F	CABLE, CONSOLE CONTROL	REF	REF	REF	REF	REF	REF	REF	REF	REF
63	9009255-00	LABEL	1	1	1	1	1	1	1	1	1
64	3614833	LABEL, WARNING	1	1	1	1	1	1	1	1	1
TITLE	POWER SUPPLY ASSY (H777)	ASSY NO.	E-UA-H777-0-0	SIZE CODE	A PL	NUMBER	H777-0-0	REV	M	ECO NO	
SHEET 3 OF 3		DIST									

DEC FORM DEC 16 (325) 1031 N870  
ORA 110

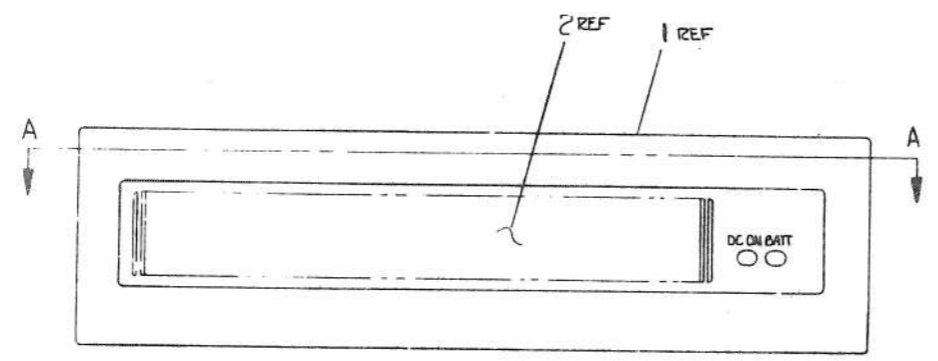
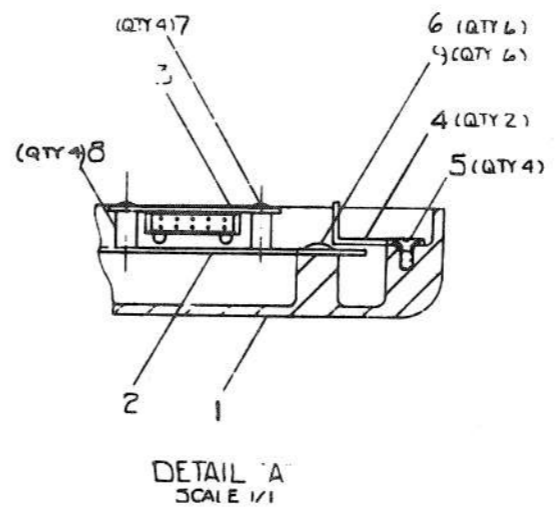
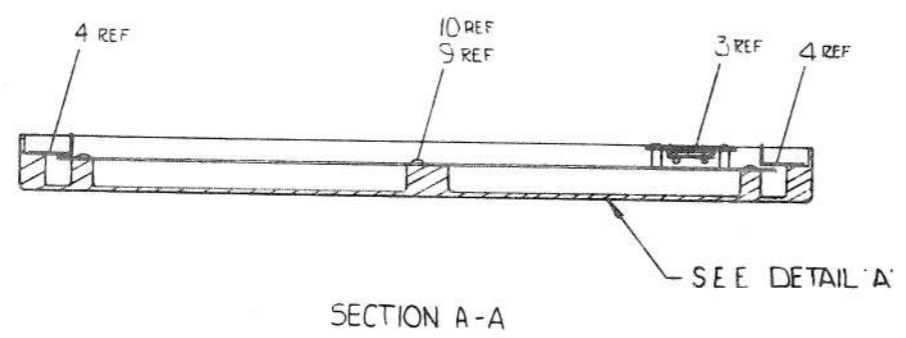
DIGITAL EQUIPMENT CORPORATION MAYNARD, MASSACHUSETTS				QUANTITY / VARIATION							
PARTS LIST				H777-AA	H777-AB	H777-BA	H777-BB	H777-CA	H777-CB	H777-DA	H777-DB
MADE BY	CHECKED	D. HEALY	SECTION								
DATE	DATE	29 JUL 76	1								
ENG	PROD	R.B. King	ISSUED SECT.								
DATE	DATE	26 Aug 76	1								
ITEM NO.	DWG NO. / PART NO.	DESCRIPTION									
23	C-IA-7413773-0-0	BRACKET, PAN	2	2	2	2	2	2	2	2	2
24	1210984-05	INC SHEET 9.0 ± .1 x 1.5 ± .1	A	BA	BA	BA	BA	BA	BA	BA	R
25	B-DC-7414744-0-0	DECAL H777 P.S.	1	1	1	1	1	1	1	1	1
26	A-PS-3612680-0-0	DECAL, CHASSIS GROUND	2	2	2	2	2	2	2	2	2
27	C-IA-7011412-0F	CABLE, CHASSIS GROUND	1	1	1	1	1	1	1	1	1
28	C-IA-7011412-1H	CABLE, CONSOLE GROUND	1	1	1	1	1	1	1	1	1
29	D-CS-5411599-0-1	CORE REG. H777	1	1	1	1	1	1	1	1	1
30	9007015	GROMMET	1	1	1	1	1	1	1	1	1
31	D-IA-7417407-0-0	CHASSIS P.S.	1	1	1	1	1	1	1	1	1
32	D-AD-7012910-0-0	A/C INPUT ASSY (120V)	1	1	1	1	1	1	1	1	1
33	D-AD-7012910-1-0	A/C INPUT ASSY (230V)	1	1	1	1	1	1	1	1	1
34	E-IA-7417018-0-0	COVER, POWER SUPPLY	1	1	1	1	1	1	1	1	1
35	A-PS-1213773-0-0	AC RECEPTACLE	1	1	1	1	1	1	1	1	1
36	A-PS-1212877-0-0	FILTER	1	1	1	1	1	1	1	1	1
37	D-AD-7012909-0-0	+5V REGULATOR ASSY	1	1	1	1	1	1	1	1	1
38	9009771-1-0	CABLE CLAMP	2	2	2	2	2	2	2	2	2
39	9006024-01	SCREW, PAN #6 - 32 x .50	1	1	1	1	1	1	1	1	1
40	9008404-2	SCR. PHIL FLAT HD #6 - 32 x .31	4	4	4	4	4	4	4	4	4
41	9107253-02	TUBING, SHRINK (GRN)	A	BA	BA	BA	BA	BA	BA	BA	R
42	C-IA-7417288-0-0	WIRE A.C. CONN. HARNESS	REF	REF	REF	REF	REF	REF	REF	REF	REF
43	B-DC-7414744-1-0	DECAL H777 P.S.	1	1	1	1	1	1	1	1	1
44	9006037-1	SCR, PHIL PAN HD #8 - 32 x .38	1	1	1	1	1	1	1	1	1
TITLE	POWER SUPPLY ASSY (H777)	ASSY NO.	E-IA-H777-0-0	SIZE CODE	A PL	NUMBER	H777-0-0	REV	M	ECO NO	
SHEET 2 OF 3		DIST									

DEC FORM DEC 16 (325) 1031 N870  
ORA 110



THIS DRAWING AND SPECIFICATIONS HEREIN ARE THE PROPERTY OF DIGITAL EQUIPMENT CORPORATION AND SHALL NOT BE REPRODUCED OR COPIED OR USED IN WHOLE OR IN PART AS THE BASIS FOR THE MANUFACTURE OR SALE OF ITEMS WITHOUT WRITTEN PERMISSION. COPYRIGHT © 1976, DIGITAL EQUIPMENT CORPORATION

NOTES:  
1. TO SELECT STAND BY/MODE, ON MODE OR OFF MODE SEE D-CS-5411SC1-0-1.



REV.	CHG.	DATE	BY
1		10/15/76	P. LORUSSO
2		11/10/76	P. LORUSSO

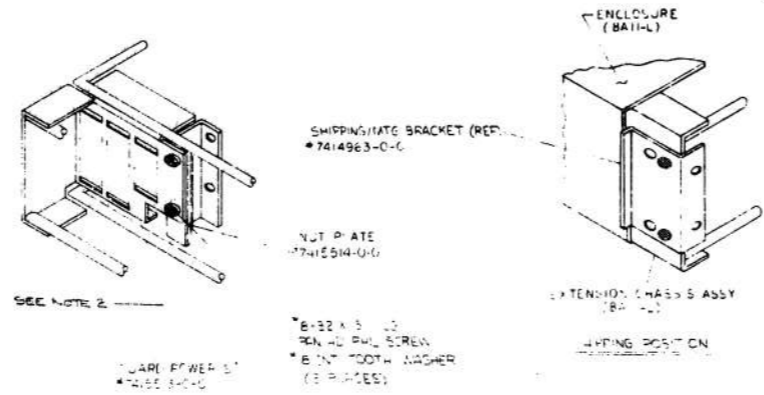
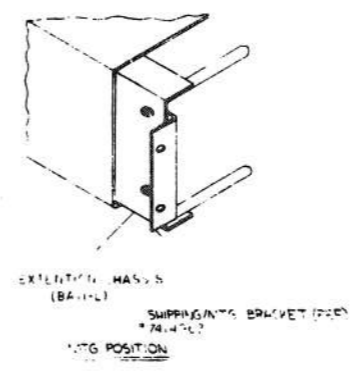
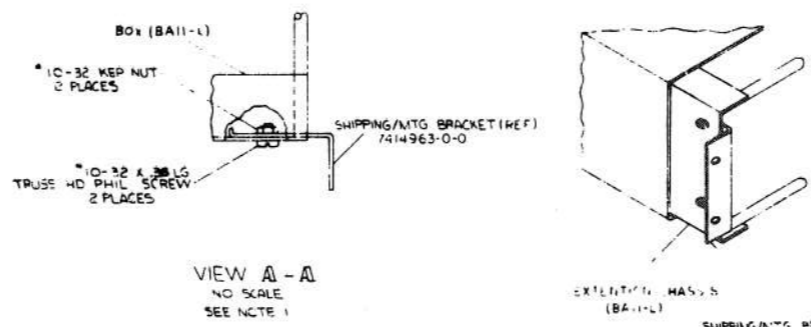
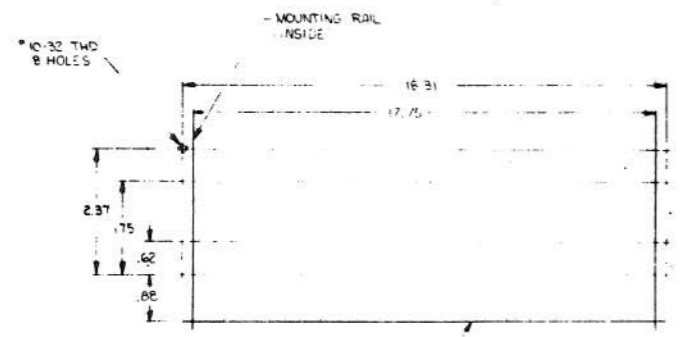
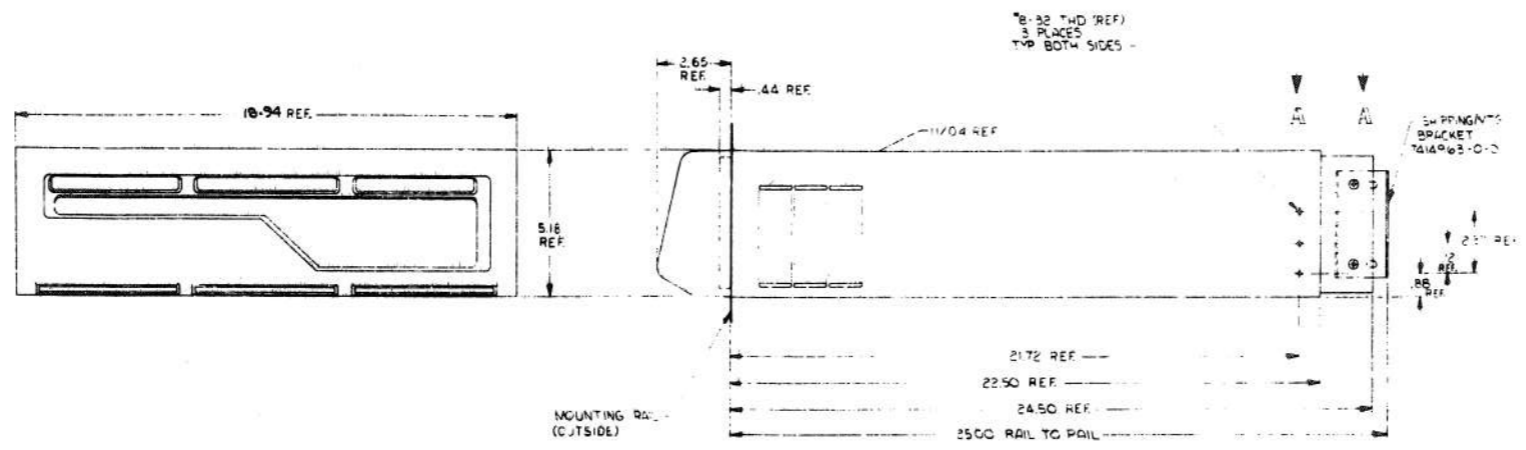
QTY	DESCRIPTION	DWG./PART NO.	ITEM NO.
2	SCREW PAN HD PHIL #8-32-3/16 LG	9006036-1	9
4	SPACER, 25 D.Y 6-32 X.44 LG	9009835	8
4	SCREW PAN HD. PHIL 6-32 X.19 LG	9008020-1	7
6	WASHER, INT. TOOTH #8	9006634	6
4	SCR FLAT HD PHIL #8-32 X.25	9006035-02	5
2	BRACKET SUPPORT FILTER	CMD-7414962-1-0	4
1	CONT. EXP. BOX (BA11-L)	D-VA-5411501-0-0	3
1	PANEL EXPANDER BOX	B-1A-7017321-0-0	2
1	BEZEL	E-MD-7416747-0-0	1

UNLESS OTHERWISE SPECIFIED DIMENSIONS ARE IN INCHES	
ANGLES 30° 30'	CLASSE OF ACCURACY
SURFACE QUALITY	NOMINAL DIMENSION RANGE INCHES
IN	(CHECK ONE)
MEDIUM	<input type="checkbox"/> 0.004
PREFERRED	<input type="checkbox"/> 1.012

THIRD ANGLE PROJECTION	DRN	FIRST USED ON
REMOVE BURRS AND BREAK SHARP CORNERS	CHK'D	1104
DO NOT SCALE DWG	ENG	TITLE
MATERIAL SEE PARTS LIST	PROJ. ENG.	CONSOLE ASSY EXPANDER BOX
FINISH	PROD.	NUMBER
	NEXT HIGHER ASSY.	D AD 7012540-0-0
	MATERIAL	REV
	SCALE	A
	SHEET	
	OF 1	
	DIST.	

THIS DRAWING IS THE PROPERTY OF THE U.S. GOVERNMENT AND IS LOANED TO YOU BY THE NATIONAL BUREAU OF STANDARDS. IT IS TO BE USED ONLY FOR THE PURPOSES AND UNDER THE CONDITIONS SPECIFIED IN THE INSTRUMENT OF TRANSFER.

NOTES:  
 1. MOUNTING BRACKET POSITION, ALSO SHOWN IN SIDE VIEW OF BOX IN MOUNTING POSITION.  
 2. BECAUSE OF U.L. REQUIREMENTS THE REAR PANEL POWER SUPPLY MUST BE COVERED THE GUARD SHOWN TO BE INSTALLED ON UNITS THAT DON'T HAVE THE NEW PNP SUPPLY WITH CLOSED ENDS, THERE SHOULD BE APPROX. 500 UNITS THAT WILL REQUIRE THIS RETROFIT.



REV	DESCRIPTION	QUANTITY		DATE		BY	CHKD	APP'D
		REQD	ISSD	ISSD	REV			
1	INITIAL PRODUCTION	1	1	11/04	11/04	AC		
2	REVISION							

DATE	11/04	FIRST USED ON	701258R-0-0
PROJ. NO.	701258R-0-0	TITLE	VENTILATION
SCALE	NO SCALE	REV. CODE	AC
MATERIAL	STEEL & ALUM.	REV. CODE	AC
FRONT SHEET	OF	SHEET	701258R-0-0

# DRAWING DIRECTORY

"THIS DRAWING AND SPECIFICATIONS, HEREIN, ARE THE PROPERTY OF DIGITAL EQUIPMENT CORPORATION AND SHALL NOT BE REPRODUCED OR COPIED OR USED IN WHOLE OR IN PART AS THE BASIS FOR THE MANUFACTURE OR SALE OF ITEMS WITHOUT WRITTEN PERMISSION. COPYRIGHT © 1975, DIGITAL EQUIPMENT CORPORATION"

~~CUSTOMER PRINT SET INDEX~~

~~THIS IS PRINT SET~~

SEQUENCE 77

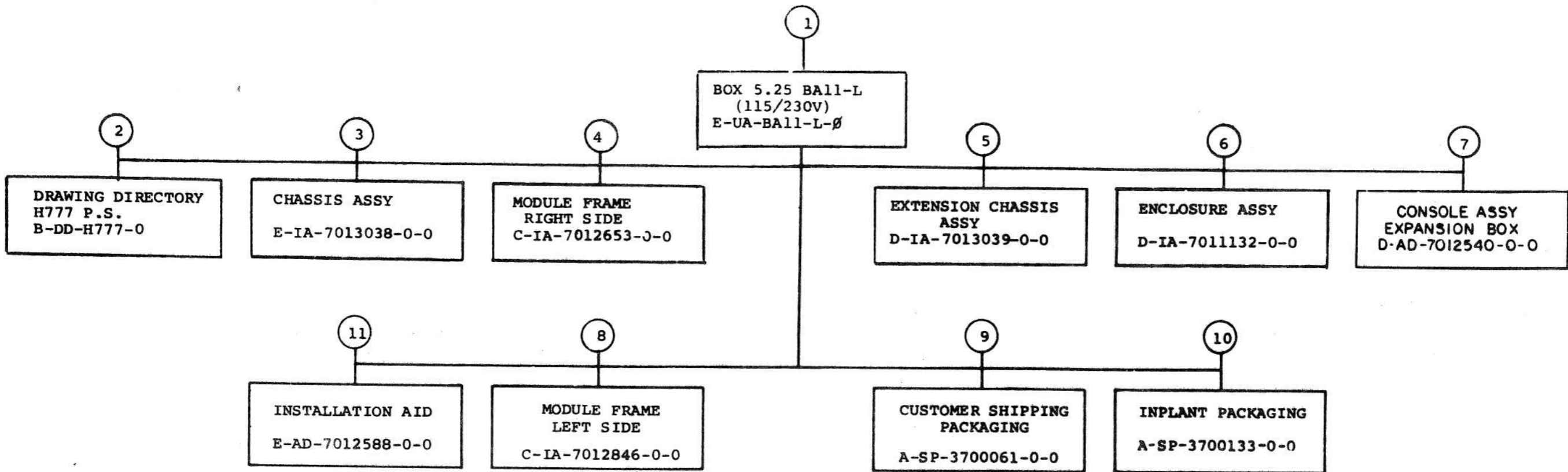
SEQUENCE 77

NOTE:  
FOR FIELD MAINTENANCE  
PRINT SET REFER TO  
B-TC-BALL-L-1

UNIT VARIATIONS		PRINT SET
VAR	TITLE	
BALL-LA	5.25 BOX, H777-AA P.S. 115V	
BALL-LB	5.25 BOX, H777-AB P.S. 230V	
BALL-LC	5.25 BOX, H777-BA P.S. 115V	
BALL-LD	5.25 BOX, H777-BB P.S. 230V	
BALL-LE	5.25 EXPANDER BOX, H777-CA P.S. 115V	
BALL-LF	5.25 EXPANDER BOX, H777-CB P.S. 230V	
BALL-LH	5.25 EXPANDER BOX, H777-DA P.S. 115V	
BALL-LJ	5.25 EXPANDER BOX, H777-DB P.S. 230V	
BALL-LK	5.25 BOX & H777CA 115V CORE & MOS	
BALL-LL	5.25 BOX & H777CB 230V CORE & MOS	
BALL-LM	5.25 BOX & H777DA 115V MOS ONLY	
BALL-LN	5.25 BOX & H777DB 230V MOS ONLY	

REVISIONS	
DATE	CHG. NO.
4-76	BAIL-L-4 A
10-76	BAIL-L-6 B
1-77	BAIL-L-7 C
3-77	BAIL-L-8 D
4-77	BAIL-L-9 E
5-77	BAIL-L-10 F
7-77	BAIL-L-11 H

USED ON OPTION/MODEL	DRM.	DATE	TITLE
11/04	G. MARINI	9/3/75	DRAWING DIRECTORY BALL-L
11/34	CHK'D.	DATE	
	D. HEALY	9/30/75	
	PROJ ENG.	DATE	
	<i>R. Barry</i>	10-22-75	
	PROD.	DATE	SIZE CODE NUMBER REV
	<i>R.K. Patten</i>	12/24/75	B DD BALL-L H
	FIELD SERV.	DATE	
	<i>11</i>	<i>11</i>	DIST



TITLE	DRAWING DIRECTORY BALL-L	SHEET 2 OF 4	SIZE CODE	NUMBER	REV
			B DD	BALL-L	H

ELECTRICAL (SECTION 1)					MECHANICAL (SECTION 2)							
CUSTOMER PRINT SET	FIND NO.	DRAWING NO.	REV	NO OF SHT	DESCRIPTION	CUSTOMER PRINT SET	FIND NO.	DRAWING NO.	REV	NO OF SHT	DESCRIPTION	OPTION NO FILE DATE
	1	E-UA-Ball-L-Ø		1	BOX 5.25 Ball-L 115/230V		1	E-UA-Ball-L-Ø		1	BOX 5.25 Ball-L (115/230V)	
		A-PL-Ball-L-Ø		3	BOX 5.25 Ball-L 115/230V (PL)			B-MD-7413846-0-0		1	BAR, CABLE STRAIN RELIEF	
		D-UA-BCIIA-10-0		1	UNIBUS CABLE 10 FT			C-IA-7011412-0-0		1	CABLE, CHASSIS GND	
		B-CS-M919-0-1		1	BUS CONNECTOR M 919			C-MD-7414963-0-0		1	BRKT., SHIPPING AND CAB MOUNT	
		B-CS-M929-0-1		1	BUS CONNECTOR M 929			A-PL-Ball-L-Ø		3	BOX 5.25 Ball-L 115/230V (PL)	
								A-DC-5309413-0-0		1	DECAL NFPA	
								A-DC-5309414-0-0		1	DECAL UL	
	2	B-DD-H777-B		4	DRAWING DIRECTORY H777		2	B-DD-H777-B		4	DRAWING DIRECTORY H777 P.S.	
							3	E-IA-7013038-0-0		1	CHASSIS ASSY	
								C-MD-7414236-0-0		1	FRAME, CHASSIS	
								C-MD-7413855-0-0		1	BRACKET MTG (LH)	
								C-MD-7413852-0-0		1	BRACKET MTG (RH)	
								C-MD-7413853-0-0		1	BRACKET, FRAME	
								C-IA-7414442-0-0		1	BRACKET LOGIC SUPPORT (BOT)	
								C-IA-7414441-0-0		1	BRACKET LOGIC SUPPORT (BOT)	
								C-MD-7413857-0-0		1	BRACKET MAIN SUPPORT	
								C-MD-7413858-0-0		1	BRACKET, SUPPORT	
								B-MD-7414237-0-0		1	ROD CONNECTING CHASSIS	
								B-MD-7413856-0-0		1	BRACKET, FAN MOUNTING	
								B-MD-7414235-0-0		1	SUPPORT DIAGONAL ROD	
								C-MD-7413854-0-0		1	BRACKET POWER SUPPLY SUPPORT	
								B-IA-7414443-0-0		1	CLAMP PLATE CABLE	
								C-MD-7417221-0-0		1	ROD MODULE RETAINER	
								C-MD-7419019-0-0		1	BRACKET, MODULE FRAME STIF.	
							4	C-IA-7012653-0-0		1	MODULE FRAME RIGHT HAND	
								C-MD-7414084-0-0		1	BRACKET EJECTOR (MODULE FRAME)	
								C-MD-7414082-0-0		1	BRACKET BACKPLANE (MODULE FRAME)	
								C-MD-7416516-0-0			ROD, MODULE FRAME	
								C-MD-7416517-0-0			BRACKET, CARD GUIDE	
CUSTOMER PRINT SET	X = PRINT OF DOCUMENT INCLUDED IN PRINT SET					TITLE	DRAWING DIRECTORY		SIZE	CODE	NUMBER	REV
	C = INCLUDES ALL PRINTS INDICATED ON DOCUMENT						Ball-L				BALL-L	H
	S = CONFIDENTIAL AUTHORIZED SIGNATURE REQUIRED						SHEET 3 OF 4		B	DD		

DRB 108

digital

EN-01062-28-16-R972-(325)

MECHANICAL (SECTION 2)					MECHANICAL (SECTION 2)						
FIND NO.	DRAWING NO.	REV	NO OF SHT	DESCRIPTION	OPTION NO. FILE DATE	FIND NO.	DRAWING NO.	REV	NO OF SHT	DESCRIPTION	OPTION NO. FILE DATE
	5		1	EXTENSION CHASSIS ASSY		10	A-SP-3700133-0-0			PACKAGING IN-PLANT	
			1	ROD EXTENSION FRAME			A-PS-9905271-0-0			LAMINATED BUILDUPS SADDLE	
				PLATE END RIGHT HAND			A-PS-9905184-0-0			BEZEL PROTECTOR	
				PLATE END LEFT HAND			A-PS-9905418-0-0			REGULAR SLOTTED CARTON	
							A-PS-9905129-7			POLY BAG	
							A-PS-9905729-0-0			3 IN. WIDE GLASFLEX TAPE	
	6		1	ENCLOSURE ASSY							
			1	ENCLOSURE BOTTOM							
			1	ENCLOSURE TOP		11	E-AD-7012588-0-0			INSTALLATION AID	
	7		1	CONSOLE ASSY, EXPANSION BOX							
	8			MODULE FRAME LEFT SIDE							
				BRKT. EJECTOR L.H.							
				BRKT. CARD GUIDE							
				BRKT. BACKPLANE L.H.							
				ROD							
	9			PACKAGING INSTRUCTIONS CUST.							
				FULL-TELESCOPE CAP							
				FOAM PAD							
				FOAM WITH CORRUGATED							
				SIDEWALL ASSEMBLY							
				STRAPPING (STEEL OR PLASTIC)							

CUSTOMER PRINT SET  
 X = PRINT OF DOCUMENT INCLUDED IN PRINT SET  
 C = INCLUDE ALL PRINTS INDICATED ON DOCUMENT  
 S = CONFIDENTIAL AUTHORIZED SIGNATURE REQUIRED

TITLE: DRAWING DIRECTORY BALL-L  
 SHEET 4 OF 4  
 SIZE CODE: B DD  
 NUMBER: BALL-L  
 REV: H

**DIGITAL EQUIPMENT CORPORATION**  
MAYNARD, MASSACHUSETTS

**PARTS LIST**

MADE BY <i>Blawie</i>	CHECKED	SECTION
DATE <i>7/12/77</i>	DATE	ISSUED SECT.
ENG	PROD	
DATE	DATE	

QUANTITY / VARIATION

ITEM NO.	DWG NO. / PART NO.	DESCRIPTION	BAILL-LE	BAILL-LF	BAILL-LH	BAILL-LJ	ALL OTHER	VARIATIONS GET ONLY ITEMS 1+2	QUANTITY / VARIATION								
1	EK-BAILL-MM-PRE	MAINTANCE MANUL	-	-	-	-	-										
2	MPO0018	PRINT SET BAILL-L	-	-	-	-	-										
3	D-UA-BC11A-10-0	CABLE UNIBUS 10FT	-	-	-	-	-										

TITLE	ASSY NO.	SIZE CODE	NUMBER	REV.	ECO NO.
SHIPPING LIST	E-UA-BAILL-L-0	A PL	BAILL-L-4		
SHEET 1 OF 1		DIST.			

DEC FORM DEC 16 (325) 1031-N870  
DPA 110