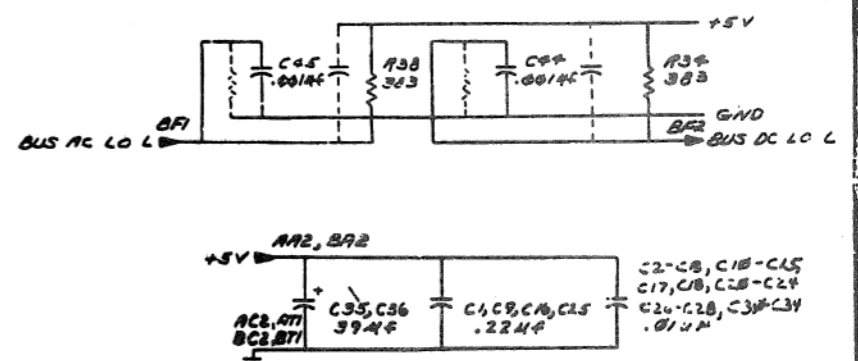
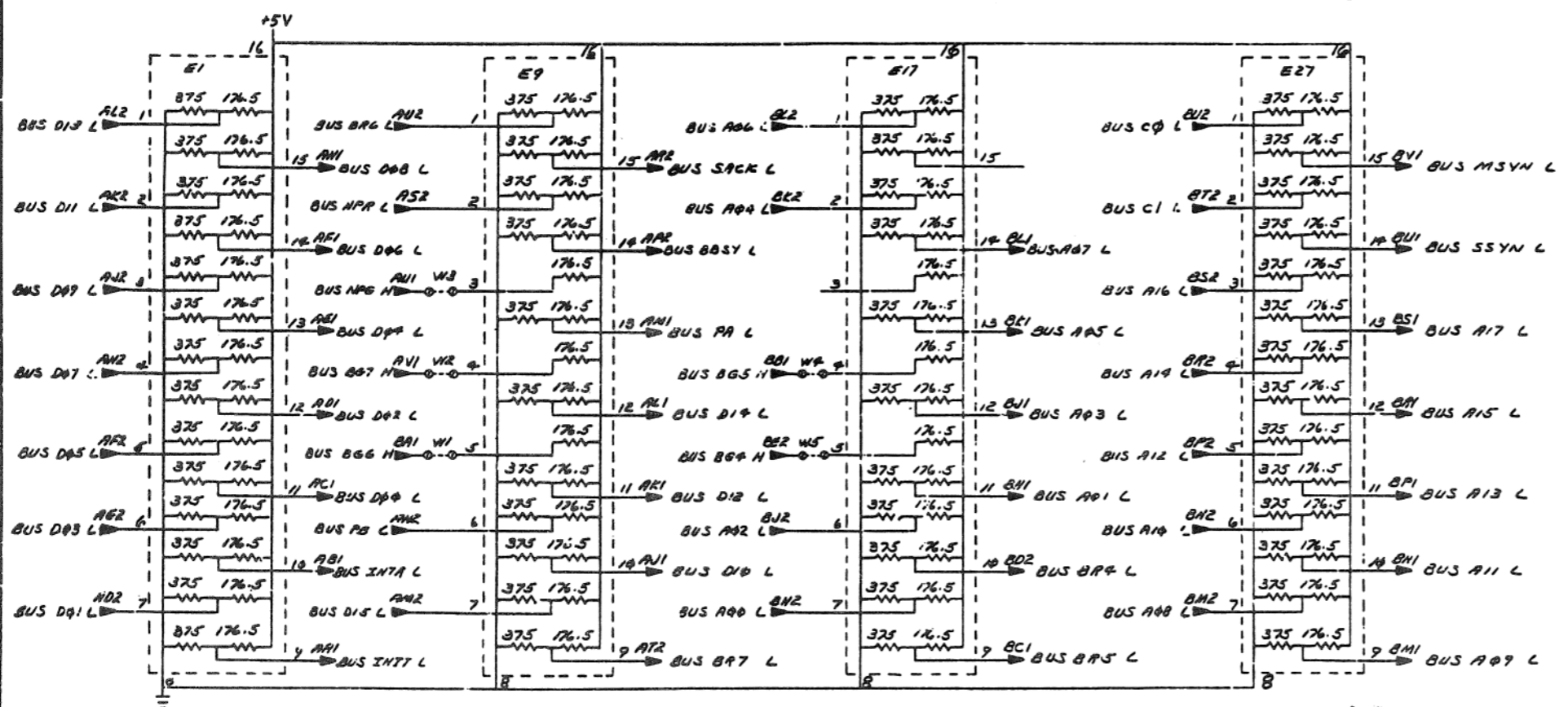
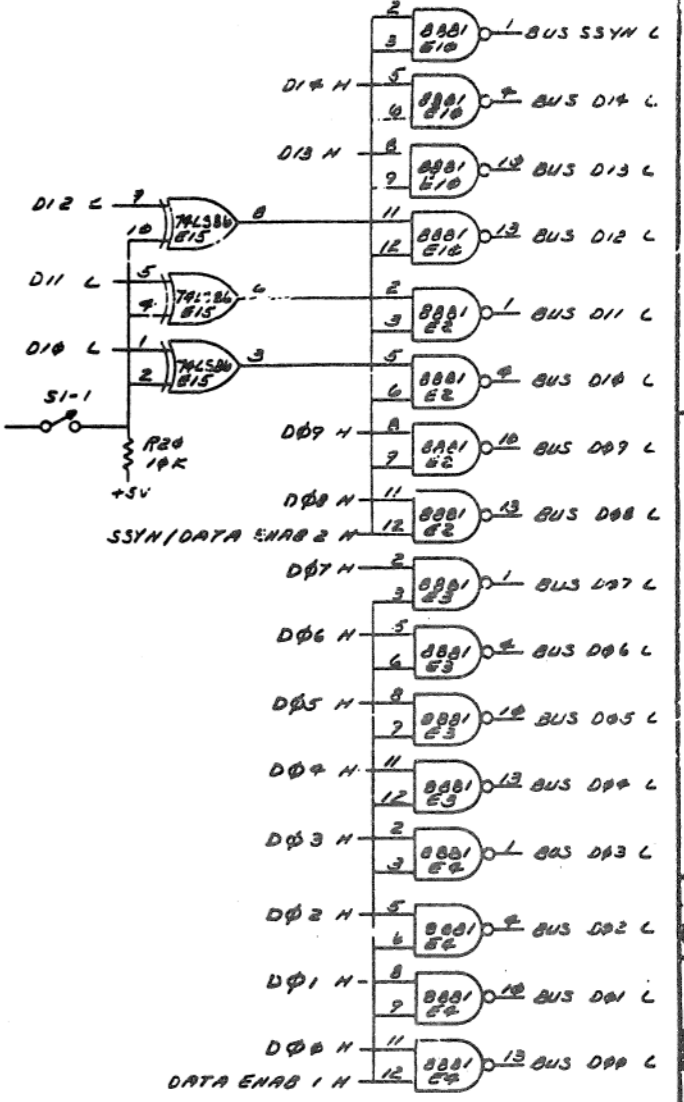
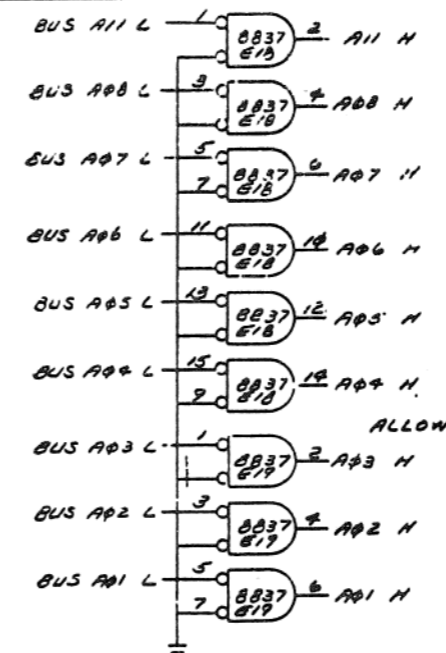
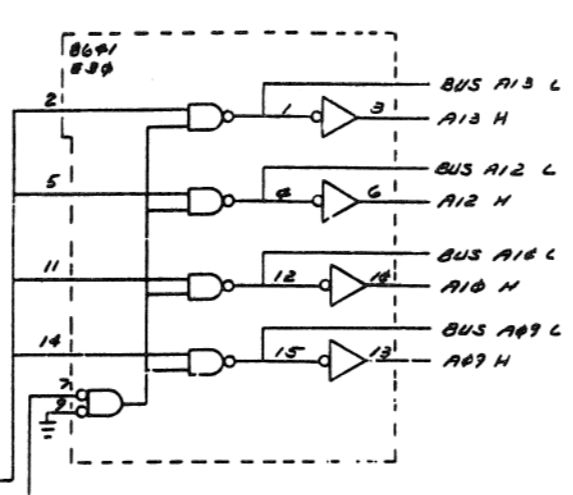
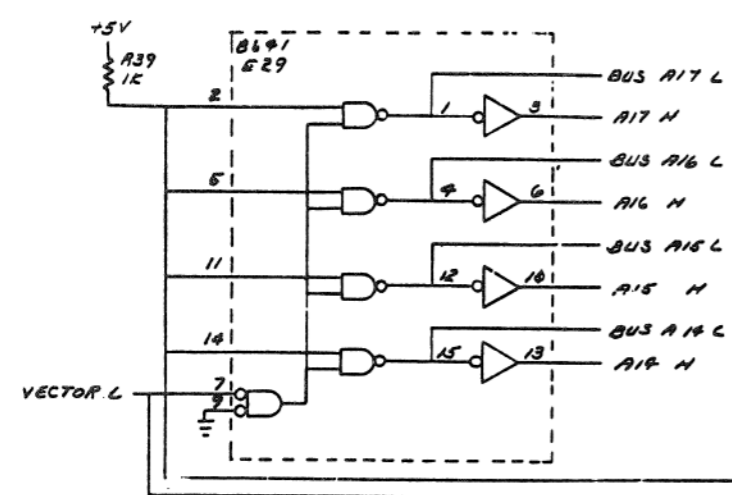


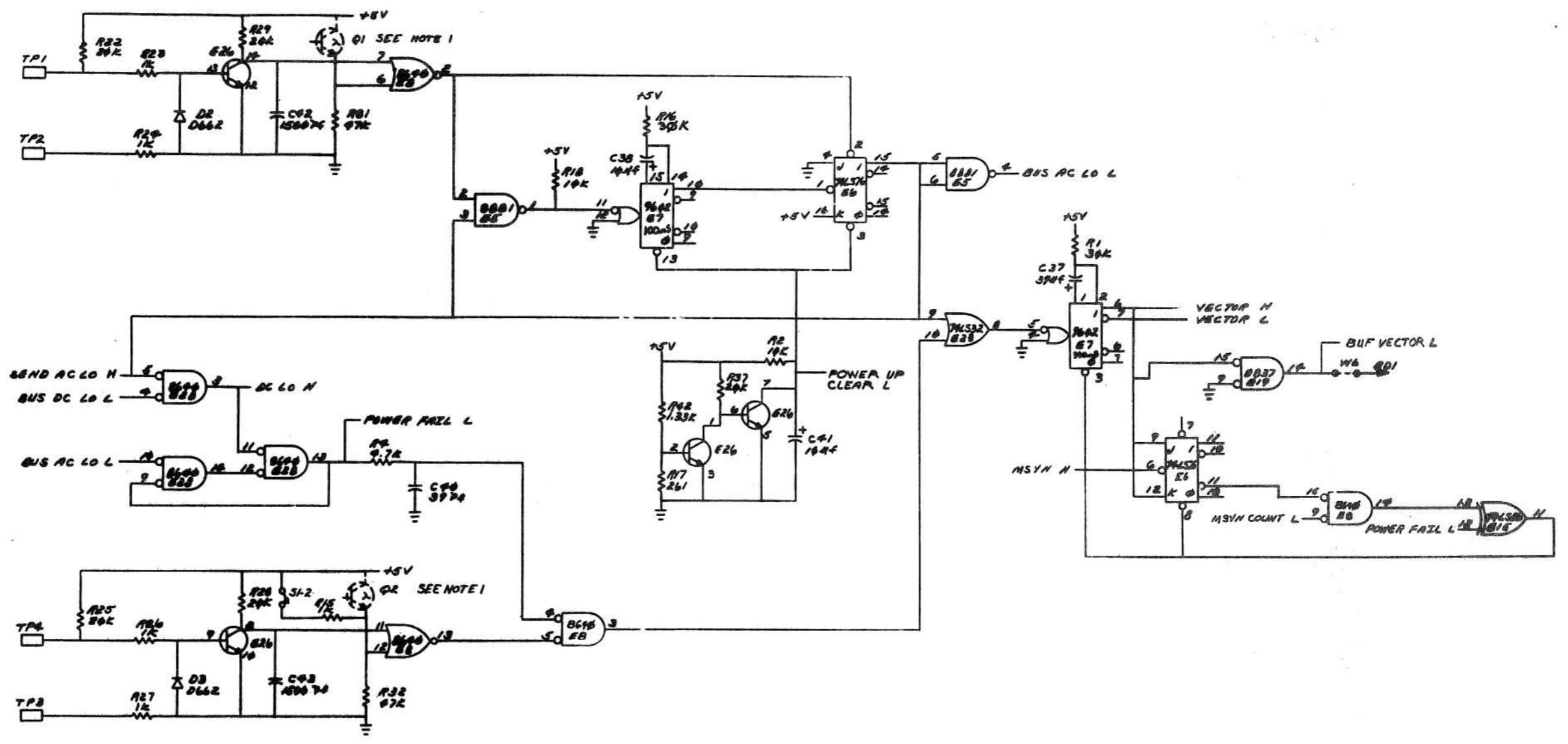
THIS DRAWING AND SPECIFICATIONS HEREIN ARE THE PROPERTY OF DIGITAL EQUIPMENT CORPORATION AND SHALL NOT BE REPRODUCED OR COPIED IN WHOLE OR IN PART AS THE BASIS FOR THE MANUFACTURE OR SALE OF ITEMS WITHOUT WRITTEN PERMISSION. COPYRIGHT © 1977, DIGITAL EQUIPMENT CORPORATION



REV.	B
CHG.	1
DATE	12-30-77
BY	WJ
CHKD	WJ
ENGR	WJ
PROJ. ENGR	WJ
PROD. ENGR	WJ
NEXT HIGHER ASSY.	

DRA. BY: WJ 12-27-77		FIRST USED ON: 12-30-77	
CHK'D BY: WJ 12-30-77		TITLE: BOOTSTRAP TERMINATOR	
ENGR. BY: WJ 12-30-77		SIZE: D	
PROD. ENGR. BY: WJ 12-30-77		CODE: CS	
NEXT HIGHER ASSY.		NUMBER: M9312-0-1	
SCALE: 1 OF 4		REV. B	
SHEET: 1 OF 4		DIST.	

THIS DRAWING AND SPECIFICATIONS HEREIN ARE THE PROPERTY OF DIGITAL EQUIPMENT CORPORATION AND SHALL NOT BE REPRODUCED OR COPIED OR USED IN WHOLE OR IN PART AS THE BASIS FOR THE MANUFACTURE OR SALE OF ITEMS WITHOUT WRITTEN PERMISSION. COPYRIGHT © 1977 DIGITAL EQUIPMENT CORPORATION



NOTES: 1. PHOTO TRANSISTORS Q1, Q2  
DO NOT APPEAR ON THE PARTS LIST.  
THEY ARE INTENDED FOR FUTURE  
APPLICATIONS.

REV.	DESCRIPTION

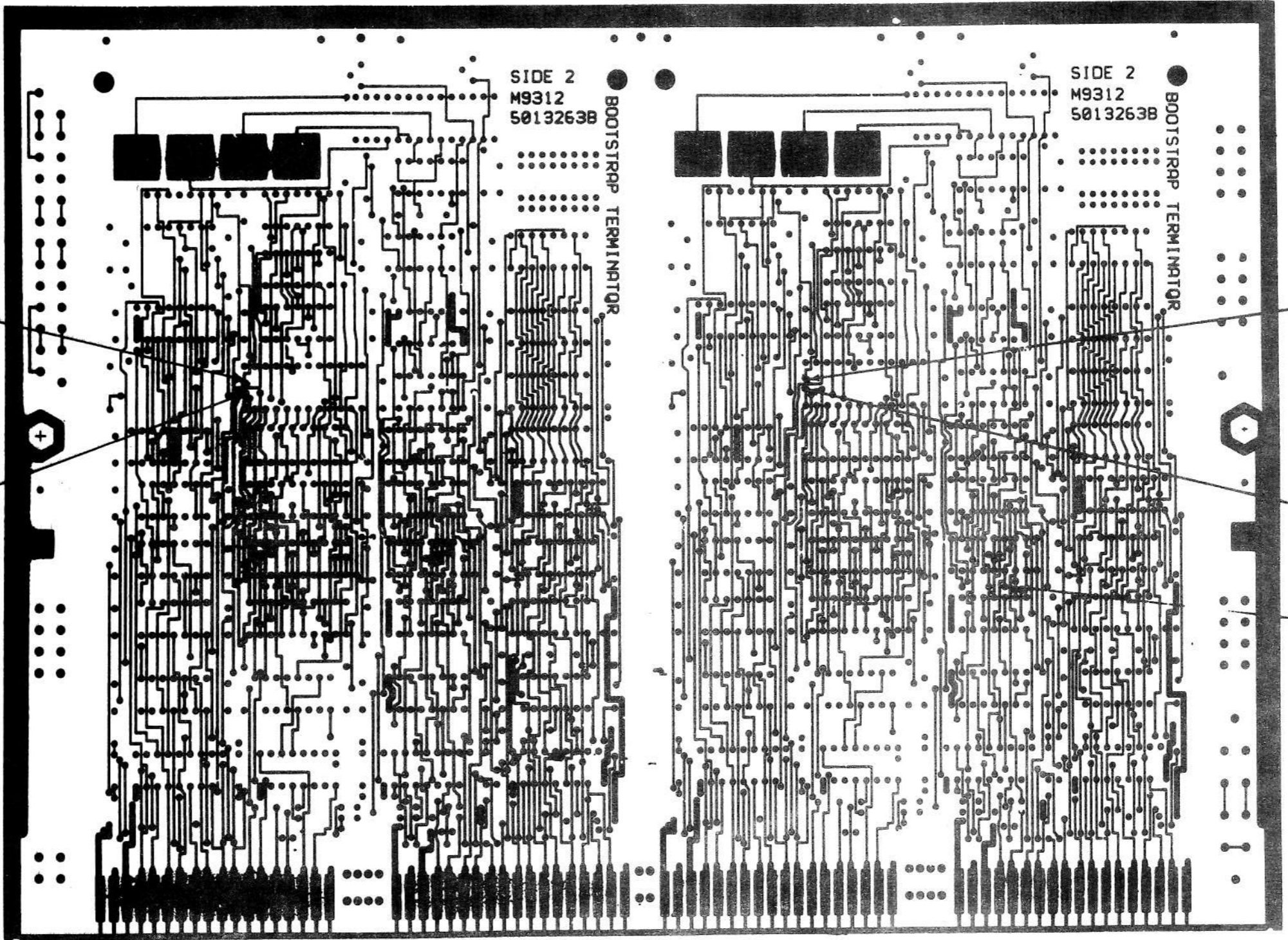
(SWITCH FILTERS AND AC LO GENERATION)

TITLE	BOOTSTRAP TERMINATOR	DCS M9312-0-1	B
SCALE		SHEET	2 OF 4

THIS DRAWING AND SPECIFICATIONS HEREIN ARE THE PROPERTY OF DIGITAL EQUIPMENT CORPORATION AND SHALL NOT BE REPRODUCED OR COPIED OR USED IN WHOLE OR IN PART AS THE BASIS FOR THE MANUFACTURE OR SALE OF ITEMS WITHOUT WRITTEN PERMISSION. COPYRIGHT © DIGITAL EQUIPMENT CORPORATION

L4

434AJ

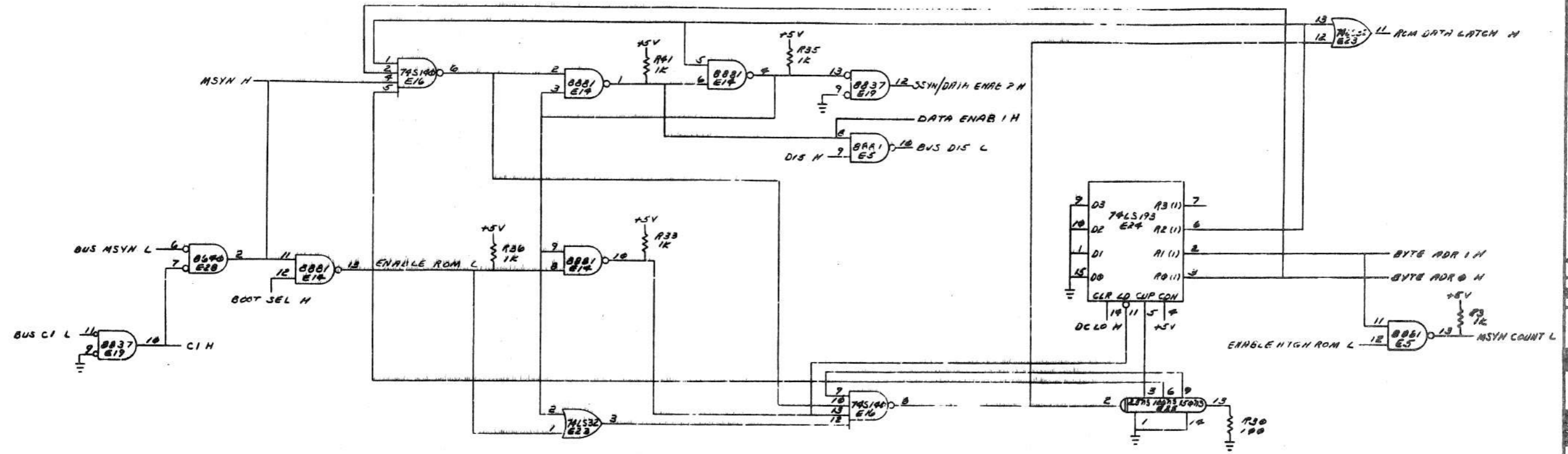


REVISIONS		
NO.	CHANGE NO.	REV.

TITLE	SIZE	CODE	NUMBER	REV.
BOOTSTRAP TERMINATOR	D	UA	M9312-0-0	B
SCALE	2-1	SHEET	3 OF 4	DIST.

THIS DRAWING AND SPECIFICATIONS HEREIN ARE THE PROPERTY OF DIGITAL EQUIPMENT CORPORATION AND SHALL NOT BE REPRODUCED OR COPIED OR USED IN WHOLE OR IN PART AS THE BASIS FOR THE MANUFACTURE OR SALE OF ITEMS WITHOUT WRITTEN PERMISSION. COPYRIGHT © DIGITAL EQUIPMENT CORPORATION

DCS M9312-0-1 B 2



REVISIONS		
CHK	CHANGE NO.	REV.

(TIMING AND CONTROL)

TITLE BOOTSTRAP TERMINATOR	SHEET CODE DCS M9312-0-1	NUMBER 4 OF 4	REV. B
SCALE	SHEET	DWT.	