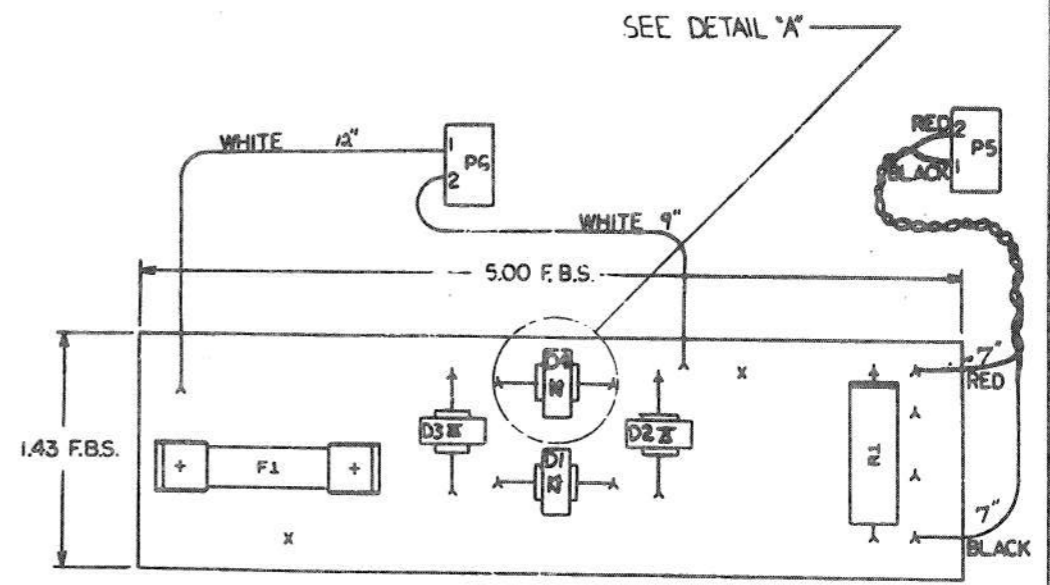
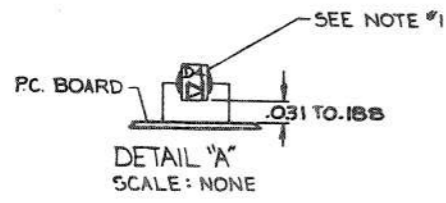


THIS DRAWING AND INFORMATION CONTAINED HEREIN ARE THE PROPERTY OF THE UNITED STATES GOVERNMENT AND SHALL NOT BE REPRODUCED OR TRANSMITTED IN ANY FORM OR BY ANY MEANS, ELECTRONIC OR MECHANICAL, INCLUDING PHOTOCOPYING, RECORDING, OR BY ANY INFORMATION STORAGE AND RETRIEVAL SYSTEM, WITHOUT PERMISSION IN WRITING FROM THE DIRECTOR, ARPA.

3 0-0-116215 2 1

COMPONENT SIDE VIEW

NOTES:
 1. DIODES D1 THRU D4 MUST BE RAISED FROM THE P.C. BOARD .031 TO .100



NOTES:

CHG. NO.	REV.	DATE	BY	CHK'D.	DATE
1	C	11-1-76	G. POTTER		
2	D	11-5-76	G. POTTER		
3	E	11-5-76	G. POTTER		
4	F	11-5-76	G. POTTER		

ETCH REV. C
P.C. DESIGN DATA BASE REV. C

SIGNATURES	DATE	TITLE
DRN. <i>[Signature]</i>	9-21-76	digital
CHK'D. <i>[Signature]</i>	9-21-76	
ENC. <i>[Signature]</i>	11-5-76	INPUT
PROJ. ENG. <i>[Signature]</i>	11-5-76	RECTIFIER BOARD
PROD. <i>[Signature]</i>	11-5-76	
SCALE 2/1		
SHT. 1 OF 3		
NEXT HIGHER ASSY.		

D
C
B
A
E
DIA 542411-0-0

8

7

6

5

4

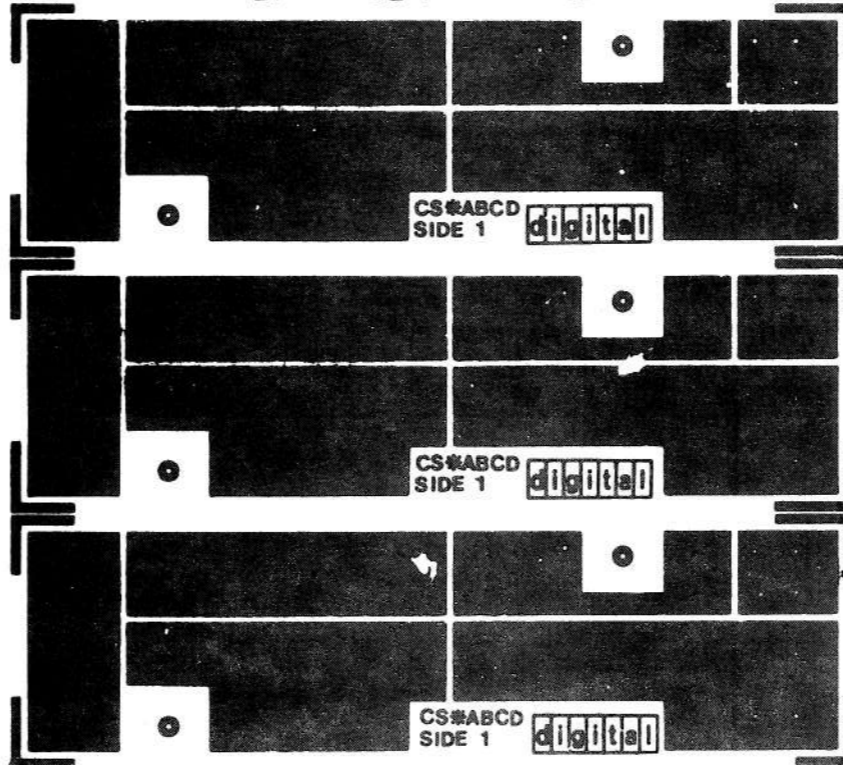
3

2

1

THIS DRAWING AND SPECIFICATIONS HEREIN ARE THE PROPERTY OF DIGITAL EQUIPMENT CORPORATION AND SHALL NOT BE REPRODUCED OR COPIED OR USED IN WHOLE OR IN PART AS THE BASIS FOR THE MANUFACTURE OR SALE OF ITEMS WITHOUT WRITTEN PERMISSION. COPYRIGHT © 1976 DIGITAL EQUIPMENT CORPORATION.

5412411-0-0 5412411C 5412411



D

C

E

B

A

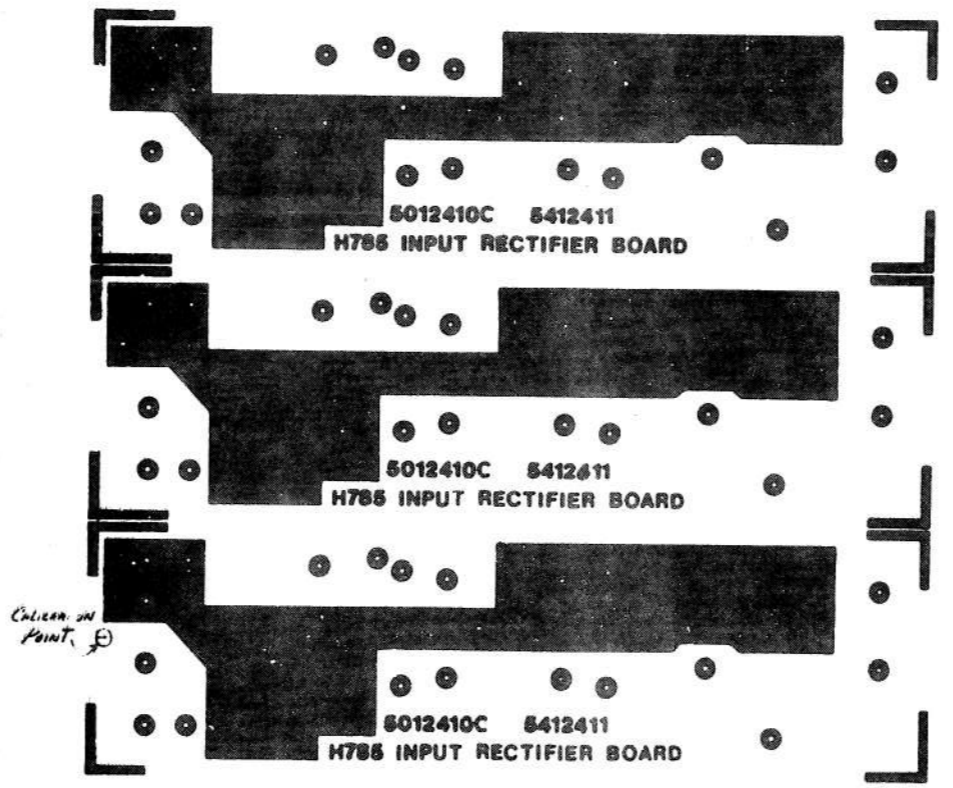
5412411-0-0

REVISIONS		
CHK	CHANGE NO	REV

TITLE	SIZE CODE	NUMBER	REV.
INPUT RECTIFIER BOARD	D 1A	5412411-0-0	E
SCALE 2/1	SHEET 2 OF 3	LIST	

THIS DRAWING AND SPECIFICATIONS HEREIN ARE THE PROPERTY OF DIGITAL EQUIPMENT CORPORATION, AND SHALL NOT BE REPRODUCED OR COPIED OR USED IN WHOLE OR IN PART AS THE BASIS FOR THE MANUFACTURE OF SALE OF ITEMS WITHOUT WRITTEN PERMISSION. COPYRIGHT © 1972 DIGITAL EQUIPMENT CORPORATION.

DJA 5412411-0-0 2



D
C
E
B
A

DJA 5412411-0-0

REVISIONS	
CHK	CHANGE NO.

TITLE	INPUT RECTIFIER BOARD	SIZE CODE	DJA	NUMBER	5412411-0-0	REV.	E
SCALE	2/1	SHEET	3 OF 3	DIST			

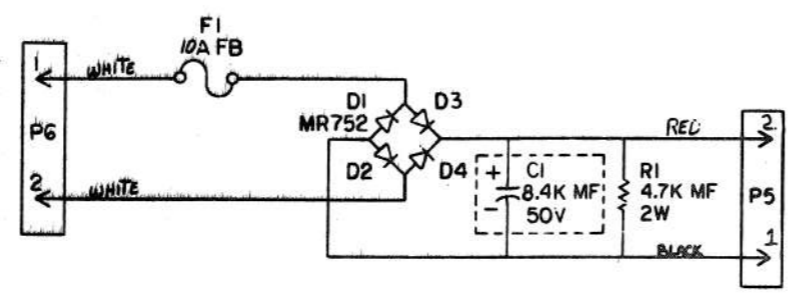
LINE	ITEM	DOCUMENT NO.	PART NO.	DESCRIPTION	QTY	REFERENCE DESIGNATORS
1	1	D-MD-5012410-0-0	5012410-00	5412411	1	
2	2		1110615-00	MR 752 PIV=200 I=22A A264 SH	4	D1-D4
3	3		1210821-02	MATE-N-LOK 2PIN,HOUSING,SKT	2	P5,P6
4	4		1209379-01	MATE-N-LOK PIN 20-14AWG LOOSE	4	
5	5		1302609-00	4.7 K 2W 10% CC (13-00	1	R1
6	6		9009000-00	EYELET, ROLLED FLANGE, .121 OD X .156 LG	2	
7	7		9008390-00	FUSE, REG BLOW, 10.000A, 250V, CERAMIC	1	
8	8		9007203-00	CLIP, FUSE, WITH STOP, SCREW MOUNTED	2	
9	9		9107360-99	WIRE,STRND,18AWG,IPVC UL1429 (91-00 A/R		
10	10		9107430-02	WIRE,STRND,18AWG,IPVC (UL1429) (91-00 A/R		

11 NOTE: MS60954 ETCH REV C CS REV B

REVISION HISTORY			VARIATIONS FOR THIS ASSY.		FIRST USED ON:		DIGITAL EQUIPMENT CORPORATION MAYNARD, MASSACHUSETTS			
CHK	ECO NO	REV			MADE BY:	DATE:	TITLE			
	00003	E	00		D.BILODEAU	08-MAR-78	PARTS LIST			
					F.GAROFALO	08-MAR-78	INPUT RECTIFIER BOARD			
					J.MERCURI	08-MAR-78	SIZE	CODE	DOCUMENT NUMBER	REV
					R.B.KING	08-MAR-78	K	PL	5412411-0-0	E
					J.MERCURI	08-MAR-78	ASSY.NO.:		D-UA-5412411-0-0	EDIT#
										3

THIS DRAWING AND SPECIFICATIONS HEREIN, ARE THE PROPERTY OF DIGITAL EQUIPMENT CORPORATION AND SHALL NOT BE REPRODUCED OR COPIED OR USED IN WHOLE OR IN PART AS THE BASIS FOR THE MANUFACTURE OR SALE OF ITEMS WITHOUT WRITTEN PERMISSION.
COPYRIGHT 1978. DIGITAL EQUIPMENT CORPORATION

NOTES:
1. C1 WILL BE CONNECTED TO BOARD AT NEXT HIGHER ASSEMBLY.



IC TYPE	QND	+5V
QND AND 5V ARE USUALLY PIN 7 AND 14 RESPECTIVELY EXCEPTIONS ARE STATED ABOVE		
IC PIN LOCATIONS		

QTY		REF. DESIGNATION		DESCRIPTION		PART NO.		ITEM NO.
PARTS LIST								
ETCH BOARD REV. C								
FIRST USED ON OPTION MODEL				DATE 7-15-76				
REV. C				DATE				
CHK				DATE 11-5-76				
PROJ. ENG.				DATE				
PROG.				DATE				
NEXT HIGHER ASSY								
DEC NO.				EIA NO.				REV.
SEMICONDUCTOR CONVERSION CHART				SCALE - 1/1				
SHEET 1 OF 1								
SIZE CODE						NUMBER		REV.
D CS						5412411-0-1		C
DISTR.								

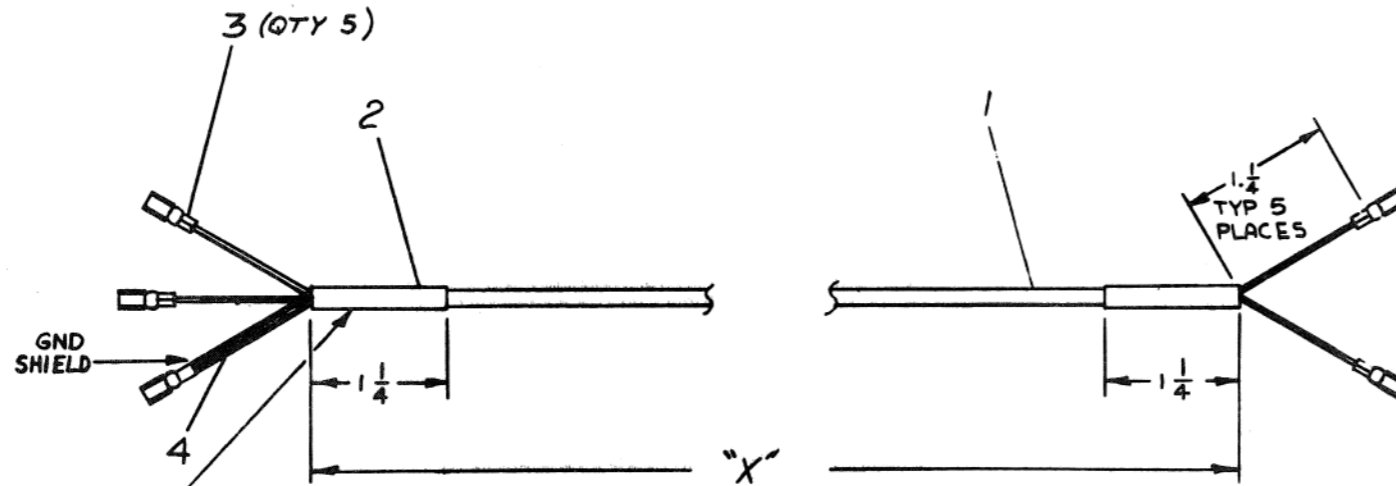
469

"THIS DRAWING AND SPECIFICATIONS, HEREIN, ARE THE PROPERTY OF DIGITAL EQUIPMENT CORPORATION AND SHALL NOT BE REPRODUCED OR COPIED OR USED IN WHOLE OR IN PART AS THE BASIS FOR THE MANUFACTURE OR SALE OF ITEMS WITHOUT WRITTEN PERMISSION. COPYRIGHT © 1975 DIGITAL EQUIPMENT CORPORATION"

LEGEND		
NUMBER	DIM *X"	USED ON
7011413-3F	3FT 6IN ± 1IN	BALI-L OR K
7011413-7	7FT ± 2IN	H928Ø
7011413-10	10FT 0IN ± 1IN	1104/34-TA

NOTES:

1. AFTER STRIPING OUTSIDE COVERING (1-1/4 IN.) FOLD BACK THE GROUND WIRE. (BARE ONE) AND REMOVE THE WRAPPER
2. COVER THE FOLDED BACK BARE WIRE WITH ITEM #2 AND SHRINK (ON BOTH ENDS).
3. ADD ITEM #4 (CLEAR TUBING) OVER ITEM #1 (SHIELD) ON ONE END.
4. STAKE ITEM #3 (5 PLACES) ONTO ITEM #1



SEE NOTE #1,2,3,4

A/R	DESCRIPTION	PART NO.	QTY
A/R	CLEAR TUBING	9107278-11	4
5	TERMINAL LUG FAST-ON (RED)	9007917-00	3
A/R	TUBING SHRINK WHT 3/32	91-07264-09	2
A/R	WIRE SHIELDED #22 AWG	91-07703	1

REV.	CHANGE NO.	CHK	DATE
A	00001	R. BARRY	11-25-75
B	00002	R. BARRY	11-25-75
C	00003	R. BARRY	11-25-75
D	00004	R. BARRY	11-25-75
E	00005	R. BARRY	11-25-75
F	00006	R. BARRY	11-25-75
G	00007	R. BARRY	11-25-75
H	00008	R. BARRY	11-25-75
I	00009	R. BARRY	11-25-75
J	00010	R. BARRY	11-25-75

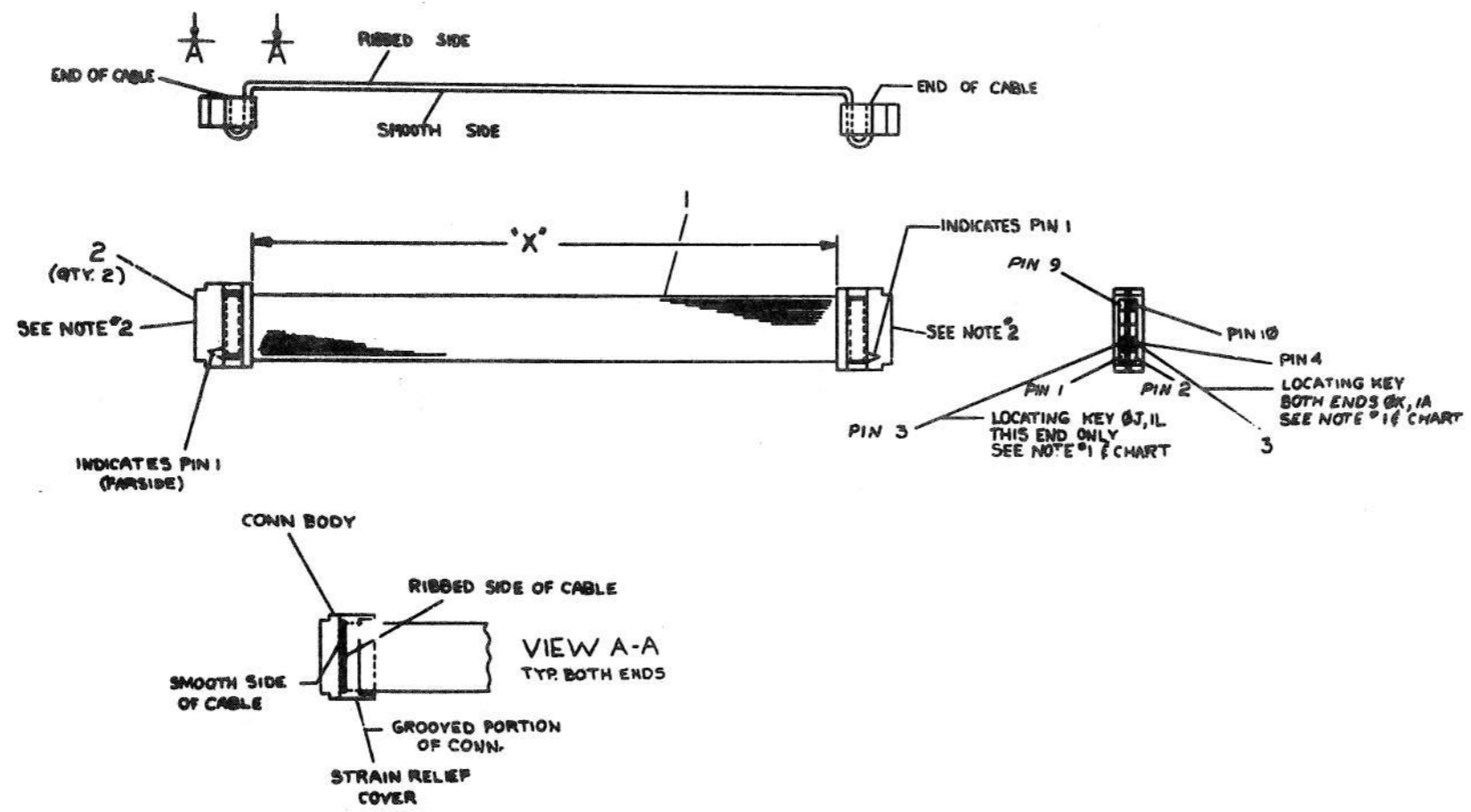
FIRST USED ON OPTION/MODEL		QTY.	DESCRIPTION	PART NO.																				
SEE LEGEND																								
DIMENSIONAL TOLERANCE		PARTS LIST																						
DIMENSIONS ARE MILLIMETERS UNLESS OTHERWISE SPECIFIED		<table border="1"> <tr> <td>DRN</td> <td>DATE</td> </tr> <tr> <td>6/11/75</td> <td></td> </tr> <tr> <td>CHK'D</td> <td>DATE</td> </tr> <tr> <td>6/18/75</td> <td></td> </tr> <tr> <td>ENG</td> <td>DATE</td> </tr> <tr> <td>6/16/75</td> <td></td> </tr> <tr> <td>PROJ. ENG.</td> <td>DATE</td> </tr> <tr> <td>6/16/75</td> <td></td> </tr> <tr> <td>PROD.</td> <td>DATE</td> </tr> <tr> <td>6/16/75</td> <td></td> </tr> </table>			DRN	DATE	6/11/75		CHK'D	DATE	6/18/75		ENG	DATE	6/16/75		PROJ. ENG.	DATE	6/16/75		PROD.	DATE	6/16/75	
DRN	DATE																							
6/11/75																								
CHK'D	DATE																							
6/18/75																								
ENG	DATE																							
6/16/75																								
PROJ. ENG.	DATE																							
6/16/75																								
PROD.	DATE																							
6/16/75																								
MILLIMETERS	INCHES	ANGLES	TITLE																					
X,XX ±0.10	.XXX ±.005	±0° 30'	CABLE, EXTERNAL																					
X,X ±0.05	.XX ±.02		BOOT, M93Ø1																					
X ±.2	.X ±.1		SIZE CODE																					
THIRD ANGLE PROJECTION	REMOVE BURRS AND BREAK SHARP CORNERS SURFACE QUALITY ✓		NUMBER																					
	MATERIAL SEE PARTS LIST		7011413-0-0																					
	FINISH //		REV. D																					
			SCALE NONE																					
			SHEET 1 OF 1																					
			DIST.																					

THIS DRAWING AND SPECIFICATIONS HEREBY ARE THE PROPERTY OF MILITARY COMPONENT CORPORATION AND SHALL NOT BE REPRODUCED OR COPIED IN ANY MANNER OR IN ANY MANNER AS THE BASIS FOR THE DESIGN OF ANY OTHER PRODUCT WITHOUT WRITTEN PERMISSION.
 COMPANY © 1977 MILITARY COMPONENT CORPORATION

N 0-0-11 7110Z Y11D 2

LEGEND			
NUMBER	DIM ± 1" VARIATION	USED ON	KEY PIN
7011411-0J	8 IN ± .5 IN.	BA11-L OR K	10 ONE END
7011411-0K	9 IN ± .5 IN.	LS1-11	4 BOTH ENDS
7011411-1D	1 FT-4 IN ± .1 IN.	KV11-LB	
7011411-2D	2 FT-4 IN ± .1 IN.	BA11-F/00 HPE	70 ONE END
7011411-0H	7 IN ± .5 IN.	H790, 1, 2, 3	
7011411-1J	1 FT-8 IN ± .1 IN.	1109/34-7A	
7011411-1L	1 FT-10 IN ± .1 IN.	BA11-L, H777	PIN 3 1 END
7011411-1A	1 FT-1 IN ± .1 IN.	H787	BOTH ENDS
7011411-3J	3 FT-8 IN ± .1 IN.	BA11-K, H788	
7011411-2J	2 FT-8 IN ± .1 IN.	BA11-K, H788	NO KEY
7011411-5F	5 FT-6 IN ± .1 IN.	1160	0 ONE END
7011411-12	12 FT ± .3 IN.	HAS70	
7011411-7	7 FT ± .2 IN.	11780	

NOTES:
 1. INSERT KEY IN PROPER CONNECTOR PIN AND BREAK OFF TAB.
 2. FOR ITEM (2) DRAWING IS SHOWING 3M CONNECTOR.



DESCRIPTION	QTY	QTY	QTY
1 TIE, CABLE	9007031	5	
1 LABEL, CABLE IDENT	9009532	4	
AR KEY	9009707	3	
2 CONN. CRIMP	1211206-02	2	
AR CABLE, 10 CONDUCT	9107747-02	1	

7011411-0-0

THIRD ANGLE PROJECTION

REMOVE SHARP AND BREAK SHARP CORNERS

DO NOT SCALE DWG

MATERIAL SEE PARTS LIST

FINISH

UNLESS OTHERWISE SPECIFIED DIMENSIONS ARE IN INCHES

ASSEMBLY	CT. ASSY OF ACCURACY	REVISIONS	DATE	BY	CHK'D	DATE	BY

QUANTITY & VARIATION

DRN M. BAIST 5-20-75

CHK'D HEALY 6-13-75

ENG. K. BARRY 6-18-75

PROJ. ENG. BARRY 6-18-75

PROD. R. PETERS 6-19-75

FIRST USED ON SEE LEGEND

TITLE CABLE CONSOLE BACKPLANE

SIZE CODE D 1A

NUMBER 7011411-0-0

REV. N

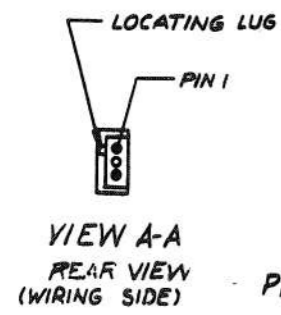
SHEET 1 OF 1

REV.	DATE	BY	CHK'D
1	5-20-75	M. BAIST	
2	6-13-75	K. BARRY	
3	6-18-75	K. BARRY	
4	6-19-75	R. PETERS	

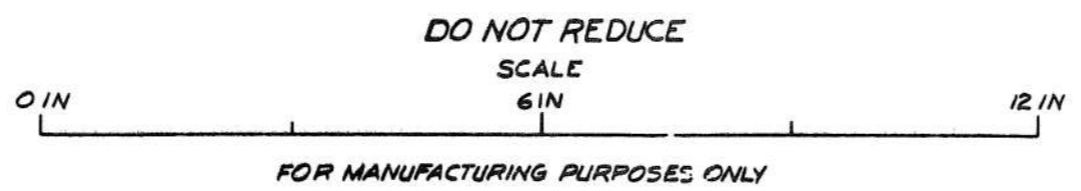
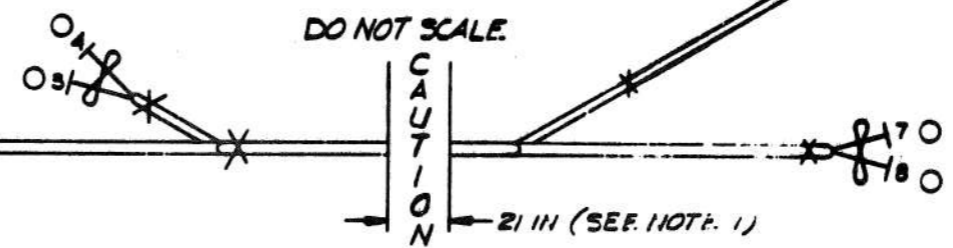
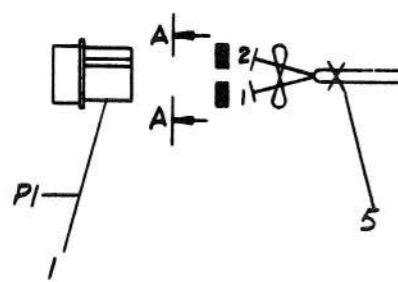
THIS DRAWING AND SPECIFICATIONS, HEREIN, ARE THE PROPERTY OF DIGITAL EQUIPMENT CORPORATION AND SHALL NOT BE REPRODUCED OR COPIED OR USED IN WHOLE OR IN PART AS THE BASIS FOR THE MANUFACTURE OR SALE OF ITEMS WITHOUT WRITTEN PERMISSION. COPYRIGHT © 1975, DIGITAL EQUIPMENT CORPORATION

ITEM NO	DESCRIPTION	FROM			TO			SIGNAL	
		AWG	COLOR	POINT	CONNECTION	WITH	POINT		CONNECTION
5	18	BLU	2	PI-1	2	7	-	4	
	TWP	BLK	1	PI-3	2	8	-	4	
6	18	RED	3	-	4	6	-	4	+5
	TWP	BLK	4	-	4	5	-	4	END

NOTES:
1. PPLY TIE WRAP (ITEM 5) EVERY 4 IN.



VIEW A-A
REAR VIEW
(WIRING SIDE)



AW	WIRE 18 AWG TWP BLK/RED	9107430-C2	6
AA	WIRE 18 AWG TWP BLK/BLU	9107430-06	5
O	CONN SOLDERLESS (RED)	90C7917	4
X	TIE WRAP 1 M	90C7031	3
B	PIN MALE	1209378-01	2
I	HOUSING, 3 PIN	1209351-05	1

SYMBOL	DESCRIPTION		DWG. PART NO.	ITEM NO.
	UNLESS OTHERWISE SPECIFIED DIMENSIONS ARE IN INCHES	REWORK		
ASSEMBLY	CLASS OF ACCURACY	REWORK		
SURFACE QUALITY	CHECK ONE			
QUANTITY & VARIATION	PREPARED			

THIRD ANGLE PROJECTION	DRW. DATE: 10/27/75	FIRST USED ON: 1134
REMOVE BURRS AND BREAK SHARP CORNERS	CHK'D: [Signature] 10/27/75	TITLE: PDP1104/1134 CONSOLE POWER HARNESS
DO NOT SCALE DWG	PROJ. ENGR: [Signature] 10/27/75	SIZE: D
MATERIAL SEE PARTS LIST	PROD. K: [Signature] 10/27/75	SCALE: 1/1
FINISH: ++	NEXT HIGHER ASSY.	SHEET: 2 OF 2

DIGITAL EQUIPMENT CORPORATION MAYNARD, MASSACHUSETTS PARTS LIST					QUANTITY/VARIATION																	
MADE BY D. HEALY		CHECKED D. HEALY		SECTION		DC, DD, LC, LD	HC, HD, MC, MD	DH, DJ, LH, LJ	DK, DL, MK, ML	DE, DF, LE, LF	HE, HF, ME, MF	EM, EN	JC, JD	JH, JJ	JE, JF							
DATE 15 DEC 76		DATE 16 DEC 76		1																		
ENG <i>D. Healy</i>		PROD <i>D. Healy</i>		ISSUED SECT.																		
DATE 17 JAN 77		DATE 1/19/77		1																		
ITEM NO.	DWG NO. / PART NO.	DESCRIPTION																				
	MP00190	1134A FIELD MAINTENANCE PRINT SET																				
	EK-1134A-OP	1134A SYSTEM USERS MANUAL																				
	EK-KD11-EA-TM	KD11-EA PROCESSOR MANUAL *																				
	EK-MS11E-MM	MS11-E-J MOS MEMORY MAINTENANCE MANUAL *																				
	EK-MM11D-TM	MM11D/DP CORE MEMORY MANUAL *																				
	EK-MS11K-MM	MS11-K MOS MEMORY MAINTENANCE MANUAL *																				
	EK-BALLK-MM	BALL-K MAINTENANCE MANUAL *																				
	EK-BALLL-MM	BALL-L MAINTENANCE MANUAL *																				
	EK-M9301-TM	M9301 MAINTENANCE MANUAL * NOTE 1																				
	EK-M7850-MM	M7850 MAINTENANCE MANUAL *																				
	EK-DL11W-MM	DL11-W MAINTENANCE MANUAL *																				
	EK-KY11-LB-MM	KY11-LB MAINTENANCE MANUAL *																				
	ZJ010-RB	SOFTWARE LIBRARY KIT (PAPER TAPE)																				
	1211825	CHASSIS TRACKS AND MOUNTING HARDWARE																				
	7010059	SHIPPING BRACKET																				
	EK-MM11YP-TM	MM11YP MAINTENANCE MANUAL																				
	EK-M9312-MM	M9312 MAINT. MANUAL * NOTE 1																				
	23248F1	ROM, CONSOLE EMULATOR NOTE 2																				
	NOTE 1. MANUAL SHIPPED TO BE CONSISTENT WITH MODULE SHIPPED IN MACHINE.																					
	2. CONSOLE EMULATOR ROM IS TO BE SHIPPED ONLY IF M9312 IS SHIPPED.																					
	* Do not ship to OEM. customers																					
TITLE 1134A SHIPPING LIST					ASSY NO. NONE					SIZE A PL		NUMBER 1134A-0-4					REV. B		ECO NO. 1134A-00008			
SHEET 1 OF 1					DIST.																	

DEC FORM DEC 16-(325)-1031-N870
DRA 110