

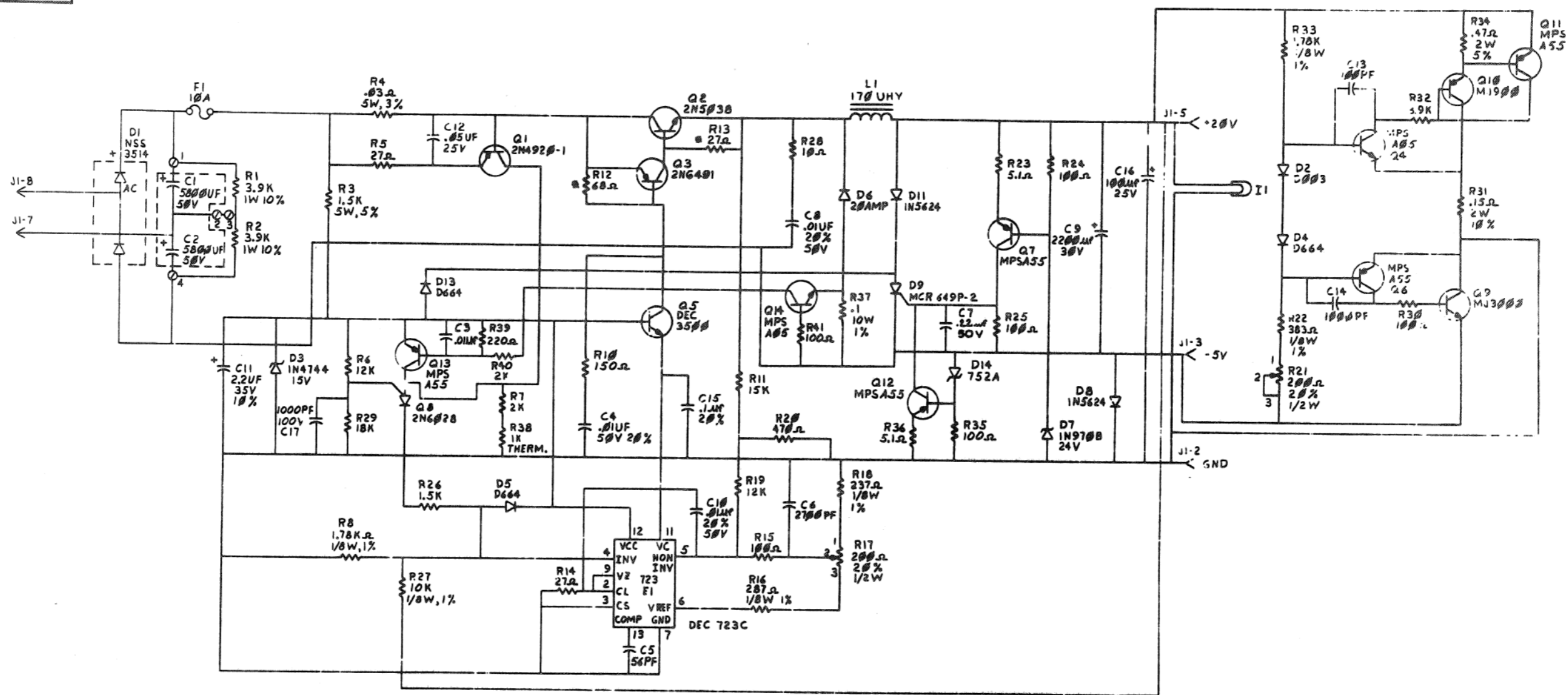
TITLE	SHEET	OF	SIZE	CODE	NUMBER	REV
+20 VOLT REGULATOR	3	3	B	DD	H754- β	B

DRB 107

643

THIS DRAWING AND SPECIFICATIONS HEREIN ARE THE PROPERTY OF DIGITAL EQUIPMENT CORPORATION AND SHALL NOT BE REPRODUCED OR COPIED OR USED IN WHOLE OR IN PART AS THE BASIS FOR THE MANUFACTURE OR SALE OF ITEMS WITHOUT WRITTEN PERMISSION. COPYRIGHT © 1972, DIGITAL EQUIPMENT CORPORATION

1-0-1754-0-1



* FUSIBLE RESISTOR

DRN. BESSONNETTE	2-72	FIRST USED ON	H754	20-08-00
CHK'D. VOLLES	2-17-72	TITLE	+20 VOLT REGULATOR	
ENR. S. BURTON	5-7-73	PROJ. ENR. BURTON	5-7-73	
PROD. I. BAPTISTE	5-7-73	NEXT HIGHER ASSY.		
SCALE		SIZE	CODE	NUMBER
SHEET 2 OF 2		DIST.	CS	1754-0-1