

CUSTOMER PRINT SET INDEX

THIS IS PRINT SET

--	--	--

DRAWING DIRECTORY
CIRCUIT SCHEMATIC
UNIT ASS'Y

SEQUENCE

B-DD-H745-Ø
D-CS-H745-Ø-1
E-UA-H745-Ø-Ø

SEQUENCE

MFG. SET
TEST PROCEDURE
MFG. SPEC.
PACKAGING INSTRUCTION

A-SP-11/45-TA-2
A-SP-H745-Ø-8
A-PI-3700074-0-0

UNIT VARIATIONS		PRINT SET		
VAR	TITLE	H745-1		
H745	-15V REGULATOR	X		

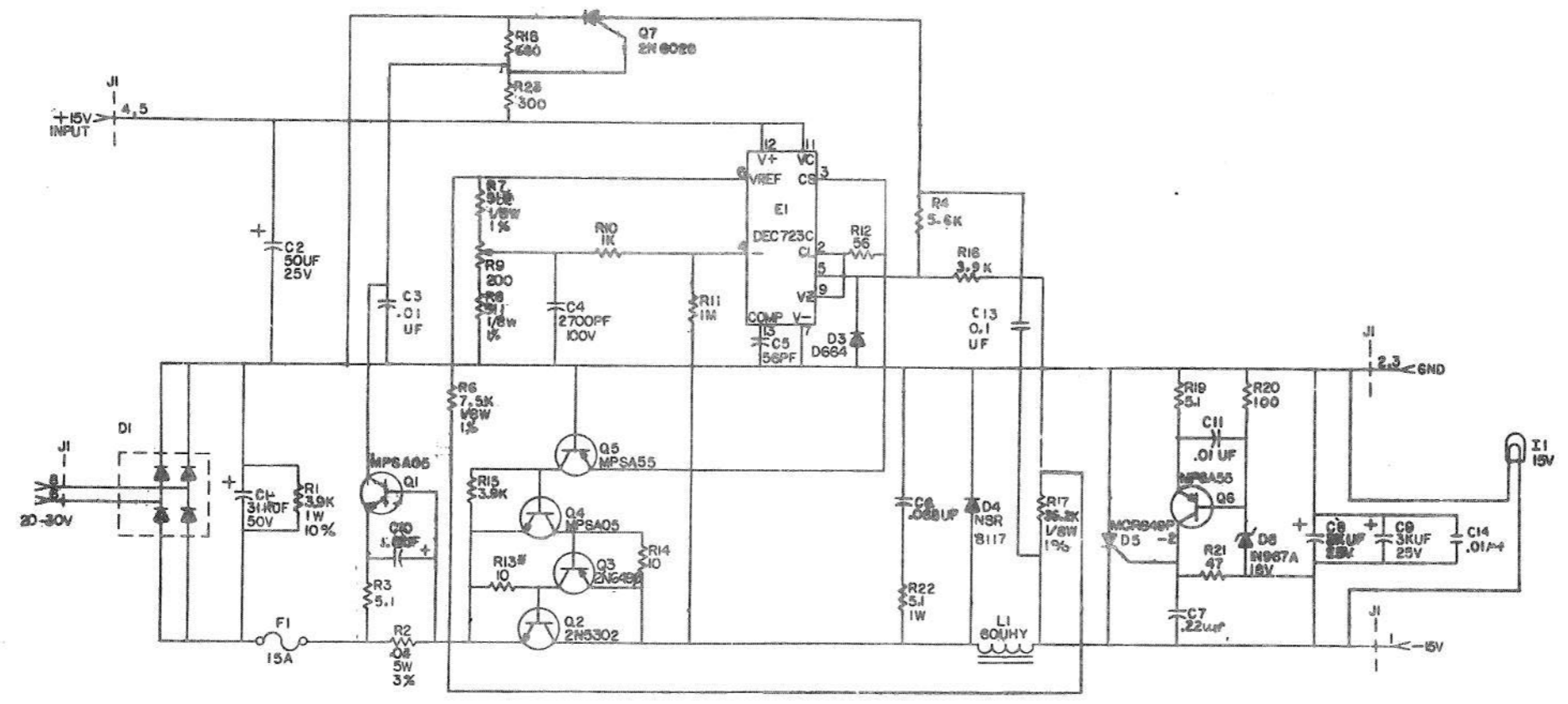
DEC 16-1980-1000-1A-0025

DATE	CHG. NO.	REV
	H745-16	K
	H745-17	L
	H745-18	M
9-76	H745-19	N
10-76	H745-20	P
7-77	H745-22	R

USED ON OPTION/MODEL	DRWL. CHK'D.	DATE	TITLE			
11/45	D. FONTAINE	2-7-72	-15V REGULATOR			
	J GAUDETTE	2-17-72				
	PROJ. ENG.					
	G. POTTER	2-25-72				
	PROD. A HUSCH	2-25-72	SIZE B	CODE DD	NUMBER H745-Ø	REV R1
	FIELD SERV. A. ZINS	2-25-72	DIST			

1. The drawing and construction, herein, are the property of Digital Equipment Corporation and shall not be reproduced or copied or used in whole or in part as a basis for the manufacture or sale of items without written permission. Copyright © 1972.

DCS H745-0-1 2



* FUSIBLE
UNLESS OTHERWISE INDICATED:
RESISTORS = 1/4W, 5%

QTY	REF DESIGNATION	DESCRIPTION	PART NO.	ITEM NO.
PARTS LIST				
ETCH BOARD REV E				
	D664	IN 3606	D45H B	
	NSR 8117		2N 6028	
	MCR 849P - 2			
	IN 967A	SAME		
	2N 5302			
	MPS A05			
	MPS A55			
	DEC NO.	EIA NO.	DEC NO.	EIA NO.
SEMICONDUCTOR CONVERSION CHART				
SCALE			D/C S H745-0-1	
SHEET 1 OF 1			DWT.	

EQUIPMENT CORPORATION
MOMFORD, MASSACHUSETTS
TITLE
-15V REG.

