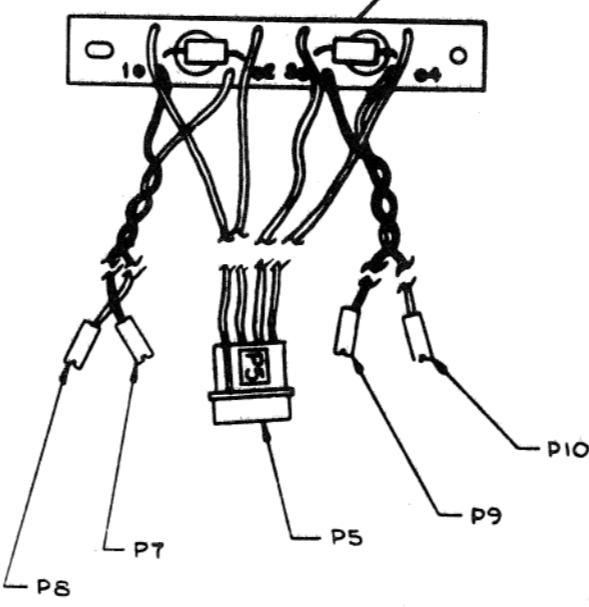
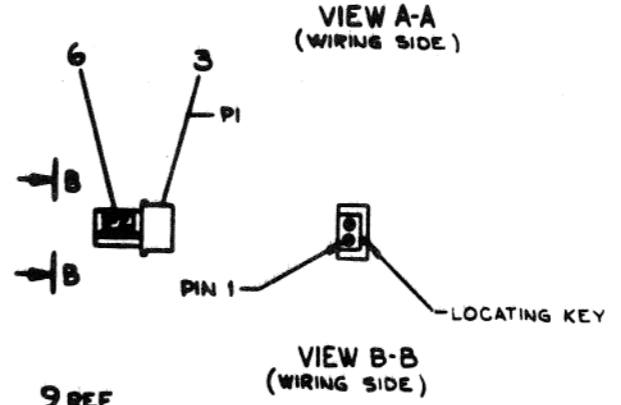
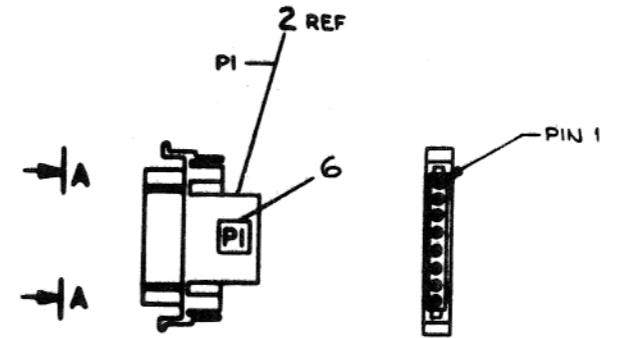
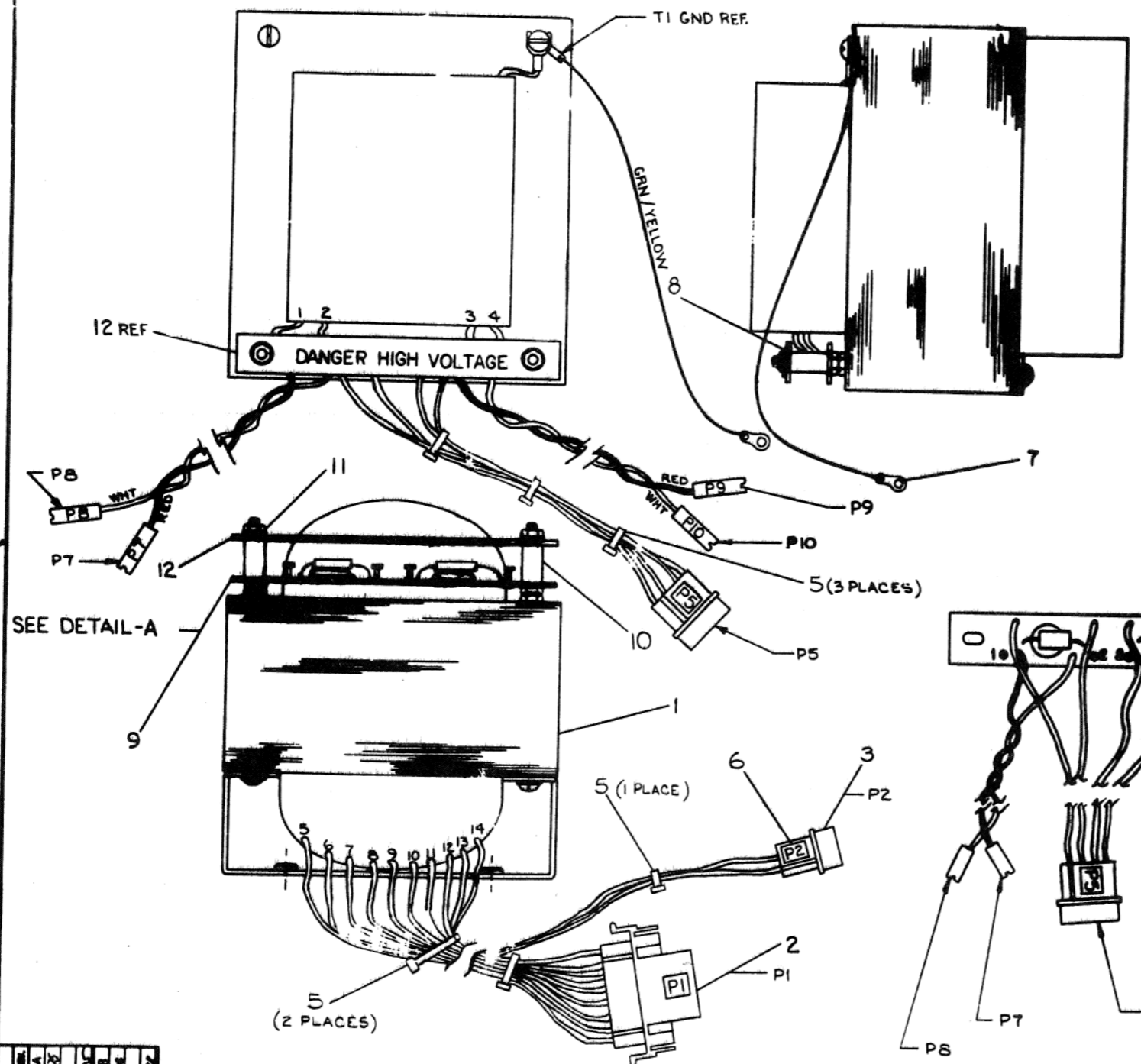


THE DRAWING AND SPECIFICATIONS HEREIN ARE THE PROPERTY OF THE UNITED STATES GOVERNMENT AND SHALL NOT BE REPRODUCED OR COPIED OR USED IN WHOLE OR IN PART AS THE BASIS FOR THE REPRODUCTION OR SALE OF ITEMS OF THE SAME OR SIMILAR NATURE WITHOUT THE WRITTEN PERMISSION OF THE UNITED STATES GOVERNMENT.



REF	TRANSFORMER ASSY PROCEDURE	A-SP-7011486-0-9	13
1	COVER	C-1A-7414301-0-0	12
2	NUT, KEF ^o 10-32	9006565	11
2	SPACER, 3/8 ODK 1/2 LG	9007831	10
1	CAP MOV BOARD ASSY	D-1A-7011751-0-0	9
2	WASHER, FLAT A37X.218 ID	9006664	8
1	GROUND LUG	9008150	7
1	DECAL	A-DC-7409872-0-0	6
AVC	CABLE TIES 5/16 L X 1/8 W	9007880	5
10	PIN, MALE	1209378-1	4
1	CONN., 2 PIN	1210822-2	3
1	CONN., 8 PIN	1209340-01	2
1	TRANSFORMER	1612524	1

REV	DATE	BY	APP	DESCRIPTION
1	11/11/51	W. J. J.		ISSUED
2	1/10/52	R. J. J.		REVISION
3	1/10/52	R. J. J.		REVISION
4	1/10/52	R. J. J.		REVISION
5	1/10/52	R. J. J.		REVISION
6	1/10/52	R. J. J.		REVISION
7	1/10/52	R. J. J.		REVISION
8	1/10/52	R. J. J.		REVISION
9	1/10/52	R. J. J.		REVISION
10	1/10/52	R. J. J.		REVISION
11	1/10/52	R. J. J.		REVISION
12	1/10/52	R. J. J.		REVISION
13	1/10/52	R. J. J.		REVISION
14	1/10/52	R. J. J.		REVISION
15	1/10/52	R. J. J.		REVISION

QUANTITY & VARIATION

THIRD ANGLE PROJECTION

REMOVE BURRS AND BREAK SHARP CORNERS

DO NOT SCALE DWG

MATERIAL SEE PARTS LIST

FINISH

DESCRIPTION

UNLESS OTHERWISE SPECIFIED DIMENSIONS ARE IN INCHES

TOLERANCE	FRACTIONS	DECIMALS	MILLI METERS
HOLE	$\pm .0015$	$\pm .0005$	$\pm .0254$
SHAFT	$\pm .0015$	$\pm .0005$	$\pm .0254$
SPACER	$\pm .0015$	$\pm .0005$	$\pm .0254$
WASHER	$\pm .0015$	$\pm .0005$	$\pm .0254$
WASHER	$\pm .0015$	$\pm .0005$	$\pm .0254$

QUANTITY & VARIATION

QTY	VARIATION
1	1
1	1
1	1
1	1
1	1
1	1
1	1
1	1
1	1
1	1
1	1
1	1
1	1
1	1
1	1
1	1

DATE: 11/11/51

DESIGNER: W. J. J.

DRAWN: R. J. J.

PROL. DES. & CL. BY: R. J. J.

PROL. CH. BY: R. J. J.

FIRST USED ON: H782

TITLE: TRANSFORMER ASSY

DWA-H782-0-0

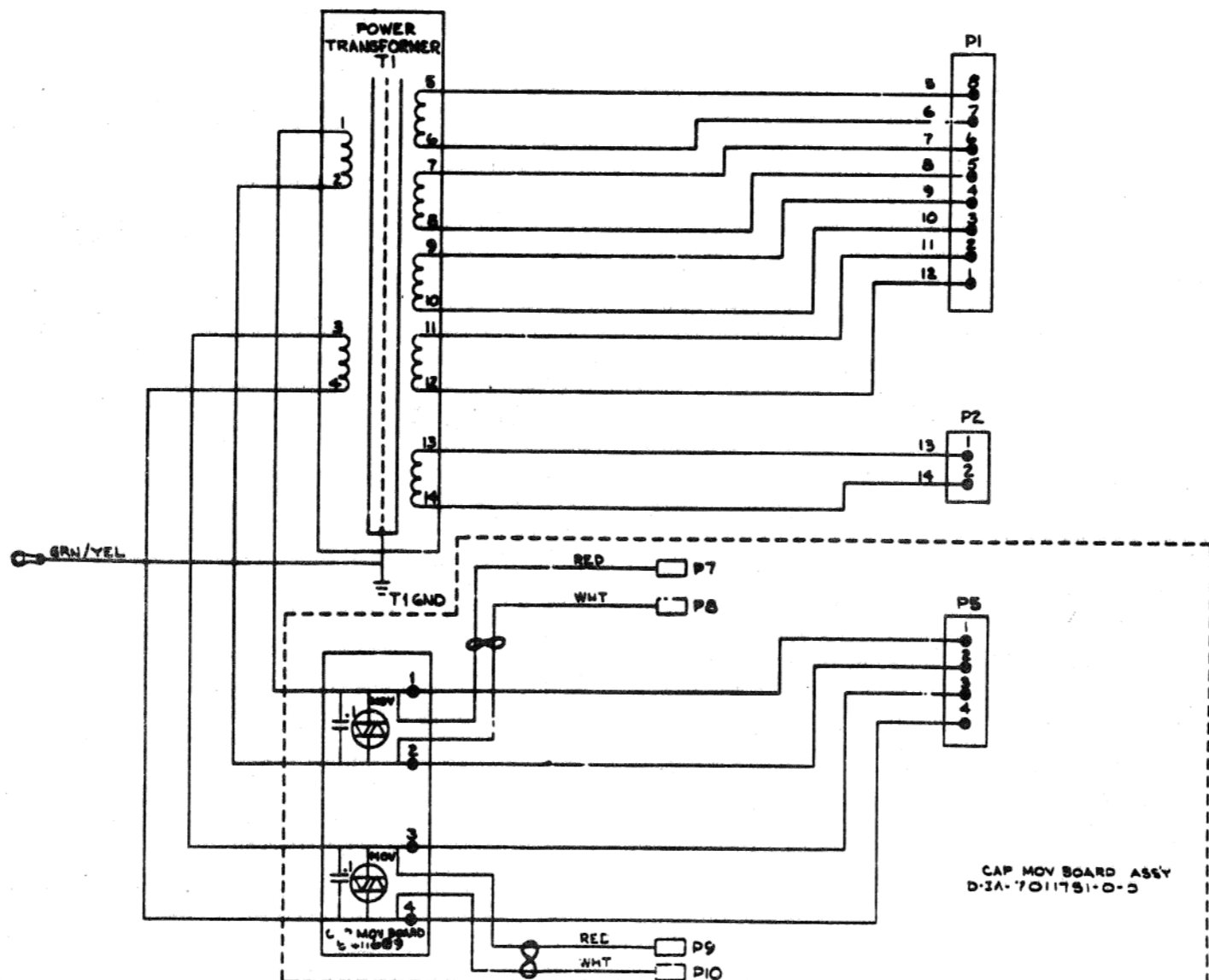
SCALE: 1/1

SHEET 1 OF 2

THIS DRAWING AND SPECIFICATIONS HEREIN ARE THE PROPERTY OF DIGITAL EQUIPMENT CORPORATION AND SHALL NOT BE REPRODUCED OR COPIED OR USED IN WHOLE OR IN PART AS THE BASIS FOR THE MANUFACTURE OR SALE OF ITEMS WITHOUT WRITTEN PERMISSION. COPYRIGHT © 1975 DIGITAL EQUIPMENT CORPORATION

WIRE TABLE

ITEM NO.	DESCRIPTION			FROM		TO		WIRE LENGTH
	AWG	COLOR	CONNECTION	WITH	CONNECTION	WITH		
1	14	BLK	T1-1	---	CAP MOV BD-1	SOLDER	1.5 IN	
			T1-2	---	CAP MOV BD-2	SOLDER	2.0 IN	
			T1-3	---	CAP MOV BD-3	SOLDER	2.0 IN	
			T1-4	---	CAP MOV BD-4	SOLDER	1.5 IN	
			T1-5	---	PI-8	ITEM 4	12.0 IN	
			T1-6	---	PI-7			
			T1-7	---	PI-6			
			T1-8	---	PI-5			
			T1-9	---	PI-4			
			T1-10	---	PI-3			
			T1-11	---	PI-2			
			T1-12	---	PI-1	ITEM 4		
			T1-13	---	P2-1	ITEM 4		
1	14	BLK	T1-14	---	P2-2	ITEM 4	12.0 IN	
1	14	GRN/YEL	T1-GND	---	GND LUG (ITEM 7)	SOLDER	16.0 IN	



D
C
B
A

REVISIONS

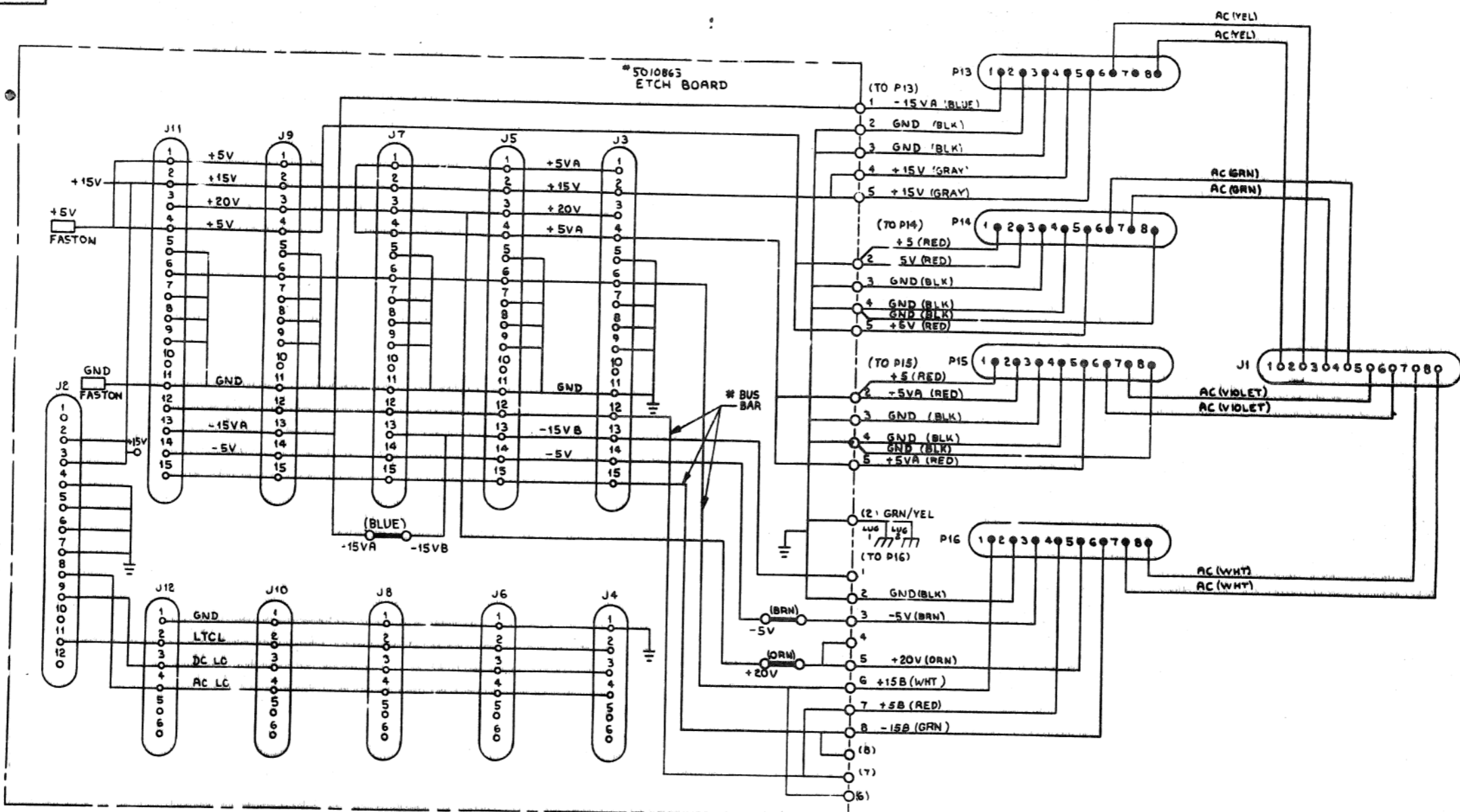
CHK	CHANGE NO	REV.

TITLE: TRANSFORMER ASSY
 NUMBER: D1AD7011486-0-0
 REV: B

SCALE: / / SHEET 2 OF 2

THIS DRAWING AND SPECIFICATIONS HEREIN ARE THE PROPERTY OF DIGITAL EQUIPMENT CORPORATION AND SHALL NOT BE REPRODUCED OR COPIED OR USED IN WHOLE OR IN PART AS THE BASIS FOR THE MANUFACTURE OR SALE OF ITEMS WITHOUT WRITTEN PERMISSION. COPYRIGHT © 1974 DIGITAL EQUIPMENT CORPORATION

DCS 5410864-0-1 2



* BUS BAR USED IN THE YA VARIATION ONLY

REVISIONS		
CHK	CHANGE NO	REV.

TITLE	PWR DIST BOARD	SIZE CODE	DCS	NUMBER	5410864-0-1	REV.	L
SCALE	NONE	SHEET	2	OF	3	DIST.	

421

THIS DRAWING AND SPECIFICATIONS HEREIN ARE THE PROPERTY OF DIGITAL EQUIPMENT CORPORATION AND SHALL NOT BE REPRODUCED OR COPIED OR USED IN WHOLE OR IN PART AS THE BASIS FOR THE MANUFACTURE OR SALE OF ITEMS WITHOUT WRITTEN PERMISSION. COPYRIGHT © 1974, DIGITAL EQUIPMENT CORPORATION.

WIRE TABLE

ITEM NO	DESCRIPTION	FROM		TO		LENGTH	SIGNAL NAME
		CONNECTION	WITH	CONNECTION	WITH		
24	14 YEL	J1-1	8	P13-8	7	12.8"	AC/H745
24	↑ YEL	J1-2	↑	P13-6	↑	12.8"	AC/H745
25	GRN	J1-3		P14-7		11"	AC/H744-1
25	GRN	J1-4		P14-6		11"	AC/H744-1
26	VIO	J1-5		P15-7		8.75"	AC/H744-2
26	VIO	J1-6		P15-6		8.75"	AC/H744-2
27	WHT	J1-7		P16-8		11.25"	AC/H754
27	WHT	J1-8	8	P16-7		11.25"	AC/H754
23	BLU	PDBP13-1	SOLDER	P13-1		5"	-15V
22	BLK	PDBP13-2	↑	P13-2	↑		GND
22	BLK	PDBP13-3		P13-3			GND
21	GRY	PDBP13-4		P13-4			+15V
21	GRY	PDBP13-5		P13-5			+15V
20	RED	PDBP14-2		P14-2			+5V
22	BLK	PDBP14-3		P14-3			GND
22	BLK	PDBP14-4		P14-4			GND
20	RED	PDBP14-5		P14-5			+5V
20	RED	PDBP15-2		P15-2			+5V
22	BLK	PDBP15-3		P15-3			GND
22	BLK	PDBP15-4		P15-4			GND
20	RED	PDBP15-5		P15-5			+5V
22	BLK	PDBP16-2		P16-2			GND
19	BRN	PDBP16-3		P16-3			-5V
18	ORN	PDBP16-5		P16-5	7	5"	+20V
23	BLU	PDBP16-5A		PDB-15B	SOLDER	1.75"	-15V
18	ORN	PDBP16-5	↓	PDB + 20V	↓	5"	+20V
19	BRN	PDBP16-3	SOLDER	PDB - 5V	↓	2"	-5V
33	GRN/YEL	LUG 1	35	PDBP16-2	SOLDER	11"	SAFETY GND
33				LUG 2	34	15"	SAFETY GND
20	RED	PDBP16-7	SOLDER	P16-4	7	5.5"	+5B
20	RED	PDBP15-1	↑	P15-1	↑	5"	+5V
20	RED	PDBP14-1	↑	P14-1	↑	5"	+5V
22	BLK	PDBP15-4		P15-8		5.5"	GND
22	BLK	PDBP14-4		P14-8			GND
27	WHT	PDBP16-8	↓	P16-1	↓		+15B
25	14 GRN	PDBP16-8	SOLDER	P16-6	7	5.5"	-15B

BUS BAR CONNECTIONS FOR YA VARIATION

LEVEL A	PDBP16-6 J11,J3,J7,J5,J3 ALL PIN #6	+15V.B
LEVEL B	PDBP16-7 J11,J3,J7,J5,J3 ALL PIN #12	+5V
LEVEL C	PDBP16-8 J11,J3,J7,J5,J3 ALL PIN #15	-15V.B

NOTES:
 1. CS REV. K AND EARLIER PWR DISTRIBUTION BOARDS HAD THE GREEN AND WHITE WIRES REVERSED IN COLOR ONLY. THE POINT-TO-POINT CONNECTIONS REMAIN THE SAME.

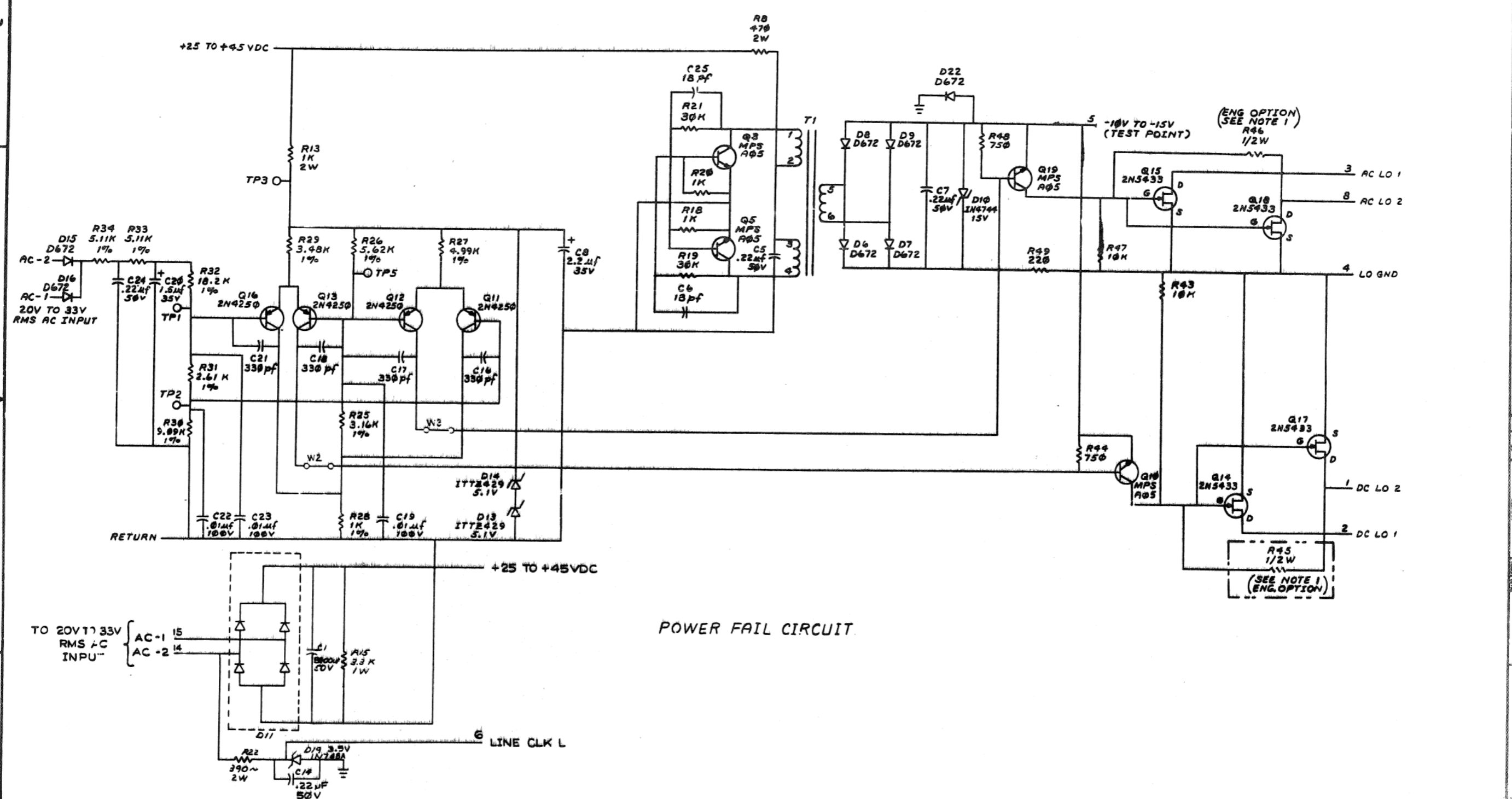
YA VARIATION ONLY.

SEE NOTE 1

REVISIONS		
CHK	CHANGE NO	REV

TITLE	PWR DIST BOARD	SIZE/SCALE	D/CS	NUMBER	5410864-0-1	REV.	L
SCALE	NONE	SHEET	3	OF	3	DIST.	

THIS DRAWING AND SPECIFICATIONS, HEREIN, ARE THE PROPERTY OF SPECTRA EQUIPMENT CORPORATION AND SHALL NOT BE REPRODUCED OR COPIED OR USED IN WHOLE OR IN PART AS THE BASIS FOR THE MANUFACTURE OR SALE OF ANY EQUIPMENT WITHOUT PERMISSION. COPYRIGHT © 1974 SPECTRA EQUIPMENT CORPORATION



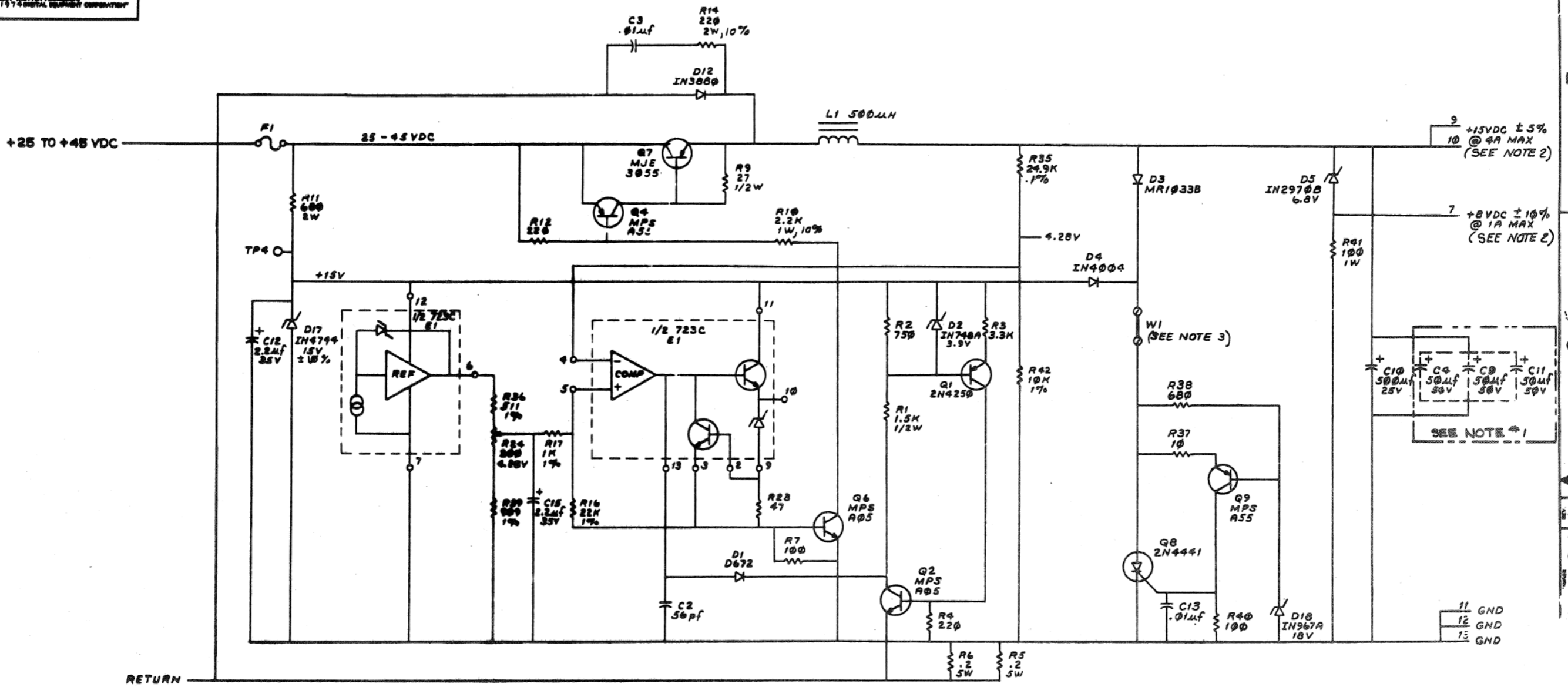
POWER FAIL CIRCUIT.

REVISIONS		
CHK	CHANGE NO.	REV.

TITLE	PWR. LINE MONITOR/15V REG.	SIZE/DWG	NUMBER	REV.
SCALE	SHEET 3 OF 4	DATE	DCS 5411086-0-1	L

425

THIS DRAWING AND SPECIFICATIONS HEREBY ARE THE PROPERTY OF SPANISH GOVERNMENT. ANY REPRODUCTION OR TRANSMISSION IN ANY FORM OR BY ANY MEANS IS STRICTLY PROHIBITED. THE APPLICABLE LAW IS THAT OF SPAIN. THE APPLICABLE LAW IS THAT OF SPAIN. THE APPLICABLE LAW IS THAT OF SPAIN.



15V REGULATOR
(SEE NOTE #4)

REVISIONS		
CHK	CHANGE NO.	REV.

TITLE	PWR. LINE MONITOR/15V REG.	SIZE/CODE	DCS 5411086-0-1	NUMBER	
SCALE		SHEET	2 OF 4	DMT.	