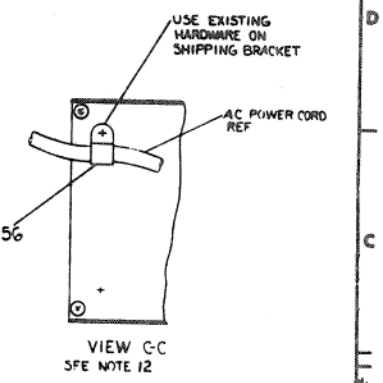


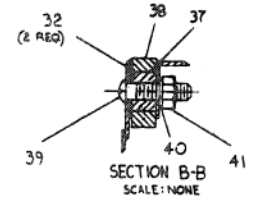
- NOTES:
- ITEM #17 SERVICE LOOP SHOULD BE 24 INCHES.
 - BAII-LA, LB, LC, LD, LE, LF, LH AND LN (MANUFACTURING USE ONLY). BAII-LE, LF, LH AND LJ (BAIL EXPANSION BOX).
 - ADD CONSOLE FOR EXPANSION BOX ONLY.
 - ALTERNATE COLORS: POSITIONS 1, 3, 5, 7 & 9 TO HAVE MAGENTA. POSITIONS 2, 4, 6, & 8 TO HAVE NATURAL.
 - HARDWARE FOR MOUNTING ITEM 5 (ENCLOSURE ASSEMBLY) TO CABINET
 - ITEM #54 TO BE USED A/R TO TAKE UP ANY GAP PRESENT BETWEEN ENCLOSURE AND CABINET UPRIGHTS.
 - EXPANDER BOX VERSIONS BAII-LE, LF, LH & LJ CANNOT BE CONFIGURED WITH 4 OR 9 SLOT BACKPLANES THAT HAVE POWER HARNESS ROUTED ALONG BOTTOM (SLOT 9). A WIRE STRIPPING HAZARD WOULD EXIST IF THESE COMBINATIONS WERE CONFIGURED AS SUCH. EXAMPLES OF PROBLEMATIC BACKPLANE CONFIGURATIONS ARE: RKI-I-D, DQ11-AA, DAI-I-F, TMB11, DD11-B, DQ11-AB, RH11, DH11, DB11-A, DJ11, VT48 & VT11.

NOTES CONT ON SHEET 2

PART NO.	VARIATION
BAII-LA	5.25 BOX+H777-AA 115V CORE+MOS
BAII-LB	5.25 BOX+H777-AB 230V
BAII-LC	5.25 BOX+H777-BA 115V MOS ONLY
BAII-LD	5.25 BOX+H777-BB 230V MOS ONLY
BAII-LE	5.25 BOX+H777-CA 115V + CONSOLE (CORE ONLY)
BAII-LF	5.25 BOX+H777-CB 230V + CONSOLE (CORE ONLY)
BAII-LH	5.25 BOX+H777-DA 115V + CONSOLE (CORE ONLY)
BAII-LJ	5.25 BOX+H777-DB 230V + CONSOLE (CORE ONLY)
BAII-LK	5.25 BOX+H777-CA 115V CORE+MOS
BAII-LL	5.25 BOX+H777-CB 230V CORE+MOS
BAII-LM	5.25 BOX+H777-DA 115V MOS ONLY
BAII-LN	5.25 BOX+H777-DB 230V MOS ONLY



VIEW CC
SEE NOTE 12



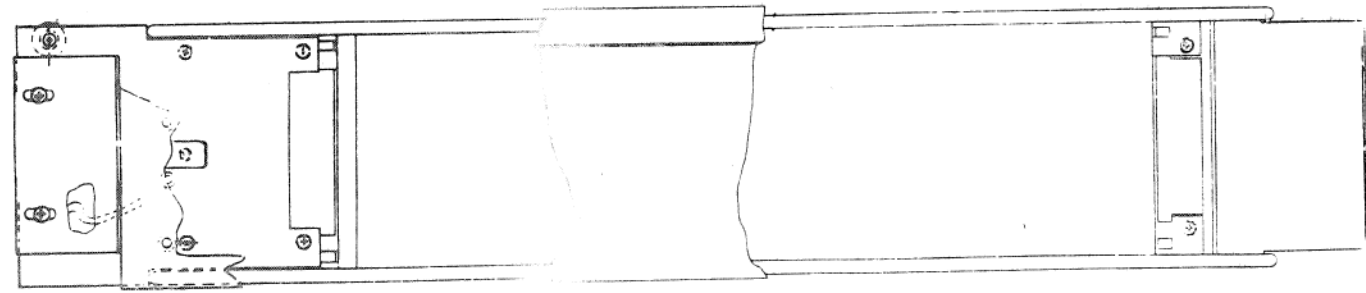
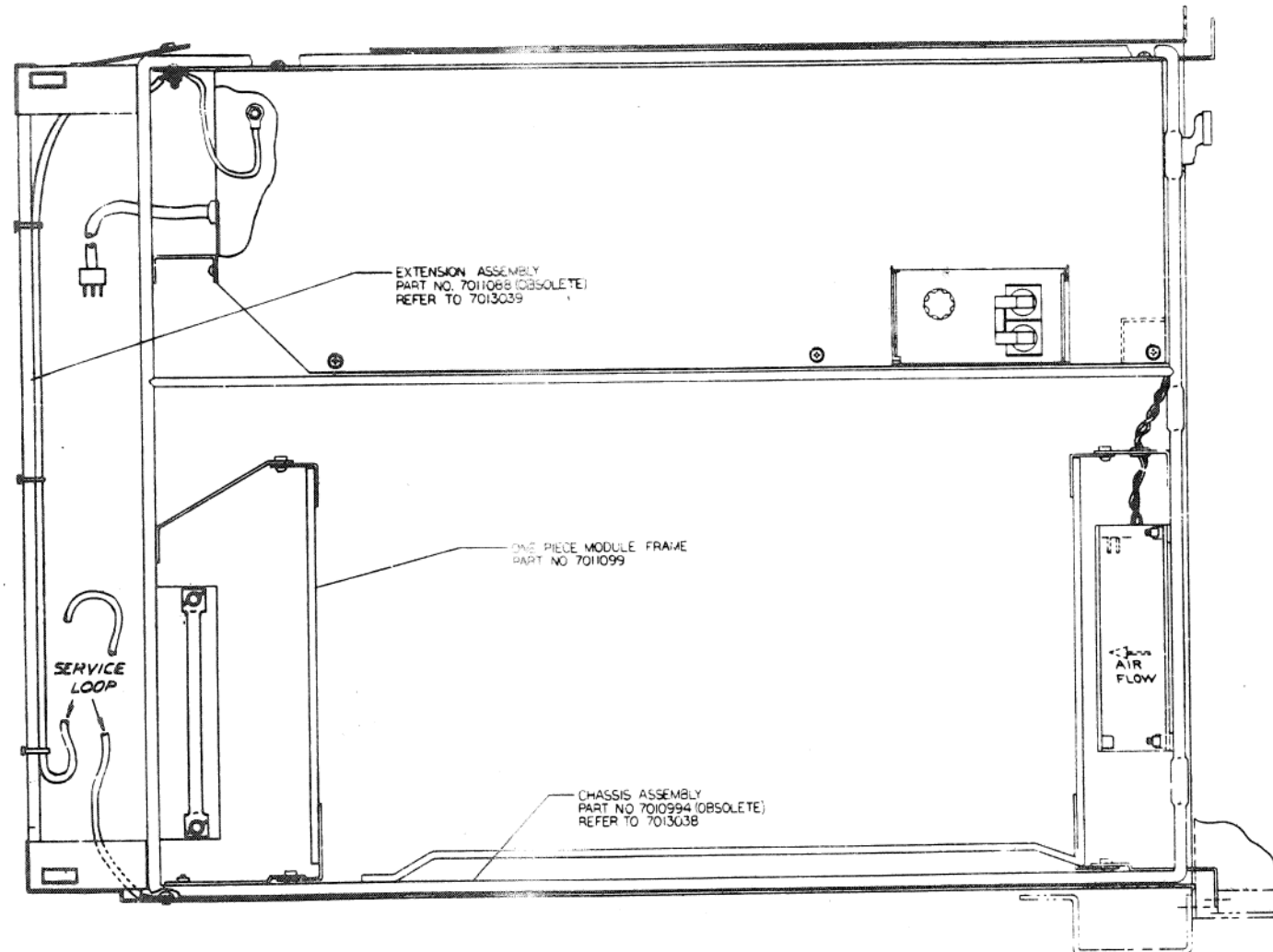
SECTION B-B
SCALE: NONE

FOR PARTS LIST SEE
A-PL-BAII-L-O

DESCRIPTION	QTY	REF
BOX 5.25 BAII-L (230V/115V)	1	1
...

NOTES: (CON'T FROM SHEET 1)

11. ITEM NUMBER 59 IS A STIFFENING BRACKET AND MAY BE LEFT IN OR REMOVED AT FINAL DESTINATION AT USER'S OPTION. IF LEFT IN IT WILL NOT INHIBIT ANY USER FUNCTIONS. IT IS TO BE PLACED OVER THE THREADED INSERTS IN FRAME BRACKET SHOWN AS SHOWN AND FASTENED BY MEANS OF AN OVER SIZED WASHER AND KEYPNUT.
12. ITEM #36 AND THE AC POWER CORD ARE TO BE SHIPPED LOC' SECE AND INSTALLED AT ITS LOCATION.
13. ITEM #48 NOT SHOWN, IT IS USED IN SHIPPING ONLY.



THIS VIEW IS FOR REF ONLY AND CONTAINS INFORMATION PERTINENT TO ASSEMBLY REVISIONS - THREE

QUANTITY & VARIATION	DESCRIPTION		REV
	QTY	DESCRIPTION	
1	BOX 5.25 BAI1-L (230V/115V)	11104	1
1	230V/115V		1
1	BAI1-L		1
1	BAI1-L		1
1	BAI1-L		1

TITLE: BOX 5.25 BAI1-L (230V/115V)
 PART NO: 11104
 REV: 1
 DATE: 11/04
 DRAWN BY: [Signature]
 CHECKED BY: [Signature]
 MATERIAL: [Blank]
 PART NUMBER: 11104
 SHEET: 2 OF 2
 REV: 1

DIGITAL EQUIPMENT CORPORATION
MAYNARD, MASSACHUSETTS
PARTS LIST

MADE BY G. MARINI
DATE 3-SEP-75
ENG R. BARRY
DATE 2-OCT-75

CHECKED D. HEALY
DATE 30-SEP-75
PROD R.K. PETERSON
DATE 2-OCT-75

ITEM NO.	DWG NO. / PART NO.	DESCRIPTION	QUANTITY / VARIATION	REV	ECO NO
1	E-UA-H777-DA-0	POWER SUPPLY H777 (115V)	1	-	1
2	E-UA-H777-DB-0	POWER SUPPLY H777 (230V)	1	-	1
3	E-UA-7013038-0-0	CHASSIS ASSY	1	1	1
4	C-IA-7012653-0-0	MODULE FRAME, RIGHT SIDE	1	1	1
5	D-AD-7011132-0-0	ENCLOSURE ASSY	1	1	1
6	D-IA-7013039-0-0	EXTENSION CHASSIS ASSY	1	1	1
7	1213013-0-0	FAN (115V) 50/60HZ	1	1	1
8	C-IA-7012846-0-0	MODULE FRAME, LEFT SIDE	1	1	1
9	9006026-2	SCR, PHL FLAT HD 6-32 .75L	3	3	3
10	9006634	WASHER INT TOOTH LOCK #8	10	10	10
11	9006633	WASHER INT TOOTH LOCK #8	10	10	10
12	9006037-3	SCR PHL HD TRUSS #8-32 x .38L	14	14	14
13	9006534	WASHER INT TOOTH LOCK #8	10	10	10
14	B-ND-7413846-0-0	BAR, CABLE STRAIN REL	1	1	1
15	9009711	NUT, WING #6-32	2	2	2
16	C-IA-7011412-03-0	CABLE, CHASSIS GND	1	1	1
17	C-IA-7011412-03-0	CABLE, CHASSIS GND	1	1	1
18	C-IA-7011412-0F-0	CABLE CHASSIS GND	2	2	2
19	C-IA-7414963-0-0	BRKT, SHIPPING & CAB MT	2	2	2
20	9007615	GROMMET .31 ID x .62 O.D.	2	2	2
21	9006565	NUT, KEPS #10-32	7	7	7
22	9007031	TIE WRAP	1	1	1

TITLE BOX 5.25 BALL-L (230V/115V)
ASSY NO. E-UA-BALL-L-0
SHEET 1 OF 4
SIZE CODE A PL
REV ECO NO S

DEC FORM DEC 16-(325)-1031-NR70
DRA 110

DIGITAL EQUIPMENT CORPORATION
MAYNARD, MASSACHUSETTS
PARTS LIST

MADE BY G. MARINI
DATE 3-SEP-75
ENG R. BARRY
DATE 2-OCT-75

CHECKED D. HEALY
DATE 30-SEP-75
PROD R.K. PETERSON
DATE 2-OCT-75

ITEM NO.	DWG NO. / PART NO.	DESCRIPTION	QUANTITY / VARIATION	REV	ECO NO
44	C-IB-7418077	CARD GUIDE CENTER	3	3	3
45	E-UA-H777-BA-0	POWER SUPPLY H777 (115V)	1	-	-
46	E-UA-H777-BA-0	POWER SUPPLY H777 (115V)	1	-	-
47	E-UA-H777-BB-0	POWER SUPPLY H777 (230V)	1	-	-
48	E-UA-H777-BA-0	POWER SUPPLY H777 (115V)	1	-	-
49	E-UA-H777-AB-0	POWER SUPPLY H777 (230V)	1	-	-
50	E-UA-H777-BA-0	POWER SUPPLY H777 (115V)	1	-	-
51	E-UA-H777-BA-0	POWER SUPPLY H777 (115V)	1	-	-
52	E-UA-H777-BA-0	POWER SUPPLY H777 (115V)	1	-	-
53	B-IA-7418258	STRAP, GROUND	1	1	1
54	B-ND-7418259	SPACER, ENCLOSURE	1	1	1
55	9007035	GROMMET CATERPILLAR	1	1	1
56	9007083	CLAMP, CABLE	1	1	1
57	A-RB-3613211-01	DECAL, CSA	1	1	1
58	A-DC-7416197-01	DECAL, UI/REPA	1	1	1
59	C-ND-7419019-0-0	BRACKET, MODULE FRAME STIFFENING	1	1	1
60	9006668	WASHER, FLAT	2	2	2
61	9006040-03	SCR, PHL TRUSS HD #8-32 x .625	2	2	2
62	9006563-00	NUT, KEP #8-32	2	2	2
63	9006560-00	NUT, KEP #6-32	3	3	3
64	9006653	WASHER, FLAT	3	3	3
65	D-UA-BC11A-10-0	UNIBUS CABLE 10 FT	1	1	1

TITLE BOX 5.25 BALL-L (230V/115V)
ASSY NO. E-UA-BALL-L-0
SHEET 3 OF 4
SIZE CODE A PL
REV ECO NO S

DEC FORM DEC 16-(325)-1031-NR70
DRA 110

DIGITAL EQUIPMENT CORPORATION
MAYNARD, MASSACHUSETTS
PARTS LIST

MADE BY G. MARINI
DATE 3-SEP-75
ENG R. BARRY
DATE 2-OCT-75

CHECKED D. HEALY
DATE 30-SEP-75
PROD R.K. PETERSON
DATE 2-OCT-75

ITEM NO.	DWG NO. / PART NO.	DESCRIPTION	QUANTITY / VARIATION	REV	ECO NO
23	1211630-0	CENTER CARD GUIDE	3	3	3
24	9009836-0	SCREW PHL TRUSS HD #8-32 x .25L LOCKING	2	2	2
25	E-UA-H777-CA-0	POWER SUPPLY H777 (115V)	1	-	-
26	E-UA-H777-CB-0	POWER SUPPLY H777 (230V)	1	-	-
27	9008072	WASHER, EXT. TOOTH #8	3	3	3
28	D-AD-7012540-0-0	CONSOLE ASSY	1	1	1
29	1212405-4	CARD GUIDE, SINGLE	4	4	4
30	1212405-5	CARD GUIDE, SINGLE	5	5	5
31	9009836-1	SCR., PHL HD. TRUSS #8-32 x .38 (LOCKING)	4	4	4
32	9006666	WASHER, FLAT #8	7	7	7
33	9006666	WASHER, FLAT #8	7	7	7
34	9007786	NUT-10-32 SELF RETAINING	4	4	4
35	9006071-03	SCR., PHL. TRUSS HD. #10-32 x .38	10	10	10
36	9006035-3	SCR., PHL. TRUSS HD. #8-32 x .25	2	2	2
37	B-ND-7417606	SLEEVE, ROLLER	2	2	2
38	B-ND-7417607	ROLLER	2	2	2
39	9009483-03	SCR., PHL. TRUSS HD. #8-32 x .75	2	2	2
40	9006690	WASHER, SPLIT LOCK #8	2	2	2
41	9006561	NUT, HEX #8-32	2	2	2
42	3700061	CUST. SHIPPING PKG.	1	1	1
43	3700133	INFLANT PACKAGING	1	1	1
44	3700133	INFLANT PACKAGING	1	1	1

TITLE BOX 5.25 BALL-L (230V/115V)
ASSY NO. E-UA-BALL-L-0
SHEET 2 OF 4
SIZE CODE A PL
REV ECO NO S

DEC FORM DEC 16-(325)-1031-NR70
DRA 110

DIGITAL EQUIPMENT CORPORATION
MAYNARD, MASSACHUSETTS
PARTS LIST

MADE BY G. MARINI
DATE 3-SEP-75
ENG R. BARRY
DATE 2-OCT-75

CHECKED D. HEALY
DATE 30-SEP-75
PROD R.K. PETERSON
DATE 2-OCT-75

ITEM NO.	DWG NO. / PART NO.	DESCRIPTION	QUANTITY / VARIATION	REV	ECO NO
66	9009157	PERMA BOND 101	1	1	1
67	1212707	AIR FILTER BALL-L	1	1	1
68	9007032	TIE, CABLE, SST2 M	2	2	2

TITLE BOX 5.25 BALL-L (230V/115V)
ASSY NO. E-UA-BALL-L-0
SHEET 4 OF 4
SIZE CODE A PL
REV ECO NO S

DEC FORM DEC 16-(325)-1031-NR70
DRA 110