

"THE MATERIAL HEREIN IS FOR INFORMATION PURPOSES ONLY AND IS SUBJECT TO CHANGE WITHOUT NOTICE. DIGITAL EQUIPMENT CORPORATION ASSUMES NO RESPONSIBILITY FOR ANY ERRORS WHICH MAY APPEAR HEREIN."

FIELD MAINTENANCE PRINT SET

"THIS DRAWING AND SPECIFICATIONS, HEREIN, ARE THE PROPERTY OF DIGITAL EQUIPMENT CORPORATION AND SHALL NOT BE REPRODUCED OR COPIED OR USED IN WHOLE OR IN PART AS THE BASIS FOR THE MANUFACTURE OR SALE OF ITEMS WITHOUT WRITTEN PERMISSION. COPYRIGHT © 1976 . DIGITAL EQUIPMENT CORPORATION."

TABLE OF CONTENTS

FIELD MAINTENANCE PRINT SET 11/34
 UNIT ASSY 11/34
 UNIT ASSY 11/34 (PL)
 DRAWING DIRECTORY 11/34
 PRINT SET KD11-E (COMPLETE SET)
 UNIBUS TERMINATOR BOOT STRAP
 UNIBUS TERMINATOR
 PRINT SET MM11-D (COMPLETE SET)
 PRINT SET MS11-E (COMPLETE SET)
 PARITY MEMORY MODULE
 GRANT CONTINUITY
 PRINT SET DL11-W (COMPLETE SET)
 PRINT SET KY11-LA (COMPLETE SET)
 DRAWING DIRECTORY DD11-P (COMPLETE SET)
 PRINT SET BALL-K (COMPLETE SET)
 EXTERNAL BOOT CABLE
 CONSOLE CABLE
 CONSOLE POWER HARNESS
 SHIPPING LIST 11/34 (10.5)
 NO SACK TIMEOUT MODULE

B-TC-11/34-0-2
 E-UA-11/34-0-0
 C-PL-11/34-0-0
 B-DD-11/34-0-0
 MP00043
 D-CS-M9301-0-1
 D-CS-M9302-0-1
 MP00032
 MP00021
 B-CS-M7850-0-1
 B-CS-G727-0-1
 MP00106
 MP00017
 B-DD-DD11-P
 B-DD-BALL-K
 C-IA-7011413-0-0
 C-IA-7011411-0-0
 D-IA-7011992-0-0
 A-PL-11/34-0-4
 D-CS-MED.4-1

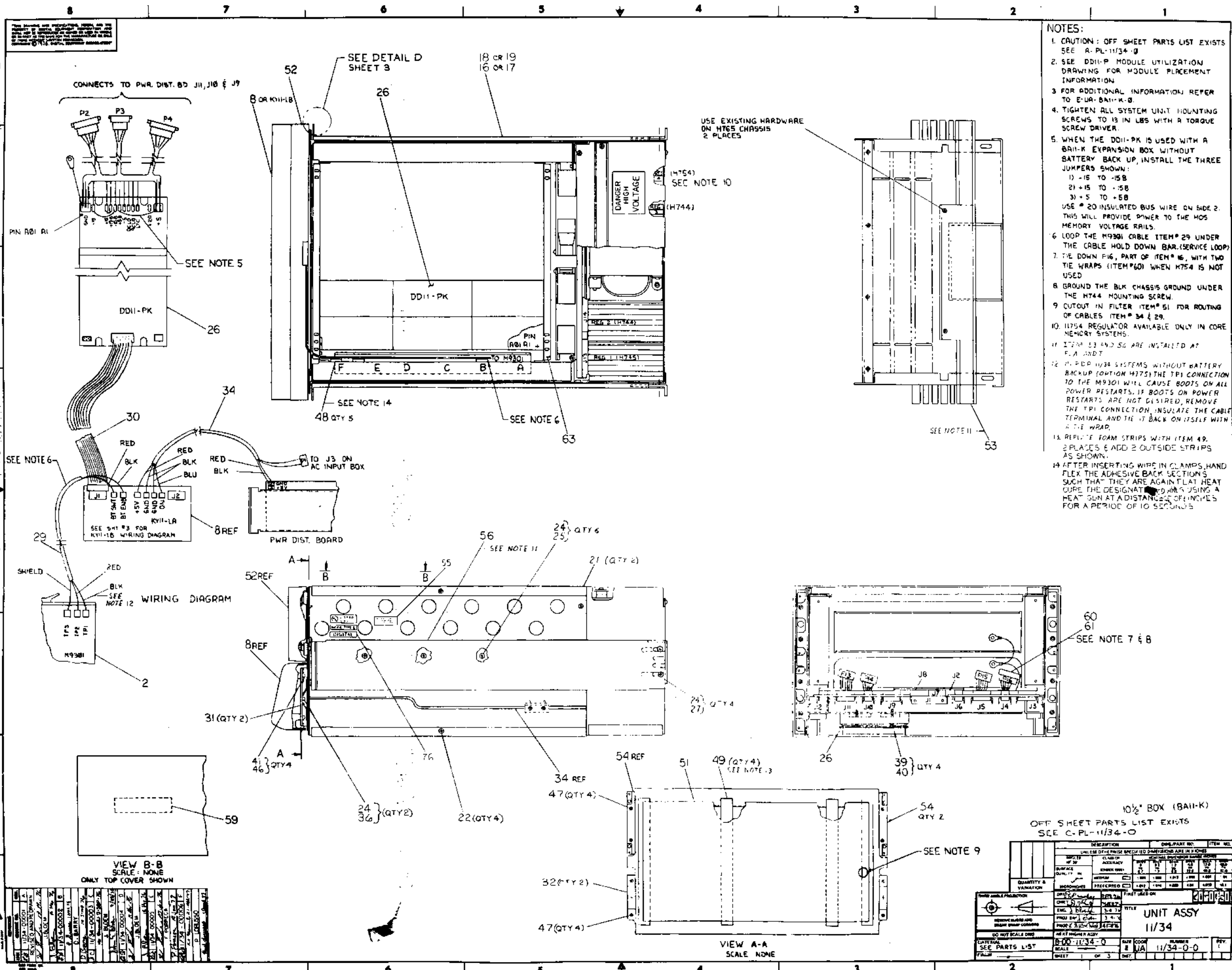
UNIT VARIATIONS COVERED BY THIS PRINT SET
11/34-LH
11/34-LJ
11/34-DH
11/34-DJ
11/34-MH
11/34-MJ
11/34-HH
11/34-HJ
11/34-LM
11/34-LN
11/34-DM
11/34-DN
11/34-MM
11/34-MN
11/34-HM
11/34-HN

11/34 VOL 2
**Field Maintenance
 Print Set**

**Digital Equipment
 Corporation**

 PRINT SET ORDER NO.
 MP00082

REVISIONS	DATE	CHG. NO.	REV.		USED ON OPTION/MODEL	DRN.	DATE	<div style="float: right; border: 1px solid black; padding: 2px;">digital</div> TITLE: 11/34 FIELD MAINTENANCE PRINT SET (10.5)
	JUN 76	11/34-2	A			D. HEALY	2 FEB 76	
	SEP 76	11/34-3	B			D. HEALY	14 FEB 76	
						J. BLOEM	3 MAR 76	
				FIELD SERV.	DATE	SIZE B CODE TC NUMBER 11/34-0-2 REV. B		
				EVANS	3 MAR 76	DIST.		
					SHEET 1 OF 1			



- NOTES:**
- CAUTION: OFF SHEET PARTS LIST EXISTS SEE A-PL-11/34-0
 - SEE DDII-PK MODULE UTILIZATION DRAWING FOR MODULE PLACEMENT INFORMATION
 - FOR ADDITIONAL INFORMATION REFER TO E-UR-BA11-K-0
 - TIGHTEN ALL SYSTEM UNIT MOUNTING SCREWS TO 13 IN LBS WITH A TORQUE SCREW DRIVER
 - WHEN THE DDII-PK IS USED WITH A BA11-K EXPANSION BOX WITHOUT BATTERY BACK UP, INSTALL THE THREE JUMPERS SHOWN:
 - 1) -15 TO -15B
 - 2) +15 TO +15B
 - 3) -5 TO +5B
 USE #20 INSULATED BUS WIRE ON SIDE 2. THIS WILL PROVIDE POWER TO THE MOS MEMORY VOLTAGE RAILS.
 - LOOP THE M9301 CABLE ITEM #29 UNDER THE CABLE HOLD DOWN BAR (SERVICE LOOP)
 - TIE DOWN FIG. PART OF ITEM #6, WITH TWO TIE WRAPS (ITEM #60) WHEN H754 IS NOT USED
 - GROUND THE BLK CHASSIS GROUND UNDER THE H744 MOUNTING SCREW
 - CUTOUT IN FILTER ITEM #51 FOR ROUTING OF CABLES ITEM #34 & 29
 - H754 REGULATOR AVAILABLE ONLY IN CORE MEMORY SYSTEMS
 - ITEM 23 AND 56 ARE INSTALLED AT P.A. AND T
 - FOR PDP 11/34 SYSTEMS WITHOUT BATTERY BACKUP (OPTION H754) THE TPI CONNECTION TO THE M9301 WILL CAUSE BOOTS ON ALL POWER RESTARTS. IF BOOTS ON POWER RESTARTS ARE NOT DESIRED, REMOVE THE TPI CONNECTION, INSULATE THE CABLE TERMINAL AND TIE IT BACK ON ITSELF WITH A TIE WRAP
 - REPLACE FOAM STRIPS WITH ITEM 49. 2 PLACES & ADD 2 OUTSIDE STRIPS AS SHOWN
 - AFTER INSERTING WIRE IN CLAMPS, HAND FLEX THE ADHESIVE BACK SECTION'S SUCH THAT THEY ARE AGAINST FLAT HEAT CURE THE DESIGNATED AREAS USING A HEAT GUN AT A DISTANCE OF 6 INCHES FOR A PERIOD OF 10 SECONDS

THIS DRAWING AND SPECIFICATIONS ARE TO BE USED ONLY IN CONNECTION WITH THE PARTS LIST AND THE DRAWING FROM WHICH THIS DRAWING IS DERIVED.

UNIT ASSY 11/34

REV	DATE	DESCRIPTION
1	11/34	INITIAL RELEASE
2	11/34	REVISED TO ADD PARTS LIST
3	11/34	REVISED TO ADD PARTS LIST
4	11/34	REVISED TO ADD PARTS LIST
5	11/34	REVISED TO ADD PARTS LIST
6	11/34	REVISED TO ADD PARTS LIST
7	11/34	REVISED TO ADD PARTS LIST
8	11/34	REVISED TO ADD PARTS LIST
9	11/34	REVISED TO ADD PARTS LIST
10	11/34	REVISED TO ADD PARTS LIST
11	11/34	REVISED TO ADD PARTS LIST
12	11/34	REVISED TO ADD PARTS LIST
13	11/34	REVISED TO ADD PARTS LIST
14	11/34	REVISED TO ADD PARTS LIST
15	11/34	REVISED TO ADD PARTS LIST
16	11/34	REVISED TO ADD PARTS LIST
17	11/34	REVISED TO ADD PARTS LIST
18	11/34	REVISED TO ADD PARTS LIST
19	11/34	REVISED TO ADD PARTS LIST
20	11/34	REVISED TO ADD PARTS LIST
21	11/34	REVISED TO ADD PARTS LIST
22	11/34	REVISED TO ADD PARTS LIST
23	11/34	REVISED TO ADD PARTS LIST
24	11/34	REVISED TO ADD PARTS LIST
25	11/34	REVISED TO ADD PARTS LIST
26	11/34	REVISED TO ADD PARTS LIST
27	11/34	REVISED TO ADD PARTS LIST
28	11/34	REVISED TO ADD PARTS LIST
29	11/34	REVISED TO ADD PARTS LIST
30	11/34	REVISED TO ADD PARTS LIST
31	11/34	REVISED TO ADD PARTS LIST
32	11/34	REVISED TO ADD PARTS LIST
33	11/34	REVISED TO ADD PARTS LIST
34	11/34	REVISED TO ADD PARTS LIST
35	11/34	REVISED TO ADD PARTS LIST
36	11/34	REVISED TO ADD PARTS LIST
37	11/34	REVISED TO ADD PARTS LIST
38	11/34	REVISED TO ADD PARTS LIST
39	11/34	REVISED TO ADD PARTS LIST
40	11/34	REVISED TO ADD PARTS LIST
41	11/34	REVISED TO ADD PARTS LIST
42	11/34	REVISED TO ADD PARTS LIST
43	11/34	REVISED TO ADD PARTS LIST
44	11/34	REVISED TO ADD PARTS LIST
45	11/34	REVISED TO ADD PARTS LIST
46	11/34	REVISED TO ADD PARTS LIST
47	11/34	REVISED TO ADD PARTS LIST
48	11/34	REVISED TO ADD PARTS LIST
49	11/34	REVISED TO ADD PARTS LIST
50	11/34	REVISED TO ADD PARTS LIST
51	11/34	REVISED TO ADD PARTS LIST
52	11/34	REVISED TO ADD PARTS LIST
53	11/34	REVISED TO ADD PARTS LIST
54	11/34	REVISED TO ADD PARTS LIST
55	11/34	REVISED TO ADD PARTS LIST
56	11/34	REVISED TO ADD PARTS LIST
57	11/34	REVISED TO ADD PARTS LIST
58	11/34	REVISED TO ADD PARTS LIST
59	11/34	REVISED TO ADD PARTS LIST
60	11/34	REVISED TO ADD PARTS LIST
61	11/34	REVISED TO ADD PARTS LIST
62	11/34	REVISED TO ADD PARTS LIST
63	11/34	REVISED TO ADD PARTS LIST
64	11/34	REVISED TO ADD PARTS LIST
65	11/34	REVISED TO ADD PARTS LIST
66	11/34	REVISED TO ADD PARTS LIST

10 1/2" BOX (BA11-K)
OFF SHEET PARTS LIST EXISTS
SEE C-PL-11/34-0

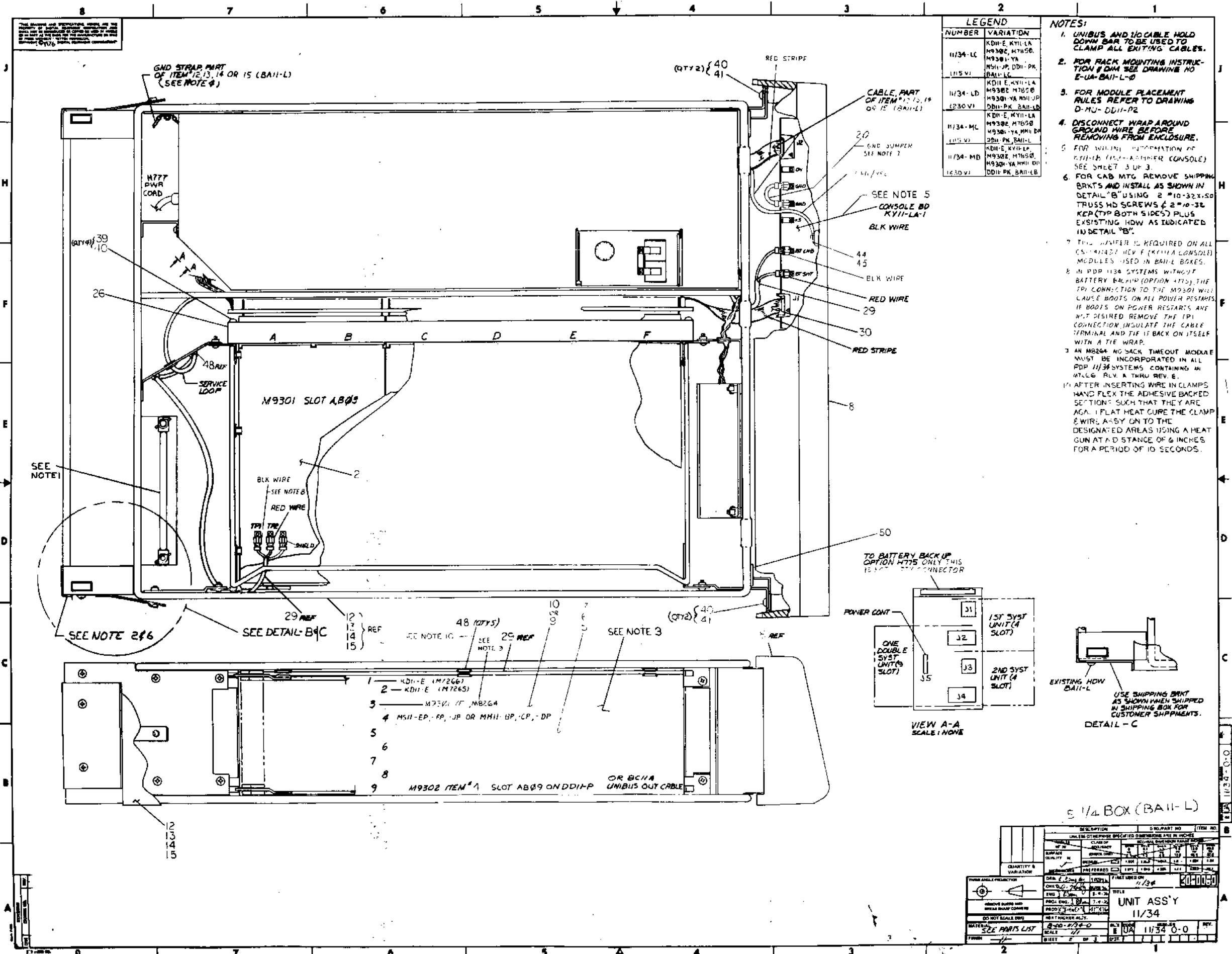
DESCRIPTION	QTY	PART NO.	ITEM NO.
UNIT ASSY	1	11/34	1

UNIT ASSY 11/34

ENCLOSURE: SEE PARTS LIST

SCALE: 1" = 1"

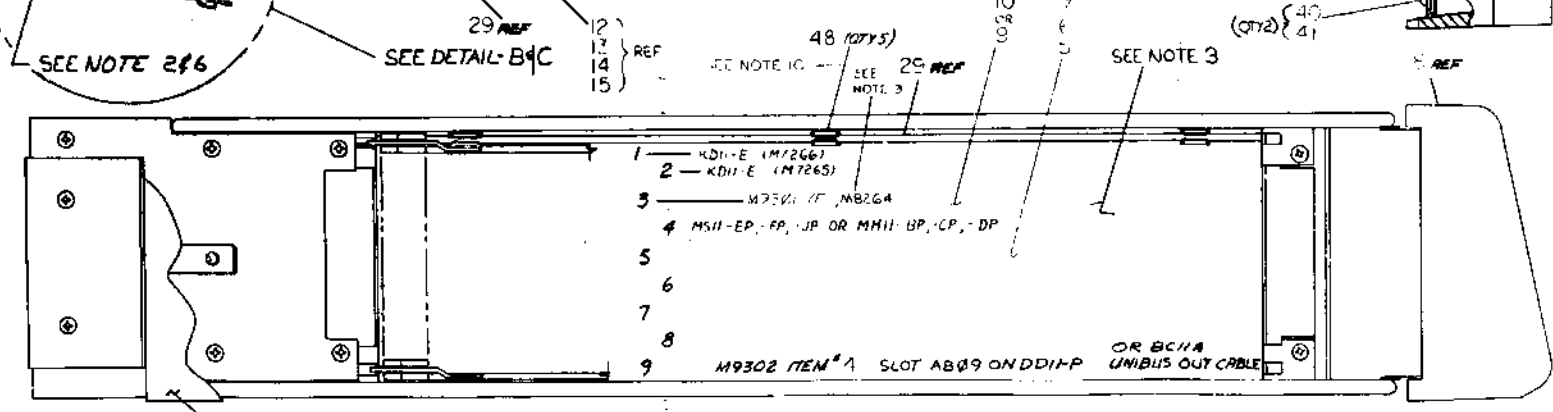
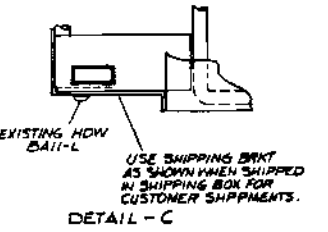
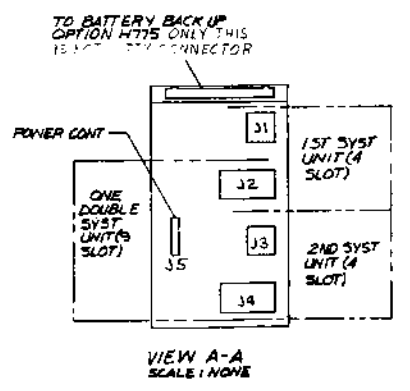
SHEET 1 OF 3



THIS DRAWING AND ASSOCIATED PARTS LIST ARE THE PROPERTY OF THE UNITED STATES GOVERNMENT. IT IS TO BE REPRODUCED AND TRANSMITTED IN ANY FORM AND BY ANY MEANS, ELECTRONIC OR MECHANICAL, INCLUDING PHOTOCOPYING, RECORDING, OR BY ANY INFORMATION STORAGE AND RETRIEVAL SYSTEM, WITHOUT PERMISSION IN WRITING FROM THE ASSISTANT SECRETARY FOR ACQUISITION, DEFENSE PROGRAMS AND POLICY, DEPARTMENT OF DEFENSE, WASHINGTON, D.C. 20301-4076.

LEGEND	
NUMBER	VARIATION
11/34-LC	KDII-E, KYII-LA M9302, M7650, M9301-YA
11/34-LD	KDII-E, KYII-LA M9302, M7650, M9301-YA, M911-UP, DDII-PK, BAII-L
11/34-MC	KDII-E, KYII-LA M9302, M7650, M9301-YA, M911-UP, DDII-PK, BAII-L
11/34-MB	KDII-E, KYII-LA M9302, M7650, M9301-YA, M911-UP, DDII-PK, BAII-L

- NOTES:**
- UNIBUS AND I/O CABLE HOLD DOWN BAR TO BE USED TO CLAMP ALL EXITING CABLES.
 - FOR RACK MOUNTING INSTRUCTIONS & DIM SEE DRAWING NO E-UA-BAI-L-0
 - FOR MODULE PLACEMENT RULES REFER TO DRAWING D-MU-DDII-P2
 - DISCONNECT WRAP AROUND GROUND WIRE BEFORE REMOVING FROM ENCLOSURE.
 - FOR WIRING INFORMATION OF KITTED (11/34) RACKER (CONSOLE) SEE SHEET 3 OF 3.
 - FOR CAB MTC REMOVE SHIPPING BRKTS AND INSTALL AS SHOWN IN DETAIL "B" USING 2 #10-32X.50 TRUSS HD SCREWS & 2 #10-32 KER (TOP BOTH SIDES) PLUS EXISTING HDW AS INDICATED IN DETAIL "B".
 - THIS WIRE IS REQUIRED ON ALL CS-41422 REV F (KYII-A CONSOLE) MODULES USED IN BAII-L BOXES.
 - IN PDP 11/34 SYSTEMS WITHOUT BATTERY BACKUP (OPTION HTTS), THE TPI CONNECTION TO THE M9301 WILL CAUSE BOOTS ON ALL POWER RESTARTS. IF BOOTS ON POWER RESTARTS ARE NOT DESIRED REMOVE THE TPI CONNECTION INSULATE THE CABLE TERMINAL AND TIE IT BACK ON ITSELF WITH A TIE WRAP.
 - AN M9264 NO SACK TIMEOUT MODULE MUST BE INCORPORATED IN ALL PDP 11/34 SYSTEMS CONTAINING AN M9266 RLY. A THRU REV. E.
 - AFTER INSERTING WIRE IN CLAMPS HAND FLEX THE ADHESIVE BACKED SECTIONS SUCH THAT THEY ARE AGAIN FLAT HEAT CURE THE CLAMP & WIRE ASSEMBLY ON TO THE DESIGNATED AREAS USING A HEAT GUN AT A DISTANCE OF 6 INCHES FOR A PERIOD OF 10 SECONDS.



5 1/4 BOX (BAI-L)

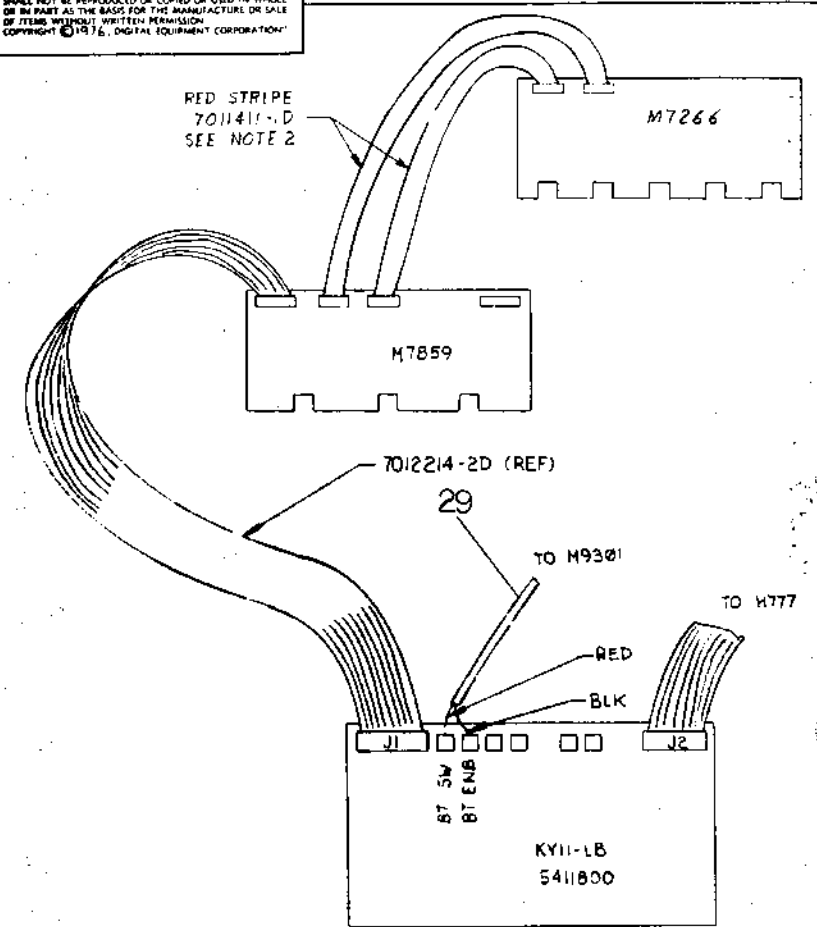
DESCRIPTION	QTY	UNIT PRICE	TOTAL PRICE	ITEM NO.
UNIT ASS'Y	1			11/34

DATE: 11/34
 DRAWN BY: [Signature]
 CHECKED BY: [Signature]
 PROJ. ENGR: [Signature]
 PROD. ENGR: [Signature]
 MATERIALS: [Signature]
 SCALE: 1/1
 SHEET: 2 OF 3

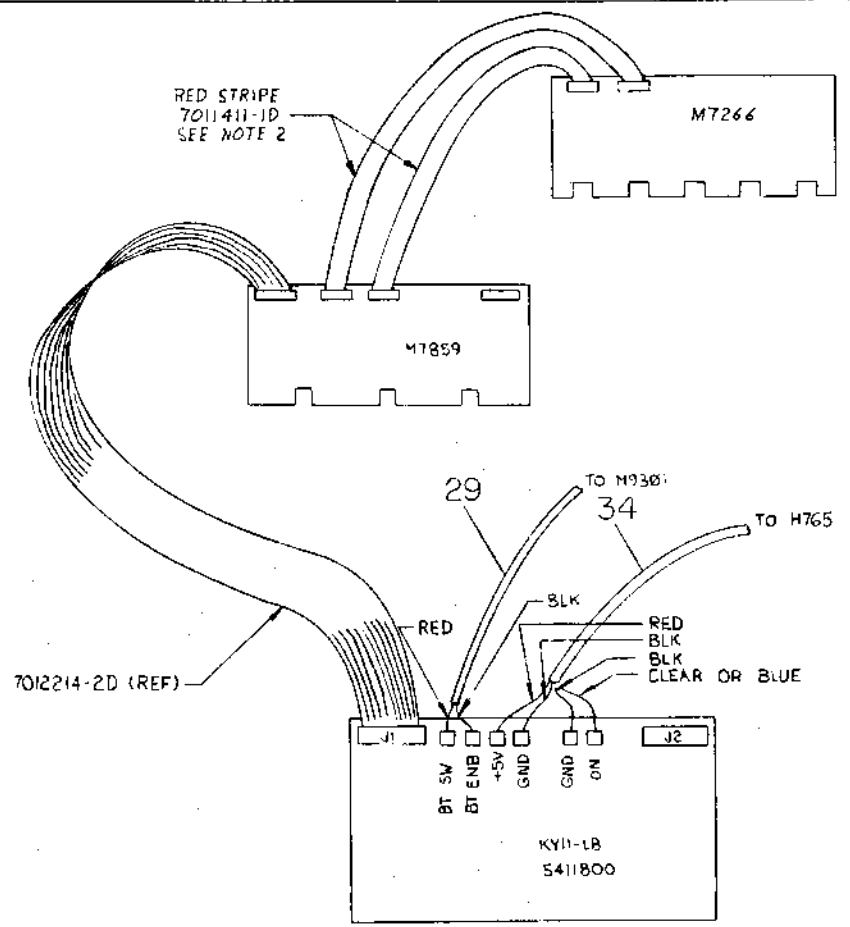
THIS DRAWING AND SPECIFICATIONS HEREIN ARE THE PROPERTY OF DIGITAL EQUIPMENT CORPORATION AND SHALL NOT BE REPRODUCED OR COPIED OR USED IN WHOLE OR IN PART AS THE BASIS FOR THE MANUFACTURE OR SALE OF ITEMS WITHOUT WRITTEN PERMISSION. COPYRIGHT © 1976, DIGITAL EQUIPMENT CORPORATION.

WIRING DIAGRAMS FOR KY11-LB

DUA 11/34-0-0 2

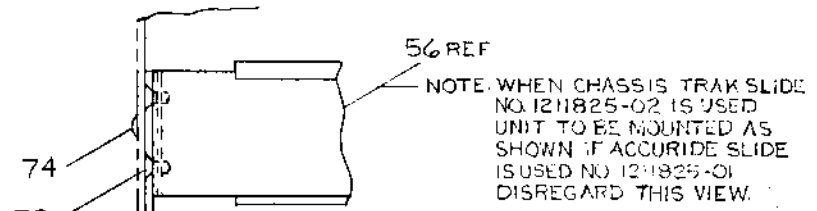
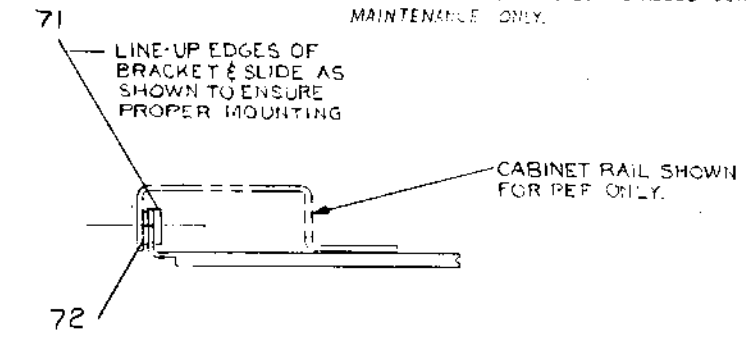


BA11-L
5 1/4" MTG BOX

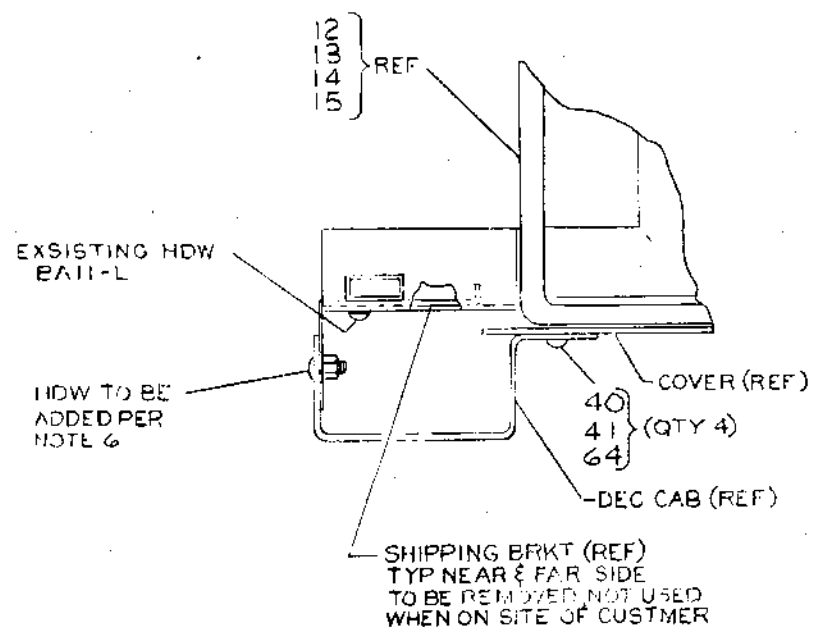


BA11-K
10 1/2" MTG BOX

NOTES:
1. THE M7859 PROGRAMMERS CONSOLE INTERFACE MODULE, WHEN USED, MUST BE INSTALLED IN THE CPU BACKPLANE. IT IS AN SEC MODULE.
2. THESE CABLES ARE TO BE INSTALLED DURING MAINTENANCE ONLY.



DETAIL D
SCALE 1/2
SHEET 1
(SEE NOTE 11)



DETAIL - B
(SEE NOTE 6)

REVISIONS		
CHK	CHANGE NO	REV

TITLE	UNIT ASSY 11/34	SIZE CODE	DUA	NUMBER	11/34-0-0	REV.	5
SCALE		SHEET	3	OF	3	DIST	

THIS DRAWING AND SPECIFICATIONS, HEREIN ARE THE PROPERTY OF DIGITAL EQUIPMENT CORPORATION AND SHALL NOT BE REPRODUCED OR COPIED OR USED IN WHOLE OR IN PART AS THE BASIS FOR THE MANUFACTURE OR SALE OF ITEMS WITHOUT WRITTEN PERMISSION. COPYRIGHT © 1976 . DIGITAL EQUIPMENT CORPORATION

ITEM NO.	DRAWING NO.	DESCRIPTION	11/34															
			DC	DD	BC	BD	LC	LD	MC	MD	DC	DD	BC	BD	LC	LD	MC	MD
44	9006658	WASHER, FLAT #6	-	-	-	-	-	-	-	-	-	-	-	-	-	-	-	-
45	9006022-1	SCR, PHL PAN HD #6-32 x 3/8	-	-	-	-	-	-	-	-	-	-	-	-	-	-	-	-
46	9006634	WASHER, LOCK #8	-	-	-	-	-	-	-	-	-	-	-	-	-	-	-	-
47	9006070-2	SCR, PHL FLAT HD 10-32 x .31	-	-	-	-	-	-	-	-	-	-	-	-	-	-	-	-
48	9009771-0	CLAMP, CABLE	5	5	5	5	5	5	5	5	5	5	5	5	5	5	5	5
49	1211336-02	TAPE	-	-	-	-	-	-	-	-	-	-	-	-	-	-	-	-
50	1212707	AIR FILTER BALL-L	1	1	1	1	1	1	1	1	1	1	1	1	1	1	1	1
51	1212392-02	AIR FILTER BALL-K	-	-	-	-	-	-	-	-	-	-	-	-	-	-	-	-
52	D-UA-H956-PB-β	COVER, 5 1/4" BEZEL	-	-	-	-	-	-	-	-	-	-	-	-	-	-	-	-
53	D-IA-7010059-0-0	SHIPPING BRACKET ASSY BALL-K	-	-	-	-	-	-	-	-	-	-	-	-	-	-	-	-
54	1209224	LATCH, MOLDING	-	-	-	-	-	-	-	-	-	-	-	-	-	-	-	-
55	A-DC-7409478-0-0	DECAL, PATENT	-	-	-	-	-	-	-	-	-	-	-	-	-	-	-	-
56	D-PS-1211825-0-0	SLIDE, 3 POS. TILT	-	-	-	-	-	-	-	-	-	-	-	-	-	-	-	-
57	A-DC-5309418-0-0	DECAL, IN	1	1	1	1	1	1	1	1	1	1	1	1	1	1	1	1
58	A-DC-5309413-0-0	DECAL, WPA	1	1	1	1	1	1	1	1	1	1	1	1	1	1	1	1
59	B-DC-7414727-0-0	DECAL STICKER 11/34	1	1	1	1	1	1	1	1	1	1	1	1	1	1	1	1
60	9007880	TIE WRAP	2	2	2	2	2	2	2	2	2	2	2	2	2	2	2	2
61	1209340-00	CONNECTOR, DUMMY	-	-	-	-	-	-	-	-	-	-	-	-	-	-	-	-
63	A-DC-7415501-0-0	MODULE DECAL	-	-	-	-	-	-	-	-	-	-	-	-	-	-	-	-
64	9006660	WASH, FL .38 O.D.X. .19 I.D.X .03	4	4	4	4	4	4	4	4	4	4	4	4	4	4	4	4
65	A-SP-3700197-0-0	INPLANT PKG. INSTRUCTIONS	1	1	1	1	1	1	1	1	1	1	1	1	1	1	1	1
66	A-SP-3700061-0-0	CUSTOM CUSHIONED PKG. INSTRUCTIONS	1	1	1	1	1	1	1	1	1	1	1	1	1	1	1	1
67	A-SP-3700134-0-0	CUSHION CONSOLIDATED LOAD ASSY	1	1	1	1	1	1	1	1	1	1	1	1	1	1	1	1
68	A-SP-3700215-0-0	INPLANT PKG. INSTRUCTIONS	-	-	-	-	-	-	-	-	-	-	-	-	-	-	-	-
69	A-SP-3700165-0-0	SKID LOAD PKG. INSTRUCTIONS	-	-	-	-	-	-	-	-	-	-	-	-	-	-	-	-
70	A-SP-3700169-0-0	CUSTOM CUSHIONED PKG. INSTRUCTIONS	-	-	-	-	-	-	-	-	-	-	-	-	-	-	-	-
71	B-MD-7417882-0-0	NUT PLATE	-	-	-	-	-	-	-	-	-	-	-	-	-	-	-	-
72	B-MD-7417883-0-0	PLATE, SLIDE MOUNTING	-	-	-	-	-	-	-	-	-	-	-	-	-	-	-	-
73	9006071-2	SCR PHL FLAT HD 10-32 x 38	-	-	-	-	-	-	-	-	-	-	-	-	-	-	-	-
74	9006073-03	SCR PHL TRUSS HD 10-32 x .50	-	-	-	-	-	-	-	-	-	-	-	-	-	-	-	-
75	9006664	WASHER, FLAT #10	-	-	-	-	-	-	-	-	-	-	-	-	-	-	-	-
76	A-PS-3613210-0-0	LABEL ELECTRICAL DATA	1	1	1	1	1	1	1	1	1	1	1	1	1	1	1	1

D

C

B

A

D

C

B

A

8

REV.	CHANGE NO.

DRN 1	2 FEB 76	FIRST USED ON	11/34	digital
CHK'D. 1	24 FEB 76	TITLE		
ENG 1	3-9-76	UNIT ASSY 11/34		
PROJ. ENG. 1	3-9-76			
PROD. 1	4 APR 76			
NEXT HIGHER ASSY.				
D-UA-11/34-0-0		SIZE	CODE	NUMBER
SCALE		C	PL	11/34-0-0
SHEET	2 OF 2	DIST.		REV. F

CUSTOMER PRINT SET INDEX

THIS IS PRINT SET

FOR FIELD MAINTENANCE
PRINT SET REFER TO
B-TC-11/34-Ø-1 (5.25)
B-TC-11/34-Ø-2 (10.50)

SEQUENCE 77 SEQUENCE 77

UNIT VARIATIONS		PRINT SET
VAR	TITLE	
11/34-DC	KD11-E, MS11-JP, BALL-LC, M785Ø, M93Ø1-YF, 115V	
11/34-DD	KD11-E, MS11-JP, BALL-LD, M785Ø, M93Ø1-YF, 230V	
11/34-HC	KD11-E, MM11-DP, BALL-LA, M785Ø, M93Ø1-YF, 115V	
11/34-HD	KD11-E, MM11-DP, BALL-LB, M785Ø, M93Ø1-YF, 230V	
11/34-IC	11/34-DC & MS11-JP 115V	
11/34-LD	11/34-DD & MS11-JP 230V	
11/34-MC	11/34-HC & MM11-DP 115V	
11/34-MD	11/34-HD & MM11-DP 230V	
11/34-LH	11/34-DH & MS11-JP 115V	
11/34-LJ	11/34-DJ & MS11-JP 230V	
11/34-DH	KD11-E, MS11-JP, BALL-KK, M785Ø, M93Ø1-YF, 115V	
11/34-DJ	KD11-E, MS11-JP, BALL-KL, M785Ø, M93Ø1-YF, 230V	
11/34-MH	11/34-HH & MM11-DP 115V	
11/34-MJ	11/34-HJ & MM11-DP 230V	
11/34-HH	KD11-E, MM11-DP, BALL-KH, M785Ø, M93Ø1-YF, 115V	
11/34-HJ	KD11-E, MM11-DP, BALL-KJ, M785Ø, M93Ø1-YF, 230V	
11/34-LM	11/34-DM & MS11-JP 115V	
11/34-LN	11/34-DN & MS11-JP 230V	
11/34-DN	KD11-E, MS11-JP, BALL-KK, M785Ø, M93Ø1-YF, DL11-W, 115V	
11/34-DN	KD11-E, MS11-JP, BALL-KL, M785Ø, M93Ø1-YF, DL11-W, 230V	

5.25
BOX
(BALL-L)

10.50
BOX
(BALL-K)

REVISIONS		ORIGINATED
DATE	CHG. NO.	REV
3-76	11/34-1	-
6-76	11/34-2	A
11-76	11/34-4	B
1-77	11/34-5	C
3-77	11/34-6	L

USED ON OPTION/MODEL	DRN.	DATE	TITLE			
	CHK'D.	DATE	UNIT ASSY 11/34			
	PROJ. ENG.	DATE				
	PROD.	DATE				
	FIELD SERV.	DATE				
SHEET 1 OF 6			SIZE B DD	CODE	NUMBER 11/34-0	REV
			DIST			

EN-01082-1A-16-R3/2-(325)

CUSTOMER PRINT SET INDEX

THIS IS PRINT SET

--	--	--	--

FOR FIELD MAINTENANCE
PRINT SET REFER TO
B-TC-11/34-Ø-1 (5.25)
B-TC-11/34-Ø-2 (10.50)

SEQUENCE

SEQUENCE

10.50
BOX
(BALL-K)

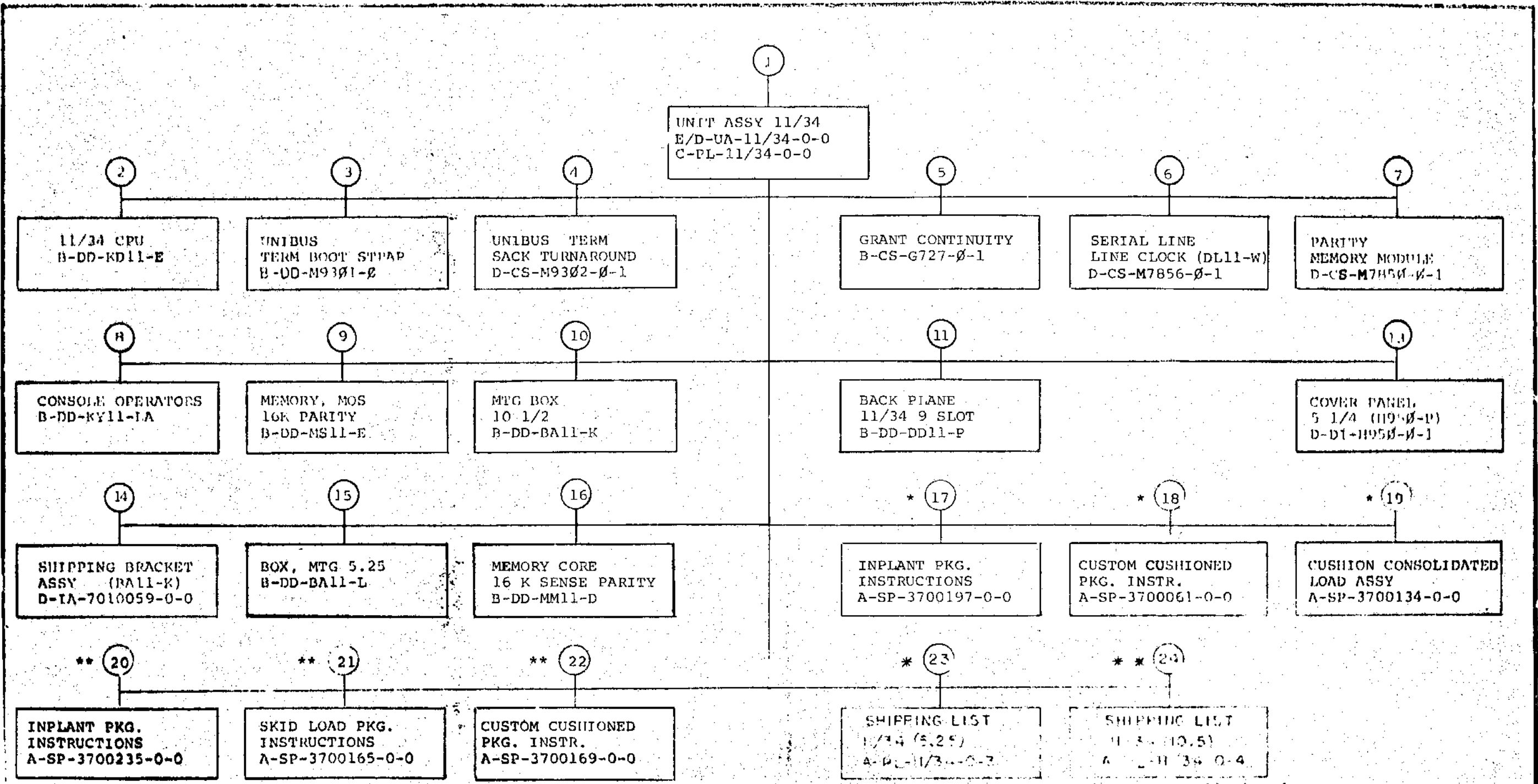
UNIT VARIATIONS

VAR	TITLE	PRINT SET
11/34-MM	11/34-HM & MM11-DP 115V	<input checked="" type="checkbox"/>
11/34-MN	11/34-HN, MM11-DP 230V	<input type="checkbox"/>
11/34-HM	KD11-E, MM11-DP, BALL-KH, M785Ø, M93Ø1-YF, DL11-W, 115V	<input type="checkbox"/>
11/34-HN	KD11-E, MM11-DP, BALL-KJ, M785Ø, M93Ø1-YF, DL11-W, 230V	<input type="checkbox"/>

EN-01062-1A-16-R/72-(325)

REVISIONS	DATE	CHG. NO.	REV.	USED ON OPTION/MODEL	DRN.	DATE	TITLE	NUMBER	REV				
						CHK'D.				DATE	UNIT ASSY 11/34	11/34-Ø	
						PROJ ENG.				DATE			
					PROD.	DATE	SIZE CODE						
					FIELD SERV.	DATE	B DD						
							DIST						

10



* Used for 5.25" & BALL-L only
 ** Use for 10.5" only (BALL-K) only

TITLE	SHEET OF	UNIT CODE	NUMBER	REV
UNIT ASSY 11/34	3 OF 6	B DD	11/34-0	

ELECTRICAL (SECTION 1)					ELECTRICAL (SECTION 1)				
FIND NO.	DRAWING NO.	REV	NO OF SHT	DESCRIPTION	FIND NO.	DRAWING NO.	REV	NO OF SHT	DESCRIPTION
1	E/D-UA-11/34-0-0	F	1	UNIT ASSY 11/34	6	D-CS-M7856-0-1		9	SERIAL LINE/LINE CLOCK (DL11-W)
	B-MU-DD11-P-2		REF	MODULE UTILIZATION (DD11-P)					
	D-IA-7008360-0-0		1	CABLE TTY					
	D-IA-7011992-0-0		1	CONSOLE POWER HARNESS					
	C-IA-7011413-0-0		1	CABLE, EXTERNAL BOOT					
	C-IA-7011411-0-0		1	CABLE, CONSOLE, BACK PLANE	7	D-CS-M7850-0-1		3	PARITY MEMORY MODULE
					8	B-DD-KY11-LA		2	CONSOLE OPERATORS
					9	B-DD-MS11-E		2	MEMORY MOS 16K PARITY
					10	B-DD-BA11-K		4	MTG BOX 10 1/2
2	B-DD-KD11-E		2	11/34 CPU					
					11	B-DD-DD11-P		3	BACK PLANE 11/34 9 SLOT
3	B-DD-M9301-0			UNIBUS TERMINATOR BOOT STRAP					
					15	B-DD-BA11-L		4	BOX, MTG 5.25
4	D-CS-M9302-0-1		2	UNIBUS TERM. SACK TURN AROUND					
					16	B-DD-MM11-D		2	MEM CORE, 16K SENSE PARITY
5	B-CS-G727-0-1		1	GRANT CONTINUITY					

CUSTOMER PRINT SET
 X = PRINT OF DOCUMENT INCLUDED IN PRINT SET
 C = INCLUDES ALL PRINTS INDICATED ON DOCUMENT
 S = CONFIDENTIAL AUTHORIZED SIGNATURE REQUIRED

TITLE

UNIT ASSY 11/34

SHEET 4 OF 6

SIZE CODE
 B DD

NUMBER
 11/34-0

REV
 D

12

CUSTOMER PRINT SET	MECHANICAL (SECTION 2)					CUSTOMER PRINT SET	MECHANICAL (SECTION 2)						
	FIND NO.	DRAWING NO.	REV	NO OF SHT	DESCRIPTION	OPTION NO./FILE DATE		FIND NO.	DRAWING NO.	REV	NO OF SHT	DESCRIPTION	OPTION NO./FILE DATE
	1	MP0044		REF	PRINT SET ORDER NO. 5.25			2	B-DD-KD11-E		2	11/34 CPU	
		B-TC-11/34-0-1		REF	FIELD MAINTENANCE PRINT SET 5.25								
		MP0082		REF	PRINT SET ORDER NO. 10.50								
		B-TC-11/34-0-2		REF	FIELD MAINTENANCE PRINT SET 10.50								
		E/D-UA-11/34-0-0	F	3	UNIT ASSY 11/34			3	B-DD-M9301-0			UNIBUS TERMINATOR BOOT STRAP	
		C-PL-11/34-0-0	F	2	UNIT ASSY 11/34 (PL)								
		D-IA-7011992-0-0		1	CONSOLE, POWER HARNESS								
		A-DC-7409478-0-0		1	DECAL, PATENT								
		B-DC-7414727-0-0		1	DECAL, STICKER 11/34								
		C-IA-7011413-0-0		1	CABLE, EXTERNAL BOOT M9301								
		C-IA-7011414-0-0		1	CABLE, CONSOLE/BACKPLANE								
		D-IA-7008860-0-0		1	CABLE, TTY			4	D-CS-M9302-0-1		2	UNIBUS TERM. SACK TURN AROUND	
		A-DC-7415501-0-0		1	DECAL, MODULE				K-CO-M9302-0-4		-	X-Y COORDINATE HOLE LOCATION	
		A-PS-3613210-0-0		2	LABEL, ELECTRICAL DATA				D-AH-M9302-0-5		1	ASSY/DRILLING HOLE LAYOUT	
									B-MH-M9302-0-6		1	MODULE ECO HISTORY	
									5011311		REF	ETCHED CIRCUIT BOARD	
								5	B-CS-G727-0-1		1	GRANT CONTINUITY	
								6	D-CS-M7856-0-1		9	SERIAL LINE/LINE CLOCK (DL11-W)	
									K-CO-M7856-0-4		-	X-Y COORDINATE HOLE LOCATION	
									D-AH-M7856-0-5		1	ASSY/DRILLING HOLE LAYOUT	
									B-MH-M7856-0-6		1	MODULE ECO HISTORY	
									5011464		REF	ETCHED CIRCUIT BOARD	
								7	D-CS-M7850-0-1		3	PARITY MEMORY MODULE	
									K-CO-M7850-0-4		-	X-Y COORDINATE HOLE LOCATION	
									D-AH-M7850-0-5		1	ASSY/DRILLING HOLE LAYOUT	
									B-MH-M7850-0-6		1	MODULE ECO HISTORY	
									5010651		REF	ETCHED CIRCUIT BOARD	
								8	B-DD-KY11-1A		2	CONSOLE OPERATORS	

CUSTOMER PRINT SET
 X = PRINT OF DOCUMENT INCLUDED IN PRINT SET
 C = INCLUDES ALL PRINTS INDICATED ON DOCUMENT
 S = CONFIDENTIAL AUTHORIZED SIGNATURE REQUIRED

TITLE
 UNIT ASSY 11/34

SHEET 5 OF 6

SIZE CODE
 8 DD

NUMBER
 11/34-0

REV
 D

CUSTOMER PRINT SET		MECHANICAL (SECTION 2)					CUSTOMER PRINT SET		MECHANICAL (SECTION 2)				
MFG SET	FIND NO.	DRAWING NO.	REV	NO OF SHT	DESCRIPTION	OPTION NO / FILE DATE	MFG SET	FIND NO.	DRAWING NO.	REV	NO OF SHT	DESCRIPTION	OPTION NO / FILE DATE
	9	B-DD-MS11-E		2	MEMORY MOS 16K PARITY			17	A-SP-3700235-0-0		3	INPLANT PKG. INSTRUCTIONS	
									A-PS-9905650-0-0		2	REGULAR SLOTTED CARTON	
									A-PS-9905889-0-0		2	BEZEL PROTECTOR	
									A-PS-9905644-0-0		2	REAR PAD	
									A-PS-9905323-0-0		2	LAMINATED SADDLE	
									A-PS-9905129-0-0		4	POLY BAG	
	10	B-DD-Ball-K		4	MTG BOX 10 1/2								
	11	B-DD-DD11-P		3	BACK PLANE 11/34 9 SLOT			18	A-SP-3700165-0-0		4	SKID LOAD PKG. INSTRUCTIONS	
									A-PS-1210568-01-0		2	CUSHIONED SKID	
									A-PS-9905445-0-0		2	HALF OVERLAP SLOTTED CARTON (TOP)	
									A-PS-9905419-0-0		2	FLANGED TUBE (BOTTOM)	
	13	D-DI-H950-0-1		1	COVER PANEL 5 1/4 (H950-P)			19	A-SP-3700169-0-0		2	CUST. CUSHIONED PKG. INSTRUCTIONS	
									A-PS-9905645-0-0		2	FULL TELESCOPE	
									A-PS-9905642-0-0		2	FOAM, PAD	
									A-PS-9905643-0-0		2	FOAM/CORRUGATED SIDE WALL ASSY	
	14	D-IA-7010059-0-0		1	SHIPPING BRACKET ASSY (Ball-K)			20	A-SP-3700197-0-0		3	INPLANT PKG. INSTRUCTIONS	
		C-MD-7412190-0-0		1	SHIPPING BRACKET PT1				A-PS-9905418-0-0		2	REGULAR SLOTTED CARTON	
		D-MD-7412131-0-0		1	SHIPPING BRACKET PT2				A-PS-9905754-0-0		2	BEZEL PROTECTOR	
									A-PS-9905755-0-0		2	LAMINATED SADDLE	
									A-PS-9905129-0-0		2	POLY BAG	
									A-PS-9905729-0-0		2	TAPE	
	15	B-DD-Ball-L		4	BOX, MFG 5.25			21	A-SP-3700061-0-0		4	CUSTOM CUSHIONED PKG. INSTR.	
	16	B-DD-MM11-F		2	MEMORY CORE 16K SENSE PARITY			22	A-SP-3700134-0-0		4	CUSHION CONSOLIDATED LOAD ASSY	
									A-PL-11/34-0-3		1	SHIPPING LIST 11/34 (5.25)	
									A-PL-11/34-0-4		1	SHIPPING LIST 11/34 (10.5)	

CUSTOMER PRINT SET CODES
 X = PRINT OF DOCUMENT INCLUDED IN PRINT SET
 C = INCLUDES ALL PRINTS INDICATED ON DOCUMENT
 S = CONFIDENTIAL AUTHORIZED SIGNATURE REQUIRED

TITLE

UNIT ASSY 11/34

SHEET 6 OF 6

SIZE CODE

B OD

NUMBER

11/34-0

REV

D

14

DRB 108

digital EN-01062-2B-16-R972-(325)

"THE MATERIAL HEREIN IS FOR INFORMATION PURPOSES ONLY AND IS SUBJECT TO CHANGE WITHOUT NOTICE. DIGITAL EQUIPMENT CORPORATION ASSUMES NO RESPONSIBILITY FOR ANY ERRORS WHICH MAY APPEAR HEREIN."

FIELD MAINTENANCE PRINT SET

"THIS DRAWING AND SPECIFICATIONS, HEREIN, ARE THE PROPERTY OF DIGITAL EQUIPMENT CORPORATION AND SHALL NOT BE REPRODUCED OR COPIED OR USED IN WHOLE OR IN PART AS THE BASIS FOR THE MANUFACTURE OR SALE OF ITEMS WITHOUT WRITTEN PERMISSION. COPYRIGHT © 1975, DIGITAL EQUIPMENT CORPORATION."

TABLE OF CONTENTS

FIELD MAINT. PRINT SET KD11-E	B-TC-KD11-E-3
KD11-E BLOCK DIAGRAM	D-BD-KD11-E-2
KD11-E FLOW DIAGRAMS	D-PD-KD11-E-1
KD11-E DATA PATH	D-CS-M7265-Ø-1
KD11-E CONTROL	D-CS-M7266-Ø-1

UNIT VARIATIONS COVERED BY THIS PRINT SET

KD11-E

KD11-E

Field Maintenance Print Set

Digital Equipment Corporation

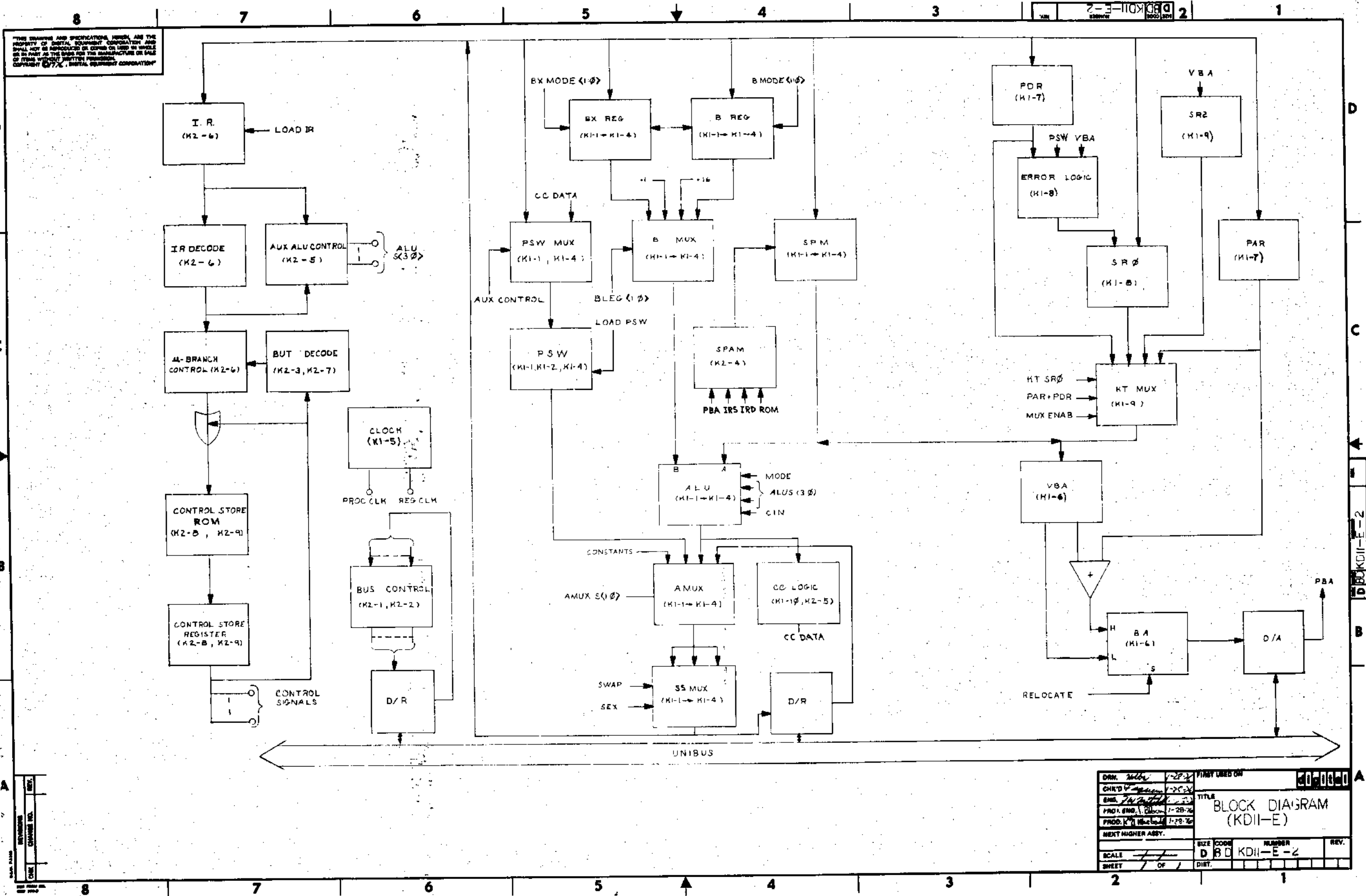
PRINT SET ORDER NO.
MPØØ43

REVISIONS		USED ON OPTION/MODEL	DRN.	DATE	digital			
REV.			D. HEALY	12/29/75	TITLE: FIELD MAINTENANCE PRINT SET KD11-E			
CHG. NO.		11/34	CHK'D	DATE				
			D. HEALY	12/29/75				
			PROJ. ENG.	DATE				
			FIELD SERV.	DATE				
DATE					SIZE	CODE	NUMBER	REV.
					B	TC	KD11-E-3	
		SHEET 1 OF 1			DIST.			

EN-01124 16-N675-(277)

DRB 124

THIS DRAWING AND SPECIFICATIONS HEREIN ARE THE PROPERTY OF DIGITAL EQUIPMENT CORPORATION AND SHALL NOT BE REPRODUCED OR COPIED IN WHOLE OR IN PART AS THE BASIS FOR THE MANUFACTURE OR SALE OF ITEMS WITHOUT WRITTEN PERMISSION OF DIGITAL EQUIPMENT CORPORATION.



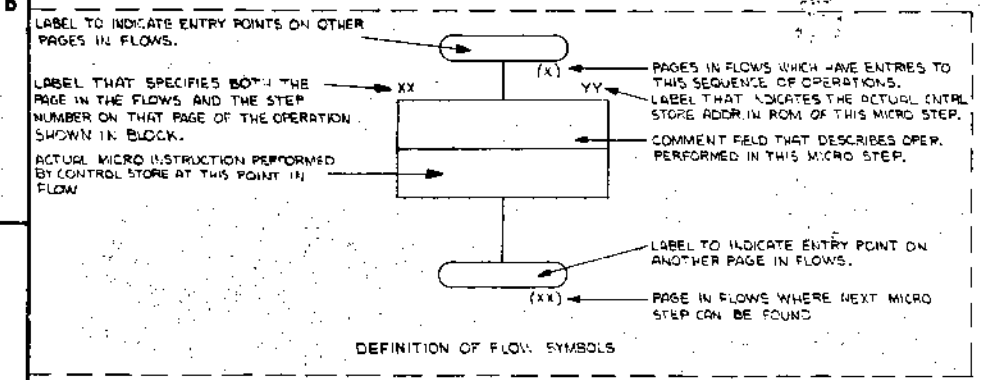
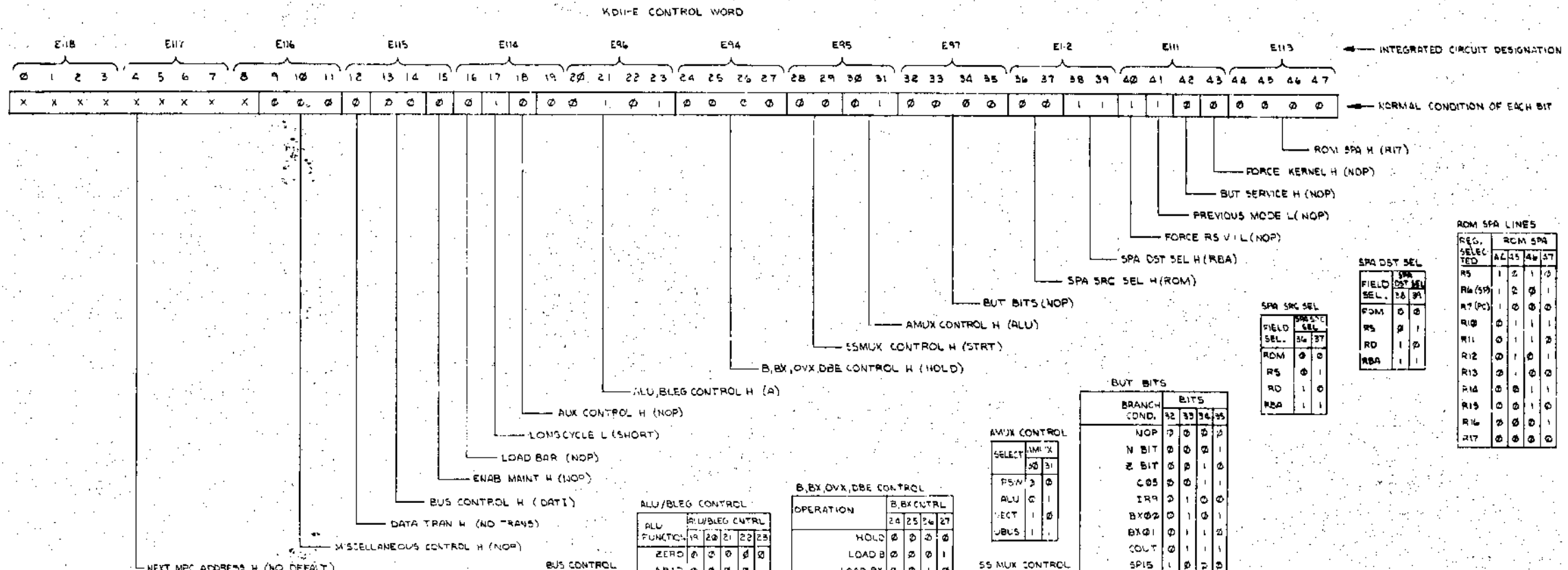
DRN. <i>Wally</i>	1-28-72	FIRST USED ON	10-0000
CHK'D <i>Wally</i>	1-28-72	TITLE	BLOCK DIAGRAM (KDII-E)
ENG. <i>Wally</i>	1-28-72	SIZE	D B D
PROJ. ENG. <i>Wally</i>	1-28-72	NUMBER	KDII-E-2
PROD. <i>Wally</i>	1-28-72	REV.	
NEXT HIGHER ASSY.		SCALE	
		SHEET	1

16

THIS DRAWING AND SPECIFICATIONS HEREIN ARE THE PROPERTY OF DIGITAL EQUIPMENT CORPORATION AND SHALL NOT BE REPRODUCED OR COPIED OR USED IN WHOLE OR IN PART AS THE BASIS FOR THE MANUFACTURE OR SALE OF ITEMS WITHOUT WRITTEN PERMISSION. COPYRIGHT © 1975, DIGITAL EQUIPMENT CORPORATION.

REV. 1
LWK
NO. 100-1000

13-11011-E-1
DIGITAL EQUIPMENT CORPORATION



MISC. CONTROL

OPERATION	MISC.	Q	C	I	1
NOP		0	0	0	0
LOAD IR		0	0	1	0
LOAD PSW		0	1	0	0
LOAD CC		0	1	1	0
BUT DEST		1	0	0	0
ENAB STOV		1	0	1	0
LOAD CNT		1	1	0	0
COUNT		1	1	1	1

BUS CONTROL

OPERATION	ENTR	B	14
DAT1	0	1	0
DAT2	0	1	0
DAT3	1	1	1

ALU/BLEG CONTROL

ALU FUNCTION	B/BLEG ENTRL	19	20	21	22	23
ZERO		0	0	0	0	0
ABAR		0	0	0	0	0
A+1		0	0	0	1	0
A-1		0	0	0	1	1
A-B		0	0	1	0	0
A		0	0	1	0	1
B		0	0	1	1	0
ONE BAR		0	0	1	1	1
A+B		0	1	0	0	0
A-B		0	1	0	0	1
ABAR-B		0	1	0	1	0
A+B		0	1	0	1	1
A*B		0	1	1	0	0
A/B		0	1	1	0	1
A-BAR		0	1	1	1	0
A+1		1	0	0	0	0
A+X		1	0	0	0	1
A-BX		1	0	0	1	0
B-BX+1		1	0	0	1	1
A+2		1	0	1	0	0
A-2		1	0	1	0	1
A+A		1	0	1	1	0
BX		1	0	1	1	1
BAR		1	1	0	0	0
BAR		1	1	0	0	1
A+1		1	1	0	1	0

B, BX, OVX, DBE CONTROL

OPERATION	B, BX CTRL	24	25	26	27
HOLD		0	0	0	0
LOAD B		0	0	0	1
LOAD BX		0	0	1	0
SL(BX-0), LDB		0	0	1	1
SL(BX-COUT), LDB		0	1	0	0
SL(BX-1), LDB		0	1	0	1
SL(B-0), LDBX		0	1	1	0
SL(B-0), LDBX		0	1	1	1
SL(B-BX15)		0	1	1	1
SL(BX-0)		1	0	0	1
SL(BX-1)		1	0	1	0
SL(BX-CVX)		1	0	1	1
SL(BX-COUT)		1	0	1	1
SL(B-BX-0)		1	1	0	1
SR(B15-B-BX)		1	1	1	0
ENAB DBE		1	1	1	1

AMUX CONTROL

SELECT	AMUX	30	31
PSW		0	0
ALU		0	1
SELECT		1	0
JBUS		1	1

BUT BITS

BRANCH COND.	BITS	32	33	34	35
NOP		0	0	0	0
N BIT		0	0	0	1
Z BIT		0	0	1	0
C05		0	0	1	1
IR9		0	1	0	0
BX02		0	1	0	1
BX01		0	1	1	0
COUT		0	1	1	1
SP15		1	0	0	0
NBIT + Z BIT		1	0	0	1
BX02 + SP15		1	0	1	0
BX01 + BX02		1	0	1	1
CPS - BX01 - BX02		1	0	1	1
NBIT + C05		1	1	0	1
BX02 - C05		1	1	1	0
ALL		1	1	1	1

A "1" IN THE TABLES SHOWN INDICATES A LOGIC "1" ROM OUTPUT BETWEEN +2.4 VOLTS AND +5.0 VOLTS.
A "0" IN THE TABLES SHOWN INDICATES A LOGIC "0" ROM OUTPUT BETWEEN 0.0 VOLTS AND +0.4 VOLTS.
NOTE THAT ALL LEVELS SHOWN REPRESENT ACTUAL CONTROL STORE ROM OUTPUTS.

ROM SPA LINES

REG. SELECTED	ROM SPA	44	45	46	47
R5		1	0	1	0
R6 (SP)		1	0	0	0
R7 (PC)		1	0	0	0
R10		0	1	1	1
R11		0	1	1	2
R12		0	1	0	1
R13		0	0	1	0
R14		0	0	1	1
R15		0	0	1	0
R16		0	0	0	1
R17		0	0	0	0

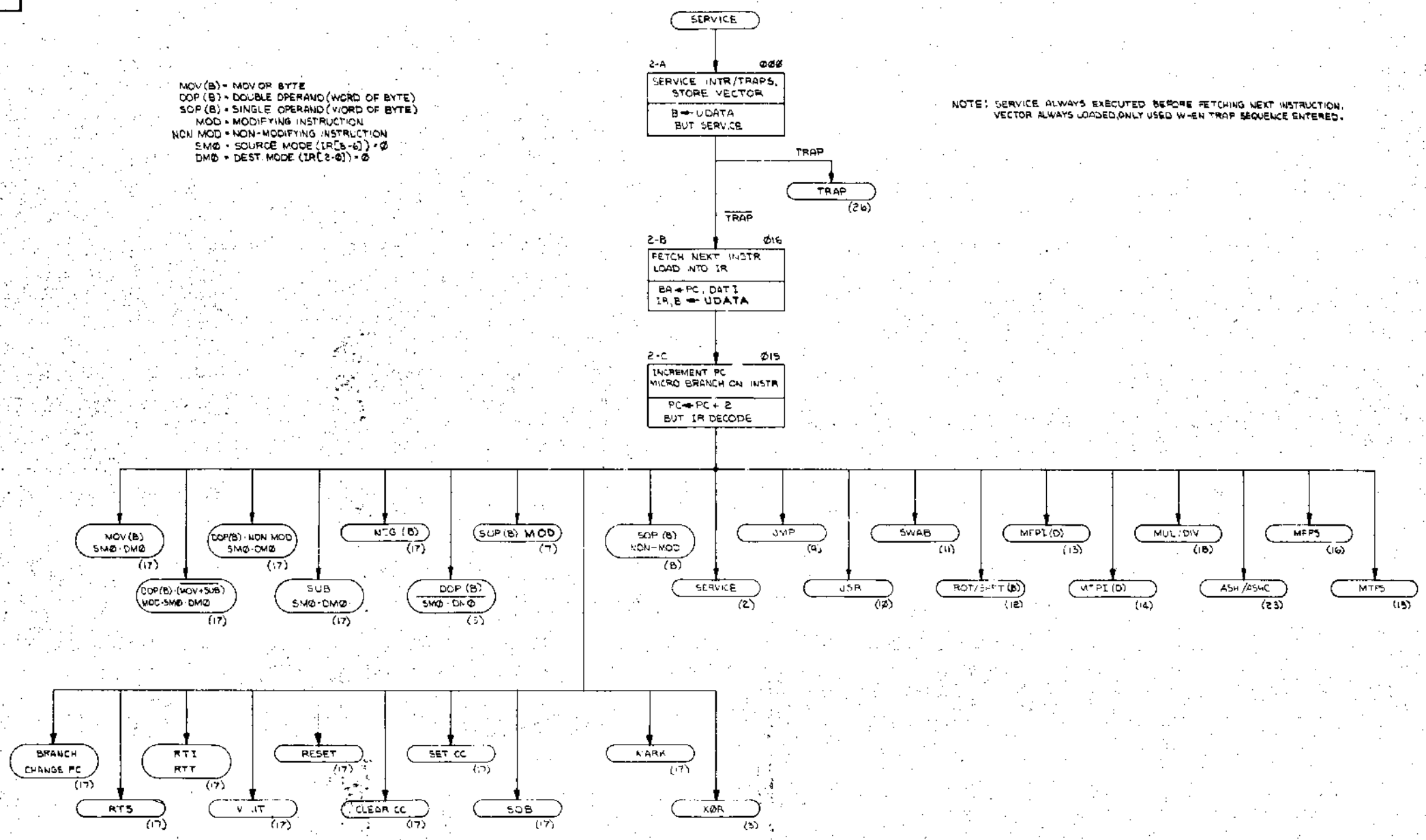
FIRST USED ON OPTION/MODEL	QTY.	DESCRIPTION	PART NO.	ITEM NO.
PARTS LIST				
DIMENSIONAL TOLERANCE		DATE	digital	
DIMENSIONS ARE MILLIMETERS UNLESS OTHERWISE SPECIFIED		DATE	TITLE	
MILLIMETERS	INCHES	ANGLES	KDIE FLOW DIAGRAMS	
XXX = ±0.10	XXX = ±0.08	30° 30'	SIZE CODE	
XX = ±0.8	XX = ±0.08		NUMBER	
X = ±2	X = ±.7		D/FD/KDIE-1	
THIRD ANGLE PROJECTION	REMOVE BURRS AND BREAK SHARP CORNERS SURFACE QUALITY	DATE	SCALE	SHEET
MATERIAL	FINISH	DATE	OF 26	DIST.

THIS DRAWING AND SPECIFICATIONS HEREIN ARE THE PROPERTY OF DIGITAL EQUIPMENT CORPORATION AND SHALL NOT BE REPRODUCED OR COPIED OR USED IN WHOLE OR IN PART AS THE BASIS FOR THE MANUFACTURE OR SALE OF ITEMS WITHOUT WRITTEN PERMISSION. COPYRIGHT © 1975 DIGITAL EQUIPMENT CORPORATION

1-3-110K 2

MOV(B) = MOV. OP. BYTE
 DOP(B) = DOUBLE OPERAND (WORD OF BYTE)
 SOP(B) = SINGLE OPERAND (WORD OF BYTE)
 MOD = MODIFYING INSTRUCTION
 NON MOD = NON-MODIFYING INSTRUCTION
 SMØ = SOURCE MODE (IR[5-6]) = Ø
 DMØ = DEST. MODE (IR[2-3]) = Ø

NOTE: SERVICE ALWAYS EXECUTED BEFORE FETCHING NEXT INSTRUCTION. VECTOR ALWAYS LOADED, ONLY USED W-EN TRAP SEQUENCE ENTERED.

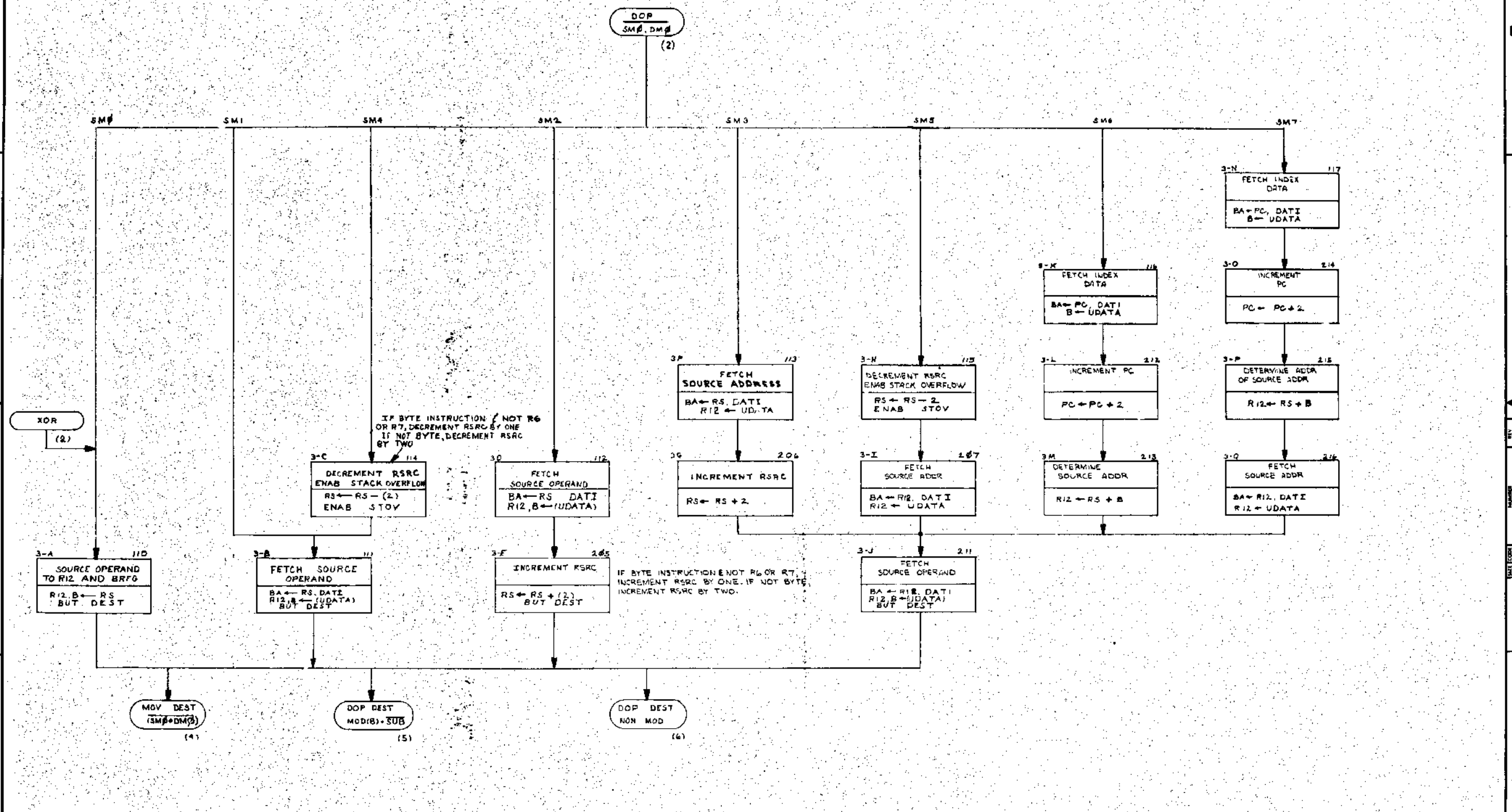


REVISIONS		
CHK	CHANGE NO.	REV.

TITLE	SIZE CODE	NUMBER	REV.
KDII E FLOW DIAGRAMS	D/FD	KDII-E-1	
SCALE	SHEET 2 OF 26	DIST.	

18

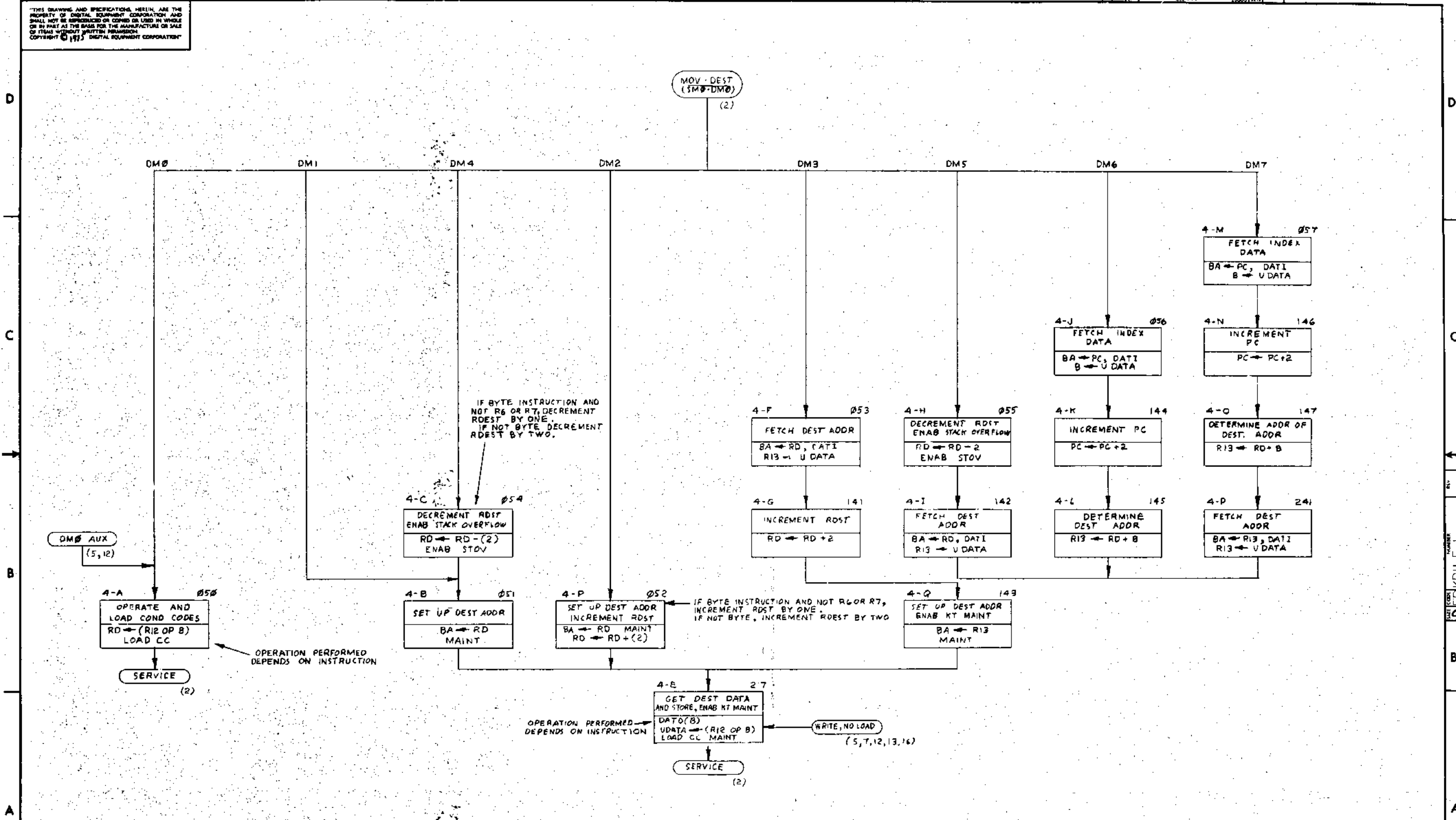
THIS DRAWING AND SPECIFICATIONS HEREIN ARE THE PROPERTY OF DIGITAL EQUIPMENT CORPORATION AND SHALL NOT BE REPRODUCED OR COPIED OR USED IN WHOLE OR IN PART AS THE BASIS FOR THE MANUFACTURE OR SALE OF ITEMS WITHOUT WRITTEN PERMISSION. COPYRIGHT © 1977 DIGITAL EQUIPMENT CORPORATION



REVISIONS		
CHK	CHANGE NO.	REV.

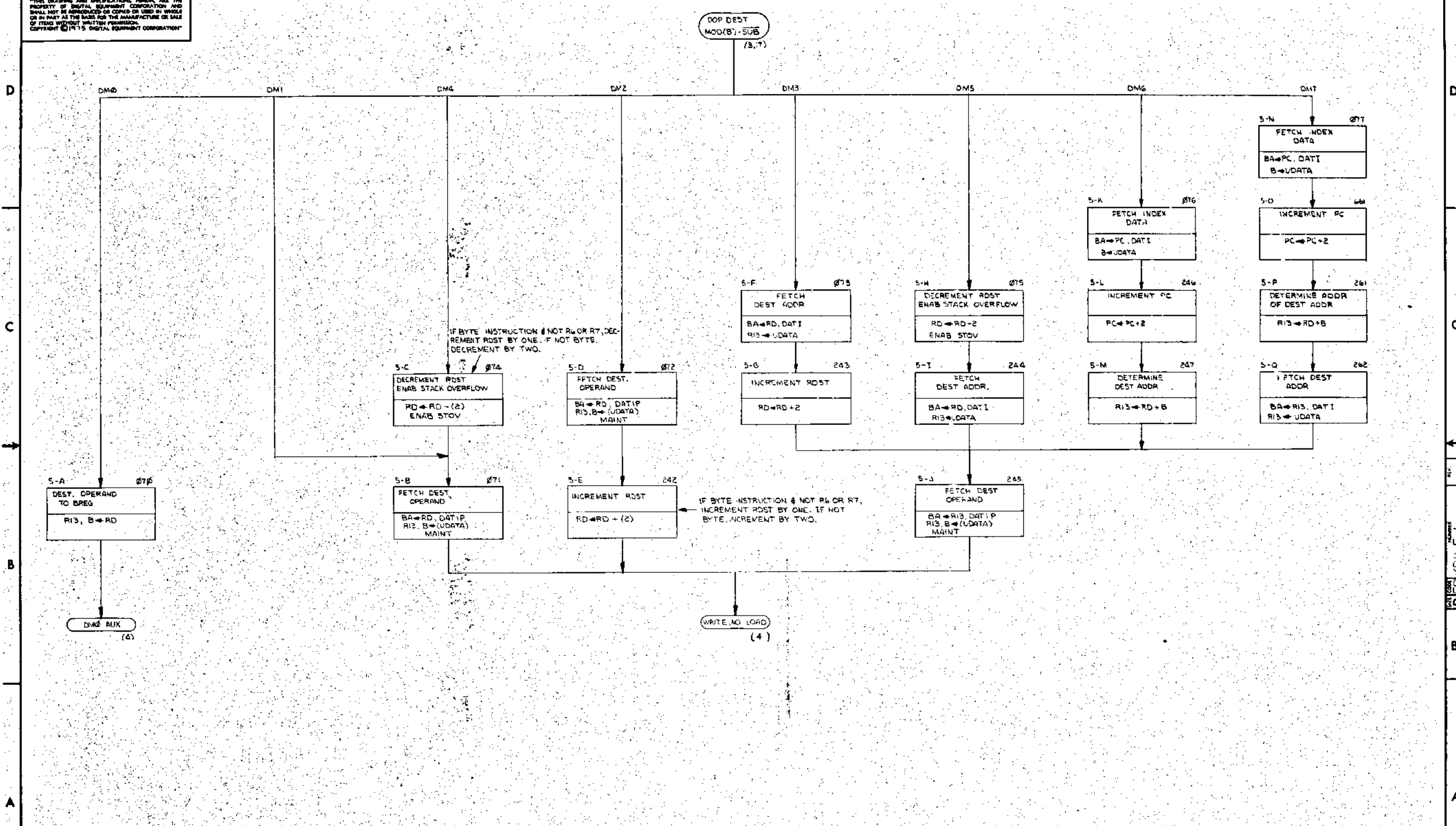
THIS DRAWING AND SPECIFICATIONS HEREIN ARE THE PROPERTY OF DIGITAL EQUIPMENT CORPORATION AND SHALL NOT BE REPRODUCED OR COPIED IN WHOLE OR IN PART AS THE BASIS FOR THE MANUFACTURE OR SALE OF ITEMS WITHOUT WRITTEN PERMISSION. COPYRIGHT © 1973 DIGITAL EQUIPMENT CORPORATION

MOV - DEST
(SM-DM0)
(2)



REVISIONS		
CHK	CHANGE NO.	REV.

THIS DRAWING AND SPECIFICATIONS, HEREIN, ARE THE PROPERTY OF DIGITAL EQUIPMENT CORPORATION AND SHALL NOT BE REPRODUCED OR COPIED OR USED IN WHOLE OR IN PART AS THE BASIS FOR THE MANUFACTURE OR SALE OF ITEMS WITHOUT WRITTEN PERMISSION. COPYRIGHT © 1975 DIGITAL EQUIPMENT CORPORATION

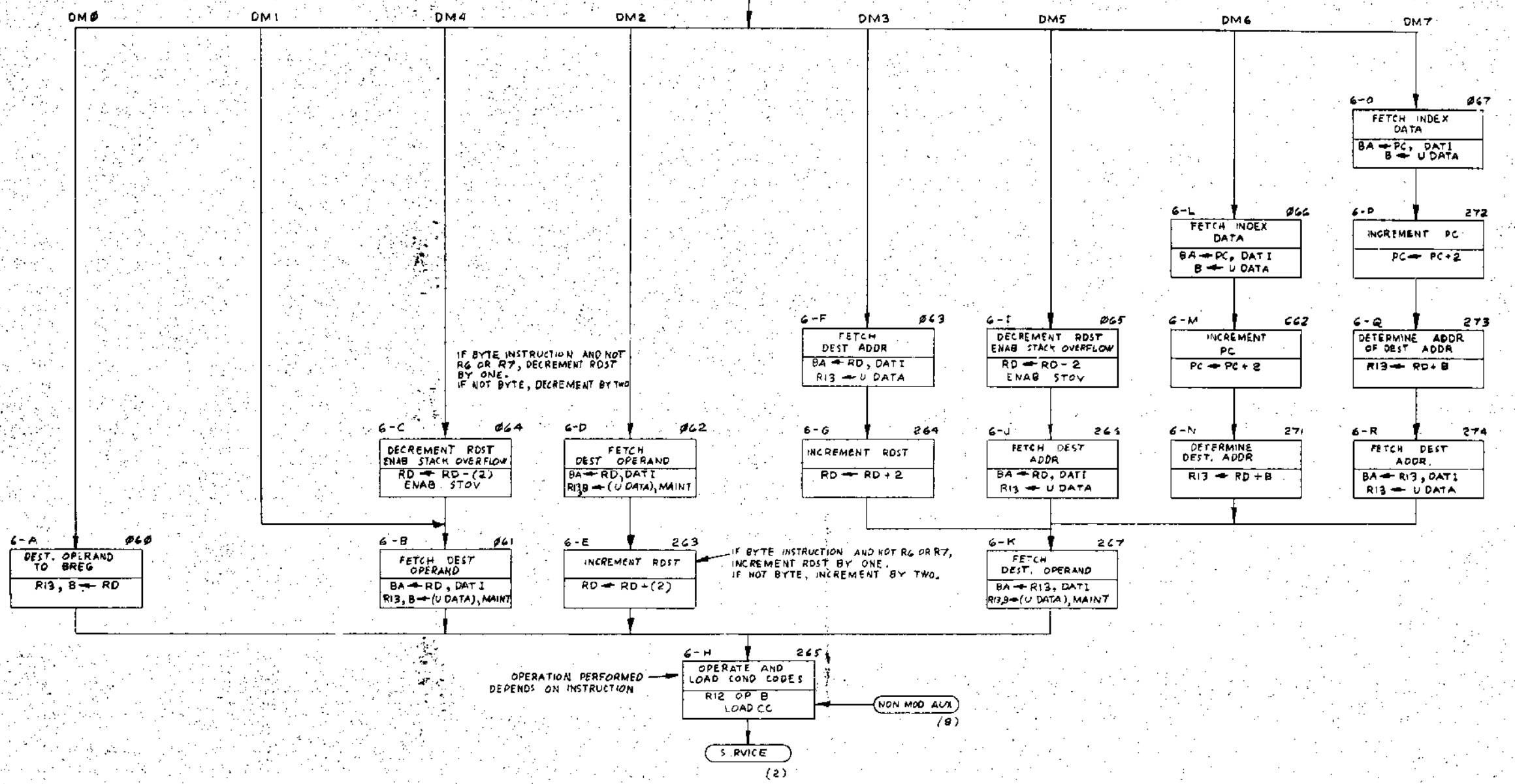


REVISIONS		
CHK	CHANGE NO.	REV.

THIS DRAWING AND SPECIFICATIONS HEREIN ARE THE PROPERTY OF DIGITAL EQUIPMENT CORPORATION AND SHALL NOT BE REPRODUCED OR COPIED OR USED IN WHOLE OR IN PART AS THE BASIS FOR THE MANUFACTURE OR SALE OF ITEMS WITHOUT WRITTEN PERMISSION. COPYRIGHT © 1975 DIGITAL EQUIPMENT CORPORATION.

1-3-110K01-D 2

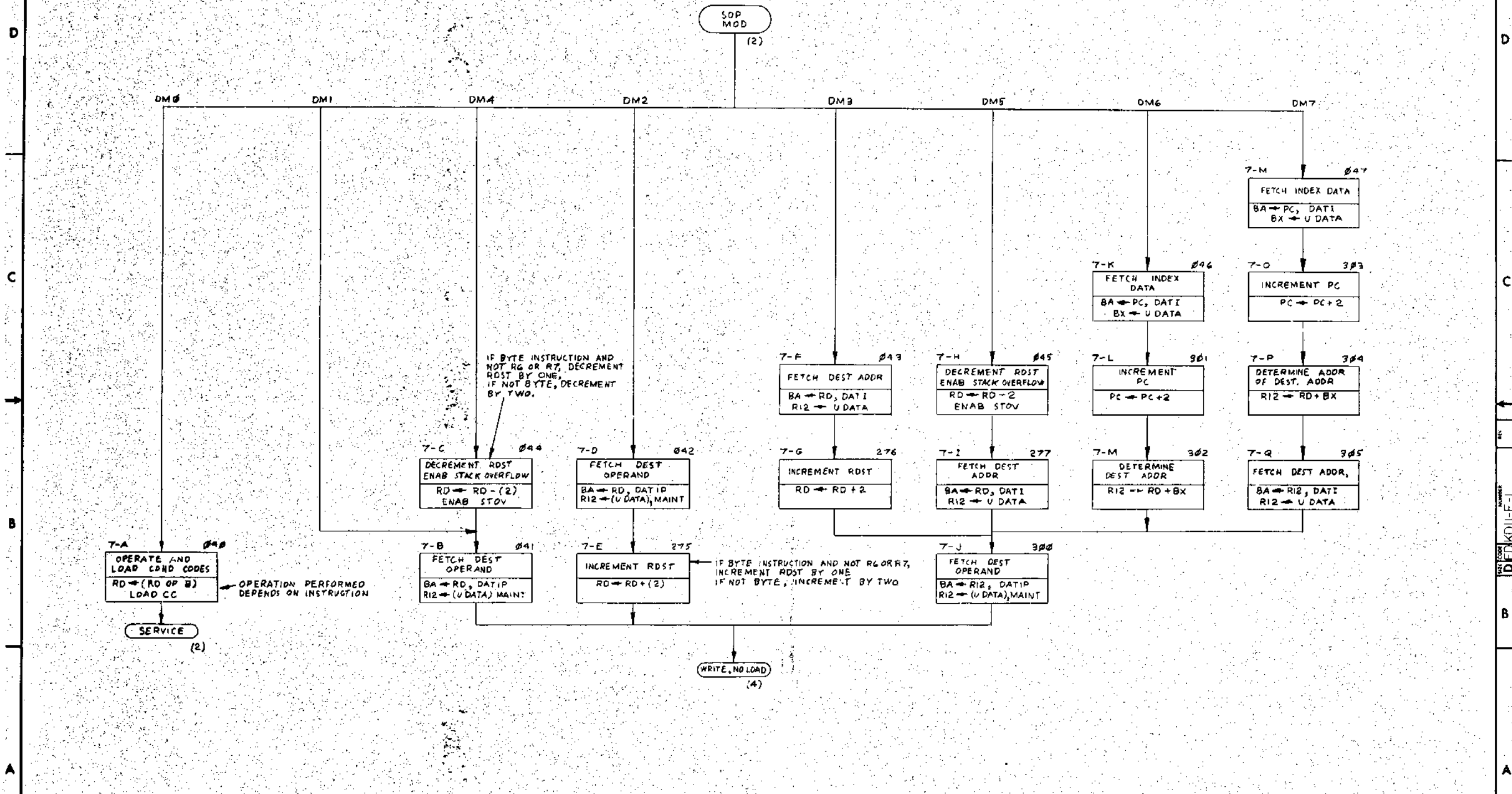
DOP DEST
NON MOD
(3)



REVISIONS		
CHK	CHANGE NO.	REV

TITLE: KDII-E FLOW DIAGRAMS
 SIZE CODE: D, FD, KDII-E-1
 NUMBER: 6 OF 26
 SCALE: ---
 SHEET: 6 OF 26
 DIST: ---

"THIS DRAWING AND SPECIFICATIONS HEREIN ARE THE PROPERTY OF DIGITAL EQUIPMENT CORPORATION AND SHALL NOT BE REPRODUCED OR COPIED OR USED IN WHOLE OR IN PART AS THE BASIS FOR THE MANUFACTURE OR SALE OF ITEMS WITHOUT WRITTEN PERMISSION. COPYRIGHT © 1975 DIGITAL EQUIPMENT CORPORATION"

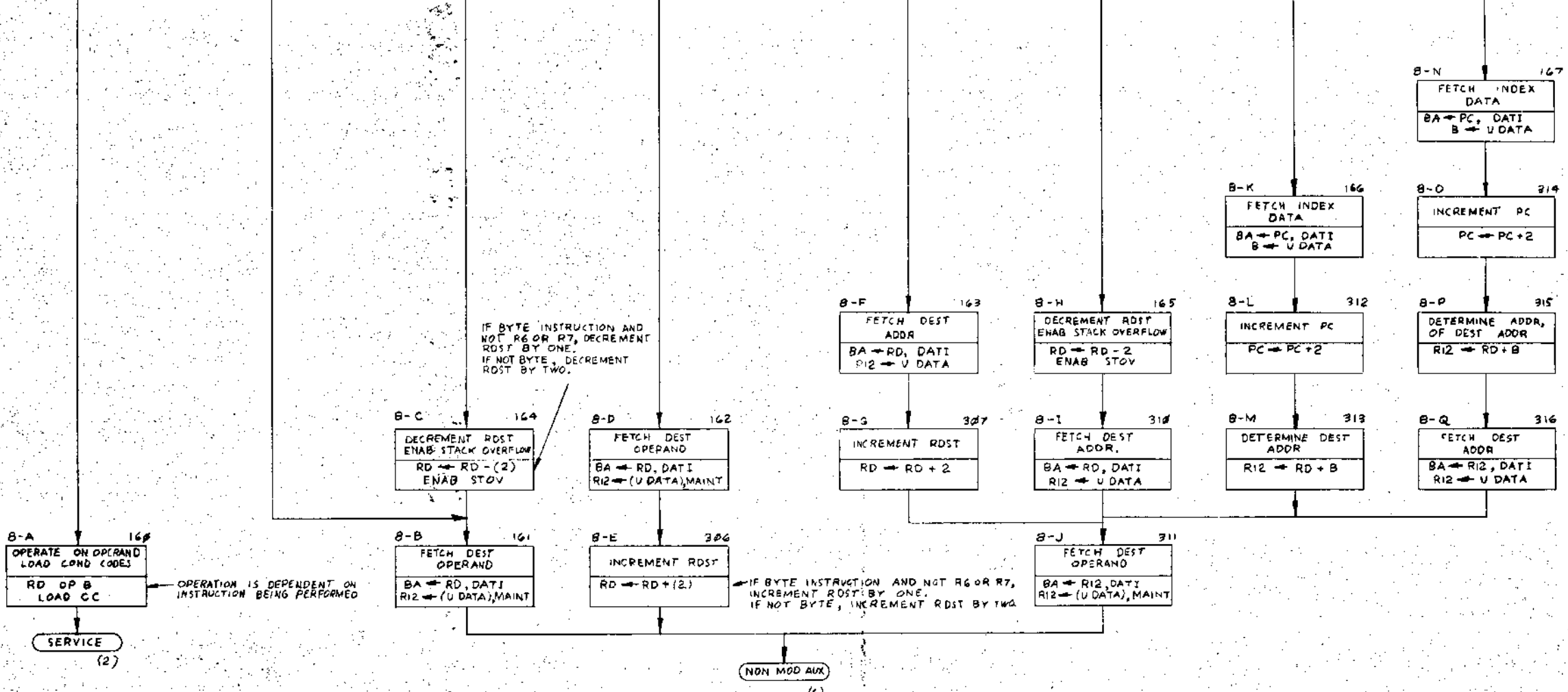


REVISIONS		
CHK	CHANGE NO.	REV.

THIS DRAWING AND SPECIFICATIONS HEREAFTER ARE THE PROPERTY OF DIGITAL EQUIPMENT CORPORATION AND SHALL NOT BE REPRODUCED OR COPIED OR USED IN WHOLE OR IN PART AS THE BASIS FOR THE MANUFACTURE OR SALE OF ITEMS WITHOUT WRITTEN PERMISSION. COPYRIGHT © 1974 DIGITAL EQUIPMENT CORPORATION

SOP
NDN - MOD
(2)

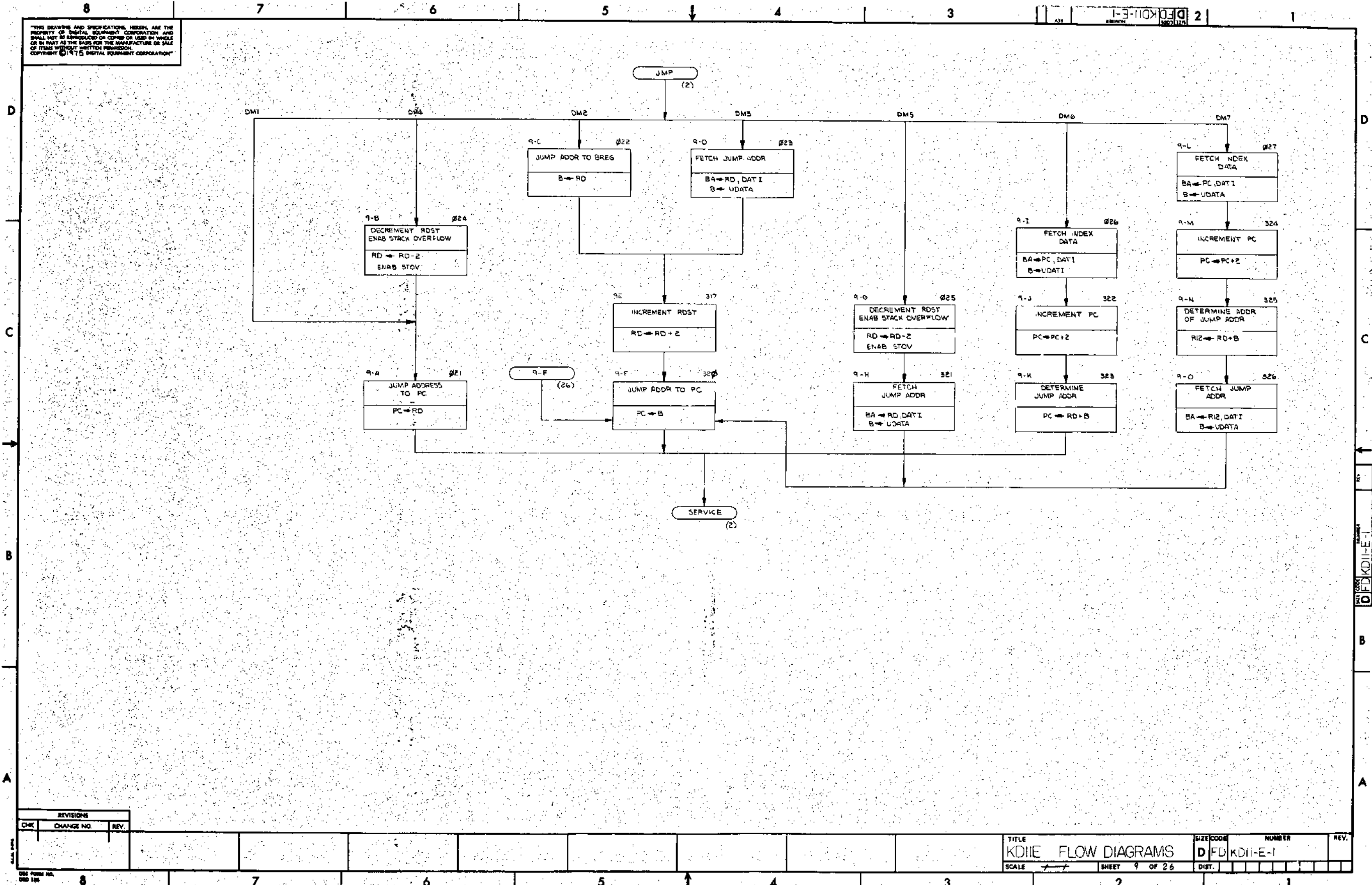
DM0 DM1 DM4 DM2 DM3 DM5 DM6 DM7



REVISIONS		
CHK	CHANGE NO.	REV.

"THIS DRAWING AND SPECIFICATIONS HEREON ARE THE PROPERTY OF DIGITAL EQUIPMENT CORPORATION AND SHALL NOT BE REPRODUCED OR COPIED OR USED IN WHOLE OR IN PART AS THE BASIS FOR THE MANUFACTURE OR SALE OF ITEMS WITHOUT WRITTEN PERMISSION. COPYRIGHT © 1975 DIGITAL EQUIPMENT CORPORATION"

FDKDIIE-1



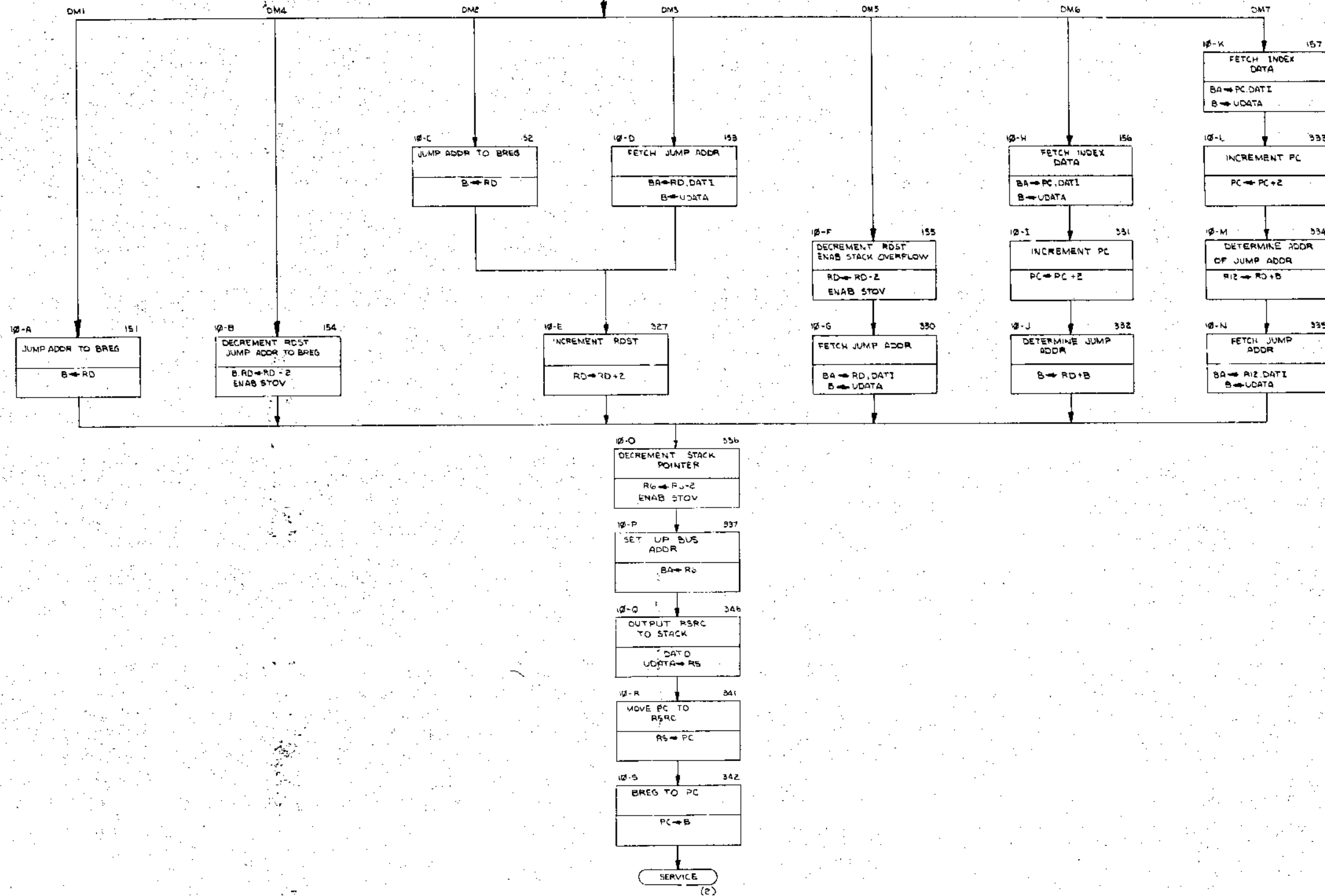
REVISIONS		
CHK	CHANGE NO	REV.

TITLE: KDIIE FLOW DIAGRAMS
 SCALE: 1/1
 SHEET: 9 of 26
 SIZE CODE: D
 NUMBER: FDKDIIE-1
 REV.:

25

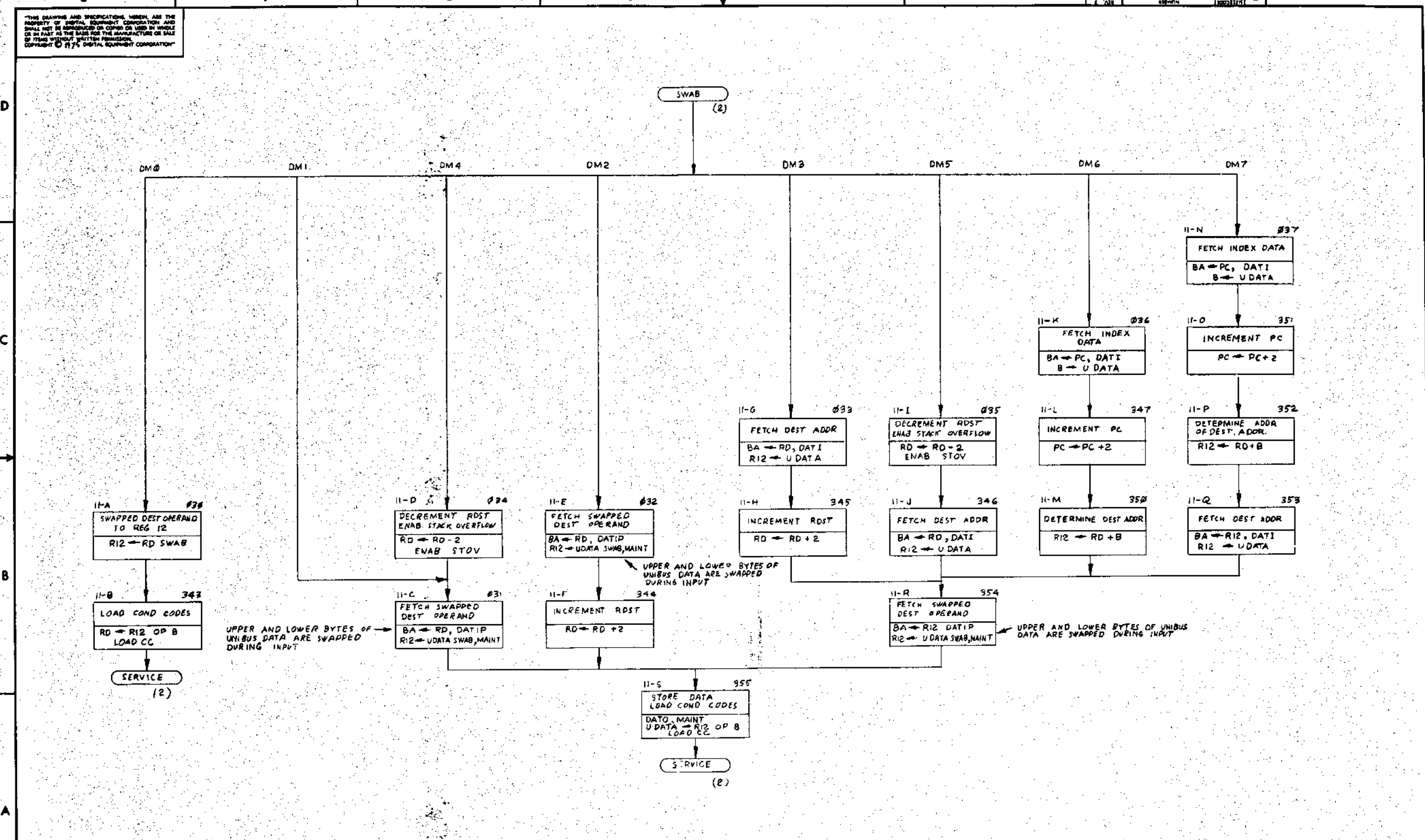
THIS DRAWING AND SPECIFICATIONS HEREON ARE THE PROPERTY OF DIGITAL EQUIPMENT CORPORATION AND SHALL NOT BE REPRODUCED OR COPIED OR USED IN WHOLE OR IN PART AS THE BASIS FOR THE MANUFACTURE OR SALE OF ITEMS WITHOUT WRITTEN PERMISSION. COPYRIGHT © 1975 DIGITAL EQUIPMENT CORPORATION

JSR
(2)



REVISIONS		
CHK	CHANGE NO.	REV.

THIS DRAWING AND SPECIFICATIONS HEREIN ARE THE PROPERTY OF DIGITAL EQUIPMENT CORPORATION AND SHALL NOT BE APPROVED OR COPIED OR USED IN WHOLE OR IN PART AS THE BASIS FOR THE MANUFACTURE OR SALE OF ITEMS WITHOUT WRITTEN PERMISSION. COPYRIGHT © 1975 DIGITAL EQUIPMENT CORPORATION

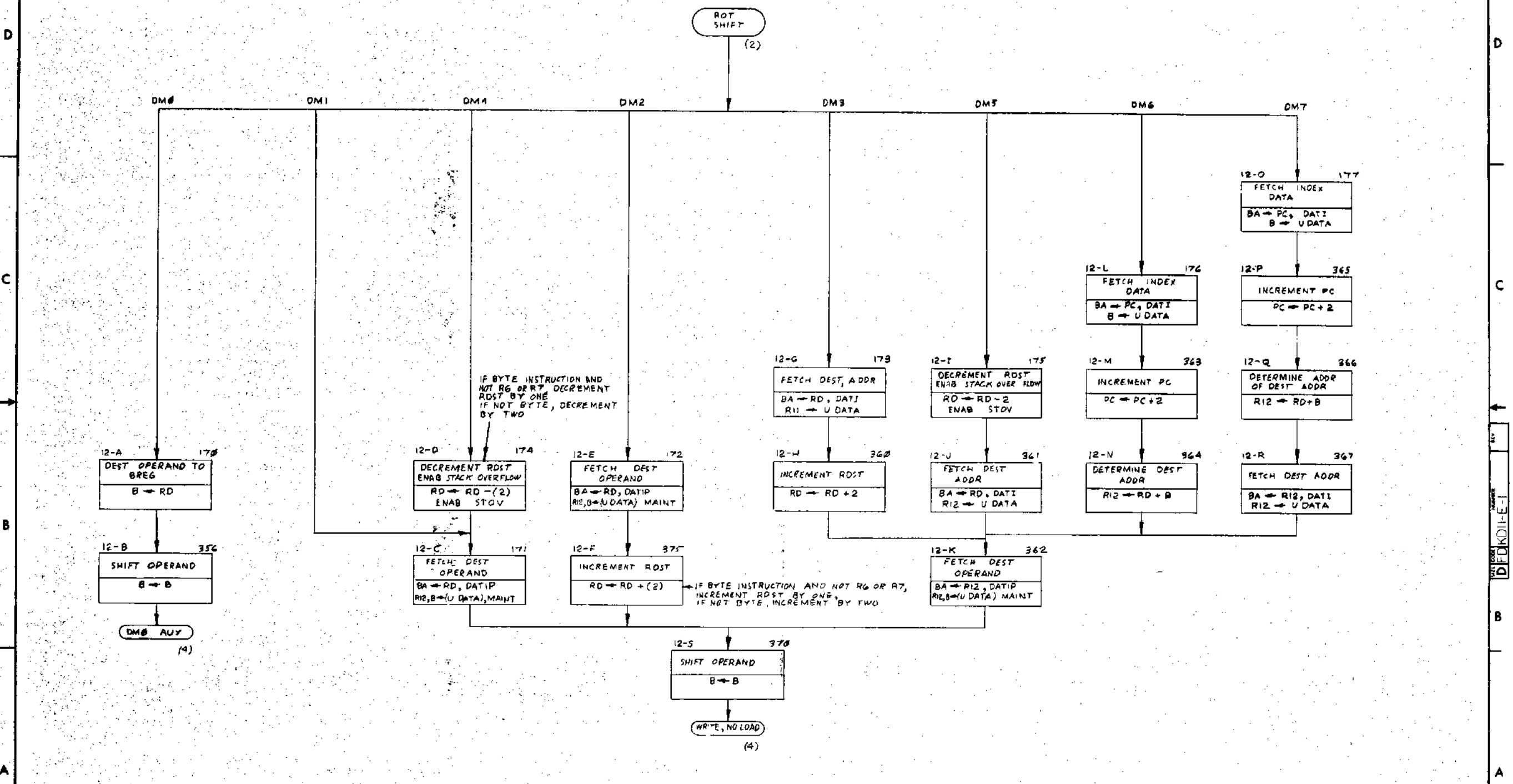


REVISIONS			TITLE		SIZE CODE	NUMBER	REV.
CHK	CHANGE NO.	REV.	KDIE FLOW DIAGRAMS		D	FD	KDII-E-1
			SCALE	SHEET 11 OF 26	DIST.		

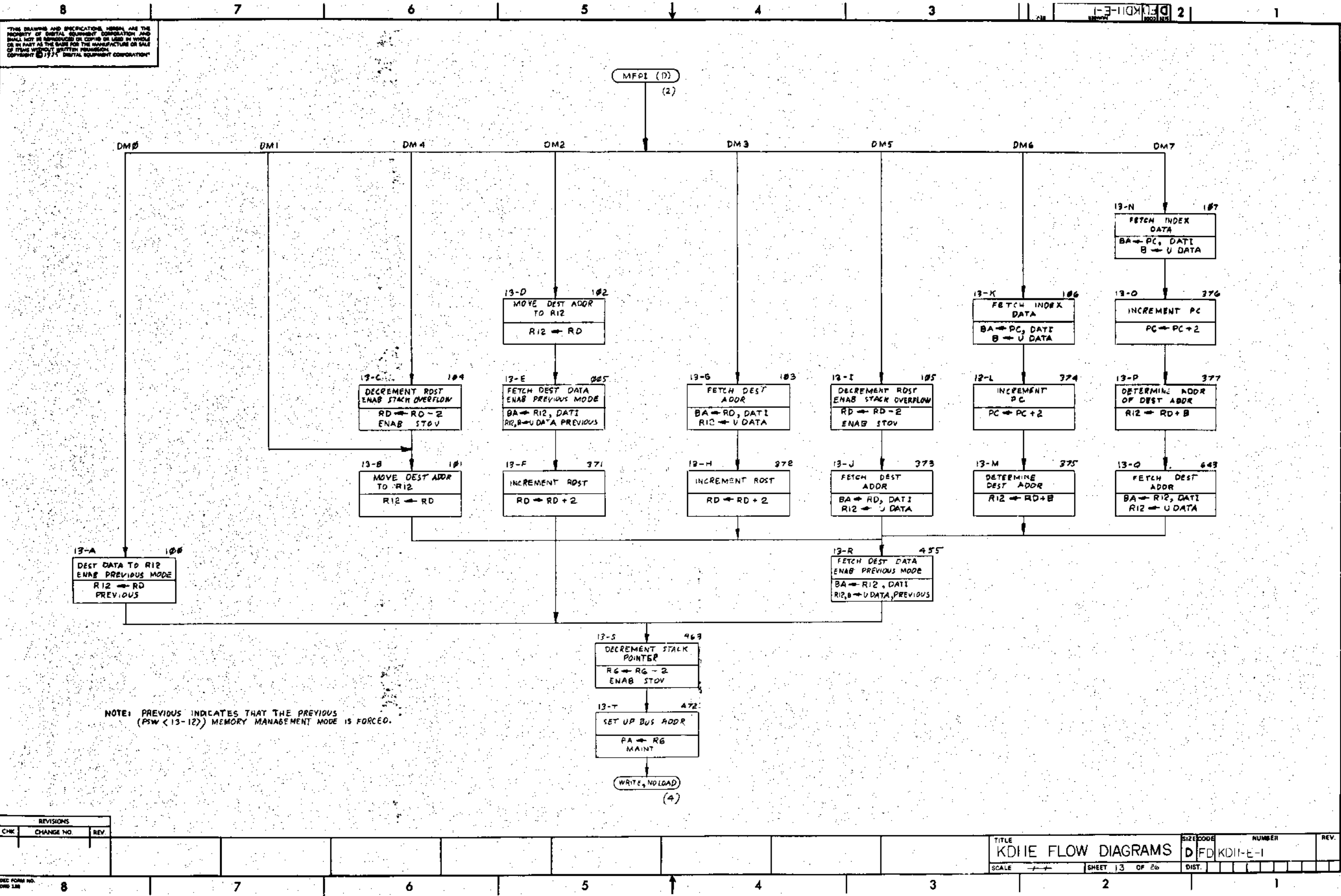
DEC FORM NO. 100 128

21

THIS DRAWING AND SPECIFICATIONS HEREIN ARE THE PROPERTY OF DIGITAL EQUIPMENT CORPORATION AND SHALL NOT BE REPRODUCED OR COPIED IN WHOLE OR IN PART AS THE BASIS FOR THE MANUFACTURE OR SALE OF ITEMS WITHOUT WRITTEN PERMISSION. COPYRIGHT © 1977, DIGITAL EQUIPMENT CORPORATION.



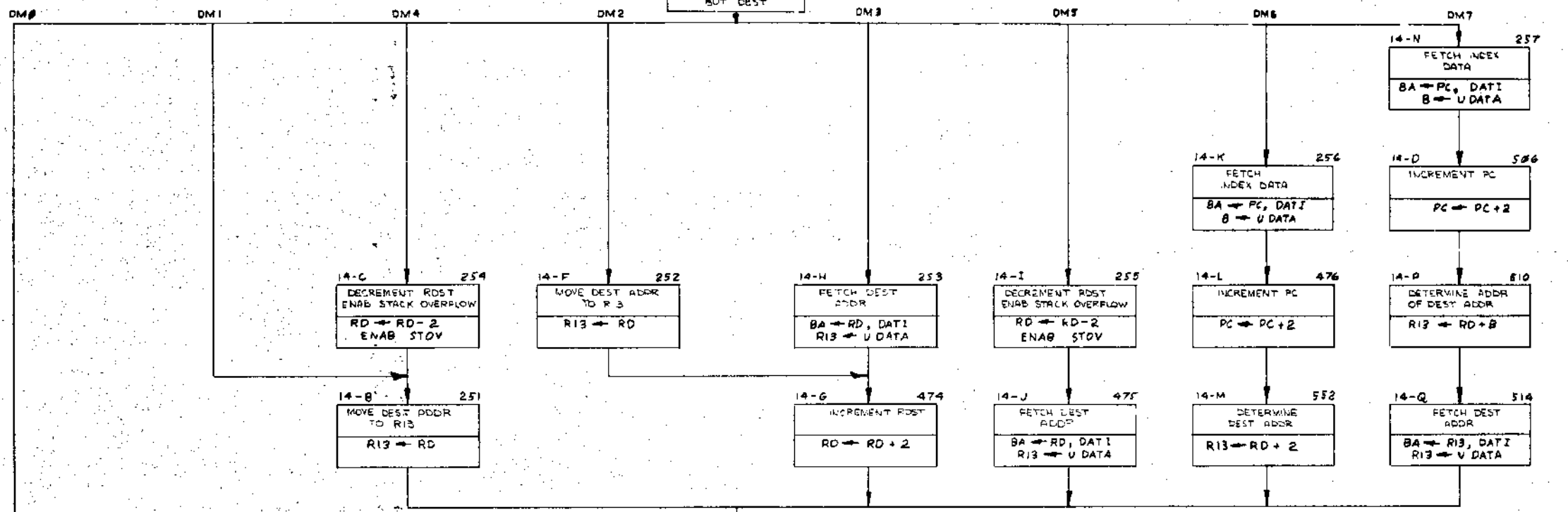
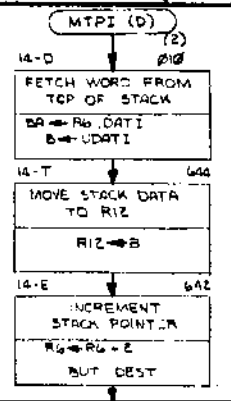
REVISIONS		
CHK	CHANGE NO.	REV.



REVISIONS		
CHK	CHANGE NO.	REV.

TITLE	KDIE FLOW DIAGRAMS	SIZE CODE	NUMBER	REV.
SCALE	++	SHEET	13 OF 26	DIST.

"THIS DRAWING AND SPECIFICATIONS HERIN ARE THE PROPERTY OF DIGITAL EQUIPMENT CORPORATION AND SHALL NOT BE REPRODUCED OR COPIED IN WHOLE OR IN PART AS THE BASIS FOR THE MANUFACTURE OR SALE OF ITEMS WITHOUT WRITTEN PERMISSION. COPYRIGHT © 1977 DIGITAL EQUIPMENT CORPORATION"

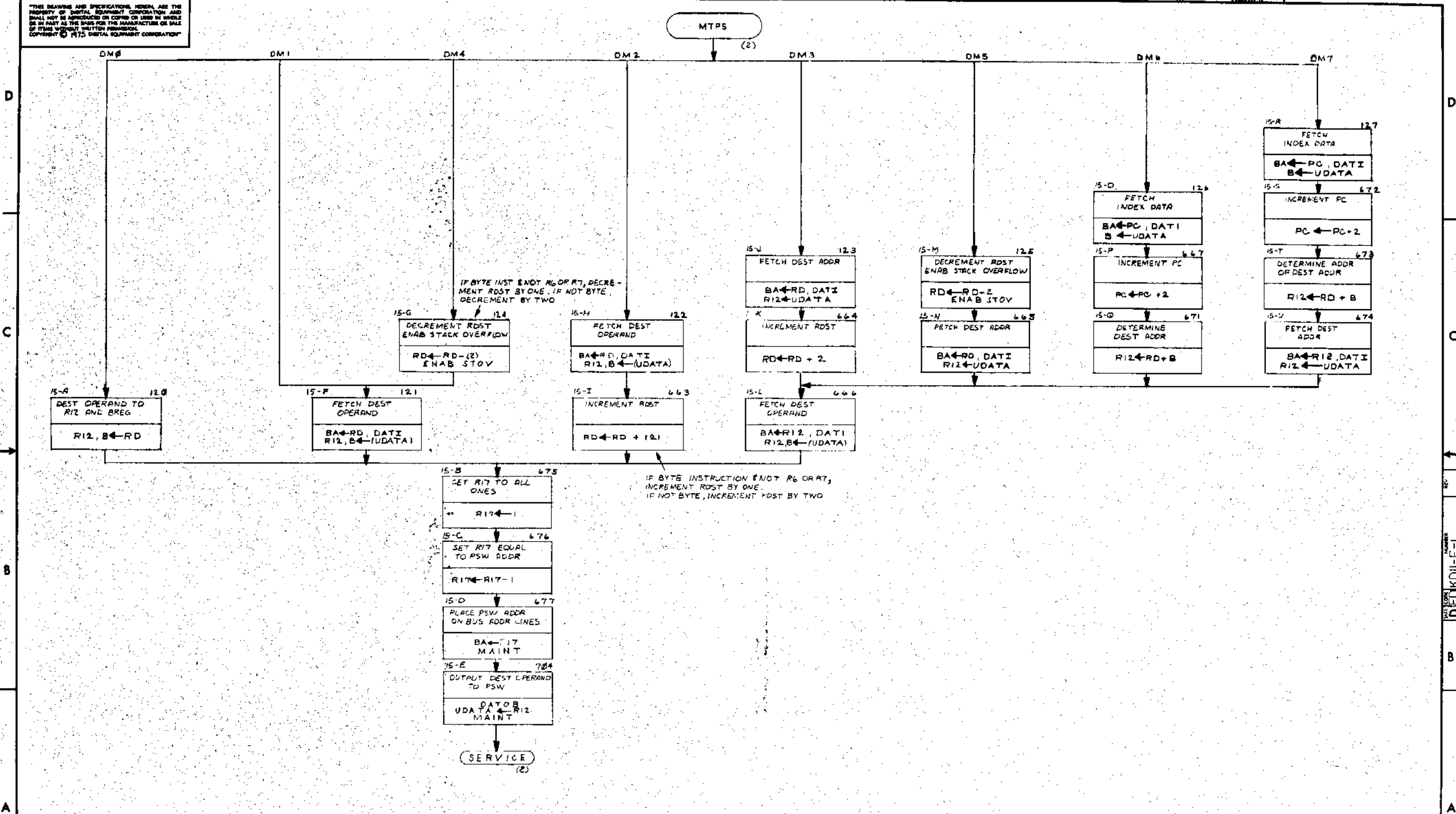


NOTE: PREVIOUS INDICATES THAT THE PREVIOUS (PSW(13-12)) MEMORY MANAGEMENT MODE IS FORCED

REVISIONS		
CHK	CHANGE NO	REV.

THESE DRAWINGS AND SPECIFICATIONS HEREAFTER ARE THE PROPERTY OF DIGITAL EQUIPMENT CORPORATION AND SHALL NOT BE REPRODUCED OR COPIED OR USED IN WHOLE OR IN PART AS THE BASIS FOR THE MANUFACTURE OR SALE OF ITEMS WITHOUT WRITTEN PERMISSION. COPYRIGHT © 1975 DIGITAL EQUIPMENT CORPORATION

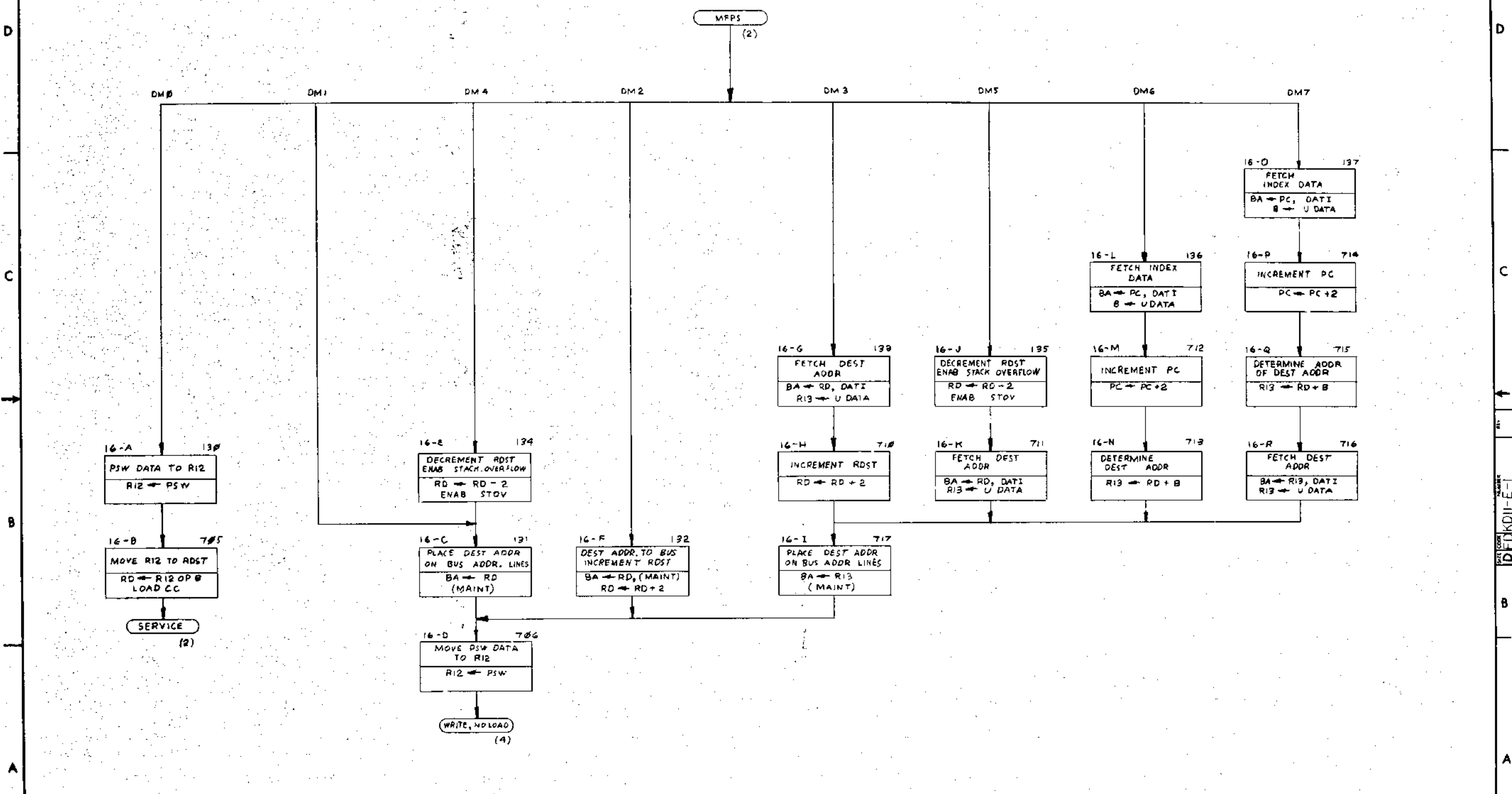
1-E-KDII-E-1 2



REVISIONS		
CHK	CHANGE NO	REV.

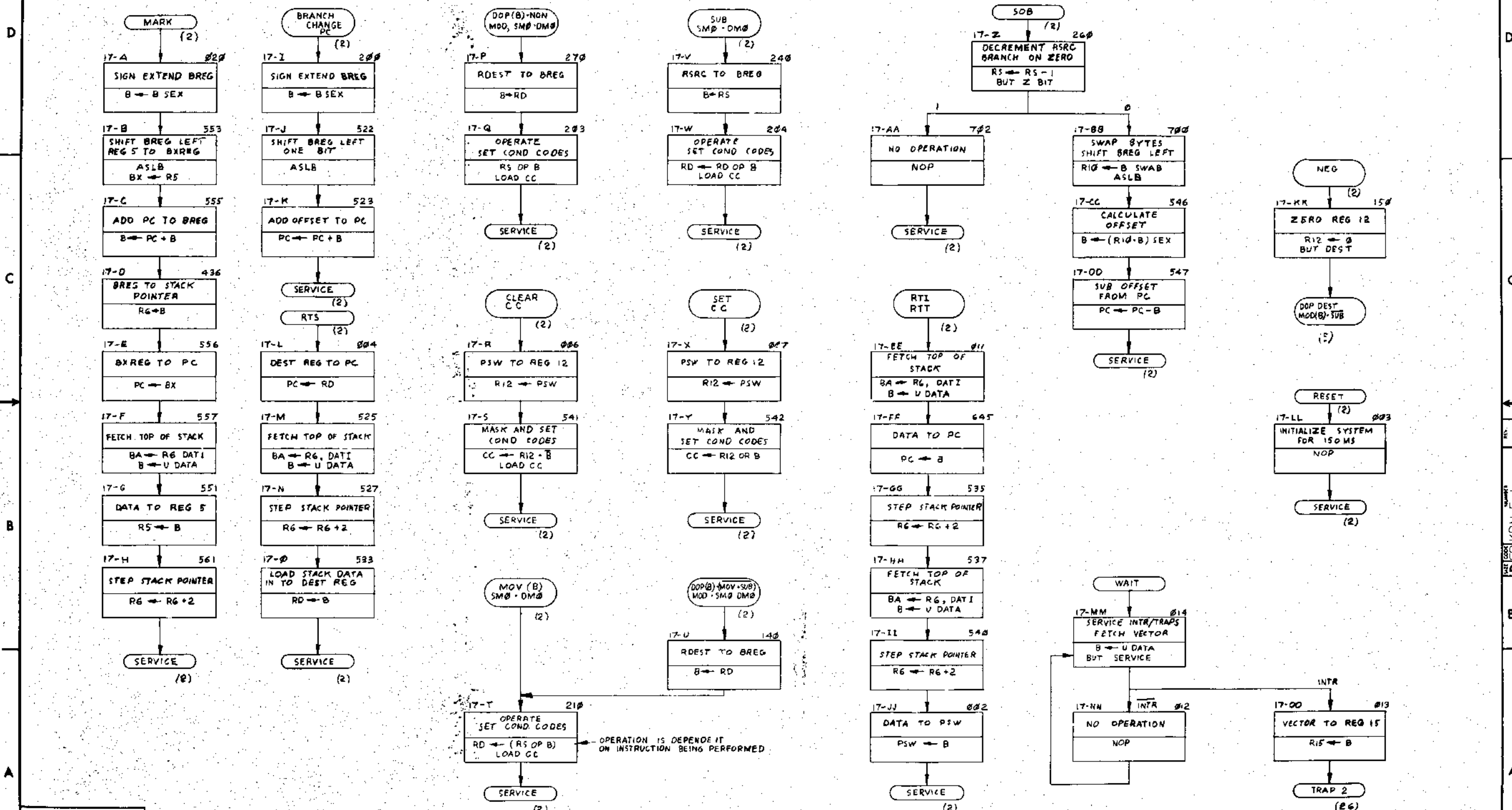
TITLE: KDII-E FLOW DIAGRAMS
 SIZE/CODE: DFD
 NUMBER: KDII-E-1
 SHEET 15 OF 26

THIS DRAWING AND SPECIFICATIONS HEREON ARE THE PROPERTY OF DIGITAL EQUIPMENT CORPORATION AND SHALL NOT BE REPRODUCED OR COPIED OR USED IN WHOLE OR IN PART AS THE BASIS FOR THE MANUFACTURE OR SALE OF ITEMS WITHOUT WRITTEN PERMISSION. COPYRIGHT © 1977 DIGITAL EQUIPMENT CORPORATION



REVISIONS		
CHK	CHANGE NO.	REV.

THIS DRAWING AND SPECIFICATIONS HEREIN ARE THE PROPERTY OF DIGITAL EQUIPMENT CORPORATION AND SHALL NOT BE REPRODUCED OR COPIED OR USED IN WHOLE OR IN PART AS THE BASIS FOR THE MANUFACTURE OR SALE OF ITEMS WITHOUT WRITTEN PERMISSION. COPYRIGHT © 1975 DIGITAL EQUIPMENT CORPORATION.

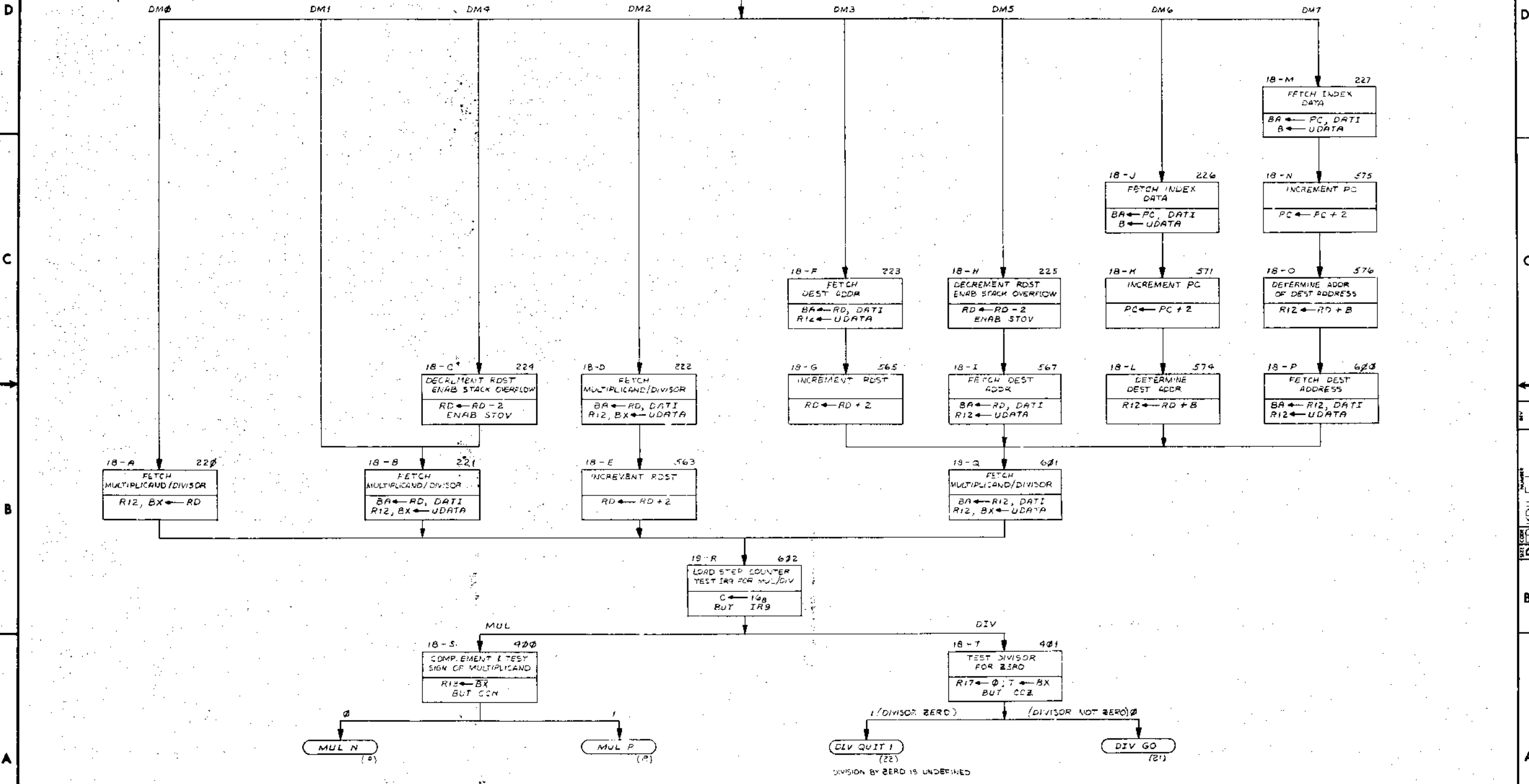


REVISIONS		
CHK	CHANGE NO.	REV.

TITLE	KDII E FLOW DIAGRAMS	SIZE CODE	D FDKDII-E-1	NUMBER		REV.	
SCALE		SHEET	17 OF 26	DIST.			

THIS DRAWING AND SPECIFICATIONS HEREIN ARE THE PROPERTY OF DIGITAL EQUIPMENT CORPORATION AND SHALL NOT BE REPRODUCED OR COPIED OR USED IN WHOLE OR IN PART AS THE BASIS FOR THE MANUFACTURE OR SALE OF ITEMS WITHOUT WRITTEN PERMISSION. COPYRIGHT © 1975 DIGITAL EQUIPMENT CORPORATION

MUL - DIV
(2)

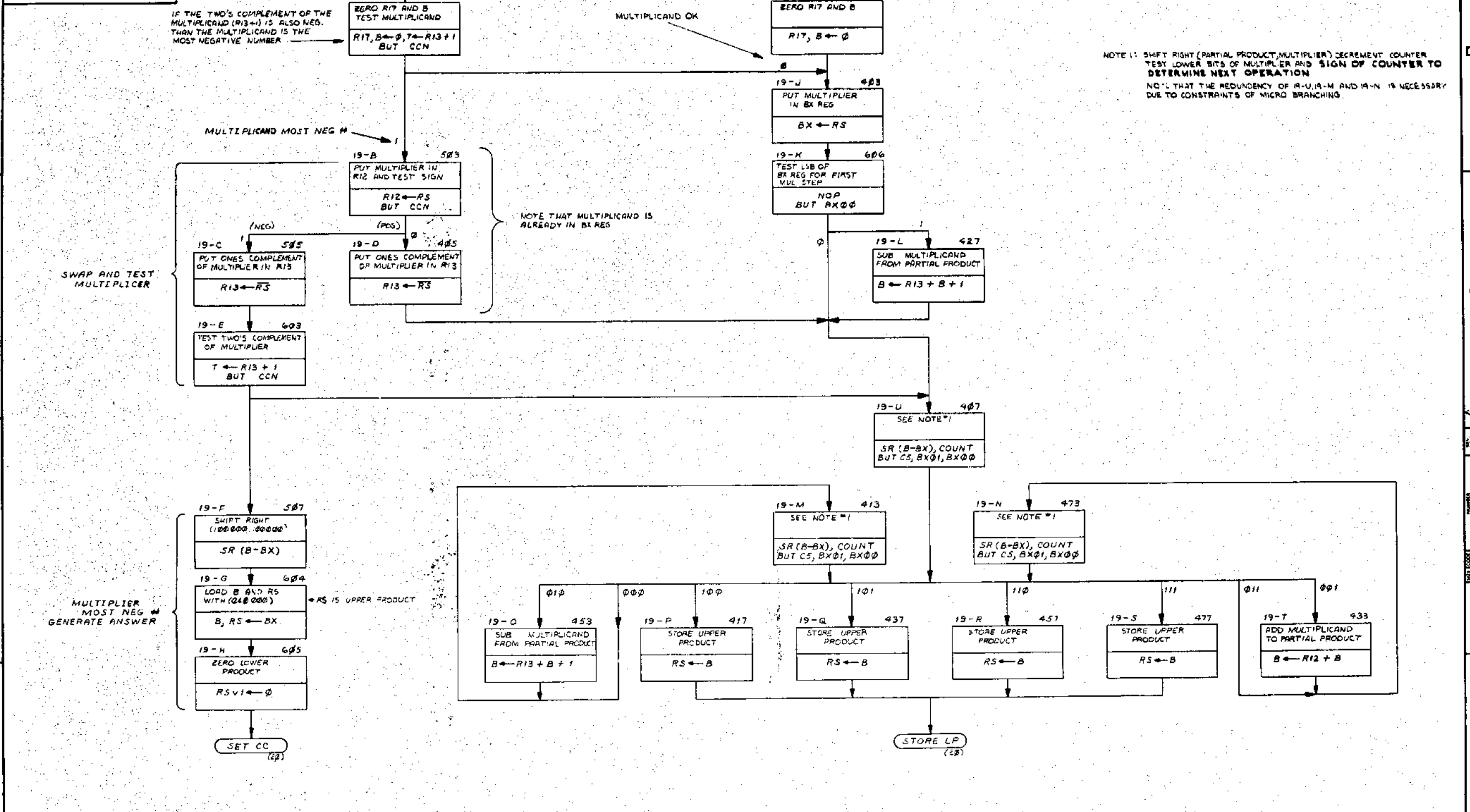


REVISIONS		
CHK	CHANGE NO	REV.

TITLE	SIZE/DATE	NUMBER	REV.
KDII-E FLOW DIAGRAMS	D	KDII-E-1	
SCALE	SHEET	DIST.	
	18 OF 26		

34

THIS DRAWING AND SPECIFICATIONS HEREBY ARE THE PROPERTY OF BENTAL EQUIPMENT CORPORATION AND SHALL NOT BE REPRODUCED OR COPIED OR USED IN WHOLE OR IN PART AS THE BASIS FOR THE MANUFACTURE OR SALE OF ITEMS WITHOUT WRITTEN PERMISSION. COPYRIGHT © 1973 BENTAL EQUIPMENT CORPORATION

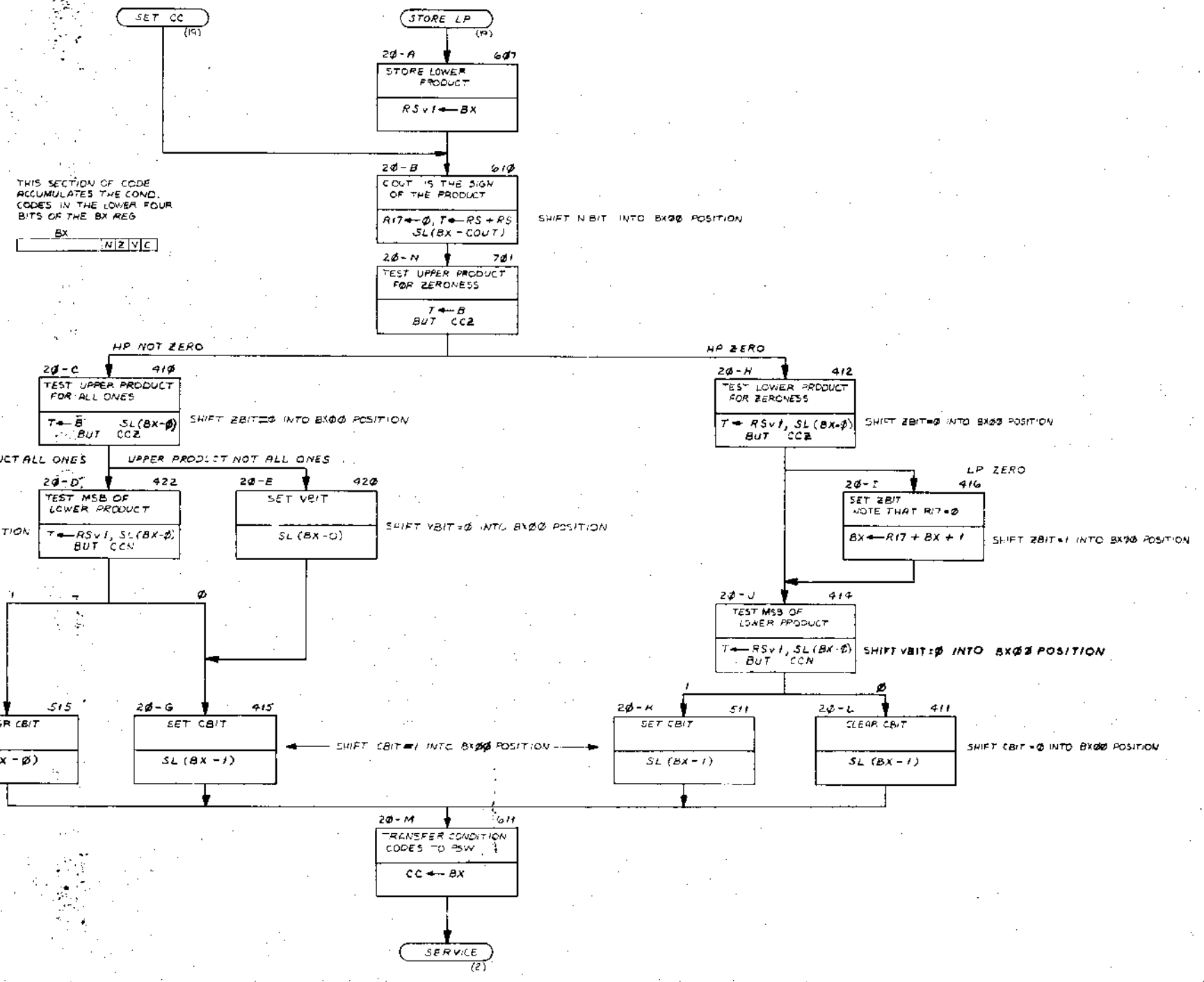


REVISIONS			TITLE		SIZE CODE	NUMBER	REV.
CHK	CHANGE NO.	REV.	KDIIE FLOW DIAGRAMS		D	FD	KDIIE-1
			SCALE	SHEET 19 OF 26	DIST.		

35

"THIS DRAWING AND SPECIFICATIONS HEREIN ARE THE PROPERTY OF DIGITAL EQUIPMENT CORPORATION AND SHALL NOT BE REPRODUCED OR COPIED OR USED IN WHOLE OR IN PART AS THE BASIS FOR THE MANUFACTURE OR SALE OF ITEMS WITHOUT WRITTEN PERMISSION. COPYRIGHT © 1975 DIGITAL EQUIPMENT CORPORATION"

1-3-10K0E-1



THIS SECTION OF CODE ACCUMULATES THE COND. CODES IN THE LOWER FOUR BITS OF THE BX REG
BX: N | Z | V | C

NOTE THAT FOR MUL VBIT IS ALWAYS ZERO

SHIFT VBIT = 0 INTO BX00 POSITION

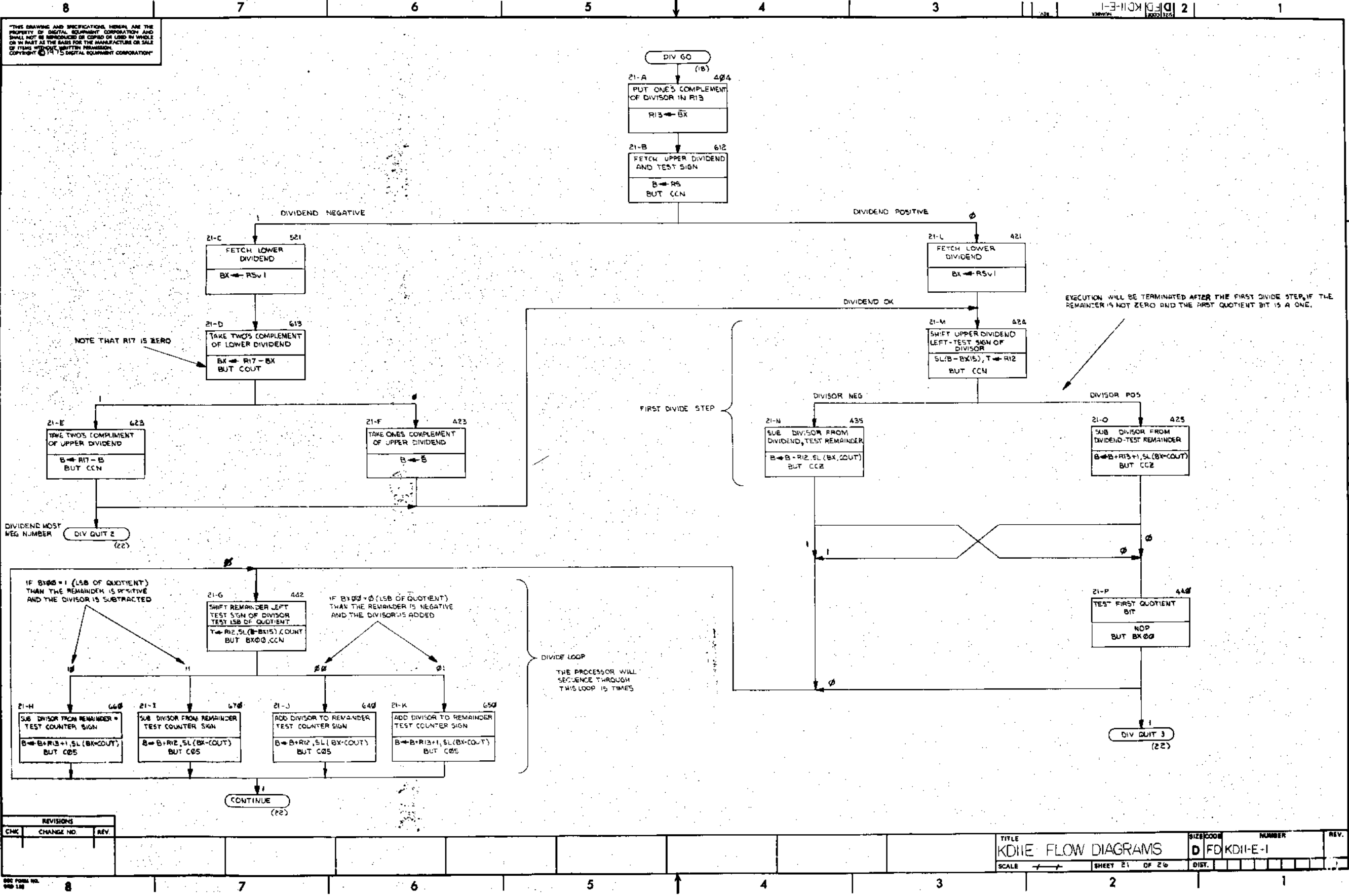
SHIFT CBIT = 0 INTO BX00 POSITION

SHIFT CBIT = 1 INTO BX00 POSITION

SHIFT CBIT = 0 INTO BX00 POSITION

REVISIONS		
CHK	CHANGE NO.	REV.

TITLE	KDIE FLOW DIAGRAMS	SIZE CODE	D	NUMBER	FD K01E-1	REV.	
SCALE		SHEET	20	OF	26	DIST.	



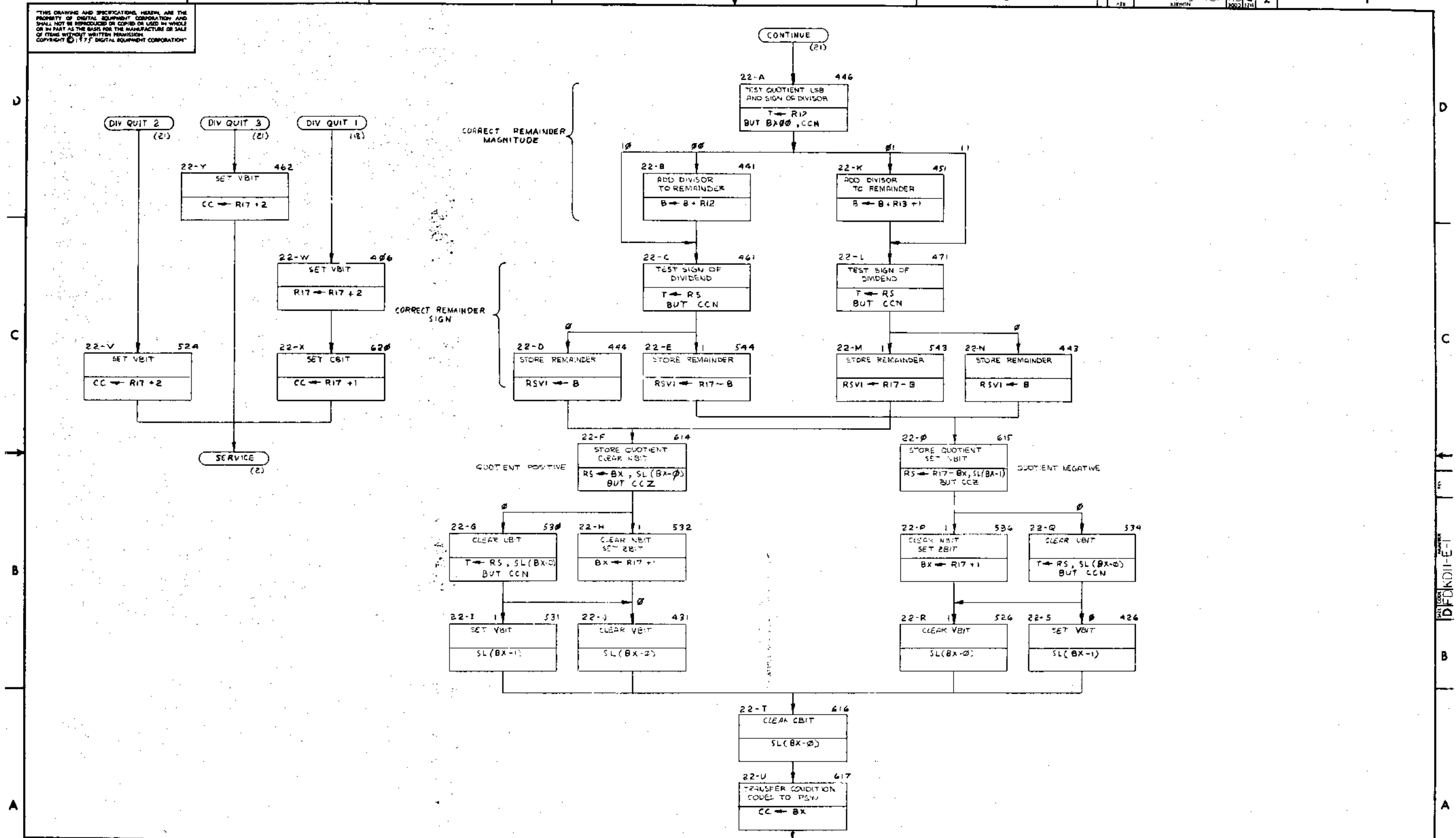
"THE DRAWING AND SPECIFICATIONS HEREIN ARE THE PROPERTY OF DIGITAL EQUIPMENT CORPORATION AND SHALL NOT BE REPRODUCED OR COPIED OR USED IN WHOLE OR IN PART AS THE BASIS FOR THE MANUFACTURE OR SALE OF ITEMS WITHOUT WRITTEN PERMISSION. COPYRIGHT © 1965 DIGITAL EQUIPMENT CORPORATION"

REVISIONS		
CHK	CHANGE NO.	REV.

33

THIS DRAWING AND SPECIFICATIONS HEREIN ARE THE PROPERTY OF DIGITAL EQUIPMENT CORPORATION AND SHALL NOT BE REPRODUCED OR COPIED OR USED IN WHOLE OR IN PART AS THE BASIS FOR THE MANUFACTURE OR SALE OF ITEMS WITHOUT WRITTEN PERMISSION. COPYRIGHT © 1977 DIGITAL EQUIPMENT CORPORATION.

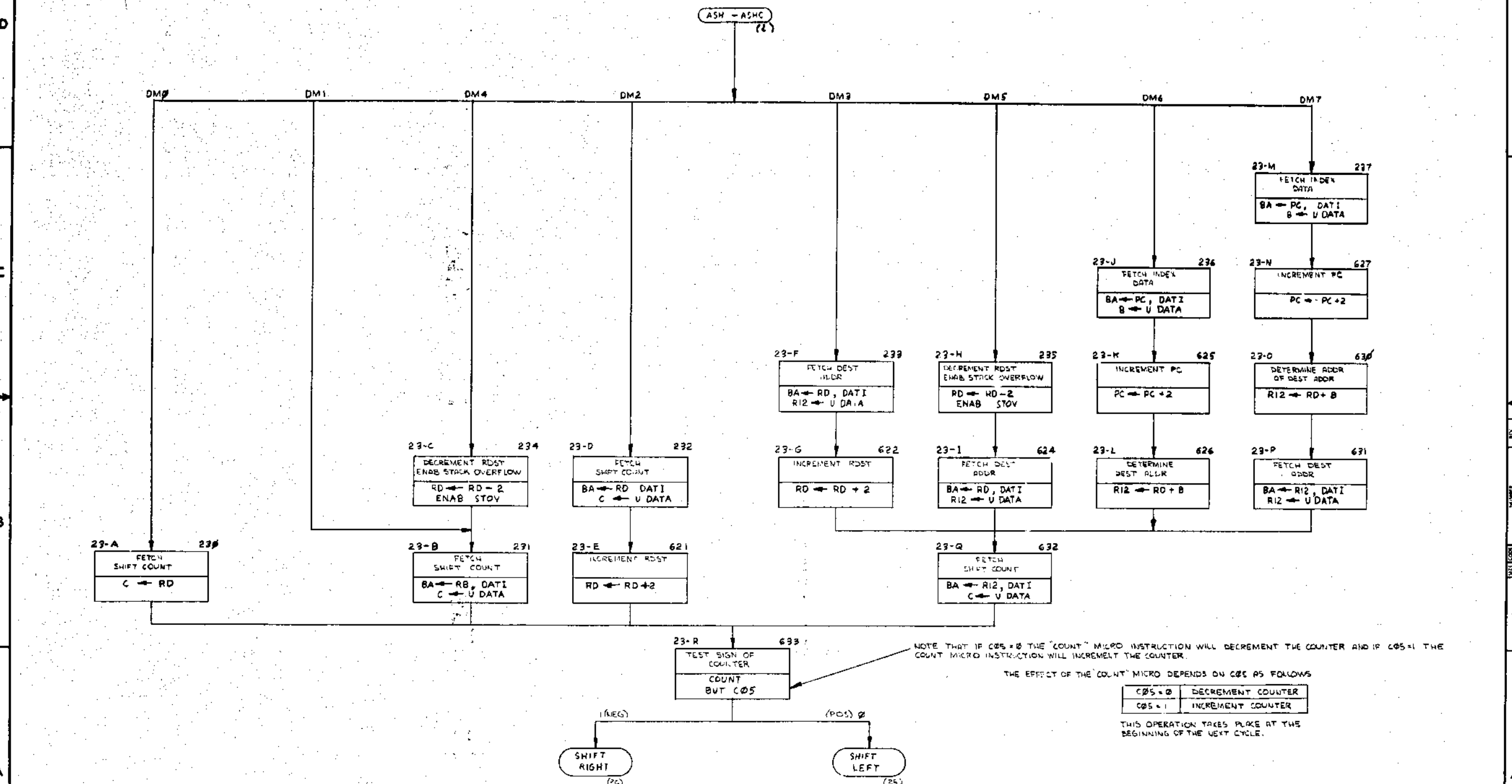
1-3-HDKDII-E-1
2



REVISIONS		
CHK	CHANGE NO	REV.

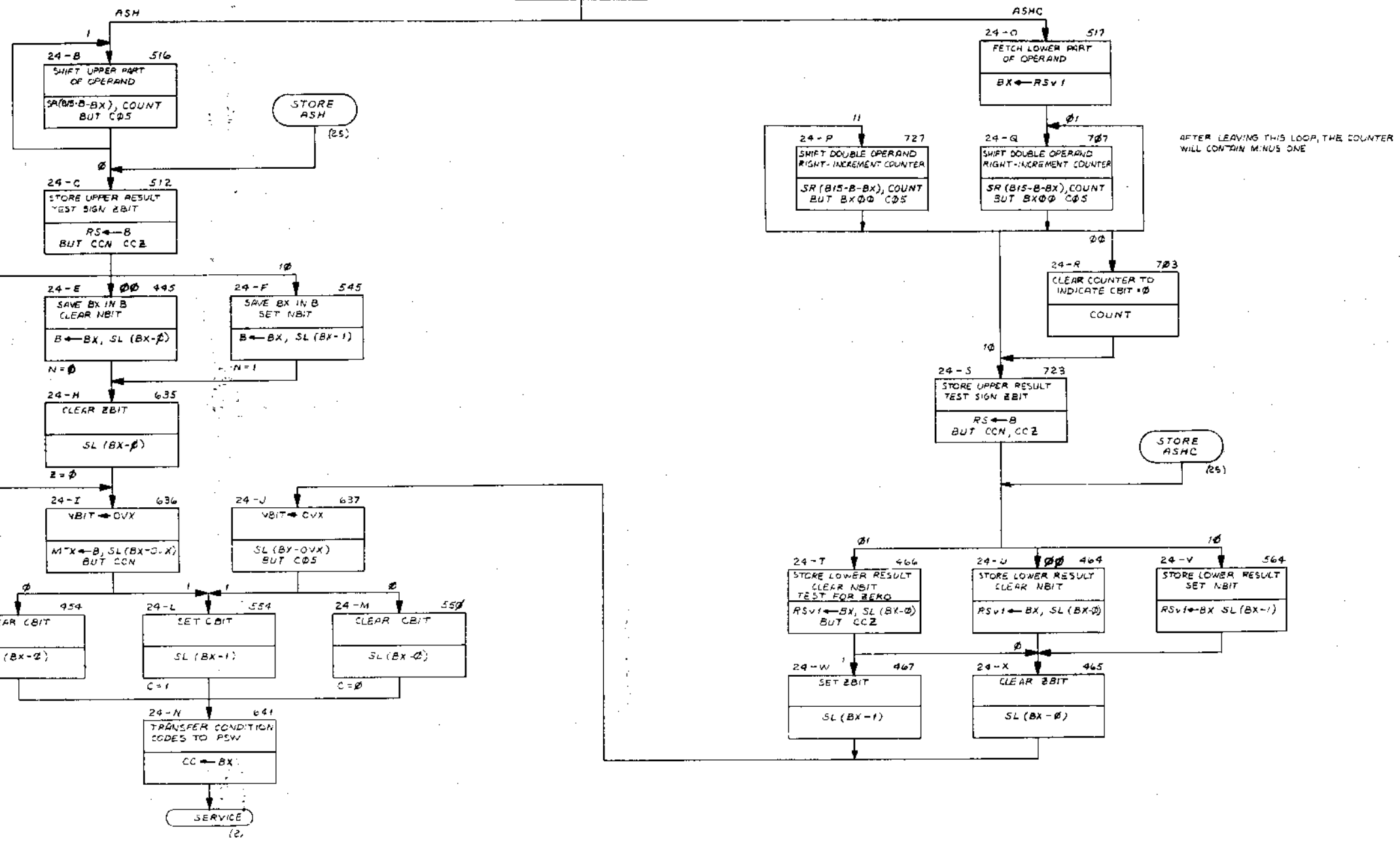
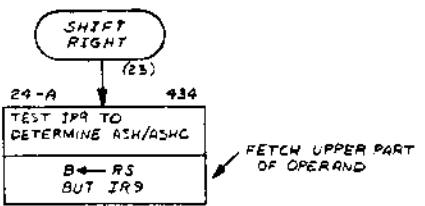
TITLE: KDIIE FLOW DIAGRAMS
 SIZE CODE: D FD
 NUMBER: KDIIE-1
 SHEET 22 OF 26
 DIST.:

THIS DRAWING AND SPECIFICATIONS HEREIN ARE THE PROPERTY OF DIGITAL EQUIPMENT CORPORATION AND SHALL NOT BE REPRODUCED OR COPIED OR USED IN WHOLE OR IN PART AS THE BASIS FOR THE MANUFACTURE OR SALE OF ITEMS WITHOUT WRITTEN PERMISSION. COPYRIGHT © 1977 DIGITAL EQUIPMENT CORPORATION



REVISIONS		
CHK	CHANGE NO.	REV.

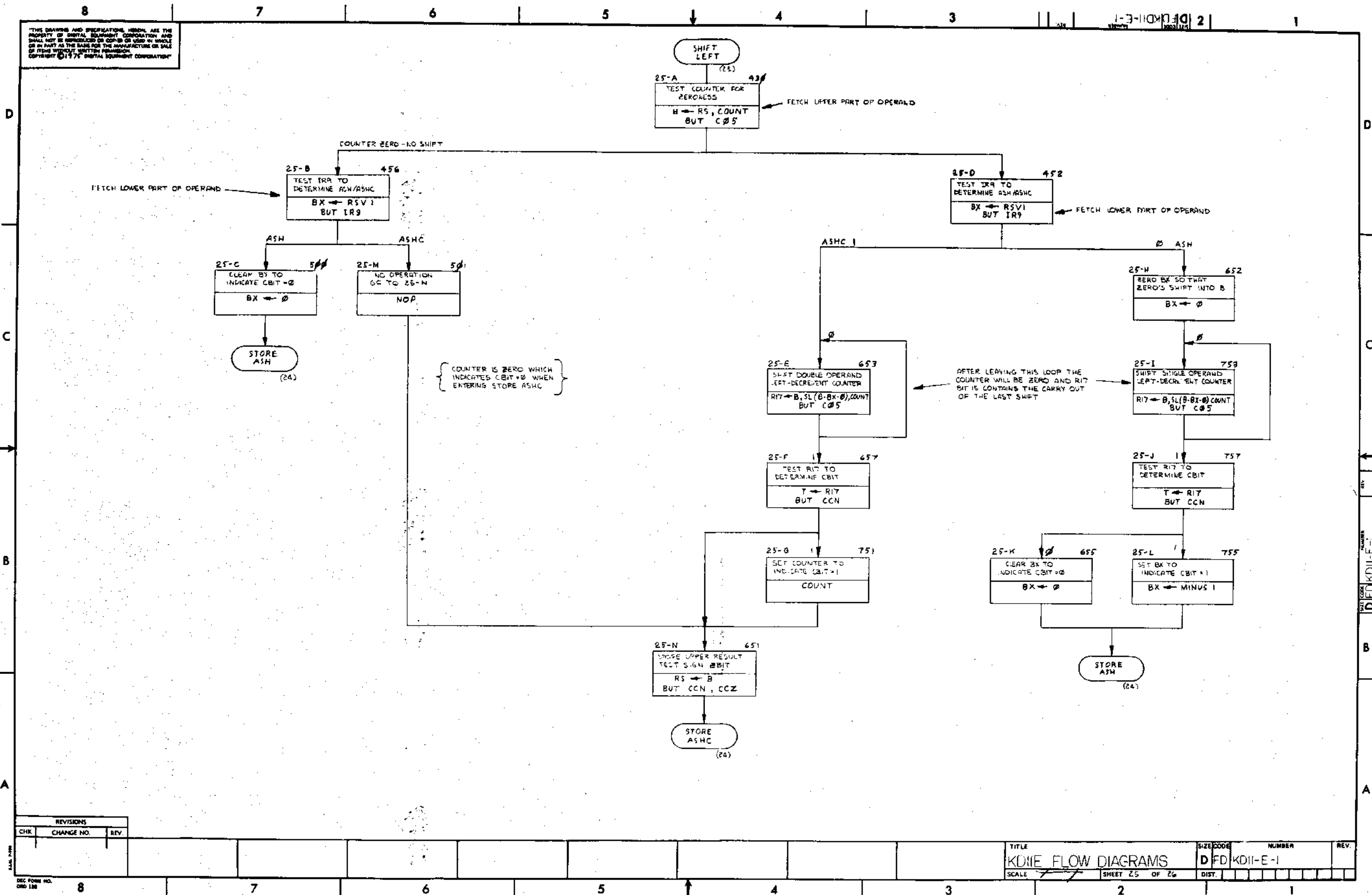
THIS DRAWING AND SPECIFICATIONS HEREIN ARE THE PROPERTY OF DIGITAL EQUIPMENT CORPORATION AND SHALL NOT BE REPRODUCED OR COPIED OR USED IN WHOLE OR IN PART AS THE BASIS FOR THE MANUFACTURE OR SALE OF ITEMS WITHOUT WRITTEN PERMISSION. COPYRIGHT © 1975 DIGITAL EQUIPMENT CORPORATION



REVISIONS		
CHK	CHANGE NO.	REV.

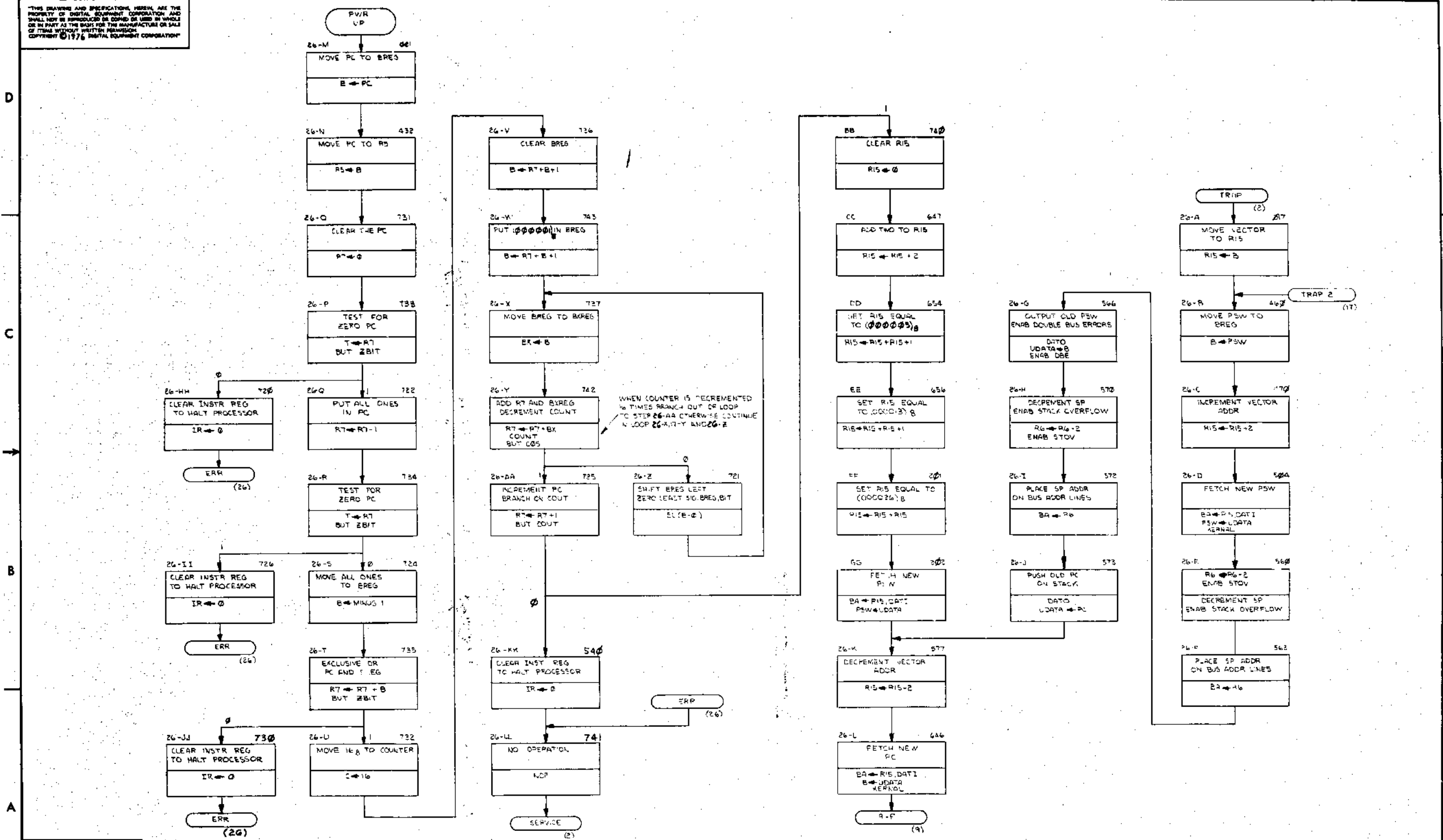
TITLE	SIZE CODE	NUMBER	REV.
KD11E FLOW DIAGRAMS	D FD	KD11-E-1	
SCALE	SHEET	DIST.	
	24 OF 26		

THE DRAWING AND SPECIFICATIONS HEREON ARE THE PROPERTY OF DIGITAL EQUIPMENT CORPORATION AND SHALL NOT BE REPRODUCED OR COPIED OR USED IN WHOLE OR IN PART AS THE BASIS FOR THE MANUFACTURE OR SALE OF ITEMS WITHOUT WRITTEN PERMISSION. COPYRIGHT © 1975 DIGITAL EQUIPMENT CORPORATION



REVISIONS		
CHK	CHANGE NO.	REV.

"THIS DRAWING AND SPECIFICATIONS HEREIN ARE THE PROPERTY OF DIGITAL EQUIPMENT CORPORATION AND SHALL NOT BE REPRODUCED OR USED IN WHOLE OR IN PART AS THE BASIS FOR THE MANUFACTURE OR SALE OF ITEMS WITHOUT WRITTEN PERMISSION. COPYRIGHT © 1976 DIGITAL EQUIPMENT CORPORATION"



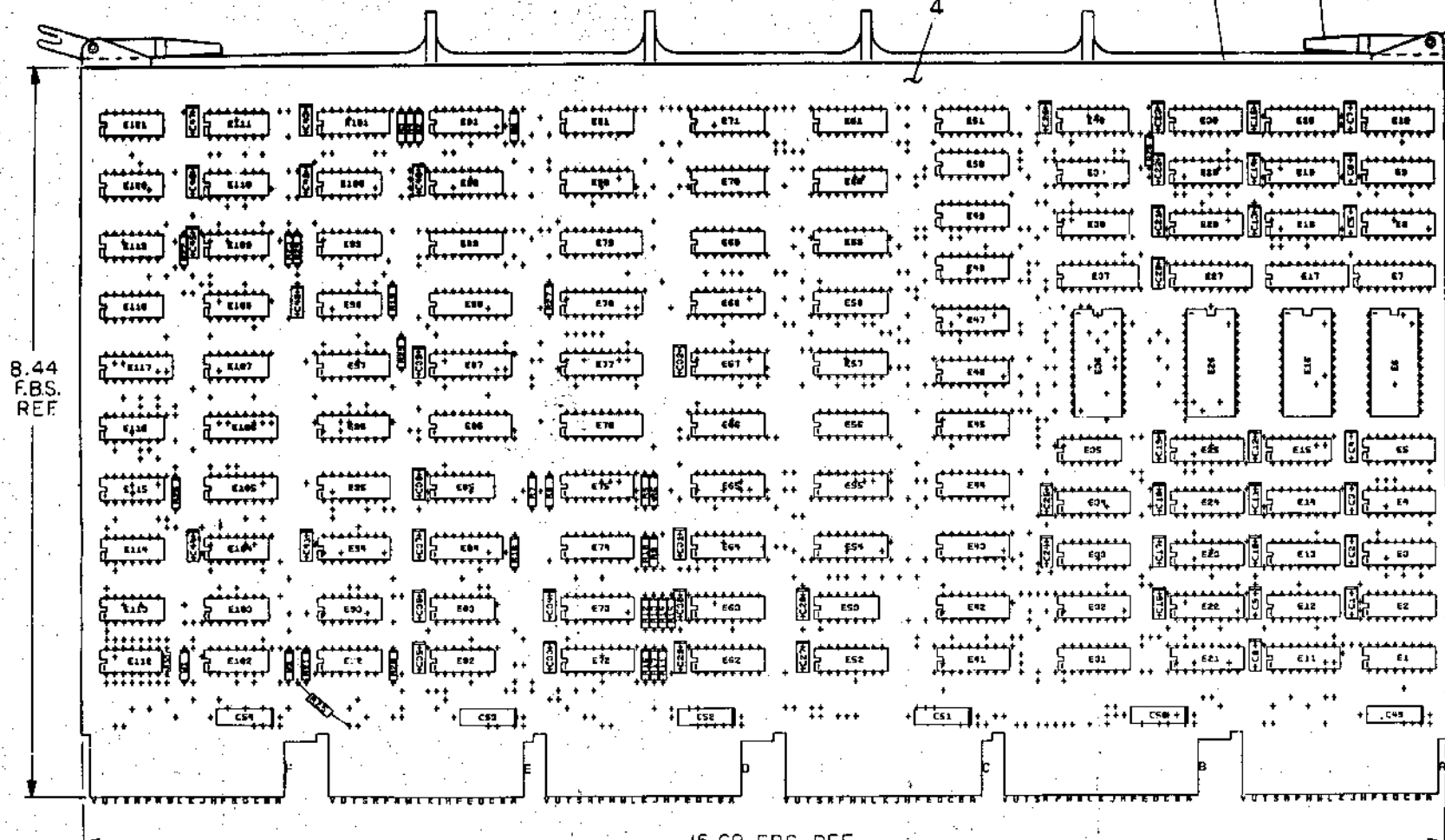
REVISIONS		
CHK	CHANGE NO.	REV.

THIS DRAWING AND SPECIFICATIONS, HEREIN ARE THE PROPERTY OF DIGITAL EQUIPMENT CORPORATION AND SHALL NOT BE REPRODUCED OR COPIED IN WHOLE OR IN PART OR IN ANY MANNER FOR THE MANUFACTURE OR SALE OF ITEMS WITHOUT WRITTEN PERMISSION. DIGITAL EQUIPMENT CORPORATION. COPYRIGHT © 1975

NOTES:

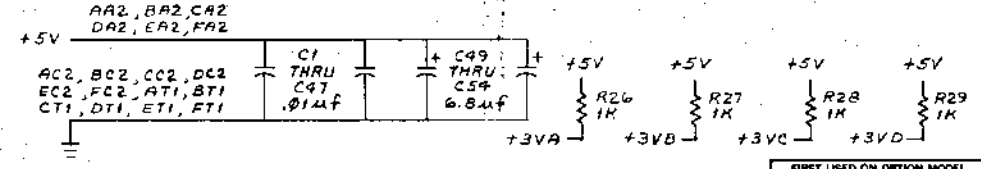
2	E82, E83	IC DEC 74587	1912746-00	51
1	E75	IC 256X4 BIT ROM OC	23167A2	52
1	E81	IC 256X4 BIT ROM OC	23166A2	53
1	E84	IC 256X4 BIT ROM OC	23166A2	54
1	E105	IC 256X4 BIT ROM T8	23164A2	55
AVR		WIRE, 30AWG GREEN	9105740-55	56
1	E12	IC DEC 74564	1910542-00	57

1-0-592ZW 50 2



QTY	REF. DESIGNATION	DESCRIPTION	PART NO.	ITEM NO.
		X-Y COORDINATE HOLE LOCATION	N-DC-M7265-B-4	1
		ASSY DRILLING HOLE LAYOUT	B-AM-M7265-B-4	2
		MODULE ECO HISTORY	B-AM-M7265-B-8	3
		ETCHED CIRCUIT BOARD	9011420	4
	47	C1 THRU C47	CAPACITOR, 0.01uf, 100V, 20%	5
	4	C48 THRU C54	CAPACITOR, 0.01uf, 10V, 10%	6
	1	C48	CAPACITOR, 220uf, 100V, 5%	7
		HANDLE, NEK MODULE	1210711-02	8
	19	R1 THRU R17	RESISTOR, 470 OHM, 1/4W, 5%	9
	8	R20 THRU R23, R25 THRU R29	RESISTOR, 1K, 1/4W, 5%	10
	1	R24	RESISTOR, 47 OHM, 1/4W, 5%	11
	8	R29, R30 (RETROFIT)	RESISTOR, 220 OHM, 1/4W, 5%	12
	1	E102	DELAY LINE, 100 NS	13
	1	E120	I.C. DEC 7432	14
	1	E121	I.C. DEC 7416	15
	2	E99, E100	I.C. DEC 7402	16
	1	E115	I.C. DEC 7404	17
	2	E104, E110	I.C. DEC 7406	18
	1	E108	I.C. DEC 7400	19
	1	E116	I.C. DEC 74132	20
	2	E53, E85	I.C. DEC 7430	21
	1	E114	I.C. DEC 7437	22
	2	E88, E107	I.C. DEC 7487-4	23
	2	E80, E81	I.C. DEC 7485	24
	1	E113	I.C. DEC 7488	25
	9	E1, E11, E21, E31, E41, E42, E52, E62, E83	I.C. DEC 8841	26
	2	E15, E35	I.C. DEC 8815	27
	3	E9, E8, E117	I.C. DEC 74153	28
	5	E18, E28, E38, E40, E91	I.C. DEC 74157	29
	4	E49, E50, E51, E71	I.C. DEC 74174	30
	3	E80, E97, E107	I.C. DEC 74175	31
	9	E9, E10, E19, E20, E29, E30, E39, E40	I.C. DEC 74194	32
	3	E44, E55, E89	I.C. DEC 7483-A	33
	3	E43, E54, E84	I.C. DEC 74298	34
	1	E109	I.C. DEC 74801-1	35
	3	E93, E111, E116	I.C. DEC 74598	36
	1	E103	I.C. DEC 74584	37
	10	E3, E4, E12, E13, E23, E24, E32, E33, E34, E45	I.C. DEC 745153	38
	8	E2, E14, E22, E70, E89, E94, E98, E108	I.C. DEC 745157	39
	3	E46, E47, E48	I.C. DEC 745174	40
	4	E8, E16, E26, E36	I.C. DEC 745181	41
	1	E25	I.C. DEC 745182	42
	8	E56, E57, E58, E59, E66, E67, E68, E69	I.C. DEC 74LS253	43
	11	E7, E17, E27, E37, E16, E17, E74, E75, E86, E87, E88	I.C. DEC 85589	44
	2	E92, E119	I.C. DEC 74518	45
	1	E95	I.C. DEC 745175	46
	2	E72, E73	I.C. 256 X 4 BIT ROM OC	47
	12		EYELET (HANDLE)	48
	2	W1, W2	WIRE, JUMPER (INSULATED)	49
	1	E74	I.C. 256 X 4 BIT ROM OC	50

I.C. DEC 745181	12	24			
I.C. DEC 745157	8	16			
I.C. DEC 745153	8	16			
I.C. DEC 745175	8	16			
I.C. DEC 85568	8	16			
I.C. DEC 74187	8	16			
I.C. DEC 74184	8	16	I.C. DEC 745174	8	16
I.C. DEC 74157	8	16	I.C. DEC 74298	8	16
I.C. DEC 74175	8	16	I.C. DEC 74174	8	16
I.C. DEC 74153	8	16	I.C. DEC 7483	12	5
I.C. DEC 7485	8	16	I.C. DEC 745182	8	16
I.C. DEC 8641	8	16	I.C. DEC 74LS253	8	16
IC TYPE	GND	+5V	IC TYPE	GND	+5V -5V



GND AND 5V ARE USUALLY PIN 7 AND 14 RESPECTIVELY EXCEPT WHERE STATED ABOVE

DATE	10-23-75
DATE	12-1-75
DATE	12-1-75
DATE	12-1-75
DATE	11-1-75

FIRST USED ON OPTION MODEL

ETCH BOARD REV. C

PARTS LIST

digital

TITLE: KDIIE DATA PATH

REV. D

NUMBER: M7265-0-1

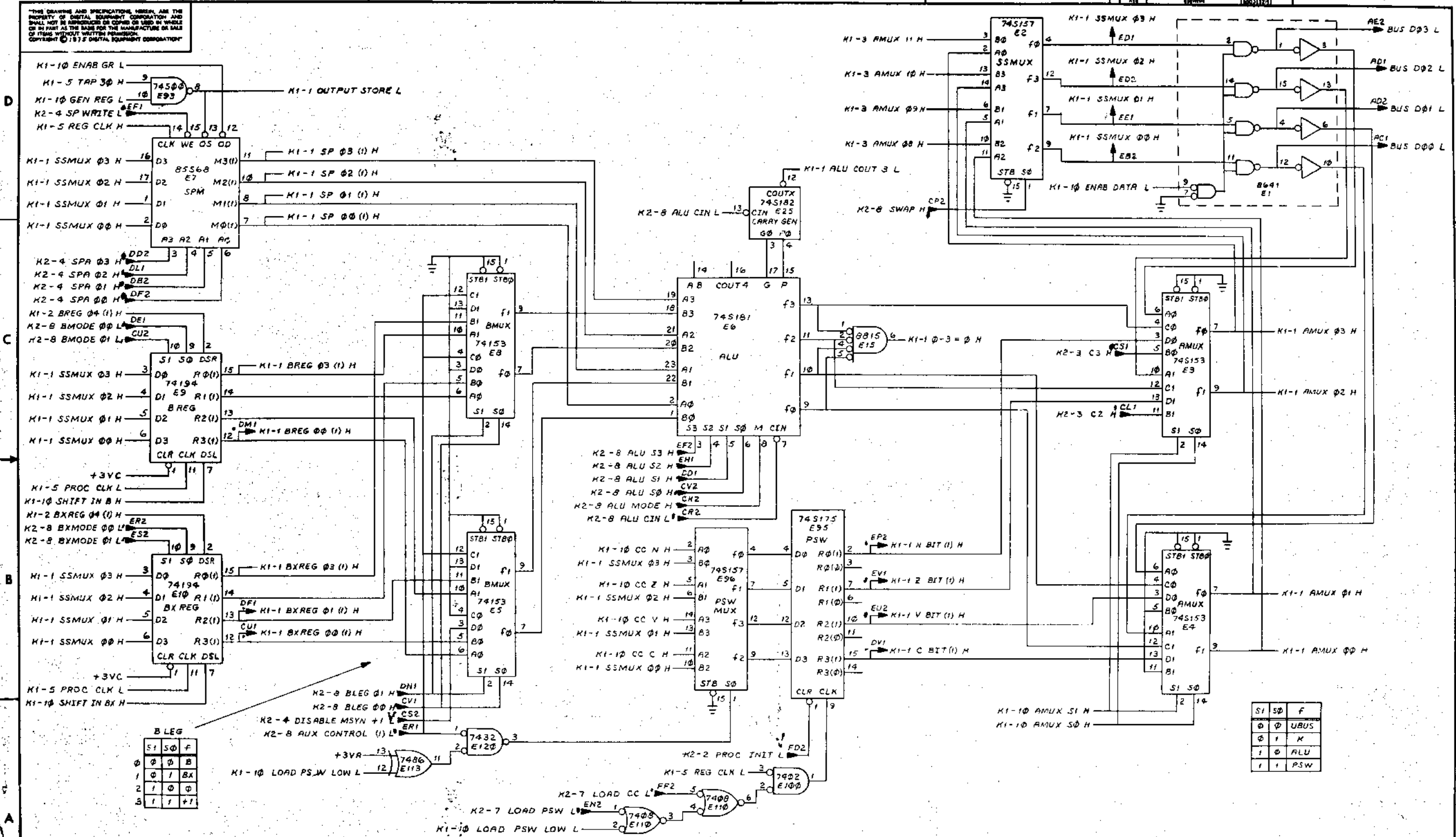
REV. D

SCALE: 1 OF 11

SEMICONDUCTOR CONVERSION CHART

43

THIS DRAWING AND SPECIFICATIONS HEREON ARE THE PROPERTY OF DIGITAL EQUIPMENT CORPORATION AND SHALL NOT BE REPRODUCED OR COPIED OR USED IN WHOLE OR IN PART AS THE BASIS FOR THE MANUFACTURE OR SALE OF ITEMS WITHOUT WRITTEN PERMISSION. COPYRIGHT © 1972 DIGITAL EQUIPMENT CORPORATION



S1	S0	F
0	0	UBUS
0	1	K
1	0	ALU
1	1	PSW

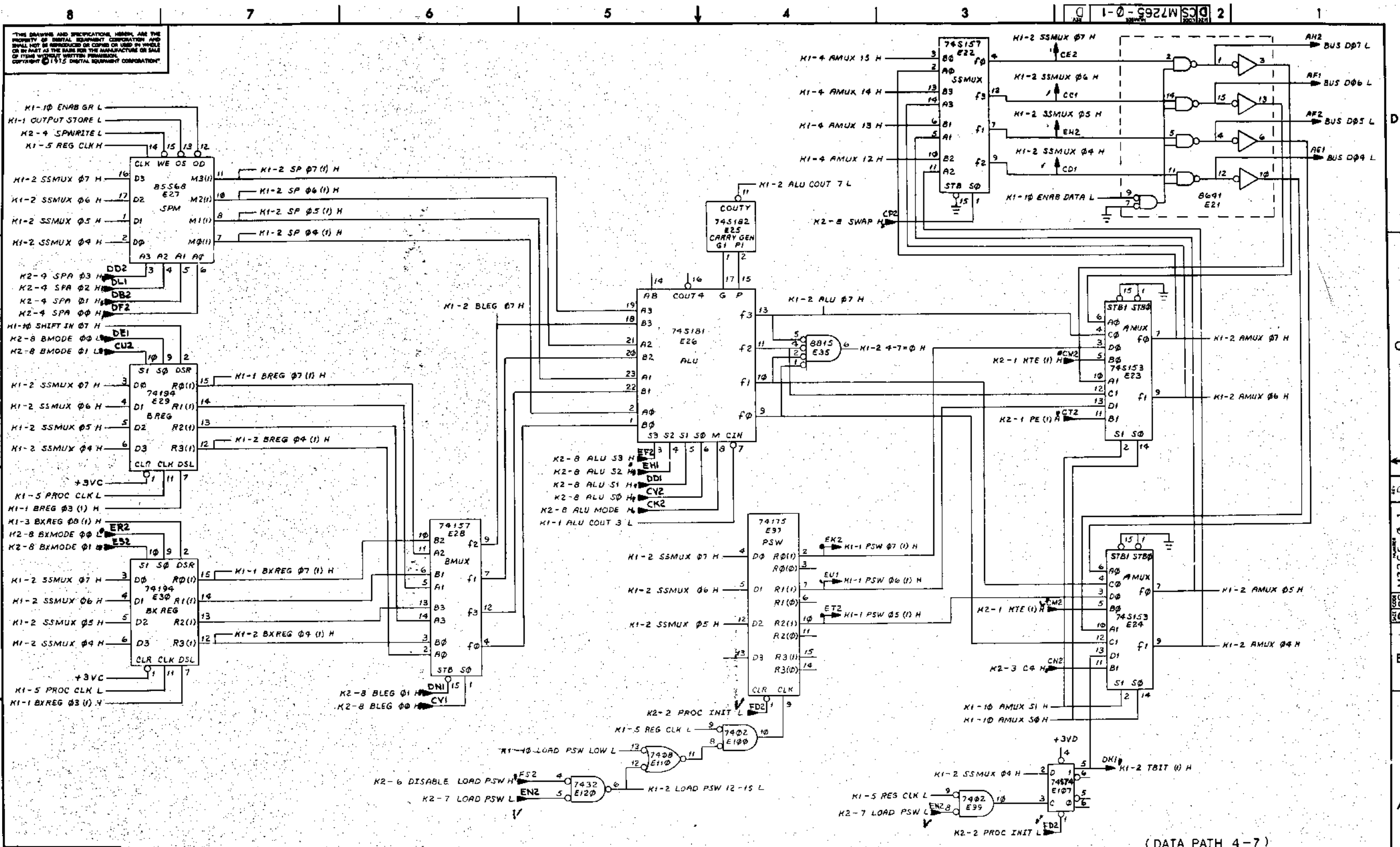
S1	S0	F
0	0	UBUS
0	1	K
1	0	ALU
1	1	PSW

(DATA PATH 0-3)

CHK	CHANGE NO.	REV.

TITLE	KDII	SIZE CODE	NUMBER	REV.
	DATA PATH (KI-1)	DCS M7265-0-1	D	
SCALE	SHEET 2 OF 11	DIST.		

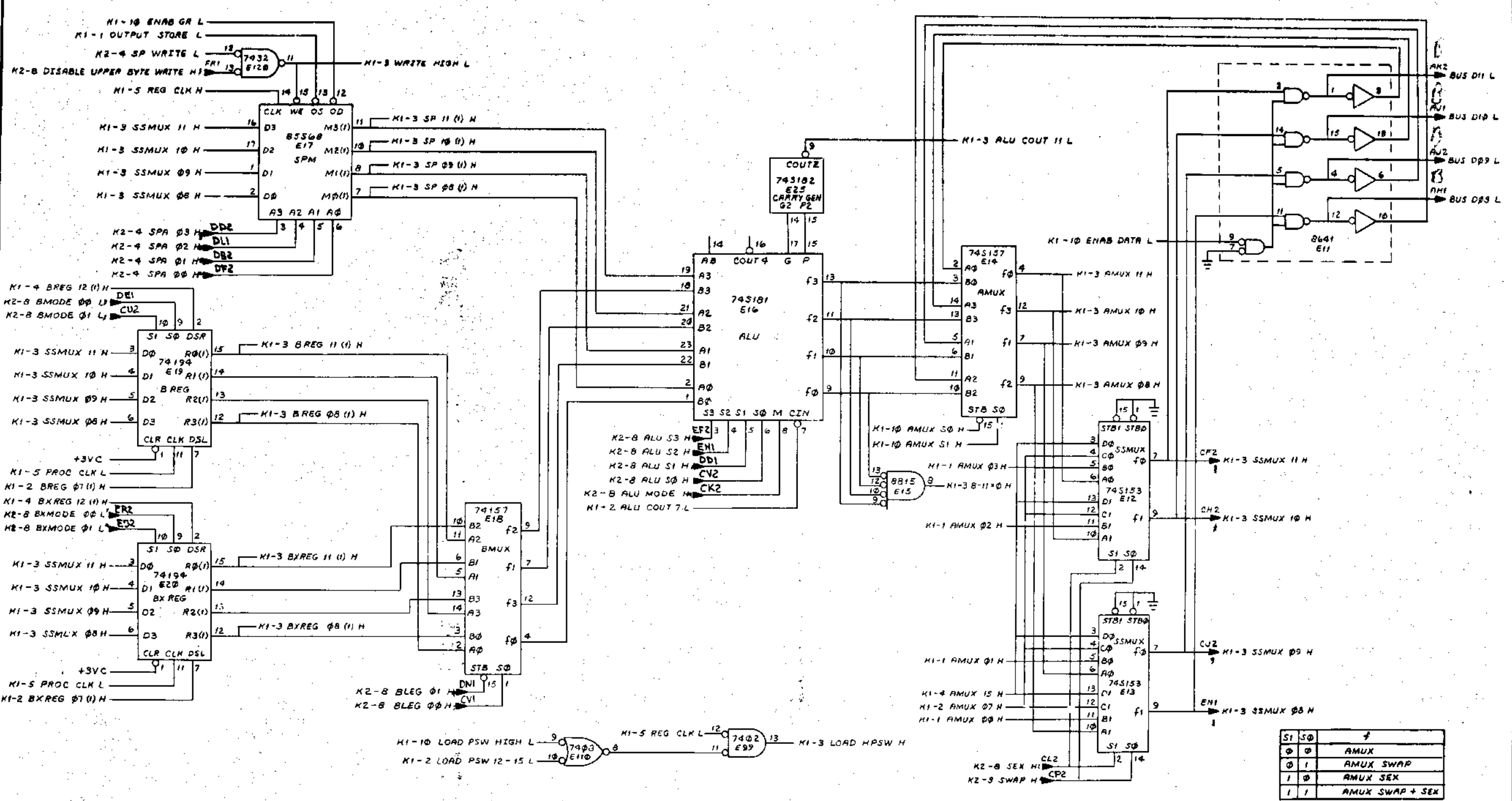
44



REVISIONS			TITLE		SIZE/COE	NUMBER	REV.
CHK	CHANGE NO.	REV.	KDIIE DATA PATH (K1-2)		DCS	M7265-0-1	D
			SCALE		SHEET	3 OF 11	

45

THIS DRAWING AND SPECIFICATIONS HEREON ARE THE PROPERTY OF DIGITAL EQUIPMENT CORPORATION AND SHALL NOT BE REPRODUCED OR COPIED IN WHOLE OR IN PART AS THE BASIS FOR THE MANUFACTURE OR SALE OF ANY EQUIPMENT WITHOUT PERMISSION. COPYRIGHT © 1973 DIGITAL EQUIPMENT CORPORATION



(DATA PATH 8-11)

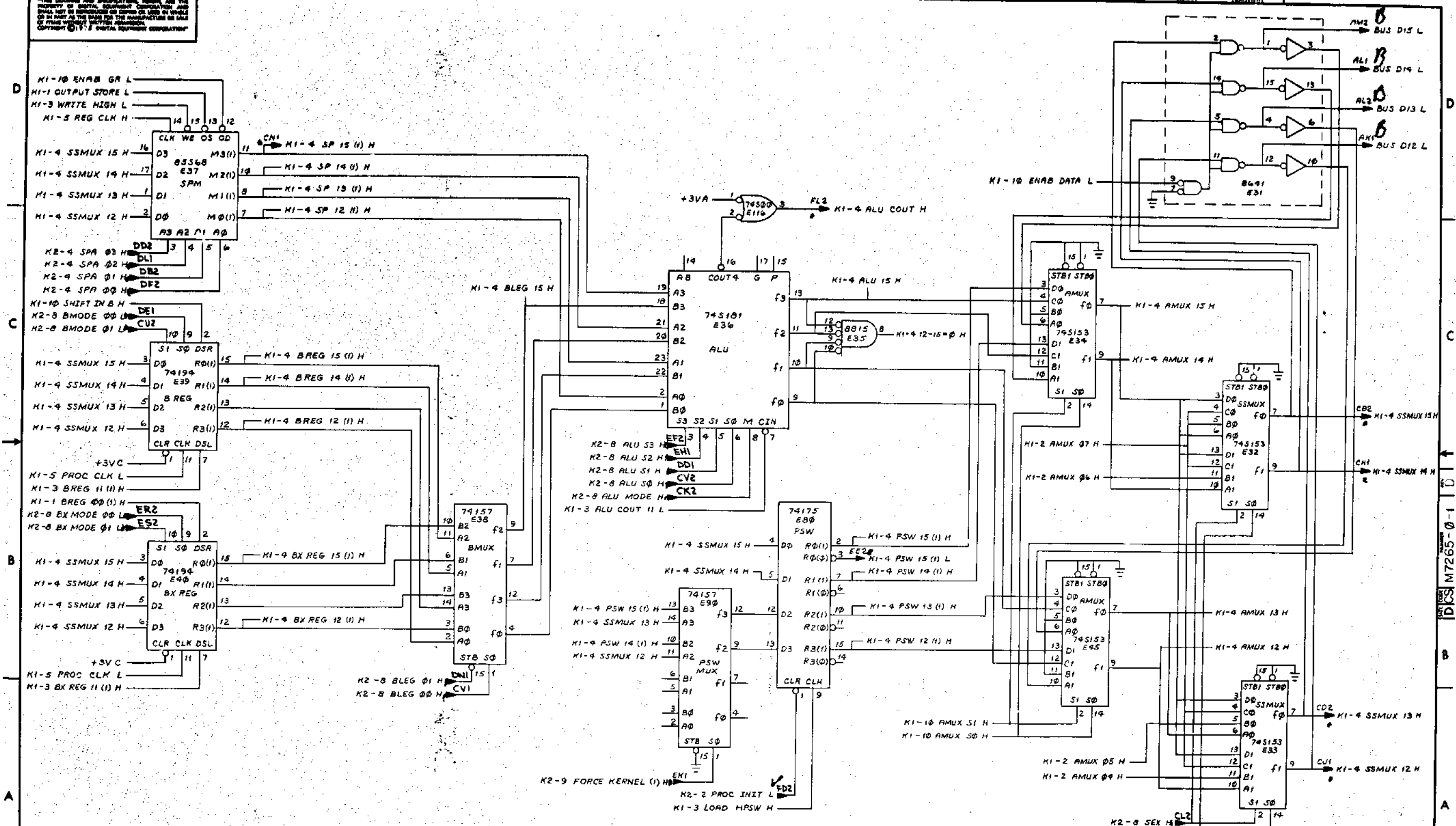
REVISIONS		
CHK	CHANGE NO.	REV.

TITLE	KDJIE DATA PATH (KI-3)	SIZE/CODE	DCS M7265-0-1	NUMBER	4 OF 11	REV.	D
SCALE		DIST.		SHEET			

46

THE DRAWING AND SPECIFICATIONS HEREIN ARE THE PROPERTY OF DIGITAL EQUIPMENT CORPORATION AND SHALL NOT BE REPRODUCED OR COPIED IN WHOLE OR IN PART AS THE BASIS FOR THE MANUFACTURE OR SALE OF OTHER WITHOUT WRITTEN PERMISSION. COPYRIGHT © 1971, DIGITAL EQUIPMENT CORPORATION.

DCS M7265-0-1



REVISIONS		
CHK	CHANGE NO.	REV.

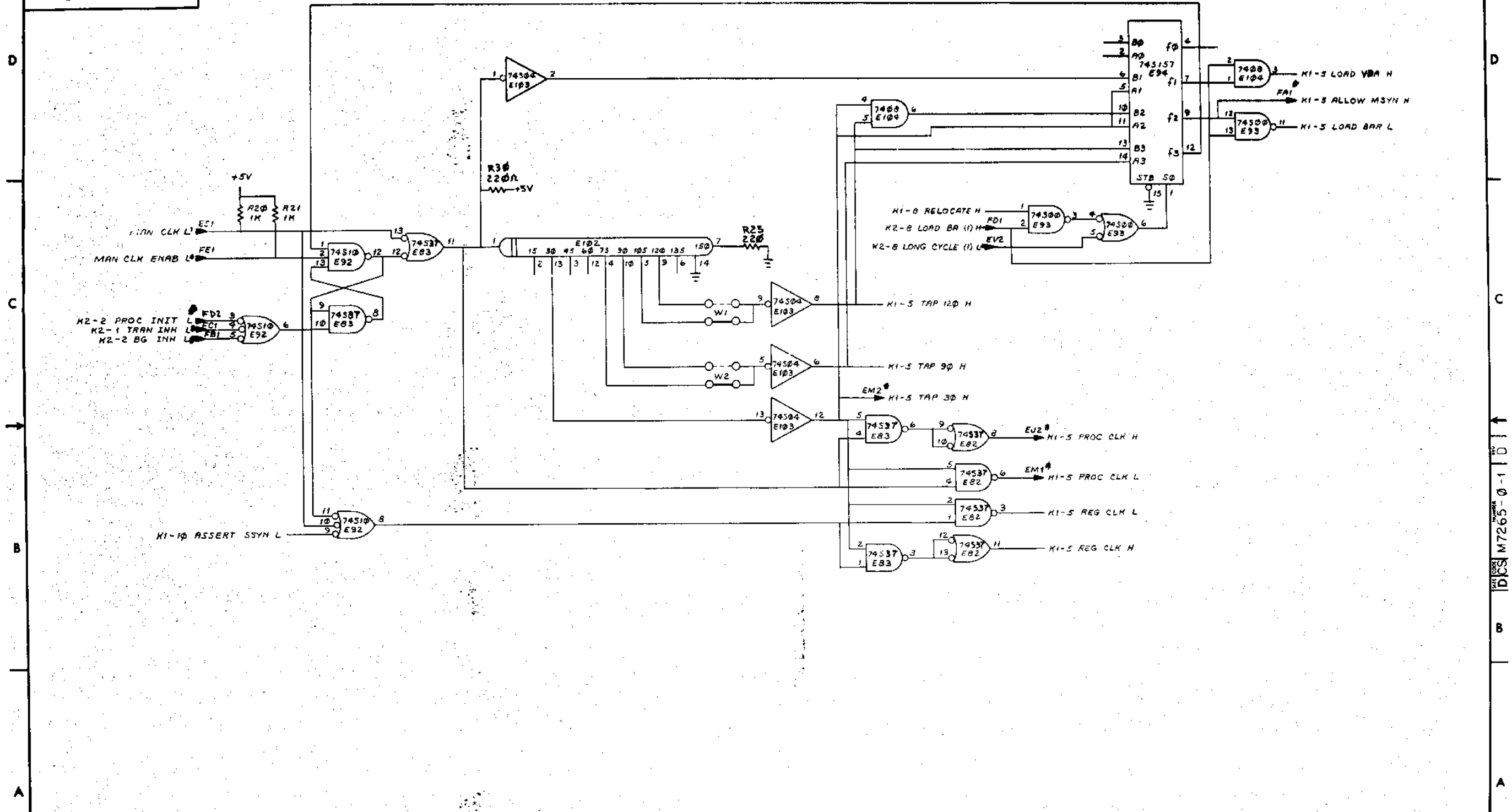
(DATA PATH 12-15)

TITLE: KDIIE DATA PATH (KI-4)
 NUMBER: DCS M7265-0-1
 SHEET: 5 OF 11
 SCALE: 1/1

47

THE DRAWING AND SPECIFICATIONS HEREON ARE THE PROPERTY OF DIGITAL EQUIPMENT CORPORATION AND SHALL NOT BE REPRODUCED OR COPIED IN WHOLE OR IN PART AS THE BASIS FOR THE MANUFACTURE OR SALE OF ITEMS WITHOUT WRITTEN PERMISSION. COPYRIGHT © 1975 DIGITAL EQUIPMENT CORPORATION.

DCS M7265-0-1

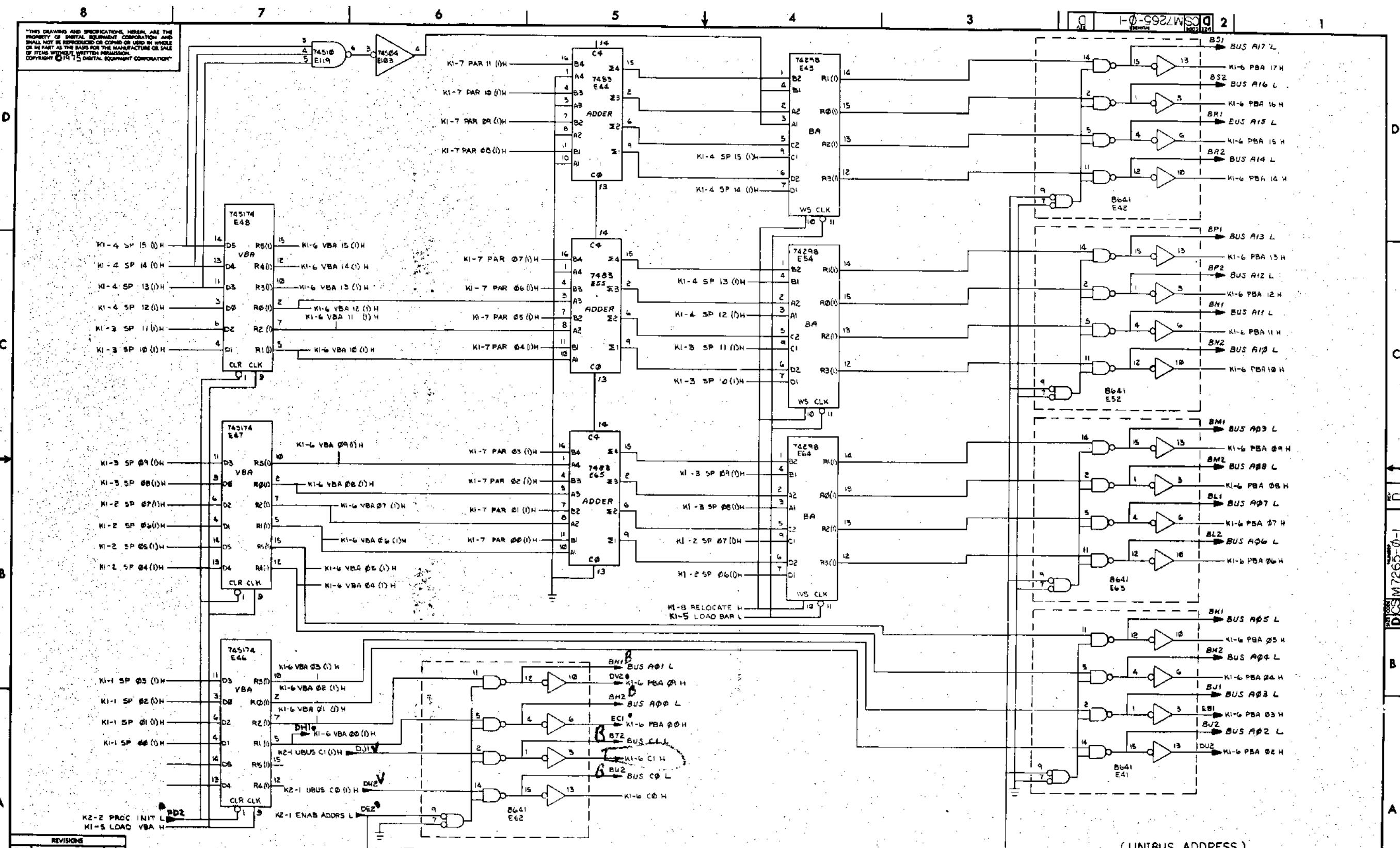


(CPU CLK)

REVISIONS		
CHK	CHANGE NO.	REV

TITLE	K011E DATA PATH (KI-5)	SIZE CODE	DCS	NUMBER	M7265-0-1	REV.	D
SCALE	1/1	SHEET	6 OF 11	DIST.			

48



"THIS DRAWING AND SPECIFICATIONS HEREIN ARE THE PROPERTY OF DIGITAL EQUIPMENT CORPORATION AND SHALL NOT BE REPRODUCED OR COPIED OR USED IN WHOLE OR IN PART AS THE BASIS FOR THE MANUFACTURE OR SALE OF ITEMS WITHOUT WRITTEN PERMISSION. COPYRIGHT © 1975 DIGITAL EQUIPMENT CORPORATION"

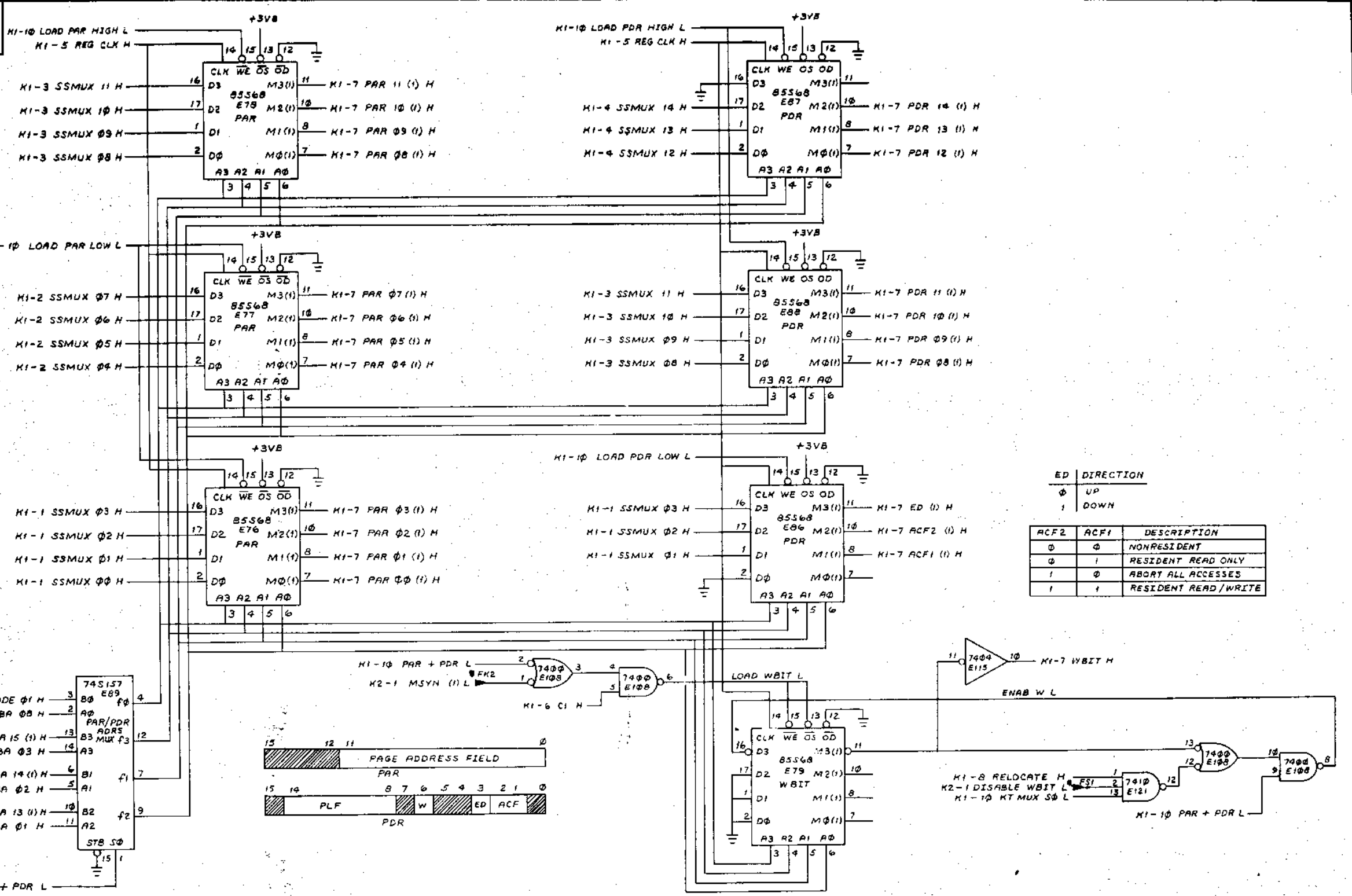
REVISIONS		
CHK	CHANGE NO.	REV.

TITLE	SIZE CODE	NUMBER	REV.
KDHE DATA PATH (KI-6)	D	DCSM7265-0-1	D
SCALE	SHEET	DIST.	
	7 OF 11		

DCSM7265-0-1

49

THIS DRAWING AND SPECIFICATIONS, HEREIN, ARE THE PROPERTY OF DIGITAL EQUIPMENT CORPORATION AND SHALL NOT BE REPRODUCED OR COPIED IN WHOLE OR IN PART AS THE BASIS FOR THE MANUFACTURE OR SALE OF ITEMS WITHOUT WRITTEN PERMISSION. COPYRIGHT © 1972 DIGITAL EQUIPMENT CORPORATION

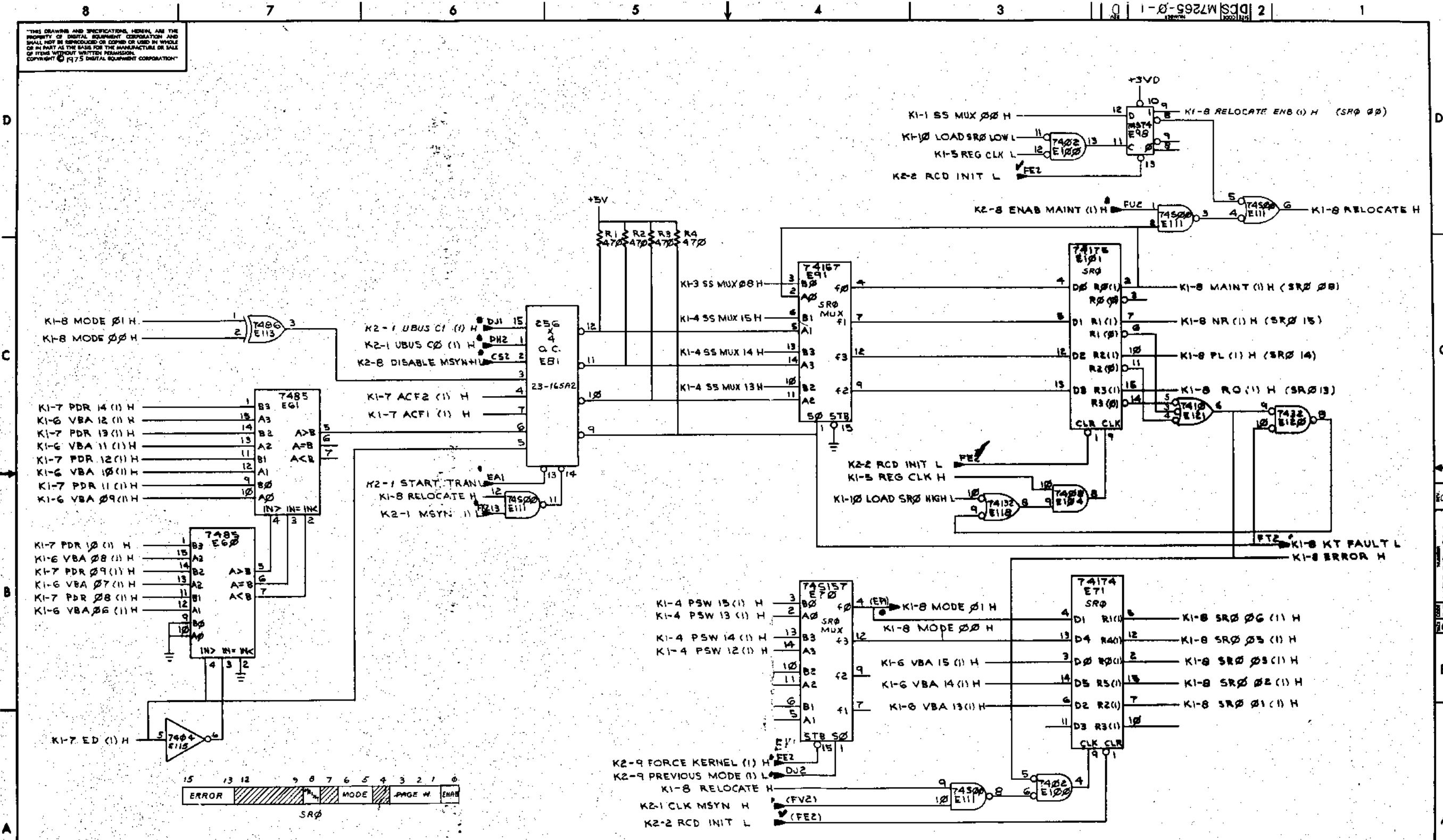


CHK	CHANGE NO	REV.

TITLE	SIZE/CODE	NUMBER	REV.
KDIIIE DATA PATH (K1-7)	DCS	M7265-0-1	D

50

"THIS DRAWING AND SPECIFICATIONS HEREIN ARE THE PROPERTY OF DIGITAL EQUIPMENT CORPORATION AND SHALL NOT BE REPRODUCED OR COPIED OR USED IN WHOLE OR IN PART AS THE BASIS FOR THE MANUFACTURE OR SALE OF ITEMS WITHOUT WRITTEN PERMISSION. COPYRIGHT © 1975 DIGITAL EQUIPMENT CORPORATION"



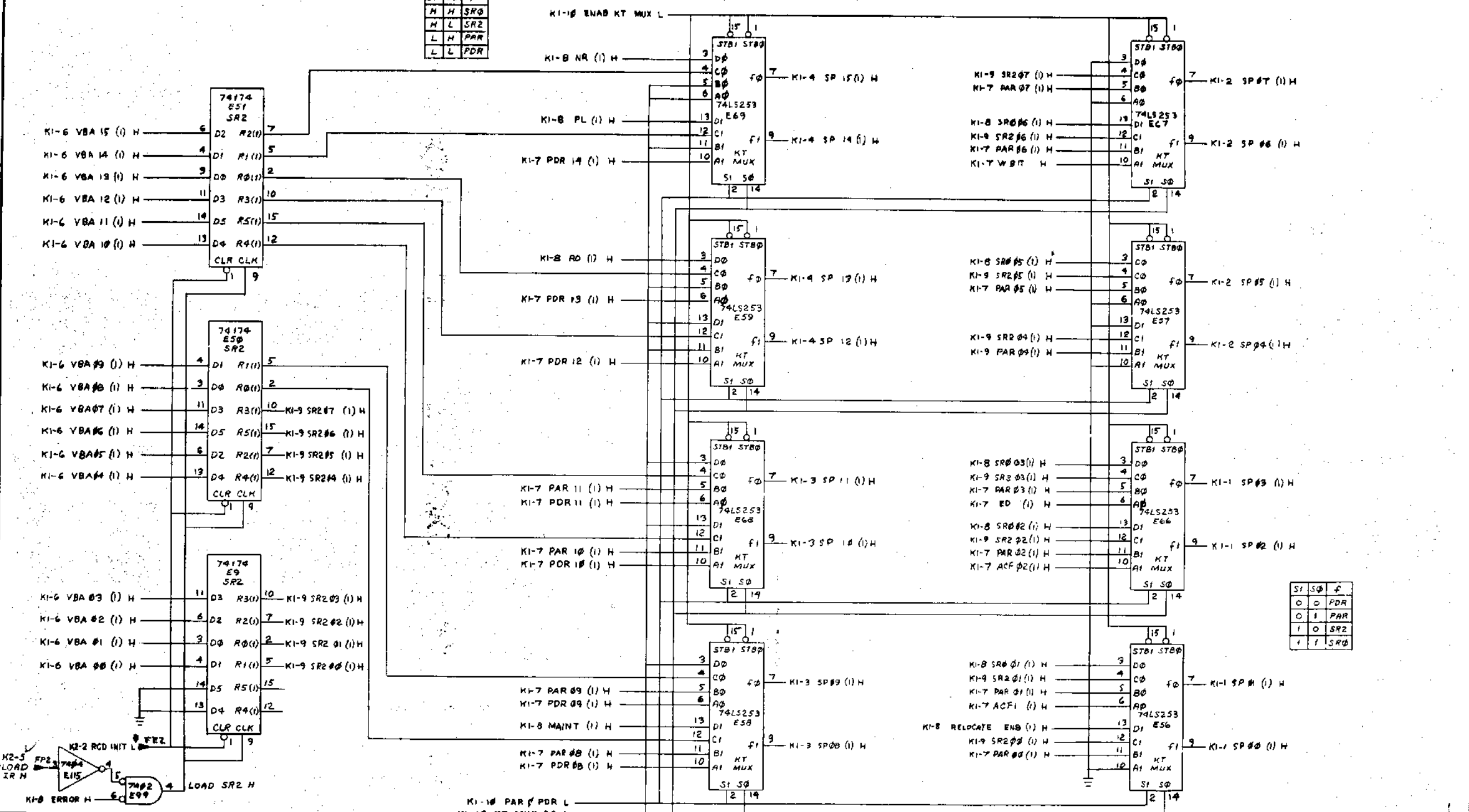
REVISIONS		
CHK	CHANGE NO.	REV.

TITLE	NUMBER	REV.
KD11E DATA PATH (KI-8)	DCS M7265-0-1	0
SCALE	SHEET 9 OF 11	DIST.

51

THIS DRAWING AND SPECIFICATIONS HEREIN ARE THE PROPERTY OF DIGITAL EQUIPMENT CORPORATION AND SHALL NOT BE REPRODUCED OR COPIED OR USED IN WHOLE OR IN PART AS THE BASIS FOR THE MANUFACTURE OR SALE OF ITEMS WITHOUT WRITTEN PERMISSION OF DIGITAL EQUIPMENT CORPORATION.

SI	SQ	F
H	H	SRQ
H	L	SR2
L	H	PAR
L	L	PDR

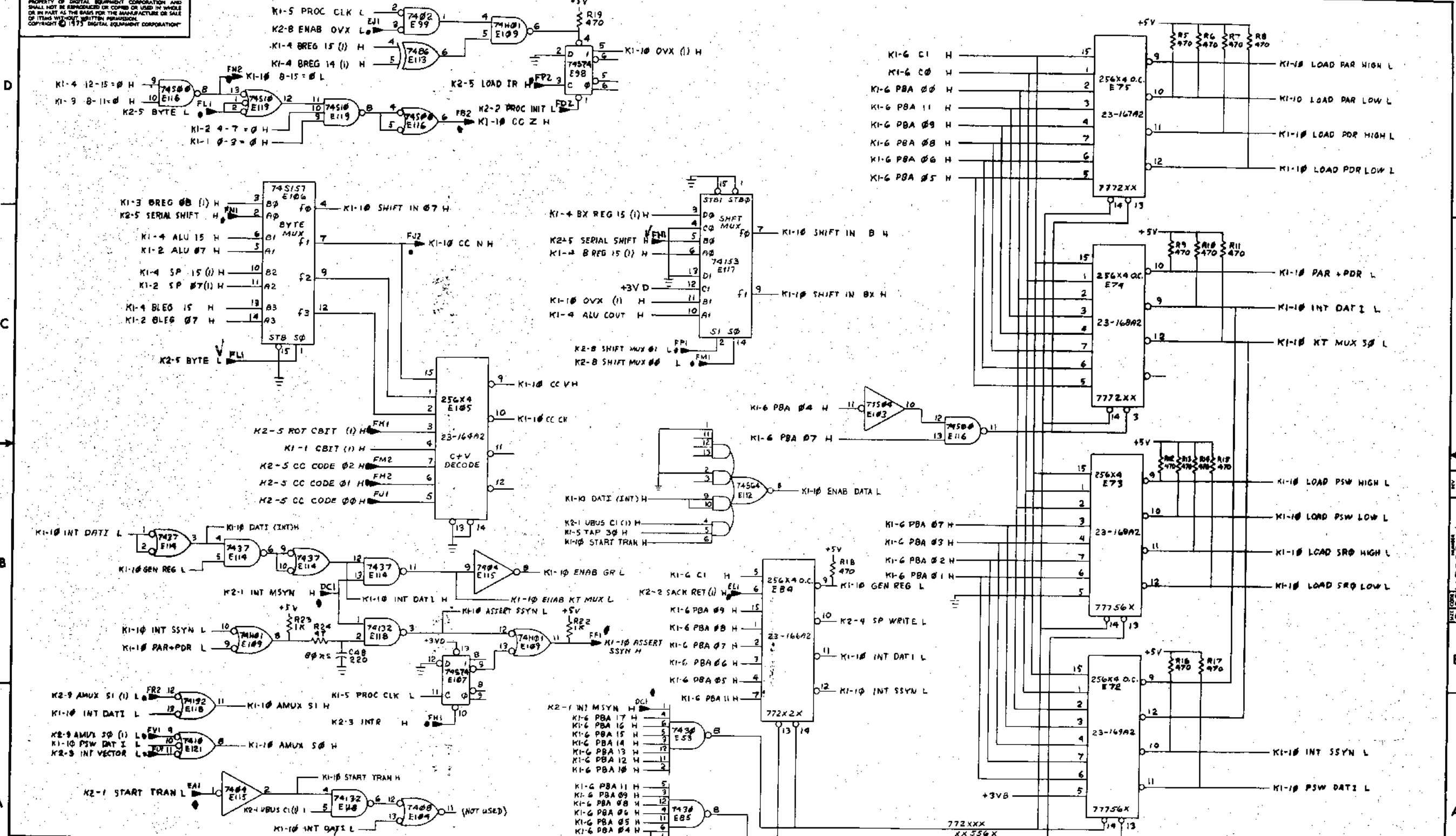


SI	SQ	F
0	0	PDR
0	1	PAR
1	0	SR2
1	1	SRQ

REVISIONS		
CHK	CHANGE NO.	REV.

TITLE		NUMBER		REV.
KD11E DATA PATH (KI-9)		DCSM7265-0-1		D
SCALE	SHEET	OF	DIST.	
	10	11		

52

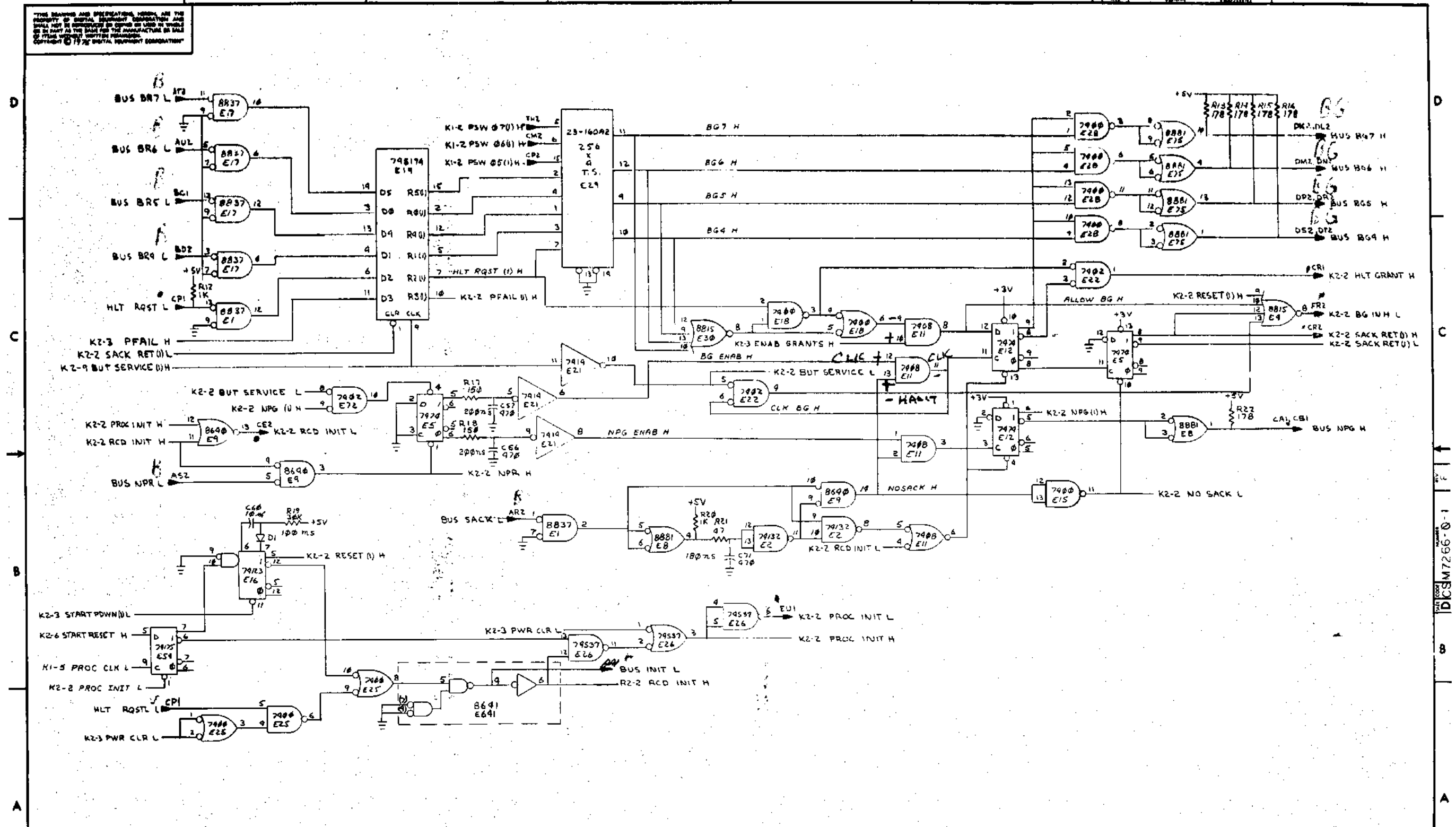


REVISIONS			TITLE	SIZE CODE	NUMBER	REV.
CHK	CHANGE NO.	REV.	KDIIE DATA PATH (KI-10)	D	CSM7265-0-1	D
			SCALE	SHEET 11 OF 11	DIST.	

53

THE DRAWING AND OPERATIONS HEREON ARE THE PROPERTY OF DIGITAL EQUIPMENT CORPORATION AND SHALL NOT BE REPRODUCED OR COPIED IN WHOLE OR IN PART AS THE BASIS FOR THE MANUFACTURE OR SALE OF ITEMS WITHOUT WRITTEN PERMISSION. COPYRIGHT © 1972 DIGITAL EQUIPMENT CORPORATION

DIGITAL EQUIPMENT CORPORATION
 1-0-992/MSJC 2



REVISIONS		
CHK	CHANGE NO.	REV.

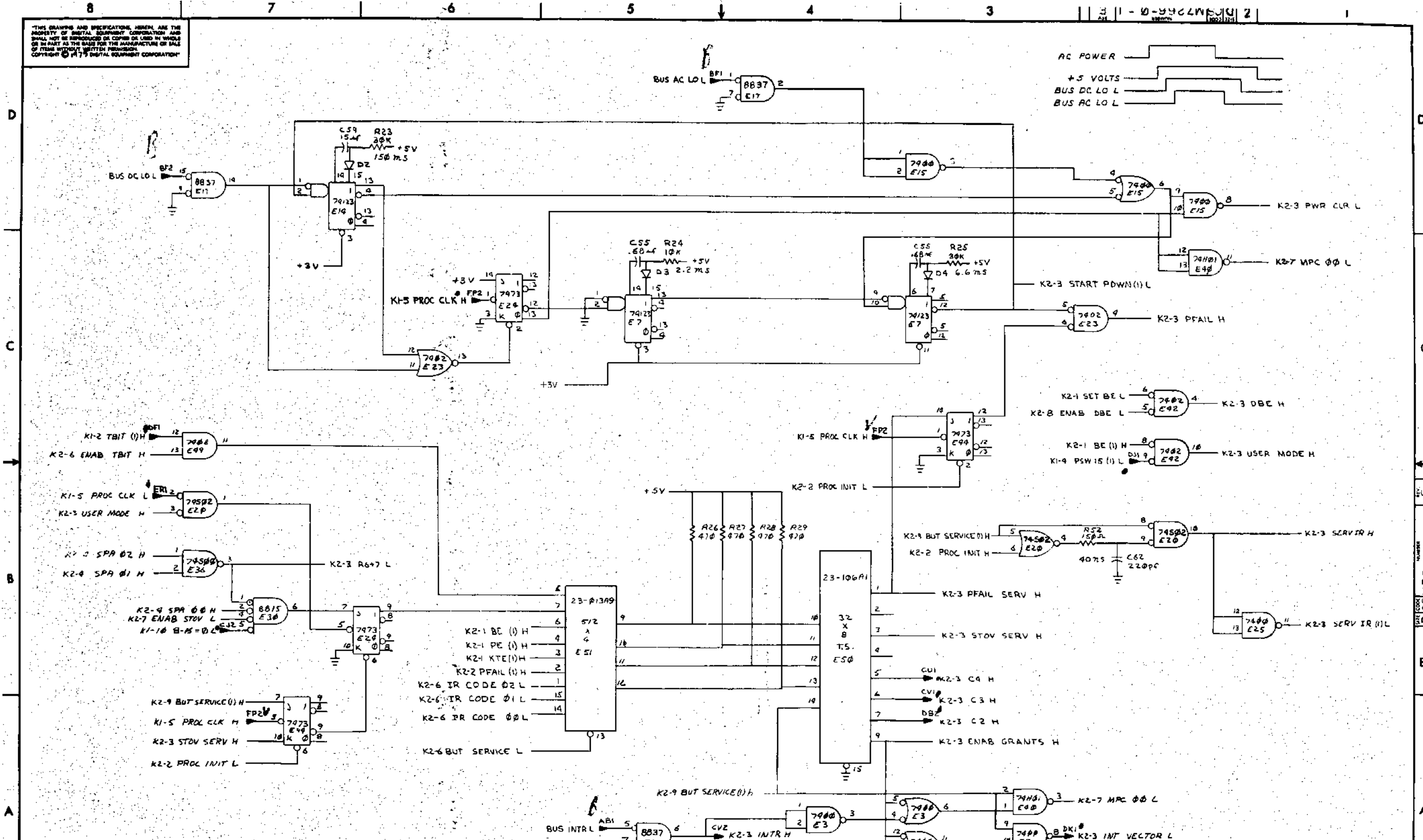
TITLE		DCS M7266-0-1		REV.
K2-2 DIE CONTROL (K2-2)		DCS M7266-0-1		F
SCALE	SHEET	DIST.		
	3 OF 11			

(PRIORITY ARB)

56

"THIS DRAWING AND SPECIFICATIONS HEREIN ARE THE PROPERTY OF DIGITAL EQUIPMENT CORPORATION AND SHALL NOT BE REPRODUCED OR COPIED IN WHOLE OR IN PART AS THE BASIS FOR THE MANUFACTURE OR SALE OF ITEMS WITHOUT WRITTEN PERMISSION. COPYRIGHT © 1975 DIGITAL EQUIPMENT CORPORATION"

1 - 0-8422WJG 2



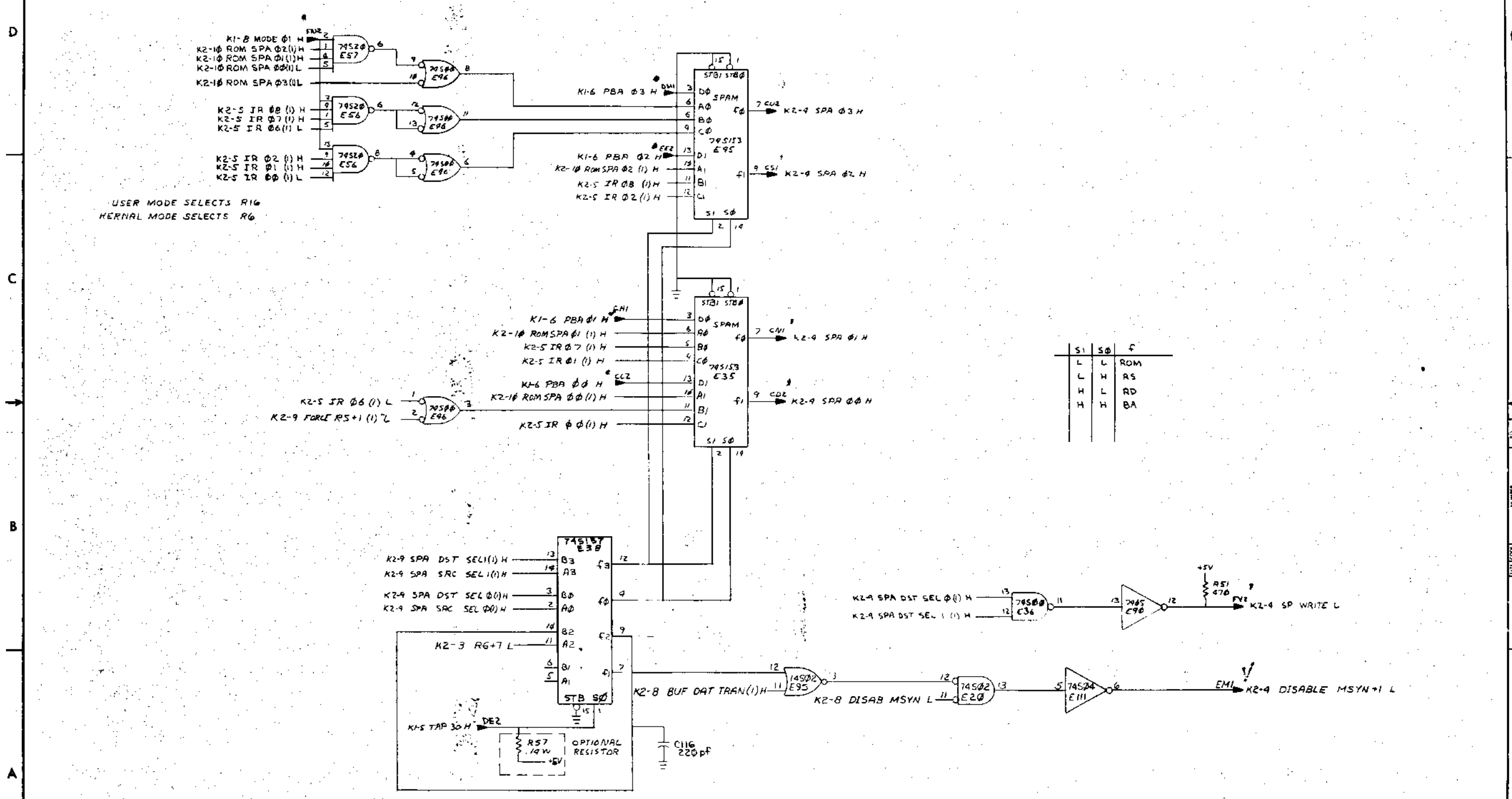
REVISIONS		
CHK	CHANGE NO.	REV.

TITLE	KDIE CONTROL (K2-3)	SIZE CODE	DCSM7266 0-1	NUMBER	0-1	REV.	F
SCALE	1/1	SHEET	4 OF 11	DIST.			

DCSM7266 0-1

57

THIS DRAWING AND SPECIFICATIONS, HEREIN, ARE THE PROPERTY OF DIGITAL EQUIPMENT CORPORATION AND SHALL NOT BE REPRODUCED OR COPIED OR USED IN WHOLE OR IN PART AS THE BASIS FOR THE MANUFACTURE OR SALE OF ITEMS WITHOUT WRITTEN PERMISSION. COPYRIGHT © 1975 DIGITAL EQUIPMENT CORPORATION.



S1	S0	F
L	L	ROM
L	H	RS
H	L	RD
H	H	BA

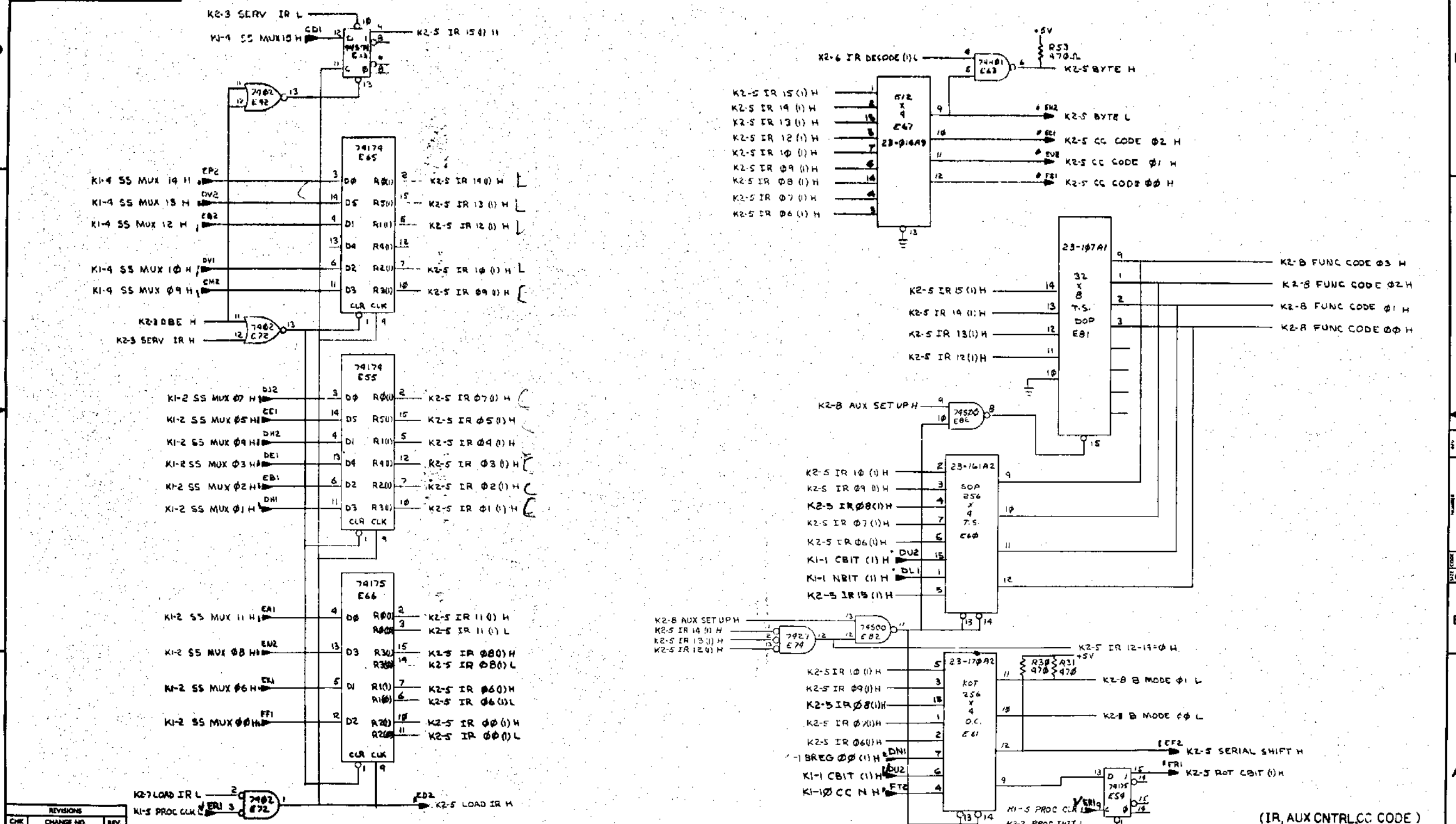
REVISIONS		
CHK	CHANGE NO.	REV

TITLE		SIZE CODE		NUMBER		REV.	
KDIIE CONTROL (K2-4)		D		CSM7266-0-1		F	
SCALE		SHEET		OF			
		5		OF 11			

(SPA MUX)

58

THIS DRAWING AND OPERATIONS HEREIN ARE THE PROPERTY OF DIGITAL EQUIPMENT CORPORATION AND SHALL NOT BE REPRODUCED OR COPIED IN WHOLE OR IN PART AS THE BASIS FOR THE MANUFACTURE OR SALE OF ITEMS WITHOUT WRITTEN PERMISSION. COPYRIGHT © 1977 DIGITAL EQUIPMENT CORPORATION



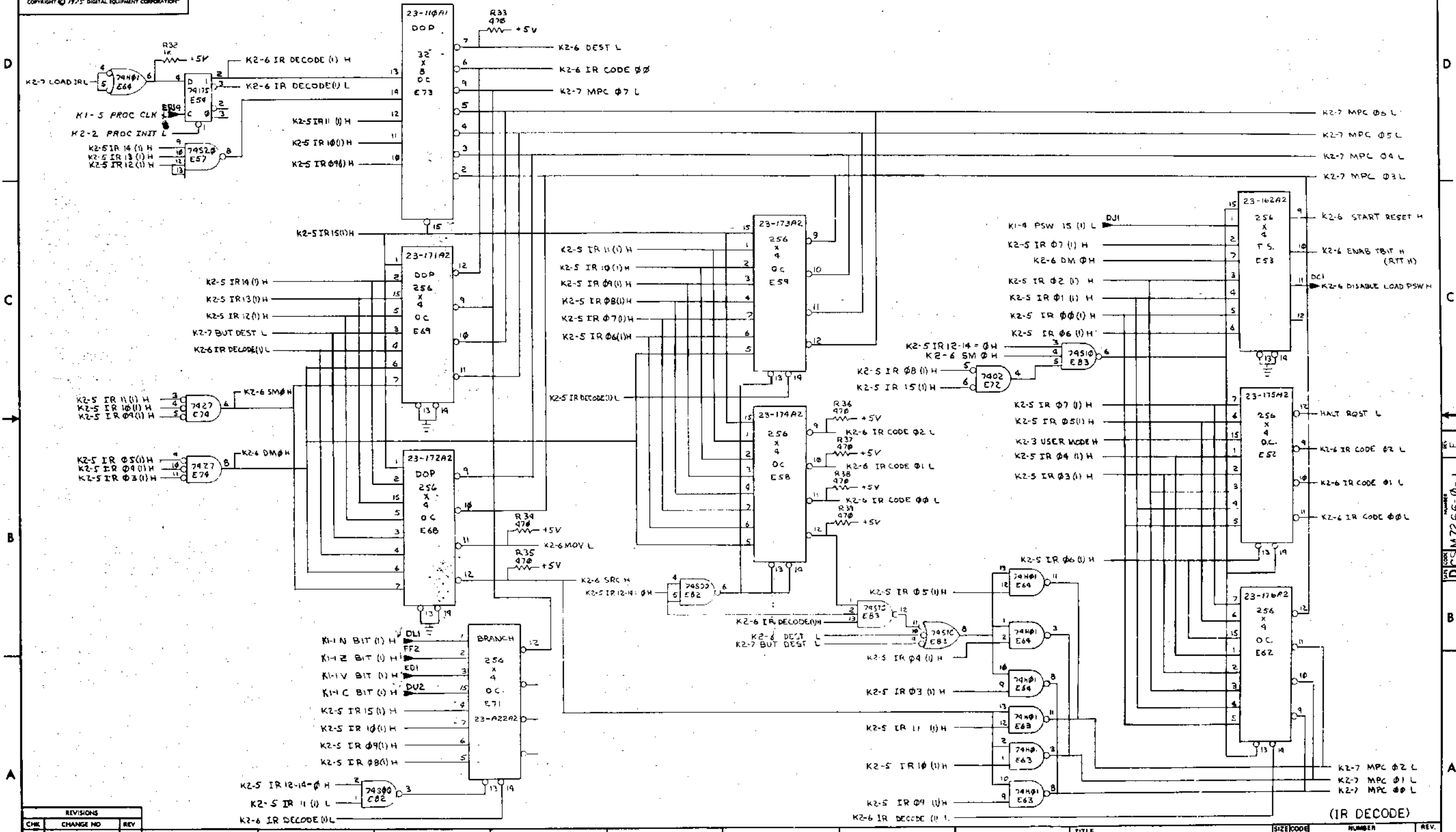
REVISIONS		
CHK	CHANGE NO.	REV.

TITLE	KDIIE CONTROL (K2-5)	SIZE/CODE	DCS/M7266-0-1	NUMBER		REV.	F
SCALE		SHEET	6 OF 11	DIST.			

DCS/M7266-0-1

57

THIS DRAWING AND SPECIFICATIONS HEREIN ARE THE PROPERTY OF DIGITAL EQUIPMENT CORPORATION AND SHALL NOT BE REPRODUCED OR COPIED OR USED IN WHOLE OR IN PART AS THE BASIS FOR THE MANUFACTURE OR SALE OF ITEMS WITHOUT WRITTEN PERMISSION. COPYRIGHT © 1975 DIGITAL EQUIPMENT CORPORATION.

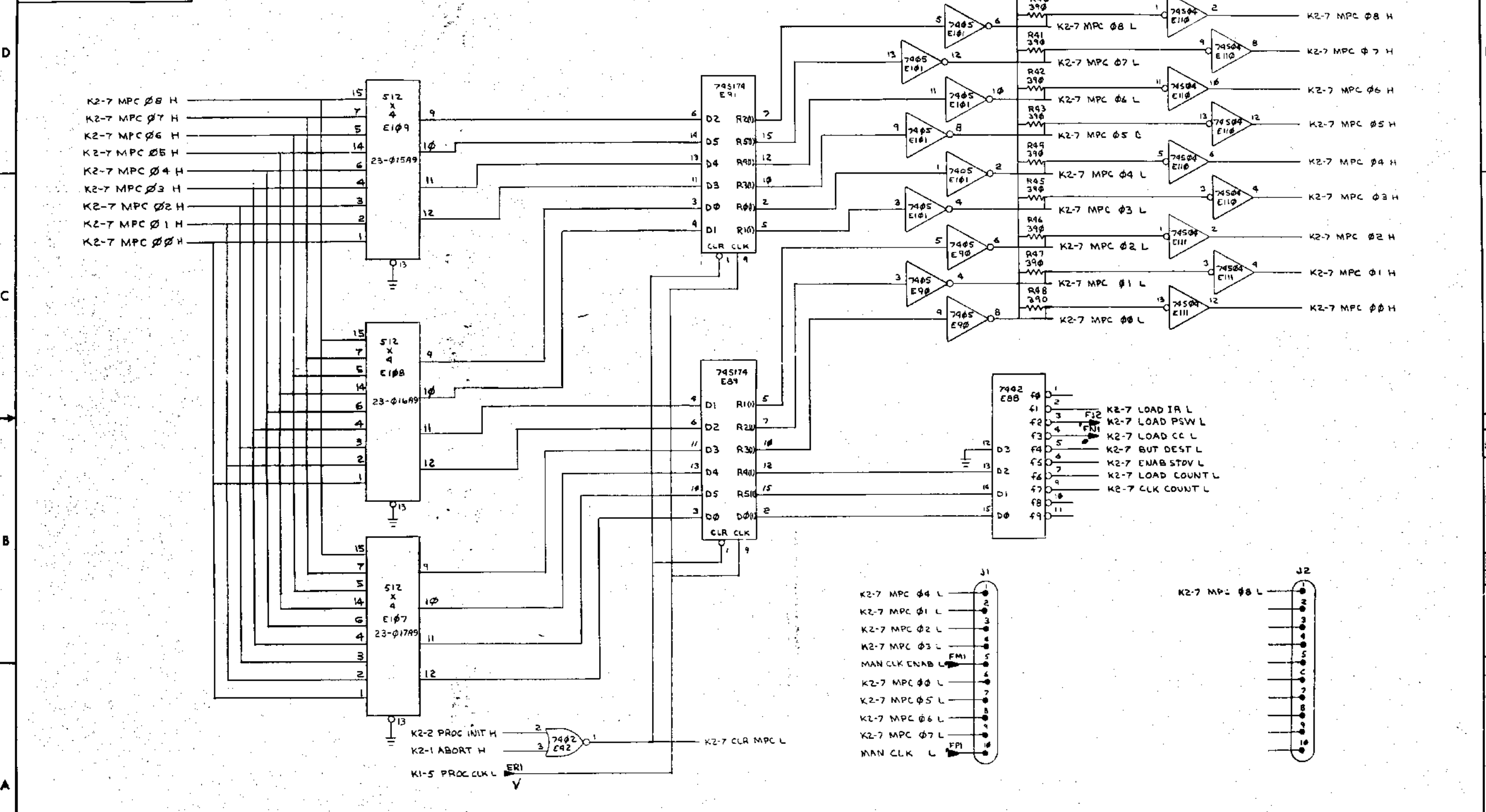


REVISIONS		
CHK	CHANGE NO	REV

TITLE	KDIE CONTROL (K2-6)	SIZE CODE	NUMBER	REV.
SCALE	1/1	DIST.	DCS M7266-0-1	E
SHEET 7 OF 11				

60

THIS DRAWING AND SPECIFICATIONS HEREAFTER ARE THE PROPERTY OF DIGITAL EQUIPMENT CORPORATION AND SHALL NOT BE REPRODUCED OR COPIED OR USED IN WHOLE OR IN PART AS THE BASIS FOR THE MANUFACTURE OR SALE OF ITEMS WITHOUT WRITTEN PERMISSION. COPYRIGHT © 1975 DIGITAL EQUIPMENT CORPORATION.

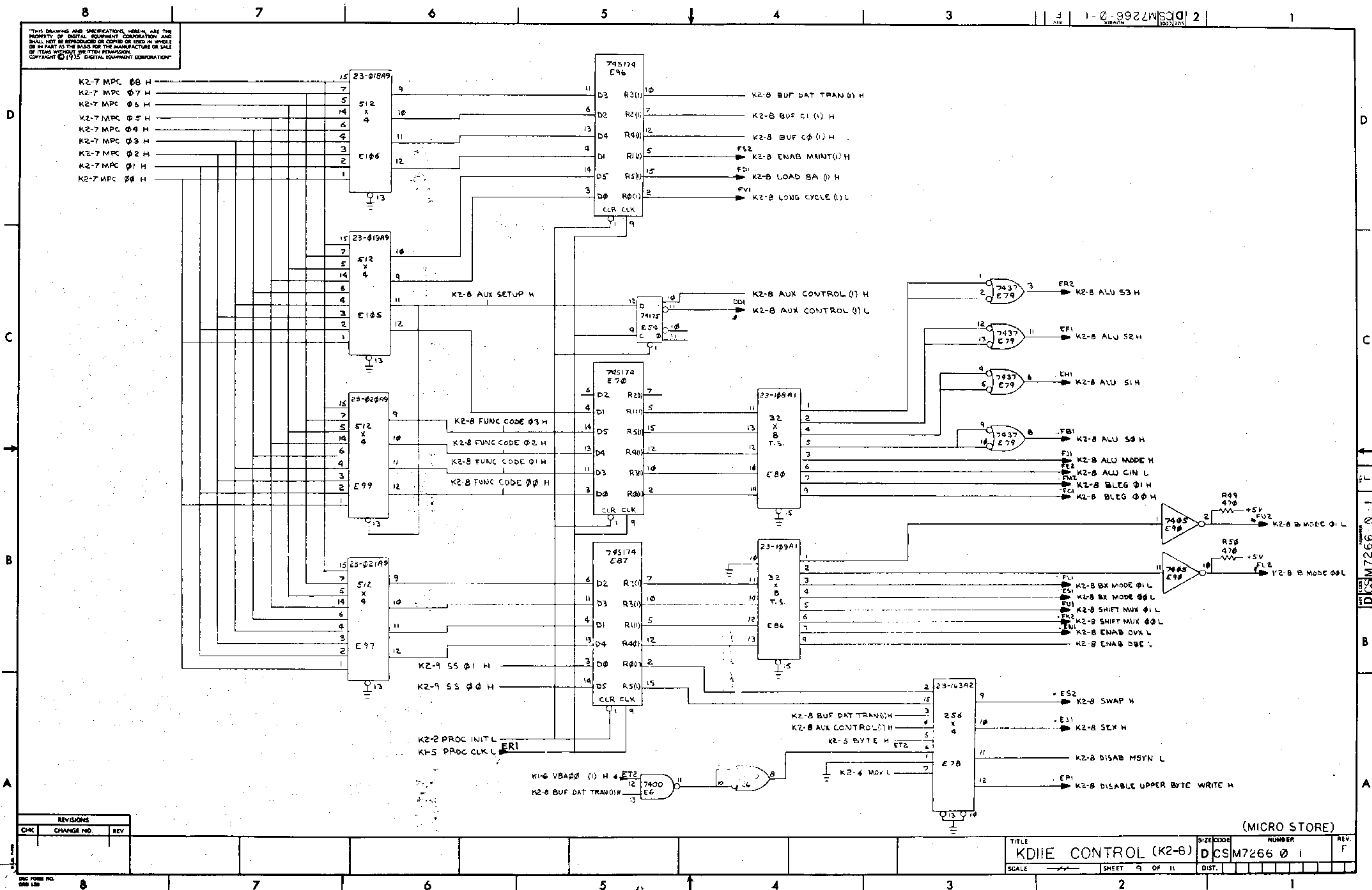


REVISIONS			(MPC BUT FIELD)	
CHK	CHANGE NO.	REV.	TITLE	NUMBER
			KDIII CONTROL (K2-7)	D CS M7266-0-1
			SCALE	SHEET 8 OF 11

D E S I G N I D I C S M7266-0-1

61

THIS DRAWING AND SPECIFICATIONS HEREIN ARE THE PROPERTY OF DIGITAL EQUIPMENT CORPORATION AND SHALL NOT BE REPRODUCED OR COPIED OR USED IN WHOLE OR IN PART AS THE BASIS FOR THE MANUFACTURE OR SALE OF ITEMS WITHOUT WRITTEN PERMISSION. COPYRIGHT © 1975 DIGITAL EQUIPMENT CORPORATION.



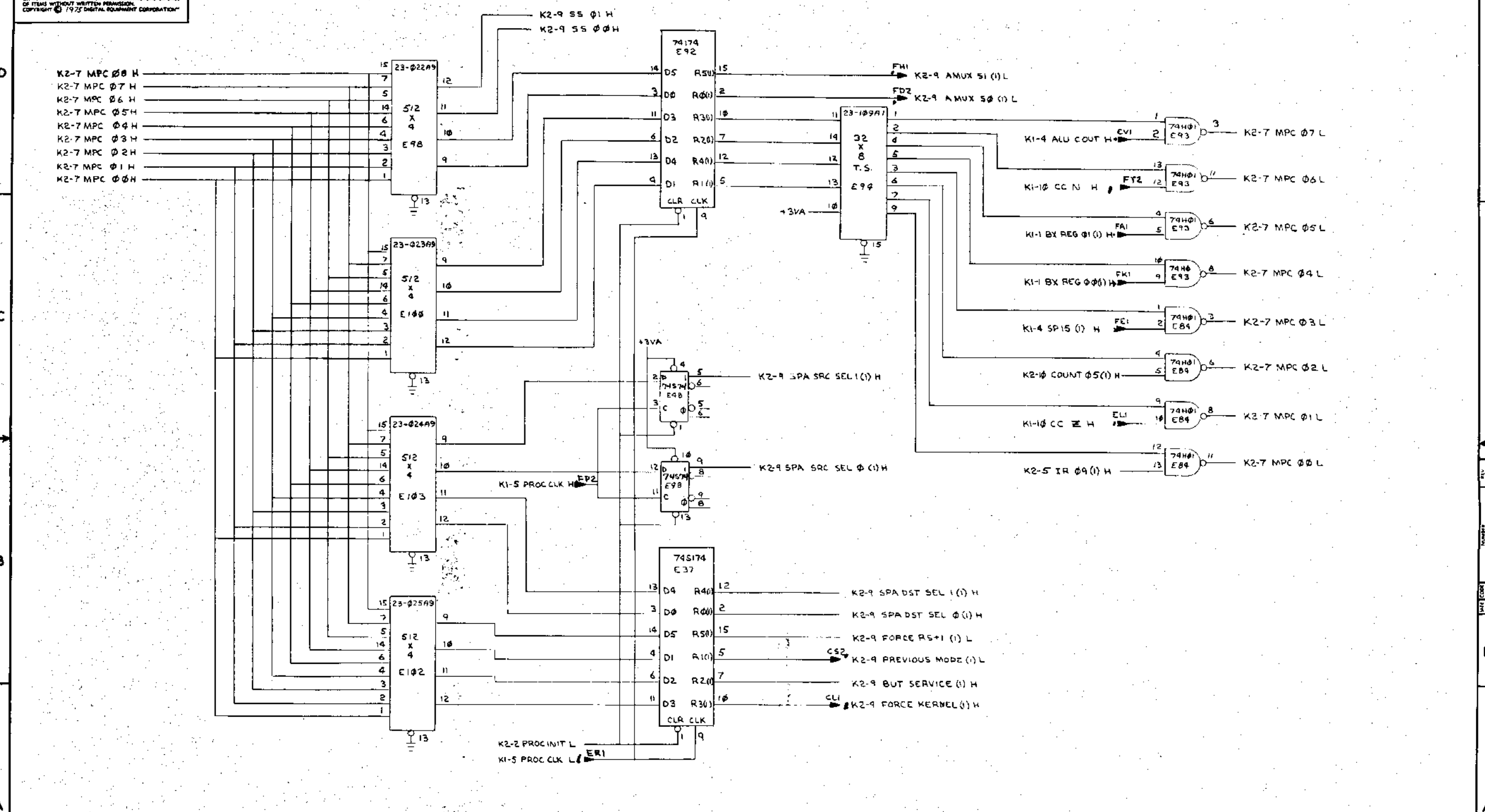
REVISIONS		
CHK	CHANGE NO.	REV

TITLE		KDIIE CONTROL (K2-8)		SIZE	CODE	NUMBER	REV.
SCALE		SHEET 9 OF 11		DIST.			

(MICRO STORE)

62

THIS DRAWING AND SPECIFICATIONS HEREIN ARE THE PROPERTY OF DIGITAL EQUIPMENT CORPORATION AND SHALL NOT BE REPRODUCED OR COPIED OR USED BY WHOLE OR IN PART AS THE BASIS FOR THE MANUFACTURE OR SALE OF ITEMS WITHOUT WRITTEN PERMISSION. COPYRIGHT © 1975 DIGITAL EQUIPMENT CORPORATION.



REVISIONS		
CHK	CHANGE NO.	REV.

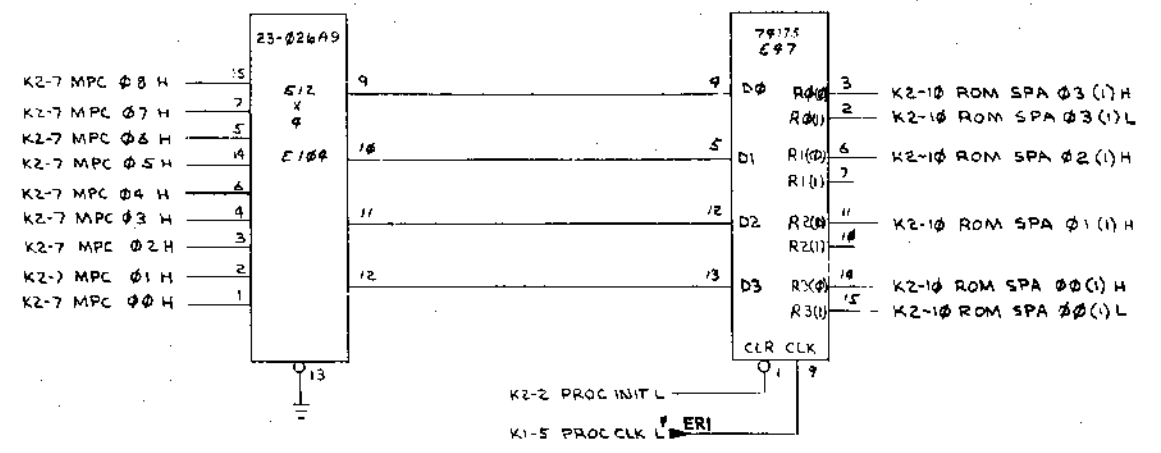
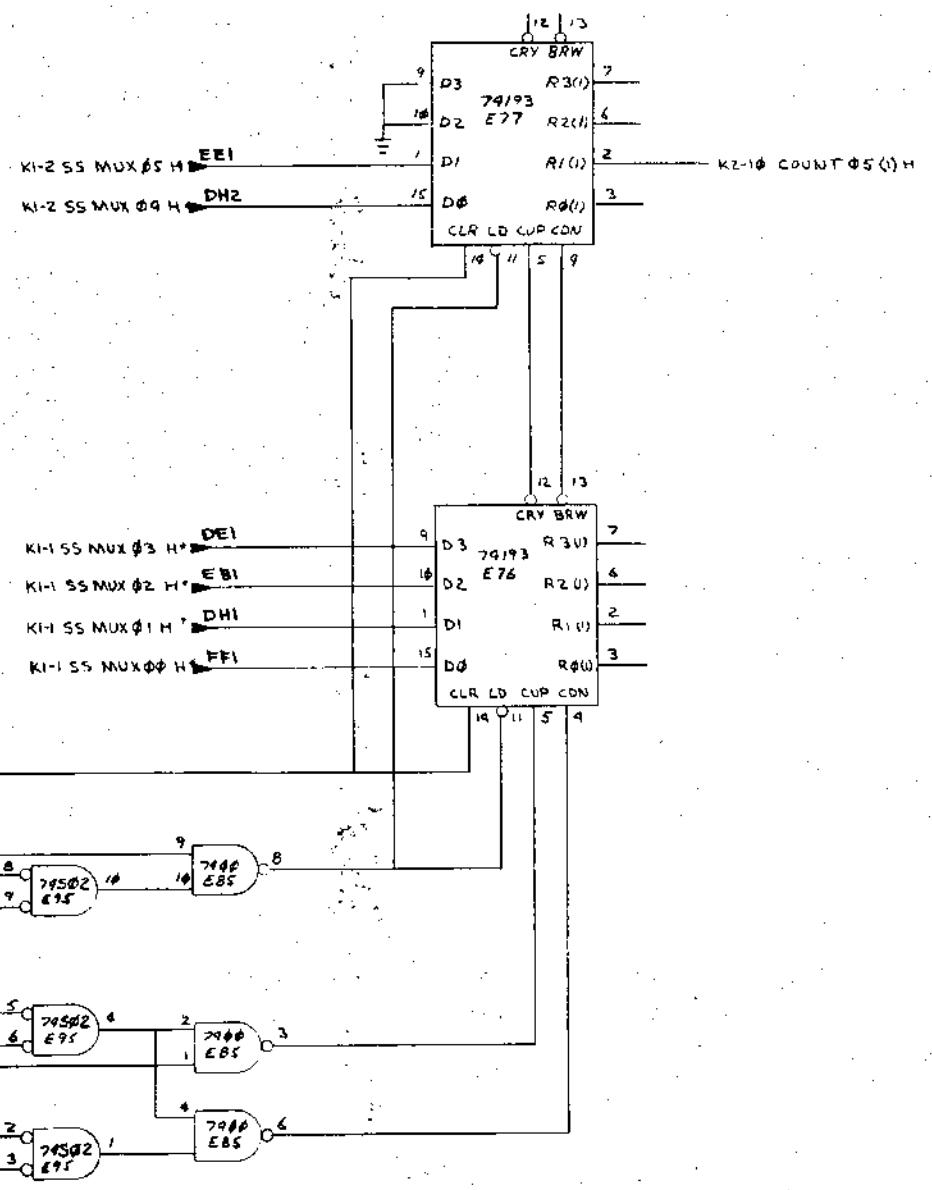
DCS FORM NO. 090 (12)

(MICRO COLE)

TITLE	SIZE	CODE	NUMBER	REV.
KDHE CONTROL (K2-9)	DCS	M7266-Q-1		F
SCALE	SHEET	10 OF 11	DIST.	

63

THIS DRAWING AND SPECIFICATIONS HEREIN ARE THE PROPERTY OF DIGITAL EQUIPMENT CORPORATION AND SHALL NOT BE REPRODUCED OR COPIED OR USED IN WHOLE OR IN PART AS THE BASIS FOR THE MANUFACTURE OR SALE OF ITEMS WITHOUT WRITTEN PERMISSION. COPYRIGHT © 1975 DIGITAL EQUIPMENT CORPORATION



REVISIONS		
CHK	CHANGE NO.	REV.

(ROM SPA COUNTER)

TITLE	SIZE CODE	NUMBER	REV.
KDIIE CONTROL (K2-10)	D CS	M7266-0-1	F
SCALE	SHEET	OF	DIST

64

THIS DRAWING AND SPECIFICATIONS, HEREIN ARE THE PROPERTY OF DIGITAL EQUIPMENT CORPORATION AND SHALL NOT BE REPRODUCED OR COPIED OR USED IN WHOLE OR IN PART AS THE BASIS FOR THE MANUFACTURE OR SALE OF ITEMS WITHOUT WRITTEN PERMISSION. COPYRIGHT © 1975 DIGITAL EQUIPMENT CORPORATION

NOTES:

- 1. IN PDP11/04, 11/03 AND PDP11/34, 11/33 SYSTEMS WITHOUT BATTERY BACKUP, TP1 SHOULD NOT BE CONNECTED TO THE POWER SUPPLY BATTERY STATUS SIGNAL UNLESS BOOTS ON ALL POWER RESTARTS ARE DESIRED.
2. IN ALL PDP11 SYSTEM WHOSE PROCESSOR MODULE DOES NOT CONTAIN GRANT PULL-UP RESISTORS, EITHER THE M9301 MUST BE POSITIONED IN THE TERMINATOR SLOT AT THE END OF THE UNIBUS FURTHEST FROM THE PROCESSOR OR JUMPERS W1 THRU W5 MUST BE INSTALLED, SO THE M9301 CAN BE INSERTED IN THE TERMINATOR SLOT NEXT TO THE PROCESSOR.
3. ON PDP11 SYSTEMS CONTAINING A BUS REPEATER OPTION, THE M9301 MUST BE INSTALLED ON THE PROCESSOR SIDE OF THE REPEATER SEE NOTE 2 FOR OTHER RESTRICTIONS.
4. JUMPER W6 SHOULD ONLY BE INSTALLED IN 11/35 AND 11/37 COMPUTERS WHOSE BACKPLANES HAVE BEEN MODIFIED FOR THIS MODULE. CONNECTOR PIN BDI IN THESE MODIFIED BACKPLANES WILL NOT BE TIED TO GROUND.
5. EARLIER VERSIONS USED PLASTIC SWITCH COVER (PN 121184-06) TO PREVENT INADVERTENT PROGRAMMING OF S1.
6. 11/40 S WITH RK06 REQUIRE CS REVISION P OR LATER.

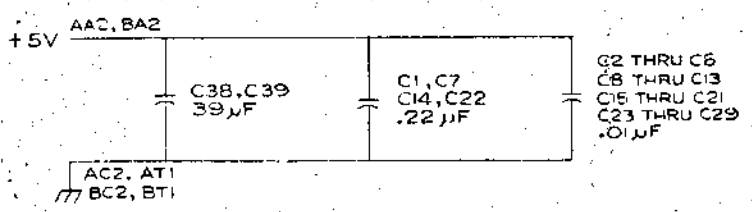
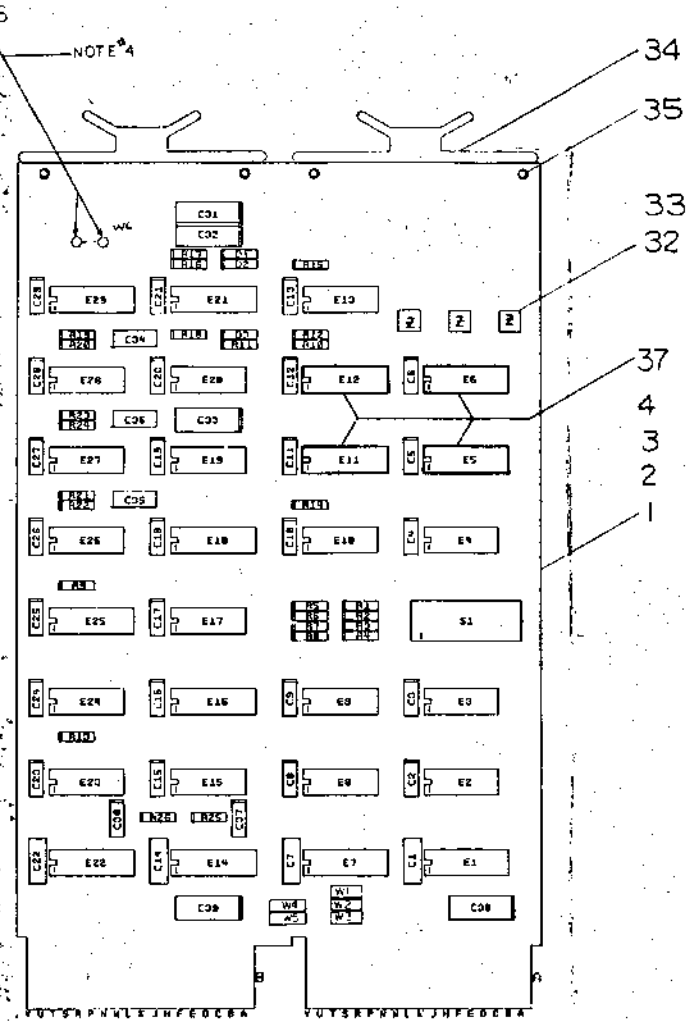


Table with columns: REF, REF, REF, REF, REF, REF, REF, REF, REF, X-Y COORDINATE HOLE LOCATION, and Part No. It lists various components like capacitors, resistors, diodes, and integrated circuits with their specifications and part numbers.

Table with columns: I.C. DEC, Part No., Qty, and Pin locations (GND, +5V). Lists specific ICs like I.C. DEC 314, 7476, 8640, 8837, 9602.

REVISIONS table with columns: DATE, BY, REVISION. Lists revision history for the drawing.

Administrative section containing: PARTS LIST (listing QTY, REF. DESIGNATION, DESCRIPTION, PART NO., ITEM NO.), SEMICONDUCTOR CONVERSION CHART (listing DEC NO., EIA NO.), and TITLE: UNIBUS TERMINATOR/BOOTSTRAP.

Vertical text on the right edge: M9301-0-1, 65

THIS DRAWING AND SPECIFICATIONS HEREIN ARE THE PROPERTY OF DIGITAL EQUIPMENT CORPORATION AND SHALL NOT BE REPRODUCED OR COPIED OR USED IN WHOLE OR IN PART AS THE BASIS FOR THE MANUFACTURE OR SALE OF ITEMS WITHOUT WRITTEN PERMISSION. COPYRIGHT © 1975 DIGITAL EQUIPMENT CORPORATION.

QTY	QTY	QTY	QTY	QTY	QTY	QTY	QTY	QTY	REF DESIGNATION	DESCRIPTION	PART NO.	ITEM NO.
4	4	4	4	4	4	4	4	4	E5, E6, E11, E12	SOCKET, 16 PIN, I.C.	1211613	27
0	0	0	0	0	0	0	0	0	E5	I.C. DEC TRI-STATE 2048 ROM	23034A9	28
0	0	0	0	0	0	0	0	0	E6	I.C. DEC TRI-STATE 2048 ROM	23035A9	29
0	0	0	0	0	0	0	0	0	E11	I.C. DEC TRI-STATE 2048 ROM	23036A9	30
0	0	0	0	0	0	0	0	0	E12	I.C. DEC TRI-STATE 2048 ROM	23037A9	31
0	0	0	0	0	0	0	0	0	E5	I.C. DEC TRI-STATE 2048 ROM	23038A9	32
0	0	0	0	0	0	0	0	0	E6	I.C. DEC TRI-STATE 2048 ROM	23039A9	33
0	0	0	0	0	0	0	0	0	E11	I.C. DEC TRI-STATE 2048 ROM	23040A9	34
0	0	0	0	0	0	0	0	0	E12	I.C. DEC TRI-STATE 2048 ROM	23041A9	35
0	0	0	0	0	0	0	0	0	E5	I.C. DEC TRI-STATE 2048 ROM	23042A9	36
0	0	0	0	0	0	0	0	0	E6	I.C. DEC TRI-STATE 2048 ROM	23043A9	37
0	0	0	0	0	0	0	0	0	E11	I.C. DEC TRI-STATE 2048 ROM	23044A9	38
0	0	0	0	0	0	0	0	0	E12	I.C. DEC TRI-STATE 2048 ROM	23045A9	39
0	0	0	0	0	0	0	0	0	E5	I.C. DEC TRI-STATE 2048 ROM	23046A9	40
0	0	0	0	0	0	0	0	0	E6	I.C. DEC TRI-STATE 2048 ROM	23047A9	41
0	0	0	0	0	0	0	0	0	E11	I.C. DEC TRI-STATE 2048 ROM	23048A9	42
0	0	0	0	0	0	0	0	0	E12	I.C. DEC TRI-STATE 2048 ROM	23049A9	43
0	0	0	0	0	0	0	0	0	WI THRU WS	JUMPER, WIRE, WHITE INSULATION	92091B5	44
2	2	2	2	2	2	2	2	2	R10, R15	RES 220A, 1/4W, 5%	1300271	45
2	2	2	2	2	2	2	2	2		SPLIT LUG	9006735	46
0	0	0	0	0	0	0	0	0	E5	I.C. DEC TRI-STATE 2048 ROM	23482A9	47
0	0	0	0	0	0	0	0	0	E6	I.C. DEC TRI-STATE 2048 ROM	23481A9	48
0	0	0	0	0	0	0	0	0	E11	I.C. DEC TRI-STATE 2048 ROM	23482A9	49
0	0	0	0	0	0	0	0	0	E12	I.C. DEC TRI-STATE 2048 ROM	23483A9	50
0	0	0	0	0	0	0	0	0	E5	I.C. DEC TRI-STATE 2048 ROM	23332A9	51
0	0	0	0	0	0	0	0	0	E6	I.C. DEC TRI-STATE 2048 ROM	23333A9	52
0	0	0	0	0	0	0	0	0	E11	I.C. DEC TRI-STATE 2048 ROM	23334A9	53
0	0	0	0	0	0	0	0	0	E12	I.C. DEC TRI-STATE 2048 ROM	23335A9	54
0	0	0	0	0	0	0	0	0	E5	I.C. DEC TRI-STATE 2048 ROM	23538A9	55
0	0	0	0	0	0	0	0	0	E6	I.C. DEC TRI-STATE 2048 ROM	23539A9	56
0	0	0	0	0	0	0	0	0	E11	I.C. DEC TRI-STATE 2048 ROM	23540A9	57
0	0	0	0	0	0	0	0	0	E12	I.C. DEC TRI-STATE 2048 ROM	23541A9	58
1	2	0	0	0	0	0	0	0	E5	I.C. DEC TRI-STATE 2048 ROM	23520A9	59
1	0	0	0	0	0	0	0	0	E6	I.C. DEC TRI-STATE 2048 ROM	23521A9	60
1	0	0	0	0	0	0	0	0	E11	I.C. DEC TRI-STATE 2048 ROM	23522A9	61
1	0	0	0	0	0	0	0	0	E12	I.C. DEC TRI-STATE 2048 ROM	23523A9	62

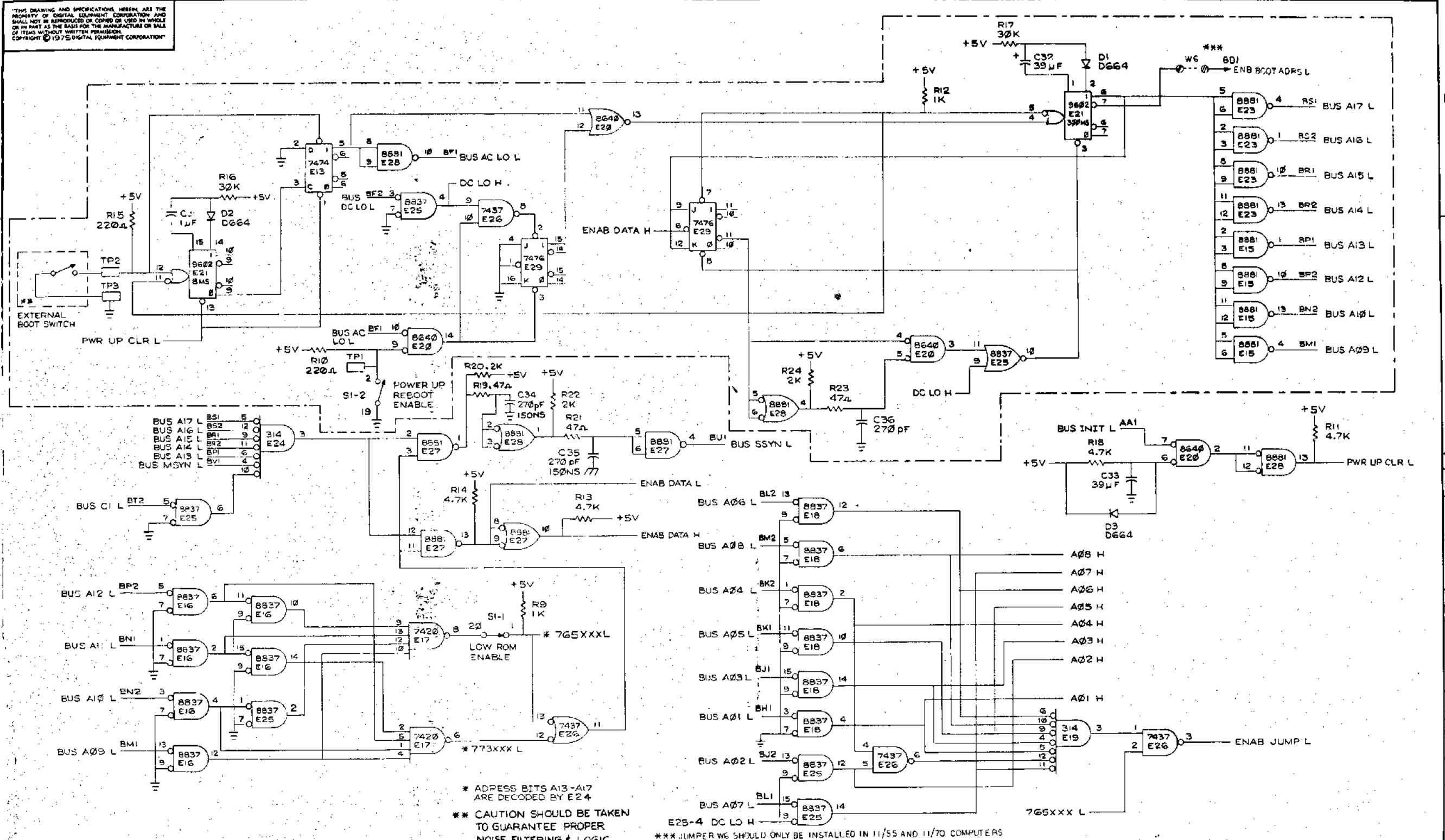
REVISIONS		
CHK	CHANGE NO.	REV

TITLE UNIBUS TERMINATOR/BOOTSTRAP
 SIZE CODE DCS
 NUMBER M9301-0-1
 REV. 5
 SHEET 2 OF 5

M9301-0-1

66

THIS DRAWING AND SPECIFICATIONS HEREIN ARE THE PROPERTY OF DIGITAL EQUIPMENT CORPORATION AND SHALL NOT BE REPRODUCED OR COPIED OR USED IN WHOLE OR IN PART AS THE BASIS FOR THE MANUFACTURE OR SALE OF ITEMS WITHOUT WRITTEN PERMISSION. COPYRIGHT © 1975 DIGITAL EQUIPMENT CORPORATION



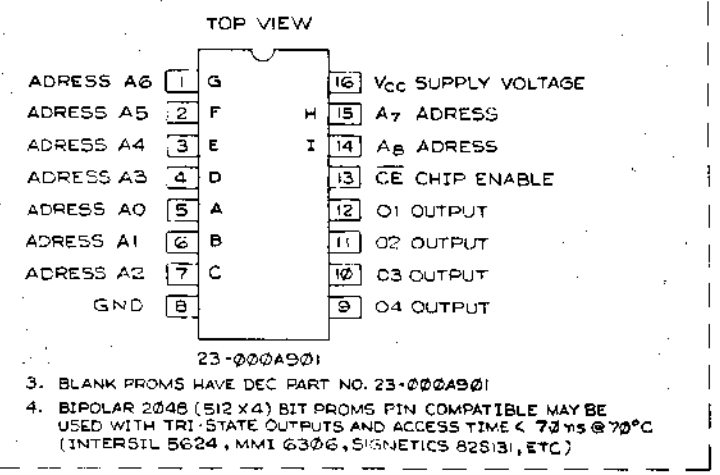
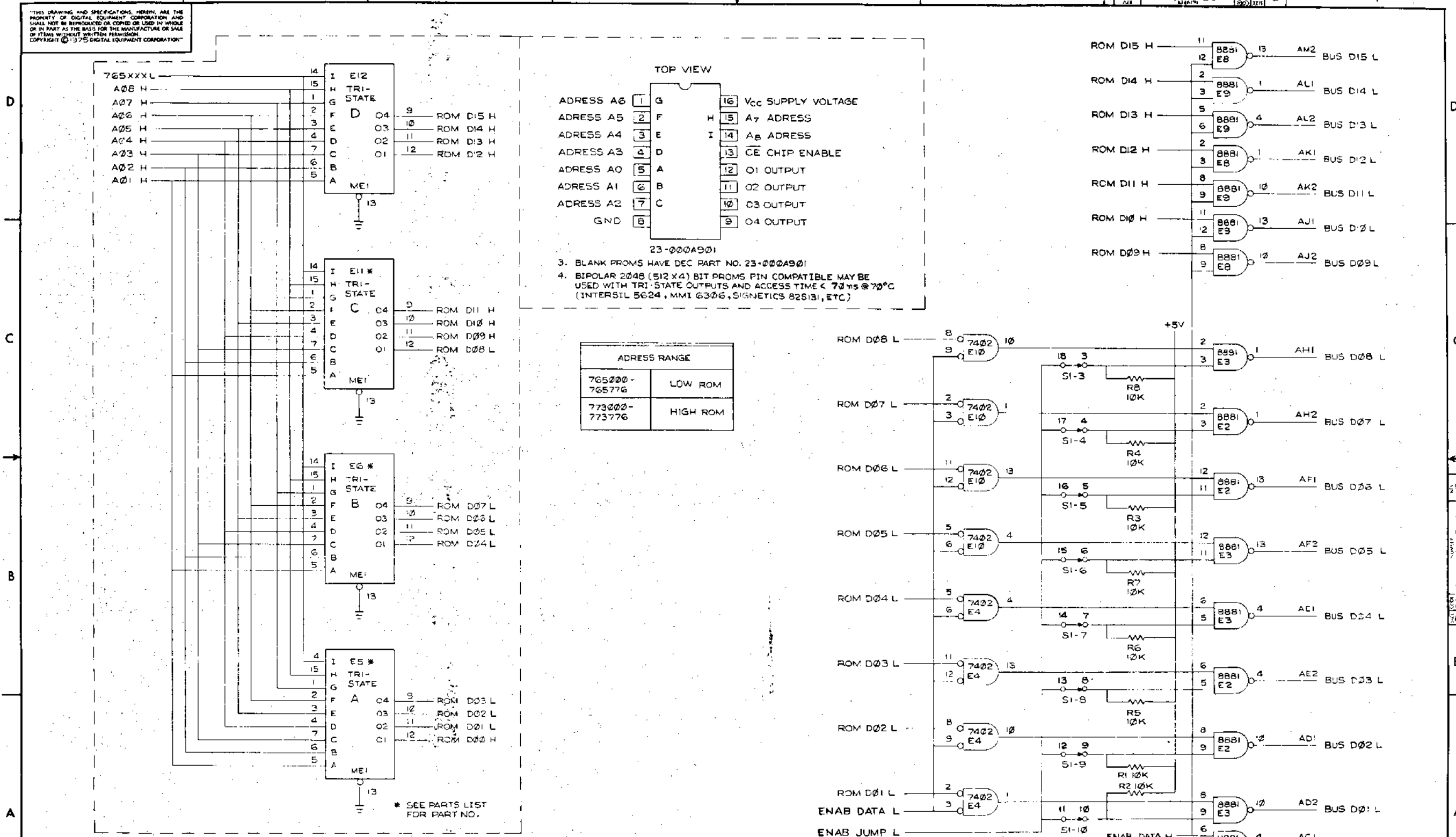
* ADDRESS BITS A13-A17 ARE DECODED BY E24
 ** CAUTION SHOULD BE TAKEN TO GUARANTEE PROPER NOISE FILTERING & LOGIC LEVELS ON THESE INPUTS

*** JUMPER W6 SHOULD ONLY BE INSTALLED IN 11/55 AND 11/70 COMPUTERS WHOSE BACKPLANES HAVE BEEN MODIFIED FOR THIS MODULE.

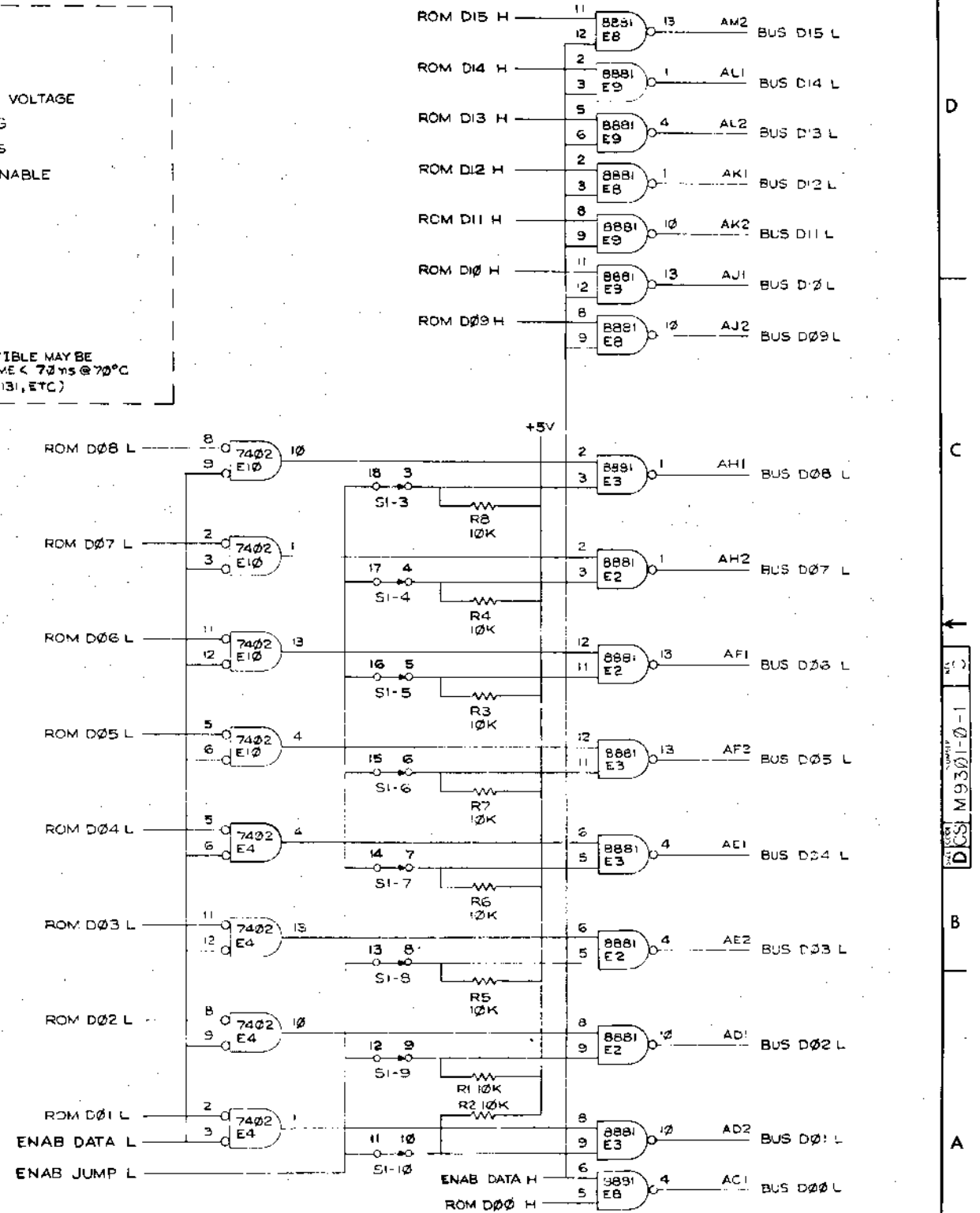
REVISIONS		
CHK	CHANGE NO	REV.

67

"THIS DRAWING AND SPECIFICATIONS HEREBY ARE THE PROPERTY OF DIGITAL EQUIPMENT CORPORATION AND SHALL NOT BE REPRODUCED OR COPIED OR USED IN WHOLE OR IN PART AS THE BASIS FOR THE MANUFACTURE OR SALE OF ITEMS WITHOUT WRITTEN PERMISSION. COPYRIGHT © 1975 DIGITAL EQUIPMENT CORPORATION"



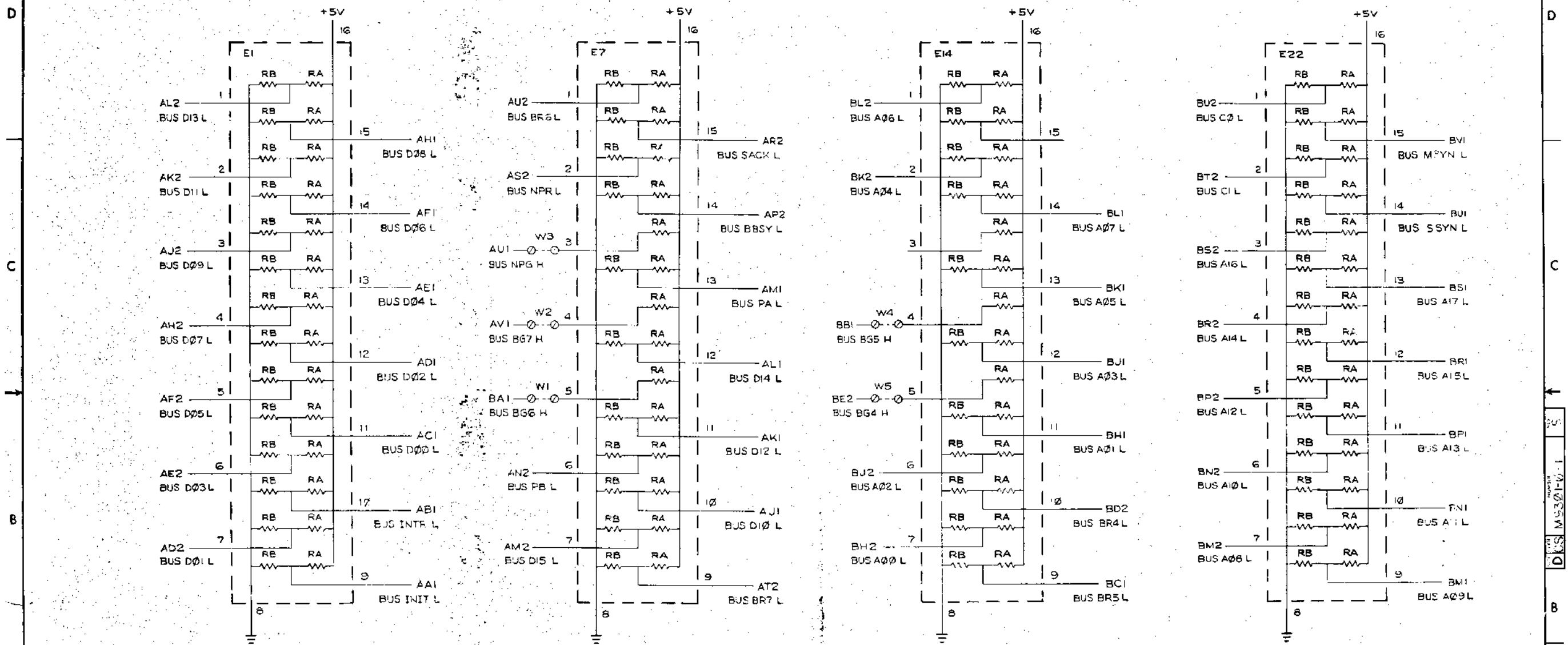
ADDRESS RANGE	
765200-765776	LOW ROM
773200-773776	HIGH ROM



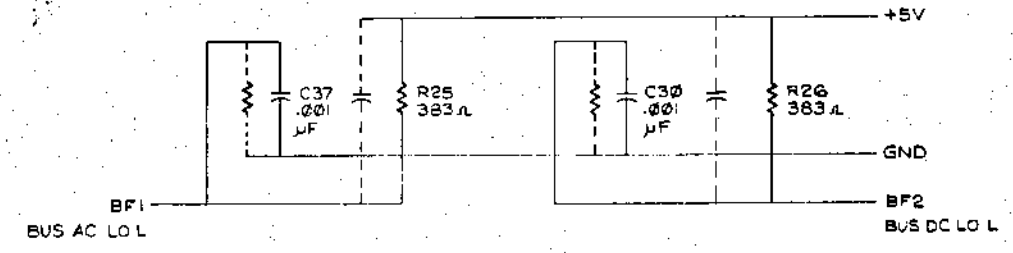
REVISIONS		
CHK	CHANGE NO	REV

68

THIS DRAWING AND SPECIFICATIONS HEREON ARE THE PROPERTY OF DIGITAL EQUIPMENT CORPORATION AND SHALL NOT BE REPRODUCED OR COPIED OR USED IN WHOLE OR IN PART AS THE BASIS FOR THE MANUFACTURE OR SALE OF ITEMS WITHOUT WRITTEN PERMISSION. COPYRIGHT © 1975 DIGITAL EQUIPMENT CORPORATION

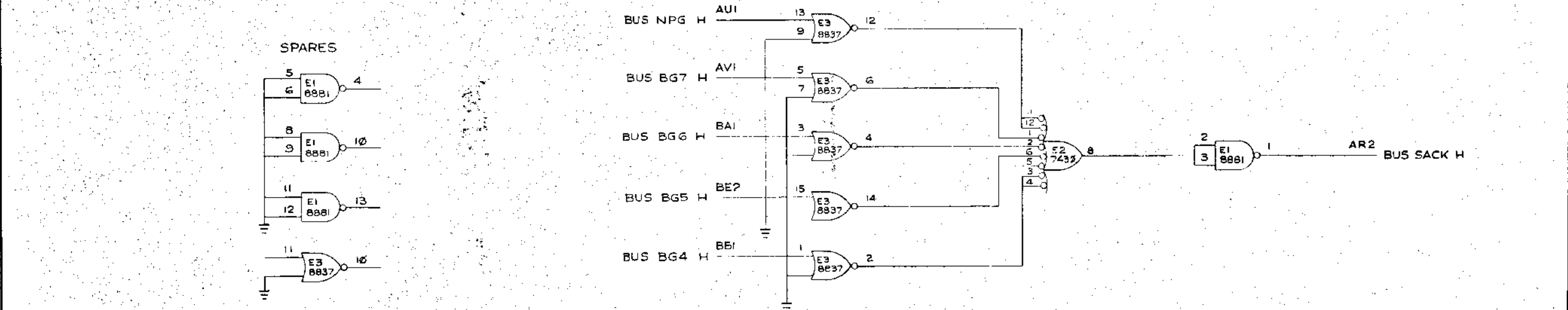
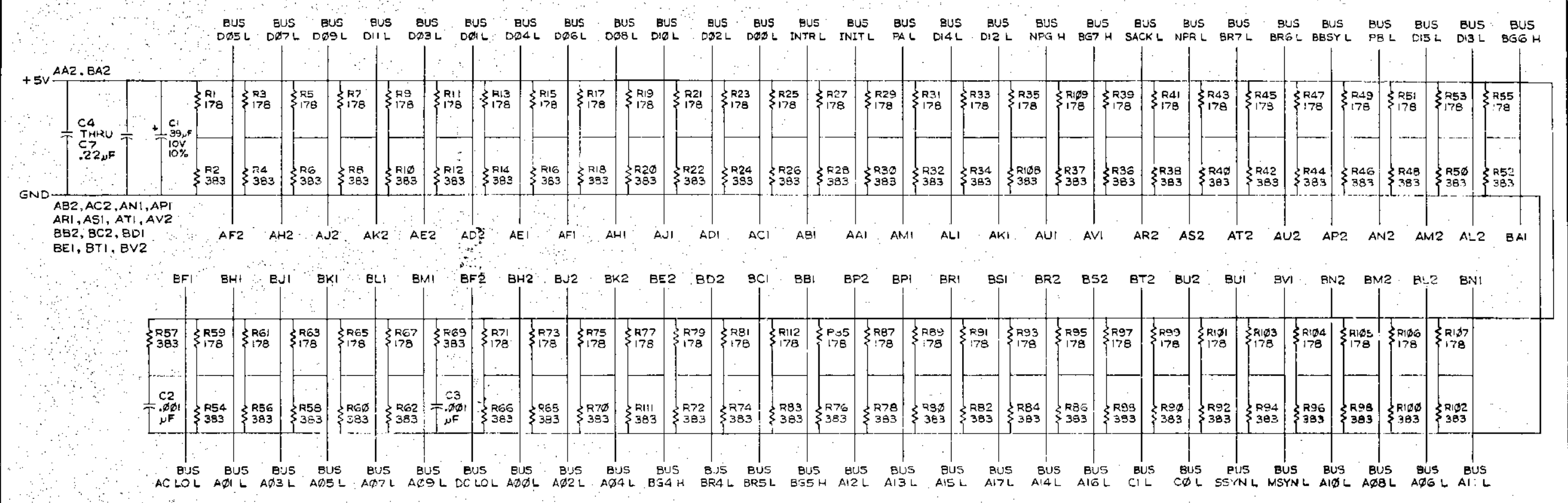


- NOTES :**
1. ALL RA RESISTORS SHOWN ARE 176.5 Ω, ±2%
 2. ALL RB RESISTORS SHOWN ARE 375 Ω, ±2%
 3. JUMPERS W1 THRU W5 ARE ONLY INSERTED ON THE M9301-YC AND M9301-YH IF USED IN AN 11/70 COMPUTER.



REVISIONS		
CHK	CHANGE NO.	REV.

THIS DRAWING AND SPECIFICATIONS HEREIN ARE THE PROPERTY OF DIGITAL EQUIPMENT CORPORATION AND SHALL NOT BE REPRODUCED OR COPIED OR USED IN WHOLE OR IN PART AS THE BASIS FOR THE MANUFACTURE OR SALE OF ITEMS WITHOUT WRITTEN PERMISSION. COPYRIGHT © 1975 DIGITAL EQUIPMENT CORPORATION



REVISIONS			TITLE		SIZE CODE	NUMBER	REV
CHK	CHANGE NO	REV	UNIBUS TERMINATOR		D CS	MS302-0-1	C
			SCALE	SHEET 2 OF 2	DIST.		

Handwritten signature or mark.

DCS MS302-0-1 C

B

A

71

CUSTOMER PRINT SET				ELECTRICAL				CUSTOMER PRINT SET				MECHANICAL									
				MFG SET	FIND NO.	DRAWING NO.	REV	NO OF SHT	DESCRIPTION	OPTION NO / FILE DATE					MFG SET	FIND NO.	DRAWING NO.	REV	NO OF SHT	DESCRIPTION	OPTION NO / FILE DATE
						B-JC-MM11-DP -3 MP00032	#		MM11-DP FIELD MAINT. PRINT SET MM11-DP PRINT SET							D-UA-MM11-DP-0		1	MM11-DP MEMORY MODULE ASSY		
						B-DD-MM11-DP			MM11-DP DRAWING DIRECTORY							D-UA-H222-A-0		1	H222 MEMORY STACK ASSY		
						D-TD-MM11-DP-2		2	MM11-DP TIMING DIAGRAM												
						D-CS-G652-0-1			16K X 18 BIT CORE MEMORY												

CUSTOMER PRINT SET CODES	X = PRINT OF DOCUMENT INCLUDED IN PRINT SET C = INCLUDES ALL PRINTS INDICATED ON DOCUMENT S = CONFIDENTIAL AUTHORIZED SIGNATURE REQUIRED	TITLE	MM11-DP MEMORY MODULE	SHEET 2 OF 2	SIZE CODE	B DD	NUMBER	MM11-DP	REV	B
--------------------------	------------------------------------------------------------------------------------------------------------------------------------------------	-------	-----------------------	--------------	-----------	------	--------	---------	-----	---

DRB 108

74

THIS DRAWING AND SPECIFICATIONS HEREAFTER ARE THE PROPERTY OF DIGITAL EQUIPMENT CORPORATION AND SHALL NOT BE REPRODUCED OR COPIED OR USED IN WHOLE OR IN PART AS THE BASIS FOR THE MANUFACTURE OR SALE OF ITEMS WITHOUT WRITTEN PERMISSION OF DIGITAL EQUIPMENT CORPORATION © 1975

BANK SELECTION					
S.A.	EA11	W1	W2	W3	W4
0	16K	OUT	OUT	OUT	IN
1	32K	OUT	OUT	IN	IN
2	48K	OUT	IN	OUT	IN
3	64K	OUT	IN	IN	IN
4	80K	IN	OUT	OUT	IN
5	96K	IN	OUT	IN	IN
6	112K	IN	IN	OUT	IN
7	128K	IN	IN	IN	OUT

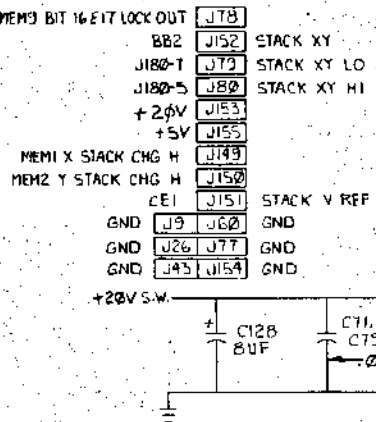
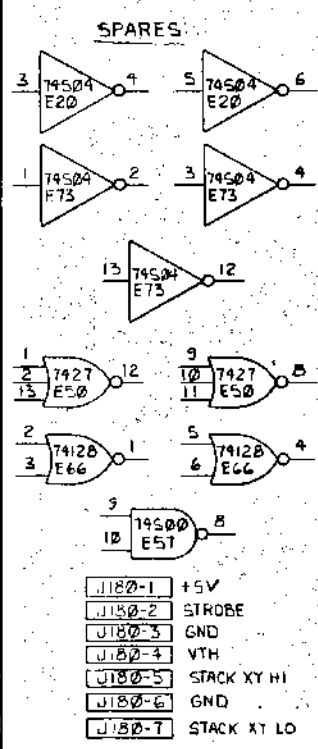
NOTES:

- INTERLEAVE CONTROL IS ACHIEVED AS FOLLOWS:
 - (A) NON-INTERLEAVED
W5, W6 OUT } ONE MEMORY
 - (B) INTERLEAVED
W5 IN }
W6 OUT } THE OTHER MEMORY
 - (C) ADDRESS JUMPERS FOR THE COMBINED INTERLEAVED MEMORY ARE NOT THE SAME AS FOR THE NON-INTERLEAVED CASE (W1 THRU W4 MUST BE OUT THE SAME FOR BOTH INTERLEAVED MEMORIES). SEE BANK SELECTION CHART AT LEFT FOR BOTH INTERLEAVED AND NON-INTERLEAVED CASES.
- UNDER NORMAL CONDITIONS (W5 OUT) THE MEMORY WILL NOT RESPOND TO ADDRESSES BETWEEN 124K AND 128K, BECAUSE THESE ADDRESSES ARE RESERVED FOR PERIPHERAL DEVICES ON THE UNIBUS. FOR SPECIAL APPLICATIONS WHERE THE RANGE OF PERIPHERAL ADDRESSES IS MORE RESTRICTED THAN THIS RANGE THE MEMORY CAN BE CONFIGURED TO INCLUDE THE ADDITIONAL UNIBUS ADDRESSES AS FOLLOWS:
 - W5 IN } 124K TO 126K
W7 OUT }
 - W6 IN } 124K TO 127K
W7 IN }

NOTE THAT FOR SYSTEMS WITHOUT MEMORY MANAGEMENT THIS MEANS THE USEFUL VIRTUAL ADDRESS SPACE FOR MEMORY CAN BE EXTENDED FROM 28K TO 30K OR 31K, BY SACRIFICING SOME PERIPHERAL SPACE.

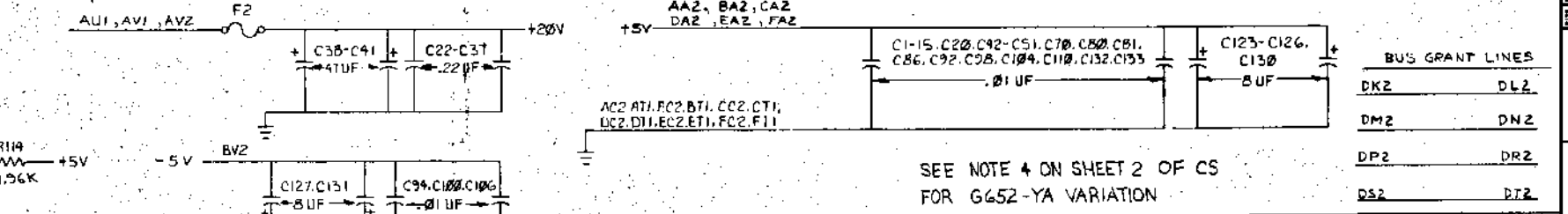
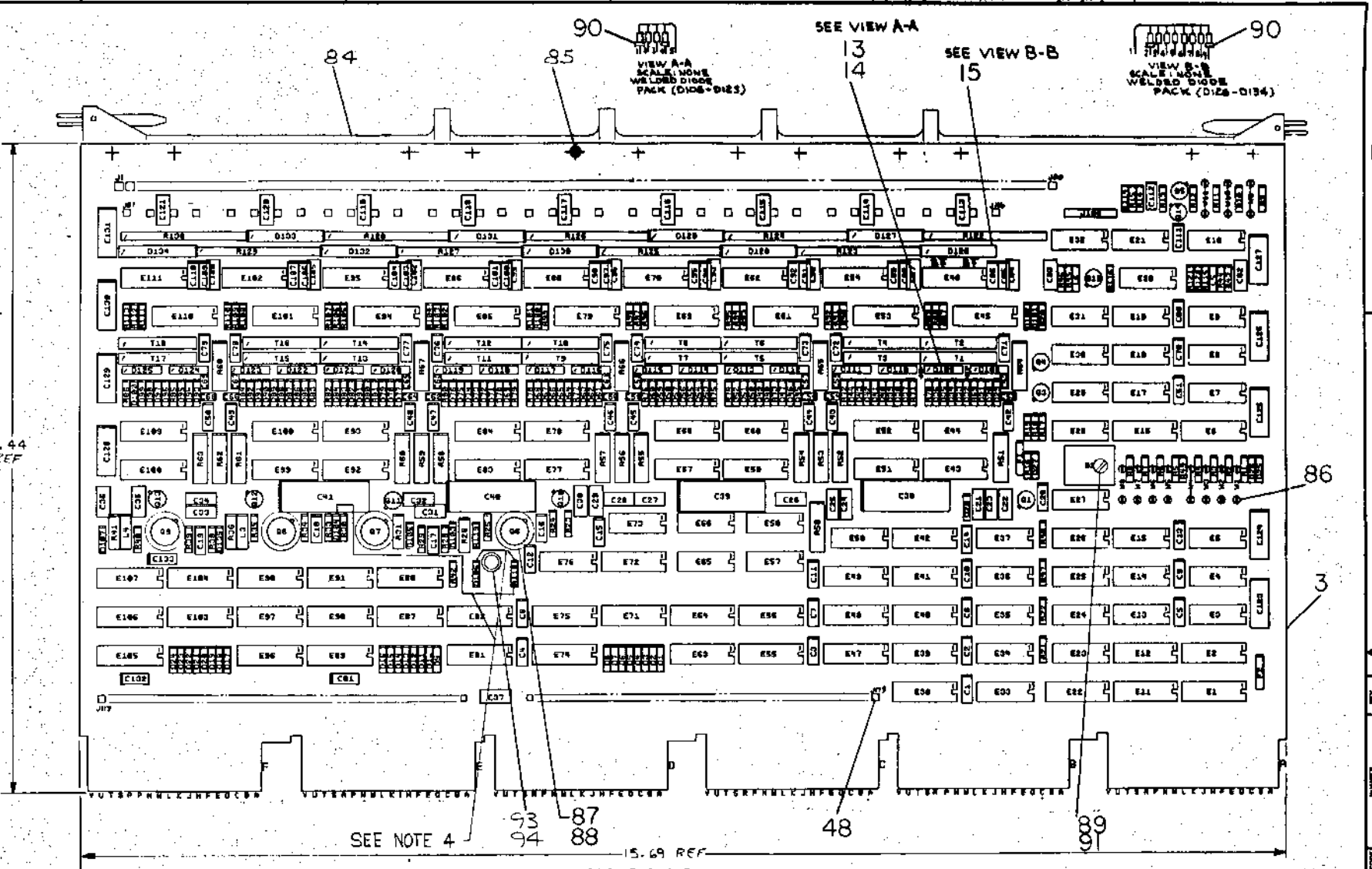
CAUTION
SOME DIGITAL SOFTWARE MAY NOT BE COMPATIBLE WITH THE REDUCED PERIPHERAL ADDRESS SPACE. TO ASSURE COMPATIBILITY W5 MUST BE OUT.

3. SCHEMATIC FOR H222 MEMORY STACK IS SHOWN ON CS 5411554-0-1. NOTES CONTINUED ON SHEET 2



IC TYPE	QTY	REV.	LOCATIONS
8691	1	B	8
8691	8	B	16
75325	8	B	9
7520	9	B	16
74157	8	B	16
74153	9	B	16
7483	12	B	5
7475	12	B	5
7442	8	B	16
IC TYPE	GND	+5V	+20V SW

GND AND 5V ARE USUALLY PIN 7 AND 14 RESPECTIVELY EXCEPT WHERE STATED ABOVE.



SEE NOTE 4 ON SHEET 2 OF CS FOR G652-YA VARIATION

FIRST USED ON OPTION MODEL		QTY	REF. DESIGNATION	DESCRIPTION	PART NO.	ITEM NO.
MMII-D/DP						

PARTS LIST

ETCH BOARD REV.	DATE	BY
D	6/25/75	W. H. ...
	7/17/75	D. ...
	7/21/75	D. ...
	7/21/75	D. ...
	7/21/75	D. ...

digital

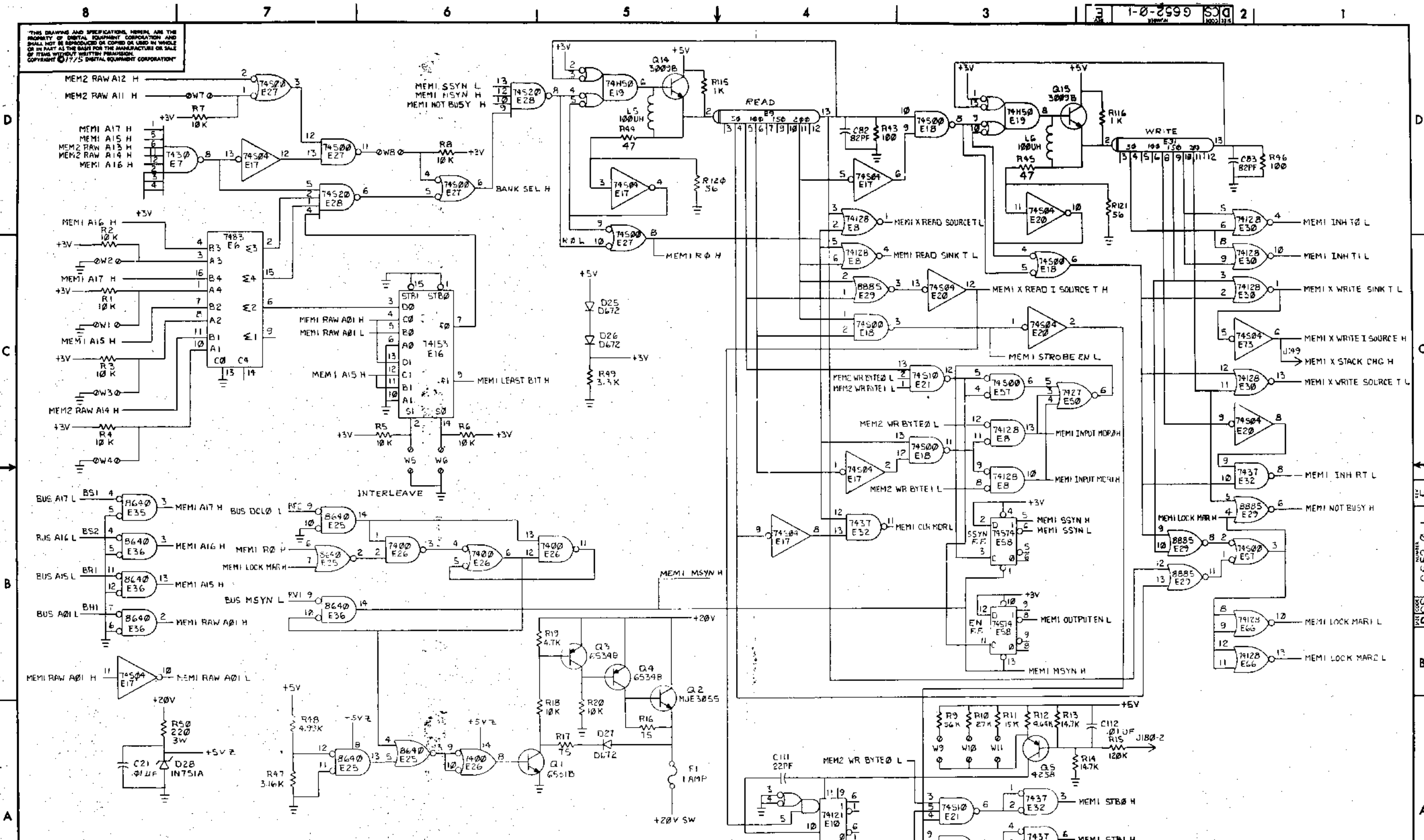
TITLE: 16K X 18 MEMORY ELECTRONICS

SIZE CODE: DCS NUMBER: G652-0-1 REV. E

SEMICONDUCTOR CONVERSION CHART

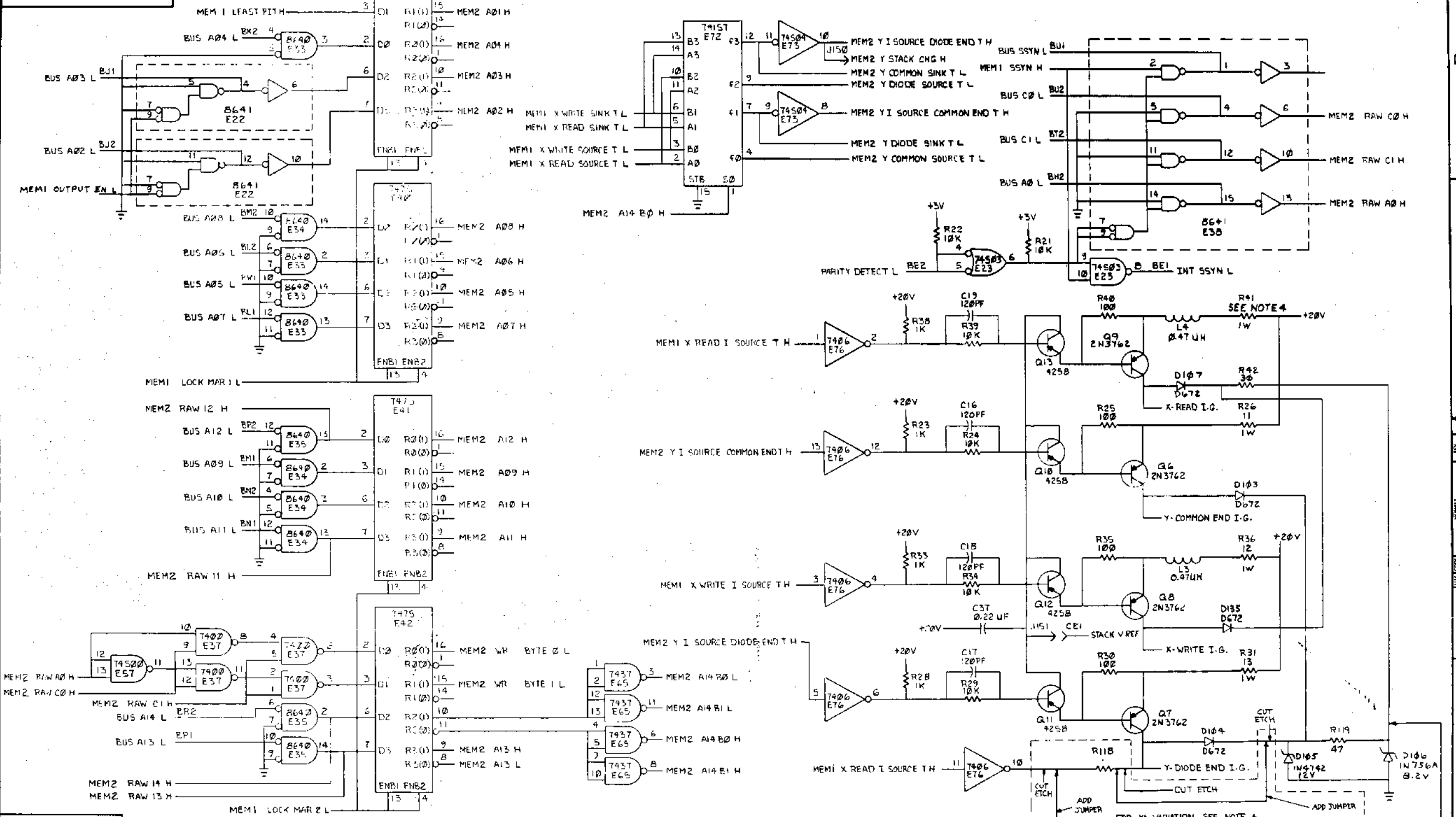
SHEET: 1 OF 11

THIS DRAWING AND SPECIFICATIONS HEREIN ARE THE PROPERTY OF DIGITAL EQUIPMENT CORPORATION AND SHALL NOT BE REPRODUCED OR COPIED OR USED IN WHOLE OR IN PART AS THE BASIS FOR THE MANUFACTURE OR SALE OF ITEMS WITHOUT WRITTEN PERMISSION. COPYRIGHT © 1975 DIGITAL EQUIPMENT CORPORATION



REVISIONS			TITLE		SIZE CODE	NUMBER		REV.
CHK	CHANGE NO.	REV.	16K X 18 MEMORY ELECTRONICS (MEMI)		DCS	G652-0-1		E

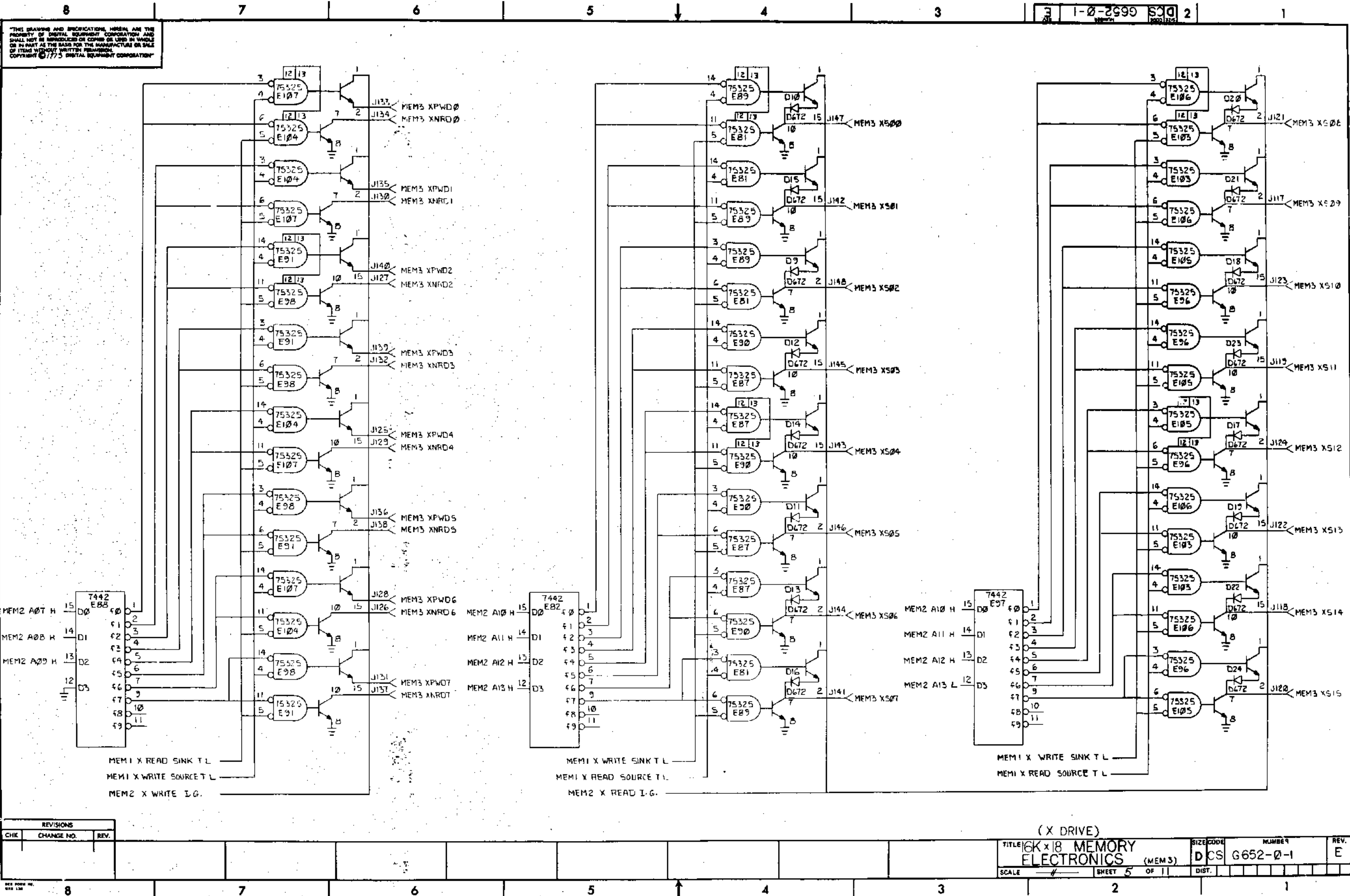
THIS DRAWING AND SPECIFICATIONS HEREAFTER ARE THE PROPERTY OF DIGITAL EQUIPMENT CORPORATION AND SHALL NOT BE REPRODUCED OR COPIED OR USED IN WHOLE OR IN PART AS THE BASIS FOR THE MANUFACTURE OR SALE OF ITEMS WITHOUT WRITTEN PERMISSION. COPYRIGHT © 1975 DIGITAL EQUIPMENT CORPORATION



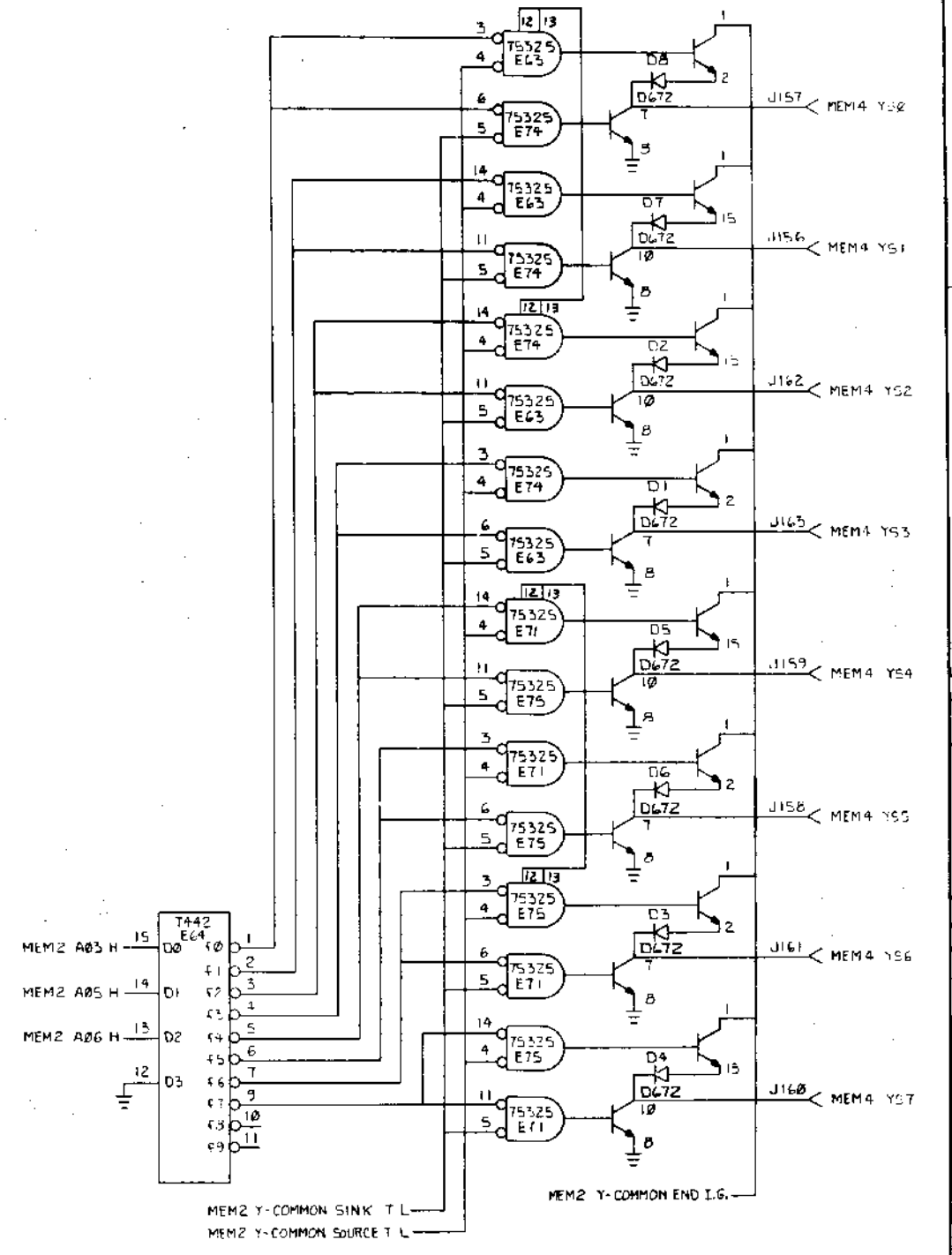
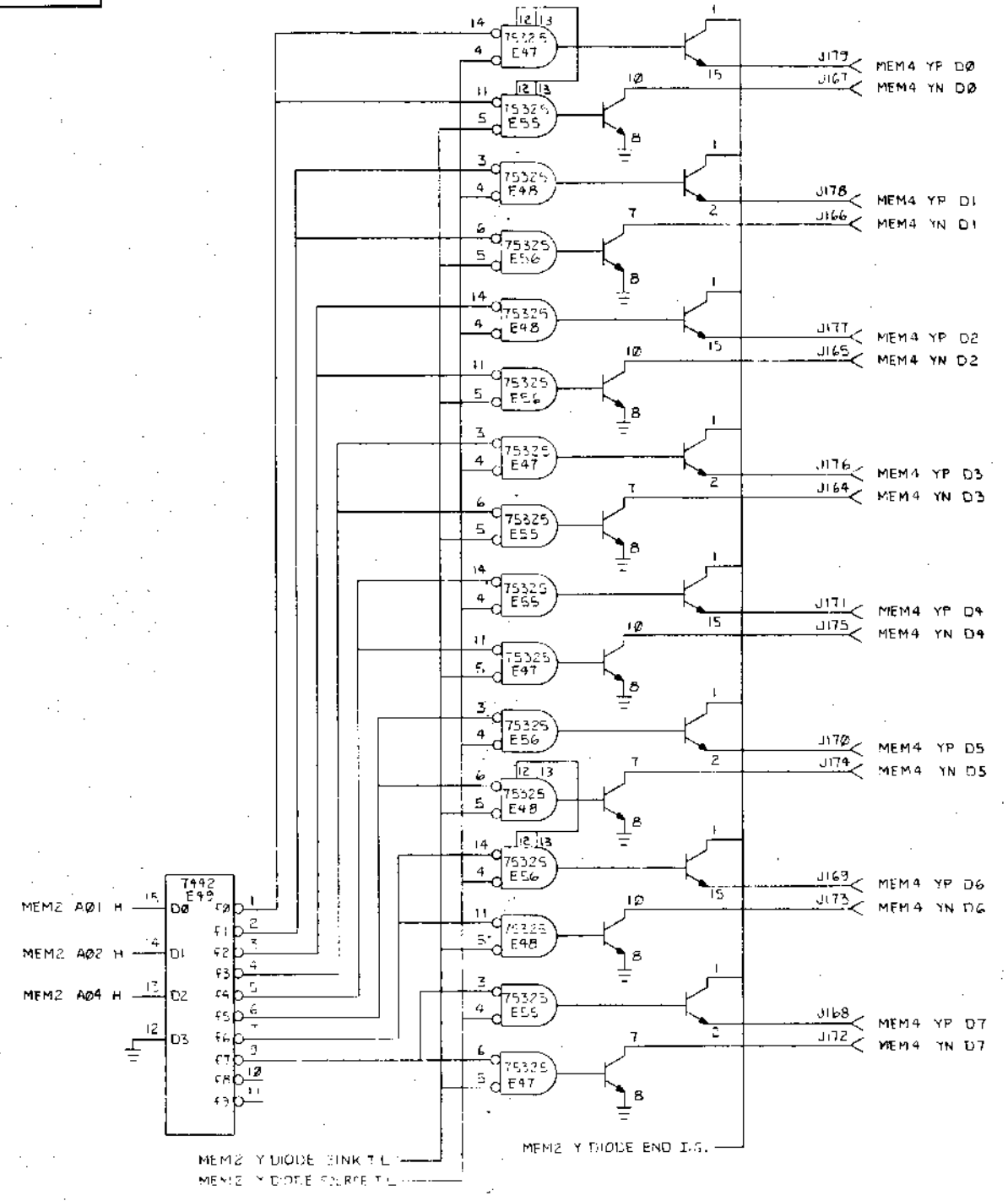
REVISIONS		
CHK	CHANGE NO.	REV.

(MAR: CURRENT SOURCES)

TITLE	16K x 18 MEMORY ELECTRONICS (MEM2)	SIZE CODE	DCS G652-0-1	NUMBER		REV.	E
SCALE		SHEET	4 OF 11	DIST.			



"THIS DRAWING AND SPECIFICATIONS, HEREIN, ARE THE PROPERTY OF DIGITAL EQUIPMENT CORPORATION AND SHALL NOT BE REPRODUCED OR COPIED OR USED IN WHOLE OR IN PART AS THE BASIS FOR THE MANUFACTURE OR SALE OF ITEMS WITHOUT WRITTEN PERMISSION. COPYRIGHT © 1972 DIGITAL EQUIPMENT CORPORATION"



REVISIONS		
CHK	CHANGE NO.	REV.

(Y DRIVE)

TITLE: 16K x 18 MEMORY ELECTRONICS (MEM4)

SIZE CODE: DCS

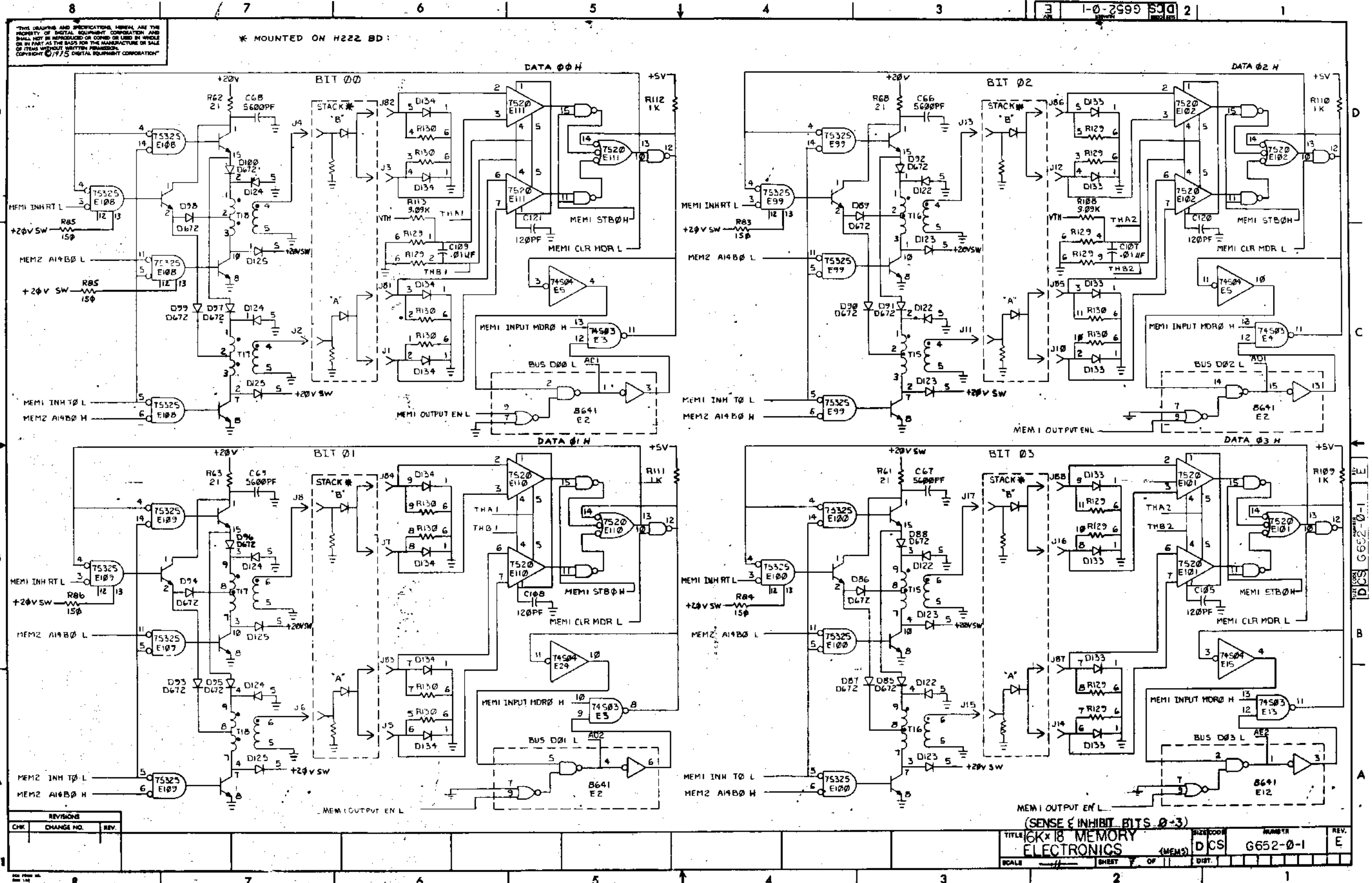
NUMBER: G652-0-1

SCALE: 1/8" = 1"

SHEET 6 OF 11

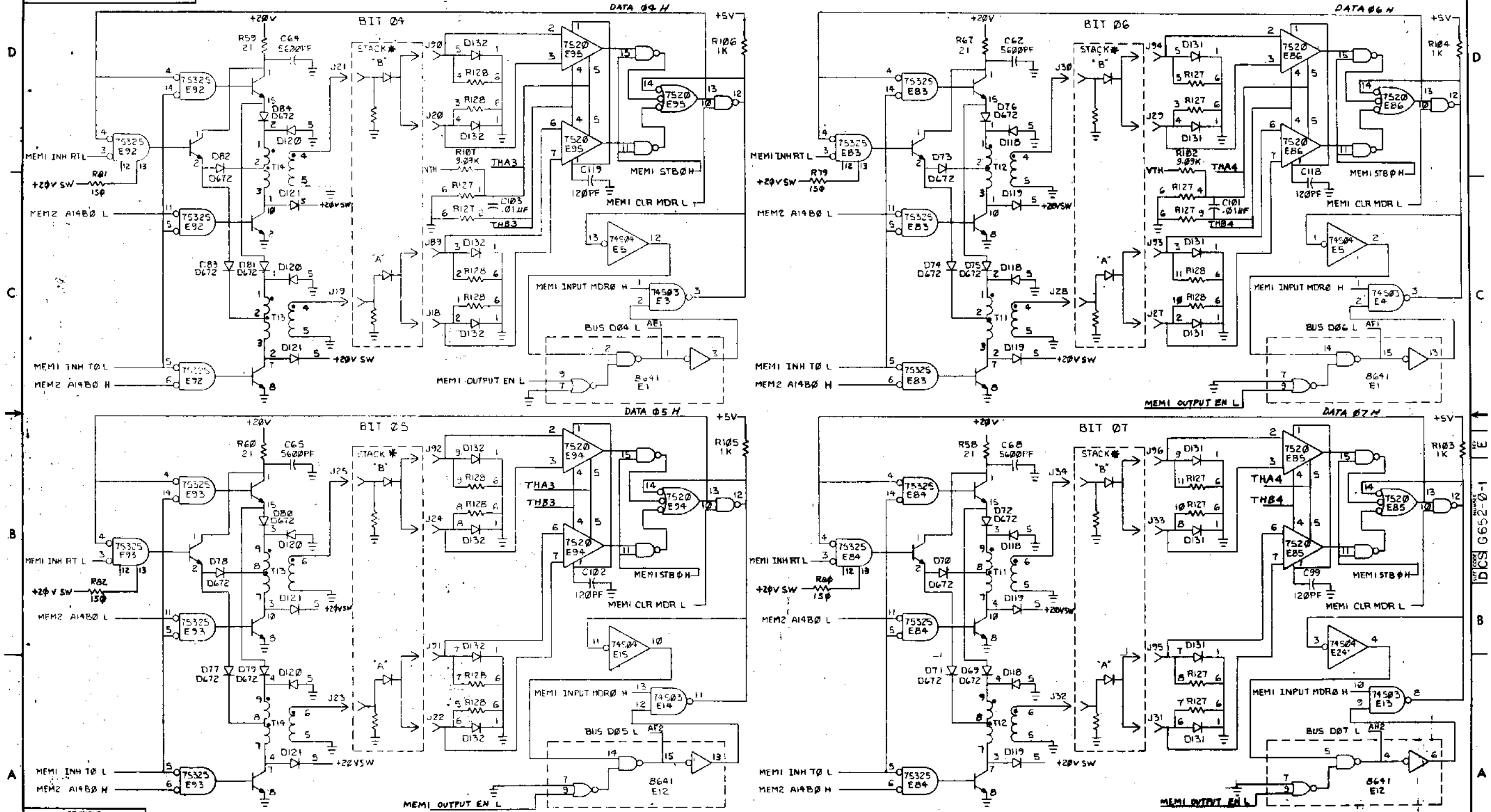
DIST.:

80



THIS DRAWING AND SPECIFICATIONS HEREON ARE THE PROPERTY OF DIGITAL EQUIPMENT CORPORATION, AND SHALL NOT BE REPRODUCED OR COPIED OR USED IN WHOLE OR IN PART AS THE BASIS FOR THE MANUFACTURE OR SALE OF ITEMS WITHOUT WRITTEN PERMISSION. COPYRIGHT © 1975 DIGITAL EQUIPMENT CORPORATION

* MOUNTED ON H222, 8D



(SENSE INHIBIT BITS 4-7)

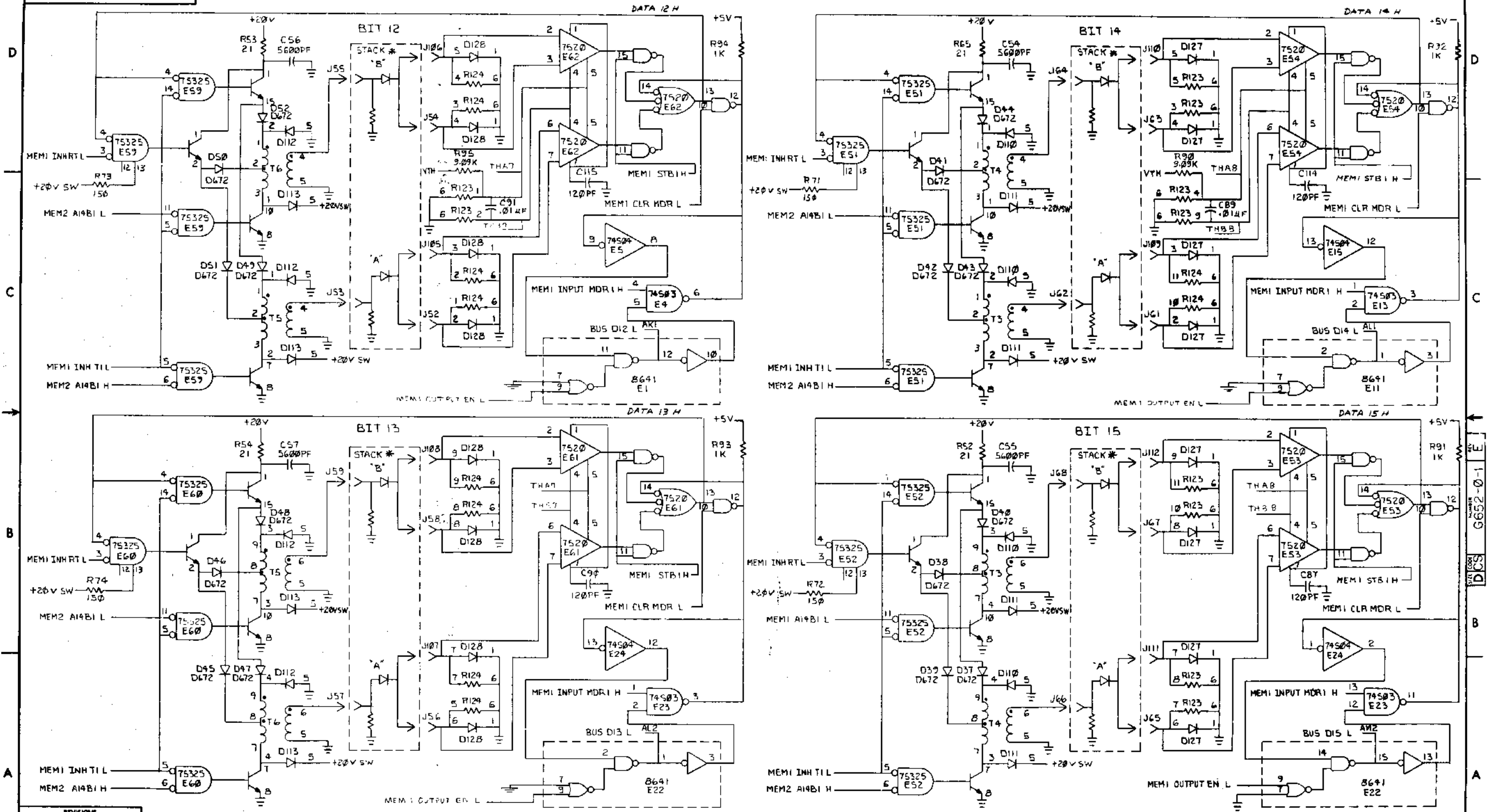
TITLE: 16Kx18 MEMORY ELECTRONICS (MEM0) DCS G652-0-1 E

SCALE: SHEET 8 OF 11 DWT.

REV.	CHANGE NO.	REV.

"THIS DRAWING AND SPECIFICATIONS HEREIN ARE THE PROPERTY OF DIGITAL EQUIPMENT CORPORATION AND SHALL NOT BE REPRODUCED OR COPIED OR USED IN WHOLE OR IN PART AS THE BASIS FOR THE MANUFACTURE OR SALE OF ITEMS WITHOUT WRITTEN PERMISSION. COPYRIGHT © 1975 DIGITAL EQUIPMENT CORPORATION"

* MOUNTED ON W222 8D



(SENSE INHIBIT BITS 12-15)

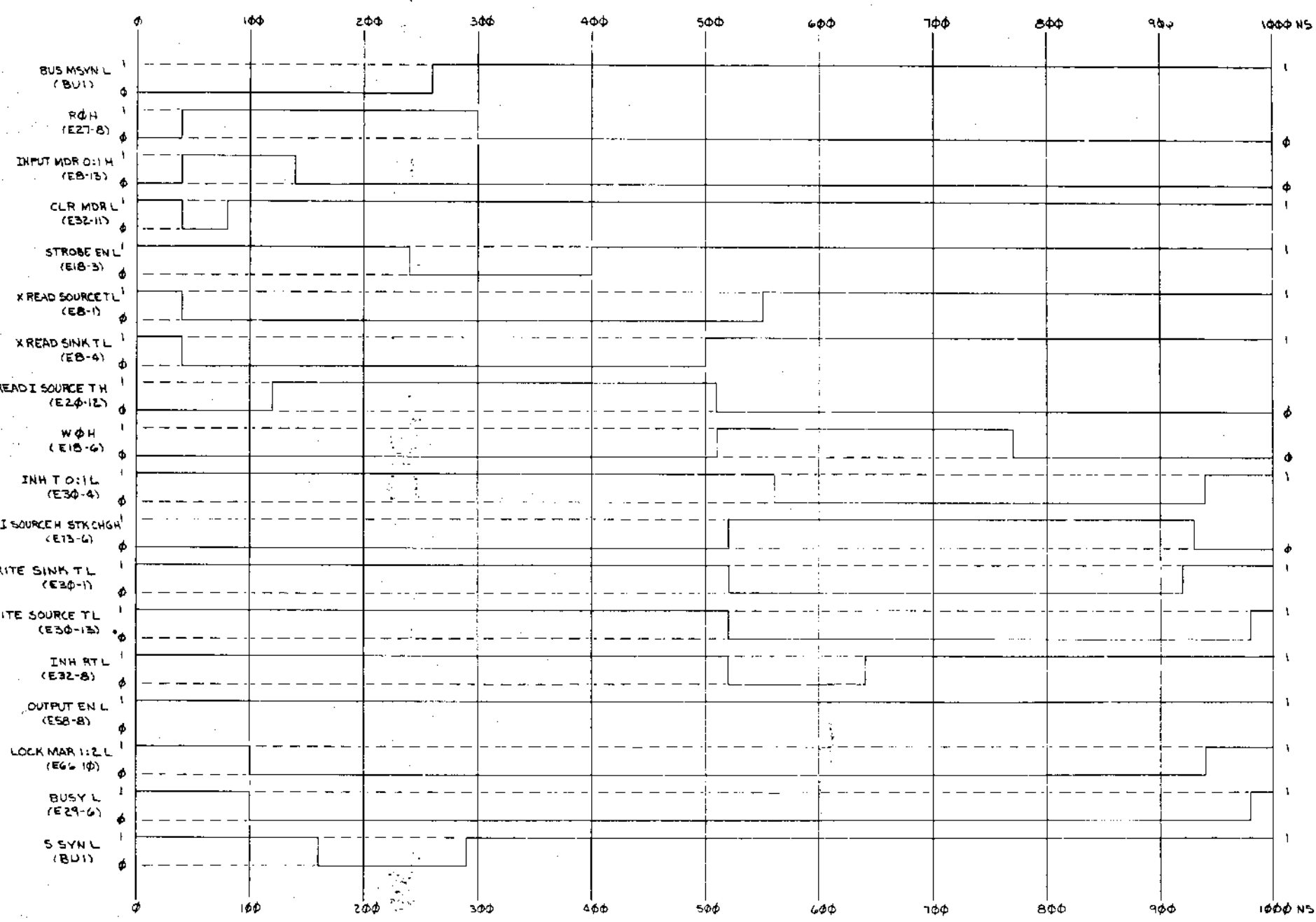
REVISIONS		
CHK	CHANGE NO.	REV.

TITLE	16Kx18 MEMORY ELECTRONICS (MEM18)	SIZE/TYPE	D CS	NUMBER	G652-0-1	REV.	E
SCALE		SHEET	1	OF	11	DIST.	

84

THIS DRAWING AND SPECIFICATIONS HEREIN ARE THE PROPERTY OF DIGITAL EQUIPMENT CORPORATION AND SHALL NOT BE REPRODUCED OR COPIED OR USED IN WHOLE OR IN PART AS THE BASIS FOR THE MANUFACTURE OR SALE OF ITEMS WITHOUT WRITTEN PERMISSION. COPYRIGHT © 1975, DIGITAL EQUIPMENT CORPORATION

DAT 0



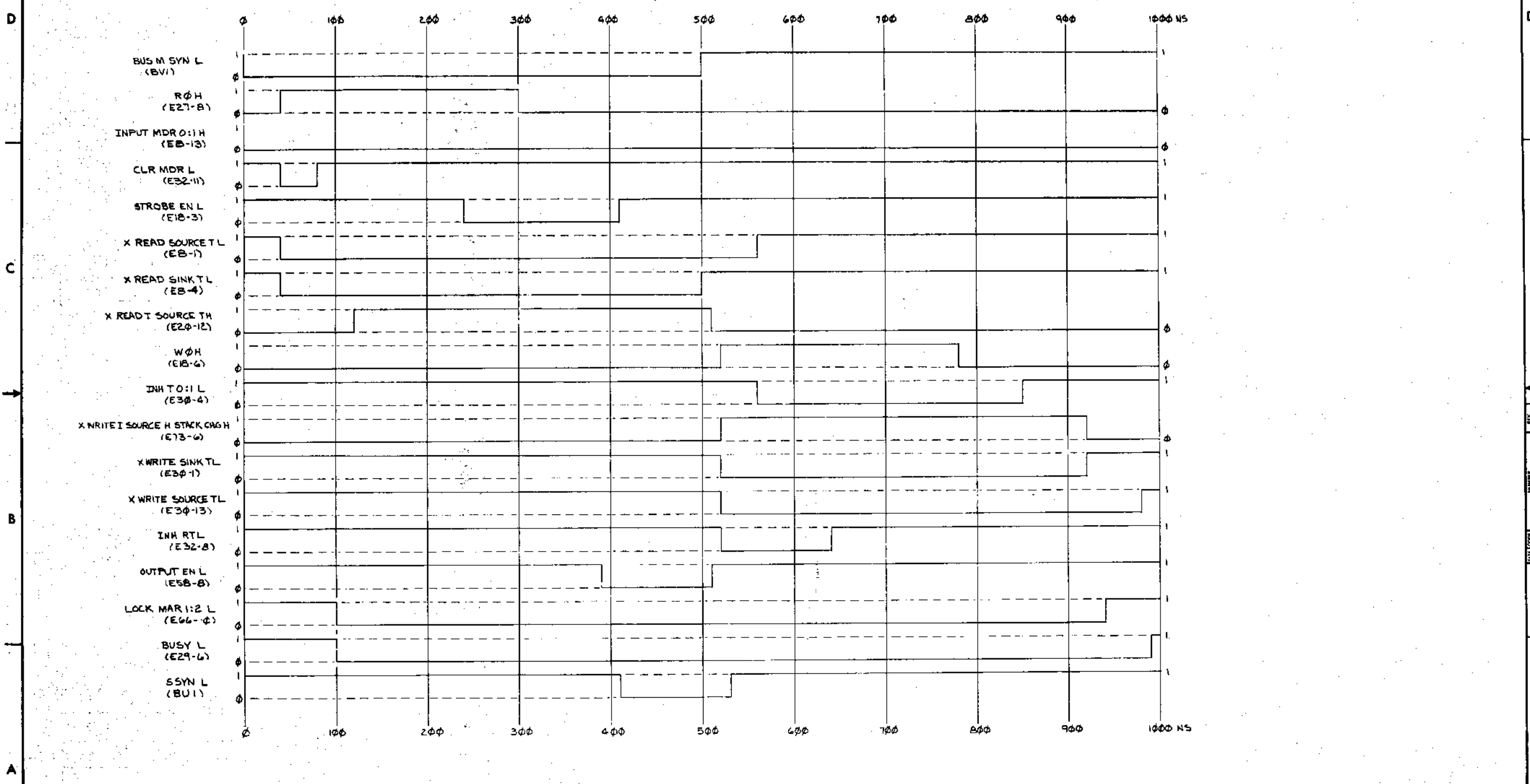
DATE
CHANGE NO.
REV.

DRN. W. LUPKIN	DATE 1/15/75	FIRST USED ON	NIM11-DP
CHK'D BY [Signature]	DATE 1/22/75	TITLE	MM11-DP
ENG. D. [Signature]	DATE 1/22/75	PROJECT	MM11-DP
PRD. R. A. [Signature]	DATE 1/22/75	DESCRIPTION	TIMING DIAGRAM
NEXT HIGHER ASSY.		SIZE	CODE
B-DD-MM11-DP		D	TD
SCALE	1 OF 2	NUMBER	MM11-DP-2
SHEET	1 OF 2	REV.	

86

"THIS DRAWING AND SPECIFICATIONS HEREIN ARE THE PROPERTY OF DIGITAL EQUIPMENT CORPORATION AND SHALL NOT BE REPRODUCED OR COPIED OR USED IN WHOLE OR IN PART AS THE BASIS FOR THE MANUFACTURE OR SALE OF ITEMS WITHOUT WRITTEN PERMISSION. COPYRIGHT © 1975 DIGITAL EQUIPMENT CORPORATION"

DAT I



REVISIONS		
CHK	CHANGE NO.	REV.

TITLE	SIZE	NUMBER	REV.
MMII-DP TIMING DIAGRAM	D1D	MMII-DP-2	
SCALE	SHEET	DIST.	
	2 OF 2		

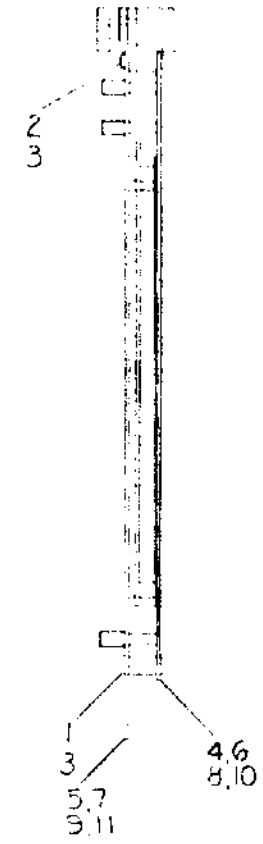
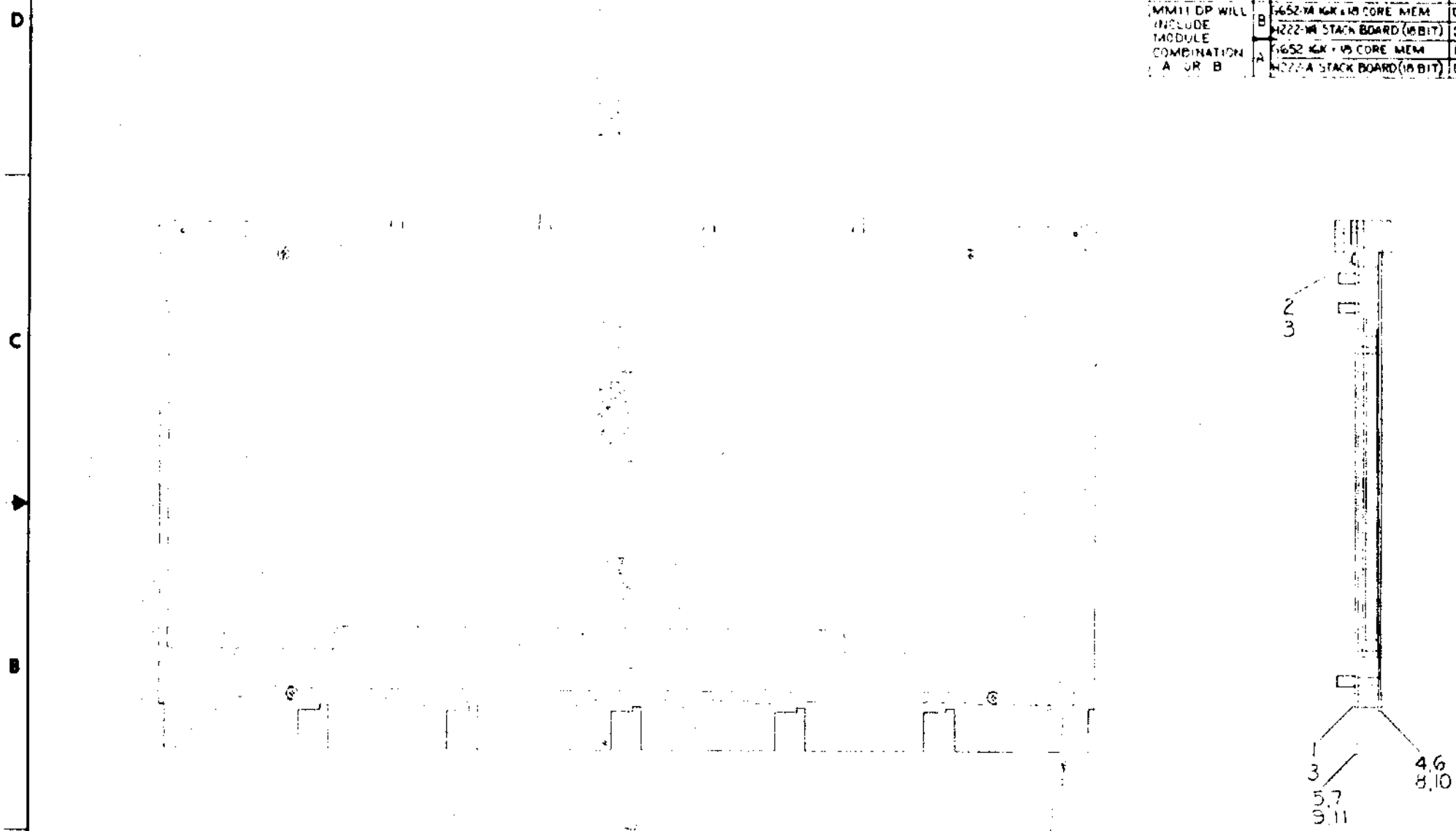
8)

THIS DRAWING AND SPECIFICATIONS HEREBY ARE THE PROPERTY OF DIGITAL EQUIPMENT CORPORATION AND SHALL NOT BE REPRODUCED OR COPIED IN WHOLE OR IN PART FOR THE MANUFACTURE OF SALE OF ITEMS WITHOUT WRITTEN PERMISSION. CONTRACT NO. 1715 DIGITAL EQUIPMENT CORPORATION

D-60-11111 V 2

VARIATION	DESCRIPTION	DWG. NUMBER
MM11-D WILL INCLUDE MODULE COMBINATION C OR D	GG52 YA 16K X 16 CORE MEM	D-CS-GG52-0-1
	H222 YB STACK BOARD (16 BIT)	D-UA-H222-B-0
MM11-DP WILL INCLUDE MODULE COMBINATION A OR B	GG52 YB 16K X 16 CORE MEM	D-CS-GG52-0-1
	H222-A STACK BOARD (16 BIT)	D-UA-H222-A-0

- NOTE:
- MM11-DP MEMORY MODULE ASSEMBLY (16K X 16 BIT) MAY BE SUBSTITUTED FOR MM11-D MODULE ASSEMBLY (16K X 16 BIT)
 - GG52-YA'S WILL NOT OPERATE WITH H222'S.
 - H222-YA'S & YB'S WILL NOT OPERATE WITH GG52'S



QTY	DESCRIPTION	DWG PART NO	ITEM NO
4	WASHER LOCK #2 INT TOOTH	9006631-00	6
2	SCR PAL PAN HD 55° 2.54 X 3.16	9006002-01	5
2	SCR PAL PAN HD 55° 2.54 X 1.9	9006000-01	4
1	16K X 16 CORE MEMORY GG52	D-CS-GG52-0-1	3
1	H222 STACK BOARD (16 BIT)	D-UA-H222-B-0	2
1	H222 STACK BOARD (16 BIT)	D-UA-H222-A-0	1

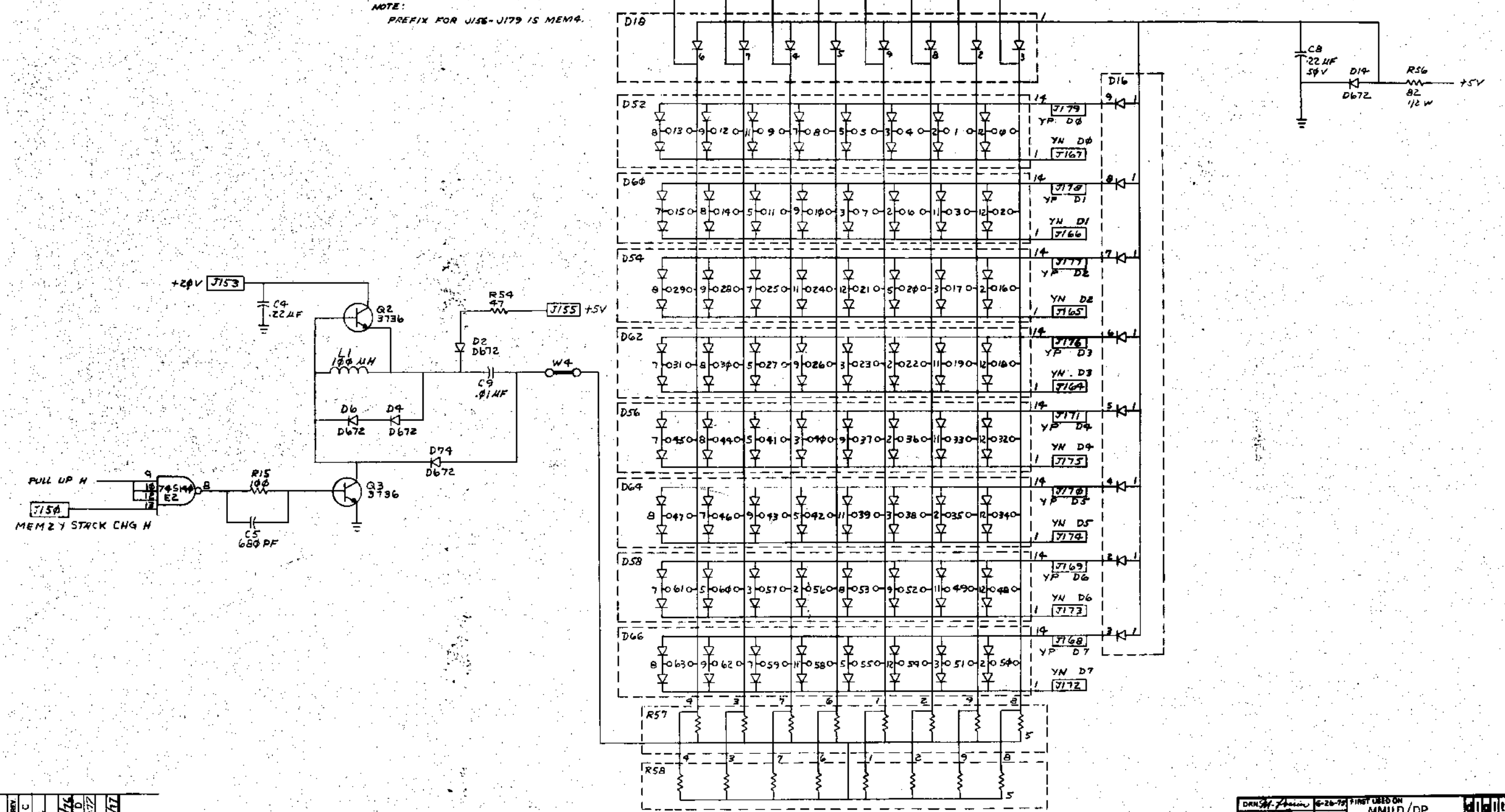
MM11-D	MM11-DP	DESCRIPTION	DWG PART NO	ITEM NO
QUANTITY & VARIATION	CLASS OF ACCURACY	UNLESS OTHERWISE SPECIFIED DIMENSIONS ARE IN INCHES		
	CHECK ONE	TYPICAL DIMENSION RANGE TOLERANCE		
		1.000	1.000	1.000
		1.002	1.002	1.002
		1.004	1.004	1.004
		1.006	1.006	1.006
		1.008	1.008	1.008
		1.010	1.010	1.010
		1.012	1.012	1.012
		1.014	1.014	1.014
		1.016	1.016	1.016
		1.018	1.018	1.018
		1.020	1.020	1.020
		1.022	1.022	1.022
		1.024	1.024	1.024
		1.026	1.026	1.026
		1.028	1.028	1.028
		1.030	1.030	1.030
		1.032	1.032	1.032
		1.034	1.034	1.034
		1.036	1.036	1.036
		1.038	1.038	1.038
		1.040	1.040	1.040
		1.042	1.042	1.042
		1.044	1.044	1.044
		1.046	1.046	1.046
		1.048	1.048	1.048
		1.050	1.050	1.050
		1.052	1.052	1.052
		1.054	1.054	1.054
		1.056	1.056	1.056
		1.058	1.058	1.058
		1.060	1.060	1.060
		1.062	1.062	1.062
		1.064	1.064	1.064
		1.066	1.066	1.066
		1.068	1.068	1.068
		1.070	1.070	1.070
		1.072	1.072	1.072
		1.074	1.074	1.074
		1.076	1.076	1.076
		1.078	1.078	1.078
		1.080	1.080	1.080
		1.082	1.082	1.082
		1.084	1.084	1.084
		1.086	1.086	1.086
		1.088	1.088	1.088
		1.090	1.090	1.090
		1.092	1.092	1.092
		1.094	1.094	1.094
		1.096	1.096	1.096
		1.098	1.098	1.098
		1.100	1.100	1.100
		1.102	1.102	1.102
		1.104	1.104	1.104
		1.106	1.106	1.106
		1.108	1.108	1.108
		1.110	1.110	1.110
		1.112	1.112	1.112
		1.114	1.114	1.114
		1.116	1.116	1.116
		1.118	1.118	1.118
		1.120	1.120	1.120
		1.122	1.122	1.122
		1.124	1.124	1.124
		1.126	1.126	1.126
		1.128	1.128	1.128
		1.130	1.130	1.130
		1.132	1.132	1.132
		1.134	1.134	1.134
		1.136	1.136	1.136
		1.138	1.138	1.138
		1.140	1.140	1.140
		1.142	1.142	1.142
		1.144	1.144	1.144
		1.146	1.146	1.146
		1.148	1.148	1.148
		1.150	1.150	1.150
		1.152	1.152	1.152
		1.154	1.154	1.154
		1.156	1.156	1.156
		1.158	1.158	1.158
		1.160	1.160	1.160
		1.162	1.162	1.162
		1.164	1.164	1.164
		1.166	1.166	1.166
		1.168	1.168	1.168
		1.170	1.170	1.170
		1.172	1.172	1.172
		1.174	1.174	1.174
		1.176	1.176	1.176
		1.178	1.178	1.178
		1.180	1.180	1.180
		1.182	1.182	1.182
		1.184	1.184	1.184
		1.186	1.186	1.186
		1.188	1.188	1.188
		1.190	1.190	1.190
		1.192	1.192	1.192
		1.194	1.194	1.194
		1.196	1.196	1.196
		1.198	1.198	1.198
		1.200	1.200	1.200

REV 1 1/77
REV 2 2/77
REV 3 3/77
REV 4 4/77
REV 5 5/77
REV 6 6/77
REV 7 7/77
REV 8 8/77
REV 9 9/77
REV 10 10/77
REV 11 11/77
REV 12 12/77
REV 13 1/78
REV 14 2/78
REV 15 3/78
REV 16 4/78
REV 17 5/78
REV 18 6/78
REV 19 7/78
REV 20 8/78
REV 21 9/78
REV 22 10/78
REV 23 11/78
REV 24 12/78
REV 25 1/79
REV 26 2/79
REV 27 3/79
REV 28 4/79
REV 29 5/79
REV 30 6/79
REV 31 7/79
REV 32 8/79
REV 33 9/79
REV 34 10/79
REV 35 11/79
REV 36 12/79
REV 37 1/80
REV 38 2/80
REV 39 3/80
REV 40 4/80
REV 41 5/80
REV 42 6/80
REV 43 7/80
REV 44 8/80
REV 45 9/80
REV 46 10/80
REV 47 11/80
REV 48 12/80
REV 49 1/81
REV 50 2/81
REV 51 3/81
REV 52 4/81
REV 53 5/81
REV 54 6/81
REV 55 7/81
REV 56 8/81
REV 57 9/81
REV 58 10/81
REV 59 11/81
REV 60 12/81
REV 61 1/82
REV 62 2/82
REV 63 3/82
REV 64 4/82
REV 65 5/82
REV 66 6/82
REV 67 7/82
REV 68 8/82
REV 69 9/82
REV 70 10/82
REV 71 11/82
REV 72 12/82
REV 73 1/83
REV 74 2/83
REV 75 3/83
REV 76 4/83
REV 77 5/83
REV 78 6/83
REV 79 7/83
REV 80 8/83
REV 81 9/83
REV 82 10/83
REV 83 11/83
REV 84 12/83
REV 85 1/84
REV 86 2/84
REV 87 3/84
REV 88 4/84
REV 89 5/84
REV 90 6/84
REV 91 7/84
REV 92 8/84
REV 93 9/84
REV 94 10/84
REV 95 11/84
REV 96 12/84
REV 97 1/85
REV 98 2/85
REV 99 3/85
REV 100 4/85
REV 101 5/85
REV 102 6/85
REV 103 7/85
REV 104 8/85
REV 105 9/85
REV 106 10/85
REV 107 11/85
REV 108 12/85
REV 109 1/86
REV 110 2/86
REV 111 3/86
REV 112 4/86
REV 113 5/86
REV 114 6/86
REV 115 7/86
REV 116 8/86
REV 117 9/86
REV 118 10/86
REV 119 11/86
REV 120 12/86
REV 121 1/87
REV 122 2/87
REV 123 3/87
REV 124 4/87
REV 125 5/87
REV 126 6/87
REV 127 7/87
REV 128 8/87
REV 129 9/87
REV 130 10/87
REV 131 11/87
REV 132 12/87
REV 133 1/88
REV 134 2/88
REV 135 3/88
REV 136 4/88
REV 137 5/88
REV 138 6/88
REV 139 7/88
REV 140 8/88
REV 141 9/88
REV 142 10/88
REV 143 11/88
REV 144 12/88
REV 145 1/89
REV 146 2/89
REV 147 3/89
REV 148 4/89
REV 149 5/89
REV 150 6/89
REV 151 7/89
REV 152 8/89
REV 153 9/89
REV 154 10/89
REV 155 11/89
REV 156 12/89
REV 157 1/90
REV 158 2/90
REV 159 3/90
REV 160 4/90
REV 161 5/90
REV 162 6/90
REV 163 7/90
REV 164 8/90
REV 165 9/90
REV 166 10/90
REV 167 11/90
REV 168 12/90
REV 169 1/91
REV 170 2/91
REV 171 3/91
REV 172 4/91
REV 173 5/91
REV 174 6/91
REV 175 7/91
REV 176 8/91
REV 177 9/91
REV 178 10/91
REV 179 11/91
REV 180 12/91
REV 181 1/92
REV 182 2/92
REV 183 3/92
REV 184 4/92
REV 185 5/92
REV 186 6/92
REV 187 7/92
REV 188 8/92
REV 189 9/92
REV 190 10/92
REV 191 11/92
REV 192 12/92
REV 193 1/93
REV 194 2/93
REV 195 3/93
REV 196 4/93
REV 197 5/93
REV 198 6/93
REV 199 7/93
REV 200 8/93
REV 201 9/93
REV 202 10/93
REV 203 11/93
REV 204 12/93
REV 205 1/94
REV 206 2/94
REV 207 3/94
REV 208 4/94
REV 209 5/94
REV 210 6/94
REV 211 7/94
REV 212 8/94
REV 213 9/94
REV 214 10/94
REV 215 11/94
REV 216 12/94
REV 217 1/95
REV 218 2/95
REV 219 3/95
REV 220 4/95
REV 221 5/95
REV 222 6/95
REV 223 7/95
REV 224 8/95
REV 225 9/95
REV 226 10/95
REV 227 11/95
REV 228 12/95
REV 229 1/96
REV 230 2/96
REV 231 3/96
REV 232 4/96
REV 233 5/96
REV 234 6/96
REV 235 7/96
REV 236 8/96
REV 237 9/96
REV 238 10/96
REV 239 11/96
REV 240 12/96
REV 241 1/97
REV 242 2/97
REV 243 3/97
REV 244 4/97
REV 245 5/97
REV 246 6/97
REV 247 7/97
REV 248 8/97
REV 249 9/97
REV 250 10/97
REV 251 11/97
REV 252 12/97
REV 253 1/98
REV 254 2/98
REV 255 3/98
REV 256 4/98
REV 257 5/98
REV 258 6/98
REV 259 7/98
REV 260 8/98
REV 261 9/98
REV 262 10/98
REV 263 11/98
REV 264 12/98
REV 265 1/99
REV 266 2/99
REV 267 3/99
REV 268 4/99
REV 269 5/99
REV 270 6/99
REV 271 7/99
REV 272 8/99
REV 273 9/99
REV 274 10/99
REV 275 11/99
REV 276 12/99
REV 277 1/00
REV 278 2/00
REV 279 3/00
REV 280 4/00
REV 281 5/00
REV 282 6/00
REV 283 7/00
REV 284 8/00
REV 285 9/00
REV 286 10/00
REV 287 11/00
REV 288 12/00
REV 289 1/01
REV 290 2/01
REV 291 3/01
REV 292 4/01
REV 293 5/01
REV 294 6/01
REV 295 7/01
REV 296 8/01
REV 297 9/01
REV 298 10/01
REV 299 11/01
REV 300 12/01
REV 301 1/02
REV 302 2/02
REV 303 3/02
REV 304 4/02
REV 305 5/02
REV 306 6/02
REV 307 7/02
REV 308 8/02
REV 309 9/02
REV 310 10/02
REV 311 11/02
REV 312 12/02
REV 313 1/03
REV 314 2/03
REV 315 3/03
REV 316 4/03
REV 317 5/03
REV 318 6/03
REV 319 7/03
REV 320 8/03
REV 321 9/03
REV 322 10/03
REV 323 11/03
REV 324 12/03
REV 325 1/04
REV 326 2/04
REV 327 3/04
REV 328 4/04
REV 329 5/04
REV 330 6/04
REV 331 7/04
REV 332 8/04
REV 333 9/04
REV 334 10/04
REV 335 11/04
REV 336 12/04
REV 337 1/05
REV 338 2/05
REV 339 3/05
REV 340 4/05
REV 341 5/05
REV 342 6/05
REV 343 7/05
REV 344 8/05
REV 345 9/05
REV 346 10/05
REV 347 11/05
REV 348 12/05
REV 349 1/06
REV 350 2/06
REV 351 3/06
REV 352 4/06
REV 353 5/06
REV 354 6/06
REV 355 7/06
REV 356 8/06
REV 357 9/06
REV 358 10/06
REV 359 11/06
REV 360 12/06
REV 361 1/07
REV 362 2/07
REV 363 3/07
REV 364 4/07
REV 365 5/07
REV 366 6/07
REV 367 7/07
REV 368 8/07
REV 369 9/07
REV 370 10/07
REV 371 11/07
REV 372 12/07
REV 373 1/08
REV 374 2/08
REV 375 3/08
REV 376 4/08
REV 377 5/08
REV 378 6/08
REV 379 7/08
REV 380 8/08
REV 381 9/08
REV 382 10/08
REV 383 11/08
REV 384 12/08
REV 385 1/09
REV 386 2/09
REV 387 3/09
REV 388 4/09
REV 389 5/09
REV 390 6/09
REV 391 7/09
REV 392 8/09
REV 393 9/09
REV 394 10/09
REV 395 11/09
REV 396 12/09
REV 397 1/10
REV 398 2/10
REV 399 3/10
REV 400 4/10
REV 401 5/10
REV 402 6/10
REV 403 7/10
REV 404 8/10
REV 405 9/10
REV 406 10/10
REV 407 11/10
REV 408 12/10
REV 409 1/11
REV 410 2/11
REV 411 3/11
REV 412 4/11
REV 413 5/11
REV 414 6/11
REV 415 7/11
REV 416 8/11
REV 417 9/11
REV 418 10/11
REV 419 11/11
REV 420 12/11
REV 421 1/12
REV 422 2/12
REV 423 3/12
REV 424 4/12
REV 425 5/12
REV 426 6/12
REV 427 7/12
REV 428 8/12
REV 429 9/12
REV 430 10/12
REV 431 11/12
REV 432 12/12
REV 433 1/13
REV 434 2/13
REV 435 3/13
REV 436 4/13
REV 437 5/13
REV 438 6/13
REV 439 7/13
REV 440 8/13
REV 441 9/13
REV 442 10/13
REV 443 11/13
REV 444 12/13
REV 445 1/14
REV 446 2/14
REV 447 3/14
REV 448 4/14
REV 449 5/14
REV 450 6/14
REV 451 7/14
REV 452 8/14
REV 453 9/14
REV 454 10/14
REV 455 11/14
REV 456 12/14
REV 457 1/15
REV 458 2/15
REV 459 3/15
REV 460 4/15
REV 461 5/15
REV 462 6/15
REV 463 7/15
REV 464 8/15
REV 465 9/15
REV 466 10/15
REV 467 11/15
REV 468 12/15
REV 469 1/16
REV 470 2/16
REV 471 3/16
REV 472 4/16
REV 473 5/16
REV 474 6/16
REV 475 7/16
REV 476 8/16
REV 477 9/16
REV 478 10/16
REV 479 11/16
REV 480 12/16
REV 481 1/17
REV 482 2/17
REV 483 3/17
REV 484 4/17
REV 485 5/17
REV 486 6/17
REV 487 7/17
REV 488 8/17
REV 489 9/17
REV 490 10/17
REV 491 11/17
REV 492 12/17
REV 493 1/18
REV 494 2/18
REV

"THIS DRAWING AND SPECIFICATIONS HEREIN ARE THE PROPERTY OF DIGITAL EQUIPMENT CORPORATION AND SHALL NOT BE REPRODUCED OR COPIED OR USED IN WHOLE OR IN PART AS THE BASIS FOR THE MANUFACTURE OR SALE OF ITEMS WITHOUT WRITTEN PERMISSION. COPYRIGHT © 1975, DIGITAL EQUIPMENT CORPORATION"

NOTE:
PREFIX FOR J156-J179 IS MEM4.

"Y" DIODE MATRIX



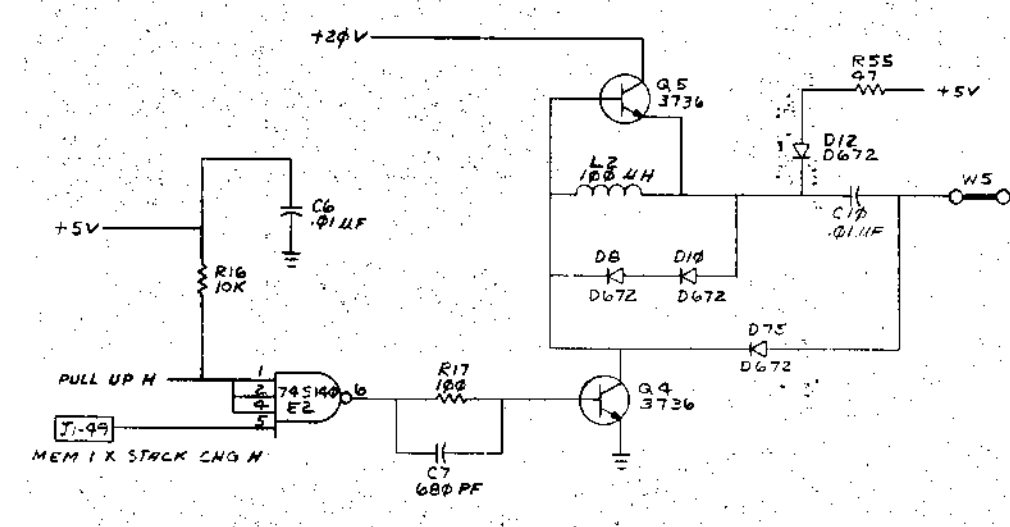
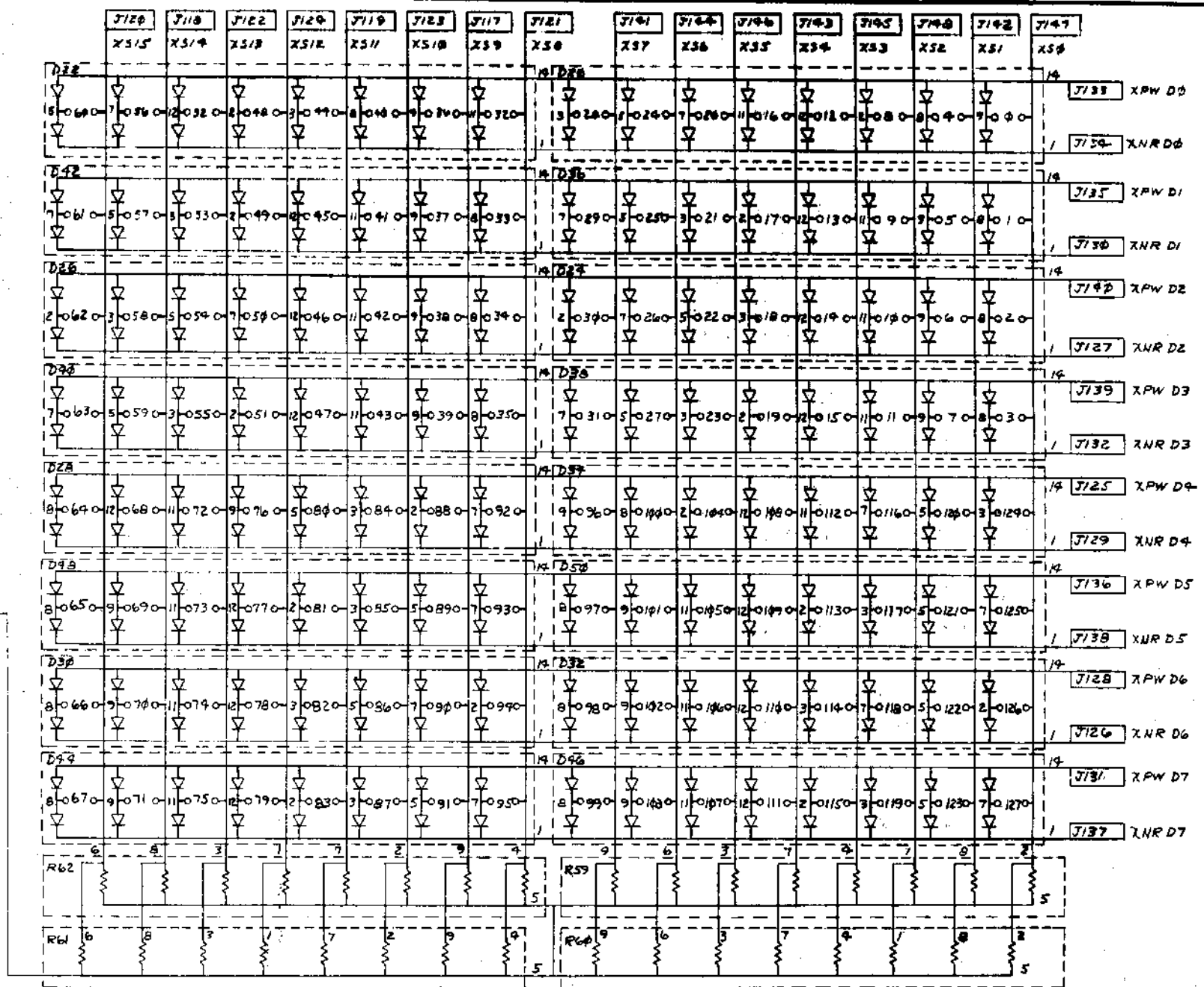
REV.	CHG.	NO.	DATE	BY
1		1	6/14/76	D. SMELSER
2		2	6/14/76	D. SMELSER
3		3	3/20/77	D. SMELSER

DRN: J. Abner	6-26-75	FIRST USED ON	MM1D/DP
CHKD: J. Abner	7/2/75	TITLE	16K X 15, 18
ENG: J. Abner	7/1/75	PROD. NO.	MEM4
PROJ. ENG: J. Abner	7/1/75	NUMBER	CS 5411554-0-1
PROD. RA: W. J. J. J.	7/1/75	REV.	D
NEXT HIGHER ASSY.		SCALE	
D-1A-R222-0		SHEET	1 OF 3

THE DRAWING AND SPECIFICATIONS HEREIN ARE THE PROPERTY OF DIGITAL EQUIPMENT CORPORATION AND SHALL NOT BE REPRODUCED OR COPIED IN WHOLE OR IN PART AS THE BASIS FOR THE MANUFACTURE OF ANY OF ITEMS WITHOUT WRITTEN PERMISSION. COPYRIGHT © 1971, DIGITAL EQUIPMENT CORPORATION

"X" DIODE MATRIX

NOTE:
PREFIX FOR J117-J168 IS MEM9.

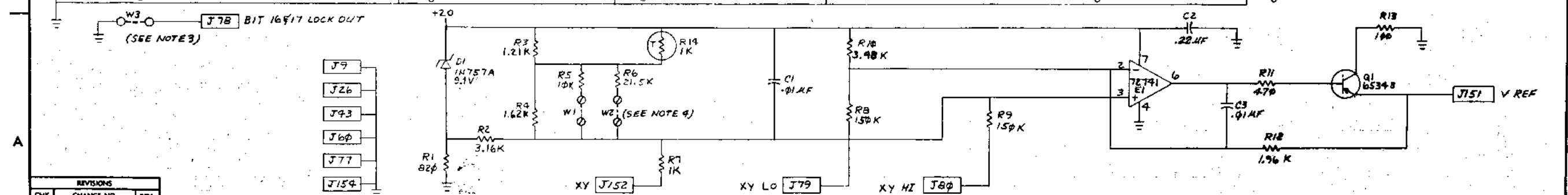
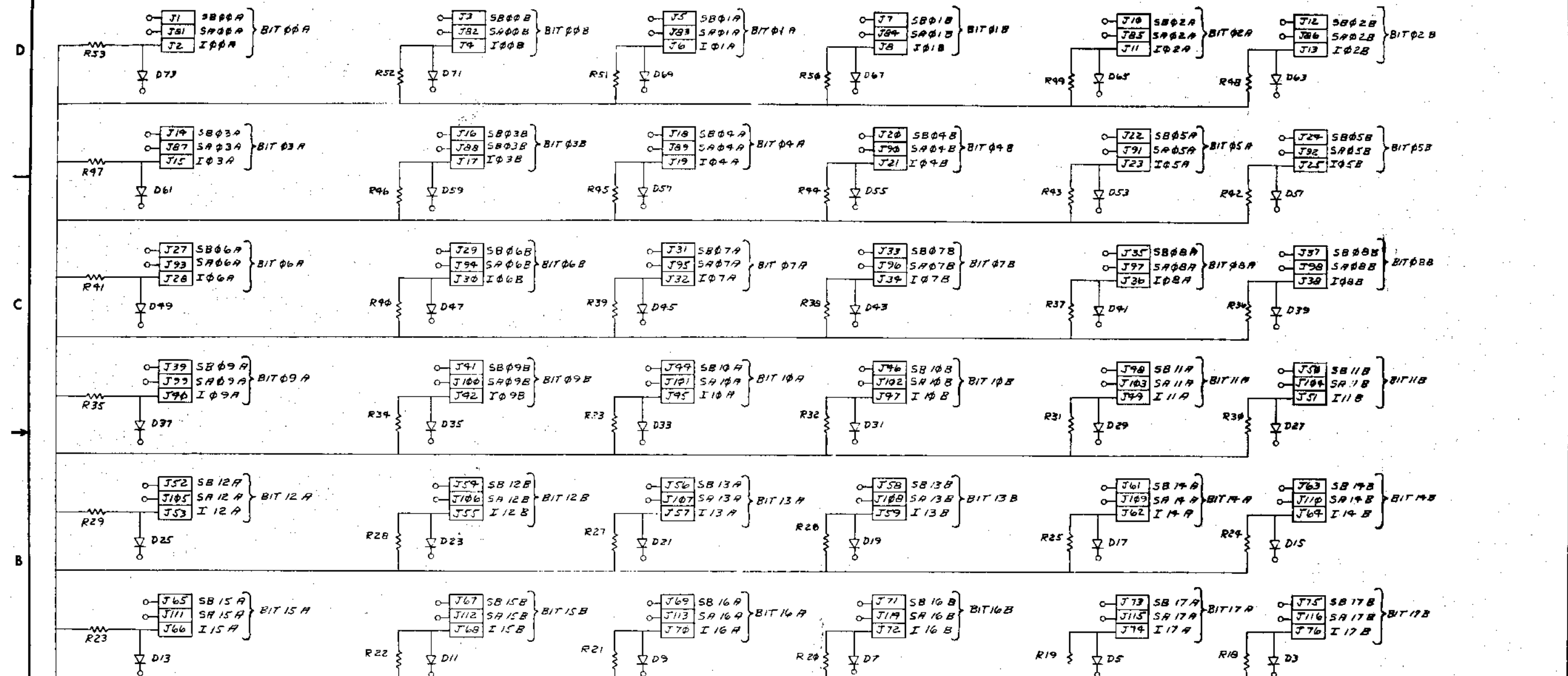


REVISIONS		
CHK	CHANGE NO.	REV.

TITLE	6K X 16, 18	SIZE CODE	NUMBER	REV.
MEMORY STACK	DCS 5411554-0-1	D	D	D
SCALE	INSET 2 OF 3	DIST.		

THIS DRAWING AND SPECIFICATIONS HEREBY ARE THE PROPERTY OF DIGITAL EQUIPMENT CORPORATION AND SHALL NOT BE REPRODUCED OR COPIED OR USED IN WHOLE OR IN PART AS THE BASIS FOR THE MANUFACTURE OR SALE OF ITEMS WITHOUT WRITTEN PERMISSION. COPYRIGHT © 1973 DIGITAL EQUIPMENT CORPORATION

- NOTES:
1. R18 THRU R53 ARE 1K, 1/4W ±5%.
 2. UNLESS OTHERWISE SPECIFIED, ALL DIODES ARE D672.
 3. W3 MUST BE INSTALLED FOR A 16 BIT MEMORY -- H121B, OR H222A USED WITHOUT A PARITY CONTROLLER (M7050).
 4. W1 & W2 ARE USED TO ADJUST VREF.



REVISIONS		
CHK	CHANGE NO.	REV.

8	7	6	5	4	3	2	1	
TITLE: 16K X 16, 18 MEMORY STACK							SIZE CODE: DCS 5411554-0-1	NUMBER: 0
SCALE: 1/1							SHEET: 3 OF 3	DIST:

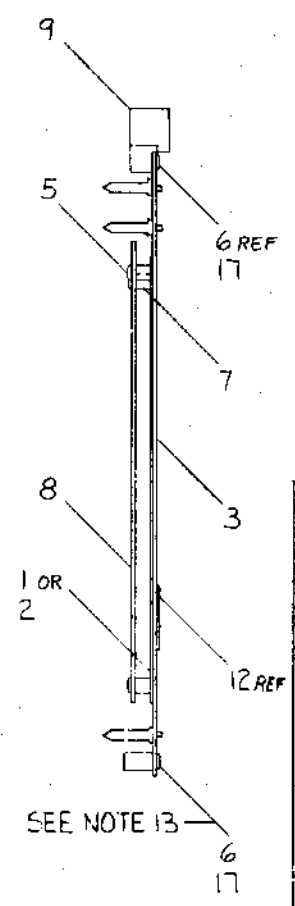
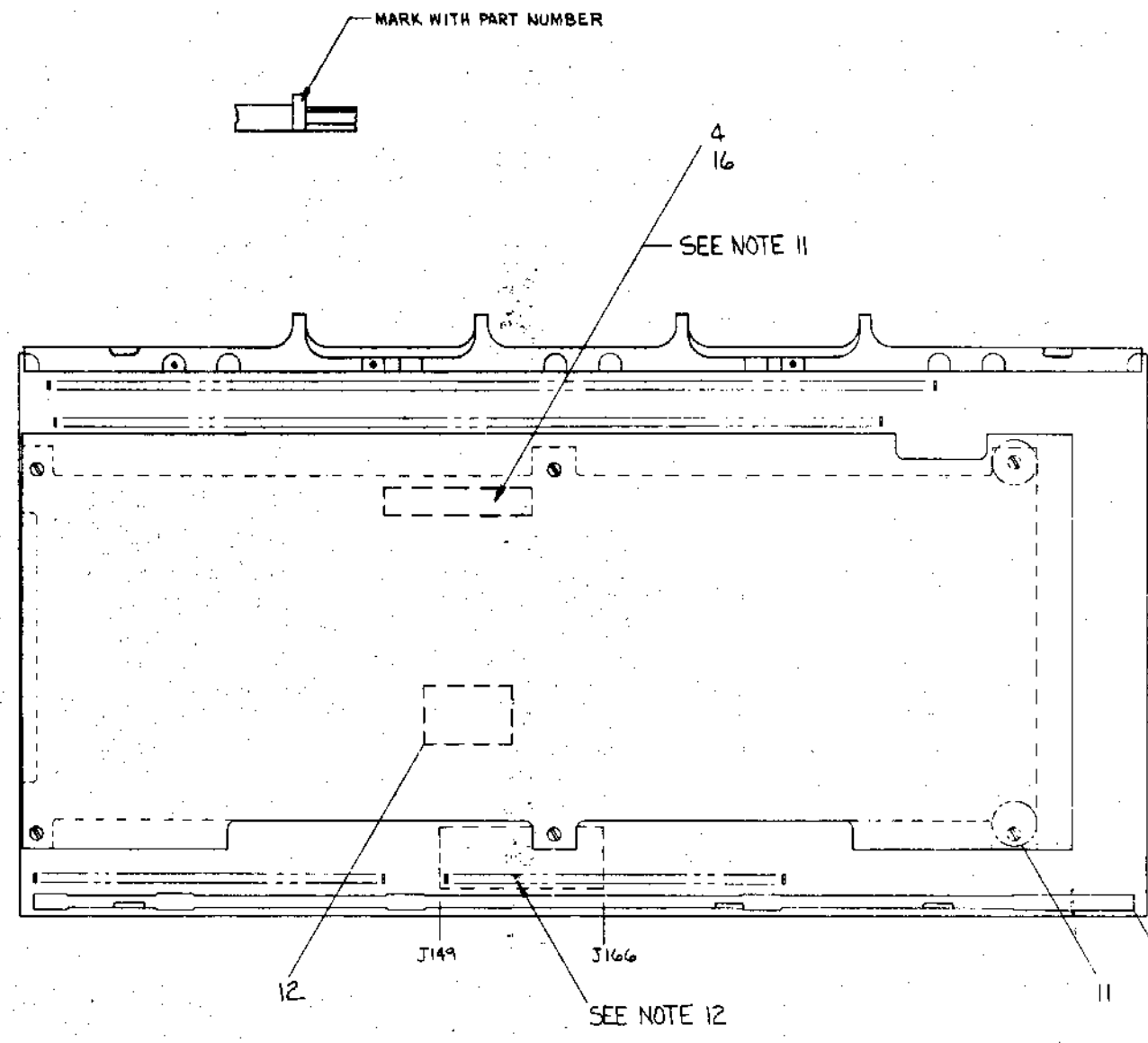
DCS 5411554-0-1

13

THIS DRAWING AND SPECIFICATIONS HEREIN ARE THE PROPERTY OF DIGITAL EQUIPMENT CORPORATION AND SHALL NOT BE REPRODUCED OR COPIED OR USED IN WHOLE OR IN PART AS THE BASIS FOR THE MANUFACTURE OR SALE OF ITEMS WITHOUT WRITTEN PERMISSION. COPYRIGHT © 1972, DIGITAL EQUIPMENT CORPORATION

LEGEND			
NUMBER	NUMBER	VARIATION	USED ON
H222-YA	H222 A	16K X 16 BIT	MM11-DP
H222-YB	H222 B	16K X 16 BIT	MM11-D

- NOTES:**
- BOND ITEM 1 (CORE PLANE) TO ITEM 3 (STACK BOARD) WITH ITEM 14 (ADHESIVE).
 - SWAGE ITEM 1 (CORE PLANE) AND ITEM 3 (STACK BOARD) TOGETHER WITH ITEM 7 (STANDOFF).
 - USE ITEM 5 (PROTECTIVE COATING) TO COAT ALL MAGNETIC WIRE TERMINATIONS AFTER ELECTRICAL TEST. (REF E-IA-7011661-0-0)
 - BOND TWISTED CABLES TO ITEM 1 (CORE PLANE) WITH ITEM 13 (ADHESIVE). SEE E-IA-7011661-0-0.
 - BOND X & Y DRIVE LOOPS IN PLACE WITH ITEM 13 (ADHESIVE). SEE E-IA-7011661-0-0 NOTES.
 - REFER TO E-IA-7011661-0-0 WHEN SOLDERING WIRE TERMINATIONS TO ITEM 3 (STACK BOARD).
 - ASSEMBLE ITEMS 9 & 10 (STIFFENERS) TO ITEM 3 (STACK BOARD) USING ITEMS 6 & 17.
 - ATTACH ITEM 8 (COVER) TO ITEM 3 (STACK BOARD) USING ITEM 5 (NYLON SCREW).
 - APPLY ITEM 11 (WARRANTY SEAL) WHERE SHOWN.
 - APPLY ITEM 12 (NAME PLATE) TO SIDE 2 OF ITEM 3 (STACK BOARD) AS SHOWN.
 - MARK ITEM 3 (STACK BOARD) ON SIDE 2 WITH DEC PART NUMBER, SEQUENTIAL SERIAL NUMBER, AND CIRCUIT SCHEMATIC REVISION USING ITEM 4 (INK) AND ITEM 16 (EPOXY). EXAMPLE: H222-A-001-CS-B.
 - TRIM AMP POSTS AND COMPONENT LEADS TO BE .05 IN THIS AREA OF SIDE 2.
 - INSTALL ITEM 17 (LOCKWASHER) TORQUE HAND TIGHT.



QTY	DESCRIPTION	DWG. PART NO.	ITEM NO.
1	CORE PLANE WIRING ASSY	E-IA-7011661-3-0	19
1	CORE PLANE WIRING ASSY	E-IA-7011661-2-0	18
8	WASHER, LOCK #2 INT TOOTH	9006631-00	17
A/R	EPOXY	4901082-00	16
A/R	PROTECTIVE COATING (F145)	4901083-00	15
A/R	ADHESIVE (RTV 3145)	4901086-00	14
A/R	ADHESIVE (RTV 3140)	4901085-00	13
1	NAME PLATE	9009233-00	12
2	WARRANTY SEAL		11
1	STIFFENER, FINGER END	D-PS-121125-0-0	10
1	STIFFENER, HANDLE END	D-PS-121126-0-0	9
1	COVER	D-MD-551197-0-0	8
6	STANDOFF .25 DIA X .19 L	9009671-00	7
8	SCR, PHL PAN HD SS #2-56 X .17	9006000-01	6
6	SCR, SLT BDR HD NYLON #40 X .19	9009233-00	5
A/R	INK, BLACK	4901084-00	4
1	H222 STACK BOARD	5411554	3
1	CORE PLANE WIRING ASSY	E-IA-7011661-1-0	2
1	CORE PLANE WIRING ASSY	E-IA-7011661-0-0	1

UNLESS OTHERWISE SPECIFIED DIMENSIONS ARE IN INCHES				
CLASS OF ACCURACY	NOMINAL DIMENSION RANGE INCHES			
	0.001 - 0.01	0.01 - 0.06	0.06 - 0.25	0.25 - 1.00
ANGLES	MEDIUM			
SURFACE QUALITY	MEDIUM			
QUANTITY & VARIATION	MEDIUM			
MICROINCHES	MEDIUM			

REV	DATE	BY	CHKD
1	11/17/72	D. SCHLESER	

THIRD ANGLE PROJECTION

ORIN. H. LUPKIN 11/17/72

CHK'D [Signature] 11/17/72

ENG. [Signature] 11/17/72

PROJ. [Signature] 11/17/72

DO NOT SCALE DWG

MATERIAL SEE PARTS LIST

FINISH

FIRST USED ON MM11-DP

TITLE H222 CORE MEMORY STACK ASSEMBLY

D-IA-MM11-DP-0

SCALE 1/1

SHEET 1 OF 1

SIZE CODE DUA

NUMBER H222-0-0

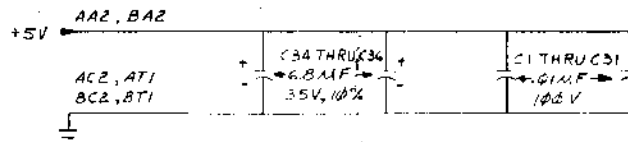
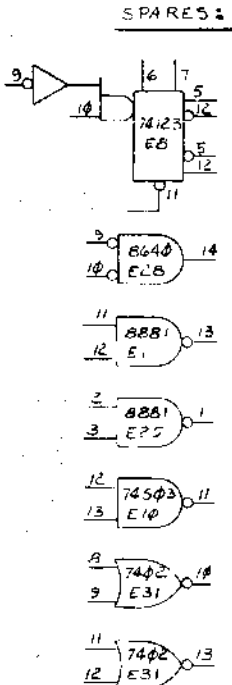
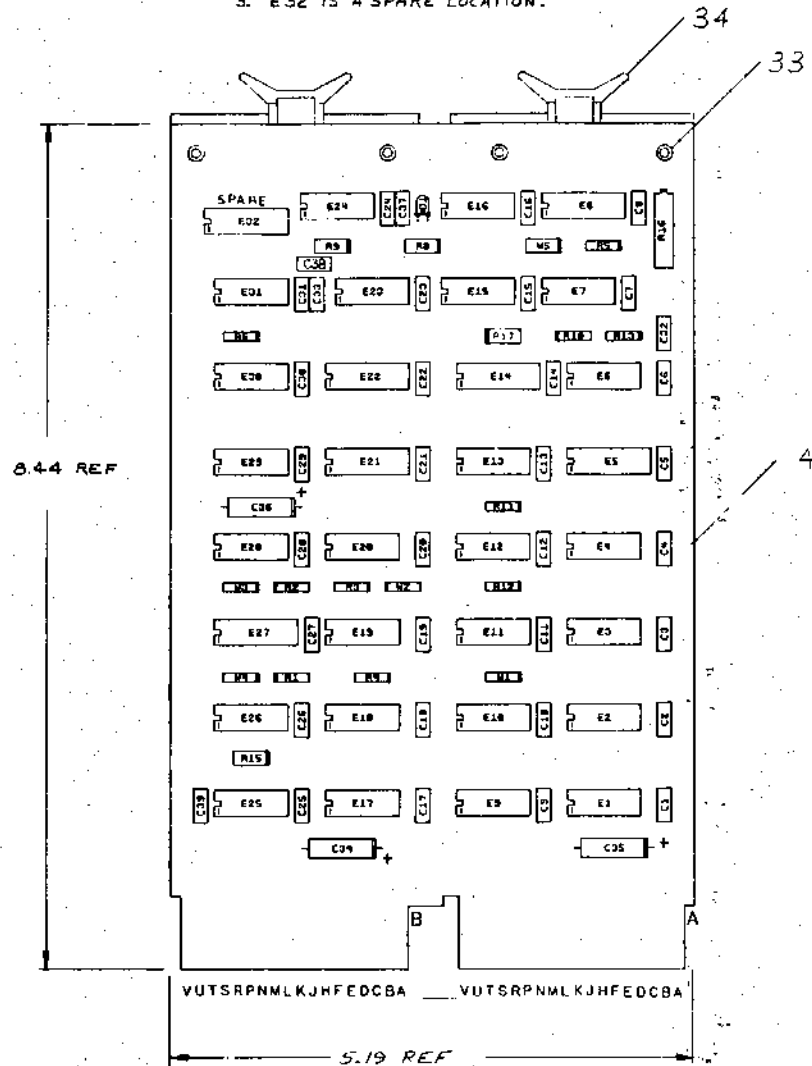
REV. A

84

THIS DRAWING AND SPECIFICATIONS HEREIN ARE THE PROPERTY OF DIGITAL EQUIPMENT CORPORATION AND SHALL NOT BE REPRODUCED OR COPIED OR USED IN WHOLE OR IN PART AS THE BASIS FOR THE MANUFACTURE OR SALE OF ITEMS WITHOUT WRITTEN PERMISSION.
 COPYRIGHT © 1975 DIGITAL EQUIPMENT CORPORATION

NOTES:

1. ALL RESISTORS 1/4W, 5% UNLESS OTHERWISE NOTED. ALL CAPACITORS ARE 100V, 20% UNLESS OTHERWISE NOTED.
2. JUMPER CONTROL OPERATIONS AS FOLLOWS:
 W1 THRU W4 SELECT CSR ADDRESS, W5 CAPACITOR FOR S SYN DLY, NOT USED.
3. E32 IS A SPARE LOCATION.



REF	CIRCUIT SCHEMATIC	D-CS-M7850-01	REF
REF	X-Y COORDINATE HOLE LOCATION	K-CO-M7850-0-4	1
REF	ASSY/DRILLING HOLE LAYOUT	D-AH-M7850-0-5	2
REF	MODULE ECO HISTORY	B-MH-M7850-0-6	3
1	ETCHED CIRCUIT BOARD	5010651-00	4
1	C39	CAP 470 PF, 100V, 5% (DM)	1000024-00
2	C33, C37	CAP 330 PF, 100V, 5% (DM)	1000023-00
32	C1 THRU C32	CAP 0.1uF, 100V, 20% DISC	1001610-01
3	C34, C35, C36	CAP 6.8uF, 35V, 10% STANT	1005306-00
1	D1	DIODE, LED	1110324-00
5	R1 THRU R5	RES 4.7K 1/4W 5%	1302447-00
3	R8, R9, R15	RES 100 1/4W 5%	1300229-00
5	R6, R10, R11, R12, R17	RES 470 1/4W 5%	1300316-00
1	R13	RES 1K 1/4W 5%	1300365-00
1	R16	RES 10K 3/4W 20% (1/4 PR PR)	1301431-00
1	E24	I.C. 7400	1905575-00
1	E30	I.C. 7430	1905578-00
1	E31	I.C. 7402	1909004-00
1	E19	I.C. 314A	1909704-00
1	E23	I.C. 7408	1910155-00
4	E1, E9, E17, E25	I.C. 8881	1909705-00
1	E16	I.C. 7404	1909931-00
1	E27	I.C. 7485	1910224-00
1	E8	I.C. 74123	1910436-00
1	E10	I.C. 74503	1910533-00
1	E15	I.C. 74574	1910544-00
1	E21	I.C. 74174	1910652-00
1	E5, E22	I.C. 74157	1910655-00
9	E2, E3, E11, E12, E18, E20, E26, E28, E29	I.C. 8640	1911469-00
2	E4, E13	I.C. 745280	1911573-00
1	E14	I.C. 8266	1909934-00
2	E6, E7	I.C. 7474	1905547-00
4	W1 THRU W4	INSULATED JUMPER	9009185-00
4		EYELET	9006732-00
2		HANDLE, FLIP-CHIP (MAGENTA)	9008337-6

IC TYPE	QTY	LOC
8640	1	B
8266	8	16
74157	8	16
74174	8	16
74123	8	16
7485	8	16
314A	1	B
IC TYPE	GND	+5V

GND AND BV ARE USUALLY PIN 7 AND 14 RESPECTIVELY EXCEPTIONS ARE STATED ABOVE

IC PIN LOCATIONS

QTY	REF. DESIGNATION	DESCRIPTION	PART NO.	ITEM NO.

DEC NO.	EIA NO.	DEC NO.	EIA NO.

DATE	BY	DATE	BY
2-5-75	M. LUFKIN	2-17-75	
2-17-75		2-15-75	
2-15-75		2-12-75	
2-12-75			

SEMICONDUCTOR CONVERSION CHART

SCALE: 1 OF 3

SIZE: CODE DCS NUMBER: M7850-0-1 REV: B

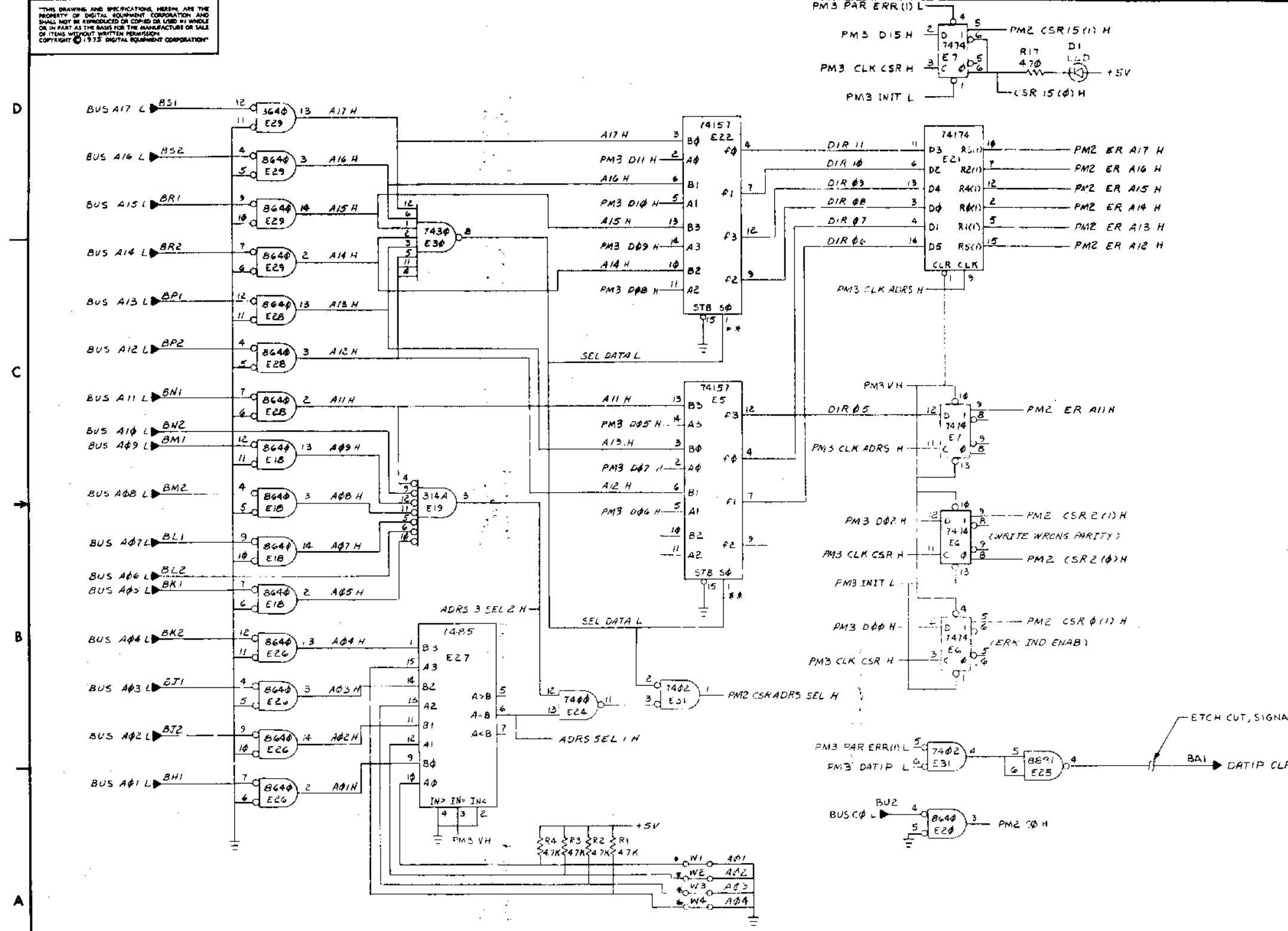
15

THIS DRAWING AND SPECIFICATIONS HEREIN ARE THE PROPERTY OF DIGITAL EQUIPMENT CORPORATION AND SHALL NOT BE REPRODUCED OR COPIED OR USED IN WHOLE OR IN PART AS THE BASIS FOR THE MANUFACTURE OR SALE OF ITEMS WITHOUT WRITTEN PERMISSION. COPYRIGHT © 1973 DIGITAL EQUIPMENT CORPORATION

NOTES:
 * THE CSR REGISTER ADDRESS IS LOCATED BETWEEN 772100 AND 772136. IT IS SELECTED WITH JUMPERS W1 THRU W4. REMOVING A JUMPER SELECTS A "ONE" FOR THAT BIT POSITION. (*)

MACHINE ADDRESS (WORDS) 8	W4 A4	W3 A3	W2 A2	W1 A1
772100	IN	IN	IN	IN
772102	IN	IN	IN	OUT
772104	IN	IN	OUT	IN
772106	IN	IN	OUT	OUT
772110	IN	OUT	IN	IN
772112	IN	OUT	IN	OUT
772114	IN	OUT	OUT	IN
772116	IN	OUT	OUT	OUT
772120	OUT	IN	IN	IN
772122	OUT	IN	IN	OUT
772124	OUT	IN	OUT	IN
772126	OUT	IN	OUT	OUT
772130	OUT	OUT	IN	IN
772132	OUT	OUT	IN	OUT
772134	OUT	OUT	OUT	IN
772136	OUT	OUT	OUT	OUT

** THE 'A' INPUTS ARE SELECTED WHEN THE SEL INPUT GOES LOW. (**)



ETCH CUT, SIGNAL NOT USED
 BAI → DATIP CLR PAUSE L

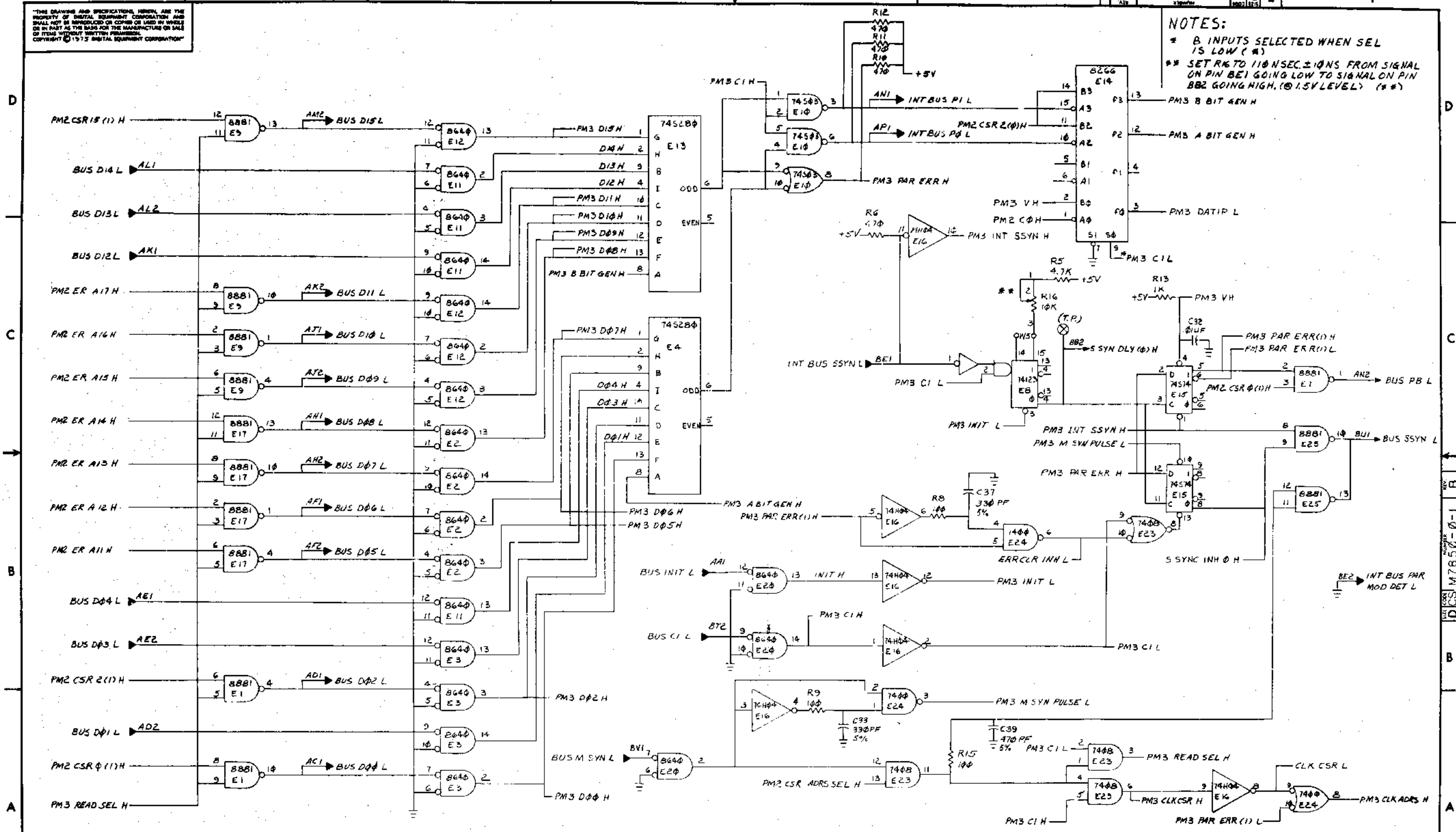
CHK	CHANGE NO	REV.

TITLE	SIZE/COO	NUMBER	REV.
PARITY MODULE (PM2)	DCS	M7850-0-1	B
SCALE	SHEET	2 OF 3	DIST.

"THE DRAWING AND SPECIFICATIONS HEREIN ARE THE PROPERTY OF DIGITAL EQUIPMENT CORPORATION AND SHALL NOT BE REPRODUCED OR COPIED OR USED IN WHOLE OR IN PART AS THE BASIS FOR THE MANUFACTURE OR SALE OF ITEMS WITHOUT WRITTEN PERMISSION. COPYRIGHT © 1975 DIGITAL EQUIPMENT CORPORATION"

1-0-0592W SCD 2

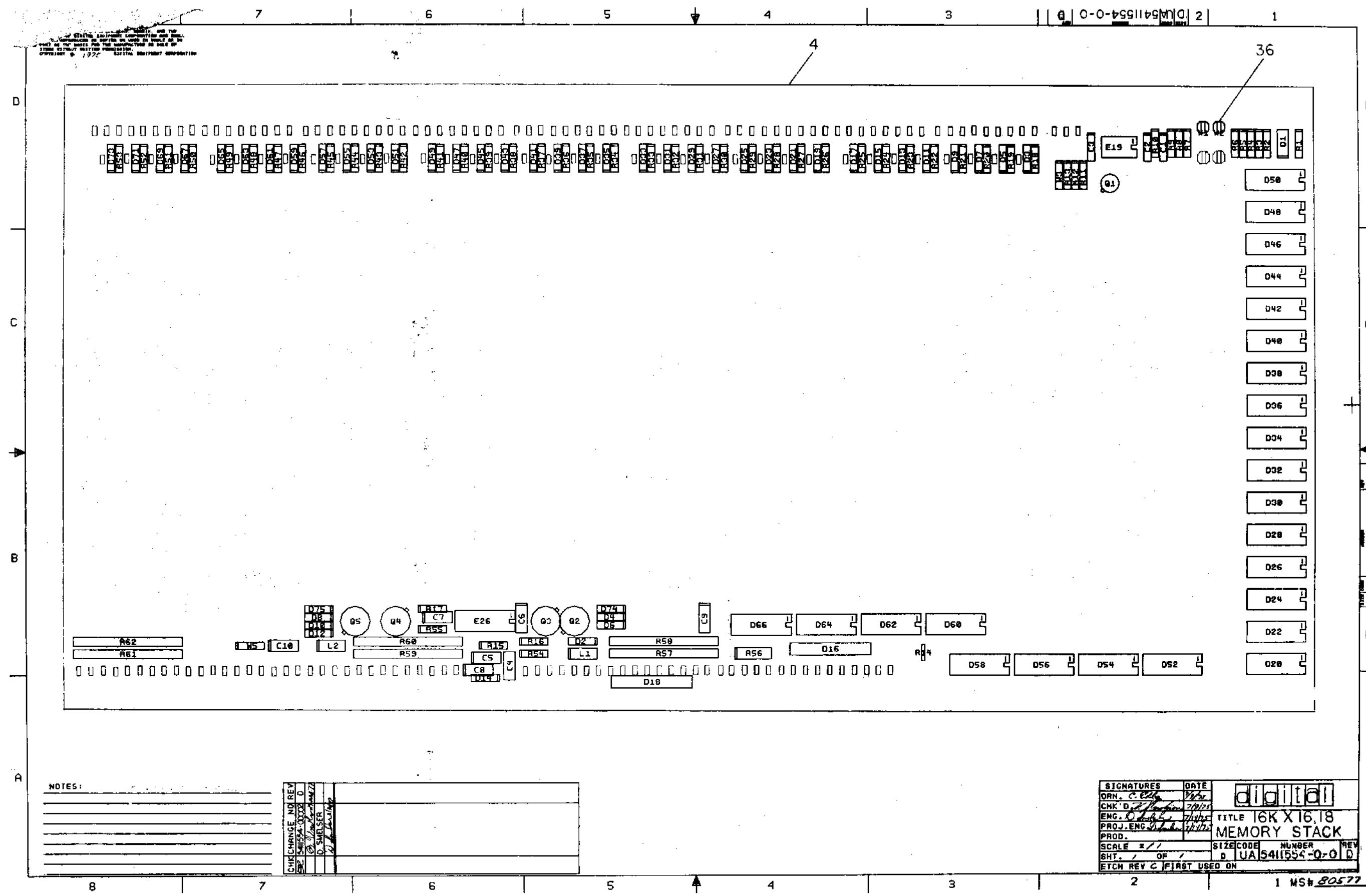
NOTES:
 * B INPUTS SELECTED WHEN SEL IS LOW (*)
 ** SET R6 TO 110 NSEC. ± 10% FROM SIGNAL ON PIN BE1 GOING LOW TO SIGNAL ON PIN BB2 GOING HIGH. (@ 1.5V LEVEL) (**)



REVISIONS			TITLE		SIZE CODE		NUMBER		REV.
CHK	CHANGE NO.	REV.	PARITY MODULE (PM3)		DCS		M7850-0-1		B
			SCALE		SHEET	3 OF 3	DIST		


97

© 1972 SATELITE EQUIPMENT CORPORATION
 ALL RIGHTS RESERVED. THIS DRAWING IS THE PROPERTY OF SATELITE EQUIPMENT CORPORATION AND IS TO BE USED FOR THE PURPOSES SPECIFIED HEREIN. IT IS TO BE KEPT IN CONFIDENCE AND NOT TO BE REPRODUCED OR TRANSMITTED IN ANY FORM OR BY ANY MEANS, ELECTRONIC, MECHANICAL, OR BY ANY INFORMATION STORAGE AND RETRIEVAL SYSTEM, WITHOUT THE WRITTEN PERMISSION OF SATELITE EQUIPMENT CORPORATION.



NOTES:

CHK CHANGE NO	REV
5411554-0002	0
DESIGNED BY	
DRAWN BY	
CHECKED BY	
DATE	

SIGNATURES		DATE	 TITLE 16K X 16.18 MEMORY STACK
ORN. C. Eddy		7/25	
CHK'D. J. H. Eddy		7/25	
ENG. D. H. Eddy		7/25	
PROD. J. H. Eddy		7/25	
SCALE 2/1	SIZE CODE		NUMBER
SHT. 1	OF 1		REV D
ETCH REV C		FIRST USED ON	

98

DIGITAL EQUIPMENT CORPORATION MAYNARD, MASSACHUSETTS PARTS LIST					QUANTITY / VARIATION										
MADE BY M. Poirier		CHECKED <i>V. Parshian</i>		SECTION											
DATE 7/7/75		DATE 7/7/75													
ENG <i>D. Smoker</i>		PROD <i>R. A. Hill</i>		ISSUED SECT.											
DATE 7/14/75		DATE 7/14/75													
ITEM NO.	DWG NO. / PART NO.	DESCRIPTION			QTY	REFERENCE DESIGNATIONS									
1	D-CS-5411554-0-1	CIRCUIT SCHEMATIC			REF										
2	D-AH-5411554-0-5	ASSY/DRILLING HOLE LAYOUT			REF										
3	B-MH-5411554-0-6	MODULE ECO HISTORY			REF										
4	5011493	ETCHED CIRCUIT BOARD			1										
5	1000026-00	CAP 680 PF 100V 5% <i>D M</i>			2	C5, C7									
6	1001610-01	CAP .01UF 100V <i>CER</i>			5	C1, C3, C6, C9, C10									
7	1010274-00	CAP .22UF 50V <i>CER</i>			3	C4, C8, C2									
8	1105275-00	DIODE D672			44	D2-D15, D17, D19, D21, D23, D25, D27 D29, D31, D33, D35, D37, D39, D41, D43, D45, D47, D49, D51, D53, D55, D59 D61, D63, D65, D67, D69, D71, D73, D74 D75									
9	1109990-00	DIODE, ZENER 1N757A 9.1V 5%			1	D1									
10	7010918-3-C	DIODE NETWORK			2	D16, D18									
11	1910010-00	DIODE PACK 2501			24	D20, D22, D24, D26, D28, D30, D32, D34 D36, D38, D40, D42, D44, D46, D48, D50 D52, D54, D56, D58, D60, D62, D64, D66									
12	1300229-00	RES 100 1/4W 5%			3	R13, R15, R17									
13	1301775-00	RES 820 1/4W 5%			1	R1									
14	1304862-00	RES 1.62K 1/8W 1%			1	R4									
15	1302871-00	RES 1.21K 1/8W 1%			1	R3									
16	1304833-00	RES 1.96K 1/8W 1%			1	R12,									
TITLE 16K x 16, 18 MEMORY STACK				ASSY NO. D-UA-5411554-0-0	SIZE A	CODE PL	NUMBER 5411554-0-0				REV. D	ECO NO. J0002			
				SHEET 1 OF 2	DIST.										

DEC FORM DEC 16-(325)-1031-N870
DRA

DIGITAL EQUIPMENT CORPORATION MAYNARD, MASSACHUSETTS PARTS LIST					QUANTITY / VARIATION										
MADE BY M. Poirier		CHECKED <i>V. Parshian</i>		SECTION											
DATE 7/7/75		DATE 7/7/75													
ENG <i>D. Smoker</i>		PROD <i>R. A. Hill</i>		ISSUED SECT.											
DATE 7/14/75		DATE 7/14/75													
ITEM NO.	DWG NO. / PART NO.	DESCRIPTION			QTY	REFERENCE DESIGNATIONS									
17	1303045-00	RES 3.16K 1/4W 1%			1	R2									
18	1300479-00	RES 10K 1/4W 5%			1	R16									
19	1303312-00	RES 10K 1/8W 1%			1	R5									
20	1300316-00	RES 470 1/4W 5%			1	R11									
21	1303155-00	RES 21.5K 1/8W 1%			1	R6									
22	1302396-00	RES 150K 1/4W 5%			2	R8, R9									
23	1301781-00	RES 82 1/2W 5%			1	R56									
24	1300202-00	RES 47 1/4W 5%			2	R54, R55									
25	1300365-00	RES 1K 1/4W 5%			37	R18-R53, R7									
26	1310071-00	RES 1K 1% THERMISTER			1	R14									
27	1311742-00	RES NETWORK 220 1/4W 1%			6	R57-R62									
28	1503366-00	TRANS 2N3736			4	Q2-Q5									
29	1503409-01	TRANS 6534B			1	Q1									
30	1610662-00	INDUCTOR 100UH			2	L1, L2									
31	1910298-00	I.C. 72741			1	E1									
32	1910546-00	I.C. 74S140			1	E2									
33	1211727-00	CONTACT, MALE			179	J1-J179									
34	9009185-00	JUMPER, INSULATED (.4 LONG)			1	W5									
35	9107560-01	JUMPER, BUSS WIRE (#22 AWG)			4	W1-W4 (OPTIONAL)									
36	9006735-00	EYELET (SPLIT LUG)			4										
37	1305114-00	RES 3.48K 1/8W 1%			1	R10									
TITLE 16K x 16, 18 MEMORY STACK				ASSY NO. D-UA-5411554-0-0	SIZE A	CODE PL	NUMBER 5411554-0-0				REV. D	ECO NO.			
				SHEET 2 OF 2	DIST.										

DEC FORM DEC 16-(325)-1031-N870
DRA

DIGITAL EQUIPMENT CORPORATION MAYNARD, MASSACHUSETTS PARTS LIST						QUANTITY / VARIATION														
MADE BY D. HEALY		CHECKED D. HEALY		SECTION 1		MS11-E	MS11-EP	MS11-F	MS11-FP	MS11-J	MS11-JP									
DATE 10/6/75		DATE 10/6/75																		
ENG R. BARRY R Barry		PRODRK R Barry		ISSUED SECT. 1																
DATE 10-27-75		DATE 10/24/75																		
ITEM NO	DWG NO. / PART NO.	DESCRIPTION																		
	D-CS-M7847-AA-1	UNIBUS MOS MEM																		
	D-CS-M7847-AB-1	UNIBUS MOS MEM																		
	D-CS-M7847-AC-1	UNIBUS MOS MEM																		
	D-CS-M7847-AD-1	UNIBUS MOS MEM																		
	D-CS-M7847-AH-1	UNIBUS MOS MEM																		
	D-CS-M7847-AJ-1	UNIBUS MOS MEM																		
TITLE MOS RAM (MS11-E)		ASSY NO. NONE		SIZE CODE A PL		NUMBER MS11-E-Ø				REV. A		ECO NO. MS11-E-00001								
SHEET 1 OF 1				DIST.																

DEC FORM DEC 16 (325) 1031 N870
DRA 110

101

THIS DRAWING AND SPECIFICATIONS HEREIN ARE THE PROPERTY OF DIGITAL EQUIPMENT CORPORATION AND SHALL NOT BE REPRODUCED OR COPIED OR USED IN WHOLE OR IN PART AS THE BASIS FOR THE MANUFACTURE OR SALE OF ITEMS WITHOUT WRITTEN PERMISSION.
 COPYRIGHT © 1975 DIGITAL EQUIPMENT CORPORATION

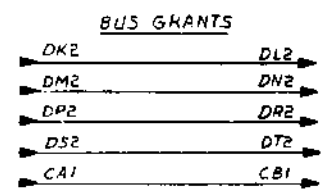
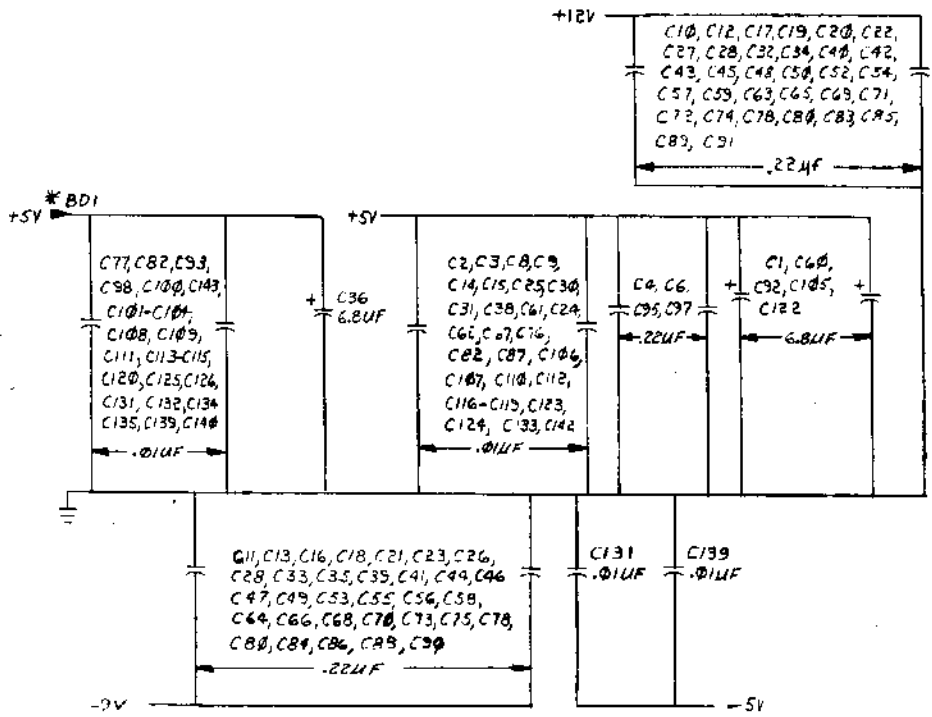
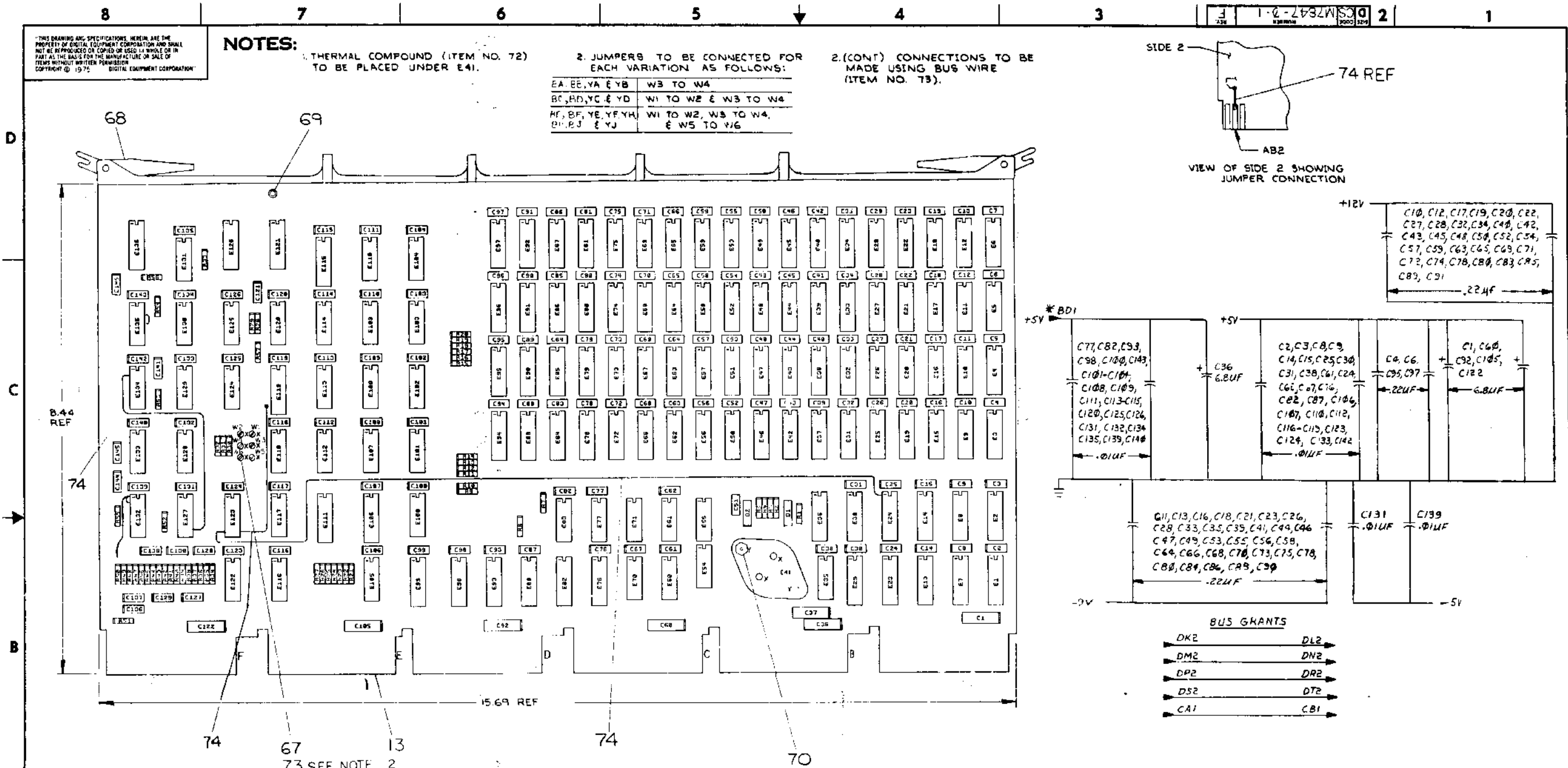
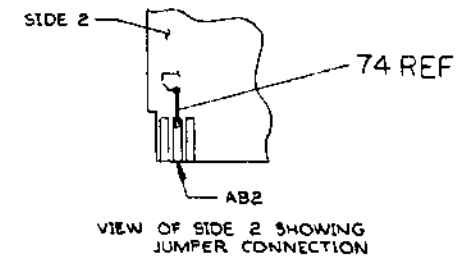
NOTES:

1. THERMAL COMPOUND (ITEM NO. 72) TO BE PLACED UNDER E41.

2. JUMPERS TO BE CONNECTED FOR EACH VARIATION AS FOLLOWS:

EA, EE, YA, EYB	W3 TO W4
BC, BD, YC, EYD	W1 TO W2 & W3 TO W4
HF, BF, YE, YF, YH, BI, BJ, EYJ	W1 TO W2, W3 TO W4, & W5 TO W6

2.(CONT) CONNECTIONS TO BE MADE USING BUS WIRE (ITEM NO. 73).



7475	12	5	-
745153	8	16	-
75107	7	14	13
74174	8	16	-
8641	8	16	-
8648	1	8	-
7483	12	5	-
IC TYPE	GND	+5V	-5V

GND AND -5V ARE USUALLY PIN 7 AND 14 RESPECTIVELY. EXCEPTIONS ARE STATED ABOVE.
 IC PIN LOCATIONS

FOR PARTS LIST REFER TO SHEETS 2 & 3

QTY	REF. DESIGNATION	DESCRIPTION	PART NO.	ITEM NO.
PARTS LIST				
ETCH BOARD REV. D				

digital

TITLE: UNIBUS MOS MEMORY

SIZE CODE: DCS M7847-0-1

REV. F

SEMICONDUCTOR CONVERSION CHART

SCALE: 1 OF 16

DIST.

102

"THIS DRAWING AND SPECIFICATIONS, HEREIN, ARE THE PROPERTY OF DIGITAL EQUIPMENT CORPORATION AND SHALL NOT BE REPRODUCED OR COPIED OR USED IN WHOLE OR IN PART AS THE BASIS FOR THE MANUFACTURE OR SALE OF ITEMS WITHOUT WRITTEN PERMISSION. COPYRIGHT © 1975 DIGITAL EQUIPMENT CORPORATION"

- NOTES:
- DEC PART NO. 1001810-00 IS AN ACCEPTABLE REPLACEMENT FOR DEC PART NO. 1001810-01 (ITEM 14).
 - VARIATIONS YATHRU YJ ITEM 21: DI DIODE, ZENER IN757A, 9.1V 5% (110999-00)
ITEM 26: R2 RES 270, 1/4W, 5%, CC (1301972-00)
VARIATIONS BATHRU BJ DI DIODE, ZENER IN757A, 9.1V 5% (110999-00)
R2 560A, 1/4W 5% CC (1301890-00)
VARIATIONS YA THRU YI ITEM 65: 4K16PIN MOSRAM V8B -- 9V (21-11749-00)
VARIATIONS BATHRU BI ITEM 65: 4K16PIN MOSRAM V8B -- 5V (21-12726-00)

									PARTS LIST			
QTY	QTY	QTY	QTY	QTY	QTY	QTY	QTY	QTY	REF DESIGNATION	DESCRIPTION	PART NO.	ITEM NO
1	1	1	1	1	1	1	1	1		DATA BASE TAPE	5011215-D-D	1
-	-	-	-	-	-	-	-	-		DATA BASE TAPE	M7847-YA-0	2
-	-	-	-	-	-	-	-	-		DATA BASE TAPE	M7847-YB-0	3
-	-	-	-	-	-	-	-	-		DATA BASE TAPE	M7847-YC-0	4
-	-	-	-	-	-	-	-	-		DATA BASE TAPE	M7847-YD-0	5
-	-	-	-	-	-	-	-	-		DATA BASE TAPE	M7847-YE-0	6
-	-	-	-	-	-	-	-	-		DATA BASE TAPE	M7847-YF-0	7
-	-	-	-	-	-	-	-	-		DATA BASE TAPE	M7847-YH-0	8
-	-	-	-	-	-	-	-	-		DATA BASE TAPE	M7847-YJ-0	9
REF	REF	REF	REF	REF	REF	REF	REF	REF		ASSY LAYOUT	D-AH-M7847-D-5	10
REF	REF	REF	REF	REF	REF	REF	REF	REF		DRILLING HOLE LAYOUT	D-AH-5011215-D-5	11
REF	REF	REF	REF	REF	REF	REF	REF	REF		MODULE ECO HISTORY	B-MH-M7847-O-6	12
1	1	1	1	1	1	1	1	1		ETCHED CIRCUIT BOARD	5011215	13
57	57	57	57	57	57	57	57	57	C2, C3, C8, C9, C14, C15, C24, C25, C39, C31, C38, C61, C62, C67, C76, C77, C82, C87, C93, C98, C194, C186 - C128, C123, C127, C131 - C137, C139, C149, C142, C143	CAP .01UF, 190V, 28% DISC	1001810-01(SEE NOTE)	14
-	-	-	-	37	37	37	37	37	C6, C7, C12, C13, C18, C19, C22, C23, C28, C29, C34, C35, C41, C42, C45, C46, C49, C51, C54, C55, C58, C59, C65, C66, C70, C74, C75, C89, C81, C85, C88, C90, C91, C97, C71, C96	CAP .22UF, 50V CER	1010274-01	15
73	73	73	73	-	-	-	-	-	C4-C7, C10-C13, C16-C23, C26-C29, C32-C35, C39-C59, C63-C66, C68-C75, C78-C81, C83-C86, C88-C91, C94-C97	CAP 5.0UF, 35V, 18% S-TANT	1005308-00	16
7	7	7	7	7	7	7	7	7	C1, C36, C37, C69, C92, C185, C122	CAP 47PF, 100V, 5% DM	1000011-00	17
2	2	2	2	2	2	2	2	2	C141, C146	CAP 220PF, 100V, 1% DM	1012121-00	18
4	4	4	4	4	4	4	4	4	C129 - C138, C139	CAP 220PF, 100V, 5% DM	1000021-00	19
1	1	1	1	1	1	1	1	1	C121	CAP 560PF, 100V, 5% DM	1000025-00	20
2	2	2	2	2	2	2	2	2	C144, C145	SEE NOTE #2		21
1	1	1	1	1	1	1	1	1	D1	DIODE, ZENER IN751A, 5.1V, 5%	1110994-00	22
1	1	1	1	1	1	1	1	1	D2	RES 10, 1/4W, 5%, CC	1302124-00	23
13	13	13	13	13	13	13	13	13	R9-R20, R57	RES 1K, 1/4W, 5%, CC	1300365-00	24
16	16	16	16	16	16	16	16	16	R7, R8, R21-R27, R30-R33, R52, R54, R55	RES 500, 1/4W, 5%, CC	1301890-00	25
5	5	5	5	5	5	5	5	5	R3-R5, R28, R29	SEE NOTE #2		26
1	1	1	1	1	1	1	1	1	R2	RES 390, 1/4W, 5%, CC	1300309-00	27
1	1	1	1	1	1	1	1	1	R53	RES 10K, 1/4W, 5%, CC	1300479-00	28
1	1	1	1	1	1	1	1	1	R1	RES 30K, 1/4W, 5%, CC	1302394-00	29
1	1	1	1	1	1	1	1	1	R46	RES 1K, 1/4W, 1%, MF	1303114-00	30
7	7	7	7	7	7	7	7	7	R37, R38, R41, R45, R47, R49, R50	RES 681, 1/4W, 1%, MF	1302872-00	31
1	1	1	1	1	1	1	1	1	R34	RES 4.7K, 1/4W, 5%, CC	1300447-00	32
3	3	3	3	3	3	3	3	3	R36, R46, R51	RES 100, 1/4W, 5%, CC	1300229-00	33
1	1	1	1	1	1	1	1	1	R56	RES 1.54K, 1/4W, 1%, MF	1312480-00	34
1	1	1	1	1	1	1	1	1	R43	RES 1.05K, 1/4W, 1%, MF	1312479-00	35
1	1	1	1	1	1	1	1	1	R40	RES 2.7K, 1/4W, 5%, CC	1300426-00	36
1	1	1	1	1	1	1	1	1	R35	RES 6.8K, 1/4W, 5%, CC	1301423-00	37
1	1	1	1	1	1	1	1	1	R39	RES 12K, 1/4W, 5%, CC	1300488-00	38
1	1	1	1	1	1	1	1	1	R44	RES 4.3K, 1/4W, 5%, CC	1302389-00	39
8	8	8	8	8	8	8	8	8	E2, E8, E14, E24, E38, E36	IC 74174	1910852-00	40
5	5	5	5	5	5	5	5	5	E1, E7, E13, E23, E29	IC 8641	1910519-00	41

DCS M7847-0-1

10

THIS DRAWING AND SPECIFICATIONS HEREIN ARE THE PROPERTY OF DIGITAL EQUIPMENT CORPORATION AND SHALL NOT BE REPRODUCED OR COPIED OR USED IN WHOLE OR IN PART AS THE BASIS FOR THE MANUFACTURE OR SALE OF ITEMS WITHOUT WRITTEN PERMISSION. COPYRIGHT © 1975 DIGITAL EQUIPMENT CORPORATION

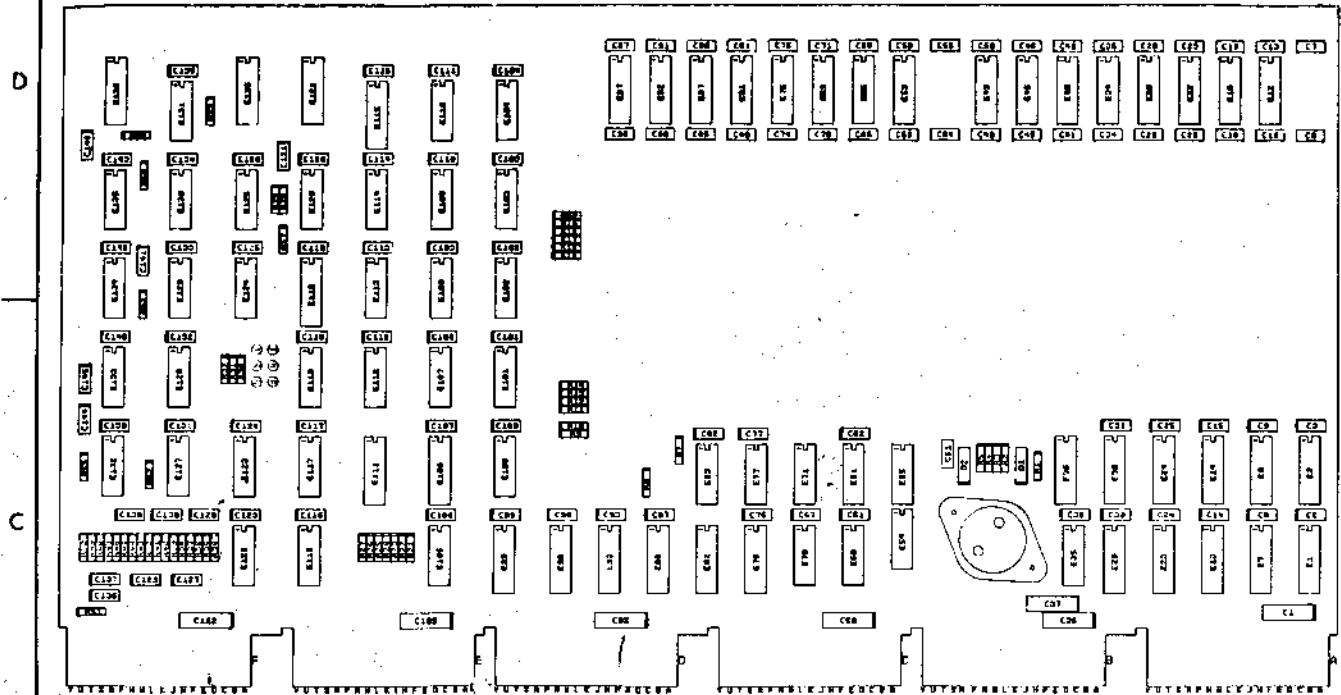
								PARTS LIST			
QTY	QTY	QTY	QTY	QTY	QTY	QTY	QTY	REF DESIGNATION	DESCRIPTION	PART NO.	ITEM NO.
1	1	1	1	1	1	1	1	E111	DIP SWITCH	1211164-04	86
6	6	6	6	6	6	6	6		SPLIT LUGS	9008735-00	87
1	1	1	1	1	1	1	1		HANDLE ASSY	1210711-02	89
12	12	12	12	12	12	12	12		EYELET	9008732-00	88
2	2	2	2	2	2	2	2		NUT, KEP #4-40	9008557-00	70
2	2	2	2	2	2	2	2		SCR, PPH, #4-40 X .31	9008010-01	71
A/R	A/R	A/R	A/R	A/R	A/R	A/R	A/R		THERMAL COMPOUND	9008288-00	72
A/R	A/P	A/P	A/R	A/R	A/R	A/R	A/R		WIRE #22 AWG BUS	9107560-01	73
A/R	A/R	A/R	A/R	A/R	A/R	A/R	A/R		WIRE #30 AWG WIRE WRAP	9105740-55	74

REVISIONS		
CHK	CHANGE NO.	REV.

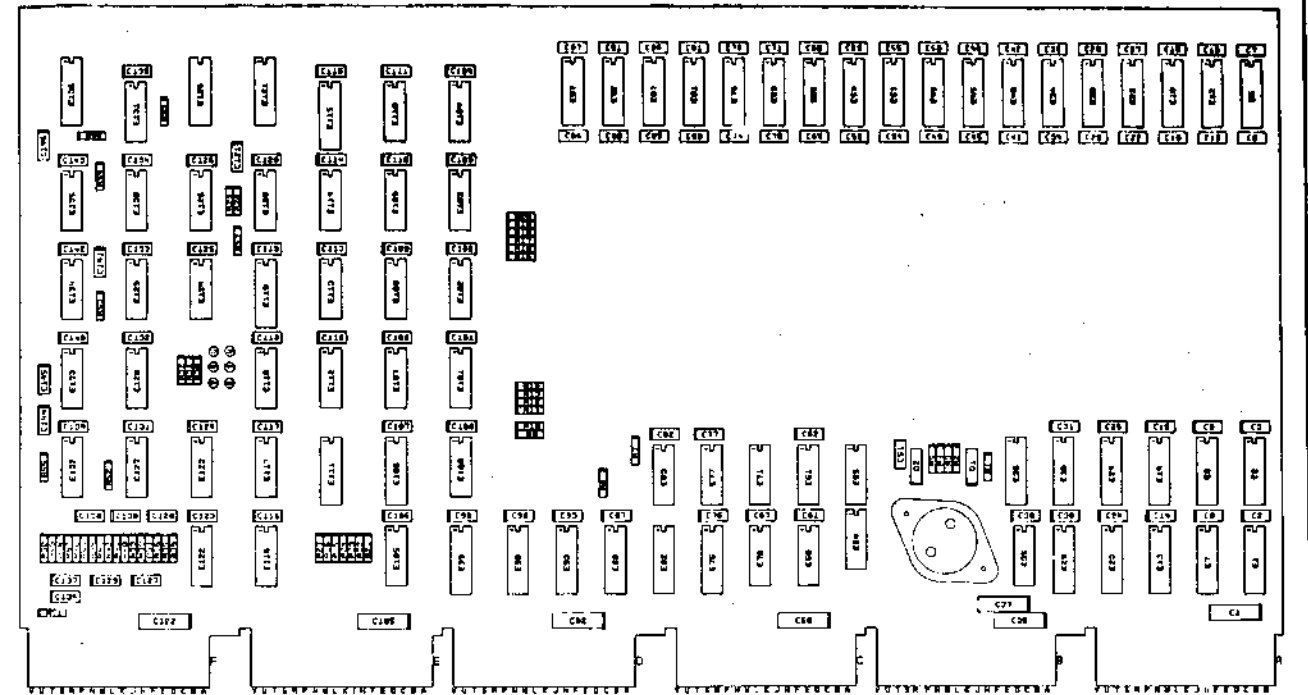
104

THIS DRAWING AND SPECIFICATIONS HEREIN ARE THE PROPERTY OF DIGITAL EQUIPMENT CORPORATION AND SHALL NOT BE REPRODUCED OR COPIED OR USED IN WHOLE OR IN PART AS THE BASIS FOR THE MANUFACTURE OR SALE OF ITEMS WITHOUT WRITTEN PERMISSION OF DIGITAL EQUIPMENT CORPORATION. COPYRIGHT © 1976 DIGITAL EQUIPMENT CORPORATION.

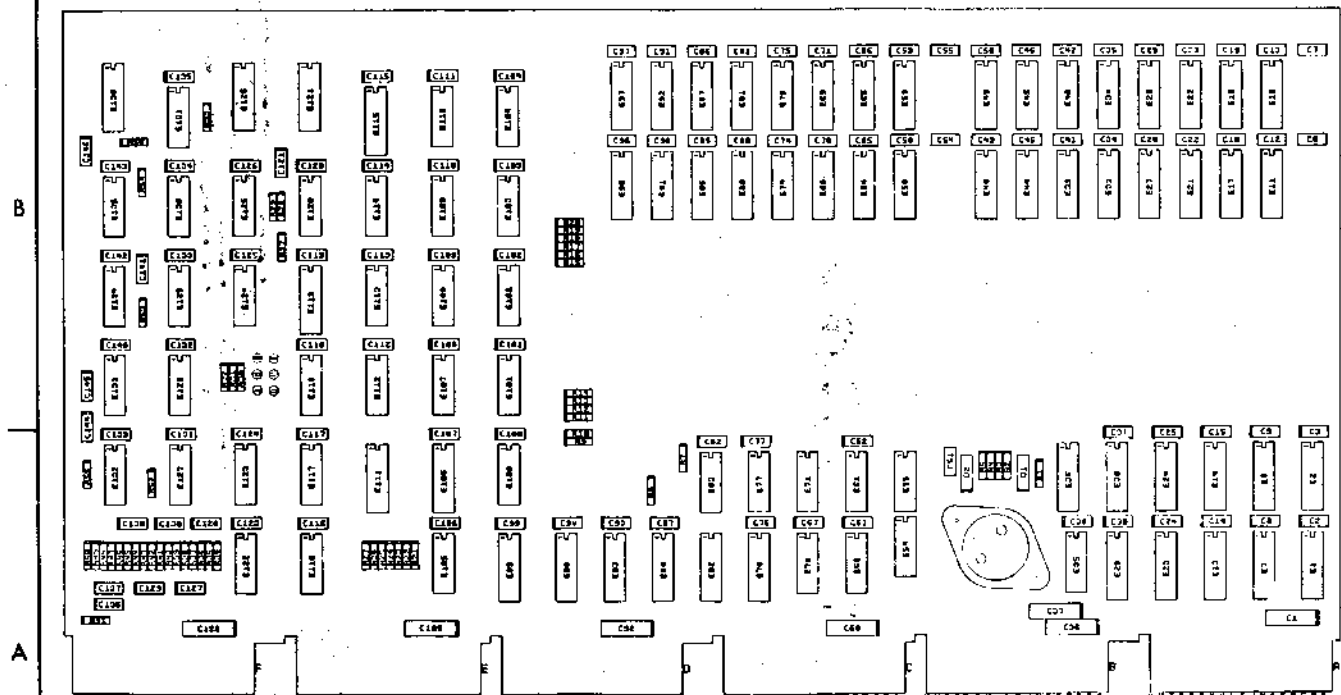
NOTE: THESE OVERLAYS ONLY TO INDICATE POSITIONS FOR 4K MOS MEMORY IC'S & 22UF CAPS.



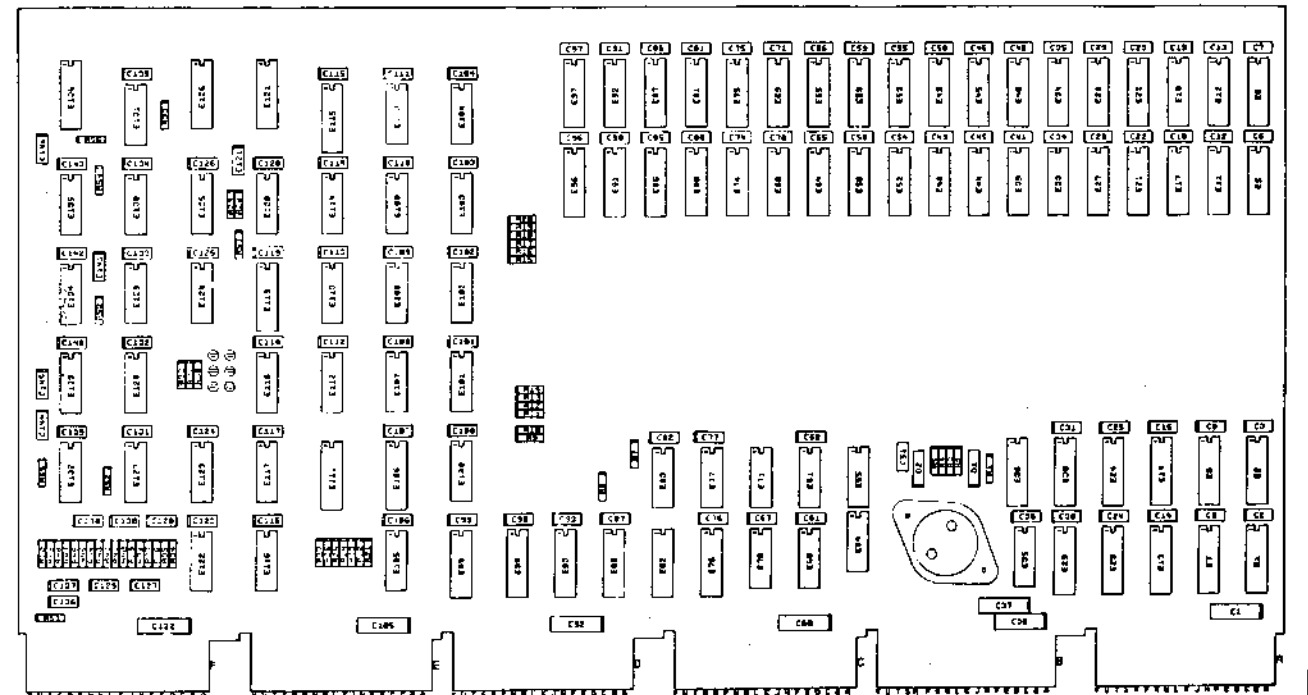
-YA & -BA



-YB & -BB



-YC & -BC



-YD & -BD

REVISIONS		
CHK	CHANGE NO	REV

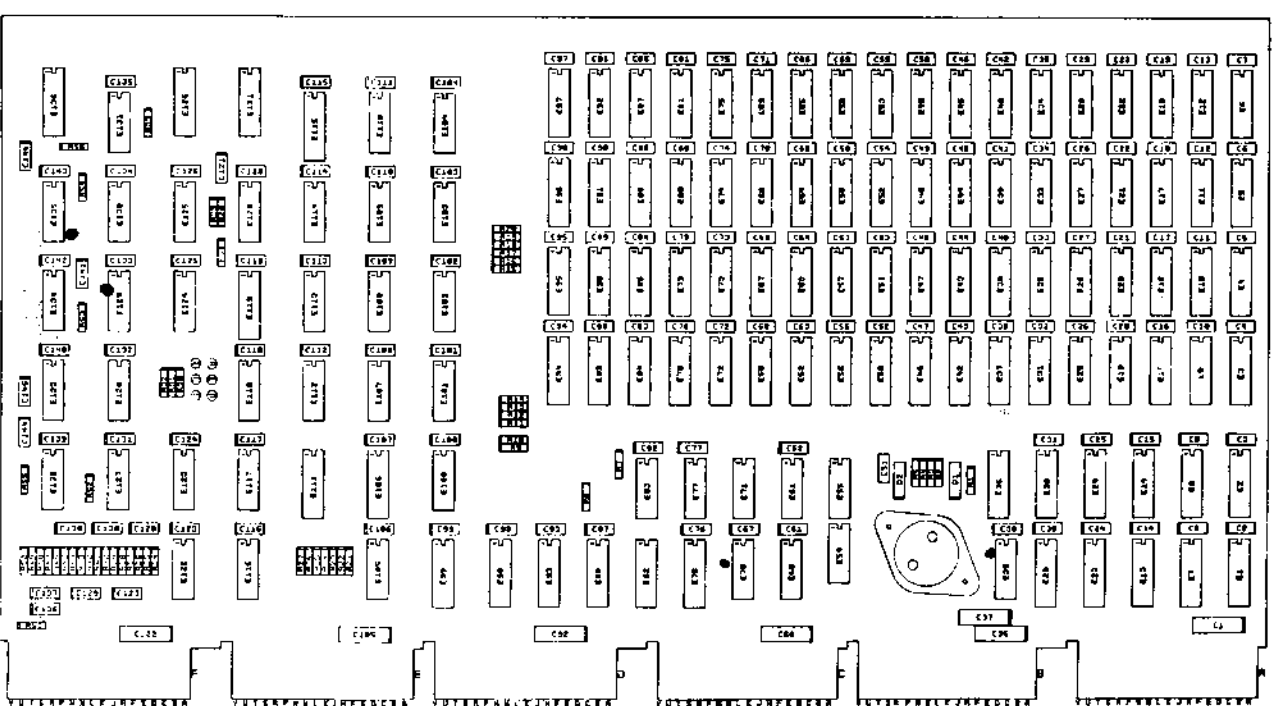
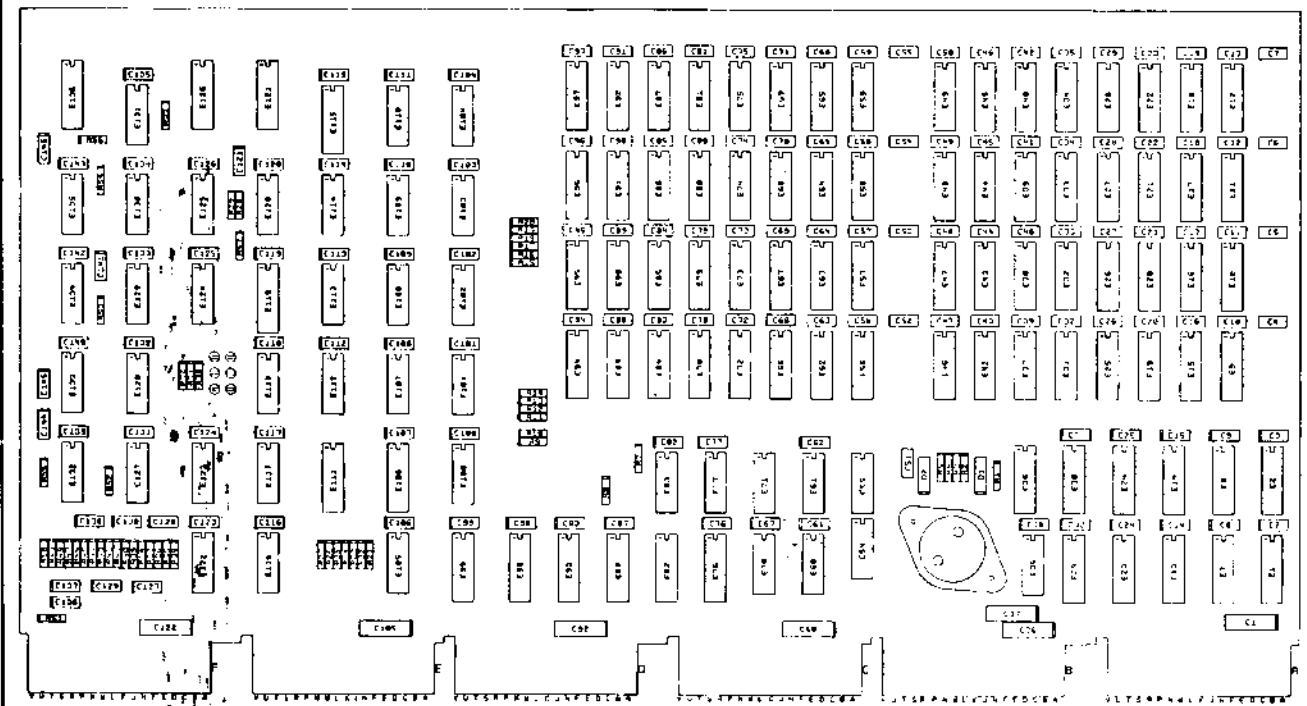
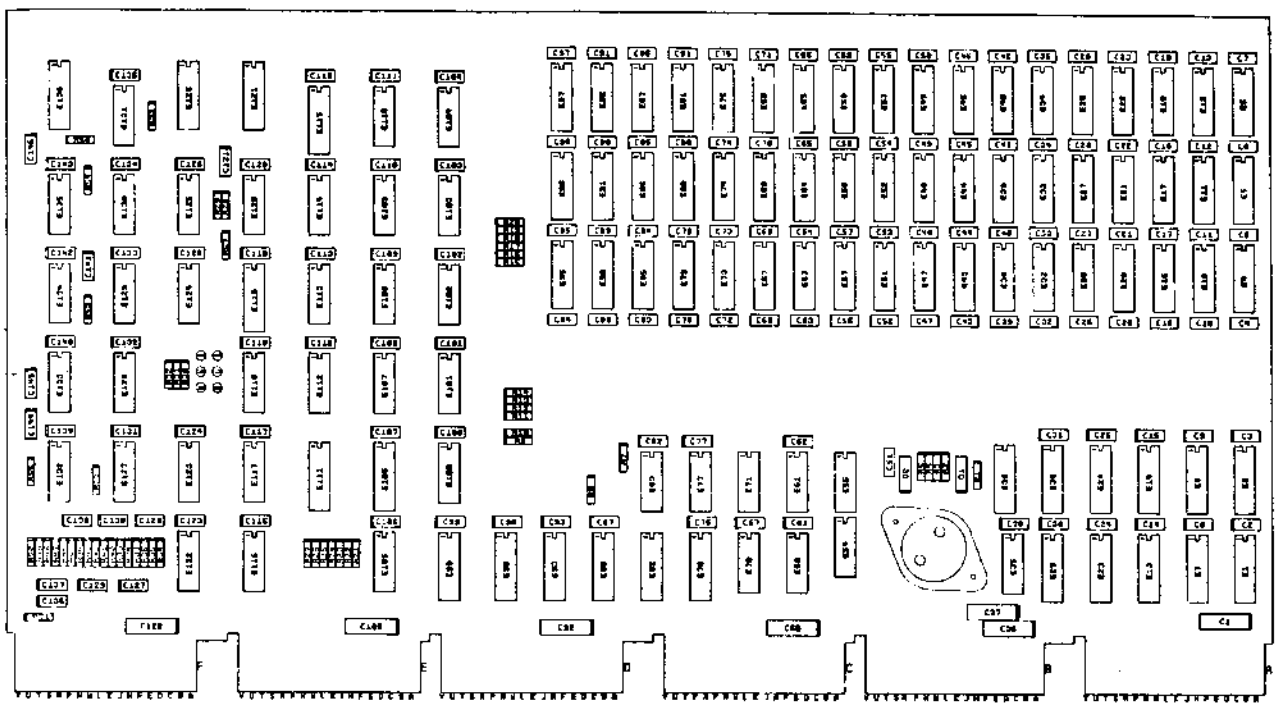
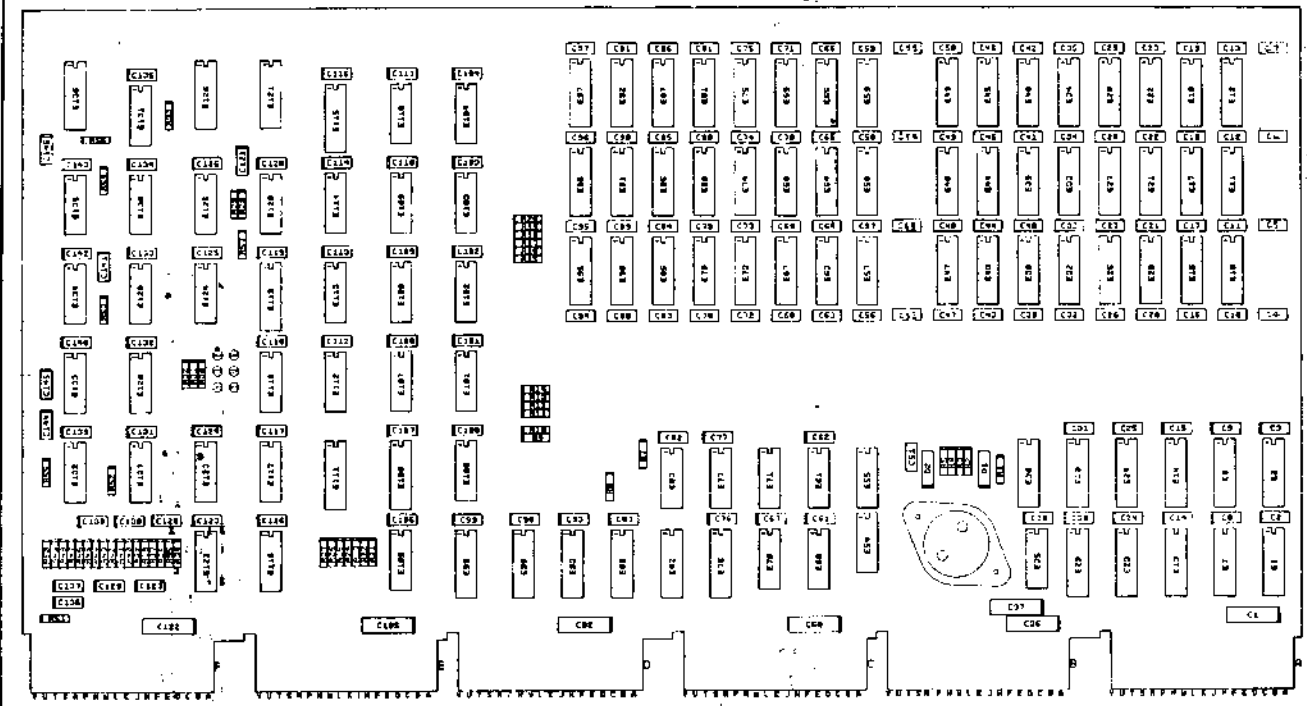
TITLE	UNIBUS MOS MEMORY	SIZE CODE	DCS	NUMBER	M7847-0-1	REV.	F
SCALE	SHEET 4 OF 16		DIST.				

M7847-0-1

105

THIS DRAWING AND SPECIFICATIONS HEREON ARE THE PROPERTY OF DIGITAL EQUIPMENT CORPORATION AND SHALL NOT BE REPRODUCED OR COPIED OR USED IN WHOLE OR IN PART AS THE BASIS FOR THE MANUFACTURE OR SALE OF ITEMS WITHOUT WRITTEN PERMISSION.
 © 1977 DIGITAL EQUIPMENT CORPORATION

NOTE:
 THESE OVERLAYS ONLY TO INDICATE POSITIONS FOR 4K MOS MEMORY IC'S AND .02UF CAPS.



REVISIONS		
CHK	CHANGE NO	REV

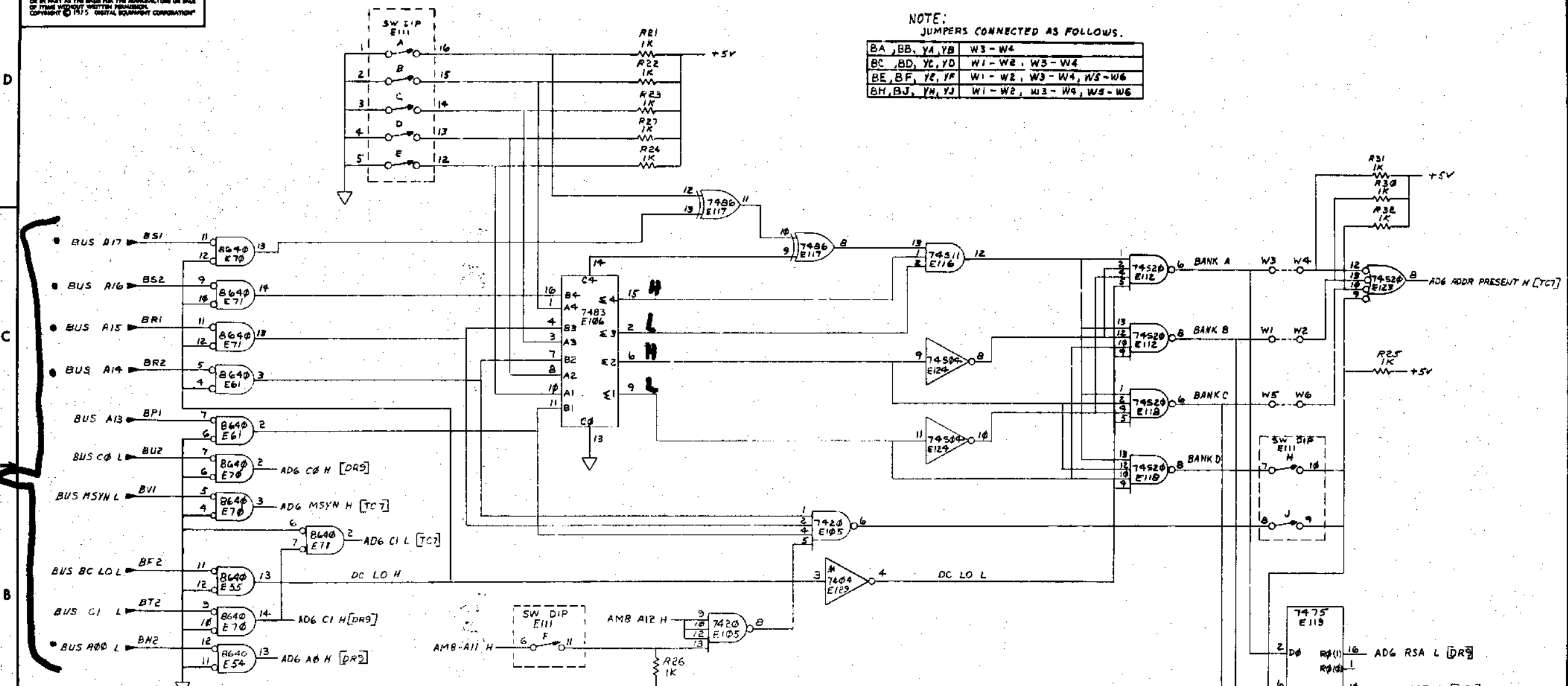
TITLE	UNIBUS MOS MEMORY	SIZE CODE	D CS	NUMBER	M7847-0-1	REV.	F
SCALE	SHEET 5 OF 16		DIST.				

106

THIS DRAWING AND SPECIFICATIONS HEREBY ARE THE PROPERTY OF DIGITAL EQUIPMENT CORPORATION AND SHALL NOT BE REPRODUCED OR COPIED OR USED IN WHOLE OR IN PART AS THE BASIS FOR THE MANUFACTURE OR SALE OF ITEMS WITHOUT WRITTEN PERMISSION. COPYRIGHT © 1975 DIGITAL EQUIPMENT CORPORATION

NOTE:
JUMPERS CONNECTED AS FOLLOWS.

BA, BB, YA, YB	W3 - W4
BC, BD, YC, YD	W1 - W2, W3 - W4
BE, BF, YE, YF	W1 - W2, W3 - W4, W5 - W6
BH, BJ, YH, YJ	W1 - W2, W3 - W4, W5 - W6



ASSY VARIATION	F	H	J
PA, BB, YA, YB, YC, YD, BC, BD, BE, BF, YE, YF	OFF	OFF	OFF
BH, BJ, YH, YJ, NORMAL OPERATION	OFF	ON	OFF
BH, BJ, YH, YJ * 2K I/O PAGE	OFF	ON	ON
BH, BJ, YH, YJ * 3K I/O PAGE	ON	ON	ON

* A-E MUST BE SET FOR STARTING ADDRESS OF 100 000.

SWITCH SETTINGS

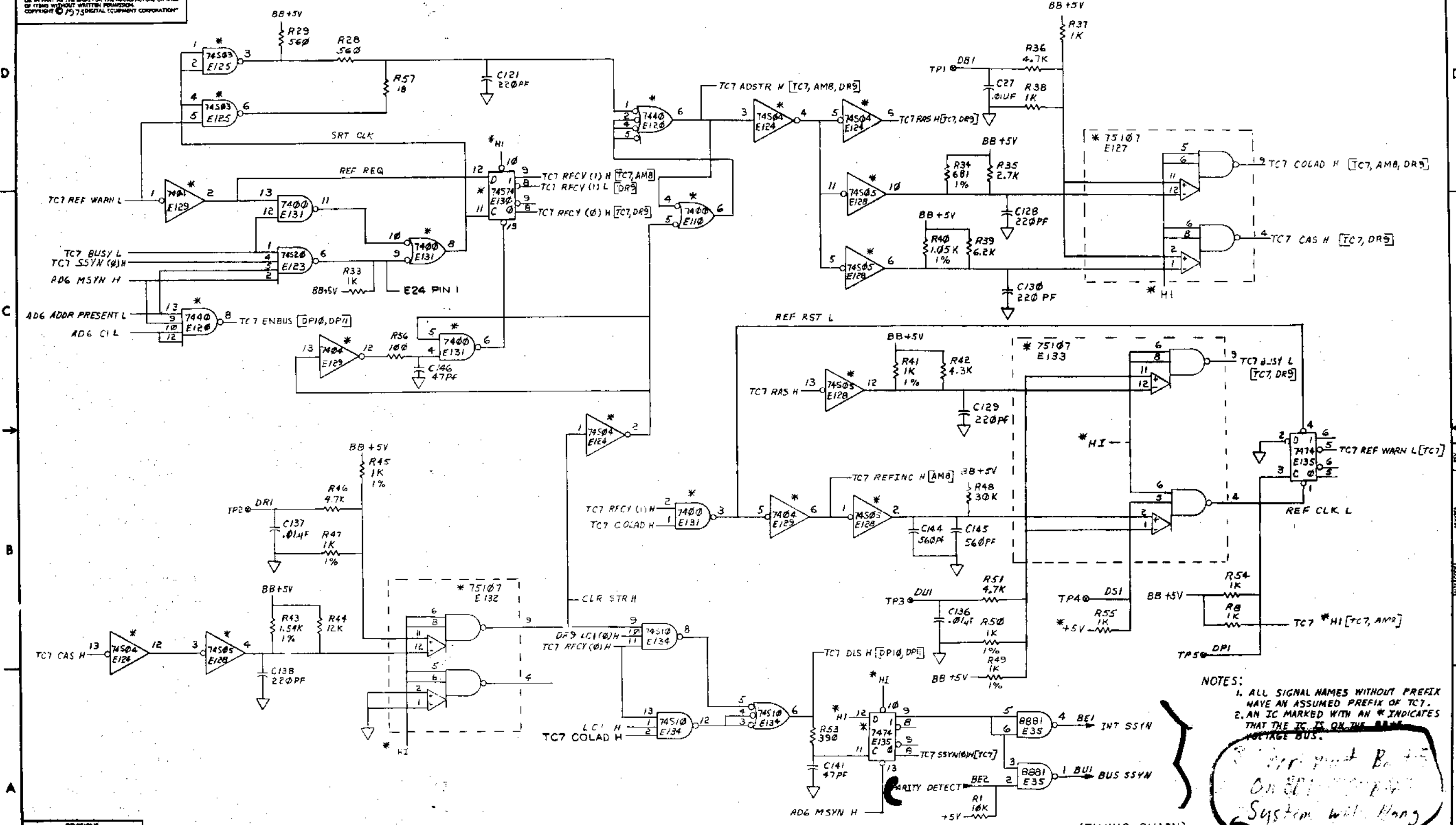
STARTING ADDRESS	SWITCH					STARTING ADDRESS	SWITCH					STARTING ADDRESS	SWITCH										
	A	B	C	D	E		A	B	C	D	E		A	B	C	D	E						
0	1	1	1	0	0	200,000	1	0	1	0	0	400,000	0	1	1	0	0	600,000	0	0	1	0	0
20,000	1	1	0	1	1	220,000	1	0	0	1	1	420,000	0	1	0	1	1	620,000	0	0	0	1	1
40,000	1	1	0	1	0	240,000	1	0	0	1	0	440,000	0	1	0	1	0	640,000	0	0	0	1	0
60,000	1	1	0	0	1	260,000	1	0	0	0	1	460,000	0	1	0	0	1	660,000	0	0	0	0	1
100,000	1	1	0	0	0	300,000	1	0	0	0	0	500,000	0	1	0	0	0	700,000	0	0	0	0	0
120,000	1	0	1	1	1	320,000	0	1	1	1	1	520,000	0	0	1	1	1	720,000	1	1	1	1	1
140,000	1	0	1	1	0	340,000	0	1	1	1	0	540,000	0	0	1	1	0	740,000	1	1	1	1	0
160,000	1	0	1	0	1	360,000	0	1	1	0	1	560,000	0	0	1	0	1						

0 = ON
1 = OFF

* Note: SV. Ho on for 10 K Bids Only

REV. NO.	CHANGE NO.	REV.

THIS DRAWING AND SPECIFICATIONS HEREIN ARE THE PROPERTY OF DIGITAL EQUIPMENT CORPORATION AND SHALL NOT BE REPRODUCED OR COPIED OR USED IN WHOLE OR IN PART AS THE BASIS FOR THE MANUFACTURE OR SALE OF ITEMS WITHOUT WRITTEN PERMISSION. COPYRIGHT © 1975 DIGITAL EQUIPMENT CORPORATION



NOTES:
 1. ALL SIGNAL NAMES WITHOUT PREFIX HAVE AN ASSUMED PREFIX OF TC7.
 2. AN IC MARKED WITH AN * INDICATES THAT THE IC IS ON THE +5V VOLTAGE BUS.

Appropriate Bus to On 8011000000 System with Hang

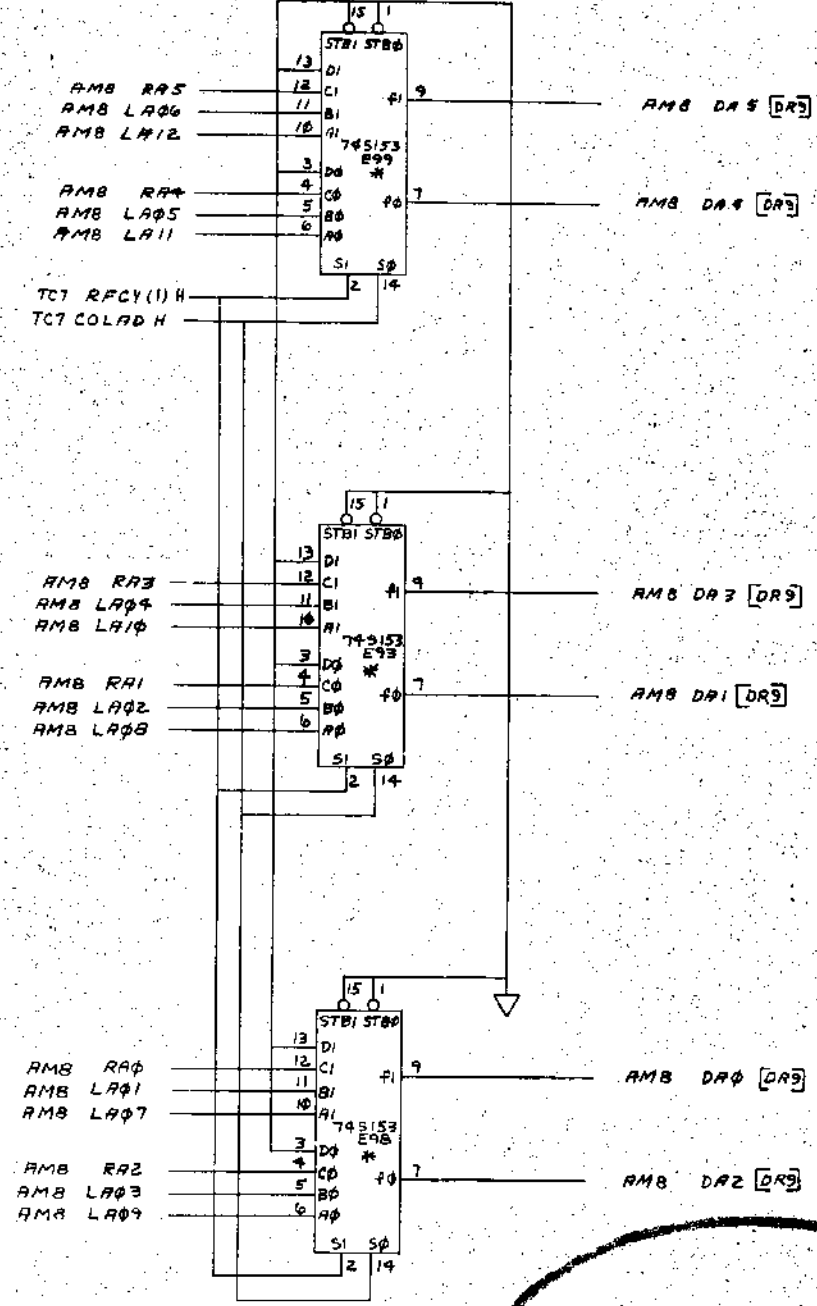
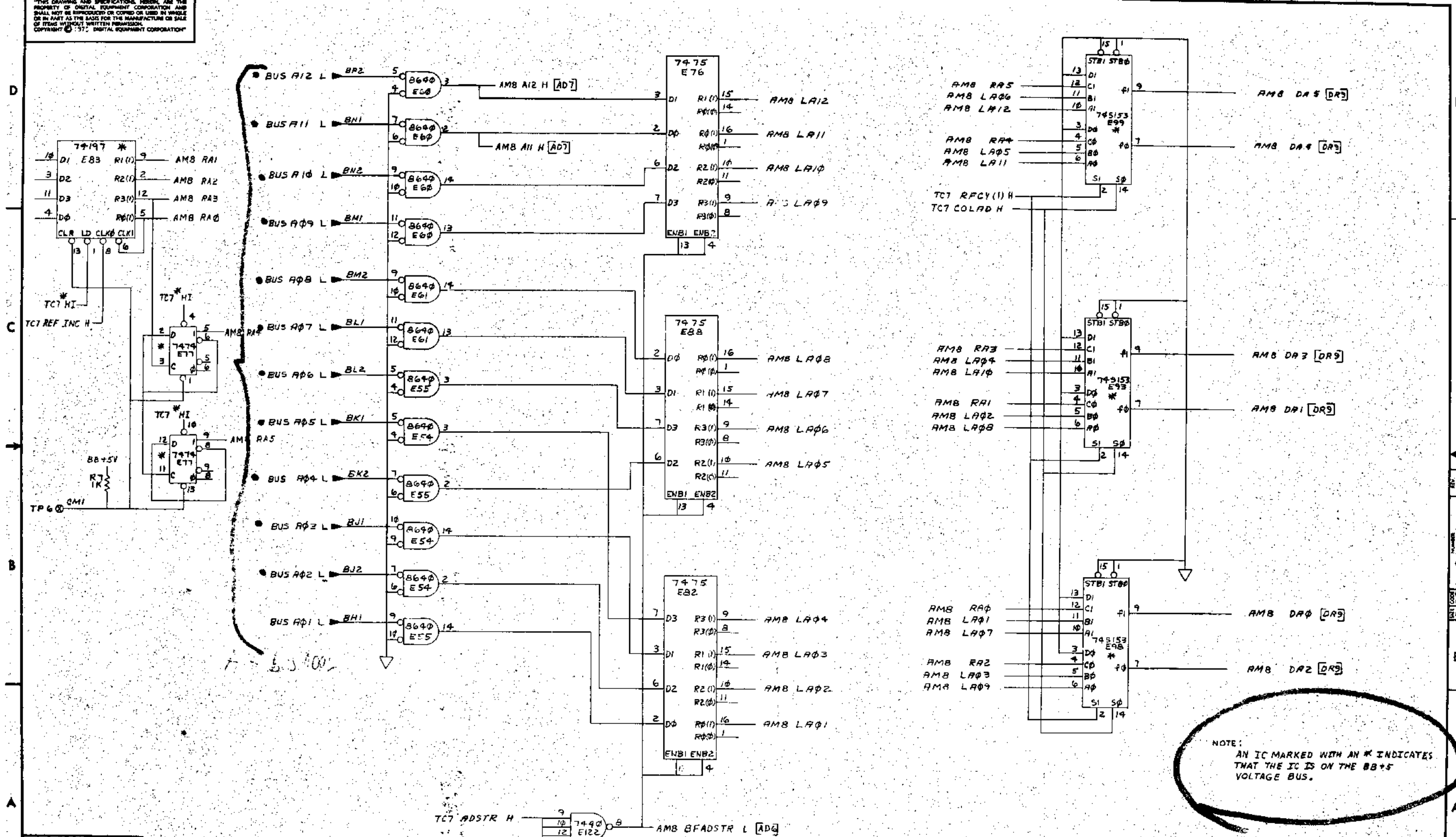
(TIMING CHAIN)

REV.	CHANGE NO.	REV.

TITLE	UNIBUS MOS MEMORY (TC7)	REV.	F
SCALE		SHEET	7 OF 7
DIST.			

Note

THIS DRAWING AND SPECIFICATIONS HEREIN ARE THE PROPERTY OF DIGITAL EQUIPMENT CORPORATION AND SHALL NOT BE REPRODUCED OR COPIED OR USED IN WHOLE OR IN PART AS THE BASIS FOR THE MANUFACTURE OR SALE OF ITEMS WITHOUT WRITTEN PERMISSION. COPYRIGHT © 1977 DIGITAL EQUIPMENT CORPORATION

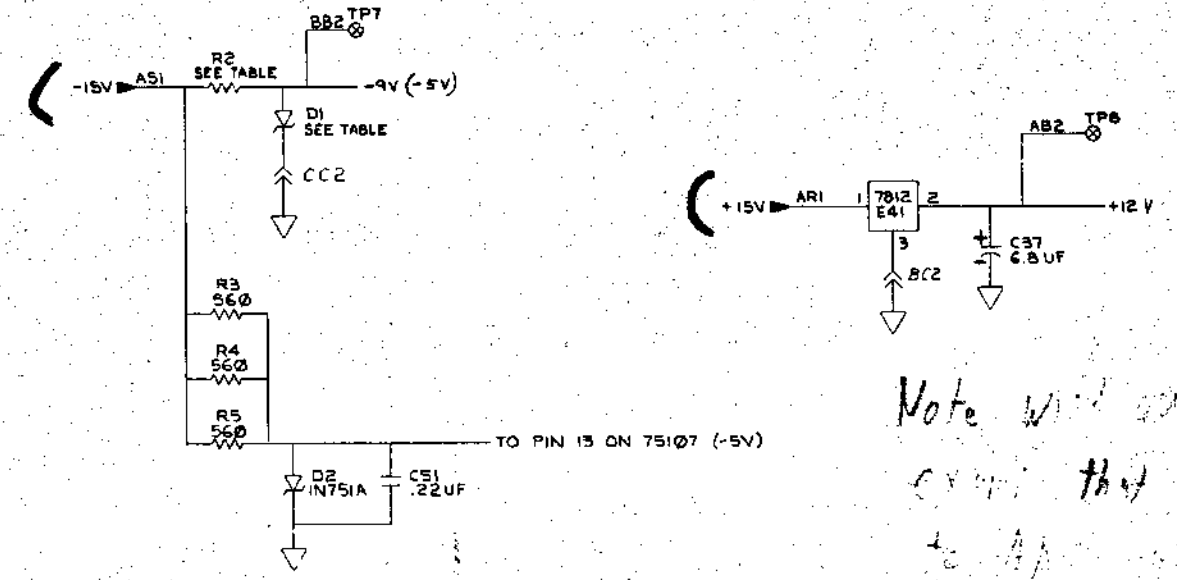
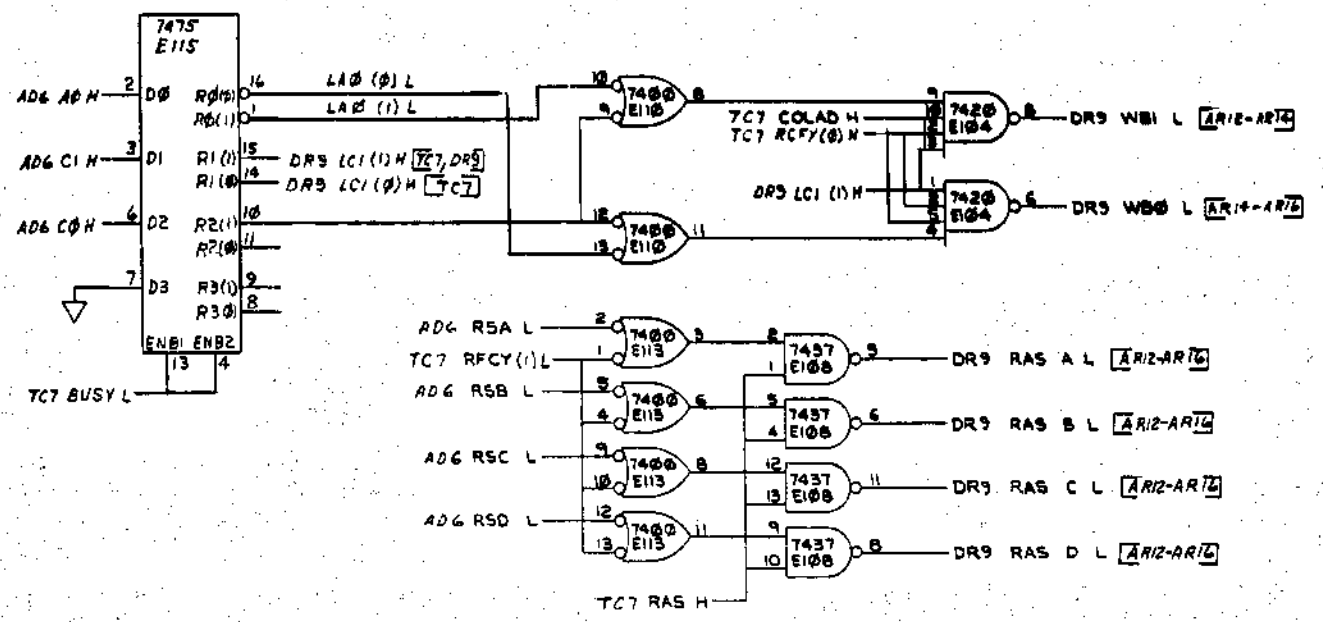
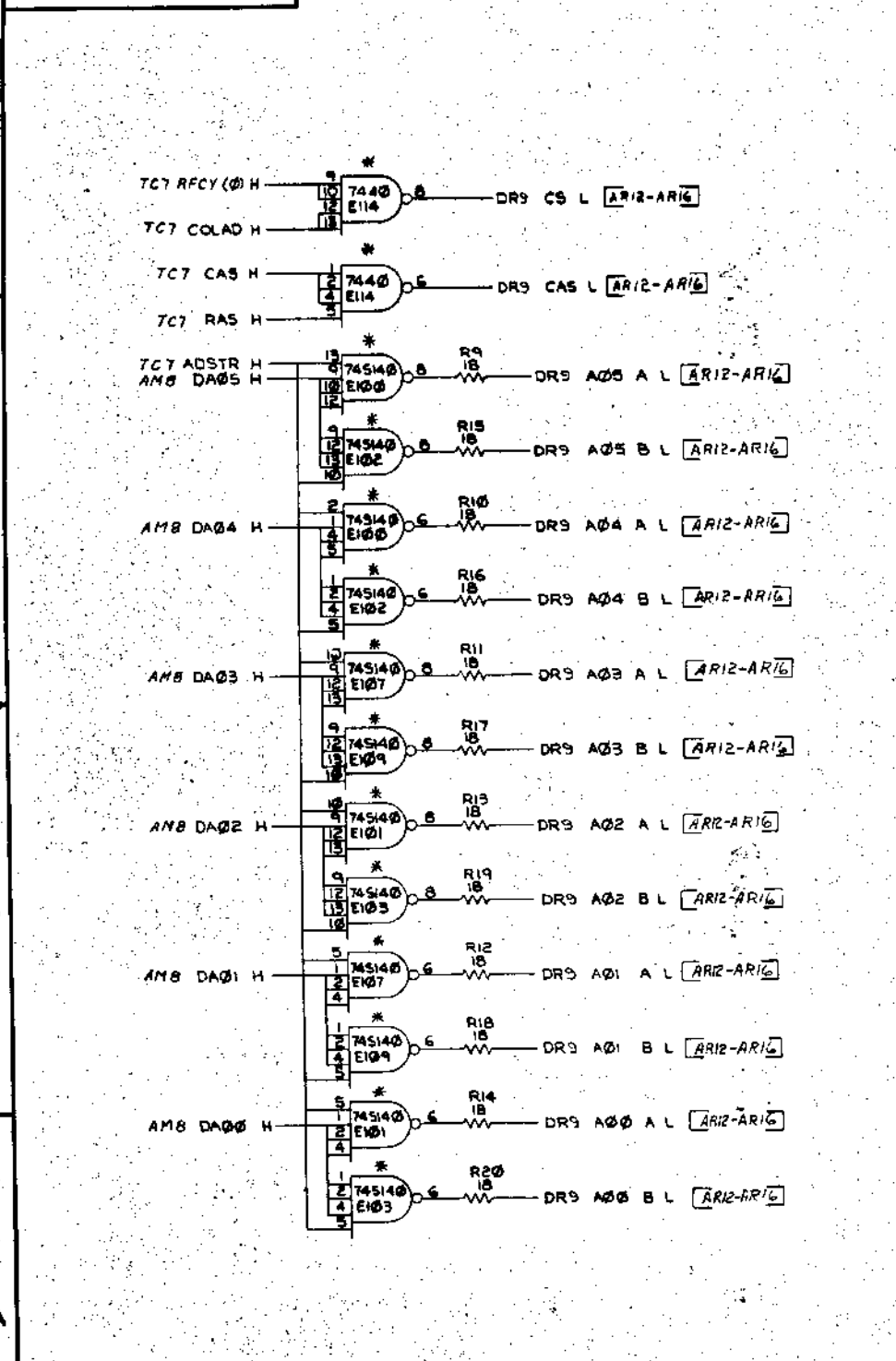


NOTE:
AN IC MARKED WITH AN * INDICATES THAT THE IC IS ON THE 5V VOLTAGE BUS.

REVISIONS		
CHK	CHANGE NO.	REV.

(ADDRESS MULTIPLEX)			
TITLE	SIZE CODE	NUMBER	REV.
UNIBUS MOS MEMORY (AMB)	DCS M7847-0-1	F	
SCALE	SHEET 8 OF 16	DIST.	

THIS DRAWING AND SPECIFICATIONS HEREBY ARE THE PROPERTY OF DIGITAL EQUIPMENT CORPORATION AND SHALL NOT BE REPRODUCED OR COPIED OR USED IN WHOLE OR IN PART AS THE BASIS FOR THE MANUFACTURE OR SALE OF ITEMS UNLESS WRITTEN PERMISSION IS OBTAINED FROM DIGITAL EQUIPMENT CORPORATION. COPYRIGHT © 1975 DIGITAL EQUIPMENT CORPORATION



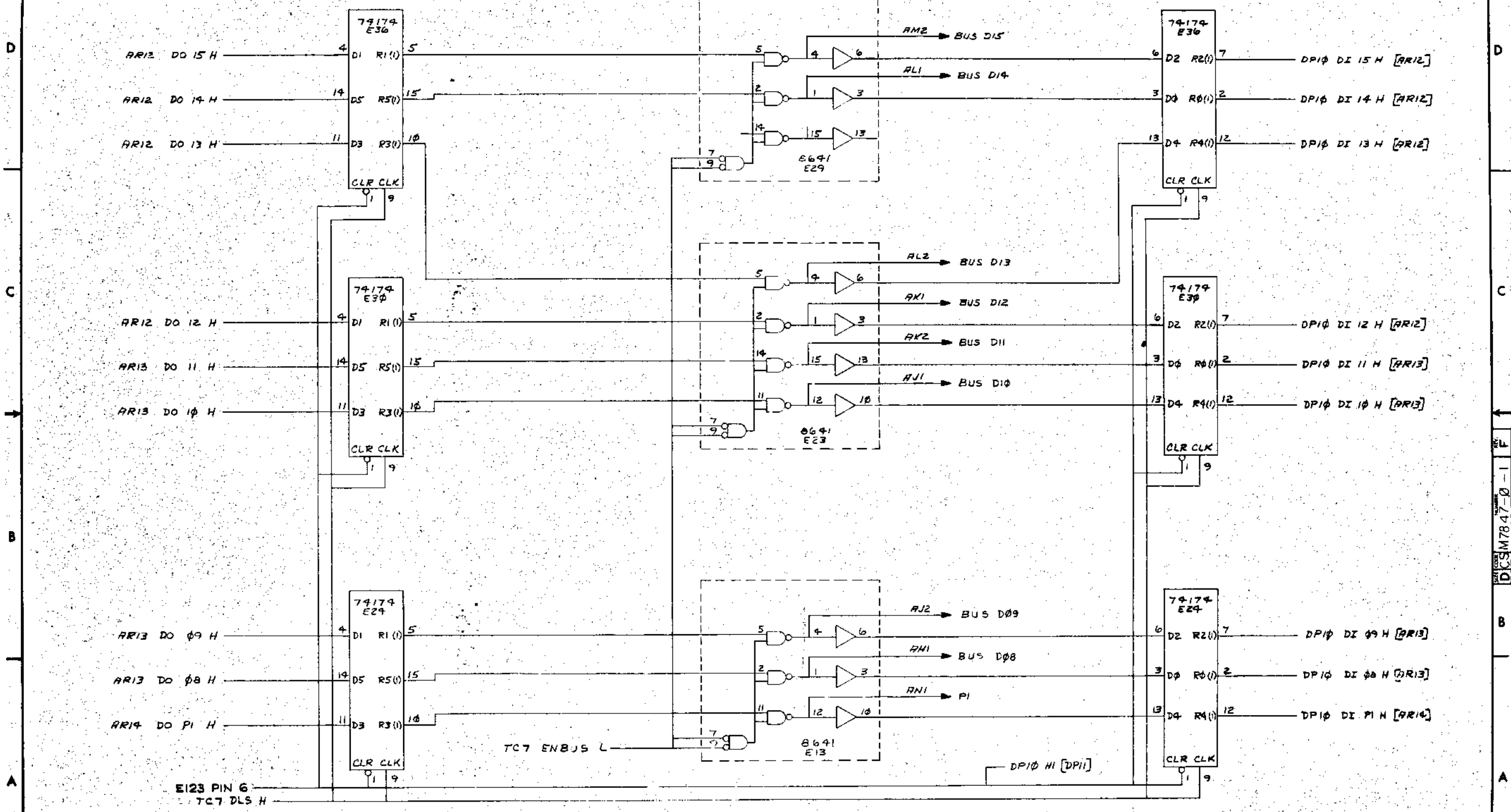
VARIATION	R2 VALUE	D1 VALUE
YA, YB, YC, YD	270	IN 751 A 9V
BA, BB, BC, BD, BE, BF	560Ω	IN 751 A 5V

Put with +15 you can't
 Note without +15 you can't
 examine that memory location that previous
 to A... will be wrong
 Note without -15 you can't
 examine address what portion that is
 memory location that was
 missing from
 (DRIVERS)

REVISIONS		
CHK	CHANGE NO.	REV.

THIS DRAWING AND SPECIFICATIONS HEREIN ARE THE PROPERTY OF DIGITAL EQUIPMENT CORPORATION AND SHALL NOT BE REPRODUCED OR COPIED OR USED IN WHOLE OR IN PART AS THE BASIS FOR THE MANUFACTURE OR SALE OF ITEMS WITHOUT WRITTEN PERMISSION. COPYRIGHT © 1975 DIGITAL EQUIPMENT CORPORATION

DCS M7847-0-1



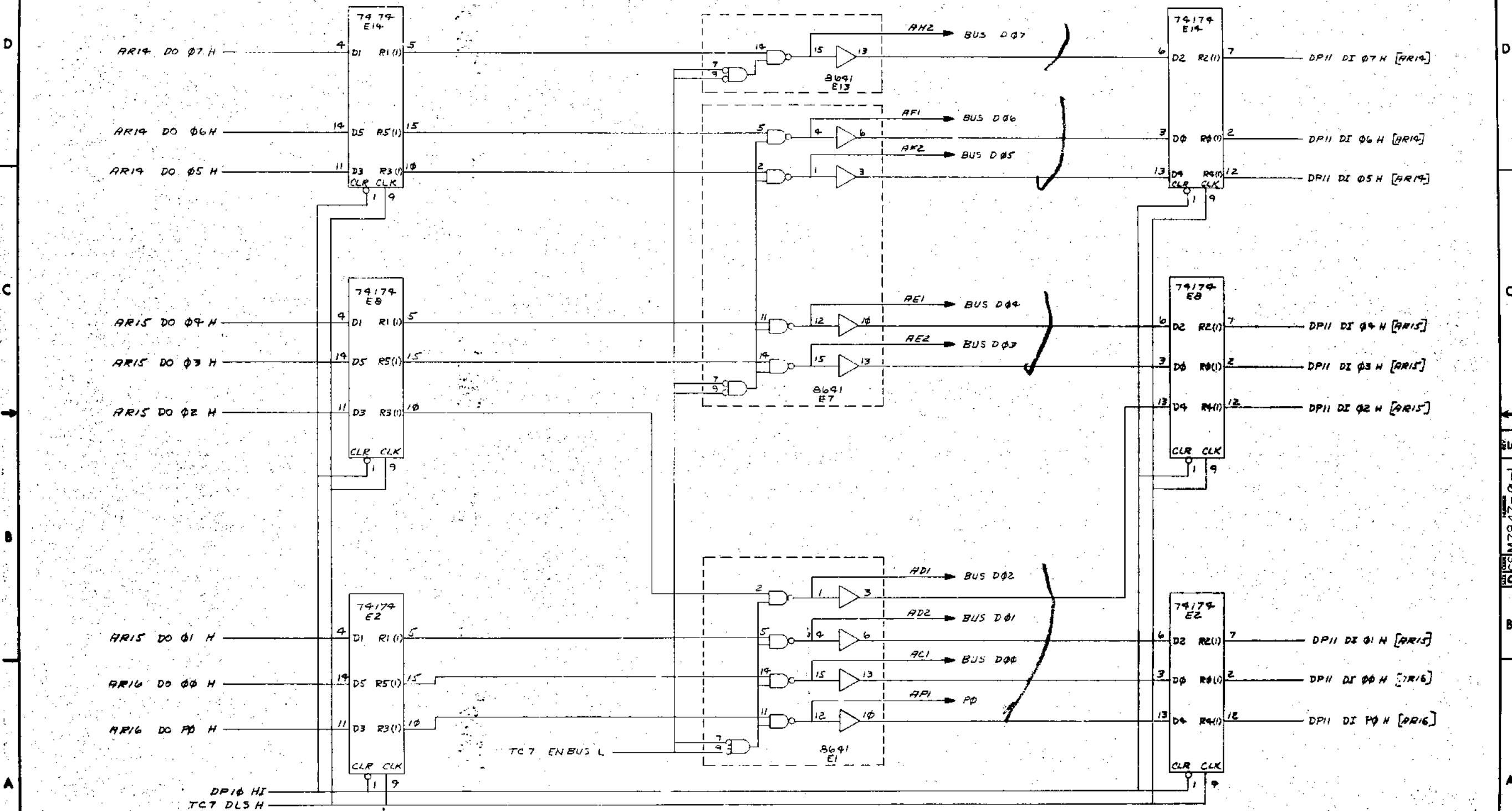
REVISIONS		
CHK	CHANGE NO.	REV.

(DATA PATH)		TITLE	SIZE CODE	NUMBER	REV.
UNIBUS MOS MEMORY		DCS M7847-0-1	F		
SCALE	SHEET 10 OF 16	DIST.			

DCS M7847-0-1

11

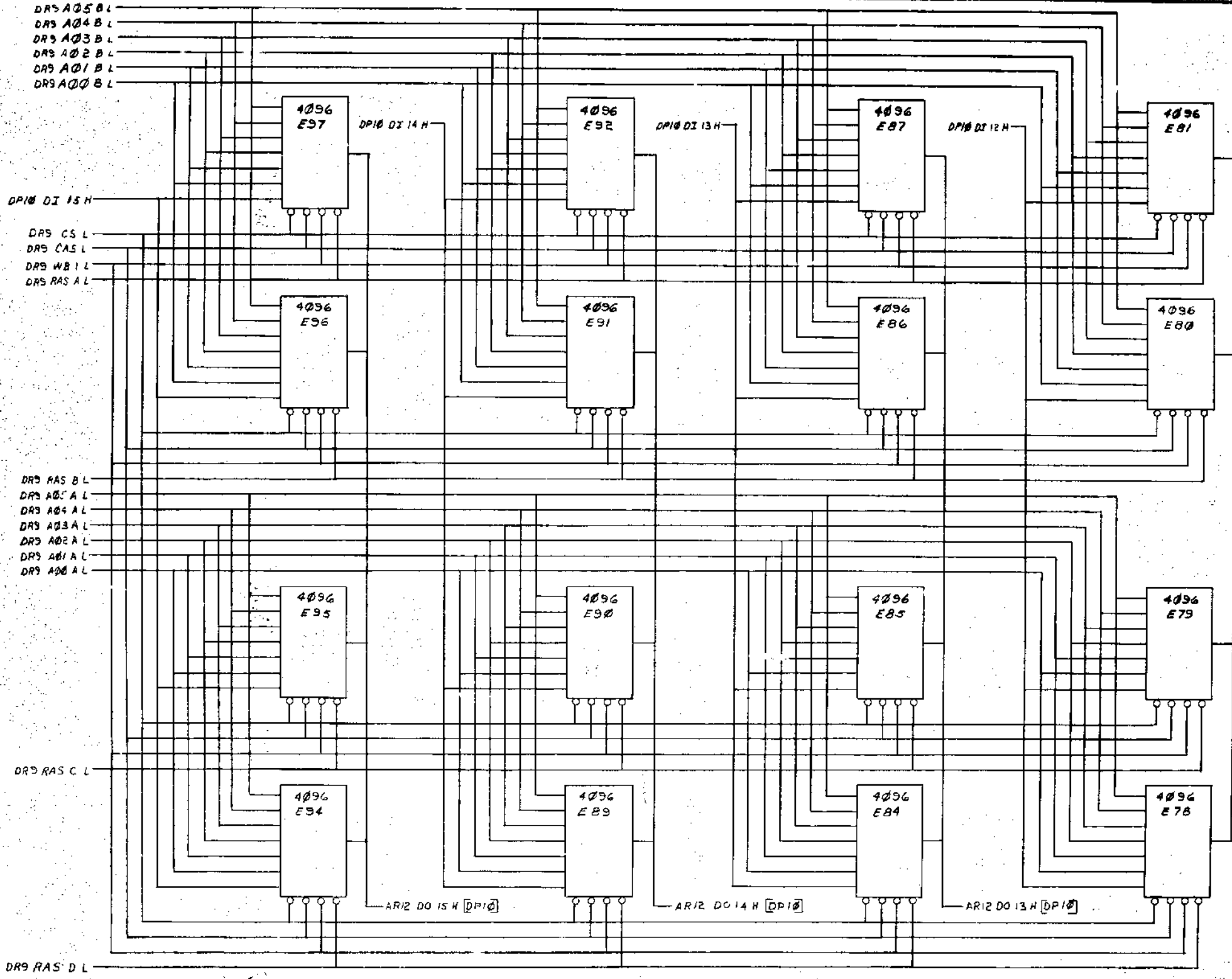
THIS DRAWING AND SPECIFICATIONS HEREIN ARE THE PROPERTY OF DIGITAL EQUIPMENT CORPORATION AND SHALL NOT BE REPRODUCED OR COPIED OR USED IN WHOLE OR IN PART AS THE BASIS FOR THE MANUFACTURE OR SALE OF ITEMS WITHOUT WRITTEN PERMISSION. COPYRIGHT © 1975, DIGITAL EQUIPMENT CORPORATION.



REVISIONS		
CHK	CHANGE NO.	REV.

TITLE		(DPT)	SIZE CODE	NUMBER	REV.
UNIBUS MOS MEMORY		DCS	M7847-0-1	F	
SCALE	SHEET	OF	TOTAL	DIST.	
	11	OF	16		

"THE DRAWING AND SPECIFICATIONS HEREIN ARE THE PROPERTY OF DIGITAL EQUIPMENT CORPORATION AND SHALL NOT BE REPRODUCED OR COPIED OR USED IN WHOLE OR IN PART AS THE BASIS FOR THE MANUFACTURE OR SALE OF ITEMS WITHOUT WRITTEN PERMISSION. COPYRIGHT © 1975 DIGITAL EQUIPMENT CORPORATION"



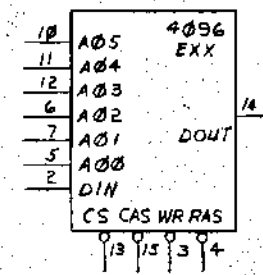
DR9 A05 B L
 DR9 A04 B L
 DR9 A03 B L
 DR9 A02 B L
 DR9 A01 B L
 DR9 A00 B L

DP10 DI 15 H
 DR9 CS L
 DR9 CAS L
 DR9 WB L L
 DR9 RAS A L

DR9 RAS B L
 DR9 A05 A L
 DR9 A04 A L
 DR9 A03 A L
 DR9 A02 A L
 DR9 A01 A L
 DR9 A00 A L

DR9 RAS C L

DR9 RAS D L



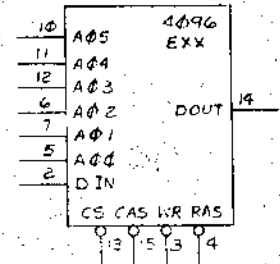
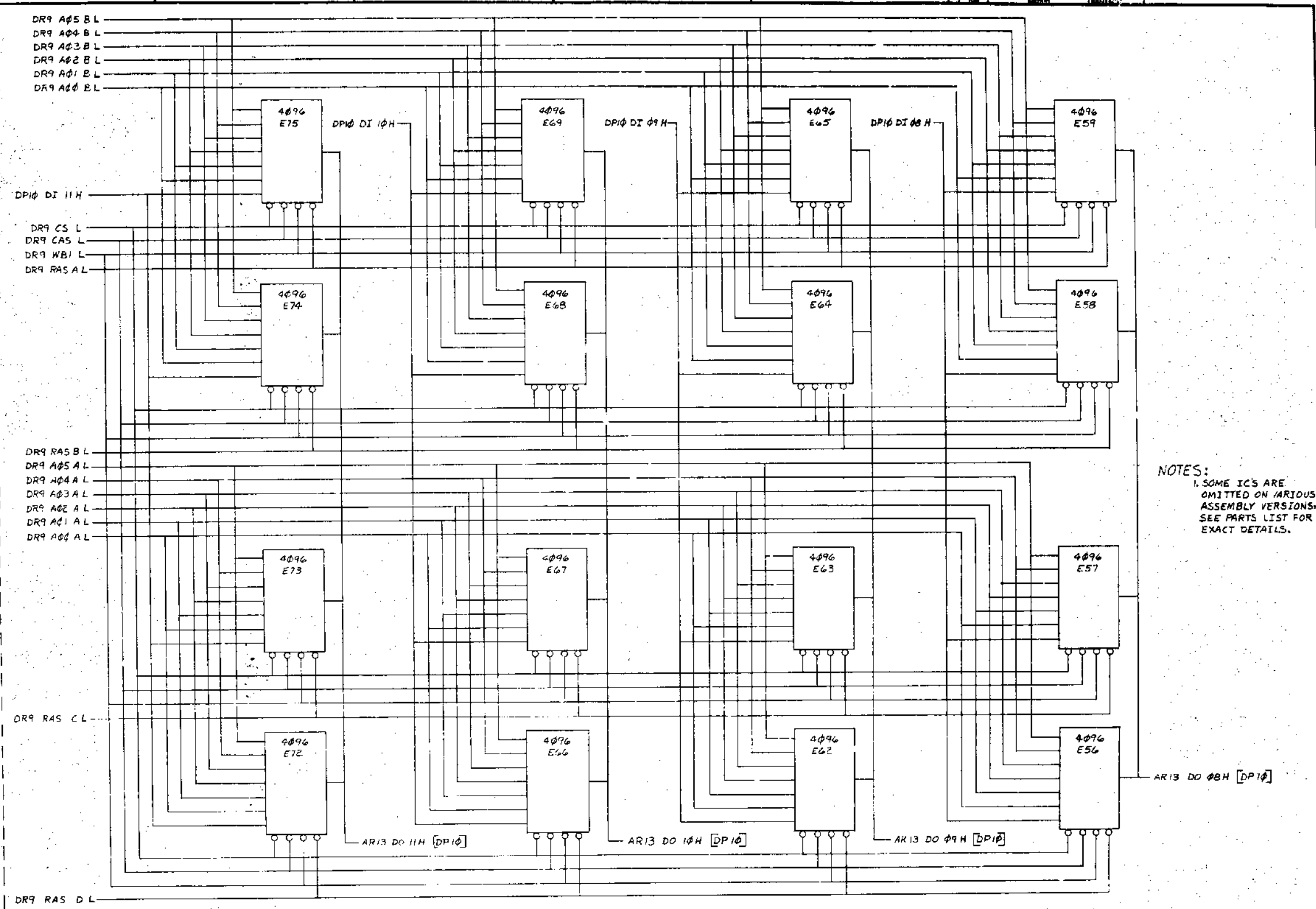
GND PIN 16
 (-5V) -9V PIN 1
 +12V PIN 8
 +5V PIN 9

NOTE:
 1. SOME IC'S ARE OMITTED ON VARIOUS ASSEMBLY VERSIONS, SEE PARTS LIST FOR EXACT DETAILS.

REVISIONS		
CHK	CHANGE NO.	REV.

113

THE DRAWING AND SPECIFICATIONS HEREIN ARE THE PROPERTY OF DIGITAL EQUIPMENT CORPORATION AND SHALL NOT BE REPRODUCED OR COPIED OR USED IN WHOLE OR IN PART AS THE BASIS FOR THE MANUFACTURE OR SALE OF ITEMS WITHOUT WRITTEN PERMISSION. COPYRIGHT © 1975 DIGITAL EQUIPMENT CORPORATION



PIN 14 GND
PIN 1 -9V (-5V)
PIN 8 +12V
PIN 9 +5V

NOTES:
1. SOME IC'S ARE OMITTED ON VARIOUS ASSEMBLY VERSIONS. SEE PARTS LIST FOR EXACT DETAILS.

REVISIONS		
CHK	CHANGE NO.	REV.

(ARRAY)		TITLE UNIBUS MOS (AR13) MEMORY		SIZE CODE DCS		NUMBER M7847-0-1		REV. F	
SCALE		SHEET 13 OF 16		DST.					

114

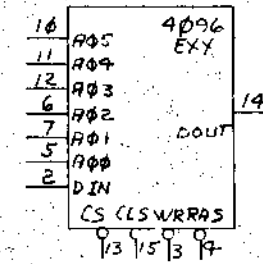
THIS DRAWING AND SPECIFICATIONS HEREBY ARE THE PROPERTY OF DIGITAL EQUIPMENT CORPORATION AND SHALL NOT BE REPRODUCED OR COPIED OR USED IN WHOLE OR IN PART AS THE BASIS FOR THE MANUFACTURE OR SALE OF ITEMS WITHOUT WRITTEN PERMISSION. COPYRIGHT © 1975 DIGITAL EQUIPMENT CORPORATION.

DR9 A05 B L
 DR9 A04 B L
 DR9 A03 B L
 DR9 A02 B L
 DR9 A01 B L
 DR9 A00 B L

DR9 CS L
 DR9 CAS L
 DR9 WB1 L
 DR9 RAS A L

DR9 RAS B L
 DR9 A05 A L
 DR9 A04 A L
 DR9 A03 A L
 DR9 A02 A L
 DR9 A01 A L
 DR9 A00 A L

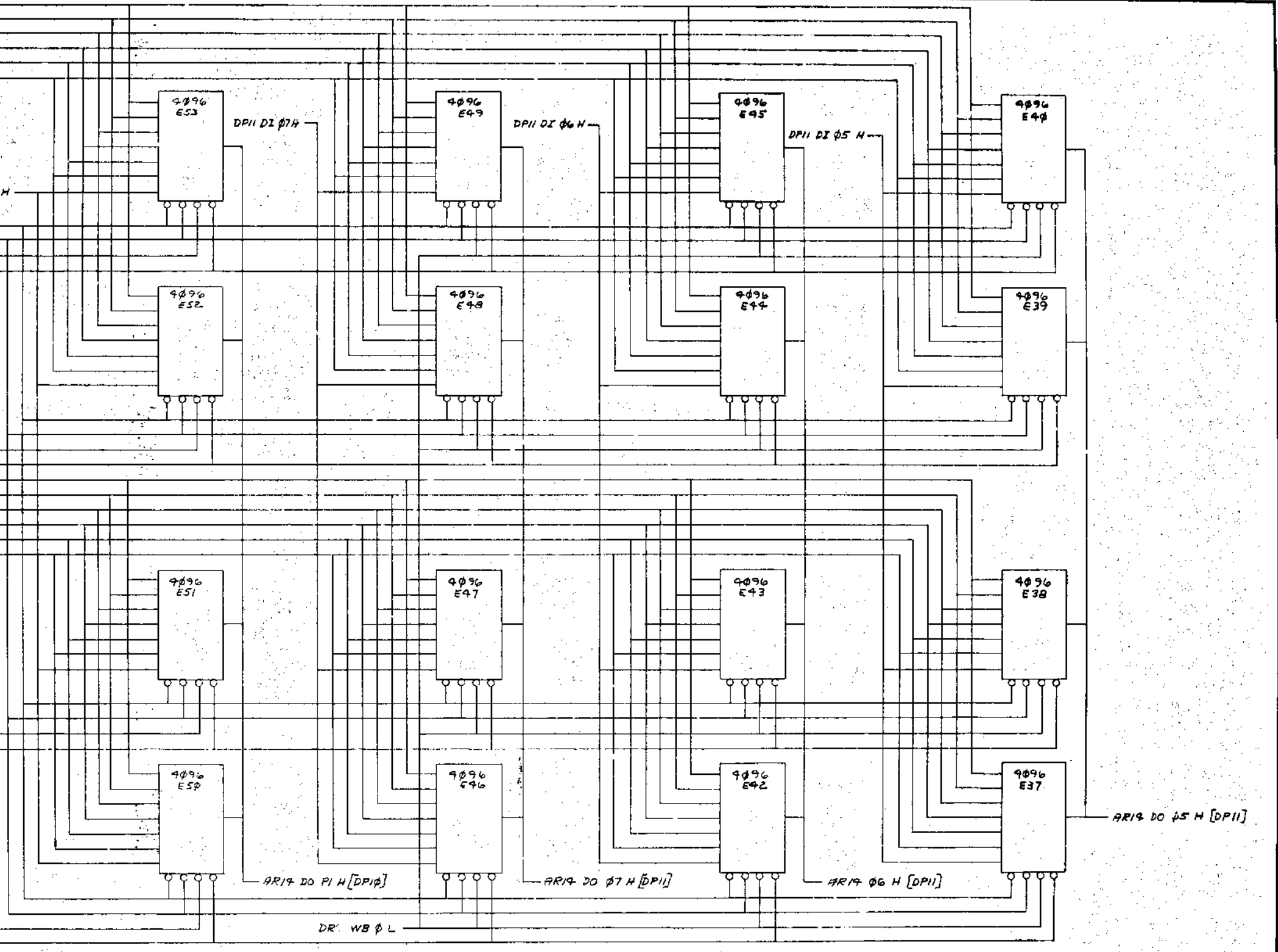
NOTE:
 SOME IC'S ARE OMITTED ON VARIOUS ASSEMBLY VERSIONS. SEE PARTS LIST FOR EXACT DETAILS.



GND PIN 16
 (-5V) -9V PIN 1
 +12V PIN 8
 +5V PIN 9

DR9 RAS C L

DR9 RAS D L



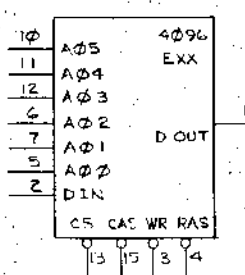
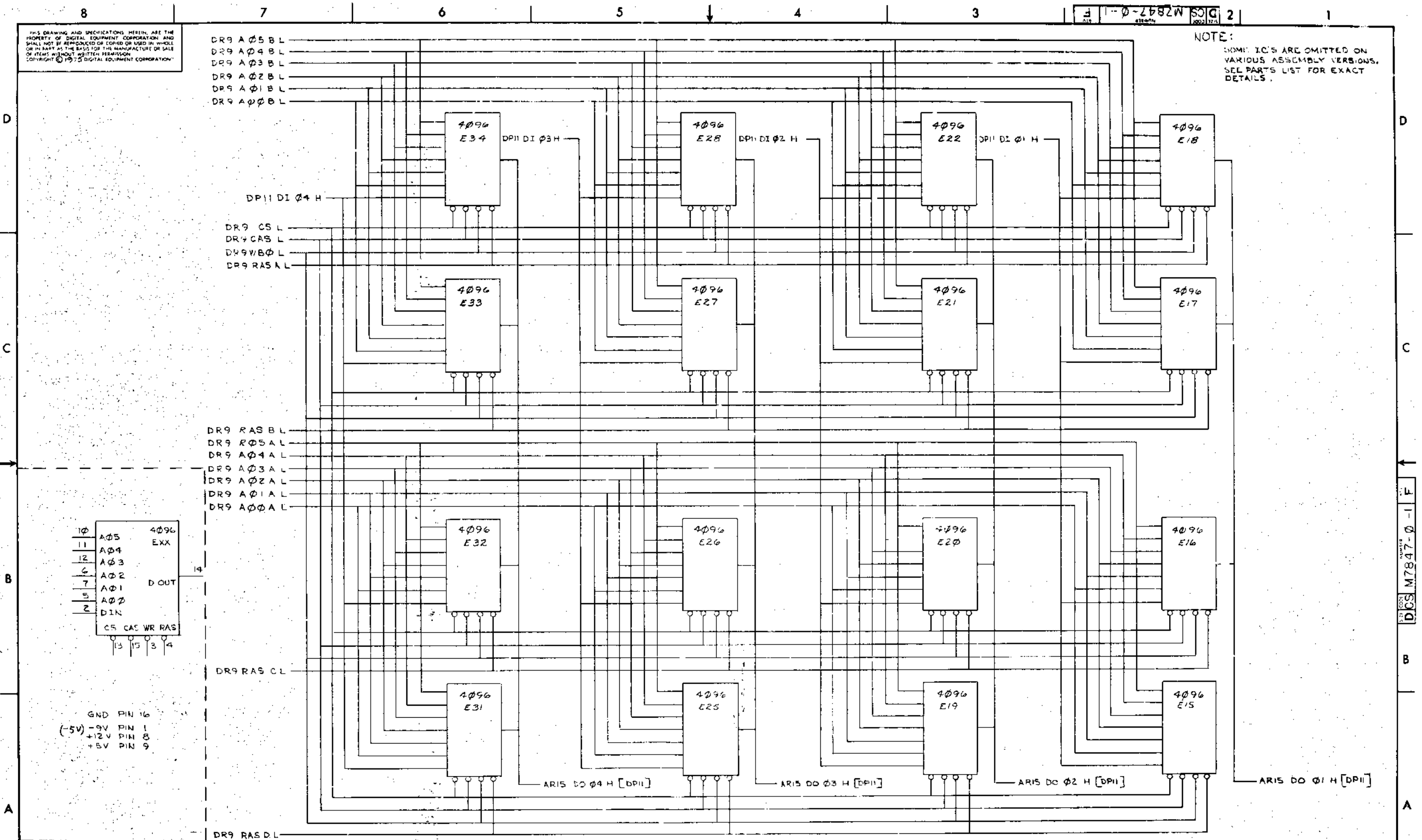
REVISIONS		
CHK	CHANGE NO.	REV.

TITLE		(AR14) SIZE CODE	NUMBER	REV.
UNIBUS MOS MEMORY		D CS M7847-0-1	F	
SCALE	SHEET 14 OF 16	DIET.		

115

THIS DRAWING AND SPECIFICATIONS HEREIN ARE THE PROPERTY OF DIGITAL EQUIPMENT CORPORATION AND SHALL NOT BE REPRODUCED OR COPIED OR USED IN WHOLE OR IN PART AS THE BASIS FOR THE MANUFACTURE OR SALE OF ITEMS WITHOUT WRITTEN PERMISSION. COPYRIGHT © 1975 DIGITAL EQUIPMENT CORPORATION.

NOTE:
 SOME IC'S ARE OMITTED ON VARIOUS ASSEMBLY VERSIONS. SEE PARTS LIST FOR EXACT DETAILS.

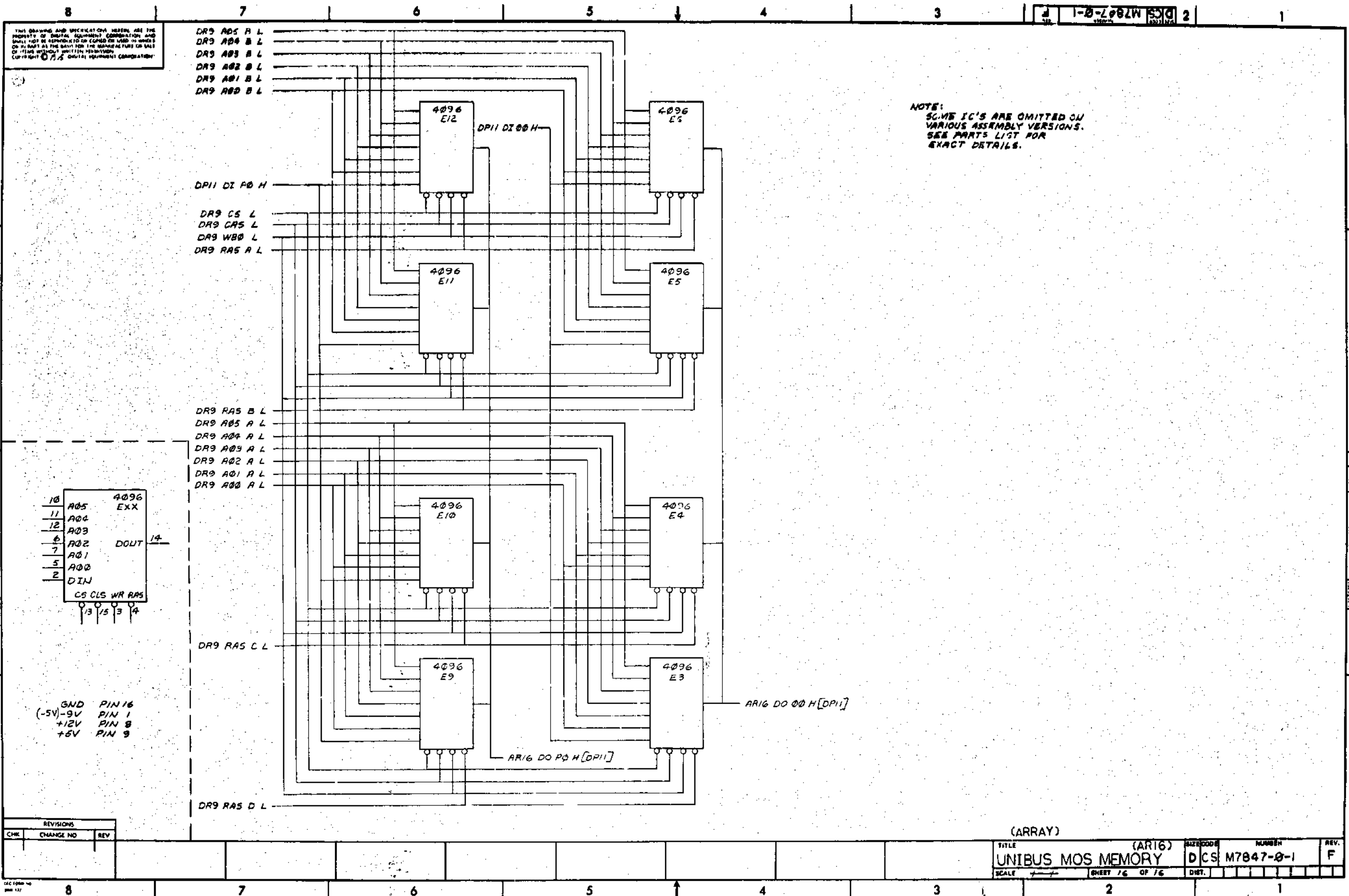


GND PIN 16
 (-5V) -9V PIN 1
 +12V PIN 8
 +5V PIN 9

REVISIONS		
CHK	CHANGE NO	REV

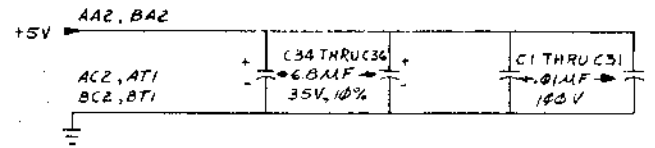
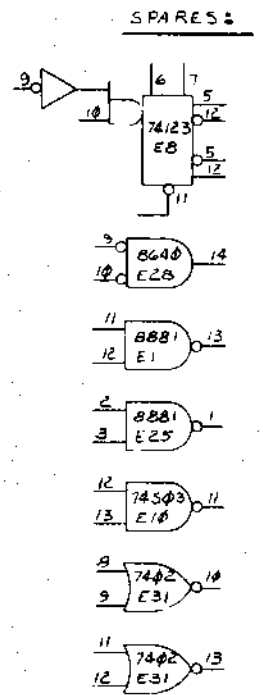
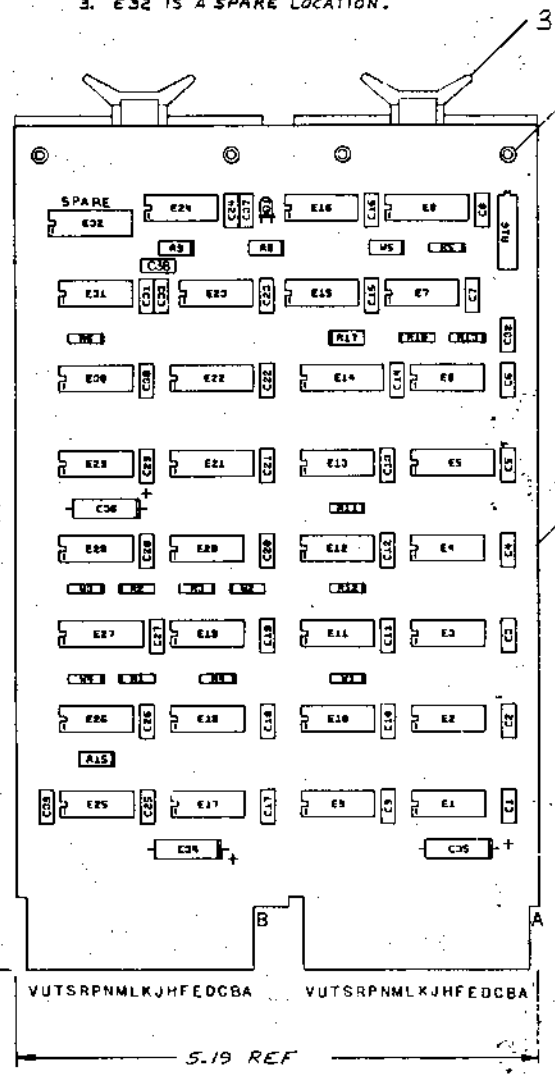
(ARRAY)		(AR15)	SIZE CODE	NUMBER	REV.
TITLE		UNIBUS MOS MEMORY		DCS M7847-0-1 F	F
SCALE	SHEET 15 OF 16	DIST.			

116



THIS DRAWING AND SPECIFICATIONS HEREIN ARE THE PROPERTY OF DIGITAL EQUIPMENT CORPORATION AND SHALL NOT BE REPRODUCED OR COPIED OR USED IN WHOLE OR IN PART AS THE BASIS FOR THE MANUFACTURE OR SALE OF ITEMS WITHOUT WRITTEN PERMISSION.
 COPYRIGHT © 1975 DIGITAL EQUIPMENT CORPORATION

- NOTES:**
1. ALL RESISTORS 1/4 W, 5% UNLESS OTHERWISE NOTED. ALL CAPACITORS ARE 100V, 20% UNLESS OTHERWISE NOTED.
 2. JUMPER CONTROL OPERATIONS AS FOLLOWS:
 W1 THRU W4 SELECT CSR ADDRESS, W5 CAPACITOR FOR 5 SYN DLY, NOT USED.
 3. E32 IS A SPARE LOCATION.



REF	CIRCUIT SCHEMATIC	D-CS-M7850-0-1	REF
REF	X-Y COORDINATE HOLE LOCATION	K-60-M7850-0-4	1
REF	ASSY/DRILLING HOLE LAYOUT	D-AH-M7850-0-5	2
REF	MODULE ECO HISTORY	B-MH-M7850-0-6	3
1	ETCHED CIRCUIT BOARD	5010651-00	4
1	C39	CAP 470 PF, 100V, 5% (DM)	1000024-00
2	C33, C37	CAP 330 PF, 100V, 5% (DM)	1000023-00
32	C1 THRU C32	CAP .01µF, 100V, 20% DISC	1001610-01
3	C34, C35, C36	CAP 6.8µF, 35V, 10% STANT	1005306-00
1	D1	DIODE, LED	1110324-00
5	R1 THRU R5	RES 4.7K 1/4W 5%	1302447-00
3	R8, R9, R15	RES 100 1/4W 5%	1300229-00
5	R6, R10, R11, R12, R17	RES 470 1/4W 5%	1300316-00
1	R13	RES 1K 1/4W 5%	1300365-00
1	R16	RES 10K 3/4W 20% (1% PR.PRT)	1301431-00
1	E24	I.C. 7400	1905575-00
1	E30	I.C. 7430	1905578-00
1	E31	I.C. 7402	1909004-00
1	E19	I.C. 314A	1909704-00
1	E23	I.C. 7408	1910155-00
4	E1, E9, E17, E25	I.C. 8881	1909705-00
1	E16	I.C. 74H04	1909931-00
1	E27	I.C. 7485	1910224-00
1	E8	I.C. 74123	1910436-00
1	E10	I.C. 74503	1910533-00
1	E15	I.C. 74574	1910544-00
1	E21	I.C. 74174	1910652-00
2	E5, E22	I.C. 74157	1910655-00
9	E2, E3, E11, E12, E18, E20, E26, E28, E29	I.C. 8640	1911449-00
2	E4, E13	I.C. 745280	1911573-00
1	E14	I.C. 8266	1909934-00
2	E6, E7	I.C. 7474	1905547-00
4	W1 THRU W4	INSULATED JUMPER	9009185-00
4		EYELET	9006732-00
2		HANDLE, FLIP-CHIP (MAGENTA)	9008337-6

IC TYPE	QTY	REV
8640	1	8
8266	8	16
74157	8	16
74174	8	16
74123	8	16
7485	8	16
314A	1	8
IC TYPE	GND	+5V

GND AND BY ARE USUALLY PIN 7 AND 14 RESPECTIVELY EXCEPTIONS ARE STATED ABOVE

IC PIN LOCATIONS

FIRST USED ON OPTION MODEL

ETCH BOARD REV. **5**

DATE: 2-5-75
 W. LUFKIN

digital

TITLE: PARITY MODULE

SIZE CODE: DCS NUMBER: M7850-0-1 REV: B

SEMICONDUCTOR CONVERSION CHART

SHEET 2 OF 3

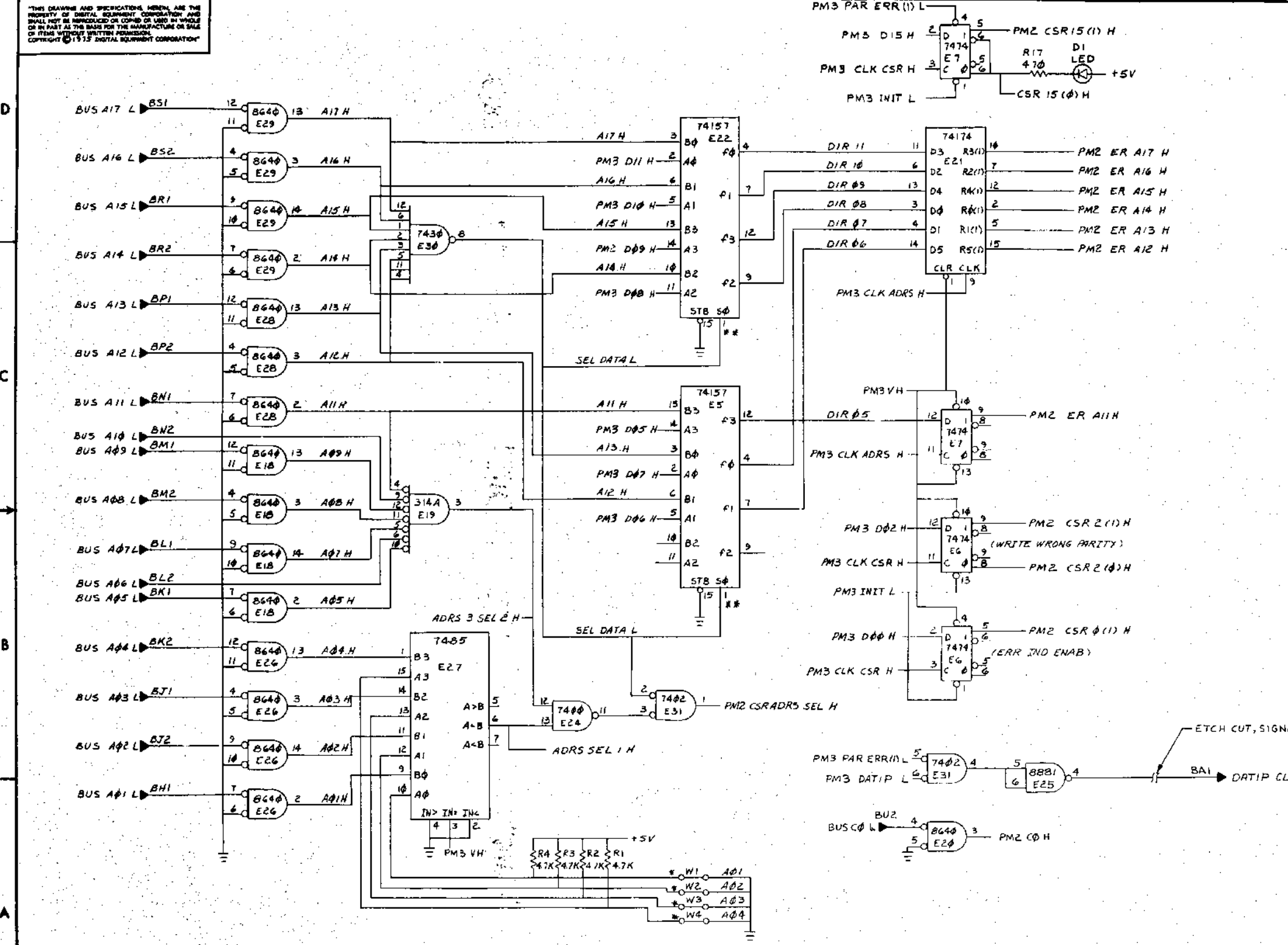
118

"THIS DRAWING AND SPECIFICATIONS HEREAFTER ARE THE PROPERTY OF DIGITAL EQUIPMENT CORPORATION AND SHALL NOT BE REPRODUCED OR COPIED OR USED IN WHOLE OR IN PART AS THE BASIS FOR THE MANUFACTURE OR SALE OF ITEMS WITHOUT WRITTEN PERMISSION. COPYRIGHT © 1975 DIGITAL EQUIPMENT CORPORATION"

NOTES:
 * THE CSR REGISTER ADDRESS IS LOCATED BETWEEN 772100 AND 772136. IT IS SELECTED WITH JUMPERS W1 THRU W4. REMOVING A JUMPER SELECTS A "ONE" FOR THAT BIT POSITION. (**)

MACHINE ADDRESS (WORDS) B	W4 A4	W3 A3	W2 A2	W1 A1
772100	IN	IN	IN	IN
772102	IN	IN	IN	OUT
772104	IN	IN	OUT	IN
772106	IN	IN	OUT	OUT
772110	IN	OUT	IN	IN
772112	IN	OUT	IN	OUT
772114	IN	OUT	OUT	IN
772116	IN	OUT	OUT	OUT
772120	OUT	IN	IN	IN
772122	OUT	IN	IN	OUT
772124	OUT	IN	OUT	IN
772126	OUT	IN	OUT	OUT
772130	OUT	OUT	IN	IN
772132	OUT	OUT	IN	OUT
772134	OUT	OUT	OUT	IN
772136	OUT	OUT	OUT	OUT

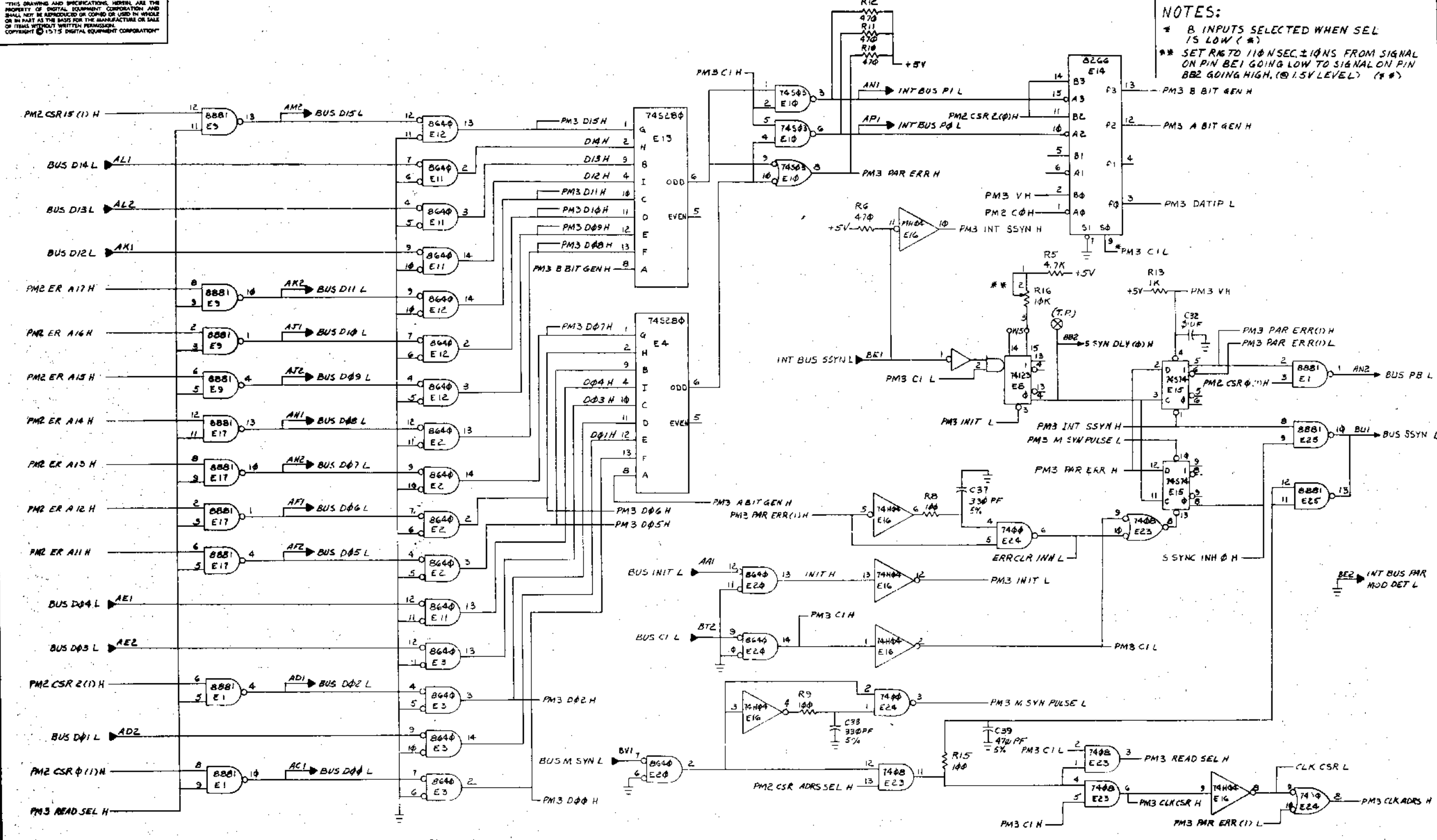
** THE 'A' INPUTS ARE SELECTED WHEN THE SEL INPUT GOES LOW. (**)



CHK	CHANGE NO.	REV.

"THIS DRAWING AND SPECIFICATIONS HEREAFTER ARE THE PROPERTY OF DIGITAL EQUIPMENT CORPORATION AND SHALL NOT BE REPRODUCED OR COPIED OR USED IN WHOLE OR IN PART AS THE BASIS FOR THE MANUFACTURE OR SALE OF ITEMS WITHOUT WRITTEN PERMISSION. COPYRIGHT © 1973 DIGITAL EQUIPMENT CORPORATION"

NOTES:
 * B INPUTS SELECTED WHEN SEL IS LOW (*)
 ** SET R₆ TO 110 NSEC ± 10% FROM SIGNAL ON PIN BE1 GOING LOW TO SIGNAL ON PIN BB2 GOING HIGH (@ 1.5V LEVEL) (**)



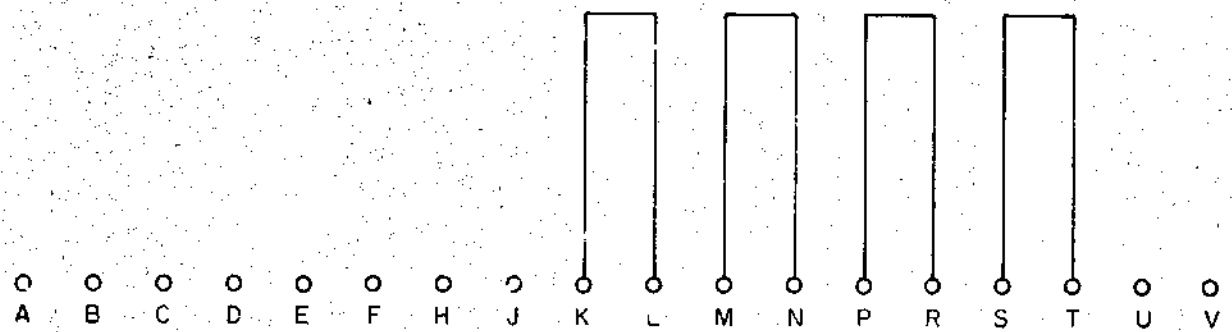
REVISIONS		
CHK	CHANGE NO.	REV.

TITLE	PARITY MODULE (PM3)	SIZE	EDGE	NUMBER	REV.
SCALE		SHEET	3 OF 3	DIST.	

DCS M7850-0-1

REV	NUMBER	CS	B
	6727-0-1		

THIS SCHEMATIC IS FURNISHED ONLY FOR TEST AND MAINTENANCE PURPOSES. THE CIRCUITS ARE PROPRIETARY IN NATURE AND SHOULD BE TREATED ACCORDINGLY. COPYRIGHT 1969 BY DIGITAL EQUIPMENT CORPORATION



REVISIONS CHK CHG D.O. REV	DRN <i>BUTLER</i>	DATE <i>11-19-69</i>	TRANSISTOR & DIODE CONVERSION CHART				EQUIPMENT CORPORATION MAYNARD, MASSACHUSETTS	FILE GRANT CONTINUITY G727			
	CHK'D	DATE	DEC	EIA	DEC	EIA		SIZE	CODE	NUMBER	REV
	ENG.	DATE						B	CS	G727-0-1	
	PROD.	DATE						PRINTED CIRCUIT REV			A

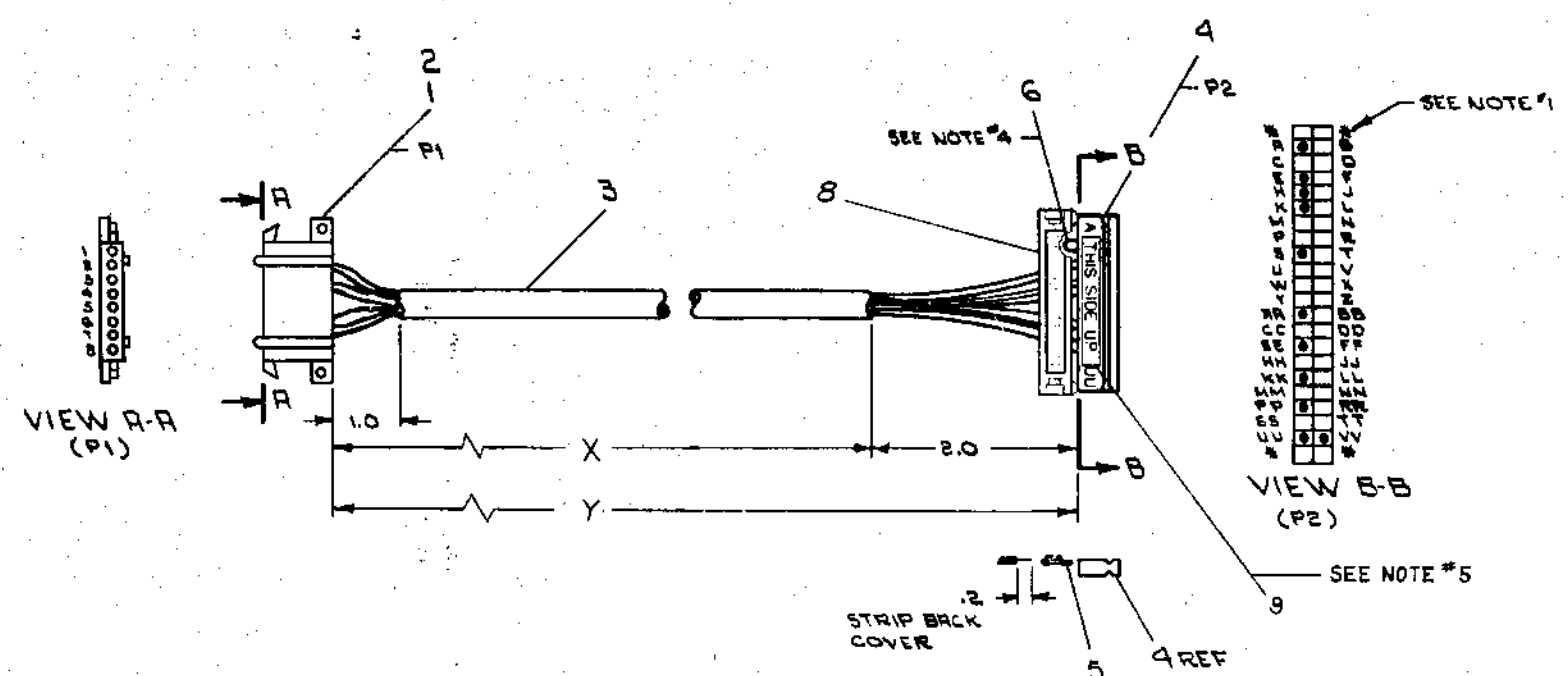
DEC FORM NO DRB 102

DATE 12-1-69 434,435 3

ITEM NO.	DESCRIPTION	PAIR	FROM	TO	
				CONNECTION WITH	CONNECTION WITH
3	22 BLK	1	P1-2	2	P2-KK
3	RED	1	P1-5	2	P2-5
B,7	SHIELD		SEE NOTE #2	-	P2-R(NOTE #3)
3	BLK	2	P1-4	2	P2-EE
3	WHT	2	P1-5	2	P2-RR
B,7	SHIELD		SEE NOTE #2	-	P2-U(NOTE #3)
3	BLK	3	P1-6	2	P2-PP
3	GRN	3	P1-7	2	P2-K
B,7	SHIELD		SEE NOTE #2	-	P2-V(NOTE #3)
6	22 BLK	-	P2-E	3	P2-H

VARIATION	LENGTH	
	X	Y
7008360-0	25IN±1.0	27IN±1.0
7008360-1	46IN±1.0	48IN±1.0
7008360-9	9FT±2IN	9FT 2IN ± 2IN

- NOTES:**
- * ASTERISKS INDICATE CAVITIES NOT USED OR DESIGNATED BY LETTERS.
 - DRAIN WIRES TO BE CUT BACK TO OUTER INSULATION ON P1 END OF CABLE ONLY. SHIELDS TO BE CUT BACK TO OUTER INSULATION ON BOTH ENDS OF CABLES.
 - DRAIN WIRES ON P2 END OF CABLE TO BE EACH ENCLOSED WITH ITEM #7 (TUBING) FROM END OF CABLE JACKET TO POINT WHERE THEY ENTER P2 CONNECTOR.
 - ITEM #6 (WIRE) TO BE APPROXIMATELY ONE (1) INCH LONG.
 - PLACE ITEM #8 ("THIS SIDE UP" STICKER) ON LETTERED SIDE OF ITEM #4 (BERG HOUSING) AS SHOWN.



QTY.	DESCRIPTION	PART NO.	ITEM NO.
1	LABEL, THIS SIDE UP	3611567	9
1	STRAIN RELIEF	1211166	8
R/R	TUB. #18 TEF. THINWALL WRT	910728-11	7
R/R	WIRE, #22 AWG STRD TEF BLK	9107350-00	6
11	SOCKET, CRIMP #47216	1210089-07	5
1	HOUSING, BERG #LS083-015	1210918-15	4
R/R	CABLE, BELDEN #STP-39L SHLD	910728-0	3
6	CONTACT MATE-LOCK (FEMALE)	1208379-03	2
1	CONN. MATE-N-LOCK (FEMALE)	1208340-00	1

REV.	CHG. NO.	DATE	BY	CHKD.	DESCRIPTION
1	1	5/13/71	J. MCNAMARA		REVISED FOR PDP-8E
2	1	10/28/73	B. REGAN		REVISED FOR PDP-8E
3	1	11/2/74	R. REGAN		REVISED FOR PDP-8E
4	1	10/27/74	R. REGAN		REVISED FOR PDP-8E
5	1	10/27/74	R. REGAN		REVISED FOR PDP-8E
6	1	10/27/74	R. REGAN		REVISED FOR PDP-8E
7	1	10/27/74	R. REGAN		REVISED FOR PDP-8E
8	1	10/27/74	R. REGAN		REVISED FOR PDP-8E

FIRST USED ON OPTION / MODFL PDP-8E	DO NOT SCALE DRAWING UNLESS OTHERWISE SPECIFIED DIMENSIONS IN INCHES TOLERANCES FRACTIONS ANGLES DECIMALS ± 0.01 FINISH SURFACE QUALITY REMOVE BURRS AND BREAK SHARP CORNERS	DATE: 11/2/74 DATE: 11/2/74 DATE: 11/2/74 DATE: 11/2/74 DATE: 11/2/74	<p>EQUIPMENT CORPORATION CABLE ASSEMBLY (KLSE)</p>
MATERIAL: SEE PARTS LIST	FINISH:	SCALE: NONE	NEXT HIGHER ASSY: A-ML-KL8-E-0 NUMBER: DIA7008360-0-0 SHEET: 1 OF 1

DIGITAL EQUIPMENT CORPORATION
MAYNARD, MASSACHUSETTS
PARTS LIST

MADE BY D. HEALY	CHECKED D. HEALY	SECTION 1
DATE 25 MAR 76	DATE 25 MAR 76	ISSUED SECT. 1
ENG R.E. Dwyer	PROD K. W. Donald	
DATE 1-APR-76	DATE 7 APR 76	

QUANTITY / VARIATION

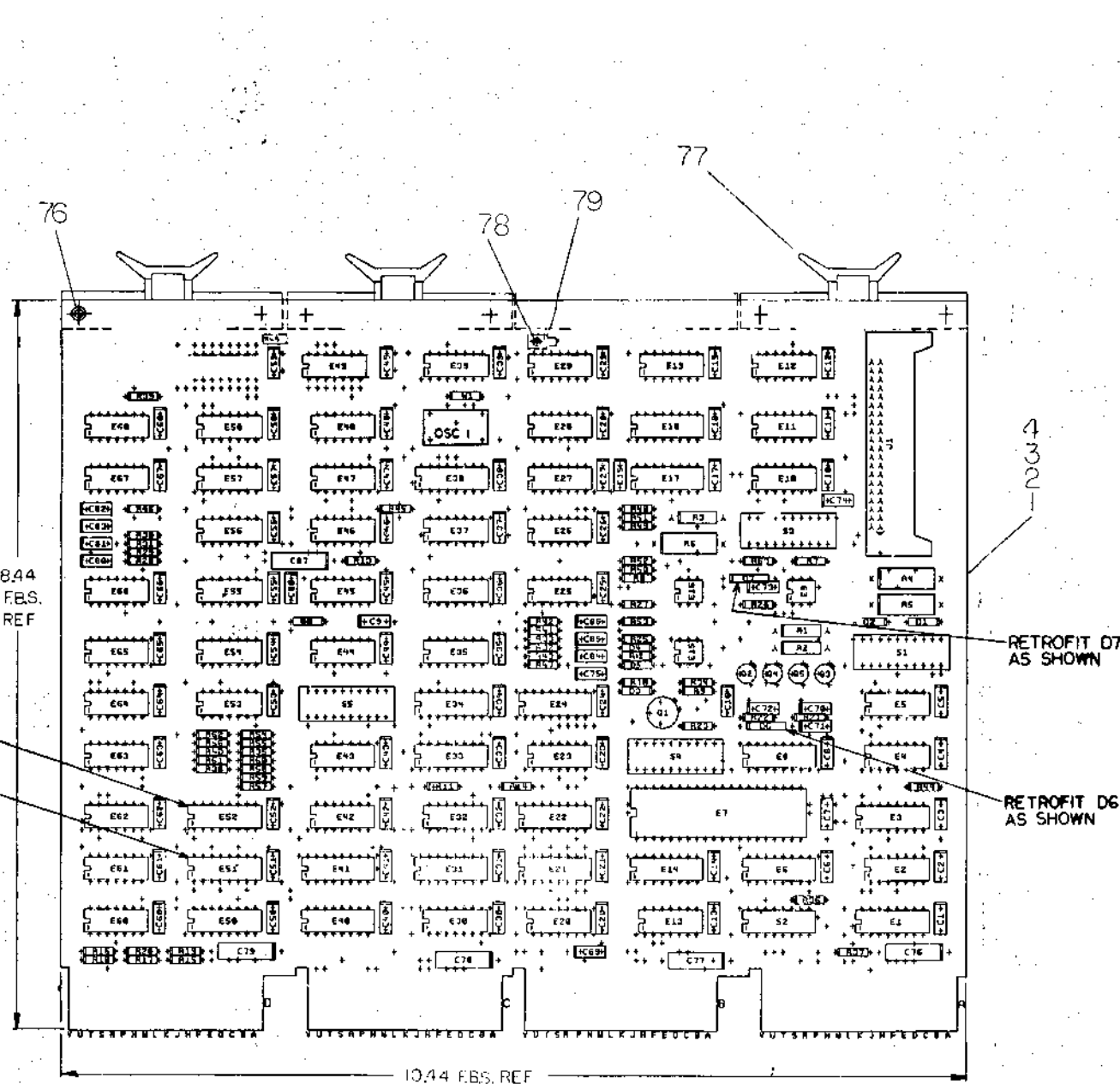
ITEM NO.	DWG NO. / PART NO.	DESCRIPTION	DL11-W	DL11-WA	DL11-WB	DL11-WC									
			1	D-CS-M7856-Ø-1	SLU/RTC OPTION	1	1	1	1						
2	D-IA-7008360-1-0	CABLE ASSY (KL8-E)	-	1	-	-									
3	D-UA-BCØ5C-25-0	CABLE MODEM BCØ5C	-	-	1	-									
4	D-UA-BCØ3L-10-0	CABLE ASSY	-	-	-	1									

TITLE SERIAL LINE/LINE CLOCK DL11-W		ASSY NO. NONE	SIZE CODE A PL	NUMBER DL11-W-Ø	REV. A	ECO NO. DL11W 00001
SHEET 1 OF 1		DIST				

124

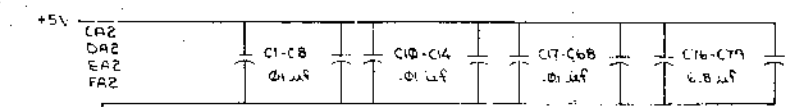
THIS DRAWING AND SPECIFICATIONS, HEREIN, ARE THE PROPERTY OF DIGITAL EQUIPMENT CORPORATION AND SHALL NOT BE REPRODUCED OR COPIED OR USED IN WHOLE OR IN PART AS THE BASIS FOR THE MANUFACTURE OR SALE OF ITEMS WITHOUT WRITTEN PERMISSION.
 DIGITAL EQUIPMENT CORPORATION
 COPYRIGHT © 1975

NOTES:



IC 384	1	8
IC 8037	8	16
IC 814A	1	8
IC 74123	8	16
IC 74157	8	16
IC 74153	8	16
IC 7493	10	5
IC 7492	10	5
IC 74151	8	16
IC 74175	8	16
IC UART	1	3
IC 8047	8	16
IC 80A1	8	16
IC TYPE	GND	+5V
GND AND 5V ARE USUALLY PIN 7 AND 14 RESPECTIVELY EXCEPTIONS ARE STATED ABOVE		
IC PIN LOCATIONS		

DEC FORM NO. DRG 138-B



REF	REF. DESIGNATION	DESCRIPTION	PART NO.	ITEM NO.
		X-Y COORDINATE HOLE LOCATION	K-CO-M7856-0-4	1
		ASSY/DRILLING HOLE LAYOUT	D-AH-M7856-0-5	2
		MODULE ECO HISTORY	B-MH-M7856-0-6	3
1		ETCHED CIRCUIT BOARD	5011464	4
67	C1 THRU C8, C10 THRU C15, C17 THRU C88, C89	CAPACITOR, .01uf, 100V, 20%	1001810-01	5
7	C9, C69 THRU C74	CAPACITOR, 470pf, 100V, 5%	1000024	6
1	C75	CAPACITOR, 330pf, 100V, 5%	1000023	7
8	C80 THRU C85	CAPACITOR, 82pf, 100V, 5%	1000015	8
1	C86	CAPACITOR, 150pf, 100V, 5%	1000019	9
1	C87	CAPACITOR, 2.2uf, 20V, 10%	1002627	10
4	C76, C77, C78, C79	CAPACITOR, 6.8uf, 35V, 10%	1005306	11
1	C16	CAPACITOR, 5000pf, 180V, 20%	1001785	12
3	D1, D2, D3	DIODE, 1N4007	1105796	13
1	D4	DIODE, ZENER 1N4742	1109502	14
2	D6, D7	DIODE, CURRENT LIMITER MCL1901	1109610	15
1	D8	DIODE, D804	1100114	16
4	S1, S3, S4, S5	SWITCH, 10 POSITION	1211164-06	17
1	S2	SWITCH, 6 POSITION	1211164-04	18
				19
				20
1	J1	CONNECTOR, 40 PIN	1209941	21
1	R83	RESISTOR, 330, 1/4W, 5%	1300295	22
3	R1, R2, R3	RESISTOR, 100 OHM, 1/2W, 5%	1300260	23
3	R4, R5, R6	RESISTOR, 500 OHM, 1W, 5%	1303840	24
2	R7, R8	RESISTOR, 60K, 1/4W, 5%	1301327	25
1	R9	RESISTOR, 33 OHM, 1/4W, 5%	1300197	26
1	R10	RESISTOR, 120K, 1/4W, 5%	1300559	27
1	R12	RESISTOR, 6.8K, 1/4W, 5%	1301424	28
1	R25	RESISTOR, 80 OHM, 1/4W, 5%	1300219	29
2	R13, R14	RESISTOR, 100 OHM, 1/4W, 5%	1300225	30
4	R15, R16, R17, R18	RESISTOR, 100 OHM, 1/4W, 5%	1301392	31
4	R19, R20, R21, R22	RESISTOR, 300 OHM, 1/4W, 5%	1300309	32
1	R23	RESISTOR, 7.5K, 1/4W, 5%	1301422	33
2	R27, R28	RESISTOR, 150 OHM, 1/4W, 5%	1300250	34
6	R28 THRU R33	RESISTOR, 270 OHM, 1/4W, 5%	1301972	35
27	R35, R36, R37, R39 THRU R62	RESISTOR, 10K, 1/4W, 5%	1300479	36
3	R11, R44, R38	RESISTOR, 1K, 1/4W, 5%	1300365	37
1	R34	RESISTOR, 220 OHM, 1/4W, 5%	1300871	38
1	Q1	TRANSISTOR, BEC 05310	1501336	39
2	Q3, Q4	TRANSISTOR, A85	1510705	40
2	Q2, Q5	TRANSISTOR, A55	1510706	41
2	E9, E15	OPTICALLY COUPLED ISOLATOR	1510727-1	42
1	OSC 1	OSCILLATOR 50688 MHZ	1611880-02	43
1	E15	I.C. DEC 4N26	1911898	44
3	E1, E6, E14	I.C. DEC 0641	1911579	45
6	E2, E13, E20, E80, E81, E49	I.C. DEC 0881	1909705	46
1	E3	I.C. DEC 8097	1911527	47
3	E4, E44, E84	I.C. DEC 7409	1910155	48
7	E5, E35, E37, E55, E57, E83, E88	I.C. DEC 7474	1909547	49
1	E7	I.C. DEC UART (1808)	1910459-D1	50
1	E8	I.C. DEC 74175	1910851	51
1	E10	I.C. C 1489L	1910323	52
1	E11	I.C. DEC 1488L	1910322	53
2	E17, E18	I.C. DEC 74151	1909938	54

FIRST USED ON OPTION MODEL

ETCH BOARD REV. D

DATE 3/1/75
 DATE 7-9-75
 DATE 11-20-75
 DATE 12-20-75
 DATE 1-28-75

REVISIONS

DEC. NO. EIA NO. DEC. NO. EIA NO.

SCALE 1 OF 9

SHEET 1 OF 9

SEMICONDUCTOR CONVERSION CHART



SLU/RTC OPTION

CSM7856-0-1

125

8 7 6 5 4 3 2 1

THIS DRAWING AND SPECIFICATIONS HEREIN ARE THE PROPERTY OF DIGITAL EQUIPMENT CORPORATION AND SHALL NOT BE REPRODUCED OR COPIED OR USED IN WHOLE OR IN PART AS THE BASIS FOR THE MANUFACTURE OR SALE OF IT, AS WITHOUT WRITTEN PERMISSION. COPYRIGHT © 1975 DIGITAL EQUIPMENT CORPORATION.

1	E12	I.C. DEC 7402	100003	56
6	E18, E29, E27, E28, E30	I.C. DEC 7403	100004	56
1	E21	I.C. DEC 74193	100007	67
2	E22, E30	I.C. DEC 74197	1010059	56
6	E23, E25, E28, E22, E30	I.C. DEC 7402	100004	59
1	E24	I.C. DEC 74123	1010438	60
1	E25	I.C. DEC 7437	1010091	61
1	E29	I.C. DEC 7408	1010011	62
1	E30	I.C. DEC 314A	1000704	63
4	E31, E40, E41, E50	I.C. DEC 0837	1011118	64
1	E32	I.C. DEC 7410	1005578	65
2	E42, E43	I.C. DEC 8242	1000712	66
2	E45, E66	I.C. DEC 7414	1011324	67
4	E46, E54, E85, E87	I.C. DEC 7400	1005575	68
1	E47	I.C. DEC 74197	1010035	69
1	E48	I.C. DEC 384	1000400	70
1	E58	I.C. DEC 7404	1000688	71
1	E59	I.C. SPARE		72
1	E33	32 x 8 PROM	23085A1	73
1	E34	32 x 8 PROM	23094A1	74
1	B1	JUMPER, INSULATED	9009105	75
6		EYELET (HANDLE)	9006732	76
3		HANDLE, FLIP-CHIP (MAGENTA)	9009337-8	77
1		EYELET GS4-5	9009000	78
1		FASTON TAB (OFFSET)	9007112	79
1		TERMINAL	9007791	80
1	D5	DCDC IN76A	1104860	81

D
C
B
A

D
C
B
A

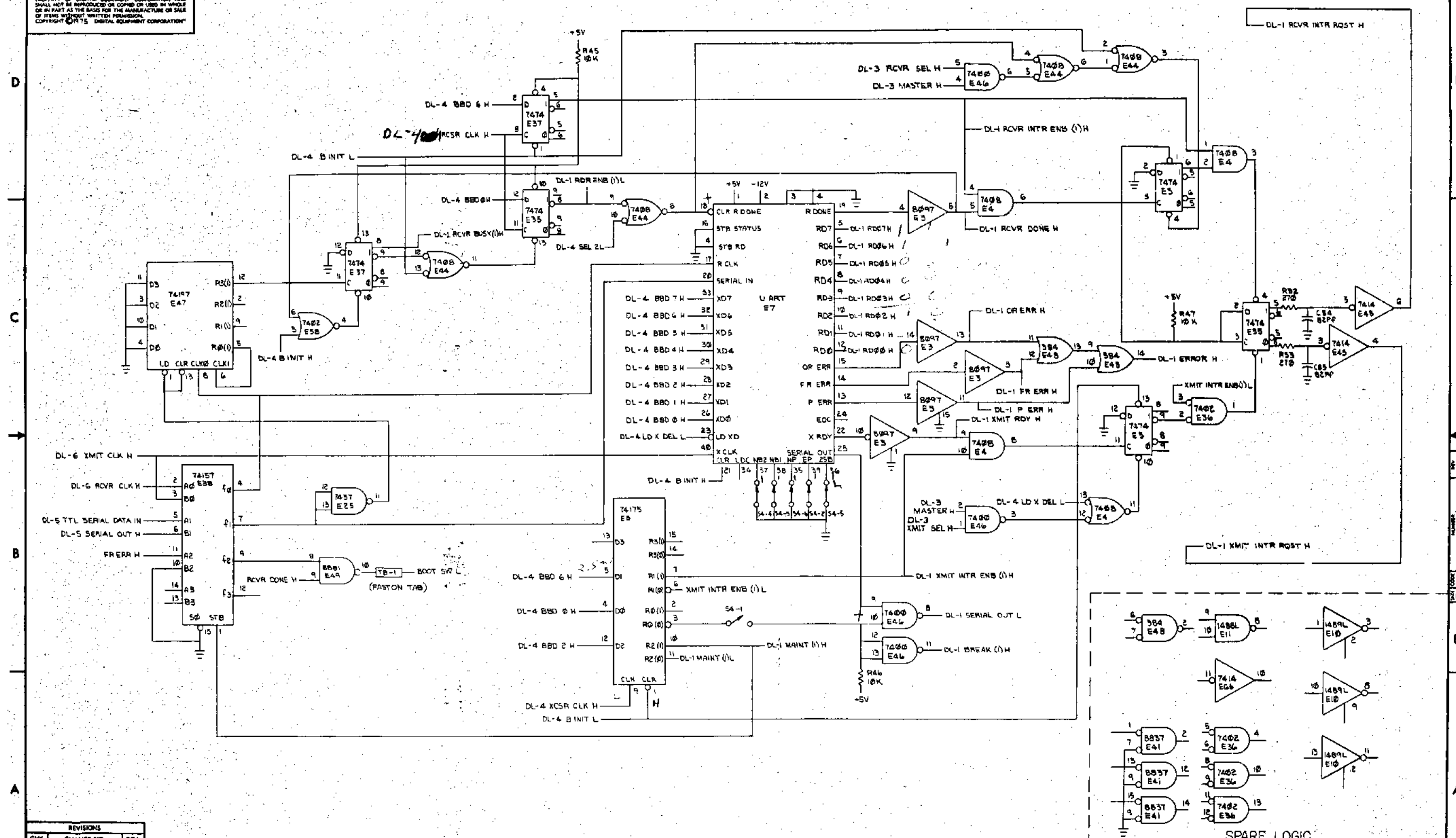
D E S M 7856-0-1

REVISIONS		
CHK	CHANGE NO	REV

TITLE	SIZE CODE	NUMBER	REV.
SLU/RTC OPTION	D CS	M7856-0-1	E
SCALE	SHEET	OF	
	2	9	
DIST.			

126

THIS DRAWING AND SPECIFICATIONS HEREIN ARE THE PROPERTY OF DIGITAL EQUIPMENT CORPORATION AND SHALL NOT BE REPRODUCED OR COPIED OR USED IN WHOLE OR IN PART AS THE BASIS FOR THE MANUFACTURE OR SALE OF ITEMS WITHOUT WRITTEN PERMISSION. COPYRIGHT © 1975 DIGITAL EQUIPMENT CORPORATION

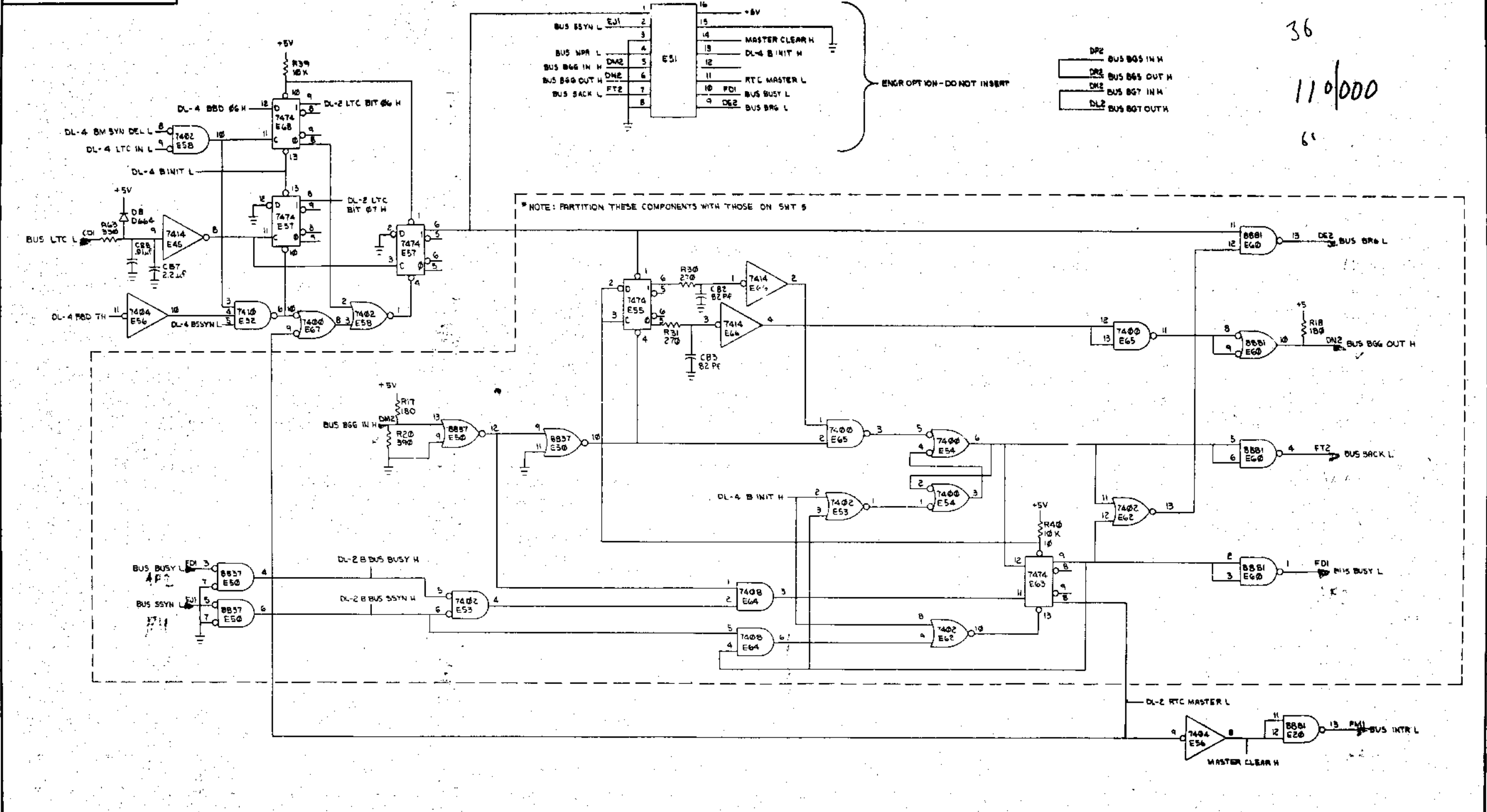


DCS M7856-0-1

REVISIONS		
CHK	CHANGE NO.	REV.

127

"THE DRAWING AND SPECIFICATIONS HEREIN ARE THE PROPERTY OF DIGITAL EQUIPMENT CORPORATION AND SHALL NOT BE REPRODUCED OR COPIED OR USED IN WHOLE OR IN PART AS THE BASIS FOR THE MANUFACTURE OR SALE OF ITEMS UNLESS WRITTEN PERMISSION IS GRANTED BY DIGITAL EQUIPMENT CORPORATION."

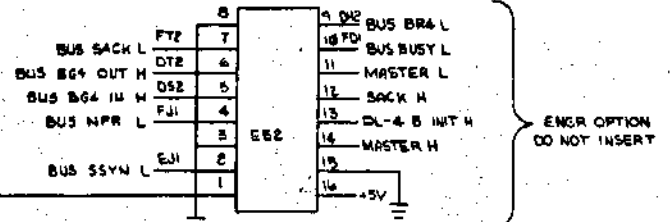


36
110/000
6

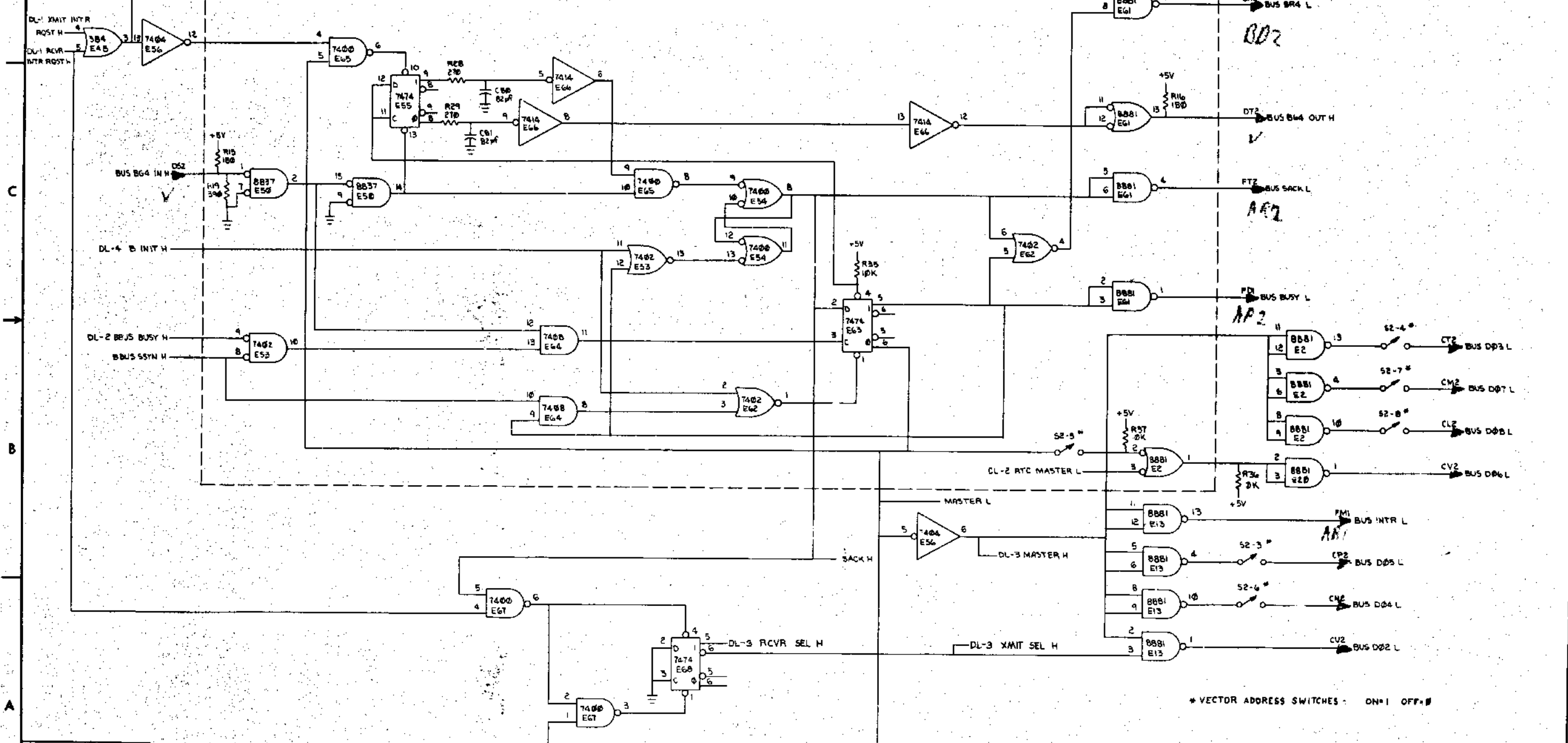
REVISIONS		
CHK	CHANGE NO.	REV.

TITLE	SLU/RTC OPTION (DL-2)	SIZE CODE	D/CS M7856-0-1	NUMBER		REV.	E
SCALE	1:1	SHEET	4 OF 9	DIST.			

THIS DRAWING AND SPECIFICATIONS HEREIN ARE THE PROPERTY OF DIGITAL EQUIPMENT CORPORATION AND SHALL NOT BE REPRODUCED OR COPIED OR USED IN WHOLE OR IN PART AS THE BASIS FOR THE MANUFACTURE OR SALE OF ITEMS WITHOUT WRITTEN PERMISSION. COPYRIGHT © 1971 BY DIGITAL EQUIPMENT CORPORATION.

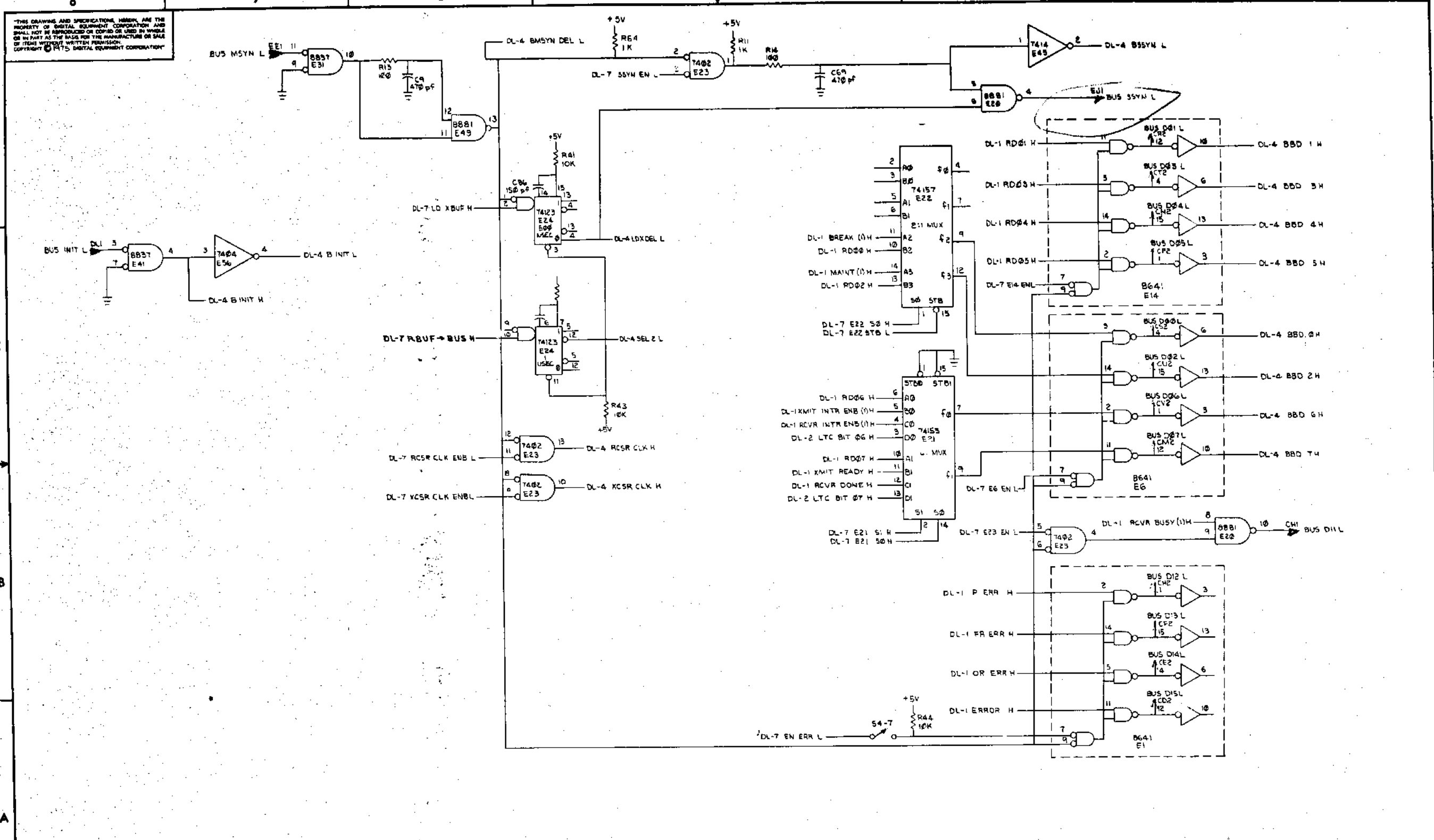


NOTE: PARTITION THESE COMPONENTS WITH THOSE NOTED ON SHT. 4



REVISIONS		
CHK	CHANGE NO	REV

"THIS DRAWING AND SPECIFICATIONS HEREIN ARE THE PROPERTY OF DIGITAL EQUIPMENT CORPORATION AND SHALL NOT BE REPRODUCED OR COPIED OR USED IN WHOLE OR IN PART AS THE BASIS FOR THE MANUFACTURE OR SALE OF ITEMS WITHOUT WRITTEN PERMISSION. COPYRIGHT © 1975, DIGITAL EQUIPMENT CORPORATION"



REVISIONS		
CHK	CHANGE NO.	REV

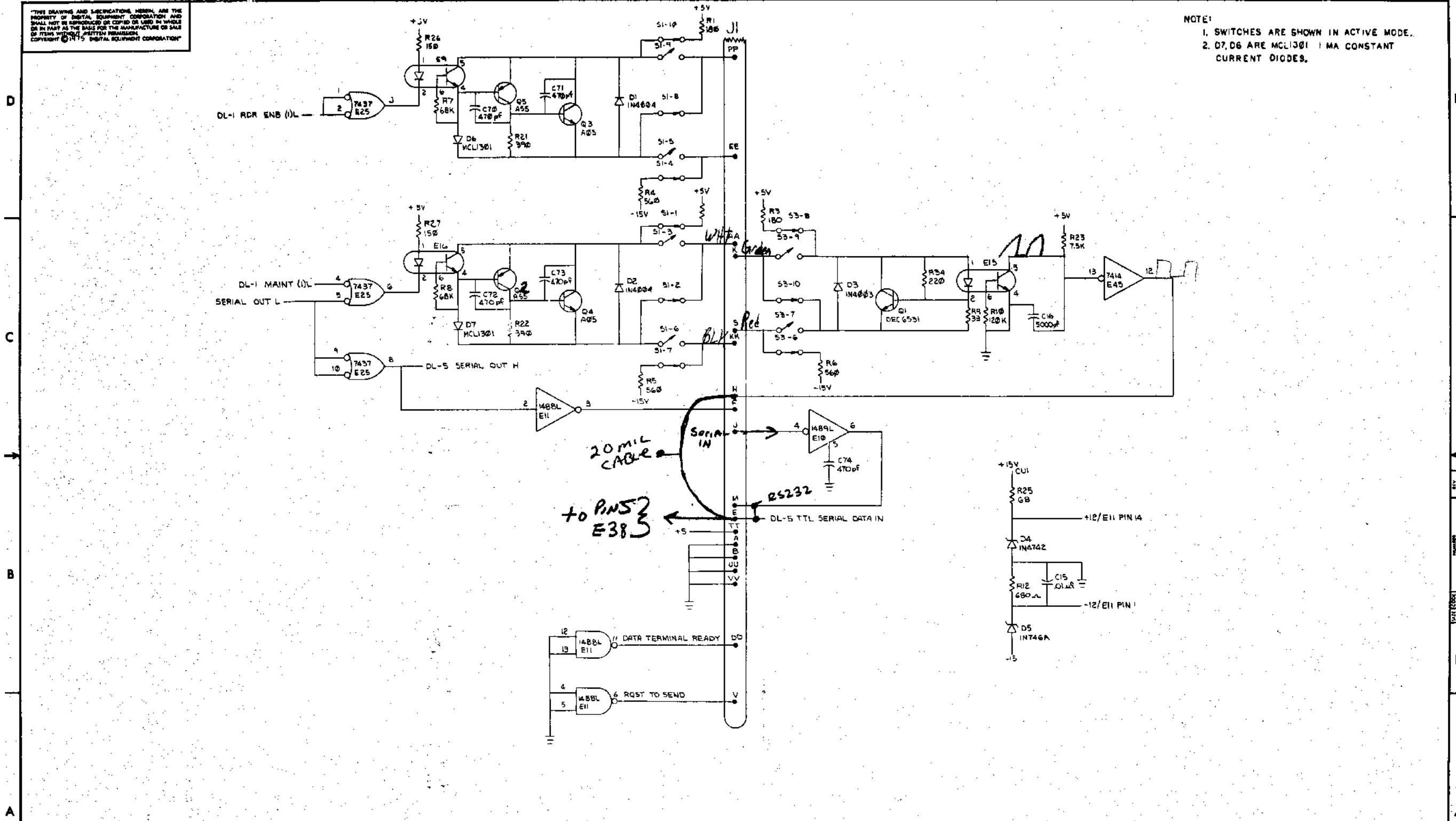
TITLE	SIZE/CODE	NUMBER	REV.
SLU/RTC OPTION (DL-4)	D CS	M7856-0-1	E
SCALE	SHEET	OF	DIST.
	6	9	

1500
 1p11 0000 0000 0000
 160000

3 1-0-962W500 2

THIS DRAWING AND SPECIFICATIONS HEREIN ARE THE PROPERTY OF DIGITAL EQUIPMENT CORPORATION AND SHALL NOT BE REPRODUCED OR COPIED OR USED IN WHOLE OR IN PART AS THE BASIS FOR THE MANUFACTURE OR SALE OF ITEMS WITHOUT WRITTEN PERMISSION. COPYRIGHT © 1975 DIGITAL EQUIPMENT CORPORATION

NOTE:
 1. SWITCHES ARE SHOWN IN ACTIVE MODE.
 2. D7, D6 ARE MCL1301 1 MA CONSTANT CURRENT DIODES.

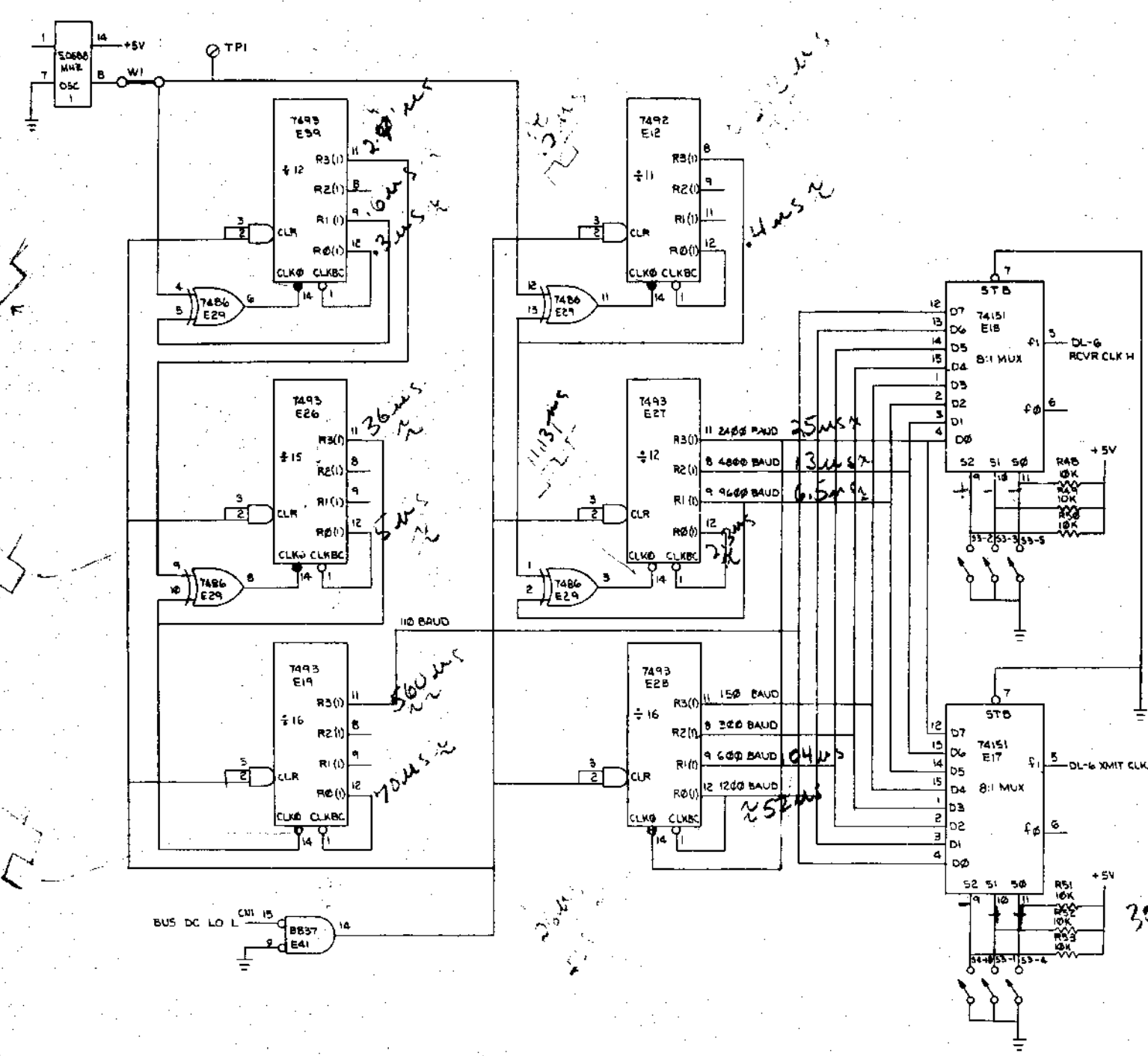


REVISIONS		
CHK	CHANGE NO.	REV.

TITLE	SIZE/REV	NUMBER	REV.
SLU/RTC OPTION (DL-5)	D CS M7856-0-1	1	E
SCALE	BHEET 7 OF 9	DIST.	

DEC FORM NO. 080 120

THIS DRAWING AND SPECIFICATIONS HEREAFTER ARE THE PROPERTY OF DIGITAL EQUIPMENT CORPORATION AND SHALL NOT BE REPRODUCED OR COPIED OR USED IN WHOLE OR IN PART AS THE BASIS FOR THE MANUFACTURE OR SALE OF ITEMS WITHOUT WRITTEN PERMISSION. COPYRIGHT © 1975, DIGITAL EQUIPMENT CORPORATION.

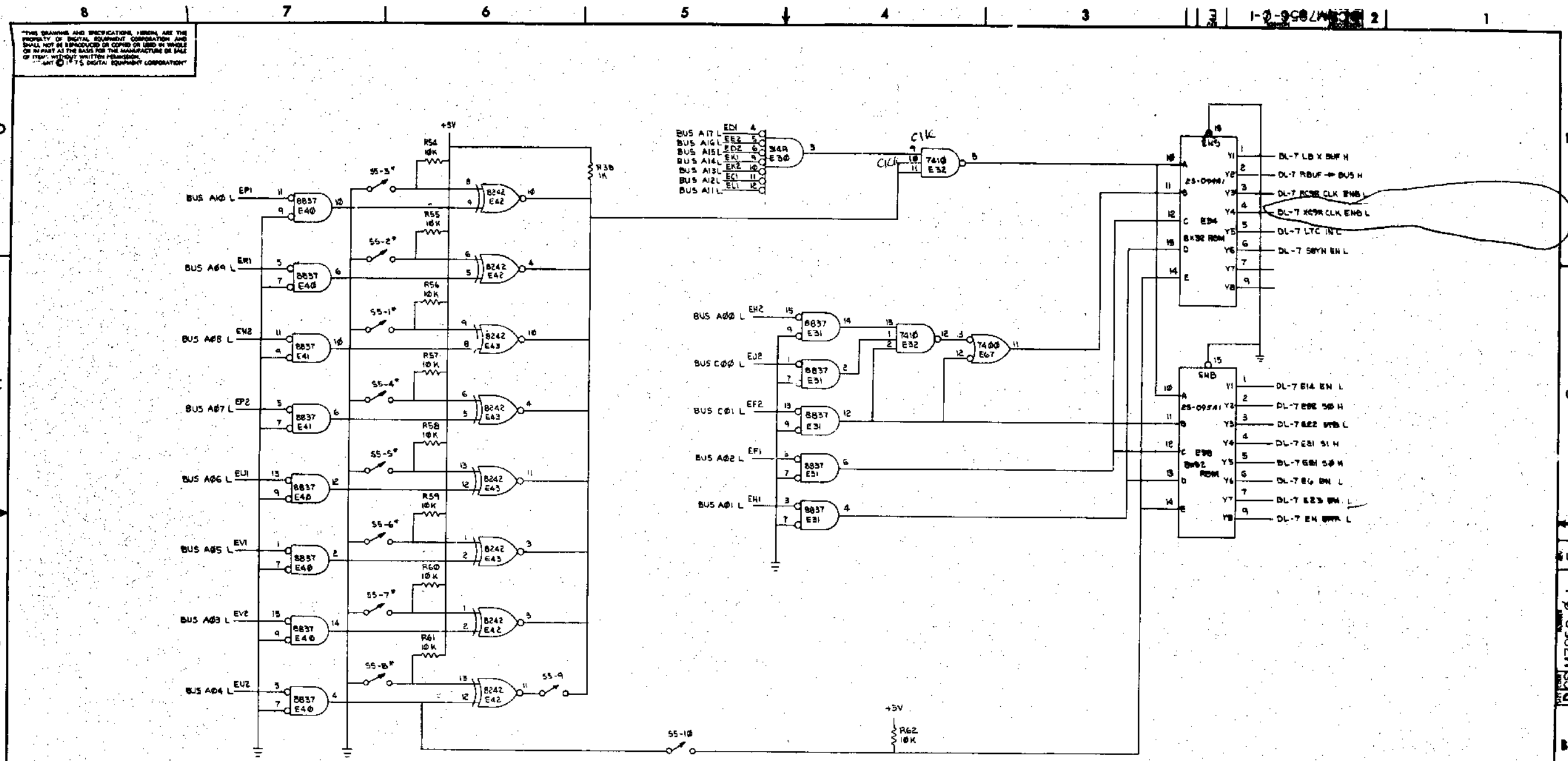


BAUD RATE	RCVR			XMIT		
	S3-2	S3-3	S3-5	S4-10	S3-1	S3-4
110	OFF	OFF	OFF	ON	ON	ON
150	ON	OFF	OFF	OFF	ON	ON
300	OFF	ON	ON	ON	OFF	OFF
600	OFF	ON	OFF	ON	OFF	ON
1200	OFF	OFF	ON	ON	ON	OFF
2400	ON	ON	ON	OFF	OFF	OFF
4800	ON	ON	OFF	OFF	OFF	ON
9600	ON	OFF	ON	OFF	ON	OFF

Handwritten notes: 2.14ms, 36ms, 70ms, 110 BAUD, 25ms, 30ms, 300 Baud, 300 Baud.

REVISIONS		
CHK	CHANGE NO.	REV.

THIS DRAWING AND SPECIFICATIONS HEREON ARE THE PROPERTY OF DIGITAL EQUIPMENT CORPORATION AND SHALL NOT BE REPRODUCED OR COPIED OR USED IN WHOLE OR IN PART AS THE BASIS FOR THE MANUFACTURE OR SALE OF ITEMS WITHOUT WRITTEN PERMISSION.
 © 1975 DIGITAL EQUIPMENT CORPORATION



* ADDRESS SELECTION SWITCHES OFF=1 ON=0

REVISIONS		
CHK	CHANGE NO.	REV.

TITLE	SLU/RTC OPTION (DL-7)	REV.	E
DATE	7/7	SHEET	5 OF 5

CS M785C-0-1

4

3



REV. NUMBER 6-0-9587W KCS 2

1

"THIS DRAWING AND SPECIFICATIONS HEREIN ARE THE PROPERTY OF DIGITAL EQUIPMENT CORPORATION AND SHALL NOT BE REPRODUCED OR COPIED OR USED IN WHOLE OR IN PART AS THE BASIS FOR THE MANUFACTURE OR SALE OF ITEMS WITHOUT WRITTEN PERMISSION. COPYRIGHT © 1975, DIGITAL EQUIPMENT CORPORATION"

B



(FOR 23094A1-A07 & 23095A1-A07)

DESCRIPTION		DWG./PART NO.		ITEM NO.		
UNLESS OTHERWISE SPECIFIED DIMENSIONS ARE IN INCHES						
ANGLES ±0° 30'	CLASS OF ACCURACY (CHECK ONE)	NOMINAL DIMENSION RANGE INCHES				
		OVER 0 TO 0.2	OVER 0.2 TO 1.2	OVER 1.2 TO 4.0	OVER 4.0 TO 12.0	OVER 12.0 TO 40.0
SURFACE QUALITY IN MICROINCHES	MEDIUM <input type="checkbox"/>	±.004	±.008	±.012	±.016	±.024
	PREFERRED <input checked="" type="checkbox"/>	±.012	±.016	±.026	±.04	±.063

A

THIRD ANGLE PROJECTION 	DRN. J. [Signature]	FIRST USED ON DLII-W digital
REMOVE BURRS AND BREAK SHARP CORNERS	CHK'D [Signature]	TITLE ROM LISTING
DO NOT SCALE DWG	ENG. [Signature]	
	PROJ. ENG. [Signature]	
	PROD. [Signature]	
MATERIAL + + +	D-CS-M7856-0-1	SIZE CODE NUMBER REV. K CS M7856-0-9
FINISH + + +	SCALE + + +	SHEET 1 OF 3

134

4

3



2



1

1
DEC PART NUMB: 2309401-A07
ORIGINATOR: BOB PRATT
DATE OF ORIGIN: 2/28/75

ROM PATTERN SPEC

DECIMAL LOC	OCTAL LOC	BINARY DATA	OCTAL DATA
0	00	00111100	074
1	01	00111100	074
2	02	00111100	074
3	03	00111100	074
4	04	00111100	074
5	05	00111100	074
6	06	00111100	074
7	07	00111100	074
8	10	00111100	074
9	11	00111100	074
10	12	00111100	074
11	13	00111100	074
12	14	00001100	014
13	15	00111100	074
14	16	00011100	034
15	17	00111100	074
16	20	00011000	030
17	21	00111100	074
18	22	00011100	034
19	23	00111100	074
20	24	00010100	024
21	25	00111100	074
22	26	00011100	034
23	27	00111100	074
24	30	00011100	034
25	31	00111100	074
26	32	00011110	036
27	33	00111100	074
28	34	00011101	035
29	35	00111100	074
30	36	00011100	034
31	37	00111100	074

135

1
DEC PART NUMB: 23-095A1-A07
ORIGINATOR: BOB PRATT
DATE OF ORIGIN: 2/28/75-

ROM PATTERN SPEC

PAGE 3 OF 3

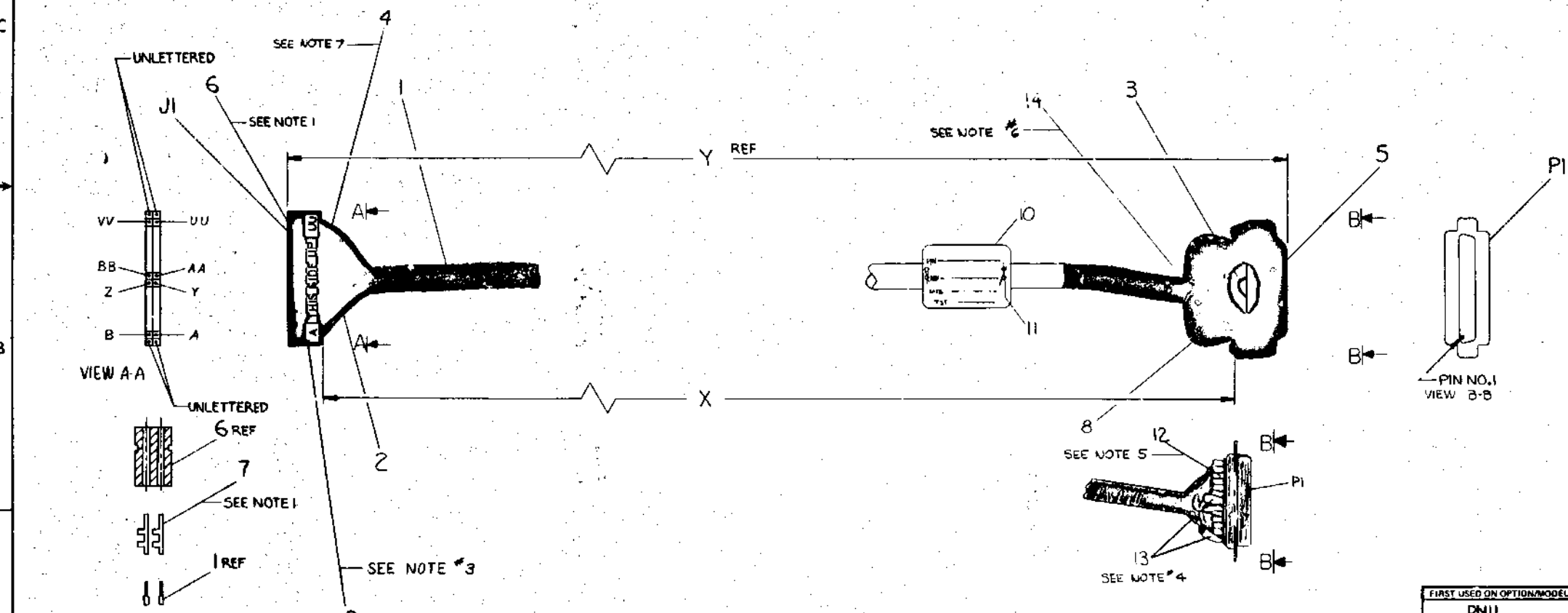
DECIMAL LOC	OCTAL LOC	BINARY DATA	OCTAL DATA
0	00	11111111	377
1	01	11111111	377
2	02	11111111	377
3	03	11111111	377
4	04	11111111	377
5	05	11111111	377
6	06	11111111	377
7	07	11111111	377
8	10	11111111	377
9	11	11111111	377
10	12	11111111	377
11	13	11111111	377
12	14	11011111	337
13	15	11111111	377
14	16	11111111	377
15	17	11111111	377
16	20	10001111	217
17	21	11111111	377
18	22	11111111	377
19	23	11111111	377
20	24	11010001	321
21	25	11111111	377
22	26	11111111	377
23	27	11111111	377
24	30	01000010	102
25	31	11111111	377
26	32	11111111	377
27	33	11111111	377
28	34	11111111	377
29	35	11111111	377
30	36	11111111	377
31	37	11111111	377

WIRE TABLE															
ITEM NO.	DESCRIPTION	FROM			TO			ITEM NO.	DESCRIPTION	FROM			TO		
		AWG	COLOR	CONNECTION	WITH	CONNECTION	WITH			AWG	COLOR	CONNECTION	WITH	CONNECTION	WITH
1	26	BLU/WHT	PI-1	* SOLDER		J1-VV	7	1	26	RED/BRN	PI-16	SOLDER		J1-NN	7
		WHT/BLU	PI-2			J1-F				SLA	PI-17			J1-R	
		ORN/WHT	PI-3			J1-J				RED/SLA	PI-18			J1-U	
		WHT/ORN	PI-4			J1-V				BLU/BLK	PI-19			J1-P	
		GRN/WHT	PI-5			J1-T				BLK/BLU	PI-20			J1-DD	
		WHT/GRN	PI-6			J1-Z				ORN/BLK	PI-21			J1-MM	
		BRN/WHT	PI-7	**		J1-UU				BLK/ORN	PI-22			J1-X	
		WHT/BRN	PI-8			J1-BB				GRN/BLK	PI-23			J1-RR	
		SLA/WHT	PI-9			J1-Y				BRN/RED	PI-24			J1-L	
		WHT/SLA	PI-10			J1-W				RED/ORN	PI-25			J1-C	
		BLU/RED	PI-11			J1-FF				SHIELD	PI-1	*		J1-A	7
		RED/BLU	PI-12			J1-JJ				SHIELD	PI-7	**		J1-B	7
		ORN/RED	PI-13			J1-D				BLK	PI-1	* SOLDER		PI-7 ** SOLDER	
		SLA/RED	PI-14			J1-LL				2	26	RED		J1-E	7
		SLA/GRN	PI-15	SOLDER		J1-N	7								

NUMBER	VARIATION	
	DIM X	DIM Y (PRECUT)
BC05C-25	25'±9"	25'1.8"
BC05C-50	50'±22"	50'1.8"
BC05C-09	9'±3"	9'1.8"

- NOTES:**
- MANUFACTURING SHOULD USE MACHINE CRIMPER TOOL FOR CRIMPING PINS (ITEM #1) MUST BE HT68 FROM BERG ELECT
 - ONLY DEC PART # 1210090-0-0 MAY BE USED AS J1.
 - PLACE ITEM #9 ("THIS SIDE UP" STICKER) ON LETTERED SIDE OF ITEM #6 (BERG HOUSING) AS SHOWN.
 - USE ITEM #13 (9107302-11) IN TWO PLACES (PI-1, PI-7) TO PREVENT SHORTING
 - USE ITEM #12 (9107295-11) ON ALL REMAINING SOLDER CUPS TO PREVENT SHORTING.
 - DUE TO TOLERANCES WITH DIFFERENT VENDORS THE HOOD (ITEM #8) MAY VARY IN OUTSIDE DIAMETER. CAUSING POTENTIAL STRAIN RELIEF GRIPPING PROBLEM SHOULD THIS CONDITION BE PRESENT USE ITEM #4 (9107834) AT JUNCTION OF CABLE AND HOOD.
 - PLACE ITEM #4 (9107256) OVER SHIELD WIRE J1-A, J1-B, PI-1, PI-7.

* DENOTES THREE WIRES ARE SOLDERED INTO THE PI-1 SOLDER CUP
 ** DENOTES THREE WIRES ARE SOLDERED INTO THE PI-7 SOLDER CUP



TOP VIEW OF HOUSING

REV	DATE	BY	CHK	DESCRIPTION
1	11-14-78	SMITH		BC05C-00001
2	11-14-78	SMITH		BC05C-00002
3	11-14-78	SMITH		BC05C-00003
4	11-14-78	SMITH		BC05C-00004
5	11-14-78	SMITH		BC05C-00005
6	11-14-78	SMITH		BC05C-00006
7	11-14-78	SMITH		BC05C-00007
8	11-14-78	SMITH		BC05C-00008
9	11-14-78	SMITH		BC05C-00009
10	11-14-78	SMITH		BC05C-00010

A/R	DESCRIPTION	QTY	PART NO.	ITEM P.O.
A/R	TAPE, DOUBLE SIDED		9007834	14
A/R	TUBING, 10 AWG, CLEAR		9107302-11	13
A/R	TUBING, 14 AWG, CLEAR		9107295-11	12
2	TIE WRAPS		9007031	11
1	CABLE, LABEL		9009532	10
1	LABEL, THIS SIDE UP		3611567	9
1	HOOD, #DB51226-1 CINCH		1205085	8
29	SOCKET, #HT-60		1210089-5	7
1	HOUSING, #20383 BERG		1210090-0-0	6
1	PLUG, #DB-25P CINCH		1205866	5
A/R	TUBING, #22 AWG TEF BLK		9107256-00	4
A/R	WIRE, #26 AWG STRD TEF BLK		9107636-00	3
A/R	WIRE, #26 AWG STRD TEF RED		9107636-22	2
A/R	CABLE, 25 CONDUCTOR #26 AWG		9107736	1

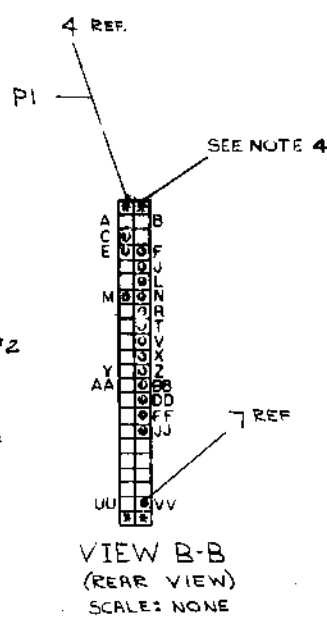
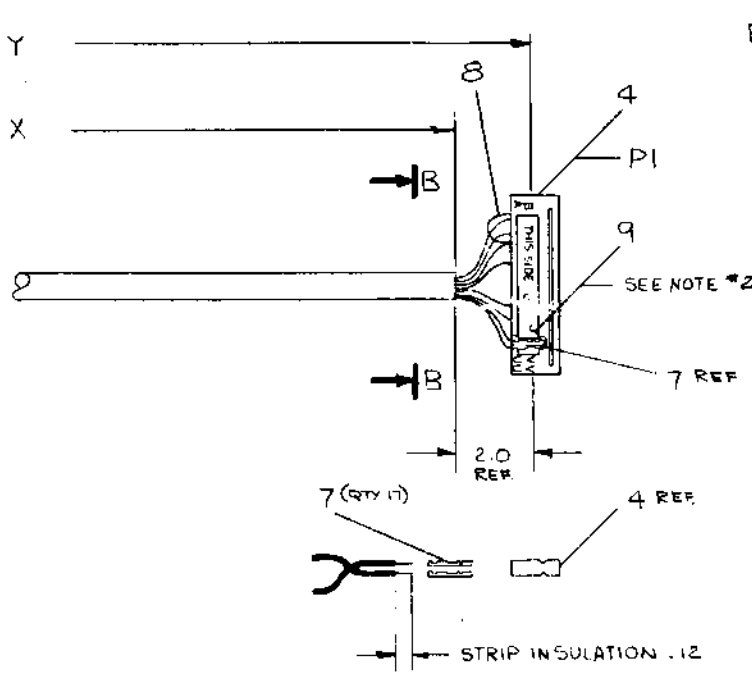
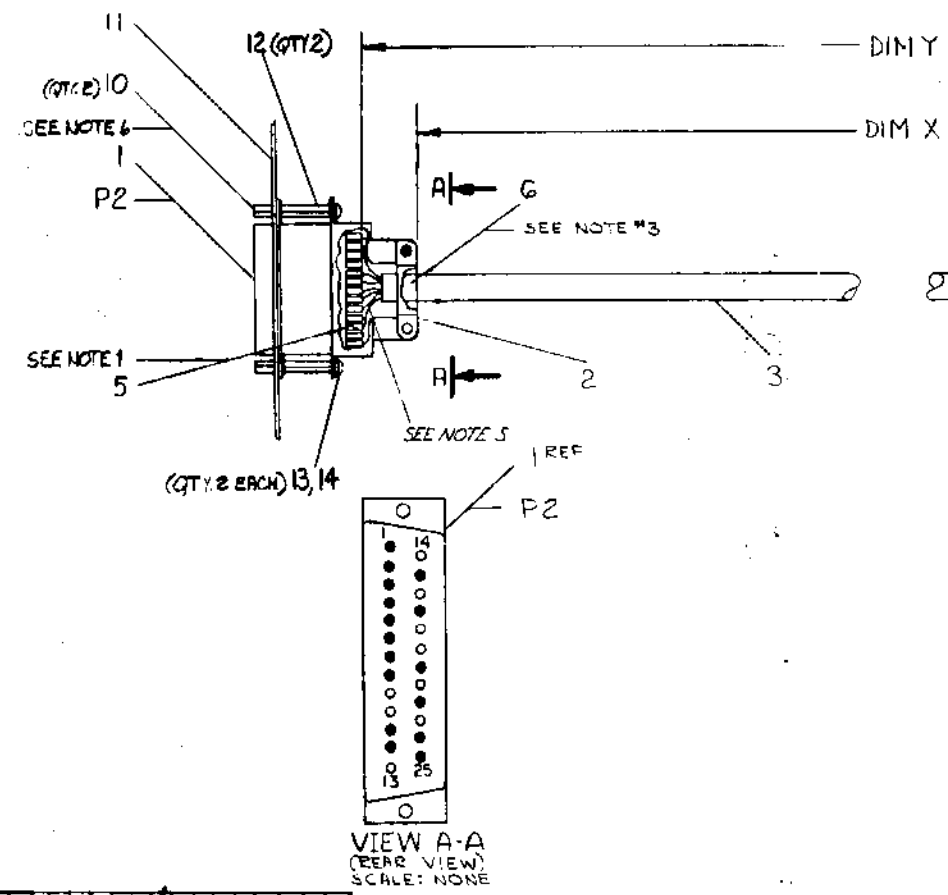
FIRST USED ON OPTION/MODEL	QTY.	DESCRIPTION	PART NO.	ITEM P.O.
DN11				
UNLESS OTHERWISE SPECIFIED DIMENSION IN INCHES TOLERANCES				
DECIMALS	ANGLES			
XXX - .008	XX - .02			
X - .1				
REMOVE BURRS AND BREAK SHARP CORNERS SURFACE QUALITY				
MATERIAL				
FINISH				
EQUIPMENT CORPORATION				
TITLE				
CABLE, MODEM				
BC05C				
SIZE CODE				
DUA BC05C-0-0-0				
SCALE				
DATE				

THIS DRAWING AND SPECIFICATIONS HEREBY ARE THE PROPERTY OF DIGITAL EQUIPMENT CORPORATION AND SHALL NOT BE REPRODUCED OR COPIED OR USED IN WHOLE OR IN PART AS THE BASIS FOR THE MANUFACTURE OR SALE OF ITEMS WITHOUT WRITTEN PERMISSION. COPYRIGHT © 1975, DIGITAL EQUIPMENT CORPORATION

WIRE TABLE						
ITEM NO	DESCRIPTION	FROM		TO		WITH
		AWG	COLOR	CONNECTION	WITH	
3	22	BLK	PI-VV	7	P2-7	SOLDER
		GRN/WHT	PI-C		P2-25	
		GRN/BLK	PI-JJ		P2-12	
		GRN/BLK	PI-FF		P2-11	
		RED	PI-DD		P2-20	
		GRN	PI-BB		P2-8	
		BLU/WHT	PI-Z		P2-6	
		ORN	PI-X		P2-22	
		BLU	PI-V		P2-4	
		WHT	PI-T		P2-5	
		BLU/BLK	PI-R		P2-17	
		BLK/WHT	PI-N		P2-15	
		RED/WHT	PI-L		P2-24	
		WHT/BLK	PI-J		P2-3	
3		RED/BLK	PI-F		P2-2	SOLDER
8		BLK	PI-E	7	PI-M	7
8	22	BLK	P2-1	SOLDER	P2-7	SOLDER

LEGEND		
NUMBER	VARIATION	
	DIM "X"	DIM "Y" PRECUT
BC03L-10	10FT ± 2IN	10FT, 5IN
BC03L-5	5FT ± 2IN	5FT, 5IN
BC03L-1K	1FT 9IN ± 1IN	2FT

- NOTES
- EACH SOLDERED CONN ON P2 SHALL BE INSULATED WITH A .25 PIECE OF SHRINK TUBING (ITEM #5)
 - PLACE ITEM #9 (THIS SIDE UP STICKER) ON LETTERED SIDE OF ITEM #4 (CONN HOUSING) AS SHOWN.
 - FOR STRAIN RELIEF WRAP 2 TURNS OF TAPE (ITEM #6) AROUND CABLE (ITEM #3) AS SHOWN.
 - PINS MARKED * IN VIEW B-B ARE NOT USEABLE
 - WIRES COMING FROM CENTER OF PLUG CONN SHOULD BE 5/8 LG. ALL OTHERS SHOULD BE CONFINED INTO HOOD OF CONN. SO THAT THEY'RE NOT BUNCHED.
 - PLACE LOCK WASHER (SUPPLIED WITH ITEM #10) BETWEEN SPACER AND CONNECTOR FLANGE. DISCARD NUT (QTY 2) SUPPLIED WITH ITEM #10.



QTY	DESCRIPTION	DWG PART NO.	ITEM NO.
2	WASHER, LOCK #4	9006488	14
2	SCR. PHL PAN HD #4-40 X .25	9008301-1	13
2	SPACER, THREADED, HEX	9008839	12
1	PLATE, CONN. MFG.	BHD-7414072-0-0	11
2	SCREW LOCK ASSY	9008451-00	10
1	LABEL (THIS SIDE UP)	3611567	9
3	WIRE, STRANDED #22 AWG TPVC (BLK)	9107350-00	8
17	SOCKET, CRIMP	1210089-07	7
AVR	TAPE, DOUBLE SIDED .50 W.D.	9007834	6
16	TUBING, HEAT SHRINK .12	9107255-09	5
1	CONN, 44 POS, H56.	1210918-15	4
AVR	CABLE, 13 COND, 22 AWG.	9107672-00	3
1	HOOD, CONN.	1212516-00	2
1	CONNECTOR, PLUG, FILTERED	1214031-00	1

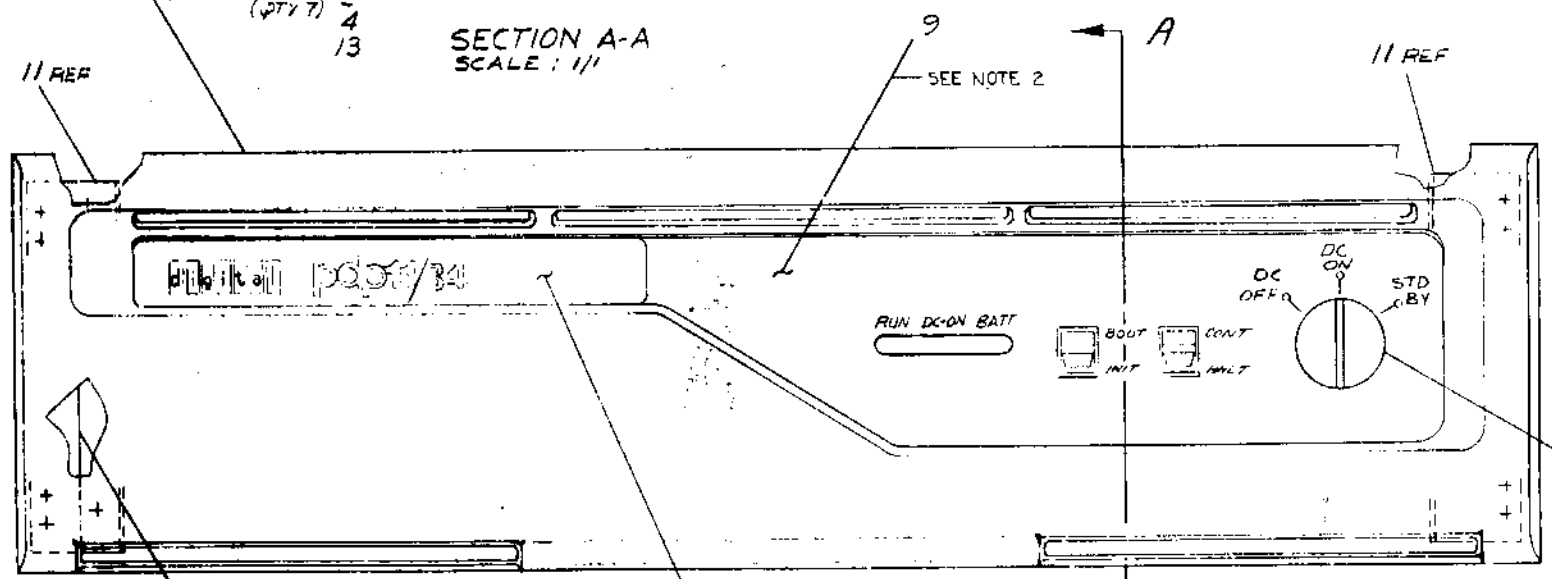
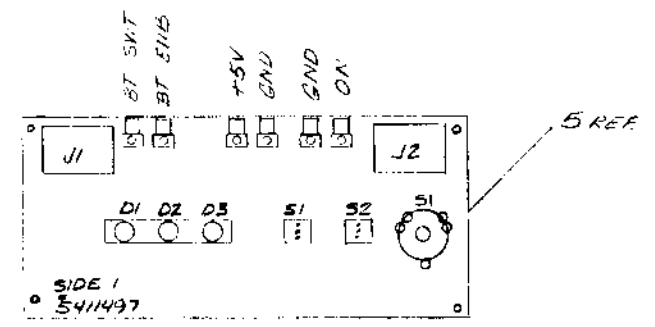
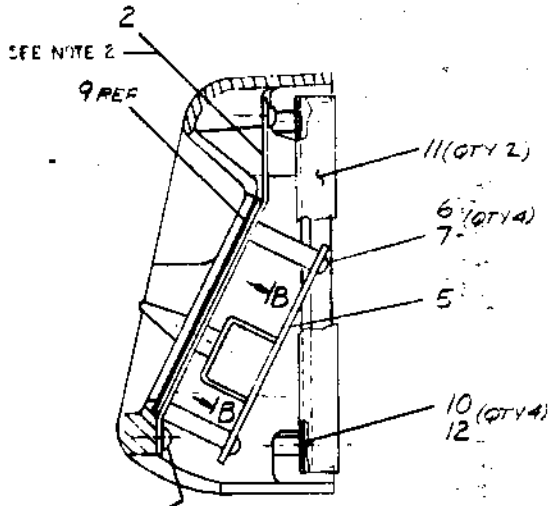
REV.	DATE	BY	CHKD	APP'D	DESCRIPTION
1					
2					
3					
4					
5					
6					
7					
8					

THIRD ANGLE PROJECTION		FIRST USED ON	
REMOVE BURRS AND BREAK SHARP CORNERS	DO NOT SCALE DWG	SCALE 1/1	SHEET OF
MATERIAL SEE PARTS LIST	FINISH	SIZE CODE D UA	NUMBER BC03L-0-0
DESCRIPTION		DWG PART NO.	
UNLESS OTHERWISE SPECIFIED DIMENSIONS ARE IN INCHES			
ANGLE 90° 30'	CLASS OF ACCURACY	NORMAL DIMENSION RANGE INCHES	
SURFACE QUALITY IN	(CHECK ONE)	OVER 0 TO 1.25	OVER 1.25 TO 3.125
		OVER 3.125 TO 6.25	OVER 6.25 TO 12.5
MICROINCHES	PREFERRED	1.000	1.012
		1.012	1.025
QUANTITY & VARIATION		REV. D	
TITLE		REV. D	
FILTERED CABLE ASSY.		REV. D	
BC03L		REV. D	

THIS DRAWING AND SPECIFICATIONS HEREIN ARE THE PROPERTY OF DIGITAL EQUIPMENT CORPORATION AND SHALL NOT BE REPRODUCED OR COPIED OR USED IN WHOLE OR IN PART AS THE BASIS FOR THE MANUFACTURE OR SALE OF ITEMS WITHOUT WRITTEN PERMISSION. COPYRIGHT © 1973, DIGITAL EQUIPMENT CORPORATION.

NOTES

1. PART NO. 7415557-10 MAY BE USED IF 7415558 IS NOT AVAILABLE.
2. BEFORE APPLYING CLEANING SOLUTIONS TO THE PANEL, CLEAN ITEM 2 THOROUGHLY AFTER CLEANING. APPLY AN EVEN THIN LAYER. AEROSOL ADHESIVE TAP TO ITEM 1 ONLY. DO NOT ATTACK THE SURFACE OF ITEM 1. AVOID PRESSURE FOR A PERIOD OF 15-20 SECONDS.
3. OVERLAY DECAL TO BE SUPPLIED AND SHIPPED WITH THE UNIT AND APPLIED AS SHOWN IF REQUIRED AT FAAT.



ITEM NO.	DESCRIPTION	DWG/PART NO.	QTY
1	OVERLAY, DECAL 11/34	A-PS-613355-0-1	4
7	WASHER, FLAT 375-87-036	35-2660-0	13
4	SPACER, HEX 1/4 X .38 LG	9006802	12
2	BKLT. FILTER SUPPORT	GND-741492-0-0	11
4	SCR. PHIL FL HD #32 X .62	9006040-2	10
1	PANEL, CONTROL CONSOLE	D-1474350-0-0	9
1	KNOB, ROTARY SWITCH	1212570	5
4	SCR. PHIL HD RN #32 X .39	9006022-1	7
4	SPACER #6-32 X .87	9001861	6
1	CIRCUIT ETCH BD KYII-LA	D-5541497-0-0	5
7	SURFILL HD RN #32 X .31	9009799-06	4
7	WASHER SPRING LOCK #3	9006670	5
1	SUPPORT, PANEL	D-1474350-0-0	2
1	BEZEL 11/04	E-MD-7415557-10	1

CLASS OF ACCURACY	UNLESS OTHERWISE SPECIFIED DIMENSIONS ARE IN INCHES
1/16"	0.001
1/32"	0.002
1/64"	0.003
3/128"	0.004
1/32"	0.005
1/16"	0.006
3/64"	0.007
1/16"	0.008
3/32"	0.009
1/8"	0.010
3/16"	0.012
1/4"	0.015
3/8"	0.020
1/2"	0.025
3/4"	0.030
1"	0.040

THIRD ANGLE PROJECTION

REMOVE BIRDS AND BREAK SHARP CORNERS

DO NOT SCALE DWG

NEXT HIGHER ASSY.

MATERIAL: ST-20-3/16-2-A

SCALE: 1/11

FINISH: 100

QUANTITY & VARIATION

NOTE 1

DRY CLEANING

CHECKED: [Signature]

ENG: [Signature]

PROD: [Signature]

FIRST USED ON: 11/04

TITLE: CONSOLE, OPER, ASSEMBLY

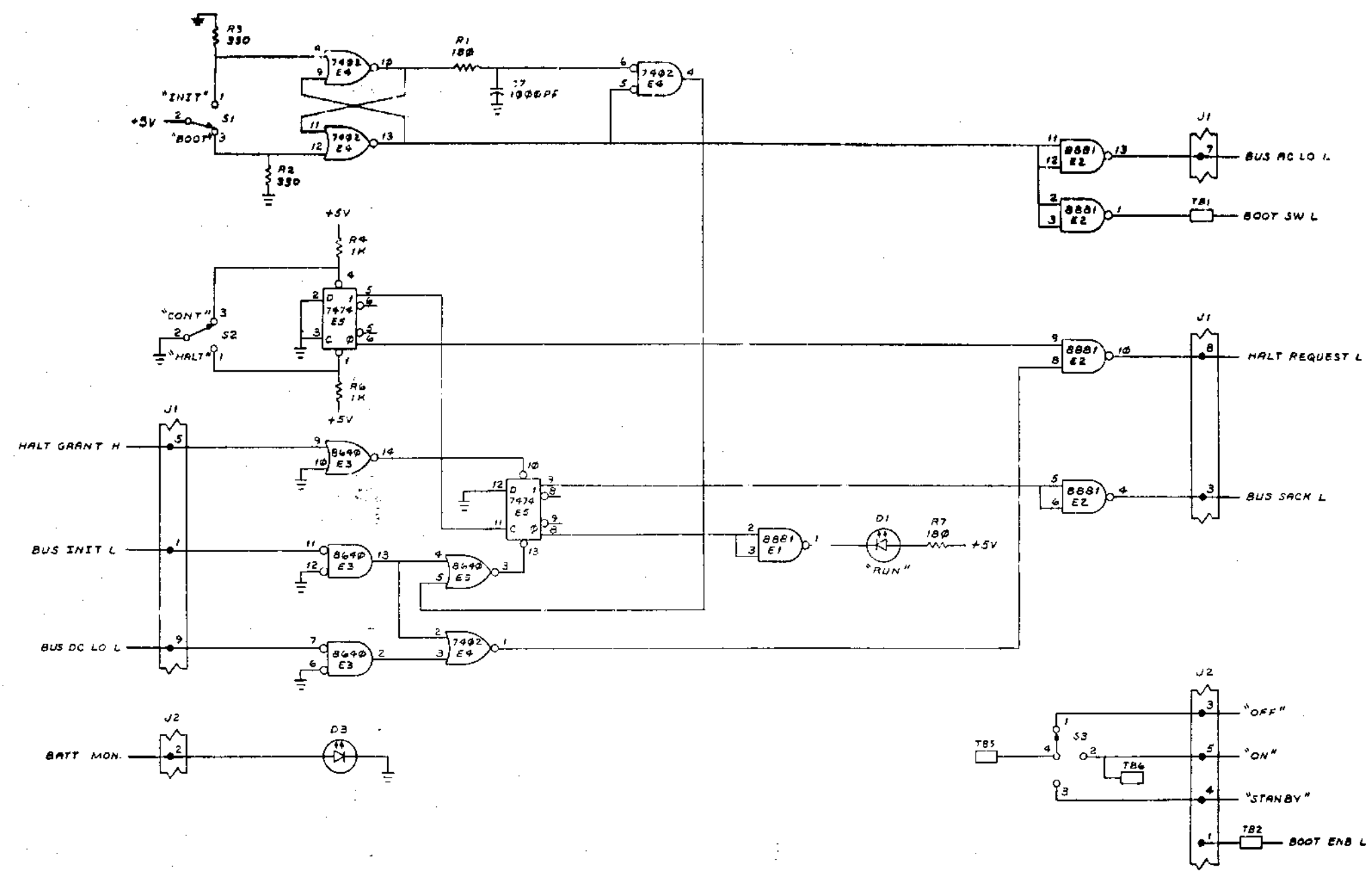
SIZE: DUA

NUMBER: KYII-LA-0

REV: C

REV.	DESCRIPTION	DATE
1	INITIAL DESIGN	11/77
2	REVISED FOR MANUFACTURE	11/77
3	REVISED FOR MANUFACTURE	11/77
4	REVISED FOR MANUFACTURE	11/77
5	REVISED FOR MANUFACTURE	11/77
6	REVISED FOR MANUFACTURE	11/77
7	REVISED FOR MANUFACTURE	11/77
8	REVISED FOR MANUFACTURE	11/77

THIS DRAWING AND INFORMATION HEREON ARE THE PROPERTY OF THE UNITED STATES GOVERNMENT AND SHALL NOT BE DISTRIBUTED OR USED IN WHOLE OR IN PART AS THE BASIS FOR THE MANUFACTURE OR SALE OF ANY PRODUCT WITHOUT PERMISSION THEREOF.



REVISIONS		
CHK	CHANGE NO.	REV.

CUSTOMER PRINT SET INDEX

THIS IS PRINT SET

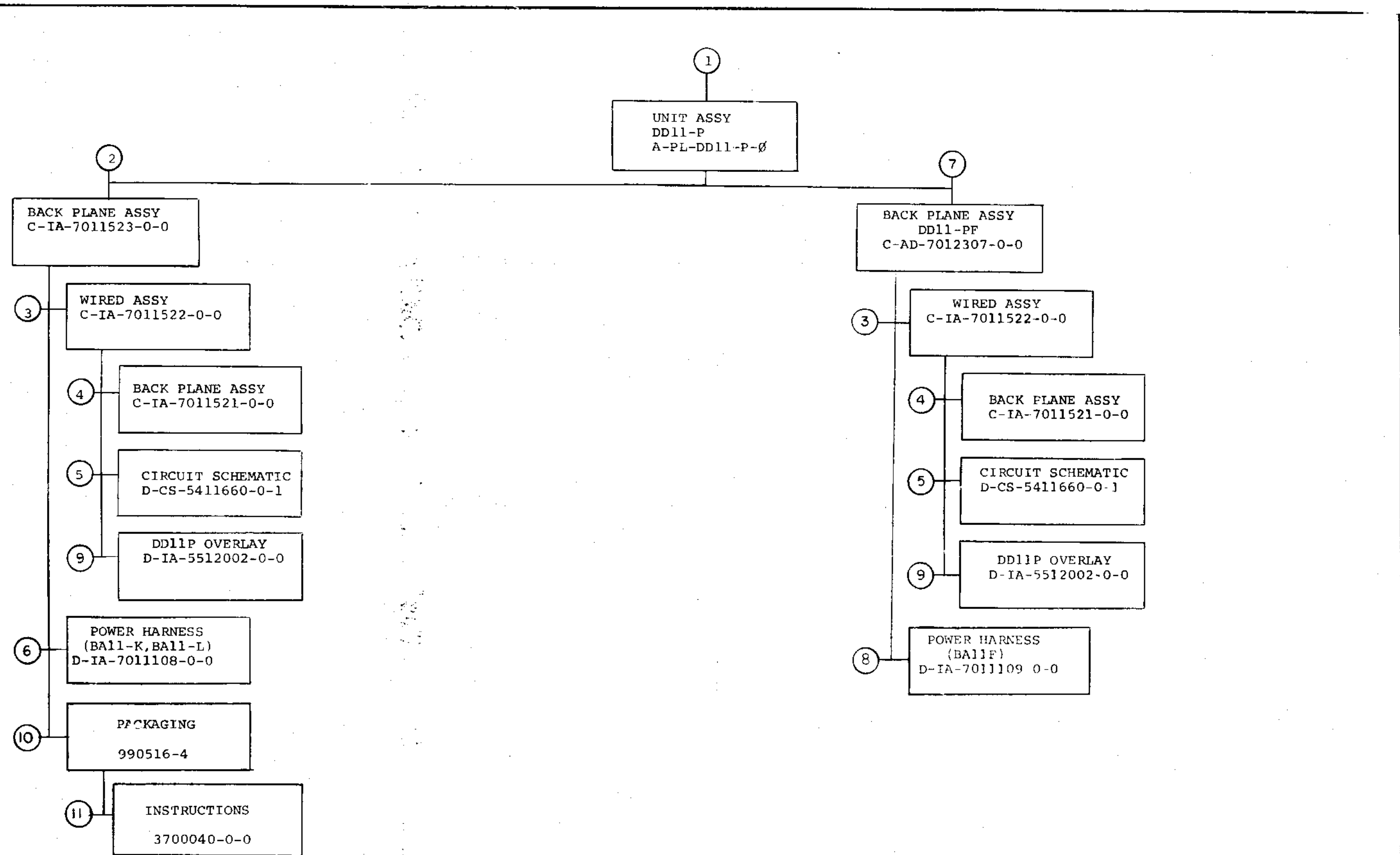
	SEQUENCE	SEQUENCE
DRAWING DIRECTORY (DD11-P)	B-DD-DD11-P	
BACK PLANE ASSY (DD11PK)	C-AD-7011523-0-0	
BACK PLANE ASSY (DD11PF)	C-AD-7012307-0-0	
MODULE UTILIZATION (DD11-P)	D-MU-DD11-P-2	
POWER HARNESS (BAll-K, BAll-L)	D-IA-7011108-0-0	
POWER HARNESS (BAll-F, BAll-P)	D-IA-7011109-0-0	
CIRCUIT SCHEMATIC (DD11-P)	D-CS-5411660-0-1	
WIRE LIST (COMPLETE)	K-WL-DD11-P-1	

NOTE: DD11PK ASSEMBLIES ARE ELECTRICALLY INCOMPATIBLE WITH DD11PF ASSEMBLIES. A DD11PK WILL WORK IN BAll-L AND BAll-K BOXES ONLY. A DD11PF WILL WORK IN BAll-F AND BAll-P BOXES ONLY

UNIT VARIATIONS		PRINT SET	
VAR	TITLE	1	
DD11-PK	BACK PLANE ASSY (BAll-L, BAll-K)	X	
DD11-PF	BACK PLANE ASSY (BAll-F, BAll-P)	X	

DEC 18-1976: 1062-1A-R172

REVISIONS	DATE	CHG. NO.	REV	USED ON OPTION/MODEL	DRN.	DATE	TITLE	SIZE	CODE	NUMBER	REV
	2-76	DDIIP-2	A		D. BEALY	DATE					
2-3-76	R. Barry	DDIIP-3	B		CHK'D.	6/3/72	DRAWING DIRECTORY DD11-P				
9-76		DDIIP-4	C		PROJ ENG.	2-2-75					
12-76		DDIIP-4	C		PROD.	7/3/75					
2-77		DDIIP-5	D		FIELD SERV.	1-2-76					
				SHEET 1 OF 3					DIST		



TITLE	SHEET	SIZE	CODE	NUMBER	REV
DRAWING DIRECTORY DD11-P	2 OF 3	B	DD	DD11-P	D

CUSTOMER PRINT SET		ELECTRICAL					CUSTOMER PRINT SET		MECHANICAL				
	MFG. SET	FIND NO.	REV	NO OF SHT	DESCRIPTION	OPTION NO./FILE DATE		MFG. SET	FIND NO.	REV	NO OF SHT	DESCRIPTION	OPTION NO./FILE DATE
		1		1	UNIT ASSY DD11-P				1		1	UNIT ASSY DD11-P	
X				1	MODULE UTILIZATION								
									2		1	BACK PLANE ASSY DD11-PK	
X		2		1	BACK PLANE ASSY DD11-PK				3		1	WIRED ASSY	
											1	DECAL 21 POINT (LTR)	
X		3		1	WIRED ASSY						1	LABEL, AWT REV STATUS	
X		5		1	CIRCUIT SCHEMATIC				4		1	BACK PLANE ASSY	
X		6		1	POWER HARNESS (BALL-K, BALL-L)				5			CIRCUIT SCHEMATIC	
												ASSY/DRILLING HOLE LAYOUT	
												X-Y COORDINATE HOLE LOCATION	
												MODULE ECO HISTORY	
												ETCH CIRCUIT BOARD	
X		7		1	BACK PLANE ASSY DD11-PF				6		1	POWER HARNESS (BALL-K, BALL-L)	
X		8		1	POWER HARNESS (BALL-F, BALL-P)				7		1	BACKPLANE ASSY DD11-PF	
									8		1	POWER HARNESS (BALL-F, BALL-P)	
									9		1	OVERLAY, WIRING	
									10			PACKAGING	
									11			PACKAGING INSTRUCTIONS	

CUSTOMER PRINT SET CODES
X = PRINT OF DOCUMENT INCLUDED IN PRINT SET
C = INCLUDES ALL PRINTS INDICATED ON DOCUMENT
S = CONFIDENTIAL AUTHORIZED SIGNATURE REQUIRED

TITLE
DRAWING DIRECTORY DD11-P

SHEET 3 OF 3

SIZE CODE
B DD

NUMBER
DD11-P

REV
D

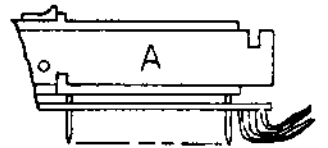
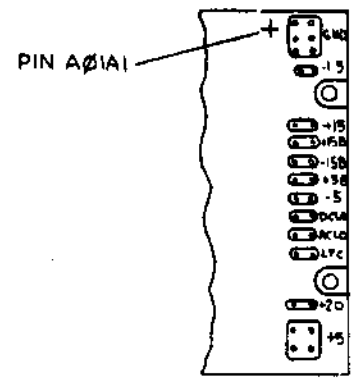
"THIS DRAWING AND SPECIFICATIONS, HEREIN, ARE THE PROPERTY OF DIGITAL EQUIPMENT CORPORATION AND SHALL NOT BE REPRODUCED OR COPIED OR USED IN WHOLE OR IN PART AS THE BASIS FOR THE MANUFACTURE OR SALE OF ITEMS WITHOUT WRITTEN PERMISSION. COPYRIGHT © 1975 DIGITAL EQUIPMENT CORPORATION"

WIRE TABLE

FROM			TO	FROM			TO
COLOR	POINT	CONNECTION	SIGNAL	COLOR	POINT	CONNECTION	SIGNAL
BLUE	P4-13	SOLDER	-15V	BRN	P2-14	SOLDER	-5V
RED	P4-4		+5V	BLK	P2-8		GND
RED	P4-1		+5V	GRAY	P2-2		+15
BLK	P4-8		GND	ORG	P2-3		+20
ORG	P4-3		+20V	BLK	P2-9		GND
BLK	P4-9		GND	RED	P2-12	SOLDER	+5B
WHT	P4-6		+15B	ITEM 5	ITEM 6	SOLDER	GND
GRN	P4-15		-15B				
YEL	P3-4		ACLO				
BLK	P3-1		GND				
BRN	P3-2		LTC				
VIO	P3-3		DCLO				
RED	P2-4		+5V				
RED	P2-1	SOLDER	+5V				

NOTES:

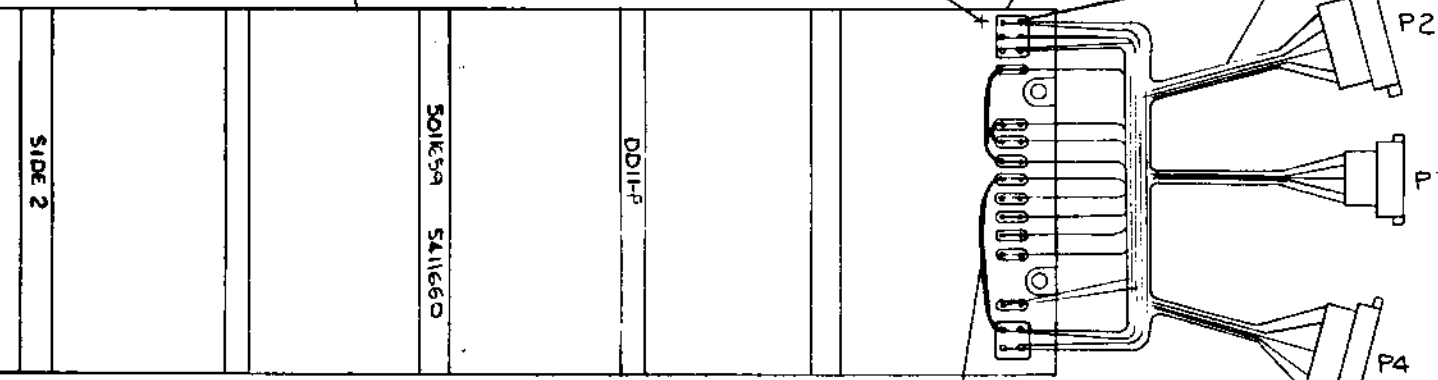
- WHEN THE DDII-PK IS USED WITH A BAII-K EXPANSION BOX WITHOUT BATTERY BACK UP, INSTALL THE THREE JUMPERS SHOWN:
 1) -15 TO -15B
 2) +15 TO +15B
 3) +5 TO +5B
 USE #22 SHIELDED BUS WIRE ON SIDE 2. THIS WILL PROVIDE POWER TO THE MOS MEMORY VOLTAGE RAILS.
- INSTALL ITEM #6 UNDER LOGIC FRAME MOUNTING SCREW TO TIE LOGIC GROUND TO CHASSIS GROUND.



VIEW A

SLOT

- 1
- 2
- 3
- 4
- 5
- 6
- 7
- 8
- 9



A/R	DESCRIPTION	PART NO.	QTY.
	COPRESS-O-CARTON	9905016-4	8
	PACKAGING INSTRUCTIONS	3700040-0-0	7
1	TERMINAL, SOLDER	9008150	6
2	WIRE, BLK, STRD#14	9107370-00	5
6	TUBING #22 (BLUE)	9107256-06	4
6	WIRE BUS #22	9107560-01	3
1	POWER HARNESS (BAII-K, BAIU)	D-IA-7011108-0-0	2
1	WIRED ASSY DDII-P	C-IA-7011522-0-0	1

REV.	CHANGE NO.	DATE	BY
A	7011523-00001	15 OCT 75	R. BARRY
B	00002	24 FEB 76	R. BARRY
C	00005	8 MARCH 76	R. BARRY
	00005	17 FEB 77	R. BARRY
		7 APRIL 77	R. BARRY

FIRST USED ON OPTION/MODEL		DDII-P	
DIMENSIONAL TOLERANCE		DIMENSIONS ARE INCHES UNLESS OTHERWISE SPECIFIED	
MILLIMETERS	INCHES	ANGLES	
X.XX ±0.10	.XXX ±.006	40° 30'	
X.X ±0.5	.XX ±.02		
X ±.2	.X ±.1		
THIRD ANGLE PROJECTION	REMOVE BURRS AND BREAK SHARP CORNERS SURFACE QUALITY	NEXT HIGHER ASSY.	
MATERIAL SEE PARTS LIST		FINISH ++	
SCALE ++		SHEET 1 OF 1	

DRN: *R. Miller* DATE: 5/20/75

CHK'D: *D. Hoag* DATE: 7/1/75

ENG: *R. Barry* DATE: 7-2-75

PROJ. ENG: *R. Barry* DATE: 7-2-75

PROD: *R. Barry* DATE: 7/1/75

digital

TITLE: BACKPLANE ASS'Y (DDII-PK)

SIZE CODE	NUMBER	REV.
C IA	7011523-0-0	C

NUMBER C-IA-7011523-0-0
 SIZE CODE C-IA-7011523-0-0

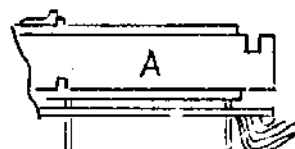
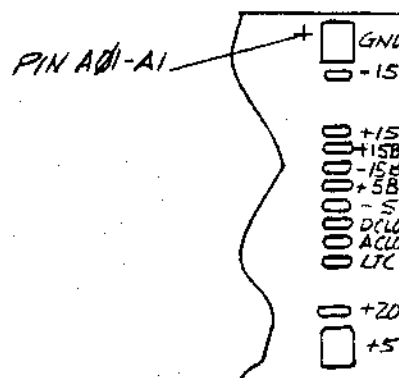
"THIS DRAWING AND SPECIFICATIONS, HEREIN, ARE THE PROPERTY OF DIGITAL EQUIPMENT CORPORATION AND SHALL NOT BE REPRODUCED OR COPIED OR USED IN WHOLE OR IN PART AS THE BASIS FOR THE MANUFACTURE OR SALE OF ITEMS WITHOUT WRITTEN PERMISSION. COPYRIGHT © 1975 DIGITAL EQUIPMENT CORPORATION"

WIRE TABLE

FROM		TO	FROM		TO		
COLOR	POINT	CONNECTION	SIGNAL	COLOR	POINT	CONNECTION	SIGNAL
BLU	P4-13	SOLDER	-15V	BRN	P2-14	SOLDER	-5V
RED	P4-4		+5V	BLK	P2-8		GND
RED	P4-1		+5V	GRAY	P2-2		+15
BLK	P4-8		GND	ORN	P2-3		+20
ORN	P4-3		+20V	BLK	P2-9		GND
BLK	P4-9		GND	RED	P2-10	SOLDER	+5B
WHT	P4-6		+15B	ITEM#5	ITEM#6	SOLDER	GND
GRN	P4-15		-15B				
YEL	P3-4		ACLO				
BLK	P3-1		GND				
BRN	P3-2		LTC				
VIO	P3-3		DCLD				
RED	P2-4		+5V				
RED	P2-1	SOLDER	+5V				

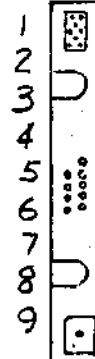
NOTES:

- WHEN DD11-PF IS USED WITH A BAIIF EXP BOX WITHOUT BATTERY BACK UP INSTALL THE THREE JUMPERS SHOWN:
 1) -15 TO -15B
 2) +15 TO +15B
 3) +5 TO +5B
 USE #20 INSULATED BUS WIRE ON SIDE 2 THIS WILL PROVIDE POWER TO THE MOS MEM VOLTAGE RAILS.
- INSTALL ITEM #6 UNDER LOGIC FRAME MOUNTING SCREW TO TIE LOGIC GROUND TO CHASSIS GROUND.



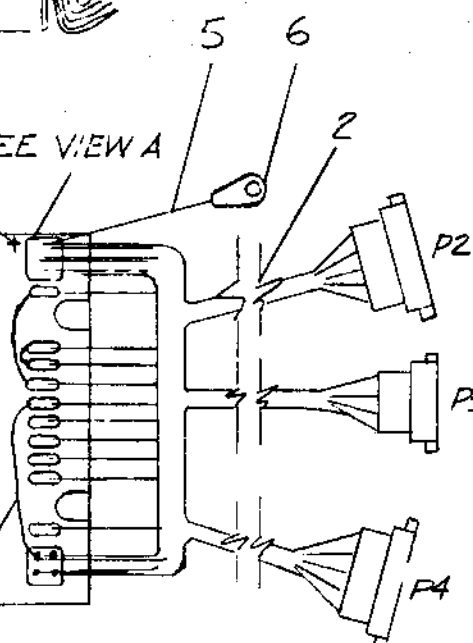
VIEW "A"

SLOT



PIN A01-A1

SEE VIEW A



QTY.	DESCRIPTION	PART NO.	ITEM NO.
1	TERMINAL, SOLDER	9008150	6
AIR	WIRE, BLK STRD #14	9107370-00	5
AIR	TUBING, #20 (CLEAR)	9107267-10	4
AIR	WIRE, BUS #20	9107560-02	3
1	POWER HARNESS BAIIF	D-7A-7011109-0-0	2
1	WIRED ASSY DD11-P	C-7A-7011522-0-0	1

FIRST USED ON OPTION/MODEL DD11-PF		QTY.		DESCRIPTION		PART NO.		ITEM NO.	
DIMENSIONAL TOLERANCE		MILLIMETERS		INCHES		ANGLES		UNLESS OTHERWISE SPECIFIED	
MILLIMETERS	INCHES	ANGLES							
XX.X ±0.10	.XX ±.005	±0° 30'							
XX ±0.5	.X ±.02								
X ±.2	.X ±.1								
THIRD ANGLE PROJECTION	REMOVE BURRS AND BREAK SHARP CORNERS SURFACE QUALITY ✓								
MATERIAL SEE PARTS LIST	FINISH		SCALE NONE		SHEET 1 OF 1				
DRW: <i>Alm...</i>		DATE: 12/29/75		CHK'D: <i>D. Garcia</i>		DATE: 12/18/75		TITLE: BACK PLANE ASSY (DD11-PF)	
ENG: <i>R. Barry</i>		DATE: 12/18/75		PROJ. ENG: <i>R. Barry</i>		DATE: 12/18/75		SIZE CODE: C:AD	
PROD: <i>K. G. Del...</i>		DATE: 12-18-75		NUMBER: 7012307-0-0		REV.:			
NEXT HIGHER ASSY.		A-PL-DD11-PF-0		DIST.:					

REV.	CHANGE NO.
CHK	

REV. 0-0
NUMBER CAD7012307-0-0
SIZE CODE C:AD

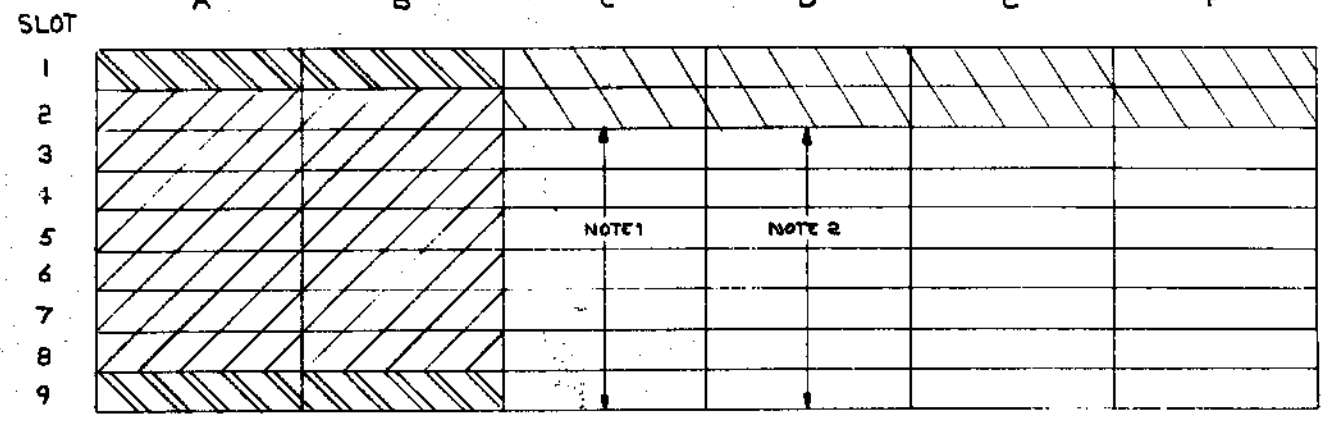
THIS DRAWING AND SPECIFICATIONS HEREIN ARE THE PROPERTY OF DIGITAL EQUIPMENT CORPORATION AND SHALL NOT BE REPRODUCED OR COPIED OR USED IN WHOLE OR IN PART AS THE BASIS FOR THE MANUFACTURE OR SALE OF ITEMS WITHOUT WRITTEN PERMISSION. COPYRIGHT © 1975, DIGITAL EQUIPMENT CORPORATION

8 7 6 5 4 3 2 1

NOTES:

1. REMOVE CA1 TO CB1 WIRE WRAP JUMPER TO INSTALL AN MPR OPTION IN ANY SPC SLOT.
2. G727 REQUIRED IN ANY UNUSED SPC SLOT TO PROVIDE BUS GRANT CONTINUITY.
3. GRANT DIRECTION IS SLOT 1 TO SLOT 9.
4. USE M9202 TO INTERCONNECT SYSTEM UNITS INSTEAD OF M920. M9202 IS A 2 FT. UNIBUS JUMPER CABLE USED TO DISTRIBUTE UNIBUS LOADING.
5. M9302 (SACK/TERM) AND M930 (TERM) MUST NEVER BE INSTALLED IN ANY SLOT OTHER THAN SLOT 9 (A & B). POWER SUPPLY VOLTAGES WILL BE SHORTED OUT IF THESE TERMINATORS ARE MOUNTED IN THE MODIFIED UNIBUS SLOTS.
6. MODIFIED UNIBUS SECTION CARRIES CORE AND MOS MEMORY VOLTAGE RAILS AND MEMORY PARITY CONTROL SIGNALS INSTEAD OF BUS GRANT AND SOME GND SIGNALS THAT ARE CONTAINED IN STANDARD UNIBUS SLOTS.
7. REFER TO NEXT PAGE FOR RECOMMENDED UTILIZATION OF THIS SLOT IN STANDARD SYSTEM.

BUS GRANT DIRECTION



CABLE FROM KV11-LA OPERATORS CONSOLE, USED WITH PDP 11/04, PDP 11/34, PDP 11/34A TERMINATES HERE

VIEW FROM MODULE SIDE

UNIBUS OUTPUT

STANDARD UNIBUS (SLOTS 1 & 9)
 DUAL MODULES WHICH PLUG INTO STANDARD UNIBUS SLOTS ONLY:
 BC11A UNIBUS CABLE
 M9302 SACK/TERM (M935)
 M920 (NOTE 4)
 M930 (NOTE 5)
 M9202 (NOTE 4)
 SLOT 9 (A&B) IS EITHER THE TERMINATION OF THE UNIBUS OR THE OUTPUT CABLE (BC11A)

MODIFIED UNIBUS (SLOTS 2-8)
 DUAL MODULES WHICH PLUG INTO THE MODIFIED UNIBUS ONLY:
 M9301 BOOT/TERM.
 M9306 TERM.
 M7850 PARITY CONT.

SMALL PERIPHERAL CONTROLLER (SLOTS 3-9)
 ANY S.P.C. OPTION
 CPU BUS (SLOTS 1 & 2)
 PROCESSOR INTERCONNECT FOR KD11-E AND KD11-EA

HEX MODULE WITH MODIFIED UNIBUS SIGNALS (SLOTS 2-8)
 HEX MODULES THAT PLUG INTO MODIFIED UNIBUS ONLY:
 M7847 MOS MEMORY (MS11)

GENERAL
 ANY HEX MODULE THAT MEETS EITHER OF THE FOLLOWING REQUIREMENTS CAN BE MOUNTED IN THESE SLOTS.
 1) THOSE PINNED TO TAKE SIGNALS FROM MODIFIED UNIBUS (A & B) WITH THE BUS GRANTS TAKEN FROM SPC SLOTS 10 ABOVE
 2) THOSE PINNED TO TAKE SIGNALS FROM STANDARD SPC PINNING WITH THE EXCEPTION OF POWER FROM (A & B). 10: SPECIAL OPTIONS

HEX MODULE WITH STANDARD UNIBUS SIGNALS SLOT 2 ONLY
 M7263 PDP11/04 CPU MODULE OR M7266 PDP 11/34 CONTROL MODULE
 M7266 KD11-E (PDP 11/34) CONTROL MODULE
 M8266 KD11-AE (PDP 11/34A) CONTROL MODULE

REV	DATE	BY	CHKD
1	11/17/75	R. B. BERRY	R. B. BERRY
2	11/17/75	R. B. BERRY	R. B. BERRY
3	11/17/75	R. B. BERRY	R. B. BERRY

DESCRIPTION	DWG. PART NO.	ITEM NO.
UNLESS OTHERWISE SPECIFIED DIMENSIONS ARE IN INCHES		
ANGLE	CLASS OF ACCURACY	NOMINAL DIMENSION RANGE
10° 30'	ASSEMBLY	0.0005 - 0.0010
SURFACE	CHECK (DIM)	0.0010 - 0.0015
QUALITY	MEDIUM	0.0015 - 0.0020
FINISH	PREFERRED	0.0020 - 0.0025
QUANTITY & VARIATION	PREferred	0.0025 - 0.0030
THIRD ANGLE PROJECTION	DRAWN BY	FIRST USED ON
REMOVE BURRS AND BREAK SHARP CORNERS	CHKD BY	
DO NOT SCALE DWG	ENG. BY	
MATERIAL	PROJ. ENG. BY	
FINISH	PROJ. ENG. BY	
MODULE UTILIZATION (DD11-P)		
B-D0-DD11-P	SIZE CODE	NUMBER
SCALE	D	MU DD11-P-2
SHEET 1 OF 2	DIST.	REV A

THIS DRAWING AND SPECIFICATIONS HEREON ARE THE PROPERTY OF DIGITAL EQUIPMENT CORPORATION AND SHALL NOT BE REPRODUCED OR COPIED OR USED IN WHOLE OR IN PART AS THE BASIS FOR THE MANUFACTURE OR SALE OF ITEMS WITHOUT WRITTEN PERMISSION. COPYRIGHT © DIGITAL EQUIPMENT CORPORATION

RECOMMENDED SLOT UTILIZATION IN STANDARD SYSTEMS

KD11-D w/M9301 & MS11-JP(FP) PDP-11/04

SLOT 1	M7263
2	MS11-JP (FP)
3	M9301
4	
5	
6	
7	
8	
SLOT 9	

KD11-E w/M9301 PDP-11/34

SLOT 1	M7264
2	M7265
3	M9301
4	
5	
6	
7	
8	
SLOT 9	

KD11-D w/M9301 & MM11-DP PDP-11/04

SLOT 1	M7263
2	MM11-DP
3	
4	M9301
5	
6	
7	
8	
SLOT 9	

KD11-EA w/M9301 FP11-A PDP-1134A

SLOT 1	M8266
2	M8265
3	M8267
4	M9301
5	
6	
7	
8	
SLOT 9	

KD11-D w/M9301 & MM11-CP PDP-11/04

SLOT 1	M7263
2	MM11-CP
3	M9301
4	
5	
6	
7	
8	
SLOT 9	

SLOT 1	
2	
3	
4	
5	
6	
7	
8	
SLOT 9	

KD11-EA w/M9301 PDP-1134A

SLOT 1	M8266
2	M8265
3	M9301
4	
5	
6	
7	
8	
SLOT 9	

SLOT 1	
2	
3	
4	
5	
6	
7	
8	
SLOT 9	

A B C D E F A B C D E F

REVISIONS		
CHK	CHANGE NO.	REV.

TITLE	MODULE UTILIZATION (DDI-P)	SIZE CODE	D MU	NUMBER	DD11-P-2	REV.	
SCALE		SHEET	2 OF 2	DIST.			

REV. NO. DD11-P-2

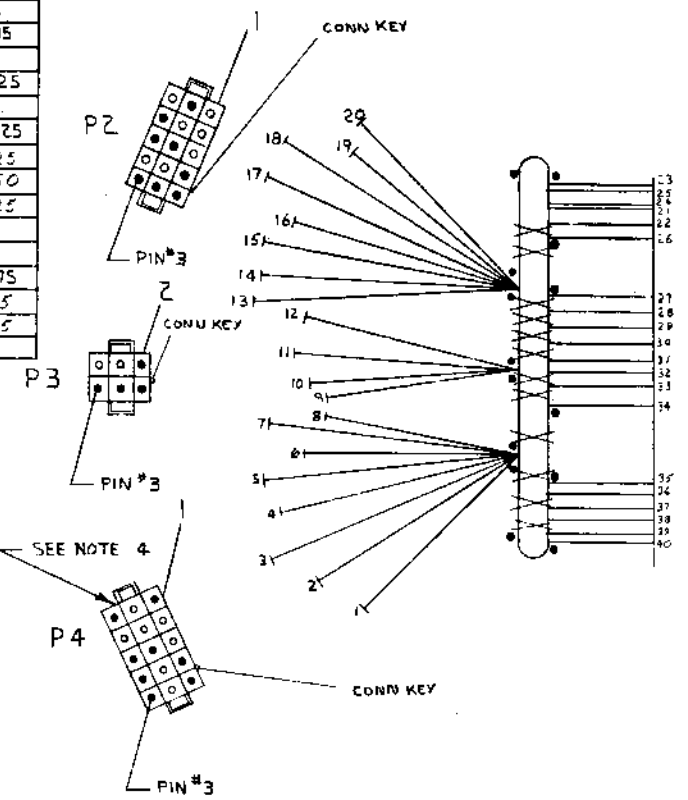
149

THE DRAWING AND SPECIFICATIONS HEREIN ARE THE PROPERTY OF DIGITAL EQUIPMENT CORPORATION AND SHALL NOT BE REPRODUCED OR COPIED OR USED IN WHOLE OR IN PART AS THE BASIS FOR THE MANUFACTURE OR SALE OF ITEMS WITHOUT WRITTEN PERMISSION. COPYRIGHT © 1975, DIGITAL EQUIPMENT CORPORATION

- NOTES:**
1. USE TIE WRAPS (X) ITEMS AT BREAKOUT POINTS SHOWN
 2. DOT (•) INDICATES NAIL LOCATION FOR ASS'Y USE ONLY. COVER NAILS WITH SHINK TUBING TO PREVENT CUTTING HARNESS.
 3. WIRE LENGTH TOLERANCES WILL BE $\pm 1/16$, -0 INCHES.
 4. ALL CONN. SHOWN FROM WIRING SIDE.

WIRING TABLE

ITEM NO.	AWG	COLOR	POINT	CONNECTION	WITH	POINT	CONNECTION	SIGNAL	LENGTH
9	#16	BLUE	1	P4-13	3	26	SOLDER	-15V	7
5	14	RED	2	P4-4		37		+5V	5
5	14	RED	3	P4-1		38		+5V	5
6	14	BLK	4	P4-8		21		GND	7.75
7	14	ORN	5	P4-3		35		+20V	5
6	14	BLK	6	P4-9		22		GND	8
13	18	WHT	7	P4-6		28		+5B	6.15
12	18	GFN	8	P4-15		29		-15B	6
12	18	YEL	9	P3-4		33		ACLO	4.25
6	14	BLK	10	P3-1		23		GND	6
10	18	BRN	11	P3-2		34		LTC	4.25
11	18	VIO	12	P3-3		32		DCLO	4.25
5	14	RED	13	P2-4		39		+5V	7.50
5	14	RED	14	P2-1		40		+5V	7.25
10	18	BRN	15	P2-14		31		-5V	5
6	14	BLK	16	P2-8		24		GND	5
8	18	GREY	17	P2-2		27		+15	4.75
7	14	ORN	18	P2-3		36		+20	6.75
6	14	BLK	19	P2-9		25		GND	5.15
5	14	RED	20	P2-12	3	30	SOLDER	+5B	5



DO NOT REDUCE SCALE
FOR MANUFACTURING PURPOSES ONLY

FOR WIRE LENGTHS SEE WIRING TABLE

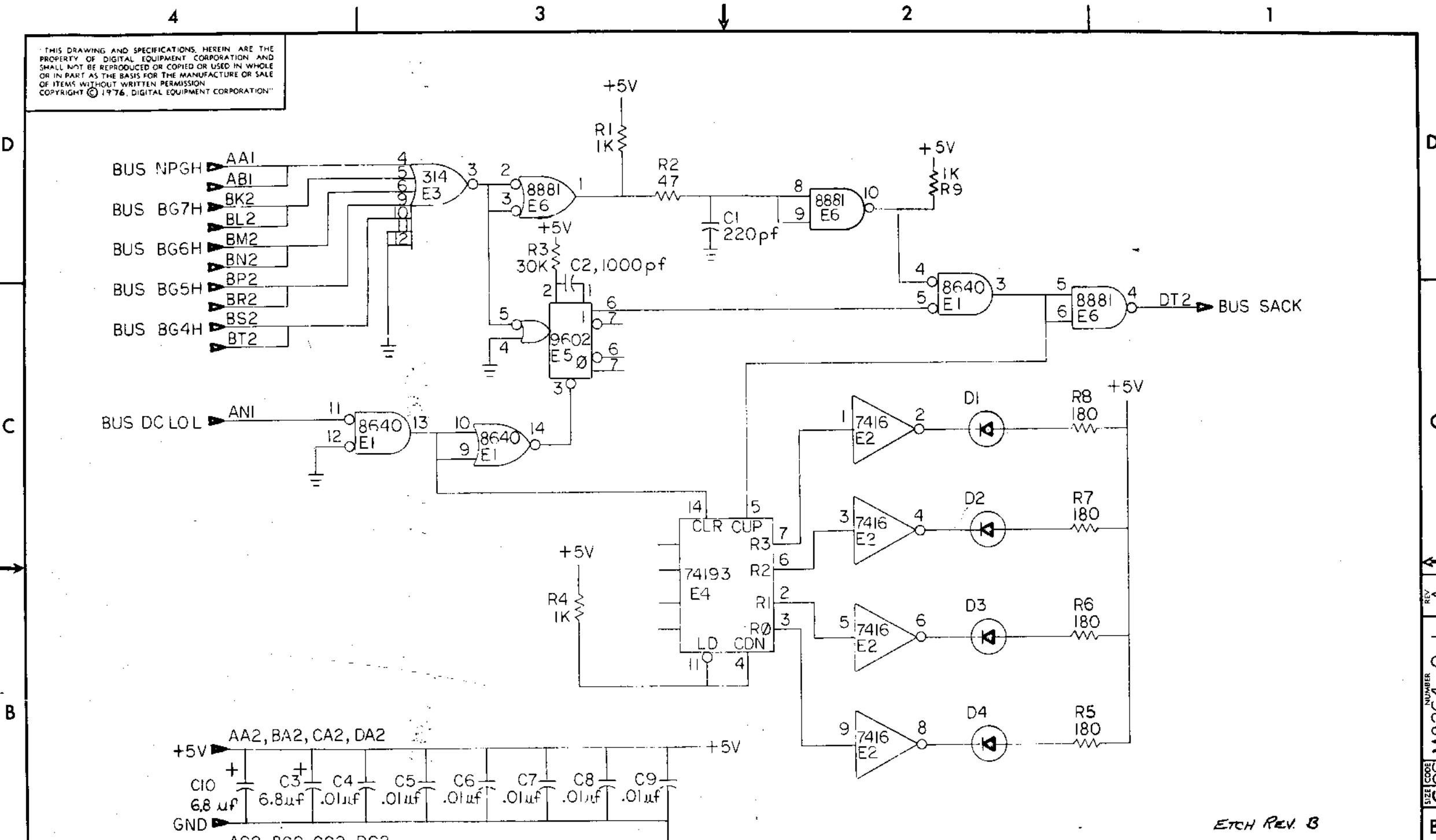
DESCRIPTION	DWG. PART NO.	ITEM NO.
1 POWER HARNESS DECALS	7A09872-2-0	15
A/R WIRE #18 AWG, GRN	9107360-55	14
A/R WIRE #18 AWG, WHT	9107360-99	13
A/R WIRE #18 AWG, YEL	9107360-44	12
A/R WIRE #18 AWG, VIO	9107360-77	11
A/R WIRE #18 AWG, BRN	9107360-11	10
A/R WIRE #18 AWG, BLUE	9107360-66	9
A/R WIRE #18 AWG, GREY	9107360-88	8
A/R WIRE #14 AWG, ORN	9107370-33	7
A/R WIRE #14 AWG, BLK	9107370-00	6
A/R WIRE #14 AWG, RED	9107370-22	5
12 TIE WRAP	9007031	4
20 PIN MALE	1209378-01	3
1 CONN. 6 PIN HOUSING	1209351-06	2
2 CONN. 15 PIN HOUSING	1209351-15	1

REV. 1	DATE	BY	CHKD.
1	10/11/75	D. BARRY	
2	11/11/75	D. BARRY	
3	11/11/75	D. BARRY	
4	11/11/75	D. BARRY	
5	11/11/75	D. BARRY	
6	11/11/75	D. BARRY	
7	11/11/75	D. BARRY	
8	11/11/75	D. BARRY	

THIRD ANGLE PROJECTION	REMOVE BURRS AND BREAK SHARP CORNERS	DO NOT SCALE DWG	MATERIAL SEE PARTS LIST	FINISH
CLASS OF ACCURACY	CHECK ONLY	QUANTITY & VARIATION	DESCRIPTION	DWG. PART NO.
UNLESS OTHERWISE SPECIFIED DIMENSIONS ARE IN INCHES				
DRN. <i>[Signature]</i>	CHKD. <i>[Signature]</i>	ENGR. <i>[Signature]</i>	PROL. ENGR. <i>[Signature]</i>	PROD. <i>[Signature]</i>
FIRST USED ON	TITLE			
BD11-D	POWER HARNESS (BAIL-K, BAIL-L)			
SIZE	CODE	NUMBER	REV.	
D	IA	701108-0-0	B	
SHEET	OF	DIST.		
1	1			

150

THIS DRAWING AND SPECIFICATIONS HEREIN ARE THE PROPERTY OF DIGITAL EQUIPMENT CORPORATION AND SHALL NOT BE REPRODUCED OR COPIED OR USED IN WHOLE OR IN PART AS THE BASIS FOR THE MANUFACTURE OR SALE OF ITEMS WITHOUT WRITTEN PERMISSION. COPYRIGHT © 1976, DIGITAL EQUIPMENT CORPORATION



- NOTES:
 1. ALL DIODES ARE 1110324 DEC NUMBER
 2. E7, E8, ARE SPARE IC LOCATIONS

REV.	
CHANGE NO.	
CHK	

FIRST USED ON OPTION/MODEL	QTY.	DESCRIPTION	PART NO.	ITEM NO.
PARTS LIST				
UNLESS OTHERWISE SPECIFIED DIMENSION IN INCHES	DRN <i>Paul Wilson</i>	DATE 7/3/76	 digital EQUIPMENT CORPORATION <small>MAYNARD, MASSACHUSETTS</small>	
TOLERANCES	CHK'D <i>Paul Wilson</i>	DATE 8-12-76		
DECIMALS	ENG <i>Bill Buxton</i>	DATE 8-12-76		
ANGLES	PROJ. ENG. <i>Bill Buxton</i>	DATE 2-12-76		
REMOVE BURRS AND BREAK SHARP CORNERS SURFACE QUALITY V	PROD. <i>Paul Wilson</i>	DATE 8-12-76	TITLE NO SACK TIMEOUT MODULE	
MATERIAL	NEXT HIGHER ASSY.		SIZE CODE	NUMBER
FINISH	SCALE		C CS	M8264-0-1
	SHEET	OF	DIST.	

REV. A
 NUMBER M8264-0-1
 SIZE CODE C CS

ETCH REV. B

258

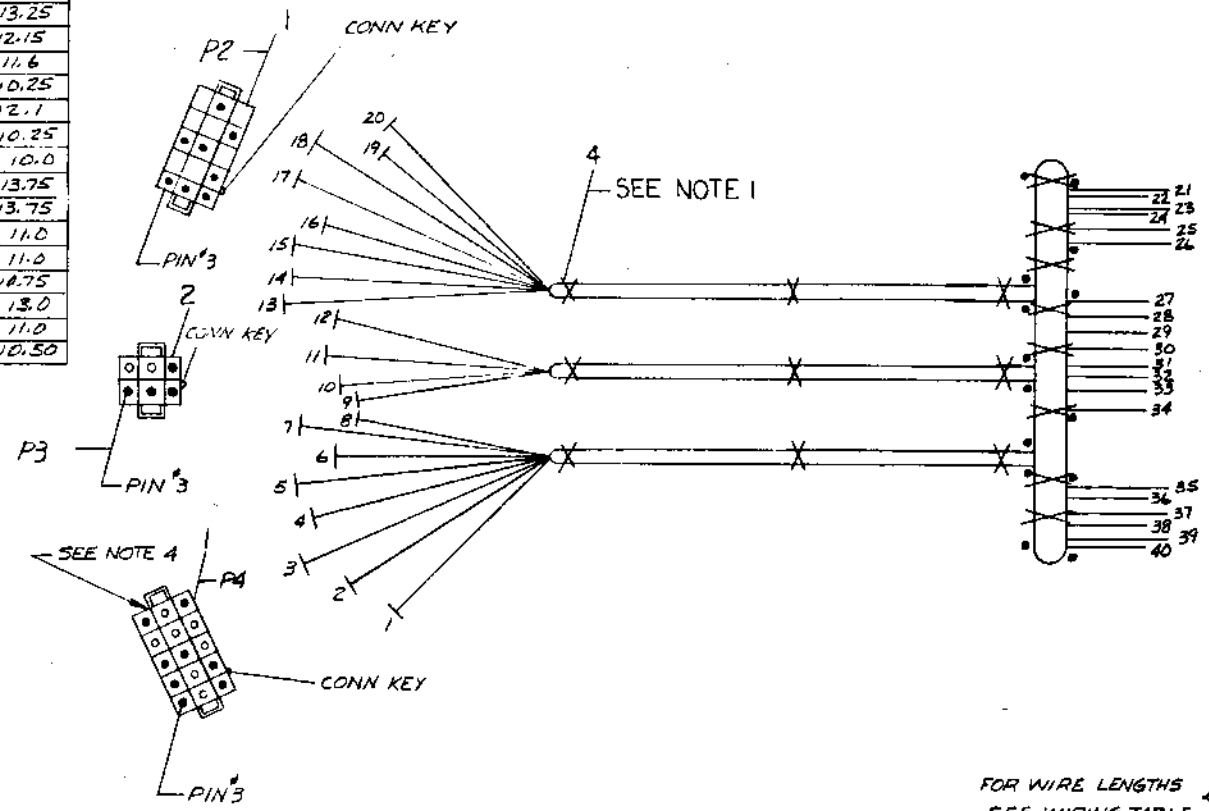
DIGITAL EQUIPMENT CORPORATION MAYNARD, MASSACHUSETTS					PARTS LIST												QUANTITY / VARIATION															
MADE BY D. Healy			CHECKED D. Healy			SECTION						DH, DJ, LH, LJ	DM, DN, LM, LN	EH, HJ, MH, MJ	EM, EN, MM, MN																	
DATE 12 May 76			DATE 12 May 76			1																										
ENG Richard Savage			PROD RB King			ISSUED SECT.																										
DATE 10/17/1976			DATE 10/17/76			1																										
ITEM NO	DWG NO. / PART NO.	DESCRIPTION																														
	EK-11/034-OP-PRE	USERS MANUAL								1	1	1	1																			
	ZJ010-RB	SOFTWARE LIE KIT (PAPER TAPE KIT)								1	1	1	1																			
	MP00082	PRINT SET 11/34 VOL. 2								1	1	1	1																			
	EK-KD11-E-TM-PRE	KD11-E TECHNICAL MANUAL *								1	1	1	1																			
	EK-MS11E-MM-001	MS11-E-J MAINTENANCE MANUAL *								1	1	-	-																			
	EK-MM11D-TM-PRE	MM11-D,DE TECHNICAL MANUAL *								-	-	1	1																			
	EK-BA11K-MM-002	BA11-K MAINTENANCE MANUAL *								1	1	1	1																			
	EK-M7850-MM-PRE	M7850 MAINTENANCE MANUA *								1	1	1	1																			
	EK-DL11W-MM-PRE	DL11-W MAINTENANCE MANUAL *								-	1	-	1																			
	EK-M9301-MM-PRE	M9301 MAINTENANCE MANUAL *								1	1	1	1																			
	7008360-1	CABLE ASSY (20 MA) DL11-WA								-	1	-	1																			
	BC05C-25	CABLE MODEM (E1A) DL11-WB								-	-	-	-																			
	1211825	CHASSIS TRACKS & MTG HDW.								1	1	1	1																			
	7010059	SHIPPING BRACKET								1	1	1	1																			
		* Do not ship to OEM customers.																														

TITLE	SHIPPING LIST 11/34 (10 1/2" BA11-K)	ASSY NO.	NONE	SIZE CODE	A PL	NUMBER	11/34-0-4	REV.	ECO NO.
		SHEET	1	OF	1	DIST			

THIS DRAWING AND SPECIFICATIONS HEREIN ARE THE PROPERTY OF DIGITAL EQUIPMENT CORPORATION AND SHALL NOT BE REPRODUCED OR COPIED OR USED IN WHOLE OR IN PART AS THE BASIS FOR THE MANUFACTURE OR SALE OF ITEMS WITHOUT WRITTEN PERMISSION. COPYRIGHT © 1975 DIGITAL EQUIPMENT CORPORATION

- NOTES:**
1. USE TIE WRAPS (X) ITEM #4 AT BREAKOUT POINTS SHOWN.
 2. DOT (•) INDICATES NAIL LOCATION FOR ASSEMBLY ONLY. COVER NAILS WITH SHRINK TUBING.
 3. WIRE LENGTH TOL WILL BE ±.12 IN
 4. ALL CONN SHOWN FROM WIRING SIDE.
 5. STRIP 1/8" INSULATION FROM POINTS 21 THRU 40 AND FULL TIN POINTS 21 THRU 40.

WIRING TABLE									
ITEM NO	AWG	COLOR	POINT	FROM CONNECTION	WITH	TO POINT	CONNECTION	SIGNAL	LENGTH
4	18	BLU	1	P4-13	3	26	SOLDER	-15V	12.75
5	14	RED	2	P4-4		37		+5V	11
5	14	RED	3	P4-1		38		+5V	11.25
6	14	BLK	4	P4-8		21		GND	13.75
7	14	ORN	5	P4-3		35		+20V	11.0
6	14	BLK	6	P4-9		22		GND	13.25
13	18	WHT	7	P4-6		28		+15B	12.15
14	18	GRN	8	P4-15		29		-15B	11.6
12	18	YEL	9	P3-4		33		ACLO	10.25
6	14	BLK	10	P3-1		23		GND	12.1
10	18	BRN	11	P3-2		34		LTC	10.25
11	18	VIO	12	P3-3		32		DCLO	10.0
5	14	RED	13	P2-4		39		+5V	13.75
5	14	RED	14	P2-1		40		+5V	13.75
15	14	BRN	15	P2-14		31		-5V	11.0
6	14	BLK	16	P2-8		24		GND	11.0
8	18	GRY	17	P2-2		27		+15	10.75
7	14	ORN	18	P2-3		36		+20	13.0
6	14	BLK	19	P2-9		25		GND	11.0
5	14	RED	20	P2-10	3	30	SOLDER	+5B	10.50



DO NOT REDUCE SCALE 6 IN FOR MANUFACTURING PURPOSES ONLY

0 IN 12 IN

DESCRIPTION	QTY	ITEM NO.
1 POWER HARNESS DECAL	7409872-2	16
17 WIRE #14 AWG (BRN)	9107370-11	15
14 WIRE #18 AWG (GRN)	9107360-55	14
13 WIRE #18 AWG (WHT)	9107360-99	13
12 WIRE #18 AWG (YEL)	9107360-44	12
11 WIRE #18 AWG (VIO)	9107360-77	11
10 WIRE #18 AWG (BRN)	9107360-11	10
9 WIRE #18 AWG (BLU)	9107360-66	9
8 WIRE #18 AWG (GRY)	9107360-88	8
7 WIRE #14 AWG (ORN)	9107370-33	7
6 WIRE #14 AWG (BLK)	9107370-00	6
5 WIRE #14 AWG (RED)	9107370-22	5
4 TIE WRAP	9007031	4
3 PIN MALE	1209378-01	3
2 CONN 6 PIN HOUSING	1209351-06	2
1 CONN 15 PIN HOUSING	1209351-15	1

FOR WIRE LENGTHS SEE WIRING TABLE

REV. 1	DATE	BY	CHK'D
1	12/11/75	P. PORRECA	P. PORRECA
2	12/11/75	P. PORRECA	P. PORRECA

THIRD ANGLE PROJECTION

REMOVE BURRS AND BREAK SHARP CORNERS

DO NOT SCALE DWG

MATERIAL SEE PARTS LIST

FINISH

UNLESS OTHERWISE SPECIFIED DIMENSIONS ARE IN INCHES

ANGLES 90° 30'

CLAS OF ACCURACY

SURFACE QUALITY IN

QUANTITY & VARIATION

DRG. NO. 701109-0001 A

CHK'D BY 12/11/75

ENGR. P. PORRECA 12/11/75

PROL. ENG. R. PORRECA 12/11/75

PROD. 12/11/75

FIRST USED ON DD11-DF, PF

TITLE POWER HARNESS (BA11-F)

CAD-7012307-0-0

SCALE 1/1

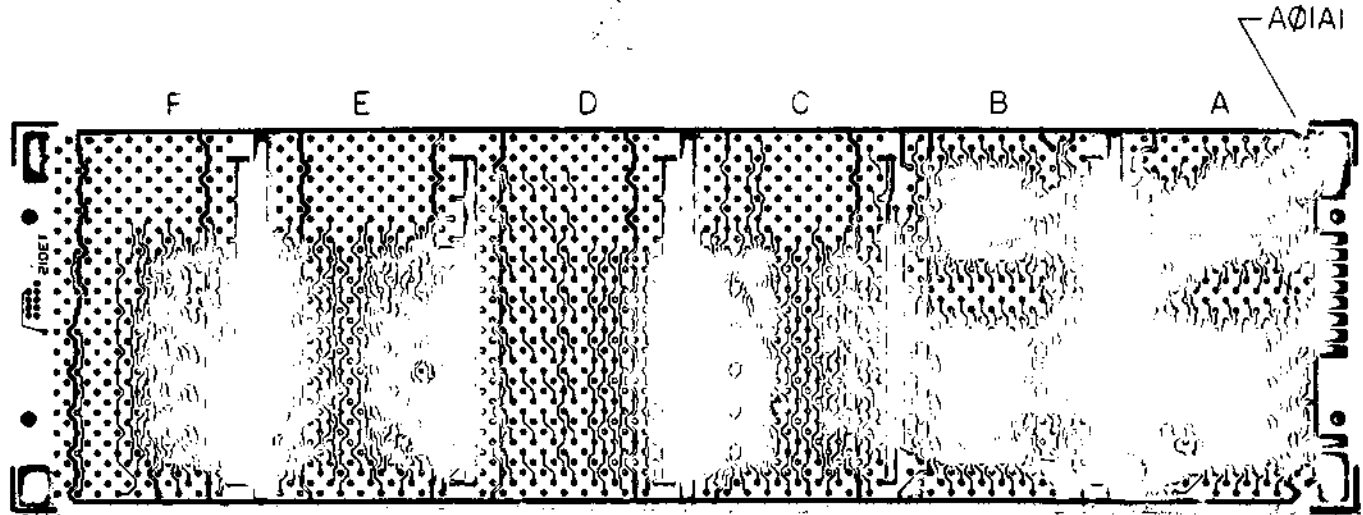
SHEET 1 OF 1

REV. B

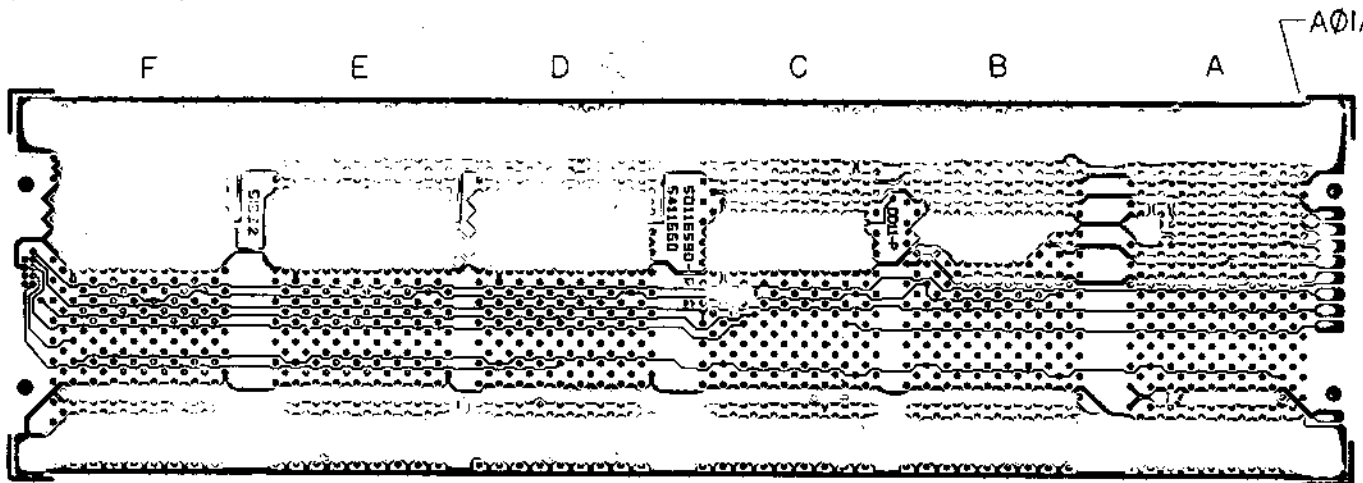
NOTES:

THIS DRAWING AND SPECIFICATIONS HEREIN ARE THE PROPERTY OF DIGITAL EQUIPMENT CORPORATION AND SHALL NOT BE REPRODUCED OR COPIED IN WHOLE OR IN PART AS THE BASIS FOR THE MANUFACTURE OR SALE OF ITEMS WITHOUT WRITTEN PERMISSION. DIGITAL EQUIPMENT CORPORATION. COPYRIGHT © 1975.

DCS 5411660-0-1 E



SIDE 1



SIDE 2

REF	AWT REV STATUS	A-WT-701522-0	5	
REF	MODULE ECO HISTORY	B-MH-5411660-0-6	4	
REF	ASSY/DRILLING HOLE LAYOUT	D-AH-5411660-0-5	3	
REF	X-Y COORDINATE HOLE LOCATION	K-CO-5411660-0-4	2	
I	ETCHED CIRCUIT BOARD	5011659	1	
QTY	REF. DESIGNATION	DESCRIPTION	PART NO.	ITEM NO.

FIRST USED ON OPTION MODEL

PARTS LIST

ETCH BOARD REV.	D		
DRAWN	J. J. [Signature]		
DATE	6-20-75		
CHECKED	[Signature]		
DATE	7/1/75		
PROD.	[Signature]		
DATE	7-2-75		
DATE	7-2-75		
TITLE			
CIRCUIT SCHEMATIC			
DEC. NO.	EIA NO.	DEC. NO.	EIA NO.
C-JA-701521-0-0			
SCALE	1/1	SHEET	OF 1
REV.		NO.	DATE
D		CS	5411660-0-1
REV.			E

REVISIONS	
DATE	DESCRIPTION
11/19/75	R. BARRY
6/11/75	P. BARRY
7/1/75	[Signature]
6/20/75	J. J. [Signature]
11/19/75	R. BARRY
7/1/75	[Signature]
6/20/75	J. J. [Signature]
11/19/75	R. BARRY
7/1/75	[Signature]
6/20/75	J. J. [Signature]

DEC. NO.	EIA NO.	DEC. NO.	EIA NO.
SEMICONDUCTOR CONVERSION CHART			
SHEET	OF		
	1		

IC TYPE	GND	+5V
GND AND 5V ARE USUALLY PIN 7 AND 14 RESPECTIVELY EXCEPT AS STATED ABOVE		
IC PIN LOCATIONS		

152

4

3

2

1

REV. C
NUMBER DDII-P-1
SIZE CODE K WL

This drawing and specifications, herein, are the property of Digital Equipment Corporation and shall not be reproduced or copied or used in whole or in part as the basis for the manufacture or sale of items without written permission. COPYRIGHT © 1975


DIGITAL EQUIP. CORP.

B

B

A

A

FIRST USED ON OPTION MODEL	QTY.	DESCRIPTION	PART NO.	ITEM NO.
DDII-P				
PARTS LIST				
DRN <i>W. Miller</i>	DATE 6/30/75	 DIGITAL EQUIPMENT CORPORATION MAYNARD, MASSACHUSETTS TITLE WIRE LIST DDII-P		
CHK'D <i>D. Barry</i>	DATE 6/30/75			
ENG. <i>R. Barry</i>	DATE 7-2-75			
PROJ. ENG. <i>J. Barry</i>	DATE 7/2/75			
PROD. <i>K. Barry</i>	DATE 7/2/75			
NEXT HIGHER ASSEMBLY				
B-DD-DDII-P		SIZE CODE K WL	NUMBER DDII-P-1	REV. C
SCALE <i>1/1</i>				
SHEET 1	OF 1	DIST.		

REVISIONS		REV.
CHK	CHANGE NO.	
<i>RTB</i>	DDIIP-00001	A
<i>RTB</i>	DDIIP-00003	B
<i>RTB</i>	DDIIP-00004	C

DEC FORM NO. DRB 109

4

3

2

1

153

DD11P.C
RUN NAME

APP2RR.V34(031)-1 23-AUG-76
A/P FILE ORDER DAY - Q DRAW RV RG Y X Z
NAME PIN ORDER OPT

15-NOV-76
REMARKS

9:13 PAGE 1
NC LENGTH EXCEPTIONS
FLAG

RUN
NUMBER

+15/+8V		CP301	1-01 *	P								1			1
+15/+8V		CP401	1-02 *	P								1			1
+15/+8V		CP501	1-03 *	P								1			1
+15/+8V		CP601	1-04 *	P								1			1
+15/+8V		CP701	1-05 *	P								1			1
+15/+8V		CP801	1-06 *	P								1			1
+15/+8V		CP901	1-07 *	P								1			1
+15/+8V		:	:										6-0/8	1400000000	1
+20V		AP201	1-01 *	P								1	0-1/8		2
+20V		AP2V1	1-02 *	P								2	0-4/8		2
+20V		AP2V2	1-03 *	P								1	0-1/8		2
+20V		AP301	1-04 *	P								2	0-1/8		2
+20V		AP3V1	1-05 *	P								1	0-4/8		2
+20V		AP3V2	1-06 *	P								2	0-1/8		2
+20V		AP401	1-07 *	P								1	0-1/8		2
+20V		AP4V1	1-08 *	P								2	0-4/8		2
+20V		AP4V2	1-09 *	P								1	0-1/8		2
+20V		AP501	1-10 *	P								2	0-1/8		2
+20V		AP5V1	1-11 *	P								1	0-4/8		2
+20V		AP5V2	1-12 *	P								2	0-1/8		2
+20V		AP601	1-13 *	P								1	0-1/8		2
+20V		AP6V1	1-14 *	P								2	0-4/8		2
+20V		AP6V2	1-15 *	P								1	0-1/8		2
+20V		AP701	1-16 *	P								2	0-1/8		2
+20V		AP7V1	1-17 *	P								1	0-4/8		2
+20V		AP7V2	1-18 *	P								2	0-1/8		2
+20V		AP801	1-19 *	P								1	0-1/8		2
+20V		AP8V1	1-20 *	P								2	0-4/8		2
+20V		AP8V2	1-21 *	P											2
+20V		:	:										5-1/8	1400000000	2

DD11P.C RUN NAME	WRP288.V34(63)-1 A/P PIN NAME	ORDER PIN	23-AUG-76 BAY - ORDER	Q	DRAM RV RG Y	X	Z	REMARKS	15-NOV-76	9113 NC LENGTH FLAG	PAGE 6 EXCEPTIONS	RUN NUMBER
BG5 H	D06R2		1-01 * P				1			0-5/8		27
BG5 H	D07P2		1-02 * P							0-5/8	1400000000	27
BG5 H			1									27
BG5 J	D07R2		1-01 * P				1			0-5/8		28
BG5 J	D08P2		1-02 * P							0-5/8	1400000000	28
BG5 J			1									28
BG5 K	D08R2		1-01 * P				1			0-5/8		29
BG5 K	D09P2		1-02 * P							0-5/8	1400000000	29
BG5 K			1									29
BG5 L	D09R1		1-01 * H				1	TWP		7-3/8		30
BG5 L	D09R2		1-02 * X							7-3/8	1400000000	30
BG5 L			1									30
BG6 A	D01A1		1-01 * H				1	TWP		7-1/8		31
BG6 A	D01M2		1-02 * X							7-1/8	1400000000	31
BG6 A			1									31
BG6 B	D01N2		1-01 * P				1			0-5/8		32
BG6 B	D02M2		1-02 * P							0-5/8	1400000000	32
BG6 B			1									32
BG6 C	D02N2		1-01 * P				1			0-5/8		33
BG6 C	D03M2		1-02 * P							0-5/8	1400000000	33
BG6 C			1									33
BG6 D	D03N2		1-01 * P				1			0-5/8		34
BG6 D	D04M2		1-02 * P							0-5/8	1400000000	34
BG6 D			1									34
BG6 E	D04N2		1-01 * P				1			0-5/8		35
BG6 E	D05M2		1-02 * P							0-5/8	1400000000	35
BG6 E			1									35
BG6 F	D05N2		1-01 * P				1			0-5/8		36
BG6 F	D06M2		1-02 * P							0-5/8	1400000000	36
BG6 F			1									36
BG6 H	D06N2		1-01 * P				1			0-5/8		37
BG6 H	D07M2		1-02 * P							0-5/8	1400000000	37
BG6 H			1									37
BG6 J	D07N2		1-01 * P				1			0-5/8		38
BG6 J	D08M2		1-02 * P							0-5/8	1400000000	38
BG6 J			1									38
BG6 K	D08N2		1-01 * P				1			0-5/8		39
BG6 K	D09M2		1-02 * P							0-5/8	1400000000	39
BG6 K			1									39
BG6 L	D09A1		1-01 * H				1	TWP		7-3/8		40
BG6 L	D09N2		1-02 * X							7-3/8	1400000000	40
BG6 L			1									40

DD11P.C RUN NAME	WRP288.V34(63)-1 A/P PIN NAME	ORDER PIN	23-AUG-76 BAY - ORDER	Q	DRAM RV RG Y	X	Z	REMARKS	15-NOV-76	9113 NC LENGTH FLAG	PAGE 7 EXCEPTIONS	RUN NUMBER
BG7 A	A01V1		1-01 * H				1	TWP		7-3/8		41
BG7 A	D01K2		1-02 * X							7-3/8	1400000000	41
BG7 A			1									41
BG7 B	D01L2		1-01 * P				1			0-5/8		42
BG7 B	D02K2		1-02 * P							0-5/8	1400000000	42
BG7 B			1									42
BG7 C	D02L2		1-01 * P				1			0-5/8		43
BG7 C	D03K2		1-02 * P							0-5/8	1400000000	43
BG7 C			1									43
BG7 D	D03L2		1-01 * P				1			0-5/8		44
BG7 D	D04K2		1-02 * P							0-5/8	1400000000	44
BG7 D			1									44
BG7 E	D04L2		1-01 * P				1			0-5/8		45
BG7 E	D05K2		1-02 * P							0-5/8	1400000000	45
BG7 E			1									45
BG7 F	D05L2		1-01 * P				1			0-5/8		46
BG7 F	D06K2		1-02 * P							0-5/8	1400000000	46
BG7 F			1									46
BG7 H	D06L2		1-01 * P				1			0-5/8		47
BG7 H	D07K2		1-02 * X							0-5/8	1400000000	47
BG7 H			1									47
BG7 J	D07L2		1-01 * P				1			0-5/8		48
BG7 J	D08K2		1-02 * P							0-5/8	1400000000	48
BG7 J			1									48
BG7 K	D08L2		1-01 * P				1			0-5/8		49
BG7 K	D09K2		1-02 * P							0-5/8	1400000000	49
BG7 K			1									49
BG7 L	D09V1		1-01 * H				1	TWP		7-5/8		50
BG7 L	D09L2		1-02 * X							7-5/8	1400000000	50
BG7 L			1									50

51

DD11P.C
RUN NAME

MRP280.V34(63)-1 23-AUG-76

15-NOV-76 9:13 PAGE 10

A/P	PIN NAME	ORDER PIN	BAY - ORDER	Q	DRAW	RV	RG	Y	X	Z	REMARKS	NC LENGTH EXCEPTIONS FLAG	RUN NUMBER
	B01J2		1-01 * P							2		1	57
	B02J2		1-02 * P							1		1	57
	B03J2		1-03 * P							2		1	57
	B04J2		1-04 * P							1		8-5/8	57
	E03F1		1-05 * P							2		1	57
	E04F1		1-06 * P							1		1	57
	E05F1		1-07 * P							2		1	57
	E06F1		1-08 * P							1		1	57
	E07F1		1-09 * P							2		1	57
	E08F1		1-10 * P							1		1	57
	E09F1		1-11 * P							2		9-5/8	57
	B05J2		1-12 * P							1		1	57
	B06J2		1-13 * P							2		1	57
	B07J2		1-14 * P							1		1	57
	B08J2		1-15 * P							2		1	57
	B09J2		1-16 * P									31-2/8 1400000000	57

	B01J1		1-01 * P							1		1	58
	B02J1		1-02 * P							2		1	58
	B03J1		1-03 * P							1		1	58
	B04J1		1-04 * P							2		9-5/8	58
	E03V2		1-05 * P							1		1	58
	E04V2		1-06 * P							2		1	58
	E05V2		1-07 * P							1		1	58
	E06V2		1-08 * P							2		1	58
	E07V2		1-09 * P							1		1	58
	E08V2		1-10 * P							2		1	58
	E09V2		1-11 * P							1		11-5/8	58
	B05J1		1-12 * P							2		1	58
	B06J1		1-13 * P							1		1	58
	B07J1		1-14 * P							2		1	58
	B08J1		1-15 * P							1		1	58
	B09J1		1-16 * P									34-2/8 1400000000	58

	B01K2		1-01 * P							2		1	59
	B02K2		1-02 * P							1		1	59
	B03K2		1-03 * P							2		1	59
	B04K2		1-04 * P							1		9-5/8	59
	E03U2		1-05 * P							2		1	59
	E04U2		1-06 * P							1		1	59
	E05U2		1-07 * P							2		1	59
	E06U2		1-08 * P							1		1	59
	E07U2		1-09 * P							2		1	59
	E08U2		1-10 * P							1		1	59
	E09U2		1-11 * P							2		11-1/8	59
	B05K2		1-12 * P							1		1	59
	B06K2		1-13 * P							2		1	59
	B07K2		1-14 * P							1		1	59
	B08K2		1-15 * P							2		1	59
	B09K2		1-16 * P									33-6/8 1400000000	59

DD11P.C
RUN NAME

MRP280.V34(63)-1 23-AUG-76

15-NOV-76 9:13 PAGE 11

A/P	PIN NAME	ORDER PIN	BAY - ORDER	Q	DRAW	RV	RG	Y	X	Z	REMARKS	NC LENGTH EXCEPTIONS FLAG	RUN NUMBER
	B01K1		1-01 * P							1		1	60
	B02K1		1-02 * P							2		1	60
	B03K1		1-03 * P							1		1	60
	B04K1		1-04 * P							2		9-5/8	60
	E03V1		1-05 * P							1		1	60
	E04V1		1-06 * P							2		1	60
	E05V1		1-07 * P							1		1	60
	E06V1		1-08 * P							2		1	60
	E07V1		1-09 * P							1		1	60
	E08V1		1-10 * P							2		1	60
	E09V1		1-11 * P							1		11-3/8	60
	B05K1		1-12 * P							2		1	60
	B06K1		1-13 * P							1		1	60
	B07K1		1-14 * P							2		1	60
	B08K1		1-15 * P							1		1	60
	B09K1		1-16 * P									34-0/8 1400000000	60

	B01L2		1-01 * P							2		1	61
	B02L2		1-02 * P							1		1	61
	B03L2		1-03 * P							2		1	61
	B04L2		1-04 * P							1		9-7/8	61
	E03U1		1-05 * P							2		1	61
	E04U1		1-06 * P							1		1	61
	E05U1		1-07 * P							2		1	61
	E06U1		1-08 * P							1		1	61
	E07U1		1-09 * P							2		1	61
	E08U1		1-10 * P							1		1	61
	E09U1		1-11 * P							2		10-5/8	61
	B05L2		1-12 * P							1		1	61
	B06L2		1-13 * P							2		1	61
	B07L2		1-14 * P							1		1	61
	B08L2		1-15 * P							2		1	61
	B09L2		1-16 * P									33-4/8 1400000000	61

	B01L1		1-01 * P							1		1	62
	B02L1		1-02 * P							2		1	62
	B03L1		1-03 * P							1		1	62
	B04L1		1-04 * P							2		8-7/8	62
	E03P2		1-05 * P							1		1	62
	E04P2		1-06 * P							2		1	62
	E05P2		1-07 * P							1		1	62
	E06P2		1-08 * P							2		1	62
	E07P2		1-09 * P							1		1	62
	E08P2		1-10 * P							2		1	62
	E09P2		1-11 * P							1		10-5/8	62
	B05L1		1-12 * P							2		1	62
	B06L1		1-13 * P							1		1	62
	B07L1		1-14 * P							2		1	62
	B08L1		1-15 * P							1		1	62
	B09L1		1-16 * P									32-4/8 1400000000	62

Table with columns: DD11P.C RUN NAME, WPP288.V34(63)-1 A/P PIN NAME, ORDER PIN, BAY - ORDER, Q, DRAW RV RG Y X Z, REMARKS, 15-Nov-76, 9:11, PAGE 12, NC LENGTH EXCEPTIONS FLAG, RUN NUMBER. Rows include BUS A08 L (B01M2 to B09M2), BUS A09 L (B01M1 to B09M1), BUS A10 L (B01M2 to B09M2).

Table with columns: DD11P.C RUN NAME, WPP288.V31(63)-1 A/P PIN NAME, ORDER PIN, BAY - ORDER, Q, DRAW RV RG Y X Z, REMARKS, 15-Nov-76, 9:11, PAGE 13, NC LENGTH EXCEPTIONS FLAG, RUN NUMBER. Rows include BUS A11 L (B01N1 to B09N1), BUS A12 L (B01P2 to B09P2), BUS A13 L (B01P1 to B09P1).

126

DDIIP.C RUN NAME	WPP288-V34(63)-1 A/P PIN NAME	23-AUG-76 ORDER PIN	BAY - ORDER	Q	DRAW OPT	RY RG Y	X Z	REMARKS	15-NOV-76 9113	PAGE 24 NC LENGTH EXCEPTIONS FLAG	RUN NUMBER
D IN	DD4H1		1-01 *				1			3-4/8	109
D IN	DD4M1		1-02 *								109
D IN			1							3-4/8 1400000000	109
D INT A	DD4H1		1-01 *				1			6-3/8	110
D INT A	DD4U1		1-02 *								110
D INT A			1							6-3/8 1400000000	110
D INT B	DD4J1		1-01 *				1			8-5/8	111
D INT B	DD4K2		1-02 *								111
D INT B			1							8-5/8 1400000000	111
D INT ENB A	DD4H1		1-01 *				1			6-5/8	112
D INT ENB A	DD4V1		1-02 *								112
D INT ENB A			1							6-5/8 1400000000	112
D INT ENB B	DD4L1		1-01 *				1			8-1/8	113
D INT ENB B	DD4M2		1-02 *								113
D INT ENB B			1							8-1/8 1400000000	113
D OUT HIGH	DD4K1		1-01 *				1			3-3/8	114
D OUT HIGH	DD4M2		1-02 *								114
D OUT HIGH			1							3-3/8 1400000000	114
D OUT LOW	DD4D1		1-01 *				1			4	115
D OUT LOW	DD4N1		1-02 *								115
D OUT LOW			1							4-0/8 1400000000	115
D SEL 0	DD4F1		1-01 *				1			4-1/8	116
D SEL 0	DD4S2		1-02 *								116
D SEL 0			1							4-1/8 1400000000	116
D SEL 4	DD4E1		1-01 *				1			4-3/8	117
D SEL 4	DD4K2		1-02 *								117
D SEL 4			1							4-3/8 1400000000	117
D SEL 6	DD4C1		1-01 *				1			4-4/8	118
D SEL 6	DD4S1		1-02 *								118
D SEL 6			1							4-4/8 1400000000	118
D SEP 2	DD4J1		1-01 *				1			4-1/8	119
D SEP 2	DD4T2		1-02 *								119
D SEP 2			1							4-1/8 1400000000	119
D SSYN IN H	DD4V1		1-01 *				1			1	120
D SSYN IN H	DD4B1		1-02 *								120
D SSYN IN H			1							1-0/8 1400000000	120

DDIIP.C RUN NAME	WPP288-V34(63)-1 A/P PIN NAME	23-AUG-76 ORDER PIN	BAY - ORDER	Q	DRAW OPT	RY RG Y	X Z	REMARKS	15-NOV-76 9113	PAGE 25 NC LENGTH EXCEPTIONS FLAG	RUN NUMBER
DC L	DD1F2		1-01 *	P			2			1	121
DC L	DD2F2		1-02 *	P			1				121
DC L	DD3F2		1-03 *	P			2			1	121
DC L	DD4F2		1-04 *	P			1			4-3/8	121
DC L	DD5N1		1-05 *	P			2			1	121
DC L	DD6N1		1-06 *	P			1			1	121
DC L	DD7N1		1-07 *	P			2			1	121
DC L	DD8N1		1-08 *	P			1			1	121
DC L	DD9N1		1-09 *	P			2			1	121
DC L	DD0N1		1-10 *	P			1			5-3/8	121
DC L	DD1F2		1-11 *	P			2			1	121
DC L	DD2F2		1-12 *	P			1			1	121
DC L	DD3F2		1-13 *	P			2			1	121
DC L	DD4F2		1-14 *	P			1			1	121
DC L	DD5F2		1-15 *	P			2			1	121
DC L	DD6F2		1-16 *	P			1				121
DC L			1							22-6/8 1400000000	121
E BG IN	DD5U2		1-01 *				1			3-7/8	122
E BG IN	DD5B1		1-02 *								122
E BG IN			1							3-7/8 1400000000	122
E BG OUT	DD5V2		1-01 *				1			3-7/8	123
E BG OUT	DD5A1		1-02 *								123
E BG OUT			1							3-7/8 1400000000	123
E BR OUT	DD5J2		1-01 *				1			6-5/8	124
E BR OUT	DD5P1		1-02 *				2			1	124
E BR OUT	DD5U2		1-03 *								124
E BR OUT			1							7-5/8 1400000000	124
E IN	DD5H1		1-01 *				1			3-4/8	125
E IN	DD5N1		1-02 *								125
E IN			1							3-4/8 1400000000	125
E INT A	DD5H1		1-01 *				1			6-3/8	126
E INT A	DD5U1		1-02 *								126
E INT A			1							6-3/8 1400000000	126
E INT B	DD5J1		1-01 *				1			8-5/8	127
E INT B	DD5K2		1-02 *								127
E INT B			1							8-5/8 1400000000	127
E INT ENB A	DD5H1		1-01 *				1			6-5/8	128
E INT ENB A	DD5V1		1-02 *								128
E INT ENB A			1							6-5/8 1400000000	128
E INT ENB B	DD5L1		1-01 *				1			8-1/8	129
E INT ENB B	DD5M2		1-02 *								129
E INT ENB B			1							8-1/8 1400000000	129
E OUT HIGH	DD5K1		1-01 *				1			3-3/8	130
E OUT HIGH	DD5M2		1-02 *								130
E OUT HIGH			1							3-3/8 1400000000	130

106

DD11P.C RUN NAME	A/P PIN NAME	ORDER PIN	23-AUG-76 BAY - ORDER	Q	DRAW RV RG Y OPT	X	Z	REMARKS	15-Nov-76	9:13	PAGE 28 NC LENGTH EXCEPTIONS FLAG	RUN NUMBER
F04E1	F04E1		1-01 *				1				2-3/8	158
F04E1	F04V2		1-02 *									158
F04E1			1								2-3/8 1400000000	158
F04L2	F04L2		1-01 *				1				1	159
F04L2	F04R1		1-02 *									159
F04L2			1								1-0/8 1400000000	159
F04M2	F04M2		1-01 *				1				1	160
F04M2	F04S1		1-02 *									160
F04M2			1								1-0/8 1400000000	160
F04P2	F04P2		1-01 *				1				0-4/8	161
F04P2	F04S2		1-02 *									161
F04P2			1								0-4/8 1400000000	161
F05D2	F05D2		1-01 *				2				1-6/8	162
F05D2	F05K2		1-02 *				1				0-4/8	162
F05D2	F05N1		1-03 *									162
F05D2			1								2-2/8 1400000000	162
F05E1	F05E1		1-01 *				1				2-3/8	163
F05E1	F05V2		1-02 *									163
F05E1			1								2-3/8 1400000000	163
F05L2	F05L2		1-01 *				1				1	164
F05L2	F05R1		1-02 *									164
F05L2			1								1-0/8 1400000000	164
F05M2	F05M2		1-01 *				1				1	165
F05M2	F05S1		1-02 *									165
F05M2			1								1-0/8 1400000000	165
F05P2	F05P2		1-01 *				1				0-4/8	166
F05P2	F05S2		1-02 *									166
F05P2			1								0-4/8 1400000000	166
F06D2	F06D2		1-01 *				2				1-6/8	167
F06D2	F06R2		1-02 *				1				0-4/8	167
F06D2	F06N1		1-03 *									167
F06D2			1								2-2/8 1400000000	167
F06E1	F06E1		1-01 *				1				2-3/8	168
F06E1	F06V2		1-02 *									168
F06E1			1								2-3/8 1400000000	168
F06L2	F06L2		1-01 *				1				1	169
F06L2	F06R1		1-02 *									169
F06L2			1								1-0/8 1400000000	169
F06M2	F06M2		1-01 *				1				1	170
F06M2	F06S1		1-02 *									170
F06M2			1								1-0/8 1400000000	170

DD11P.C RUN NAME	A/P PIN NAME	ORDER PIN	23-AUG-76 BAY - ORDER	Q	DRAW RV RG Y OPT	X	Z	REMARKS	15-Nov-76	9:13	PAGE 29 NC LENGTH EXCEPTIONS FLAG	RUN NUMBER
F06P2	F06P2		1-01 *				1				0-4/8	171
F06P2	F06S2		1-02 *									171
F06P2			1								0-4/8 1400000000	171
F07D2	F07D2		1-01 *				2				1-6/8	172
F07D2	F07M2		1-02 *				1				0-4/8	172
F07D2	F07N1		1-03 *									172
F07D2			1								2-2/8 1400000000	172
F07E1	F07E1		1-01 *				1				2-3/8	173
F07E1	F07V2		1-02 *									173
F07E1			1								2-3/8 1400000000	173
F07L2	F07L2		1-01 *				1				1	174
F07L2	F07R1		1-02 *									174
F07L2			1								1-0/8 1400000000	174
F07M2	F07M2		1-01 *				1				1	175
F07M2	F07S1		1-02 *									175
F07M2			1								1-0/8 1400000000	175
F07P2	F07P2		1-01 *				1				0-4/8	176
F07P2	F07S2		1-02 *									176
F07P2			1								0-4/8 1400000000	176
F08D2	F08D2		1-01 *				2				1-6/8	177
F08D2	F08R2		1-02 *				1				0-4/8	177
F08D2	F08N1		1-03 *									177
F08D2			1								2-2/8 1400000000	177
F08E1	F08E1		1-01 *				1				2-3/8	178
F08E1	F08V2		1-02 *									178
F08E1			1								2-3/8 1400000000	178
F08L2	F08L2		1-01 *				1				1	179
F08L2	F08R1		1-02 *									179
F08L2			1								1-0/8 1400000000	179
F08M2	F08M2		1-01 *				1				1	180
F08M2	F08S1		1-02 *									180
F08M2			1								1-0/8 1400000000	180
F08P2	F08P2		1-01 *				1				0-4/8	181
F08P2	F08S2		1-02 *									181
F08P2			1								0-4/8 1400000000	181
F09D2	F09D2		1-01 *				2				1-6/8	182
F09D2	F09M2		1-02 *				1				0-4/8	182
F09D2	F09N1		1-03 *									182
F09D2			1								2-2/8 1400000000	182
F09E1	F09E1		1-01 *				1				2-3/8	183
F09E1	F09V2		1-02 *									183
F09E1			1								2-3/8 1400000000	183

189

DD11P.C RUN NAME	WRP286.V34(63)-1 A/P PIN NAME	23-AUG-76 ORDER PIN	BAY - ORDER	Q	DRAW OPT	RV RG Y	X	Z	REMARKS	15-Nov-76	9:13	PAGE 30 NC LENGTH EXCEPTIONS FLAG	RUN NUMBER
F09L2	F09L2		1-01 *					1				1	104
F09L2	F09R1		1-02 *										104
F09L2			1									1-0/0 1400000000	104
F09M2	F09M2		1-01 *					1				1	105
F09M2	F09S1		1-02 *										105
F09M2			1									1-0/0 1400000000	105
F09P2	F09P2		1-01 *					1				0-4/0	106
F09P2	F09S2		1-02 *										106
F09P2			1									0-4/0 1400000000	106
GND (01)	A01C2		1-01 *	P				1				1	107
GND (01)	A02C2		1-02 *	P				2				1	107
GND (01)	A03C2		1-03 *	P				1				1	107
GND (01)	A04C2		1-04 *	P				2				1	107
GND (01)	A05C2		1-05 *	P				1				1	107
GND (01)	A06C2		1-06 *	P				2				1	107
GND (01)	A07C2		1-07 *	P				1				1	107
GND (01)	A08C2		1-08 *	P				2				1	107
GND (01)	A09C2		1-09 *	P				1				2-1/0	107
GND (01)	A09T1		1-10 *	P				2				1	107
GND (01)	A08T1		1-11 *	P				1				1	107
GND (01)	A07T1		1-12 *	P				2				1	107
GND (01)	A06T1		1-13 *	P				1				1	107
GND (01)	A05T1		1-14 *	P				2				1	107
GND (01)	A04T1		1-15 *	P				1				1	107
GND (01)	A03T1		1-16 *	P				2				1	107
GND (01)	A02T1		1-17 *	P				1				1	107
GND (01)	A01T1		1-18 *	P				2				1-5/0	107
GND (01)	E01C2		1-19 *	P				1				1	107
GND (01)	E02C2		1-20 *	P				2				1	107
GND (01)	E03C2		1-21 *	P				1				1	107
GND (01)	E04C2		1-22 *	P				2				1	107
GND (01)	E05C2		1-23 *	P				1				1	107
GND (01)	E06C2		1-24 *	P				2				1	107
GND (01)	E07C2		1-25 *	P				1				1	107
GND (01)	E08C2		1-26 *	P				2				1	107
GND (01)	E09C2		1-27 *	P				1				2-1/0	107
GND (01)	E09T1		1-28 *	P				2				1	107
GND (01)	E08T1		1-29 *	P				1				1	107
GND (01)	E07T1		1-30 *	P				2				1	107
GND (01)	E06T1		1-31 *	P				1				1	107
GND (01)	E05T1		1-32 *	P				2				1	107
GND (01)	E04T1		1-33 *	P				1				1	107
GND (01)	E03T1		1-34 *	P				2				1	107
GND (01)	E02T1		1-35 *	P				1				1	107
GND (01)	E01T1		1-36 *	P				2				1-3/0	107
GND (01)	C01C2		1-37 *	P				1				1	107
GND (01)	C02C2		1-38 *	P				2				1	107
GND (01)	C03C2		1-39 *	P				1				1	107
GND (01)	C04C2		1-40 *	P				2				1	107
GND (01)	C05C2		1-41 *	P				1				1	107
GND (01)	C06C2		1-42 *	P				2				1	107
GND (01)	C07C2		1-43 *	P				1				1	107
GND (01)	C08C2		1-44 *	P				2				1	107

DD11P.C RUN NAME	WRP288.V34(63)-1 A/P PIN NAME	23-AUG-76 ORDER PIN	BAY - ORDER	Q	DRAW OPT	RV RG Y	X	Z	REMARKS	15-Nov-76	9:13	PAGE 31 NC LENGTH EXCEPTIONS FLAG	RUN NUMBER
GND (01)	D09C2		1-45 *	P				1				2-1/0	107
GND (01)	D09T1		1-46 *	P				2				1	107
GND (01)	D08T1		1-47 *	P				1				1	107
GND (01)	D07T1		1-48 *	P				2				1	107
GND (01)	D06T1		1-49 *	P				1				1	107
GND (01)	D05T1		1-50 *	P				2				1	107
GND (01)	D04T1		1-51 *	P				1				1	107
GND (01)	D03T1		1-52 *	P				2				1	107
GND (01)	D02T1		1-53 *	P				1				1	107
GND (01)	D01T1		1-54 *	P				2					107
GND (01)			1									57-3/0 1400000000	107
GND (02)	D01C2		1-01 *	P				1				1	100
GND (02)	D02C2		1-02 *	P				2				1	100
GND (02)	D03C2		1-03 *	P				1				1	100
GND (02)	D04C2		1-04 *	P				2				1	100
GND (02)	D05C2		1-05 *	P				1				1	100
GND (02)	D06C2		1-06 *	P				2				1	100
GND (02)	D07C2		1-07 *	P				1				1	100
GND (02)	D08C2		1-08 *	P				2				1	100
GND (02)	D09C2		1-09 *	P				1				2-1/0	100
GND (02)	D09T1		1-10 *	P				2				1	100
GND (02)	D08T1		1-11 *	P				1				1	100
GND (02)	D07T1		1-12 *	P				2				1	100
GND (02)	D06T1		1-13 *	P				1				1	100
GND (02)	D05T1		1-14 *	P				2				1	100
GND (02)	D04T1		1-15 *	P				1				1	100
GND (02)	D03T1		1-16 *	P				2				1	100
GND (02)	D02T1		1-17 *	P				1				1	100
GND (02)	D01T1		1-18 *	P				2				1-3/0	100
GND (02)	E01C2		1-19 *	P				1				1	100
GND (02)	E02C2		1-20 *	P				2				1	100
GND (02)	E03C2		1-21 *	P				1				1	100
GND (02)	E04C2		1-22 *	P				2				1	100
GND (02)	E05C2		1-23 *	P				1				1	100
GND (02)	E06C2		1-24 *	P				2				1	100
GND (02)	E07C2		1-25 *	P				1				1	100
GND (02)	E08C2		1-26 *	P				2				1	100
GND (02)	E09C2		1-27 *	P				1				2-1/0	100
GND (02)	E09T1		1-28 *	P				2				1	100
GND (02)	E08T1		1-29 *	P				1				1	100
GND (02)	E07T1		1-30 *	P				2				1	100
GND (02)	E06T1		1-31 *	P				1				1	100
GND (02)	E05T1		1-32 *	P				2				1	100
GND (02)	E04T1		1-33 *	P				1				1	100
GND (02)	E03T1		1-34 *	P				2				1	100
GND (02)	E02T1		1-35 *	P				1				1	100
GND (02)	E01T1		1-36 *	P				2				1-5/0	100
GND (02)	F01C2		1-37 *	P				1				1	100
GND (02)	F02C2		1-38 *	P				2				1	100
GND (02)	F03C2		1-39 *	P				1				1	100
GND (02)	F04C2		1-40 *	P				2				1	100
GND (02)	F05C2		1-41 *	P				1				1	100
GND (02)	F06C2		1-42 *	P				2				1	100
GND (02)	F07C2		1-43 *	P				1				1	100
GND (02)	F08C2		1-44 *	P				2				1	100

69

DD11P.C RUN NAME	WRP288.V34(63)-1 A/P PIN NAME	ORDER PIN	23-AUG-76 RAY - ORDER	Q	15-NOV-76 DRAW RV RG Y OPT	X Z	REMARKS	9:13 PAGE 32 NC LENGTH EXCEPTIONS FLAG	RUN NUMBER
GND (02)	F09C2		1-45 *	P		1		2-1/8	188
GND (02)	F09T1		1-46 *	P		2		1	188
GND (02)	F08T1		1-47 *	P		1		1	188
GND (02)	F07T1		1-48 *	P		2		1	188
GND (02)	F06T1		1-49 *	P		1		1	188
GND (02)	F05T1		1-50 *	P		2		1	188
GND (02)	F04T1		1-51 *	P		1		1	188
GND (02)	F03T1		1-52 *	P		2		1	188
GND (02)	F02T1		1-53 *	P		1		1	188
GND (02)	F01T1		1-54 *	P		1		57-3/8 1400000000	188
GND (03)	B09V2		1-01 *	P		2		2-3/8	189
GND (03)	B09E1		1-02 *	P		1		0-1/8	189
GND (03)	B09D1		1-03 *	P		2		0-4/8	189
GND (03)	B09B2		1-04 *	P		1		1-2/8	189
GND (03)	A09V2		1-05 *	P		2		0-5/8	189
GND (03)	A09S1		1-06 *	P		1		0-1/8	189
GND (03)	A09R1		1-07 *	P		2		0-1/8	189
GND (03)	A09P1		1-08 *	P		1		0-1/8	189
GND (03)	A09N1		1-09 *	P		2		1-7/8	189
GND (03)	A09R2		1-10 *	P		1		4-4/8	189
GND (03)	A01B2		1-11 *	P		2		1-7/8	189
GND (03)	A01N1		1-12 *	P		1		0-1/8	189
GND (03)	A01P1		1-13 *	P		2		0-1/8	189
GND (03)	A01S1		1-14 *	P		1		0-1/8	189
GND (03)	A01V2		1-15 *	P		2		0-5/8	189
GND (03)	B01B2		1-16 *	P		1		1-2/8	189
GND (03)	B01D1		1-17 *	P		2		0-4/8	189
GND (03)	B01E1		1-18 *	P		1		0-1/8	189
GND (03)	B01V2		1-19 *	P		2		2-3/8	189
GND (03)	E03A1		1-20 *	P		1		6-5/8	189
GND (03)	E03A1		1-21 *	P		2		1	189
GND (03)	E04A1		1-22 *	P		1		1	189
GND (03)	E05A1		1-23 *	P		2		1	189
GND (03)	E06A1		1-24 *	P		1		1	189
GND (03)	E07A1		1-25 *	P		2		1	189
GND (03)	E08A1		1-26 *	P		1		1	189
GND (03)	E09A1		1-27 *	P		2		4-3/8	189
GND (03)	F09J2		1-28 *	P		1		1	189
GND (03)	F08J2		1-29 *	P		2		1	189
GND (03)	F07J2		1-30 *	P		1		1	189
GND (03)	F06J2		1-31 *	P		2		1	189
GND (03)	F05J2		1-32 *	P		1		1	189
GND (03)	F04J2		1-33 *	P		2		1	189
GND (03)	F03J2		1-34 *	P		1		41-6/8 1400000000	189
H BG IN	D07U2		1-01 *			1		3-7/8	190
H BG IN	F07B1		1-02 *			1		3-7/8 1400000000	190
H BG IN									190
H BG OUT	D07V2		1-01 *			1		3-7/8	191
H BG OUT	F07A1		1-02 *			1		3-7/8 1400000000	191
H BG OUT									191

DD11P.C RUN NAME	WRP288.V34(63)-1 A/P PIN NAME	ORDER PIN	23-AUG-76 RAY - ORDER	Q	15-NOV-76 DRAW RV RG Y OPT	X Z	REMARKS	9:13 PAGE 33 NC LENGTH EXCEPTIONS FLAG	RUN NUMBER
H BR OUT	D07J2		1-01 *			1		6-5/8	192
H BR OUT	F07B1		1-02 *			2		1	192
H BR OUT	F07U2		1-03 *			1		7-5/8 1400000000	192
H BR OUT									192
H IN	D07H1		1-01 *			1		3-4/8	193
H IN	E07H1		1-02 *			1		3-4/8 1400000000	193
H IN									193
H INT A	D07N1		1-01 *			1		6-3/8	194
H INT A	F07U1		1-02 *			1		6-3/8 1400000000	194
H INT A									194
H INT B	D07J1		1-01 *			1		8-5/8	195
H INT B	F07K2		1-02 *			1		8-5/8 1400000000	195
H INT B									195
H INT ENB A	D07M1		1-01 *			1		6-5/8	196
H INT ENB A	F07V1		1-02 *			1		6-5/8 1400000000	196
H INT ENB A									196
H INT ENB B	D07L1		1-01 *			1		8-1/8	197
H INT ENB B	F07H2		1-02 *			1		8-1/8 1400000000	197
H INT ENB B									197
H OUT HIGH	D07K1		1-01 *			1		3-3/8	198
H OUT HIGH	E07M2		1-02 *			1		3-3/8 1400000000	198
H OUT HIGH									198
H OUT LOW	D07D1		1-01 *			1		4	199
H OUT LOW	E07N1		1-02 *			1		4-0/8 1400000000	199
H OUT LOW									199
H SEL 0	D07F1		1-01 *			1		4-1/8	200
H SEL 0	E07S2		1-02 *			1		4-1/8 1400000000	200
H SEL 0									200
H SEL 4	D07E1		1-01 *			1		4-3/8	201
H SEL 4	E07P2		1-02 *			1		4-3/8 1400000000	201
H SEL 4									201
H SEL 6	D07C1		1-01 *			1		4-4/8	202
H SEL 6	E07S1		1-02 *			1		4-4/8 1400000000	202
H SEL 6									202
H SER 2	D07J1		1-01 *			1		4-1/8	203
H SER 2	E07T2		1-02 *			1		4-1/8 1400000000	203
H SER 2									203
H SSYN IN H	D07V1		1-01 *			1		1	204
H SSYN IN H	E07B1		1-02 *			1		1-0/8 1400000000	204
H SSYN IN H									204

DD11P.C RUN NAME	WRP200.V34(63)-1 A/P PIN NAME	ORDER PIN	23-AUG-76 BAY - ORDER	Q	DRAM RV RC Y OPT	15-NOV-76 REMARKS	9:13 NC LENGTH EXCEPTIONS FLAG	PAGE 34	RUN NUMBER
HALT GRANT	C01R1		1-01 * P				1		205
HALT GRANT	C02R1		1-02 * P				1		205
HALT GRANT	C03R1		1-03 * P				1		205
HALT GRANT	C04R1		1-04 * P				1		205
HALT GRANT	C05R1		1-05 * P				1		205
HALT GRANT	C06R1		1-06 * P				1		205
HALT GRANT	C07R1		1-07 * P				1		205
HALT GRANT	C08R1		1-08 * P				1		205
HALT GRANT	C09R1		1-09 * P				1		205
HALT GRANT			1				0-0/0 1400000000		205
HALT REQ	C01P1		1-01 * P				1		206
HALT REQ	C02P1		1-02 * P				1		206
HALT REQ	C03P1		1-03 * P				1		206
HALT REQ	C04P1		1-04 * P				1		206
HALT REQ	C05P1		1-05 * P				1		206
HALT REQ	C06P1		1-06 * P				1		206
HALT REQ	C07P1		1-07 * P				1		206
HALT REQ	C08P1		1-08 * P				1		206
HALT REQ	C09P1		1-09 * P				1		206
HALT REQ			1				0-0/0 1400000000		206
INIT L	A01A1		1-01 * P				1		207
INIT L	A02A1		1-02 * P				1		207
INIT L	A03A1	A04A1	1-03 * P				1		207
INIT L	A04A1		1-04 * H			TNPR	9-7/8		207
INIT L	D03L1		1-05 * P				1		207
INIT L	D04L1		1-06 * P				1		207
INIT L	D05L1		1-07 * P				1		207
INIT L	D06L1		1-08 * P				1		207
INIT L	D07L1		1-09 * P				1		207
INIT L	D08L1	D09L1	1-10 * P				1		207
INIT L	D09L1		1-11 * H			TNPR	11-5/8		207
INIT L	A05A1		1-12 * P				1		207
INIT L	A06A1		1-13 * P				1		207
INIT L	A07A1		1-14 * P				1		207
INIT L	A08A1		1-15 * P				1		207
INIT L	A09A1		1-16 * P				1		207
INIT L			1				34-4/8 1400000000		207
INT SSYN	B02E1		1-01 * P				1		208
INT SSYN	B03E1		1-02 * P				1		208
INT SSYN	B04E1		1-03 * P				1		208
INT SSYN	B05E1		1-04 * P				1		208
INT SSYN	B06E1		1-05 * P				1		208
INT SSYN	B07E1		1-06 * P				1		208
INT SSYN	B08E1		1-07 * P				1		208
INT SSYN			1				6-0/0 1400000000		208

DD11P.C RUN NAME	WRP200.V34(63)-1 A/P PIN NAME	ORDER PIN	23-AUG-76 BAY - ORDER	Q	DRAM RV RC Y OPT	15-NOV-76 REMARKS	9:13 NC LENGTH EXCEPTIONS FLAG	PAGE 35	RUN NUMBER
INTR L	A01B1		1-01 * P				1		209
INTR L	A02B1		1-02 * P				1		209
INTR L	A03B1		1-03 * P				1		209
INTR L	A04B1		1-04 * P				15-3/8		209
INTR L	F03M1		1-05 * P				1		209
INTR L	F04M1		1-06 * P				1		209
INTR L	F05M1		1-07 * P				1		209
INTR L	F06M1		1-08 * P				1		209
INTR L	F07M1		1-09 * P				1		209
INTR L	F08M1		1-10 * P				1		209
INTR L	F09M1		1-11 * P				16-5/8		209
INTR L	A05B1		1-12 * P				1		209
INTR L	A06B1		1-13 * P				1		209
INTR L	A07B1		1-14 * P				1		209
INTR L	A08B1		1-15 * P				1		209
INTR L	A09B1		1-16 * P				1		209
INTR L			1				45-0/0 1400000000		209
J A IN	D08H1		1-01 * P				1	3-4/8	210
J A IN	E08M1		1-02 * P				1		210
J A IN			1				3-4/8 1400000000		210
J BG IN	D08U2		1-01 * P				1	3-7/8	211
J BG IN	F08B1		1-02 * P				1		211
J BG IN			1				3-7/8 1400000000		211
J BG OUT	D08V2		1-01 * P				1	3-7/8	212
J BG OUT	F08A1		1-02 * P				1		212
J BG OUT			1				3-7/8 1400000000		212
J BR OUT	D08J2		1-01 * P				1	6-5/8	213
J BR OUT	F08P1		1-02 * P				1		213
J BR OUT	F08U2		1-03 * P				1		213
J BR OUT			1				7-5/8 1400000000		213
J INT A	D08N1		1-01 * P				1	6-3/8	214
J INT A	F08U1		1-02 * P				1		214
J INT A			1				6-3/8 1400000000		214
J INT B	C08J1		1-01 * P				1	8-5/8	215
J INT B	F08K2		1-02 * P				1		215
J INT B			1				8-5/8 1400000000		215
J INT ENB A	D08V1		1-01 * P				1	6-5/8	216
J INT ENB A	F08V1		1-02 * P				1		216
J INT ENB A			1				6-5/8 1400000000		216
J INT ENB B	C08L1		1-01 * P				1	8-1/8	217
J INT ENB B	F08H2		1-02 * P				1		217
J INT ENB B			1				8-1/8 1400000000		217
J OUT HIGH	D08K1		1-01 * P				1	3-3/8	218
J OUT HIGH	E08M2		1-02 * P				1		218
J OUT HIGH			1				3-3/8 1400000000		218

121

DDIIP.C RUN NAME	WRP288.V34(63)-1 A/P PIN NAME	ORDER PIN	23-AUG-76 BAY - ORDER	Q	15-NOV-76 DRAW RV RG Y OPT	X	Z	REMARKS	9:13 PAGE 36 NC LENGTH EXCEPTIONS FLAG	RUN NUMBER
J OUT LOW	D08D1		1-01 *				1		4	219
J OUT LOW	E08N1		1-02 *						4-0/8 1400000000	219
J OUT LOW			1							219
J SEL 0	D08F1		1-01 *				1		4-1/8	220
J SEL 0	E08S2		1-02 *						4-1/8 1400000000	220
J SEL 0			1							220
J SEL 4	D08E1		1-01 *				1		4-3/8	221
J SEL 4	E08R2		1-02 *						4-3/8 1400000000	221
J SEL 4			1							221
J SEL 6	D08C1		1-01 *				1		4-4/8	222
J SEL 6	E08S1		1-02 *						4-4/8 1400000000	222
J SEL 6			1							222
J SER 2	D08J1		1-01 *				1		4-1/8	223
J SER 2	E08T2		1-02 *						4-1/8 1400000000	223
J SER 2			1							223
J SSYN IN H	D08V1		1-01 *				1		1	224
J SSYN IN H	E08B1		1-02 *						1-0/8 1400000000	224
J SSYN IN H			1							224
K A IN	D09H1		1-01 *				1		3-4/8	225
K A IN	E09M1		1-02 *						3-4/8 1400000000	225
K A IN			1							225
K BG IN	D09U2		1-01 *				1		3-7/8	226
K BG IN	F09H1		1-02 *						3-7/8 1400000000	226
K BG IN			1							226
K BG OUT	D09V2		1-01 *				1		3-7/8	227
K BG OUT	F09A1		1-02 *						3-7/8 1400000000	227
K BG OUT			1							227
K BR OUT	D09J2		1-01 *				1		6-5/8	228
K BR OUT	F09P1		1-02 *				2		1	228
K BR OUT	F09U2		1-03 *						7-5/8 1400000000	228
K BR OUT			1							228
K INT A	D09N1		1-01 *				1		6-3/8	229
K INT A	F09U1		1-02 *						6-3/8 1400000000	229
K INT A			1							229
K INT B	D09J1		1-01 *				1		8-5/8	230
K INT B	F09K2		1-02 *						8-5/8 1400000000	230
K INT B			1							230
K INT ENB A	D09M1		1-01 *				1		6-5/8	231
K INT ENB A	F09V1		1-02 *						6-5/8 1400000000	231
K INT ENB A			1							231
K INT ENR B	D09L1		1-01 *				1		8-1/8	232
K INT ENR B	F09H2		1-02 *						8-1/8 1400000000	232
K INT ENR B			1							232

DDIIP.C RUN NAME	WRP288.V34(63)-1 A/P PIN NAME	ORDER PIN	23-AUG-76 BAY - ORDER	Q	15-NOV-76 DRAW RV RG Y OPT	X	Z	REMARKS	9:13 PAGE 37 NC LENGTH EXCEPTIONS FLAG	RUN NUMBER
K OUT HIGH	D09K1		1-01 *				1		3-3/8	233
K OUT HIGH	F09W2		1-02 *						3-3/8 1400000000	233
K OUT HIGH			1							233
K OUT LOW	D09D1		1-01 *				1		4	234
K OUT LOW	E09N1		1-02 *						4-0/8 1400000000	234
K OUT LOW			1							234
K SEL 0	D09F1		1-01 *				1		4-1/8	235
K SEL 0	E09S2		1-02 *						4-1/8 1400000000	235
K SEL 0			1							235
K SEL 4	D09E1		1-01 *				1		4-3/8	236
K SEL 4	E09R2		1-02 *						4-3/8 1400000000	236
K SEL 4			1							236
K SEL 6	D09C1		1-01 *				1		4-4/8	237
K SEL 6	E09S1		1-02 *						4-4/8 1400000000	237
K SEL 6			1							237
K SER 2	D09J1		1-01 *				1		4-1/8	238
K SER 2	E09T2		1-02 *						4-1/8 1400000000	238
K SER 2			1							238
K SSYN IN H	D09V1		1-01 *				1		1	239
K SSYN IN H	E09B1		1-02 *						1-0/8 1400000000	239
K SSYN IN H			1							239
K1-1 BERG 00(1) H	D01N1		1-01 *				1		0-5/8	240
K1-1 BERG 00(1) H	D02M1		1-02 *						0-5/8 1400000000	240
K1-1 BERG 00(1) H			1							240
K1-1 BXREG 00(1) H	C02U1		1-01 *				1		7-7/8	241
K1-1 BXREG 00(1) H	F01K1		1-02 *						7-7/8 1400000000	241
K1-1 BXREG 00(1) H			1							241
K1-1 BXREG 01(1) H	D02F1		1-01 *				1		5-5/8	242
K1-1 BXREG 01(1) H	F01A1		1-02 *						5-5/8 1400000000	242
K1-1 BXREG 01(1) H			1							242
K1-1 CBIT(1) H	D01U2		1-01 *				1		0-5/8	243
K1-1 CBIT(1) H	D02V1		1-02 *						0-5/8 1400000000	243
K1-1 CBIT(1) H			1							243
K1-1 NBIT(1) H	D01L1		1-01 *				1		3-7/8	244
K1-1 NBIT(1) H	E02P2		1-02 *						3-7/8 1400000000	244
K1-1 NBIT(1) H			1							244
K1-1 SSMUX 00 H	E02B2		1-01 *				1		4-3/8	245
K1-1 SSMUX 00 H	F01F1		1-02 *						4-3/8 1400000000	245
K1-1 SSMUX 00 H			1							245
K1-1 SSMUX 01 H	D01H1		1-01 *				1		3-1/8	246
K1-1 SSMUX 01 H	E02E1		1-02 *						3-1/8 1400000000	246
K1-1 SSMUX 01 H			1							246

152

DDIIP.C RUN NAME	WRP288.V34(63)-1 A/P PIN NAME	23-AUG-76 ORDER PIN	BAY - ORDER	Q	DRAW OPT	RV RG Y	X	Z	REMARKS	15-NOV-76	9113 NC LENGTH FLAG	PAGE 38 EXCEPTIONS	RUN NUMBER
K1-1 SSMUX 02 H	E0101		1-01 *					1			1-3/8		247
K1-1 SSMUX 02 H	E02D2		1-02 *								1-3/8 1400000000		247
K1-1 SSMUX 02 H			1										247
K1-1 SSMUX 03 H	D01E1		1-01 *					1			3-3/8		248
K1-1 SSMUX 03 H	E02D1		1-02 *								3-3/8 1400000000		248
K1-1 SSMUX 03 H			1										248
K1-1 VBIT(1) H	F01D1		1-01 *					1			2-5/8		249
K1-1 VBIT(1) H	E02U2		1-02 *								2-5/8 1400000000		249
K1-1 VBIT(1) H			1										249
K1-1 ZBIT(1) H	E02V1		1-01 *					1			1-7/8		250
K1-1 ZBIT(1) H	F01F2		1-02 *								1-7/8 1400000000		250
K1-1 ZBIT(1) H			1										250
K1-10 8-15=0 L	C01J2		1-01 *					1			9-3/8		251
K1-10 8-15=0 L	F02N2		1-02 *								9-3/8 1400000000		251
K1-10 8-15=0 L			1										251
K1-10 ASSERT SSYN H	F01K2		1-01 *					1			3-1/8		252
K1-10 ASSERT SSYN H	F02F1		1-02 *								3-1/8 1400000000		252
K1-10 ASSERT SSYN H			1										252
K1-10 CCN H	F01T2		1-01 *					1			1-7/8		253
K1-10 CCN H	F02J2		1-02 *								1-7/8 1400000000		253
K1-10 CCN H			1										253
K1-10 CCZ H	E01L1		1-01 *					1			2-7/8		254
K1-10 CCZ H	F02M2		1-02 *								2-7/8 1400000000		254
K1-10 CCZ H			1										254
K1-2 PSW 05(1) H	C01P2		1-01 *					1			6-5/8		255
K1-2 PSW 05(1) H	E02T2		1-02 *								6-5/8 1400000000		255
K1-2 PSW 05(1) H			1										255
K1-2 PSW 06(1) H	C01M2		1-01 *					1			6-5/8		256
K1-2 PSW 06(1) H	E02U1		1-02 *								6-5/8 1400000000		256
K1-2 PSW 06(1) H			1										256
K1-2 PSW 07(1) H	E02K2		1-01 *					1			3-3/8		257
K1-2 PSW 07(1) H	F01H2		1-02 *								3-3/8 1400000000		257
K1-2 PSW 07(1) H			1										257
K1-2 SSMUX 04 H	C02D1		1-01 *					1			3-7/8		258
K1-2 SSMUX 04 H	D01H2		1-02 *								3-7/8 1400000000		258
K1-2 SSMUX 04 H			1										258
K1-2 SSMUX 05 H	F01F1		1-01 *					1			1-3/8		259
K1-2 SSMUX 05 H	E02M2		1-02 *								1-3/8 1400000000		259
K1-2 SSMUX 05 H			1										259
K1-2 SSMUX 06 H	C02C1		1-01 *					1			6-7/8		260
K1-2 SSMUX 06 H	F01K1		1-02 *								6-7/8 1400000000		260
K1-2 SSMUX 06 H			1										260

DDIIP.C RUN NAME	WRP288.V34(63)-1 A/P PIN NAME	23-AUG-76 ORDER PIN	BAY - ORDER	Q	DRAW OPT	RV RG Y	X	Z	REMARKS	15-NOV-76	9113 NC LENGTH FLAG	PAGE 39 EXCEPTIONS	RUN NUMBER
K1-2 SSMUX 07 H	C02E2		1-01 *					1			3-7/8		261
K1-2 SSMUX 07 H	D01J2		1-02 *								3-7/8 1400000000		261
K1-2 SSMUX 07 H			1										261
K1-2 TBIT(1) H	D01F1		1-01 *					1			0-5/8		262
K1-2 TBIT(1) H	D02K1		1-02 *								0-5/8 1400000000		262
K1-2 TBIT(1) H			1										262
K1-3 SSMUX 08 H	F01N2		1-01 *					1			0-4/8		263
K1-3 SSMUX 08 H	E02N1		1-02 *								0-4/8 1400000000		263
K1-3 SSMUX 08 H			1										263
K1-3 SSMUX 09 H	C02J2		1-01 *					1			6-5/8		264
K1-3 SSMUX 09 H	E01P2		1-02 *								6-5/8 1400000000		264
K1-3 SSMUX 09 H			1										264
K1-3 SSMUX 10 H	C02M2		1-01 *					1			5-1/8		265
K1-3 SSMUX 10 H	D01V1		1-02 *								5-1/8 1400000000		265
K1-3 SSMUX 10 H			1										265
K1-3 SSMUX 11 H	C02F2		1-01 *					1			5-7/8		266
K1-3 SSMUX 11 H	E01L1		1-02 *								5-7/8 1400000000		266
K1-3 SSMUX 11 H			1										266
K1-4 ALU COUT H	E01V1		1-01 *					1			2-7/8		267
K1-4 ALU COUT H	F02L2		1-02 *								2-7/8 1400000000		267
K1-4 ALU COUT H			1										267
K1-4 PSW 15(1) L	D01J1		1-01 *					1			3-1/8		268
K1-4 PSW 15(1) L	E02E2		1-02 *								3-1/8 1400000000		268
K1-4 PSW 15(1) L			1										268
K1-4 SP15(1) H	C02N1		1-01 *	H				1			0-1/8		269
K1-4 SP15(1) H	F01E1		1-02 *	X							0-1/8 1400000000		269
K1-4 SP15(1) H			1										269
K1-4 SSMUX 12 H	C02J1		1-01 *					1			5-1/8		270
K1-4 SSMUX 12 H	E01B2		1-02 *								5-1/8 1400000000		270
K1-4 SSMUX 12 H			1										270
K1-4 SSMUX 13 H	C02D2		1-01 *					1			5-3/8		271
K1-4 SSMUX 13 H	D01V2		1-02 *								5-3/8 1400000000		271
K1-4 SSMUX 13 H			1										271
K1-4 SSMUX 14 H	C02H1		1-01 *					1			6-5/8		272
K1-4 SSMUX 14 H	E01P2		1-02 *								6-5/8 1400000000		272
K1-4 SSMUX 14 H			1										272
K1-4 SSMUX 15 H	C01D1		1-01 *					1			1-3/8		273
K1-4 SSMUX 15 H	C02B2		1-02 *								1-3/8 1400000000		273
K1-4 SSMUX 15 H			1										273
K1-5 ALLOW NSYN H	E01V2		1-01 *					1			1-1/8		274
K1-5 ALLOW NSYN H	F02A1		1-02 *								1-1/8 1400000000		274
K1-5 ALLOW NSYN H			1										274

153

DDIIP.C RUN NAME	WRP288.VJ4(63)-1 A/P PIN ORDER NAME PIN	23-AUG-76 BAY - ORDER	Q	DRAW	RV	RG	Y	X	Z	REMARKS	15-NOV-76	9:13	PAGE 40	NC LENGTH EXCEPTIONS	RUN NUMBER
													FLAG		
K1-5 MAN CLK ENAB L	F01M1	1-01 *							1				1-3/8		275
K1-5 MAN CLK ENAB L	F02E1	1-02 *													275
K1-5 MAN CLK ENAB L		1											1-3/8 1400000000		275
K1-5 MAN CLK L	E02S1	1-01 *							1				3-3/8		276
K1-5 MAN CLK L	F01P1	1-02 *													276
K1-5 MAN CLK L		1											3-3/8 1400000000		276
K1-5 PROC CLK H	E02J2	1-01 * H							1	TWP			4-3/8		277
K1-5 PROC CLK H	F01P2	1-02 * X								TWP					277
K1-5 PROC CLK H		1											4-3/8 1400000000		277
K1-5 PROC CLK L	F01R1	1-01 *							1				0-5/8		278
K1-5 PROC CLK L	E02M1	1-02 *													278
K1-5 PROC CLK L		1											0-5/8 1400000000		278
K1-5 TAP 30 H	D01E2	1-01 * H							1	TWP			4-1/8		279
K1-5 TAP 30 H	E02M2	1-02 * X								TWP					279
K1-5 TAP 30 H		1											4-1/8 1400000000		279
K1-6 PBA 00 H	C01L2	1-01 *							1				4-7/8		280
K1-6 PBA 00 H	E02C1	1-02 *													280
K1-6 PBA 00 H		1											4-7/8 1400000000		280
K1-6 PBA 01 H	C01H1	1-01 *							1				5-3/8		281
K1-6 PBA 01 H	D02V2	1-02 *													281
K1-6 PBA 01 H		1											5-3/8 1400000000		281
K1-6 PBA 02 H	L02U2	1-01 *							1				1-7/8		282
K1-6 PBA 02 H	F01E2	1-02 *													282
K1-6 PBA 02 H		1											1-7/8 1400000000		282
K1-6 PBA 03 H	D01M1	1-01 *							1				2-3/8		283
K1-6 PBA 03 H	E02B1	1-02 *													283
K1-6 PBA 03 H		1											2-3/8 1400000000		283
K1-6 VBA 00(1) H	D02H1	1-01 *							1				4-1/8		284
K1-6 VBA 00(1) H	F01T2	1-02 *													284
K1-6 VBA 00(1) H		1											4-1/8 1400000000		284
K1-6 KT FAULT L	D01D2	1-01 *							1				7-5/8		285
K1-6 KT FAULT L	F02T2	1-02 *													285
K1-6 KT FAULT L		1											7-5/8 1400000000		285
K2-1 CLK MSYN H	C01J1	1-01 *							1				10-3/8		286
K2-1 CLK MSYN H	F02V2	1-02 *													286
K2-1 CLK MSYN H		1											10-3/8 1400000000		286
K2-1 DISABLE WRIT L	D01F2	1-01 *							1				6-7/8		287
K2-1 DISABLE WRIT L	F02S1	1-02 *													287
K2-1 DISABLE WRIT L		1											6-7/8 1400000000		287
K2-1 ENAB ADDR5 L	D02E2	1-01 *							1				5-5/8		288
K2-1 ENAB ADDR5 L	F01R2	1-02 *													288
K2-1 ENAB ADDR5 L		1											5-5/8 1400000000		288

DDIIP.C RUN NAME	WRP288.VJ4(63)-1 A/P PIN ORDER NAME PIN	23-AUG-76 BAY - ORDER	Q	DRAW	RV	RG	Y	X	Z	REMARKS	15-NOV-76	9:13	PAGE 41	NC LENGTH EXCEPTIONS	RUN NUMBER
													FLAG		
K2-1 INT MSYN H	C01F2	1-01 *							1				2-7/8		289
K2-1 INT MSYN H	D02C1	1-02 *													289
K2-1 INT MSYN H		1											2-7/8 1400000000		289
K2-1 KTE(1) H	D02M2	1-01 *							1				5-5/8		290
K2-1 KTE(1) H	F01J2	1-02 *													290
K2-1 KTE(1) H		1											5-5/8 1400000000		290
K2-1 MSYN(1) L	C01H2	1-01 *							1				9-1/8		291
K2-1 MSYN(1) L	F02K2	1-02 *													291
K2-1 MSYN(1) L		1											9-1/8 1400000000		291
K2-1 PE(1) H	C01T2	1-01 *							1				1		292
K2-1 PE(1) H	D02T2	1-02 *													292
K2-1 PE(1) H		1											1-0/8 1400000000		292
K2-1 START TRAN L	C01R2	1-01 *							1				4-3/8		293
K2-1 START TRAN L	E02A1	1-02 *													293
K2-1 START TRAN L		1											4-3/8 1400000000		293
K2-1 TRAN INH L	C01A2	1-01 *							1				7-7/8		294
K2-1 TRAN INH L	F02C1	1-02 *													294
K2-1 TRAN INH L		1											7-7/8 1400000000		294
K2-1 UBUS C0(1) H	C01B2	1-01 *							1				4-1/8		295
K2-1 UBUS C0(1) H	D02H2	1-02 *													295
K2-1 UBUS C0(1) H		1											4-1/8 1400000000		295
K2-1 UBUS C1(1) H	C01C1	1-01 *							1				4-3/8		296
K2-1 UBUS C1(1) H	D02J1	1-02 *													296
K2-1 UBUS C1(1) H		1											4-3/8 1400000000		296
K2-2 BG INH L	F01R2	1-01 *							1				2-1/8		297
K2-2 BG INH L	F02B1	1-02 *													297
K2-2 BG INH L		1											2-1/8 1400000000		297
K2-2 PROC INIT L	E01U1	1-01 *							1				1-7/8		298
K2-2 PROC INIT L	F02O2	1-02 *													298
K2-2 PROC INIT L		1											1-7/8 1400000000		298
K2-2 RCD INIT L	C01E2	1-01 *							1				0-7/8		299
K2-2 RCD INIT L	F02E2	1-02 *													299
K2-2 RCD INIT L		1											0-7/8 1400000000		299
K2-2 SACK RET(1) H	C01R2	1-01 *							1				5-3/8		300
K2-2 SACK RET(1) H	E02L1	1-02 *													300
K2-2 SACK RET(1) H		1											5-3/8 1400000000		300
K2-3 C2 H	C02L1	1-01 *							1				2-3/8		301
K2-3 C2 H	D01B2	1-02 *													301
K2-3 C2 H		1											2-3/8 1400000000		301
K2-3 C3 H	C01V1	1-01 *							1				0-5/8		302
K2-3 C3 H	F02S1	1-02 *													302
K2-3 C3 H		1											0-5/8 1400000000		302

100

DD11P.C RUN NAME	WRP288.V34(63)-1 A/P PIN NAME	ORDER PIN	23-AUG-76 BAY - ORDER	Q	DRAW	RV	RG	Y	X	Z	REMARKS	15-Nov-76	9:13	PAGE 42 NC LENGTH EXCEPTIONS FLAG	RUN NUMBER
K2-3 C4 H	C01U1		1-01 *							1				1-5/8	303
K2-3 C4 H	C02N2		1-02 *											1-5/8 1400000000	303
K2-3 C4 H			1												303
K2-3 INT VECTOR L	D01K1		1-01 *							1				7-1/8	304
K2-3 INT VECTOR L	F02U1		1-02 *											7-1/8 1400000000	304
K2-3 INT VECTOR L			1												304
K2-3 INTR H	C01V2		1-01 *							1				7-1/8	305
K2-3 INTR H	F02H1		1-02 *											7-1/8 1400000000	305
K2-3 INTR H			1												305
K2-4 SP WRITE L	E02F1		1-01 *							1				4-7/8	306
K2-4 SP WRITE L	F01V2		1-02 *											4-7/8 1400000000	306
K2-4 SP WRITE L			1												306
K2-4 SPA 00 H	C01D2		1-01 * H							1	TWP			3-7/8	307
K2-4 SPA 00 H	D02F2		1-02 * X								TWP			3-7/8 1400000000	307
K2-4 SPA 00 H			1												307
K2-4 SPA 01 H	C01N1		1-01 * H							1	TWP			2-5/8	308
K2-4 SPA 01 H	D02B2		1-02 * X								TWP			2-5/8 1400000000	308
K2-4 SPA 01 H			1												308
K2-4 SPA 02 H	C01S1		1-01 * H							1	TWP			3-1/8	309
K2-4 SPA 02 H	D02L1		1-02 * X								TWP			3-1/8 1400000000	309
K2-4 SPA 02 H			1												309
K2-4 SPA 03 H	C01U2		1-01 * H							1	TWP			2	310
K2-4 SPA 03 H	D02U2		1-02 * X								TWP			2-0/8 1400000000	310
K2-4 SPA 03 H			1												310
K2-5 BYTE L	E01H2		1-01 *							1				3-7/8	311
K2-5 BYTE L	F02L1		1-02 *											3-7/8 1400000000	311
K2-5 BYTE L			1												311
K2-5 CC CODE 00 H	F01S1		1-01 *							1				1-5/8	312
K2-5 CC CODE 00 H	F02J1		1-02 *											1-5/8 1400000000	312
K2-5 CC CODE 00 H			1												312
K2-5 CC CODE 01 H	E01U2		1-01 *							1				2-3/8	313
K2-5 CC CODE 01 H	F02H2		1-02 *											2-3/8 1400000000	313
K2-5 CC CODE 01 H			1												313
K2-5 CC CODE 02 H	F01C1		1-01 *							1				4-7/8	314
K2-5 CC CODE 02 H	F02K2		1-02 *											4-7/8 1400000000	314
K2-5 CC CODE 02 H			1												314
K2-5 LOAD IR H	F01D2		1-01 *							1				4-5/8	315
K2-5 LOAD IR H	F02P2		1-02 *											4-5/8 1400000000	315
K2-5 LOAD IR H			1												315
K2-5 ROT CBIT(1) H	F01R1		1-01 *							1				1-2/8	316
K2-5 ROT CBIT(1) H	F02K1		1-02 *											1-2/8 1400000000	316
K2-5 ROT CBIT(1) H			1												316

DD11P.C RUN NAME	WRP288.V34(63)-1 A/P PIN NAME	ORDER PIN	23-AUG-76 BAY - ORDER	Q	DRAW	RV	RG	Y	X	Z	REMARKS	15-Nov-76	9:13	PAGE 43 NC LENGTH EXCEPTIONS FLAG	RUN NUMBER
K2-5 SERIAL SHIFT H	E01F2		1-01 *							1				4-1/8	317
K2-5 SERIAL SHIFT H	F02N1		1-02 *											4-1/8 1400000000	317
K2-5 SERIAL SHIFT H			1												317
K2-6 DISAB LOAD PSW H	D01C1		1-01 *							1				7-7/8	318
K2-6 DISAB LOAD PSW H	F02S2		1-02 *											7-7/8 1400000000	318
K2-6 DISAB LOAD PSW H			1												318
K2-7 LOAD CC L	F01N1		1-01 *							1				1-6/8	319
K2-7 LOAD CC L	F02V2		1-02 *											1-6/8 1400000000	319
K2-7 LOAD CC L			1												319
K2-7 LOAD PSW L	E02N2		1-01 *							1				3-1/8	320
K2-7 LOAD PSW L	F01J2		1-02 *											3-1/8 1400000000	320
K2-7 LOAD PSW L			1												320
K2-8 ALU CIN L	C02R2		1-01 *							1				7-7/8	321
K2-8 ALU CIN L	F01E2		1-02 *											7-7/8 1400000000	321
K2-8 ALU CIN L			1												321
K2-8 ALU MODE H	C02K2		1-01 *							1				6-7/8	322
K2-8 ALU MODE H	F01J1		1-02 *											6-7/8 1400000000	322
K2-8 ALU MODE H			1												322
K2-8 ALU S0 H	C02V2		1-01 *							1				7-1/8	323
K2-8 ALU S0 H	F01B1		1-02 *											7-1/8 1400000000	323
K2-8 ALU S0 H			1												323
K2-8 ALU S1 H	D02D1		1-01 *							1				3-7/8	324
K2-8 ALU S1 H	E01K1		1-02 *											3-7/8 1400000000	324
K2-8 ALU S1 H			1												324
K2-8 ALU S2 H	E01F1		1-01 *							1				6-5/8	325
K2-8 ALU S2 H	E02H1		1-02 *											6-5/8 1400000000	325
K2-8 ALU S2 H			1												325
K2-8 ALU S3 H	E01R2		1-01 *							1				1-7/8	326
K2-8 ALU S3 H	E02F2		1-02 *											1-7/8 1400000000	326
K2-8 ALU S3 H			1												326
K2-8 AUX CONTROL(1) L	D01D1		1-01 *							1				4-5/8	327
K2-8 AUX CONTROL(1) L	E02F1		1-02 *											4-5/8 1400000000	327
K2-8 AUX CONTROL(1) L			1												327
K2-8 BLEG 00 H	C02V1		1-01 *							1				7-1/8	328
K2-8 BLEG 00 H	F01C1		1-02 *											7-1/8 1400000000	328
K2-8 BLEG 00 H			1												328
K2-8 BLEG 01 H	D02N1		1-01 *							1				5-7/8	329
K2-8 BLEG 01 H	F01M2		1-02 *											5-7/8 1400000000	329
K2-8 BLEG 01 H			1												329
K2-8 BMODE 00 L	D02E1		1-01 *							1				6-3/8	330
K2-8 BMODE 00 L	F01L2		1-02 *											6-3/8 1400000000	330
K2-8 BMODE 00 L			1												330

125

DD11P.C RUN NAME	WRP288.V34(63)-1	23-AUG-76	15-NOV-76	9113	PAGE 44		
A/P PIN NAME	ORDER PIN	BAY - ORDER	Q DRAW RV RG Y OPT	X Z	REMARKS	NC LENGTH EXCEPTIONS FLAG	RUN NUMBER
K2-8 BMODE 01 L	C02U2	1-01 *				8-7/8	331
K2-8 BMODE 01 L	F01U2	1-02 *					331
K2-8 BMODE 01 L		1				8-7/8 1400000000	331
K2-8 BXMODE 00 L	E01S1	1-01 *				1-3/8	332
K2-8 BXMODE 00 L	E02R2	1-02 *					332
K2-8 BXMODE 00 L		1				1-3/8 1400000000	332
K2-8 BXMODE 01 L	E02S2	1-01 *				3-1/8	333
K2-8 BXMODE 01 L	F01L1	1-02 *					333
K2-8 BXMODE 01 L		1				3-1/8 1400000000	333
K2-8 DIS UPR BTWRT H	E01P1	1-01 *				3-7/8	334
K2-8 DIS UPR BTWRT H	F02R1	1-02 *					334
K2-8 DIS UPR BTWRT H		1				3-7/8 1400000000	334
K2-8 DISABLE MSYN+1 L	C02S2	1-01 *				5-7/8	335
K2-8 DISABLE MSYN+1 L	F01M1	1-02 *					335
K2-8 DISABLE MSYN+1 L		1				5-7/8 1400000000	335
K2-8 ENAB MAINT(1) H	F01S2	1-01 *				1	336
K2-8 ENAB MAINT(1) H	F02U2	1-02 *					336
K2-8 ENAB MAINT(1) H		1				1-0/8 1400000000	336
K2-8 ENAB OVX L	E01N1	1-01 *				1-1/8	337
K2-8 ENAB OVX L	E02J1	1-02 *					337
K2-8 ENAB OVX L		1				1-1/8 1400000000	337
K2-8 LOAD BA(1) H	F01D1	1-01 *				1	338
K2-8 LOAD BA(1) H	F02D1	1-02 *					338
K2-8 LOAD BA(1) H		1				1-0/8 1400000000	338
K2-8 LONG CYCLE(1) L	F02V2	1-01 *				3-7/8	339
K2-8 LONG CYCLE(1) L	F01V1	1-02 *					339
K2-8 LONG CYCLE(1) L		1				3-7/8 1400000000	339
K2-8 MODE 01 H	E02P1	1-01 *				3-1/8	340
K2-8 MODE 01 H	F0102	1-02 *					340
K2-8 MODE 01 H		1				3-1/8 1400000000	340
K2-8 SEX H	C02L2	1-01 *				6-1/8	341
K2-8 SEX H	E01J1	1-02 *					341
K2-8 SEX H		1				6-1/8 1400000000	341
K2-8 SHIFT MUX 00 L	F01K2	1-01 *				0-4/8	342
K2-8 SHIFT MUX 00 L	F02M1	1-02 *					342
K2-8 SHIFT MUX 00 L		1				0-4/8 1400000000	342
K2-8 SHIFT MUX 01 L	F01U1	1-01 *				1-1/8	343
K2-8 SHIFT MUX 01 L	F02P1	1-02 *					343
K2-8 SHIFT MUX 01 L		1				1-1/8 1400000000	343
K2-8 SNAP H	C02P2	1-01 *				6-3/8	344
K2-8 SNAP H	E01S2	1-02 *					344
K2-8 SNAP H		1				6-3/8 1400000000	344

DD11P.C RUN NAME	WRP288.V34(63)-1	23-AUG-76	15-NOV-76	9113	PAGE 45		
A/P PIN NAME	ORDER PIN	BAY - ORDER	Q DRAW RV RG Y OPT	X Z	REMARKS	NC LENGTH EXCEPTIONS FLAG	RUN NUMBER
K2-9 AMUX 50(1) L	F01D2	1-01 *				2-3/8	345
K2-9 AMUX 50(1) L	F02V1	1-02 *					345
K2-9 AMUX 50(1) L		1				2-3/8 1400000000	345
K2-9 AMUX 51(1) L	F01M1	1-01 *				1-0/8	346
K2-9 AMUX 51(1) L	F02V2	1-02 *					346
K2-9 AMUX 51(1) L		1				1-0/8 1400000000	346
K2-9 FORC KERNEL(1) H	C01L1	1-01 *				5-7/8	347
K2-9 FORC KERNEL(1) H	F02R1	1-02 *					347
K2-9 FORC KERNEL(1) H		1				5-7/8 1400000000	347
K2-9 PREV MODE(1) L	C01S2	1-01 *				2-7/8	348
K2-9 PREV MODE(1) L	F02J2	1-02 *					348
K2-9 PREV MODE(1) L		1				2-7/8 1400000000	348
LTC	C03D1	1-01 *	P			1	349
LTC	C04D1	1-02 *	P			1	349
LTC	C05D1	1-03 *	P			1	349
LTC	C06D1	1-04 *	P			1	349
LTC	C07D1	1-05 *	P			1	349
LTC	C08D1	1-06 *	P			1	349
LTC	C09D1	1-07 *	P			1	349
LTC		1				6-0/8 1400000000	349
MSYN L (1)	F01V1	1-01 *				1	350
MSYN L (1)	F02V1	1-02 *				1	350
MSYN L (1)	F03V1	1-03 *				1	350
MSYN L (1)	F04V1	1-04 *	H			7-1/8	350
MSYN L (1)	F03E1	1-05 *	P			1	350
MSYN L (1)	F04F1	1-06 *				1	350
MSYN L (1)	F05E1	1-07 *	P			1	350
MSYN L (1)	F06E1	1-08 *	P			1	350
MSYN L (1)	F07E1	1-09 *	P			1	350
MSYN L (1)	F08E1	1-10 *	P			1	350
MSYN L (1)		1				15-1/8 1400000000	350
MSYN L (2)	F09E1	1-01 *	H			8-3/8	351
MSYN L (2)	F05V1	1-02 *				1	351
MSYN L (2)	F06V1	1-03 *				1	351
MSYN L (2)	F07V1	1-04 *				1	351
MSYN L (2)	F08V1	1-05 *				1	351
MSYN L (2)	F09V1	1-06 *				1	351
MSYN L (2)		1				12-3/8 1400000000	351
MSYN L JMP	F08E1	1-01 *	P			1	352
MSYN L JMP	F09E1	1-02 *					352
MSYN L JMP		1				1-0/8 1400000000	352

176

DDIIP.C RUN NAME	APP288.V14(63)-1 A/P PIN ORDER PIN	23-AUG-76 BAY - ORDER	Q	DRAW OPT	RV RC Y	X Z	REMARKS	15-NOV-76	9113 NC LENGTH EXCEPTIONS FLAG	PAGE 46	RUN NUMBER
NPG L	A01U1	1-01 *								3-0/0	353
NPG L	C01A1	1-02 *								0-1/0	353
NPG L	C01B1	1-03 *	P							0-5/0	353
NPG L	C02A1	1-04 *								0-1/0	353
NPG L	C02B1	1-05 *	P							0-5/0	353
NPG L	C03A1	1-06 *								0-1/0	353
NPG L	C03B1	1-07 *	P							0-5/0	353
NPG L	C04A1	1-08 *								0-1/0	353
NPG L	C04B1	1-09 *	P							0-5/0	353
NPG L	C05A1	1-10 *								0-1/0	353
NPG L	C05B1	1-11 *	P							0-5/0	353
NPG L	C06A1	1-12 *								0-1/0	353
NPG L	C06B1	1-13 *	P							0-5/0	353
NPG L	C07A1	1-14 *								0-1/0	353
NPG L	C07B1	1-15 *	P							0-5/0	353
NPG L	C08A1	1-16 *								0-1/0	353
NPG L	C08B1	1-17 *	P							0-5/0	353
NPG L	C09A1	1-18 *								0-1/0	353
NPG L	C09B1	1-19 *								3-7/0	353
NPG L	A09U1	1-20 *									353
NPG L										11-6/0 1400000000	353
NPR L	A01S2	1-01 *									354
NPR L	A02S2	1-02 *									354
NPR L	A03S2	1-03 *	A04S2								354
NPR L	A04S2	1-04 *		H				TWPR		13-3/0	354
NPR L	F03J1	1-05 *		P							354
NPR L	F04J1	1-06 *		P							354
NPR L	F05J1	1-07 *		P							354
NPR L	F06J1	1-08 *		P							354
NPR L	F07J1	1-09 *		P							354
NPR L	F08J1	1-10 *	F09J1	P							354
NPR L	F09J1	1-11 *		H				TWPR		14-5/0	354
NPR L	A05S2	1-12 *									354
NPR L	A06S2	1-13 *									354
NPR L	A07S2	1-14 *									354
NPR L	A08S2	1-15 *									354
NPR L	A09S2	1-16 *									354
NPR L										41-0/0 1400000000	354

DDIIP.C RUN NAME	APP288.V14(63)-1 A/P PIN ORDER PIN	23-AUG-76 BAY - ORDER	Q	DRAW OPT	RV RC Y	X Z	REMARKS	15-NOV-76	9113 NC LENGTH EXCEPTIONS FLAG	PAGE 47	RUN NUMBER
PA L	A01M1	1-01 *	P								355
PA L	A02M1	1-02 *	P								355
PA L	A03M1	1-03 *	P								355
PA L	A04M1	1-04 *								5-1/0	355
PA L	C04C1	1-05 *									355
PA L	C04C1	1-06 *									355
PA L	C05C1	1-07 *									355
PA L	C06C1	1-08 *									355
PA L	C07C1	1-09 *									355
PA L	C08C1	1-10 *									355
PA L	C09C1	1-11 *								0-5/0	355
PA L	A05M1	1-12 *	P								355
PA L	A06M1	1-13 *	P								355
PA L	A07M1	1-14 *	P								355
PA L	A08M1	1-15 *	P								355
PA L	A09M1	1-16 *	P								355
PA L										24-6/0 1400000000	355
PAR DET	H02E2	1-01 *									356
PAR DET	H03E2	1-02 *									356
PAR DET	H04E2	1-03 *									356
PAR DET	H05E2	1-04 *									356
PAR DET	H06E2	1-05 *									356
PAR DET	H07E2	1-06 *									356
PAR DET	H08E2	1-07 *									356
PAR DET										6-0/0 1400000000	356
PAR P0	A02P1	1-01 *	P								357
PAR P0	A03P1	1-02 *	P								357
PAR P0	A04P1	1-03 *	P								357
PAR P0	A05P1	1-04 *	P								357
PAR P0	A06P1	1-05 *	P								357
PAR P0	A07P1	1-06 *	P								357
PAR P0	A08P1	1-07 *	P								357
PAR P0										6-0/0 1400000000	357
PAR P1	A02N1	1-01 *	P								358
PAR P1	A03N1	1-02 *	P								358
PAR P1	A04N1	1-03 *	P								358
PAR P1	A05N1	1-04 *	P								358
PAR P1	A06N1	1-05 *	P								358
PAR P1	A07N1	1-06 *	P								358
PAR P1	A08N1	1-07 *	P								358
PAR P1										6-0/0 1400000000	358

3

DD11P.C RUN NAME	APP268.V34(63)-1 A/P PIN NAME	ORDER PIN	23-AUG-76 BAY - ORDER	Q	DRAM OPT	RV RC Y	X Z	REMARKS	15-NOV-76	9113	PAGE 48	NC LENGTH EXCEPTIONS	RUN NUMBER
												FLAG	
PB L	A01N2		1-01 * P				2					1	359
PB L	A02N2		1-02 * P				1					1	359
PB L	A03N2		1-03 * P				2					1	359
PB L	A04N2		1-04 * P				1					0-7/8	359
PB L	C03S1		1-05 * P				2					1	359
PB L	C04S1		1-06 * P				1					1	359
PB L	C05S1		1-07 * P				2					1	359
PB L	C06S1		1-08 * P				1					1	359
PB L	C07S1		1-09 * P				2					1	359
PB L	C08S1		1-10 * P				1					1	359
PB L	C09S1		1-11 * P				2					7-5/8	359
PB L	A05N2		1-12 * P				1					1	359
PB L	A06N2		1-13 * P				2					1	359
PB L	A07N2		1-14 * P				1					1	359
PB L	A08N2		1-15 * P				2					1	359
PB L	A09N2		1-16 * P									1	359
PB L			1									27-4/8 1400000000	359
RESERVED M BUS	C01E1		1-01 * P				1					3-7/8	360
RESERVED M BUS	B02A1		1-02 * P				2					1	360
RESERVED M BUS	F03A1		1-03 * P				1					1	360
RESERVED M BUS	R04A1		1-04 * P				2					1	360
RESERVED M BUS	R05A1		1-05 * P				1					1	360
RESERVED M BUS	R06A1		1-06 * P				2					1	360
RESERVED M BUS	R07A1		1-07 * P				1					1	360
RESERVED M BUS	R08A1		1-08 * P									1	360
RESERVED M BUS			1									9-7/8 1400000000	360
SACK L	A01R2		1-01 * P				2					1	361
SACK L	A02R2		1-02 * P				1					1	361
SACK L	A03R2		1-03 * P				2					1	361
SACK L	A04R2		1-04 * P				1					14-3/8	361
SACK L	F03T2		1-05 * P				2					1	361
SACK L	F04T2		1-06 * H				1	2* TWP				1	361
SACK L	F05T2		1-07 * P				2					1	361
SACK L	F06T2		1-08 * P				1					1	361
SACK L	F07T2		1-09 * P				2					1	361
SACK L	F08T2		1-10 * P				1					1	361
SACK L	F09T2		1-11 * P				2					15-7/8	361
SACK L	A05R2		1-12 * P				1					1	361
SACK L	A06R2		1-13 * P				2					1	361
SACK L	A07R2		1-14 * P				1					1	361
SACK L	A08R2		1-15 * P				2					1	361
SACK L	A09R2		1-16 * P									1	361
SACK L			1									43-2/8 1400000000	361
SSYN L (1)	R01U1		1-01 * P				1					1	362
SSYN L (1)	R02U1		1-02 * P				2					1	362
SSYN L (1)	R03U1		1-03 * P				1					1	362
SSYN L (1)	R04U1		1-04 * H				2	TWP				7-3/8	362
SSYN L (1)	F03J1		1-05 * P				1					1	362
SSYN L (1)	F04J1		1-06 * P				2					2-5/8	362
SSYN L (1)	F04C1		1-07 * P				2					1	362
SSYN L (1)	F03C1		1-08 * P									1	362
SSYN L (1)			1									15-0/8 1400000000	362

DD11P.C RUN NAME	APP268.V34(63)-1 A/P PIN NAME	ORDER PIN	23-AUG-76 BAY - ORDER	Q	DRAM OPT	RV RC Y	X Z	REMARKS	15-NOV-76	9113	PAGE 49	NC LENGTH EXCEPTIONS	RUN NUMBER
												FLAG	
SSYN L (2)	R09U1		1-01 * P				1					1	363
SSYN L (2)	R04U1		1-02 * P				1					1	363
SSYN L (2)	R07U1		1-03 * P				2					1	363
SSYN L (2)	R06U1		1-04 * P				1					1	363
SSYN L (2)	R05U1		1-05 * H				2	TWP				9-1/8	363
SSYN L (2)	L09J1		1-06 * P				1					1	363
SSYN L (2)	F08J1		1-07 * P				2					1	363
SSYN L (2)	L07J1		1-08 * P				1					1	363
SSYN L (2)	F06J1		1-09 * P				2					1	363
SSYN L (2)	F05J1		1-10 * P				1					2-5/8	363
SSYN L (2)	F05C1		1-11 * P				1					1	363
SSYN L (2)	F06C1		1-12 * P				2					1	363
SSYN L (2)	F07C1		1-13 * P				1					1	363
SSYN L (2)	F08C1		1-14 * P				2					1	363
SSYN L (2)	F09C1		1-15 * P									1	363
SSYN L (2)			1									23-6/8 1400000000	363
SSYN L JMP	F05C1		1-01 * H				1	2* TWP				1	364
SSYN L JMP	F04C1		1-02 * P									1	364
SSYN L JMP			1									1-0/8 1400000000	364

128

"THE MATERIAL HEREIN IS FOR INFORMATION PURPOSES ONLY AND IS SUBJECT TO CHANGE WITHOUT NOTICE. DIGITAL EQUIPMENT CORPORATION ASSUMES NO RESPONSIBILITY FOR ANY ERRORS WHICH MAY APPEAR HEREIN."

FIELD MAINTENANCE PRINT SET

"THIS DRAWING AND SPECIFICATIONS, HEREIN, ARE THE PROPERTY OF DIGITAL EQUIPMENT CORPORATION AND SHALL NOT BE REPRODUCED OR COPIED OR USED IN WHOLE OR IN PART AS THE BASIS FOR THE MANUFACTURE OR SALE OF ITEMS WITHOUT WRITTEN PERMISSION. COPYRIGHT © 1975, DIGITAL EQUIPMENT CORPORATION."

TABLE OF CONTENTS

FIELD MAINT. PRINT SET BAI1-L
 BOX 5.25 BAI1-J
 BOX 5.25 BAI1-L(PARTS LIST)
 PRINT SET H777-B
 CONSOLE ASSY. EXPANSION BOX
 INSTALLATION AID
 DRAWING DIRECTORY BAI1-L

B-TC-BA11-L-1
 E-UA-BA11-L-0
 A-PL-BA11-L-0
 MP00016
 D-AD-7012540-0-0
 E-AD-7012588-0-0
 B-DD-BA11-L

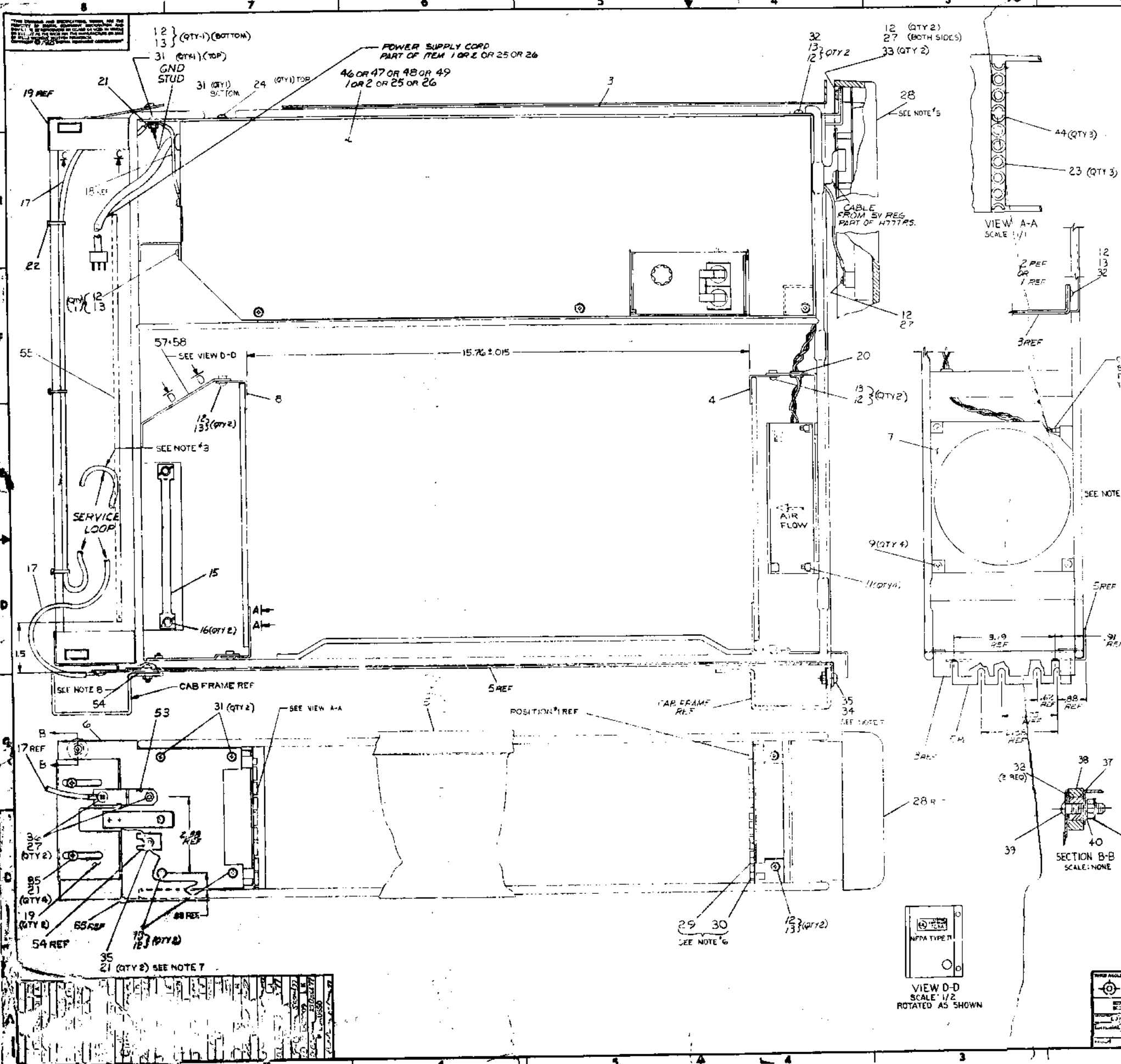
UNIT VARIATIONS COVERED BY THIS PRINT SET	
BAI1-LA	MANUFACTURING USE ONLY
BAI1-LB	
BAI1-LC	
BAI1-LD	
BAI1-LE	EXPANSION BOX
BAI1-LF	
BAI1-LH	
BAI1-LJ	
BAI1-LK	MANUFACTURING USE ONLY
BAI1-LL	
BAI1-LM	
BAI1-LN	

BAI1-L
Field Maintenance
Print Set

Digital Equipment
Corporation

PRINT SET ORDER NO.
 MP00018

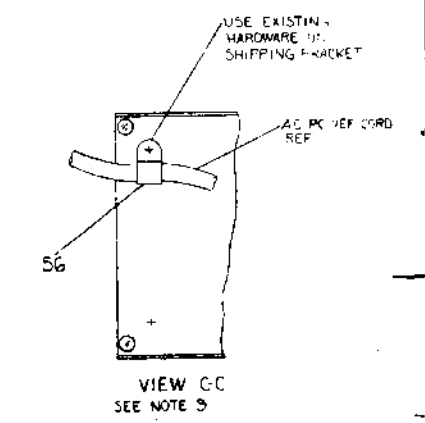
EN-0124.18-0676 (2/77)	REVISIONS					USED ON OPTION/MODEL		DRN.	DATE	TITLE: FIELD MAINTENANCE PRINT SET BAI1-L	digital		
							D. HEALY	9/30/75					
							CHK'D	DATE					
							D. HEALY	9/30/75					
							PROJ. ENG.	DATE	FIELD SERV.	SIZE	CODE	NUMBER	REV
						R. Barry	10-22-75						



- NOTES:
- 1. ~~USE ITEM #23 AS INDICATED BY VIEW~~
 - 2. ~~USE ITEM #23 AS IS NO WORK IS REQUIRED~~
 - 3. ITEM #17 SERVICE LOOP SHOULD BE 24 INCHES.
 - 4. BAIL-LA, LB, LC, LD, LE, LF, LM AND LN (MANUFACTURING USE ONLY). BAIL-LE, LF, LH AND LJ (MAIL EXPANSION BOX).
 - 5. ADD CONSOLE FOR EXPANSION BOX ONLY.
 - 6. ALTERNATE COLORS, POSITIONS 1, 3, 5, 7 & 9 TO HAVE MAGENTA POSITIONS 2, 4, 6, 8 & 10 TO HAVE NATURAL.
 - 7. HARDWARE FOR MOUNTING ITEM 6 (ENCLOSURE ASSEMBLY) TO CABINET.
 - 8. ITEM #54 TO BE USED 1/4" TO TAKE UP ANY GAP PRESENT BETWEEN ENCLOSURE AND CABINET UPRIGHTS.
 - 9. STRAIN RELIEF POWER CORD ON VARIATIONS THAT HAVE REMOVABLE AC CORD, AS SHOWN.
 - 10. EXPANDER BOX VERSIONS BAIL-LE, LF, LH & LJ CANNOT BE CONFIGURED WITH 4 OF 3 SLOT BACKPLANES THAT HAVE POWER HARNESS ROUTED ALONG BOTTOM (SLOT 5). A WIRE STRIPPING HAZARD WOULD EXIST IF THESE COMBINATIONS WERE CONFIGURED AS SUCH. EXAMPLES OF PROBLEMATIC BACKPLANE CONFIGURATIONS ARE: SKIM 5011-AA, DAI 1, TMB11, DD11-B, DD11-AB, RH11, DH11, DB11-A, DJ11, VT48 & VT11.

LEGEND

PART NO.	VARIATION
BAIL-LA	5.25 BOX+H777-BA 115V CORE MOS
BAIL-LB	5.25 BOX+H777-BA 230V
BAIL-LC	5.25 BOX+H777-BA 115V MOS ONLY
BAIL-LD	5.25 BOX+H777-BA 230V MOS ONLY
BAIL-LE	5.25 BOX+H777-CA 115V CONSOLE (CORE MOS)
BAIL-LF	5.25 BOX+H777-CB 230V CONSOLE (CORE MOS)
BAIL-LH	5.25 BOX+H777-DA 115V CONSOLE (MOS ONLY)
BAIL-LJ	5.25 BOX+H777-DB 230V CONSOLE (MOS ONLY)
BAIL-LK	5.25 BOX+H777-CA 115V CORE MOS
BAIL-LL	5.25 BOX+H777-CB 230V CORE MOS
BAIL-LM	5.25 BOX+H777-DA 115V MOS ONLY
BAIL-LN	5.25 BOX+H777-DB 230V MOS ONLY

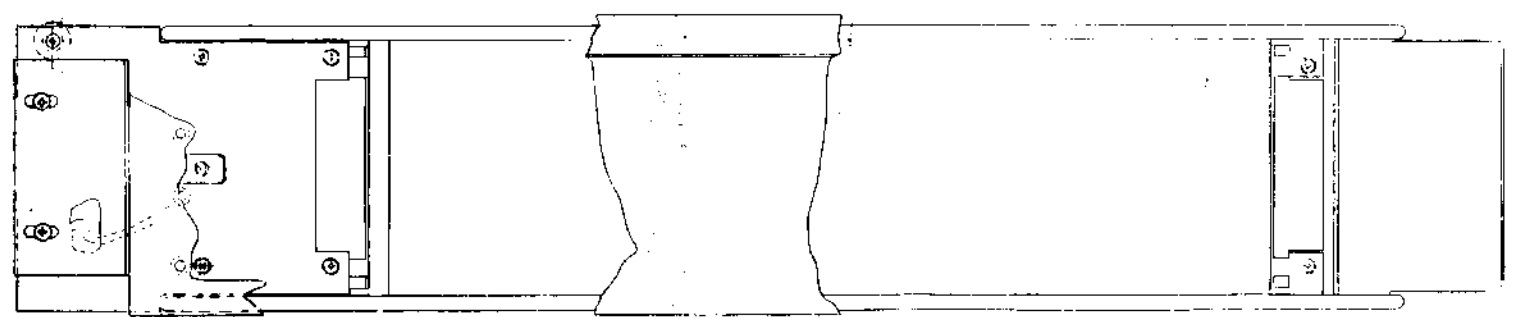
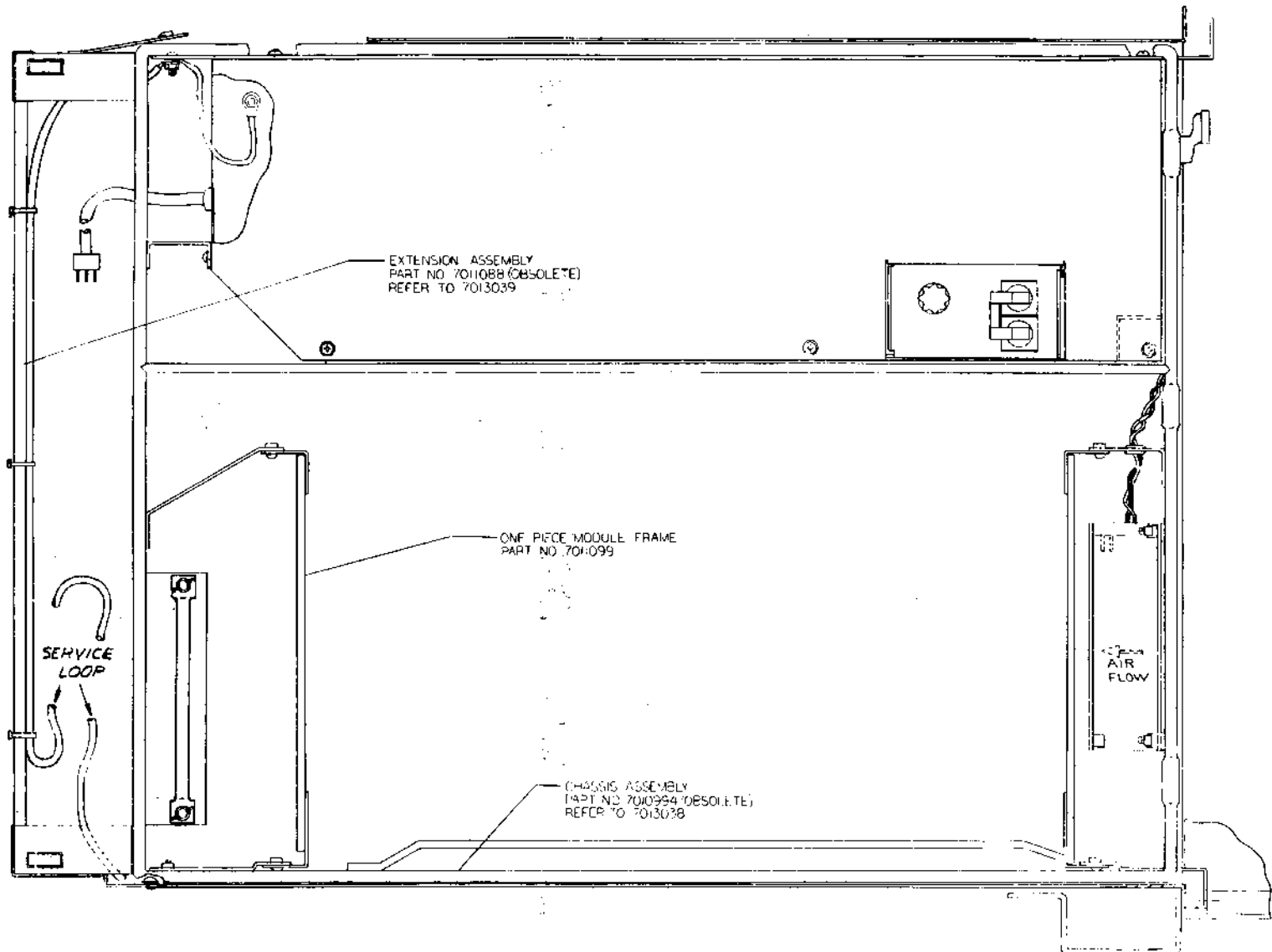


FOR PARTS LIST SEE A-PL-BAIL-L-O

DESCRIPTION	QTY	REF
BAIL-L	1	1
BAIL-L	1	2
BAIL-L	1	3
BAIL-L	1	4
BAIL-L	1	5
BAIL-L	1	6
BAIL-L	1	7
BAIL-L	1	8
BAIL-L	1	9
BAIL-L	1	10
BAIL-L	1	11
BAIL-L	1	12
BAIL-L	1	13
BAIL-L	1	14
BAIL-L	1	15
BAIL-L	1	16
BAIL-L	1	17
BAIL-L	1	18
BAIL-L	1	19
BAIL-L	1	20
BAIL-L	1	21
BAIL-L	1	22
BAIL-L	1	23
BAIL-L	1	24
BAIL-L	1	25
BAIL-L	1	26
BAIL-L	1	27
BAIL-L	1	28
BAIL-L	1	29
BAIL-L	1	30
BAIL-L	1	31
BAIL-L	1	32
BAIL-L	1	33
BAIL-L	1	34
BAIL-L	1	35
BAIL-L	1	36
BAIL-L	1	37
BAIL-L	1	38
BAIL-L	1	39
BAIL-L	1	40
BAIL-L	1	41

180

ALL DIMENSIONS AND INDICATORS, UNLESS NOTED TO THE CONTRARY, ARE TO BE IN INCHES. DIMENSIONS ARE TO BE TAKEN TO THE CENTER OF HOLES UNLESS NOTED TO THE CONTRARY. DIMENSIONS ARE TO BE TAKEN TO THE CENTER OF HOLES UNLESS NOTED TO THE CONTRARY.



THIS VIEW IS FOR REF ONLY AND
CONTAINS INFORMATION PERTINENT
TO ASSEMBLY REVISIONS - THRU E

QUANTITY & VARIATION		DESCRIPTION		DRAWING NO.		ITEM NO.	
1	1	BOX 5.25 BAH-L	(230V/115V)	7011088	7011088	1	1
MATERIAL		STEEL		7011088		1	
FINISH		ZINC PLATE		7011088		1	
SCALE		1/8" = 1"		7011088		1	
CHECKED		D. HEALY		7011088		1	
DATE		10/30/70		7011088		1	
DRAWN		D. HEALY		7011088		1	
DATE		10/30/70		7011088		1	
APPROVED		D. HEALY		7011088		1	
DATE		10/30/70		7011088		1	

181

DIGITAL EQUIPMENT CORPORATION MAYNARD, MASSACHUSETTS PARTS LIST. MADE BY G. MARINI, CHECKED D. HEALY, DATE 3-SEP-75, SECTION. ENGINEER R. BARRY, PROD R.K. PETERSON, ISSUED SECT. DATE 2-OCT-75. TABLE with columns: ITEM NO., DWG NO. / PART NO., DESCRIPTION, QUANTITY/VARIATION (BALL-LA to BALL-LN).

DIGITAL EQUIPMENT CORPORATION MAYNARD, MASSACHUSETTS PARTS LIST. MADE BY G. MARINI, CHECKED D. HEALY, DATE 3-SEP-75, SECTION. ENGINEER R. BARRY, PROD R.K. PETERSON, ISSUED SECT. DATE 2-OCT-75. TABLE with columns: ITEM NO., DWG NO. / PART NO., DESCRIPTION, QUANTITY/VARIATION (BALL-LA to BALL-LN).

DIGITAL EQUIPMENT CORPORATION MAYNARD, MASSACHUSETTS PARTS LIST. MADE BY G. MARINI, CHECKED D. HEALY, DATE 3-SEP-75, SECTION. ENGINEER R. BARRY, PROD R.K. PETERSON, ISSUED SECT. DATE 2-OCT-75. TABLE with columns: ITEM NO., DWG NO. / PART NO., DESCRIPTION, QUANTITY/VARIATION (BALL-LA to BALL-LN).

100

"THE MATERIAL HEREIN IS FOR INFORMATION PURPOSES ONLY AND IS SUBJECT TO CHANGE WITHOUT NOTICE. DIGITAL EQUIPMENT CORPORATION ASSUMES NO RESPONSIBILITY FOR ANY ERRORS WHICH MAY APPEAR HEREIN."

FIELD MAINTENANCE PRINT SET

"THIS DRAWING AND SPECIFICATIONS, HEREIN, ARE THE PROPERTY OF DIGITAL EQUIPMENT CORPORATION AND SHALL NOT BE REPRODUCED OR COPIED OR USED IN WHOLE OR IN PART AS THE BASIS FOR THE MANUFACTURE OR SALE OF ITEMS WITHOUT WRITTEN PERMISSION. COPYRIGHT © DIGITAL EQUIPMENT CORPORATION."

TABLE OF CONTENTS

FIELD MAINT. PRINT SET H777-0	B-TC-H777-0-1
POWER SUPPLY H777-0 SH1	E-UA-H777-0-0
+5V REGULATOR ASSY	D-AD-7011073-0-0
BOARD, POWER DISTRIBUTION H777	D-CS-5411586-0-1
H777 +5V REGULATOR	D-CS-5411597-0-1
AC INPUT ASSY	D-AD-7011075-0-0
MOS REGULATOR H777	D-CS-5411601-0-1
CORE REGULATOR H777	D-CS-5411599-0-1
POWER SUPPLY H777-0 (PL)	A-PL-H777-0-0

UNIT VARIATIONS COVERED BY THIS PRINT SET
H777-BA (MOS ONLY)
H777-BB (MOS ONLY)
H777-AA (CORE/MOS)
H777-AB (CORE/MOS)

H777-0 VOL. I
**Field Maintenance
 Print Set**

**Digital Equipment
 Corporation**

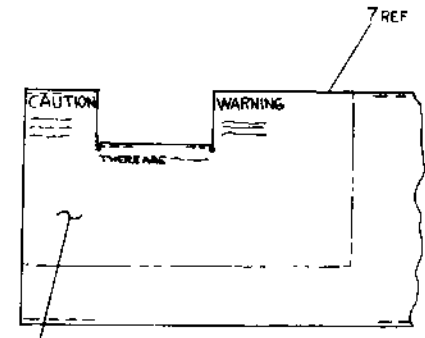
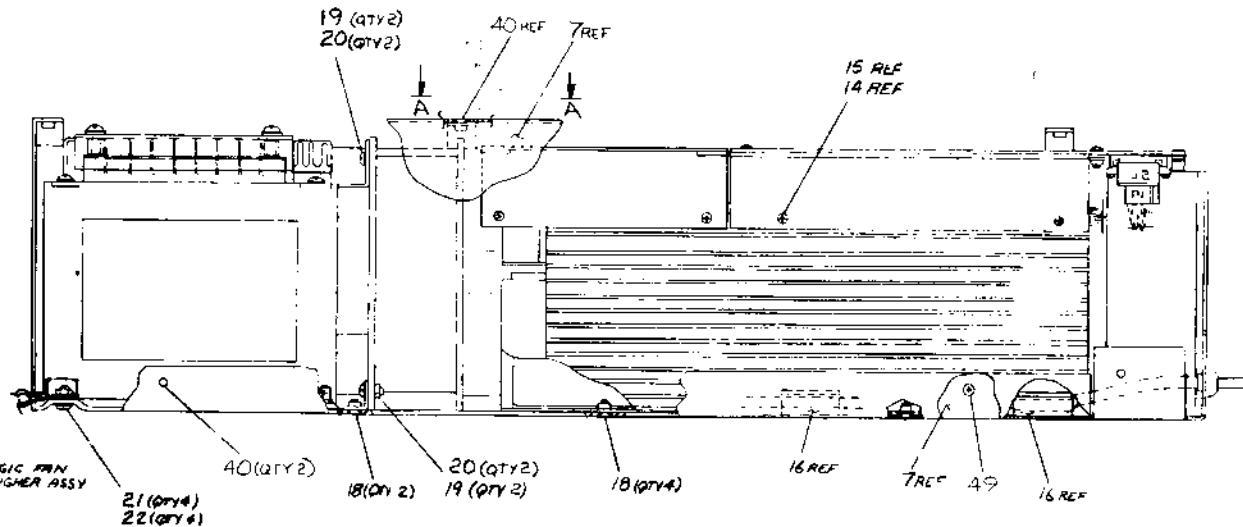
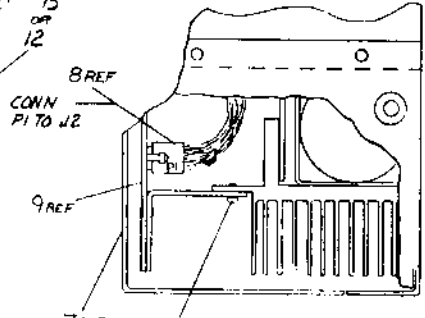
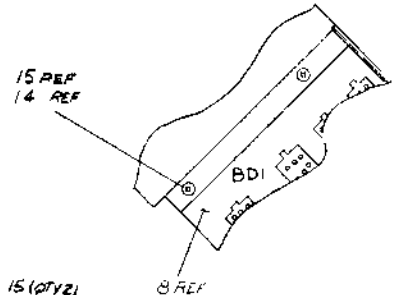
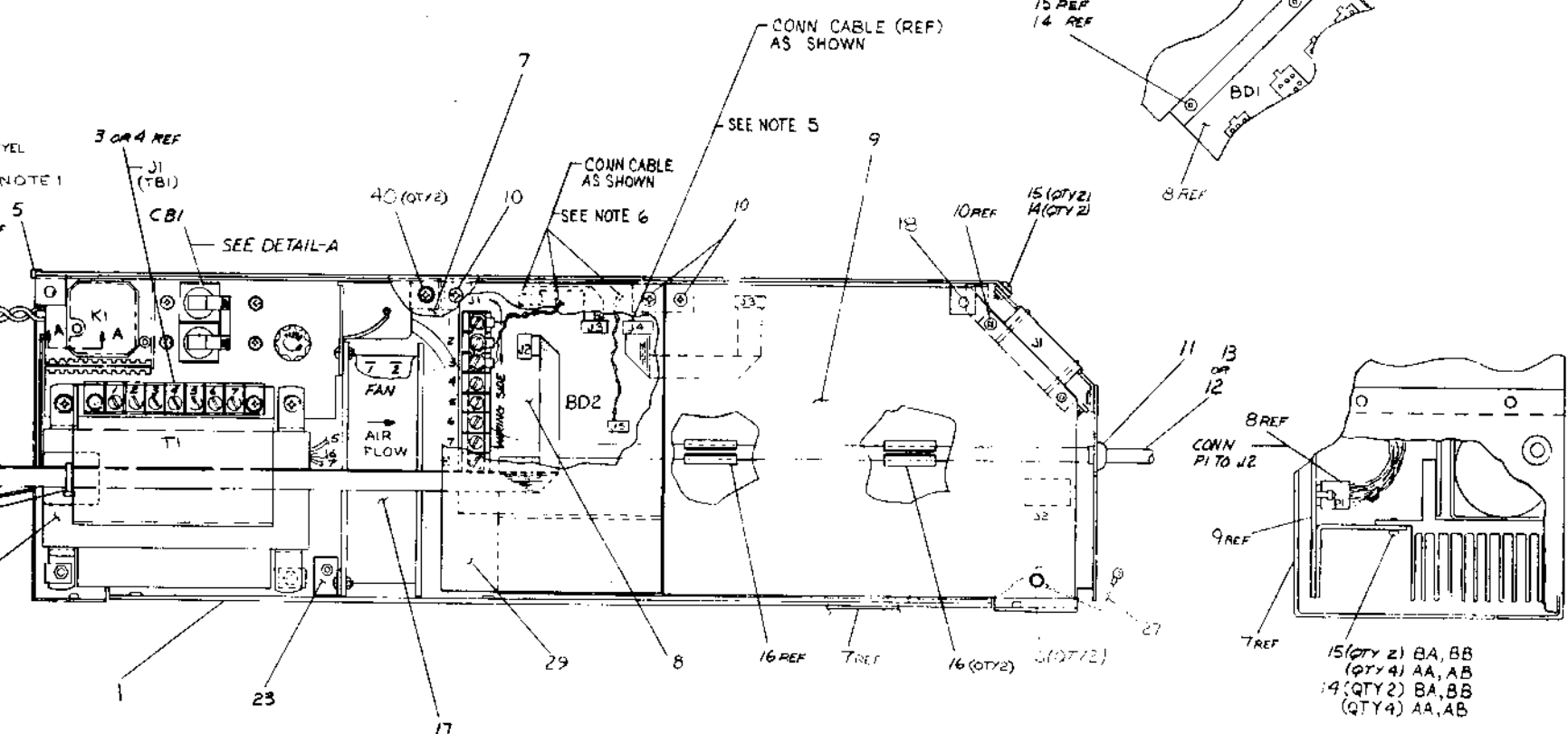
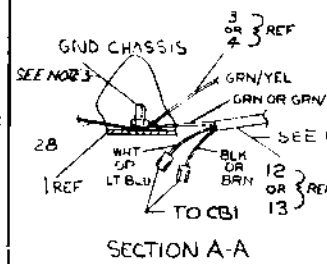
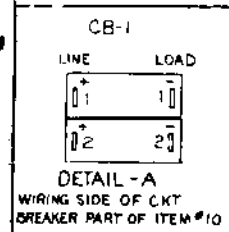
PRINT SET ORDER NO.
 MP00016

EN-0124-16-NOV-1327	REVISIONS		USED ON OPTION/MODEL	DRN.	DATE	digital							
	REV.	CHG. NO.	BALL-IA	D. HEALY	11/20/75					TITLE:			
	DATE		BALL-IB	CHK'D						FIELD MAINTENANCE SET			
	JAN-77	H777-2	BALL-IC	D. HEALY	11/20/75								
	REVISED & REDRAWN			BALL-ID	PROJ. ENG.								
			BALL-IE	R. BARRT	11/22/75	SIZE	CODE	NUMBER	REV.				
			BALL-IF	FIELD SERV.		B	TC	H777-0-1	D				
			BALL-IH			DIST.							
			BALL-II										
SHEET I OF 1													

WIRE TABLE										
ITEM NO	AWG	COLOR	CONNECTION	WITH	ITEM	CONNECTION	WITH	REMARKS	PART NO	VARIATION
12	14	BLK	---	---	3094	CB1-1 LINE	---		H777-BA	PS MOS ONLY 115V
13	14	WHT	---	---	3094	CB1-2 (LINE)	---		H777-BB	PS MOS ONLY 230V
14	14	GRN	---	---	---	GND CHASSIS	6		H777-AA	PS CORE/MOS 115V
4	14	BLU	T1-5	---	8	J1-7 (BD2)	---		H777-AB	PS CORE/MOS 230V
09	TRPL	BLK/BLK	T1-6	---	8	J1-6 (BD2)	---			
3	TRPL	BLU	T1-7	---	8	J1-8 (BD2)	---			
09	18	GRY	---	---	8	J1-4 (BD1)	---			
4	TRPL	BLK	---	---	8	J1-5 (BD1)	---			
09	18	WHT	---	---	4	FAN-1	---			
09	18	BLK	---	---	4	FAN-2	---			
3094	14	GRN/YEL	EM1-3 (REF)	---	8	GND CHASSIS	6			
26	14	GRN/YEL	GND CHASSIS	6	---	---	---	CONSOLE GND		
27	14	GRN/YEL	GND CHASSIS	6	---	---	---	CHASSIS GND		
14	14	BLK	ITEM# 29	---	8	J1-3 (BD2)	---	FROM CORE REG		
14	14	ORN	ITEM# 29	---	8	J1-2 (BD2)	---	FROM CORE REG		
14	14	BRN	ITEM# 29	---	8	J1-1 (BD2)	---	FROM CORE REG		

LEGEND	
PART NO	VARIATION
H777-BA	PS MOS ONLY 115V
H777-BB	PS MOS ONLY 230V
H777-AA	PS CORE/MOS 115V
H777-AB	PS CORE/MOS 230V

- NOTES:
1. MAKE 5 INCH SERVICE LOOP AT HOOK-UP END.
 2. APPLY SELF STICK INS SHEET (ITEM#24) TO UNDER SIDE OF POWER SUPPLY COVER IN AREA OF HEAT SINKS (CORE & MOS REGS).
 3. APPLY SELF STICK ITEM 26 BESIDE THIS GND STUD.
 4. ITEM 28 IS A GND CABLE TO GND THE FRONT PANEL CASTINGS FOR MOS AND CORE REGULATORS.
 5. CABLE PART OF ITEM#9.
 6. CABLE & WIRES ARE PART OF ITEM#29.



CAUTION:
UNIT ASSEMBLY FOR OPTIONS
AA, AB, BA, AND BB ONLY

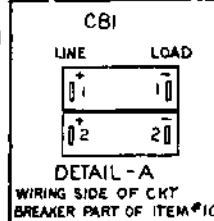
SEE SHEET 2 FOR OPTIONS
CA, CB, DA, AND DB

DESCRIPTION		QTY	
15 (QTY 2)	BA, BB	2	
14 (QTY 2)	AA, AB	2	
19 (QTY 2)	BA, BB	2	
14 (QTY 4)	AA, AB	4	

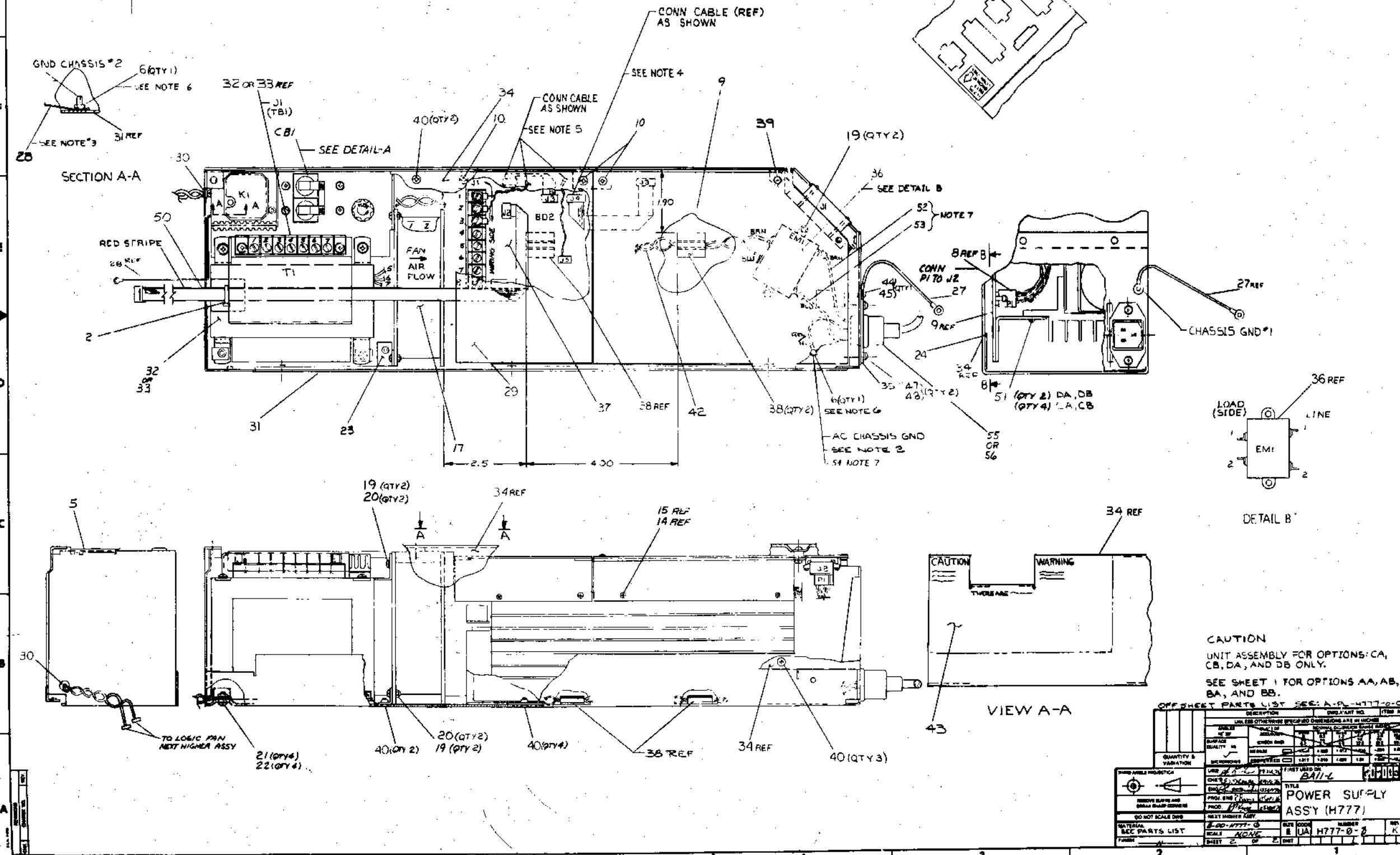
ITEM NO	DESCRIPTION	QTY
1
2
3
4
5
6
7
8
9
10
11
12
13
14
15
16
17
18
19
20
21
22
23
24
25
26
27
28
29

184

WIRE TABLE										LEGEND	
ITEM NO	AWG	COLOR	CONNECTION FROM	CONNECTION TO	REMARKS	PART NO	VARIATION				
33	14	BLU	ITEM 35	SLDR 36	EMI LINE - 1	H777-DB	RS. MOS ONLY 115V				
32	14	BRN	ITEM 35	SLDR 36	EMI LINE - 2	H777-DB	RS. MOS ONLY 115V				
54	14	GRN/YEL	ITEM 35	SLDR 31	AC GND/CHASSIS	H777-CB	RS. CORE/MOS 115V				
4	14	BLU	TI-5	8	J1-7 (BD2)						
OP	7WPL	BLK	TI-6	8	J1-6 (BD2)		SEC VOLTAGE				
9	7W	BLU	TI-7	8	J1-8 (BD2)						
8	18	GRY		8	J1-4 (BD1)		TO RELAY COIL				
4	18	BLK		8	J1-5 (BD1)						
3	18	WHT		4	FAN-1		POWER SUPPLY				
4	18	BLK		4	FAN-2		FAN POWER				
26	14	GRN/YEL	GND CHASSIS#2	6			CONSOLE GND				
27	14	GRN/YEL	GND CHASSIS#4	6			CHASSIS GND				
14	14	BLK	ITEM# 29	8	J1-3 (BD2)		FROM CORE REG				
14	14	ORN	ITEM# 29	8	J1-2 (BD2)		FROM CORE REG				
14	14	BRN	ITEM# 29	8	J1-1 (BD2)		FROM CORE REG				
42	14	BRN	EMI-2 LOAD	41	(CBY2) LINE						
	14	TWP	EMI-1 LOAD	41	(CBY1) LINE						



- NOTES:
- 1 APPLY SELF STICK INS SHEET (ITEM 34) TO UNDER SIDE OF POWER SUPPLY COVER IN AREA OF HEAT SINKS (CORE & MOS REGS).
 - 2 APPLY SELF STICK ITEM 26 BESIDE THIS GND STUD.
 - 3 ITEM 26 IS A GND CABLE TO GND THE FRONT PANEL CASTINGS FOR MOS AND CORE REGULATORS.
 - 4 CABLE PART OF ITEM #9.
 - 5 CABLE & WIRES ARE PART OF ITEM #29.
 - 6 ITEM #6 (METRIC NUT M4) CAN BE USED AS A REPLACEMENT IN FIELD IF NECESSARY.
 - 7 INSTAL ITEM #1 OVER SOLDER ENDS PRIOR TO SOLDERING



OFF SHEET PARTS LIST SEE: A.P. H777-0-0

ITEM NO	DESCRIPTION	QTY	UNIT	REMARKS
1
2
3
4
5
6
7
8
9
10
11
12
13
14
15
16
17
18
19
20
21
22
23
24
25
26
27
28
29
30
31
32
33
34
35
36
37
38
39
40
41
42
43
44
45
46
47
48
49
50
51
52
53
54
55
56

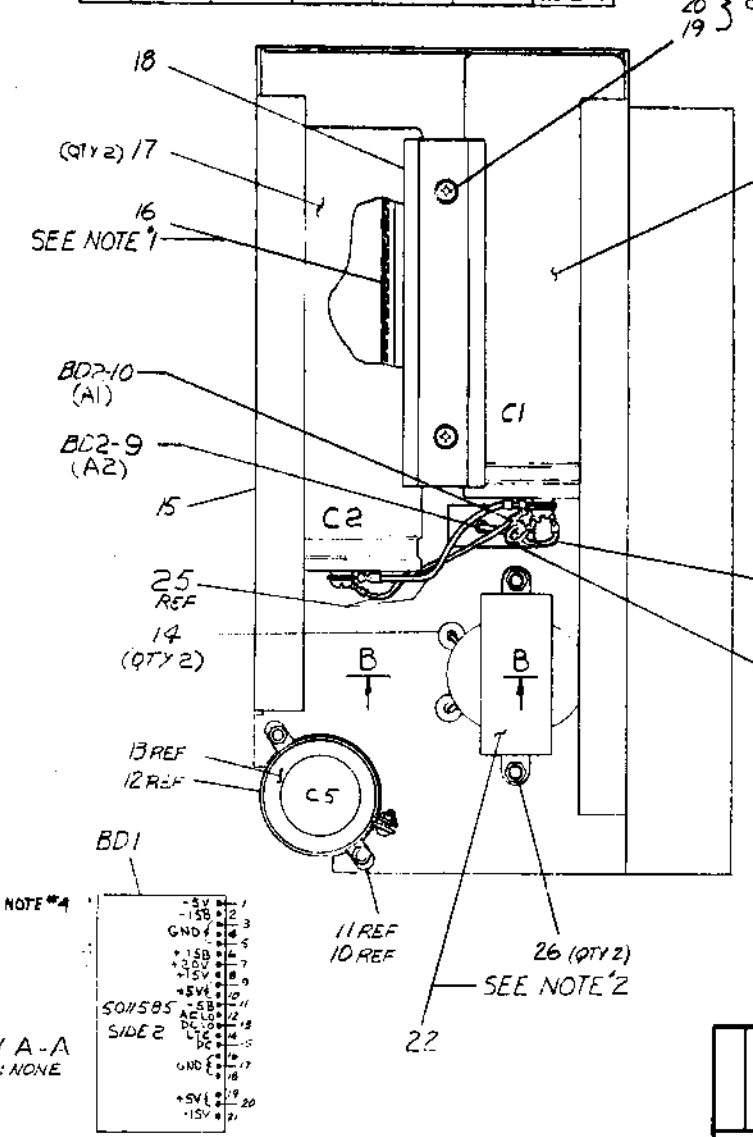
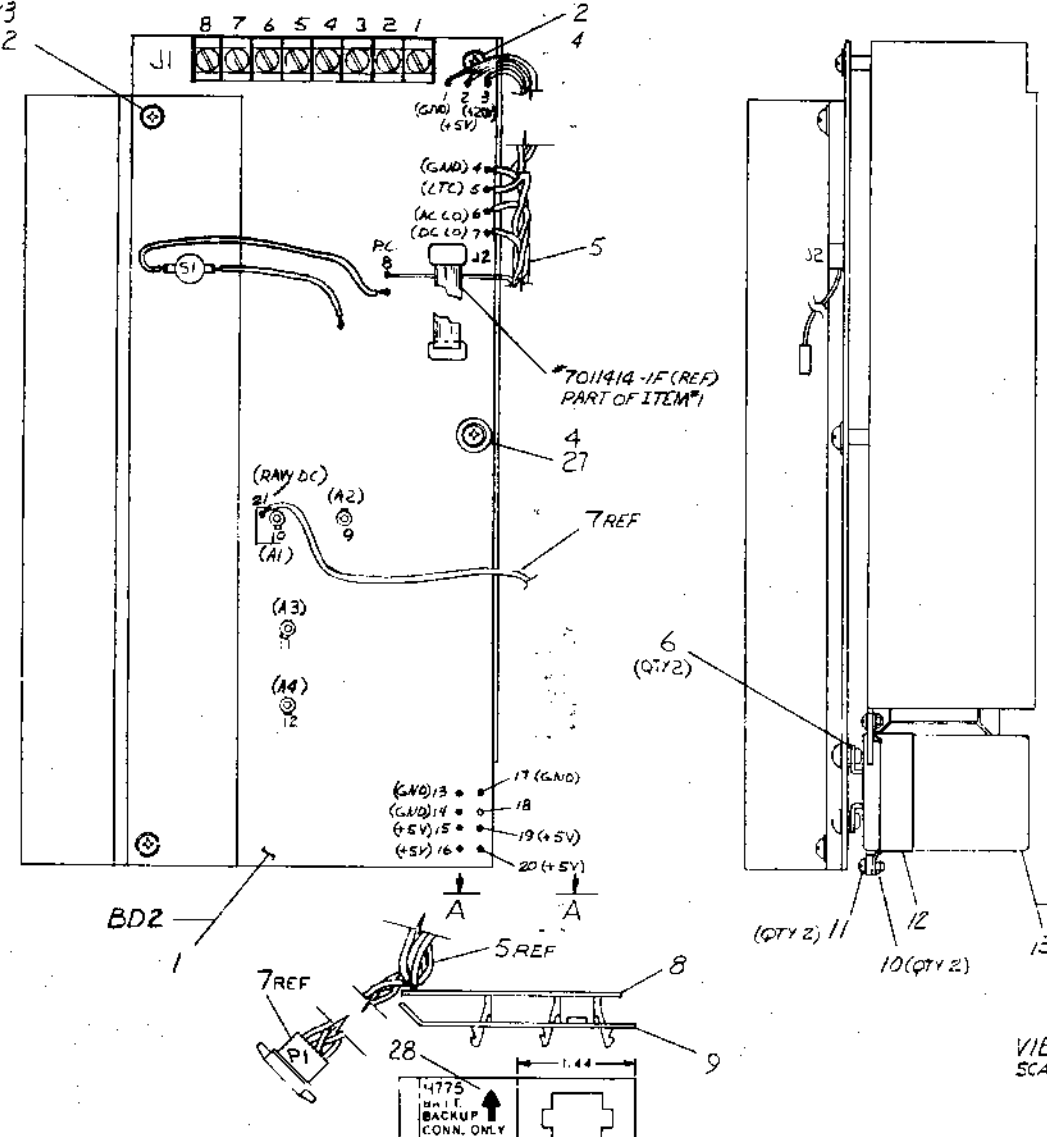
185

THIS DRAWING AND SPECIFICATIONS HEREIN ARE THE PROPERTY OF DIGITAL EQUIPMENT CORPORATION AND SHALL NOT BE REPRODUCED OR COPIED IN WHOLE OR IN PART AS THE BASIS FOR THE MANUFACTURE OR SALE OF ANY EQUIPMENT WITHOUT WRITTEN PERMISSION. COPYRIGHT © 1975, DIGITAL EQUIPMENT CORPORATION.

WIRE CHART

ITEM NO	DESCRIPTION				FROM				TO			
	AWG	COLOR	POINT NO	CONN	POINT NO	CONN	POINT NO	CONN	POINT NO	CONN	POINT NO	CONN
5	20	WHT	1	BD2-8	18	BD1-15						
	14	BRN	2		9	1						
	14	BLK	3		12	5						
	14	DRN	4		13	7						
	20	BRN	5		19	14						
	20	BLK	6		20	16						
	20	YEL	7		16	12						
7	20	VIO	8		17	13						
	14	BLK	30	BD2-17	10	BD1-3						
	14	BLK	28	BD2-13	11	BD1-4						
		RED	29		15	9						
		RED	26		19	14						
		BLK	25		14	17						
		RED	24		16	19						
25	14	RED	27	BD2-20	23	BD1-20						
	18	BLU	1	BD1-21	*11							
	14	BLK	2	BD1-18	*8							
	18	RED	3	BD1-11	*14							
22		BARE										
		BARE										

- NOTES:**
- USE ITEM #16 (GROMMET) TO COVER RAW METAL EDGES UNDER CAPACITORS.
 - LEADS FROM ITEMS #22, 23 & 24 ARE TO BE CUT FLUSH WITH TOP OF CLAMPS ON ITEM #1. A1, A2, A3 & A4
 - * ASTERISK INDICATES THAT THESE CONN. ALREADY HAVE BEEN MADE ON PLUG PI ON WARRNESS D-1A-7011560-0-0 THEY ARE SHOWN FOR REF ONLY.
 - ITEMS #17 & #13 ARE TO HAVE THEIR ELECTRICAL CONNECTIONS TIGHTENED TO 12 IN-LBS (-0, +10) IN-LBS.



QTY	DESCRIPTION	DWG. PART NO.	ITEM NO.
1	DECAL	A-DC-7416911-0-0	28
1	WASHER NYLON #6	9006707	27
2	NUT KEPS #8-32	9006663	26
2	JUMPER (BRN)	B-1A-7011560-0-0	25
1	JUMPER (BLK)	B-1A-7011560-0-0	24
1	JUMPER (RED)	B-1A-7011560-0-0	23
1	CHOKE	1612584	22
2	SPACER HEX #8-32 X 1.58 L	9008258	21
2	WASHER INT TOOTH LOCK #8	9006634	20
2	SCR PHIL HD PAN #8-32 X .50 L	9006037-1	19
1	CLAMP CAPACITOR	CMD-744021-0-0	18
2	CAPACITOR 24 RUE 50V	1010702	17
4	GROMMET CATERPILLAR	9007035	16
1	BRACKET CAPACITOR	E-1A-7011560-0-0	15
2	GROMMET RUBBER	9007017	14
1	CAPACITOR 3700UF/16.0V (REF)	1012740	13
1	CLAMP CAPACITOR	9009052	12
2	SCR PHIL HD PAN #6-32 X .25 L	9006020-1	11
2	NUT KEPS #6-32	9008185	10
1	BRACKET CONN	D-1A-7011560-0-0	9
1	BOARD, PWR DISTR H777	D-1A-7011560-0-0	8
1	WARRNESS BD NOS REG PWR DISTR	D-1A-7011560-0-0	7
2	WASH, 375 O.D. X .147 I.D. X .036	9006660	6
1	WARRNESS H777 +5V REG	D-1A-7011415-0-0	5
2	SCR PHIL HD PAN #6-32 X .31 L	9006021-1	4
2	SCR PHIL HD PAN #6-32 X .50 L	9006024-1	3
3	WASHER INT TOOTH LOCK #6	9006633	2
1	H777 +5V REGULATOR	D-1A-7011560-0-0	1

REV.	DATE	BY	CHKD	APP'D
1	11/03/77	R. BARRY		
2	11/03/77	B. COURTEMANCHE		
3	11/03/77	B. COURTEMANCHE		

UNLESS OTHERWISE SPECIFIED DIMENSIONS ARE IN INCHES

CLASS OF ACCURACY	RANGE	TOLERANCE
1	0.000 - 0.009	±0.0005
2	0.010 - 0.024	±0.0008
3	0.025 - 0.049	±0.0012
4	0.050 - 0.074	±0.0015
5	0.075 - 0.149	±0.0020
6	0.150 - 0.249	±0.0025
7	0.250 - 0.499	±0.0030
8	0.500 - 0.999	±0.0040
9	1.000 - 4.999	±0.0050
10	5.000 - 9.999	±0.0060
11	10.000 - 49.999	±0.0075
12	50.000 - 99.999	±0.0090
13	100.000 - 499.999	±0.0120
14	500.000 - 999.999	±0.0150
15	1000.000 - 4999.999	±0.0200
16	5000.000 - 9999.999	±0.0250
17	10000.000 - 49999.999	±0.0312
18	50000.000 - 99999.999	±0.0375
19	100000.000 - 499999.999	±0.0450
20	500000.000 - 999999.999	±0.0540
21	1000000.000 - 4999999.999	±0.0630
22	5000000.000 - 9999999.999	±0.0750

QUANTITY & VARIATION

THIRD ANGLE PROJECTION

REMOVE BURRS AND BREAK SHARP CORNERS

DO NOT SCALE DWG

MATERIAL

FINISH

DESCRIPTION: +5V REG ASSY

DWG. PART NO.: D-1A-7011560-0-0

ITEM NO.: 7

SCALE: 1" = 1"

SHEET: 1 OF 1

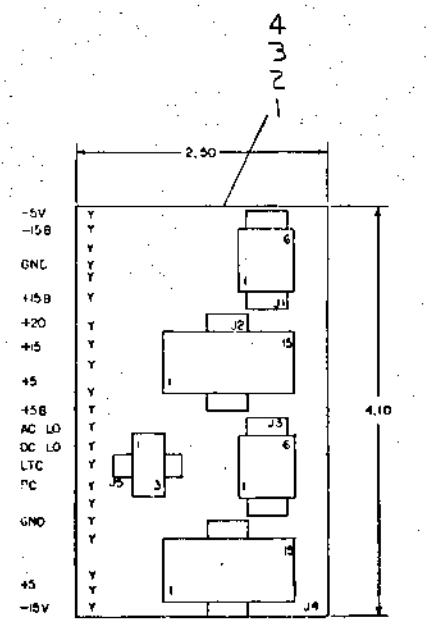
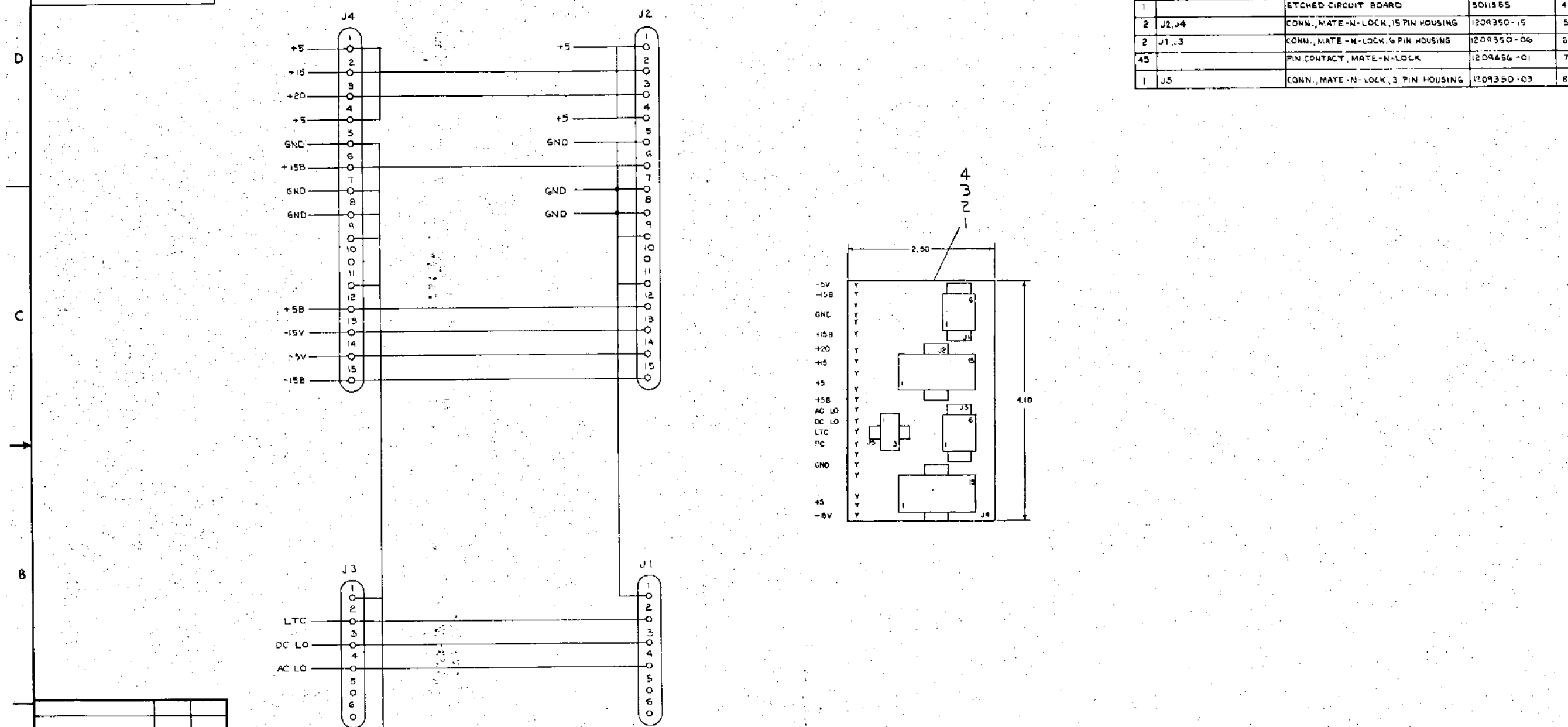
DIST.:

186

DCS 541586-0-1

THIS DRAWING AND SPECIFICATIONS HEREIN ARE THE PROPERTY OF DIGITAL EQUIPMENT CORPORATION AND SHALL NOT BE REPRODUCED OR TRANSMITTED IN ANY FORM OR BY ANY MEANS WITHOUT THE WRITTEN PERMISSION OF DIGITAL EQUIPMENT CORPORATION.

NOTES:



REF		X-Y COORDINATE HOLE LOCATION	K-CO-541586-0-4
REF		ASSY DRILLING HOLE LAYOUT	D-AH-541586-0-5 2
REF		MODULE ECO HISTORY	B-MH-541586-0-6 3
1		ETCHED CIRCUIT BOARD	5011585 4
2	J2, J4	CONN., MATE-N-LOCK, 15 PIN HOUSING	1209350-15 5
2	J1, J3	CONN., MATE-N-LOCK, 6 PIN HOUSING	1209350-06 6
45		PIN CONTACT, MATE-N-LOCK	1209456-01 7
1	J5	CONN., MATE-N-LOCK, 3 PIN HOUSING	1209350-03 8

IC TYPE	GND	+5V

GND AND 5V ARE USUALLY PIN 7 AND 14 RESPECTIVELY EXCEPTS ARE STATED ABOVE

IC PIN LOCATIONS

QTY	REF DESIGNATION	DESCRIPTION	PART NO	ITEM NO.
FIRST USED ON OPTION MODEL				
1104 PWR SUPPLY				
PARTS LIST				
ETCH BOARD REV		D		
DATE	BY	DATE		
7-23-75	J. J. O'Dell	7-23-75		
DATE	BY	DATE		
7-23-75	J. J. O'Dell	7-23-75		
DATE	BY	DATE		
7-23-75	J. J. O'Dell	7-23-75		
DATE	BY	DATE		
7-23-75	J. J. O'Dell	7-23-75		
NEXT HIGHER ASSY				
DEC NO.		EIA NO.	DEC NO.	EIA NO.
SEMICONDUCTOR CONVERSION CHART				
SCALE NONE		SHEET 1 OF 1		

digital EQUIPMENT CORPORATION

TITLE: BOARD, POWER DISTRIBUTION H777

SHEET CODE: DCS 541586-0-1

DIST.:

THIS DRAWING AND SPECIFICATIONS, HEREIN, ARE THE PROPERTY OF RAYTHEON COMPANY AND SHALL NOT BE REPRODUCED OR COPIED IN WHOLE OR IN PART AS THE BASIS FOR THE MANUFACTURE OR SALE OF ITEMS IDENTICAL HERETO WITHOUT PERMISSION OF RAYTHEON COMPANY © 1975

NOTES:

1. HARDWARE ON D1, Q1, Q2, D6, S1, C5 MUST BE TORQUED TO 12 IN.-LBS (-0,+1)

1	C19	CAPACITOR, 15mf, 50V, POLYCARB	1010031-08
1	D1	DIODE	1112723-01
QTY	REF DESIGNATION	SUBSTITUTION LIST	PART NO.

12	REF	X-Y COORDINATE HOLE LOCATION	8-00-9411597-0-4	1
23	REF	ASSY/DRILLING HOLE LAYOUT	0-AH-9411597-0-5	2
	REF	MODULE ECO HISTORY	8-MH-9411597-0-8	3

1		ETCHED CIRCUIT BOARD	9011598	4
1	C12	CAPACITOR, 100pf, 100V, 5% DM	1000016	5
1	C13	CAPACITOR, 470pf, 100V, 5% DM	1000024	6
1	C14	CAPACITOR, 50mf, 50V, AL-EL	1000040	7

8	C6, C9, C11, C20, C24 - C27	CAPACITOR, 0.1mf, 100V DISC	1001610-01	8
2	C22, C23	CAPACITOR, 1mf, 35V, 10% TANT	1001778	9
3	C15, C16, C17	CAPACITOR, 5pf, 100V, 5% DM	1002425	10

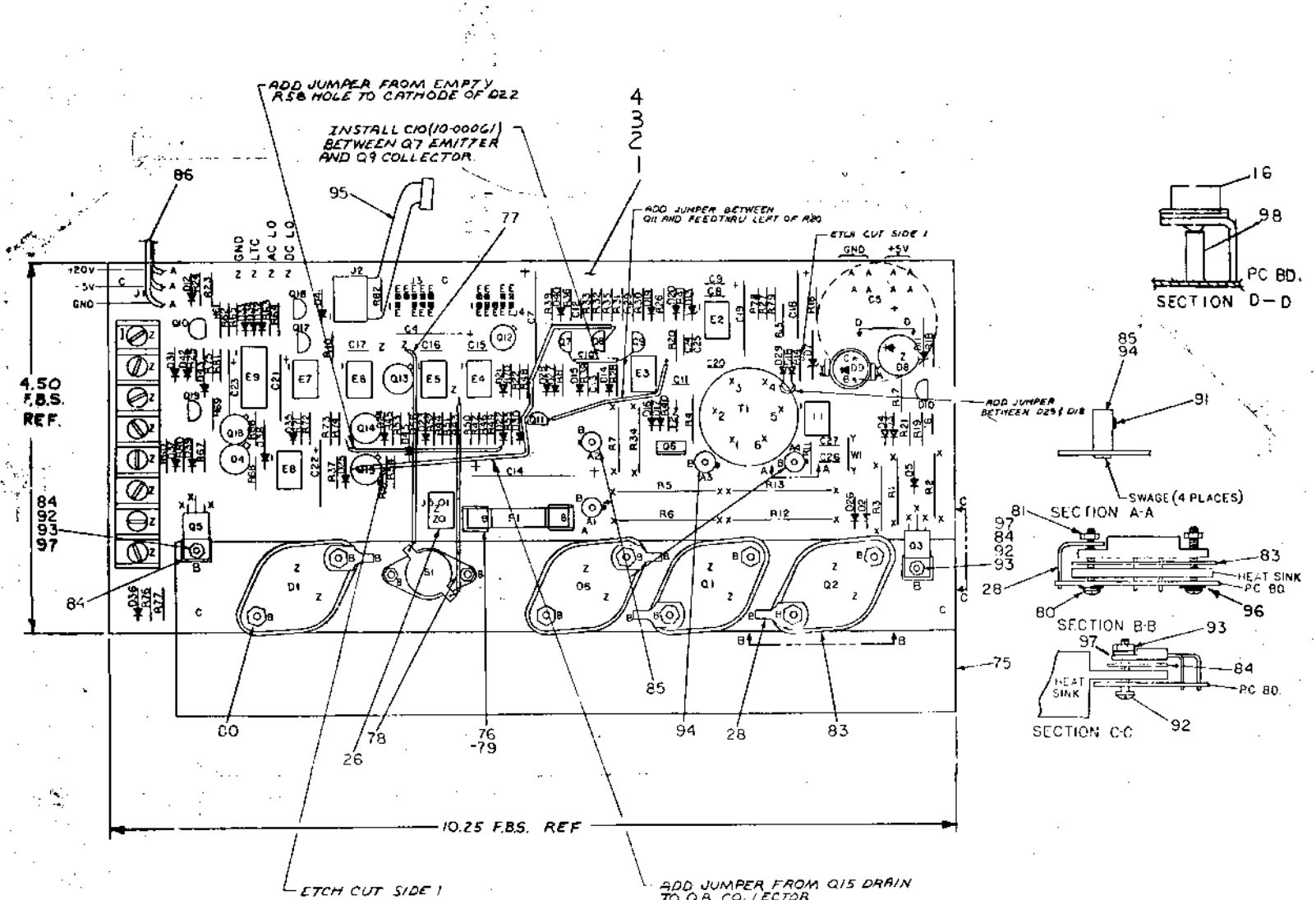
1	C18	CAPACITOR, 1.5mf, 35V, 10% TANT	1003725	12
2	C4, C18	CAPACITOR, 2.2mf, 20V, 10% TANT	1002427	13
2	C7, C21	CAPACITOR, 10mf, 20V, 10% TANT	1004813	14
1	D11	DIODE 1N752A	1102808	15
1	D8	DIODE MR1033B	1103341	16
28	D3, D4, D12, D14 THRU D20, D22 THRU D25, D27, D30 THRU D37, D40, D42, D5, D39, D28	DIODE D872	1105275	17

3	D21, D41, D23	DIODE 1N4004	1105756	18
1	D13	DIODE, ZENER, 5.1V, 2% 1ZT = 5ma	1110713	19
1	D6	DIODE, TQ3	1110115	20
1	D10	DIODE 2N5082	1110988	21
3	D1, D43, D45	DIODE 1N751A	1110994	22
1	D1	DIODE, DUAL, TQ3	1112723-00	23
2	D2, D26	DIODE 1N14B	1112595-01	24

1	D38	DIODE, ZENER 13V 1N964B	1109588	25
1	J5	CONNECTOR 2 PIN MATE-IN-LDC	1214342-2	26
1	J1	TERMINAL BOARD 8 STATION	1212484-01	27
4		SOLDER LUG	9009676	28
18		PINS, STAKING	9009149	29
1	F2	FUSE 5A	1200070	30

2	R18, R19	RESISTOR, 100, 1/4W, 5%	1300225	31
F	R10	RESISTOR, 150, 1/4W, 5%	1300250	32
1	R2	RESISTOR, 100, 1W, 5%	1300255	33
1	R34	RESISTOR, 220, 1W, 10%	1300277	34
2	R78, R81	RESISTOR, 390, 1/4W, 5%	1300308	36
2	R29, R16	RESISTOR, 470, 1/4W, 5%	1300310	38
7	R82, R28, R39, R50, R63, R52, R54	RESISTOR, 1K, 1/4W, 5%	1300365	37
2	R8, R88	RESISTOR, 2.7K, 1/4W, 5%	1300426	38
7	R31, R40, R42, R45, R46, R15, R39	RESISTOR, 4.7K, 1/4W, 5%	1300447	39
18	R63, R25, R32, R39, R38, R37, R41, R55 THRU R57, R67, R70, R77	RESISTOR, 10K, 1/4W, 5%	1300470	40

1	R24	RESISTOR, 12, 1/4W, 10%	1301430	41
1	R4	RESISTOR, 47, 1/2W, 5%	1301985	42
6	R11, R23, R48, R40, R64, R75	RESISTOR, 270, 1/4W, 5%	1301972	43
2	R72, R74	RESISTOR, 5.6K, 1/4W, 5%	1302296	44
2	R28, R61	RESISTOR, 2K, 1/4W, 5%	1302336	45
4	R22, R71, R44, R73	RESISTOR, 10K, 1/4W, 5%	1302394	46
3	R49, R51, R53	RESISTOR, 50K, 1/4W, 5%	1302395	47
1	R27	RESISTOR, 100K, 1/4W, 5%	1302466	48
2	R17, R21	RESISTOR, 30, 1/4W, 5%	1302751	49
2	R43, R44	RESISTOR, 1.21K, 1/4W, 1%	1302871	50
1	R48	RESISTOR, 1K, 1/4W, 1%	1303174	51
2	R33, R14	RESISTOR, 8.2K, 1/4W, 5%	1303179	52
1	R45	RESISTOR, 10K, 1/4W, 1%	1303322	53



FIRST USED ON OPTION MODEL

ETCH BOARD REV. E

REV. 1
G. POTIER
22 5411597-00003
REV. 2
R. BERRY
12-17-75
REV. 3
H. BARRY
12-11-75
REV. 4
J. SOFIO
11-26-75
REV. 5
11-26-75
REV. 6
11-26-75
REV. 7
11-26-75

DATE 12-30-75
BY J. SOFIO
CHECKED BY J. SOFIO
NEXT HIGHER ASST

777
+5V REGULATOR

SCALE 1 OF 4
SHEET 1 OF 4

DEC NO. EIA NO. DEC NO. EIA NO.

SEMICONDUCTOR CONVERSION CHART

QTY REF DESIGNATION DESCRIPTION PART NO. ITEM NO.

PARTS LIST

D 5411597-0-1

138

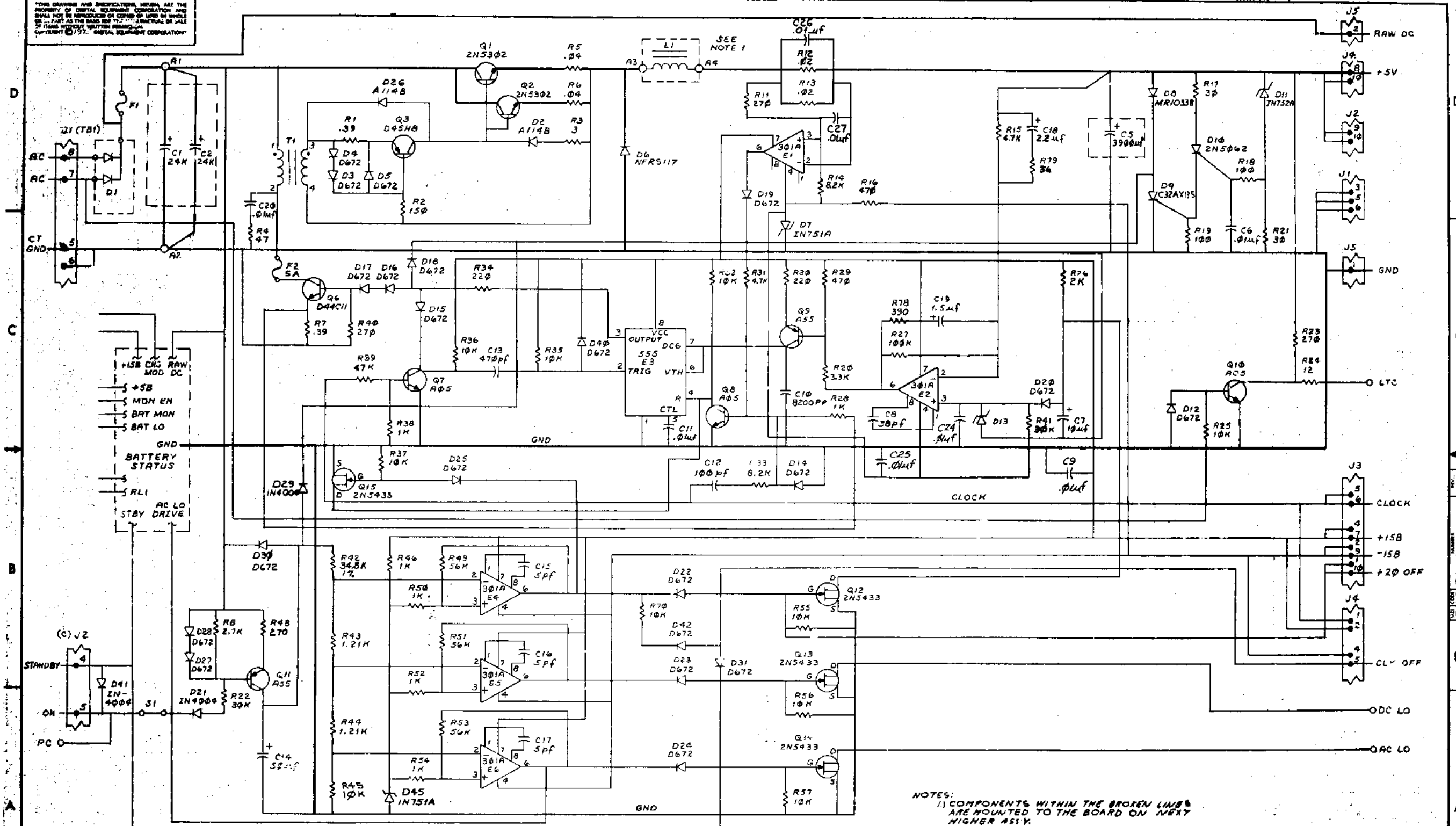
THIS DRAWING AND SPECIFICATIONS HEREIN ARE THE PROPERTY OF DIGITAL EQUIPMENT CORPORATION AND SHALL NOT BE REPRODUCED OR COPIED OR USED IN WHOLE OR IN PART AS THE BASIS FOR THE MANUFACTURE OR SALE OF ITEMS WITHOUT WRITTEN PERMISSION. COPYRIGHT © 1971 DIGITAL EQUIPMENT CORPORATION.

1	R76	RESISTOR, 2.5K, 1/4W, 5%	1307438	54
1	R79	RESISTOR, 2.5K, 1/4W, 5%	1307438	55
1	R42	RESISTOR, 34.8K, 1/4W, 1%	1303156	56
2	R1, R7	RESISTOR, .39, 2W, 3%	1310898	57
2	R12, R13	RESISTOR, .02, 2W, 3%	1310878	58
2	R5, R8	RESISTOR, .04, 5W	1311362	59
1	R3	RESISTOR, 3, 3W, 5%	1312682	60
2	Q1, Q2	TRANSISTOR, 2N5302	1510196	61
3	Q7, Q8, Q10	TRANSISTOR, A05	1510705	62
3	Q9, Q11, Q16, Q17, Q18	TRANSISTOR, A55	1510706	63
2	Q3, Q5	TRANSISTOR, D45H	1510708	64
3	Q4, Q12 THRU Q15	TRANSISTOR, 2N5433	1511888	65
1	Q10	TRANSISTOR, 2N6028	1510877	66
1	Q8	TRANSISTOR, D44C11	1512790	67
1	D9	TRANSISTOR, C32A135	1510826	68
1	T1	TRANSFORMER PULSE	1512592	69
1	E9	I.C. DEC 7410	1805576	70
5	E1, E2, E4, E5, E8	I.C. DEC 301A	1810282	71
3	E3, E7, E8	I.C. DEC LM555	1811944	72
1	F1	FUSE (SA, 32V	9007226	73
1	S1	THERMISTAT (ELMWOOD)	1212787	74
1		HEAT SINK	7414238	75
2		EYELET	9009000	76
3		WIRE, #22 AWG STRANDED (WHITE)	9107350-88	77
3		WIRE, #22 AWG STRANDED (WHITE)	9107350-88	78
2		FUSECLIP	9007203	79
10		SCREW, #4-40 x 7/16 LG PHILLIPS HD	9008012-1	80
10		NUT, KEP #4-40	9008557	81
A/R		COMPOUND, THERMAL	9008288	82
4		INSULATOR, TOS	9008418	83
2		INSULATOR, THERMA-FILM	9009587	84
8	A1, A2, A4	STANDOFF	7414848-0	85
REF		ASSY, HARNESS	7011415-0-0	86
A/R	W1	WIRE #18 AWG	9107360-98	87
1	C10	CAPACITOR 8200 PF 100V MYLAR	1000061	88
1	C8	CAPACITOR, 33 PF, 100V, 5% DM.	1000009	89
				90
4		SET SCREW #6-32 X 1/8 LG.	9006290-10	91
2		SCREW NYLON #4-40 X 1/2 LG.	9006402-4	92
2		NUT NYLON #4-40	9007992	93
1	A3	STANDOFF	7414048-F	94
1	J2	CONTROL CABLE (CONSOLE)	7011414-1F	95
8		WASHER, FLAT	9008172	96
2		WASHER, INT, LOK #4	9006432	97
1		SPACER, INSULATOR	9007618	98
1	R30	RES 220, 1/4W, 5%	1330271	99
1	R20	RES, 3.3K, 1/4W, 5%	1300439	100

REVISIONS		
CHK	CHANGE NO	REV

THIS DRAWING AND SPECIFICATIONS HEREAFTER ARE THE PROPERTY OF DIGITAL EQUIPMENT CORPORATION AND SHALL NOT BE REPRODUCED OR COPIED IN WHOLE OR IN PART AS THE BASIS FOR THE MANUFACTURE OR SALE OF ITEMS WITHOUT WRITTEN PERMISSION OF DIGITAL EQUIPMENT CORPORATION.

H 1-0-26911597-0-1 2



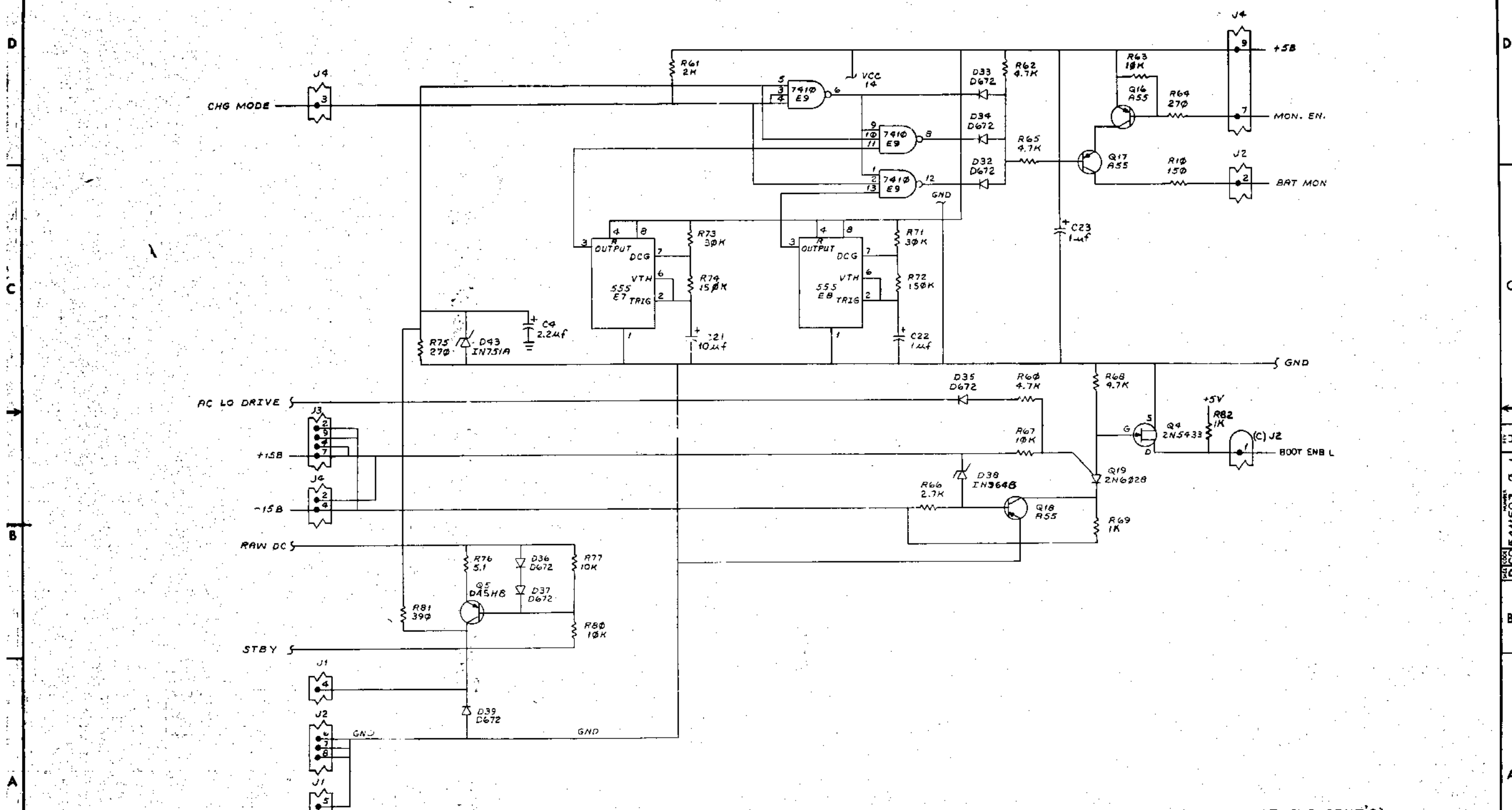
NOTES:
1) COMPONENTS WITHIN THE BROKEN LINES ARE MOUNTED TO THE BOARD ON NEXT HIGHER ASSY.

REVISIONS		
CHK	CHANGE NO.	REV.

TITLE	H777 +5V REGULATOR	SIZE/COOD	NUMBER	REV.
SCALE	SHEET 5 OF 4	DIST.	D/CS 5411597-0-1	H

190

"THIS DRAWING AND SPECIFICATIONS HEREIN ARE THE PROPERTY OF DIGITAL EQUIPMENT CORPORATION AND SHALL NOT BE REPRODUCED OR COPIED OR USED IN WHOLE OR IN PART AS THE BASIS FOR THE MANUFACTURE OR SALE OF ITEMS WITHOUT WRITTEN PERMISSION. COPYRIGHT © 1973 DIGITAL EQUIPMENT CORPORATION"



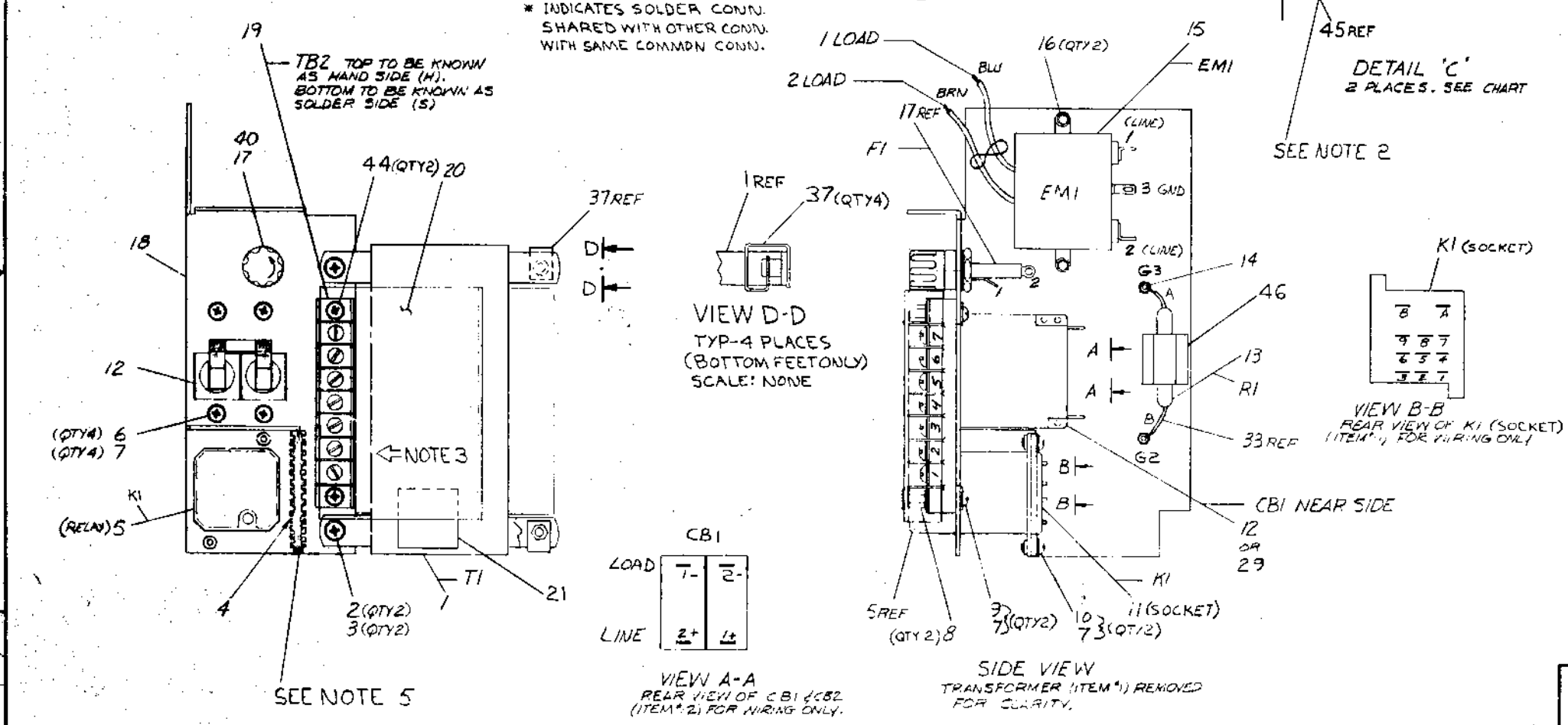
(BATTERY STATUS CRKT'S)

REVISIONS		
CHK	CHANGE NO.	REV.

TITLE	H777 +5V REGULATOR	SIZE CODE	D/CS	NUMBER	5411597-0-1	REV.	F1
SCALE		SHEET	4	OF	4	DIST.	

LEGEND		WIRE CHART											
PART NO	VARIATION	ITEM NO	DESCRIP	FROM	TO	REMARKS	ITEM NO	DESCRIP	FROM	TO	REMARKS		
7011075-0	120 V	22	18 WHT	K1-4	*TB2-4 S	SOLD 5 1/2' L	14	BLK	T1	TB2-1H			
7011075-1	230 V	23	18 BLK	K1-6	*TB2-1S	SOLD 5' L	14	BRN/WHT		TB2-3H			
		24	18 BRN	K1-7	TB2-5H	25,43 6 1/2' L	14	RED		TB2-2H			
		26	18 BLU	K1-9	TB2-6H	25,43 7 1/2' L	14	TWP	RO/WH	T1	TB2-4H		
		27	TWP	BLK	K1-B	---	25	23	18	BLK	G3	SOLD 4' L	
		26	18 BLU	G2	*TB2-6S	SOLD 6' L	34	14	BRN/BLK	EMI-3	SOLD 8' L		
		23	18 BLK	F1-1	*TB2-1S	SOLD 5' L	35	18	BLK	TB2-1H	TB2-2H	120V	
		15	TWP	BLU	EMI-1 LOAD	*TB2-6S	SOLD 6' L	36	18	WHT	TB2-3H	TB2-4H	120V
		22	18 WHT	EMI-2	SOLD 3	CBI-2 LOAD	28,41 5' L	35	18	BLK	TB2-2H	TB2-3H	230V
		23	18 BLK	EMI-1	SOLD 3	CBI-1 LOAD	28,41 5' L	13	22	BARE	R1-A	G3	SOLD 33
		45	TWP	BLK	*TB2-5S	SOLD	J2-1	30,32	6 1/2' L				
		45	TWP	BLK	*TB2-2S	SOLD	J2-2	30,32	6 1/2' L				
		45	TWP	BLK	*TB2-5S	SOLD	J3-1	30,32	15 1/2' L				
		45	TWP	BLK	*TB2-2S	SOLD	J3-2	30,32	15 1/2' L				

- NOTES:
- SECOND SOURCE FOR ITEM #16 (LINE FILTER) WILL HAVE WHT & BLK LEADS. SUBSTITUTE WHT FOR BRN AND BLK FOR BLU.
 - TWISTED PAIR WIRE TO HAVE A MIN OF 4 TWIST PER INCH AS PER WIRE CHART.
 - ALL CONNECTIONS TO TB2 ARE TO BE MADE FROM SIDE INDICATED BY ARROW.
 - USE TIE WRAPS (ITEM 38) AS NEEDED.
 - T1 PRIMARY WIRES TO TB2 MUST BE ROUTED BY ITEM 4.
 - COVER ITEM #28 WITH ITEM #41 TO COVER EXPOSED PART OF TERMINAL.



CONT ON SHEET 2 OF 2

ITEM NO	DESCRIPTION	QTY	PART NO	ITEM NO
-	1 JUMPER ASSY (WHT 2")	1	B-A-701798-0-0	36
1	1 JUMPER ASSY (BLK 2")	1	B-A-701797-0-0	35
4	4 WIRE TANG TRACER (BRN/YEL)	4	910777-54	34
4	4 TUBING INS (RED)	4	9107278-02	33
4	4 HOUSING SOCKET FASTAB	4	1210820-1	32
4	4 TUBING SHRINK (RED)	4	9107305-02	31
4	4 HOUSING TERM FASTAB	4	1210820-2	30
1	1 CIRCUIT BREAKER, 5A	1	1210191-1	29
2	2 CONN FASTON (RED INS)	2	9007917	28
4	4 WIRE 18 AWG INS (GRY/BLK)	4	9107430-08	27
4	4 WIRE 18 AWG INS (BLU)	4	9107360-66	26
2	2 RING CRIMP (RED INS)	2	9007929	25
4	4 WIRE 18 AWG INS (BRN)	4	9107360-11	24
4	4 WIRE 18 AWG INS (BLK)	4	9107360-00	23
4	4 WIRE 18 AWG INS (WHT)	4	9107360-99	22
1	1 MOUNT TIE WRAP	1	9008264	21
1	1 SHIELD TERM	1	C-A-744743-0-0	20
1	1 TERMINAL 7 POS	1	1212788	19
1	1 BRACKET COMPONENT	1	D-A-7413769-0-0	18
1	1 HOLDER, FUSE	1	9007242-0	17
2	2 NUT KEPS #6-32	2	9009243	16
1	1 FILTER LINE (EMI)	1	1212748	15
2	2 TERMINAL TURRET INS	2	9006966	14
1	1 RESISTOR 100 OHM	1	1300173	13
-	1 CIRCUIT BREAKER, 10A	1	1210191-0	12
1	1 SOCKET, RELAY	1	1212789	11
2	2 SCR PHIL HD PAN #6-32 X .25	2	9006021-01	10
2	2 SCR PHIL HD PAN #6-32 X .62	2	9006026-01	9
2	2 SPACER HEX #6-32 X .19	2	9006842	8
8	8 WASHER INT TOOTH LOCK #6	8	9006633	7
4	4 SCR PHIL HD PAN #6-32 X .19	4	9006020-01	6
1	1 RELAY 6 E 12 V 3P 10A	1	1210683	5
4	4 GROMMET CATERPILLAR	4	9007035	4
2	2 WASHER INT TOOTH LOCK #8	2	9006634	3
2	2 SCR PHIL PAN HD #8-32 X .44	2	9006038-1	2
1	1 TRANSFORMER ASSY	1	C-A-701805-0-0	1

UNLESS OTHERWISE SPECIFIED DIMENSIONS ARE IN INCHES

ANGLE	BLAS OF ACCURACY	NOMINAL DIMENSION RANGE INCHES			
M30	OVER	0.125	0.25	0.50	OVER 0.50
±.005	±.005	±.005	±.005	±.005	±.005

DRY: [Signature] DATE: 12-25-75
 ENG: [Signature] DATE: 12-25-75
 PROJ. ENGR: [Signature] DATE: 12-25-75
 PROD. A: [Signature] DATE: 12-25-75

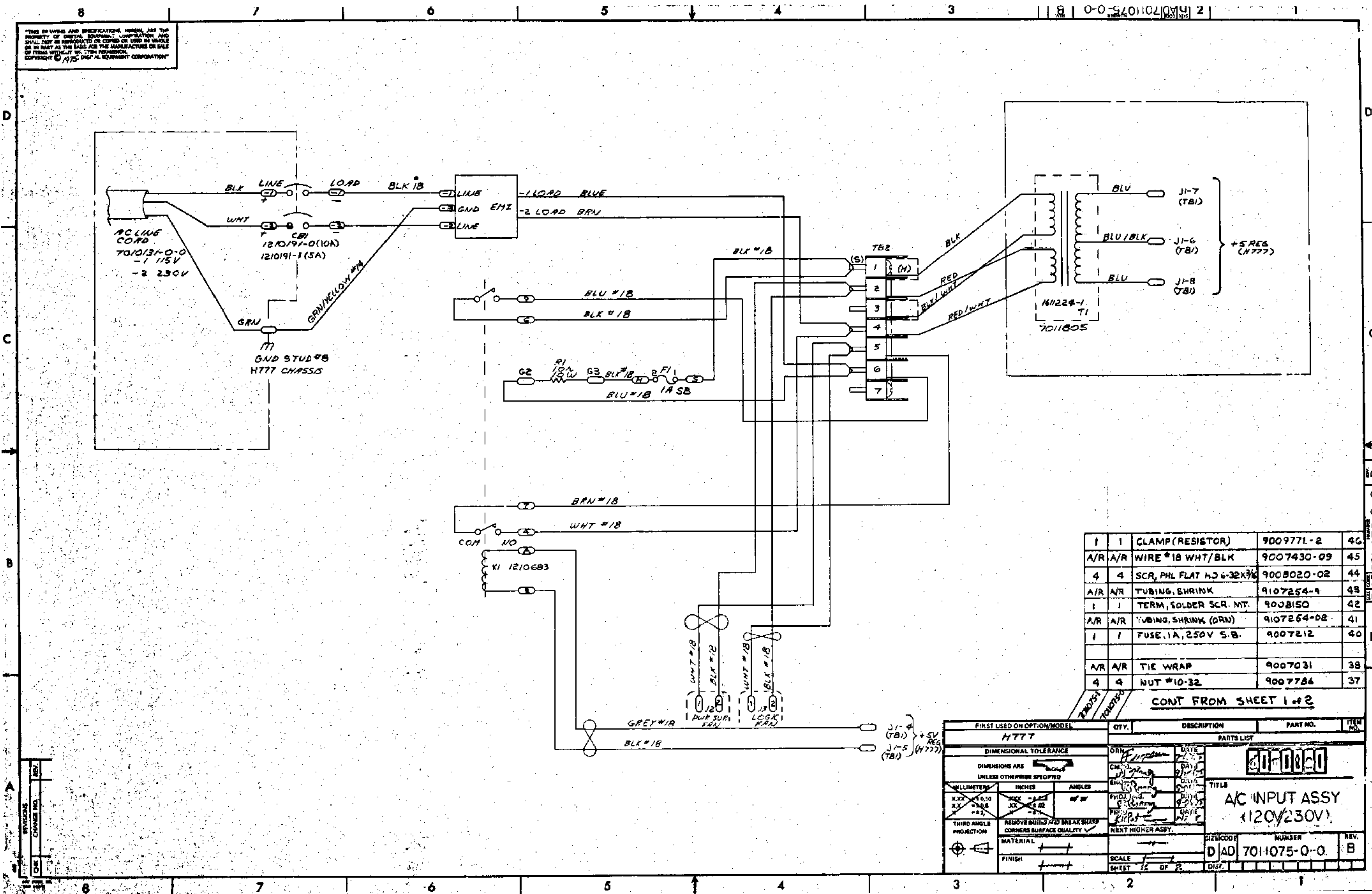
TITLE: A/C INPUT ASSY (120V/230V)
 FIRST USED ON: H777

MATERIAL: -1-
 FINISH: -H-

SCALE: 1/1
 SHEET: 1 OF 2

REV. A
 12-25-75
 R. BARRY

THIS DRAWING AND SPECIFICATIONS HEREIN ARE THE PROPERTY OF ORBITAL EQUIPMENT CORPORATION AND SHALL NOT BE REPRODUCED OR COPIED OR USED IN WHOLE OR IN PART AS THE BASIS FOR THE MANUFACTURE OR SALE OF ITEMS WITHOUT THE WRITTEN PERMISSION OF ORBITAL EQUIPMENT CORPORATION.
 COPYRIGHT © 1975 ORBITAL EQUIPMENT CORPORATION



QTY.	DESCRIPTION	PART NO.	ITEM NO.
1	CLAMP (RESISTOR)	9009771-2	46
A/R	A/R WIRE #18 WHT/BLK	9007430-09	45
4	4 SCR, PHL FLAT HJ 6-32X3/8	9008020-02	44
A/R	A/R TUBING, SHRINK	9107254-9	43
1	1 TERM, SOLDER SCR. MT.	9008150	42
A/R	A/R TUBING, SHRINK (GRN)	9107264-02	41
1	1 FUSE, 1A, 250V S.B.	9007212	40
A/R	A/R TIE WRAP	9007031	38
4	4 NUT #10-32	9007784	37

CONT FROM SHEET 1 of 2

FIRST USED ON OPTION/MODEL		QTY.	DESCRIPTION	PART NO.	ITEM NO.
H777			PARTS LIST		
DIMENSIONAL TOLERANCE		DRN	DATE	TITLE	
DIMENSIONS ARE UNLESS OTHERWISE SPECIFIED		CHK	DATE	AC INPUT ASSY (120V/230V)	
MILLIMETERS	INCHES	ANGLES	PRD	DATE	SIZE CODE
0.10	0.005	90°	CHK	DATE	NUMBER
0.05	0.002		PRD	DATE	REV.
0.02	0.001		CHK	DATE	
THIRD ANGLE PROJECTION	REMOVE BURRS AND BREAK SHARP CORNERS SURFACE QUALITY	NEXT HIGHER ASSY.	SCALE	D AD 7011075-0-0 B	
	MATERIAL		SHEET	12 OF 2	
	FINISH				

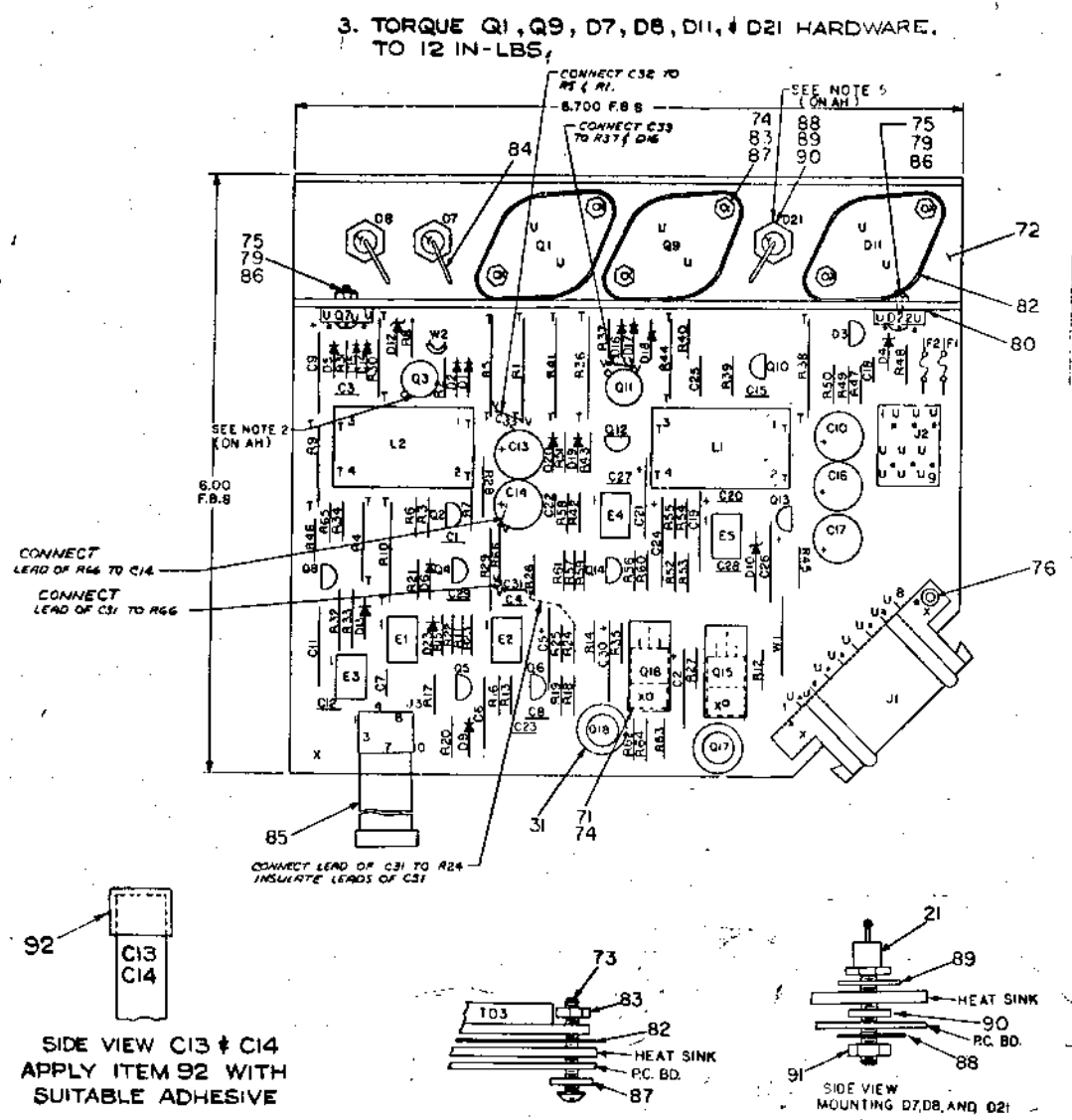
REV.	CHG.	DATE
1		

DAD7011075-0-0 B

8 7 6 5 4 3 2 1

THIS DRAWING AND SPECIFICATIONS, HEREIN, ARE THE PROPERTY OF RADSON EQUIPMENT CORPORATION AND SHALL NOT BE REPRODUCED OR COPIED OR USED IN WHOLE OR IN PART AS THE BASIS FOR THE MANUFACTURE OF SALE OF ITEMS WITHOUT WRITTEN PERMISSION. RADSON EQUIPMENT CORPORATION © 1975

NOTES:
 1. ITEMS 88, 89, 90, 91 ARE PACKAGED WITH THE DIODES. SUBSTITUTE PACKAGED WASHER FOR ITEM #88.
 3. TORQUE Q1, Q9, D7, D8, D11, & D21 HARDWARE TO 12 IN-LBS.



IC TYPE QND +BY

QND AND BY ARE USUALLY PIN 7 AND 14 RESPECTIVELY. (EXCEPTIONS ARE STATED ABOVE)

IC PIN LOCATIONS

QTY	REF. DESIGNATION	DESCRIPTION	PART NO.	ITEM NO.
1	R16	RESISTOR, 8.2K, 1/4W, 5%	1303119	91
1	R24	RESISTOR, 4.9K, 1/4W, 1% MF	1305324	52
2	R1, R38	RESISTOR, 1, 2W, 10%	1305428	93
1	R55	RESISTOR, 5/1, 1/4W, 5%	1305422	54
2	R5, R38	RESISTOR, 15, 2W, 10%	1310147	95
2	R32, R33	RESISTOR, 2.2K, 1/4W, 1%	1310891	98
1	D22	DIODE 2N4441 SCR	1505887	97
3	Q3, Q11, Q17	TRANSISTOR, 2N4036	1509700	98
1	Q18	TRANSISTOR, DEC 3734	1510082	59
1	Q7	TRANSISTOR, MJE3055	1510555	80
1	Q4, Q5, Q6, Q8, Q12 THRU Q14	TRANSISTOR, XA05	1510705	81
2	Q2, Q10	TRANSISTOR, XA55	1510706	82
1	Q16	TRANSISTOR, D45H8	1510708	83
2	Q1, Q9	TRANSISTOR, 2N5038	1510989	84
1	Q15	TRANSISTOR, D44H5	1512722	85
2	L1, L2	INDUCTOR, 500UH	1612593	88
2	E2, E5	I.C. L.M. 301A	1910282	87
3	E1, E3, E4	I.C. L.M. 555	1911944	88
1	C22	CAPACITOR, 470PF, 100V, 5%	1000024	69
11	D1, D2, D6, D13 THRU D17, D19, D20, D23	DIODE D872	1105275	19
2		HEAT SINK	7414785	71
1		HEAT SINK	7413842	72
2		SCREW #4-40 x 5/16 LG.	9006010-1	73
8		SCREW #4-40 x 7/16 LG.	9006012-1	74
2		SCREW, NYLON #4/40 x 1/2 LG.	9006402-A	75
1		EYELET	9008145	76
2		TRANSIPAD	9007201	77
A/R		TUBING	9107287-09	78
2		NUT, NYLON #4/40	9007992	79
2		WASHER, THERMAFILM	9008225	80
A/R		THERMAL COMPOUND	9008268	81
3		INSULATOR	9008419	82
6		NUT, KEP #4/40	9006557	83
A/R		WIRE #20 AWG STRANDED	9107480-88	84
1		CONTROL CABLE	7011414-D	85
2		WASHER, LOCK, INTERNAL TOOTH	9006632	86
6		WASHER, FLAT	9008172	87
3		WASHER, FLAT	9006660	88
3		WASHER THERMAFILM	9008424	89
3		BUSHING, NYLON	9006711	90
3		NUT, #EX #10-32	9009005	91
2		INSULATOR, CAPACITOR	9009731-03	92
AR	W1, W2	WIRE #20 AWG SOLID	9107560-02	93

QTY	REF. DESIGNATION	DESCRIPTION	PART NO.	ITEM NO.
1		X-Y COORDINATE HOLE LOCATION	K-CO-5411601-D-4	1
1		ASSY/DRILLING HOLE LAYOUT	D-AM-5411601-D-5	2
1		MODULE ECO HISTORY	B-MH-5411601-D-8	3
1		ETCHED CIRCUIT BOARD	921600	4
1		CAPACITOR, 330PF, 100V, 5%	1000009	5
1		CAPACITOR, 100PF, 100V, 5%	1000016	6
1		CAPACITOR, 220PF, 100V, 5%	1000021	7
1		CAPACITOR, 1M, 100V, 20% DISC	1000030	8
1		CAPACITOR, .01M, 100V, DISC	1001610-01	9
1		CAPACITOR, 1M, 35V, 10%	1001778	10
1		CAPACITOR, 47M, 25V, 20%	1010279	11
1		CAPACITOR, 10M, 20V, 10%	1004613	12
1		CAPACITOR, .01M, 100V, 10% MYLAR	1005184	13
1		CAPACITOR, .015M, 50V, 2% POLYCY	1010646	14
1		CAPACITOR, 580M, 20V	1012607	15
1		CAPACITOR, 1200M, 6.3V	1012607-01	16
1		CAPACITOR, 180M, 50V	1012607-02	17
1		DIODE 1N752A	1102608	18
1		DIODE D872	1105275	19
1		DIODE 1N4004	1105796	20
1		DIODE 1N3880	1109440	21
1		DIODE 1N4742	1109502	22
1		DIODE 1st 5M 5.1V, 2%	1110713	23
1		DIODE 2N5062	1110988	24
1		DIODE A1148	1112595-01	25
1		DIODE DUAL	1112723-00	26
1		FUSE 5A	1209070	27
1		CONN. 8 PIN MATE-N-LOC	1209340-00	28
1		CONN. 9 PIN MATE-N-LOC	1209350-09	29
1		PINS	1209458-01	30
1		HEAT SINK	1210001	31
5	R2, R3, R37, R47, R50	RESISTOR, 33, 1/4W, 5%	1300197	32
2	R12, R14	RESISTOR, 47, 1/4W, 5%	1300202	33
8	R6, R27, R35, R39, R40, R49, R83, R84	RESISTOR, 100, 1/4W, 5%	1300229	34
2	R9, R44	RESISTOR, 100, 1W, 5%	1300232	35
1	R72	RESISTOR, 390, 1/4W, 5%	1300309	36
7	R19, R20, R54, R59, R60, R62, R25	RESISTOR, 1K, 1/4W, 5%	1300365	37
1	R45	RESISTOR, 1.5K, 1/4W, 5%	1300391	38
1	R25	RESISTOR, 2.4K, 3/4W, 1%	1300424	39
3	R11, R43, R61	RESISTOR, 2.2K, 1/4W, 5%	1300426	40
2	R7, R65	RESISTOR, 4.7K, 1/4W, 5%	1300447	41
2	R23, R56	RESISTOR, 5.62K, 1/4W, 1%	1305128	42
11	R13, R15, R16, R17, R21, R22, R42, R46, R51, R57, R58	RESISTOR, 10K, 1/4W, 5%	1300475	43
2	R53, R24	RESISTOR, 100K, 1/4W, 5%	1302466	44
3	R8, R31, R40	RESISTOR, 10, 1/4W, 5%	1301311	45
2	R10, R41	RESISTOR, 390, 2W, 10%	1301981	46
2	R26, R34	RESISTOR, 2K, 1/4W, 5%	1302368	47
1	R66	RESISTOR, 180, 1/4W, 5%	1301322	48
1	R4	RESISTOR, 1.2K, 1W, 10%	1302950	49
1	R30	RESISTOR, 1.8K, 1W, 5%	1303122	50

FIRST USED ON OPTION MODEL

ETCH BOARD REV. D

DRN. 8-1-80	DATE 8-28-75
CHKD. 10-20-75	DATE 10-20-75
ENG. 10-20-75	DATE 10-20-75
PRO. DRG. 10-20-75	DATE 10-20-75
PRO. 10-20-75	DATE 10-20-75
PRO. 10-20-75	DATE 10-20-75

digital

TITLE MOS REGULATOR H777

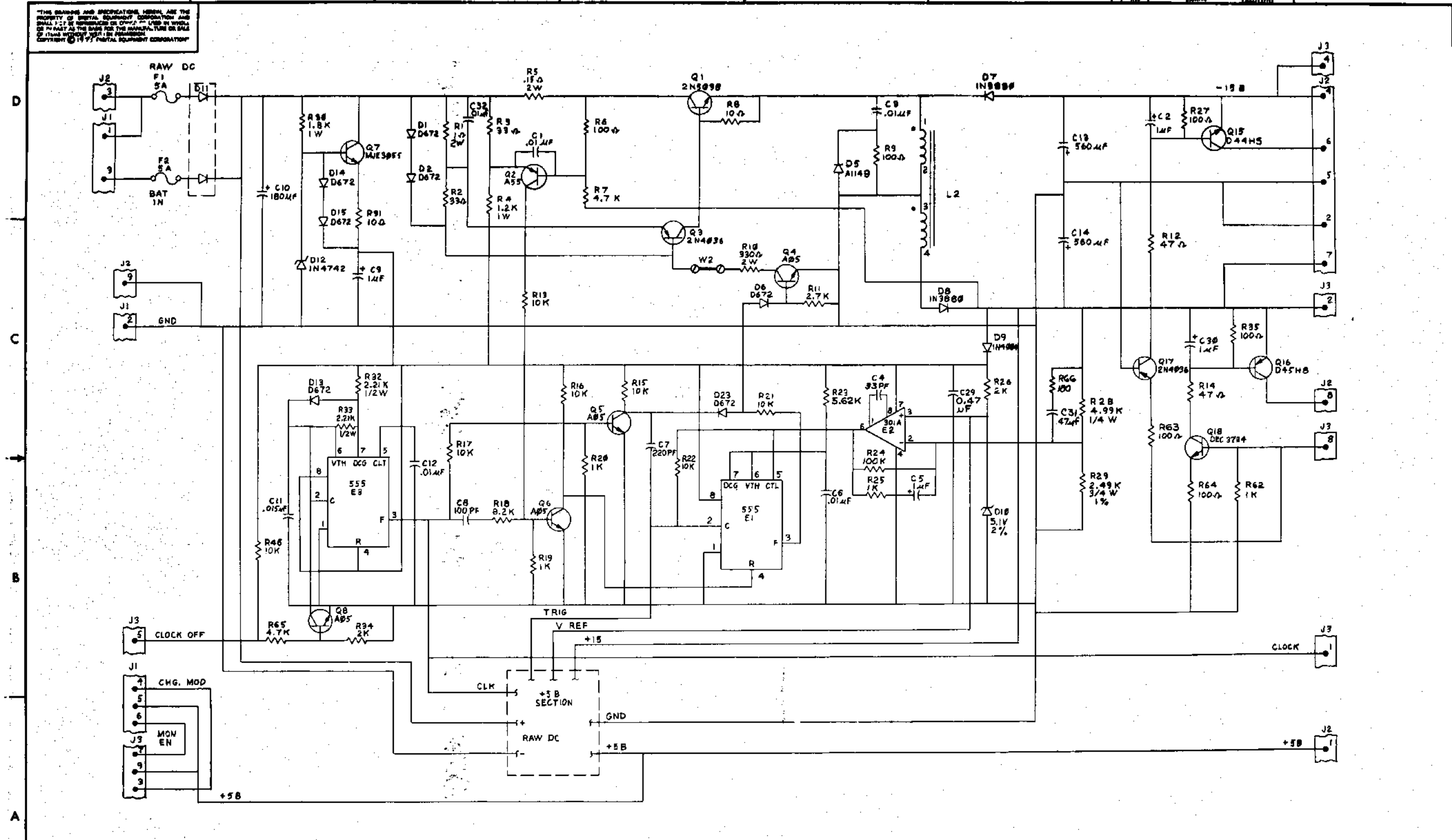
SCALE CODE DCS 5411601-0-1 NUMBER REV. J

SHEET 1 OF 3

SEMICONDUCTOR CONVERSION CHART

194

THIS DRAWING AND SPECIFICATIONS HEREIN ARE THE PROPERTY OF DIGITAL EQUIPMENT CORPORATION AND SHALL NOT BE REPRODUCED OR TRANSMITTED IN ANY FORM OR BY ANY MEANS, ELECTRONIC OR MECHANICAL, INCLUDING PHOTOCOPYING, RECORDING, OR BY ANY INFORMATION STORAGE AND RETRIEVAL SYSTEM, WITHOUT PERMISSION IN WRITING FROM DIGITAL EQUIPMENT CORPORATION.

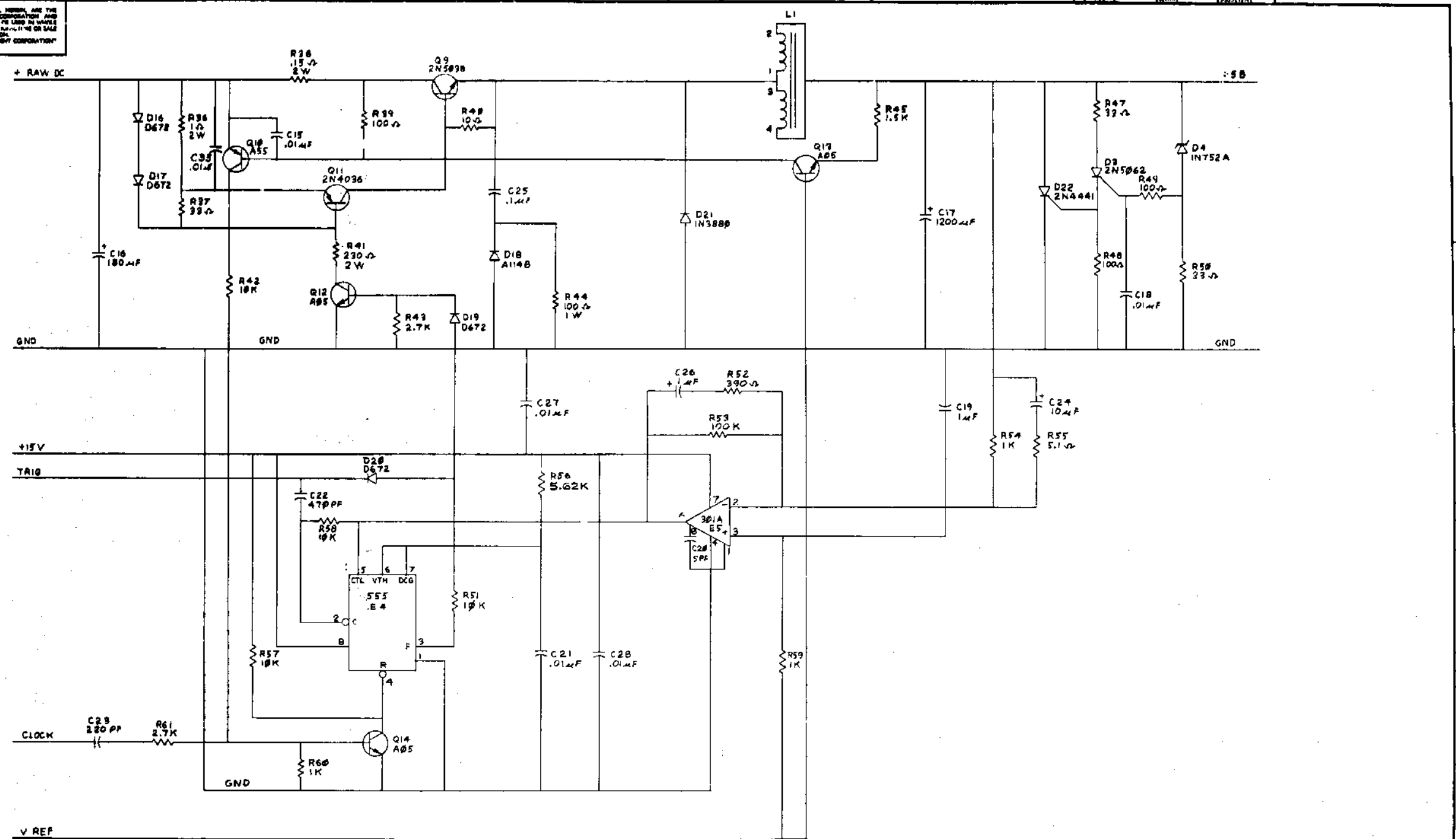


REVISIONS		
CHK	CHANGE NO.	REV.

TITLE	DCS 5411601-0-1	NUMBER	REV.
MOS REGULATOR H777	DCS 5411601-0-1	J	
SCALE	SHEET 2 OF 3	DATE	

195

THE DRAWING AND SPECIFICATIONS HEREIN ARE THE PROPERTY OF DIGITAL EQUIPMENT CORPORATION AND SHALL NOT BE REPRODUCED OR COPIED IN WHOLE OR IN PART AS THE BASIS FOR THE MANUFACTURE OR SALE OF ITEMS WITHOUT WRITTEN PERMISSION. COPYRIGHT © 1977 DIGITAL EQUIPMENT CORPORATION



REVISIONS		
CHK	CHANGE NO.	REV.

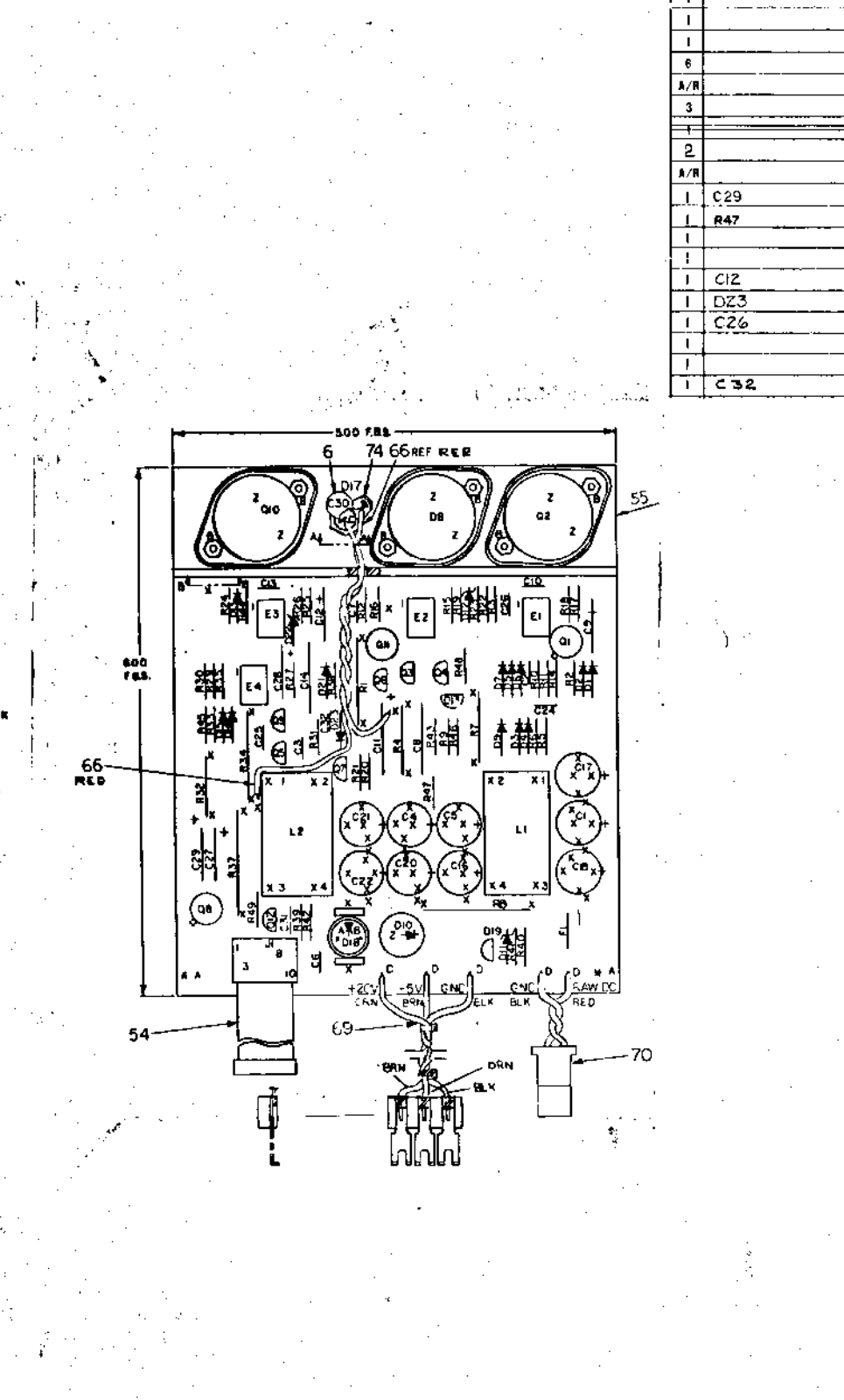
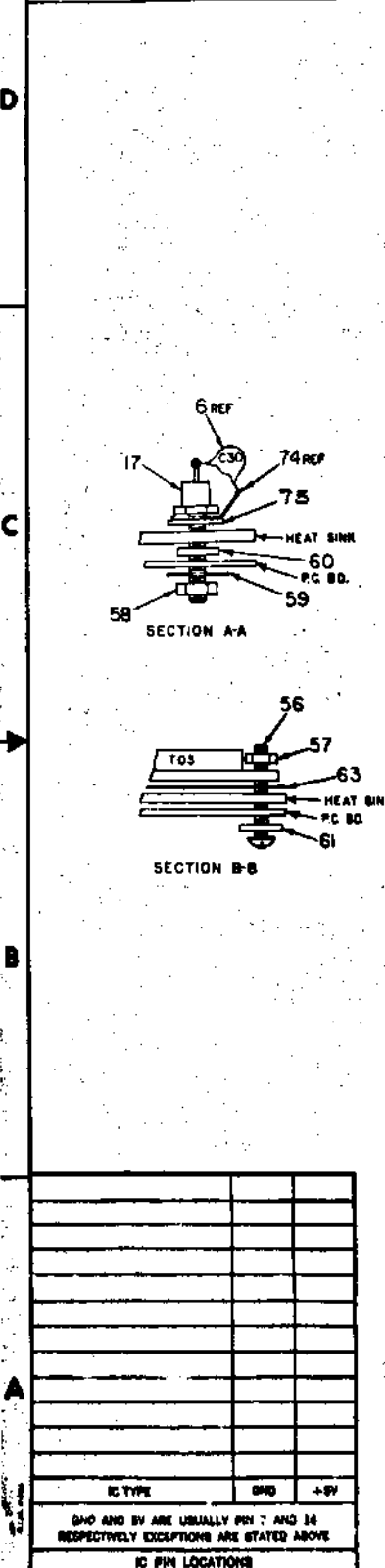
TITLE	MOS REGULATOR H777	SIZE CODE	D CS	NUMBER	5411601-0-1	REV.	J
SCALE		SHEET	3	OF	3	DIST.	

196

THIS DRAWING AND SPECIFICATIONS HEREOF ARE THE PROPERTY OF DIGITAL EQUIPMENT CORPORATION AND SHALL NOT BE REPRODUCED OR COPIED OR USED IN WHOLE OR IN PART AS THE BASIS FOR THE MANUFACTURE OR SALE OF ITEMS WITHOUT WRITTEN PERMISSION. DIGITAL EQUIPMENT CORPORATION

NOTES:

USE TRANSIPAD DEC# 9007201 UNDER Q14QB



QTY	REF. DESIGNATION	DESCRIPTION	PART NO.	ITEM NO.
1	HEAT SINK		7416236-0-0	55
6	SCREW #4-40 x 1/2 12 PH HD		9008013-1	56
6	NUT, REF #4-40		9008557	57
1	NUT, HEX #10-32		9008584	58
1	WASHER, FLAT		9008662	59
1	BUSHING, NYLON		9008440	60
6	WASHER, FLAT		9008172	61
A/R	COMPOUND, THERMAL		9008288	62
3	INSULATOR, TD 3		1213071-02	63
2	TRANSIPAD		9007201	64
A/R	WIRE #18 AWG, TWISTED PAR		9107430-02	65
1	C29	CAPACITOR 2.2UF 20V	1002627	67
1	R47	RESISTOR 200, 1/4W, 5%	131522	68
1		HARNESS (THREE WIRE)	C-IA 7012547-0-0	69
1		HARNESS (TWO WIRE)	C-IA 7012546-0-0	70
1	C12	CAPACITOR, 10uf, 20V, 10%, TANT	1004813	71
1	DZ3	DIODE, IN753A	1102421	72
1	C26	CAPACITOR, .47uf, 25V, 20%, CER	1010279	73
1		SOLDER, TERM., SCREW MTG.	9007815	74
1		SIL PAD, BOD, 190 I.D.	1213071-05	75
1	C32	CAP. 1UF 50V CER.	1010274-02	76

QTY	REF. DESIGNATION	DESCRIPTION	PART NO.	ITEM NO.
1	DIODE, IN7422		1109502	14
1	DIODE, M10338		1103941	15
10	D1 THRU D7, D14, D15, D21	DIODE, D672	1105275	16
1	D17	DIODE, M3880	1109440	17
2	D12, D13	DIODE, IN751, 3.1V 25	1110713	18
1	D8	DIODE	1110715	19
1	D11	DIODE, IN470B	1110858	20
1	D19	DIODE, 2N5962	1110968	21
1	D9	DIODE, A1148	1112595-01	22
1	F1	FUSE, 15A, PICO	1210424	23
1	R46	RESISTOR, 18K, 1/4W, 5%	1302465	24
6	R9, R39, R40, R41, R43, R45	RESISTOR, 100, 1/4W, 5%	1300229	25
1	R7	RESISTOR, 100, 1W, 5%	1300232	26
5	R11, R2, R33	RESISTOR, 390, 1/4W, 5%	1300309	27
6	R8, R12, R23, R31, R17, R48	RESISTOR, 1K, 1/4W, 5%	1300385	28
3	R10, R14, R30	RESISTOR, 2.7K, 1/4W, 5%	1300426	29
4	R42, R44, R15, R27	RESISTOR, 4.7K, 1/4W, 5%	1300447	30
1	R4	RESISTOR, 1K, 1W, 5%	1300368	31
3	R16, R29, R38	RESISTOR, 10K, 1/4W, 5%	1300478	32
2	R3, R35	RESISTOR, 10, 1/4W, 5%	1301917	33
1	R45	RESISTOR, 470, 1/4W, 5%	1300318	34
1	R5	RESISTOR, 27, 1/4W, 5%	1301922	35
1	R34	RESISTOR, 330, 2W, 10%	1501981	36
2	R18	RESISTOR, 2K, 1/4W, 5%	1302386	37
2	R18, R26	RESISTOR, 170K, 1/4W, 5%	1302488	38
1	R22	RESISTOR, 2.74K, 1/4W, 1%	1304888	39
2	R1, R32	RESISTOR, 1, 2W, 5% WW	1305428	40
2	R24, R25	RESISTOR, 1.5K, 1/4W, 5%	1300591	41
1	R21	RESISTOR, 8.25K, 1/4W, 1%	1309428	42
2	R8, R37	RESISTOR, .08, 5W, 3% WW	1311903	43
1	R20	RESISTOR, 56, 1/4W, 5%	1302602	44
2	Q1, Q8	TRANSISTOR, 2N4298	1531700	45
7	Q3, Q5, Q6, Q7, Q9, Q12, Q13	TRANSISTOR, 2AP5	1510705	46
1	Q4	TRANSISTOR, 2N45	1510708	47
1	D18	TRANSISTOR, C32AK139	1510928	48
2	Q2, Q10	TRANSISTOR, 2N4338	1510989	49
1	Q11	TRANSISTOR, 2N5433	1471888	50
2	L1, L2	INDUCTOR, 400uh	1812693	51
2	E1, E3	I.D. DEC 301A	1910282	52
2	E2, E4	I.D. DEC 155	1911844	53
1	J1	CADLE ASSY	7011414 -DE	54

FIRST USED ON OPTION MODEL PARTS LIST

DATE	BY	REVISION
11/25/75	[Signature]	1
10/1/75	[Signature]	2
9/15/75	[Signature]	3

DEC NO.	EIA NO.	DEC NO.	EIA NO.
9007201	9007201	9007201	9007201

TITLE	SCALE	DIST.
+20V REGULATOR/H777	1/4"	1
E-UA-H777-0-0		

IC TYPE QND +5V
QND AND BV ARE USUALLY PIN 7 AND 14 RESPECTIVELY EXCEPT WHERE STATED ABOVE
IC PIN LOCATIONS

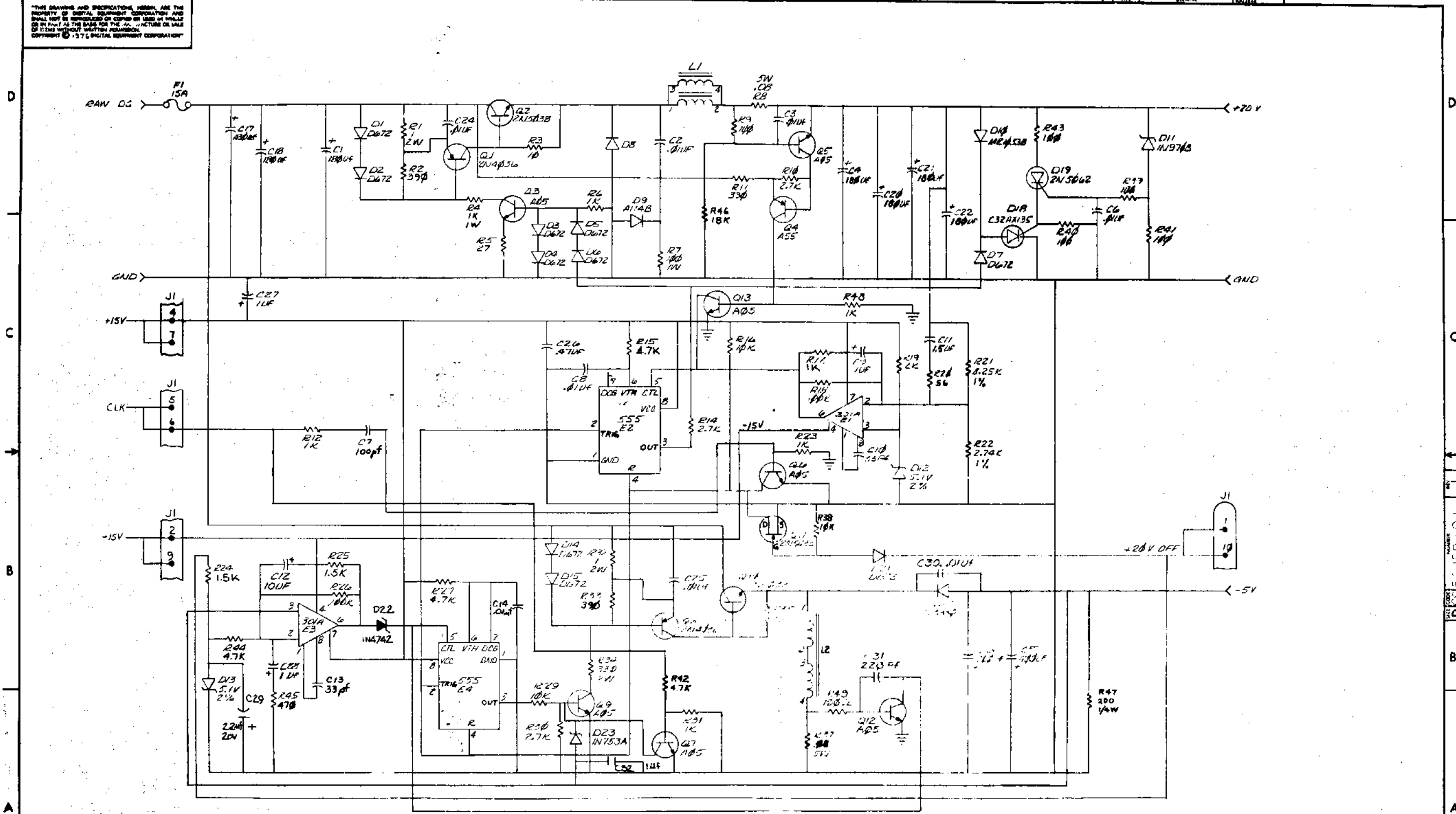
D
C
B
A

DCS 5411599-0-1

197

THIS DRAWING AND SPECIFICATIONS HEREON ARE THE PROPERTY OF DIGITAL EQUIPMENT CORPORATION AND SHALL NOT BE REPRODUCED OR COPIED OR USED IN WHOLE OR IN PART AS THE BASIS FOR THE MANUFACTURE OR SALE OF ITEMS WITHOUT WRITTEN PERMISSION. COPYRIGHT © 1977, DIGITAL EQUIPMENT CORPORATION

10-665119-0-1



CHK	CHANGE NO.	REV.

TITLE: +20V REGULATOR/H777
 SIZE CODE: DCS
 NUMBER: 5411599-0-1
 SHEET 2 OF 2

DIGITAL EQUIPMENT CORPORATION MAYNARD, MASSACHUSETTS			QUANTITY / VARIATION							
PARTS LIST			H777-AA	H777-AB	H777-BA	H777-BB	H777-CA	H777-CB	H777-DA	H777-DB
MADE BY <i>A. Reclan</i>	CHECKED D. HEALY	SECTION 1								
DATE <i>17/Jan/76</i>	DATE 29 JUL 76	ISSUED SECT. 1								
ENG <i>R. Barry</i>	PROD <i>RR King</i>	ISSUED SECT. 1								
DATE <i>26 Aug 76</i>	DATE <i>26 Aug 76</i>	ISSUED SECT. 1								
ITEM NO.	DWG NO. / PART NO.	DESCRIPTION	H777-AA	H777-AB	H777-BA	H777-BB	H777-CA	H777-CB	H777-DA	H777-DB
1	D-IA-7011248-0-0	CHASSIS ASSY P.S.	1	1	1	1	-	-	-	-
2	9007031	TIE WRAP	A/R	A/R	A/R	A/R	A/R	A/R	A/R	A/R
3	D-AD-7011075-0-0	A/C INPUT ASSY (120V)	1	-	1	-	-	-	-	-
4	D-AD-7011075-1-0	A/C INPUT ASSY (230V)	-	1	-	1	-	-	-	-
5	9007035	GROMMET CAT.	A/R	A/R	A/R	A/R	A/R	A/R	A/R	A/R
6	9006563	NUT, KEPS #8 - 32	2	2	2	2	2	2	2	2
7	E-MD-7413825-0-0	COVER, POWER SUPPLY	1	1	1	1	-	-	-	-
8	D-AD-7011073-0-0	+5V REGULATOR ASSY	1	1	1	1	-	-	-	-
9	D-CS-5411601-0-1	MOS. REG. H777	1	1	1	1	1	1	1	1
10	9006020-1	SCR. PHL HD PAN #6 - 32 x .25	4	4	2	2	3	3	1	1
11	9008509	STRAIN RELIEF	1	1	1	1	-	-	-	-
12	D-IA-7012320-0	POWER CORD (115V)	1	-	1	-	-	-	-	-
13	D-IA-7012320-1	POWER CORD (230V)	-	1	-	1	-	-	-	-
14	9006022-1	SCR. PHIL HD PAN #6-32 x .38	6	6	2	2	-	-	-	-
15	9006633	WASHER, INT. TOOTH #6	6	6	2	2	-	-	-	-
16	9009771-02	CLAMP	2	2	2	2	-	-	-	-
17	1209403-01	FAN, BOXER 115V, 50/60 HZ	1	1	1	1	1	1	1	1
18	9006020-2	SCR. PHIL FLAT HD #6 - 32 x .25	7	7	7	7	-	-	-	-
19	9008185	NUT, KEPS #6 - 32	4	4	4	4	6	6	6	6
20	9006023-1	SCR., PHIL HD PAN #6 - 32 x .44	4	4	4	4	4	4	4	4
21	9006074-3	SCR., PHIL TRUSS #10 - 32 x .62	4	4	4	4	4	4	4	4
22	9007651	WASHER, EXT. TOOTH #10	4	4	4	4	4	4	4	4
TITLE POWER SUPPLY ASSY (H777)		ASSY NO. E-UA-H777-0-0	SIZE A	CODE PL	NUMBER H777-0-0		REV. K	ECO NO. L777-00003		
SHEET 1 OF 3		DIST.								

DEC FORM DEC 16-(325) 1031-N870
DRA 110

DIGITAL EQUIPMENT CORPORATION MAYNARD, MASSACHUSETTS			QUANTITY / VARIATION							
PARTS LIST			H777-AA	H777-AB	H777-BA	H777-BB	H777-CA	H777-CB	H777-DA	H777-DB
MADE BY	CHECKED D. HEALY	SECTION 1								
DATE	DATE 29 JUL 76	ISSUED SECT. 1								
ENG <i>R. Barry</i>	PROD <i>RR King</i>	ISSUED SECT. 1								
DATE <i>26 Aug 76</i>	DATE <i>26 Aug 76</i>	ISSUED SECT. 1								
ITEM NO.	DWG NO. / PART NO.	DESCRIPTION	H777-AA	H777-AB	H777-BA	H777-BB	H777-CA	H777-CB	H777-DA	H777-DB
45	9006634	WASHER INT. TOOTH LOCK #8	-	-	-	-	1	1	1	1
46	9006634-1	WASHER INT. TOOTH LOCK #8	-	-	-	-	1	1	1	1
47	9006011-1	SCR PH HD PAN #4 - 40 x .38	-	-	-	-	2	2	2	2
48	9006632	WASHER INT. TOOTH LOCK #4	-	-	-	-	2	2	2	2
49	9008020-02	SCR. PHIL FLAT HD. #6-32 x .18	1	1	1	1	-	-	-	-
50	7011411-1L	CABLE, CONSOLE CONTROL	-	-	-	-	1	1	1	1
51	9006022-03	SCR. PHIL. TRUSS #6-32 x .38	-	-	-	-	4	4	2	2
52	C-IA-7013938-1	CABLE JUMPER	-	-	-	-	1	1	1	1
53	C-IA-7013938-0	CABLE JUMPER	-	-	-	-	1	1	1	1
54	C-IA-7013939-0	CABLE GROUNDING	-	-	-	-	1	1	1	1
55	A-PS-1700083-05	AC POWER CORD (115V)	-	-	-	-	1	-	1	-
56	A-PS-1700083-04	AC POWER CORD (230V)	-	-	-	-	1	-	1	-
TITLE POWER SUPPLY ASSY (H777)		ASSY NO. E-UA-H777-0-0	SIZE A	CODE PL	NUMBER H777-0-0		REV. K	ECO NO.		
SHEET 3 OF 3		DIST.								

DEC FORM DEC 16 (325) 1031 N870
DRA 110

DIGITAL EQUIPMENT CORPORATION MAYNARD, MASSACHUSETTS			QUANTITY / VARIATION							
PARTS LIST			H777-AA	H777-AB	H777-BA	H777-BB	H777-CA	H777-CB	H777-DA	H777-DB
MADE BY <i>A. Reclan</i>	CHECKED D. HEALY	SECTION 1								
DATE <i>19/Jan/76</i>	DATE 29 JUL 76	ISSUED SECT. 1								
ENG <i>R. Barry</i>	PROD <i>RR King</i>	ISSUED SECT. 1								
DATE <i>26 Aug 76</i>	DATE <i>26 Aug 76</i>	ISSUED SECT. 1								
ITEM NO.	DWG NO. / PART NO.	DESCRIPTION	H777-AA	H777-AB	H777-BA	H777-BB	H777-CA	H777-CB	H777-DA	H777-DB
23	C-IA-7413773-0-0	BRACKET, FAN	2	2	2	2	2	2	2	2
24	1210984	INS SHEET 9.0 ± .1 X 1.5 ± .1	A/R	A/R	A/R	A/R	A/R	A/R	A/R	A/R
25	B-DC-7414744-0-0	DECAL H777 P.S.	1	1	1	1	-	-	-	-
26	A-PS-3612680-0-0	DECAL, CHASSIS GROUND	1	1	1	1	1	1	1	1
27	C-IA-7011412-0F	CABLE, CHASSIS GROUND	1	1	1	1	1	1	1	1
28	C-IA-7011412-1H	CABLE, CONSOLE GROUND	1	1	1	1	1	1	1	1
29	D-CS-5411599-0-1	CORE REG. H777	1	1	-	-	1	1	-	-
30	9007015	GROMMET	-	-	-	-	1	1	1	1
31	D-IA-7417407-0-0	CHASSIS P.S.	-	-	-	-	1	1	1	1
32	D-AD-7012910-0-0	A/C INPUT ASSY (120V)	-	-	-	-	1	-	1	-
33	D-AD-7012910-1-0	A/C INPUT ASSY (230V)	-	-	-	-	1	-	1	-
34	E-IA-7417018-0-0	COVER, POWER SUPPLY	-	-	-	-	1	1	1	1
35	A-PS-1213773-0-0	AC RECEPTACLE	-	-	-	-	1	1	1	1
36	A-PS-1212877-0-0	FILTER	-	-	-	-	1	1	1	1
37	D-AD-7012909-0-0	+5V REGULATOR ASSY	-	-	-	-	1	1	1	1
38	9009771-1-0	CABLE CLAMP	-	-	-	-	2	2	2	2
39	9006024-01	SCREW, PAN #6 - 32 x .50	-	-	-	-	1	1	1	1
40	9008404-2	SCR. PHL FLAT HD #6 - 32 x .31	4	4	4	4	11	11	11	11
41	9107258-02	TUBING, SHRINK (ORN)	-	-	-	-	A/R	A/R	A/R	A/R
42	C-IA-7417288-0-0	WIRE A.C. CONN. HARNESS	-	-	-	-	1	1	1	1
43	B-DC-7414744-1-0	DECAL H777 P.S.	-	-	-	-	1	1	1	1
44	9006037-1	SCR. PHIL PAN HD #8 - 32 x .38	-	-	-	-	1	1	1	1
TITLE POWER SUPPLY ASSY (H777)		ASSY NO. E-UA-H777-0-0	SIZE A	CODE PL	NUMBER H777-0-0		REV. K	ECO NO.		
SHEET 2 OF 3		DIST.								

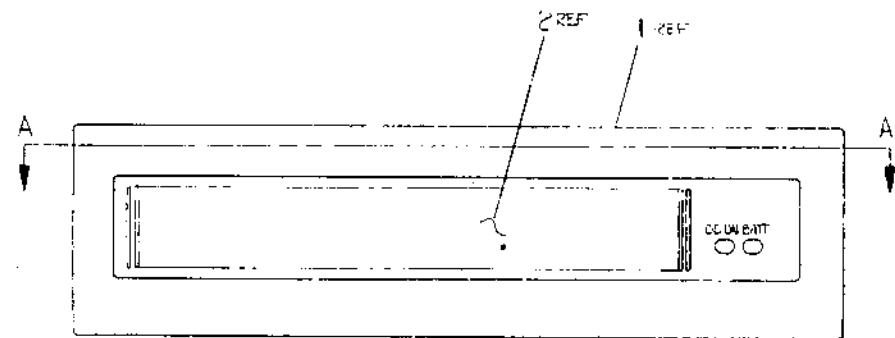
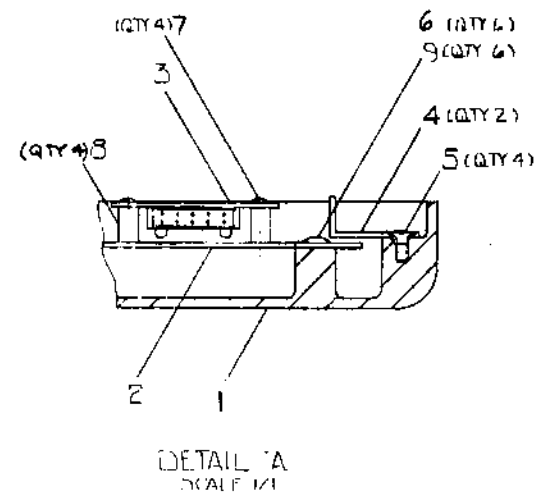
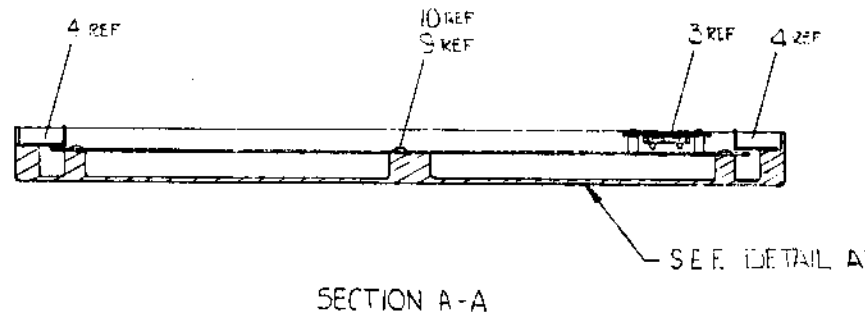
DEC FORM DEC 16 (325) 1031 N870

199

THE DRAWING AND SPECIFICATIONS HEREIN ARE THE PROPERTY OF DIGITAL EQUIPMENT CORPORATION AND SHALL NOT BE REPRODUCED OR COPIED OR USED IN WHOLE OR IN PART AS THE BASIS FOR THE MANUFACTURE OR SALE OF ITEMS WITHOUT WRITTEN PERMISSION. COPYRIGHT © 1971, DIGITAL EQUIPMENT CORPORATION.

NOTES:

1. TO SELECT STAND BY/MODE, ON MODE OR OFF MODE SEE D-CS-5411501-0-1.



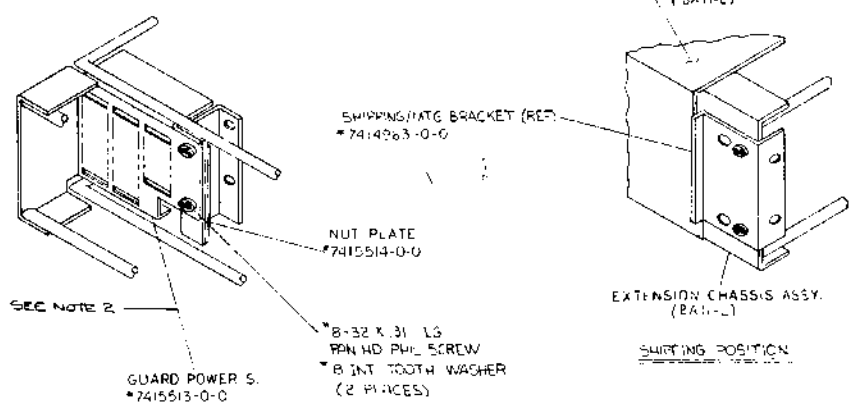
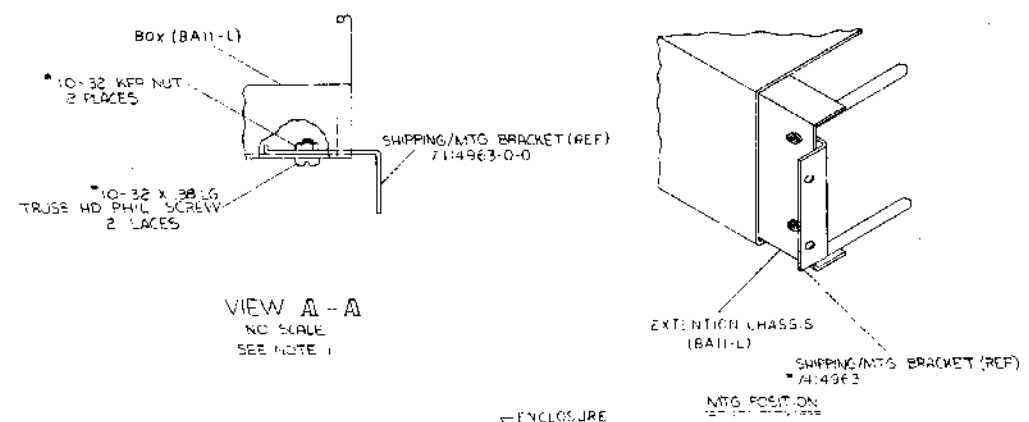
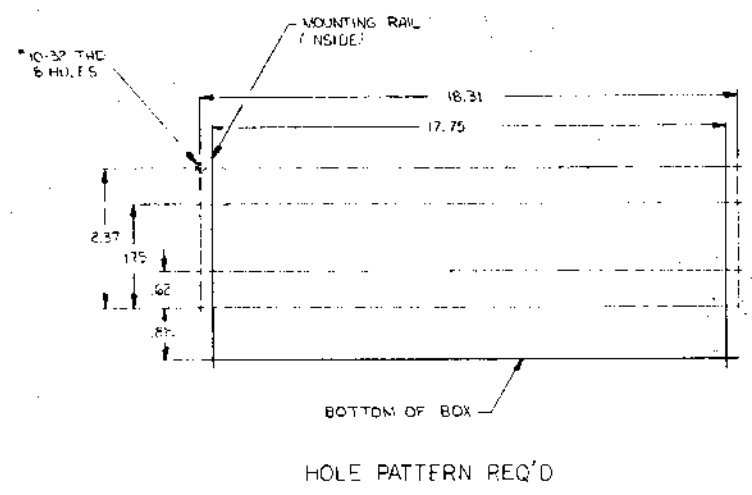
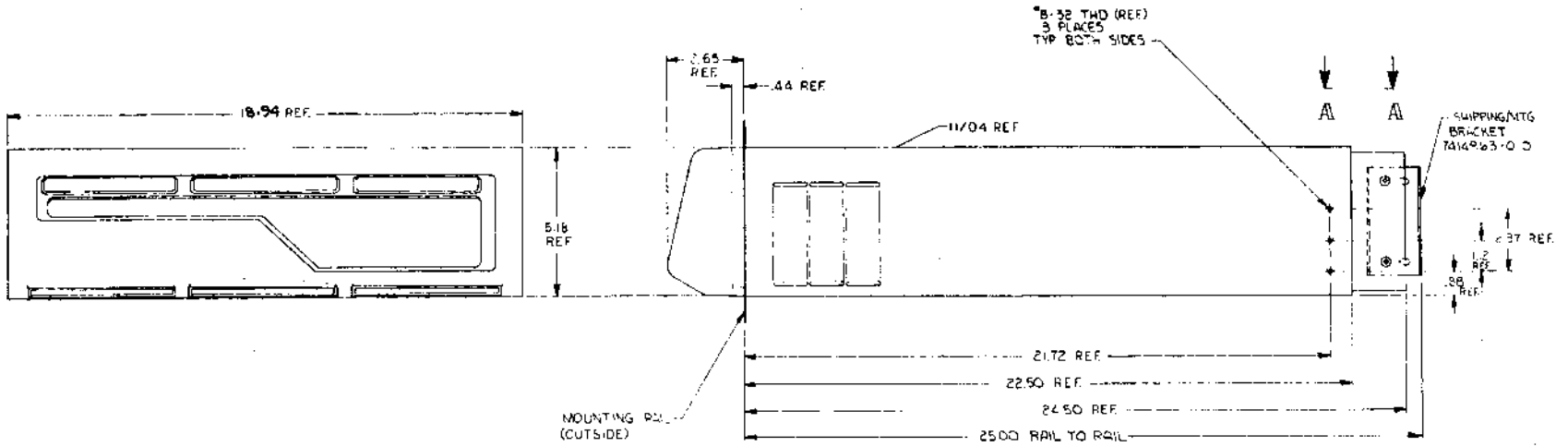
QTY	DESCRIPTION	COMP. PART NO.	ITEM NO.
9	SCREW PAN HD. PHIL #8-32 X 3/16 LG	9006036-1	9
4	SPACER, 25 DY 8-32 X .44 LG	9009835	8
4	SCREW PAN HD. PHIL #8-32 X 1/4 LG	9008020-1	7
6	WASHER, INT. TOOTH #8	9006634	6
4	SCR FLAT HD PHIL #8-32 X .38	9006037-2	5
2	BRACKET SUPPORT FILTER	DMO-744962-1-0	4
1	CONT. EXP. BOX (BATT.)	D-4A-5411501-0-0	3
1	PANEL EXPANDER BOX	D-1A-7012540-0-0	2
1	BEZEL	DMO-7416747-0-0	1

QUANTITY & VARIATION		DESCRIPTION		COMP. PART NO.	ITEM NO.
UNLESS OTHERWISE SPECIFIED DIMENSIONS ARE IN INCHES					
ANGLES 90° 30'	CLASS OF ACCURACY	SURFACE QUALITY			
SURFACE QUALITY IN MICRONS	CHECK ONE	AS DRAWN	1.012	0.010	0.003
		PREFERRED	0.012	0.010	0.003
THIRD ANGLE PROJECTION		FIRST USED ON		DATE	
DO NOT SCALE DIMS		1104		11/04	
MATERIAL SEE PARTS LIST		TITLE		REV.	
FINISH		CONSOLE ASSY EXPANDER BOX		D AD 7012540-0-0	
E-17-111-1-7		SCALE 1/2		SHEET 1 OF 1	

200

THIS DRAWING AND SPECIFICATION FORM ARE THE PROPERTY OF MILCO. REPRODUCTION OR DISTRIBUTION OF THIS DRAWING OR SPECIFICATION FORM TO ANY OTHER PERSON OR ORGANIZATION WITHOUT THE WRITTEN PERMISSION OF MILCO IS PROHIBITED. © 1971, MILCO EQUIPMENT CORPORATION.

NOTES:
 1. SHOWN IN MTS BRACKET POSITION ALSO SHOWN METRIC OF EXT IN MTS POSITION & SHIPPING POSITION.
 2. BECAUSE OF U.L. REQUIREMENTS, THE REAR OF THE POWER SUPPLY MUST BE COVERED. THE GUARD SHOWN TO BE INSTALLED ON UNITS THAT DON'T HAVE THE NEW PWR SUPPLY WITH CLOSED ENDS. THERE SHOULD BE APPROX. 500 UNITS THAT WILL REQUIRE THIS RETROFIT.



DESCRIPTION		QUANTITY	ITEM NO
UNLESS OTHERWISE SPECIFIED DIMENSIONS ARE IN INCHES			
ANGLE IN	CLASS OF	SERIAL OUTSIDE EDGE REQUIRE	
SURFACE	FINISH	1	2
QUALITY	FINISH	3	4
FINISH	FINISH	5	6
FINISH	FINISH	7	8
FINISH	FINISH	9	10
FINISH	FINISH	11	12
FINISH	FINISH	13	14
FINISH	FINISH	15	16
FINISH	FINISH	17	18
FINISH	FINISH	19	20
FINISH	FINISH	21	22
FINISH	FINISH	23	24
FINISH	FINISH	25	26
FINISH	FINISH	27	28
FINISH	FINISH	29	30
FINISH	FINISH	31	32
FINISH	FINISH	33	34
FINISH	FINISH	35	36
FINISH	FINISH	37	38
FINISH	FINISH	39	40
FINISH	FINISH	41	42
FINISH	FINISH	43	44
FINISH	FINISH	45	46
FINISH	FINISH	47	48
FINISH	FINISH	49	50
FINISH	FINISH	51	52
FINISH	FINISH	53	54
FINISH	FINISH	55	56
FINISH	FINISH	57	58
FINISH	FINISH	59	60
FINISH	FINISH	61	62
FINISH	FINISH	63	64
FINISH	FINISH	65	66
FINISH	FINISH	67	68
FINISH	FINISH	69	70
FINISH	FINISH	71	72
FINISH	FINISH	73	74
FINISH	FINISH	75	76
FINISH	FINISH	77	78
FINISH	FINISH	79	80
FINISH	FINISH	81	82
FINISH	FINISH	83	84
FINISH	FINISH	85	86
FINISH	FINISH	87	88
FINISH	FINISH	89	90
FINISH	FINISH	91	92
FINISH	FINISH	93	94
FINISH	FINISH	95	96
FINISH	FINISH	97	98
FINISH	FINISH	99	100

201

DRAWING DIRECTORY

"THIS DRAWING AND SPECIFICATIONS, HEREIN, ARE THE PROPERTY OF DIGITAL EQUIPMENT CORPORATION AND SHALL NOT BE REPRODUCED OR COPIED OR USED IN WHOLE OR IN PART AS THE BASIS FOR THE MANUFACTURE OR SALE OF ITEMS WITHOUT WRITTEN PERMISSION. COPYRIGHT © 1975, DIGITAL EQUIPMENT CORPORATION"

~~CUSTOMER PRINT SET INDEX~~

~~THIS IS PRINT SET~~

SEQUENCE

SEQUENCE

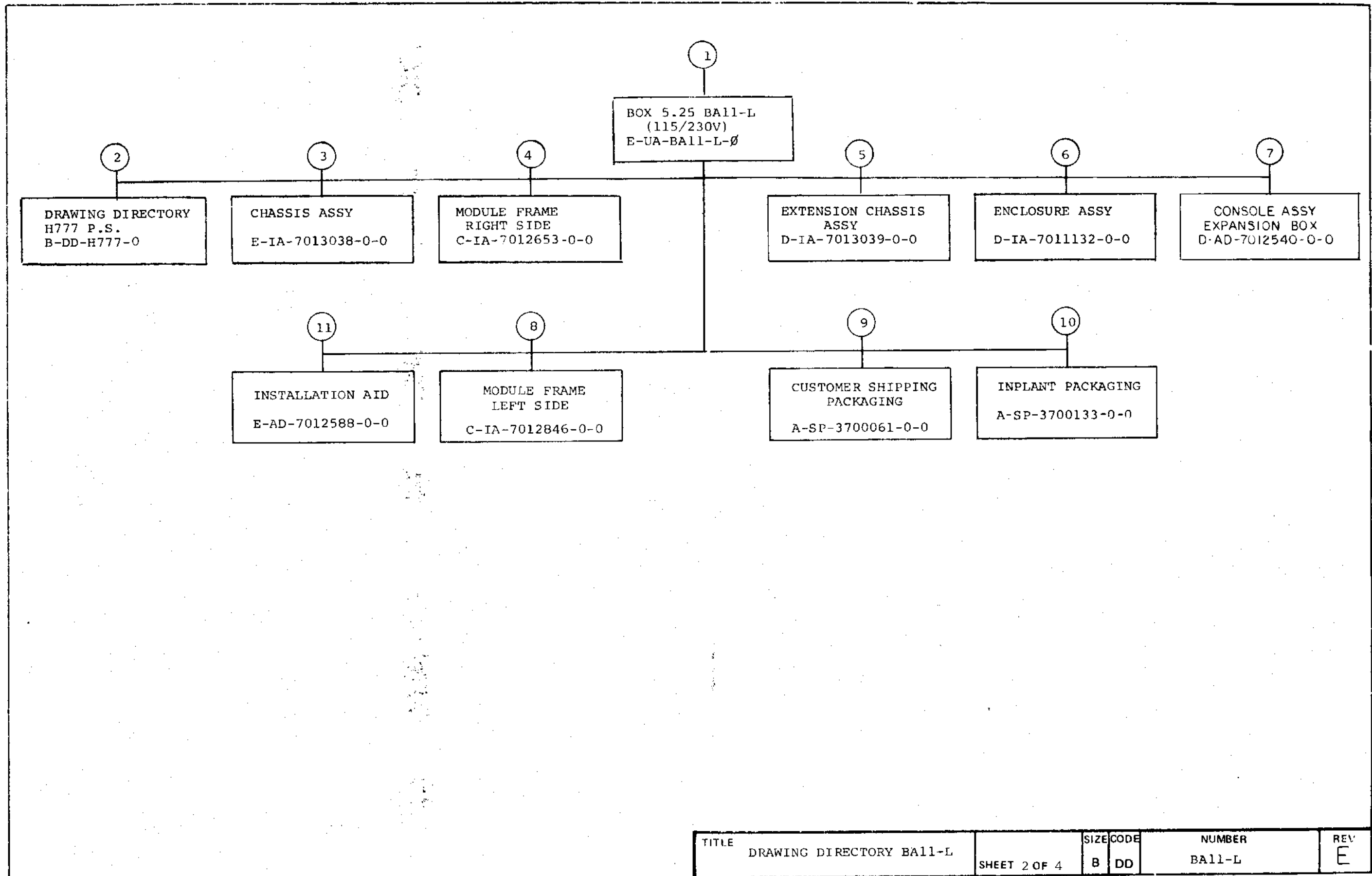
NOTE:
FOR FIELD MAINTENANCE
PRINT SET REFER TO
B-TC-BALL-L-1

UNIT VARIATIONS		PRINT SET
VAR	TITLE	
BALL-LA	5.25 BOX, H777-AA P.S. 115V	
BALL-LB	5.25 BOX, H777-AB P.S. 230V	
BALL-LC	5.25 BOX, H777-BA P.S. 115V	
BALL-LD	5.25 BOX, H777-BB P.S. 230V	
BALL-LE	5.25 EXPANDER BOX, H777-CA P.S. 115V	
BALL-LF	5.25 EXPANDER BOX, H777-CB P.S. 230V	
BALL-LH	5.25 EXPANDER BOX, H777-DA P.S. 115V	
BALL-LJ	5.25 EXPANDER BOX, H777-DB P.S. 230V	
BALL-LK	5.25 BOX & H777CA 115V CORE & MOS	
BALL-LL	5.25 BOX & H777CB 230V CORE & MOS	
BALL-LM	5.25 BOX & H777DA 115V MOS ONLY	
BALL-LN	5.25 BOX & H777DB 230V MOS ONLY	

REVISIONS						USED ON OPTION/MODEL		DRN.	DATE	TITLE					
DATE	CHG. NO.	REV	A	B	C	D	E	G. MARINI	9/3/75	DRAWING DIRECTORY					
4-76	BAIL-L-4	A						CHK'D.	DATE	BALL-L					
10-76	BAIL-6	B						D. HEALY	9/30/75						
1-77	BAIL-7	C						PROJ. ENG.	DATE						
3-77	BAIL-8	D						<i>R. Barry</i>	10-22-75						
4-77	BAIL-9	E						PROD.	DATE	SIZE	CODE	NUMBER		REV	
								<i>R. Barry</i>	10/24/75	B	DD	BALL-L		E	
								FIELD-SERV.	DATE	DIST					
						SHEET 1 OF 4									

EN-01062-1A-16-R972-1325

207



TITLE	DRAWING DIRECTORY BALL-L	SIZE	CODE	NUMBER	REV
	SHEET 2 OF 4	B	DD	BALL-L	E

ELECTRICAL (SECTION 1)					MECHANICAL (SECTION 2)								
CUSTOMER PRINT SET	FIND NO.	DRAWING NO.	REV	NO OF SHT	DESCRIPTION	OPTION NO FILE DATE	CUSTOMER PRINT SET	FIND NO.	DRAWING NO.	REV	NO OF SHT	DESCRIPTION	OPTION NO FILE DATE
	1	E-UA-BALL-L-Ø A-PL-BALL-L-Ø		1 3	BOX 5.25 BALL-L 115/230V BOX 5.25 BALL-L 115/230V (PL)			1	E-UA-BALL-L-Ø		1	BOX 5.25 BALL-L (115/230V)	
									B-MD-7413846-0-0		1	BAR, CABLE STRAIN RELIEF	
									C-IA-7011412-0-0		1	CABLE, CHASSIS GND	
									C-MD-7414963-0-0		1	BRKT., SHIPPING AND CAB MOUNT	
									A-PL-BALL-L-Ø		3	BOX 5.25 BALL-L 115/230V (PL)	
									A-DC-5309413-0-0		1	DECAL NFPA	
									A-DC-5309414-0-0		1	DECAL UL	
	2	B-DD-H777-B		4	DRAWING DIRECTORY H777			2	B-DD-H777-B		4	DRAWING DIRECTORY H777 P.S.	
								3	E-IA-7013038-0-0		1	CHASSIS ASSY	
									C-MD-7414236-0-0		1	FRAME, CHASSIS	
									C-MD-7413855-0-0		1	BRACKET MTG (LH)	
									C-MD-7413852-0-0		1	BRACKET MTG (RH)	
									C-MD-7413853-0-0		1	BRACKET, FRAME	
									C-IA-7414442-0-0		1	BRACKET LOGIC SUPPORT (BOT)	
									C-IA-7414441-0-0		1	BRACKET LOGIC SUPPORT (BOT)	
									C-MD-7413857-0-0		1	BRACKET MAIN SUPPORT	
									C-MD-7413858-0-0		1	BRACKET, SUPPORT	
									B-MD-7414237-0-0		1	ROD CONNECTING CHASSIS	
									B-MD-7413856-0-0		1	BRACKET, FAN MOUNTING	
									B-MD-7414235-0-0		1	SUPPORT DIAGONAL ROD	
									C-MD-7413854-0-0		1	BRACKET POWER SUPPLY SUPPORT	
									B-IA-7414443-0-0		1	CLAMP PLATE CABLE	
									C-MD-7417221-0-0		1	ROD MODULE RETAINER	
								4	C-IA-7012653-0-0		1	MODULE FRAME RIGHT HAND	
									C-MD-7414084-0-0		1	BRACKET EJECTOR (MODULE FRAME)	
									C-MD-7414082-0-0		1	BRACKET BACKPLANE (MODULE FRAME)	
									C-MD-7416516-0-0			ROD, MODULE FRAME	
									C-MD-7416517-0-0			BRACKET, CARD GUIDE	
CUSTOMER PRINT SET CODES	X = PRINT OF DOCUMENT INCLUDED IN PRINT SET C = INCLUDES ALL PRINTS INDICATED ON DOCUMENT S = CONFIDENTIAL AUTHORIZED SIGNATURE REQUIRED.					TITLE	DRAWING DIRECTORY BALL-L		SIZE CODE	NUMBER		REV	
							SHEET 3 OF 4		B DD	BALL-L		E	

204

CUSTOMER PRINT SET		MECHANICAL (SECTION 2)				CUSTOMER PRINT SET		MECHANICAL (SECTION 2)			
FIND NO.	DRAWING NO.	REV	NO OF SHT	DESCRIPTION	OPTION NO FILE DATE	FIND NO.	DRAWING NO.	REV	NO OF SHT	DESCRIPTION	OPTION NO FILE DATE
5	D-IA-7013039-0-0		1	EXTENSION CHASSIS ASSY		10	A-SP-3700133-0-0			PACKAGING IN PLANT	
	B-MD-7414086-0-0		1	ROD EXTENSION FRAME			A-PS-9905271-0-0			LAMINATED BUILDUPS SADDLE	
	C-MD-7417220-0-0			PLATE END RIGHT HAND			A-PS-9905184-0-0			BEZEL PROTECTOR	
	C-MD-7417239-0-0			PLATE END LEFT HAND			A-PS-9905418-0-0			REGULAR SLOTTED CARTON	
							A-PS-9905129-7			POLY BAG	
							A-PS-9905729-0-0			3 IN. WIDE GLASFLEX TAPE	
6	D-IA-7011132-0-0		1	ENCLOSURE ASSY							
	D-IA-7013868-0-0		1	ENCLOSURE BOTTOM							
	D-MD-7413869-0-0		1	ENCLOSURE TOP		11	E-AD-7012588-0-0			INSTALLATION AID	
7	D-AD-7412540-0-0		1	CONSOLE ASSY, EXPANSION BOX							
8	C-IA-7012846-0-0			MODULE FRAME LEFT SIDE							
	C-MD-7414084-0-0			BRKT. EJECTOR L.H.							
	C-MD-7416517-0-0			BRKT. CARD GUIDE							
	C-MD-7414082-0-0			BRKT. BACKPLANE L.H.							
	C-MD-7416516-0-0			KOD							
9	A-SP-3700061-0-0			PACKAGING INSTRUCTIONS CUST.							
	A-PS-9905647-0-0			FULL-TELESCOPE CAP							
	A-PS-9905648-0-0			FOAM PAD							
	A-PS-9905646-0-0			FOAM WITH CORRUGATED SIDEWALL ASSEMBLY							
	A-PS-9905734-0-0			STRAPPING (STEEL OR PLASTIC)							

CUSTOMER PRINT SET
 X = PRINT OF DOCUMENT INCLUDED IN PRINT SET
 C = INCLUDES ALL PRINTS INDICATED ON DOCUMENT
 S = CONFIDENTIAL. AUTHORIZED SIGNATURE REQUIRED

TITLE
 DRAWING DIRECTORY BALL-L

SHEET 4 OF 4
 SIZE CODE B DD
 NUMBER BALL-L
 REV E

205

DRB 108

DRAWING DIRECTORY

"THIS DRAWING AND SPECIFICATIONS, HEREIN, ARE THE PROPERTY OF DIGITAL EQUIPMENT CORPORATION AND SHALL NOT BE REPRODUCED OR COPIED OR USED IN WHOLE OR IN PART AS THE BASIS FOR THE MANUFACTURE OR SALE OF ITEMS WITHOUT WRITTEN PERMISSION. COPYRIGHT © 1974, DIGITAL EQUIPMENT CORPORATION"

CUSTOMER PRINT SET INDEX

SEQUENCE

SEQUENCE

THIS IS PRINT SET

DRAWING DIRECTORY BAI1-K
UNIT ASSY BAI1-K
UNIT ASSY BAI1-K P.L.
DRAWING DIRECTORY H765
UNIT ASSY BC11A
BC11A UNIBUS CABLE, M919
BC11A UNIBUS CABLE, M929

B-DD-BAI1-K
E-UA-BAI1-K- β
A-PL-BAI1-K- β
B-DD-H765- β
D-UA-BC11A-1 β - β
B-CS-M919-0-1
B-CS-M929-0-1

MFG. PRINT SET
IN PLANT PACK. INST.
SKID LOAD PACK. INST.
CUST. CUSHIONED PACK. INST.

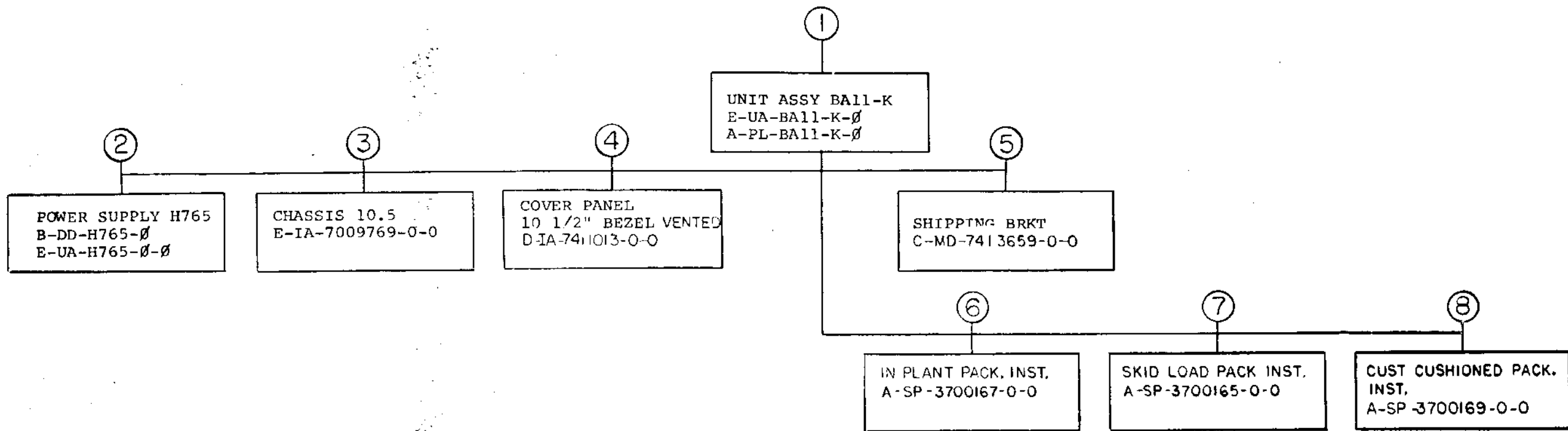
A-SP-3700167-0-0
A-SP-3700165-0-0
A-SP-3700169-0-0

UNIT VARIATIONS		PRINT SET	
VAR	TITLE		
BAI1-KE	115 VAC 50/60 HZ	X	
BAI1-KF	230 VAC 50/60 HZ	X	
BAI1-KH	115 VAC 50/60 HZ (MANUF. ONLY)	X	
BAI1-KJ	230 VAC 50/60 HZ (MANUF. ONLY)	X	
BAI1-KK	115VAC 50/60 HZ(NO H754) (MANUF ONLY)	X	
BAI1-KL	230VAC 50/60 HZ(NO H754) (MANUF ONLY)	X	
BAI1-KA	NO POWER SUPPLY (MANUF ONLY)	X	

DRB 15(1235)-1062-1A-R072

REVISIONS	DATE	CHG. NO.	REV
	E.A.	BAI1K-4	A
	E.A.	BAI1K-5	B
	WRA	BAI1K-7	C
	B.M.	BAI1K-8	D
	J.T.	BAI1K-9	E
	R.S.	BAI1K-10	F
	K.C.	BAI1K-11	H
	R.P.	BAI1K-12	J
	E.V.	BAI1K-13	K
	B-77	BAI1K-14	L

USED ON OPTION/MODEL	DRN. J. FERGUSEN	DATE 6/22/74	TITLE		
	CHK'D. D. HEALY	DATE 7/3/74	DRAWING DIRECTORY BAI1-K		
11/05-S	PROJ ENG. E. Anton	DATE 9/4/74			
11/35-S	PROD. R.L. Gates	DATE 10/1/74	SIZE	CODE	NUMBER
	FIELD SERV. R.L. Gates	DATE 9/13/74	B	DD	BAI1-K
SHEET 1 OF 4			DIST		REV L



TITLE	SHEET	SIZE	CODE	NUMBER	REF
DRAWING DIRECTORY BALL-K	2 OF 4	B	DD	BALL-K	L

207

CUSTOMER PRINT SET		ELECTRICAL					CUSTOMER PRINT SET		ELECTRICAL						
1	MFG. SET	FIND NO.	DRAWING NO.	REV	NO OF SHT	DESCRIPTION	OPTION NO./FILE DATE	1	MFG. SET	FIND NO.	DRAWING NO.	REV	NO OF SHT	DESCRIPTION	OPTION NO./FILE DATE
X		1	E-UA-Ball-K-Ø	L	2	UNIT ASSY Ball-K									
X			A-PL-Ball-K-Ø	L	2	UNIT ASSY Ball-K PL									
			A-SP-Ball-K-6		8	Ball-K BASIC CHECKOUT AND ACCEPTANCE PROCEDURE									
			A-SP-Ball-K-7		10	Ball-K BASIC ASSEMBLY PROCEDURE									
C		2	B-DD-H765-Ø	✱	5	POWER SUPPLY H765									

CUSTOMER PRINT SET CODES	X = PRINT OF DOCUMENT INCLUDED IN PRINT SET C = INCLUDES ALL PRINTS INDICATED ON DOCUMENT S = CONFIDENTIAL AUTHORIZED SIGNATURE REQUIRED	TITLE	DRAWING DIRECTORY Ball-K	SIZE	CODE	NUMBER	REV
				SHEET 3 OF 4	B DD	Ball-K	L

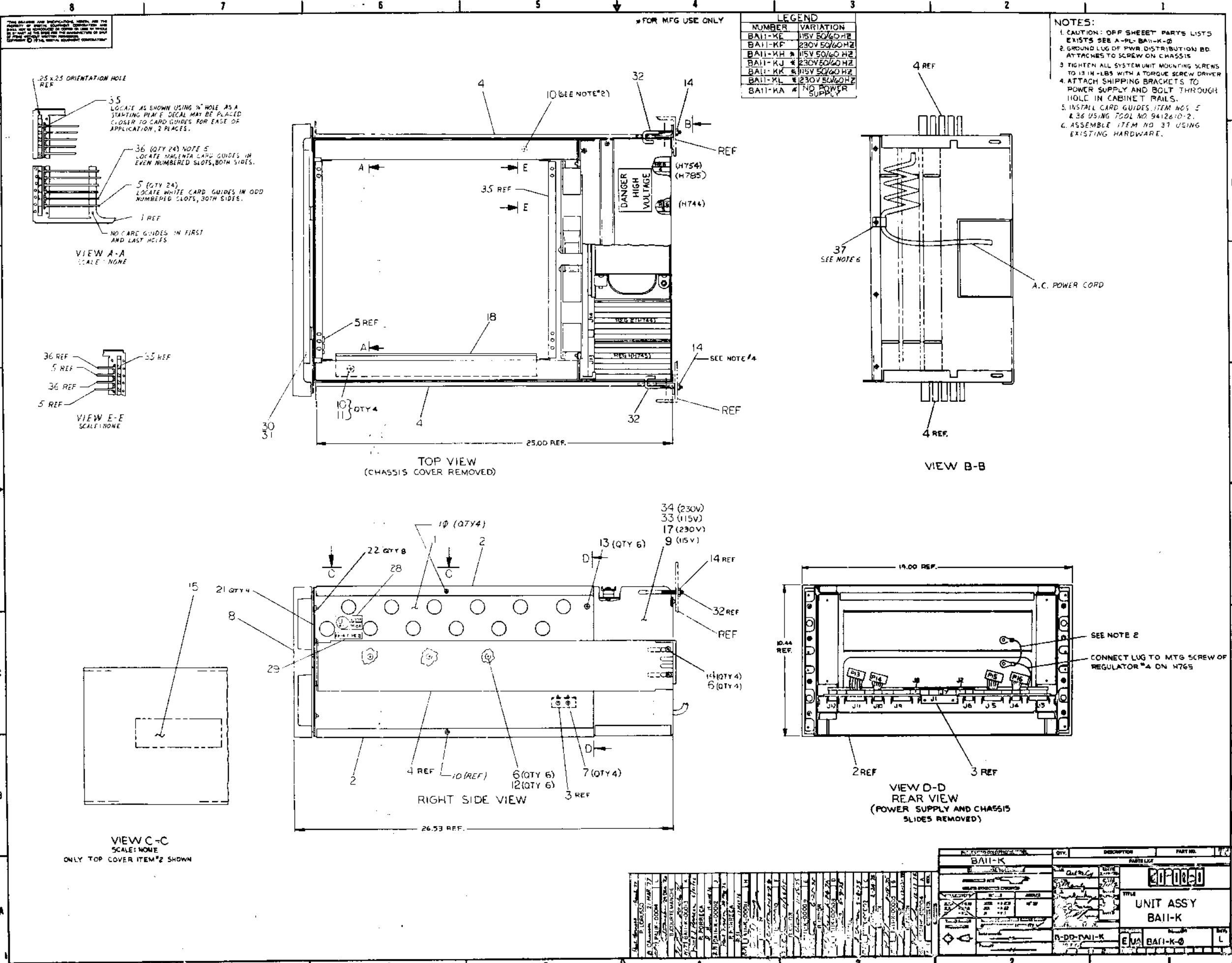
288

CUSTOMER PRINT SET		MECHANICAL					CUSTOMER PRINT SET		MECHANICAL								
1	1	FIG. SET	FIND NO.	DRAWING NO.	REV	NO OF SHT	DESCRIPTION	OPTION NO / FILE DATE	1	1	FIG. SET	FIND NO.	DRAWING NO.	REV	NO OF SHT	DESCRIPTION	OPTION NO / FILE DATE
			1	E-UA-BALL-K-Ø	L	2	UNIT ASSY BALL-K			X	6	A-SP-3700167-0-0	-	3	IN PLANT PACK, INST.		
				A-PL-BALL-K-Ø	L	2	UNIT ASSY BALL-K PL						A-PS-9905650-0-0	-	2	REGULAR SLOTTED CARTON	
				D-IA-7009768-0-0		1	COVER, CHASSIS						A-PS-9905335-0-0	-	2	BEZEL PROTECTOR	
				D-PS-1211825-0-0		3	SLIDE, 3 POS TILT						A-PS-9905644-0-0	-	2	REAR PROTECTOR	
				D-MD-7412184-0-0		1	CABLE, TROUGH CHASSIS						A-PS-9905323-0-0	A	2	SIDE PROTECTOR	
X				D-UA-BC11A-1Ø-Ø		1	UNIBUS, CABLE, 10 FT						A-PS-9905129-0-0	A	4	POLY BAG 20 x 13 x 40in 1-1/2 mil.	
X				B-CS-M919-Ø-1	#	1	BUS CONNECTOR M919										
X				B-CS-M929-0-1	#	1	BUS CONNECTOR M929										
				D-PS-1212401-00		1	CARD GUIDE			X	7	A-SP-3700165-0-0	-	4	SKID LOAD PACK, INST.		
				A-DC-5309414-0		1	DECAL UL						A-PS-1210568-0-0	-	2	CUSHIONED SKID	
				A-DC-5309413-0		1	DECAL NFPA						A-PS-9905445-0-0	-	2	HALF OVERLAP SLOTTED CARTON (TOP)	
				A-PS-3613281-0-0		1	DECAL						A-PS-9905419-0-0	-	2	FLANGED TUBE (BOTTOM)	
										X	8	A-SP-3700169-0-0	-	2	CUST. CUSHIONED PACK, INST.		
													A-PS-9905645-0-0	-	2	FULL TELESCOPE CAP	
													A-PS-9905642-0-0	-	2	FOAM PAD	
													A-PS-9905643-0-0	-	2	FOAM WITH CORRUGATED SIDE WALL ASSEMBLY	
			2	B-DD-H765-Ø		5	DWG DIRECTORY H765										
				E-UA-H765-Ø-Ø		2	POWER SUPPLY H765										
			3	E-IA-7009769-0-0		1	CHASSIS, 10.5										
				E-IA-7411703-0-0		1	CHASSIS, FRONT										
				E-IA-7411707-0-0		1	CHASSIS, SIDE										
				D-MD-7411706-0-0		1	BRACKET, HAT										
				D-MD-7411705-0-0		1	BRACKET, CARD GUIDE										
				C-MD-7412185-0-0		1	PLATE CABLE										
			4	D-IA-7411713-0-0		1	COVER PANEL 10 1/2 BEZEL										
			5	C-MD-7413659-0-0		1	SHIPPING BRKT										

CUSTOMER PRINT SET
 X = PRINT OF DOCUMENT INCLUDED IN PRINT SET
 C = INCLUDES ALL PRINTS INDICATED ON DOCUMENT
 S = CONFIDENTIAL AUTHORIZED SIGNATURE REQUIRED

TITLE
 DRAWING DIRECTORY BALL-K
 SHEET 4 OF 4
 SIZE CODE
 B DO
 NUMBER
 BALL-K
 REV
 L

209



REV	DESCRIPTION	DATE
1	ISSUED FOR MFG	11/15/77
2	REVISED TO ADD PARTS	12/15/77
3	REVISED TO ADD PARTS	1/15/78
4	REVISED TO ADD PARTS	2/15/78
5	REVISED TO ADD PARTS	3/15/78
6	REVISED TO ADD PARTS	4/15/78
7	REVISED TO ADD PARTS	5/15/78
8	REVISED TO ADD PARTS	6/15/78
9	REVISED TO ADD PARTS	7/15/78
10	REVISED TO ADD PARTS	8/15/78
11	REVISED TO ADD PARTS	9/15/78
12	REVISED TO ADD PARTS	10/15/78
13	REVISED TO ADD PARTS	11/15/78
14	REVISED TO ADD PARTS	12/15/78
15	REVISED TO ADD PARTS	1/15/79
16	REVISED TO ADD PARTS	2/15/79
17	REVISED TO ADD PARTS	3/15/79
18	REVISED TO ADD PARTS	4/15/79
19	REVISED TO ADD PARTS	5/15/79
20	REVISED TO ADD PARTS	6/15/79
21	REVISED TO ADD PARTS	7/15/79
22	REVISED TO ADD PARTS	8/15/79
23	REVISED TO ADD PARTS	9/15/79
24	REVISED TO ADD PARTS	10/15/79
25	REVISED TO ADD PARTS	11/15/79
26	REVISED TO ADD PARTS	12/15/79
27	REVISED TO ADD PARTS	1/15/80
28	REVISED TO ADD PARTS	2/15/80
29	REVISED TO ADD PARTS	3/15/80
30	REVISED TO ADD PARTS	4/15/80
31	REVISED TO ADD PARTS	5/15/80
32	REVISED TO ADD PARTS	6/15/80
33	REVISED TO ADD PARTS	7/15/80
34	REVISED TO ADD PARTS	8/15/80
35	REVISED TO ADD PARTS	9/15/80
36	REVISED TO ADD PARTS	10/15/80
37	REVISED TO ADD PARTS	11/15/80
38	REVISED TO ADD PARTS	12/15/80
39	REVISED TO ADD PARTS	1/15/81
40	REVISED TO ADD PARTS	2/15/81
41	REVISED TO ADD PARTS	3/15/81
42	REVISED TO ADD PARTS	4/15/81
43	REVISED TO ADD PARTS	5/15/81
44	REVISED TO ADD PARTS	6/15/81
45	REVISED TO ADD PARTS	7/15/81
46	REVISED TO ADD PARTS	8/15/81
47	REVISED TO ADD PARTS	9/15/81
48	REVISED TO ADD PARTS	10/15/81
49	REVISED TO ADD PARTS	11/15/81
50	REVISED TO ADD PARTS	12/15/81

REV	DESCRIPTION	DATE
1	ISSUED FOR MFG	11/15/77
2	REVISED TO ADD PARTS	12/15/77
3	REVISED TO ADD PARTS	1/15/78
4	REVISED TO ADD PARTS	2/15/78
5	REVISED TO ADD PARTS	3/15/78
6	REVISED TO ADD PARTS	4/15/78
7	REVISED TO ADD PARTS	5/15/78
8	REVISED TO ADD PARTS	6/15/78
9	REVISED TO ADD PARTS	7/15/78
10	REVISED TO ADD PARTS	8/15/78
11	REVISED TO ADD PARTS	9/15/78
12	REVISED TO ADD PARTS	10/15/78
13	REVISED TO ADD PARTS	11/15/78
14	REVISED TO ADD PARTS	12/15/78
15	REVISED TO ADD PARTS	1/15/79
16	REVISED TO ADD PARTS	2/15/79
17	REVISED TO ADD PARTS	3/15/79
18	REVISED TO ADD PARTS	4/15/79
19	REVISED TO ADD PARTS	5/15/79
20	REVISED TO ADD PARTS	6/15/79
21	REVISED TO ADD PARTS	7/15/79
22	REVISED TO ADD PARTS	8/15/79
23	REVISED TO ADD PARTS	9/15/79
24	REVISED TO ADD PARTS	10/15/79
25	REVISED TO ADD PARTS	11/15/79
26	REVISED TO ADD PARTS	12/15/79
27	REVISED TO ADD PARTS	1/15/80
28	REVISED TO ADD PARTS	2/15/80
29	REVISED TO ADD PARTS	3/15/80
30	REVISED TO ADD PARTS	4/15/80
31	REVISED TO ADD PARTS	5/15/80
32	REVISED TO ADD PARTS	6/15/80
33	REVISED TO ADD PARTS	7/15/80
34	REVISED TO ADD PARTS	8/15/80
35	REVISED TO ADD PARTS	9/15/80
36	REVISED TO ADD PARTS	10/15/80
37	REVISED TO ADD PARTS	11/15/80
38	REVISED TO ADD PARTS	12/15/80
39	REVISED TO ADD PARTS	1/15/81
40	REVISED TO ADD PARTS	2/15/81
41	REVISED TO ADD PARTS	3/15/81
42	REVISED TO ADD PARTS	4/15/81
43	REVISED TO ADD PARTS	5/15/81
44	REVISED TO ADD PARTS	6/15/81
45	REVISED TO ADD PARTS	7/15/81
46	REVISED TO ADD PARTS	8/15/81
47	REVISED TO ADD PARTS	9/15/81
48	REVISED TO ADD PARTS	10/15/81
49	REVISED TO ADD PARTS	11/15/81
50	REVISED TO ADD PARTS	12/15/81

210

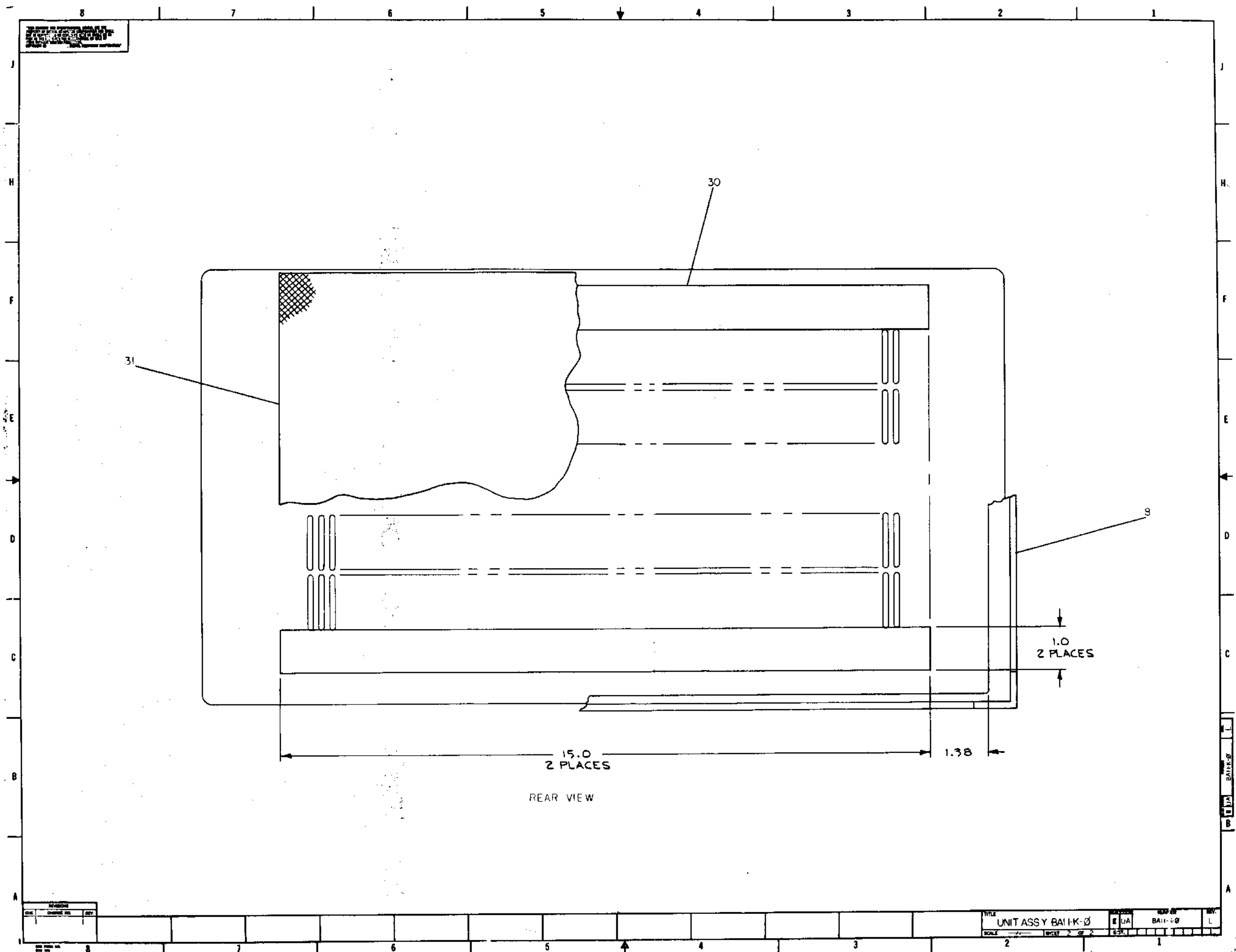
REVISIONS

REVISIONS

NO.	DESCRIPTION	BY

TITLE	UNIT ASSY BAI-K-Ø	DESIGNER	E DA	DATE	BAI-K-Ø	REV.	L
SCALE	1:1	SHEET	2 OF 2				

211



DIGITAL EQUIPMENT CORPORATION MAYNARD, MASSACHUSETTS				QUANTITY / VARIATION									
PARTS LIST				BALL-KE	BALL-KF	BALL-KH	BALL-KJ	BALL-KK	BALL-KL	BALL-KA			
MADE BY	BILL BLODGET	CHECKED	D. HEALY	SECTION									
DATE	6/26/74	DATE	6/27/74	1									
ENG	P. E. JANSON	PROD	W. LUCAS	ISSUED SECT.									
DATE	8-23-74	DATE	8-23-74	1									
ITEM NO.	DWG NO. / PART NO.	DESCRIPTION		BALL-KE	BALL-KF	BALL-KH	BALL-KJ	BALL-KK	BALL-KL	BALL-KA			
1	E-IA-7009769-0-0	CHASSIS 10,5		1	1	1	1	1	1	1			
2	D-IA-7009768-0-0	COVER, CHASSIS		2	2	-	-	-	-	-			
3	D-CS-5410864-C-1	POWER DISTRIBUTION BOARD		REF	REF	REF	REF	REF	REF	REF			
4	D-PS-1211825-0-0	SLIDE, 3 POS TILT		lpr	lpr	-	-	-	-	-			
5	D-PS-1212405-0	CARD GUIDE, SINGLE		24	24	24	24	24	24	24			
6	9006071-3	SCREW, PHL TRUSS HD #10-32 X .38		10	10	-	-	-	-	-			
7	9006020-2	SCREW, PHL FLAT HD #6-32 X .25		4	4	4	4	4	4	4			
8	D-IA-7411013-0-0	COVER, PANEL 10 1/2 BEZEL (SNAP-ON VENTED)		1	1	-	-	-	-	-			
9	B-DD-H765-A	POWER SUPPLY H765-A 115V 50/60 HZ		1	-	1	-	-	-	-			
10	9006020-3	SCREW, PHL. TRUSS HD #6-32 X .25		9	9	5	5	5	5	5			
11	9006533	WASHER INTERNAL TOOTH LOCK #6		4	4	4	4	-	-	-			
12	9007651	WASHER EXTERNAL TOOTH #10		6	6	-	-	-	-	-			
13	9009599	SCREW, PHL FLAT HD (SPECIAL)		6	6	6	6	6	6	6			
14	9006565	NUT, KEPS, #10-32		6	6	-	-	-	-	-			
15	DEC-3-(374)-1825 N1174	STICKER, "CONFIGURATION"		1	1	-	-	-	-	-			
16	D-IA-7010059-0-0	SHIPPING BRKT, ASSY		1	1	-	-	-	-	-			
17	B-DD-H765-B	POWER SUPPLY H765-B, 230V 50/60 HZ		-	1	-	1	-	-	-			
18	D-MD-7412184-0-0	CABLE TROUGH CHASSIS		-	-	1	1	1	1	1			
19	9008408-1	SCR, PH. HD SELF TAP #6-32 X .25		1	1	5	5	-	-	-			
20	D-UA-BC11A-10-0	UNIBUS CABLE, 10 FT		1	1	-	-	-	-	-			
21	1209224	LATCH MOLDING		4	4	-	-	-	-	-			
22	9008007-2	SCR PH HD FLT #10-32 X .25		8	8	-	-	-	-	-			
TITLE UNIT ASSY BALL-K				ASSY NO. E-UA-BALL-K-0	SIZE A	CODE PL	NUMBER BALL-K-0			REV L	ECO NO. BALL-K-0014		
SHEET 1 OF 2				DIST									

DEC FORM DEC 16 (325) 1031-N870
DRA 110

DIGITAL EQUIPMENT CORPORATION MAYNARD, MASSACHUSETTS				QUANTITY / VARIATION									
PARTS LIST				BALL-KE	BALL-KF	BALL-KH	BALL-KJ	BALL-KK	BALL-KL	BALL-KA			
MADE BY	BILL BLODGET	CHECKED	D. HEALY	SECTION									
DATE	6/26/74	DATE	6/27/74	1									
ENG	P. E. JANSON	PROD	W. LUCAS	ISSUED SECT.									
DATE	8-23-74	DATE	8-23-74	1									
ITEM NO.	DWG NO. / PART NO.	DESCRIPTION		BALL-KE	BALL-KF	BALL-KH	BALL-KJ	BALL-KK	BALL-KL	BALL-KA			
23	A-SP-3700167-0-0	IN PLANT PACK. INST.		REF	REF	REF	REF	REF	REF	REF			
24	A-SP-3700165-0-0	SKID LOAD PACK INST.		REF	REF	REF	REF	REF	REF	REF			
25	A-SP-3700169-0-0	CUST. CUSHIONED PACK. INST.		REF	REF	REF	REF	REF	REF	REF			
26	A-SP-BALL-K-6	BALL-K BASIC CHECKOUT AND ACCEPTANCE PROCEDURE		REF	REF	REF	REF	REF	REF	REF			
27	A-SP-BALL-K-7	BALL-K BASIC ASSEMBLY PROCEDURE		REF	REF	REF	REF	REF	REF	REF			
28	A-DC-5309414-0	DECAL, UL		1	1	-	-	-	-	-			
29	A-DC-5309413-0	DECAL, NFPA		1	1	-	-	-	-	-			
30	12H336-02	TAPE		1/2	1/2	-	-	-	-	-			
31	12H255-0-0	PRE FILTER		1	1	-	-	-	-	-			
32	C-MD-7413659-0-0	SHIPPING BRACKET		2	2	-	-	-	-	-			
33	B-DD-H765-C	POWER SUPPLY H765-C 115VAC 50/60 HZ NO H75A		-	-	-	-	1	-	-			
34	B-DD-H765-D	POWER SUPPLY H765-D 230VAC 50/60 HZ NO H75A		-	-	-	-	-	1	-			
35	A-PS-3613281-00	DECAL, ADHESIVE BACKED, BALL-K		2	2	2	2	2	2	2			
36	D-PS-1212405-1	CARD GUIDE, SINGLE		24	24	24	24	24	24	24			
37	9007086-00	CLAMP, CABLE		1	1	1	1	1	1	1			
TITLE UNIT ASSY BALL-K				ASSY NO. E-UA-BALL-K-0	SIZE A	CODE PL	NUMBER BALL-K-0			REV L	ECO NO.		
SHEET 2 OF 2				DIST									

DEC FORM DEC 16 (325) 1031-N870
DRA 110

212

DRAWING DIRECTORY

THIS DRAWING AND SPECIFICATIONS, HERETH, ARE THE PROPERTY OF DIGITAL EQUIPMENT CORPORATION AND SHALL NOT BE REPRODUCED OR COPIED OR USED IN WHOLE OR IN PART AS THE BASIS FOR THE MANUFACTURE OR SALE OF ITEMS WITHOUT WRITTEN PERMISSION. COPYRIGHT © 1974, DIGITAL EQUIPMENT CORPORATION

CUSTOMER PRINT SET INDEX

THIS IS PRINT SET

DRAWING DIRECTORY H765
UNIT ASSY H765
AC INPUT BOX ASSY
AC PWR CONTROL BOARD

SEQUENCE

B-DD-H765-Ø
E-UA-H765-Ø-Ø
D-AD-7009811-0-Ø
D-CS-5410993-0-1

MFG. PRINT SET
PACKAGING INSTRUCTIONS

SEQUENCE

A-SP-3700174-0-0

DRAWING DIRECTORY H744
DRAWING DIRECTORY H745
DRAWING DIRECTORY H754

B-DD-H744-Ø
B-DD-H745-Ø
P-DD-H754-Ø

PWR DISTRIBUTION BOARD
AC POWER CORD
PWR LINE MONITOR/15V REG
TRANSFORMER ASSEMBLY

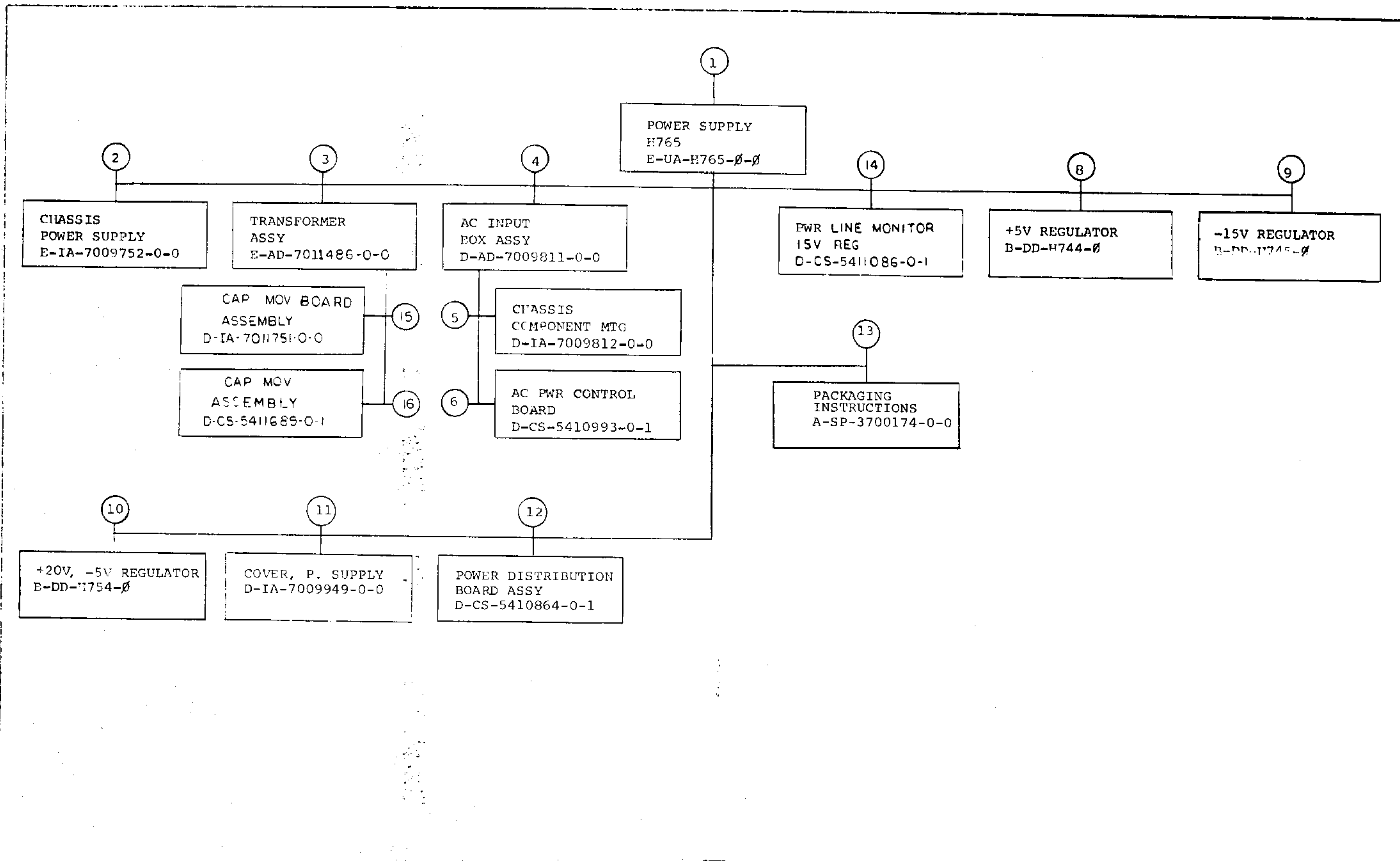
D-CS-5410864-0-1
D-AD-7012500-0-Ø
D-CS-541086-0-1
E-AD-7011486-C-0

UNIT VARIATIONS		PRINT SET			
VAR	TITLE	1	2	3	4
H765-A	120V 50/60 HZ	X			
H765-B	240V 50/60 HZ	X			
H765-C	120V 50/60 HZ NO H754 NO B.B.	X			
H765-D	240V 50/60 HZ NO H754 NO B.B.	X			
H765-P	120V 50/60 HZ NO REG	X			
H765-R	240V 50/60 HZ NO REG.	X			

REVISIONS														USED ON OPTION/MODEL		DRN.		DATE		TITLE						
DATE	CHG. NO.	REV	A	B	C	D	E	F	G	H	I	J	K	L	M											
12/17/74	H765-3	A																								
12/17/74	H765-4	B																								
12/17/74	H765-5	C																								
12/17/74	H765-7	D																								
12/17/74	H765-8	E																								
12/17/74	H765-9	F																								
12/17/74	H765-10	G																								
12/17/74	H765-11	H																								
12/17/74	H765-12	I																								
12/17/74	H765-13	J																								
12/17/74	H765-14	K																								
12/17/74	H765-14	L																								
12/17/74	H765-14	M																								
12/17/74	H765-14	M																								

DRN. J. FERGUSON	DATE 6/25/74	TITLE	
CHK'D. D. EALY	DATE 1/3/74	DRAWING DIRECTORY	
PROJ ENG. E. J. L...	DATE 8/4/74	POWER SUPPLY H765	
PROD. R. L. ...	DATE 1-11-74	SIZE B	CODE DD
FIELD SERV. R. L. ...	DATE 11/3/74	NUMBER	H765-Ø
SHEET 1	OF	DIST	
		REV	M

DEC 16 (1325)-1062-1A-R972



TITLE	DRAWING DIRECTORY POWER SUPPLY H765	SHEET 2 OF 5	SIZE	CODE	NUMBER	REV
			B	DD	H765-Ø	M

CUSTOMER PRINT SET		ELECTRICAL					CUSTOMER PRINT SET		ELECTRICAL							
	MFG SET	FIND NO.	DRAWING NO.	REV	NO OF SHT	DESCRIPTION	OPTION NO / FILE DATE		MFG SET	FIND NO.	DRAWING NO.	REV	NO OF SHT	DESCRIPTION	OPTION NO / FILE DATE	
X		1	E-UA-H765-0-0 A-SP-H765-0-9	R	2	POWER SUPPLY H765 H765 POWER SUPPLY ASSEMBLY PROCEDURE		X		12	D-CS-5410864-0-1 D-IA-5010863-0-0 A-SP-5410864-0-8 A-SP-5410864-0-9	#	3 1	POWER DIST. BD. ASSY ETCHED CIRCUIT BOARD TEST PROCEDURE ASSEMBLY PROCEDURE		
X		3	E-AD-7011486-0-0 A-SP-7010014-0-8 A-CS-7010014-TA-1 A-UA-7010014-TA-0 A-PL-7010014-TA-0 A-SP-7011486-0-9	# A A A A		TRANSFORMER ASSY TEST PROCEDURE TESTER C.S. TESTER U.A. TESTER P.L. TRANSFORMER ASSY PROCEDURE		X		14	D-CS-5411086-0-1 A-SP-11/45-TA-2 A-SP-5411086-0-3 D-IA-7010138-0-0	#	4	PWR LINE MONITOR/15V REG TEST PROCEDURE ENGINEERING SPECIFICATION HARNESS INTERCONNECTION		
X		4	D-AD-7009811-0-0 A-SP-7009811-0-8 A-CS-7009811-TA-1 A-UA-7009811-TA-0 A-PL-7009811-TA-0 A-SP-7009811-0-9	#	2	AC INPUT BOX ASSY TEST PROCEDURE TESTER C.S. TESTER U. A. TESTER P.L. AC INPUT BOX ASSY PROCEDURE				15	D-IA-7011751-0-0			CAP MOV BOARD ASSY		
X		6	D-CS-5410993-0-1 A-SP-5410993-0-8 A-CS-5410993-TA-1 A-UA-5410993-TA-0 A-PL-5410993-TA-0	#	1	AC POWER CONTROL ED TEST PROCEDURE TESTER C. S. TESTER U.A. TESTER P.L.				16	D-CS-5411689-0-1			CAP MOV ASSY		
C		8	B-DD-H744-0	#	2	DRAWING DIRECTORY H744										
C		9	B-DD-H745-0	#	2	DRAWING DIRECTORY H745										
C		10	B-DD-H754-0	#	3	DRAWING DIRECTORY H754										
CUSTOMER PRINT SET CODES		X = PRINT OF DOCUMENT INCLUDED IN PRINT SET C = INCLUDES ALL PRINTS INDICATED ON DOCUMENT S = CONFIDENTIAL AUTHORIZED SIGNATURE REQUIRED					TITLE		DRAWING DIRECTORY POWER SUPPLY H765		SIZE CODE		NUMBER		REV	
									SHEET 3 OF 5		B DD		H765-0		M	

215

CUSTOMER PRINT SET		MECHANICAL				CUSTOMER PRINT SET		MECHANICAL					
EFG SET	FIG NO.	DRAWING NO.	REV	NO OF SHT	DESCRIPTION	OPTION NO / FILE DATE	EFG SET	FIG NO.	DRAWING NO.	REV	NO OF SHT	DESCRIPTION	OPTION NO / FILE DATE
	1	E-IA-7065-0-0	R	2	POWER SUPPLY H765			6	D-CS-5410993-0-1 K-CO-5410993-0-4 D-AH-5410993-0-5 B-MH-5410993-0-6 5010992		1 1 1 1 REF	AC PWR CONTROL BD. X-Y COORDINATE HOLE LOC. ASSY/DRILLING HOLE LAYOUT MODULE ECO HISTORY ETCH CIRCUIT BOARD	
		D-IA-7009950-0-0		1	THROUGH WIRE								
	2	E-IA-7069752-0-0 E-IA-7411682-0-0 D-ED-7411685-0-0 D-MD-7411684-0-0		1 1 1 1	CHASSIS, POWER SUPPLY CHASSIS, POWER SUPPLY SIDE, POWER SUPPLY HOUSING COMP. CHASSIS								
	3	E-AD-7011488-0-0 C-MC-7414301-0-0		2 1	TRANSFORMER ASSY COVER			8	B-DD-1744-0		2	DRAWING DIRECTORY H744	
	4	D-AD-7009811-0-0 A-DC-7412303-0-0 D-AD-7012500-0-0 A-EX-7412380-0-0 D-IA-7010302-0-0 D-IA-7010301-0-0 G-IA-7010300-0-0 A-DC-7409873-0-0		2 1 1 1 1 1 1 1	AC INPUT BOX ASSY DECAL 115V POWER CORD DECAL 230V POWER CONTROL JAPAN. POWER JUMPER VARISTOR ASSY DECAL (PLUG NUMBERS)			9	B-DD-1745-0		2	DRAWING DIRECTORY H745	
X								10	B-DD-1754-0		3	DRAWING DIRECTORY H754	
	5	D-IA-7009812-0-0 D-IA-7411755-0-0 D-IA-7411756-0-0	A B	1 1 1	CHASSIS COMPONENT MFG. PLATE SWITCH PLATE COMPONENT MFG.			11	D-IA-7009949-0-0 C-MD-7412473-0-0		1 1	COVER, POWER SUPPLY STRIP, CLAMP	

CUSTOMER PRINT SET CODES
X = PRINT OF DOCUMENT INCLUDED IN PRINT SET
C = INCLUDES ALL PRINTS INDICATED ON DOCUMENT
S = CONFIDENTIAL AUTHORIZED SIGNATURE REQUIRED

TITLE DRAWING DIRECTORY
POWER SUPPLY H765
SHEET 4 OF 5
SIZE CODE B DD
NUMBER 11765-0
M

CUSTOMER PRINT SET		MECHANICAL					CUSTOMER PRINT SET												
		MFG. SET	FIND NO.	DRAWING NO.	REV	NO OF SHT	DESCRIPTION	OPTION NO / FILE DATE			MFG. SET	FIND NO.	DRAWING NO.	REV	NO OF SHT	DESCRIPTION	OPTION NO / FILE DATE		
1			12	D-CS-5410864-0-1		3	POWER DIST. BD. ASSY												
				C-MD-7412192-0-0		1	SHIELD												
				D-MD-7411704-0-0		1	BRACKET, CONN. MTG.												
				C-IA-9305937-0-0			MATE-N-LOK FIXTURES												
				D-IA-5010863-0-0		1	ETCHED CIRCUIT BD.												
				K-CO-5410864-0-4			X-Y COORDINATE HOLE LOC.												
				D-AH-5410864-0-5		1	ASSY DRILLING HOLE LAYOUT												
				B-MH-5410864-0-6		1	MODULE ECO HISTORY												
				5010863		REF	ETCH CIRCUIT BOARD												
	X		13	A-SP-3700174-0-0	-	2	PACKAGING INSTRUCTIONS												
				A-PS-9905664-0-0	-	2	REGULAR SLOTTED CARTON												
				A-PS-9905665-0-0	-	2	LAMINATED BUILDUP												
			14	D-AH-5411086-0-5		1	ASSY DRILLING HOLE LAYOUT												
				B-MH-5411086-0-6		1	MODULE ECO HISTORY												
			15	D-AD-7011486-0-0		1	ASSEMBLY DRAWING												
			16	D-AH-5411689-0-5		1	ASSY DRILLING HOLE LAYOUT												
				D-MH-5411689-0-6		1	MODULE ECO HISTORY												
CUSTOMER PRINT SET CODES	X = PRINT OF DOCUMENT INCLUDED IN PRINT SET C = INCLUDES ALL PRINTS INDICATED ON DOCUMENT S = CONFIDENTIAL AUTHORIZED SIGNATURE REQUIRED							TITLE	DRAWING DIRECTORY POWER SUPPLY H765		SHEET 5 OF 5	SIZE CODE	B DD		NUMBER	H765-Ø		REV	M

DPB 108

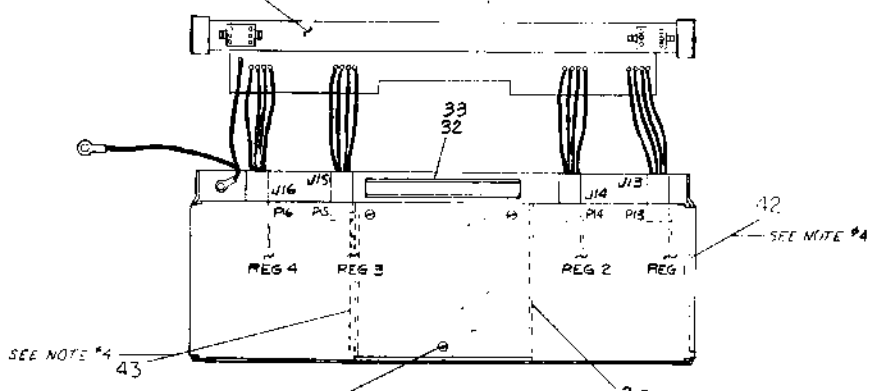
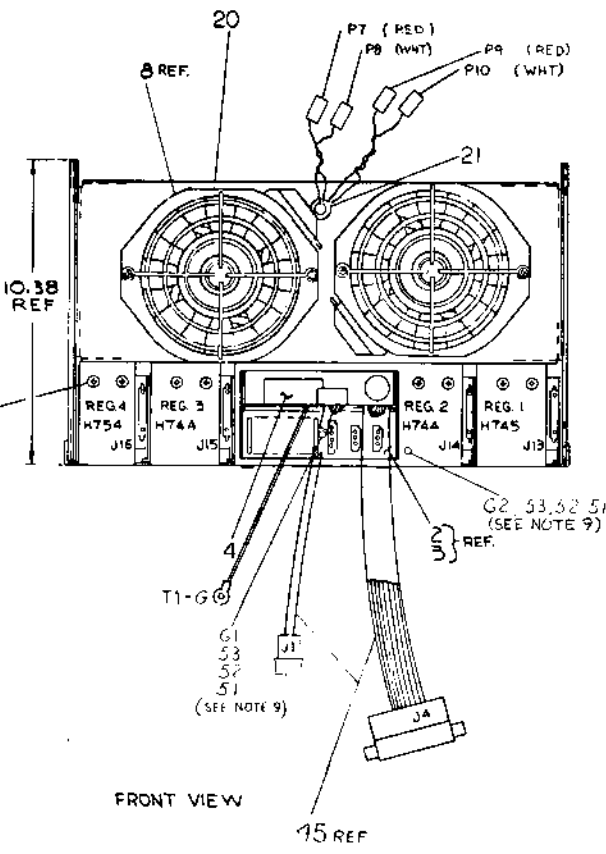
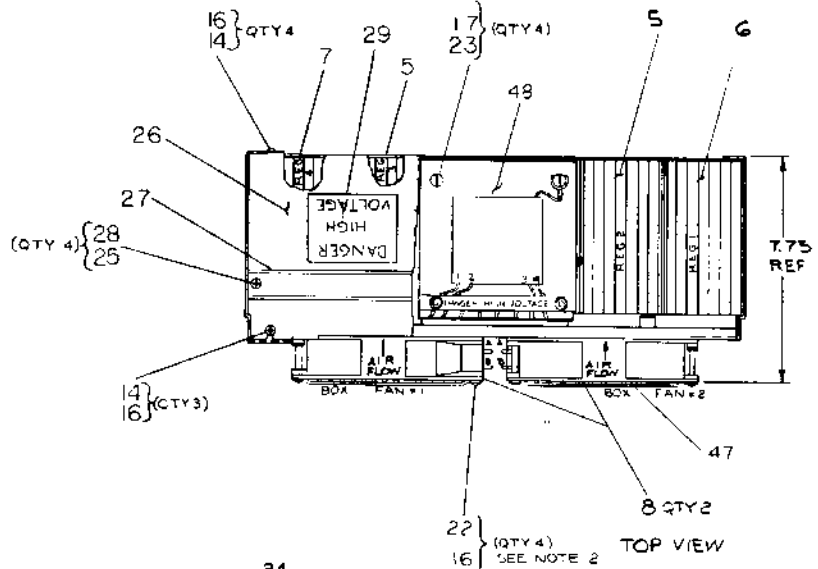
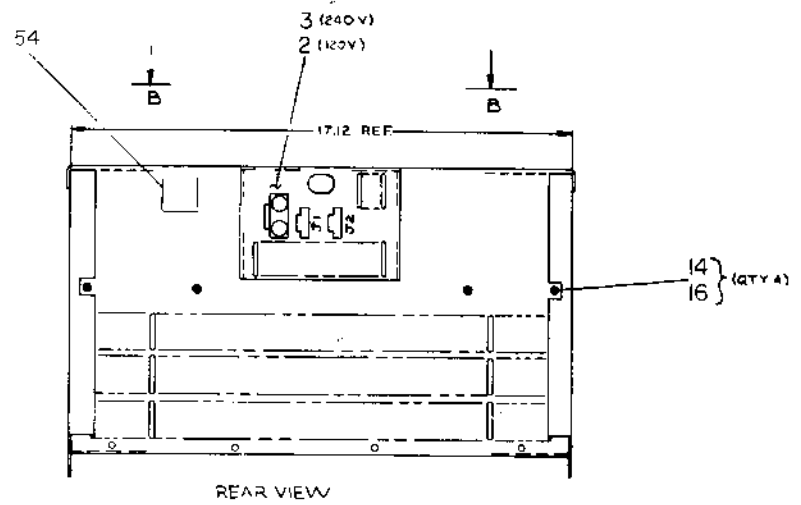
DEC 16 (325)-1062 2B-R972

2.17

THIS DRAWING AND SPECIFICATIONS, WHEN USED IN CONNECTION WITH THE PARTS LIST, SHALL CONSTITUTE THE ENTIRE CONTRACT FOR THE MANUFACTURE OF THIS DRAWING AND SPECIFICATIONS. THE MANUFACTURER SHALL BE RESPONSIBLE FOR THE DESIGN AND CONSTRUCTION OF THE PARTS LISTED HEREON.

NUMBER	VARIATION
H765-A	120V 50/60 HZ
H765-B	240V 50/60 HZ
H765-C	120V 50/60 HZ NO H754
H765-D	240V 50/60 HZ NO H754
H765-P	120V 50/60 HZ NO REG
H765-R	240V 50/60 HZ NO REG

- NOTES**
- SEE TRANSFORMER MOUNTING POSITION FOR CORRECT ORIENTATION.
 - TIGHTEN FAN SCREWS TO 10 IN-LBS WITH A TORQUE SCREW DRIVER.
 - IN EARLIER VERSIONS OF THE TRANSFORMER ASSEMBLY A CABLE CLAMP WAS USED IN PLACE OF THE 3-FIL WIRE TO DRESS THE TRANSFORMER WIRE ALONG THE TRANSFORMER BODY.
 - INSTALL ABS VINYL VIEW R B 11CM #42 AND #43 CENTER 1/4 INCH FROM BOTTOM AND SIDES ON INSIDE WALL.
 - USE EXTERNAL WASH WASHER UNDER MOUNTING SCREW HEAD OF REG TRANSFORMERS ONLY.
 - GREENWELD BRASS WIRE FROM TRANSFORMERS TO BE FASTENED UNDER REGULATOR MOUNTING SCREW.
 - IN EARLIER VERSIONS OF THE TRANSFORMER ASSEMBLY A CABLE CLAMP WAS USED IN PLACE OF THE 3-FIL WIRE TO DRESS THE TRANSFORMER WIRE ALONG THE TRANSFORMER BODY.
 - ITEM 7 - H754 IS NOT USED IN VARIATIONS C & D.
 - ITEM 53 IS TO BE USED TO PREVENT CORROSION OF CHASSIS AT GROUND STUD.



QTY	DESCRIPTION	PART NO.	REV
1	DECAL	A-DC-741806-0054	
AIR	AIR GREASE CONDUCTOR	900173-01	53
2	WASHER, WASH INT TOOTH # 10	900635	17
2	NUT, WASH INT TOOTH # 10	900633	16
2	TERMINAL RING BLUE	900732B	20
AIR	WIRE BRASS SHINY TL	900732B	20
1	TRANSFORMER ASSEMBLY AD 20/48/0-0-48	900732B	49
2	FAN GUARD	900732B	47
1	HARNES INTERCONN DIA 700/33-0-0	900732B	45
1	ABS VINYL 4.75 X 3.5	1210984-C3	43
1	ABS VINYL 4.75 X 6	1210984-04	42
REF	TEST PROCEDURE	A-SP-H765-0-1	40
REF	ESTER C'S	A-C5-H765-A-1	39
REF	TESTER U.A.	E-UA-H765-A-1	38
REF	TESTER P.L.	A-PL-H765-A-0	37
REF	H765 POWER SUPPLY ASSEMBLY PROCEDURE	A-SP-H765-0-9	36
REF	PACKAGING INSTRUCTIONS	A-SP-3700-100	35
1	PWR DISM-BUTION BR	90051086	34
AIR	PERMA BOND	9009157	33
AIR	GROMMET STRIP	9009291	32
4	TIE WRAP 1/8W	9007880	31
3	WASH, C'SK # 6	9008270	30
4	WASHER, WASH INT TOOTH # 10	900635	29
1	TROUGH WIRE	D-1A-700950-00	27
1	COVER, POWER SUPPLY	D-1A-700949-00	26
4	SCR PHD TRUSS 10-32X25	9006020	25
4	SCR PHD TRUSS 10-32X25	9006020	24
4	SCR PHD TRUSS 10-32X25	9006020	23
4	SCR PHD TRUSS 10-32X25	9006020	22
1	GROMMET 501D	9007016	21
1	CHASSIS, POWER SUPPLY	E-1A-700952-00	20
1	WASHER, WASH INT TOOTH # 10	900635	18
10	WASH INT TOOTH # 10	900635	17
7	WASH INT TOOTH # 6	900633	16
6	SCR PHD TRUSS 10-32X25	9006020	15
7	SCR PHD TRUSS 10-32X25	9006020	14
3	SCR, PHD TRUSS 10-32X25	9006020	13
3	SCR, PHD TRUSS 10-32X25	9006020	12
3	SCR, PHD TRUSS 10-32X25	9006020	11
3	SCR, PHD TRUSS 10-32X25	9006020	10
2	FAN, 115VAC 50/60HZ	1211714	9
1	+20V REGULATOR (H754)	B-DD-H754-0	7
1	+15V REGULATOR (H744)	B-DD-H744-0	6
2	+5V REGULATOR (H744)	B-DD-H744-0	5
1	PWR. BD (WAS +15V REG)	E-A-5411086	4
1	AC INPUT BOX ASSY 250V	D-AD-700731-0	3
1	AC INPUT BOX ASSY 115V	D-AD-700731-0	2

QTY	DESCRIPTION	PART NO.	REV
1	DECAL	A-DC-741806-0054	
AIR	AIR GREASE CONDUCTOR	900173-01	53
2	WASHER, WASH INT TOOTH # 10	900635	17
2	NUT, WASH INT TOOTH # 10	900633	16
2	TERMINAL RING BLUE	900732B	20
AIR	WIRE BRASS SHINY TL	900732B	20
1	TRANSFORMER ASSEMBLY AD 20/48/0-0-48	900732B	49
2	FAN GUARD	900732B	47
1	HARNES INTERCONN DIA 700/33-0-0	900732B	45
1	ABS VINYL 4.75 X 3.5	1210984-C3	43
1	ABS VINYL 4.75 X 6	1210984-04	42
REF	TEST PROCEDURE	A-SP-H765-0-1	40
REF	ESTER C'S	A-C5-H765-A-1	39
REF	TESTER U.A.	E-UA-H765-A-1	38
REF	TESTER P.L.	A-PL-H765-A-0	37
REF	H765 POWER SUPPLY ASSEMBLY PROCEDURE	A-SP-H765-0-9	36
REF	PACKAGING INSTRUCTIONS	A-SP-3700-100	35
1	PWR DISM-BUTION BR	90051086	34
AIR	PERMA BOND	9009157	33
AIR	GROMMET STRIP	9009291	32
4	TIE WRAP 1/8W	9007880	31
3	WASH, C'SK # 6	9008270	30
4	WASHER, WASH INT TOOTH # 10	900635	29
1	TROUGH WIRE	D-1A-700950-00	27
1	COVER, POWER SUPPLY	D-1A-700949-00	26
4	SCR PHD TRUSS 10-32X25	9006020	25
4	SCR PHD TRUSS 10-32X25	9006020	24
4	SCR PHD TRUSS 10-32X25	9006020	23
4	SCR PHD TRUSS 10-32X25	9006020	22
1	GROMMET 501D	9007016	21
1	CHASSIS, POWER SUPPLY	E-1A-700952-00	20
1	WASHER, WASH INT TOOTH # 10	900635	18
10	WASH INT TOOTH # 10	900635	17
7	WASH INT TOOTH # 6	900633	16
6	SCR PHD TRUSS 10-32X25	9006020	15
7	SCR PHD TRUSS 10-32X25	9006020	14
3	SCR, PHD TRUSS 10-32X25	9006020	13
3	SCR, PHD TRUSS 10-32X25	9006020	12
3	SCR, PHD TRUSS 10-32X25	9006020	11
3	SCR, PHD TRUSS 10-32X25	9006020	10
2	FAN, 115VAC 50/60HZ	1211714	9
1	+20V REGULATOR (H754)	B-DD-H754-0	7
1	+15V REGULATOR (H744)	B-DD-H744-0	6
2	+5V REGULATOR (H744)	B-DD-H744-0	5
1	PWR. BD (WAS +15V REG)	E-A-5411086	4
1	AC INPUT BOX ASSY 250V	D-AD-700731-0	3
1	AC INPUT BOX ASSY 115V	D-AD-700731-0	2

POWER SUPPLY, H765

EUA H765-0-C

SCALE: 1/2" = 1"

DATE: 10/1/74

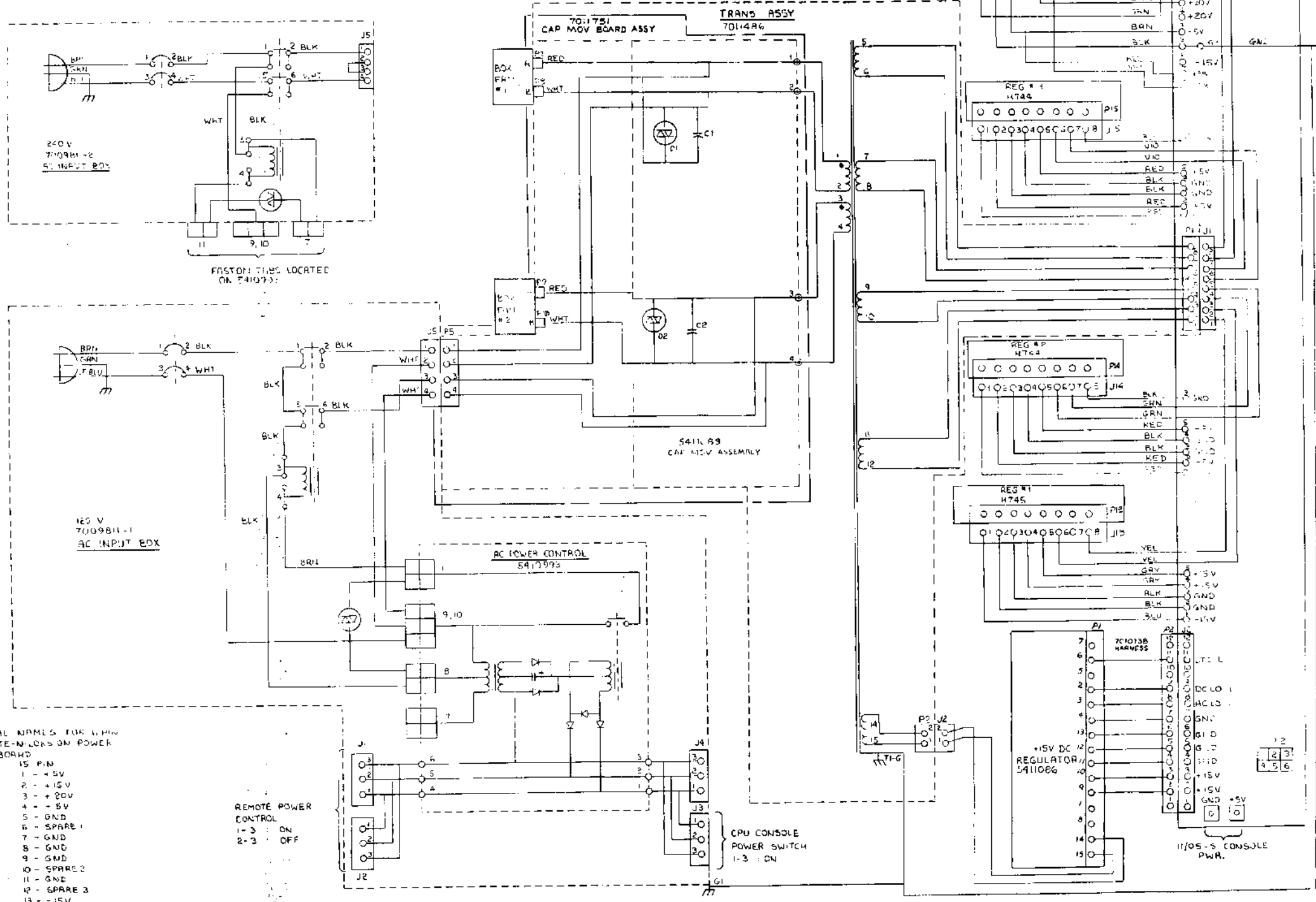
BY: [Signature]

REV: 0

218

THIS DRAWING IS UNCLASSIFIED SINCE THE
 DISCLOSURE OF THIS INFORMATION IS NECESSARY
 TO THE OPERATION OF THE SYSTEM AND IS
 NOT OF A NATURE WHICH WOULD BE OF
 VALUE TO AN ADVERSARY OF THE UNITED STATES
 GOVERNMENT.

CONNECTION TABLE			CONNECTION TABLE		
FROM CONNECTION	TO CONNECTION	SIGNALS	FROM CONNECTION	TO CONNECTION	SIGNALS
P2 FROM TRANS. ASSY	J2 FROM +15V REG.	2B VAC	P4 FROM +15V REG.	J2 LOCATED ON PWR DIST. BD	-15V, LTC L, AC LO L, DC LO L, GND
J16 FROM PWR DIST. BD	P16 LOCATED ON REG. #4 (H754)	GND, +5V, +20V, 28 VAC			
J15 FROM PWR DIST. BD	P15 LOCATED ON REG. #3 (H744)	GND, +5V, 28VAC	P5 FROM *FANC. ASSY	J5 LOCATED ON AC INPUT BOX	120/240 VAC
J14 FROM PWR DIST. BD	P14 LOCATED ON REG. #2 (H744)	GND, +5V, 28VAC	P7 (RED)	FAN #1 - A	120 VAC - HOT
J13 FROM PWR DIST. BD	P13 LOCATED ON REG. #1 (H745)	GND, +15V, +5V, -18 VAC	P8 (WHT)	FAN #1 - B	120 VAC - NEUTRAL
GND LUG LOCATED ON PWR DIST. BD G3	G1 YEL. LUG	SAFETY GROUND	P9 (RED)	FAN #2 - A	120 VAC - HOT
P1 FROM TRANS. ASSY	J1 LOCATED ON PWR DIST. BD	28 VAC	P10 (WHT)	FAN #2 - B	120 VAC - NEUTRAL
			T1-G	G1	SAFETY GROUND
			G1	G2	SAFETY GROUND, ITEM 19 WITH 2 ITEM 22



- COMMON SIGNAL NAMES FOR 15-PIN
 15-PIN MATE-N-LOCK ON POWER
 DISTRIBUTION BOARD
- | | |
|-------------|--------------|
| 1 - GND | 15 - P1N |
| 2 - LTC L | 2 - +5V |
| 3 - DC LO L | 3 - +20V |
| 4 - AC LO L | 4 - +5V |
| 5 - SPARE 4 | 5 - GND |
| 6 - SPARE 5 | 6 - SPARE 1 |
| | 7 - GND |
| | 8 - GND |
| | 9 - GND |
| | 10 - SPARE 2 |
| | 11 - GND |
| | 12 - SPARE 3 |
| | 13 - -15V |
| | 14 - 5V |
| | 15 - SPARE 3 |

REMOTE POWER CONTROL
 1-3 : ON
 2-3 : OFF

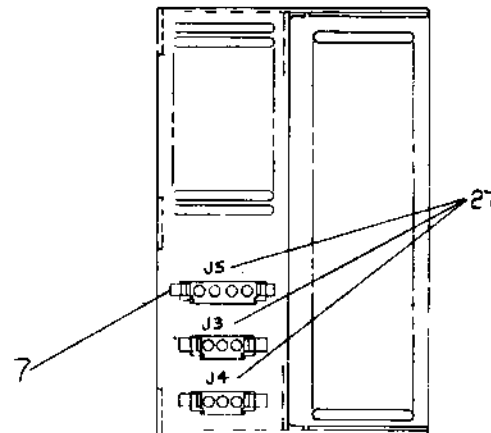
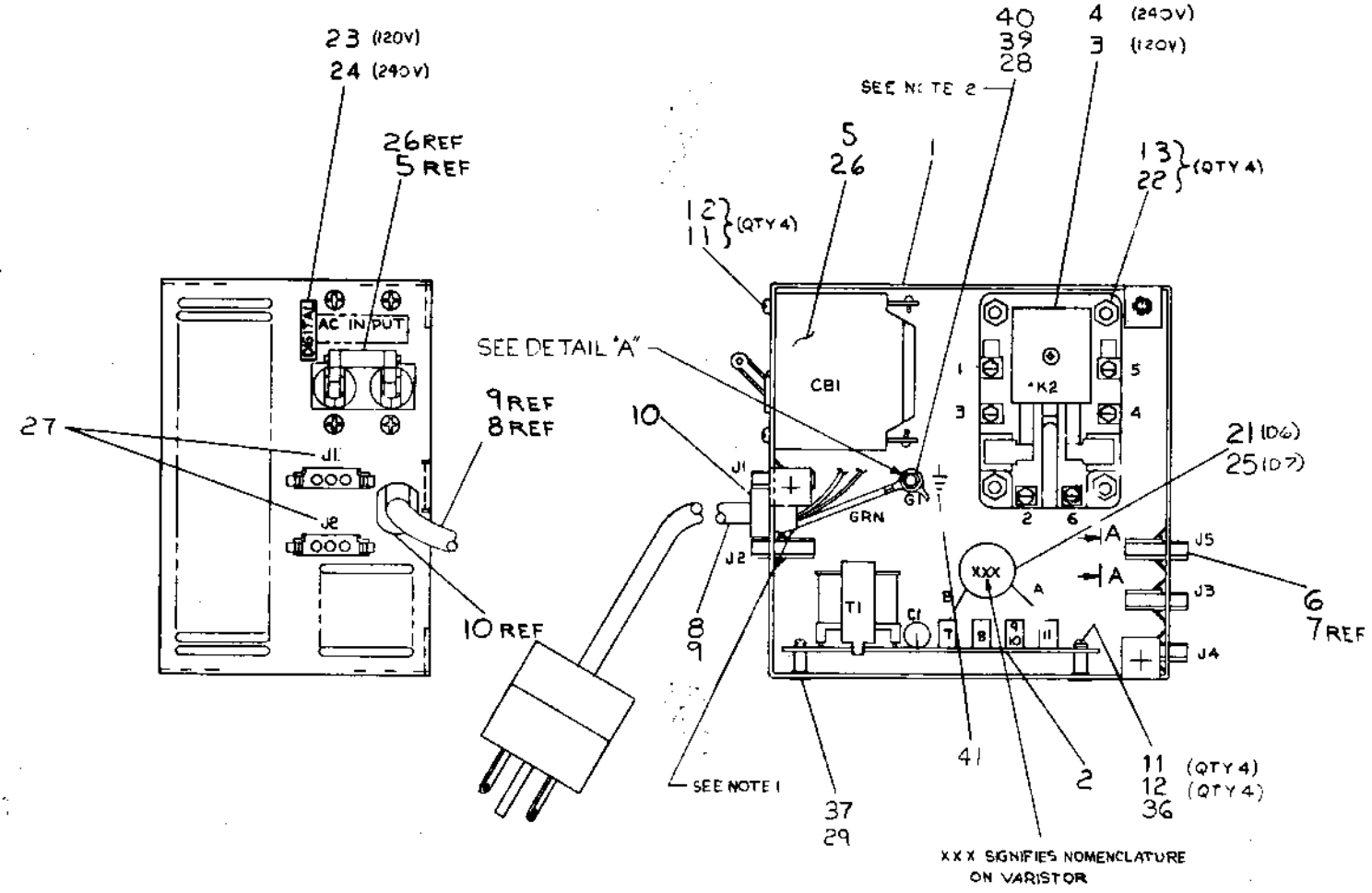
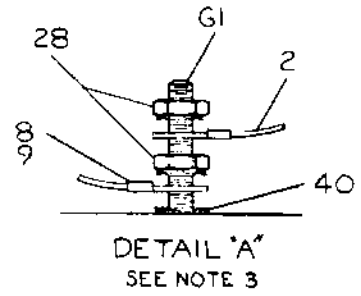
CPU CONSOLE POWER SWITCH
 1-3 : ON

THIS DRAWING AND SPECIFICATIONS HEREIN ARE THE PROPERTY OF DIGITAL EQUIPMENT CORPORATION AND SHALL NOT BE REPRODUCED OR COPIED IN WHOLE OR IN PART AS THE BASIS FOR THE MANUFACTURE OF THIS OR ANY OTHER EQUIPMENT WITHOUT WRITTEN PERMISSION OF DIGITAL EQUIPMENT CORPORATION.

NOTES:

1. LEAVE .5 IN ±.2 IN OF OUTER INSULATION OF LINE CORD INSIDE BOX.
2. REMOVE PAINT MASK FROM G1 ONLY AND APPLY CONDUCTIVE GREASE TO AREA AROUND STUD G1 BEFORE INSTALLING ITEMS 40 (LOCKWASHER), LUG ON GRN/YEL WIRE, AND 28 (KEPNUT).
3. ENSURE THAT LUG CONNECTED TO GRN/YEL WIRE FROM LINE CORD, WASHER ITEM 40, AND KEPNUT ITEM 28 ARE THE FIRST ITEMS INSTALLED ON G1. SEE DETAIL A.

LEGEND	
NUMBER	VARIATION
7009811-1	120V 47-63HZ 12A
7009811-2	240V 47-63HZ 6A

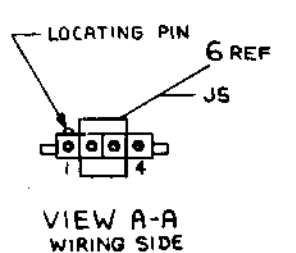
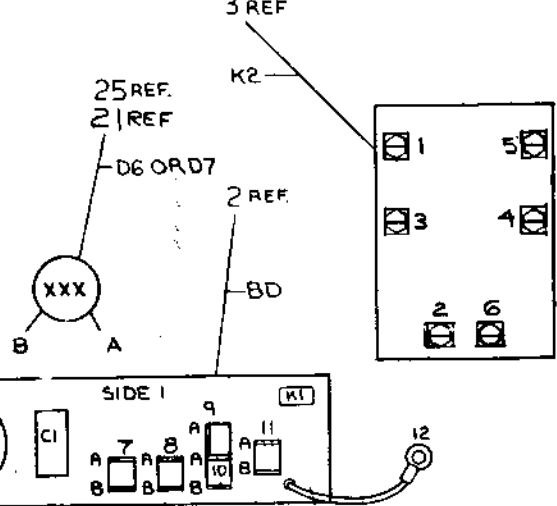
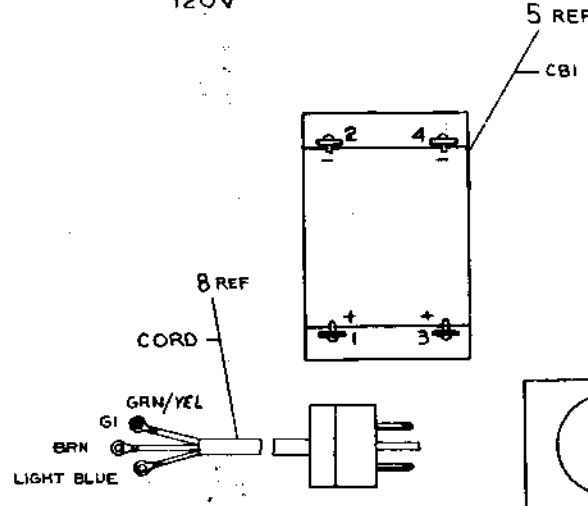
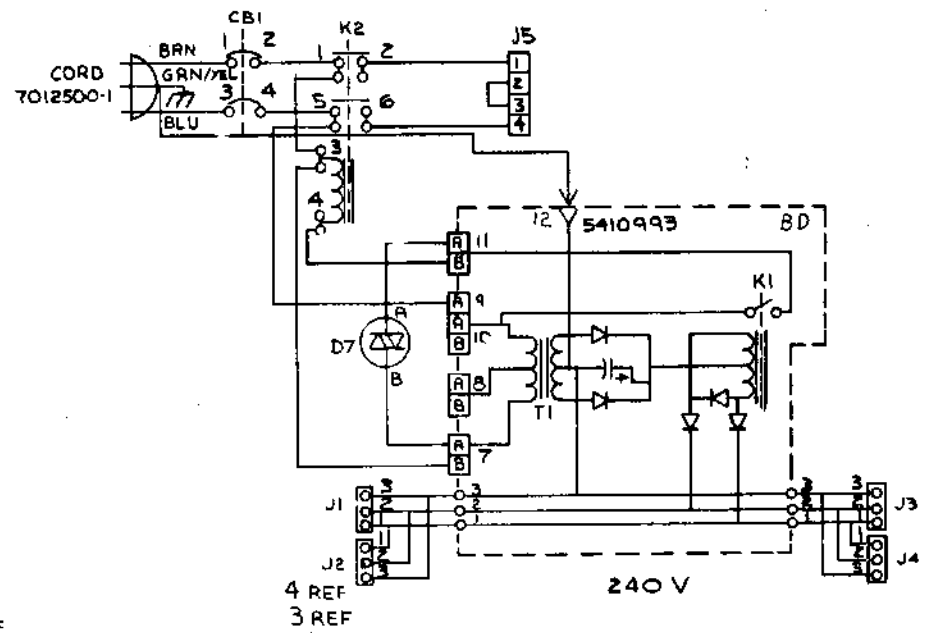
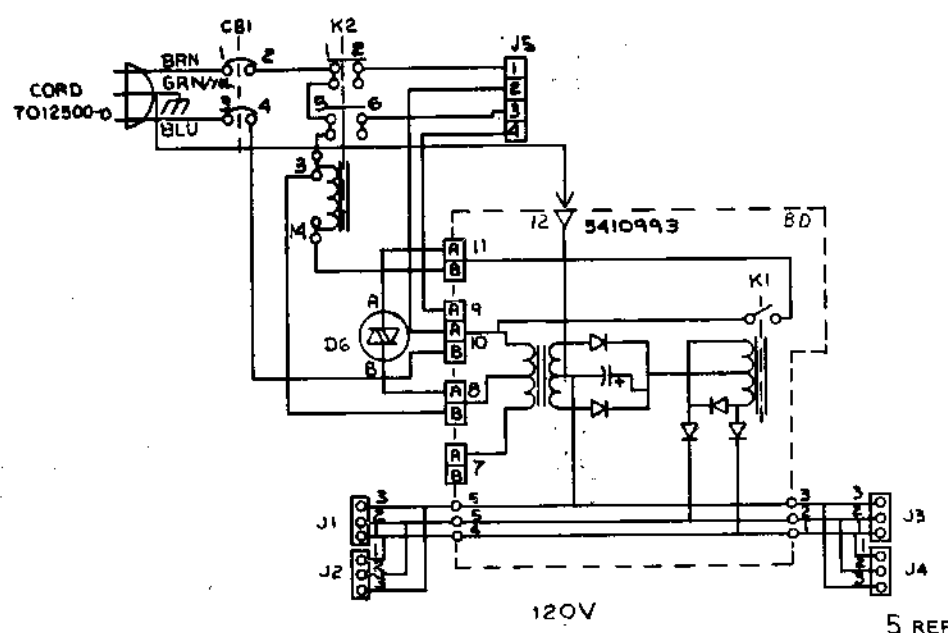


QTY	DESCRIPTION	PART NO.	REV
1	DECAL, SAFTY GROUND	A-DC-3612680-01	41
1	WASHER, EXT TOOTH #8	9008072	40
A/R	A/R GREASE, CONDUCTIVE	4901173-01	39
1	JUMPER, POWER (WHT)	7010301-8	38
4	SCR PH FL HD 6-32X1/4	9006020-02	37
4	WASHER, FLAT	9006653	36
F.F	REF A.C. INPUT BOX ASSEMBLY PROCEDURE	A-SP-7009311-0-9	35
REF	REF TESTER PARTS LIST	A-PL-7009311-0-0	34
REF	REF TESTER TEST PROCEDURE	A-SP-7009311-0-8	33
REF	REF TESTER U.A.	A-UA-7009311-0-8	32
REF	REF TESTER C.S.	A-CS-7009311-0-8	31
4	SPACER 6-32X3/8"	9006844	29
3	NUT, KEPS #8-32	9008863	28
1	DECAL	A-DC-7409373-0-0	27
1	CIRCUIT BRK 10 A	1212124-03	26
1	VARISTOR (D7) ASSY	C-1A-7010300-2-0	25
1	DECAL 230V 47-63 HZ 6A	A-DC-7410303-0-0	24
1	DECAL 115V 47-63 HZ 12A	A-DC-7410303-0-0	23
4	SCR PH FL HD #6-32 X50	9006024-2	22
1	VARISTOR (D6) ASSY	C-1A-7010300-1-0	21
2	POWER JUMPER (BLK)	D-1A-7010301-0-0	20
1	POWER JUMPER (BLK)	D-1A-7010301-3-0	19
2	POWER JUMPER (BLK)	D-1A-7010301-4-0	18
1	POWER JUMPER (WHT)	D-1A-7010301-5-0	17
2	POWER JUMPER (WHT)	D-1A-7010301-6-0	16
1	POWER JUMPER (BRN)	D-1A-7010301-7-0	15
1	POWER JUMPER (BLK)	D-1A-7010301-1-0	14
4	NUT KEPS #6-32	9008185	13
8	WASHER, INT TOOTH #6	9006633	12
8	SCR PHL PAN HD #6-32X25	9006020-1	11
1	STRAIN RELIEF	9008509	10
1	POWER CORD 240V	D-AD-7012500-1	9
1	POWER CORD 120V	D-AD-7012500-0	8
1	PWR CONTROL HARN. 240V	D-1A-7010302-2-0	7
1	PWR CONTROL HARN 120V	D-1A-7010302-1-0	6
1	CIRCUIT BREAK 20A	1212124-05	5
1	RELAY 240V	1211222-02	4
1	RELAY 120V	1211222-01	3
1	AC PWR CONTR BOARD	D-CS-5410993-0-1	2
1	CHASSIS, COMP MTG	D-1A-7009311-0-0	1

REV	DATE	BY	CHKD	DESCRIPTION
1	1-10-71	R. WOLF		
2	1-10-71	R. WOLF		
3	1-10-71	R. WOLF		
4	1-10-71	R. WOLF		
5	1-10-71	R. WOLF		
6	1-10-71	R. WOLF		
7	1-10-71	R. WOLF		
8	1-10-71	R. WOLF		
9	1-10-71	R. WOLF		
10	1-10-71	R. WOLF		
11	1-10-71	R. WOLF		
12	1-10-71	R. WOLF		
13	1-10-71	R. WOLF		
14	1-10-71	R. WOLF		
15	1-10-71	R. WOLF		
16	1-10-71	R. WOLF		
17	1-10-71	R. WOLF		
18	1-10-71	R. WOLF		
19	1-10-71	R. WOLF		
20	1-10-71	R. WOLF		
21	1-10-71	R. WOLF		
22	1-10-71	R. WOLF		
23	1-10-71	R. WOLF		
24	1-10-71	R. WOLF		
25	1-10-71	R. WOLF		
26	1-10-71	R. WOLF		
27	1-10-71	R. WOLF		
28	1-10-71	R. WOLF		
29	1-10-71	R. WOLF		
30	1-10-71	R. WOLF		
31	1-10-71	R. WOLF		
32	1-10-71	R. WOLF		
33	1-10-71	R. WOLF		
34	1-10-71	R. WOLF		
35	1-10-71	R. WOLF		
36	1-10-71	R. WOLF		
37	1-10-71	R. WOLF		
38	1-10-71	R. WOLF		
39	1-10-71	R. WOLF		
40	1-10-71	R. WOLF		
41	1-10-71	R. WOLF		

FIRST USED ON OPTION/MODEL		QTY	DESCRIPTION	PART NO.
B-11-K				
PARTS LIST				
DRAWING NO. 28-0000		DATE 6-7-71		
DESIGNED BY		CHECKED BY		
DRAWN BY		DATE 4-11-71		
TITLE		REV		
AC INPUT BOX ASSY		J		
MATERIAL SEE PARTS LIST		E-UA-H765-0-0		
FINISH		D-AD 7009811-0-0		

THIS DRAWING AND SPECIFICATIONS HEREIN ARE THE PROPERTY OF SPERRY GYROSCOPE CORPORATION AND SHALL NOT BE REPRODUCED, COPIED, OR USED IN WHOLE OR IN PART AS THE BASIS FOR THE MANUFACTURE OR SALE OF THIS OR ANY OTHER EQUIPMENT WITHOUT THE WRITTEN PERMISSION OF SPERRY GYROSCOPE CORPORATION.



REVISIONS		
CHK	CHANGE NO.	REV.

TITLE	DRAWING NUMBER	REV.
AC INPUT BOX ASSY.	DAD 7009311-0-0	J
SCALE	SHEET	NO. OF SHEETS
NOISE	2 OF 3	

221

THIS DRAWING AND SPECIFICATIONS HEREIN ARE THE PROPERTY OF DIGITAL EQUIPMENT CORPORATION AND SHALL NOT BE REPRODUCED OR COPIED OR USED IN WHOLE OR IN PART AS THE BASIS FOR THE MANUFACTURE OR SALE OF ITEMS WITHOUT WRITTEN PERMISSION. COPYRIGHT © 1972, DIGITAL EQUIPMENT CORPORATION.

0-0 118600Z DAD 2

WIRE TABLE (120V)

ITEM NO.	DESCRIPTION		CONNECTION		CONNECTION		REMARKS
	AWG	COLOR	FROM	WITH	TO	WITH	
8	14	BRN	CORD	--	CBI-1(+)	--	
8		BLU	CORD	--	CBI-3(+)	--	
14		BLK	CBI-2(-)	--			
18		BLK			K2-1		
18		BLK	K2-5				
19		BLK	BD-8B		K2-3		
17		WHT	CBI-4(-)		BD-10B		
6		WHT	BD-10A		J5-2(REF)		
6		WHT	BD-9A		J5-4(REF)		
15		BRN	K2-4		BD-11B		
6		BLK	K2-6		J5-3(REF)		
6	14	BLK	K2-2		J5-1(REF)		
21	22	RED	D6-A		BD-11A		
21	22	RED	D6-B		BD-8A		
8	14	GRN/YEL	CORD		G1		SEE NOTE 2
2	14	GRN/YEL	BD-12		G1		SEE DETAIL A AND NOTE 2+3

WIRE TABLE (240V)

ITEM NO.	DESCRIPTION		CONNECTION		CONNECTION		REMARKS
	AWG	COLOR	FROM	WITH	TO	WITH	
8	14	BRN	CORD	--	CBI-1(+)	--	
8		BLU	CORD	--	CBI-3(+)	--	
14		BLK	CBI-2				
20		BLK			K2-1		
19		BLK	K2-3				
38		WHT			BD-7B		
16		WHT	K2-5		CBI-4(-)		
15		BRN	K2-4		BD-9A		
7		BLK	K2-2		BD-11B		
7		BLK	J5-2(REF)		J5-1(REF)		
7	14	WHT	K2-6		J5-3(REF)		
25	22	RED	D7-A		J5-4(REF)		
25	22	RED	D7-B		BD-11A		
8	14	GRN/YEL	CORD		BD-7A		SEE NOTE 2
2	14	GRN/YEL	BD-12		G1		SEE DETAIL A AND NOTE 2+3

REVISIONS		
CHK	CHANGE NO.	REV.

TITLE: AC INPUT BOX ASSY
 SIZE CODE: D AD
 NUMBER: 7009811-0-0
 SCALE: NONE
 SHEET: 3 OF 3
 DIST.:

7009811-C-C J

222

"THE MATERIAL HEREIN IS FOR INFORMATION PURPOSES ONLY AND IS SUBJECT TO CHANGE WITHOUT NOTICE. DIGITAL EQUIPMENT CORPORATION ASSUMES NO RESPONSIBILITY FOR ANY ERRORS WHICH MAY APPEAR HEREIN."

DRAWING DIRECTORY

"THIS DRAWING AND SPECIFICATIONS, HEREIN, ARE THE PROPERTY OF DIGITAL EQUIPMENT CORPORATION AND SHALL NOT BE REPRODUCED OR COPIED OR USED IN WHOLE OR IN PART AS THE BASIS FOR THE MANUFACTURE OR SALE OF ITEMS WITHOUT WRITTEN PERMISSION. COPYRIGHT © 1972 DIGITAL EQUIPMENT CORPORATION."

CUSTOMER PRINT SET
 DRAWING DIRECTORY B-DD-H744-0
 CIRCUIT SCHEMATIC D-CS-H744-0-1
 UNIT ASSY E-UA-H744-0-0

MFG SET
 TEST PROCEDURE A-SP-H744-0-3
 MFG SPEC A-SP-H744-0-8
 PACKAGING INST A-PI-3700074-0-0

UNIT VARIATIONS	
VAR	TITLE
H744	+5V REGULATOR

REVISIONS	CHK	CHANGE NO.	REV
		00019	R

USED ON OPTION/MODEL 11/45	DRN. D. FONTAINE	DATE 2-4-72	TITLE +5V REGULATOR	digital		
	CHK'D. D. FONTAINE	DATE 2-4-72		SIZE B	CODE DD	NUMBER H744-0
	PROJ. ENG. G. POTTER	DATE 2-24-72				REV R
SHEET 1 OF 4	PROD. A. HIRSCH	DATE 2-24-72	DIST.			

224

REV. R
 NUMBER H744-Ø
 SIZE CODE BIDD

DRAWING NO.	NO. OF SHTS	PART NO.	DESCRIPTION	REVISIONS															
				Y	Y	W	W1	W	W1	AC	AE	H	H	REF	REF	REF	REF	REF	REF
D-AH-H744-Ø-5			ASSY DRILLING/HOLE LAYOUT	Y	Y														
E-UA-H744-Ø-Ø	1		UNIT ASSY	W	W1														
D-CS-H744-Ø-1	1		CIRCUIT SCHEMATIC	W	W1														
B-MH-H744-Ø-6	4		MODULE ECO HISTORY	AC	AE														
		5009725	ETCHED BOARD	H	H														
A-SP-H744-Ø-3			TEST PROCEDURE	REF															
A-SP-H744-Ø-8			MFG SPEC	REF															
D-PS-1210737-Ø-Ø	1		HEAT SINK	REF															
D-IA-5309756-Ø-Ø	1		REGULATOR BRK'T	REF															
C-IA-5309760-Ø-Ø	1		COMPONENT COVER	REF															
C-MD-5309759-Ø-Ø	1		CAPACITOR STRAP	REF															
A-PI-3700074-Ø-Ø	2		PACKAGING INSTRUCTION	REF															
A-PS-9905211-Ø-Ø	2		OUTER CARTON	REF															
A-PS-9905212-Ø-Ø	2		INNER PACKAGING	REF															
C-IA-7412388-Ø-Ø			2.5 CAP HOLDER	REF															

NOTES:

REVISIONS		DATE	CHG NO	REV.
			00017	
		2-77	00019	R

"THIS DRAWING AND SPECIFICATIONS, HEREIN, ARE THE PROPERTY OF DIGITAL EQUIPMENT CORPORATION AND SHALL NOT BE REPRODUCED OR COPIED OR USED IN WHOLE OR IN PART AS THE BASIS FOR THE MANUFACTURE OR SALE OF ITEMS WITHOUT WRITTEN PERMISSION. COPYRIGHT © 1977, DIGITAL EQUIPMENT CORPORATION"



USED ON OPTION/MODEL	DRN.	DATE	TITLE
11/45	D. FONTAINE	2-4-72	+5V REGULATOR
	CHK'D		
	D. FONTAINE	2-4-72	
	ENG.		
	G. POTTER	2-24-72	
	PROD.		
	A. HIRSCH	2-24-72	

SIZE CODE BIDD NUMBER H744-Ø REV. R
 SHEET 3 OF 4

DRAWING NO.	NO. OF SHTS	PART NO.	DESCRIPTION	REVISIONS															
				Y	Y														
D-AH-H744-Ø-5			ASSY DRILLING/HOLE LAYOUT	Y	Y														
E-UA-H744-Ø-Ø	1		UNIT ASSY	V	V1														
D-CS-H744-Ø-1	1		CIRCUIT SCHEMATIC	W	W1														
B-MH-H744-Ø-6	4		MODULE ECO HISTORY	AB	AE														
		5009725	ETCHED BOARD	H	H														
A-SP-H744-Ø-3			TEST PROCEDURE	REF															
A-SP-H744-Ø-8			MFG SPEC	REF															
D-PS-1210737-Ø-Ø	1		HEAT SINK	REF															
D-IA-5309756-Ø-Ø	1		REGULATOR BRK'T	REF															
C-IA-5309760-Ø-Ø	1		COMPONENT COVER	REF															
C-MD-5309759-Ø-Ø	1		CAPACITOR STRAP	REF															
A-PI-3700074-Ø-Ø	2		PACKAGING INSTRUCTION	REF															
A-PS-9905211-Ø-Ø	2		OUTER CARTON	REF															
A-PS-9905212-Ø-Ø	2		INNER PACKAGING	REF															
C-IA-7412388-Ø-Ø			2.5 CAP HOLDER	REF															

NOTES:

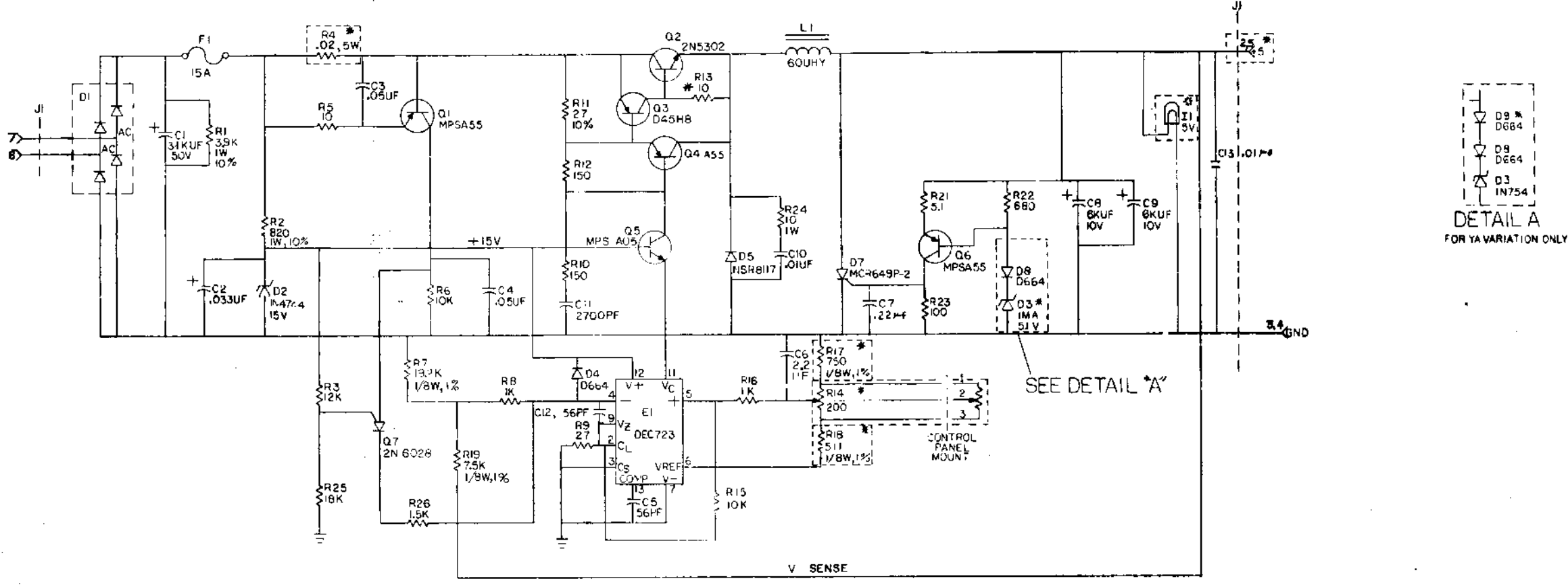
REVISIONS	DATE	CHG NO.	REV																
	2-77	00019	R																
		00016																	

"THIS DRAWING AND SPECIFICATIONS, HEREIN, ARE THE PROPERTY OF DIGITAL EQUIPMENT CORPORATION AND SHALL NOT BE REPRODUCED OR COPIED OR USED IN WHOLE OR IN PART AS THE BASIS FOR THE MANUFACTURE OR SALE OF ITEMS WITHOUT WRITTEN PERMISSION. COPYRIGHT © 1977, DIGITAL EQUIPMENT CORPORATION"



USED ON OPT:ON/MODEL	DRN.	TITLE
11/45	D. FONTAINE 2-4-72	+5V REGULATOR
	CHK'D D. FONTAINE 2-4-72	
	ENG. G. POTTER 2-24-72	SIZE CODE BDD
	PROP. A. HIRSCH 2-24-72	NUMBER H744-Ø
		REV. R
		SHEET 4 OF 4

This drawing and specifications, herein, are the property of Digital Equipment Corporation and shall not be reproduced or used in whole or in part as the basis for the manufacture or sale of items without written permission of Digital Equipment Corporation.



*FUSIBLE RESISTOR

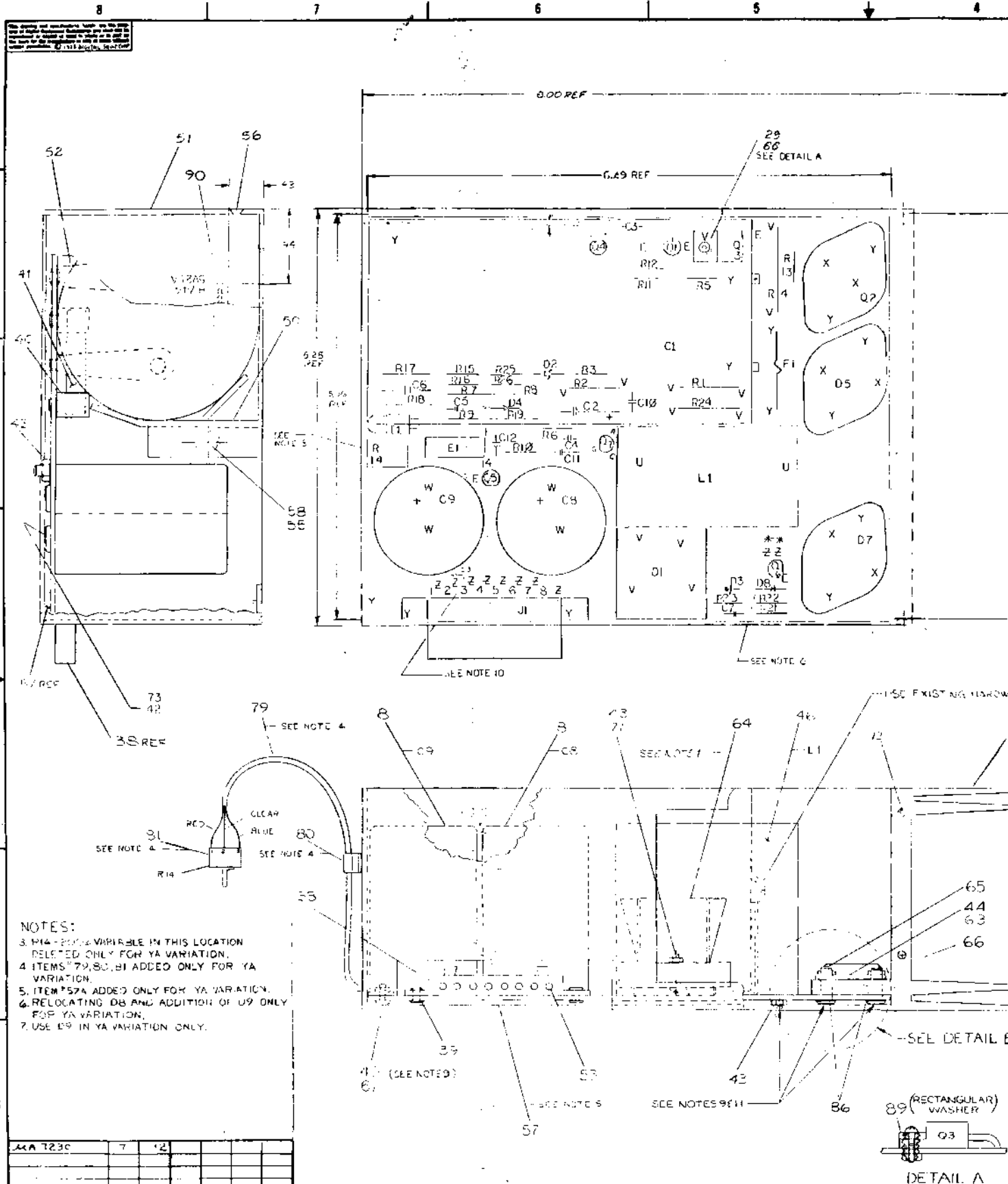
FOR YA VARIATION COMPONENT VALUES ARE AS FOLLOWS:
 R4 - 06 5W
 R4 - 1K 10 TURN
 R7 - 370 1/8W 1%
 R19 - 150 1/4W 5%
 D3 - IN754
 E1 - 15V
 J1 2,3 - 20 80V
 * D9 - D664 ADDED FOR YA VARIATION ONLY

UNLESS OTHERWISE INDICATED:
 RESISTORS ARE 1/4W, 5%

QTY	REF DESIGNATION	DESCRIPTION	PART NO.	REV
PARTS LIST				
ETCH BOARD DEV				
	IN964A	SAME	MI-SA55	
	D664	IN3606	2N5302	
	MC649P-2		D45H9	
	IN75A	SAME	MPSA05	
	IN4744	SAME		
	NSR8117			
	2N6028			
DEC NO.	EIA NO.	DEC NO.	EIA NO.	
SEMICONDUCTOR CONVERSION CHART				

5V REGULATOR

D. MARTEL	H744-00015	Y	65
A. BARON	H744-00016	W	
A. BARON	H744-00017	U	
A. BARON	H744-00018	T	
A. BARON	H744-00019	S	
A. BARON	H744-00020	R	
A. BARON	H744-00021	Q	
A. BARON	H744-00022	P	
A. BARON	H744-00023	O	
A. BARON	H744-00024	N	
A. BARON	H744-00025	M	
A. BARON	H744-00026	L	
A. BARON	H744-00027	K	
A. BARON	H744-00028	J	
A. BARON	H744-00029	I	
A. BARON	H744-00030	H	
A. BARON	H744-00031	G	
A. BARON	H744-00032	F	
A. BARON	H744-00033	E	
A. BARON	H744-00034	D	
A. BARON	H744-00035	C	
A. BARON	H744-00036	B	
A. BARON	H744-00037	A	

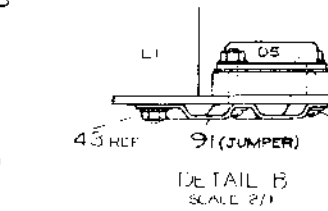


QTY	REF	DESIGNATION	REVISION	REVISION NO.
1	R22	RES 490 1/4W 5%	1301424	69
1	L1	PACKING INSTRUCTIONS	API 3700074-0	70
1	I1	SCR PHL PAN HD 3/4 X 5/8 LG	9006025-1	71
1	I1	15 VOLT LAMP	1209149	72
4	I1	LOCKWASHER #10 INT	9006035	73
1	I1	HEAT SINK BRIDGE	1210907	74
1	I1	COMPOUND THERMAL JOINT	9008260	75
1	I1	RESISTOR 15K 1/4W 5%	1302581	76
1	I1	RESISTOR 10K 1/4W 5%	1306488	77
1	I1	TRANSISTOR 2N2632	1510156	78
1	I1	RESISTOR 100K 1/4W 5%	1302411	79
1	I1	RESISTOR 10K 1/4W 5%	1302465	80
1	I1	RESISTOR 10K 1/4W 5%	1300474	81
1	I1	RESISTOR 27 1/4W 5%	1301522	82
1	I1	RESISTOR 27 1/4W 5%	1301522	83
1	I1	RESISTOR 27 1/4W 5%	1301522	84
1	I1	RESISTOR 27 1/4W 5%	1301522	85
1	I1	RESISTOR 27 1/4W 5%	1301522	86
1	I1	RESISTOR 27 1/4W 5%	1301522	87
1	I1	RESISTOR 27 1/4W 5%	1301522	88
1	I1	RESISTOR 27 1/4W 5%	1301522	89
1	I1	RESISTOR 27 1/4W 5%	1301522	90
1	I1	RESISTOR 27 1/4W 5%	1301522	91
1	I1	RESISTOR 27 1/4W 5%	1301522	92
1	I1	RESISTOR 27 1/4W 5%	1301522	93
1	I1	RESISTOR 27 1/4W 5%	1301522	94
1	I1	RESISTOR 27 1/4W 5%	1301522	95
1	I1	RESISTOR 27 1/4W 5%	1301522	96
1	I1	RESISTOR 27 1/4W 5%	1301522	97
1	I1	RESISTOR 27 1/4W 5%	1301522	98
1	I1	RESISTOR 27 1/4W 5%	1301522	99
1	I1	RESISTOR 27 1/4W 5%	1301522	100
1	I1	RESISTOR 27 1/4W 5%	1301522	101
1	I1	RESISTOR 27 1/4W 5%	1301522	102
1	I1	RESISTOR 27 1/4W 5%	1301522	103
1	I1	RESISTOR 27 1/4W 5%	1301522	104
1	I1	RESISTOR 27 1/4W 5%	1301522	105
1	I1	RESISTOR 27 1/4W 5%	1301522	106
1	I1	RESISTOR 27 1/4W 5%	1301522	107
1	I1	RESISTOR 27 1/4W 5%	1301522	108
1	I1	RESISTOR 27 1/4W 5%	1301522	109
1	I1	RESISTOR 27 1/4W 5%	1301522	110

NOTES:
 1. APPLY ITEM #65 (COMPOUND) BETWEEN TRANSISTOR (Q2), DIODES (D5, D7) AND ITEM #44 (WASHER); ALSO BETWEEN ITEM #44 (WASHER) AND HEAT SINK (ITEM #74). ALSO APPLY ITEM #63 (COMPOUND) BETWEEN ITEM #9 (DIODE BRIDGE) AND ITEM #64 (HEAT SINK BRIDGE).

NOTES CONT:
 NOTE 8: (Q3) SCREW HEAD SHOULD BE ON TOP OF FLAT RECTANGULAR WASHER AS SHOWN. APPLY 6 INCH LBS. OF TORQUE WHEN SECURING Q3 TO EXT. BOARD BEFORE SOLDERING.
 NOTE 9: **TORQUE APPLICATION**
 (1) APPLY 12 INCH LBS. OF TORQUE TO THE SCREWHEAD OF #4 HARDWARE EXCEPT Q3.
 (2) APPLY 12 INCH LBS. OF TORQUE TO #6 HARDWARE ON L1.
 (3) APPLY 6 INCH LBS. OF TORQUE TO ALL #6 AND #10 HARDWARE EXCEPT ON L1.
 (4) ALL HARDWARE TO BE TORQUED BEFORE SOLDERING.
 NOTE 10: INSERT C13 INTO ETCH PAD HOLES CONNECTED TO J1 TERMINALS, 2-3.
 NOTE 11: **MIN TORQUE REQUIRED FOR QC INSPECTION:**
 8 INCH LBS FOR #4 HARDWARE;
 12 INCH LBS. FOR #6 AND #10 HARDWARE.
 *SEE NOTE 7

NOTES:
 3. R14 - RES. VARIABLE IN THIS LOCATION SELECTED ONLY FOR YA VARIATION.
 4. ITEMS #79, 80, 81 ADDED ONLY FOR YA VARIATION.
 5. ITEM #57A ADDED ONLY FOR YA VARIATION.
 6. RELOCATING D8 AND ADDITION OF U9 ONLY FOR YA VARIATION.
 7. USE U9 IN YA VARIATION ONLY.



ITEM NO	FROM PT		TO PT
	ANG	PT	
1	1	2	3
2	4	5	6
3	7	8	9
4	10	11	12
5	13	14	15
6	16	17	18
7	19	20	21
8	22	23	24
9	25	26	27
10	28	29	30
11	31	32	33
12	34	35	36
13	37	38	39
14	39	40	41
15	41	42	43
16	43	44	45
17	45	46	47
18	47	48	49
19	49	50	51
20	51	52	53
21	53	54	55
22	55	56	57
23	57	58	59
24	59	60	61
25	61	62	63
26	63	64	65
27	65	66	67
28	67	68	69
29	69	70	71
30	71	72	73
31	73	74	75
32	75	76	77
33	77	78	79
34	79	80	81
35	81	82	83
36	83	84	85
37	85	86	87
38	87	88	89
39	89	90	91
40	91	92	93
41	93	94	95
42	95	96	97
43	97	98	99
44	99	100	101
45	101	102	103
46	103	104	105
47	105	106	107
48	107	108	109
49	109	110	111
50	111	112	113
51	113	114	115
52	115	116	117
53	117	118	119
54	119	120	121
55	121	122	123
56	123	124	125
57	125	126	127
58	127	128	129
59	129	130	131
60	131	132	133
61	133	134	135
62	135	136	137
63	137	138	139
64	139	140	141
65	141	142	143
66	143	144	145
67	145	146	147
68	147	148	149
69	149	150	151
70	151	152	153
71	153	154	155
72	155	156	157
73	157	158	159
74	159	160	161
75	161	162	163
76	163	164	165
77	165	166	167
78	167	168	169
79	169	170	171
80	171	172	173
81	173	174	175
82	175	176	177
83	177	178	179
84	179	180	181
85	181	182	183
86	183	184	185
87	185	186	187
88	187	188	189
89	189	190	191
90	191	192	193
91	193	194	195
92	195	196	197
93	197	198	199
94	199	200	201
95	201	202	203
96	203	204	205
97	205	206	207
98	207	208	209
99	209	210	211
100	211	212	213
101	213	214	215
102	215	216	217
103	217	218	219
104	219	220	221
105	221	222	223
106	223	224	225
107	225	226	227
108	227	228	229
109	229	230	231
110	231	232	233
111	233	234	235
112	235	236	237
113	237	238	239
114	239	240	241
115	241	242	243
116	243	244	245
117	245	246	247
118	247	248	249
119	249	250	251
120	251	252	253
121	253	254	255
122	255	256	257
123	257	258	259
124	259	260	261
125	261	262	263
126	263	264	265
127	265	266	267
128	267	268	269
129	269	270	271
130	271	272	273
131	273	274	275
132	275	276	277
133	277	278	279
134	279	280	281
135	281	282	283
136	283	284	285
137	285	286	287
138	287	288	289
139	289	290	291
140	291	292	293
141	293	294	295
142	295	296	297
143	297	298	299
144	299	300	301

5V REGULATOR	REV	1
EQUIPMENT CORPORATION		
DATE	TIME	BY
FILE NO	EIA NO	DEC NO
REV NO	EIA NO	DEC NO

CUSTOMER PRINT SET INDEX

THIS IS PRINT SET 0007

DRAWING DIRECTORY
CIRCUIT SCHEMATIC
UNIT ASSY

SEQUENCE 77

B-DD-H745-0
D-CS-H745-0-1
E-UA-H745-0-0

MFG. SET

SEQUENCE 77

TEST PROCEDURE
MFG. SPEC.
PACKAGING INSTRUCTION

A-SP-11/45 TA-2
A-SP-H745 0 8
A-P1 3700074 0-0

UNIT VARIATIONS		PRINT SET		
VAR	TITLE	TEST PROC.	ASSEMBLY	ISSUE
H745	-15V REGULATOR	X		

REVISIONS	
DATE	CHG. NO.
	H745-16
	H745-17
	H745-18
9-76	H745-19
10-76	H745-20
REV	
K	
L	
M	
N	
P	

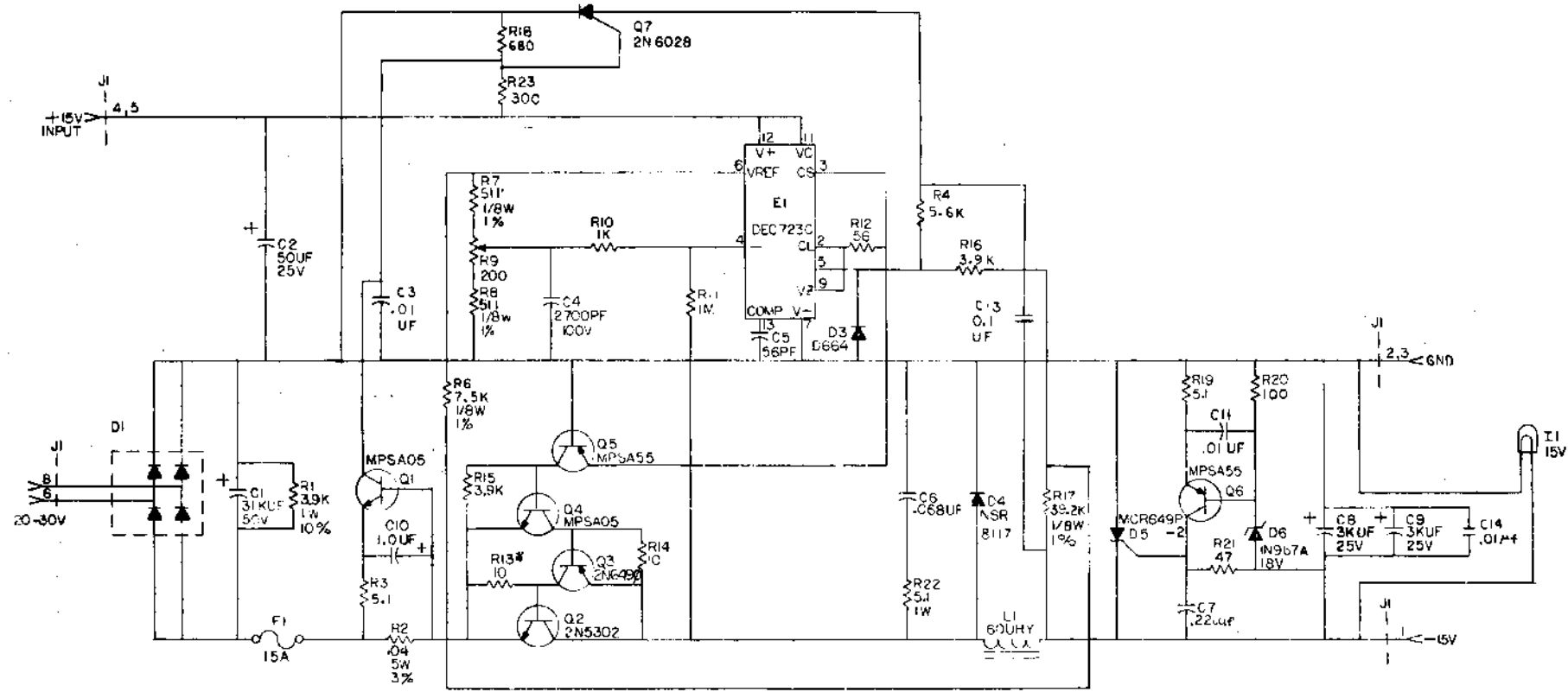
USED ON OPTION/MODEL	DRN.	DATE	TITLE	CAGE CODE	NUMBER	REV
11/45	DEF. DATE	7 72	-15V REGULATOR	B	H745-0	P
	CHK'D.	DATE				
	J. GALDETTE	2 17 72				
	PROJ ENG.	DATE				
	S. BUTLER	2 25 72				
	PRCD.	DATE				
	A. HOSCH	2 25 72				
	FIELD SERV.	DATE				
CHSET						
	OF 2					
	A. ZINS	2 25 72				

DEC 14 1978 1002-1A-R072

CUSTOMER PRINT SET						ELECTRICAL					CUSTOMER PRINT SET						MECHANICAL							
H745-1						FIND NO.	DRAWING NO.	REV	NO OF SHT	DESCRIPTION	OPTION NO.	H745-1						FIND NO.	DRAWING NO.	REV	NO OF SHT	DESCRIPTION	OPTION NO.	
X						1	D-S-H745-0-1	Y	1	CIRCUIT SCHEMATIC	H745	X						1	E-UA-H745-0-0	Y	1	UNIT ASSY	H 45	
					X		A-SE-H745-TA-2			TEST PROCEDURE	H745								D-PS-1210777-0-0		1	HEAT SINK	H745	
					X		A-SP-H745-0-8			MFG SPEC	H745								D-IA-5309756-0-0		1	REGULATOR BRKT	H745	
							D-AH-H745-0-5												O-IA-5309761-0-0		1	2 - 5 CAP BRKT	H745	
							B-MH-H745-0-6												C-MD-5309759-0-0		1	CAPACITOR STRAP	H745	
																			2	A-PI-3700074-0-0	-	2	PACKAGING INSTRUCTIONS	H745
																			A-PS-9905211-0-0	-	2	OUTER CARTON	H745	
																			A-PS-9905212-0-0	-	2	INNER PACKAGE	H745	

This drawing and specifications, herein, are the property of Digital Equipment Corporation and shall not be reproduced or used in whole or in part as the basis for the manufacture of any article without written permission (REVISED) © 1976

7 1-0-57ZH 834 2



* FUSIBLE
UNLESS OTHERWISE INDICATED:
RESISTORS = 1/4W, 5%

QTY	REF DESIGNATION	DESCRIPTION	PART NO.	ITEM NO.
PARTS LIST				
	ETCH BOARD REV	E		
	D664	IN 3606	D4548	
	NSR 8117		2N 6028	
	MCR 849P-2			
	1N 967A	SAME		
	2N 5302			
	MPS A05			
	MPS A55			
DEC NO.	EIA NO.	DEC NO.	EIA NO.	
SEMICONDUCTOR CONVERSION CHART				
DATE: 1-4-71			EQUIPMENT CORPORATION	
CHK'D: LARRY MOORE 1-8-71			TITLE	
ENG: [Signature]			-15V REG.	
DATE: 1-17-71			SCALE: DCS H7451-0-1	
DATE: 1-17-71			DST.	

H745-0-1

DRAWING DIRECTORY

"THIS DRAWING AND SPECIFICATIONS, HEREIN, ARE THE PROPERTY OF DIGITAL EQUIPMENT CORPORATION AND SHALL NOT BE REPRODUCED OR COPIED OR USED IN WHOLE OR IN PART AS THE BASIS FOR THE MANUFACTURE OR SALE OF ITEMS WITHOUT WRITTEN PERMISSION. COPYRIGHT © 1974, DIGITAL EQUIPMENT CORPORATION"

CUSTOMER PRINT SET INDEX

THIS IS PRINT SET

SEQUENCE

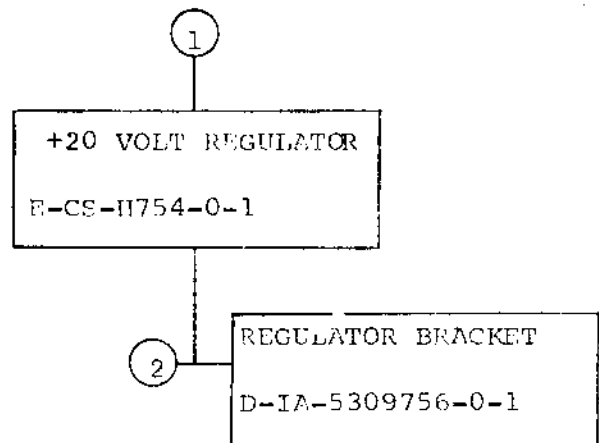
SEQUENCE

DRAWING DIRECTORY
+20 VOLT REGULATOR

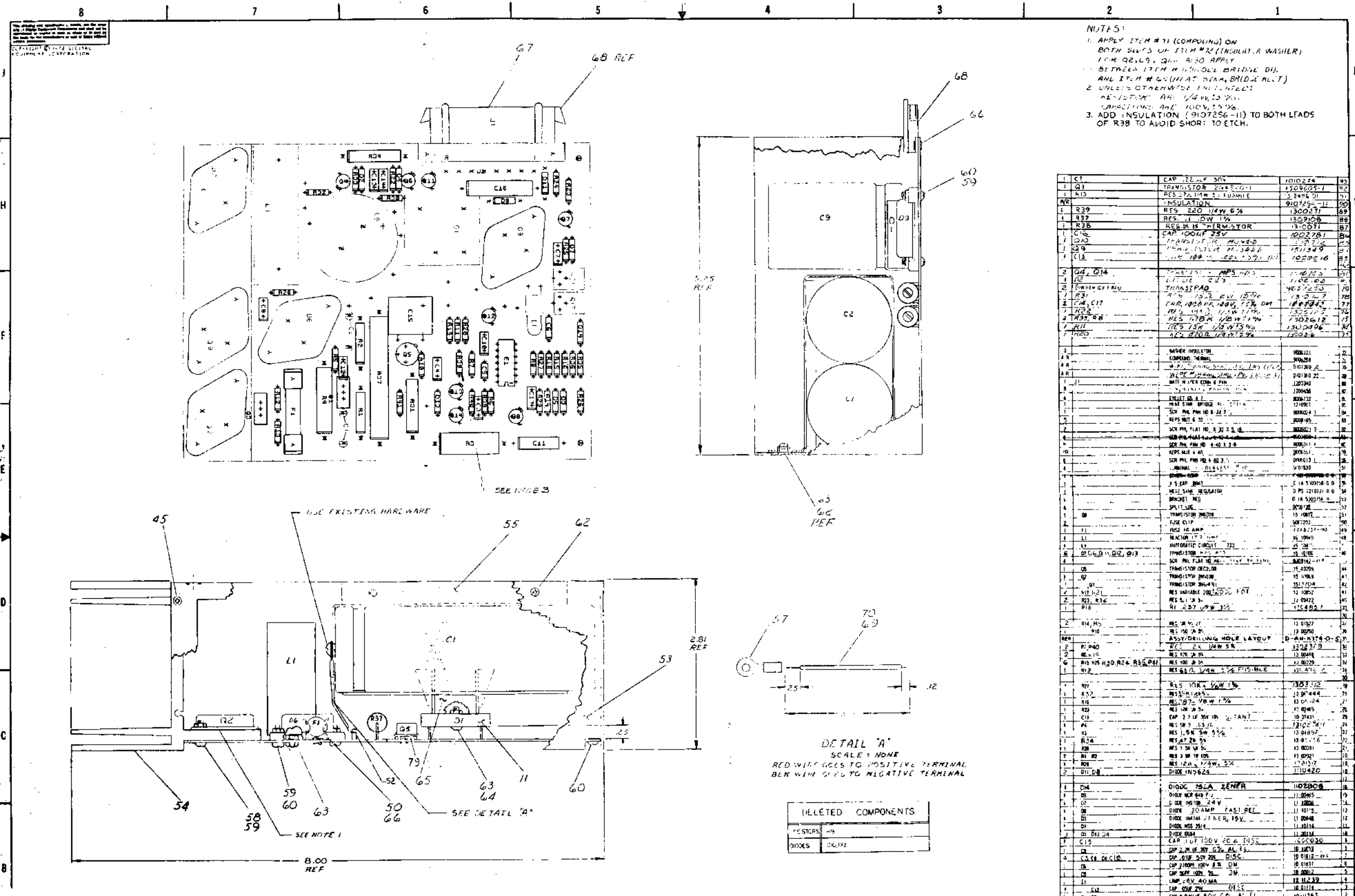
B-DD-H754-Ø
E-CS-H754-0-1

UNIT VARIATIONS		PRINT SET	
VAR	TITLE		
H754-0	+20 VOLT REGULATOR	X	

REVISIONS		USED ON OPTION/MODEL	DRN.	DATE	TITLE				
DATE	CHG. NO.	REV	1. Fleming	2/21/74					
10-75	H754-9	A	CHK'D.	DATE					
11-3	H754-10	B	2. Fleming	2/21/74					
			PROJ ENG.	DATE					
			PROD.	DATE					
			FIELD SERV.	DATE					
			SHEET 1 OF 3	7/25/74	SIZE B	CODE DD	NUMBER H754-Ø	REV B	
					DIST				



TITLE	SHEET OF	SIZE CODE	NUMBER	REV
+20 VOLT REGULATOR	3 OF 3	B DD	H754-Ø	B

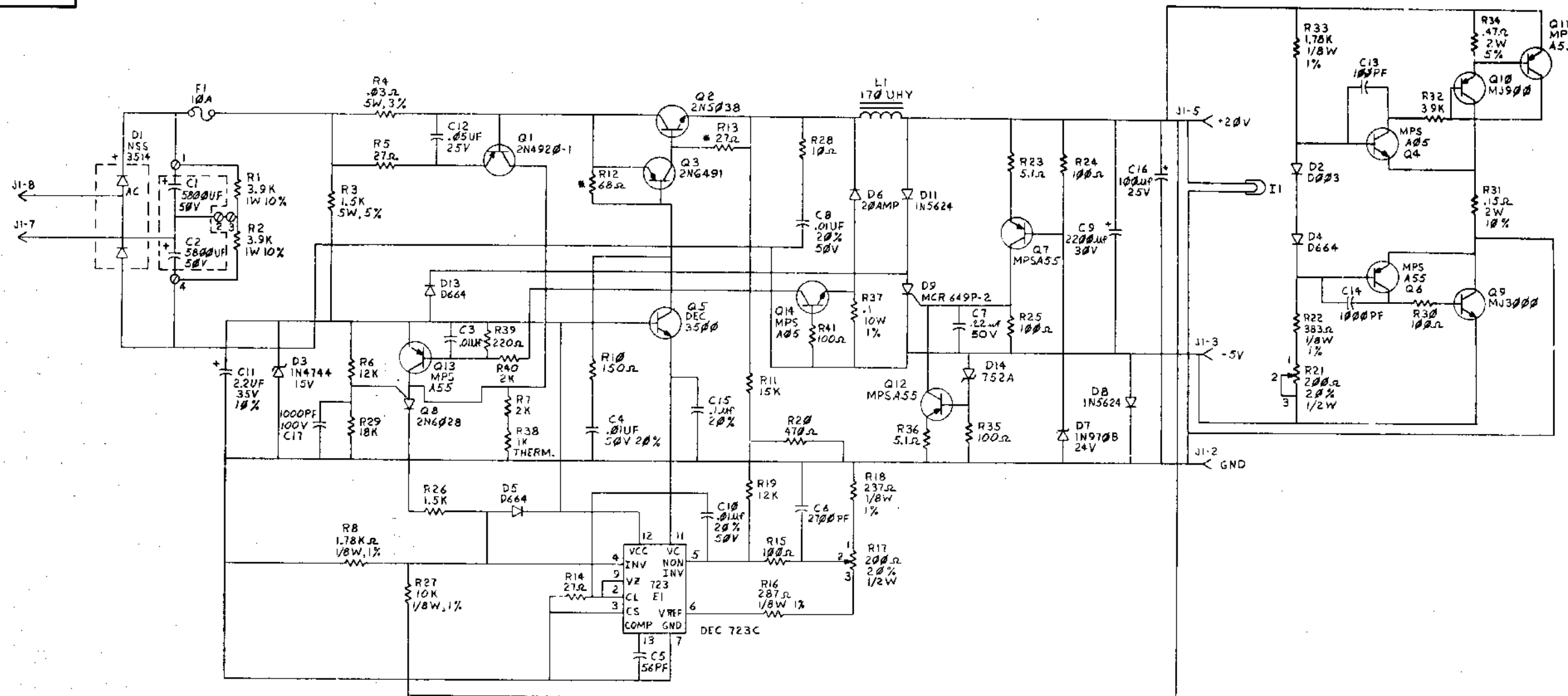


- NOTES:
1. APPLY ITEM #11 (COMPOUND) ON BOTH SIDES OF 170M 1/2 (INSULATED WASHER) BETWEEN ITEM #11 AND BRIDGE DI. AND ITEM #6 (HEAT SINK BRIDGE) UNLESS OTHERWISE INDICATED.
 2. UNLESS OTHERWISE INDICATED, CAPACITORS ARE 100V, 50%.
 3. ADD INSULATION (9107256-11) TO BOTH LEADS OF R39 TO AVOID SHORT TO ETCH.

REF	DESIGNATION	DESCRIPTION	PART NO.	REV
C1	CAP 22.44 50V	1010274	1	
C11	TRANSISTOR 2N4301-1	1509005-1	1	
C13	RES 32.2 1/4W 5%	1304901	1	
C15	INSULATION	9107256-11	1	
R1	RES 220 1/4W 5%	1300277	1	
R2	RES 220 1/4W 1%	1302798	1	
R3	RES 1K 1/4W 5%	1300371	1	
C16	CAP 100UF 25V	1002781	1	
C17	CAP 100UF 25V	1002781	1	
C18	CAP 100UF 25V	1002781	1	
C19	CAP 100UF 25V	1002781	1	
C20	CAP 100UF 25V	1002781	1	
C21	CAP 100UF 25V	1002781	1	
C22	CAP 100UF 25V	1002781	1	
C23	CAP 100UF 25V	1002781	1	
C24	CAP 100UF 25V	1002781	1	
C25	CAP 100UF 25V	1002781	1	
C26	CAP 100UF 25V	1002781	1	
C27	CAP 100UF 25V	1002781	1	
C28	CAP 100UF 25V	1002781	1	
C29	CAP 100UF 25V	1002781	1	
C30	CAP 100UF 25V	1002781	1	
C31	CAP 100UF 25V	1002781	1	
C32	CAP 100UF 25V	1002781	1	
C33	CAP 100UF 25V	1002781	1	
C34	CAP 100UF 25V	1002781	1	
C35	CAP 100UF 25V	1002781	1	
C36	CAP 100UF 25V	1002781	1	
C37	CAP 100UF 25V	1002781	1	
C38	CAP 100UF 25V	1002781	1	
C39	CAP 100UF 25V	1002781	1	
C40	CAP 100UF 25V	1002781	1	
C41	CAP 100UF 25V	1002781	1	
C42	CAP 100UF 25V	1002781	1	
C43	CAP 100UF 25V	1002781	1	
C44	CAP 100UF 25V	1002781	1	
C45	CAP 100UF 25V	1002781	1	
C46	CAP 100UF 25V	1002781	1	
C47	CAP 100UF 25V	1002781	1	
C48	CAP 100UF 25V	1002781	1	
C49	CAP 100UF 25V	1002781	1	
C50	CAP 100UF 25V	1002781	1	
C51	CAP 100UF 25V	1002781	1	
C52	CAP 100UF 25V	1002781	1	
C53	CAP 100UF 25V	1002781	1	
C54	CAP 100UF 25V	1002781	1	
C55	CAP 100UF 25V	1002781	1	
C56	CAP 100UF 25V	1002781	1	
C57	CAP 100UF 25V	1002781	1	
C58	CAP 100UF 25V	1002781	1	
C59	CAP 100UF 25V	1002781	1	
C60	CAP 100UF 25V	1002781	1	
C61	CAP 100UF 25V	1002781	1	
C62	CAP 100UF 25V	1002781	1	
C63	CAP 100UF 25V	1002781	1	
C64	CAP 100UF 25V	1002781	1	
C65	CAP 100UF 25V	1002781	1	
C66	CAP 100UF 25V	1002781	1	
C67	CAP 100UF 25V	1002781	1	
C68	CAP 100UF 25V	1002781	1	
C69	CAP 100UF 25V	1002781	1	
C70	CAP 100UF 25V	1002781	1	
C71	CAP 100UF 25V	1002781	1	
C72	CAP 100UF 25V	1002781	1	
C73	CAP 100UF 25V	1002781	1	
C74	CAP 100UF 25V	1002781	1	
C75	CAP 100UF 25V	1002781	1	
C76	CAP 100UF 25V	1002781	1	
C77	CAP 100UF 25V	1002781	1	
C78	CAP 100UF 25V	1002781	1	
C79	CAP 100UF 25V	1002781	1	
C80	CAP 100UF 25V	1002781	1	
C81	CAP 100UF 25V	1002781	1	
C82	CAP 100UF 25V	1002781	1	
C83	CAP 100UF 25V	1002781	1	
C84	CAP 100UF 25V	1002781	1	
C85	CAP 100UF 25V	1002781	1	
C86	CAP 100UF 25V	1002781	1	
C87	CAP 100UF 25V	1002781	1	
C88	CAP 100UF 25V	1002781	1	
C89	CAP 100UF 25V	1002781	1	
C90	CAP 100UF 25V	1002781	1	
C91	CAP 100UF 25V	1002781	1	
C92	CAP 100UF 25V	1002781	1	
C93	CAP 100UF 25V	1002781	1	
C94	CAP 100UF 25V	1002781	1	
C95	CAP 100UF 25V	1002781	1	
C96	CAP 100UF 25V	1002781	1	
C97	CAP 100UF 25V	1002781	1	
C98	CAP 100UF 25V	1002781	1	
C99	CAP 100UF 25V	1002781	1	
C100	CAP 100UF 25V	1002781	1	
D1	DIODE	1010274	1	
D2	DIODE	1010274	1	
D3	DIODE	1010274	1	
D4	DIODE	1010274	1	
D5	DIODE	1010274	1	
D6	DIODE	1010274	1	
D7	DIODE	1010274	1	
D8	DIODE	1010274	1	
D9	DIODE	1010274	1	
D10	DIODE	1010274	1	
D11	DIODE	1010274	1	
D12	DIODE	1010274	1	
D13	DIODE	1010274	1	
D14	DIODE	1010274	1	
D15	DIODE	1010274	1	
D16	DIODE	1010274	1	
D17	DIODE	1010274	1	
D18	DIODE	1010274	1	
D19	DIODE	1010274	1	
D20	DIODE	1010274	1	
D21	DIODE	1010274	1	
D22	DIODE	1010274	1	
D23	DIODE	1010274	1	
D24	DIODE	1010274	1	
D25	DIODE	1010274	1	
D26	DIODE	1010274	1	
D27	DIODE	1010274	1	
D28	DIODE	1010274	1	
D29	DIODE	1010274	1	
D30	DIODE	1010274	1	
D31	DIODE	1010274	1	
D32	DIODE	1010274	1	
D33	DIODE	1010274	1	
D34	DIODE	1010274	1	
D35	DIODE	1010274	1	
D36	DIODE	1010274	1	
D37	DIODE	1010274	1	
D38	DIODE	1010274	1	
D39	DIODE	1010274	1	
D40	DIODE	1010274	1	
D41	DIODE	1010274	1	
D42	DIODE	1010274	1	
D43	DIODE	1010274	1	
D44	DIODE	1010274	1	
D45	DIODE	1010274	1	
D46	DIODE	1010274	1	
D47	DIODE	1010274	1	
D48	DIODE	1010274	1	
D49	DIODE	1010274	1	
D50	DIODE	1010274	1	
D51	DIODE	1010274	1	
D52	DIODE	1010274	1	
D53	DIODE	1010274	1	
D54	DIODE	1010274	1	
D55	DIODE	1010274	1	
D56	DIODE	1010274	1	
D57	DIODE	1010274	1	
D58	DIODE	1010274	1	
D59	DIODE	1010274	1	
D60	DIODE	1010274	1	
D61	DIODE	1010274	1	
D62	DIODE	1010274	1	
D63	DIODE	1010274	1	
D64	DIODE	1010274	1	
D65	DIODE	1010274	1	
D66	DIODE	1010274	1	
D67	DIODE	1010274	1	
D68	DIODE	1010274	1	
D69	DIODE	1010274	1	
D70	DIODE	1010274	1	
D71	DIODE	1010274	1	
D72	DIODE	1010274	1	
D73	DIODE	1010274	1	
D74	DIODE	1010274	1	
D75	DIODE	1010274	1	
D76	DIODE	1010274	1	
D77	DIODE	1010274	1	
D78	DIODE	1010274	1	
D79	DIODE	1010274	1	
D80	DIODE	1010274	1	
D81	DIODE	1010274	1	
D82	DIODE	1010274	1	
D83	DIODE	1010274	1	
D84	DIODE	1010274	1	
D85	DIODE	1010274	1	
D86	DIODE	1010274	1	
D87	DIODE	1010274	1	
D88	DIODE	1010274	1	
D89	DIODE	1010274	1	
D90	DIODE	1010274	1	
D91	DIODE	1010274	1	
D92	DIODE	1010274	1	
D93	DIODE	1010274	1	
D94	DIODE	1010274	1	
D95	DIODE	1010274	1	
D96	DIODE	1010274	1	
D97	DIODE	1010274	1	
D98	DIODE	1010274	1	
D99	DIODE	1010274	1	
D100	DIODE	1010274	1	
U1	IC 741	1010274	1	
U2	IC 741	1010274	1	
U3	IC 741	1010274	1	
U4	IC 741	1010274	1	
U5	IC 741	1010274	1	
U6	IC 741	1010274	1	
U7	IC 741	1010274	1	
U8	IC 741	1010274	1	
U9	IC 741	1010274	1	
U10	IC 741	1010274	1	
U11	IC 741	1010274	1	
U12	IC 741	1010274	1	
U13	IC 741	1010274	1	
U14	IC 741	1010274	1	
U15	IC 741	1010274	1	
U16	IC 741	1010274	1	
U17	IC 741	1010274	1	
U18	IC 741	1010274	1	
U19	IC 741	1010274	1	
U20	IC 741	1010274	1	
U21	IC 741	1010274	1	
U22	IC 741	1010274	1	
U23	IC 741	1010274	1	
U24	IC 741	1010274	1	
U25	IC 741	1010274	1	
U26	IC 741	1010274	1	
U27	IC 741	1010274	1	
U28	IC 741	1010274	1	
U29	IC 741	1010274	1	
U30	IC 741	1010274	1	
U31	IC 741	1010274	1	
U32	IC 741	1010274	1	
U33	IC 741	1010274	1	
U34	IC 741	1010274	1	
U35	IC 741	1010274	1	
U36	IC 741	1010274	1	
U37	IC 741	1010274	1	
U38	IC 741	1010274	1	
U39	IC 741	1010274	1	
U40	IC 741	1010274	1	
U41	IC 741	1010274	1	
U42	IC 741	1010274	1	
U43	IC 741	1010274	1	
U44	IC 741	1010274	1	
U45	IC 741	1010274	1	
U46	IC 741	1010274	1	
U47	IC 741	1010274	1	
U48	IC 741	1010274	1	
U49	IC 741	1010274	1	
U50	IC 741	1010274	1	
U51	IC 741	1010274	1	
U52	IC 741	1010274	1	
U53	IC 741	1010274	1	
U54	IC 741	1010274	1	
U55	IC 741	1010274	1	
U56	IC 741	1010274	1	
U57	IC 741	1010274	1	
U58	IC 741	1010274	1	
U59	IC 741	1010274	1	
U60	IC 741	1010274	1	
U61	IC 741	1010274	1	
U62	IC 741	1010274	1	
U63	IC 741	1010274	1	
U64	IC 741	1010274	1	
U65	IC 741	1010274	1	
U66	IC 741	1010274	1</	

THIS DRAWING AND SPECIFICATIONS HEREON ARE THE PROPERTY OF DIGITAL EQUIPMENT CORPORATION, AND SHALL NOT BE REPRODUCED OR COPIED OR USED IN WHOLE OR IN PART AS THE BASIS FOR THE MANUFACTURE OR SALE OF ITEMS WITHOUT WRITTEN PERMISSION. COPYRIGHT © 1972, DIGITAL EQUIPMENT CORPORATION

1-0-092H SC3 2



* FUSIBLE RESISTOR

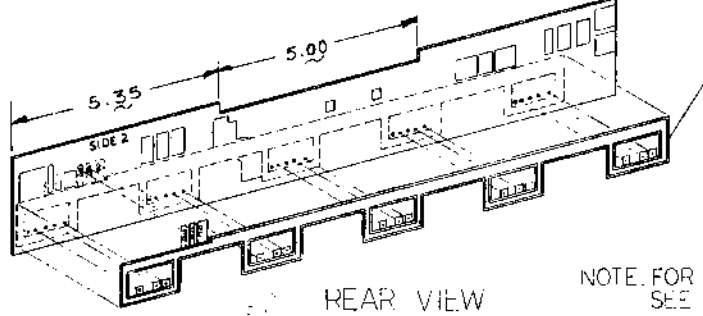
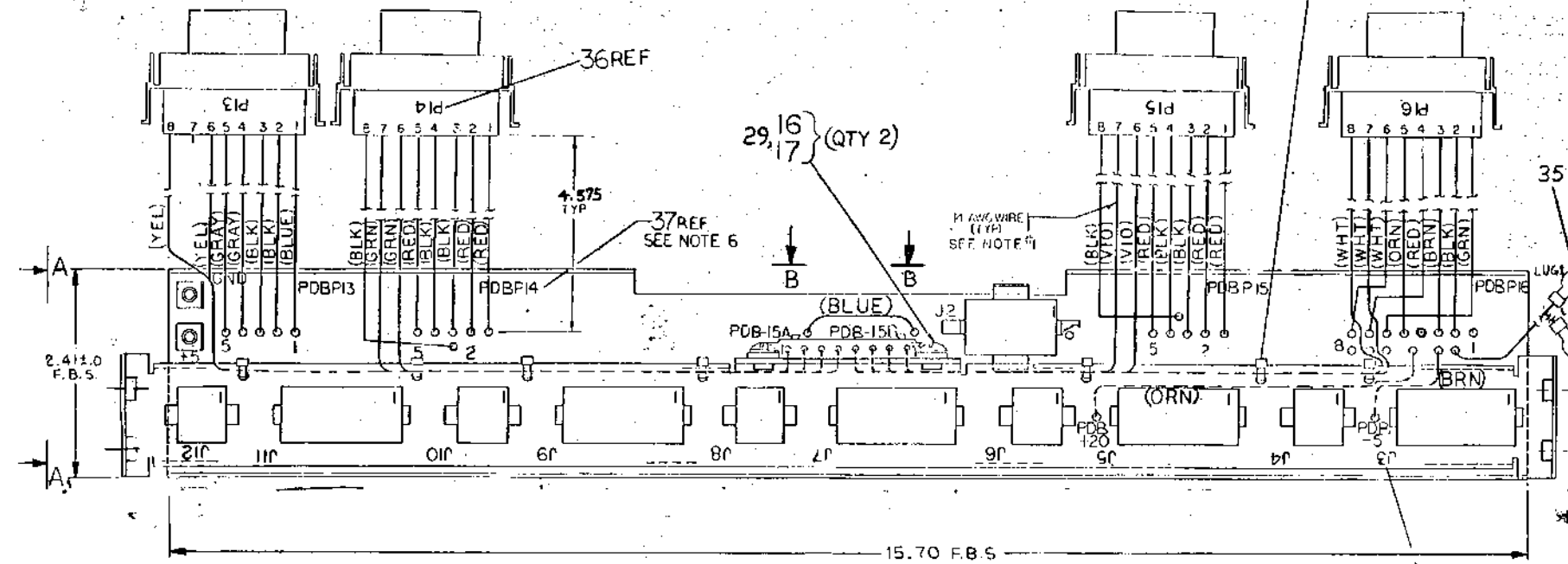
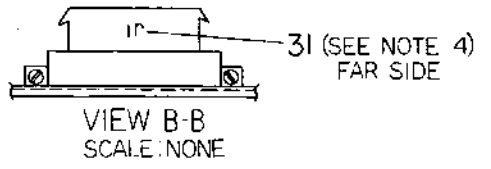
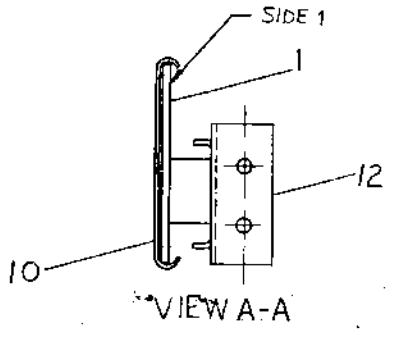
REV	DATE	BY	CHK

DRW. BESONNETTE 8-29-72	FIRST USED ON	H754	DIGITAL
CHK'D R. VOWLES 8-17-72	TITLE	+20 VOLT REGULATOR	
ENG. R. BURTON 8-7-73	PROJ. ENG. R. BURTON 5-7-73	PROD. L. BAPTISTE 5-9-73	
NEXT HIGHER ASSY.			
SCALE	SIZE	CODE	NUMBER
SHEET 2 OF 2	D	CS	H754-0-1
			REV. T

"THIS DRAWING AND SPECIFICATIONS, HEREIN, ARE THE PROPERTY OF DIGITAL EQUIPMENT CORPORATION AND SHALL NOT BE REPRODUCED OR COPIED OR USED IN WHOLE OR IN PART AS THE BASIS FOR THE MANUFACTURE OR SALE OF ITEMS WITHOUT WRITTEN PERMISSION." COPYRIGHT © 1974 DIGITAL EQUIPMENT CORPORATION

NOTES:

- 1. FOR HAND WIRING INFORMATION SEE WIRE TABLE ON SHEET 3.
- 2. MATE-N-LOK FIXTURES (ITEM 28) MUST BE USED DURING WAVE SOLDERING OF J2, J3-J12.
- 3. WIRE JUMPERS ON CIRCUIT BOARD ARE PART OF SIGNAL PATHS. THEY ARE NOT FOR OPTIONS.
- 4. PLACE DECALS (ITEM 30, 31 & 36) APPROX. AS SHOWN.
- 5. POWER DIST. BOARD WITH 7*14AWG WIRES AND BUS BAR IS THE YA VARIATION.
- 6. PLACE DECAL (ITEM 34) COVERING BOARD ETCH APPROX. AS SHOWN.



NOTE: FOR BUS BAR CONNECTIONS SEE SHEET 3 OF 3

IC TYPE	GND	+5V
GND AND 5V ARE USUALLY PIN 7 AND 14 RESPECTIVELY EXCEPT WHERE STATED ABOVE		
IC PIN LOCATIONS		

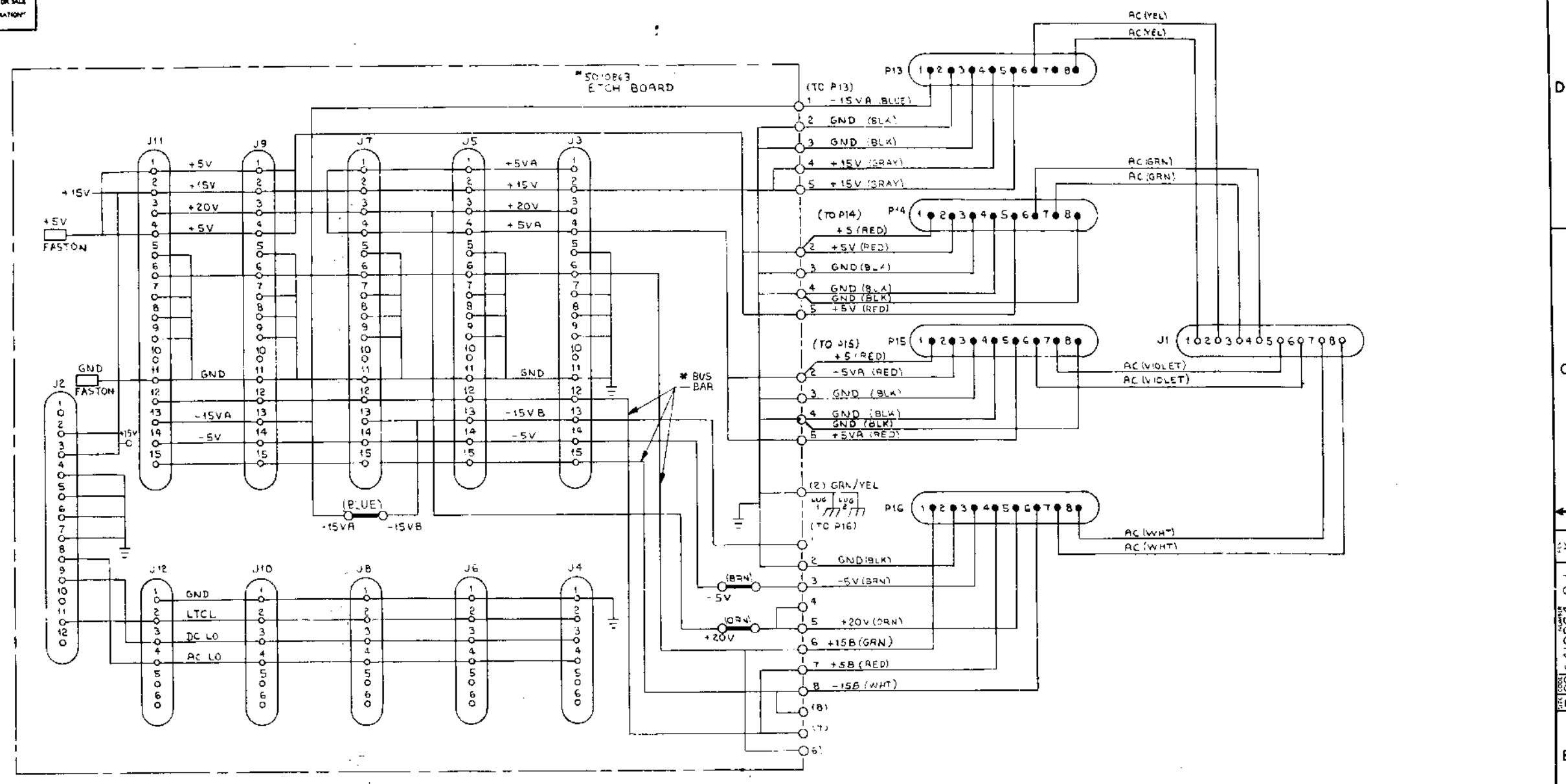
QTY	REF. DESIGNATION	DESCRIPTION	PART NO.	ITEM NO.
1		ETCHED CIRCUIT BOARD	D-1A-5410864-0-0	1
5	J4, J6, J8, J10, J12	CONN, 6 PIN MATE-N-LOK (FEMALE)	1209350-06	2
1	J1	CONN, 8 PIN MATE-N-LOK (FEMALE)	1209340-00	3
5	J3, J5, J7, J9, J11	CONN, 15 PIN MATE-N-LOK (FEMALE)	1209350-15	4
1	J2	CONN, 12 PIN MATE-N-LOK (FEMALE)	1209350-12	5
4	P13 THRU P16	CONN, 8 PIN MATE-N-LOK (MALE)	1209340-01	6
31	24 (P13 THRU P16)	PIN, MATE-N-LOK	1209378-01	7
8	(J1)	PIN, MATE-N-LOK	1209379-01	8
117	117	PIN, MATE-N-LOK PC MOUNT	1209456	9
1		SHIELD	C-MD-742142-2-0	10
1		GROWING LUG	900753	11
1		BRACKET, CONN MTG	D-ND-7411704-00	12
2		EYELET	9009000	13
2		FASTON TAB	9008219-0	14
7		CABLE TIE, .12 WIDE	9007880	15
2		SCREW, PHD TRUSS 6-32xJ125	9006021-05	16
2		WASHER, INT TOOTH #6	9006633	17
A/A/R		WIRE #14 AWG STRD (ORN)	9107370-33	18
A/R/A/R		WIRE #14 AWG STRD (BRN)	9107370-11	19
A/R/A/R		WIRE #14 AWG STRD (RED)	9107370-22	20
A/R/A/R		WIRE #14 AWG STRD (GRY)	9107370-88	21
A/R/A/R		WIRE #14 AWG STRD (BLK)	9107370-00	22
A/R/A/R		WIRE #14 AWG STRD (BLU)	9107370-66	23
A/R/A/R		WIRE #14 AWG STRD (VEL)	9107370-44	24
A/R/A/R		WIRE #14 AWG STRD (GRN)	9107370-55	25
A/R/A/R		WIRE #14 AWG STRD (VIO)	9107370-77	26
A/R/A/R		WIRE #14 AWG STRD (WHT)	9107370-99	27
36 REF		MATE-N-LOK FIXTURES	C-1A-9305937-0-0	28
2		FLAT WASHER #6	9006666	29
A/R/A/R	J3 THRU J12	DECAL, PWR CONN.	A-DC-7409873-01	30
A/R/A/R	J1	DECAL, PWR CONN.	A-DC-7409873-02	31
1		BAR, BUS, BATTERY BACKUP	1213497	32
A/R/A/R		WIRE #14 AWG GRN/YEL	3107717-54	33
1		TERMINAL, RING BLU	9007928	34
1		TERMINAL, RING YEL	9007926-01	35
A/R/A/R	P13 THRU P16	DECAL, PWR CONN.	A-DC-7409872-2	36
A/R/A/R	P13 THRU P16	DECAL, PWR BOARD	A-DC-7417391-0	37

5410864-YA	5410864	QTY	REF. DESIGNATION	DESCRIPTION	PART NO.	ITEM NO.
FIRST USED ON OPTION MODEL		PARTS LIST				
BALL-K		ETCH BOARD REV. 10				
DON: R. Brasley		DATE: 6/14/74				TITLE: POWER DISTRIBUTION BOARD
CHK: J. Carrafello		DATE: 7/1				
ENG: J. Carrafello		DATE: 7/25/74				
PRD: R. Carrafello		DATE: 7/25/74				
NEXT HIGHER ASBY: D-UA-BALL-K-0		SCALE: NONE		SIZE CODE: DICS 5410864-0-1		REV: K
DEC NO.		EIA NO.		SEMICONDUCTOR CONVERSION CHART		SHEET OF 3

REV.	DATE	BY	CHK	REVISIONS
1	6/14/74	R. Brasley	J. Carrafello	ORIGINAL
2				CHANGE NO. 1

THIS DRAWING AND SPECIFICATIONS HEREIN ARE THE PROPERTY OF DIGITAL EQUIPMENT CORPORATION AND SHALL NOT BE REPRODUCED OR COPIED OR USED IN WHOLE OR IN PART AS THE BASIS FOR THE MANUFACTURE OR SALE OF ITEMS WITHOUT WRITTEN PERMISSION. COPYRIGHT © 1974 DIGITAL EQUIPMENT CORPORATION.

DCS 5410864-0-1 K 2 1



* BUS BAR USED IN THE YA VARIATION ONLY

REVISIONS		
CHK	CHANGE NO	REV.

TITLE	SIZE CODE	NUMBER	REV.
PWR DIST BOARD	DCS	5410864-0-1	K
SCALE NONE	SHEET 2 OF 3	DIST.	

240

"THIS DRAWING AND SPECIFICATIONS HEREIN ARE THE PROPERTY OF DIGITAL EQUIPMENT CORPORATION AND SHALL NOT BE REPRODUCED OR COPIED OR USED IN WHOLE OR IN PART AS THE BASIS FOR THE MANUFACTURE OR SALE OF ITEMS WITHOUT THE WRITTEN PERMISSION OF DIGITAL EQUIPMENT CORPORATION"

WIRE TABLE

ITEM NO	DESCRIPTION	FROM		TO		LENGTH	SIGNAL NAME
		CONNECTION	WITH	CONNECTION	WITH		
24	14 YEL	J1-1	8	P13-8	7	12.5"	AC/H745
24	↑ YEL	J1-2	↑	P13-6	↑	12.5"	AC/H745
25	GRN	J1-3	↑	P14-7	↑	11"	AC/H744-1
25	GRN	J1-4	↑	P14-6	↑	11"	AC/H744-1
26	VIO	J1-5	↑	P15-7	↑	8.75"	AC/H744-2
26	VIO	J1-6	↑	P15-6	↑	8.75"	AC/H744-2
27	WHT	J1-7	↑	P16-8	↑	11.25"	AC/H754
27	WHT	J1-8	8	P16-7	↑	11.25"	AC/H754
23	BLU	PDBP13-1	SOLDER	P13-1	↑	5"	-15V
22	BLK	PDBP13-2	↑	P13-2	↑	↑	GND
22	BLK	PDBP13-3	↑	P13-3	↑	↑	GND
21	GRY	PDBP13-4	↑	P13-4	↑	↑	+15V
21	GRY	PDBP13-5	↑	P13-5	↑	↑	+15V
20	RED	PDBP14-2	↑	P14-2	↑	↑	+5V
22	BLK	PDBP14-3	↑	P14-3	↑	↑	GND
22	BLK	PDBP14-4	↑	P14-4	↑	↑	GND
20	RED	PDBP14-5	↑	P14-5	↑	↑	+5V
20	RED	PDBP15-2	↑	P15-2	↑	↑	+5V
22	BLK	PDBP15-3	↑	P15-3	↑	↑	GND
22	BLK	PDBP15-4	↑	P15-4	↑	↑	GND
20	RED	PDBP15-5	↑	P15-5	↑	↑	+5V
22	BLK	PDBP16-2	↑	P16-2	↑	↑	GND
19	BRN	PDBP16-3	↑	P16-3	↑	↑	-5V
18	GRN	PDBP16-5	↑	P16-5	7	5"	+20V
23	BLU	PDBP15A	↑	PDB-15B	SOLDER	1.75"	-15V
18	GRN	PDBP16-5	↓	PDB+20V	↑	5"	+20V
19	BRN	PDBP16-3	SOLDER	PDB-5V	↓	2"	-5V
33	GRN/YEL	LUG 1	35	PDBP16-2	SOLDER	11"	SAFETY GND
33	GRN/YEL	LUG 2	34	LUG 2	34	15"	SAFETY GND
20	RED	PDBP16-7	SOLDER	P16-4	7	5.5"	+5B
20	RED	PDBP15-1	↑	P15-1	↑	5"	+5V
20	RED	PDBP14-1	↑	P14-1	↑	5"	+5V
22	BLK	PDBP15-4	↑	P15-8	↑	5.5"	GND
22	BLK	PDBP14-4	↑	P14-8	↑	↑	GND
25	GRN	PDBP16-6	↓	P16-1	↓	↑	+15B
27	14 WHT	PDBP16-8	SOLDER	P16-6	7	5.5"	-15B

YA VARIATION ONLY.

BUS BAR CONNECTIONS FOR YA VARIATION

LEVEL A	PDBP16-6 J11,J9,J7,J5,J3 ALL PIN#6	+15V.B
LEVEL B	PDBP16-7 J11,J9,J7,J5,J3 ALL PIN#12	+5V
LEVEL C	PDBP16-8 J11,J9,J7,J5,J3 ALL PIN#15	-15V.B

REVISIONS		
CHE	CHANGE NO	REV

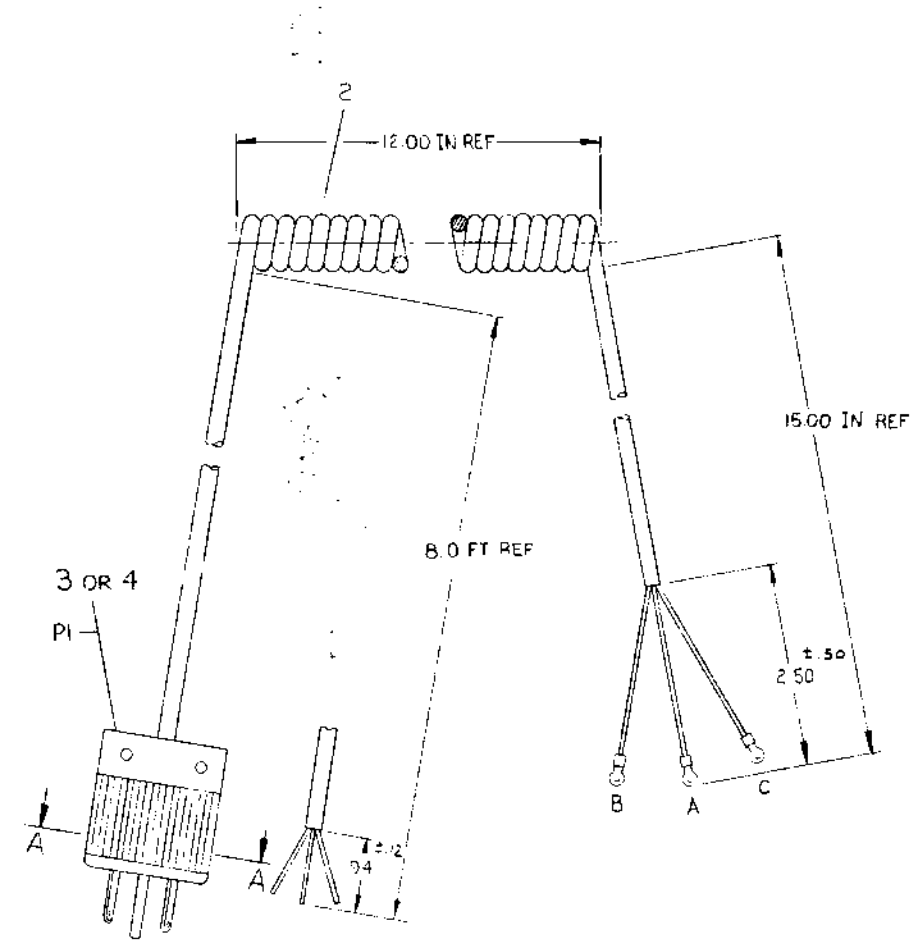
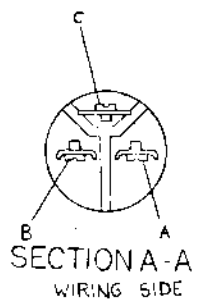
TITLE	SIZE CODE	NUMBER	REV.
PWR DIST BOARD	DCS	5410864-0-1	K
SCALE NONE	SHEET 3 OF 3	DIST.	

THIS DRAWING AND SPECIFICATIONS HEREIN ARE THE PROPERTY OF DIGITAL EQUIPMENT CORPORATION AND SHALL NOT BE REPRODUCED OR COPIED OR USED IN WHOLE OR IN PART AS THE BASIS FOR THE MANUFACTURE OR SALE OF ITEMS WITHOUT WRITTEN PERMISSION. COPYRIGHT © 1976, DIGITAL EQUIPMENT CORPORATION.

LEGEND

NUMBER	VARIATION
7012500-0	120V
7012500-1	240V

WIRE TABLE (7012500-0)							WIRE TABLE (7012500-1)										
ITEM NO.	DESCRIPTION			FROM		TO		REMARKS	ITEM NO.	DESCRIPTION			FROM		TO		REMARKS
	AWG	COLOR	CONNECTION	WITH	CONNECTION	WITH	CONNECTION			WITH	CONNECTION	WITH					
2	14	ERT	PI-B	---	B	6	AC LINE	2	14	BRN	PI-B	---	B	6	LINE		
2	14	LT BLU	PI-A	---	A	6	AC NEUTRAL	2	14	LT BLU	PI-A	---	A	6	NEUTRAL		
2	14	GRN/YEL	PI-C	---	C	6	AC SAFETY GND	2	14	GRN/YEL	PI-C	---	C	6	AC SAFETY GND		



QTY	DESCRIPTION	DWG. PART NO.	ITEM NO.
3	TERMINAL RING TONGUE	9007928	6
2	TERMINAL QUICK CONNECT	9007910-0	5
1	PLUG, 240 V	9008853	4
1	PLUG, 120 V	9008938	3
1	POWER CORD	1700065-0	2
1	POWER CORD	1700065-1	1

DESCRIPTION	DWG. PART NO.	ITEM NO.
7012500-1	7012500-0	

THIRD ANGLE PROJECTION

REMOVE BURRS AND BREAK SHARP CORNERS

DO NOT SCALE DWG

MATERIAL SEE PARTS LIST

FINISH

CLASS OF ACCURACY

CHECK ONLY

PREFERRED

DRN. & Rev. 12-27-76

CHK'D BY: [Signature]

ENG. [Signature]

PROJ. ENGR. [Signature]

PRCD. [Signature]

FIRST USED ON BAI1-K

TITLE POWER CORD 120V 240V

SIZE CODE NUMBER REV. D IA 7012500-0-0 A

SCALE NONE

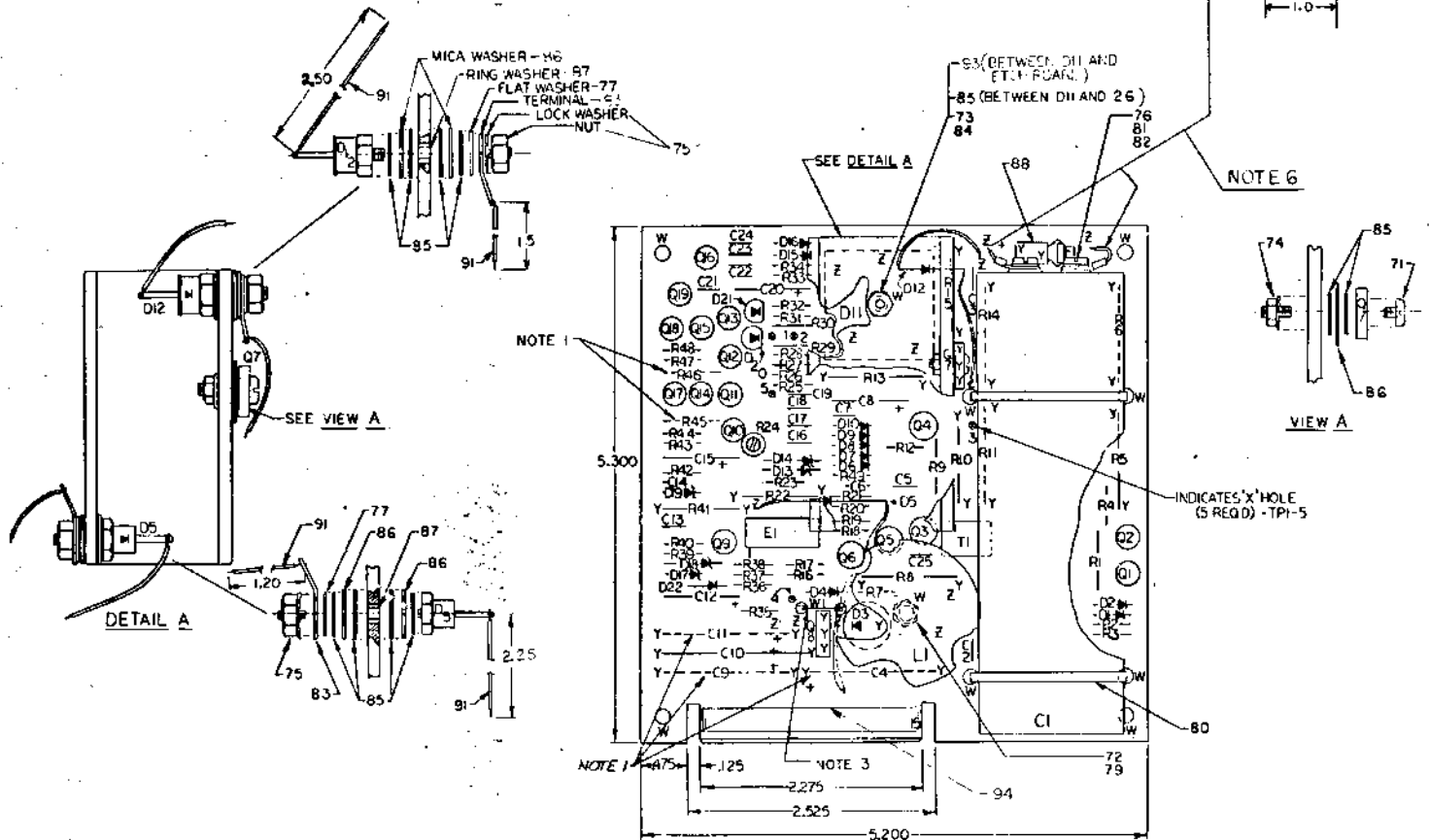
SHEET 1 OF 1

REV.	DESCRIPTION
1	CHANGE NO. 1
2	CHANGE NO. 2
3	CHANGE NO. 3
4	CHANGE NO. 4
5	CHANGE NO. 5
6	CHANGE NO. 6
7	CHANGE NO. 7
8	CHANGE NO. 8

"THIS DRAWING AND SPECIFICATIONS HEREIN ARE THE PROPERTY OF DIGITAL EQUIPMENT CORPORATION AND SHALL NOT BE REPRODUCED OR COPIED OR USED IN WHOLE OR IN PART AS THE BASIS FOR THE MANUFACTURE OR SALE OF ITEMS WITHOUT WRITTEN PERMISSION."
 DIGITAL EQUIPMENT CORPORATION
 COPYRIGHT © 1974

NOTES:

1. R45, R46, C4, C9, & C11 ARE NOT USED ON BASIC 541086 BUT ARE RESERVED FOR PLANNED FUTURE MODULE VARIATIONS.
2. ** TOTAL +15V AND +8V CURRENT NOT TO EXCEED 40 AMPERES.
3. W1 (TEST JUMPER) MAYBE TEMPORARILY REMOVED WHILE TROUBLE-SHOOTING TO DETERMINE IF LOSS OF 15V IS DUE TO CROWBAR CIRCUITRY, BUT MUST BE IN THE BOARD FOR NORMAL OPERATION.
4. ~~NON-ITEMIZED PARTS SUPPLIED WITH D18.~~
5. A) FOR STANDARD VERSION USE SHEETS 1, 2, 3, & 4 OF THIS DWG.
 B) FOR YA VERSION USE SHEETS 1, 2, & 3 OF THIS DWG.
6. WIRES MUST NOT EXTEND BEYOND THE DIMENSIONS OF THE BOARD.



REF	REF	X-Y COORDINATE HOLE LOCATION	K-CO-5411086-B-4	1
REF	REF	ASSY/DRILLING HOLE LAYOUT	D-AM-5411086-B-5	2
REF	REF	MODULE ECO HISTORY	B-WH-5411086-B-6	3
1	1	ETCHED CIRCUIT BOARD	5011085	4
0	1	C2	1000012	5
4	4	C18, C17, C18, C21	1000023	6
3	5	C3, C13, C19, C22, C23	1001810-01	7
1	3	C4, C12, C15	1002431	8
2	2	C6, C25	1002508	9
1	1	C20	1009125	10
4	4	C5, C7, C14, C24	1010274-01	11
0	1	C18	1010509-01	12
1	1	C1	1010951	13
1	2	D2, D19	1100122	14
0	1	D5	1100134	15
0	1	D3	1103341	16
7	8	D1, D6, D7, D8, D9, D15, D16, D22	1105275	17
1	2	D18, D17	1105648	18
0	1	D4	1105738	19
0	1	D12	1109440	20
0	1	D16	1110088	21
2	2	D28, D21	1110324	22
1	1	D11	1110714	23
2	2	D13, D14	1110925	24
0	1	F1	1205147	25
0	1	HEAT SINK	1211986	26
0	1	R23	1300202	27
0	2	R7, R49	1300229	28
0	1	R41	1300232	29
1	3	R4, R12, R49	1300231	30
0	1	R14	1300278	31
0	1	R11	1300318	32
2	2	R18, R28	1300355	33
0	1	R1	1300394	34
0	1	R18	1300420	35
1	1	R15	1300437	36
0	1	R3	1300439	37
2	2	R43, R47	1300479	38
0	1	R37	1301317	39
2	3	R2, R44, R48	1301401	40
0	1	R38	1301424	41
0	1	R16	1301808	42
1	1	R13	1301852	43
0	1	R9	1302253	44
2	2	R19, R21	1302394	45
0	1	R36	1302411	46
0	1	R39	1302685	47
1	1	R25	1303045	48
1	1	R8	1303082	49
1	2	R17, R28	1303114	50
1	1	R31	1303303	51
0	1	R42	1303312	52
2	2	R33, R34	1304854	53
1	1	R38	1304855	54

QTY	REF. DESIGNATION	ITEM
3	C19, C22, C23	7
1	C8	8
1	D19	14
7	D6, D7, D8, D9, D15, D16, D22	17
1	D10	18
1	R49	30
2	R44, R48	40
1	R28	50
4	Q3, Q5, Q10, Q19	63
4	Q11, Q12, Q13, Q16	66

IC TYPE	GND	+5V

GND AND 5V ARE USUALLY PIN 7 AND 14 RESPECTIVELY EXCEPT WHERE STATED ABOVE

IC PIN LOCATIONS

REV.	DATE	BY	CHK.	REV.
1	10-9-74	J. BOLEN		
2	10-10-74	V. BOLEN		
3	10-11-74	V. BOLEN		
4	10-11-74	V. BOLEN		
5	10-11-74	V. BOLEN		
6	10-11-74	V. BOLEN		
7	10-11-74	V. BOLEN		
8	10-11-74	V. BOLEN		
9	10-11-74	V. BOLEN		
10	10-11-74	V. BOLEN		

FIRST USED ON OPTION MODEL

ETCH BOARD REV. D

DATE 10-9-74

DRN J. BOLEN

CHG V. BOLEN

END V. BOLEN

PROJ. ENG. V. BOLEN

PROD. V. BOLEN

NEXT HIGHER ASSY

TITLE PWR. LINE MONITOR/15V REG.

SIZE CODE DCS

NUMBER 5411086-0-1

REV. J

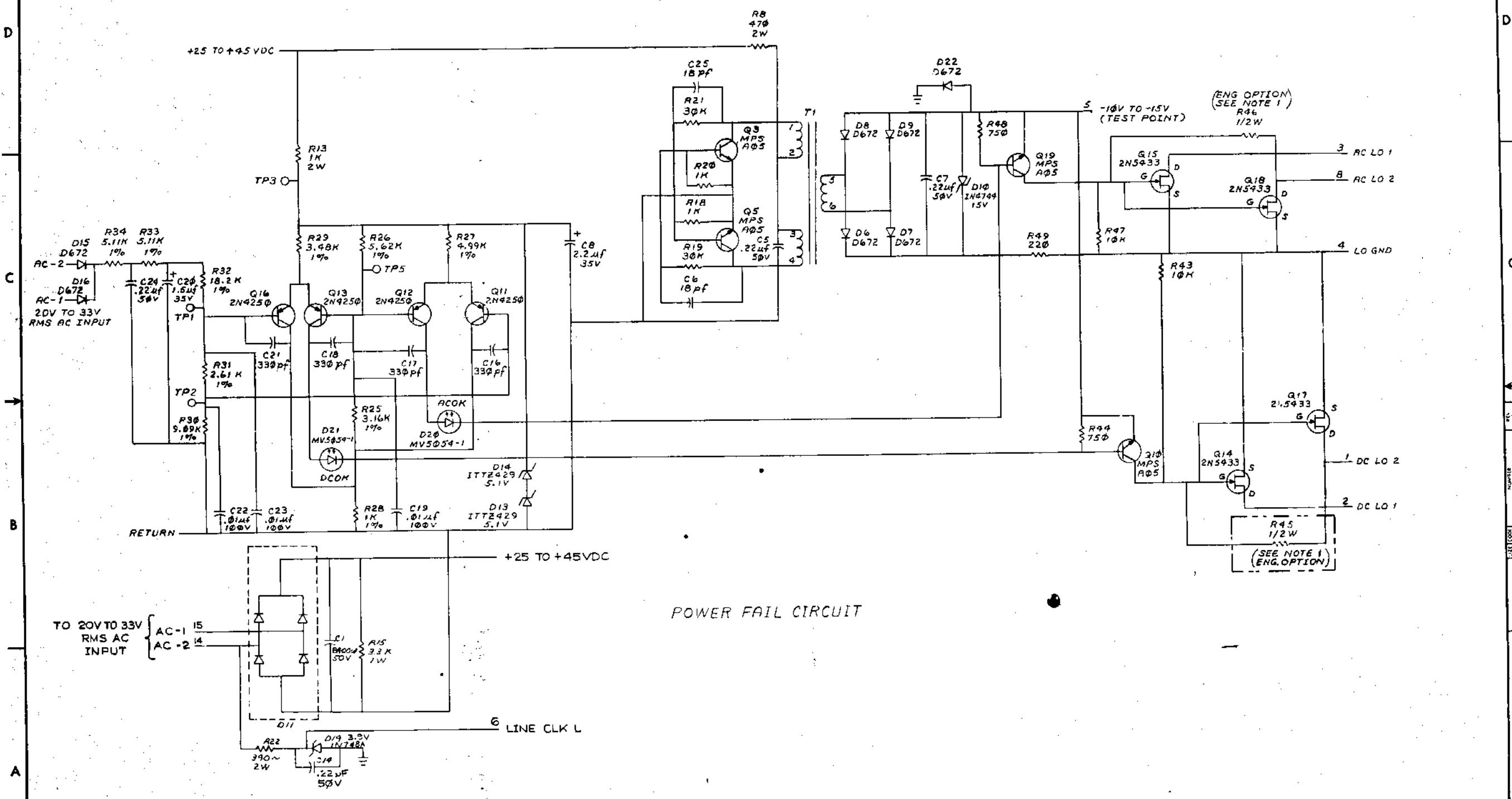
SCALE SHEET OF 4

SEMICONDUCTOR CONVERSION CHART

5411086-0-1

245

THIS DRAWING AND SPECIFICATIONS HEREIN ARE THE PROPERTY OF DIGITAL EQUIPMENT CORPORATION AND SHALL NOT BE REPRODUCED OR COPIED OR USED IN WHOLE OR IN PART AS THE BASIS FOR THE MANUFACTURE OR SALE OF ITEMS WITHOUT WRITTEN PERMISSION. COPYRIGHT © 1974 DIGITAL EQUIPMENT CORPORATION



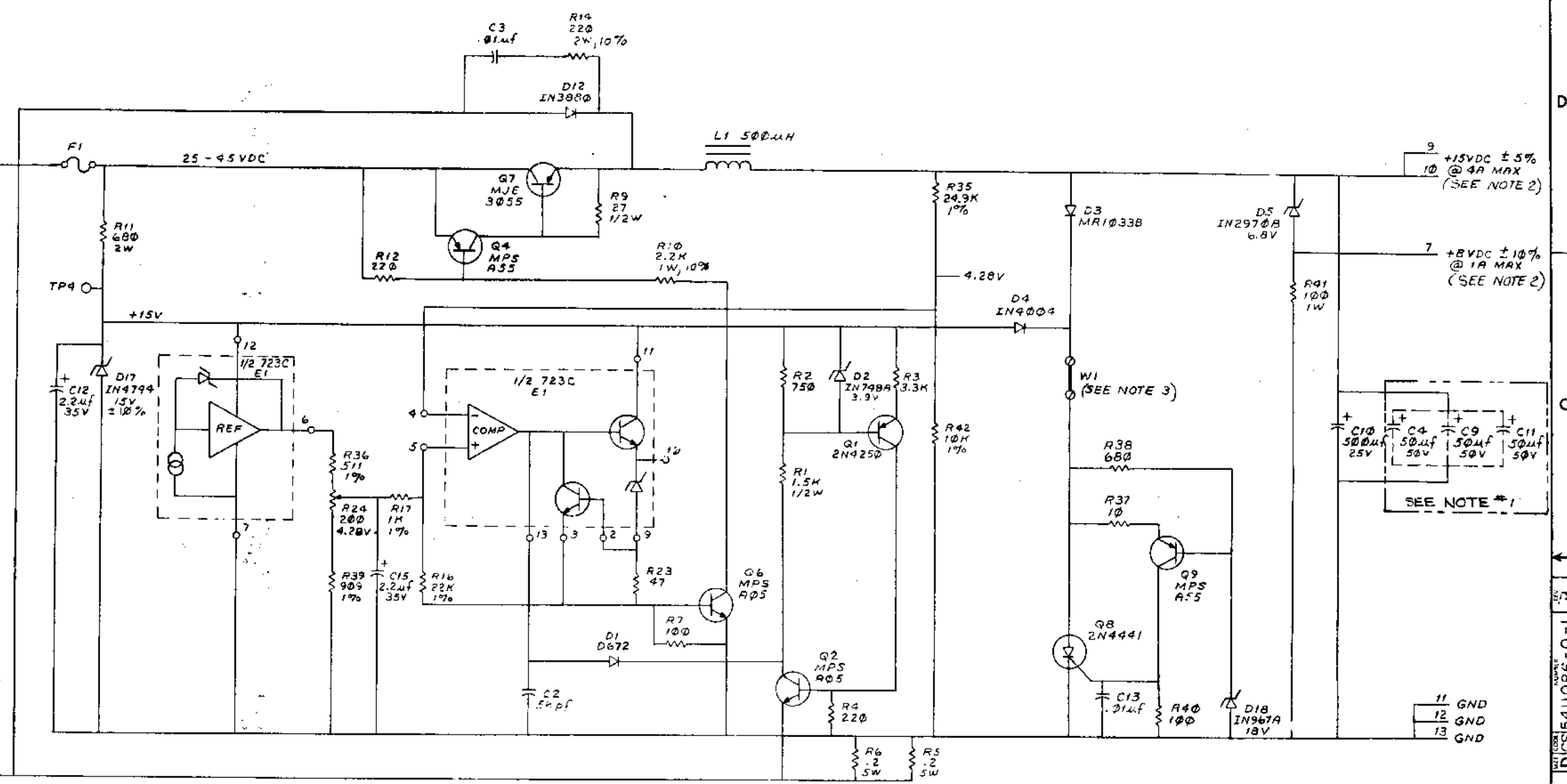
REVISIONS		
CHK	CHANGE NO.	REV.

TITLE	FWR. LINE MONITOR/15V REG.	SIZE CODE	NUMBER	REV.
SCALE	SHEET 3 OF 4	DIST.	DCS 5411086-0-1	4

DCS 5411086-0-1

215

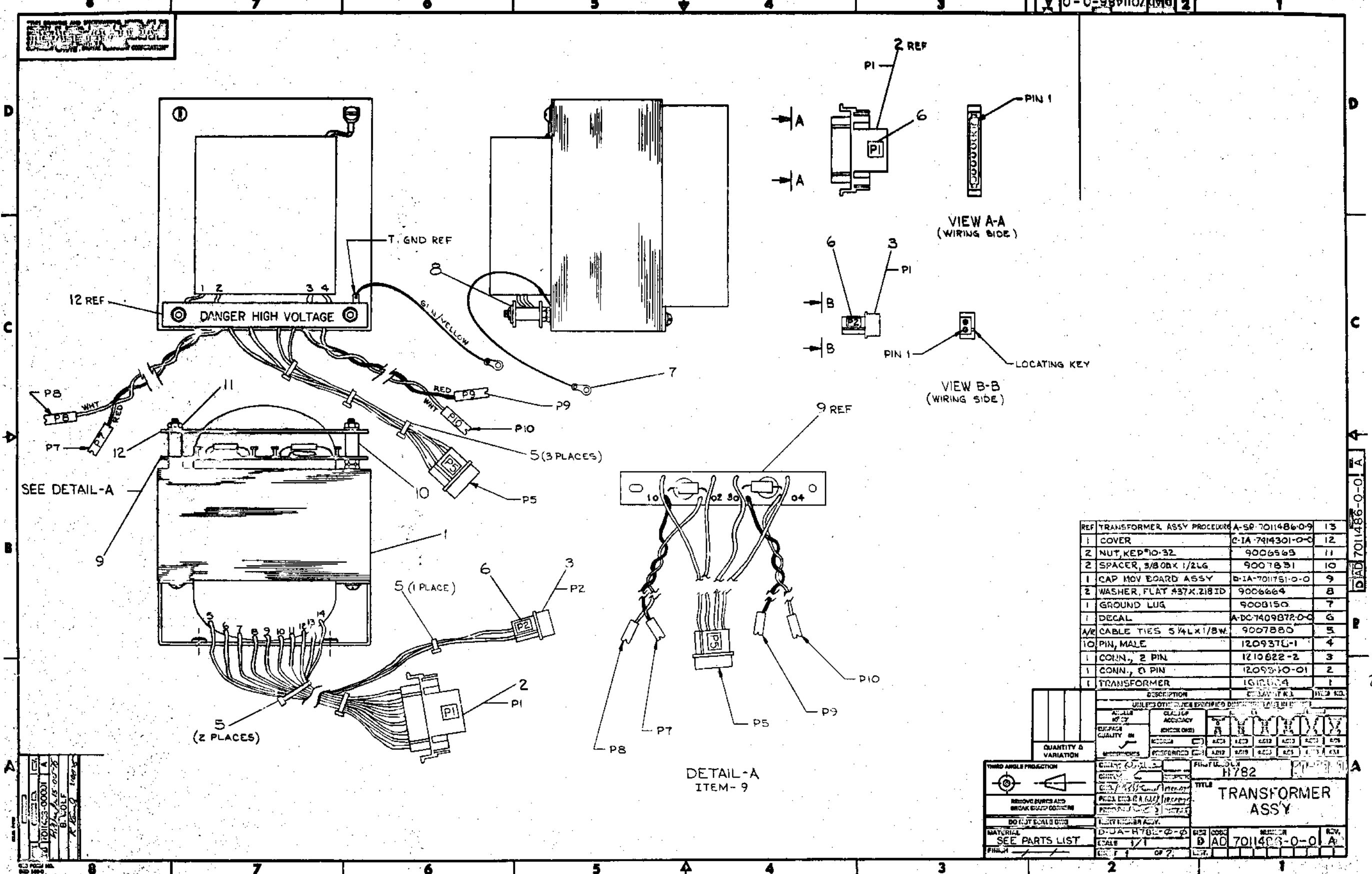
"THIS DRAWING AND SPECIFICATIONS HEREIN ARE THE PROPERTY OF DIGITAL EQUIPMENT CORPORATION AND SHALL NOT BE REPRODUCED OR COPIED OR USED IN WHOLE OR IN PART AS THE BASIS FOR THE MANUFACTURE OR SALE OF ITEMS WITHOUT WRITTEN PERMISSION. COPYRIGHT © 1974 DIGITAL EQUIPMENT CORPORATION"



15V REGULATOR
(SEE NOTE #4)

REVISIONS		
CHK	CHANGE NO.	REV.

TITLE	PWR. LINE MONITOR/15V REG.	SIZE CODE	NUMBER	REV.
SCALE	1/1	SHEET	1 OF 4	DIST.
DCS 5411086-0-1		246		



REF	DESCRIPTION	QTY	REF
	TRANSFORMER ASSY PROCEDURE A-SR 7011486-0-9	13	
1	COVER	1	12
2	NUT, KEP #0-32	9006969	11
2	SPACER, 3/80x 1/2LG	9007891	10
1	CAP MOV BOARD ASSY	D-1A-7011751-0-0	9
2	WASHER, FLAT 437X.218 ID	9006664	8
1	GROUND LUG	9008150	7
1	DECAL	A-DC-7409872-0-0	6
1/2	CABLE TIES 5/16x1/8W	9007880	5
10	PIN, MALE	1209376-1	4
1	CONN., 2 PIN	1210822-2	3
1	CONN., 0 PIN	1209340-01	2
1	TRANSFORMER	1011104	1

QUANTITY & VARIATION	DESCRIPTION	REVISION

THIRD ANGLE PROJECTION	REV. 1	DATE	10/1/58
REMOVE BURRS AND BREAK SHARP CORNERS	BY	CHKD	
DO NOT SCALE DIMS	APP'D	DATE	
MATERIAL	D-1A-H782-0-0	REV.	
SEE PARTS LIST	SCALE	1/1	
FINISH	1	OF 2	

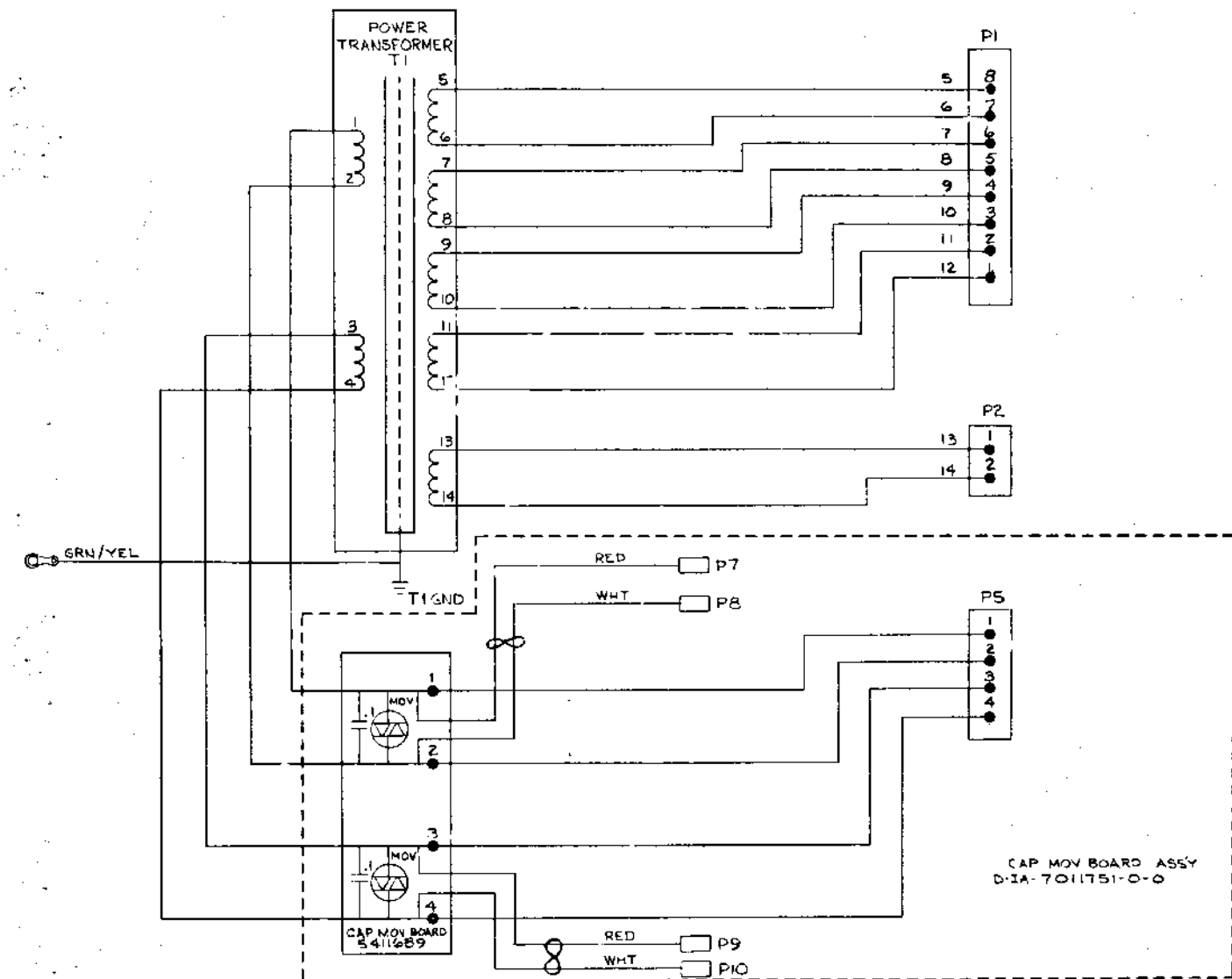
347.0

245

240

10-0-984110/012

WIRE TABLE							
ITEM NO.	DESCRIPTION		FROM		TO		WIRE LENGTH
	AWG	COLOR	CONNECTION	WITH	CONNECTION	WITH	
1	14	BLK	T1-1	---	CAP MOV BD-1	SOLDER	1.5 IN
			T1-2	---	CAP MOV BD-2	SOLDER	2.0 IN
			T1-3	---	CAP MOV BD-3	SOLDER	2.0 IN
			T1-4	---	CAP MOV BD-4	SOLDER	1.5 IN
			T1-5	---	P1-8	ITEM 4	12.0 IN
			T1-6	---	P1-7		
			T1-7	---	P1-6		
			T1-8	---	P1-5		
			T1-9	---	P1-4		
			T1-10	---	P1-3		
			T1-11	---	P1-2		
			T1-12	---	P1-1	ITEM 4	
1	14	BLK	T1-13	---	P2-1	ITEM 4	
1	14	GRN/YEL	T1-14	---	P2-2	ITEM 4	12.0 IN
1	14	GRN/YEL	T1-GND	---	GND LUG (ITEM 7)	SOLDER	14.0 IN



REVISIONS		
CHK	CHAN	REV

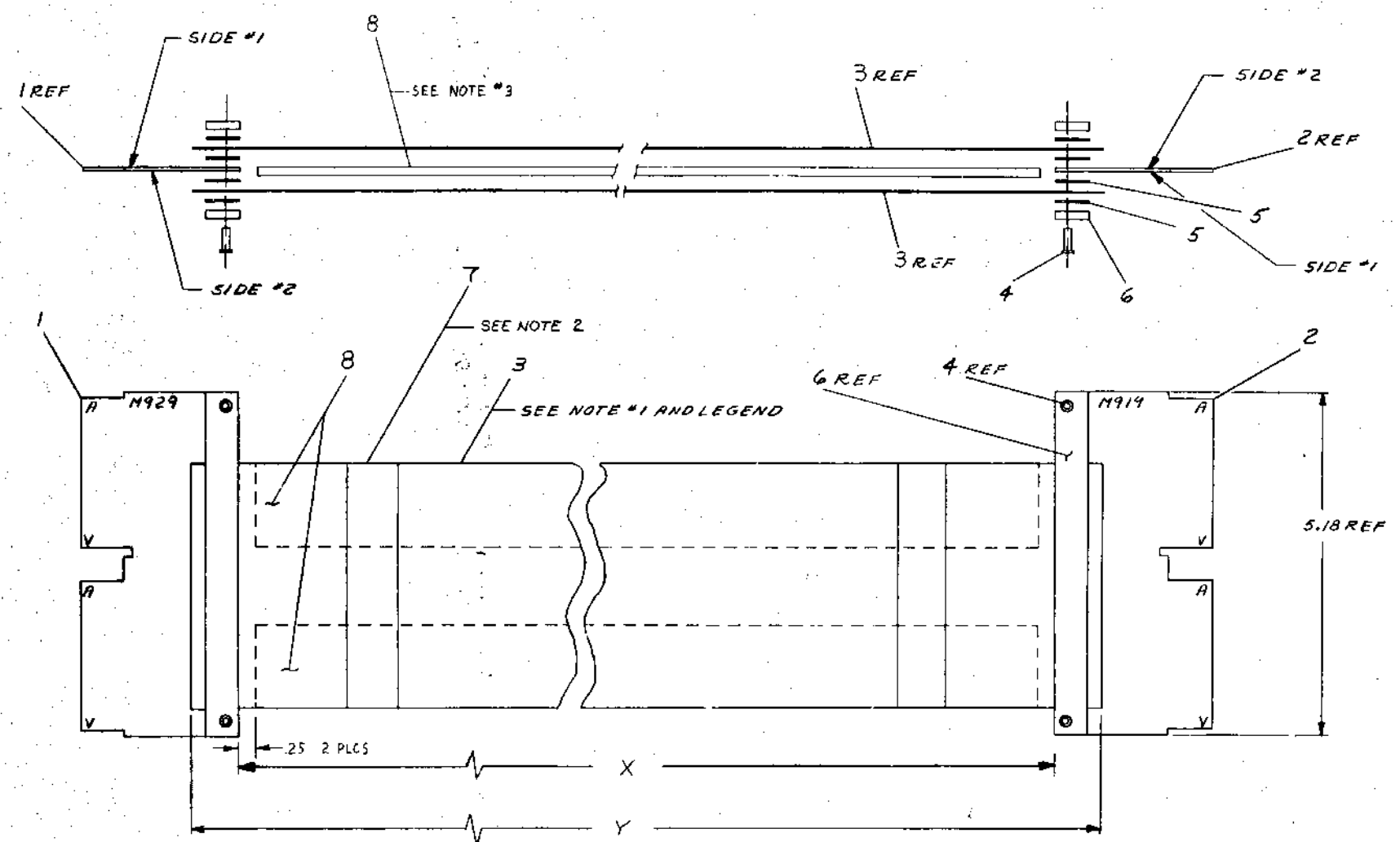
AD7011486-0-0 A

248

This drawing and specifications, herein, are the property of Digital Equipment Corporation and shall not be reproduced or used in whole or in part as the basis for the manufacturing of parts or items without written permission.

0-0-BC11A-0-2

NOTES:
 1. VARIATIONS AND LENGTHS SHOWN IN LEGEND ARE STANDARD. OTHER THAN STANDARD VARIATIONS WILL BE SPECIFIED BY ALPHANUMERIC DESIGNATION. FOR LENGTHS OTHER THAN FOOT INCREMENTS FROM ONE (1) FOOT THROUGH NINE (9) FEET, ELEVEN (11) INCHES.
 A=1" G=7"
 B=2" H=8"
 C=3" J=9"
 D=4" K=10"
 E=5" L=11"
 F=6"
 EXAMPLE: BC11A-3D=3'4".
 LENGTHS WILL BE IN FOOT INCREMENTS FROM TEN (10) FEET ON, AND WILL BE SPECIFIED BY THE CORRESPONDING NUMERICAL DESIGNATION.
 EXAMPLE: BC11A-11=11 FEET.
 THE TOLERANCE ON DIMENSION "W" WILL BE 2% OF THE FOOT INCREMENT.
 2. FLEXPRINTS TO BE BOUND TOGETHER BY WRAPPING WITH BLACK ELECTRICAL TAPE (ITEM 7) EVERY 18 INCHES.
 3. INSTALL 2 PIECES OF FOAM TAPE (ITEM 8) BETWEEN FLEX PRINT CABLES AS SHOWN.



REV	DATE	BY	CHKD	DESCRIPTION
A	11-1-70	BLASI	BLASI	BC11A-00001
B	11-1-70	BLASI	BLASI	BC11A-00002
C	11-1-70	BLASI	BLASI	BC11A-00003
D	11-1-70	BLASI	BLASI	BC11A-00004
E	11-1-70	BLASI	BLASI	BC11A-00005
F	11-1-70	BLASI	BLASI	BC11A-00006
G	11-1-70	BLASI	BLASI	BC11A-00007
H	11-1-70	BLASI	BLASI	BC11A-00008
I	11-1-70	BLASI	BLASI	BC11A-00009
J	11-1-70	BLASI	BLASI	BC11A-00010

QTY.	DESCRIPTION	PART NO.	ITEM NO.
1	GRAY FOAM	9008881	8
1	DLX ELECTRICAL TAPE	9008260	7
4	CLAMP, CABLE	C-50-12072800	6
1	TAPE "4032 1/2" X 3/16" LB	9007834	5
4	BYELET 6S-4-11 STIMPSON	9006750	4
2	CABLE, FLEXPRINT	1700002-01	3
1	EXT. BUS CONN	A-PL-M919-0-0	2
1	BUS CONN	A-PL-M929-0-0	1

FIRST USED ON OPTION/MODEL PDPII

UNLESS OTHERWISE SPECIFIED DIMENSIONS IN INCHES TOLERANCES

MATERIAL

FINISH

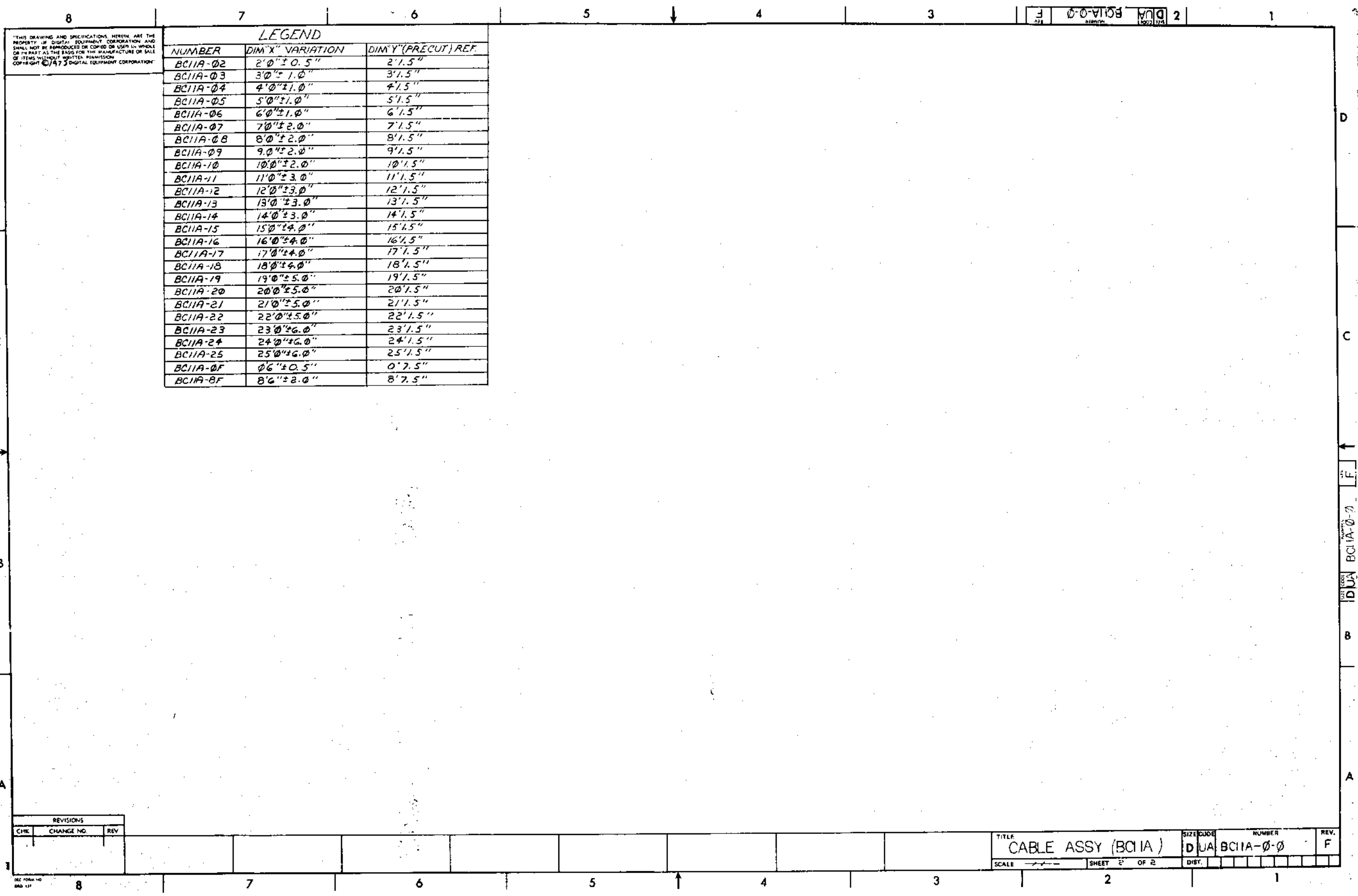
DATE 11-1-70

SCALE 1/1

REV F

BC11A-0-0

249



THIS DRAWING AND SPECIFICATIONS HEREIN ARE THE PROPERTY OF DIGITAL EQUIPMENT CORPORATION AND SHALL NOT BE REPRODUCED OR COPIED OR USED IN WHOLE OR IN PART AS THE BASIS FOR THE MANUFACTURE OF ANY OF ITS ITEMS WITHOUT WRITTEN PERMISSION. COPYRIGHT © 1975 DIGITAL EQUIPMENT CORPORATION.

LEGEND		
NUMBER	DIM" X" VARIATION	DIM" Y" (PRE-CUT) REF.
BC11A-02	2'0"±0.5"	2'1.5"
BC11A-03	3'0"±1.0"	3'1.5"
BC11A-04	4'0"±1.0"	4'1.5"
BC11A-05	5'0"±1.0"	5'1.5"
BC11A-06	6'0"±1.0"	6'1.5"
BC11A-07	7'0"±2.0"	7'1.5"
BC11A-08	8'0"±2.0"	8'1.5"
BC11A-09	9'0"±2.0"	9'1.5"
BC11A-10	10'0"±2.0"	10'1.5"
BC11A-11	11'0"±3.0"	11'1.5"
BC11A-12	12'0"±3.0"	12'1.5"
BC11A-13	13'0"±3.0"	13'1.5"
BC11A-14	14'0"±3.0"	14'1.5"
BC11A-15	15'0"±4.0"	15'1.5"
BC11A-16	16'0"±4.0"	16'1.5"
BC11A-17	17'0"±4.0"	17'1.5"
BC11A-18	18'0"±4.0"	18'1.5"
BC11A-19	19'0"±5.0"	19'1.5"
BC11A-20	20'0"±5.0"	20'1.5"
BC11A-21	21'0"±5.0"	21'1.5"
BC11A-22	22'0"±5.0"	22'1.5"
BC11A-23	23'0"±6.0"	23'1.5"
BC11A-24	24'0"±6.0"	24'1.5"
BC11A-25	25'0"±6.0"	25'1.5"
BC11A-0F	0'6"±0.5"	0'7.5"
BC11A-8F	8'6"±2.0"	8'7.5"

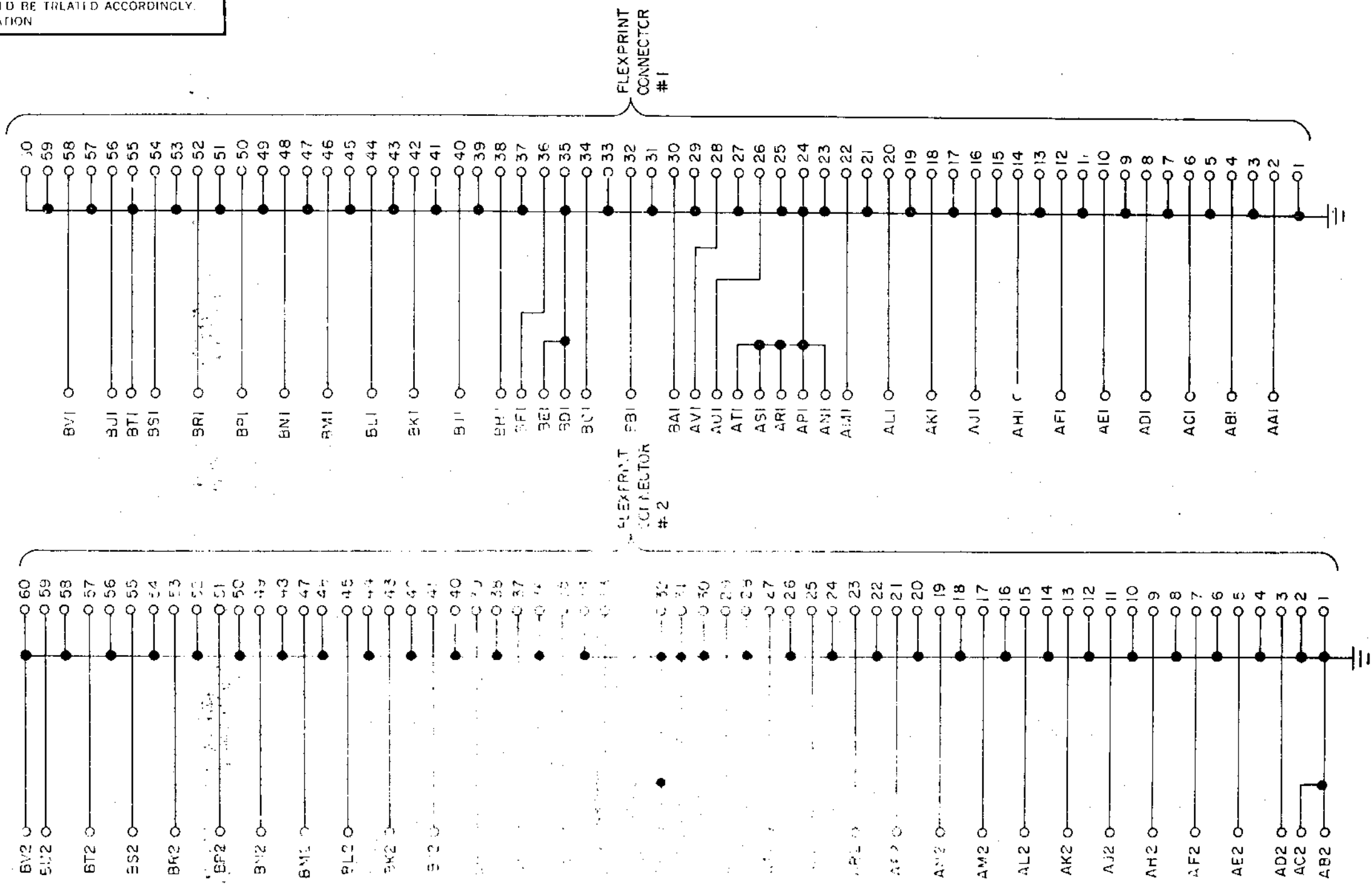
REVISIONS		
CHK	CHANGE NO.	REV

TITLE	SIZE	JOB	NUMBER	REV.
CABLE ASSY (BC11A)	D	UA	BC11A-0-0	F
SCALE	SHEET	OF		
	2	2		

250

THIS SCHEMATIC IS FURNISHED ONLY FOR TEST AND MAINTENANCE PURPOSES. THE CIRCUITS ARE PROPRIETARY IN NATURE AND SHOULD BE TREATED ACCORDINGLY. COPYRIGHT 1969 BY DIGITAL EQUIPMENT CORPORATION

REV	A	NUMBER	M919-0-1	CS	B	SIZE
-----	---	--------	----------	----	---	------



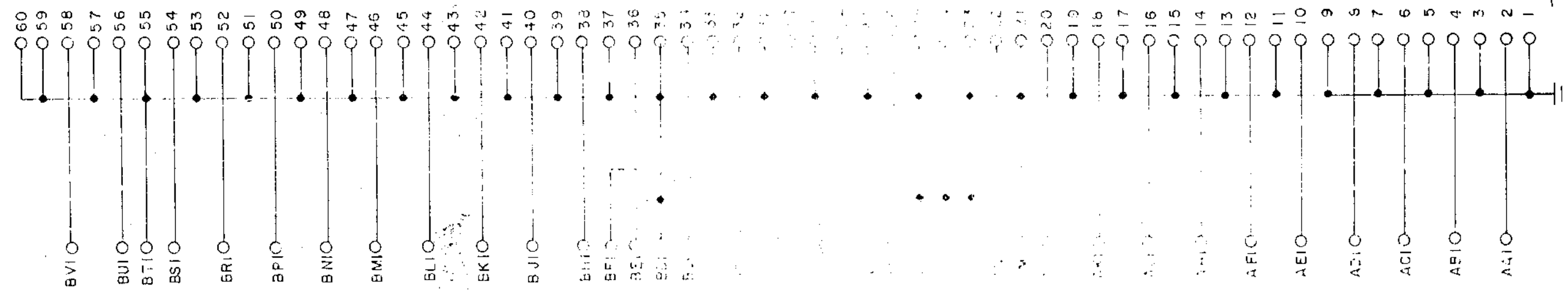
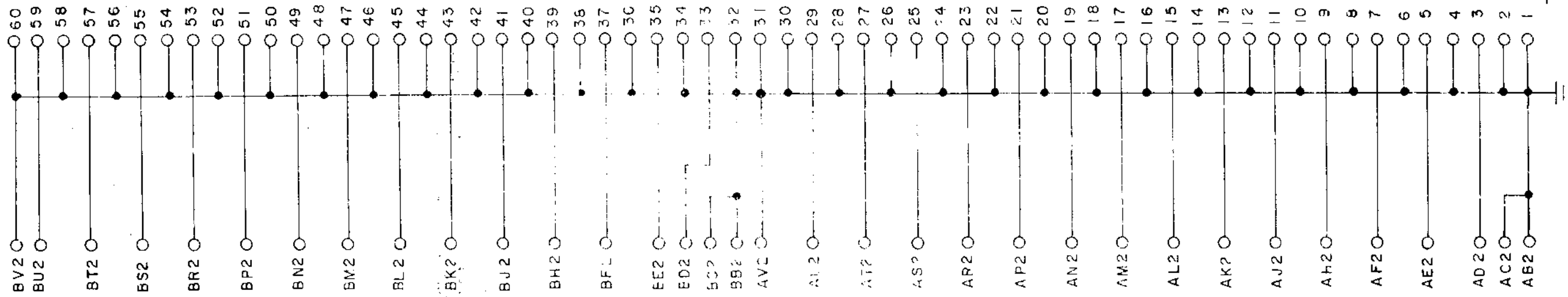
REVISIONS CHK CIG NO. REV 02001 A	DATE 10/17/69	EQUIPMENT CORPORATION MAYNARD, MASSACHUSETTS	TITLE BUS CONNECTOR M919	
	DATE DATE DATE		SIZE B CODE CS NUMBER M919-0-1 REV A	

THIS SCHEMATIC IS FURNISHED ONLY FOR TEST AND MAINTENANCE PURPOSES. THE CIRCUITS ARE PROPRIETARY IN NATURE AND SHOULD BE TREATED ACCORDINGLY. COPYRIGHT 1969 BY DIGITAL EQUIPMENT CORPORATION.

SIZE CODE NUMBER REV
B CS M929-0-1

FLEX PRINT CONNECTOR #1

FLEX PRINT CONNECTOR #2



REVISIONS	
CHK	REV

DEC FORM NO. 107

Handwritten notes and signatures in the revision area.



BUS CONNECTOR M929

SIZE	CODE	NUMBER	REV.
B	CS	M929-0-1	
WIRE D. CIRCUIT REV.			B

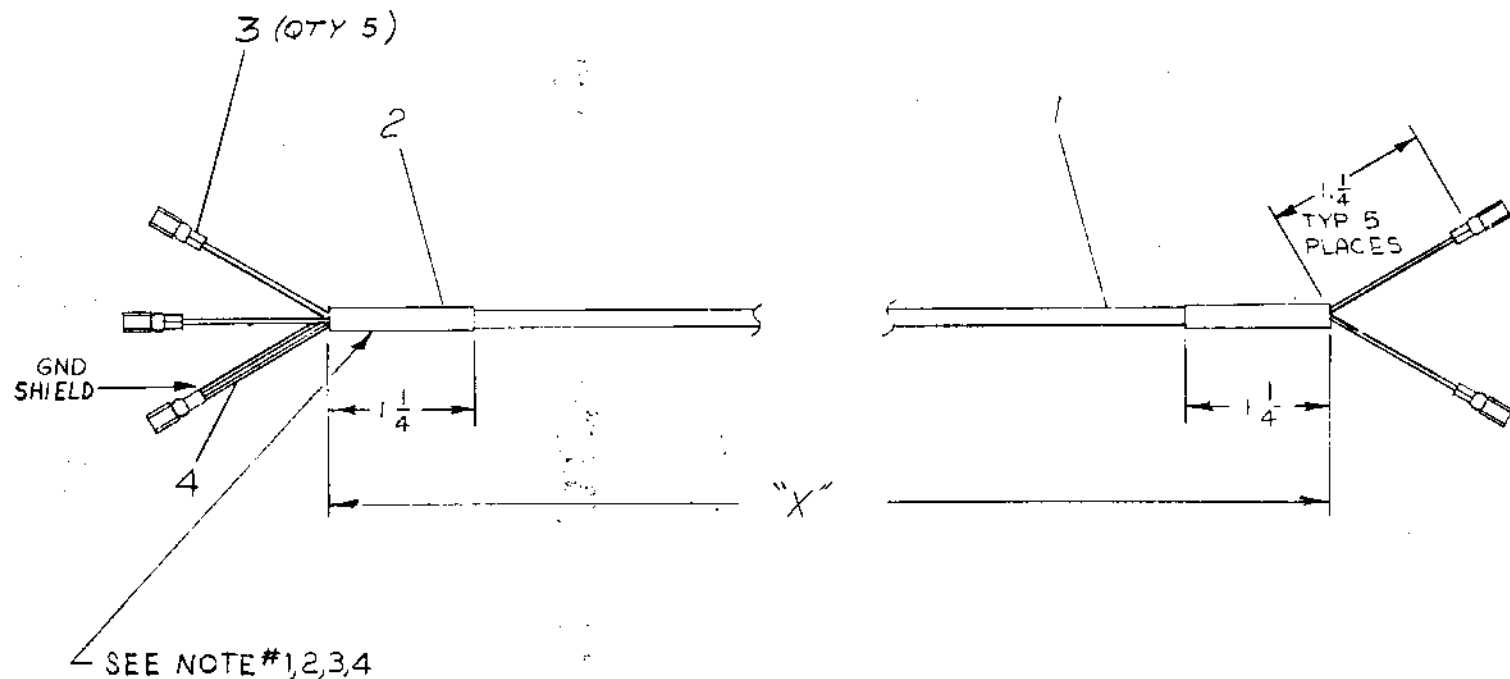
252

"THIS DRAWING AND SPECIFICATIONS, HEREIN, ARE THE PROPERTY OF DIGITAL EQUIPMENT CORPORATION AND SHALL NOT BE REPRODUCED OR COPIED OR USED IN WHOLE OR IN PART AS THE BASIS FOR THE MANUFACTURE OR SALE OF ITEMS WITHOUT WRITTEN PERMISSION. COPYRIGHT © 1975 DIGITAL EQUIPMENT CORPORATION"

LEGEND		
NUMBER	DIM *X"	USED ON
7011413-3F	3FT 6IN ± 1IN	BAIL-L OR K
7011413-7	7FT ± 2 IN	H9286
7011413-10	10FT 0IN ± 1IN	1104/34-TA

NOTES:

1. AFTER STRIPING OUTSIDE COVERING (1-1/4 IN) FOLD BACK THE GROUND WIRE. (BARE ONE) AND REMOVE THE WRAPPER
2. COVER THE FOLDED BACK BARE WIRE, WITH ITEM #2 AND SHRINK (ON BOTH ENDS).
3. ADD ITEM #4 (CLEAR TUBING) OVER ITEM #1 (SHIELD) ON ONE END.
4. STAKE ITEM #3 (5 PLACES) ONTO ITEM #1



QTY.	DESCRIPTION	PART NO.	ITEM NO.
A/R	CLEAR TUBING	9107278-11	4
5	TERMINAL LUG FAST-ON (.RED)	9007917-00	3
A/R	TUBING SHRINK WHT 3/32	91-07254-09	2
A/R	WIRE SHIELDED #22 AWG	91-07703	1

REV.	CHANGE NO.	REV.
A	7011413-00001	A
B	7011413-00002	B
C	7011413-00003	C
D	7011413-00004	D

FIRST USED ON OPTION/MODEL		QTY.		DESCRIPTION		PART NO.		ITEM NO.	
SEE LEGEND									
DIMENSIONAL TOLERANCE		DRN		DATE		PARTS LIST		digital	
DIMENSIONS ARE MILLIMETERS INCHES UNLESS OTHERWISE SPECIFIED		G. Thellon		6/11/75					
MILLIMETERS INCHES ANGLES		CHK'D		DATE		TITLE		CABLE, EXTERNAL BOOT, M93Ø1	
X,XX = ± 0.10 XXX = ± 0.005 ± 0° 30'		D. Hoag		6/13/75					
X,X = ± 0.05 XX = ± 0.02		ENG		DATE					
X = ± 0.02 X = ± 0.1		R. Barry		6/16/75					
THIRD ANGLE PROJECTION		PROJ. ENG.		DATE					
REMOVE BURRS AND BREAK SHARP CORNERS SURFACE QUALITY ✓		R. Barry		6/16/75					
MATERIAL SEE PARTS LIST		PROD.		DATE					
FINISH #-		NEXT HIGHER ASSY.							
		SCALE NONE		SIZE CODE		NUMBER		REV.	
		SHEET 1 OF 1		CIA		7011413-0-0		D	

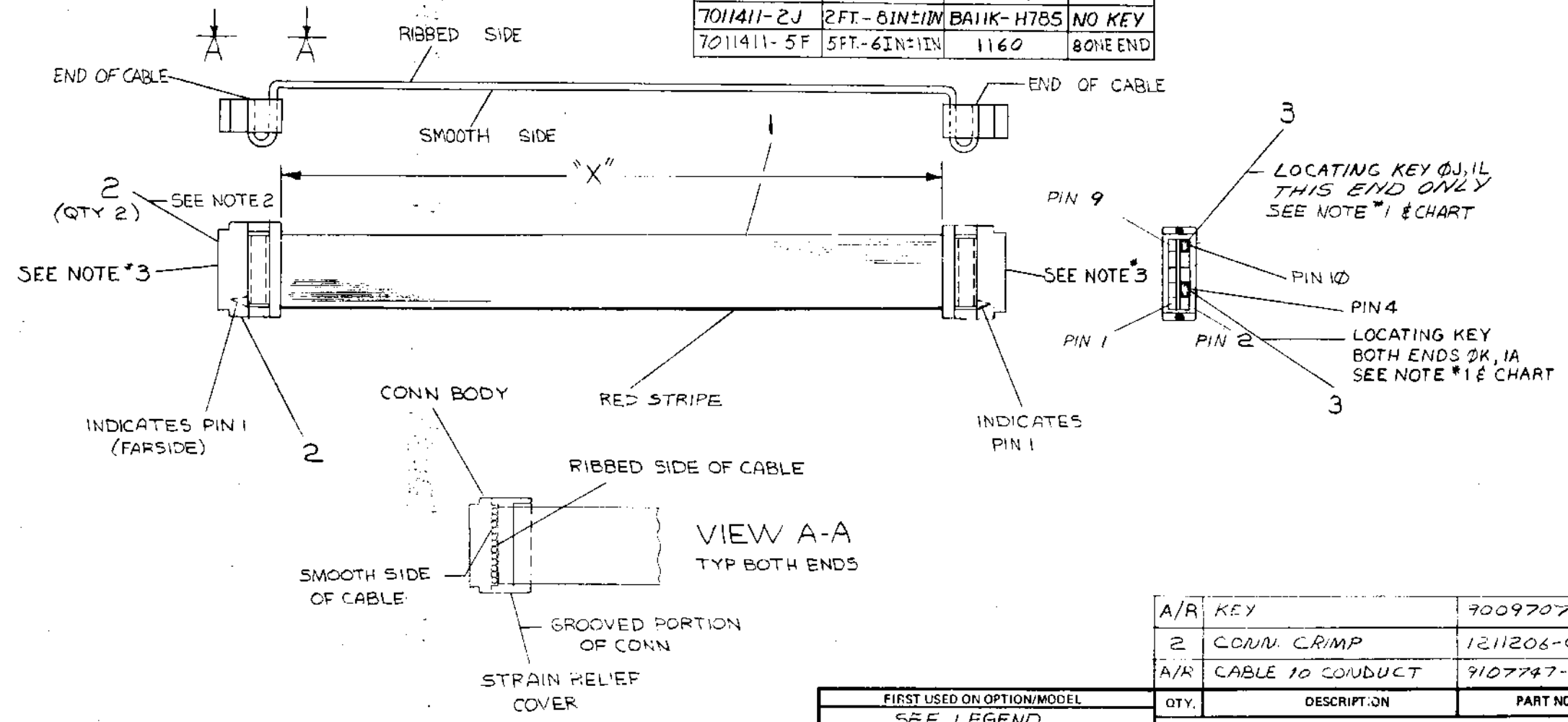
REV. D
NUMBER 7011413-0-0
SIZE CODE CIA

253

"THE DRAWING AND SPECIFICATIONS, HEREIN, ARE THE PROPERTY OF DIGITAL EQUIPMENT CORPORATION AND SHALL NOT BE REPRODUCED OR COPIED OR USED IN WHOLE OR IN PART AS THE BASIS FOR THE MANUFACTURE OR SALE OF ITEMS WITHOUT WRITTEN PERMISSION. COPYRIGHT © 1975 DIGITAL EQUIPMENT CORPORATION"

LEGEND			
NUMBER	DIM "X" VARIATION	USED ON	KEY PIN
7011411-0J	8 IN ± .5 IN	BA11-L OR K	10 ONE END
7011411-0K	9 IN ± .5 IN	LSI-11	BOTH ENDS
7011411-1D	1 FT-4 IN ± 1 IN	KY11-LB	
7011411-2D	2 FT-4 IN ± 1 IN	BA11-F/DD11PF	10 ONE END
7011411-0H	7 IN ± .5 IN	H790, 1, 2, 3	
7011411-1J	1 FT-9 IN ± 1 IN	111-4 5971	
7011411-1L	1 FT-10 IN ± 1 IN	BA11-L, H777	PIN 3 1 END
7011411-1A	1 FT-11 IN ± 1 IN	H787	BOTH ENDS
7011411-3J	3 FT-8 IN ± 1 IN	BA11-K, H785	
7011411-2J	2 FT-8 IN ± 1 IN	BA11K-H785	NO KEY
7011411-5F	5 FT-6 IN ± 1 IN	1160	8 ONE END

- NOTES:
1. INSERT KEY IN PROPER CONNECTOR PIN AND BREAK OFF TAB.
 2. USE CRIMP PRESS 3M# 3440 OR 3445 AND LOCATOR GUIDE PLATE 3M# 3443-A TO CRIMP ITEM #2.
 3. FOR ITEM (2) DWG 15 SHOWING 3M CONN.



REV.	CHG NO.	REV.
A	7011411-00001	M. KOULOPOULOS
B	7011411-00002	R. BARRY
C	7011411-00003	R. BARRY
D	7011411-00004	R. BARRY
E	7011411-00005	R. BARRY
F	7011411-00006	J. SOFIO
G	7011411-00007	G. POTTER
H	7011411-00008	G. POTTER
J	7011411-00008	B. WOLF

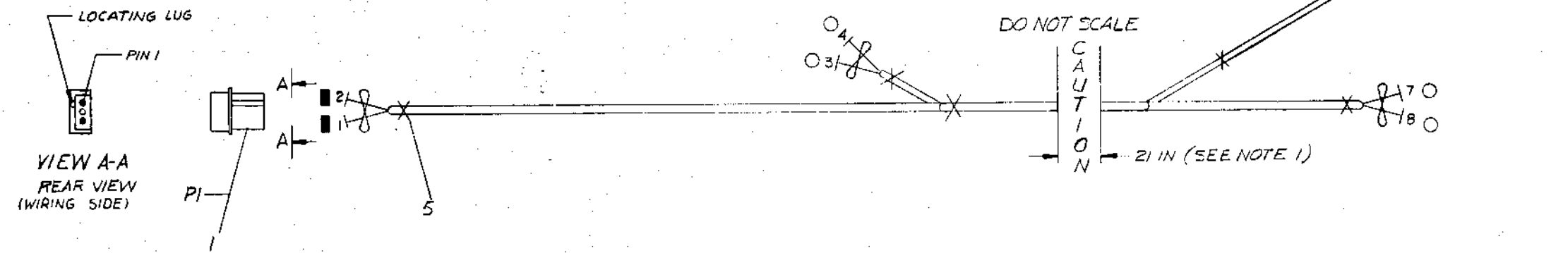
FIRST USED ON OPTION/MODEL SEE LEGEND		QTY.	DESCRIPTION	PART NO.	ITEM NO.											
DIMENSIONAL TOLERANCE		PARTS LIST														
DIMENSIONS ARE INCHES UNLESS OTHERWISE SPECIFIED		<table border="1"> <tr> <td>DRN</td> <td>DATE</td> <td rowspan="5"> </td> </tr> <tr> <td>CHK'D</td> <td>DATE</td> </tr> <tr> <td>ENG</td> <td>DATE</td> </tr> <tr> <td>PROJ. ENG.</td> <td>DATE</td> </tr> <tr> <td>PROD.</td> <td>DATE</td> </tr> </table>				DRN	DATE		CHK'D	DATE	ENG	DATE	PROJ. ENG.	DATE	PROD.	DATE
DRN	DATE															
CHK'D	DATE															
ENG	DATE															
PROJ. ENG.	DATE															
PROD.	DATE															
THIRD ANGLE PROJECTION		TITLE CABLE, CONSOLE/BACKPLANE														
REMOVE BURRS AND BREAK SHARP CORNERS SURFACE QUALITY		SIZE CODE NUMBER REV. CIA 7011411-0-0 J														
MATERIAL SEE PARTS LIST		SCALE NONE														
FINISH		SHEET 1 OF 1														

SIZE CODE NUMBER REV
 CIA 7011411-0-0 J

THIS DRAWING AND SPECIFICATIONS HEREIN ARE THE PROPERTY OF DIGITAL EQUIPMENT CORPORATION AND SHALL NOT BE REPRODUCED OR COPIED OR USED IN WHOLE OR IN PART AS THE BASIS FOR THE MANUFACTURE OR SALE OF ITEMS WITHOUT WRITTEN PERMISSION. COPYRIGHT © 1975 DIGITAL EQUIPMENT CORPORATION

ITEM NO	DESCRIPTION		FROM			TO			SIGNAL
	AWG	COLOR	POINT	CONNECTION	WITH	POINT	CONNECTION	WITH	
5	18	BLU	2	PI-1	2	7	--	4	
	TWP	BLK	7	PI-3	2	8	--	4	
6	18	RED	3	--	4	6	--	4	+5
	TWP	BLK	4	--	4	5	--	4	END

NOTES:
1. APPLY TIE WRAP (ITEM 5) EVERY 4 IN.



DO NOT REDUCE SCALE
FOR MANUFACTURING PURPOSES ONLY
0 IN 6 IN 12 IN

QTY	DESCRIPTION	DWG/PART NO.	ITEM NO.
6	WIRE 18 AWG TWP BLK/RED	9107430-C2	6
5	WIRE 18 AWG TWP BLK/BLU	9107430-D6	5
4	CONN SOLDERLESS (RED)	9007917	4
3	TIE WRAP 1M	9007031	3
2	PIN MALE	120937B-01	2
1	HOUSING, 3 PIN	1209351-03	1

SYMBOL	THIRD ANGLE PROJECTION	DIR. DIMENSION	FIRST USED ON
	REMOVE BURRS AND BREAK SHARP CORNERS	CHK'D. <i>[Signature]</i> 11/25	1134
DO NOT SCALE DWG	PROJ. ENG. <i>[Signature]</i> 11/25	TITLE PDP11C4/1134 CONSOLE POWER HARNESS	
MATERIAL SEE PARTS LIST	PROD. <i>[Signature]</i> 11/25	SIZE D	CODE JA
FINISH	NEXT HIGHER ASSY.	NUMBER	7011992-0-0
		REV.	

REV. CHANGE NO. DATE

D 7011992-0-0

255

