

Click Below To Order

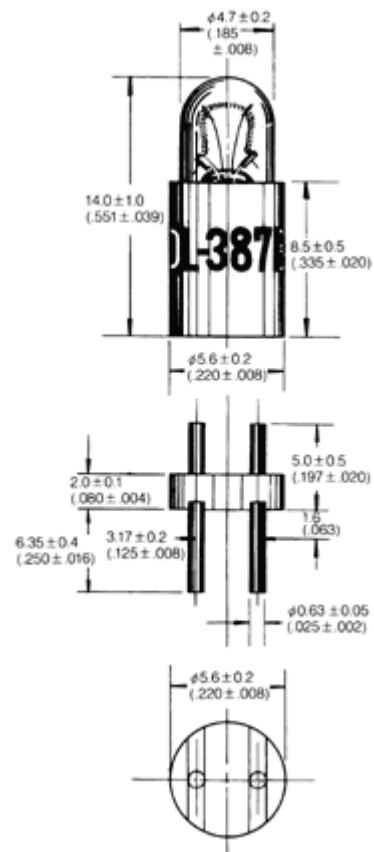
Other Lamps

T-1 3/4 BPR

Line Nos.	Oshino Lamp Numbers	Design Volts	Design Amps	AVG. MSCd	Filament shape	Life (hours)
1	OL-338BPR	2.7	.06	.04	C-2R	6,000
2	OL-375BPR	3.0	.015	.003	C-2R	10,000
3	OL-6030BPR	5.0	.02	.02	C-2V	10,000
4	OL-782BPR	5.0	.06	.03	C-2R	200,000
5	OL-783BPR	5.0	.06	.05	C-2R	100,000
6	OL-6233BPR	5.0	.075	.09	C-2R	40,000
7	OL-815BPR	5.0	.115	.15	C-2R	40,000
8	OL-345BPR	6.0	.04	.04	C-2V	10,000
9	OL-328BPR	6.0	.20	.34@5V	C-2R	1,000
10	OL-377BPR	6.3	.075	.23	C-2R	1,000
11	OL-381BPR	6.3	.20	.40	C-2F	50,000
12	OL-367BPR	10.0	.04	.08	C-2F	5,000
13	OL-394BPR	12.0	.04	.12	C-2F	10,000
14	OL-382BPR	14.0	.08	.30	C-2F	50,000
15	OL-370BPR	18.0	.04	.15	C-2F	10,000
16	OL-385BPR	28.0	.04	.20	C-2F	25,000
17	OL-387BPR	28.0	.04	.30	C-2F	7,000
18	OL-327BPR	28.0	.04	.34	C-2F	4,000
19	OL-6235BPR	32.0	.033	.34	C-2F	10,000

Lamp Design Characteristics

Unit in mm
(inch)



T-1 3/4 Midget Grooved

Line Nos.	Oshino Lamp Numbers	Design Volts	Design Amps	AVG. MSCd	Filament shape	Life (hours)
1	OL-699	2.5	.20	.20	C-2R	500
2	OL-1079	2.5	.35	.21	C-2R	10,000
3	OL-6039	5.0	.06	.03	C-2R	200,000
4	OL-6041	5.0	.06	.05	C-2R	100,000
5	OL-6043	5.0	.115	.15	C-2R	40,000
6	OL-337	6.0	.20	.34@5V	C-2R	1,000
7	OL-379	6.3	.20	.40	C-2F	50,000
8	OL-398	6.3	.20	.55	C-2R	5,000
9	OL-709	10.0	.014	.004	C-2F	50,000
10	OL-397	10.0	.04	.08	C-2F	5,000
11	OL-6045	12.0	.04	.12	C-2F	10,000
12	OL-6277	12.0	.06	.15	C-2F	16,000
13	OL-386	14.0	.08	.30	C-2F	50,000
14	OL-336	14.0	.08	.50	C-2F	1,500
15	OL-346	18.0	.04	.15	C-2F	10,000
16	OL-457	22.0	.04	.30	C-2F	2,000
17	OL-6047	28.0	.04	.20	C-2F	25,000
18	OL-388	28.0	.04	.30	C-2F	7,000
19	OL-334	28.0	.04	.34	C-2F	4,000
20	OL-334LSV	28.0	.06	.34	C-2F	25,000
21	OL-6052	48.0	.02	.15	CC-2F	5,000
22	OL-6262	48.0	.025	.20	CC-2F	5,000
23	OL-6272	48.0	.03	.25	CC-2F	5,000
24	OL-6139	48.0	.04	.34	CC-2F	5,000

Lamp Design Characteristics

Unit in mm
(inch)

