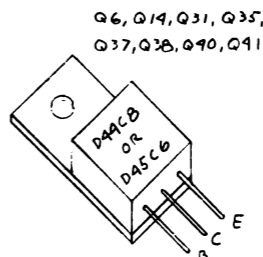
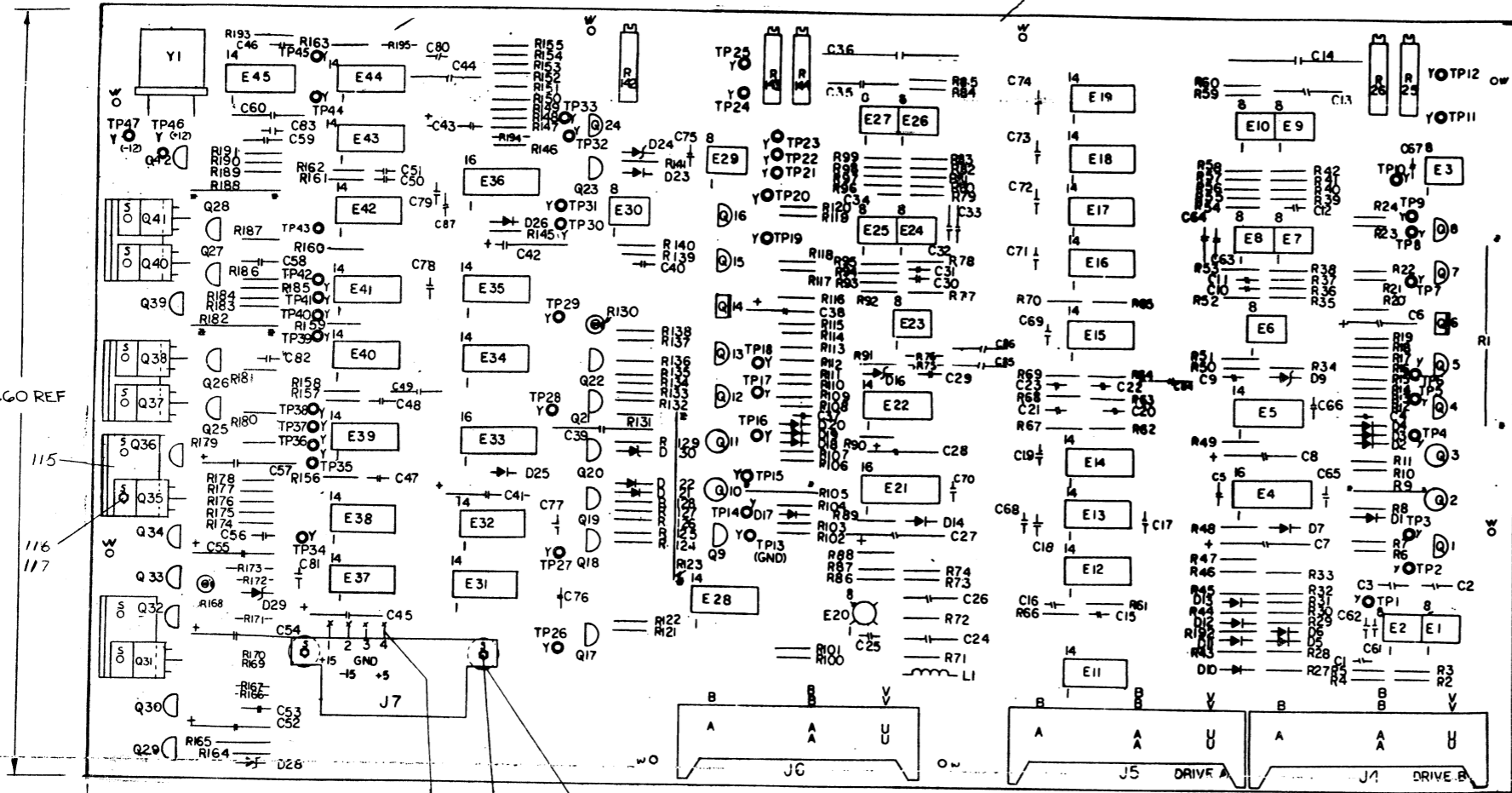


This drawing and specifications, herein, are the property of Digital Equipment Corporation and shall not be reproduced or copied or used in whole or in part as the basis for the manufacture or sale of items without written permission.

NOTES:
 1. UNLESS OTHERWISE SPECIFIED:
 RESISTANCE IS IN OHMS
 CAPACITANCE IS IN MICROFARADS



Q6, Q14, Q31, Q35,
Q37, Q38, Q40, Q41

8.60 REF

15.70 REF

306	1	8	4
7492	10	5	
7493	10	5	
380	1	8	
301		7	4
741		7	4
7423	8	16	
75452	4	8	
IC TYPE	GND	+5V	+12V -12V

GND AND 5V ARE USUALLY PIN 7 AND 14
 RESPECTIVELY EXCEPTIONS ARE STATED ABOVE

IC PIN LOCATIONS

FOR PARTS LIST INFORMATION SEE SHEET 2

QTY	REF DESIGNATION	DESCRIPTION	PART NO.	ITEM NO.
		PARTS LIST		
		ETCH BOARD REV C		
		FIRST USED ON OPTION MODEL TU60		
		REVISIONS		
		DRN: <i>Z Carbery</i> DATE: 8/4/72 CHK'D: <i>W Major</i> DATE: 9/17/72 ENG: <i>M LEIS</i> DATE: 3/6/72 PROJ ENG: <i>M Leis</i> DATE: 3/6/72 PROD: <i>M Leis</i> DATE: 9-27-72		
		TITLE: digital EQUIPMENT CORPORATION READ/WRITE AND SERVO MATHEW, MASSACHUSETTS		
		NEXT HIGHER ASSY: B-DD-TU60-0 SCALE: <i>1:1</i> SHEET 1 OF 5		
		SEMICONDUCTOR CONVERSION CHART DEC NO. EIA NO. DEC NO. EIA NO.		
		SIZE CODE: DCS M7761-0-1 NUMBER: <i>1</i> REV: <i>D</i>		

This drawing and specifications, herein, are the property of Digital Equipment Corporation and shall not be reproduced or copied or used in whole or in part as the basis for the manufacture or sale of items without written permission.

1	5010029	ETCH BOARD	1	
2	K-CD-M7761-0-4	X-Y COORDINATE HOLE LOCATION	REF	
3	D-AH-M7761-0-5	ASSY/DRILLING HOLE LAYOUT	REF	
4	B-NH-M7761-0-6	MODULE ESD HISTORY	REF	
5	1000006	CAP 10PF 100V 5% DM	2	C61,C62
6	1000016	CAP 100PF 100V 5% DM	3	C12,C25,C34
7	1000019	CAP 150PF 100V 5% DM	2	C17,C18
8	1000023	CAP 330PF 100V 5% DM	2	C4,C37
9	1000026	CAP 680PF 100V 5% DM	5	C22,C23,C50,C51,C67
10	1000042	CAP 1000PF 100V 5% DM	2	C47,C48
11	1000054	CAP 1500PF 250V 10% DISC	2	C11,C31
12	1002423	CAP 3300PF 100V 5% DM	2	C53,C56
13	1000061	CAP 8200PF 100V 10% MYLAR	1	G69
14	1001610	CAP .01UF 100V 20% DISC	29	C5,C9,C15,C16,C19,C20,C21,C29,C40,C45,C65,C66,C67,C68,C69,C70,C71,C72,C73,C74,C75,C76,C77,C78,C79,C80,C81,C82,C83
15	1002323	CAP .022UF 100V 10% MYLR	3	C24,C26,C44
16	1000049	CAP .027UF 100V 10% MYLR	2	C13,C35
17	1000030	CAP .1UF 100V 20% DISC	8	C2,C3,C32,C33,C58,C59,C63,C64
18	1010978-36	CAP .1UF 50V 10% CER	2	C10,C30
19	1002180	CAP .15UF 35V 20% TANT	2	C42,C43
20	1010279	CAP .47UF 25V 20% CER	1	C1
21	1009671	CAP .51UF 100V 5% MYLR	2	C14,C36
22	1001776	CAP 1UF 35V 10% TANT	3	C84,C85,C86
23	1009725	CAP 1.5UF 35V 10% TANT	2	C6,C38
24	1002627	CAP 2.2UF 20V 10% TANT	1	C49
25	1005306	CAP 6.8UF 35V 10% TANT	5	C8,C28,C45,C52,C55
26	1004812	CAP 15UF 20V 10% TANT	1	C41
27	1004814	CAP 47UF 20V 10% TANT	2	C54,C57
28	1000082	CAP 68UF 15V 10% TANT	2	C7,C27
29	1005572	CAP 150UF 6V 20% TANT	1	C39
30	1100114	DIODE D664	15	D4,D5,D6,D7,D10,D11,D12,D13,D14,D20,D21,D22,D23,D25,D26
31	1104860	IN746A 3.3VZ 5% .4W	1	D30
32	1100124	IN750A 4.7VZ 5% .4W	2	D9,D16
33	1102808	IN752A 5.6VZ 5% .4W	1	D24
34	1102421	IN753A 6.2VZ 5% .4W	2	D28,D29
35	1105796	IN4004 400V PIV 1A	6	D1,D2,D3,D17,D18,D19
36	1208941	CONN 40 PIN	3	J4,J5,J6
37	1209340	CONN #1-480459	1	J7
38	1209458	PIN SOCKET #61320-1	4	
39	1311064	RES 8.2 10W 5% WW	2	R1,R123
40	1301317	RES 10 1/4W 5% CC	2	R7,R103
41	1300229	RES 100 1/4W 5% CC	5	R33,R46,R159,R181,R187
42	1302380	RES 100 2W 5% CC	2	R182,R188
43	1309150-10	RES 200 1/2W 10% 82 PR	1	R130
44	1300271	RES 220 1/4W 5% CC	17	R6,R11,R27,R32,R61,R64,R66,R69,R74,R102,R107,R128,R156,R157,R161,R162,R193
45	1301425	RES 300 1/4W 5% CC	2	R15,R111
46	1300295	RES 330 1/4W 5% CC	5	R8,R83,R88,R104,R141
47	1300309	RES 390 1/4W 5% CC	2	R19,R115
48	1300308	RES 390 1/2W 5% CC	2	R165,R173
49	1300316	RES 470 1/4W 5% CC	10	R20,R118,R186,R167,R169,R170,R174,R175,R177,R178

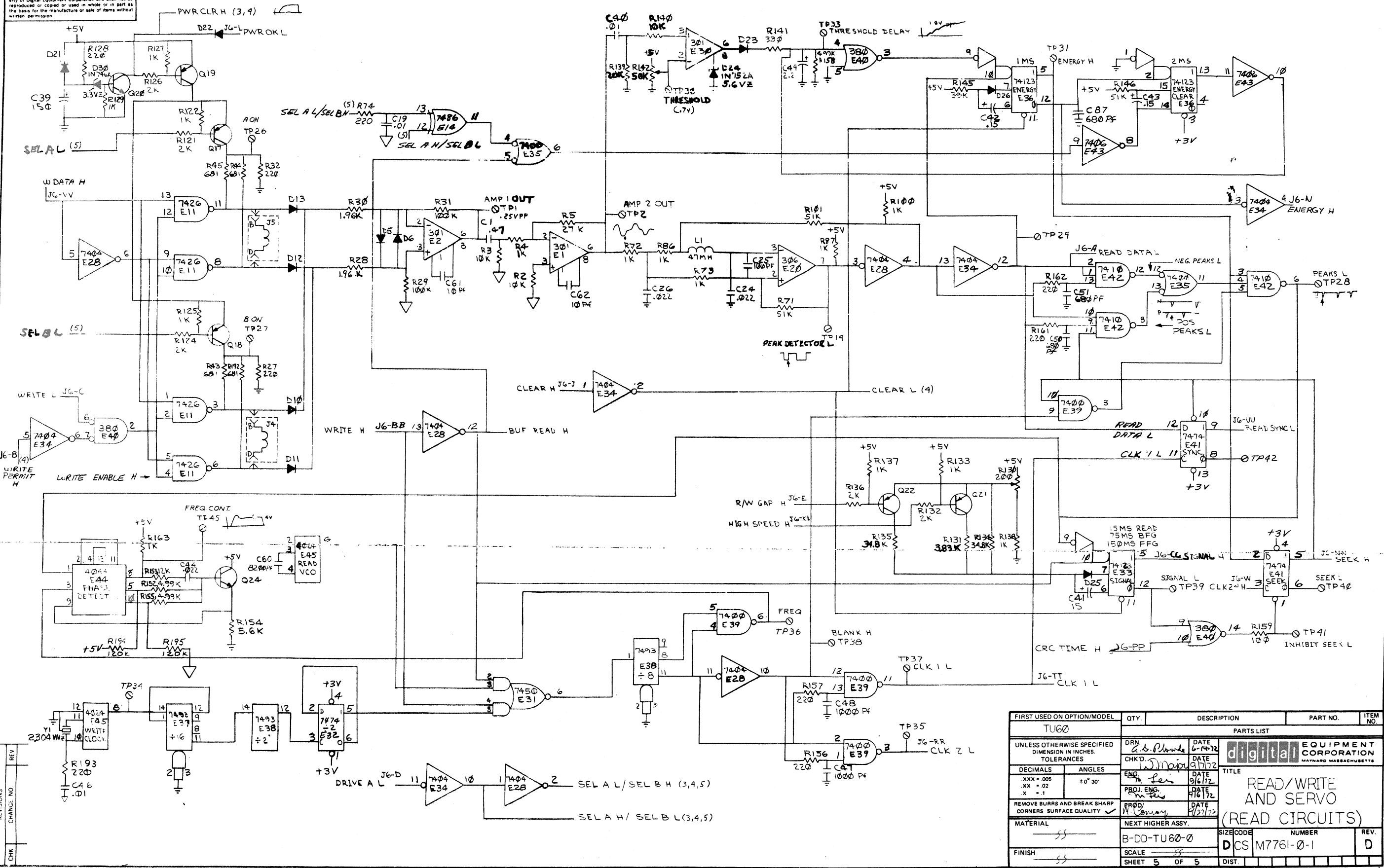
50	1303048	RES 560 1W 5% CC	2	R9,R105
51	1303178	RES 620 1/4W 5% CC	2	R14,R110
52	1302872	RES 681 1/8W 1% MF	4	R43,R44,R45,R192
53	1305143	RES 825 1/8W 1% MF	2	R37,R95
54	1303114	RES 1K 1/8W 1% MF	4	R52,R93,R176,R179
55	1300385	RES 1K 1/4W 5% CC	34	R4,R10,R47,R50,R58,R62,R65,R67,R70,R72,R73,R75,R63,R66,R67,R68,R100,R106,R122,R125,R127,R128,R133,R137,R138,R160,R163,R164,R171,R172,R180,R183,R186,R189
56	1300391	RES 1.5K 1/4W 5% CC	4	R13,R57,R82,R108
57	1300398	RES 1.8K 1/4W 5% CC	2	R185,R190
58	1304833	RES 1.96K 1/8W 1% MF	4	R28,R30,R148,R149
59	1302388	RES 2K 1/4W 5% CC	9	R18,R17,R112,R114,R121,R124,R126,R132,R136
60	1309150-07	RES 2K 1/2W 10% 62 PR	1	R168
61	1300417	RES 2.2K 1/4W 5% CC	2	R56,R81
62	1300439	RES 3.3K 1/4W 5% CC	8	R12,R22,R23,R109,R118,R119,R150,R151
63	1305114	RES 3.48K 1/8W 1% MF	4	R21,R24,R117,R120
64	1309413	RES 3.63K 1/8W 1% MF	1	R131
65	1300444	RES 3.9K 1/4W 5% CC	4	R18,R113,R184,R191
66	1305324	RES 4.99K 1/8W 1% MF	3	R152,R155,R158
67	1304854	RES 5.11K 1/8W 1% MF	1	R147
68	1301874	RES 5.6K 1/4W 5% CC	1	R154
69	1304870	RES 6.81K 1/8W 1% MF	6	R41,R54,R55,R79,R80,R98
70	1305322	RES 7.5K 1/8W 1% MF	2	R59,R84
71	1303312	RES 10K 1/8W 1% MF	10	R35,R38,R39,R40,R42,R92,R94,R96,R97,R99
72	1300479	RES 10K 1/4W 5% CC	3	R2,R3,R140
73	1309143-10	RES 10K 3/4W 10% 76 PR	2	R25,R144
74	1300488	RES 12K 1/4W 5% CC	1	R153
75	1302391	RES 20K 1/4W 5% CC	1	R139
76	1309143-11	RES 20K 3/4W 10% 76 PR	2	R26,R143
77	1305346	RES 27K 1/4W 5% CC	1	R5
78	1302394	RES 30K 1/4W 5% CC	2	R48,R89
79	1303156	RES 34.8K 1/8W 1% MF	2	R134,R135
80	1302514	RES 39K 1/4W 5% CC	1	R145
81	1309143-13	RES 50K 3/4W 10% 76 PR	1	R142
82	1304839	RES 51K 1/4W 5% CC	7	R49,R51,R71,R76,R90,R101,R146
83	1310636	RES 82.5K 1/8W 1% MF	2	R60,R85
84	1303044	RES 100K 1/8W 1% MF	6	R29,R31,R34,R36,R77,R91
85	1300539	RES 120K 1/4W 5% CC	2	R194,R195
86	1302397	RES 180K 1/4W 5% CC	2	R53,R78
87	1509632	TRANSISTOR DEC 2007.8W NPN	2	Q2,Q10
88	1501913	TRANSISTOR 2N2906A 6W PNP	2	Q3,Q11
89	1509338	TRANSISTOR 6531B .31W NPN	11	Q1,Q4,Q9,Q12,Q20,Q24,Q25,Q27,Q30,Q33,Q36
90	1500409	TRANSISTOR 6534D .31W PNP	19	Q5,Q7,Q8,Q13,Q15,Q16,Q17,Q18,Q19,Q21,Q22,Q23,Q26,Q28,Q29,Q32,Q34,Q39,Q42
91	1510421	TRANSISTOR D44CB 30W (RED) NPN	3	Q35,Q37,Q40
92	1510414	TRANSISTOR D45CB 30W (GRN) PNP	5	Q6,Q14,Q31,Q38,Q41
93	1811034-01	INDUCTOR 47 MH	1	L1
94	1811110	CRYSTAL 2.304 MHZ	1	Y1
95	1810282	IC 301	5	E1,E2,E6,E23,E30
96	1900875	IC 306	1	E20

97	1909485	IC 380	1	E40
98	1910298	IC 741	8	E7,E8,E9,E10,E24,E25,E26,E27
99	1911038	IC 4024	1	E45
100	1911039	IC 4044	1	E44
101	1905575	IC 7400	3	E18,E35,E39
102	1905590	IC 7401	1	E12
103	1909004	IC 7402	2	E13,E15
104	1909686	IC 7404	2	E28,E34
105	1910741	IC 7406	1	E43
106	1905578	IC 7410	1	E42
107	1910236	IC 7426	2	E11,E18
108	1910878	IC 7427	1	E17
109	1905500	IC 7450	3	E5,E22,E31
110	1905547	IC 7474	3	E19,E32,E41
111	1910011	IC 7486	1	E14
112	1909054	IC 7493	2	E37,E38
113	1910436	IC 74123	4	E4,E21,E33,E36
114	1910645	IC 75452	2	E3,E29
115	5510315	HEAT SINK	4	
116	908010-1	SCREW,PPH 4-40 X 5/16	10	
117	9006557	NUT,KEP 4-40 X 1/4 X 1/16	10	
118	9006706	WASHER,NYLON #4	2	
119	9007791	LUG,SWAGE #1026-2	47	TP1 TO TP47

ITEM NO	PART NO	DESCRIPTION	QTY	REF DESIGNATION
FIRST USED ON OPTION/MODEL				
TU60				
PARTS LIST				
UNLESS OTHERWISE SPECIFIED DIMENSION IN INCHES TOLERANCES		DRN. F. CARBERRY	DATE 8-4-72	digital EQUIPMENT CORPORATION MAYNARD MASSACHUSETTS
DECIMALS .XXX - .006		CHK'D. W. MAJOR	DATE 9-18-72	
ANGLES ±0° 30'		ENG. M. LEIS	DATE 9-15-72	
		PROJ. ENG. M. LEIS	DATE 9-15-72	
REMOVE BURRS AND BREAK SHARP CORNERS SURFACE QUALITY		PROD. M. CONROY	DATE 9-27-72	TITLE READ/WRITE AND SERVO
MATERIAL	NEXT HIGHER ASSY.	SIZE CODE NUMBER REV.		
FINISH	B-DD-TU60-0	DCS M7761-0-1 D		
SCALE		SHEET 2 OF 5		

REVISIONS
NO. CHANGE NO. REV.

This drawing and specifications, herein, are the property of Digital Equipment Corporation and shall not be reproduced or copied or used in whole or in part as the basis for the manufacture or sale of items without written permission.



REV.	CHG.	NO.

FIRST USED ON OPTION/MODEL	QTY.	DESCRIPTION	PART NO.	ITEM NO.
TU60		PARTS LIST		
UNLESS OTHERWISE SPECIFIED DIMENSION IN INCHES TOLERANCES	DRN <i>A. S. Plouffe</i>	DATE 6-14-72	 digital EQUIPMENT CORPORATION <small>MAYNARD MASSACHUSETTS</small>	
DECIMALS .XXX = .005 .XX = .02 .X = .1	CHK'D <i>W. J. ...</i>	DATE 9/15/72		
ANGLES ±0° 30'	ENG. <i>W. J. ...</i>	DATE 9/15/72		
REMOVE BURRS AND BREAK SHARP CORNERS SURFACE QUALITY	PROJ. ENG. <i>W. J. ...</i>	DATE 9/15/72		
	PROD. <i>W. J. ...</i>	DATE 9/15/72		
MATERIAL	NEXT HIGHER ASSY.	SIZE CODE	NUMBER	REV.
FINISH	B-DD-TU60-0	D CS	M7761-0-1	D
	SCALE	SHEET 5 OF 5	DIST.	