

This drawing and specifications, herein, are the property of Digital Equipment Corporation and shall not be reproduced or copied or used in whole or in part as the basis for the manufacture or sale of items without written permission.

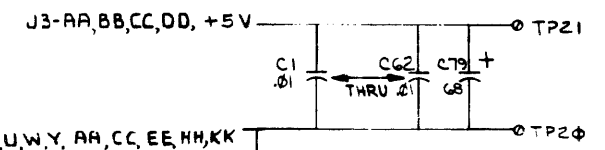
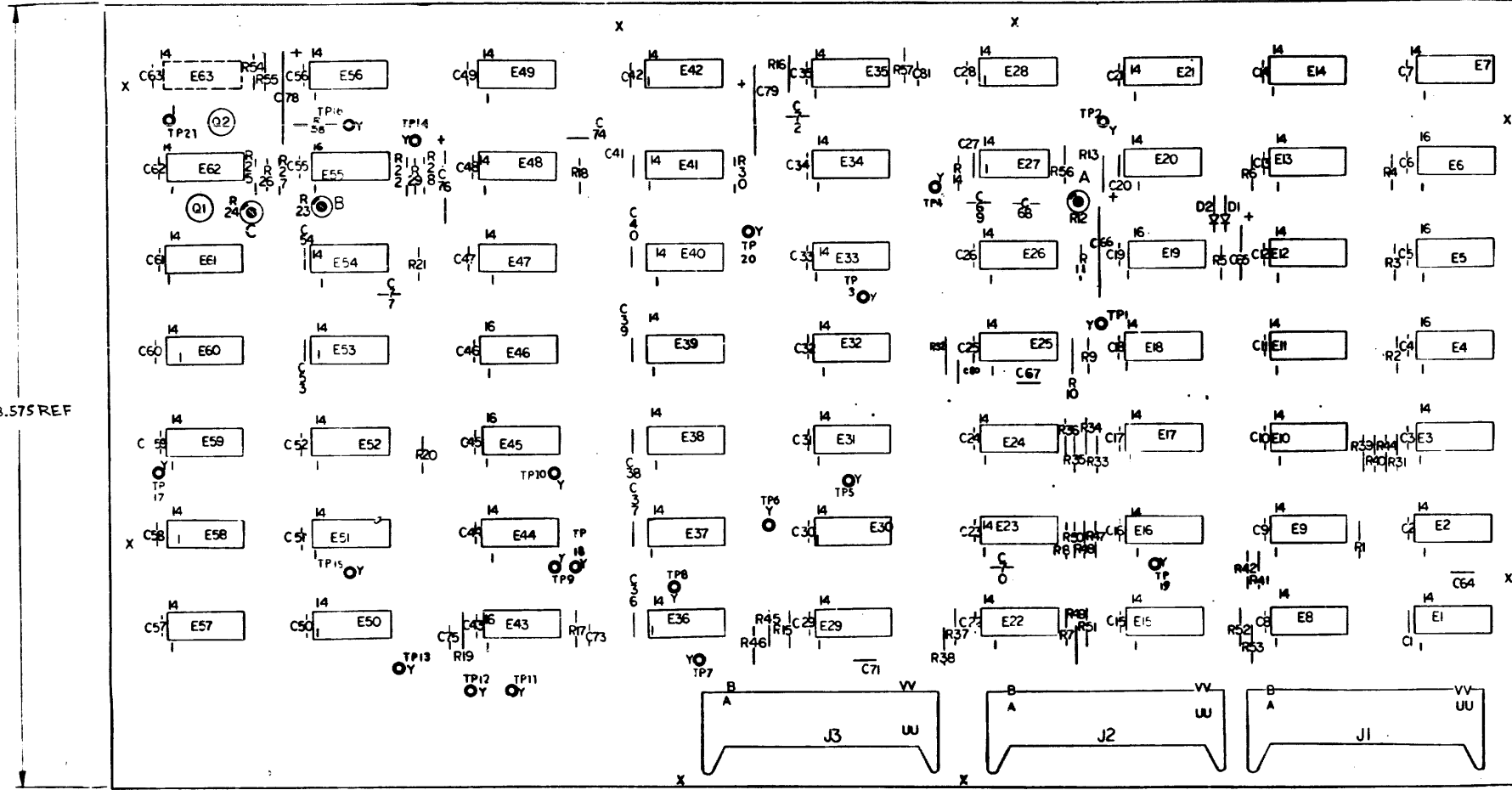
NOTES:
 1. UNLESS OTHERWISE SPECIFIED:
 RESISTANCE IS IN OHMS
 CAPACITANCE IS IN MICROFARADS

8 7 6 5 4 3 2 1
 1 2 3 4

COMPONENT SUBSTITUTION

QTY	REF DESIGNATION	DESCRIPTION	PART NO.	ITEM NO.
-----	-----------------	-------------	----------	----------

ACCEPTANCE SIG		DATE		
1	R26	RES 620 1/4W 5%	130378	52
1	R25	RES 680 1/4W 5%	130124	51
1	R11	RES 5.6K 1/4W 5%	130179	50
1	C46	CAP 80 MFD 6V 20% STANT	100086	49
1	R56	RES 30K 1/4W 5%	130194	48
11	R34, R36, R38, R40, R42, R44, R46, R48, R49, R51, R53	RES 390 1/4W 5%	1300309	47
1	R16, R58	RES 50 1/4W 5%	1300250	46
1	R5	RES 24K 1/4W 5%	1301337	45
2	R12, R24	RES 20K 1/2W 10% 62P FET	1300153-13	44
1	R55	RES 2K 1/4W 5%	1302738	43
1	R23	RES 200 2W 0% 62P FET	1300953-10	42
1	R22	RES 47K 1/4W 5%	1302177	41
1	R27	RES 12K 1/4W 5%	1300144	40
1	R28	RES 14.7K 1/8W 1%	1302941	39
11	R233, R35, R37, R39, R41, R45, R47, R51, R50, R52	RES 50 1/4W 5%	1301322	38
1	R17	RES 10K 1/4W 5%	1301110	37
7	R2, R4, R9, R20, R33, R54	RES 1K 1/4W 5%	1300115	36
2	R6, R29	RES 470 1/4W 5%	1300112	35
10	R1, R7, R10, R13, R14, R15, R18, R21, R32, R57	RES 220 1/4W 5%	1300111	34
1	R19	RES 30K 1/4W 5%	1302111	33
1	E53	IC DEC 7402	910111	32
3	E19, E43, E55	IC DEC 7404	910111	31
2	E45, E46	IC DEC 74123	910111	30
1	E21	IC DEC 7480	910111	29
5	E18, E22, E23, E24	IC DEC 7400	910111	28
3	E11, E12, E13	IC DEC 7410	910111	27
5	E3, E10, E15, E16, E35	IC DEC 8551	910111	26
6	E18, E20, E33, E47, E49, E50	IC DEC 7404	910111	25
3	E4, E5, E6	IC DEC 8071	910111	24
2	E2, E9	IC DEC 7495	910111	23
8	E17, E20, E33, E35, E36, E50, E53, E57	IC DEC 7402	910111	22
2	E41, E52	IC DEC 7401	910111	21
2	E42, E56	IC DEC 7450	910111	20
2	E40, E54	IC DEC 7410	910111	19
9	E27, E28, E29, E31, E32, E48, E51, E57, E61	IC DEC 7400	910111	18
8	E7, E14, E17, E34, E36, E37, E44, E62	IC DEC 7474	910111	17
2	D1, D2	DIODE 2004	100114	16
1	C76	CAP 3.3 MFD 35V 10% STANT	100113	15
1	C65	CAP 3.3 MFD 10V 10% STANT	100112	14
64	C1 THRU C62, C73, C75	CAP .01 MFD 100V 5% DM	100111	13
2	C78, C79	CAP .05 MFD 15V 5% STANT	100110	12
4	C67, C77, C72, C81	CAP 100 PPF 100V 5% MCA	100109	11
4	C68, C69, C71, C74	CAP 680 PF 100V 5% DM	100108	10
2	C64, C70	CAP 470 PF 30V 5% DM	100107	9
3	J1, J2, J3	CONN 7X 20PIN	100106	8
21	TP1 THRU TP21	LOG SWAGE #1026-2	900791	7
2	Q1, Q2	TRANS, G534D P.D 310MW	503409	6
1	C80	CAP 00PF 100V 5% DM	1000315	5



J1 A, B, C, E, H, K, M, P, S, U, W, Y, AA, CC, EE, HH, KK, MM, PP, SS, UU, VV.
 J2 A, B, C, E, H, K, M, P, S, U, W, Y, AA, CC, EE, HH, KK, MM, PP, SS, UU, VV.
 J3 M, N, P, R

IC PIN LOCATIONS

IC TYPE	GND	+5V
7495	8	14
8271	8	16
380	1	8
74193	8	16
74123	8	16

GND AND 5V ARE USUALLY PIN 7 AND 14 RESPECTIVELY. EXCEPTIONS ARE STATED ABOVE.

REVISIONS

CHK	CHANGE NO.	REV
M. LEIS	12-20-72	D
M. LEIS	12-21-72	E
M. LEIS	12-22-72	F

FIRST USED ON OPTION MODEL: TU60

ETCH BOARD REV: E

DRN: Carlson	DATE: 8/15/72
CHK'D: W. Jones	DATE: 8/15/72
ENG: M. Leis	DATE: 8/15/72
PROJ. ENG: M. Leis	DATE: 8/15/72
PROD. NO: 100111	DATE: 8/15/72

digital EQUIPMENT CORPORATION
 MAYNARD, MASSACHUSETTS

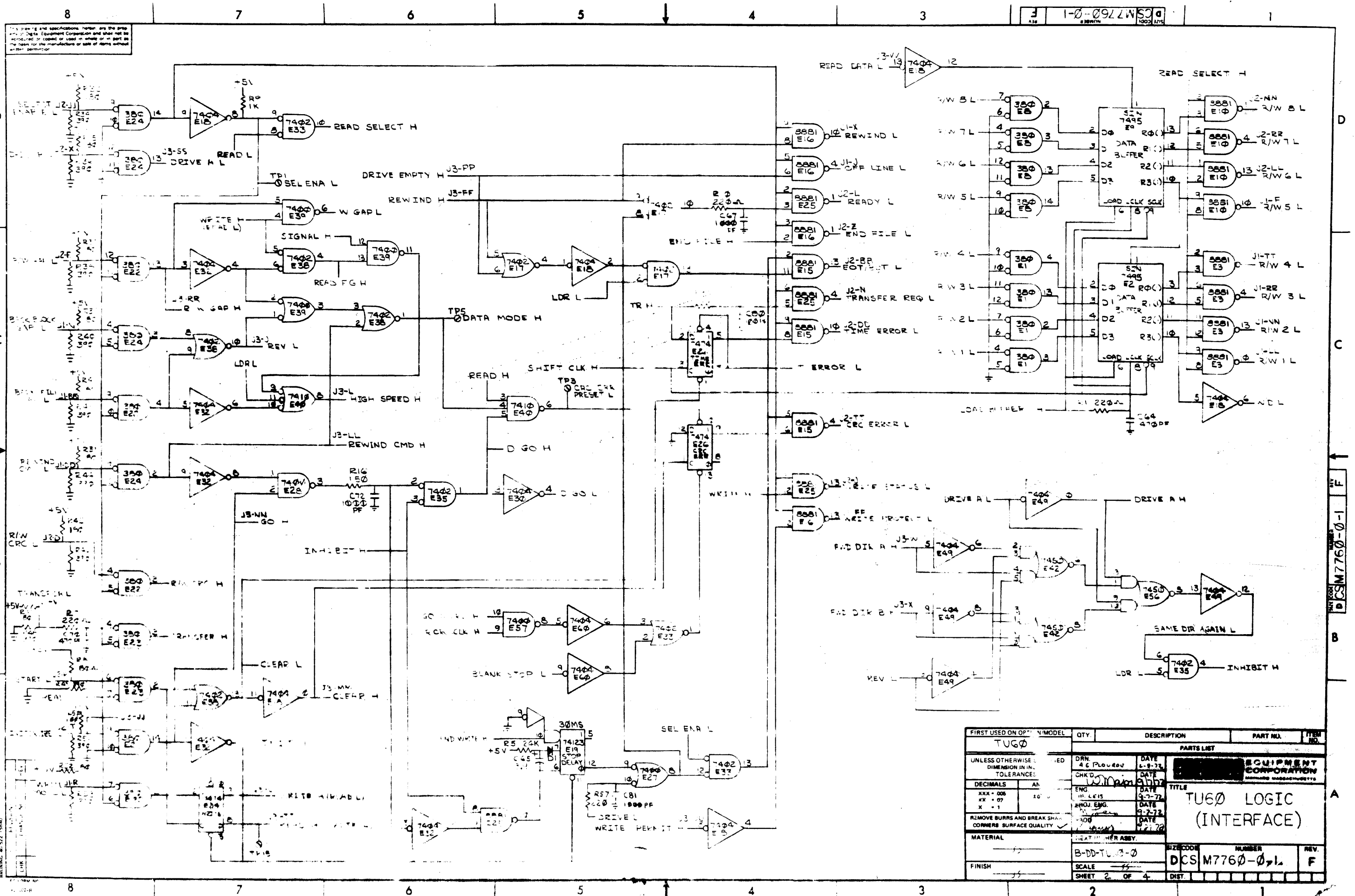
TITLE: TU60 LOGIC

SIZE CODE: DCS M7760-01
 NUMBER: 1
 REV: F

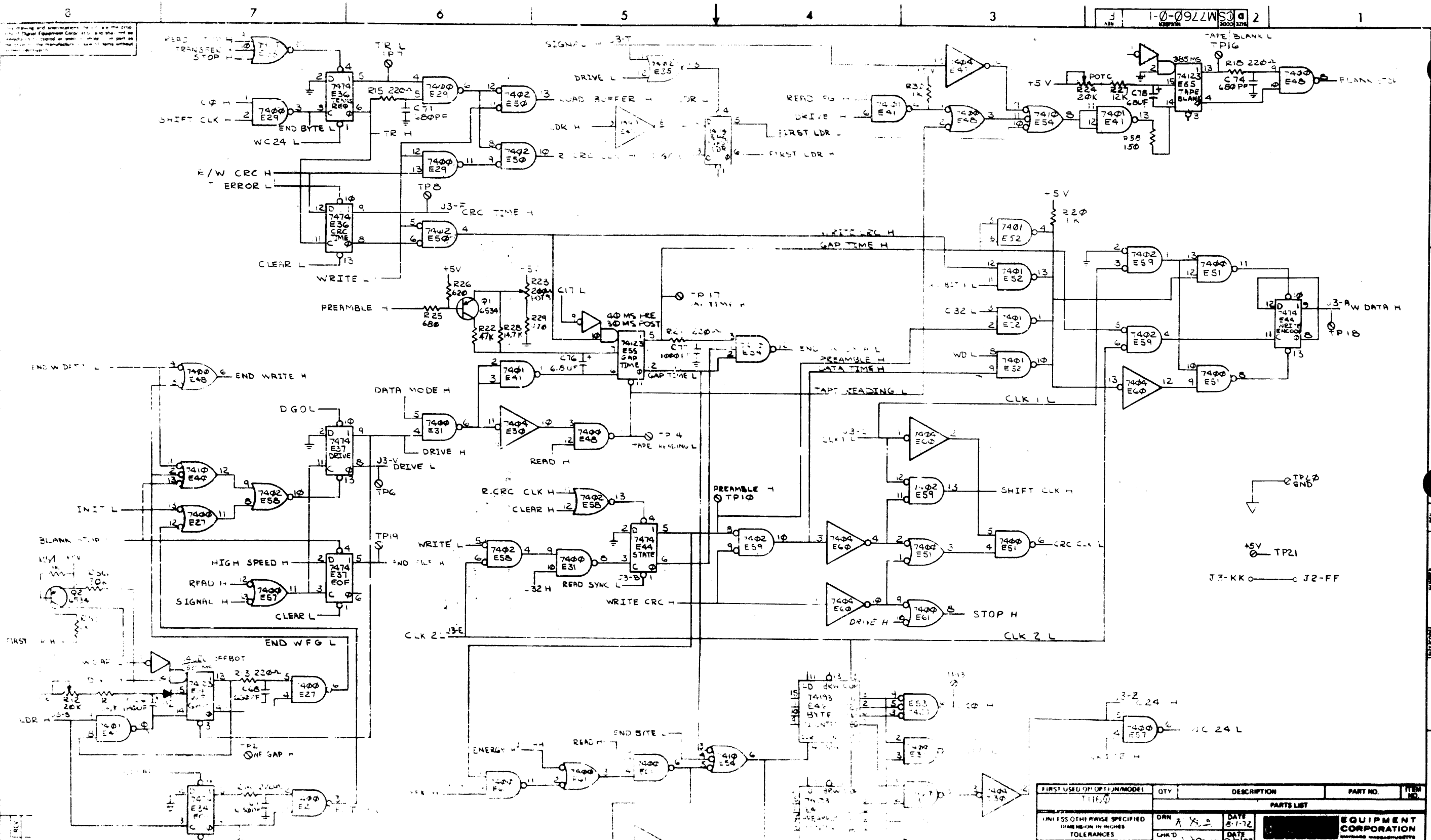
SEMICONDUCTOR CONVERSION CHART

DEC NO.	EIA NO.	DEC NO.	EIA NO.
D664	IN3606		

SHEET 1 OF 4



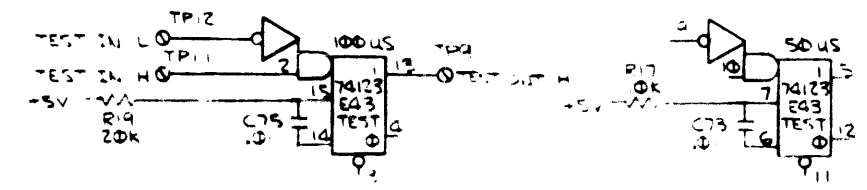
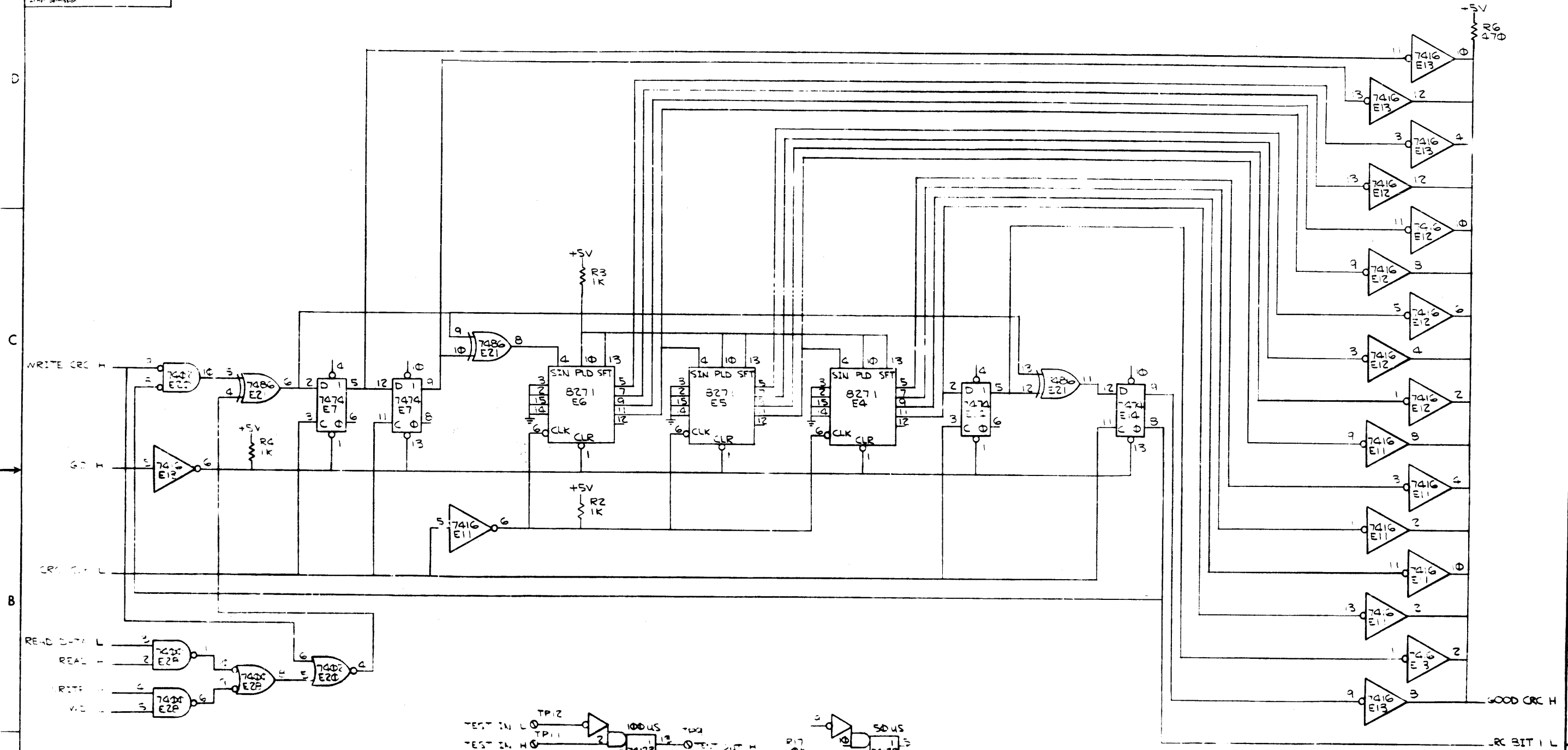
FIRST USED ON OPT'N MODEL	QTY.	DESCRIPTION	PART NO.	ITEM NO.
TUGØ				
PARTS LIST				
UNLESS OTHERWISE SPECIFIED	DRN. 4 C. PROVED	DATE 6-8-72	EQUIPMENT CORPORATION MILWAUKEE, WISCONSIN	
DIMENSION IN INCHES	CHK'D. [Signature]	DATE 9-1-72		
DECIMALS AN	ENG. [Signature]	DATE 9-2-72		
XXX-006 XX-07 X-1	PROJ. ENG. [Signature]	DATE 9-2-72		
REMOVE BURRS AND BREAK SHARP CORNERS SURFACE QUALITY	300	DATE 9-2-72	TITLE TU60 LOGIC (INTERFACE)	
MATERIAL	GREAT NUMBER ASSY.			
FINISH	B-DD-TU60-Ø	SIZE CODE		
	SCALE	NUMBER		
	SHEET 2 OF 4	DIST.	DCS M7760-Ø-1	REV. F



FIRST USED OR OPTION/MODEL	QTY	DESCRIPTION	PART NO.	ITEM NO.
TU60				
PARTS LIST				
UNLESS OTHERWISE SPECIFIED (DIMENSIONS IN INCHES)	DRN	DATE	EQUIPMENT CORPORATION	
TOLERANCES	CHK'D	DATE		
DECIMALS	ENG	DATE	TITLE	
ANGLES	PROJ. ENG.	DATE		
REMOVE BURRS AND BREAK SHARP CORNERS SURFACE QUALITY	PROD.	DATE	TU60 LOGIC (FORMATTER)	
MATERIAL	NEXT HIGHER ASSY.	DATE		
FINISH	B-DD-TU60-0	SCALE	SIZE CODE	NUMBER
		SHEET 3 OF 4	DCS M7760-0-1	REV. F

REV. F
 DCS M7760-0-1
 B

1. Values and specifications herein are the property of the manufacturer and shall not be used in whole or in part as a basis for the manufacture of items without written permission.



REV	CHG	NO

FIRST USED ON OPTION/MODEL	QTY	DESCRIPTION	PART NO.	ITEM NO.
TU				
PARTS LIST				
UNLESS OTHERWISE SPECIFIED DIMENSION IN INCHES TOLERANCE	DRAWN <i>[Signature]</i>	DATE 10/1/72	EQUIPMENT CORPORATION MARTINEZ, MASSACHUSETTS	
DECIMALS ANGLES	CHK'D <i>[Signature]</i>	DATE 10/1/72		
XXX-000 XX-00 X-1	PROJ. ENG. <i>[Signature]</i>	DATE 10/1/72	TITLE TU60 LOGIC (CRC LOGIC)	
REMOVE BURRS AND BREAK SHARP CORNERS SURFACE QUALITY	PROD. ENG. <i>[Signature]</i>	DATE 10/1/72		
MATERIAL	NEXT HIGHER ASBY.	SCALE	SIZE CODE DCS	NUMBER M7760-0-1
FINISH	B-LD-TU60-0	SHEET 4 OF 4	DIST.	REV. F