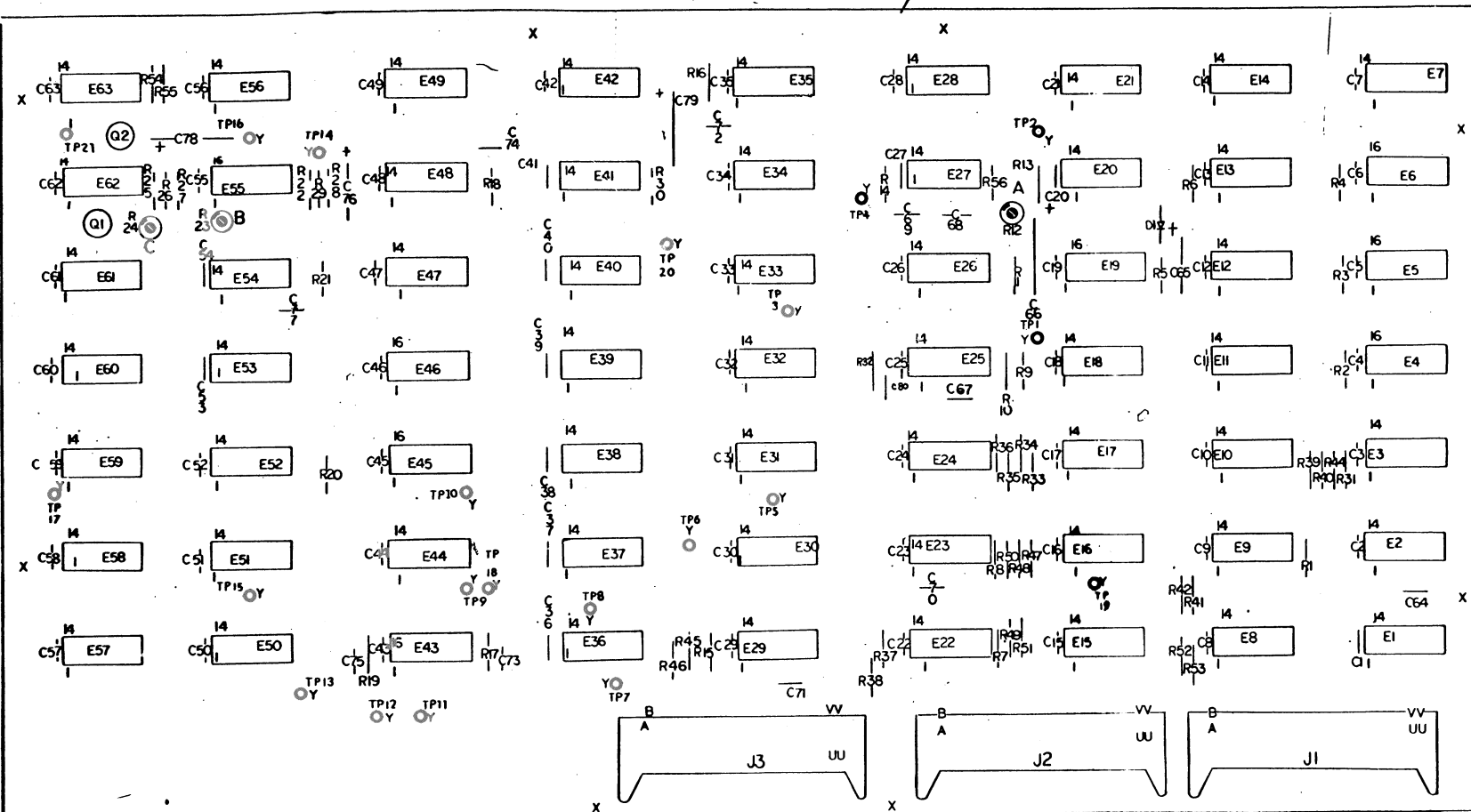


This drawing and specifications, herein, are the property of Digital Equipment Corporation and shall not be reproduced or copied or used in whole or in part as the basis for the manufacture or sale of items without written permission.

NOTES:

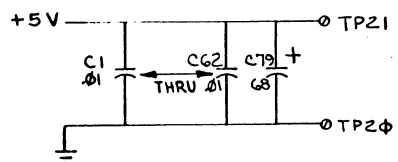
1. UNLESS OTHERWISE SPECIFIED:
RESISTANCE IS IN OHMS
CAPACITANCE IS IN MICROFARADS

1
2
3
4



B.575 REF

15.70 REF



QTY	REF DESIGNATION	DESCRIPTION	PART NO.	ITEM NO.
1	C66	CAP 100 MFD 20V 10% S.TANT	1004815	49
1	R56	RES 43K 1/4W 5%	1304838	48
11	R34, R36, R38, R40, R42, R44, R46, R48, R49, R51, R53	RES 390 1/4W 5%	1300309	47
1	R16	RES 150 1/4W 5%	1300250	46
1	R5	RES 24K 1/4W 5%	1304837	45
2	R12, R24	RES 20K 1/2W 10% G2P POT	1309150-13	44
2	R25, R55	RES 2K 1/4W 5%	1302388	43
1	R23	RES 200 1/2W 10% G2P POT	1309150-10	42
1	R22	RES 56K 1/4W 5%	1302395	41
1	R27	RES 12K 1/4W 5%	1300488	40
2	R28, R11	RES 18K 1/4W 5%	1302465	39
11	R3, R33, R35, R37, R39, R41, R45, R47, R31, R50, R52	RES 180 1/4W 5%	1301322	38
1	R17	RES 10K 1/4W 5%	1300479	37
9	R2, R3, R4, R9, R20, R26, R29, R30, R54	RES 1K 1/4W 5%	1300365	36
1	R6	RES 470 1/4W 5%	1300316	35
9	R1, R7, R10, R13, R14, R15, R18, R21, R32	RES 220 1/4W 5%	1300271	34
1	R19	RES 20K 1/4W 5%	1302391	33
1	E53	IC DEC 7427	1910878	32
3	E19, E43, E55	IC DEC 74123	1910426	31
2	E45, E46	IC DEC 74193	1910018	30
1	E21	IC DEC 7486	1910011	29
5	E1, E8, E22, E23, E24	IC DEC 380	1909485	28
3	E11, E12, E13	IC DEC 7416	1909928	27
5	E3, E10, E15, E16, E25	IC DEC 8881	1909705	26
6	E18, E30, E32, E47, E49, E60	IC DEC 7404	1909686	25
3	E4, E5, E6	IC DEC 8271	1909615	24
2	E2, E9	IC DEC 7495	1909055	23
8	E17, E20, E33, E35, E38, E50, E58, E59	IC DEC 7402	1909004	22
2	E41, E52	IC DEC 7401	1905590	21
2	E42, E56	IC DEC 7450	1905580	20
2	E40, E54	IC DEC 7410	1905576	19
9	E27, E28, E29, E31, E39, E48, E51, E57, E61	IC DEC 7400	1905575	18
8	E7, E14, E26, E34, E36, E37, E44, E62	IC DEC 7474	1905547	17
1	D1	DIODE D664	1100114	16
1	C76	CAP 6.8 MFD 35V 10% S.TANT	1005306	15
1	C65	CAP 3.9 MFD 10V 10% S.TANT	1000064	14
64	C1 THRU C62, C73, C75	CAP .01 MFD 100V 20% DISC	1001610	13
2	C78, C79	CAP 68 MFD 15V 10% S.TANT	1000082	12
3	C67, C77, C72	CAP 1000 PF 100V 5% MICA	1000042	11
4	C68, C69, C71, C74	CAP 680 PF 100V 5% DM	1000026	10
2	C64, C70	CAP 470 PF 100V 5% DM	1000024	9
3	J1, J2, J3	CONNECTOR, 40PIN	1209941	8
21	TP1 THRU TP21	LUG, SWAGE #1026-2	9007791	7
2	Q1, Q2	XSTR, G534D PNP 31ΦMW	1503409	6
1	C80	CAP 100 PF 100V 5% DM	1000016	5
REF		MODULE ECO HISTORY	B-MH-M7760-0-3	4
REF		ASSY/DRILLING HOLE LAYOUT	E-AH-M7760-0-3	3
REF		X-Y COORDINATE HOLE LOCATION	K-CO-M7760-0-4	2
1		ETCHED CIRCUIT BOARD	5010025	1

IC TYPE	GRID	+5V
7405	8	14
8271	8	16
3E10	1	8
74193	8	16
74123	8	16
GND AND 5V ARE USUALLY PIN 7 AND 14 RESPECTIVELY EXCEPT AS STATED ABOVE		
IC PIN LOCATIONS		

FIRST USED ON OPTION MODEL
TU60

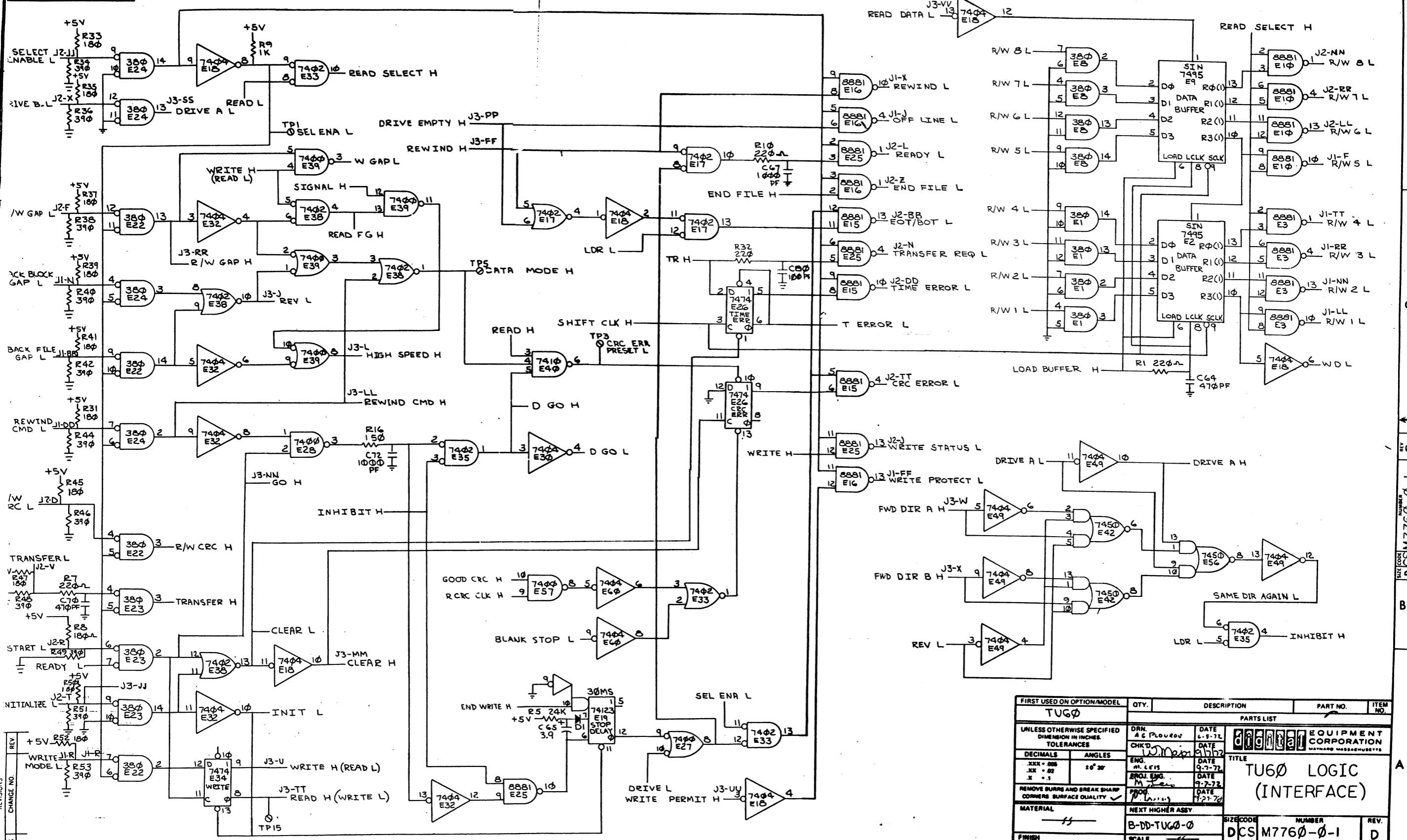
PARTS LIST		EQUIPMENT CORPORATION	
ETCH BOARD REV	D	MAYNARD, MASSACHUSETTS	
DRN	3/15/72	TITLE	
CHK'D	9/18/72	TU60 LOGIC	
ENG	9/15/72	SIZE CODE	NUMBER
PROJ. ENG	9/15/72	D	CSM7760-0-1
PROD. ENG	9/15/72	SCALE	REV.
	9/27/72	1	D
NEXT HIGHER ASSY		SHEET	OF 4
B-DD-TU60-0		DIST.	

REV	CHANGE NO.	DESCRIPTION
1		
2		
3		
4		
5		
6		
7		
8		
9		
10		
11		
12		
13		
14		
15		
16		
17		
18		
19		
20		
21		
22		
23		
24		
25		
26		
27		
28		
29		
30		
31		
32		
33		
34		
35		
36		
37		
38		
39		
40		
41		
42		
43		
44		
45		
46		
47		
48		
49		
50		
51		
52		
53		
54		
55		
56		
57		
58		
59		
60		
61		
62		
63		
64		
65		
66		
67		
68		
69		
70		
71		
72		
73		
74		
75		
76		
77		
78		
79		
80		
81		
82		
83		
84		
85		
86		
87		
88		
89		
90		
91		
92		
93		
94		
95		
96		
97		
98		
99		
100		

SEMICONDUCTOR CONVERSION CHART

This drawing and specifications, herein, are the property of Digital Equipment Corporation and shall not be reproduced or copied or used in whole or in part as a basis for the manufacture or sale of items without written permission.

1-0-0927WSJ4
 13M 133MIN 10003216

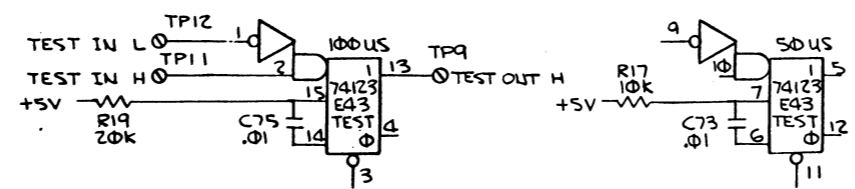
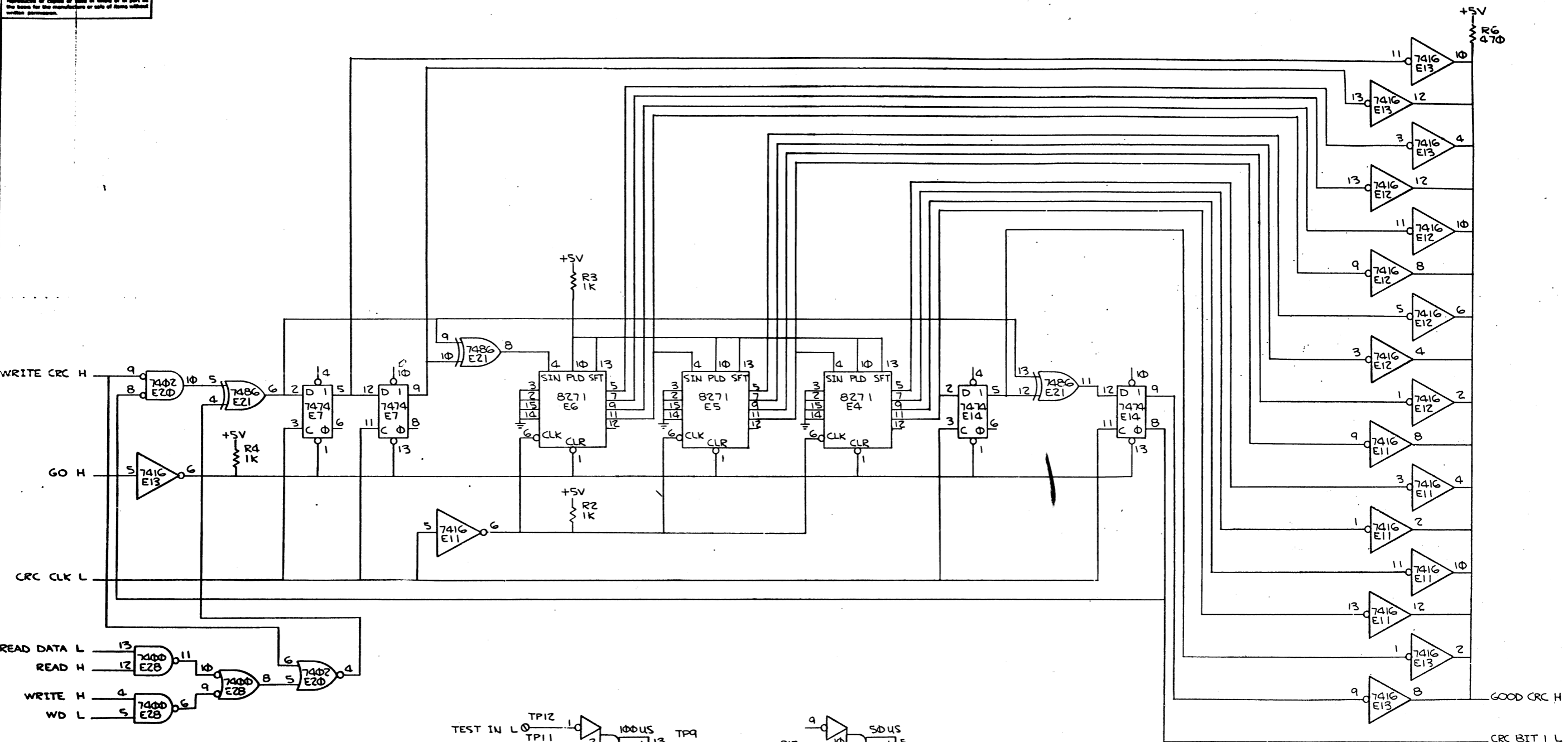


REV	CHANGE NO.	DESCRIPTION

FIRST USED ON OPTION/MODEL	QTY.	DESCRIPTION	PART NO.	ITEM NO.																				
TU60																								
UNLESS OTHERWISE SPECIFIED DIMENSION IN INCHES. TOLERANCES																								
DECIMALS	ANGLES	PARTS LIST																						
.XX - .005	20° 30'	<table border="1"> <tr> <td>DRN</td> <td>A G Plover</td> <td>DATE</td> <td>6-5-72</td> </tr> <tr> <td>CHKD</td> <td> </td> <td>DATE</td> <td>9-17-72</td> </tr> <tr> <td>ENG.</td> <td>M. L. S.</td> <td>DATE</td> <td>9-7-72</td> </tr> <tr> <td>PROJ. ENG.</td> <td>M. L. S.</td> <td>DATE</td> <td>9-7-72</td> </tr> <tr> <td>PROF.</td> <td> </td> <td>DATE</td> <td>7-27-70</td> </tr> </table>			DRN	A G Plover	DATE	6-5-72	CHKD		DATE	9-17-72	ENG.	M. L. S.	DATE	9-7-72	PROJ. ENG.	M. L. S.	DATE	9-7-72	PROF.		DATE	7-27-70
DRN	A G Plover	DATE	6-5-72																					
CHKD		DATE	9-17-72																					
ENG.	M. L. S.	DATE	9-7-72																					
PROJ. ENG.	M. L. S.	DATE	9-7-72																					
PROF.		DATE	7-27-70																					
REMOVE BURRS AND BREAK SHARP CORNERS SURFACE QUALITY		<table border="1"> <tr> <td colspan="2">NEXT HIGHER ASSY</td> <td>SIZE CODE</td> <td>NUMBER</td> </tr> <tr> <td colspan="2">B-DD-TU60-0</td> <td>DCS M7760-0-1</td> <td> </td> </tr> <tr> <td colspan="2">SCALE</td> <td> </td> <td> </td> </tr> <tr> <td colspan="2">FINISH</td> <td> </td> <td> </td> </tr> </table>			NEXT HIGHER ASSY		SIZE CODE	NUMBER	B-DD-TU60-0		DCS M7760-0-1		SCALE				FINISH							
NEXT HIGHER ASSY		SIZE CODE	NUMBER																					
B-DD-TU60-0		DCS M7760-0-1																						
SCALE																								
FINISH																								
TITLE		TU60 LOGIC (INTERFACE)																						
MATERIAL																								
FINISH																								
		SHEET 2 OF 4																						

REV D
 NUMBER
 DCS M7760-0-1
 SHEET 2 OF 4

The drawing and specifications, herein, are the property of Digital Equipment Corporation and shall not be reproduced or copied or used in whole or in part as the basis for the manufacture or sale of items without written permission.



FIRST USED ON OPTION/MODEL	QTY.	DESCRIPTION	PART NO.	ITEM NO.
TU60				
PARTS LIST				
UNLESS OTHERWISE SPECIFIED DIMENSION IN INCHES. TOLERANCES	DRN <i>As Blended</i>	DATE 5-11-72	digital EQUIPMENT CORPORATION MAYNARD MASSACHUSETTS	
DECIMALS .XXX = .005 .XX = .02 .X = .1	CHK'D <i>W. Miller</i>	DATE 9/2/72		
ANGLES ±0° 30'	ENG. <i>M. Leis</i>	DATE 9/1/72	TITLE TU60 LOGIC (CRC LOGIC)	
REMOVE BURRS AND BREAK SHARP CORNERS SURFACE QUALITY ✓	PROJ. ENG. <i>M. Leis</i>	DATE 9/1/72		
MATERIAL	NEXT HIGHER ASSY.	DATE	SIZE CODE	NUMBER
FINISH	B-DD-TU60-0		DCS	M7760-0-1
	SCALE		DIST.	
	SHEET 4	OF 4		

REV. D
M7760-0-1
DCS

REV. D
M7760-0-1
DCS