

TITLE	SHEET	SIZE	CODE	NUMBER	REV
TU6θ DECASSETTE	2 OF 4	B	DD	TU6θ-θ	A

CUSTOMER PRINT SET		ELECTRICAL					CUSTOMER PRINT SET		MECHANICAL						
TU6 ϕ - ϕ	MFG. SET	FIND NO.	DRAWING NO.	REV	NO OF SHT	DESCRIPTION	OPTION NO./FILE DATE	TU6 ϕ - ϕ	MFG. SET	FIND NO.	DRAWING NO.	REV	NO OF SHT	DESCRIPTION	OPTION NO./FILE DATE
X		1	D-WD-TU6 ϕ - ϕ -WD		1	CASSETTE DRIVE WIRING DIAGRAM		X		1	D-UA-TU6 ϕ - ϕ - ϕ	A	2	TU6 ϕ UNIT ASSEMBLY	
								X			A-PL-TU6 ϕ - ϕ - ϕ	A	2	TU6 ϕ UNIT ASSEMBLY	
											E-IA-7409943-0-0		2	CHASSIS (TU6 ϕ)	
											D-IA-7409990-0-0		1	PLATE, CHASSIS, FRONT (TU6 ϕ)	
											E-MD-7409941-0-0		1	COVER, CHASSIS	
X		13	D-IA-7009041-0-0		1	TERMINATOR CABLE ASSY					C-MD-7409904-0-0		1	BRACKET, SYMMETRICAL	
			D-CS-5410135-0-1		2	TERMINATOR, CASSETTE DRIVE					B-MD-7409933-0-0		1	PUSHING, PIVOT	
											D-UA-BC ϕ 5L- ϕ - ϕ		1	CABLE, JUMPER	
											D-PS-1210931-0-0		1	BLOCK, CABLE RETAINING	
											C-MD-7410690-0-0		1	BRACKET, SHIPPING	
X		17	D-CS-M776 ϕ - ϕ -1		4	TU6 ϕ LOGIC					D-PS-1209154-0-0		1	CHASSIS-TRAK	
X		18	D-CS-M7761- ϕ -1		5	READ/WRITE AND SERVO		X		2	D-AD-7009014-0-0		2	TRANSPORT ASSY (TU6 ϕ)	
								X			A-PL-7009014-0-0		3	TRANSPORT ASSY (TU6 ϕ)	
											C-MD-7409911-0-0		1	SPACER, TAPE GUIDE	
											C-MD-7409912-0-0		1	GUIDE, TAPE	
											C-MD-7409928-0-0		1	BRACKET, SOLENOID	
											C-MD-7409908-0-0		1	PLATE, HEAD MOUNT	
C		19	B-DD-H751- ϕ		3	H751 POWER SUPPLY					B-MD-7410518-0-0		1	BUTTON, REWIND SWITCH	
			D-UA-H751- ϕ - ϕ		2	H751 POWER SUPPLY					B-MD-7410519-0-0		1	BRACKET, REWIND SWITCH	
			E-IA-5310191-0-0		1	CHASSIS, POWER SUPPLY					C-MD-7410537-0-0		1	SPRING, LOCK BAR	
											B-MD-7410544-0-0		1	SPACER, E.O.T. BLOCK	
											D-PS-1211279-0-0		1	COUPLING, CASSETTE DRIVE (3MM)	
											D-MD-7409917-0-0		1	LOCK-BAR, CASSETTE	
											D-PS-1211289-0-0		1	SENSOR ASSY	
		20	B-DD-BC ϕ 5H- ϕ		3	LINE SET					B-MD-7409929-0-0		1	BRACKET, TERMINAL BOARD	
			C-UA-BC ϕ 5H- ϕ - ϕ		1	LINE SET BC ϕ 5H (115V)									
			C-UA-BC ϕ 5J- ϕ - ϕ		1	LINE SET BC ϕ 5J (230V)									
								X		3	D-IA-7410640-0-0		1	BASE ASSEMBLY	
											E-MD-7409835-0-0		1	BASE, CASSETTE TRANSPORT (MACH)	
											B-MD-7409938-0-0		1	BUSHING, ROCKER	
											B-MD-7410553-0-0		1	SHIM, SKEW	
											C-MD-7410539-0-0		1	PIN, ANCHOR	
											C-MD-7409934-0-0		1	PIN, SPRING, MOTOR BIAS	
											E-PS-1211122-0-0		1	BASE, CASSETTE TRANSPORT (CAST)	

CUSTOMER PRINT SET CODES	X = PRINT OF DOCUMENT INCLUDED IN PRINT SET	TITLE	SHEET 3 OF 4	SIZE CODE	NUMBER	REV
	C = INCLUDES ALL PRINTS INDICATED ON DOCUMENT					
	S = CONFIDENTIAL AUTHORIZED SIGNATURE REQUIRED	TU6 ϕ DECASSETTE				

CUSTOMER PRINT SET		MECHANICAL					CUSTOMER PRINT SET		MECHANICAL								
TU6Ø-Ø		MFG. SET	FIND NO.	DRAWING NO.	REV	NO OF SHT	DESCRIPTION	OPTION NO./FILE DATE	TU6Ø-Ø		MFG. SET	FIND NO.	DRAWING NO.	REV	NO OF SHT	DESCRIPTION	OPTION NO./FILE DATE
			4	C-IA-7409924-0-0		1	COVER, LOWER CASSETTE ASSY		X			10	C-IA-7009139-0-0		1	DRIVE-MOTOR ASSY	
				C-MD-7409905-0-0		1	COVER, LOWER CASSETTE						C-MD-7409913-0-0		1	SLEEVE, MOTOR	
				C-MD-7410541-0-0		1	PIN, SPRING, COVER, CASSETTE										
				B-MD-7410552-0-0		1	LENS										
			5	C-IA-7409930-0-0		1	EJECTOR ASSY		X			11	C-AD-7009148-0-0		1	LEVER ASSY	
				C-MD-7409907-0-0		1	EJECTOR						C-MD-7409931-0-0		1	LEVER, ROCKER	
				B-MD-7410543-0-0		1	ROLLER, EJECTOR						B-MD-7409932-0-0		1	ROLLER, IDLER	
X			6	D-AD-7009141-0-0		1	SWITCH ASSY					12	C-IA-7409919-0-0		1	ROCKER ASSY	
				C-MD-7409926-0-0		1	BLOCK, SWITCH						C-MD-7409916-0-0		1	PLATE, ROCKER	
				C-MD-7409935-0-0		1	SPACER, MICRO SWITCH						B-MD-7409921-0-0		1	SLEEVE, ROCKER	
													B-MD-7409922-0-0		1	SHAFT, IDLER	
X			7	C-AD-7009146-0-0		1	SPINDLE ASSY					14	D-IA-7410604-0-0		1	CARD FRAME ASSY	
				D-MD-7410509-0-0		1	COUPLING, CASSETTE DRIVE (2MM)						E-MD-7409942-0-0		1	FRAME, CARD	
				C-MD-7410692-0-0		1	BEARING, SPINDLE						C-MD-7410587-0-0		1	STAND-OFF, THREADED	
			8	C-IA-7409914-0-0		1	PULLEY, DRIVE ASSY					15	D-IA-7410556-0-0		1	BEZEL ASSY	
				C-MD-7410535-0-0		1	PULLEY, DRIVE						C-MD-7409882-0-0		1	ADAPTER, BEZEL	
				C-MD-7410527-0-0		1	SPINDLE						D-MD-7410579-0-0		1	INLAY, BEZEL	
													D-CS-1209226-0-0		1	BEZEL 5 1/4"	
X			9	C-AD-7009140-0-0		1	MOTOR MOUNT ASSY					16	B-IA-7410691-0-0		1	LOGO (TU6Ø)	
				C-MD-7409915-0-0		1	PIVOT, MOTOR						A-SS-7410691-0-1		1	SILK SCREEN	
				C-MD-7409910-0-0		1	MOUNT, MOTOR										
												19	B-DD-H751-Ø		3	H751 POWER SUPPLY	
													D-UA-H751-Ø-Ø		2	H751 POWER SUPPLY	
													E-IA-5310191-0-0		1	CHASSIS, POWER SUPPLY	

CUSTOMER PRINT SET CODES
X = PRINT OF DOCUMENT INCLUDED IN PRINT SET
C = INCLUDES ALL PRINTS INDICATED ON DOCUMENT
S = CONFIDENTIAL AUTHORIZED SIGNATURE REQUIRED

TITLE
TU6Ø DECASSETTE

SHEET 4 OF 4
SIZE CODE B DD
NUMBER TU6Ø-Ø

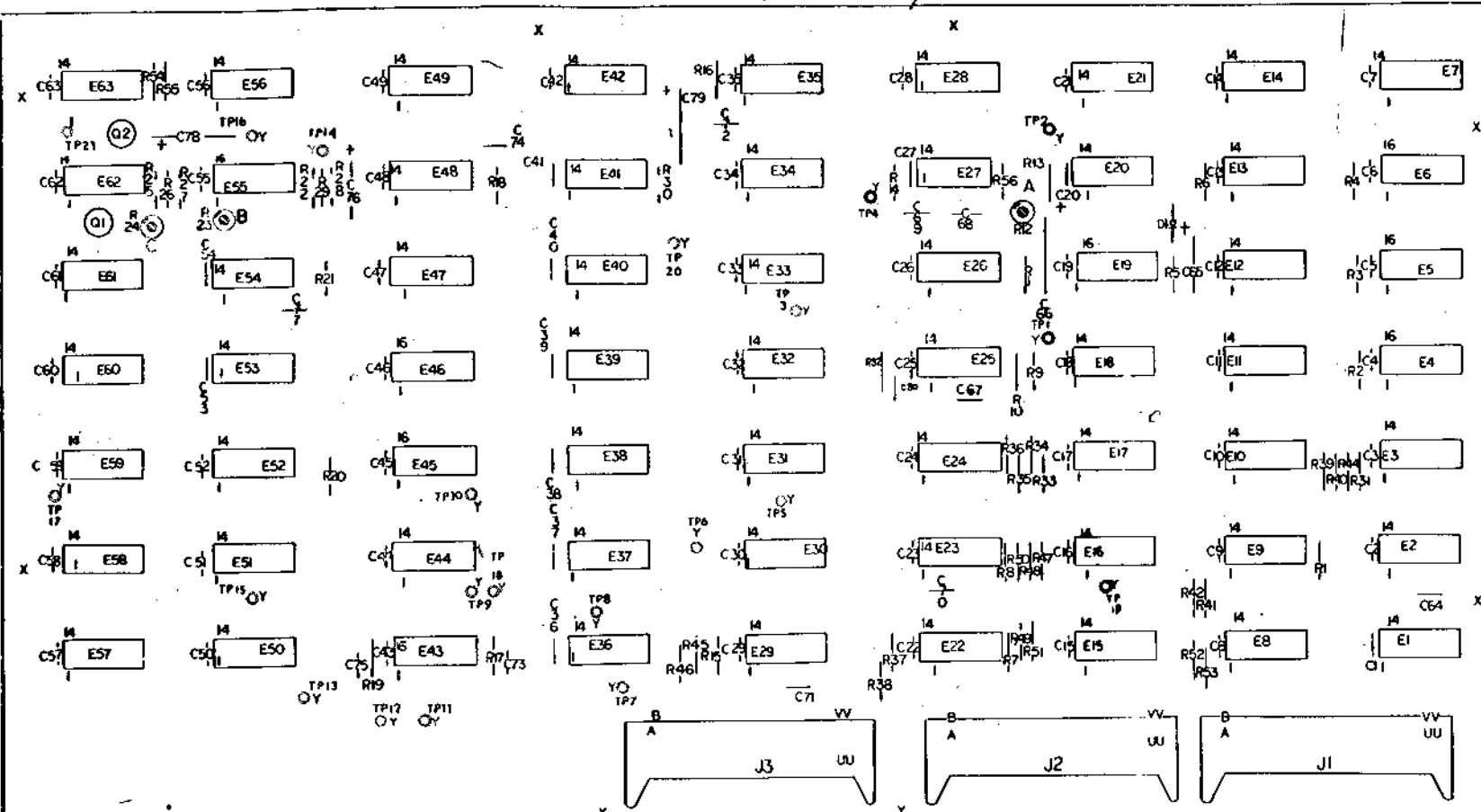
REV
A

This drawing and specifications herein, are the property of Digital Equipment Corporation and shall not be reproduced or copied or used in whole or in part in the form for the manufacture of any of them without written permission.

NOTES:

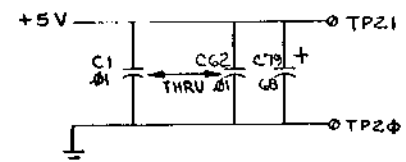
1. UNLESS OTHERWISE SPECIFIED:
RESISTANCE IS IN OHMS
CAPACITANCE IS IN MICROFARADS

1
2
3
4



B.575 REF

15.70 REF



QTY	REF DESIGNATION	DESCRIPTION	PART NO.	ITEM NO.
1	C66	CAP 100 MFD 20V 10% STANT	1004815	49
1	R56	RES 43K 1/4W 5%	1304838	48
11	R34, R36, R38, R40, R42, R44, R46, R48, R49, R51, R53	RES 390 1/4W 5%	1300309	47
1	R16	RES 150 1/4W 5%	1300250	46
1	R5	RES 24K 1/4W 5%	1304837	45
2	R12, R24	RES 20K 1/2W 10% G2P POT	1309150-13	44
2	R25, R55	RES 2K 1/4W 5%	1302388	43
1	R23	RES 200 1/2W 10% G2P POT	1309150-10	42
1	R22	RES 56K 1/4W 5%	1302395	41
1	R27	RES 12K 1/4W 5%	1300488	40
2	R28, R11	RES 18K 1/4W 5%	1302465	39
11	R33, R35, R37, R39, R41, R45, R47, R51, R50, R52	RES 180 1/4W 5%	1301322	38
1	R17	RES 10K 1/4W 5%	1300479	37
9	R13, R19, R20, R22, R23, R24, R54	RES 1K 1/4W 5%	1300365	36
1	R6	RES 470 1/4W 5%	1300316	35
9	R1, R7, R10, R13, R14, R15, R18, R21, R32	RES 220 1/4W 5%	1300271	34
1	R19	RES 20K 1/4W 5%	1302391	33
1	E53	IC DEC 7427	1910878	32
3	E19, E43, E55	IC DEC 74123	1910426	31
2	E45, E46	IC DEC 74193	1910018	30
1	E21	IC DEC 7486	1910011	29
5	E1E, E22, E23, E24	IC DEC 380	1909485	28
3	E11, E12, E13	IC DEC 7416	1909928	27
5	E3, E10, E15, E16, E25	IC DEC 8281	1909705	26
6	E18, E20, E32, E47, E49, E60	IC DEC 7404	1909686	25
3	E4, E5, E6	IC DEC 8271	1909619	24
2	E2, E9	IC DEC 7495	1909055	23
8	E17, E20, E33, E35, E38, E50, E58, E59	IC DEC 7402	1909004	22
2	E41, E52	IC DEC 7401	1905570	21
2	E42, E56	IC DEC 7450	1905580	20
2	E40, E54	IC DEC 7410	1905576	19
9	E27, E28, E29, E31, E39, E48, E51, E57, E61	IC DEC 7400	1905575	18
8	E7, E14, E26, E34, E36, E37, E44, E62	IC DEC 7474	1905547	17
1	D1	DIODE D664	1100114	16
1	C76	CAP 6.8 MFD 35V 10% STANT	1005306	15
1	C65	CAP 3.9 MFD 10V 10% STANT	1000064	14
64	C1 THRU C62, C73, C75	CAP .01 MFD 100V 20% DISC	1001610	13
2	C78, C79	CAP 68 MFD 15V 10% STANT	1000082	12
3	C67, C77, C72	CAP 1000 PF 100V 5% MICA	1000042	11
4	C68, C69, C71, C74	CAP 680 PF 100V 5% DM	1000026	10
2	C64, C70	CAP 470 PF 100V 5% DM	1000024	9
3	J1, J2, J3	CONNECTOR, 40 PIN	1209941	8
21	TP1 THRU TP21	LVQ, SWAGE * 1026-2	9007791	7
2	Q1, Q2	XSTR, G534D PNP 310MW	1503409	6
1	C80	CAP 100 PF 100V 5% DM	1000016	5
REF		MODULE ECO HISTORY	P-MH-M760-0-3	4
REF		ASSY/DRILLING HOLE LAYOUT	B-AH-M760-0-5	3
REF		X-Y COORDINATE HOLE LOCATION	K-CO-M760-3-2	2
1		ETCHED CIRCUIT BOARD	5010025	1

QTY	REF DESIGNATION	DESCRIPTION	PART NO.	ITEM NO.
7495	8	14		
8271	8	16		
380	1	8		
74193	8	16		
74123	8	16		
X TYPE	GN2	+5V		

GN2 AND 5V ARE USUALLY PIN 7 AND 14 RESPECTIVELY. EXCEPTIONS ARE STATED ABOVE.

IC PIN LOCATIONS

FIRST USED ON OPTION MODEL
TU60

PARTS LIST		EQUIPMENT CORPORATION	
ETCH BOARD REV	D	DATE	8/15/72
DRN	W. Major	DATE	9/18/72
CHKD	M. Len	DATE	9/15/72
ENG	T. J. J.	DATE	9/15/72
PROJ. ENG		DATE	9/15/72
PROD		DATE	9/15/72
NEXT HIGHER ASSY	B-DD-TU60-0		
SCALE	1 OF 4		
SHEET			

SEMICONDUCTOR CONVERSION CHART

DEC NO.	EIA NO.	DEC NO.	EIA NO.
D664	IN3606		

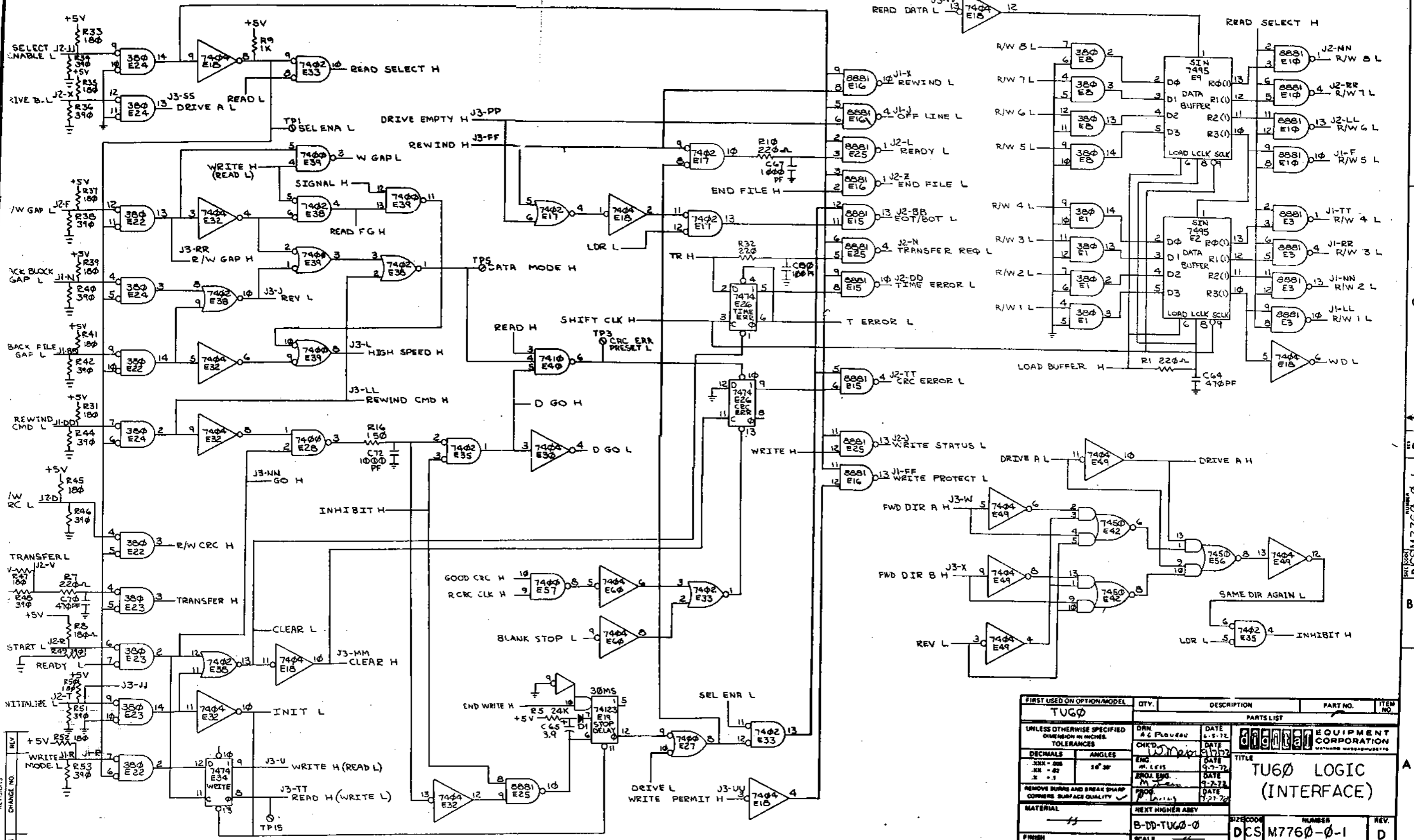
DIGITAL EQUIPMENT CORPORATION
MAYNARD, MASSACHUSETTS

TITLE: **TU60 LOGIC**

SIZE CODE: D
NUMBER: CSM7760-0-1
REV: D

This drawing and identification herein, are the property of Digital Equipment Corporation and shall not be reproduced or copied or used in whole or in part as a basis for the manufacture or sale of items without written permission.

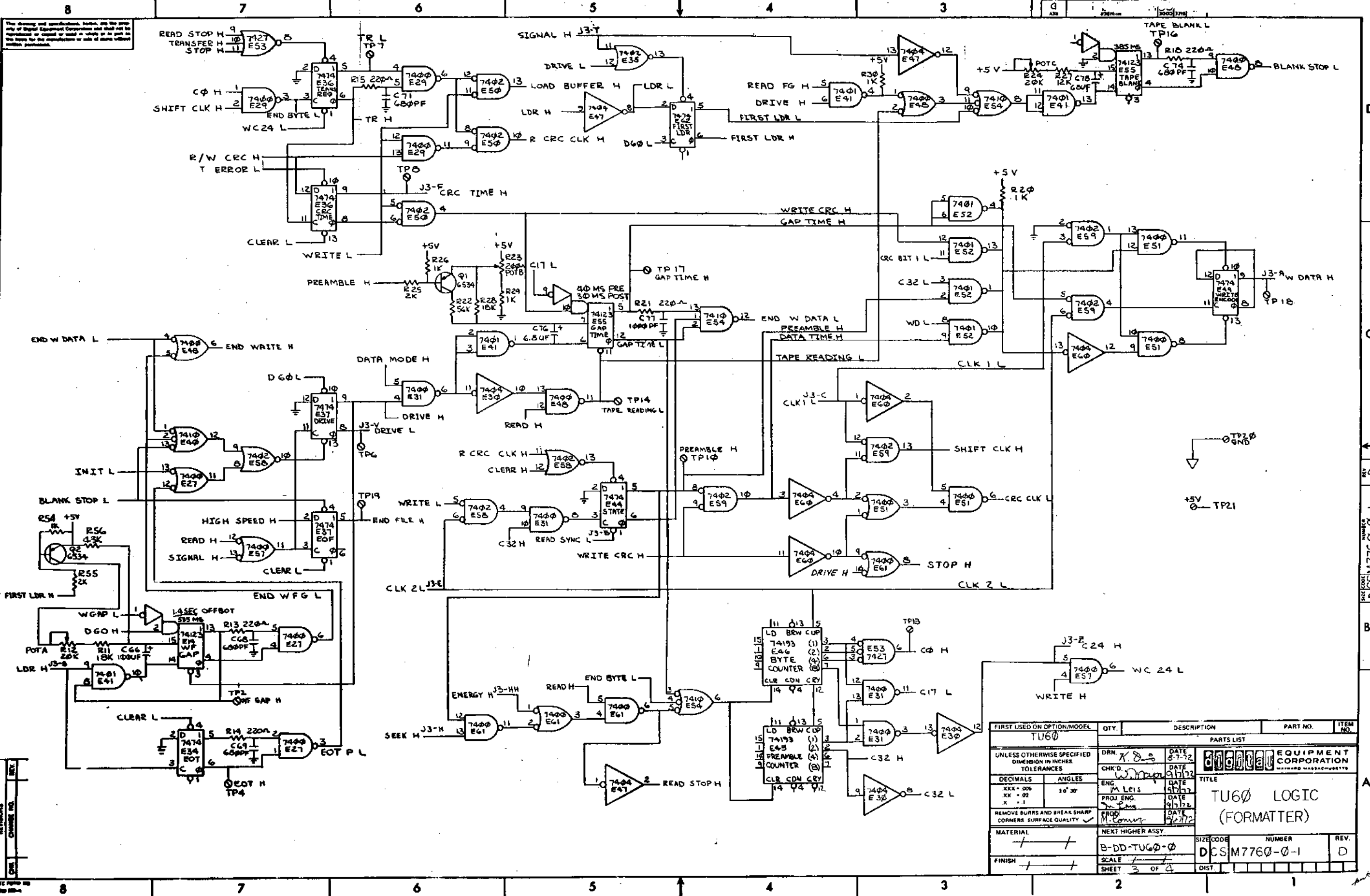
1-0-0927MSJ
10001174



FIRST USED ON OPTION/MODEL	QTY.	DESCRIPTION	PART NO.	ITEM NO.
TUG0				
UNLESS OTHERWISE SPECIFIED DIMENSIONS IN INCHES. TOLERANCES				
DECIMALS	ANGLES	PARTS LIST		
.XXX - .005	16° 30'	 DIGITAL EQUIPMENT CORPORATION <small>WATFORD MASSACHUSETTS</small>		
.XX - .02				
.XX - .01		TITLE		
REMOVE BURRS AND BREAK SHARP CORNERS SURFACE QUALITY		TU60 LOGIC (INTERFACE)		
MATERIAL	NEXT HIGHER ASSEMBLY	SIZE/CODE	NUMBER	REV.
FINISH	B-DD-TUG0-0	DCS M7760-0-1		D
	SCALE	SHEET 2 OF 4	DIST.	

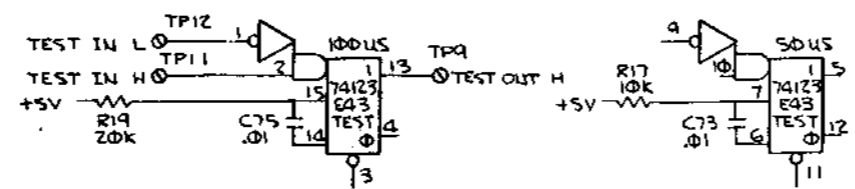
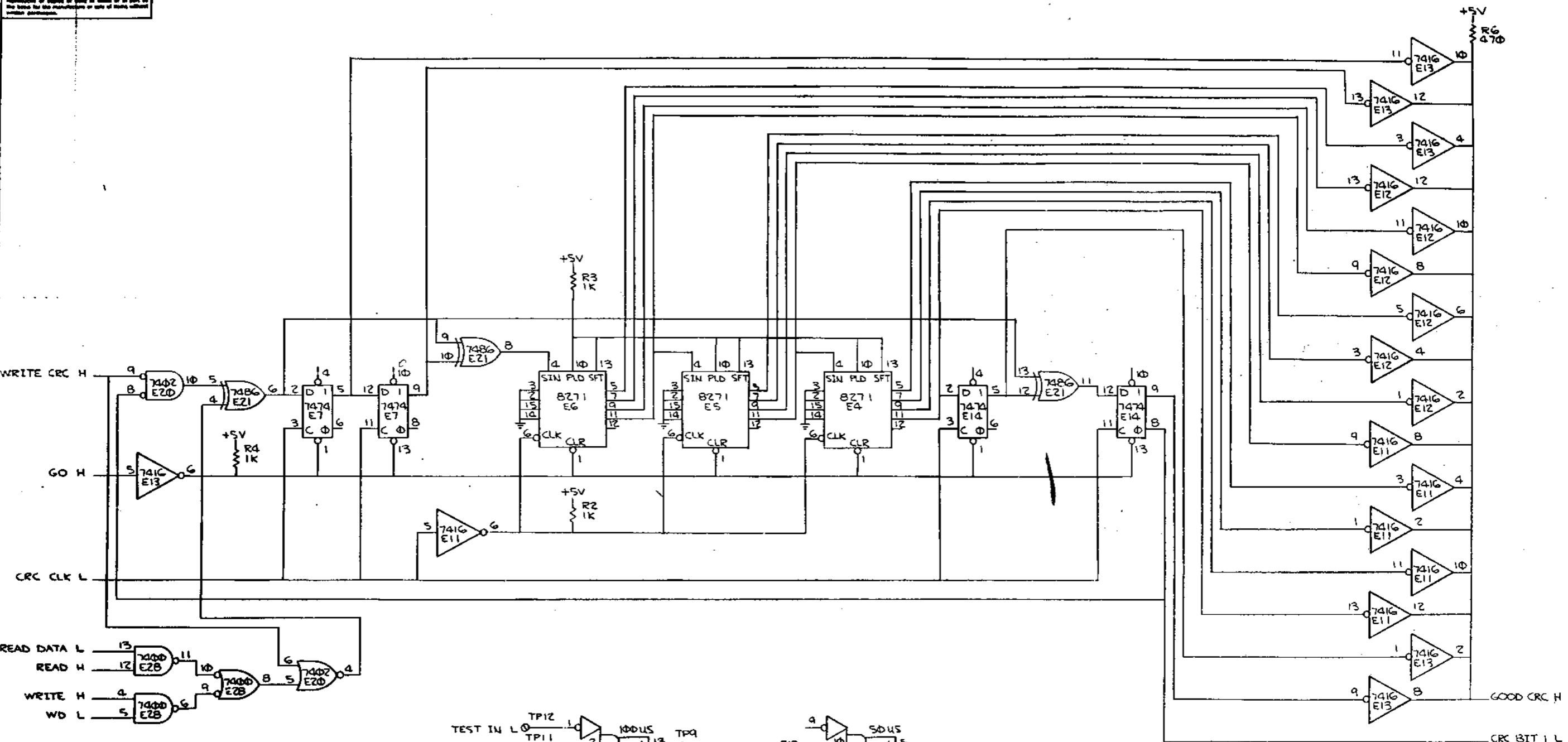
REV.	CHANGE NO.	DESCRIPTION

This drawing and specifications, herein, are the property of Digital Equipment Corporation and shall not be reproduced or copied or used in whole or in part in any form for the manufacture or sale of parts without written permission.



FIRST USED ON OPTION/MODEL	QTY.	DESCRIPTION	PART NO.	ITEM NO.
TU60				
PARTS LIST				
UNLESS OTHERWISE SPECIFIED DIMENSION IN INCHES TOLERANCES		DRN. <i>K.D.S.</i>	DATE 8-7-72	EQUIPMENT CORPORATION
		CHK'D. <i>W.D.P.</i>	DATE 9-17-72	
DECIMALS .XXX + .006	ANGLES 10' 30"	ENG. <i>M.L.E.</i>	DATE 9-17-72	TITLE TU60 LOGIC (FORMATTER)
		PROJ. ENG. <i>M.L.E.</i>	DATE 9-17-72	
REMOVE BURRS AND BREAK SHARP CORNERS SURFACE QUALITY		PROD. <i>M.L.E.</i>	DATE 9-17-72	
MATERIAL	NEXT HIGHER ASSY.	SIZE CODE NUMBER REV.		
FINISH		B-DD-TU60-0	DCS M7760-0-1	D
SCALE		SHEET 3 OF 4		
DIST.				

This drawing and specifications, herein, are the property of Digital Equipment Corporation and shall not be reproduced or used in whole or in part as the basis for the manufacture or sale of items without written permission.



FIRST USED ON OPTION/MODEL	QTY.	DESCRIPTION	PART NO.	ITEM NO.
TU60				
PARTS LIST				
UNLESS OTHERWISE SPECIFIED DIMENSION IN INCHES TOLERANCES		DRN <i>as above</i>	DATE 5-11-72	Digital EQUIPMENT CORPORATION MILFORD MASSACHUSETTS
DECIMALS	ANGLES	CHK'D <i>W. Baker</i>	DATE 9/2/72	
.XXX - .008		ENG <i>M. Lewis</i>	DATE 8/1/72	TITLE TU60 LOGIC (CRC LOGIC)
.XX - .02	10' 30'	PROJ. ENG. <i>M. Lewis</i>	DATE 11/1/72	
X - .1		PROD. <i>M. Lewis</i>	DATE 2/1/73	
REMOVE BURRS AND BREAK SHARP CORNERS SURFACE QUALITY		NEXT HIGHER ASSY.		
MATERIAL		B-DD-TU60-0	SIZE CODE	NUMBER
FINISH		SCALE	DCS	M7760-0-1
		SHEET 4 of 4	DIST.	REV. D

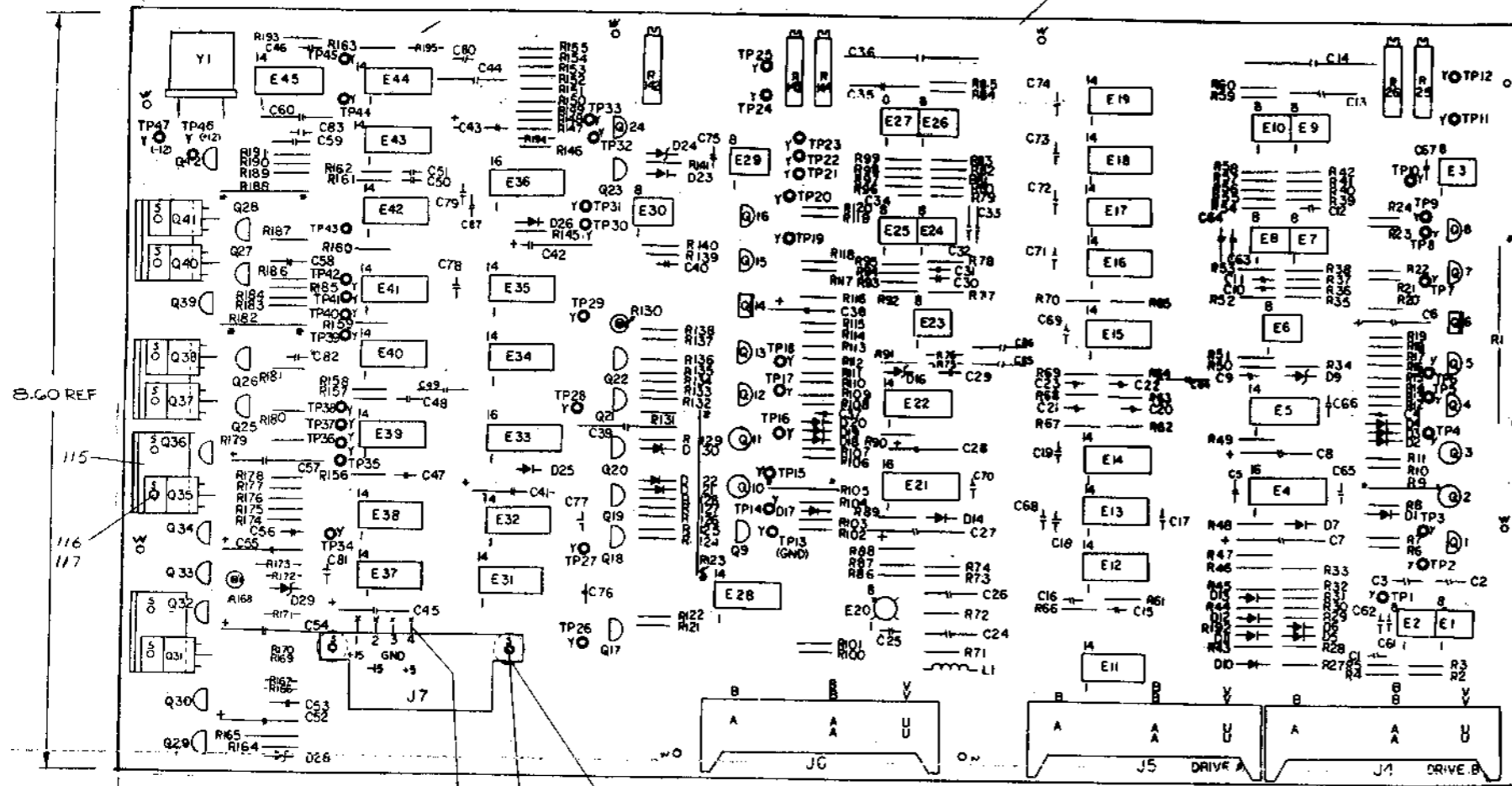
DCS M7760-0-1
 REV. D

REV. D
 DATE 11/1/72

This drawing and specifications, herein, are the property of Digital Equipment Corporation and shall not be reproduced or copied in whole or in part or the basis for the manufacture or sale of items without written permission.

NOTES:

- 1. UNLESS OTHERWISE SPECIFIED:
RESISTANCE IS IN OHMS
CAPACITANCE IS IN MICROFARADS



B.G.O REF

15.70 REF

FOR PARTS LIST INFORMATION SEE SHEET 2

306	1	8	4
7492	10	5	
7493	10	5	
380	1	8	
301		7	4
741		7	4
+123	8	16	
75452	4	8	
IC TYPE	GND	+5V	+12V -12V

GND AND 5V ARE USUALLY PIN 7 AND 14 RESPECTIVELY. EXCEPTIONS ARE STATED ABOVE

IC PIN LOCATIONS

QTY		REF DESIGNATION	DESCRIPTION	PART NO.	ITEM NO.															
PARTS LIST																				
ETCH BOARD REV C																				
FIRST USED ON OPTION MODEL TU60																				
<table border="1"> <tr> <td>DRN</td> <td>DATE</td> <td>8/1/72</td> </tr> <tr> <td>CHK'D</td> <td>DATE</td> <td>9/1/72</td> </tr> <tr> <td>ENG</td> <td>DATE</td> <td>3/6/71</td> </tr> <tr> <td>PRD'G ENGR</td> <td>DATE</td> <td>3/6/72</td> </tr> <tr> <td>PRD'G</td> <td>DATE</td> <td>4/27/72</td> </tr> </table>						DRN	DATE	8/1/72	CHK'D	DATE	9/1/72	ENG	DATE	3/6/71	PRD'G ENGR	DATE	3/6/72	PRD'G	DATE	4/27/72
DRN	DATE	8/1/72																		
CHK'D	DATE	9/1/72																		
ENG	DATE	3/6/71																		
PRD'G ENGR	DATE	3/6/72																		
PRD'G	DATE	4/27/72																		
<table border="1"> <tr> <td>DEC NO.</td> <td>EIA NO.</td> <td>DEC NO.</td> <td>EIA NO.</td> </tr> <tr> <td>D664</td> <td>IN3606</td> <td></td> <td></td> </tr> </table>						DEC NO.	EIA NO.	DEC NO.	EIA NO.	D664	IN3606									
DEC NO.	EIA NO.	DEC NO.	EIA NO.																	
D664	IN3606																			
<table border="1"> <tr> <td>SCALE</td> <td>---</td> </tr> <tr> <td>SHEET</td> <td>1 OF 5</td> </tr> </table>						SCALE	---	SHEET	1 OF 5											
SCALE	---																			
SHEET	1 OF 5																			
<table border="1"> <tr> <td>SIZE CODE</td> <td>NUMBER</td> <td>REV</td> </tr> <tr> <td>D</td> <td>CS M7761-0-1</td> <td>D</td> </tr> </table>						SIZE CODE	NUMBER	REV	D	CS M7761-0-1	D									
SIZE CODE	NUMBER	REV																		
D	CS M7761-0-1	D																		
SEMICONDUCTOR CONVERSION CHART																				

digital EQUIPMENT CORPORATION
MAYNARD, MASSACHUSETTS

READ/WRITE AND SERVO

This drawing and specifications, herein, are the property of Digital Equipment Corporation and shall not be reproduced or copied in whole or in part in any form for the manufacture or sale of parts without written permission.

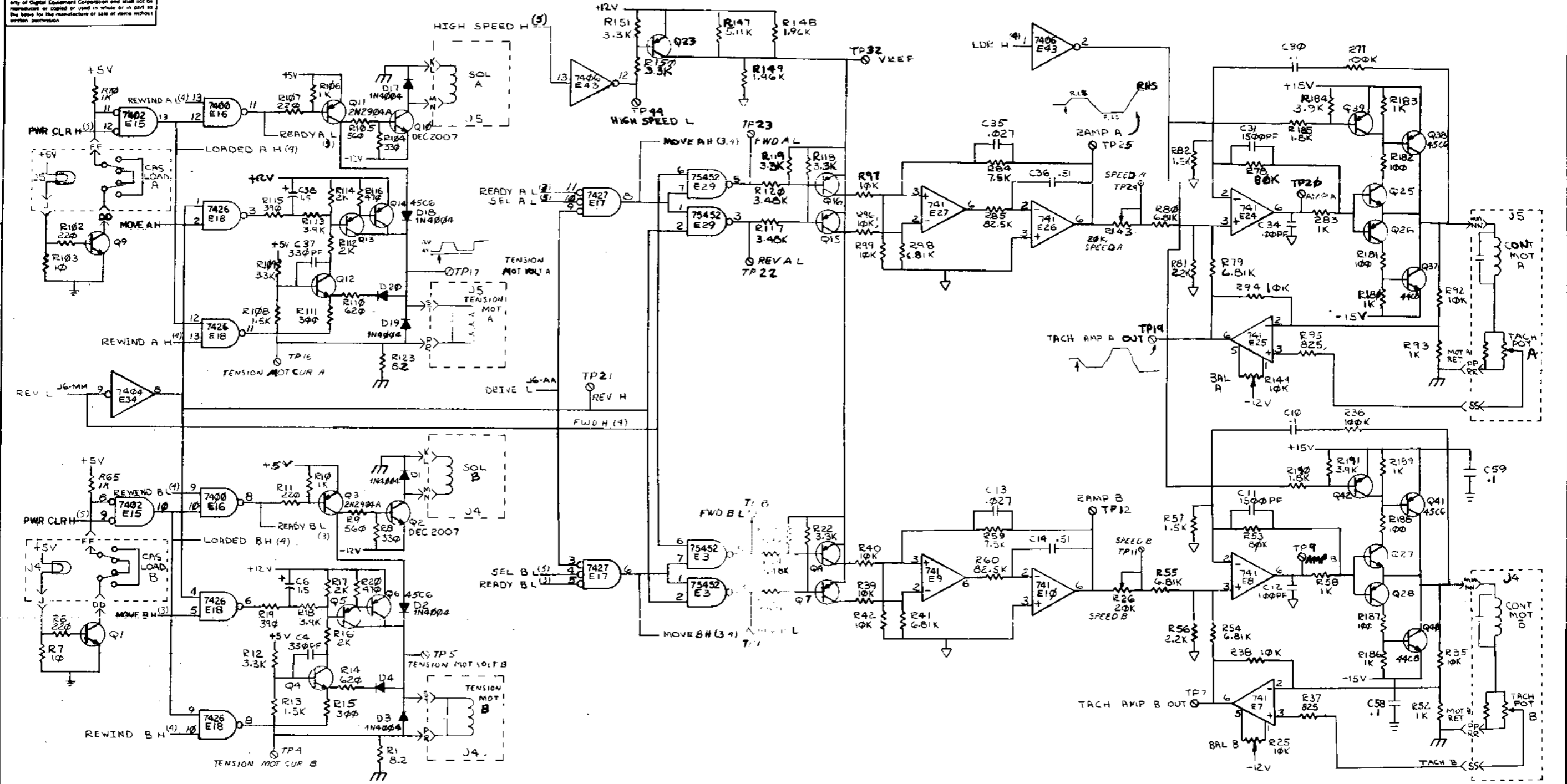
ITEM NO	PART NO	DESCRIPTION	QTY	REF DESIGNATION	ITEM NO	PART NO	DESCRIPTION	QTY	REF DESIGNATION
1	5010023	ETCH BOARD	1		50	1303048	RES 560 1W 5% CC	2	R9, R105
2	K-CD-M7761-0-4	X-Y COORDINATE HOLE LOCATION	REF		51	1303178	RES 620 1/4W 5% CC	2	R14, R110
3	D-MH-M7761-0-5	ASSY/DRILLING HOLE LAYOUT	REF		52	1302872	RES 681 1/8W 1% MF	4	R43, R44, R45, R192
4	B-MH-M7761-0-6	MODULE ECG HISTORY	REF		53	1305143	RES 825 1/8W 1% MF	2	R37, R95
5	1000006	CAP 100PF 100V 5% DM	2	C81, C82	54	1303114	RES 1K 1/8W 1% MF	4	R52, R93, R176, R173
6	1000016	CAP 100PF 100V 5% DM	3	E12, C25, C34	55	1300385	RES 1K 1/4W 5% CC	34	R4, R10, R47, R50, R58, R62, R65, R67, R70, R72, R73, R75, R83, R86, R87, R88, R100, R106, R122, R125, R127, R128, R133, R137, R138, R160, R163, R164, R171, R172, R180, R183, R186, R189
7	1000019	CAP 150PF 100V 5% DM	2	C17, C18	56	1300391	RES 1.5K 1/4W CC	4	R13, R57, R82, R108
8	1000023	CAP 330PF 100V 5% DM	2	C4, C37	57	13003	RES 1.0K 1/4W CC	2	R185, R190
9	1000026	CAP 550PF 100V 5% DM	5	C22, C23, C50, C51, C87	58	13C 33	RES 1.96K 1/8W 1% MF	4	R28, R30, R148, R149
10	1000042	CAP 1000PF 100V 5% DM	2	C47, C48	59	1302388	RES 2K 1/4W 5% CC	9	R16, R17, R112, R114, R121, R124, R126, R132, R136
11	1000054	CAP 1500PF 250V 10% DISC	2	C11, C31	60	1309150-07	RES 2K 1/2W 10% 62 PR	1	R168
12	1002423	CAP 3300PF 100V 5% DM	2	C53, C56	61	1300417	RES 2.2K 1/4W 5% CC	2	R56, R81
13	1000061	CAP 8200PF 100V 10% MYLAR	1	C60	62	1300439	RES 3.3K 1/4W 5% CC	8	R12, R22, R23, R109, R118, R119, R150, R151
14	1001810	CAP .01UF 100V 20% DISC	29	C5, C9, C15, C18, C19, C20, C21, C29, C40, C45, C65, C66, C67, C68, C69, C70, C71, C72, C73, C74, C75, C76, C77, C78, C79, C80, C81, C82, C83	63	1305114	RES 3.48K 1/8W 1% MF	4	R21, R24, R117, R120
15	1002323	CAP .022UF 100V 10% MYLR	3	C24, C26, C44	64	1309413	RES 3.03K 1/8W 1% MF	1	R131
16	1000049	CAP .027UF 100V 10% MYLR	2	C13, C35	65	1300444	RES 3.9K 1/4W 5% CC	4	R18, R113, R164, R181
17	1000030	CAP .1UF 100V 20% DISC	8	C2, C3, C32, C33, C58, C59, C63, C64	66	1305324	RES 4.99K 1/8W 1% MF	3	R152, R155, R158
18	1010970-35	CAP .1UF 50V 10% CER	2	C10, C30	67	1304854	RES 5.11K 1/8W 1% MF	1	R147
19	1002180	CAP .15UF 35V 20% TANT	2	C42, C43	68	1301874	RES 5.6K 1/4W 5% CC	1	R154
20	1010279	CAP .47UF 25V 20% CER	1	C1	69	1304870	RES 6.81K 1/8W 1% MF	0	R41, R54, R55, R79, R80, R98
21	1009871	CAP .51UF 100V 5% MYLR	2	C14, C36	70	1305332	RES 7.5K 1/8W 1% MF	2	R59, R84
22	1001776	CAP 1UF 35V 10% TANT	3	C84, C85, C86	71	1303312	RES 10K 1/8W 1% MF	10	R35, R38, R39, R40, R42, R92, R94, R96, R97, R99
23	1009725	CAP 1.5UF 35V 10% TANT	2	C6, C38	72	1300479	RES 10K 1/4W 5% CC	3	R2, R3, R140
24	1002627	CAP 2.2UF 20V 10% TANT	1	C49	73	1309143-10	RES 10K 3/4W 10% 76 PR	2	R25, R144
25	1005306	CAP 6.8UF 35V 10% TANT	5	C8, C28, C45, C52, C55	74	1300488	RES 12K 1/4W 5% CC	1	R153
26	1004812	CAP 15UF 20V 10% TANT	1	C41	75	1302391	RES 20K 1/4W 5% CC	1	R139
27	1004814	CAP 47UF 20V 10% TANT	2	C54, C57	76	1309143-11	RES 20K 3/4W 10% 76 PR	2	R26, R143
28	1000982	CAP 68UF 15V 10% TANT	2	C7, C27	77	1305346	RES 27K 1/4W 5% CC	1	R5
29	1005572	CAP 150UF 6V 20% TANT	1	C39	78	1302384	RES 30K 1/4W 5% CC	2	R48, R89
30	1109114	DIODE 3664	15	D4, D5, D6, D7, D10, D11, D12, D13, D14, D20, D21, D22, D23, D25, D26	79	1303156	RES 34.8K 1/8W 1% MF	2	R134, R135
31	1104860	IN746A 3.3VZ 5% .4W	1	D30	80	1302514	RES 39K 1/4W 5% CC	1	R145
32	1100124	IN750A 4.7VZ 5% .4W	2	D9, D16	81	1309143-13	RES 50K 3/4W 10% 76 PR	1	R142
33	1102808	IN752A 5.6VZ 5% .4W	1	D24	82	1304839	RES 51K 1/4W 5% CC	7	R49, R51, R71, R76, R90, R101, R146
34	1102421	IN753A 6.2VZ 5% .4W	2	D28, D29	83	1310636	RES 82.5K 1/8W 1% MF	2	R60, R85
35	1105798	IN4004 400V PIV 1A	6	D1, D2, D3, D17, D18, D19	84	1303044	RES 100K 1/8W 1% MF	6	R29, R31, R34, R36, R77, R91
36	1208941	CONN 40 PIN	3	J4, J5, J6	85	1300539	RES 120K 1/4W 5% CC	2	R194, R195
37	1209340	CONN #1-480459	1	J7	86	1302397	RES 180K 1/4W 5% CC	2	R53, R78
38	1209458	PIN, SOCKET, #61320-1	4		87	1509632	TRANSISTOR DEC 2007 8W NPN	2	Q2, Q10
39	1311084	RES 0.2 10W 5% WN	2	R1, R123	88	1501913	TRANSISTOR 2N2306A 8W PNP	2	Q3, Q11
40	1301317	RES 10 1/4W 5% CC	2	R7, R103	89	1509338	TRANSISTOR 6531B .31W NPN	11	Q1, Q4, Q9, Q12, Q20, Q24, Q25, Q27, Q30, Q33, Q36
41	1300228	RES 100 1/4W 5% CC	5	R33, R46, R159, R181, R187	90	1500409	TRANSISTOR 6534D .31W PNP	19	Q5, Q7, Q8, Q13, Q15, Q16, Q17, Q18, Q19, Q21, Q22, Q23, Q26, Q28, Q29, Q32, Q34, Q39, Q42
42	1302380	RES 100 2W 5% CC	2	R182, R188	91	1510421	TRANSISTOR D44CB 30W (RED) NPN	3	Q35, Q37, Q40
43	1309150-10	RES 200 1/2W 10% 62 PR	1	R130	92	1510414	TRANSISTOR D45CB 30W (GRN) PNP	5	Q6, Q14, Q31, Q38, Q41
44	1300271	RES 220 1/4W 5% CC	17	R6, R11, R27, R32, R61, R64, R66, R69, R74, R102, R107, R128, R156, R157, R161, R162, R193	93	1611034-01	INDUCTOR 47 MH	1	L1
45	1301425	RES 300 1/4W 5% CC	2	R15, R111	94	1811110	CRYSTAL 2.304 MHZ	1	Y1
46	1300295	RES 330 1/4W 5% CC	5	R8, R83, R88, R104, R141	95	1810282	IC 301	5	E1, E2, E6, E23, E30
47	1300309	RES 390 1/4W 5% CC	2	R19, R115	96	1800875	IC 306	1	E20
48	1300308	RES 390 1/2W 5% CC	2	R165, R173					
49	1300316	RES 470 1/4W 5% CC	10	R20, R118, R188, R187, R189, R170, R174, R175, R177, R178					

ITEM NO	PART NO	DESCRIPTION	QTY	REF DESIGNATION
97	1909485	IC 380	1	E40
98	1910288	IC 741	8	E7, E8, E9, E10, E24, E25, E28, E27
99	1911038	IC 4024	1	E45
100	1911039	IC 4044	1	E44
101	1905675	IC 7400	3	E16, E35, E39
102	1905590	IC 7401	1	E12
103	1909004	IC 7402	2	E13, E15
104	1909686	IC 7404	2	E20, E34
105	1910741	IC 7406	1	E43
106	1905578	IC 7410	1	E42
107	1910236	IC 7426	2	E11, E18
108	1910876	IC 7427	1	E17
109	1905500	IC 7450	3	E5, E22, E31
110	1305547	IC 7474	3	E19, E32, E41
111	1910011	IC 7486	1	E14
112	1909054	IC 7493	2	E37, E38
113	1910436	IC 74123	4	E4, E21, E33, E36
114	1910645	IC 75452	2	E3, E29
115	5510315	HEAT SINK	4	
116	9038010-1	SCREW, PH 4-40 X 5/16	10	
117	9006567	NUT, KEP 4-40 X 1/4 X 1/16	10	
118	9006706	WASHER, NYLON #4	2	
119	9007791	LUG, SWAGE #1026-2	47	TP1 TO TP47

REVISIONS
 CHANGE NO
 DATE

FIRST USED ON OPTION/MODEL		PARTS LIST	
TU60		digital EQUIPMENT CORPORATION	
UNLESS OTHERWISE SPECIFIED DIMENSION IN INCHES	DRN. F. CARBERRY	DATE 8-4-72	TITLE READ/WRITE AND SERVO
TOLERANCES	CHK'D. W. MAJOR	DATE 9-18-72	
DECIMALS	ENG. M. LEIS	DATE 9-15-72	
ANGLES	PROJ. ENG. M. LEIS	DATE 9-15-72	
REMOVE BURRS AND BREAK SHARP CORNERS SURFACE QUALITY	PROD. M. CONROY	DATE 9-27-72	
MATERIAL	NEXT HIGHER ASSY.	SIZE CODE	NUMBER
FINISH	B-DD-TU60-0	DCS	M7761-0-1
SHEET 2 OF 5		REV. D	

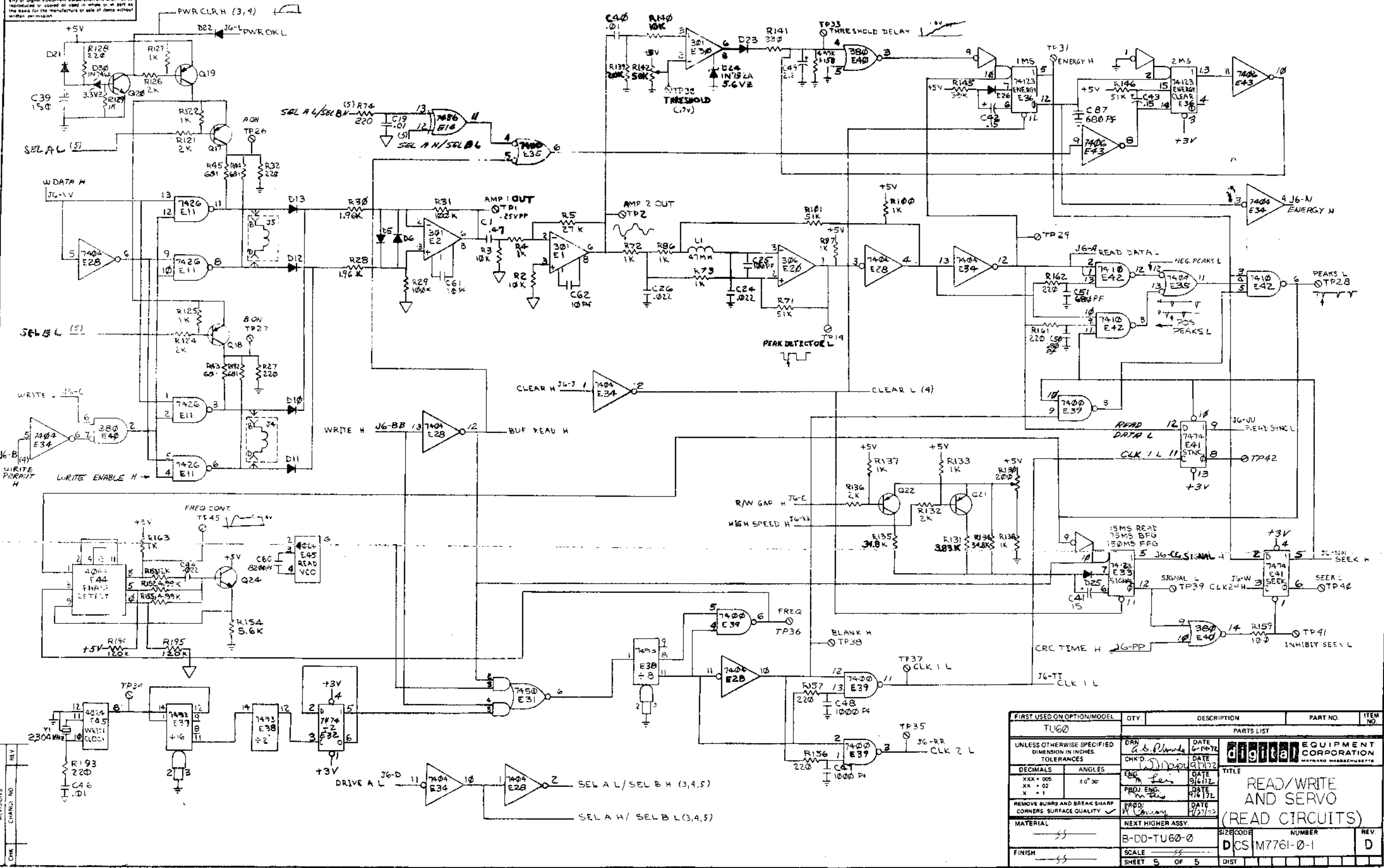
This drawing and specifications, herein, are the property of Digital Equipment Corporation and shall not be reproduced or copied or used in whole or in part as the basis for the manufacture or sale of items without written permission.



REV	
CHG	
REVISIONS	
CHANGE NO.	

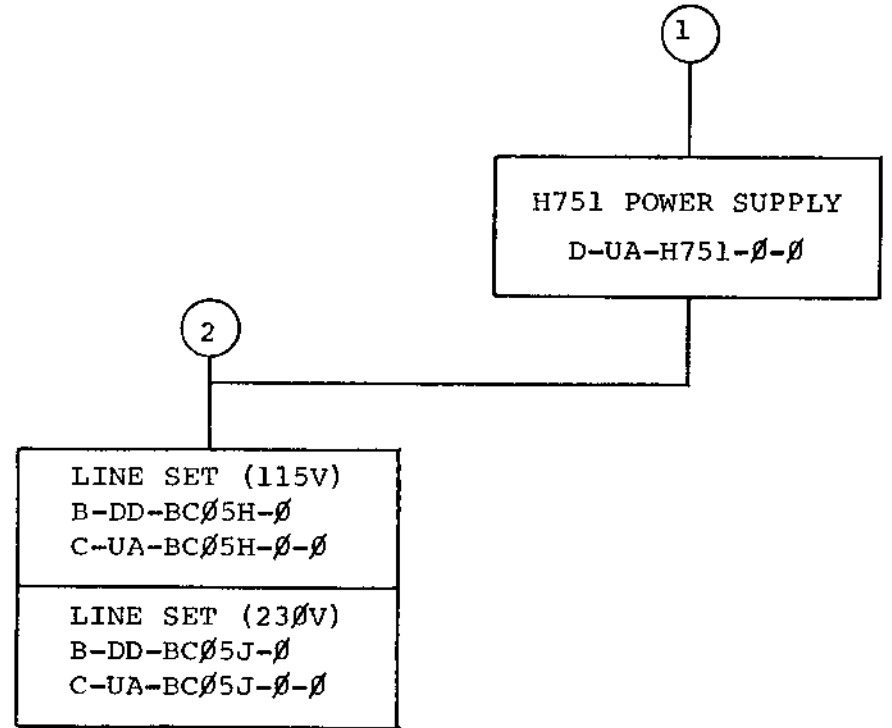
FIRST USED ON OPTION/MODEL	QTY	DESCRIPTION	PART NO.	ITEM NO.
TU60				
PARTS LIST				
UNLESS OTHERWISE SPECIFIED	DRAWN	DATE	DIGITAL EQUIPMENT CORPORATION	
TOLERANCES	CHK'D	DATE	NATL AND MANUFACTURERS	
DECIMALS	ENG	DATE	TITLE	
ANGLES	PRD. ENG.	DATE	READ / WRITE AND SERVO (MOTOR CIRCUITS)	
XXX - .008	PROG.	DATE		
XX - .02	DRG.	DATE		
X - .1	APP.	DATE		
REMOVE BURRS AND BREAK SHARP CORNERS SURFACE QUALITY				
MATERIAL	NEXT HIGHER ASSY.			
FINISH	SCALE			
	SHEET 3 OF 5			

This drawing and specifications herein are the property of Digital Equipment Corporation and shall not be reproduced or copied or used in whole or in part as the basis for the manufacture or sale of items without written permission.



FIRST USED ON OPTION/MODEL	QTY.	DESCRIPTION	PART NO.	ITEM NO.
TU60		PARTS LIST		
UNLESS OTHERWISE SPECIFIED DIMENSION IN INCHES TOLERANCES		DATE 6-14-72	DIGITAL EQUIPMENT CORPORATION	
DECIMALS	ANGLES	CHK'D	DATE 6/15/72	TITLE
XXX = 0.05	XX = 0.02	ENG	DATE 6/15/72	READ/WRITE AND SERVO (READ CIRCUITS)
X = .1		PROJ. ENG.	DATE 6/15/72	
REMOVE BURRS AND BREAK SHARP CORNERS SURFACE QUALITY		PROD.	DATE 6/15/72	
MATERIAL	NEXT HIGHER ASSY.	SIZE CODE NUMBER		
SS	B-DD-TU60-0	DCS M7761-0-1		
FINISH	SCALE	SHEET 5 OF 5		
		DIST		

REV. 1
CHANGES: IND
REV. 2
CHANGES: IND
REV. 3
CHANGES: IND
REV. 4
CHANGES: IND
REV. 5
CHANGES: IND
REV. 6
CHANGES: IND
REV. 7
CHANGES: IND
REV. 8
CHANGES: IND
REV. 9
CHANGES: IND
REV. 10
CHANGES: IND



TITLE	SHEET 2 OF 3	SIZE CODE	NUMBER	REV
H751 POWER SUPPLY		B DD	H751-Ø	A

CUSTOMER PRINT SET				ELECTRICAL					CUSTOMER PRINT SET				MECHANICAL						
H751-Ø			MFG. SET	FIND NO.	DRAWING NO.	REV	NO OF SHT	DESCRIPTION	OPTION NO./FILE DATE	H751-Ø			MFG. SET	FIND NO.	DRAWING NO.	REV	NO OF SHT	DESCRIPTION	OPTION NO./FILE DATE
X				1	D-UA-H751-Ø-Ø	A	2	H751 POWER SUPPLY						1	D-UA-H751-Ø-Ø	A	2	H751 POWER SUPPLY	
X					A-PL-H751-Ø-Ø	A	2	H751 POWER SUPPLY (PL)							A-PL-H751-Ø-Ø	A	2	H751 POWER SUPPLY (PL)	
					E-IA-5310191-0-0		1	CHASSIS, POWER SUPPLY							E-IA-5310191-0-0		1	CHASSIS, POWER SUPPLY	
X					D-CS-H751-Ø-1	A	1	CIRCUIT SCHEMATIC H751											
X					D-CS-5410131-0-1	#	2	CIRCUIT SCHEMATIC											
C				2	B-DD-BCØ5H-Ø	#	3	LINE SET											
					C-UA-BCØ5H-Ø-Ø		1	LINE SET BCØ5H (115V)											
					C-UA-BCØ5J-Ø-Ø		1	LINE SET BCØ5J (230V)											

CUSTOMER PRINT SET CODES	X = PRINT OF DOCUMENT INCLUDED IN PRINT SET C = INCLUDES ALL PRINTS INDICATED ON DOCUMENT S = CONFIDENTIAL AUTHORIZED SIGNATURE REQUIRED	TITLE	H751 POWER SUPPLY	SHEET 3 OF 3	SIZE	CODE	B DD	NUMBER	H751-Ø	REV	A
--------------------------	--	-------	-------------------	--------------	------	------	------	--------	--------	-----	---

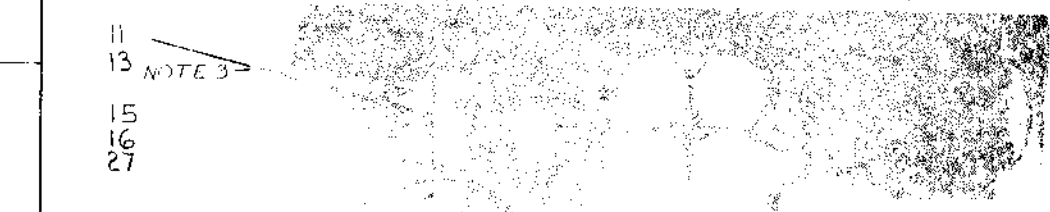
8
7
6
5
4
3
2
1

D

C

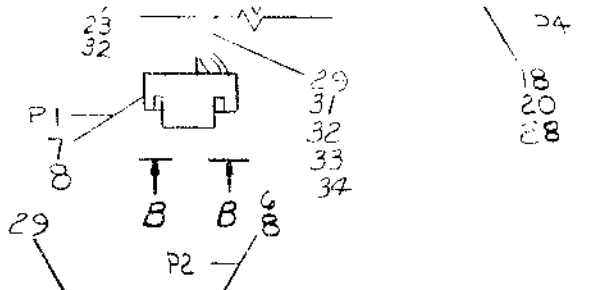
B

A



NOTE 3

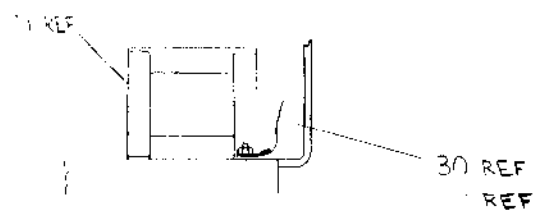
SEE NOTE 4



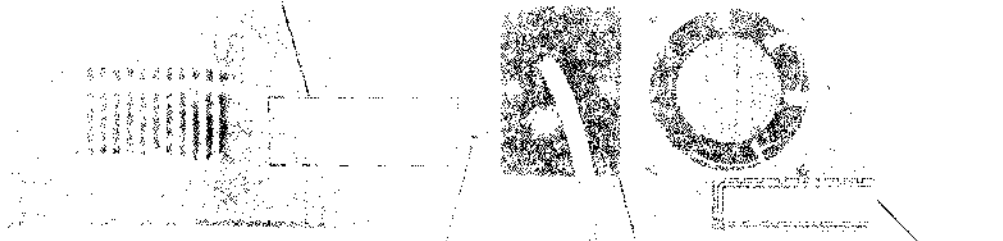
30 REF
REF

30 REF
REF

DATE	BY	CHKD	APP'D
10-25-72	W. Major		
10-25-72			
10-25-72			



DETAIL A



VIEW A-A
ROTATED 180°



-SEE DETAIL A

30
23

- NOTES:
1. MOUNT ITEM #38 (CASSETTE POWER SUPPLY) TO ITEM #1 (CHASSIS) BY DRILL MOUNTING HOLES #2, 11, 12.
 2. USE THERMAL TAPE BETWEEN EACH OF FOUR LARGE CAPACITORS AS SHOWN.
 3. ITEM #22 (COMPOUND) TO BE APPLIED TO BOTH SIDES OF ITEM #16 (WASHER) BEFORE ASSEMBLY.
 4. USE CRIMP TOOL #45575-1 FOR ITEM 35.

FIRST USED ON OPTION/MODEL	QTY.	DESCRIPTION	PART NO.	ITEM NO.
TU60				
PARTS LIST				
UNLESS OTHERWISE SPECIFIED DIMENSION IN INCHES. TOLERANCES		DRN <i>W. Major</i>	DATE 9/25/72	ORIGINAL EQUIPMENT CORPORATION TITLE H751 POWER SUPPLY
DECIMALS	ANGLES	CHKD <i>W. Major</i>	DATE 10/25/72	
XXX - .005	10° 30'	ENG. <i>W. Major</i>	DATE 10-25-72	
XX - .02		PROJ. ENG. <i>W. Major</i>	DATE 10-25-72	
X - .1		PROD. <i>W. Major</i>	DATE 10/25/72	
MATERIAL	NEXT HIGHER ASSY.	SIZE CODE		
55	P. DC H751-Q	NUMBER		
FINISH	SCALE NONE	REV		
11	SHEET 1 OF 2	DUA H751-Q-0		
		DIST		

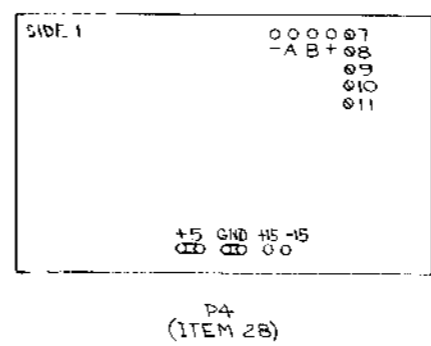
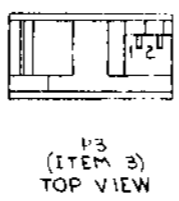
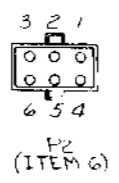
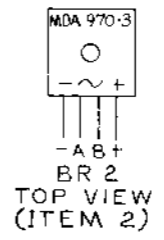
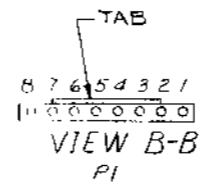
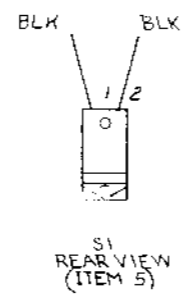
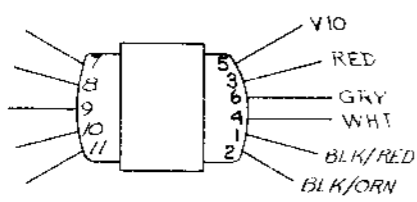
ORIGINAL EQUIPMENT CORPORATION
DUA H751-Q-0

A

This drawing and specifications herein are the property of Digital Equipment Corporation and shall not be reproduced or copied or used in whole or in part as the basis for the manufacture or sale of items without written permission.

WIRE TABLE

ITEM NO	DESCRIPTION		FROM		TO		REMARKS	LENGTH (IN.)
	AWG	COLOR	CONN	WTH	CONN	WITH		
5	18	BLK	S1-1	—	P2-1	8		DO NOT CUT
5	18	BLK	S1-2	—	—	—		DO NOT CUT
12	18	BLK/RED	T1-1	30	—	—	SEE NOTE 4	15
12	18	BLK/ORN	T1-2	—	P2-6	8		18
12	18	VIO	T1-3	—	P2-1	9.10		18
12	18	RED	T1-3	—	P2-5	8		18
12	18	WHT	T1-4	—	P2-3	8		18
30	18	GRY	P2-2	8	GND	23	SEE LN TAIL A	16
12	18	GRY	T1-6	—	P2-2	9.10		18
12	18	—	T1-7	40	P4-7	—	SOLDER	1/4
12	18	—	T1-8	40	P4-8	—	SOLDER	1/4
12	18	—	T1-9	40	P4-9	—	SOLDER	1/4
12	18	—	T1-10	40	P4-10	—	SOLDER	1/4
12	18	—	T1-11	40	P4-11	—	SOLDER	1/4
31	18	RED	P4 - +5V	SOLDER	P1-4	8		16
33	18	ORN	P4 - +15V	SOLDER	P1-1	8		16
34	18	BLU	P4 - -15V	SOLDER	P1-2	8		16
32	18	BLK	P4 - GND	SOLDER	P1-3	8		16
32	18	BLK	35	—	P2-4	8	SEE NOTE 4	3
2	—	—	BR2-(+)	40	P4-(+)	—	SOLDER	1
2	—	—	BR2-(-)	40	P4-(-)	—	SOLDER	1
2	—	—	BR2-A	40	P4-A	—	SOLDER	1
2	—	—	BR2-B	40	P4-B	—	SOLDER	1



ITEM USED ON OPTION/MODEL	QTY.	DESCRIPTION	PART NO.	ITEM NO.
TU60				
PARTS LIST				
UNLESS OTHERWISE SPECIFIED DIMENSION IN INCHES TOLERANCES	DRN 2/26/78	DATE	DIGITAL EQUIPMENT CORPORATION MASSACHUSETTS	
DECIMALS .005	CHKD K. J. MONTI	DATE	TITLE	
ANGLES 10° 30'	ENG. JAMES P. KELLY	DATE	H751	
REMOVE BURRS AND BREAK SHARP CORNERS SURFACE QUALITY	PROJ. ENG. K. J. MONTI	DATE	POWER SUPPLY	
MATERIAL	PROD. K. J. MONTI	DATE	NEXT HIGHER ASSY.	REV
FINISH			B-05 H751-7	A
			SCALE NONE	
			SHEET 2 OF 2	

REVISIONS
NO. DATE BY
1 11/1/78 JPM

REV. A
NUMBER
DUAH751-0-0

DIGITAL EQUIPMENT CORPORATION

MAYNARD, MASSACHUSETTS

PARTS LIST

MADE BY F. CARBERRY
 DATE 9/19/72
 ENG Larry Nasher
 DATE 10/26/72
 CHECKED W. MAJOR
 DATE 10/6/72
 PROD Bob Di Biase
 DATE 10/26/72
 SECTION 1
 ISSUED SECT. 1

ITEM NO.	DWG NO. / PART NO.	DESCRIPTION	QUANTITY	VARIATION
1	E-IA-5310191-0-0	CHASSIS, POWER SUPPLY	1	1
2	1110208	DIODE ARRAY MDA970-3	1	1
3	1210719	FAN, BOXER 115V, 25-35 CUFT	1	1
4	9007036	GROMMET, CATERPILLAR	A/R	A/R
5	1203376	SWITCH, TOGGLE SPST	1	1
6	1209351-06	CONNECTOR, MATE-N-LOCK 6 PIN	1	1
7	1209340-01	CONNECTOR, MATE-N-LOCK 8 PIN	1	1
8	1209378-01	PIN, MATE-N-LOCK	10	10
9	1210820-01	MINI-FASTAB, HOUSING #1-480417-0	2	2
10	1210820-02	MINI-FASTAB, PIN #60291-1	2	2
11	1505819	TRANSISTOR, 2N3055	3	3
12	1611096	TRANSFORMER, MMC 4565-1/T72105	1	1
13	9006012-1	SCR. #4-40 x 7/16, PHL PAN HD	6	6
14	9008864	TAPE, DOUBLE COATED PRESSURE SENSITIVE		
15	9006557	KEP NUT #4	6	6
16	9006721	WASHER, INSULATING	3	3
17	9006023-1	SCR, 6-32 x 7/16, PHL PAN HD	4	4
18	9006633	LOCK WASHER #6, INT TOOTH	2	2
19	9008185	KEP NUT #6	8	8
20	9006020-1	SCR, 6-32 x 1/2, PHL PAN HD	5	5
21	9006039-1	SCR, 8-32 x 1/2, PHL PAN HD	4	4
22	9006666	WASHER, FLAT, #8	4	4

TITLE H751 POWER SUPPLY
 ASSY NO. D-UA-H751-0-0
 SHEET 1 OF 2
 SIZE CODE A PL
 NUMBER H751-0-0
 REV. A
 ECO NO. H751-00001

DIGITAL EQUIPMENT CORPORATION

MAYNARD, MASSACHUSETTS

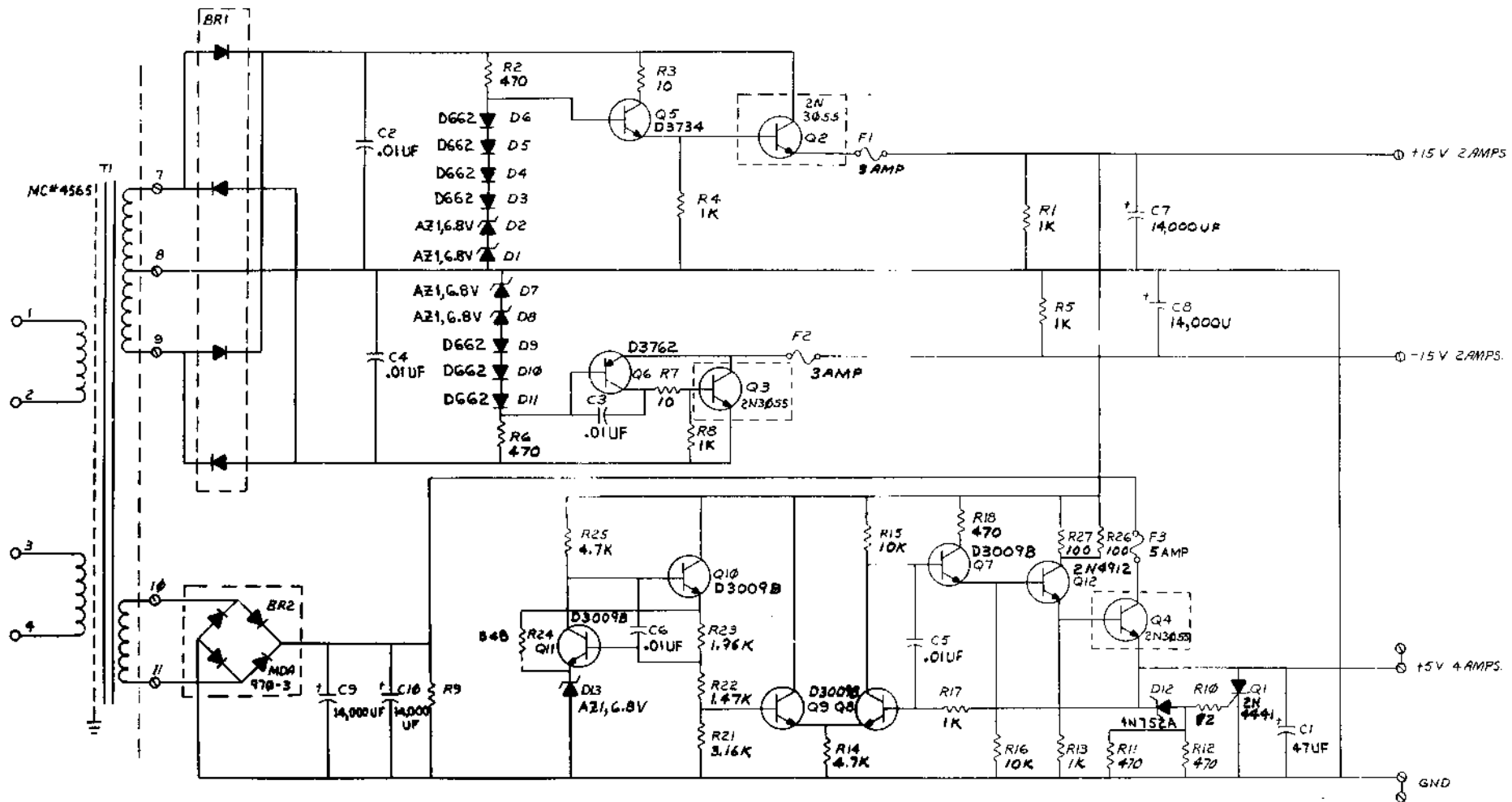
PARTS LIST

MADE BY F. CARBERRY
 DATE 9/19/72
 ENG Larry Nasher
 DATE 10/26/72
 CHECKED W. MAJOR
 DATE 10/6/72
 PROD Bob Di Biase
 DATE 10/26/72
 SECTION 1
 ISSUED SECT. 1

ITEM NO.	DWG NO. / PART NO.	DESCRIPTION	QUANTITY	VARIATION
23	9007634	CONN, SOLDERLESS	2	2
24	9006563	KEP NUT, #8	4	4
25	9007793-1	SCR, #6-32 x 9/16, PHL PAN HD	1	1
26	9006656	WASHER, FLAT, #6	1	1
27	9008268	COMPOUND, THERMAL JOINT	A/RA/R	A/RA/R
28	D-CS-5410131-0-1	CASSETTE POWER SUPPLY	1	1
29	9007031	CABLE TIE, PANDUIT, SST 1 M	A/RA/R	A/RA/R
30	9107360-55	WIRE, #18 AWG STRD, IPVC, GRN	A/RA/R	A/RA/R
31	9107360-22	WIRE, #18 AWG, STRD, IPVC, RED	A/RA/R	A/RA/R
32	9107360-00	WIRE, #18 AWG, STRD, IPVC, BLK	A/RA/R	A/RA/R
33	9107360-33	WIRE, #18 AWG, STRD, IPVC, ORN	A/RA/R	A/RA/R
34	9107360-66	WIRE, #18 AWG, STRD, IPVC, BLU	A/RA/R	A/RA/R
35	9006782	WIRE SPLICE #14-#16 #34071	1	1
36	C-UA-BC05H-0-0	LINE CORD SET, 115VAC	1	1
37	C-UA-BC05J-0-0	LINE CORD SET, 230VAC	1	1
38	A-DC-5310297-0-0	H751-A DECAL (115V)	1	1
39	A-DC-5310298-0-0	H751-B DECAL (230V)	1	1
40	9107278-00	TUBING, BLACK, TFE #18 AWG	A/RA/R	A/RA/R

TITLE H751 POWER SUPPLY
 ASSY NO. D-UA-H751-0-0
 SHEET 2 OF 2
 SIZE CODE A PL
 NUMBER H751-0-0
 REV. A
 ECO NO. H751-00001

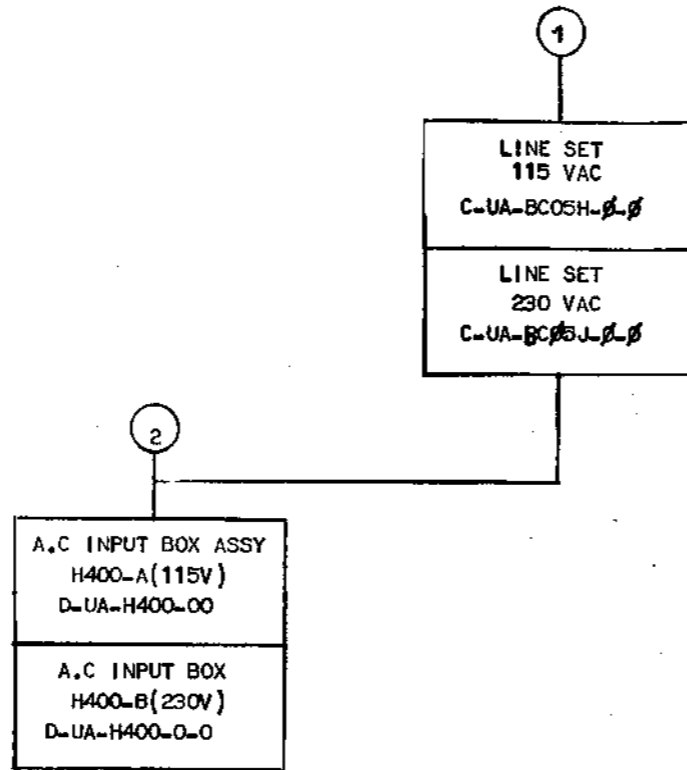
This drawing and specifications, herein, are the property of Digital Equipment Corporation and shall not be reproduced or copied in whole or in part as the basis for the manufacture or sale of items without written permission.



○ INDICATES HOLES FOR DIODE BRIDGE
Q2, Q3, Q4, BR2 & T1 ARE MOUNTED ON
CHASSIS/HEAT SINK

QTY	REF DESIGNATION	DESCRIPTION	PART NO.	ITEM NO.
PARTS LIST				
ETCH BOARD REV B				
 DIGITAL EQUIPMENT CORPORATION <small>MAYNARD, MASSACHUSETTS</small>				
CASSETTE POWER SUPPLY				
<small>SIZE CODE NUMBER REV</small> DCS 5410131-0-1 B				
SEMICONDUCTOR CONVERSION CHART				
<small>DEC NO. EIA NO. DEC NO. EIA NO.</small> <small>SCALE SHEET 2 OF 2</small>				

NUMBER
 DCS 5410131-0-1
 REV. B



TITLE	SHEET 2 OF 3	SIZE	CODE	NUMBER	REV
LINE SET		B	DD	BC05H-0	

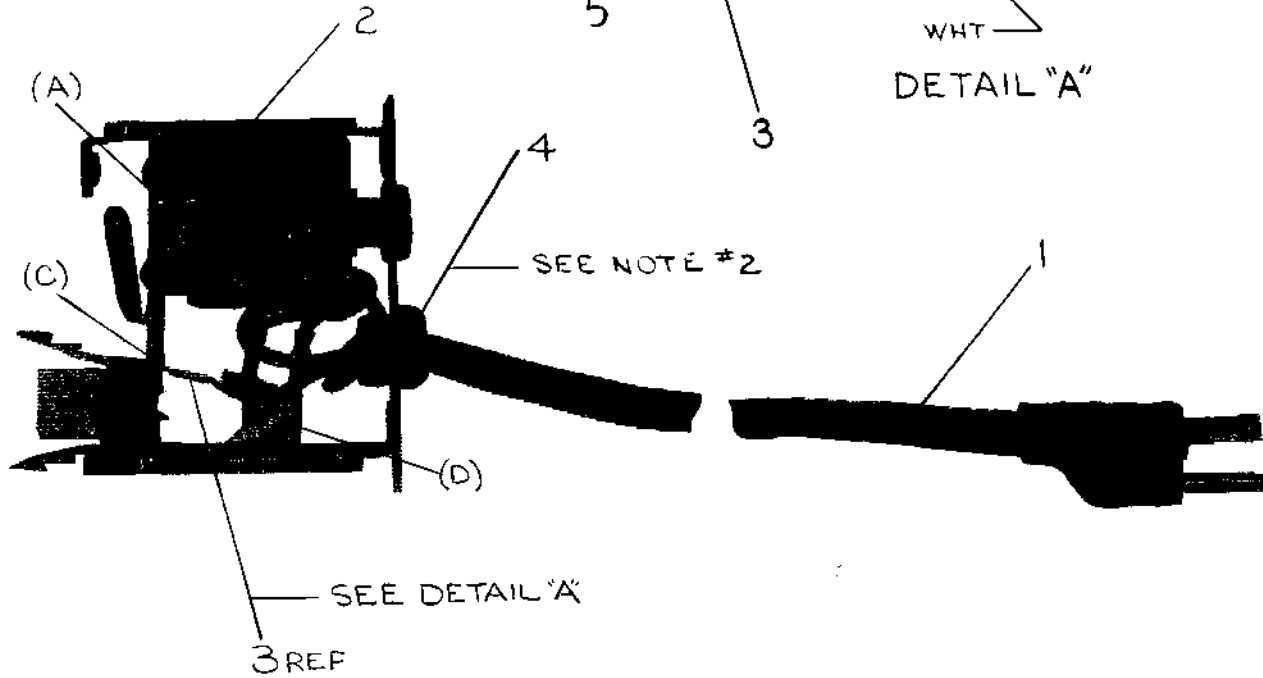
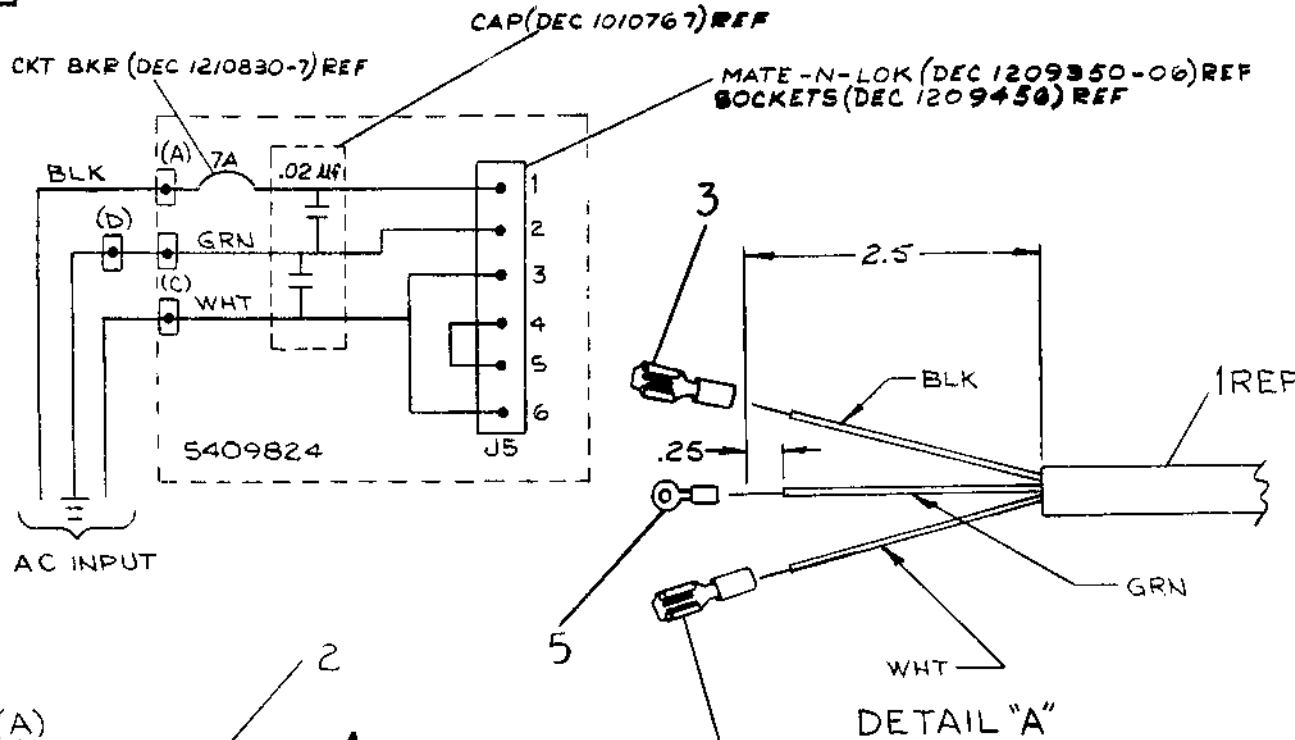
CUSTOMER PRINT SET				ELECTRICAL				CUSTOMER PRINT SET				MECHANICAL							
BCOE-11-1			MFG. SET	FIND NO.	DRAWING NO.	REV	NO OF SHT	DESCRIPTION	OPTION NO.	BCOE-11-1			MFG. SET	FIND NO.	DRAWING NO.	REV	NO OF SHT	DESCRIPTION	OPTION NO.
										X				1.	C-UA-BC05H-0-0		1	LINE SET 115V 7 AMP	BC05H
										X					C-UA-BC05J-0-0		1	LINE SET 230V 5 AMP	BC05J
X				2.	C-1A-5409824-0-0		1	POWER CONTROL BD 115V	H400					2.	D-UA-H400-0-0		1	AC INPUT BOX	H400
X					C-1A-5409825-0-0		1	POWER CONTROL BD 230V	H400						A-PL-H400-0-0		1	A.C INPUT BOX PARTS LIST	H400
										X					D-1A-5309845-0-0		1	BOX	H400
										X					C-MD-5309849-0-0		1	COVER	H400
															A-DC-5309899-0-0		1	PWR CONTROL DECAL 115V	H400
															A-DC-5309900-0-0		1	PWR CONTROL DECAL 230V	H400

TITLE	SIZE	CODE	NUMBER	REV
LINE SET	B	DD	BC05H-0	
SHEET 3	OF 3			

This drawing and specifications, herein, are the property of Digital Equipment Corporation and shall not be reproduced or copied or used in whole or in part as the basis for the manufacture of any of items without written permission. 1972

NOTES:

1. CONNECT ITEM #1 (POWER CORD) AND ITEM #2 (AC INPUT BOX) PER CIRCUIT SCHEMATIC.
2. FOR INSTALLATION USE HEYCO #29 STRAIN RELIEF PLIERS



QTY.	DESCRIPTION	PART NO.	ITEM NO.
1	SOLDER CONN ARKLESS	9007929-0	5
1	STRAIN RELIEF SR-6N3-4	9008492-2	4
2	SOLDERLESS CONN. ARKLESS	9007919	3
1	AC INPUT BOX H400A	D-UA-H400-0-0	2
1	POWER CORD 120V	170015-6	1

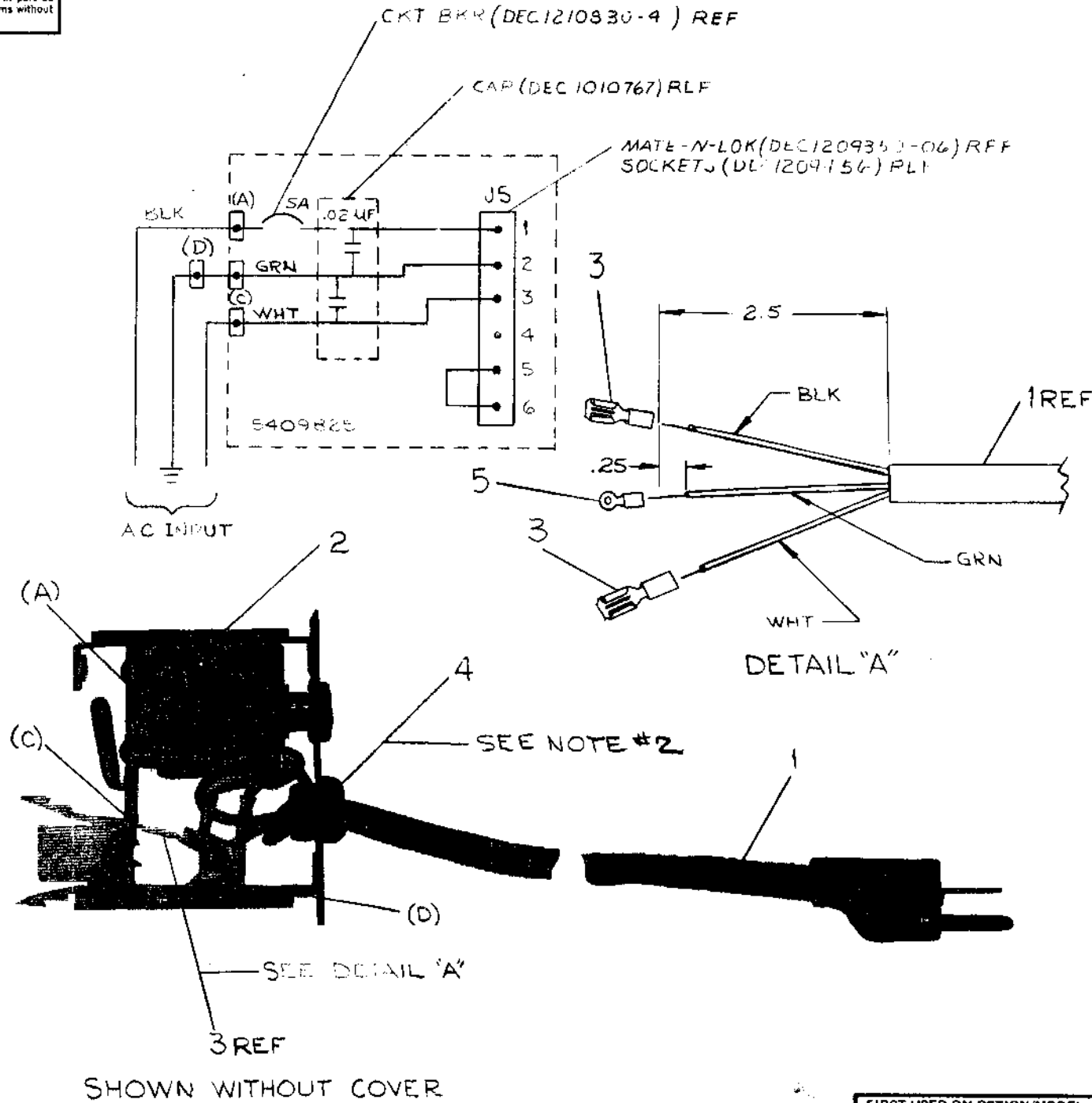
FIRST USED ON OPTION/MODEL		QTY.	DESCRIPTION	PART NO.	ITEM NO.
11/05					
PARTS LIST					
UNLESS OTHERWISE SPECIFIED DIMENSION IN INCHES. TOLERANCES		DRN <i>T. Quillen</i>	DATE 12-27-71	 digital EQUIPMENT CORPORATION <small>MAYNARD, MASSACHUSETTS</small>	
DECIMALS		CHK'D <i>W. Heston</i>	DATE 1-8-72		
ANGLES		ENG. <i>David DeMunnich</i>	DATE 1-4-72	TITLE LINE SET 115V AC 7 AMP	
.XXX = .005 .XX = .02 .X = .1		PROJ. ENG. <i>R. H. Heston</i>	DATE 1-7-72		
REMOVE BURRS AND BREAK SHARP CORNERS SURFACE QUALITY ✓		PROD. <i>R. K. Peterson</i>	DATE 12/72	SIZE CODE C UA	
MATERIAL		NEXT HIGHER ASSY.			
FINISH		SCALE		REV. D	
SHEET		OF			

REV.	CHANGE NO.	CHK	DATE
A	BC05H-00001	<i>R. WOLFF</i>	3-29-72
B	BC05H-00002	<i>R. BURTON</i>	5-13-72
C	H400-00002	<i>R. BURTON</i>	5-25-72
E	BC05H-00003	<i>R. BURTON</i>	5-31-72
		<i>R. BURTON</i>	10-30-72
		<i>R. BURTON</i>	11-2-72

This drawing and specifications, herein, are the property of Digital Equipment Corporation and shall not be reproduced or copied or used in whole or in part as the basis for the manufacture or sale of items without written permission, 1972

NOTES:

1. CONNECT ITEM #1 (POWER CORD) AND ITEM #2 (AC INPUT) PER CIRCUIT SCHEMATIC.
2. FOR INSTALLATION USE HAYCO #29 STRAIN RELIEF PLIERS.



1	SOLDER CONN ARKLESS	9007929-0	5
1	GROMMET HEYCO SR6N3-4	9008492-2	4
2	SOLDER CONN ARKLESS	9007919	3
1	AC INPUT BOX H400B	DUA-H400-0-0	2
1	POWER CORD 240V	1700016-6	1

FIRST USED ON OPTION/MODEL	QTY.	DESCRIPTION	PART NO.	ITEM NO.
11/05				
PARTS LIST				
UNLESS OTHERWISE SPECIFIED DIMENSION IN INCHES TOLERANCES		DRN <i>T. Quinn</i>	DATE 12-27-71	 digital EQUIPMENT CORPORATION <small>MAYNARD MASSACHUSETTS</small>
DECIMALS	ANGLES	CHKD <i>W. Pateron</i>	DATE 1-4-72	
.XXX = .005	±0° 30'	ENG. <i>David De Marco</i>	DATE 1-7-72	
.XX = .02		PROJ. ENG. <i>Russ Hardy</i>	DATE 1-7-72	
.X = .1		PROD. <i>R.K. Peterson</i>	DATE 1/7/72	
REMOVE BURRS AND BREAK SHARP CORNERS SURFACE QUALITY ✓		NEXT HIGHER ASSY.		TITLE LINE SET 230V AC 4 AMP
MATERIAL		SCALE	SIZE CODE	NUMBER
FINISH		SHEET 1 OF 1	C UA	BC05J-0-0
			DIST.	REV. D

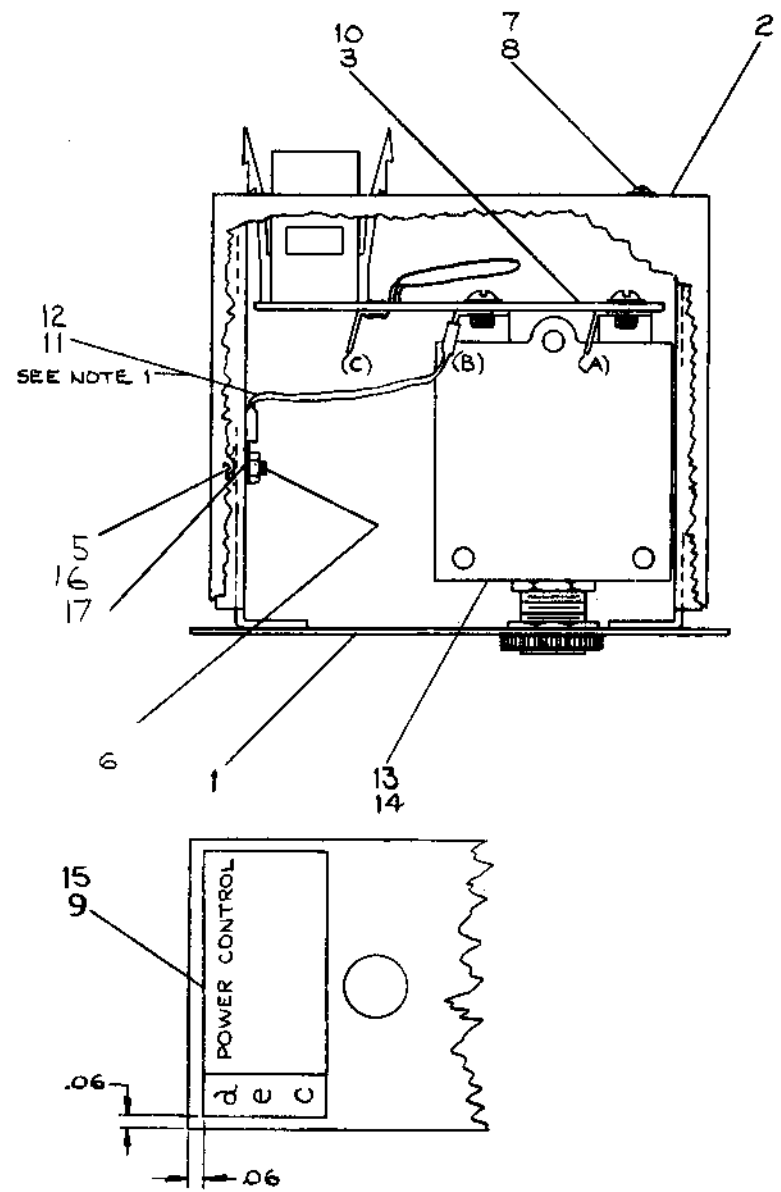
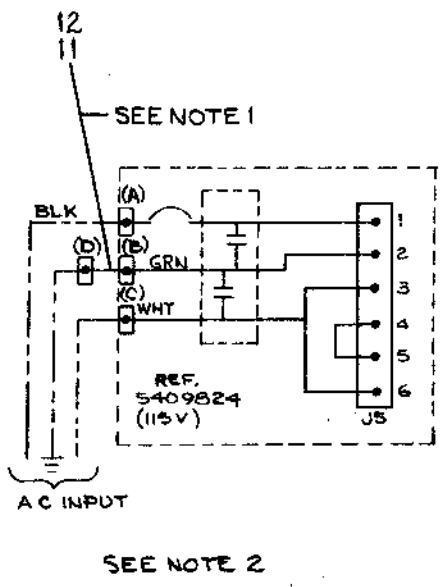
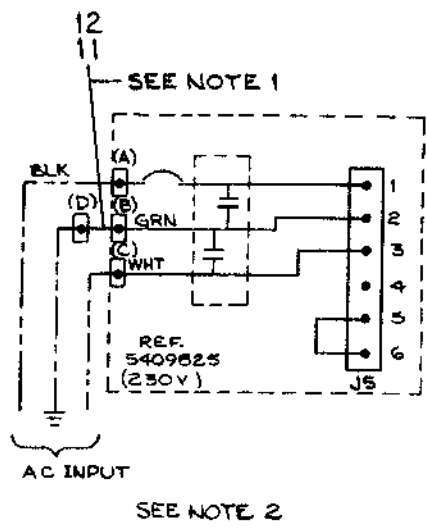
REV.	CHANGE NO.	BY	DATE
A	BC05J-00001	<i>McConkato</i>	3-7-72
B	H400-00002	<i>R. BURTON</i>	5-25-72
C	BC05J-00002	<i>R. BURTON</i>	5-31-72
D	BC05J-00003	<i>R. BURTON</i>	11-2-72

This drawing and specifications, herein, are the property of Digital Equipment Corporation and shall not be reproduced or used in whole or in part in any form for the manufacture or sale of items without written permission. 1972

3 0-0-005H V10 2 1

LEGEND	
NUMBER	VARIATION
H400-A	115V
H400-B	230V

- NOTES:
- ITEM #11 (WIRE) AND TWO OF ITEM #12 (FASTON TABS) ARE TO BE CONNECTED FROM POINT D TO POINT B.
 - FOR LINE CORD INSTALLATION (115V) SEE DWG. C-UA-BC05H-0-0 FOR (230V) SEE DWG. C-UA-BC05J-0-0



REV	DATE	BY	CHK	DESCRIPTION
1	12-23-71	R. BURTON		REVISED
2	1-4-72	R. BURTON		REVISED
3	1-7-72	R. BURTON		REVISED
4	1-27-72	R. BURTON		REVISED
5	1-27-72	R. BURTON		REVISED
6	1-27-72	R. BURTON		REVISED
7	1-27-72	R. BURTON		REVISED
8	1-27-72	R. BURTON		REVISED

FIRST USED ON OPTION/MODEL	QTY.	DESCRIPTION	PART NO.	ITEM NO.
D-UA-BC05H-0-0				
PARTS LIST				
UNLESS OTHERWISE SPECIFIED DIMENSION IN INCHES TOLERANCES		DRN. <i>T. Quill</i> DATE 12-23-71	EQUIPMENT CORPORATION	
DECIMALS	ANGLES	CHKD. <i>R. Burton</i> DATE 1-4-72	TITLE	
.XXX = .005	20° 30'	ENG. <i>R. Burton</i> DATE 1-4-72	AC INPUT BOX ASSY	
.XX = .02		PROJ. ENG. <i>R. Burton</i> DATE 1-7-72	SIZE CODE	NUMBER
.X = .1		REMOVE BURRS AND BREAK SHARP CORNERS SURFACE QUALITY	DUA	H400-0-0
MATERIAL		PROD. <i>R. Burton</i> DATE 1/1/72	REV.	C
FINISH		NEXT HIGHER ASSY.	DUA	H400-0-0
		DUA-BC05H-0-0	SCALE	
			SHEET	OF 1
			DIST.	G

This drawing and specifications, herein, are the property of Digital Equipment Corporation and shall not be reproduced or copied or used in whole or in part as the basis for the manufacture or sale of items without written permission.

NOTES:

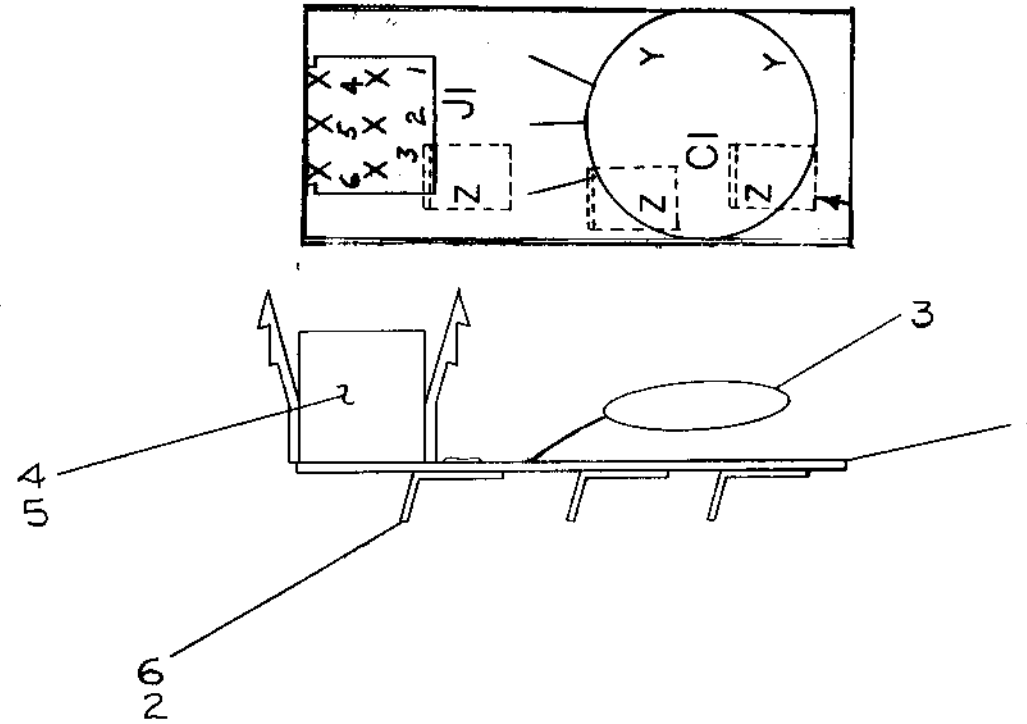
1. FOR CIRCUIT SCHEMATIC REFER TO DWG D-UA-H400-0-0
2. ETCHED BOARD #5009821 MUST BE U.L. APPROVED. MANUFACTURER'S U.L. NUMBER LOCATION IS SHOWN ON AN DRAWING.

D

C

B

A



QTY.	REF DESIGNATION	DESCRIPTION	PART NO.	ITEM NO.
		ASSY/DRILLING HOLE LAYOUT	D-AH-5409824-05	REF
3		FASTON TAB	9008219	6
6		P.C. SOCKETS FEMALE	1209456	5
1	J1	MATE-N-LOCK 6-PIN	1209350-06	4
1	C1	CAP INPUT .02MF	1010767	3
3		EYELET # GS4-5	9009000	2
		ETCHED CIRCUIT BD	5009821	1
		MODULE ECO HISTORY	B-MH-5409824-0-6	REF
		X-Y COORDINATE HOLE LOCATION	K-CO-5409824-0-0	REF

FIRST USED ON OPTION/MODEL H400A		PARTS LIST	
UNLESS OTHERWISE SPECIFIED DIMENSION IN INCHES. TOLERANCES		DRN. <i>T. Quillen</i> DATE 12-8-71	<p>digital EQUIPMENT CORPORATION MAYNARD, MASSACHUSETTS</p>
DECIMALS XXX - .006 XX - .02 X - .1	ANGLES ± 0° 30'	CHK'D BY <i>R. Peterson</i> DATE 1-9-72	
REMOVE BURRS AND BREAK SHARP CORNERS SURFACE QUALITY ✓		ENG. <i>R. Peterson</i> DATE 1-4-72	
MATERIAL — / — / —		PROJ. ENG. <i>R. Peterson</i> DATE 1-6-72	
FINISH — / — / —		PROD. <i>R. Peterson</i> DATE 1/7/72	TITLE POWER CONTROL BOARD (115V)
NEXT HIGHER ASSY. C-UA-H400-0-0		SIZE CODE C IA	NUMBER 5409824-0-0
SCALE — / — / —		REV. B	
SHEET 1 OF 1		DIST. 6	

REVISIONS	CHANGE NO.	REV.
	5409824-00001	A
	<i>of No. 2-1-72</i>	
	R. WOLFF	
	<i>Small Hole</i>	
	5409824-00002	B
	<i>5/22/72</i>	
	R. BURTON	
	<i>R. Burton</i>	

4

3

2

1

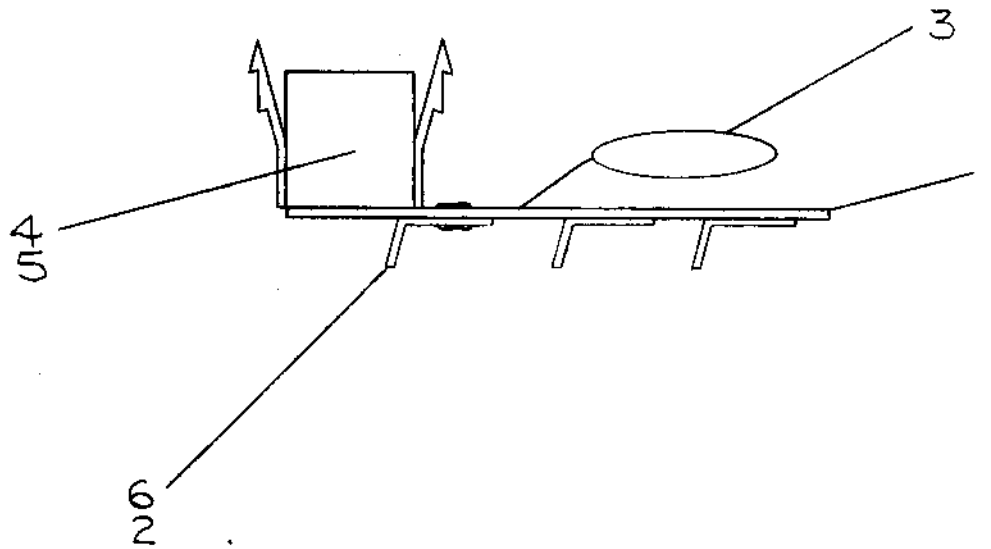
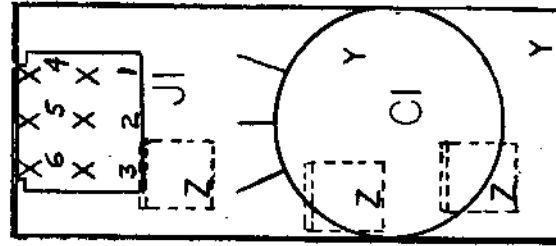
REV. NUMBER
C IA 5409824-0-0 B

A

This drawing and specifications, herein, are the property of Digital Equipment Corporation and shall not be reproduced or copied or used in whole or in part as the basis for the manufacture or sale of items without written permission.

NOTES:

- FOR CIRCUIT SCHEMATIC REFER TO DWG D-UA-H400-0-0.
- ETCHED BOARD * 5009822 MUST BE U.L. APPROVED. MANUFACTURER'S U.L. NUMBER LOCATION IS SHOWN ON AN DRAWING.



QTY.	REF DESIGNATION	DESCRIPTION	PART NO.	ITEM NO.
		ASSY/DRILLING HOLE LAYOUT	D-AH-5409825-0-5	REF
3		FASTON TAB	9008219	6
6		P.C. SOCKETS MALE	1209456	5
1	J1	6-PIN MATE-N-LOCK	1209350-06	4
1	C1	CAP. INPUT .02UF	1010767	3
3		EYELET # 654-5	9009000	2
1		ETCHED CIRCUIT BOARD	5009822	1
		MODULE ECO HISTORY	B-MH-5409825-0-6	REF
		X-Y COORDINATE HOLE LOCATION	KCO-5409825-0-4	REF

FIRST USED ON OPTION/MODEL		PARTS LIST	
H400 B		UNLESS OTHERWISE SPECIFIED DIMENSION IN INCHES. TOLERANCES	
DECIMALS	ANGLES	DRN <i>T. Quinn</i>	DATE 12-9-71
.XXX - .006	± 0° 30'	CHK'D <i>J. Lintner</i>	DATE 1-4-72
.XX - .02		ENG.	DATE
.X - .1		PROJ. ENG. <i>R. Peterson</i>	DATE 1-7-72
REMOVE BURRS AND BREAK SHARP CORNERS SURFACE QUALITY ✓		PROD. <i>R. Peterson</i>	DATE 1/7/72
MATERIAL	NEXT HIGHER ASSY.	TITLE	
FINISH	C-UA-H400-0-0	POWER CONTROL BOARD (230V)	
	SCALE	SIZE CODE	NUMBER
	SHEET 1 OF 1	C IA	5409825-0-0
		DIST.	REV. A

REVISIONS	CHANGE NO.	REV.
1	5409825-00001	A
R. WOLFF		
Rev. 11/14/71		

REV. NUMBER C IA 5409825-0-0 A

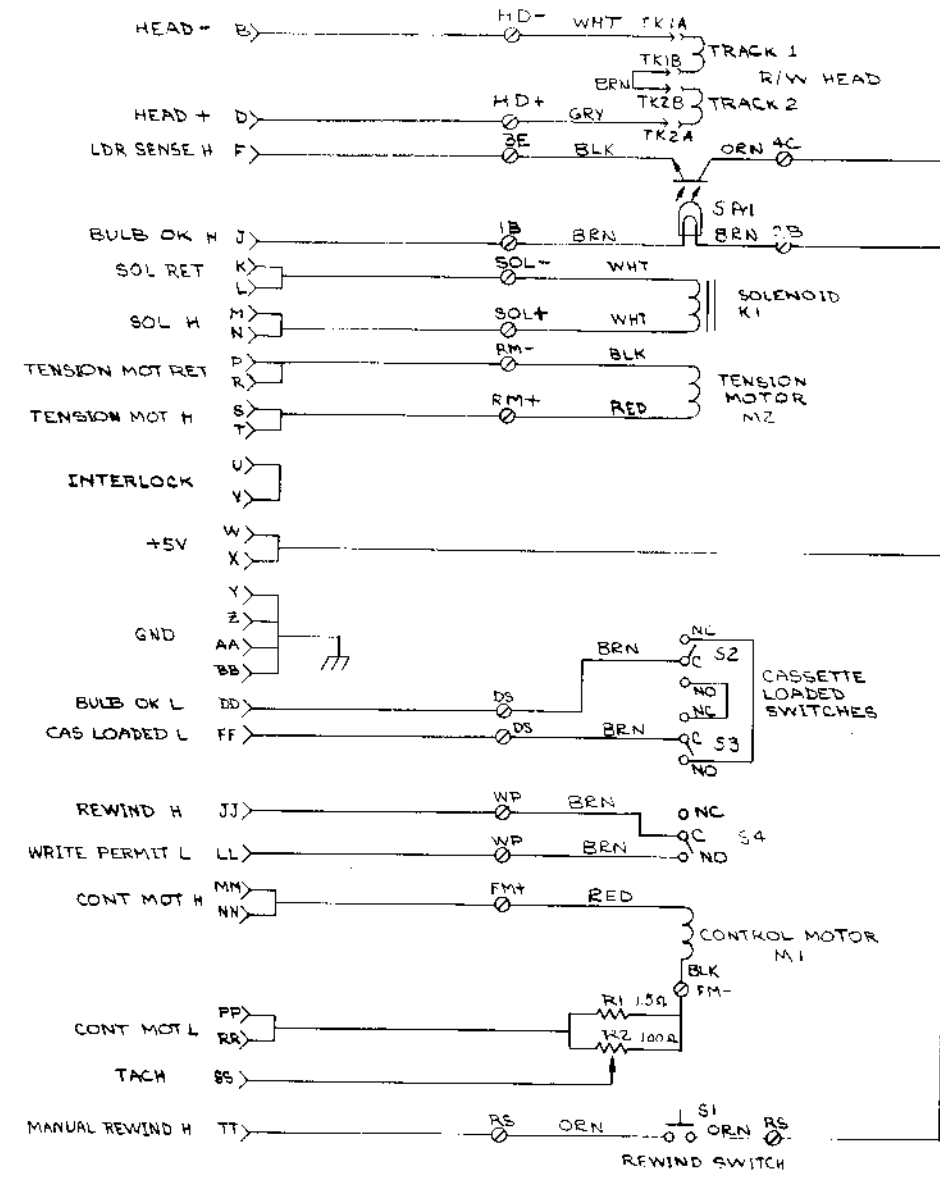
A

This drawing and specifications herein are the property of Digital Equipment Corporation and shall not be reproduced or copied or used in whole or in part as the basis for the manufacture or sale of items without written permission.

COPYRIGHT © 1972, DIGITAL EQUIP. CORP.

DM-0-0991 CW 2

NOTES:
 1. SWITCHES ARE SHOWN WITH "CAS LOADED" AND "WRITE PERMIT" ACTIVATED.
 2. CONNECT WIRE (ITEMS #44 & #45) TO HEAD (ITEM #20) USING CONNECTOR PINS SUPPLIED WITH HEAD (ITEM #20). SEE DETAIL "A".



FIRST USED ON OPTION/MODEL	QTY	DESCRIPTION	PART NO.	ITEM NO.
TU60				
PARTS LIST				
UNLESS OTHERWISE SPECIFIED DIMENSION IN INCHES TOLERANCES		DRN 10/13/72	DATE	 digital EQUIPMENT CORPORATION MAYNARD MASSACHUSETTS
DECIMALS	ANGLES	CHK'D 12/1/72	DATE	
XXX - .005	+0° 30'	ENG 11/27/72	DATE	
XX - .02		PROJ ENG 12/2/72	DATE	
REMOVE BURRS AND BREAK SHARP CORNERS SURFACE QUALITY		PROD 11/5/72	DATE	TITLE CASSETTE DRIVE WIRING DIAGRAM
MATERIAL	SS	NEXT HIGHER ASSY.	B-00-TU60-0	SIZE CODE DWD TU60-0-WD
FINISH	SS	SCALE	1	NUMBER 1
		SHEET	1	REV.

REV	CHG	NO	DATE

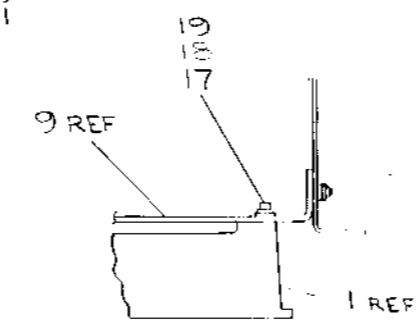
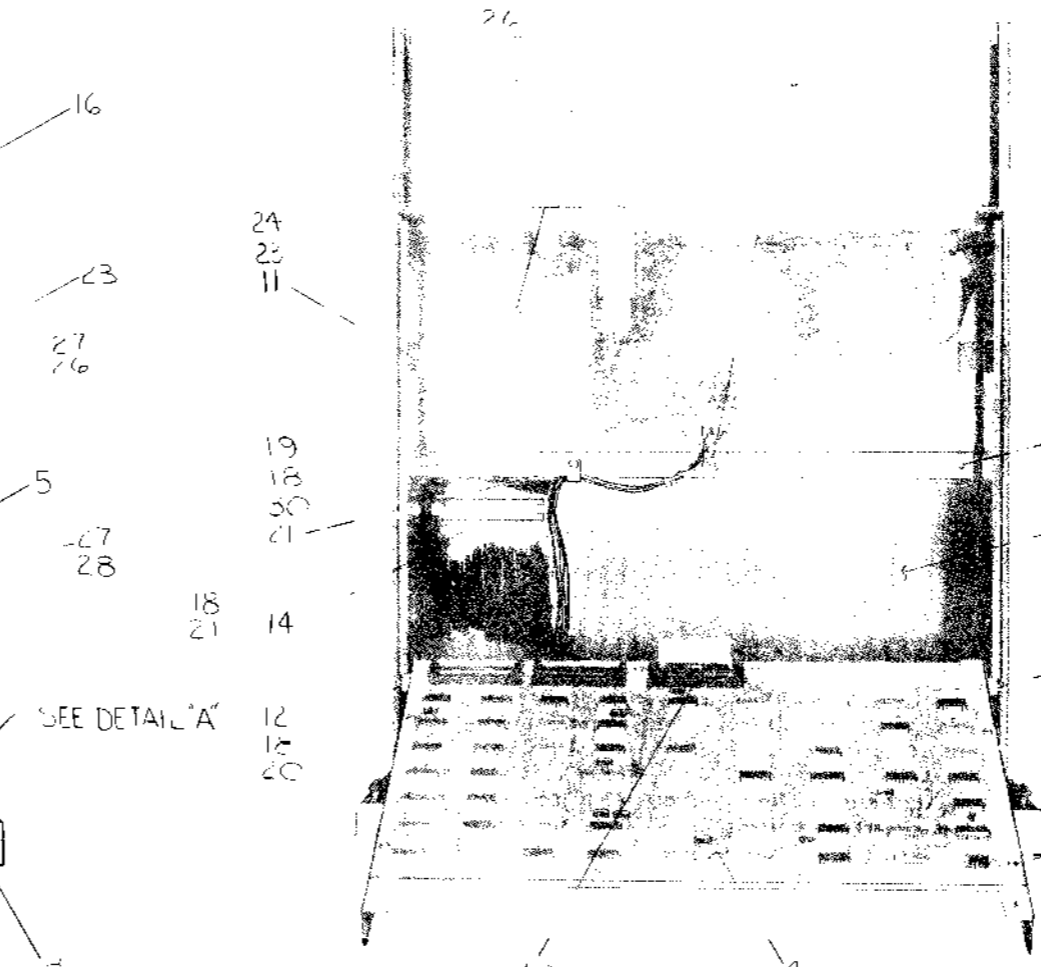
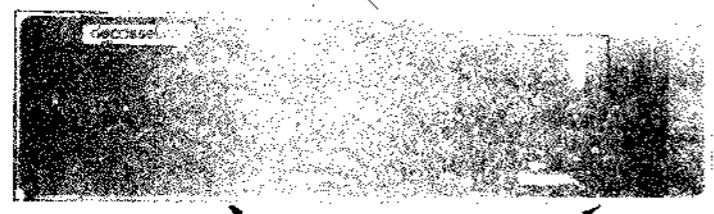
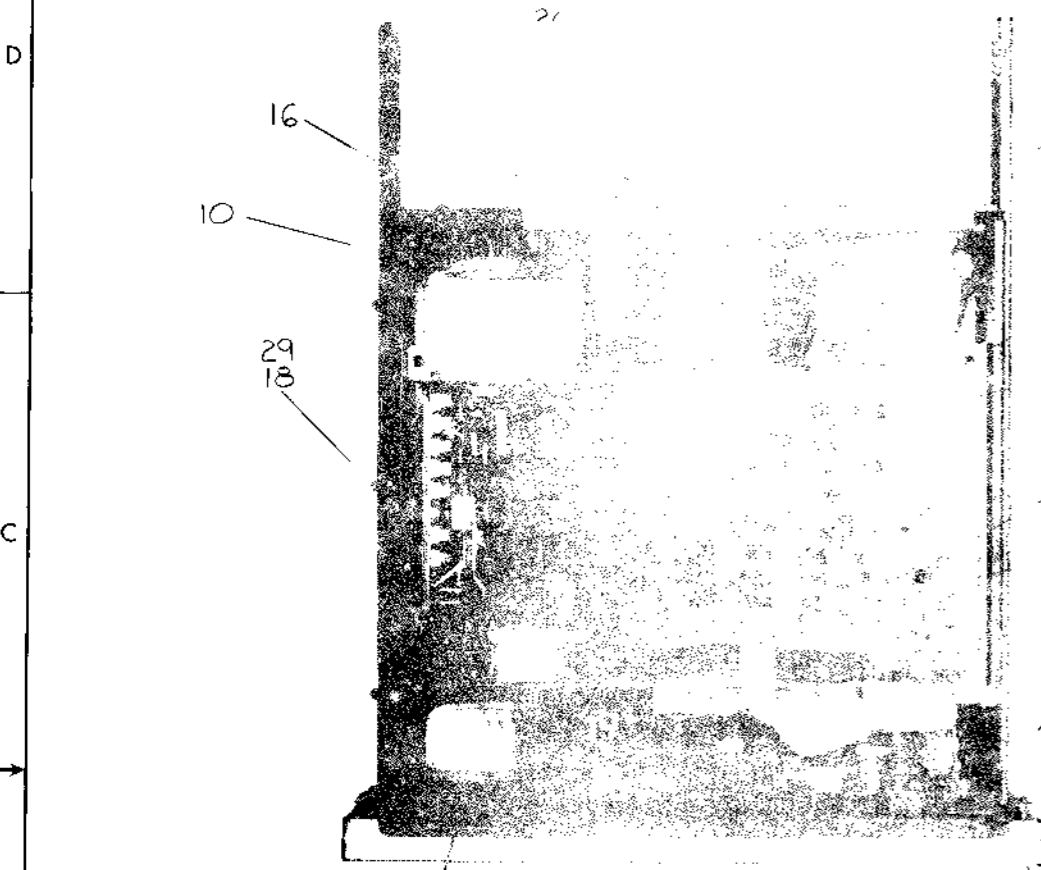
DEC FORM NO
ORD 102-B

REV. NUMBER DWD TU60-0-WD

This drawing and specifications herein are the property of Digital Equipment Corporation and shall not be reproduced or copied or used in whole or in part as the basis for the manufacture or sale of items without written permission.
 COPYRIGHT © 1972 DIGITAL EQUIPMENT CORPORATION

LEGEND	
NUMBER	VARIATION
TU60-AA	15 VAC
TU60-AB	230 VAC

NOTES:
 1. DO NOT INSTALL DRIVE MTG SCRS & WASHERS AT LOWER FAR LEFT AND LOWER FAR RIGHT CORNER OF DRIVE ASSEMBLIES.



FIRST USED ON OPTION/MODEL	QTY	DESCRIPTION	PART NO.	ITEM NO.
PARTS LIST				
UNLESS OTHERWISE SPECIFIED DIMENSION IN INCHES TOLERANCES	DRN <i>[Signature]</i>	DATE 11/1/72	digital EQUIPMENT CORPORATION MAYFORD, MASSACHUSETTS	
	CHK'D <i>[Signature]</i>	DATE 11/1/72		
DIMENSIONS	ENG <i>[Signature]</i>	DATE 11/1/72	TITLE TU60 UNIT ASSY	
ANGLES	PROJ ENG <i>[Signature]</i>	DATE 11/1/72		
REMOVE BURRS AND BREAK SHARP EDGES; SURFACE QUALITY	PROD. <i>[Signature]</i>	DATE 11/1/72		
MATERIAL	NEXT HIGHER ASSY:		SIZE CODE	NUMBER
FINISH	B-DD-TU60-0		DUA	TU60-0-0
	SCALE		DIST.	
	SHEET 1 OF 2			

REV	CHANGE NO	DATE	BY
1	00007	11/1/72	V. DEWITZ

This drawing and specifications, herein, are the property of Digital Equipment Corporation and shall not be reproduced or copied or used in whole or in part as the basis for the manufacture or sale of items without written permission.

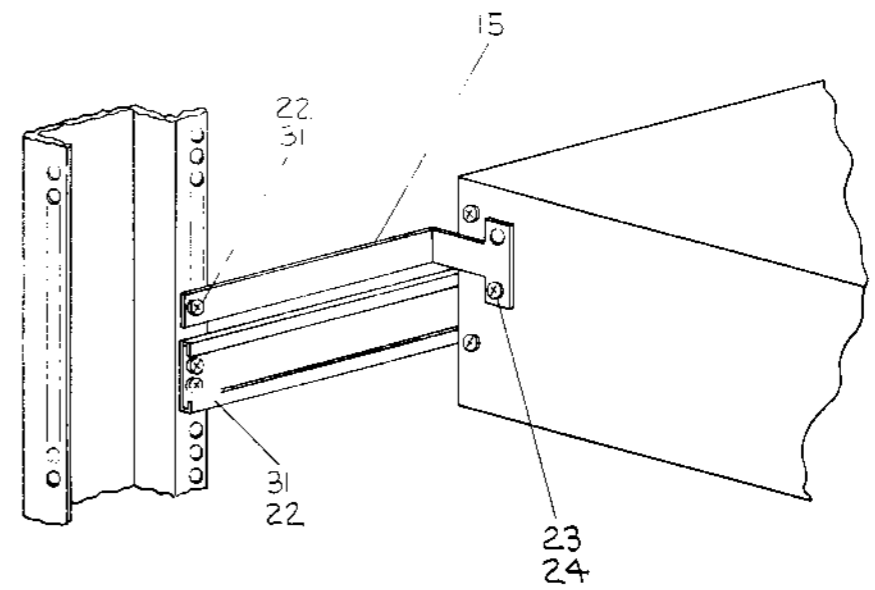
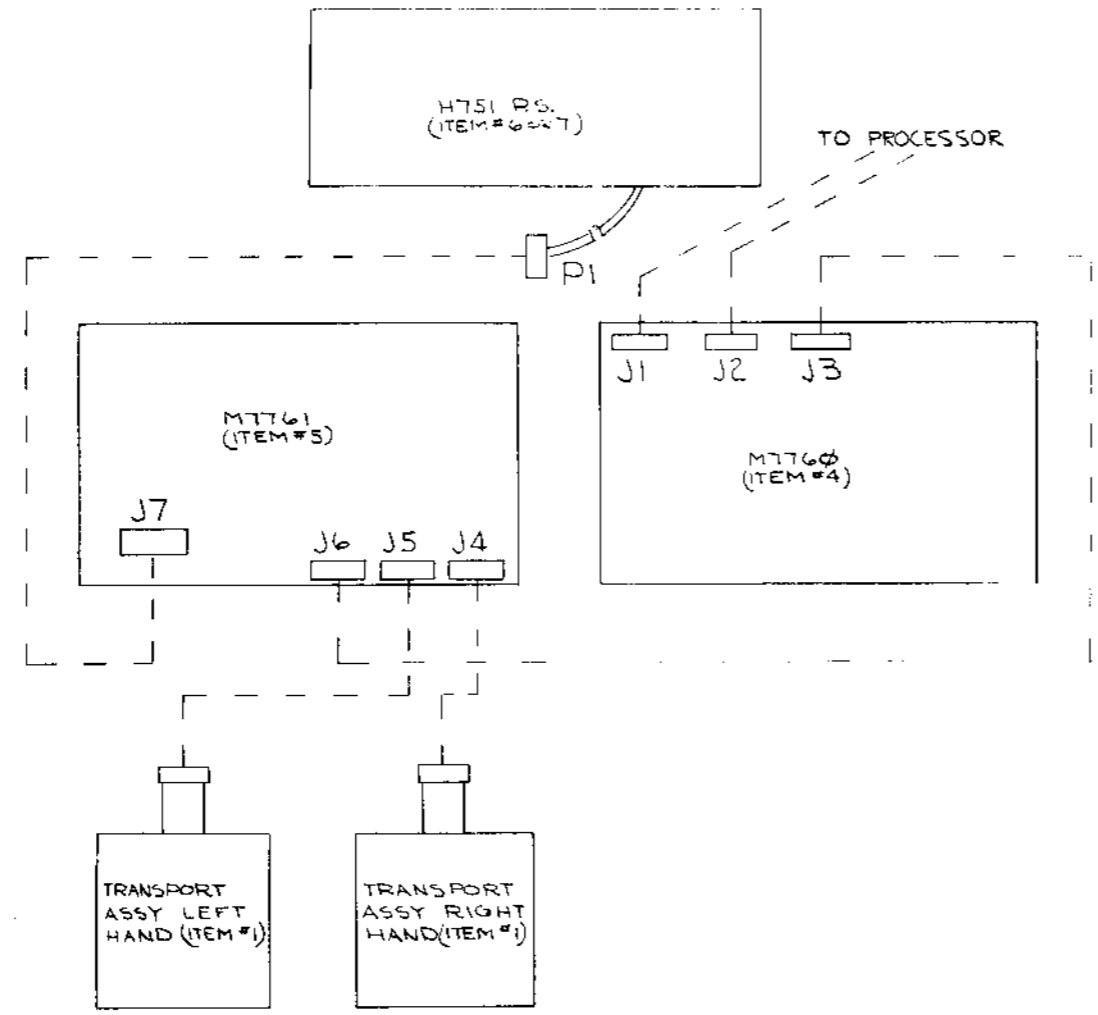
COPYRIGHT © 1972 DIGITAL EQUIPMENT CORPORATION.

ASSY CONNECTIONS

FROM		TO	
ITEM NO	DESCRIPTION	ITEM NO	DESCRIPTION
6087	H751 P.S.-PI	5	M7761-J7
1	TRANSPORT ASSY LEFT	5	M7761-J5
1	TRANSPORT ASSY RIGHT	5	M7761-J4

CABLE CONNECTIONS

ITEM NO	FROM	TO
13	M7761-J6	M7760-J3



LOCATION OF SHIPPING BRACKETS (BOTH SIDES) WHEN UNIT IS SUPPLIED IN CABINET

REVISIONS
 CHANGE NO. REV.
 CHK. _____

1ST USED ON OPTION/MODEL	QTY.	DESCRIPTION	PART NO.	ITEM NO.
PARTS LIST				
UNLESS OTHERWISE SPECIFIED DIMENSION IN INCHES TOLERANCES	DRN. <i>[Signature]</i> DATE <i>12/2/72</i>	DATE <i>12/2/72</i>	 DIGITAL EQUIPMENT CORPORATION MAYNARD, MASSACHUSETTS	
DECIMALS	CHK'D. <i>[Signature]</i> DATE <i>11/17/72</i>	DATE <i>11/17/72</i>		
ANGLES	ENG. <i>[Signature]</i> DATE <i>11/17/72</i>	DATE <i>11/17/72</i>		
XXX - .005 XX - .02 X - .1	±0° 30'	PROJ. ENG. <i>[Signature]</i> DATE <i>11/17/72</i>		
REMOVE BURRS AND BREAK SHARP CORNERS SURFACE QUALITY	PRDD. <i>[Signature]</i> DATE <i>11/17/72</i>	DATE <i>11/17/72</i>	TITLE TU60 UNIT ASSY	
MATERIAL	NEXT HIGHER ASSY.		SIZE CODE	NUMBER
FINISH			DUA	TU60-0-0
	SCALE	SHEET	DIST	REV. A
	2 OF 2			

SIZE CODE
 DUA TU60-0-0
 NUMBER
 REV. A

IGITA ELECTRONIC CORPORATION
 MAYNARD MASSACHUSETTS
PARTS LIST

BY: **W. J. ...** CHECKED W. MAJOR DATE: **1/3/73** SECTION: **1**
 DATE: **1/3/73** PROD: **...** D SECT: **1**
 DATE: **1/2/73**

DWG NO. / PART NO.	DESCRIPTION	QUANTITY / VARIATION
D-14-01014-0-0	TRANSPORT ASSY (TU6Ø)	2 2
D-14-010604-0-0	CARD FRAME ASSY	1 1
D-14-010556-0-0-0	BEZEL ASSY	1 1
D-14-0176Ø-Ø-1	LOGIC	1 1
D-14-01761-Ø-1	AL. WRITE AND SERVO	1 1
D-14-01751-A	H751 POWER SUPPLY (115V)	1
D-14-01751-B	H751 POWER SUPPLY (230V)	1
E-14-0109943-0-0	CHASSIS (TU6Ø)	1 1
D-14-0109990-0-0	PLATE, CHASSIS, MOUNT (TU6Ø)	1 1
E-14-0109941-0-0	COVER, CHASSIS	1 1
C-14-0109904-0-0	BRACKET, SYMMETRICAL	2 2
B-14-0109932-0-0	BUSHING, PIVOT	2 2
D-14-01051-Ø-Ø	CABLE, JUMPER	1 1
C-14-0109479-0-0	PLATE, PRESSURE	1 1
C-14-010690-0-0	BRACKET, SHIPPING	2 2
D-14-0109154-0-0	CHASSIS-TRAK (PAIR)	1 1
9006037-8	SCR, SOCKET HEAD #8-32 X 3/8 LG	6 6
9006661	LOCKWASHER, #8 INT TOOTH	19 19
9007001-1	WASHER, FLAT .437 X .187 ID X .032 THK	14 14
9006662-1	SCR, PHL PAN HD #8-32 X 1 1/16 LG	2 2
9006663-1	SCR, PHL PAN HD #8-32 X 5/16 LG	8 8
9007002	NUT, #10-32 TINNERMAN	6 6

TITLE: **...** -Ø-Ø

MAYNARD ELECTRONIC CORPORATION
PARTS LIST

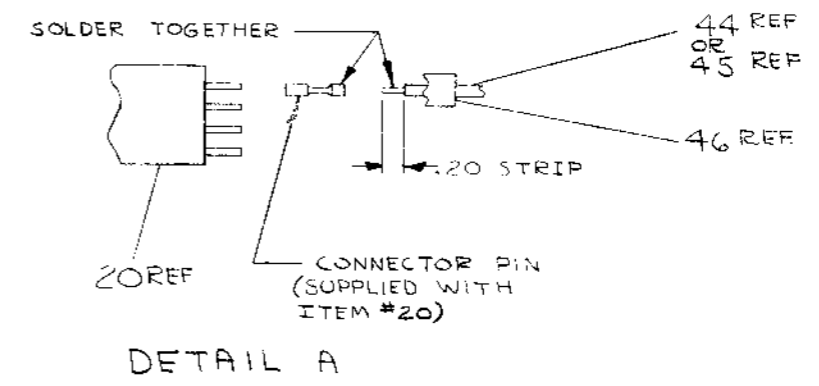
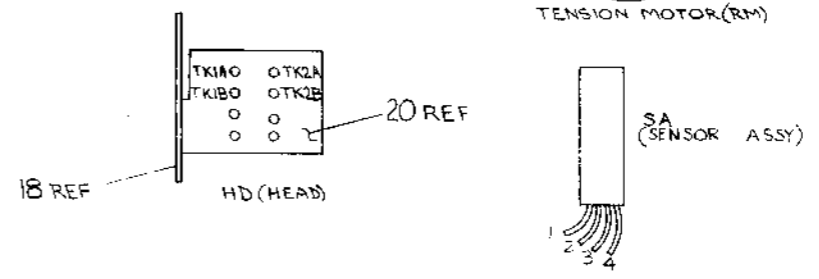
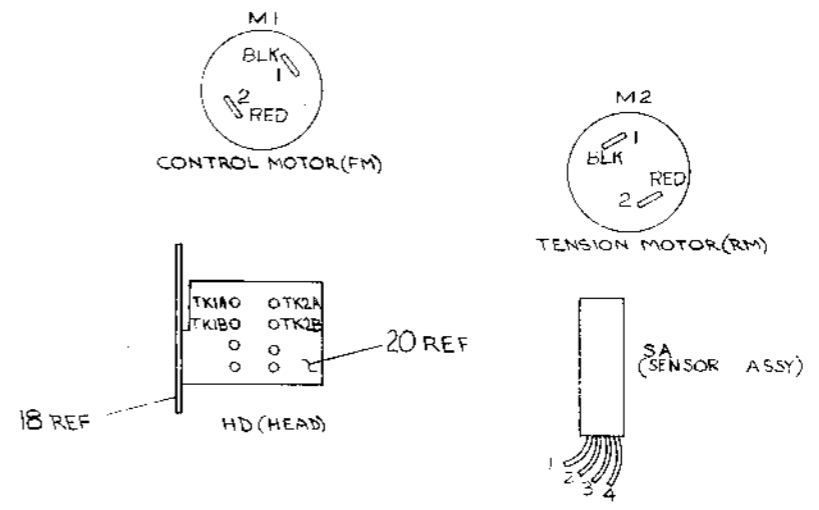
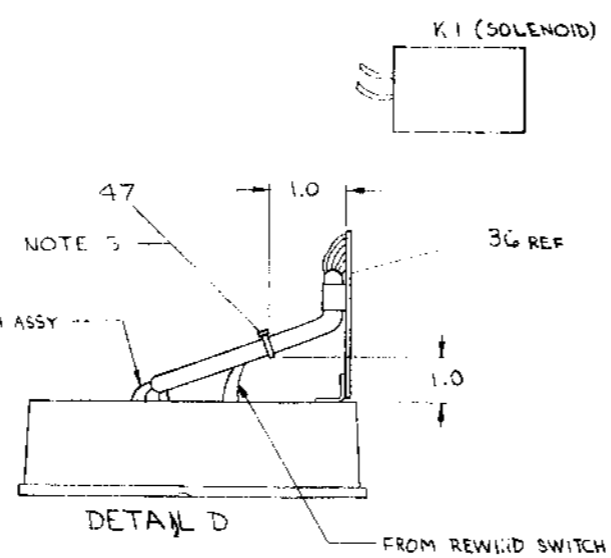
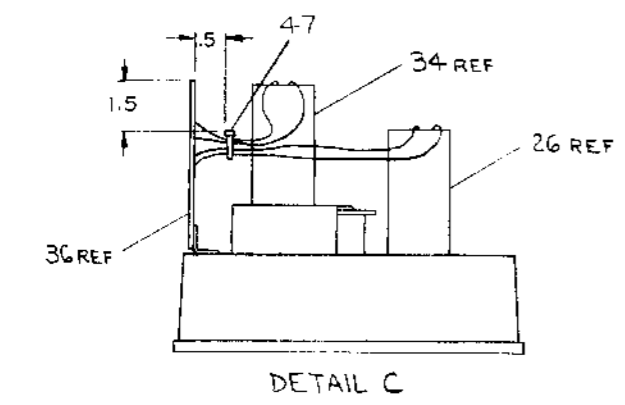
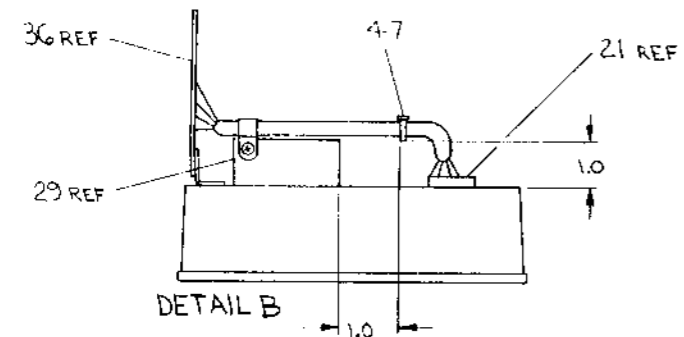
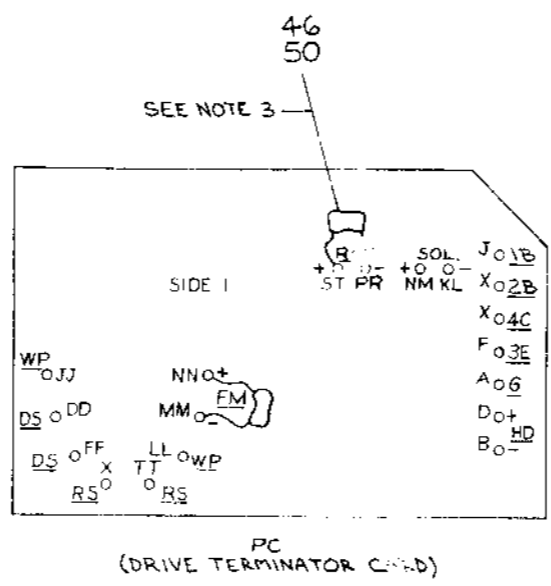
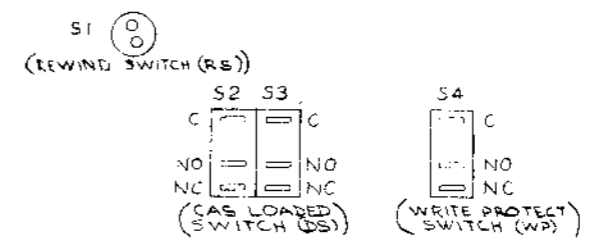
MADE BY: **G. FIANDERS** CHECKED W. MAJOR SECTION: **1**
 DATE: **12/20/72** DATE: **1/3/73**
 PROD: **...** ISSUED SECT: **1**
 DATE: **1/2/73**

ITEM NO.	DWG NO. / PART NO.	DESCRIPTION	QUANTITY / VARIATION
23	9006021-1	SCR, PHL PAN HD #6-32 X 5/16 LG	8 8
24	9006633	LOCKWASHER #6 INT TOOTH	19 19
25	9006656	WASHER, FLAT .312 X .156 ID X .032 THK	15 15
26	9006020-1	SCR, PHL PAN HD #6-32 X 1/4 LG	29 29
27		LOCTITE #75	A/HA/R
28	9009041-1	SCR, NYLON #6-32 X 1/4 LG	1 1
29	9006035-1	SCR, PHL PAN HD #8-32 X 1/4 LG	10 10
30	9007080	CABLE CLAMP 3/16"	1 1
31	9006071-3	SCR, PHL TRUSS HD #10-32 X 3/8 LG	6 6

TITLE: **TU6Ø UNIT ASSY**
 ASSY NO.: **D-14-010604-Ø-Ø** SIZE CODE: **A PL** REV. ECONO: **A**
 SHEET 2 OF 2

WIRE TABLE

REV NO	DESCRIPTION	FROM	TO	REMARKS	LENGTH
NO	COLOR	AWG	CONN WITH	CONN WITH	
23	ORN	26	S1 SOLDER	PC-X SOLDER	EITHER S1 TERM. 3.5
33	ORN	26	S1 SOLDER	PC-TT	REMAINING S1 TERM. 3.5
45	WHT	26	S2-C	PC-DD	
	GRY	26	HD-TK1A SOLD#46	PC-D	SEE DETAIL A 4.5
		26	HD-TK2A SOLD#46	PC-B	4.5
			S3-C	PC-RE	
			S4-C	PC-LL	
			S4-NO	PC-JJ	
	BLK		M1-1	PC-MM	5.0
	RED		M1-2	PC-NN	5.0
	BLK		M2-1	PC-PR	5.0
	RED		M2-2	PC-ST	5.0
	WHT		K1	PC-MN	EITHER K1 LEAD 1.25
	WHT		K1	PC-KL	REMAINING K1 LEAD 1.25
	BRN		SA-1	PC-J	EITHER BRN LEAD
	BRN		SA-2	PC-X	REMAINING BRN LEAD
	BLK		SA-3	PC-F	
	ORN		SA-4	PC-X	
44	BRN	26	HD-TK1B SOLD#46	HD-TK2B SOLD#46	SEE DETAIL A .75



FIRST USED ON OPTION/MODEL	QTY.	DESCRIPTION	PART NO.	ITEM NO.
TU60		PARTS LIST		
UNLESS OTHERWISE SPECIFIED DIMENSION IN INCHES TOLERANCES	DRN 12/2/72	DATE 12/2/72	EQUIPMENT CORPORATION MAYFIELD MASSACHUSETTS	
DECIMALS	XX - 02	±0° 30'	TITLE TRANSPORT ASSY (TU60)	
REMOVE BURRS AND BREAK SHARP CORNERS SURFACE QUALITY	PROJ ENG 12/2/72	DATE 12/2/72	NUMBER D-AD 7009014-0-0	
MATERIAL	NEXT HIGHER ASSY	SCALE	SIZE CODE	REV
FINISH	D-AD-TU60-0-0	SHEET 2 OF 2	DIST	

REVISIONS
NO. CHANGE NO. REV.

REV 7009014-0-0

DIGITAL EQUIPMENT CORPORATION MAYNARD, MASSACHUSETTS

PARTS LIST

MADE BY W. MAJOR
 DATE 11/27/72
 ENG WJ Benson
 DATE 1-16-73

CHECKED W. MAJOR
 DATE 1/16/73
 PROD *W. Benson*
 DATE 1/15/73

SECTION 1
 ISSUED SECT. 1

ITEM NO.	DWG NO. / PART NO.	DESCRIPTION	QUANTITY / VARIATION
1	D-IA-7410640-0-0	BASE ASSY	1
2	B-MD-7410518-0-0	BUTTON, REWIND SWITCH	1
3	12111040	SWITCH, PUSHBUTTON SPST	1
4	B-MD-7410519-0-0	BRACKET, REWIND SWITCH	1
5	9006011-1	SCR, PHL HD PAN #4-40 X 3/8	2
6	9008172	WASHER, FLAT #4 S.S.	7
7	9006632	WASHER, INT TOOTH #4	6
8	C-IA-7409930-0-0	EJECTOR ASSY	1
9	9006013-1	SCR, PHL HD PAN #4-40 X 1/2	4
10		LOCTITE 75	A/R
11	D-AD-7009146-0-0	SPINDLE ASSEMBLY	1
12	9009275-2	SCR, PHL HD PAN #4-40 X 3/8	3
13	9009308	SPRING	2
14	9006527	ROLL PIN 3/32 X 11/16 LG	2
15	9006531	ROLL PIN 1/8 X 3/8 LG	2
16	C-IA-7409924-0-0	COVER, LOWER CASSETTE ASSY	1
17	9006001-1	SCR, PHL HD PAN #2-56 X 1/4	3
18	C-MD-7409908-0-0	PLATE, HEAD MOUNT	1
19	9009276	SCR, PHL HD PAN #2-56 X 1/8	1
20	1211174	HEAD	1
21	D-PS-1211289-0-0	SENSOR ASSEMBLY	1
22	C-MD-7409912-0-0	GUIDE, TAPE	1
22			4

TITLE
 TRANSPORT ASSY (TU60)

ASSY NO. D-AD-7009014-0-0
 SIZE CODE A PL
 NUMBER 7009014-0-0
 SHEET 1 OF 3
 REV. ECO NO.

DIGITAL EQUIPMENT CORPORATION MAYNARD, MASSACHUSETTS

PARTS LIST

MADE BY W. MAJOR
 DATE 11/27/72
 ENG WJ Benson
 DATE 1-16-73

CHECKED W. MAJOR
 DATE 1/16/73
 PROD *W. Benson*
 DATE 1/15/73

SECTION 1
 ISSUED SECT. 1

ITEM NO.	DWG NO. / PART NO.	DESCRIPTION	QUANTITY / VARIATION
23	C-MD-7409911-0-0	SPACER, TAPE GUIDE	2
24	9006015-1	SCR, PHL HD PAN #4-40 X 3/4	2
25	D-PS-1211279-0-0	COUPLING, CASSETTE DRIVE	1
26	1211111	MOTOR, CASSETTE	1
27	D-MD-7409917-0-0	LOCK-BAR, CASSETTE	1
28	9009277-1	SCR, SLOTTED HD PAN #8-32 X 1/4	1
29	C-MD-7409928-0-0	BRACKET, SOLENOID	1
30	9008301-1	SCR, PHL HD PAN #4-40 X 1/4	5
31	9007079	CLAMP, CABLE 5/16	3
32	1211189	SOLENOID	1
33	B-MD-7409929-0-0	BRACKET, TERMINAL BOARD	1
34	C-AD-7009140-0-0	MOTOR MOUNT ASSY	1
35	9009279	SPRING	1
36	D-IA-7009041-0-0	TERMINATOR CABLE ASSY	1
37	C-MD-7410537-0-0	SPRING, LOCK BAR	1
38	C-AD-7009141-0-0	SWITCH ASSY	1
39	B-MD-7410544-0-0	SPACER, E.O.T. BLOCK	1
40	C-AD-7009148-0-0	LEVER ASSY	1
41	9006791	SPACER, AL HEX #4 1/8 LG	2
42	9009274	SCREW, SET #2-56 X 1/8 LG	1
43	9107636-33	WIRE, #26 AWG IPVC STRD ORN	A/R
44	9107636-11	WIRE, #26 AWG IPVC STRD BRN	A/R

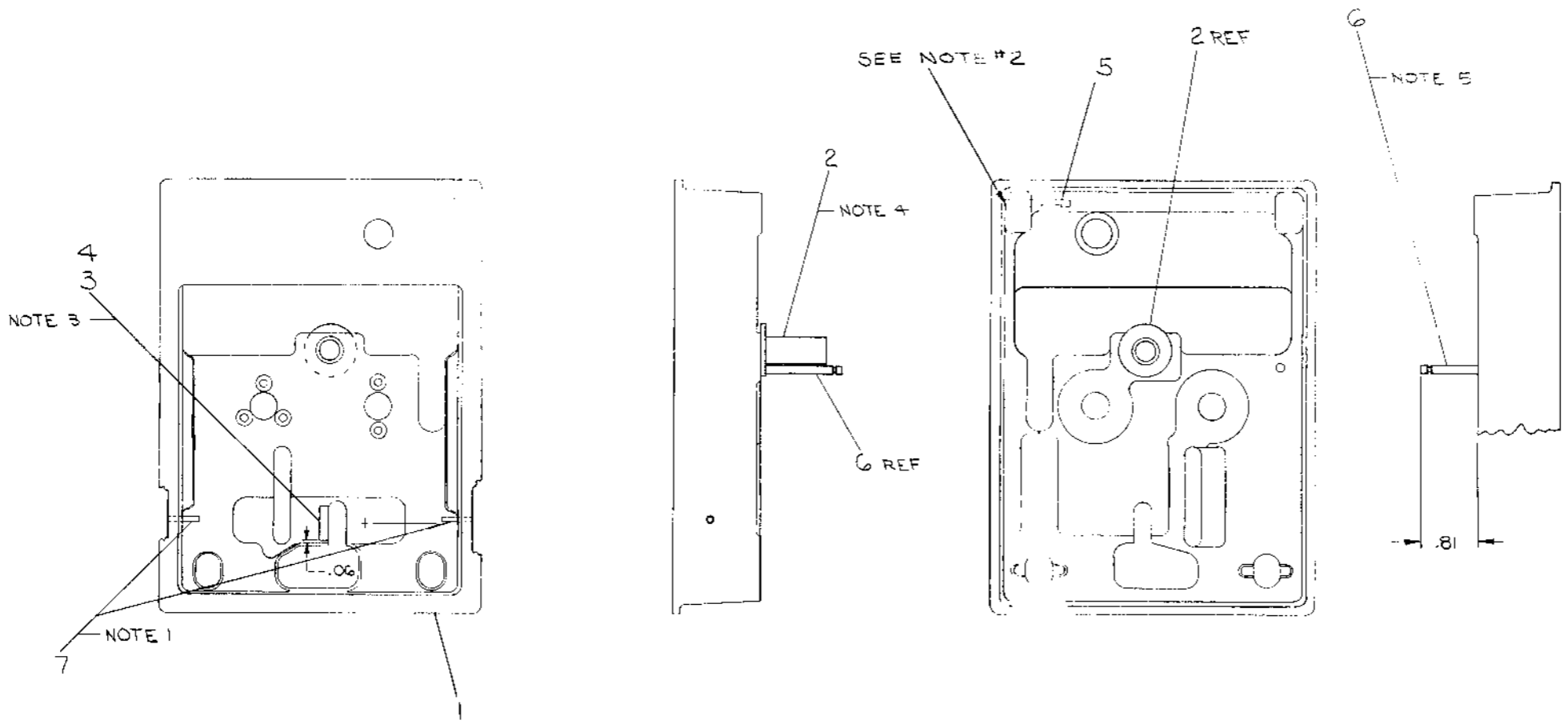
TITLE
 TRANSPORT ASSY (TU60)

ASSY NO. D-AD-7009014-0-0
 SIZE CODE A PL
 NUMBER 7009014-0-0
 SHEET 2 OF 3
 REV. ECO NO.

This drawing and associated information herein are the property of Digital Equipment Corporation and shall not be reproduced or copied or used in whole or in part as the basis for the manufacture or sale of items without written permission.

0-0-0099017/0002
 00000000
 00000000

- NOTES:
1. ROLL PIN (ITEM#7) TO BE PRESSED FLUSH WITH OUTSIDE SURFACE OF BASE AS SHOWN, 2 PLACES.
 2. PIN (ITEM#5) TO BE PRESSED FLUSH WITH THIS SURFACE AS SHOWN, NOTE POSITION OF CUTOUT ON ITEM#5.
 3. WHEN MOUNTING SHIM (ITEM#3) TO BASE (ITEM#1), USE LOCTITE #404 (ITEM#4) SPARINGLY TO AVOID BUILDUP BUT ENOUGH TO OBTAIN A GOOD BOND. NOTE LOCATION OF SLOT IN BASE.
 4. BUSHING (#2) TO BE PRESSED INTO ITEM#1 AS SHOWN.
 5. PIN (#6) TO BE PRESSED INTO ITEM#1 TO DIMENSION SHOWN.



QTY.	DESCRIPTION	PART NO.	ITEM NO.
2	ROLL PIN	9006531	7
1	PIN, SPRING, MOTOR BIAS	C-MD-7409934-0-0	6
1	PIN, ANCHOR	C-MD-7410539-0-0	5
1/R	LOCTITE #404		4
1	SHIM, SKEW	B-MD-7410553-0-0	3
1	BUSHING, ROCKER	B-MD-7409933-0-0	2
1	BASE, CASSETTE TRANS. (MACH)	E-MD-7409835-0-0	1

LIST USED ON OPTION/MODEL		PARTS LIST	
TUBØ		EQUIPMENT CORPORATION MAYNARD MASSACHUSETTS	
UNLESS OTHERWISE SPECIFIED DIMENSION IN INCHES TOLERANCES	DRN X 8.2 DATE 9-15-72	TITLE BASE ASSY	
DECIMALS .005 ANGLES ±0°30'	CHK'D W. M. P. DATE 11/1/72	SIZE CODE DIA 7410640 0-0	
xxx - 005 xx - 02 x - 1	ENG W. M. P. DATE 11/6/72	NUMBER 7410640 0-0	
REMOVE BURRS AND BREAK SHARP CORNERS SURFACE QUALITY	PRG'G ENG W. M. P. DATE 11/16/72	REV	
MATERIAL	NEXT HIGHER ASSY	SHEET 1 OF 1	
FINISH	D-740-0050-0-0-0	DIST.	

REVISIONS
 CHANGE NO.
 DATE

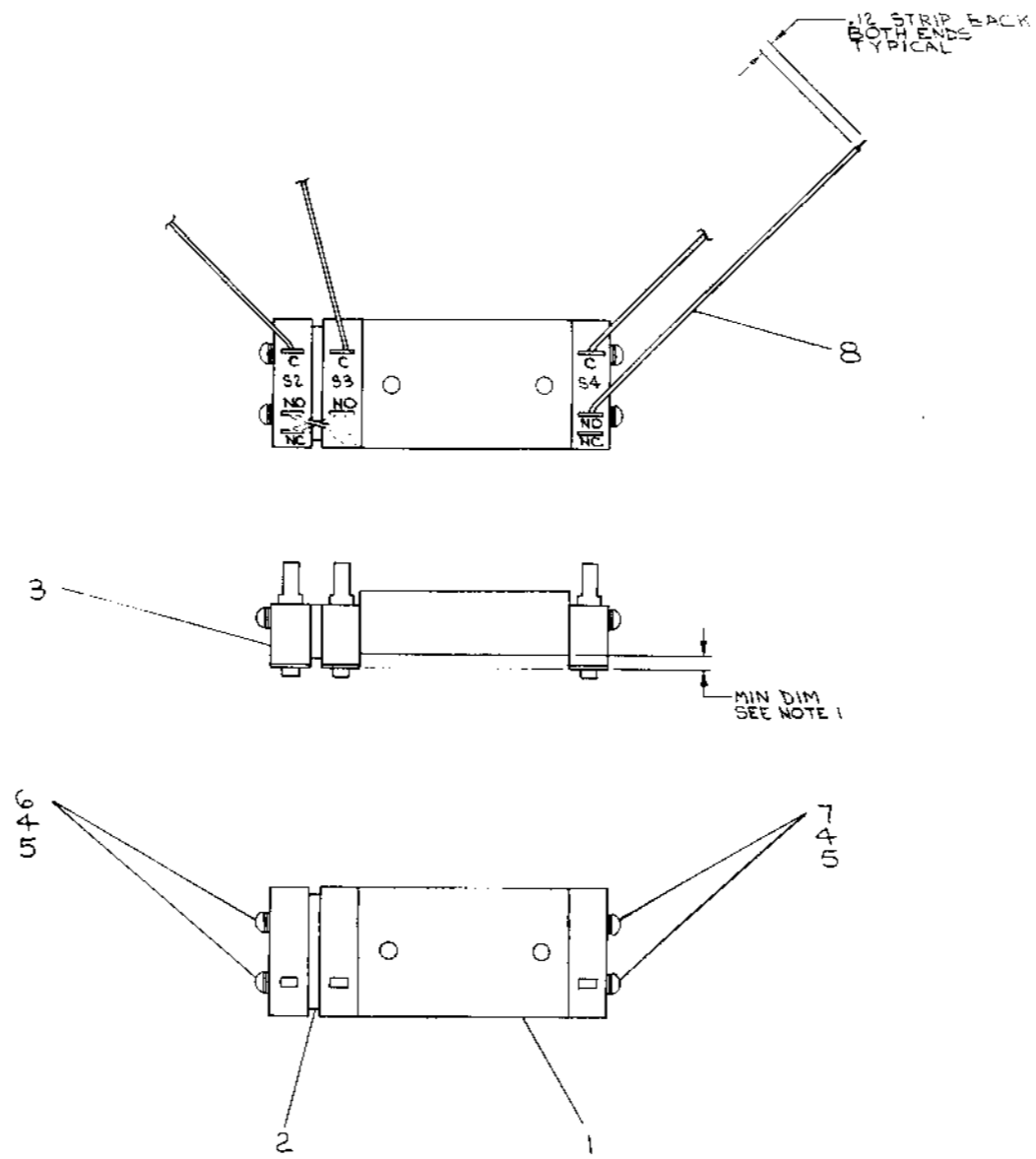
SECTION NUMBER
 DIA 7410640-0-0

This drawing and specifications herein are the property of Digital Equipment Corporation and shall not be reproduced or copied or used in whole or in part as the basis for the manufacture or sale of items without written permission.

COPYRIGHT © 1972, DIGITAL EQUIPMENT CORPORATION

WIRE TABLE

ITEM NO.	DESCRIPTION	FROM		TO		LENGTH
		CONN	WITH	CONN	WITH	
8	BRN 26	S2-C	SOLDER	→	←	5"
8	BRN 26	S2-NO	SOLDER	S3-NC	SOLDER	.75"
8	BRN 26	S2-NC	SOLDER	S3-NO	SOLDER	.75"
8	BRN 26	S3-C	SOLDER	→	←	5"
8	BRN 26	S4-C	SOLDER	→	←	6"
8	BRN 26	S4-NO	SOLDER	→	←	4.5"



NOTES:
 1. SWITCH MUST BE ADJUSTED AT ASSY TO OBTAIN MINIMUM DIMENSION FROM BOTTOM SURFACE OF SWITCHES TO BOTTOM SURFACE OF SWITCH BLOCK.

QTY.	DESCRIPTION	PART NO.	ITEM NO.
1	WIRE #26AWG, IPVC, STRD	9107636-11	8
2	SCR, PHL HD PAN 2-56X1/2 SST	9006005-1	7
2	SCR, PHL HD PAN 2-56X 3/4 SST	9006006-1	6
4	WASHER, .250 X .094 X .020 THK	9008877	5
4	WASHER, INT TOOTH #2 SST	9006631	4
3	SWITCH, MICRO	1209782	3
1	SPACER, MICRO SWITCH	GM07409935-00	2
1	BLOCK, SWITCH	GM07409926-0-0	1

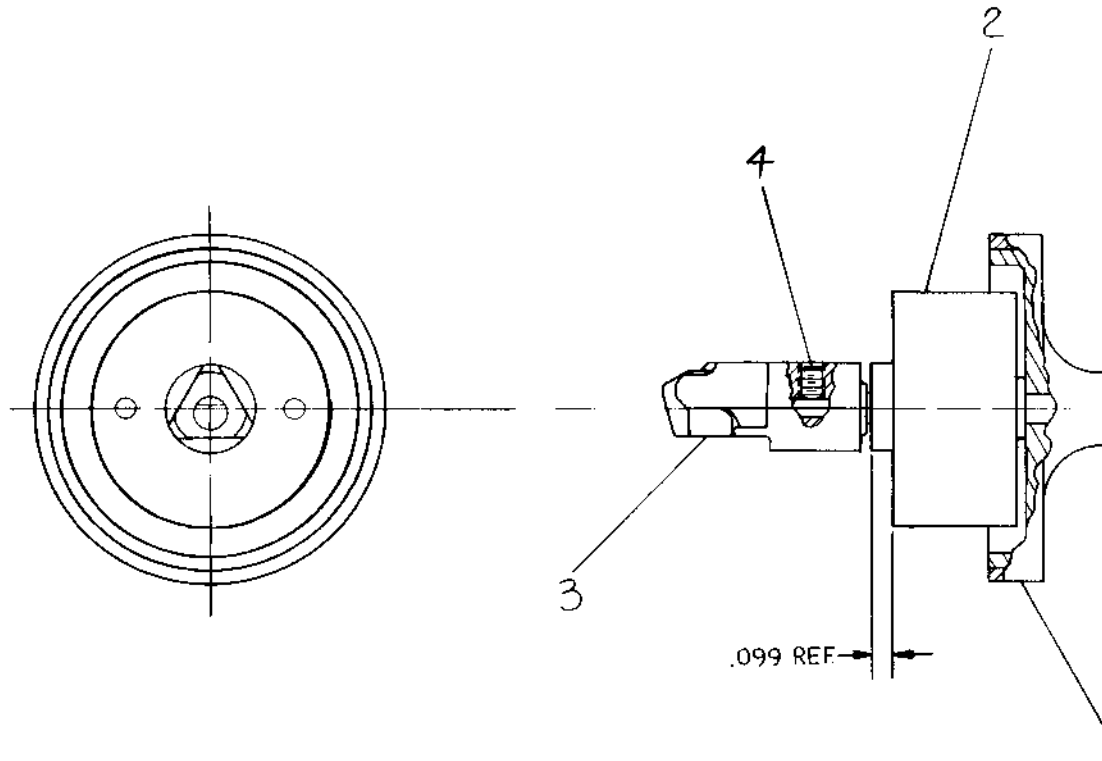
FIRST USED ON OPTION/MODEL TU60		PARTS LIST	
UNLESS OTHERWISE SPECIFIED DIMENSION IN INCHES TOLERANCES	DRN 11/2/72	DATE 11/2/72	<p>DIGITAL EQUIPMENT CORPORATION WALTHAM, MASSACHUSETTS</p> <p>TITLE SWITCH ASSY</p>
DECIMALS	CHK'D 11/2/72	DATE 11/2/72	
ANGLES	ENG. 11/2/72	DATE 11/2/72	
xxx - .005 xx - .02 x - .1	PROJ. ENG. 11/2/72	DATE 11/2/72	
REMOVE BURRS AND BREAK SHARP CORNERS SURFACE QUALITY ✓	PRCD. 11/2/72	DATE 11/2/72	
MATERIAL SS	NEXT HIGHER ASSY		
FINISH SS	D-AD-7009014-0-0	SCALE 2/1	SIZE CODE D-AD-7009014-0-0
	SHEET 1 OF 1	DIST	NUMBER 7009014-0-0

BRUNING 40-107 13968
 DEC FORM NO
 ORD 100-X

SIZE CODE
 NUMBER
 D-AD-7009014-0-0

This drawing and specifications, herein, are the property of Digital Equipment Corporation and shall not be reproduced or copied or used in whole or in part as the basis for the manufacture or sale of items without written permission.
1972

NOTES:
1. ITEM #2 TO FITT AGAINST SHOULDER OF SPINDLE.



	SCREW, SET, #2-56	9009274	4
1	COUPLING, CASSETTE DRIVE	D-PS-1211279-0-0	3
1	BEARING	C-MD-7410692-0-0	2
1	PULLEY, DRIVE ASSY	C-IA-7409914-0-0	1

FIRST USED ON OPTION/MODEL	QTY.	DESCRIPTION	PART NO.	ITEM NO.
TU60		PARTS LIST		
UNLESS OTHERWISE SPECIFIED DIMENSION IN INCHES. TOLERANCES	DRN <i>R. Carberry</i>	DATE 9/18/72	digital EQUIPMENT CORPORATION MAYNARD, MASSACHUSETTS TITLE SPINDLE ASSY	
DECIMALS	CHK'D <i>J. Major</i>	DATE 10/25/72		
ANGLES	ENG. <i>W. Benson</i>	DATE 10/25/72		
.XXX .005	PROJ. ENG.	DATE 10/25/72		
.XX .02	PRG.	DATE 10/25/72		
.X .1				
REMOVE BURRS AND BREAK SHARP CORNERS SURFACE QUALITY				
MATERIAL	SS	NEXT HIGHER ASSY.	D-AD-7009014-0-0	SIZE CODE C AD
FINISH	SS	SCALE 2/1		NUMBER 7009146-0-0
		SHEET 1 OF 1	DIST. G	REV. A

BRUNING 40-107 15988	REVISIONS
CHK	CHANGE NO.
SS	TU60-00004 A
<i>W. Benson</i>	12/12/72
W. BENSON	
<i>W. Benson</i>	12-15-72

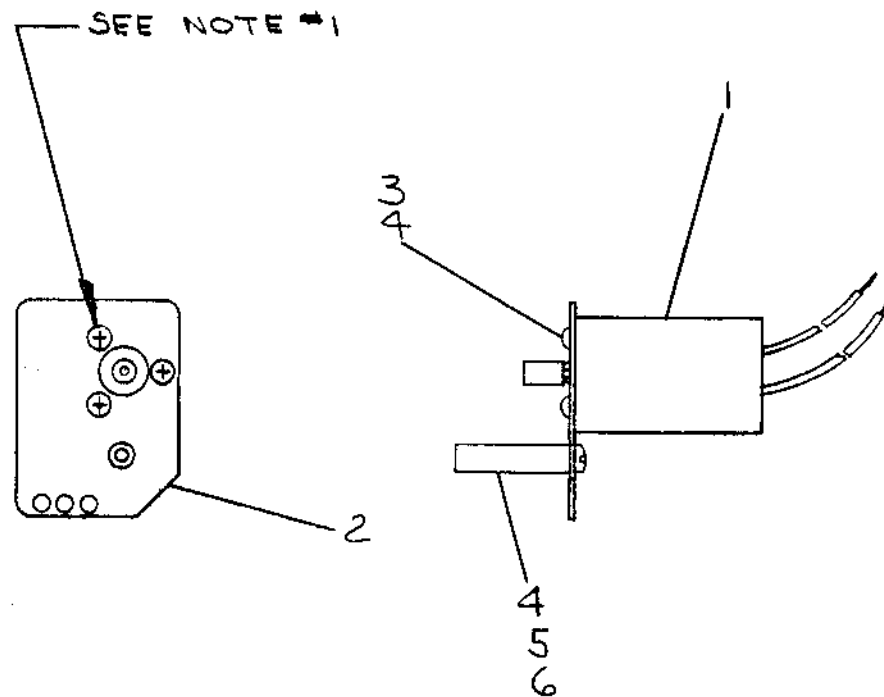
D
C
B
A

D
C
B
A

REV. A
NUMBER 7009146-0-0
SIZE CODE C AD

This drawing and specifications, herein, are the property of Digital Equipment Corporation and shall not be reproduced or copied or used in whole or in part as the basis for the manufacture or sale of items without written permission.

NOTES:
 1: LOCTITE(#4) TO BE APPLIED TO THREADS OF ITEMS #3 & #5.



QTY.	DESCRIPTION	PART NO.	ITEM NO.
1	PIVOT, MOTOR	GMD-7409915-0-0	6
1	SCR, SLOT HD PAN	9009277	5
A/R	LOCTITE (75)		4
3	SCR, PHL PAN HD 4-40-1/4	9008301-1	3
1	MOUNT, MOTOR	GMD-7409910-0-0	2
1	DRIVE MOTOR ASSY	G-IA-7009139-0-0	1

FIRST USED ON OPTION/MODEL	PARTS LIST		
TU60	DRN.	DATE	digital EQUIPMENT CORPORATION <small>MAYNARD MASSACHUSETTS</small> TITLE MOTOR MOUNT ASSY
UNLESS OTHERWISE SPECIFIED DIMENSION IN INCHES. TOLERANCES	CHK'D	DATE	
DECIMALS ANGLES	ENG.	DATE	
.XXX - .005 ±0° 30'	WY BENSON	11/1/72	
.XX - .02	PRD. ENG.	DATE	
.X - .1	DATE	11/1/72	
REMOVE BURRS AND BREAK SHARP CORNERS SURFACE QUALITY	NEXT HIGHER ASSY.		
MATERIAL	D-AD-7009014-0-0		
FINISH	SCALE	SIZE CODE	NUMBER
	1/1	C AD	7009140-0-0
	SHEET	OF	REV.
		1	

REV.	CHANGE NO.	CHK.

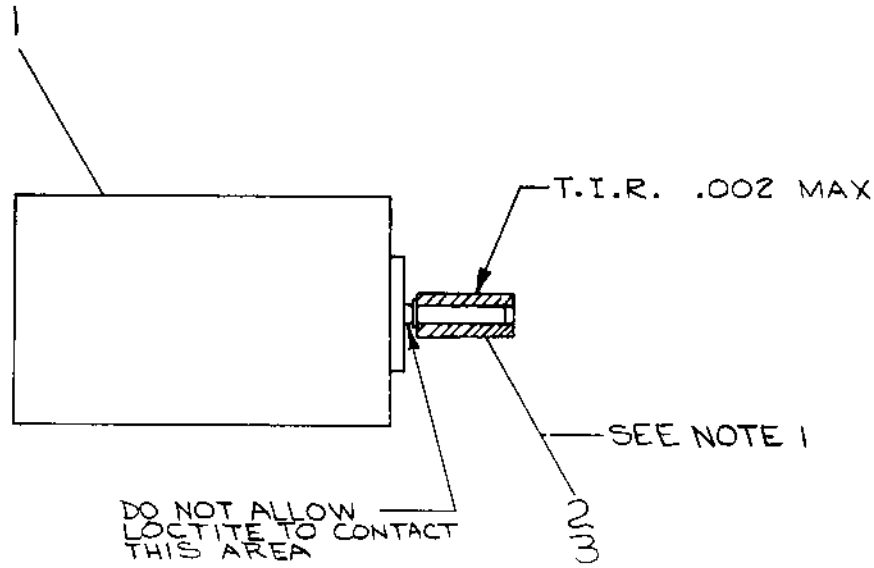
BRUNING 40-107 15948

REV. NUMBER
 C AD 7009140-0-0

This drawing and specifications, herein, are the property of Digital Equipment Corporation and shall not be reproduced or copied or used in whole or in part as the basis for the manufacture or sale of items without written permission.

NOTES:

1. SLEEVE (#2) TO BE PRESSED ON MOTOR SHAFT TO "E" RING. LOCTITE TO BE APPLIED SPARINGLY TO INSIDE OF SLEEVE BEFORE ASSEMBLY.



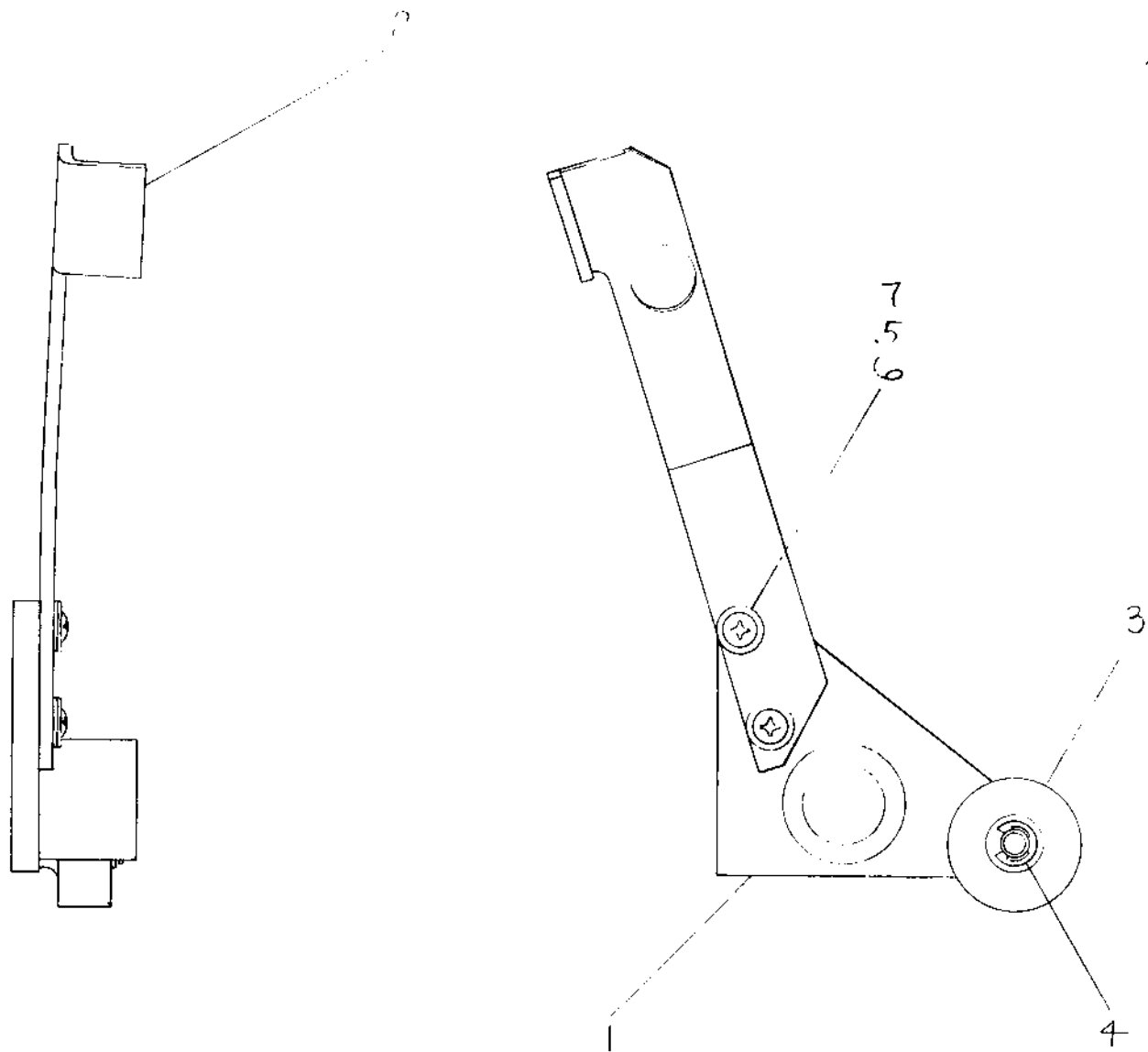
A/R	DESCRIPTION	PART NO.	ITEM NO.
	LOCTITE (75)		3
1	SLEEVE, MOTOR	C-MD-7409913-0-0	2
1	MOTOR	121111	1

FIRST USED ON OPTION/MODEL	QTY.	DESCRIPTION	PART NO.	ITEM NO.
TU60				
PARTS LIST				
UNLESS OTHERWISE SPECIFIED DIMENSION IN INCHES. TOLERANCES		DRN. <i>Z. Carter</i>	DATE 10-5-72	<p>digital EQUIPMENT CORPORATION MAYNARD MASSACHUSETTS</p> <p>TITLE DRIVE-MOTOR ASSY</p>
DECIMALS	ANGLES	CHK'D <i>W. Maise</i>	DATE 10/25/72	
.XXX = .005	±0° 30'	ENG. <i>W. J. Bowen</i>	DATE 10/25/72	
.XX = .02		PROJ. ENG. <i>W. Maise</i>	DATE 10/14/72	
.X = .1		DATE 10/27/72		
REMOVE BURRS AND BREAK SHARP CORNERS SURFACE QUALITY		NEXT HIGHER ASSY. C-AD-7009140-0-0		SIZE CODE C IA
MATERIAL — SS —		SCALE 2/1		NUMBER 7009139-0-0
FINISH — SS —		SHEET 1 OF 1		REV.

REV.	CHANGE NO.

REV. NUMBER C IA 7009139-0-0

This drawing and specifications, herein, are the property of Digital Equipment Corporation and shall not be reproduced or copied or used in whole or in part as the basis for the manufacture or sale of items without written permission.



QTY.	DESCRIPTION	PART NO.	ITEM NO.
2	WASHER, FLAT #4	9008172	7
2	WASHER, INT TOOTH TYPE, #4	9006632	6
2	SCR, #4-40 x 1/4, PH. PAN HD	9008E01-1	5
1	RING, RETAINING	9009273	4
1	ROLLER, IDLER	BME-1409932-0-0	3
1	LEVER, ROLLER	CMD-7409931-0-0	2
1	ROLLER ASSY	CIA-7409919-0-0	1

FIRST USED ON OPTION/MODEL		PARTS LIST	
TUG			
UNLESS OTHERWISE SPECIFIED DIMENSION IN INCHES. TOLERANCES		DRN. <i>Z. Carter</i>	DATE 9/12/72
DECIMALS	ANGLES	CHK'D. <i>W. D. Jot</i>	DATE 11/1/72
.XXX = .005	±0° 30'	ENG. <i>W. D. Jot</i>	DATE 11/1/72
.XX = .02		PROJ. ENG. <i>W. D. Jot</i>	DATE 11/6/72
.X = .1		PROD. <i>W. D. Jot</i>	DATE 11/1/72
REMOVE BURRS AND BREAK SHARP CORNERS SURFACE QUALITY ✓		TITLE LEVER ASSY	
MATERIAL SS	NEXT HIGHER ASSY.	SIZE CODE C AD	NUMBER 7009148-0-0
FINISH SS	SCALE 2/1	REV.	
SHEET 1 OF 1		DIST.	

BRUNING 40-107 15968

REV.	CHANGE NO.	CHK

REV. NUMBER
C AD 7009148-0-0

D

C

B

A

D

C

B

A

4

3

2

1