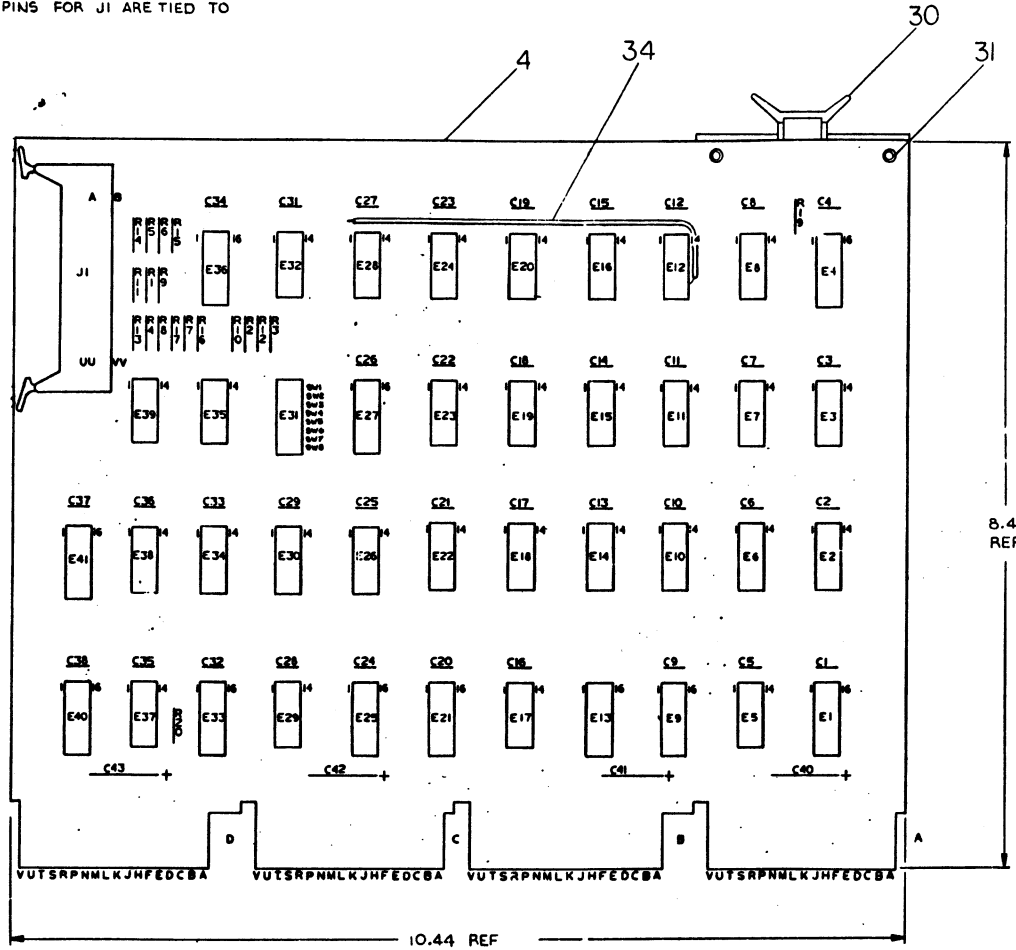
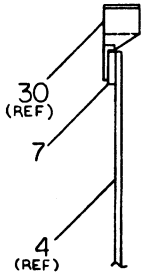
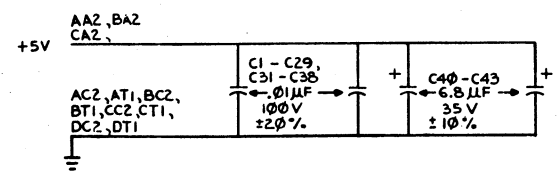


THIS DRAWING AND SPECIFICATIONS HEREIN ARE THE PROPERTY OF DIGITAL EQUIPMENT CORPORATION AND SHALL NOT BE REPRODUCED OR COPIED OR USED IN WHOLE OR IN PART AS THE BASIS FOR THE MANUFACTURE OR SALE OF ITEMS WITHOUT WRITTEN PERMISSION. DIGITAL EQUIPMENT CORPORATION. COPYRIGHT © 1974.

**NOTES:**  
 1. UNLESS OTHERWISE SPECIFIED:  
 A. ALL RESISTORS ARE 1/4W, ±5%.  
 B. ALL UNUSED PINS FOR J1 ARE TIED TO GND.



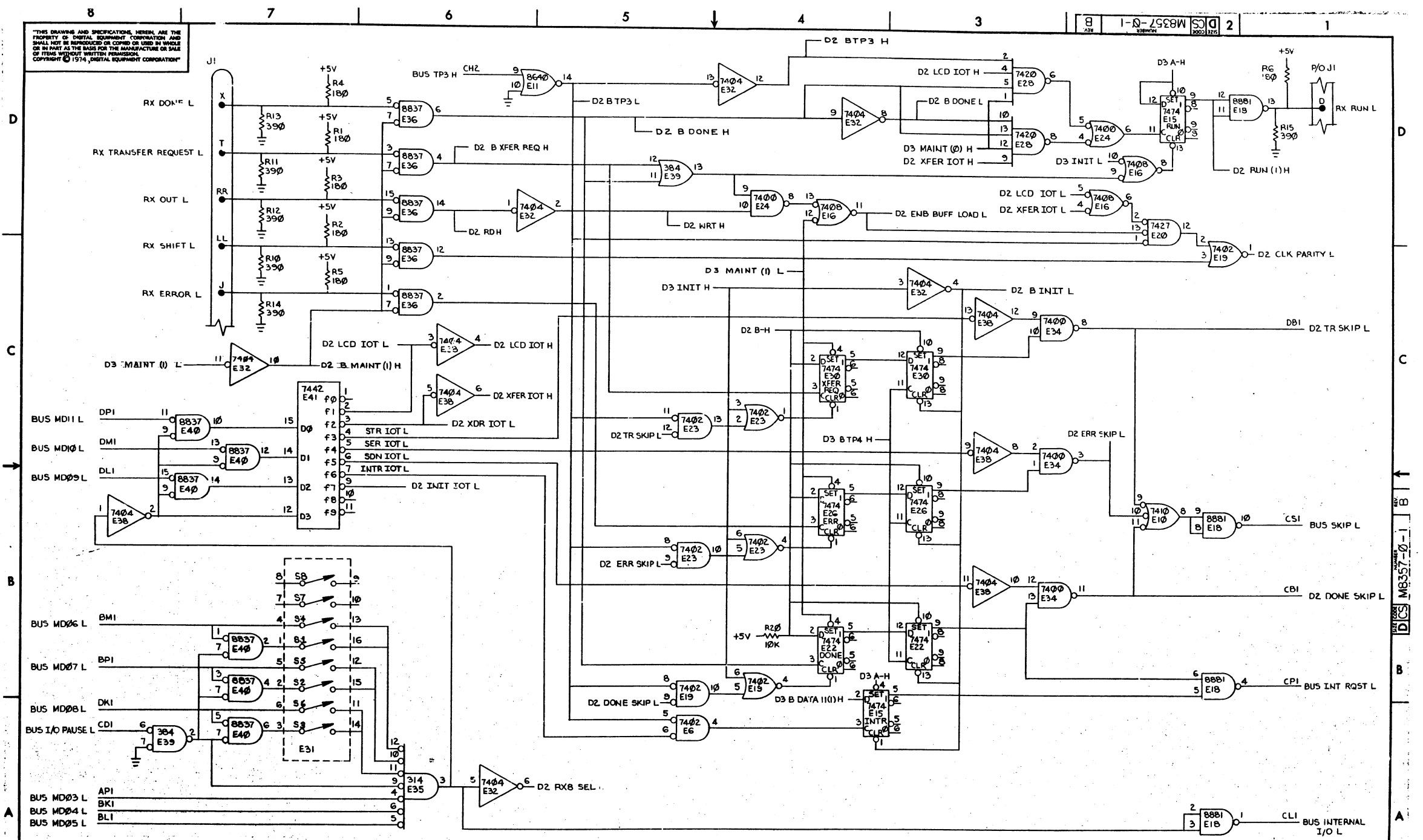
REF	X-Y COORDINATE HOLE LOCATION	K-CO-M8357-0-4	1
REF	ASSY/ DRILLING HOLE LAYOUT	D-AH-M8357-0-5	2
REF	MODULE ECO HISTORY	B-MH-M8357-0-6	3
1	ETCHED CIRCUIT BOARD	5011374	4
37	C1 - C29, C31 - C38	CAP .01UF 100V 20% DISC	1001610 - 01 5
4	C40 - C43	CAP 6.8UF 35V 10% STANT	1005306 - 00 6
4		SPACER, CABLE CLAMP	1202704 - 00 7
1	J1	CONN 49 PIN RT ANGLE HDR	1209941 - 02 8
1	E31	SWITCH SPST (B) DIP PACK	1211164 - 04 9
8	R10 - R17	RES 390 1/4W 5%	1300309 - 00 10
8	R1 - R8	RES 180 1/4W 5%	1301322 - 00 11
2	R19 - R20	RES 10K 1/4W 5%	1300479 - 00 12
6	E2, E7, E15, E22, E26, E30	IC 7474	1905547 - 00 13
3	E12, E24, E34	IC 7400	1905575 - 00 14
2	E3, E10	IC 7410	1905576 - 00 15
1	E28	IC 7420	1905577 - 00 16
3	E6, E19, E23	IC 7402	1909004 - 00 17
1	E39	IC 384	1909486 - 00 18
3	E9, E21, E33	IC 8271	1909615 - 00 19
3	E8, E32, E38	IC 7404	1909686 - 00 20
1	E35	IC 314	1909704 - 00 21
6	E5, E14, E17, E18, E29, E37	IC 8881	1909705 - 00 22
1	E41	IC 7442	1910046 - 00 23
1	E16	IC 7408	1910155 - 00 24
1	E27	IC 74106	1910408 - 00 25
1	E4	IC 74161	1910650 - 00 26
1	E20	IC 7427	1910878 - 00 27
4	E1, E25, E36, E40	IC 8837	1911116 - 00 28
1	E11	IC 7440	1911469 - 00 29
4		HANDLE, FLIP-CHIP MAGENTA	9008337 - G 30
8		EYELET	9006750 - 00 31
1	(J1)	LATCH, LEFT FOR RT ANG HEADER	1209941 - 03 32
1	(J1)	LATCH, RIGHT FOR RT ANG HEADER	1209941 - 04 33
A/R		WIRE, REWORK	9105740 - 55 34
1	R9	RES 120 1/4W 5%	1300247 - 00 35



IC TYPE	QTY	DESIGNATION	DESCRIPTION	PART NO.	ITEM NO.
8840	1	B			
8837	8	16			
74161	8	16			
74106	19	5			
7442	8	16			
314	1	8			
8271	8	16			
384	1	8			
IC TYPE	GND	+5V			

FIRST USED ON OPTION MODEL RX8E		DATE 11/23/74	
ETCH BOARD REV. 1 B		DATE 11/23/74	
PARTS LIST			
DRAWN BY J. H. ...		DATE 11/23/74	
CHECKED BY S. J. ...		DATE 11/23/74	
<b>digital</b>			
TITLE RX8-E OMNIBUS INTERFACE			
SIZE CODE D CS		REV. B	
SEMICONDUCTOR CONVERSION CHART			
DEC NO.		EIA NO.	
DEC NO.		EIA NO.	
SCALE		SHEET 1 OF 3	

THIS DRAWING AND SPECIFICATIONS HEREIN ARE THE PROPERTY OF DIGITAL EQUIPMENT CORPORATION AND SHALL NOT BE REPRODUCED OR COPIED IN WHOLE OR IN PART AS THE BASIS FOR THE MANUFACTURE OR SALE OF ITEMS WITHOUT WRITTEN PERMISSION. COPYRIGHT © 1974, DIGITAL EQUIPMENT CORPORATION



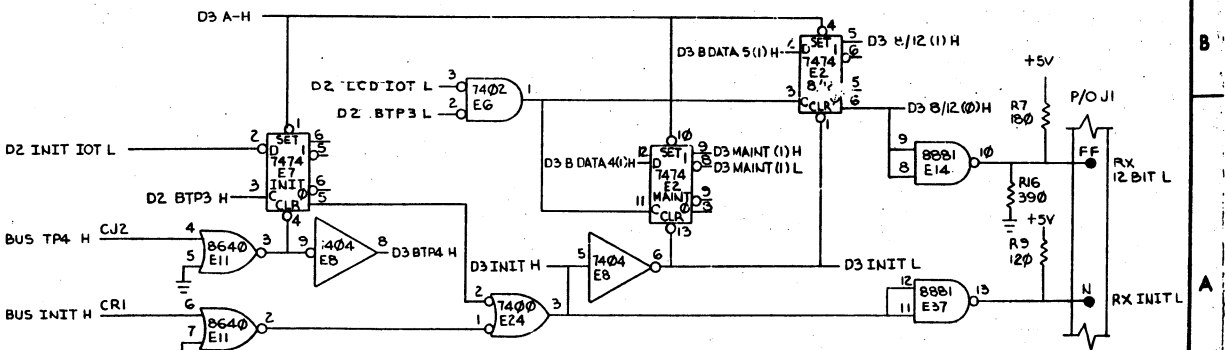
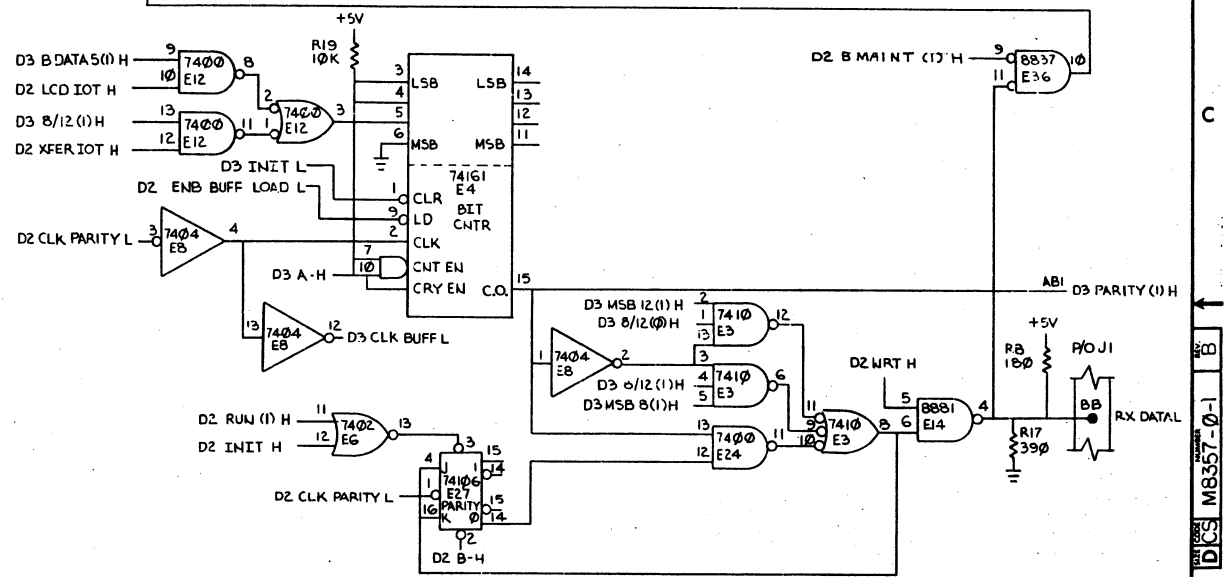
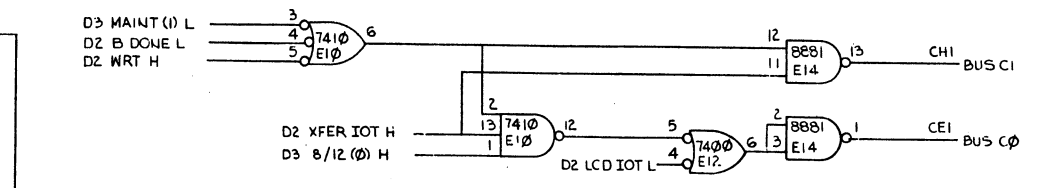
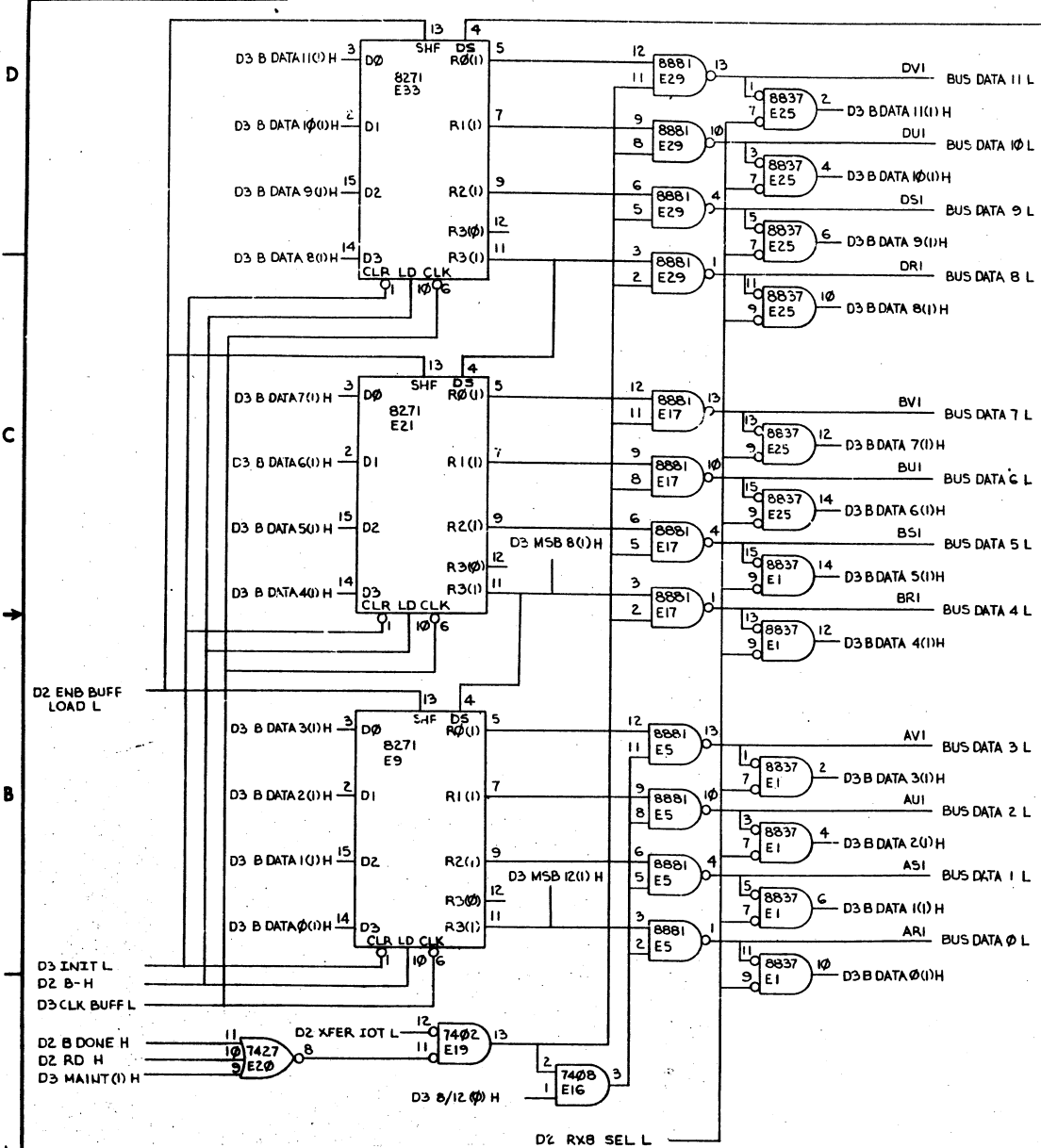
REVISIONS		
CHK	CHANGE NO.	REV.

(DEVICE SELECT, IOT DECODE & RXOI CONTROL LOGIC)

TITLE	RX8-E (D2)	SIZE CODE	NUMBER	REV.
OMNIBUS INTERFACE	D CS	M8357-0-1	B	
SCALE	SHEET 2 OF 3	DIST.		

D CS M8357-0-1

THIS DRAWING AND SPECIFICATIONS HEREIN ARE THE PROPERTY OF DIGITAL EQUIPMENT CORPORATION AND SHALL NOT BE REPRODUCED OR COPIED OR USED IN WHOLE OR IN PART AS THE BASIS FOR THE MANUFACTURE OR SALE OF ITEMS WITHOUT WRITTEN PERMISSION. COPYRIGHT © 1974, DIGITAL EQUIPMENT CORPORATION



CHK	CHANGE NO.	REV.