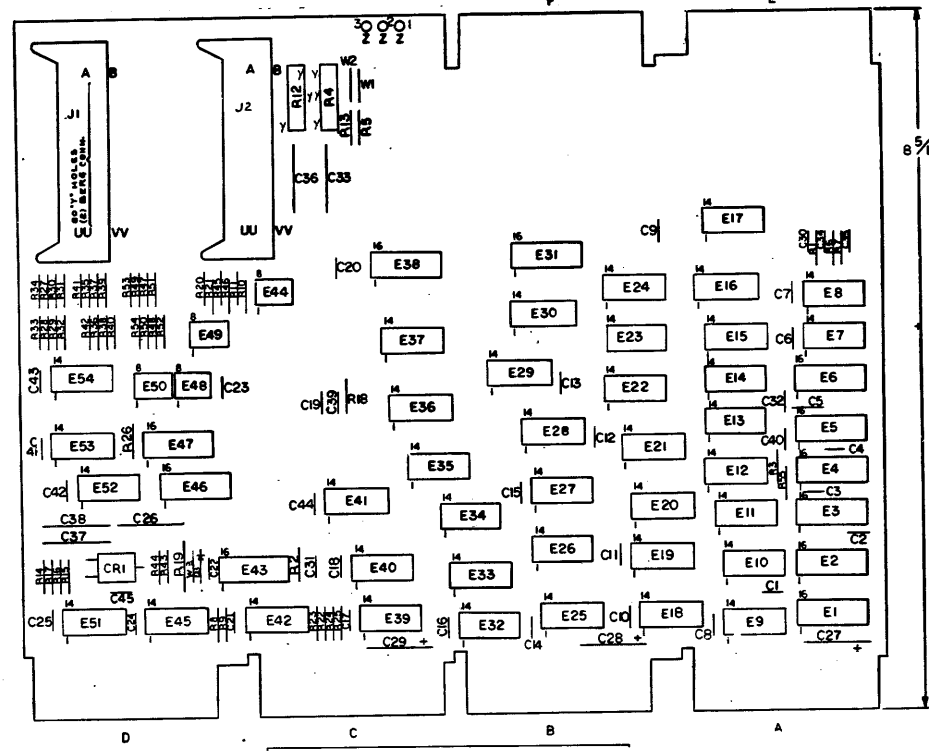


This drawing and specifications herein, are the property of Digital Equipment Corporation and shall not be reproduced or copied or used in whole or in part as the basis for the manufacture or sale of items without written permission.

**NOTES: CUT ETCH ON SIDE 2 BETWEEN:**

JIM - JIN  
 JIHH - JIJJ  
 JIMM - JINN  
 JISS - JITT

FOR ETCH REV. A & B ONLY



QTY	REF DESIGNATION	DESCRIPTION	PART NO.	ITEM NO.
1	R5	RES. LBK 1/4W 5%	1301423	49
3	C27 THRU C29	CAPACITOR, 6.8UF, 35V, 20% TANT	1000067	7
48	C1 THRU C25, C41 THRU C45	CAPACITOR, .01UF, 100V, 20% DISC.	1001610	6
47				
46	TP1 THRU TP3	SPLIT LUG	9006735	5
45				
44		ETCHED CIRCUIT BOARD	5016366	4
43		MODULE ECO HISTORY	B-MH-M7106-2	3
42		ASSY DRILLING HOLE LAYOUT	D-M-M7106-1.5	2
41		X-Y COORDINATE HOLE LOCATION	K-C-M7106-3-4	1

1	E46	I.C. TYPE 7496	1910363	41
1	E47	I.C. TYPE 7485	1910224	40
9	E15, E18 THRU E22, E24, E37, E41	I.C. TYPE 7474	1905547	39
1	E28	I.C. TYPE 74H52	1909061	38
1	E10	I.C. TYPE 74H10	1909057	37
2	E34, E39	I.C. TYPE 7410	1905576	36
2	E16, E32	I.C. TYPE 7408	1910155	35
5	E42, E51 THRU E54	I.C. TYPE 380	1909485	34
2	E11, E7	I.C. TYPE 74ND4	1909931	33
3	E2, E35, E36	I.C. TYPE 7404	1909686	32
6	E13, E23, E26, E27, C30, C40	I.C. TYPE 7402	1909004	31
8	E8, E12, E44, E47, E25, E27, E33, E45	I.C. TYPE 7400	1905575	30
6	E1 THRU E6	I.C. TYPE 74161	1910650	29
4	E44, E48 THRU E50	I.C. TYPE 75452	1910645	28
1	CR1	CRYSTAL, 2.88 MHz	1310694-3	27
2	R1, R12	POTENTIOMETER, 10K, 10%, 3/4W, 70AR	1309143-10	26
1	R19	RESISTOR, 243K, 1%, 1/8W, MF	1309413	25
6	R6, R3, R6, E7, E18, R55	RESISTOR, 1000, 5%, 1/4W, CC	1300229	24
1	R13	RESISTOR, 15K, 5%, 1/4W, CC	1300496	23
2	R15, R17	RESISTOR, 10K, 5%, 1/4W, CC	1300479	22
1	R2	RESISTOR, 56K, 5%, 1/4W, CC	1301874	21
1	R44	RESISTOR, 3K, 5%, 1/4W, CC	1300432	20
4	R8, R9, R26, R43	RESISTOR, 1K, 5%, 1/4W, CC	1300365	19
2	R14, R16	RESISTOR, 4700, 5%, 1/4W, CC	1300316	18
17	R11, R20, R23, R25, R27, R30, R31, R34, R35, R37, R38, R41, R45, R47, R48, R51, R53	RESISTOR, 390, 5%, 1/4W, CC	1300309	17
17	R10, R21, R22, R24, R28, R29, R32, R33, R36, R38, R40, R42, R46, R48, R50, R52, R54	RESISTOR, 100, 5%, 1/4W, CC	1301322	16
1	D3	DIODE D664	1100114	15
2	C33, C36	CAPACITOR, .022UF, 100V, 10% NYLAR	1002323	14
3	C37, C38, C26	CAPACITOR, 4700PF, 100V, 1% NYLAR	1009312	13
1	C31	CAPACITOR, 100PF, 100V, 5% DM	1000006	12
2	C32, C34	CAPACITOR, 520PF, 100V, 5% DM	1000027	11
1	C39	CAPACITOR, 560PF, 100V, 5% DM	1000025	10
2	C35, C40	CAPACITOR, 470 PF, 100V, 5% DM	1000024	9
1	C30	CAPACITOR, 100PF, 100V, 5% DM	1000020	8

**DELETED PARTS**

D1, D2, D4		
DEC 380	1	8
DEC 7485	8	16
DEC 7496	5	12
DEC 74155	8	16
DEC 74161	8	16

IC TYPE	GND	+5V
DEC 380		
DEC 7485		
DEC 7496		
DEC 74155		
DEC 74161		

GND AND 5V ARE USUALLY PIN 7 AND 14 RESPECTIVELY EXCEPTIONS ARE STATED ABOVE

REV	DATE	DRN	FIRST USED ON OPTION MODEL				PARTS LIST				
			DEC NO.	EIA NO.	DEC NO.	EIA NO.	ETCH BOARD REV	DESCRIPTION	PART NO.	ITEM NO.	

SEMICONDUCTOR CONVERSION CHART  
 SCALE 1:1  
 SHEET 2 OF 2

**digital** EQUIPMENT CORPORATION  
 MAYNARD MASSACHUSETTS

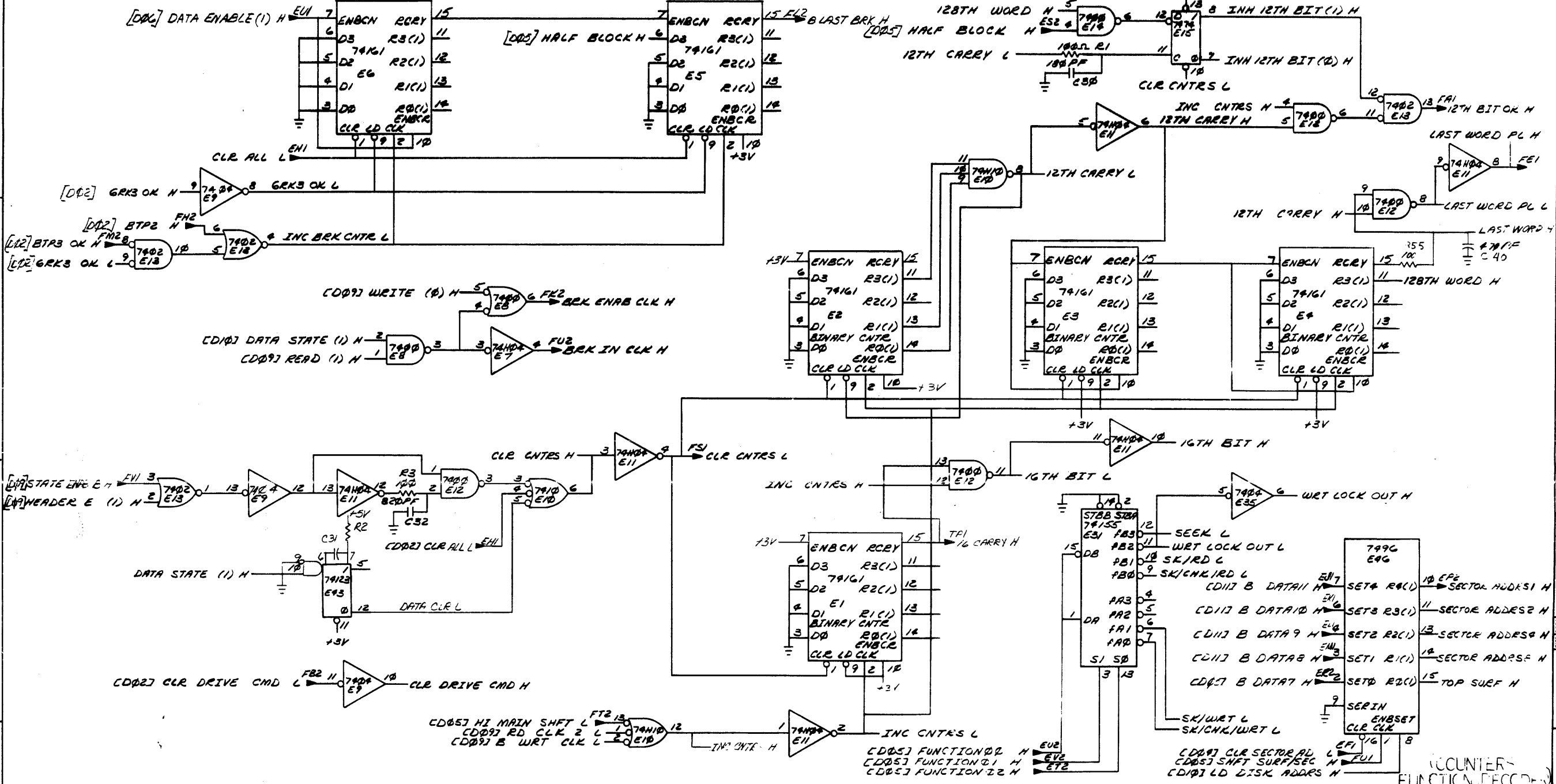
TITLE: CCNTRL, RK8-E

SIZE CODE: DCS M7106-2-1

REV. F

BRUSHING 40-522 16899

This drawing and specifications, herein, are the property of Digital Equipment Corporation and shall not be reproduced or copied or used in whole or in part as the basis for the manufacture or sale of items without written permission.



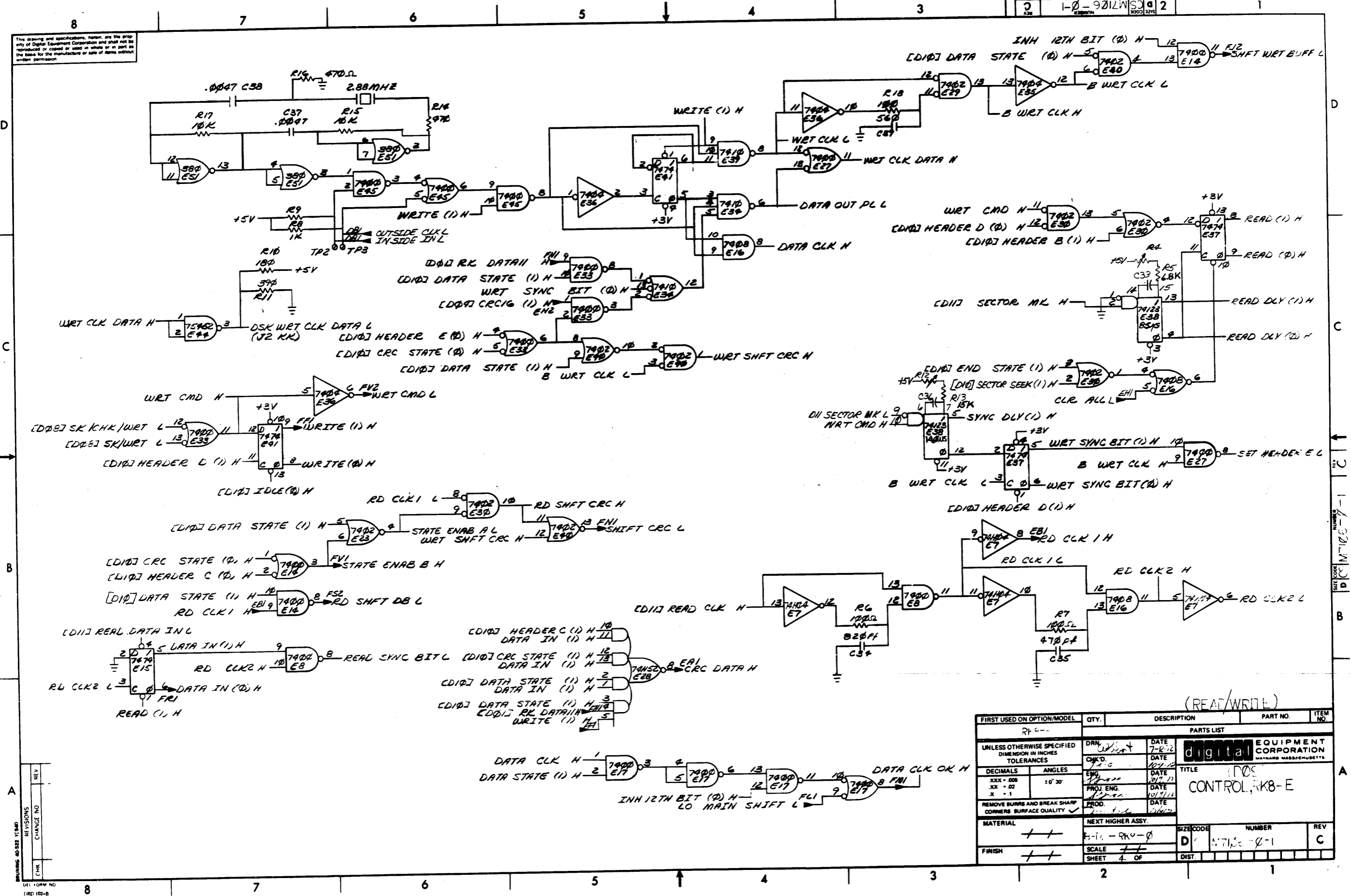
REV	CHG	NO	DATE
1			
2			

DEF ORN NO  
DRD 102-B

FIRST USED ON OPTION/MODEL	QTY.	DESCRIPTION	PART NO.	ITEM NO.
RKE-E		PARTS LIST		
UNLESS OTHERWISE SPECIFIED DIMENSION IN INCHES TOLERANCES	DRN 20/10/10	DATE 2/5/72	digital EQUIPMENT CORPORATION MAYNARD MASSACHUSETTS	
DECIMALS XXX . 005 .XX . 02 X . 1	ENG J. J. J.	DATE 1/27/72	TITLE D08 CONTROL LOGIC - E	
REMOVE BURRS AND BREAK SHARP CORNERS SURFACE QUALITY	PROJ ENG J. J. J.	DATE 1/27/72	REVISIONS CHANGE NO. 1 DATE 2/12/72	
MATERIAL	PROD J. J. J.	DATE 1/27/72	NEXT HIGHER ASSY	
FINISH			SIZE CODE E-11-112-0	
			SCALE 1/1	
			SHEET 3 OF 3	
			DISTRIBUTION DIST	

1-2-3-4-5-6-7-8-9-10-11-12-13-14-15-16-17-18-19-20-21-22-23-24-25-26-27-28-29-30-31-32-33-34-35-36-37-38-39-40-41-42-43-44-45-46-47-48-49-50-51-52-53-54-55-56-57-58-59-60-61-62-63-64-65-66-67-68-69-70-71-72-73-74-75-76-77-78-79-80-81-82-83-84-85-86-87-88-89-90-91-92-93-94-95-96-97-98-99-100

This drawing and specifications, herein, are the property of Digital Equipment Corporation and shall not be reproduced or copied in whole or in part as the basis for the manufacture or sale of items without written permission.

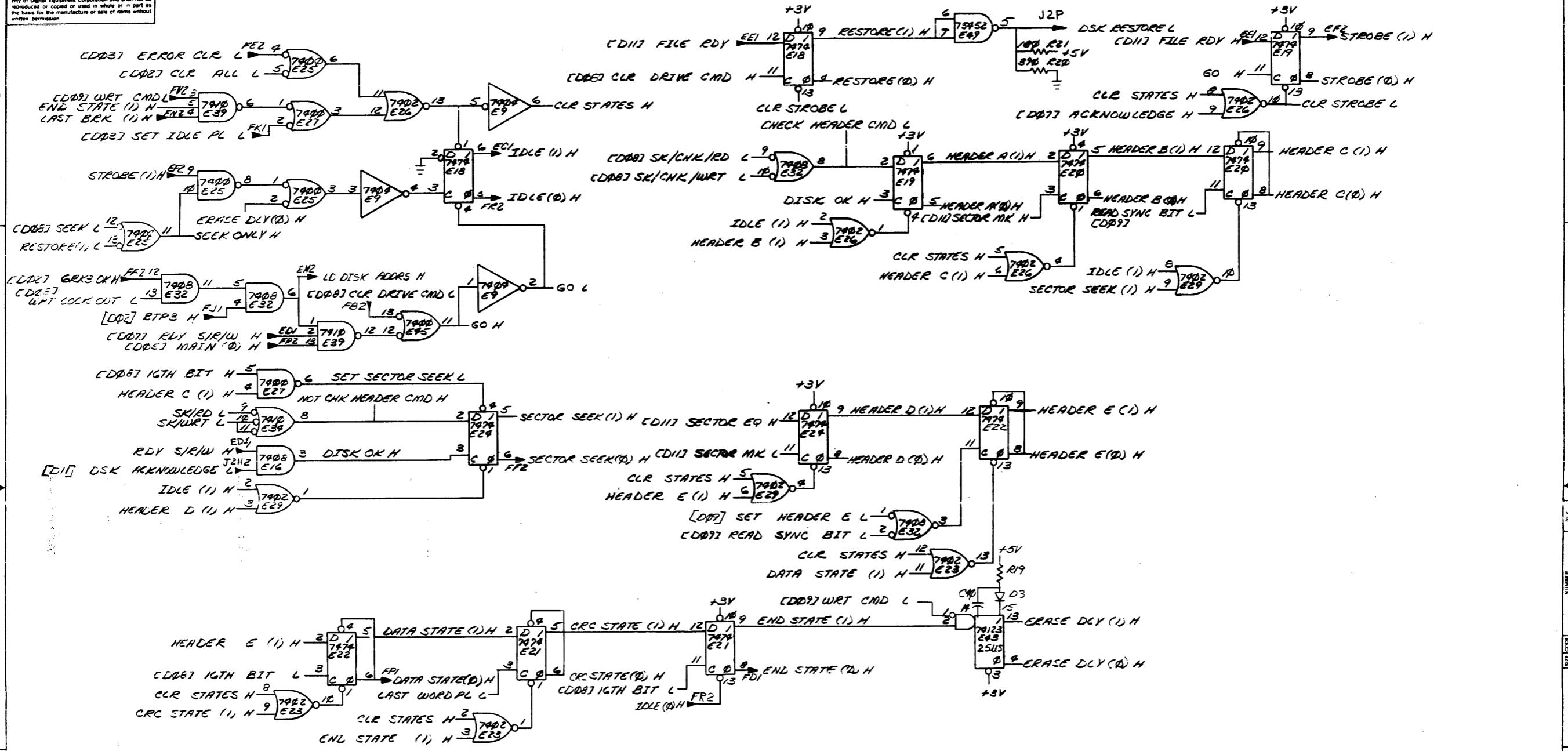


REV	CHG	NO	DATE

FIRST USED ON OPTION/MODEL	QTY.	DESCRIPTION	PART NO.	ITEM NO.
RF-0				
PARTS LIST				
UNLESS OTHERWISE SPECIFIED DIMENSION IN INCHES TOLERANCES		DRN: <i>[Signature]</i>	DATE: 7-2-72	 <b>DIGITAL EQUIPMENT CORPORATION</b> <small>MAYNARD MASSACHUSETTS</small>
DECIMALS	ANGLES	CHK'D: <i>[Signature]</i>	DATE: 10-1-72	
.XXX - .005	10' 30'	ENG: <i>[Signature]</i>	DATE: 10-1-72	
.XX - .02		PROJ. ENG: <i>[Signature]</i>	DATE: 10-1-72	
.X - .1		PROD: <i>[Signature]</i>	DATE: 10-1-72	
REMOVE BURRS AND BREAK SHARP CORNERS SURFACE QUALITY				
MATERIAL	NEXT HIGHER ASSY.			
FINISH	SCALE	SIZE CODE	NUMBER	REV
		D	NT102-0-1	C
	SHEET 4 OF	DIST.		

(READ/WRITE)

This drawing and specifications herein are the property of Digital Equipment Corporation and shall not be reproduced or copied or used in whole or in part as the basis for the manufacture or sale of items without written permission.



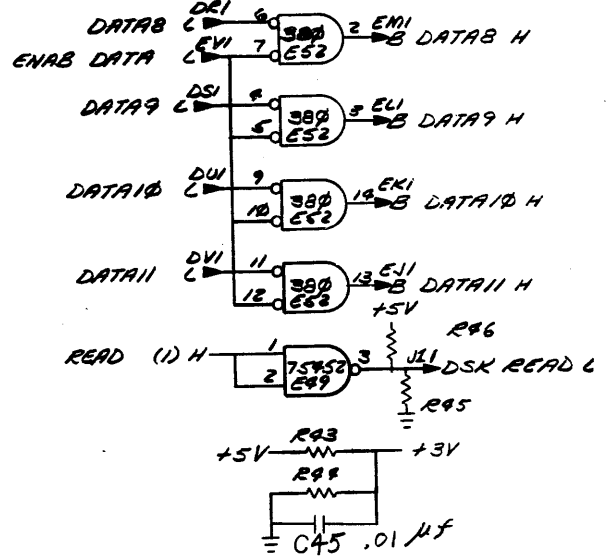
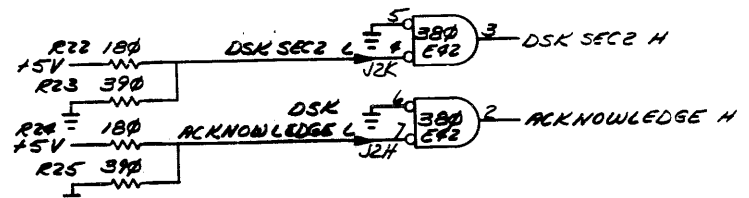
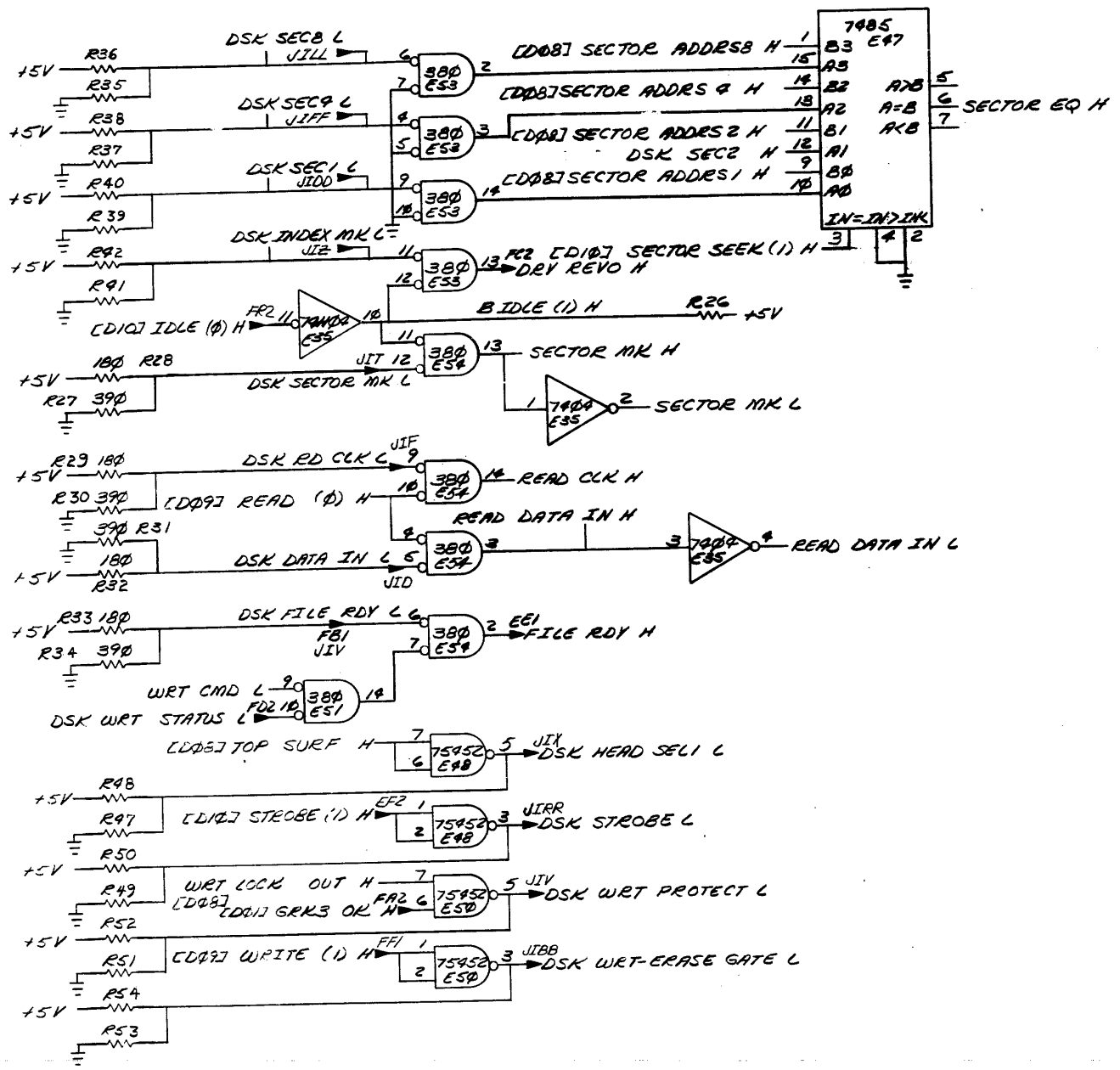
BRUNING 40-522 15640

REV	CHANGE NO

(MAJOR STATISTICS)

FIRST USED ON OPTION/MODEL	QTY.	DESCRIPTION	PART NO.	ITEM NO.
RK8-E		PARTS LIST		
UNLESS OTHERWISE SPECIFIED DIMENSION IN INCHES TOLERANCES	DRN. <i>cd</i>	DATE 2-14-72	 <b>digital</b> EQUIPMENT CORPORATION MAYNARD MASSACHUSETTS TITLE (D10) CONTROL, RK8-E	
DECIMALS .005	CHK'D. <i>cd</i>	DATE 11-23-71		
ANGLES ±0° 30'	ENG. <i>cd</i>	DATE 11-23-71		
XXX - .005	PROJ. ENG. <i>cd</i>	DATE 11-23-71		
XX - .02	PROD. <i>cd</i>	DATE 11-23-71	MATERIAL NEXT HIGHER ASSY. B-DR-RK8-E SIZE CODE DCS M7106-0-1 NUMBER REV. B FINISH +/+ SHEET OF DIST.	
REMOVE BURRS AND BREAK SHARP CORNERS SURFACE QUALITY				

This drawing and specifications, herein, are the property of Digital Equipment Corporation and shall not be reproduced or copied in whole or in part as the basis for the manufacture or sale of items without written permission.



J2

UU	DSK CYL AD8 L	ET1
SS	DSK CYL AD2 L	ET2
PP	DSK CYL AD9 L	ET2
MM	DSK CYL AD16 L	ET2
RR	DSK WRT CLK DATA L	EA4-3
HH	DSK CYL AD128 L	EE2
EE	DSK RDY S/R/W L	EL2
CC	DSK CYL AD 32 L	EJ2
AA	DSK DRIVE 0 L	ED2
Y	DSK CYL AD1 L	ES1
W	DSK DRIVE 1 L	ER1
U	DSK CYL AD4 L	EN2
S	DSK DRIVE 2 L	EP1
P	DSK RESTORE L	EA9-5
M	DSK DRIVE 3 L	EN1
K	DSK SEC 2 L	EA2-4
H	DSK ACKNOWLEDGE L	EA2-7
E	DSK SEEK FAIL L	EA2
C	DSK CAPACITY EX L	FC1
GND		B, D, F, J, L, N, R, T, V, X, Z; BB, DD, FF, JJ, LL, NN, RR, TT, VV.

J1

D	DSK DATA IN L	ES4-5
F	DSK RD CLK L	ES4-9
V	DSK WRT PROTECT L	ES0-5
L	DSK READ L	EA9-3
R	DSK WRT STATUS L	FD2
T	DSK SECTOR MK L	EA8-12
Y	DSK FILE RDY L	ES4-6
X	DSK HEAD SEL 1 L	EA8-5
E	DSK INDEX MK L	ES3-11
BA	DSK WRT-ERASE GATE L	ES0-3
DD	DSK SEC 1 L	ES5-9
FF	DSK SEC 4 L	ES3-4
LL	DSK SEC 8 L	ES3-6
RR	DSK STROBE L	EA8-3
T, T		BV2
GND		A, B, C, E, H, K, M, P, S, U, W, Y, AA, CC, EE, HH, KK, MM, PP, SS, UU.

(DRIVE SIGNALS CABLE J2 DRIVERS)

FIRST USED ON OPTION/MODEL	QTY.	DESCRIPTION	PART NO.	ITEM NO.
RK8-E		PARTS LIST		
UNLESS OTHERWISE SPECIFIED DIMENSION IN INCHES TOLERANCES	DRN	DATE 7-14-72		
DECIMALS .XXX ± .006	CHKD	DATE 10/2/72		
ANGLES .XX ± .02	ENG	DATE 10/2/72	TITLE (DIP) CONTROL, RK8-E	
.X ± .1	PROJ. ENG.	DATE 10/1/72		
REMOVE BURRS AND BREAK SHARP CORNERS SURFACE QUALITY	PROD.	DATE 10/2/72		
MATERIAL	NEXT HIGHER ASSY.	SIZE CODE	NUMBER	REV
FINISH	SCALE	DCS	M7106-0-1	C
	SHEET 6 OF	DIST.		

BRUNING 40-522 5840  
 DEC FORM NO DRD 102-B  
 REVISIONS  
 CHANGE NO 2/6/72  
 CHK SK