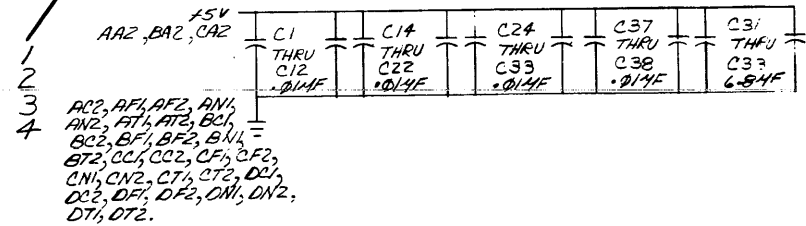
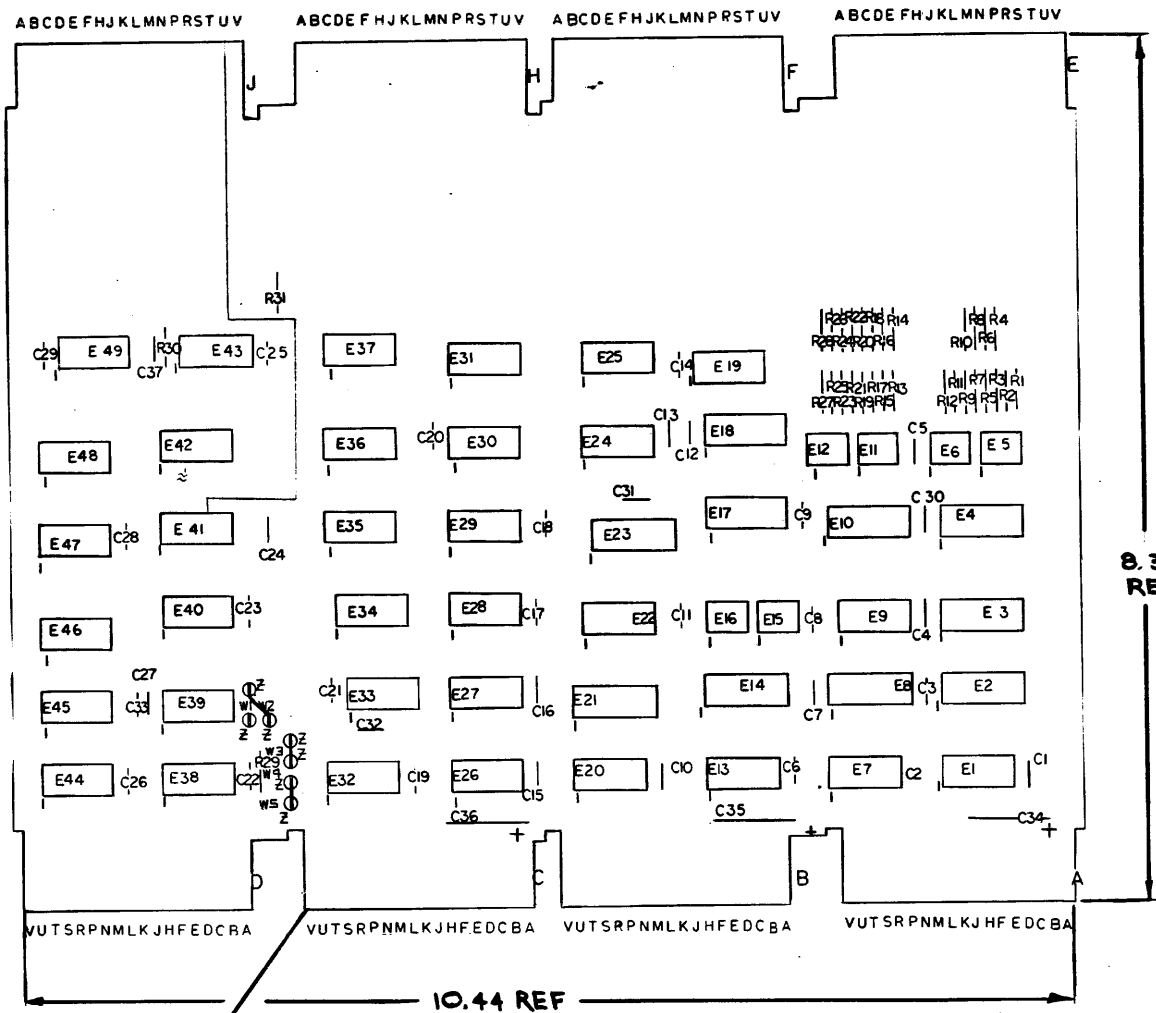


NOTES:

This drawing and specifications, herein, are the property of Digital Equipment Corporation and shall not be reproduced or copied in whole or in part as the basis for the manufacture or sale of items without written permission.



R02, R14, R15, R16, R17, R18, R19, R20, R21, R22, R23, R24, R25, R26, R27, R28, R29, R30, R31, R32, R33, R34, R35, R36, R37, R38, R39, R40, R41, R42, R43, R44, R45, R46, R47, R48, R49, R50, R51, R52, R53, R54, R55, R56, R57, R58, R59, R60, R61, R62, R63, R64, R65, R66, R67, R68, R69, R70, R71, R72, R73, R74, R75, R76, R77, R78, R79, R80, R81, R82, R83, R84, R85, R86, R87, R88, R89, R90, R91, R92, R93, R94, R95, R96, R97, R98, R99, R100

DEC 74155	8	16
DEC 74174	8	16
DEC 74174	8	16
DEC 74161	8	16
DEC 75452	4	8
DEC 75451	4	8
DEC 8271	8	16
DEC 384	1	8
DEC 380	1	8
IC TYPE	GND	+5V
GND AND 5V ARE USUALLY PIN 7 AND 14 RESPECTIVELY. EXCEPTIONS ARE STATED ABOVE		
IC PIN LOCATIONS		

3	W2, W3, W5	HAND INSTALLED JUMPS 246A		35
7		SPLIT LUG	9006735	34
1	E46	I.C. DEC 7440	1905579	33
1	E10	I.C. DEC 74155	1910656	32
1	E28	I.C. DEC 74174	1910652	31
3	E8, E18, E21	I.C. DEC 74161	1910650	30
4	E5, E6, E15, E16	I.C. DEC 75452	1910645	29
2	E11, E12	I.C. DEC 75451	1910906	28
2	E9, E19	I.C. DEC 7496	1910363	27
3	E25, E38, E41	I.C. DEC 7408	1910155	26
1	E24	I.C. DEC 7486	1910011	25
6	E17, E20, E26, E38, E44	I.C. DEC 8881	1909705	24
2	E39, E45	I.C. DEC 74474	1909667	23
3	E3, E3, E17	I.C. DEC 8271	1909615	22
2	E42, E43	I.C. DEC 7404	1909686	21
1	E27	I.C. DEC 384	1909486	20
3	E13, E22, E32	I.C. DEC 380	1909485	19
1	E38	I.C. DEC 74411	1909267	18
1	E9	I.C. DEC 74452	1909061	17
1	E37	I.C. DEC 74410	1909057	16
2	E28, E47	I.C. DEC 7402	1909004	15
6	E19, E29, E31, E36, E40, E49	I.C. DEC 7400	1905575	14
3	E34, E35, E48	I.C. DEC 7474	1905547	13
14	R2, R5, R6, R9, R10, R12, R15, R16, R17, R20, R23, R24, R27, R28	RESISTOR, 100 Ω , 1/4W, 5%	1301322	12
1	R29	RESISTOR, 1K, 1/4W, 5%	1300365	11
14	R1, R3, R4, R7, R8, R11, R13, R14, E13, E18, R21, R22, R25, R26	RESISTOR, 390 Ω , 1/4W, 5%	1300309	10
2	R30	RESISTOR, 100 Ω , 1/4W, 5%	1300229	9
32	C1 THRU C33	CAP., .01 μ F, 100V, 20% DISC	1001610	8
3	C34 THRU C36	CAP., 6.8 μ F, 35V, 20% STANT	1000067	7
1	R31	RES. 10, 1/4W, 5%	1301317	6
1	C37	CAP., 470pF, 100V, 5%, D.M.	1000024	5
1		ETCHED CIRCUIT BOARD	5010065	4
REF		MODULE ECO HISTORY	B-MH-M7105-B-4	3
REF		ASSY DRILLING HOLE LAYOUT	D-MH-M7105-B-5	2
REF		X-COORDINATE HOLE LOCATION	K-CO-M7105-B-1	1
QTY	REF DESIGNATION	DESCRIPTION	PART NO.	ITEM NO.

FIRST USED ON OPTION MODEL: / /

REVISIONS

CHK	CHANGE NO.	REV

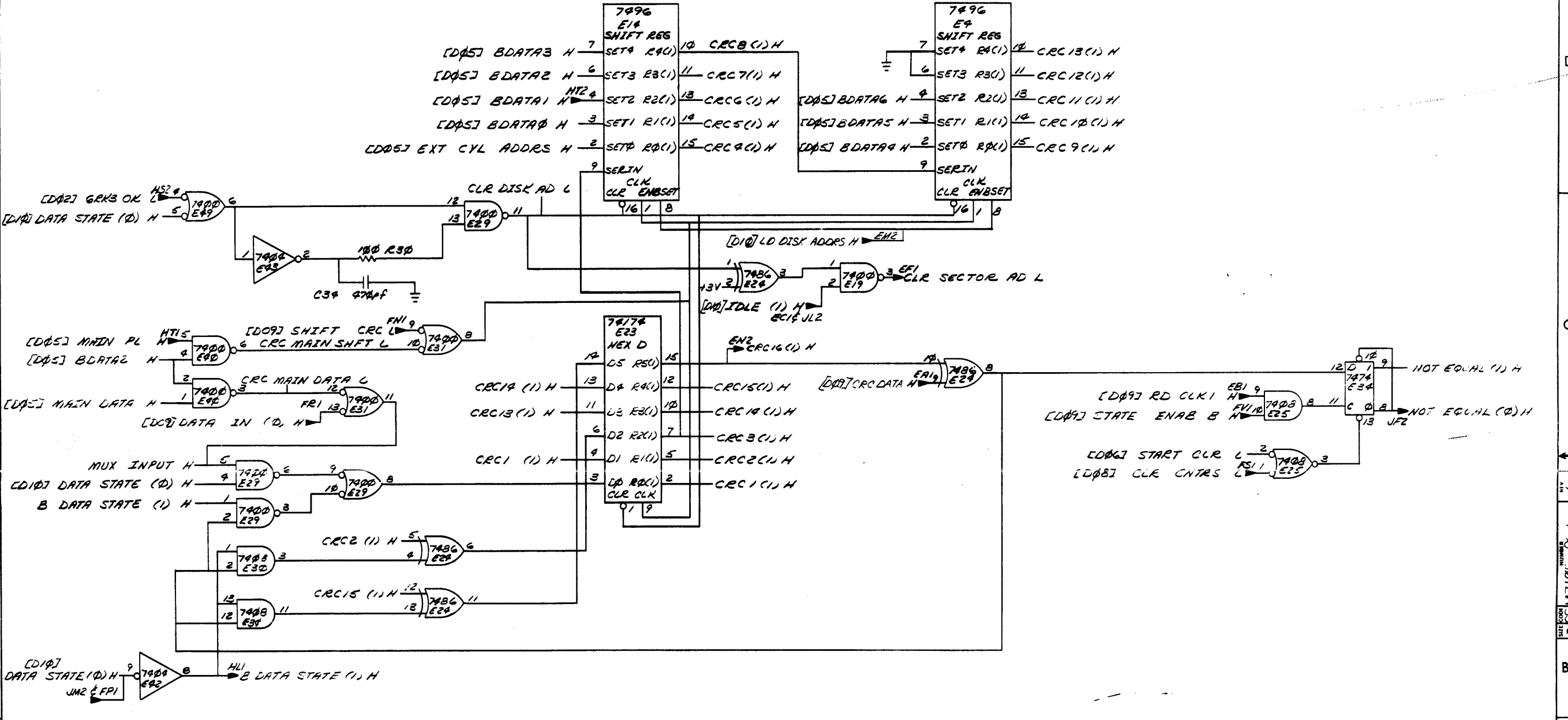
PARTS LIST

DEC NO.	EIA NO.	DEC NO.	EIA NO.
SEMICONDUCTOR CONVERSION CHART			
SHEET	2	OF	

DRN: [Signature] DATE: 6/3/72
 CHCK: [Signature] DATE: []
 ENG: [Signature] DATE: []
 PROJ. ENG: [Signature] DATE: []
 PROD: [Signature] DATE: []
 NEXT HIGHER ASSY: D-UA-RK8-E-0
 SCALE: 1:1
EQUIPMENT CORPORATION
 MAJOR REGISTERS
 SIZE CODE: DCSM7105-0-1
 NUMBER: []
 REV: []

BRUNING 40522 10899

This drawing and specifications, herein, are the property of Digital Equipment Corporation and shall not be reproduced or copied or used in whole or in part as the basis for the manufacture or sale of items without written permission.



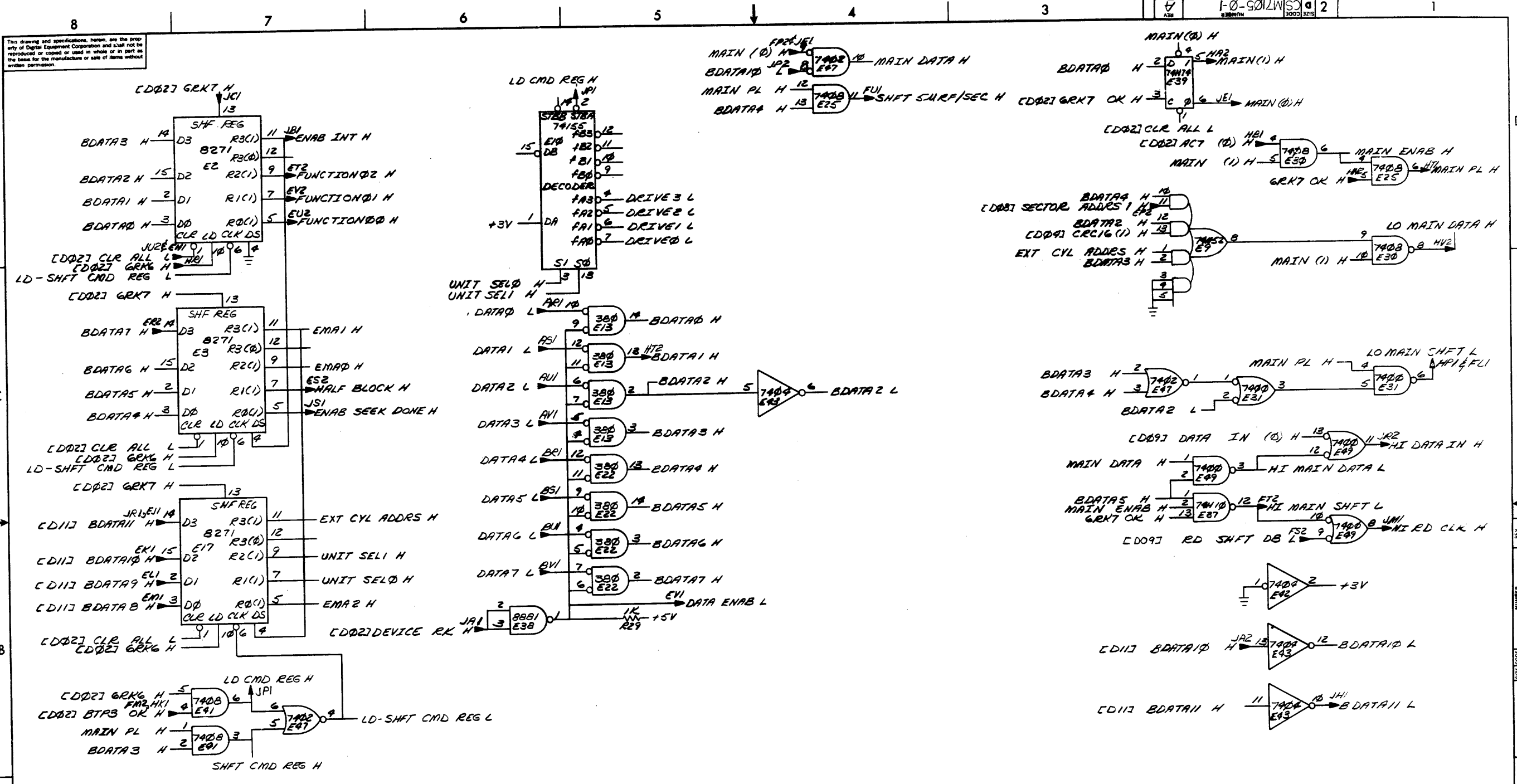
REV	1/91
CHK	OK 8-1-73
CHANGE NO.	
REVISIONS	

(CRC/DISK ADDRESS REG)

FIRST USED ON OPTION/MODEL	QTY.	DESCRIPTION	PART NO.	ITEM NO.
RK8-E				
UNLESS OTHERWISE SPECIFIED DIMENSION IN INCHES TOLERANCES				
DECIMALS .XXX = .005	ANGLES ±0°30'	DRN. <i>[Signature]</i>	DATE 6/13/72	digital EQUIPMENT CORPORATION MAYNARD MASSACHUSETTS TITLE: 004 AUCR REGISTERS
CHK'D. <i>[Signature]</i>	DATE 1/1/72	ENG. <i>[Signature]</i>	DATE 1/1/72	
PROJ. ENG. <i>[Signature]</i>	DATE 8/1/72	PROD. <i>[Signature]</i>	DATE 10/1/72	
REMOVE BURRS AND BREAK SHARP CORNERS SURFACE QUALITY				
MATERIAL	NEXT HIGHER ASSY.			D04
FINISH	SCALE 3 OF	SIZE CODE DCS M7-25-C-1	NUMBER	REV. 2

BRUNING 40-522 15840
DEC FORM NO 100 102-B

This drawing and specifications, herein, are the property of Digital Equipment Corporation and shall not be reproduced or copied or used in whole or in part as the basis for the manufacture or sale of items without written permission.



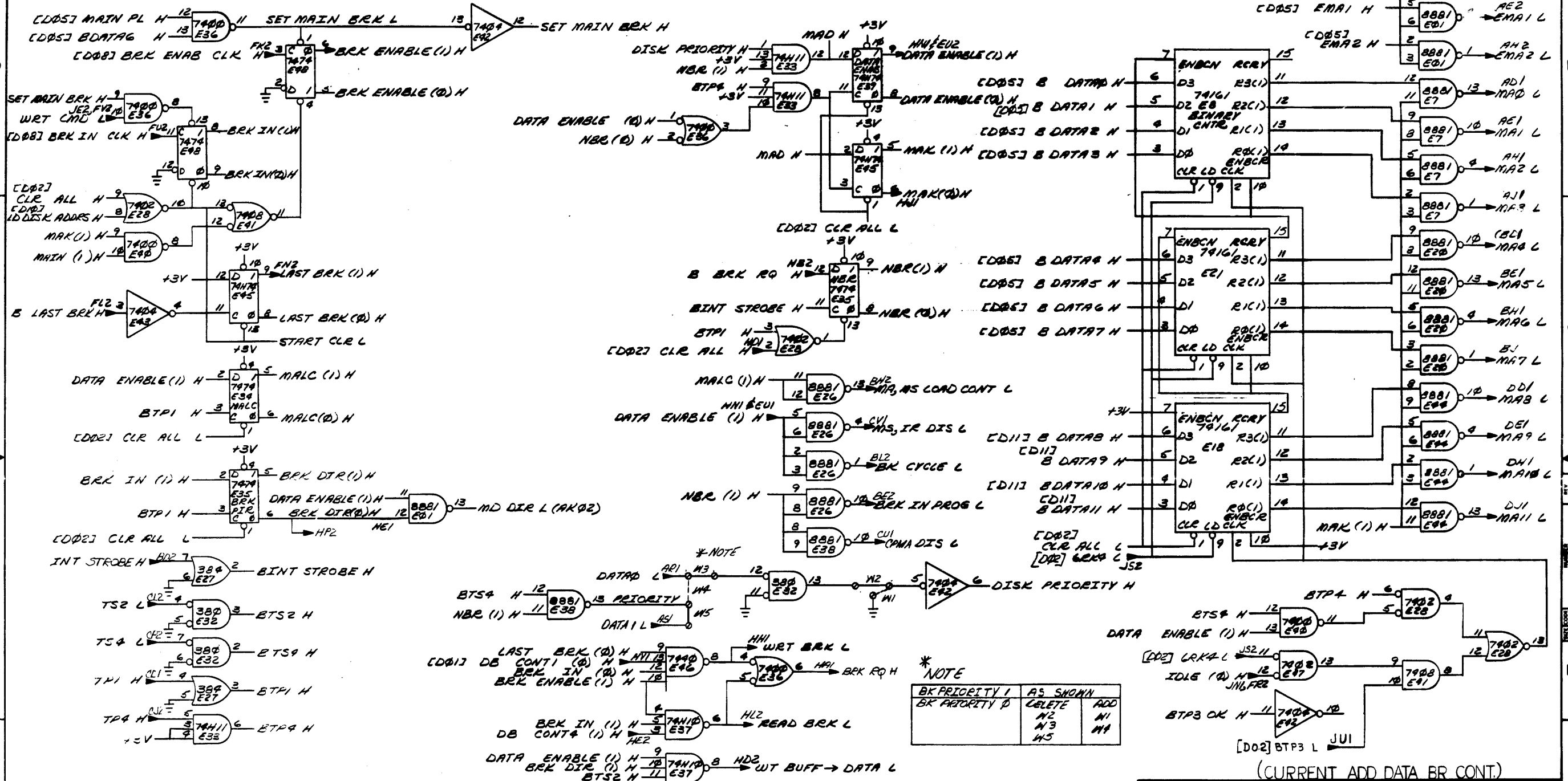
(COMMAND REG. MAINT. LOGIC)

FIRST USED ON OPTION/MODEL	QTY.	DESCRIPTION	PART NO.	ITEM NO.
RK8-E				
UNLESS OTHERWISE SPECIFIED DIMENSION IN INCHES TOLERANCES		DRN <i>advent</i>	DATE 6-13-72	digital EQUIPMENT CORPORATION MAYNARD MASSACHUSETTS
DECIMALS	ANGLES	CHK'D <i>7/2/72</i>	DATE 6-7-72	
.XXX = .005	±0° 30'	ENG <i>W</i>	DATE 10/2/72	
.XX = .02		PROJ. ENG. <i>W</i>	DATE 12/9/72	
REMOVE BURRS AND BREAK SHARP CORNERS SURFACE QUALITY		PROD. <i>W</i>	DATE 10/6/72	
MATERIAL	NEXT HIGHER ASSY.	SIZE CODE		NUMBER
FINISH		SCALE		REV.
		SHEET 4 OF 6		
		DIST.		

REVISIONS
 CHANGE NO. 1048-1-72
 CHK. PPI

PART NUMBER
 CS M7105-0-1
 REV. A

This drawing and specifications, herein, are the property of Digital Equipment Corporation and shall not be reproduced or copied in whole or in part on the basis for the manufacture of any items without written permission.



* NOTE

BR PRIORITY 1	AS SHOWN	ADD
BR PRIORITY 0	DELETE	N1
	N2	N3
	N3	N4
	N4	N5

(CURRENT ADD DATA BR CONT.)

FIRST USED ON OPTION/MODEL	QTY.	DESCRIPTION	PART NO.	ITEM NO.
RK8-E				
PARTS LIST				
UNLESS OTHERWISE SPECIFIED DIMENSION IN INCHES TOLERANCES		DATE 6-14-70	EQUIPMENT CORPORATION MAYNARD MASSACHUSETTS	
DECIMALS .XXX - .005	ANGLES ±0° 30'	CHK'D [Signature]		
REMOVE BURRS AND BREAK SHARP CORNERS SURFACE QUALITY		DATE 10/10/70	TITLE (D06) MAJOR REGISTERS	
MATERIAL		DATE 10/10/70		
FINISH		DATE 10/10/70	SIZE CODE NUMBER REV. D CS M7105-0-1 C	
NEXT HIGHER ASSY.		DATE		
SCALE			SHEET 5 OF	
SHEET				

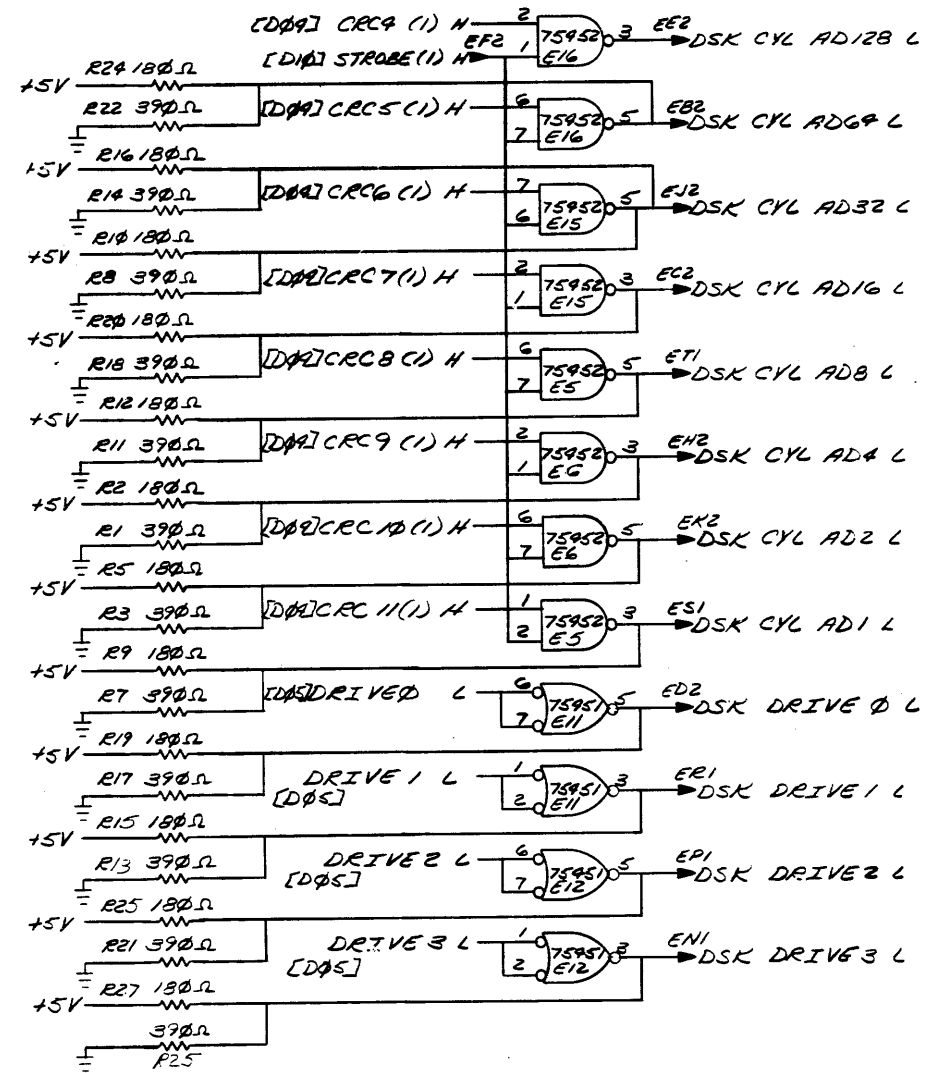
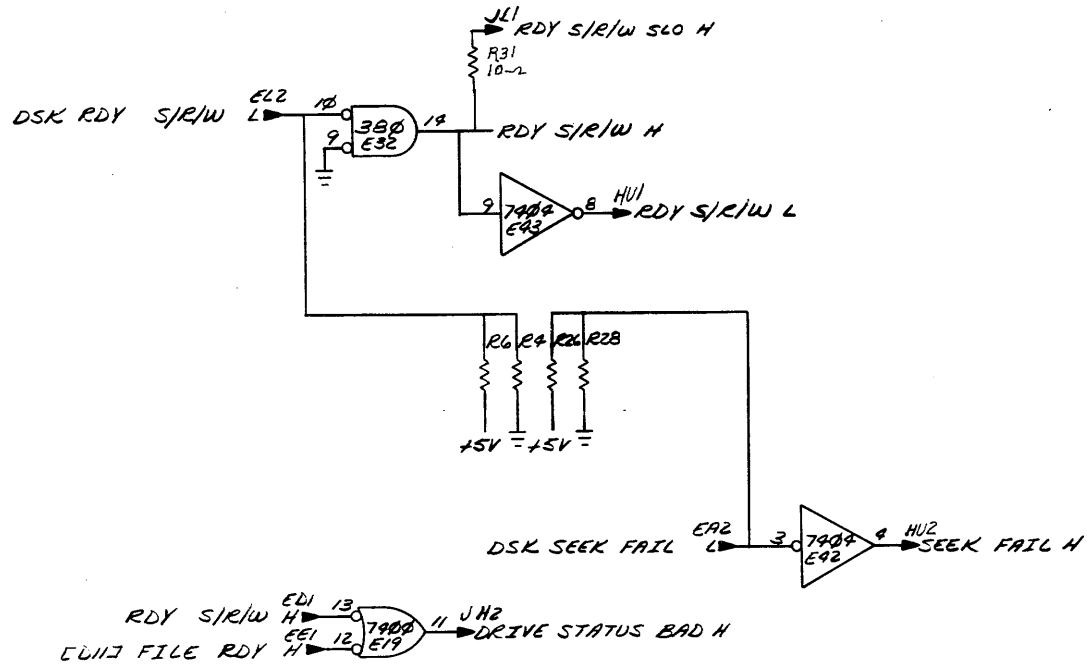
REVISIONS
CHK CHANGE NO
DEC 10RM NO DRD 102-B

1-7-901WIS 2

A

A

This drawing and specifications, herein, are the property of Digital Equipment Corporation and shall not be reproduced or copied or used in whole or in part as the basis for the manufacture or sale of items without written permission.



(DRIVE SIGNALS CABLE J1)

FIRST USED ON OPTION/MODEL	QTY.	DESCRIPTION	PART NO.	ITEM NO.
RK8-E				
PARTS LIST				
UNLESS OTHERWISE SPECIFIED DIMENSION IN INCHES TOLERANCES	DRN. <i>Akibot</i>	DATE 6-14-72	<div style="text-align: center;"> <p>digital EQUIPMENT CORPORATION MAYNARD MASSACHUSETTS</p> </div> <p>TITLE (D07) MAJOR REGISTERS</p>	
DECIMALS ANGLES	CHK'D.	DATE		
.XXX = .005 .XX = .02 X = .1	ENG. <i>[Signature]</i>	DATE 10/11/72		
REMOVE BURRS AND BREAK SHARP CORNERS SURFACE QUALITY	PROJ. ENG. <i>[Signature]</i>	DATE 4/13/72		
MATERIAL	PROD. <i>[Signature]</i>	DATE 8/14/72	NEXT HIGHER ASSY.	
FINISH			D-VA-RK8-E-0	REV 3
			SCALE	NUMBER
			SHEET 6 OF	DIST. DCS M7105-0-1

REV	CHANGE NO	DATE
1	1	8/1/72