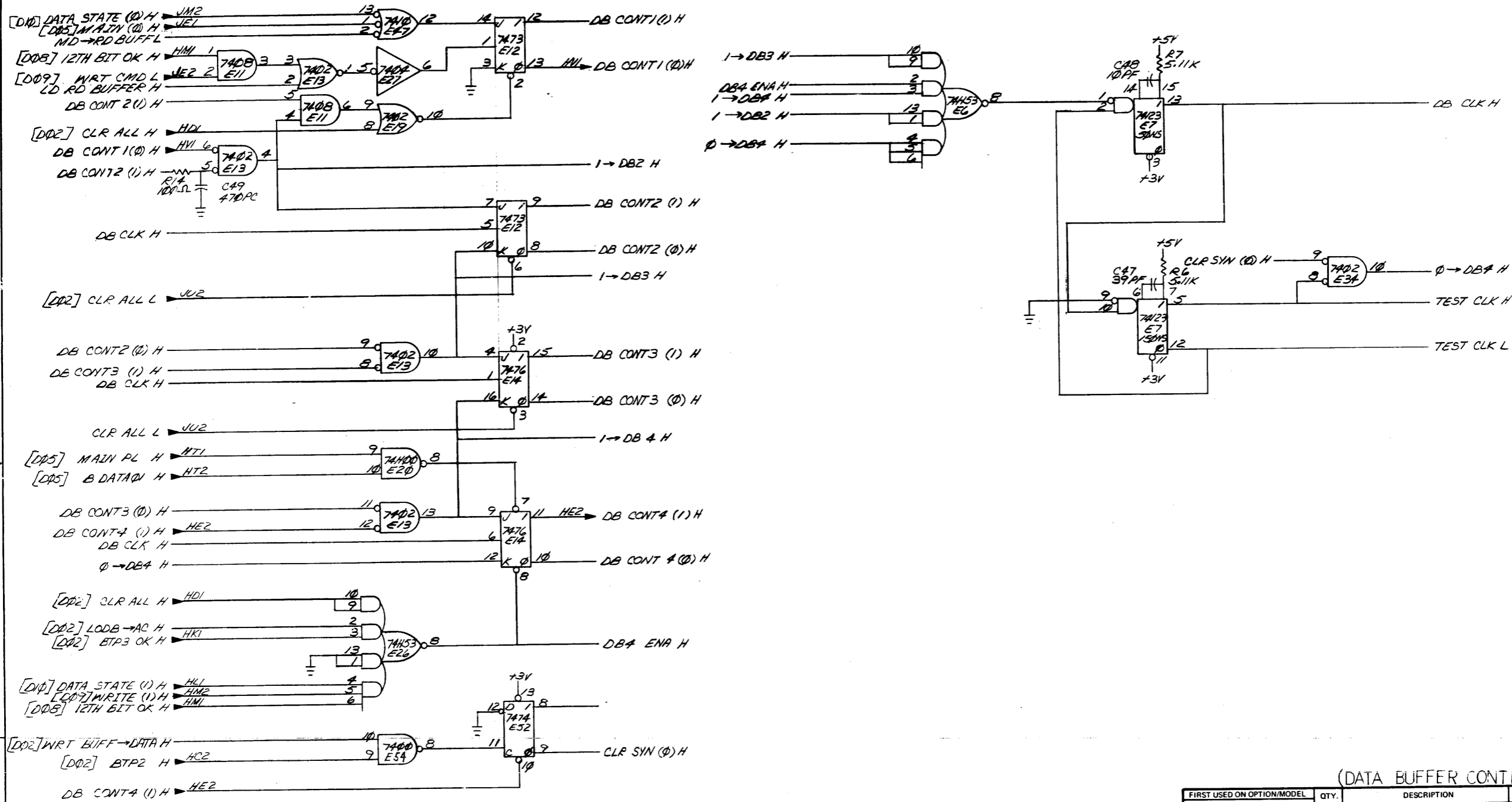


Drawing and specifications, herein, are the property of Digital Equipment Corporation and shall not be reproduced or copied or used in whole or in part as the basis for the manufacture or sale of items without written permission. © 1976 ORIGINAL EQUIP. CORP.



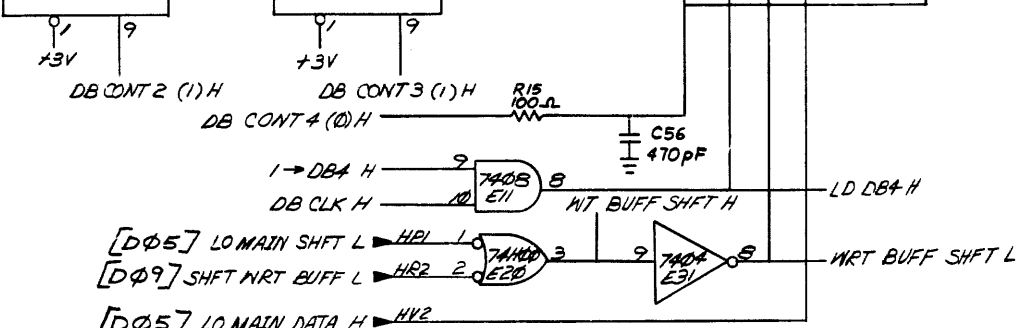
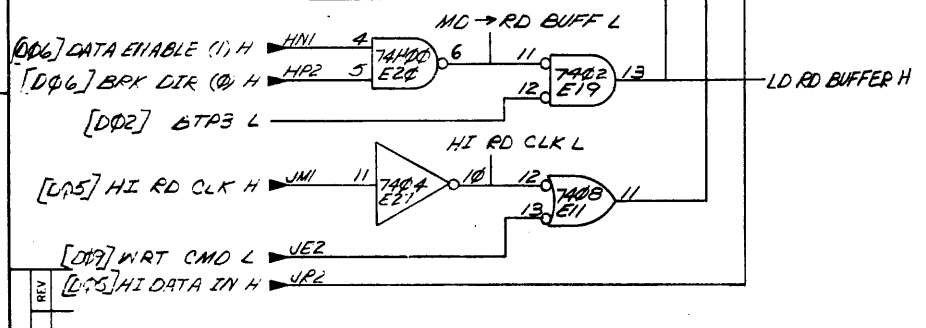
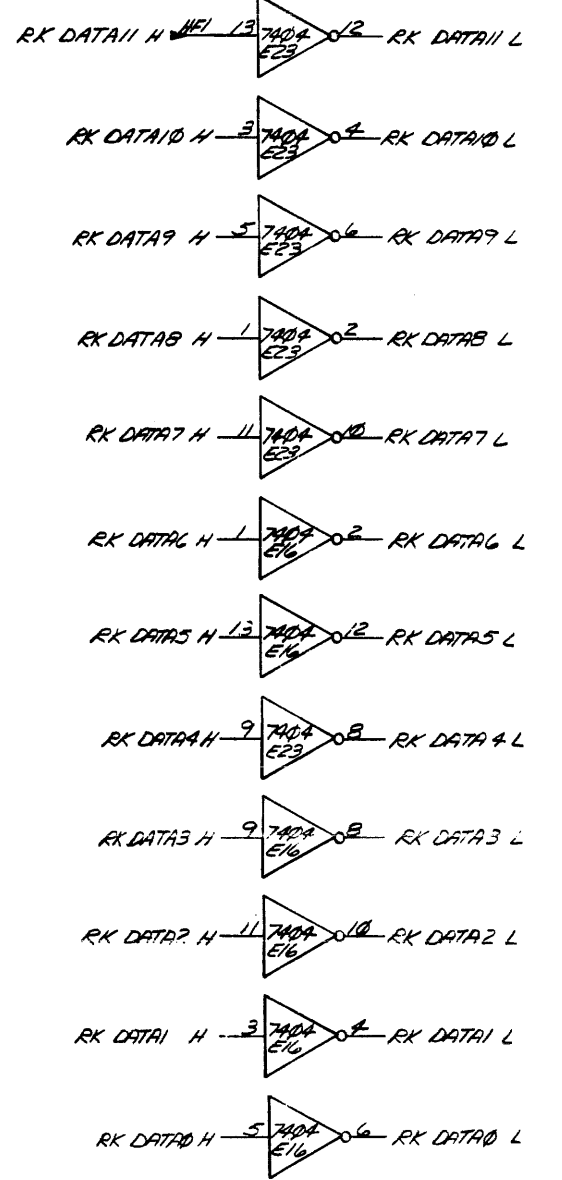
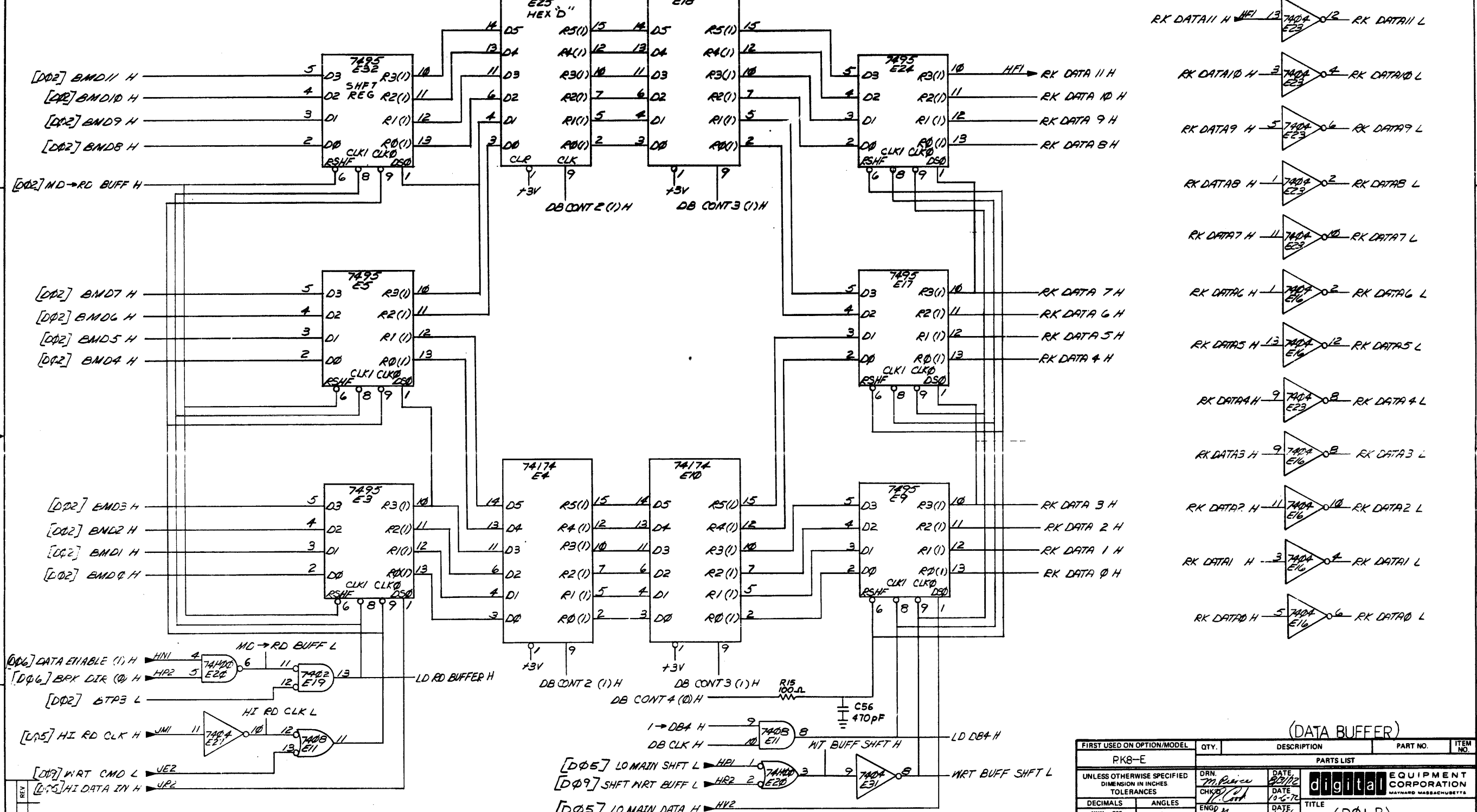
(DATA BUFFER CONTROL)

FIRST USED ON OPTION/MODEL	QTY.	DESCRIPTION	PART NO.	ITEM NO.
RK8-E				
PARTS LIST				
UNLESS OTHERWISE SPECIFIED DIMENSION IN INCHES. TOLERANCES		DRN <i>m. Riva</i>	DATE <i>9/1/72</i>	 EQUIPMENT CORPORATION MAYNARD, MASSACHUSETTS
DECIMALS	ANGLES	CHK'D <i>W. Cook</i>	DATE <i>10-7-72</i>	
.XXX = .005	± 0° 30'	ENG <i>W. Cook</i>	DATE <i>10/16/72</i>	
.XX = .02		PROJ. ENG. <i>W. Cook</i>	DATE <i>10/16/72</i>	
.X = .1		PROD. <i>W. Cook</i>	DATE <i>10/16/72</i>	TITLE (D01A) DATA BUF & STATUS
REMOVE BURRS AND BREAK SHARP CORNERS SURFACE QUALITY ✓				
MATERIAL	NEXT HIGHER ASSY.			
FINISH				
		B-DD-RK8-0	SIZE CODE	NUMBER
			DCS	M7104-0-1
		SCALE		REV.
		SHEET 3 OF 7		B
			DIST.	

BRUNNING 40-522 15840
 DEC FORM NO
 DRD 102-B

REV. B
 NUMBER 1
 SIZE CODE DCS M7104-0-1

The drawing and specifications, herein, are the property of Digital Equipment Corporation and shall not be reproduced or copied or used in whole or in part as the basis for the manufacture or sale of items without written permission of R7L Digital Equipment Corp.



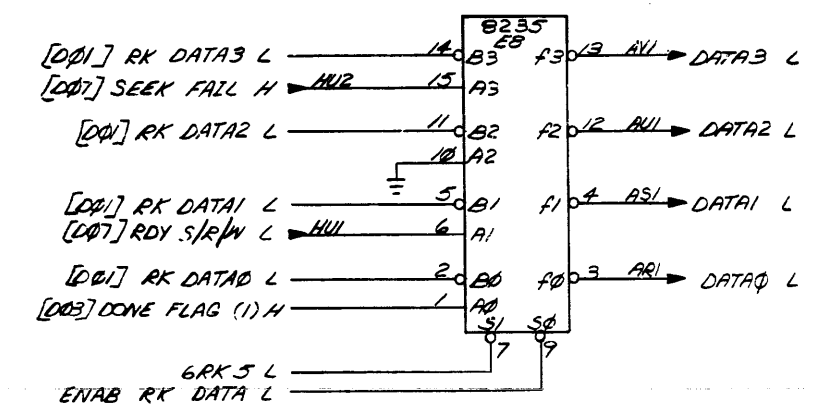
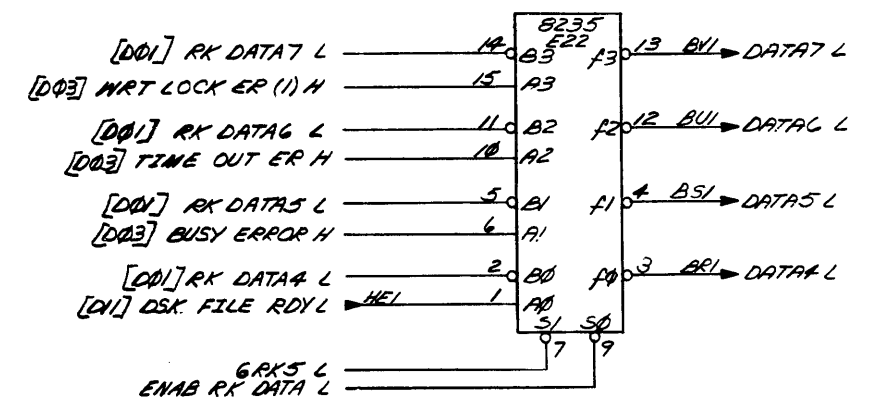
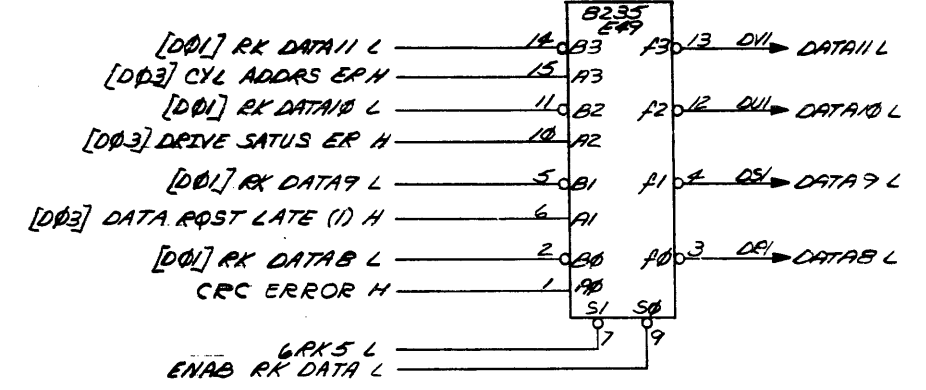
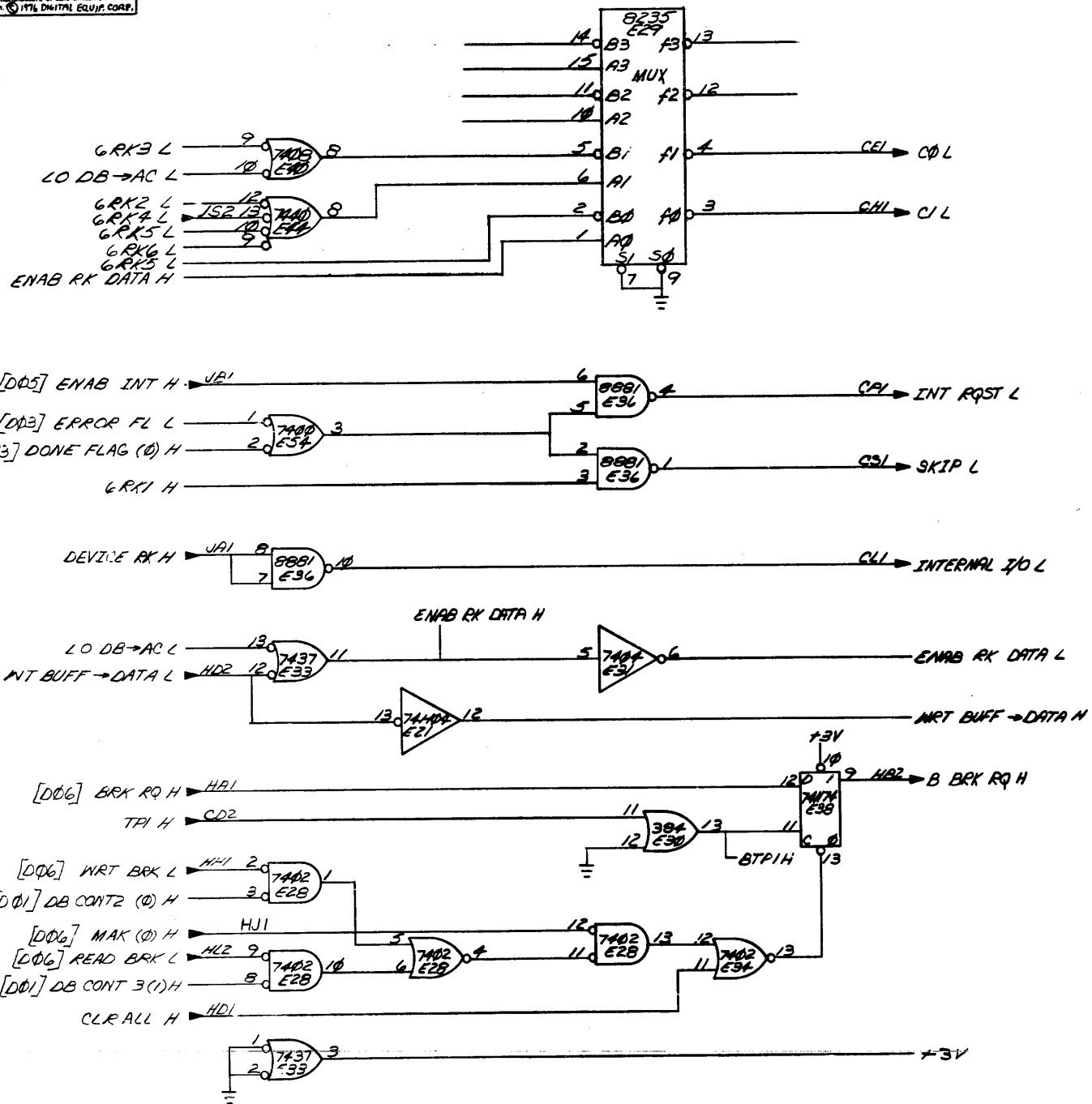
(DATA BUFFER)

FIRST USED ON OPTION/MODEL	QTY.	DESCRIPTION	PART NO.	ITEM NO.
RK8-E		PARTS LIST		
UNLESS OTHERWISE SPECIFIED DIMENSION IN INCHES TOLERANCES	DRAWN <i>M. Reiser</i>	DATE 8/21/72	digital EQUIPMENT CORPORATION MAYNARD MASSACHUSETTS	
DECIMALS .XXX = .005 .XX = .02 .X = .1	CHKD <i>V. Cook</i>	DATE 1/26/72	TITLE (D01 B) DATA BUF & STATUS	
REMOVE BURRS AND BREAK SHARP CORNERS SURFACE QUALITY	ENGR <i>Shaw</i>	DATE 10/6/72		
	PROJ. ENG. <i>Shaw</i>	DATE 11/6/72		
	PROD. <i>Shaw</i>	DATE 11/6/72		
MATERIAL + +	NEXT HIGHER ASSY.		SIZE CODE	NUMBER
FINISH + +	B-DD-RK8-0		D	CSM7104-0-1
	SCALE + +	SHEET 4 OF 7	DIST.	REV B

BRUNING 40522 15840
DEC FORM NO
PRD 102-B

REV	CHG	NO

This drawing and specifications, herein, are the property of Digital Equipment Corporation and shall not be reproduced or copied in whole or in part as the basis for the manufacture or sale of items without written permission. © 1976 Digital Equipment Corporation.



(OMNIBUS DRIVERS)

FIRST USED ON OPTION/MODEL	QTY.	DESCRIPTION	PART NO.	ITEM NO.
RKB-E		PARTS LIST		
UNLESS OTHERWISE SPECIFIED DIMENSION IN INCHES TOLERANCES	DRN CHKD	DATE DATE	digital EQUIPMENT CORPORATION MAYNARD MASSACHUSETTS	
DECIMALS .XXX = .005 .XX = .02 .X = .1	ANGLS ±0° 30'	ENG. DATE PROJ. ENG. DATE PROD. DATE	TITLE (D02A) DATA BUF & STATUS	
REMOVE BURRS AND BREAK SHARP CORNERS SURFACE QUALITY				
MATERIAL		NEXT HIGHER ASSY.	SIZE CODE	NUMBER
FINISH			B-DD-RKE-0	D CS M7104-0-1
		SCALE		REV. B
		SHEET	5 OF 7	

REV	CHANGE NO.

