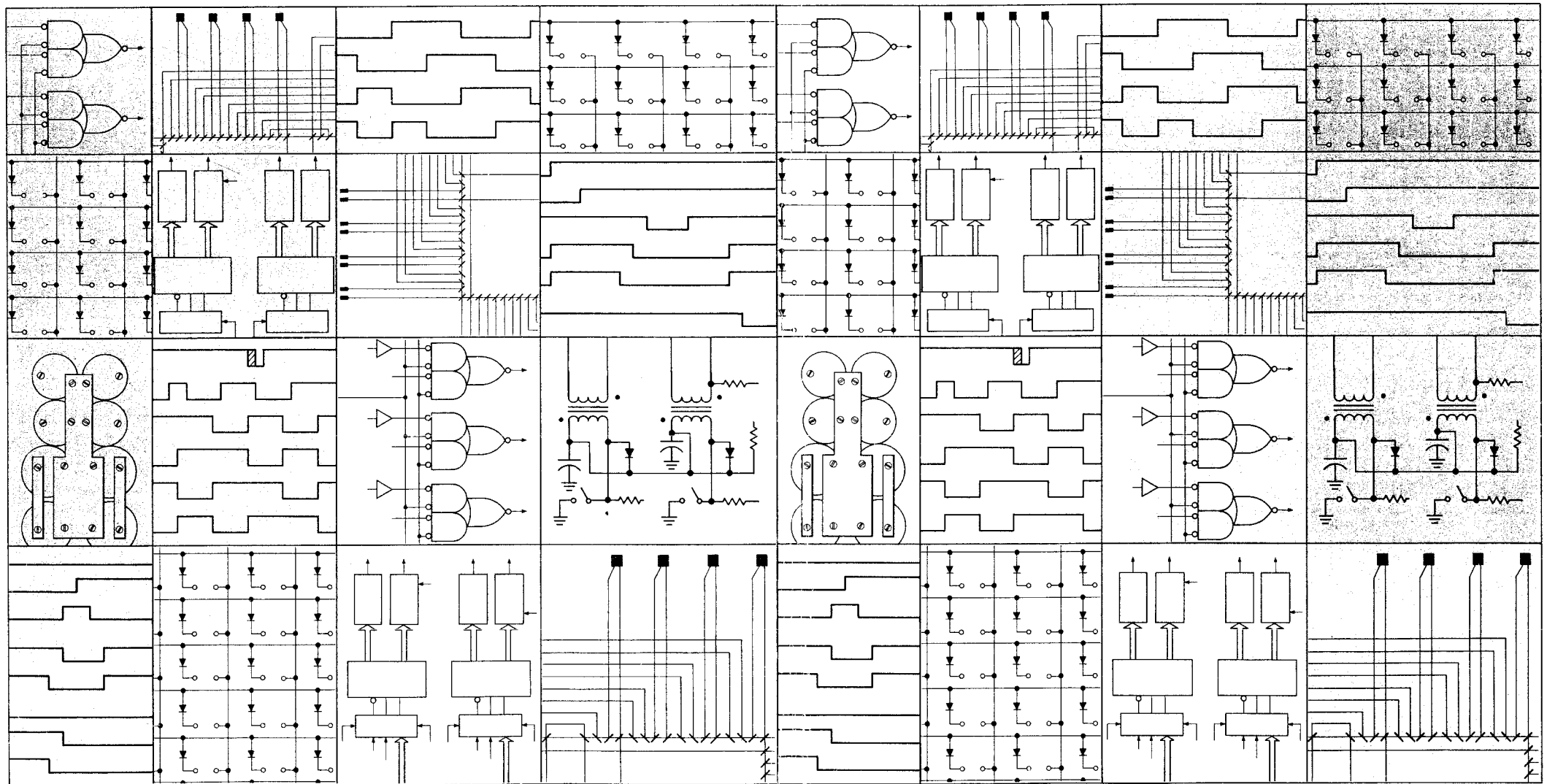


# pdp8/e

pdp8/f & pdp8/m





**RK8-E disk  
cartridge control  
engineering drawings**



## CUSTOMER PRINT SET INDEX

THIS IS PRINT SET

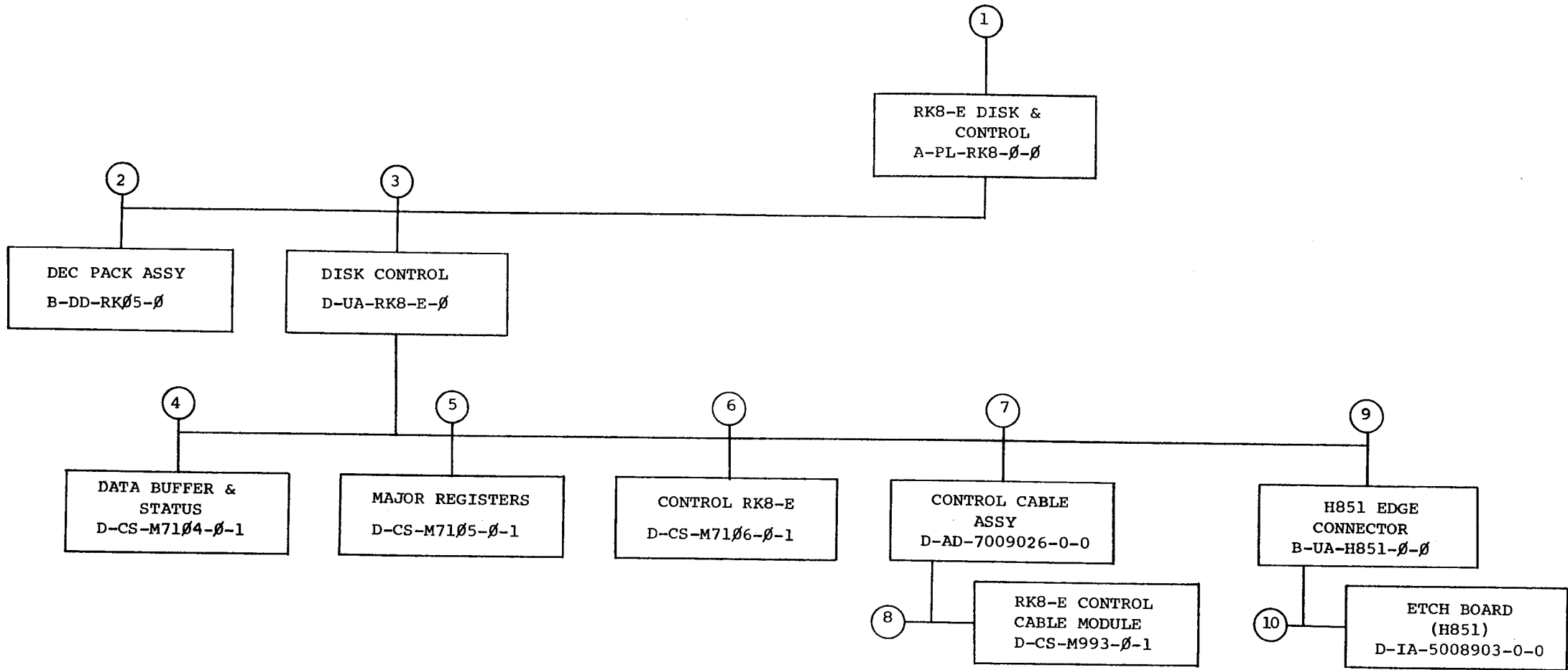
SEQUENCE

SEQUENCE

- |   |   |
|---|---|
| RK8-E DISK & CONTROL<br>FIELD INSTALL. & ACCEPT. PROC.<br>RK8-E DISK & CONTROL<br>ACCESSORY SHIPPING LIST<br>DISK CONTROL<br>MAJOR STATES & TIMING FLOW<br>FLOW DIAGRAM RK8-E<br>DATA BUFFER & STATUS<br>MAJOR REGISTERS<br>CONTROL RK8-E<br>CONTROL CABLE ASSY<br>RK8-E CONTROL CABLE MODULE<br>H851 EDGE CONNECTOR<br>DEC PACK ASSY | B-DD-RK8-Ø<br>A-SP-RK8-E-6<br>A-PL-RK8-Ø-Ø<br>A-AL-RK8-E-3<br>D-UA-RK8-E-Ø<br>D-TD-RK8-E-2<br>D-FD-RK8-E-1<br>D-CS-M71Ø4-Ø-1<br>D-CS-M71Ø5-Ø-1<br>D-CS-M71Ø6-Ø-1<br>D-AD-7009026-0-0<br>D-CS-M993-Ø-1<br>B-CS-H851-Ø-1<br>B-DD-RKØ5-Ø |
|---|---|

UNIT VARIATIONS		PRINT SET			
VAR	TITLE	1	2	3	4
RK8-EA	RKØ5-AA&CONTROL, 115V 60 HZ	x			
RK8-EB	RKØ5-BB&CONTROL, 230V 60 HZ	x			
RK8-EC	RKØ5-BC&CONTROL, 115V 50 HZ	x			
RK8-ED	RKØ5-BD&CONTROL, 230V 50 HZ	x			

REVISIONS	CHG. NO.	REV	USED ON OPTION/MODEL	DRN. FERGUSON	DATE	TITLE				
	DATE	PDP8E	FERGUSON	10/17/72	RK8-E DISK & CONTROL					
	PDP8F	FERGUSON	10/17/72			B	DD	RK8-Ø		
	PDP8M		PROJ. ENG.	10/18/71						
			PROG.	R.K. Johnson 10/18/72						
			FIELD SERV.	R.K. Johnson 10/17/72						
			SHEET 1 OF 3			DIST [initials]				



TITLE	SHEET	SIZE	CODE	NUMBER	REV
RK8-E DISK & CONTROL	2 OF 3	B	DD	RK8-Ø	

CUSTOMER PRINT SET		MECHANICAL/ELECTRICAL					CUSTOMER PRINT SET		MECHANICAL/ELECTRICAL						
	MFG. SET	FIND NO.	DRAWING NO.	REV	NO OF SHT	DESCRIPTION	OPTION NO./FILE DATE		MFG. SET	FIND NO.	DRAWING NO.	REV	NO OF SHT	DESCRIPTION	OPTION NO./FILE DATE
x		1	A-PL-RK8- $\beta$ - $\beta$		1	RK8-E DISK & CONTROL		x		7	D-AD-7009026-0-0		2	CONTROL CABLE ASSY,	
X		2	B-DD-RK $\emptyset$ 5- $\beta$	B	5	DEC PACK ASSY		x		8	D-CS-M993- $\beta$ -1	*	2	RK8-E CONTROL CABLE MODULE	
											K-CO-M993- $\beta$ -4		1	X-Y COORDINATE HOLE LOCATION	
											D-AH-M993- $\beta$ -5		1	ASSY/DRILLING HOLE LAYOUT	
											B-MH-M993- $\beta$ -6		1	MODULE ECO HISTORY	
x		3	D-UA-RK8-E- $\beta$		1	DISK CONTROL		x		9	B-UA-H851- $\beta$ - $\beta$	A	1	H851 EDGE CONNECTOR	
x			D-FD-RK8-E-1		4	FLOW DIAGRAM RK8-E					A-PL-H851- $\beta$ - $\beta$	A	1	H851 EDGE CONNECTOR	
x			D-TD-RK8-E-2		1	MAJOR STATES & TIMING FLOW					B-CS-H851- $\beta$ -1	A		EDGE CONNECTOR H851	
x			A-AL-RK8-E-3		1	ACCESSORY SHIPPING LIST					C-AH-H851- $\beta$ -5	A	1	ASSY/DRILLING HOLE LAYOUT	
			A-SP-RK8-E-4		3	MODULE TEST & ACCEPTANCE FOR RK8-E					B-MH-H851- $\beta$ -6		1	MODULE ECO HISTORY	
			A-SP-RK8-E-5		39	RK8E DISK CONTROL									
x			A-SP-RK8-E-6		5	FIELD INSTALL & ACCEPT. PROC.									
			A-SP-RK8-E-7		5	IN-HOUSE ACCEPT. PROC.									
x		4	D-CS-M71 $\emptyset$ 4- $\beta$ -1	A	7	DATA BUFFER & STATUS				10	D-IA-5008903-0-0	A	1	ETCH BOARD (H851)	
			K-CO-M71 $\emptyset$ 4- $\beta$ -4		1	X-Y COORDINATE HOLE LOCATION					C-AH-5008903-0-5		1	ASSY/DRILLING HOLE LOCATION	
			D-AH-M71 $\emptyset$ 4- $\beta$ -5		1	ASSY/DRILLING HOLE LAYOUT									
			B-MH-M71 $\emptyset$ 4- $\beta$ -6		1	MODULE ECO HISTORY									
x		5	D-CS-M71 $\emptyset$ 5- $\beta$ -1	A	5	MAJOR REGISTERS									
			K-CO-M71 $\emptyset$ 5- $\beta$ -4		1	X-Y COORDINATE HOLE LOCATION									
			D-AH-M71 $\emptyset$ 5- $\beta$ -5		1	ASSY DRILLING HOLE LAYOUT									
			B-MH-M71 $\emptyset$ 5- $\beta$ -6		1	MODULE ECO HISTORY									
x		6	D-CS-M71 $\emptyset$ 6- $\beta$ -1	A	6	CONTROL RK8-E									
			K-CO-M71 $\emptyset$ 6- $\beta$ -4		1	X-Y COORDINATE HOLE LOCATION									
			D-AH-M71 $\emptyset$ 6- $\beta$ -5		1	ASSY/DRILLING HOLE LAYOUT									
			B-MH-M71 $\emptyset$ 6- $\beta$ -6		1	MODULE ECO HISTORY									
CUSTOMER PRINT SET CODES		X = PRINT OF DOCUMENT INCLUDED IN PRINT SET C = INCLUDES ALL PRINTS INDICATED ON DOCUMENT S = CONFIDENTIAL AUTHORIZED SIGNATURE REQUIRED					TITLE		SIZE CODE		NUMBER		REV		
							RK8-E DISK & CONTROL		SHEET 3 OF 3		B DD		RK8- $\emptyset$		

This drawing and specifications, herein, are the property of Digital Equipment Corporation and shall not be reproduced or copied or used in whole or in part as the basis for the manufacture or sale of items without written permission.

**DIGITAL EQUIPMENT CORPORATION**  
MAYNARD, MASSACHUSETTS

DATE 10-12-72

TITLE RK8E FIELD INSTALLATION AND ACCEPTANCE PROCEDURE

REVISIONS

REV	DESCRIPTION	CHG NO	ORIG	DATE	APPD BY	DATE

ENG	<i>[Signature]</i>	10-12-72	APPD	<i>[Signature]</i>	SIZE	CODE	NUMBER	REV
					A	SP	RK8-E-6	

DEC FORM NO. DRA 107A

SHEET 1 OF 5

**ENGINEERING SPECIFICATION**

079001

CONTINUATION SHEET

TITLE RK8E FIELD INSTALLATION AND ACCEPTANCE PROCEDURE

- 1.0 SHIPPING HARDWARE
  - 1.1 RK8E Control
    - 1.1.1 M7104
    - 1.1.2 M7105
    - 1.1.3 M7106
  - 1.2 RK05 Disk Drive (Maximum of 4 drives per control)
    - 1.2.1 95 to 130VAC @ 60 ± 0.5 Hz - RK05-AA
    - 1.2.2 190 to 260VAC @ 60 ± 0.5 Hz - RK05-AB
    - 1.2.3 95 to 130 VAC @ 50 ± 0.5 Hz - RK05-BA
    - 1.2.4 190 to 260 VAC @ 50 ± 0.5 Hz - RK05-BB
  - 1.3 Interface Cables and Terminator
    - 1.3.1 Interface cable between RK8E control and RK05 - 7009026
    - 1.3.2 Interface cable from one RK05 to another. BC11A
    - 1.3.3 Terminator Module (last RK05)
  - 1.4 (1) Disk Cartridge, <sup>M930</sup> HD16 Sector, 30-10350-02.
- 2.0 SHIPPING SOFTWARE
  - 2.1 RK8E Diskless Control Test
    - Maindec-08-DHRKA-A-PB
    - Maindec-08-DHRKA-A-D
  - 2.2 RK8E Drive Control Test
    - Maindec-08-DHRKB-A-PB
    - Maindec-08-DHRKB-A-D
  - 2.3 RK8E Formatter Program
    - Maindec-08-DHRKD-A-PB
    - Maindec-08-DHRKD-A-D
  - 2.4 RK8E Data Reliability Program
    - Maindec-08-DHRKC-A-PB
    - Maindec-08-DHRKC-A-D

DEC FORM NO 16-1022 DRA 108

SIZE	CODE	NUMBER	REV
A	SP	RK8-E-6	

SHEET 2 OF 5



TITLE RK8E FIELD INSTALLATION AND ACCEPTANCE PROCEDURE

## 3.0 UNPACKING AND INSTALLATION

- 3.1 Unpack and inspect RK05 using the procedure in the RK05 Disk Drive Maintenance Manual, Chapter 2.
- 3.2 Using the Shipping Hardware and Software lists, verify that all items are present.
- 3.3 Insure power on the PDP-8E, 8M, 8F is turned off.
- 3.4 Check the M7104 to insure that the device code jumpers are in the correct configuration (normally 674X), refer to Table 1.

NOTE: The diagnostic programs normally recongnizes Program Device Code 674X. If it desired to operate with a different code, refer to the Diagnostic Document's Section headed "Change Program Device Codes".

TABLE 1

<u>Octal Code</u>	<u>Jumpers Installed</u>
674X	W2 W4 W6
675X	W2 W3 W4
676X	W1 W2 W6
677X	W1 W2 W3

- 3.5 Check M7105 module to insure that the priority jumpers are in the correct configuration, refer to Table 2.

SIZE	CODE	NUMBER	REV
A	SP	RK8-E-6	

SHEET 3 OF 5

TITLE RK8E FIELD INSTALLATION AND ACCEPTANCE PROCEDURE

## 3.0 UNPACKING AND INSTALLATION (continued)

TABLE 2

<u>Break Priority</u>	<u>Jumpers Installed</u>
∅	W1 W4
1*	W2 W3 W5

\*Normally shipped with priority 1 jumpers installed.

- 3.6 Connect the 7009026 cable to the Berg connector on the M7106 module.
- 3.7 Insert the RK8E modules into the Omnibus (refer to UA-RK8-E-∅). Refer to Table 2-3 in Volume I of the PDP-8E Maintenance Manual for installation priorities.
- 3.8 Install H851 top connectors between the modules (refer to UA-RK8-E-∅).
- 3.9 Following the procedure in the RK05 Maintenance Manual, Chapter 2, install the RK05.

## 4.0 ACCEPTANCE

- 4.1 Requirements for Acceptance
- ASR33 teletype, or equivalent.
  - Programmers console.
  - At least 4K of Read/Write Memory.
- 4.2 Run, in order, the programs listed in the "Shipping Software", using the loading and operating procedures in each program's document. If any errors occur, refer to the errors section of the document to evaluate the printout, and Chapter 5 of the RK8E Maintenance Manual for aids in determining the problem.

SIZE	CODE	NUMBER	REV
A	SP	RK8-E-6	

SHEET 4 OF 5

TITLE

RK8E FIELD INSTALLATION AND ACCEPTANCE PROCEDURE

## 4.0 ACCEPTANCE (continued)

4.3 Each program should be run the following amount of passes.

- A. Diskless Control Test - Two Passes
- B. Drive Control Test - Two Passes
- C. Formatter Program - One Pass
- D. Data Reliability Program - One Pass

## 4.4 Acceptable Errors

- A. One read error during the Acceptance Procedure

SIZE	CODE	NUMBER	REV
A	SP	RK8-E-6	

DIGITAL EQUIPMENT CORPORATION  
MAYNARD, MASSACHUSETTS

PARTS LIST

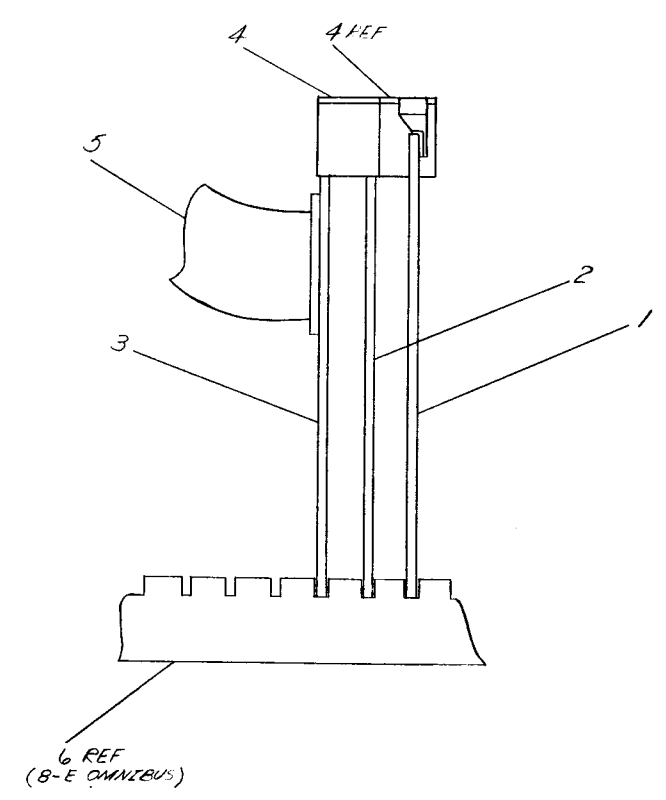
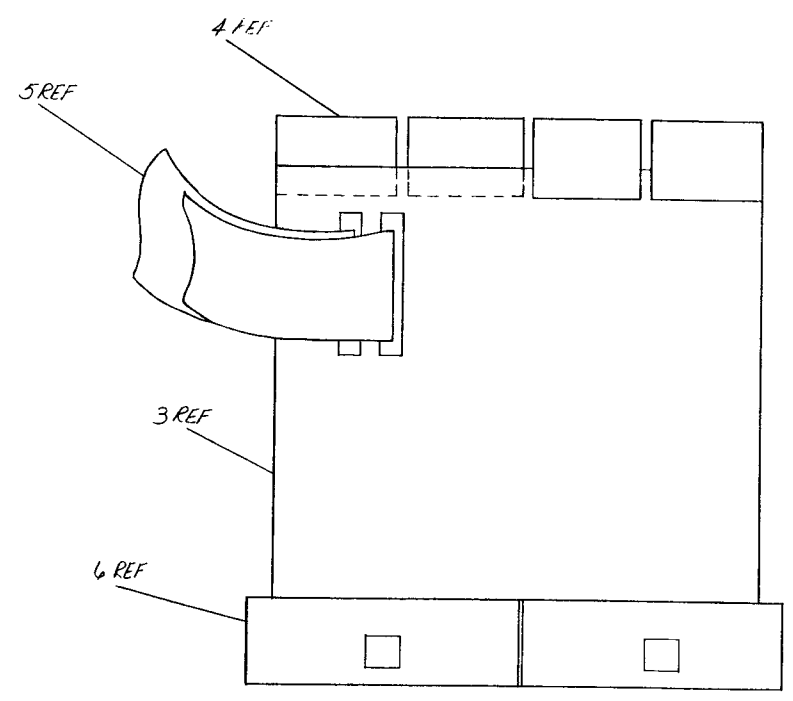
QUANTITY / VARIATION

MADE BY D. KANEY		CHECKED FERGUSON	SECTION																			
DATE 8/22/72		DATE 9/20/72	1																			
ENG <i>Asst</i>		PROD R. K. <i>Allen</i>	ISSUED SECT.																			
DATE <i>10/18/72</i>		DATE 10-19-72	1																			
ITEM NO.	DWG NO. / PART NO.	DESCRIPTION			RK8-EA	RK8-EB	RK8-EC	RK8-ED														
1	D-UA-RK05-AA-0	DEC PACK DISK DRIVE 115 VAC 60 HZ			1	-	-	-														
2	D-UA-RK05-AB-0	DEC PACK DISK DRIVE 115 VAC 50 HZ			-	-	1	-														
3	D-UA-RK05-BA-0	DEC PACK DISK DRIVE 230 VAC 60 HZ			-	1	-	-														
4	D-UA-RK05-BB-0	DEC PACK DISK DRIVE 230 VAC 50 HZ			-	-	-	1														
5	D-UA-RK8-E-0	DISK CONTROL			1	1	1	1														
TITLE				ASSY NO.	SIZE CODE	NUMBER				REV.	ECO NO.											
DISK & RK8-E CONTROL				<i>+/+</i>	A PL	RK8-0-0																
				SHEET 1 OF 1	DIST. 6																	



This drawing and specifications, herein, are the property of Digital Equipment Corporation and shall not be reproduced or copied or used in whole or in part as the basis for the manufacture or sale of items without written permission.

43V 1-1-EX-100 2

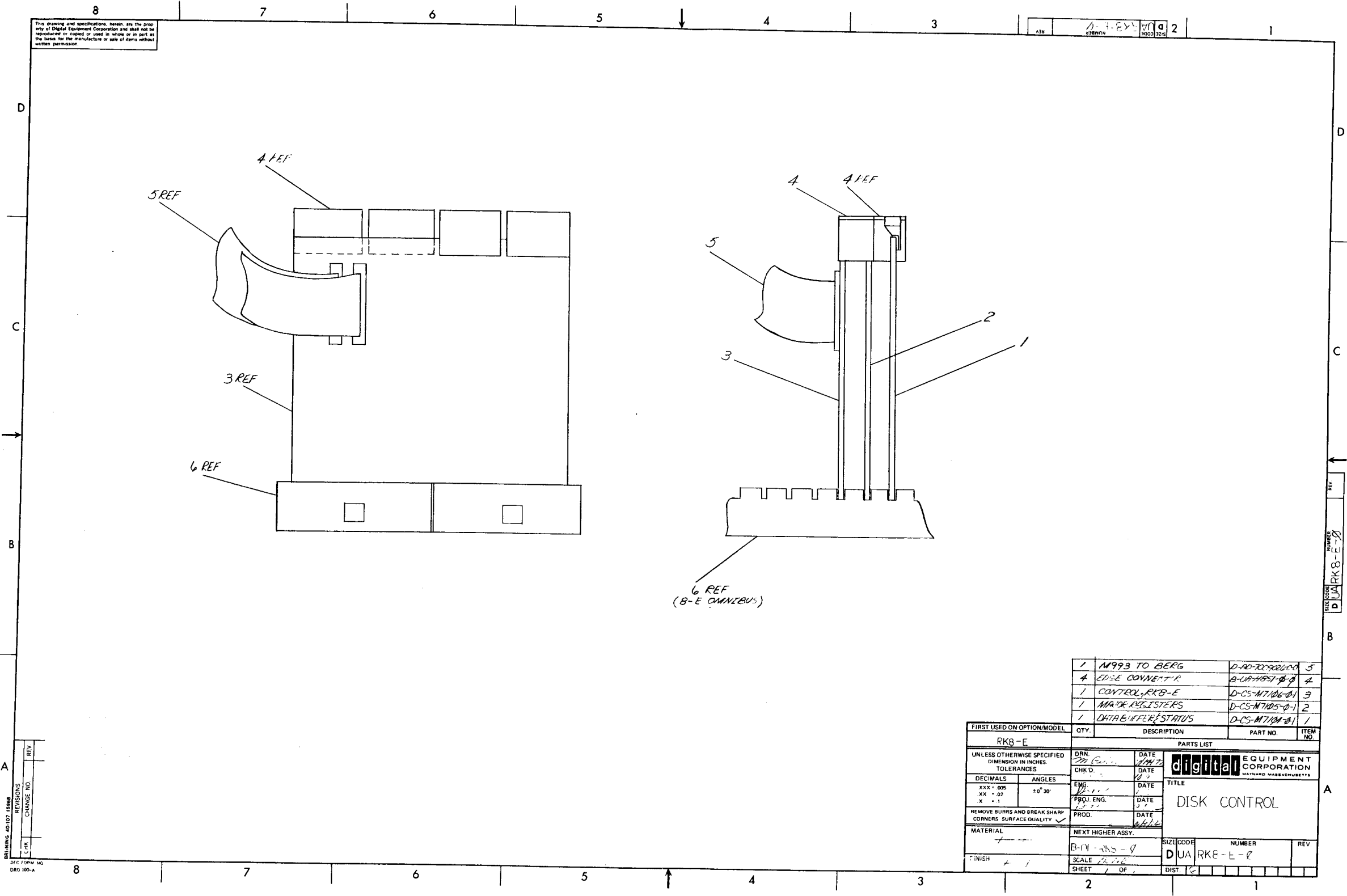


QTY.	DESCRIPTION	PART NO.	ITEM NO.
1	W993 TO BERG	D-AD-707926-000	5
4	EDGE CONNECTOR	B-UP-H151-B-0	4
1	CONTROL, RKB-E	D-CS-M7106-01	3
1	MARK REGISTERS	D-CS-M7105-0-1	2
1	DATA BUFFER STATUS	D-CS-M7104-01	1

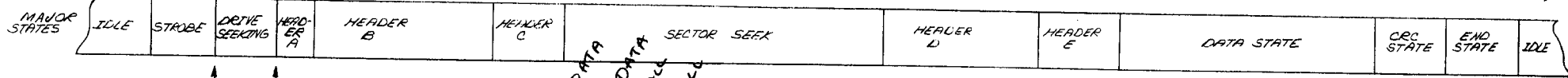
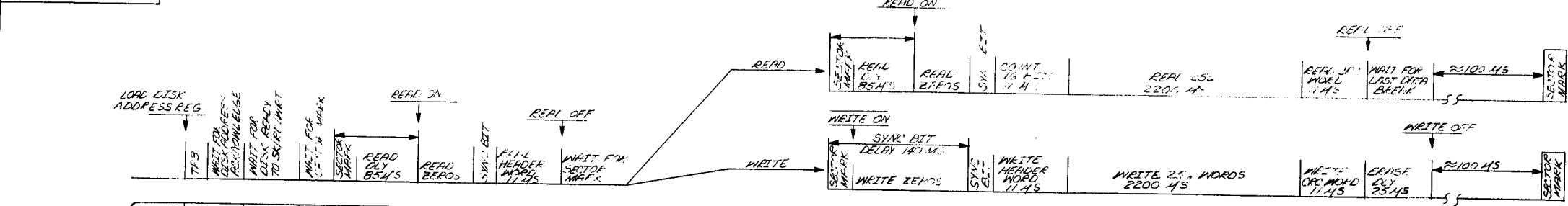
FIRST USED ON OPTION/MODEL		QTY.	DESCRIPTION	PART NO.	ITEM NO.
RKB-E					
PARTS LIST					
UNLESS OTHERWISE SPECIFIED DIMENSION IN INCHES TOLERANCES		DRN	DATE	<div style="text-align: center;"> <p><b>digital</b> EQUIPMENT CORPORATION MAINTON MASSACHUSETTS</p> </div>	
DECIMALS		CHK'D.	DATE		
ANGLES		ENG.	DATE		
REMOVE BURRS AND BREAK SHARP CORNERS SURFACE QUALITY		PROJ. ENG.	DATE		
MATERIAL		PROD.	DATE	TITLE	
NEXT HIGHER ASSY.				DISK CONTROL	
FINISH		B-DI-RKS-0		SIZE CODE	NUMBER
SCALE		SHEET 1 OF 1		DUA RKB-E-0	
				REV	

REVISIONS  
 CHANGE NO. REV.  
 CHK.

REV. NUMBER  
 DUA RKB-E-0



This drawing and specifications herein, are the property of Digital Equipment Corporation and shall not be reproduced or copied or used in whole or in part as the basis for the manufacture or sale of items without written permission.



IF "SEEK ONLY" GO TO IDLE AND SET DONE FLAG.  
IF NOT A HEADER CHECK, GO TO SECTOR SEEK STATE.

MAJOR STATE	FUNCTION	SEEK	SK/CHK/RO	SK/CHK/WRT	SK/RO	SK/WRT
IDLE	CONTROL IS NOT BUSY. WHEN THE GO COMMAND (DAS) IS ISSUED THE C (AC) IS LOADED INTO THE CRC* AND SECTOR-SURFACE REGISTERS (DISK ADDRESS)	✓	✓	✓	✓	✓
STROBE	STROBE THE CYLINDER ADDRESS FROM THE C REGISTER TO THE DRIVE AND WAIT FOR THE DRIVE'S "ADDRESS ACKNOWLEDGE" SIGNAL.	✓	✓	✓	✓	✓
DRIVE SEEKING	WAIT FOR THE "DISK READY TO SEEK/READ/WRITE" LEVEL FROM THE DRIVE TO SIGNIFY THAT THE HEADS ARE POSITIONED OVER THE CYLINDER ADDRESS.	✓	✓	✓	✓	✓
HEADER A	WAIT FOR THE FIRST SECTOR MARK, THEN START THE READ DELAY.	✓	✓			
HEADER B	AT THE END OF THE READ DELAY TURN THE READ FLOP ON. ZEROS WILL BE READ UNTIL THE SYNC BIT WHICH SIGNIFYS THE BEGINNING OF A SECTOR'S DATA.	✓	✓			
HEADER C	READ THE 16 BIT HEADER WORD AND COMPARE IT WITH THE CYLINDER ADDRESS IN THE CRC REGISTER.	✓	✓			
SECTOR SEEK	IF THE HEADER WORD DOES NOT EQUAL THE CYLINDER ADDRESS SET THE "CYLINDER ADDRESS ERROR" AND GO TO THE IDLE STATE. AT EACH SECTOR MARK COMPARE THE SECTOR ADDRESS WITH THE DISK SECTOR ADDRESS LINES, IF EQUAL GO TO THE NEXT STATE.	✓	✓	✓	✓	
HEADER D	AT THE BEGINNING OF THE SECTOR START THE "READ DELAY". AT THE END OF THE "READ DELAY" SET "READ." ZEROS WILL BE READ UNTIL THE SYNC BIT.	✓	✓			

MAJOR STATE	FUNCTION	SEEK	SK/CHK/RO	SK/CHK/WRT	SK/RO	SK/WRT
HEADER E	COUNT AND IGNORE THE FIRST 16 BITS. WRITE THE HEADER WORD SPECIFIED BY THE CRC REGISTER.		✓		✓	✓
DATA STATE	READ 25L-12 BIT WORDS FROM THE DISK INTO THE DATA BUFFER AND COMPUTE THE CRC. TRANSFER 12 BIT WORD FROM DATA BUFFER TO THE PROCESSOR. THE CONTROL WILL TRY TO KEEP DATA BUFFER EMPTY VIA DATA BREAKS. WRITE ON THE DISK 25L-12 BIT WORDS TRANSFERED FROM THE PROCESSOR TO THE DATA BUFFER, TRYING TO KEEP DATA BUFFER FULL VIA DATA BREAKS. COMPUTE CRC.		✓		✓	✓
CRC STATE	READ AND COMPARE THE CRC WORD WITH THE COMPUTED CRC. WRITE THE COMPUTED CRC ON THE DISK.		✓		✓	✓
END STATE	IF THE CRC FROM THE DISK DOES NOT EQUAL THE COMPUTED CRC, SET THE "CRC ERROR" CLEAR READ. WHEN THE DATA BUFFERS ARE EMPTIED INTO THE PROCESSOR SET THE DONE FLAG AND GO TO THE IDLE STATE. START THE ERASE DELAY AND WRITE ZEROS. AT THE END OF THE ERASE DELAY CLEAR WRITE, SET THE DONE FLAG AND GO TO THE IDLE STATE.		✓		✓	✓

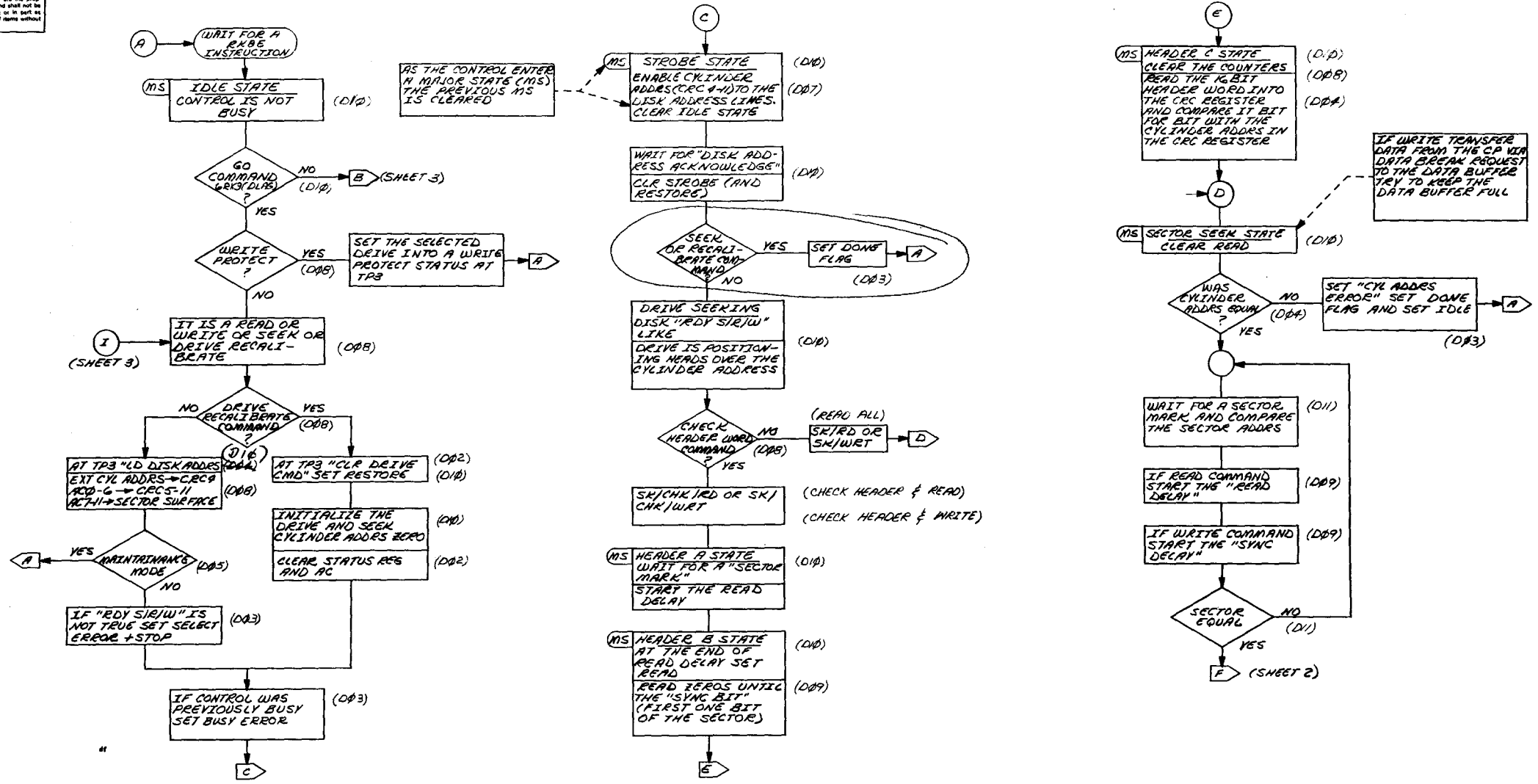
$$CRC = \frac{3702 \text{ bits}}{x^{14} + x^{15} + 1}$$

14 Bit Header Word 5  $\phi$ 's, 8 bit Cyl. Add, 3  $\phi$ 's  
16 bits

REVISIONS  
CHANGE NO.  
REV.

FIRST USED ON OPTION/MODEL	QTY.	DESCRIPTION	PART NO.	ITEM NO.
RK8-E				
UNLESS OTHERWISE SPECIFIED DIMENSION IN INCHES TOLERANCES				
DECIMALS	ANGLES	PARTS LIST		
xxx + .005	1.0° 30'	DRN	DATE	
xx + .01		CHK'D	DATE	
x + .1		ENG	DATE	
		PROJ. ENG.	DATE	
REMOVE BURRS AND BREAK SHARP CORNERS SURFACE QUALITY		PROD.	DATE	TITLE
MATERIAL	NEXT HIGHER ASSY.	MAJOR STATES TIMING & FLOW		
FINISH	E-11-RK8-0	SIZE CODE	NUMBER	REV.
	SCALE	D T D RK8-E-2		
	SHEET 1 OF 1	DIST.		

This drawing and specifications, herein are the property of Digital Equipment Corporation and shall not be reproduced or copied or used in whole or in part as the basis for the manufacture or sale of items without written permission.



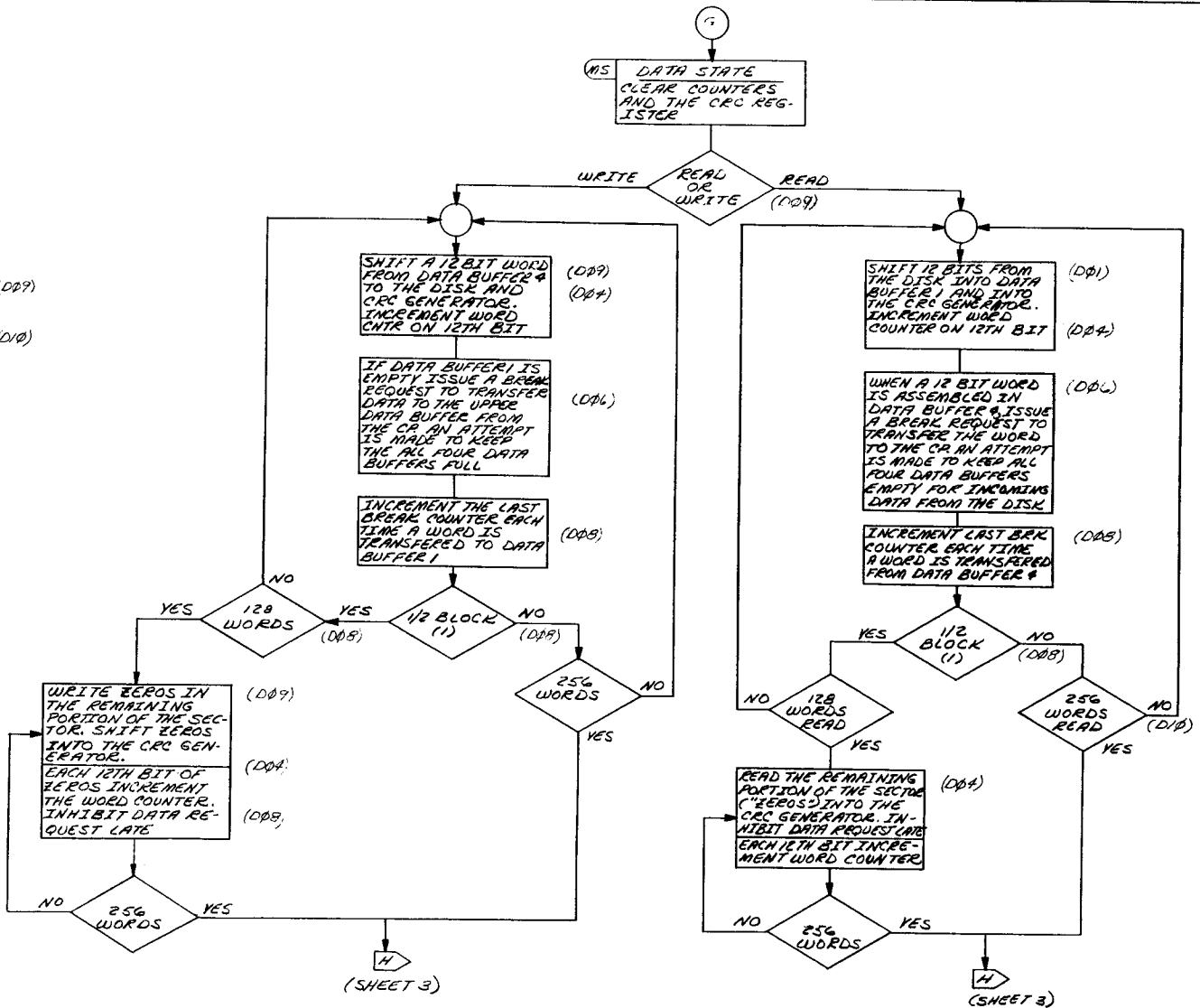
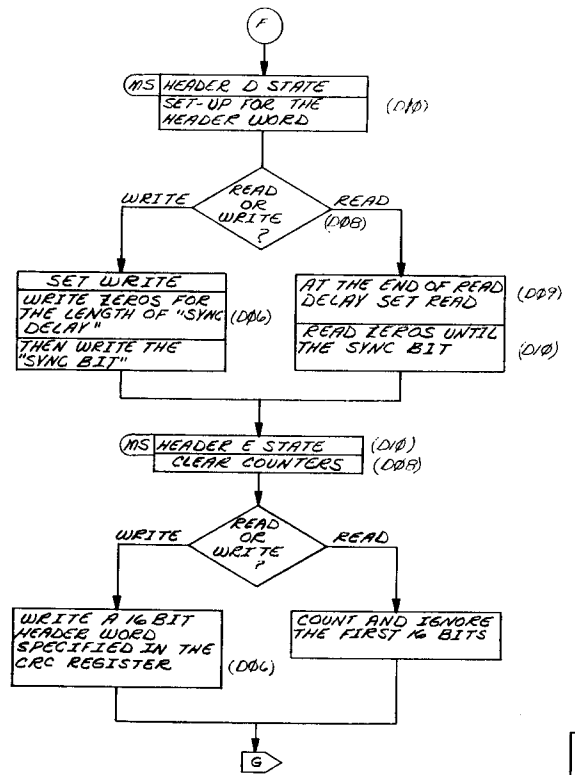
BRUNING 40-522 15840  
DEC FORM NO DRD 102-B

REV	CHANGE NO	DATE
1001	1001	10/18/78

FIRST USED ON OPTION/MODEL RK8-E	QTY.	DESCRIPTION	PART NO.	ITEM NO.
PARTS LIST				
UNLESS OTHERWISE SPECIFIED DIMENSION IN INCHES TOLERANCES	DRN <i>advent</i>	DATE 7/24/72	digital EQUIPMENT CORPORATION MAYFIELD MASSACHUSETTS	
DECIMALS .006	CHKD <i>12/10</i>	DATE 12/22/72	TITLE	
ANGLES 10° 30'	ENG <i>[Signature]</i>	DATE 10/17/72	FLOW DIAGRAM (RK8-E)	
REMOVE BURRS AND BREAK SHARP CORNERS SURFACE QUALITY ✓	PROJ ENG <i>[Signature]</i>	DATE 10/17/72	REV.	
MATERIAL <i>++</i>	PROD <i>[Signature]</i>	DATE 10/17/72	SIZE CODE FD-RK8-E-1	NUMBER
FINISH <i>++</i>	NEXT HIGHER ASSY FD-RK8-E	SCALE <i>++</i>	DIST.	
		SHEET 1 OF 4		

REV. NUMBER  
1  
FD-RK8-E-1

This drawing and specifications, herein, are the property of Digital Equipment Corporation and shall not be reproduced or copied in whole or in part as the basis for the manufacture or sale of items without written permission.



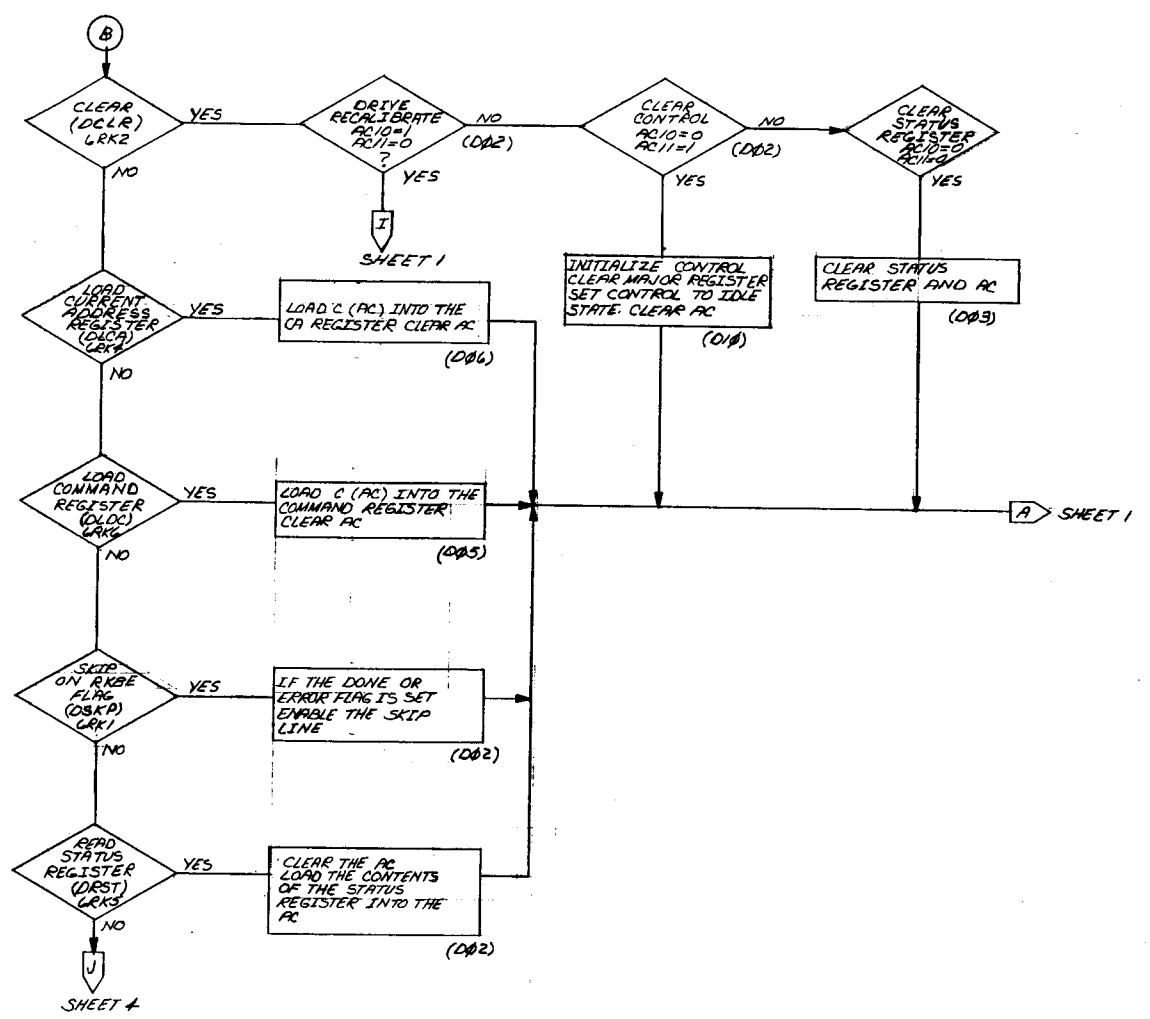
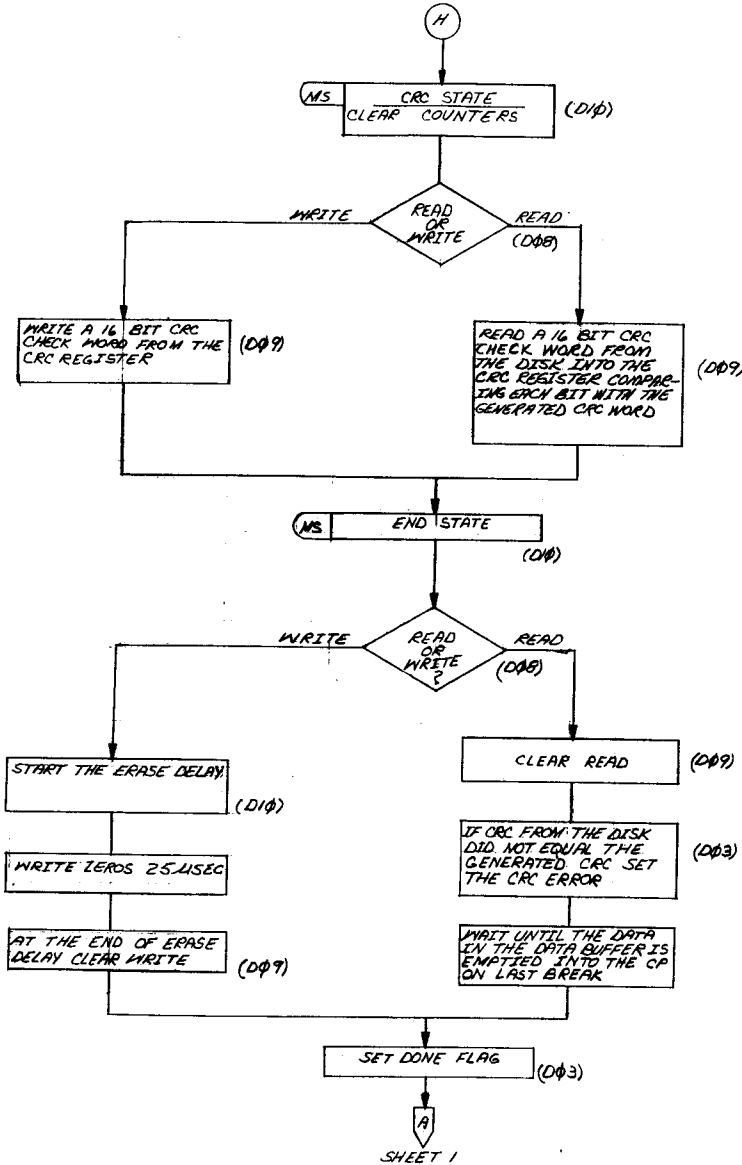
REV	1
CHANGE NO	1
DATE	1/18/71
BY	...

FIRST USED ON OPTION/MODEL	QTY.	DESCRIPTION	PART NO.	ITEM NO.
11K-L				
PARTS LIST				
UNLESS OTHERWISE SPECIFIED DIMENSION IN INCHES	DRN	DATE	digital EQUIPMENT CORPORATION MAYNARD MASSACHUSETTS	
TOLERANCES	CHK'D	DATE	TITLE	
DECIMALS ANGLES	ENG	DATE	FLOW DIAGRAM (RK-E)	
.XXX - .005 10' 30'	PROJ. ENG	DATE	SIZE CODE	
.XX - .02	PROD.	DATE	D.F.D. RK-E-1	
.X - .1			NUMBER	
REMOVE BURRS AND BREAK SHARP CORNERS SURFACE QUALITY			REV.	
MATERIAL	NEXT HIGHER ASSY.		SHEET 2 OF 4	
FINISH			DIST.	



This drawing and specifications, herein, are the property of Digital Equipment Corporation and shall not be reproduced or copied or used in whole or in part as the basis for the manufacture or sale of items without written permission.

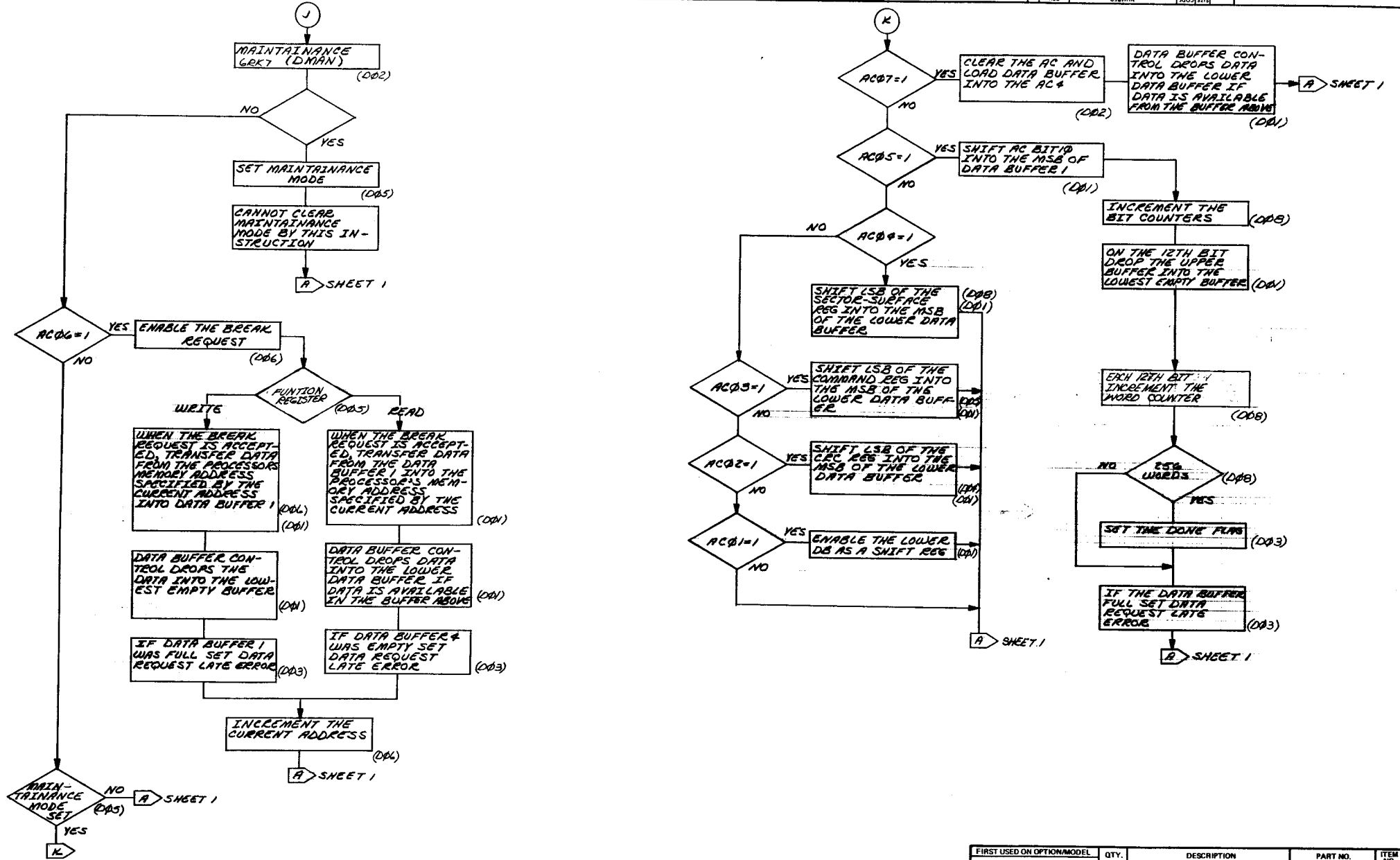
1-3-8X8



BRUNING 40-352 15840  
 DEC FORM NO DRD 107-B  
 REVISIONS  
 CHANGE NO. 10X 3/2/72  
 REV. 1/87

FIRST USED ON OPTION/MODEL	QTY.	DESCRIPTION	PART NO.	ITEM NO.
RK8-E				
PARTS LIST				
UNLESS OTHERWISE SPECIFIED DIMENSION IN INCHES TOLERANCES	DRN. <i>M. Rowe</i>	DATE <i>6/22/72</i>	<b>digital</b> EQUIPMENT CORPORATION MAYNARD, MASSACHUSETTS	
DECIMALS ANGLES	CHK'D <i>TS-Cover</i>	DATE <i>8/9/72</i>		
XXX + .005 XX - .02 X = .1	ENG. <i>W. Jones</i>	DATE <i>10/17/71</i>	TITLE <b>FLOW DIAGRAM (RK8-E)</b>	
REMOVE BURRS AND BREAK SHARP CORNERS SURFACE QUALITY ✓	PROJ. ENG. <i>W. Jones</i>	DATE <i>11/16/71</i>		
MATERIAL	DRD. <i>W. Jones</i>	DATE <i>10/22/71</i>	SIZE CODE NUMBER REV. <b>D</b> FD RK8-E-1	
FINISH	NEXT HIGHER ASSY.			
SCALE		B-DD-RK8-0	SHEET 3 OF 4	
DIST.				

The drawing and specifications herein are the property of Digital Equipment Corporation and shall not be reproduced or copied or used in whole or in part as the basis for the manufacture or sale of items without written permission.



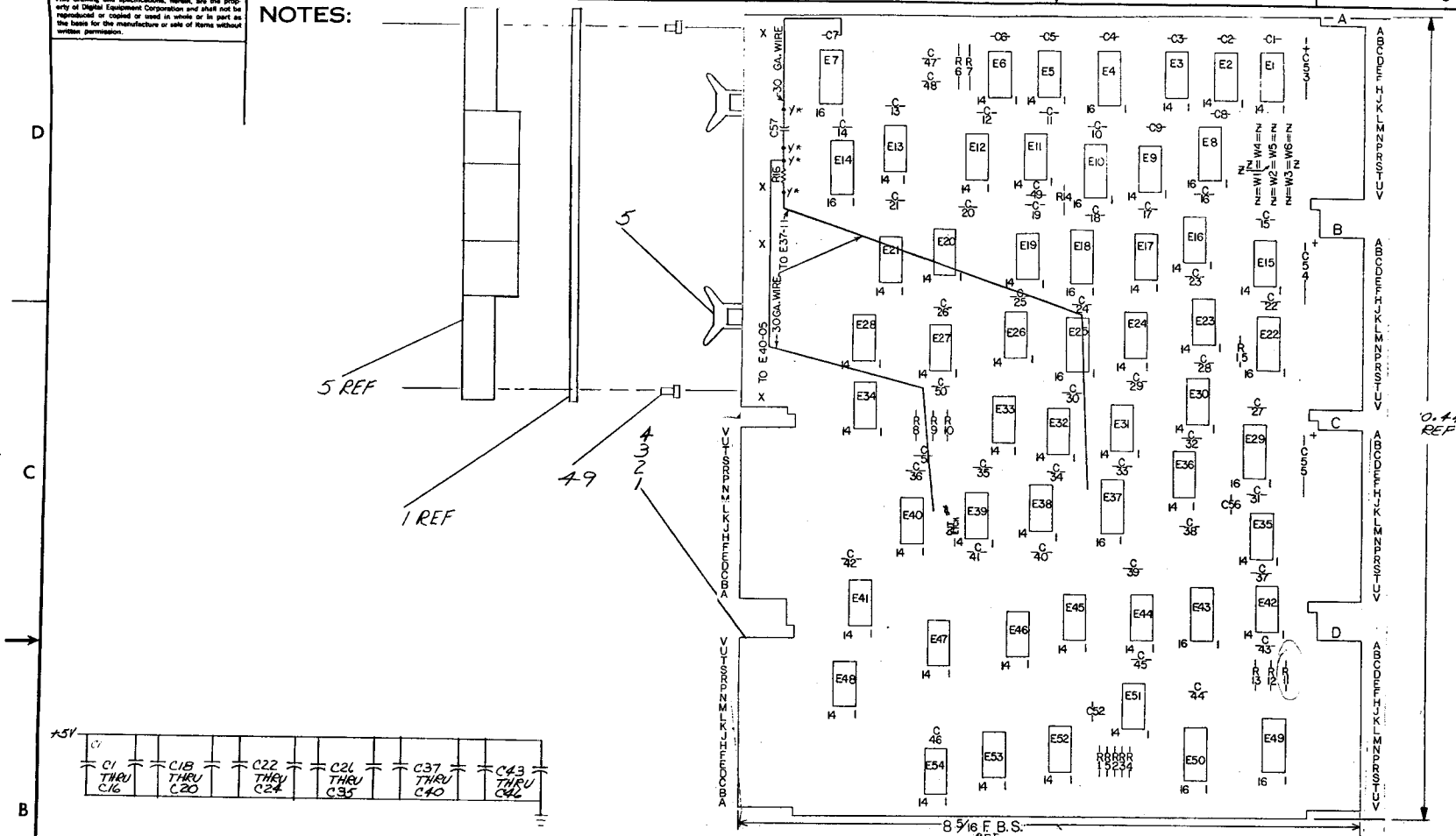
REV. NO.	REV.
1	10/1/72
2	10/1/72
3	10/1/72
4	10/1/72
5	10/1/72
6	10/1/72
7	10/1/72
8	10/1/72

FIRST USED ON OPTION/MODEL	QTY.	DESCRIPTION	PART NO.	ITEM NO.
RK8-E				
PARTS LIST				
UNLESS OTHERWISE SPECIFIED DIMENSION IN INCHES TOLERANCES	DRN: <i>R. J. Wood</i>	DATE: 7-17-72	<b>digital EQUIPMENT CORPORATION</b> MAYFIELD, MASSACHUSETTS	
DECIMALS	CHK'D: <i>D. J. Wood</i>	DATE: 10-9-72		
ANGLES	ENG: <i>Phos</i>	DATE: 10/1/72	TITLE <b>FLOW DIAGRAM (RK8-E)</b>	
.XXX - .006	PROJ. ENG: <i>Phos</i>	DATE: 10/1/72		
.XX - .02	DRD: <i>Dickinson</i>	DATE: 10/1/72		
X - .1	REMOVE BURRS AND BREAK SHARP CORNERS SURFACE QUALITY			
MATERIAL	NEXT HIGHER ASSY.			
FINISH	++	B-DD-RK8-0	SIZE CODE	NUMBER
		SCALE	D	FD RK8-E-1
		SHEET	4 OF 4	DIST.



This drawing and specifications, herein, are the property of Digital Equipment Corporation and shall not be reproduced or copied or used in whole or in part as the basis for the manufacture or sale of items without written permission.

NOTES:



QTY	REF	DESIGNATION	DESCRIPTION	PART NO.	ITEM NO.
1	E43	I.C. DEC 74193		1910018	42
4	E8, E22, E29, E49	I.C. DEC 8235		1909935	41
1	E21	I.C. DEC 74H04		1909931	40
1	E36	I.C. DEC 8881		1909705	39
1	E1	I.C. DEC 314		190974	38
4	E16, E23, E27, E31	I.C. DEC 7404		1909486	37
1	E38	I.C. DEC 74H74		1909667	36
1	E37	I.C. DEC 8251B		1909594	35
1	E30	I.C. DEC 384		1909486	34
4	E2, E15, E35, E42	I.C. DEC 380		1909885	33
2	E4, E26	I.C. DEC 74H53		1909062	32
1	E20	I.C. DEC 74H00		1909056	31
6	E3, E5, E9, E17, E29, E32	I.C. DEC 7495		1909055	30
6	E13, E19, E28, E34, E51, E53	I.C. DEC 7402		1909004	29
1	E12	I.C. DEC 7473		1905587	28
1	E14	I.C. DEC 7476		1905585	27
2	E4, E44	I.C. DEC 7440		1905579	26
1	E47	I.C. DEC 7410		1905576	25
3	E45, E46, E54	I.C. DEC 7400		1905575	24
2	E39, E52	I.C. DEC 7474		1905547	23
2	R6, E7	RES., 511K, 1/8W, 1%, MF		1304854	22
2	R2, R3	RES., 100, 1/4W, 5%, C.C.		1301322	21
2	R12, R13	RES., 47K, 1/4W, 5%, C.C.		1300447	20
1	R9	RES., 2.2K, 1/4W, 5%, C.C.		1300417	19
1	R11	RES., 1.8K, 1/4W, 5%, C.C.		1300398	18
2	R1, R4	RES., 390, 1/4W, 5%, C.C.		1300309	17
6	R5, R8, R10, R14, R15, R16	RES., 100, 1/4W, 5%, C.C.		1300229	16
2		SPACER (CABLE CLAMP)		1202704	15
10	C1 THRU C6, C8 THRU C32, C32 THRU C38, C38 THRU C45, C45 THRU C46	CAP., 0.1UF, 100V, 20%, DISC		1001610	14
3	C53 THRU C55	CAP., 0.1UF, 35V, 20%, TANT		1000067	13
2	C49, C56	CAP., 470PF, 100V, 5% DM		1000024	12
1	C51	CAP., 330PF, 100V, 5% DM		1000023	11
1	C52	CAP., 100PF, 100V, 5% DM		1000020	10
1	C50	CAP., 100PF, 100V, 5% DM		00018	9
1	C47	CAP., 39PF, 100V, 5% DM		1000010	8
1	C48	CAP., 100PF, 100V, 5% DM		1000006	7
6	C17, C21, C25, C36, C41, C42	CAP., 0.02UF, 100V, 20%, DISC		1000004	6
2		HANDLE, FLTP, CNTP, MARGENTA		9008337-06	5
1		ETCHED CIRCUIT BOARD		5010064	4
3		MODULE ECO HISTORY		B-MH-M7104-B-3	3
2		ASSY/DRILLING HOLE LAYOUT		D-MH-M7104-B-5	2
1		X-Y COORDINATE HOLE LOCATION		K-CO-M7104-B-4	1

AR	#	30 AWG WIRE, SOLID, GREEN	9102740-55	51
4		GRIPLETS	1210244-0	51
1	C57	CAP., 1000 PF 5% DM	1000042	50
4		EVELET	9006750	49
9		SPLIT LUGS	9006735	48
4	E4, E10, E18, E25	I.C. DEC 74174	1910652	47
1	E7	I.C. DEC 74123	1910436	46
1	E50	I.C. DEC 7496	1910363	45
3	E16, E40, E44	I.C. DEC 7408	1910155	44
1	E33	I.C. DEC 7437	1910091	43

AC2, AF1, AN1, AT1, AF2, AN2, AT2, BC1, BF1, BN1, BT1, BC2, BF2, BN2, BT2, CC1, CF1, CN1, CT1, CC2, CF2, CN2, CT2, DC1, DF1, DN1, DT1, DC2, DF2, DN2, DT2.

DEC	TYPE	GND	+5V
DEC 74123	8	16	
DEC 74174	8	16	
DEC 7496	5	12	
DEC 74193	8	16	
DEC 8235	8	16	
DEC 314	1	8	
DEC 8251B	8	16	
DEC 384	1	8	
DEC 380	1	8	
DEC 7473	4	11	
DEC 7476	5	13	
IC TYPE		GND	+5V

GND AND 5V ARE USUALLY PIN 7 AND 14 RESPECTIVELY EXCEPTIONS ARE STATED ABOVE

FIRST USED ON OPTION MODEL: RK8-E

ETCH BOARD REV: B

DATE: 7/8/72

DRN: [Signature]

CHKD: [Signature]

ENGR: [Signature]

PROJ. ENGR: [Signature]

PROB. DATE: 10/6/72

NEXT HIGHER ASSY: 8-DD-RK8-B

SCALE: 1/16"

SHEET: 2 OF 1

TITLE: DATA BUFFER & STATUS

SIZE CODE: DCSM7104-0-1

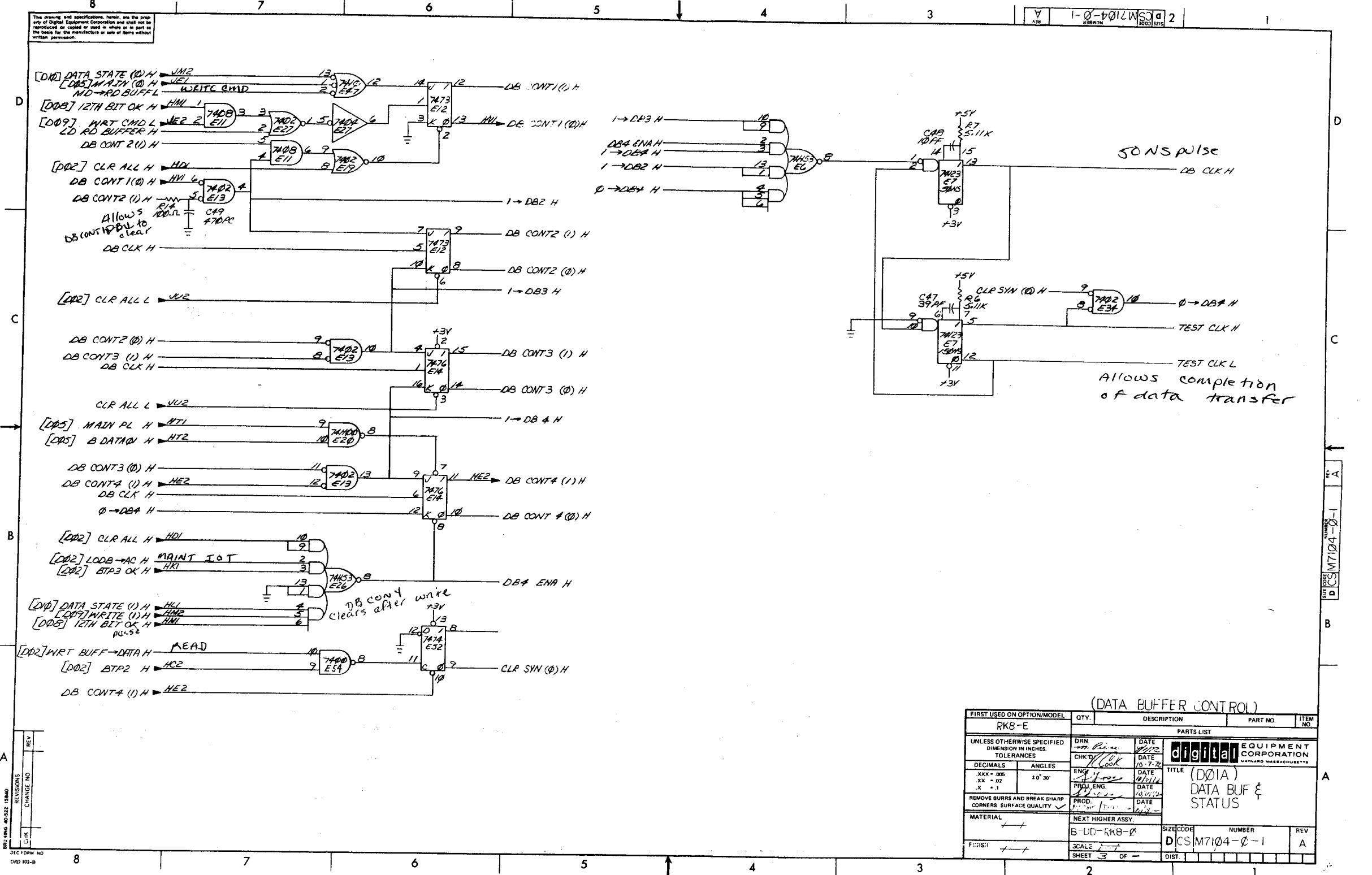
NUMBER: 1

REV. A

SEMICONDUCTOR CONVERSION CHART

BRUNING 40522 10899  
DEC FORM NO. DAD-135A

This drawing and specifications, herein, are the property of Digital Equipment Corporation and shall not be reproduced or copied or used in whole or in part as the basis for the manufacture or sale of items without written permission.



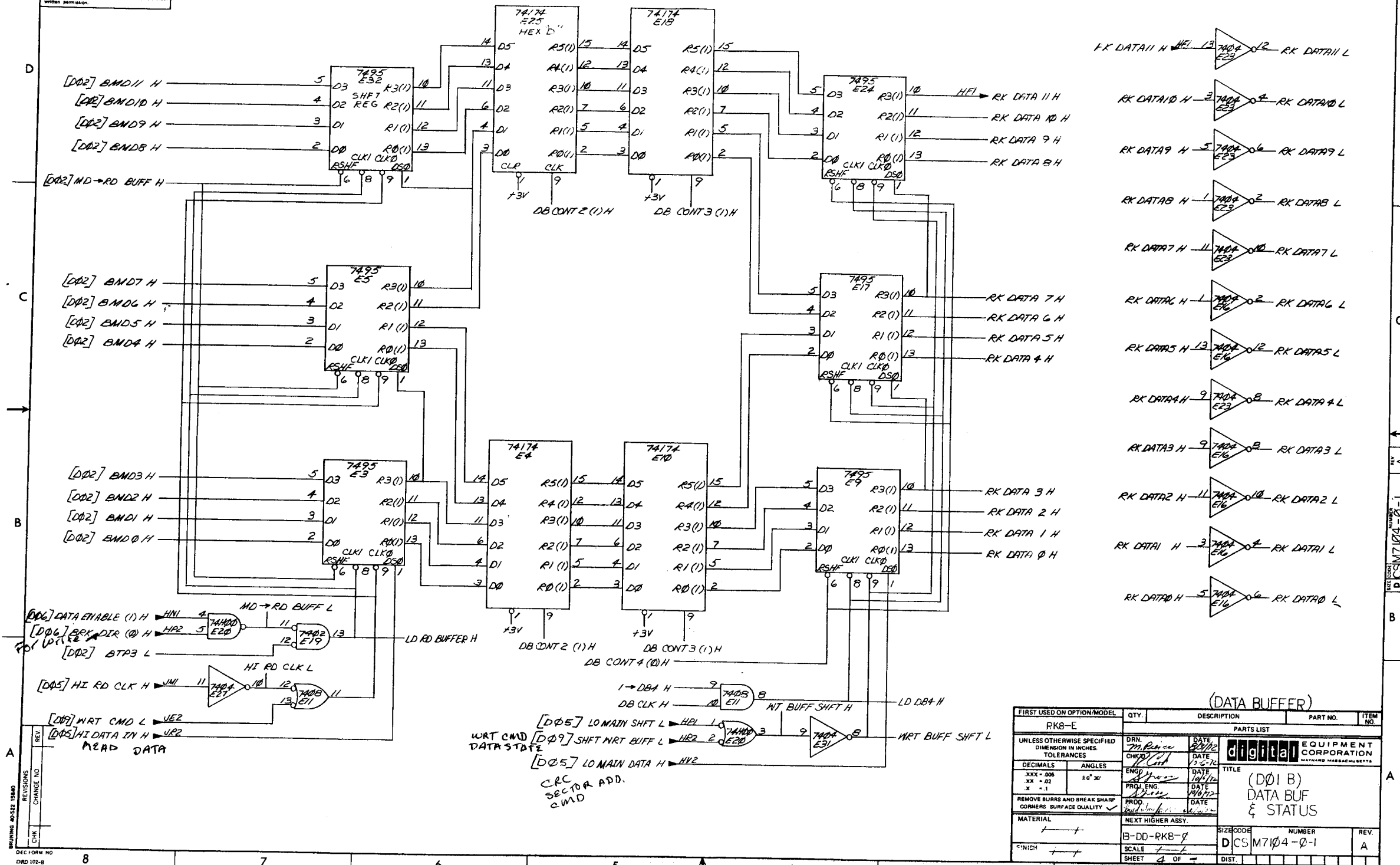
(DATA BUFFER CONTROL)

FIRST USED ON OPTION/MODEL	QTY.	DESCRIPTION	PART NO.	ITEM NO.
RKB-E				
UNLESS OTHERWISE SPECIFIED DIMENSION IN INCHES. TOLERANCES				
DECIMALS	ANGLES	DRN. <i>Pin</i>	DATE <i>11/12</i>	<b>digital</b> EQUIPMENT CORPORATION <small>MAYNARD, MASSACHUSETTS</small> TITLE (D01A) DATA BUF & STATUS PROD. DATE <i>10/19/72</i>
XXX + .005	± 0° 30'	CHK'D <i>Wook</i>	DATE <i>10-7-72</i>	
.XX + .02		ENG. <i>Wook</i>	DATE <i>10/11/72</i>	
.X + .1		PROJ. ENG.	DATE <i>10/19/72</i>	
REMOVE BURRS AND BREAK SHARP CORNERS SURFACE QUALITY ✓		PROD. DATE <i>10/19/72</i>	DATE <i>10/19/72</i>	
MATERIAL	NEXT HIGHER ASSY.			
	B-UD-RKB-0	SIZE CODE	NUMBER	REV.
FINISH	SCALE <i>1/8"</i>	DCSM7104-0-1		A
	SHEET <i>3</i> OF <i>-</i>	DIST.		

BRU 40-532 15840  
 REVISIONS  
 CHANGE NO.  
 REV.

REV. A  
 B  
 C  
 D  
 CS M7104-0-1

This drawing and specifications, herein, are the property of Digital Equipment Corporation and shall not be reproduced or used in whole or in part as the basis for the manufacture or sale of items without written permission.



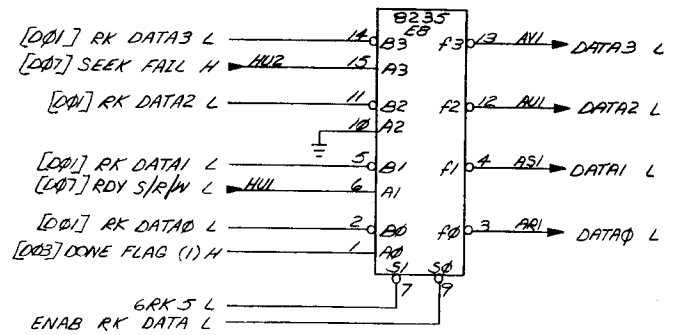
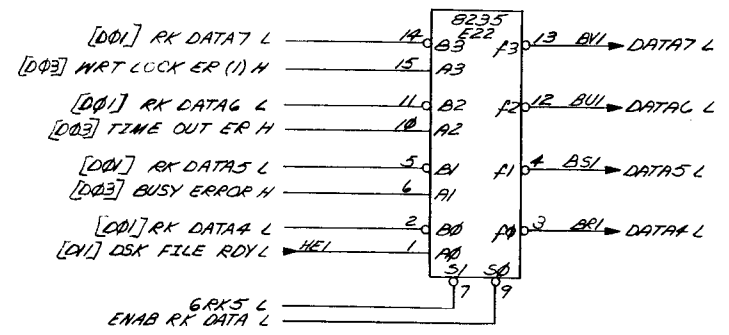
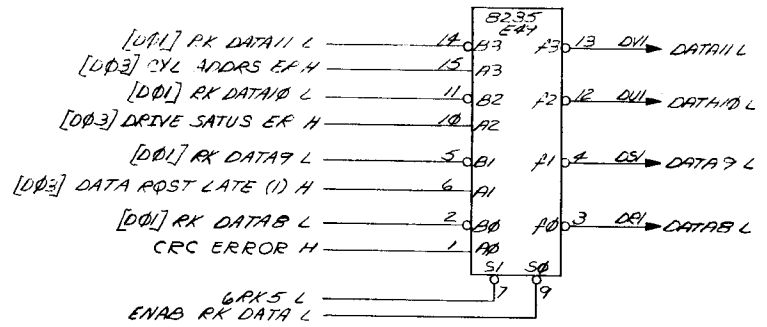
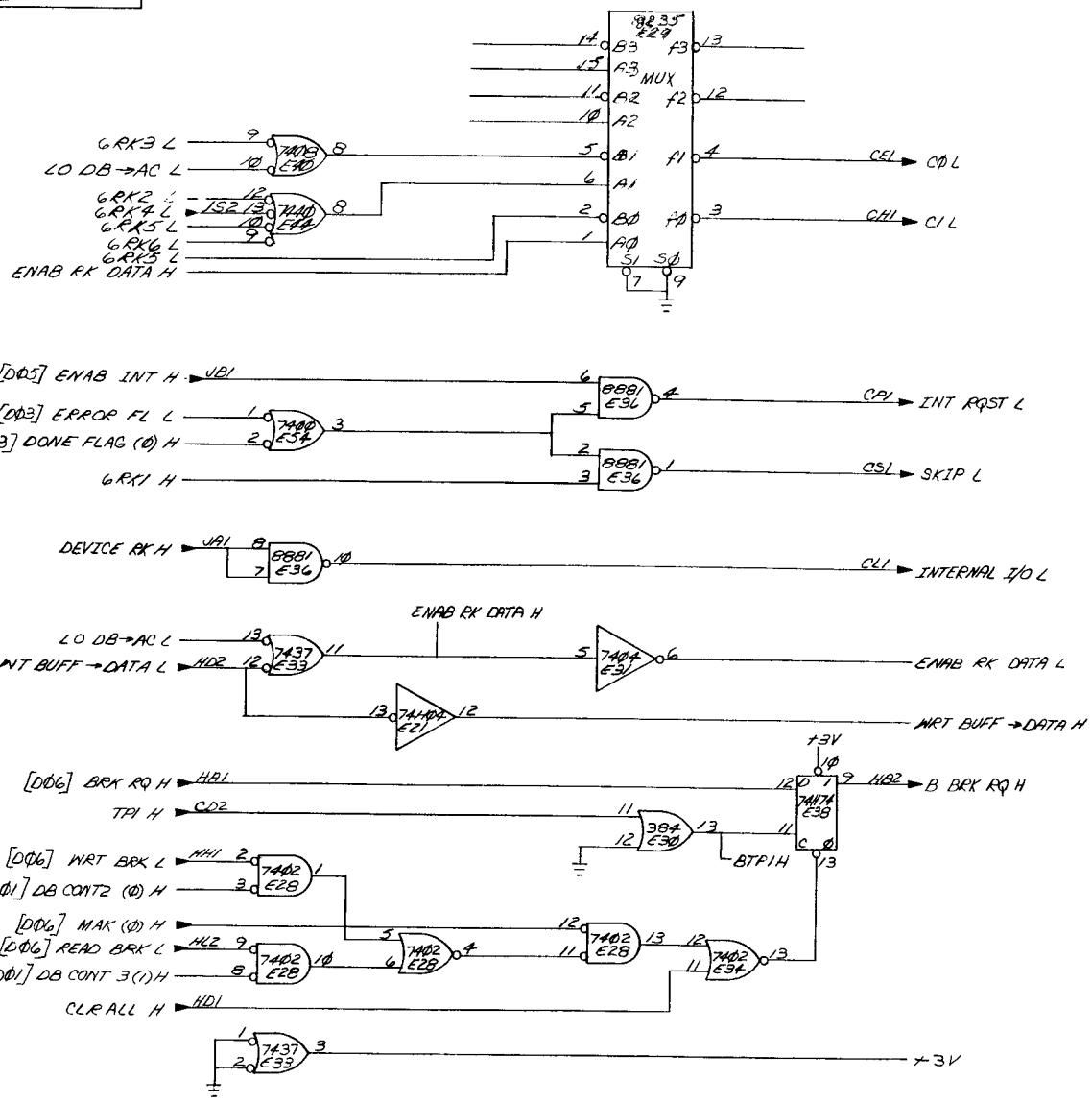
(DATA BUFFER)

FIRST USED ON OPTION/MODEL	QTY.	DESCRIPTION	PART NO.	ITEM NO.
RKB-E				
PARTS LIST				
UNLESS OTHERWISE SPECIFIED DIMENSION IN INCHES TOLERANCES		PARTS LIST		
DRN	DATE	<b>digital</b> EQUIPMENT CORPORATION NORTON MASSACHUSETTS TITLE (D01 B) DATA BUF & STATUS SIZE CODE NUMBER REV. B-DD-RKB-0 DCS M7104-0-1 A SCALE SHEET 2 OF 4		
CHKD	DATE			
ENGR	DATE			
PROJ. ENG.	DATE			
PROJ. ENG.	DATE	REMOVE BURRS AND BREAK SHARP CORNERS SURFACE QUALITY		
MATERIAL		NEXT HIGHER ASSY.		

BRUNING 40-522 1540  
DEC FORM NO. D9D 102-B

This drawing and specifications, herein, are the property of Digital Equipment Corporation and shall not be reproduced or copied or used in whole or in part as the basis for the manufacture or sale of items without written permission.

1-7-712W 2

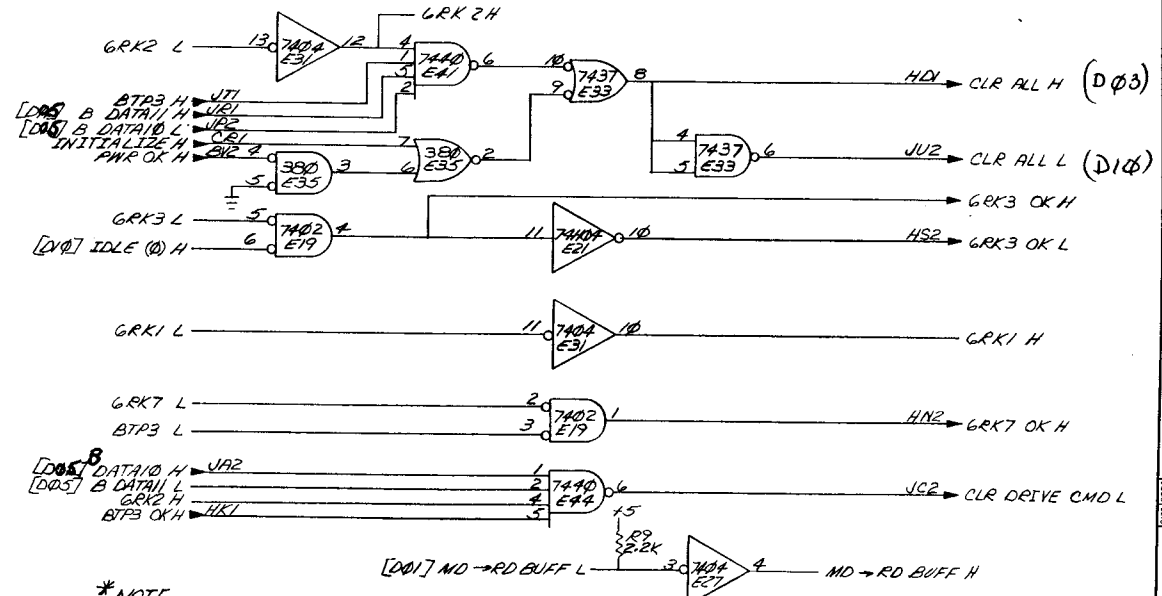
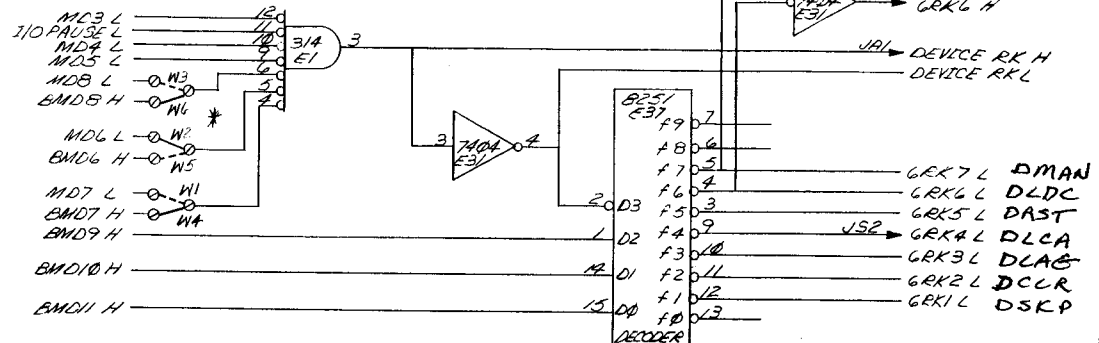
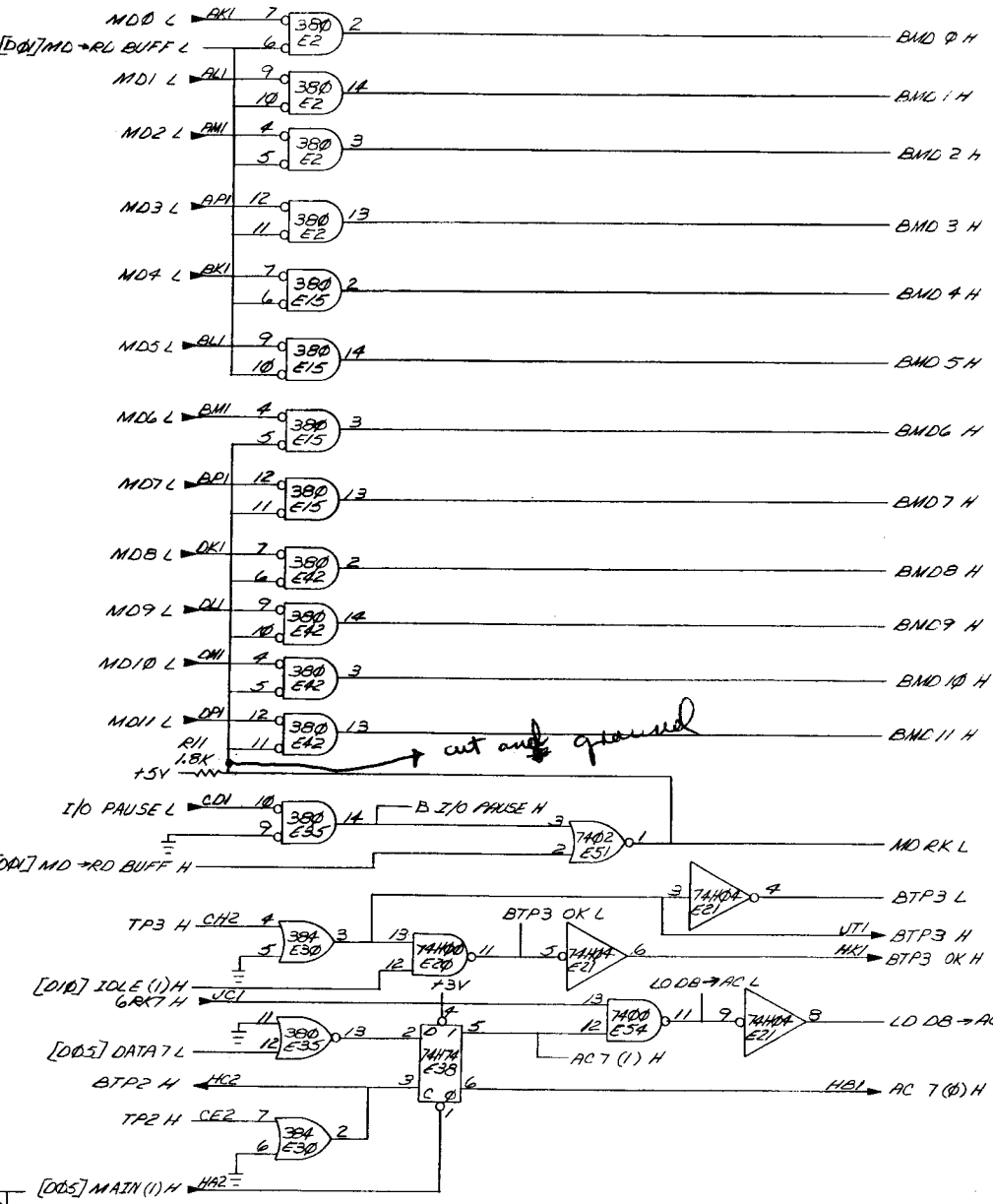


REV. CHANGE NO. 15840

(OMNIBUS DRIVERS)

FIRST USED ON OPTION/MODEL	QTY.	DESCRIPTION	PART NO.	ITEM NO.
RKB-E				
PARTS LIST				
UNLESS OTHERWISE SPECIFIED DIMENSION IN INCHES TOLERANCES	DRN. <i>M. J. W.</i>	DATE <i>10/17/71</i>	digital EQUIPMENT CORPORATION MAYNARD MASSACHUSETTS	
DECIMALS	ANGLES	DATE <i>10/17/71</i>	TITLE (D02A) DATA ELIF & STATUS	
.XX - .005	10° 30'	PROJ. ENG. DATE <i>10/17/71</i>		
.X - .1		PROD. DATE <i>10/17/71</i>		
REMOVE BURRS AND BREAK SHARP CORNERS SURFACE QUALITY				
MATERIAL	NEXT HIGHER ASSY.		SIZE CODE	NUMBER
	B-DD-RK-0		D	CSM7104-0-1
FINISH			SCALE	REV. A
			SHEET 5 OF 5	

This drawing and specifications, herein, are the property of Digital Equipment Corporation and shall not be reproduced or copied or used in whole or in part as the basis for the manufacture or sale of items without written permission.



\*NOTE  
 IOT 674X AS SHOWN  
 VALID IOT'S ARE  
 674X  
 675X  
 676X  
 677X

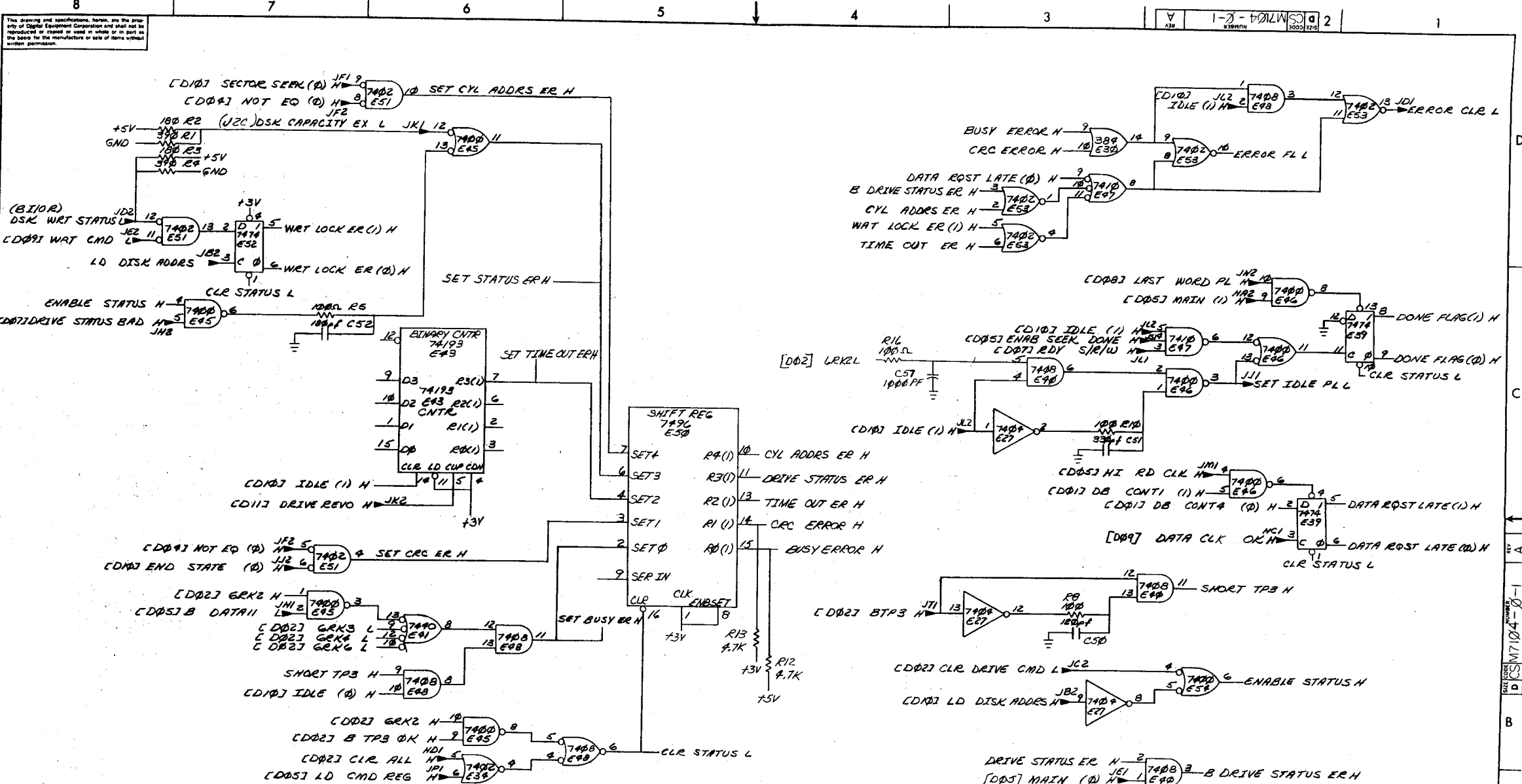
(OMNIEUS RECEIVERS)

FIRST USED ON OPTION/MODEL	QTY.	DESCRIPTION	PART NO.	ITEM NO.
RK8-E				
PARTS LIST				
UNLESS OTHERWISE SPECIFIED DIMENSION IN INCHES		DRN	DATE	digital EQUIPMENT CORPORATION MAYFORD MASSACHUSETTS
TOLERANCES		CHK'D	DATE	
DECIMALS	ANGLES	ENG	DATE	TITLE (D02 B) DATA BUF & STATUS
.XXX - .005	10° 30'	PROJ. ENG	DATE	
.XX - .02		PROD.	DATE	
.X - .1				
REMOVE BURRS AND BREAK SHARP CORNERS SURFACE QUALITY				
MATERIAL	NEXT HIGHER ASSY			
FINISH	B-DD-RK8-0	SIZE CODE	NUMBER	REV
	SCALE	DCS	M7104-0-1	2
	SHEET 6 OF 1	DIST		

BRUNING 40-332 15840  
 DYC FORM NO  
 DRD 102-B

REV A  
 NUMBER  
 DCS M7104-0-1





**(STATUS REGISTER ERROR DETECT)**

FIRST USED ON OPTION/MODEL	QTY.	DESCRIPTION	PART NO.	ITEM NO.
RK8-E				
PARTS LIST				
UNLESS OTHERWISE SPECIFIED DIMENSION IN INCHES TOLERANCES	DRAWN <i>akibat</i>	DATE 7-4-72		
DECIMALS	CHK'D <i>ll/llk</i>	DATE 7-4-72		
ANGLES XXX - .006 XX - .02 X - .1	ENG <i>Shawn</i>	DATE 7-17-72		
REMOVE BURRS AND BREAK SHARP CORNERS SURFACE QUALITY	PROJ. ENG. <i>Shawn</i>	DATE 10/6/72	TITLE (D03) <b>DATA BUF &amp; STATUS</b>	
MATERIAL	PROD. <i>Shawn</i>	DATE	NUMBER <b>DCS M7104-0-1</b>	
FINISH	NEXT HIGHER ASSY.			
	B-DL-RK8-0	SIZE CODE		
	SCALE		REV. <b>A</b>	
	SHEET 7 OF 8		DIST.	

REV.	DESCRIPTION	DATE
01		
02		
03		

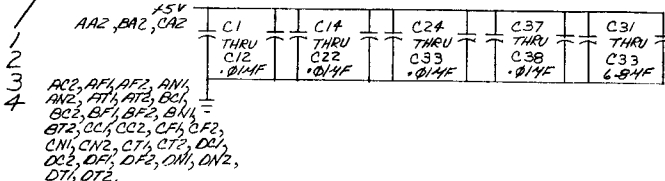
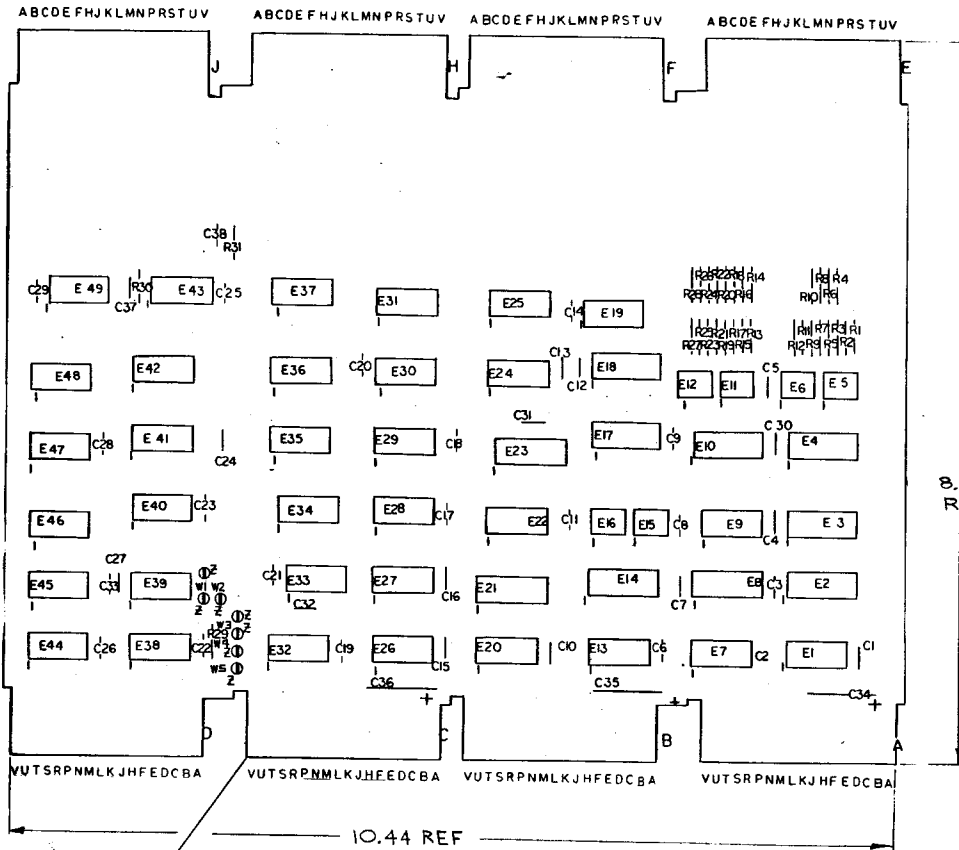
BRUNING 40-522 15-640  
 DEC FORM NO. 13RD 103-B

REV. A  
 NUMBER  
 DCS M7104-0-1



This drawing and specifications, herein, are the property of Digital Equipment Corporation and shall not be reproduced or copied or used in whole or in part as the basis for the manufacture or sale of items without written permission.

NOTES:



QTY	REF DESIGNATION	DESCRIPTION	PART NO.	ITEM NO.
7		SPLIT LUG	9006735	34
1	E46	I.C. DEC 7440	1905579	33
1	E10	I.C. DEC 74155	1910656	32
1	E23	I.C. DEC 74174	1910652	31
3	E8, E18, E21	I.C. DEC 74161	1910650	30
4	E5, E6, E15, E16	I.C. DEC 75452	1910645	29
2	E11, E12	I.C. DEC 75451	1910906	28
2	E8, E18	I.C. DEC 7496	1910363	27
3	E25, E38, E41	I.C. DEC 7408	1910155	26
1	E24	I.C. DEC 7486	1910011	25
6	E16, E20, E22, E38, E44	I.C. DEC 8881	1909705	24
2	E39, E45	I.C. DEC 74474	1909667	23
3	E3, E3, E17	I.C. DEC 8271	1909615	22
2	E42, E43	I.C. DEC 7404	1909686	21
1	E27	I.C. DEC 384	1909486	20
3	E13, E22, E32	I.C. DEC 380	1909485	19
1	E38	I.C. DEC 74411	1909267	18
1	E9	I.C. DEC 74452	1909061	17
1	E37	I.C. DEC 74410	1909057	16
2	E28, E47	I.C. DEC 7402	1909004	15
6	E19, E27, E31, E36, E40, E49	I.C. DEC 7400	1905575	14
3	E34, E35, E48	I.C. DEC 7474	1905547	13
14	R2, R5, R6, R9, R10, R12, R15, R16, R19, R20, R23, R24, R27, R28	RESISTOR 100, 1/4W, 5%	1301322	12
1	R29	RESISTOR, 1K, 1/4W, 5%	1300365	11
14	R1, R3, R4, R7, R8, R11, R13, R14, R18, R18, R21, R22, R25, R26	RESISTOR, 390, 1/4W, 5%	1300309	10
2	R30, R31	RESISTOR, 100, 1/4W, 5%	1300229	9
32	C1 THRU C33	CAP, .01uF, 100V, 20% DISC	1001610	8
3	C34 THRU C36	CAP, 6.8uF, 35V, 20% STANT	1000067	7
1	C38	CAP, 500pF, 100V, 5% D.M.	1000025	6
1	C37	CAP, 970pF, 100V, 5% D.M.	1000024	5
1		ETCHED CIRCUIT BOARD	5010065	4
REF		MODULE ECO HISTORY	B-MH-M7105-4	3
REF		ASSY DRILLING HOLE LAYOUT	D-MH-M7105-5	2
REF		X-Y COORDINATE HOLE LOCATION	K-CO-M7105-1	1

DEC NO.	QTY	REV
DEC 74155	8	16
DEC 74174	8	16
DEC 74174	8	16
DEC 74161	8	16
DEC 75452	4	8
DEC 75451	4	8
DEC 8271	8	16
DEC 384	1	8
DEC 380	1	8
IC TYPE	GND	+5V

IC PIN LOCATIONS

GND AND 5V ARE USUALLY PIN 7 AND 14 RESPECTIVELY. EXCEPTIONS ARE STATED ABOVE.

FIRST USED ON OPTION MODEL

ETCH BOARD REV

REVISIONS

DRY DATE 8/3/78

CHKD DATE 8/3/78

ENG DATE 8/3/78

PROJ. ENG DATE 8/3/78

PROD DATE 8/3/78

NEXT HIGHER ASSY

digital EQUIPMENT CORPORATION  
MAYNARD, MASSACHUSETTS

TITLE  
MAJOR REGISTERS

SIZE CODE NUMBER  
DICS M7105-0-1

REV. A

SCALE 100%  
SHEET 2 OF

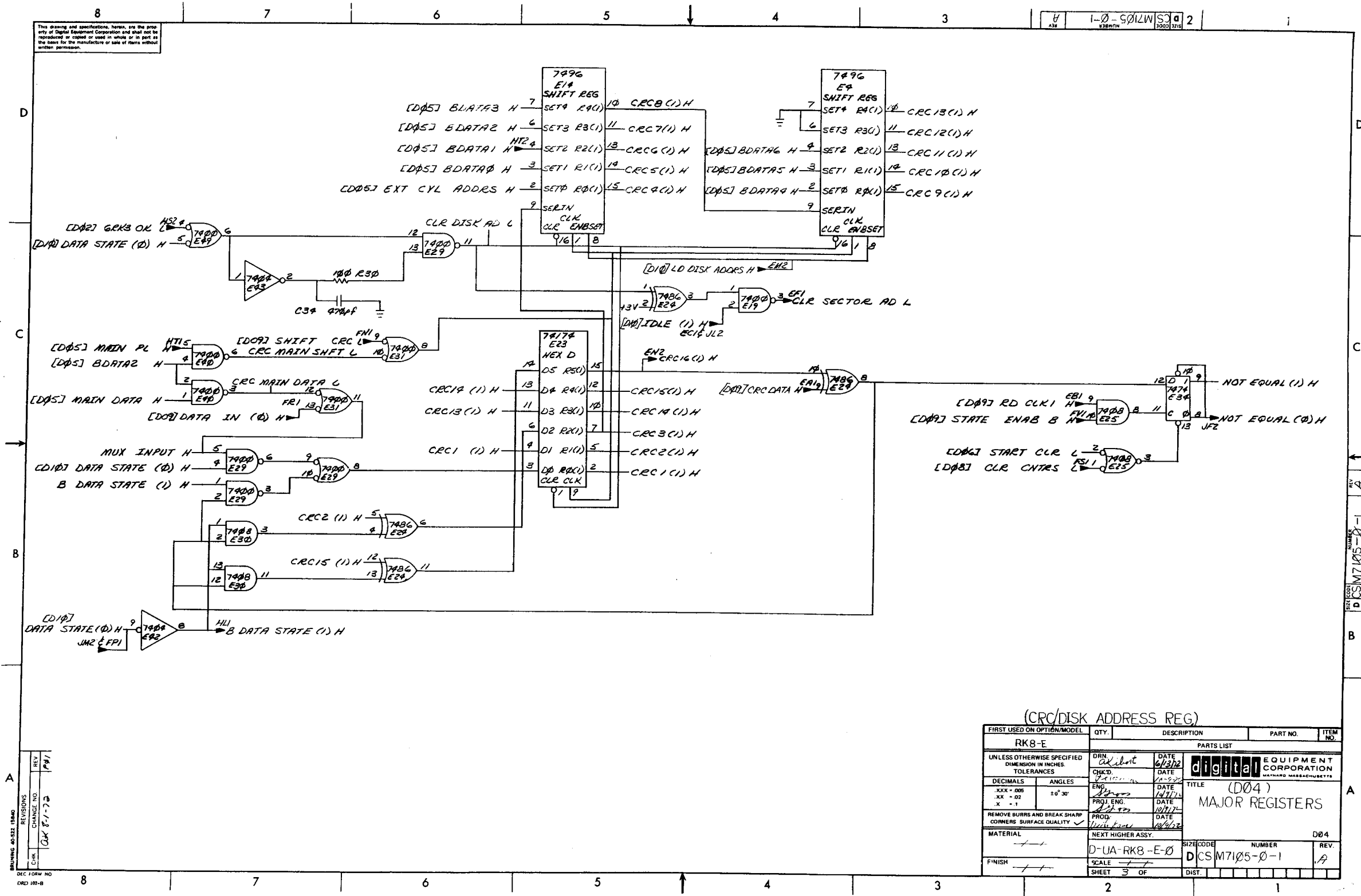
SEMICONDUCTOR CONVERSION CHART

DEC NO. EIA NO. DEC NO. EIA NO.

SIZE CODE NUMBER  
DICS M7105-0-1

This drawing and specifications, herein, are the property of Digital Equipment Corporation and shall not be reproduced or copied or used in whole or in part as the basis for the manufacture or sale of items without written permission.

1-0-5012W S2 2



(CRC/DISK ADDRESS REG)

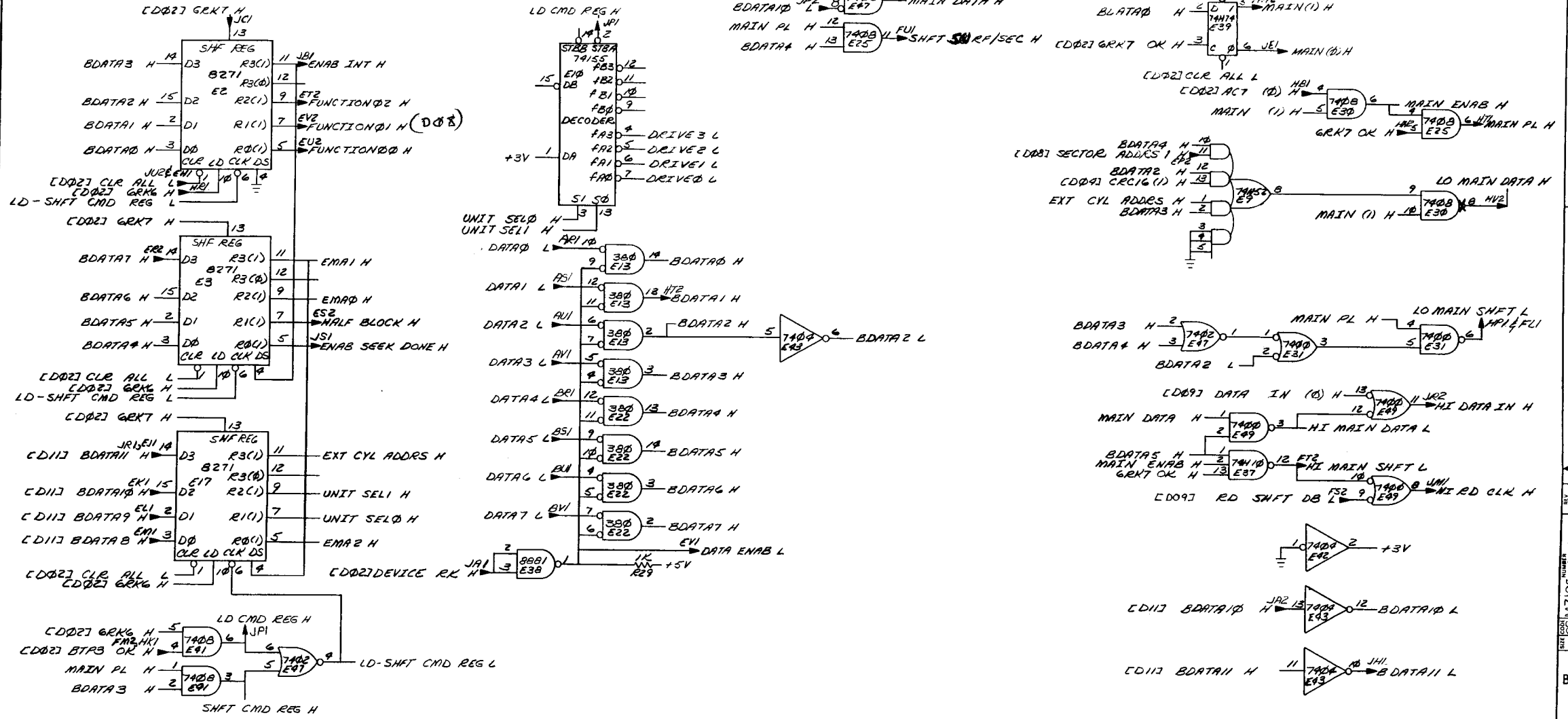
FIRST USED ON OPTION/MODEL	QTY.	DESCRIPTION	PART NO.	ITEM NO.
RK8-E				
UNLESS OTHERWISE SPECIFIED DIMENSION IN INCHES TOLERANCES				
DRN	alibnt	DATE	6/3/72	
CHK'D.		DATE	11-2-72	
ENG.		DATE	12/1/72	
PROJ. ENG.		DATE	10/1/72	
PROD.		DATE	10/4/72	
REMOVED BURRS AND BREAK SHARP CORNERS SURFACE QUALITY				
MATERIAL				D04
NEXT HIGHER ASSY.				
D-UA-RK8-E-0				SIZE CODE
D CS M7105-0-1				NUMBER
SCALE				REV.
SHEET 3 OF				A
DIST.				

REV. 1  
REV. 2  
REV. 3  
REV. 4  
REV. 5  
REV. 6  
REV. 7  
REV. 8  
REV. 9  
REV. 10

REV. A  
REV. B  
REV. C  
REV. D

REV. A

This drawing and specifications, herein, are the property of Digital Equipment Corporation and shall not be reproduced or copied or used in whole or in part as the basis for the manufacture or sale of items without written permission.

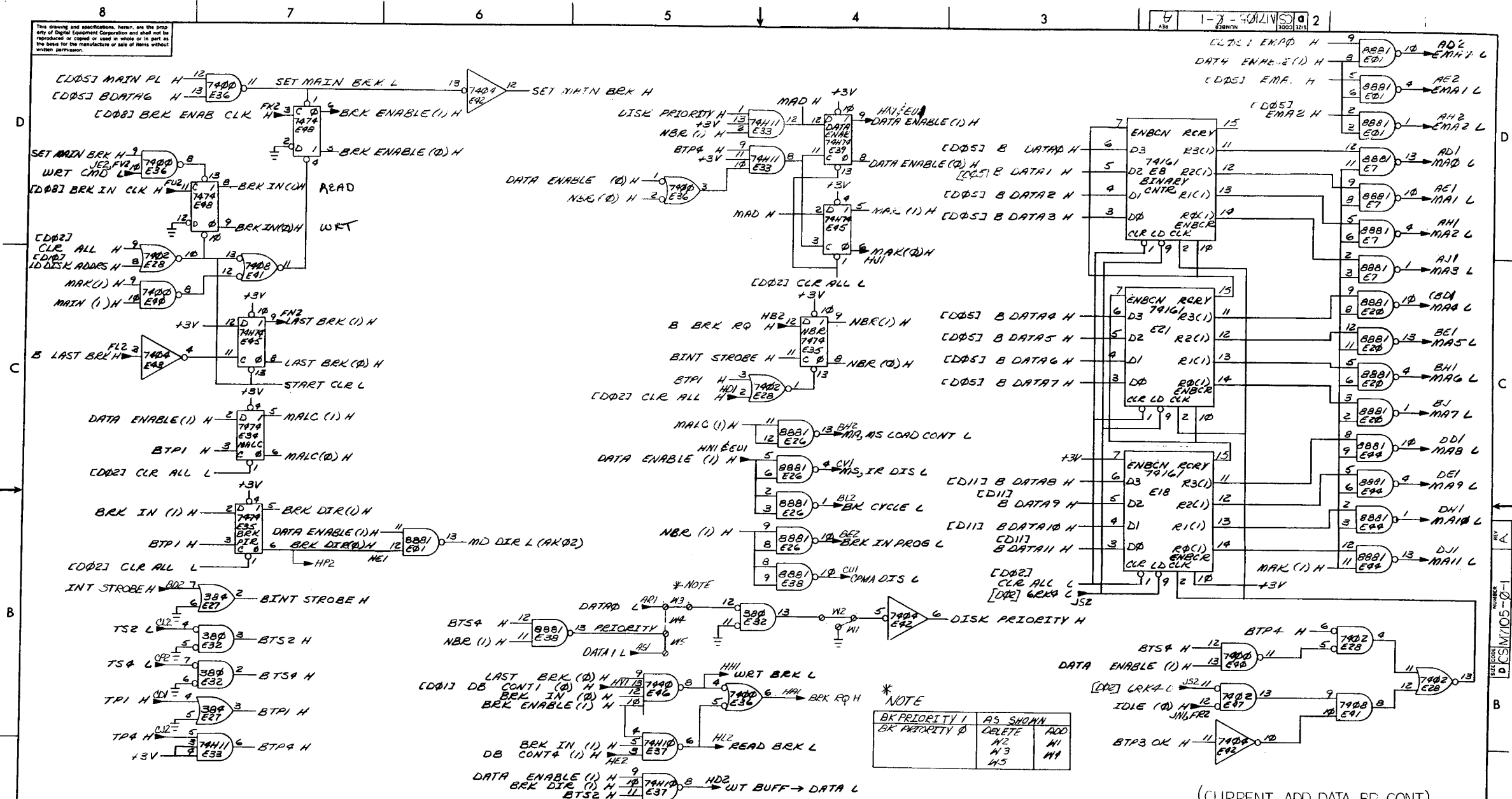


(COMMAND REG. MAINT. LOGIC)

FIRST USED ON OPTION/MODEL	QTY.	DESCRIPTION	PART NO.	ITEM NO.
RKB-E				
PARTS LIST				
UNLESS OTHERWISE SPECIFIED DIMENSION IN INCHES TOLERANCES	DRN W. J. W.	DATE 6-13-71	<b>digital</b> EQUIPMENT CORPORATION MAYNARD MASSACHUSETTS TITLE (D05) MAJOR REGISTER	
DECIMALS	CHK'D J. J. W.	DATE 6-13-71		
ANGLES	ENG. J. J. W.	DATE 6-13-71		
.XXX - .006 .XX - .02 .X - .1	PROJ. ENG. J. J. W.	DATE 6-13-71		
REMOVE BURRS AND BREAK SHARP CORNERS SURFACE QUALITY	PROD. J. J. W.	DATE 6-13-71		
MATERIAL	NEXT HIGHER ASSY.		SIZE CODE	NUMBER
	B-DD-RKB-0		D	CS M7105-0-1
FINISH	SCALE	SHEET	REV	
	4 OF 6	DIST	A	

BRUNING 65-522 15840  
 REVISIONS  
 CHANGE NO. REV. BY  
 10K 3-1-72 P41  
 CHK. DATE  
 DEF. FORM NO. DRD 102-B

This drawing and specifications, herein, are the property of Digital Equipment Corporation and shall not be reproduced or copied or used in whole or in part as the basis for the manufacture or sale of items without written permission.



\* NOTE

BK PRIORITY 1	AS SHOWN	ADD
BK PRIORITY 0	DELETE	W1
	W2	W3
	W4	W5

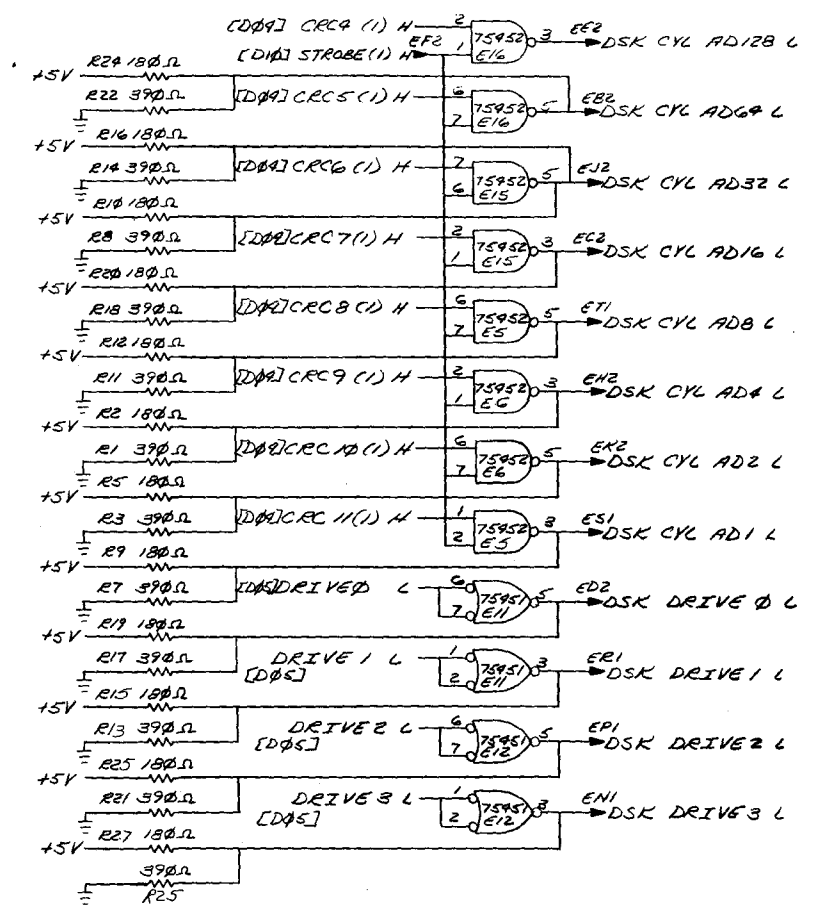
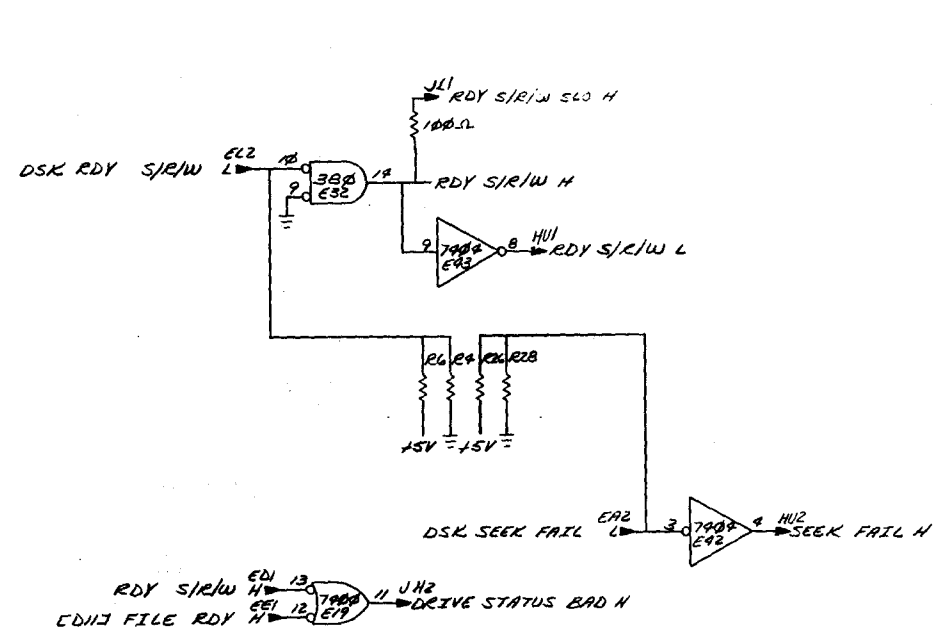
(CURRENT ADD DATA BR CONT.)

FIRST USED ON OPTION/MODEL	QTY.	DESCRIPTION	PART NO.	ITEM NO.
RK8-E				
PARTS LIST				
UNLESS OTHERWISE SPECIFIED	DRN	DATE	digital EQUIPMENT CORPORATION	
TOLERANCES	CHK'D	DATE	MAYNARD MASSACHUSETTS	
DECIMALS	ENG	DATE	TITLE (D06)	
ANGLES	PROJ. ENG	DATE	MAJOR REGISTERS	
XXX - 005	PROD.	DATE		
.XX - 02				
X - 1				
REMOVE BURRS AND BREAK SHARP CORNERS SURFACE QUALITY				
MATERIAL	NEXT HIGHER ASSY.	SIZE CODE	NUMBER	REV.
FINISH	B-DD-RK8-0	D	CSM7105-0-1	A
	SCALE	SHEET	5 OF	
		DIST.		

BRUNING 40-522 10840  
 REVISIONS  
 CHG. NO. 108-1-1  
 DATE 8-1-72  
 DEC FORM NO. DRD 101-B

REV. A  
 DCSM7105-0-1

All drawings and specifications herein are the property of Digital Equipment Corporation and shall not be reproduced or copied or used in whole or in part as the basis for the manufacture or sale of items without written permission.



(DRIVE SIGNALS CABLE J1)

BRUNING 40-522 15840  
 DEC FORM NO 1060 100-B  
 REVISIONS  
 CHANGE NO. 1 REV. 1/72  
 C.K. Q.K. J.F. 1/72  
 1/81

FIRST USED ON OPTION/MODEL	QTY.	DESCRIPTION	PART NO.	ITEM NO.
RK8-E				
PARTS LIST				
UNLESS OTHERWISE SPECIFIED DIMENSION IN INCHES.		DRN <i>Robert</i>	DATE <i>6-27-72</i>	 digital EQUIPMENT CORPORATION MAYNARD MASSACHUSETTS
TOLERANCES		CHK'D <i>Robert</i>	DATE <i>6-27-72</i>	
DECIMALS	ANGLES	ENG <i>Robert</i>	DATE <i>6-27-72</i>	
XXX - .005	20' 30"	PROJ. ENG. <i>Robert</i>	DATE <i>6-27-72</i>	
REMOVE BURRS AND BREAK SHARP CORNERS SURFACE QUALITY		PROD. <i>Robert</i>	DATE <i>6-27-72</i>	TITLE (D07) MAJOR REGISTERS
MATERIAL		NEXT HIGHER ASSY.		SIZE CODE B-DD-RK8-0
FINISH		SCALE		NUMBER DCS M7105-0-1
		SHEET 6 OF		REV A

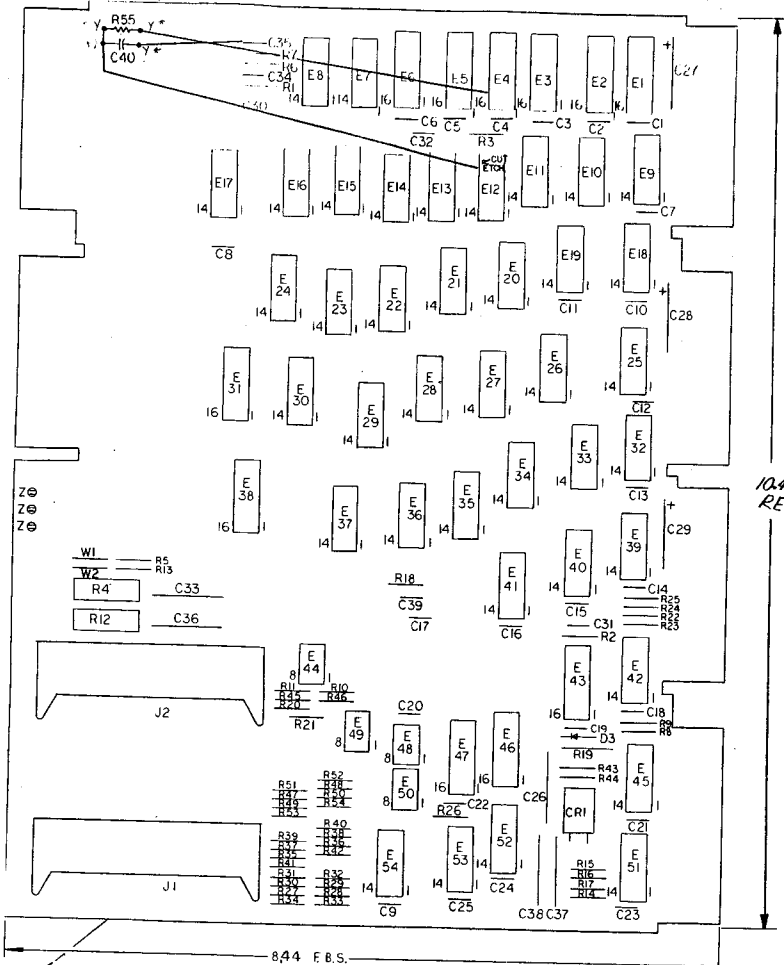
PART NO. DCS M7105-0-1  
 REV. A





This drawing and specifications, herein, are the property of Digital Equipment Corporation and shall not be reproduced or copied or used in whole or in part as the basis for the manufacture or sale of items without written permission.

NOTES:



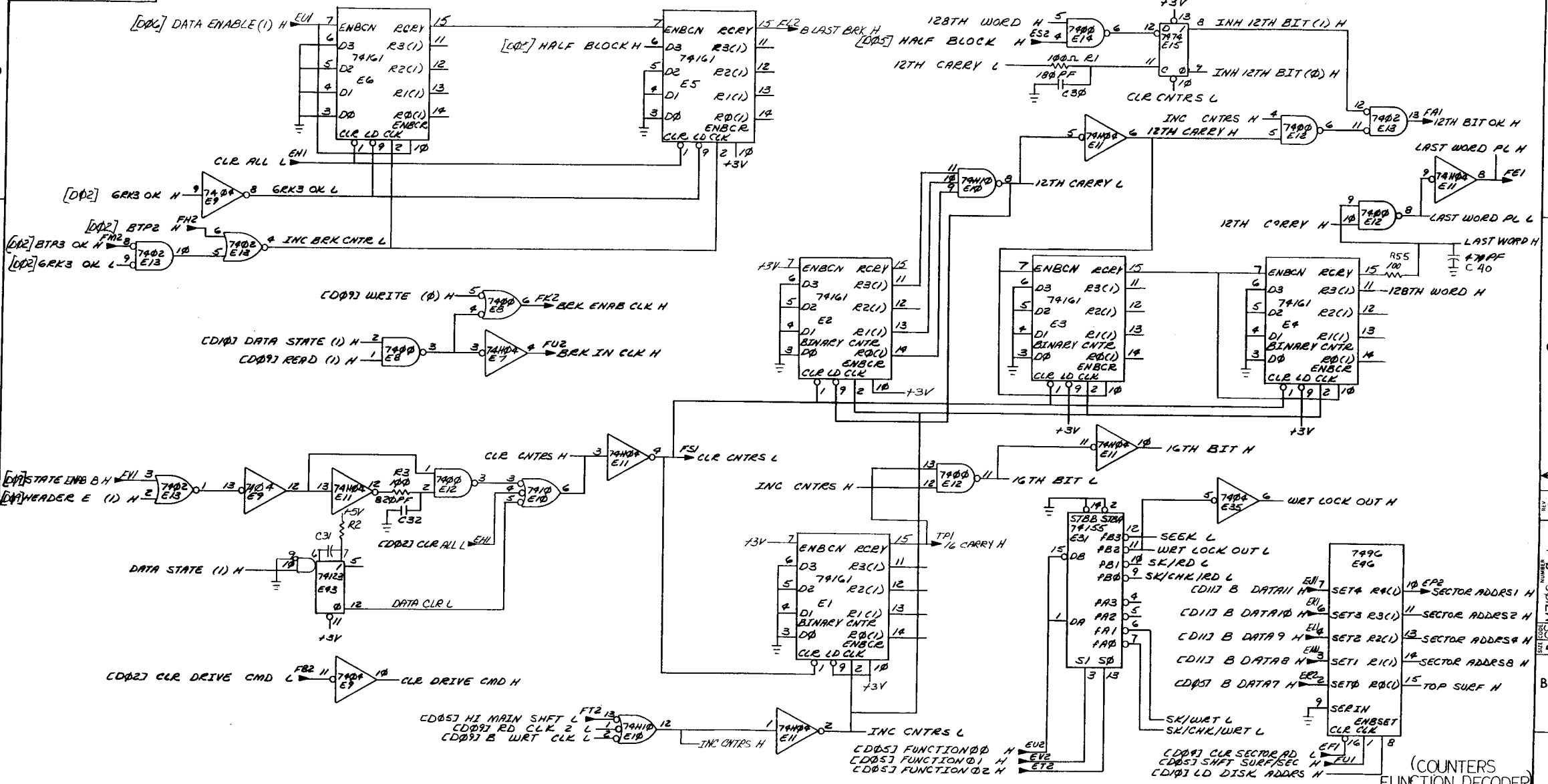
1	E46	I.C. TYPE 7496	1910363	41
1	E47	I.C. TYPE 7485	1910224	40
9	E15, E18 THRU E22, E24, E37, E41	I.C. TYPE 7474	1905597	39
1	E28	I.C. TYPE 74H52	1909061	38
1	E10	I.C. TYPE 74H10	1909057	37
2	E38, E39	I.C. TYPE 7410	1905576	36
2	E16, E32	I.C. TYPE 7408	1910155	35
5	E42, E51 THRU E54	I.C. TYPE 3000	1909485	34
2	E11, E7	I.C. TYPE 74N04	1909931	33
3	E9, E35, E36	I.C. TYPE 7404	1909686	32
6	E13, E23, C26, E28, C30, C40	I.C. TYPE 7402	1909004	31
8	E8, E12, E45, E25, E26, E33, E45	I.C. TYPE 7400	1905575	30
6	E1 THRU E6	I.C. TYPE 74161	1910650	29
4	E44, E48 THRU E50	I.C. TYPE 75452	1910645	28
1	C21	CRYSTAL, 2.88 MHz	1810694-3	27
2	R4, R12	POTENTIOMETER, 10K, 1/4W, 76A0	1309143-10	26
1	R19	RESISTOR, 200K, 1%, 1/4W, MF	1309418	25
6	R6, R9, R6, E7, E18, R55	RESISTOR, 100K, 5%, 1/4W, CC	1300229	24
1	R13	RESISTOR, 20K, 5%, 1/4W, CC	1302391	23
3	R5, R15, R17	RESISTOR, 10K, 5%, 1/4W, CC	1300879	22
1	R2	RESISTOR, 56K, 5%, 1/4W, CC	1301874	21
1	R44	RESISTOR, 3K, 5%, 1/4W, CC	1300432	20
4	R8, R9, R26, R43	RESISTOR, 1K, 5%, 1/4W, CC	1300365	19
2	R16, R10	RESISTOR, 470K, 5%, 1/4W, CC	1300316	18
17	R11, R20, R23, R25, R27, R28, R31, R33, R35, R37, R38, R41, R42, R43, R45, R51, R53	RESISTOR, 390K, 5%, 1/4W, CC	1300309	17
17	R10, R21, R22, R24, R28, R29, R32, R34, R36, R38, R40, R42, R44, R46, R48, R50, R52, R54	RESISTOR, 100K, 5%, 1/4W, CC	1301322	16
1	D3	DIODE D664	1100114	15
2	C33, C36	CAPACITOR, .022UF, 100V, 5%, NYLAC	1002323	14
3	C37, C38, C26	CAPACITOR, 470PF, 100V, 5%, NYLAC	1009312	13
1	C31	CAPACITOR, 100PF, 100V, 5%, DM	1000006	12
1	C32	CAPACITOR, 500PF, 100V, 5%, DM	1000027	11
2	C34, C39	CAPACITOR, 500PF, 100V, 5%, DM	1000025	10
1	C35	CAPACITOR, 330PF, 100V, 5%, DM	1000023	9
1	C30	CAPACITOR, 100PF, 100V, 5%, DM	1000020	8
3	C27 THRU C29	CAPACITOR, 6.2UF, 35V, 20%, TANT	1000067	7
25	C1 THRU C25	CAPACITOR, .01UF, 100V, 20%, DISC	1001610	6
3	TP1 THRU TP3	SPLIT LUG	900735	5
1		ETCHED CIRCUIT BOARD	5010066	4
1		MODULE ECO HISTORY	B-NH-M746-0-3	3
2		ASSY DRILLING HOLE LAYOUT	D-NH-M746-0-3	2
1		X-Y COORDINATE HOLE LOCATION	K-CO-M746-0-4	1

1	C40	CAPACITOR 470PF, 100V, 5%	1000024	48
AR		#30AWG WIRE, SOLID GREEN	9105740-55	47
4		GRIPLETS	1210244-0	46
AWR	W1, W2	INSULATED JUMPER	9009185	45
2	J1, J2	CONN. 40 RT ANGLE	1209941	44 REF
1	E31	I.C. TYPE 74155	1910656	43 REF
2	E38, E43	I.C. TYPE 74123	1910436	42 REF

DEC 390	1	8
DEC 7485	8	16
DEC 7496	5	12
DEC 74155	8	16
DEC 74161	8	16
IC TYPE	GND	+5V
GND AND 5V ARE USUALLY PIN 7 AND 14 RESPECTIVELY EXCEPTS ARE STATED ABOVE		
IC PIN LOCATIONS		

QTY	REF DESIGNATION	DESCRIPTION	PART NO.	ITEM NO.
FIRST USED ON OPTION MODEL				
RKB - E				
ETCH BOARD REV B				
PARTS LIST				
DRN	DATE	digital EQUIPMENT CORPORATION		
CHKD	DATE	MAYNARD, MASSACHUSETTS		
ENG	DATE	TITLE		
PROJ. ENG.	DATE	CONTROL, RKB-E		
PROD.	DATE	NEXT HIGHER ASSY		
D-UA-RKB-E-0				
DEC NO.	EIA NO.	DEC NO.	EIA NO.	SCALE
SEMICONDUCTOR CONVERSION CHART				
SHEET 2 OF 2				

This drawing and specifications, herein, are the property of Digital Equipment Corporation and shall not be reproduced or copied or used in whole or in part as the basis for the manufacture or sale of items without written permission.



(COUNTERS  
FUNCTION DECODER)

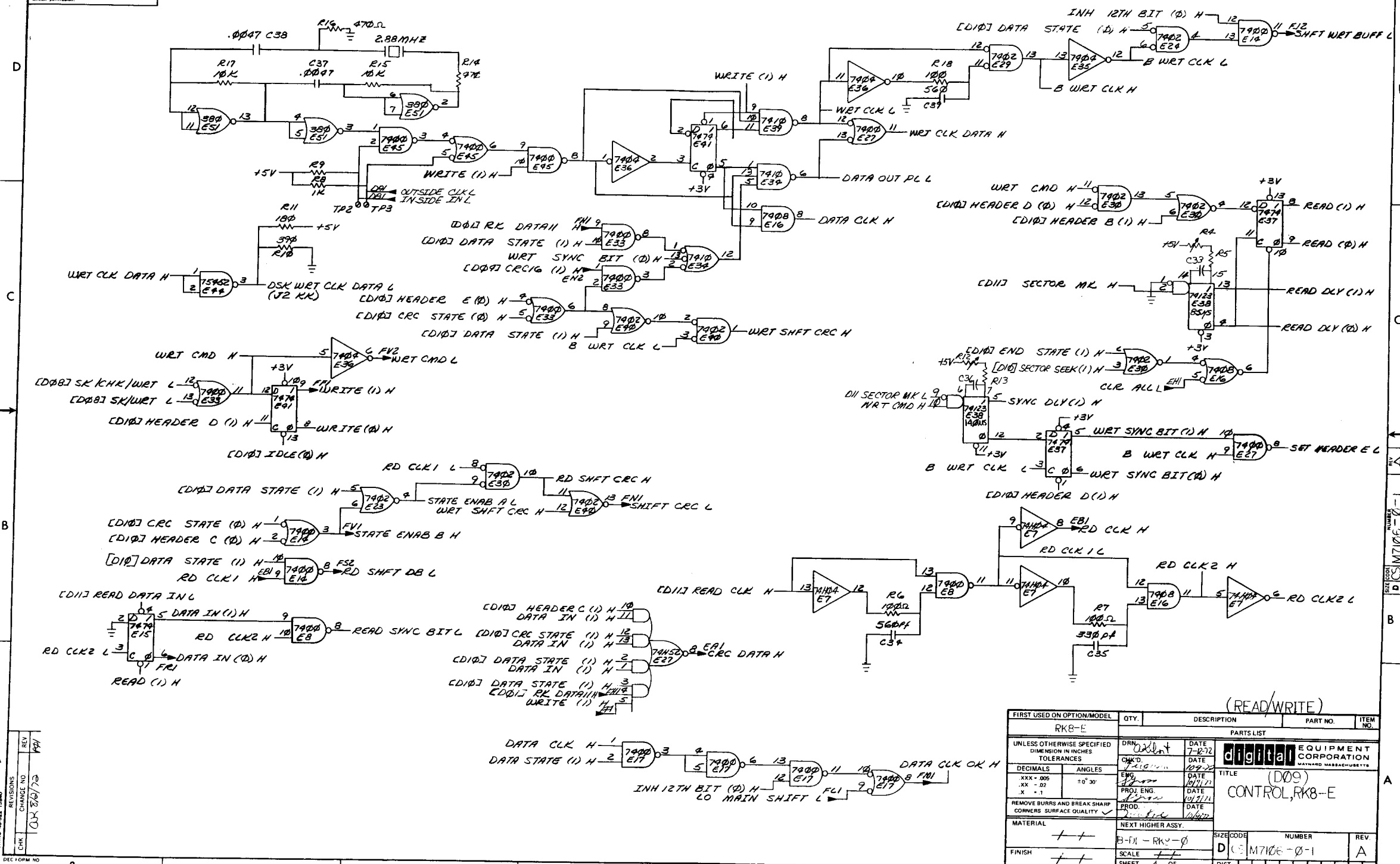
FIRST USED ON OPTION/MODEL	QTY	DESCRIPTION	PART NO.	ITEM NO.																				
RK8-E																								
UNLESS OTHERWISE SPECIFIED DIMENSION IN INCHES. TOLERANCES																								
DECIMALS	ANGLES	PARTS LIST																						
XXX - 005	XX - 02	<table border="1"> <tr> <td>DRN</td> <td>M. P. ...</td> <td>DATE</td> <td>9/15/72</td> </tr> <tr> <td>CHK'D</td> <td></td> <td>DATE</td> <td>10-2-72</td> </tr> <tr> <td>ENG.</td> <td></td> <td>DATE</td> <td>11-11-72</td> </tr> <tr> <td>PROJ. ENG.</td> <td></td> <td>DATE</td> <td>11/17/72</td> </tr> <tr> <td>PROD.</td> <td></td> <td>DATE</td> <td>11/17/72</td> </tr> </table>			DRN	M. P. ...	DATE	9/15/72	CHK'D		DATE	10-2-72	ENG.		DATE	11-11-72	PROJ. ENG.		DATE	11/17/72	PROD.		DATE	11/17/72
DRN	M. P. ...				DATE	9/15/72																		
CHK'D					DATE	10-2-72																		
ENG.					DATE	11-11-72																		
PROJ. ENG.		DATE	11/17/72																					
PROD.		DATE	11/17/72																					
REMOVE BURRS AND BREAK SHARP CORNERS SURFACE QUALITY		TITLE (D08) CONTROL, RK8-E																						
MATERIAL		NEXT HIGHER ASSY.																						
FINISH		SIZE CODE E-DI-RK8-0																						
SCALE		NUMBER DCS M7106-0-1																						
SHEET 3 OF		REV A																						

BRUHLING 40-532 15840  
DEC 10 1972  
REV 1  
REV 2  
REV 3  
REV 4  
REV 5  
REV 6  
REV 7  
REV 8  
REV 9  
REV 10

PART NO. DCS M7106-0-1

This drawing and specifications herein, are the property of Digital Equipment Corporation and shall not be reproduced or copied or used in whole or in part as the basis for the manufacture or sale of items without written permission.

1-0-7121 2



BRUING 4032Z 1840

REV	DATE
1	10/15/73
2	10/15/73

CHK: OK 10/15/73

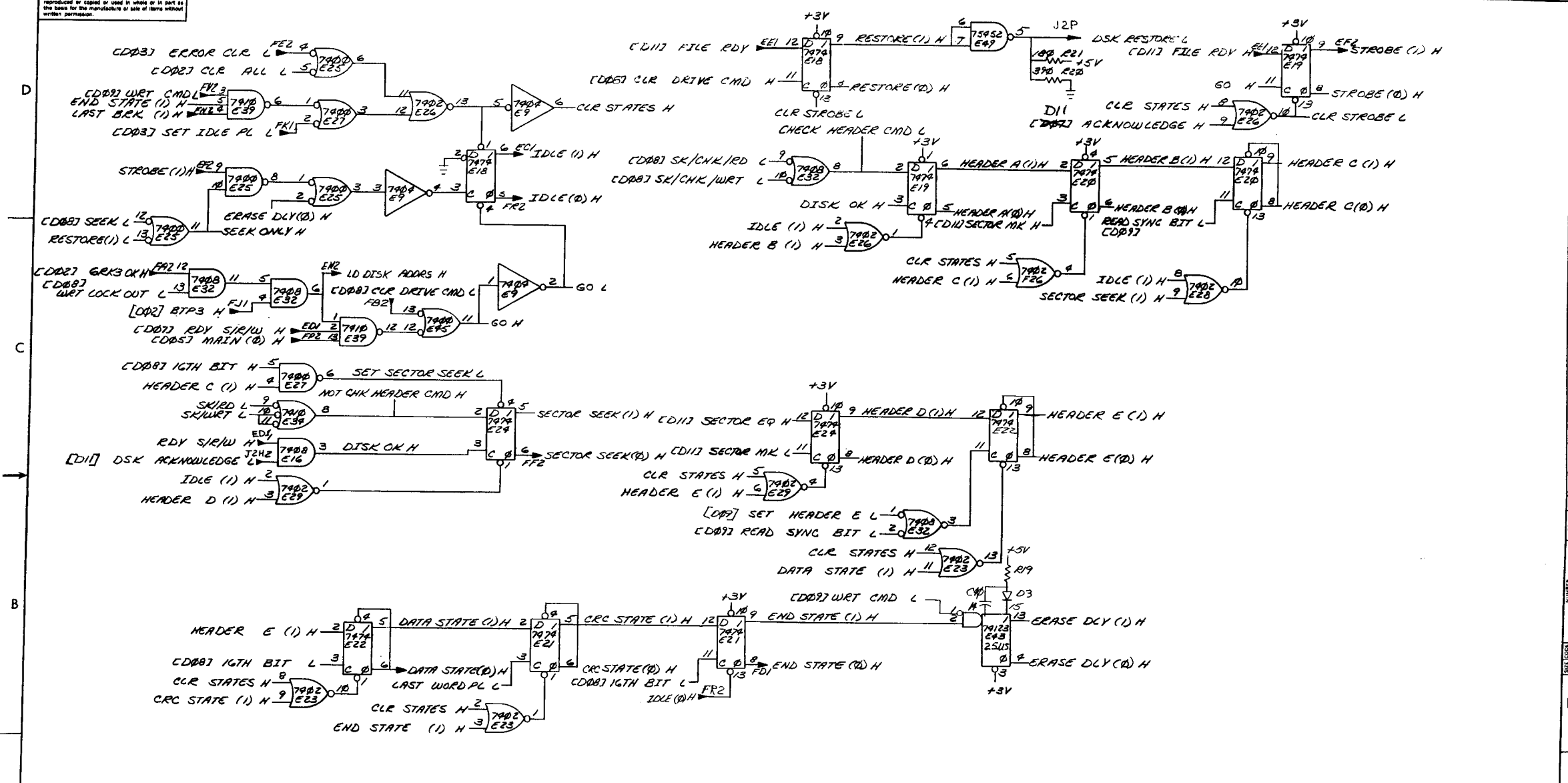
FIRST USED ON OPTION/MODEL	QTY.	DESCRIPTION	PART NO.	ITEM NO.
RK8-E				
PARTS LIST				
UNLESS OTHERWISE SPECIFIED DIMENSION IN INCHES		DATE	7-12-72	
TOLERANCES		CHK'D	DATE	
DECIMALS	ANGLES	ENG	DATE	
XXX - .006	° 0' 30"	PROJ. ENG.	DATE	
X - .1		PROD.	DATE	
REMOVE BURRS AND BREAK SHARP CORNERS SURFACE QUALITY				
MATERIAL		NEXT HIGHER ASSY.		
FINISH		B-FI - RK8-0		
		SCALE	D	
		SHEET	4 OF	
		DIST.	M7106-0-1	
		SIZE CODE	NUMBER	
			REV	
			A	

(READ/WRITE)

SIZE CODE: M7106-0-1

This drawing and specifications herein are the property of Digital Equipment Corporation and shall not be reproduced or copied in whole or in part to be used in the manufacture or sale of items without written permission.

1-0-921LWS 2

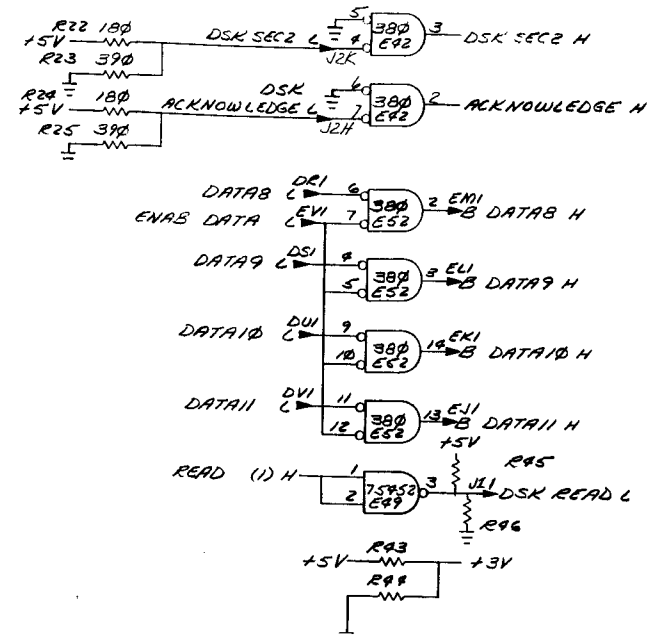
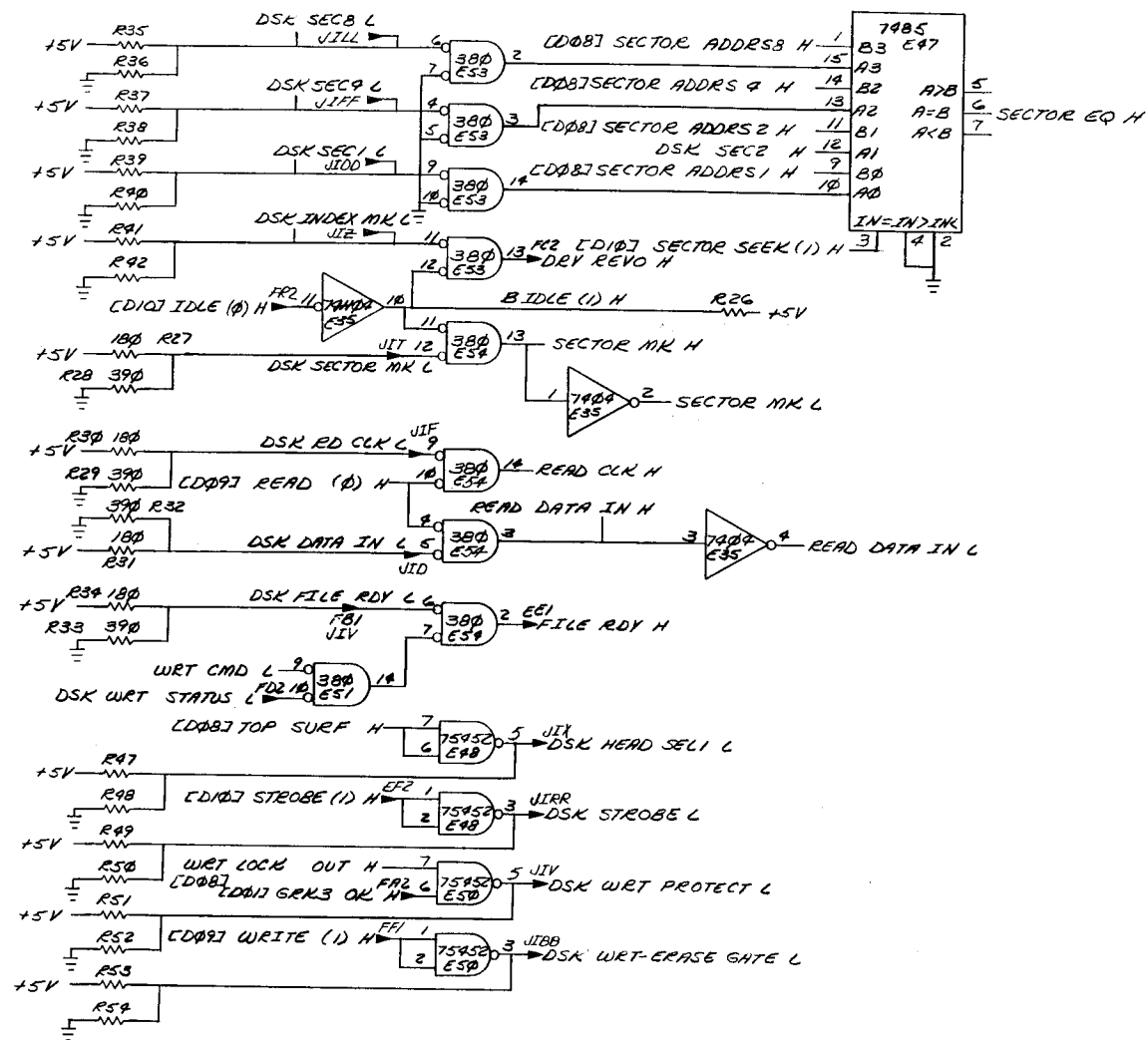


REV	
CHG	
REV	
CHANGE NO	
REV	
NO	

(MAJOR STATES)

FIRST USED ON OPTION/MODEL	QTY	DESCRIPTION	PART NO.	ITEM NO.
RK8-E				
PARTS LIST				
UNLESS OTHERWISE SPECIFIED DIMENSION IN INCHES TOLERANCES	DRAWN <i>advent</i>	DATE 7-14-72	DIGITAL EQUIPMENT CORPORATION MAYNARD MASSACHUSETTS	
DECIMALS	ANGLES	CHK'D	DATE 12-7-72	TITLE (D10) CONTROL, RK8-E
.XXX - .005	20° 30'	ENG	DATE 11/17/72	
.XX - .02		PROJ. ENG.	DATE 11/17/72	
.X - .1		PROD.	DATE 11/17/72	
REMOVE BURRS AND BREAK SHARP CORNERS SURFACE QUALITY				
MATERIAL	NEXT HIGHER ASSY.		SIZE CODE	NUMBER
FINISH	B-DI - RK8-E	SCALE	DCS	M7106-2-1
	SHEET 5	OF	DIST	

This drawing and specifications, herein, are the property of Digital Equipment Corporation and shall not be reproduced or copied or used in whole or in part as the basis for the manufacture or sale of items without written permission.



J2

UU	DSK CYL ADB L	E71
SS	DSK CYL AD2 L	E72
PP	DSK CYL AD3 L	E73
MM	DSK CYL AD16 L	E74
KK	DSK WRT CLK DATA L	E44-3
HH	DSK CYL AD12A L	E75
EE	DSK RDY SIR/W L	E76
CC	DSK CYL AD 32 L	E77
AA	DSK DRIVE 0 L	E78
Y	DSK CYL AD1 L	E79
W	DSK DRIVE 1 L	E80
U	DSK CYL AD4 L	E81
S	DSK DRIVE 2 L	E82
P	DSK RESTORE L	E83
M	DSK DRIVE 3 L	E84-5
K	DSK SEC 2 L	E85
H	DSK ACKNOWLEDGE L	E86-4
E	DSK SEEK FAIL L	E87-7
C	DSK CAPACITY EX L	E88

J1

D	DSK DATA IN L	E54-5
F	DSK RD CLK L	E54-9
V	DSK WRT PROTECT L	E54-9
L	DSK READ L	E54-5
R	DSK WRT STATUS L	E49-3
T	DSK SECTOR MK L	F02
Y	DSK FILE RDY L	E54-6
X	DSK HEAD SEL L	E48-5
BB	DSK INDEX MK L	E53-11
DD	DSK WRT-ERASE GATE L	E54-3
FF	DSK SEC 1 L	E53-9
LL	DSK SEC 4 L	E53-4
RR	DSK SEC 8 L	E53-6
	DSK STROBE L	E48-3

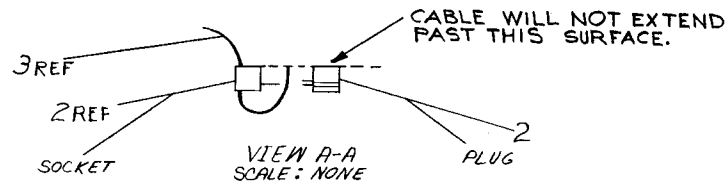
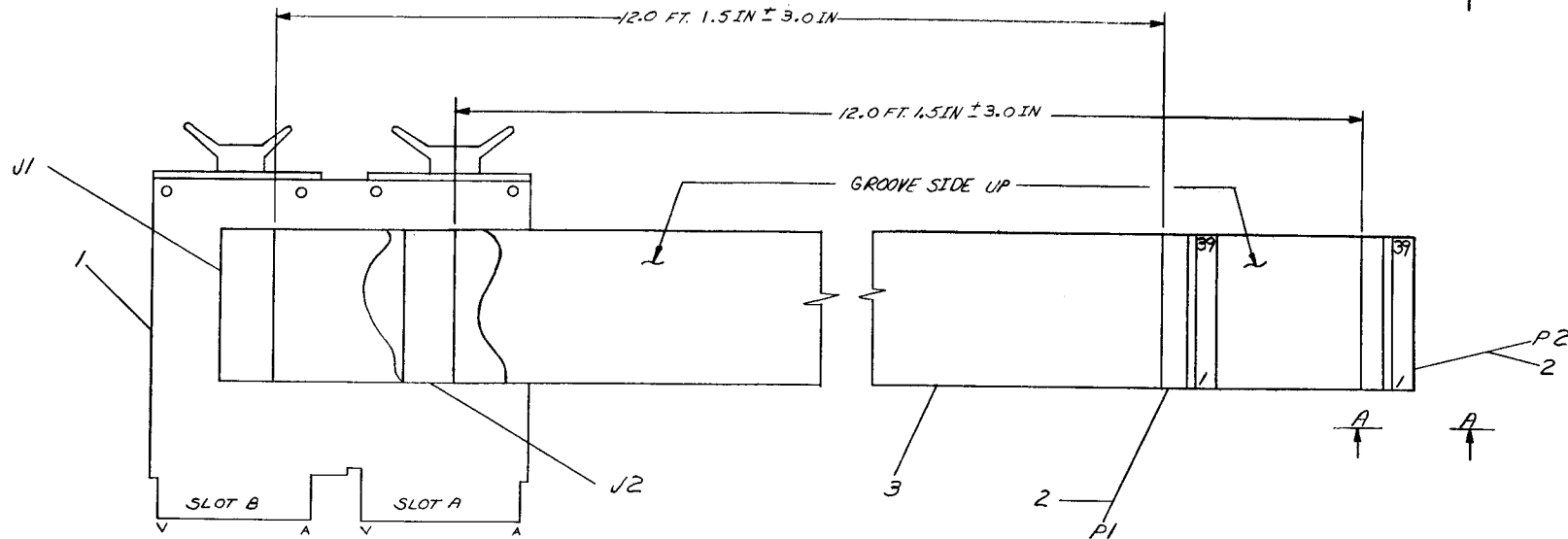
(DRIVE SIGNALS CABLE J2 DRIVERS)

FIRST USED ON OPTION/MODEL	QTY.	DESCRIPTION	PART NO.	ITEM NO.
RK8-E		PARTS LIST		
UNLESS OTHERWISE SPECIFIED DIMENSION IN INCHES TOLERANCES	DRN 7-19-72	DATE	digital EQUIPMENT CORPORATION	
DECIMALS	CHK'D 7-19-72	DATE	MAYHARD MASSACHUSETTS	
ANGLES	ENG 7-19-72	DATE	TITLE (DIP) CONTROL, RK8-E	
XXX + .005	PROJ. ENG. 7-19-72	DATE		
.XX - .02	PROD. 7-19-72	DATE		
X - .1		DATE		
REMOVE BURRS AND BREAK SHARP CORNERS SURFACE QUALITY	PROD. 7-19-72	DATE		
MATERIAL	NEXT HIGHER ASSY.			
FINISH	B-1-L-RK8-R	SIZE CODE	NUMBER	REV
	SCALE	D	CS M7106-0-1	A.
	SHEET 6 OF	DIST.		

BRILLING 40-322 18460  
 DEC 1 FORM NO. DRD 102-B  
 REVISIONS  
 CHANGE NO. 001 3/16/70  
 CHK. 001 3/16/70  
 REV. 1/1

This drawing and specifications, herein, are the property of Digital Equipment Corporation and shall not be reproduced or copied or used in whole or in part as the basis for the manufacture or sale of items without written permission.

NOTES:  
 1. CABLE TO BE WIRED WITH GROOVE SIDE UP.  
 2. WHEN ATTACHING CONN (ITEM #2) TO CABLE (ITEM #3) USE SCOTCHFLEX LOCATOR PLATE # 3443-24 AND SCOTCHFLEX ASSY. PRESS # 344-5 FROM 3M COMPANY.  
 3. TAPE CABLE ≈ EVERY 1.5 FEET.



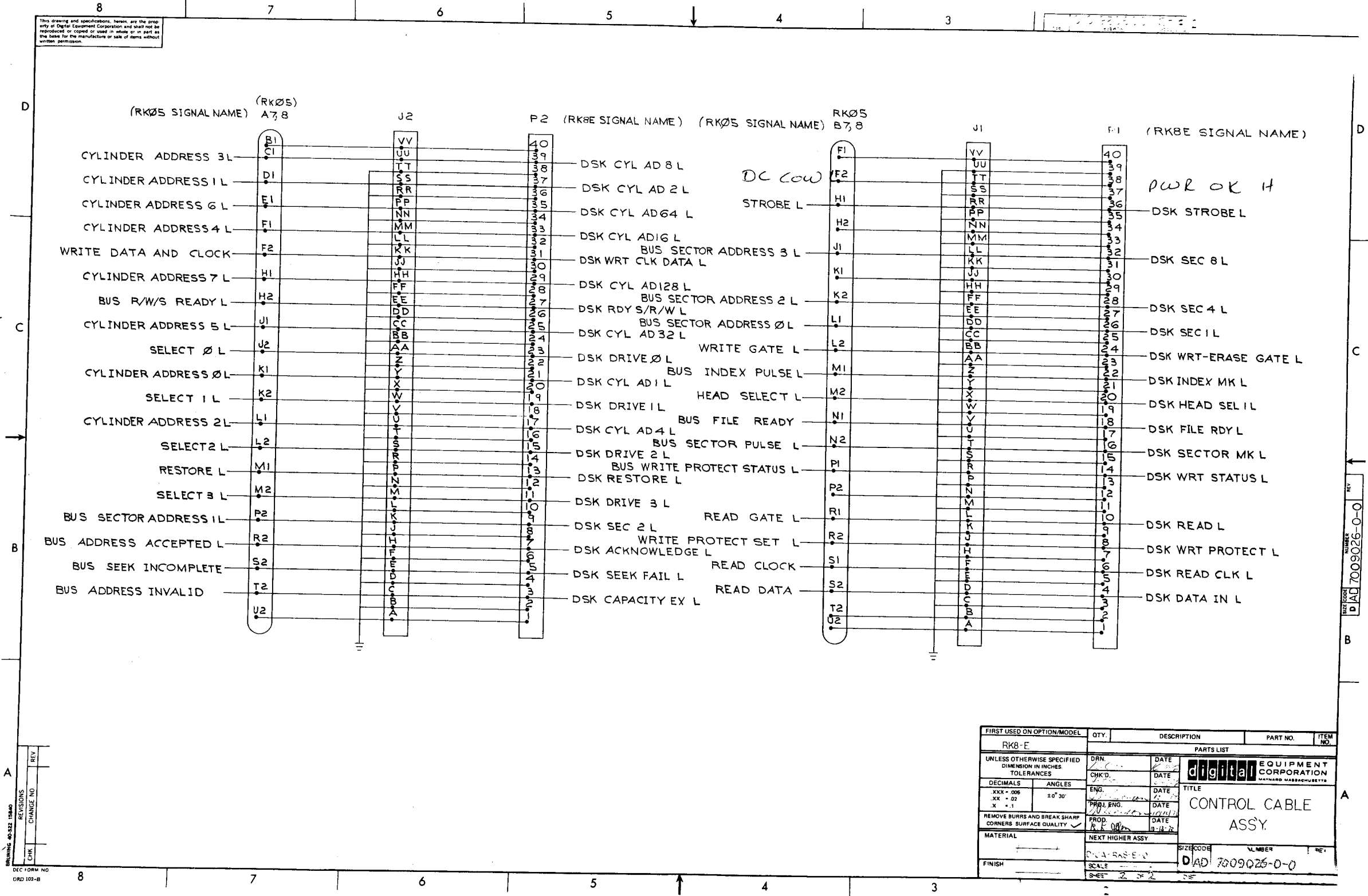
A/R	TAPE, ELECTRICAL WHI	9008880	4
2	CABLE 40 CONDUCTOR 30 ANG	910777-01	3
2	SCOTCHFLEX CONN #3443-24	12/1206	2
1	RK8-E CONTROL CABLE MOD D-CS-1433-A-1		1

FIRST USED ON OPTION/MODEL		PARTS LIST	
QTY.	DESCRIPTION	PART NO.	ITEM NO.
RK8-E			
UNLESS OTHERWISE SPECIFIED DIMENSION IN INCHES. TOLERANCES		DRN. <i>M. B. R.</i> DATE <i>8/1/72</i>	 digital EQUIPMENT CORPORATION MAYNARD MASSACHUSETTS
DECIMALS .XXX - .005 .XX - .02 .X - .1		CHK'D. DATE	
ANGLES ±0° 30'		ENG. DATE	TITLE CONTROL CABLE ASSY
REMOVE BURRS AND BREAK SHARP CORNERS SURFACE QUALITY ✓		PROJ. ENG. DATE	
MATERIAL		PROD. DATE	NEXT HIGHER ASSY. D-UA-RK8-E-0 SCALE NONE SHEET 1 OF 2
FINISH		DATE	
		SIZE CODE NUMBER REV. D AD 7009026-0-0 DIST	

BRUNING 40-107 15848  
 REVISIONS  
 CHANGE NO.  
 REV.  
 CHK.

REV.  
 NUMBER  
 D AD 7009026-0-0

This drawing and specifications, herein, are the property of Digital Equipment Corporation and shall not be reproduced or copied or used in whole or in part as the basis for the manufacture or sale of items without written permission.



BRUNING 40-522 15840  
 DEC FORM NO  
 ORD 102-B

FIRST USED ON OPTION/MODEL	QTY.	DESCRIPTION	PART NO.	ITEM NO.
RK8-E				
UNLESS OTHERWISE SPECIFIED DIMENSION IN INCHES		PARTS LIST		
TOLERANCES	DRN	DATE	<b>digital</b> EQUIPMENT CORPORATION MAYNARD MASSACHUSETTS	
DECIMALS	CHK'D	DATE		
ANGLES	ENG.	DATE	TITLE	
.XXX ± .006		DATE	CONTROL CABLE ASSY.	
.XX ± .02	PRD. ENG.	DATE		
.X ± .1	PROD.	DATE		
REMOVE BURRS AND BREAK SHARP CORNERS SURFACE QUALITY				
MATERIAL	NEXT HIGHER ASSY.			
FINISH			SIZE CODE	NUMBER
			D1AD	7009026-0-0
			SCALE	
			SHEET	

REV  
 NUMBER  
 D1AD 7009026-0-0

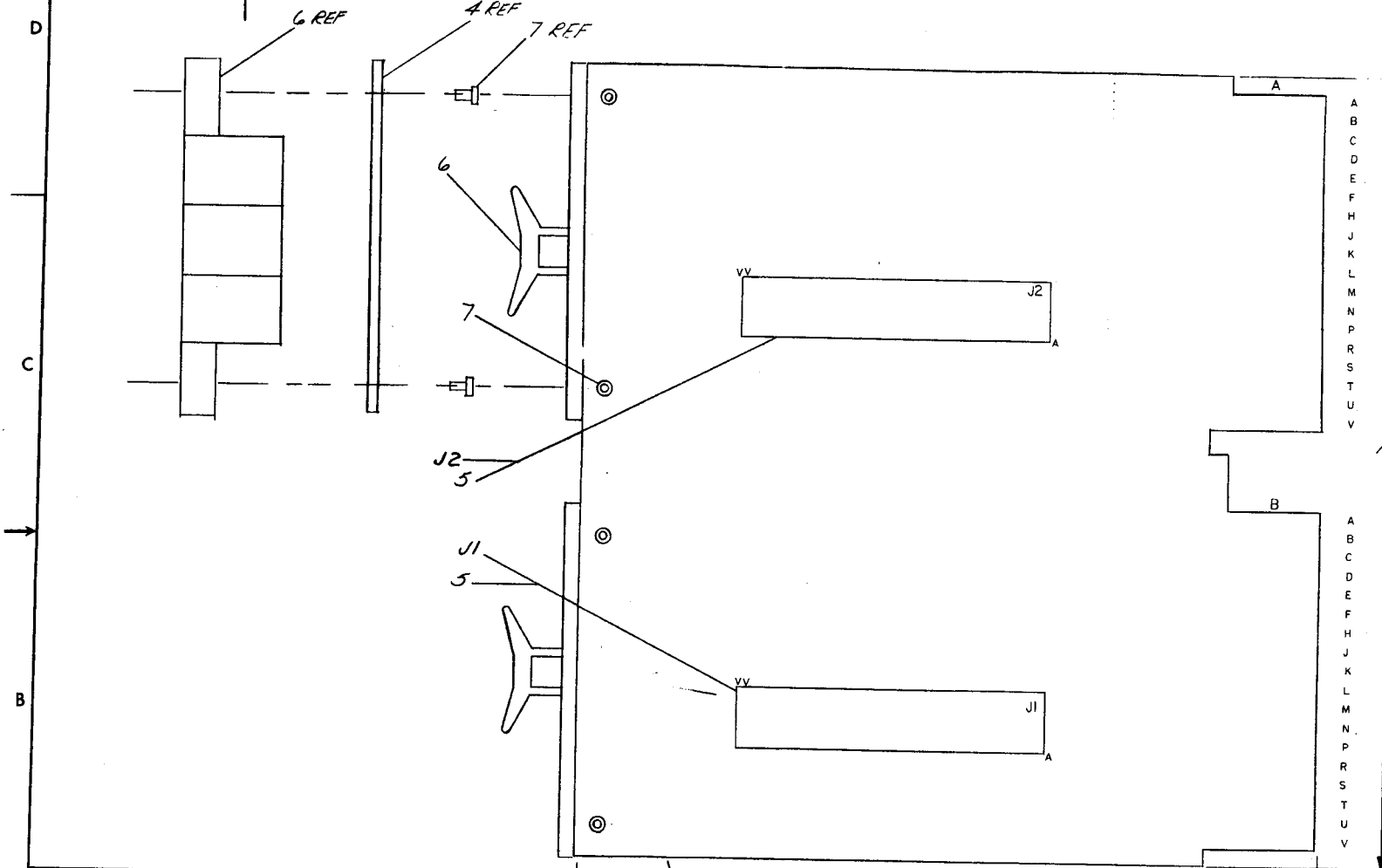




This drawing and specifications, herein, are the property of Digital Equipment Corporation and shall not be reproduced or copied or used in whole or in part as the basis for the manufacture or sale of items without written permission.

NOTES:

1-0-966W SD 2



IC TYPE	GND	+5V

IC PIN LOCATIONS

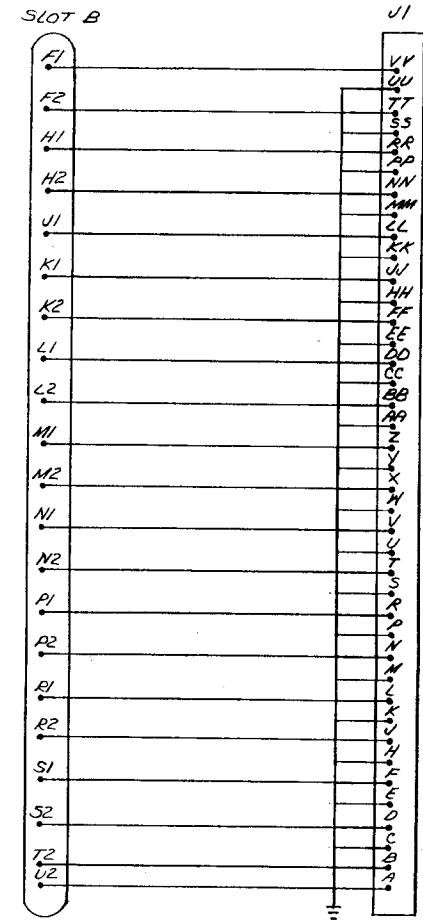
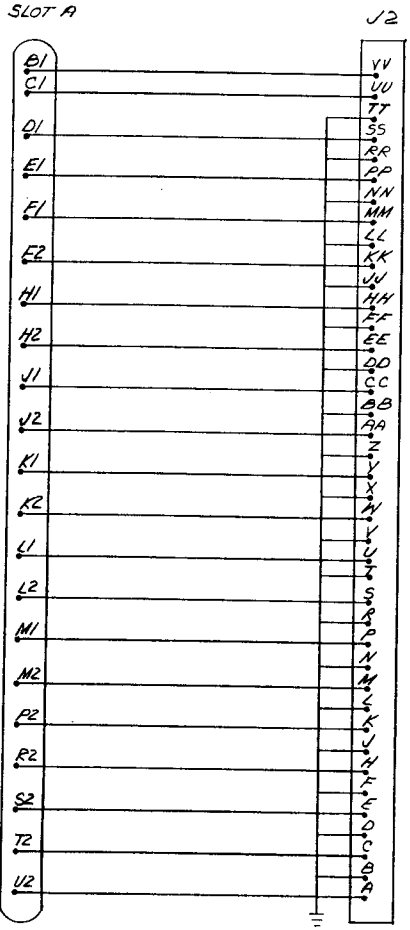
QTY	REF DESIGNATION	DESCRIPTION	PART NO.	ITEM NO.
4		EYELET, GS#4-7 EB. STIMPSON	9004732	7
2		HANDLE, FLIP-CHIP, MAGENTA	9008337-06	6
2	J1, J2	CONN. 3M (#8 PINS)	1210073-0	5
1		ETCHED CIRCUIT BOARD	5010178	4
REF		MODULE ECO HISTORY	B-MH-M993-0-0	3
REF		ASSY/DRILLING HOLE LAYOUT	D-AM-M993-0-5	2
REF		X-Y COORDINATE HOLE LOCATION	D-CO-M993-0-4	1

FIRST USED ON OPTION MODEL		PARTS LIST	
RK8-E		ETCH BOARD REV A	
DRN	axibnt	DATE	12/4/72
CHKD		DATE	
ENGR		DATE	
PRD. ENGR		DATE	
PROD.	R + Oth	DATE	12-2-72
NEXT HIGHER ASSY		D-AD-7009026-0	
DEC NO.	EIA NO.	DEC NO.	EIA NO.
SEMICONDUCTOR CONVERSION CHART		SCALE NONE	
CHK	CHANGE NO.	REV	
TITLE		RK8-E CONTROL CABLE MODULE	
SIZE CODE	D	NUMBER	CS M993-0-1
SHEET	2	OF 3	

REV  
 NUMBER  
 CS-M993-0-1

This drawing and specifications, herein, are the property of Digital Equipment Corporation and shall not be reproduced or copied or used in whole or in part as the basis for the manufacture or sale of items without written permission.

REV. NO. 2  
CS M993-Ø-1  
DATE 10-13-72



BRUNING 40-522 15840  
DEC 1 DRW NO DRD 102-B

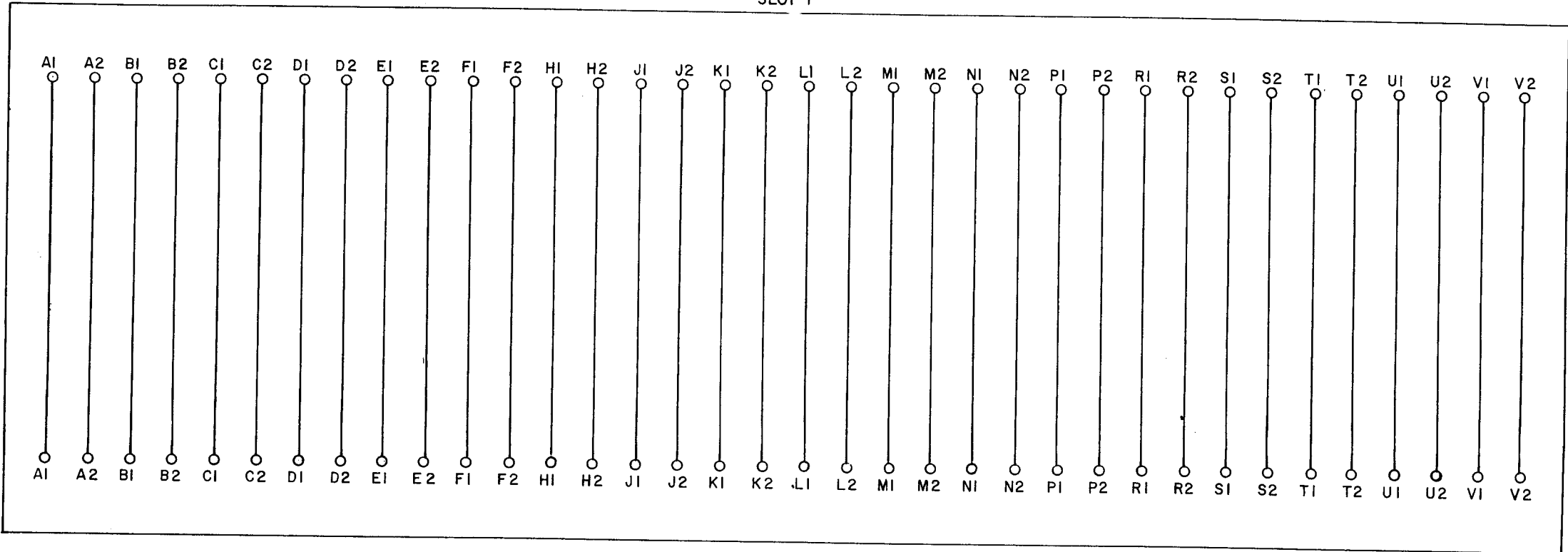
REV.
CHANGE NO.
REVISIONS

FIRST USED ON OPTION/MODEL RK8-E	QTY.	DESCRIPTION	PART NO.	ITEM NO.
PARTS LIST				
UNLESS OTHERWISE SPECIFIED DIMENSION IN INCHES TOLERANCES	DRN. M. P. [Signature]	DATE 10/17/72	<b>digital</b> EQUIPMENT CORPORATION NATURAL MASSACHUSETTS	
DECIMALS XXX - 006 XX - 02 X - .1	ANGLS ±0° 30'	CHKD. [Signature]	DATE 10/22/72	TITLE RK8 CONTROL CABLE MODULE
REMOVE BURRS AND BREAK SHARP CORNERS SURFACE QUALITY ✓		PROJ. ENG. [Signature]	DATE 10-13-72	
MATERIAL	NEXT HIGHER ASSY.		SIZE CODE D-AD 7009026 0-0	NUMBER CS M993-Ø-1
FINISH	SCALE	SHEET 3 OF 3	DIST.	REV.

THIS SCHEMATIC IS FURNISHED ONLY FOR TEST AND MAINTENANCE PURPOSES. THE CIRCUITS ARE PROPRIETARY IN NATURE AND SHOULD BE TREATED ACCORDINGLY. COPYRIGHT 1970 BY DIGITAL EQUIPMENT CORPORATION

REV. B  
 NUMBER H851-0-1  
 SIZE CODE B CS

SLOT 1



SLOT 2

UNLESS OTHERWISE INDICATED:  
 CONNECTOR IS A 1210152

REVISIONS	CHK	CHG NO.	REV.
		00002	B
P. GARDNER			
J.G.P. P.G.			

DRN. jeanne french	DATE 7/29/70
CHK'D <i>[Signature]</i>	DATE 1-29-71
ENG. <i>[Signature]</i>	DATE 1-29-71
PROD.	DATE

TRANSISTOR & DIODE CONVERSION CHART			
DEC	EIA	DEC	EIA

**digital**  
 EQUIPMENT CORPORATION  
 MAYNARD, MASSACHUSETTS

TITLE EDGE CONNECTOR H851			
SIZE B	CODE CS	NUMBER H851-0-1	REV. B
PRINTED CIRCUIT REV.			C



# DRAWING DIRECTORY

## CUSTOMER PRINT SET INDEX

THIS IS PRINT SET

- DRAWING DIRECTORY
- MODULE UTILIZATION LIST
- READ/WRITE
- INDEX SECTOR
- CONTROL & INTERLOCK
- TRACK ADDRESS DIFFERENCE
- POSITION SERVO PREAMP
- SERVO POWER AMP CIRCUIT
- CONTROL PANEL CIRCUIT
- RELAY BOARD CIRCUIT
- CHASSIS WIRING
- WIRE LIST
- ACCESSORY LIST

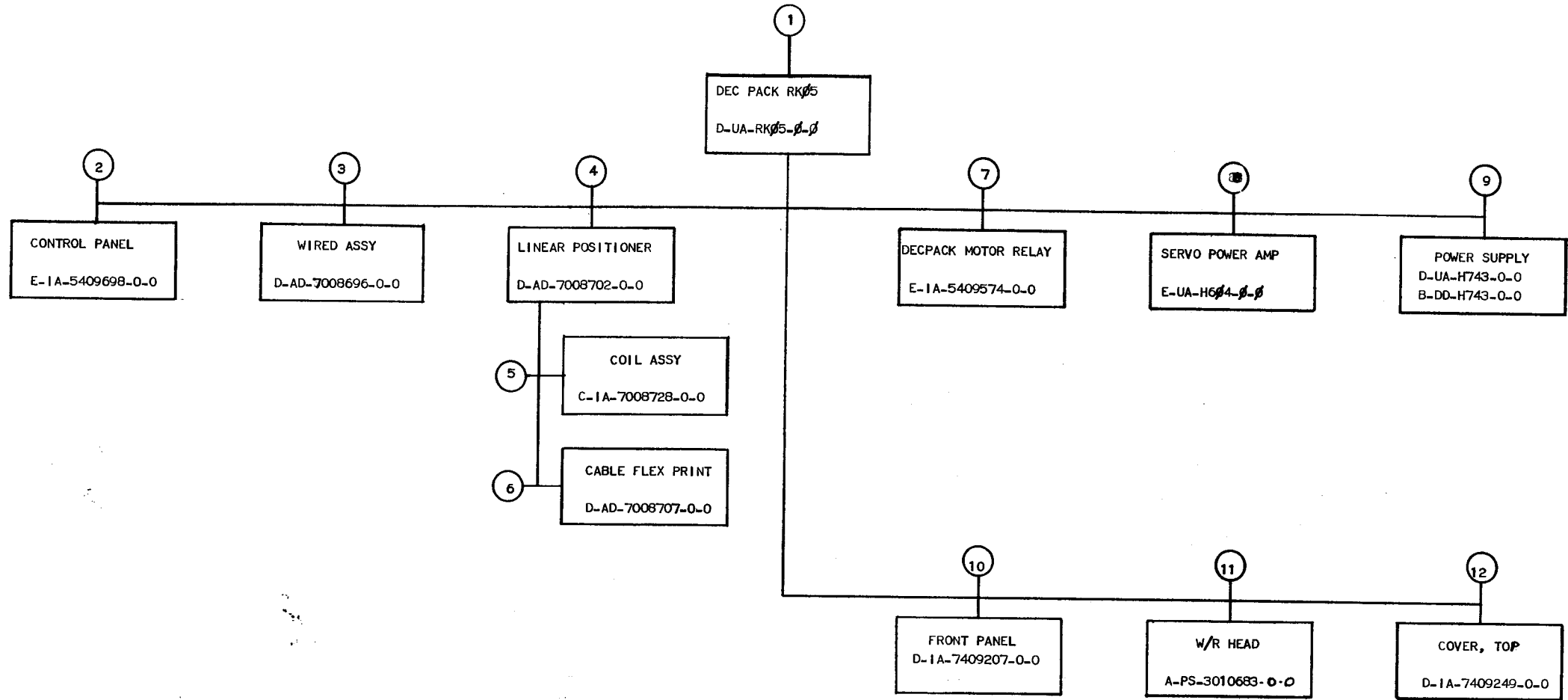
SEQUENCE B-DD-RK05-0 SHEET #1 ONLY   
 C-MU-RK05-0-2  
 D-CS-G100-0-1  
 D-CS-M7700-0-1  
 D-CS-M7702-0-1  
 D-CS-M7701-0-1  
 D-CS-G938-0-1  
 D-CS-H604-0-1  
 D-CS-5409698-0-1  
 D-CS-5409574-0-1  
 D-BD-RK05-0-1  
 K-WL-RK05-0-3  
 A-AL-RK05-0-17

SEQUENCE T

UNIT VARIATIONS		PRINT SET TYPE				
VARIATION	TITLE	RK05-0				
RK05-AA	DECPACK 115V 60HZ	X				
RK05-AB	DECPACK 230V 60HZ	X				
RK05-BA	DECPACK 115V 50HZ	X				
RK05-BB	DECPACK 230V 50HZ	X				

REVISIONS	DATE	CHG. NO.	REV
	<i>GA</i>	RK05-14	A
	<i>ES</i>	RK05-16	B
	<i>AK</i>	RK05-23	C

USED ON OPTION/MODEL		DRN.	DATE	TITLE			
		J. FLEMING	1/26/72	DECPACK ASSY			
		<i>CHK'D</i>	DATE				
		<i>PROJ ENG.</i>	DATE				
		<i>PROD.</i>	DATE				
		<i>FIELD SERV.</i>	DATE				
		SHEET 1 OF 5	DIST	SIZE B	CODE DD	NUMBER RK05-0	REV C



TITLE	SIZE	CODE	NUMBER	REV
DECPACK ASSY	B	DD	RK05-β	C
SHEET 2 OF 5				



