

THE DIMENSIONS AND SPECIFICATIONS HEREIN ARE THE PROPERTY OF DIGITAL EQUIPMENT CORPORATION AND SHALL NOT BE REPRODUCED OR COPIED OR USED IN WHOLE OR IN PART AS THE BASIS FOR THE MANUFACTURE OR SALE OF ITEMS WITHOUT WRITTEN PERMISSION. COPYRIGHT © 1973, DIGITAL EQUIPMENT CORPORATION.

Y VARIATION CHART

COMPONENTS	M8349 YA	M8349 YC	M8349 YD	M8349
I.C. DEC 1702A	E26, E50	E26, E32, E38, E42, E50, E55	E26, E32, E50	E20, E26, E32, E38, E42, E50, E55
I.C. DEC 5384	E4, E24, E51	E4, E24, E51	E4, E24, E51	E4, E10, E24, E27, E43, E51
JUMPER YA1 SEE NOTE 6	IN	IN	IN	OUT
JUMPER YA2	IN	IN	IN	OUT
I.C. DEC 74151	0	0	0	E16
I.C. DEC 74200	0	0	0	E2, E7, E11, E15, E19, E23, E25, E28, E33, E37, E41, E46

* DIODE & JUMPER SETTINGS FOR ADDRESS DEFINITIONS

MEMORY FIELD SELECT	DIODE					
	D3	D4	D5	D6	D9	D10
0	1	1	1	1	1	1
1	1	1	1	1	1	1
2	1	1	1	1	1	1
3	1	1	1	1	1	1
4	1	1	1	1	1	1
5	1	1	1	1	1	1
6	1	1	1	1	1	1
7	1	1	1	1	1	1

FIRST MEMORY ADDRESS	DIODE			
	D7	D8	D11	D12
0000	1	1	1	1
2000	1	1	1	1
4000	1	1	1	1
6000	1	1	1	1

STARTING MEMORY ADDRESS	JUMPERS BELOW		
	R1	R2	R3
0000	1	1	1
0200	1	1	1
2000	1	1	1
2200	1	1	1
4000	1	1	1
4200	1	1	1
6000	1	1	1
6200	1	1	1

'SW' OR 'BOOT' FIELD SELECT	JUMPER BELOW		
	R4	R5	R6
0	1	1	1
1	1	1	1
2	1	1	1
3	1	1	1
4	1	1	1
5	1	1	1
6	1	1	1
7	1	1	1

* 1 = DIODE OR JUMPER IN
- = DIODE OR JUMPER OUT

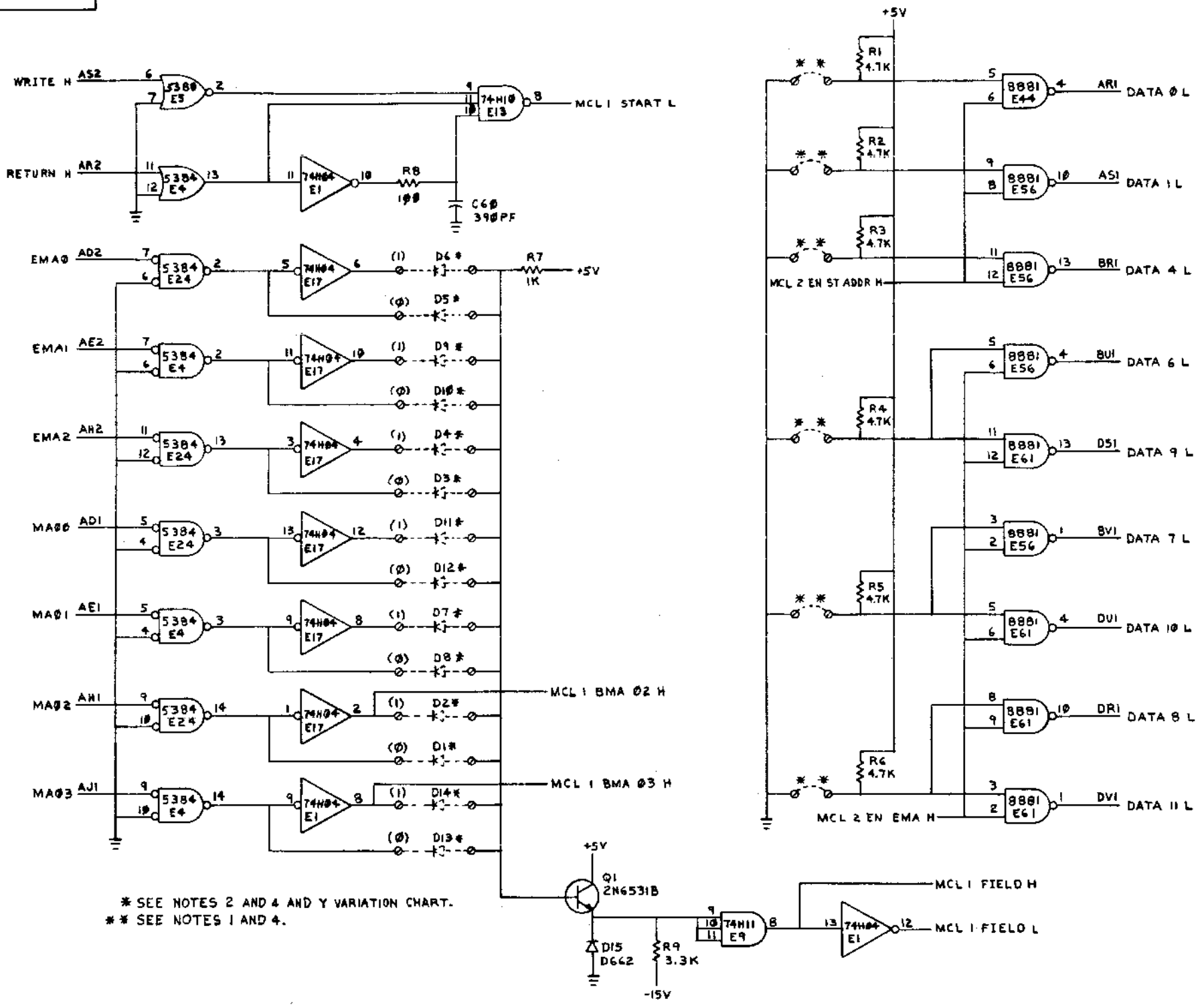
QTY	QTY	QTY	QTY	REF DESIGNATION	DESCRIPTION	PART NO.	ITEM NO.
0	0	0	12	SEE Y VARIATION CHART	I.C. DEC 7400 (3100)	1910010-2	56
			4	DI, E10, E30, E50	I.C. DEC 74151	1910005	57
			1	.002	CAP 500PF 100V 5%	1000025	58
			1	.100	RES. 10K PGT 3/4 W 10%	1309143-10	59
			1		HEAT SINK: TRANSISTOR	1210001	61
			REF		X-Y COORDINATE HOLE LOCATION	K-CO-M8349-0-4	62
			REF		ASSY/DRILLING HOLE LAYOUT	D-AH-M8349-0-5	63
			REF		ECO MODULE HISTORY	B-MH-M8349-0-6	64
			1		ETCH CIRCUIT BOARD	5010426	65

M8349-YA
M8349-YC
M8349-YD

REVISIONS		
CHK	CHANGE NO.	REV.

REV. 1000 2 DCS M8349-0-1

"THIS DRAWING AND SPECIFICATIONS HEREIN ARE THE PROPERTY OF DIGITAL EQUIPMENT CORPORATION AND SHALL NOT BE REPRODUCED OR COPIED OR USED IN WHOLE OR IN PART AS THE BASIS FOR THE MANUFACTURE OR SALE OF ITEMS WITHOUT WRITTEN PERMISSION. COPYRIGHT © 1973, DIGITAL EQUIPMENT CORPORATION"



SW STARTING ADDRESS

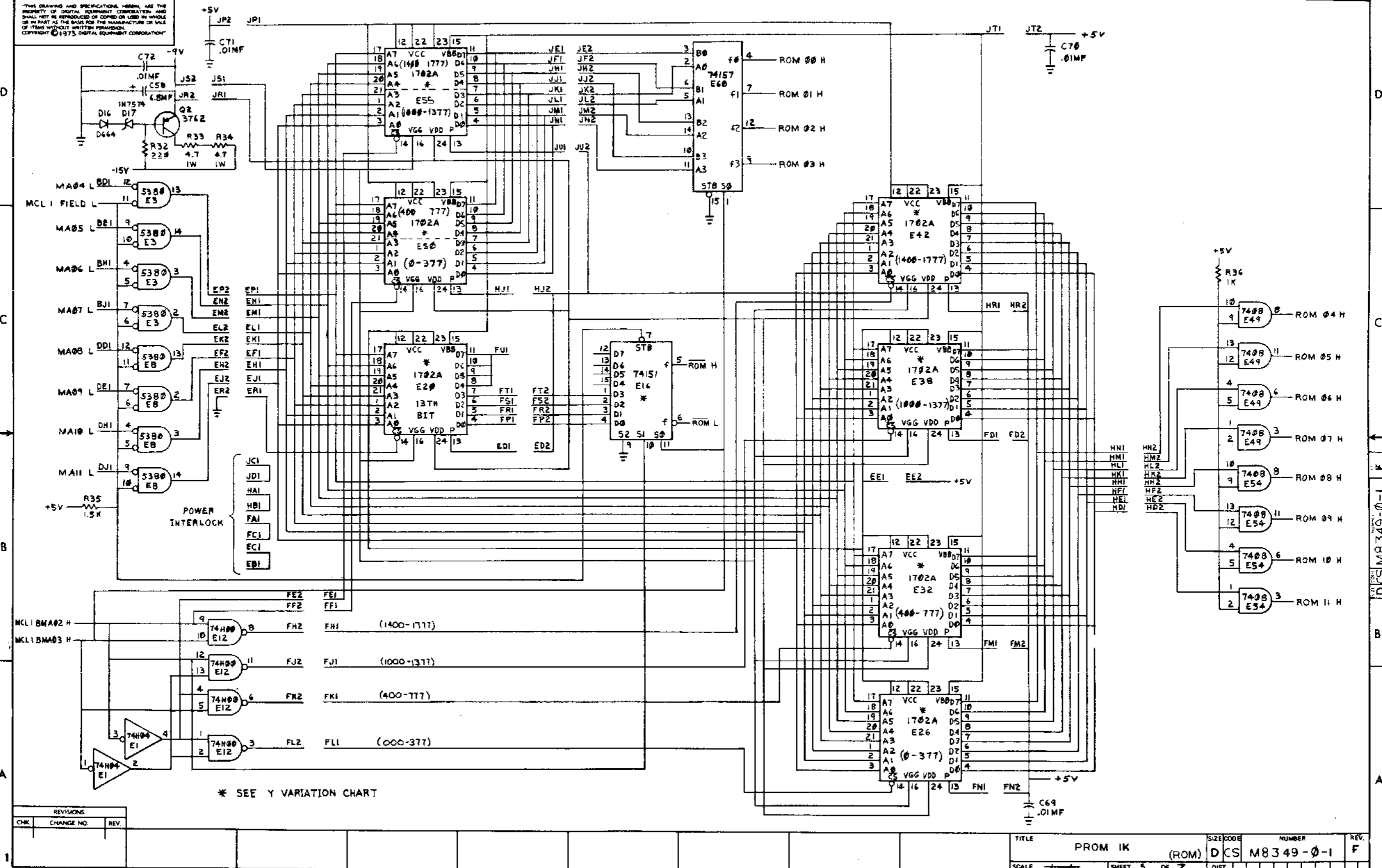
SW FIELD SELECTION (IF AND DF)

* SEE NOTES 2 AND 4 AND Y VARIATION CHART.
 ** SEE NOTES 1 AND 4.

REVISIONS		
CHK	CHANGE NO.	REV.

TITLE	PROM 1K (MCLI)	SIZE CODE	D CS	NUMBER	M8349-0-1	REV.	F
SCALE	1/1	SHEET	3 OF 7	DIST.			

THIS DRAWING AND SPECIFICATIONS HEREIN ARE THE PROPERTY OF DIGITAL EQUIPMENT CORPORATION AND SHALL NOT BE REPRODUCED OR COPIED OR USED IN WHOLE OR IN PART AS THE BASIS FOR THE MANUFACTURE OR SALE OF ITEMS WITHOUT WRITTEN PERMISSION. COPYRIGHT © 1975, DIGITAL EQUIPMENT CORPORATION.

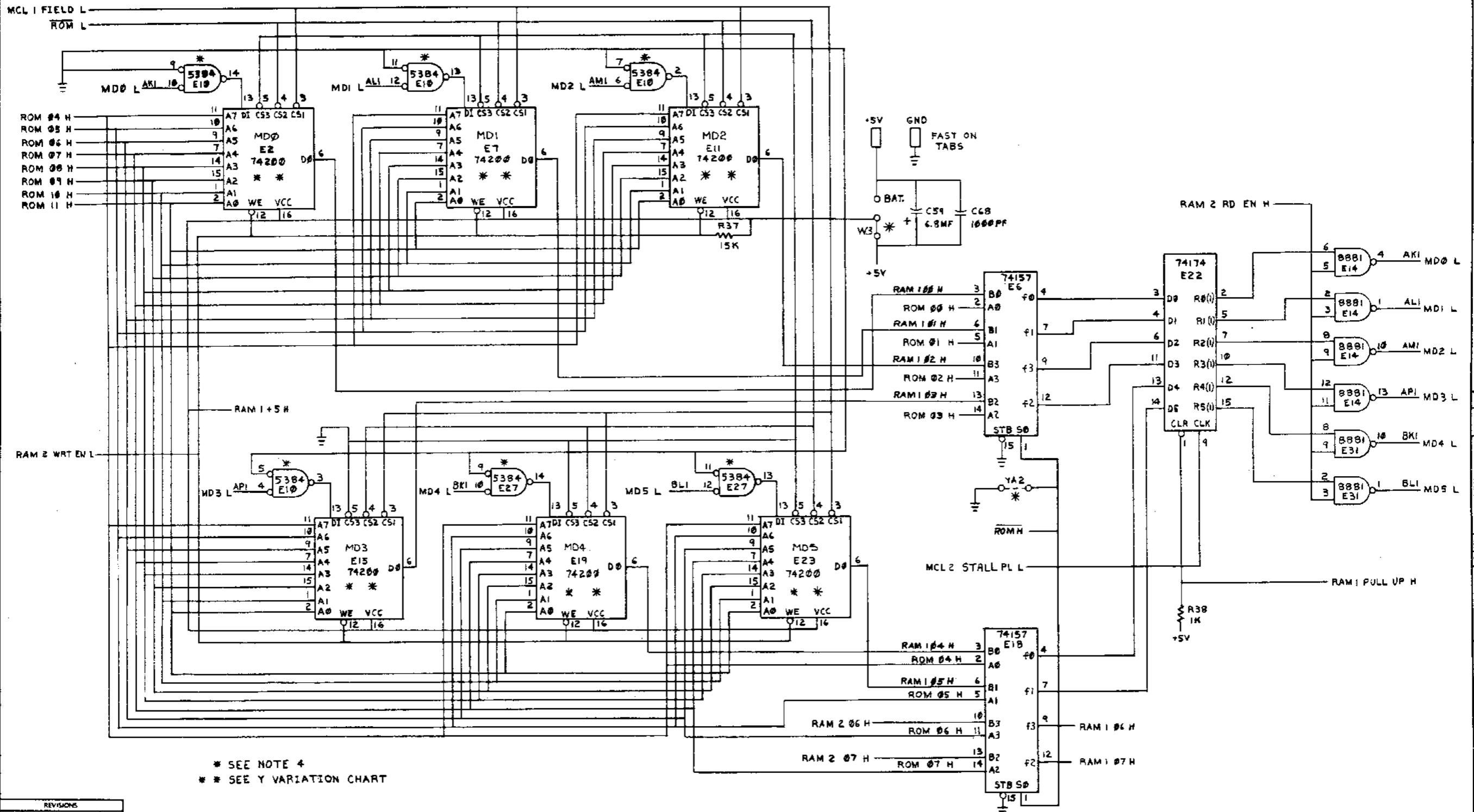


* SEE Y VARIATION CHART

REVISIONS		
CHK	CHANGE NO.	REV.

TITLE	PROM 1K (ROM)	SIZE CODE	DCS	NUMBER	M8349-0-1	REV.	F
SCALE	+	SHEET	5	OF	7	DIST.	

THIS DRAWING AND SPECIFICATIONS HEREBY ARE THE PROPERTY OF DIGITAL EQUIPMENT CORPORATION AND SHALL NOT BE REPRODUCED OR COPIED OR USED IN WHOLE OR IN PART AS THE BASIS FOR THE MANUFACTURE OR SALE OF ITEMS WITHOUT WRITTEN PERMISSION. COPYRIGHT © 1973, DIGITAL EQUIPMENT CORPORATION.



* SEE NOTE 4
 ** SEE Y VARIATION CHART

REVISIONS		
CHK	CHANGE NO.	REV.

DCS M8349-0-1

