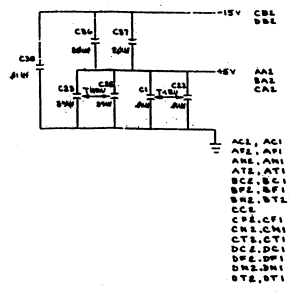


NOTES:
 1. UNLESS OTHERWISE SPECIFIED, ALL RESISTORS TO BE 150 Ω.
 2. 4008 X (PN IS 10015-D) MAY BE USED IN CASE OF A SHORTAGE OF 4011 ITEM # 34.
 3. ALLOWABLE MEMORY SYSTEM

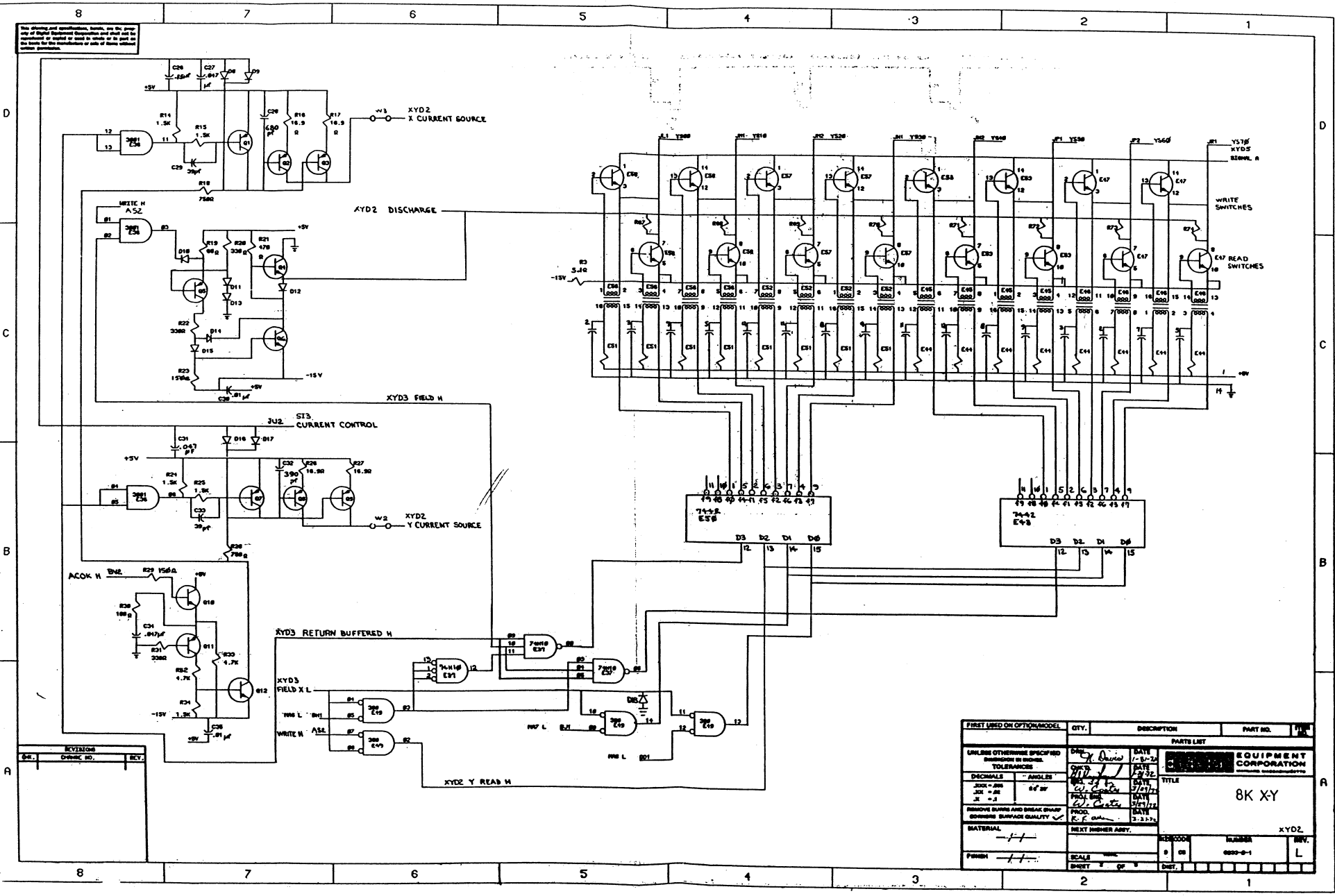
7015-11	7015-12
H21 OR H21A STACK	H21 OR H21A STACK
G11 OR G15 S/T	G15 S/T
G23 OR G23A X-Y	G23A X-Y



QTY	REF. DESIG.	DESCRIPTION	PART NO.
1	W1, W2, W3	WALD. WIDER AMPER	900815
1	C42	CAP. 300PF. 50V. 5%	10014-11
1	C41	CAP. 100PF. 35V. 20% STANT	1002180
1	R105	RES. 24K. 1/4W. 5%	100487
1	R107	RES. 24K. 1/4W. 5%	100487
2		SPLIT LUG	7000-112
1	R101	RES. 10K. 1/4W. 5%	100487
1	R102	RES. 10K. 1/4W. 5%	100487
1	R103	RES. 10K. 1/4W. 5%	100487
1	R104	RES. 10K. 1/4W. 5%	100487
1	R106	RES. 10K. 1/4W. 5%	100487
1	R108	RES. 10K. 1/4W. 5%	100487
1	R109	RES. 10K. 1/4W. 5%	100487
1	R110	RES. 10K. 1/4W. 5%	100487
1	R111	RES. 10K. 1/4W. 5%	100487
1	R112	RES. 10K. 1/4W. 5%	100487
1	R113	RES. 10K. 1/4W. 5%	100487
1	R114	RES. 10K. 1/4W. 5%	100487
1	R115	RES. 10K. 1/4W. 5%	100487
1	R116	RES. 10K. 1/4W. 5%	100487
1	R117	RES. 10K. 1/4W. 5%	100487
1	R118	RES. 10K. 1/4W. 5%	100487
1	R119	RES. 10K. 1/4W. 5%	100487
1	R120	RES. 10K. 1/4W. 5%	100487
1	R121	RES. 10K. 1/4W. 5%	100487
1	R122	RES. 10K. 1/4W. 5%	100487
1	R123	RES. 10K. 1/4W. 5%	100487
1	R124	RES. 10K. 1/4W. 5%	100487
1	R125	RES. 10K. 1/4W. 5%	100487
1	R126	RES. 10K. 1/4W. 5%	100487
1	R127	RES. 10K. 1/4W. 5%	100487
1	R128	RES. 10K. 1/4W. 5%	100487
1	R129	RES. 10K. 1/4W. 5%	100487
1	R130	RES. 10K. 1/4W. 5%	100487
1	R131	RES. 10K. 1/4W. 5%	100487
1	R132	RES. 10K. 1/4W. 5%	100487
1	R133	RES. 10K. 1/4W. 5%	100487
1	R134	RES. 10K. 1/4W. 5%	100487
1	R135	RES. 10K. 1/4W. 5%	100487
1	R136	RES. 10K. 1/4W. 5%	100487
1	R137	RES. 10K. 1/4W. 5%	100487
1	R138	RES. 10K. 1/4W. 5%	100487
1	R139	RES. 10K. 1/4W. 5%	100487
1	R140	RES. 10K. 1/4W. 5%	100487
1	R141	RES. 10K. 1/4W. 5%	100487
1	R142	RES. 10K. 1/4W. 5%	100487
1	R143	RES. 10K. 1/4W. 5%	100487
1	R144	RES. 10K. 1/4W. 5%	100487
1	R145	RES. 10K. 1/4W. 5%	100487
1	R146	RES. 10K. 1/4W. 5%	100487
1	R147	RES. 10K. 1/4W. 5%	100487
1	R148	RES. 10K. 1/4W. 5%	100487
1	R149	RES. 10K. 1/4W. 5%	100487
1	R150	RES. 10K. 1/4W. 5%	100487
1	R151	RES. 10K. 1/4W. 5%	100487
1	R152	RES. 10K. 1/4W. 5%	100487
1	R153	RES. 10K. 1/4W. 5%	100487
1	R154	RES. 10K. 1/4W. 5%	100487
1	R155	RES. 10K. 1/4W. 5%	100487
1	R156	RES. 10K. 1/4W. 5%	100487
1	R157	RES. 10K. 1/4W. 5%	100487
1	R158	RES. 10K. 1/4W. 5%	100487
1	R159	RES. 10K. 1/4W. 5%	100487
1	R160	RES. 10K. 1/4W. 5%	100487
1	R161	RES. 10K. 1/4W. 5%	100487
1	R162	RES. 10K. 1/4W. 5%	100487
1	R163	RES. 10K. 1/4W. 5%	100487
1	R164	RES. 10K. 1/4W. 5%	100487
1	R165	RES. 10K. 1/4W. 5%	100487
1	R166	RES. 10K. 1/4W. 5%	100487
1	R167	RES. 10K. 1/4W. 5%	100487
1	R168	RES. 10K. 1/4W. 5%	100487
1	R169	RES. 10K. 1/4W. 5%	100487
1	R170	RES. 10K. 1/4W. 5%	100487
1	R171	RES. 10K. 1/4W. 5%	100487
1	R172	RES. 10K. 1/4W. 5%	100487
1	R173	RES. 10K. 1/4W. 5%	100487
1	R174	RES. 10K. 1/4W. 5%	100487
1	R175	RES. 10K. 1/4W. 5%	100487
1	R176	RES. 10K. 1/4W. 5%	100487
1	R177	RES. 10K. 1/4W. 5%	100487
1	R178	RES. 10K. 1/4W. 5%	100487
1	R179	RES. 10K. 1/4W. 5%	100487
1	R180	RES. 10K. 1/4W. 5%	100487
1	R181	RES. 10K. 1/4W. 5%	100487
1	R182	RES. 10K. 1/4W. 5%	100487
1	R183	RES. 10K. 1/4W. 5%	100487
1	R184	RES. 10K. 1/4W. 5%	100487
1	R185	RES. 10K. 1/4W. 5%	100487
1	R186	RES. 10K. 1/4W. 5%	100487
1	R187	RES. 10K. 1/4W. 5%	100487
1	R188	RES. 10K. 1/4W. 5%	100487
1	R189	RES. 10K. 1/4W. 5%	100487
1	R190	RES. 10K. 1/4W. 5%	100487
1	R191	RES. 10K. 1/4W. 5%	100487
1	R192	RES. 10K. 1/4W. 5%	100487
1	R193	RES. 10K. 1/4W. 5%	100487
1	R194	RES. 10K. 1/4W. 5%	100487
1	R195	RES. 10K. 1/4W. 5%	100487
1	R196	RES. 10K. 1/4W. 5%	100487
1	R197	RES. 10K. 1/4W. 5%	100487
1	R198	RES. 10K. 1/4W. 5%	100487
1	R199	RES. 10K. 1/4W. 5%	100487
1	R200	RES. 10K. 1/4W. 5%	100487
1	R201	RES. 10K. 1/4W. 5%	100487
1	R202	RES. 10K. 1/4W. 5%	100487
1	R203	RES. 10K. 1/4W. 5%	100487
1	R204	RES. 10K. 1/4W. 5%	100487
1	R205	RES. 10K. 1/4W. 5%	100487
1	R206	RES. 10K. 1/4W. 5%	100487
1	R207	RES. 10K. 1/4W. 5%	100487
1	R208	RES. 10K. 1/4W. 5%	100487
1	R209	RES. 10K. 1/4W. 5%	100487
1	R210	RES. 10K. 1/4W. 5%	100487
1	R211	RES. 10K. 1/4W. 5%	100487
1	R212	RES. 10K. 1/4W. 5%	100487
1	R213	RES. 10K. 1/4W. 5%	100487
1	R214	RES. 10K. 1/4W. 5%	100487
1	R215	RES. 10K. 1/4W. 5%	100487
1	R216	RES. 10K. 1/4W. 5%	100487
1	R217	RES. 10K. 1/4W. 5%	100487
1	R218	RES. 10K. 1/4W. 5%	100487
1	R219	RES. 10K. 1/4W. 5%	100487
1	R220	RES. 10K. 1/4W. 5%	100487
1	R221	RES. 10K. 1/4W. 5%	100487
1	R222	RES. 10K. 1/4W. 5%	100487
1	R223	RES. 10K. 1/4W. 5%	100487
1	R224	RES. 10K. 1/4W. 5%	100487
1	R225	RES. 10K. 1/4W. 5%	100487
1	R226	RES. 10K. 1/4W. 5%	100487
1	R227	RES. 10K. 1/4W. 5%	100487
1	R228	RES. 10K. 1/4W. 5%	100487
1	R229	RES. 10K. 1/4W. 5%	100487
1	R230	RES. 10K. 1/4W. 5%	100487
1	R231	RES. 10K. 1/4W. 5%	100487
1	R232	RES. 10K. 1/4W. 5%	100487
1	R233	RES. 10K. 1/4W. 5%	100487
1	R234	RES. 10K. 1/4W. 5%	100487
1	R235	RES. 10K. 1/4W. 5%	100487
1	R236	RES. 10K. 1/4W. 5%	100487
1	R237	RES. 10K. 1/4W. 5%	100487
1	R238	RES. 10K. 1/4W. 5%	100487
1	R239	RES. 10K. 1/4W. 5%	100487
1	R240	RES. 10K. 1/4W. 5%	100487
1	R241	RES. 10K. 1/4W. 5%	100487
1	R242	RES. 10K. 1/4W. 5%	100487
1	R243	RES. 10K. 1/4W. 5%	100487
1	R244	RES. 10K. 1/4W. 5%	100487
1	R245	RES. 10K. 1/4W. 5%	100487
1	R246	RES. 10K. 1/4W. 5%	100487
1	R247	RES. 10K. 1/4W. 5%	100487
1	R248	RES. 10K. 1/4W. 5%	100487
1	R249	RES. 10K. 1/4W. 5%	100487
1	R250	RES. 10K. 1/4W. 5%	100487
1	R251	RES. 10K. 1/4W. 5%	100487
1	R252	RES. 10K. 1/4W. 5%	100487
1	R253	RES. 10K. 1/4W. 5%	100487
1	R254	RES. 10K. 1/4W. 5%	100487
1	R255	RES. 10K. 1/4W. 5%	100487
1	R256	RES. 10K. 1/4W. 5%	100487
1	R257	RES. 10K. 1/4W. 5%	100487
1	R258	RES. 10K. 1/4W. 5%	100487
1	R259	RES. 10K. 1/4W. 5%	100487
1	R260	RES. 10K. 1/4W. 5%	100487
1	R261	RES. 10K. 1/4W. 5%	100487
1	R262	RES. 10K. 1/4W. 5%	100487
1	R263	RES. 10K. 1/4W. 5%	100487
1	R264	RES. 10K. 1/4W. 5%	100487
1	R265	RES. 10K. 1/4W. 5%	100487
1	R266	RES. 10K. 1/4W. 5%	100487
1	R267	RES. 10K. 1/4W. 5%	100487
1	R268	RES. 10K. 1/4W. 5%	100487
1	R269	RES. 10K. 1/4W. 5%	100487
1	R270	RES. 10K. 1/4W. 5%	100487
1	R271	RES. 10K. 1/4W. 5%	100487
1	R272	RES. 10K. 1/4W. 5%	100487
1	R273	RES. 10K. 1/4W. 5%	100487
1	R274	RES. 10K. 1/4W. 5%	100487
1	R275	RES. 10K. 1/4W. 5%	100487
1	R276	RES. 10K. 1/4W. 5%	100487
1	R277	RES. 10K. 1/4W. 5%	100487
1	R278	RES. 10K. 1/4W. 5%	100487
1	R279	RES. 10K. 1/4W. 5%	100487
1	R280	RES. 10K. 1/4W. 5%	100487
1	R281	RES. 10K. 1/4W. 5%	100487
1	R282	RES. 10K. 1/4W. 5%	100487
1	R283	RES. 10K. 1/4W. 5%	100487
1	R284	RES. 10K. 1/4W. 5%	100487
1	R285	RES. 10K. 1/4W. 5%	100487
1	R286	RES. 10K. 1/4W. 5%	100487
1	R287	RES. 10K. 1/4W. 5%	100487
1	R288	RES. 10K. 1/4W. 5%	100487
1	R289	RES. 10K. 1/4W. 5%	100487
1	R290	RES. 10K. 1/4W. 5%	100487
1	R291	RES. 10K. 1/4W. 5%	100487
1	R292	RES. 10K. 1/4W. 5%	100487
1	R293	RES. 10K. 1/4W. 5%	100487
1	R294	RES. 10K. 1/4W. 5%	100487
1	R295	RES. 10K. 1/4W. 5%	100487
1	R296	RES. 10K. 1/4W. 5%	100487
1	R297	RES. 10K. 1/4W. 5%	100487
1	R298	RES. 10K. 1/4W. 5%	100487
1	R299	RES. 10K. 1/4W. 5%	100487
1	R300	RES. 10K. 1/4W. 5%	100487

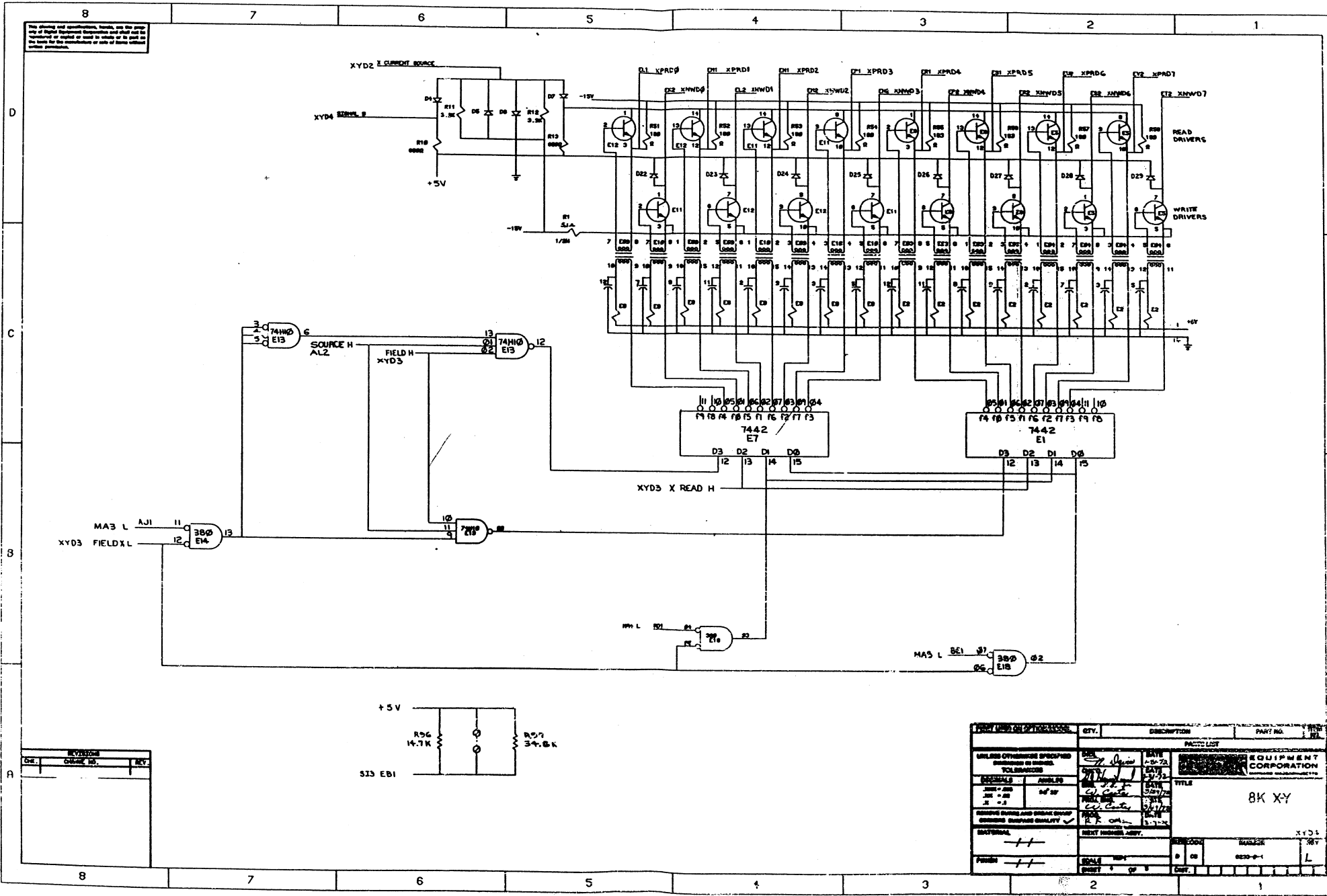
IC PIN LOCATIONS	AMPLIFIER LIST
IC DEC 7442	16 40 24 143A 143B
IC DEC 7443	16 40 24 143A 143B
IC DEC 7444	16 40 24 143A 143B
IC DEC 7445	16 40 24 143

Note: Check for correct component values, tolerances, and the correct polarity of diodes and electrolytic capacitors. Also, check the correct orientation of diodes and electrolytic capacitors. Check for correct polarity of diodes and electrolytic capacitors. Check for correct polarity of diodes and electrolytic capacitors.



FIRST USED ON OPTION MODEL	QTY.	DESCRIPTION	PART NO.	REV.
PARTS LIST				
UNLESS OTHERWISE SPECIFIED DIMENSIONS IN INCHES	DATE 1-24-72	DATE 1-24-72	EQUIPMENT CORPORATION <small>(A DIVISION OF WESTINGHOUSE)</small>	
TOLERANCES	DATE 1-24-72	DATE 1-24-72		
DECIMALS	ANGLES	DATE 1-24-72	TITLE 8K XY	
.XXX - .999	.04 30	DATE 1-24-72		
.XXX - .999	.04 30	DATE 1-24-72	REV. L	
.XXX - .999	.04 30	DATE 1-24-72		
REMOVE BURRS AND BREAK SHARP EDGES SURFACE QUALITY	DATE 1-24-72	DATE 1-24-72	NUMBER 0000-0-1	
MATERIAL	DATE 1-24-72	DATE 1-24-72		
FINISH	DATE 1-24-72	DATE 1-24-72	DRAWN BY DATE	
SCALE	DATE 1-24-72	DATE 1-24-72		

See drawing and construction notes for the assembly of digital equipment components and check for the correct operation of each unit before assembly for the manufacturer or user of this unit.



REV.	DESCRIPTION	PART NO.	QTY.
1	UNLESS OTHERWISE SPECIFIED DIMENSIONS IN INCHES.		
1	TOLERANCES		
1	FRACTIONS		
1	DECIMALS		
1	ANGLES		
1	UNLESS OTHERWISE SPECIFIED DIMENSIONS IN INCHES.		
1	TOLERANCES		
1	FRACTIONS		
1	DECIMALS		
1	ANGLES		
1	UNLESS OTHERWISE SPECIFIED DIMENSIONS IN INCHES.		
1	TOLERANCES		
1	FRACTIONS		
1	DECIMALS		
1	ANGLES		
1	UNLESS OTHERWISE SPECIFIED DIMENSIONS IN INCHES.		
1	TOLERANCES		
1	FRACTIONS		
1	DECIMALS		
1	ANGLES		

EQUIPMENT CORPORATION

8K XY

XYD3

REV L

