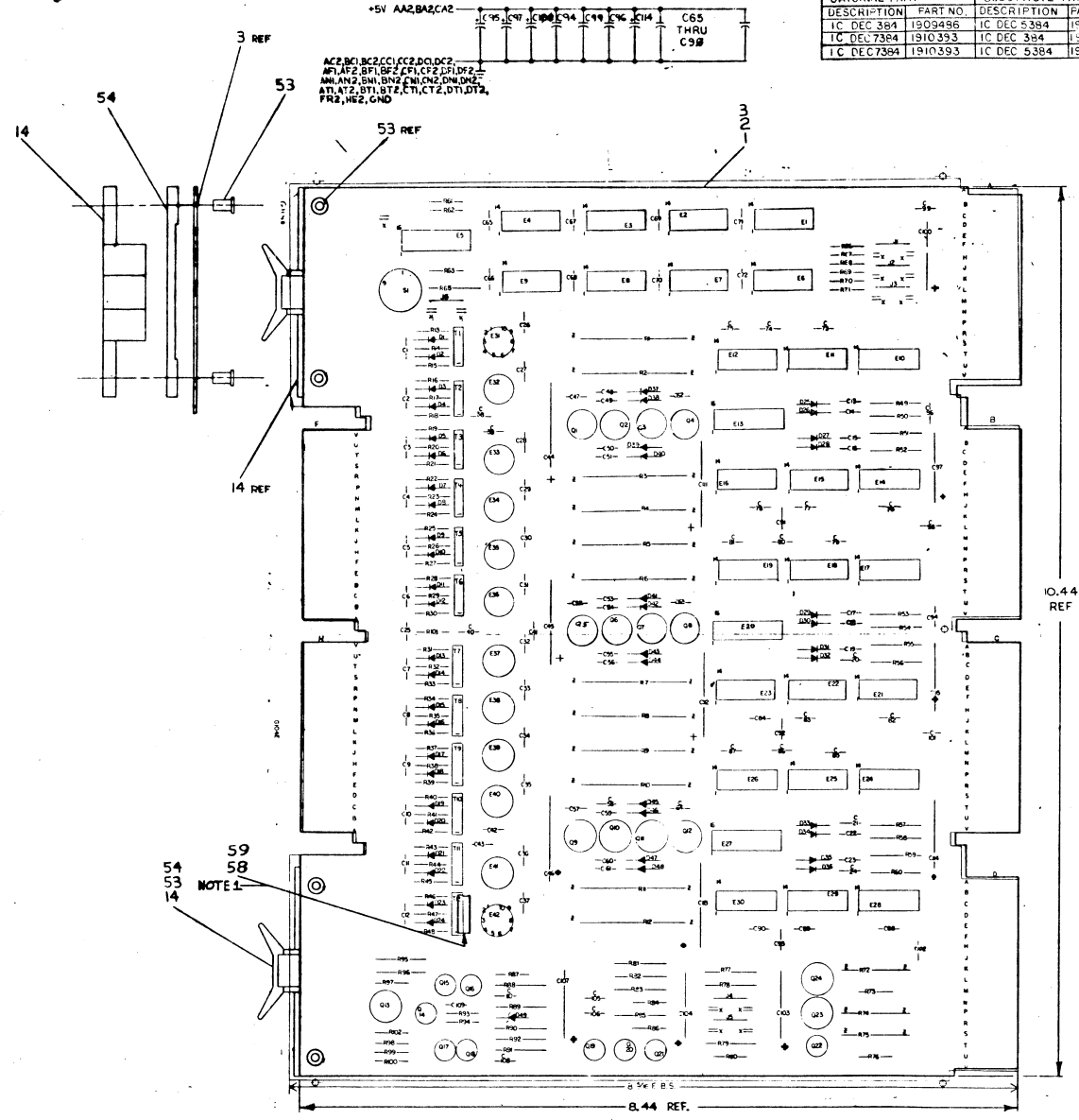


COMPONENT SUBSTITUTION LIST			
ORIGINAL PART	FART NO.	SUBSTITUTE PART	ITEM NO.
DESCRIPTION	FART NO.	DESCRIPTION	FART NO.
IC DEC 384	1909496	IC DEC 5384	1910394
IC DEC 7384	1910393	IC DEC 384	1909496
IC DEC 7384	1910393	IC DEC 5384	1910394

NOTES:  
 1. CUT CATERPILLAR GROMMET (DEC 9007622) 7/8" LONG, ON ONE SIDE CUT TOOTH OUT 3/8" FROM ONE END. ON EACH END SPRAY WITH SCOTCH-GRIP ADHESIVE NO. 77 (DEC 9009907) FOLLOW DIRECTIONS FOR NON-PERMANENT BONDS ON BACK OF CAN. PLACE THE GROMMET OVER I225 TRANSFORMERS WITH CUTOUT TOOTH OVER CAPACITOR C40.  
 2. IN PLACE OF DEC 6380 (ITEM #49), DEC 380 (1909496) MAY BE USED.  
 3. R65 IS DETERMINED BY THE VOLTAGE AT PIN HA1 WITH RESPECT TO +5V.  
 4. ALLOWABLE MEMORY SYSTEM CONFIGURATIONS:  
 H212 OR H212A STACK  
 G111 OR G115 S/I  
 G233 OR G234 X-Y



QTY	REF DESIGNATION	DESCRIPTION	PART NO.	ITEM NO.
1	R91	RES. 15K, 1/4W, 1%	1302355	25
1	E1	IC DEC 7394	1310333	26
1	R65	BLK & WHT # 30 TWP	SI07720-09	27
1	R102	RES. 10, 1/4W, 10%	1300170	28
13		SPLIT LUGS	9006735	29
1	R81	RES. 2.7K, 1/8W, 1% 100 MFP	1304868	30
1	R81	SCOTCH GRIP ADHESIVE	9009907	31
1	R81	CATERPILLAR GROMMET	9007622	32
1	R81	ASSY DRILLING HOLE LAYOUT	HA-G11-0-2	33
1	R81	RES. 10K, 1/8W, 1% 100 MFP	1300858	34
1	R81	WIRE #22 AWG. SOLID BUS	1907850-01	35
2		SPACER (CABLE CLAMP)	I202704	36
4		EYELET #654-II E.B. STIMPSON	9006750	37
1	E6	IC. DEC 7400	1909496	38
3	E10,E17,E24	IC. DEC 8881	1909706	39
1	E2	IC. DEC 384	1909496	40
1	E2	IC. DEC 6380	1909496	41
2	E3,EA	IC. DEC 7400	1909496	42
1	E9	IC. DEC 7400N	1909496	43
6	E10,E15,E16,E22,E25,E26	IC. DEC 7400N	1909496	44
1	E7	IC. DEC 7400N	1909496	45
6	E12,E16,E18,E23,E26,E30	IC. DEC 7400N	1909496	46
1	E4	IC. DEC 7474N	1905547	47
12	E31-E42	IC. MC 1540C	1905521	48
12	E31	IC. MC 1540C	1905521	49
3	E13, E20, E27	PULSE TRANSFORMER	1604946	50
12	T1-T12	TRANSFORMER 175-S	1604946	51
12	Q1-Q12	TRANSISTOR DEC 3734	1900643	52
2	Q23, Q24	TRANSISTOR DEC 3762	1906649	53
1	Q14-Q22	TRANSISTOR DEC 6534-B	1903409-01	54
1	Q15	TRANSISTOR DEC 229-S	1900830	55
12	R1-R12	RES. 13.0K, 6W, 1%	1900320-01	56
12	R13-R20	RES. 68, 1/2W, 5% CC	1909405	57
1	R21	RES. 68, 1/2W, 5% CC	1909405	58
1	R22	RES. 68, 1/2W, 5% CC	1909405	59
1	R23	RES. 68, 1/2W, 5% CC	1909405	60
1	R24	RES. 68, 1/2W, 5% CC	1909405	61
1	R25	RES. 68, 1/2W, 5% CC	1909405	62
1	R26	RES. 68, 1/2W, 5% CC	1909405	63
1	R27	RES. 68, 1/2W, 5% CC	1909405	64
1	R28	RES. 68, 1/2W, 5% CC	1909405	65
2	R74, R95	RES. 4.64K, 1/2W, 1%	1904856	66
1	R77	RES. 30.9K, 1/2W, 1%	1904855	67
1	R92, R85	RES. 1.96K, 1/2W, 1%	1904833	68
1	R82, R83, R96	RES. 1K, 1/2W, 1%	1903114	69
1	R78	RES. 1.21K, 1/2W, 1%	1902871	70
1	R13, R15, R16, R19, R21, R22, R24, R25, R27, R28, R30, R31, R33, R34, R36, R37, R39, R40, R42, R43, R45, R46, R48	RES. 75, 1/8W, 1%	1903064	71
1	R66	RES. 680, 1/4W, 5% CC	1901424	72
6	R66, R68, R70, R80, R94, R99	RES. 10K, 1/4W, 5% CC	1900479	73
3	R73, R76, R97	RES. 4.7K, 1/4W, 5% CC	1900447	74
2	R51, R87	RES. 1K, 1/4W, 5% CC	1900365	75
19	R17, R20, R23, R26, R29, R32, R35, R38, R41, R44, R47, R52, R67, R69, R71, R84, R83, R98	RES. 330, 1/4W, 5% CC	1900295	76
1	R63	RES. 220, 1/4W, 5% CC	1900271	77
1	R100	RES. 100, 1/4W, 5% CC	1900224	78
1	R72, R14, R75	RES. 68, 1/4W, 5% CC	1900222	79
1	S1	ROTARY SWITCH	1200043-0	80
2		HANDLE FLIP CHIP - GREEN	9008337-01	81
11	D4-D4	DIODE 4M, S, S&E1	1909491-1	82
36	D1-D24, D37-D48	DIODE D672	1905275	83
12	D25-D36	DIODE D664	1900114	84
32	C23-C43, C47, C52, C57, C62-C64, C71-C83, C98, C101, C102, C103	CAP. .047 UF 60V 20% DISC	1909678	85
33	C65-C98, C94, C96, C99, C105, C106, C108, C109	CAP. .01 UF 100V 20% DISC	1900160	86
6	C44-C46, C111-C113	CAP. 47 UF 20V 20% S. TANT	1900079	87
7	C65-C71, C80, C83, C94, C107, C114	CAP. 6.0 UF 35V 20% S. TANT	1900067	88
12	C48-C51, C53-C56, C58-C61	CAP. 1500 PF 200V 10% DISC	1900054	89
12	C13-C24	CAP. 1000 PF 100V 5% MICA	1900042	90
12	C1-C12	CAP. 100 PF 50V S. D. MICA	1900034	91
1		ETCHED CIRCUIT BOARD	5002344	92
1		MODULE ECO HISTORY	B-MH-G11-26	93
REF		X-Y COORDINATE HOLE LOCATION	K-CO-G11-2-4	94

IC TYPE	QTY	REV	DATE	BY	CHKD	APP'D	FROM	TO	PT
DEC 380	1	8							
DEC 384	1	8							
J4-A	J4-B	J4-C	J4-D	J4-E	J4-F	J4-G	J4-H	J4-I	J4-J
J2-A	J2-B	J2-C	J2-D	J2-E	J2-F	J2-G	J2-H	J2-I	J2-J
J1-A	J1-B	J1-C	J1-D	J1-E	J1-F	J1-G	J1-H	J1-I	J1-J

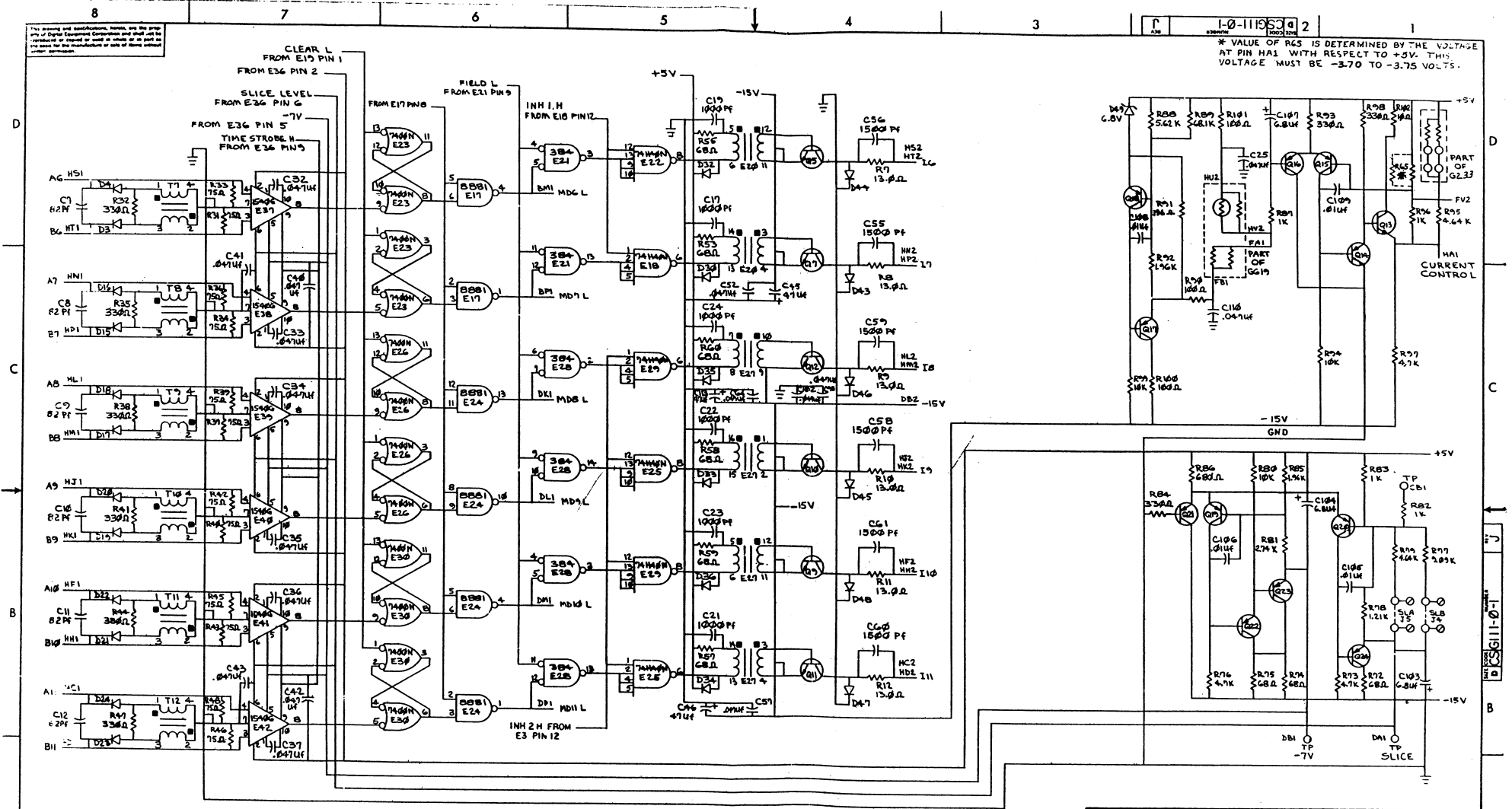
REV	DESCRIPTION	DATE	BY	CHKD	APP'D
1	INITIAL DESIGN	11/10/77			
2	REVISED	11/10/77			
3	REVISED	11/10/77			
4	REVISED	11/10/77			
5	REVISED	11/10/77			
6	REVISED	11/10/77			
7	REVISED	11/10/77			
8	REVISED	11/10/77			
9	REVISED	11/10/77			
10	REVISED	11/10/77			
11	REVISED	11/10/77			
12	REVISED	11/10/77			
13	REVISED	11/10/77			
14	REVISED	11/10/77			
15	REVISED	11/10/77			
16	REVISED	11/10/77			
17	REVISED	11/10/77			
18	REVISED	11/10/77			
19	REVISED	11/10/77			
20	REVISED	11/10/77			
21	REVISED	11/10/77			
22	REVISED	11/10/77			
23	REVISED	11/10/77			
24	REVISED	11/10/77			
25	REVISED	11/10/77			
26	REVISED	11/10/77			
27	REVISED	11/10/77			
28	REVISED	11/10/77			
29	REVISED	11/10/77			
30	REVISED	11/10/77			
31	REVISED	11/10/77			
32	REVISED	11/10/77			
33	REVISED	11/10/77			
34	REVISED	11/10/77			
35	REVISED	11/10/77			
36	REVISED	11/10/77			
37	REVISED	11/10/77			
38	REVISED	11/10/77			
39	REVISED	11/10/77			
40	REVISED	11/10/77			
41	REVISED	11/10/77			
42	REVISED	11/10/77			
43	REVISED	11/10/77			
44	REVISED	11/10/77			
45	REVISED	11/10/77			
46	REVISED	11/10/77			
47	REVISED	11/10/77			
48	REVISED	11/10/77			
49	REVISED	11/10/77			
50	REVISED	11/10/77			
51	REVISED	11/10/77			
52	REVISED	11/10/77			
53	REVISED	11/10/77			
54	REVISED	11/10/77			
55	REVISED	11/10/77			
56	REVISED	11/10/77			
57	REVISED	11/10/77			
58	REVISED	11/10/77			
59	REVISED	11/10/77			
60	REVISED	11/10/77			
61	REVISED	11/10/77			
62	REVISED	11/10/77			
63	REVISED	11/10/77			
64	REVISED	11/10/77			
65	REVISED	11/10/77			
66	REVISED	11/10/77			
67	REVISED	11/10/77			
68	REVISED	11/10/77			
69	REVISED	11/10/77			
70	REVISED	11/10/77			
71	REVISED	11/10/77			
72	REVISED	11/10/77			
73	REVISED	11/10/77			
74	REVISED	11/10/77			
75	REVISED	11/10/77			
76	REVISED	11/10/77			
77	REVISED	11/10/77			
78	REVISED	11/10/77			
79	REVISED	11/10/77			
80	REVISED	11/10/77			
81	REVISED	11/10/77			
82	REVISED	11/10/77			
83	REVISED	11/10/77			
84	REVISED	11/10/77			
85	REVISED	11/10/77			
86	REVISED	11/10/77			
87	REVISED	11/10/77			
88	REVISED	11/10/77			
89	REVISED	11/10/77			
90	REVISED	11/10/77			
91	REVISED	11/10/77			
92	REVISED	11/10/77			
93	REVISED	11/10/77			
94	REVISED	11/10/77			
95	REVISED	11/10/77			
96	REVISED	11/10/77			
97	REVISED	11/10/77			
98	REVISED	11/10/77			
99	REVISED	11/10/77			
100	REVISED	11/10/77			

REV	DESCRIPTION	DATE	BY	CHKD	APP'D
1	INITIAL DESIGN	11/10/77			
2	REVISED	11/10/77			
3	REVISED	11/10/77			
4	REVISED	11/10/77			
5	REVISED	11/10/77			
6	REVISED	11/10/77			
7	REVISED	11/10/77			
8	REVISED	11/10/77			
9	REVISED	11/10/77			
10	REVISED	11/10/77			
11	REVISED	11/10/77			
12	REVISED	11/10/77			
13	REVISED	11/10/77			
14	REVISED	11/10/77			



1. The drawing and modifications herein are the property of Digital Equipment Corporation and shall not be reproduced or stored in a retrieval system or used in any manner for the manufacture or sale of items without written permission.

\* VALUE OF R65 IS DETERMINED BY THE VOLTAGE AT PIN HA1 WITH RESPECT TO +3V. THIS VOLTAGE MUST BE -3.70 TO -3.75 VOLTS.



REV	
CHG	
CHN	
CHD	

FIRST USED ON OPTION/MODEL	QTY.	DESCRIPTION	PART NO.	ITEM NO.
PARTS LIST				
UNLESS OTHERWISE SPECIFIED DIMENSIONS IN INCHES TOLERANCES		DRN <i>[Signature]</i>	DATE 3/14/72	 DIGITAL EQUIPMENT CORPORATION CORPORATION
DECIMALS	ANGLES	CHK'D <i>[Signature]</i>	DATE 3-27-72	
1/16	1/16	ENGR <i>[Signature]</i>	DATE 3/27/72	<b>TITLE</b> 4K OR 8K SENSE INHIBIT BOARD
1/32	1/32	PROJ ENGR <i>[Signature]</i>	DATE 3-27-72	
REMOVE BURRS AND BREAK SHARP CORNER SURFACE QUALITY		PROD <i>[Signature]</i>	DATE 3-27-72	
MATERIAL	NEXT HIGHER ASSY.	SIZE CODE		NUMBER
FINISH	SCALE	DCS G111-0-1		REV
	SHEET 3 OF 3	DST.		J