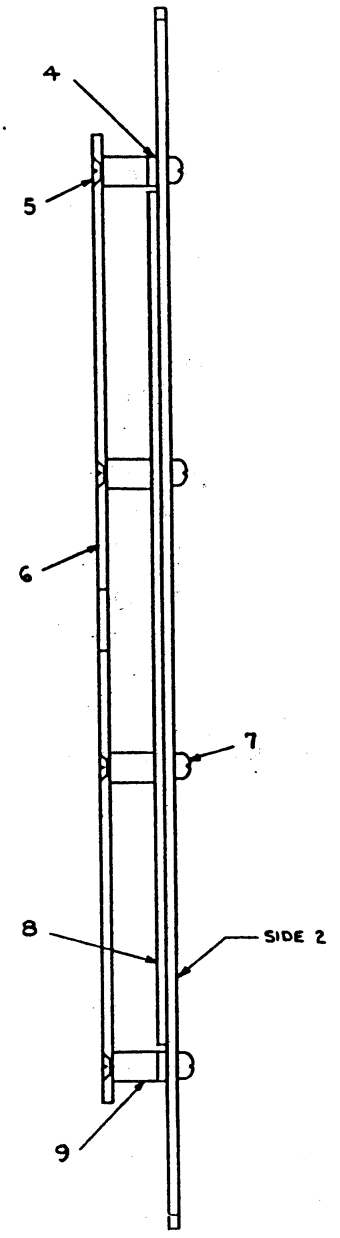
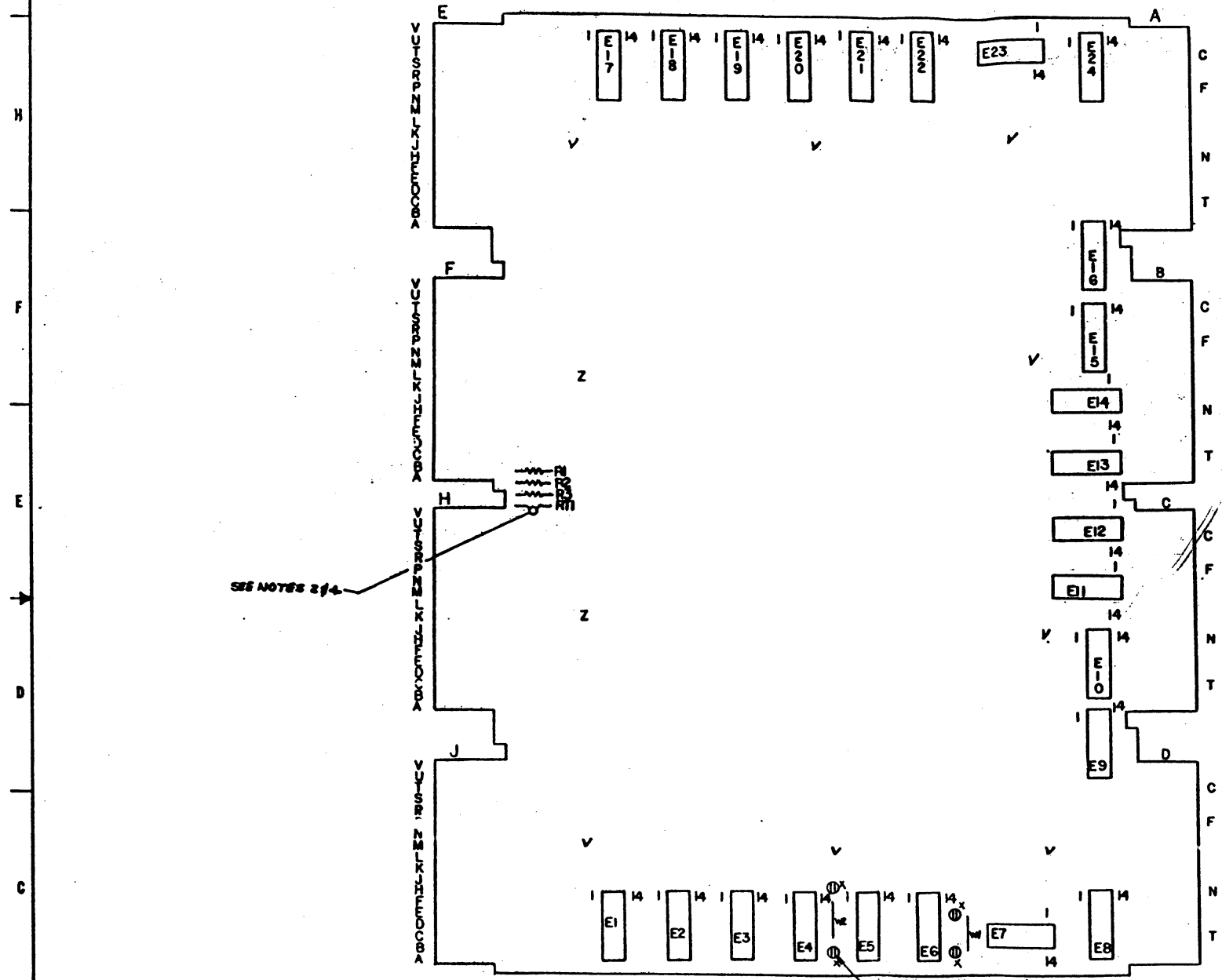


3. ALL COMPONENTS SHALL BE MOUNTED TO THE FRONT OF THE BOARD UNLESS OTHERWISE SPECIFIED. 4. COMPONENTS SHALL BE MOUNTED TO THE BOARD IN THE MANNER SHOWN IN THE DRAWING. 5. THE BOARD SHALL BE MOUNTED TO THE CHASSIS IN THE MANNER SHOWN IN THE DRAWING. 6. THE BOARD SHALL BE MOUNTED TO THE CHASSIS IN THE MANNER SHOWN IN THE DRAWING.

NOTES:
 1. ALL COMPONENT LEADS TO BE LESS THAN 1/16 INCH LONG ON SIDE 2 OF MODULE.
 2. RTI TO LAY FLAT AS SHOWN.
 3. THE 4 SPLIT LUGS (A) ARE OPTIONAL.
 4. VALUES OF R1, R2, R3 AND RTI ARE SHOWN ON STACK BOARD DWG 6646 AND NOTED HERE FOR CONVENIENCE.
 R1: 66K/2, 1/8W, 17%
 R2: 976K/1/8W, 17%
 R3: 147/1, 1/8W, 17%
 RTI: 1K 1/8W, 17%
 5. 2501-1 (DEC. PT. NO. 191010-01) MAY BE USED INTERCHANGEABLY WITH ITEM #2.
 6. ALLOWABLE MEMORY SYSTEM CONFIGURATIONS
 MM8-EJ MM8-FH
 H212 OR H212A STACK H211 OR H211A STACK
 G111 OR G115 S/I G115 S/I
 G233 OR G234 X-Y G234 X-Y

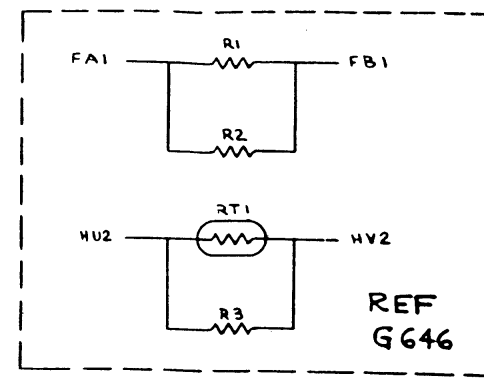


IC TYPE	QTY	REF.	DATE	BY	REV.	NO.	REV.

QTY	REF. DESIGNATION	DESCRIPTION	REV. NO.
12	E1-E24	IC DEC 2501 (SEE NOTE 5)	1
1		STICKER WITH DEC PART NO.	1
1		STAMPING 4-40 x 1/4 IN DIA	9
1		SUBSTRATE	9
1		HEAT SINK	9
1		CHEM. WASH. FLUIDS 4-40 IN	7
1		COVER PLATE	6
1		SCREW, FLAT HEAD	5
1		INSULATED JUMPER	4
1		WATERPROOFING	3
1		STACK BOARD	2

EQUIPMENT CORPORATION
 B-DD-MM8-EJ
 STOCK SCHEMATIC
 8K X 12 BIT
 EICSH212-0-1
 DATE: 7/71

This drawing and specifications, herein, are the property of Digital Equipment Corporation and shall not be reproduced or copied or used in whole or in part as the basis for the manufacture of any of their without written permission.

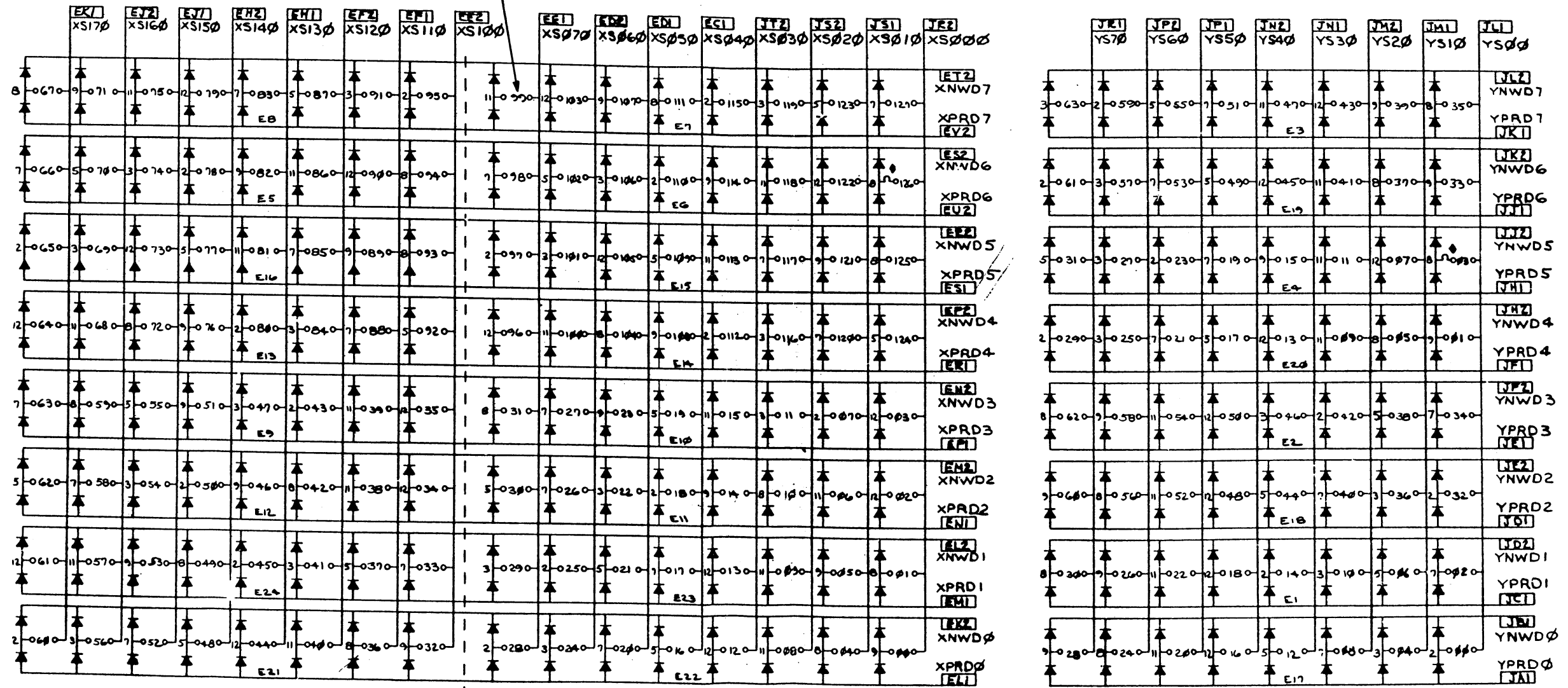


ETCH JUMPERS
 JV2 - HB1
 JU2 - HA1
 EB1 - EV2
 EA1 - EU2

- NOTES:
 1. UNLESS OTHERWISE SPECIFIED:
 IC'S E1-E24 ARE TO BE DEC STOCK # 2501.
 2. INDICATES STACK LINE NUMBER. (TVP)
 3. INDICATES CURRENT LOOP.
 4. INDICATES MAGNET WIRE TERMINATION (SOLDERED TO PC PAD).
 5. 2501-1 (DEC. PT. NO. 1910010-01)
 MAY BE USED INTERCHANGEABLY WITH ITEM #2

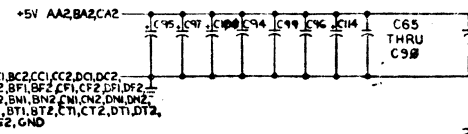
SEE NOTE 4

- ES2 - OINH
- ET2 - OINH
- ET1 - OSB
- ES1 - OSA
- FN2 - OINH
- FP2 - OINH
- FP1 - OSB
- FN1 - OSA
- FL2 - OINH
- FM2 - OINH
- FM1 - OSB
- FL1 - OSA
- FX2 - OINH
- EK2 - OINH
- EK1 - OSB
- FX1 - OSA
- FF2 - OINH
- FK2 - OINH
- FK1 - OSB
- FF1 - OSA
- FC2 - OINH
- ED2 - OINH
- ED1 - OSB
- FC1 - OSA
- HS2 - OINH
- HT2 - OINH
- HT1 - OSB
- HS1 - OSA
- HN2 - OINH
- HP2 - OINH
- HP1 - OSB
- HN1 - OSA
- HL2 - OINH
- HM2 - OINH
- HM1 - OSB
- HL1 - OSA
- HY2 - OINH
- HK2 - OINH
- HK1 - OSB
- HY1 - OSA
- HF2 - OINH
- HM2 - OINH
- HM1 - OSB
- HF1 - OSA
- HC2 - OINH
- HD2 - OINH
- HD1 - OSB
- HC1 - OSA

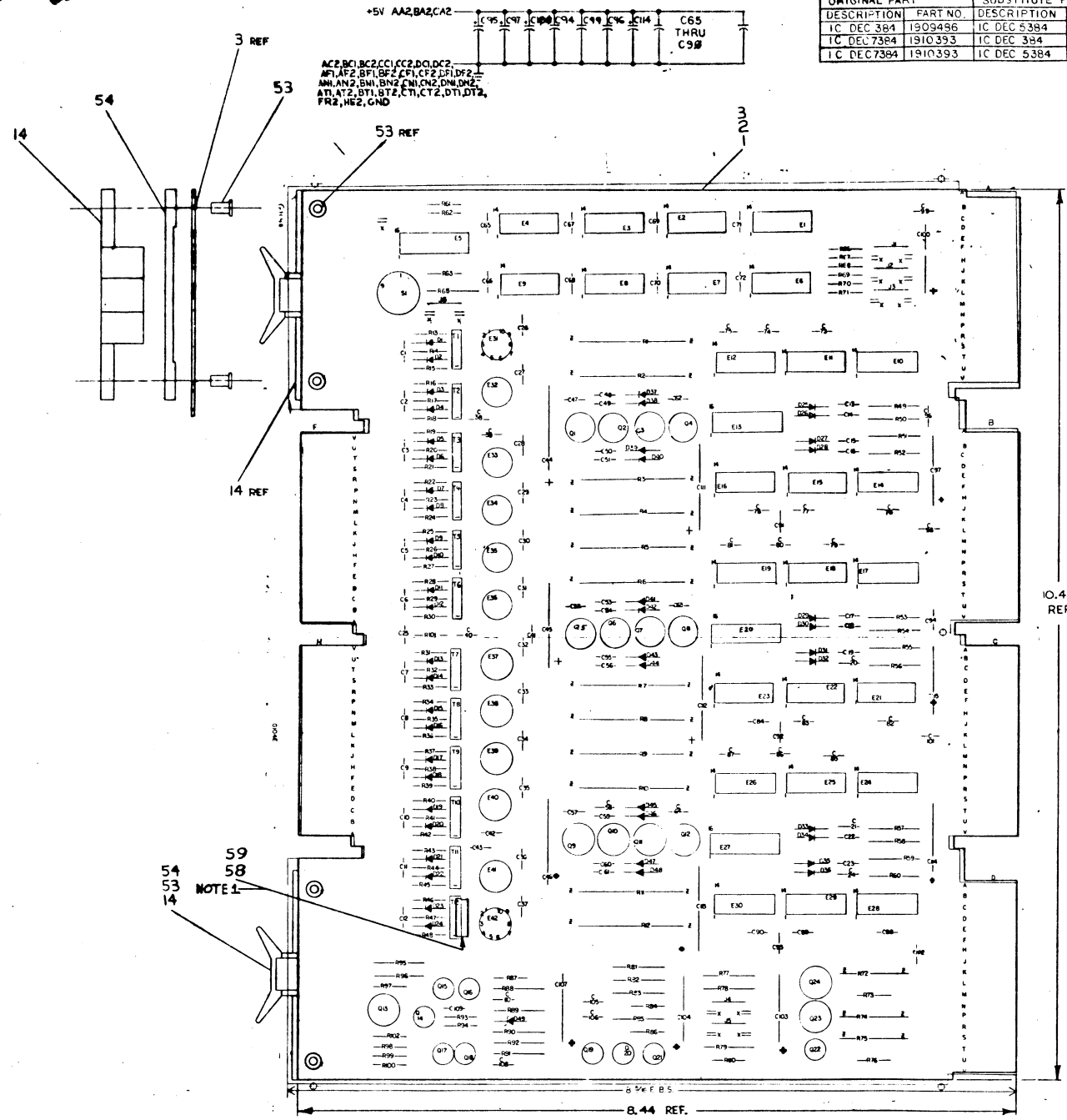


FIRST USED ON Q/TION MODEL	QTY.	DESCRIPTION	PART NO.	ITEM NO.
MM8-EJ				
UNLESS OTHERWISE SPECIFIED TOLERANCES		DATE 12/1/71	PARTS LIST	
DECIMALS	ANGLES	DATE 3-25-72	EQUIPMENT CORPORATION	
JUL - 0.00	16° 30'	DATE 10/2/72	TITLE	
JUL - .00		DATE 10/2/72	STACK SCHEMATIC	
JUL - .1		DATE 10/2/72	8K X 12BIT	
REMOVE BURRS AND BREAK SHARP CORNERS SURFACE QUALITY		DATE 10/2/72	REV. E	
MATERIAL		DATE 10/2/72	D CS H212-01	
			B-DD-MM8-EJ	
			D CS H212-01	
			SHEET 2 OF 2	

COMPONENT SUBSTITUTION LIST				
ORIGINAL PART	SUBSTITUTE PART		ITEM NO.	
DESCRIPTION	PART NO.	DESCRIPTION	PART NO.	
IC DEC 384	1909486	IC DEC 5384	1910394	50
IC DEC 7384	1910393	IC DEC 384	1909486	65
IC DEC 7384	1910393	IC DEC 5384	1910394	65



AC2,BC1,BC2,CC1,CC2,DC1,DC2,
AF1,AF2,BF1,BF2,CF1,CF2,DF1,DF2,
AH1,AH2,BH1,BH2,CH1,CH2,DH1,DH2,
AT1,AT2,BT1,BT2,CT1,CT2,DT1,DT2,
FR2,HE2,GND



- NOTES:
- CUT CATERPILLAR GROMMET (DEC 9007622) 7/8" LONG, ON ONE SIDE CUT TOOTH OUT 3/8" FROM ONE END, ON EACH END SPRAY WITH GLOTTON GROMMET ADHESIVE NO. 77 (DEC 9008907) FOLLOW DIRECTIONS FOR NON-PERMANENT BONDS ON BACK OF CAN. PLACE THE GROMMET OVER 1725 TRANSFORMERS WITH CUTOUT TOOTH OVER CAPACITOR C40.
 - IN PLACE OF DEC 6380 (ITEM #49), DEC 380 (1909485) MAY BE USED.
 - R65 IS DETERMINED BY THE VOLTAGE AT PIN HA1 WITH RESPECT TO +5V.
 - ALLOWABLE MEMORY SYSTEM CONFIGURATIONS:
MM8-EJ
H212 OR H212A STACK
G111 OR G115 S/I
G233 OR G234 X-Y

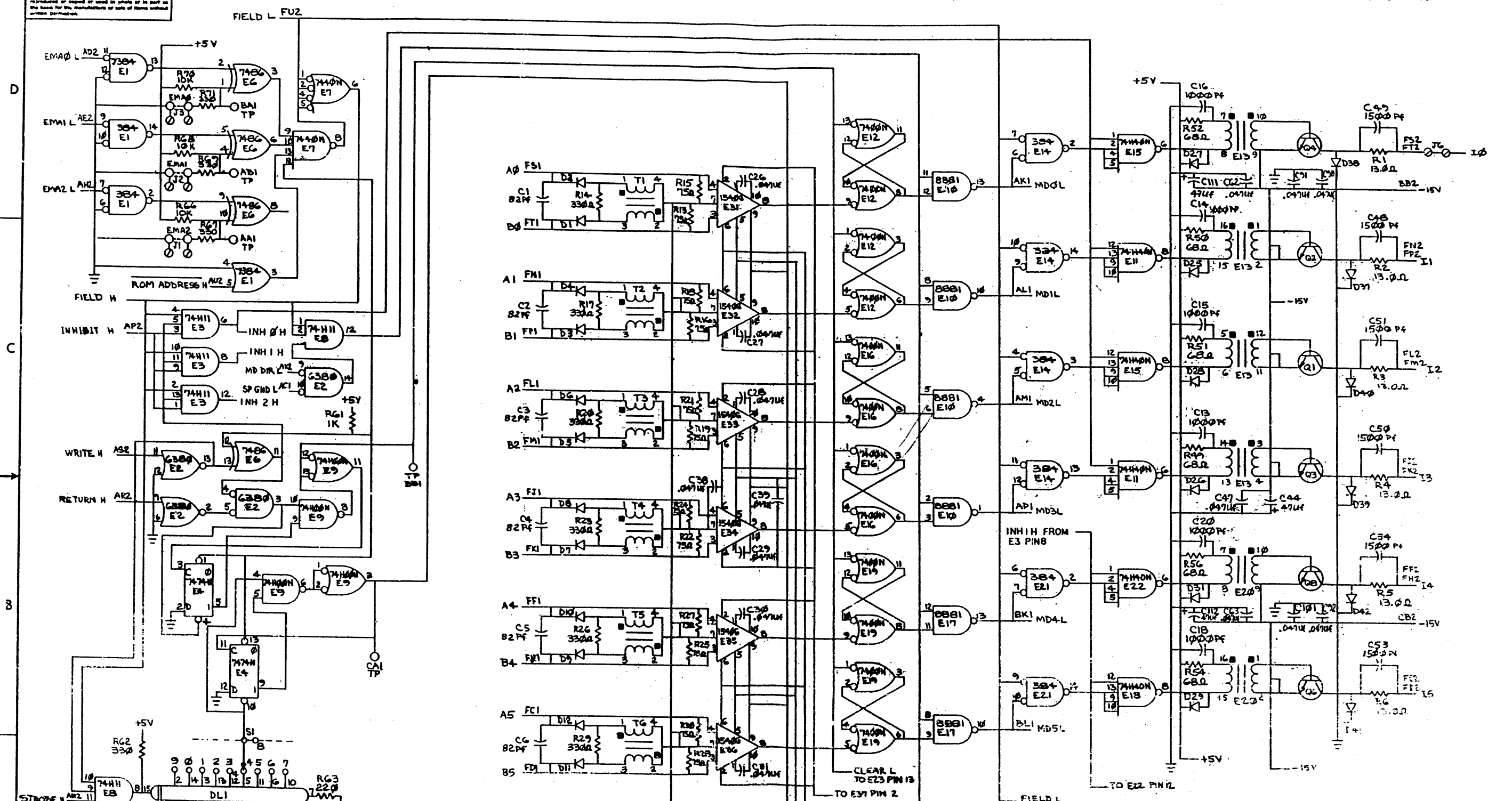
QTY	REF DESIGNATION	DESCRIPTION	PART NO.	ITEM NO.
1	R91	RES. 125, 1/4W, 1%	1302356	65
1	E1	IC DEC 7394	1910393	65
A/4	R65	BLK & WHT #30 TWP	9107720-09	64
1	R102	RES. 10, 1/4W, 10%	1300170	62
13		SPLIT LUGS	9006735	61
1	R81	RES. 274, 1/8W, 1% 100 MFP	1304866	60
WE		SCOTCH GRIP ADHESIVE	9008907	59
A/4		CATERPILLAR GROMMET	9007622	58
REF		ASSY DRILLING HOLE LAYOUT	AM-G111-0-57	57
2	R50, R101	RES. 100, 1/8W, 1% 100 MFP	1302858	56
NR	2	WIRE #22 AWG SOLID BUS	9107560-01	55
2		SPACER (CABLE CLAMP)	120704	54
4		EYELET #654-111 E.B. STIMPSON	9006750	53
1	E6	IC DEC 7466	1910011	52
3	E10, E17, E24	IC DEC 8881	1909706	51
3	E14, E21, E28	IC DEC 384	1909486	50
1	E2	IC DEC 6280	1909477	49
2	E3, E8	IC DEC 744H	1909267	48
1	E9	IC DEC 74400N	1909056	47
6	E11, E15, E18, E22, E25, E29	IC DEC 74440N	1905586	46
1	E7	IC DEC 7440N	1905579	45
6	E12, E16, E19, E23, E26, E30	IC DEC 7400N	1905575	44
1	E4	IC DEC 7474N	1905547	43
12	E31-E42	IC MC 1540G	1905521	42
1	D11	LOONS DELAY LINE	1610033-0	41
3	E13, E20, E27	PULSE TRANSFORMER	1609996	40
12	T1-T12	TRANSFORMER 17#-5	1609478	39
2	Q1-Q12	TRANSISTOR DEC 3734	1500062	38
6	Q23, Q24	TRANSISTOR DEC 3762	1506446	37
9	Q14-Q22	TRANSISTOR DEC 6334-B	1503409-01	36
1	Q13	TRANSISTOR DEC 2219-S	1501881	35
12	R1-R12	RES. 130K, 6W, 1%	130032-01	34
12	R13-R60	RES. 68, 1/2W, 5% CC	1309405	33
1	R89	RES. 68K, 1/8W, 1%	1305225	32
1	R88	RES. 5.62K, 1/8W, 1%	1305128	31
2	R74, R95	RES. 4.64K, 1/8W, 1%	1304856	29
1	R77	RES. 1.02K, 1/8W, 1%	1304855	28
2	R92, R85	RES. 1.96K, 1/8W, 1%	1304833	27
3	R82, R83, R96	RES. 1K, 1/8W, 1%	1303114	26
1	R78	RES. 1.21K, 1/8W, 1%	1302871	25
24	R13, R15, R16, R18, R19, R21, R22, R24, R25, R27, R28, R30, R31, R33, R34, R36, R37, R39, R40, R42, R43, R45, R46, R48	RES. 75, 1/8W, 1%	1303064	24
1	R86	RES. 680, 1/4W, 5% CC	1301424	23
6	R66, R68, R70, R80, R94, R99	RES. 10K, 1/4W, 5% CC	1300479	22
3	R73, R76, R97	RES. 4.7K, 1/4W, 5% CC	1300447	21
2	R61, R87	RES. 1K, 1/4W, 5% CC	1300365	20
19	R14, R17, R20, R23, R26, R29, R32, R35, R38, R41, R44, R47, R62, R67, R69, R71, R84, R93, R98	RES. 330, 1/4W, 5% CC	1300295	19
1	R63	RES. 220, 1/4W, 5% CC	1300271	18
1	R100	RES. 100, 1/4W, 5% CC	1300229	17
3	R72, R74, R75	RES. 68, 1/4W, 10% CC	1300222	16
1	S1	ROTARY SWITCH	1200043-0	15
1	D4	HANDLE FLIP CHIP - GREEN	9008337-01	14
1	D1-D4	DIODE .4M 6.8A21	1109991-1	13
36	D1-D24, D37-D48	DIODE D672	1105275	12
12	D25-D36	DIODE D664	1100114	11
32	C62-C64, C91-C93, C98, C101, C102, C110	CAP. .047 UF 16V 20% DISC	1009678	10
33	C88, C65-C90, C94, C96, C103	CAP. .01 UF 100V 20% DISC	1001610	9
6	C44-C46, C111-C113	CAP. 47 UF 20V 20% S. TANT	1000079	8
7	C95, C97, C100, C103, C104, C107, C114	CAP. 6.8 UF 35V 20% S. TANT	1000067	7
12	C48-C51, C53-C56, C58-C61	CAP. 1500 PF 200V 10% DISC	1000054	6
12	C13-C24	CAP. 1000PF 100V 5% MICA	1000042	5
12	C1-C12	CAP. 100V 5% D. MICA	1000045	4
1	REF	ETCHED CIRCUIT BOARD	5002344	3
1	REF	MODULE ECO HISTORY	B-MH-G111-0-6	2
1	REF	X-Y COORDINATE HOLE LOCATION	X-CO-G111-0-4	1

REV	DATE	BY	CHKD	DESCRIPTION
55	22	JG-A	J6-B	
		J5-A	J5-B	
		J4-A	J4-B	
		J3-A	J3-B	
		J2-A	J2-B	
		J1-A	J1-B	

REV	DATE	BY	CHKD	DESCRIPTION
DEC 3734	SAME			
DEC 3762	SAME			
DEC 6534-B	MPS4534			
DEC 2219-S	2N 2219			
A M 68AZ	IN4099			
D672	IN3653			
D664	IN3006			
DEC NO	EIA NO			

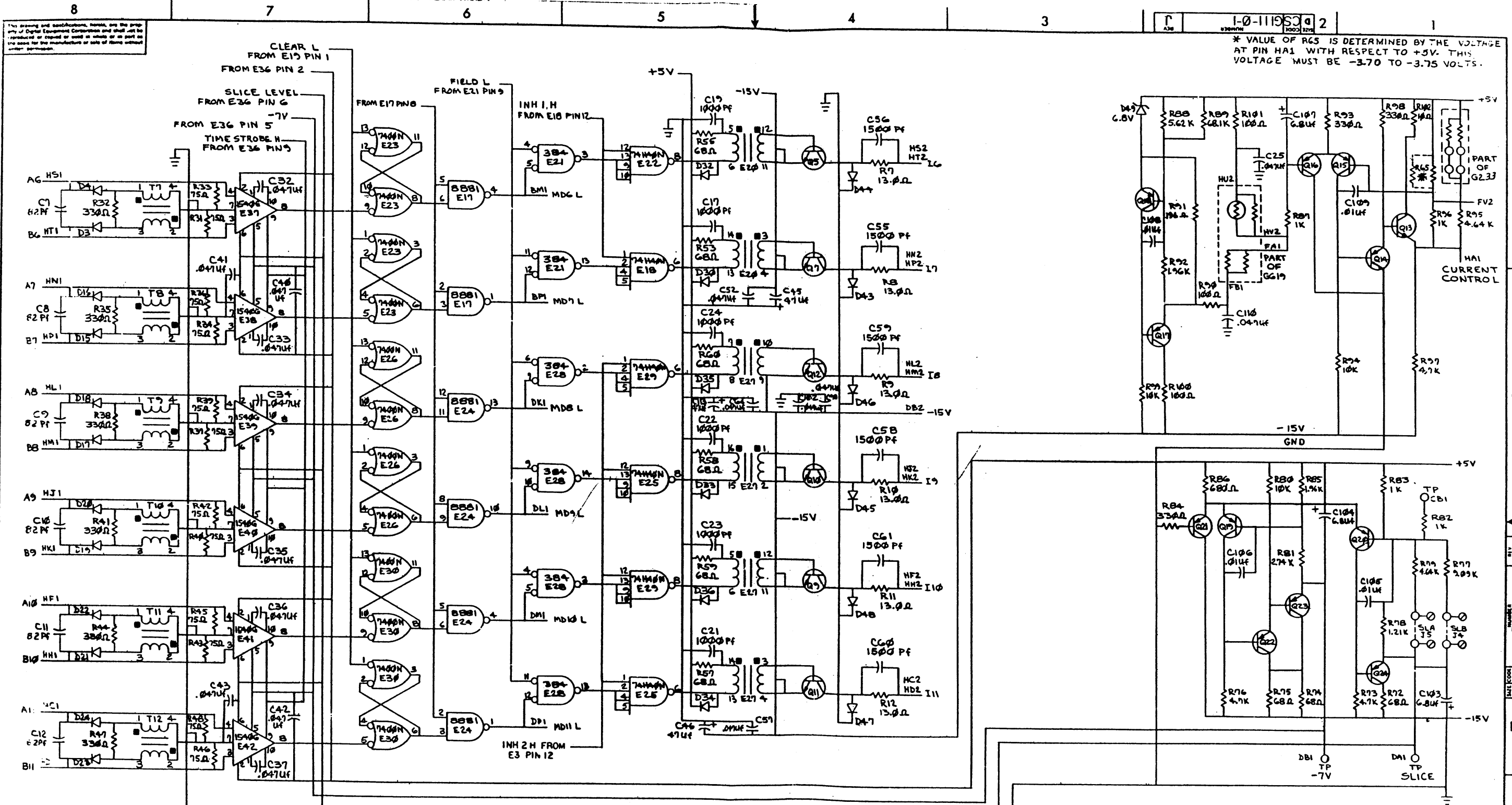
REV	DATE	BY	CHKD	DESCRIPTION
DEC 3734	SAME			
DEC 3762	SAME			
DEC 6534-B	MPS4534			
DEC 2219-S	2N 2219			
A M 68AZ	IN4099			
D672	IN3653			
D664	IN3006			
DEC NO	EIA NO			

This drawing and specifications, herein, are the property of Digital Equipment Corporation and shall not be reproduced or copied or used in whole or in part as the basis for the manufacture or sale of items without written permission.



REVISIONS
NO. DATE
1 11/18/72
2 12/17/72
3 1/17/73
4 2/17/73
5 3/17/73
6 4/17/73
7 5/17/73
8 6/17/73

FIRST USED ON OPTION/MODEL	QTY.	DESCRIPTION	PART NO.	ITEM NO.
MM8-E				
PARTS LIST				
UNLESS OTHERWISE SPECIFIED DIMENSION IN INCHES TOLERANCES		DRN CHKD. DATE 3/8/72	EQUIPMENT CORPORATION	
DECIMALS	ANGLES	ENG. DATE 12/17/72	TITLE	
.XXX - .008	±0° 30'	PROJ. ENG. DATE 1/17/73	4K OR 8K SENSE INHIBIT BOARD	
REMOVE BURRS AND BREAK SHARP CORNERS SURFACE QUALITY		PROD. DATE 2-17-73		
MATERIAL		NEXT HIGHER ASSY.	SIZE CODE	NUMBER
FINISH		A-PL-MM3-E-0	DC	G11-0-1
		SHEET 2 OF 3	DIST	



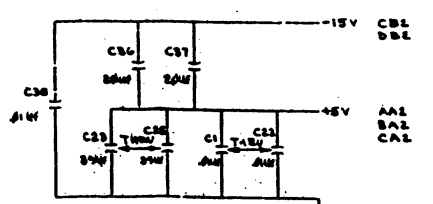
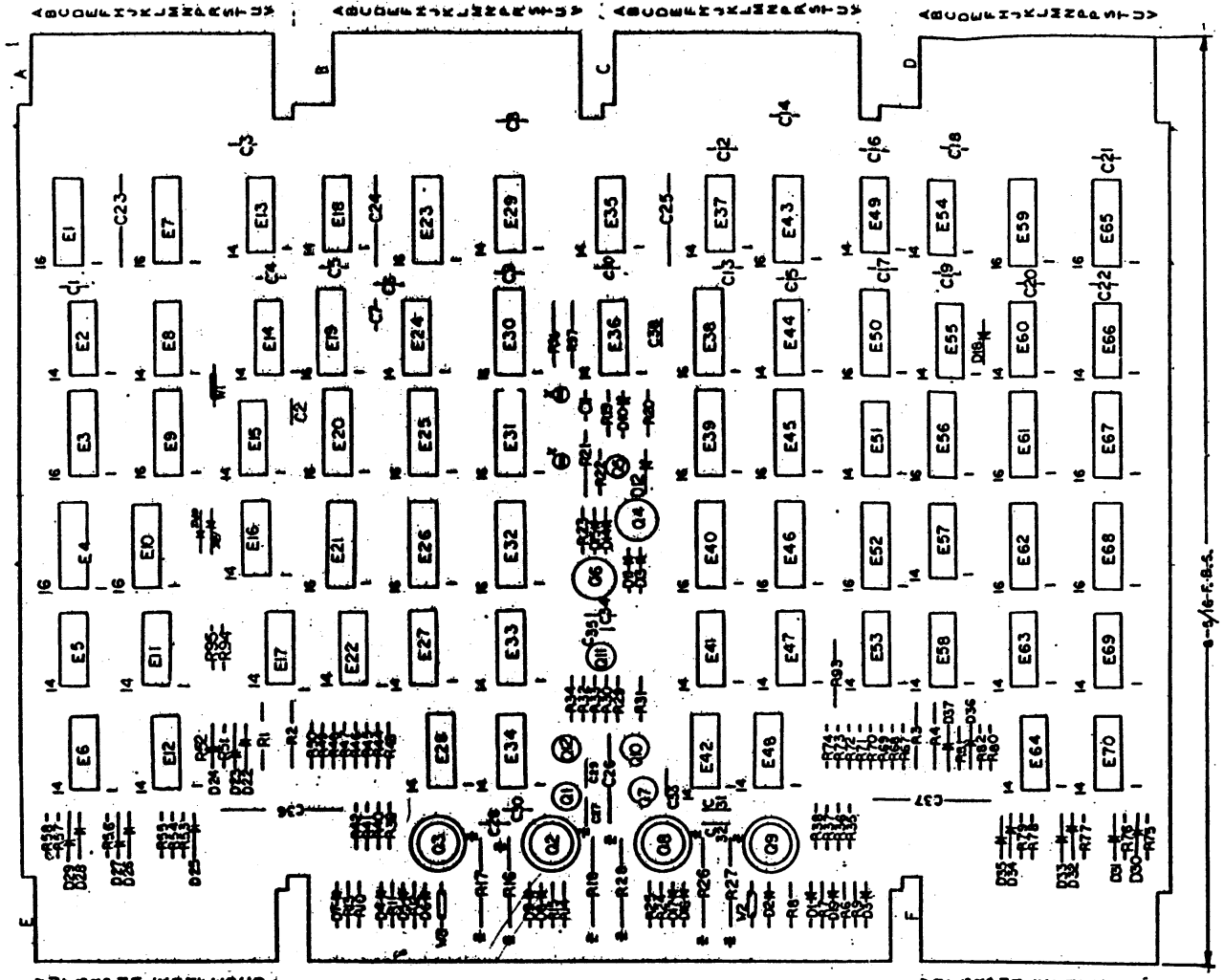
1-0-1119SC 2
 * VALUE OF R65 IS DETERMINED BY THE VOLTAGE AT PIN HA1 WITH RESPECT TO +5V. THIS VOLTAGE MUST BE -3.70 TO -3.75 VOLTS.

FIRST USED ON OPTION/MODEL	QTY.	DESCRIPTION	PART NO.	ITEM NO.
PARTS LIST				
UNLESS OTHERWISE SPECIFIED DIMENSION IN INCHES TOLERANCES	DRN CHKD	DATE 3/19/72	digital CORPORATION	
DECIMALS	ANGLES	DATE 3-27-72		
JCK - .005 JK - .02 K - .1	20° 30'	DATE 3/25/72	TITLE 4K OR 8K SENSE INHIBIT BOARD	
REMOVE BURRS AND BREAK SHARP CORNERS SURFACE QUALITY	PROJ. ENG. W. Center	DATE 3/27/72		
MATERIAL	NEXT HIGHER ASSY.	DATE 3-31-72	SIZE CODE DCS G111-0-1	
FINISH	SCALE	DATE		
	SHEET 3 OF 3	DIST.	NUMBER REV J	

REV	CHG	NO	DATE

- NOTES:
- UNLESS OTHERWISE SPECIFIED, ALL RESISTORS TO BE 150Ω
 - 4008-X (P.N. 15-10015-01) MAY BE USED IN CASE OF A SHORTAGE OF 4011 ITEM # 34
 - ALLOWABLE MEMORY SYSTEM

MMB-EJ	MMB-EH
H212 OR H212A STACK	H211 OR H211A STACK
G111 OR G115 S/I	G115 S/I
G233 OR G234 X-Y	G234 X-Y



- AA1
- AA2
- AA3
- AA4
- AA5
- AA6
- AA7
- AA8
- AA9
- AA10
- AA11
- AA12
- AA13
- AA14
- AA15
- AA16
- AA17
- AA18
- AA19
- AA20
- AA21
- AA22
- AA23
- AA24
- AA25
- AA26
- AA27
- AA28
- AA29
- AA30
- AA31
- AA32
- AA33
- AA34
- AA35
- AA36
- AA37
- AA38
- AA39
- AA40
- AA41
- AA42
- AA43
- AA44
- AA45
- AA46
- AA47
- AA48
- AA49
- AA50
- AA51
- AA52
- AA53
- AA54
- AA55
- AA56
- AA57
- AA58
- AA59
- AA60
- AA61
- AA62
- AA63
- AA64
- AA65
- AA66
- AA67
- AA68
- AA69
- AA70
- AA71
- AA72
- AA73
- AA74
- AA75
- AA76
- AA77
- AA78
- AA79
- AA80
- AA81
- AA82
- AA83
- AA84
- AA85
- AA86
- AA87
- AA88
- AA89
- AA90
- AA91
- AA92
- AA93
- AA94
- AA95
- AA96
- AA97
- AA98
- AA99
- AA100

QTY	REF DESIGNATION	DESCRIPTION	PART NO.	ITEM NO.
1	W1, W2, W3	MACH. INSER. JUMPER	9009185	46
1	C26	CAP. 390 PF 50V 5%	1001641	48
1	C26	CAP. 150PF 35V, 20% STANT	1002180	14
1	R25	RES 56K, 1/4W, 5%	130874	43
1	R27	RES 34.8K, 1/4W, 1%	1309150	42
1		SPLIT LUG	1000125	41
1				40
1				39
1				38
1				37
1				36
1				35
1				34
1				33
1				32
1				31
1				30
1				29
1				28
1				27
1				26
1				25
1				24
1				23
1				22
1				21
1				20
1				19
1				18
1				17
1				16
1				15
1				14
1				13
1				12
1				11
1				10
1				9
1				8
1				7
1				6
1				5
1				4
1				3
1				2
1				1

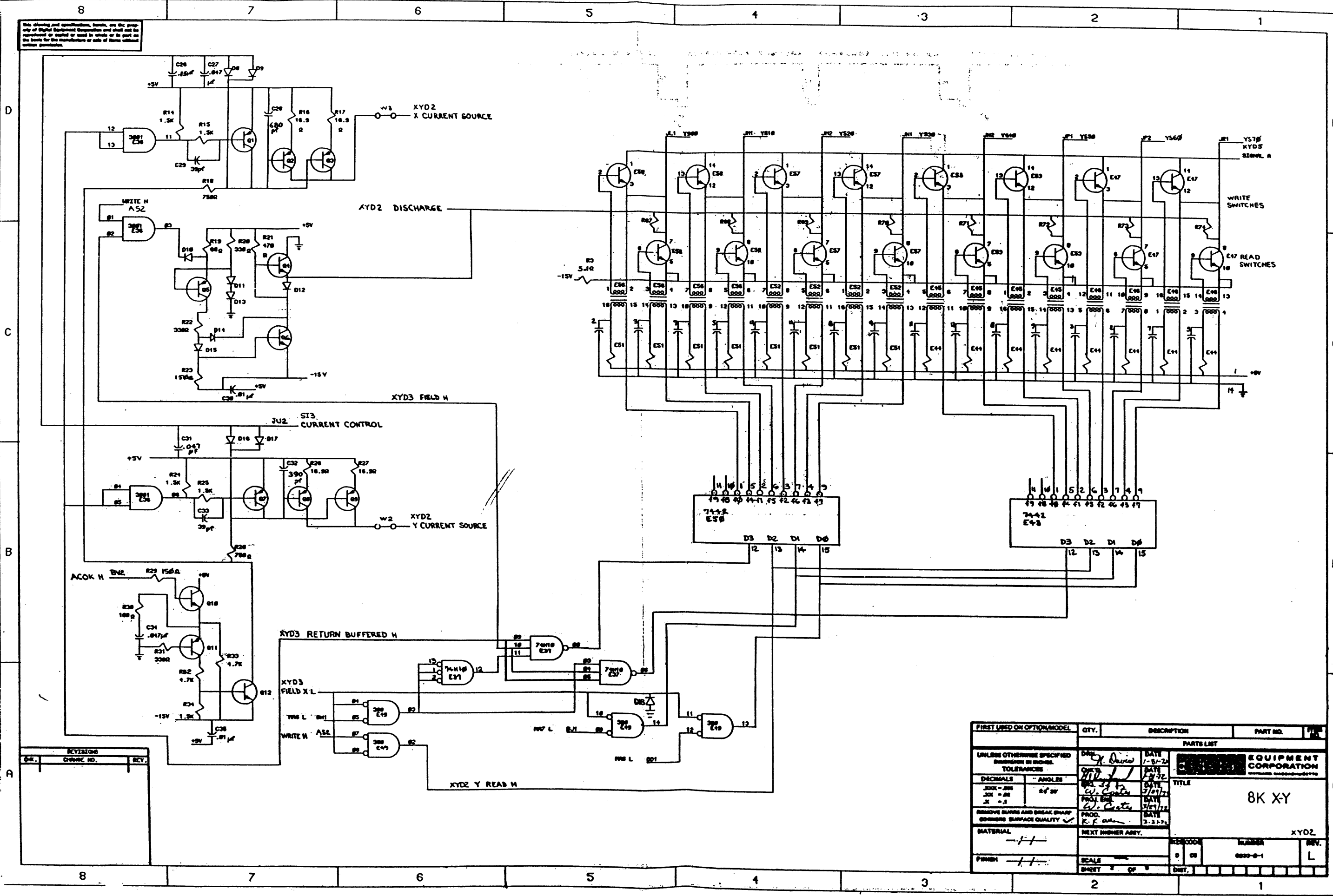
IC PIN LOCATIONS	JUMPER LIST
IC DEC 6980	1
IC DEC 7442	16
IC TYPE	8ND
8ND	40V
40V	2A
2A	W3-A
W3-A	W3-B
W3-B	W2-A
W2-A	W2-B
W2-B	
W1-A	
W1-B	
W1-C	
W1-D	
W1-E	
W1-F	
W1-G	
W1-H	
W1-I	
W1-J	
W1-K	
W1-L	
W1-M	
W1-N	
W1-O	
W1-P	
W1-Q	
W1-R	
W1-S	
W1-T	
W1-U	
W1-V	
W1-W	
W1-X	
W1-Y	
W1-Z	
W2-C	
W2-D	
W2-E	
W2-F	
W2-G	
W2-H	
W2-I	
W2-J	
W2-K	
W2-L	
W2-M	
W2-N	
W2-O	
W2-P	
W2-Q	
W2-R	
W2-S	
W2-T	
W2-U	
W2-V	
W2-W	
W2-X	
W2-Y	
W2-Z	
W3-C	
W3-D	
W3-E	
W3-F	
W3-G	
W3-H	
W3-I	
W3-J	
W3-K	
W3-L	
W3-M	
W3-N	
W3-O	
W3-P	
W3-Q	
W3-R	
W3-S	
W3-T	
W3-U	
W3-V	
W3-W	
W3-X	
W3-Y	
W3-Z	

SEMICONDUCTOR CONVERSION CHART

DEC NO.	EDA NO.	DEC NO.	EDA NO.
6972	1M 3653		
6974	1M 3606		

EQUIPMENT CORPORATION
8K X-Y
ECS G233-01

This drawing and specifications, herein, are the property of Digital Equipment Corporation and shall not be reproduced or used in whole or in part on the basis of the manufacture or sale of items without written permission.



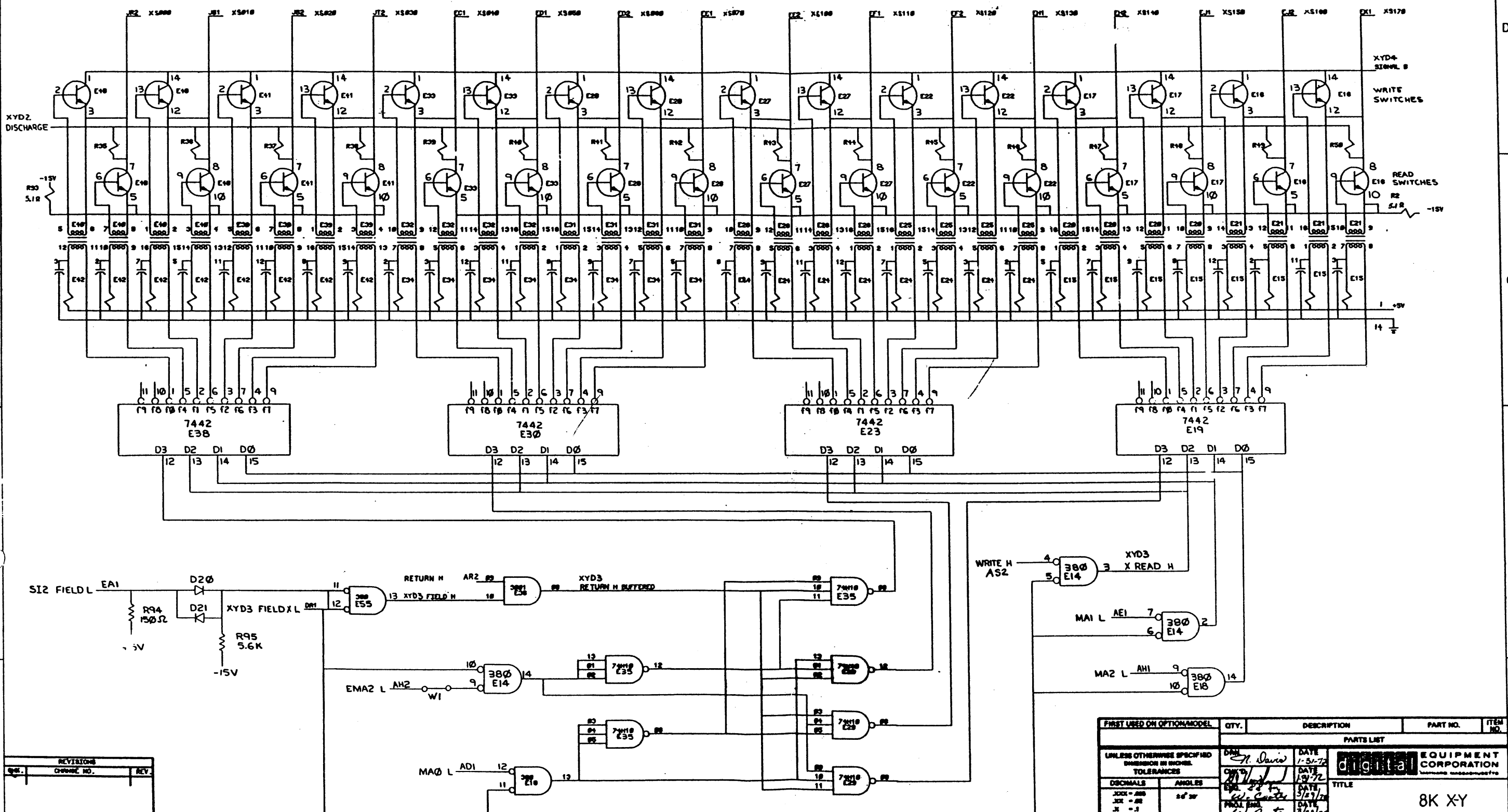
REV.	CHANGE NO.	REV.

FIRST USED ON OPTION/MODEL	QTY.	DESCRIPTION	PART NO.
UNLESS OTHERWISE SPECIFIED DIMENSIONS IN INCHES			
TOLERANCES			
DECIMALS		ANGLES	
JXX - .005		60° ±	
JX - .01			
REMOVE BURRS AND BREAK SHARP EDGES TO SURFACE QUALITY			
MATERIAL		NEXT HIGHER ARMY.	
FINISH			

PARTS LIST		TITLE	
DATE	BY	DATE	BY
1-31-70	J. Davis	1/31/70	J. Davis
DATE	BY	DATE	BY
2/3/70	W. J. /	2/3/70	W. J. /
DATE	BY	DATE	BY
3/17/70	W. J. /	3/17/70	W. J. /
DATE	BY	DATE	BY
3/17/70	W. J. /	3/17/70	W. J. /
DATE	BY	DATE	BY
3-21-70	R. F. /	3-21-70	R. F. /

EQUIPMENT CORPORATION		TITLE	
8K XY		XYD2	
REV.	NUMBER	REV.	NUMBER
L	0000-0-1	L	0000-0-1
SCALE		SHEET	
1/1		2 OF 2	

This drawing and specifications, herein, are the property of Digital Equipment Corporation and shall not be reproduced or copied or used in whole or in part as the basis for the manufacture of any of their products without written permission.



REVISIONS		
REV.	CHANGE NO.	REV.

FIRST USED ON OPTION/MODEL	QTY.	DESCRIPTION	PART NO.	ITEM NO.
PARTS LIST				
UNLESS OTHERWISE SPECIFIED DIMENSIONS IN INCHES TOLERANCES		<div style="display: flex; align-items: center;"> <div style="margin-left: 10px;"> <p>DIGITAL EQUIPMENT CORPORATION</p> <p>8K XY</p> </div> </div>		
DECIMALS	ANGLES			
JXX - .005	30° ±	<p>DATE: 1-31-72</p> <p>DATE: 1-31-72</p> <p>DATE: 3/27/72</p> <p>DATE: 3/27/72</p> <p>DATE: 3/27/72</p> <p>DATE: 3-2-72</p>		
RECEIVE BURRS AND BREAK SHARP CORROSION SURFACE QUALITY		<p>DATE: 3-2-72</p>		
MATERIAL	NEXT HIGHER ASSY.	<p>SCALE: NONE</p> <p>SHEET 3 OF 8</p>		
FINISH		<p>NUMBER: 0230-9-1</p> <p>REV: L</p>		

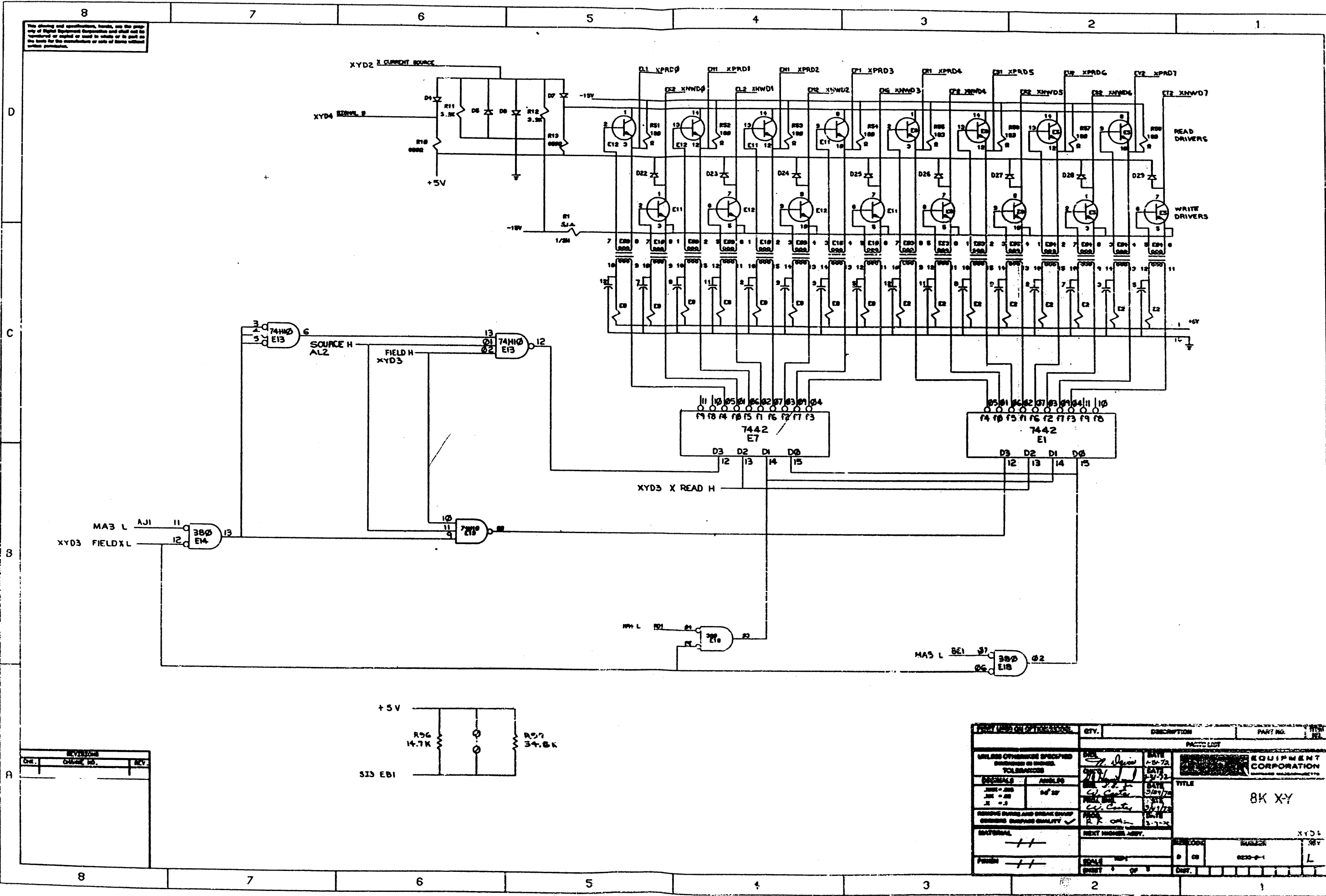
This drawing and specifications, herein, are the property of Digital Equipment Corporation and shall not be reproduced or copied or used in whole or in part as the basis for the manufacture or sale of items without written permission.

D

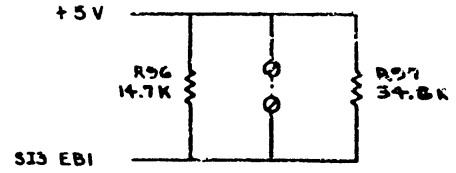
C

B

A

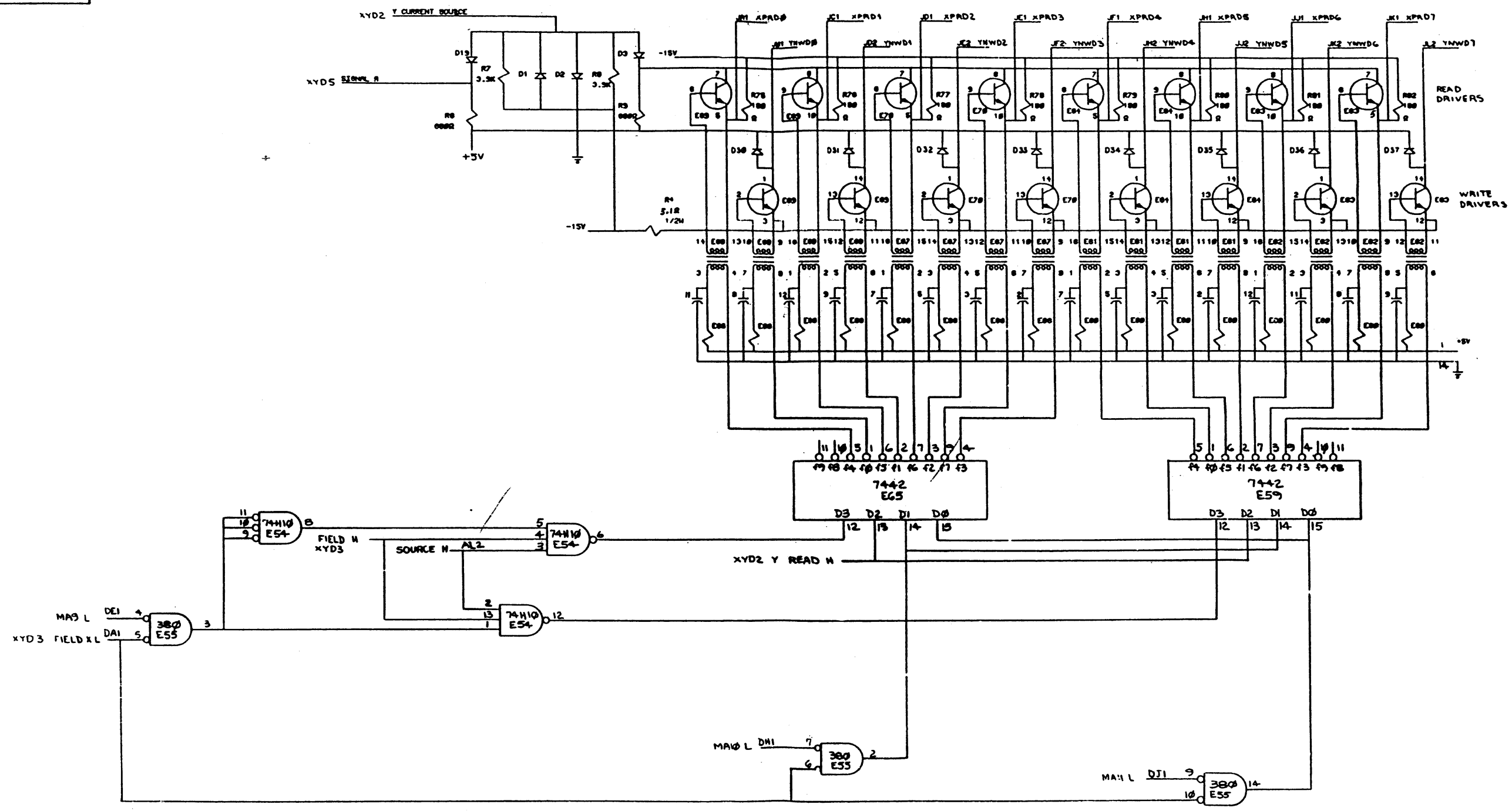


REVISION		
REV.	CHANGE NO.	REV.



DESIGNATION		QTY.	DESCRIPTION	PART NO.	REV.
UNLESS OTHERWISE SPECIFIED TOLERANCES					
RESISTORS	±1%				
CAPACITORS	±5%				
EQUIPMENT CORPORATION					
TITLE: 8K XY					
DATE: 5/27/72					
DRAWN BY: [Signature]					
CHECKED BY: [Signature]					
APPROVED BY: [Signature]					
NEXT NUMBER ADV.					
SCALE: 100%					
SHEET 1 OF 1					

The drawing and specifications herein are the property of Digital Equipment Corporation and shall not be reproduced or stored in whole or in part on any form for the manufacture of sets of parts without written permission.



REVISIONS		
CHK	CHANGE NO.	REV

FIRST USED ON OPTION/MODEL	QTY.	DESCRIPTION	PART NO.	ITEM NO.
PARTS LIST				
UNLESS OTHERWISE SPECIFIED DIMENSION IN INCHES TOLERANCES	DWG 7/20/72	DATE 1-21-72	digital EQUIPMENT CORPORATION CORPORATION 02060-02070	
DECIMALS ANGLES	DATE 1/21/72	DATE 1/21/72		
JOCK - .008 JOK - .008 X - .1	DATE 3/2/72	DATE 3/2/72	TITLE 8K X-Y	
REMOVE BURRS AND BREAK SHARP CORNERS SURFACE QUALITY	DATE 3-3-72	DATE 3-3-72		
MATERIAL	NEXT HIGHER ASSY.		REV. CODE	NUMBER
FINISH	SCALE	REV.	0	0000-0-1
SHEET 5 OF 8		DST.		