

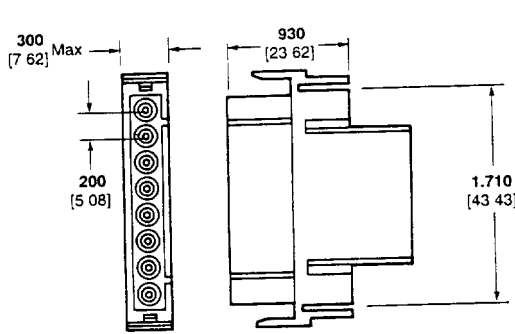
## Commercial MATE-N-LOK Connectors

### Housings

#### Related Product Data

**Product Specification**  
108-1000 Commercial MATE-N-LOK Connectors  
Performance Characteristics — pg 41 and 42  
Contacts — pg 43 and 44  
Keying Plug — pg 44  
Commoning Tab — pg 43  
Technical Documents — pg 60  
Mating Pin Headers — pg 49

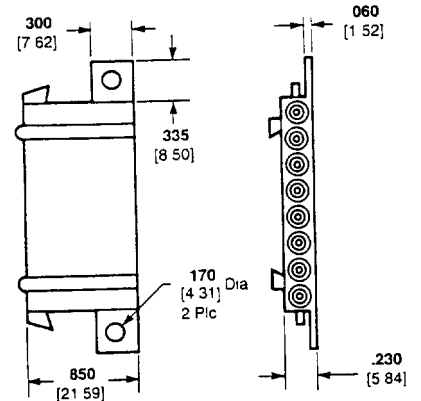
### Flange Mount 8 Circuit, In-Line



Pin Housing (Cap)

#### Part Numbers

UL94V-2 Nylon material, natural color — 1-480460-0  
UL94V-0 Nylon material, brck red color — 770861-1



Socket Housing (Plug)

#### Part Number

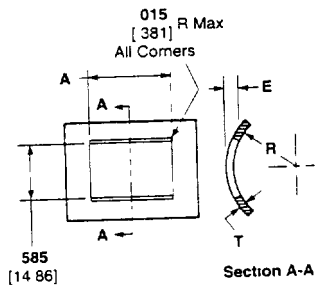
UL94V-2 Nylon material, natural color — 1-480459-0



Socket Housing as mounted

### Recommended Panel Cutout for Motor Mount Pin Housing

View is from pin housing entry side



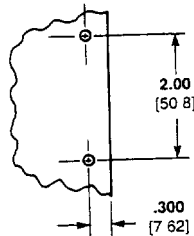
Note: Motor mount housings may be used in flat panels

Number Circuits	Dimension A
6	.715 18 16
8	.910 23 11
10	1.105 28 07
12	1.300 33 02
16	1 690 42 93

#### Mounting Information

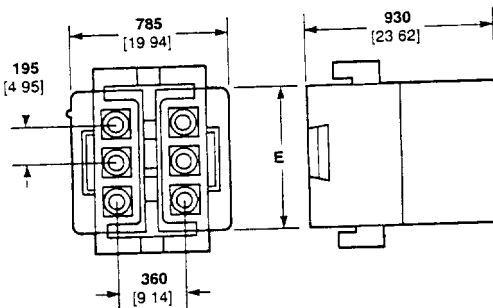
- 1 Recommended panel thickness "E" is .040- .100 [1 02-2 54] and is dependent on "T" and "R"
- 2 The pin housing must be inserted in a rocking manner
- 3 The panel must be punched so that the housing enters the panel in the same direction as the punch

Dimensions are for reference only

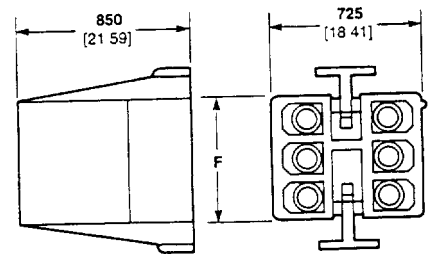


Recommended Socket Housing (Plug) Mounting

### Motor Mount 6, 8, 10, 12 and 16 Circuit, Matrix



Pin Housing (Cap)



Socket Housing (Plug)

Number of Circuits	Dimensions		Part Numbers	
	E	F	Pin Housing (Cap)	Socket Housing (Plug)
UL94V-2 Nylon, Natural				
6	.705 17 90	.610 15 49	1-480271-0	1-480270-0 <sup>1</sup>
8	.900 22 86	.805 20 45	1-480284-0	1-480283-0 <sup>1</sup>
10	1 095 27 81	1.000 25 4	1-480286-0	1-480285-0 <sup>1</sup>
12	1.290 32 77	1.195 30 35	1-480288-0	1-480287-0
16	1 680 42 67	1.585 40 26	1-480439-0	1-480438-0

<sup>1</sup>Housing accepts double wire applications where individual insulation diameters do not exceed .115 [2 92]