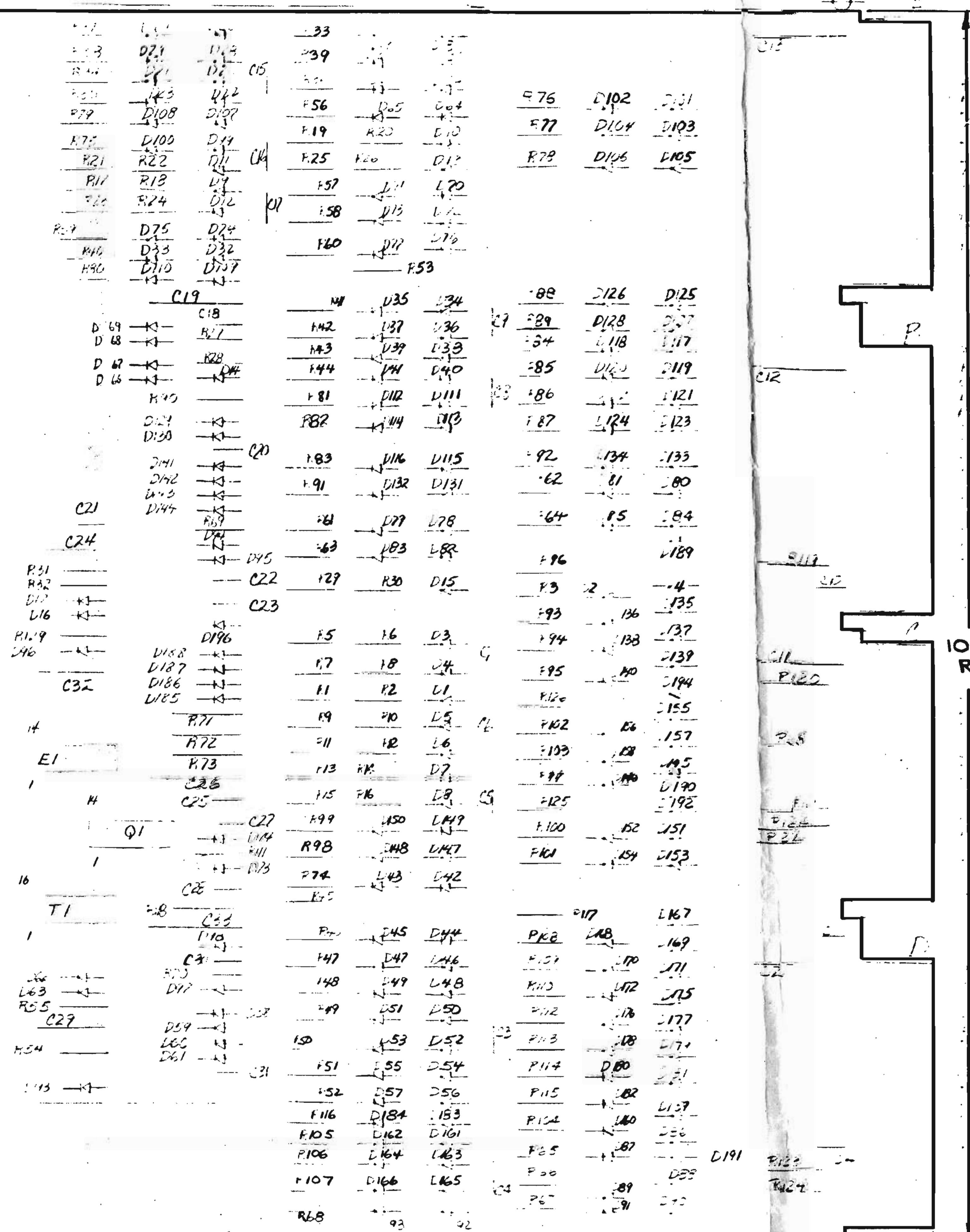
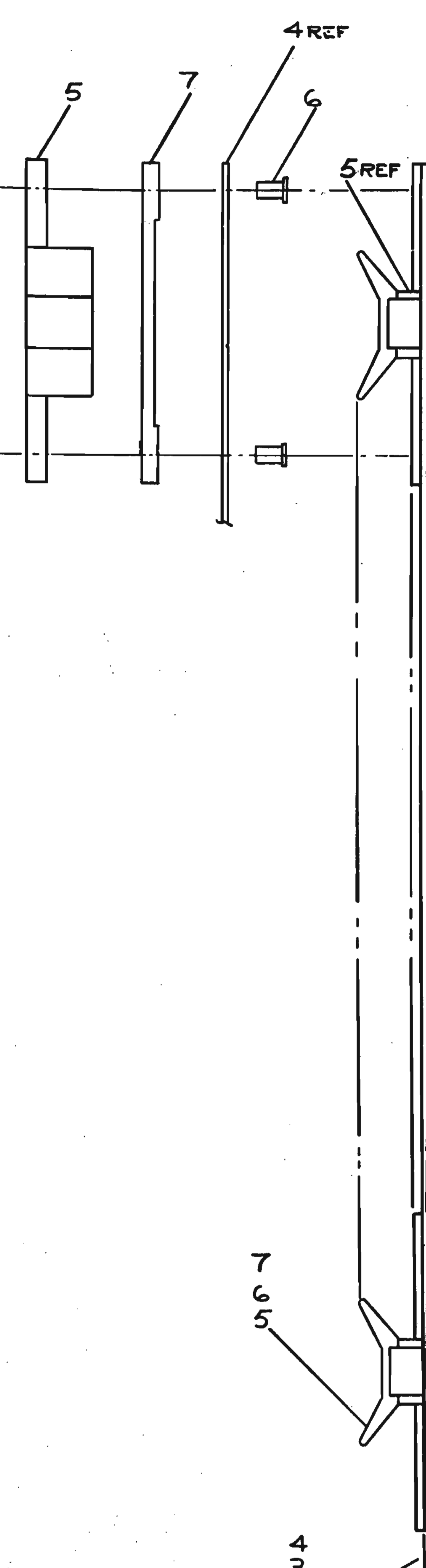


**NOTES:**

- UNLESS OTHERWISE SPECIFIED:  
CAPACITORS = .047UF 16V 15-20%  
RESISTORS = 1500 1/4W 5%  
DIODES = D664
- CONNECT ALL PINS C,F,N,T (EXCEPT ACI) TOGETHER TO GROUND.



**CAUTION** CHANGE IN PROCESS

10.44 REF

8.44 REF

QTY.	REF DESIGNATION	DESCRIPTION	PART NO.	ITEM NO.
3	C28,C29,C32	CAP 330PF 100V 5%	1000023	21
7	C2,C11,C12,C13,C19,C26,C33	CAP 6.8UF 35V 20%	1000067	20
23	C1,C3-C10,C14-C18,C20-C23,C25,C27,C28,C30,C31	CAP .047UF 16V 15-20%	1009678	19
1	E1	IC LEC 7404	1909686	15
1	Q1	PULSE INTRZ BOOIHUALINE	1609657	17
1	Q1	TRAMS DEC 4008	1510015	16
6	R19-R24	RES 1K 1/4W 10%	1302137	15
4	R21-R23,R118	RES 1.2K 1/2W 10%	1300387	14
58	R27-R29,R74-R77,R53	RES 1500 1/4W 5%	1300391	13
41	R22,R24,R26,R28,R29,R30,R32-R35,R56,R70,R127,R128,R129	RES 470 1/4W 10%	1300317	12
20	R13,R15,R17,R19,R21,R22,R25,R27,R29,R31,R54,R55,R57,R58	RES 150 1/4W 5%	1300250	11
2	D17,D17	DIODE D672	1105275	12
16	D58-D61,D66-D69,D81-D84,D35-D38	DIODE D662	1100113	9
177	D1-D16,D18-D57,D62-D65,D70-D74,D76-D79	DIODE D664	1100114	8
4		SPACER (CABLE CLAMP)	1202704	7
8		EYELET 354-11 STIMPSON	9006750	6
4		HANDLE FLIP CHIP - P-17A	4008337-C6	5
1		ETCHED CIRCUIT BOARD	5009486	4
REF		MODULE HISTORY LIST	B-MH-08322-0-6	3
REF		ASSY/DRILLING HOLE LAYOUT	D-AH-08322-0-2	2
REF		X-Y COORDINATE HOLE LOC.	K-CO-08322-0-1	1

IC TYPE	GND	+5V	ITEM NO	AWG	FROM PT	TO PT

**ETCH BOARD REV**

**PARICIPATED**

DATE	BY
DEC 4005	
D664	1K3606
D672	1K3653
D662	1K605

**SEMICONDUCTOR CONVERSION CHART**

DEC NO.	EIA NO.	DEC NO.	EIA NO.

**EQUIPMENT CORPORATION**

**TITLE: EUS LOADS**

**NUMBER: EUSM5320-0-1**

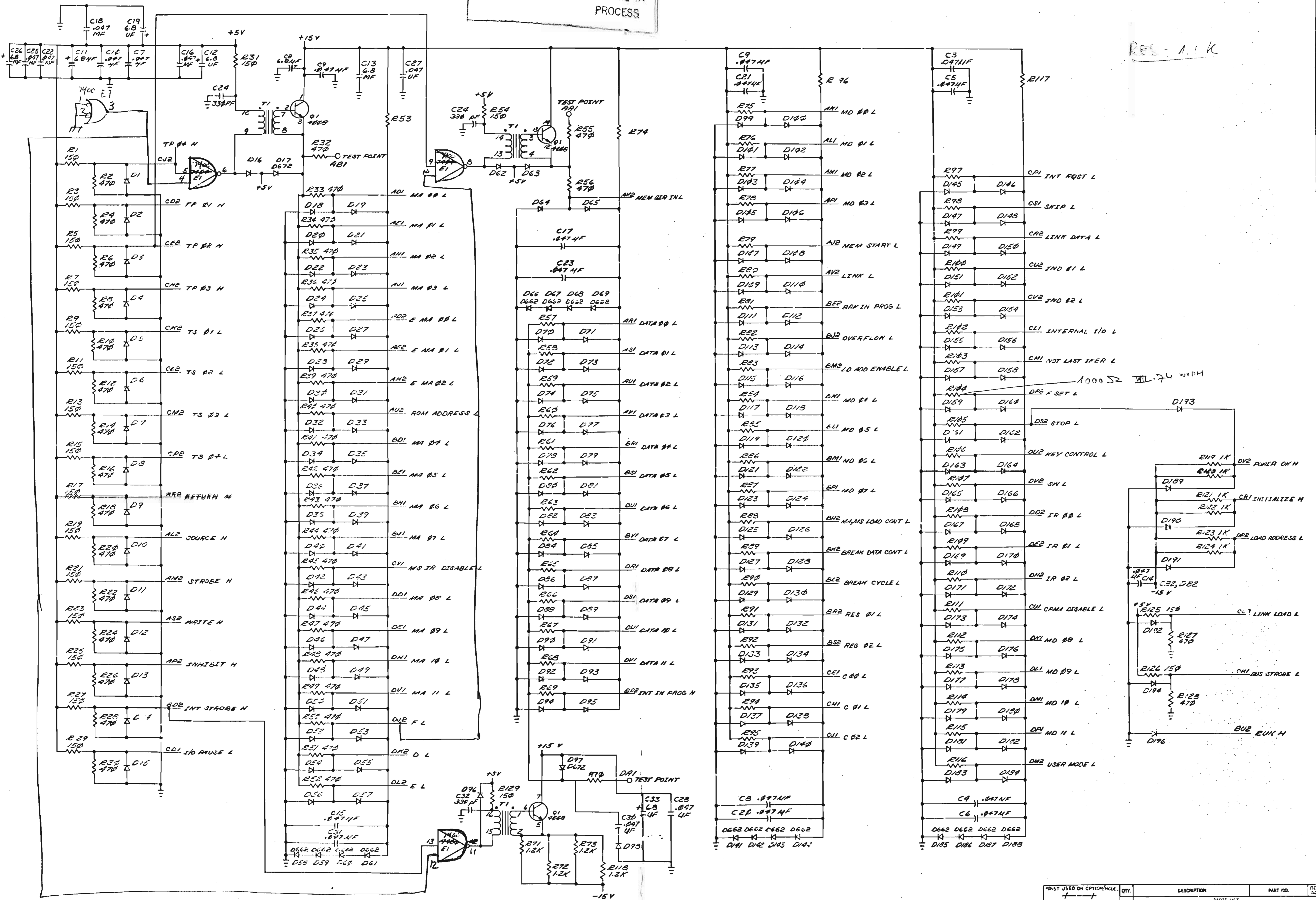
**SCALE: 2/1**

**SHEET 1 OF 2**

© Digital Equipment Corporation and shall not be reproduced or copied or used in whole or in part as the basis for the manufacture or sale of items without written permission.

**CAUTION** CHANGE IN PROCESS

RES - 1.1K



1000 Ω 1/4 W 5% WYDM

REV. CHANGE NO. 1

FIRST USED ON OPTION/REV.	QTY.	DESCRIPTION	PART NO.	ITEM NO.
UNLESS OTHERWISE SPECIFIED: DIMENSIONS IN INCHES TOLERANCES DIMENSIONAL FINISHES ANGLES FINISHES REMOVE BURRS AND BREAK SHARP CORNERS	DATE	DATE	DATE	DATE
EQUIPMENT CORPORATION				
BUS LOADS				
SIZE CODE		NUMBER	REV.	
EES		1320-0-1	A	
SCALE		SHEET 2 OF 2		