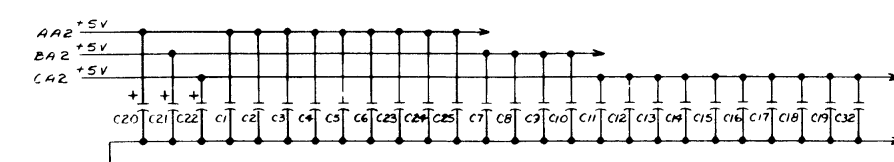
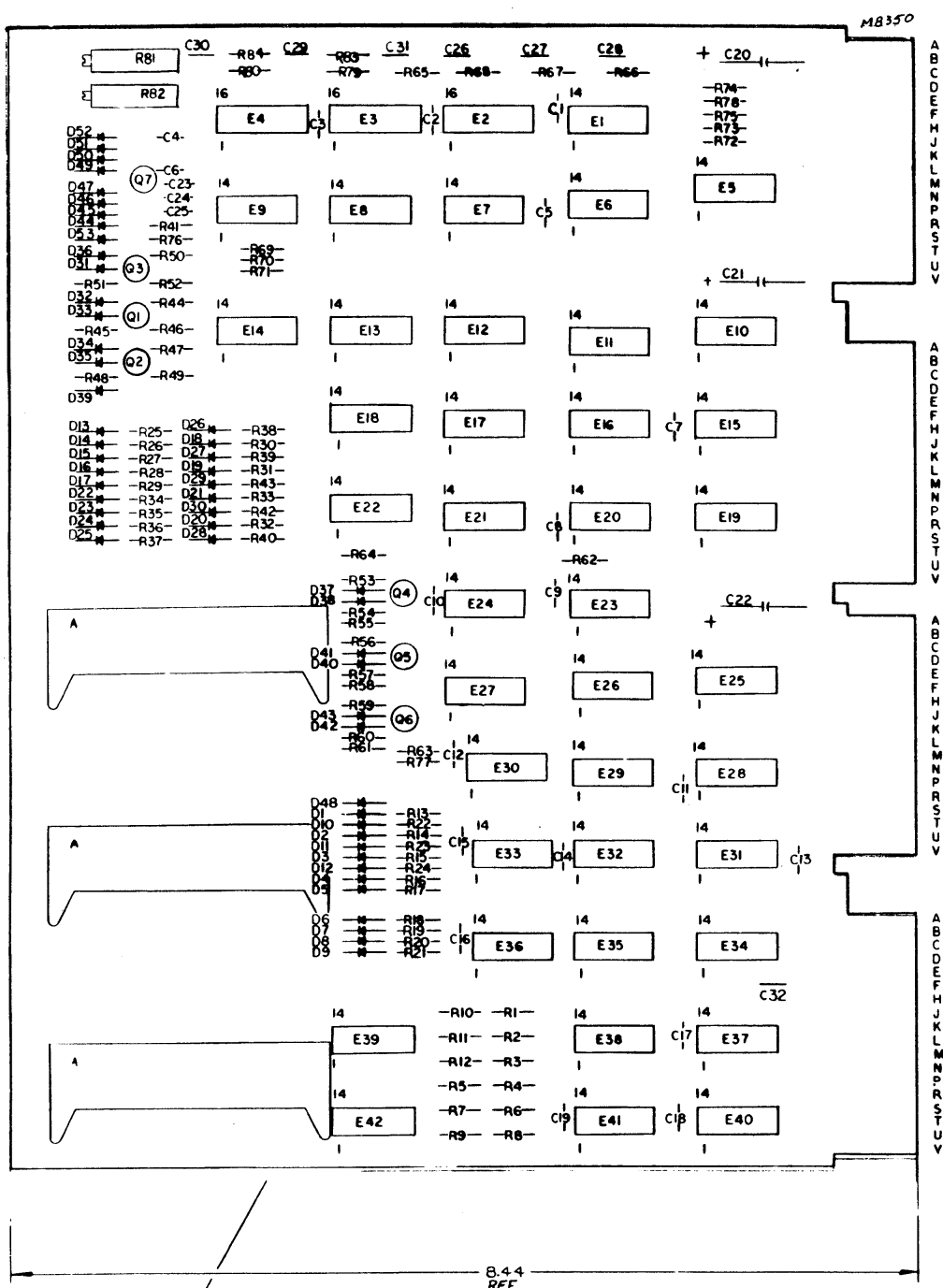
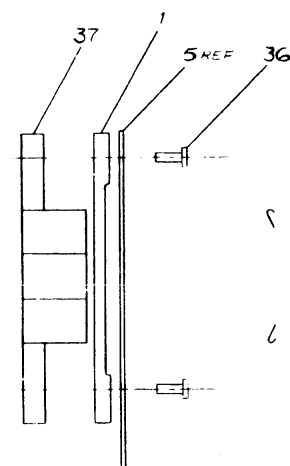


NOTES:
 1. UNLESS OTHERWISE NOTED,
 CAPACITOR 514F 100V 21%
 RESISTOR 220 1/4W 5%



IC TYPE	GRID	±5V
DEC 2501	N	NE
DEC 74123	5	16
DEC 6380	7	8
DEC 384	1	6

QTY.	REF DESIGNATION	DESCRIPTION	PART NO.	QTY.
2	R84, R83	RES 470K 1/4W 5%	1302398	40
1	C29	CAP 33 PF, 100V 5% D.M.	1000009	31
1		GRIPLET	1210244-C	1
4		HANDLE FLIP CHIP - MAGENTA	9008337-C6	17
8		EYELET GS 4-11 STAMPSCA	9006750	14
3	E2, E3, E4	IC DEC 74123	1910426	15
2	E23, E42	IC DEC 2501	1910010	14
5	E10, E16, E18, E20, E30	IC DEC 6380	1909971	13
4	E13, E18, E22, E27	IC DEC 7417	1909929	12
5	E17, E21, E33, E36	IC DEC 7416	1909928	31
6	E125, E28, E31, E34, E40	IC DEC 8881	1909705	12
3	E26, E38, E41	IC DEC 7404	1909686	29
4	E15, E32, E35, E37	IC DEC 384	1909486	13
1	E29	IC DEC 7402	1909004	1
1	E39	IC DEC 7430	1905578	1
1	E24	IC DEC 7420	1905577	1
2	E5, E8	IC DEC 7410	1905576	24
1	E11	IC DEC 7400	1905575	1
4	E6, E7, E9, E19	IC DEC 7474	1905547	1
7	Q1 THRU Q7	TRANSISTOR DEC 3009B	1503100	21
2	R81, R82	RES 60K 3/4W 10% 76 PR	1307143-13	20
1	R79	RES 4.7K 1/4W 5%	1300447	1
4	R65 THRU R68	RES 6.8K 1/4W 5%	1301423	1
6	R50, R49, R47, R53, R54, R59	RES 27 1/4W 10%	1301420	17
1	R80	RES 5.6K 1/4W 5%	1301874	1
68	R1 THRU R43, R45, R46, R48, R49, R51, R52, R54, R55, R57, R58, R60, R61 THRU R64, R69 THRU R78	RES 220 1/4W 5%	1300271	15
3		HEADER RIGHT ANGLE	1209941	14
43	D1 THRU D43	DIODE D664	1100114	13
10	D44 THRU D53	DIODE D662	1100113	12
23	C1 THRU C19, C23, C24, C25, C32	CAP .01UF, 100V, 20% DISC	1001610	11
3	C20, C21, C22	CAP 6.8UF, 35V, 10% S-TAAT	1005206	10
1	C30	CAP 150PF, 100V, 5% D.M.	1000019	7
2	C27, C28	CAP 68PF, 100V, 5% D.M.	1000014	7
1	C26	CAP 33PF, 100V, 5% D.M.	1000010	7
2	C31, C26	CAP 10PF, 100V, 5% D.M.	1000006	6
1		ETCHED CIRCUIT BOARD	5009594	5
REF		MODULE ECO HISTORY	B-MH-MB350-0-1	4
REF		ASSY/DRILLING HOLE LAYOUT	D-MH-MB350-0-1	3
REF		X-Y COORDINATE HOLE LAYOUT	K-CO-MB350-0-1	2
4		SPACER (CABLE CLAMP)	1202704	1

ETCH BOARD REV C

SEMICONDUCTOR CONVERSION CHART

DATE: 5-3-71

FILE: POSITIVE I/O BUS INTERFACE

DEC NO. EIA NO. DEC NO. EIA NO.

DEC 3009B 2N 3009B
 D664 1N 3606
 D662 1N 345

SCALE: 2/1

SHEET 1 OF 3

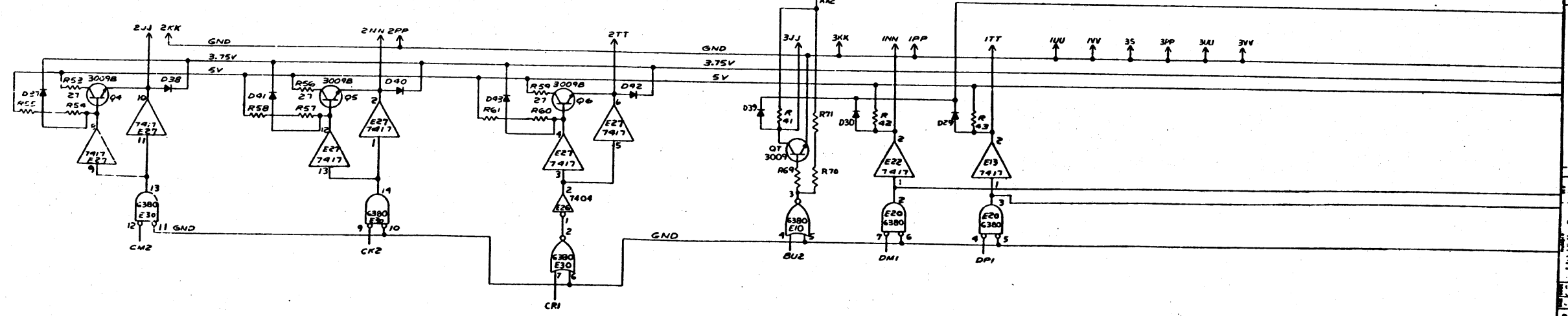
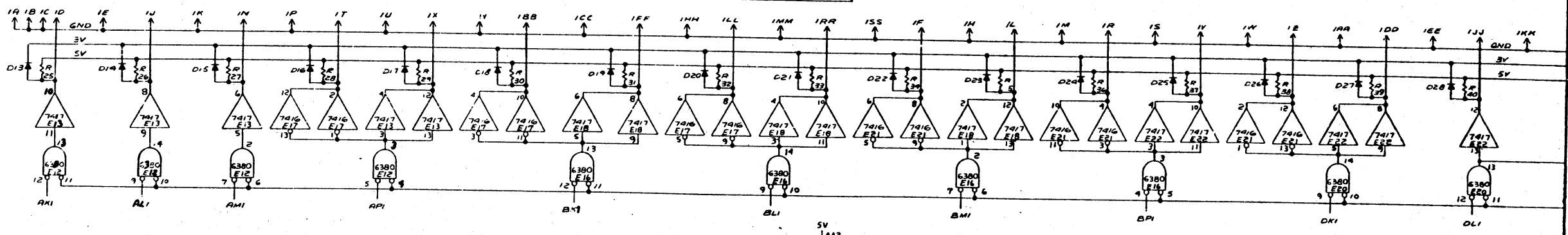
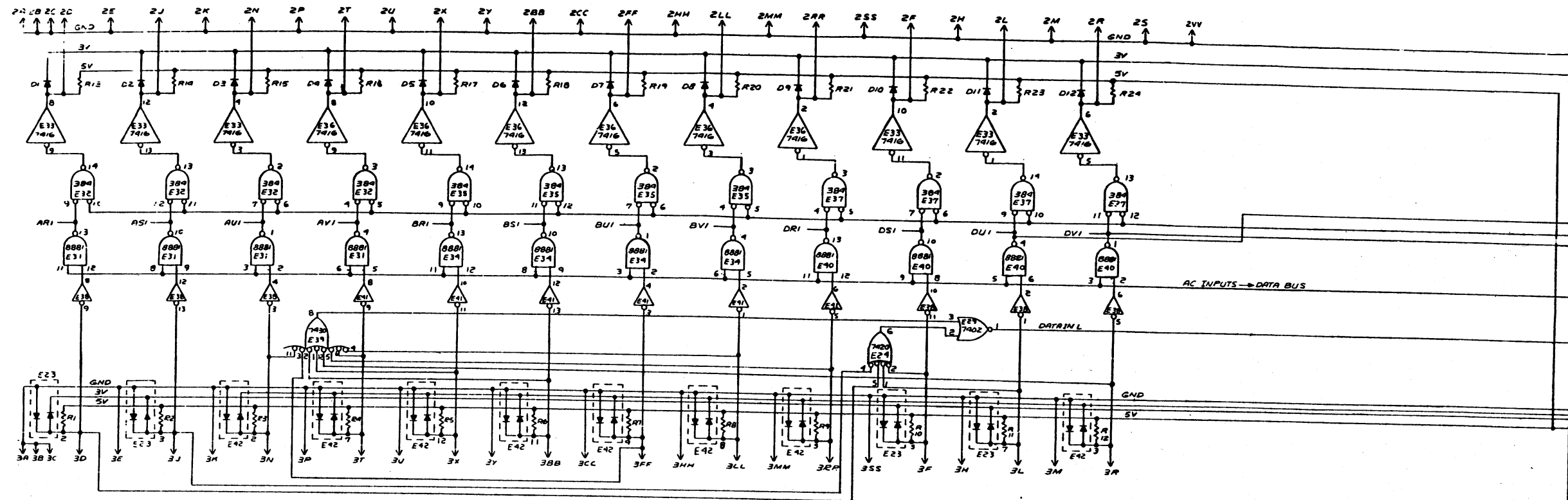
REVISIONS:

- 1. 5-3-71
- 2. 5-3-71
- 3. 5-3-71
- 4. 5-3-71

DESIGNED BY: [Signature]

CHECKED BY: [Signature]

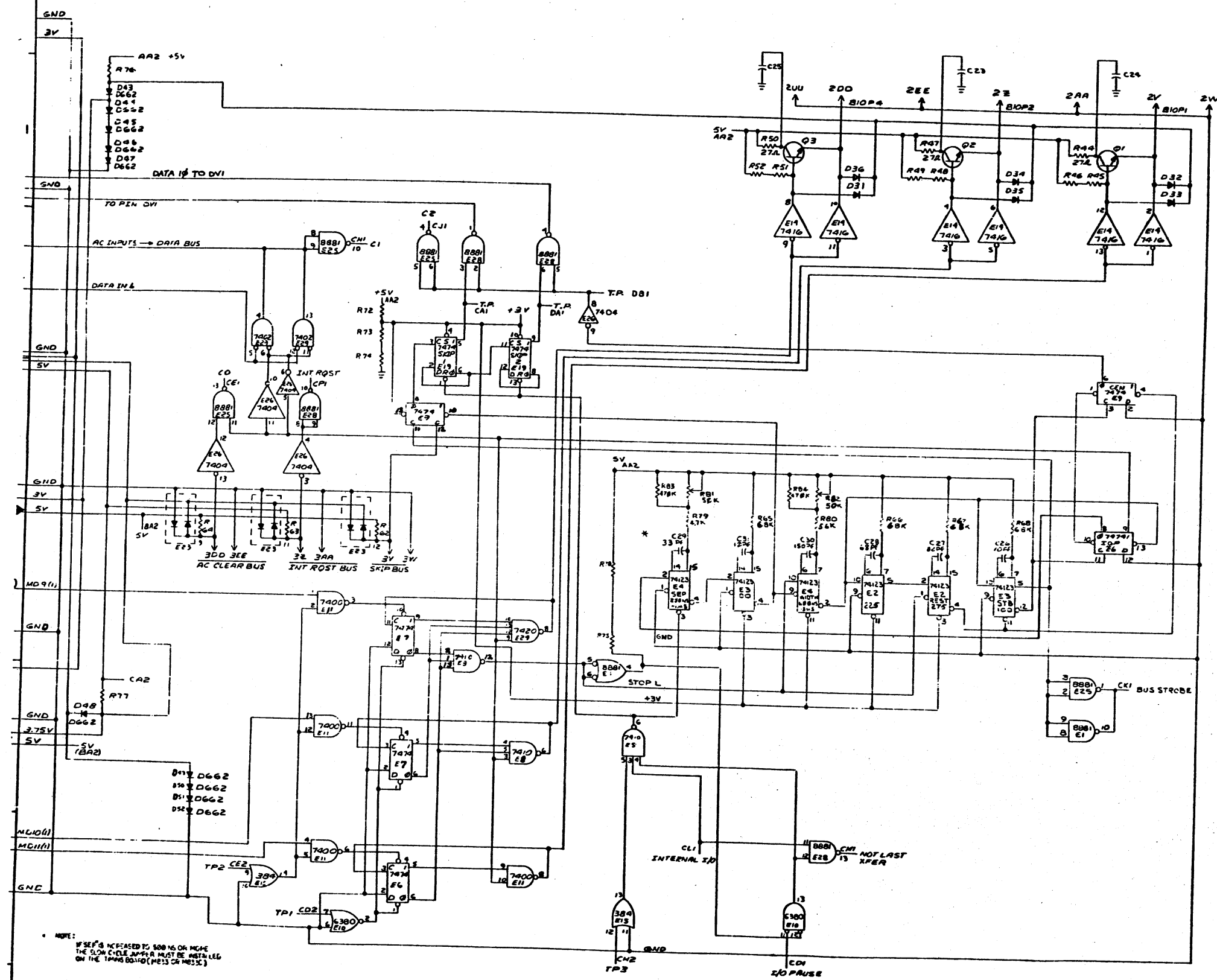
APPROVED BY: [Signature]



100-100000-001
 100-100000-001
 100-100000-001

REV.	DATE	DESCRIPTION	PART NO.	QUANTITY
1				
2				
3				
4				
5				
6				
7				
8				
9				
10				

PDP 8/E UNLESS OTHERWISE SPECIFIED DIMENSIONS IN INCHES TOLERANCES FINISH SURFACE QUALITY UNLESS OTHERWISE SPECIFIED MATERIALS FIRST USED ON		EQUIPMENT CORPORATION TITLE POSITIVE I/O BUS INTERFACE NUMBER M8350-0-1 REV. D DATE
---	--	---



NOTE:
IF SET B IS INCREASED TO 500 NS OR MORE
THE SLOW CYCLE INPUT MUST BE INSTALLED
ON THE TRIGGER INPUT (M033 OR M035)

UNLESS OTHERWISE SPECIFIED		DATE	REV
TOLERANCES		DATE	REV
DIMENSIONS		DATE	REV
MATERIALS		DATE	REV
FINISHES		DATE	REV
EQUIPMENT CORPORATION		DATE	REV
POSITIVE I/O BUS INTERFACE		DATE	REV
M8350-0-1		DATE	REV
SHEET 3 OF 3		DATE	REV