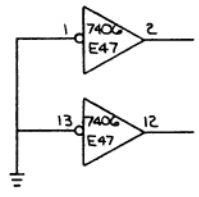
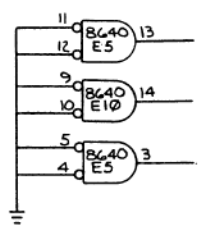


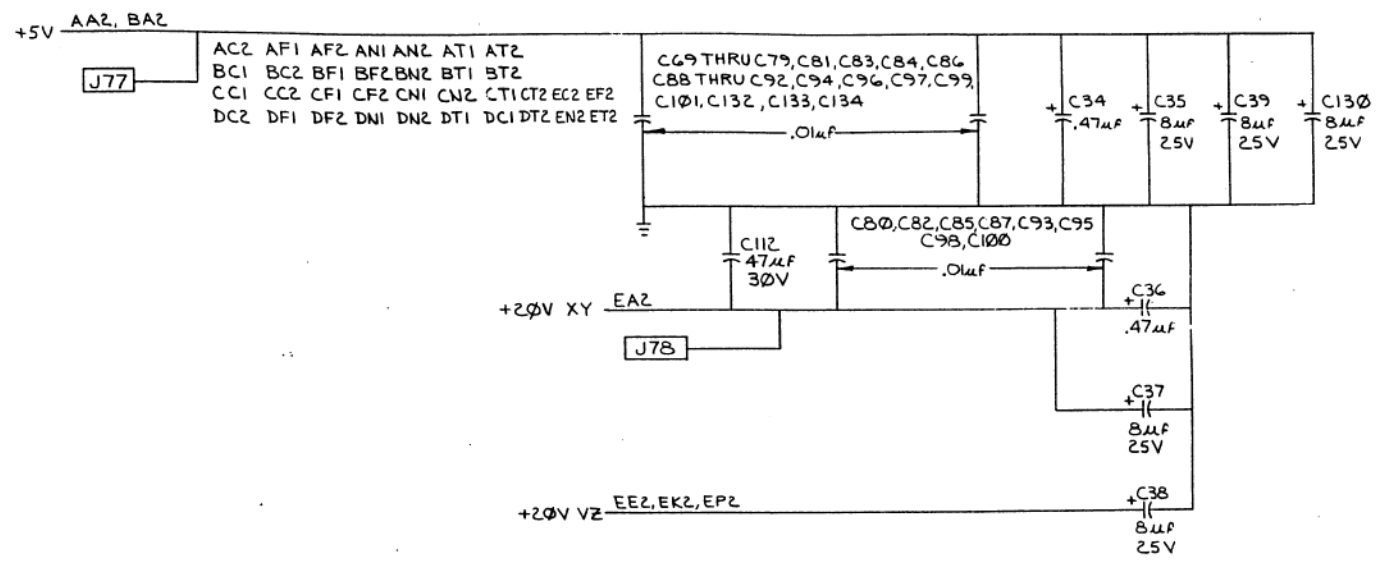
"THE DRAWING AND SPECIFICATIONS HEREIN ARE THE PROPERTY OF DIGITAL EQUIPMENT CORPORATION AND SHALL NOT BE REPRODUCED OR COPIED OR USED IN WHOLE OR IN PART AS THE BASIS FOR THE MANUFACTURE OR SALE OF ITEMS WITHOUT WRITTEN PERMISSION. COPYRIGHT © 1978 DIGITAL EQUIPMENT CORPORATION"

- NOTES:**
- UNLESS OTHERWISE SPECIFIED:  
RESISTORS ARE 1/4W, ± 5%  
CAPACITORS ARE 50V  
DIODES ARE DG72
  - ALL RECEPTACLES ARE INDICATED WITH "J" NUMBERS.

ADDRESS	MEMORY BANK SELECTED
1F1 0 TO 16K	1ST 16K
2F2 16K TO 32K	2ND 16K
3F3 32K TO 48K	3RD 16K
4F4 48K TO 64K	4TH 16K



SPARES



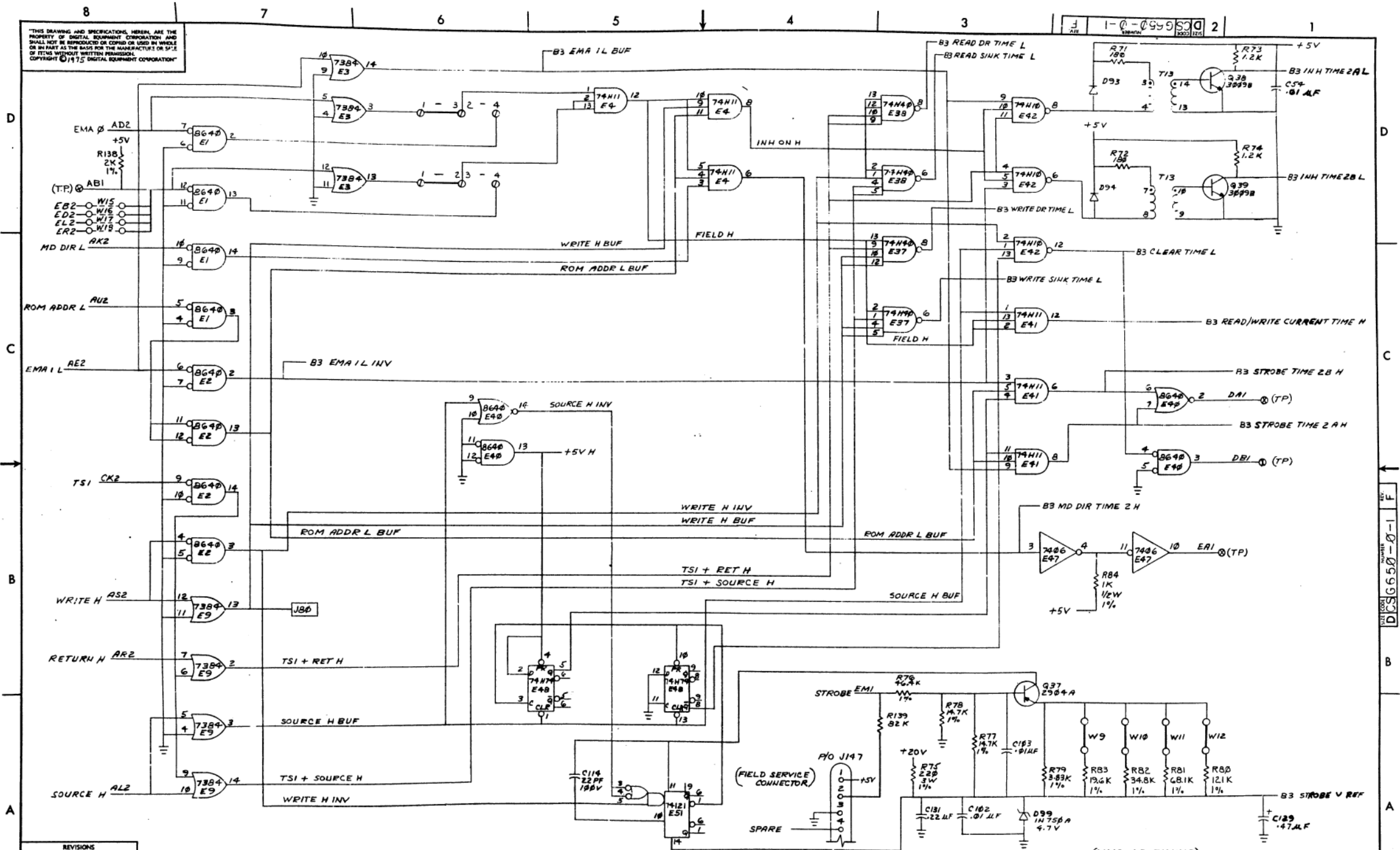
75325	8	9	16	
7520	8	9	16	
8640	1	8		
7442	8	16		
7274-1	4	7		
7384	1	8		
IC TYPE	-5V	0V	+5V	+20V
0V AND 0V ARE USUALLY PIN 7 AND 14 RESPECTIVELY EXCEPTIONS ARE STATED ABOVE				
IC PIN LOCATIONS				

QTY		REF. DESIGNATION	
FIRST USED ON OPTION MODEL			
MM8-AB			
ETCH BOARD REV.		D	
DATE	DESIGNER	DATE	DESIGNER
9-25-76	J. DARAKJIAN	9-7-75	R.P. MEYLY
9-11-75	C. GRANGER	4-15-75	TANNER
4-15-75			
NEXT HIGHER ASSY			
SCALE			
SHEET OF 11			
DEC NO.	EIA NO.	DEC NO.	EIA NO.
SEMICONDUCTOR CONVERSION CHART			
TITLE		16K 12 BIT (B1) BASE BOARD	
SIZE	CODE	NUMBER	REV.
D	CS	G650-0-1	F
DST.		1	

D CS G650-0-1

"THIS DRAWING AND SPECIFICATIONS, HEREIN, ARE THE PROPERTY OF DIGITAL EQUIPMENT CORPORATION AND SHALL NOT BE REPRODUCED OR COPIED OR USED IN WHOLE OR IN PART AS THE BASIS FOR THE MANUFACTURE OF ANY ITEM WITHOUT WRITTEN PERMISSION. COPYRIGHT © 1975 DIGITAL EQUIPMENT CORPORATION"

1-0-0999 [S] 2



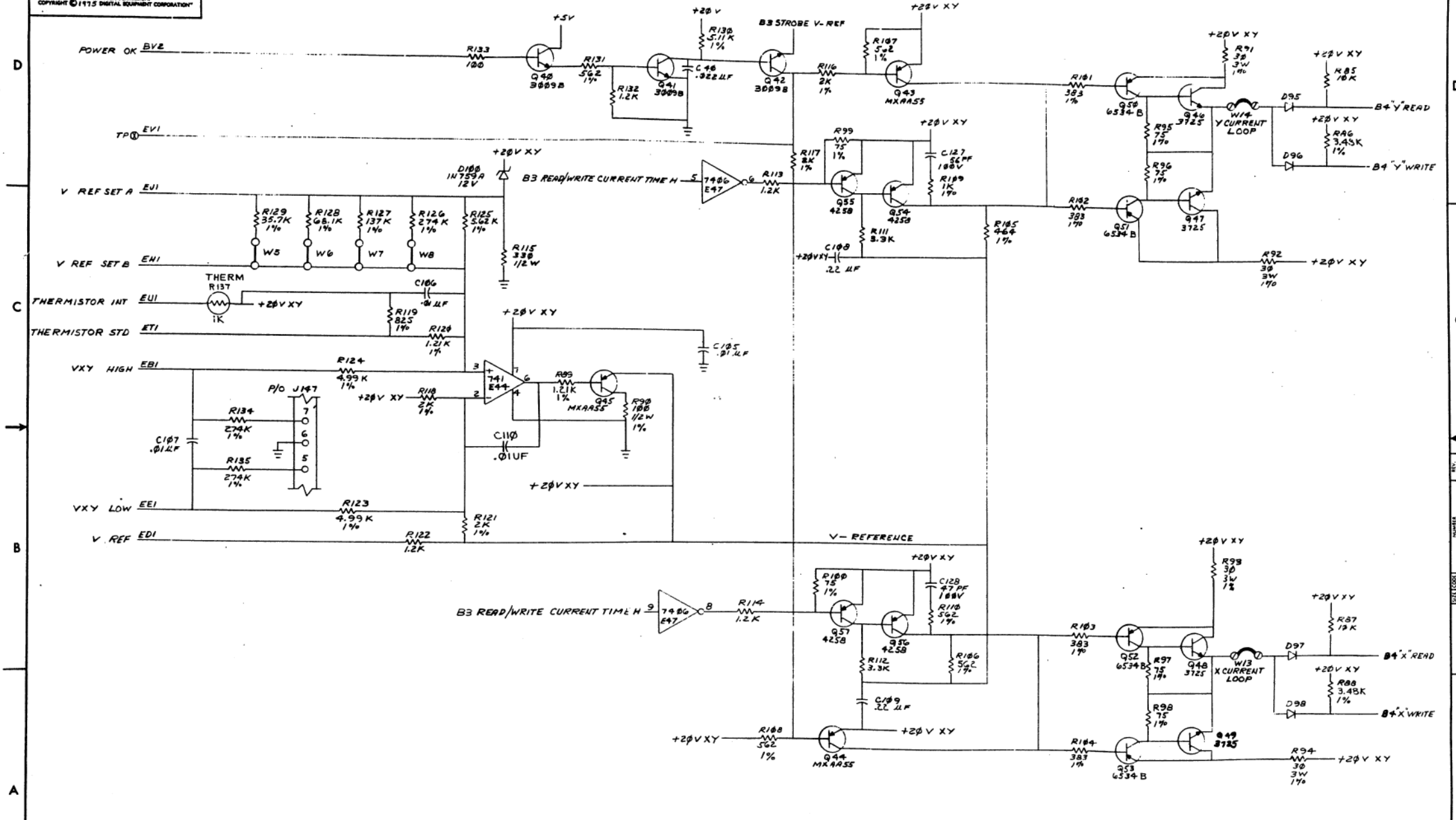
REVISIONS		
CHK	CHANGE NO.	REV.

TITLE		MM8-AB TIMING		REV.	
16K, 12 BIT BASE BOARD (B3)		DCS G650-0-1		F	
SCALE		SHEET 2 OF 11		DIST.	

DCS G650-0-1

"THIS DRAWING AND SPECIFICATIONS, HEREIN, ARE THE PROPERTY OF DIGITAL EQUIPMENT CORPORATION AND SHALL NOT BE REPRODUCED OR COPIED OR USED IN WHOLE OR IN PART AS THE BASIS FOR THE MANUFACTURE OR SALE OF ITEMS WITHOUT WRITTEN PERMISSION. COPYRIGHT © 1975 DIGITAL EQUIPMENT CORPORATION"

1-0509 SC D 2



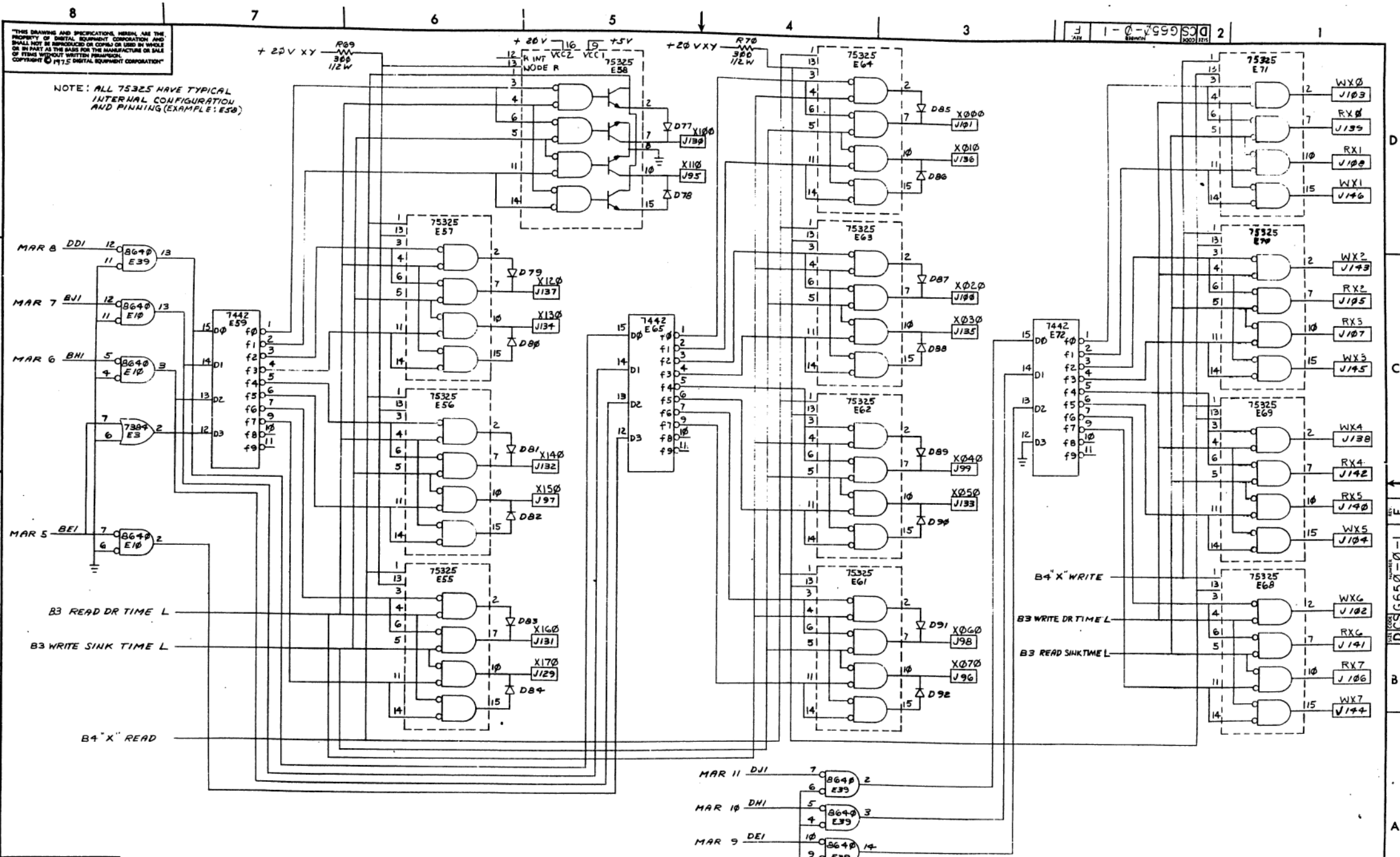
REVISIONS		
CHK	CHANGE NO.	REV.

(CURRENT & CONTRL)

TITLE	16K, 12 BIT BASE BOARD (B4)	SIZE CODE	DCS	NUMBER	6650-0-1	REV.	F
SCALE		SHEET	3 OF 11	DIST.			

"THIS DRAWING AND SPECIFICATIONS HEREIN, ARE THE PROPERTY OF DIGITAL EQUIPMENT CORPORATION AND SHALL NOT BE REPRODUCED OR COPIED OR USED IN WHOLE OR IN PART AS THE BASIS FOR THE MANUFACTURE OR SALE OF ITEMS WITHOUT WRITTEN PERMISSION. COPYRIGHT © 1975 DIGITAL EQUIPMENT CORPORATION"

NOTE: ALL 75325 HAVE TYPICAL INTERNAL CONFIGURATION AND PINNING (EXAMPLE: E58)

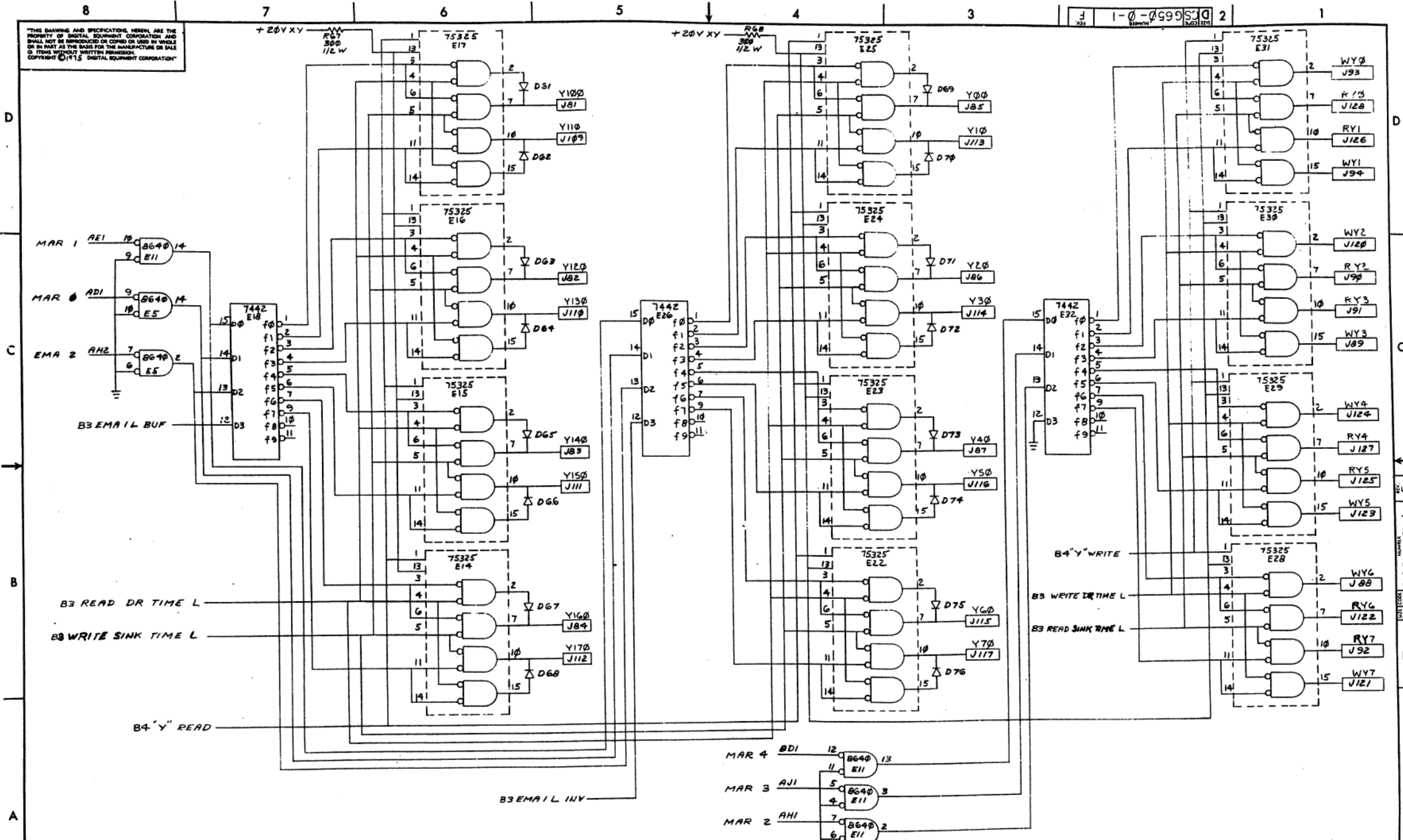


REVISIONS		
CHK	CHANGE NO.	REV.

TITLE	(X DRIVE) 16K, 12 BIT BASE BOARD	(B5) SIZE CODE	NUMBER	REV.
SCALE	7-7	SHEET	4 OF 11	DIST.
D E S I G N		D C S G 6 5 0 - 0 - 1		F

THIS DRAWING AND SPECIFICATIONS HEREIN ARE THE PROPERTY OF DIGITAL EQUIPMENT CORPORATION AND SHALL NOT BE REPRODUCED OR COPIED OR USED IN WHOLE OR IN PART AS THE BASIS FOR THE MANUFACTURE OR SALE OF ITEMS WITHOUT WRITTEN PERMISSION. COPYRIGHT © 1975 DIGITAL EQUIPMENT CORPORATION

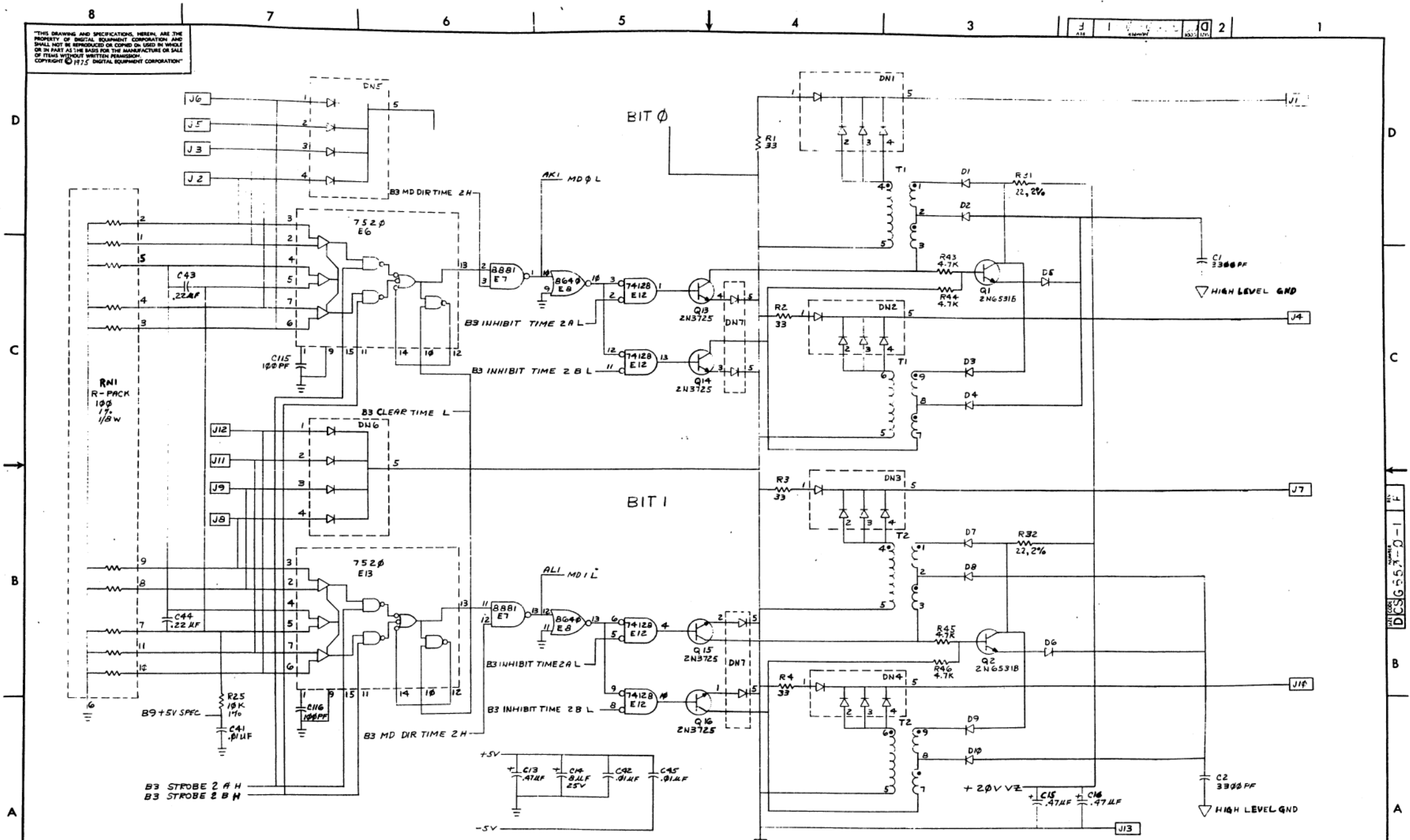
1-0-099500 2



REVISIONS		
CHK	CHANGE NO.	REV.

TITLE		16K, 12 BIT BASE BOARD		(B6) SIZE CODE	NUMBER	REV.
SCALE		SHEET 5 OF 11		DIST.	D E S I G N	F

THIS DRAWING AND SPECIFICATIONS HEREIN ARE THE PROPERTY OF DIGITAL EQUIPMENT CORPORATION AND SHALL NOT BE REPRODUCED OR COPIED OR USED IN WHOLE OR IN PART AS THE BASIS FOR THE MANUFACTURE OR SALE OF ITEMS WITHOUT WRITTEN PERMISSION. COPYRIGHT © 1975 DIGITAL EQUIPMENT CORPORATION

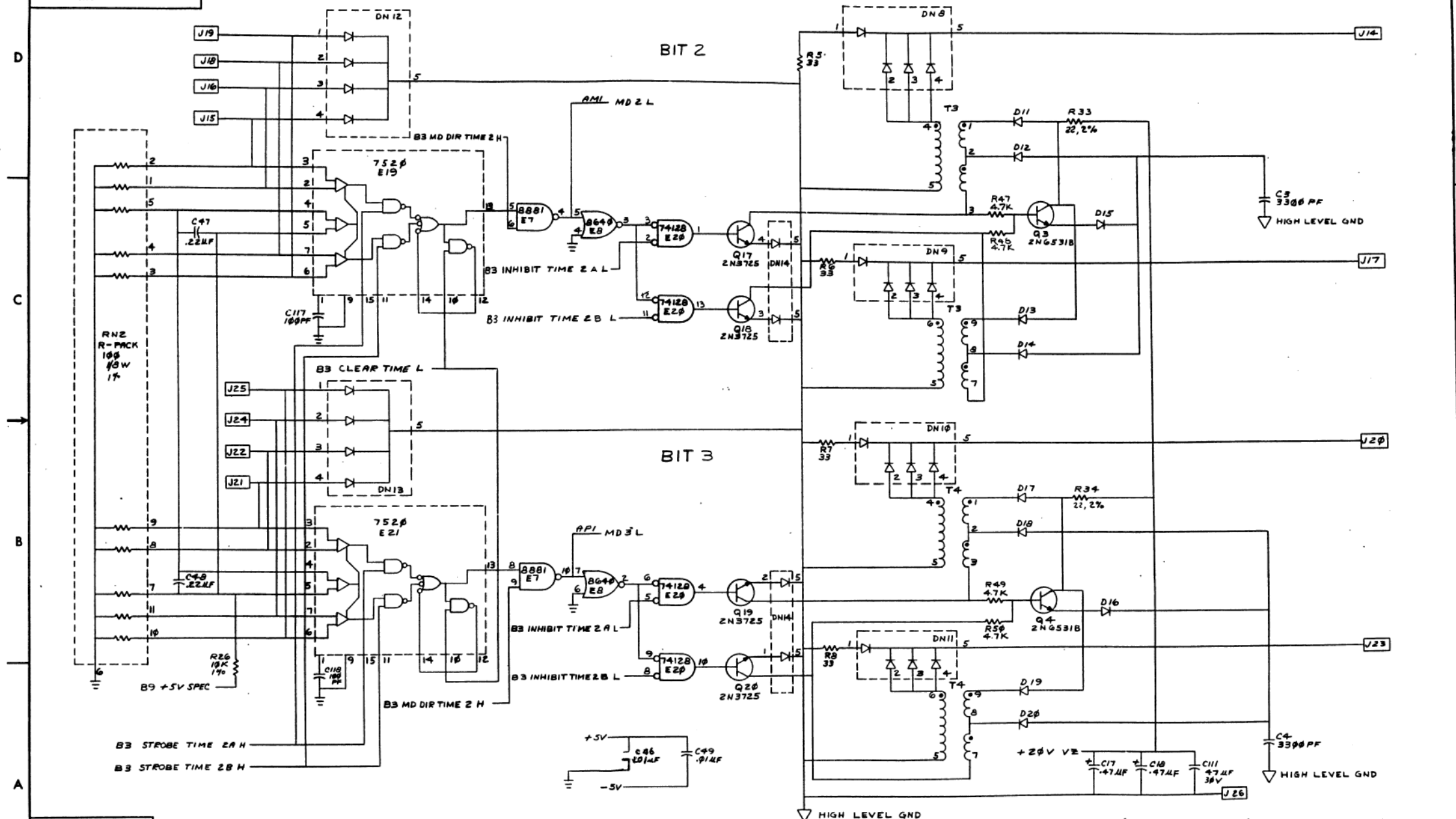


REVISIONS		
CHK	CHANGE NO.	REV.

TITLE 16K.12 BIT BASE BOARD		SIZE CODE B7	NUMBER DCS G-65.7-0-1	REV. F
SCALE	SHEET 6 OF 11	DIST.		

DCS G-65.7-0-1

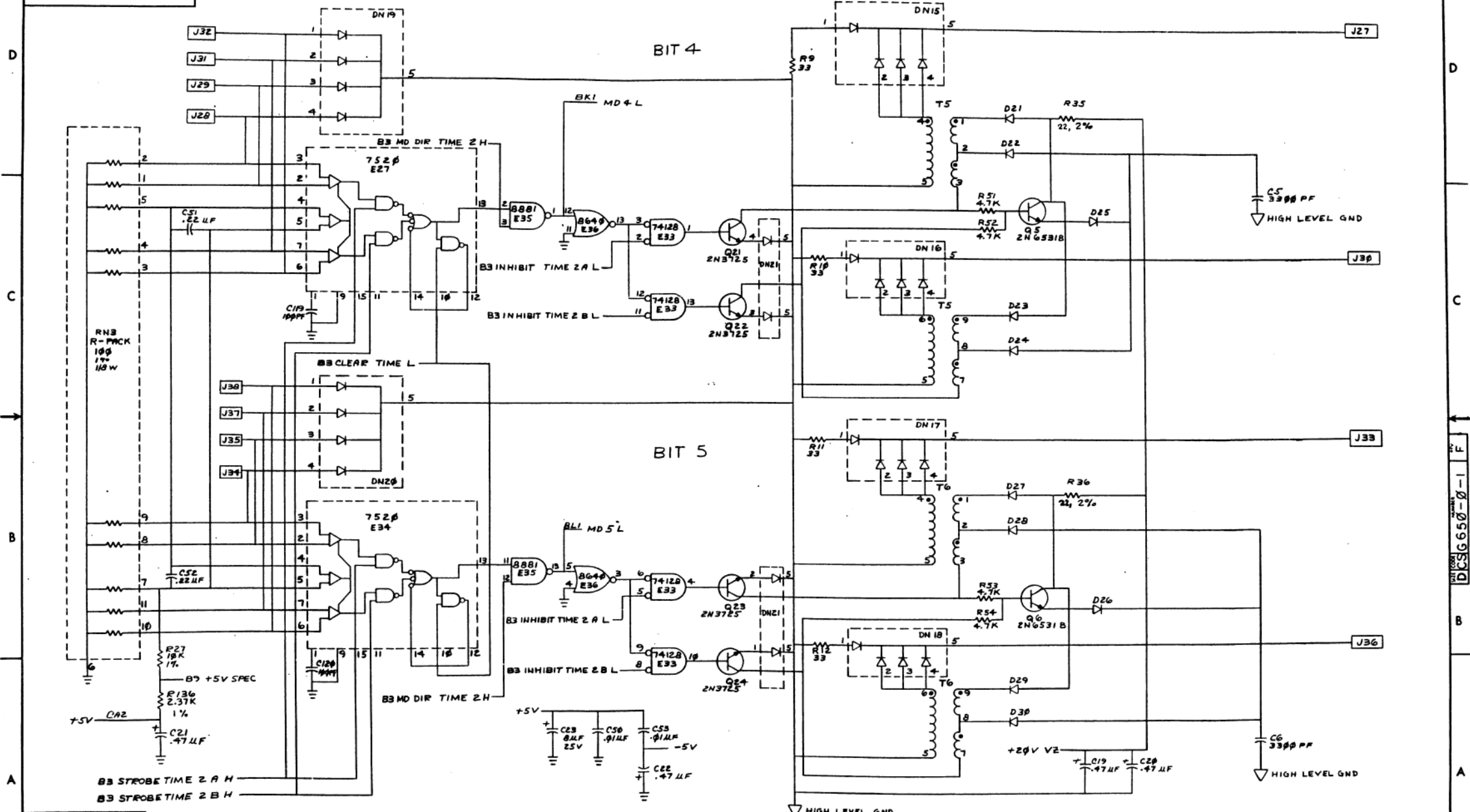
THIS DRAWING AND SPECIFICATIONS HEREIN ARE THE PROPERTY OF DIGITAL EQUIPMENT CORPORATION AND SHALL NOT BE REPRODUCED OR COPIED OR LENT IN WHOLE OR IN PART AS THE BASIS FOR THE MANUFACTURE OR SALE OF ANY VARIATION WITHOUT WRITTEN PERMISSION. COPYRIGHT © 1975 DIGITAL EQUIPMENT CORPORATION



REVISIONS		
CHK	CHANGE NO.	REV.

(SENSE INHIBIT 2 BITS)		TITLE	16K-12 BIT	SIZE	COOR	NUMBER	REV.
		BASE BOARD		(BB)		D C S G 650-0-1	F
SCALE	SHEET	7 OF 11	DIST.				

THIS DRAWING AND SPECIFICATIONS HEREIN ARE THE PROPERTY OF DIGITAL EQUIPMENT CORPORATION AND SHALL NOT BE REPRODUCED OR COPIED IN WHOLE OR IN PART AS THE BASIS FOR THE MANUFACTURE OR SALE OF ITEMS WITHOUT WRITTEN PERMISSION. COPYRIGHT © 1975 DIGITAL EQUIPMENT CORPORATION



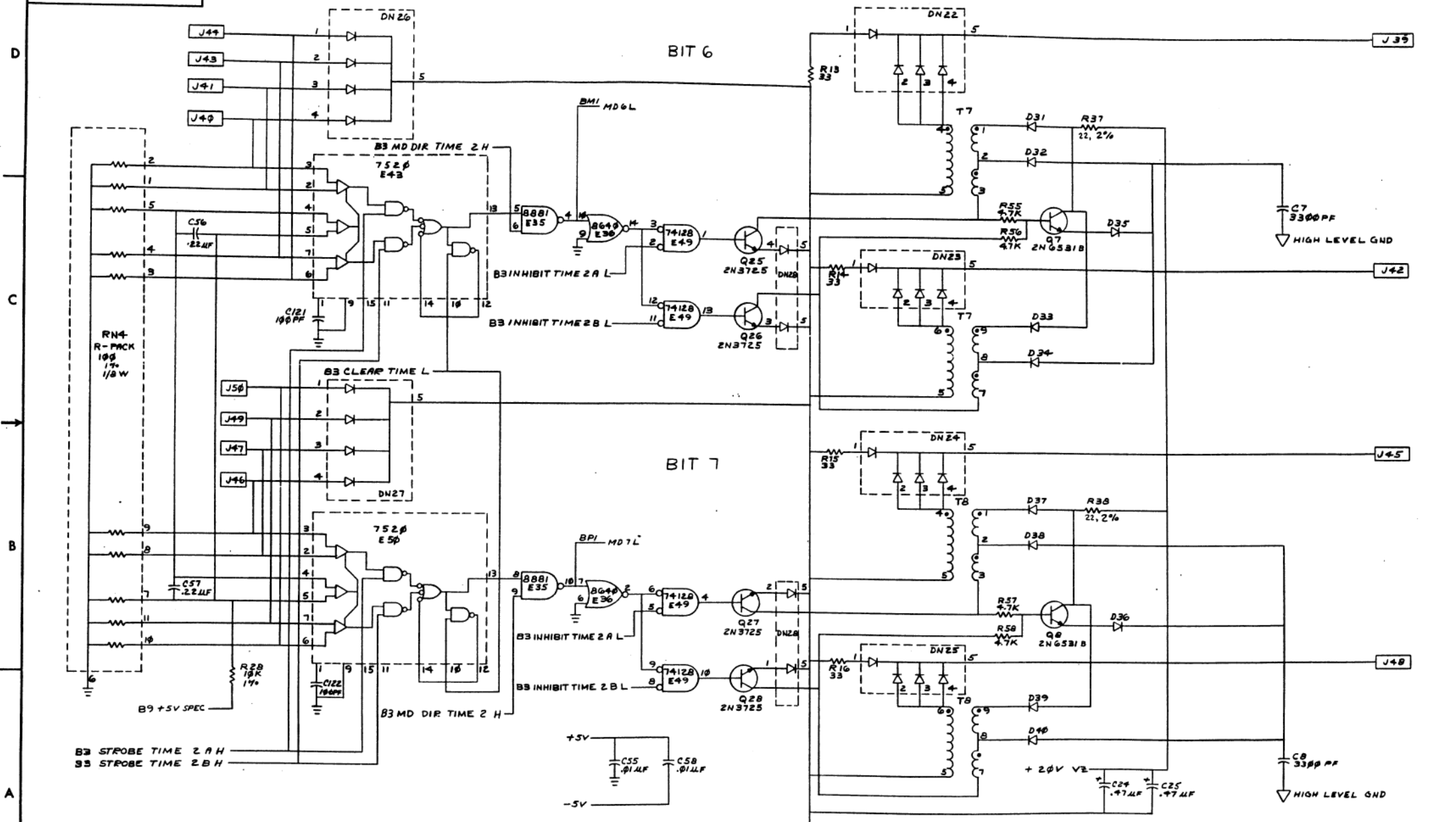
REVISIONS		
CHK	CHANGE NO.	REV.

TITLE 16K x 12 BIT BASE BOARD		SIZE CODE (B9)	NUMBER	REV. F
SCALE		SHEET 8 OF 11	DIST.	

DCSG 650-0-1



THIS DRAWING AND SPECIFICATIONS HEREAFTER ARE THE PROPERTY OF DIGITAL EQUIPMENT CORPORATION AND SHALL NOT BE REPRODUCED OR COPIED OR USED IN WHOLE OR IN PART AS THE BASIS FOR THE MANUFACTURE OR SALE OF ITEMS WITHOUT WRITTEN PERMISSION. COPYRIGHT © 1975 DIGITAL EQUIPMENT CORPORATION

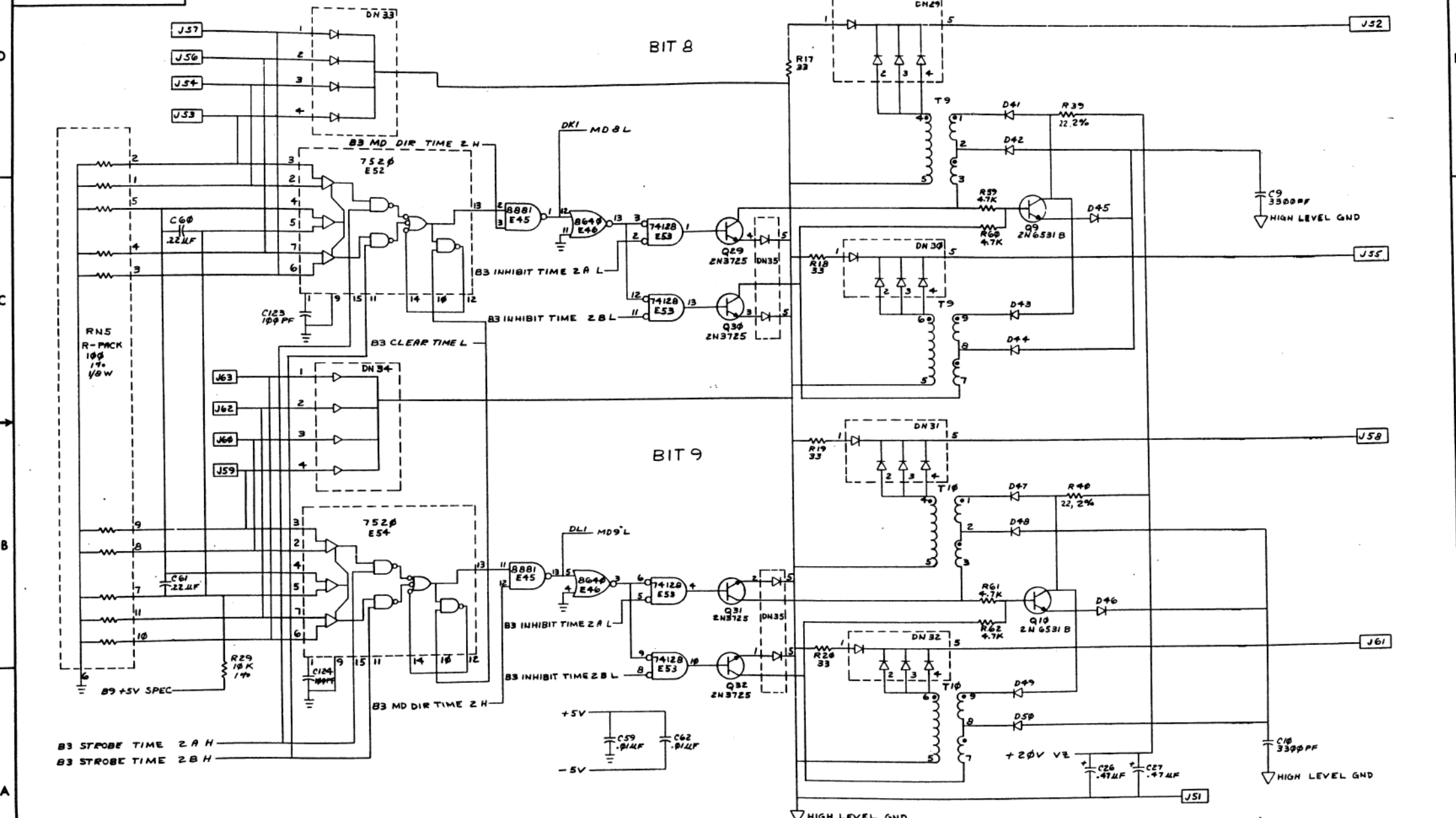


REVISIONS		
CHK	CHANGE NO.	REV.

TITLE 16K, 12 BIT BASE BOARD		(SENSE INHIBIT 2BITS)	SIZE CODE	NUMBER	REV.
SCALE		SHEET 9 OF 11	DIST.	D E S G 650-0-1	F

D E S G 650-0-1

THIS DRAWING AND SPECIFICATIONS HEREIN ARE THE PROPERTY OF DIGITAL EQUIPMENT CORPORATION AND SHALL NOT BE REPRODUCED OR COPIED OR USED IN WHOLE OR IN PART AS THE BASIS FOR THE MANUFACTURE OR SALE OF ITEMS WITHOUT WRITTEN PERMISSION. COPYRIGHT © 1975 DIGITAL EQUIPMENT CORPORATION



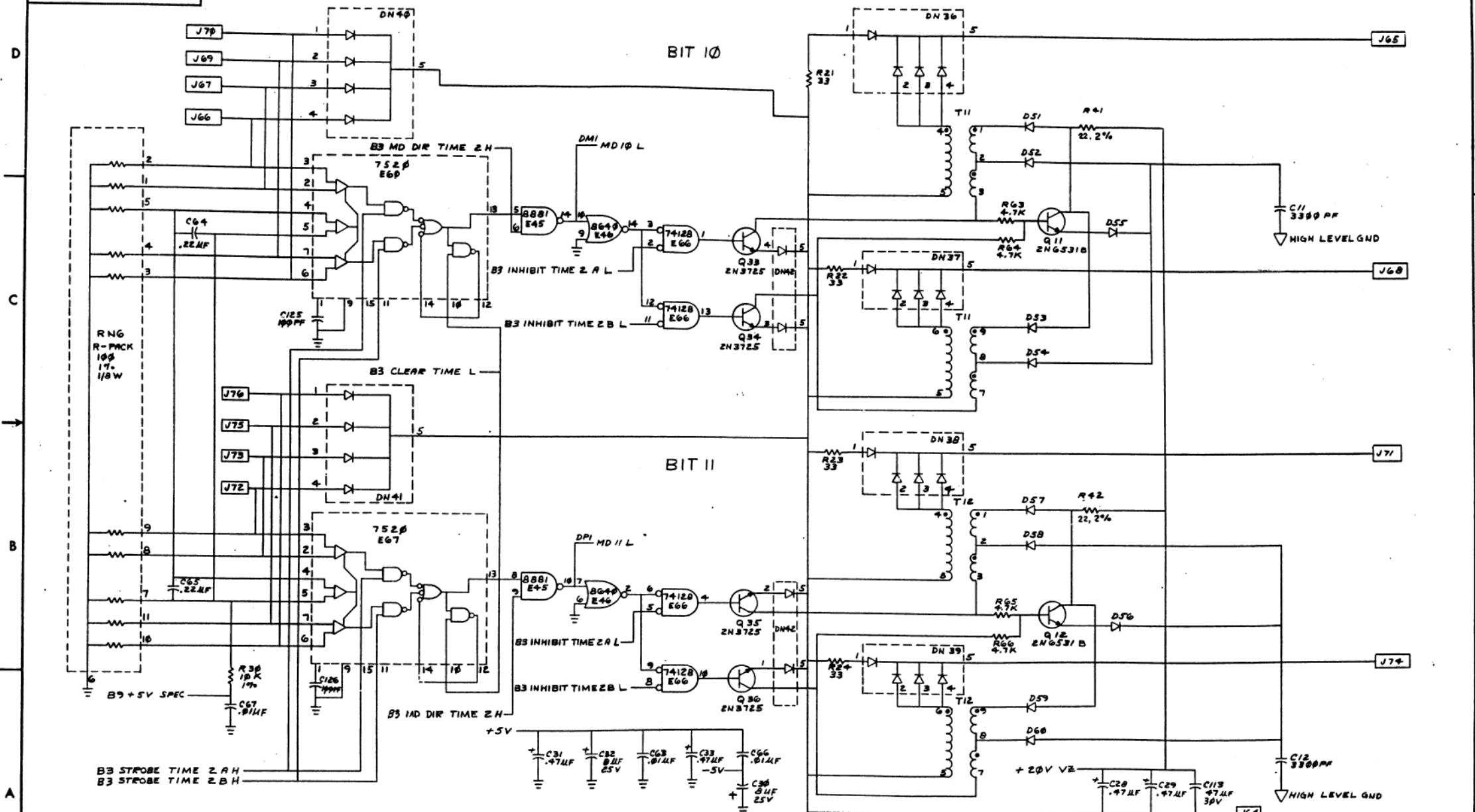
REVISIONS		
CHK	CHANGE NO.	REV.

TITLE		16K.12 BIT (B11)		SIZE CODE	NUMBER	REV.
BASE BOARD		D C S I G 6 5 0 - 0 - 1				F
SCALE	SHEET	10	OF	11	DIST.	

D C S I G 6 5 0 - 0 - 1

THE DRAWING AND SPECIFICATIONS HEREIN ARE THE PROPERTY OF DIGITAL EQUIPMENT CORPORATION AND SHALL NOT BE REPRODUCED OR COPIED OR USED IN WHOLE OR IN PART AS THE BASIS FOR THE MANUFACTURE OR SALE OF ITEMS WITHOUT WRITTEN PERMISSION. COPYRIGHT © 1972 DIGITAL EQUIPMENT CORPORATION

J 1-0-099530 2



REVISIONS		
CHK	CHANGE NO.	REV.

(SENSE INHIBIT 2BITS)  
 TITLE 16K 12 BIT BASE BOARD (B12) NUMBER 16K12BIT  
 DCSG650-0-1  
 SCALE 1:1 SHEET 11 OF 11 DAT.

DCSG650-0-1